

**Model: 997G07****Model life 2007>>2011**

## Model Overview Sales Type

Sales term	Description	Mounting time	Remark
997810	GT3	08/06-05/11	
997811	GT3	08/06-05/11	
997830	GT3 Cup	08/06-05/11	
997850	GT3 RS	08/06-05/11	
997851	GT3 RS	08/06-05/11	
997880	GT3 RS 4.01	08/10-05/11	
997881	GT3 RS 4.01	08/10-05/11	

**Model: 997G07**

**Model life 2007>>2011**

Model Overview EC

EC	Sales term	LTR	KW	Hp	Cyl	Mounting time	Remark
9774		4,00	368	500	6	08/10-05/11	
9776		3,60	305	414	6	08/06-07/09	
9777		3,80	320	435	6	08/09-05/11	
9777R		3,80	331	450	6	08/10-05/11	

**Model: 997G07****Model life 2007>>2011**

## Model Overview TC

TC	Sales term	Type	Mounting time	Remark
G9790		6S	08/06-05/11	
G9792		6S	08/09-05/11	

Model: 997G07

Model life 2007&gt;&gt;2011

## VIN-Numbers Overview

Model year	Date	VIN		Remark
2007	01.08.2006	99-7S790061	>99-7S792000	997 Coupe GT3
2007	01.08.2006	99-7S794001	>99-7S795000	997 Coupe GT3
2007	01.08.2006	99-7S792061	>99-7S794000	997 Coup GT3 (USA,CDN,MEX,BR)
2008	01.08.2007	99-8S790061	>99-8S792000	997 Coupe GT3
2008	01.08.2007	99-8S792061	>99-8S794000	997 Coup GT3 (USA,CDN,MEX,BR)
2009	01.08.2008	99-9S790061	>99-9S792000	997 Coupe GT3
2009	01.08.2008	99-9S790061	>99-9S792000	997 Coup GT3 (USA,CDN,MEX,BR)
2010	01.08.2009	99-AS780061	>99-AS783000	997 Coupe GT3
2010	01.08.2009	99-AS783061	>99-AS785000	997 Coupe GT3 (MEX,BR,CN,KOR)
2010	01.08.2009	A9-AS783061	>A9-AS785000	997 Coupe GT3 (USA,CDN)
2011	01.08.2010	99-BS780061	>99-BS783000	997 Coupe GT3
2011	01.08.2010	99-BS780061	>99-BS783000	997 Coupe GT3 RS 4.01
2011	01.08.2010	99-BS783061	>99-BS785000	997 Coupe GT3 (MEX,BR,CN,KOR)
2011	01.08.2010	A9-BS783061	>A9-BS785000	997 Coupe GT3 (USA,CDN)
2011	01.08.2010	99-BS783061	>99-BS785000	997 Coupe GT3 RS 4.01 (MEX,BR,CN,KOR)
2011	01.08.2010	A9-BS783061	>A9-BS785000	997 Coupe GT3 RS 4.01 (USA,CDN)

**Model: 997G07****Model life 2007>>2011**

## Engine Numbers

Engine number	Model year	Vehicle type	Engine type
617 23501>26000	2007	997 GT3	9776
618 23501>26000	2008	997 GT3	9776
619 23501>26000	2009	997 GT3	9776
61A 23501>26000	2010	997 GT3	9777
61B 31501>32000	2011	997 GT3 RS 4.0	9774
61B 23501>26000	2011	997 GT3	9777
61B 28501>30000	2011	997 GT3 RS	9777R

**Model: 997G07****Model life 2007>>2011**

## Transmission Numbers

Transmission Number	Model year	Vehicle type	Gearbox type
G9790 2 002001>999999	2007	997 GT3	G9790
G9790 2 002001>999999	2008	997 GT3	G9790
G9790 2 002001>999999	2009	997 GT3	G9790
G9790 2 002001>999999	2010	997 GT3	G9790
G9792 2 002001>999999	2010	997 GT3 RS	G9792
G9790 2 002001>999999	2011	997 GT3	G9790
G9792 2 002001>999999	2011	997 GT3 RS	G9792

Model: 997G07

Model life 2007&gt;&gt;2011

NR	Description
003	Racing safety devices
004	RS version
006	GT3 RS 4.0 l
022	Black-coloured instrument dials, instrument cluster
023	Silver -coloured instrument dials, instrument cluster
024	Version for Greece
025	Black-coloured instrument dials, stopwatch
026	Silver-coloured instrument dials, stopwatch
029	Standard chassis
030	Sports suspension
032	Touring suspension
034	Version for Italy
058	Impact absorbers, front and rear
061	Version for Great Britain
062	sweden version
063	Version Luxemburg
064	Version for Netherlands
065	Version for Denmark
066	Version for Norway
067	Version for Finland
068	PAP right-hand drive version
069	Other country version
071	EU country version
072	Version for Mexico
073	Version for Russia
074	PAP left-hand drive version
075	Chinese version
082	Fuel tank, 90-litre
098	Left-hand drive version
099	Right-hand drive version
111	Version for Austria
113	Version for Canada
114	Version for Taiwan
119	Version for Spain
124	Version for France
126	Control and indications in French lettering
127	Control and indications in Swedish lettering
130	Control and indications in English lettering
140	Dynamic engine mounts (PADM)
150	Operation with leaded gas
159	Curbed engine, 155 kW/211 bhp
172	Acoustic package PAP, China, Korea
181	Standard climatic zones
182	Hot country
183	Super hot country
191	Lightweight battery

Model: 997G07

Model life 2007&gt;&gt;2011

NR	Description
193	japan version
194	Battery, 60 Ah
195	Battery, 70 Ah
196	Battery, 80 Ah
197	Stronger battery
198	Enhanced starter motor (1.7 kW)
199	Battery disconnection switch
209	Licence plate holder version 1
210	Licence plate holder version 2
211	Licence plate holder version 3
215	Version for Saudi Arabia
218	Licence plate holder version 4
219	Differential
220	Locking differential 40 %
225	Version for Belgium
249	Tiptronic transmission
265	Automatic anti-dazzle interior mirror with rain sensor
266	Automatic anti-dazzle door mirror
267	Automatically dimmable interior and door mirrors
268	Rain sensor
270	Door mirrors -flat - driver's side, electrically adjustable and heatable
271	Door mirrors -aspherical- driver's side, electrically adjustable and heatable
273	Door mirrors, electrically adjustable and heatable
274	Vanity mirror, illuminated
277	Swiss version
288	Headlamp washer
301	Transmission ratio long
305	Gear lever in Alcantara, Black
308	Selector lever in Alcantara, Black
325	Version for South Africa/New Zealand
335	Automatic seat belt, 3-point, rear
338	Rear-wheel drive
339	All-wheel drive
341	Rims, painted white
342	Seat heating, left/right seat
345	Heated steering wheel
346	Rims, painted Silver
347	Rims, painted GT Silver
349	Rims, painted Black
369	Standard seat, left
370	Standard seat, right



Model: 997G07

Model life 2007&gt;&gt;2011

NR	Description
375	Sports seat, backrest shell, left
376	Sports seat, backrest shell, right
377	Sports seat, backrest shell, left, electrically adjustable
378	Sports seat, backrest shell, right, electrically adjustable
384	Carrera GT bucket seat, left
385	Carrera GT bucket seat, right
388	Sports bucket seat, left
389	Sports bucket seat, right
392	17-inch Carrera wheel
393	17-inch Boxster II wheel (987)
397	18-inch Boxster II wheel (987)
398	19" Cayman S wheel
401	18-in. Cayman S wheel
402	Carrera 3 wheel 18-inch
403	Carrera S wheel 19-inch
404	19" Turbo-1 wheel
405	Carrera Classic wheel 19-inch
406	Carrera GT wheel 19-inch/20-inch
407	SportDesign wheel 19-inch
410	18" Turbo-2/Panamera wheel
411	18-inch Carrera wheel -->2005 19-inch Carrera wheel 2012-->
415	18-inch Turbo-Look II wheel
416	18-inch GT3 wheel
418	18-inch Turbo II wheel in GT Silver
420	GT3 wheel 19"
424	CD storage unit
425	Rear window wiper
426	Without rear window wiper
430	GT3 wheel, 19", central lock
431	Multi-function steering wheel, touch + feel
432	19" Carrera wheel (6)
433	20" Carrera S wheel (4)
435	911 Turbo S wheel, 20" central lock
436	3-spoke airbag steering wheel
437	Comfort seat, left, electrically adjustable
438	Comfort seat, right, electrically adjustable
439	20" 911 Turbo 4 wheel
440	Antenna diversity
441	prepared for radio
444	Anti-theft lock, wheel bolts "THATCHAM"
446	Concave wheel centers with full-colour Porsche Crest

Model: 997G07

Model life 2007&gt;&gt;2011

NR	Description
447	Emergency wheel
448	Brake pad; sport version
450	Ceramic brake (PCCB)
451	Multi-function steering wheel, Makassar Ebony, touch + feel
452	Multi-function steering wheel, Sycamore, touch + feel
453	Multi-function steering wheel, Carbon, touch + feel
454	Automatic speed control
459	3-spoke airbag steering wheel, touch + feel
460	20" RS Spyder Design wheel
461	External antenna
465	Rear fog light, left
466	Rear fog light, right
474	Front-axle lift function
475	"PASM" electronic damper control
476	Porsche Stability Management (PSM)
479	Version for Australia
480	6-speed manual transmission
482	Tire Pressure Monitoring TPM, 433 MHz
483	315-MHz TPM, Tire Pressure Monitoring
484	Version for USA
488	Inscriptions in German language
490	Sound system "ASK"
492	Headlights for left-hand traffic
498	Deletion of model designation on rear end
499	Version for Germany
501	Car cover
509	Fire extinguishers
510	Contrasting colour: Red (GTX RS)
511	Contrasting colour: Gold (GTX RS)
512	Contrasting colour: GT Silver
513	Lumbar support, right seat
521	Tilt sensor
524	Immobilizer, central locking, 433 MHz
525	Immobilizer, central locking, 315 MHz
532	Alarm system remote control omitted
533	Radio convertible-top operation omitted
534	Theft security system, 433 MHz
535	Theft security system, 315 MHz
536	-07 Alarm siren and tilt sensor 08- Alarm siren
537	Seat position control for comfort seat, left
538	Seat position control for comfort seat, right
539	Mechanical seat height adjustment, left

Model: 997G07

Model life 2007&gt;&gt;2011

NR	Description
540	Mechanical seat height adjustment, right
541	Active seat ventilation (incl. heated seats)
544	Anti-theft protection without infrared monitoring, 433 MHz
545	Anti-theft protection without infrared monitoring, 315 MHz
549	Roof Transport System
550	Hardtop
551	Wind deflector
553	Version for USA, Canada
554	Front spoiler lip included
555	Black seat belts
560	Advanced airbag
562	Airbag, driver's side and front passenger's side
563	Side airbag
566	Front fog lights, white
567	Windscreen tinted, upper part darker coloured
568	Windscreen without shade band
571	Activated charcoal filter
572	Manual air-conditioning system
573	Air conditioner
574	No air conditioning
575	Luggage compartment cooling system
581	Centre console, front
584	Storage box on engine cover
585	Cupholder
586	Lumbar support, left seat
594	Alcantara rooflining
599	Aluminium doors
600	Lightweight halogen headlights
601	Xenon lighting system
602	Center high-mounted stop light
603	Xenon plus dynamic cornering light
606	Daytime driving lights
607	Garage door opener "Homelink", 315 MHz
608	Garage door opener "Homelink" 433 MHz
609	without radio
610	DVD navigation, "Europe package"
611	DVD navigation South Africa
612	DVD navigation middle east
613	DVD navigation australia
614	DVD navigation asia-pacific
615	DVD navigation system, North America
616	DVD, Navigation Russia
617	DVD Navigation China
618	Phone preparation

Model: 997G07

Model life 2007&gt;&gt;2011

NR	Description
619	Mobile phone preparation (BLUETOOTH) without console
621	12-V socket, passenger's side, footwell
625	"KESSY" Porsche Entry and Drive
635	Park distance control
639	Sport Chrono package
640	Sport Chrono Plus package
641	electronic log book
650	Electrical sliding roof
651	Electric window opener
652	Without sliding/tilting roof
657	Power steering
659	on-board computer
660	Obd 2
661	Stricter emission-control concept
663	Fuel pump activation
664	Orvr
665	-2008 PCM 2, 2009- PCM 3 basic module incl. radio
666	-2008 PCM 2, 2009- PCM 3 telephone (GSM)
668	PCM2 telephone handset
669	PCM 3 - Telephone handset (BLUETOOTH)
670	PCM2 navigation
671	Voice control system
672	-2008 PCM 2, 2009- PCM 3 Offroad navigation
673	Navigation system preparation, China
674	"Vehicle Tracking System" preparation
675	Without radio preparation (Japan navigation system)
676	TV tuner
677	"Driver card" antenna
678	Alarm system connection
679	Restart inhibitor
680	BOSE sound package
685	Rear seats, split
686	SAT radio reception XM (SDARS)
689	Preperation for CD autochanger
690	CD radio "Porsche Online Pro"
692	CD autochanger "Porsche"
693	Integrated CD/DVD autochanger
694	CD radio "PORSCHE CDR 24"
695	CD radio, Porsche CDR 30
697	CD radio "Porsche CDR-23"
703	without Clubsport package
711	Omission underbody protection
796	Full leather trim natural leather
798	Full leather trim special leather
799	Full leather trim by choice
801	Makassar Ebony wood package, dark (matt satin finish)

Model: 997G07

Model life 2007&gt;&gt;2011

NR	Description
802	Sycamore package, light (matt satin finish)
803	Carbon package
804	GT2 Carbon exterior package
805	Lifestyle package
810	foot mats
839	GT3 Alcantara steering wheel
840	Sports steering wheel (for PDK with paddle)
841	Basic steering wheel Smooth leather
843	Sports steering wheel in Alcantara
870	Universal multimedia interface
912	without identification plate
936	Seat covers, rear, leather
937	Seat covers, rear, leatherette
939	Seat covers, rear, draped leather
946	Seat covers, front, leather/leather/leatherette
950	Alcantara seat covers, front
951	Seat covers front, Alcantara/leather/leather
970	Two-tone interior
971	"TORO" embossed leather
975	Alcantara interior
981	Leather equipment, without seat covers
982	Seat covers, front, draped leather/leather/leather
983	Seat covers, front, leather
985	Seat covers, leather/leather/leatherette, 2
990	Seat covers, front, cloth/cloth/leatherette
991	Steering wheel airbag module in leather
998	Leather, natural
999	Passenger compartment monitoring sensor for leather colour of choice
IY2	Model year period from week 45 to week 22
XAA	Aerokit Cup
XAF	Turbo aerokit
XAG	Carrera - rear spoiler
XAH	Carrera 4S aerokit
XAJ	Painted sill covers
XAS	Sport Design front apron
XCA	Dashboard trim strip (3-part) sports seats
XCB	Instrument surround sports seats
XCC	Side air vents sports seats
XCD	Center air vent bracket sports seats
XCE	Rear center console sports seats
XCG	Sports seat backrest in Aluminium Look finish
XCH	Side/centre air vent slats, sports seats
XCK	Rear center console in Galvano Silver

Model: 997G07

Model life 2007&gt;&gt;2011

NR	Description
XCL	Instrument surround in Galvano Silver
XCM	Roll-over bar in Galvano Silver
XCN	Side air vents in Aluminium Look finish (997)
XCW	Aluminium Look trim on belt opening in B-pillar
XCY	Center air vent in Aluminium Look finish
XCZ	Short shifter
XDJ	Decorative trim on gear lever/selector, painted
XDM	Decorative dashboard trim, painted
XDP	Instrument cluster frame, painted
XDR	Painted trim on belt opening in B-pillar
XDS	Ignition lock surround in leather
XDU	Leather trim on belt opening in B-pillar
XDV	Dashboard end-trim in leather
XDX	Mirror attachment point finisher, leather
XDZ	Selector lever cover in leather
XD9	Wheel painted in body colour
XEA	Passive handset in leather
XES	Preparation, illuminated door entry guard
XE8	Gear lever knob aluminium/dark burr maple/leather
XE9	Handbrake lever aluminium/dark burr maple/leather
XFD	Instrument dials in Sand Beige
XFE	Instrument dials in Terracotta
XFF	Instrument dials in Brown/Natural
XFG	Instrument dials in Guards Red
XFH	Instrument dials in Speed Yellow
XFJ	Instrument dials in Carrara White
XGB	Decorative dashboard trim, carbon
XGC	Dashboard carbon/Alcantara
XGD	Parking brake handle carbon/Alcantara
XGE	Handle recess insert, carbon
XJJ	Carbon trim on belt opening in B-pillar
XJL	Makassar Ebony side air vent
XJM	Sycamore side air vent
XJN	Makassar Ebony center air vent
XJP	Sycamore center air vent
XJR	Makassar Ebony windscreen defroster panel
XJS	Sycamore windscreen defroster panel
XJT	Makassar Ebony rear center console
XJU	Sycamore rear center console
XJ4	Leather cover for ignition lock surround
XKB	Side air vent in light burr maple
XKC	Side air vent in dark burr maple
XKD	Side air vent in Carbon
XKG	"Defroster trim in light burr maple; leather"
XKH	"Defroster trim in dark burr maple; leather"
XKJ	Defroster trim in Carbon/leather
XKL	Leather speaker covers

Model: 997G07

Model life 2007&gt;&gt;2011

NR	Description
XKM	Speaker covers in light burr maple
XKN	Speaker covers in dark burr maple
XKP	Carbon speaker covers
XKR	Center air vent bracket in light burr maple
XKS	Center air vent bracket in dark burr maple
XLA	Boxster tailpipe
XLF	Sports exhaust system
XLG	Centre console storage bin cover in Alcantara, with logo
XMA	Rooflining in leather
XME	Rear section of centre console painted
XMF	Front center console including 2 storage bins, leather
XMJ	Rear section of centre console in Carbon
XMK	Roll-over bar in exterior color
XML	Rear center console in light burr maple
XMP	Leather sun visor, 2 illuminated vanity mirrors *
XMR	Sun visor in leather, 2 illuminated vanity mirrors,
XMZ	Rear section of centre console in leather
XNB	Rear center console in dark burr maple
XNG	Instrument surround in leather
XNN	Center air vent bracket in leather
XNR	Carbon center air vent bracket
XNS	Leather steering column trim, 4-part
XNU	Leather trim strip (dashboard)
XNV	Trim strip (dashboard) in light burr maple
XNW	Trim strip (dashboard) in dark burr maple
XNX	Carbon trim strip (dashboard)
XN3	Dashboard side air vent in leather
XPA	3-spoke sports steering wheel in leather interior co
XPB	3-spoke sports steering wheel, light burr maple, leather
XPC	3-spoke sports steering wheel, dark burr maple, leather
XPD	3-spoke sports steering wheel, Carbon/leather
XPG	3-spoke sports steering wheel, sports seats
XPT	Centre console storage bin lid with crest
XPV	Multi-function steering wheel, Galvano Silver
XPW	Instrument surround in light burr maple
XPX	Instrument surround in dark burr maple *
XPY	Carbon instrument surround
XRB	18-inch Sport Classic II wheel
XRC	18-inch SportTechno wheel
XRL	18-inch SportDesign wheel
XRN	17-mm spacers, rear

Model: 997G07

Model life 2007&gt;&gt;2011

NR	Description
XRP	5-mm spacers, front/rear
XRR	19-in. Carrera Sport wheel
XSA	Painted sports seat backrest
XSB	Leather sports seat backrest
XSC	Porsche Crest embossed in headrest
XSD	Front seat controls in leather
XSE	Bucket seat, left
XSF	Bucket seat, right
XSG	Racing bucket seat, left
XSH	Silver seat belts
XSJ	6-point harness
XSL	6-point safety catch
XSM	Racing safety cage
XSN	Omission of rear seats
XSR	Carbon back for bucket seat, right
XSS	Carbon back for bucket seat, left
XSU	Upholstered seat
XSW	Seat belts in Maritime Blue
XSX	Seat belts in Guards Red
XSY	Seat belts in Speed Yellow
XTG	Inner door sills in leather
XTJ	Door panel parts in light burr maple
XTK	Door panel parts in dark burr maple
XTL	Door panel parts in Carbon
XTR	Door panel parts in Aluminium Look finish
XTT	Makassar Ebony door panel parts
XTU	Sycamore door panel parts
XTV	Leather door panel parts
XTW	Door panel parts in Galvano Silver
XUB	Cover on headlight cleaning system, painted
XUV	Centre console storage bin lid with logo
XVM	Leather center air vent
XVP	Trim strip including cupholder cover in leather
XVR	Side/centre air vent in leather
XVT	Cover for loudspeakers, doors and rear in leather
XV1	Defroster trim in leather
XXA	Aerokit Cup
XXB	Door entry guards, stainless steel, illuminated
XXD	Door entry guards, carbon, illuminated
XXF	Red tail lights
XXG	Tail lights in clear glass look
XXZ	Footrest
XX1	Floor mats, logo, leather border
XX2	footwell light
XYB	Fuel tank cap in Aluminium Look



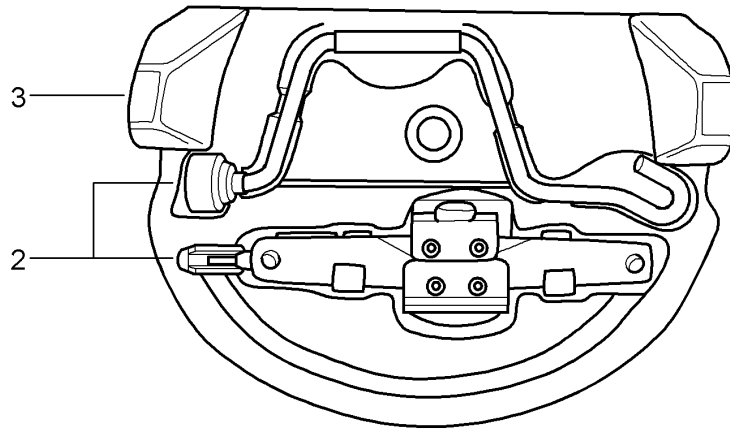
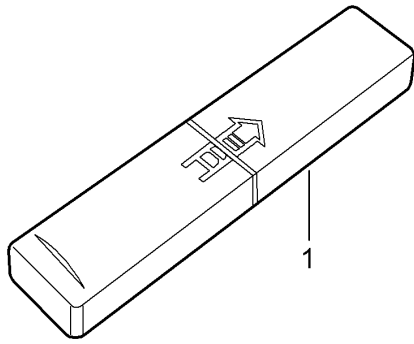
Model: 997G07

Model life 2007&gt;&gt;2011

NR	Description
XY5	Tiptronic gear selector gate in leather
XZB	Carbon centre air vent
XZD	Interior light surround in leather
X45	Instrument dial in interior color
X46	Tiptronic selector lever in aluminium/leather
X47	Gear lever knob in Carbon/leather
X48	Tiptronic selector lever in Carbon/aluminium
X50	Powerkit 331/340 kW
X51	Powerkit 250 kW
X54	Stainless steel tailpipes
X58	Handbrake lever in Carbon/leather
X65	Tiptronic selector lever in light burr maple/aluminium
X66	Tiptronic selector lever in dark burr maple/aluminium
X69	Door entry guards in Carbon with logo
X70	Door entry guards in stainless steel with logo
X71	Instrument dial painted/Aluminium Look finish
X72	Gear lever knob aluminium/light burr maple/leather
X73	Turbo sports suspension
X74	Sports suspension (exclusive)
X75	Differential lock (exclusive)
X76	Inner door sill guard, left/right
X91	Handbrake lever aluminium/light burr maple/leather
X97	Gear lever knob in aluminium/leather
X98	Handbrake lever in aluminium/leather
X99	Natural leather

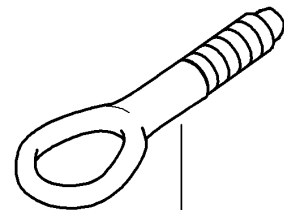
Model: 997G07

Model life 2007>>2011

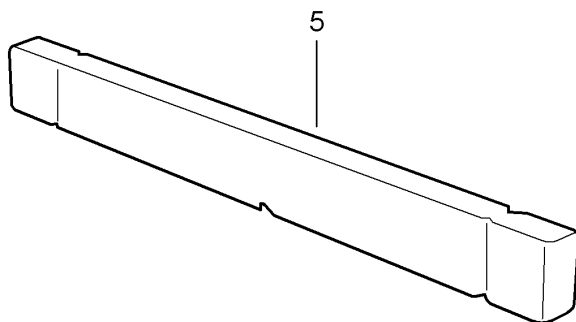


3

2



4



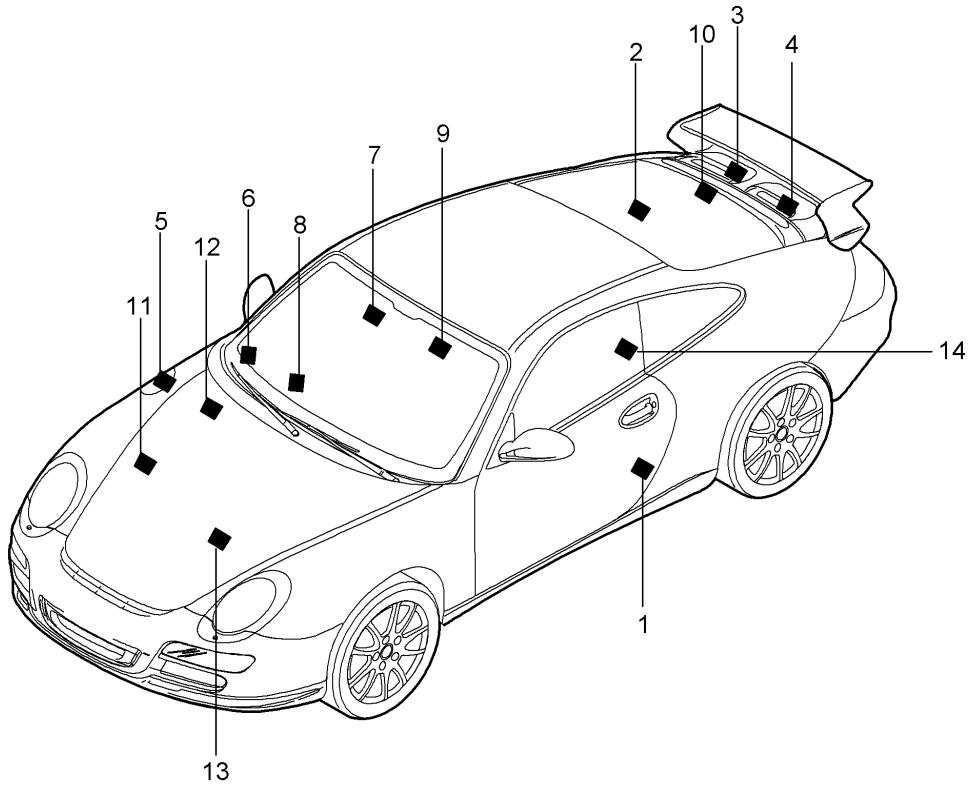
5

Model: 997G07 Model life 2007>>2011

Pos	Part Number	Description	Remark	Qty	Model
1	997 721 115 00	Tool jack Fire extinguishers Toolbox with contents comprising:		1	
-		Double open-ended spanner 10 X 13		1	
-		screwdriver		1	
-		handle for screwdriver		1	
-	999 571 077 02	Socket wrench - 5 - for Headlights		1	
2	996 721 211 00	Scissors type jack D - MJ 2010>>		1	PR:447
3	997 722 101 00	Foam part D - MJ 2010>>		1	PR:447
-	999 571 074 30	Threaded stud for Assembly Wheels D >> - MJ 2008		2	
-	997 361 181 52	Wheel bolt D - MJ 2010>>		1	PR:430,447
-	997 361 069 02	Tool for Wheel bolt D - MJ 2010>>		1	PR:430
-	997 361 161 00	Extension for Tool Wheel bolt D - MJ 2010>>		1	PR:430,447
-	997 362 193 00	Shim D - MJ 2010>>	front	1	PR:430,447
-	997 362 195 00	Shim D - MJ 2010>>	rear	1	PR:430,447
-	997 722 061 02	Cover Spare wheel D - MJ 2010>>		1	PR:447
4	997 721 551 00	Tow hitch		1	
-	993 722 115 70	Fire extinguishers		1	PR:003
-	996 722 211 90	spacer sleeve		2	PR:003
-	996 722 213 90	Bungs		2	PR:003
-	996 722 233 90	Distance piece		2	PR:003

Model: 997G07

Model life 2007>>2011



Model: 997G07 Model life 2007>>2011

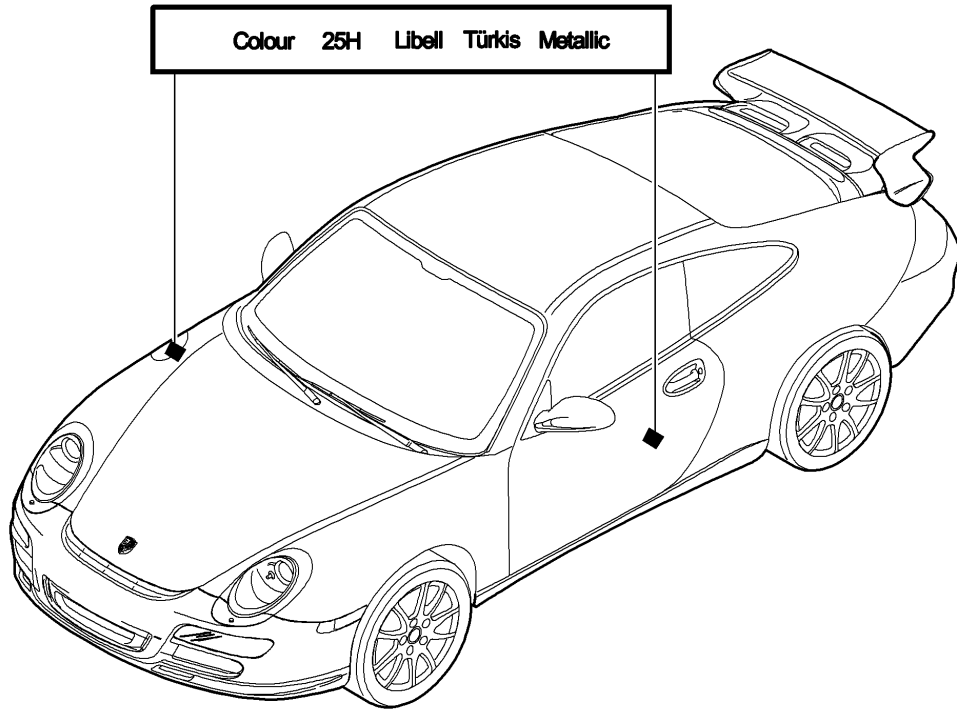
Pos	Part Number	Description	Remark	Qty	Model
-		Signs/notices		1	
1	997 701 287 74	Signs/notices Tyre pressure Data plate for tyre pressure D >> - MJ 2008		1	PR:420 "USA"
1	997 701 287 76	Data plate for tyre pressure D >> - MJ 2008		1	PR:420,447 "USA"
1	997 701 289 96	Data plate for tyre pressure D - MJ 2010>> No longer use the part here		1	PR:430
1	997 701 289 98	Data plate for tyre pressure D - MJ 2010>> No longer use the part here		1	PR:430
1	997 701 289 A7	Data plate for tyre pressure D - MJ 2010>> No longer use the part here		1	PR:430
1	997 701 289 G7	Data plate for tyre pressure D - MJ 2010>> No longer use the part here		1	PR:430
1	997 701 289 B7	Data plate for tyre pressure D - MJ 2010>> No longer use the part here		1	PR:004,430
1	997 701 289 H7	Data plate for tyre pressure D - MJ 2010>> No longer use the part here		1	PR:004,430
1	997 701 290 12	Data plate for tyre pressure D - MJ 2010>> No longer use the part here		1	PR:004,430
1	997 701 289 97	Data plate for tyre pressure D - MJ 2010>> No longer use the part here		1	PR:430,447 "USA"
1	997 701 289 99	Data plate for tyre pressure D - MJ 2010>> No longer use the part here		1	PR:430,447 "USA"
1	997 701 289 A8	Data plate for tyre pressure D - MJ 2010>> No longer use the part here		1	PR:430,447 "USA"
1	997 701 289 G8	Data plate for tyre pressure D - MJ 2010>> No longer use the part here		1	PR:430,447 "USA"
1	997 701 289 B8	Data plate for tyre pressure D - MJ 2010>> No longer use the part here		1	PR:004,430, 447 "USA"
1	997 701 289 H8	Data plate for tyre pressure D - MJ 2010>> No longer use the part here		1	PR:004,430, 447 "USA"
1	997 701 290 13	Data plate for tyre pressure D - MJ 2010>> No longer use the part here		1	PR:004,430, 447

Model: 997G07 Model life 2007>>2011

Pos	Part Number	Description	Remark	Qty	Model
1	997 701 449 00	Sticker Mercury		1	"USA" PR:484
2	7PP 010 707 K	Sticker Spare wheel D - MJ 2010>>		1	PR:430,447
-		Signs/notices Engine specifications			
3	997 006 109 90	Notice Engine data D - MJ 2007>> - MJ 2007		1	
3	997 006 109 91	Notice Engine data D - MJ 2008>> - MJ 2008		1	
3	997 006 109 92	Notice Engine data D - MJ 2010>> - MJ 2010		1	
3	997 006 109 93	Notice Engine data D - MJ 2011>> - MJ 2011		1	
4	996 006 140 00	Sticker Antiknock regulation		1	
4	997 006 544 00	Sticker engine oil - MOBIL 1 -		1	
-		Signs/notices Type of fuel			
5	996 006 117 03	Sticker 93 RON/MON/2		1	
-		Signs/notices Airbag			
6	3B0 010 219 B	sticker with pictogram for - airbag / child's seat child seat		1	
7	996 701 423 01	Sticker Service		1	
8	997 701 422 00	Airbag Sticker Airbag Warning sign		1	
11	996 701 141 01	Sticker Air conditioning		1	
14	996 701 182 90	Sticker Warning sign Seat	rear	1	

Model: 997G07

Model life 2007>>2011



Model: 997G07

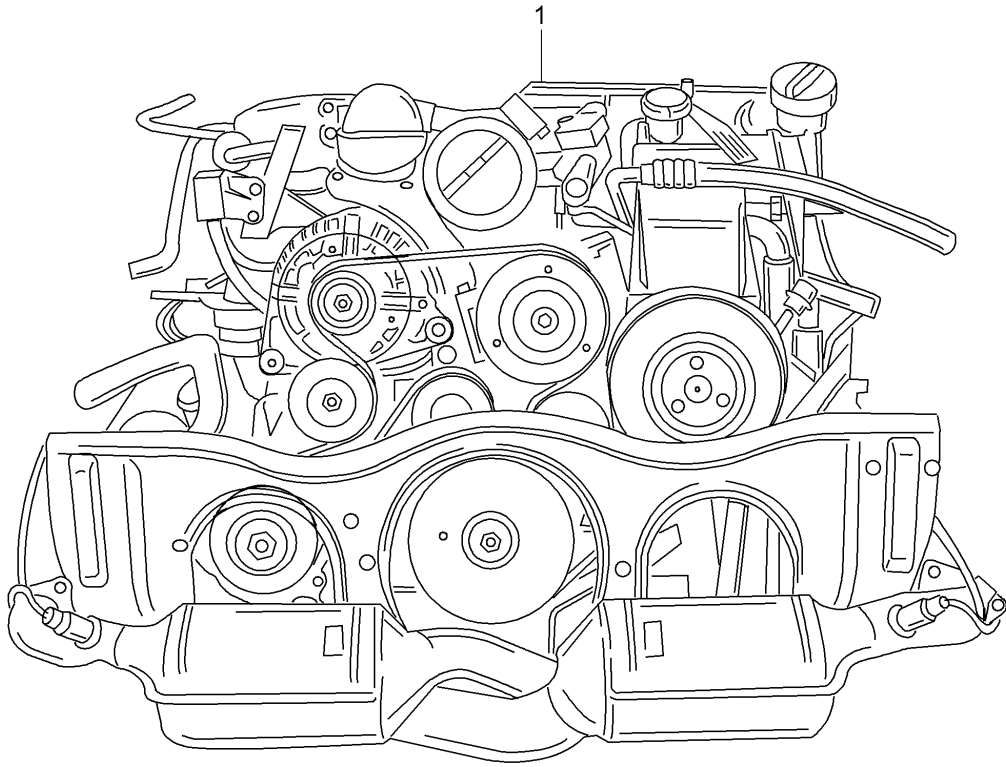
Model life 2007>>2011

Pos	Part Number	Description	Remark	Qty	Model
-	911 095 932 20	paint touch-up applicator Paints		X	
	911 095 932 20 041	Black			A 1
	911 095 932 20 80K	guards red (Porsche)			G 1
	911 095 932 20 B9A	Carrara white			B 4
	911 095 932 20 12G	Speed yellow			X 4
	911 095 932 20 8C6	orange			N 2
	911 095 932 20 2D8	green			J 5
	911 095 932 20 51A	cream white			T 2
	911 095 932 20 7A1	Grey black			A 4
-	911 095 933 20	Paint pen set Set comprising: base paint clear paint		X	
	911 095 933 20 92T	Arctic silver metallic			X 1
	911 095 933 20 M3W	Carmon red metallic			E 4
	911 095 933 20 M5W	Lapis blue metallic			J 2
	911 095 933 20 M6W	Lagoon green metallic			G 4
	911 095 933 20 C9Z	Basalt black metallic			Z 4
	911 095 933 20 M7X	Atlas grey metallic			E 7
	911 095 933 20 37W	Midnight Blue Metallic			E 9
	911 095 933 20 22E	Forest green metallic			53
	911 095 933 20 37U	Cobalt blue metallic			56
	911 095 933 20 22D	Slate grey metallic			59
	911 095 933 20 M7Z	GT Silver Metallic			U 2
	911 095 933 20 M6X	Dark olive-metallic			7 G
	911 095 933 20 M7W	Meteor Grey Metallic			9 Q
	911 095 933 20 M8W	Macadamia Metallic			9 S
	911 095 933 20 2B5	Malachite Green Metallic			H 1
	911 095 933 20 M2Z	Nordic Gold Metallic			8 W
	911 095 933 20 M5R	Aqua blue metallic			D 2
	911 095 933 20 22G	Racing Green Metallic			J 1
	911 095 933 20 M3X	Ruby red metallic			A 6
	911 095 933 20 M4Z	Amethyst metallic			N 6
	911 095 933 20 M5X	Dark blue metallic			N 4



Model: 997G07

Model life 2007>>2011



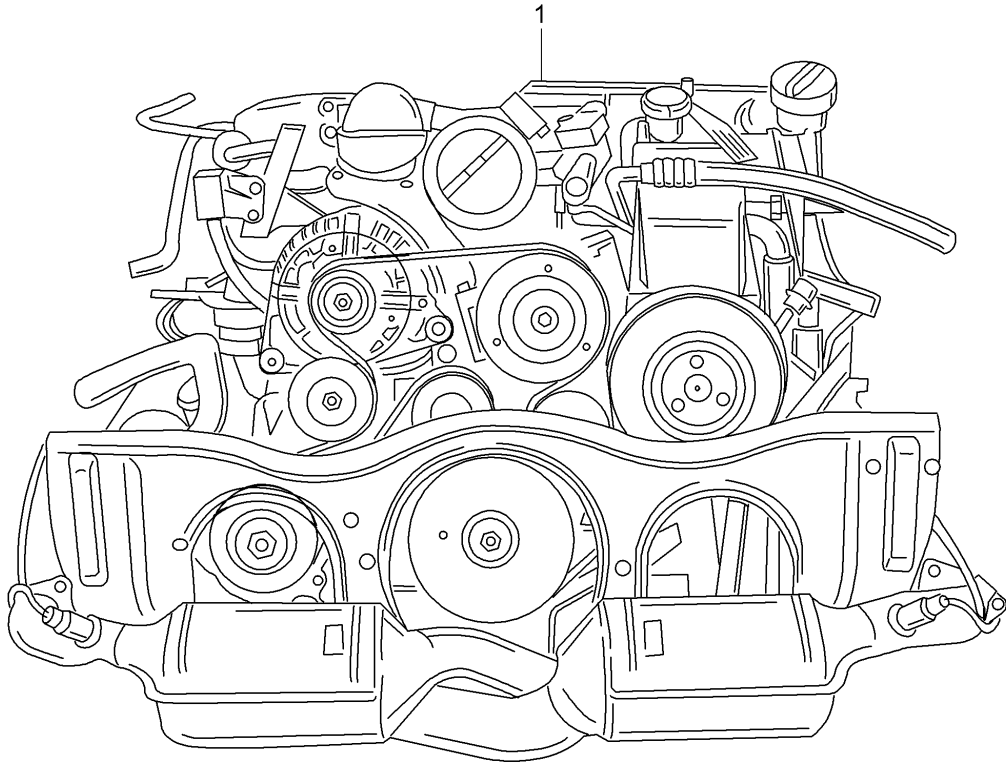
Model: 997G07

Model life 2007>>2011

Pos	Part Number	Description	Remark	Qty	Model
		Replacement engine Ready for installation			9776
1	997 100 976 00	Replacement engine D - MJ 2007>> - MJ 2007 Discontinued part		1	9776
1	997 100 976 02	Replacement engine D - MJ 2008>> - MJ 2008 Discontinued part		1	9776
1	997 100 976 03	Replacement engine without:		1	9776+ PR:-004
		Silencer D - MJ 2007>> - MJ 2008			
1	997 100 976 CX	Replacement engine without:		1	9776+ PR:-004
		Silencer D - MJ 2007>> - MJ 2008			
1	997 100 976 90	Replacement engine		1	9776+ PR:004
		D - MJ 2007>> - MJ 2007 Discontinued part			
1	997 100 976 91	Replacement engine		1	9776+ PR:004
		D - MJ 2008>> - MJ 2008 Discontinued part			
1	997 100 976 92	Replacement engine without:		1	9776+ PR:004
		Silencer D - MJ 2007>> - MJ 2008			
1	997 100 976 3X	Replacement engine without:		1	9776+ PR:004
		Silencer D - MJ 2007>> - MJ 2008			

Model: 997G07

Model life 2007>>2011



Model: 997G07 Model life 2007>>2011

Pos	Part Number	Description	Remark	Qty	Model
1	997 100 977 00	Replacement engine Replacement engine D >> - MJ 2010 Discontinued part		1	9777,9774 9777+ PR:573
1	997 100 977 X	Replacement engine D >> - MJ 2010 Discontinued part		1	9777+ PR:573
1	997 100 977 01	Replacement engine D - MJ 2011>>		1	9777+ PR:573
(1)	997 100 977 DX	Replacement engine D - MJ 2011>> Discontinued part		1	9777+ PR:573
(1)	997 100 977 FX	Replacement engine  without: Silencer D - MJ 2011>>		1	9777+ PR:573
(1)	997 100 977 90	Replacement engine D >> - MJ 2010 Discontinued part		1	9777+ PR:004,573
(1)	997 100 977 AX	Replacement engine D >> - MJ 2010 Discontinued part		1	9777+ PR:004,573
(1)	997 100 977 92	Replacement engine  with: Silencer D - MJ 2011>> Discontinued part		1	9777+ PR:004,573
(1)	997 100 977 EX	Replacement engine  with: Silencer D - MJ 2011>> Discontinued part		1	9777+ PR:004,573
(1)	997 100 977 94	Replacement engine  without: Silencer Compressor idler pulley Poly-rib belt D - MJ 2011>>		1	9777+ PR:004,573, 574
(1)	997 100 977 HX	Replacement engine  without: Silencer Compressor idler pulley Poly-rib belt D - MJ 2011>>		1	9777+ PR:004,573, 574
(1)	997 100 977 91	Replacement engine D >> - MJ 2010 Discontinued part		1	9777+ PR:004,574
(1)	997 100 977 BX	Replacement engine D >> - MJ 2010 Discontinued part		1	9777+ PR:004,574
(1)	997 100 977 93	Replacement engine D - MJ 2011>>		1	9777+ PR:004,574
(1)	997 100 977 CX	Replacement engine D - MJ 2011>> Discontinued part		1	9777+ PR:004,574
(1)	997 100 974 95	Replacement engine  without: Silencer Compressor idler pulley Poly-rib belt		1	9774+ PR:004,573, 574,006

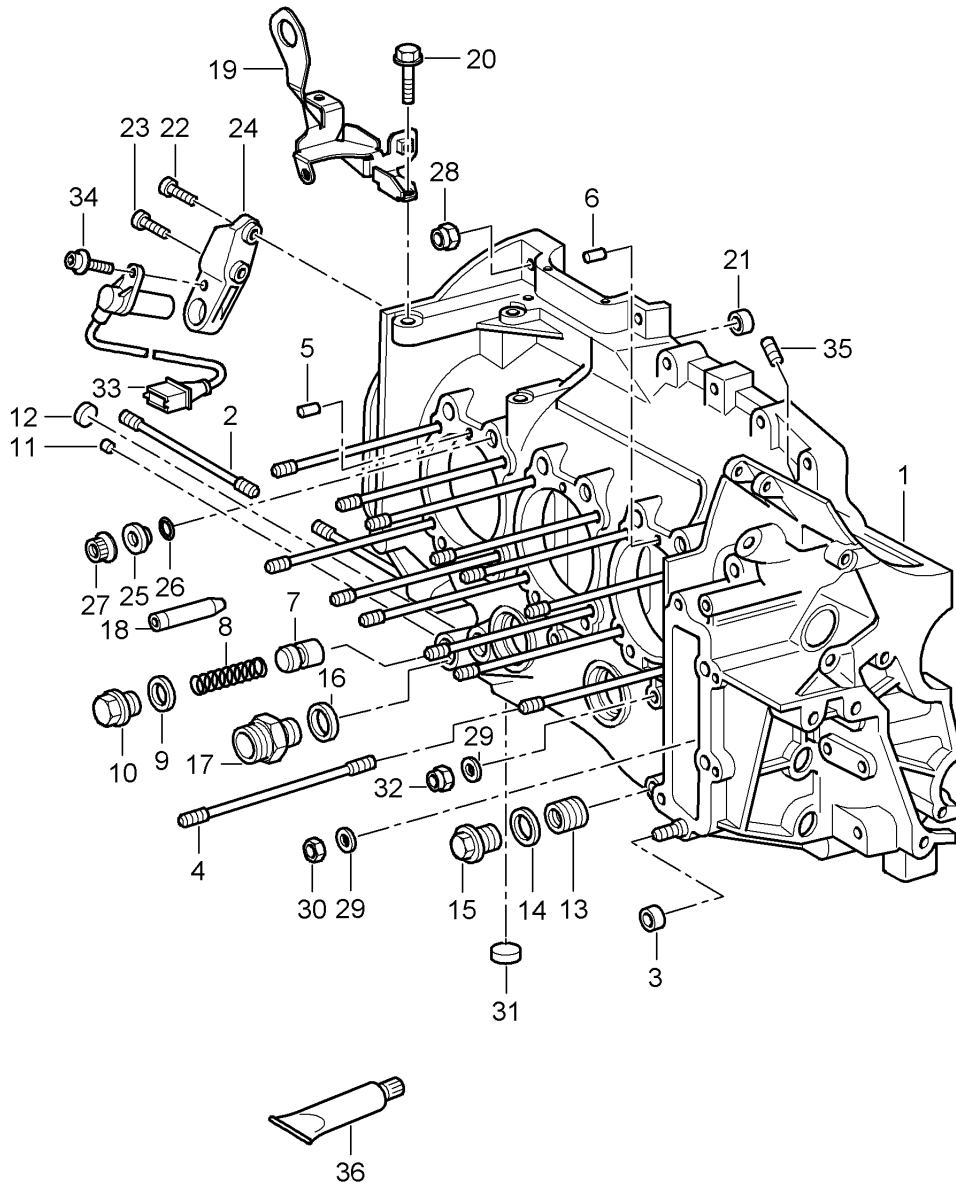
Model: 997G07

Model life 2007>>2011

Pos	Part Number	Description	Remark	Qty	Model
(1)	997 100 974 JX	D - MJ 2011>> Replacement engine without: Silencer Compressor idler pulley Poly-rib belt D - MJ 2011>>		1	9774+ PR:004,573, 574,006

Model: 997G07

Model life 2007>>2011



Model: 997G07 Model life 2007>>2011

Pos	Part Number	Description	Remark	Qty	Model
1	997 101 901 92	Crankcase housing Crankcase housing with studs	left	1	9776
2	999 062 099 02	Threaded pin M 10 X 105 Discontinued part	also use: 000 043 204 58	X 2	
2	900 060 096 01	Threaded pin M 10 X 105		2	
3	901 101 145 00	dowel sleeve		4	
4	996 101 172 70	Threaded pin		24	
5	900 012 057 00	Cylinder pin A 8,0 X 14		1	
6	900 012 046 00	Cylinder pin A 6,0 X 14		1	
7	911 107 512 00	piston		1	
8	901 107 531 01	Pressure spring		1	
9	900 123 106 30	seal ring A 18 X 24		1	
10	999 064 026 02	sealing plug M 18 X 24 Discontinued part		1	
10	999 064 026 01	sealing plug M 18 X 1,5		1	
11	911 101 186 00	Bungs 7,5 X 8,0		1	
12	900 036 047 02	End cap 13,00 X 8,5		1	
13	999 504 127 00	threaded insert 20 X 1,5		1	
14	900 123 118 30	seal ring A 22 X 27		1	
15	944 107 197 02	sealing plug		1	
16	900 123 011 30	seal ring A 22 X 27		1	
17	999 136 044 09	threaded union 18		1	
18	997 101 018 90	Spray jet		3	
(18)	997 101 018 91	Spray jet		3	
19	997 101 251 73	Retaining bar		1	
20	900 074 040 02	Hexagon bolt M 8 X 50		1	
21	901 101 195 00	dowel sleeve		2	
22	900 385 072 01	Torx screw M 6 X 25		1	
23	900 385 270 01	Hexagon head bolt M 6 X 35		1	
24	964 101 187 01	Bracket		1	
25	964 101 313 71	Washer Discontinued part		15	
25	964 101 313 05	Washer		15	
26	999 701 006 41	O-ring 8 X 2		15	
27	959 101 172 70	Nut M 10 X 1,25 Discontinued part		11	
27	959 101 172 00	Nut M 10 X 1,25		11	
28	999 084 202 01	Locknut M 8		21	
29	900 025 008 09	Washer A 10,5		1	
30	900 076 078 01	Hexagon nut		1	

Model: 997G07

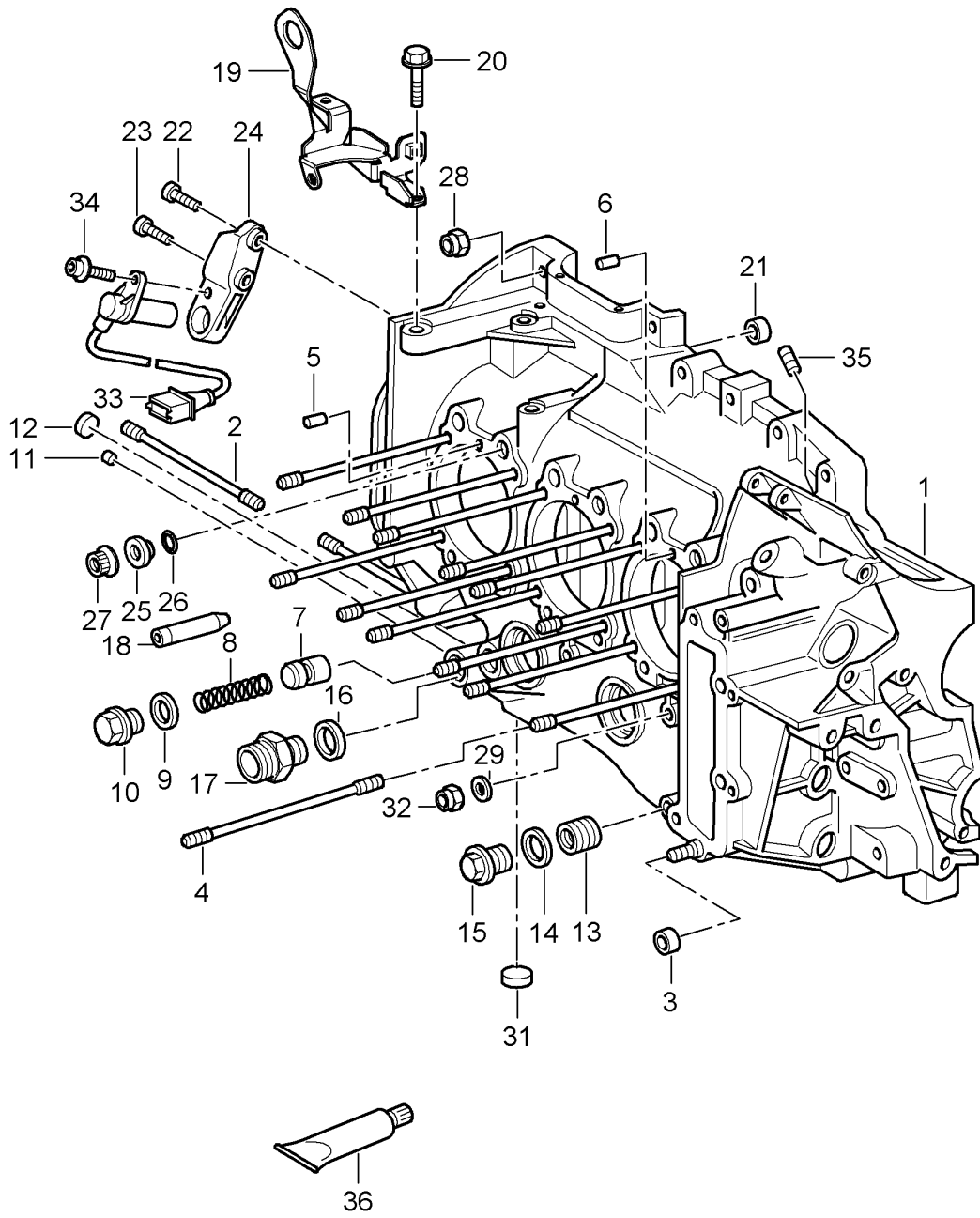
Model life 2007&gt;&gt;2011

Pos	Part Number	Description	Remark	Qty	Model
31	900 036 045 01	M 10 X 1,25 End cap		1	
32	999 084 096 02	19,00 X 13 Locknut M 10 Discontinued part		1	
32	900 910 130 01	Locknut M 10		1	
33	996 606 105 01	impulse sender Discontinued part		1	
33	996 606 105 02	impulse sender		1	
34	900 387 264 01	Socket head bolt M 6 X 16 Discontinued part		1	
34	N 105 464 03	Hexagon socket head bolt M 6 X 16		1	
35	999 501 065 30	Sealing cap 9,2		1	
36	000 043 204 58	sealant 30 GR. DREI BOND SILICON 2210		X	
36	999 915 573 43	No longer use the part here sealant DOBOSEAL 224N 75 ML		X	
37	999 507 842 40	Bracket impulse sender		1	



Model: 997G07

Model life 2007>>2011



Model: 997G07 Model life 2007>>2011

Pos	Part Number	Description	Remark	Qty	Model
1	997 101 977 90	Crankcase housing Crankcase housing with studs	left	1	9777,9774 9777
		also use:	000 043 204 58	X	
1	997 101 977 91	Discontinued part Crankcase housing with studs		1	9777
		also use:	000 043 204 58	X	
1	997 101 977 91	Crankcase housing with studs		1	9774
		also use:	000 043 204 58	X	
2	900 060 096 01	Threaded pin M 10 X 105		2	
3	901 101 145 00	dowel sleeve		4	
4	996 101 172 70	Threaded pin		24	
5	900 012 057 00	Cylinder pin A 8,0 X 14		1	
6	900 012 046 00	Cylinder pin A 6,0 X 14		1	
7	911 107 512 00	piston		1	
8	901 107 531 01	Pressure spring		1	
9	900 123 106 30	seal ring A 18 X 24		1	
10	997 107 105 90	sealing plug M 18 X 1,5		1	
11	911 101 186 02	Sealing cap 7,5 X 8,0		1	
12	900 036 047 01	End cap 13,00 X 8,5		1	
13	999 504 127 00	threaded insert 20 X 1,5		1	
14	900 123 118 30	seal ring A 22 X 27		1	
15	944 107 197 03	sealing plug		1	
16	900 123 011 30	seal ring A 22 X 27		1	
17	999 136 044 01	threaded union 18		1	
18	997 101 018 92	Spray jet 1,2 mm		3	
19	997 101 251 73	Retaining bar		1	
20	900 074 040 03	Hexagon bolt M 8 X 50		1	
21	901 101 195 00	dowel sleeve		2	
22	900 385 072 01	Torx screw M 6 X 25		1	
23	900 385 270 01	Hexagon head bolt M 6 X 35		1	
24	964 101 187 01	Bracket		1	PR:480
25	964 101 313 71	Washer Discontinued part		12	
25	964 101 313 05	Washer		12	
26	999 701 006 41	O-ring 8 X 2		12	
27	959 101 172 70	Nut M 10 X 1,25		12	
		Discontinued part			
27	959 101 172 00	Nut M 10 X 1,25		12	
28	999 084 202 01	Locknut M 8		21	
29	900 025 008 03	Washer A 10,5		1	

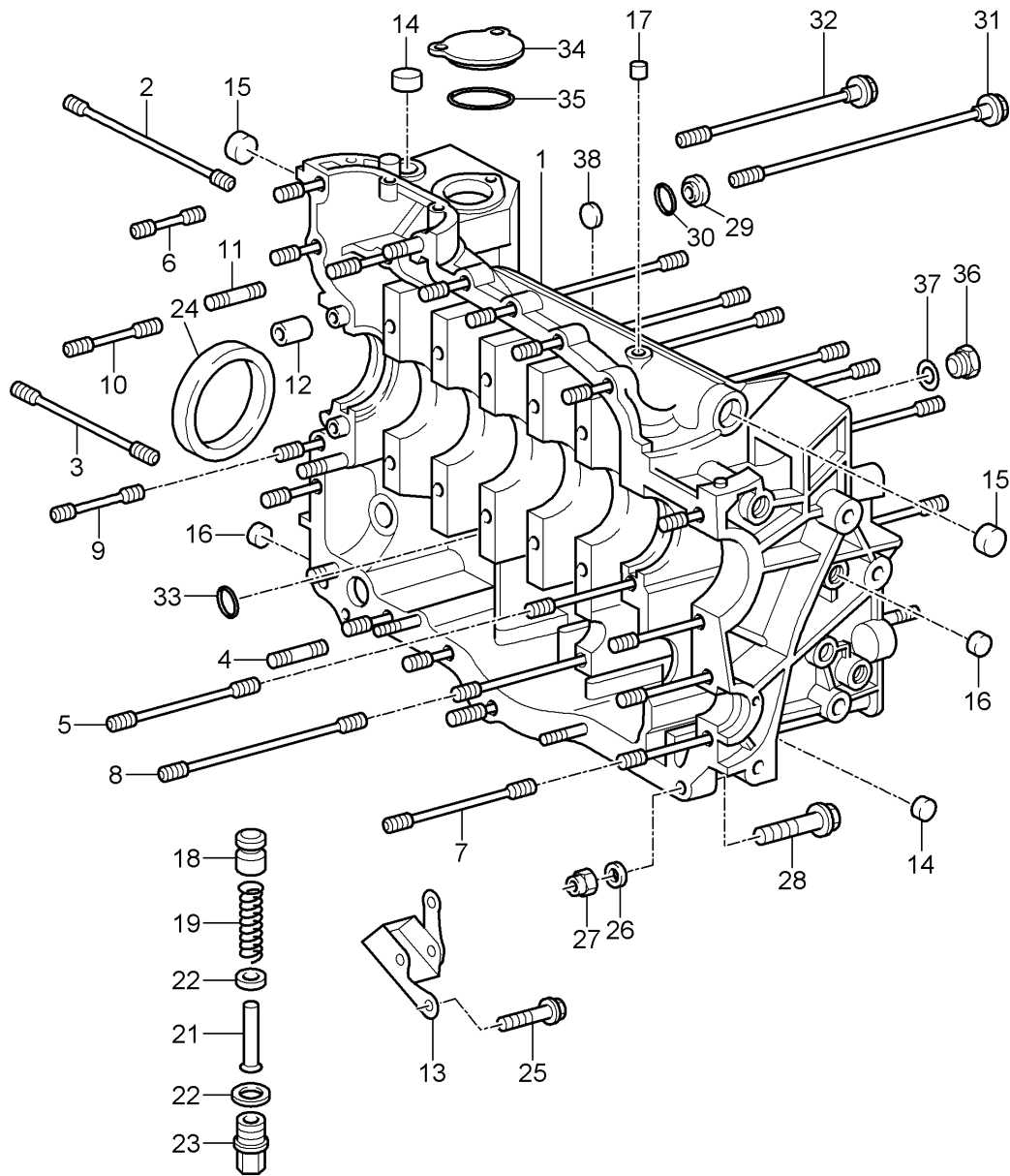
Model: 997G07

Model life 2007&gt;&gt;2011

Pos	Part Number	Description	Remark	Qty	Model
30	900 076 078 01	Hexagon nut M 10 X 1,25 No longer use the part here		1	
32	900 910 130 01	Locknut M 10		1	
33	996 606 105 01	impulse sender Discontinued part		1	
33	996 606 105 02	impulse sender		1	
34	900 387 264 01	Socket head bolt M 6 X 16 Discontinued part		1	
34	N 105 464 03	Hexagon socket head bolt M 6 X 16		1	
35	999 501 065 30	Sealing cap 9,2		1	
36	000 043 204 58	sealant 30 GR. DREI BOND SILICON 2210 No longer use the part here		X	
36	999 915 573 43	sealant DOBOSEAL 224N 75 ML		X	
37	999 507 842 40	Bracket impulse sender No longer use the part here		1	
38	997 101 018 93	Spray jet 0,8 mm		3	

Model: 997G07

Model life 2007>>2011



Model: 997G07

Model life 2007>>2011

Pos	Part Number	Description	Remark	Qty	Model
1	997 101 901 92	Crankcase housing	right	1	9776
2	999 062 225 02	Crankcase housing with studs		1	
2	900 060 095 01	Threaded pin M 10 X 140 Discontinued part		1	
3	999 062 099 02	Threaded pin M 10 X 105 Discontinued part		1	
3	900 060 096 01	Threaded pin M 10 X 105		2	
4	999 062 007 02	Threaded pin M 8 X 22 Discontinued part		3	
4	900 060 106 01	Threaded pin M 8 x 22		3	
5	996 101 175 70	Threaded pin		1	
6	999 062 115 02	Threaded pin M 8 X 32		13	
7	999 062 156 02	Threaded pin M 8 X 78 Discontinued part		3	
7	900 060 101 01	Threaded pin M 8 X 78		3	
8	999 062 276 02	Threaded pin M 10 X 110		1	
9	999 062 075 02	Threaded pin M 8 X 48		2	
10	999 062 138 02	Threaded pin M 8 X 52 Discontinued part		1	
10	900 060 102 01	Threaded pin M 8 x 52		1	
11	999 062 009 02	Threaded pin M 8 X 28 Discontinued part		1	
11	900 060 105 01	Threaded pin M 8 X 28		1	
12	901 101 195 00	dowel sleeve		2	
13	996 101 206 71	Catch hook		1	
14	900 036 045 01	End cap A 19		2	
15	900 036 046 02	End cap A 22		2	
16	900 036 047 02	End cap A 13		2	
17	911 101 186 00	Bungs 7,50 X 8		2	
18	911 107 512 00	piston		1	
19	996 107 127 80	Pressure spring		1	
20	996 107 532 81	Spacer ring		1	
21	996 107 533 91	guide sleeve		1	
22	900 123 106 30	seal ring A 18 X 24		1	
23	996 107 105 80	sealing plug		1	
24	997 102 264 91	Shaft oil seal 90 X 110 X 12		1	
-	997 101 264 90	also use: Spacer ring See technical information Service		1	

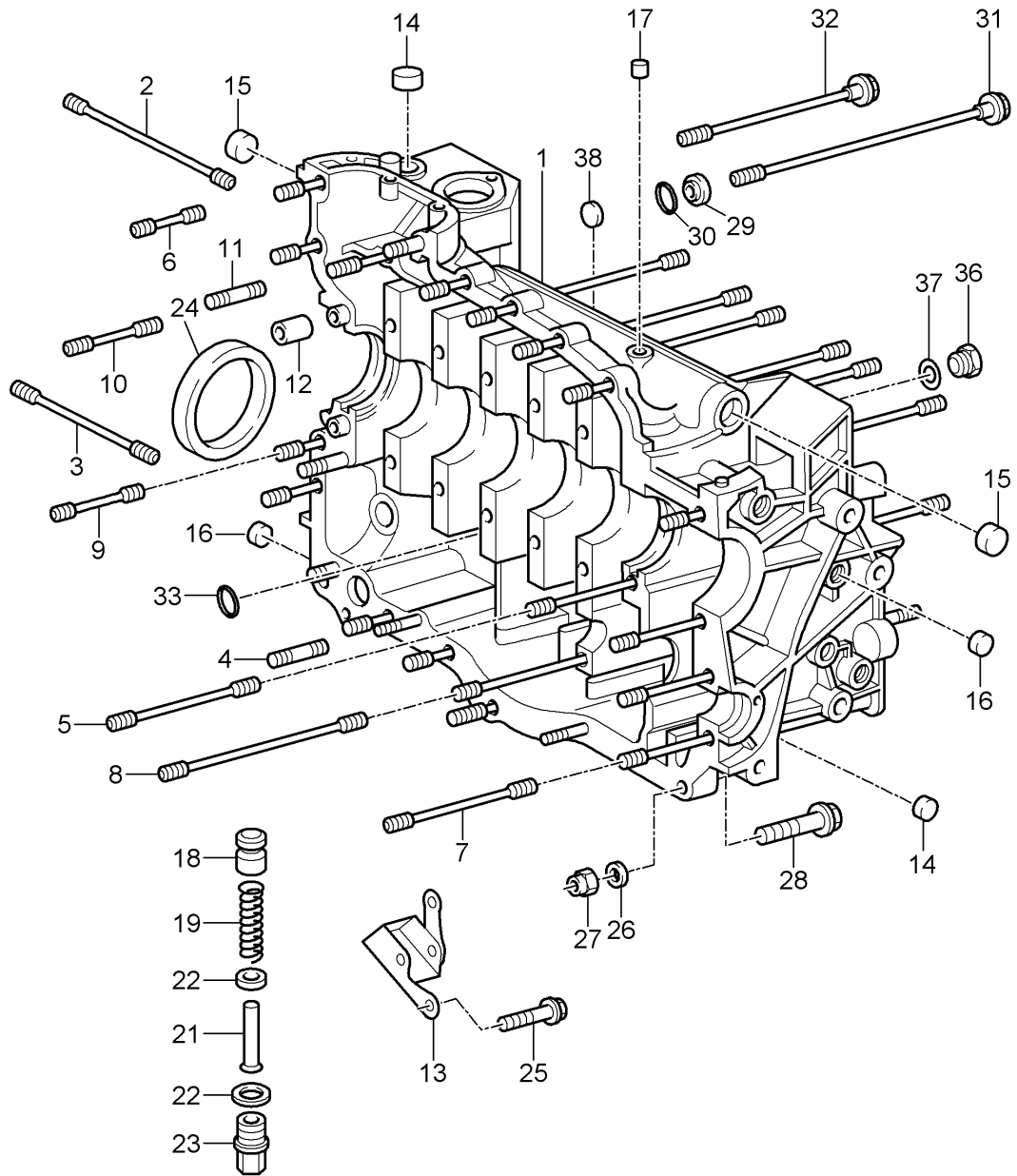
Model: 997G07

Model life 2007>>2011

Pos	Part Number	Description	Remark	Qty	Model
		Group 1 1359 3/08			
25	900 378 150 09	Hexagon bolt M 8 X 55		1	
26	900 031 001 02	Washer 8,4 Discontinued part		4	
26	900 031 105 01	Washer 8,4 X 15 X 1,6		2	
27	999 084 202 01	Locknut M 8		4	
28	900 074 134 02	Hexagon bolt M 8 X 45		1	
28	N 010 246 6	No longer use the part here Hexagon bolt M 8 X 45		1	
29	964 101 313 71	Washer		13	
30	999 701 006 41	O-ring 8 X 2		13	
31	959 101 173 70	Screw Discontinued part		11	
31	959 101 173 01	Screw		11	
32	964 101 174 70	Screw Discontinued part		2	
32	964 101 174 00	Screw		2	
33	999 701 596 40	O-ring 8,3 X 2,4		4	
34	930 105 165 00	Cover		1	
35	999 707 315 41	O-ring 33,3 X 2,4		1	
36	900 219 004 01	sealing plug M 16 X 1,5		1	
37	900 123 018 30	seal ring A 16 X 20		1	
38	900 036 008 02	End cap B 15		1	
39	930 105 165 00	Cover		1	
40	999 707 315 41	O-ring 33,3 X 2,4		1	

Model: 997G07

Model life 2007>>2011



Model: 997G07

Model life 2007&gt;&gt;2011

Pos	Part Number	Description	Remark	Qty	Model
1	997 101 977 90	Crankcase housing Crankcase housing with studs	right	1	9777,9774 9777
(1)	997 101 977 91	Discontinued part Crankcase housing with studs		1	9777
(1)	997 101 977 91	Crankcase housing with studs		1	9774
2	900 060 095 01	Threaded pin M 10 X 140		1	
3	900 060 096 01	Threaded pin M 10 X 105		3	
4	900 060 106 01	Threaded pin M 8 x 22		3	
5	996 101 175 70	Threaded pin		1	
6	900 060 104 01	Threaded pin M 8 x 32		13	
7	900 060 101 01	Threaded pin M 8 X 78		3	
8	900 060 099 01	Threaded pin M 10 X 110		1	
9	900 060 103 01	Threaded pin M 8 X 48		2	
10	900 060 102 01	Threaded pin M 8 x 52		1	
11	900 060 105 01	Threaded pin M 8 X 28		1	
12	901 101 195 00	dowel sleeve		2	
13	996 101 206 71	Catch hook		1	
15	900 036 046 01	End cap A 22		2	
16	900 036 047 01	End cap A 13		2	
17	911 101 186 02	Sealing cap 7,5 X 8,0		1	
18	911 107 512 00	piston		1	
19	996 107 127 80	Pressure spring		1	
20	996 107 532 82	Spacer ring		1	
21	996 107 533 91	guide sleeve		1	
22	900 123 106 30	seal ring A 18 X 24		1	
23	996 107 105 82	sealing plug		1	
24	997 102 264 91	Shaft oil seal 90 X 110 X 12		1	
25	900 378 150 01	Hexagon bolt M 8 X 55		1	
26	900 031 105 01	Washer 8,4 X 15 X 1,6		1	
27	999 084 202 01	Locknut M 8		1	
28	900 378 150 09	Hexagon bolt M 8 X 55		1	
28	999 217 111 01	No longer use the part here Bolt with washer M 8 X 45		1	
29	964 101 313 71	Washer Discontinued part		12	
29	964 101 313 05	Washer		12	
30	999 701 006 41	O-ring 8 X 2		12	
31	959 101 173 70	Screw Discontinued part		11	
31	959 101 173 01	Screw		11	



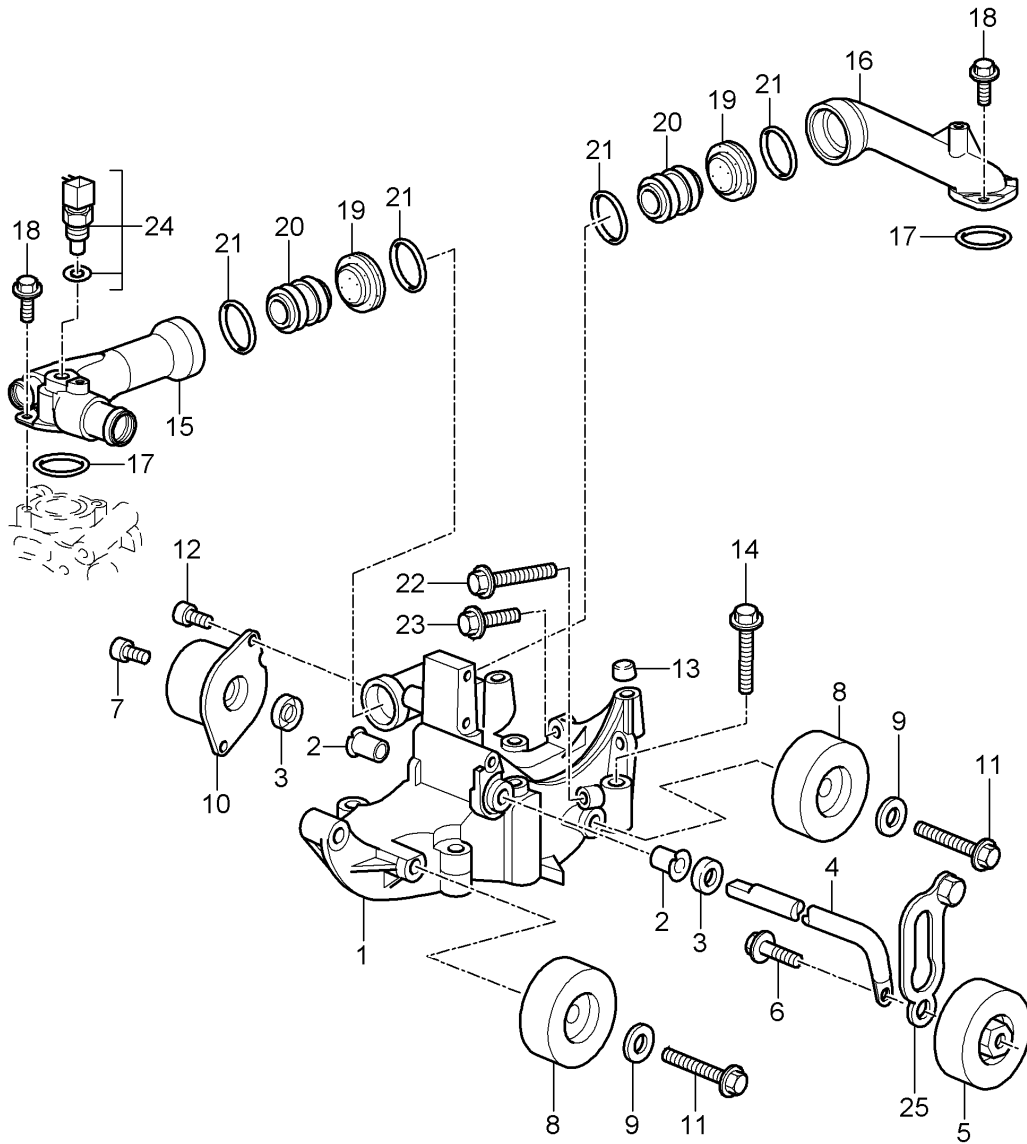
Model: 997G07

Model life 2007&gt;&gt;2011

Pos	Part Number	Description	Remark	Qty	Model
32	964 101 174 70	Screw Discontinued part		2	
32	964 101 174 00	Screw		2	
33	999 701 596 40	O-ring 8,3 X 2,4		4	
34	930 105 165 00	Cover No longer use the part here		1	
35	999 707 315 41	O-ring 33,3 X 2,4 No longer use the part here		1	
36	900 219 004 01	sealing plug M 16 X 1,5		1	
37	900 123 131 30	seal ring A 16 X 20		1	
38	900 036 008 03	End cap B 15		1	

Model: 997G07

Model life 2007>>2011



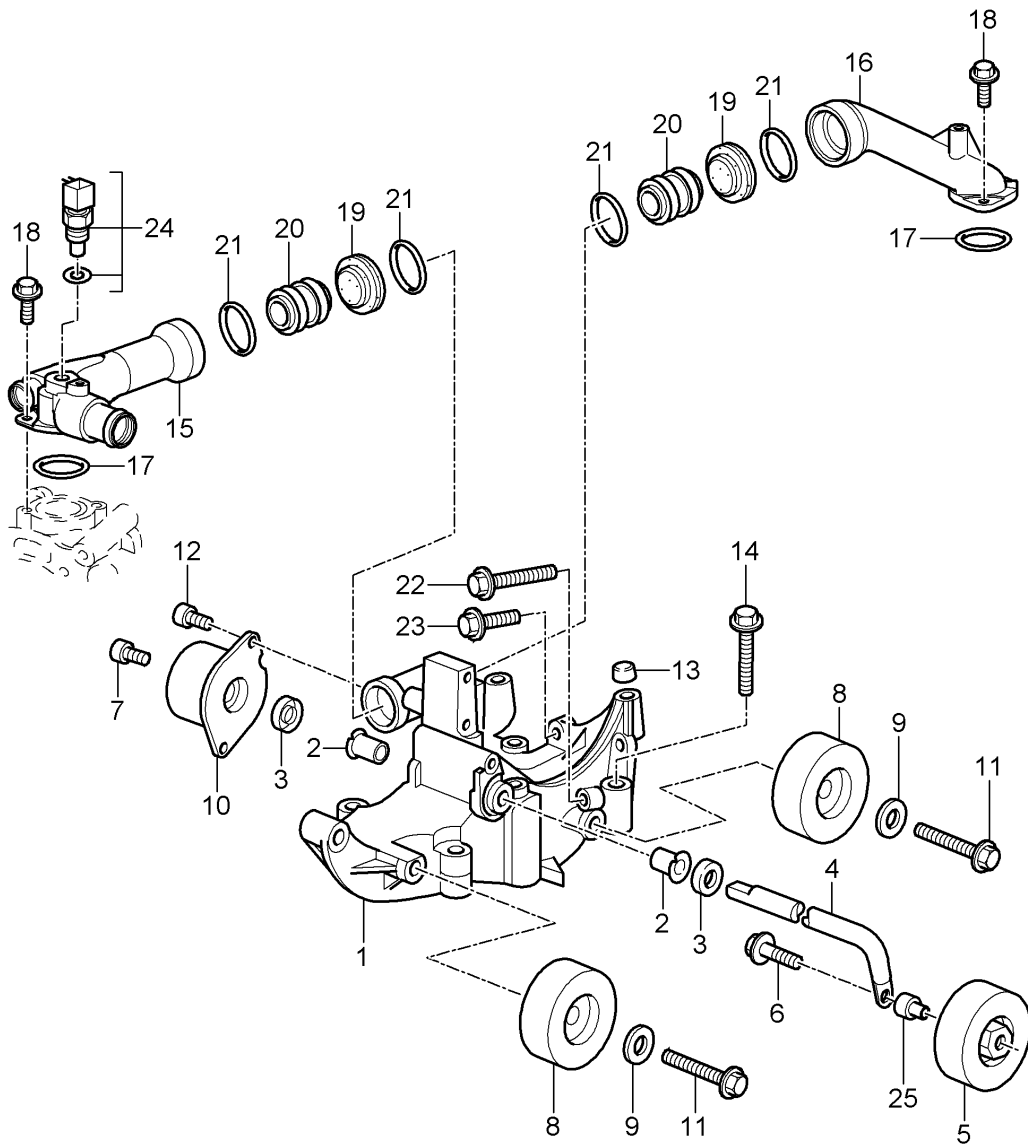
Model: 997G07

Model life 2007>>2011

Pos	Part Number	Description	Remark	Qty	Model
		Belt tensioner			9776
		Belt drive			
1	996 115 112 70	Console		1	
2	997 102 167 00	Bush		2	
3	996 102 365 50	dust cap		2	
4	996 115 913 70	lever		1	
		Discontinued part			
(4)	996 115 913 71	lever		1	
5	996 115 016 72	Tensioning roller		1	
6	999 072 039 01	Hexagon bolt		1	
		M 10 X 30			
7	900 067 117 05	Socket head bolt		1	
		M 6 X 16			
8	996 115 015 71	idler pulley		2	
		Discontinued part			
(8)	996 115 015 76	idler pulley		2	
9	996 102 125 52	Cover disc		2	
10	996 115 221 72	tensioner		1	
11	900 385 120 01	Hexagon socket head bolt		2	
		M 10 X 55			
12	900 067 131 03	Socket head bolt		2	
		M 8 X 16			
13	999 095 063 02	dowel sleeve		4	
		11 M 6 X 10			
		D - MJ 2007>> - MJ 2007			
(13)	999 095 063 01	dowel sleeve		4	
		11 M 6 X 10			
		D - MJ 2008>>			
14	900 385 004 01	Torx screw		4	
		AM 10 X 60			
15	997 106 039 90	connection piece		1	
16	997 106 440 70	connection piece		1	
17	999 707 410 40	O-ring		2	
		39,20 X 3,00			
18	900 385 019 01	Torx screw		4	
		M 6 X 20			
19	996 106 214 70	protective ring		2	
20	996 106 238 71	Connector union		2	
21	999 707 411 40	O-ring		4	
		28,00 X 4,50			
22	900 385 036 01	Hexagon socket head bolt		1	
		M 8 X 55			
23	900 385 098 01	Torx screw		2	
		M 8 X 25			
24	996 606 410 00	Temperature sensor		1	
25	996 115 213 71	Follower		1	

Model: 997G07

Model life 2007>>2011



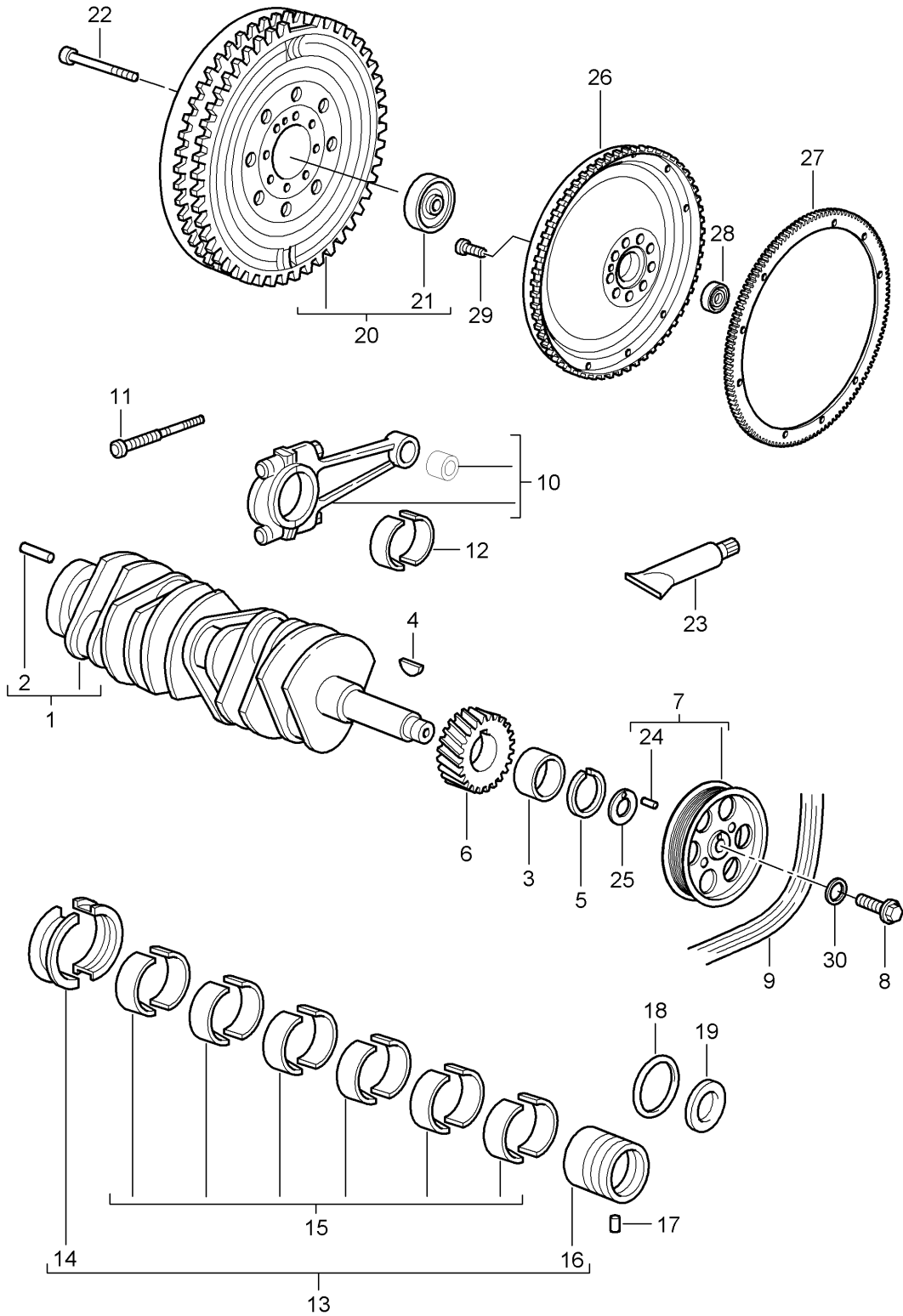
Model: 997G07

Model life 2007>>2011

Pos	Part Number	Description	Remark	Qty	Model
		Belt tensioner			9777,9774
		Belt drive			
1	996 115 112 70	Console		1	
2	997 102 167 00	Bush		2	
3	996 102 365 50	dust cap		2	
4	996 115 913 71	lever		1	
5	996 115 016 72	Tensioning roller		1	
6	999 072 039 01	Hexagon bolt M 10 X 30		1	
7	900 067 117 05	Socket head bolt M 6 X 16		1	
8	996 115 015 76	idler pulley		1	PR:574
(8)	996 115 015 76	idler pulley		2	PR:573
9	996 102 125 52	Cover disc		1	PR:574
(9)	996 102 125 52	Cover disc		2	PR:573
10	996 115 221 72	tensioner		1	
11	900 385 120 01	Hexagon socket head bolt M 10 X 55		2	PR:573
11	900 385 120 01	Hexagon socket head bolt M 10 X 55		1	PR:574
12	900 067 131 03	Socket head bolt M 8 X 16		2	
13	999 095 063 02	dowel sleeve 11 M 6 X 10 Discontinued part		4	
13	999 095 063 01	dowel sleeve 11 M 6 X 10		4	
14	900 385 004 01	Torx screw AM 10 X 60		4	
15	997 106 039 90	connection piece		1	
16	997 106 440 70	connection piece		1	
17	999 707 410 40	O-ring 39,20 X 3,00		2	
18	900 385 019 01	Torx screw M 6 X 20		4	
19	996 106 214 70	protective ring		2	
20	996 106 238 71	Connector union		2	
21	999 707 411 40	O-ring 28,00 X 4,50		4	
22	900 385 036 01	Hexagon socket head bolt M 8 X 55		1	
23	900 385 098 01	Torx screw M 8 X 25		2	
24	996 606 410 00	Temperature sensor		1	
25	996 115 215 72	Spacer pin		1	

Model: 997G07

Model life 2007>>2011



Model: 997G07 Model life 2007>>2011

Pos	Part Number	Description	Remark	Qty	Model
1	996 102 021 93	Crankshaft Crankshaft Discontinued part		1	9776
1	996 102 021 94	Crankshaft Discontinued part		1	
1	996 102 021 95	Crankshaft		1	
2	900 095 031 00	Spring pin 6 X 16		1	
3	959 102 321 00	Intermediate ring		1	
4	901 102 147 00	woodruff key		1	
5	901 102 148 00	Securing ring Number 0		1	
5	901 102 148 01	Securing ring Number 1		1	
5	901 102 148 02	Securing ring Number 2		1	
5	901 102 148 03	Securing ring Number 3		1	
6		see illustration:	964 102 239 31	1	
7	996 102 017 93	pulley		1	
(7)	996 102 017 95	pulley		1	PR:004
8	999 217 128 01	Hexagon bolt M 14 X 1,5 X 33 Discontinued part		1	
8	999 217 128 02	Hexagon bolt M 14 X 1,5 X 33		1	
(8)	993 102 550 80	Hexagon bolt M 14 X 1,5 X 40 Discontinued part		1	PR:004
(8)	993 102 550 81	Hexagon bolt M 14 X 1,5 X 40		1	PR:004
9	996 102 151 92	Poly-rib belt		1	PR:574
9	996 102 151 93	Poly-rib belt		1	PR:573
10	997 103 020 90	conrod		6	
10	996 103 012 88	No longer use the part here conrod Discontinued part		6	
10	996 103 012 89	conrod		6	
11	997 103 176 91	bolt - connecting rod No longer use the part here		12	
11	997 103 176 90	bolt - connecting rod Discontinued part		12	
11	997 103 176 92	bolt - connecting rod		12	
12	996 103 121 94	connecting rod bearing shell Discontinued part		12	
12	996 103 121 95	connecting rod bearing shell		12	
13	997 101 901 00	1 set: crankshaft bearings		1	
14	996 101 231 92	Thrust bearing I		2	
15	996 101 232 92	Main bearing II-VII Discontinued part		12	
15	996 101 232 95	Main bearing II-VII		12	
16	964 101 138 01	Bearing bush VIII		1	
17	900 012 061 00	Cylinder pin 5 H 8 X 10		1	
18	999 707 285 41	O-ring 51 X 4,5		1	
19	999 113 290 41	Radial shaft seal 30 X 50 X 10		1	

Model: 997G07

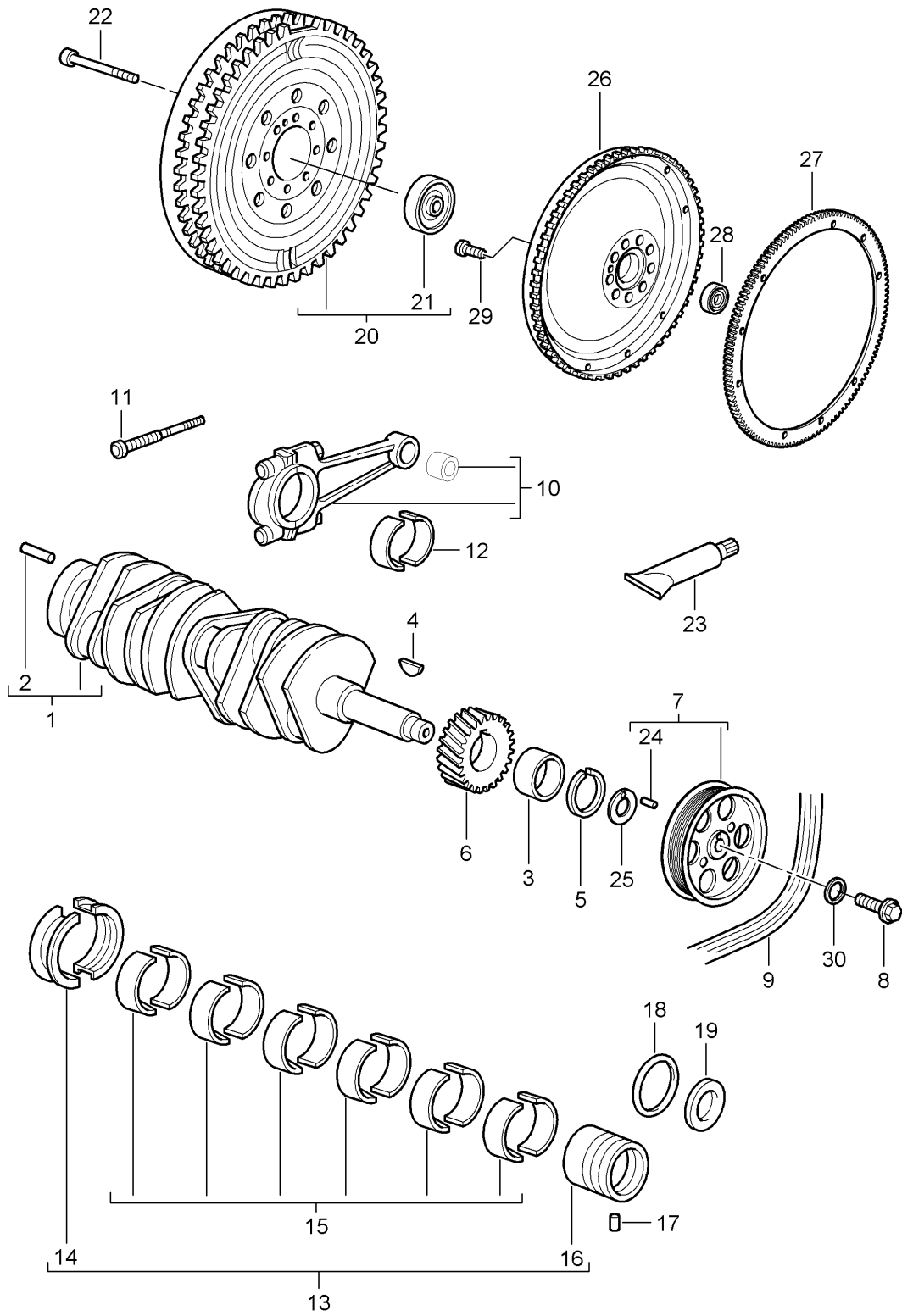
Model life 2007&gt;&gt;2011

Pos	Part Number	Description	Remark	Qty	Model
(19)	997 102 265 91	No longer use the part here Shaft oil seal 30 X 50 X 10 See workshop manual Group 1 13-74		1	
20	996 114 012 50	Dual-mass flywheel		1	
21	999 052 169 00	grooved ball bearing 30 X 37 X 4		1	
22	999 119 017 01	Socket head bolt M 10 X 1,25 X 62		9	
23	000 043 024 00	Extreme-pressure grease 1 tube 80 Gr. for connecting rod bearing shell		1	
24	900 012 071 00	Cylinder pin A 4 X 8		1	
25	996 102 203 90	Washer		1	
26	964 102 239 31	flywheel		1	PR:004
27	964 114 143 31	Crown gear		1	PR:004
28	931 102 111 00	grooved ball bearing Discontinued part		1	PR:004
28	931 102 111 02	grooved ball bearing		1	PR:004
29	928 102 151 01	Socket head bolt		9	PR:004
30	999 025 174 01	Washer 14,5 X 30 X 5,0		1	



Model: 997G07

Model life 2007>>2011



Model: 997G07 Model life 2007>>2011

Pos	Part Number	Description	Remark	Qty	Model
1	996 102 021 95	Crankshaft		1	9777,9774
1	997 102 021 8B	Crankshaft		1	9777
2	900 095 031 00	Spring pin 6 X 16		1	9774
3	997 102 321 90	Intermediate ring		1	9777
4	901 102 147 00	woodruff key		1	
5	901 102 148 00	Securing ring Number 0		1	
5	901 102 148 01	Securing ring Number 1		1	
5	901 102 148 02	Securing ring Number 2		1	
5	901 102 148 03	Securing ring Number 3		1	
6		see illustration:	103-015	1	
7	997 102 017 90	pulley		1	
8	993 102 550 80	Hexagon bolt M 14 X 1,5 X 40		1	
8	993 102 550 81	Discontinued part Hexagon bolt M 14 X 1,5 X 40		1	
(9)	997 102 151 90	Poly-rib belt		1	PR:573
(9)	997 102 151 92	Poly-rib belt		1	PR:574
10	997 103 020 95	conrod		6	9777
10	997 103 020 97	conrod		6	9774
10	997 103 020 A1	conrod		6	9774
11	997 103 176 95	bolt - connecting rod		12	9777
11	997 103 176 96	bolt - connecting rod		12	9774
12	996 103 121 94	connecting rod bearing shell Discontinued part		12	9777
12	996 103 121 95	connecting rod bearing shell		12	9777
12	997 103 123 90	connecting rod bearing shell		6	9774
12	997 103 124 90	connecting rod bearing shell	upper lower	6	9774
13	997 101 901 00	1 set: crankshaft bearings		1	9777
13	997 101 901 01	1 set: crankshaft bearings		1	9774
14	996 101 231 92	Thrust bearing I		2	9777
14	997 101 231 92	Thrust bearing I		2	9774
15	996 101 232 92	Main bearing II-VII Discontinued part		12	9777
15	996 101 232 95	Main bearing II-VII		12	9777
15	997 101 232 92	Main bearing II-VII		12	9774
16	964 101 138 01	Bearing bush VIII		1	9777
16	997 101 139 90	Bearing bush VIII		1	9774
17	900 012 061 00	Cylinder pin 5 H 8 X 10		1	
18	999 707 285 41	O-ring 51 X 4,5		1	
19	997 102 265 91	Shaft oil seal 30 X 50 X 10 See workshop manual Group 1 13-74		1	
20	997 114 012 90	Dual-mass flywheel		1	9777+

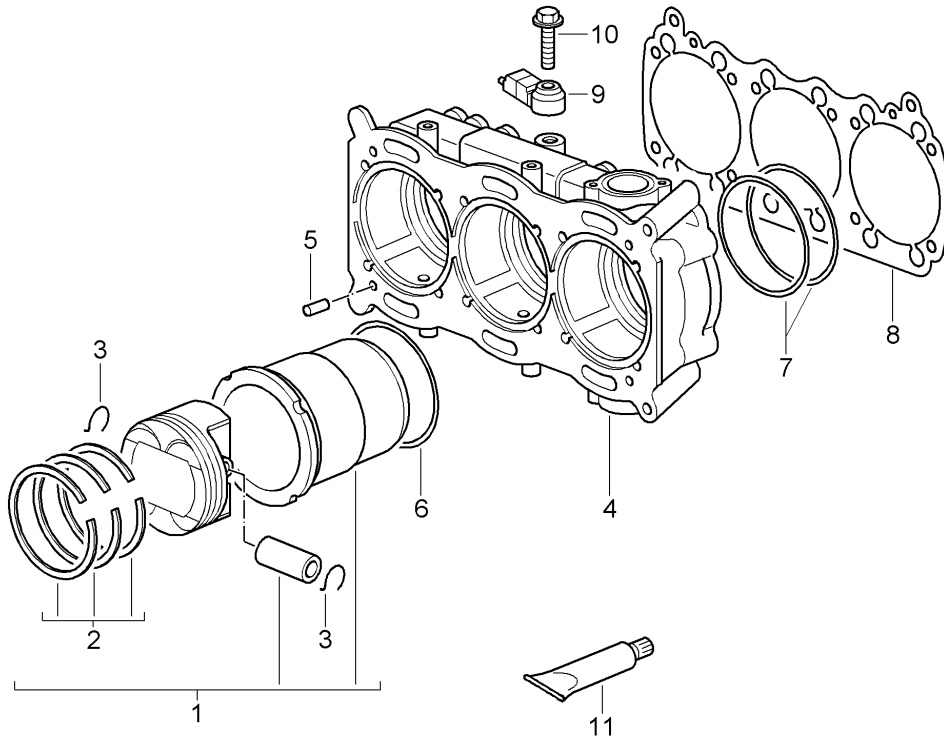
Model: 997G07

Model life 2007>>2011

Pos	Part Number	Description	Remark	Qty	Model
21	999 052 169 00	grooved ball bearing 15 x 50 x 11		1	PR:-004 9777+
22	999 119 017 01	Socket head bolt M 10 X 1,25 X 62		9	PR:-004 9777+
23	000 043 024 00	Extreme-pressure grease 1 tube 80 Gr. for connecting rod bearing shell		1	PR:-004
24	900 012 068 00	Cylinder pin 4,0 x 10		1	
25	996 102 203 90	Washer		1	
26	964 102 239 81	flywheel		1	
27	964 114 143 31	Crown gear		1	
28	931 102 111 00	grooved ball bearing Discontinued part		1	
28	931 102 111 02	grooved ball bearing		1	
29	928 102 151 01	Socket head bolt		9	
30	999 025 174 01	Washer 14,5 X 30 X 5,0		1	

Model: 997G07

Model life 2007>>2011



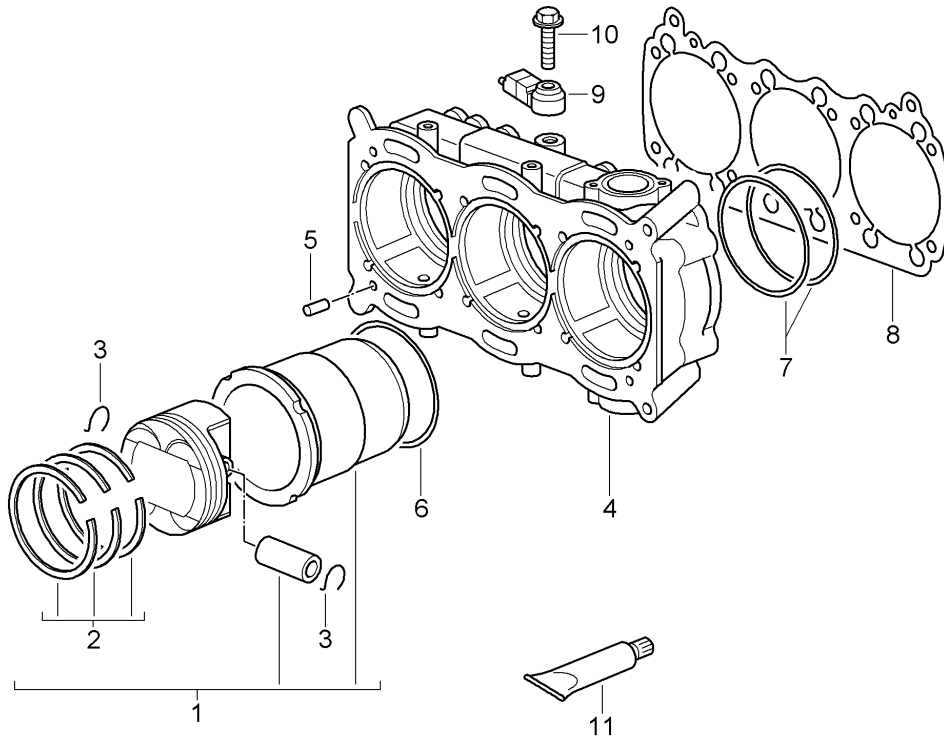
Model: 997G07

Model life 2007>>2011

Pos	Part Number	Description	Remark	Qty	Model
1	997 103 915 95	Cylinder with pistons Cylinder with pistons Number plate -- / -		6	9776
-	997 103 371 90	piston ring Groove 1		6	
-	997 103 374 90	piston ring Groove 2		6	
-	997 103 372 90	piston ring Groove 3		6	
3	999 178 020 00	snap ring		12	
-	997 103 160 92	piston pin		6	
4	996 101 911 75	housing		2	
5	900 012 046 00	Cylinder pin A 8,0 X 14		8	
6	999 707 393 40	O-ring 104,00 X 2,00		6	
7	999 707 394 40	O-ring 110,00 X 2,50		12	
8	997 101 193 71	Cylinder base gasket		2	
9	997 606 121 00	Knock sensor		2	
10	900 385 042 01	Torx screw AM 8 X 35		2	
11	000 043 205 10	Grease 80 GR.		1	

Model: 997G07

Model life 2007>>2011



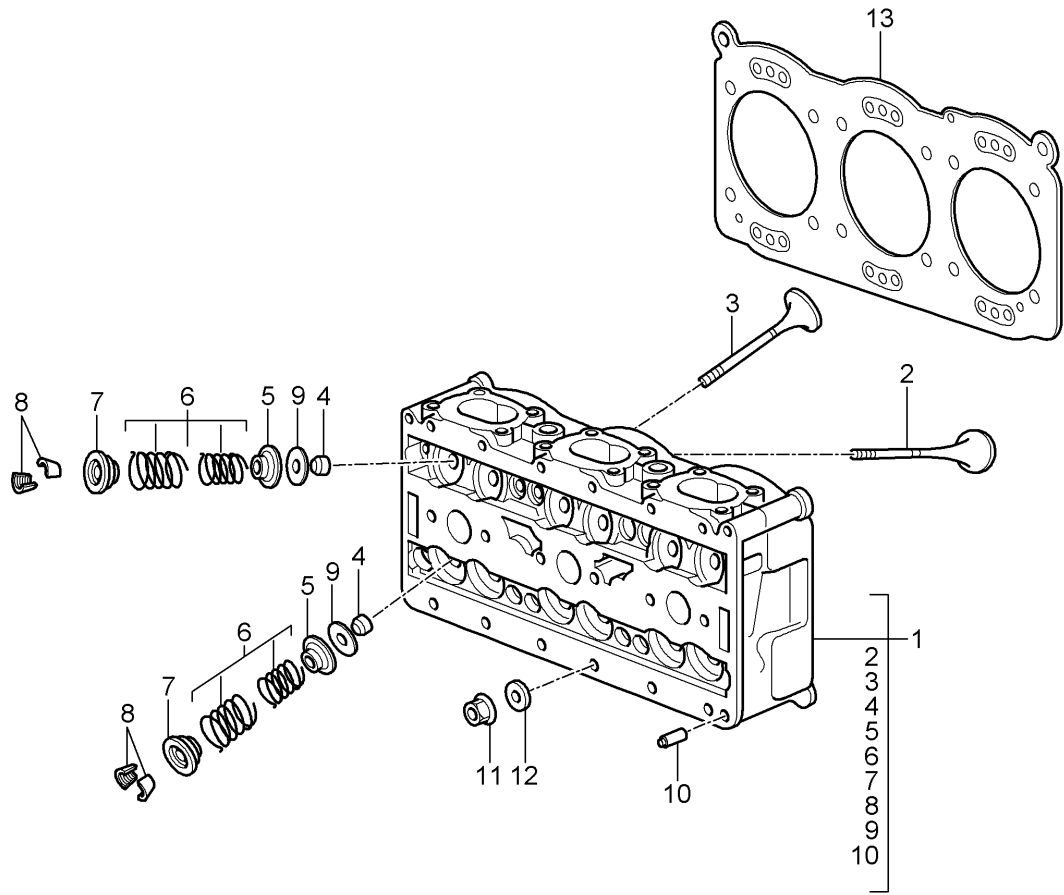
Model: 997G07

Model life 2007&gt;&gt;2011

Pos	Part Number	Description	Remark	Qty	Model
1	997 103 938 91	Cylinder with pistons Cylinder with pistons Number plate		6	9777,9774 9777
1	997 103 938 93	Cylinder with pistons Number plate		6	9774,9777
-	997 103 371 96	piston ring Groove 1		6	9777
-	997 103 371 97	piston ring Groove 1		6	9774
-	997 103 374 95	piston ring Groove 2		6	
-	997 103 372 95	piston ring Groove 3		6	
3	997 103 141 90	snap ring		12	
-	997 103 160 95	piston pin		6	
4	997 101 311 70	housing		2	
5	900 012 046 00	Cylinder pin A 8,0 X 14		8	
6	999 707 393 40	O-ring 104,00 X 2,00		6	
7	999 707 394 40	O-ring 110,00 X 2,50		12	
8	997 101 193 71	Cylinder base gasket		2	
9	997 606 121 00	Knock sensor		2	
10	900 385 042 01	Torx screw AM 8 X 35		2	
11	000 043 205 10	Grease 80 GR.		1	

Model: 997G07

Model life 2007>>2011





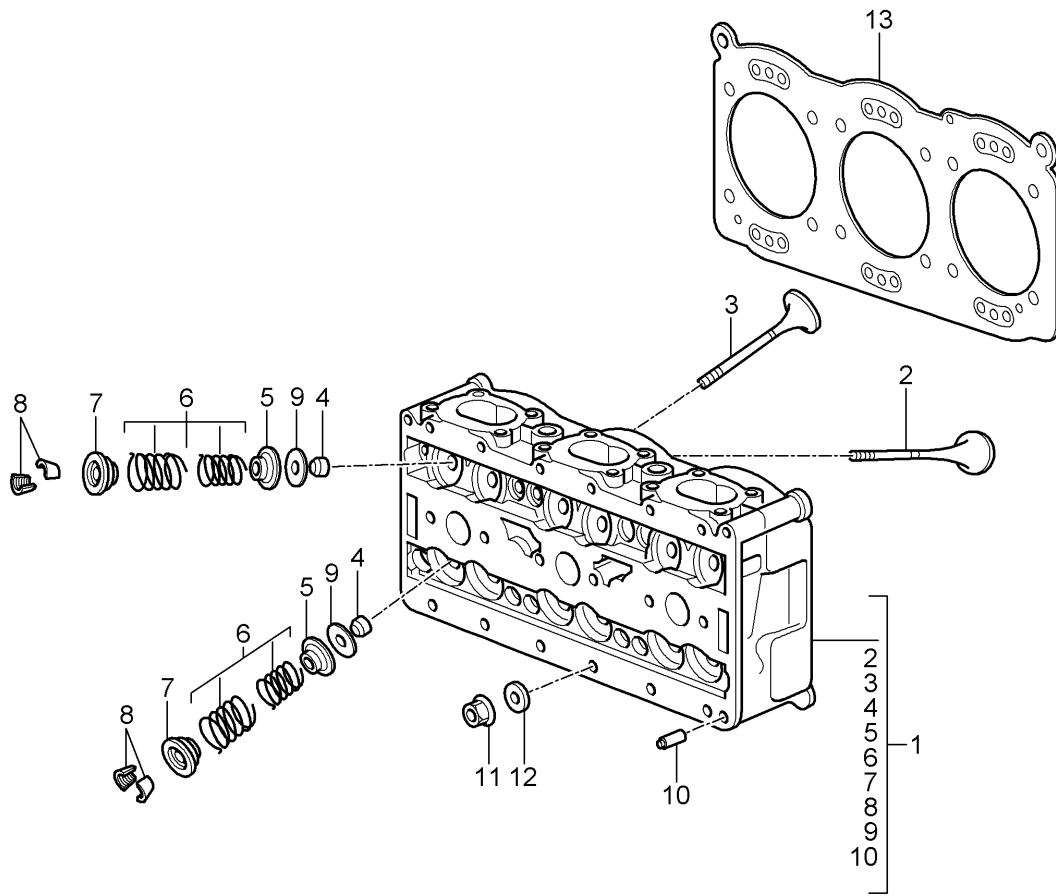
Model: 997G07

Model life 2007&gt;&gt;2011

Pos	Part Number	Description	Remark	Qty	Model
1	997 104 001 92	Cylinder head Complete cylinder head Ready for installation		2	9776
2	997 105 111 90	Inlet valve		12	
3	997 105 113 90	exhaust valve		12	
4	996 105 115 52	Valve stem seal		24	
5	997 105 117 90	spring disc	lower	24	
6	997 105 093 90	1 set of valve springs		24	
7	997 105 121 90	spring disc	upper	24	
8	996 105 123 52	cotter, split		48	
9	996 105 461 90	Washer		24	
9	996 105 461 93	Washer		24	
10	900 012 046 00	Cylinder pin A 8,0 X 14		4	
11	996 104 382 80	Cylinder head nut		24	
12	996 104 351 90	Washer		24	
13	997 104 170 71	Cylinder head gasket		2	

Model: 997G07

Model life 2007>>2011



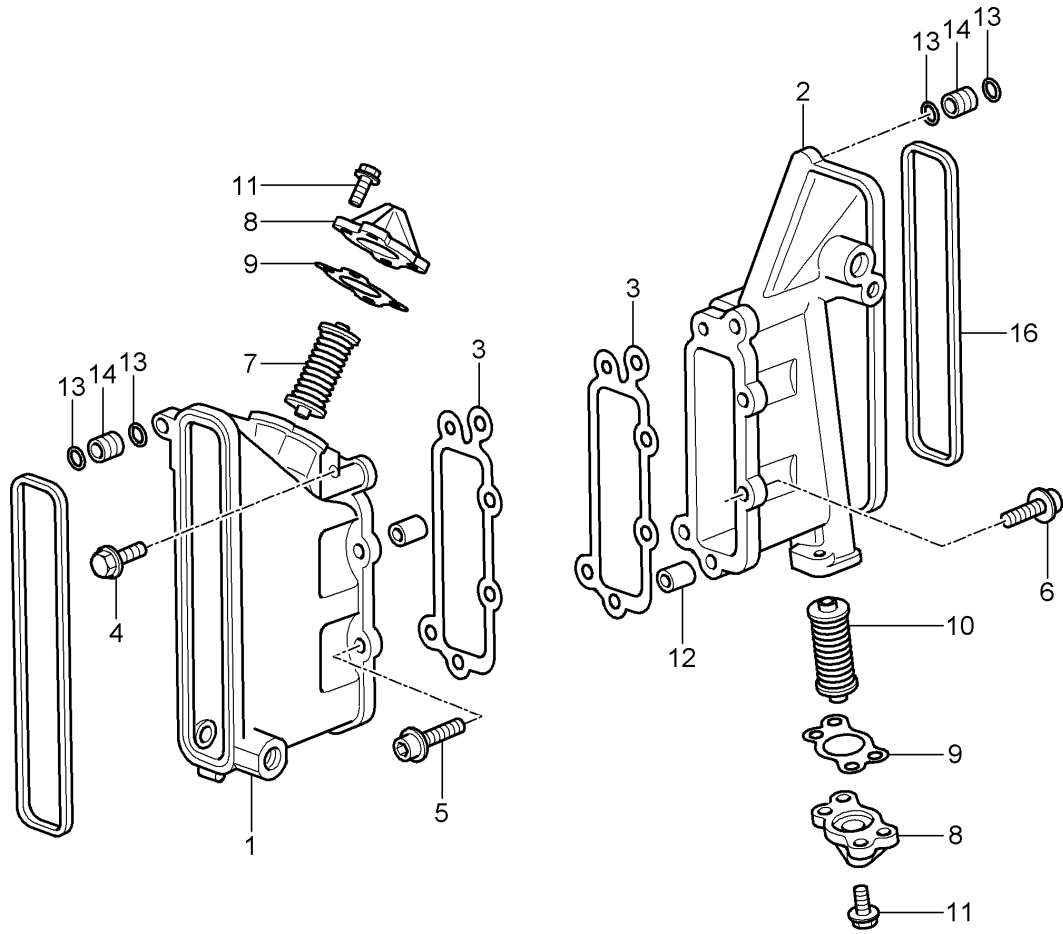
Model: 997G07

Model life 2007>>2011

Pos	Part Number	Description	Remark	Qty	Model
1	997 104 001 96	Cylinder head Complete cylinder head Ready for installation		2	9777,9774
(1)	997 104 001 85	Cylinder head Ready for installation Discontinued part		2	9777+ PR:004
2	997 105 111 90	Inlet valve D = 41		12	
3	997 105 113 90	exhaust valve D = 35,5		12	
4	996 105 115 52	Valve stem seal		24	
5	997 105 117 90	spring disc	lower	24	
6	997 105 093 96	1 set of valve springs		24	
7	997 105 121 90	spring disc	upper	24	
8	996 105 123 52	cotter, split		48	
9	996 105 461 91	Washer		12	
10	900 012 046 00	Cylinder pin A 8,0 X 14		4	
11	996 104 382 81	Cylinder head nut		24	
12	996 104 351 90	Washer		24	
13	997 104 170 8A	Cylinder head gasket		2	

Model: 997G07

Model life 2007>>2011



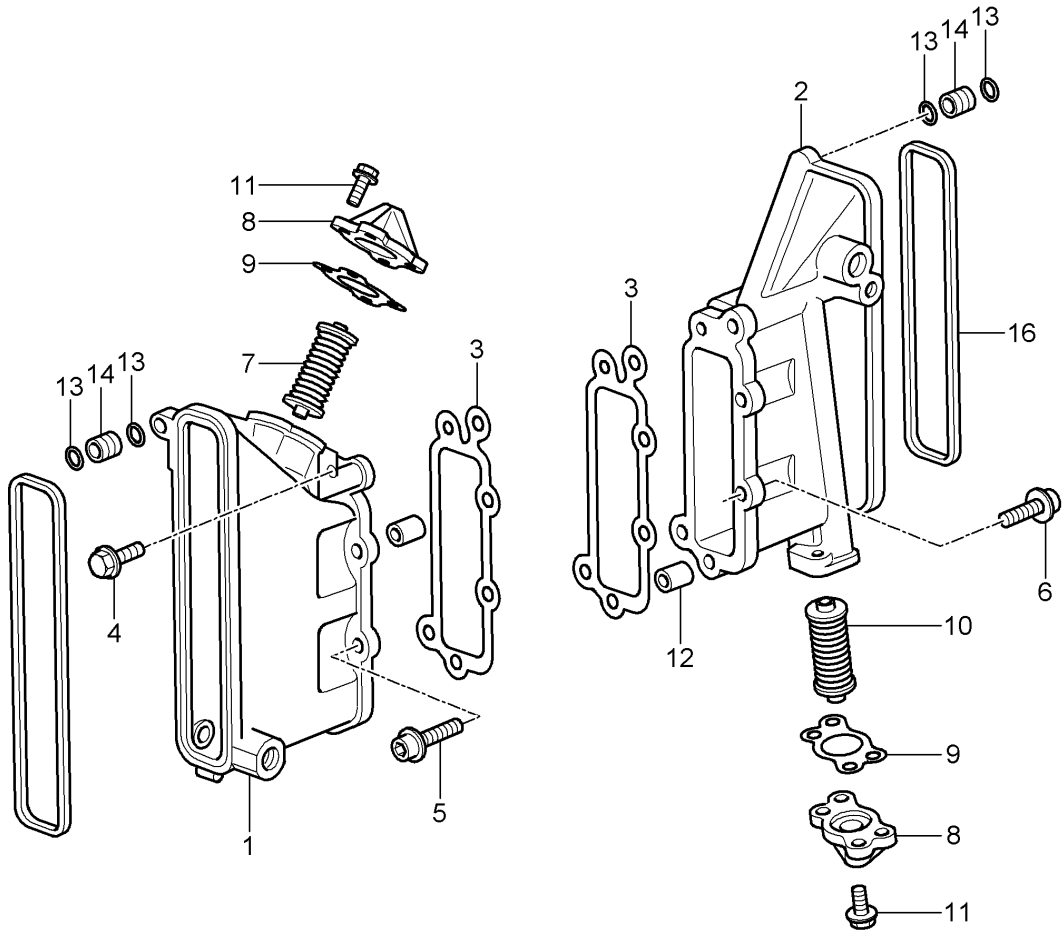
Model: 997G07

Model life 2007&gt;&gt;2011

Pos	Part Number	Description	Remark	Qty	Model
		Chain case chain tensioner			9776
1	996 105 143 79	Chain case Discontinued part	left	1	
1	997 105 143 70	Chain case	left	1	
2	997 105 144 90	Chain case	right	1	
3	996 105 192 71	Seal		2	
4	900 385 098 01	Torx screw AM 8 X 25		1	
5	900 067 276 01	Bolt with washer M 8 X 35		4	
6	900 067 247 01	Bolt with washer M 8 X 30		5	
7	959 105 051 01	chain tensioner	left	1	
8	993 105 022 01	Cover		2	
9	996 105 172 70	Seal		2	
10	959 105 052 01	chain tensioner	right	1	
11	900 385 019 01	Torx screw M 6 X 20		4	
12	901 101 145 00	dowel sleeve		4	
13	999 707 229 41	O-ring 9,25 X 1,78		4	
14	996 105 229 90	Intermediate piece		2	
15	996 105 513 72	Seal	left	1	
16	996 105 514 72	Seal	right	1	

Model: 997G07

Model life 2007>>2011



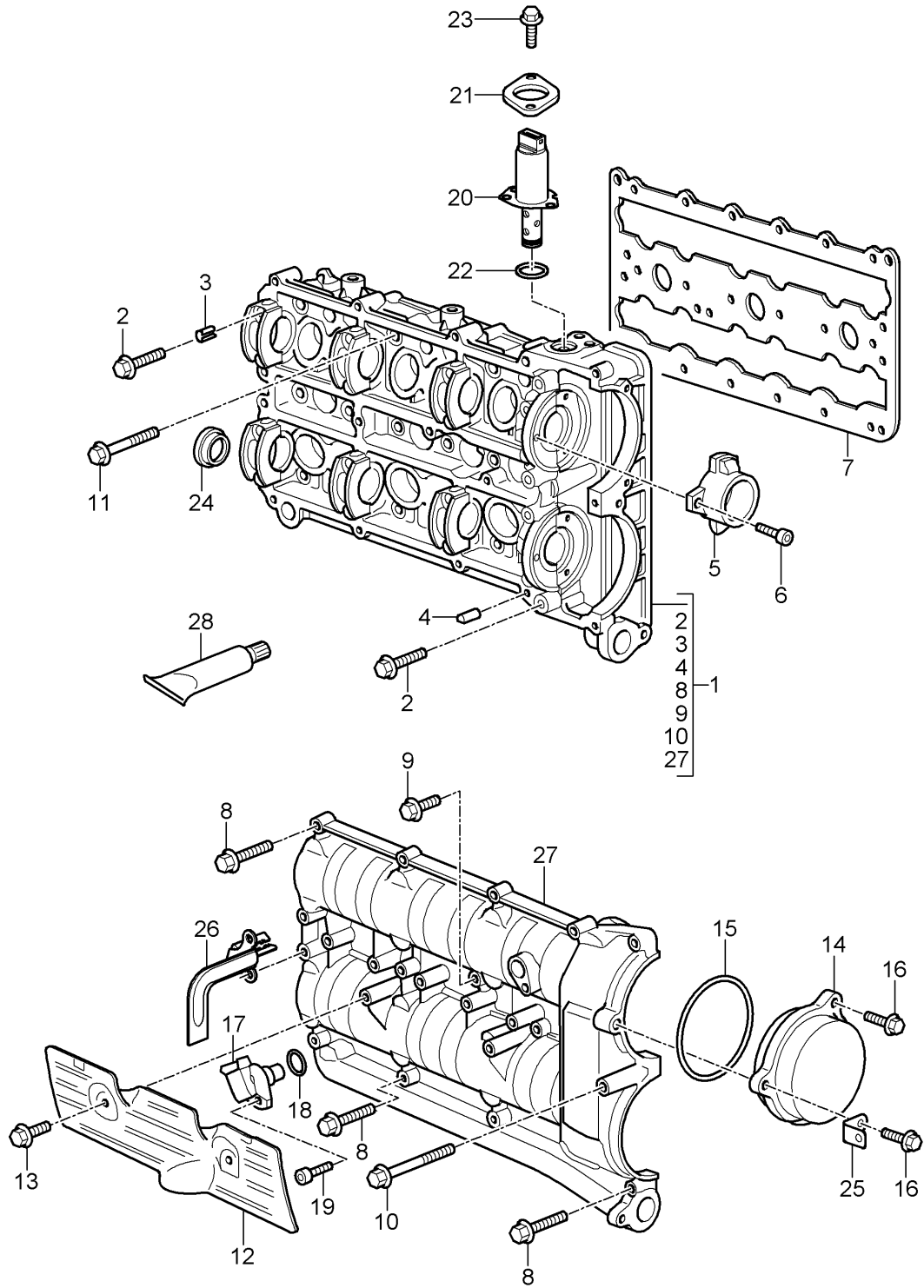
Model: 997G07

Model life 2007>>2011

Pos	Part Number	Description	Remark	Qty	Model
		Chain case chain tensioner			9777,9774
1	997 105 143 70	Chain case	left	1	
2	997 105 144 91	Chain case	right	1	
3	996 105 192 71	Seal		2	
4	900 385 098 01	Torx screw AM 8 X 25		1	
5	900 067 276 01	Bolt with washer M 8 X 35		4	
6	900 067 247 01	Bolt with washer M 8 X 30		5	
7	997 105 061 70	chain tensioner Cyl. 1 - 3		1	
8	993 105 022 01	Cover		2	
9	996 105 172 70	Seal		2	
10	997 105 062 70	chain tensioner Cyl. 4 - 6		1	
11	900 385 019 01	Torx screw M 6 X 20		4	
12	901 101 145 00	dowel sleeve		4	
13	999 707 229 41	O-ring 9,25 X 1,78		4	
14	996 105 229 90	Intermediate piece		2	
15	996 105 513 72	Seal	left	1	
16	996 105 514 72	Seal	right	1	

Model: 997G07

Model life 2007>>2011





Model: 997G07

Model life 2007&gt;&gt;2011

Pos	Part Number	Description	Remark	Qty	Model
		Camshaft housing			9776
1	997 105 907 90	Camshaft housing	left	1	
(1)	997 105 908 90	Camshaft housing	right	1	
2	900 385 048 01	Torx screw AM 6 X 30		40	
3	944 104 361 00	dowel sleeve		28	
4	900 012 071 00	Cylinder pin A 4,0 X 8		4	
5	996 105 233 72	Oil-conducting housing	left	1	
(5)	996 105 234 72	Oil-conducting housing	right	1	
6	900 067 051 03	Socket head bolt M 5 X 10		6	
7	996 105 613 91	Seal Discontinued part		2	
7	996 105 613 93	Seal		1	
8	900 385 270 01	Hexagon head bolt AM 6 X 35		28	
9	900 385 072 01	Torx screw AM 6 X 25		4	
10	900 385 118 01	Outer hexagon round screw M 6 X 75		2	
11	900 385 071 01	Torx screw AM 8 X 50		36	
12	996 104 426 73	Guard plate		2	
13	900 385 041 01	Torx screw M 6 X 12		4	
14	997 105 315 71	Cover		2	
15	999 707 482 41	O-ring 90,00 X 2,50		2	
16	900 385 019 01	Torx screw M 6 X 20		6	
17	997 606 106 03	Hall sensor Intake Exhaust		4	
18	999 707 404 40	O-ring 17,05 X 1,78 To Use 997.606.106.03		4	
19	900 387 264 01	No longer use the part here Socket head bolt M 6 X 16 Discontinued part		2	
19	N 105 464 03	Hexagon socket head bolt M 6 X 16		2	
20	997 105 303 72	throttle control element Discontinued part		2	
20	997 105 303 73	throttle control element		2	
21	997 105 305 75	bracket f.throttle contr.elem.		2	
22	999 707 504 40	O-ring 24 X 2,50 No longer use the part here		2	
22	996 105 903 05	O-ring 18,72 x 2,62		2	
23	900 385 275 01	Torx screw M 6 X 20		4	
24	996 105 329 70	End cap		4	
25	477 971 881 A	Retaining plate		1	
26	996 607 117 00	Sensor bracket Discontinued part		1	
26	996 607 117 01	Sensor bracket		1	
27		Cover			

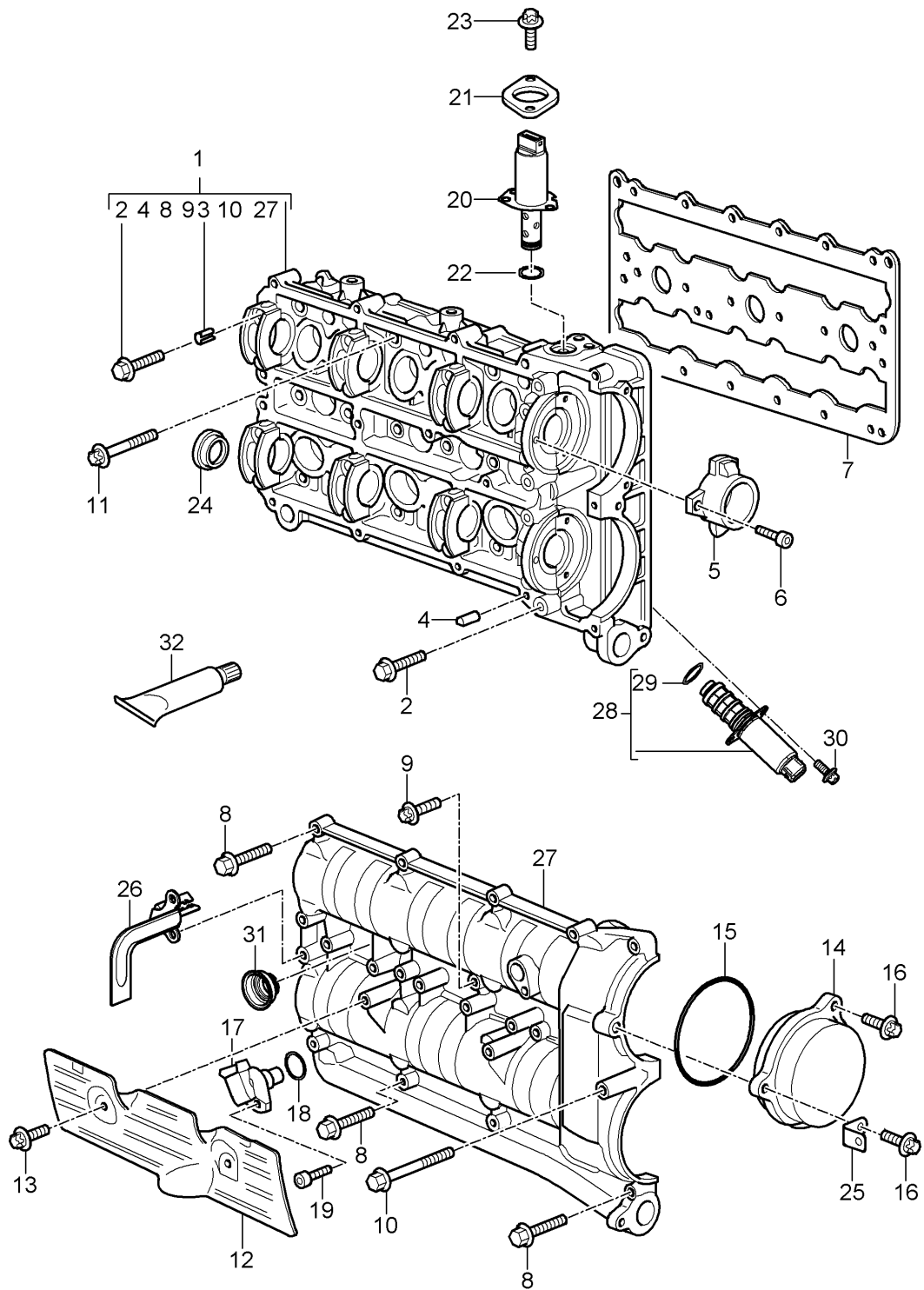
Model: 997G07

Model life 2007>>2011

Pos	Part Number	Description	Remark	Qty	Model
28	000 043 204 58	Matching with: Camshaft housing sealant Silicon FD 2210 Container 30 gr.		X	
36	999 915 573 43	sealant DOBOSEAL 224N 75 ML		X	
(28)	000 043 024 00	Extreme-pressure grease 1 tube 80 Gr. for Camshaft		1	

Model: 997G07

Model life 2007>>2011



Model: 997G07 Model life 2007>>2011

Pos	Part Number	Description	Remark	Qty	Model
1	997 105 909 90	Camshaft housing	left	1	9777,9774
(1)	997 105 910 90	Camshaft housing Cyl. 1 - 3	right	1	
2	900 385 048 01	Torx screw AM 6 X 30		40	
3	944 104 361 00	dowel sleeve		28	
4	900 012 071 00	Cylinder pin A 4,0 X 8		4	
5	997 105 233 91	Oil-conducting housing		4	
6	900 067 051 03	Socket head bolt M 5 X 10		12	
7	996 105 613 93	Seal		2	
8	900 385 270 01	Hexagon head bolt AM 6 X 35		28	
9	900 385 072 01	Torx screw AM 6 X 25		2	
10	900 385 118 01	Outer hexagon round screw M 6 X 75		2	
11	900 385 071 01	Torx screw AM 8 X 50		36	
12	997 104 435 90	Guard plate Cyl. 1 - 3		1	
(12)	997 104 436 90	Guard plate Cyl. 4 - 6		1	
13	900 385 041 01	Torx screw M 6 X 12		4	
14	997 105 315 71	Cover		2	
15	999 707 482 41	O-ring 90,00 X 2,50		1	
15	999 701 208 40	No longer use the part here O-ring 88,57 x 2,62		1	
16	900 385 019 01	Torx screw M 6 X 20		3	
17	997 606 106 01	Hall sensor Discontinued part		4	
17	997 606 106 03	Hall sensor		4	
18	999 707 404 40	O-ring 17,05 X 1,78		2	
19	999 073 103 01	To Use 997.606.106.03 No longer use the part here flat round head bolt M 6 X 16		4	
20	997 105 303 73	throttle control element Intake		2	
21	997 105 305 75	bracket f.throttle contr.elem.		2	
22	996 105 903 05	O-ring 18,72 x 2,62		2	
23	900 385 275 01	Torx screw M 6 X 20		2	
24	996 105 329 70	End cap		4	
25	997 110 597 90	Retaining plate		2	
26	996 607 117 00	Sensor bracket		1	9777 9774
26	996 607 117 01	Sensor bracket		1	
27		Cover			
28	9A1 105 304 02	Matching with: Camshaft housing throttle control element NVS		2	

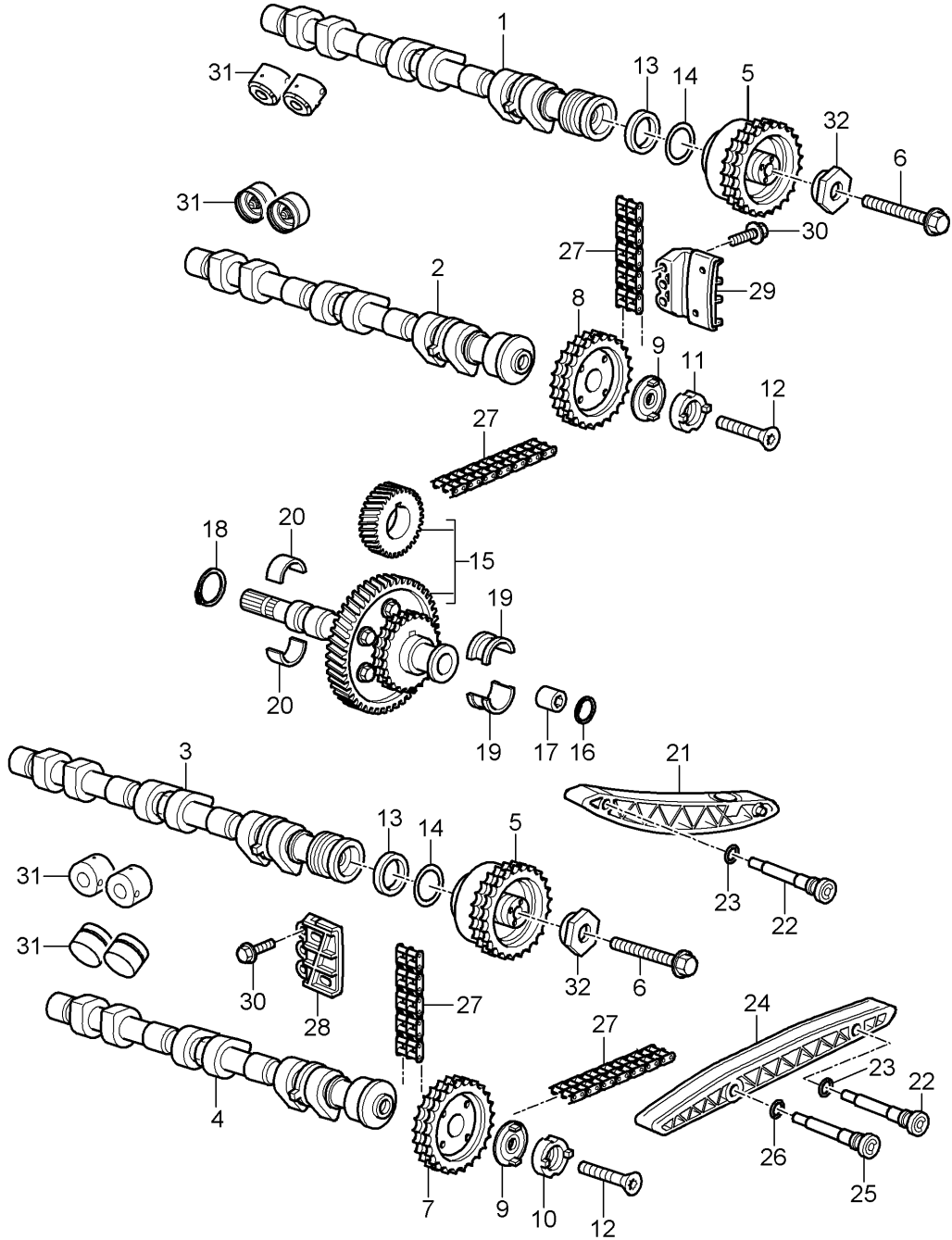
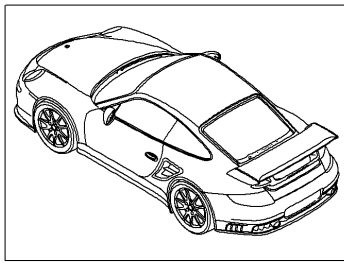
Model: 997G07

Model life 2007>>2011

Pos	Part Number	Description	Remark	Qty	Model
28	9A1 105 304 03	Discontinued part throttle control element NVS		2	
28	9A1 105 304 04	Discontinued part throttle control element NVS		2	
29	999 707 446 40	O-ring 18 X 2,5 No longer use the part here		2	
(29)	999 701 342 40	O-ring 19 X 2,5		2	
30	900 385 112 01	Torx screw BM 5 X 12		4	
31	997 105 602 90	Sleeve for Ignition coil		6	
32	000 043 204 58	sealant DREI BOND 2210 30 GR.		X	
32	999 915 573 43	Discontinued part sealant DOBOSEAL 224N 75 ML		X	
(32)	000 043 024 00	Extreme-pressure grease 1 tube 80 Gr. for Camshaft		1	

Model: 997G07

Model life 2007>>2011



Model: 997G07 Model life 2007>>2011

Pos	Part Number	Description	Remark	Qty	Model
1	997 105 020 91	Valve control Camshaft Intake Cyl. 4 - 6		1	9776
2	996 105 245 90	Camshaft Exhaust Cyl. 4 - 6		1	
3	997 105 019 91	Camshaft Intake Cyl. 1 - 3		1	
4	997 105 245 90	Camshaft Exhaust Cyl. 1 - 3		1	
5	997 105 051 91	throttle control element Discontinued part		2	
5	997 105 051 93	throttle control element		2	
6	987 105 254 00	Hexagon bolt M 12 X 1,5 X 130		2	
7	996 105 177 72	Chain sprocket Camshaft Exhaust Cyl. 1 - 3		1	
8	996 105 178 72	Chain sprocket Camshaft Exhaust Cyl. 4 - 6		1	
9	996 105 647 81	Washer		2	
10	959 105 161 03	Clutch plate Camshaft Exhaust Cyl. 1 - 3		1	
11	959 105 161 04	Clutch plate Camshaft Exhaust Cyl. 4 - 6		1	
12	997 105 317 71	Socket head bolt M 12 X 1,5 X 43		2	
13	996 105 280 90	ring		6	
14	997 105 203 70	Washer for camshaft		2	
15	959 105 911 90	Intermediate shaft	with:	1	
15	959 105 911 12	Timing gear Size 0 Intermediate shaft	with:	1	
16	900 041 026 01	Timing gear Size 1 Securing ring 13 X 1		1	
17	901 105 275 00	Sealing cap		1	
18	900 042 017 01	Securing ring 16 X 1		1	
19	996 101 137 80	Mounting		2	
20	996 101 435 70	bearing shell		2	
21	996 105 165 71	Tensioner blade		2	
22	964 105 171 03	Pin		4	
23	900 123 131 30	seal ring		4	
24	996 105 167 70	slide rail	left	1	
(24)	996 105 166 70	slide rail	right	1	
25	996 105 175 70	bearing pin		2	
26	900 123 152 30	seal ring		2	
27	959 105 552 01	timing chain		2	
28	996 105 037 75	slide rail	left	1	

Model: 997G07

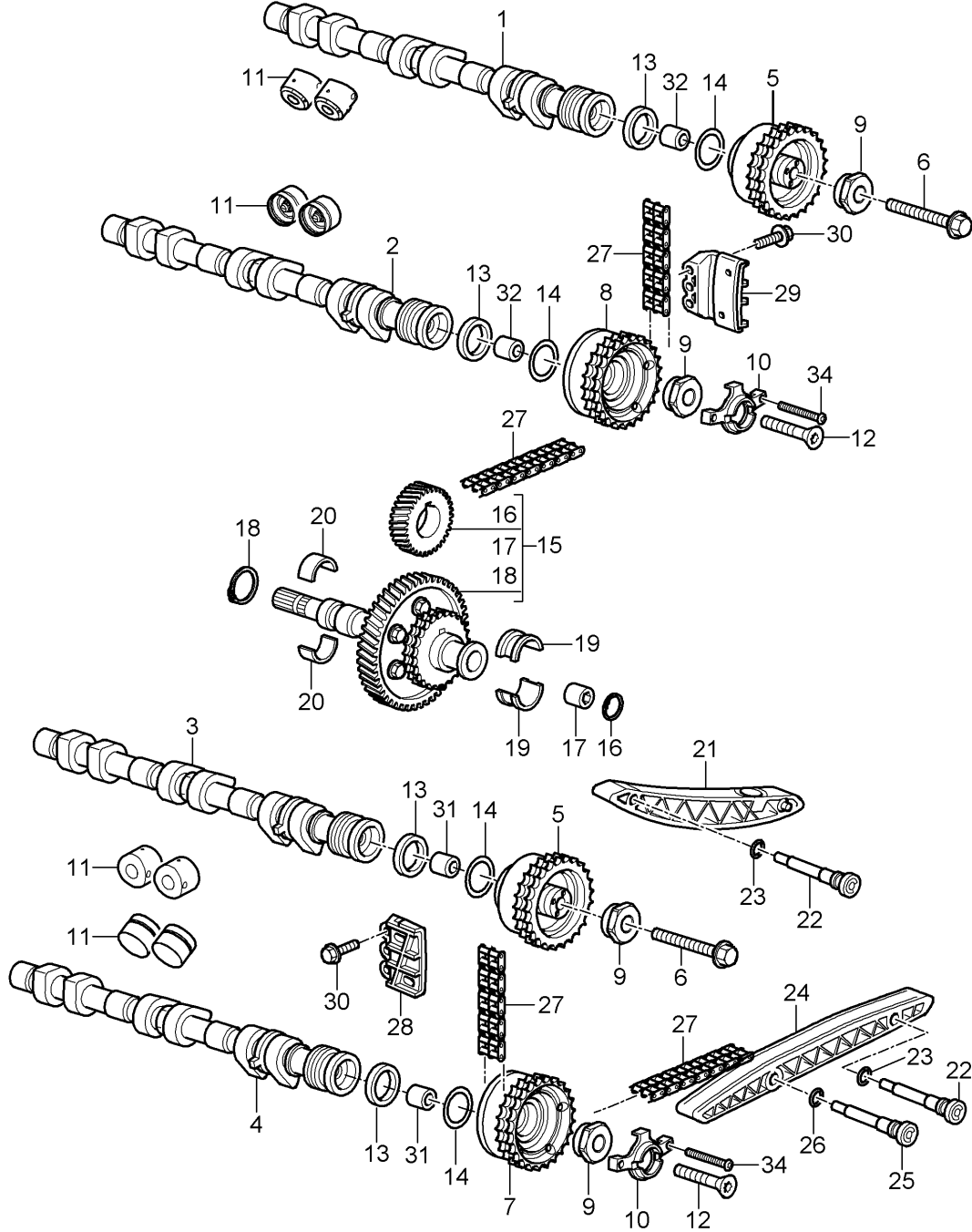
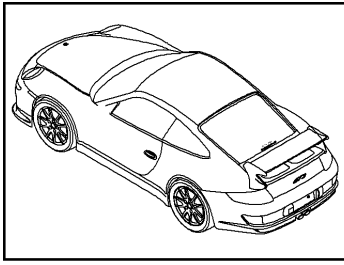
Model life 2007&gt;&gt;2011

Pos	Part Number	Description	Remark	Qty	Model
29	996 105 038 75	slide rail	right	1	
30	900 385 072 01	Torx screw AM 6 X 25		6	
31	948 105 071 02	Hydraulic tappet Discontinued part		24	
(31)	9A1 105 071 00	Hydraulic tappet		24	
32	997 105 260 70	Intermediate piece camshaft adjuster unit		2	
-	000 043 024 00	Extreme-pressure grease 1 tube 80 Gr. for Camshaft		1	



Model: 997G07

Model life 2007>>2011



Model: 997G07

Model life 2007&gt;&gt;2011

Pos	Part Number	Description	Remark	Qty	Model
1	997 105 020 92	Valve control Camshaft Intake Cyl. 4 - 6		1	9777,9774
2	997 105 108 90	Camshaft Exhaust Cyl. 4 - 6		1	
3	997 105 019 92	Camshaft Intake Cyl. 1 - 3		1	
4	997 105 107 90	Camshaft Exhaust Cyl. 1 - 3		1	
5	997 105 051 91	throttle control element Camshaft Intake Discontinued part		2	
5	997 105 051 93	throttle control element Camshaft Intake		2	
(5)	997 105 051 92	throttle control element Camshaft Intake		2	9777
(5)	997 105 051 93	throttle control element Camshaft Intake		2	9774
6	987 105 254 00	Hexagon bolt M 12 X 1,5 X 130		2	
7	997 105 053 91	throttle control element Camshaft Exhaust Cyl. 1 - 3		1	
(7)	997 105 053 92	No longer use the part here throttle control element Camshaft Exhaust Cyl. 1 - 3		1	9777
(7)	997 105 053 93	throttle control element Camshaft Exhaust Cyl. 1 - 3		1	9774
8	997 105 054 91	throttle control element Camshaft Exhaust Cyl. 4 - 6		1	
(8)	997 105 054 92	No longer use the part here throttle control element Camshaft Exhaust Cyl. 4 - 6		1	9777
(8)	997 105 054 93	throttle control element Camshaft Exhaust Cyl. 4 - 6		1	9774
(8)	997 105 054 94	Discontinued part throttle control element Camshaft Exhaust Cyl. 4 - 6		1	9774
9	997 105 260 70	Intermediate piece camshaft adjuster unit		2	
10	997 105 227 90	Clutch plate Vacuum pump		1	

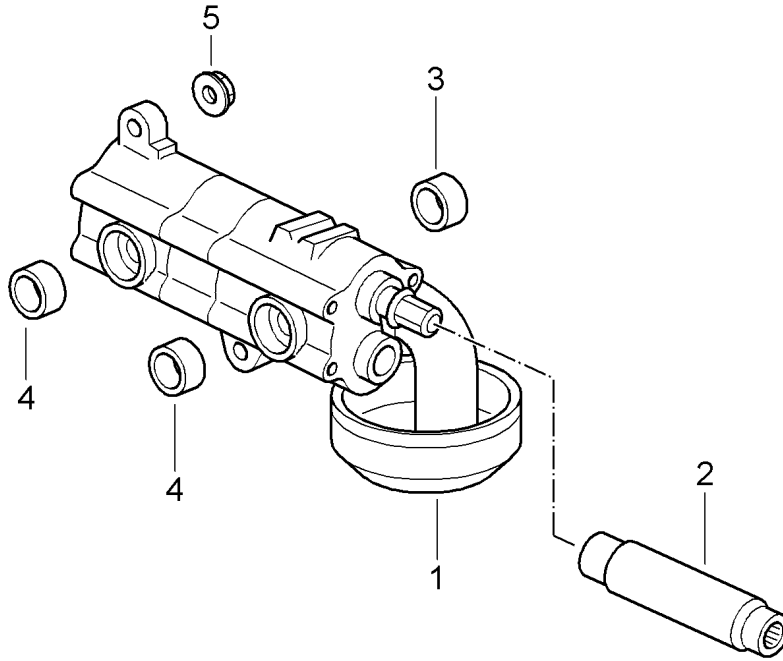
Model: 997G07

Model life 2007>>2011

Pos	Part Number	Description	Remark	Qty	Model
11	9A1 105 071 00	Hydraulic tappet		24	
12	997 105 317 90	Socket head bolt M12 x 1,5 x 130		2	
13	996 105 280 90	ring		6	
14	997 105 203 70	Washer for camshaft		2	
15	959 105 914 90	Intermediate shaft		1	9777
		with:			
(15)	959 105 914 92	Timing gear Intermediate shaft		1	9774
		with:			
16	900 041 026 01	Timing gear Securing ring 13 X 1		1	
17	993 105 275 52	Intermediate piece M18 x 1,5		1	
18	900 041 025 01	Securing ring 36 X 1,75		2	
19	996 101 137 80	Mounting		2	
20	996 101 435 70	bearing shell		2	
21	996 105 165 71	Tensioner blade		2	9777
(21)	997 105 165 90	Tensioner blade		2	9774
22	964 105 171 03	Pin		4	
23	900 123 131 30	seal ring 16 x 20		4	
24	996 105 167 70	slide rail	left	1	
(24)	996 105 166 70	slide rail	right	1	
25	996 105 175 70	bearing pin		2	
26	900 123 152 30	seal ring 16 x 22		2	
27	997 105 551 90	timing chain		2	
28	996 105 037 75	slide rail	left	1	
29	996 105 038 75	slide rail	right	1	
30	900 385 072 01	Torx screw AM 6 X 25		6	
31	997 105 219 90	Sleeve Camshaft Cyl. 1 - 3		2	
32	997 105 220 90	Sleeve Camshaft Cyl. 4 - 6		2	
33	000 043 024 00	Extreme-pressure grease 1 tube 80 Gr. for Camshaft		1	
34	999 073 472 01	flat round head bolt M 6 x 55 for Follower		2	

Model: 997G07

Model life 2007>>2011



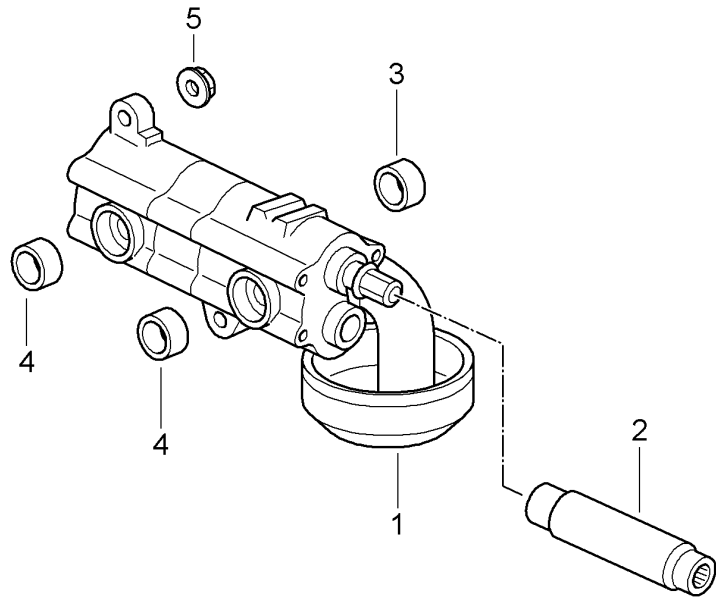
Model: 997G07

Model life 2007&gt;&gt;2011

Pos	Part Number	Description	Remark	Qty	Model
1	996 107 007 94	oil pump		1	9776
2	930 107 143 03	oil pump		1	
3	999 704 173 50	Connecting shaft		1	
		seal ring		1	
		19,5 X 26			
4	999 704 172 50	seal ring		2	
		16,3 X 22			
5	900 380 005 09	Hexagon nut		3	
		M 8			

Model: 997G07

Model life 2007>>2011



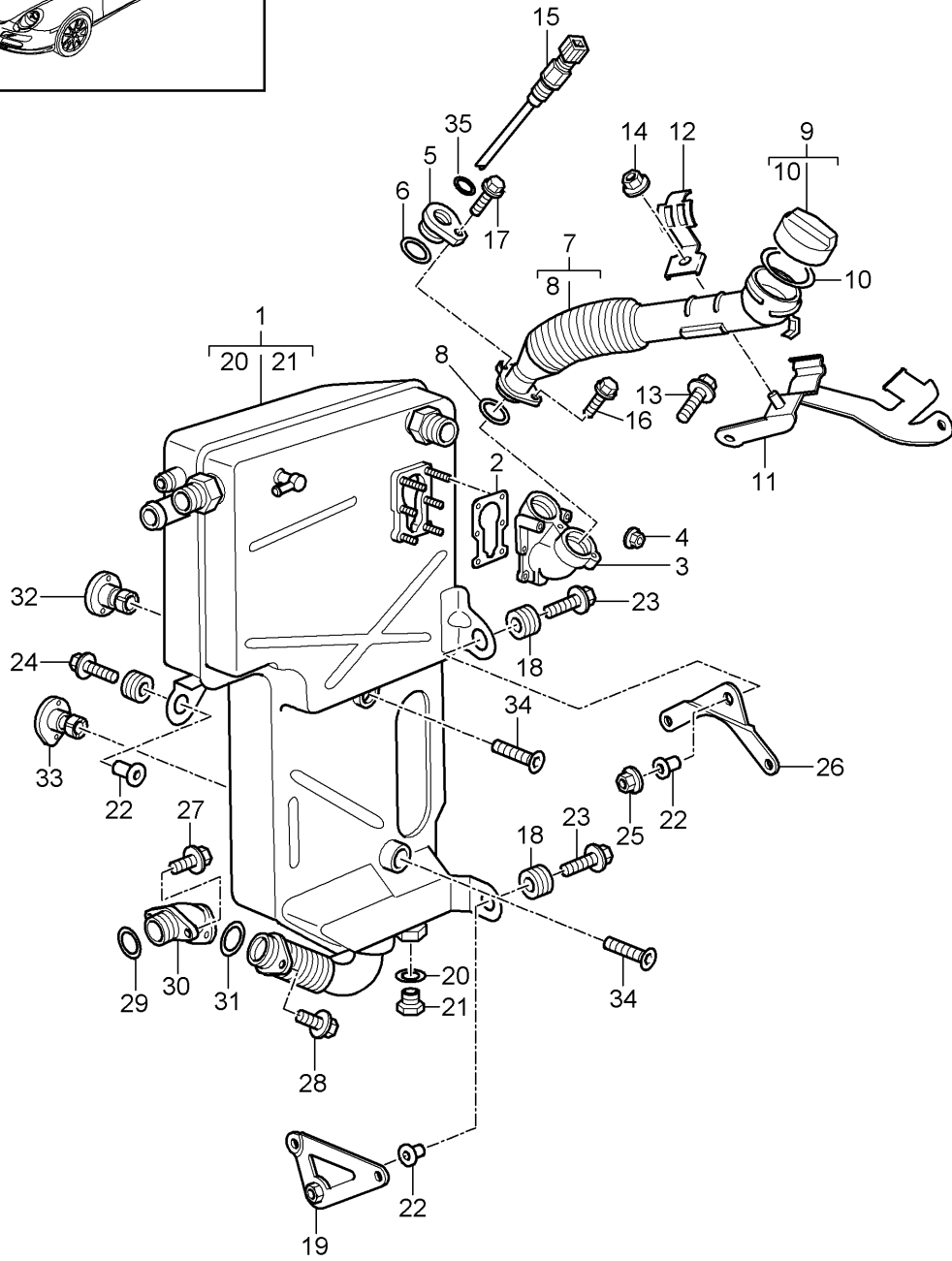
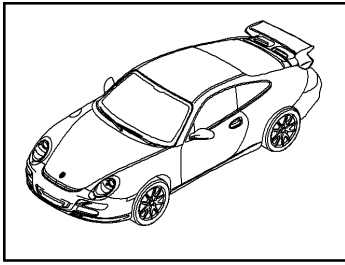
Model: 997G07

Model life 2007>>2011

Pos	Part Number	Description	Remark	Qty	Model
1	997 107 007 90	oil pump		1	9777,9774
(1)	997 107 007 91	oil pump		1	9777
2	930 107 143 03	oil pump		1	9774
2	930 107 143 03	Connecting shaft		1	
3	999 704 173 50	seal ring		1	
		19,5 X 26			
4	999 704 172 50	seal ring		2	
		16,3 X 22			
5	900 380 005 09	Hexagon nut		3	
		M 8			

Model: 997G07

Model life 2007>>2011





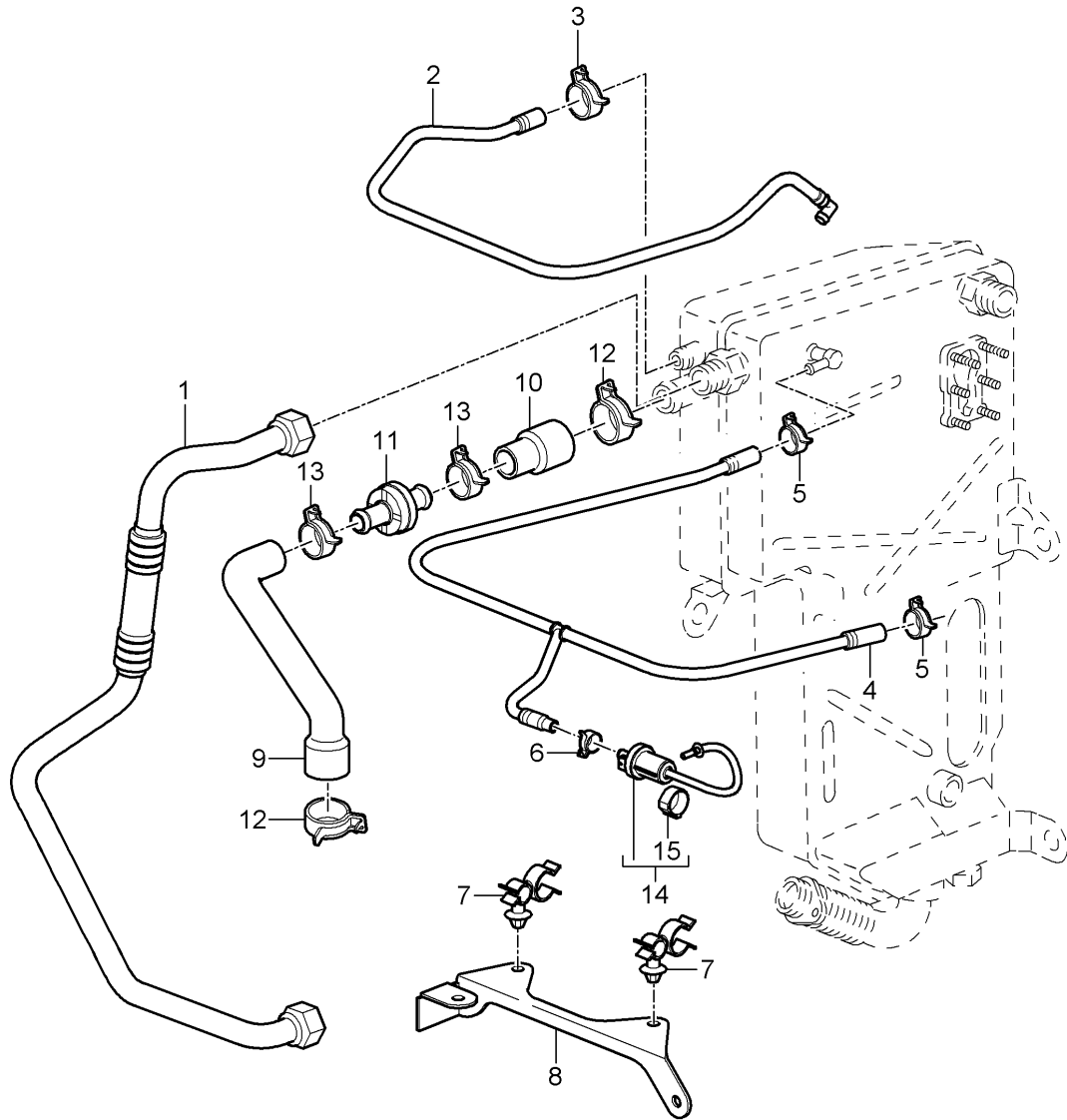
Model: 997G07

Model life 2007&gt;&gt;2011

Pos	Part Number	Description	Remark	Qty	Model
		Engine lubrication			9776
		Oil tank			
1	997 207 070 91	Oil tank		1	
2	993 207 226 00	Seal		1	
3	996 207 150 73	Intermediate piece		1	
4	900 377 019 02	Hexagon nut M 5		6	
		Discontinued part			
4	900 377 009 01	Hexagon nut M 5		6	
5	996 207 212 70	flange		1	
6	999 707 343 41	O-ring		1	
		25,07 X 2,62			
7	997 207 016 70	Filler tube		1	
8	999 707 481 40	O-ring		1	
		24 X 3,0			
9	996 107 035 52	End cap		1	
10	996 107 336 00	Seal		1	
11	997 207 216 93	Bracket		1	
12	997 207 293 90	Retainer bracket		1	
13	900 385 041 01	Torx screw M 6 X 12		2	
14	900 377 010 02	Hexagon nut M 6		1	
15	996 606 140 00	oil level sender		1	
16	900 385 050 01	Hexagon head bolt M 6 X 16		1	
17	900 385 275 01	Torx screw M 6 X 20		1	
18	999 702 193 40	Rubber grommet 12,2 X 24,0 X 6,0		3	
19	997 207 417 71	Bracket		1	
20	900 123 010 20	seal ring 20 X 24		1	
21	900 065 018 00	sealing plug M 20 X 1,5		1	
22	999 209 037 02	spacer sleeve 8,4 X 1,8		3	
23	900 385 042 01	Torx screw M 8 X 35		2	
24	900 385 116 01	Torx screw M 8 X 30		1	
25	999 084 210 02	Hexagon nut M 8		1	
26	997 207 421 90	Bracket		1	
27	900 385 001 01	Torx screw M 8 X 20		1	
28	900 385 050 01	Hexagon head bolt M 6 X 16		2	
29	999 707 316 41	O-ring 21,89 X 2,62		1	
30	996 207 112 73	Intake connection		1	
31	999 707 364 41	seal ring 30 X 2,5		1	
32	996 207 207 73	Distance piece	upper	1	
33	996 207 206 73	Distance piece	lower	1	
34	900 249 061 01	countersunk bolt M 12 X 40		2	

Model: 997G07

Model life 2007>>2011



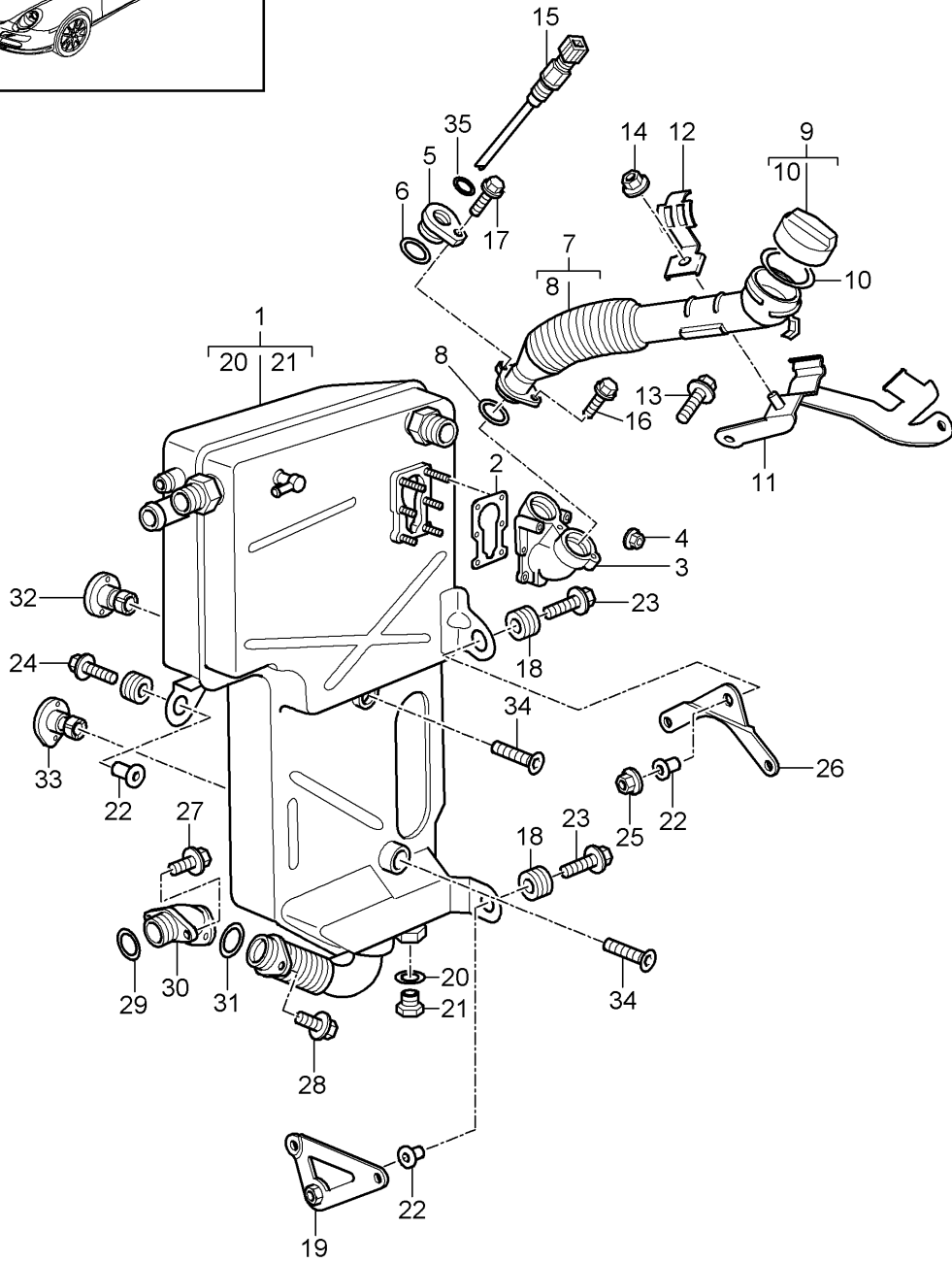
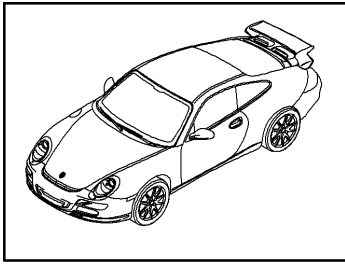
Model: 997G07

Model life 2007&gt;&gt;2011

Pos	Part Number	Description	Remark	Qty	Model
		Lines			9776
1	996 107 027 94	Oil tank return line		1	
2	997 207 037 90	Breather line		1	
3	999 512 656 09	Full load Hose clamp 25 X 12		2	
4	997 207 039 90	Breather line Teillast		1	
5	999 512 686 09	Hose clamp 17 X 2		2	
6	999 512 651 09	Hose clamp 15 X 12		1	
7	999 507 843 40	Hose bracket 16,0 / 10,0		2	
8	997 207 675 90	Retainer for breather hose		1	
9	997 207 143 91	Molded hose Bleeding Crankcase housing		1	
10	997 207 145 91	Molded hose Discontinued part		1	
10	997 207 145 92	Molded hose		1	
11	997 107 491 90	Non-return valve Discontinued part		1	
11	997 107 491 91	Non-return valve		1	
12	999 512 662 09	Hose clamp 32 X 12		2	
13	999 512 656 09	Hose clamp 25 X 12		2	
14	997 110 129 91	Breather line		1	
15	997 110 201 90	Thrust ring		1	

Model: 997G07

Model life 2007>>2011



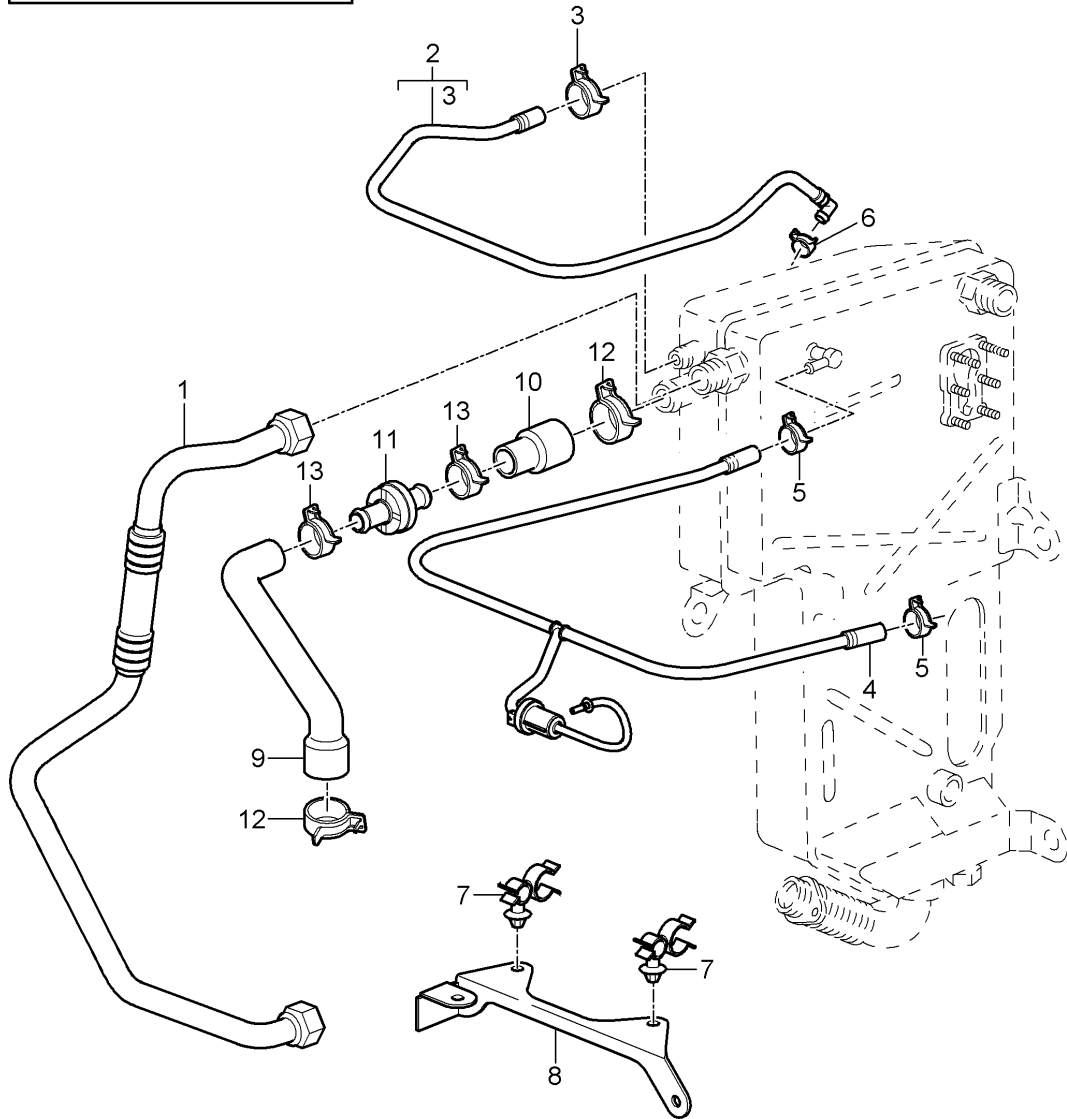
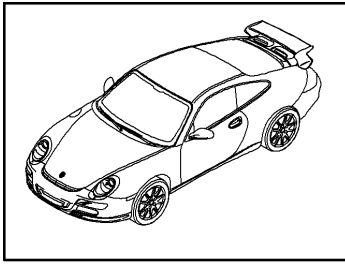
Model: 997G07

Model life 2007>>2011

Pos	Part Number	Description	Remark	Qty	Model
		Engine lubrication			9777,9774
		Oil tank			
1	997 207 070 91	Oil tank		1	
2	993 207 226 00	Seal		1	
3	996 207 150 73	Intermediate piece		1	
4	900 377 009 01	Hexagon nut M 5		6	
5	996 207 212 70	flange		1	
6	999 707 343 41	O-ring 25,07 X 2,62		1	
7	997 207 016 70	Filler tube		1	
8	999 707 481 40	O-ring 24 X 3,0		1	
9	996 107 035 52	End cap		1	
10	996 107 336 00	Seal		1	
11	997 207 216 93	Bracket		1	
12	997 207 293 90	Retainer bracket		1	
13	900 385 041 01	Torx screw M 6 X 12		2	
14	900 377 010 02	Hexagon nut M 6		1	
15	996 606 140 00	oil level sender		1	
16	900 385 050 01	Hexagon head bolt M 6 X 16		1	
17	900 385 275 01	Torx screw M 6 X 20		1	
18	999 702 193 40	Rubber grommet 12,2 X 24,0 X 6,0		3	
19	997 207 417 71	Bracket		1	
20	900 123 010 20	seal ring 20 X 24		1	
21	900 065 018 00	sealing plug M 20 X 1,5		1	
22	999 209 037 01	spacer sleeve 8,4 X 1,8		3	
23	900 385 042 01	Torx screw M 8 X 35		2	
24	900 385 116 01	Torx screw M 8 X 30		1	
25	999 084 210 01	Hexagon nut M 8		1	
26	997 207 421 90	Bracket		1	
27	900 385 001 01	Torx screw M 8 X 20		1	
28	900 385 009 01	Torx screw M 6 X 16		2	
29	999 707 316 41	O-ring 21,89 X 2,62		2	
30	996 207 112 73	Intake connection		1	
31	999 707 364 41	seal ring 30 X 2,5		1	
32	996 207 207 73	Distance piece	upper	1	
33	996 207 206 73	Distance piece	lower	1	
34	900 249 061 01	countersunk bolt M 12 X 40		2	
35	900 123 010 30	seal ring A20 x 24		1	

Model: 997G07

Model life 2007>>2011



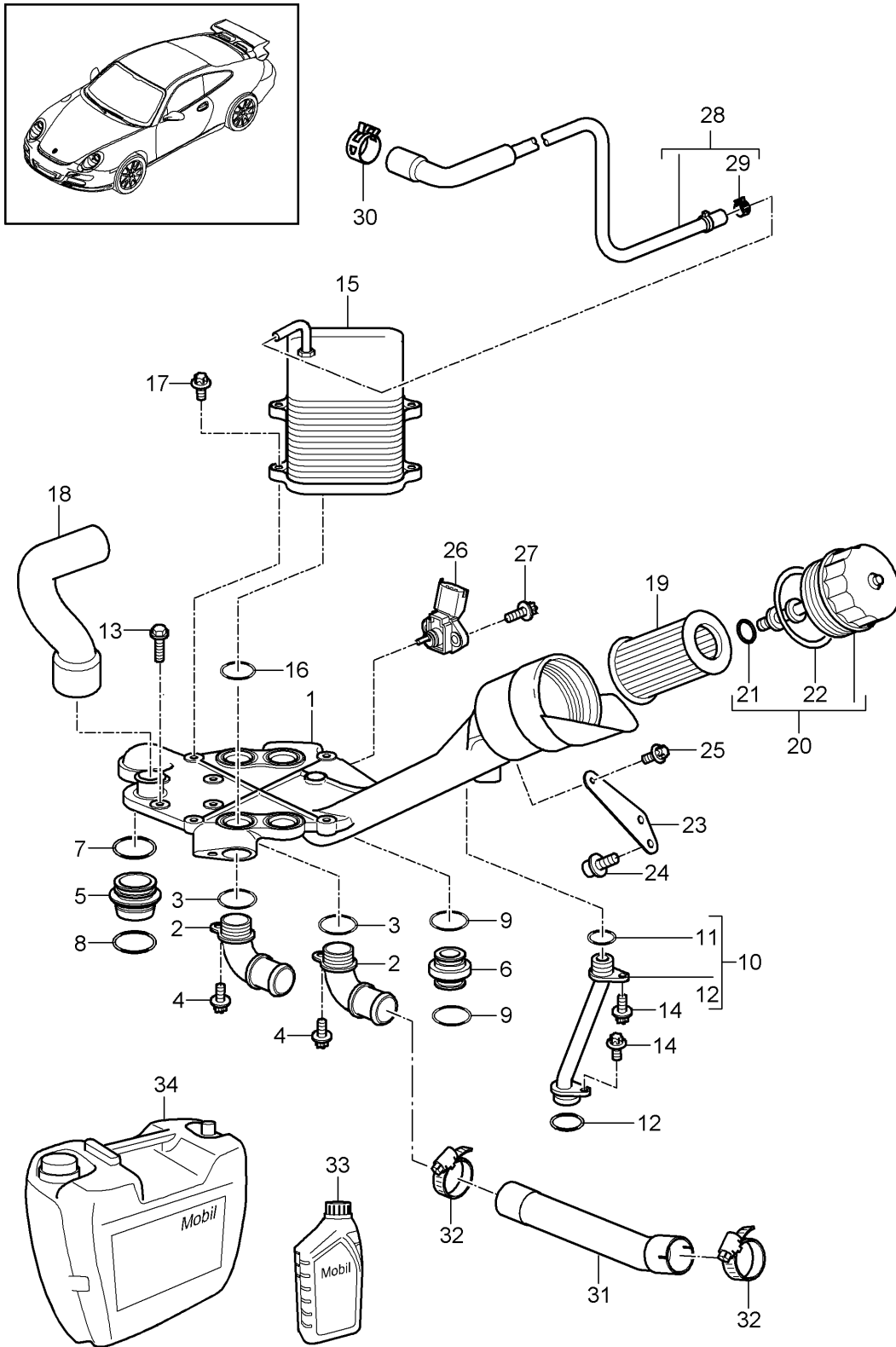
Model: 997G07

Model life 2007>>2011

Pos	Part Number	Description	Remark	Qty	Model
		Lines			9777,9774
1	996 107 027 94	Oil tank return line		1	
2	997 207 037 90	Breather line		1	
3	999 512 656 09	Full load Hose clamp 25 X 12		2	
4	997 207 039 91	Breather line Teillast		1	
5	999 512 686 09	Hose clamp 17 X 2		2	
7	999 507 843 40	Hose bracket 16,0 / 10,0		2	
8	997 207 675 90	Retainer for breather hose		1	
9	997 207 143 91	Molded hose Bleeding		1	
10	997 207 145 91	Crankcase housing Molded hose D >> - MJ 2010		1	9777
10	997 207 145 92	Discontinued part Molded hose D - MJ 2011>>		1	9777,9774
11	997 107 491 90	Non-return valve D >> - MJ 2010		1	9777
(11)	997 107 491 91	Non-return valve D - MJ 2011>>		1	9777,9774
12	999 512 662 09	Hose clamp 32 X 12		2	
13	999 512 455 00	Hose clamp 24-27,1		2	

Model: 997G07

Model life 2007>>2011





Model: 997G07

Model life 2007&gt;&gt;2011

Pos	Part Number	Description	Remark	Qty	Model
		oil filter			9776
1	997 107 033 90	Console		1	
		Console			
		Discontinued part			
(1)	997 107 033 91	Console		1	
2	997 106 313 72	Pipe union		2	
3	999 707 478 40	O-ring		4	
		24,0 X 3,0			
4	900 385 009 01	Torx screw		2	
		M 6 X 16			
5	996 107 441 71	Connector union		1	
6	997 107 451 70	Connector union		1	
		Discontinued part			
6	997 107 451 71	Connector union		1	
7	999 707 422 41	O-ring		1	
		32,92 X 3,53			
8	999 707 426 41	O-ring		1	
		37,69 X 3,53			
9	999 707 113 41	O-ring		2	
		20,22 X 3,53			
10	997 107 311 90	oil pipe		1	
11	999 701 789 40	O-ring		1	
		12,00 X 2,00			
12	999 707 446 40	O-ring		2	
		18 X 2,5			
13	900 075 341 01	Bolt with washer		4	
		M 6 X 25			
14	900 385 041 01	Torx screw		2	
		M 6 X 12			
15	997 107 025 90	heat exchanger		1	
		Discontinued part			
15	997 107 025 91	heat exchanger		1	
		Discontinued part			
15	997 107 025 92	heat exchanger		1	
16	999 707 409 40	O-ring		4	
		26,00 X 3,00			
17	900 385 009 01	Torx screw		4	
		M 6 X 16			
18		see illustration:	104-006	1	
19	996 107 225 53	filter element		1	
20	996 107 285 70	Cover		1	
21	999 707 465 40	O-ring		1	
		10 X 2			
22	996 107 313 51	seal ring		1	
		71,5 X 3,5			
23	997 107 301 90	Retainer for oil cooler		1	
24	900 067 291 01	Bolt with washer		2	
		M 8 X 16			
25	900 385 009 01	Torx screw		1	
		M 6 X 16			
26	997 606 203 01	Oil pressure sender		1	
		Discontinued part			
(26)	997 606 203 02	Oil pressure sender		1	
27	900 385 019 01	Torx screw		2	
		M 6 X 20			
28	997 106 049 90	Breather line		1	
29	999 512 651 09	Hose clamp		1	
		B 15 X 12			
30	999 512 653 09	Hose clamp		1	
		B 20 X 12			
31	997 106 328 72	Water hose		1	
		Return line			
32	999 512 552 00	Hose clamp		2	

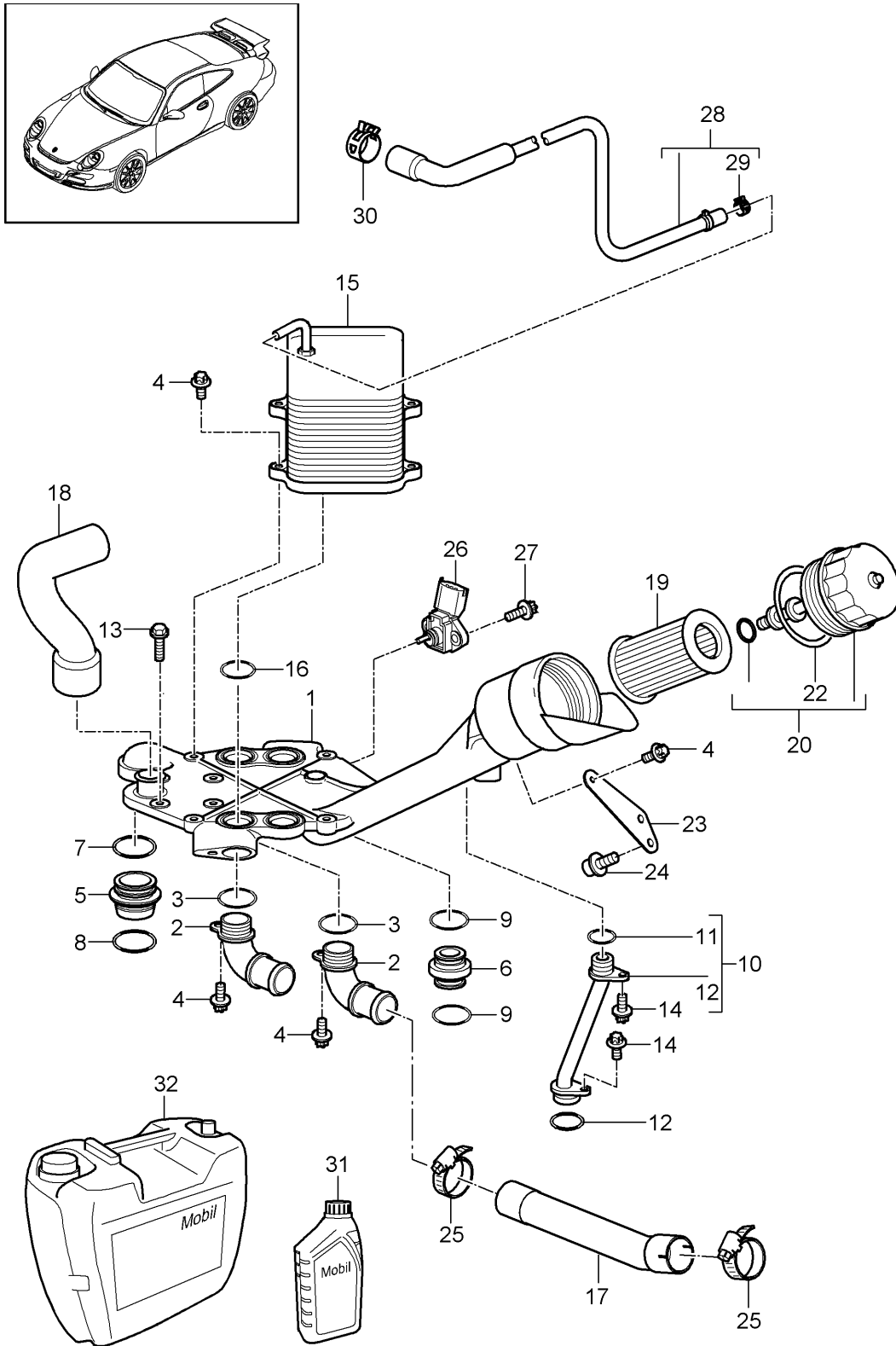
Model: 997G07

Model life 2007>>2011

Pos	Part Number	Description	Remark	Qty	Model
32	999 512 552 01	20- 32/9 Discontinued part Hose clamp		2	
33	000 043 301 19	20- 32/9 engine oil EXXON MOBIL 1 0W-40 1 LITER Container		X	
(33)	000 043 303 16	engine oil EXXON MOBIL 1 0W-40 1 qt US gallon Container		X	
34	000 043 301 21	engine oil EXXON MOBIL 1 0W-40 20 LITER Container		X	

Model: 997G07

Model life 2007>>2011



Model: 997G07 Model life 2007>>2011

Pos	Part Number	Description	Remark	Qty	Model
		oil filter			9777,9774
		Console			
1	997 107 033 91	Console		1	
2	997 106 313 72	Pipe union		2	
3	999 707 478 40	O-ring		4	
		24,0 X 3,0			
4	900 385 009 01	Torx screw		7	
		M 6 X 16			
5	996 107 441 71	Connector union		1	
6	997 107 451 71	Connector union		1	
7	999 707 422 41	O-ring		1	
		32,92 X 3,53			
8	999 707 426 41	O-ring		1	
		37,69 X 3,53			
9	999 707 113 41	O-ring		2	
		20,22 X 3,53			
10	997 107 311 90	oil pipe		1	
11	999 701 789 40	O-ring		1	
		12,00 X 2,00			
12	999 707 446 40	O-ring		2	
		18 X 2,5			
		No longer use the part here			
(12)	999 701 342 40	O-ring		2	
		19 X 2,5			
13	900 385 275 01	Torx screw		4	
		M 6 X 20			
14	900 385 041 01	Torx screw		2	
		M 6 X 12			
15	997 107 025 90	heat exchanger		1	
		Discontinued part			
15	997 107 025 91	heat exchanger		1	
		Discontinued part			
15	997 107 025 92	heat exchanger		1	
16	999 707 409 40	O-ring		4	
		26,00 X 3,00			
		No longer use the part here			
16	999 707 409 41	O-ring		4	
		26,00 X 3,00			
17	997 106 328 72	Water hose		1	
		Return line			
18		see illustration:	104-006	1	
19	996 107 225 53	filter element		1	
20	996 107 285 70	Cover		1	
21	999 707 465 40	O-ring		1	
		10 X 2			
22	996 107 313 51	seal ring		1	
		71,5 X 3,5			
23	997 107 301 90	Retainer for oil cooler		1	
24	900 067 291 01	Bolt with washer		2	
		M 8 X 16			
25	999 512 552 00	Hose clamp		2	
		20 - 32/9			
		Discontinued part			
25	999 512 552 01	Hose clamp		2	
		20 - 32/9			
26	997 606 203 01	Oil pressure sender		1	
		Discontinued part			
26	997 606 203 02	Oil pressure sender		1	
27	900 385 019 01	Torx screw		2	
		M 6 X 20			
28	997 106 049 91	Breather line		1	9777
		Discontinued part			
28	997 106 049 94	Breather line		1	

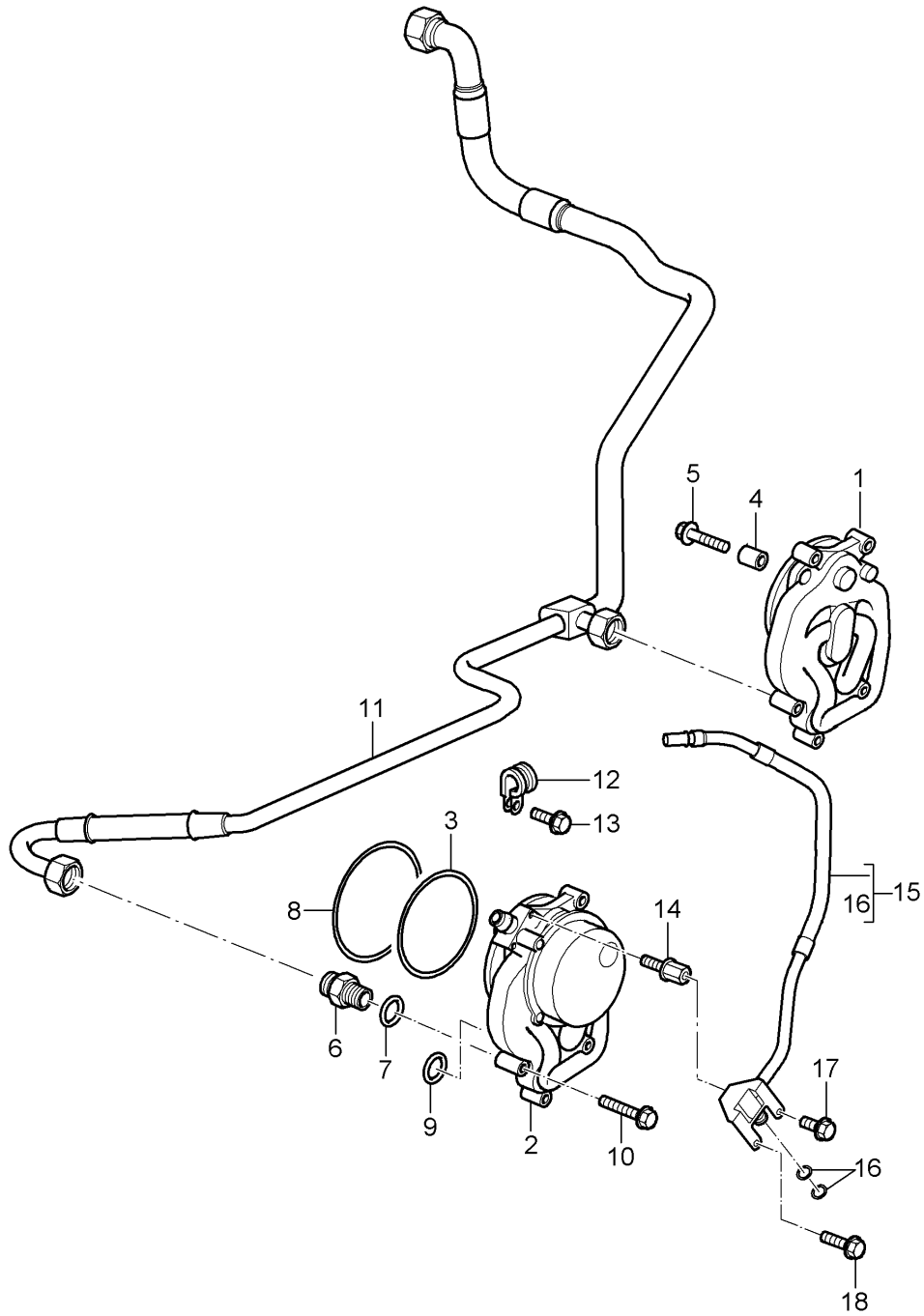
Model: 997G07

Model life 2007>>2011

Pos	Part Number	Description	Remark	Qty	Model
29	999 512 651 09	Hose clamp B 15 X 12		1	
30	999 512 653 09	Hose clamp B 20 X 12		1	
31	000 043 301 19	engine oil EXXON MOBIL 1 0W-40 1 LITER Container		X	
(31)	000 043 303 16	engine oil EXXON MOBIL 1 0W-40 1 qt US gallon Container		X	
32	000 043 301 21	engine oil EXXON MOBIL 1 0W-40 20 LITER Container		X	

Model: 997G07

Model life 2007>>2011



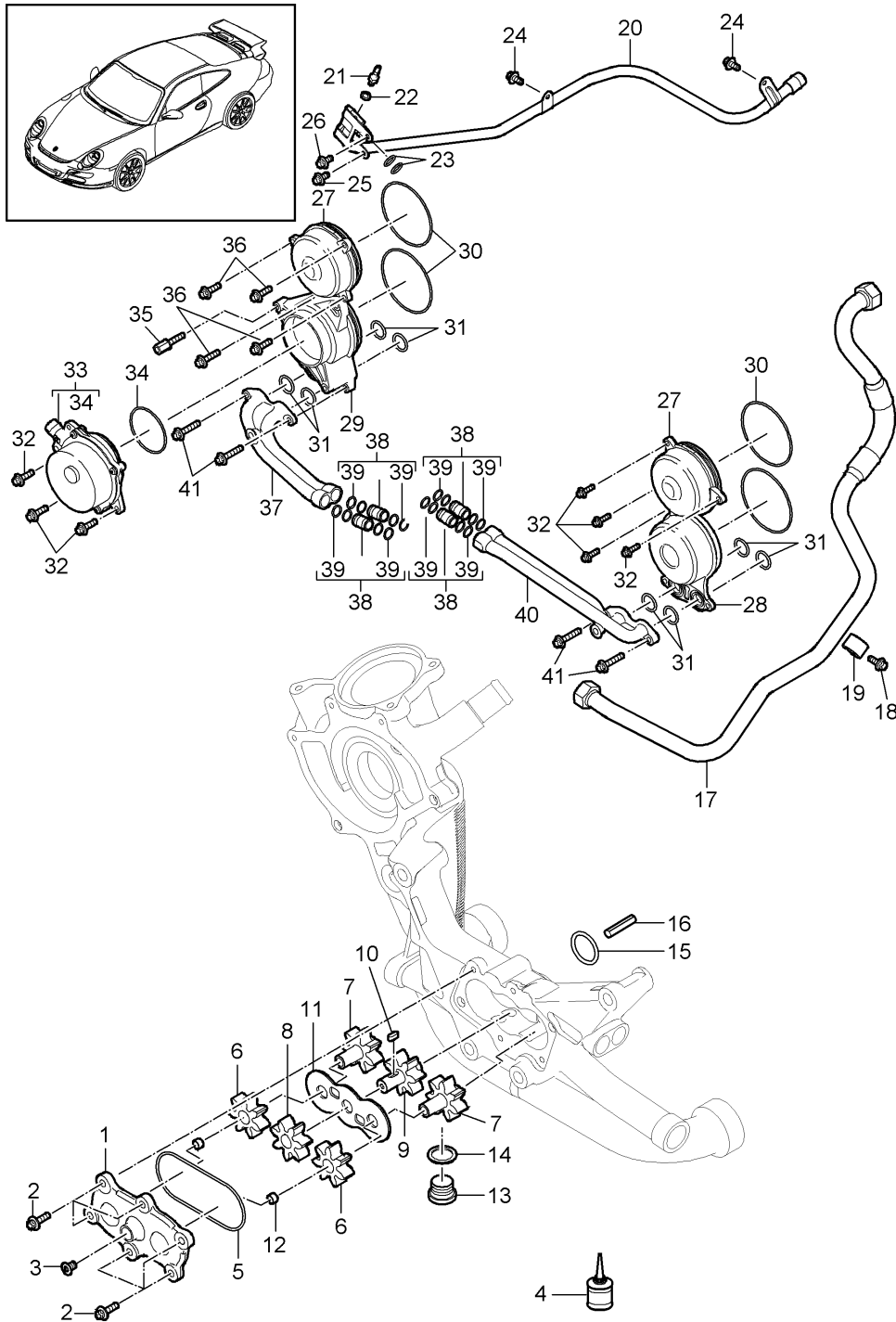
Model: 997G07

Model life 2007>>2011

Pos	Part Number	Description	Remark	Qty	Model
		Oil supply			9776
1	996 107 021 91	Return line oil pump Cyl. 4 - 6		1	
2	997 107 022 91	Tandem pump Cyl. 1 - 3		1	
3	999 707 425 40	O-ring 85,32 X 3,53		2	
4	996 104 117 50	dowel sleeve		4	
5	900 378 225 01	Hexagon bolt M 6 X 30		8	
6	900 915 006 01	threaded union A 15		2	
7	900 123 106 30	seal ring A 18 X 24		2	
8	999 707 482 41	O-ring 90,00 X 2,5		2	
9	999 707 499 40	O-ring 21,00 X 3,00		4	
10	900 385 270 01	Hexagon head bolt M 6 X 35		6	
11	997 107 019 90	return line		1	
12	999 511 250 02	Clamp		1	
13	900 385 041 01	Torx screw M 6 X 12		1	
14	997 107 357 70	Bolt with washer M 6 X 25		1	
15	997 105 116 73	Vacuum line Tandem pump		1	
-	999 651 394 40	Cable holder Vacuum line		1	
16	999 701 789 40	O-ring 12 X 2		2	
17	900 385 130 01	Hexagon socket head bolt M 6 X 10		1	
18	900 385 050 01	Hexagon head bolt M 6 X 16		1	

Model: 997G07

Model life 2007>>2011





Model: 997G07 Model life 2007>>2011

Pos	Part Number	Description	Remark	Qty	Model
		Oil supply			9777,9774
		Return line			
1	997 107 106 90	Oil pump cover		1	
		Discontinued part			
1	997 107 106 91	Oil pump cover		1	
2	900 385 143 01	Screw		6	
		M 5 x 16			
3	999 073 013 01	countersunk bolt		1	
		M 6 x 10			
4	999 915 281 40	Loctite		1	
		574			
5	999 707 032 40	O-ring		1	
		80 x 2			
6	997 107 257 90	gear		2	
7	997 107 253 90	shaft - oil pump		2	
		with:			
8	997 107 255 90	Drive pinion		1	
		gear			
9	997 107 251 90	shaft - oil pump		1	
		with:			
10	997 107 258 8A	Drive pinion			
		feather key		1	
		A 4 x 4 x 10			
11	997 107 259 90	Seal for oil pump		1	
12	997 107 265 90	dowel sleeve		2	
13	900 219 009 30	sealing plug		1	
		M 18 x 1,5			
14	900 123 106 30	seal ring		1	
		A 18 x 24			
15	999 707 315 41	O-ring		1	
		33,4 x 2,4			
16	997 107 252 90	Input shaft		1	
17	997 107 019 94	return line		1	
18	900 385 009 01	Torx screw		1	
		M 6 x 16			
19	999 511 080 01	Bracket		1	
		22 x 15			
20	997 110 055 92	Vacuum line		1	
		Brake servo			
20	997 110 055 93	Vacuum line		1	
		Brake servo			
21	997 110 728 90	nipple		1	
22	N 013 802 1	seal ring		1	
		5 x 9 Al			
23	999 701 789 40	O-ring		2	
		12 x 2			
24	900 385 041 01	Torx screw		2	
		M 6 x 12			
25	900 385 130 01	Hexagon socket head bolt		1	
		M 6 x 10			
26	900 385 050 01	Hexagon head bolt		1	
		M 6 x 16			
27	997 105 315 71	Cover		2	
		camshaft adjuster unit			
28	997 105 516 90	Cover		1	
		camshaft adjuster unit			
29	997 105 515 90	flange		1	
		Vacuum pump			
30	999 707 482 41	O-ring		4	
		90 x 2,5			
(30)	999 701 208 40	No longer use the part here			
		O-ring		4	
		88,57 x 2,62			

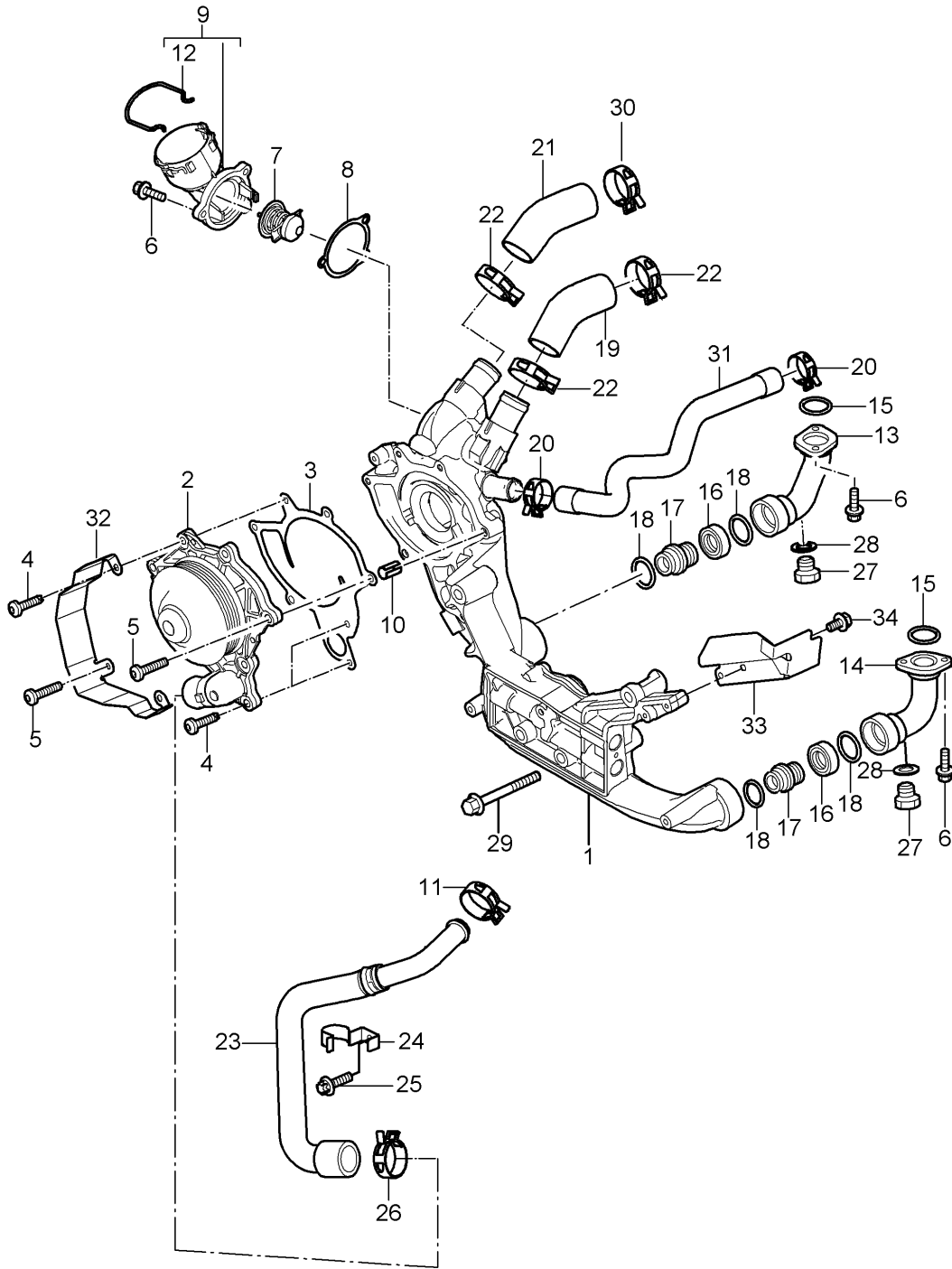
Model: 997G07

Model life 2007>>2011

Pos	Part Number	Description	Remark	Qty	Model
31	999 707 499 40	O-ring 21 x 3		8	
32	900 385 019 01	Torx screw M 6 x 20		7	
33	997 105 016 90	Vacuum pump		1	
34	999 701 339 40	O-ring 63,17 x 2,62		1	
35	997 107 357 70	Bolt with washer		1	
36	900 385 023 01	Torx screw M 6 x 25		5	
37	997 107 351 90	return line Cyl. 1 - 3 Discontinued part		1	9777
37	997 107 351 91	return line Cyl. 1 - 3		1	9777
37	997 107 351 91	return line Cyl. 1 - 3		1	9774
38	997 107 153 90	Connecting piece		4	
39	999 701 948 40	O-ring 11 x 2		4	
40	997 107 352 90	return line Cyl. 4 - 6		1	9777
(40)	997 107 352 91	return line Cyl. 4 - 6		1	9774
41	900 385 048 01	Torx screw M 6 x 30		4	

Model: 997G07

Model life 2007>>2011



Model: 997G07

Model life 2007&gt;&gt;2011

Pos	Part Number	Description	Remark	Qty	Model
		Coolant pump			9776
		Water pump housing			
1	997 106 061 70	Water pump housing		1	
2	997 106 011 70	Coolant pump		1	
		Discontinued part			
(2)	997 106 011 71	Coolant pump		1	
(2)	997 106 011 72	Coolant pump		1	
3	997 106 340 00	Seal		1	
4	999 073 102 01	flat round head bolt M 6 X 25		5	
5	999 073 110 01	flat round head bolt M 6 X 30		2	
6	900 385 019 01	Torx screw AM 6 X 20		7	
7	996 106 125 72	Thermostat insert		1	
8	996 106 326 71	Seal		1	
9	996 106 121 72	Cover		1	
10	996 106 103 50	dowel sleeve 8,2 X 7		2	
11	999 512 660 09	Hose clamp 29 X 12		1	
12	997 106 802 03	Spring		1	
13	996 106 139 71	connection piece		1	
14	996 106 140 71	connection piece		1	
15	999 707 410 40	O-ring 39,20 X 3,00		2	
16	996 106 214 70	protective ring		2	
17	996 106 238 71	Connector union		2	
18	999 707 411 40	O-ring 28,00 X 4,50		4	
19	996 106 529 73	Hose		1	
20	999 512 552 00	Hose clamp 20 - 32/9		2	
		Discontinued part			
20	999 512 552 01	Hose clamp 20 - 32/9		2	
21	996 106 512 74	Return hose		1	
22	999 512 551 00	Hose clamp 25 - 40/9		3	
		Discontinued part			
22	999 512 551 01	Hose clamp 25 - 40/9		3	
23	997 106 250 72	Hose		1	
24	996 106 550 72	Hose bracket		1	
25	900 385 041 01	Torx screw M 6 X 12		1	
26	999 512 551 00	Hose clamp 25 - 40/9		1	
		Discontinued part			
26	999 512 551 01	Hose clamp 25 - 40/9		1	
27	900 219 007 01	sealing plug M 10 X 1		2	
28	900 123 144 30	seal ring A 10 X 13,5		2	
29	900 385 119 01	Hexagon head bolt M 10 X 70		4	
30	999 512 252 02	Hose clamp 23- 35/9		1	
31	997 106 477 72	Hose Supply		1	
32	996 115 521 73	Bracket	left	1	
33	997 115 661 70	Protective plate	right	1	

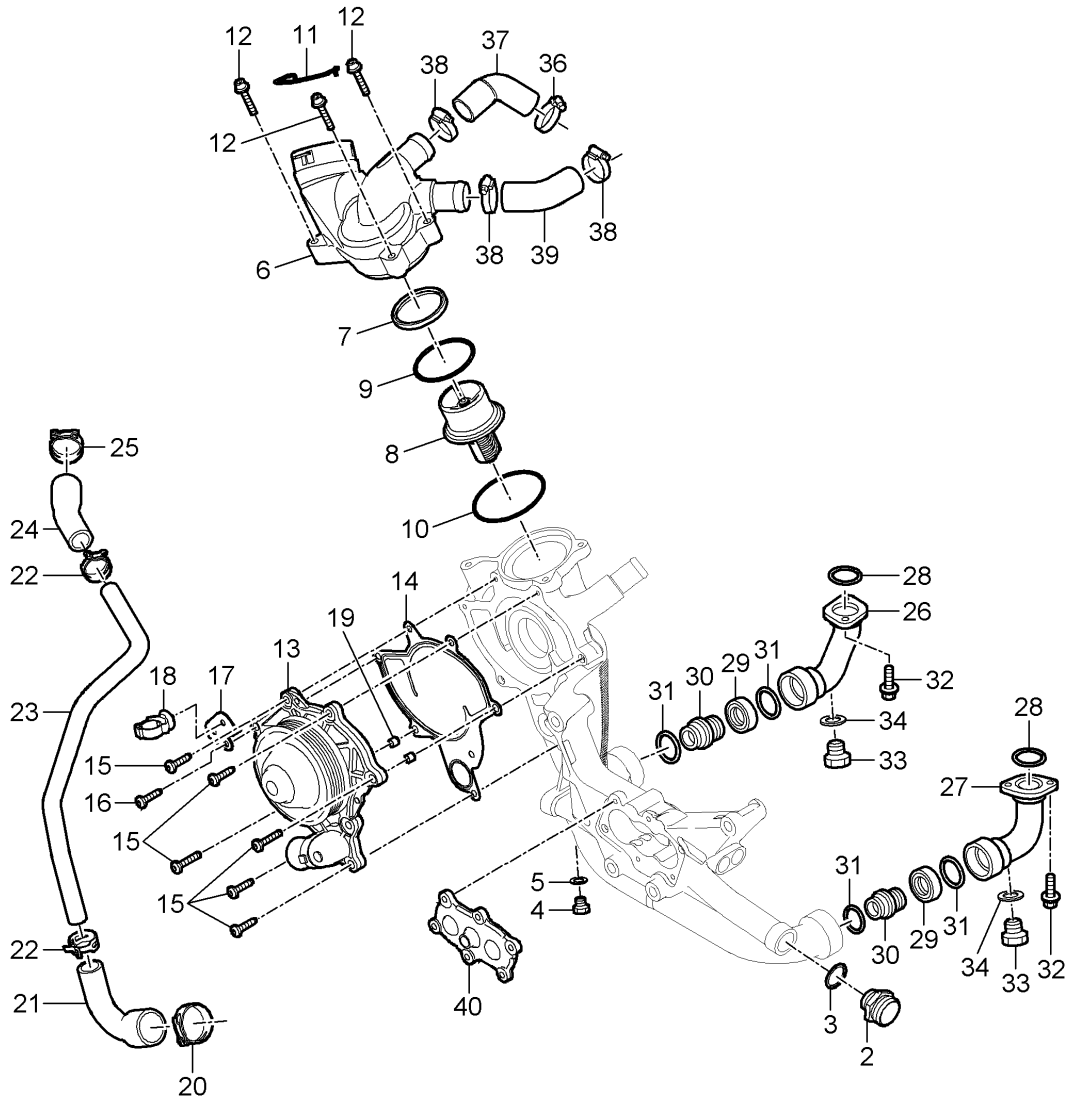
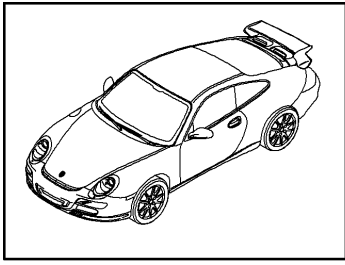
Model: 997G07

Model life 2007>>2011

Pos	Part Number	Description	Remark	Qty	Model
34	900 385 041 01	Torx screw M 6 X 12		2	

Model: 997G07

Model life 2007>>2011



Model: 997G07

Model life 2007&gt;&gt;2011

Pos	Part Number	Description	Remark	Qty	Model
		Coolant pump			9777,9774
1	997 106 117 90	Water pump housing		1	
		Water pump housing			
		Discontinued part			
1	997 106 117 91	Water pump housing		1	
2	999 136 044 01	threaded union		1	
3	900 123 011 30	seal ring		1	
		A22 x 27			
4	900 219 009 30	sealing plug		1	
		M18 x 1,5			
5	900 123 106 30	seal ring		1	
		A18 x 24			
6	997 106 119 90	thermostat housing		1	
		Discontinued part			
6	997 106 119 91	thermostat housing		1	
7	9A1 106 558 00	seal ring		1	
		thermostat			
8	9A1 106 225 90	Thermostat insert		1	
9	999 707 625 40	O-ring		1	
		59 x 2,5			
		Thermostat insert			
10	999 701 145 40	O-ring		1	
		70 x 2			
		thermostat housing			
11	997 106 802 03	Spring		1	
12	900 067 316 01	Bolt with washer		3	
		M6 x 35			
13	997 106 011 70	Coolant pump		1	
		Discontinued part			
(13)	997 106 011 71	Coolant pump		1	9777
(13)	997 106 011 72	Coolant pump		1	9777
14	997 106 340 90	Seal		1	
15	999 073 102 01	flat round head bolt		6	
		M 6 X 25			
16	999 073 110 01	flat round head bolt		2	
		M 6 x 30			
17	997 106 669 90	Retaining plate		1	
18	999 511 240 40	Cable holder		1	
19	996 106 103 50	dowel sleeve		2	
		8,2 X 7			
20	999 512 551 00	Hose clamp		1	
		25 - 40/9			
		Discontinued part			
20	999 512 551 01	Hose clamp		1	
		25 - 40/9			
21	997 106 358 90	Hose		1	
		Befüllleitung			
22	999 512 656 09	Hose clamp		2	
		B25 x 12			
23	997 106 257 90	Hose		1	
		Befüllleitung			
24	997 106 357 90	Hose		1	
		Befüllleitung			
25	999 512 660 09	Hose clamp		1	
		B29 x 12			
26	996 106 139 71	connection piece		1	
27	996 106 140 71	connection piece		1	
28	999 707 410 40	O-ring		2	
		39,20 X 3,00			
29	996 106 214 70	protective ring		2	
30	996 106 238 71	Connector union		2	
31	999 707 411 40	O-ring		4	
		28,00 X 4,50			

Model: 997G07

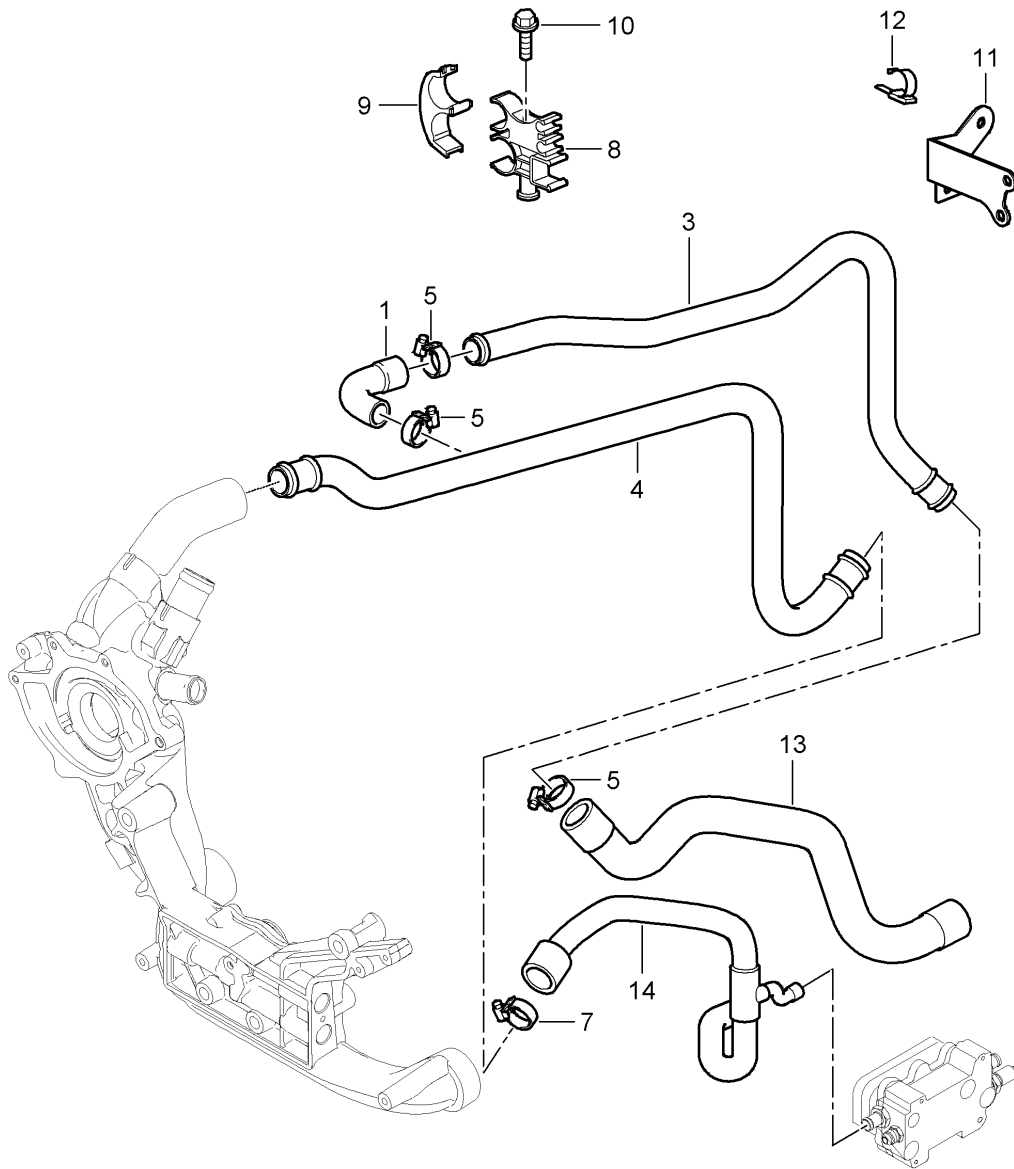
Model life 2007>>2011

Pos	Part Number	Description	Remark	Qty	Model
32	900 385 019 01	Torx screw M6 x 20		4	
33	900 219 007 01	sealing plug M10 x 1		2	
34	900 123 144 30	seal ring A10 x 13,5		2	
35	997 106 477 90	Hose Supply heat exchanger		1	
36	999 512 552 01	Hose clamp 20 - 32/9		2	
37	997 106 514 91	Return hose heater		1	
38	999 512 551 01	Hose clamp 25 - 40/9		3	
39	997 106 529 90	Hose Kurzschlusskreislauf		1	
40		Cover see illustration:	104-021		



Model: 997G07

Model life 2007>>2011



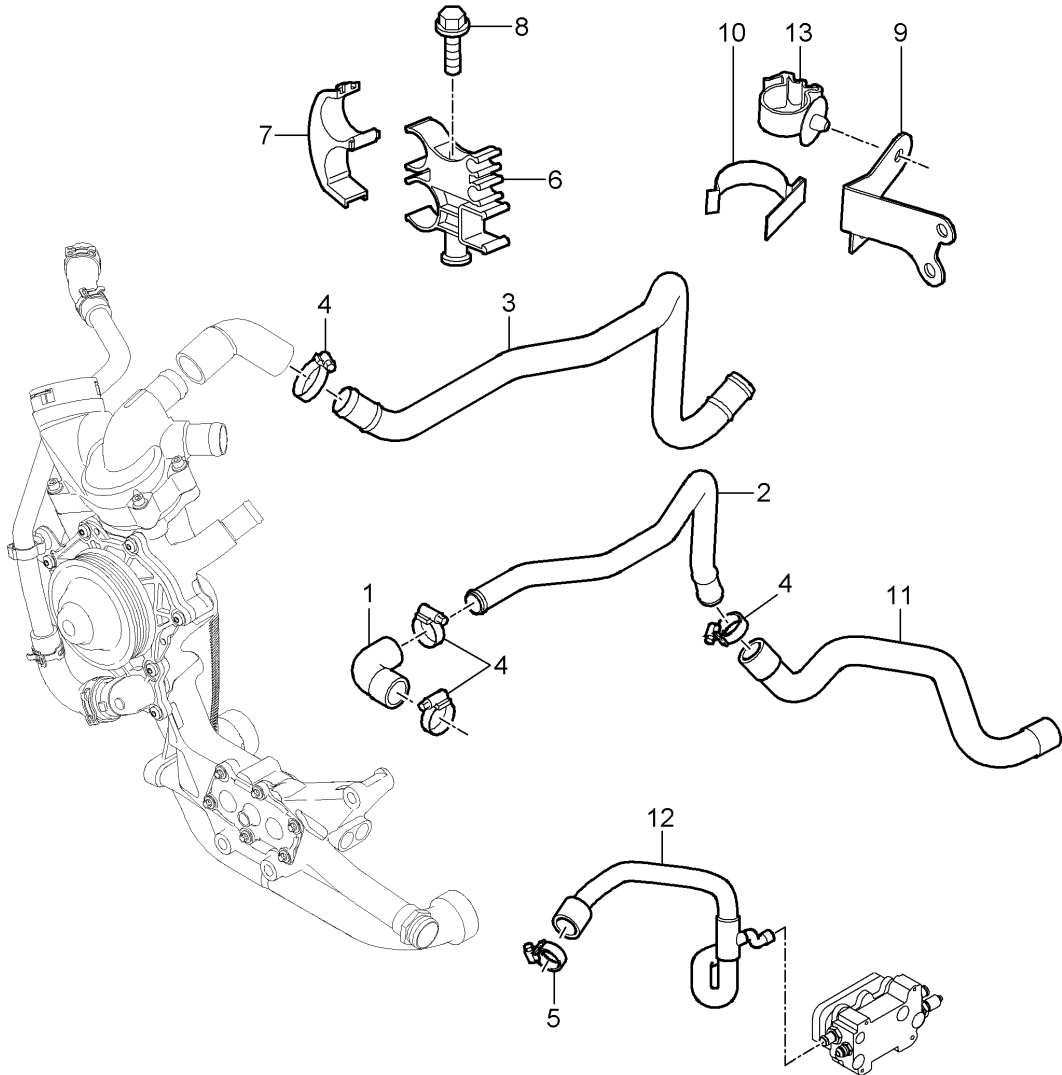
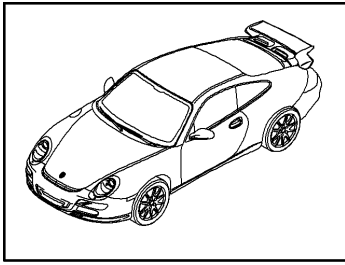
Model: 997G07

Model life 2007>>2011

Pos	Part Number	Description	Remark	Qty	Model
		Lines heater			9776
1	997 106 233 72	Hose Supply		1	
3	997 106 252 90	Water pipe Supply		1	
4	997 106 254 90	Water pipe Return line		1	
5	999 512 552 00	Hose clamp 20- 32/9 Discontinued part		3	
5	999 512 552 01	Hose clamp 20- 32/9		3	
7	999 512 551 00	Hose clamp Discontinued part		1	
7	999 512 551 01	Hose clamp		1	
8	997 106 455 71	Retainer for coolant hose		2	
9	997 106 456 71	Retaining bar		2	
10	900 385 111 01	Torx screw M 6 X 55		2	
11	997 106 451 90	Bracket		1	
12	999 651 300 40	Hose bracket 25,0 - 30,0		1	
13	996 106 434 72	Hose Supply Discontinued part		1	
13	996 106 434 74	Hose Supply		1	
14	996 106 422 75	Return hose Discontinued part		1	
14	996 106 422 78	Return hose		1	

Model: 997G07

Model life 2007>>2011



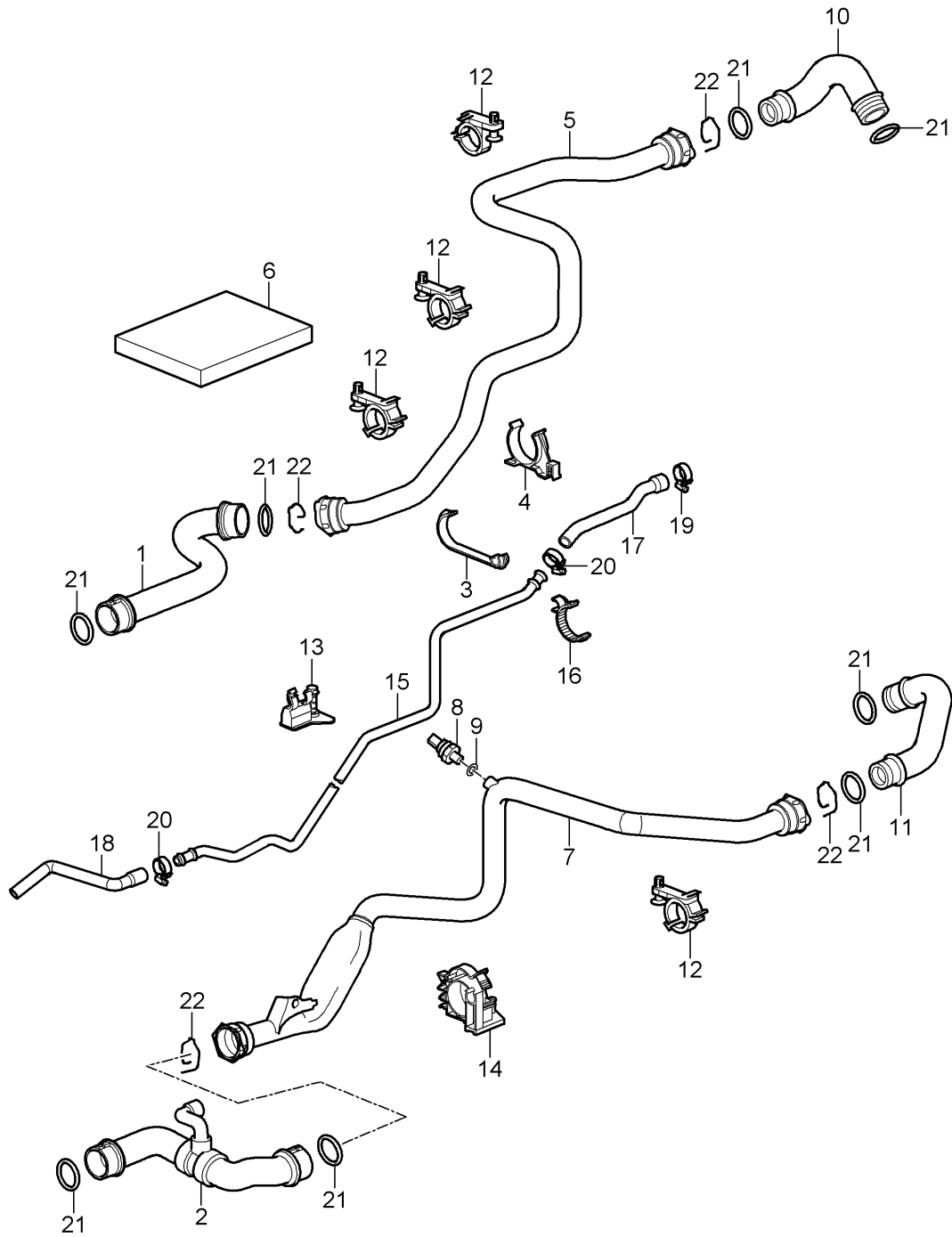
Model: 997G07

Model life 2007>>2011

Pos	Part Number	Description	Remark	Qty	Model
		Lines heater			9777,9774
1	997 106 233 72	Hose heater		1	
		Supply			
2	997 106 252 90	Water pipe		1	
		Supply			
3	997 106 254 91	Water pipe		1	
		Return line			
4	999 512 552 01	Hose clamp		4	9777
		20- 32/9			
4	999 512 552 01	Hose clamp		2	9774
		20- 32/9			
(4)	999 512 346 01	Hose clamp		2	9774
		16- 27/9			
		for			
		997.106.233.72			
5	999 512 551 01	Hose clamp		1	
		25 - 40/9			
6	997 106 455 71	Retainer for coolant		2	
		hose			
7	997 106 456 71	Retaining bar		2	
8	900 385 111 01	Torx screw		2	
		M 6 X 55			
9	997 106 451 91	Bracket		1	
10	999 651 300 40	Hose bracket		1	
		25,0 - 30,0			
11	996 106 434 74	Hose		1	
		Supply			
12	996 106 422 78	Return hose		1	
13	999 507 728 40	Bracket		1	
		18 - 19			

Model: 997G07

Model life 2007>>2011

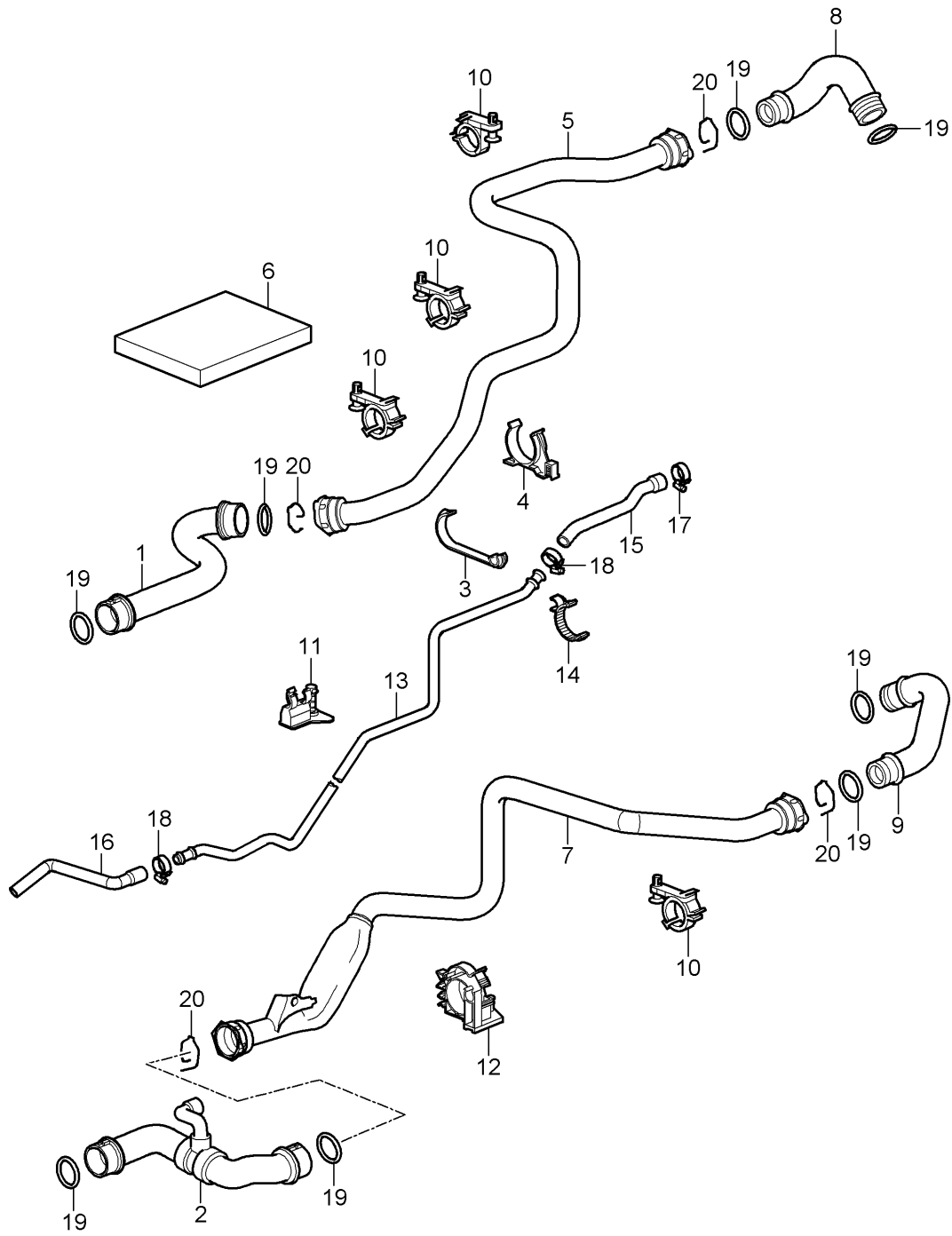


Model: 997G07 Model life 2007>>2011

Pos	Part Number	Description	Remark	Qty	Model
1	997 106 740 05	Water cooling 1 Water hose Supply		1	9776
2	997 106 889 92	Water hose Return line		1	
(2)	997 106 889 95	D - MJ 2007>> - MJ 2007 Water hose Return line		1	
(2)	997 106 889 96	D - MJ 2008>> Discontinued part Water hose Return line		1	
3	997 106 426 00	D - MJ 2007>> Bracket		1	
4	997 106 427 01	Bracket		1	
5	997 106 610 02	Coolant pipe Supply Discontinued part		1	
5	997 106 610 03	Coolant pipe Supply Discontinued part		1	
5	997 106 610 31	Coolant pipe Supply		1	
6	999 551 166 40	felt strip		1	
7	997 106 069 00	Coolant pipe Return line		1	
10	997 106 501 01	Water hose Supply		1 1	
11	997 106 502 00	Water hose Return line		1	
12	996 106 417 73	Bracket To Use		4	
(12)	996 106 417 73	with: Coolant pipe 997.106.610.02 997.106.610.03 Bracket To Use		3	
(12)	997 106 457 32	with: Coolant pipe 997.106.610.31 Bracket To Use		1	
13	997 106 428 01	with: Coolant pipe 997.106.610.31 Bracket		1	
14	997 106 429 01	Bracket		1	
15	997 106 682 03	Breather line		1	
16	997 106 512 03	Distance piece No longer use the part here		1	
17	997 106 251 00	Vent hose		1	
19	999 512 656 09	Hose clamp 25 X 12		1	
20	999 512 463 00	Hose clip		2	
21	996 106 801 03	O-ring		8	
22	997 106 802 03	Spring		4	

Model: 997G07

Model life 2007>>2011



Model: 997G07

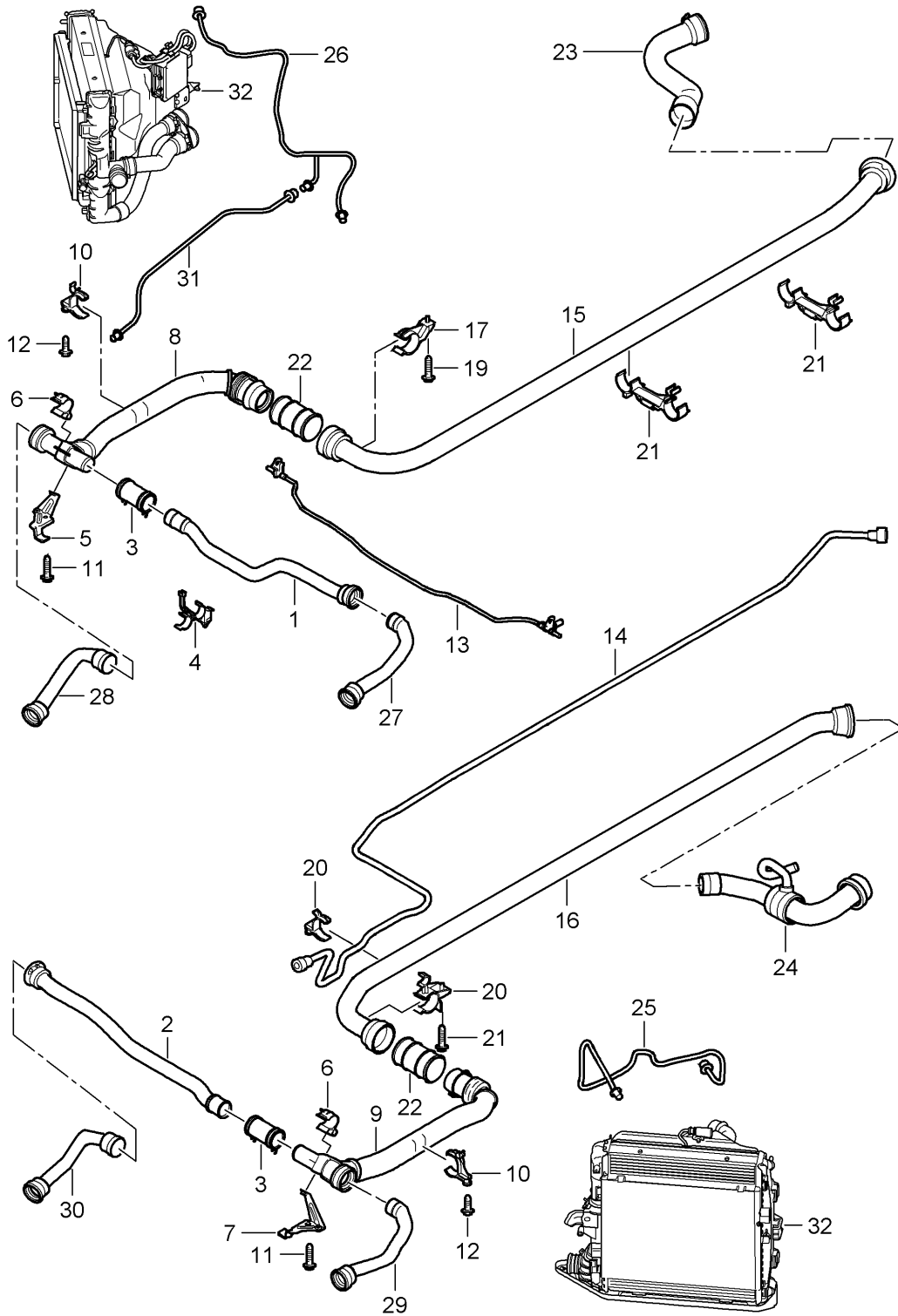
Model life 2007>>2011

Pos	Part Number	Description	Remark	Qty	Model
1	997 106 740 06	Water cooling 1 Water hose Supply		1	9777,9774
2	997 106 889 96	Water hose Return line		1	
3	997 106 426 00	Bracket		1	PR:573
4	997 106 427 01	Bracket		1	
5	997 106 610 31	Coolant pipe Supply		1	
7	997 106 809 91	Coolant pipe Return line		1	
8	997 106 501 01	Water hose Supply		1 1	
9	997 106 502 90	Water hose Return line		1	
10	996 106 417 73	Bracket		3	
(10)	997 106 457 32	Bracket		1	
11	997 106 428 01	Bracket		1	
12	997 106 429 01	Bracket		1	
13	997 106 681 32	Breather line		1	
14	997 106 512 03	Distance piece		1	
15	997 106 251 01	Vent hose		1	
17	999 512 656 09	Hose clamp 25 X 12		1	
18	999 512 463 00	Hose clip		2	
19	996 106 801 03	O-ring		8	
20	997 106 802 03	Spring		4	



Model: 997G07

Model life 2007>>2011



Model: 997G07

Model life 2007>>2011

Pos	Part Number	Description	Remark	Qty	Model
1	997 106 711 02	Water cooling 2 Water pipe Cross tube Supply Discontinued part		1	9776
1	997 106 711 03	Water pipe Cross tube Supply		1	
2	997 106 720 02	Water pipe Cross tube Return line Discontinued part		1	
2	997 106 720 03	Water pipe Cross tube Return line		1	
3	997 106 723 05	Water hose Discontinued part		2	
4	997 106 525 01	Bracket Water pipe Cross tube	center	1	
5	997 106 574 02	pipe holder Distributor tube	right	1	
6	997 106 526 01	Bracket Cross tube	upper	2	
7	997 106 573 02	pipe holder Distributor tube	left	1	
8	997 106 752 04	Distributor tube Supply		1	
9	997 106 751 04	Distributor tube Return line		1	
10	997 106 413 01	pipe holder Distributor tube		2	
(10)	997 106 413 01	pipe holder Distributor tube	right	1	PR:601
(10)	997 106 414 00	Bracket Distributor tube	left	1	PR:601
11	900 378 013 09	Hexagon bolt M6 X 25		2	
12	900 378 036 09	Hexagon bolt M6 X 12		2	
13	997 106 767 02	Breather line Transverse		1	
14	997 106 227 03	Breather line tunnel		1	
15	997 106 651 03	Water pipe Supply tunnel Discontinued part		1	
15	997 106 651 04	Water pipe Supply tunnel		1	
16	997 106 652 03	Return pipe tunnel Discontinued part		1	
16	997 106 652 04	Return pipe tunnel		1	
17	997 106 520 02	Bracket filler plate	right	1	
18	997 106 521 01	Bracket filler plate	left	1	
19	900 378 035 01	Hexagon bolt M6 X 16		2	
20	997 106 512 03	Distance piece		1	

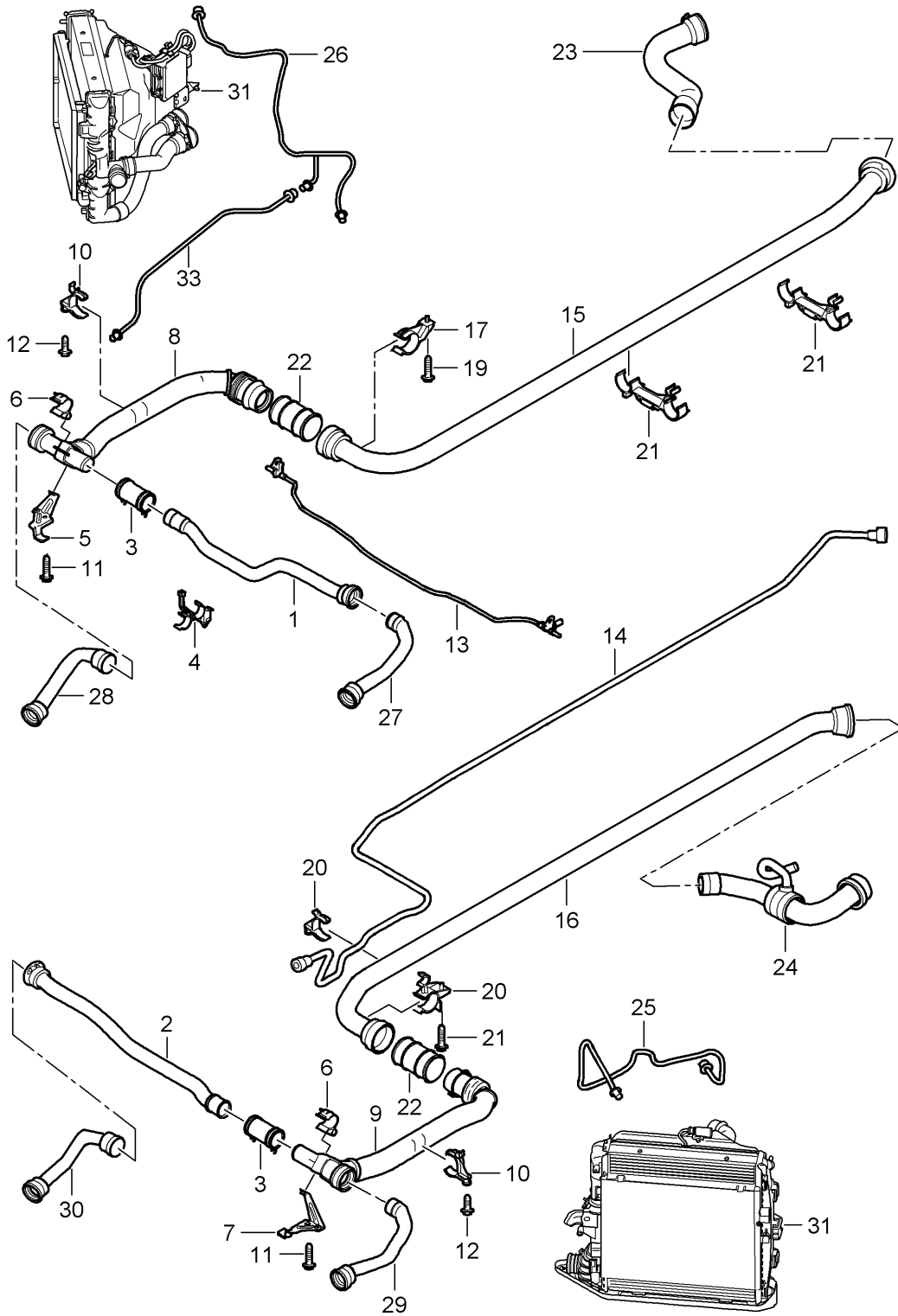
Model: 997G07

Model life 2007>>2011

Pos	Part Number	Description	Remark	Qty	Model
21	997 106 540 02	Breather line Bracket tunnel		2	
22	997 106 551 03	Sleeve		2	
23		see illustration:	105-005	X	
24		see illustration:	105-005	X	
25	997 106 765 02	Line	left	1	
26	997 106 766 90	Line	right	1	
27	997 106 623 03	Water hose Supply	left	1	
28	997 106 627 03	Water hose Supply	right	1	
29	997 106 728 03	Water hose Return line	left	1	
30	997 106 624 03	Water hose Return line	right	1	
31	997 106 866 90	Breather line	right	1	
32		see illustration:	105-015		

Model: 997G07

Model life 2007>>2011



Model: 997G07 Model life 2007>>2011

Pos	Part Number	Description	Remark	Qty	Model
1	997 106 711 02	Water cooling 2 Water pipe Cross tube Supply Discontinued part		1	9777,9774
1	997 106 711 03	Water pipe Cross tube Supply		1	
2	997 106 720 02	Water pipe Cross tube Return line Discontinued part		1	
2	997 106 720 03	Water pipe Cross tube Return line		1	
3	997 106 723 07	Water hose		2	
4	997 106 525 01	Bracket Water pipe Cross tube	center	1	
5	997 106 574 02	pipe holder Distributor tube	right	1	
6	997 106 526 01	Bracket Cross tube	upper	2	
7	997 106 573 02	pipe holder Distributor tube	left	1	
8	997 106 752 04	Distributor tube Supply	left	1	
9	997 106 751 04	Distributor tube Return line	right	1	
10	997 106 413 01	pipe holder Distributor tube		2	PR:600
(10)	997 106 413 01	pipe holder Distributor tube	right	1	PR:601
(10)	997 106 414 00	Bracket Distributor tube	left	1	PR:603
11	900 378 013 01	Hexagon bolt M6 X 25		2	
12	900 378 036 01	Hexagon bolt M6 X 12		2	
13	997 106 767 02	Breather line Transverse		1	
14	997 106 227 03	Breather line tunnel		1	
15	997 106 651 90	Water pipe Supply tunnel		1	
16	997 106 652 90	Return pipe tunnel		1	
17	997 106 520 02	Bracket filler plate	right	1	
18	997 106 521 01	Bracket filler plate	left	1	
19	900 378 035 01	Hexagon bolt M6 X 16		2	
20	997 106 512 03	Distance piece Breather line		1	
(20)	997 106 512 03	Distance piece Breather line		2	PR:474
21	997 106 540 02	Bracket tunnel		2	
22	997 106 551 03	Sleeve		2	
23		see illustration:	105-006	X	
24		see illustration:	105-006	X	

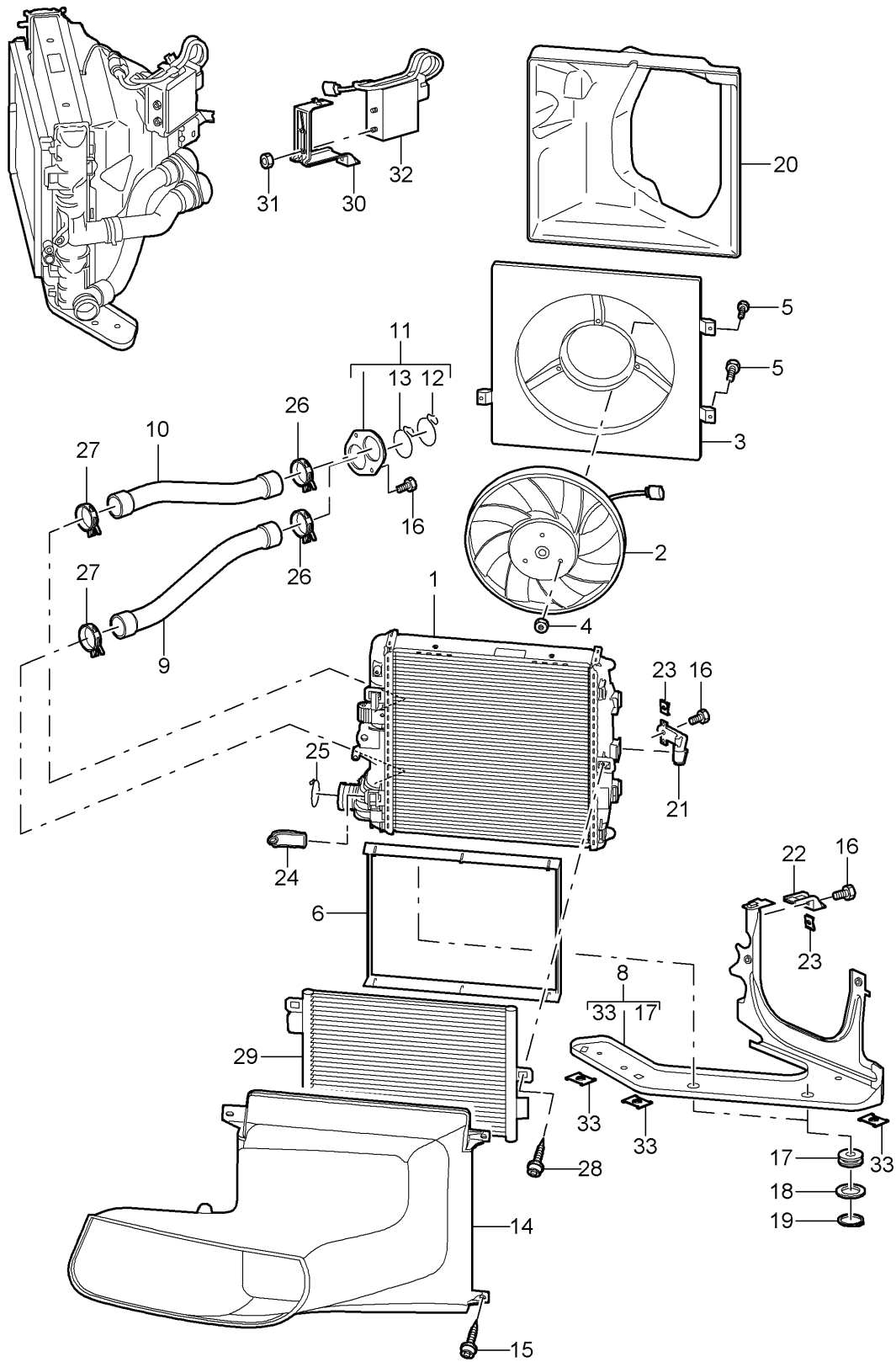
Model: 997G07

Model life 2007&gt;&gt;2011

Pos	Part Number	Description	Remark	Qty	Model
25	997 106 765 02	Line	left	1	
26	997 106 766 02	Line	right	1	
27	997 106 623 03	Water hose Supply	left	1	
28	997 106 627 03	Water hose Supply	right	1	
29	997 106 728 03	Water hose Return line	left	1	
30	997 106 624 03	Water hose Return line	right	1	
31		see illustration:	105-016		
33	997 106 866 90	Breather line	right	1	

Model: 997G07

Model life 2007>>2011



Model: 997G07

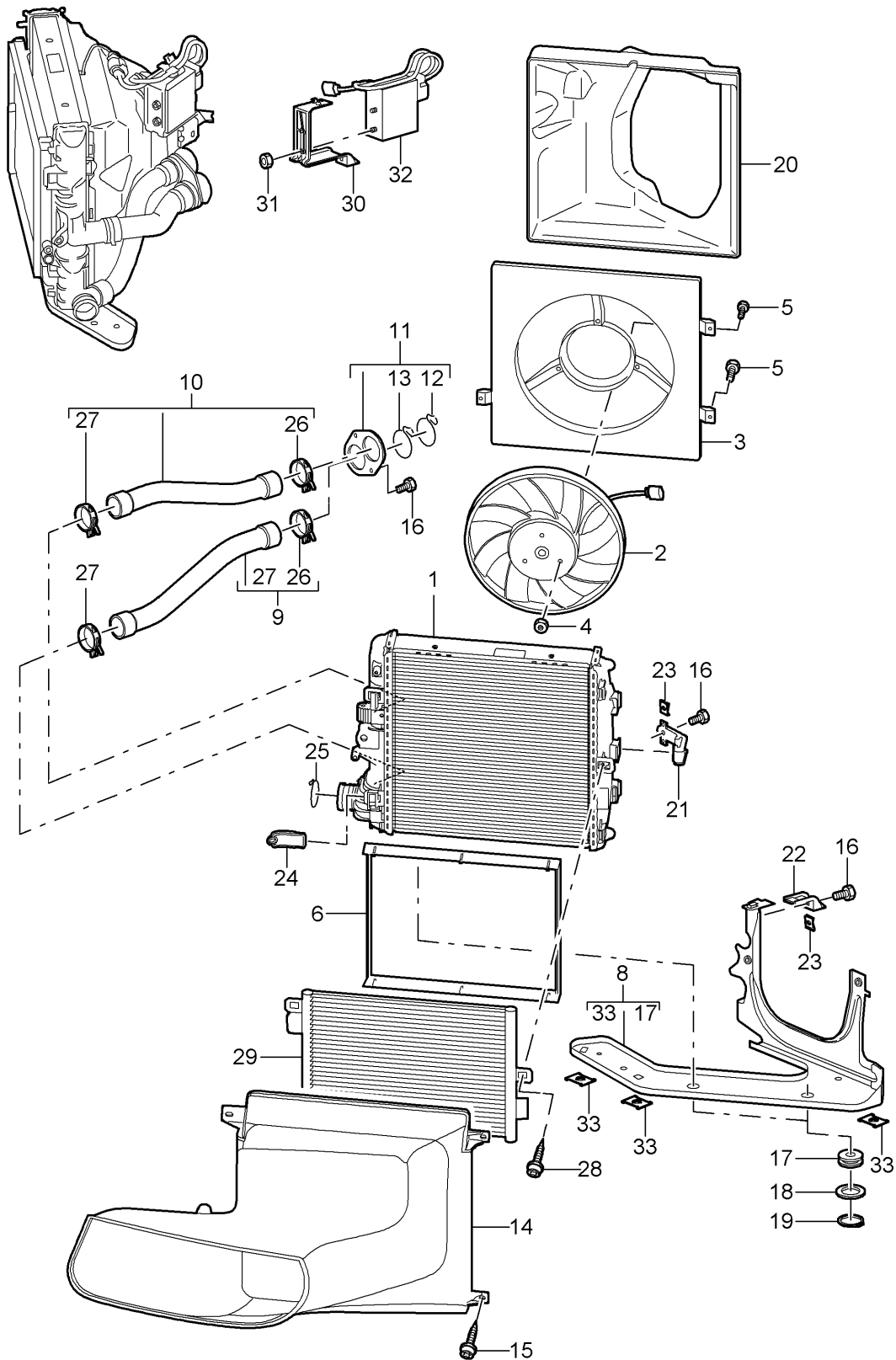
Model life 2007&gt;&gt;2011

Pos	Part Number	Description	Remark	Qty	Model
		Water cooling 3			9776
1	997 106 131 02	Radiator	left	1	
(1)	997 106 132 02	Radiator	right	1	
2	997 624 136 02	Radiator fan	right	1	
(3)	997 106 135 90	Sealing frame	left	1	
3	997 624 132 02	Air guide	right	1	
4	900 377 001 02	Hexagon nut M 6		6	
5	999 919 125 09	Hexagon bolt M 6 X 16		4	
6	997 573 711 00	Sealing frame		2	
8	997 106 155 01	Console	left	1	
(8)	997 106 156 01	Console	right	1	
9	997 106 621 03	Water hose Supply	left	1	
(9)	997 106 622 03	Water hose Supply	right	1	
10	997 106 625 03	Water hose Return line	left	1	
10	997 106 626 03	Water hose Return line	right	1	
11	997 106 255 02	Connecting piece		2	
12	997 106 802 01	Spring SCB 33		2	
13	997 106 802 02	Spring SCB 36		2	
14	997 575 321 02	Air guide	left	1	
(14)	997 575 322 02	Air guide	right	1	
15	999 919 134 09	fillister hd. bolt M 6 X 16		6	
16	900 385 009 01	Torx screw M 6 X 16		6	
17	999 703 494 40	Rubber bush 15 X 19,5		4	
18	999 025 255 02	Washer 16,1 X 32 X 0,5		4	
19	999 166 083 09	Retaining plate B 25		4	
20	997 575 341 00	Air guide	left	1	
(20)	997 575 342 00	Air guide	right	1	
21	997 106 232 01	Bracket	outer	2	
22	997 106 455 00	Bracket	left	1	
23	999 591 350 02	panel nut ST 4,8		4	
23	999 591 350 01	Discontinued part panel nut ST 4,8		4	
24	997 106 231 02	Bracket	inner	2	
25	997 106 802 00	Spring SCB 26		2	
28	999 919 125 09	Hexagon bolt 6 X 16		1	
29		Condenser see illustration:	813-025	1	
30	997 106 456 00	Bracket	right	1	
31	900 377 010 01	Hexagon nut M 6		2	
32		Control unit Cooling air control see illustration:	901-003	1	
33	999 591 329 01	panel nut ST 4,8		3	



Model: 997G07

Model life 2007>>2011



Model: 997G07 Model life 2007>>2011

Pos	Part Number	Description	Remark	Qty	Model
		Water cooling 3			9777,9774
1	997 106 131 02	Radiator	left	1	
(1)	997 106 132 02	Radiator	right	1	
2	997 624 128 02	Fan	right	1	
(3)	997 106 135 90	Sealing frame	left	1	
3	997 624 132 02	Air guide	right	1	
4	900 377 001 02	Hexagon nut M 6		6	
5	999 919 125 09	Hexagon bolt M 6 X 16		4	
6	997 573 711 00	Sealing frame		2	PR:573
8	997 106 155 01	Console	left	1	
(8)	997 106 156 01	Console	right	1	
9	997 106 621 05	Water hose Supply	left	1	
		with:			
(9)	997 106 622 04	clamp Water hose Supply	right	1	
		with:			
10	997 106 625 04	clamp Water hose Return line	left	1	
		with:			
(10)	997 106 626 05	clamp Water hose Return line	right	1	
		with:			
11	997 106 255 02	clamp Connecting piece		2	
12	997 106 802 01	Spring SCB 33		2	
13	997 106 802 02	Spring SCB 36		2	
14	997 575 321 91	Air guide	left	1	
(14)	997 575 322 91	Air guide	right	1	
15	999 919 134 09	fillister hd. bolt M 6 X 16		6	
16	900 385 009 01	Torx screw M 6 X 16		6	
17	999 703 494 40	Rubber bush 15 X 19,5		4	
18	999 025 255 01	Washer 16,1 X 32 X 0,5		4	
19	999 166 083 09	Retaining plate B 25		4	
20	997 575 341 00	Air guide	left	1	
(20)	997 575 342 00	Air guide	right	1	
21	997 106 232 01	Bracket	outer	2	
22	997 106 455 00	Bracket	left	1	
23	999 591 350 01	panel nut ST 4,8		4	
24	997 106 231 02	Bracket	inner	2	
25	997 106 802 00	Spring SCB 26		2	
28	999 919 125 09	Hexagon bolt M6 X 16		4	
(28)	999 919 125 09	Hexagon bolt M6 X 16		2	PR:573
29		Condenser see illustration:		1	
30	997 106 456 00	Bracket	813-025 right	1	
31	900 377 010 01	Hexagon nut		2	

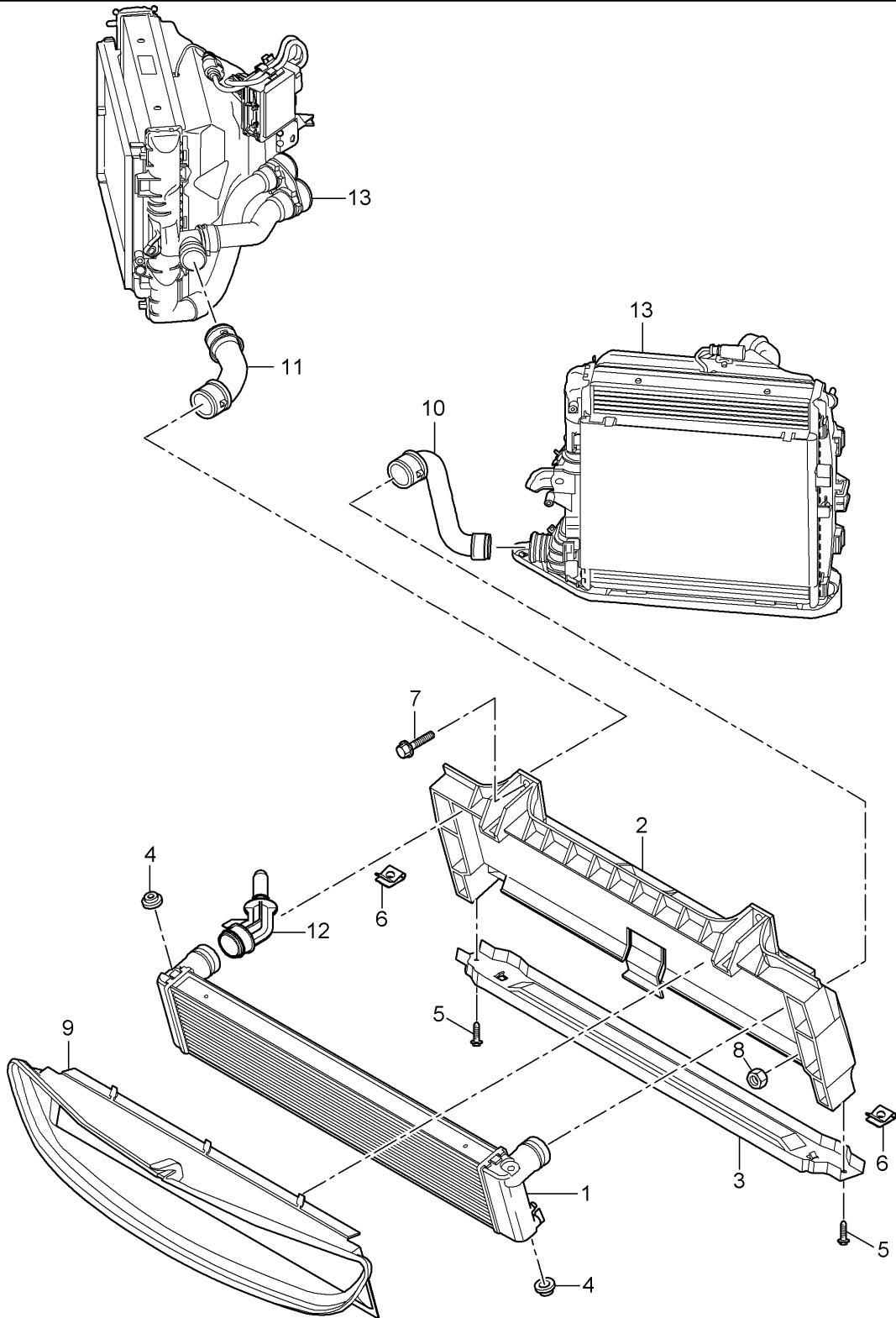
Model: 997G07

Model life 2007>>2011

Pos	Part Number	Description	Remark	Qty	Model
32		M 6 Control unit Cooling air control		1	
33	999 591 329 01	panel nut ST 4,8	901-003 see illustration:	6	

Model: 997G07

Model life 2007>>2011



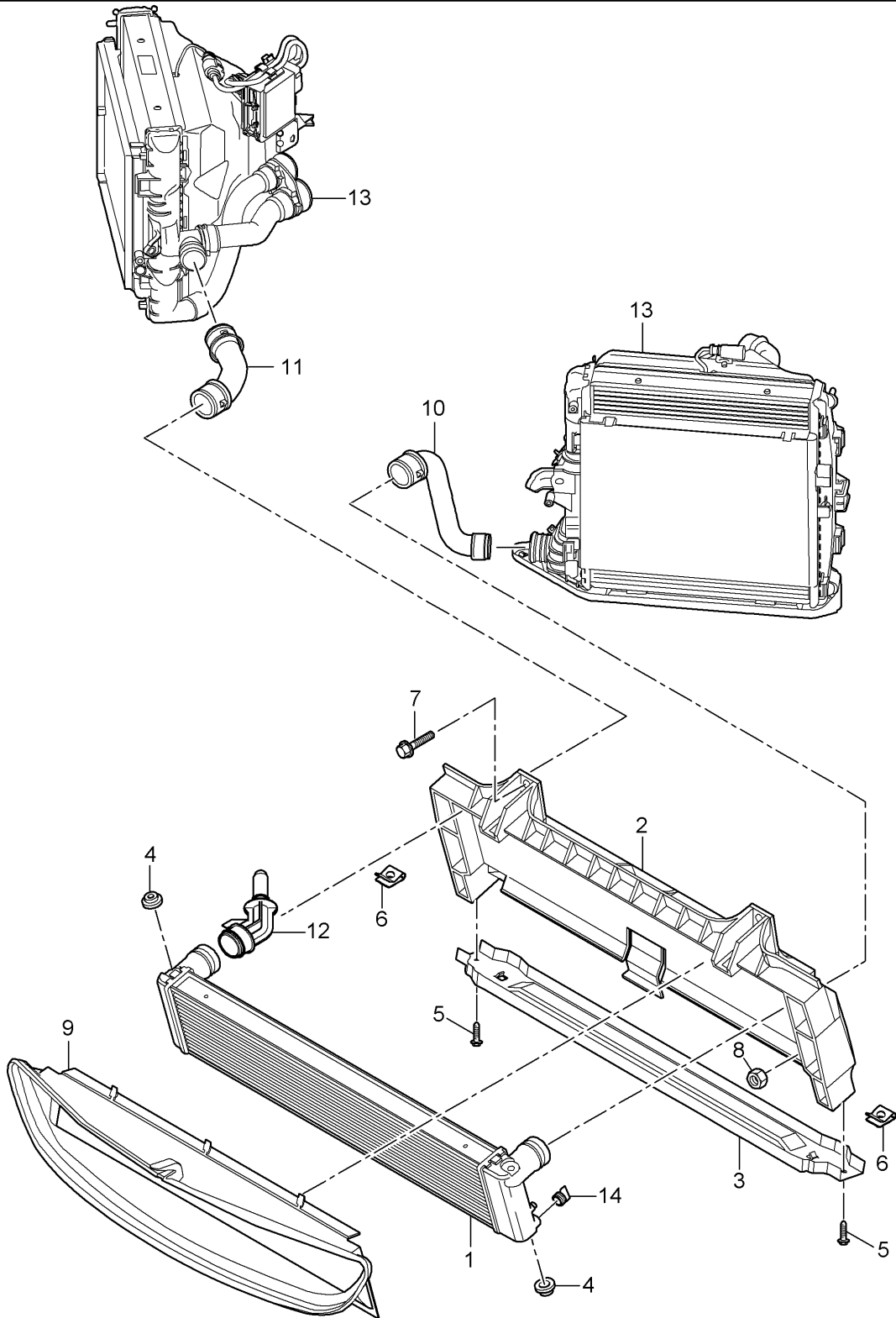
Model: 997G07

Model life 2007>>2011

Pos	Part Number	Description	Remark	Qty	Model
1	996 106 037 73	Radiator Radiator Discontinued part	center	1	9776
1	996 106 037 75	Radiator		1	
2	997 504 487 90	Retaining frame		1	
3	997 504 485 80	Retaining frame		1	
4	930 113 430 00	Rubber bush		4	
5	900 378 035 01	Hexagon bolt M 6 X 16		2	
6	999 591 882 02	panel nut M 6 Discontinued part		2	
6	999 591 882 01	panel nut M 6		2	
7	999 072 048 09	Hexagon bolt M 8 X 25 Discontinued part		2	
7	999 072 048 01	Hexagon bolt M 8 X 25		2	
8	999 084 447 09	Hexagon nut M 8		2	
9	997 575 141 90	Air guide		1	
10	997 106 639 90	Water hose Return line		1	
11	997 106 638 90	Water hose Supply		1	
12	997 106 565 00	Adapter Radiator		1	
13		see illustration:	105-015		

Model: 997G07

Model life 2007>>2011



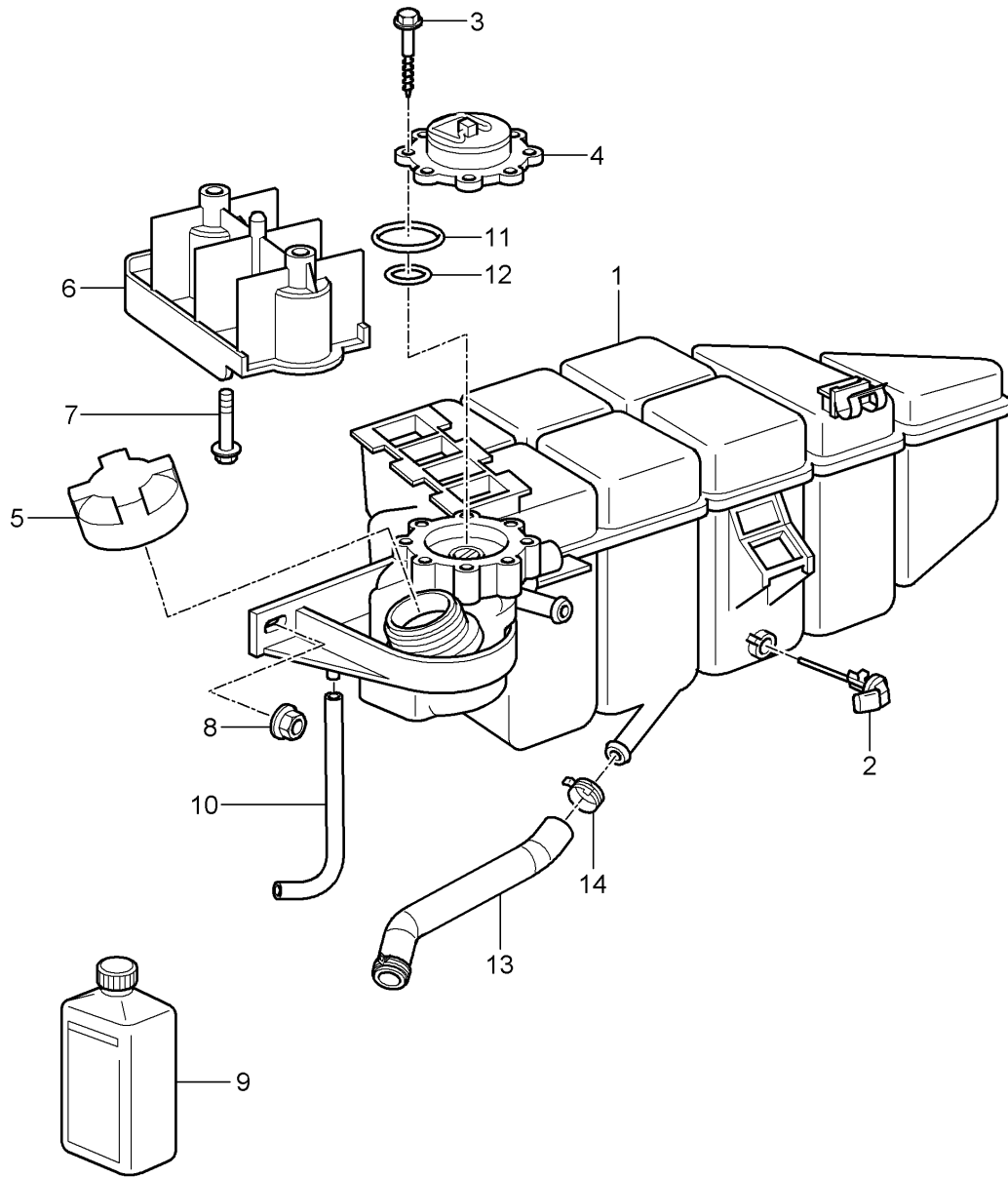
Model: 997G07

Model life 2007>>2011

Pos	Part Number	Description	Remark	Qty	Model
		Radiator	center		9777,9774
1	996 106 037 75	Radiator		1	
2	997 504 487 92	Retaining frame		1	
3	997 504 485 80	Retaining frame		1	
4	930 113 430 00	Rubber bush		4	
5	900 378 035 01	Hexagon bolt M 6 X 16		2	
6	999 591 882 01	panel nut M 6		2	
7	999 072 048 01	Hexagon bolt M 8 X 25		2	
8	999 084 447 01	Hexagon nut M 8		2	
8	PAF 003 923	Hexagon nut M 8		2	
9	997 575 141 91	Air guide		1	
10	997 106 639 91	Water hose Supply		1	
11	997 106 638 91	Water hose Return line		1	
12	997 106 565 00	Adapter Radiator		1	
13		see illustration:	105-015		
14	996 106 545 71	Bungs Radiator		1	
-	996 106 802 15	retaining spring		X	
-	997 504 489 80	Air guide channel No longer use the part here		1	
-	997 504 489 81	Air guide channel		1	
-	999 049 029 01	Hexagon nut T5		2	

Model: 997G07

Model life 2007>>2011





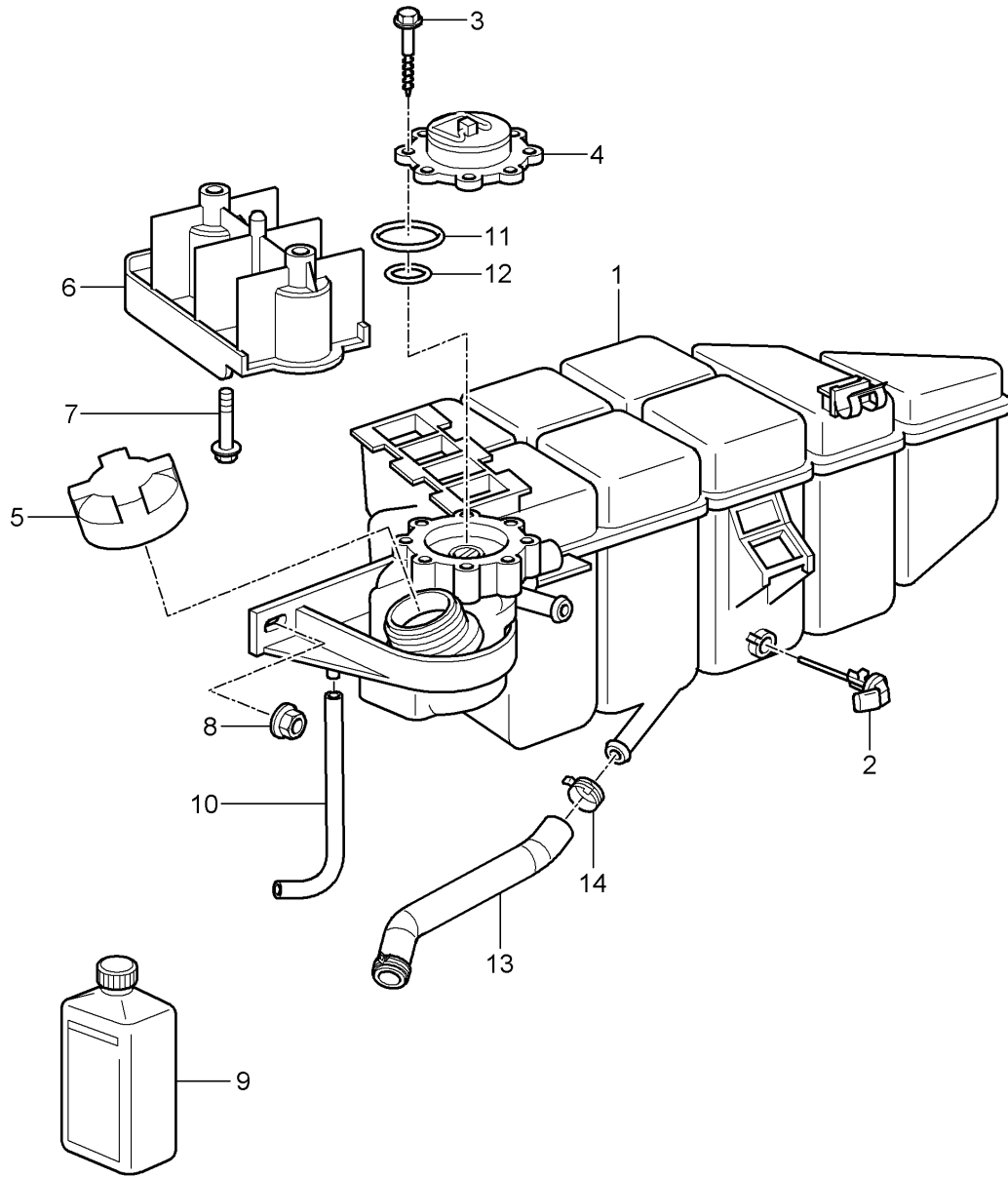
Model: 997G07

Model life 2007>>2011

Pos	Part Number	Description	Remark	Qty	Model
		Water cooling 4			9776
1	996 106 157 03	Water reservoir		1	
2	997 641 503 00	Switch		1	
3	999 919 058 02	Hexagon bolt		8	
		5,0 X 40			
4	996 106 347 02	Bleed valve		1	
5	996 106 447 01	cap for expansion tank See technical manual Group 1		1	
6	996 106 405 52	Retainer for reservoir		1	
7	900 378 141 09	Hexagon bolt		2	
		M 6 X 35			
8	999 076 071 02	Hexagon nut		1	
		M 6			
9	000 043 301 03	Coolant additive	1.0 Ltr.	X	
		Discontinued part			
(9)	000 043 301 05	Coolant additive		X	
		1 GALLON			
		Discontinued part			
(9)	000 043 301 04	Coolant additive	20ltr.	X	
		discontinued part			
(9)	000 043 301 47	Coolant additive	1.0 Ltr.	X	
		discontinued part			
(9)	000 043 305 15	Coolant additive	1.0 Ltr.	X	
(9)	000 043 301 48	Coolant additive	20ltr.	X	
		discontinued part			
(9)	000 043 305 16	Coolant additive	20ltr.	X	
(9)	000 043 301 49	Coolant additive		X	
		1 GALLON			
		discontinued part			
(9)	000 043 305 75	Coolant additive		X	
		1 GALLON			
(9)	000 043 305 64	Cleaning solution	20ltr.	1	
10	996 106 297 04	Overflow hose		1	
		Discontinued part			
10	996 106 297 05	Overflow hose		1	
11	999 707 370 40	O-ring		1	
		47 X 4			
12	999 707 371 40	O-ring		1	
		17 X 4			
13	997 106 350 00	Water hose		1	
14	999 512 660 09	Hose clamp		1	
		29 X 12			

Model: 997G07

Model life 2007>>2011

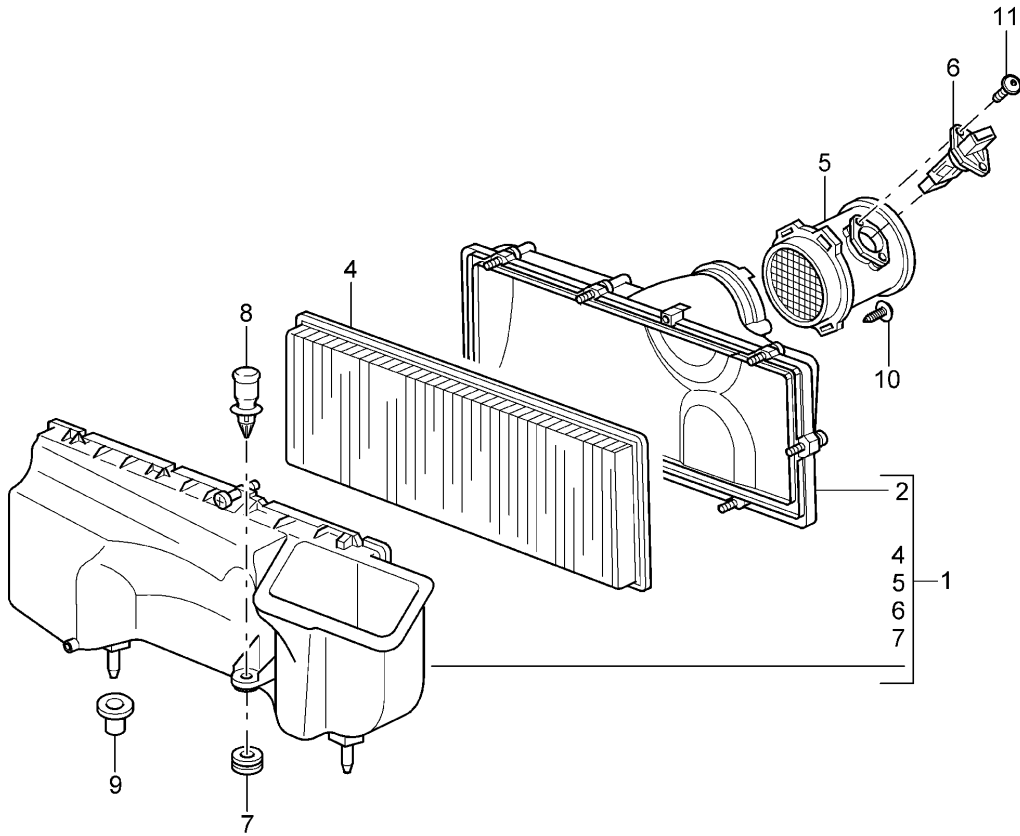


Model: 997G07 Model life 2007>>2011

Pos	Part Number	Description	Remark	Qty	Model
		Water cooling 4			9777,9774
1	996 106 157 03	Water reservoir		1	
2	997 641 503 00	Switch		1	
3	999 919 058 01	Hexagon bolt 5,0 X 40		8	
4	996 106 347 02	Bleed valve		1	
5	996 106 447 04	cap for expansion tank See technical manual Group 1		1	
6	996 106 405 52	Retainer for reservoir		1	
7	900 378 141 01	Hexagon bolt M 6 X 35		2	
8	999 076 071 02	Hexagon nut M 6		1	
9	000 043 301 03	Coolant additive discontinued part	1.0 Ltr.	X	
(9)	000 043 301 05	Coolant additive 1 GALLON		X	
(9)	000 043 301 04	Discontinued part Coolant additive discontinued part	20ltr.	X	
(9)	000 043 301 47	Coolant additive discontinued part	1.0 Ltr.	X	
(9)	000 043 305 15	Coolant additive	1.0 Ltr.	X	
(9)	000 043 301 48	Coolant additive discontinued part	20ltr.	X	
(9)	000 043 305 16	Coolant additive	20ltr.	X	
(9)	000 043 301 49	Coolant additive 1 GALLON		X	
(9)	000 043 305 75	discontinued part Coolant additive 1 GALLON		X	
(9)	000 043 305 64	Cleaning solution	20ltr.	1	
10	996 106 297 05	Overflow hose		1	
11	999 707 370 40	O-ring 47 X 4		1	
12	999 707 371 40	O-ring 17 X 4		1	
13		Water hose			
14	999 512 660 09	Hose clamp 29 X 12	see illustration: 105-001	1	

Model: 997G07

Model life 2007>>2011



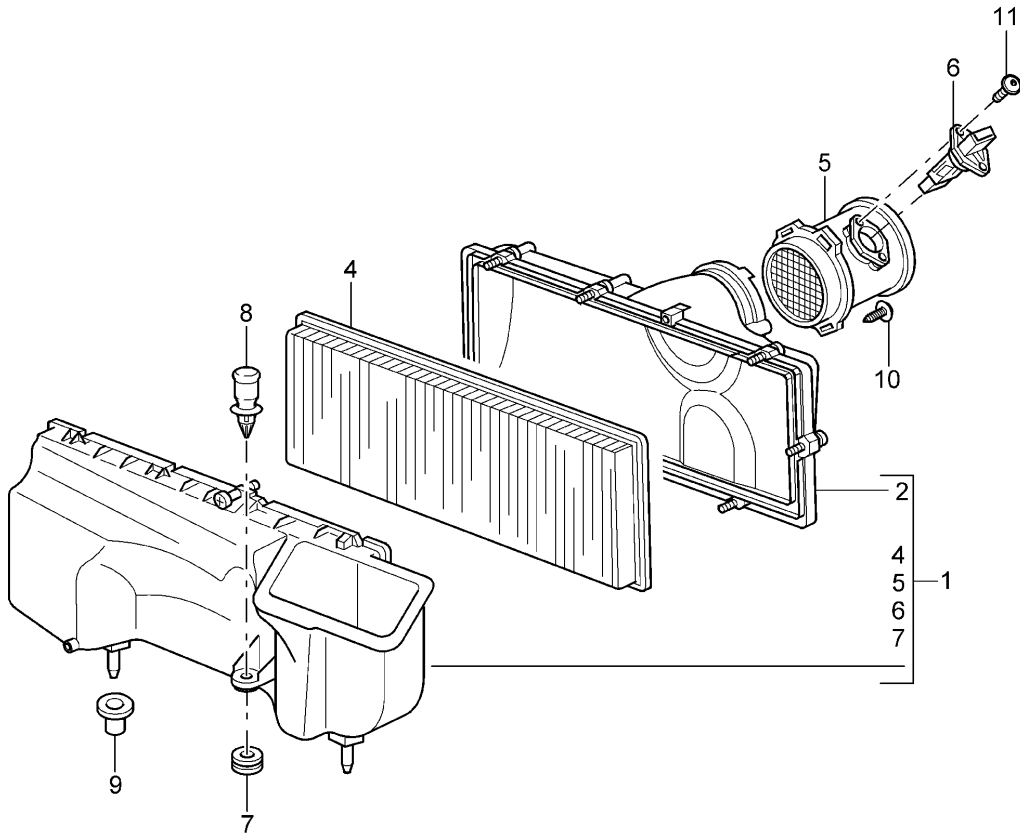
Model: 997G07

Model life 2007&gt;&gt;2011

Pos	Part Number	Description	Remark	Qty	Model
		Air filter			9776
1	997 110 021 90	Air filter		1	
2	996 110 121 93	Air filter housing		1	
		Lower part			
4	996 110 131 71	Air filter element		1	
5	997 110 321 90	Pipe		1	
		for			
		Air mass meter			
6	986 606 125 01	Air mass meter		1	
7	999 702 246 40	Grommet		1	
		12,0 X 25,6 X 17			
8	997 110 137 01	Clip		1	
9	999 703 478 40	bush		1	
10	N 104 197 02	oval head panel screw		2	
		M6 X 22			
11	999 919 099 01	fillister hd. bolt		2	
		M5 X 20			

Model: 997G07

Model life 2007>>2011



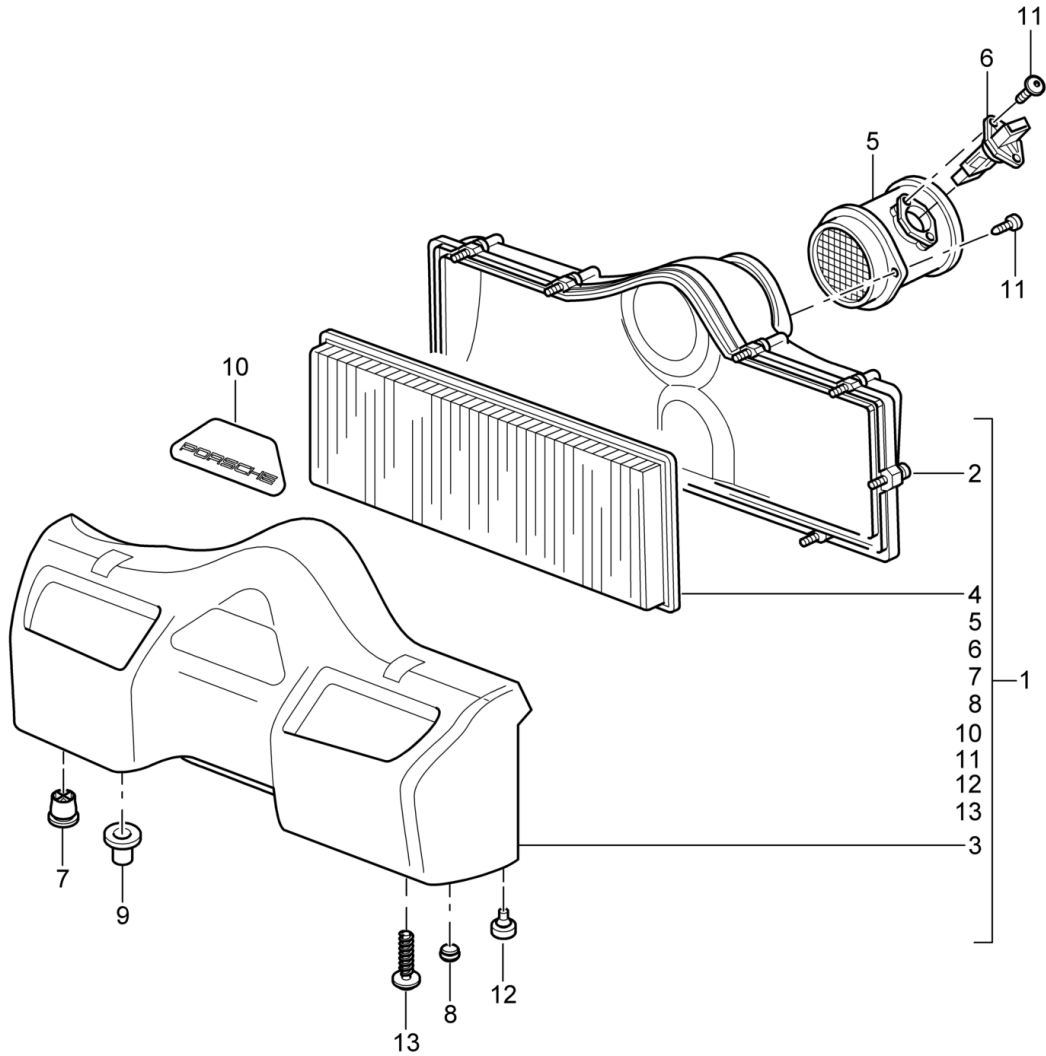
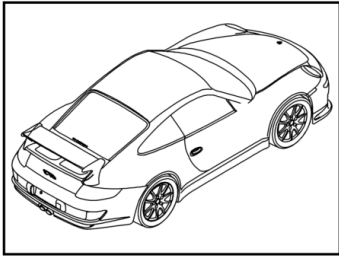
Model: 997G07

Model life 2007&gt;&gt;2011

Pos	Part Number	Description	Remark	Qty	Model
1	997 110 021 90	Air filter		1	9777+
2	996 110 121 93	Air filter housing		1	
4	996 110 131 71	Lower part		1	
5	997 110 321 90	Air filter element		1	
6	986 606 125 01	Pipe		1	
7	999 702 246 40	for Air mass meter		1	
8	997 110 137 01	Air mass meter		1	
9	999 703 478 40	Grommet		1	
10	N 104 197 02	12,0 X 25,6 X 17		1	
		Clip		1	
		bush		1	
		oval head panel screw		2	
		M6 X 22			
11	999 919 099 01	fillister hd. bolt		2	
		M5 X 20			

Model: 997G07

Model life 2007>>2011





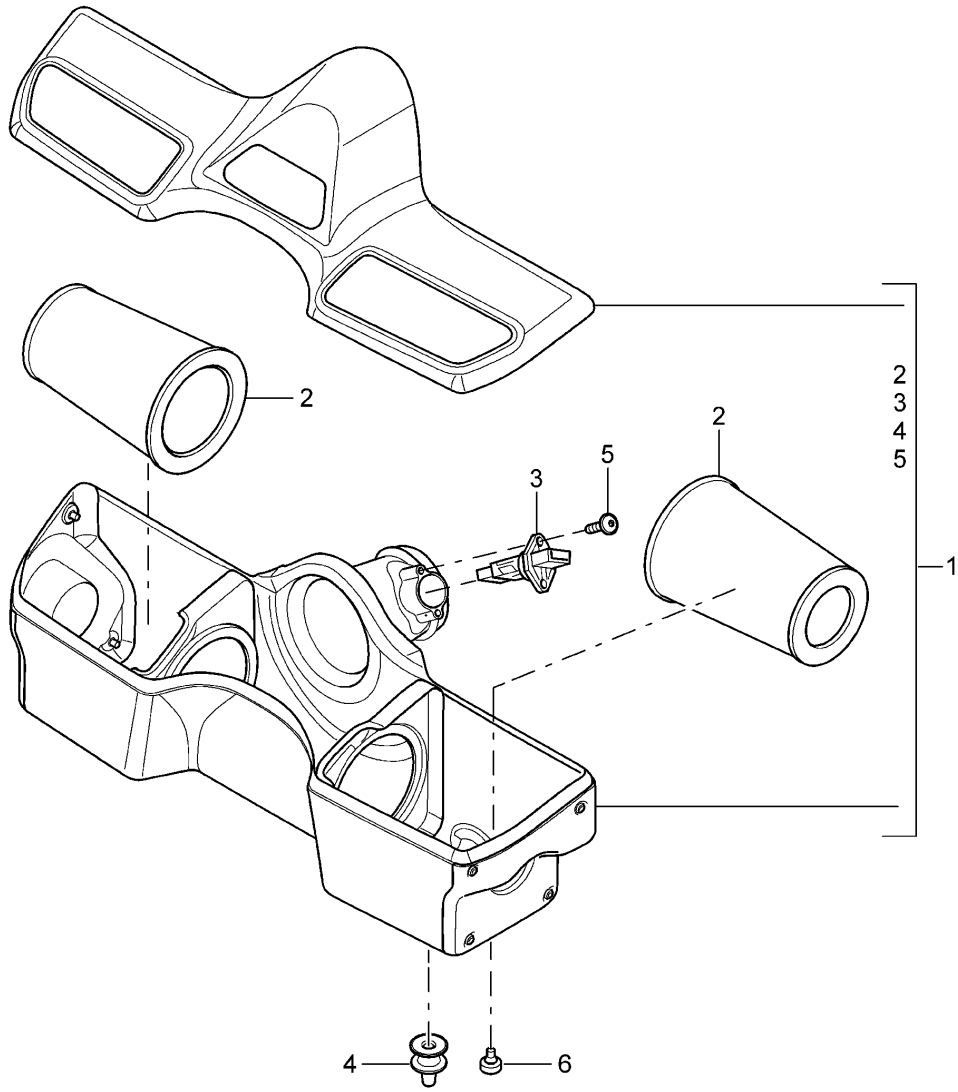
Model: 997G07

Model life 2007&gt;&gt;2011

Pos	Part Number	Description	Remark	Qty	Model
		Air filter			9777+
1	997 110 021 92	Air filter		1	
2	997 110 121 92	Air filter housing Lower part		1	
3	997 110 122 92	Air filter housing Upper part		1	
4	997 110 131 74	Air filter element		1	
5	997 110 321 92	Pipe for Air mass meter		1	
6	997 606 125 00	Air mass meter No longer use the part here		1	
6	986 606 125 01	Air mass meter		1	
7	997 110 239 00	Support Air filter		4	
8	997 110 238 00	Stop buffer		3	
9	999 703 267 40	bush		2	
10	997 110 721 92	inscription RS 3.8		1	
11	999 919 099 01	fillister hd. bolt M5 X 20		4	
12	997 555 533 01	Stop		2	
13	999 919 261 01	fillister hd. bolt M 5 X 20,0		4	

Model: 997G07

Model life 2007>>2011



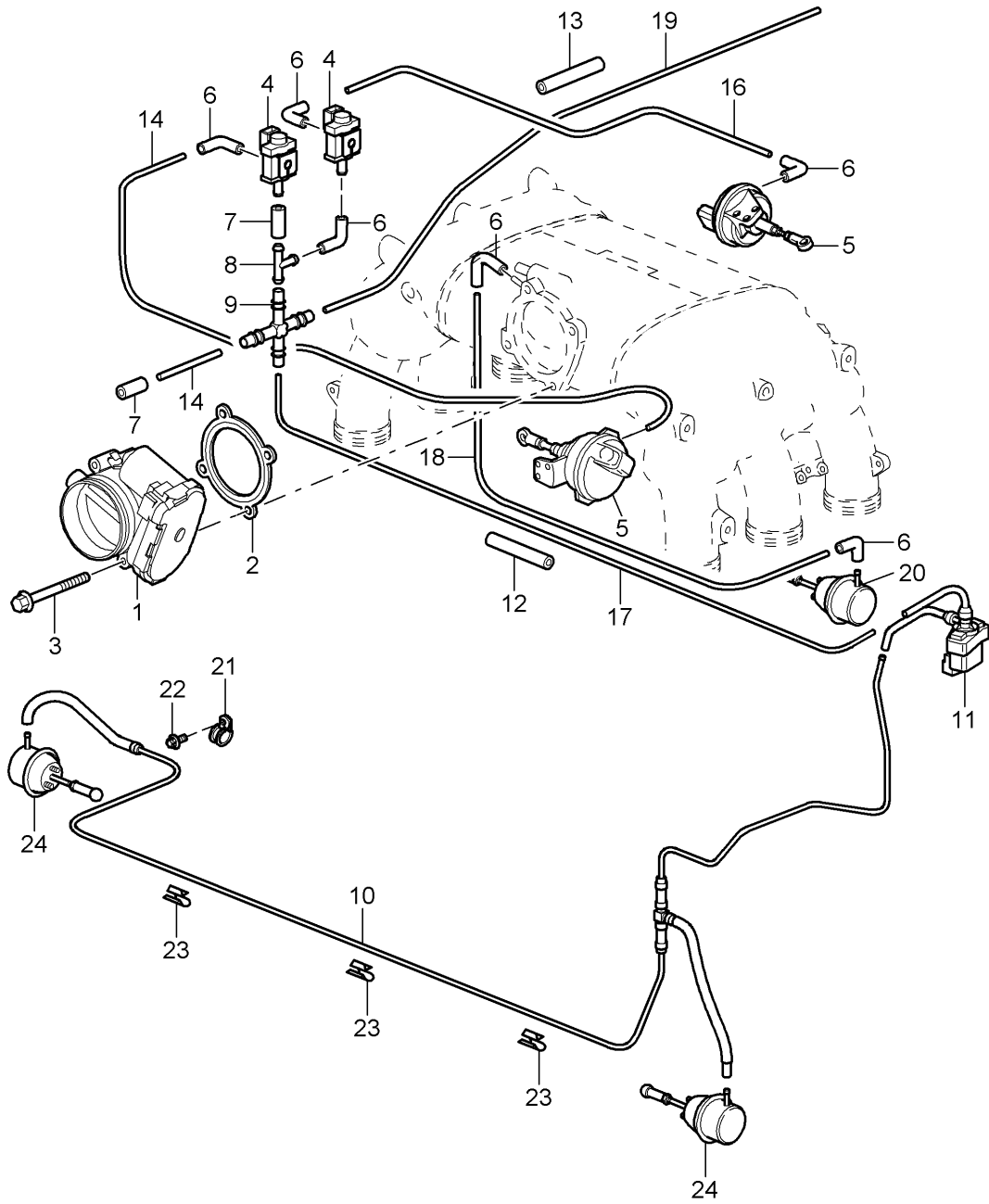
Model: 997G07

Model life 2007&gt;&gt;2011

Pos	Part Number	Description	Remark	Qty	Model
1	997 110 021 94	Air filter		1	9774+
2	997 110 131 91	Air filter element		2	
3	986 606 125 01	Air mass meter		1	
4	999 703 267 40	bush		2	
5	999 073 268 A2	fillister hd. bolt M 5 x 12		10	
6	997 555 533 01	Stop		5	

Model: 997G07

Model life 2007>>2011



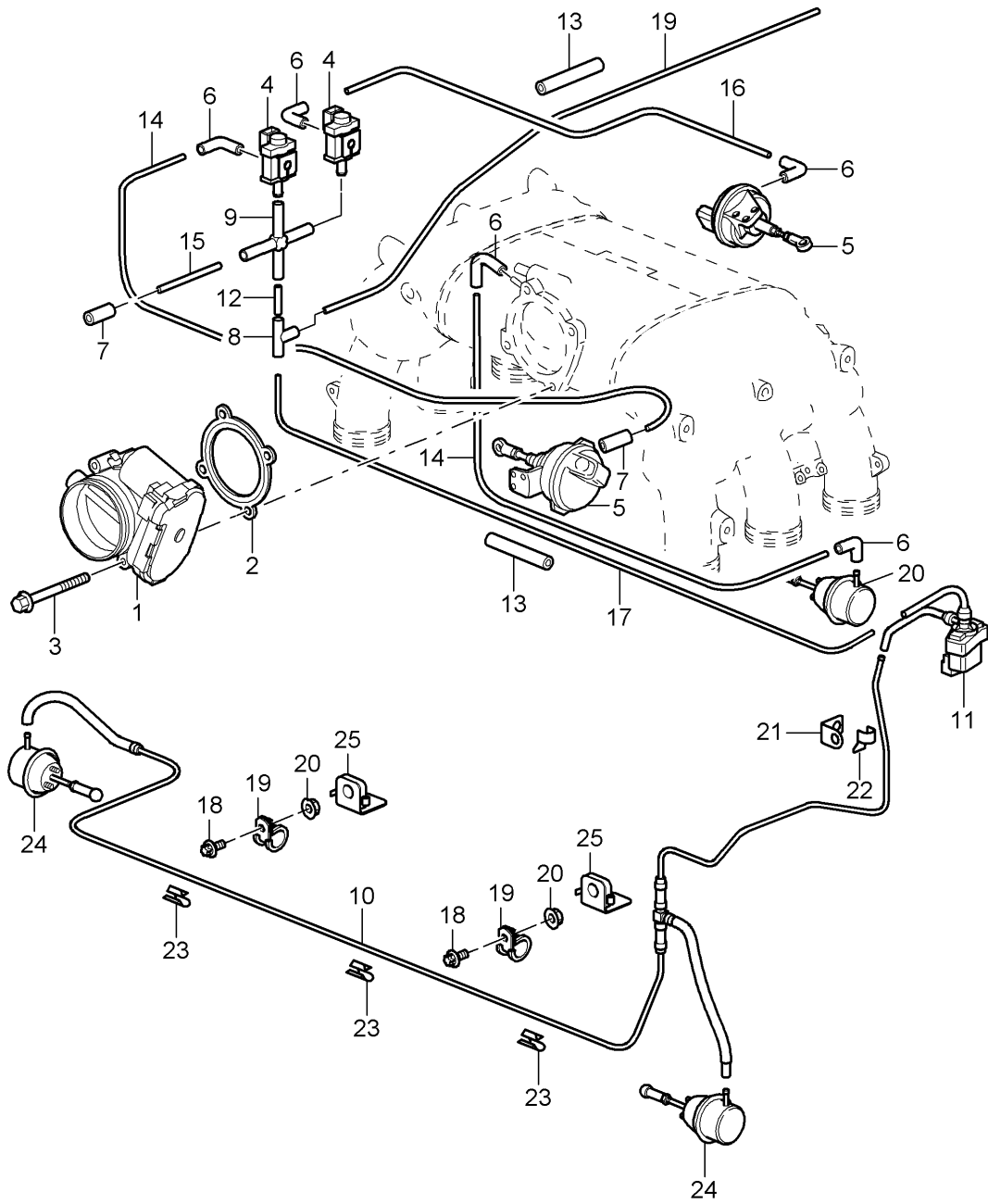
Model: 997G07

Model life 2007>>2011

Pos	Part Number	Description	Remark	Qty	Model
		throttle valve adapter			9776
1	997 605 116 01	throttle valve adapter		1	
2	997 110 319 90	Seal		1	
3	900 385 070 01	Torx screw M 6 X 50		4	
3	PAF 008 685 00	Torx screw M 6 X 50		4	
4	996 605 123 01	Change-over valve		2	
5		see illustration:	107-010	1	
6	928 574 717 03	Molded hose		7	
7	999 239 040 40	Connecting piece		2	
8	999 137 004 40	t-piece		1	
9	928 573 729 03	Distributor Discontinued part		1	
9	928 573 729 05	Distributor		1	
10	997 110 161 91	Control line		1	
11	997 110 163 90	Control line		1	
		with:			
12	999 614 015 40	Change-over valve Insulating hose 10 X 0,7 X 150		1	
13	999 614 013 40	Insulating hose 10 X 0,7 X 250		1	
-	999 181 742 40	Pipe 4,0 X 1,0		X	
14		shorten to:	230 MM	1	
15		shorten to:	335 MM	1	
16		shorten to:	360 MM	1	
17		shorten to:	450 MM	1	
18		shorten to:	580 MM	1	
19	900 918 011 40	Pipe 4,0 X 1,0 1200 MM		1	
20		see illustration:	107-005		
21	999 512 429 01	Clamp 6 X 15		1	
22	900 385 041 01	Torx screw M 6 X 12		1	
23	999 652 326 03	Cable fastener 3,5 - 4,0		3	
24		Vacuum unit Not available Front silencer Use see illustration:	202-000	2	

Model: 997G07

Model life 2007>>2011



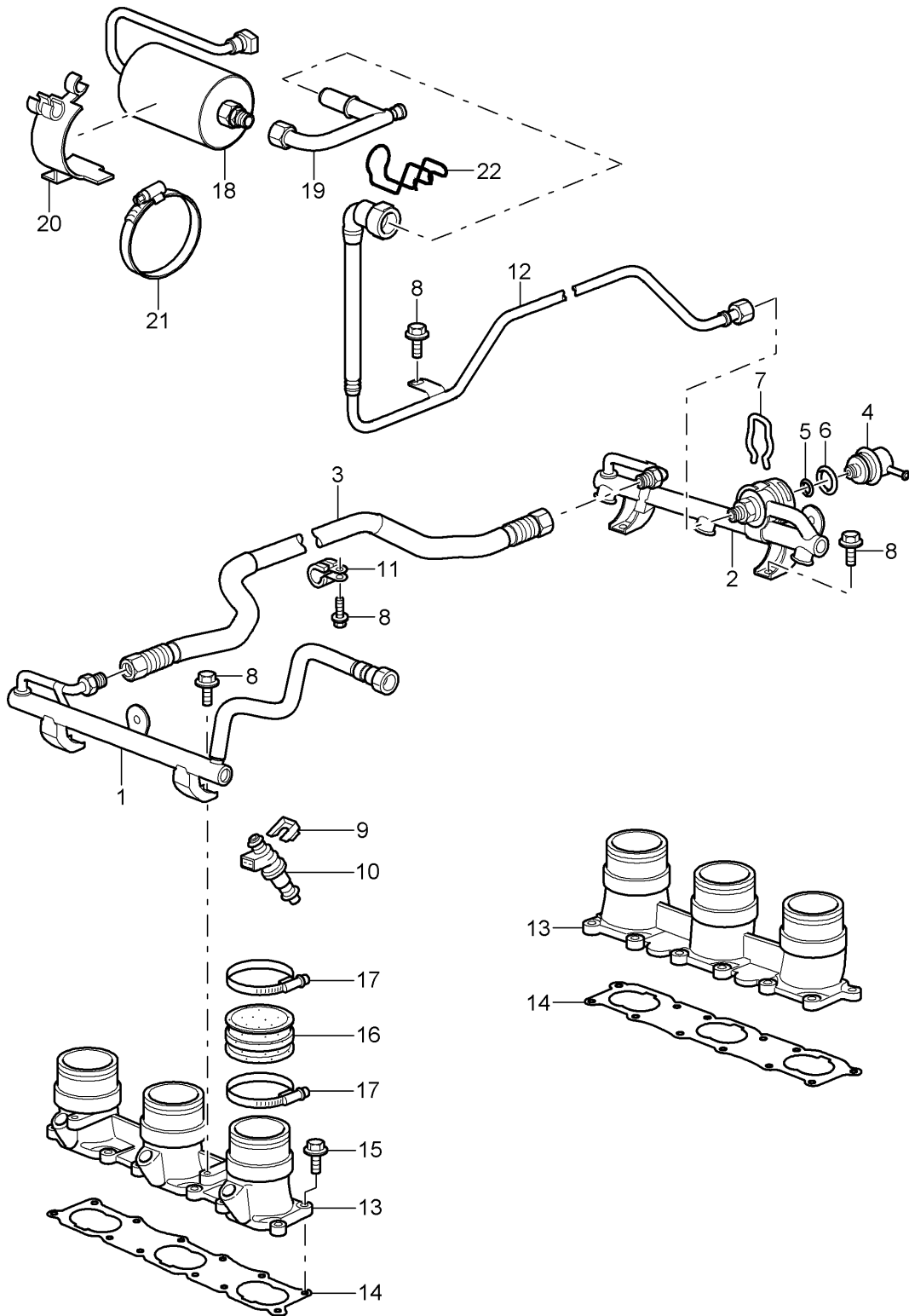
Model: 997G07

Model life 2007>>2011

Pos	Part Number	Description	Remark	Qty	Model
		throttle valve adapter Control line Flap Exhaust gas			9777,9774
1	997 605 116 01	throttle valve adapter		1	
2	997 110 319 90	Seal		1	
3	900 385 070 01	Torx screw M 6 X 50		4	
3	PAF 008 685 00	Torx screw M 6 X 50		4	
4	996 605 123 01	Change-over valve		2	
5		see illustration:	107-011	1	
6	928 574 717 05	Molded hose		6	
6	928 574 717 07	Molded hose		6	
		No longer use the part here			
6	9P1 129 487	Molded hose		6	
7	999 239 040 40	Connecting piece		2	
8	928 573 727 05	Distributor Triple		1	
9	928 573 729 05	Distributor Fourfold		1	
10	997 110 161 93	Control line		1	
11	997 110 163 90	Control line		1	
		with:			
12	900 918 078 40	Change-over valve Pipe 4 x 1 x 75		1	
13	999 614 013 40	Insulating hose 10 X 0,7 X 250		2	
14	900 918 060 40	Pipe 4 x 1 x 300		2	
15	900 918 067 40	Pipe 4 x 1 x 350		1	
16	900 918 080 40	Pipe 4 x 1 x 530		1	
17	900 918 017 40	Pipe 4 x 1 x 580		1	
18	900 385 009 01	Torx screw M 6 x 16		3	
18	900 385 019 01	Torx screw M 6 x 20		3	
19	999 512 429 01	Clamp 6 x 15		3	
20	900 377 010 01	Hexagon nut M6		3	PR:-074, -172,-193
20	900 377 010 01	Hexagon nut M 6		1	PR:074,172, 193
21	997 110 597 90	Retaining plate		2	
22	999 507 506 40	Cable holder		2	
23	999 512 527 00	Clamp 8,5 - 10		2	
24		Vacuum unit Not available Front silencer Use		2	
		see illustration:	202-001		
25	997 375 431 90	Bracket Cover		2	PR:074,172, 193,-004

Model: 997G07

Model life 2007>>2011





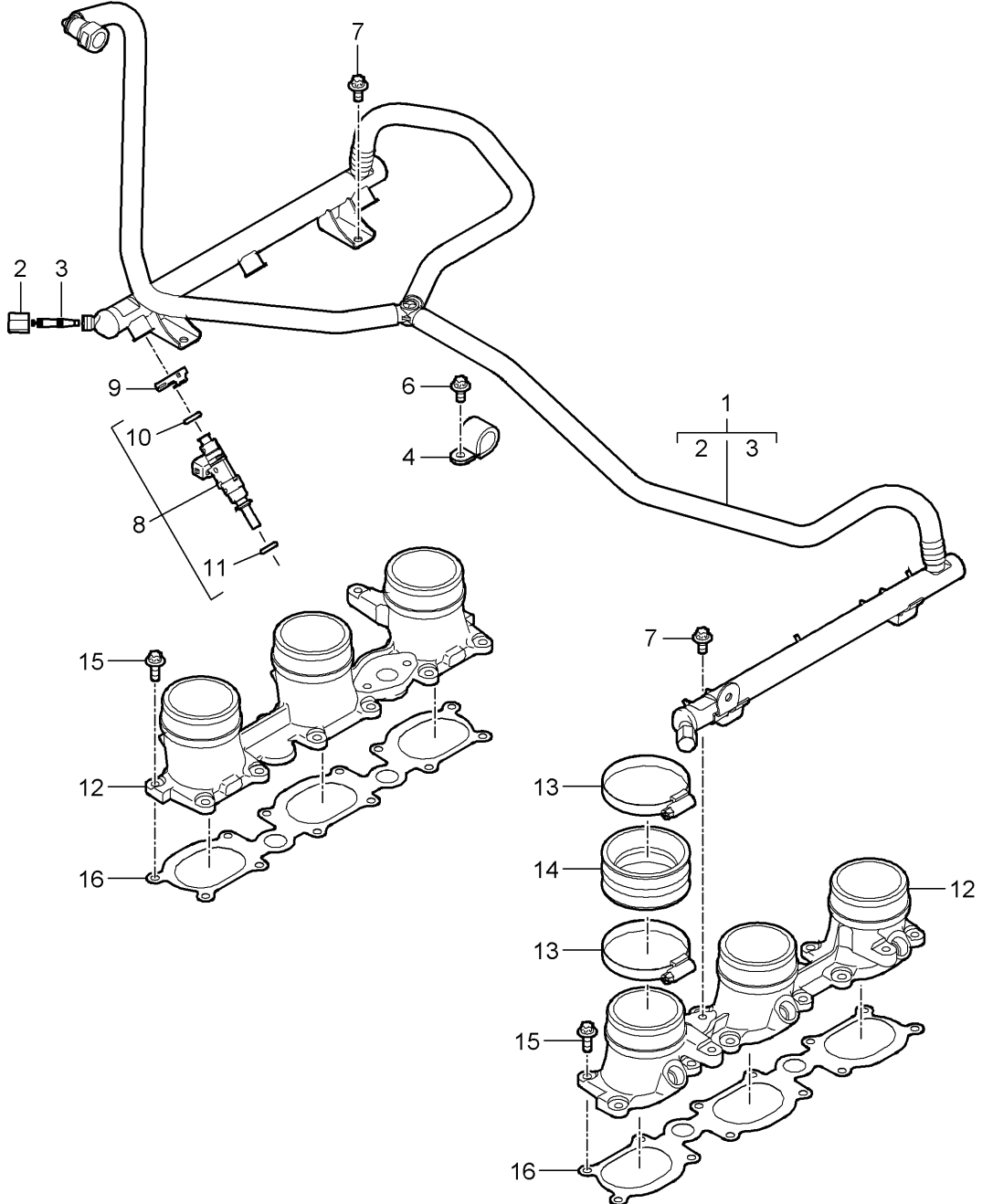
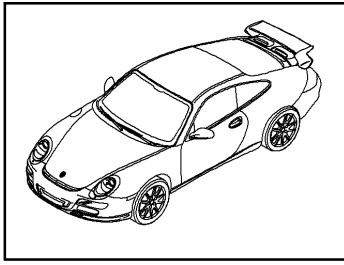
Model: 997G07

Model life 2007&gt;&gt;2011

Pos	Part Number	Description	Remark	Qty	Model
		Fuel collection pipe			9776
1	997 110 307 91	Fuel collection pipe Cyl. 1 - 3		1	
2	997 110 308 90	Fuel collection pipe Cyl. 4 - 6		1	
3	997 110 309 90	Fuel hose		1	
4	997 110 199 70	pressure regulator		1	
5	999 707 276 40	O-ring 5 X 2,5		1	
6	999 707 277 40	O-ring 20 X 2,5		1	
7	993 110 196 00	Retaining clip		1	
8	900 385 041 01	Torx screw M 6 X 12		7	
9	996 110 113 52	Retaining clip		6	
10	997 605 132 90	Injection valve		6	
11	999 511 177 02	Clamp 20 X 15 Discontinued part		1	
11	999 511 177 01	Clamp 20 X 15		1	
12	997 110 324 91	return line Discontinued part		1	
12	997 110 324 92	return line		1	
13	997 110 101 90	intake manifold		2	
14	996 110 103 93	Seal		2	
15	900 385 009 01	Torx screw M 6 X 16		24	
16	996 110 687 90	Rubber sleeve		6	
17	999 512 349 02	Hose clamp 50 - 70/9 Discontinued part		12	
17	999 512 349 01	Hose clamp 50 - 70/9		12	
18	996 110 253 52	Fuel filter		1	
19	997 110 065 00	Bleed valve Discontinued part		1	
(19)	997 110 065 01	Bleed valve		1	
20	997 110 257 03	Bracket		1	
21	999 512 390 00	Hose clamp 60- 80/13		1	
22	997 110 267 70	securing clip		1	

Model: 997G07

Model life 2007>>2011



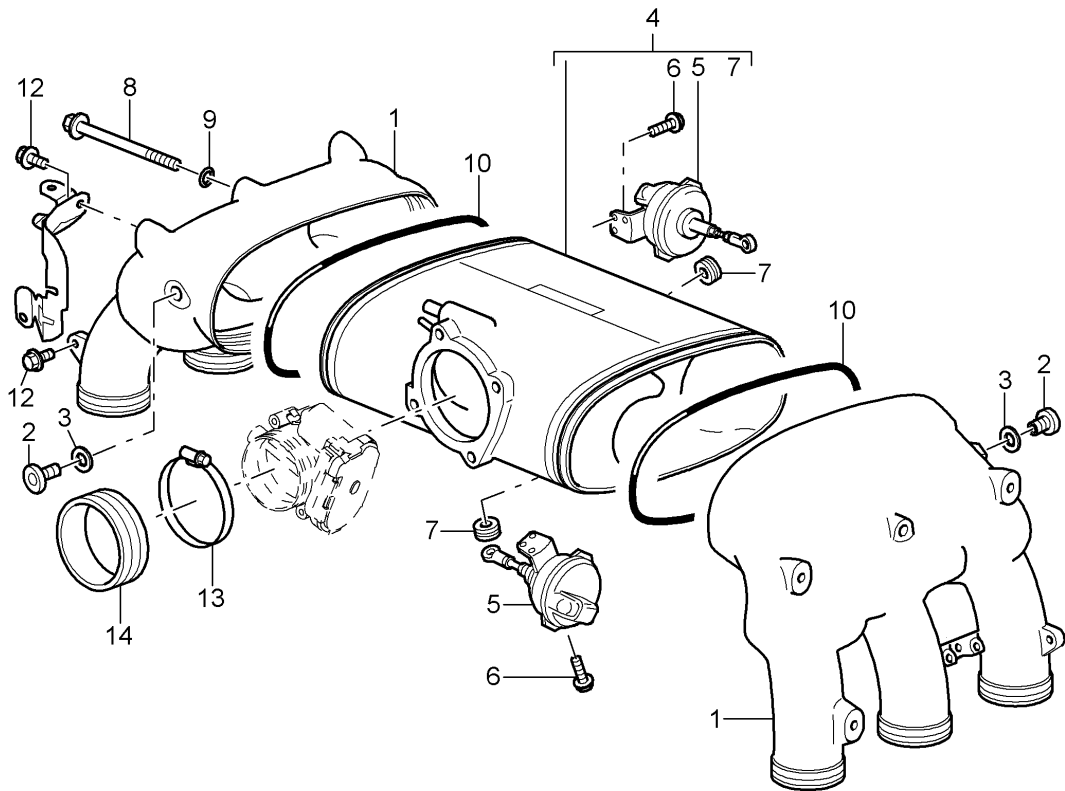
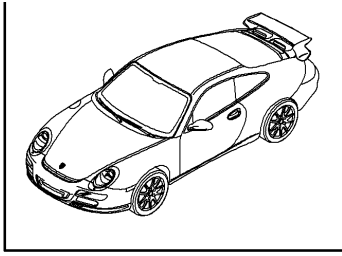
Model: 997G07

Model life 2007>>2011

Pos	Part Number	Description	Remark	Qty	Model
1	997 110 031 91	Fuel collection pipe		1	9777,9774
2	997 110 218 00	Fuel collection pipe		1	
		Cap closure		2	
		Valve			
3	993 110 217 00	Valve		2	
4	999 511 066 01	Clamp		1	
		18 x 15			
6	900 385 009 01	Torx screw		1	
		M6 x 16			
7	900 385 041 01	Torx screw		4	
		M6 x 12			
8	997 605 132 90	Injection valve		6	9777
8	997 605 132 91	Injection valve		6	9774
9	996 110 113 53	Retaining clip		6	
10	999 707 574 40	O-ring		6	
		7,52 x 3,51			
11	999 707 573 40	O-ring		6	
		8,30 x 3,05			
12	997 110 101 90	intake manifold		2	9777
12	997 110 101 92	intake manifold		2	9774
13	999 512 349 02	Hose clamp		12	
		50 - 70/9			
		Discontinued part			
13	999 512 349 01	Hose clamp		12	
		50 - 70/9			
14	996 110 687 90	Rubber sleeve		6	9777
(14)	997 110 687 90	Rubber sleeve		6	9774
15	900 385 019 01	Torx screw		24	
		M6 x 20			
16	996 110 103 93	Seal		2	

Model: 997G07

Model life 2007>>2011



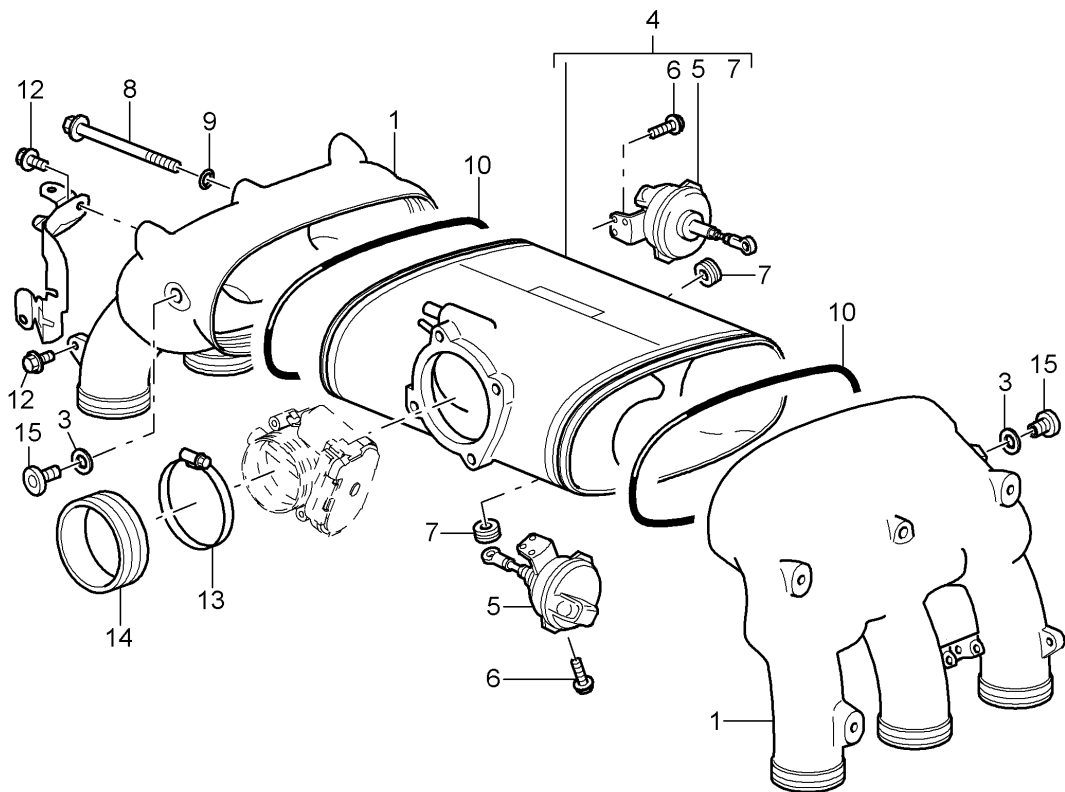
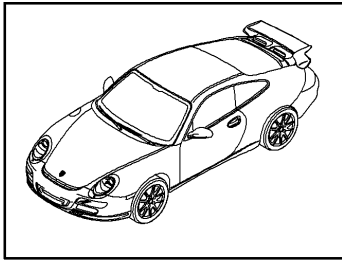
Model: 997G07

Model life 2007&gt;&gt;2011

Pos	Part Number	Description	Remark	Qty	Model
		intake air distributor			9776
1	997 110 619 90	intake air distributor		2	
2	900 219 004 01	sealing plug M 16 X 1,5		2	
3	900 123 131 30	seal ring A 16 X 20		2	
4	997 110 116 90	Distributor tube		1	
5	993 110 462 02	Vacuum unit		2	
6	999 146 007 01	flat round head bolt M 5 X 16		4	
7	999 113 477 40	Shaft oil seal 8 X 16 X 7		2	
8	900 378 280 02	Hexagon bolt M 6 X 130		2	
9	N 013 804 2	seal ring 6 X 10		2	
10	900 331 056 40	O-ring 180 X 3,0		2	
11	997 605 665 90	Bracket Change-over valve		1	
12	900 385 041 01	Torx screw M 6 X 12		2	
13	999 512 539 00	Hose clamp 90 - 110/9 Discontinued part		1	
13	999 512 539 01	Hose clamp 90 - 110/9		1	
14	997 110 621 90	Rubber sleeve		1	
15	997 110 728 90	nipple		1	
16	N 013 802 1	seal ring		1	

Model: 997G07

Model life 2007>>2011



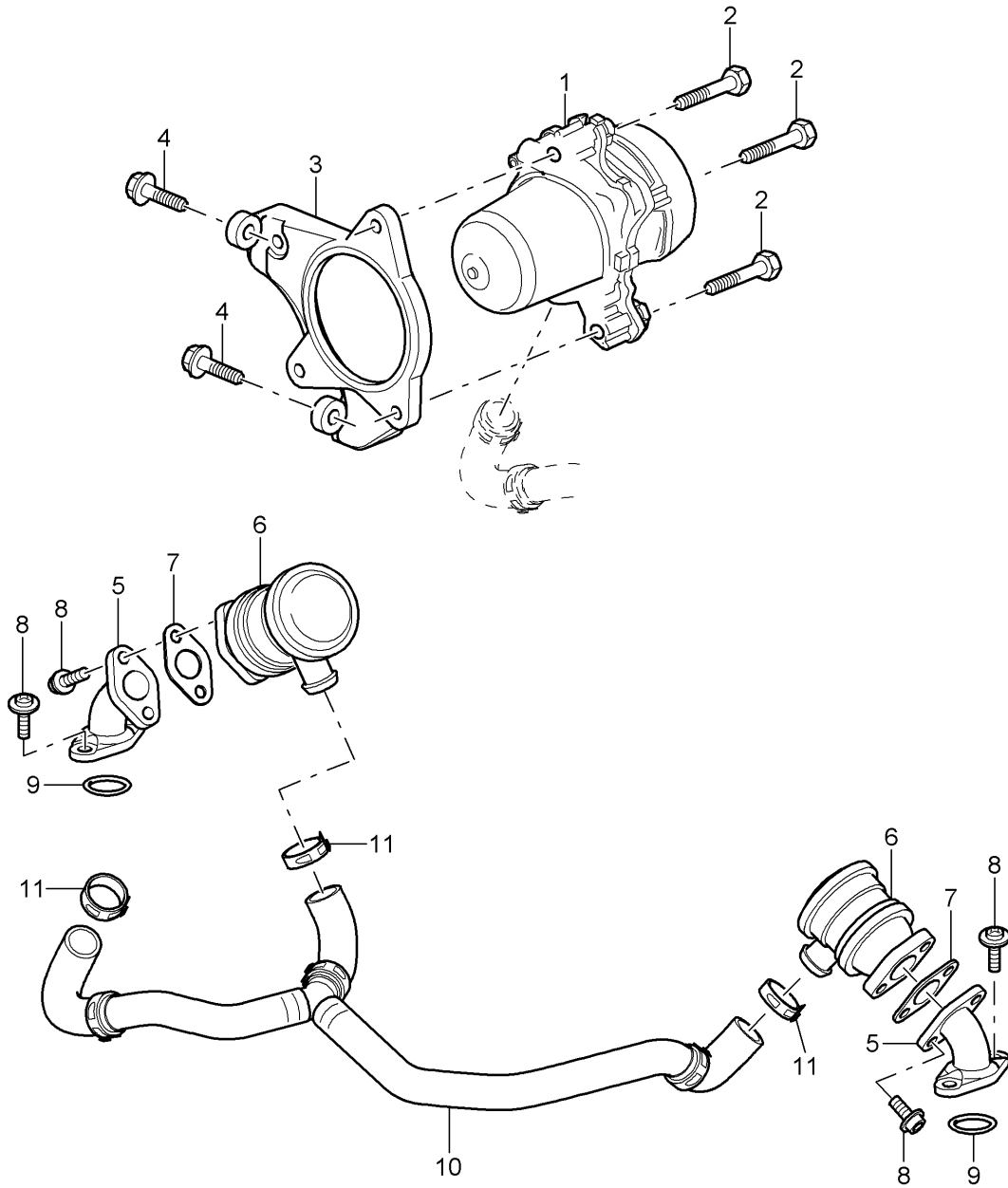
Model: 997G07

Model life 2007>>2011

Pos	Part Number	Description	Remark	Qty	Model
1	997 110 619 90	intake air distributor intake air distributor		2	9777,9774 9777+ PR:-004
1	997 110 619 91	intake air distributor Cyl. 1 - 3		1	9777+ PR:004
1	997 110 619 91	intake air distributor Cyl. 1 - 3 M >> 61B 31503		1	9774+ PR:004
1	997 110 619 92	intake air distributor Cyl. 1 - 3 M 61B 31504 >>		1	9774+ PR:004
2	997 110 620 91	intake air distributor Cyl. 4 - 6		1	9777+ PR:004
2	997 110 620 91	intake air distributor Cyl. 4 - 6 M >> 61B 31503		1	9774+ PR:004
2	997 110 620 92	intake air distributor Cyl. 4 - 6 M 61B 31504 >>		1	9774+ PR:004
-	997 110 719 90	spacer sleeve for intake air distributor 997.110.619.92 997.110.620.92		2	9774
3	900 123 131 30	seal ring A 16 x 20		2	9777
4	997 110 116 90	Distributor tube		1	9777+ PR:-004
4	997 110 116 91	Distributor tube Discontinued part		1	9777,9774+ PR:004
4	997 110 116 94	Distributor tube		1	9777,9774+ PR:004
5	993 110 462 02	Vacuum unit		2	
6	999 146 007 01	flat round head bolt M 5 X 16		4	
7	999 113 477 40	Shaft oil seal 8 X 16 X 7		2	
8	900 385 122 01	Torx screw M 6 X 100		2	9777,9774+ PR:004
8	900 378 280 02	Hexagon bolt M 6 X 130		2	9777+ PR:-004
9	N 013 804 2	seal ring 6 X 10		2	
10	900 331 056 40	O-ring 180 X 3,0		2	
11	997 605 665 92	Bracket Change-over valve		1	
12	900 385 041 01	Torx screw M 6 X 12		2	
13	999 512 539 01	Hose clamp 90 - 110/9		1	
14	997 110 621 90	Rubber sleeve		1	
15	900 219 004 01	sealing plug M 16 x 1,5		2	9777
16	996 110 530 90	Grommet Temperature sensor		1	9777+ PR:-004
(16)	993 110 530 01	Grommet Temperature sensor		1	9777,9774+ PR:004
17	997 110 728 90	nipple		1	
18	N 013 802 1	seal ring		1	
19	997 606 213 00	Temperature sensor		1	

Model: 997G07

Model life 2007>>2011





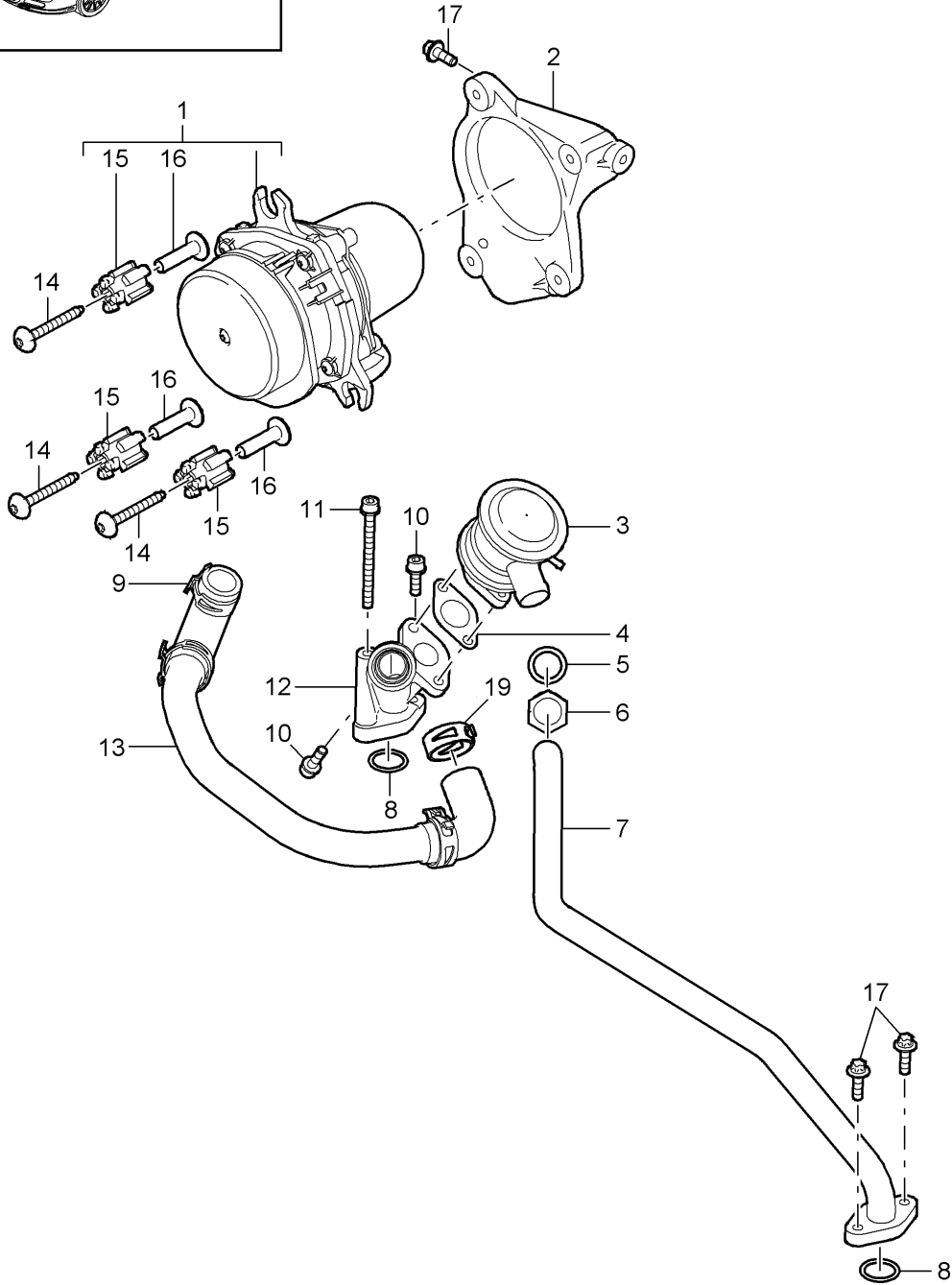
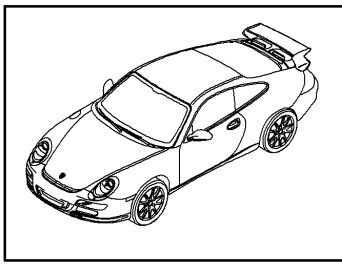
Model: 997G07

Model life 2007>>2011

Pos	Part Number	Description	Remark	Qty	Model
1	997 605 104 00	Air injection Secondary pump		1	9776
(1)	997 605 104 02	D - MJ 2007>> - MJ 2007 Secondary pump		1	
2	955 113 325 00	D - MJ 2008>> fillister hd. bolt		3	
3	997 113 240 90	M 6 X 50 Bracket		1	
4	900 385 019 01	Torx screw		2	
5	997 113 101 90	M 6 X 20 Console		2	
6	948 113 203 01	Valve		2	
7	993 113 258 51	Seal		2	
8	900 067 207 01	Bolt with washer		8	
9	999 707 472 40	M 6 X 20 O-ring		2	
10	997 113 107 90	20,0 X 2,5 air hose		1	
11	999 512 658 09	Hose clamp		6	
		27 X 12			

Model: 997G07

Model life 2007>>2011



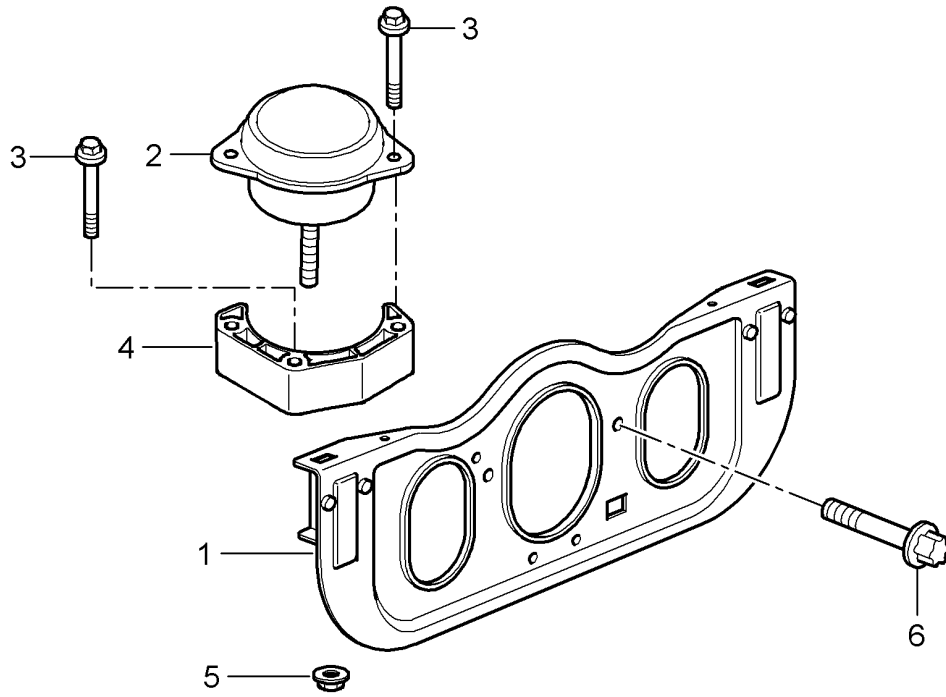
Model: 997G07

Model life 2007>>2011

Pos	Part Number	Description	Remark	Qty	Model
		Air injection			9777,9774
1	997 605 104 02	Secondary pump		1	
2	997 113 240 90	Bracket		1	
3	997 113 249 90	cut-off valve		1	
4	993 113 258 51	Seal		1	
5	900 102 011 03	die ring		1	
6	999 261 025 01	union bolt		1	
7	997 113 117 90	Connecting line		1	
8	999 707 472 40	O-ring		2	
		20 x 2,5			
9	999 512 658 09	Hose clamp		1	
		27 x 12			
10	900 067 207 01	Bolt with washer		3	
		M 6 X 20			
11	900 067 331 01	Screw		2	
		M 6 x 75			
12	997 113 101 91	Console		1	
13	997 113 107 91	air hose		1	
14	7L5 951 541	Screw		3	
		M 6 X 50			
14	955 113 325 00	Discontinued part fillister hd. bolt		3	
		M 6 X 50			
15	999 703 868 40	Rubber bush		3	
16	999 209 077 01	spacer sleeve		3	
17	900 385 019 01	Torx screw		4	
		M 6 x 20			
19	999 512 346 01	Hose clamp		1	
		16 - 27			

Model: 997G07

Model life 2007>>2011



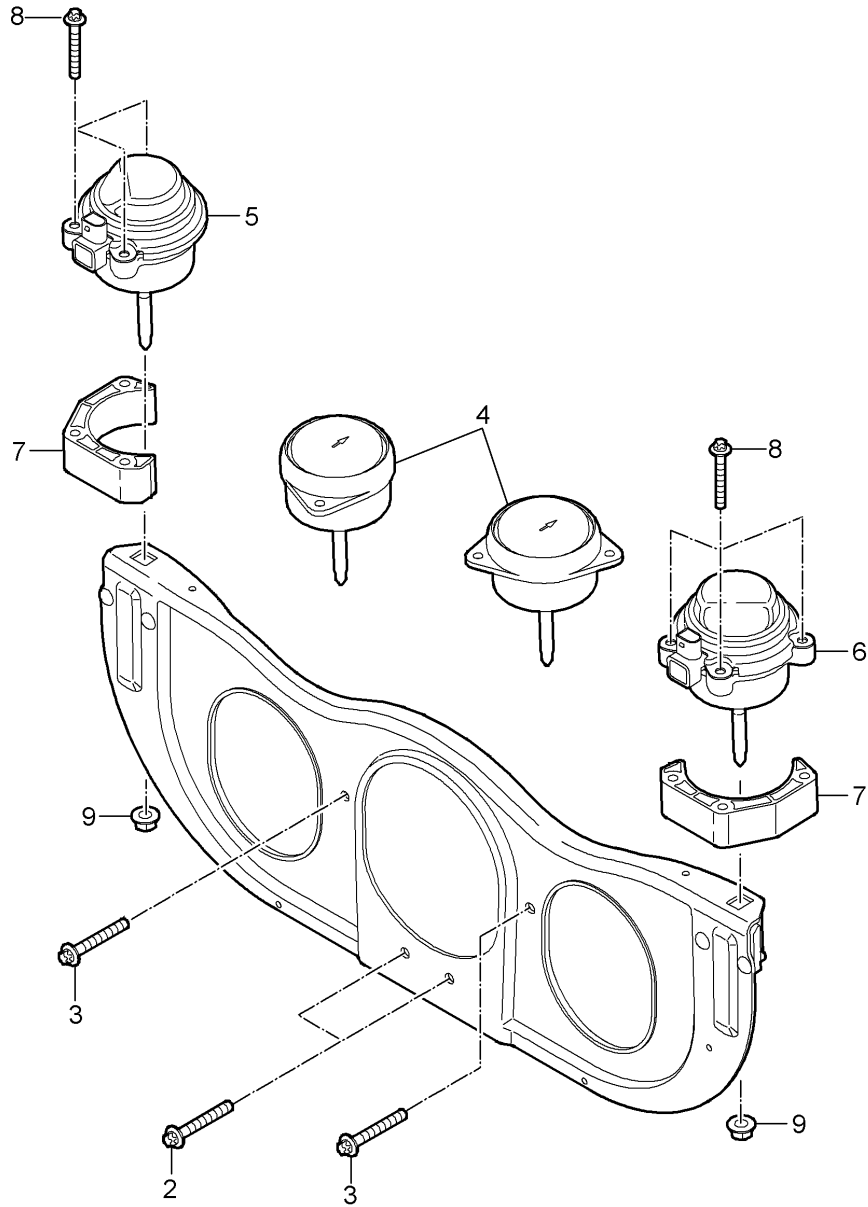
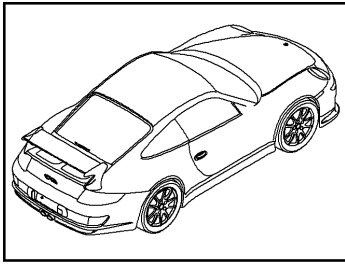
Model: 997G07

Model life 2007>>2011

Pos	Part Number	Description	Remark	Qty	Model
		Engine suspension			9776
1	996 375 013 01	Engine brackets		1	
2	980 375 351 01	hydro-mounting		2	
		Discontinued part			
(2)	980 375 351 02	hydro-mounting		2	
3	900 378 159 01	Hexagon bolt		12	
		AM 8 X 60			
4	996 375 221 02	Adapter		2	
5	999 084 215 09	Locknut		2	
		M 12 X 1,5			
6	900 385 119 01	Hexagon head bolt		4	
		M 10X 70			

Model: 997G07

Model life 2007>>2011



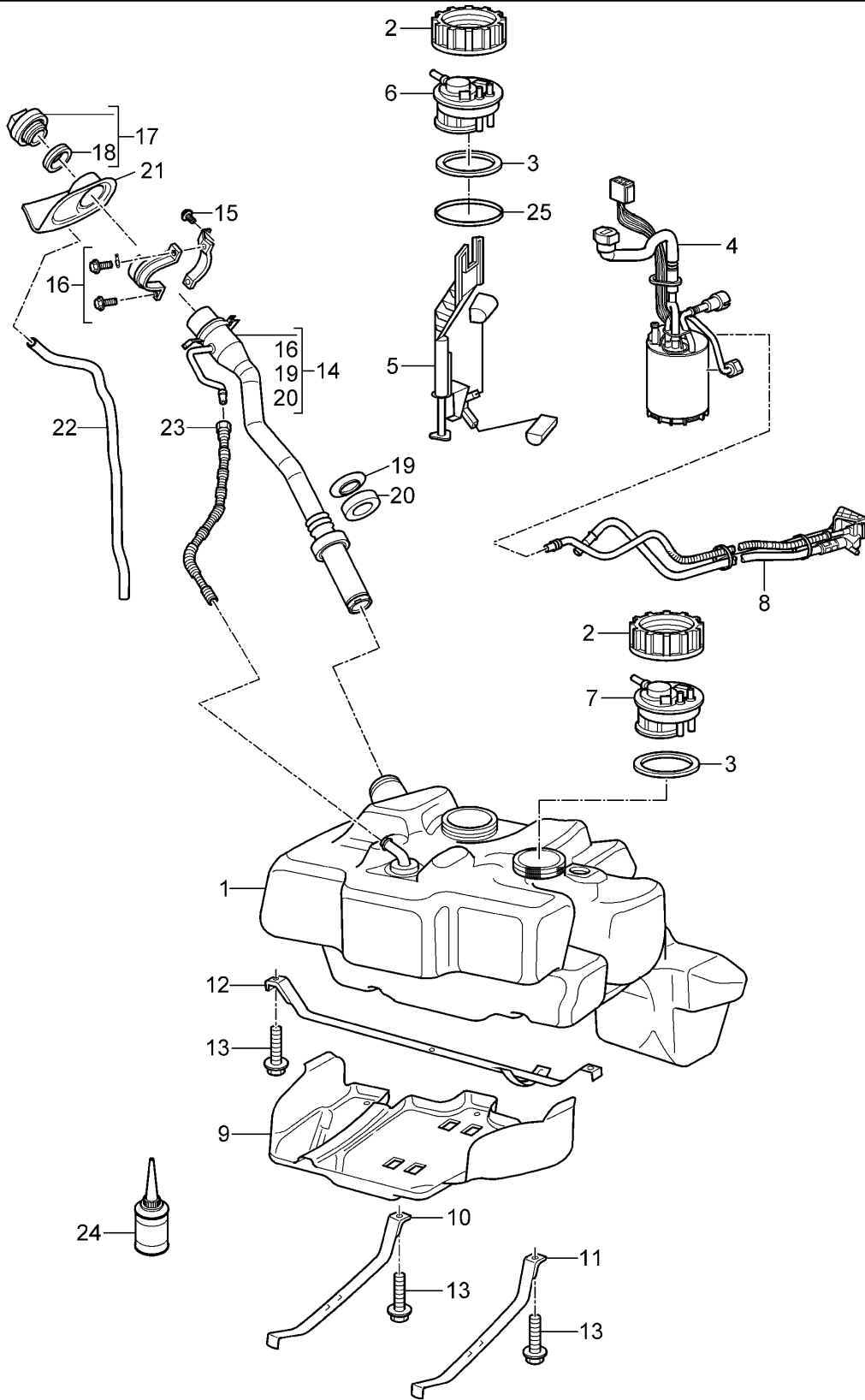
Model: 997G07

Model life 2007>>2011

Pos	Part Number	Description	Remark	Qty	Model
		Engine suspension			9777,9774
1	997 375 011 91	Engine brackets		1	
2	900 385 062 01	Outer hexagon round screw M 10 x 80		2	
3	900 385 119 01	Hexagon head bolt M 10 x 70		2	
4	980 375 351 02	hydro-mounting		2	PR:-140
5	997 375 059 91	hydro-mounting Discontinued part	left	1	PR:140
5	997 375 059 92	hydro-mounting	left	1	PR:140
5	997 375 059 93	hydro-mounting	left	1	PR:140
6	997 375 060 91	hydro-mounting Discontinued part	right	1	PR:140
6	997 375 060 92	hydro-mounting Discontinued part	right	1	PR:140
6	997 375 060 93	hydro-mounting	right	1	PR:140
7	996 375 221 02	Adapter		2	
8	900 378 159 01	Hexagon bolt M 8 x 60		6	PR:-140
(8)	900 385 121 01	Outer hexagon round screw M 8 x 75		6	PR:140
9	999 084 215 09	Locknut M 12 X 1,5		2	
9	999 084 215 01	No longer use the part here Locknut M 12 X 1,5		2	
9	N 908 484 05	D >> - MJ 2011 Hexagon nut M 12 X 1,5 D - MJ 2012>>		2	

Model: 997G07

Model life 2007>>2011





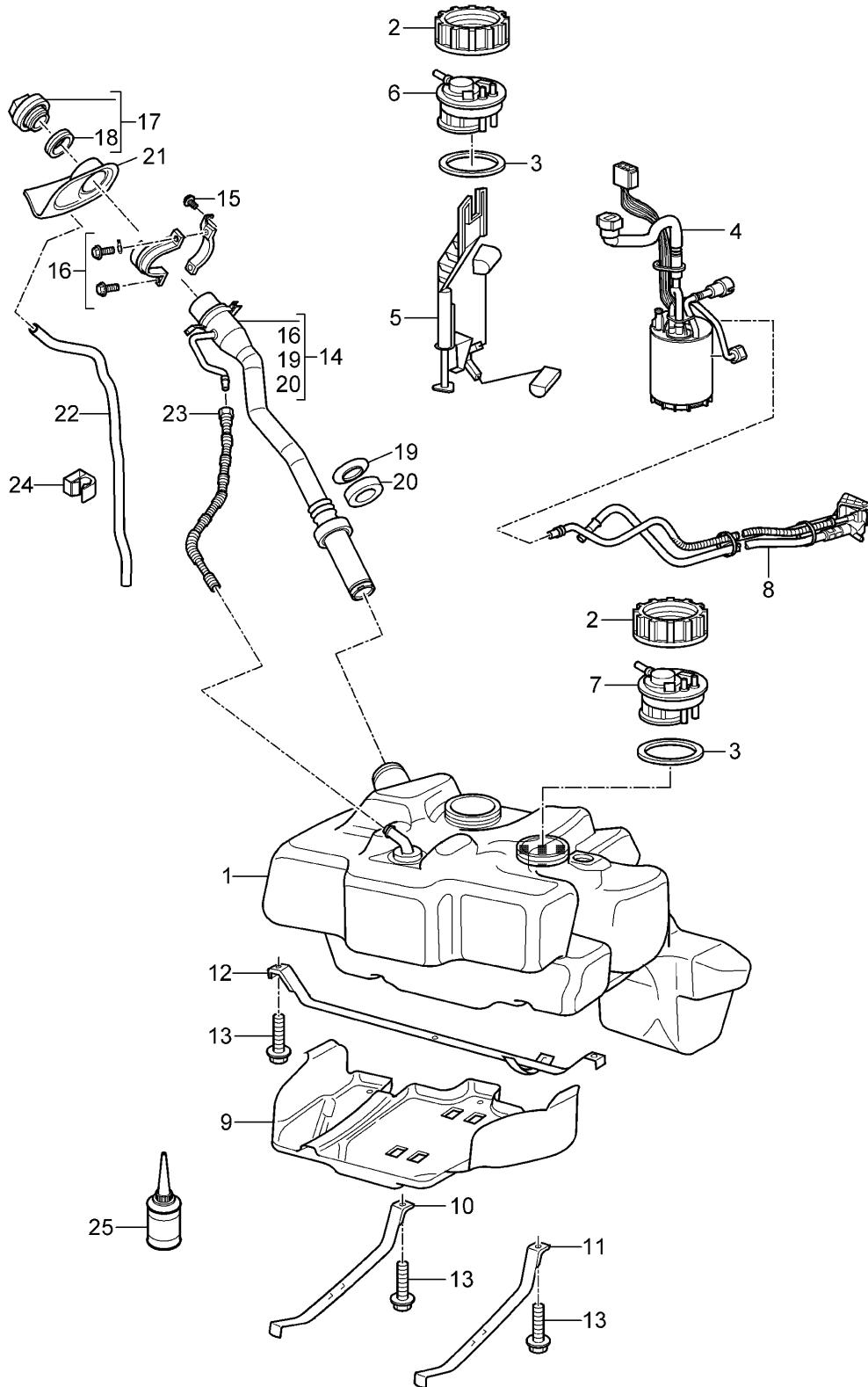
Model: 997G07

Model life 2007>>2011

Pos	Part Number	Description	Remark	Qty	Model
(1)	997 201 021 02	Fuel tank		1	9776
		Fuel tank			PR:664
			also use:		
-	997 201 543 01	Pipe	inner	1	PR:664
(2)	997 201 623 00	Union nut		1	
(3)	997 201 733 00	seal ring		1	
4	997 620 127 00	Fuel pump		1	PR:664
(5)	997 620 833 00	Tank gauge		1	
			without:		
		flange			
(6)	997 201 421 02	flange		1	PR:664
		for			
		Tank gauge			
8	997 620 116 00	suction jet pump		1	
(9)	997 201 331 00	Bottom protection for		1	PR:664
		fuel tank			
10	997 201 106 00	tensioning strap	right	1	
11	997 201 105 00	tensioning strap	left	1	
12	997 201 107 00	tensioning strap		1	PR:098
13	900 075 479 01	Bolt with washer	lhd	4	
		M 8 X 40			
(14)	997 201 043 11	fuel filler neck		1	PR:664
15	999 073 348 09	fillister hd. bolt		1	
		M 6 X 20			
16	997 201 951 02	Bracket for filler neck		1	
		(complete)			
17	996 201 241 03	Fuel tank cap		1	
			with:		
		Clip			
-	999 507 499 40	Spreader rivet		1	
18	191 201 557	seal ring		1	
19	996 201 755 00	support washer		1	
20	996 201 753 00	Seal		1	
21	997 201 667 00	Sleeve		1	
22	996 201 153 00	Hose		1	
24	000 043 206 89	Multi-purpose additive		1	
		for Otto engine fuels			
		100 ML			
		Discontinued part			
24	000 043 209 02	Multi-purpose additive		1	
		for Otto engine fuels			
		100 ML			
25	000 043 209 75	Adapter		1	
		ring			
		Fuel tank			

Model: 997G07

Model life 2007>>2011



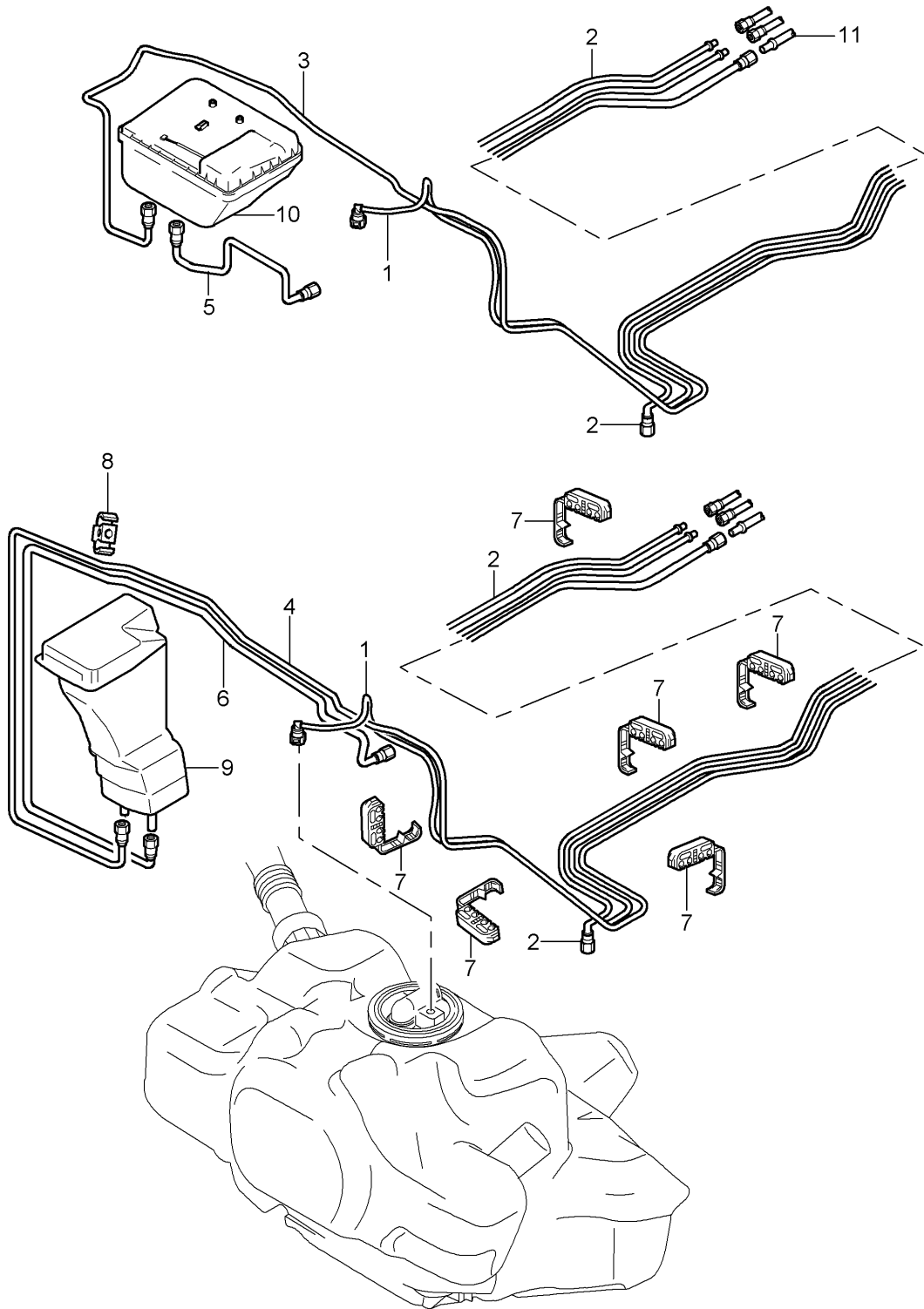
Model: 997G07

Model life 2007>>2011

Pos	Part Number	Description	Remark	Qty	Model
1	997 201 021 02	Fuel tank Fuel tank		1	9777,9774 PR:664
-	997 201 543 01	Pipe	also use: inner	1	
2	997 201 623 00	Union nut		1	
(2)	997 201 623 00	Union nut		2	PR:082
3	997 201 733 00	seal ring		1	
(4)	997 620 145 00	Fuel pump		1	PR:-082
(5)	997 620 833 00	Tank gauge		1	PR:-082
		without:			
(6)	997 201 421 02	flange flange for Tank gauge		1	PR:664
8	997 620 116 00	suction jet pump		1	
		No longer use the part here			
8	997 620 123 00	suction jet pump	left right	1	PR:-082
		Set and			
(9)	997 201 331 00	Bottom protection for fuel tank		1	PR:664
10	997 201 106 00	tensioning strap	right	1	PR:-082
10	997 201 106 01	tensioning strap	right	1	PR:082
11	997 201 105 00	tensioning strap	left	1	PR:-082
11	997 201 105 01	tensioning strap	left	1	PR:082
12	997 201 107 00	tensioning strap	lhd	1	PR:098
13	900 075 479 01	Bolt with washer M 8 X 40		4	
(14)	997 201 043 11	fuel filler neck		1	PR:664
15	999 073 348 09	fillister hd. bolt M 6 X 20		1	
16	997 201 951 02	Bracket for filler neck (complete)		1	
17	997 201 980 00	Fuel tank cap		1	
		with:			
(17)	997 201 981 00	Clip Fuel tank cap D - MJ 2011>>		1	PR:XYB
-	999 507 499 40	Spreader rivet		1	
18	191 201 557	seal ring		1	
19	996 201 755 00	support washer		1	
20	996 201 753 00	Seal		1	
21	997 201 667 00	Sleeve		1	
22	996 201 153 00	Hose		1	
25	000 043 206 89	Multi-purpose additive for Otto engine fuels 100 ML		1	
25	000 043 209 02	Discontinued part Multi-purpose additive for Otto engine fuels 100 ML		1	

Model: 997G07

Model life 2007>>2011



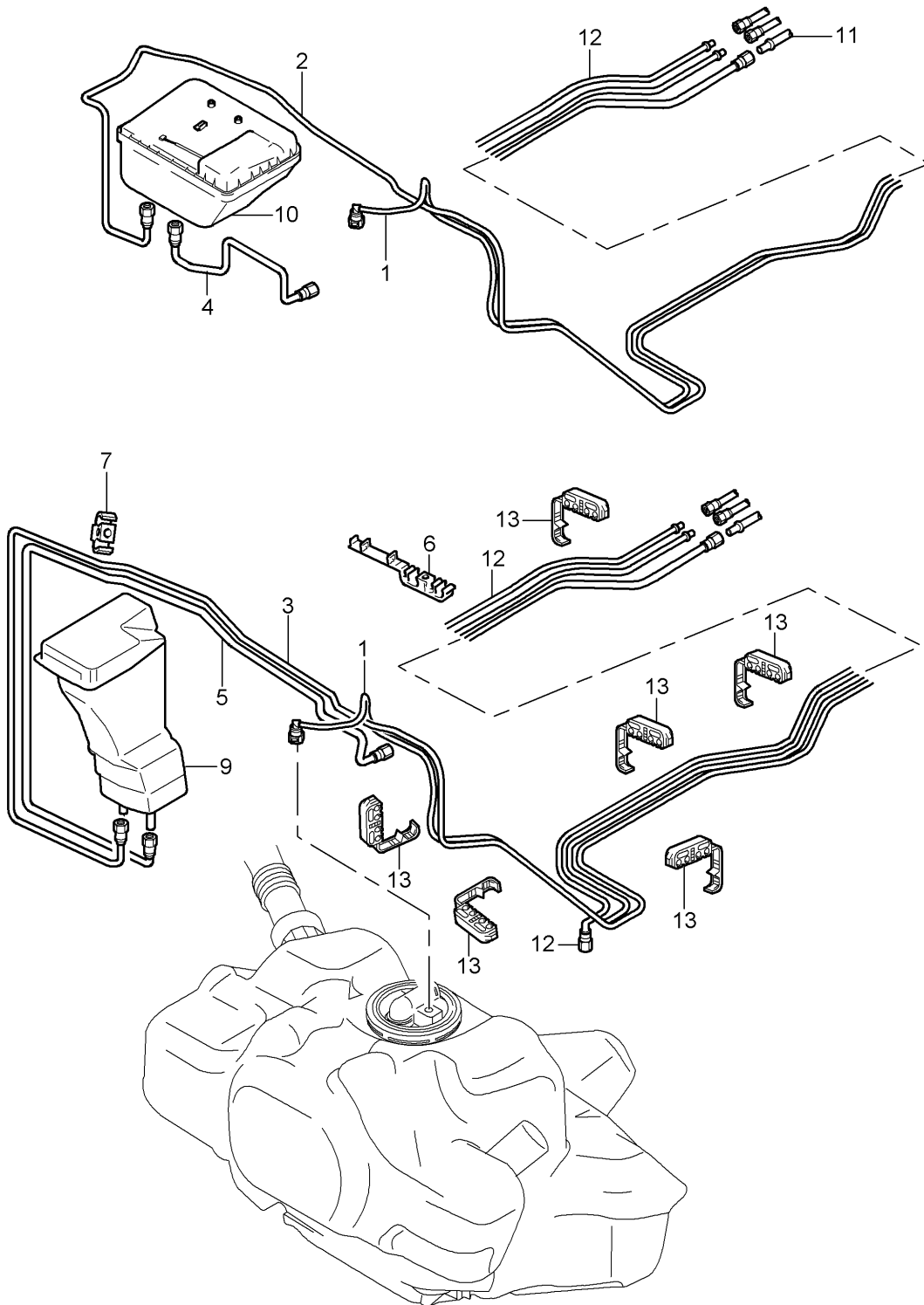
Model: 997G07

Model life 2007>>2011

Pos	Part Number	Description	Remark	Qty	Model
1	997 201 261 03	Fuel system Fuel line Pressure line for Engine	front	1	9776
2	997 201 271 00	Fuel line Return line to tank Discontinued part		1	PR:664
(2)	997 201 271 01	Fuel line Return line to tank		1	PR:664
3	997 201 351 01	Purge-air line Activated charcoal container for Engine	front	1	PR:664
5	997 201 253 03	Breather line Activated charcoal container for Fuel tank	front	1	PR:664
7	999 507 521 40	Cable holder 8,0/8/10		9	
8	999 507 727 40	Cable holder 8,0/10,0		3	
-	999 507 488 40	Cable holder 5,00/10,0		1	
10		Activated charcoal container see illustration:	201-030	1	
11		Lines	rear	1	

Model: 997G07

Model life 2007>>2011



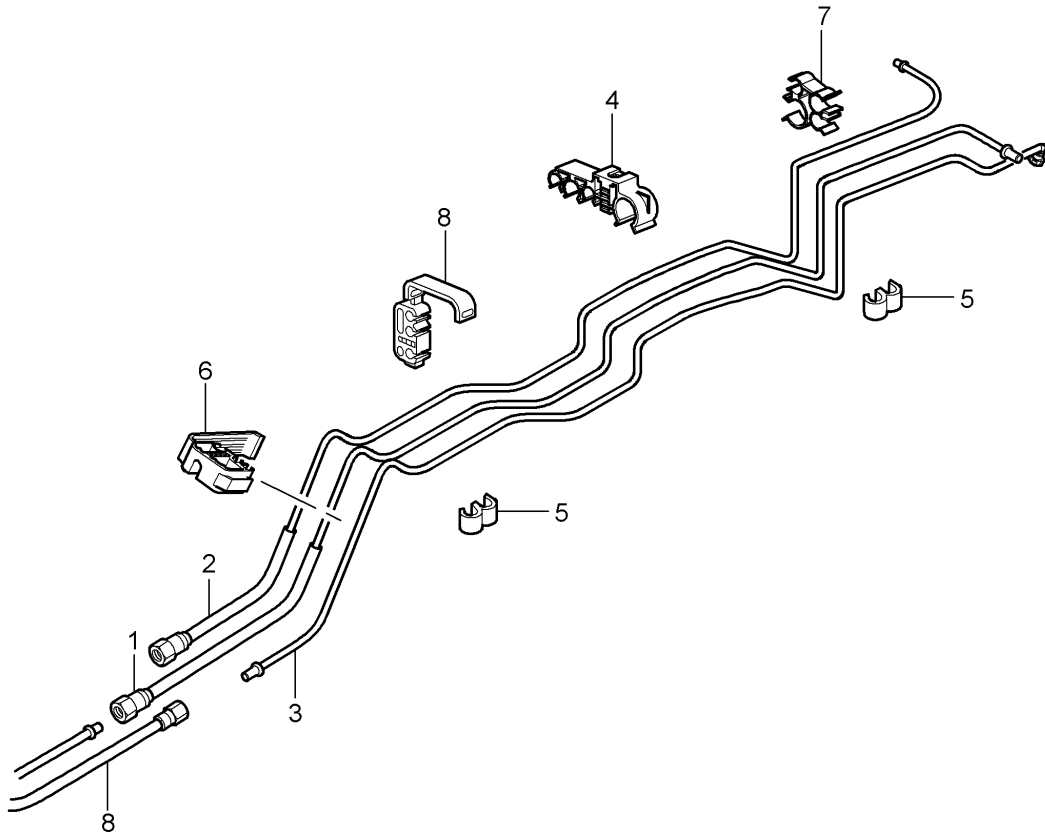
Model: 997G07

Model life 2007>>2011

Pos	Part Number	Description	Remark	Qty	Model
1	997 201 261 01	Fuel system Fuel line Pressure line for Engine	front	1	9777,9774 PR:664
1	997 201 261 91	Fuel line Pressure line for Engine		1	PR:082
(1)	997 201 261 93	Discontinued part Fuel line Pressure line for Engine		1	PR:082
2	997 201 351 01	Purge-air line Activated charcoal container for Engine	front	1	PR:664
4	997 201 253 03	Breather line Activated charcoal container for Fuel tank	front	1	PR:664
6	999 507 521 40	Cable holder 8,0/8/10		1	
7	999 507 727 40	Cable holder 8,0/10,0		1	PR:082
-	999 507 488 40	Cable holder 5,00/10,0		1	
10		No longer use the part here Activated charcoal container see illustration:		1	PR:664
11		Lines see illustration:	201-031 rear 201-011	1	
12	997 201 271 01	Fuel line Return line to tank		1	PR:664
13	999 507 262 40	Cable holder 6,0/8,0/10,0		7	

Model: 997G07

Model life 2007>>2011





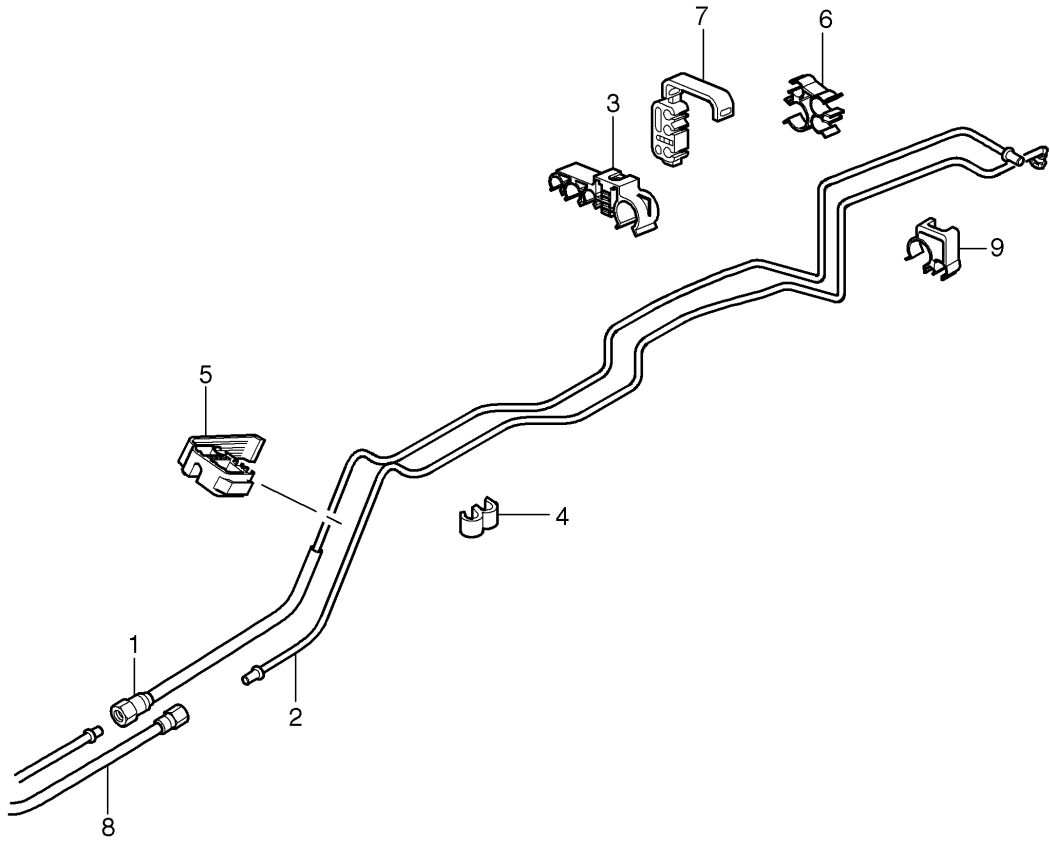
Model: 997G07

Model life 2007>>2011

Pos	Part Number	Description	Remark	Qty	Model
1	997 201 265 01	Fuel system Fuel line Fuel pump for Engine	rear rear	1	9776
2	997 201 275 00	Fuel line Return line	rear	1	
3	997 201 355 01	Air line Activated charcoal container for Engine	rear	1	
4	999 507 833 40	Cable holder 15-8-10-8		1	
(5)	999 507 488 40	Cable holder 5,00/10,0		2	
6	999 507 521 40	Cable holder 8/8/10		1	
7	999 507 850 40	Cable holder 8,0-15,0		1	
8	999 507 727 40	Cable holder 8/10		1	
9		Lines  see illustration:	front 201-005	1	

Model: 997G07

Model life 2007>>2011



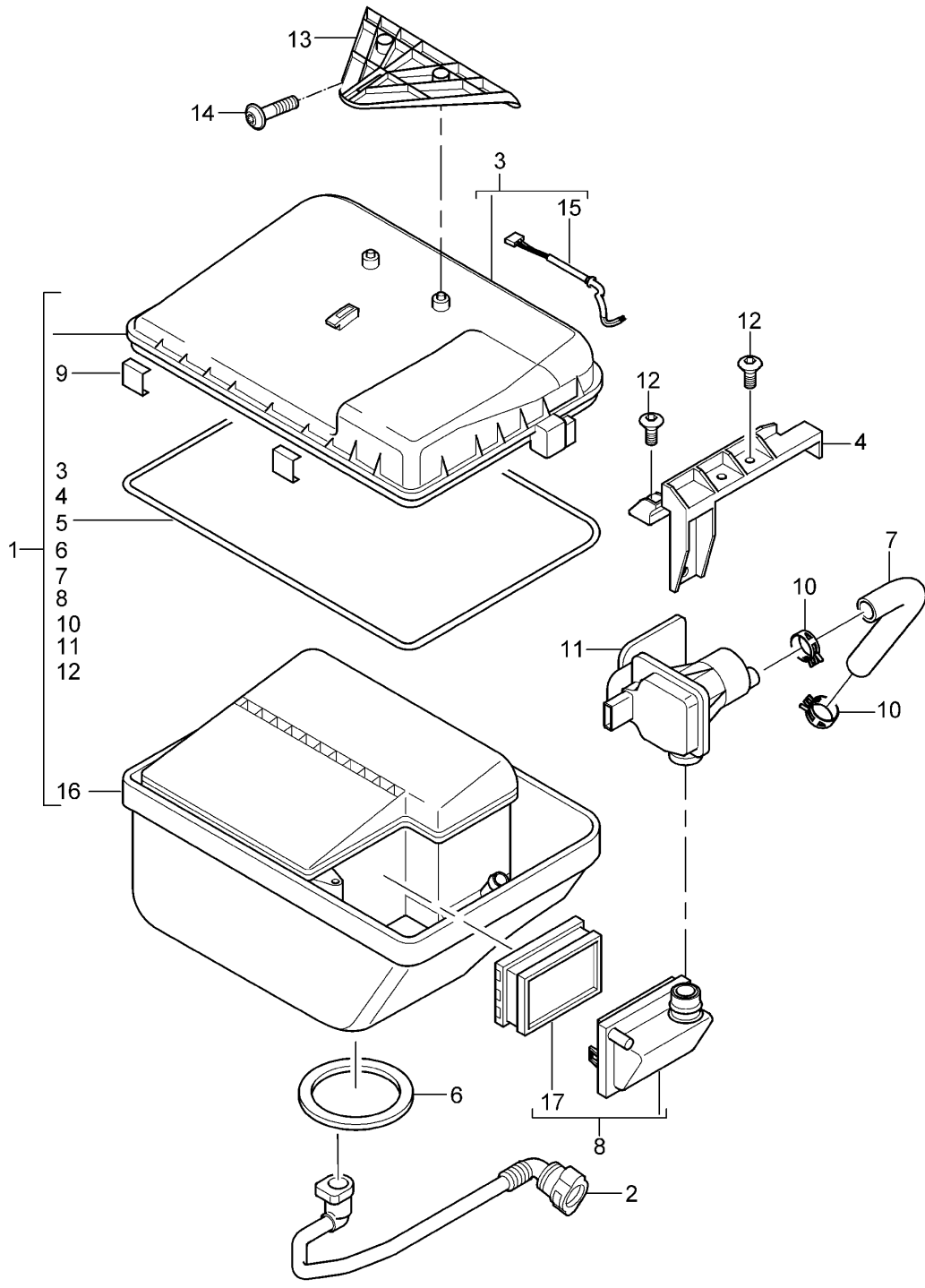
Model: 997G07

Model life 2007>>2011

Pos	Part Number	Description	Remark	Qty	Model
1	997 201 265 02	Fuel system Fuel line Fuel pump for Engine	rear rear	1	9777,9774
2	997 201 355 90	Air line Activated charcoal container for Engine	rear	1	
3	999 507 833 40	Cable holder 15-8-10-8		1	
4	999 507 488 40	Cable holder 5,00/10,0		2	
5	999 507 521 40	Cable holder 8/8/10		1	
6	999 507 850 40	Cable holder 8,0-15,0		1	
7	999 507 727 40	Cable holder 8/10		1	
8		Lines see illustration:	front 201-006	1	
9	999 507 991 40	Cable holder 8,0/10,0		2	

Model: 997G07

Model life 2007>>2011



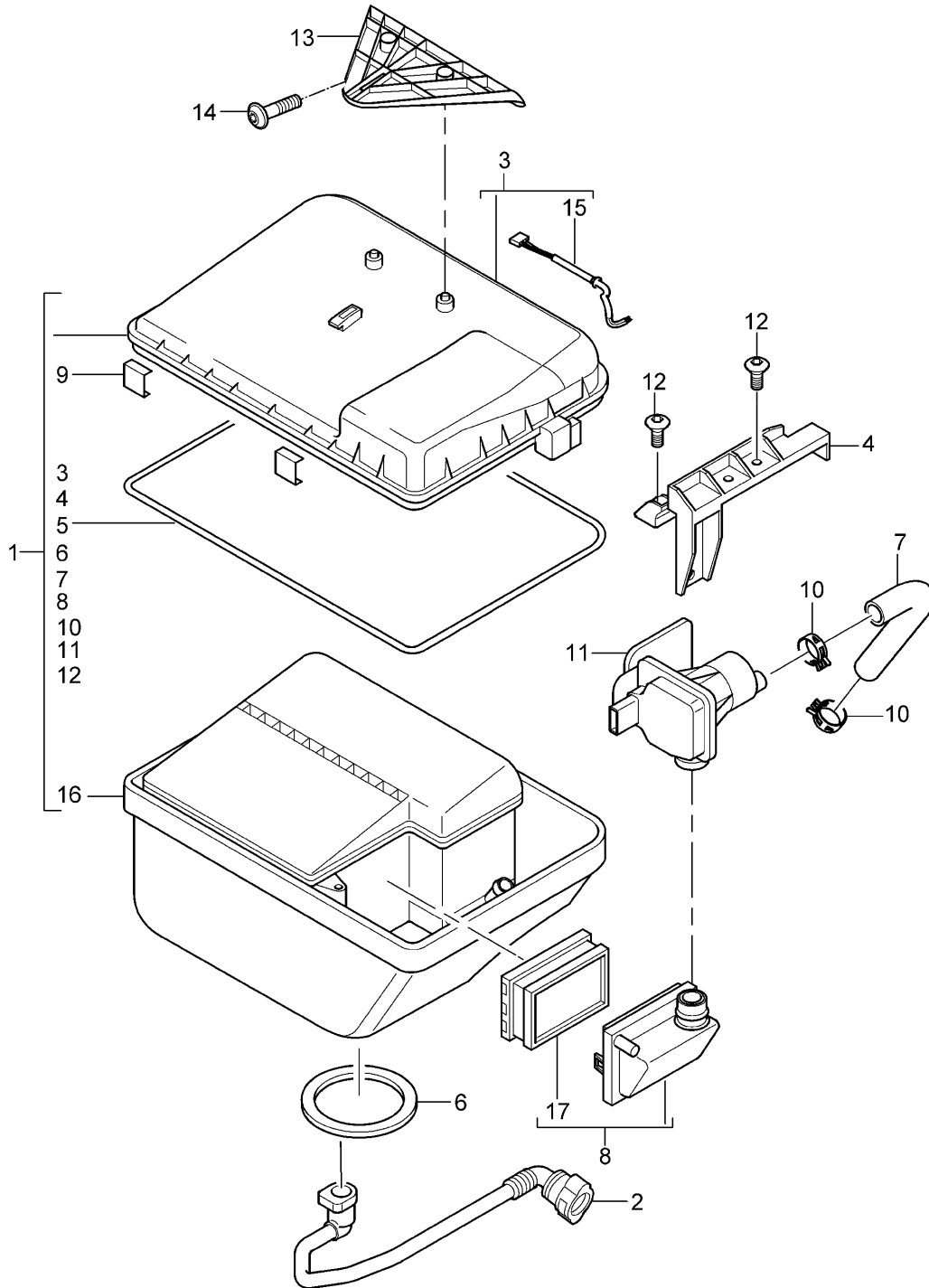
Model: 997G07

Model life 2007>>2011

Pos	Part Number	Description	Remark	Qty	Model
		Activated charcoal container ORVR ONBOARD REFUELING VAPOR RECOVERY			9776+ PR:664
1	997 201 221 04	Activated charcoal container (complete)		1	
2	997 201 253 03	No longer use the part here Breather line Fuel tank for		1	
3	997 201 401 00	Activated charcoal container Cover	outer	1	
4	997 201 411 00	Retainer, diagnosis interface		1	
5	997 201 601 00	gasket for housing		1	
6	997 201 631 00	Seal	lower	1	
7	997 201 621 00	Hose Diagnostic		1	
8	997 201 501 00	Filter		1	
9	999 507 818 09	Clip		6	
10	999 512 108 09	Hose clamp		2	
11	997 605 125 01	Leak detection module DMTL		1	
12	999 919 164 09	fillister hd. bolt M 5 X 12		7	
13	997 201 611 01	Bracket for activated carbon container		1	
14	999 919 716 09	fillister hd. bolt M 8 X 18		2	
15	997 612 669 02	Wire set for		1	
16	997 201 402 00	Indicator housing lower part		1	
17	997 201 222 00	without: Activated carbon filter filter element		1	
-		Purge-air line see illustration:	front 201-005	1	

Model: 997G07

Model life 2007>>2011



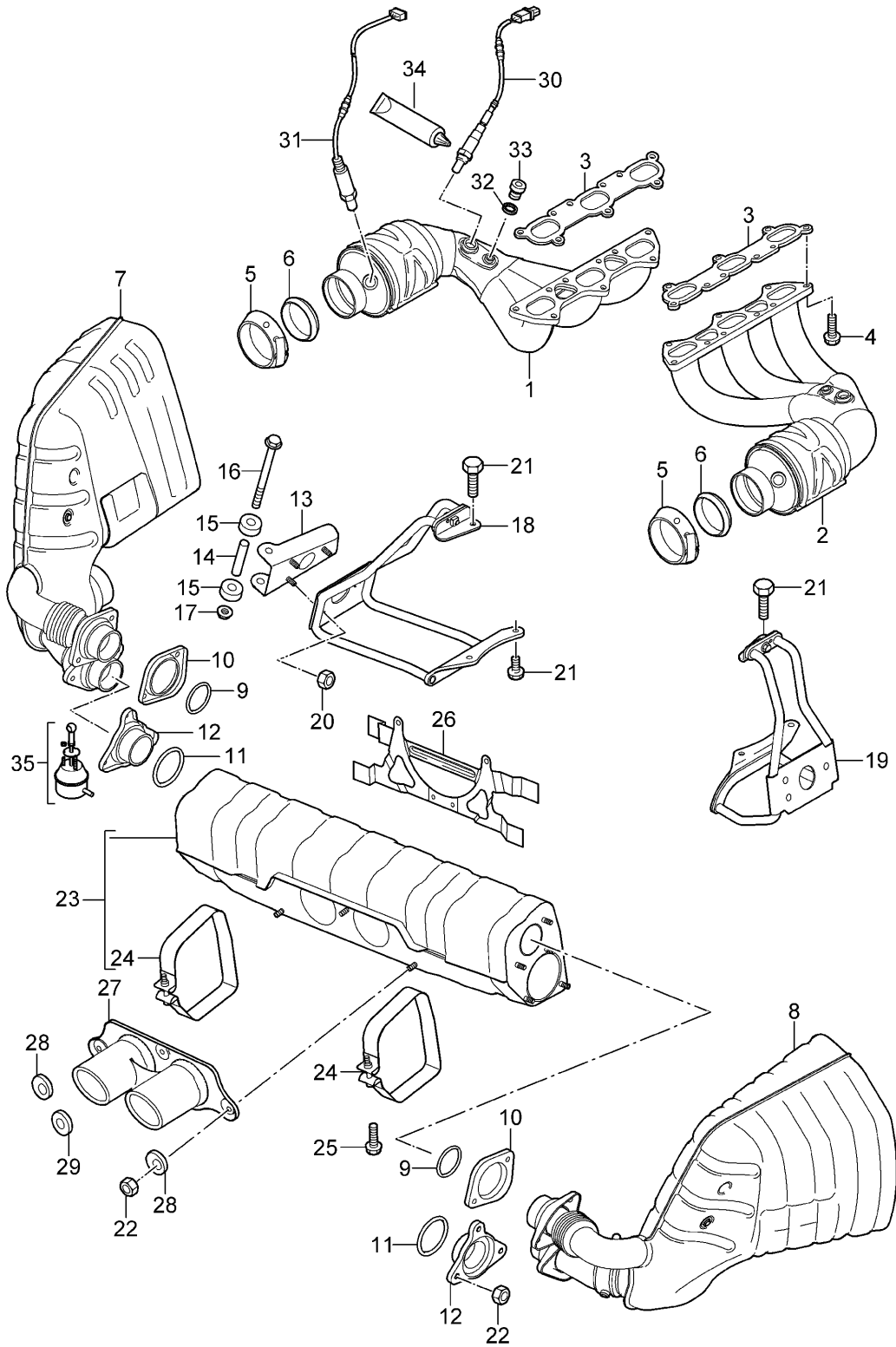
Model: 997G07

Model life 2007>>2011

Pos	Part Number	Description	Remark	Qty	Model
		Activated charcoal container ORVR ONBOARD REFUELING VAPOR RECOVERY			9777,9774+ PR:664
1	997 201 221 04	Activated charcoal container (complete)		1	
2	997 201 253 03	No longer use the part here Breather line Fuel tank for		1	
3	997 201 401 00	Activated charcoal container Cover	outer	1	
4	997 201 411 00	Retainer, diagnosis interface		1	
5	997 201 601 00	gasket for housing		1	
6	997 201 631 00	Seal	lower	1	
7	997 201 621 00	Hose Diagnostic		1	
9	999 507 818 09	Clip		6	
10	999 512 108 09	Hose clamp		2	
11	997 605 125 01	Leak detection module DMTL		1	
12	999 919 164 09	fillister hd. bolt M 5 X 12		7	
13	997 201 611 01	Bracket for activated carbon container		1	
14	999 919 716 09	fillister hd. bolt M 8 X 18		2	
15	997 612 669 03	Wire set for		1	
16	997 201 402 00	Indicator housing lower part		1	
17	997 201 222 00	without: Activated carbon filter filter element		1	
-		Purge-air line see illustration:	front 201-006	1	

Model: 997G07

Model life 2007>>2011





Model: 997G07 Model life 2007>>2011

Pos	Part Number	Description	Remark	Qty	Model
1	997 113 021 91	exhaust system Exhaust manifold with catalytic converter Cyl. 1 - 3		1	9776
1	997 113 021 AX	Exhaust manifold with catalytic converter Cyl. 1 - 3		1	
2	997 113 022 91	Exhaust manifold with catalytic converter Cyl. 4 - 6		1	
2	997 113 022 AX	Exhaust manifold with catalytic converter Cyl. 4 - 6		1	
3	996 111 107 71	Seal Exhaust manifolds		2	
4	900 378 131 00	Hexagon bolt M 8 X 28		18	
5	997 111 336 90	Clamp		2	
6	980 111 561 00	seal ring		2	
7	997 111 047 90	Front silencer Cyl. 1 - 3		1	
7	997 111 047 95	Discontinued part Front silencer Cyl. 1 - 3		1	
8	997 111 048 90	Front silencer Cyl. 4 - 6		1	
8	997 111 048 95	Discontinued part Front silencer Cyl. 4 - 6		1	
9	997 111 561 90	seal ring		2	
10	997 111 461 90	flange		2	
11	997 111 563 90	seal ring		2	
12	997 111 463 90	flange		2	
13	997 111 451 90	Retaining bar		2	
14	997 111 551 90	Sleeve		2	
15	996 111 229 00	sound absorber piece		4	
16	900 385 102 01	Torx screw M 8 X 90		2	
17	900 377 003 01	Hexagon nut M 8		2	
18	997 111 247 90	Bracket	left	1	
19	997 111 248 90	Bracket	right	1	
20	900 377 003 01	Hexagon nut M 8		6	
21	900 385 001 01	Torx screw M 8 X 20		6	
22	999 084 649 01	Hexagon nut M 8		13	
23	997 111 027 90	Silencer		1	
24	997 111 119 70	tensioning strap		2	
25	900 067 362 01	Socket head bolt M 8 X 50		2	
26	996 111 024 71	bracket for exhaust silencer		1	
27	997 111 253 90	Tailpipe		1	
28	997 111 753 91	Shim		2	
29	997 111 755 91	Shim		1	
30	987 606 123 01	Lambda probe in front of Catalytic converter		2	
30	987 606 123 03	Discontinued part Lambda probe in front of Catalytic converter		2	

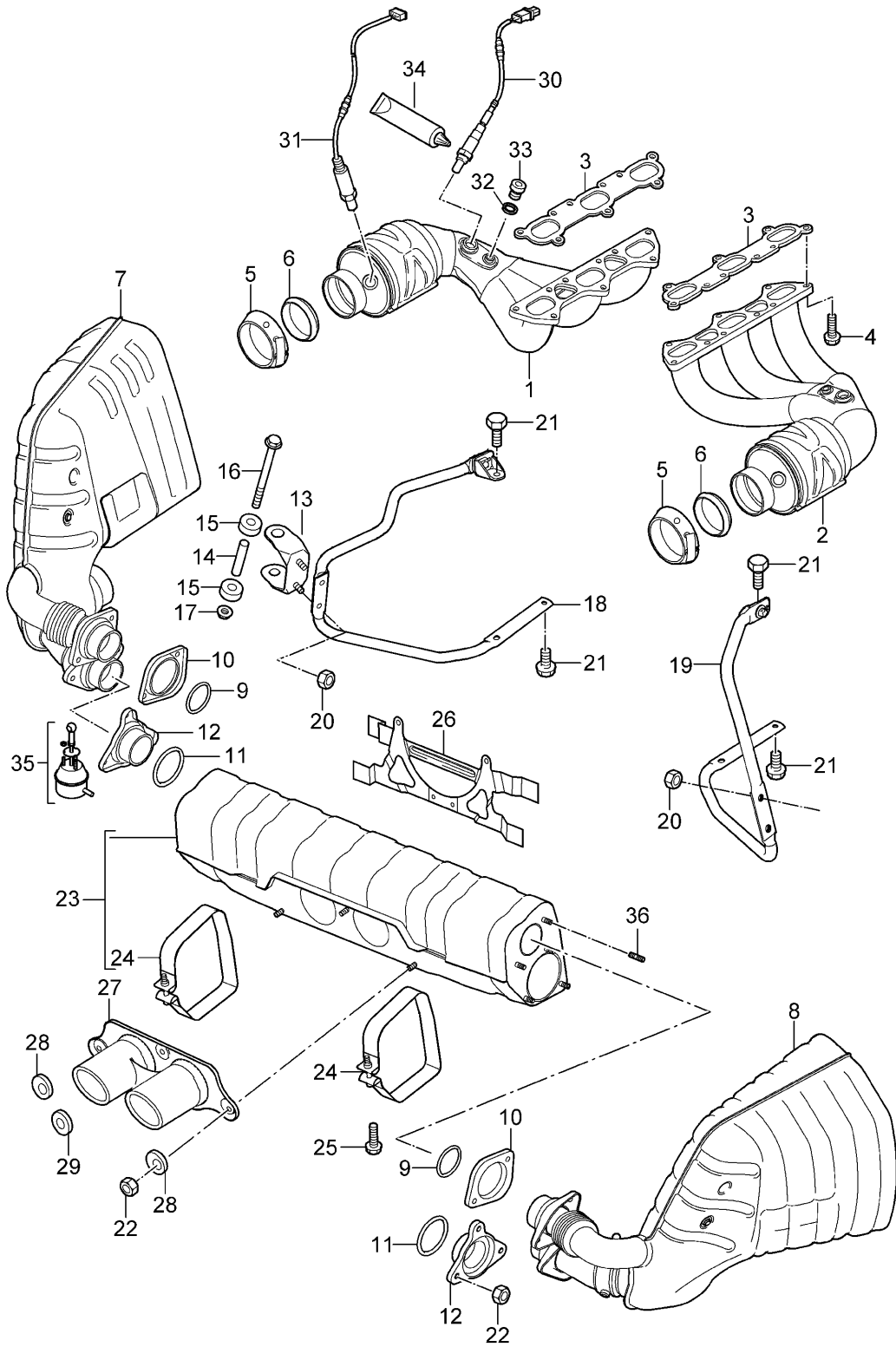
Model: 997G07

Model life 2007>>2011

Pos	Part Number	Description	Remark	Qty	Model
(31)	987 606 124 00	Lambda probe After Catalytic converter No longer use the part here		2	
31	9A1 606 124 00	Lambda probe After Catalytic converter		2	
32	900 123 050 20	seal ring 8 X 11,5		2	PR:660
33	900 083 080 00	Hexagon bolt M 8 X 1		2	PR:660
34	000 043 207 07	grease for oxygen sensor		1	
35	997 111 901 90	Vacuum unit for Silencer	left a. right	2	

Model: 997G07

Model life 2007>>2011



Model: 997G07 Model life 2007>>2011

Pos	Part Number	Description	Remark	Qty	Model
1	997 113 021 94	exhaust system Catalytic converter Cyl. 1 - 3		1	9777,9774 9777
1	997 113 021 BX	Catalytic converter Cyl. 1 - 3		1	9777
1	997 113 021 97	Catalytic converter Cyl. 1 - 3		1	9774
1	997 113 021 CX	Catalytic converter Cyl. 1 - 3		1	9774
2	997 113 022 94	Catalytic converter Cyl. 4 - 6		1	9777
2	997 113 022 BX	Catalytic converter Cyl. 4 - 6		1	9777
2	997 113 022 97	Catalytic converter Cyl. 4 - 6		1	9774
2	997 113 022 CX	Catalytic converter Cyl. 4 - 6		1	9774
3	996 111 107 71	Seal Exhaust manifolds		2	
4	900 378 131 00	Hexagon bolt M 8 X 28		18	
5	997 111 336 90	Clamp		2	
6	980 111 561 00	seal ring		2	
7	997 111 047 94	Front silencer Cyl. 1 - 3 Discontinued part		1	9777+ PR:-004
7	997 111 047 97	Front silencer Cyl. 1 - 3 Discontinued part		1	9777+ PR:-004
7	997 111 047 82	Front silencer Cyl. 1 - 3 Discontinued part		1	9777+ PR:-004
7	997 111 047 84	Front silencer Cyl. 1 - 3		1	9777+ PR:-004
(7)	997 111 047 98	Front silencer Cyl. 1 - 3 Discontinued part		1	9777,9774+ PR:004,006
(7)	997 111 047 85	Front silencer Cyl. 1 - 3		1	9777,9774+ PR:004,006
8	997 111 048 94	Front silencer Cyl. 4 - 6 Discontinued part		1	9777+ PR:-004
8	997 111 048 97	Front silencer Cyl. 4 - 6 Discontinued part		1	9777+ PR:-004
8	997 111 048 82	Front silencer Cyl. 4 - 6 Discontinued part		1	9777+ PR:-004
8	997 111 048 84	Front silencer Cyl. 4 - 6		1	9777+ PR:-004
(8)	997 111 048 98	Front silencer Cyl. 4 - 6 Discontinued part		1	9777,9774+ PR:004,006
(8)	997 111 048 85	Front silencer Cyl. 4 - 6		1	9777,9774+ PR:004,006
9	997 111 561 90	seal ring		2	
10	997 111 461 90	flange		2	9777+ PR:-004
(10)	997 111 461 93	flange		2	9777,9774+ PR:004,006
11	997 111 563 90	seal ring		2	
12	997 111 463 90	flange		2	9777+ PR:-004

Model: 997G07 Model life 2007>>2011

Pos	Part Number	Description	Remark	Qty	Model
(12)	997 111 463 93	flange		2	9777,9774+ PR:004,006
13	997 111 451 91	Retaining bar		2	
14	997 111 551 90	Sleeve		2	
15	996 111 229 00	sound absorber piece		4	
16	900 385 102 01	Torx screw M 8 X 90		2	
17	900 377 003 01	Hexagon nut M 8		2	
18	997 111 127 91	Bracket Cyl. 1 - 3	left	1	
19	997 111 128 91	Bracket Cyl. 4 - 6	right	1	
20	900 377 003 01	Hexagon nut M 8		6	
21	900 385 001 01	Torx screw M 8 X 20		6	
22	999 084 649 01	Hexagon nut M 8		13	
23	997 111 027 92	Silencer		1	9777+ PR:-004
(23)	997 111 027 93	Silencer M >> 61B 29229 No longer use the part here		1	PR:004
(23)	997 111 027 97	Silencer M 61B 29230 >> Discontinued part		1	9777+ PR:004
(23)	997 111 027 80	Silencer M 61B 29230 >> Discontinued part		1	9777+ PR:004
(23)	997 111 027 99	Silencer M 61B 29230 >>		1	9777+ PR:004
(23)	997 111 027 80	Silencer No longer use the part here		1	9774+ PR:006
(23)	997 111 027 99	Silencer		1	9774+ PR:006
24	997 111 119 70	tensioning strap		2	
25	900 067 362 01	Socket head bolt M 8 X 50		2	
26	997 111 024 90	bracket for exhaust silencer		1	
27	997 111 253 90	Tailpipe		1	PR:-004
(27)	997 111 253 93	Tailpipe		1	PR:004
28	997 111 753 91	Shim		2	PR:-004
(28)	997 111 753 93	Washer		2	PR:004
29	997 111 755 91	Shim		1	PR:-004
(29)	997 111 755 93	Washer		1	PR:004
30	9A1 606 168 01	Lambda probe in front of Catalytic converter		2	
(30)	9A1 606 168 02	Lambda probe in front of Catalytic converter		2	9774
31	9A1 606 124 00	Lambda probe After Catalytic converter		2	
32	900 123 050 20	seal ring 8 X 11,5		2	
33	900 124 021 00	sealing plug M 8 X 1		2	
33	900 124 021 01	Discontinued part sealing plug M 8 X 1		2	
34	000 043 207 07	grease		1	

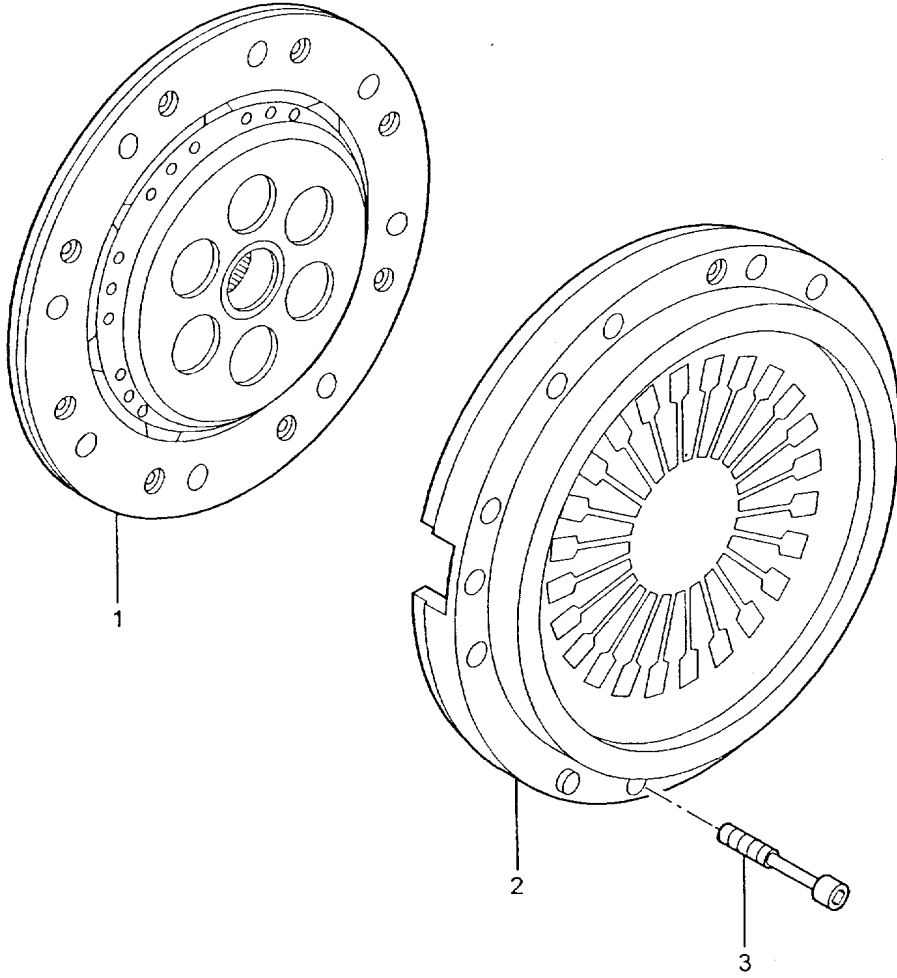
Model: 997G07

Model life 2007&gt;&gt;2011

Pos	Part Number	Description	Remark	Qty	Model
35	997 111 901 90	for oxygen sensor Vacuum unit	left a. right	2	
36	997 111 727 90	for Silencer Threaded pin		10	

Model: 997G07

Model life 2007>>2011



Model: 997G07

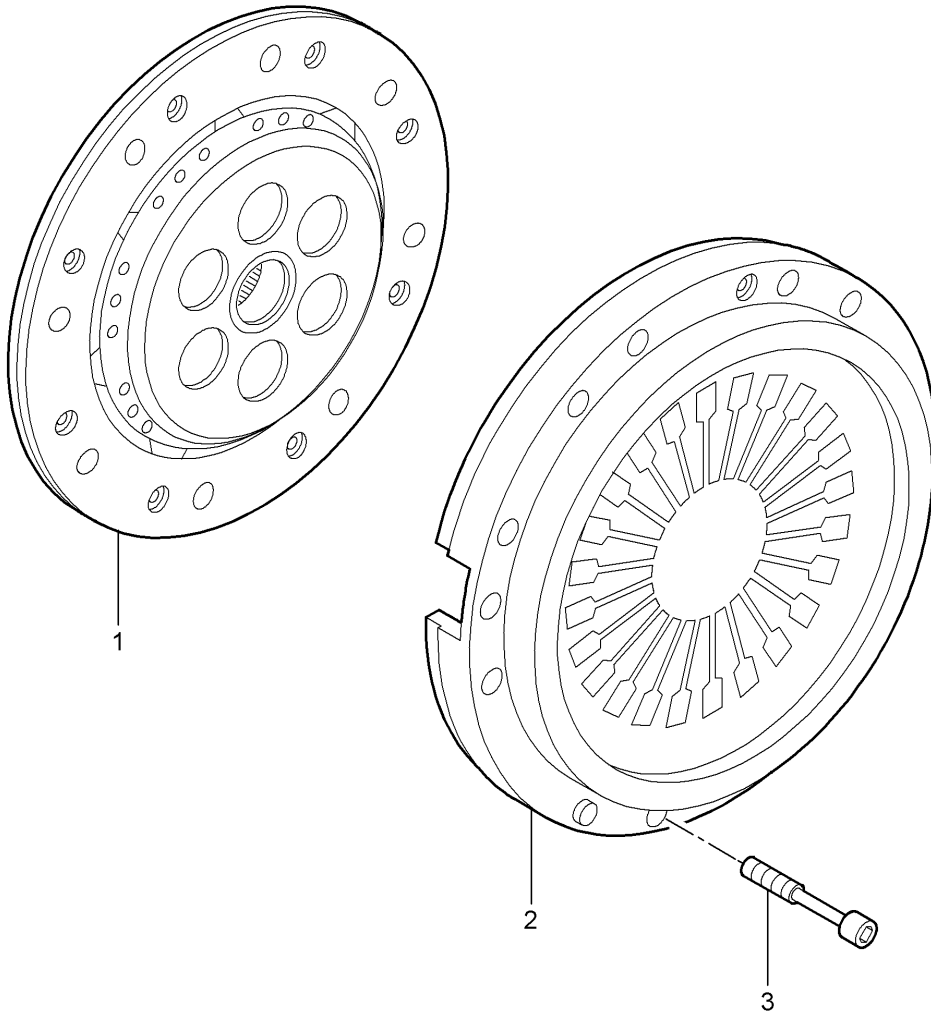
Model life 2007>>2011

Pos	Part Number	Description	Remark	Qty	Model
1	996 116 015 01	Coupling Clutch plate Discontinued part		1	9776
1	996 116 015 02	Clutch plate		1	
1	996 116 015 32	Clutch plate		1	PR:004
2	996 116 027 51	Pressure plate		1	
(2)	996 116 027 52	Pressure plate		1	
3	999 510 015 02	Socket head bolt M 8 X 40		9	
(3)	N 014 715 3	Socket head bolt with hexagon socket head M 8 X 45		9	PR:004
(3)	900 067 103 01	Discontinued part Socket head bolt M 8 X 45		9	PR:004



Model: 997G07

Model life 2007>>2011



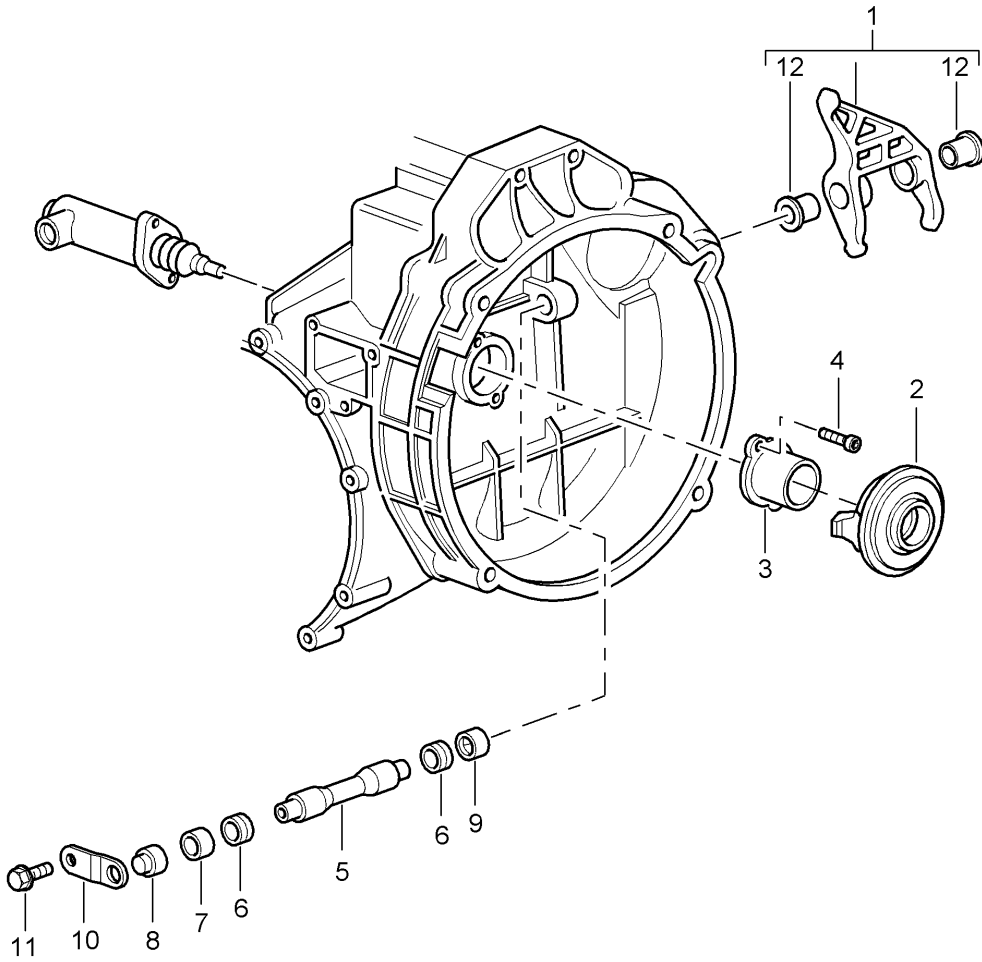
Model: 997G07

Model life 2007>>2011

Pos	Part Number	Description	Remark	Qty	Model
1	996 116 015 01	Coupling Clutch plate Discontinued part		1	9777,9774 9777
1	996 116 015 02	Clutch plate		1	9777
1	997 116 013 90	Clutch plate Discontinued part		1	9777+ PR:004
1	997 116 013 91	Clutch plate		1	9777+ PR:004
1	997 116 013 91	Clutch plate		1	9774
2	996 116 027 51	Pressure plate		1	9777+ PR:-004
(2)	996 116 027 52	Pressure plate		1	9777+ PR:-004
2	997 116 027 90	Pressure plate Discontinued part		1	9777+ PR:004
(2)	997 116 027 91	Pressure plate		1	9774
3	999 510 015 01	Socket head bolt M 8 X 40		9	9777
3	900 067 073 02	Socket head bolt M 8 X 45		9	9777,9774+ PR:004,006

Model: 997G07

Model life 2007>>2011



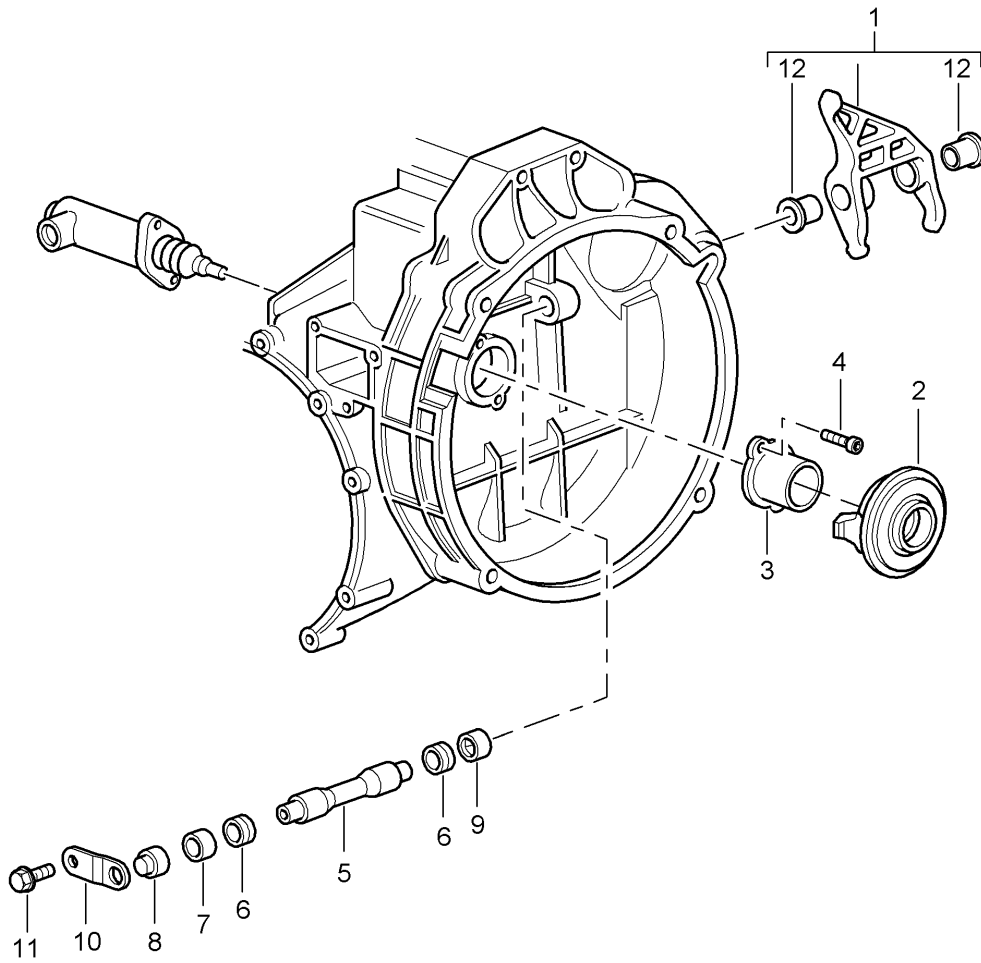
Model: 997G07

Model life 2007>>2011

Pos	Part Number	Description	Remark	Qty	Model
-		Clutch release D >> - MJ 2009 Clutch slave cylinder see illustration:	702-008		G9790
1	950 116 086 06	Release fork Discontinued part		1	
(1)	997 116 086 90	Release fork		1	
2	950 116 080 08	release bearing		1	
(2)	944 116 080 01	release bearing		1	PR:004
3	950 116 813 06	guide tube		1	
(3)	950 116 813 30	guide tube		1	PR:004
4	999 270 070 02	fillister hd. bolt M 6 X 14		2	
5	950 116 710 04	release shaft		1	
6	999 113 418 40	Seal 13,02 X 16,4		2	
7	999 201 339 00	bush		1	
8	950 116 725 00	Cover		1	
9	999 201 365 00	Bearing bush Discontinued part		1	
(9)	999 201 365 01	Bearing bush		1	
9	900 623 007 00	Hexagon socket head bolt M 6 X 12		1	
10	950 116 713 02	Retaining plate		1	
11	900 075 057 02	Hexagon bolt M 6 X 16 No longer use the part here		1	
(11)	900 075 057 03	Hexagon bolt M 6 X 16		1	
12	950 116 715 01	bush		2	
-	000 043 304 02	Grease KLÜBERALFA HM83-801 50 GR.		X	
-	000 043 024 00	Extreme-pressure grease LONGTIME 3EP 80 GR.		X	

Model: 997G07

Model life 2007>>2011



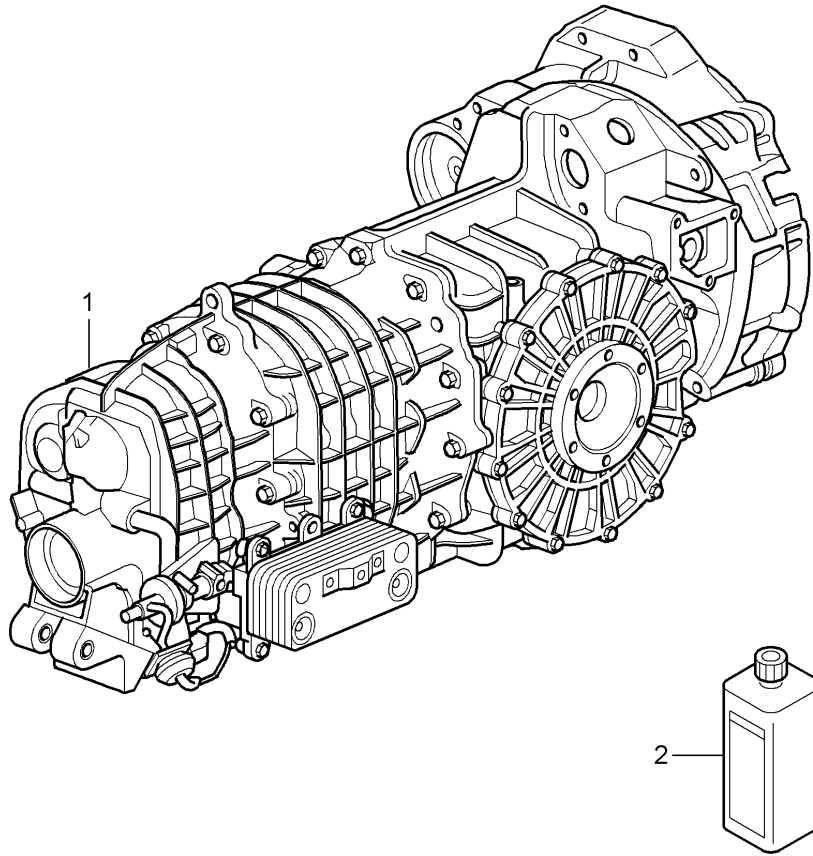
Model: 997G07

Model life 2007>>2011

Pos	Part Number	Description	Remark	Qty	Model
-		Clutch release D - MJ 2010>> Clutch slave cylinder see illustration:	702-008		G9790, G9792
1	997 116 086 90	Release fork		1	
2	950 116 080 08	release bearing		1	
(2)	944 116 080 01	release bearing		1	PR:004
3	950 116 813 06	guide tube		1	
(3)	950 116 813 30	guide tube		1	PR:004
4	999 270 070 01	fillister hd. bolt M 6 X 14		2	
5	950 116 710 04	release shaft		1	
6	999 113 418 40	Seal 12,3 X 16,4		2	
7	999 201 339 00	bush		1	
8	950 116 725 00	Cover		1	
9	999 201 365 00	Bearing bush Discontinued part		1	
9	999 201 365 01	Bearing bush		1	
10	950 116 713 02	Retaining plate		1	
11	900 075 057 03	Hexagon bolt M 6 X 16		1	
12	950 116 715 01	bush		2	

Model: 997G07

Model life 2007>>2011



Model: 997G07

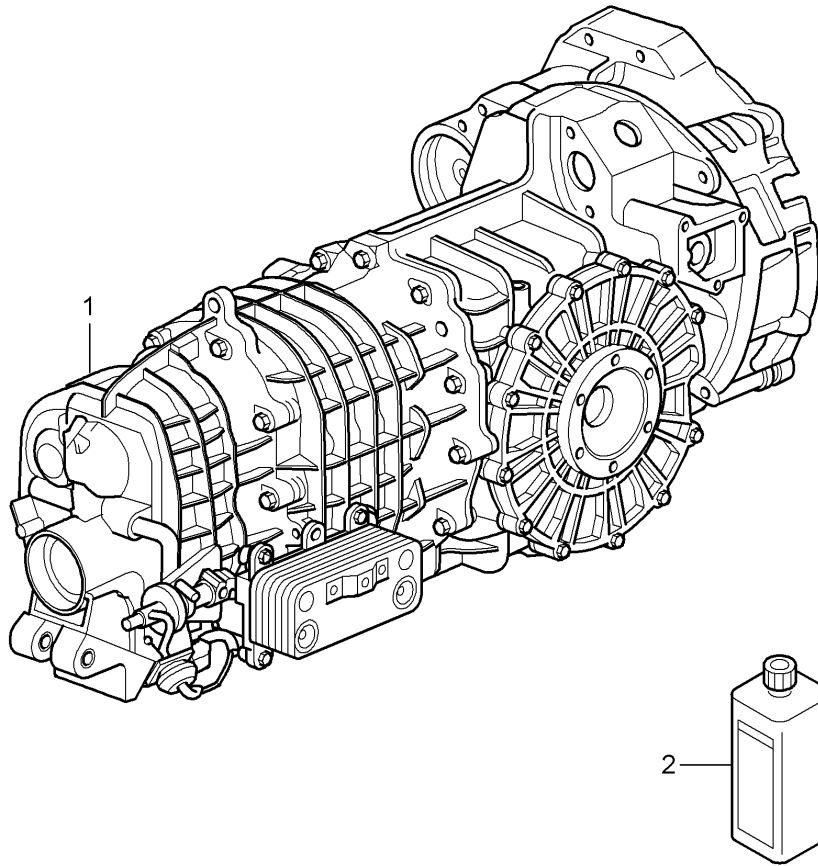
Model life 2007>>2011

Pos	Part Number	Description	Remark	Qty	Model
		Replacement transmission Ready for installation			G9790
1	997 300 020 90	D >> - MJ 2009 Manual gearbox		1	G9790
		with: limited slip differential			
2	000 043 204 20	Transmission fluid MOBILUBE PTX 75 W 90 Container 20 LTR.		X	



Model: 997G07

Model life 2007>>2011

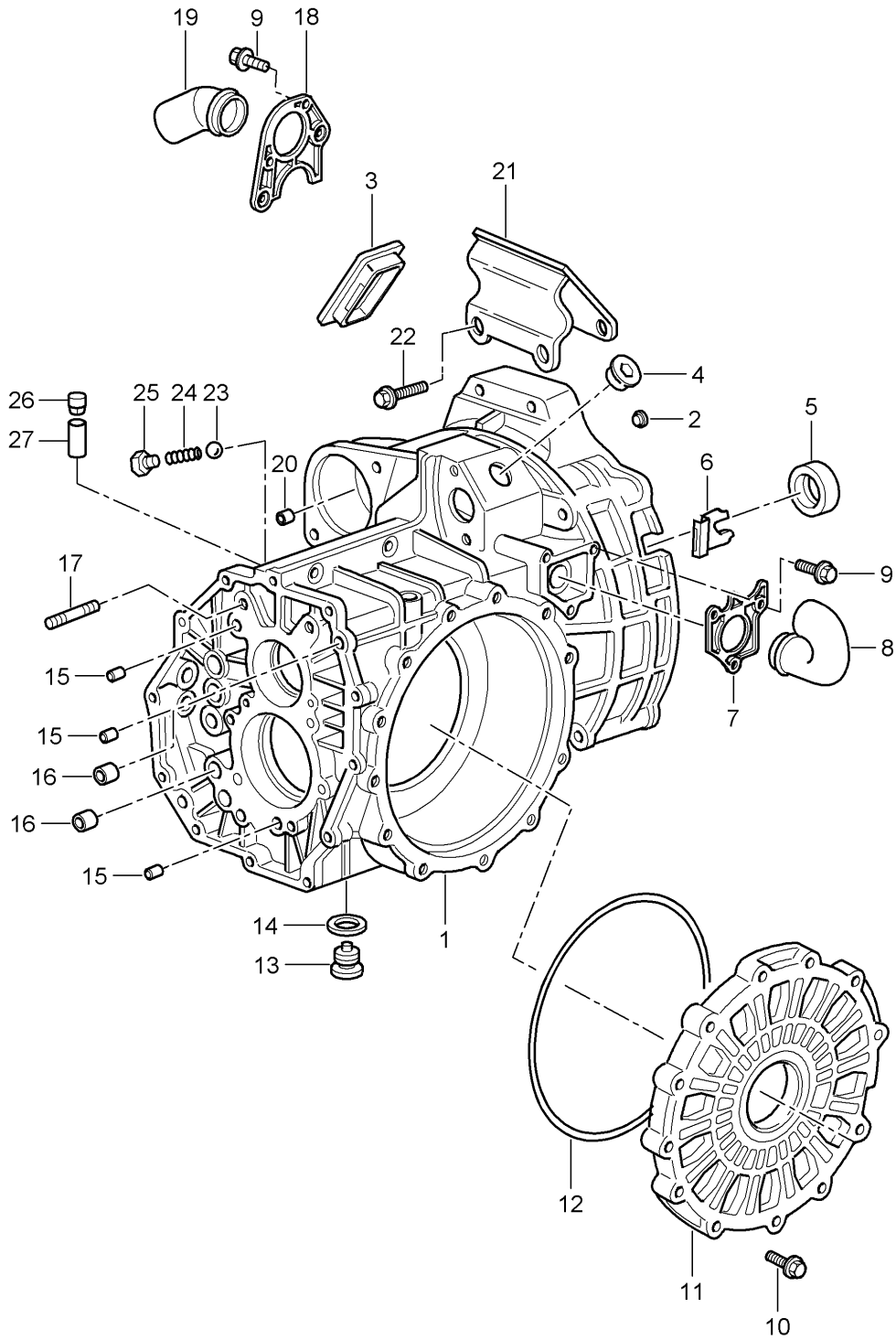


Model: 997G07 Model life 2007>>2011

Pos	Part Number	Description	Remark	Qty	Model
		Replacement transmission Ready for installation			G9790,G9792
1	997 300 020 91	D - MJ 2010>> Manual gearbox		1	G9790
		with: limited slip differential			
(1)	997 300 020 2X	D - MJ 2010>> Manual gearbox		1	G9790
		with: limited slip differential			
(1)	997 300 020 92	D - MJ 2010>> Manual gearbox		1	G9792
		with: limited slip differential			
(1)	997 300 020 5X	D - MJ 2010>> Manual gearbox		1	G9792
		with: limited slip differential			
2	000 043 204 20	D - MJ 2010>> Transmission fluid MOBILUBE PTX 75 W 90 Container 20 LTR.		X	

Model: 997G07

Model life 2007>>2011



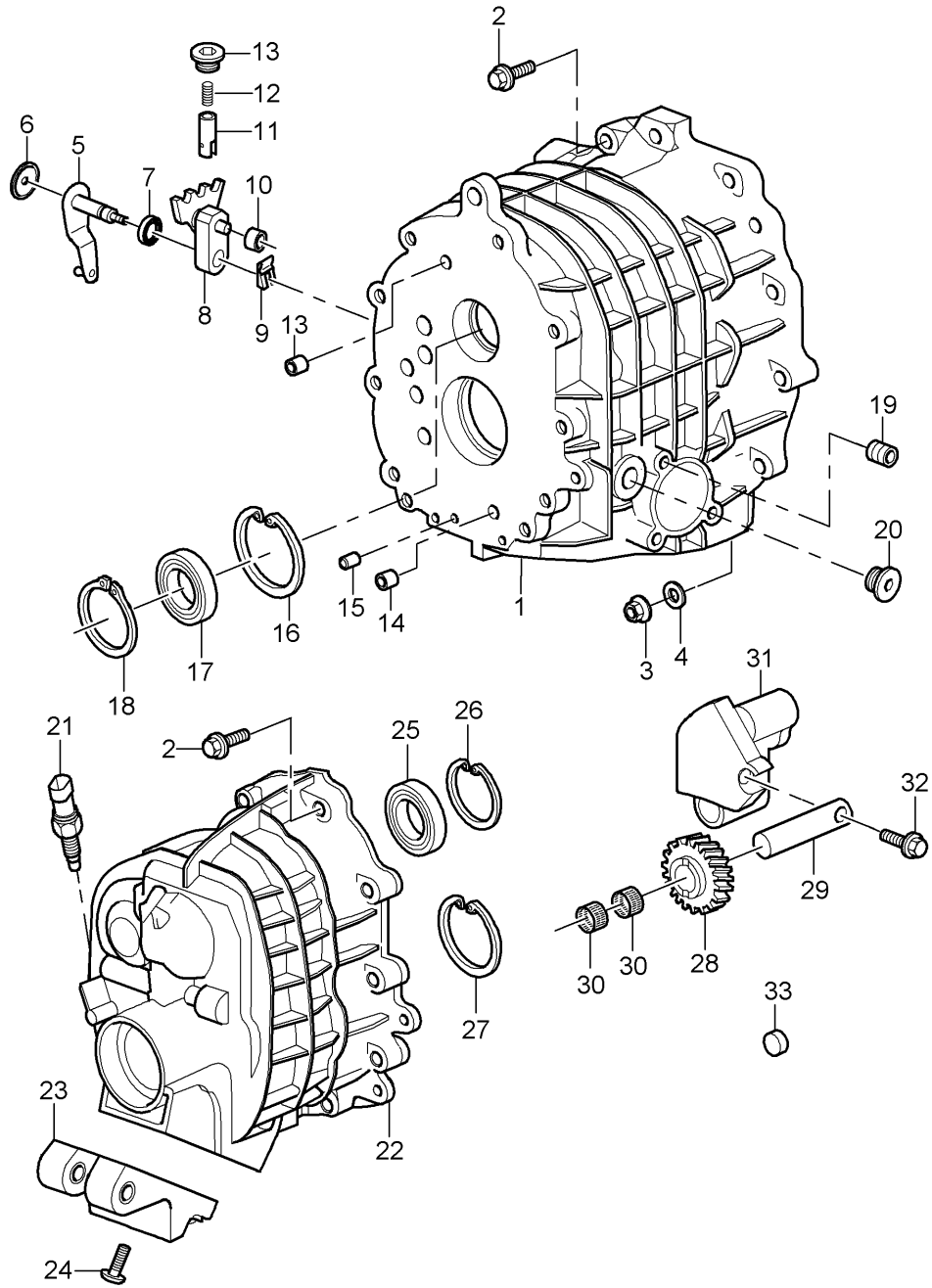
Model: 997G07

Model life 2007&gt;&gt;2011

Pos	Part Number	Description	Remark	Qty	Model
		Gear housing D >> - MJ 2009	front		G9790
1	996 301 101 88	Gear housing		1	G9790
2	999 036 002 40	End cap A 14		1	
3	950 301 151 01	Cap closure		1	
4	999 703 490 40	End cap 30 X 42		1	
5	999 113 326 41	Shaft oil seal 26,5 X 40		1	
6	993 116 630 00	Cap closure		1	
7	996 116 612 00	flange		1	
8	993 116 610 00	intake manifold		1	
9	900 378 035 09	Hexagon bolt M 6 X 16		5	
10	996 301 317 00	Hexagon bolt M 8 X 35		12	
11	996 301 312 50	Gearbox cover No longer use the part here		1	
11	996 301 312 51	Gearbox cover		1	
12	999 707 328 40	O-ring 205 X 3,5		1	
13	999 063 008 02	sealing plug with magnet M 22 X 1,5		1	
14	900 123 118 30	seal ring A 22 X 27		1	
15	900 012 144 00	Cylinder pin 12 M 6 X 14		4	
16	996 303 513 00	Round socket 15 X 21 X 22		4	
17	900 081 042 02	Threaded pin BM 8 X 42		1	
18	996 116 710 00	Flange socket		1	
19	993 116 610 00	intake manifold		1	
20	999 531 017 10	bush 12,1 X 14		1	
21	996 449 101 50	Catch hook No longer use the part here		2	
21	997 449 101 50	Catch hook		2	
22	999 073 190 09	fillister hd. bolt M 8 X 60		2	
23	900 108 064 00	ball 8		4	
24	996 303 245 00	Pressure spring		4	
25	900 124 023 02	sealing plug M 10 X 1		4	
26	014 301 485	Cap for venting the gearbox		1	
27	014 301 473	Sleeve 12 X 30		1	
27	0A2 301 473	Discontinued part Sleeve		1	

Model: 997G07

Model life 2007>>2011



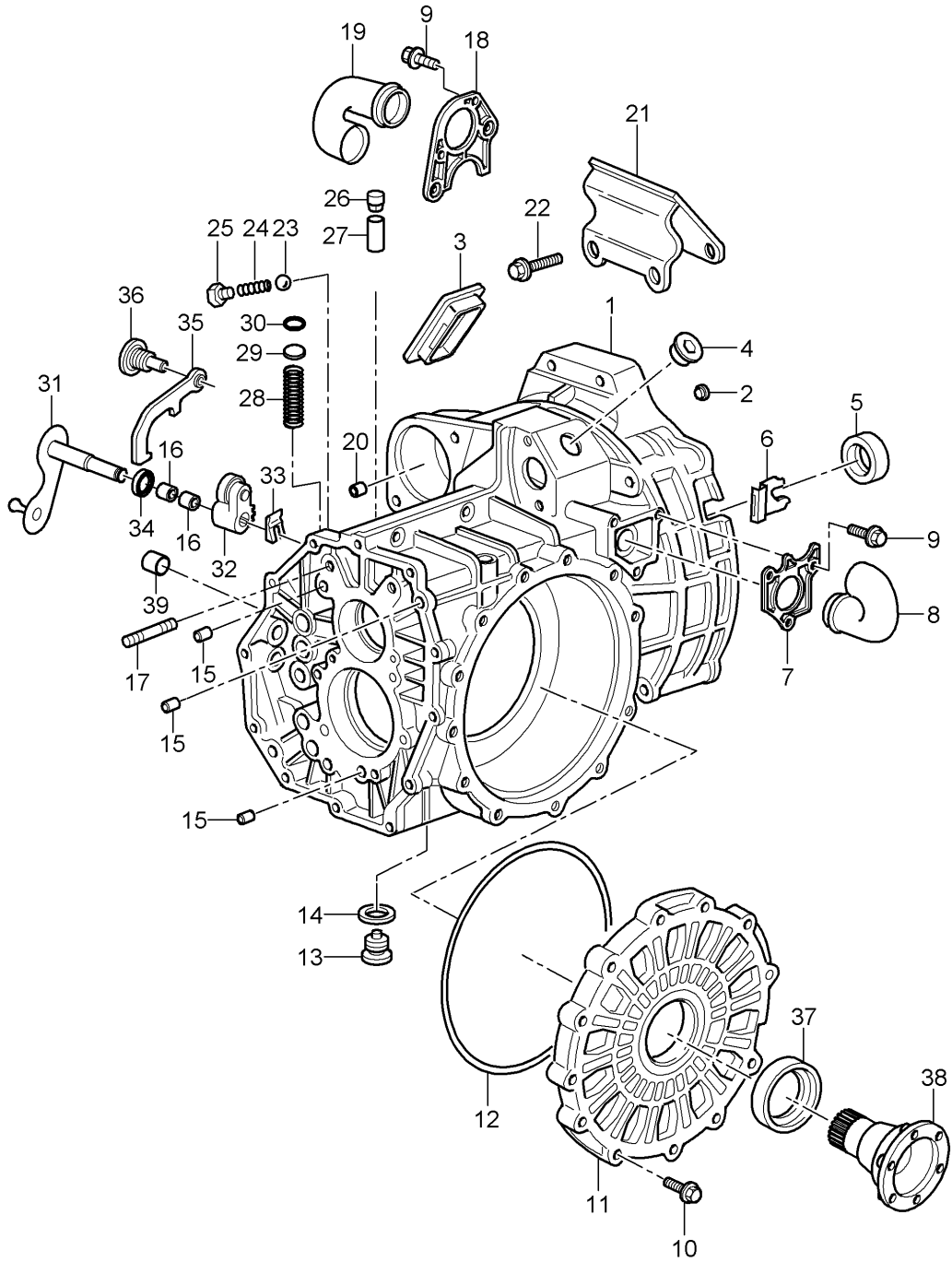
Model: 997G07

Model life 2007&gt;&gt;2011

Pos	Part Number	Description	Remark	Qty	Model
		Gear housing Gearbox cover D >> - MJ 2009			G9790
1	996 301 102 9A	Gear housing		1	
2	900 378 281 01	Hexagon bolt M 8 X 35		20	
3	900 076 064 02	Hexagon nut M 8		2	
4	900 025 007 07	Washer A 8,4		2	
5	996 303 031 9A	gearshift lever		1	
6	986 424 133 00	Washer		1	
7	996 303 517 00	Shaft oil seal 15 X 21 X 7		1	
8	996 303 033 00	Shift segment		1	
9	996 303 383 00	fuse		1	
10	996 303 303 00	roller 20 X 8 X 8		1	
11	996 303 035 00	Pin		1	
12	996 303 235 00	Pressure spring		1	
13	996 303 237 00	sealing plug M 18 X 15		1	
14	996 303 515 00	Bearing bush 15 X 17 X 12		2	
15	900 012 144 00	Cylinder pin A 12,0 X 14		2	
16	999 152 031 01	snap ring SB 68 X 1,50		1	
17	999 110 181 00	cylinder roller bearing 30 X 62 X 16		1	
18	900 111 001 00	snap ring SP 62		1	
19	999 504 004 00	threaded insert M 8 X 16		3	
20	N 910 597 01	sealing plug M 22 x 1,5		1	
21	996 606 133 00	Switch		1	
22	996 301 301 9A	Back-up light	rear	1	
23	722 260 006 2	Gearbox cover gearbox mounting		1	
24	999 073 095 01	Gearbox cover fillister hd. bolt M 8 X 30		4	
25	999 110 194 01	cylinder roller bearing 25 X 52 X 15		1	
26	999 152 062 01	snap ring SB 52 X 1,5		1	
27	999 152 024 01	snap ring SB 62 X 1,5		1	
28		reverse gear see illustration:	303-000	1	
29	996 302 228 50	Pin		1	
30	996 302 224 00	reverse gear Needle cage 20 X 26 X 17		2	
31	996 302 225 51	Segment		1	
32	996 302 223 00	Hexagon bolt M 8 X 55		1	
33	999 501 023 30	Sealing cap 6,7		1	

Model: 997G07

Model life 2007>>2011



Model: 997G07 Model life 2007>>2011

Pos	Part Number	Description	Remark	Qty	Model
		Gear housing	front		G9790, G9792
		D - MJ 2010>>			
1	996 301 101 88	Gear housing		1	
		also use:			
		996 303 513 00		4	
2	999 036 002 40	End cap		1	
		A 14			
3	950 301 151 01	Cap closure		1	
4	999 703 490 40	End cap		1	
		30 X 42			
5	999 113 326 41	Shaft oil seal		1	
		26,5 X 40			
6	993 116 630 00	Cap closure		1	
7	996 116 612 00	flange		1	
8	993 116 610 00	intake manifold		1	
9	900 378 035 01	Hexagon bolt		5	
		M 6 X 16			
10	900 378 281 01	Hexagon bolt		12	
		M 8 X 35			
11	996 301 312 51	Gearbox cover		1	
12	999 707 480 40	O-ring		1	
		205 X 3,5			
13	999 063 008 02	sealing plug		1	
		with magnet			
		M 22 X 1,5			
14	900 123 118 30	seal ring		1	
		A 22 X 27			
15	900 012 144 00	Cylinder pin		4	
		12 M 6 X 14			
16	996 303 513 00	Round socket		4	
		15 X 21 X 22			
17	900 081 042 02	Threaded pin		7	
		M 8 X 42			
18	996 116 710 00	Flange socket		1	
19	993 116 610 00	intake manifold		1	
20	999 531 017 10	bush		1	
		12,1 X 14			
21	997 449 101 50	Catch hook		2	
22	999 073 374 01	fillister hd. bolt		2	
		M 8 X 60			
23	900 108 064 00	ball		4	
		8			
24	996 303 245 00	Pressure spring		4	
25	900 124 023 02	sealing plug		4	
		M 10 X 1			
		No longer use the part here			
25	900 124 004 02	sealing plug		4	
		M 10 X 1			
26	014 301 485	Cap for venting the gearbox		1	
27	014 301 473	Sleeve		1	
		12 X 30			
		Discontinued part			
27	0A2 301 473	Sleeve		1	
28	996 303 255 00	Pressure spring		1	
29	996 303 257 00	Cover		1	
		20 X 4			
30	900 042 003 01	Securing ring		1	
		20 X 1			
31	996 303 055 01	selector lever		1	
32	996 303 057 00	pinion		1	
33	996 303 383 00	fuse		1	
34	996 303 517 00	Shaft oil seal		1	
		15 X 21 X 5			
35	996 303 053 00	selector lever		1	



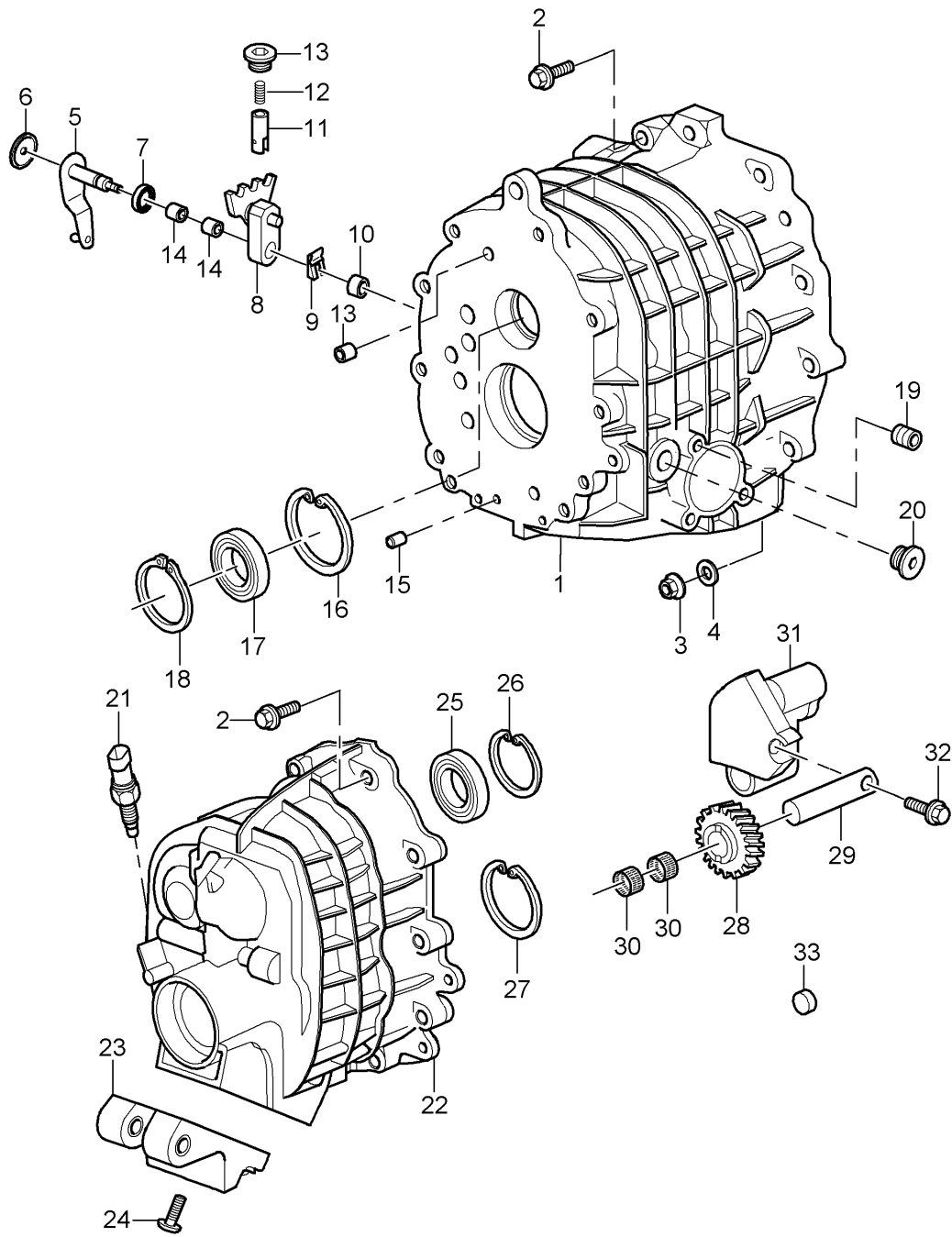
Model: 997G07

Model life 2007>>2011

Pos	Part Number	Description	Remark	Qty	Model
36	996 303 519 00	Bearing screw		1	
37	999 113 356 40	Shaft oil seal 48 X 60 X 10		2	
38	997 332 209 51	Drive flange Discontinued part		2	
38	997 332 209 52	Drive flange		2	
39	996 303 515 00	Bearing bush 15 X 17 X 12		2	
-	000 043 209 23	Grease LIQUI MOLY PU 53 / WDR 50 GR.		X	

Model: 997G07

Model life 2007>>2011

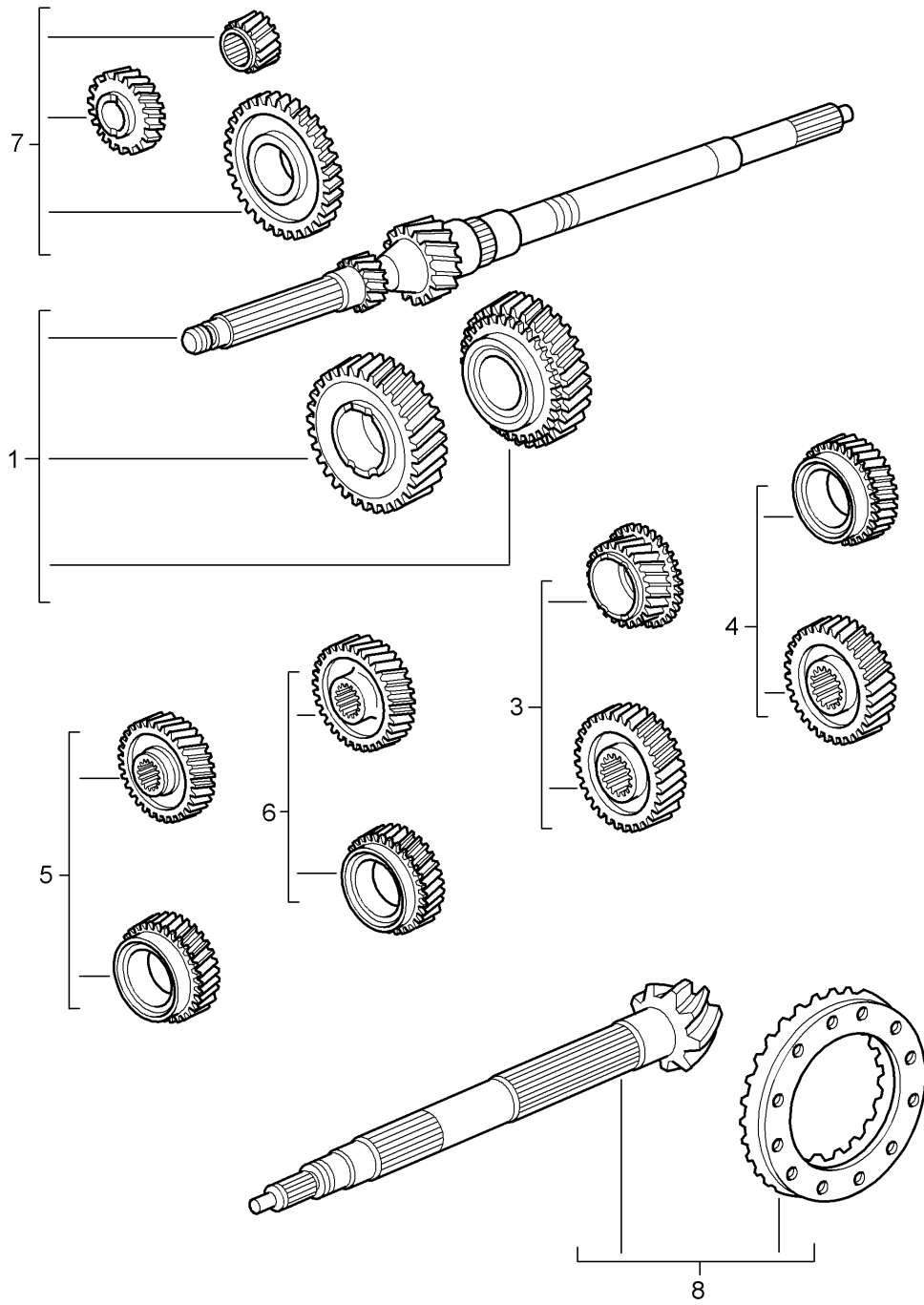


Model: 997G07 Model life 2007>>2011

Pos	Part Number	Description	Remark	Qty	Model
		Gear housing Gearbox cover D - MJ 2010>>			G9790 ,G9792
1	996 301 102 9A	Gear housing		1	
2	900 378 281 01	Hexagon bolt M 8 X 35		20	
3	900 076 064 02	Hexagon nut M 8		2	
4	900 025 007 07	Washer A 8,4		2	
5	996 303 031 9A	gearshift lever		1	
6	986 424 133 00	Washer		1	
7	996 303 517 00	Shaft oil seal 15 X 21 X 7		1	
8	996 303 033 00	Shift segment		1	
9	996 303 383 00	fuse		1	
10	996 303 303 00	roller 20 X 8 X 8		1	
11	996 303 035 00	Pin		1	
12	996 303 235 00	Pressure spring		1	
13	996 303 237 00	sealing plug M 18 X 15		1	
14	996 303 515 00	Bearing bush 15 X 17 X 12		2	
15	900 012 144 00	Cylinder pin A 12,0 X 14		2	
16	999 152 031 01	snap ring SB 68 X 1,50		1	
17	999 110 181 00	cylinder roller bearing 30 X 62 X 16		1	
18	900 111 001 00	snap ring SP 62		1	
19	999 504 004 00	threaded insert M 8 X 16		3	
20	N 910 597 01	sealing plug M 22 x 1,5		1	
21	996 606 133 00	Switch		1	
22	996 301 301 9A	Back-up light	rear	1	
23	722 260 006 2	Gearbox cover gearbox mounting		1	
24	999 073 095 01	Gearbox cover fillister hd. bolt M 8 X 30		4	
25	999 110 194 01	cylinder roller bearing 25 X 52 X 15		1	
26	999 152 062 01	snap ring SB 52 X 1,5		1	
27	999 152 024 01	snap ring SB 62 X 1,5		1	
28		reverse gear		1	
29	996 302 228 50	see illustration: Pin	303-001	1	
30	996 302 224 00	reverse gear Needle cage 20 X 26 X 17		2	
31	996 302 225 51	Segment		1	
32	996 302 223 00	Hexagon bolt M 8 X 55		1	
33	999 501 023 30	Sealing cap 6,7		1	

Model: 997G07

Model life 2007>>2011



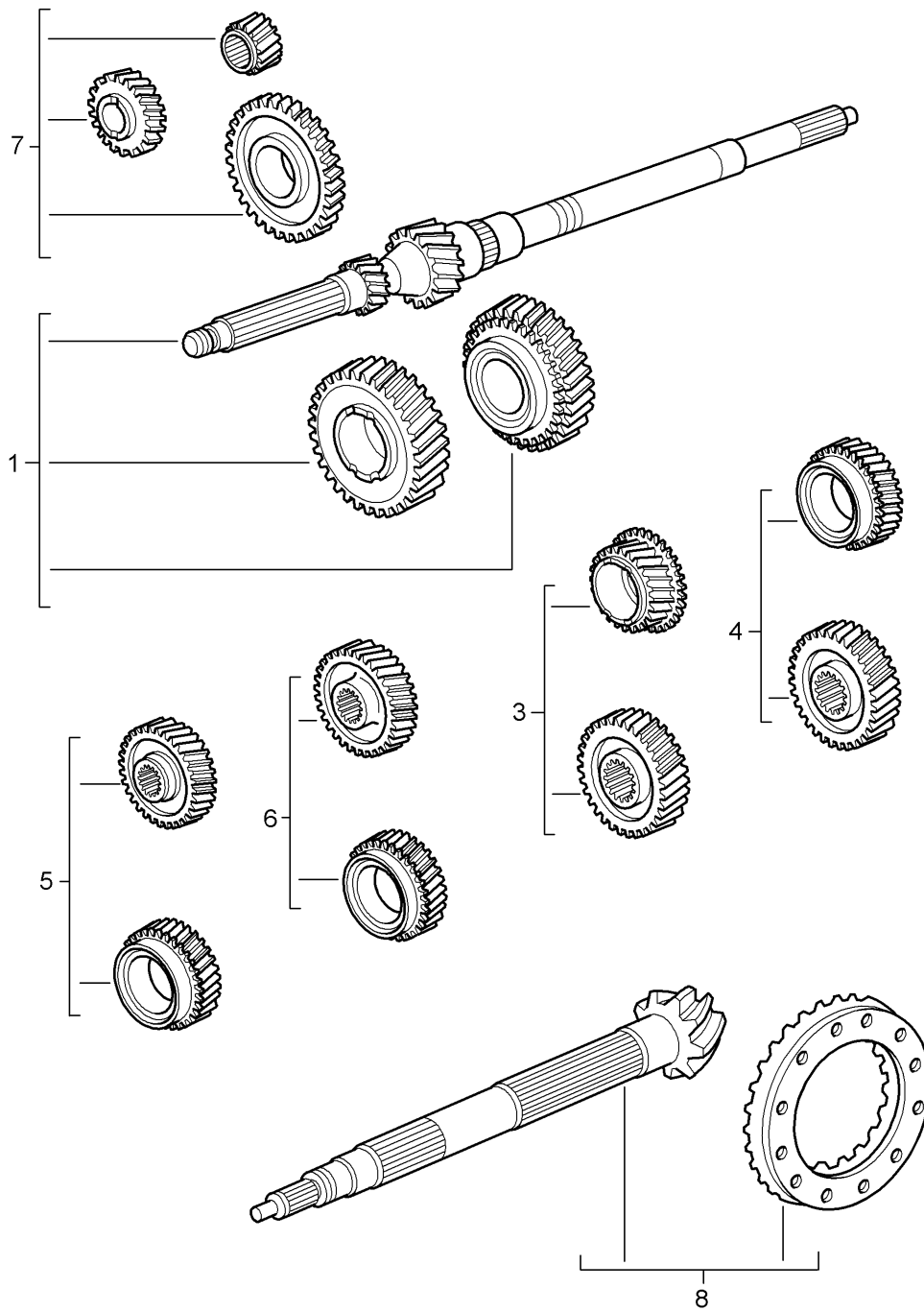
Model: 997G07

Model life 2007>>2011

Pos	Part Number	Description	Remark	Qty	Model
1	997 302 901 90	Gear wheel sets D >> - MJ 2009 gear set 1st / 2nd gear 1st gear Z = 42 : 11 2nd gear Z = 43 : 19		1	G9790
(1)	997 302 901 91	D - MJ 2007>> - MJ 2007 gear set 1st / 2nd gear 1st gear Z = 42 : 11 2nd gear Z = 43 : 19		1	
3	997 302 953 90	D - MJ 2008>> gear set 3rd gear Z = 41 : 25		1	
4	997 302 954 90	gear set 4th speed Z = 40 : 31		1	
5	997 302 955 90	gear set 5th gear Z = 34 : 32		1	
6	996 302 955 50	gear set 6th gear Z = 34 : 37		1	
7	996 302 907 50	gear set Reverse gear		1	
8	996 302 911 71	pinion gear set 31 : 9		1	

Model: 997G07

Model life 2007>>2011



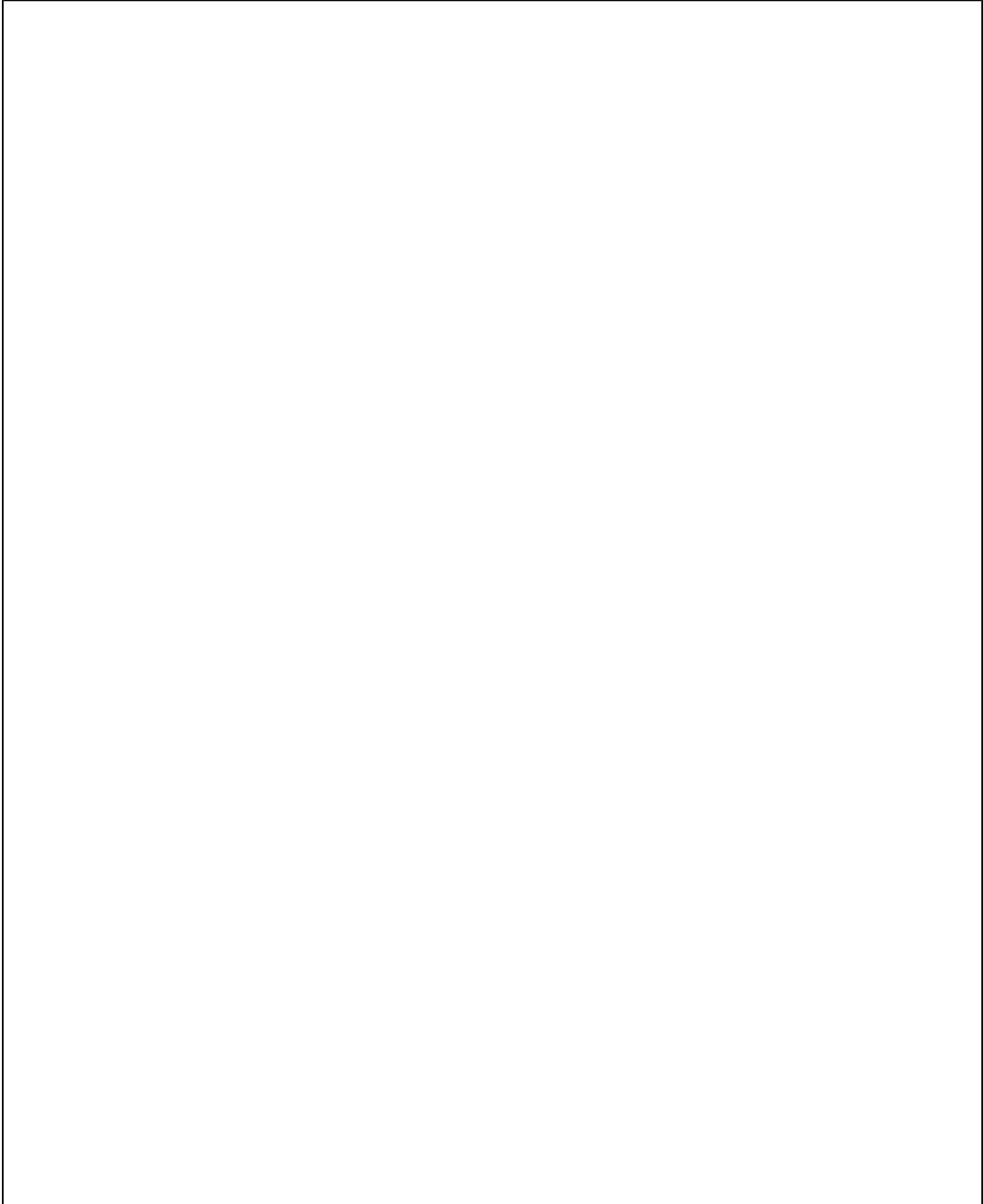
Model: 997G07

Model life 2007>>2011

Pos	Part Number	Description	Remark	Qty	Model
1	997 302 901 91	Gear wheel sets D - MJ 2010>> gear set 1st / 2nd gear 1st gear Z = 42 : 11 2nd gear Z = 43 : 19		1	G9790 ,G9792
3	997 302 953 90	gear set 3rd gear Z = 41 : 25		1	
4	997 302 954 90	gear set 4th speed Z = 40 : 31		1	
5	997 302 955 90	gear set 5th gear Z = 34 : 32		1	
6	996 302 955 50	gear set 6th gear Z = 34 : 37		1	G9790
(6)	997 302 956 90	gear set 6th gear Z = 36 : 41		1	G9792+ PR:004
7	997 302 907 88	gear set Reverse gear		1	
8	996 302 911 71	pinion gear set 31 : 9		1	G9790
8	997 302 911 90	pinion gear set 35 : 9		1	G9792+ PR:004

Model: 997G07

Model life 2007>>2011





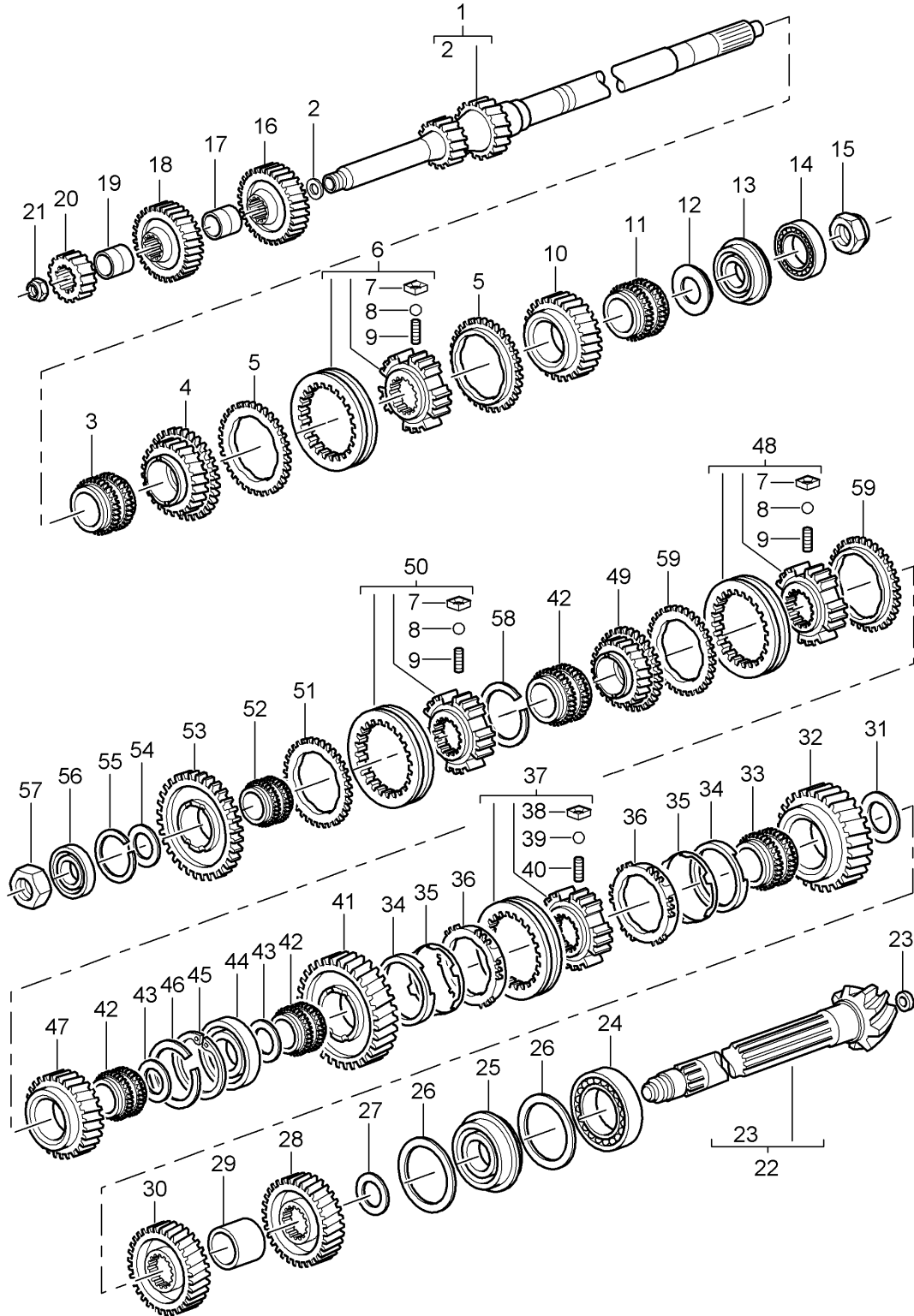
Model: 997G07

Model life 2007&gt;&gt;2011

Pos	Part Number	Description	Remark	Qty	Model
1	996 302 121 9A	gears and shafts Retaining plate		1	G9790, G9792

Model: 997G07

Model life 2007>>2011



Model: 997G07

Model life 2007&gt;&gt;2011

Pos	Part Number	Description	Remark	Qty	Model
-		gears and shafts D >> - MJ 2009 Gear wheel sets see illustration:	303-000		G9790
1		Input shaft		1	
2	964 302 335 02	Washer 7 MM		1	
3	999 201 442 00	needle bearing - 42 X 47 X 32		1	
4		Loose gear wheel 3rd gear		1	
5	928 304 211 30	synchronizer ring 3rd/4th gear		2	
6	996 304 021 51	Guide sleeve 3rd/4th gear		1	
7	928 304 251 00	Stone		9	
8	N 025 653 2	ball 6,5 MM		9	
9	928 304 261 01	Pressure spring		9	
10		Loose gear wheel 4th speed		1	
11	999 201 437 06	Needle cage 35 X 47 X 32,2		1	
12	996 302 294 50	thrust washer 4th speed		1	
13	999 052 094 00	Four-point contact bearing 30 X 62 X 16		1	
13	999 052 098 00	Four-point contact bearing 30 X 62 X 16		1	
14	999 110 117 01	cylinder roller bearing 30 X 62 X 20		1	
15	999 034 033 00	Hexagon nut M 30 X 1,5		1	
16		Fixed gear wheel 6th gear		1	
17	950 302 268 12	spacer bush 5th gear and 6th gear		1	
18		Fixed gear wheel 5th gear			
19	950 302 270 02	spacer bush		1	
20		Fixed gear wheel Reverse gear		1	
21	999 034 035 00	Locknut M 22 X 1,5		1	
22		Pinion shaft		1	
23	964 302 335 01	Washer 14,5		2	
24	999 110 119 01	cylinder roller bearing 40 X 90 X 23		1	
25	999 052 164 00	Four-point contact bearing 40 X 82 X 18		1	
25	997 302 293 00	Discontinued part angular ball bearing 40 X 82 X 18		1	
26	996 302 163 50	fitted washer 90 X 97 X 0,50		X	
26	996 302 163 51	fitted washer 90 X 97 X 0,55		X	
26	996 302 163 52	fitted washer 90 X 97 X 0,60		X	
26	996 302 163 53	fitted washer		X	

Model: 997G07

Model life 2007>>2011

Pos	Part Number	Description	Remark	Qty	Model
26	996 302 163 54	90 X 97 X 0,65 fitted washer		X	
26	996 302 163 55	90 X 97 X 0,70 fitted washer		X	
26	996 302 163 56	90 X 97 X 0,75 fitted washer		X	
26	996 302 163 57	90 X 97 X 0,80 fitted washer		X	
26	996 302 163 58	90 X 97 X 0,85 fitted washer		X	
26	996 302 163 59	90 X 97 X 0,90 fitted washer		X	
26	996 302 163 60	90 X 97 X 0,95 fitted washer		X	
26	996 302 163 61	90 X 97 X 1,00 fitted washer		X	
26	996 302 163 62	90 X 97 X 1,05 fitted washer		X	
26	996 302 163 63	90 X 97 X 1,10 fitted washer		X	
26	996 302 163 64	90 X 97 X 1,15 fitted washer		X	
26	996 302 163 65	90 X 97 X 1,20 fitted washer		X	
26	996 302 163 66	90 X 97 X 1,25 fitted washer		X	
26	996 302 163 67	90 X 97 X 1,30 fitted washer		X	
26	996 302 163 68	90 X 97 X 1,35 fitted washer		X	
26	996 302 163 69	90 X 97 X 1,40 fitted washer		X	
26	996 302 163 70	90 X 97 X 1,45 fitted washer		X	
26	996 302 163 71	90 X 97 X 1,50 fitted washer		X	
26	996 302 163 72	90 X 97 X 1,55 fitted washer		X	
27	996 302 151 50	90 X 97 X 1,60 fitted washer		X	
27	996 302 151 51	40 X 50 X 0,40 fitted washer		X	
27	996 302 151 52	40 X 50 X 0,45 fitted washer		X	
27	996 302 151 53	40 X 50 X 0,50 fitted washer		X	
27	996 302 151 54	40 X 50 X 0,55 fitted washer		X	
27	996 302 151 55	40 X 50 X 0,60 fitted washer		X	
27	996 302 151 56	40 X 50 X 0,65 fitted washer		X	
27	996 302 151 57	40 X 50 X 0,70 fitted washer		X	
27	996 302 151 58	40 X 50 X 0,80 fitted washer		X	
27	996 302 151 59	40 X 50 X 0,90 fitted washer		X	
27	996 302 151 60	40 X 50 X 1,00 fitted washer		X	
27	996 302 151 61	40 X 50 X 1,10 fitted washer		X	
27	996 302 151 61	40 X 50 X 1,20 fitted washer		X	

Model: 997G07

Model life 2007&gt;&gt;2011

Pos	Part Number	Description	Remark	Qty	Model
27	996 302 151 62	fitted washer 40 X 50 X 1,30		X	
27	996 302 151 63	fitted washer 40 X 50 X 0,75		X	
28		Fixed gear wheel 4th speed		1	
29	950 302 267 02	spacer bush		1	
30		Fixed gear wheel 3rd gear		1	
31	950 302 292 00	thrust washer 2nd gear		1	
32		Loose gear wheel 2nd gear		1	
33	999 201 225 04	needle bearing - 39,68 X 50		1	
34	950 304 617 20	ring		2	
35	996 304 613 20	Conical ring		2	
36	950 304 611 20	synchronizer ring		2	
37	996 304 061 50	Guide sleeve 1st / 2nd gear		1	
38	950 304 651 00	Stone No longer use the part here		3	
38	996 304 651 00	Stone		3	
39	900 108 058 00	ball 5 MM		3	
40	950 304 661 03	Pressure spring		3	
41		Loose gear wheel 1st gear		1	
42	999 201 239 06	needle bearing - 35 X 50 X 32,2		3	
43	950 302 295 07	thrust washer 1st gear and 6th gear		2	
44	999 110 109 01	cylinder roller bearing 35 X 80 X 18		1	
45	999 152 106 00	snap ring		1	
46	N 100 709 01	snap ring SP 80		1	
47		Loose gear wheel 6th gear		1	
48	950 304 021 23	Guide sleeve 5th gear and 6th gear		1	
49		Loose gear wheel 5th gear		1	
50	996 304 021 50	Guide sleeve Reverse gear		1	
51	928 304 211 24	synchronizer ring Reverse gear		1	
52	999 201 253 00	Needle cage 32 X 45 X 27,2		1	
53		Loose gear wheel Reverse gear		1	
54	950 302 296 07	thrust washer Reverse gear		1	
55	999 152 024 01	snap ring 62 X 1,50		1	
56	999 110 192 00	cylinder roller bearing 30 X 62 X 16		1	
57	999 034 034 00	Hexagon nut M 30 X 1,25		1	

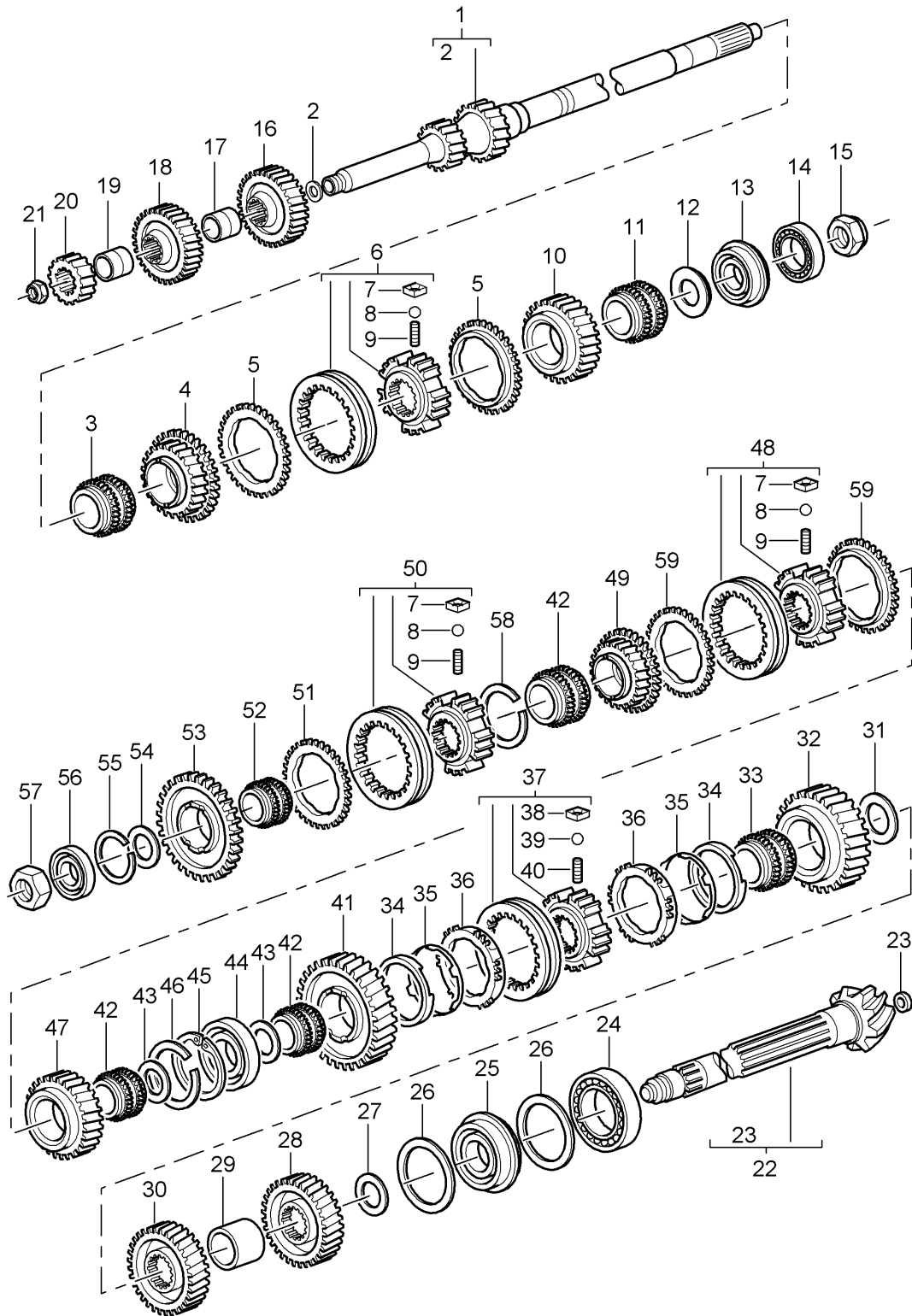
Model: 997G07

Model life 2007&gt;&gt;2011

Pos	Part Number	Description	Remark	Qty	Model
58	999 152 111 00	snap ring 78 X 1,50		1	
59	928 304 211 30	synchronizer ring 5th and 6th gear		2	

Model: 997G07

Model life 2007>>2011



Model: 997G07

Model life 2007&gt;&gt;2011

Pos	Part Number	Description	Remark	Qty	Model
-		gears and shafts D - MJ 2010>> Gear wheel sets see illustration:	303-000		G9790, G9792
1		Input shaft		1	
2	964 302 335 02	Washer 7 MM		1	
3	999 201 442 00	needle bearing - 42 X 47 X 32		1	
4		Loose gear wheel 3rd gear		1	
5	928 304 211 30	synchronizer ring 3rd/4th gear		2	
6	996 304 021 51	Guide sleeve 3rd/4th gear		1	
7	928 304 251 00	Stone		9	
8	N 025 653 2	ball 6,5 MM		9	
9	928 304 261 01	Pressure spring		9	
10		Loose gear wheel 4th speed		1	
11	999 201 437 06	Needle cage 35 X 47 X 32,2		1	
12	996 302 294 50	thrust washer 4th speed		1	
13	999 052 094 00	Four-point contact bearing 30 X 62 X 16		1	
13	999 052 098 00	Four-point contact bearing 30 X 62 X 16		1	
14	999 110 117 01	cylinder roller bearing 30 X 62 X 20		1	
15	999 034 033 00	Hexagon nut M 30 X 1,5		1	
16		Fixed gear wheel 6th gear		1	
17	950 302 268 12	spacer bush 5th gear and 6th gear		1	
18		Fixed gear wheel 5th gear			
19	950 302 270 02	spacer bush		1	
20		Fixed gear wheel Reverse gear		1	
21	999 034 035 00	Locknut M 22 X 1,5		1	
22		Pinion shaft		1	
23	964 302 335 01	Washer 14,5		1	
24	999 110 132 01	cylinder roller bearing 40 X 90 X 23		1	
25	999 052 164 00	Four-point contact bearing 40 X 82 X 18		1	
25	997 302 293 00	Discontinued part angular ball bearing 40 X 82 X 18		1	
26	996 302 163 50	fitted washer 90 X 97 X 0,50		X	
26	996 302 163 51	fitted washer 90 X 97 X 0,55		X	
26	996 302 163 52	fitted washer 90 X 97 X 0,60		X	
26	996 302 163 53	fitted washer		X	



Model: 997G07

Model life 2007&gt;&gt;2011

Pos	Part Number	Description	Remark	Qty	Model
26	996 302 163 54	90 X 97 X 0,65 fitted washer		X	
26	996 302 163 55	90 X 97 X 0,70 fitted washer		X	
26	996 302 163 56	90 X 97 X 0,75 fitted washer		X	
26	996 302 163 57	90 X 97 X 0,80 fitted washer		X	
26	996 302 163 58	90 X 97 X 0,85 fitted washer		X	
26	996 302 163 59	90 X 97 X 0,90 fitted washer		X	
26	996 302 163 60	90 X 97 X 0,95 fitted washer		X	
26	996 302 163 61	90 X 97 X 1,00 fitted washer		X	
26	996 302 163 62	90 X 97 X 1,05 fitted washer		X	
26	996 302 163 63	90 X 97 X 1,10 fitted washer		X	
26	996 302 163 64	90 X 97 X 1,15 fitted washer		X	
26	996 302 163 65	90 X 97 X 1,20 fitted washer		X	
26	996 302 163 66	90 X 97 X 1,25 fitted washer		X	
26	996 302 163 67	90 X 97 X 1,30 fitted washer		X	
26	996 302 163 68	90 X 97 X 1,35 fitted washer		X	
26	996 302 163 69	90 X 97 X 1,40 fitted washer		X	
26	996 302 163 70	90 X 97 X 1,45 fitted washer		X	
26	996 302 163 71	90 X 97 X 1,50 fitted washer		X	
26	996 302 163 72	90 X 97 X 1,55 fitted washer		X	
27	996 302 151 50	90 X 97 X 1,60 fitted washer		X	
27	996 302 151 51	40 X 50 X 0,40 fitted washer		X	
27	996 302 151 52	40 X 50 X 0,45 fitted washer		X	
27	996 302 151 53	40 X 50 X 0,50 fitted washer		X	
27	996 302 151 54	40 X 50 X 0,55 fitted washer		X	
27	996 302 151 55	40 X 50 X 0,60 fitted washer		X	
27	996 302 151 56	40 X 50 X 0,65 fitted washer		X	
27	996 302 151 57	40 X 50 X 0,70 fitted washer		X	
27	996 302 151 58	40 X 50 X 0,80 fitted washer		X	
27	996 302 151 59	40 X 50 X 0,90 fitted washer		X	
27	996 302 151 60	40 X 50 X 1,00 fitted washer		X	
27	996 302 151 61	40 X 50 X 1,10 fitted washer		X	
27	996 302 151 61	40 X 50 X 1,20 fitted washer		X	

Model: 997G07

Model life 2007&gt;&gt;2011

Pos	Part Number	Description	Remark	Qty	Model
27	996 302 151 62	fitted washer 40 X 50 X 1,30		X	
27	996 302 151 63	fitted washer 40 X 50 X 0,75		X	
28		Fixed gear wheel 4th speed		1	
29	950 302 267 02	spacer bush		1	
30		Fixed gear wheel 3rd gear		1	
31	950 302 292 00	thrust washer 2nd gear		1	
32		Loose gear wheel 2nd gear		1	
33	999 201 225 04	needle bearing - 39,68 X 50		1	
34	950 304 617 20	ring		2	
35	996 304 613 20	Conical ring		2	
36	950 304 611 20	synchronizer ring		2	
37	996 304 061 50	Guide sleeve 1st / 2nd gear		1	
38	996 304 651 00	Stone		3	
39	900 108 058 00	ball 5 MM		3	
40	950 304 661 03	Pressure spring		3	
41		Loose gear wheel 1st gear		1	
42	999 201 239 06	needle bearing - 35 X 50 X 32,2		3	
43	950 302 295 07	thrust washer 1st gear and 6th gear		2	
44	999 110 109 01	cylinder roller bearing 35 X 80 X 18		1	
45	999 152 106 00	snap ring		1	
46	N 100 709 01	snap ring SP 80		1	
47		Loose gear wheel 6th gear		1	
48	950 304 021 23	Guide sleeve 5th gear and 6th gear		1	
49		Loose gear wheel 5th gear		1	
50	996 304 021 50	Guide sleeve Reverse gear		1	
51	928 304 211 24	synchronizer ring Reverse gear		1	
52	999 201 253 00	Needle cage 32 X 45 X 27,2		1	
53		Loose gear wheel Reverse gear		1	
54	950 302 296 07	thrust washer Reverse gear		1	
55	999 152 024 01	snap ring 62 X 1,50		1	
56	999 110 192 00	cylinder roller bearing 30 X 62 X 16		1	
57	999 034 034 00	Hexagon nut M 30 X 1,25		1	
58	999 152 111 00	snap ring 78 X 1,50		1	

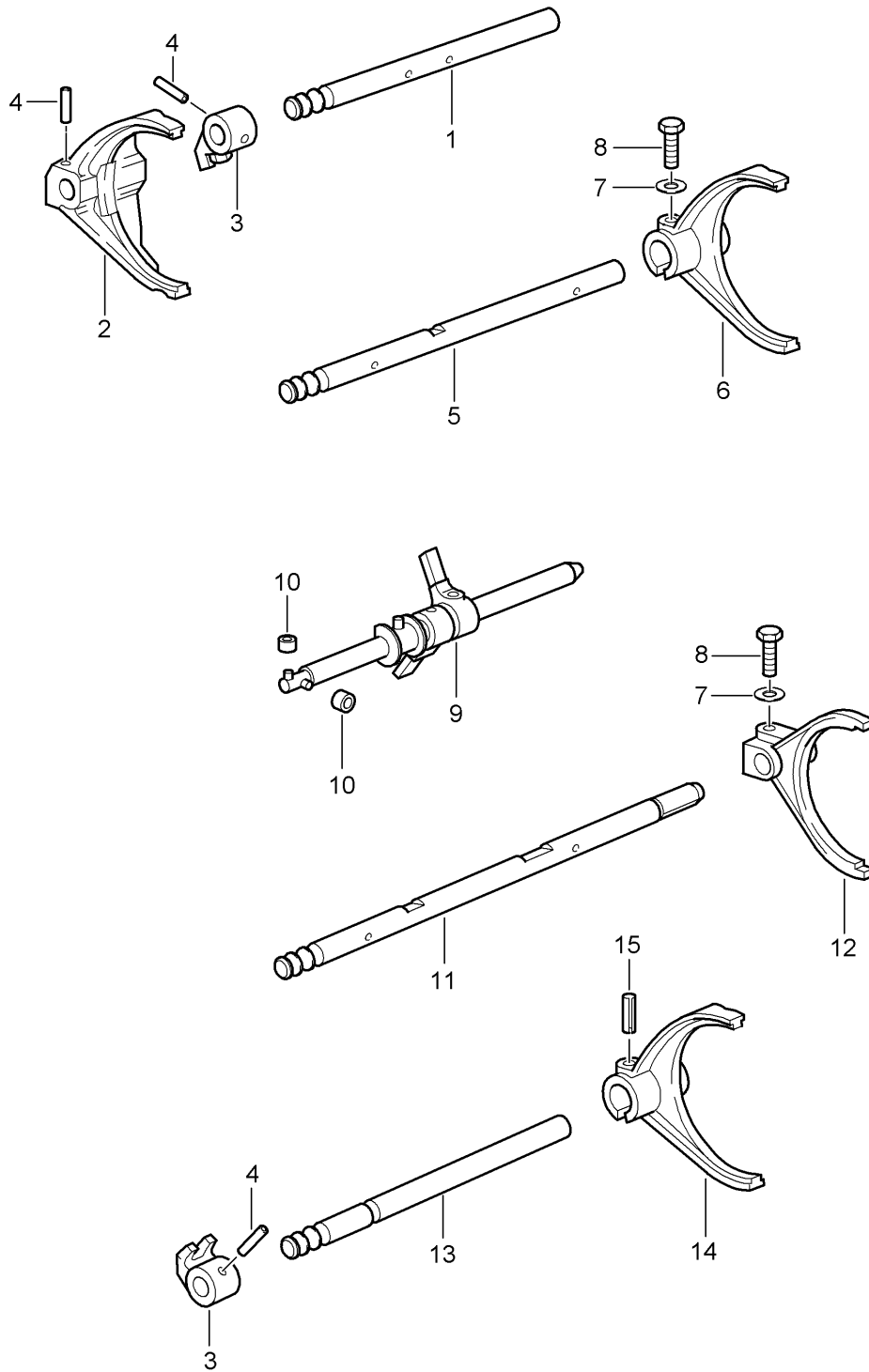
Model: 997G07

Model life 2007&gt;&gt;2011

Pos	Part Number	Description	Remark	Qty	Model
59	928 304 211 30	synchronizer ring 5th gear		1	
(59)	928 304 211 23	synchronizer ring 6th gear		1	

Model: 997G07

Model life 2007>>2011

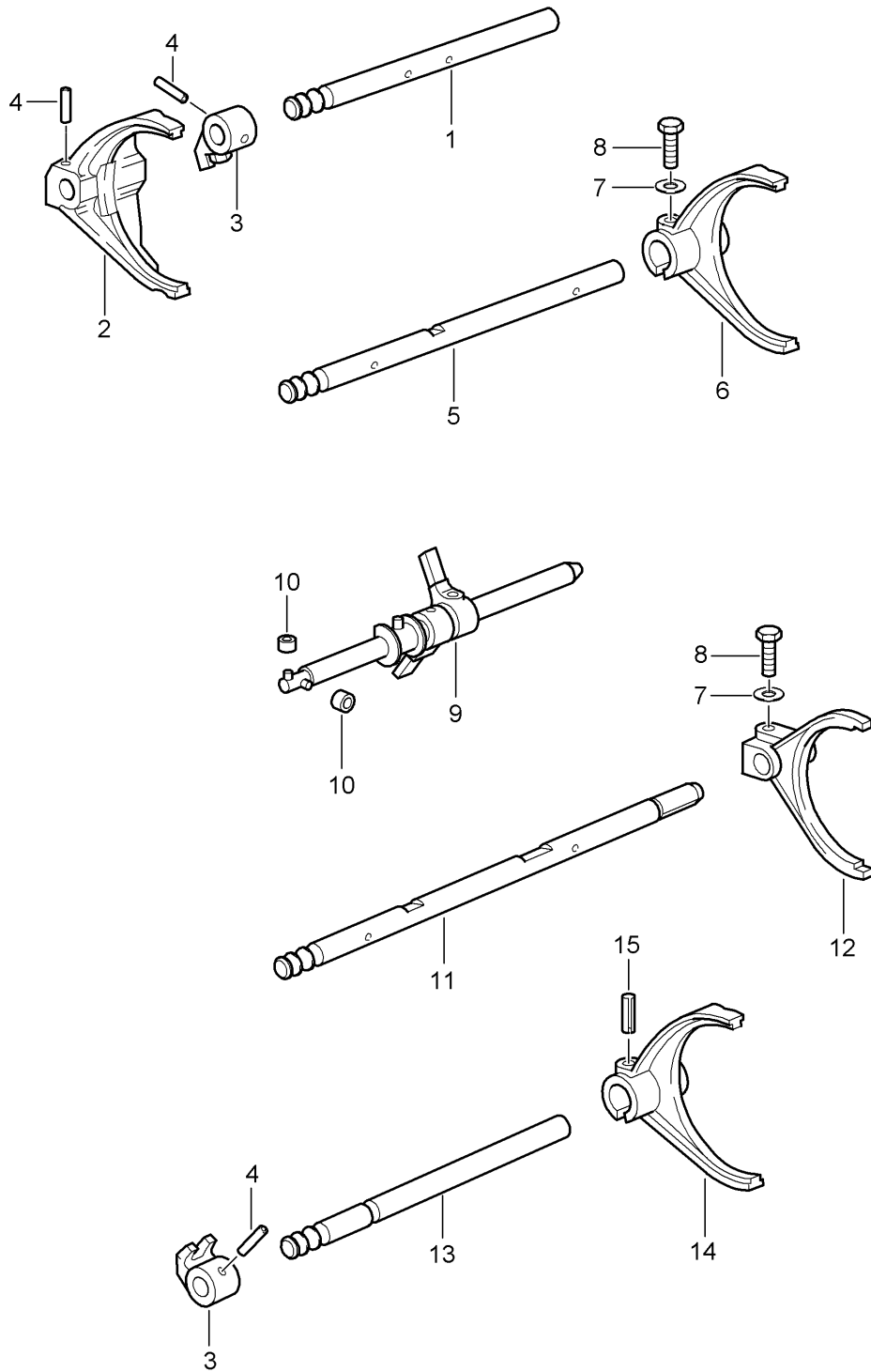


Model: 997G07 Model life 2007>>2011

Pos	Part Number	Description	Remark	Qty	Model
		selector shaft Selector fork shift rod D >> - MJ 2009			G9790
1	996 303 103 52	selector shaft		1	
2	996 303 113 88	3rd/4th gear Selector fork 3rd/4th gear		1	
3	996 303 121 50	Follower		2	
4	900 309 008 00	spring pin 6 X 24		3	
5	996 303 106 51	selector shaft 5th gear and 6th gear		1	
6	996 303 116 50	Selector fork 5th gear and 6th gear		1	
7	900 025 007 02	Washer A 8,4		2	
8	900 075 099 02	Hexagon bolt M 8 X 30 Discontinued part		2	
8	900 075 099 03	Hexagon bolt M 8 X 30		2	
9	996 303 021 52	shift rod		1	
10	996 303 403 00	roller 10 X 5 X 3		4	
11	996 303 105 52	selector shaft Reverse gear		1	
12	996 303 115 50	Selector fork Reverse gear		1	
13	996 303 101 51	selector shaft 1st / 2nd gear		1	
14	996 303 111 51	Selector fork 1st / 2nd gear		1	
15	900 095 017 01	spring pin 5,0 X 24		2	

Model: 997G07

Model life 2007>>2011

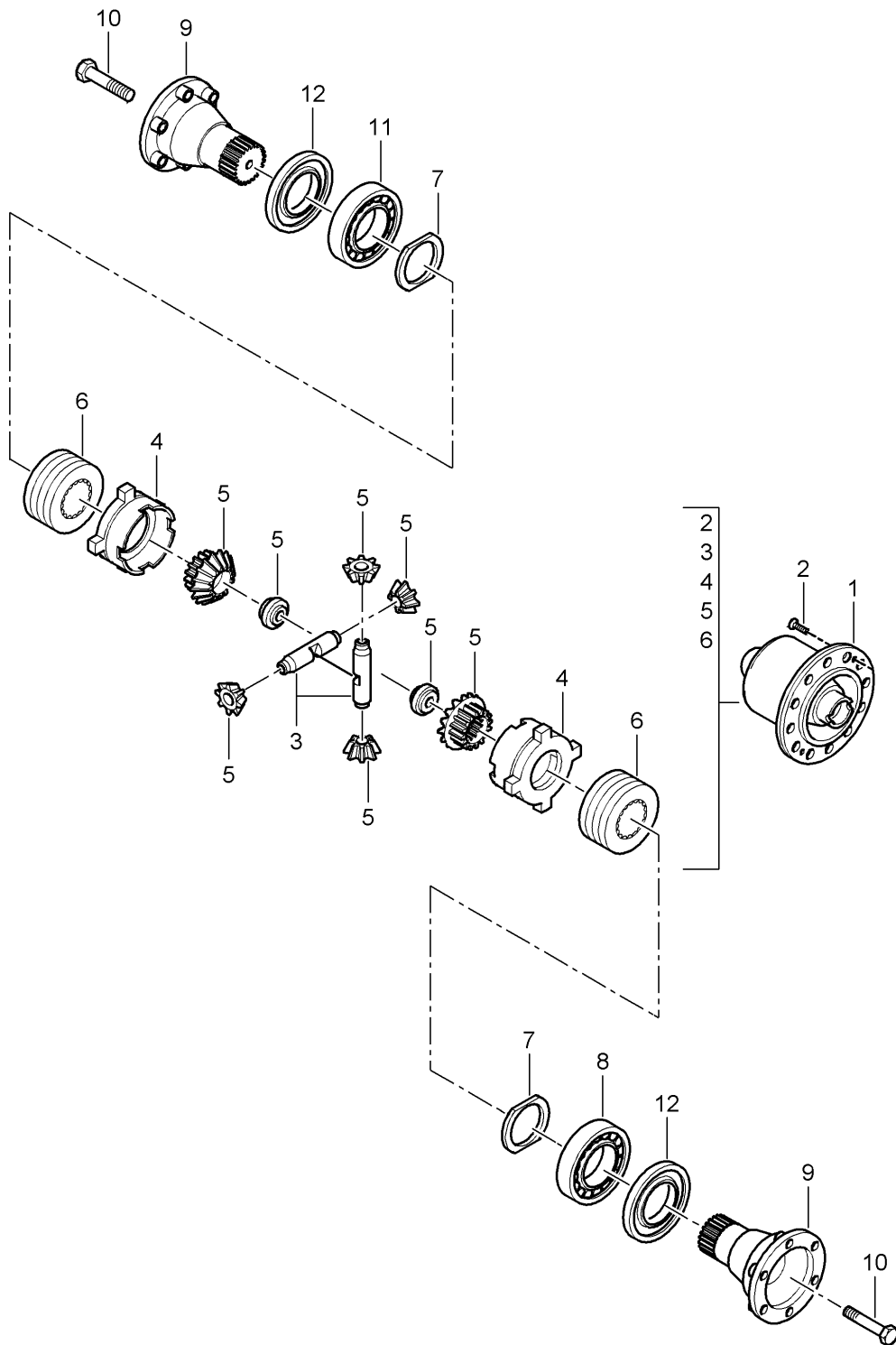


Model: 997G07 Model life 2007>>2011

Pos	Part Number	Description	Remark	Qty	Model
		selector shaft Selector fork shift rod D - MJ 2010>>			G9790, G9792
1	996 303 103 52	selector shaft		1	
2	996 303 113 88	3rd/4th gear Selector fork 3rd/4th gear		1	
3	996 303 121 50	Follower		2	
4	900 309 008 00	spring pin 6 X 24		3	
5	996 303 106 51	selector shaft 5th gear and 6th gear		1	
6	996 303 116 50	Selector fork 5th gear and 6th gear		1	
7	900 025 007 02	Washer A 8,4		2	
8	900 075 099 02	Hexagon bolt M 8 X 30 Discontinued part		2	
8	900 075 099 03	Hexagon bolt M 8 X 30		2	
9	996 303 021 52	shift rod		1	
10	996 303 403 00	roller 10 X 5 X 3		4	
11	996 303 105 52	selector shaft Reverse gear		1	
12	996 303 115 50	Selector fork Reverse gear		1	
13	996 303 101 51	selector shaft 1st / 2nd gear		1	
14	996 303 111 51	Selector fork 1st / 2nd gear		1	
15	900 095 017 01	spring pin 5,0 X 24		2	

Model: 997G07

Model life 2007>>2011





Model: 997G07

Model life 2007>>2011

Pos	Part Number	Description	Remark	Qty	Model
		limited slip differential (complete) and repair kits D >> - MJ 2009			G9790
1	997 332 083 91	limited slip differential 28/40 % FA. GKN		1	
(2)	999 217 152 01	Hexagon bolt M 12 X 1,25		12	
2	950 332 983 03	countersunk bolt Set FA.GKN		1	
3	950 332 983 06	axle Set		1	
4	950 332 983 05	ring Set		1	
5	950 332 983 02	gear set		1	
6	950 332 983 36	Vanes		1	
7	996 332 266 50	Adjusting ring 50,4 X 65 X 1,50		X	
7	996 332 266 51	Adjusting ring 50,4 X 65 X 1,55		X	
7	996 332 266 52	Adjusting ring 50,4 X 65 X 1,60		X	
7	996 332 266 53	Adjusting ring 50,4 X 65 X 1,65		X	
7	996 332 266 54	Adjusting ring 50,4 X 65 X 1,70		X	
7	996 332 266 55	Adjusting ring 50,4 X 65 X 1,75		X	
7	996 332 266 56	Adjusting ring 50,4 X 65 X 1,80		X	
7	996 332 266 57	Adjusting ring 50,4 X 65 X 1,85		X	
7	996 332 266 58	Adjusting ring 50,4 X 65 X 1,90		X	
7	996 332 266 59	Adjusting ring 50,4 X 65 X 1,95		X	
7	996 332 266 60	Adjusting ring 50,4 X 65 X 2,00		X	
7	996 332 266 61	Adjusting ring 50,4 X 65 X 2,05		X	
7	996 332 266 62	Adjusting ring 50,4 X 65 X 2,10		X	
7	996 332 266 63	Adjusting ring 50,4 X 65 X 2,15		X	
7	996 332 266 64	Adjusting ring 50,4 X 65 X 2,20		X	
7	996 332 266 65	Adjusting ring 50,4 X 65 X 2,25		X	
7	996 332 266 66	Adjusting ring 50,4 X 65 X 2,30		X	
7	996 332 266 67	Adjusting ring 50,4 X 65 X 2,35		X	
7	996 332 266 68	Adjusting ring 50,4 X 65 X 2,40		X	
7	996 332 266 69	Adjusting ring 50,4 X 65 X 2,45		X	
7	996 332 266 70	Adjusting ring 50,4 X 65 X 2,50		X	
7	996 332 266 71	Adjusting ring 50,4 X 65 X 2,55		X	

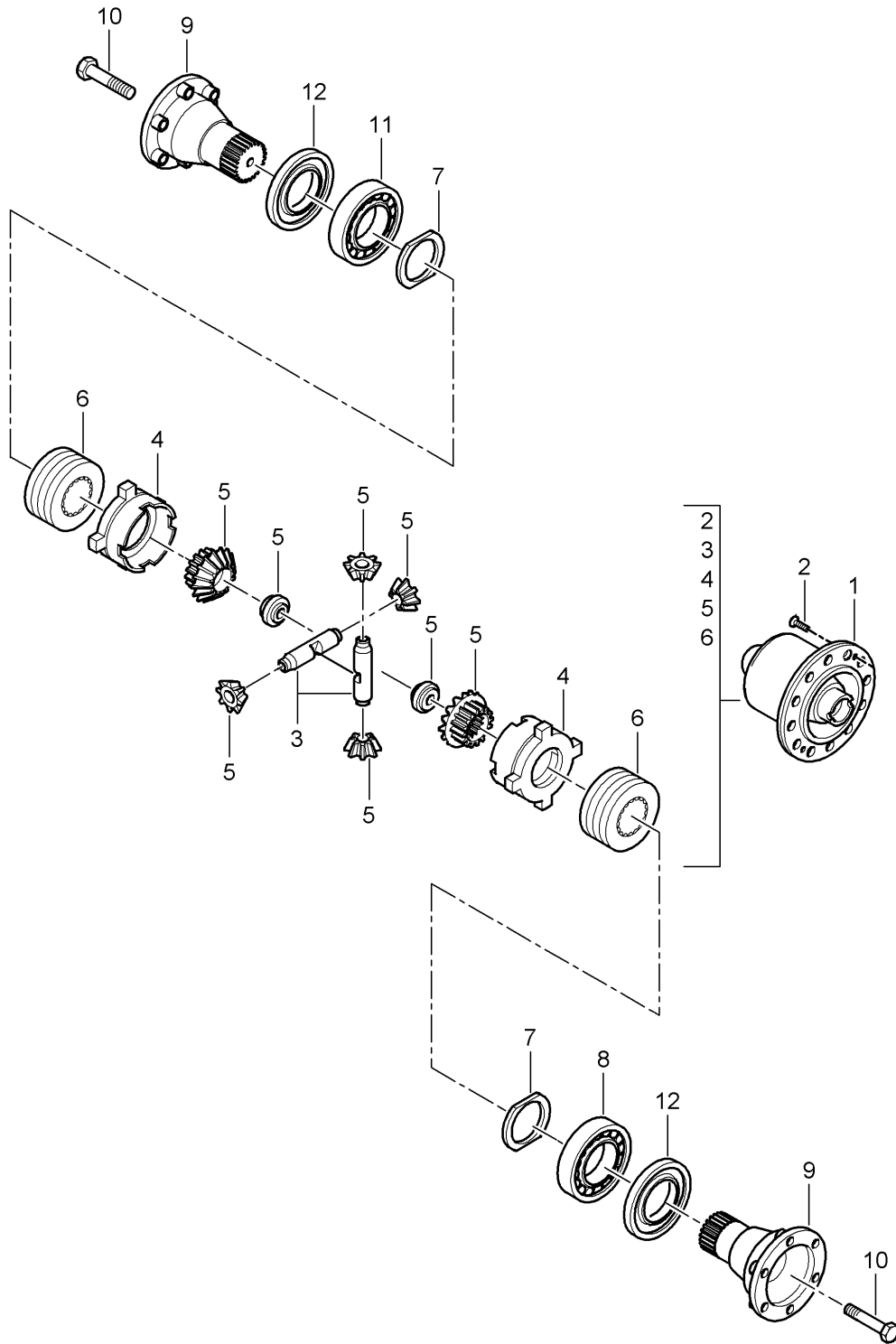
Model: 997G07

Model life 2007&gt;&gt;2011

Pos	Part Number	Description	Remark	Qty	Model
7	996 332 266 72	Adjusting ring 50,4 X 65 X 2,60		X	
7	996 332 266 73	Adjusting ring 50,4 X 65 X 2,65		X	
7	996 332 266 74	Adjusting ring 50,4 X 65 X 2,70		X	
7	996 332 266 75	Adjusting ring 50,4 X 65 X 2,75		X	
7	996 332 266 76	Adjusting ring 50,4 X 65 X 2,80		X	
8	999 059 064 00	Taper roller bearing 50 X 90 X 20		1	
9	997 332 209 51	Drive flange Discontinued part		2	
(9)	997 332 209 52	Drive flange		2	
10	999 217 027 01	Hexagon bolt M 10 X 85		2	
11	999 059 066 02	Taper roller bearing 50 X 80 X 20		1	
12	999 113 356 40	Shaft oil seal 48 X 68 X 10		2	

Model: 997G07

Model life 2007>>2011



Model: 997G07

Model life 2007>>2011

Pos	Part Number	Description	Remark	Qty	Model
		limited slip differential (complete) and repair kits D - MJ 2010>>			G9790, G9792
1	997 332 083 91	limited slip differential 28/40 % FA. GKN		1	
(2)	999 217 152 01	Hexagon bolt M 12 X 1,25		12	
2	950 332 983 03	countersunk bolt Set FA.GKN		1	
3	950 332 983 06	axle Set		1	
4	950 332 983 05	ring Set		1	
5	950 332 983 02	gear set		1	
6	950 332 983 36	Vanes		1	
7	996 332 266 50	Adjusting ring 50,4 X 65 X 1,50		X	
7	996 332 266 51	Adjusting ring 50,4 X 65 X 1,55		X	
7	996 332 266 52	Adjusting ring 50,4 X 65 X 1,60		X	
7	996 332 266 53	Adjusting ring 50,4 X 65 X 1,65		X	
7	996 332 266 54	Adjusting ring 50,4 X 65 X 1,70		X	
7	996 332 266 55	Adjusting ring 50,4 X 65 X 1,75		X	
7	996 332 266 56	Adjusting ring 50,4 X 65 X 1,80		X	
7	996 332 266 57	Adjusting ring 50,4 X 65 X 1,85		X	
7	996 332 266 58	Adjusting ring 50,4 X 65 X 1,90		X	
7	996 332 266 59	Adjusting ring 50,4 X 65 X 1,95		X	
7	996 332 266 60	Adjusting ring 50,4 X 65 X 2,00		X	
7	996 332 266 61	Adjusting ring 50,4 X 65 X 2,05		X	
7	996 332 266 62	Adjusting ring 50,4 X 65 X 2,10		X	
7	996 332 266 63	Adjusting ring 50,4 X 65 X 2,15		X	
7	996 332 266 64	Adjusting ring 50,4 X 65 X 2,20		X	
7	996 332 266 65	Adjusting ring 50,4 X 65 X 2,25		X	
7	996 332 266 66	Adjusting ring 50,4 X 65 X 2,30		X	
7	996 332 266 67	Adjusting ring 50,4 X 65 X 2,35		X	
7	996 332 266 68	Adjusting ring 50,4 X 65 X 2,40		X	
7	996 332 266 69	Adjusting ring 50,4 X 65 X 2,45		X	
7	996 332 266 70	Adjusting ring 50,4 X 65 X 2,50		X	
7	996 332 266 71	Adjusting ring 50,4 X 65 X 2,55		X	

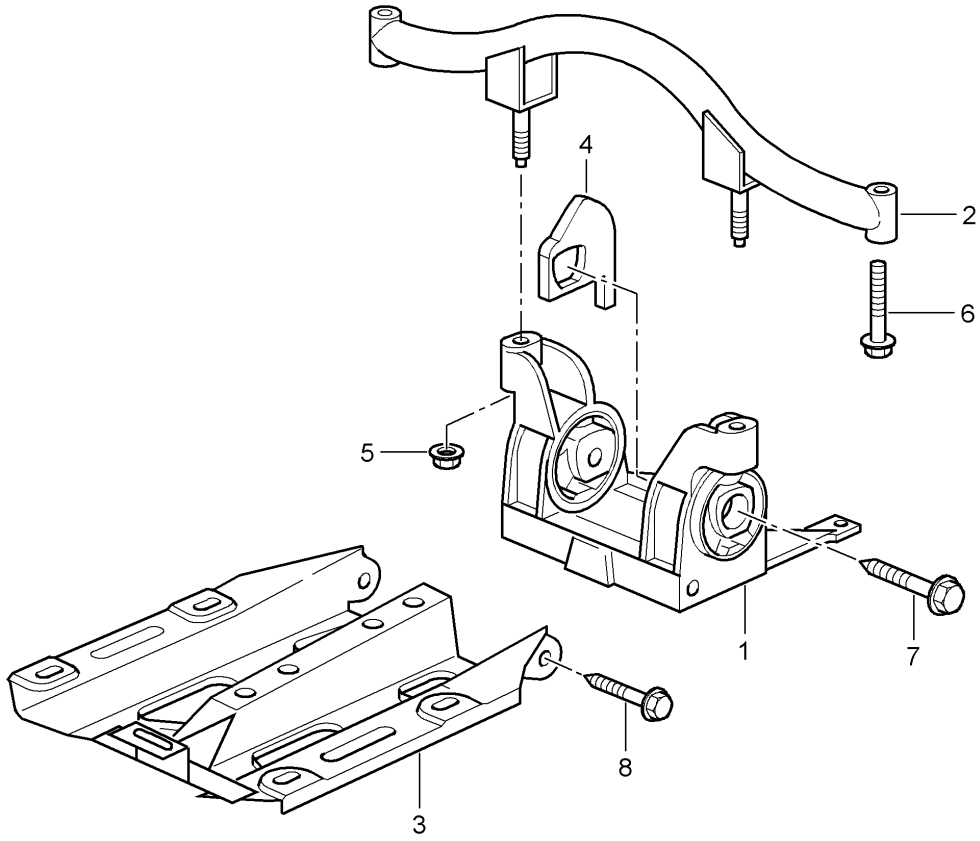
Model: 997G07

Model life 2007&gt;&gt;2011

Pos	Part Number	Description	Remark	Qty	Model
7	996 332 266 72	Adjusting ring 50,4 X 65 X 2,60		X	
7	996 332 266 73	Adjusting ring 50,4 X 65 X 2,65		X	
7	996 332 266 74	Adjusting ring 50,4 X 65 X 2,70		X	
7	996 332 266 75	Adjusting ring 50,4 X 65 X 2,75		X	
7	996 332 266 76	Adjusting ring 50,4 X 65 X 2,80		X	
8	999 059 064 00	Taper roller bearing 50 X 90 X 20		1	
9	997 332 209 51	Drive flange Discontinued part		2	
9	997 332 209 52	Drive flange		2	
10	999 217 027 01	Hexagon bolt M 10 X 85		2	
11	999 059 066 02	Taper roller bearing 50 X 80 X 20		1	
12	999 113 356 40	Shaft oil seal 48 X 68 X 10		2	

Model: 997G07

Model life 2007>>2011



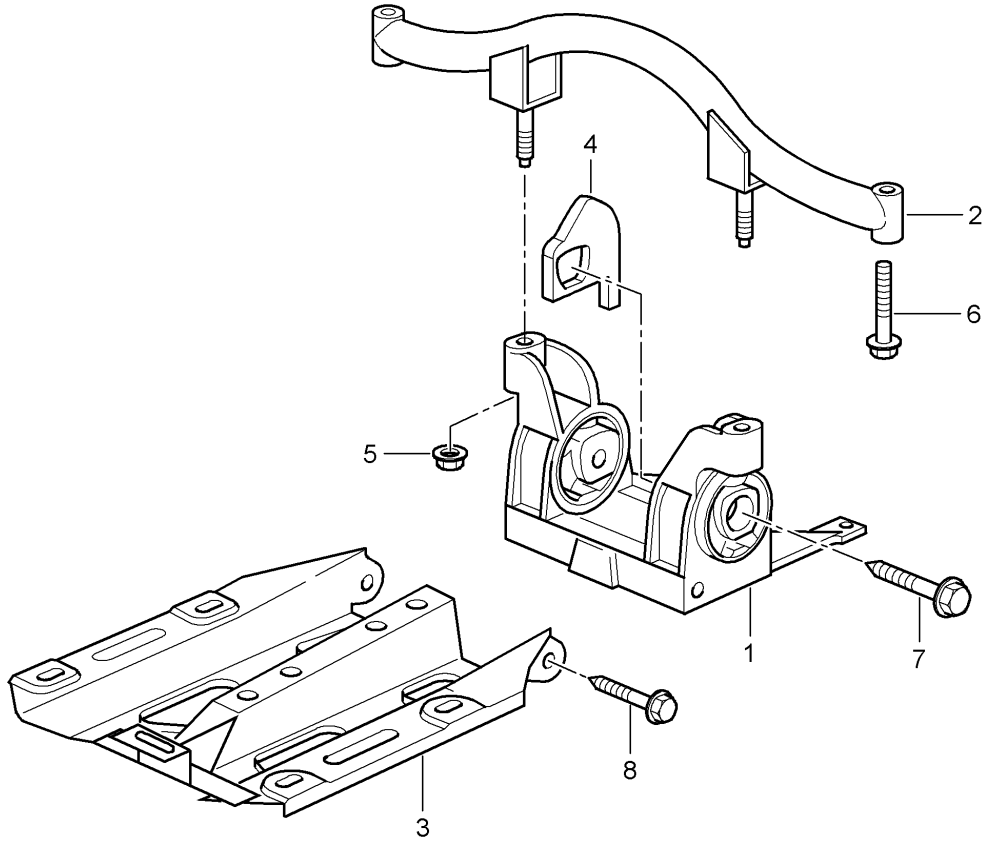
Model: 997G07

Model life 2007>>2011

Pos	Part Number	Description	Remark	Qty	Model
		Transmission suspension D >> - MJ 2009			G9790
1	997 375 033 03	transmission carrier		1	
2	996 375 317 06	Carrier	upper	1	
3	997 375 115 00	Side member		1	
4	997 375 259 01	Stop		2	
5	999 084 648 01	Hexagon nut M 10		2	
6	900 378 098 09	Hexagon bolt M 10 X 60 Discontinued part		2	
6	900 378 098 01	Hexagon bolt AM 10 X 60		4	
7	900 378 208 09	Hexagon bolt M 12 X 1,5 X 75		2	
8	900 378 200 09	Hexagon bolt Discontinued part		2	
8	900 378 313 01	Hexagon bolt M 10 X 55		2	

Model: 997G07

Model life 2007>>2011





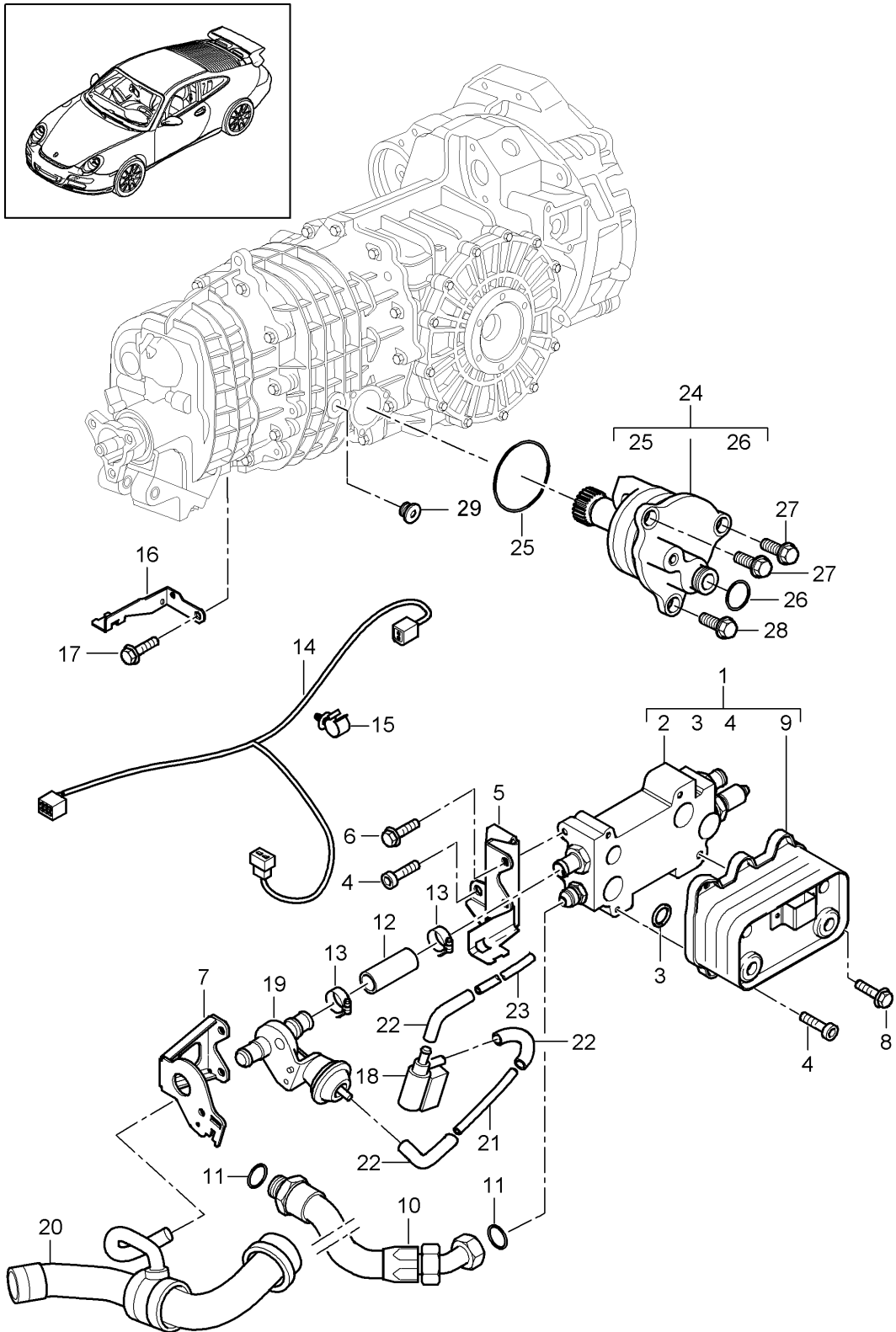
Model: 997G07

Model life 2007&gt;&gt;2011

Pos	Part Number	Description	Remark	Qty	Model
		Transmission suspension			G9790, G9792
		D - MJ 2010>>			
1	997 375 033 03	transmission carrier		1	
2	996 375 317 06	Carrier	upper	1	
3	997 375 115 00	Side member		1	
4	997 375 259 01	Stop		2	
5	999 084 648 01	Hexagon nut M 10		2	
6	900 378 098 01	Hexagon bolt AM 10 X 60		4	
7	900 378 315 01	Hexagon bolt M 12 X 1,5 X 75		2	
8	900 378 313 01	Hexagon bolt M 10 X 55		2	

Model: 997G07

Model life 2007>>2011



Model: 997G07 Model life 2007>>2011

Pos	Part Number	Description	Remark	Qty	Model
		Gear oil cooler Lines oil pump D >> - MJ 2009			G9790
1	996 307 015 8A	Gear oil cooler (complete)		1	
2	996 307 020 8A	Port plate		1	
3	900 331 021 40	O-ring 20 X 3,55		4	
4	999 073 103 01	flat round head bolt M 6 X 16		5	
5	996 307 141 88	Bracket Discontinued part		1	
5	996 307 141 89	Bracket		1	
6	900 378 017 01	Hexagon bolt M 8 X 20		2	
(7)	996 307 145 88	Retainer for valve		1	
8	900 378 191 01	Hexagon bolt M 6 X 55		1	
9	996 307 209 88	Gear oil cooler Discontinued part		1	
9	991 307 209 8A	Gear oil cooler		1	
10	996 307 333 88	Oil hose		1	
11	900 123 152 30	seal ring A 16 X 22		2	
12	900 181 067 50	Water hose B18 X 3,5 X47		1	
13	999 512 552 00	Hose clamp A 20-32 / 9 Discontinued part		2	
13	999 512 552 01	Hose clamp A 20-32 / 9		2	
14	996 612 401 70	Wire set		1	
15	811 971 848 B	Retaining clip		3	
16	996 106 536 72	Bracket Discontinued part		1	
16	996 106 536 73	Bracket		1	
17	900 378 074 01	Hexagon bolt M 8 X 16		2	
18	996 605 123 01	Change-over valve		1	
(19)	928 574 573 03	Disc valve		1	
20		see illustration:	105-010	1	
-	000 043 205 01	Pipe 4,0 X 1,0		*	
21		shorten to:	75 MM	1	
22	928 574 717 05	Molded hose		3	
22	928 574 717 07	Molded hose		3	
22	9P1 129 487	No longer use the part here Molded hose		3	
-	000 043 205 01	Pipe 4,0 X 1,0		*	
23		shorten to:	1100 MM	1	
24	997 307 023 90	oil pump		1	
25	999 701 799 40	O-ring 65,0 X 3,0		1	
26	999 701 123 50	O-ring 15,0 X 3,0		1	
27	900 378 022 01	Hexagon bolt M8 X 25		2	
28	900 378 033 01	Hexagon bolt M8 X 30		1	
29		see illustration:	302-008		
29	900 124 020 01	sealing plug		1	

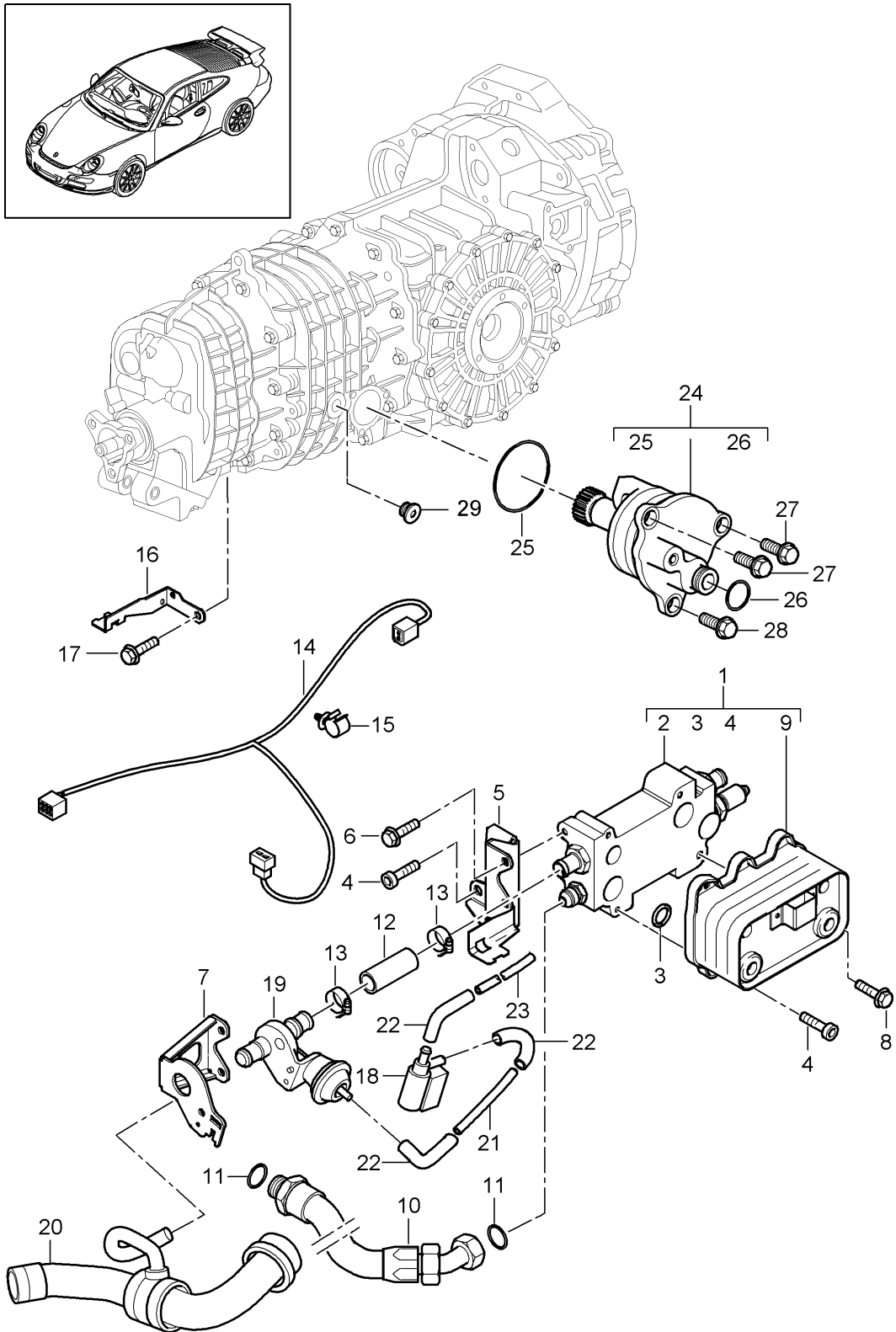
Model: 997G07

Model life 2007>>2011

Pos	Part Number	Description	Remark	Qty	Model
		CM 22 X 1,5			

Model: 997G07

Model life 2007>>2011



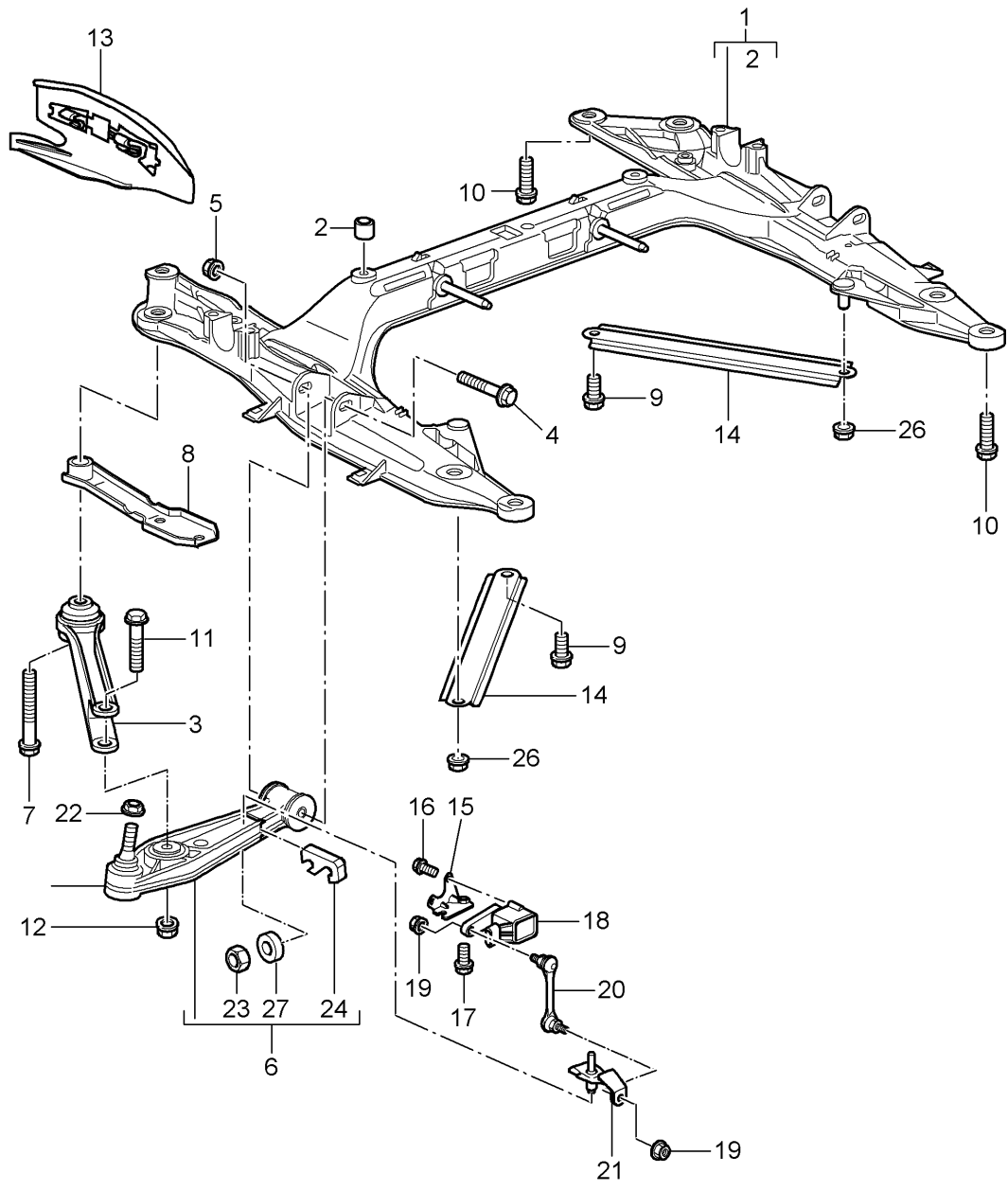
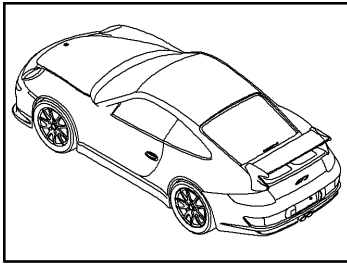
Model: 997G07

Model life 2007>>2011

Pos	Part Number	Description	Remark	Qty	Model
		Gear oil cooler Lines oil pump D - MJ 2010>>			G9792
1	996 307 015 8A	Gear oil cooler (complete)		1	
2	996 307 020 8A	Port plate		1	
3	900 331 021 40	O-ring 20 X 3,55		4	
4	999 073 103 01	flat round head bolt M 6 X 16		5	
5	996 307 141 88	Bracket Discontinued part		1	
5	996 307 141 89	Bracket		1	
6	900 378 017 01	Hexagon bolt M 8 X 20		2	
(7)	996 307 145 88	Retainer for valve Disc valve		1	
8	900 378 191 01	Hexagon bolt M 6 X 55		1	
9	996 307 209 88	Gear oil cooler Discontinued part		1	
9	991 307 209 8A	Gear oil cooler		1	
10	996 307 333 88	Oil hose		1	
11	900 123 152 30	seal ring A 16 X 22		2	
12	900 181 067 50	Water hose B18 X 3,5 X47		1	
13	999 512 552 01	Hose clamp A 20-32 / 9		2	
14	996 612 401 70	Wire set		1	
15	811 971 848 B	Retaining clip		3	
16	996 106 536 73	Bracket		1	
17	900 378 074 01	Hexagon bolt M 8 X 16		2	
18	996 605 123 01	Change-over valve		1	
(19)	928 574 573 03	Disc valve		1	
20	-	see illustration:	105-011	1	
-	000 043 205 01	Pipe 4,0 X 1,0		*	
21	-	shorten to:	75 MM	1	
22	928 574 717 05	Molded hose		3	
22	928 574 717 07	Molded hose		3	
22	9P1 129 487	No longer use the part here Molded hose		3	
-	000 043 205 01	Pipe 4,0 X 1,0		*	
23	-	shorten to:	1100 MM	1	
24	997 307 023 90	oil pump		1	
25	999 701 799 40	O-ring 65,0 X 3,0		1	
26	999 701 123 50	O-ring 15,0 X 3,0		1	
27	900 378 022 01	Hexagon bolt M8 X 25		2	
28	900 378 033 01	Hexagon bolt M8 X 30		1	
29	N 016 163 2	sealing plug CM 22 X 1,5		1	
29	900 124 020 01	Discontinued part sealing plug CM 22 X 1,5		1	

Model: 997G07

Model life 2007>>2011



Model: 997G07 Model life 2007>>2011

Pos	Part Number	Description	Remark	Qty	Model
		Cross member			
		Wishbone			
1	997 341 081 06	Cross member		1	
2	900 197 070 00	spring pin 13 X 14		1	
3	996 341 043 06	Guide		2	
4	900 378 165 01	Hexagon bolt M 12 X 1,5 X 95		2	
5	999 084 445 01	Locknut M 12 X 1,5		2	
6	997 341 041 94	Wishbone D >> - MJ 2008	left	1	
(6)	997 341 041 96	Wishbone D - MJ 2010>>	left	1	
(6)	997 341 042 94	Wishbone	right	1	
(6)	997 341 041 98	Wishbone D - MJ 2010>>	left	1	PR:004
(6)	997 341 042 98	Wishbone D - MJ 2010>>	right	1	PR:004
(7)	999 072 050 01	Hexagon bolt M 14 X 1,5 X 120		2	
8	997 341 145 05	plate		2	
(9)	999 072 047 01	Hexagon bolt M 12 x 1,5 x 30		4	
(10)	900 378 072 01	Hexagon bolt M 12 X 1,5 X 30	front	2	
10	900 378 192 01	Hexagon bolt M 14 x 1,5 x 50	rear	4	
11	900 378 135 01	Hexagon bolt M 14 X 1,5 X 75		2	
12	900 380 012 01	Hexagon nut M 14 X 1,5		2	
13	997 341 483 92	Spoiler	left	1	
(13)	997 341 484 92	Spoiler	right	1	
14	997 504 433 00	Brace		2	
15		Bracket see illustration:	105-011		PR:601,603
16	900 146 003 03	fillister hd. bolt M 5 X 10		2	PR:601,603
17	900 378 036 01	Hexagon bolt M 6 X 12		1	PR:601,603
18	997 631 121 00	Level sensor		1	PR:601,603
19	900 380 015 01	Hexagon nut VM 6		2	PR:601,603
20	997 341 375 01	Brace		1	PR:601,603
21	996 341 371 03	Bracket for cross member		1	PR:601,603
22	999 084 449 09	Locknut M 12 X 1,5		2	
23	900 076 064 02	Hexagon nut M 8		4	
(24)	996 341 543 90	adjusting washer 1 mm D >> - MJ 2008		2	
(24)	997 341 543 90	adjusting washer 1 mm D - MJ 2010>>		2	
(24)	996 341 543 93	adjusting washer 7 mm D >> - MJ 2008		X	
(24)	996 341 543 99	adjusting washer 5 mm D - MJ 2010>>		X	PR:004
26	999 084 445 01	Locknut		2	



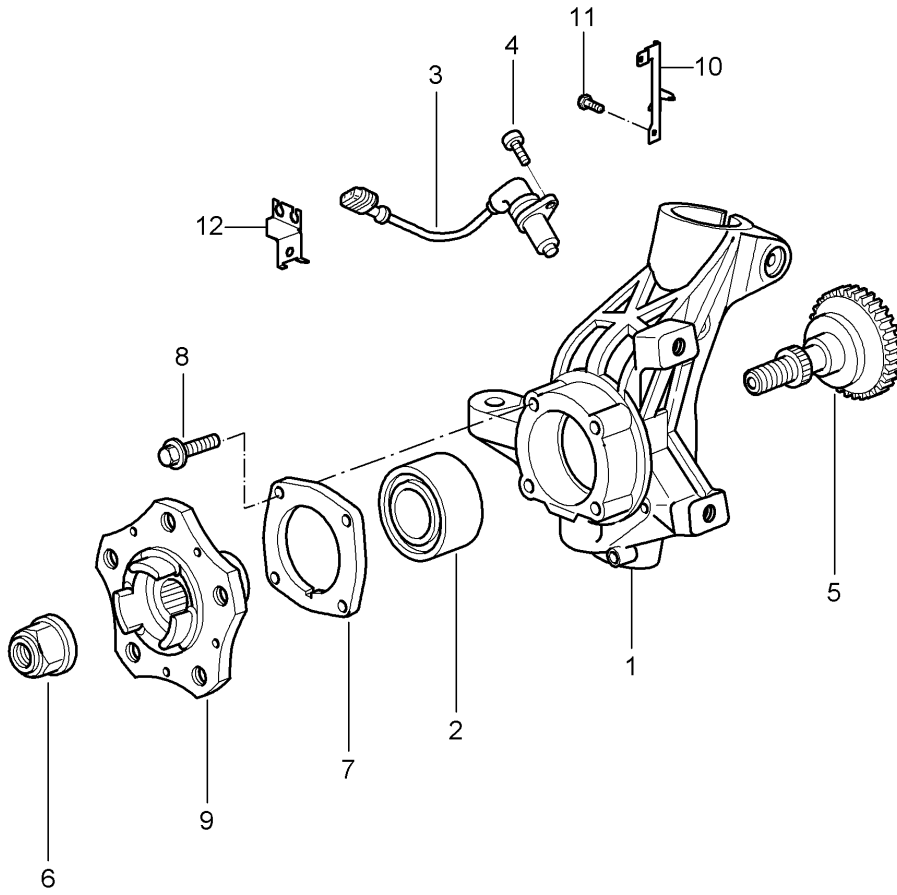
Model: 997G07

Model life 2007&gt;&gt;2011

Pos	Part Number	Description	Remark	Qty	Model
27	999 025 269 01	M 12 X 1,5 Washer 8,5 X 17 x 6		X	

Model: 997G07

Model life 2007>>2011



Model: 997G07 Model life 2007>>2011

Pos	Part Number	Description	Remark	Qty	Model
1	997 341 157 93	Wheel carrier Wheel hub	left	1	
(1)	997 341 157 94	Wheel carrier D >> - MJ 2008	left	1	PR:450
(1)	997 341 157 95	Wheel carrier D - MJ 2010>>	left	1	
(1)	997 341 158 93	Wheel carrier D >> - MJ 2008	right	1	
(1)	997 341 158 94	Wheel carrier D >> - MJ 2008	right	1	PR:450
(1)	997 341 158 95	Wheel carrier D - MJ 2010>>	right	1	
2	999 053 054 06	angular ball bearing		2	
3	997 606 407 01	speed sensor		2	
-	996 606 235 91	Heat insulation for speed sensor	left	1	
-	996 606 236 91	Heat insulation for speed sensor	right	1	
4	900 067 117 09	Socket head bolt M 6 X 16 D >> - MJ 2008		2	
(4)	900 067 117 04	Socket head bolt M 6 x 16 D - MJ 2010>>		2	
5	996 341 131 04	retaining bolt D >> - MJ 2008		2	
(5)	997 341 131 00	retaining bolt D - MJ 2010>>		2	
6	999 084 634 02	Locknut M 22 X 1,5		2	
7	996 341 661 90	Cover D >> - MJ 2008		2	
(7)	997 341 661 90	Cover D - MJ 2010>>		2	
8	999 217 042 03	Hexagon bolt M 8 X 35		12	
8	999 217 042 04	Discontinued part Hexagon bolt M 8 X 35		12	
9	997 341 605 01	Wheel hub D >> - MJ 2008		2	
9	991 341 605 02	Discontinued part Wheel hub		2	
9	991 341 605 03	Discontinued part Wheel hub		2	
(9)	997 341 607 02	Wheel hub D - MJ 2010>>		2	
10	997 351 801 90	Bracket D >> - MJ 2007	left	1	
(10)	997 351 801 91	Bracket D - MJ 2008>>	left	1	
(10)	997 351 802 90	Bracket D >> - MJ 2007	right	1	
(10)	997 351 802 91	Bracket D - MJ 2008>>	right	1	
-		Mount			
-	900 378 202 01	Cable holder Hexagon bolt M 10 x 20		2	

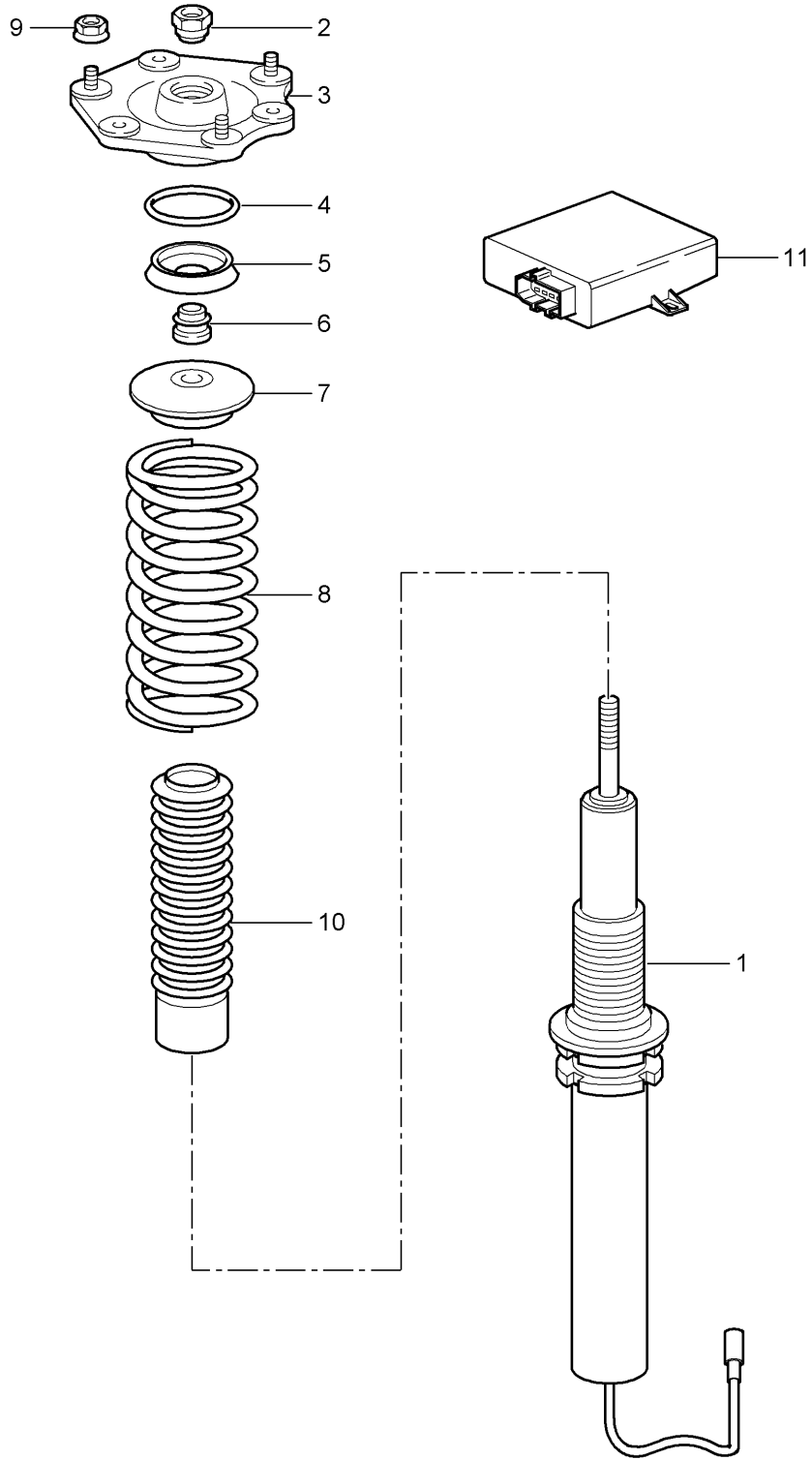
Model: 997G07

Model life 2007>>2011

Pos	Part Number	Description	Remark	Qty	Model
11	999 217 116 09	Hexagon bolt M 6 x 16		6	
(11)	999 217 116 01	D >> - MJ 2008 Hexagon bolt M 6 x 16 D - MJ 2010>>		X	
12	997 341 321 90	Bracket	left	1	
(12)	997 341 322 90	Bracket	right	1	

Model: 997G07

Model life 2007>>2011



Model: 997G07 Model life 2007>>2011

Pos	Part Number	Description	Remark	Qty	Model
1	997 343 041 92	suspension Shock absorber strut vibration damper D >> - MJ 2007 Discontinued part		2	
(1)	997 343 041 95	vibration damper D >> - MJ 2008		2	PR:475
(1)	997 343 041 97	vibration damper F >> A9-AS783 455 D - MJ 2010>>		2	PR:475
(1)	997 343 043 92	vibration damper F A9-AS783 456>> D - MJ 2010>>		2	PR:475
(1)	997 343 043 90	vibration damper F >> A9-AS783 455 D - MJ 2010>>		2	PR:474,475
(1)	997 343 043 93	vibration damper F A9-AS783 456>> D - MJ 2010>>		2	PR:474,475
(1)	997 343 043 92	vibration damper D - MJ 2010>>		2	PR:475,004
(1)	997 343 043 93	vibration damper D - MJ 2010>>		2	PR:474,475, 004
(1)	997 343 043 94	vibration damper		2	GT3-RS 4.0 PR:006,475
(1)	997 343 043 95	vibration damper		2	GT3-RS 4.0 PR:006,475, 474
-		Mount			
-	900 378 138 01	Shock absorbers Hexagon bolt M 12 x 1,5 x 70		2	
2	997 343 561 90	Nut		2	
3	997 343 011 94	Shock absorber bearing		2	
-	999 084 447 09	Hexagon nut M 8 D >> - MJ 2008		6	
-	999 084 447 01	Hexagon nut M 8 D - MJ 2010>>		6	
-	PAF 003 923	Hexagon nut M 8		6	
4	964 343 188 80	retaining spring		2	
5	964 343 186 80	sealing cap		2	
6	997 343 563 90	Washer		2	
7	996 343 511 90	spring bush D >> - MJ 2008		1	
7	997 343 511 92	spring bush	also use: 997 343 521 90	1	
-	997 343 521 90	D - MJ 2010>> friction ring D - MJ 2010>>		2	
8	996 343 531 95	Coil spring D >> - MJ 2008		1	
(8)	996 343 531 95 504	1 pair of springs		1	
(8)	997 343 531 94	Coil spring D - MJ 2010>>		1	
(8)	997 343 531 94 504	1 pair of springs		1	
(8)	997 343 531 81	Coil spring		1	GT3- RS 4.0 PR:006
9	997 343 531 81 504	1 pair of springs		6	
	999 084 447 09	Hexagon nut M 8		6	

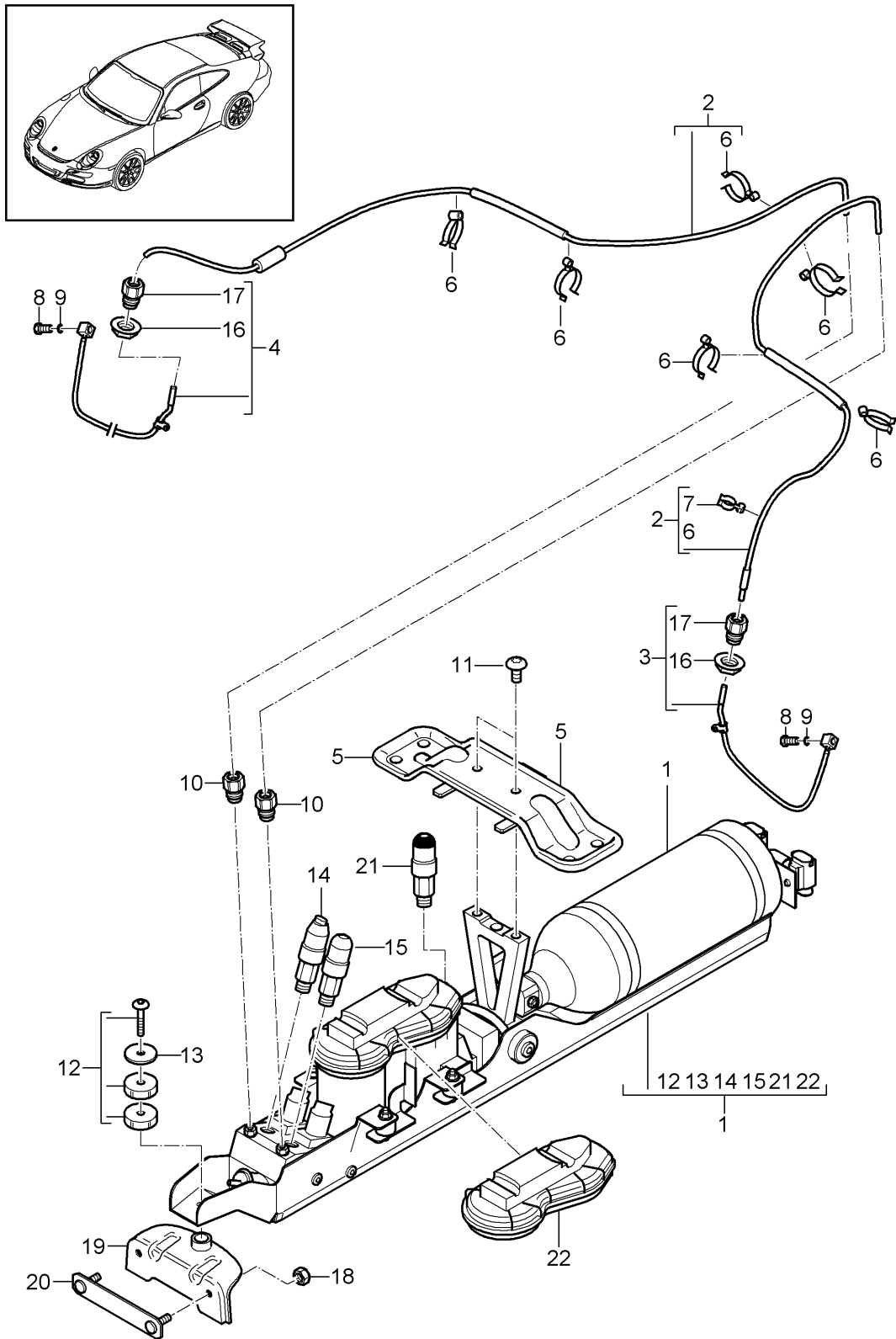
Model: 997G07

Model life 2007&gt;&gt;2011

Pos	Part Number	Description	Remark	Qty	Model
(9)	999 084 447 01	D >> - MJ 2008 Hexagon nut M 8		6	
(9)	PAF 003 923	D - MJ 2010>> Hexagon nut M 8		6	
10	997 343 567 90	protective pipe for spring bush		2	
11	997 618 105 90	Control unit Shock absorbers		1	
(11)	997 618 105 91	D >> - MJ 2007 Control unit Shock absorbers		1	
(11)	997 618 105 95	D - MJ 2008>> - MJ 2008 Control unit Shock absorbers		1	GT-3
(11)	997 618 105 96	D - MJ 2010>> Discontinued part Control unit Shock absorbers		1	GT-3
(11)	997 618 105 96	D - MJ 2010>> Control unit Shock absorbers		1	PR:004
(11)	997 618 135 98	D - MJ 2010>> Control unit Shock absorbers		1	PR:006
(11)	997 618 105 96	No longer use the part here Control unit Shock absorbers		1	GT-3 RS 4.0 PR:006
12	997 606 111 01	Acceleration sensor for bodywork		1	PR:475
13	997 606 212 00	Bracket Accelerator sensor		1	PR:475
(13)	997 606 212 01	D - MJ 2007>> - MJ 2007 Discontinued part Bracket Accelerator sensor		1	PR:475
-	999 507 122 40	D - MJ 2008>> Retainer for brake hose 7,5 / 48 / 3		2	
15	999 703 457 40	End cap		2	

Model: 997G07

Model life 2007>>2011





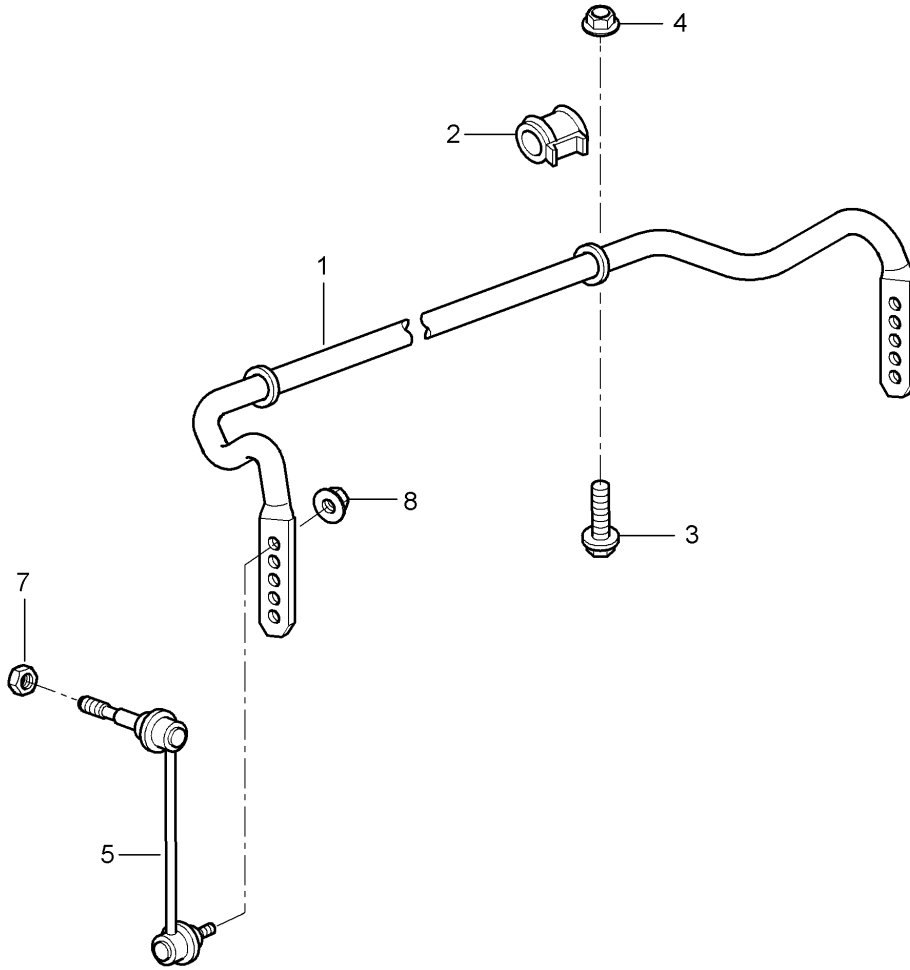
Model: 997G07

Model life 2007>>2011

Pos	Part Number	Description	Remark	Qty	Model
		Level adjustment Front axle D - MJ 2010>>			PR:474
1	997 341 263 90	Pump (complete)		1	
(1)	997 341 263 X	Pump (complete)		1	
(1)	997 341 263 1X	Discontinued part Pump (complete)		1	
2	997 341 267 90	Line Pump		1	
3	997 341 265 90	Line Pump	left	1	
4	997 341 266 90	Shock absorbers Line Pump	right	1	
5	997 504 823 90	Shock absorbers Transverse strut		1	
6	997 341 912 90	Clip		X	
7	997 341 913 90	Clip		X	
8	997 341 923 90	Banjo bolt		2	
9	N 013 807 1	seal ring		4	
10	999 230 598 10	Connecting piece		4	
11	997 341 969 90	Oval-head screw M 8 X 16		2	
12	997 341 945 90	Screw	with:	1	
13	997 341 985 90	Rubber bush Washer		1	
14	997 341 964 90	Pressure switch Until Pump 000 111		1	
14	997 341 967 90	Pressure switch From Pump 000 112		1	
15	997 341 963 90	Pressure switch		1	
16	997 341 763 90	Hexagon nut		2	
17	999 230 598 10	Connecting piece		4	
18	999 076 048 01	Hexagon nut M 6		2	
19	997 504 473 90	Bracket		1	
20	997 504 675 90	Reinforcement		1	
21	997 341 965 90	Pressure switch		1	
22	997 341 961 90	Cover		1	

Model: 997G07

Model life 2007>>2011



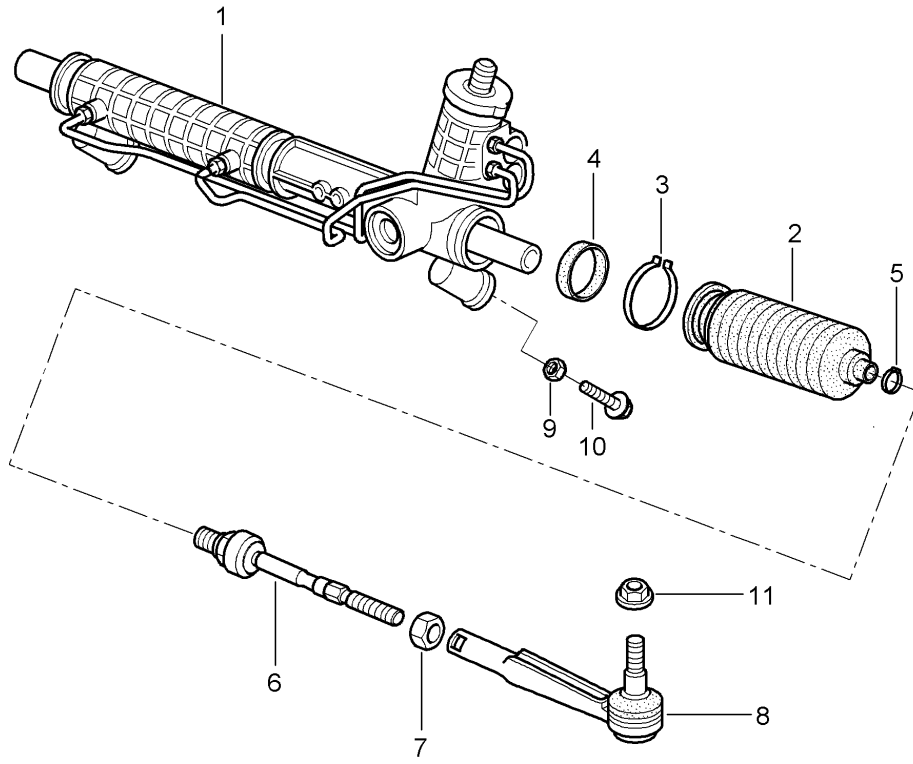
Model: 997G07

Model life 2007>>2011

Pos	Part Number	Description	Remark	Qty	Model
1	997 343 701 91	Anti-roll bar Anti-roll bar Discontinued part		1	
(1)	997 343 701 93	Anti-roll bar D >> - MJ 2008		1	
(1)	997 343 701 94	Anti-roll bar D - MJ 2010>>		1	
2	996 343 792 16	anti-roll bar bearing bracket D >> - MJ 2008		2	
2	997 343 792 00	anti-roll bar bearing bracket D - MJ 2010>>		2	
3	900 378 098 01	Hexagon bolt M 10 x 60		4	
4	900 380 008 01	Hexagon nut M 10		4	
5	997 343 069 03	Coupling rod	left	1	
(5)	997 343 070 03	Coupling rod	right	1	
7	999 084 445 01	Locknut M 12 X 1,5		2	
8	999 084 123 09	Hexagon nut M 10		2	

Model: 997G07

Model life 2007>>2011



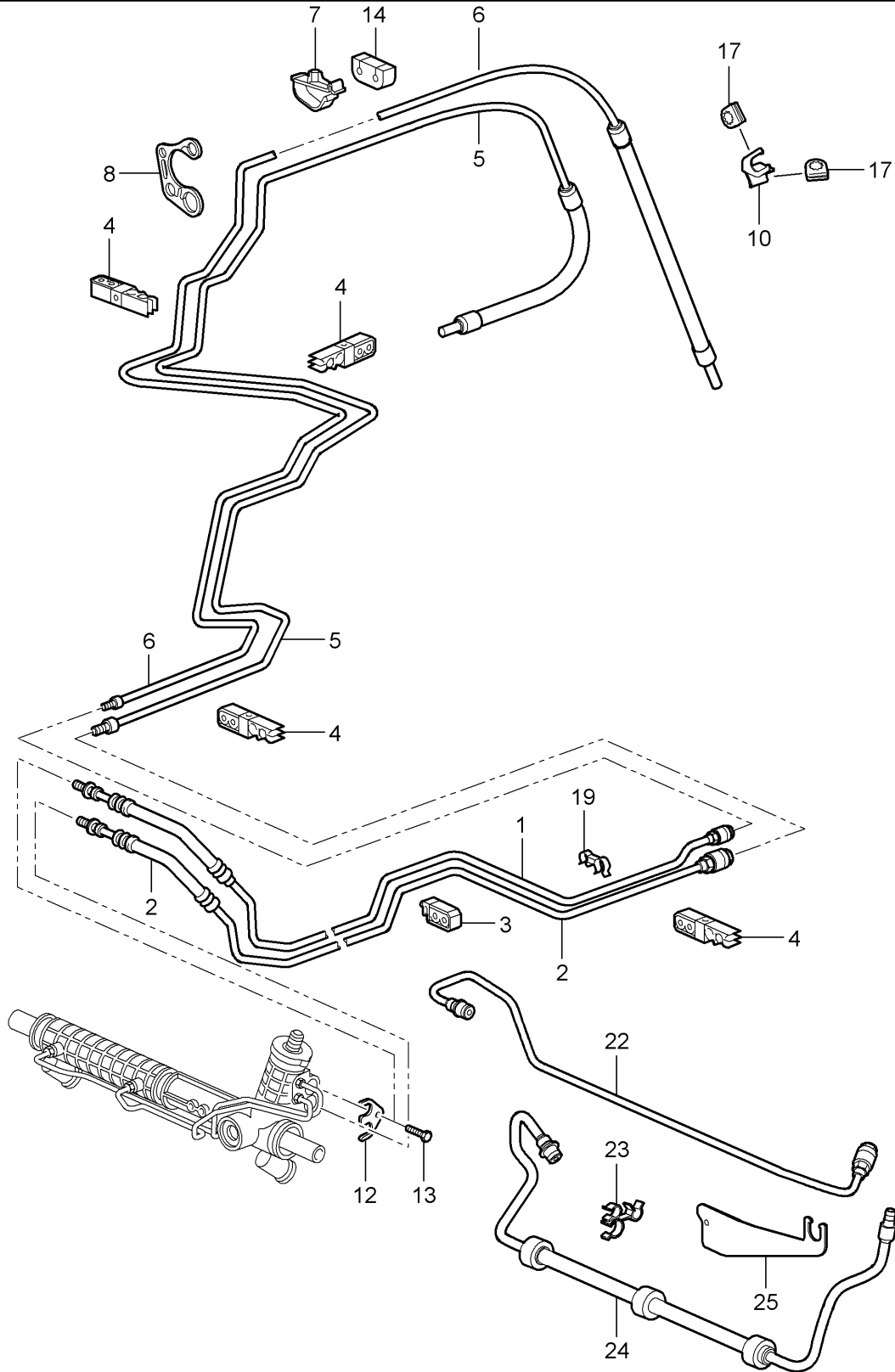
Model: 997G07

Model life 2007>>2011

Pos	Part Number	Description	Remark	Qty	Model
1	997 347 011 05	Power steering Steering gear Steering parts Steering gear Power steering D >> - MJ 2008		1	PR:098
1	997 347 011 06	Steering gear Power steering D - MJ 2010>>		1	PR:098
-	996 347 110 02	Clip pinion Steering gear D >> - MJ 2008		1	
2	997 347 191 00	Bellows		2	
3	996 347 293 04	clamping ring D >> - MJ 2008		2	
3	996 347 293 05	clamping ring D - MJ 2010>>		2	
4	997 347 373 00	seal ring		2	
5	999 512 693 09	clamping ring		2	
6	997 347 322 00	Joint D >> - MJ 2008		2	
6	997 347 322 01	Joint D - MJ 2010>>		2	
7	999 034 037 09	Hexagon nut M 14 X 1,5		2	
8	996 347 131 04	Track rod		2	
9		see illustration, item:	401-000,2		
10	900 378 100 01	Hexagon bolt AM 10 X 45		2	
11	999 084 449 09	Locknut M 12 X 1,5		2	

Model: 997G07

Model life 2007>>2011



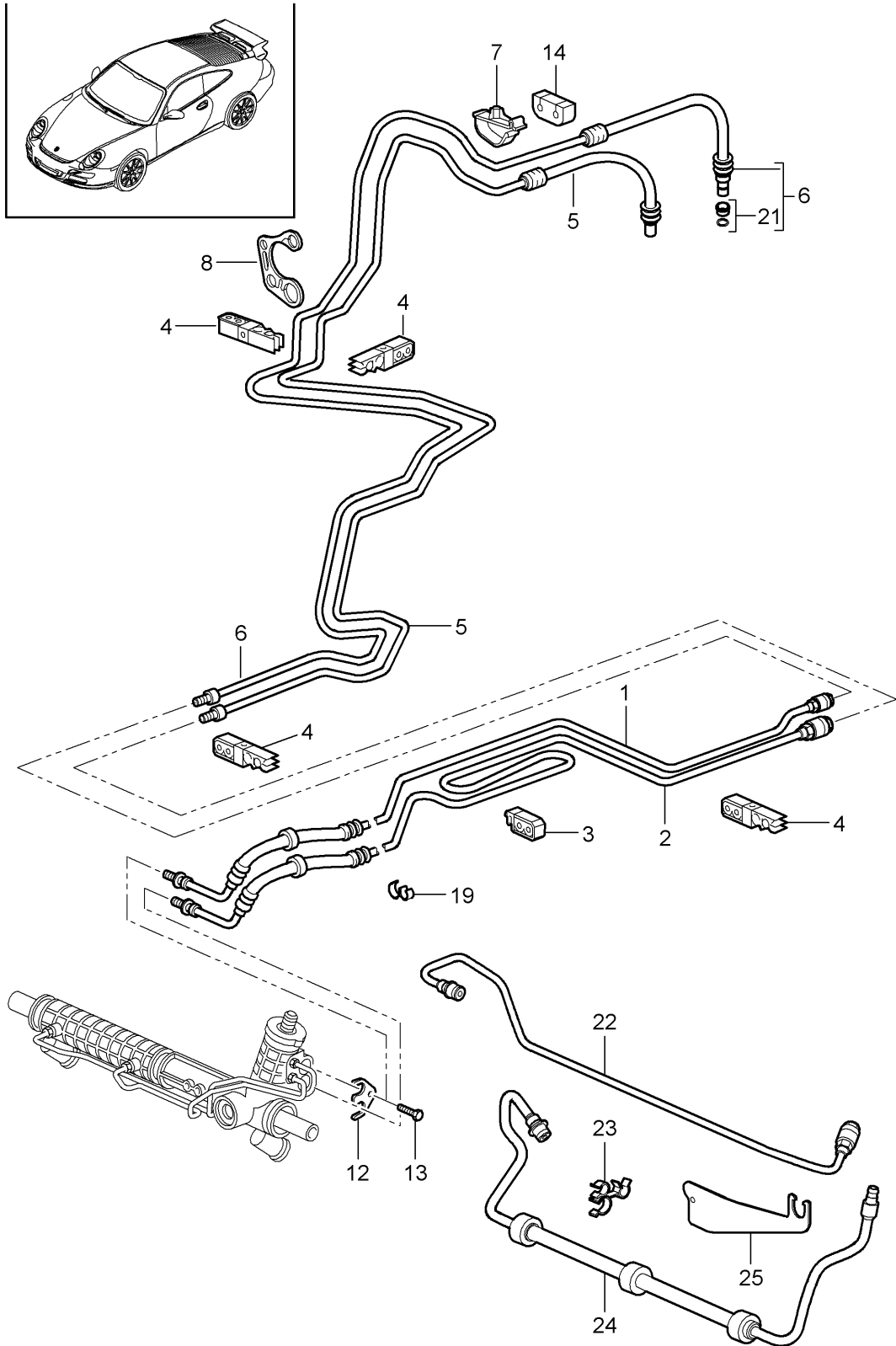
Model: 997G07

Model life 2007>>2011

Pos	Part Number	Description	Remark	Qty	Model
1	997 347 451 03	Power steering Lines D >> - MJ 2008 Pressure line		1	PR:098
(1)	997 347 451 04	Discontinued part Pressure line		1	PR:098
(1)	997 347 451 05	Discontinued part Pressure line		1	PR:098
-	999 230 539 10	Threaded joint Pressure line		1	
2	987 347 449 03	return line		1	PR:098
-	999 230 540 10	Threaded joint return line		1	
3	996 347 543 00	Cable holder		4	
4	996 355 543 00	Bracket		3	
(4)	999 507 091 40	Cable holder Simple		3	
5	997 347 439 51	return line	center	1	
6	997 347 445 51	Pressure line Discontinued part		1	
(6)	997 347 445 52	Pressure line		1	
7	996 347 549 01	bracket for pressure line		2	
8	997 347 544 00	Line holder		1	
-	999 230 683 40	securing clip for Threaded joint Pressure line		1	
-	999 230 584 40	Securing ring for Threaded joint return line		1	PR:098
10	997 347 749 00	Line holder		1	
12	996 347 769 01	Tension shackle		1	
13	900 067 063 02	Socket head bolt M 10 X 20		1	
14	996 347 551 01	Retaining plate		1	
17	999 702 210 40	Rubber grommet		2	
19	999 507 575 40	Bracket		1	

Model: 997G07

Model life 2007>>2011





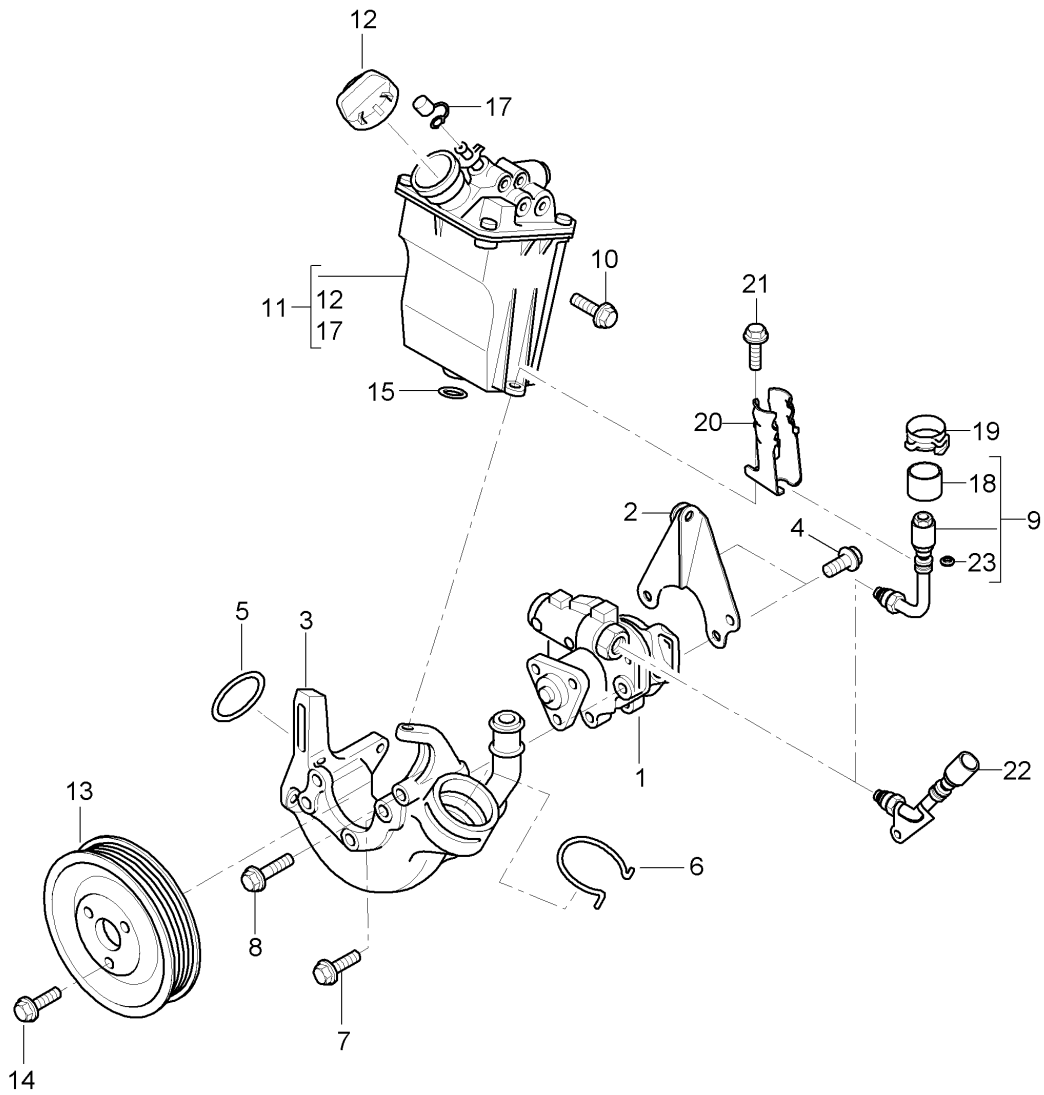
Model: 997G07

Model life 2007>>2011

Pos	Part Number	Description	Remark	Qty	Model
1	997 347 451 11	Power steering Lines D - MJ 2010>> Pressure line		1	PR:098
		Discontinued part			
1	997 347 451 12	Pressure line		1	PR:098
2	997 347 449 11	return line		1	PR:098
3	996 347 543 00	Cable holder		X	
4	996 355 543 00	Bracket		1	
5	997 347 439 90	return line	center	1	
		Discontinued part		1	
5	997 347 439 91	return line	center	1	
		Discontinued part		1	
5	997 347 439 92	return line	center	1	
		Discontinued part		1	
(5)	997 347 439 93	return line	center	1	
		Discontinued part		1	
6	997 347 445 11	Pressure line	center	1	
		Discontinued part		1	
7	996 347 549 01	bracket for pressure line		2	
8	997 347 544 00	Line holder		1	
12	996 347 769 01	Tension shackle		1	
13	900 067 063 03	Socket head bolt M 10 x 20		1	
14	996 347 551 01	Retaining plate		1	
19	999 507 091 40	Cable holder		3	
21	997 347 945 00	repair set comprising: Spring O-ring		X	

Model: 997G07

Model life 2007>>2011



Model: 997G07 Model life 2007>>2011

Pos	Part Number	Description	Remark	Qty	Model
		Power steering Power-steering pump container			
1	996 314 050 51	Power-steering pump		1	
1	996 314 050 52	Power-steering pump		1	GT3 RS 4.0 PR:006
1	996 314 050 BX	Power-steering pump		1	GT3 RS 4.0 PR:006
(2)	997 314 431 91	Support		1	
(3)	997 115 091 71	Carrier		1	
		D >> - MJ 2008			
		Discontinued part			
(3)	997 115 091 72	Carrier		1	
		D - MJ 2010>>			
4	900 385 044 01	Torx screw		4	
		M 8 X 16		1	
5	999 707 298 40	O-ring		1	
6	996 106 802 10	retaining spring		1	
		D >> - MJ 2008			
7	900 385 098 01	Torx screw		3	
		M 8 X 25			
8	900 385 108 01	Torx screw		1	
		M 6 X 80			
9	997 347 643 52	Pressure line		1	
		D >> - MJ 2008			
9	997 347 643 90	Pressure line		1	
		See technical manual 48 97 19			
		D - MJ 2010>> - MJ 2010			
10	900 385 009 01	Torx screw		1	
		M 6 X 16			
11	997 314 920 50	container		1	
-	996 314 331 00	Drip pan for Pentosin		1	
-	993 314 803 00	Notice green for container		1	
12	997 314 223 50	Cover		1	
13	996 147 223 71	pulley		1	
14	900 385 099 04	Torx screw		3	
		M 8 X 12			
		Discontinued part			
14	900 385 099 01	Torx screw		3	
		M 8 X 12			
15	999 707 204 40	seal ring		1	
		12.5 X 2N			
-	000 043 203 33	Pentosin 1000 ML		X	
17	997 314 332 00	Rubber flap		1	
18	997 347 748 52	rubber ring		1	
		D >> - MJ 2008			
18	997 347 748 52	rubber ring		1	
		See technical manual 48 97 19			
		D - MJ 2010>> - MJ 2010			
19	999 512 740 01	Clamp		1	
		D >> - MJ 2008			
19	999 512 740 01	Clamp		1	
		See technical manual 48 97 19			
		D - MJ 2010>> - MJ 2010			

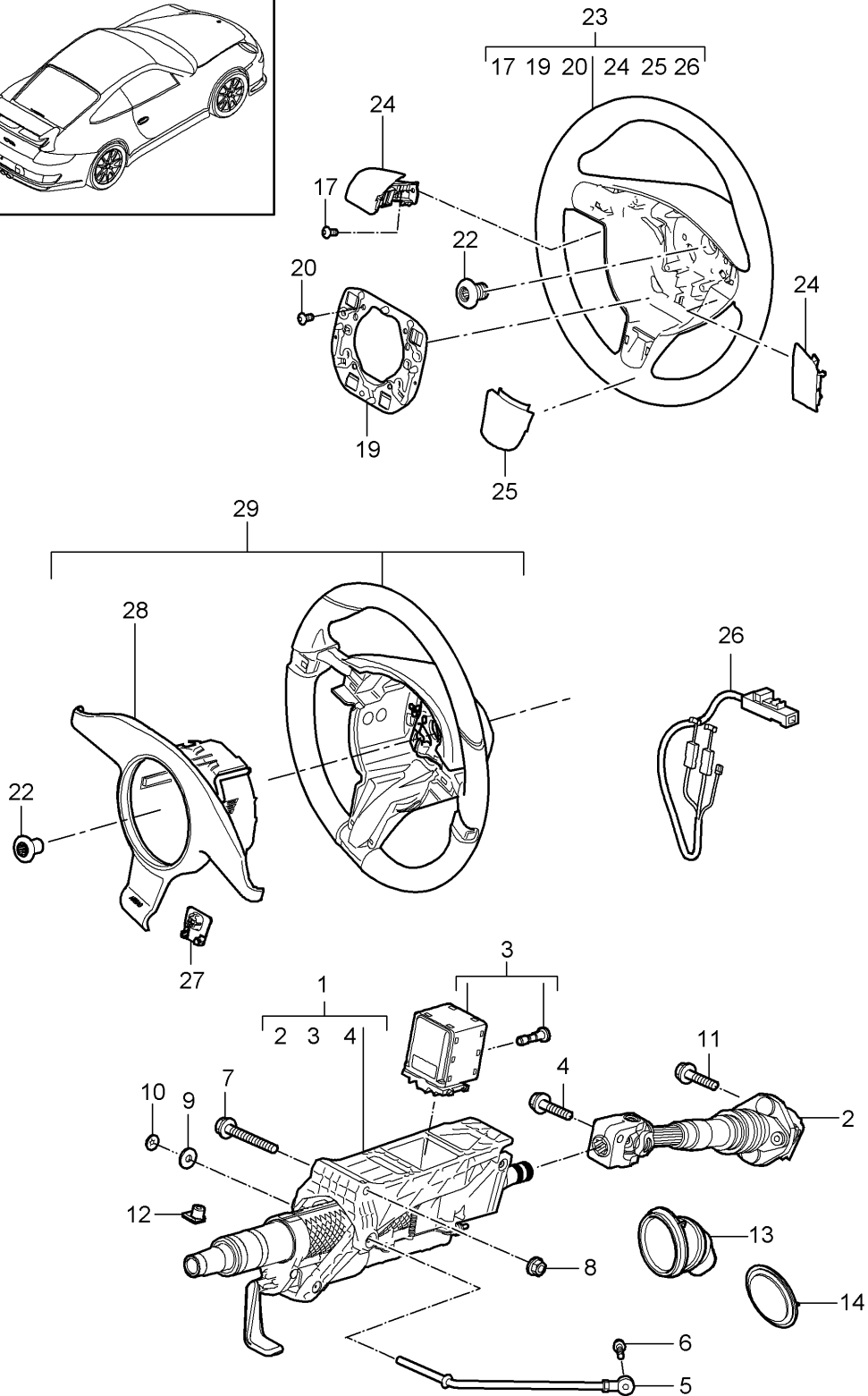
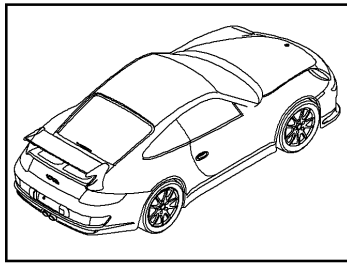
Model: 997G07

Model life 2007>>2011

Pos	Part Number	Description	Remark	Qty	Model
20	997 347 747 51	bracket for pressure line D >> - MJ 2008		1	
20	997 347 747 51	bracket for pressure line See technical manual 48 97 19 D - MJ 2010>> - MJ 2010		1	
21	999 073 104 01	Torx screw M 8 X 16 D >> - MJ 2008		1	
21	999 073 104 01	Torx screw M 8 X 16 See technical manual 48 97 19 D - MJ 2010>> - MJ 2010		1	
22	997 347 643 91	Pressure line D - MJ 2010>> Discontinued part		1	
22	997 347 643 93	Pressure line D - MJ 2010>>		1	
23	999 702 020 50	Rubber grommet 8,0X12,0X2,5		1	

Model: 997G07

Model life 2007>>2011



Model: 997G07

Model life 2007&gt;&gt;2011

Pos	Part Number	Description	Remark	Qty	Model
(1)	997 347 007 08	Steering protective pipe Intermediate steering shaft Steering wheels Complete steering column with:		1	
(1)	997 347 007 10	Intermediate steering shaft D - MJ 2007>> - MJ 2007 Complete steering column with:		1	
(2)	997 347 023 04	Intermediate steering shaft		1	
3	997 618 158 04	Control unit Steering column with:		1	
4	999 217 042 03	Screw Hexagon bolt M 8 X 35 Discontinued part		1	
4	999 217 042 04	Hexagon bolt M 8 X 35		1	
5	997 347 243 00	Support		1	
6	900 378 173 09	Hexagon bolt AM 6 X 20 D >> - MJ 2008		1	
(6)	900 378 173 01	Hexagon bolt M 6 x 20 D - MJ 2010>>		1	
7	900 378 095 09	Hexagon bolt M 10 X 100 D >> - MJ 2008		1	
(7)	900 378 095 01	Hexagon bolt M 10 X 100 D - MJ 2010>>		1	
8	900 380 008 09	Locknut M 10 Discontinued part		1	
8	900 380 008 01	Hexagon nut M 10		1	
9	900 151 006 09	Washer D >> - MJ 2008		1	
(9)	900 151 006 03	Washer D - MJ 2010>>		1	
10	999 507 217 07	Clamping washer		1	
11	999 217 042 03	Hexagon bolt M 8 X 35 Discontinued part		1	
11	999 217 042 04	Hexagon bolt M 8 X 35		1	
12	999 920 019 40	Plug-in nut 3,5 X 2,5 X 9		1	
13	986 347 037 01	Bellows		1	
14	996 347 339 02	Rubber seal filler plate		1	
17	999 073 318 09	Round-head screw M 4 X 10		2	
19	997 347 880 00	retaining frame		1	
20	999 141 022 09	flat round head bolt M 5 X 12,5		4	
22	N 910 207 01	Screw with int. serrations M 18 X 1,5 X 26		1	
23	997 347 804 42	sports steering wheel Plain leather		1	PR:460

Model: 997G07 Model life 2007>>2011

Pos	Part Number	Description	Remark	Qty	Model	
(23)	997 347 804 42 FOK	black/grey				
	997 347 804 42 FOR	Darkgrey natural/grey				
	997 347 804 91	sports steering wheel Leather D >> - MJ 2008		1	PR:433	
(23)	997 347 804 91 A15	Black Alcantara				
	997 347 804 92	sports steering wheel Leather D >> - MJ 2008		1	PR:004	
	997 347 804 92 A15	Black Alcantara				
(23)	997 347 980 00	sports steering wheel(leather) D >> - MJ 2008		1	PR:XPA	
	997 347 980 00 A34	Black				
	997 347 980 00 B24	Stone grey				
	997 347 980 00 D14	Dark grey/natural				
	997 347 980 00 E24	sea blue				
	997 347 980 00 J24	Palm green				
	997 347 980 00 M24	Terracotta				
	997 347 980 00 R24	Cocoa				
	997 347 980 00 T24	Sand beige				
	997 347 980 00 T34	Brown/natural				
	24	997 347 837 40	Dummy cover D >> - MJ 2008	left	1	
997 347 837 40 V04		Galvano silver				
(24)	997 347 837 90	Dummy cover D >> - MJ 2008	left	1	PR:433	
	997 347 837 90 D07	Volcano grey				
(24)	997 347 838 40	Dummy cover D >> - MJ 2008	right	1		
	997 347 838 40 V04	Galvano silver				
(24)	997 347 838 90	Dummy cover D >> - MJ 2008	right	1	PR:433	
	997 347 838 90 D07	Volcano grey				
25	997 347 821 40	Dummy cover D >> - MJ 2008		1		
	997 347 821 40 V04	Galvano silver				
(25)	997 347 821 90	Dummy cover D >> - MJ 2008		1	PR:433	
	997 347 821 90 D07	Volcano grey				
26	997 612 672 00	Wire set 3-spoke steering wheel sports steering wheel D >> - MJ 2008		1		
	26	997 612 672 01	Discontinued part Wire set 3-spoke steering wheel sports steering wheel D >> - MJ 2008		1	
		997 612 672 02	Discontinued part Wire set 3-spoke steering wheel sports steering wheel D >> - MJ 2008		1	
27	997 613 425 00	Tip switch		1	PR:345	
	997 613 425 00 A05	Black				
28	997 613 459 00	Module D - MJ 2010>> - MJ 2010		1		
	997 613 459 00 D07	Discontinued part Volcano grey				
28	997 613 459 03	Module D - MJ 2010>> - MJ 2010		1		

Model: 997G07 Model life 2007>>2011

Pos	Part Number	Description	Remark	Qty	Model
(28)	997 613 459 03 D07 997 613 459 00	Volcano grey Module D - MJ 2011>> Discontinued part		1	
(28)	997 613 459 00 5Q0 997 613 459 03	Black Module D - MJ 2011>>		1	
29	997 613 459 03 5Q0 997 347 803 51	Black steering wheel (leather) D - MJ 2010>> - MJ 2010		1	PR:841
29	997 347 803 51 A34 997 347 803 E8	Black steering wheel Leather D - MJ 2010>> - MJ 2010		1	PR:841
(29)	997 347 803 E8 A34 997 347 803 71	Black steering wheel (leather) D - MJ 2011>> Discontinued part		1	PR:841
(29)	997 347 803 71 A34 997 347 803 B0	Black steering wheel (leather) D - MJ 2011>> Discontinued part		1	PR:841
(29)	997 347 803 B0 A34 997 347 803 F4	Black steering wheel (leather) D - MJ 2011>>		1	PR:841
(29)	997 347 803 F4 A34 997 347 804 95	Black sports steering wheel Leather D - MJ 2010>> Discontinued part		1	PR:839,-004
(29)	997 347 804 95 A15 997 347 804 A0	Black Alcantara sports steering wheel Leather D - MJ 2010>>		1	PR:839,-004
(29)	997 347 804 A0 A15 997 347 804 96	Black Alcantara sports steering wheel Leather D - MJ 2010>> Discontinued part		1	PR:839,004
(29)	997 347 804 96 A15 997 347 804 A1	Black Alcantara sports steering wheel Leather D - MJ 2010>>		1	PR:839,004
(29)	997 347 804 A1 A15 997 347 803 95	Black Alcantara steering wheel Leather		1	PR:006,480, 840
(29)	997 347 803 95 A34 997 347 803 95	Black steering wheel Leather Discontinued part		1	PR:006,480, 843
(29)	997 347 803 95 DRH 997 347 803 95 DRG 997 347 803 90	Black-Red-Grey Black-Red-Red sports steering wheel(leather) Discontinued part		1	PR:006,480, 843
(29)	997 347 803 90 DRH 997 347 803 90 DRG 997 347 803 G7	Black-Red-Grey Black-Red-Red sports steering wheel(leather)	-28,78 -43,63	1	PR:006,480, 843



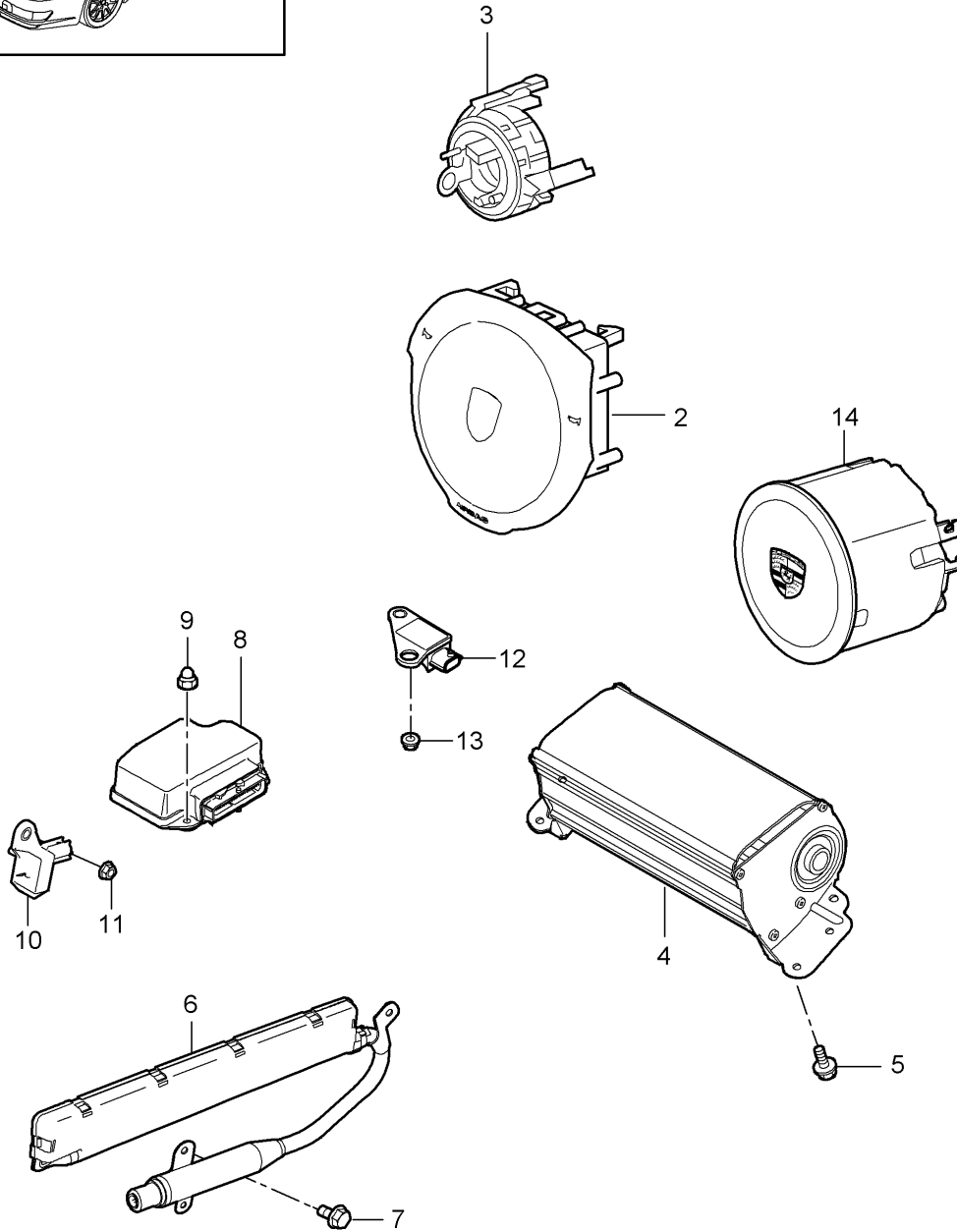
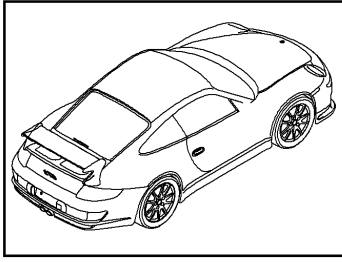
Model: 997G07

Model life 2007>>2011

Pos	Part Number	Description	Remark	Qty	Model
(29)	997 347 803 G7 DRH	Discontinued part Black-Red-Grey	-28,78	1	PR:006,480, 843
	997 347 803 G7 DRG	Black-Red-Red	-43,63		
	997 347 803 K5	sports steering wheel(leather)			
	997 347 803 K5 DRH	Black-Red-Grey	-28,78		
	997 347 803 K5 DRG	Black-Red-Red	-43,63		

Model: 997G07

Model life 2007>>2011



Model: 997G07 Model life 2007>>2011

Pos	Part Number	Description	Remark	Qty	Model
2	997 803 089 16	Airbag Airbag unit sports steering wheel plastic Porsche crest Coloured D >> - MJ 2008 Discontinued part		1	PR:433
2	997 803 089 16 A32 997 803 089 21	Black Airbag unit sports steering wheel plastic Porsche crest Coloured D >> - MJ 2008 Discontinued part		1	PR:433
(2)	997 803 089 21 A32 997 803 089 22	Black Airbag unit sports steering wheel Leather Porsche crest Coloured D >> - MJ 2008		1	PR:433
(2)	997 803 089 22 A34 997 803 089 17	Black Airbag unit sports steering wheel Leather Porsche crest Coloured D >> - MJ 2008		1	PR:460,991, XPA
(2)	997 803 089 17 A34 997 803 089 91	Black Airbag unit Leather Alcantara D >> - MJ 2008		1	PR:433
3	997 803 089 91 A34 955 652 211 11	Black Spring	with:	1	
(4)	997 803 071 07	steering sensor Airbag unit (passenger side)		1	
5	900 378 222 01	Hexagon bolt M 6 X 16		4	
6	997 803 091 03	Side airbag unit for	left	1	
(6)	997 803 092 03	Head airbag unit Side airbag unit for	right	1	
7	900 378 035 01	Head airbag unit Hexagon bolt M 6 X 16		6	
(8)	997 618 217 08	Control unit for airbag		1	
9	999 070 015 02	domed cap nut M 6		3	
10	997 618 221 01	Crash sensor for airbag Side airbag unit		2	
11	999 084 629 01	Hexagon nut M 6		8	
12	997 618 223 02	Accelerator sensor Airbag		2	
13	999 084 638 01	Front Hexagon nut M 6 SB		2	

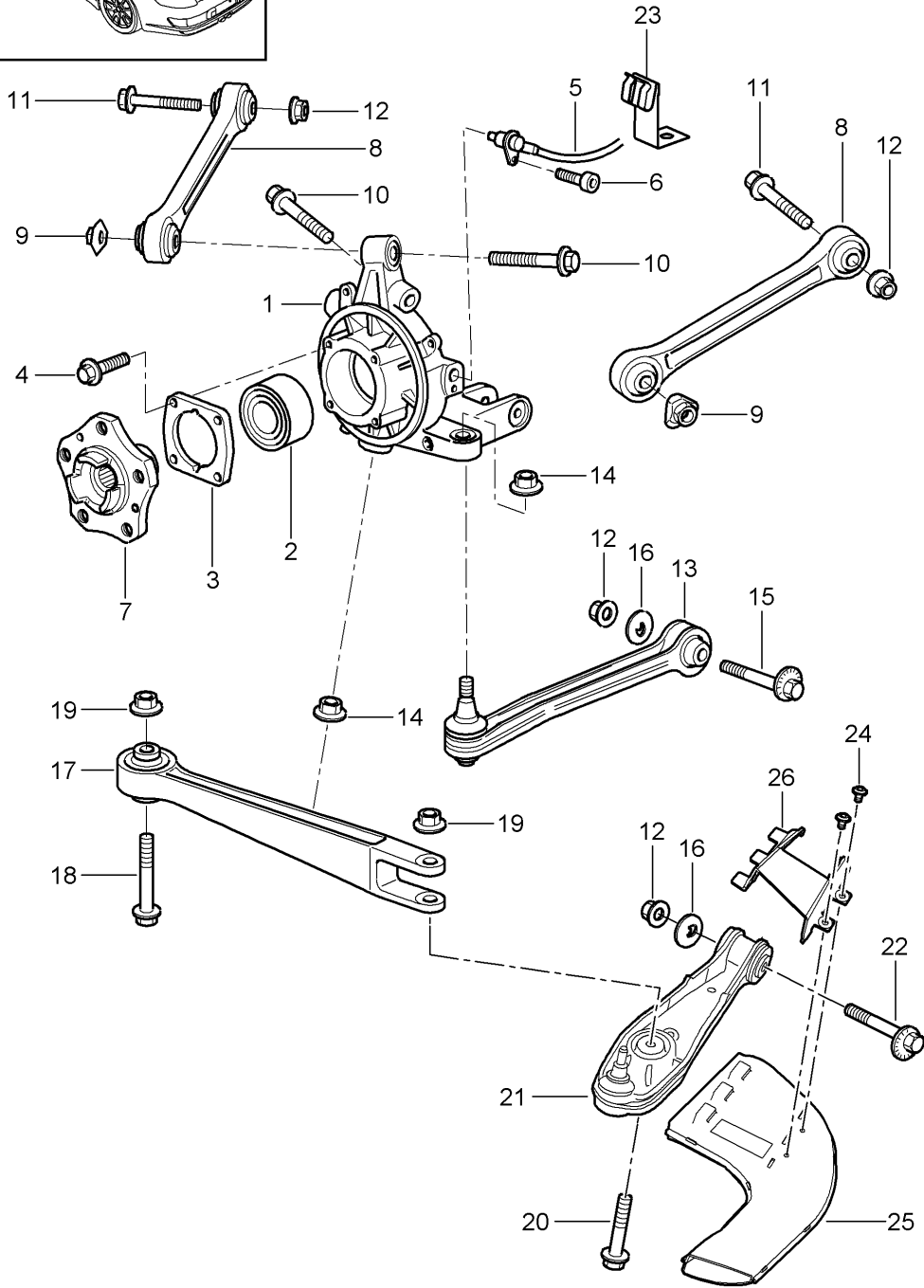
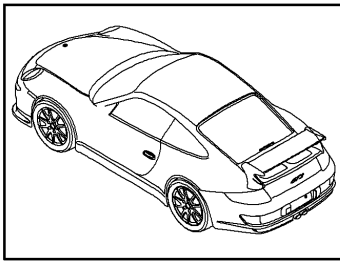
Model: 997G07

Model life 2007>>2011

Pos	Part Number	Description	Remark	Qty	Model
14	997 803 089 12	Airbag unit Leather		1	PR:839,841, 991
	997 803 089 12 A34	D - MJ 2010>> Black			
(14)	997 803 089 12	Airbag unit Leather		1	PR:006,840, 843,991
	997 803 089 12 A34	Black			

Model: 997G07

Model life 2007>>2011



Model: 997G07 Model life 2007>>2011

Pos	Part Number	Description	Remark	Qty	Model
-		Rear axle Wheel carrier Guide Wheel hub Subsequent installation Cooling Brake see Technical information Group 4 2/08			PR:004
1	997 331 111 07	D >> - MJ 2008 Wheel carrier	left also use: 997 352 993 02	1 1	PR:-006
(1)	997 331 111 80	Wheel carrier	left	1	PR:006
(1)	997 331 112 07	Wheel carrier	right	1	PR:-006
(1)	997 331 112 80	Wheel carrier	right	1	PR:006
2	999 053 055 02	angular ball bearing		2	
3	996 331 661 01	Cover		2	
4	999 217 042 09	Hexagon bolt M 8 X 35		8	
5	997 606 407 01	speed sensor		2	
6	900 067 117 09	Socket head bolt M 6 X 16 D >> - MJ 2008		2	
(6)	900 067 117 04	Socket head bolt M 6 x 16 D - MJ 2010>>		2	
7	997 331 605 00	Wheel hub D >> - MJ 2008		2	
7	997 331 605 01	Discontinued part Wheel hub		2	
(7)	997 331 607 04	Wheel hub D - MJ 2010>>		2	
-	997 361 605 90	Spacer ring 5 mm D >> - MJ 2008		2	
8	997 331 047 00	Wishbone D >> - MJ 2008		2	
8	997 331 047 01	Wishbone D - MJ 2010>>		2	
9	999 084 445 01	Locknut M 12 X 1,5		4	
10	900 378 138 01	Hexagon bolt M 12 X 70		4	
11	900 378 165 01	Hexagon bolt M 12 X 95		4	
12	999 084 445 01	Locknut M 12 X 1,5		10	
13	997 331 045 04	Track rod		2	PR:-006
13	997 331 045 80	Track rod		2	PR:006
14	999 084 449 09	Locknut M 12 X 1,5		4	
15	996 331 217 02	Eccentric bolt M 12 X 83 D >> - MJ 2008		2	
15	997 331 217 02	Eccentric bolt M 12 X 83 D - MJ 2010>>		2	
16	996 331 219 00	eccentric washer		2	
17	997 331 043 01	Guide		2	
18	900 378 051 09	Hexagon bolt M 14 X 100		2	

Model: 997G07 Model life 2007>>2011

Pos	Part Number	Description	Remark	Qty	Model
19	900 380 012 01	Hexagon nut M 14 X 1,5		4	
20	900 378 135 09	Hexagon bolt M 14 X 1,5 x 75		2	
(20)	900 378 135 01	D >> - MJ 2008 Hexagon bolt M 14 x 1,5 x 75		2	
21	997 331 053 01	D - MJ 2010>> Wishbone		2	PR:-004,-006
21	997 331 053 02	D >> - MJ 2008 Wishbone		2	PR:-004,-006
21	997 331 053 03	D - MJ 2010>> Wishbone		2	PR:-004,-006
(21)	997 331 041 92	D - MJ 2011>> Wishbone	left	1	PR:004
(21)	997 331 041 94	D >> - MJ 2008 Wishbone	left	1	PR:004
(21)	997 331 041 81	D - MJ 2010>> Wishbone	left	1	PR:006
(21)	997 331 042 92	Wishbone	right	1	PR:004
(21)	997 331 042 94	D >> - MJ 2008 Wishbone	right	1	PR:004
(21)	997 331 042 80	D - MJ 2010>> Wishbone	right	1	PR:006
-	900 076 064 02	Hexagon nut		4	PR:004
-	999 025 269 01	Washer		4	PR:004
-	996 341 543 90	adjusting washer 1 mm		2	PR:004
22	996 331 217 03	Eccentric bolt		2	
(22)	997 331 217 03	D >> - MJ 2008 Eccentric bolt		2	
-	997 331 487 91	D - MJ 2010>> Spoiler	left	1	
-	997 331 487 92	Discontinued part Spoiler	left	1	
-	997 331 488 91	for Position 17 Spoiler	right	1	
-	997 331 488 92	Discontinued part Spoiler	right	1	
23	999 507 530 00	for Position 17 Cable holder speed sensor		2	
24	999 073 516 01	fillister hd. bolt M 6 X 10		4	
25	997 575 531 90	Air guide	left	1	GT-3
		also use:	000 043 987 00	1	
25	997 575 532 90	Adhesive tape 20 X 47 X 5,0 D - MJ 2010>> Air guide	right	1	GT-3
		also use:	000 043 987 00	1	
-	000 043 987 00	Adhesive tape 20 X 47 X 5,0 D - MJ 2010>>		2	GT-3
26	997 575 631 90	D - MJ 2010>> Bracket	left	1	PR:-004
		D - MJ 2010>>			

Model: 997G07

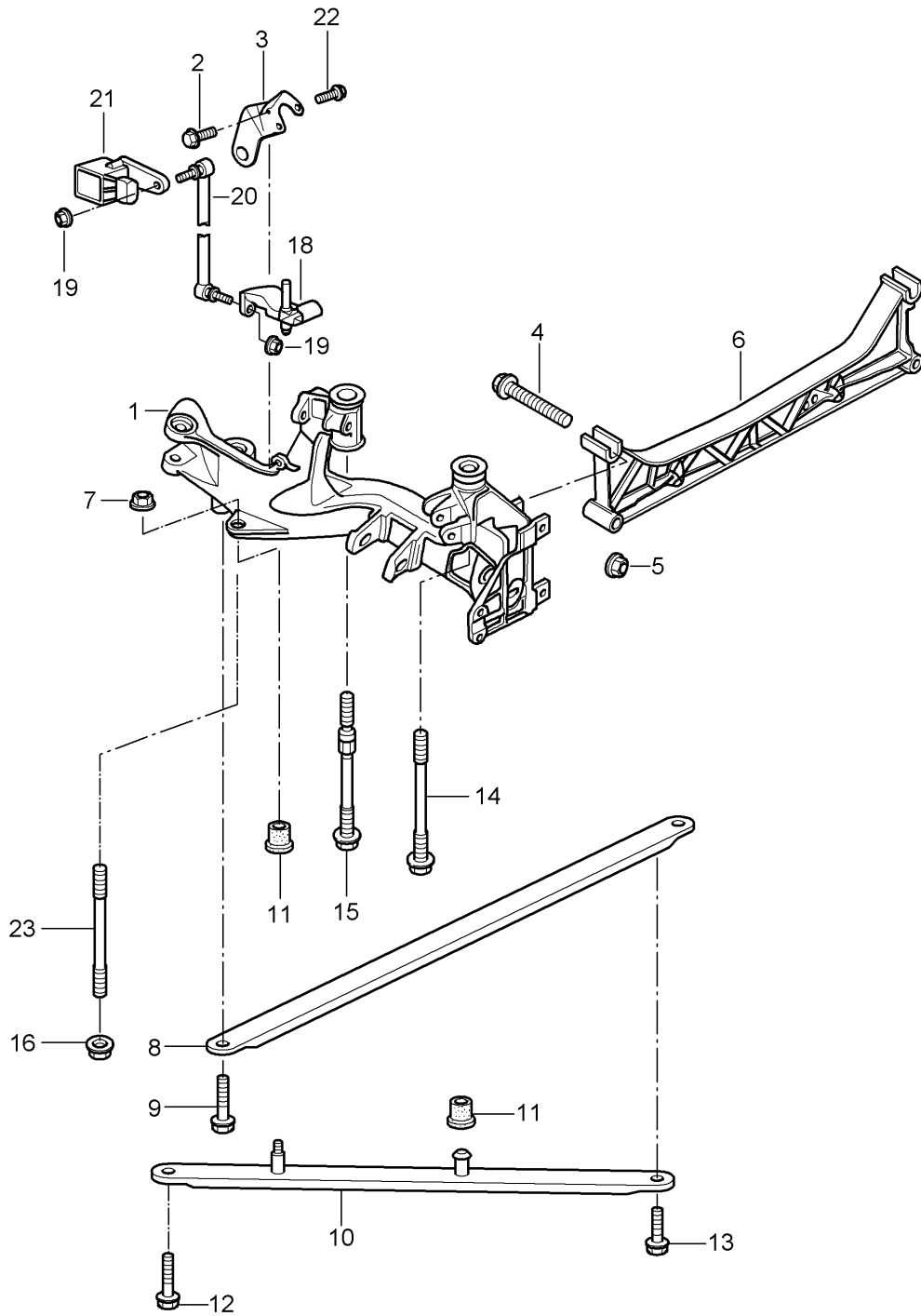
Model life 2007&gt;&gt;2011

Pos	Part Number	Description	Remark	Qty	Model
(26)	997 575 631 91	Bracket D - MJ 2010>>	left	1	PR:004
(26)	997 575 632 90	Bracket D - MJ 2010>>	right	1	PR:-004
(26)	997 575 632 91	Bracket D - MJ 2010>>	right	1	PR:004
27	900 060 070 01	Threaded pin M6X30 Mount speed sensor D - MJ 2010>>		1	



Model: 997G07

Model life 2007>>2011



Model: 997G07 Model life 2007>>2011

Pos	Part Number	Description	Remark	Qty	Model
1	997 331 051 94	Rear axle Side part Carrier			
(1)	997 331 052 94	Side part	left	1	
2	900 067 117 09	Side part	right	1	
		Socket head bolt M 6 X 16		2	
(2)	900 067 117 04	D >> - MJ 2008 Socket head bolt M 6 x 16		2	
3	997 355 505 02	D - MJ 2010>> Retainer for brake hose for	left	1	
(3)	997 355 506 02	Retainer for brake hose for	right	1	
4	900 378 139 09	Hexagon bolt M 12 X 1,5 x 80		4	
(4)	900 378 139 01	D >> - MJ 2008 Hexagon bolt M 12 x 1,5 x 80		4	
5	999 084 445 01	D - MJ 2010>> Locknut M 12 X 1,5		4	
(6)	997 331 261 02	Cross member		1	
7	999 076 053 09	Hexagon nut M 10		2	
8	996 331 171 03	Transverse strut		1	
-	999 591 629 01	Cage nut		X	
9	999 072 020 09	Underbody protection Hexagon bolt M 10 X 40		2	
10	997 331 081 02	Brace		2	
(10)	997 331 081 92	Brace		2	PR:006
-	999 591 629 01	Cage nut		X	
11	996 331 385 00	Underbody protection Rubber bush		6	
12	999 072 031 01	Hexagon bolt M 10 x 45		2	
(12)	999 073 443 01	F >> 99-8S792 203 Bolt with washer M 12 X 1,5 X 40		2	
13	900 378 072 09	F 99-8S792 204>> Hexagon bolt M 12 X 30		2	
13	900 378 072 01	Discontinued part Hexagon bolt M 12 X 30		2	
14	900 178 010 09	Hexagon bolt M 12 X 130		2	
(14)	900 178 010 01	D >> - MJ 2008 Discontinued part Hexagon bolt M 12 x 130		2	
15	900 178 010 09	D - MJ 2010>> Hexagon bolt M 12 X 130		2	
(15)	900 178 010 01	D >> - MJ 2008 Discontinued part Hexagon bolt M 12 x 130		2	
16	999 084 445 01	D - MJ 2010>> Locknut M 12 X 1,5		2	

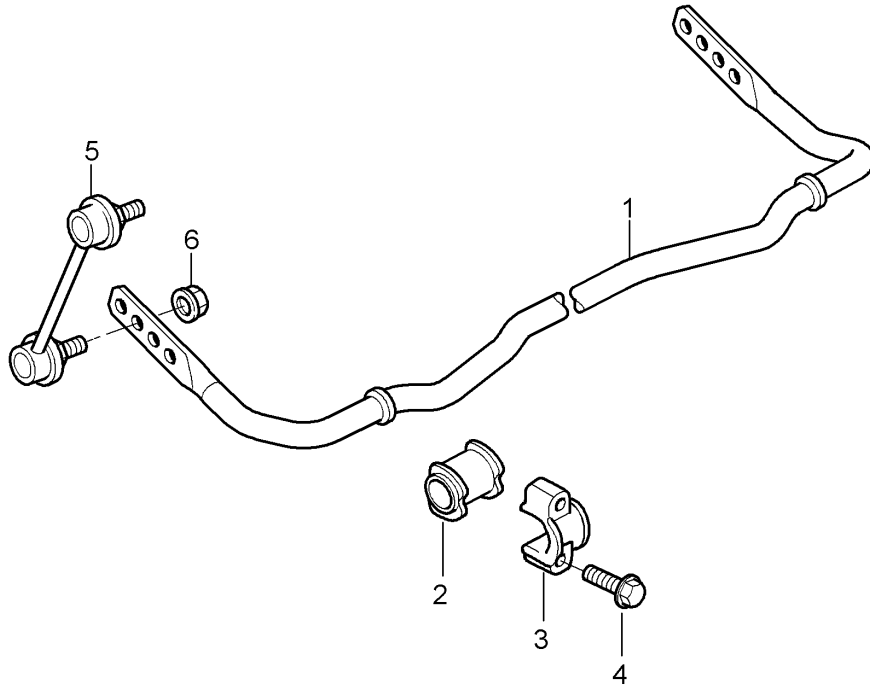
Model: 997G07

Model life 2007>>2011

Pos	Part Number	Description	Remark	Qty	Model
18	996 341 371 03	Bracket for cross member		1	PR:601,603
19	900 380 015 01	Hexagon nut VM 6		2	
20	997 331 375 03	Brace		1	PR:601,603
21	997 631 121 00	Level sensor		1	PR:601,603
22	N 014 129 12	fillister hd. bolt		2	PR:601,603
23	999 061 103 09	Threaded pin M 12 X 1,5 D	>> - MJ 2008	2	
(23)	999 061 103 01	Threaded pin M 12 X 1,5 D - MJ 2010>>		2	

Model: 997G07

Model life 2007>>2011



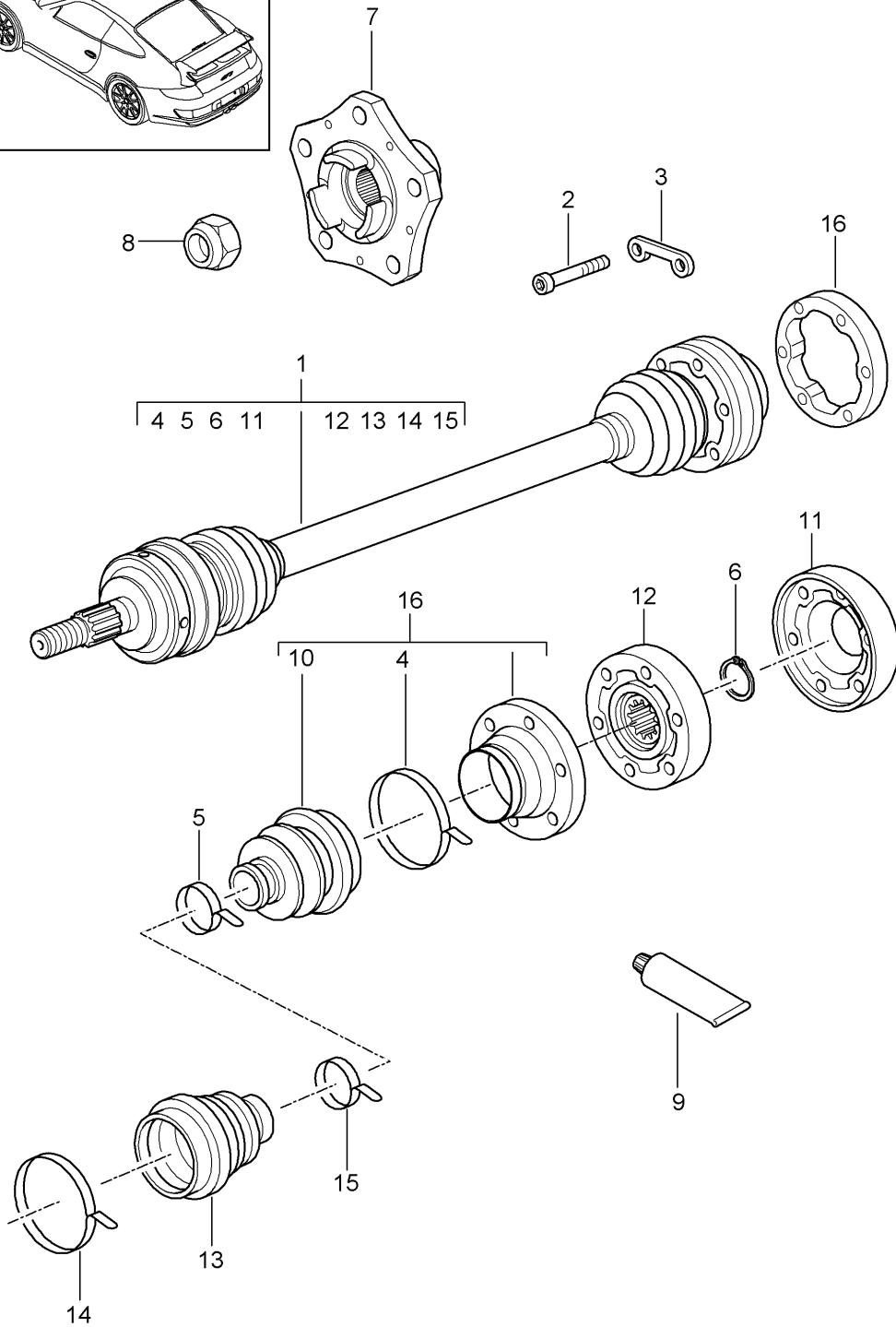
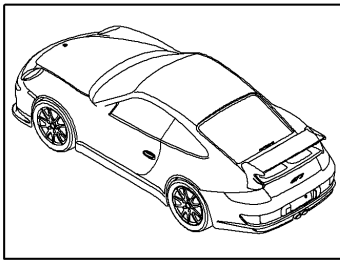
Model: 997G07

Model life 2007>>2011

Pos	Part Number	Description	Remark	Qty	Model
1	997 333 701 92	Anti-roll bar Anti-roll bar D >> - MJ 2008 Discontinued part		1	
1	997 333 701 95	Anti-roll bar		1	
(1)	997 333 701 96	Anti-roll bar D >> - MJ 2008		1	PR:475
(1)	997 333 701 96	Anti-roll bar D - MJ 2010>>		1	
2	997 333 792 95	anti-roll bar bearing bracket		2	
3	996 333 777 01	Bearing clamp		2	
4	900 378 055 01	Hexagon bolt		4	
5	997 333 069 05	Coupling rod D >> - MJ 2008		1	
5	997 333 069 06	Coupling rod D - MJ 2010>>		1	
(5)	997 333 070 05	Coupling rod D >> - MJ 2008		1	
(5)	997 333 070 06	Coupling rod D - MJ 2010>>		1	
6	999 084 123 09	Hexagon nut M 10		2	
(6)	999 084 643 01	Coupling rod Anti-roll bar Hexagon nut M 10 Anti-roll bar Wheel carrier		2	

Model: 997G07

Model life 2007>>2011

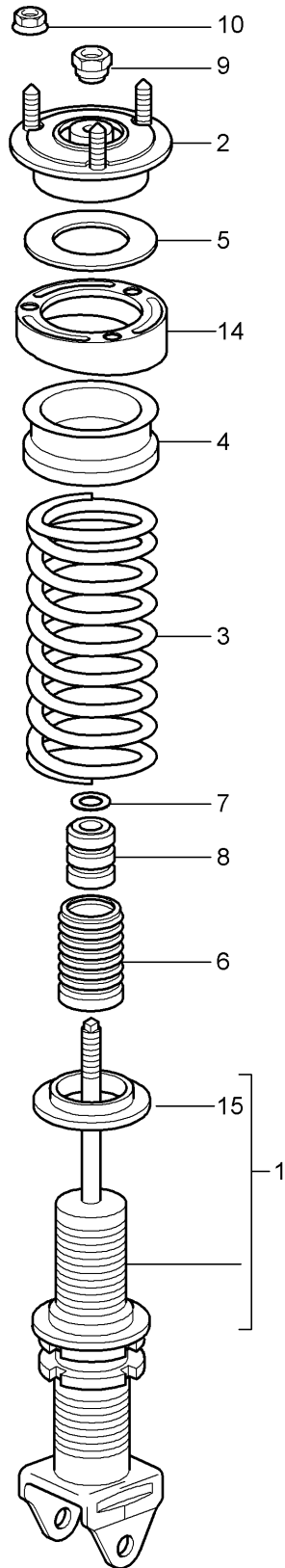
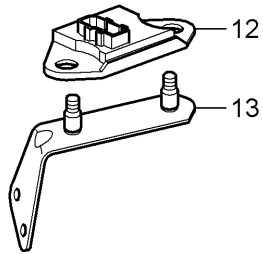
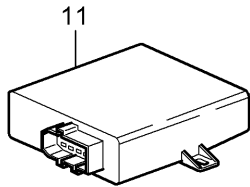
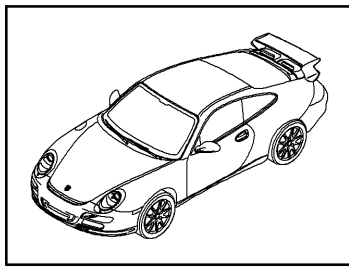


Model: 997G07 Model life 2007>>2011

Pos	Part Number	Description	Remark	Qty	Model
1	997 332 024 02	Drive shaft Wheel hub		2	
1	997 332 024 04	Drive shaft D - MJ 2010>> - MJ 2011		2	
(1)	997 332 024 43	Drive shaft D - MJ 2012>>		2	PR:480
2	999 073 449 01	Socket head bolt M 10 x 1 x 49		12	
(3)	996 332 191 00	Spacer		6	
4	911 332 257 00	terminal D >> - MJ 2008		2	
(4)	996 332 957 00	Clip D - MJ 2010>>		2	
5	996 332 257 00	Clip		2	
6	900 041 014 00	Securing ring		2	
7	997 331 605 00	Wheel hub D >> - MJ 2008		2	
7	997 331 605 01	Discontinued part Wheel hub		2	
(7)	997 331 607 04	Wheel hub D - MJ 2010>>		2	
8	999 084 641 01	Locknut M 22 X 1,5		2	
9	000 043 110 01	Grease 1 100-gramme tube D >> - MJ 2008		X	
9	000 043 110 02	grease 1 100-gramme tube D - MJ 2010>>		X	
(9)	000 043 205 36	sealant 1 100-gramme tube		X	
10	996 332 293 00	Dust bellows		2	
11	928 332 267 01	End cap Discontinued part		2	
11	997 332 267 00	End cap		2	
12	996 332 030 00	Joint		2	
13	996 332 293 00	Dust bellows		2	
14	911 332 257 00	terminal D >> - MJ 2008		2	
(14)	996 332 957 00	Clip D - MJ 2010>>		2	
15	996 332 257 00	Clip D >> - MJ 2008		2	
-	911 332 259 01	Bellow support Dust bellows D >> - MJ 2008		2	
-	911 332 259 02	Discontinued part frame for boot Dust bellows		2	
16	997 332 955 00	Bellows with: Cap D - MJ 2010>>		2	

Model: 997G07

Model life 2007>>2011





Model: 997G07

Model life 2007>>2011

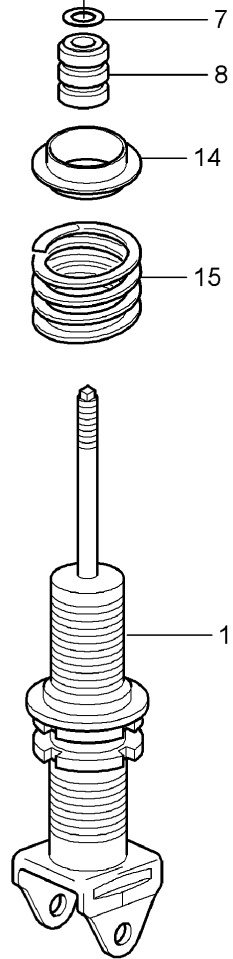
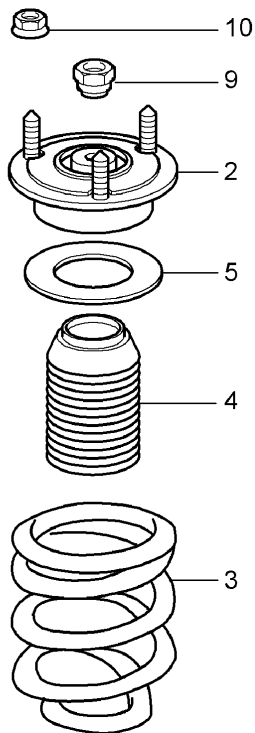
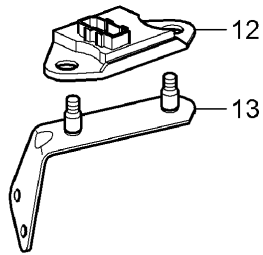
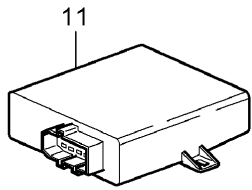
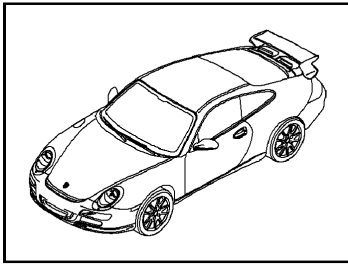
Pos	Part Number	Description	Remark	Qty	Model
		Shock absorbers			GT-3
1	997 333 051 91	Coil spring			
		Shock absorbers		2	
		D - MJ 2007>> - MJ 2007			
(1)	997 333 051 94	Shock absorbers		2	
		D - MJ 2008>> - MJ 2008			
(1)	997 333 051 95	Shock absorbers		2	
		D - MJ 2010>>			
(1)	997 333 051 99	Shock absorbers		2	
		also use: 996 343 509 01		2	
-		D - MJ 2010>>			
-		Mount			
-	900 378 138 01	Shock absorbers		2	
		Hexagon bolt			
		M 12 X 1,5 X 70			
-	999 084 445 01	Locknut		2	
		M 12 X 1,5			
2	997 333 061 01	Shock absorber bearing		2	
2	997 333 061 01	Shock absorber bearing		2	
		D >> - MJ 2008			
2	997 333 061 80	Shock absorber bearing		2	
		D - MJ 2010>>			
3	997 333 531 91	Coil spring		1	PR:-004
		1 set			
	997 333 531 91 504	1 pair of springs			
		red			
		D >> - 23.11.2006			
(3)	997 333 531 93	Coil spring		1	PR:-004
		1 set			
	997 333 531 93 504	1 pair of springs			
		red			
		D - 24.11.2006>>			
(3)	997 333 531 93	Coil spring		1	PR:004
		1 set			
		D >> - MJ 2008			
	997 333 531 93 504	1 pair of springs			
		red			
(3)	997 333 531 95	Coil spring		1	
		1 set			
		Identification: >> >>			
		D - MJ 2010>>			
		Discontinued part			
	997 333 531 95 504	1 pair of springs			
		blue			
(3)	997 333 531 9F	Coil spring		1	
		1 set			
		Identification: >> >>			
		D - MJ 2010>>			
	997 333 531 9F 504	1 pair of springs			
		blue			
4	996 333 529 92	spring bush		2	
		D >> - MJ 2008			
(4)	997 333 504 00	shelf		2	PR:475
		D - MJ 2010>>			
5	996 333 551 90	Rubber support		2	
		D >> - MJ 2008			
6	997 333 539 90	Bellows		2	
		F >> 99-XS792 258			
		D >> - MJ 2008			
(6)	993 333 107 01	Bellows		2	
		only in conj. with:			
		Shock absorbers			
		997.333.051.95			

Model: 997G07 Model life 2007>>2011

Pos	Part Number	Description	Remark	Qty	Model
(6)	996 343 509 01	D - MJ 2010>> Bellows only in conj. with: Shock absorbers 997.333.051.99		2	
7	999 025 271 02	D - MJ 2010>> Washer		2	
8	997 333 105 01	helper spring		2	
9	999 084 050 02	Hexagon nut M 12 X 1		2	
10	900 380 008 01	Hexagon nut M 10		6	
11	997 618 105 90	Control unit Shock absorbers D >> - MJ 2007		1	
(11)	997 618 105 91	Control unit Shock absorbers D - MJ 2008>>		1	
(11)	997 618 105 95	Control unit Shock absorbers D - MJ 2010>> Discontinued part		1	GT-3
(11)	997 618 105 96	Control unit Shock absorbers D - MJ 2010>>		1	GT-3
(11)	997 618 105 96	Control unit Shock absorbers D - MJ 2010>>		1	PR:004
-	997 618 205 00	Retainer for control units for		1	
12	997 606 111 01	Acceleration sensor for bodywork		1	
13	997 606 214 01	Bracket Accelerator sensor		1	
14	996 333 511 02	Balancing plate 0,5 MM D - MJ 2010>>		X	
(14)	996 333 511 03	Balancing plate 4,0 MM D - MJ 2010>>		X	
15	997 333 504 90	Rubber pad for Coil spring D - MJ 2010>>		2	

Model: 997G07

Model life 2007>>2011



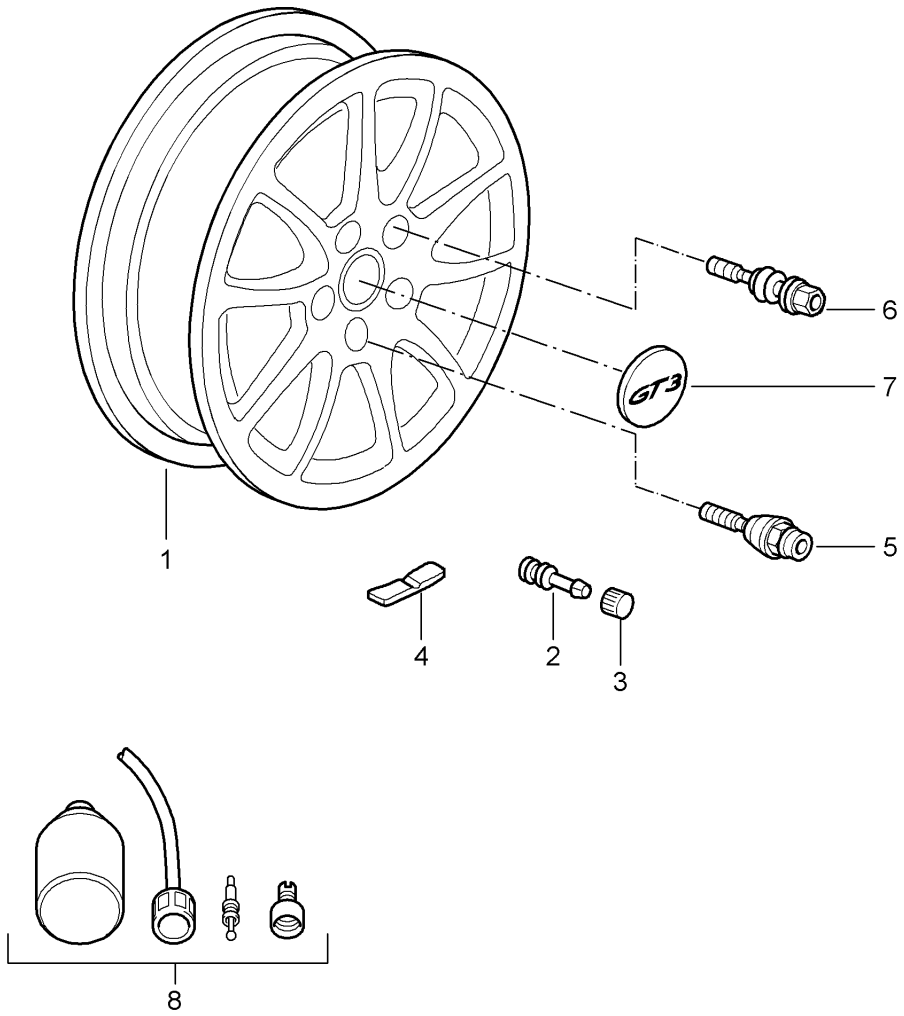
Model: 997G07

Model life 2007&gt;&gt;2011

Pos	Part Number	Description	Remark	Qty	Model
		Shock absorbers			GT-3 RS 4.0
1	997 333 053 90	Coil spring		2	
-		Shock absorbers			
		Mount			
-	900 378 138 01	Shock absorbers		2	
		Hexagon bolt			
		M 12 X 1,5 X 70			
-	999 084 445 01	Locknut		2	
		M 12 X 1,5			
2	997 333 061 80	Shock absorber bearing		2	
3	997 333 533 80	Coil spring		1	
	997 333 533 80 504	1 pair of springs			
4	996 343 505 00	Bellows		2	
5	996 333 551 90	Rubber support		2	
7	999 025 271 02	Washer		2	
8	997 333 105 01	helper spring		2	
9	999 084 050 02	Hexagon nut		2	
		M 12 X 1			
10	900 380 008 01	Hexagon nut		6	
		M 10			
11	997 618 105 96	Control unit		1	
		Shock absorbers			
-	997 618 205 00	Retainer for control units		1	
		for			
12	997 606 111 01	Acceleration sensor for		1	
		bodywork			
13	997 606 214 01	Bracket		1	
		Accelerator sensor			
14	997 333 511 80	Intermediate ring		2	
15	997 333 537 82	helper spring		2	

Model: 997G07

Model life 2007>>2011



Model: 997G07 Model life 2007>>2011

Pos	Part Number	Description	Remark	Qty	Model
-		Wheels D >> - MJ 2008 Wheel bolts see Technical information 84/11 Group 4 4407			
(1)	997 362 156 95	Alloy wheel silver 8,5 J x 19 Et 53	front	2	
(1)	997 362 164 90	Alloy wheel silver 12 J x 19 ET 68	rear	2	
(1)	997 362 156 95	Alloy wheel silver 8,5 J x 19 Et 53	front	2	PR:004,346,420
(1)	997 362 156 96 997 362 156 96 041	Alloy wheel Black 8,5 x 19 ET 53	front	2	PR:004,420
(1)	997 362 156 96 997 362 156 96 8C6	Alloy wheel orange 8,5 J x 19 ET 53	front	2	PR:004,420
(1)	997 362 164 91	Alloy wheel silver 12 J x 19 ET 51	rear	2	PR:004,346,420
(1)	997 362 164 92 997 362 164 92 041	Alloy wheel Black 12 J x 19 ET 51	rear	2	PR:004,420
(1)	997 362 164 92 997 362 164 92 8C6	Alloy wheel orange 12 J x 19 ET 51	rear	2	PR:004,420
2	900 265 001 50	Rubber valve Rubber		4	
(2)	900 265 001 51	Rubber valve Rubber		4	
(2)	311 601 361	Discontinued part Rubber valve Rubber		4	
(2)		Valve tyre pressure control system see illustration:	601-005	4	PR:482,483
3	993 361 163 10	Cap for Rubber valve		4	
4	997 361 405 00	Balancer weight (self-adhesive) 5.G.		X	
(4)	997 361 410 00	Balancer weight (self-adhesive) 10 G.		X	
(4)	997 361 415 00	Balancer weight (self-adhesive) 15 G.		X	
(4)	997 361 420 00	Balancer weight		X	

Model: 997G07

Model life 2007>>2011

Pos	Part Number	Description	Remark	Qty	Model
(4)	997 361 425 00	(self-adhesive) 20 G. Balancer weight (self-adhesive)		X	
(4)	997 361 430 00	25 G. Balancer weight (self-adhesive)		X	
(4)	997 361 435 00	30 G. Balancer weight (self-adhesive)		X	
(4)	997 361 440 00	35 G. Balancer weight (self-adhesive)		X	
(4)	997 361 445 00	40 G. Balancer weight (self-adhesive)		X	
(4)	997 361 450 00	45 G. Balancer weight (self-adhesive)		X	
(4)	997 361 455 00	50 G. Balancer weight (self-adhesive)		X	
(4)	997 361 460 00	55 G. Balancer weight (self-adhesive)		X	
(4)	997 361 465 00	60 G. Balancer weight (self-adhesive)		X	
(4)	997 361 470 00	65 G. Balancer weight (self-adhesive)		X	
(4)	997 361 475 00	70 G. Balancer weight (self-adhesive)		X	
(4)	997 361 480 00	75 G. Balancer weight (self-adhesive)		X	
(4)	997 361 485 00	80 G. Balancer weight (self-adhesive)		X	
(4)	997 361 490 00	85 G. Balancer weight (self-adhesive)		X	
-		90 G. Wheel bolts see Technical information 84/11 Group 4 4407			
5	996 361 980 02	Wheel bolt Anti-theft protection 1 set silver Discontinued part		1	
(5)	997 361 980 10	Set Anti-theft protection 1 set silver		1	
6	996 361 980 00	Wheel bolt silver		16	
7	996 361 303 91 996 361 303 91 9A1	Hub cap silver		4	

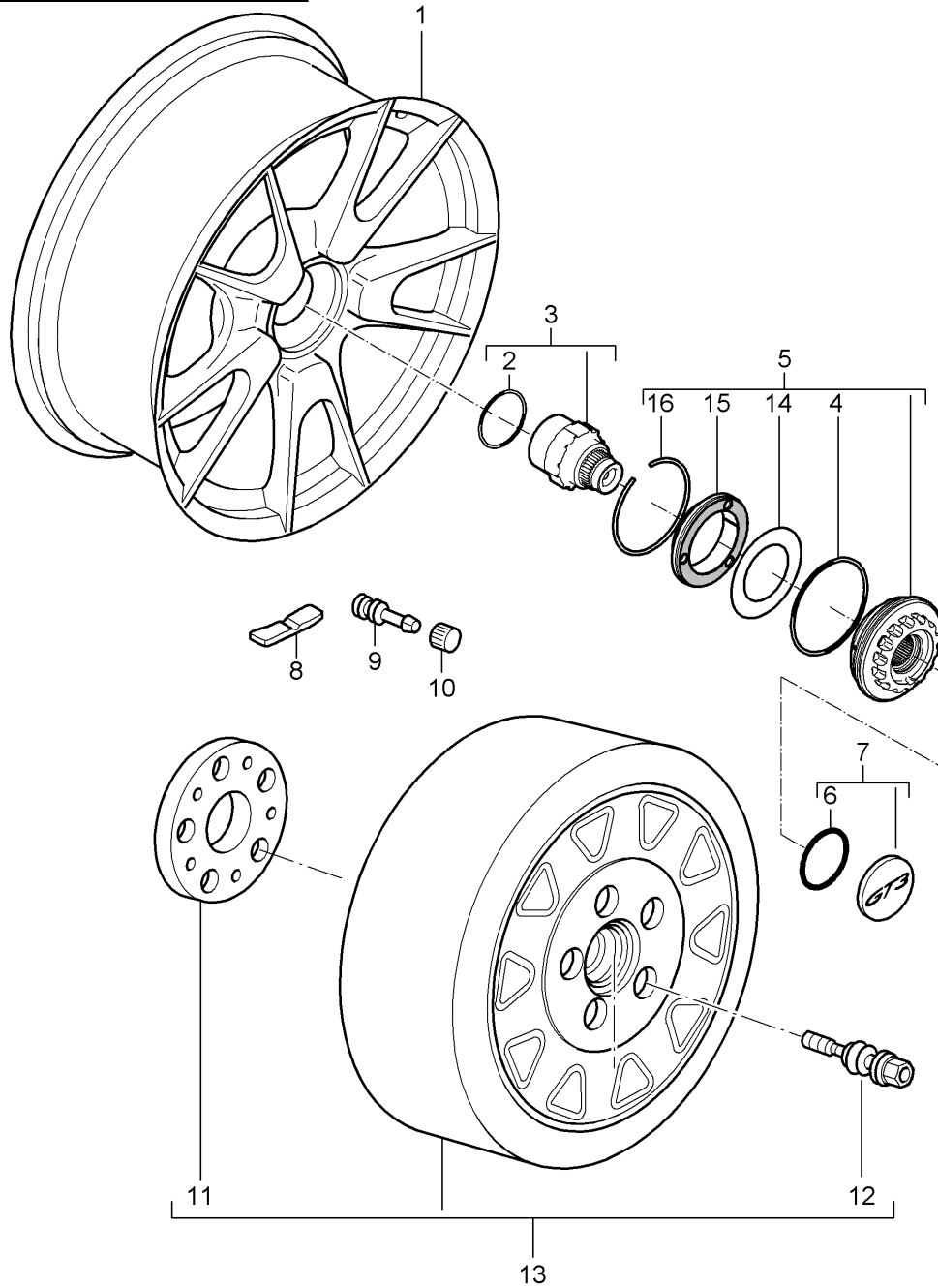
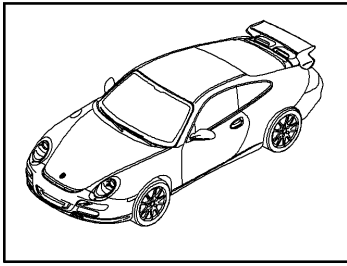
Model: 997G07 Model life 2007>>2011

Pos	Part Number	Description	Remark	Qty	Model
(7)	955 361 303 05 955 361 303 05 9A1	Hub cap silver modify in workshop Paint		4	PR:446
(7)	997 361 303 90	Hub cap silver inscription Black		4	PR:004
(7)	997 361 303 91	Hub cap orange inscription Black		4	PR:004
(7)	997 361 303 91 041 997 361 303 91	Hub cap Black inscription		4	PR:004
(7)	997 361 303 91 8C6 997 361 303 91	Hub cap Black inscription orange		4	PR:004
(8)	997 361 303 91 2D8 955 722 631 00	Hub cap green Compressed air bottle Discontinued part		1	
(8)	4L0 012 619 A	Tyre sealant		1	
-	911 722 201 02	Tyre pressure gauge		1	
-	996 362 020 04	Spare wheel D >> - MJ 2008		1	PR:447
-	997 362 050 00	Spare wheel D >> - MJ 2008		1	PR:447,450
-	997 362 021 00	Spare wheel with: Adapter and Wheel bolts D >> - MJ 2008		1	PR:447,430
-	997 362 191 00	Adapter for emergency wheel D >> - MJ 2008		1	PR:447,430
-	997 361 203 01	Wheel bolt Adapter Spare wheel D >> - MJ 2008		5	PR:447,430
-	997 361 203 02	Discontinued part Wheel bolt Adapter Spare wheel D >> - MJ 2008		5	PR:447,430
-	996 361 521 00	Protective sleeve Spare wheel		1	PR:447
-	999 914 001 40	Plastic gloves No longer use the part here		1	PR:447
-	997 652 057 00	Compressor		1	PR:447



Model: 997G07

Model life 2007>>2011



Model: 997G07 Model life 2007>>2011

Pos	Part Number	Description	Remark	Qty	Model
		Central locking D - MJ 2010>>			PR:430
1	997 362 157 95	Alloy wheel Titanium metallic 8,5 J X 19 ET 53 Paint modify in workshop	front	2	
(1)	997 362 157 95	Discontinued part Alloy wheel with central locking	front	2	
	997 362 157 95 EP8	Titanium metallic 8,5 J X 19 ET 53 Paint modify in workshop			
(1)	997 362 157 95	Alloy wheel with central locking	front	2	PR:346
	997 362 157 95 9A1	silver 8,5 J X 19 ET 53 Paint modify in workshop			
(1)	997 362 157 96	Alloy wheel with central locking	front	2	PR:004,346
	997 362 157 96 9A1	silver 9 J X 19 ET 47			
(1)	997 362 157 06	Alloy wheel 8,5 J X 19 ET 56	front	2	PR:004,346
(1)	997 362 157 96	Winter wheel Alloy wheel with central locking	front	2	PR:004,511
	997 362 157 96 539	White gold metallic 9 J X 19 ET 47			
(1)	997 362 157 96	Alloy wheel with central locking	front	2	PR:004,510
	997 362 157 96 84A	guards red (Porsche) 9 J X 19 ET 47			
(1)	997 362 157 96	Alloy wheel with central locking	front	2	PR:006,341
	997 362 157 96 B9A	white 9 J X 19 ET 47			
(1)	997 362 157 96	Alloy wheel with central locking	front	2	PR:006,347
	997 362 157 96 M7Z	silver 9 J X 19 ET 47			
(1)	997 362 157 96	Alloy wheel with central locking	front	2	PR:006,349
	997 362 157 96 041	Black 9 J X 19 ET 47			
(1)	997 362 165 90	Alloy wheel Titanium metallic 12 J X 19 ET 63 Paint modify in workshop	rear	2	

Model: 997G07

Model life 2007&gt;&gt;2011

Pos	Part Number	Description	Remark	Qty	Model
(1)	997 362 165 90	Discontinued part Alloy wheel with central locking	rear	2	
	997 362 165 90 EP8	Titanium metallic 12 J X 19 ET 63 Paint modify in workshop			
(1)	997 362 165 90	Alloy wheel with central locking	rear	2	PR:346
	997 362 165 90 9A1	silver 12 J X 19 ET 63 Paint modify in workshop			
(1)	997 362 163 90	Alloy wheel 11 j X 19 ET 67 for winter use Not for: Carrera RS	rear	2	
(1)	997 362 165 91	Alloy wheel with central locking	rear	2	PR:004,346
	997 362 165 91 9A1	silver 12 J X 19 ET 48			
(1)	997 362 163 04	Alloy wheel 11 J X 19 ET 51 Winter wheel	rear	2	PR:004,346
(1)	997 362 165 91	Alloy wheel with central locking	rear	2	PR:004,511
	997 362 165 91 539	White gold metallic 12 J X 19 ET 48			
(1)	997 362 165 91	Alloy wheel with central locking	rear	2	PR:004,510
	997 362 165 91 84A	guards red (Porsche) 12 J X 19 ET 48			
(1)	997 362 165 91	Alloy wheel with central locking	rear	2	PR:006,341
	997 362 165 91 B9A	white 12 J X 19 ET 48			
(1)	997 362 165 91	Alloy wheel with central locking	rear	2	PR:006,347
	997 362 165 91 M7Z	silver 12 J X 19 ET 48			
(1)	997 362 165 91	Alloy wheel with central locking	rear	2	PR:006,349
	997 362 165 91 041	Black 12 J X 19 ET 48			
2	999 707 012 40	O-ring 37 X 2,5 N		4	
3	997 341 251 04	Locking mechanism		2	
4	999 707 648 40	O-ring 92,00 X 3,5		4	
5	997 361 081 05	Wheel bolt No longer use the part here		4	
5	997 361 081 06	Wheel bolt		4	

Model: 997G07

Model life 2007&gt;&gt;2011

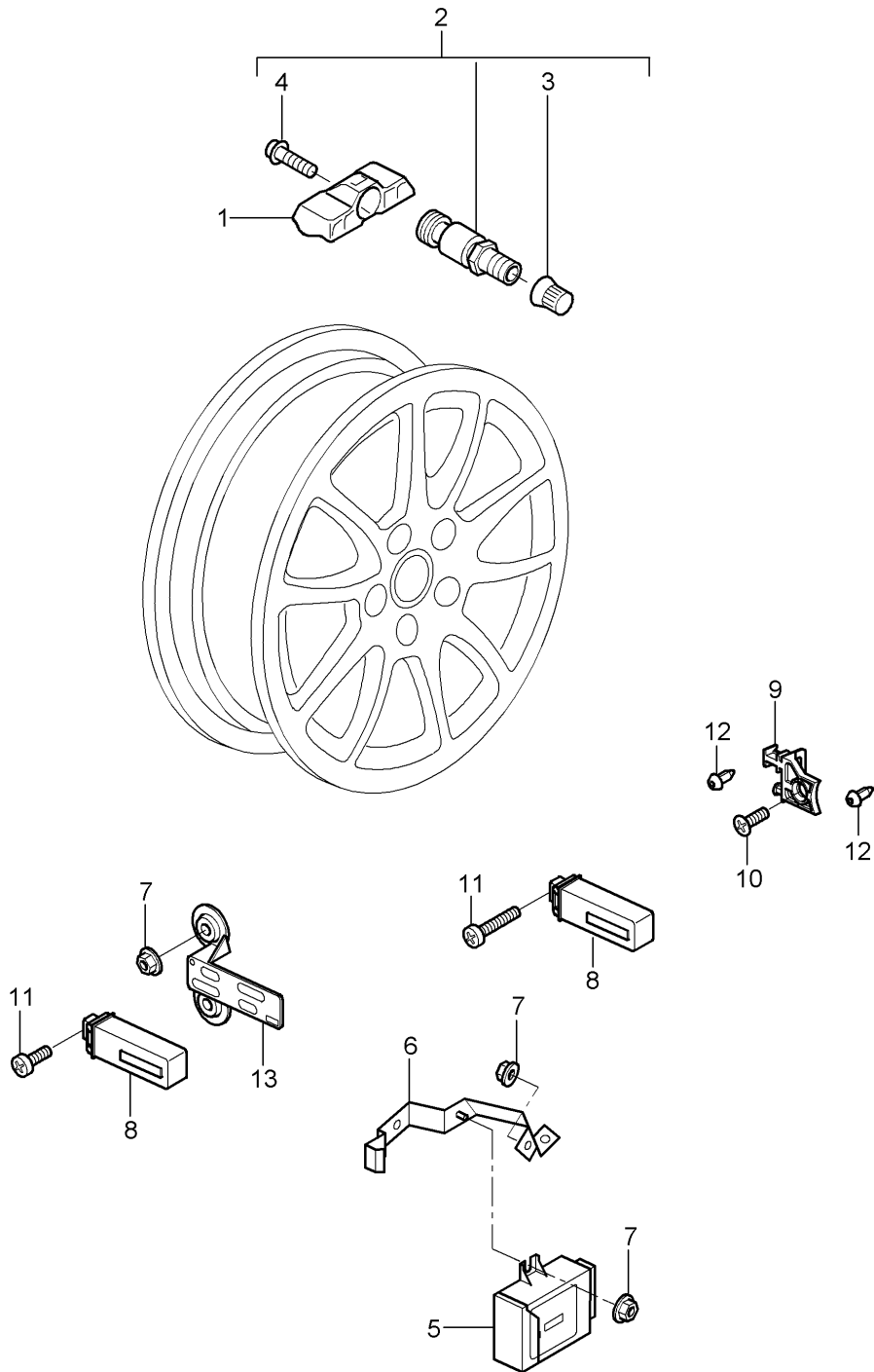
Pos	Part Number	Description	Remark	Qty	Model
(5)	997 361 081 92	Wheel bolt No longer use the part here		4	PR:004
(5)	997 361 081 93	Wheel bolt Discontinued part		4	PR:004
(5)	997 361 081 94	Fastening screw		4	PR:004
6	999 701 045 40	O-ring 32 X 2,0 N		4	
7	997 361 207 03	Hub cap Porsche crest Coloured		4	
(7)	997 361 207 90	Hub cap inscription GT-3		4	
(7)	997 361 207 91	Hub cap RS inscription red		4	PR:004,510
(7)	997 361 207 92	Hub cap RS inscription gold		4	PR:004,511
(7)	997 361 207 93	Hub cap RS inscription silver		4	PR:006
8	997 361 405 00	Balancer weight (self-adhesive) 5.G.		X	
(8)	997 361 410 00	Balancer weight (self-adhesive) 10 G.		X	
(8)	997 361 415 00	Balancer weight (self-adhesive) 15 G.		X	
(8)	997 361 420 00	Balancer weight (self-adhesive) 20 G.		X	
(8)	997 361 425 00	Balancer weight (self-adhesive) 25 G.		X	
(8)	997 361 430 00	Balancer weight (self-adhesive) 30 G.		X	
(8)	997 361 435 00	Balancer weight (self-adhesive) 35 G.		X	
(8)	997 361 440 00	Balancer weight (self-adhesive) 40 G.		X	
(8)	997 361 445 00	Balancer weight (self-adhesive) 45 G.		X	
(8)	997 361 450 00	Balancer weight (self-adhesive) 50 G.		X	
(8)	997 361 455 00	Balancer weight (self-adhesive) 55 G.		X	
(8)	997 361 460 00	Balancer weight (self-adhesive) 60 G.		X	
(8)	997 361 465 00	Balancer weight (self-adhesive)		X	

Model: 997G07 Model life 2007>>2011

Pos	Part Number	Description	Remark	Qty	Model
(8)	997 361 470 00	65 G. Balancer weight (self-adhesive)		X	
(8)	997 361 475 00	70 G. Balancer weight (self-adhesive)		X	
(8)	997 361 480 00	75 G. Balancer weight (self-adhesive)		X	
(8)	997 361 485 00	80 G. Balancer weight (self-adhesive)		X	
(8)	997 361 490 00	85 G. Balancer weight (self-adhesive)		X	
9	900 265 001 50	90 G. Rubber valve Rubber		4	
9	900 265 001 51	Rubber valve Rubber		4	
9	311 601 361	Discontinued part Rubber valve Rubber		4	
10	955 361 163 00	Cap for Rubber valve		4	
11	997 362 191 00	Adapter Spare wheel		1	PR:447
12	997 361 203 01	Wheel bolt Adapter Discontinued part		5	PR:447
12	997 361 203 02	Wheel bolt Adapter		5	PR:447
13	997 362 021 00	Spare wheel		1	PR:447
14	997 361 189 00	Washer		4	
15		Conical ring			
16	997 361 187 00	Securing ring 2,0		4	

Model: 997G07

Model life 2007>>2011



Model: 997G07 Model life 2007>>2011

Pos	Part Number	Description	Remark	Qty	Model
		tyre pressure control system			PR:482,483
1	997 606 021 00	D >> - MJ 2008 Tyre pressure sensor		4	PR:482
(1)	997 606 021 01	tyre pressure control system also use:	955 361 053 00		
		D >> - MJ 2007 Tyre pressure sensor		4	PR:482
(1)	997 606 021 02	tyre pressure control system also use:	955 361 053 00		
		D - MJ 2008>> Discontinued part			
(1)	997 606 021 02	Tyre pressure sensor		4	PR:482
(1)	997 606 023 00	tyre pressure control system also use:	955 361 053 00		
		D - MJ 2008>> Tyre pressure sensor		4	PR:483
(1)	997 606 023 01	tyre pressure control system also use:	955 361 053 00		
		D >> - MJ 2007 Discontinued part			
(1)	997 606 023 01	Tyre pressure sensor		4	PR:483
(1)	997 606 023 02	tyre pressure control system also use:	955 361 053 00		
		D - MJ 2008>> Discontinued part			
(2)	997 606 023 02	Tyre pressure sensor		4	PR:483
(2)	997 606 023 03	tyre pressure control system also use:	955 361 053 00		
		Discontinued part Tyre pressure sensor		4	PR:483
		tyre pressure control system also use:	955 361 053 00		
		Discontinued part Tyre pressure sensor		4	PR:483
		tyre pressure control system also use:	955 361 053 00		
2	955 361 053 00	Valve aluminium Discontinued part		4	
(2)	9P1 601 361 A	Valve aluminium		4	
3	N 908 729 01	Valve cap for valve unit		4	
4	4D0 601 365	Hexagon socket head bolt, self-locking		4	
5	997 618 103 06	Control unit for tyre pressure control		1	
6	997 618 203 01	Bracket Control unit		1	
7	999 076 081 40	Hexagon plastic collar nut T5 16 X 11, 2		7	
8	997 606 101 00	Aerial 433 MHZ		4	PR:482
(8)	997 606 103 00	also use:	997 606 225 00	4	PR:483
(8)	997 606 103 00	Aerial 315 MHZ		4	PR:483
(8)	997 606 102 00	also use:	997 606 225 00	4	PR:483
(8)	997 606 102 00	Aerial 433MHZ		4	"ROK"
9	997 606 225 00	only in conj. with: 997.606.021.02 Clip for Aerial		4 2	

Model: 997G07

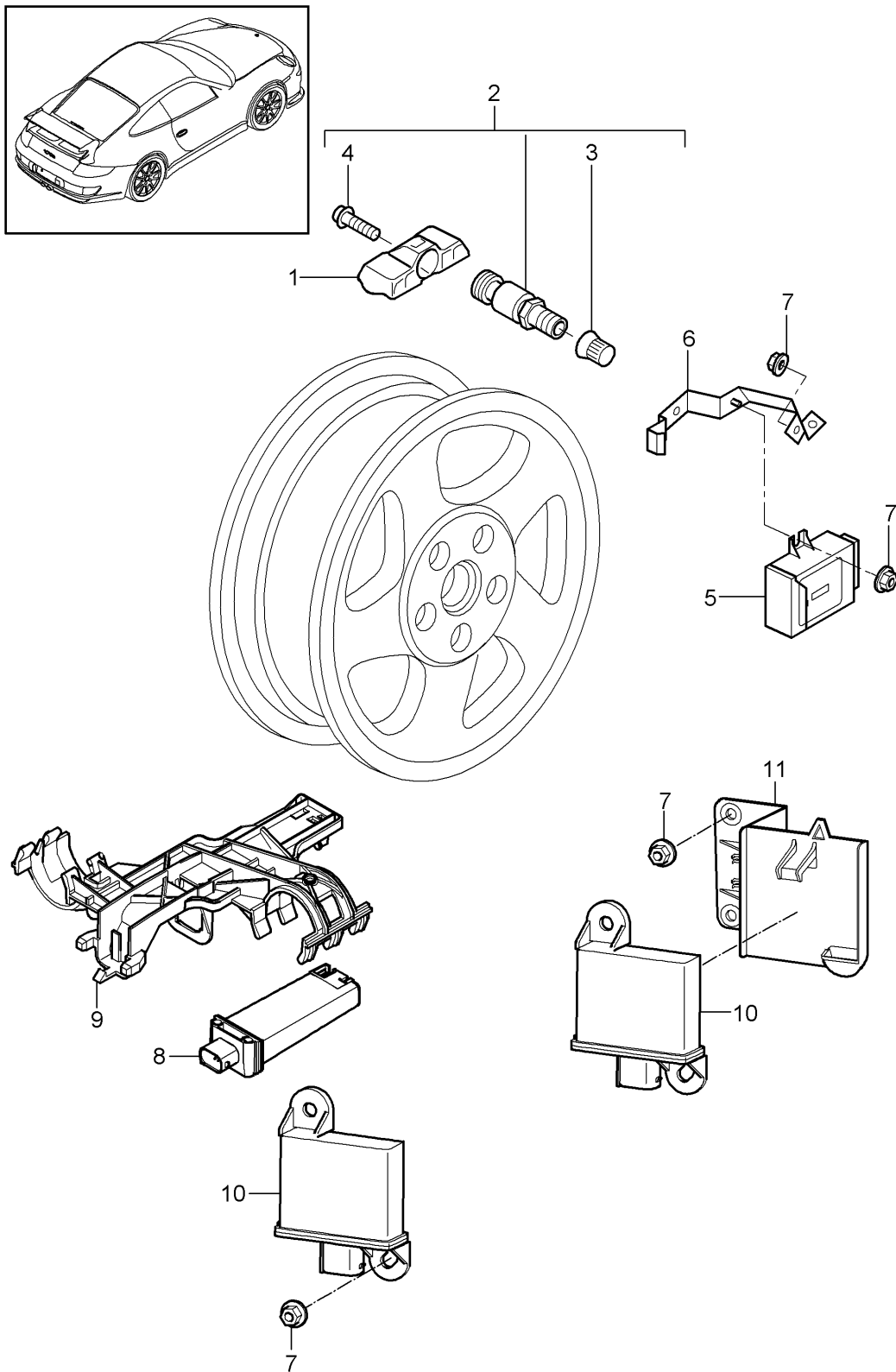
Model life 2007&gt;&gt;2011

Pos	Part Number	Description	Remark	Qty	Model
10	999 919 121 09	Rear axle fillister hd. bolt M 5 X 16		2	
11	999 919 023 09	fillister hd. bolt M 5 X 35		4	
12	N 105 168 01	expanding nut ST 4,8		4	
13	997 606 141 00	Retainer for aerial	front	2	



Model: 997G07

Model life 2007>>2011



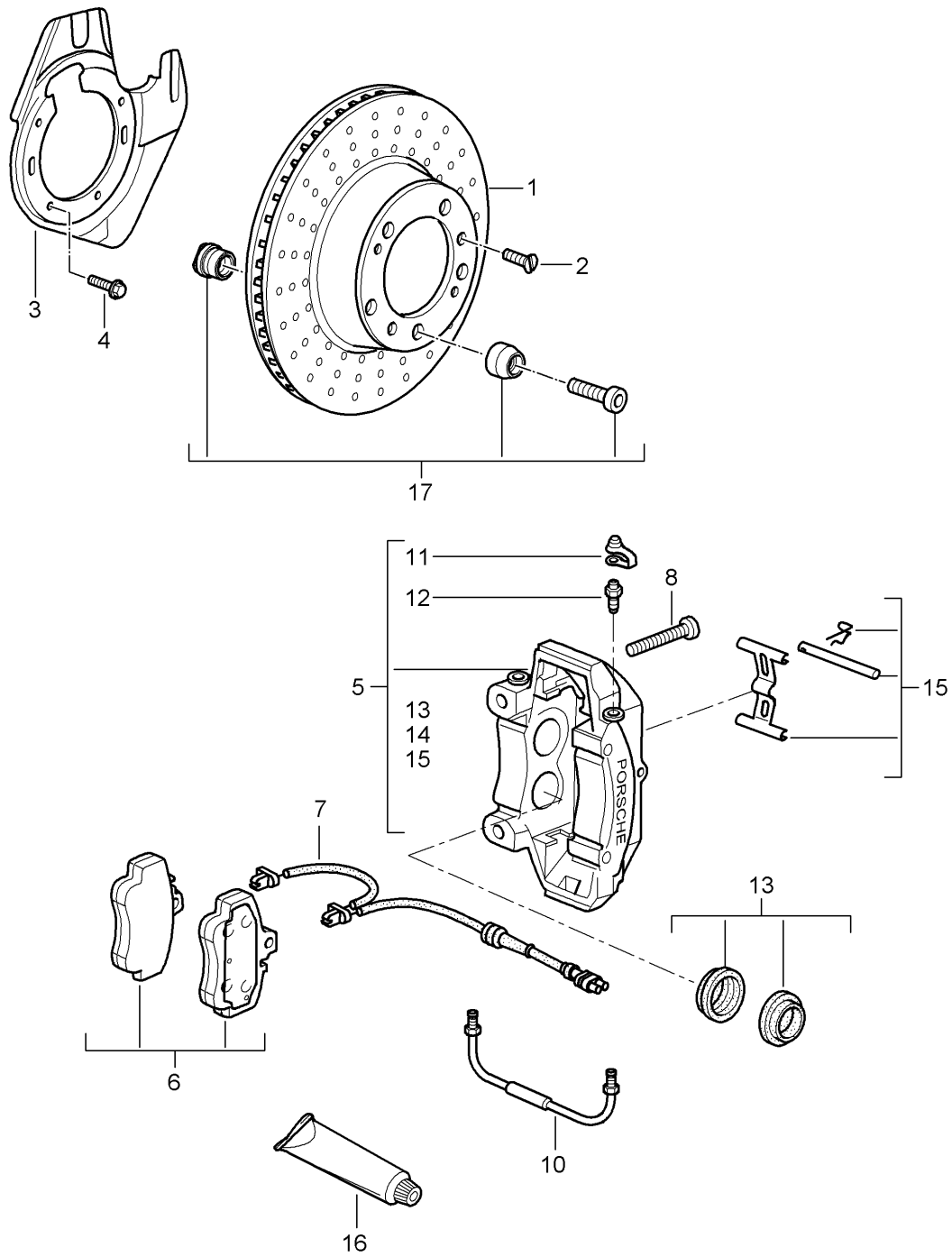
Model: 997G07

Model life 2007>>2011

Pos	Part Number	Description	Remark	Qty	Model
1	997 606 021 20	tyre pressure control system D - MJ 2010>> Sensor		4	PR:482,483 PR:482
(1)	958 361 661 00	tyre pressure control system also use: Discontinued part Sensor	955 361 053 00	4	PR:482
(1)	7PP 907 275 F	tyre pressure control system also use: Discontinued part Tyre pressure sensor	955 361 053 00	4	PR:482
2	955 361 053 00	tyre pressure control system also use: Valve aluminium Discontinued part	955 361 053 00	4	
(2)	9P1 601 361 A	Valve aluminium		4	
3	N 908 729 01	Valve cap for valve unit		4	
4	4D0 601 365	Hexagon socket head bolt, self-locking		4	
5	997 618 103 23	Control unit for tyre pressure control		1	
6	997 618 203 02	Bracket Control unit		1	
7	999 076 081 40	Hexagon plastic collar nut T5 16 X 11, 2		8	
8	955 606 101 00	Aerial 433 MHZ		1	PR:482
9	997 606 259 00	Retainer for aerial		1	
10	955 618 113 00	Sender for tyre pressure monitoring system		4	
11	997 606 242 00	Holder for sender unit	right front	1	
(11)	997 606 241 00	Holder for sender unit	left front	1	
-	997 652 057 00	Compressor for Spare wheel		1	

Model: 997G07

Model life 2007>>2011



Model: 997G07 Model life 2007>>2011

Pos	Part Number	Description	Remark	Qty	Model
-		Disc brake Front axle Brake disc Only in pairs Replace Technical manual Attention			PR:450
1	997 351 409 90	Brake disc D - MJ 2008	left front	1	
(1)	997 351 409 91	Brake disc also use: See technical manual Group: 46 50 19 D - MJ 2010>>	left front	1	
(1)	997 351 031 91	Brake disc D - MJ 2008	left front	1	PR:450
(1)	997 351 031 96	Brake disc also use: See technical manual Group: 46 51 19 D - MJ 2010>>	left front	1	PR:450
(1)	997 351 410 90	Brake disc D - MJ 2008	right front	1	
(1)	997 351 410 91	Brake disc also use: See technical manual Group: 46 50 19 D - MJ 2010>>	right front	1	
(1)	997 351 032 91	Brake disc D - MJ 2008	right front	1	PR:450
(1)	997 351 032 96	Brake disc also use: See technical manual Group: 46 51 19 D - MJ 2010>>	right front	1	PR:450
2	900 269 047 09	countersunk bolt M 6 X 12 D - MJ 2008		4	
2	900 269 047 01	Discontinued part countersunk bolt M 6 X 12		4	
2	999 015 025 09	Oval-head screw M 6 X 12 D - MJ 2010		4	
3	996 351 813 90	Cover plate D - MJ 2007>> - MJ 2007	left lower	1	
(3)	997 351 813 90	Cover plate D - MJ 2008>>	left lower	1	
(3)	996 351 815 90	Air guide plate	left	1	
(3)	996 351 814 90	Cover plate	right lower	1	
(3)	997 351 814 90	D - MJ 2007>> - MJ 2007 Cover plate	right lower	1	
(3)	996 351 816 90	D - MJ 2008>> Air guide plate	right	1	

Model: 997G07 Model life 2007>>2011

Pos	Part Number	Description	Remark	Qty	Model
-	900 378 036 09	Hexagon bolt M 6 x 16 D - MJ 2007>> - MJ 2007		4	
-	900 378 036 01	Hexagon bolt M 6 x 16 D - MJ 2008>>		4	
-	900 380 015 09	Hexagon nut _M 6 D - MJ 2007>> - MJ 2007		4	
-	900 380 015 01	Hexagon nut M 6 D - MJ 2008>>		4	
4	999 217 116 09	Hexagon bolt M 6 X 16 D - MJ 2007>> - MJ 2007		X	
(4)	999 217 116 01	Hexagon bolt M 6 x 16 D - MJ 2008>>		X	
5	996 351 431 90	caliper without brake pads also use: D >> - MJ 2008	left 999 067 047 09	1 4	
(5)	997 351 431 94	caliper without brake pads also use: D - MJ 2010>>	left 999 067 054 09	1 4	
(5)	997 351 431 92	caliper without brake pads also use:	left 999 067 054 09	1 4	PR:450
(5)	996 351 432 90	caliper without brake pads also use:	right 999 067 047 09	1 4	
(5)	997 351 432 94	caliper without brake pads also use: D - MJ 2010>>	right 999 067 054 09	1 4	
(5)	997 351 432 92	caliper without brake pads also use:	right 999 067 054 09	1 4	PR:450
6	996 351 948 00	1 set of brake pads for disk brake also use: Fasteners	front 999 067 047 09	1 4	
(6)	997 351 948 91	1 set of brake pads for disk brake also use: Fasteners	front 999 067 054 09	1 4	
(6)	997 351 948 02	1 set of brake pads for disk brake also use:	front 999 067 054 09	1 4	PR:450
(6)	997 351 948 90	1 set of brake pads for disk brake also use:	front 999 067 054 09	1 4	PR:450
-	996 352 086 01	Damping plate only in conj. with: 1 set of brake pads for disk brake 996.351.948.00 D >> - MJ 2008		12	
-	996 352 086 02	Discontinued part Damping plate only in conj. with: 1 set of brake pads for disk brake 996.351.948.00		12	

Model: 997G07 Model life 2007>>2011

Pos	Part Number	Description	Remark	Qty	Model
7	997 612 677 90	sender wire (pad wear indicator)		2	
-	999 507 464 40	bracket for speed sensor		2	
-	944 612 627 00	Line holder for Warning contact		3	
8	999 067 047 09	Socket head bolt M 12 X 1,5 X 85 D - MJ 2007>> - MJ 2007		4	
(8)	999 067 053 09	Socket head bolt m 12 x 1,5 x 85 D - MJ 2008>>		4	
(8)	999 067 054 09	Socket head bolt M 12 X 1,5 X 62 D - MJ 2010>>		4	
(8)	999 067 054 09	Socket head bolt M 12 X 1,5 X 62		4	PR:450
10	996 351 961 30	Connecting line D >> - MJ 2008		2	
10	997 351 961 91	Connecting line D - MJ 2010>>		2	
(10)	980 351 961 00	Connecting line		2	PR:450
11	930 351 927 00	dust cap Discontinued part		2	
11	930 351 927 01	dust cap		2	
12	997 352 919 00	Breather valve		2	
13	951 352 917 00	repair set Protection caps 28 MM D >> - MJ 2008		X	
(13)	996 351 915 00	repair set Protection caps 32 MM D >> - MJ 2008		X	
(13)	996 351 915 01	repair set Protection caps 38 MM D >> - MJ 2008		X	
13	951 352 917 00	repair set Protection caps 28 MM D - MJ 2010>>		X	
(13)	951 352 917 01	repair set Protection caps 30 MM D - MJ 2010>>		X	
(13)	996 351 915 00	repair set Protection caps 32 MM D - MJ 2010>>		X	
(13)	951 352 917 00	repair set Protection caps 28 MM		X	PR:450
(13)	996 351 915 00	repair set Protection caps 32 MM		X	PR:450
(13)	951 352 917 01	repair set Protection caps 30 mm		X	PR:450
15	996 351 959 30	repair set Fasteners Pin Cup expander spring		1	

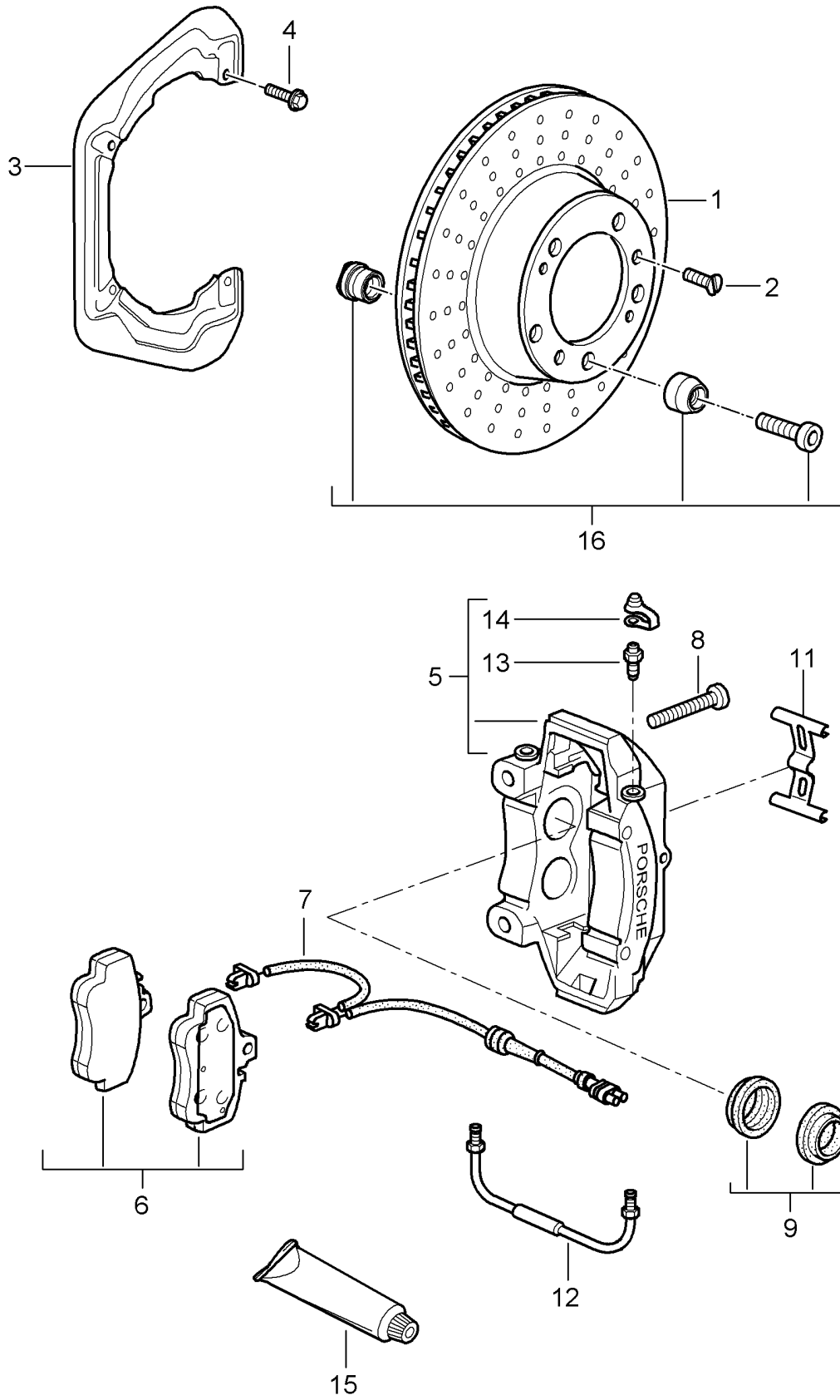
Model: 997G07

Model life 2007>>2011

Pos	Part Number	Description	Remark	Qty	Model
16	000 043 117 00	Screw brake cylinder paste 50 G		X	
16	000 043 020 00	Assembly paste 100 G		X	
17	997 341 901 00	Assembly kit comprising: Driving pin Sleeve Fastening screw See technical manual 46 50 19 46 51 19 D - MJ 2010>>		2  5 5 5	PR:430

Model: 997G07

Model life 2007>>2011





Model: 997G07 Model life 2007>>2011

Pos	Part Number	Description	Remark	Qty	Model
-		Disc brake Rear axle Subsequent installation Cooling Brake see Technical information Group 4 2/08			PR:004
-		D >> - MJ 2008 Brake disc Only in pairs Replace Technical manual Attention			PR:450
1	997 352 405 01	Brake disc	left rear	1	
		D >> - MJ 2008			
1	997 352 405 92	Brake disc	left rear	1	
		also use: See technical manual Group: 46 53 19			
1	997 352 405 98	D - MJ 2010>> Brake disc	997 341 901 00 left rear	X 1	GT3 RS 4.0 PR:006
		also use: See technical manual Group: 46 53 19			
(1)	996 352 031 04	Brake disc	997 341 901 00 left rear	X 1	PR:450
(1)	997 352 031 00	D - MJ 2007>> - MJ 2007 Brake disc	left rear	1	PR:450
		D - MJ 2008>> - MJ 2008 Discontinued part			
(1)	997 352 031 01	Brake disc	left rear	1	PR:450
		D - MJ 2008>> Discontinued part			
(1)	298 615 601	Brake disc	left rear	1	PR:450
		D - MJ 2008>> Discontinued part			
(1)	298 615 601 C	Brake disc	left rear	1	PR:450
		D - MJ 2008>>			
(1)	997 352 031 94	Brake disc	left rear	1	PR:450
		also use: See technical manual Group: 46 54 19	997 341 901 00	X	
(1)	997 352 406 01	D - MJ 2010>> Brake disc	right rear	1	
		D >> - MJ 2008			
1	997 352 406 92	Brake disc	right rear	1	
		also use: See technical manual Group: 46 53 19			
1	997 352 406 98	D - MJ 2010>> Brake disc	997 341 901 00 right rear	X 1	GT RS 4.0 PR:006
		also use: See technical manual Group: 46 53 19			
			997 341 901 00	X	

Model: 997G07 Model life 2007>>2011

Pos	Part Number	Description	Remark	Qty	Model
(1)	996 352 032 04	Brake disc D - MJ 2007>> - MJ 2007	right rear	1	PR:450
(1)	997 352 032 00	Brake disc D - MJ 2008>> - MJ 2008 Discontinued part	right rear	1	PR:450
(1)	997 352 032 01	Brake disc D - MJ 2008>> Discontinued part	right rear	1	PR:450
(1)	298 615 602	Brake disc D - MJ 2008>> Discontinued part	right rear	1	PR:450
(1)	298 615 602 C	Brake disc D - MJ 2008>>	right rear	1	PR:450
(1)	997 352 032 94	Brake disc also use: See technical manual	right rear 997 341 901 00	1 X	PR:450
		Group: 46 54 19 D - MJ 2010>>			
(2)	900 269 047 09	countersunk bolt M 6 X 12 D >> - MJ 2008 Discontinued part		4	
(2)	900 269 106 01	countersunk bolt M 6 X 16 D >> - MJ 2008		4	PR:XRP
(2)	999 015 025 09	Oval-head screw M 6 X 12 D - MJ 2010>>		4	
(3)	996 352 801 03	Cover plate D >> - MJ 2008		2	
(3)	996 352 801 30	Cover plate D - MJ 2010>>	left	1	
(3)	996 352 802 30	Cover plate D - MJ 2010>>	right	1	
4	999 217 116 09	Hexagon bolt M 6 X 16 D - MJ 2007>> - MJ 2007		5	
(4)	999 217 116 01	Hexagon bolt M 6 x 16 D - MJ 2008>>		5	
5	997 352 425 97	caliper without brake pads also use: D >> - MJ 2008	left 999 067 040 01	1 2	PR:-450
5	997 352 425 99	caliper without brake pads also use: D - MJ 2010>>	left 999 067 040 01	1 2	
(5)	997 352 425 96	caliper without brake pads also use: D >> - MJ 2008	left 999 067 040 01	1 2	PR:450
(5)	997 352 425 98	caliper without brake pads also use: D - MJ 2010>>	left 999 067 040 01	1 2	PR:450
(5)	997 352 426 97	caliper without brake pads also use: D >> - MJ 2008	right 999 067 040 01	1 2	PR:-450
(5)	997 352 426 99	caliper without brake pads also use: D - MJ 2010>>	right 999 067 040 01	1 2	
(5)	997 352 426 96	caliper without brake pads also use: D >> - MJ 2008	right 999 067 040 01	1 2	PR:450
(5)	997 352 426 98	caliper without brake pads	right	1	PR:450

Model: 997G07 Model life 2007>>2011

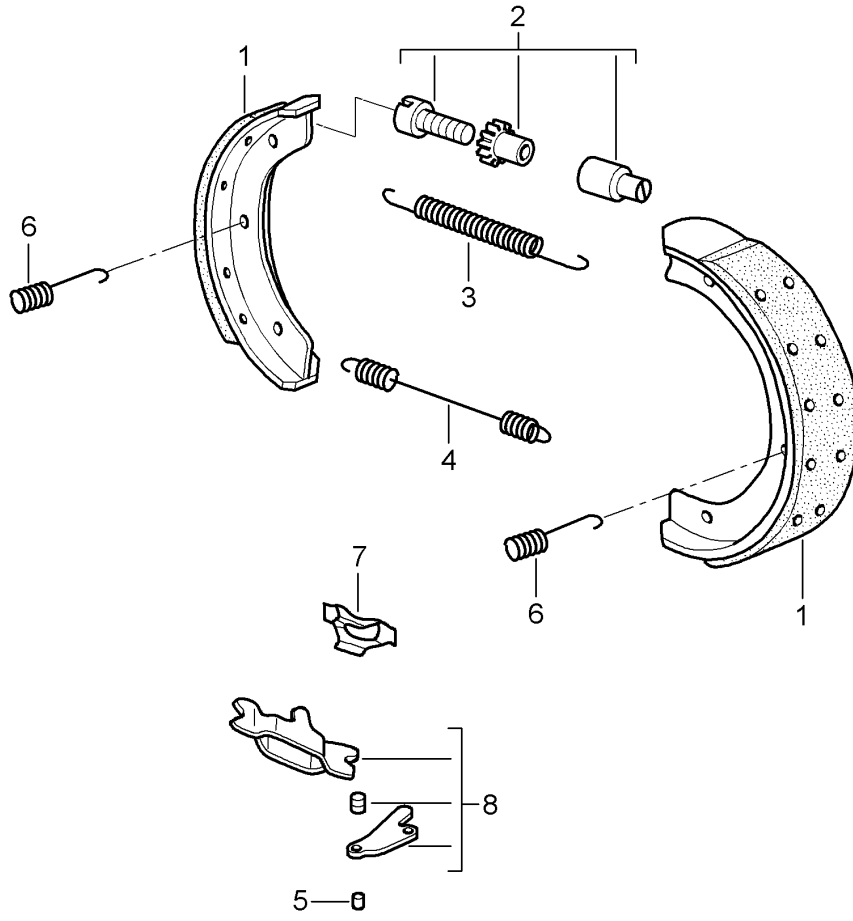
Pos	Part Number	Description	Remark	Qty	Model
			also use: 999 067 040 01	2	
6	997 352 947 01	D - MJ 2010>> 1 set of brake pads for disk brake	rear	1	
			999 067 040 01	4	
(6)	997 352 947 01	also use: 1 set of brake pads for disk brake	rear	1	PR:450
			999 067 040 01	4	
(6)	997 352 947 90	also use: 1 set of brake pads for disk brake	rear	1	
			999 067 040 01	4	
(6)	997 352 947 92	also use: 1 set of brake pads for disk brake	rear	1	
			999 06 7.0 40	4	
		also use: See technical manual	4		
		Group: D - MJ 2007>> - MJ 2008	4636 NR. 2/08		
(6)	997 352 947 90	1 set of brake pads for disk brake	rear	1	PR:450
			999 067 040 01	4	
(6)	997 352 947 93	also use: 1 set of brake pads for disk brake	rear	1	
			999 067 040 01	4	
		also use: See technical manual	4		
		Group: D - MJ 2010>> Discontinued part	NR. 50/09		
(6)	997 352 947 95	1 set of brake pads for disk brake	rear	1	
			999 067 040 01	4	
		also use: See technical manual	4		
		Group: D - MJ 2010>>	NR. 50/09		
(6)	997 352 947 92	1 set of brake pads for disk brake	rear	1	
			999 067 040 01	4	
		also use: See technical manual	4		
		Group: D - MJ 2010>>	NR. 50/09		
(6)	997 352 949 01	1 set of brake pads for disk brake	rear	1	
			999 067 040 01	4	
		also use: See technical manual	4		
		Group: D - MJ 2010>>	NR. 50/09		
-	996 352 086 01	Damping plate 28 MM		X	
		only in conj. with: 997.352.947.01			
-	996 352 086 02	Discontinued part Damping plate 28 MM		X	
		only in conj. with: 997.352.947.01			
7	997 612 754 00	sender wire		2	

Model: 997G07 Model life 2007>>2011

Pos	Part Number	Description	Remark	Qty	Model
8	999 067 040 01	(pad wear indicator) Socket head bolt M 12 X 1,5 X 95		4	
9	965 352 917 00	Repair set for rear axle		2	
		Protection caps		2	
11	997 352 959 10	Spring		2	
12	997 352 961 00	Connecting line	left	2	
		D >> - MJ 2008			
(12)	997 352 962 00	Connecting line	right	2	
		D >> - MJ 2008			
13	997 352 919 00	Breather valve		4	
14	930 351 927 00	dust cap		4	
		Discontinued part			
14	930 351 927 01	dust cap		4	
15	000 043 117 00	brake cylinder paste 50 G		X	
(15)	000 043 020 00	Assembly paste 100 G		X	
16	997 341 901 00	Assembly kit		2	PR:430
		Fasteners			
		Set			
		comprising:			
		Driving pin		5	
		Sleeve		5	
		Fastening screw		5	
		See technical manual			
		46 50 19			
		46 51 19			
		D - MJ 2010>>			

Model: 997G07

Model life 2007>>2011



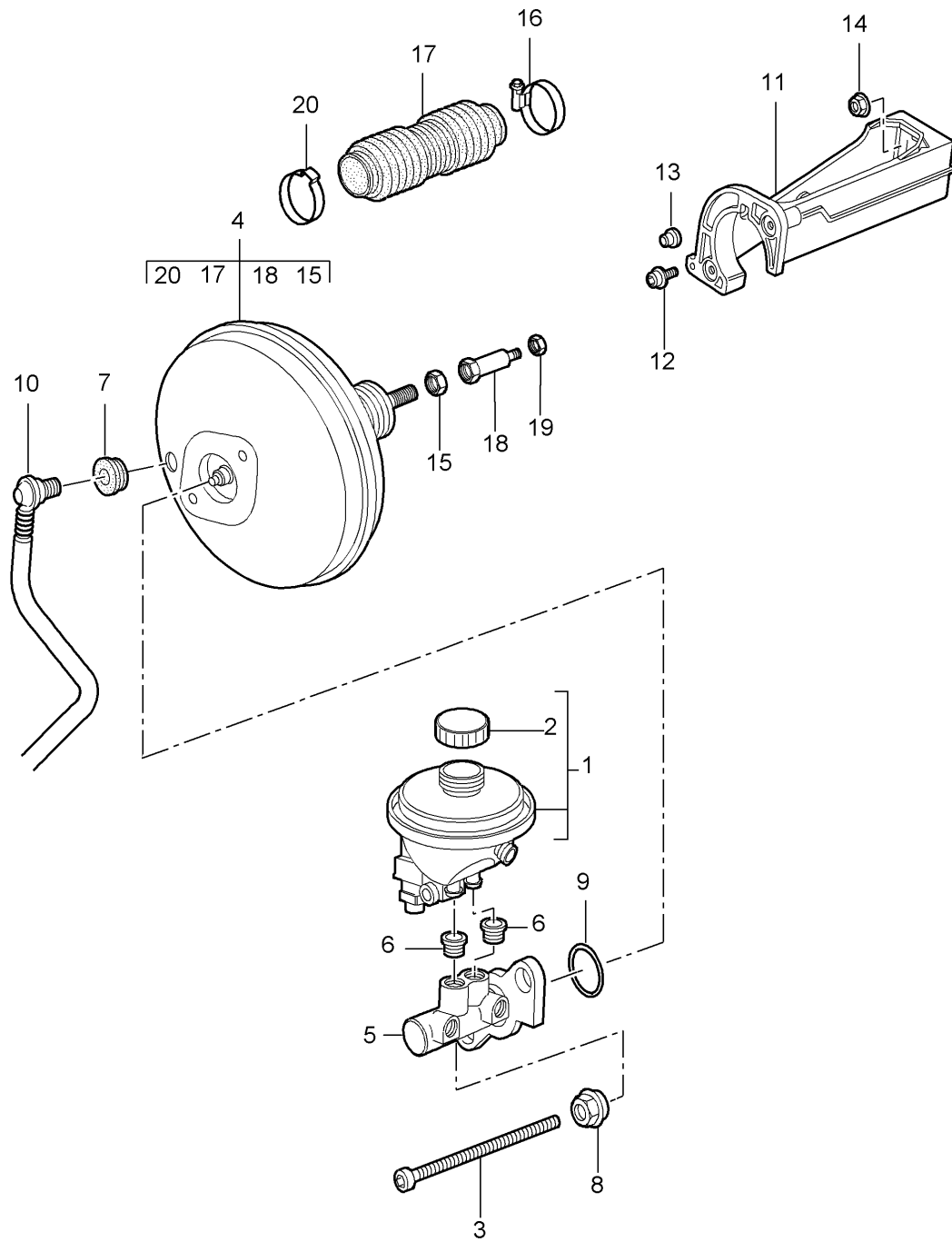
Model: 997G07

Model life 2007>>2011

Pos	Part Number	Description	Remark	Qty	Model
-		handbrake See technical manual			
		Group:			
(1)	997 352 993 01	46 83 20 Brake shoe repair set		1	
		only in conj. with:			
		Pressure spring 997.352.741.00			
(1)	997 352 993 02	D >> - MJ 2008 Brake shoe 1 set		1	
2	993 352 071 00	D - MJ 2010>> adjustment screw		2	
(2)	298 609 723	Discontinued part adjustment screw		2	
3	997 352 721 01	tension spring		2	
		Short Discontinued part			
(3)	298 609 717	tension spring		2	
		Short			
4	997 352 723 02	tension spring		2	
		Long			
5	993 352 737 00	Pin		2	
6	997 352 741 00	Pressure spring		4	
		only in conj. with:			
		Brake shoe 997.352.993.01			
6	997 352 741 02	D >> - MJ 2008 Pressure spring		4	
		D - MJ 2010>> Discontinued part			
(6)	298 609 583	Pressure spring		4	
		D - MJ 2010>>			
7	997 352 807 00	Support panel		2	
8	928 352 090 01	Push-button lock (complete)		2	

Model: 997G07

Model life 2007>>2011



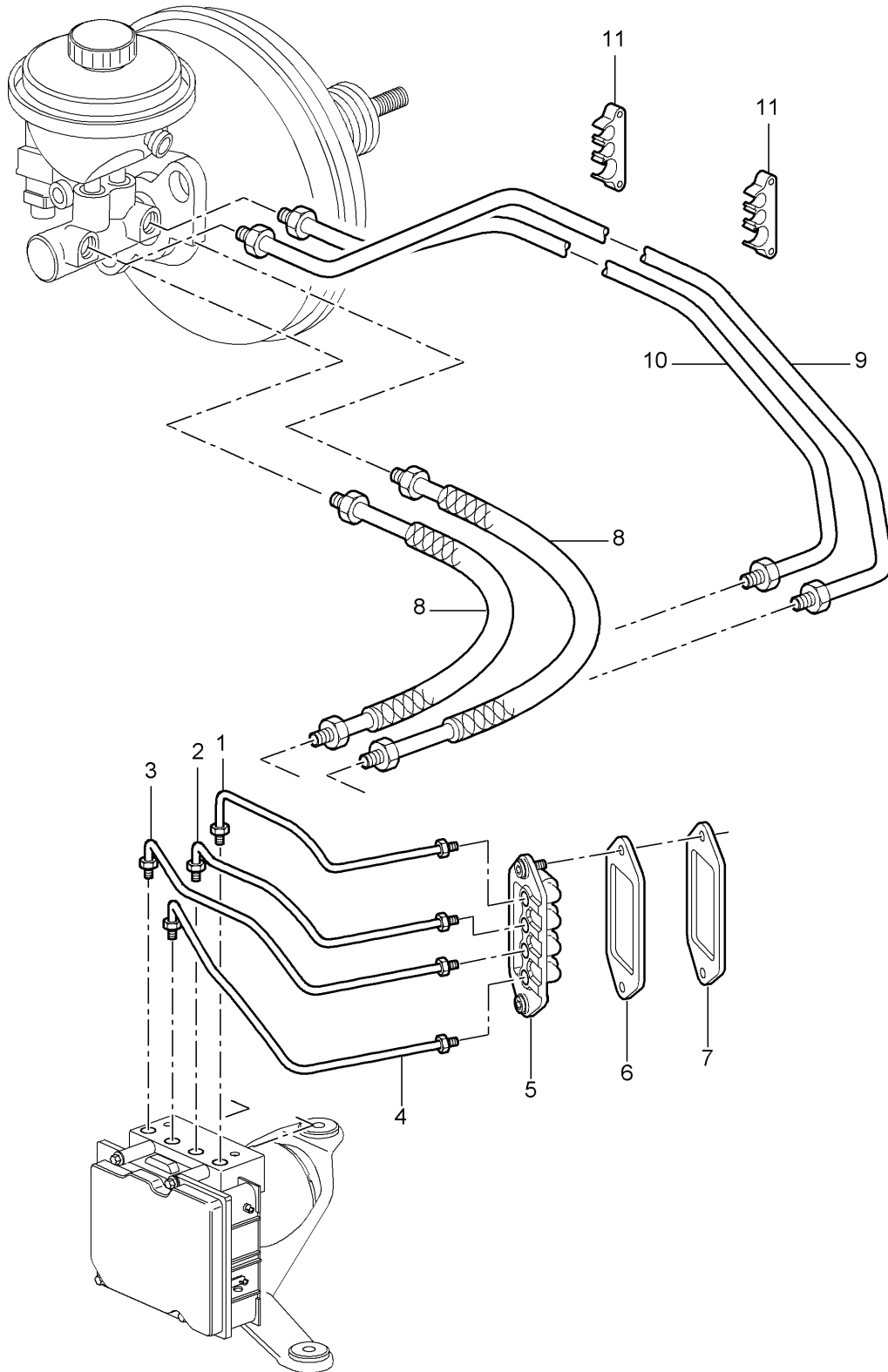
Model: 997G07 Model life 2007>>2011

Pos	Part Number	Description	Remark	Qty	Model
-	000 043 210 82	Brake master cylinder			
-	000 043 210 86	Brake servo			
-	000 043 210 86	brake fluid	1.0 Ltr.	X	
-	000 043 210 86	brake fluid	30ltr.	X	
1	997 355 013 01	Reservoir for brake fluid		1	
2	996 355 119 01	catch		1	
-	997 355 125 00	contact carrier for container		1	
3	999 073 327 09	Socket head bolt M 8 X 197 X 29		2	
4	997 355 923 90	Brake servo		1	
-	996 355 137 01	catch		1	
		Threaded joint			
5	997 355 910 30	Brake servo		1	
6	993 355 922 00	Brake master cylinder		1	
7	999 702 182 40	Grommet		2	
8	997 355 925 00	Rubber bush		1	
9	997 355 925 00	Hexagon nut		2	
9	993 355 212 00	Seal		1	
10	997 355 577 26	Vacuum line		1	PR:098
11	997 423 251 00	Intermediate piece		1	
12	999 073 189 01	flat round head bolt M 6 X 12		2	
13	999 703 448 50	Bungs	right	1	
14	900 380 005 01	Nut M 8		2	
15	900 183 015 02	Hexagon nut M 12 X 1,5		1	
-	996 355 901 01	Seal		1	
		Brake servo filler plate			
16	999 512 478 00	Hose clamp		1	
17	997 355 969 00	Bellows		1	
18	996 355 927 01	Connecting piece		1	
19	900 380 015 09	Hexagon nut M 6		1	
		D >> - MJ 2008			
(19)	900 380 015 01	Hexagon nut M 6		1	
		D - MJ 2010>>			
20	999 512 672 00	clamp		1	



Model: 997G07

Model life 2007>>2011

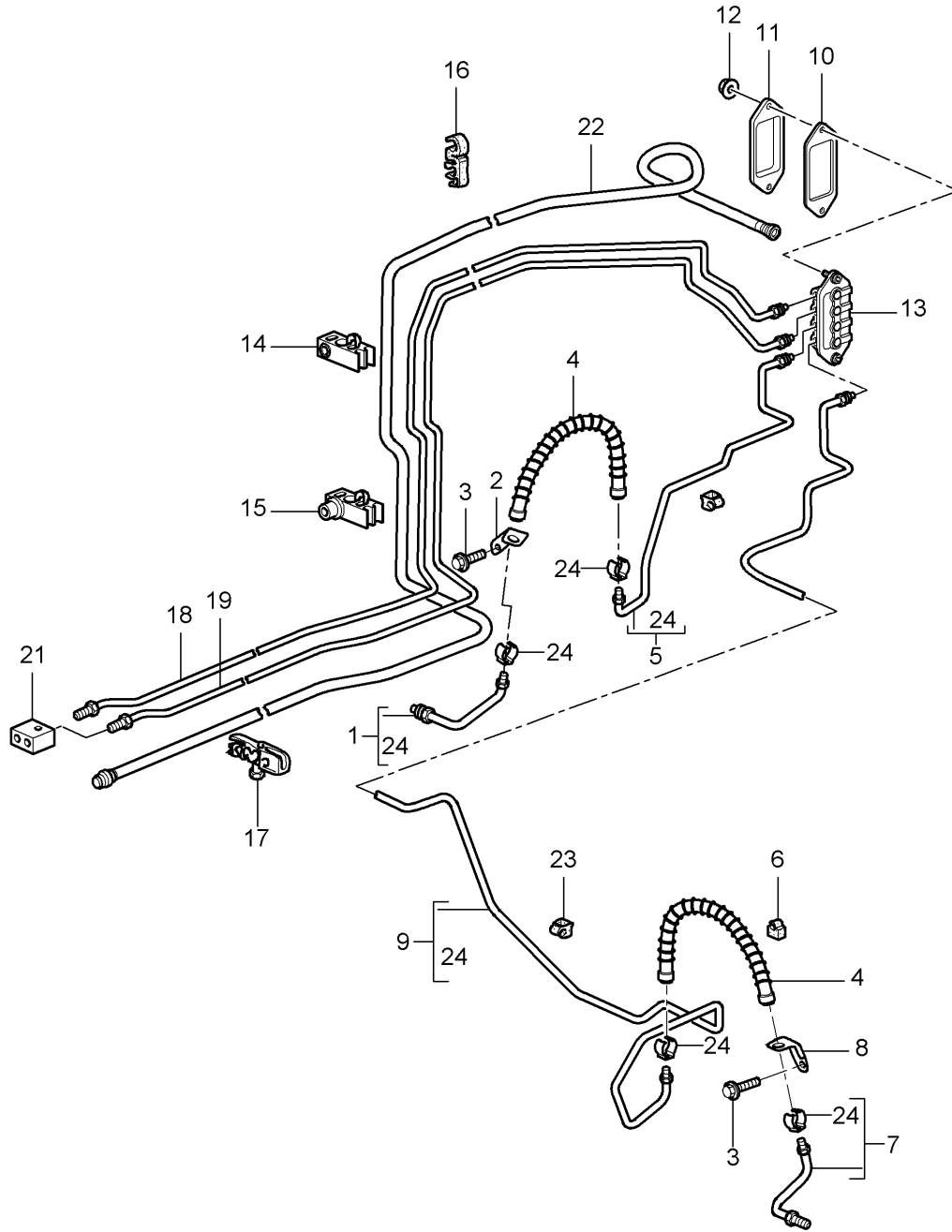


Model: 997G07 Model life 2007>>2011

Pos	Part Number	Description	Remark	Qty	Model
(1)	997 355 315 26	Brake lines Front end Brake line D >> - MJ 2008		1	PR:098
(1)	997 355 315 30	Brake line D - MJ 2010>> Discontinued part		1	PR:098
(1)	997 355 315 31	Brake line D - MJ 2010>>		1	PR:098
1	997 355 315 00	Brake line D >> - MJ 2008		1	PR:099
1	997 355 315 10	Brake line D - MJ 2010>>		1	PR:099
(2)	997 355 316 26	Brake line D >> - MJ 2008		1	PR:098
(2)	997 355 316 30	Brake line D - MJ 2010>> Discontinued part		1	PR:098
(2)	997 355 316 31	Brake line D - MJ 2010>>		1	PR:098
2	997 355 316 00	Brake line D >> - MJ 2008		1	PR:099
2	997 355 316 10	Brake line D - MJ 2010>>		1	PR:099
(3)	997 355 327 27	Brake line D >> - MJ 2008		1	PR:098
(3)	997 355 327 30	Brake line D - MJ 2010>> Discontinued part		1	PR:098
(3)	997 355 327 31	Brake line D - MJ 2010>>		1	PR:098
3	997 355 327 00	Brake line D >> - MJ 2008		1	PR:099
3	997 355 327 10	Brake line D - MJ 2010>>		1	PR:099
(4)	997 355 326 27	Brake line D >> - MJ 2008		1	PR:098
(4)	997 355 326 30	Brake line D - MJ 2010>> Discontinued part		1	PR:098
(4)	997 355 326 31	Brake line D - MJ 2010>>		1	PR:098
4	997 355 326 00	Brake line D >> - MJ 2008		1	PR:099
4	997 355 326 10	Brake line D - MJ 2010>>		1	PR:099
5	997 355 650 00	Intermediate piece		1	
6	997 355 752 00	Seal		1	
7	997 355 753 00	Reinforcement		1	
8	997 355 311 00	Pressure line D >> - MJ 2008		2	PR:098
8	997 355 311 10	Pressure line D - MJ 2010>>		2	PR:098
9	997 355 312 25	Pressure line D >> - MJ 2008		1	PR:099
9	997 355 312 30	Pressure line D - MJ 2010>>		1	PR:099
10	997 355 314 25	Pressure line D >> - MJ 2008		1	PR:099
10	997 355 314 30	Pressure line D - MJ 2010>>		1	PR:099
11	999 507 632 40	Cable holder		2	PR:099

Model: 997G07

Model life 2007>>2011



Model: 997G07 Model life 2007>>2011

Pos	Part Number	Description	Remark	Qty	Model
		Brake lines			
		Brake lines			
		Underbody			
		Vacuum line			
1	996 355 581 9B	Brake line	left	1	
(1)	997 355 581 92	Brake line	left	1	PR:450
2	996 355 501 06	Brake hose bracket	left	1	
		D >> - MJ 2008			
2	997 355 501 90	Brake hose bracket	left	1	
		D - MJ 2010>>			
3	999 217 116 09	Hexagon bolt		2	
		M 6 X 16			
		D >> - MJ 2008			
(3)	999 217 116 01	Hexagon bolt		2	
		M 6 x 16			
		D - MJ 2010>>			
4	996 355 139 00	Brake hose		2	
5	997 355 175 02	Brake line	left	1	
		D >> - MJ 2008			
(5)	997 355 175 10	Brake line	left	1	
		D - MJ 2010>>			
		Discontinued part			
(5)	997 355 175 11	Brake line	left	1	
		D - MJ 2010>>			
6	999 591 930 40	Bracket		X	
7	996 355 584 9B	Brake line	right	1	
(7)	997 355 582 92	Brake line	right	1	PR:450
(8)	996 355 502 06	Brake hose bracket	right	1	
		D >> - MJ 2008			
(8)	997 355 502 90	Brake hose bracket	right	1	
		D - MJ 2010>>			
9	997 355 176 90	Brake line		1	
		Discontinued part			
(9)	997 355 176 91	Brake line		1	
10	997 355 753 00	Reinforcement		1	
11	997 355 752 00	Seal		1	
12	900 380 015 09	Hexagon nut		3	
		M 6			
		D >> - MJ 2008			
(12)	900 380 015 01	Hexagon nut		3	
		M 6			
		D - MJ 2010>>			
13	997 355 650 00	Intermediate piece		1	
14	996 355 545 00	Bracket		3	
15	996 355 549 00	Bracket		1	
16	996 355 547 01	Bracket		2	
17	996 355 543 00	Bracket		1	
18	997 355 177 01	Brake line		1	
		D >> - MJ 2008			
(18)	997 355 177 10	Brake line		1	
		D - MJ 2010>>			
19	997 355 179 01	Brake line		1	
		D >> - MJ 2008			
19	997 355 179 10	Brake line		1	
		D - MJ 2010>>			
		Discontinued part			
(19)	997 355 179 11	Brake line		1	
		D - MJ 2010>>			
21	996 355 760 31	Connecting piece		1	
22	997 355 571 01	Vacuum line		1	
-	999 702 289 41	Grommet		1	
		Wheel housing			
23	999 651 331 40	Cable holder		5	

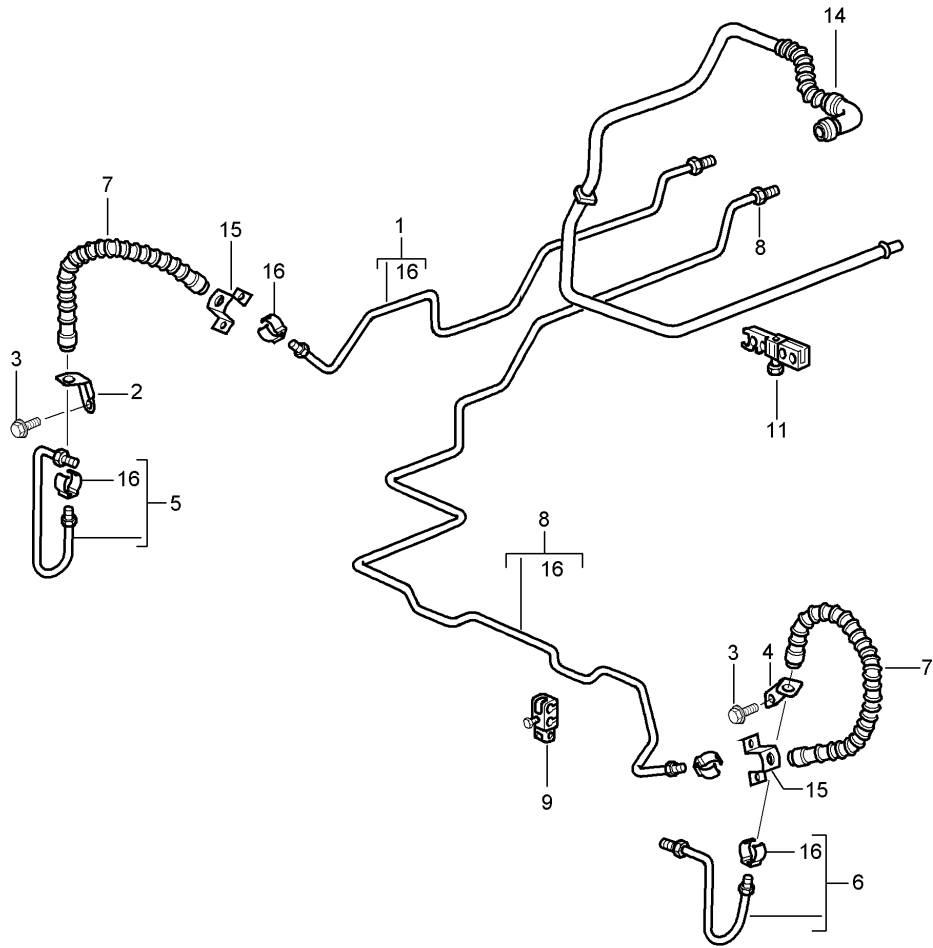
Model: 997G07

Model life 2007&gt;&gt;2011

Pos	Part Number	Description	Remark	Qty	Model
24	997 355 331 01	retaining spring for Brake line		X	

Model: 997G07

Model life 2007>>2011



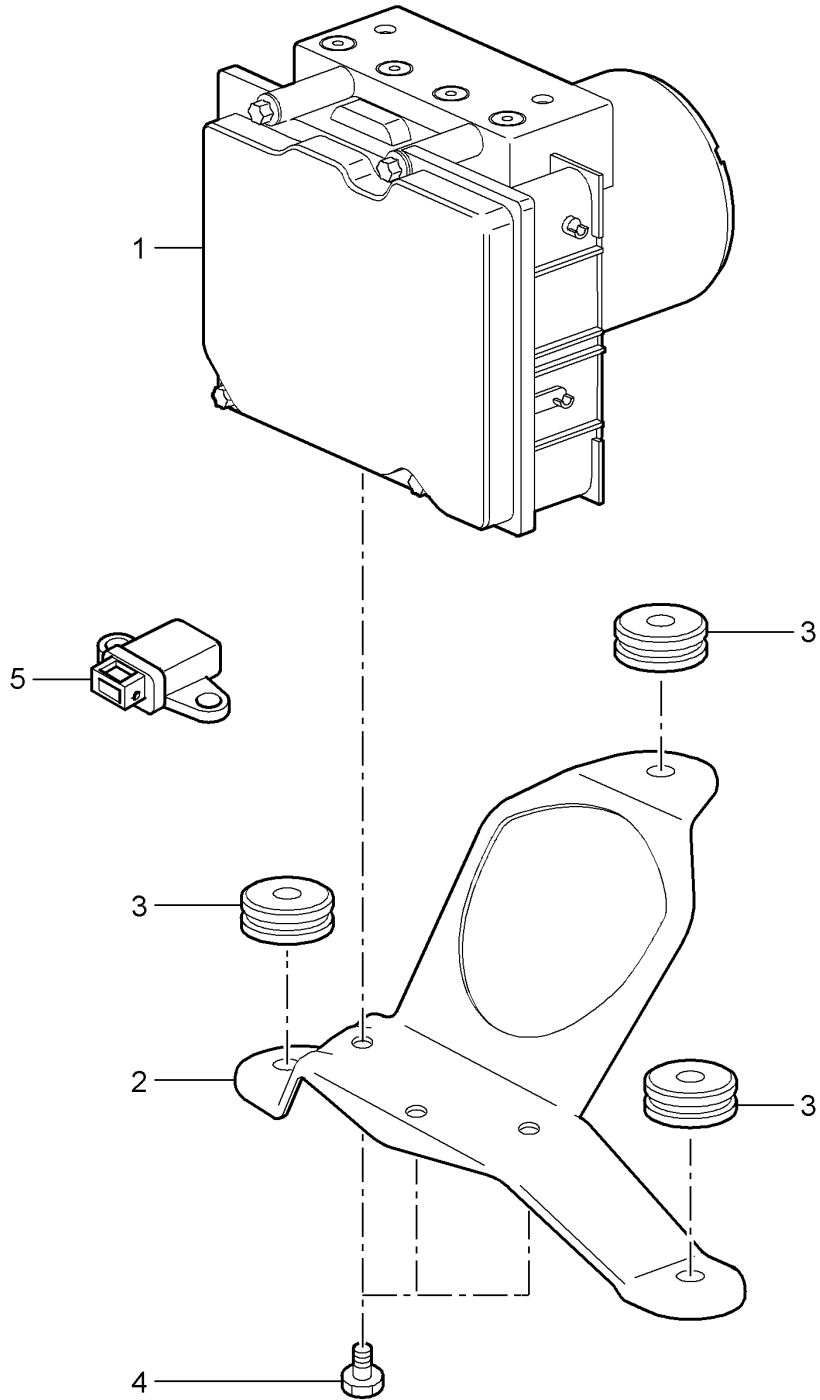
Model: 997G07

Model life 2007>>2011

Pos	Part Number	Description	Remark	Qty	Model
		Brake line Underbody Rear axle Vacuum line			
1	997 355 189 00	Brake line D >> - MJ 2008	left	1	
1	997 355 189 10	Brake line D - MJ 2010>> Discontinued part	left	1	
(10)	997 355 189 11	Brake line D - MJ 2010>>	left	1	
2	997 355 503 10	Retainer for brake hose	left	1	
3	900 067 117 09	Socket head bolt M 6 X 16 D >> - MJ 2008		2	
(3)	900 067 117 04	Socket head bolt M 6 x 16 D - MJ 2010>>		2	
4	997 355 504 10	Retainer for brake hose	right	1	
5	996 355 585 10	Brake line D >> - MJ 2008	left	1	
(5)	996 355 585 11	Brake line D - MJ 2010>>	left	1	
6	996 355 586 10	Brake line D >> - MJ 2008	right	1	
(6)	996 355 586 11	Brake line D - MJ 2010>>	right	1	
7	996 355 139 00	Brake hose		2	
8	997 355 190 02	Brake line D >> - MJ 2008		1	
8	997 355 190 11	Brake line D - MJ 2010>> Discontinued part		1	
(8)	997 355 190 14	Brake line D - MJ 2010>>		1	
9	996 347 543 00	Cable holder		3	
11	996 355 543 00	Bracket		1	
14	997 355 575 51	Vacuum line D >> - MJ 2008		1	
14	997 355 575 91	Vacuum line D - MJ 2010>>		1	
-	999 507 495 40	Bracket		1	
15	996 501 815 02	Brake line bracket		2	
	996 501 815 02 GRV	primed			
16	997 355 331 01	retaining spring for Brake hose		X	

Model: 997G07

Model life 2007>>2011



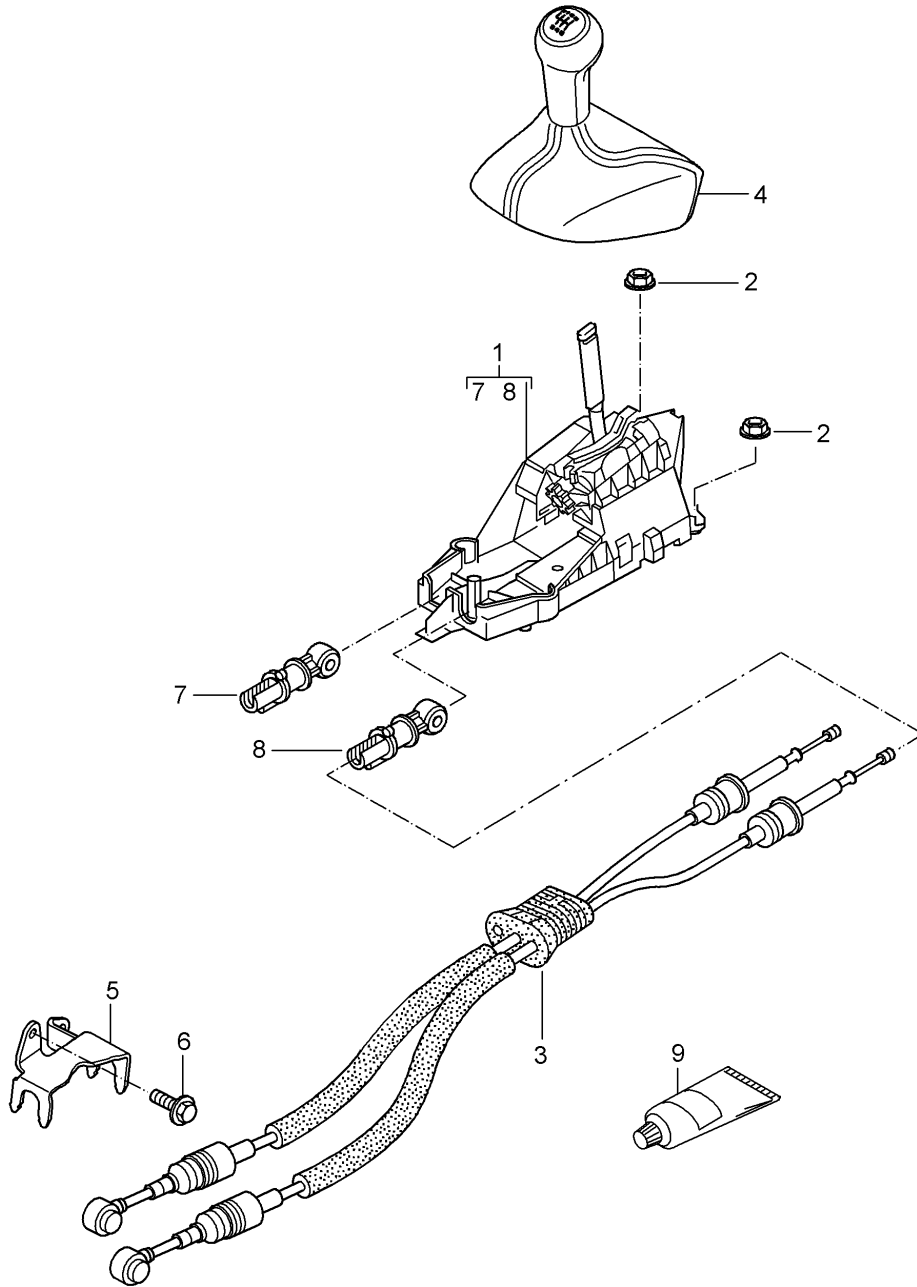


Model: 997G07 Model life 2007>>2011

Pos	Part Number	Description	Remark	Qty	Model
1	997 355 955 93	Hydraulic unit anti-locking brake syst. -abs- Control		1	
1	997 355 955 96	Hydraulic unit D >> - MJ 2008		1	
1	997 355 955 98	Hydraulic unit D - MJ 2010>>		1	PR:006
2	997 355 033 25	Bracket with:		1	PR:098
(2)	997 355 033 00	Rubber bush Bracket with:		1	PR:099
3	964 356 635 00	Rubber bush		3	
-	999 045 004 40	Hexagon nut plastic		3	
4	900 385 060 09	Screw BM 6 X 10 D >> - MJ 2008		3	
(4)	900 385 060 01	Discontinued part Screw BM 6 x 10 D - MJ 2010>>		3	
5	996 606 145 00	Sensor D >> - MJ 2008		1	
5	997 606 145 05	Sensor D - MJ 2010>> - MJ 2010		1	
5	997 606 145 07	Sensor D - MJ 2011>>		1	

Model: 997G07

Model life 2007>>2011

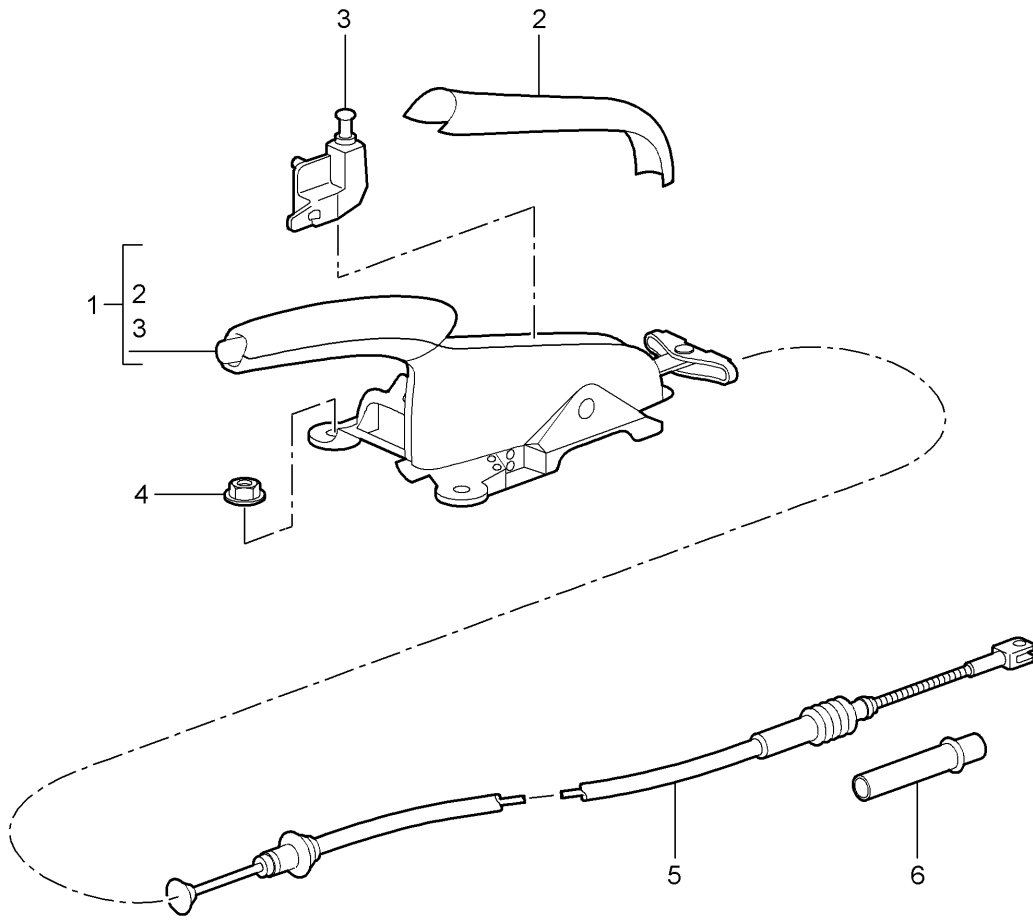


Model: 997G07 Model life 2007>>2011

Pos	Part Number	Description	Remark	Qty	Model
1	997 424 010 00	Transmission control Manual gearbox ball housing - gearshift lever		1	
1	997 424 010 91	D >> - MJ 2008 ball housing - gearshift lever		1	
2	999 084 629 01	D - MJ 2010>> Hexagon nut		4	
3	996 424 041 90	M 6 SB cable for shift mechanism		1	
3	997 424 041 88	Transmission control D >> - MJ 2008 cable for shift mechanism		1	
4	997 424 075 90	Transmission control D - MJ 2010>> gearstick knob (leather)		1	
4	997 424 075 90 A15	Black		1	GT-3 RS 4.0 PR:006
4	997 424 075 90	gearstick knob (leather)		1	
(4)	997 424 075 90 DRB	Black/Guards Red		1	PR:XGC
(4)	997 424 981 90	gearstick knob		1	
(4)	997 424 981 90 A15	Black		1	GT-3 RS 4.0 PR:006,XGC
-	997 424 981 90 A15	Black		X	
-	996 424 445 00	Clip for Securing element		X	
5	996 424 165 9B	Bracket		1	
6	900 378 017 09	Hexagon bolt M 8 X 20		2	
7	996 424 145 01	Securing element for Cable		1	
8	996 424 147 00	Adjustable Securing element for Cable		1	
9	000 043 205 93	Adjustable grease 1 100-gramme tube		X	

Model: 997G07

Model life 2007>>2011

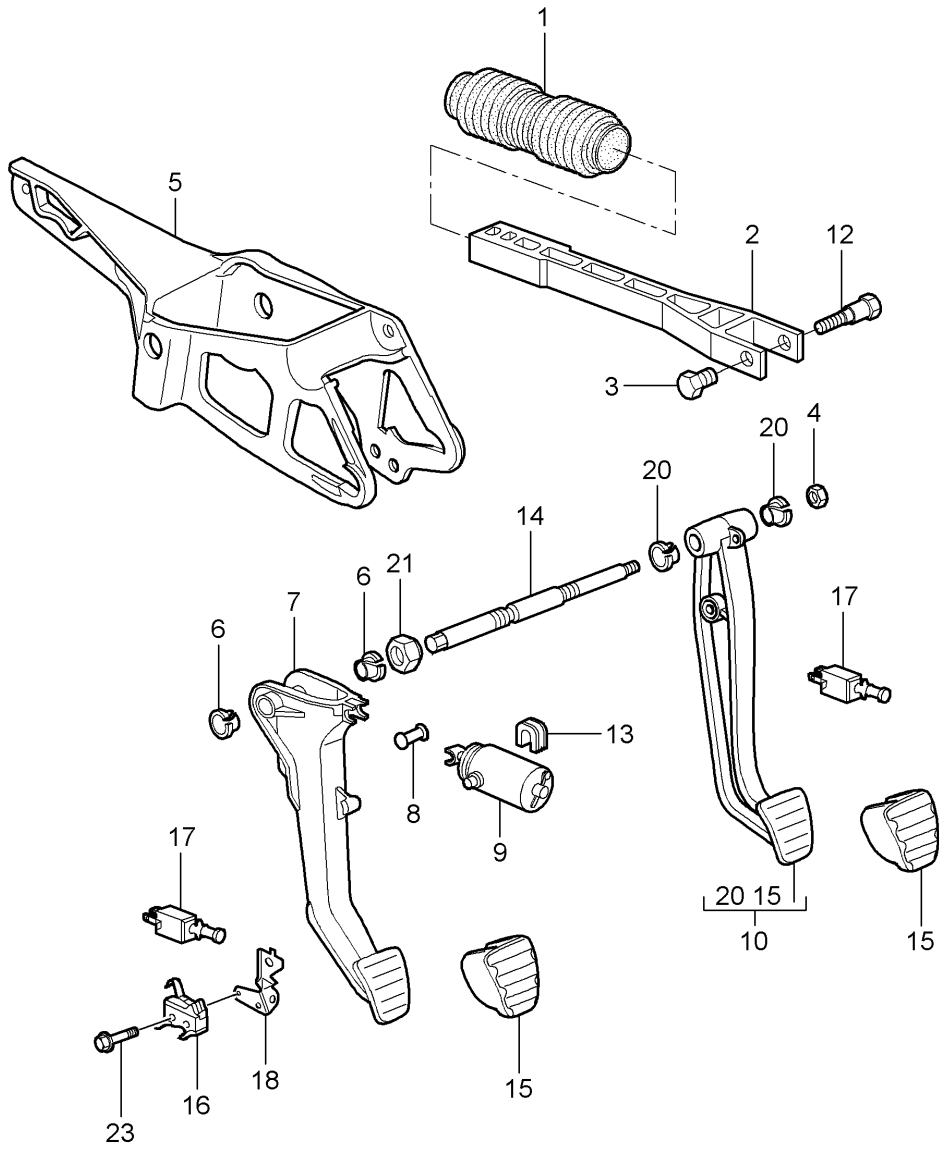


Model: 997G07 Model life 2007>>2011

Pos	Part Number	Description	Remark	Qty	Model
1	997 424 031 90	handbrake Actuator Brake lever (complete) D >> - MJ 2008		1	
(1)	997 424 031 90 A15 997 424 031 92	Black Brake lever (complete) D - MJ 2010>> Discontinued part		1	
(1)	997 424 031 92 A15 997 424 031 93	Black Brake lever Alcantara (complete) D - MJ 2010>>		1	
(1)	997 424 031 93 A15 997 424 031 92	Black Brake lever (complete) Carbon Discontinued part		1	GT-3 RS 4.0 PR:006
(1)	997 424 031 92 A15 997 424 031 92 DRA 997 424 031 93	Black black/red Brake lever (complete) Alcantara		1	GT-3 RS 4.0 PR:006
(1)	997 424 031 93 A15 997 424 031 93 DRA 997 424 980 90	Black black/red Brake lever (complete) Discontinued part	lhd	1	PR:XGD,098
(1)	997 424 980 90 A15 997 424 980 94	Alcantara Brake lever (complete)	lhd	1	PR:XGD,098
(1)	997 424 980 94 A15 997 424 980 90	Alcantara Brake lever (complete) Discontinued part	lhd	1	GT-3 RS 4.0 PR:006,XGD, 098
(1)	997 424 980 90 A15 997 424 980 94	Alcantara Brake lever (complete)	lhd	1	GT-3 RS 4.0 PR:006,XGD, 098
(1)	997 424 980 94 A15 997 424 980 91	Alcantara Brake lever (complete)	rhd	1	PR:XGD,099
(1)	997 424 980 91 A15 997 424 980 91	Alcantara Brake lever (complete)	rhd	1	GT-3 RS 4.0 PR:006,XGD, 099
2	997 424 980 91 A15 997 424 155 90	Alcantara trim for handbrake lever Black		1	
3	996 613 112 01	Switch		1	
4	999 084 630 09	Hexagon nut m 8		4	
5	997 424 141 06	Parking-brake cable		2	
6	996 424 721 02	guide tube		2	

Model: 997G07

Model life 2007>>2011



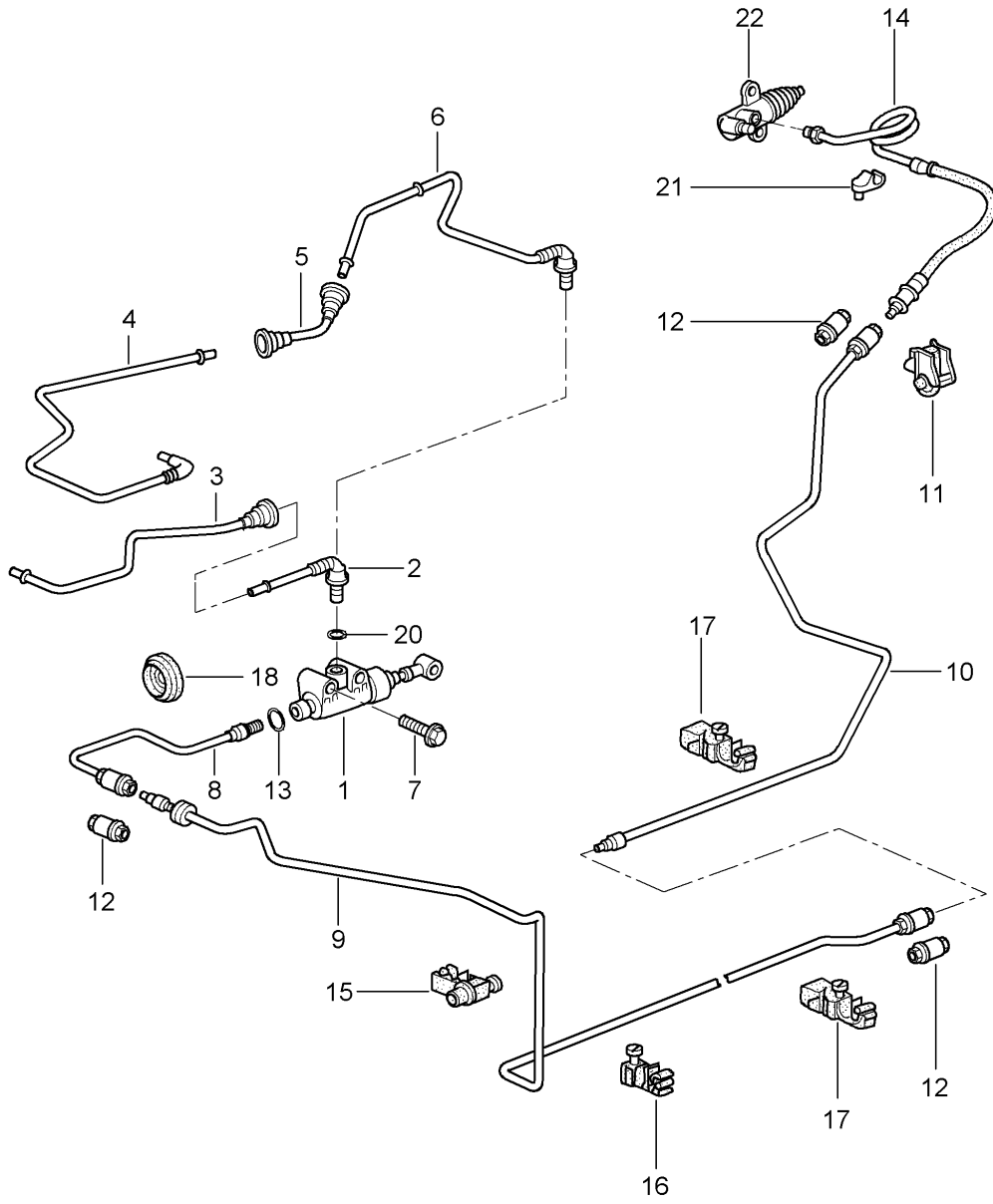
Model: 997G07

Model life 2007>>2011

Pos	Part Number	Description	Remark	Qty	Model
-	000 043 206 17	Pedals universal low temperat. grease 1 tube		X	
1		Bellows see illustration:	604-000	1	
2	996 423 165 05	push rod		1	
3	996 423 307 00	Sleeve		1	
4	900 380 005 09	Hexagon nut M 8		3	
		D >> - MJ 2008		2	
4	999 084 457 01	Hexagon nut M 8		3	
		D - MJ 2010>>		2	
5	997 423 571 02	Console for Servo spring		1	
6	997 423 399 01	bush		2	
7	997 423 139 01	Clutch pedal switch		1	
8	996 423 315 06	Pin		1	
-	999 166 022 01	Kl-lock for Pin		1	
9	997 423 081 06	Servo spring		1	
10	997 423 091 04	brake pedal		1	PR:098
12	996 423 308 00	Pin		1	
13	997 423 581 00	bearing shell		1	
14	997 423 281 00	axle		1	PR:098
15	997 423 910 00	pad for brake and clutch pedals		2	
16	997 613 109 00	Switch		1	
17	996 613 113 01	Switch brake pedal		2	
		D >> - MJ 2008			
(17)	996 613 113 02	switch for brake pedal brake pedal		2	
		D - MJ 2010>>			
(17)	996 613 114 01	Switch for clutch pedal Clutch pedal switch		1	
18	997 423 541 00	Bracket		1	
20	997 423 401 00	bush		2	PR:098
21	997 423 275 01	sealing plug		1	
22	900 378 273 09	Hexagon bolt M 6 X 18		1	
		D >> - MJ 2008			
(22)	900 378 273 01	Hexagon bolt M 6 x 18		1	
		D - MJ 2010>>			
23	900 146 159 02	flat round head bolt M 3 X 20		1	
		Discontinued part			
23	999 073 480 01	Bolt with washer M 3 X 20		1	
24	997 423 695 00	Rubber stop		1	
25	997 423 697 00	Rubber stop		1	

Model: 997G07

Model life 2007>>2011



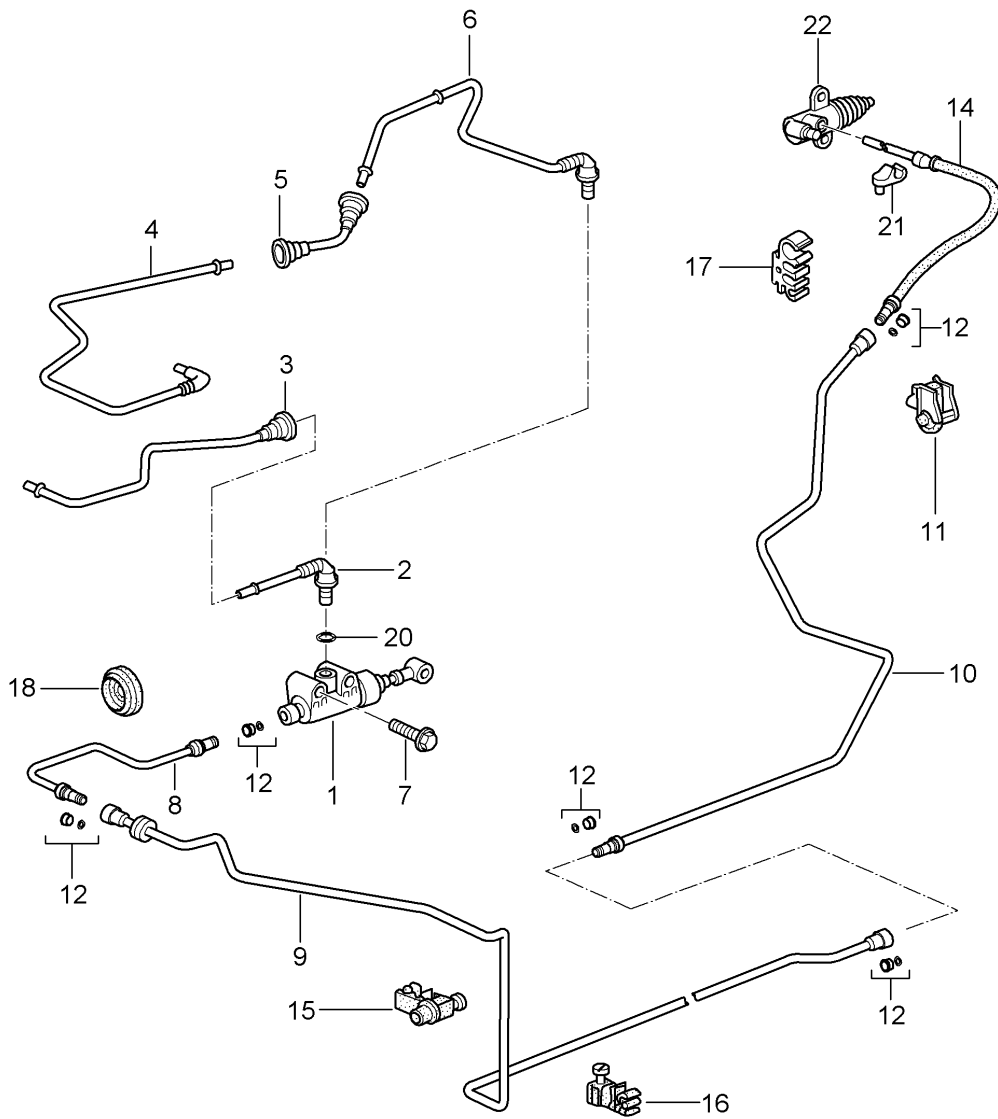
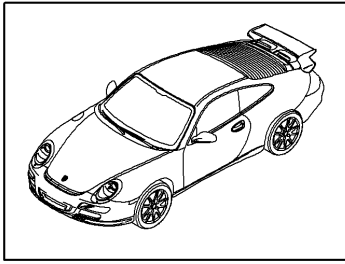


Model: 997G07 Model life 2007>>2011

Pos	Part Number	Description	Remark	Qty	Model
		clutch actuation			
		Clutch master cylinder			
		Clutch tube			
		D >> - MJ 2008			
1	997 423 171 01	Clutch master cylinder		1	
-	996 423 614 00	Securing ring		1	
		Pressure line			
-	996 423 315 06	Pin		1	
-	999 166 022 01	Kl-lock		1	
		for			
		Pin			
2	997 423 147 00	Feed line		1	PR:098
3	997 423 137 25	Feed line		1	PR:098
7	900 378 217 09	Hexagon bolt		2	
		M 6 X 40			
8	996 423 107 10	Clutch tube		1	PR:098
		Discontinued part			
(8)	996 423 107 11	Clutch tube		1	PR:098
-	999 702 174 50	Grommet		1	PR:098
9	997 423 109 00	Clutch tube		1	
		Discontinued part			
(9)	997 423 109 01	Clutch tube		1	
10	997 423 113 00	Clutch tube		1	
-	999 591 964 40	Bracket		1	
		Clutch tube			
11	999 507 495 40	Bracket		1	
12	999 230 541 10	Threaded joint		3	
13	999 707 333 40	seal ring		1	
14	996 423 377 90	Clutch hose		1	
		Discontinued part			
14	996 423 377 92	Clutch hose		1	
15	996 355 549 00	Bracket		1	
16	996 355 545 00	Bracket		2	
17	996 355 543 00	Bracket		4	
18	999 702 216 42	Grommet		1	
-	999 507 586 40	Cable holder		1	
20	999 707 333 40	seal ring		1	
		6,07 X 1,78N			
21	999 507 586 40	Cable holder		1	
22	996 116 237 90	Clutch slave cylinder		1	
-	900 075 222 09	Bolt with washer		2	
		M 8 X 30			

Model: 997G07

Model life 2007>>2011



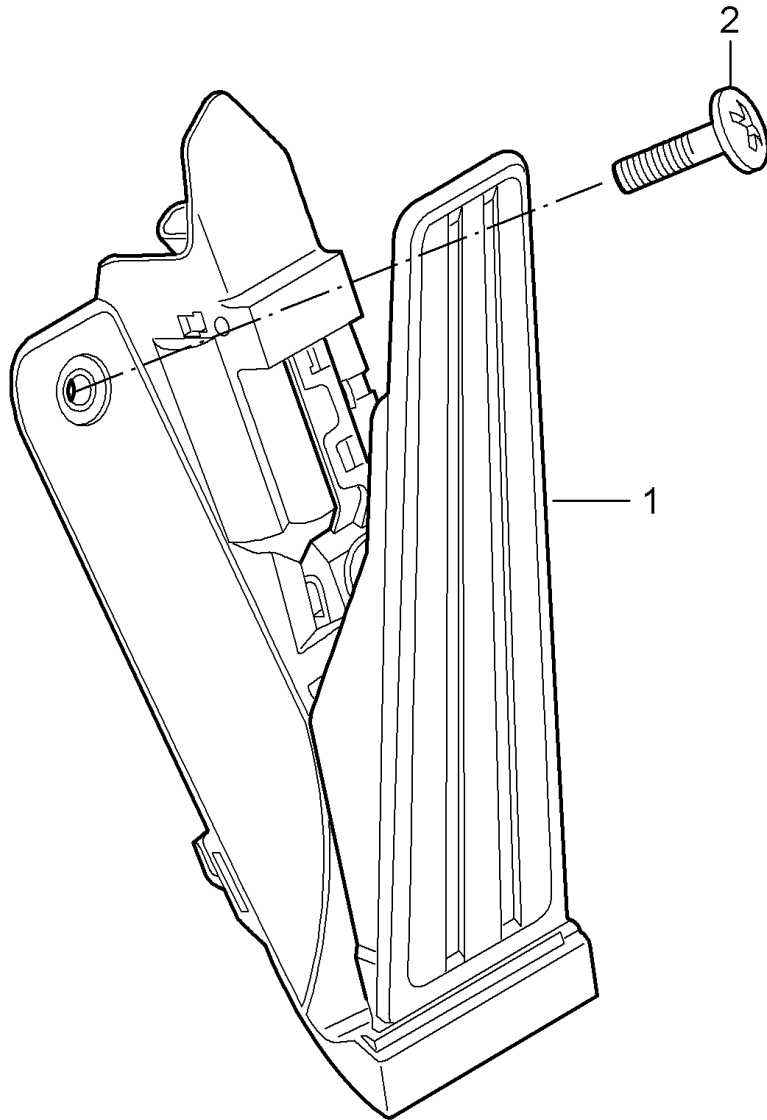
Model: 997G07

Model life 2007>>2011

Pos	Part Number	Description	Remark	Qty	Model
		clutch actuation			
		Clutch master cylinder			
		Clutch tube			
		D - MJ 2010>>			
1	997 423 171 01	Clutch master cylinder		1	
-	996 423 614 00	Securing ring		1	
		Pressure line			
-	996 423 315 06	Pin		1	
-	999 166 022 01	Kl-lock		1	
		for			
		Pin			
2	997 423 147 00	Feed line		1	PR:098
3	997 423 191 21	Feed line		1	PR:098
7	900 378 217 09	Hexagon bolt		2	
		M 6 X 40			
8	997 423 107 11	Clutch tube		1	PR:098
-	999 702 174 50	Grommet		1	PR:098
9	997 423 109 11	Clutch tube		1	
10	997 423 113 12	Clutch tube		1	
		D >> - 22.04.2010			
(10)	997 423 113 16	Clutch tube		1	
		D - 23.04.2010>>			
		Discontinued part			
(10)	997 423 113 19	Clutch tube		1	
		D - 23.04.2010>>			
11	999 507 495 40	Bracket		1	
12	999 230 541 10	Threaded joint		3	
14	997 423 377 91	Clutch hose		1	
		Discontinued part			
(14)	997 423 377 92	Clutch hose		1	
		Discontinued part			
(14)	997 423 377 93	Clutch hose		1	
(14)	997 423 377 92	Clutch hose		1	GT3 RS 4.0
		Discontinued part			PR:006
(14)	997 423 377 93	Clutch hose		1	GT3 RS 4.0
		Discontinued part			PR:006
15	996 355 549 00	Bracket		1	
16	996 355 545 00	Bracket		2	
17	996 355 543 00	Bracket		4	
18	999 702 216 42	Grommet		1	
-	999 507 586 40	Cable holder		1	
20	999 707 333 40	seal ring		1	
		6,07 X 1,78N			
21	999 507 586 40	Cable holder		1	
22	996 116 237 90	Clutch slave cylinder		1	
-	900 075 222 09	Bolt with washer		2	
		M 8 X 30			

Model: 997G07

Model life 2007>>2011



Model: 997G07

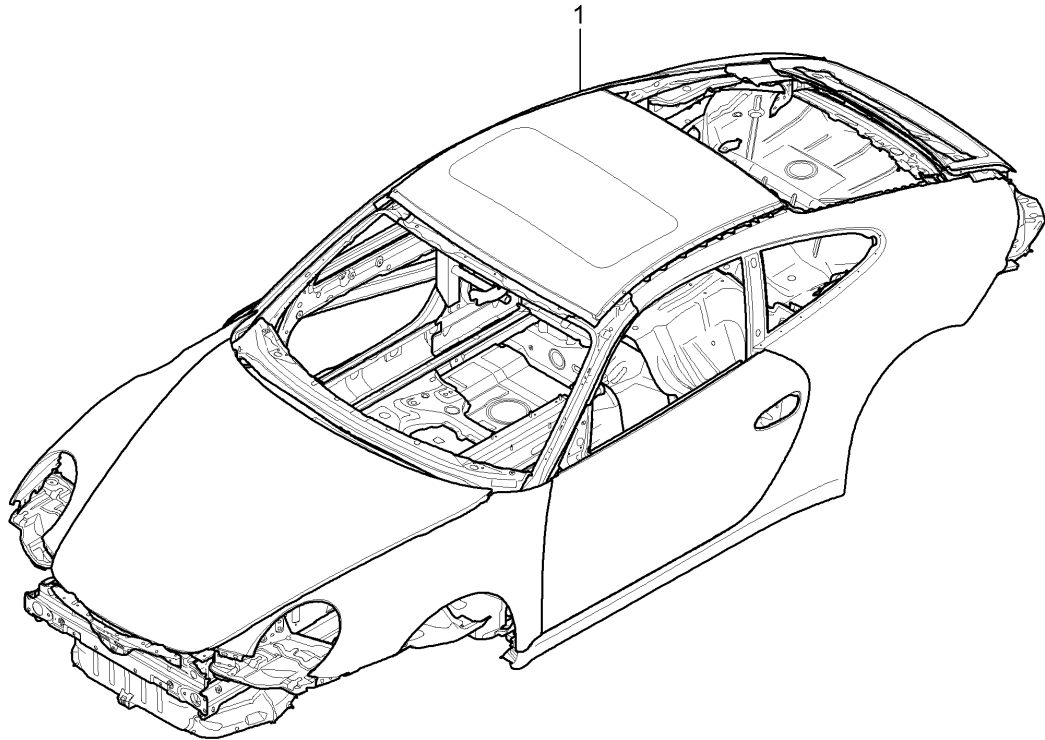
Model life 2007&gt;&gt;2011

Pos	Part Number	Description	Remark	Qty	Model
1	997 423 019 02	Pedals throttle control throttle control		1	
2	900 146 161 09	flat round head bolt M 6 X 20		1	

Model: 997G07

Model life 2007>>2011

B	WPOZZZ	<b>99 z 7S790070</b>	
C		<b>997 420</b>	
		M9701-685 G9701	
G		<b>L6B4 AT</b>	
D	C00	267 268 425 437	A
E		438 446 454 537 610	
		635 640 650 666 670	
F		00641 20772	



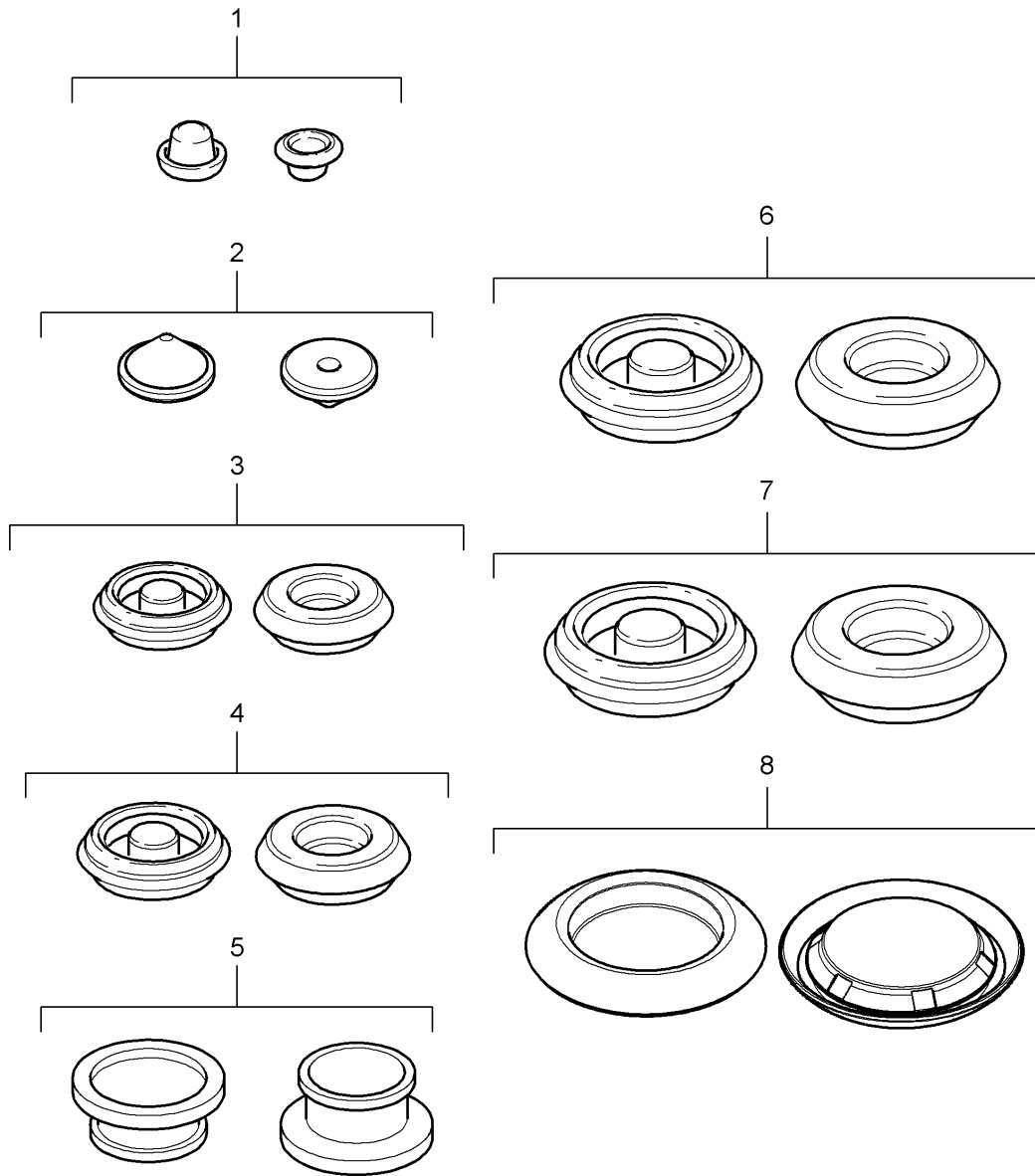
Model: 997G07

Model life 2007>>2011

Pos	Part Number	Description	Remark	Qty	Model
-		Car body primed Sealed			
		with: Underbody protection			
		with: Doors/lids/wings			
-		BodysHELLS can only only available from current Model year available			
-		The data required for your order Can be found on the Vehicle data carrier in Vehicle wallet Please indicate this data in your order for GT3 RS			
		without: Rear lid			
A		Vehicle data carrier			
B		Vehicle Ident. No.			
C		Order type			
D		Country equipment			
E		Optional extras			
F		Additional applications			
G		Please state the colour			
1	997 500 900 00 997 500 900 00 GRV	Car body primed		1	

Model: 997G07

Model life 2007>>2011





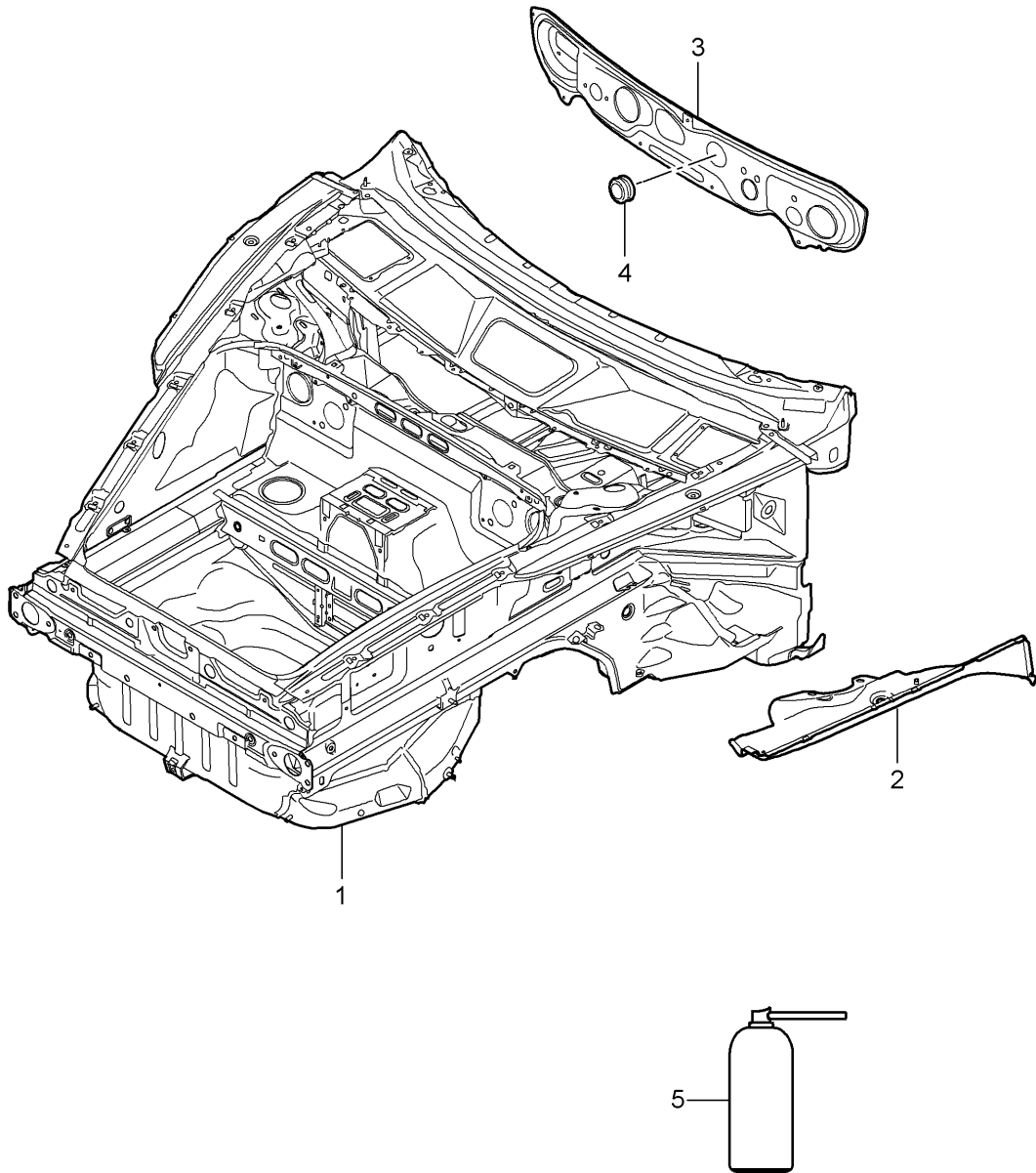
Model: 997G07

Model life 2007&gt;&gt;2011

Pos	Part Number	Description	Remark	Qty	Model
1	999 703 462 40	Bungs Plane See workshop manual End cap 10 x 6,5		X	
2	999 703 421 40	Grommet 15 mm		X	
4	803 803 583 A	Bungs 20 x 30 Discontinued part		X	
4	999 703 196 40	End cap 20 x 30		X	
5	999 703 420 40	Bungs 20,3 x 30 x 11		X	
6	803 803 583	Rubber grommet 30 x 40 Discontinued part		X	
6	999 703 195 40	Rubber grommet 30 x 40		X	
7	999 703 433 40	Bungs 30 x 42		X	
8	999 703 454 40	Cover 55 x 70		X	

Model: 997G07

Model life 2007>>2011



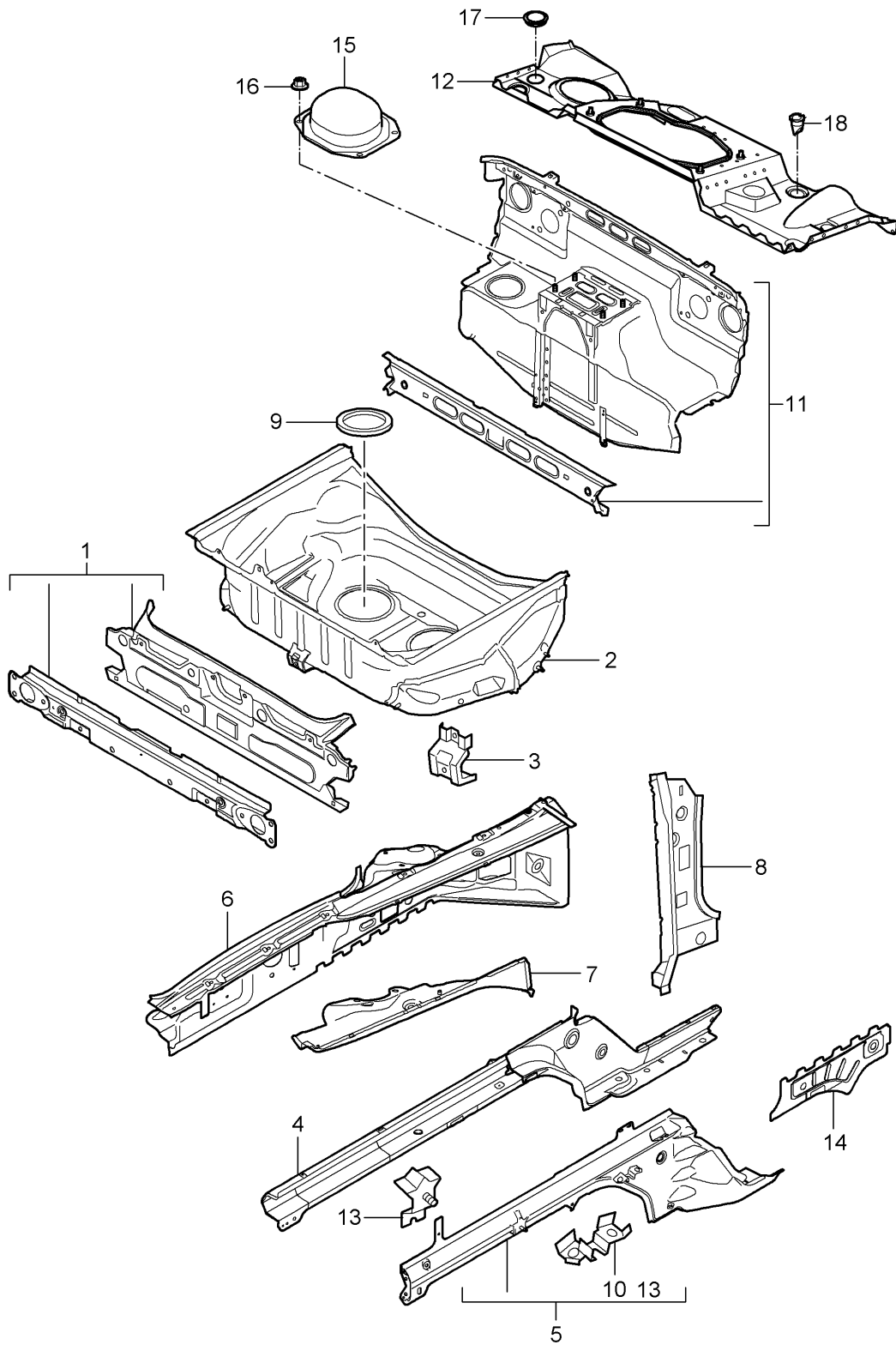
Model: 997G07

Model life 2007>>2011

Pos	Part Number	Description	Remark	Qty	Model
1	997 501 911 91 997 501 911 91 GRV	Front end Front end primed  also use: sealant Pos. 5 Processing instructions See technical manual	lhd	1	PR:098
-		also use:			
2	997 501 945 00 997 501 945 00 GRV	Lower part primed	left	1	
(2)	997 501 946 01 997 501 946 01 GRV	Lower part primed	right	1	
3	997 504 121 00	Cover	lhd	1	PR:098
(3)	997 504 121 01	Cover	rhd	1	PR:099
-		also use:			
-	000 043 300 94	Adhesive set		1	
4	999 702 255 41	End cap 62,5 X 72,6		1	
5	999 915 337 40	sealant		1	

Model: 997G07

Model life 2007>>2011



Model: 997G07 Model life 2007>>2011

Pos	Part Number	Description	Remark	Qty	Model
		Front end			
		Individual parts			
1	997 501 931 00	Cross panel		1	
	997 501 931 00 GRV	primed			
2	997 501 979 00	Spare wheel well		1	
	997 501 979 00 GRV	primed			
3	996 501 621 00	Bracket		3	
	996 501 621 00 GRV	primed			
4	997 501 305 01	Side member	left	1	
		Discontinued part			
	997 501 305 01 GRV	primed			
4	997 501 905 00	Side member	left	1	
	997 501 905 00 GRV	primed			
(4)	997 501 306 01	Side member	right	1	
		Discontinued part			
	997 501 306 01 GRV	primed			
(4)	997 501 906 00	Side member	right	1	
	997 501 906 00 GRV	primed			
5	997 501 915 01	Side member	left	1	
	997 501 915 01 GRV	primed			
(5)	997 501 916 01	Side member	right	1	
	997 501 916 01 GRV	primed			
6	997 501 935 00	Wheel housing	left	1	
		Discontinued part			
	997 501 935 00 GRV	primed			
6	997 501 935 01	Wheel housing	left	1	
	997 501 935 01 GRV	primed			
(6)	997 501 936 01	Wheel housing	right	1	
	997 501 936 01 GRV	primed			
7	997 501 945 00	Lower part	left	1	
	997 501 945 00 GRV	primed			
(7)	997 501 946 01	Lower part	right	1	
	997 501 946 01 GRV	primed			
8	997 501 937 00	Hinge pillar	left	1	
	997 501 937 00 GRV	primed			
(8)	997 501 938 00	Hinge pillar	right	1	
	997 501 938 00 GRV	primed			
9	996 504 201 01	Cover		2	
		\$ 145 MM			
10	996 501 815 02	Brake line bracket		2	
	996 501 815 02 GRV	primed			
11	997 502 915 00	filler plate	lhd	1	PR:098
	997 502 915 00 GRV	primed			
(11)	997 502 915 01	filler plate	rhd	1	PR:099
	997 502 915 01 GRV	primed			
12	997 502 017 00	Cross panel		1	
	997 502 017 00 GRV	primed			
13	996 501 341 00	Bracket		2	
	996 501 341 00 GRV	primed			
14	997 501 665 01	Web plate	left	1	
	997 501 665 01 GRV	primed			
(14)	997 501 666 01	Web plate	right	1	
	997 501 666 01 GRV	primed			
15	997 504 471 00	Cover		1	
		filler plate			
16	900 380 015 09	Hexagon nut		3	
		M 6			
17	803 803 583	Rubber grommet		1	
		30,0 X 40,0			
		Discontinued part			
17	999 703 195 40	Rubber grommet		1	
		30,0 X 40,0			
18	999 703 476 40	Grommet		4	

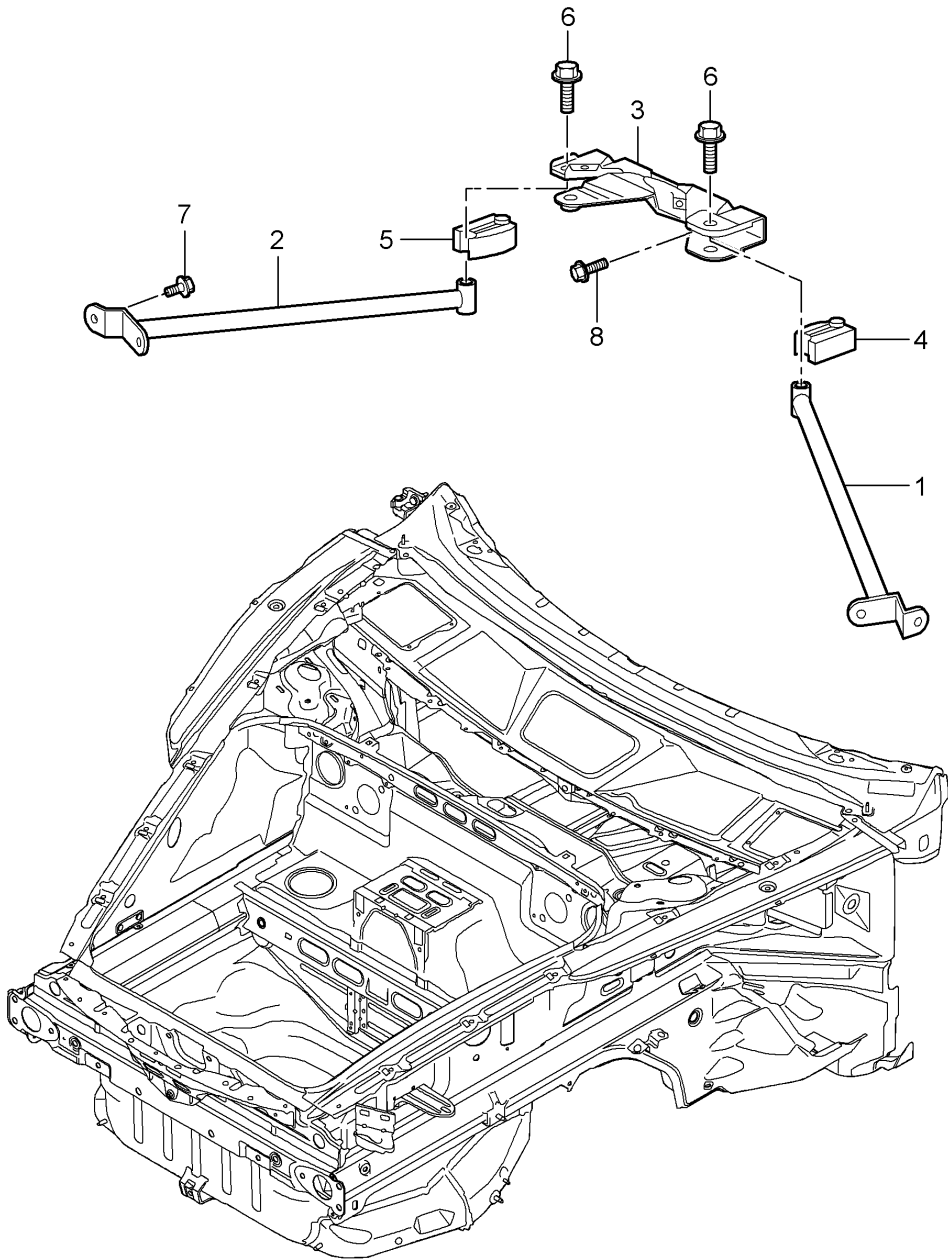
Model: 997G07

Model life 2007&gt;&gt;2011

Pos	Part Number	Description	Remark	Qty	Model
18	999 703 476 41	29,8 X 1,0 Grommet 29,8 X 1,0		4	

Model: 997G07

Model life 2007>>2011



Model: 997G07

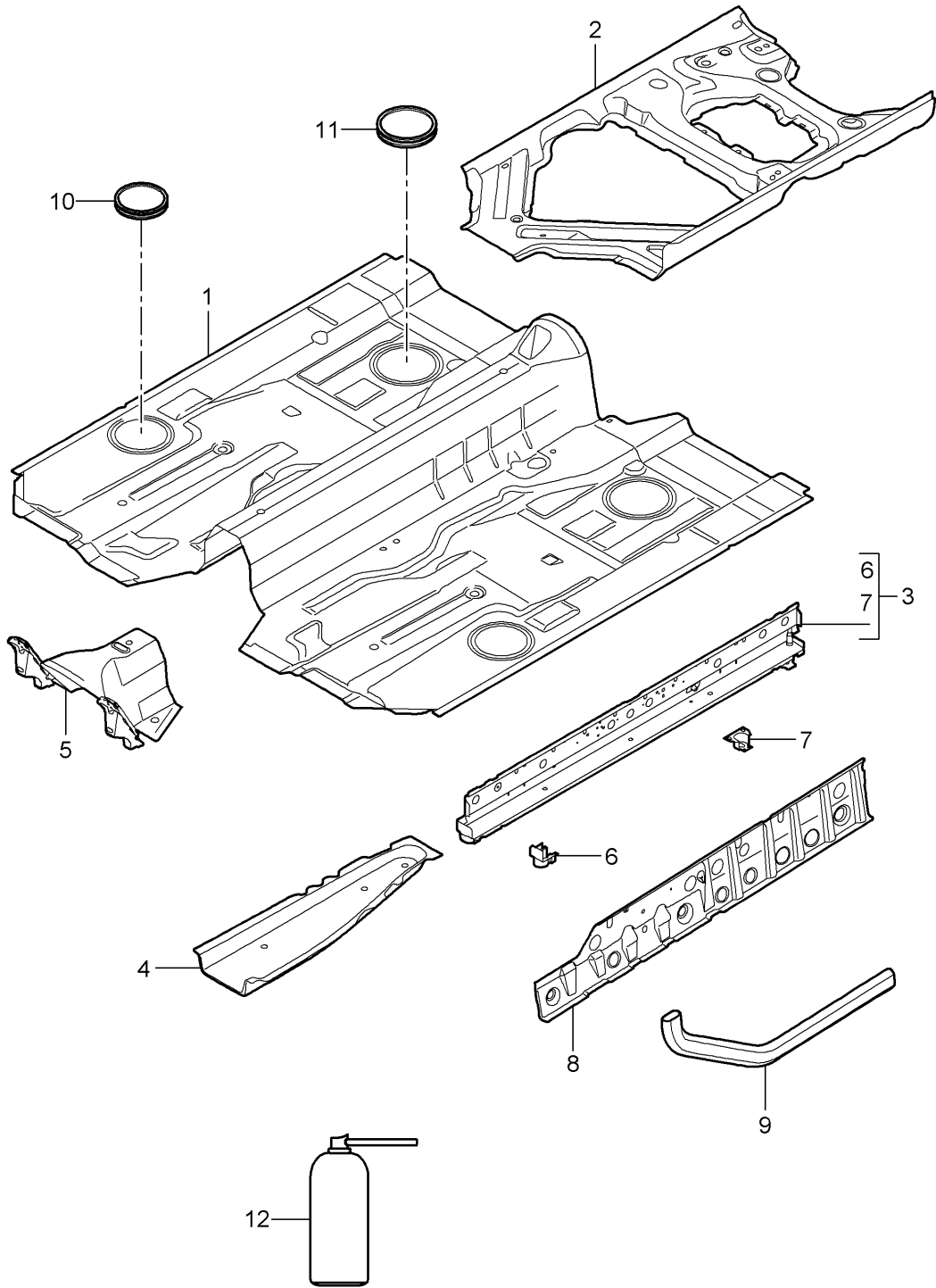
Model life 2007>>2011

Pos	Part Number	Description	Remark	Qty	Model
1	996 504 233 01	Dome strut			
		Dome strut	left	1	
2	996 504 234 01	Dome strut	right	1	
3	997 504 359 00	Console		1	
3	997 504 359 01	Console		1	
4	996 504 633 00	Filler piece	left	1	
5	996 504 634 00	Filler piece	right	1	
6	900 378 100 09	Hexagon bolt AM 10 X 45		2	
7	900 075 010 09	Hexagon bolt M 6 X 12		4	
8	900 378 173 01	Hexagon bolt M 6 X 20		4	



Model: 997G07

Model life 2007>>2011



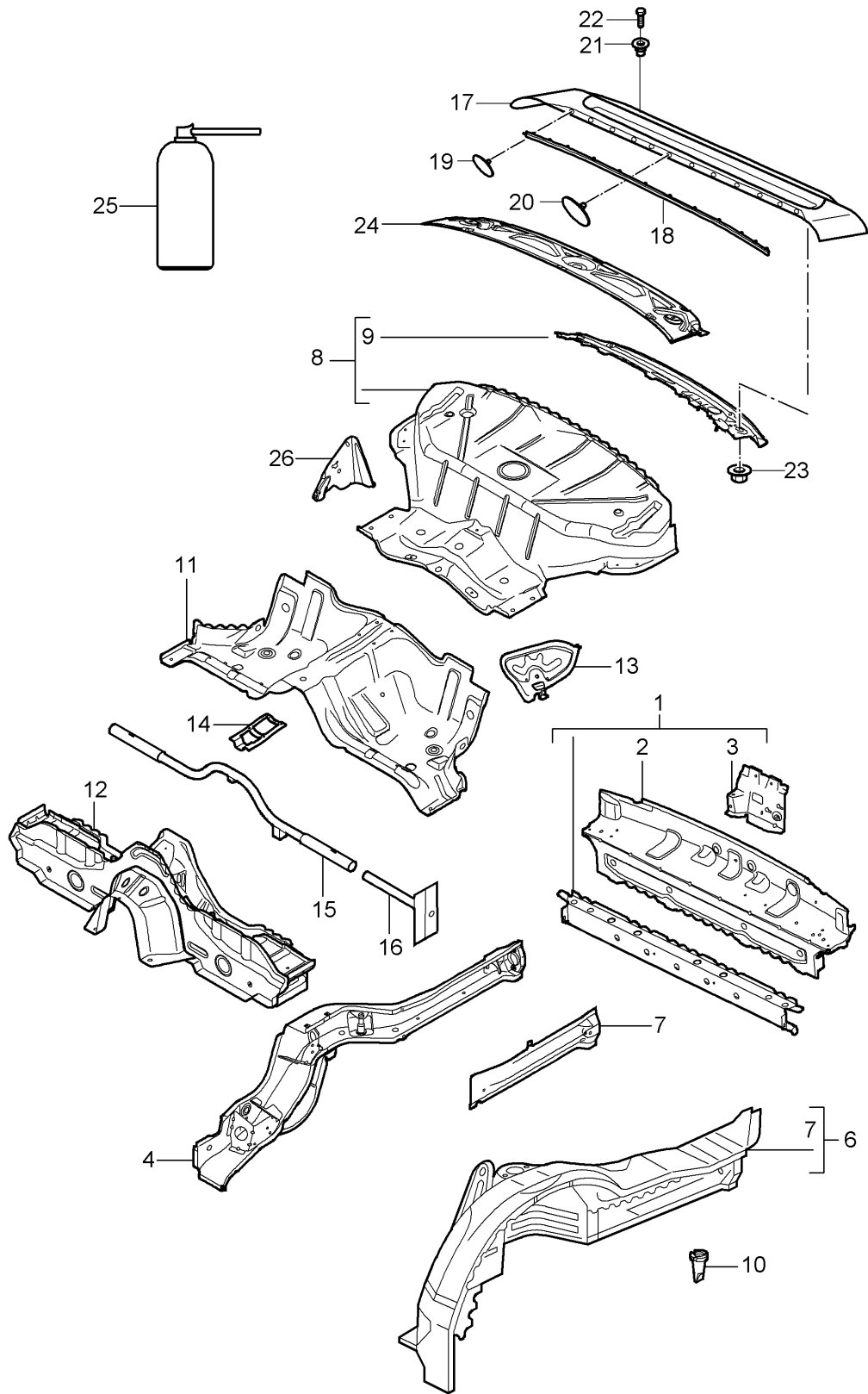
Model: 997G07

Model life 2007>>2011

Pos	Part Number	Description	Remark	Qty	Model
-	000 043 206 29	Floor Adhesive set Body	center	X	
-	000 043 206 30	comprising: adhesive		1	
-	000 043 206 31	Double cartridge gun		1	
-	000 043 206 32	emulsion tube		1	
-	000 043 206 33	activator		1	
1	997 501 551 01	Floor		1	
	997 501 551 01 GRV	primed			
(2)	997 501 953 01	Seat support	left	1	
	997 501 953 01 GRV	primed			
2	997 501 954 01	Seat support	right	1	
	997 501 954 01 GRV	primed			
3	997 501 157 00	Side member	left	1	
	997 501 157 00 GRV	primed			
(3)	997 501 158 00	Side member	right	1	
	997 501 158 00 GRV	primed			
4	997 501 525 00	Side member	left	1	
	997 501 525 00 GRV	primed			
(4)	997 501 526 00	Side member	right	1	
	997 501 526 00 GRV	primed			
5	996 501 751 00	Extension		1	
	996 501 751 00 GRV	primed			
6	996 501 785 00	socket - jack	left front	1	
	996 501 785 00 GRV	primed			
(6)	996 501 786 00	socket - jack	right front	1	
	996 501 786 00 GRV	primed			
7	996 501 481 01	socket - jack	left rear	1	
	996 501 481 01 GRV	primed			
(7)	996 501 482 01	socket - jack	right rear	1	
	996 501 482 01 GRV	primed			
8	997 501 329 00	Retaining plate	left	1	
	997 501 329 00 GRV	primed			
(8)	997 501 330 00	Retaining plate	right	1	
	997 501 330 00 GRV	primed			
9	997 501 439 00	Support tube		2	
	997 501 439 00 GRV	primed			
		also use:			
		sealant			
		Pos. 12			
		Processing instructions			
		See technical manual			
		51 49 55			
10	996 504 205 01	Cover		2	
		\$ 125 MM			
11	996 504 201 01	Cover		2	
		\$ 145 MM			
12	999 915 337 40	sealant		1	

Model: 997G07

Model life 2007>>2011



Model: 997G07 Model life 2007>>2011

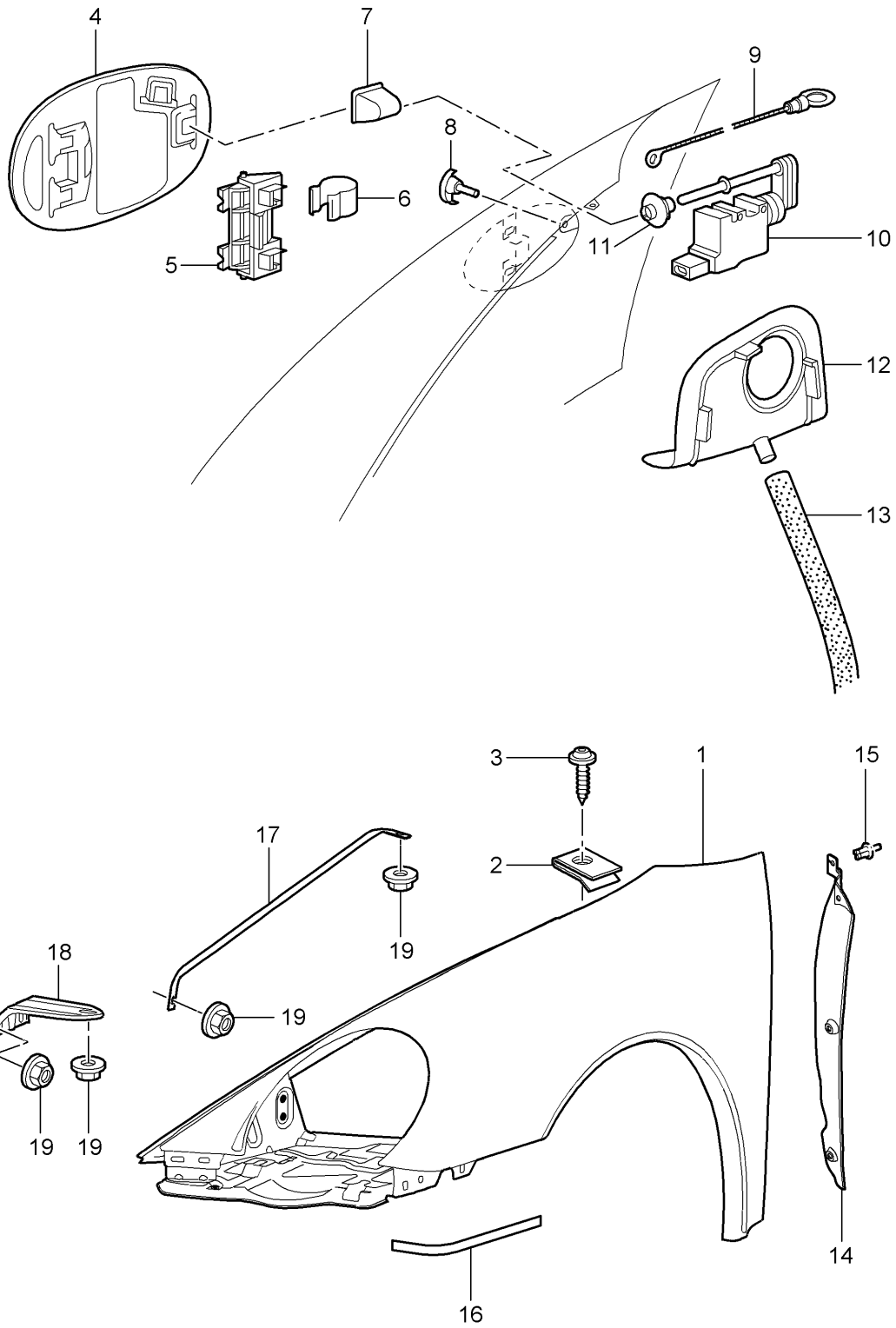
Pos	Part Number	Description	Remark	Qty	Model
1	997 501 973 01	Rear end		1	
	997 501 973 01 GRV	Cross panel primed			
2	997 501 273 00	Cross panel		1	
	997 501 273 00 GRV	primed			
3	997 501 247 00	lock carrier		1	
	997 501 247 00 GRV	primed			
4	997 501 977 00	Side member	left	1	
	997 501 977 00 GRV	primed			
		also use:			
		sealant			
		POS. 25			
		Processing instructions			
		See technical manual			
		53 48 55			
(4)	997 501 978 00	Side member	right	1	
	997 501 978 00 GRV	primed			
		also use:			
		sealant			
		Pos. 25			
		Processing instructions			
		See technical manual			
		53 48 55			
6	997 501 943 00	Wheel housing	left	1	
	997 501 943 00 GRV	primed			
		modify in workshop			
		See workshop manual			
(6)	997 501 944 00	Wheel housing	right	1	
	997 501 944 00 GRV	primed			
		modify in workshop			
		See workshop manual			
7	996 501 595 01	Side member	left	1	
	996 501 595 01 GRV	primed			
(7)	996 501 596 01	Side member	right	1	
	996 501 596 01 GRV	primed			
8	997 502 911 02	rear panel		1	
	997 502 911 02 GRV	primed			
		also use:			
		POS. 12			
		See workshop manual			
9	997 502 673 00	Cross member		1	
	997 502 673 00 GRV	primed			
10	996 561 825 00	Water drain valve	rear	2	PR:650
		Wheel housing			
11	997 501 549 00	Seat well		1	
	997 501 549 00 GRV	primed			
12	997 501 955 00	Cross member		1	
		Seat well			
	997 501 955 00 GRV	primed			
13	996 501 461 02	Reinforcement	left	1	
		Seat well			
	996 501 461 02 GRV	primed			
(13)	996 501 462 02	Reinforcement	right	1	
		Seat well			
	996 501 462 02 GRV	primed			
14	996 501 659 01	Console		1	
	996 501 659 01 GRV	primed			
15	996 501 411 00	Pipe		1	
	996 501 411 00 GRV	primed			
16	996 501 415 00	Sleeve		2	
	996 501 415 00 GRV	primed			
17	997 504 345 03	Rear centre panel		1	
	997 504 345 03 GRV	primed			

Model: 997G07 Model life 2007>>2011

Pos	Part Number	Description	Remark	Qty	Model
(17)	997 504 345 A1	Rear centre panel		1	RS PR:004
	997 504 345 A1 GRV	primed			
18	997 504 612 00	Seal		1	
		Rear centre panel			
19	999 507 973 40	Mount		2	
		2,8 X 6 X 30			
20	999 507 974 40	Mount		10	
		2,8 X 6 X 50			
21	999 500 109 02	rivetted cap nut		3	
		M 6/0,8 - 3			
22	999 073 263 09	Bolt with washer		3	
		M 6 X 12			
23	999 076 029 02	Hexagon nut		2	
		M 6			
24	997 502 409 01	Closing plate		1	
	997 502 409 01 GRV	primed			
		Rear centre panel			
-	999 915 650 40	adhesive	also use:	X	
		TEROMIX 6700			
-	000 043 300 48	Tool set		X	
-			also use:		
-	000 043 206 29	Adhesive set		X	
		Body			
		comprising:			
-	000 043 206 30	adhesive		1	
-	000 043 206 31	Double cartridge gun		1	
-	000 043 206 32	emulsion tube		1	
-	000 043 206 33	activator		1	
25	999 915 337 40	sealant		1	
(26)	997 504 797 00	Console	left	1	
	997 504 797 00 GRV	primed			
		Belt			
26	997 504 798 00	Console	right	1	
	997 504 798 00 GRV	primed			
		Belt			
-	996 502 653 01	Connection piece	left	1	
	996 502 653 01 GRV	primed			
-	996 502 654 01	Connection piece	right	1	
	996 502 654 01 GRV	primed			

Model: 997G07

Model life 2007>>2011



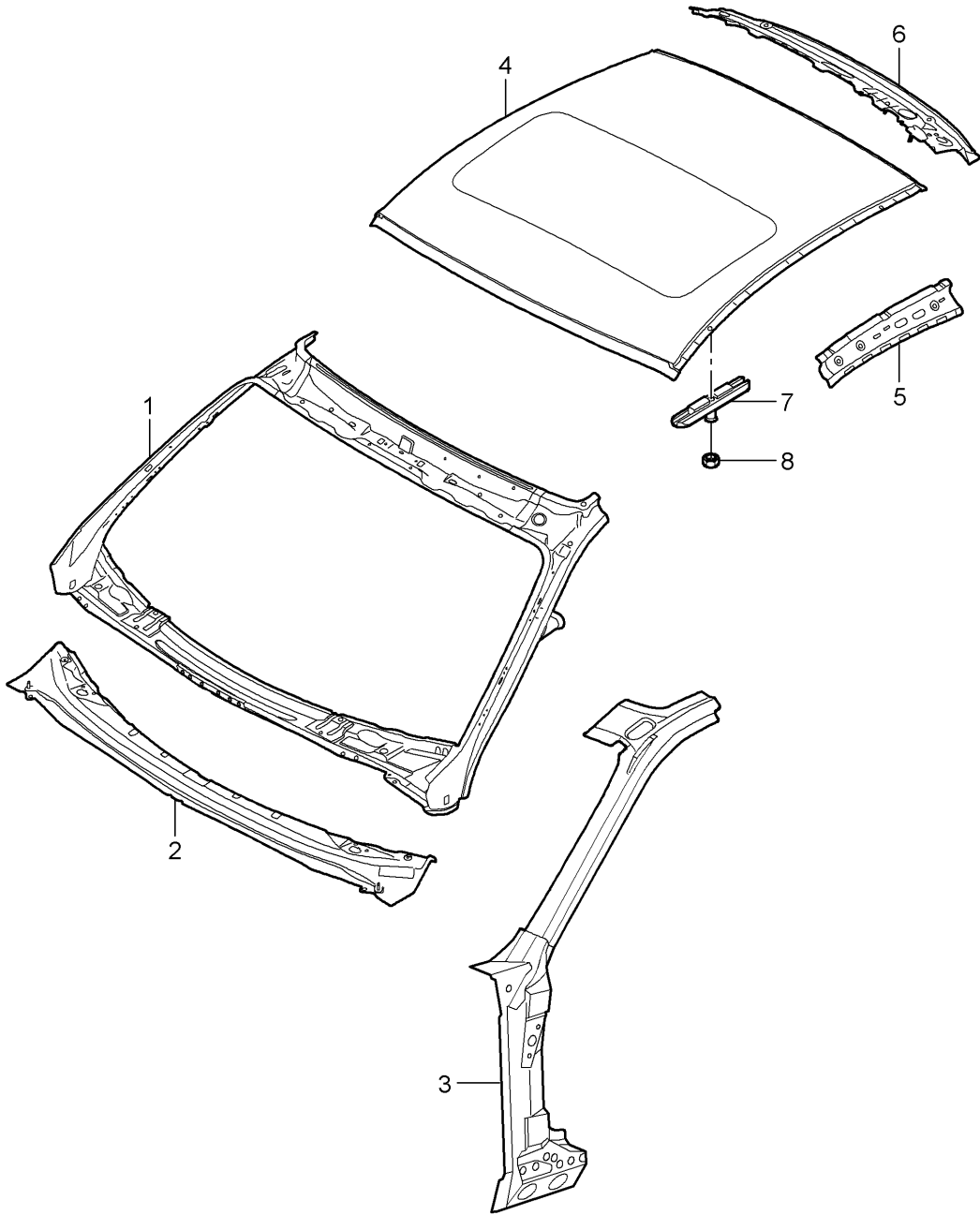
Model: 997G07

Model life 2007>>2011

Pos	Part Number	Description	Remark	Qty	Model
1	997 503 031 00	Wing			
	997 503 031 00 GRV	Wing primed	left	1	
(1)	997 503 031 92	Wing	left	1	PR:004
		D - MJ 2010>>			
	997 503 031 92 GRV	Wing primed			
(1)	997 503 031 A1	Wing	left	1	PR:006
		D - MJ 2011>>			
(1)	997 503 032 02	Wing	right	1	
	997 503 032 02 GRV	Wing primed			
(1)	997 503 032 92	Wing	right	1	PR:004
		D - MJ 2010>>			
	997 503 032 92 GRV	Wing primed			
(1)	997 503 032 A1	Wing	right	1	PR:006
		D - MJ 2011>>			
2	999 507 003 02	panel nut		22	
		ST 6,3			
		Discontinued part			
2	999 507 003 01	panel nut		22	
		ST 6,3			
3	999 073 128 02	panel screw		22	
		ST 6,3 X 14			
4	997 504 134 00	Fuel filler flap		1	
	997 504 134 00 GRV	primed			
5	996 201 063 00	Hinge		1	
6	997 504 711 00	Spring		1	
7	996 201 423 00	Cap		1	
8	997 504 888 01	Rubber stop		1	
9	996 201 493 00	Emergency operation		1	
10	997 624 113 00	throttle control element		1	
11	997 624 505 00	Guide rose		1	
12	997 201 667 00	Sleeve		1	
13	996 201 153 00	Hose		1	
14	997 504 641 02	lining for fender	left	1	
	997 504 641 02 01C	Black			
(14)	997 504 642 02	lining for fender	right	1	
	997 504 642 02 01C	Black			
15	999 591 712 40	Spreader rivet		6	
		A 6,0 X 12,0			
16	997 504 531 00	Protective film	left	1	
(16)	997 504 532 00	Protective film	right	1	
17	997 504 441 00	Brace		2	
	997 504 441 00 GRV	primed			
18	997 504 555 00	Console		2	
	997 504 555 00 GRV	primed			
19	999 076 066 09	Hexagon nut		10	
		M 6			

Model: 997G07

Model life 2007>>2011



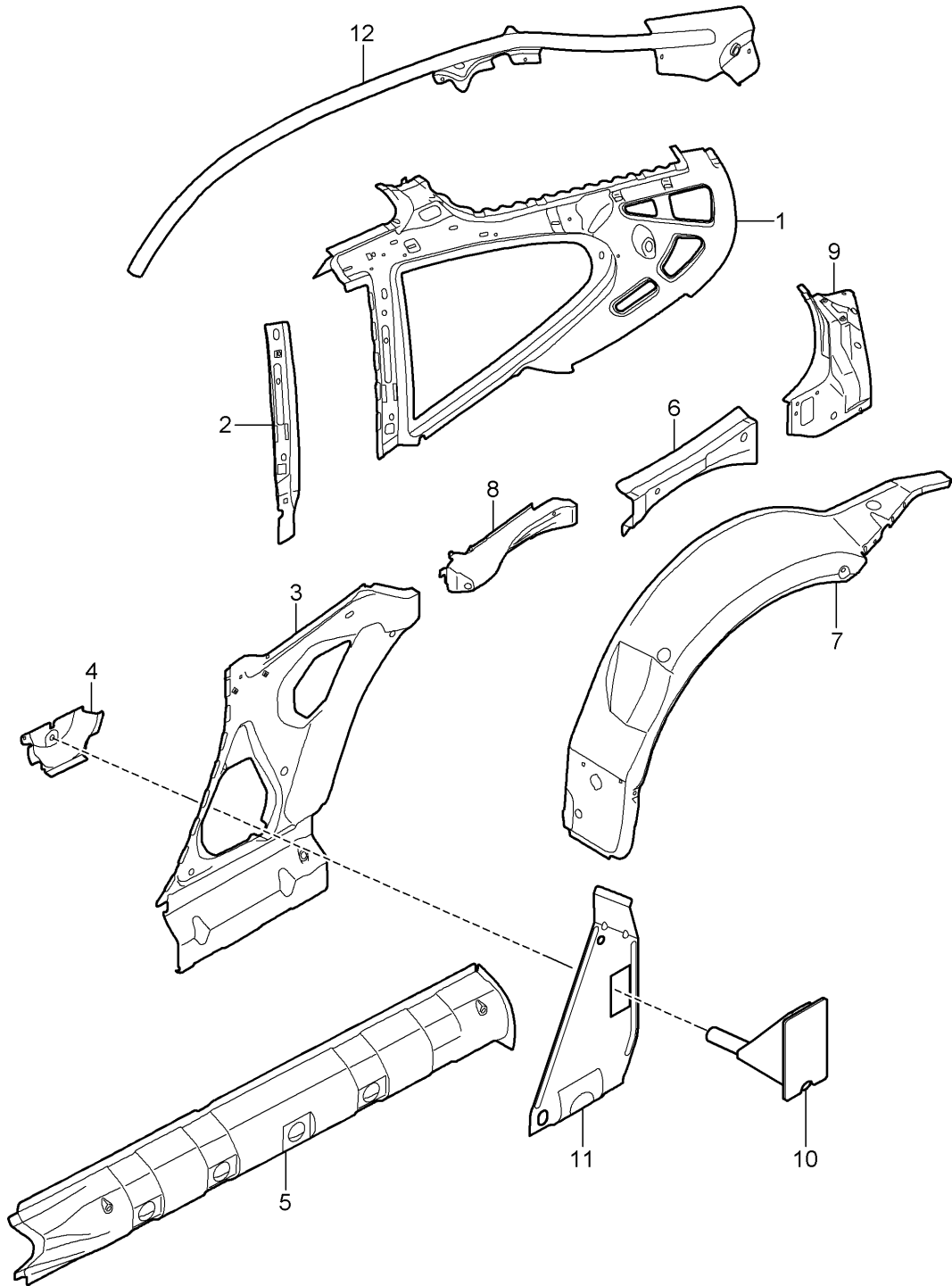


Model: 997G07 Model life 2007>>2011

Pos	Part Number	Description	Remark	Qty	Model
1	997 502 137 00	Scuttle		1	
	997 502 137 00 GRV	Scuttle primed	inner		
2	997 502 437 00	Scuttle		1	
	997 502 437 00 GRV	Scuttle primed	outer		
3	997 502 135 03	Reinforcement for A-pillar	left	1	
	997 502 135 03 GRV	Reinforcement for A-pillar primed	inner		
		also use:			
(3)	997 502 136 03	Reinforcement for A-pillar	right	1	
	997 502 136 03 GRV	Reinforcement for A-pillar primed	inner		
		also use:			
-	000 043 206 29	Adhesive set		X	
		Body comprising:			
-	000 043 206 30	adhesive		1	
-	000 043 206 31	Double cartridge gun		1	
-	000 043 206 32	emulsion tube		1	
-	000 043 206 33	activator		1	
(4)	996 503 501 00	Outer roof panel		1	
	996 503 501 00 GRV	Outer roof panel primed			
		also use:			
(4)	997 503 501 00	Outer roof panel		1	PR:461
	997 503 501 00 GRV	Outer roof panel primed			
		also use:			
4	996 503 087 03	Outer roof panel		1	PR:650
	996 503 087 03 GRV	Outer roof panel primed			
		also use:			
(4)	997 503 087 00	Outer roof panel		1	PR:650,461
		with:			
		Frame for sliding sunroof aperture			
	997 503 087 00 GRV	Frame for sliding sunroof aperture primed			
		also use:			
-	000 043 204 38	sealant 70 ML		X	
		Processing instructions			
		See technical manual			
5	996 502 305 03	roof frame	left	1	
	996 502 305 03 GRV	roof frame primed			
(5)	996 502 306 03	roof frame	right	1	
	996 502 306 03 GRV	roof frame primed			
6	997 502 505 00	roof frame		1	
	997 502 505 00 GRV	roof frame primed			
7	996 504 911 00	basic plate		X	
		with:			
		threaded pin			
8	900 377 021 02	Hexagon nut M10 X 1		X	

Model: 997G07

Model life 2007>>2011

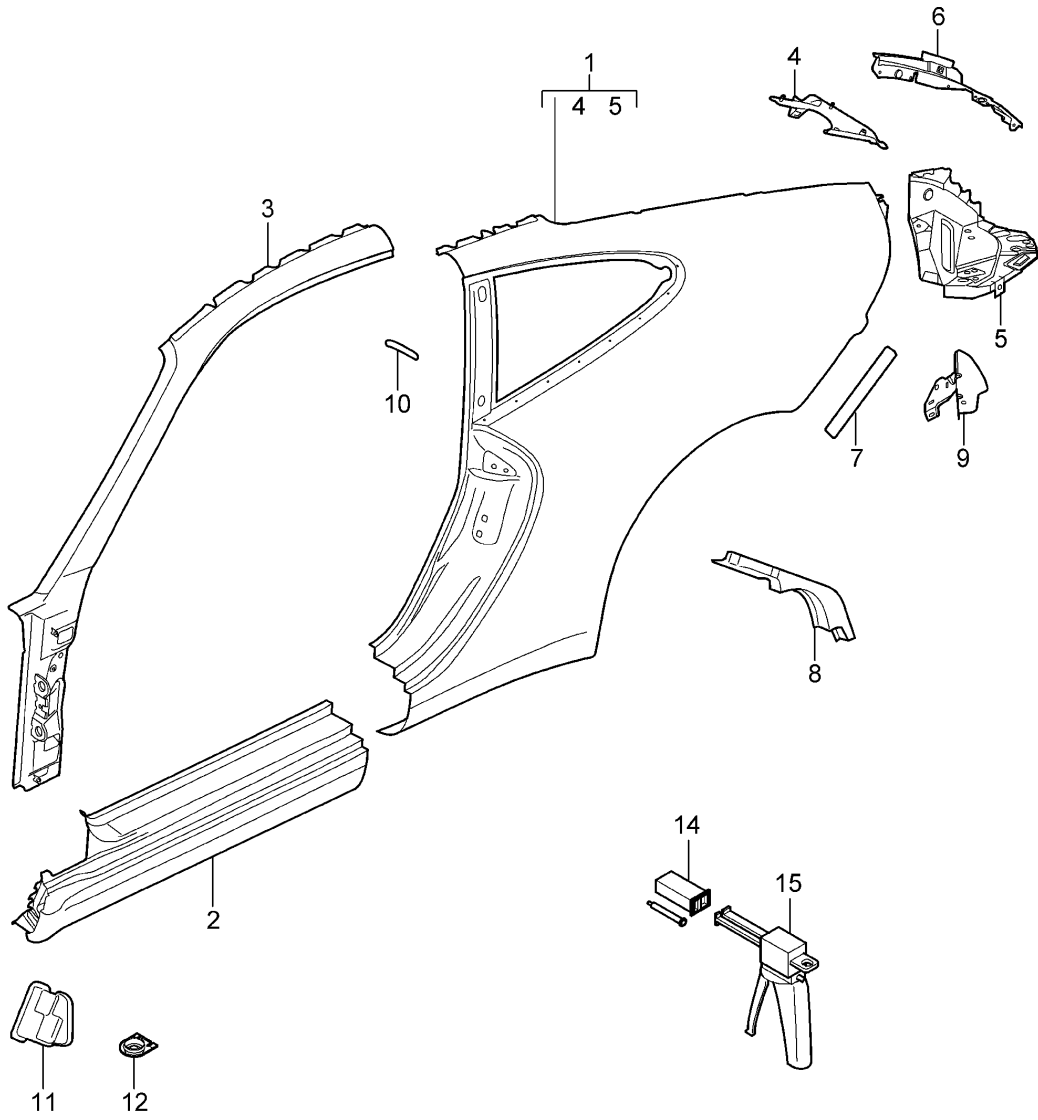


Model: 997G07 Model life 2007>>2011

Pos	Part Number	Description	Remark	Qty	Model
1	997 502 153 00	Side part	inner		
	997 502 153 00 GRV	Side part	left	1	
(1)	997 502 154 00	primed			
	997 502 154 00 GRV	Side part	right	1	
	997 502 154 00 GRV	primed			
2	997 502 423 00	Reinforcement	left	1	
	997 502 423 00 GRV	primed			
(2)	997 502 424 00	Reinforcement	right	1	
	997 502 424 00 GRV	primed			
3	996 502 083 02	Side part	left	1	
	996 502 083 02 GRV	primed			
(3)	996 502 084 02	Side part	right	1	
	996 502 084 02 GRV	primed			
4	996 502 383 01	Console		2	
	996 502 383 01 GRV	primed			
5	996 502 733 01	Reinforcement	left	1	
	996 502 733 01 GRV	primed			
(5)	996 502 734 01	Reinforcement	right	1	
	996 502 734 01 GRV	primed			
-		also use:			
-	000 043 206 29	Adhesive set		X	
		Body			
		comprising:			
-	000 043 206 30	adhesive		1	
-	000 043 206 31	Double cartridge gun		1	
-	000 043 206 32	emulsion tube		1	
-	000 043 206 33	activator		1	
-	999 703 433 40	Bungs		10	
		30 X 42			
		for			
		POS. 5			
6	997 502 115 00	Side part	left	1	
	997 502 115 00 GRV	primed			
(6)	997 502 116 00	Side part	right	1	
	997 502 116 00 GRV	primed			
7	997 502 215 00	Wheel housing	left	1	
	997 502 215 00 GRV	primed			
(7)	997 502 215 01	Wheel housing	left	1	PR:004
	997 502 215 01 GRV	primed			
(7)	997 502 216 00	Wheel housing	right	1	
	997 502 216 00 GRV	primed			
(7)	997 502 216 01	Wheel housing	right	1	PR:004
	997 502 216 01 GRV	primed			
8	997 502 707 00	Reinforcement	left	1	
	997 502 707 00 GRV	primed			
(8)	997 502 708 00	Reinforcement	right	1	
	997 502 708 00 GRV	primed			
9	997 502 161 00	Side part	left	1	
	997 502 161 00 GRV	primed			
(9)	997 502 162 00	Side part	right	1	
	997 502 162 00 GRV	primed			
10	997 502 711 00	Pipe		2	
	997 502 711 00 GRV	primed			
11	997 502 745 00	Reinforcement plate	left	1	
	997 502 745 00 GRV	primed			
(11)	997 502 746 00	Reinforcement plate	right	1	
	997 502 746 00 GRV	primed			
12	997 502 619 00	Pipe	left	1	
	997 502 619 00 GRV	primed			
(12)	997 502 620 00	Pipe	right	1	
	997 502 620 00 GRV	primed			

Model: 997G07

Model life 2007>>2011



Model: 997G07

Model life 2007>>2011

Pos	Part Number	Description	Remark	Qty	Model
1	997 503 961 07 997 503 961 07 GRV	Side part Side part primed	outer left	1	
(1)	997 503 961 09 997 503 961 09 GRV	Side part primed	also use: 000 043 305 38 left	1	PR:004
(1)	997 503 962 07 997 503 962 07 GRV	Side part primed	also use: 000 043 305 38 right	1	
(1)	997 503 962 09 997 503 962 09 GRV	Side part primed	also use: 000 043 305 38 right	1	PR:004
-			also use: 000 043 305 38		
2	997 503 963 00 997 503 963 00 GRV	Sill primed	left	1	
(2)	997 503 963 02 997 503 963 02 GRV	Sill primed	left	1	PR:004
(2)	997 503 964 00 997 503 964 00 GRV	Sill primed	right	1	
(2)	997 503 964 02 997 503 964 02 GRV	Sill primed	right	1	PR:004
3	997 503 965 00 997 503 965 00 GRV	roof frame primed	left	1	
(3)	997 503 966 00 997 503 966 00 GRV	roof frame primed	right	1	
4	997 502 365 00 997 502 365 00 GRV	Sealing channel primed	left	1	
(4)	997 502 366 00 997 502 366 00 GRV	Sealing channel primed	right	1	
5	997 502 461 00 997 502 461 00 GRV	Frame for light Discontinued part primed	left	1	
5	997 502 461 02 997 502 461 02 GRV	Frame for light primed	left	1	
(5)	997 502 462 00 997 502 462 00 GRV	Frame for light Discontinued part primed	right	1	
(5)	997 502 462 02 997 502 462 02 GRV	Frame for light primed	right	1	
6	997 502 213 02 997 502 213 02 GRV	Console Gas filled strut primed	left	1	
(6)	997 502 214 01 997 502 214 01 GRV	Console Gas filled strut primed	right	1	
7	997 504 631 00	Protective film		2	
8	997 504 907 00	Seal		2	
9	997 501 487 00 997 501 487 00 GRV	Reinforcement primed	left	1	
(9)	997 501 488 00 997 501 488 00 GRV	Reinforcement primed	right	1	
10	996 537 237 00	Protective film		2	
11	997 572 311 01	Water protection	left	1	
(11)	997 572 312 01	Water protection	right	1	
12	999 703 475 40	drain tube		2	
14	000 043 305 38	Sill adhesive		X	
15	000 043 300 48	Tool set See technical manual Group 5		X	

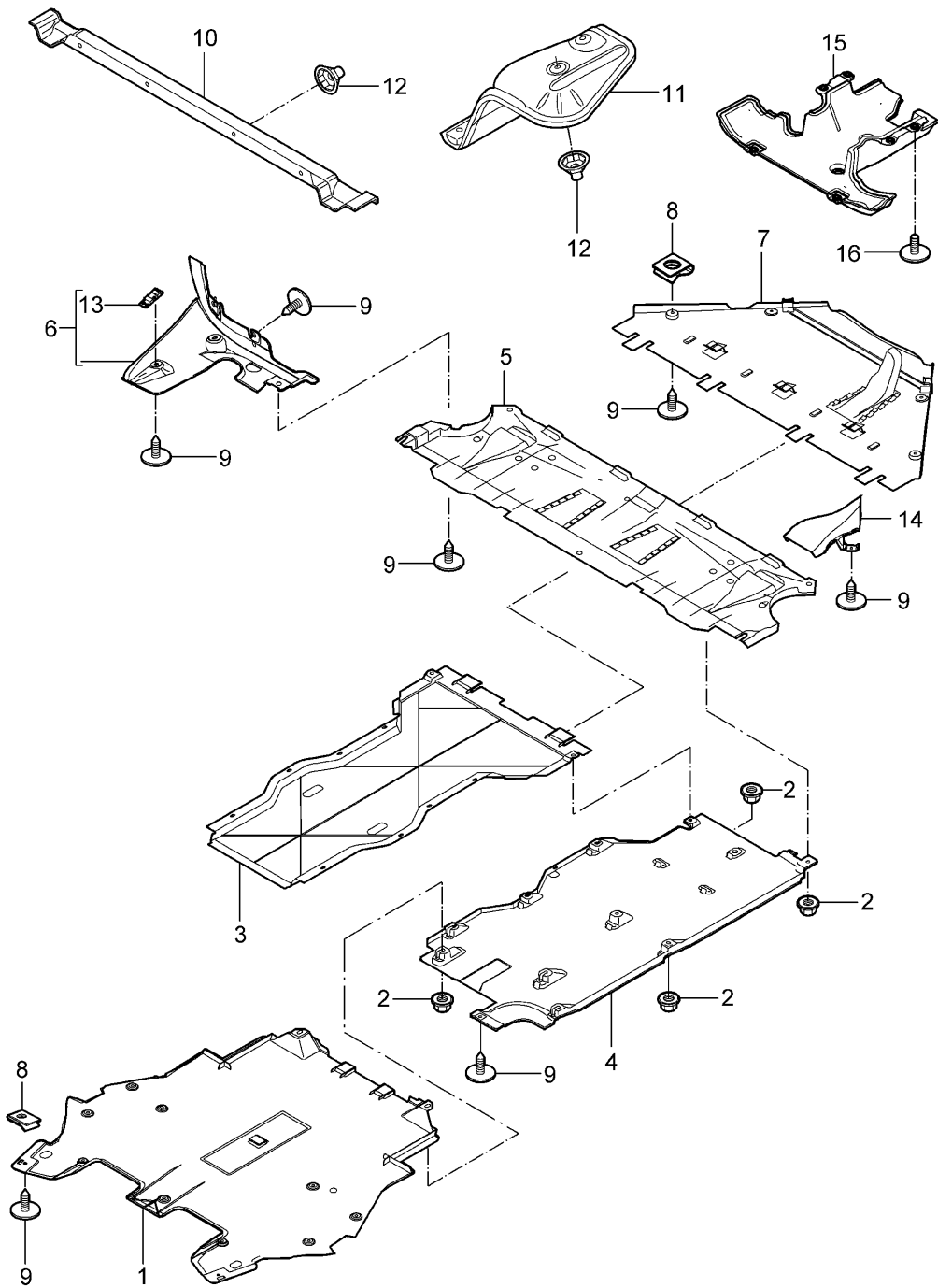
Model: 997G07

Model life 2007>>2011

Pos	Part Number	Description	Remark	Qty	Model
		53 55 55			

Model: 997G07

Model life 2007>>2011



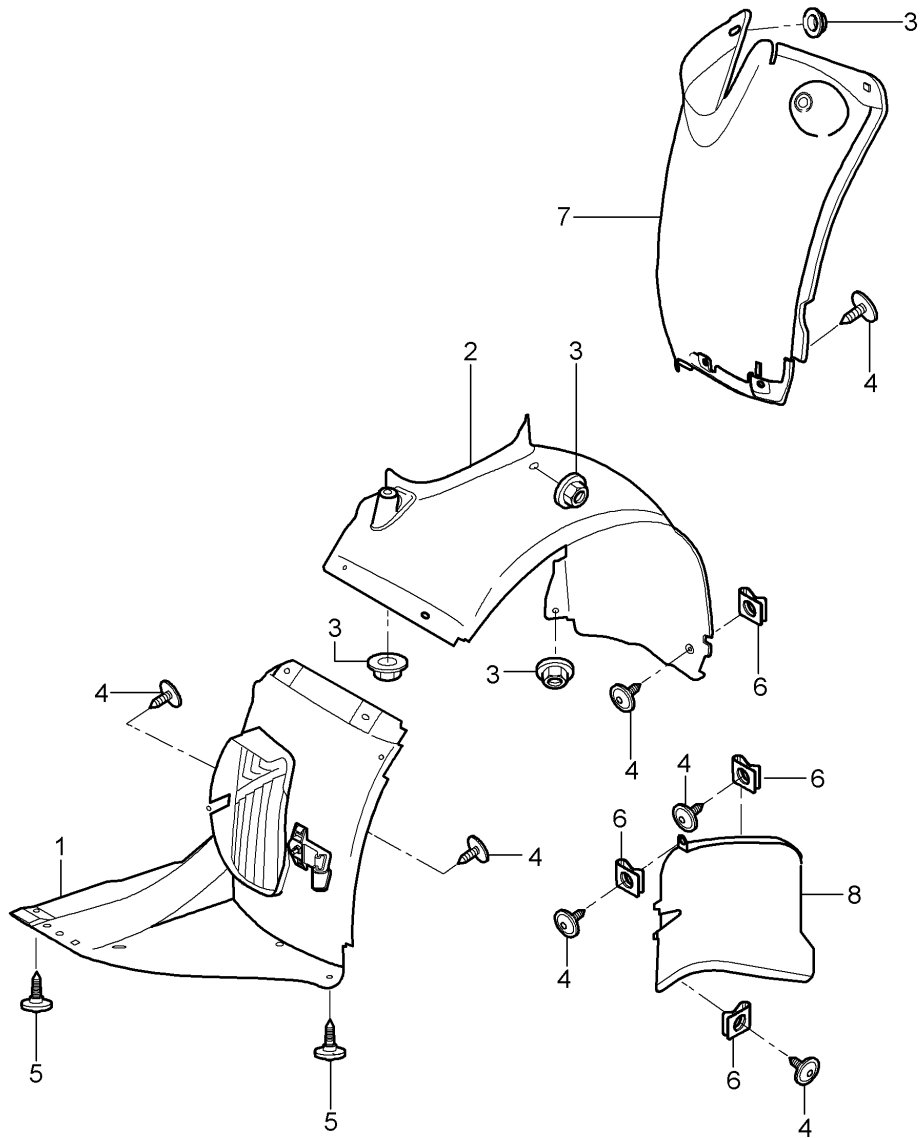
Model: 997G07 Model life 2007>>2011

Pos	Part Number	Description	Remark	Qty	Model
		Linings			
		Underbody			
1	997 504 527 02	Cover	lhd	1	PR:098
(1)	997 504 527 01	Cover	rhd	1	PR:099
(1)	997 504 527 01	Cover	front	1	PR:664
2	999 049 028 40	Plastic nut T 5		26	
3	997 504 043 00	Cover	center	1	
4	997 504 343 03	Cover	left	1	
(4)	997 504 344 03	Cover	center right	1	
5	997 504 629 92	Cover	center	1	
6	997 504 393 90	Trim	left	1	
(6)	997 504 393 90 01C	Satin black			
	997 504 394 90	Trim	right	1	
	997 504 394 90 01C	Satin black			
-	999 507 849 01	Cage nut ST4,8		X	
7	997 504 429 01	Cover		1	
8	999 507 795 09	Gearbox panel nut ST 4,8		4	
9	999 073 505 01	panel screw ST 4,8 X 16		X	
10	996 505 471 00	Heat insulation	center	1	
11	997 505 477 02	Heat insulation	left	1	
(11)	997 505 478 02	Heat insulation	right	1	
12	999 049 025 09	Collar nut T 5		12	
13	997 504 635 00	Clip		2	
14	997 575 183 00	Air guide channel Brake		1	
(14)	997 575 184 00	Air guide channel Brake		1	
15	997 504 431 90	Engine cover		1	PR:074,172, 193
16	999 073 295 A2	filllister hd. bolt		8	



Model: 997G07

Model life 2007>>2011

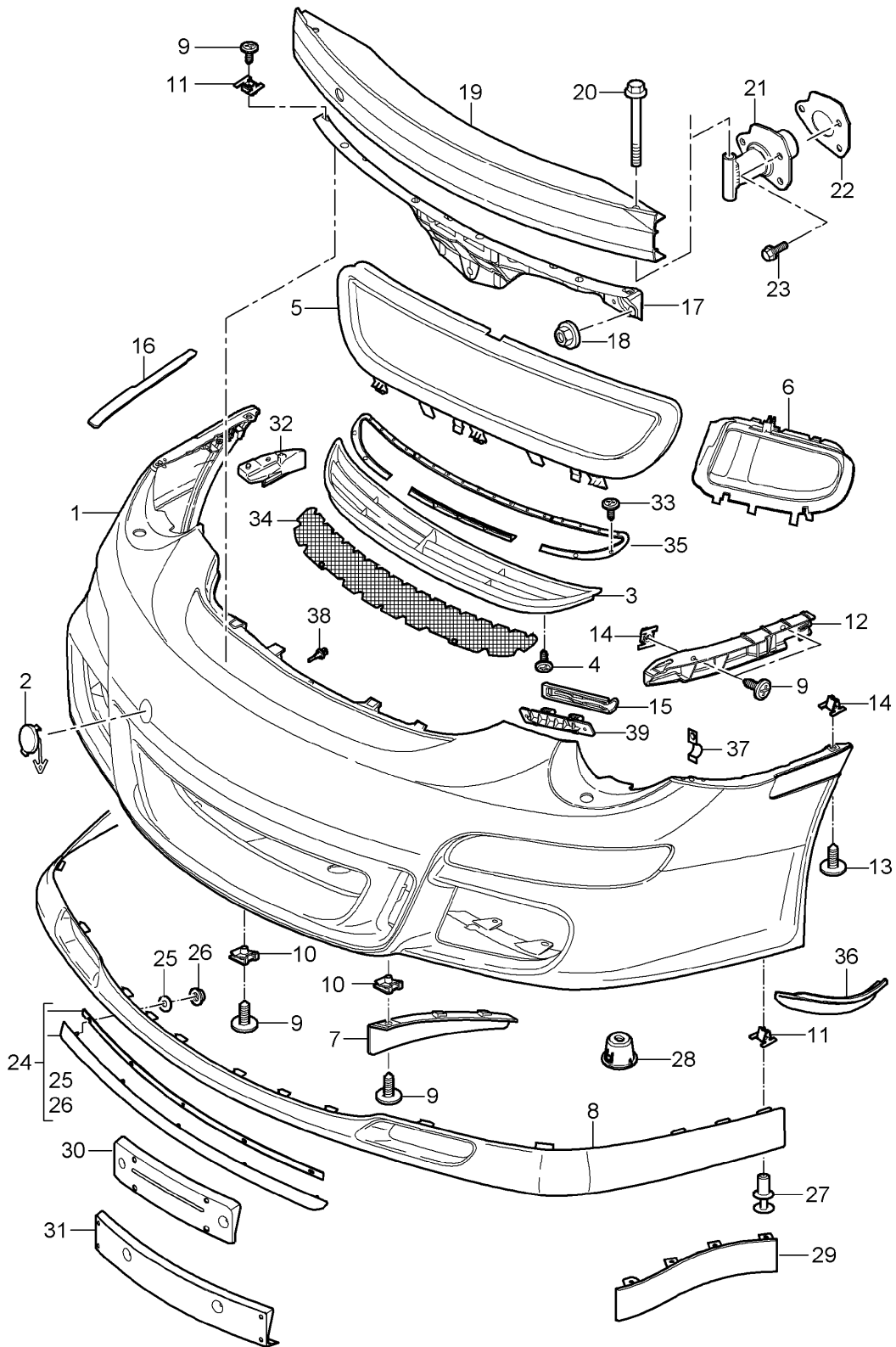


Model: 997G07 Model life 2007>>2011

Pos	Part Number	Description	Remark	Qty	Model
		Linings			
1	997 504 123 90	Wheel housing Wheel housing liner	left front	1	
		D >> - MJ 2008			
1	997 504 123 93	Wheel housing liner	left front	1	
		D - MJ 2009>>			
(1)	997 504 124 90	Wheel housing liner	right front front	1	
		D >> - MJ 2008			
(1)	997 504 124 93	Wheel housing liner	right front front	1	
		D - MJ 2009>>			
2	997 504 203 00	Wheel housing liner	left rear	1	PR:-004
(2)	997 504 203 92	Wheel housing liner	left rear	1	GT3RS
		D - MJ 2010>>			PR:004
(2)	997 504 203 93	Wheel housing liner	left rear	1	PR:006
(2)	997 504 204 00	Wheel housing liner	right rear	1	
(2)	997 504 204 92	Wheel housing liner	right rear front	1	GT3RS
		D - MJ 2010>>			PR:004
(2)	997 504 204 93	Wheel housing liner	right rear	1	PR:006
3	999 049 028 40	Plastic nut T5		12	
4	999 073 231 09	panel screw ST 4,8 X 16		18	
5	999 073 227 09	panel screw ST 4,8 X 19		4	
6	999 507 795 09	panel nut ST 4,8		2	
7	997 504 573 03	Wheel housing liner	left rear	1	
(7)	997 504 573 02	Wheel housing liner	left rear	1	PR:004
(7)	997 504 574 03	Wheel housing liner	right rear	1	
(7)	997 504 574 02	Wheel housing liner	right rear	1	PR:004
8	997 575 231 91	Air distributor	left	1	
(8)	997 575 232 91	Air distributor	right	1	
-	997 504 503 90	Rubber strip	left	1	GT3
		D >> - MJ 2008			
-	997 504 504 90	Rubber lip	right	1	GT3
		D >> - MJ 2008			
-	997 504 503 93	Rubber lip	left	1	GT3RS
		D - MJ 2010>>			
-	997 504 504 93	Rubber lip	right	1	GT3RS
		D - MJ 2010>>			

Model: 997G07

Model life 2007>>2011



Model: 997G07

Model life 2007>>2011

Pos	Part Number	Description	Remark	Qty	Model
1	997 505 961 90	bumper Trim D >> - MJ 2009	front	1	
(1)	997 505 961 91	Trim primed D >> - MJ 2009		1	PR:288
(1)	997 505 191 90	Trim primed D - MJ 2010>>		1	
(1)	997 505 191 91	Trim primed D - MJ 2010>>		1	PR:288
(1)	997 505 191 A1	Trim primed D - MJ 2010>>		1	PR:004,288
(1)	997 505 191 A2	Trim primed D - MJ 2010>>		1	PR:004
2	997 505 991 01	cover for towing eye D >> - MJ 2009		1	
2	997 505 703 05	cover for towing eye D - MJ 2010>>		1	
	997 505 703 05 G2L	primed D - MJ 2010>>			
3	997 575 327 90	Trim Air exhaust D >> - MJ 2009		1	
4	997 575 327 90 01C	Satin black			
4	999 919 118 09	fillister hd. bolt 4,0 X 14 D >> - MJ 2009		8	
5	997 505 541 01	Retaining frame Ventilation grille D >> - MJ 2009	center	1	
5	997 505 541 01 01C	Satin black			
5	997 505 441 80	Retaining frame Ventilation grille D - MJ 2011>>	center	1	GT2 RS PR:004,804
5	997 505 441 80 01C	Satin black			
5	997 505 561 92	Retaining frame Ventilation grille D - MJ 2010>>	center	1	
-	997 505 711 92	Ventilation grille D - MJ 2010>>	center	1	
6	997 505 985 00	Retaining frame D >> - MJ 2009	left side	1	
(6)	997 505 985 00 01C	Satin black			
(6)	997 505 563 92	Retaining frame D - MJ 2010>>	left side	1	
-	997 505 713 92	Ventilation grille D - MJ 2010>>	left side	1	
(6)	997 505 986 00	Retaining frame D >> - MJ 2009	right side	1	
(6)	997 505 986 00 01C	Satin black			
(6)	997 505 564 92	Retaining frame D - MJ 2010>>	right side	1	
-	997 505 714 92	Ventilation grille	right side	1	

Model: 997G07 Model life 2007>>2011

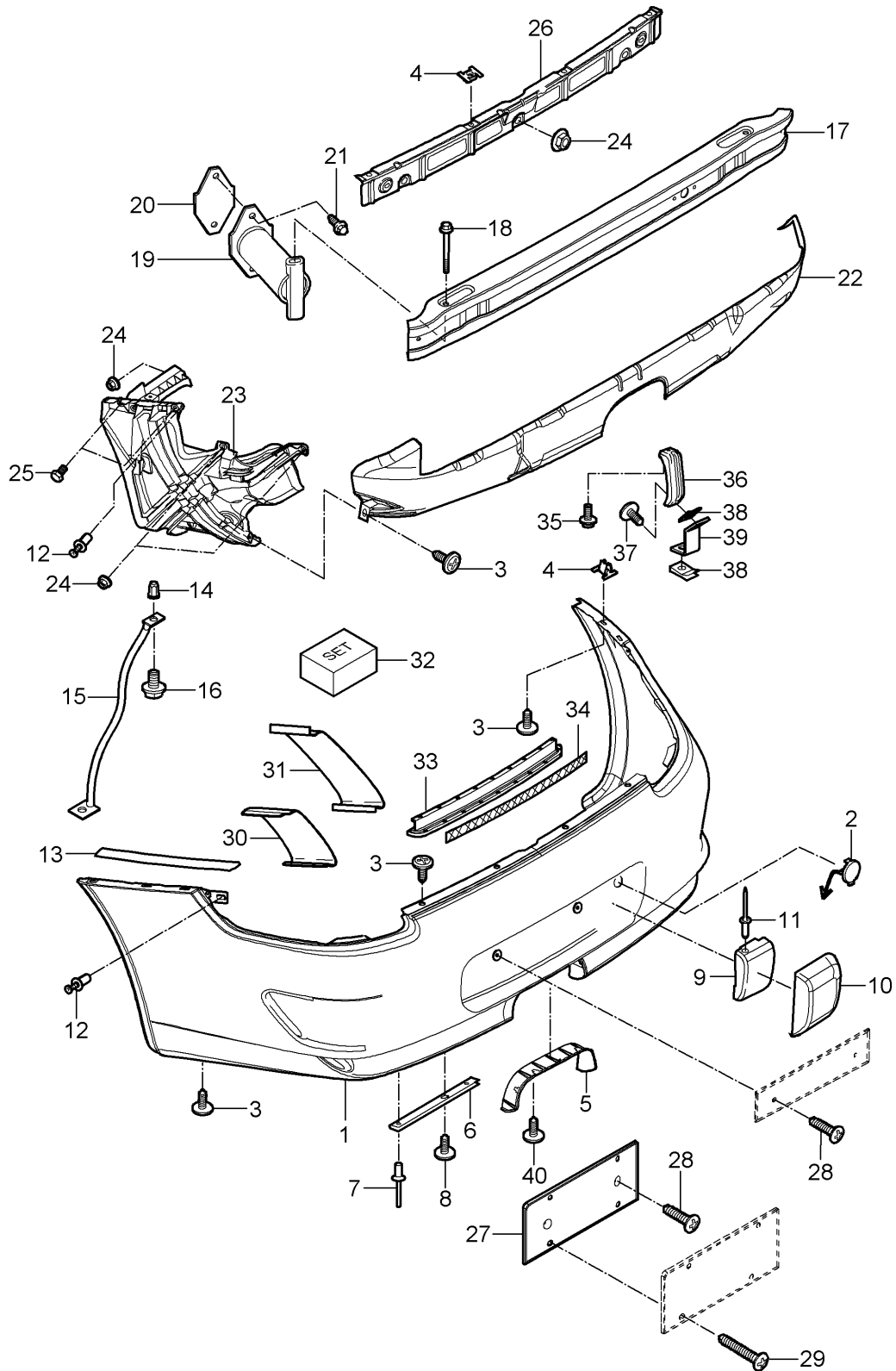
Pos	Part Number	Description	Remark	Qty	Model
7	997 504 651 90	D - MJ 2010>> Air guide	left	1	
(7)	997 504 652 90	Brake Air guide	right	1	
8	997 505 983 94	Brake Spoiler		1	PR:-004
		D >> - MJ 2009			
(8)	997 505 557 94	Spoiler		1	PR:-004
		D - MJ 2010>>			
	997 505 557 94 01C	Satin black			
(8)	997 505 983 97	Spoiler		1	PR:004
		D >> - MJ 2009			
(8)	997 505 557 93	Spoiler		1	PR:004
		D - MJ 2010>>			
	997 505 557 93 01C	Satin black			
(8)	997 505 557 93	Spoiler		1	PR:006
		D - MJ 2010>>			
	997 505 557 93 01C	Satin black			
9	999 073 227 09	panel screw		X	
		ST 4,8 X 19			
10	999 507 795 09	panel nut		2	
		ST 4,8			
11	999 507 590 02	Cage nut		4	
		ST 4,8			
12	997 505 535 01	retaining strip	left	1	
(12)	997 505 536 01	retaining strip	right	1	
13	999 073 418 01	panel screw		4	
		ST 4,8 X 19-C			
14	999 507 849 01	Cage nut		X	
		ST 4,8			
15	997 505 719 00	Fixing		2	
(16)	997 504 531 00	Protective film	left	1	
16	997 504 531 00	Protective film	right	1	
17	997 505 531 00	retaining strip	center	1	
18	999 076 078 09	Hexagon nut		3	
		M 6			
19	997 505 141 02	Bumper carrier		1	
20	900 378 088 09	Hexagon bolt		2	
		M 12 X 100			
21	997 505 319 00	Impact pipe		2	
22	997 505 751 02	Seal		2	
23	900 378 267 09	Shock absorber Bolt with washer		6	
		M 8 X 30			
24	997 505 996 91	1 set of spoilers		1	PR:004
		Set comprising: Lower part			
		with:			
		Securing strip			
		D >> - MJ 2009			
25	900 025 003 04	Washer		5	PR:004
		D >> - MJ 2009			
26	900 084 095 02	Hexagon nut		5	PR:004
		D >> - MJ 2009			
27	999 507 616 40	expanding nut		2	PR:004
		D >> - MJ 2009			
28	997 505 993 00	Mounting		1	
		D >> - MJ 2009			
29	997 504 303 90	Spoiler	left	1	
		D - MJ 2009>>			
(29)	997 504 304 90	Spoiler	right	1	
30	997 701 981 00	Retaining frame		1	PR:211

Model: 997G07 Model life 2007>>2011

Pos	Part Number	Description	Remark	Qty	Model
		Number plate D >> - MJ 2009			
(30)	997 701 981 00 01C 997 701 105 90	Satin black Retaining frame		1	PR:211
		Number plate D - MJ 2010>>			
(30)	997 701 105 90 01C 997 701 981 01	Black Retaining frame		1	PR:218
		Number plate D >> - MJ 2009			
(30)	997 701 981 01 01C 997 701 107 90	Satin black Retaining frame		1	PR:218
		Number plate D - MJ 2010>>			
32	997 701 107 90 01C 997 505 301 00	Black corner part		1	
		Trim Of			
(32)	997 505 302 00	corner part	right	1	
		Trim Of			
33	900 187 141 09	Bolt with washer for Mount		2	
		Spoiler			
34	997 575 717 92	Grille	upper	1	
		Air exhaust Front apron			
35	997 575 567 92	Set	upper	1	
		Retaining frame 3-part			
36	997 505 333 96	Spoiler	left side	1	PR:006,512
	997 505 333 96 M7Z	GT Silver Metallic			
(36)	997 505 334 96	Spoiler	right side	1	PR:006,512
	997 505 334 96 M7Z	GT Silver Metallic			
37	999 591 709 40	Bracket Hose		2	
		Headlight washer system			
38	958 505 535 00	Sensor		1	
39	997 505 317 00	Retaining plate Trim		2	

Model: 997G07

Model life 2007>>2011



Model: 997G07 Model life 2007>>2011

Pos	Part Number	Description	Remark	Qty	Model
(1)	997 505 411 94	bumper Trim primed D >> - MJ 2009 Discontinued part	rear	1	PR:-004
(1)	997 505 411 A3	Trim primed D >> - MJ 2009		1	PR:-004
(1)	997 505 411 9B	Trim primed D - MJ 2010>>		1	PR:-004
(1)	997 505 411 96	Trim D >> - MJ 2009		1	PR:004
(1)	997 505 411 96 G2X 997 505 421 A5	primed Trim primed D - MJ 2010>>		1	PR:004
2	997 505 803 00	cover for towing eye D >> - MJ 2009		1	
3	997 505 803 00 G2X	primed			
3	999 073 227 09	panel screw 4,8 X 16		10	
4	999 507 590 02	Cage nut ST 4,8		6	
5	997 505 811 90	Guard plate Silencer D >> - MJ 2009		1	
(5)	997 505 811 91	Guard plate Silencer D - MJ 2010>>		1	
6	997 505 837 90	retaining rail D >> - MJ 2009	lower	2	
(6)	997 505 837 91	retaining rail D - MJ 2010>>	left lower	2	
(6)	997 505 838 91	retaining rail D - MJ 2010>>	right lower left	2	
7	999 190 104 30	Pop rivet 3,2 X 7,9		2	
8	999 073 314 09	panel screw ST 4,8 X 16		4	
(9)	997 505 845 00	Buffer D >> - MJ 2009	left	1	
(9)	997 505 845 01	Support for bumper D - MJ 2010>>	left	1	
(9)	997 505 846 00	Buffer D >> - MJ 2009	right	1	
(9)	997 505 846 01	Support for bumper D - MJ 2010>>	right	1	
(10)	997 505 625 02	Trim Buffer D >> - MJ 2009	left	1	
(10)	997 505 625 04	Bumper cover Buffer D - MJ 2010>>	left	1	PR:553
10	997 505 626 02	Trim Buffer primed D >> - MJ 2009	right	1	
(10)	997 505 626 04	Bumper cover Buffer	right	1	



Model: 997G07 Model life 2007>>2011

Pos	Part Number	Description	Remark	Qty	Model
11	999 190 312 30	primed D - MJ 2010>> Button-head rivet A 4,8 X 24,8		2	
12	999 591 941 40	Spreader rivet ST 4,2		4	
13	997 504 631 00	Protective film		2	
14	999 500 084 01	insert nut		6	
15	997 505 681 01	Brace	left	1	
(15)	997 505 682 01	Brace	right	1	
16	900 378 035 01	Hexagon bolt M6 X 16		2	
(17)	997 505 121 91	Bumper carrier D >> - MJ 2009		1	
(17)	997 505 121 94	Carrier D - MJ 2010>>		1	PR:484
18	900 378 088 01	Hexagon bolt M 12 X 100		2	
(19)	996 505 015 00	Shock absorber D >> - MJ 2009		2	PR:113
(20)	996 505 775 01	Underlay Shock absorber D >> - MJ 2009		2	PR:113
21	900 378 267 01	Hexagon bolt M 8 X 30		4	
22	997 505 475 90	Heat insulation D >> - MJ 2009	center	1	
(22)	997 505 475 91	Heat insulation D - MJ 2010>>	center	1	
23	997 505 631 90	Bracket D >> - MJ 2009	left side	1	
23	997 505 631 92	Bracket D - MJ 2010>>	left side	1	
(23)	997 505 631 91	Bracket D >> - MJ 2009	left side	1	PR:004
(23)	997 505 631 93	Bracket D - MJ 2010>>	left side	1	PR:004
(23)	997 505 631 93	Bracket D - MJ 2010>>	left side	1	PR:004
(23)	997 505 632 90	Bracket D >> - MJ 2009	right side	1	
(23)	997 505 632 92	Bracket D - MJ 2010>>	right side	1	
(23)	997 505 632 91	Bracket D >> - MJ 2009	right side	1	PR:004
(23)	997 505 632 93	Bracket D - MJ 2010>>	right side	1	PR:004
24	999 076 078 09	Hexagon nut M 6		6	
25	900 075 459 09	Bolt with washer M 6 X 12		2	
26	997 505 641 02	Securing strip D >> - MJ 2009	center	1	
26	997 505 641 03	Securing strip	center	1	

Model: 997G07 Model life 2007>>2011

Pos	Part Number	Description	Remark	Qty	Model
27	997 701 113 00	D - MJ 2010>> Licence plate holder		1	PR:218
	997 701 113 00 01C	Black			
28	999 919 228 A2	Screw Bracket Number plate 5 X 28		X	
29	999 919 227 A2	panel screw Bracket Number plate 5 X 13		X	
30	997 505 823 90	Air exhaust	left	1	
		D >> - MJ 2009			
30	997 505 817 90	Grille	left	1	
		D - MJ 2010>>			
(30)	997 505 824 90	Air exhaust	right side lower	1	
		D >> - MJ 2009			
(30)	997 505 818 90	Grille	right side lower	1	
		D - MJ 2010>>			
31	997 505 813 90	Frame Air exhaust	left side upper	1	
		D >> - MJ 2009			
(31)	997 505 851 90	Retaining frame	left	1	
		D - MJ 2010>>			
(31)	997 505 814 90	Frame Air exhaust	right side upper	1	
		D >> - MJ 2009			
(31)	997 505 852 90	Retaining frame	right	1	
		D - MJ 2010>>			
-	999 919 268 01	fillister hd. bolt for Retaining frame Air exhaust		3	
		D - MJ 2010>>			
32	000 043 206 04	Adhesive tape Air exhaust Processing instructions		1	
		Group:			
		63 55 37			
33	997 505 835 90	Retaining frame for Grille Air exhaust	upper	1 1 1	
34	997 505 829 90	Grille Air exhaust	upper	1	
35	999 075 056 01	Bolt with washer M8		1	
36	997 505 639 00	Rear support		1	
		D >> - MJ 2009			
(36)	997 505 639 92	Rear support		2	
		D - MJ 2010>>			
37	900 075 335 02	Bolt with washer M6x22		1	
38	999 507 795 09	panel nut		1	
39	997 505 649 00	Connecting plate angle		2	
		D >> - MJ 2009			

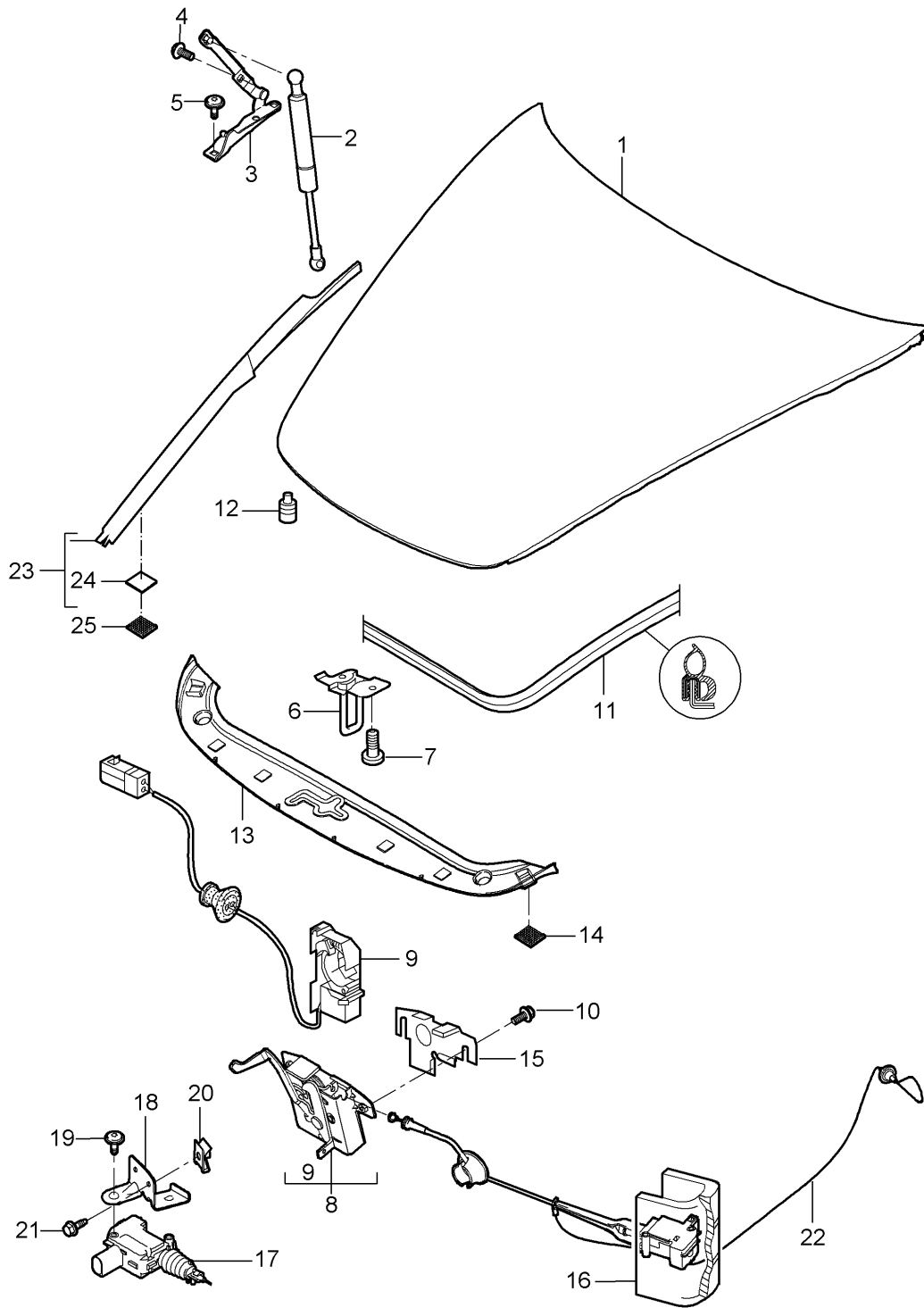
Model: 997G07

Model life 2007&gt;&gt;2011

Pos	Part Number	Description	Remark	Qty	Model
(39)	997 505 649 91	angle		2	
40	999 919 264 01	D - MJ 2010>> fillister hd. bolt 3,0X8,0		8	

Model: 997G07

Model life 2007>>2011



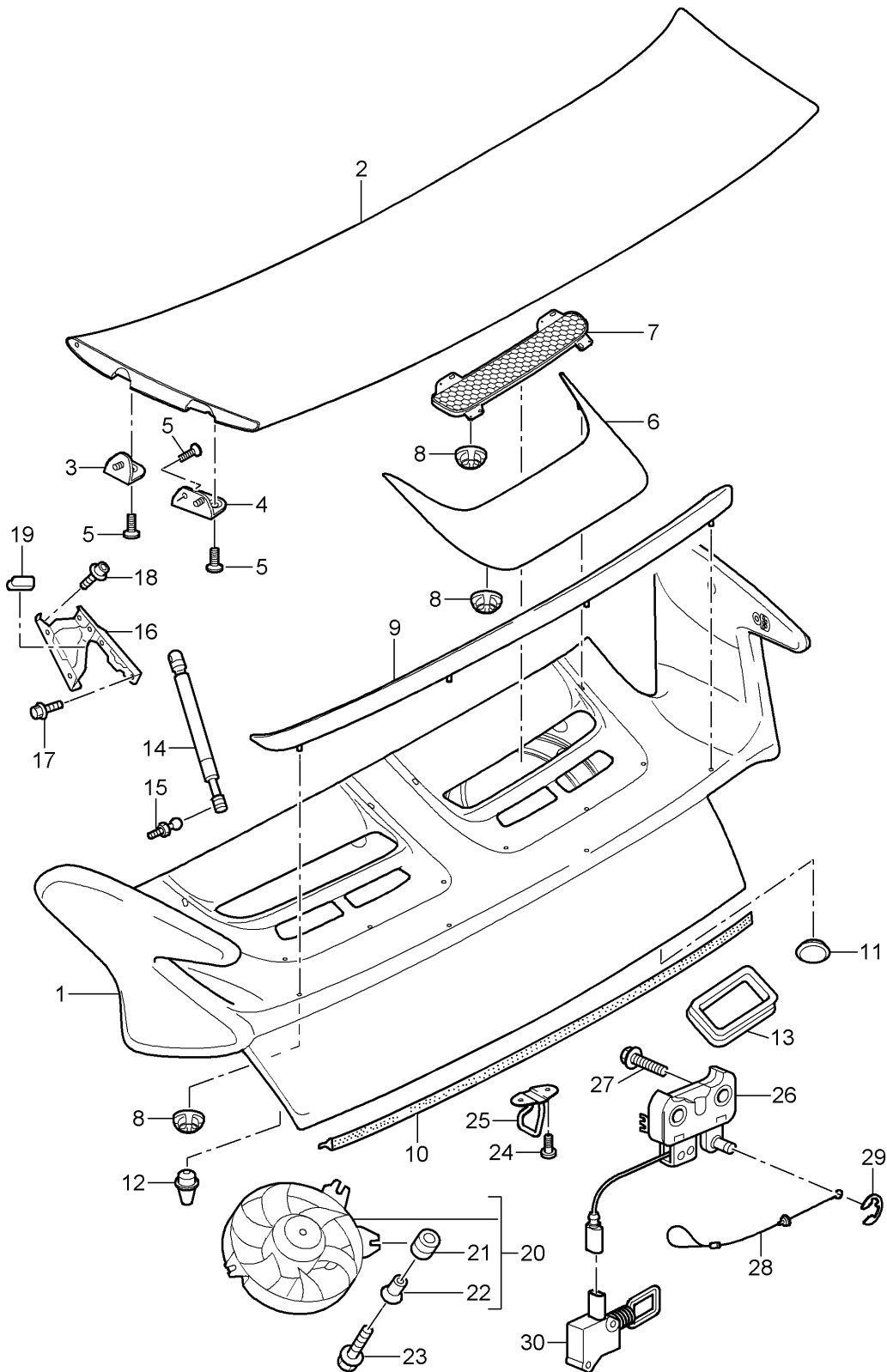
Model: 997G07

Model life 2007>>2011

Pos	Part Number	Description	Remark	Qty	Model
1	997 511 011 00	Cover	front	1	
	997 511 011 00 GRV	Cover primed			
1	997 511 011 A1	Cover primed		1	RS 4,0 PR:006
		D - MJ 2011>>			
2	997 511 551 01	Gas filled strut		2	
3	997 511 151 01	Hinge	left	1	
(3)	997 511 152 01	Hinge	right	1	
4	999 073 357 09	fillister hd. bolt M 6 X 12		4	
5	999 073 348 09	fillister hd. bolt M 6 X 20		4	
6	997 511 051 00	Lock upper part		1	
7	999 073 378 02	flat round head bolt M 6 X 20		2	
8	997 511 053 00	Lock lower part		1	
9	997 613 206 00	Micro switch		1	
10	900 075 466 09	Bolt with washer M 6 X 16		2	
11	997 511 611 00	Seal		1	
12	999 703 140 41	Rubber buffer		2	
13	997 504 811 03	Cover panel		1	
	997 504 811 03 FMT	Satin black			
14	999 902 049 40	Velcro fastener		4	
15	996 511 653 00	Cover		1	
16	997 511 117 00	throttle control element		1	
17	997 624 119 00	throttle control element Emergency operation		1	
18	997 511 489 01	angle throttle control element		1	
19	999 919 188 09	fillister hd. bolt 5,0 X 30		2	
20	999 591 882 02	panel nut M6		2	
		Discontinued part			
20	999 591 882 01	panel nut M6		2	
21	900 075 466 09	Bolt with washer M6 X 16		2	
22	997 511 085 00	Cable Luggage compartment		1	
(23)	997 572 465 02	Cover panel	left	1	
	997 572 465 02 02A	Black			
23	997 572 466 02	Cover panel	right	1	
	997 572 466 02 02A	Black			
24	999 902 052 40	Velcro fastener		4	
		Cover 20 X 20			
25	999 902 051 40	Velcro fastener Wing 20 X 20		4	

Model: 997G07

Model life 2007>>2011



Model: 997G07

Model life 2007&gt;&gt;2011

Pos	Part Number	Description	Remark	Qty	Model
1	997 512 225 92	Cover	rear	1	-08
(1)	997 512 225 96	Cover primed		1	09-
2	997 512 265 92	Spoiler		1	-08
(2)	997 512 265 A2	Spoiler primed		1	09-
3	997 512 633 01	Securing bracket	front	2	
4	997 512 635 90	Securing bracket	left rear	1	
(4)	997 512 635 90 GRV 997 512 636 90	primed Securing bracket	right rear	1	
5	997 512 636 90 GRV 900 249 073 01	primed countersunk bolt Securing bracket		10	
(6)	997 512 435 92	Air guide	left	1	
6	997 512 436 92	Air guide primed	right	1	
(7)	997 512 625 90	intake grille	left	1	
7	997 512 626 90	intake grille	right	1	
8	999 076 082 40	Cap T5/16 X 7,0		22	
9	997 512 365 90	Spoiler		1	-08
(9)	997 512 365 91	Spoiler		1	09-
10	997 512 611 01	Seal		1	
12	996 512 987 00	adjusting screw		2	
13	997 512 443 90	Cover Closing element Inner shell Air cleaner system		1	
-	996 110 143 70	Seal Air filter		1	
14	996 512 551 03	Gas filled strut		1	
15	999 167 051 02	Ball stud		1	
15	999 167 051 03	Ball stud		1	
16	997 512 151 02	Hinge	left	1	
(16)	997 512 152 01	Hinge	right	1	
17	900 378 214 01	Hexagon bolt M 6 X 18		4	
18	900 075 466 09	Bolt with washer M 6 X 16		6	
19	997 512 153 00	Stop Hinge		2	
20	997 624 056 01	Fan Engine bay		1	
21	999 703 451 40	Rubber grommet 9,0 X 14,0 X 1,5		3	
22	999 209 049 02	spacer sleeve 7,0 X 1,0 X 12		3	
23	999 073 417 01	fillister hd. bolt M6 X 30		4	
24	900 378 214 01	Hexagon bolt M6 x 18		2	
25	997 512 213 01	Lock upper part		1	
26	997 512 053 00	Lock lower part		1	
27	N 910 664 01	Hexagon socket head bolt (combi)		3	

Model: 997G07

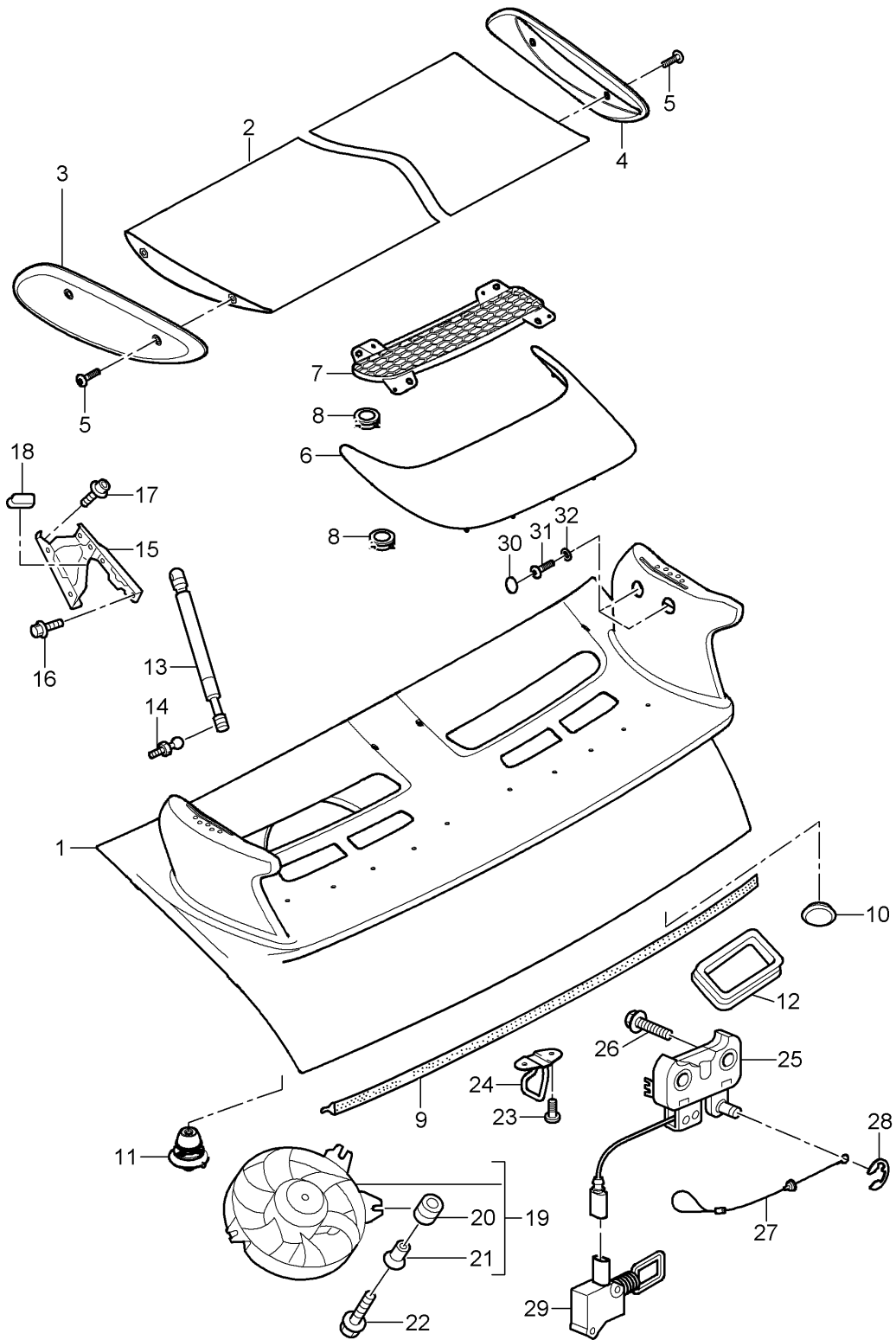
Model life 2007>>2011

Pos	Part Number	Description	Remark	Qty	Model
28	997 512 521 00	M6 x 40 Cable Emergency operation		1	
29	900 116 002 02	Retaining washer 3,2		1	
30	997 624 118 00	throttle control element D >> - MJ 2008		1	
(30)	997 624 118 01	throttle control element D - MJ 2009>>		1	
-	997 612 916 00	repair set Wire set throttle control element D >> - MJ 2008		1	



Model: 997G07

Model life 2007>>2011



Model: 997G07 Model life 2007>>2011

Pos	Part Number	Description	Remark	Qty	Model
1	997 512 225 94	Cover	rear	1	PR:004
(1)	997 512 227 A1	Cover primed		1	GT3RS PR:XAA
(1)	997 512 227 A5	Cover primed D - MJ 2010>>		1	RS 4,0 PR:006
2	997 512 165 92	Spoiler Carbon		1	
		with: Wing plate for rear spoiler POSITION 3,4,5, primed			
2	997 512 165 93	Spoiler Carbon		1	PR:193
		with: Wing plate for rear spoiler POSITION 3,4,5, primed			
(2)	997 512 265 97	Spoiler Carbon		1	GT3RS PR:XAA
(2)	997 512 265 A3	Spoiler Carbon D - MJ 2010>>		1	RS 4,0 PR:006
3	997 512 463 01	Spoiler Wing plate for rear spoiler primed	left	1	
(3)	997 512 463 02	Spoiler Wing plate for rear spoiler Indian red D - MJ 2010>>	left	1	GT3RS PR:XAA
(3)	997 512 463 03	Spoiler Wing plate for rear spoiler White gold metallic D - MJ 2010>>	left	1	GT3RS PR:XAA
(3)	997 512 463 90	Spoiler Wing plate for rear spoiler D - MJ 2011>>	left	1	RS 4,0 PR:006
(3)	997 512 463 90 M7Z	GT Silver Metallic			
(3)	997 512 464 01	Spoiler Wing plate for rear spoiler primed	right	1	
(3)	997 512 464 02	Spoiler Wing plate for rear spoiler Indian red D - MJ 2010>>	right	1	GT3RS PR:XAA
(3)	997 512 464 03	Spoiler Wing plate for rear spoiler White gold metallic D - MJ 2010>>	right	1	GT3RS PR:XAA
(3)	997 512 464 90	Spoiler Wing plate for rear spoiler D - MJ 2011>>	right	1	RS 4,0 PR:006
5	997 512 464 90 M7Z	GT Silver Metallic			
5	999 073 427 01	flat round head bolt M6 X 25		10	
(6)	997 512 435 92	Air guide primed	left	1	
6	997 512 436 92	Air guide	right	1	

Model: 997G07 Model life 2007>>2011

Pos	Part Number	Description	Remark	Qty	Model
(7)	997 512 625 90	primed intake grille	left	1	GT3RS PR:XAA
7	997 512 626 90	intake grille	right	1	
(7)	997 512 625 91	intake grille D - MJ 2010>>		1	
	997 512 625 91 G2X	primed			
8	999 076 082 40	Cap T5/16 X 7,0		26	
9	997 512 611 01	Seal		1	
10	999 703 019 40	End cap 25,5 X 37,0		3	
11	996 512 987 00	adjusting screw Cover		2	
12	997 512 443 90	Closing element Seal Air cleaner system		1	
(13)	997 512 551 90	Gas filled strut		1	
14	999 167 051 03	Ball stud		1	
15	997 512 151 02	Hinge	left	1	
(15)	997 512 152 01	Hinge	right	1	
16	900 378 214 01	Hexagon bolt M 6 X 18		4	
17	900 075 466 09	Bolt with washer M 6 X 16		6	
18	997 512 153 00	Stop Hinge		2	
19	997 624 056 01	Fan Engine bay		1	
20	999 703 451 40	Rubber grommet 9,0 X 14,0 X 1,5		3	
21	999 209 093 01	spacer sleeve 7,0 X 1,0 X 12		3	
22	999 073 417 01	fillister hd. bolt M6 X 30		4	
23	900 378 214 01	Hexagon bolt M6 x 18		2	
24	997 512 213 01	Lock upper part		1	
25	997 512 053 00	Lock lower part		1	
26	N 910 664 01	Hexagon socket head bolt (combi) M6 x 40		3	
27	997 512 521 00	Cable Emergency operation		1	
28	900 116 002 02	Retaining washer 3,2		1	
29	997 624 118 00	throttle control element D >> - MJ 2008		1	
(29)	997 624 118 01	throttle control element D - MJ 2009>>		1	
-	997 612 916 00	repair set Wire set throttle control element D >> - MJ 2008		1	
30	997 512 444 00	Bungs		4	
31	999 073 430 01	flat round head bolt m 8 x 18		4	
32	900 336 006 01	Washer		4	
-	997 512 681 90	retainer for spoiler D - MJ 2010>>	left	1	GT3RS PR:XAA
-	997 512 681 93	retainer for spoiler D - MJ 2011>>	left	1	

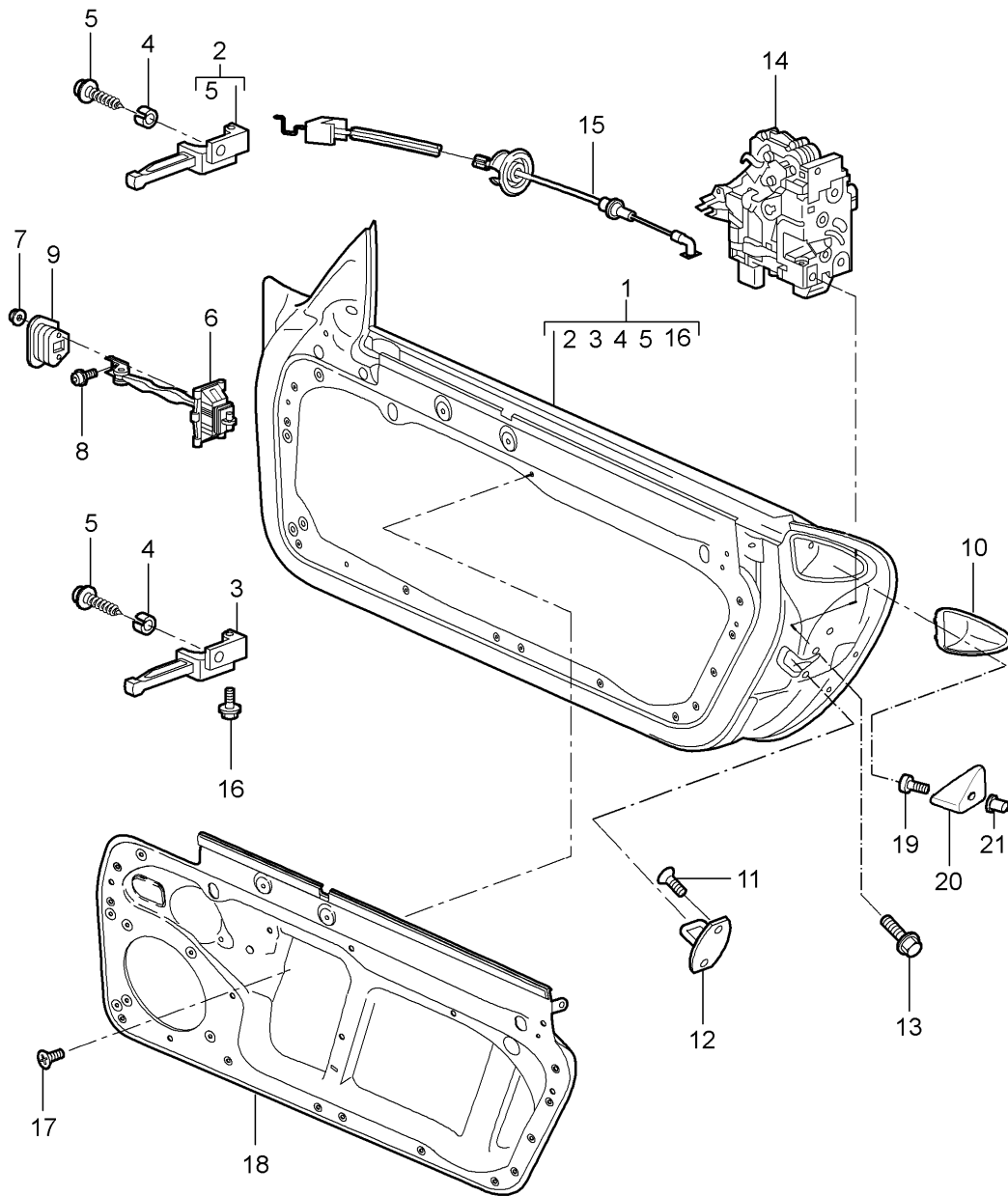
Model: 997G07

Model life 2007>>2011

Pos	Part Number	Description	Remark	Qty	Model
-	997 512 682 90	retainer for spoiler	right	1	GT3RS PR:XAA
-	997 512 682 93	D - MJ 2010>> retainer for spoiler	right	1	RS 4,0 PR:006
-	997 512 682 93	D - MJ 2011>> retainer for spoiler	right	1	RS 4,0 PR:006
-	997 512 783 91	D - MJ 2011>> Shim		4	GT3RS PR:XAA
-	999 085 051 01	D - MJ 2010>> Nut M6		4	GT3RS PR:XAA
-	999 073 509 01	D - MJ 2010>> countersunk bolt M6 X 12 Micro-self-locking silver		4	GT3RS PR:XAA
-	999 073 510 01	D - MJ 2010>> countersunk bolt M6 X 25		10	GT3RS PR:XAA
-	997 512 771 01	D - MJ 2010>> Air guide channel Air filter	left	1	RS 4,0 PR:006
-	997 512 772 01	D - MJ 2011>> Air guide channel Air filter	right	1	RS 4,0 PR:006
		D - MJ 2011>>			

Model: 997G07

Model life 2007>>2011



Model: 997G07

Model life 2007>>2011

Pos	Part Number	Description	Remark	Qty	Model
		Door shell Installation parts Door lock			
(1)	997 531 011 03	Door shell	left	1	
	997 531 011 03 GRV	primed			
(1)	997 531 011 05	Door shell	left	1	PR:599
	997 531 011 05 GRV	primed			
1	997 531 012 03	Door shell	right	1	
	997 531 012 03 GRV	primed			
1	997 531 012 05	Door shell	right	1	PR:599
	997 531 012 05 GRV	primed			
-		also use:			
-	000 043 204 38	sealant		1	
(2)	997 531 321 01	Hinge	left	1	
2	997 531 322 01	Hinge	right	1	
			upper		
(3)	997 531 319 01	Hinge	left	1	
3	997 531 320 01	Hinge	right	1	
			lower		
4	996 531 831 00	Sleeve		4	
5	999 073 192 01	Socket head bolt M 8 X 33		2	
6	997 537 151 01	Door catch Discontinued part		2	
6	997 537 151 02	Door catch		2	
7	999 084 212 03	Hexagon nut M 6		4	
8	999 073 138 01	flat round head bolt M 8 X 25		2	
9	996 537 751 00	Seal		2	
(10)	997 537 331 00	Support	left	1	
	997 537 331 00 01C	Satin black			
10	997 537 332 00	Support	right	1	
	997 537 332 00 01C	Satin black			
11	N 910 174 01	countersunk multi-point socket head bolt M 8 X 22		4	
12	3C0 837 767 A	Striker		2	
13	WHT 000 439	flat round head bolt M 8 X 20		2	
(14)	3D1 837 015	Door lock	left lhd	1	PR:098
14	3D1 837 016	Door lock	right lhd	1	PR:098
(14)	3D1 837 015 C	Door lock	left	1	PR:072
(14)	3D1 837 016 C	Door lock	right	1	PR:072
(14)	3D1 837 015 C	Door lock	left	1	PR:553
(14)	3D1 837 016 C	Door lock	right	1	PR:553
15	997 537 319 01	Bowden cable		2	
-	970 556 525 00	sound absorber for side panel		2	
16	999 072 043 09	Hexagon bolt M 6 X 12 Micro-self-locking fillister hd. bolt M 6 X 16		2	
17	999 073 333 09			8	
(18)	987 537 201 00	Inner panel No longer use the part here	left	1	
18	987 537 202 00	Inner panel No longer use the part here	right	1	
18	987 537 201 01	Inner panel	left	1	
18	987 537 202 01	Inner panel	right	1	
19	900 119 072 00	Socket head bolt M8 X 16		2	
(20)	997 537 333 01	Support Side part	left	1	

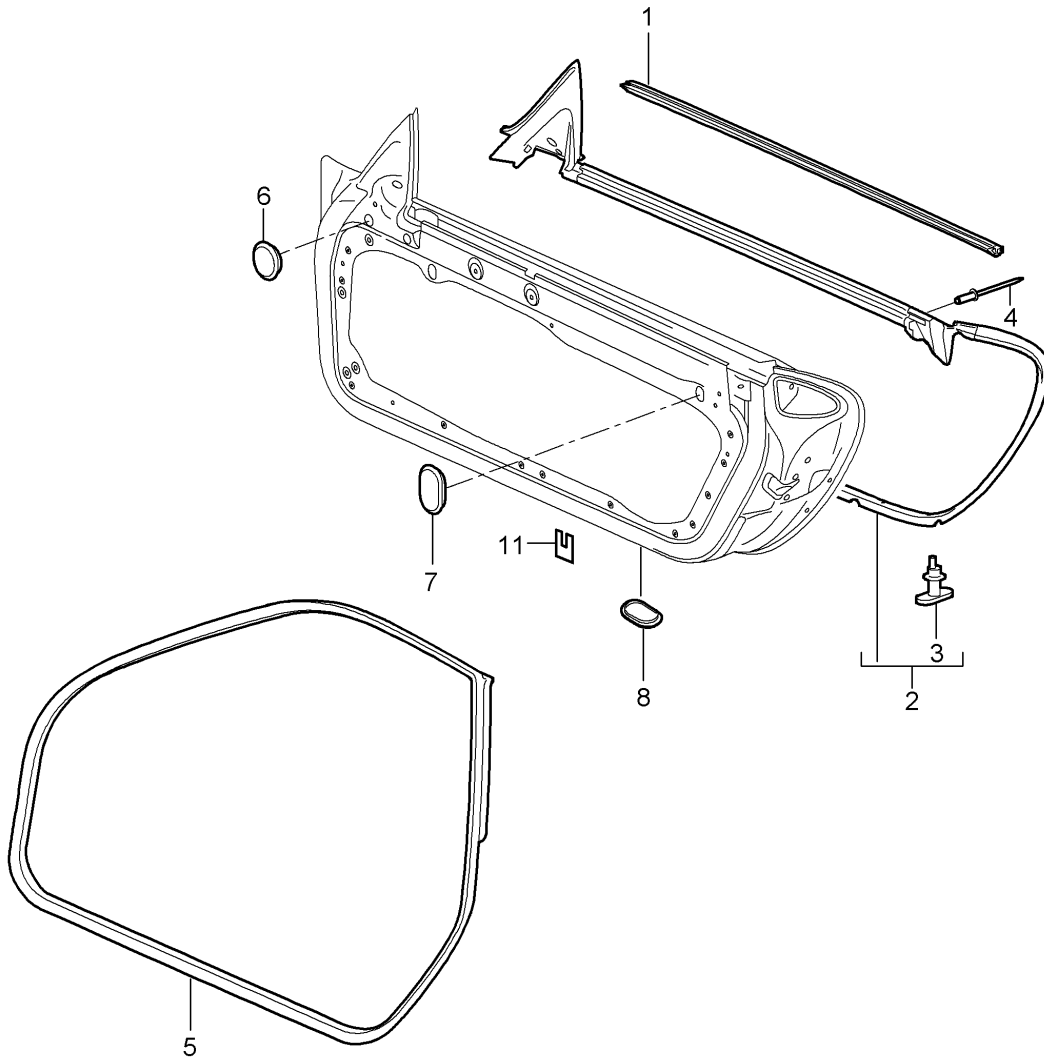
Model: 997G07

Model life 2007&gt;&gt;2011

Pos	Part Number	Description	Remark	Qty	Model
20	997 537 334 01	Support Side part primed	right	1	
21	999 500 121 02	rivetted cap nut M8 / 0,8 - 3		2	
-	999 551 172 40	Lining strap 25 x 1,3 x 730 for Inner panel		2	

Model: 997G07

Model life 2007>>2011





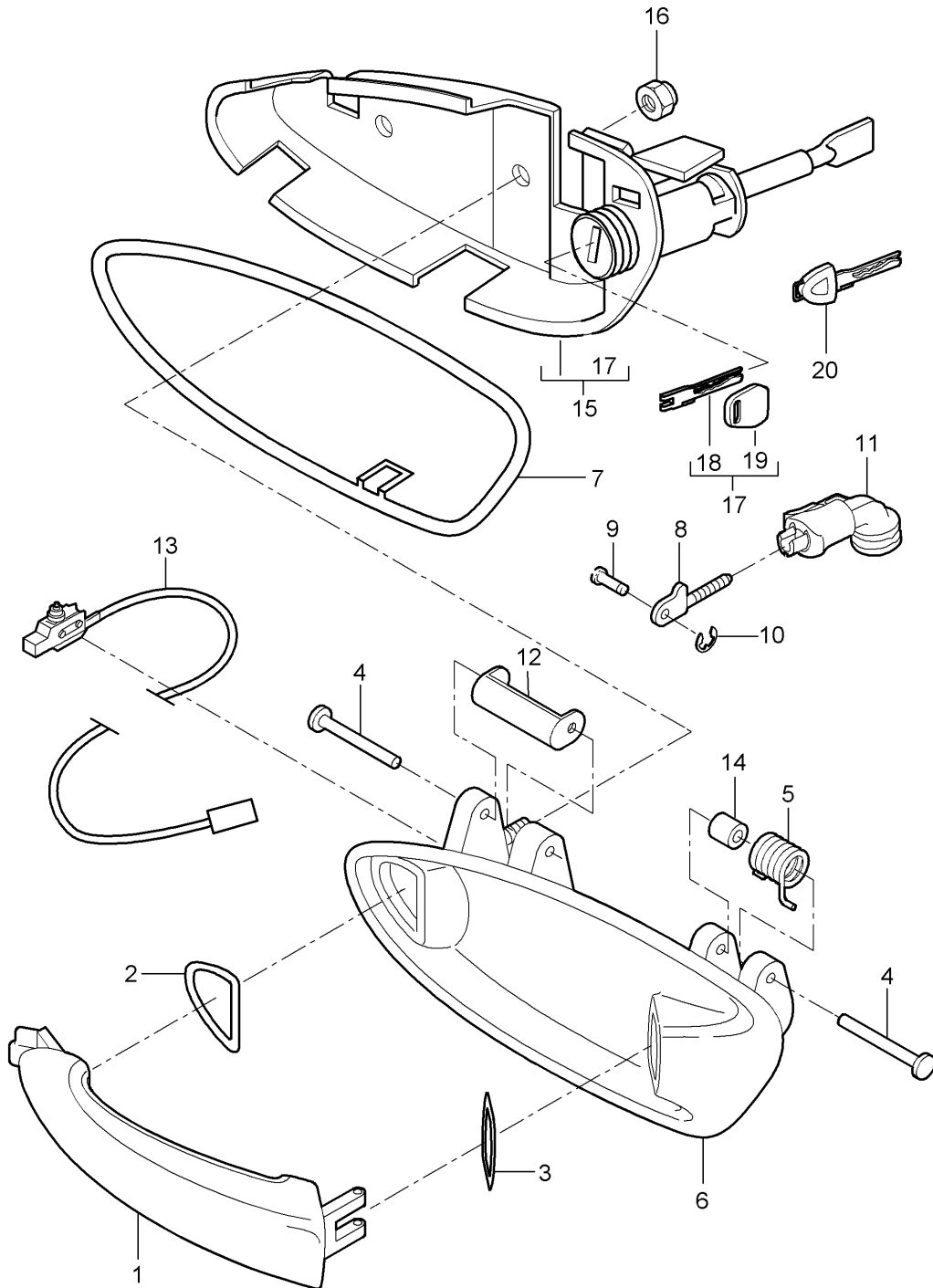
Model: 997G07

Model life 2007>>2011

Pos	Part Number	Description	Remark	Qty	Model
		Door seal			
		Seal			
		Windscreen			
(1)	997 537 085 03	Seal	left	1	
1	997 537 086 03	Seal	right	1	
			outer		
(2)	997 537 531 05	Seal	left	1	
		Discontinued part			
(2)	997 537 531 08	Seal	left	1	
2	997 537 532 05	Seal	right	1	
		Discontinued part			
2	997 537 532 08	Seal	right	1	
			inner		
3	999 507 304 40	Clip		X	
		5,0 X 4,9			
(5)	997 537 075 05	Door seal	left	1	
5	997 537 076 05	Door seal	right	1	
6	803 803 583 A	Bungs		2	
		20,0 X 30,0			
		Discontinued part			
6	999 703 196 40	End cap		2	
		20,0 X 30,0			
7	999 703 541 40	End cap		4	
		20 X 28 X 1			
8	999 703 542 40	End cap		8	
		23,8 X 38,7			
11	996 537 337 00	protective foil for door		4	

Model: 997G07

Model life 2007>>2011



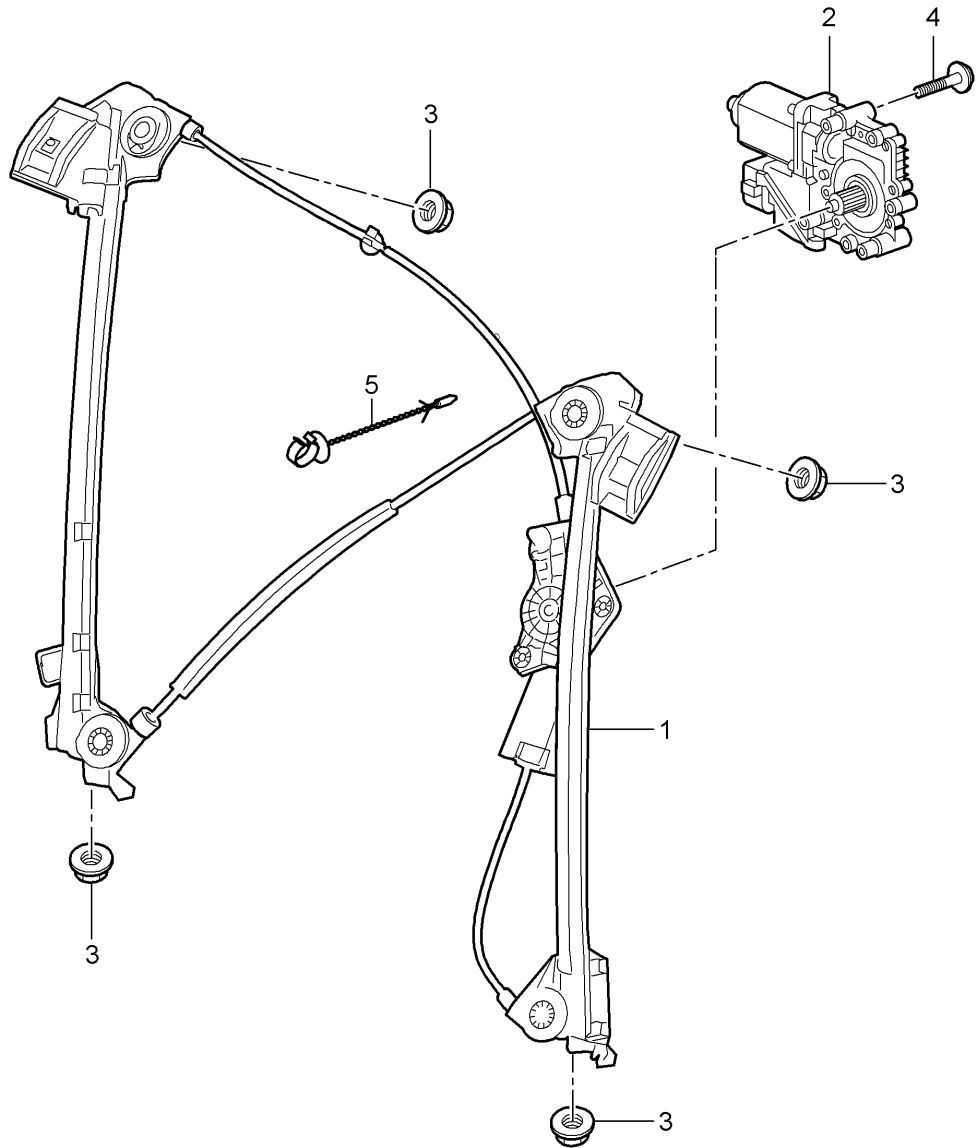
Model: 997G07

Model life 2007>>2011

Pos	Part Number	Description	Remark	Qty	Model
1	997 537 613 01	Door handle	left	1	
(1)	997 537 614 01	Door handle, exterior primed	right	1	
2	997 537 623 00	Stop buffer		2	
3	997 537 625 00	Stop buffer		2	
4	997 537 621 00	axle		2	
5	997 537 611 00	Return spring	left	1	
(5)	997 537 612 00	Return spring	right	1	
(6)	997 537 645 02	Handle liner	left lhd	1	PR:098
(6)	997 537 646 03	Handle liner primed	right lhd	1	PR:098
7	997 537 637 00	Underlay	left	1	
(7)	997 537 638 00	Underlay	right	1	
8	997 537 627 00	operating rod		2	
9	997 537 629 00	Pin		2	
10	996 537 641 00	Retaining washer		2	
11	997 537 445 03	Connecting piece		2	
12	997 537 653 00	Actuating lever	left	1	
(12)	997 537 654 00	Actuating lever	right	1	
13	997 613 125 00	Micro switch		2	
13	997 613 125 02	Micro switch		2	
14	997 537 633 00	Window regulator bush		2	
15	997 538 963 00	Bracket with lock cylinder	left lhd	1	PR:098
(15)	997 538 963 01	Bracket	left lhd	1	PR:098
(15)	997 537 464 01	Bracket Without lock cylinder	right lhd	1	PR:098
16	900 380 015 09	Hexagon nut M 6		2	
17	997 538 931 00	Replacement key with stipulated lock number		X	
		State lock number			
18	997 538 531 00	Blank key		X	
19	944 538 431 00	Key cover		X	

Model: 997G07

Model life 2007>>2011



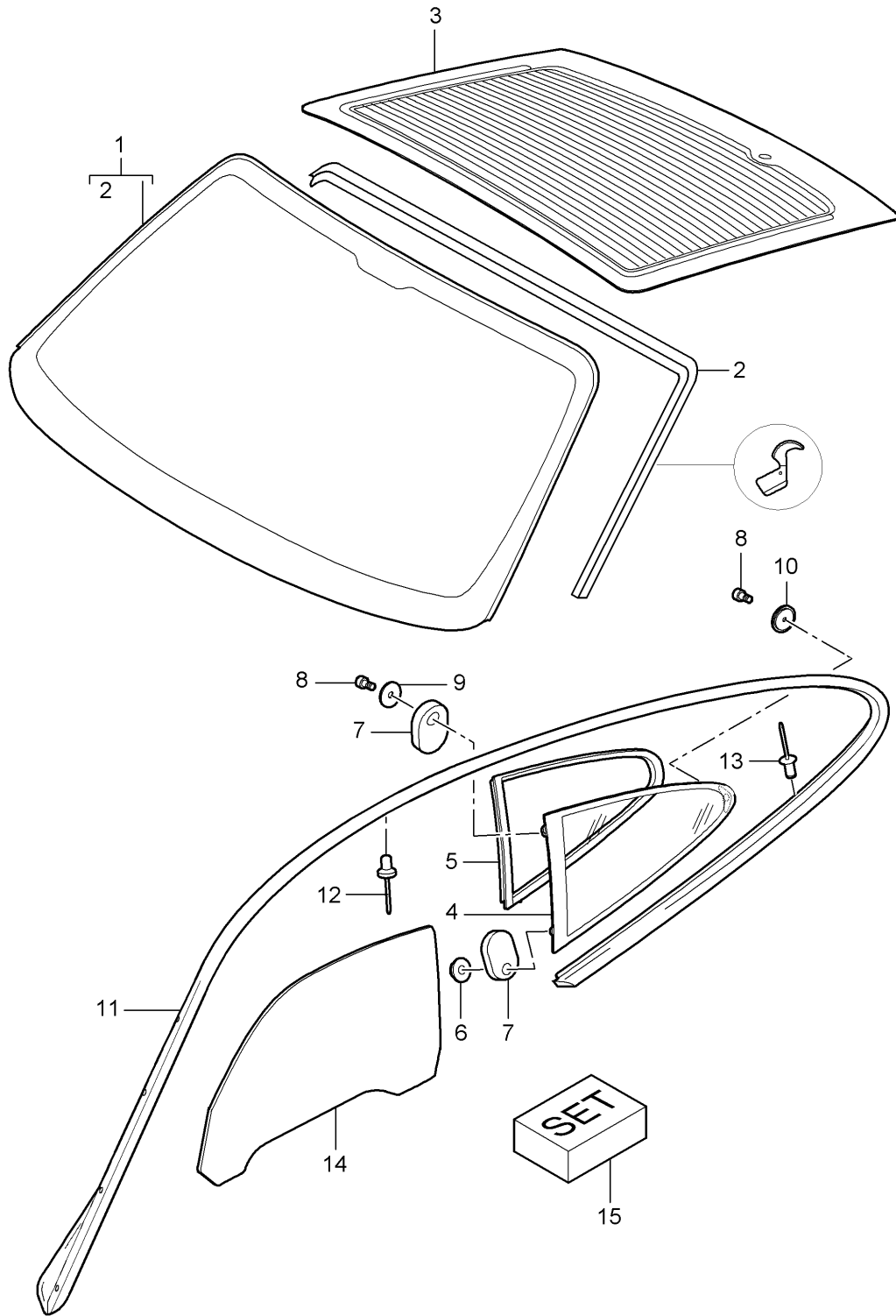
Model: 997G07

Model life 2007>>2011

Pos	Part Number	Description	Remark	Qty	Model
1	997 542 075 02	Window regulator		1	
(1)	997 542 076 02	Window regulator	left	1	
2	997 624 181 03	Electric motor	right	1	
(2)	997 624 182 03	Electric motor	left lhd	1	PR:098
3	900 380 015 09	Hexagon nut	right lhd	1	PR:098
		M6		4	
4	999 919 209 09	fillister hd. bolt		3	
		M 5 X 22			
5	987 542 941 00	Clip		1	
		Bowden cable			
		Window regulator			

Model: 997G07

Model life 2007>>2011



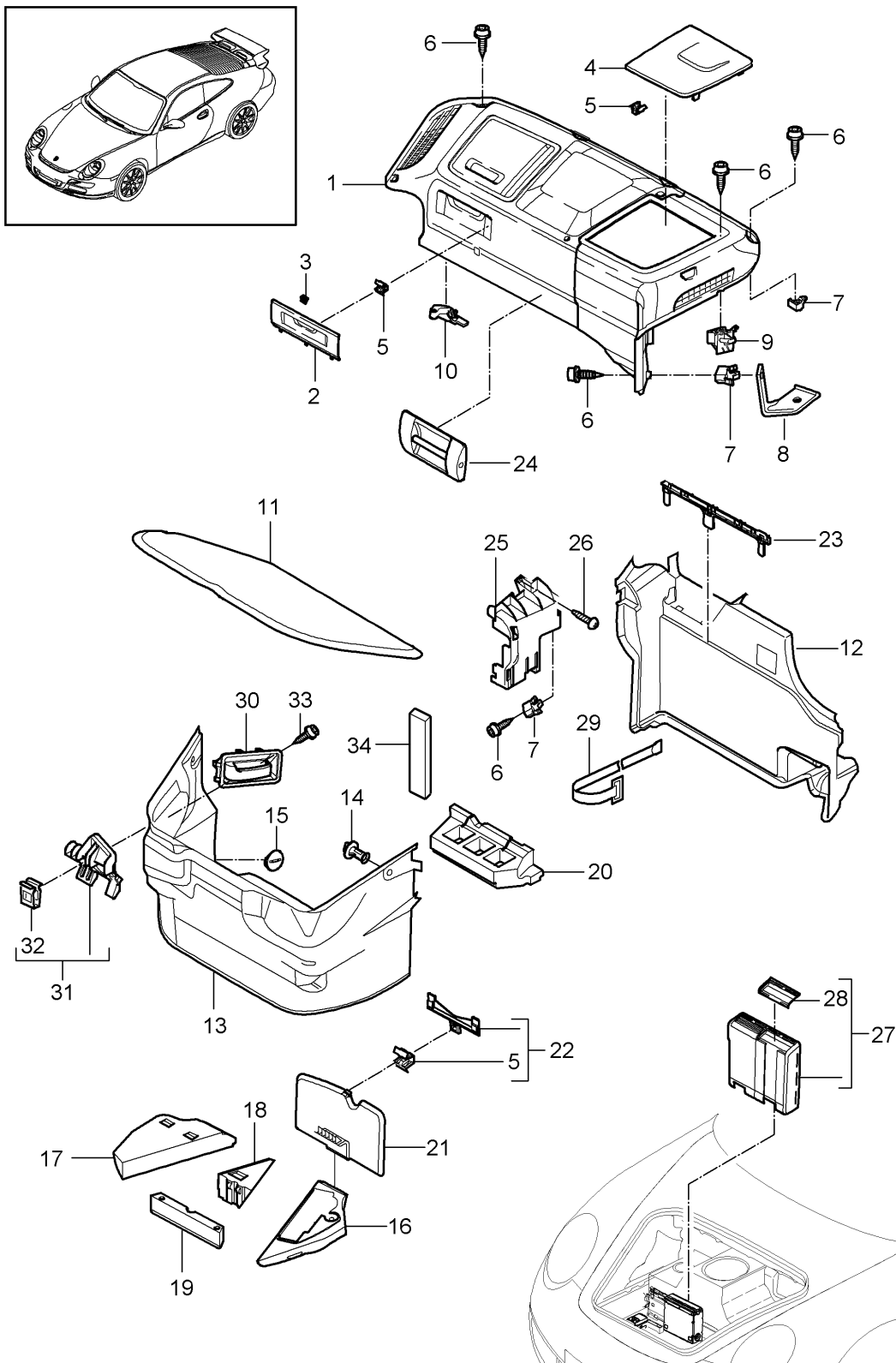
Model: 997G07

Model life 2007>>2011

Pos	Part Number	Description	Remark	Qty	Model
1	997 541 911 00	window glazing Windscreen Tinted		1	PR:440,568
(1)	997 541 911 01	Windscreen Tinted	also use: 000 043 305 35 also use: 000 043 305 35	1	PR:440,567
2	997 541 901 09	Seal for front window		1	
3	997 545 911 00	Rear window		1	PR:426
-	997 545 901 00	Seal for rear window	also use: 000 043 305 35	1	
4	997 543 111 00	Side window	left	1	
(4)	997 543 112 00	Side window	right	1	
5	996 543 325 00	Sealing frame	left	1	
(5)	996 543 326 00	Sealing frame	right	1	
6	999 084 210 02	Side window Hexagon nut M 8		1	
7	996 543 611 02	Seal		2	
8	999 218 011 02	Socket head bolt M 6 X 12		2	
9	999 025 270 02	Washer 6,4 X 30 X 1,5		1	
10	996 543 625 00	Sealing plate		1	
11	997 537 481 00	roof frame seal	left	1	
(11)	997 537 482 00	roof frame seal	right	1	
12	999 190 445 37	Pop rivet 4,0 X 7,9		13	
13	999 190 450 37	Pop rivet 4,0 X 6,3		7	
14	997 542 511 00	Door window	left	1	
(14)	997 542 512 00	Door window	right	1	
15	000 043 305 35	2K pane adhesive set		1	
-	000 043 206 47	Car care set Side window See technical manual		X	

Model: 997G07

Model life 2007>>2011





Model: 997G07 Model life 2007>>2011

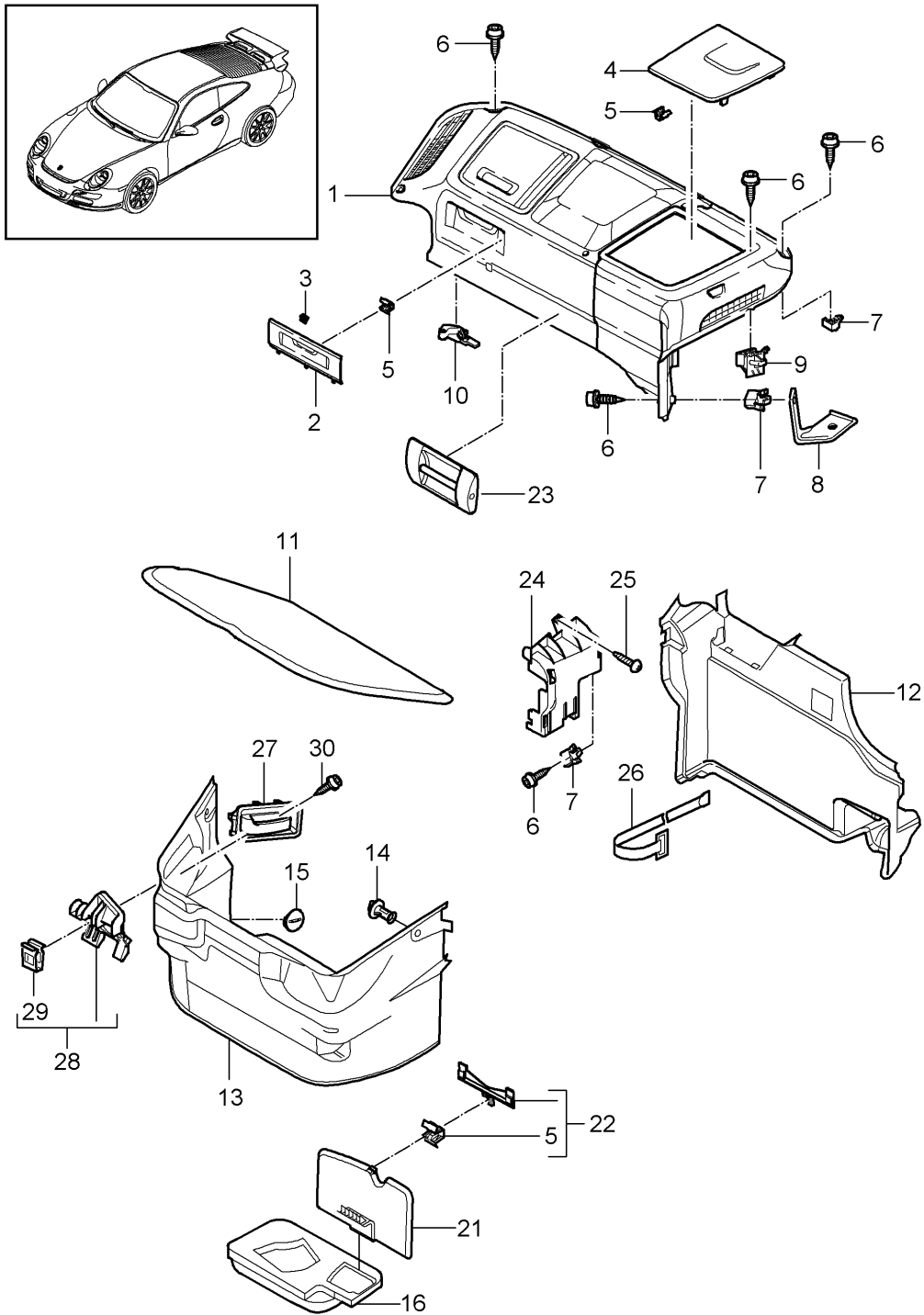
Pos	Part Number	Description	Remark	Qty	Model
		Luggage compartment D >> - MJ 2009	front		
1	997 551 630 00	Luggage compartment trim	lhd	1	PR:098
	997 551 630 00 FMU	black/black			
2	997 551 304 00	Cover trim	lhd	1	PR:098
			lower		
	997 551 304 00 02A	Black			
3	997 551 817 00	Bracket	lhd	2	PR:098
		Hinge			
4	997 551 309 00	Cover	lhd	1	PR:098
		Brake servo			
	997 551 309 00 02A	Black			
5	999 507 552 01	Spring clip		X	
		9 X 13/3,0			
6	999 073 048 02	panel screw		X	
		ST 3,5 X 13			
7	999 507 734 40	Bracket		X	
		ST 3,5			
8	997 551 771 02	Bracket		1	
		Trim			
		Luggage compartment			
9	999 507 512 40	Bracket		X	
		ST 3,5			
10	997 551 772 02	Bracket for trim		1	
(11)	997 551 351 02	Cover		1	PR:664
		Tool			
		Carpet			
		D >> - MJ 2008			
(11)	997 551 351 02 A31	Black		1	PR:664,670,
	997 551 351 05	Cover			672
		Tool			
		Carpet			
		D >> - MJ 2008			
(11)	997 551 351 05 A31	Black		1	
	997 551 351 00	Cover			
		Tool			
		Carpet			
		D - MJ 2009>>			
12	997 551 351 00 A31	Black		1	PR:441,664
	997 551 051 29	Luggage compartment trim			
		filler plate			
		Carpet			
	997 551 051 29 A31	Black			
(12)	997 551 051 20	Luggage compartment trim		1	PR:490,664
		filler plate			
		Carpet			
		D >> - MJ 2008			
(12)	997 551 051 20 A31	Black		1	PR:664,670,
	997 551 051 21	Luggage compartment trim			672
		filler plate			
		Carpet			
		D >> - MJ 2008			
(13)	997 551 051 21 A31	Black		1	PR:553
	997 551 045 91	Trim			
		Luggage compartment liner			
		Carpet			
	997 551 045 91 A31	Black			
14	999 049 006 40	Plastic nut		2	
		T5 / 30 X 7,5			
15	997 551 807 00	cap nut		1	
(15)	999 703 455 41	End cap		1	PR:490
(16)	997 551 121 90	Foam part		1	
		Tool			

Model: 997G07 Model life 2007>>2011

Pos	Part Number	Description	Remark	Qty	Model
17	997 551 408 00	Foam part Luggage compartment liner	right lhd	1	PR:098
18	997 551 405 00	Foam part Compressor	rear	1	
19	997 551 403 00	Foam part Compressor	front	1	
20	997 551 412 01	Foam part filler plate		1	
21	997 551 501 00	D >> - MJ 2009 Cover Compressed air bottle	lhd	1	PR:098
22	997 551 501 00 A31 997 551 415 00	Black Adapter Compressed air bottle		1	
23	997 551 702 00	Adapter Navigation system		1	PR:553,670, 672
24	997 551 805 01	Eye Luggage compartment	front	1	
25	997 551 805 01 02A 997 551 736 01	Black Cover for control unit		1	
26	999 073 061 02	panel screw ST 4,8 X 16		X	
27	997 551 106 00	Trim DVD		1	PR:664,670, 672
28	997 551 106 00 02A 997 551 811 00	Black Cover trim		1	PR:664,670, 672
30	997 551 811 00 02A 997 504 087 00	Black Emergency operation Luggage compartment		1	PR:553
31	997 551 706 00	Bracket Emergency operation Luggage compartment		1	PR:553
32	999 591 489 09	panel nut ST 4,8		1	PR:553
33	999 073 061 02	panel screw 4,8 X 16		1	PR:553
34	997 556 623 00	Plastic foam strip		2	PR:670,672

Model: 997G07

Model life 2007>>2011



Model: 997G07 Model life 2007>>2011

Pos	Part Number	Description	Remark	Qty	Model
		Luggage compartment D - MJ 2010>>	front		
1	997 551 630 00	Luggage compartment trim	lhd	1	PR:098
	997 551 630 00 FMU	black/black			
2	997 551 304 00	Cover trim	lhd	1	PR:098
			lower		
	997 551 304 00 02A	Black			
3	997 551 817 00	Bracket	lhd	2	PR:098
		Hinge			
4	997 551 309 00	Cover	lhd	1	PR:098
		Brake servo			
	997 551 309 00 02A	Black			
5	999 507 552 01	Spring clip		X	
		9 X 13/3,0			
6	999 073 048 02	panel screw		X	
		ST 3,5 X 13			
7	999 507 734 40	Bracket		X	
		ST 3,5			
8	997 551 771 02	Bracket		1	
		Trim			
		Luggage compartment			
9	999 507 512 40	Bracket		X	
		ST 3,5			
10	997 551 772 02	Bracket for trim		1	
11	997 551 351 00	Cover		1	
		Tool			
		Carpet			
	997 551 351 00 A31	Black			
(12)	997 551 051 31	Luggage compartment trim	lhd	1	PR:098,430
		filler plate			
		Carpet			
	997 551 051 31 A31	Black			
(13)	997 551 045 91	Trim		1	PR:553
		Luggage compartment liner			
		Carpet			
	997 551 045 91 A31	Black			
14	999 049 006 40	Plastic nut		2	
		T5 / 30 X 7,5			
(15)	999 703 455 41	End cap		1	
(16)	997 551 121 90	Foam part		1	
		Tool			
21	997 551 501 00	Cover	lhd	1	PR:098
		Compressed air bottle			
	997 551 501 00 A31	Black			
(21)	997 551 502 00	Cover	lhd	1	PR:098,430
		Compressed air bottle			
	997 551 502 00 A31	Black			
22	997 551 415 00	Adapter		1	
		Compressed air bottle			
(22)	997 551 415 00	Adapter		1	PR:430
		Compressed air bottle			
23	997 551 805 01	Eye	front	1	
		Luggage compartment			
	997 551 805 01 02A	Black			
24	997 551 736 01	Cover for control unit		1	
25	999 073 061 02	panel screw		X	
		ST 4,8 X 16			
27	997 504 087 00	Emergency operation		1	PR:553
		Luggage compartment			
28	997 551 706 00	Bracket		1	PR:553
		Emergency operation			
		Luggage compartment			
29	999 591 489 09	panel nut		1	PR:553

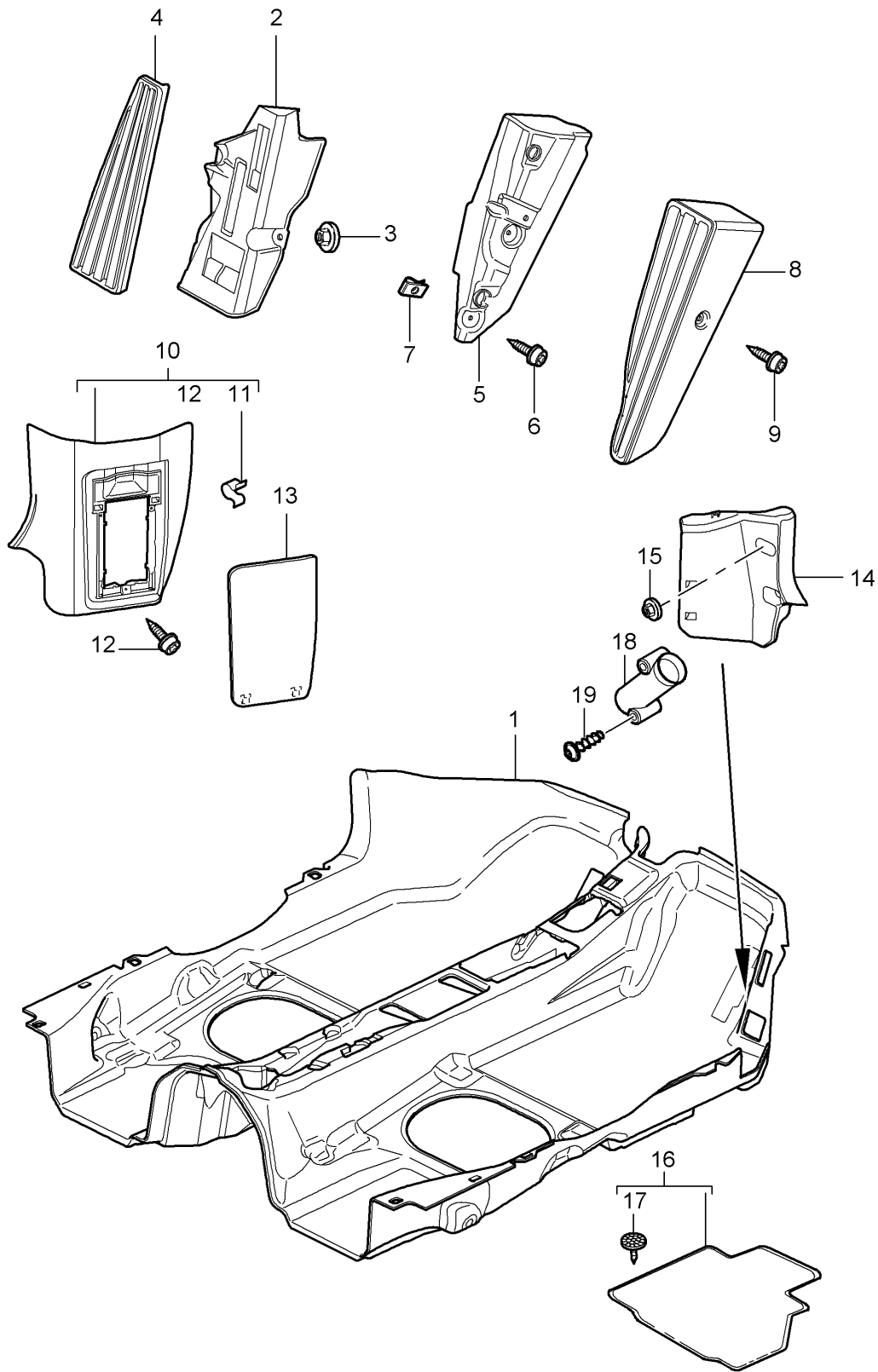
Model: 997G07

Model life 2007&gt;&gt;2011

Pos	Part Number	Description	Remark	Qty	Model
30	999 073 061 02	ST 4,8 panel screw 4,8 X 16		1	PR:553

Model: 997G07

Model life 2007>>2011



Model: 997G07 Model life 2007>>2011

Pos	Part Number	Description	Remark	Qty	Model
1	997 551 011 08	Flooring Linings Flooring (carpet) D >> - MJ 2009	lhd	1	PR:098
1	997 551 011 08 FMD 997 551 011 08	Dark grey/natural Flooring (carpet) Until Chassis number See technical information GR.7 NR. 17/11 KD-NR. 70 D >> - MJ 2009	lhd	1	PR:098
1	997 551 011 08 FLW 997 551 011 18	Black Flooring (carpet) From Chassis number See technical information GR.7 NR. 17/11 KD-NR. 70 D >> - MJ 2009	lhd	1	PR:098
(1)	997 551 011 18 FLW 997 551 011 08	Black Flooring (carpet) D - MJ 2010>>	lhd	1	PR:098,703
(1)	997 551 011 08 FMD 997 551 011 08	Dark grey/natural Flooring (carpet) Until Chassis number See technical information GR.7 NR. 17/11 KD-NR. 70 D - MJ 2010>>	lhd	1	PR:098,703
(1)	997 551 011 08 FLW 997 551 011 18	Black Flooring (carpet) From Chassis number See technical information GR.7 NR. 17/11 KD-NR. 70 D - MJ 2010>>	lhd	1	PR:098,703
(1)	997 551 011 18 FLW 997 551 011 90	Black Flooring (carpet)	lhd	1	PR:098,003
(1)	997 551 011 90 FMD 997 551 011 90	Dark grey/natural Flooring (carpet) Until Chassis number See technical information GR.7 NR. 17/11 KD-NR. 70	lhd	1	PR:098,003
(1)	997 551 011 90 FLW 997 551 011 92	Black Flooring (carpet) From Chassis number See technical information GR.7 NR. 17/11 KD-NR. 70	lhd	1	PR:098,003
-	997 551 011 92 FLW 997 551 813 00	Black Protective film Carpet D >> - MJ 2007	lhd	1	PR:098
-	997 551 813 01	Protective film Carpet D - MJ 2008>>	lhd	1	PR:098
2	997 551 211 01	Foot rest	lhd	1	PR:098

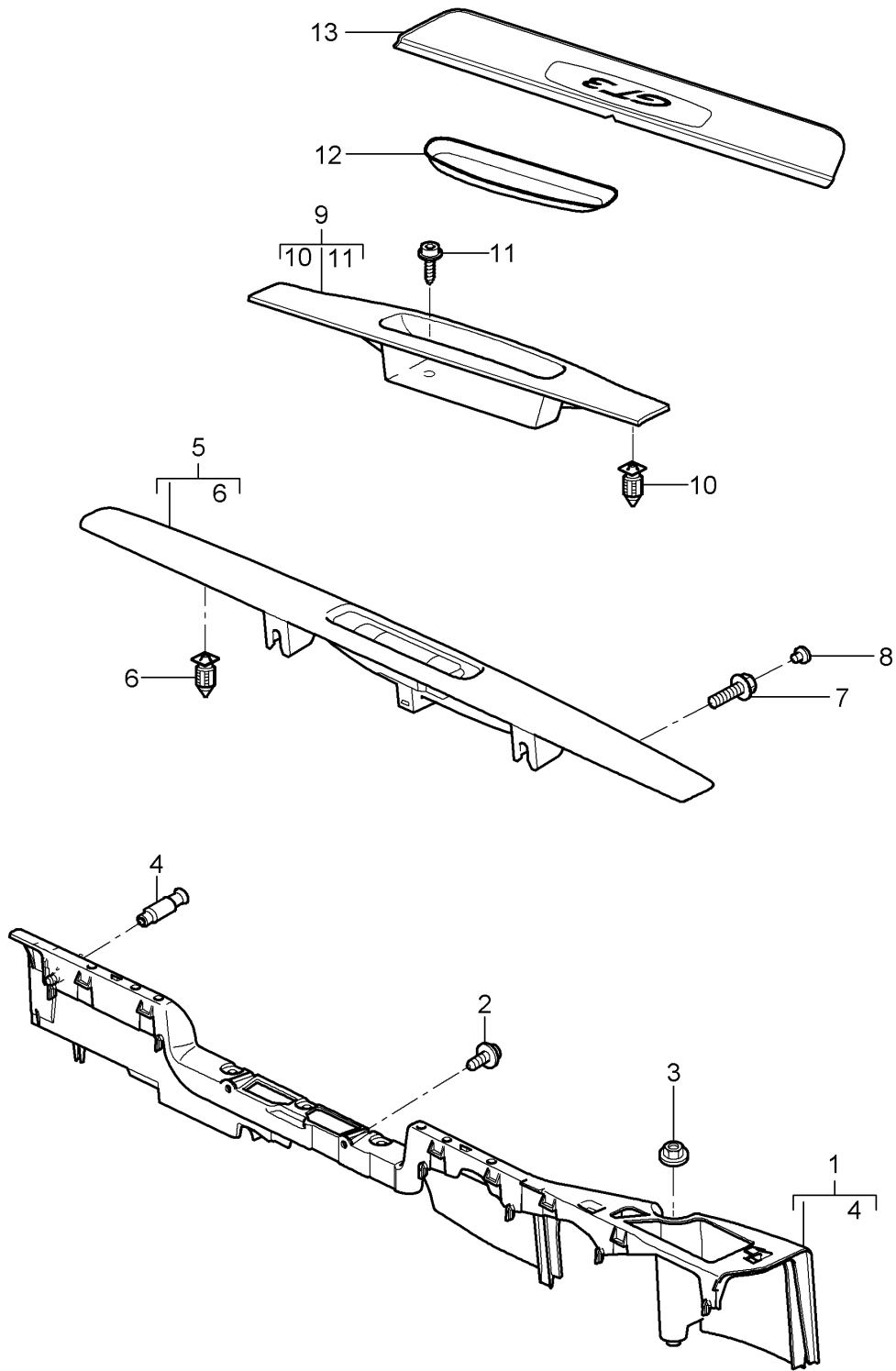
Model: 997G07 Model life 2007>>2011

Pos	Part Number	Description	Remark	Qty	Model
3	999 076 081 40	Hexagon plastic collar nut T5/16 X 11,2 for Mount	lhd	2	PR:098
4	997 551 611 00	Cover for footrest	lhd	1	PR:098
	997 551 611 00 01C	Satin black			
(4)	997 551 986 00	Cover for footrest	lhd	1	PR:XXZ,098
10	997 551 101 00	Trim	lhd	1	PR:098
		Fuse box			
		Carpet			
	997 551 101 00 A10	Black			
	997 551 101 00 D11	Dark grey/natural			
11	999 507 552 01	Spring clip 9,0 X 13/4,0		2	
12	999 919 161 09	fillister hd. bolt 5,0 X 18 for Mount		3	
		Trim			
		Fuse box			
13	997 551 621 00	Cover trim	lhd	1	PR:098
		Fuse box			
	997 551 621 00 01C	Satin black			
15	999 076 081 40	Hexagon plastic collar nut T5/16 X 11,2 Mount		2	
		Bracket			
		Flooring			
16		Floor mats		1	
		Set			
		See group			
		8/07/06			
		Tequipment catalogue			
17	999 902 054 40	Fixing plate for Floor mats		4	



Model: 997G07

Model life 2007>>2011



Model: 997G07 Model life 2007>>2011

Pos	Part Number	Description	Remark	Qty	Model
1	997 551 619 02	Trim Sill Support	left	1	
(1)	997 551 620 01	Sill Support	right	1	
2	900 143 082 01	Sill panel screw ST 6,3 X 13 for Mount Support		4	
3	999 076 081 40	Sill Hexagon plastic collar nut T5 16 X 11,2 for Mount Support		2	
4	996 551 873 00	Sill Locating peg for Mount Support		2	
5	997 551 019 04	Sill Trim (drivers side)	lhd	1	PR:098
(5)	997 551 019 04 A03	Black			
	997 551 982 00	Trim Sill (drivers side) Leather D - MJ 2010>>	lhd	1	GT3 PR:XTG,098
	997 551 982 00 A11	Black			
	997 551 982 00 D12	Dark grey/natural			
6	999 507 484 40	expanding nut 9 X 22		6	
7	999 067 046 01	Bolt with washer M 6 X 20		2	
8	999 703 443 40	Bungs 8,0 X 11		2	
	999 703 443 40 01C	Satin black			
9	997 551 120 01	Trim Sill (passenger side)		1	
	997 551 120 01 A03	Black			
9	997 551 983 00	Trim Sill (passenger side) Leather D - MJ 2010>>		1	GT3 PR:XTG
	997 551 983 00 A11	Black			
	997 551 983 00 D12	Dark grey/natural			
10	999 507 484 40	expanding nut 9 X 22		6	
11	999 919 164 09	fillister hd. bolt 5,0 X 12		1	
12	996 551 513 00	Mat		1	
13	997 551 303 90	Sill trim strip Lacquered		2	GT3
	997 551 303 90 A03	Black Sill trim strip Exclusive			

without:

Model: 997G07 Model life 2007>>2011

Pos	Part Number	Description	Remark	Qty	Model
13	997 551 303 91	Lighting See catalogue Tequipment 8/07/06 Sill trim strip Lacquered D >> - MJ 2008		2	GT3 RS PR:004
	997 551 303 91 A03	Black Sill trim strip Exclusive without:			
13	997 551 303 93	Lighting See catalogue Tequipment 8/07/06 Sill trim strip Lacquered D - MJ 2010>>		2	GT3 RS PR:004
	997 551 303 93 A03	Black Sill trim strip Exclusive without:			
(13)	997 551 990 36	Lighting See catalogue Tequipment 8/07/06 Sill trim strip Set stainless steel with:		1	GT3 PR:XXB
(13)	997 551 990 39	Lighting D - MJ 2010>> Sill trim strip Set stainless steel with:		1	RS 3.8 PR:XXB,004
(13)	997 551 991 36	Lighting D - MJ 2010>> Sill trim strip Set Carbon with:		1	GT3 PR:XXD
(13)	997 551 991 39	Lighting D - MJ 2010>> Sill trim strip Set Carbon with:		1	RS 3.8 PR:XXD,004
(13)	997 551 980 20	Lighting D - MJ 2010>> Sill trim strip Set Carbon		1	RS 3.8 PR:X69,004
(13)	997 551 303 81	D - MJ 2010>> Sill trim strip Carbon		1	RS 4,0 PR:X69,006
(13)	997 551 304 81	D - MJ 2011>> Sill trim strip Carbon		1	RS 4,0 PR:X69,006
(13)	997 551 223 81	D - MJ 2011>> 1 set of sill strips Carbon		1	RS 4,0 PR:X69,006

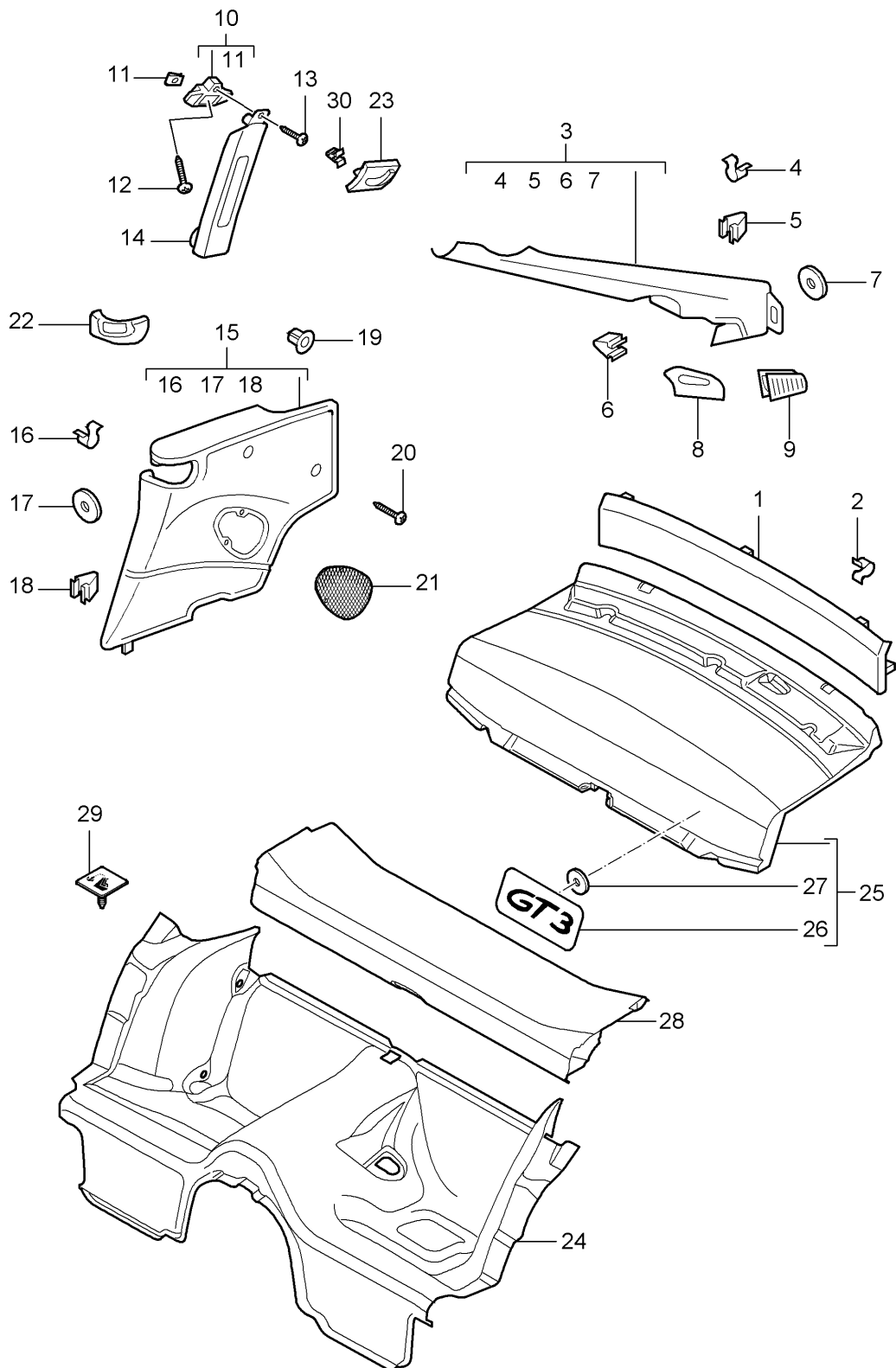
Model: 997G07

Model life 2007>>2011

Pos	Part Number	Description	Remark	Qty	Model
		D - MJ 2011>>			

Model: 997G07

Model life 2007>>2011



Model: 997G07 Model life 2007>>2011

Pos	Part Number	Description	Remark	Qty	Model
1	997 555 081 00	Linings Rear panel trim	rear	1	PR:426
	997 555 081 00 A10	Carpet Black			
	997 555 081 00 D11	Dark grey/natural			
2	999 507 687 05	Retaining clip 11,3		5	
3	997 555 187 00	C-pillar trim Leatherette	left	1	
	997 555 187 00 1MZ	Black			
(3)	997 555 188 00	C-pillar trim Leatherette	right	1	
	997 555 188 00 1MZ	Black			
3	997 555 187 01	C-pillar trim Leather	left	1	PR:981
	997 555 187 01 A11	Black			
	997 555 187 01 D12	Dark grey/natural			
(3)	997 555 188 01	C-pillar trim Leather	right	1	PR:981
	997 555 188 01 A11	Black			
	997 555 188 01 D12	Dark grey/natural			
4	999 507 533 02	Clamp 8,0 X10,0/2,5		4	
5	999 507 479 01	Clip 2,5/09		6	
(5)	999 507 676 09	Clip 2,5/2,2 18,0		2	
6	999 651 307 01	Cable fastener 18,0		2	
7	999 551 609 40	Plastic washer 8,0 X 23 X 3,0		7	
8	997 555 545 90	Rosette Seat belt	left rear	1	
	997 555 545 90 01C	Satin black			
(8)	997 555 546 90	Rosette Seat belt	right rear	1	
	997 555 546 90 01C	Satin black			
9	996 555 645 00	Grille Bleeding Lacquered	left	1	
	996 555 645 00 A03	Black			
(9)	996 555 646 00	Grille Bleeding Lacquered	right	1	
	996 555 646 00 A03	Black			
10	996 555 821 02	Console Coat hook	left	1	
(10)	996 555 822 02	Console Coat hook	right	1	
11	999 507 695 01	panel nut ST 4,8		2	
12	999 073 128 01	panel screw 6,3 X 14 Mount Console Coat hook		2	
(12)	999 025 268 01	Washer 6,4 X 18 Mount Console Coat hook D - MJ 2007>>		2	

Model: 997G07 Model life 2007>>2011

Pos	Part Number	Description	Remark	Qty	Model
13	999 073 060 02	panel screw 4,8 X 13		2	
14	997 555 183 00	B-pillar trim Leatherette	left	1	
	997 555 183 00 1MZ	Black			
(14)	997 555 184 00	B-pillar trim Leatherette	right	1	
	997 555 184 00 1MZ	Black			
14	997 555 183 01	B-pillar trim Leather	left	1	PR:981
	997 555 183 01 A11	Black			
	997 555 183 01 D12	Dark grey/natural			
(14)	997 555 184 01	B-pillar trim Leather	right	1	PR:981
	997 555 184 01 A11	Black			
	997 555 184 01 D12	Dark grey/natural			
-	996 555 859 00	Grommet B-pillar		2	
15	997 555 071 09	Side panel trim (leatherette) Until Chassis number See technical information KD-NR. 70	left	1	
	997 555 071 09 1MZ	Black			
15	997 555 911 02	Side panel trim (leatherette) From Chassis number See technical information KD-NR. 70	left	1	
	997 555 911 02 1MZ	Black			
(15)	997 555 072 09	Side panel trim (leatherette) Until Chassis number See technical information KD-NR. 70	right	1	
	997 555 072 09 1MZ	Black			
(15)	997 555 912 02	Side panel trim (leatherette) From Chassis number See technical information KD-NR. 70	right	1	
	997 555 912 02 1MZ	Black			
15	997 555 071 10	Side panel trim (leather)	left	1	PR:981
	997 555 071 10 FSA	black/grey			
	997 555 071 10 FSH	Darkgrey natural/grey			
(15)	997 555 072 10	Side panel trim (leather)	right	1	PR:981
	997 555 072 10 FSA	black/grey			
	997 555 072 10 FSH	Darkgrey natural/grey			
16	999 507 479 01	Clip 2,5/0,88		2	
17	999 551 609 40	Plastic washer 8,0 X 23 X 3,0		2	
18	999 507 533 02	Clamp 8.0 X 10 /2,5		1	
19	999 507 050 40	expanding nut ST 4,2		2	
20	999 073 142 09	panel screw ST 4,2 X 19		2	
21	997 555 049 00	Loudspeaker trim	left	1	

Model: 997G07 Model life 2007>>2011

Pos	Part Number	Description	Remark	Qty	Model
(21)	997 555 049 00 A03 997 555 050 00	Side panel trim Lacquered Black Loudspeaker trim	right	1	
(21)	997 555 050 00 A03 997 555 049 01	Side panel trim Lacquered Black Loudspeaker trim	left	1	GT3 PR:XVT
(21)	997 555 049 01 A11 997 555 049 01 D12 997 555 050 01	Side panel trim Leather D - MJ 2010>> Black Dark grey/natural Loudspeaker trim	right	1	GT3 PR:XVT
22	997 555 050 01 A11 997 555 050 01 D12 997 555 061 00	Side panel trim Leather D - MJ 2010>> Black Dark grey/natural Rosette	left	1	
(22)	997 555 061 00 A03 997 555 062 00	Seat belt Lacquered Black Rosette	right	1	
(22)	997 555 062 00 A03 997 555 998 01	Seat belt Lacquered Black Rosette	left	1	GT3 PR:XDU
(22)	997 555 998 01 A11 997 555 998 01 D12 997 555 998 02	Leather D - MJ 2010>> Black Dark grey/natural Rosette	right	1	GT3 PR:XDU
(22)	997 555 998 02 A11 997 555 998 02 D12 997 555 998 09	Seat belt Leather D - MJ 2010>> Black Dark grey/natural Rosette	left	1	PR:XDR
(22)	997 555 998 09 G2X 997 555 998 10	Seat belt D - MJ 2010>> primed Rosette	right	1	PR:XDR
(22)	997 555 998 10 G2X 997 555 998 21	Seat belt D - MJ 2010>> primed Rosette	left	1	PR:XJJ
(22)	997 555 998 21 A35 997 555 998 22	Seat belt Carbon D - MJ 2010>> Black Rosette	right	1	PR:XJJ
23	997 555 998 22 A35 997 555 573 00	Seat belt Carbon D - MJ 2010>> Black Coat hook	left	1	
(23)	997 555 573 00 A03 997 555 574 00	Lacquered Black Coat hook	right	1	
	997 555 574 00 A03	Lacquered Black			



Model: 997G07 Model life 2007>>2011

Pos	Part Number	Description	Remark	Qty	Model
24	997 551 021 90	Adhesive carpet Seat well Carpet		1	
24	997 551 021 90 D11 997 551 021 90	Dark grey/natural Adhesive carpet Seat well Carpet Until Chassis number See technical information GR.7 NR. 17/11 KD-NR. 70		1	
24	997 551 021 90 A10 997 551 021 92	Black Adhesive carpet Seat well Carpet From Chassis number See technical information GR.7 NR. 17/11 KD-NR. 70		1	
(24)	997 551 021 92 A10 997 551 021 93	Black Adhesive carpet Seat well Carpet		1	PR:006
(25)	997 551 021 93 A10 997 551 031 95	Black Adhesive carpet rear panel Carpet		1	GT3 PR:484
(25)	997 551 031 95 D11 997 551 031 95	Dark grey/natural Adhesive carpet rear panel Carpet Until Chassis number See technical information GR.7 NR. 17/11 KD-NR. 70		1	GT3 PR:484
(25)	997 551 031 95 A10 997 551 031 A3	Black Adhesive carpet rear panel Carpet From Chassis number See technical information GR.7 NR. 17/11 KD-NR. 70		1	GT3 PR:484
(25)	997 551 031 A3 A10 997 551 031 96	Black Adhesive carpet rear panel Carpet		1	GT3 PR:113
(25)	997 551 031 96 D11 997 551 031 96	Dark grey/natural Adhesive carpet rear panel Carpet Until Chassis number See technical information GR.7 NR. 17/11 KD-NR. 70		1	GT3 PR:113
(25)	997 551 031 96 A10 997 551 031 A4	Black Adhesive carpet rear panel		1	GT3 PR:113

Model: 997G07 Model life 2007>>2011

Pos	Part Number	Description	Remark	Qty	Model
		Carpet From Chassis number See technical information GR.7 NR. 17/11 KD-NR. 70			
(25)	997 551 031 A4 A10 997 551 031 97	Black Adhesive carpet rear panel Carpet D >> - MJ 2008		1	GT3 RS PR:004
(25)	997 551 031 97 A10 997 551 031 98	Black Adhesive carpet rear panel Carpet Until Chassis number See technical information GR.7 NR. 17/11 KD-NR. 70 D - MJ 2010>>		1	GT3 RS PR:004
(25)	997 551 031 98 A10 997 551 031 A1	Black Adhesive carpet rear panel Carpet From Chassis number See technical information GR.7 NR. 17/11 KD-NR. 70 D - MJ 2010>>		1	GT3 RS PR:004
(25)	997 551 031 A1 A10 997 551 031 99	Black Adhesive carpet rear panel Carpet D - MJ 2011>>		1	GT3 RS 4.0 PR:006
-	997 551 031 99 A10 996 551 561 00	Black Underlay		1	
26	996 551 305 90	inscription GT3		1	GT3
(26)	996 551 305 90 A03 997 551 355 90	Black inscription RS D >> - MJ 2008		1	GT3 RS PR:004
(26)	997 551 355 90 A03 997 551 355 91	Black inscription RS 3.8 D - MJ 2010>>		1	GT3 RS PR:004
(26)	997 551 355 91 A03 997 551 355 92	Black inscription RS 4.0 D - MJ 2011>>		1	GT3 RS 4.0 PR:006
27	997 551 355 92 A03 997 551 897 01	Black Retaining washer for Mount		3	
28	997 551 033 00	inscription Trim Control units Carpet		1	
28	997 551 033 00 D11 997 551 033 00	Dark grey/natural Trim Control units		1	

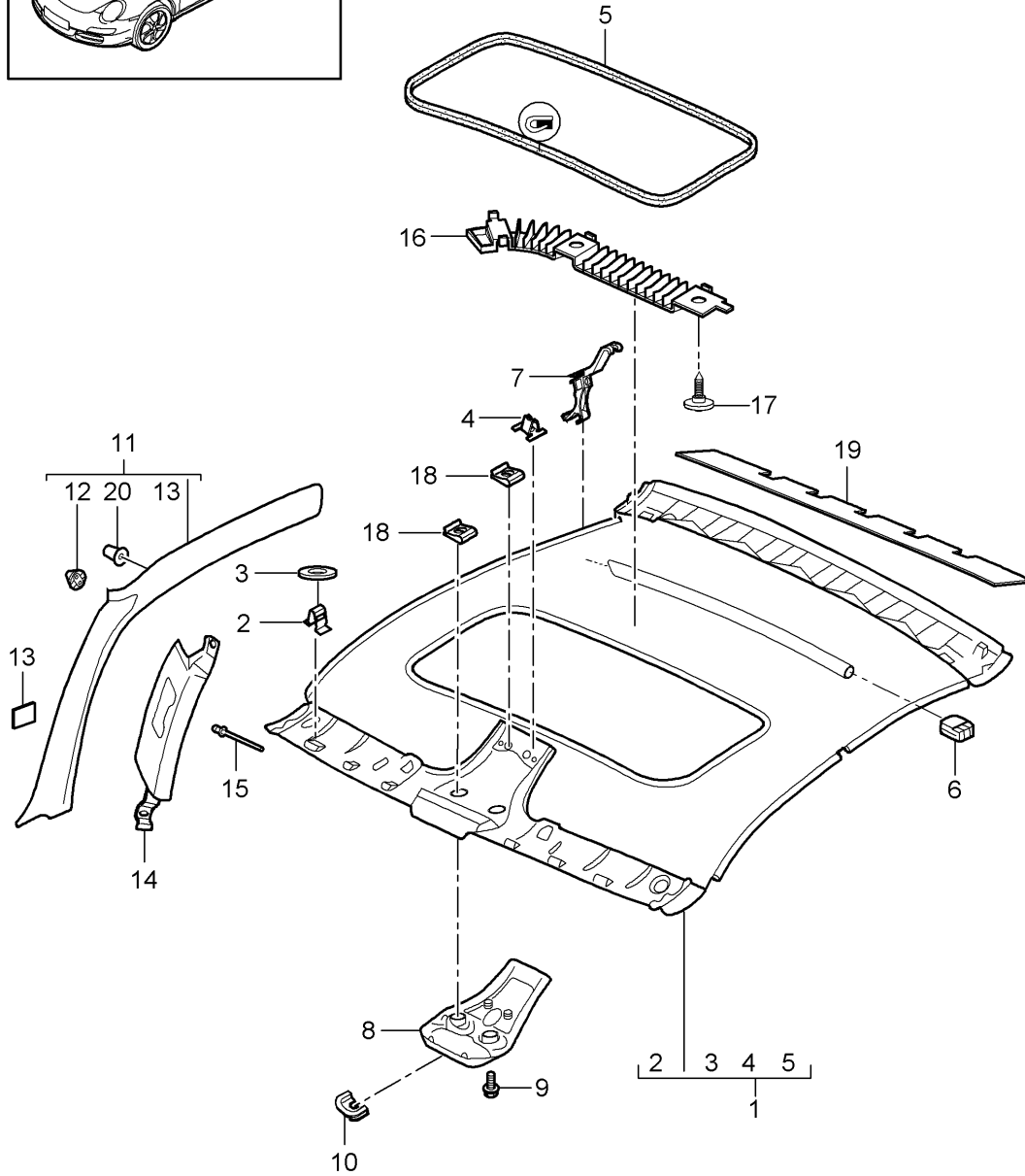
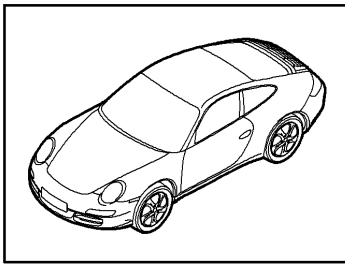
Model: 997G07

Model life 2007>>2011

Pos	Part Number	Description	Remark	Qty	Model
28	997 551 033 00 A10 997 551 033 03	Carpet Until Chassis number See technical information GR.7 NR. 17/11 KD-NR. 70 Black Trim Control units Carpet From Chassis number See technical information GR.7 NR. 17/11 KD-NR. 70		1	
(28)	997 551 033 03 A10 997 551 033 90	Black Trim Control units Carpet Until Chassis number See technical information GR.7 NR. 17/11 KD-NR. 70		1	PR:003
(28)	997 551 033 90 A10 997 551 033 91	Black Trim Control units Carpet From Chassis number See technical information GR.7 NR. 17/11 KD-NR. 70		1	PR:003
(28)	997 551 033 91 A10 997 551 033 82	Black Trim Control units Carpet D - MJ 2011>>		1	PR:003,006
(28)	997 551 033 82 A10 997 551 033 83	Black Trim Control units Carpet D - MJ 2011>>		1	PR:006,703
29	997 551 033 83 A10 996 551 551 00	Black Cover Mount child seat		2	PR:113
30	999 507 476 01	Clamp 8,0 x 10 / 2,5 Mount Coat hook		2	

Model: 997G07

Model life 2007>>2011



Model: 997G07 Model life 2007>>2011

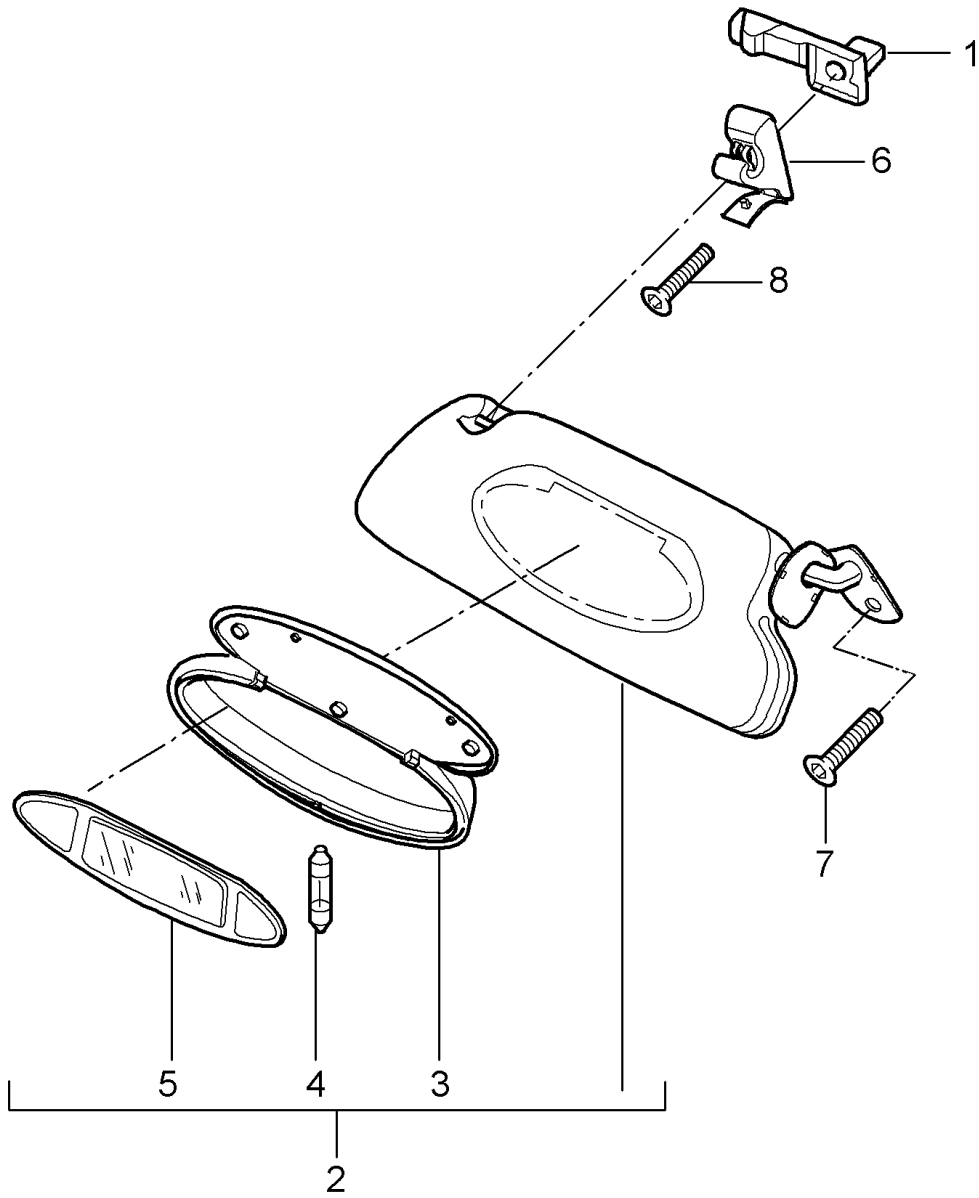
Pos	Part Number	Description	Remark	Qty	Model
1	997 555 091 02	roof trim A-pillar		1	PR:652
(1)	997 555 091 02 A14	roof trim Alcantara Black		1	GT3 RS 4.0 PR:006,652
(1)	997 555 091 02	roof trim Alcantara D - MJ 2011>>		1	GT3 PR:650
(1)	997 555 091 02 A14	Black		1	GT3 PR:XMA,652
(1)	997 555 091 02 N13	guards red (Porsche)		1	GT3 PR:650
(1)	997 555 091 03	roof trim Alcantara D >> - MJ 2008		1	GT3 PR:650
(1)	997 555 091 03 A14	Black		1	GT3 PR:XMA,652
(1)	997 555 980 02	roof trim Leather D - MJ 2010>>		1	GT3 PR:XMA,652
2	997 555 980 02 A11	Black		6	
2	997 555 980 02 D12	Dark grey/natural		6	
3	999 507 479 01	Clip 2,5/0,9		6	
3	999 551 609 40	Plastic washer 8,0 X 23 X 3,0		6	
4	999 507 533 02	Clamp 8 X 10/2,5 D >> - MJ 2008		2	GT3 PR:650
5	996 564 231 02	beading D >> - MJ 2008		1	GT3 PR:650
6	997 555 823 00	Bracket Transverse strut D >> - MJ 2008		2	GT3 PR:650
7	996 555 691 02	Clip Mount		8	
(8)	996 555 557 09	roof trim Cover interior light D >> - MJ 2008		1	GT3 PR:650
8	996 555 557 09 A03	Black		1	PR:652
(8)	996 555 557 11	Cover interior light		1	PR:652
(8)	996 555 557 11 A03	Black		1	GT3 PR:XZD,652
(8)	996 555 993 03	Cover (leather) interior light D - MJ 2010>>		1	GT3 PR:XZD,652
9	996 555 993 03 A11	Black		X	
9	996 555 993 03 D12	Dark grey/natural		X	
10	999 073 061 02	panel screw 4,8 X 16		1	
10	996 555 619 00	Grommet Wire set		1	
(11)	997 555 181 04	Rain sensor A-pillar trim (leatherette)	left	1	
(11)	997 555 181 04 1MZ	Black		1	
(11)	997 555 182 04	A-pillar trim (leatherette)	right	1	
(11)	997 555 182 04 1MZ	Black		1	
(11)	997 555 181 05	A-pillar trim (leather)	left	1	PR:981
(11)	997 555 181 05 A11	Black		1	PR:981
(11)	997 555 181 05 D12	Dark grey/natural		1	PR:981
(11)	997 555 182 05	A-pillar trim (leather)	right	1	PR:981

Model: 997G07 Model life 2007>>2011

Pos	Part Number	Description	Remark	Qty	Model
	997 555 182 05 A11	Black			
	997 555 182 05 D12	Dark grey/natural			
12	999 507 681 01	Clip 2,5/3,0		5	
(12)	999 507 839 01	Clip 3,5		2	
(12)	999 507 047 01	Clip 3,6		3	
13	999 551 134 40	Adhesive tape 20 X 65		5	
(14)	997 555 291 00	deformation element A-pillar	left	1	PR:553,072
(14)	997 555 292 00	deformation element A-pillar	right	1	PR:553,072
15	999 190 184 01	Pop rivet 4,0 X 8,5		8	
(16)	997 555 689 02	deformation element Roof	left	1	PR:553,072, 650
		D >> - MJ 2008			
16	997 555 690 02	deformation element Roof	right	1	PR:553,072, 650
		D >> - MJ 2008			
17	999 073 366 02	fillister hd. bolt M 6 X30 for Mount deformation element Roof		4	PR:650
		D >> - MJ 2008			
18	999 591 348 01	panel nut St 4,8		X	
19	997 556 603 00	Sound absorber tensioner	rear	1	
20	997 555 857 00	Grommet A-pillar		x	

Model: 997G07

Model life 2007>>2011



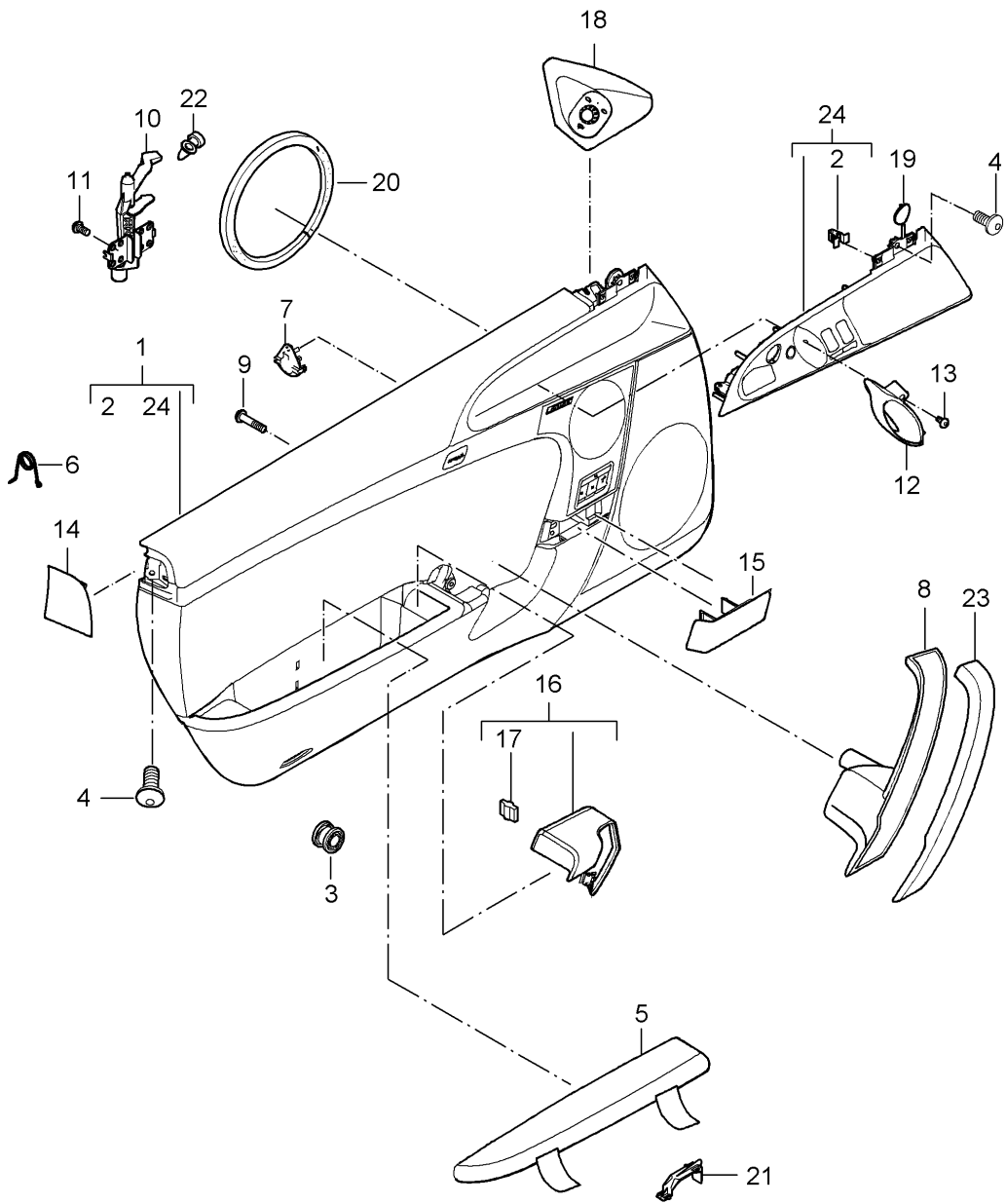
Model: 997G07 Model life 2007>>2011

Pos	Part Number	Description	Remark	Qty	Model
1	986 731 541 01	sun vizors basic plate for sun vizors		2	
(2)	997 731 031 90	Sun visor with mirror Leatherette D >> - MJ 2008	left	1	PR:484
(2)	997 731 031 90 A12	Black			
(2)	997 731 032 90	Sun visor with mirror Leatherette D >> - MJ 2008	right	1	PR:484
(2)	997 731 032 90 A12	Black			
(2)	997 731 031 92	Sun visor with mirror Leatherette	left	1	PR:553
(2)	997 731 031 92 A12	Black			
(2)	997 731 032 92	Sun visor with mirror Leatherette	right	1	PR:553
(2)	997 731 032 92 A12	Black			
(2)	997 731 981 91	Sun visor Leather D - MJ 2010>>	left	1	GT3 PR:XMP,553
(2)	997 731 981 91 A11	Black			
(2)	997 731 981 91 D12	Dark grey/natural			
(2)	997 731 982 91	Sun visor Leather D - MJ 2010>>	right	1	GT3 PR:XMP,553
(2)	997 731 982 91 A11	Black			
(2)	997 731 982 91 D12	Dark grey/natural			
(3)	997 731 903 00	Mirror housing with: Lighting D >> - MJ 2008		1	PR:484
(3)	997 731 903 00 01C	Satin black			
(3)	997 731 903 01	Mirror housing with: Lighting D >> - MJ 2008		1	PR:113
(3)	997 731 903 01 01C	Satin black			
(3)	996 731 903 00	Mirror housing with: Lighting D - MJ 2010>>		1	
4	996 731 903 00 01C	Satin black			
4	999 631 147 90	bulb 3 W		4	
5	996 731 531 01	Mirror glass with: Frame		2	
6	996 731 531 01 01C	Satin black			
6	996 731 341 00	Support Sun visor	left	1	
(6)	996 731 341 00 01C	Satin black			
(6)	996 731 342 00	Support Sun visor	right	1	
(6)	996 731 342 00 01C	Satin black			
7	999 073 326 09	fillister hd. bolt M 5 X 10		2	
(7)	999 500 093 02	Nut M 5		2	
8	999 919 120 09	fillister hd. bolt 4 x 18		1	



Model: 997G07

Model life 2007>>2011



Model: 997G07 Model life 2007>>2011

Pos	Part Number	Description	Remark	Qty	Model
		door panel Accessories for vehicles with sports seat door panel Accessories for vehicles with sports seat			PR:375,376, 377,378,388, 389
1	997 555 201 00	see illustration: door panel Leatherette Until Chassis number See technical information GR.7 NR. 17/11 KD-NR. 70 D >> - MJ 2008	807-012 left lhd	1	PR:098,375, 377
1	997 555 201 00 9L4 997 555 901 00	Black door panel Leatherette From Chassis number See technical information GR.7 NR. 17/11 KD-NR. 70 D >> - MJ 2008	left lhd	1	PR:098,375, 377
1	997 555 901 00 9L4 997 555 201 00	Black door panel Leatherette Until Chassis number See technical information GR.7 NR. 17/11 KD-NR. 70 D - MJ 2009>>	left lhd	1	PR:098,375, 377,441
1	997 555 201 00 9L4 997 555 901 00	Black door panel Leatherette From Chassis number See technical information GR.7 NR. 17/11 KD-NR. 70 D - MJ 2009>>	left lhd	1	PR:098,375, 377,441
1	997 555 901 00 9L4 997 555 201 00	Black door panel Leatherette Until Chassis number See technical information GR.7 NR. 17/11 KD-NR. 70 D - MJ 2010>>	left lhd	1	PR:098,388, 441
1	997 555 201 00 9L4 997 555 901 00	Black door panel Leatherette From Chassis number See technical information GR.7 NR. 17/11 KD-NR. 70 D - MJ 2010>>	left lhd	1	PR:098,388, 441
	997 555 901 00 9L4	Black			

Model: 997G07 Model life 2007>>2011

Pos	Part Number	Description	Remark	Qty	Model
1	997 555 201 04	door panel Leatherette Until Chassis number See technical information GR.7 NR. 17/11 KD-NR. 70	left lhd	1	PR:098,375, 377,490
1	997 555 201 04 9L4 997 555 901 01	Black door panel Leatherette From Chassis number See technical information GR.7 NR. 17/11 KD-NR. 70	left lhd	1	PR:098,375, 377,490
1	997 555 901 01 9L4 997 555 201 04	Black door panel Leatherette Until Chassis number See technical information GR.7 NR. 17/11 KD-NR. 70 D - MJ 2010>>	left lhd	1	PR:098,388, 490
1	997 555 201 04 9L4 997 555 901 01	Black door panel Leatherette From Chassis number See technical information GR.7 NR. 17/11 KD-NR. 70 D - MJ 2010>>	left lhd	1	PR:098,388, 490
(1)	997 555 901 01 9L4 997 555 202 24	Black door panel Leatherette Until Chassis number See technical information GR.7 NR. 17/11 KD-NR. 70 D >> - MJ 2008	right lhd	1	PR:098,376, 378
(1)	997 555 202 24 9L4 997 555 902 17	Black door panel Leatherette From Chassis number See technical information GR.7 NR. 17/11 KD-NR. 70 D >> - MJ 2008	right lhd	1	PR:098,376, 378
(1)	997 555 902 17 9L4 997 555 202 24	Black door panel Leatherette Until Chassis number See technical information GR.7 NR. 17/11 KD-NR. 70 D - MJ 2009>>	right lhd	1	PR:098,376, 378,441
(1)	997 555 202 24 9L4 997 555 902 17	Black door panel Leatherette	right lhd	1	PR:098,376, 378,441

Model: 997G07 Model life 2007>>2011

Pos	Part Number	Description	Remark	Qty	Model
(1)	997 555 902 17 9L4 997 555 202 24	From Chassis number See technical information GR.7 NR. 17/11 KD-NR. 70 D - MJ 2009>> Black door panel Leatherette Until	right lhd	1	PR:098,389, 441
(1)	997 555 202 24 9L4 997 555 902 17	From Chassis number See technical information GR.7 NR. 17/11 KD-NR. 70 D - MJ 2010>> Black door panel Leatherette Until	right lhd	1	PR:098,389, 441
(1)	997 555 902 17 9L4 997 555 202 26	From Chassis number See technical information GR.7 NR. 17/11 KD-NR. 70 D - MJ 2010>> Black door panel Leatherette Until	right lhd	1	PR:098,376, 378,490
(1)	997 555 202 26 9L4 997 555 902 18	From Chassis number See technical information GR.7 NR. 17/11 KD-NR. 70 D - MJ 2010>> Black door panel Leatherette Until	right lhd	1	PR:098,376, 378,490
(1)	997 555 902 18 9L4 997 555 202 26	From Chassis number See technical information GR.7 NR. 17/11 KD-NR. 70 D - MJ 2010>> Black door panel Leatherette Until	right lhd	1	PR:098,389, 490
(1)	997 555 202 26 9L4 997 555 902 18	From Chassis number See technical information GR.7 NR. 17/11 KD-NR. 70 D - MJ 2010>> Black door panel Leatherette Until	right lhd	1	PR:098,389, 490
1	997 555 902 18 9L4 997 555 201 50 997 555 201 50 FSM	From Chassis number See technical information GR.7 NR. 17/11 KD-NR. 70 D - MJ 2010>> Black Door trim (Alcantara) Leather D >> - MJ 2009 black/black	left lhd	1	PR:098,375, 377,981

Model: 997G07 Model life 2007>>2011

Pos	Part Number	Description	Remark	Qty	Model
1	997 555 201 50 FSN 997 555 201 50	Dark grey natural/black Door trim (Alcantara) Leather D - MJ 2010>>	left lhd	1	PR:098,375, 377,981,-XVT
1	997 555 201 50 FSM 997 555 201 50 FSN 997 555 201 50	black/black Dark grey natural/black Door trim (Alcantara) Leather D - MJ 2010>>	left lhd	1	PR:098,388, 981,-XVT
(1)	997 555 201 50 FSM 997 555 201 50 FSN 997 555 202 52	black/black Dark grey natural/black Door trim (Alcantara) Leather D >> - MJ 2009	right lhd	1	PR:098,376, 378,981
(1)	997 555 202 52 FSM 997 555 202 52 FSN 997 555 202 52	black/black Dark grey natural/black Door trim (Alcantara) Leather D - MJ 2010>>	right lhd	1	PR:098,376, 378,981,-XVT
(1)	997 555 202 52 FSM 997 555 202 52 FSN 997 555 202 52	black/black Dark grey natural/black Door trim (Alcantara) Leather D - MJ 2010>>	right lhd	1	PR:098,389, 981,-XVT
(1)	997 555 202 52 FSM 997 555 202 52 FSN 997 555 981 50	black/black Dark grey natural/black Door panel trim (leather) D - MJ 2010>>	left lhd	1	PR:XVT,098, 375,377,981
(1)	997 555 981 50 A11 997 555 981 50 D12 997 555 982 51	Black Dark grey/natural Door panel trim (leather) D - MJ 2010>>	right lhd	1	PR:XVT,098, 376,378,981
(1)	997 555 982 51 A11 997 555 982 51 D12 997 555 981 54	Black Dark grey/natural Door panel trim (leather) D - MJ 2010>>	left lhd	1	PR:XTV,XVT, 098,375,377, 981
(1)	997 555 981 54 A11 997 555 981 54 D12 997 555 982 55	Black Dark grey/natural Door panel trim (leather) D - MJ 2010>>	right lhd	1	PR:XTV,XVT, 098,376,378, 981
(1)	997 555 982 55 A11 997 555 982 55 D12 997 555 982 54	Black Dark grey/natural Door panel trim (leather) D - MJ 2010>>	right rhd	1	PR:XTV,XVT, 099,376,378, 981
(1)	997 555 982 54 A11 997 555 982 54 D12 997 555 981 58	Black Dark grey/natural Door panel trim (leather) D - MJ 2010>>	left lhd	1	PR:XGE,XVT, 098,375,377, 981
(1)	997 555 981 58 A11 997 555 981 58 D12 997 555 982 58	Black Dark grey/natural Door panel trim (leather) D - MJ 2010>>	right lhd	1	PR:XGE,XVT, 098,376,378, 981
2	997 555 982 58 A11 997 555 982 58 D12 999 507 533 02	Black Dark grey/natural Clamp 8,0X 10/2,5		2	

Model: 997G07 Model life 2007>>2011

Pos	Part Number	Description	Remark	Qty	Model
3	955 555 243 00	Retaining clip for door panel		9	
4	999 073 322 02	fillister hd. bolt M 6 X 20 for Mount door panel		5	
5	997 555 221 01	Cover Stowage compartment D >> - MJ 2009	left	1	PR:375,377
(5)	997 555 221 01 FSA 997 555 222 01	black/grey Cover Stowage compartment D >> - MJ 2009	right	1	PR:376,378
(5)	997 555 222 01 FSA 997 555 221 02	black/grey Cover Stowage compartment D >> - MJ 2009	left	1	PR:375,377, 981
(5)	997 555 221 02 FSO 997 555 221 02	Black Cover Stowage compartment D - MJ 2010>>	left	1	PR:375,377, 388
(5)	997 555 221 02 FSO 997 555 222 02	Black Cover Stowage compartment D >> - MJ 2009	right	1	PR:376,378, 981
(5)	997 555 222 02 FSO 997 555 222 02	Black Cover Stowage compartment D - MJ 2010>>	right	1	PR:376,378, 389
6	997 555 222 02 FSO 997 555 833 00	Black Leg spring for Cover Stowage compartment	left	1	PR:375,377, 388
(6)	997 555 834 00	Leg spring for Cover Stowage compartment	right	1	PR:376,378, 389
7	997 555 841 00	Damper Stowage compartment		1	PR:375,376, 377,378,388, 389
(8)	997 555 261 01	Pull handle (leather) Lower part D >> - MJ 2009	left	1	
(8)	997 555 261 01 A11 997 555 262 01	Black Pull handle (leather) Lower part D >> - MJ 2009	right	1	
8	997 555 262 01 A11 997 555 261 02	Black Pull handle Lower part D >> - MJ 2009	left	1	PR:981
8	997 555 261 02 A14 997 555 261 02	Black Pull handle Lower part D - MJ 2010>>	left	1	PR:375,377, 388
(8)	997 555 261 02 A14 997 555 262 02	Black Pull handle Lower part D >> - MJ 2009	right	1	PR:981
	997 555 262 02 A14	Black			

Model: 997G07 Model life 2007>>2011

Pos	Part Number	Description	Remark	Qty	Model
(8)	997 555 262 02	Pull handle Lower part D - MJ 2010>>	right	1	PR:376,378, 389
9	997 555 262 02 A14 999 919 229 02	Black fillister hd. bolt 6,0 X 40,0 for Mount		2	
10	997 555 381 02	Pull handle Axle bearing Valid up to: F >> 99-AS780 076	left	1	
10	997 555 382 02	Axle bearing Valid up to: F >> 99-AS780 076	right	1	
(10)	997 555 381 03	Axle bearing Valid from: F 99-AS780 077>>	left	1	
(10)	997 555 382 03	Axle bearing Valid from: F 99-AS780 077>>	right	1	
11	999 919 164 09	fillister hd. bolt 5 X 12 for Mount		3	
12	997 555 461 01	Axle bearing lever Inner actuator D >> - MJ 2009	left	1	
12	997 555 461 01 V05 997 555 461 01	Galvano silver lever Inner actuator D - MJ 2010>>	left	1	PR:375,377, 388
(12)	997 555 461 01 V05 997 555 462 01	Galvano silver lever Inner actuator D >> - MJ 2009	right	1	
(12)	997 555 462 01 V05 997 555 462 01	Galvano silver lever Inner actuator D - MJ 2010>>	right	1	PR:376,378, 389
13	997 555 462 01 V05 999 919 164 09	Galvano silver fillister hd. bolt 5 X 12 for Mount		1	
14	997 555 683 00	lever Inner actuator Cover cap Airbag	left	1	
(14)	997 555 683 00 A03 997 555 684 00	Black Cover cap Airbag	right	1	
15	997 555 684 00 A03 997 555 643 01	Black Trim	left front	1	
(15)	997 555 643 01 A03 997 555 644 01	Lacquered Black Trim	right front	1	
(15)	997 555 644 01 A03 997 555 643 02	Lacquered Black Leather panel	left	1	PR:XVT

Model: 997G07 Model life 2007>>2011

Pos	Part Number	Description	Remark	Qty	Model
		D - MJ 2010>>	front		
	997 555 643 02 A11	Black			
	997 555 643 02 D12	Dark grey/natural			
(15)	997 555 644 02	Leather panel	right front	1	PR:XVT
		D - MJ 2010>>			
	997 555 644 02 A11	Black			
	997 555 644 02 D12	Dark grey/natural			
16	997 555 431 01	Leather panel	left	1	PR:375,377
		Door handle			
		D >> - MJ 2009			
	997 555 431 01 FSA	black/grey			
(16)	997 555 432 01	Leather panel	right	1	PR:376,378
		Door handle			
		D >> - MJ 2009			
	997 555 432 01 FSA	black/grey			
(16)	997 555 431 03	Trim	left	1	PR:375,377,981
		Door handle			
		D >> - MJ 2009			
	997 555 431 03 FSO	Black			
(16)	997 555 431 03	Trim	left	1	PR:375,377,388
		Door handle			
		D - MJ 2010>>			
	997 555 431 03 FSO	Black			
(16)	997 555 432 03	Trim	right	1	PR:376,378,981
		Door handle			
		D >> - MJ 2009			
	997 555 432 03 FSO	Black			
(16)	997 555 432 03	Trim	right	1	PR:376,378,389
		Door handle			
		D - MJ 2010>>			
	997 555 432 03 FSO	Black			
17	999 591 380 01	Cable fastener		4	
18	997 555 685 02	Cover	lhd	1	PR:098
		Exterior mirror (drivers side) Lacquered			
	997 555 685 02 A03	Black			
(18)	997 555 995 00	Cover (leather)	lhd	1	PR:XDX,098
		Exterior mirror (drivers side)			
		D - MJ 2010>>			
	997 555 995 00 A11	Black			
	997 555 995 00 D12	Dark grey/natural			
(18)	997 555 686 02	Cover	lhd	1	PR:098
		Exterior mirror (passenger side) Lacquered			
	997 555 686 02 A03	Black			
(18)	997 555 996 00	Cover (leather)	lhd	1	PR:XDX,098
		Exterior mirror (passenger side)			
		D - MJ 2010>>			
	997 555 996 00 A11	Black			
	997 555 996 00 D12	Dark grey/natural			
19	997 555 577 00	Cover cap		1	
		Handle liner			
	997 555 577 00 A03	Black			
20	997 555 895 00	Plastic foam strip		1	
		for			
		Bass loudspeaker			
21	997 555 597 00	Distance piece		2	PR:375,376,

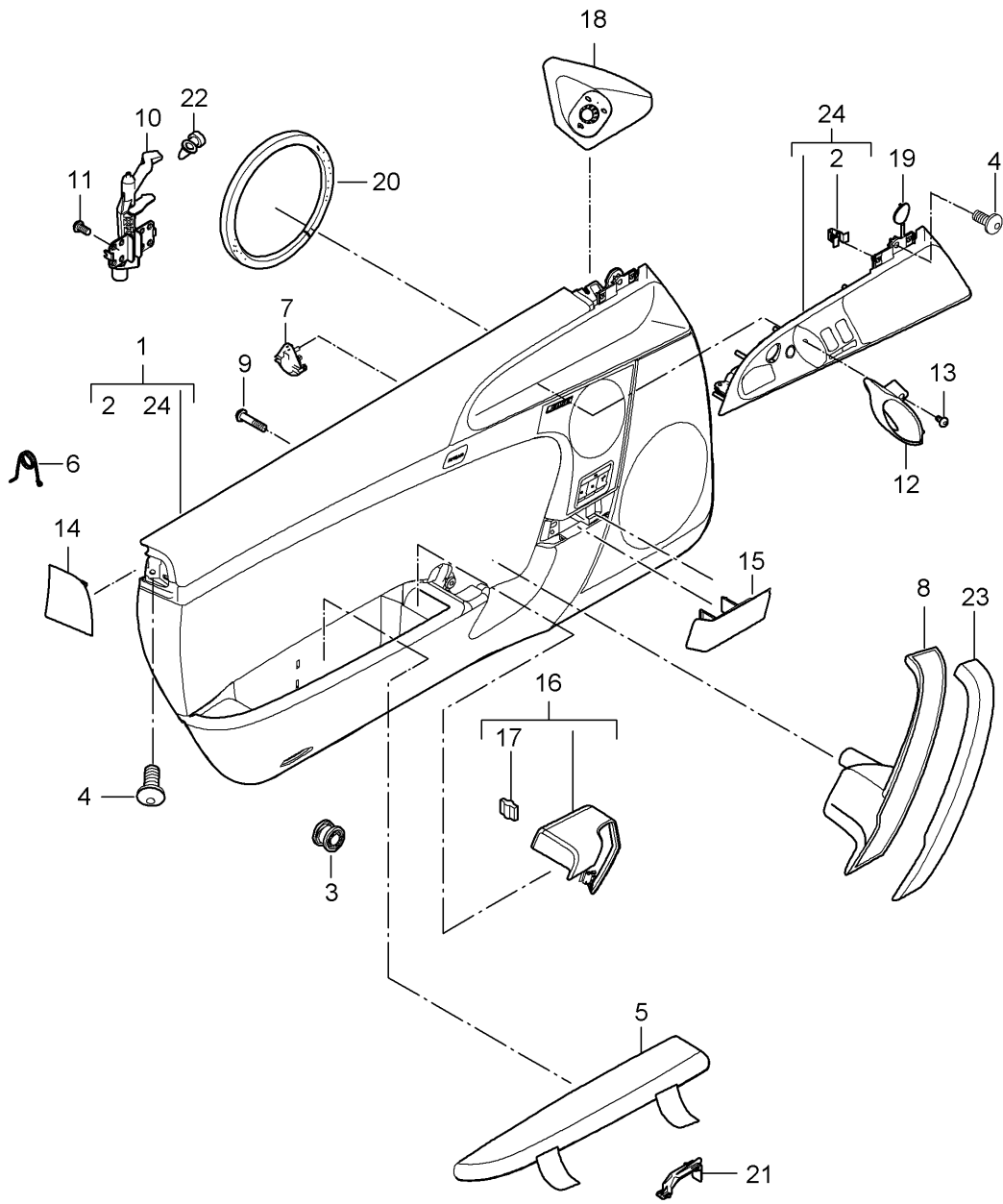


Model: 997G07 Model life 2007>>2011

Pos	Part Number	Description	Remark	Qty	Model
21	997 555 597 00	Bonnet hinge Distance piece Bonnet hinge D - MJ 2010>>		2	377,378 PR:388,389
22	999 702 281 41	Grommet Axle bearing		1	
23	997 555 271 01	Pull handle (leather) Upper part D >> - MJ 2009	left	1	
(23)	997 555 271 01 FSA 997 555 272 01	black/grey Pull handle (leather) Upper part D >> - MJ 2009	right	1	
(23)	997 555 272 01 FSA 997 555 271 02	black/grey Pull handle Upper part D >> - MJ 2009	left	1	PR:981
(23)	997 555 271 02 FSO 997 555 271 02	black/grey Pull handle Upper part D - MJ 2010>>	left	1	PR:375,377, 388
(23)	997 555 271 02 FSO 997 555 272 02	black/grey Pull handle Upper part D >> - MJ 2009	right	1	PR:981
(23)	997 555 272 02 FSO 997 555 272 02	Black Pull handle Upper part D - MJ 2010>>	right	1	PR:376,378, 389
24	997 555 272 02 FSO 997 555 351 03	Black Insert Handle liner Lacquered	left lhd	1	PR:098
24	997 555 351 03 A03 997 555 352 04	Black Insert Handle liner Lacquered	right lhd	1	PR:098
24	997 555 352 04 A03 997 555 985 00	Black Insert Handle liner Leather	left lhd	1	PR:XTV,098
(24)	997 555 985 00 A11 997 555 985 00 D12 997 555 986 00	Black Dark grey/natural Insert Handle liner Leather	right lhd	1	PR:XTV,098
24	997 555 986 00 A11 997 555 986 00 D12 997 555 985 03	Black Dark grey/natural Insert Handle liner Carbon	left lhd	1	PR:XGE,098
(24)	997 555 985 03 A35 997 555 986 03	Black Insert Handle liner Carbon	right lhd	1	PR:XGE,098
(24)	997 555 986 03 A35 997 555 985 05	Black Insert Handle liner Carbon	left rhd	1	PR:XGE,099
	997 555 985 05 A35	Black			

Model: 997G07

Model life 2007>>2011



Model: 997G07 Model life 2007>>2011

Pos	Part Number	Description	Remark	Qty	Model
		door panel Accessories for vehicles with bucket seat GT			PR:384,385
(1)	997 555 201 58	Door trim (leatherette) Until Chassis number See technical information GR.7 NR. 17/11 KD-NR. 70 D >> - MJ 2008	807-013 left lhd	1	PR:098,384
(1)	997 555 201 58 9L4 997 555 901 22	Black Door trim (leatherette) Until Chassis number See technical information GR.7 NR. 17/11 KD-NR. 70 D >> - MJ 2008	left lhd	1	PR:098,384
(1)	997 555 901 22 9L4 997 555 201 58	Black Door trim (leatherette) Until Chassis number See technical information GR.7 NR. 17/11 KD-NR. 70 D - MJ 2009>>	left lhd	1	PR:098,384, 441
(1)	997 555 201 58 9L4 997 555 901 23	Black Door trim (leatherette) From Chassis number See technical information GR.7 NR. 17/11 KD-NR. 70 D - MJ 2009>>	left lhd	1	PR:098,384, 441
(1)	997 555 901 23 9L4 997 555 201 67	Black Door trim (leatherette) Until Chassis number See technical information GR.7 NR. 17/11 KD-NR. 70	left lhd	1	PR:098,384, 490
(1)	997 555 201 67 9L4 997 555 901 24	Black Door trim (leatherette) From Chassis number See technical information GR.7 NR. 17/11 KD-NR. 70	left lhd	1	PR:098,384, 490
(1)	997 555 901 24 9L4 997 555 202 59	Black Door trim (leatherette) Until	right lhd	1	PR:098,385

Model: 997G07 Model life 2007>>2011

Pos	Part Number	Description	Remark	Qty	Model
		Chassis number See technical information GR.7 NR. 17/11 KD-NR. 70 D >> - MJ 2008			
(1)	997 555 202 59 9L4 997 555 902 23	Black Door trim (leatherette) From Chassis number See technical information GR.7 NR. 17/11 KD-NR. 70 D >> - MJ 2008	right lhd	1	PR:098,385
(1)	997 555 902 23 9L4 997 555 202 59	Black Door trim (leatherette) Until Chassis number See technical information GR.7 NR. 17/11 KD-NR. 70 D - MJ 2009>>	right lhd	1	PR:098,385, 441
(1)	997 555 202 59 9L4 997 555 902 23	Black Door trim (leatherette) From Chassis number See technical information GR.7 NR. 17/11 KD-NR. 70 D - MJ 2009>>	right lhd	1	PR:098,385, 441
(1)	997 555 902 23 9L4 997 555 202 70	Black Door trim (leatherette) Until Chassis number See technical information GR.7 NR. 17/11 KD-NR. 70 D - MJ 2009>>	right lhd	1	PR:098,385, 490
(1)	997 555 202 70 9L4 997 555 902 25	Black Door trim (leatherette) From Chassis number See technical information GR.7 NR. 17/11 KD-NR. 70	right lhd	1	PR:098,385, 490
(1)	997 555 902 25 9L4 997 555 201 62	Black Door trim (Alcantara) Leather D >> - MJ 2009	left lhd	1	PR:098,384, 490,981
(1)	997 555 201 62 FSM 997 555 201 62 FSN 997 555 201 62	black/black Dark grey natural/black Door trim (Alcantara) Leather D - MJ 2010>>	left lhd	1	PR:098,384, 490,981,-XVT
(1)	997 555 201 62 FSM 997 555 201 62 FSN 997 555 202 63	black/black Dark grey natural/black Door trim (Alcantara) Leather D >> - MJ 2009	right lhd	1	PR:098,385, 490,981
	997 555 202 63 FSM 997 555 202 63 FSN	black/black Dark grey natural/black			

Model: 997G07 Model life 2007>>2011

Pos	Part Number	Description	Remark	Qty	Model
(1)	997 555 202 63	Door trim (Alcantara) Leather D >> - MJ 2009	right lhd	1	PR:098,385, 441,981
	997 555 202 63 FSM	black/black			
	997 555 202 63 FSN	Dark grey natural/black			
(1)	997 555 202 63	Door trim (Alcantara) Leather D - MJ 2010>>	right lhd	1	PR:098,385, 490,981,-XVT
	997 555 202 63 FSM	black/black			
	997 555 202 63 FSN	Dark grey natural/black			
(1)	997 555 981 52	Door panel trim (leather) D - MJ 2010>>	left lhd	1	PR:XVT,098, 384,490,981
	997 555 981 52 A11	Black			
	997 555 981 52 D12	Dark grey/natural			
(1)	997 555 982 53	Door panel trim (leather) D - MJ 2010>>	right lhd	1	PR:XVT,098, 385,490,981
	997 555 982 53 A11	Black			
	997 555 982 53 D12	Dark grey/natural			
(1)	997 555 981 56	Door panel trim (leather) D - MJ 2010>>	left lhd	1	PR:XTV,XVT, 098,384,490, 981
	997 555 981 56 A11	Black			
	997 555 981 56 D12	Dark grey/natural			
(1)	997 555 982 56	Door panel trim (leather) D - MJ 2010>>	right lhd	1	PR:XTV,XVT, 098,385,490, 981
	997 555 982 56 A11	Black			
	997 555 982 56 D12	Dark grey/natural			
(1)	997 555 981 60	Door panel trim (leather) D - MJ 2010>>	left lhd	1	PR:XGE,XVT, 098,384,981
	997 555 981 60 A11	Black			
	997 555 981 60 D12	Dark grey/natural			
(1)	997 555 982 60	Door panel trim (leather) D - MJ 2010>>	right lhd	1	PR:XGE,XVT, 098,385,981
	997 555 982 60 A11	Black			
	997 555 982 60 D12	Dark grey/natural			
2	999 507 533 02	Clamp 8,0X 10/2,5		2	
3	955 555 243 00	Retaining clip for door panel		9	
4	999 073 322 02	fillister hd. bolt M 6 X 20 for Mount door panel		5	
5	997 555 241 90	Armrest Alcantara Valid up to: F >> 99-7S790 648	left	1	PR:384
	997 555 241 90 A14	Black			
5	997 555 242 90	Armrest Alcantara Valid up to: F >> 99-7S790 648	right	1	PR:385
	997 555 242 90 A14	Black			
5	997 555 241 91	Armrest Alcantara Valid from:	left	1	PR:384

Model: 997G07 Model life 2007>>2011

Pos	Part Number	Description	Remark	Qty	Model
5	997 555 241 91 A14 997 555 242 91	F 99-7S790 649>> Black Armrest Alcantara Valid from: F 99-7S790 649>>	right	1	PR:385
6	997 555 242 91 A14 997 555 491 90	Black Padding door panel	left	1	PR:384
(6)	997 555 491 90 FSA 997 555 491 90 FSH 997 555 492 90	black/grey Darkgrey natural/grey Padding door panel	right	1	PR:385
7	997 555 492 90 FSA 997 555 492 90 FSH 999 919 237 00	black/grey Darkgrey natural/grey fillister hd. bolt 5 x 20		X	PR:384,385
(8)	997 555 261 01	Pull handle (leather) Lower part D >> - MJ 2009	left	1	
(8)	997 555 261 01 A11 997 555 262 01	Black Pull handle (leather) Lower part D >> - MJ 2009	right	1	
8	997 555 262 01 A11 997 555 261 02	Black Pull handle Lower part D >> - MJ 2009	left	1	PR:981
8	997 555 261 02 A14 997 555 261 02	Black Pull handle Lower part D - MJ 2010>>	left	1	PR:384
(8)	997 555 261 02 A14 997 555 262 02	Black Pull handle Lower part D >> - MJ 2009	right	1	PR:981
(8)	997 555 262 02 A14 997 555 262 02	Black Pull handle Lower part D - MJ 2010>>	right	1	PR:385
9	997 555 262 02 A14 999 919 229 02	Black fillister hd. bolt 6,0 X 40,0 for Mount		2	
10	997 555 381 02	Pull handle Axle bearing Valid up to: F >> 99-AS780 076	left	1	
(10)	997 555 382 02	Axle bearing Valid up to: F >> 99-AS780 076	right	1	
(10)	997 555 381 03	Axle bearing Valid from: F 99-AS780 077>>	left	1	
(10)	997 555 382 03	Axle bearing Valid from: F 99-AS780 077>>	right	1	
11	999 919 164 09	fillister hd. bolt 5 X 12 for Mount Axle bearing		3	

Model: 997G07 Model life 2007>>2011

Pos	Part Number	Description	Remark	Qty	Model
12	997 555 461 01	lever Inner actuator D >> - MJ 2009	left	1	
12	997 555 461 01 V05 997 555 461 01	Galvano silver lever Inner actuator D - MJ 2010>>	left	1	PR:384
(12)	997 555 461 01 V05 997 555 462 01	Galvano silver lever Inner actuator D >> - MJ 2009	right	1	
(12)	997 555 462 01 V05 997 555 462 01	Galvano silver lever Inner actuator D - MJ 2010>>	right	1	PR:385
13	999 919 164 09	fillister hd. bolt 5 X 12 for Mount lever Inner actuator		1	
14	997 555 683 00	Cover cap Airbag	left	1	
(14)	997 555 683 00 A03 997 555 684 00	Black Cover cap Airbag	right	1	
15	997 555 684 00 A03 997 555 643 01	Black Trim	left front	1	
(15)	997 555 643 01 A03 997 555 644 01	Lacquered Black Trim	right front	1	
(15)	997 555 644 01 A03 997 555 643 02	Lacquered Black Leather panel	left front	1	PR:XVT
(15)	997 555 643 02 A11 997 555 643 02 D12 997 555 644 02	D - MJ 2010>> Black Dark grey/natural Leather panel	right front	1	PR:XVT
(16)	997 555 644 02 A11 997 555 644 02 D12 997 555 431 90	D - MJ 2010>> Black Dark grey/natural Trim Padding Valid up to:	left	1	PR:384
(16)	997 555 431 90 A14 997 555 432 90	Black Trim Padding Valid up to: F >> 99-7S790 648	right	1	PR:385
(16)	997 555 432 90 A14 997 555 431 91	Black Trim Padding Valid from:	left	1	PR:385
(16)	997 555 431 91 A14 997 555 432 91	F 99-7S790 649>> Black Trim Padding Valid from:	right	1	PR:385

Model: 997G07 Model life 2007>>2011

Pos	Part Number	Description	Remark	Qty	Model
		F 99-7S790 649>>			
	997 555 432 91 A14	Black			
17	999 591 380 01	Cable fastener		4	
18	997 555 685 02	Cover	lhd	1	PR:098
		Exterior mirror (drivers side) Lacquered			
(18)	997 555 685 02 A03	Black			
	997 555 995 00	Cover (leather)	lhd	1	PR:XDX,098
		Exterior mirror (drivers side) D - MJ 2010>>			
	997 555 995 00 A11	Black			
	997 555 995 00 D12	Dark grey/natural			
(18)	997 555 686 02	Cover	lhd	1	PR:098
		Exterior mirror (passenger side) Lacquered			
(18)	997 555 686 02 A03	Black			
	997 555 996 00	Cover (leather)	lhd	1	PR:XDX,098
		Exterior mirror (passenger side) D - MJ 2010>>			
	997 555 996 00 A11	Black			
	997 555 996 00 D12	Dark grey/natural			
19	997 555 577 00	Cover cap		1	
		Handle liner			
	997 555 577 00 A03	Black			
20	997 555 895 00	Plastic foam strip for		1	
		Bass loudspeaker			
21	999 702 281 41	Grommet		1	
		Axle bearing			
22	997 555 271 01	Pull handle (leather) Upper part	left	1	
		D >> - MJ 2009			
(22)	997 555 271 01 FSA	black/grey			
	997 555 272 01	Pull handle (leather) Upper part	right	1	
		D >> - MJ 2009			
(22)	997 555 272 01 FSA	black/grey			
	997 555 271 02	Pull handle Upper part	left	1	PR:981
		D >> - MJ 2009			
(22)	997 555 271 02 FSO	black/grey			
	997 555 271 02	Pull handle Upper part	left	1	PR:385
		D - MJ 2010>>			
(22)	997 555 271 02 FSO	black/grey			
	997 555 272 02	Pull handle Upper part	right	1	PR:981
		D >> - MJ 2009			
(22)	997 555 272 02 FSO	Black			
	997 555 272 02	Pull handle Upper part	right	1	PR:385
		D - MJ 2010>>			
23	997 555 272 02 FSO	Black			
	997 555 351 03	Insert Handle liner Lacquered	left lhd	1	PR:098
	997 555 351 03 A03	Black			
23	997 555 352 04	Insert Handle liner	right lhd	1	PR:098



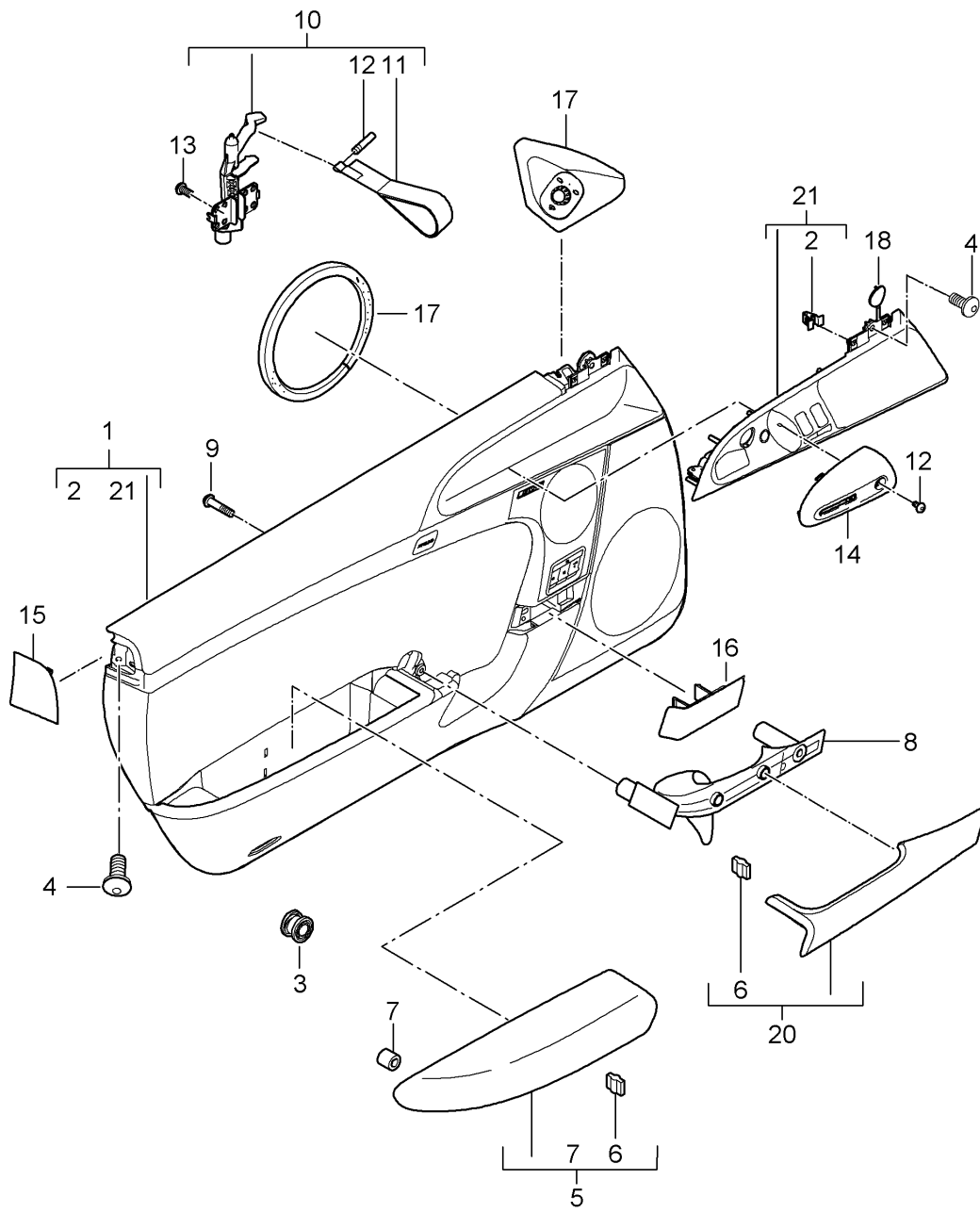
Model: 997G07

Model life 2007>>2011

Pos	Part Number	Description	Remark	Qty	Model
23	997 555 352 04 A03	Lacquered Black	left lhd	1	PR:XTV,098
	997 555 985 00	Insert Handle liner Leather			
(23)	997 555 985 00 A11	Black	right lhd	1	PR:XTV,098
	997 555 985 00 D12	Dark grey/natural			
23	997 555 986 00	Insert Handle liner Leather	left lhd	1	PR:XGE,098
	997 555 986 00 A11	Black			
23	997 555 986 00 D12	Dark grey/natural	right lhd	1	PR:XGE,098
	997 555 985 03	Insert Handle liner Carbon			
(23)	997 555 985 03 A35	Black	left rhd	1	PR:XGE,099
	997 555 986 03	Insert Handle liner Carbon			
24	997 555 986 03 A35	Black	7		
	997 555 985 05	Insert Handle liner Carbon			
	997 555 985 05 A35	Black			
	900 151 027 03	Washer			

Model: 997G07

Model life 2007>>2011



Model: 997G07 Model life 2007>>2011

Pos	Part Number	Description	Remark	Qty	Model
1	997 555 201 90	door panel Accessories door panel Leatherette Until Chassis number See technical information GR.7 NR. 17/11 KD-NR. 70 D - MJ 2010>>	left lhd	1	GT3 RS PR:004,098, 377,441,-981
1	997 555 201 90 9L4 997 555 201 90	Black door panel Leatherette D - MJ 2011>>	left lhd	1	GT3 RS 4.0 PR:006,098, 377,441,-981
1	997 555 201 90 9L4 997 555 901 26	Black door panel Leatherette From Chassis number See technical information GR.7 NR. 17/11 KD-NR. 70 D - MJ 2010>>	left lhd	1	GT3 RS PR:004,098, 377,441,-981
1	997 555 901 26 9L4 997 555 201 90	Black door panel Leatherette Until Chassis number See technical information GR.7 NR. 17/11 KD-NR. 70 D - MJ 2010>>	left lhd	1	GT3 RS PR:004,098, 388,441,-981
1	997 555 201 90 9L4 997 555 201 90	Black door panel Leatherette D - MJ 2011>>	left lhd	1	GT3 RS 4.0 PR:006,098, 388,441,-981
1	997 555 201 90 9L4 997 555 901 26	Black door panel Leatherette From Chassis number See technical information GR.7 NR. 17/11 KD-NR. 70 D - MJ 2010>>	left lhd	1	GT3 RS PR:004,098, 388,441,-981
1	997 555 901 26 9L4 997 555 201 92	Black door panel Leatherette Until Chassis number See technical information GR.7 NR. 17/11 KD-NR. 70 D - MJ 2010>>	left lhd	1	GT3 RS PR:004,098, 377,490,-981
1	997 555 201 92 9L4 997 555 201 92	Black door panel Leatherette D - MJ 2011>>	left lhd	1	GT3 RS 4.0 PR:004,098, 377,490,-981
1	997 555 201 92 9L4 997 555 901 27	Black door panel Leatherette From Chassis number	left lhd	1	GT3 RS PR:004,098, 377,490,-981

Model: 997G07 Model life 2007>>2011

Pos	Part Number	Description	Remark	Qty	Model
1	997 555 901 27 9L4 997 555 201 92	See technical information GR.7 NR. 17/11 KD-NR. 70 D - MJ 2010>> Black door panel Leatherette Until Chassis number	left lhd	1	GT3 RS PR:004,098, 388,490,-981
1	997 555 201 92 9L4 997 555 201 92	See technical information GR.7 NR. 17/11 KD-NR. 70 D - MJ 2010>> Black door panel Leatherette D - MJ 2010>>	left lhd	1	GT3 RS 4.0 PR:006,098, 388,490,-981
1	997 555 201 92 9L4 997 555 901 27	Black door panel Leatherette From Chassis number See technical information	left lhd	1	GT3 RS PR:004,098, 388,490,-981
(1)	997 555 901 27 9L4 997 555 202 94	See technical information GR.7 NR. 17/11 KD-NR. 70 D - MJ 2010>> Black door panel Leatherette Until Chassis number See technical information	right lhd	1	GT3 RS PR:004,098, 378,441,-981
(1)	997 555 202 94 9L4 997 555 202 94	See technical information GR.7 NR. 17/11 KD-NR. 70 D - MJ 2010>> Black door panel Leatherette D - MJ 2011>>	right lhd	1	GT3 RS 4.0 PR:006,098, 378,441,-981
(1)	997 555 202 94 9L4 997 555 902 28	Black door panel Leatherette From Chassis number See technical information	right lhd	1	GT3 RS PR:004,098, 378,441,-981
(1)	997 555 902 28 9L4 997 555 202 94	See technical information GR.7 NR. 17/11 KD-NR. 70 D - MJ 2010>> Black door panel Leatherette Until Chassis number See technical information	right lhd	1	GT3 RS PR:004,098, 389,441,-981
(1)	997 555 202 94 9L4 997 555 202 94	See technical information GR.7 NR. 17/11 KD-NR. 70 D - MJ 2010>> Black door panel Leatherette D - MJ 2011>>	right lhd	1	GT3 RS 4.0 PR:006,098, 389,441,-981
(1)	997 555 202 94 9L4 997 555 902 28	Black door panel	right lhd	1	GT3 RS

Model: 997G07 Model life 2007>>2011

Pos	Part Number	Description	Remark	Qty	Model
		Leatherette From Chassis number See technical information GR.7 NR. 17/11 KD-NR. 70 D - MJ 2010>>			PR:004,098, 389,441,-981
(1)	997 555 902 28 9L4 997 555 202 95	Black door panel Leatherette D - MJ 2011>>	right lhd	1	GT3 RS 4.0 PR:006,098, 378,490,-981
(1)	997 555 202 95 9L4 997 555 902 29	Black door panel Leatherette Until Chassis number See technical information GR.7 NR. 17/11 KD-NR. 70 D - MJ 2010>>	right lhd	1	GT3 RS PR:004,098, 378,490,-981
(1)	997 555 902 29 9L4 997 555 202 95	Black door panel Leatherette Until Chassis number See technical information GR.7 NR. 17/11 KD-NR. 70 D - MJ 2010>>	right lhd	1	GT3 RS PR:004,098, 389,490,-981
(1)	997 555 202 95 9L4 997 555 202 95	Black door panel Leatherette D - MJ 2011>>	right lhd	1	GT3 RS 4.0 PR:006,098, 389,490,-981
(1)	997 555 202 95 9L4 997 555 902 29	Black door panel Leatherette From Chassis number See technical information GR.7 NR. 17/11 KD-NR. 70 D - MJ 2010>>	right lhd	1	GT3 RS PR:004,098, 389,490,-981
1	997 555 902 29 9L4 997 555 201 A9	Black Door trim (Alcantara) Leather	left lhd	1	PR:004,098, 377,981
1	997 555 201 A9 FSM 997 555 201 A9	black/black Door trim (Alcantara) Leather	left lhd	1	PR:004,098, 388,981,-XGE
(1)	997 555 201 A9 FSM 997 555 202 B9	black/black Door trim (Alcantara) Leather	right lhd	1	PR:004,098, 378,981,-XGE
(1)	997 555 202 B9 FSM 997 555 202 B9	black/black Door trim (Alcantara) Leather	right lhd	1	PR:004,098, 389,981,-XGE
2	997 555 202 B9 FSM 999 507 533 02	black/black Clamp 8,0X 10/2,5		2	
3	955 555 243 00	Retaining clip for door panel		9	
4	999 073 322 02	fillister hd. bolt M 6 X 20 for		5	

Model: 997G07 Model life 2007>>2011

Pos	Part Number	Description	Remark	Qty	Model
(5)	997 555 403 00	Mount door panel Armrest for door panel	left	1	GT3 RS PR:004,377, 388
		D - MJ 2010>> No longer use the part here			
	997 555 403 00 FSO	Black			
(5)	997 555 403 00	Armrest for door panel	left	1	GT3 RS PR:004,377, 388
		D - MJ 2010>>			
	997 555 403 00 FSO	black/grey			
(5)	997 555 403 00	Armrest for door panel	left	1	GT3 RS 4.0 PR:006,377, 388
		D - MJ 2011>>			
	997 555 403 00 FSO	black/grey			
	997 555 403 00 DRD	black/red			
(5)	997 555 404 00	Armrest for door panel	right	1	GT3 RS PR:004,378, 389
		D - MJ 2010>> No longer use the part here			
	997 555 404 00 FSO	Black			
(5)	997 555 404 00	Armrest for door panel	right	1	GT3 RS PR:004,378, 389
		D - MJ 2010>>			
	997 555 404 00 FSO	black/grey			
(5)	997 555 404 00	Armrest for door panel	right	1	GT3 RS 4.0 PR:006,378, 389
		D - MJ 2011>>			
	997 555 404 00 FSO	black/grey			
	997 555 404 00 DRD	black/red			
6	999 591 380 01	Cable fastener		X	PR:004,006
7	997 555 857 00	Grommet		X	PR:004,006
8	997 555 261 90	Pull handle Lower part	left	1	GT3 RS PR:004,377, 388
		D - MJ 2010>>			
	997 555 261 90 A25	Black			
(8)	997 555 261 90	Pull handle Lower part	left	1	GT3 RS 4.0 PR:006,377, 388
		D - MJ 2011>>			
	997 555 261 90 A25	Black			
	997 555 261 90 N13	guards red (Porsche)			
(8)	997 555 262 90	Pull handle Lower part	right	1	GT3 RS PR:004,378, 389
		D - MJ 2010>>			
	997 555 262 90 A25	Black			
(8)	997 555 262 90	Pull handle Lower part	right	1	GT3 RS 4.0 PR:006,378, 389
		D - MJ 2011>>			
	997 555 262 90 A25	Black			
	997 555 262 90 N13	guards red (Porsche)			
9	999 919 229 02	fillister hd. bolt 6,0 X 40,0 for Mount		2	
10	987 555 381 00	Pull handle Axle bearing	left	1	GT3 RS PR:004
		D - MJ 2010>>			
	987 555 381 00 N13	guards red (Porsche)			
(10)	987 555 381 00	Axle bearing	left	1	GT3 RS 4.0 PR:006
		D - MJ 2011>>			
	987 555 381 00 N13	guards red (Porsche)			
(10)	987 555 382 00	Axle bearing	right	1	GT3 RS PR:004
		D - MJ 2010>>			

Model: 997G07 Model life 2007>>2011

Pos	Part Number	Description	Remark	Qty	Model
(10)	987 555 382 00 N13 987 555 382 00	guards red (Porsche) Axle bearing D - MJ 2011>>	right	1	GT3 RS 4.0 PR:006
11	987 555 382 00 N13 987 555 563 00	guards red (Porsche) Inner actuator D - MJ 2010>>		2	GT3 RS PR:004
(11)	987 555 563 00 N13 987 555 563 00	guards red (Porsche) Inner actuator D - MJ 2011>>		2	GT3 RS 4.0 PR:006
12	987 555 563 00 N13 987 555 879 00	guards red (Porsche) axle for Mount Inner actuator		2	GT3 RS PR:004,006
13	999 919 164 09	fillister hd. bolt 5 X 12		X	
14	987 555 463 00	Trim Inner actuator D - MJ 2010>>	left	1	GT3 RS PR:004
(14)	987 555 463 00 A03 987 555 463 00	Black Trim Inner actuator D - MJ 2011>>	left	1	GT3 RS 4.0 PR:006
(14)	987 555 463 00 A03 987 555 464 00	Black Trim Inner actuator D - MJ 2010>>	right	1	GT RS PR:004
(14)	987 555 464 00 A03 987 555 464 00	Black Trim Inner actuator D - MJ 2011>>	right	1	GT RS 4.0 PR:006
15	987 555 464 00 A03 997 555 683 00	Black Cover cap Airbag	left	1	
(15)	997 555 683 00 A03 997 555 684 00	Black Cover cap Airbag	right	1	
16	997 555 684 00 A03 997 555 643 01	Black Trim  Lacquered	left front	1	
(16)	997 555 643 01 A03 997 555 644 01	Black Trim  Lacquered	right front	1	
17	997 555 644 01 A03 997 555 685 02	Black Cover Exterior mirror (drivers side) Lacquered	lhd	1	PR:098
(17)	997 555 685 02 A03 997 555 686 02	Black Cover Exterior mirror (passenger side) Lacquered	lhd	1	PR:098
18	997 555 686 02 A03 997 555 577 00	Black Cover cap Handle liner		1	
19	997 555 577 00 A03 997 555 895 00	Black Plastic foam strip for		1	
20	997 555 895 00 997 555 271 90	Bass loudspeaker Pull handle	left	1	GT3 RS

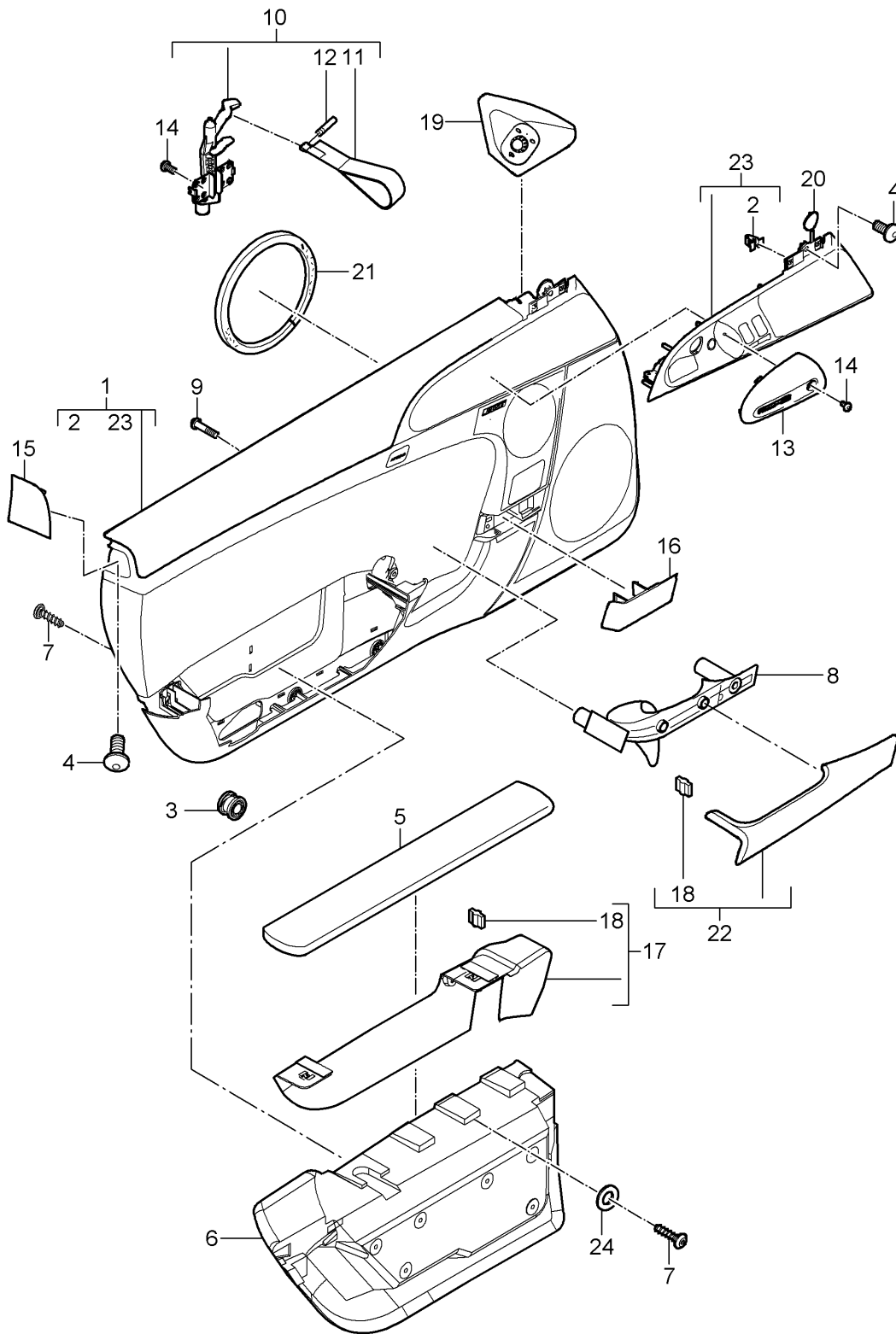
Model: 997G07 Model life 2007>>2011

Pos	Part Number	Description	Remark	Qty	Model
(20)	997 555 271 90 FS0	Upper part D - MJ 2010>> black/grey	left	1	PR:004,377, 388
	997 555 271 90	Pull handle			GT3 RS 4.0
(20)	997 555 271 90 FS0	Upper part D - MJ 2011>> black/grey	right	1	PR:006,377, 388
	997 555 271 90 DRD	black/red			GT3 RS
(20)	997 555 272 90	Pull handle	right	1	PR:004,378, 389
	997 555 272 90 FS0	Upper part D - MJ 2010>> black/grey			
(20)	997 555 272 90	Pull handle	right	1	GT3 RS 4.0
	997 555 272 90 FS0	Upper part D - MJ 2011>> black/grey			
21	997 555 272 90 DRD	black/red	left	1	PR:006,378, 389
	987 555 351 01	Insert Handle liner Lacquered			
21	987 555 351 01 A03	D - MJ 2010>> Black	left	1	GT3 RS
	987 555 351 01	Insert Handle liner Lacquered			
(21)	987 555 351 01 A03	D - MJ 2011>> Black	right	1	PR:004,098
	987 555 352 02	Insert Handle liner Lacquered			
(21)	987 555 352 02 A03	D - MJ 2010>> Black	right	1	GT3 RS
	987 555 352 02	Insert Handle liner Lacquered			
	987 555 352 02 A03	D - MJ 2011>> Black			PR:004,098



Model: 997G07

Model life 2007>>2011



Model: 997G07 Model life 2007>>2011

Pos	Part Number	Description	Remark	Qty	Model
		door panel Accessories for vehicles with bucket seat GT D - MJ 2010>>			GT3 RS GT3 RS 4.0 PR:004,384, 385,006
(1)	997 555 201 96	door panel Leatherette Until Chassis number See technical information GR.7 NR. 17/11 KD-NR. 70 D - MJ 2010>>	left lhd	1	GT3 RS PR:004,098, 384,441
(1)	997 555 201 96 9L4 997 555 201 96	Black door panel Leatherette D - MJ 2011>>	left lhd	1	GT3 RS 4.0 PR:006,098, 384,441
(1)	997 555 201 96 9L4 997 555 901 30	Black door panel Leatherette From Chassis number See technical information GR.7 NR. 17/11 KD-NR. 70 D - MJ 2010>>	left lhd	1	GT3 RS PR:004,098, 384,441
(1)	997 555 901 30 9L4 997 555 201 98	Black door panel Leatherette Until Chassis number See technical information GR.7 NR. 17/11 KD-NR. 70 D - MJ 2010>>	left lhd	1	GT3 RS PR:004,098, 384,490
(1)	997 555 201 98 9L4 997 555 201 98	Black door panel Leatherette D - MJ 2011>>	left lhd	1	GT3 RS 4.0 PR:006,098, 384,490
(1)	997 555 201 98 9L4 997 555 901 32	Black door panel Leatherette Until Chassis number See technical information GR.7 NR. 17/11 KD-NR. 70 D - MJ 2010>>	left lhd	1	GT3 RS PR:004,098, 384,490
(1)	997 555 901 32 9L4 997 555 202 97	Black door panel Leatherette Until Chassis number See technical information GR.7 NR. 17/11 KD-NR. 70 D - MJ 2010>>	right lhd	1	GT3 RS PR:004,098, 385,441
(1)	997 555 202 97 9L4 997 555 202 97	Black door panel Leatherette D - MJ 2011>>	right lhd	1	GT3 RS 4.0 PR:006,098, 385,441
	997 555 202 97 9L4	Black			

Model: 997G07 Model life 2007>>2011

Pos	Part Number	Description	Remark	Qty	Model
(1)	997 555 202 99	door panel Leatherette Until Chassis number See technical information GR.7 NR. 17/11 KD-NR. 70 D - MJ 2010>>	right lhd	1	GT3 RS PR:004,098, 385,490
(1)	997 555 202 99 9L4 997 555 202 99	Black door panel Leatherette D - MJ 2011>>	right lhd	1	GT3 RS 4.0 PR:006,098, 385,490
(1)	997 555 202 99 9L4 997 555 902 33	Black door panel Leatherette From Chassis number See technical information GR.7 NR. 17/11 KD-NR. 70 D - MJ 2010>>	right lhd	1	GT3 RS PR:004,098, 385,490
(1)	997 555 902 33 9L4 997 555 201 C9	Black Door trim (Alcantara) Leather D - MJ 2010>>	left lhd	1	GT3 RS PR:004,098, 384,490,981
(1)	997 555 201 C9 FSM 997 555 201 C9	black/black Door trim (Alcantara) Leather D - MJ 2011>>	left lhd	1	GT3 RS 4.0 PR:006,098, 384,490,981
(1)	997 555 201 C9 FSM 997 555 202 D9	black/black Door trim (Alcantara) Leather D - MJ 2010>>	right lhd	1	GT3 RS PR:004,098, 385,490,981
(1)	997 555 202 D9 FSM 997 555 202 D9	black/black Door trim (Alcantara) Leather D - MJ 2011>>	right lhd	1	GT3 RS 4.0 PR:006,098, 385,490,981
2	997 555 202 D9 FSM 999 507 533 02	black/black Clamp 8,0X 10/2,5		2	
3	955 555 243 00	Retaining clip for door panel		9	
4	999 073 322 02	fillister hd. bolt M 6 X 20 for Mount door panel		5	
5	997 555 241 91	Armrest Alcantara	left	1	PR:384
(5)	997 555 241 91 A14 997 555 241 91	Black Armrest Alcantara D - MJ 2011>>	left	1	PR:384,006
5	997 555 241 91 A14 997 555 241 91 N13 997 555 242 91	Black guards red (Porsche) Armrest Alcantara	right	1	PR:385
	997 555 242 91 A14	Black			

Model: 997G07 Model life 2007>>2011

Pos	Part Number	Description	Remark	Qty	Model
(5)	997 555 242 91	Armrest Alcantara D - MJ 2011>>	right	1	PR:385,006
	997 555 242 91 A14	Black			
	997 555 242 91 N13	guards red (Porsche)			
6	997 555 491 90	Padding door panel	left	1	PR:384
	997 555 491 90 FSA	black/grey			
	997 555 491 90 FSH	Darkgrey natural/grey			
6	997 555 491 90	Padding door panel D - MJ 2011>>	left	1	PR:384,006
	997 555 491 90 FSA	black/grey			
(6)	997 555 492 90	Padding door panel	right	1	PR:385
	997 555 492 90 FSA	black/grey			
	997 555 492 90 FSH	Darkgrey natural/grey			
(6)	997 555 492 90	Padding door panel D - MJ 2011>>	right	1	PR:385,006
	997 555 492 90 FSA	black/grey			
7	999 919 237 00	fillister hd. bolt 5 x 20		X	PR:384,385
8	997 555 261 02	Pull handle Lower part D - MJ 2010>>	left	1	PR:384
	997 555 261 02 A14	Black			
(8)	997 555 261 02	Pull handle Lower part D - MJ 2011>>	left	1	PR:384,006
	997 555 261 02 A14	Black			
	997 555 261 02 N13	guards red (Porsche)			
(8)	997 555 262 02	Pull handle Lower part D - MJ 2010>>	right	1	PR:385
	997 555 262 02 A14	Black			
(8)	997 555 262 02	Pull handle Lower part D - MJ 2011>>	right	1	PR:385,006
	997 555 262 02 A14	Black			
	997 555 262 02 N13	guards red (Porsche)			
9	999 919 229 02	fillister hd. bolt 6,0 X 40,0 for Mount		2	
10	987 555 381 00	Pull handle Axle bearing D - MJ 2010>>	left	1	GT3 RS PR:004
	987 555 381 00 N13	guards red (Porsche)			
(10)	987 555 381 00	Axle bearing D - MJ 2011>>	left	1	GT3 RS 4.0 PR:006
	987 555 381 00 N13	guards red (Porsche)			
(10)	987 555 382 00	Axle bearing D - MJ 2010>>	right	1	GT3 RS PR:004
	987 555 382 00 N13	guards red (Porsche)			
(10)	987 555 382 00	Axle bearing D - MJ 2011>>	right	1	GT3 RS 4.0 PR:006
	987 555 382 00 N13	guards red (Porsche)			
11	987 555 563 00	Inner actuator D - MJ 2010>>		2	GT3 RS PR:004
	987 555 563 00 N13	guards red (Porsche)			
(11)	987 555 563 00	Inner actuator D - MJ 2011>>		2	GT3 RS 4.0 PR:006

Model: 997G07 Model life 2007>>2011

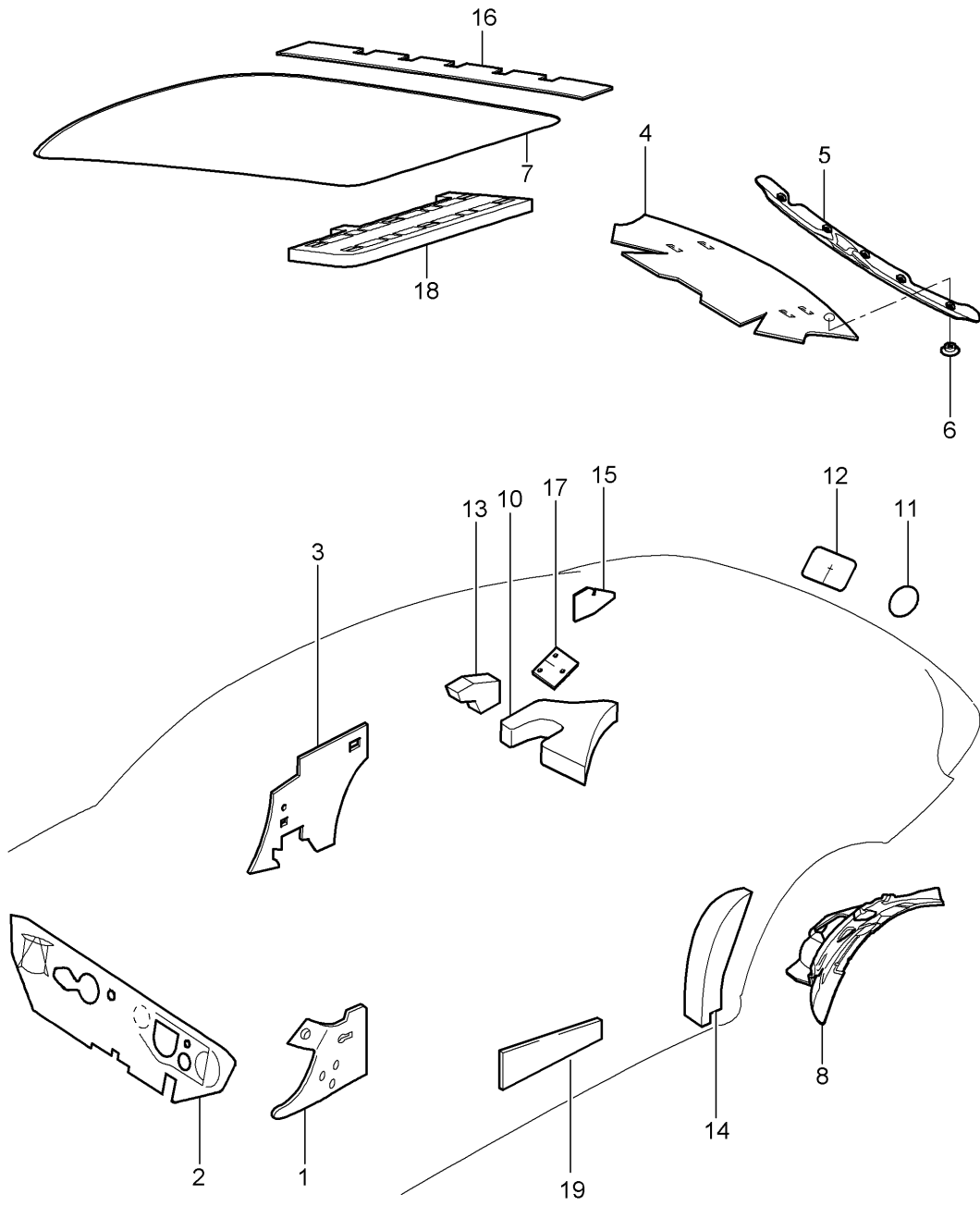
Pos	Part Number	Description	Remark	Qty	Model
12	987 555 563 00 N13 987 555 879 00	guards red (Porsche) axle for Mount Inner actuator		2	PR:004,006
13	987 555 463 00	Trim Inner actuator D - MJ 2010>>	left	1	GT3 RS PR:004
(13)	987 555 463 00 A03 987 555 463 00	Black Trim Inner actuator D - MJ 2011>>	left	1	GT3 RS 4.0 PR:006
(13)	987 555 463 00 A03 987 555 464 00	Black Trim Inner actuator D - MJ 2010>>	right	1	GT3 RS PR:004
(13)	987 555 464 00 A03 987 555 464 00	Black Trim Inner actuator D - MJ 2011>>	right	1	GT3 RS 4.0 PR:006
14	987 555 464 00 A03 999 919 164 09	Black fillister hd. bolt 5 X 12		X	
15	997 555 683 00	Cover cap Airbag	left	1	
(15)	997 555 683 00 A03 997 555 684 00	Black Cover cap Airbag	right	1	
16	997 555 684 00 A03 997 555 643 01	Black Trim	left front	1	
(16)	997 555 643 01 A03 997 555 644 01	Lacquered Black Trim	right front	1	
(17)	997 555 644 01 A03 997 555 431 91	Lacquered Black Trim Padding	left	1	PR:385
(17)	997 555 431 91 A14 997 555 432 91	Black Trim Padding	right	1	PR:385
18	997 555 432 91 A14 999 591 380 01	Black Cable fastener		4	
19	997 555 685 02	Cover Exterior mirror (drivers side) Lacquered	lhd	1	PR:098
(19)	997 555 685 02 A03 997 555 686 02	Black Cover Exterior mirror (passenger side) Lacquered	lhd	1	PR:098
20	997 555 686 02 A03 997 555 577 00	Black Cover cap Handle liner		1	
21	997 555 577 00 A03 997 555 895 00	Black Plastic foam strip for		1	
(22)	997 555 271 02	Bass loudspeaker Pull handle Upper part D - MJ 2010>>	left	1	PR:384

Model: 997G07 Model life 2007>>2011

Pos	Part Number	Description	Remark	Qty	Model
(22)	997 555 271 02 FSO 997 555 271 02	black/grey Pull handle Upper part D - MJ 2011>>	left	1	GT3 RS 4.0 PR:384,006
(22)	997 555 271 02 FSO 997 555 271 02 DRD 997 555 272 02	black/grey black/red Pull handle Upper part D - MJ 2010>>	right	1	PR:385
(22)	997 555 272 02 FSO 997 555 272 02	Black Pull handle Upper part D - MJ 2011>>	right	1	GT3 RS 4.0 PR:385,006
23	997 555 272 02 FSO 997 555 272 02 DRD 987 555 351 01	Black black/red Insert Handle liner Lacquered D - MJ 2010>>	left lhd	1	GT3 RS PR:004,098
(23)	987 555 351 01 A03 987 555 351 01	Black Insert Handle liner Lacquered D - MJ 2011>>	left lhd	1	GT3 RS 4.0 PR:006,098
(23)	987 555 351 01 A03 987 555 352 02	Black Insert Handle liner Lacquered D - MJ 2010>>	right lhd	1	GT3 RS PR:004,098
(23)	987 555 352 02 A03 987 555 352 02	Black Insert Handle liner Lacquered D - MJ 2011>>	right lhd	1	GT3 RS 4.0 PR:006,098
24	987 555 352 02 A03 900 151 027 03	Black Washer		7	

Model: 997G07

Model life 2007>>2011



Model: 997G07 Model life 2007>>2011

Pos	Part Number	Description	Remark	Qty	Model
		Body			
1	997 556 605 00	Sound proofing 1 Sound absorber	left	1	
(1)	997 556 606 00	Wheel housing Sound absorber	front right	1	
2	997 556 723 00	Wheel housing Sound absorber	front lhd	1	PR:098
3	997 556 655 00	Firewall Sound absorber	left	1	
(3)	997 556 656 00	Side panel trim Sound absorber	right	1	
4	997 556 711 02	Side panel trim Sound absorber		1	
4	997 556 711 03	D - MJ 2007>> - MJ 2007 Sound absorber		1	
5	996 556 761 01	Engine bay D - MJ 2008>> retaining strip		1	
6	999 049 020 40	Engine bay Plastic nut		5	
7	997 556 647 00	T5/30 X 5,1 Sound absorber		1	PR:652
8	997 556 657 00	Roof Sound absorber	left	1	
(8)	997 556 658 00	Wheel housing liner Sound absorber	rear right	1	
9	997 556 571 02	Wheel housing liner Sound absorber	rear	2	
10	997 556 811 01	Side panel trim No longer use the part here Filler piece	left	1	
(10)	997 556 812 01	Wheel housing Filler piece	right	1	
11	997 556 807 00	Wheel housing Sound absorber		2	
12	997 556 805 00	40,0 Cross panel Rear end Sound absorber		1	
13	997 556 803 00	120 X 90 Cross panel Rear end Filler piece		2	
14	997 556 513 02	Seat well Sound absorber		2	
15	997 556 619 00	B-pillar Sound absorber	left	1	
(15)	997 556 620 00	Air guide Sound absorber	right	1	
16	997 556 603 00	Air guide Sound absorber	rear	1	
17	997 556 613 00	tensioner Sound absorber	left	1	
(17)	997 556 614 00	Support Spring strut Sound absorber	right	1	
18	997 556 691 90	Support Spring strut Foam part	left	1	PR:072,553, 652
18	997 556 692 90	Roof Foam part	left	1	PR:072,553, 652
19	997 556 531 01	Roof sound absorber for door		1	



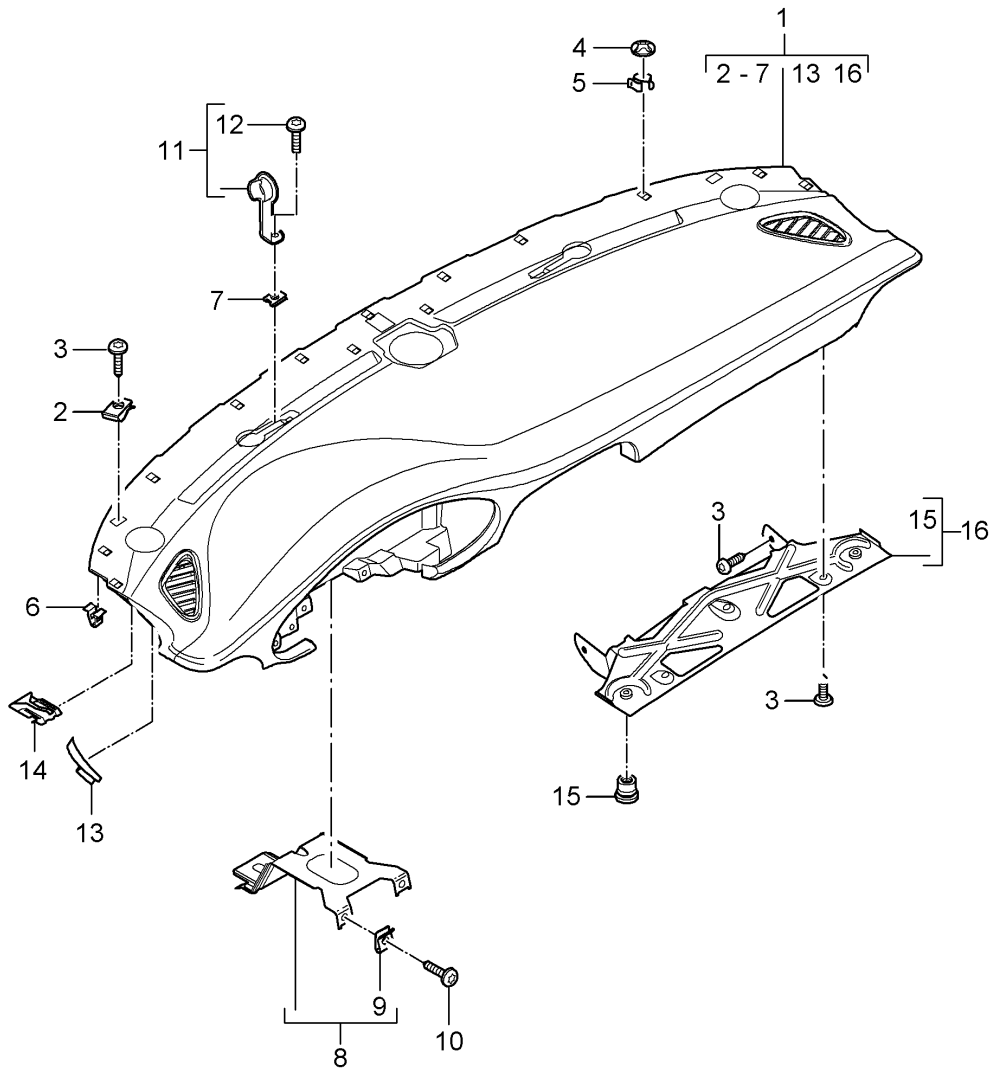
Model: 997G07

Model life 2007>>2011

Pos	Part Number	Description	Remark	Qty	Model
20	999 049 027 40	Plastic nut 30 X 1,8		2	
21	1H0 819 943	round hd. screw		2	
22	996 572 511 02	Sound absorber Air conditioning D >> - MJ 2002	lhd	1	PR:098
(22)	996 572 511 04	Sound absorber Air conditioning Discontinued part	lhd	1	PR:098
(22)	996 572 511 06	Sound absorber Air conditioning	lhd	1	PR:098

Model: 997G07

Model life 2007>>2011



Model: 997G07

Model life 2007>>2011

Pos	Part Number	Description	Remark	Qty	Model
-		Instrument panel trim Upper part  with: Fasteners Accessories  see illustration:	809-001		
1	997 552 101 06	dashboard Upper part Leatherette Valid up to: F >> 99-8S792 184	lhd	1	PR:098
1	997 552 101 06 9L4 997 552 101 10	Black dashboard Upper part Leatherette Valid from: F 99-8S792 185>>	lhd	1	PR:098
1	997 552 101 10 9L4 997 552 101 08	Black dashboard Upper part Leatherette Valid up to: F >> 99-8S792 184	lhd	1	PR:098,639, 640
1	997 552 101 08 9L4 997 552 101 12	Black dashboard Upper part Leatherette Valid from: F 99-8S792 185>>	lhd	1	PR:098,639, 640
1	997 552 101 12 9L4 997 552 101 07	Black dashboard Upper part Leather Valid up to: F >> 99-8S792 184	lhd	1	PR:098,981
1	997 552 101 07 FSA 997 552 101 07 FSH 997 552 101 11	Black Dark grey/natural dashboard Upper part Leather Valid from: F 99-8S792 185>>	lhd	1	PR:098,981
1	997 552 101 11 FSA 997 552 101 11 FSH 997 552 101 09	Black Dark grey/natural dashboard Upper part Leather Valid up to: F >> 99-8S792 184	lhd	1	PR:098,639, 640,981
1	997 552 101 09 FSA 997 552 101 09 FSH 997 552 101 13	Black Dark grey/natural dashboard Upper part Leather Valid from: F 99-8S792 185>>	lhd	1	PR:098,639,

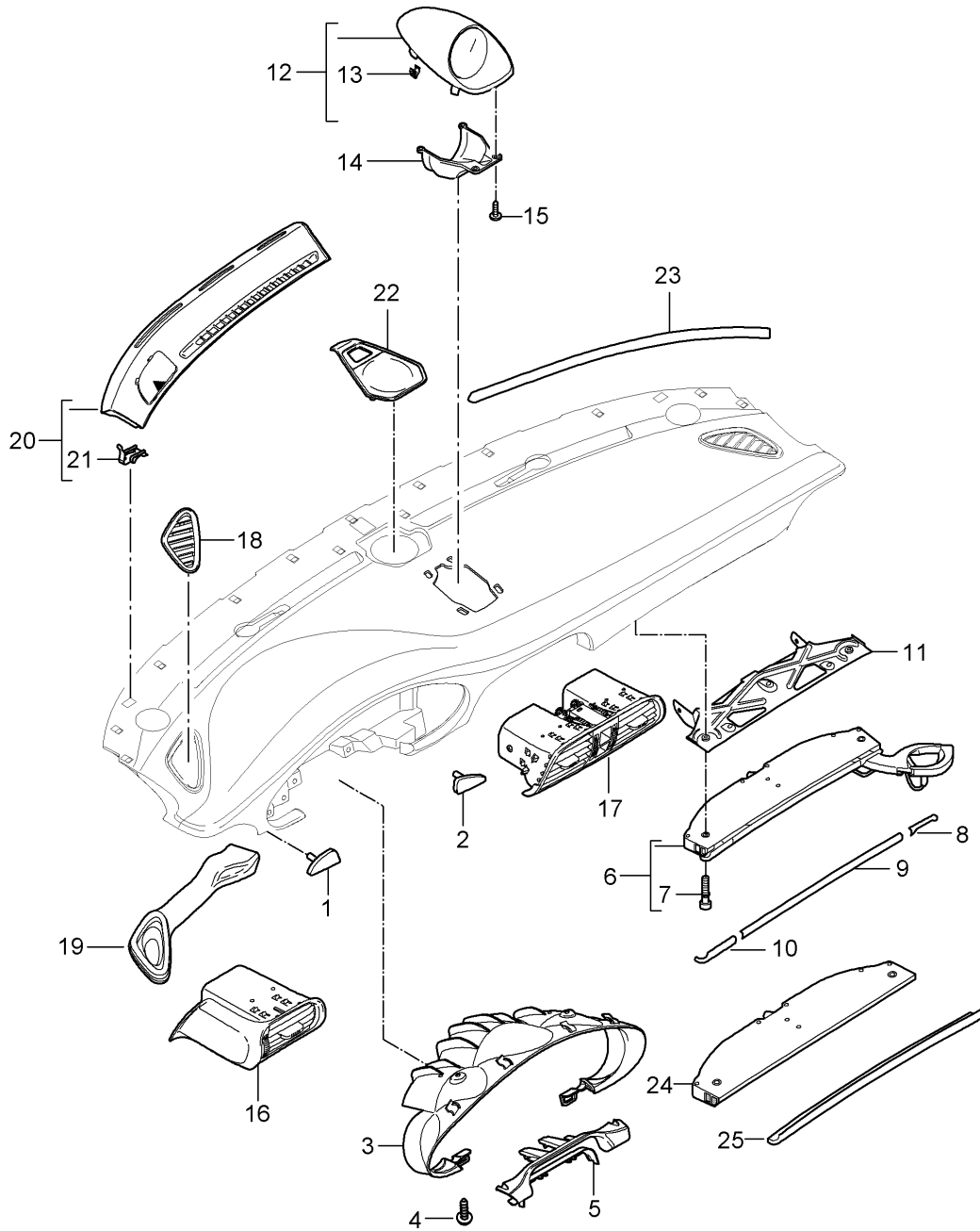
Model: 997G07

Model life 2007>>2011

Pos	Part Number	Description	Remark	Qty	Model
	997 552 101 13 FSA	Black			640,981
	997 552 101 13 FSH	Dark grey/natural			
2	999 507 971 01	panel nut ST 4,2		X	
3	999 073 155 09	panel screw ST 4,2 X 13		X	
4	999 507 106 02	Clamping washer 8,0		X	
5	999 507 573 02	Clip 6,7 - 8,1		X	
6	999 507 732 01	Clamp 8,0 X 12,0 /4,0		X	
7	999 507 020 01	panel nut ST 4,2 for Mount dashboard		X	
8	997 552 617 01	bracket for dash panel (drivers side)		1	
9	999 507 020 01	panel nut ST 4,2		2	
10	999 073 155 09	panel screw ST 4,2 X 13		2	
11	997 552 673 00	Cover Defroster trim		2	
12	999 073 226 09	panel screw ST 4,2 X 16		2	
13	997 552 481 00	Insert A-pillar	left	1	
(13)	997 552 482 00	Insert A-pillar	right	1	
14	8E0 857 117	Clip Mount dashboard Cowl panel		2	
15	999 500 132 00	castellated nut M 5 Valid up to:		2	
(15)	999 507 319 01	F >> 99-8S792 184 Cage nut M 5 Valid from:		2	
16	997 552 360 02	F 99-8S792 185>> Retaining plate for Beverages Bracket Valid up to:	lhd	1	PR:098
16	997 552 360 03	F >> 99-8S792 184 Retaining plate for Beverages Bracket Valid from:	lhd	1	PR:098
		F 99-8S792 185>>			

Model: 997G07

Model life 2007>>2011



Model: 997G07 Model life 2007>>2011

Pos	Part Number	Description	Remark	Qty	Model
1	997 552 381 01	Accessories Instrument panel trim Upper part Trim (drivers side)	outer lhd	1	PR:098
1	997 552 381 01 D07 997 552 381 05	Volcano grey Trim (drivers side)	outer lhd	1	PR:XGB,098
1	997 552 381 05 A35 997 552 986 00	Black Trim (drivers side)	outer lhd	1	GT3 PR:098,XVP
(1)	997 552 986 00 A11 997 552 986 00 D12 997 552 986 50	Black Dark grey/natural Trim (drivers side) D - MJ 2010>>	outer lhd	1	GT3 PR:098,XDM
2	997 552 986 50 G2X 997 552 383 01	primed Trim (drivers side)	center lhd	1	PR:098
2	997 552 383 01 D07 997 552 383 05	Volcano grey Trim (drivers side)	center lhd	1	PR:098,XGB
2	997 552 383 05 A35 997 552 987 00	Black Trim (drivers side)	center lhd	1	GT3 PR:098,XVP
(2)	997 552 987 00 A11 997 552 987 00 D12 997 552 987 50	Black Dark grey/natural Trim (drivers side) D - MJ 2010>>	center lhd	1	GT3 PR:098,XDM
3	997 552 987 50 G2X 997 552 325 01	primed Trim Combi-instrument see Technical information Group 9 Nummer 53/10	lhd	1	PR:098
(3)	997 552 325 01 A03 997 552 989 00	Black Leather panel Combi-instrument see Technical information Group 9 Nummer 53/10 D - MJ 2010>>	lhd	1	GT3 PR:XNG,098
(3)	997 552 989 00 A11 997 552 989 00 D12 997 552 995 00	Black Dark grey/natural Trim Combi-instrument see Technical information Group 9 NUMMER 53/10 D - MJ 2010>>	lhd	1	PR:XDP,098
4	997 552 995 00 G2X 999 073 155 09	primed panel screw ST 4,2 X 13		2	
5	997 552 271 01	Bridge		1	
5	997 552 271 01 A03 997 552 978 00	Black Bridge Leather D - MJ 2010>>		1	GT3 PR:XNS
	997 552 978 00 A11	Black			

Model: 997G07 Model life 2007>>2011

Pos	Part Number	Description	Remark	Qty	Model
6	997 552 978 00 D12 997 552 294 03	Dark grey/natural Drinks holder D >> - MJ 2009	lhd	1	PR:098
6	997 552 294 03	Drinks holder D - MJ 2010>>	lhd	1	PR:098,585
-	997 552 905 00	repair set Flap torsion spring for Beverages Bracket		1	
7	900 067 416 01	Socket head bolt M5 X 27		2	
8	997 552 394 01	Retainer for trim D >> - MJ 2009	right lhd	1	PR:098
8	997 552 394 01 D07 997 552 394 01	Volcano grey Retainer for trim D - MJ 2010>>	right lhd	1	PR:098,585
8	997 552 394 01 D07 997 552 396 05	Volcano grey Retainer for trim D >> - MJ 2009	right lhd	1	PR:XGB,098
8	997 552 396 05 A35 997 552 396 05	Black Retainer for trim D - MJ 2010>>	right lhd	1	PR:XGB,098, 585
8	997 552 396 05 A35 997 552 993 00	Black Leather panel	right lhd	1	GT3 PR:XVP,098
(8)	997 552 993 00 A11 997 552 993 00 D12 997 552 993 50	Black Dark grey/natural Retainer for trim	right lhd	1	GT3 PR:XDM,098
9	997 552 993 50 G2X 997 552 398 00	primed Retainer for trim D >> - MJ 2009	center lhd	1	PR:098
9	997 552 398 00 D07 997 552 398 00	Volcano grey Retainer for trim D - MJ 2010>>	center lhd	1	PR:098,585
9	997 552 398 00 D07 997 552 398 04	Volcano grey Retainer for trim D >> - MJ 2009	center lhd	1	PR:XGB,098
9	997 552 398 04 A35 997 552 398 04	Black Retainer for trim D - MJ 2010>>	center lhd	1	PR:XGB,098, 585
9	997 552 398 04 A35 997 552 994 00	Black Leather panel	center lhd	1	GT3 PR:XVP,098
9	997 552 994 00 A11 997 552 994 00 D12 997 552 994 50	Black Dark grey/natural Retainer for trim D - MJ 2010>>	center lhd	1	GT3 PR:XDM,098
(9)	997 552 994 50 G2X 997 552 398 92	primed Retainer for trim D - MJ 2011>>	center lhd	1	GT3 RS 4.0 PR:XGB,006, 098,585
10	997 552 398 92 A35 997 552 396 01	Black Retainer for trim D >> - MJ 2009	left lhd	1	PR:098
	997 552 396 01 D07	Volcano grey			

Model: 997G07

Model life 2007>>2011

Pos	Part Number	Description	Remark	Qty	Model
10	997 552 396 01	Retainer for trim D - MJ 2010>>	left lhd	1	PR:098,585
10	997 552 396 01 D07	Volcano grey			
10	997 552 394 05	Retainer for trim D >> - MJ 2009	left lhd	1	PR:XGB,098
10	997 552 394 05 A35	Black			
10	997 552 394 05	Retainer for trim D - MJ 2010>>	left lhd	1	PR:XGB,098,585
10	997 552 394 05 A35	Black			
10	997 552 992 00	Leather panel	left lhd	1	GT3 PR:XVP,098
	997 552 992 00 A11	Black			
	997 552 992 00 D12	Dark grey/natural			
(10)	997 552 992 50	Retainer for trim D - MJ 2010>>	left lhd	1	GT3 PR:XDM,098
	997 552 992 50 G2X	primed			
11		Retaining plate for Beverages		1	
		see illustration:	809-000		
12	997 552 371 00	Air guide Upper part		1	PR:639,640
	997 552 371 00 A03	Black			
(12)	997 552 371 01	Air guide Upper part		1	PR:639,640,981
	997 552 371 01 A11	Black			
	997 552 371 01 D12	Dark grey/natural			
13	999 507 920 01	U-clip 1,7-2,1		4	PR:639,640
14	997 552 373 01	Retainer, upper part for Air guide		1	PR:639,640
15	999 919 167 09	fillister hd. bolt 3,0 X 10 for Mount Bracket Air guide		4	
16	997 552 131 05	Vent D >> - MJ 2009	left	1	
	997 552 131 05 D07	Volcano grey			
16	997 552 131 07	Vent D - MJ 2010>>	left	1	
	997 552 131 07 D07	Volcano grey			
(16)	997 552 132 05	Vent D >> - MJ 2009	right	1	
	997 552 132 05 D07	Volcano grey			
(16)	997 552 132 07	Vent D - MJ 2010>>	right	1	
	997 552 132 07 D07	Volcano grey			
16	997 552 981 00	Vent	left	1	GT3 PR:YN3
	997 552 981 00 A11	Black			
	997 552 981 00 D12	Dark grey/natural			
(16)	997 552 982 00	Vent	right	1	GT3 PR:YN3
	997 552 982 00 A11	Black			
	997 552 982 00 D12	Dark grey/natural			
16	997 552 981 01	Vent	left	1	PR:XKD
	997 552 981 01 A11	Black			
	997 552 981 01 D12	Dark grey/natural			
(16)	997 552 982 01	Vent	right	1	PR:XKD
	997 552 982 01 A11	Black			



Model: 997G07 Model life 2007>>2011

Pos	Part Number	Description	Remark	Qty	Model
17	997 552 982 01 D12 997 552 141 05	Dark grey/natural Centre nozzle D - MJ 2007>> - MJ 2007		1	
17	997 552 141 05 D07 997 552 141 07	Volcano grey Centre nozzle D - MJ 2008>> - MJ 2009		1	
17	997 552 141 07 D07 997 552 141 09	Volcano grey Centre nozzle D - MJ 2010>>		1	
(17)	997 552 141 09 D07 997 552 980 00	Volcano grey Centre nozzle D - MJ 2007>> - MJ 2007		1	PR:XVM
(17)	997 552 980 00 A11 997 552 980 00 D12 997 552 980 05	Black Dark grey/natural Centre nozzle D - MJ 2008>>		1	GT3 PR:XVM
(17)	997 552 980 05 A11 997 552 980 05 D12 997 552 980 01	Black Dark grey/natural Centre nozzle D - MJ 2007>> - MJ 2007		1	PR:XZB
(17)	997 552 980 01 A11 997 552 980 01 D12 997 552 980 06	Black Dark grey/natural Centre nozzle D - MJ 2008>>		1	PR:XZB
18	997 552 980 06 A11 997 552 980 06 D12 997 552 455 01	Black Dark grey/natural Cover Defroster vent	left	1	
(18)	997 552 455 01 A03 997 552 456 01	Black Cover Defroster vent	right	1	
19	997 552 456 01 A03 997 552 315 02	Black Air guide	left side	1	
(19)	997 552 316 02	Air guide	right side	1	
20	997 552 175 01 997 552 175 01 A03	Defroster trim Black	left	1	
(20)	997 552 176 01 997 552 176 01 A03	Defroster trim Black	right	1	
20	997 552 983 00 997 552 983 00 A11 997 552 983 00 D12	Defroster trim Black Dark grey/natural	left	1	GT3 PR:XV1
(20)	997 552 984 00 997 552 984 00 A11 997 552 984 00 D12	Defroster trim Black Dark grey/natural	right	1	GT3 PR:XV1
20	997 552 983 01 997 552 983 01 A11 997 552 983 01 D12	Defroster trim Black Dark grey/natural	left >> - MJ 2008	1	PR: XKJ
(20)	997 552 984 01 997 552 984 01 A11 997 552 984 01 D12	Defroster trim Black Dark grey/natural	right >> - MJ 2008	1	PR: XKJ
21	999 591 307 01	U-clip Mount Defroster trim		2	
22	997 552 351 01 997 552 351 01 A03	Trim Black	center	1	
(22)	997 552 985 00	Leather panel	center	1	GT3 PR:XV1

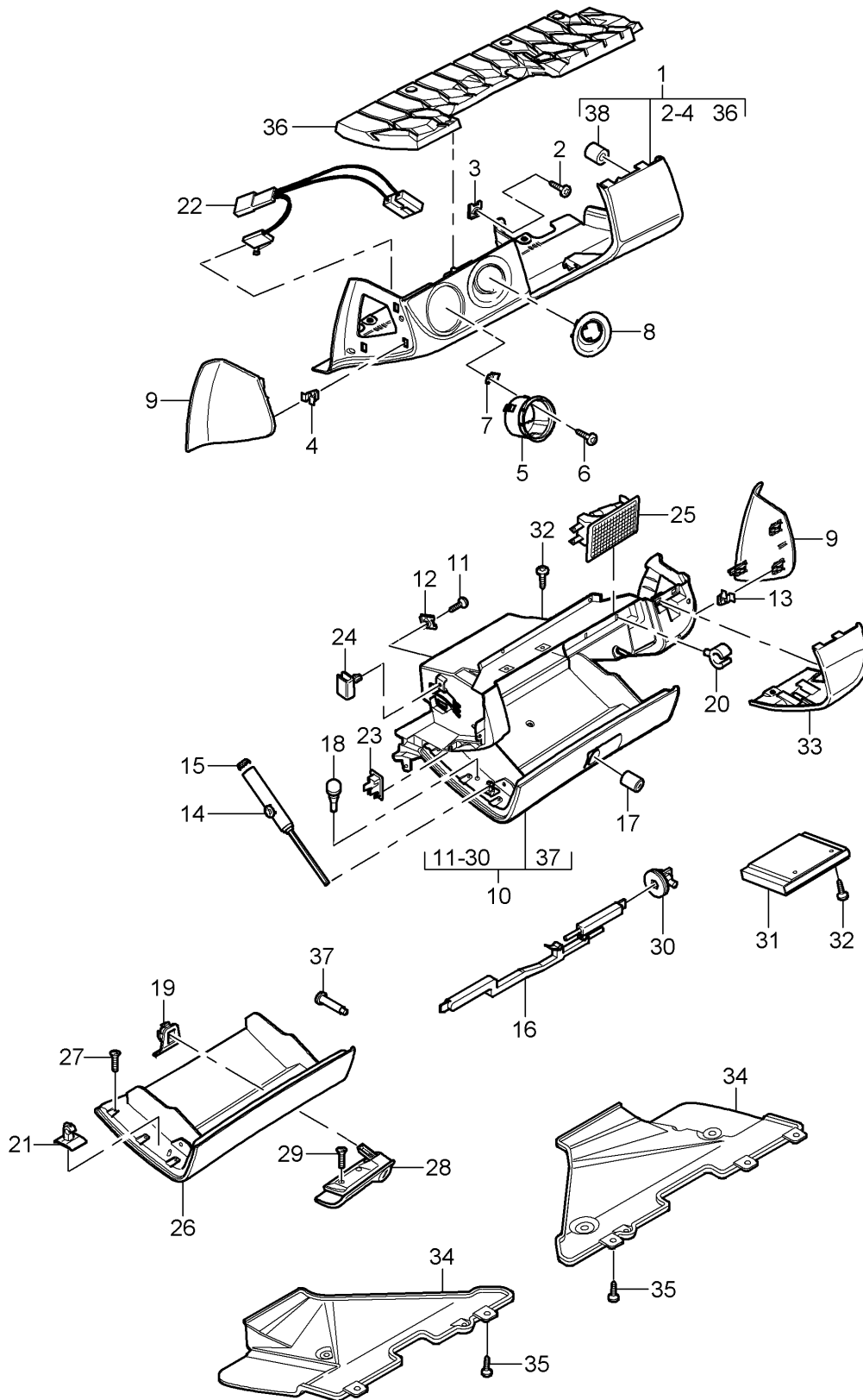
Model: 997G07

Model life 2007>>2011

Pos	Part Number	Description	Remark	Qty	Model
(22)	997 552 985 00 A11	Black			
	997 552 985 00 D12	Dark grey/natural			
	997 552 985 00	Leather panel D >> - MJ 2008	center	1	PR: XKJ
23	997 552 985 00 A11	Black			
	997 552 985 00 D12	Dark grey/natural			
24	997 552 645 00	Seal Scuttle		1	
	987 552 374 00	Retainer for trim	lhd	1	PR: XGB, 004, 006, 098
25	997 552 318 90	D - MJ 2010>> Trim	lhd	1	GT3 RS PR: XGB, 004, 098
		D - MJ 2010>>			
(25)	997 552 318 90 A35	Black			
	997 552 318 91	Trim D - MJ 2011>>	lhd	1	GT3 RS 4.0 PR: XGB, 006, 098
	997 552 318 91 A35	Black			

Model: 997G07

Model life 2007>>2011



Model: 997G07 Model life 2007>>2011

Pos	Part Number	Description	Remark	Qty	Model
1	997 552 201 02	Glove box Cover and Trim (drivers side) Trim lower section	lhd	1	PR:098
	997 552 201 02 1MZ	Leatherette Black			
1	997 552 201 03	Trim lower section Leather	lhd	1	PR:098,981
		D >> - MJ 2009			
	997 552 201 03 A11	Black			
	997 552 201 03 D12	Dark grey/natural			
(1)	997 552 201 91	Trim lower section Alcantara	lhd	1	PR:098,981, 975
		D - MJ 2010>>			
	997 552 201 91 A14	Black			
2	999 073 155 09	panel screw 4,2 X 13 for Mount		8	
3	999 507 971 01	Trim panel nut 4,2 for Mount		8	
4	999 507 732 01	Trim Clamp 8 X 12/ 4 for Mount		7	
5	997 552 427 01	Trim Trim Light switch		1	
	997 552 427 01 A03	Black			
6	999 073 155 09	panel screw 4,2 X 13 for Mount		3	
		Trim Light switch			
7	999 507 971 01	panel nut 4,2 for Mount		3	
		Trim Light switch			
8	997 552 425 01	Trim Ignition starter lock	lhd	1	PR:098
	997 552 425 01 A03	Black			
(8)	997 552 998 00	Leather panel Ignition starter lock	lhd	1	GT3 PR:XDS,098
		D - MJ 2010>>			
	997 552 998 00 A11	Black			
	997 552 998 00 D12	Dark grey/natural			
9	997 552 405 02	Trim	left	1	
	997 552 405 02 A03	Black			
(9)	997 552 406 02	Trim  (drivers side)	right side	1	
	997 552 406 02 A03	Black			
(9)	997 552 996 01	Leather panel	left	1	GT3 PR:XDV

Model: 997G07 Model life 2007>>2011

Pos	Part Number	Description	Remark	Qty	Model
(9)	997 552 996 01 A11	D - MJ 2010>> Black	right	1	GT3 PR:XDV
	997 552 996 01 D12	Dark grey/natural			
	997 552 996 02	Leather panel			
10	997 552 996 02 A11	D - MJ 2010>> Black	lhd	1	PR:098
	997 552 996 02 D12	Dark grey/natural			
	997 552 204 04	Glove box Leatherette (complete) Valid up to: F >> 99-8S792 184			
10	997 552 204 04 1MZ	Black	lhd	1	PR:098
	997 552 204 06	Glove box Leatherette (complete) Valid from: F 99-8S792 185>>			
10	997 552 204 06 1MZ	Black	lhd	1	PR:098,981
	997 552 204 05	Glove box Leather (complete) Valid up to: F >> 99-8S792 184			
10	997 552 204 05 A11	Black	lhd	1	PR:098,981
	997 552 204 05 D12	Dark grey/natural			
	997 552 204 07	Glove box Leather (complete) Valid from: F 99-8S792 185>> D >> - MJ 2009			
(10)	997 552 204 07 A11	Black	lhd	1	PR:098,981
	997 552 204 07 D12	Dark grey/natural			
	997 552 204 90	Glove box Alcantara (complete) D - MJ 2010>>			
(10)	997 552 204 90 A14	Black	lhd	1	PR:006,098
987 552 204 04	Glove box Leatherette (complete) D - MJ 2011>>				
(10)	987 552 204 04 1MZ	Black	lhd	1	PR:006,098, 981
997 552 204 80	Glove box Alcantara (complete) D - MJ 2011>>				
11	997 552 204 80 A14	Black		X	
	999 073 155 09	panel screw 4,2 X 13 for Mount			
12	999 507 971 01	Glove box panel nut 4,2 for Mount		X	
13	999 507 732 01	Glove box Clamp 8 X 12 /4 for		X	

Model: 997G07 Model life 2007>>2011

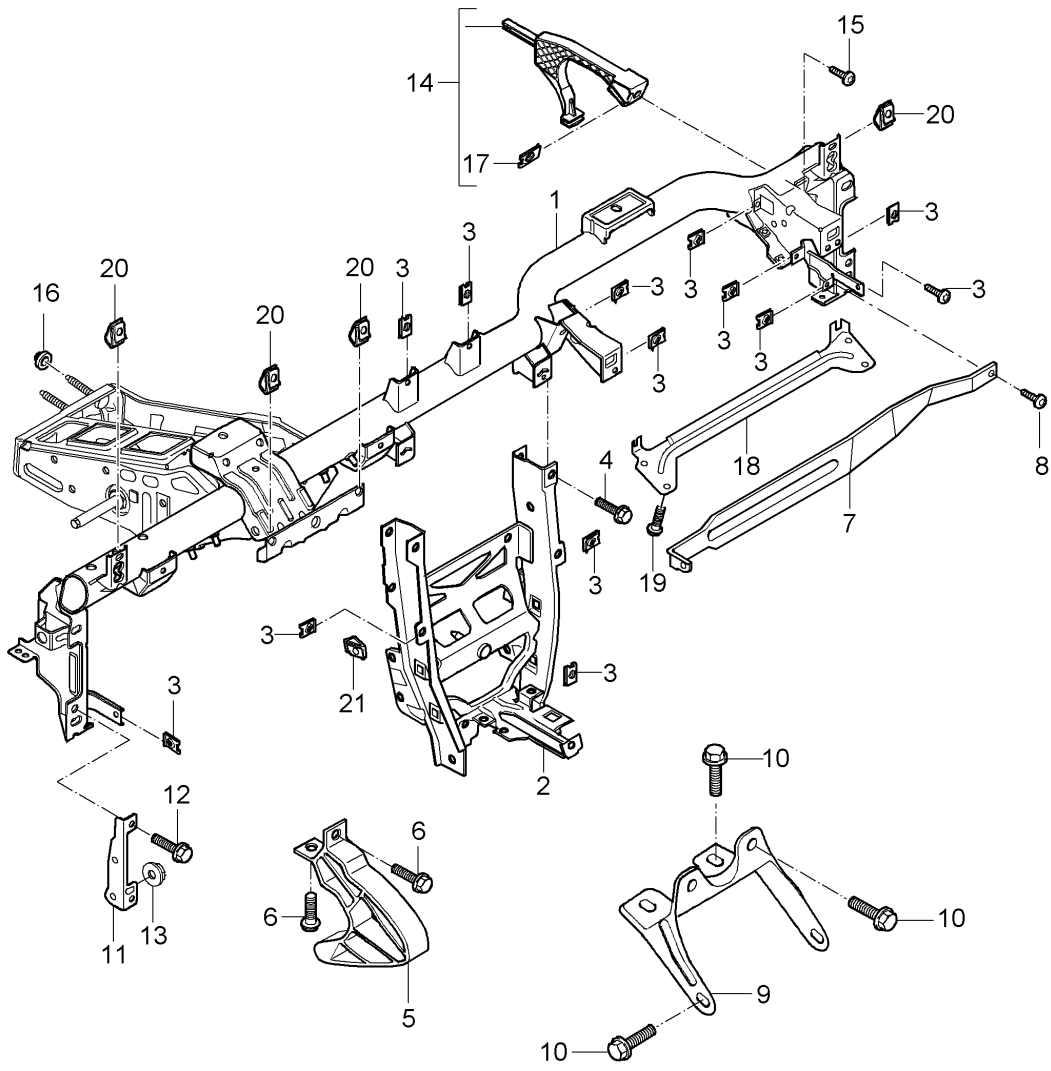
Pos	Part Number	Description	Remark	Qty	Model
14	997 552 484 01	Mount Glove box Damper		1	
15	997 552 612 00	Glove box Cover Damper		1	
16	997 552 410 01	Release Glove box	lhd	1	PR:098
17	996 552 915 01	Lock cylinders Glove box Vehicle Ident. No.		1	
18	999 703 068 40	Indicate Stop buffer 3,7 x 10,3 Glove box		2	
19	997 552 509 02	Support Closing element	left lhd	1	PR:098
(19)	997 552 510 02	Support Closing element	right lhd	1	PR:098
20	996 552 813 00	Pen holder		2	
21	996 552 879 00	Adapter for Damper		2	
22	997 612 651 00	Wire set Glove box light		1	
23	999 650 564 40	Clip for Wire set		1	
24	999 650 565 40	Micro switch Clip for Wire set		1	
25	997 632 071 00	Glove box light		1	
26	997 552 252 02	Glove compartment cover Leatherette	lhd	1	PR:098
(26)	997 552 252 02 1MZ	Black			
	997 552 252 03	Glove compartment cover Leather	lhd	1	PR:098,981
		D >> - MJ 2009			
	997 552 252 03 A11	Black			
	997 552 252 03 D12	Dark grey/natural			
(26)	997 552 252 90	Glove compartment cover Alcantara	lhd	1	PR:098,981, 975
		D - MJ 2010>>			
(26)	997 552 252 90 A14	Black			
	987 552 252 01	Glove compartment cover Leatherette	lhd	1	PR:006,098
		D - MJ 2011>>			
(26)	987 552 252 01 1MZ	Black			
	997 552 252 80	Glove compartment cover Alcantara	lhd	1	PR:006,098, 981
		D - MJ 2011>>			
27	997 552 252 80 A14	Black			
	999 073 249 07	panel screw 3.5 X 12 for Mount		11	
28	997 552 362 01	Glove compartment cover handle (complete)	lhd	1	PR:098
29	997 552 362 01 A03	Black			
	999 073 240 01	Screw M 4 X 10		2	

Model: 997G07 Model life 2007>>2011

Pos	Part Number	Description	Remark	Qty	Model
		for Mount handle			
30	997 552 448 00	Stop		1	
31	997 552 663 00	Box for cds		1	PR:424
(31)	997 552 665 00	Trim Box for cds D - MJ 2010>>		1	
32	999 073 240 01	Screw M 4 X 10 for Mount Box for cds		2	
33	997 552 256 02	Trim (passenger side) Leatherette	lhd	1	PR:098
	997 552 256 02 1MZ	Black			
33	997 552 256 03	Leather panel (passenger side) D >> - MJ 2009	lhd	1	PR:098,981
	997 552 256 03 A11	Black			
	997 552 256 03 D12	Dark grey/natural			
(33)	997 552 255 03	Leather panel (passenger side) D >> - MJ 2009	rhd	1	PR:099,981
	997 552 255 03 A11	Black			
	997 552 255 03 D12	Dark grey/natural			
(33)	997 552 256 90	Trim (passenger side) Alcantara D - MJ 2010>>	lhd	1	PR:098,981, 975
	997 552 256 90 A14	Black			
34	997 552 414 01	Trim Footwell (passenger side)	lhd	1	PR:098
(34)	997 552 413 01	Trim Footwell (passenger side)	rhd	1	PR:099
35	1H0 819 943	round hd. screw for Mount Trim Footwell		X	
36	997 552 451 01	Insert	lhd	1	PR:098
37	997 552 649 01	Hinge bolt Glove box		2	
38	997 552 821 00	Grommet		3	

Model: 997G07

Model life 2007>>2011





Model: 997G07

Model life 2007&gt;&gt;2011

Pos	Part Number	Description	Remark	Qty	Model
(1)	997 552 063 05	retaining frame dashboard		1	PR:553
(1)	997 552 063 09	retaining frame D >> - MJ 2008		1	PR:553
2	997 552 163 05	Support tunnel	lhd	1	PR:098
3	999 507 020 01	panel nut ST 4,2 for Mount retaining frame and Support tunnel		X	
4	900 378 305 01	Hexagon bolt M 8 X 65 for Mount Support		2	
5	997 552 191 05	knee pad (drivers side)		2	PR:553
(5)	997 552 192 05	knee pad (passenger side)		2	PR:553
6	900 378 036 09	Hexagon bolt M 6 X 12 for Mount knee pad		8	PR:553
7	997 552 764 05	Reinforcement strip Glove box		1	PR:553
8	999 073 155 09	panel screw ST 4,2 X 13 for Mount Reinforcement strip		2	PR:553
9	997 552 515 01	Bracket tunnel		1	
10	999 073 442 01	Screw M 6 X 25 for Mount Bracket tunnel		X	
11	997 552 407 01	bracket for dash panel A-pillar	left	1	
(11)	997 552 408 01	bracket for dash panel A-pillar	right	1	
12	900 378 176 01	Hexagon bolt M 8 X 20 for Mount Bracket A-pillar		4	
13	999 084 630 09	Hexagon nut M 8 for Mount Bracket A-pillar		4	
14	997 552 401 00	Retainer for support frame heater		1	

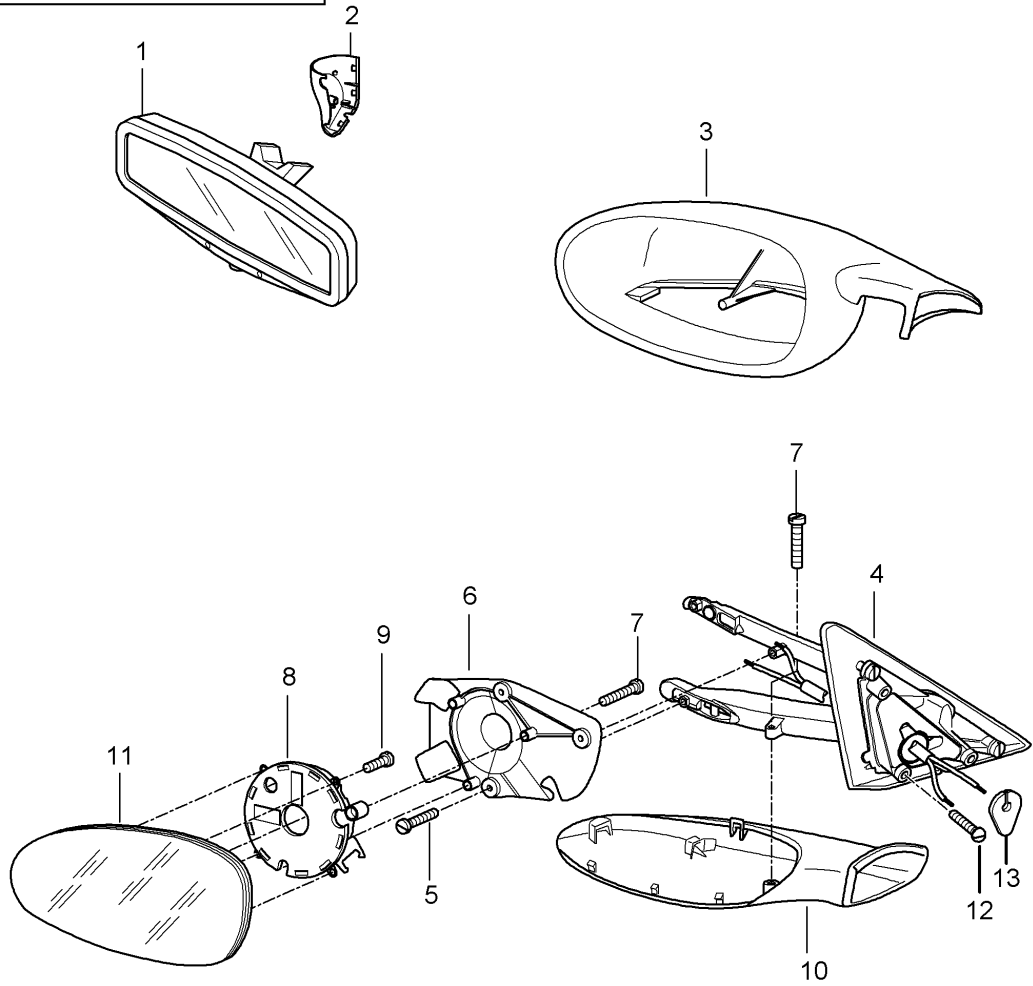
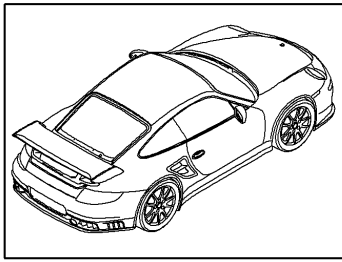
Model: 997G07

Model life 2007&gt;&gt;2011

Pos	Part Number	Description	Remark	Qty	Model
15	999 073 155 09	panel screw ST 4,2 X 13 for Mount Bracket heater		1	
16	997 423 299 01	Nut for Adjustment retaining frame Firewall		2	
17	999 507 971 01	panel nut ST 4,2 for Mount Bracket heater		1	
18	997 552 603 01	Reinforcement plate Bracket Airbag		1	
19	900 378 222 09	Hexagon bolt M 6 X 16		4	
20	999 591 850 01	panel nut ST 4,2		X	
21	999 591 951 03	panel nut ST 4,2		X	

Model: 997G07

Model life 2007>>2011



Model: 997G07 Model life 2007>>2011

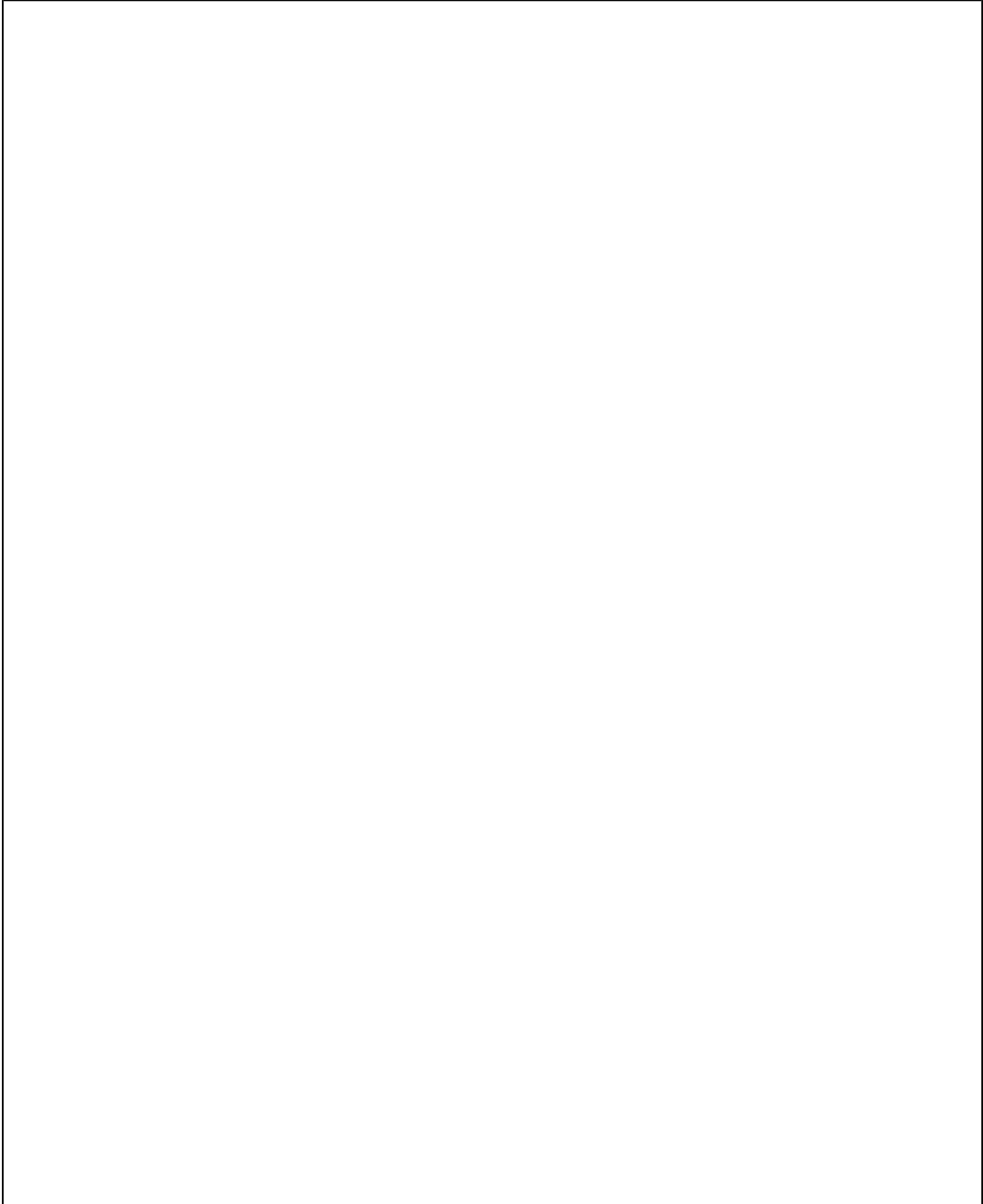
Pos	Part Number	Description	Remark	Qty	Model
1	997 731 511 03	Interior mirror Exterior mirror D >> - MJ 2009 Interior mirror, automatic anti-dazzle		1	PR:267
(1)	997 731 511 02	Interior mirror		1	
	997 731 511 02 01C	Satin black			
2	997 731 811 00	Cover	left	1	
	997 731 811 00 01C	Interior mirror Satin black			
(2)	997 731 812 00	Cover	right	1	
	997 731 812 00 01C	Interior mirror Satin black			
3	997 731 619 00	Exterior mirror housing	left	1	
	997 731 619 00 G2L	primed			
(3)	997 731 620 00	Exterior mirror housing	right	1	
	997 731 620 00 G2L	primed			
4	997 731 219 00	Mirror base	left lhd	1	PR:098
	997 731 219 00 G2L	primed			
		with:			
(4)	997 731 220 00	Wire set Mirror base	right lhd	1	PR:098
	997 731 220 00 G2L	Exterior mirror primed			
		with:			
(4)	997 731 219 02	Wire set Mirror base	left lhd	1	PR:098,267
	997 731 219 02 G2L	Exterior mirror primed			
		with:			
(4)	997 731 220 02	Wire set Mirror base	right lhd	1	PR:098,267
	997 731 220 02 G2L	Exterior mirror primed			
		with:			
5	999 919 024 09	Wire set fillister hd. bolt 3,0 X 12		3	
6	997 731 519 00	plate	left	1	
(6)	997 731 520 00	Exterior mirror plate	right	1	
7	999 141 043 02	Exterior mirror fillister hd. bolt M 3 X 14		4	
8	997 624 047 00	Adjusting motor Discontinued part		2	
8	997 624 047 01	Adjusting motor		2	
8	7PP 959 578 D	Adjusting motor Exterior mirror		2	PR:-537,-538
8	997 624 048 00	Adjusting motor Discontinued part		2	PR:537,538
8	997 624 048 01	Adjusting motor		2	PR:537,538
9	999 141 043 02	fillister hd. bolt M 3,0 X 14		3	
10	997 731 719 00	Trim for exterior mirror housing	left lower	1	
	997 731 719 00 G2L	primed			
(10)	997 731 720 00	Trim for exterior mirror housing	right lower	1	
	997 731 720 00 G2L	primed			
11	997 731 035 00	Mirror glass (flat)	left lhd	1	PR:098,270
(11)	997 731 035 01	Mirror (aspherical) Aspherical	left lhd	1	PR:098,271

Model: 997G07 Model life 2007>>2011

Pos	Part Number	Description	Remark	Qty	Model
(11)	997 731 035 02	Mirror glass (flat) Dimmable D >> - MJ 2006	left lhd	1	PR:098,267,270
(11)	997 731 035 04	Mirror glass (flat) Dimmable D - MJ 2007>>	left lhd	1	PR:098,267,270
(11)	997 731 035 03	Mirror (aspherical) Aspherical Dimmable D >> - MJ 2006	left lhd	1	PR:098,267,271
(11)	997 731 035 05	Mirror (aspherical) Aspherical Dimmable D - MJ 2007>>	left lhd	1	PR:098,267,271
(11)	997 731 038 01	Mirror glass (convex)	right lhd	1	PR:553,098
(11)	997 731 038 04	Mirror glass (convex) Dimmable D >> - MJ 2006	right lhd	1	PR:267,553,098
(11)	997 731 038 07	Mirror glass (convex) Dimmable D - MJ 2007>>	right lhd	1	PR:267,553,098
12	999 073 345 09	Oval-head screw M 5 X 18		3	
13	997 537 731 00	Seal Cable plug Mirror base		1	
13	997 537 733 00	D >> - MJ 2006 Seal Cable plug Mirror base D - MJ 2007>>		1	

Model: 997G07

Model life 2007>>2011



Model: 997G07 Model life 2007>>2011

Pos	Part Number	Description	Remark	Qty	Model
1	997 731 511 05	Interior mirror Exterior mirror D - MJ 2010>> Interior mirror, automatic anti-dazzle		1	PR:267
(1)	997 731 511 02	Interior mirror		1	
	997 731 511 02 01C	Satin black			
2	997 731 811 00	Cover	left	1	
	997 731 811 00 01C	Interior mirror Satin black			
(2)	997 731 812 00	Cover	right	1	
	997 731 812 00 01C	Interior mirror Satin black			
3	997 731 619 02	Exterior mirror housing	left	1	
	997 731 619 02 G2L	primed			
(3)	997 731 620 02	Exterior mirror housing	right	1	
	997 731 620 02 G2L	primed			
4	997 731 219 00	Mirror base	left lhd	1	PR:098
	997 731 219 00 G2L	primed			
		with:			
(4)	997 731 220 00	Wire set Mirror base	right lhd	1	PR:098
	997 731 220 00 G2L	Exterior mirror primed			
		with:			
(4)	997 731 219 01	Wire set Mirror base	left lhd	1	PR:537,098
	997 731 219 01 G2L	Exterior mirror primed			
		with:			
(4)	997 731 220 01	Wire set Mirror base	right lhd	1	PR:537,098
	997 731 220 01 G2L	Exterior mirror primed			
		with:			
(4)	997 731 219 02	Wire set Mirror base	left lhd	1	PR:098,267
	997 731 219 02 G2L	Exterior mirror primed			
		with:			
(4)	997 731 220 02	Wire set Mirror base	right lhd	1	PR:098,267
	997 731 220 02 G2L	Exterior mirror primed			
		with:			
(4)	997 731 219 03	Wire set Mirror base	left lhd	1	PR:267,537, 098
	997 731 219 03 G2L	Exterior mirror primed			
		with:			
(4)	997 731 220 03	Wire set Mirror base	right lhd	1	PR:267,537, 098
	997 731 220 03 G2L	Exterior mirror primed			
		with:			
5	999 919 024 09	Wire set fillister hd. bolt 3,0 X 12		3	
6	997 731 519 00	plate	left	1	
(6)	997 731 520 00	Exterior mirror plate	right	1	
7	999 141 043 02	Exterior mirror fillister hd. bolt		4	

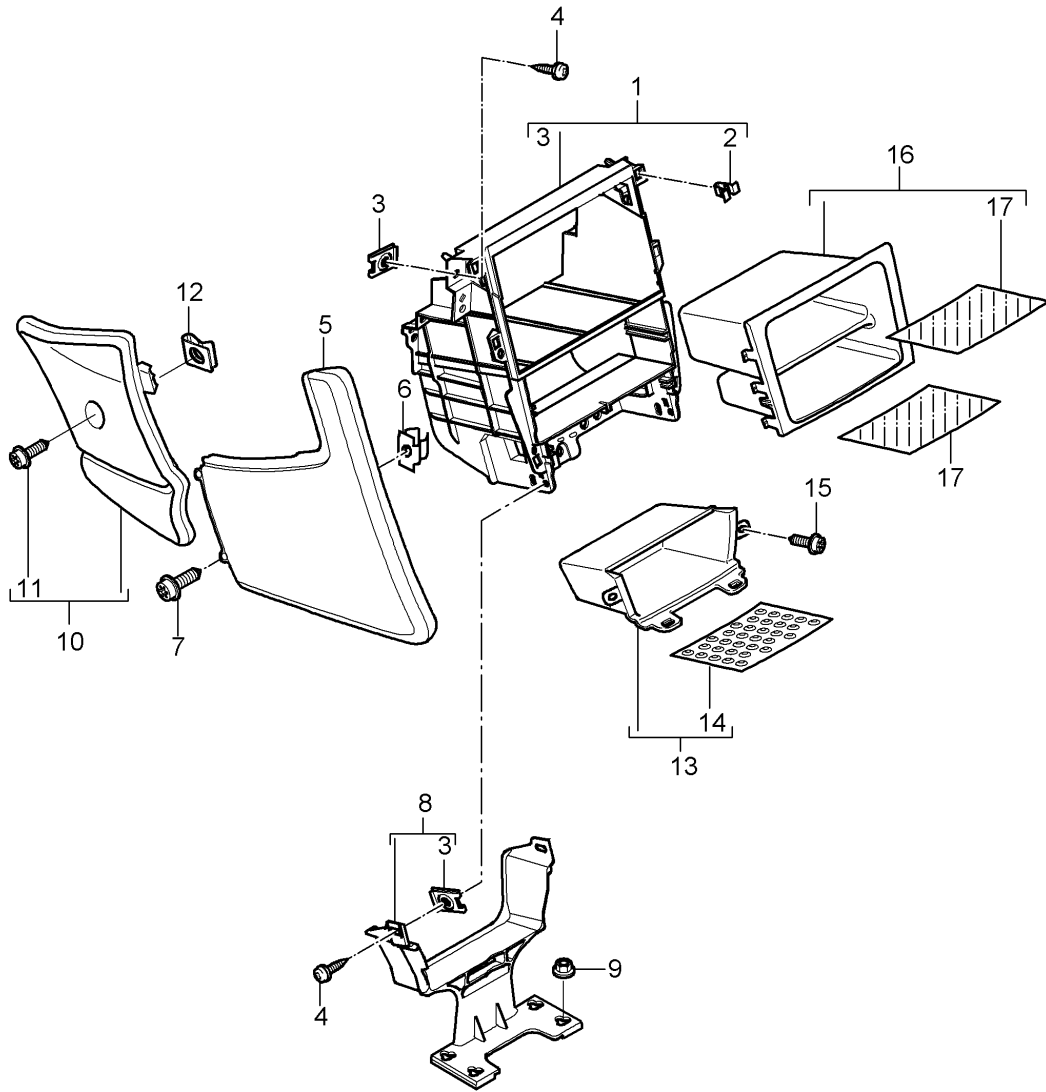
Model: 997G07 Model life 2007>>2011

Pos	Part Number	Description	Remark	Qty	Model
8	997 624 047 00	M 3 X 14 Adjusting motor Discontinued part		2	
8	997 624 047 01	Adjusting motor		2	
8	7PP 959 578 D	Adjusting motor Exterior mirror		2	PR:-537,-538
(8)	997 624 048 00	Adjusting motor Discontinued part		2	PR:537,538
(8)	997 624 048 01	Adjusting motor		2	PR:537,538
9	999 141 043 02	fillister hd. bolt M 3,0 X 14		3	
10	997 731 719 02	Trim for exterior mirror housing	left lower	1	
(10)	997 731 719 02 G2L	primed			
(10)	997 731 720 02	Trim for exterior mirror housing	right lower	1	
	997 731 720 02 G2L	primed			
11	997 731 035 06	Mirror glass (flat)	left lhd	1	PR:098,270
(11)	997 731 035 08	Mirror glass (flat)	left lhd	1	PR:098,267, 270
(11)	997 731 035 07	Mirror (aspherical) Aspherical	left lhd	1	PR:098,271
(11)	997 731 035 09	Mirror (aspherical) Aspherical	left lhd	1	PR:098,267, 271
(11)	997 731 038 09	Mirror glass (convex)	right lhd	1	PR:098
(11)	997 731 038 10	Mirror glass (convex)	right lhd	1	PR:553,098
(11)	997 731 038 12	Mirror glass (convex)	right lhd	1	PR:098,267
(11)	997 731 038 13	Mirror glass (convex)	right lhd	1	PR:553,267, 098
12	999 073 345 09	Oval-head screw M 5 X 18		3	
13	997 537 733 00	Seal Cable plug Mirror base		1	



Model: 997G07

Model life 2007>>2011



Model: 997G07 Model life 2007>>2011

Pos	Part Number	Description	Remark	Qty	Model
1	997 553 111 03	Centre console Carrier	front front	1	
2	999 507 476 01	Centre console Clamp		6	
3	999 507 971 01	8,0 X 10,0/2,5 panel nut		X	
4	999 073 155 09	st 4,2 panel screw		X	
5	997 553 117 05	Trim	left side	1	PR:-618, -619,-668, -669
(5)	997 553 117 05 9L4	Leatherette Black			
	997 553 118 05	Trim	right side	1	PR:-618, -619,-668, -669
	997 553 118 05 9L4	Leatherette Black			
5	997 553 117 06	Leather panel	left side	1	PR:981,618, 619,668,669
	997 553 117 06 FSA	black/grey			
(5)	997 553 117 06 FSH	Darkgrey natural/grey			
	997 553 118 06	Leather panel	right side	1	PR:981,618, 619,668,669
	997 553 118 06 FSA	black/grey			
-	997 553 118 06 FSH	Darkgrey natural/grey			
		Trim	side	1	
		with: preparation for telephone see illustration:	911-010		
6	999 591 508 02	Cage nut ST 4,2 for Mount Trim D >> - MJ 2006	side	4	
6	999 591 508 01	Cage nut st 4,2 for Mount Trim D - MJ 2007>>	side	4	
7	999 073 226 09	panel screw ST 4,2 X 16 for Mount Trim	side	4	
8	997 553 361 01	Support	center	1	
9	999 084 629 01	Hexagon nut m 6		4	
10	997 553 131 01	Cover Footwell outlet vent Carpet	left	1	
	997 553 131 01 A10	Black			
	997 553 131 01 D11	Dark grey/natural			
(10)	997 553 132 01	Cover Footwell outlet vent Carpet	right lhd	1	PR:098,621
	997 553 132 01 A10	Black			
	997 553 132 01 D11	Dark grey/natural			
(10)	997 553 132 02	Cover Footwell outlet vent Carpet	right	1	
	997 553 132 02 A10	Black			

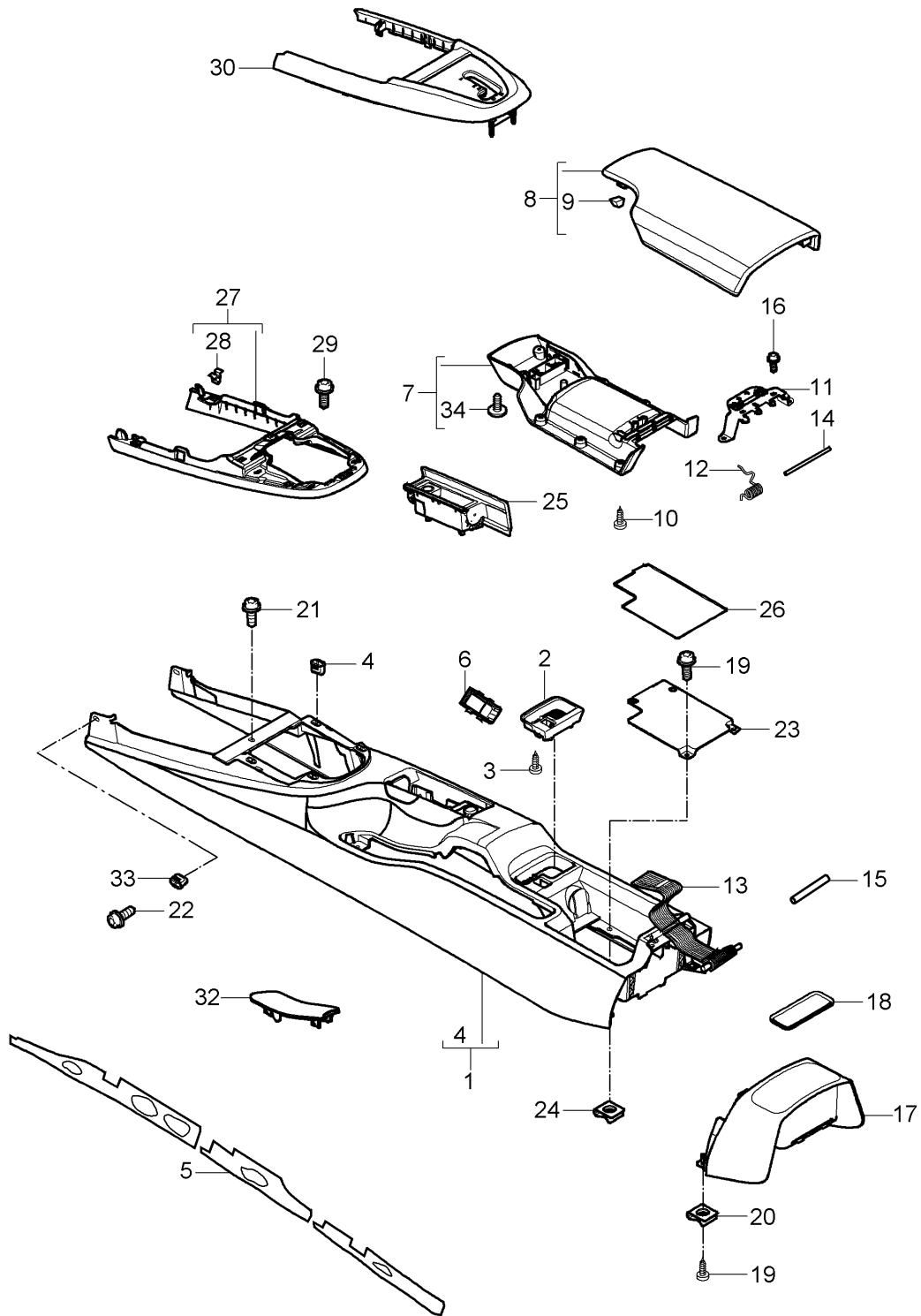
Model: 997G07

Model life 2007>>2011

Pos	Part Number	Description	Remark	Qty	Model
11	997 553 132 02 D11 999 073 223 07	Dark grey/natural fillister hd. bolt M 6 X 25 for Mount Cover		2	
12	999 507 766 02	Footwell outlet vent panel nut M 6 for Mount Cover		2	
13	997 553 143 01	Footwell outlet vent Stowage compartment Centre console D >> - MJ 2008	front	1	
13	997 553 143 01 D07 997 553 143 02	Volcano grey Stowage compartment Centre console D - MJ 2009>>	front	1	
14	997 553 143 02 A05 997 553 543 01	Matt black Insert for centre console		1	
15	999 919 164 09	Stowage compartment fillister hd. bolt 5,0 X 12,0 for Mount		3	
16	987 553 671 00	Stowage compartment Stowage compartment D - MJ 2010>>	center	1	PR:609
17	987 553 671 00 A05 987 553 871 00	Matt black insert for stowage compartment D - MJ 2010>>	center	2	PR:609

Model: 997G07

Model life 2007>>2011



Model: 997G07 Model life 2007>>2011

Pos	Part Number	Description	Remark	Qty	Model
		Centre console	rear		
		D >> - MJ 2008			
(1)	997 553 901 00	Centre console		1	
	997 553 901 00 A03	Black			
(1)	997 553 901 01	Centre console		1	PR:560
	997 553 901 01 A03	Black			
(1)	997 553 980 24	Centre console		1	PR:XMZ
		Leather			
		D >> - MJ 2007			
	997 553 980 24 A11	Black			
	997 553 980 24 D12	Dark grey/natural			
(1)	997 553 980 48	Centre console		1	PR:XMZ
		Leather			
		D - MJ 2008>>			
	997 553 980 48 A11	Black			
	997 553 980 48 D12	Dark grey/natural			
(1)	997 553 980 49	Centre console		1	PR:XMZ,560
		Leather			
	997 553 980 49 A11	Black			
	997 553 980 49 D12	Dark grey/natural			
(1)	997 553 980 28	Centre console		1	PR:XMJ
		Carbon			
		D >> - MJ 2007			
	997 553 980 28 A35	Black			
(1)	997 553 980 52	Centre console		1	PR:XMJ
		Carbon			
		D - MJ 2008>>			
	997 553 980 52 A35	Black			
(1)	997 553 980 53	Centre console		1	PR:XMJ,560
		Carbon			
	997 553 980 53 A35	Black			
(1)	997 553 980 64	Centre console		1	PR:XME
	997 553 980 64 041	Black			
	997 553 980 64 84A	guards red (Porsche)			
	997 553 980 64 B9A	Carrara white			
	997 553 980 64 12H	Speed yellow			
	997 553 980 64 92U	Arctic silver metallic			
	997 553 980 64 M3W	Carmon red metallic			
		D >> - MJ 2007			
	997 553 980 64 M5W	Lapis blue metallic			
		D >> - MJ 2007			
	997 553 980 64 M6W	Lagoon green metallic			
		D >> - MJ 2007			
	997 553 980 64 C9Z	Basalt black metallic			
	997 553 980 64 M7X	Atlas grey metallic			
	997 553 980 64 39C	Midnight Blue Metallic			
	997 553 980 64 M7W	Meteor Grey Metallic			
	997 553 980 64 2B4	Forest green metallic			
		D >> - MJ 2008			
	997 553 980 64 3C8	Cobalt blue metallic			
		D >> - MJ 2008			
	997 553 980 64 23F	Slate grey metallic			
		D >> - MJ 2008			
	997 553 980 64 M7Z	GT Silver Metallic			
	997 553 980 64 M6X	Dark olive-metallic			
		D >> - MJ 2008			
	997 553 980 64 8C6	orange			
	997 553 980 64 2D8	green			
(1)	997 553 980 65	Centre console		1	PR:XME,560
	997 553 980 65 041	Black			
	997 553 980 65 84A	guards red (Porsche)			
	997 553 980 65 B9A	Carrara white			
	997 553 980 65 12H	Speed yellow			

Model: 997G07 Model life 2007>>2011

Pos	Part Number	Description	Remark	Qty	Model
	997 553 980 65 92U	Arctic silver metallic			
	997 553 980 65 M3W	Carmon red metallic			
		D >> - MJ 2007			
	997 553 980 65 M5W	Lapis blue metallic			
		D >> - MJ 2007			
	997 553 980 65 M6W	Lagoon green metallic			
		D >> - MJ 2007			
	997 553 980 65 C9Z	Basalt black metallic			
	997 553 980 65 M7X	Atlas grey metallic			
	997 553 980 65 39C	Midnight Blue Metallic			
	997 553 980 65 M7W	Meteor Grey Metallic			
	997 553 980 65 2B4	Forest green metallic			
		D >> - MJ 2008			
	997 553 980 65 3C8	Cobalt blue metallic			
		D >> - MJ 2008			
	997 553 980 65 23F	Slate grey metallic			
		D >> - MJ 2008			
	997 553 980 65 M7Z	GT Silver Metallic			
	997 553 980 65 M6X	Dark olive-metallic			
		D >> - MJ 2008			
	997 553 980 65 8C6	orange			
	997 553 980 65 2D8	green			
(1)	997 553 997 01	Protective film Centre console See technical manual 681749		2	
2	997 553 575 02	Insert Locking mechanism Centre console		1	
	997 553 575 02 01C	Satin black			
3	999 919 159 09	fillister hd. bolt 4 X 12 for Mount Insert Locking mechanism		1	
4	999 591 210 40	expanding nut 4,2		4	
5	997 553 843 00	Sound absorber	left	1	
(5)	997 553 844 00	Sound absorber	right	1	
6	997 553 579 00	Dummy cover Lacquered D >> - MJ 2008		1	
	997 553 579 00 A03	Black			
7	997 553 433 01	cover for center console	inner	1	
	997 553 433 01 01C	Satin black			
8	997 553 231 01	Cover (leather)	outer	1	
	997 553 231 01 A11	Black			
(8)	997 553 231 90	cover for center console Alcantara	outer	1	PR:981
	997 553 231 90 A25	Black			
9	999 507 972 01	panel nut 3,5 for Mount Cover	outer	8	
10	999 073 153 01	panel screw 3,5 X 14 for Mount Cover	outer	8	
11	997 553 437 01	Hinge		1	
12	997 553 439 00	Leg spring		1	

Model: 997G07

Model life 2007&gt;&gt;2011

Pos	Part Number	Description	Remark	Qty	Model
13	997 553 441 00	Belt		1	
14	997 553 447 00	axle		1	
15	997 553 733 00	Locking pin		1	
16	999 919 159 09	fillister hd. bolt M4X12		X	
17	997 553 221 01	Extension for centre console Lacquered		1	
	997 553 221 01 A03	Black			
(17)	997 553 983 00	Extension for centre console Leather		1	PR: XMZ
	997 553 983 00 A11	Black			
	997 553 983 00 D12	Dark grey/natural			
(17)	997 553 983 01	Extension for centre console Leather		1	PR: XMJ
	997 553 983 01 A11	Black			
	997 553 983 01 D12	Dark grey/natural			
(17)	997 553 983 05	Extension for centre console Lacquered		1	PR: XME
	997 553 983 05 041	Black			
	997 553 983 05 84A	guards red (Porsche)			
	997 553 983 05 B9A	Carrara white			
	997 553 983 05 12H	Speed yellow			
	997 553 983 05 92U	Arctic silver metallic			
	997 553 983 05 M3W	Carmon red metallic			
		D >> - MJ 2007			
	997 553 983 05 M5W	Lapis blue metallic			
		D >> - MJ 2007			
	997 553 983 05 M6W	Lagoon green metallic			
		D >> - MJ 2007			
	997 553 983 05 C9Z	Basalt black metallic			
	997 553 983 05 M7X	Atlas grey metallic			
	997 553 983 05 39C	Midnight Blue Metallic			
	997 553 983 05 M7W	Meteor Grey Metallic			
	997 553 983 05 2B4	Forest green metallic			
		D >> - MJ 2008			
	997 553 983 05 3C8	Cobalt blue metallic			
		D >> - MJ 2008			
	997 553 983 05 23F	Slate grey metallic			
		D >> - MJ 2008			
	997 553 983 05 M7Z	GT Silver Metallic			
	997 553 983 05 M6X	Dark olive-metallic			
		D >> - MJ 2008			
	997 553 983 05 8C6	orange			
	997 553 983 05 2D8	green			
18	997 553 625 01	Insert for centre console Extension		1	
19	999 073 226 09	panel screw 4,2 X 16		X	
20	999 507 020 01	panel nut 4,2		X	
21	999 919 121 09	fillister hd. bolt 5 X 16		2	
22	999 073 155 09	panel screw 4,2 X 13		2	
23	997 553 615 01	Floor Centre console		1	
24	999 507 028 01	panel nut 4,2		X	
25	997 553 902 00	ashtray		1	

Model: 997G07

Model life 2007&gt;&gt;2011

Pos	Part Number	Description	Remark	Qty	Model
(25)	997 553 902 00 A03	Lacquered Black		1	PR:XMZ
	997 553 982 00	ashtray Leather			
	997 553 982 00 A11	Black			
(25)	997 553 982 00 D12	Dark grey/natural		1	PR:XMJ
	997 553 982 01	ashtray Carbon			
(25)	997 553 982 01 A35	Black		1	PR:XME
	997 553 982 05	ashtray Lacquered			
	997 553 982 05 041	Black			
	997 553 982 05 84A	guards red (Porsche)			
	997 553 982 05 B9A	Carrara white			
	997 553 982 05 12H	Speed yellow			
	997 553 982 05 92U	Arctic silver metallic			
	997 553 982 05 M3W	Carmon red metallic D >> - MJ 2007			
	997 553 982 05 M5W	Coral metallic D >> - MJ 2007			
	997 553 982 05 M6W	Lagoon green metallic D >> - MJ 2007			
	997 553 982 05 C9Z	Basalt black metallic			
	997 553 982 05 M7X	Atlas grey metallic			
	997 553 982 05 39C	Midnight Blue Metallic			
	997 553 982 05 M7W	Meteor Grey Metallic			
	997 553 982 05 2B4	Forest green metallic D >> - MJ 2008			
	997 553 982 05 3C8	Cobalt blue metallic D >> - MJ 2008			
	997 553 982 05 23F	Slate grey metallic D >> - MJ 2008			
	997 553 982 05 M7Z	GT Silver Metallic			
	997 553 982 05 M6X	Dark olive-metallic D >> - MJ 2008			
	997 553 982 05 8C6	orange			
	997 553 982 05 2D8	green			
26	997 553 611 01	Insert for centre console		1	
27	997 553 261 05	Frame Lacquered		1	
	997 553 261 05 D07	Volcano grey			
28	999 507 533 02	Clamp 8,0 X 10,0/2,5		7	
29	999 073 155 09	panel screw 4,2 X 13 for Mount		4	
(30)	997 553 243 01	Frame Cover Shift gate Lacquered		1	PR:480
	997 553 243 01 A03	Black			
32	997 553 903 00	Cover Brake lever Lacquered		1	
	997 553 903 00 A03	Black			
(32)	997 553 981 00	Cover Brake lever		1	PR:XME
	997 553 981 00 A11	Black			
	997 553 981 00 D12	Dark grey/natural			
(32)	997 553 981 00	Cover Brake lever		1	PR:XMJ
	997 553 981 00 A11	Black			



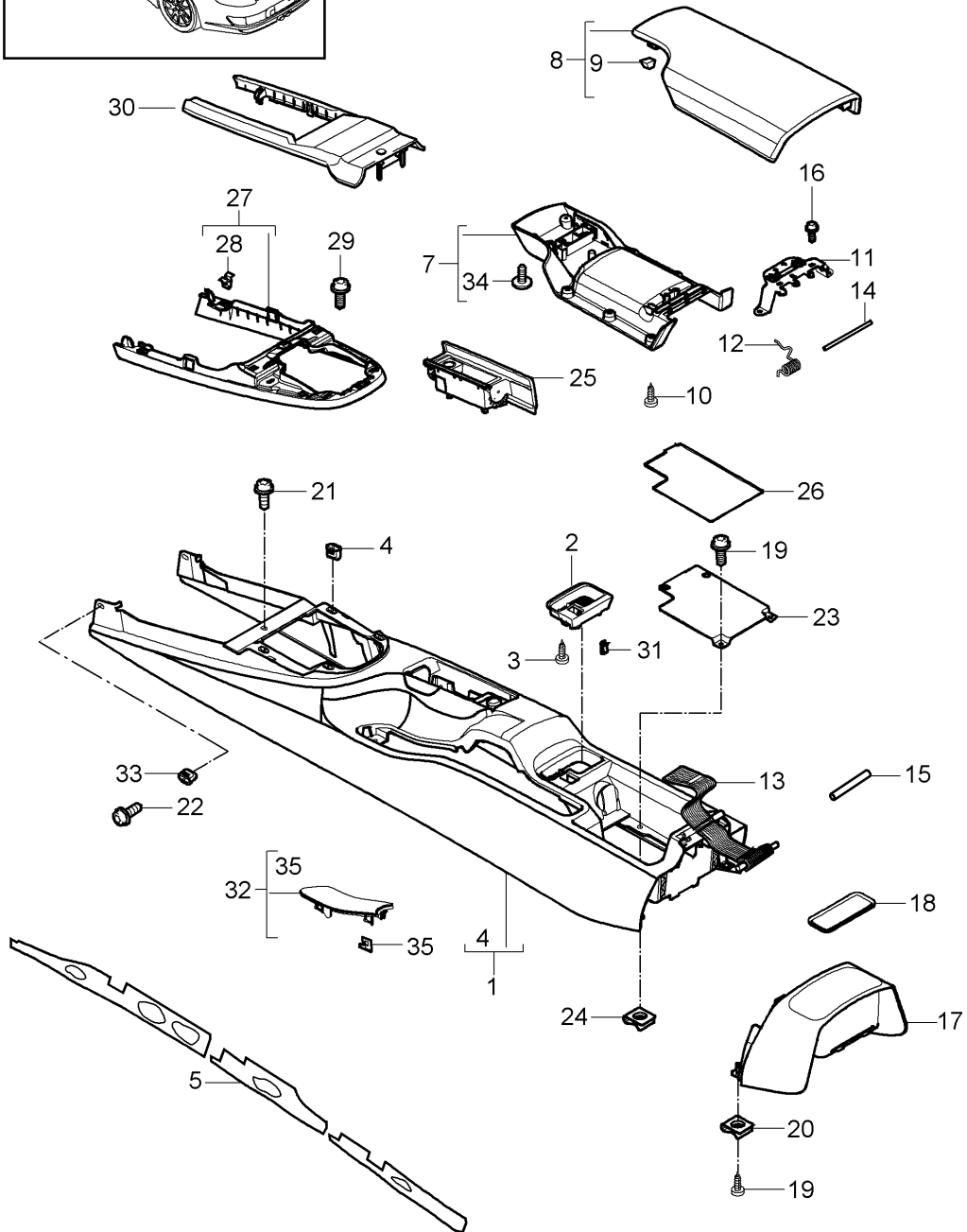
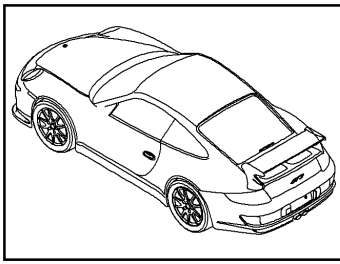
Model: 997G07

Model life 2007>>2011

Pos	Part Number	Description	Remark	Qty	Model
(32)	997 553 981 00 D12 997 553 981 06	Dark grey/natural Cover		1	PR:XMZ
	997 553 981 06 A11	Brake lever Black			
33	997 553 981 06 D12 999 591 215 40	Dark grey/natural expanding nut 4,2		2	
34	997 553 732 00	Rubber buffer Cover	inner	2	

Model: 997G07

Model life 2007>>2011



Model: 997G07 Model life 2007>>2011

Pos	Part Number	Description	Remark	Qty	Model
		Centre console D - MJ 2010>>	rear		
(1)	997 553 901 00	Centre console		1	
	997 553 901 00 A03	Black			
(1)	997 553 901 01	Centre console		1	PR:560
	997 553 901 01 A03	Black			
(1)	997 553 980 69	Centre console		1	GT3 PR:XMZ
	997 553 980 69 A11	Leather Black			
	997 553 980 69 D12	Dark grey/natural			
(1)	997 553 980 70	Centre console		1	GT3 PR:XMZ,560
	997 553 980 70 A11	Leather Black			
	997 553 980 70 D12	Dark grey/natural			
(1)	997 553 980 52	Centre console		1	PR:XMJ
	997 553 980 52 A35	Carbon Black			
(1)	997 553 980 53	Centre console		1	PR:XMJ,560
	997 553 980 53 A35	Carbon Black			
(1)	997 553 980 64	Centre console		1	PR:XME
	997 553 980 64 041	Black			
	997 553 980 64 84A	guards red (Porsche)			
	997 553 980 64 B9A	Carrara white			
	997 553 980 64 12H	Speed yellow			
	997 553 980 64 92U	Arctic silver metallic			
	997 553 980 64 C9Z	Basalt black metallic			
	997 553 980 64 M7W	Meteor Grey Metallic			
	997 553 980 64 M7Z	GT Silver Metallic			
	997 553 980 64 M8W	Macadamia Metallic			
	997 553 980 64 M3X	Ruby red metallic			
	997 553 980 64 M5X	Dark blue metallic			
	997 553 980 64 22G	Racing Green Metallic			
	997 553 980 64 M5R	Aqua blue metallic			
	997 553 980 64 51A	cream white			
	997 553 980 64 M2Z	Nordic Gold Metallic			
	997 553 980 64 2B5	Malachite Green Metallic			
	997 553 980 64 M4Z	Amethyst metallic			
	997 553 980 64 7A1	Grey/black			
(1)	997 553 980 65	Centre console		1	PR:XME,560
	997 553 980 65 041	D - MJ 2010>> Black			
	997 553 980 65 84A	guards red (Porsche)			
	997 553 980 65 B9A	Carrara white			
	997 553 980 65 12H	Speed yellow			
	997 553 980 65 92U	Arctic silver metallic			
	997 553 980 65 C9Z	Basalt black metallic			
	997 553 980 65 M7W	Meteor Grey Metallic			
	997 553 980 65 M7Z	GT Silver Metallic			
	997 553 980 65 M8W	Macadamia Metallic			
	997 553 980 65 M3X	Ruby red metallic			
	997 553 980 65 M5X	Dark blue metallic			
	997 553 980 65 22G	Racing Green Metallic			
	997 553 980 65 M5R	Aqua blue metallic			
	997 553 980 65 51A	cream white			
	997 553 980 65 M2Z	Nordic Gold Metallic			
	997 553 980 65 2B5	Malachite Green Metallic			
	997 553 980 65 M4Z	Amethyst metallic			
	997 553 980 65 7A1	Grey/black			
(1)	997 553 997 01	D - MJ 2010>> Protective film Centre console See technical manual		2	

Model: 997G07 Model life 2007>>2011

Pos	Part Number	Description	Remark	Qty	Model
2	997 553 575 02	681749 Insert Locking mechanism Centre console		1	
3	997 553 575 02 01C 999 919 159 09	Satin black fillister hd. bolt 4 X 12 for Mount Insert Locking mechanism		1	
4	999 591 210 40	expanding nut 4,2		4	
5	997 553 843 00	Sound absorber	left	1	
(5)	997 553 844 00	Sound absorber	right	1	
7	997 553 433 01	cover for center console	inner	1	
	997 553 433 01 01C	Satin black			
8	997 553 231 01	Cover (leather)	outer	1	
	997 553 231 01 A11	Black			
(8)	997 553 231 90	cover for center console Alcantara	outer	1	PR:981,975
	997 553 231 90 A25	Black			
(8)	997 553 991 20	Cover	outer lhd	1	PR:XLG,098
		Alcantara D - MJ 2010>>			
	997 553 991 20 A25	Black			
9	999 507 972 01	panel nut 3,5 for Mount Cover	outer	8	
10	999 073 153 01	panel screw 3,5 X 14 for Mount Cover	outer	8	
11	997 553 437 01	Hinge		1	
12	997 553 439 00	Leg spring		1	
13	997 553 441 00	Belt		1	
14	997 553 447 00	axle		1	
15	997 553 733 00	Locking pin		1	
16	999 919 159 09	fillister hd. bolt M4X12		X	
17	997 553 221 01	Extension for centre console Lacquered		1	
	997 553 221 01 A03	Black			
(17)	997 553 983 06	Extension for centre console Leather		1	GT3 PR:XMZ
	997 553 983 06 A11	Black			
	997 553 983 06 D12	Dark grey/natural			
(17)	997 553 983 01	Extension for centre console Leather		1	PR:XMJ
	997 553 983 01 A11	Black			
	997 553 983 01 D12	Dark grey/natural			
(17)	997 553 983 05	Extension for centre console Lacquered		1	PR:XME
	997 553 983 05 041	Black			
	997 553 983 05 84A	guards red (Porsche)			

Model: 997G07 Model life 2007>>2011

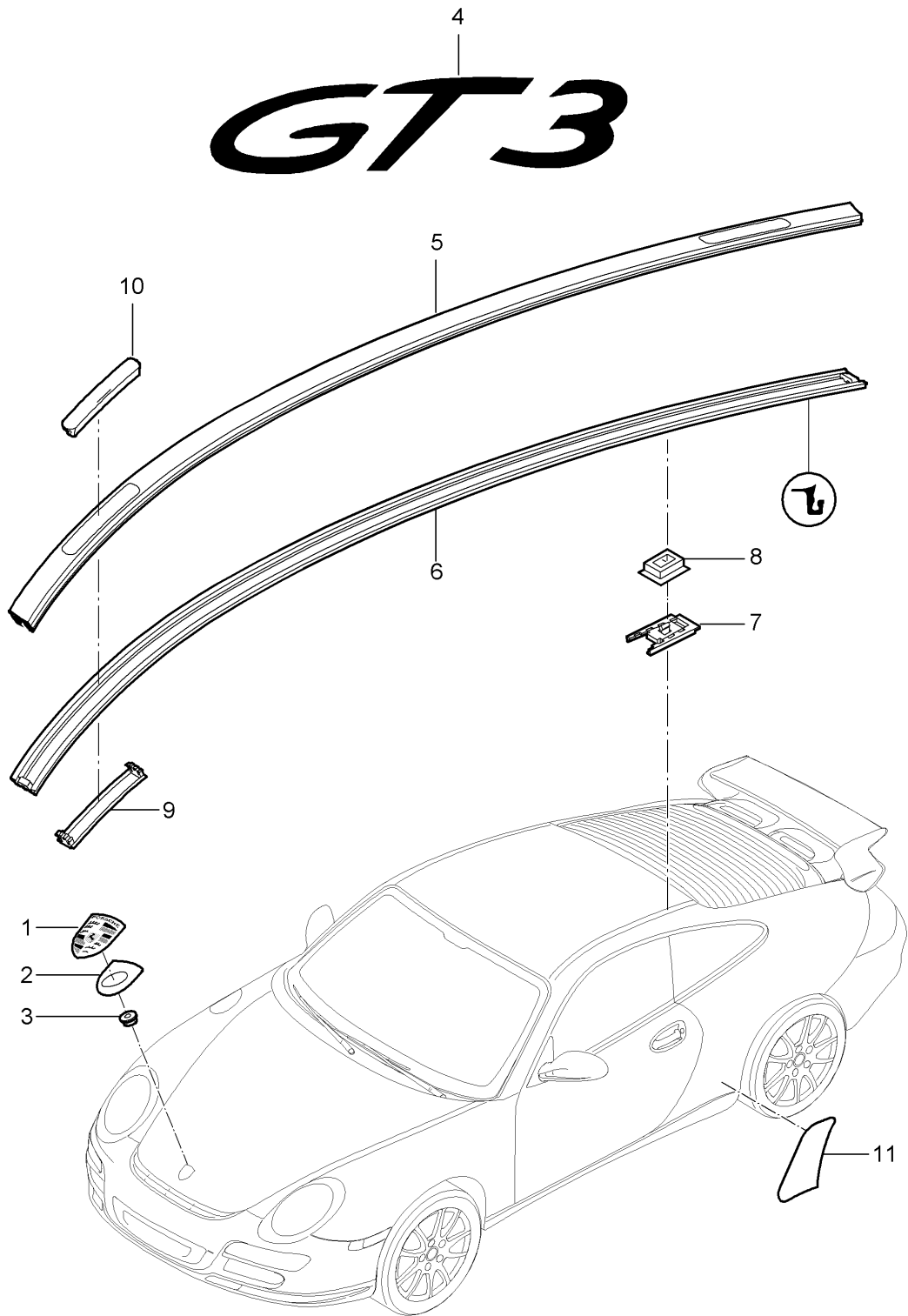
Pos	Part Number	Description	Remark	Qty	Model
	997 553 983 05 B9A	Carrara white			
	997 553 983 05 12H	Speed yellow			
	997 553 983 05 92U	Arctic silver metallic			
	997 553 983 05 C9Z	Basalt black metallic			
	997 553 983 05 M7W	Meteor Grey Metallic			
	997 553 983 05 M7Z	GT Silver Metallic			
	997 553 983 05 M8W	Macadamia Metallic			
	997 553 983 05 M3X	Ruby red metallic			
	997 553 983 05 M5X	Dark blue metallic			
	997 553 983 05 22G	Racing Green Metallic			
	997 553 983 05 M5R	Aqua blue metallic			
	997 553 983 05 51A	cream white			
	997 553 983 05 M2Z	Nordic Gold Metallic			
	997 553 983 05 2B5	Malachite Green Metallic			
	997 553 983 05 M4Z	Amethyst metallic			
	997 553 983 05 7A1	Grey/black			
		D - MJ 2010>>			
18	997 553 625 01	Insert for centre console Extension		1	
19	999 073 226 09	panel screw 4,2 X 16		X	
20	999 507 020 01	panel nut 4,2		X	
21	999 919 121 09	fillister hd. bolt 5 X 16		2	
22	999 073 155 09	panel screw 4,2 X 13		2	
23	997 553 615 01	Floor Centre console		1	
24	999 507 028 01	panel nut 4,2		X	
25	997 553 902 00	ashtray Lacquered		1	
(25)	997 553 902 00 A03	Black		1	GT3
	997 553 982 06	ashtray Leather		1	PR: XMZ
	997 553 982 06 A11	Black			
(25)	997 553 982 06 D12	Dark grey/natural		1	PR: XMJ
	997 553 982 01	ashtray Carbon		1	
(25)	997 553 982 01 A35	Black		1	PR: XME
	997 553 982 05	ashtray Lacquered		1	
	997 553 982 05 041	Black			
	997 553 982 05 84A	guards red (Porsche)			
	997 553 982 05 B9A	Carrara white			
	997 553 982 05 12H	Speed yellow			
	997 553 982 05 92U	Arctic silver metallic			
	997 553 982 05 C9Z	Basalt black metallic			
	997 553 982 05 M7W	Meteor Grey Metallic			
	997 553 982 05 M7Z	GT Silver Metallic			
	997 553 982 05 M8W	Macadamia Metallic			
	997 553 982 05 M3X	Ruby red metallic			
	997 553 982 05 M5X	Dark blue metallic			
	997 553 982 05 22G	Racing Green Metallic			
	997 553 982 05 M5R	Aqua blue metallic			
	997 553 982 05 51A	cream white			
	997 553 982 05 M2Z	Nordic Gold Metallic			
	997 553 982 05 2B5	Malachite Green Metallic			
	997 553 982 05 M4Z	Amethyst metallic			
	997 553 982 05 7A1	Grey/black			
		D - MJ 2010>>			
26	997 553 611 01	Insert for centre console		1	

Model: 997G07 Model life 2007>>2011

Pos	Part Number	Description	Remark	Qty	Model
(26)	997 553 613 00	Insert for centre console		1	GT3 PR:870
27	997 553 261 05	Frame Lacquered		1	
	997 553 261 05 D07	Volcano grey			
(27)	987 553 261 01	Frame D - MJ 2010>>		1	PR:XDJ
	987 553 261 01 G2X	primed			
28	999 507 533 02	Clamp 8,0 X 10,0/2,5		7	
29	999 073 155 09	panel screw 4,2 X 13 for Mount Frame		4	
(30)	997 553 243 01	Cover Shift gate Lacquered		1	PR:480
	997 553 243 01 A03	Black			
(30)	997 553 996 00	Cover (leather) Shift gate D - MJ 2010>>		1	GT3 PR:XDZ,480
	997 553 996 00 A11	Black			
	997 553 996 00 D12	Dark grey/natural			
31	999 507 922 01	U-clip 4,0		1	GT3 PR:870
32	997 553 903 00	Cover Brake lever Lacquered		1	
	997 553 903 00 A03	Black			
(32)	997 553 981 00	Cover Brake lever		1	PR:XME
	997 553 981 00 A11	Black			
	997 553 981 00 D12	Dark grey/natural			
(32)	997 553 981 00	Cover Brake lever		1	PR:XMJ
	997 553 981 00 A11	Black			
	997 553 981 00 D12	Dark grey/natural			
(32)	997 553 981 07	Cover Brake lever		1	GT3 PR:XMZ
	997 553 981 07 A11	Black			
	997 553 981 07 D12	Dark grey/natural			
33	999 591 215 40	expanding nut 4,2		2	
34	997 553 732 00	Rubber buffer Cover	inner	2	
35	997 553 861 00	Clamp		4	GT3 PR:XMZ

Model: 997G07

Model life 2007>>2011



Model: 997G07 Model life 2007>>2011

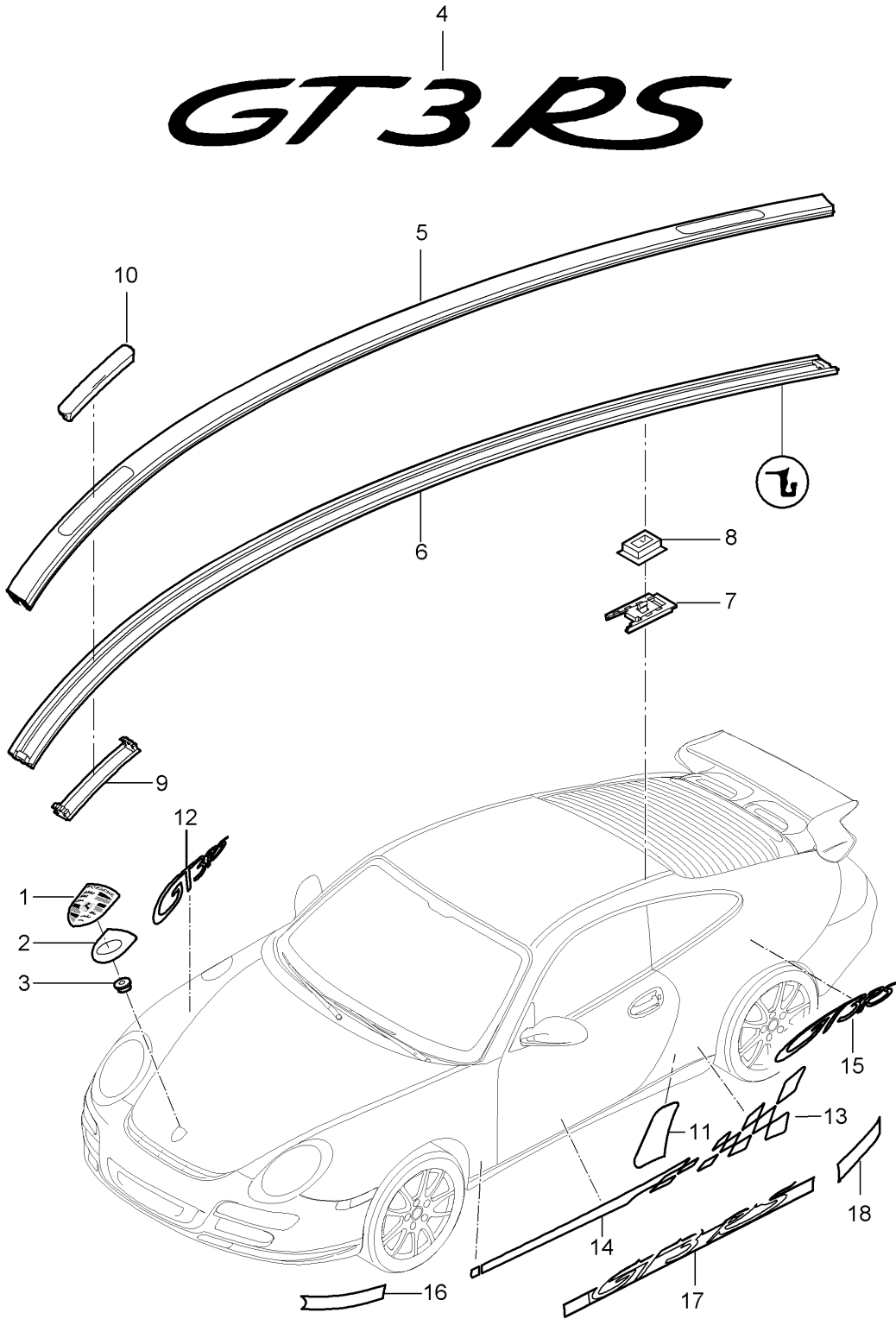
Pos	Part Number	Description	Remark	Qty	Model
		inscriptions/lettering			
		Decorative fittings			
		Stone guard film			
1	997 559 211 00	Porsche crest		1	
(1)	996 559 211 01	Porsche crest		1	
2	7L5 853 611 B	Underlay		1	
3	999 591 423 03	Tapping nut		2	
4	996 559 237 90	inscription		1	
		*GT3*			
		Lacquered			
	996 559 237 90 70C	Rally black			
5	997 559 401 00	Roof edge strip	left	1	
		D >> - MJ 2009			
	997 559 401 00 G2X	primed			
(5)	997 559 402 00	Roof edge strip	right	1	
		D >> - MJ 2009			
	997 559 402 00 G2X	primed			
(5)	997 559 401 01	Roof edge strip	left	1	
		D - MJ 2010>>			
	997 559 401 01 G2X	primed			
(5)	997 559 402 01	Roof edge strip	right	1	
		D - MJ 2010>>			
	997 559 402 01 G2X	primed			
(6)	997 559 721 00	Seal	left	1	
		Roof edge strip			
		D >> - MJ 2009			
(6)	997 559 722 00	Seal	right	1	
		Roof edge strip			
		D >> - MJ 2009			
(6)	997 559 721 01	Seal	left	1	
		Roof edge strip			
		D - MJ 2010>>			
(6)	997 559 722 01	Seal	right	1	
		Roof edge strip			
		D - MJ 2010>>			
7	996 559 403 01	Clip		10	
8	996 559 405 01	Adapter		10	
9	996 559 729 00	Bracket		4	
		for			
		Flap			
10	996 559 501 00	Flap	front	2	
	996 559 501 00 G2X	primed			
(10)	996 559 503 00	Flap	rear	2	
	996 559 503 00 G2X	primed			
11	997 504 825 02	Stone guard film	left	1	
		Side part			
(11)	997 504 826 02	Stone guard film	right	1	
		Side part			



Model: 997G07

Model life 2007>>2011

# GT3 RS



Model: 997G07 Model life 2007>>2011

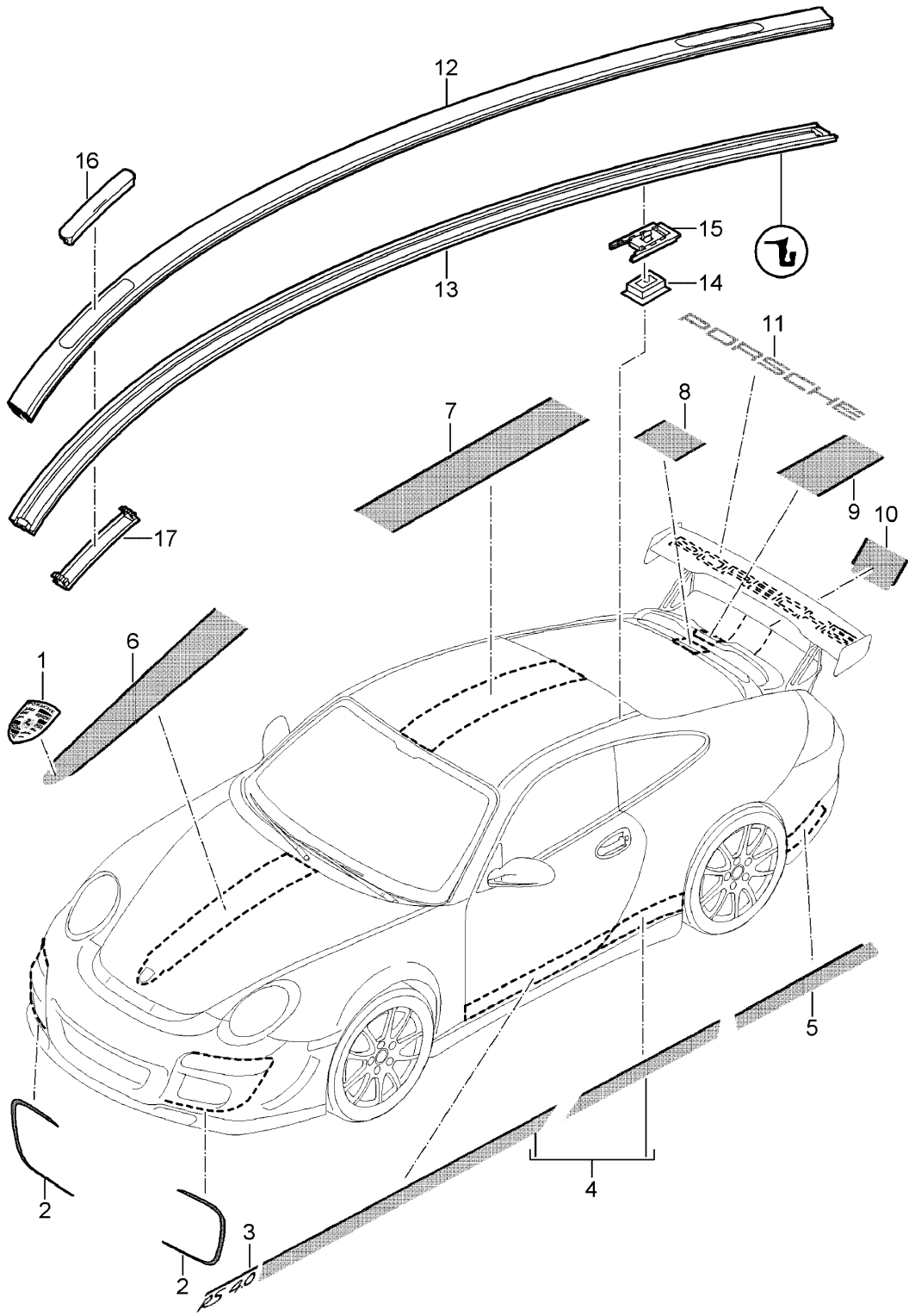
Pos	Part Number	Description	Remark	Qty	Model
		inscriptions/lettering Decorative fittings Stone guard film			GT3 RS PR:004
1	997 559 211 00	Porsche crest		1	
(1)	996 559 211 01	Porsche crest		1	
2	7L5 853 611 B	Underlay		1	
3	999 591 423 03	Tapping nut		2	
4	997 559 237 92	inscription *GT3RS*		1	
		Lacquered			
	997 559 237 92 041	Black			
	997 559 237 92 8C6	orange			
4	997 559 237 94	inscription *GT3RS*		1	
		Lacquered			
	997 559 237 94 539	White gold metallic			
	997 559 237 94 84A	guards red (Porsche)			
5	997 559 401 91	Roof edge strip	left	1	
	997 559 401 91 G2L	orange			
(5)	997 559 402 91	Roof edge strip	right	1	
	997 559 402 91 G2L	orange			
6	997 559 721 00	Seal	left	1	
		Roof edge strip			
		D >> - MJ 2009			
(6)	997 559 722 00	Seal	right	1	
		Roof edge strip			
		D >> - MJ 2009			
(6)	997 559 721 01	Seal	left	1	
		Roof edge strip			
		D - MJ 2010>>			
(6)	997 559 722 01	Seal	right	1	
		Roof edge strip			
		D - MJ 2010>>			
7	996 559 403 01	Clip		10	
8	996 559 405 01	Adapter		10	
9	996 559 729 00	Bracket		4	
		for			
		Flap			
10	996 559 501 00	Flap	front	2	
	996 559 501 00 G2X	primed			
(10)	996 559 503 00	Flap	rear	2	
	996 559 503 00 G2X	primed			
11	997 504 825 91	Stone guard film	left	1	
		Side part			
(11)	997 504 826 91	Stone guard film	right	1	
		Side part			
12	997 559 332 91	Decorative film	right	1	
		inscription	front		
		GT3			
		Wing			
		D - MJ 2010>>			
	997 559 332 91 539	White gold metallic			
	997 559 332 91 84A	guards red (Porsche)			
13	997 559 337 91	trim foil for side panel	left	1	
		D - MJ 2010>>			
	997 559 337 91 539	White gold metallic			
	997 559 337 91 84A	guards red (Porsche)			
(13)	997 559 338 91	trim foil for side panel	right	1	
		D - MJ 2010>>			
	997 559 338 91 539	White gold metallic			
	997 559 338 91 84A	guards red (Porsche)			
14	997 559 333 91	trim foil for mudwing	left	1	
		Door			

Model: 997G07 Model life 2007>>2011

Pos	Part Number	Description	Remark	Qty	Model
(14)	997 559 333 91 539	and D - MJ 2010>> White gold metallic	right	1	
	997 559 333 91 84A	guards red (Porsche)			
	997 559 334 91	trim foil for mudwing Door			
15	997 559 334 91 539	and D - MJ 2010>> White gold metallic	left	1	
	997 559 334 91 84A	guards red (Porsche)			
	997 559 335 91	trim foil for side panel inscription GT3			
16	997 559 335 91 539	D - MJ 2010>> White gold metallic	left front	1	
	997 559 335 91 84A	guards red (Porsche)			
	997 559 331 90	Decorative film			
(16)	997 559 331 90 8C6	D >> - MJ 2008 orange	right front	1	
	997 559 331 90 041	Black			
	997 559 332 90	Decorative film			
17	997 559 332 90 8C6	D >> - MJ 2008 orange	left side	1	
	997 559 332 90 041	Black			
	997 559 333 90	Decorative film			
(17)	997 559 333 90 8C6	D >> - MJ 2008 orange	right side	1	
	997 559 333 90 041	Black			
	997 559 334 90	Decorative film			
18	997 559 334 90 8C6	D >> - MJ 2008 orange	left rear	1	
	997 559 334 90 041	Black			
	997 559 335 90	Decorative film			
(18)	997 559 335 90 8C6	D >> - MJ 2008 orange	right rear	1	
	997 559 335 90 041	Black			
	997 559 336 90	Decorative film			
	997 559 336 90 8C6	D >> - MJ 2008 orange			
	997 559 336 90 041	Black			

Model: 997G07

Model life 2007>>2011



Model: 997G07 Model life 2007>>2011

Pos	Part Number	Description	Remark	Qty	Model
		inscriptions/lettering Decorative fittings			PR:006
1	996 559 211 90	Porsche crest		1	
		Sticker			
2	997 559 459 92	Decorative film	left	1	PR:512
		Air inlet	front		
	997 559 459 92 M7Z	GT Silver Metallic			
(2)	997 559 460 92	Decorative film	right	1	PR:512
		Air inlet	front		
	997 559 460 92 M7Z	GT Silver Metallic			
3	997 559 333 92	Decorative film	left	1	PR:512
			side		
		RS 4.0			
	997 559 333 92 DRI	GT silver metallic/Indian red			
(3)	997 559 334 92	Decorative film	right	1	PR:512
			side		
		RS 4.0			
	997 559 334 92 DRI	GT silver metallic/Indian red			
4	997 559 337 92	Decorative film	left	1	PR:512
			side		
			rear		
	997 559 337 92 DRI	GT silver metallic/Indian red			
(4)	997 559 338 92	Decorative film	right	1	PR:512
			side		
			rear		
	997 559 338 92 DRI	GT silver metallic/Indian red			
5	997 559 339 92	Decorative film	left	1	PR:512
			side		
			rear		
	997 559 339 92 DRI	Trim			
(5)	997 559 340 92	GT silver metallic/Indian red	right	1	PR:512
		Decorative film	side		
			rear		
		Trim			
	997 559 340 92 DRI	GT silver metallic/Indian red			
6	997 559 447 92	Decorative film	front	1	PR:512
		Cover			
	997 559 447 92 DRI	GT silver metallic/Indian red			
7	997 559 449 92	Decorative film		1	PR:512
		Roof			
	997 559 449 92 DRI	GT silver metallic/Indian red			
8	997 559 457 92	Decorative film		1	PR:512
		Rear centre panel			
	997 559 457 92 DRI	GT silver metallic/Indian red			
9	997 559 451 92	Decorative film		1	PR:512
		Rear lid			
	997 559 451 92 DRI	GT silver metallic/Indian red			
10	997 559 455 92	Decorative film	lower	1	PR:512
		Rear lid			
		inscription			
		RS 4.0			
	997 559 455 92 DRI	GT silver metallic/Indian red			
11	997 559 461 92	Decorative film		1	PR:512
		Spoiler			
	997 559 461 92 M7Z	GT silver metallic/Indian red			
12	997 559 401 91	Roof edge strip	left	1	
		orange			
	997 559 401 91 G2L	orange			
(12)	997 559 402 91	Roof edge strip	right	1	
		orange			
	997 559 402 91 G2L	orange			
13	997 559 721 01	Seal	left	1	
		Roof edge strip			
(13)	997 559 722 01	Seal	right	1	
		Roof edge strip			
14	996 559 405 01	Adapter		10	

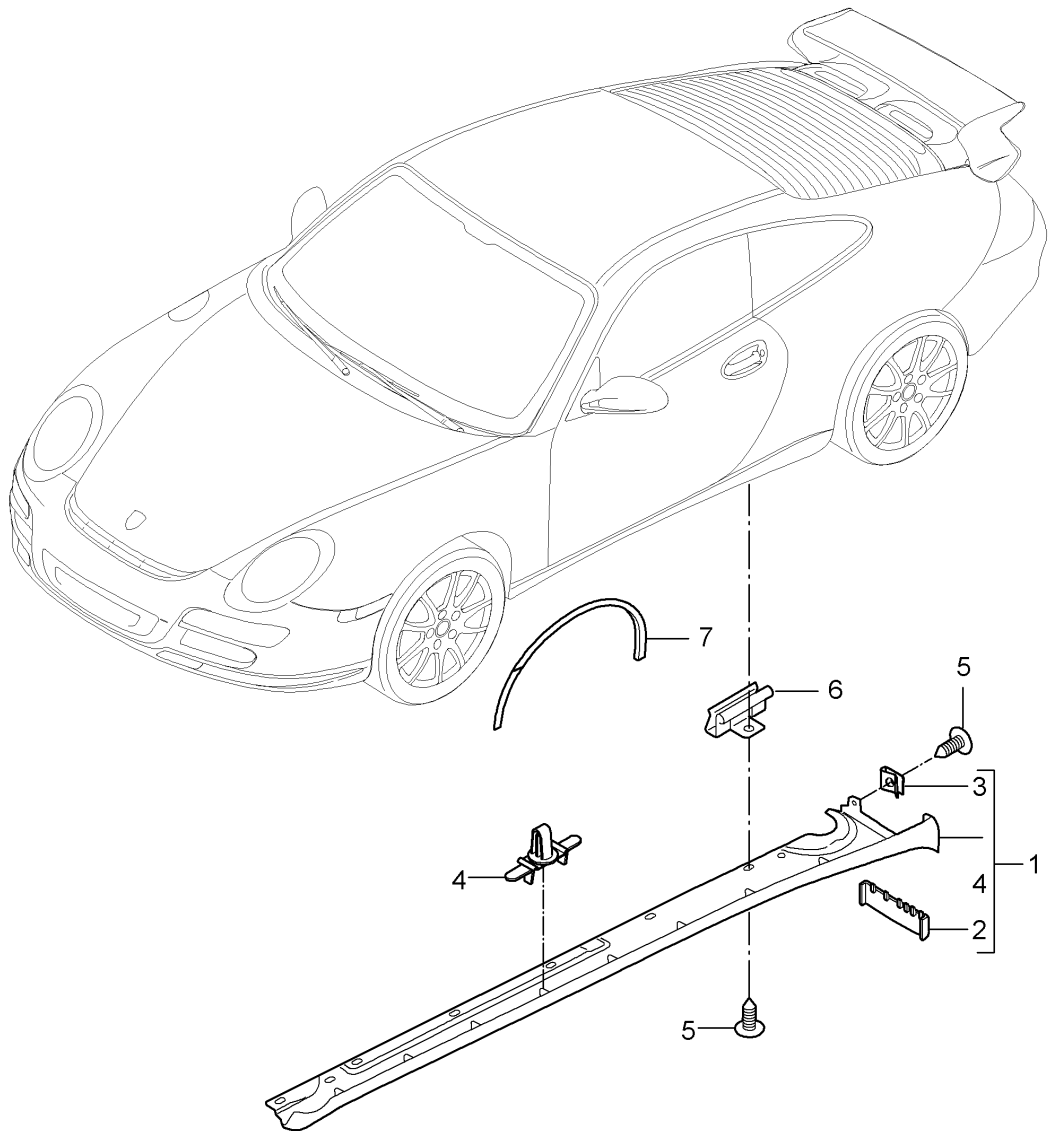
Model: 997G07

Model life 2007>>2011

Pos	Part Number	Description	Remark	Qty	Model
15	996 559 403 01	Clip		10	
16	996 559 501 00	Flap	front	2	
	996 559 501 00 G2X	primed			
(16)	996 559 503 00	Flap	rear	2	
	996 559 503 00 G2X	primed			
17	996 559 729 00	Bracket for Flap		4	

Model: 997G07

Model life 2007>>2011



Model: 997G07 Model life 2007>>2011

Pos	Part Number	Description	Remark	Qty	Model
1	997 504 363 01	Side member trim Side member trim D >> - MJ 2010	left	1	PR:004
(1)	997 504 363 01 01C 997 504 364 01	Satin black Side member trim D >> - MJ 2010	right	1	PR:004
(1)	997 504 364 01 01C 997 504 363 80	Satin black Side member trim D - MJ 2011>>	left	1	PR:004
(1)	997 504 363 80 G2X 997 504 364 80	primed Side member trim D - MJ 2011>>	right	1	PR:004
(1)	997 504 364 80 G2X 997 504 981 00	primed Side member trim D - MJ 2008>>	left	1	PR:XAJ
(1)	997 504 981 00 G2X 997 504 982 00	primed Side member trim D - MJ 2008>>	right	1	PR:XAJ
2	997 504 982 00 G2X 997 504 863 80	primed Rubber lip Side member trim	left	1	PR:004
(2)	997 504 863 80 01C 997 504 864 80	Satin black Rubber lip Side member trim	right	1	PR:004
3	997 504 864 80 01C 999 507 795 09	Satin black panel nut ST 4,8		4	PR:004
4	999 507 986 40	Retaining clip Side member trim 9,0 x 1,5		18	PR:004
5	999 073 231 09	panel screw st 4,8 x 16		24	PR:004
6	999 507 640 09	U-clip		18	PR:004
7	997 505 365 A1	wheel cover Trim primed	front left	1	PR:004
(7)	997 505 366 A1	wheel cover Trim primed	front right	1	PR:004
(7)	997 503 401 A1	wheel cover Wing primed	front left	1	PR:004
(7)	997 503 402 A1	wheel cover Wing primed	front right	1	PR:004
-	997 503 435 92	wheel cover	left front	1	PR:193
-	997 503 436 92	wheel cover	right front	1	PR:193
-	997 503 431 92	wheel cover	rear upper left	1	PR:193
-	997 503 432 92	wheel cover	rear upper right	1	PR:193
-	997 503 433 92	wheel cover	rear lower left	1	PR:193
-	997 503 434 92	wheel cover	rear lower right	1	PR:193
-		also use:			
-	997 503 901 01	Adhesive tape		1	PR:004 PR:004



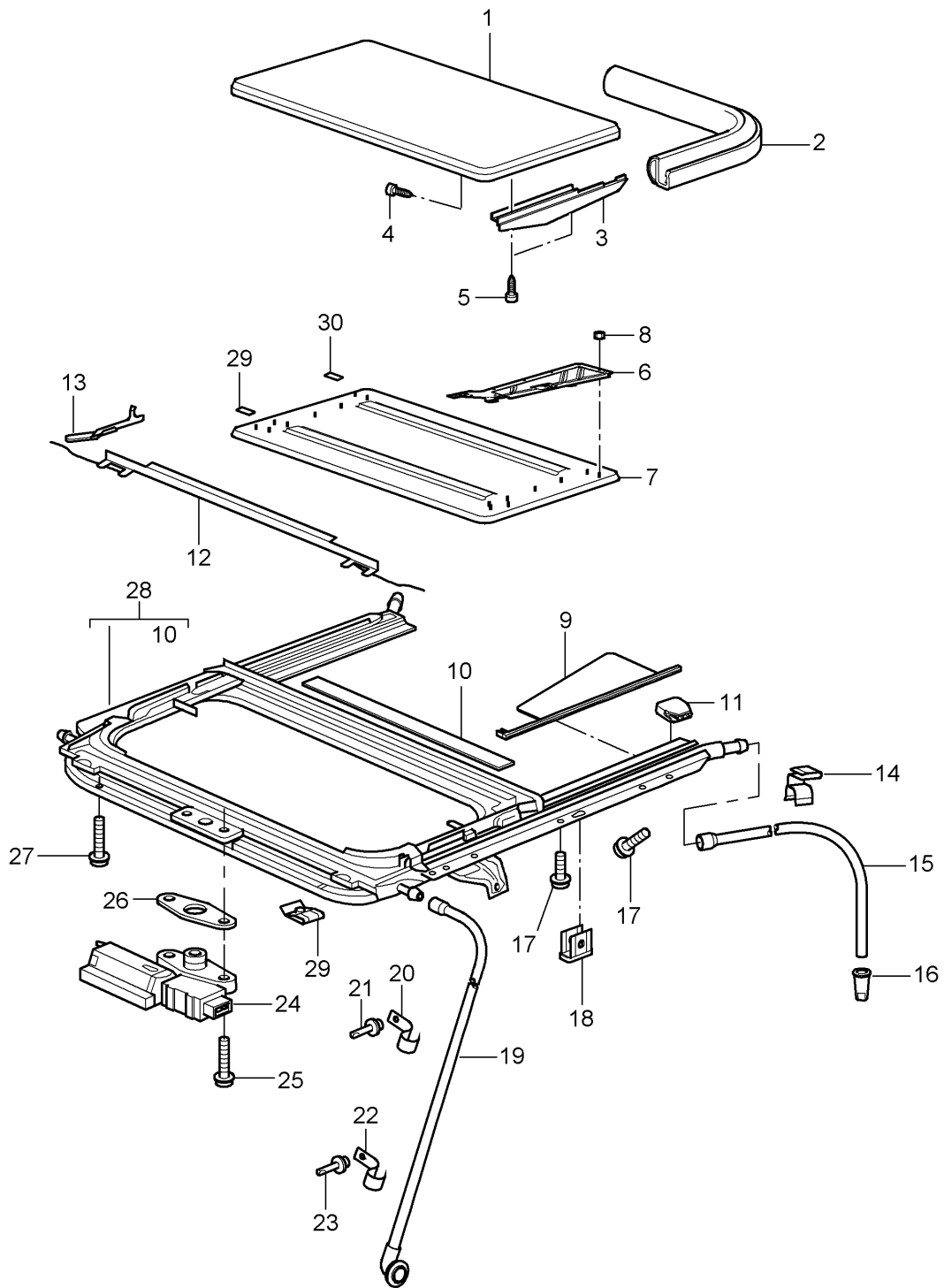
Model: 997G07

Model life 2007&gt;&gt;2011

Pos	Part Number	Description	Remark	Qty	Model
-	000 043 207 71	750 x 10 mm Wash primer		1	PR:004

Model: 997G07

Model life 2007>>2011



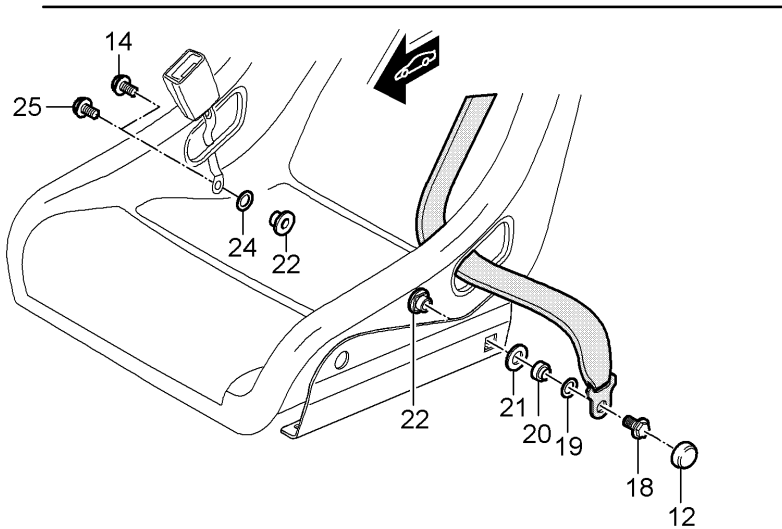
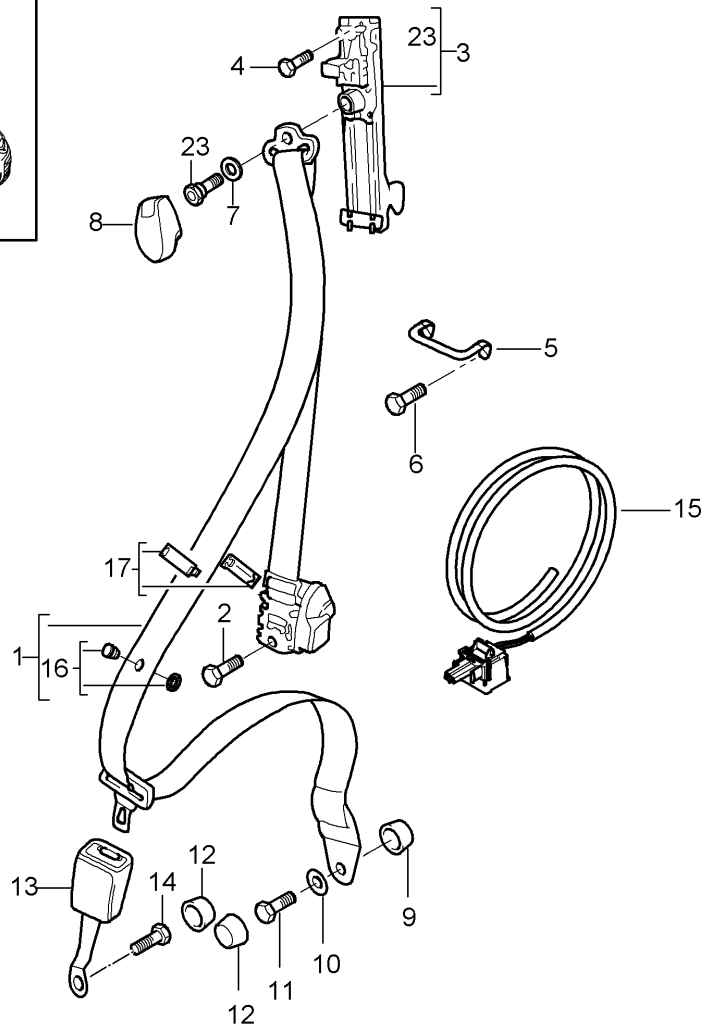
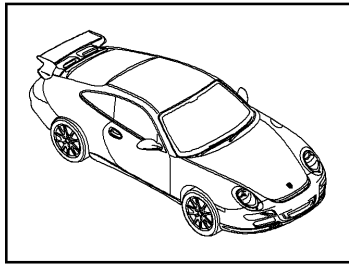
Model: 997G07

Model life 2007>>2011

Pos	Part Number	Description	Remark	Qty	Model
		Sunroof			PR:650
1	996 564 941 01	Cover		1	
	996 564 941 01 GRV	primed			
2	997 564 211 00	Seal		1	
3	996 564 181 00	Trim	left	1	
	996 564 181 00 01C	Black			
(3)	996 564 182 00	Trim	right	1	
	996 564 182 00 01C	Black			
4	996 564 245 00	Bolt with washer		4	
5	900 143 189 09	panel screw		4	
6	996 564 321 01	Guide plate	left	1	
(6)	996 564 322 01	Guide plate	right	1	
7	997 564 021 00	Roofliner		1	
		Alcantara			
	997 564 021 00 A14	Black			
8	900 076 084 07	Nut		16	
9	996 564 241 00	Interior lining	left	1	
(9)	996 564 242 00	Interior lining	right	1	
10	997 564 671 00	Edge protection		11	
11	997 555 823 00	Bracket		2	
12	997 564 161 00	wind deflector		10	
13	996 564 522 01	Toggle catch	right	1	
(13)	996 564 521 01	Toggle catch	left	1	
14	999 507 631 02	Cable holder		6	
15	996 564 205 01	Water drainage hose	rear	2	
16	996 561 825 00	Water drain valve	rear	2	
17	999 073 130 02	fillister hd. bolt		6	
18	999 703 258 42	Clip		2	
19	996 564 207 00	Water drainage hose	front	2	
20	997 564 301 00	Retainer for coolant hose	upper	2	
21	999 190 184 01	Pop rivet		2	
		4,0X8,5			
22	997 564 303 00	Retainer for coolant hose	lower	2	
23	999 190 450 37	Pop rivet		1	
		4,0X6,3			
24	997 624 211 00	Driving mechanism		1	
25	999 073 135 07	countersunk bolt		1	
26	996 564 213 00	Distance piece		1	
27	999 073 366 02	fillister hd. bolt		4	
28	997 564 911 00	Frame for sliding sunroof aperture		1	

Model: 997G07

Model life 2007>>2011



Model: 997G07 Model life 2007>>2011

Pos	Part Number	Description	Remark	Qty	Model
1	997 803 033 02	Seat belt 3-point automat. seat belt Six-point safety belt Roll cage Three-point safety belt	left	1	
		D >> - MJ 2009			
	997 803 033 02 A23	Black			PR:555
	997 803 033 02 N13	guards red (Porsche)			PR:XSX
	997 803 033 02 U01	silver			PR:XSH
	997 803 033 02 V02	Speed yellow			PR:XSX
1	997 803 033 05	Three-point safety belt	left	1	
		D - MJ 2010>>			
	997 803 033 05 A23	Black			PR:555
	997 803 033 05 N13	guards red (Porsche)			PR:XSX
	997 803 033 05 U01	silver			PR:XSH
	997 803 033 05 V02	Speed yellow			PR:XSX
(1)	997 803 034 09	Three-point safety belt	right	1	PR:553
		D >> - MJ 2009			
	997 803 034 09 A23	Black			PR:555
	997 803 034 09 N13	guards red (Porsche)			PR:XSX
	997 803 034 09 U01	silver			PR:XSH
	997 803 034 09 V02	Speed yellow			PR:XSX
(1)	997 803 034 13	Three-point safety belt	right	1	PR:553
		D - MJ 2010>>			
	997 803 034 13 A23	Black			PR:555
	997 803 034 13 N13	guards red (Porsche)			PR:XSX
	997 803 034 13 U01	silver			PR:XSH
	997 803 034 13 V02	Speed yellow			PR:XSX
2	999 075 070 09	Hexagon bolt		2	
3	997 803 231 01	Bracket		2	
		Front vertical adjustment with:			
		Fastening screw			
		Belt			
-	999 075 078 01	Hexagon bolt		2	
4	900 067 131 02	Socket head bolt		2	
5	996 803 825 01	Deflection angle		2	
6	900 378 036 09	Hexagon bolt		4	
7	999 028 022 01	Spring washer		2	
		B 14,2			
		D >> - MJ 2008			
7	999 031 052 40	adjusting washer		2	
		D - MJ 2009>>			
8	997 803 521 00	Cover		2	
	997 803 521 00 A03	Black			
9	999 924 064 02	spacer sleeve		2	
		Discontinued part			
9	999 924 064 01	spacer sleeve		2	
10	211 857 771	Washer		2	
11	999 075 073 09	Hexagon bolt		2	
12	811 857 845	Cover cap		2	PR:384,385
	811 857 845 01C	Satin black			
(13)	997 803 183 02	Belt latch (passenger side)		1	PR:389,560
		D - MJ 2010>>			
(13)	997 803 183 01	Belt latch (drivers side)		1	PR:375,376, 377,378
(13)	997 803 183 01	Belt latch (passenger side)		1	PR:376,378
(13)	997 803 183 04	Belt latch (drivers side)		1	PR:388
		D - MJ 2010>>			
14	999 218 101 02	Hexagon bolt		2	

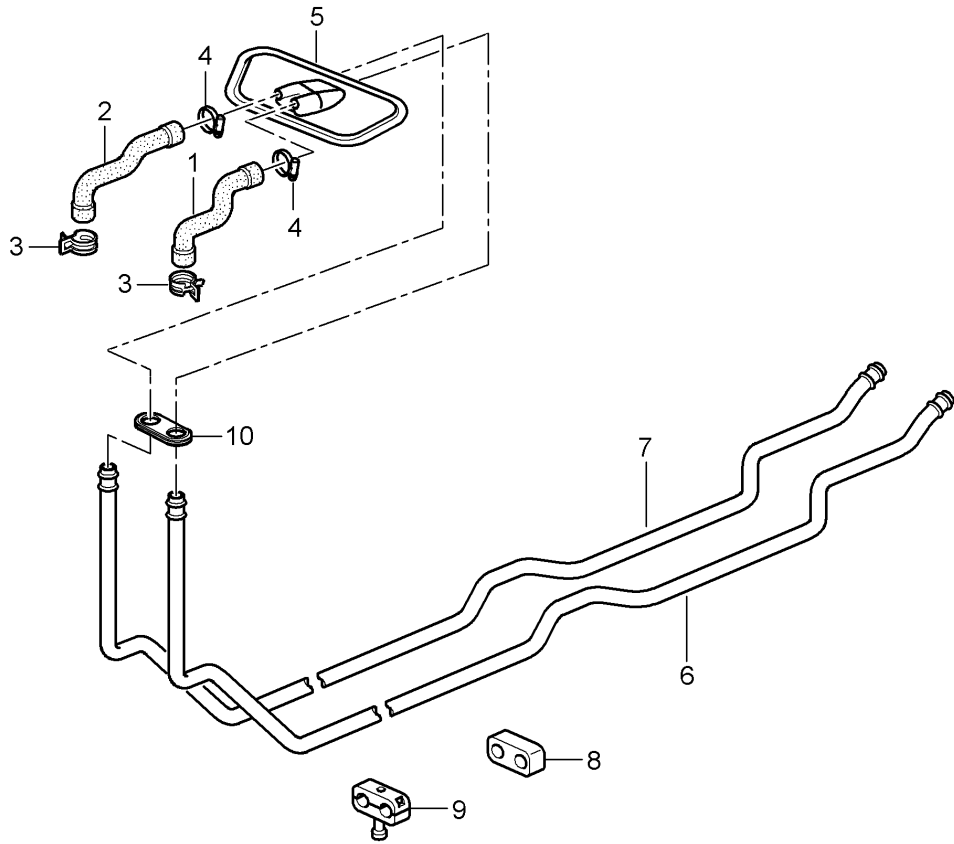
Model: 997G07

Model life 2007>>2011

Pos	Part Number	Description	Remark	Qty	Model
14	999 218 101 02	Hexagon bolt		2	PR:388,389
15		Cable for Seat belt tensioner see illustration:	902-010	X	
16	955 803 056 00	knob		2	
	955 803 056 00 HCP	Black			
17	997 803 334 00	clamping piece		2	
	997 803 334 00 01C	Black			
18	999 075 072 09	Hexagon bolt		2	PR:384,385, 388,389
19	999 028 022 01	Spring washer		1	PR:384,385, 388,389
20	997 803 663 00	spacer sleeve		1	PR:388,389
21	999 025 275 A2	Washer		2	PR:384,385, 388,389
23	999 075 078 01	Hexagon bolt Belt		1	

Model: 997G07

Model life 2007>>2011



Model: 997G07

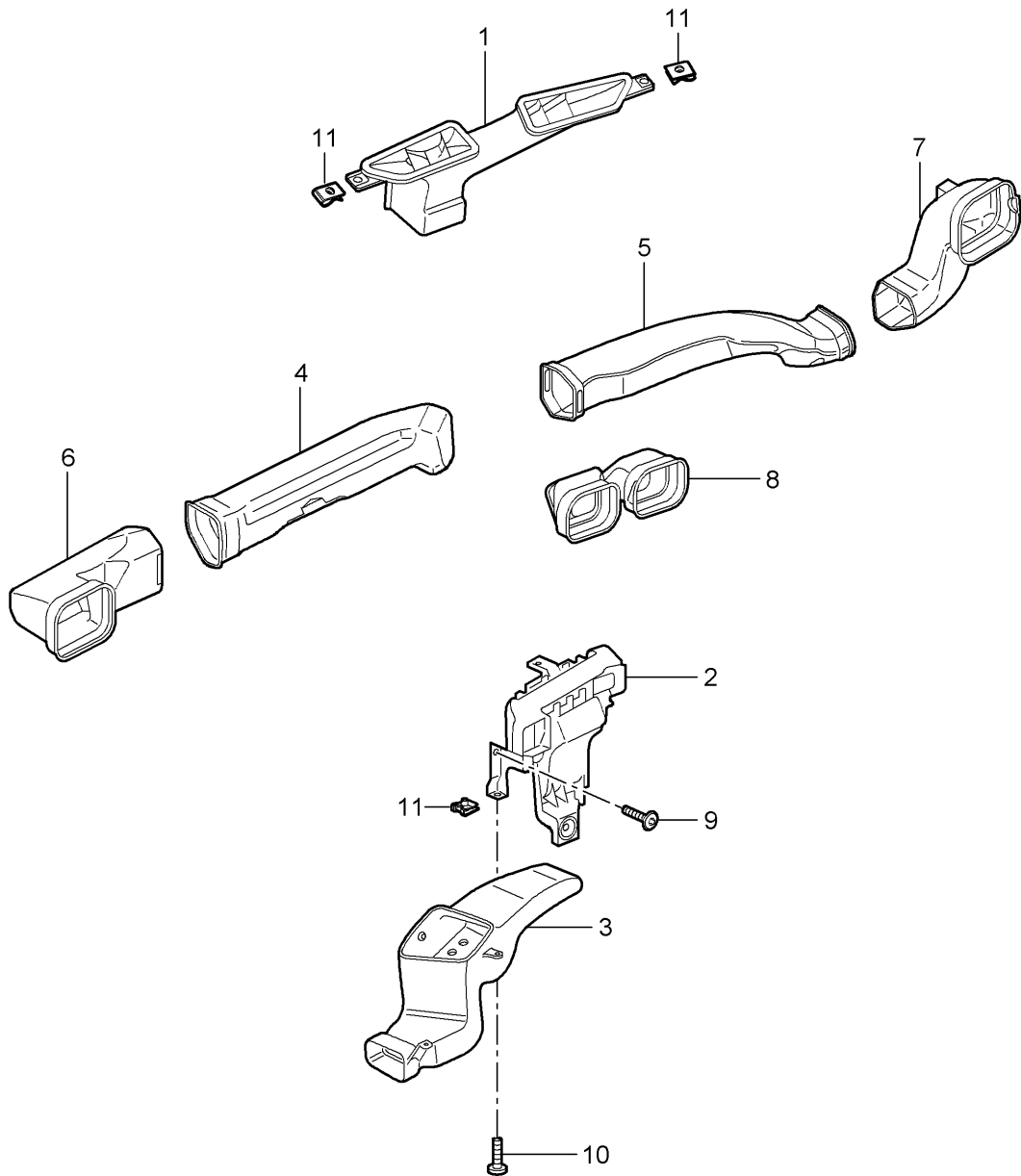
Model life 2007>>2011

Pos	Part Number	Description	Remark	Qty	Model
		Heating system 1			
		Feed line			
		return line			
1	996 572 583 04	Heating hose	lhd	1	PR:098
2	996 572 585 04	Heating hose	lhd	1	PR:098
3	999 512 656 09	Hose clamp B25 X 12		2	
4	999 512 346 01	Hose clamp A16-27/9		2	
5	996 572 263 02	Seal	lhd	1	PR:098
6	997 572 681 00	Heater pipeline Supply		1	
7	997 572 683 00	Discontinued part Heater pipeline Return line Discontinued part		1	
8	996 572 785 00	Distance piece		X	
9	999 511 230 40	Cable holder		4	
-	999 511 232 41	Rubber bush 19/19		4	
10	996 572 765 02	Grommet		1	



Model: 997G07

Model life 2007>>2011



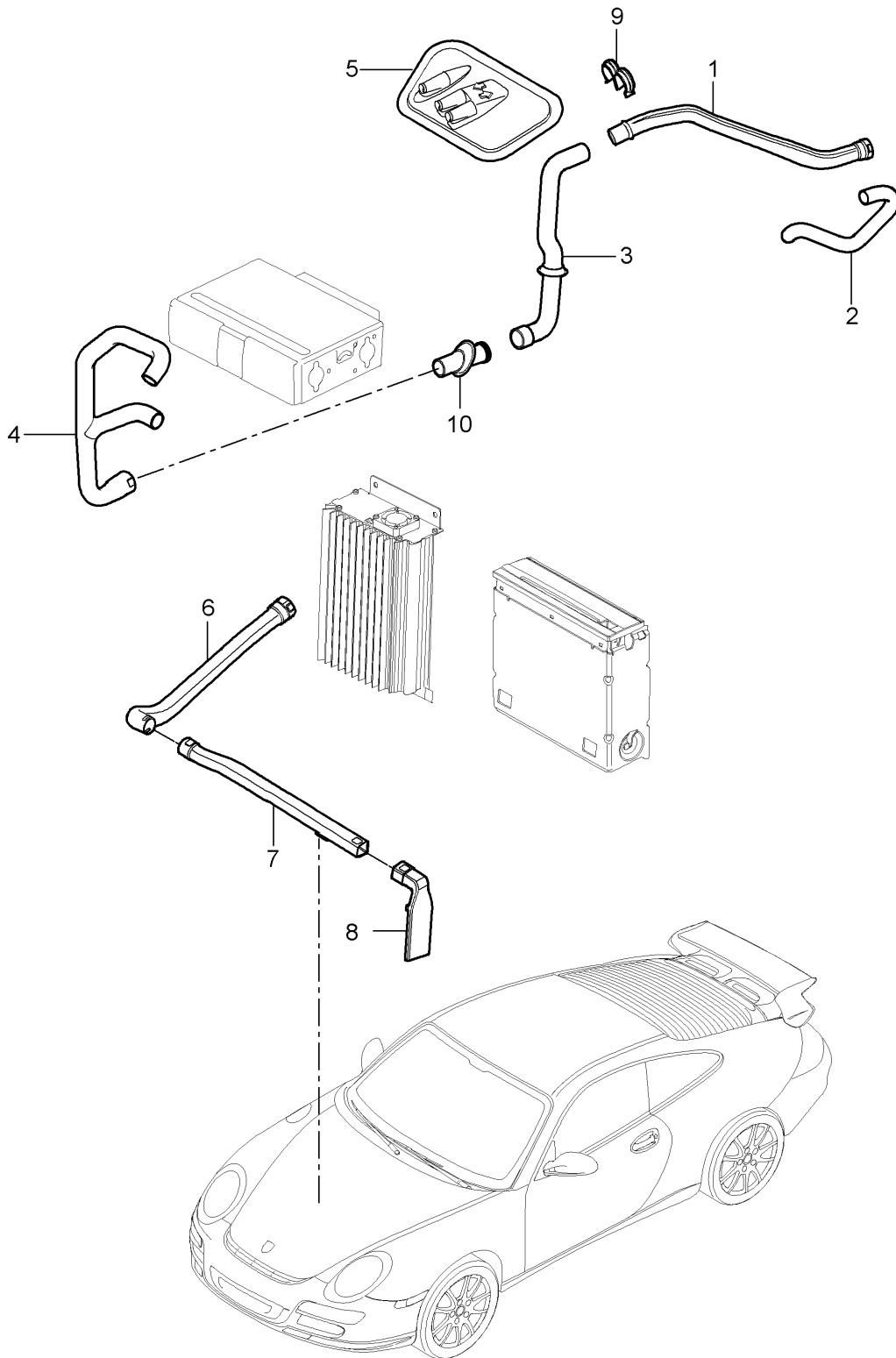
Model: 997G07

Model life 2007>>2011

Pos	Part Number	Description	Remark	Qty	Model
1	997 572 631 00	Air distributor Passenger compartment Defroster nozzle for wind- screen	lhd	1	PR:098
2	997 572 171 00	Air distributor	lhd	1	PR:098
3	997 572 793 00	Footwell outlet vent	lhd	1	PR:098
(3)	997 572 793 02	Footwell outlet vent	lhd	1	PR:098,680
4	997 572 463 01	Air guide	left rhd	1	PR:099
5	997 572 464 00	Air guide	right lhd	1	PR:098
6	997 572 767 00	Air guide	left lhd	1	PR:098
7	997 572 768 00	Air guide	right lhd	1	PR:098
8	997 572 769 00	Air guide	lhd	1	PR:098
9	999 919 118 09	fillister hd. bolt		2	
10	999 073 155 09	panel screw		2	
11	999 507 785 02	panel nut ST 4.2		3	
11	999 507 785 01	panel nut ST 4.2		3	

Model: 997G07

Model life 2007>>2011



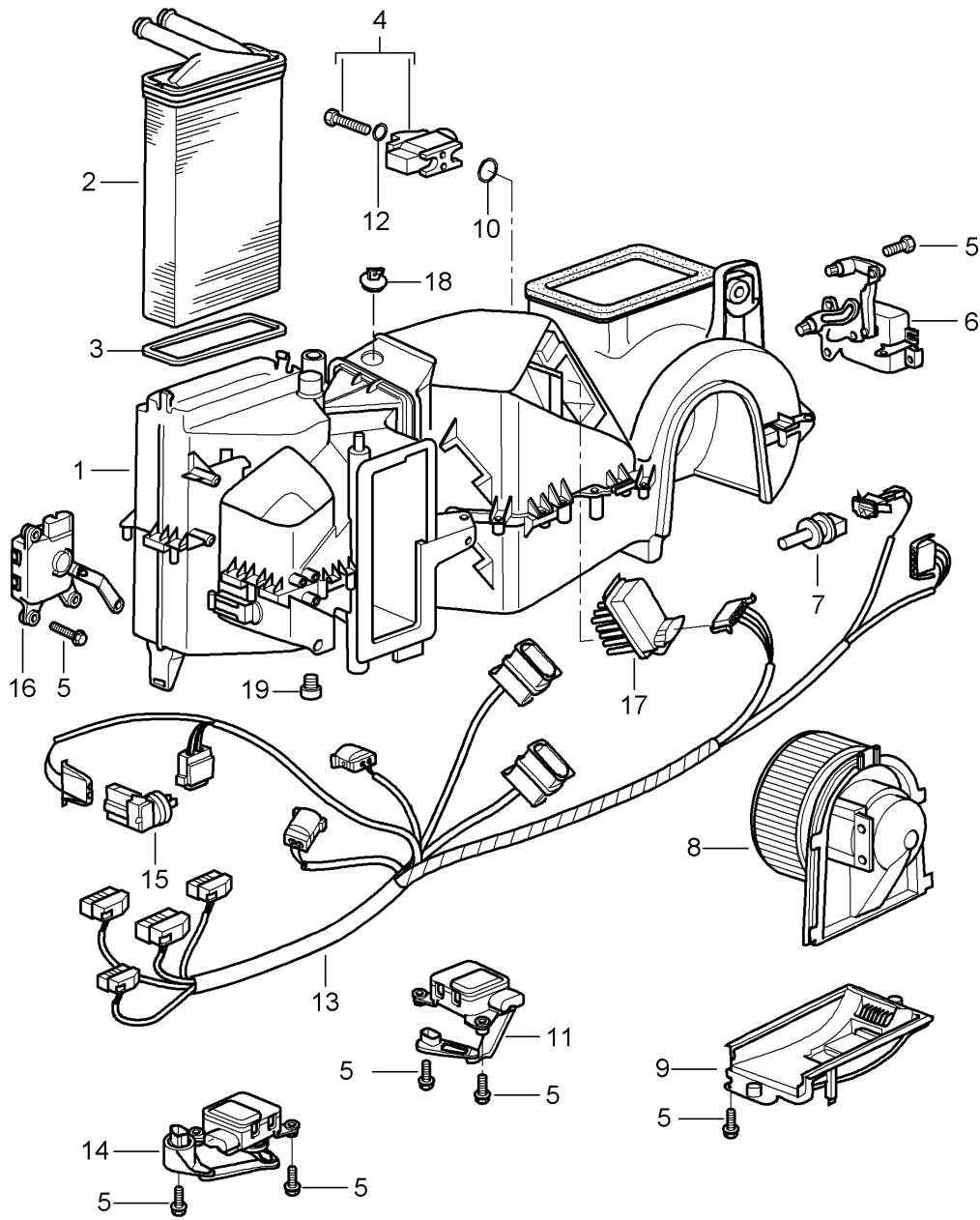
Model: 997G07

Model life 2007>>2011

Pos	Part Number	Description	Remark	Qty	Model
		Luggage compartment			PR:575
		Cooling			
1	997 572 582 00	Air guide		1	
		water box			
2	997 572 580 00	Air guide		1	
		Air conditioner			
3	997 572 584 01	Air guide		1	
		filler plate			
4	997 572 586 02	Air guide		1	
		Amplifiers			
5	997 572 263 00	Seal		1	
6	997 572 586 03	Air guide		1	PR:664
		Amplifiers			
7	997 572 586 04	Air guide		1	PR:664
		Amplifiers			
8	997 572 586 05	Air guide		1	PR:664
		Amplifiers			
9	999 507 830 40	Cable holder		1	
		21,5 X 21,5			

Model: 997G07

Model life 2007>>2011

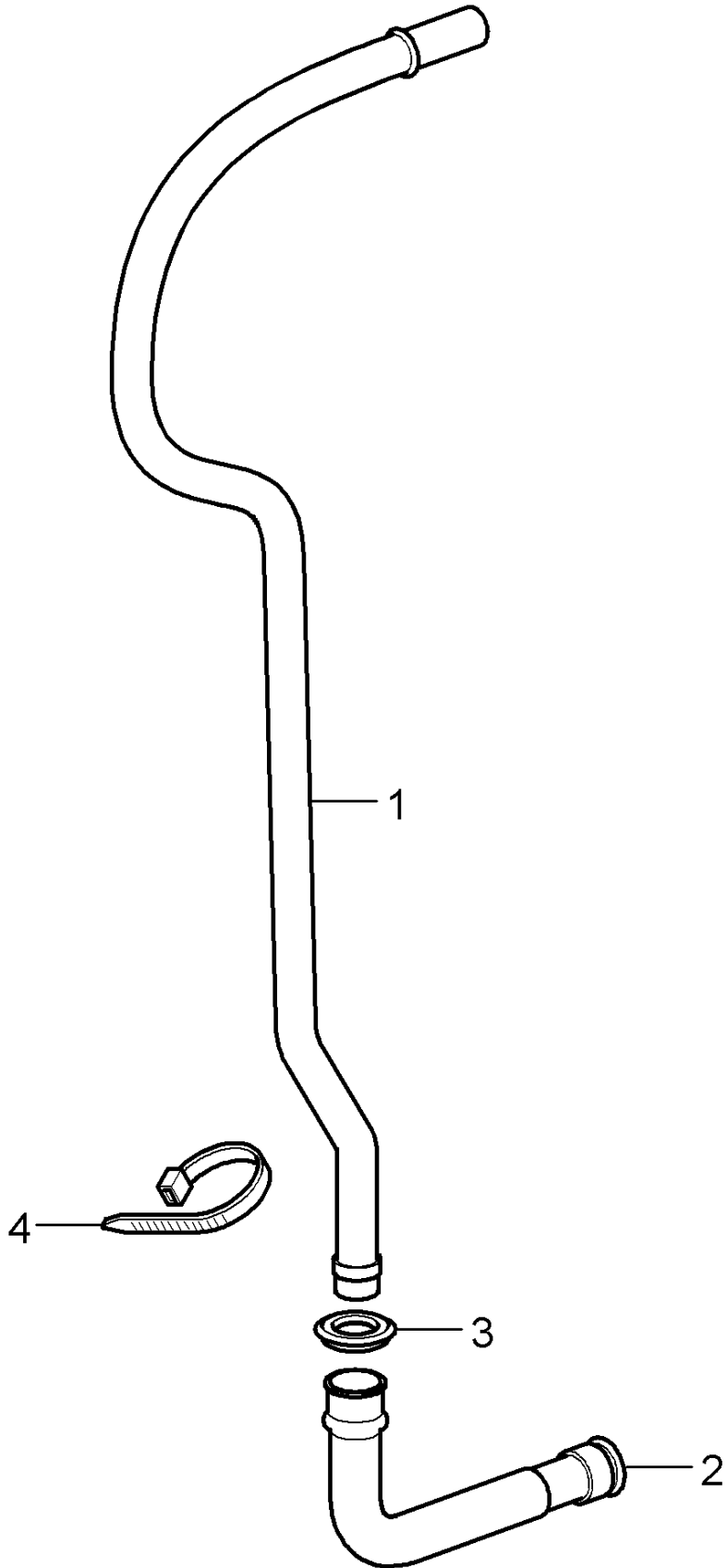


Model: 997G07 Model life 2007>>2011

Pos	Part Number	Description	Remark	Qty	Model
1	997 573 901 04	Air conditioner Individual parts Air conditioner without: heat exchanger with: evaporator	lhd	1	PR:098,573
2	996 572 129 00	heat exchanger		1	
2	997 572 129 00	heat exchanger		1	
3	996 572 913 00	Seal		1	
4	996 573 929 01	Expansion valve		1	
5	900 143 093 01	Bolt with washer		2	
6	996 573 915 00	actuator motor for fresh air flap	lhd	1	PR:098
		fresh air flap		1	
		Identification: >> >>		1	
(6)	996 573 915 01	Black actuator motor for fresh air flap Identification: >> >> Black	rhd	1	PR:099
7	955 572 304 10	Temperature sensor		1	
8	996 624 107 01	Fan	lhd	1	PR:098
9	996 573 905 00	Cover		1	
10	999 707 596 40	O-ring 14X1,82		1	
11	996 573 919 02	Servomotor Temperature valve	lhd	1	PR:098
(11)	996 573 919 02	Servomotor Temperature valve Identification: >> >> pink	lhd	1	PR:098
12	999 707 534 41	O-ring 17X2,00		1	
13	997 612 655 02	Wire set		1	PR:098,573
(13)	997 612 656 02	Wire set		1	PR:099,573
(13)	987 612 655 02	Wire set		1	PR:098,099, 572
14	996 573 921 02	Servomotor for defroster flap Identification: >> >> yellow	lhd	1	PR:098
(14)	996 573 921 03	Servomotor for defroster flap Identification: >> >> yellow	rhd	1	PR:099
15	1H0 907 543 A	Temperature sensor		1	
16	996 573 917 02	central flap positioning motor Identification: >> >> green	lhd	1	PR:098
17	996 573 923 00	Resistor		1	
18	997 573 935 00	Bungs		1	
19	996 573 927 00	Blower outlet sensor		1	

Model: 997G07

Model life 2007>>2011



Model: 997G07

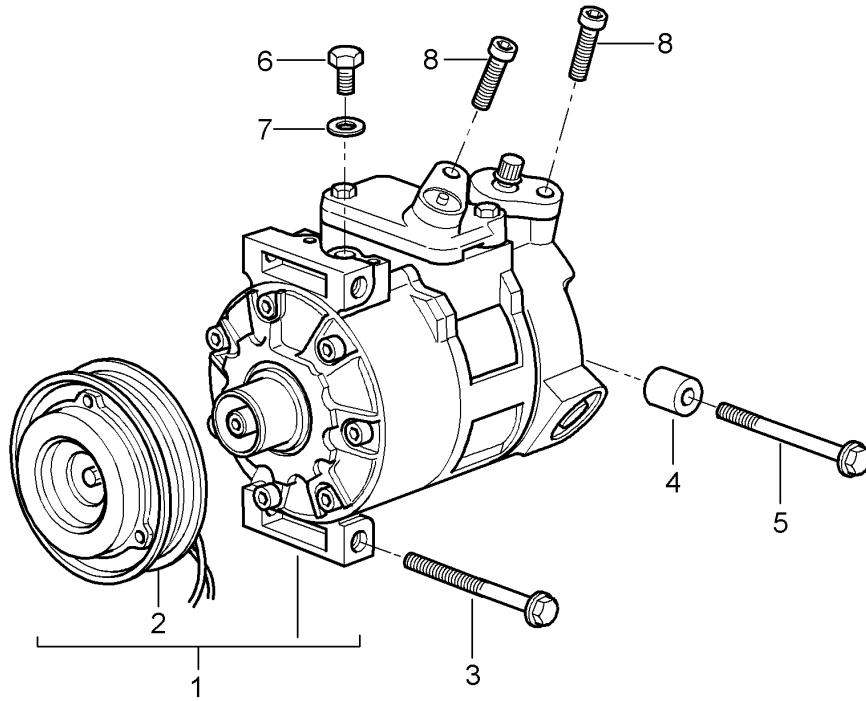
Model life 2007>>2011

Pos	Part Number	Description	Remark	Qty	Model
		water drain pipe			
		Mount			
		Air conditioner			
1	996 573 793 01	water drain pipe	lhd	1	PR:098
2	996 573 797 02	Connecting piece		1	
3	996 573 795 01	Grommet		1	
4	999 513 049 40	Cable ties		1	



Model: 997G07

Model life 2007>>2011



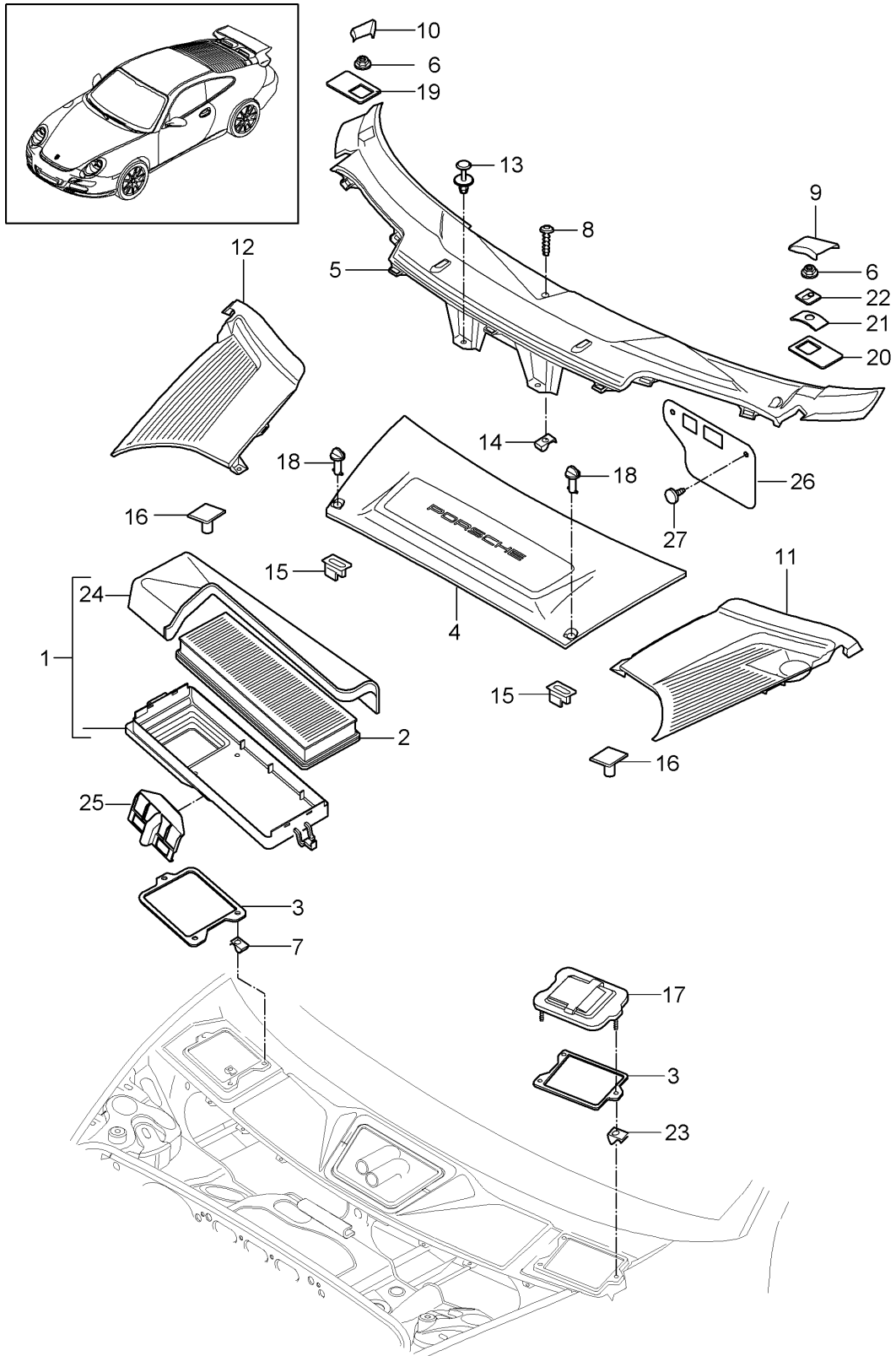
Model: 997G07

Model life 2007>>2011

Pos	Part Number	Description	Remark	Qty	Model
1	996 126 011 52	Compressor		1	
(1)	997 126 011 90	Compressor		1	
2	996 573 926 00	Magnetic coupling repair set for Compressor 996.126.011.52		1	
3	900 385 102 01	Torx screw Bm 8 X 90		2	
4	996 126 102 71	Distance piece		1	
5	900 385 281 01	Torx screw M 8X120		1	
6	996 573 926 01	Oil filler screw		1	
-	000 043 200 04	Compressor oil 250 ml		1	

Model: 997G07

Model life 2007>>2011



Model: 997G07 Model life 2007>>2011

Pos	Part Number	Description	Remark	Qty	Model
1	997 572 019 04	Particulate filter housing	lhd	1	PR:098
2	997 571 219 01	Cowl panel covering		1	
3	997 572 221 00	Dust and pollen filter		1	
4	997 572 567 04	Seal		1	
	997 572 567 04 FMT	Battery cover		1	
		Black			
		Battery			
(4)	997 572 729 02	Dust and pollen filter insert	lhd	1	PR:098
		Particulate filter			
5	997 572 563 08	Cover	lhd	1	PR:098
		Scuttle			
	997 572 563 08 FMT	Black			
6	999 076 071 02	Hexagon nut		2	
		M6			
7	999 507 348 01	panel nut		3	
8	N 906 487 02	Oval hexagon socket head bolt		1	
9	997 572 569 04	Cover cap	left	2	PR:098
	997 572 569 04 FMT	Black			
10	997 572 570 04	Cover cap	right	1	PR:098
	997 572 570 04 FMT	Black			
11	997 572 361 06	Plenum chamber cover	left	1	
		Discontinued part			
	997 572 361 06 02A	Black			
11	997 572 361 07	Plenum chamber cover	left	1	
	997 572 361 07 02A	Black			
12	997 572 362 07	Plenum chamber cover	right	1	
		Discontinued part			
	997 572 362 07 02A	Black			
12	997 572 362 08	Plenum chamber cover	right	1	
	997 572 362 08 02A	Black			
13	999 507 497 40	Spreader rivet		2	
		8 X 14			
14	999 507 834 41	expanding nut		1	
		ST 4,8			
15	999 590 046 40	Cam disc		2	
16	999 902 046 40	catch		1	
17	997 572 419 02	Cover		2	
		D - MJ 2007>> - MJ 2007			
17	997 572 419 03	Cover		2	
		D - MJ 2008>> - MJ 2008			
18	997 572 867 00	Locking bolt		2	
	997 572 867 00 02A	Black			
18	997 572 867 01	Locking bolt		2	
	997 572 867 01 02A	Black			
19	997 572 842 00	Pressure plate (passenger side)		1	
		D >> - MJ 2007			
		Discontinued part			
19	997 572 842 01	Pressure plate (passenger side)	right lhd	1	PR:098
		D - MJ 2008>>			
20	997 572 841 00	Pressure plate (drivers side)		1	
21	997 572 837 00	spring plate (drivers side)		1	
22	997 572 533 00	Retaining plate (drivers side)		1	
23	999 591 855 02	panel nut		3	
24	997 572 729 02	Dust and pollen filter insert	lhd	1	PR:098
		Particulate filter			
25	997 572 862 01	Support		1	
26	997 572 763 00	Cover		1	

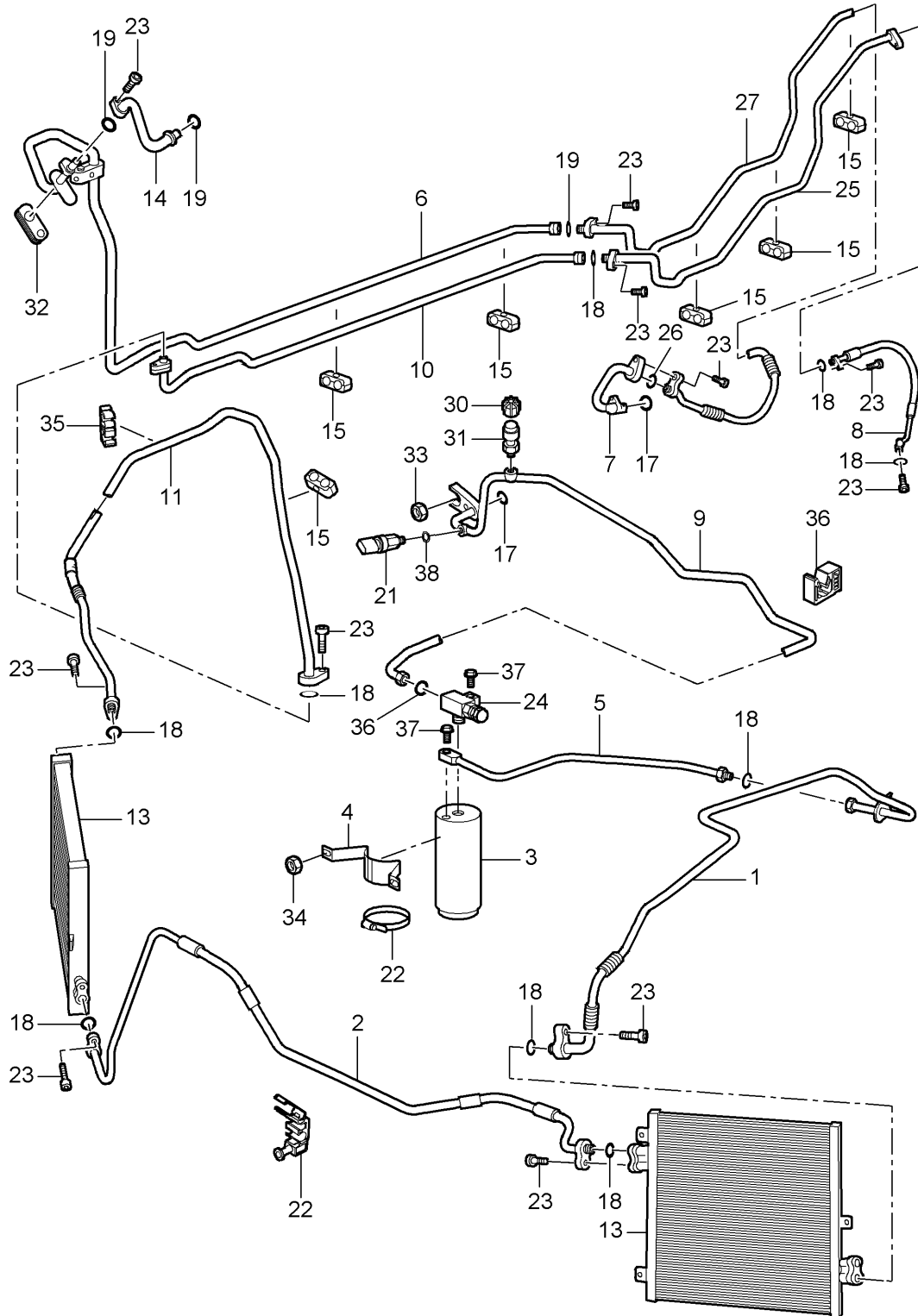
Model: 997G07

Model life 2007>>2011

Pos	Part Number	Description	Remark	Qty	Model
27	999 703 432 40	Bungs 8,0 12,2 X 25		2	

Model: 997G07

Model life 2007>>2011



Model: 997G07 Model life 2007>>2011

Pos	Part Number	Description	Remark	Qty	Model
1	997 573 105 03	refrigerant circuit Pressure line		1	
2	997 573 103 02	Pressure line D >> - MJ 2009		1	PR:573
2	997 573 103 90	Pressure line D - MJ 2010>>		1	PR:573
3	944 573 143 01	Drier		1	
4	996 573 451 00	bracket for drier		1	
5	996 573 106 00	Refrigerant line		1	
6	996 573 091 01	suction line		1	
7	997 573 099 90	suction line		1	PR:573
(8)	997 573 097 90	Pressure line		1	PR:573
9	997 573 108 02	Pressure line	lhd	1	PR:098
10	996 573 092 02	Pressure line		1	
11	997 573 094 02	Pressure line		1	
12	996 347 543 00	Cable holder		1	
13	996 573 111 03	Condenser		2	
14	996 573 093 06	suction line	lhd	1	PR:098
15	999 511 230 40	Cable holder		X	
		also use:			
-	999 511 231 41	Rubber bush		2	
16	999 707 531 41	O-ring 7,5X2		2	
17	999 707 439 41	O-ring 23,8X2,4		2	
18	999 707 434 41	O-ring 10,6X2		X	
19	999 707 534 41	O-ring 17X2		3	
20	999 707 262 40	O-ring 6,7X1,8		X	
21	1K0 959 126 B	Pressure sensor Discontinued part		1	
(21)	955 613 137 01	Pressure sensor Discontinued part		1	
(21)	955 613 137 02	Pressure sensor		1	
22	999 512 349 02	Hose clamp A50 - 70/9 Discontinued part		1	
22	999 512 349 01	Hose clamp A50 - 70/9		1	
23	900 067 247 02	Bolt with washer m8 x 30 Discontinued part		X	
23	900 067 247 01	Bolt with washer M8 X 30		X	
24	997 573 243 00	Distributor		1	
25	997 573 096 03	Pressure line		1	
26	999 707 558 41	O-ring 13,7x2,5		X	
27	997 573 095 01	suction line		1	
30	944 573 663 02	Cap		1	
31	996 573 666 00	Valve		1	
32	996 573 769 01	Grommet		1	
33	900 377 010 09	Hexagon nut M 6		1	
34	900 380 015 09	Hexagon nut M6		2	
35	996 355 547 01	Bracket		1	
36	999 591 922 40	Bracket		1	
37	900 075 340 02	Hexagon bolt M6 x 22		2	
38	999 707 555 41	O-ring		1	

Model: 997G07

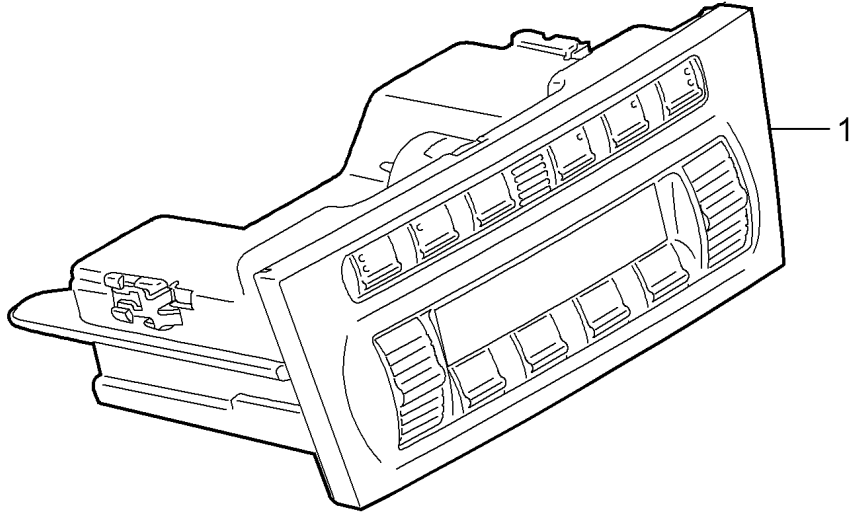
Model life 2007>>2011

Pos	Part Number	Description	Remark	Qty	Model
		10,8 x 1,8			



Model: 997G07

Model life 2007>>2011

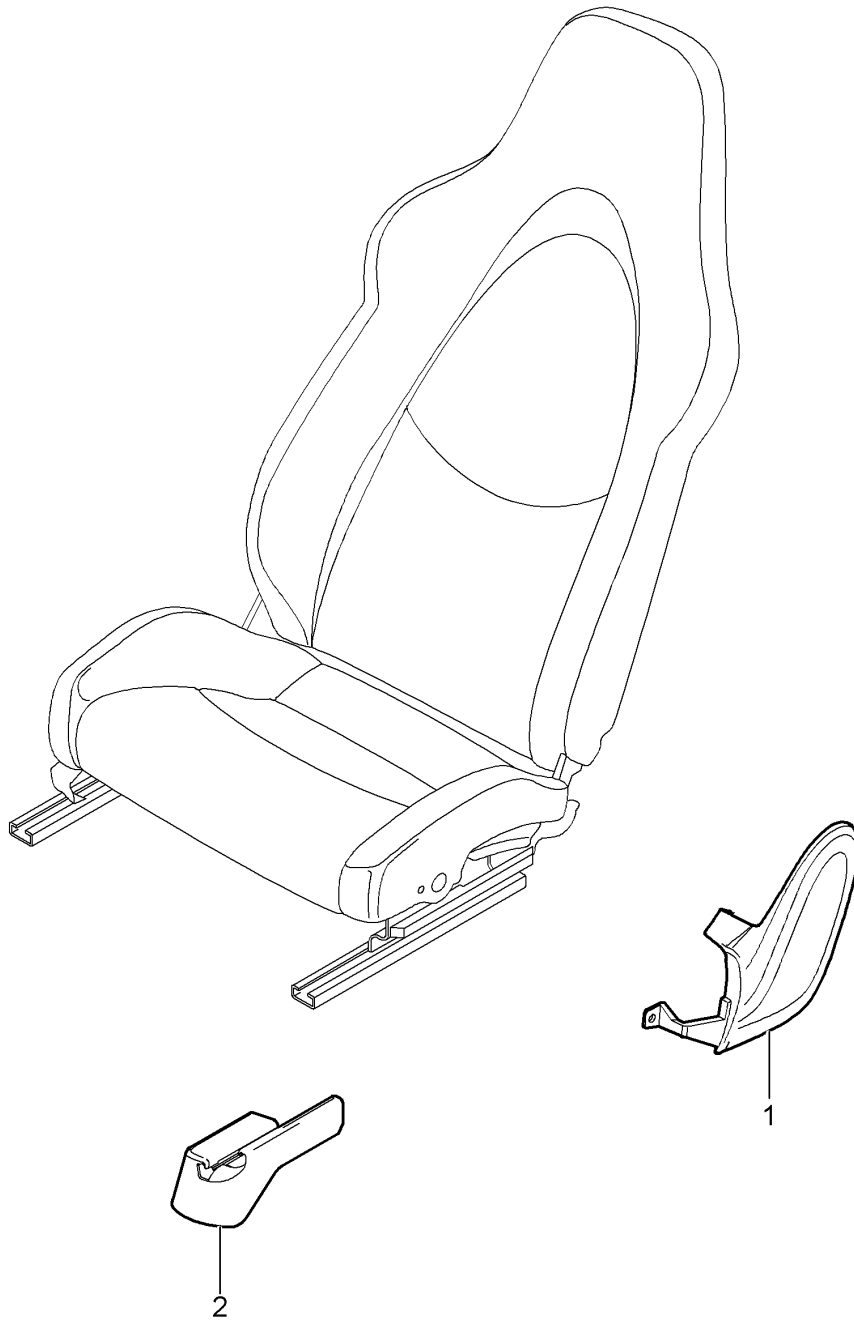


Model: 997G07 Model life 2007>>2011

Pos	Part Number	Description	Remark	Qty	Model
1	997 653 101 12	Control switch Control panel D >> - MJ 2007		1	PR:573
1	997 653 101 12 FMH 997 653 101 13	Volcano Grey/Black Mat Control panel D - MJ 2008>> - MJ 2008		1	PR:573
1	997 653 101 13 FMH 997 653 111 11	Volcano Grey/Black Mat Control panel D >> - MJ 2007		1	PR:573,342
(1)	997 653 111 11 FMH 997 653 103 91	Volcano Grey/Black Mat Control panel heater D - MJ 2008>>		1	PR:574
(1)	997 653 103 91 FMH 997 653 201 04	Volcano Grey/Black Mat Control panel D - MJ 2010>>		1	PR:573
(1)	997 653 201 04 FTC 997 653 203 92	Matt Black/Galvano Silver Control panel D - MJ 2010>>		1	PR:574
(1)	997 653 203 92 FTC 997 653 211 04	Matt Black/Galvano Silver Control panel D - MJ 2010>>		1	PR:573,342
	997 653 211 04 FTC	Matt Black/Galvano Silver			

Model: 997G07

Model life 2007>>2011



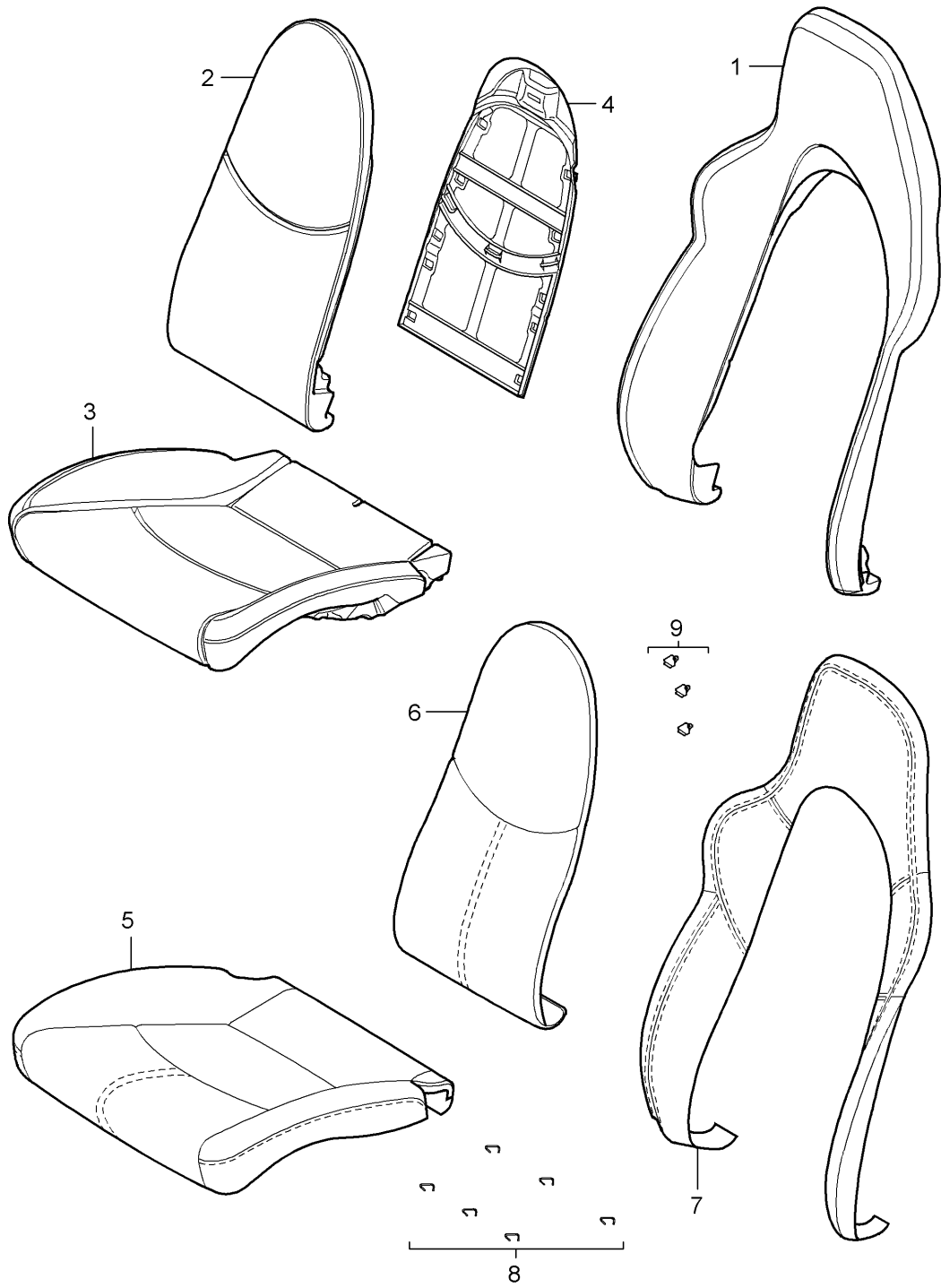
Model: 997G07

Model life 2007>>2011

Pos	Part Number	Description	Remark	Qty	Model
-		Front seat D - MJ 2007>> (complete) Not available sports seat			GT3
1	997 521 315 02	Cover panel	left	1	
	997 521 315 02 D07	Volcano grey			
(1)	997 521 316 02	Cover panel	right	1	
	997 521 316 02 D07	Volcano grey			
(1)	997 521 316 03	Cover panel		1	PR:560
		Mounting component For vehicles with 'Advanced' airbag			
	997 521 316 03 D07	Volcano grey			
2	997 521 359 01	Rail		1	PR:369,375
	997 521 359 01 01C	Satin black			
(2)	997 521 360 01	Rail	right	1	PR:370,376
		Seat rail Manually			
	997 521 360 01 01C	Satin black			
(2)	997 521 361 00	Rail		1	PR:377,378
		Seat rail			
	997 521 361 00 01C	Satin black			
(2)	997 521 362 00	Rail		1	PR:377,378
		Seat rail			
	997 521 362 00 01C	Satin black			

Model: 997G07

Model life 2007>>2011

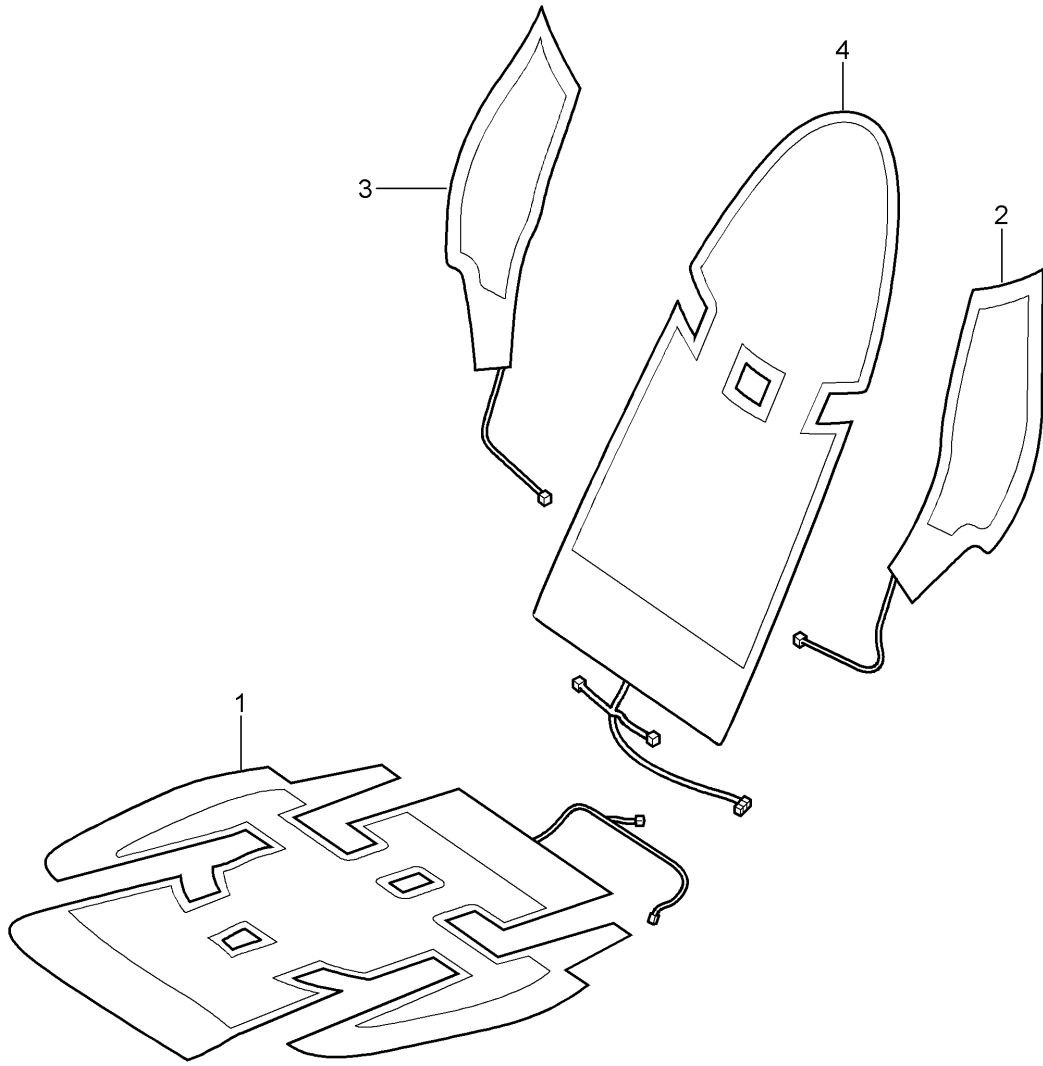


Model: 997G07 Model life 2007>>2011

Pos	Part Number	Description	Remark	Qty	Model
		Foam part Cover sports seat D - MJ 2007>>			GT3
1	997 521 535 01	Foam part		1	PR:375,376
1	997 521 535 02	Foam part backrest	outer	1	PR:377,378
2	997 521 581 00	Foam part backrest	center	1	
3	997 521 571 01	Foam part		1	PR:375,376
(3)	997 521 571 02	Foam part		1	PR:377,378
(3)	997 521 571 04	Foam part		1	PR:376,560
(3)	997 521 571 05	Foam part Seat cushion		1	
4	997 521 551 01	Backrest-padding support part		1	
5	997 521 161 07	Seat cover Alcantara		1	PR:375,376, 951
	997 521 161 07 RAA	Black			
	997 521 161 07 RAB	Dark grey/natural			
(5)	997 521 161 08	Seat cover Alcantara		1	PR:377,378, 951
	997 521 161 08 RAA	Black			
	997 521 161 08 RAB	Dark grey/natural			
(5)	997 521 161 08	Seat cover Alcantara		1	PR:006,377, 378,951
	997 521 161 08 RAA	Black			
	997 521 161 08 RAC	Black/Guards Red			
6	987 521 151 00	Backrest cushion cover Centre part Alcantara		1	PR:375,376, 377,378,951
	987 521 151 00 A15	Black			
(6)	987 521 151 00	Backrest cushion cover Centre part Alcantara		1	PR:006,377, 378,951
	987 521 151 00 A15	Black			
	987 521 151 00 N13	guards red (Porsche)			
7	997 521 155 01	Backrest cover Outer part		1	PR:376,377, 378,951
	997 521 155 01 FLC	Black			
	997 521 155 01 VAA	Dark grey/natural			
(7)	997 521 941 02	Backrest cover Outer part		1	PR:XSC,375, 376,377,378
	997 521 941 02 8YR	Black			
	997 521 941 02 D11	Dark grey/natural			
(7)	997 521 155 90	backrest cover (alcantara) Outer part		1	PR:006,377, 378,951
	997 521 155 90 8YR	Black			
8	997 521 837 00	Clip Padding Seat		6	
9	997 521 897 00	Clip Backrest cover		5	

Model: 997G07

Model life 2007>>2011



Model: 997G07

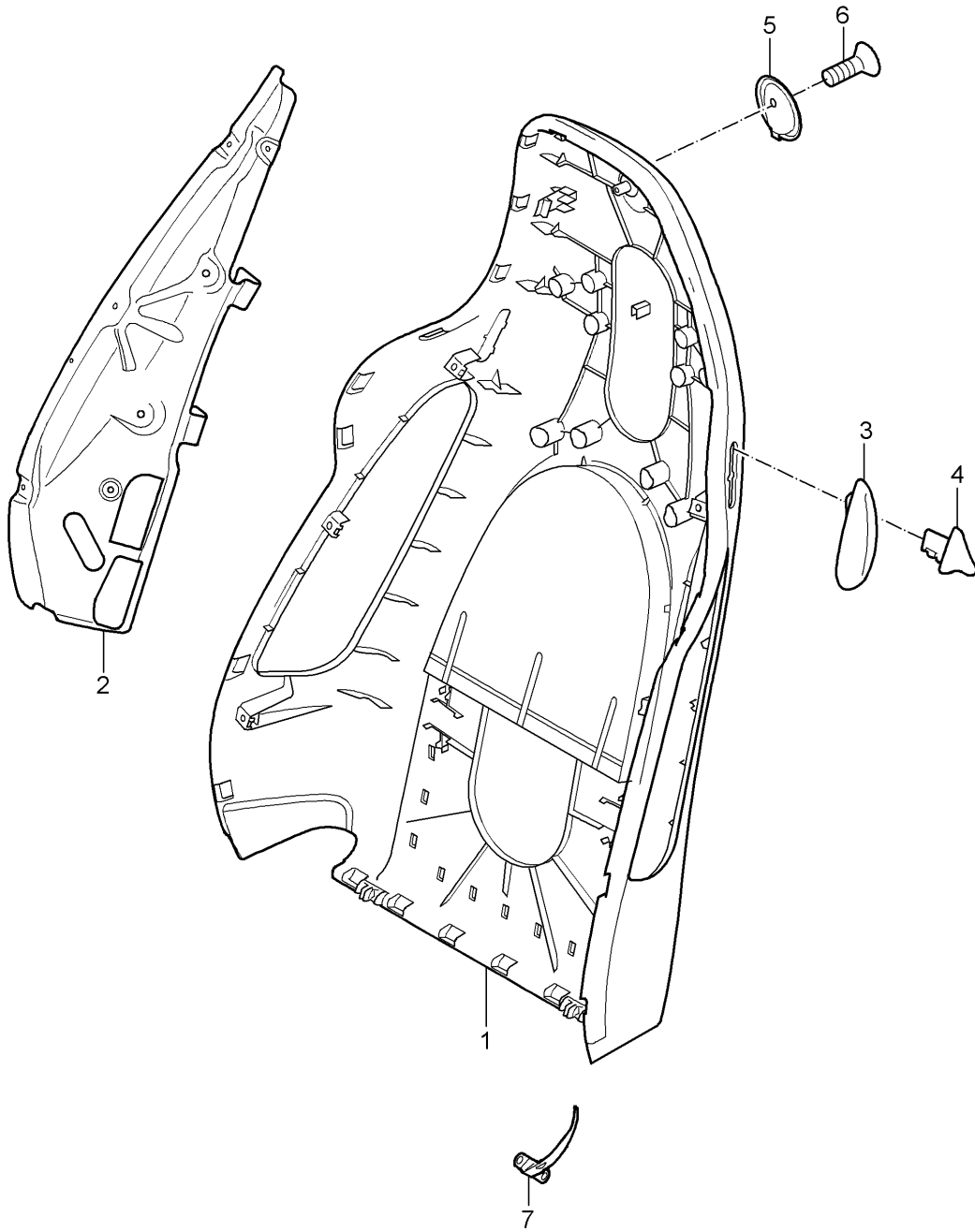
Model life 2007&gt;&gt;2011

Pos	Part Number	Description	Remark	Qty	Model
		heater sports seat Front seat D - MJ 2007>>			GT3
2	997 653 105 03	Heating element Seat cushion sports seat	left a. right	2	PR:375,376, 377,378,342
2	997 653 109 01	Heating element Backrest side bolster sports seat	left	1	PR:375,376, 377,378,342
3	997 653 110 01	Heating element Backrest side bolster sports seat	right	1	PR:375,376, 377,378,342
4	997 653 107 00	Heating element Backrest cushion	left a. right	2	PR:342



Model: 997G07

Model life 2007>>2011



Model: 997G07 Model life 2007>>2011

Pos	Part Number	Description	Remark	Qty	Model
		Backrest shell sports seat D - MJ 2007>>			GT3
1	997 521 303 13	Backrest shell	left	1	PR:375,377
	997 521 303 13 D07	Volcano grey			
(1)	997 521 304 13	Backrest shell	right	1	PR:376,378
	997 521 304 13 D07	Volcano grey			
(1)	997 521 981 00	Backrest shell	left	1	PR:375,377, XSA
		Lacquered			
	997 521 981 00 041	Black			
	997 521 981 00 84A	guards red (Porsche)			
	997 521 981 00 12H	Speed yellow			
	997 521 981 00 B9A	Carrara white			
	997 521 981 00 92U	Arctic silver metallic			
	997 521 981 00 C9Z	Basalt black metallic			
	997 521 981 00 M7W	Meteor Grey Metallic			
	997 521 981 00 M8W	Macadamia Metallic			
	997 521 981 00 M3X	Ruby red metallic			
	997 521 981 00 M5X	Dark blue metallic			
	997 521 981 00 22G	Racing Green Metallic			
	997 521 981 00 M5R	Aqua blue metallic			
	997 521 981 00 51A	cream white			
	997 521 981 00 M2Z	Nordic Gold Metallic			
	997 521 981 00 M7Z	GT Silver Metallic			
	997 521 981 00 2B5	Malachite Green Metallic			
	997 521 981 00 M4Z	Amethyst metallic			
(1)	997 521 981 02	Backrest shell	left	1	PR:375,377, XSB
		Leather			
	997 521 981 02 A11	Black			
	997 521 981 02 D12	Dark grey/natural			
(1)	997 521 982 02	Backrest shell	right	1	PR:376,378, XSB
		Leather			
	997 521 982 02 A11	Black			
	997 521 982 02 D12	Dark grey/natural			
(1)	997 521 982 00	Backrest shell	right	1	PR:376,378, XSA
		Lacquered			
	997 521 982 00 041	Black			
	997 521 982 00 84A	guards red (Porsche)			
	997 521 982 00 12H	Speed yellow			
	997 521 982 00 B9A	Carrara white			
	997 521 982 00 92U	Arctic silver metallic			
	997 521 982 00 C9Z	Basalt black metallic			
	997 521 982 00 M7W	Meteor Grey Metallic			
	997 521 982 00 M8W	Macadamia Metallic			
	997 521 982 00 M3X	Ruby red metallic			
	997 521 982 00 M5X	Dark blue metallic			
	997 521 982 00 22G	Racing Green Metallic			
	997 521 982 00 M5R	Aqua blue metallic			
	997 521 982 00 51A	cream white			
	997 521 982 00 M2Z	Nordic Gold Metallic			
	997 521 982 00 M7Z	GT Silver Metallic			
	997 521 982 00 2B5	Malachite Green Metallic			
	997 521 982 00 M4Z	Amethyst metallic			
(1)	997 521 981 04	Backrest shell	left	1	PR:375,377, XSB
		Leather			
	997 521 981 04 A11	Black			
	997 521 981 04 D12	Dark grey/natural			
(1)	997 521 982 04	Backrest shell	right	1	PR:376,378, XSB
		Leather			
	997 521 982 04 A11	Black			
	997 521 982 04 D12	Dark grey/natural			
(1)	997 521 984 07	Backrest shell	right	1	PR:378,XSB, 560
		Leather			

Model: 997G07 Model life 2007>>2011

Pos	Part Number	Description	Remark	Qty	Model
(1)	997 521 984 07 V04	D - MJ 2010>> Galvano silver			
	997 521 983 00	Backrest shell Lacquered	left	1	PR:XSA, 375
	997 521 983 00 041	D - MJ 2010>> Black			
	997 521 983 00 84A	guards red (Porsche)			
	997 521 983 00 12H	Speed yellow			
	997 521 983 00 B9A	Carrara white			
	997 521 983 00 92U	Arctic silver metallic			
	997 521 983 00 C9Z	Basalt black metallic			
	997 521 983 00 M7X	Atlas grey metallic			
(1)	997 521 984 00	Backrest shell Lacquered	right	1	PR:XSA, 376
	997 521 984 00 041	D - MJ 2010>> Black			
	997 521 984 00 84A	guards red (Porsche)			
	997 521 984 00 12H	Speed yellow			
	997 521 984 00 B9A	Carrara white			
	997 521 984 00 92U	Arctic silver metallic			
	997 521 984 00 C9Z	Basalt black metallic			
	997 521 984 00 M7X	Atlas grey metallic			
(1)	997 521 983 01	Backrest shell Lacquered	left	1	PR:XSA, 377
	997 521 983 01 041	D - MJ 2010>> Black			
	997 521 983 01 84A	guards red (Porsche)			
	997 521 983 01 12H	Speed yellow			
	997 521 983 01 B9A	Carrara white			
	997 521 983 01 92U	Arctic silver metallic			
	997 521 983 01 C9Z	Basalt black metallic			
	997 521 983 01 M7X	Atlas grey metallic			
	997 521 983 01 M7W	Meteor Grey Metallic			
	997 521 983 01 M8W	Macadamia Metallic			
	997 521 983 01 M3X	Ruby red metallic			
	997 521 983 01 M5X	Dark blue metallic			
	997 521 983 01 22G	Racing Green Metallic			
	997 521 983 01 M5R	Aqua blue metallic			
	997 521 983 01 51A	cream white			
	997 521 983 01 M2Z	Nordic Gold Metallic			
	997 521 983 01 M7Z	GT Silver Metallic			
	997 521 983 01 2B5	Malachite Green Metallic			
(1)	997 521 984 01	Backrest shell Lacquered	right	1	PR:XSA, 378
	997 521 984 01 041	D - MJ 2010>> Black			
	997 521 984 01 84A	guards red (Porsche)			
	997 521 984 01 12H	Speed yellow			
	997 521 984 01 B9A	Carrara white			
	997 521 984 01 92U	Arctic silver metallic			
	997 521 984 01 C9Z	Basalt black metallic			
	997 521 984 01 M7X	Atlas grey metallic			
	997 521 984 01 M7W	Meteor Grey Metallic			
	997 521 984 01 M8W	Macadamia Metallic			
	997 521 984 01 M3X	Ruby red metallic			
	997 521 984 01 M5X	Dark blue metallic			
	997 521 984 01 22G	Racing Green Metallic			
	997 521 984 01 M5R	Aqua blue metallic			
	997 521 984 01 51A	cream white			
	997 521 984 01 M2Z	Nordic Gold Metallic			
	997 521 984 01 M7Z	GT Silver Metallic			
	997 521 984 01 2B5	Malachite Green Metallic			
2	997 521 319 00	Support	left	1	

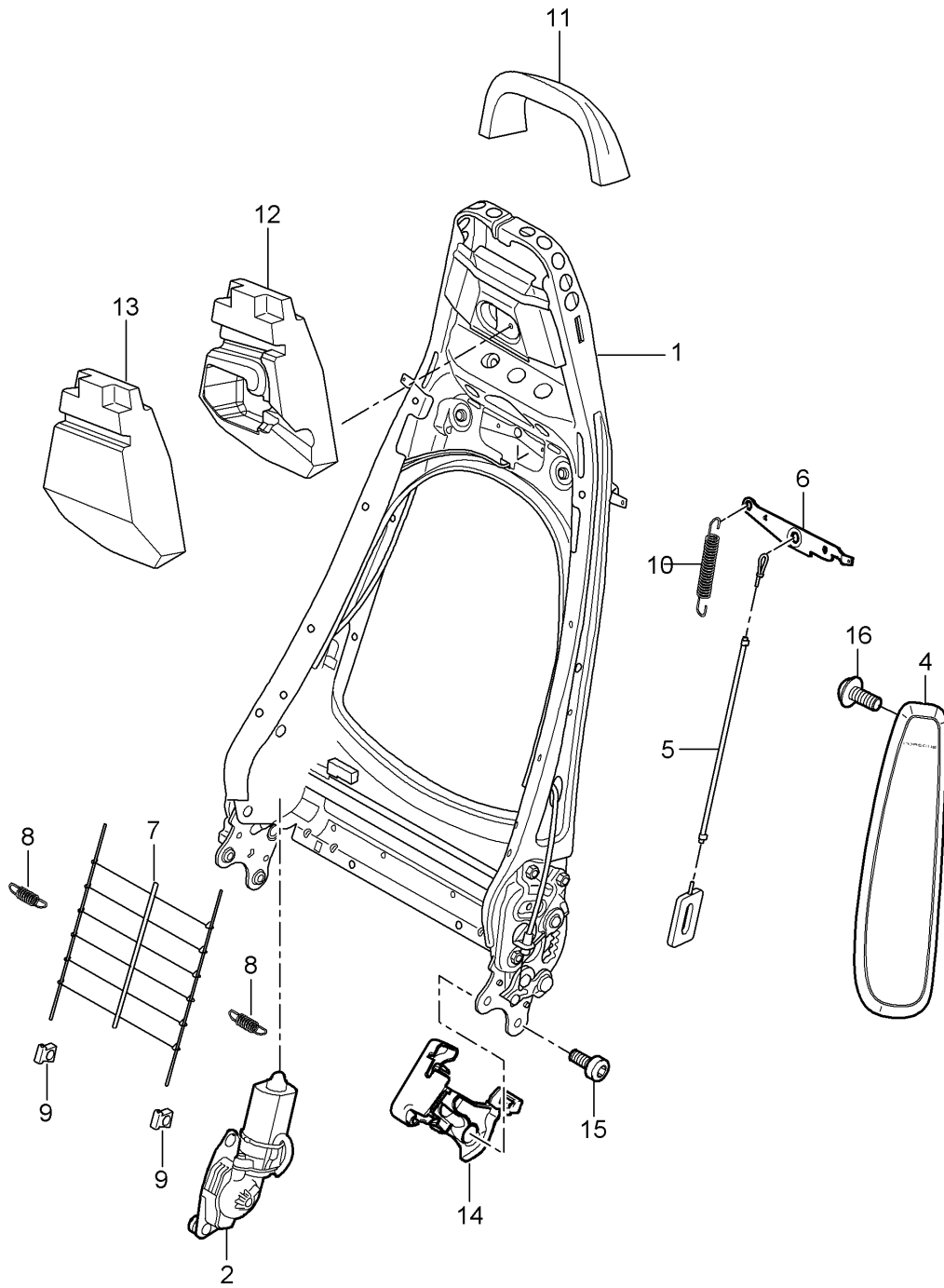
Model: 997G07

Model life 2007>>2011

Pos	Part Number	Description	Remark	Qty	Model
(2)	997 521 320 00	Support Backrest side bolster	right	1	
3	997 521 621 03	Rosette	left	1	
	997 521 621 03 D07	Volcano grey			
(3)	997 521 622 03	Rosette	right	1	
		lever for folding backrest			
	997 521 622 03 D07	Volcano grey			
4	997 521 623 02	Actuator button	left	1	
	997 521 623 02 V05	Galvano silver			
(4)	997 521 624 02	Actuator button	right	1	
	997 521 624 02 V05	Galvano silver			
5	997 521 373 01	Coat hook	left a. right	2	
	997 521 373 01 D07	Volcano grey			
6	999 919 232 09	Screw		2	
		Coat hook			
7	997 521 783 00	Support panel	left	1	
(7)	997 521 784 00	Support panel	right	1	
		Backrest shell			

Model: 997G07

Model life 2007>>2011



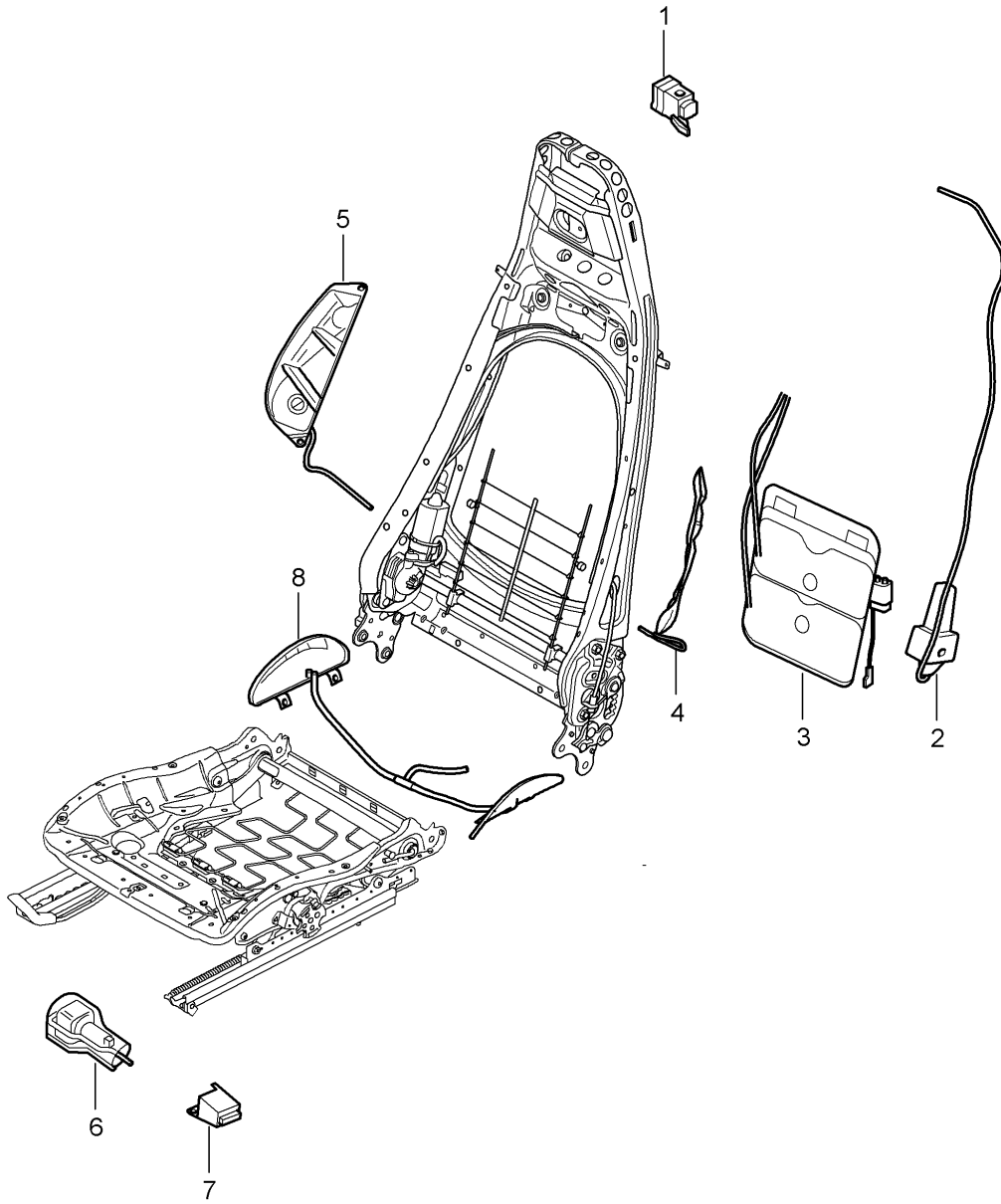
Model: 997G07

Model life 2007>>2011

Pos	Part Number	Description	Remark	Qty	Model
		Backrest frame sports seat			GT3
1	997 521 329 00	D - MJ 2007>> backrest frame	left a. right	2	PR:375,376
(1)	997 521 329 02	D >> - MJ 2007 backrest frame without:	left a. right	2	PR:375,376
(1)	997 521 329 03	Memory D - MJ 2008>> backrest frame with:	left a. right	2	PR:537,538
2	997 624 321 00	Memory D - MJ 2008>> Electric motor backrest without:	left a. right	1	PR:377,378
4	997 803 081 01	Memory Side airbag unit	left	1	PR:375,377
(4)	997 803 081 01 D07	Volcano grey			
	997 803 082 01	Side airbag unit	right	1	PR:376,378
	997 803 082 01 D07	Volcano grey			
5	997 521 485 00	Bowden cable		2	
6	997 521 375 00	Backrest frame Release		2	
7	997 521 855 00	Backrest frame Grille		2	
8	997 521 893 00	Backrest frame tension spring		2	
9	997 521 895 00	Grille Clip		2	
10	997 521 797 00	Grille tension spring		1	
11	997 521 885 00	Release backrest Foam part	upper	1	
12	997 521 887 01	Head restraint Foam part	center	1	PR:377,378
13	997 521 887 00	Head restraint Foam part	center	1	PR:375,376
14	997 521 335 01	Head restraint Trim	left	1	
(14)	997 521 335 01 D07	Mounting component Volcano grey	inner	1	
	997 521 336 01	Trim	right	1	
	997 521 336 01 D07	Mounting component Volcano grey	inner	1	
15	999 073 375 09	Screw Mount backrest		4	
16	999 073 306 09	Seat frame Screw Mount Side airbag unit		2	

Model: 997G07

Model life 2007>>2011



Model: 997G07

Model life 2007>>2011

Pos	Part Number	Description	Remark	Qty	Model
		Lumbar support sports seat D - MJ 2007>>			GT3
1	997 617 725 00	Valve		1	
2	997 620 725 00	Lumbar support Compressor		1	
3	997 521 709 00	Lumbar Lumbar support backrest		1	
4	997 521 711 00	container Air distributor	left	1	
5	997 521 712 00	Backrest side bolster container Air distributor	right	1	
6	997 620 727 00	Backrest side bolster Compressor Adjustment		1	
7	997 617 727 00	Seat side bolster Valve Adjustment		1	
8	997 521 713 01	Seat Wide container Air distributor Seat side bolster		1	





Model: 997G07 Model life 2007>>2011

Pos	Part Number	Description	Remark	Qty	Model
		Seat frame sports seat Manually D - MJ 2007>>			GT3
1	997 521 201 00	Seat frame	left lhd	1	PR:098,375
(1)	997 521 201 10	Seat frame Manually (drivers side) D - MJ 2007>>	left lhd	1	PR:098,375
(1)	997 521 201 03	Seat frame	left rhd	1	PR:099,375
(1)	997 521 201 11	Seat frame Manually (passenger side) D - MJ 2007>>	left rhd	1	PR:099,375
(1)	997 521 202 05	Seat frame	right lhd	1	PR:098,376
(1)	997 521 202 20	Seat frame Manually (passenger side) D - MJ 2007>>	right lhd	1	PR:098,376
(1)	997 521 202 06	Seat frame	right	1	PR:376,560
(1)	997 521 202 23	Seat frame Manually seat occupied recognition D - MJ 2007>>	right	1	PR:376,560
(2)	997 521 627 01	Actuating lever	left	1	PR:375
	997 521 627 01 V05	Galvano silver			
(2)	997 521 628 01	Actuating lever Height adjustment	right	1	PR:376
	997 521 628 01 V05	Galvano silver			
3	997 521 629 01	Cover cap Height adjustment	left a. right	1	
	997 521 629 01 D07	Volcano grey			
4	997 521 325 06	Trim for switch	left	1	PR:375
	997 521 325 06 D07	Volcano grey			
(4)	997 521 326 06	Trim for switch	right	1	PR:376
	997 521 326 06 D07	Volcano grey			
5	997 521 325 08	Trim for switch Elect. backrest adjustment		1	PR:377
	997 521 325 08 D07	Volcano grey			
	997 521 325 08 V04	Galvano silver			
(5)	997 521 326 08	Trim for switch Elect. backrest adjustment		1	PR:378
	997 521 326 08 D07	Volcano grey			
	997 521 326 08 V04	Galvano silver			
(5)	997 521 326 09	Trim for switch For vehicles with 'Advanced' airbag	right	1	PR:376,560
	997 521 326 09 D07	Volcano grey			
(5)	997 521 326 11	Trim for switch For vehicles with 'Advanced' airbag	right	1	PR:378,560
	997 521 326 11 D07	Volcano grey			
(6)	997 521 631 01	Actuator button backrest D >> - MJ 2010	left a. right	1	
	997 521 631 01 V05	Galvano silver			
(6)	997 521 631 02	Actuator button backrest D - MJ 2011>>		1	
	997 521 631 02 V05	Galvano silver			
7	997 521 061 01	Retainer plate child seat Not for:		1	

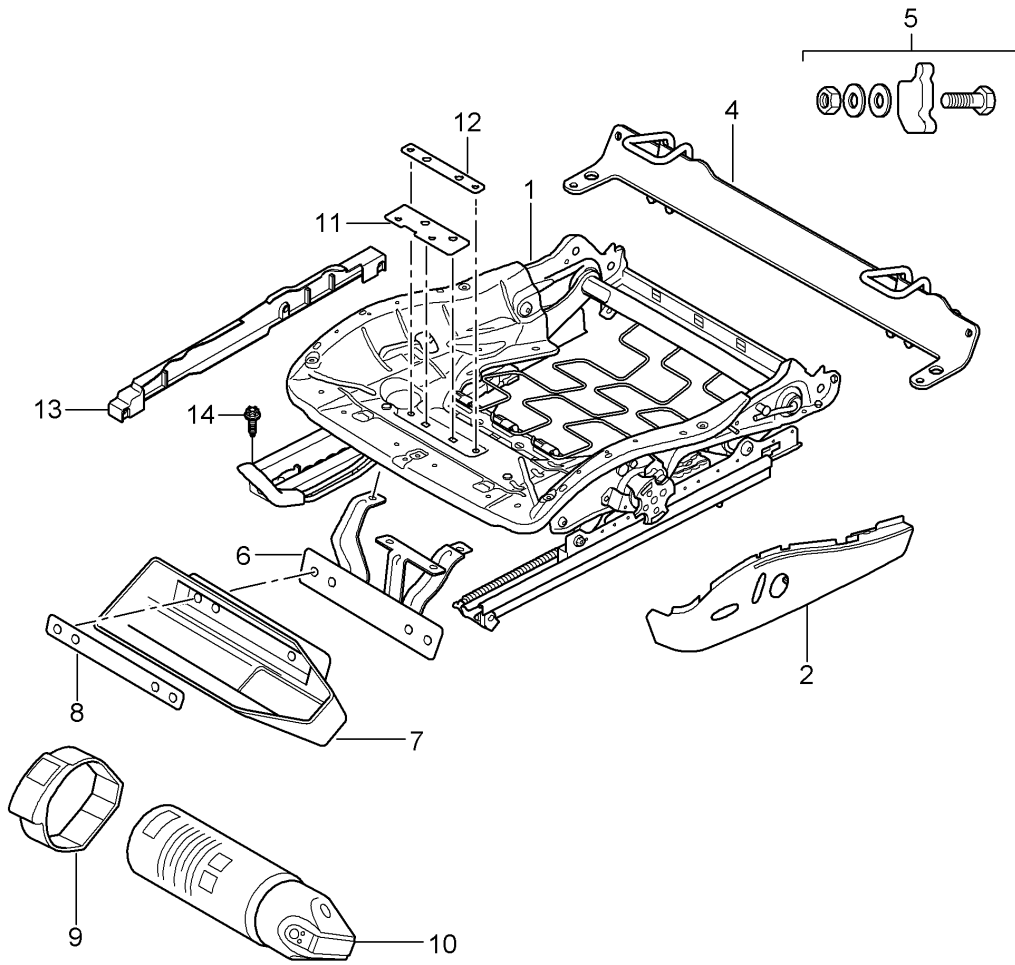
Model: 997G07

Model life 2007>>2011

Pos	Part Number	Description	Remark	Qty	Model
8	997 521 961 01	Australien 1 set attachment parts Retainer plate child seat		1	
9	997 521 251 00	Holder for fire extinguisher		1	PR:098,509
(9)	997 521 252 00	Holder for fire extinguisher		1	PR:099,509
10	997 521 607 00	Cup Fire extinguishers		1	PR:509
11	997 521 881 00	Holder for fire extinguisher Cup		1	PR:509
12	997 521 851 00	tensioning strap Fire extinguishers		1	PR:509
13	996 722 115 00	Fire extinguishers Information available		1	PR:509
14	997 521 841 00	Reinforcement	front	1	PR:509
15	997 521 843 00	Reinforcement	rear	1	PR:509
16	997 521 427 01	Cover Sensor Weight	left	1	PR:376,378, 560
(16)	997 521 427 01 01C	Satin black			
	997 521 426 01	Cover Sensor Weight	right	1	PR:376,378, 560
17	997 521 426 01 01C	Satin black			
	999 141 047 01	Torx screw Mount Seat rail		4	

Model: 997G07

Model life 2007>>2011



Model: 997G07 Model life 2007>>2011

Pos	Part Number	Description	Remark	Qty	Model
		Seat frame sports seat Elect. vertical adjustment D - MJ 2007>>			GT3
1	997 521 201 04	Seat frame	left	1	PR:377
(1)	997 521 201 12	Seat frame D - MJ 2007>>	left	1	PR:377
(1)	997 521 202 10	Seat frame	right	1	PR:378
(1)	997 521 202 21	Seat frame Electric	right	1	PR:378
		without:			
		Memory D - MJ 2007>>			
(1)	997 521 202 12	Seat frame	right	1	PR:378,560
(1)	997 521 202 24	Seat frame	right	1	PR:378,560
		with:			
		For vehicles with 'Advanced' airbag D - MJ 2007>>			
(1)	997 521 201 24	Seat frame	left rhd	1	PR:377,099
		with:			
		For vehicles with 'Advanced' airbag D - MJ 2007>>			
2	997 521 325 06	Trim for switch	left	1	PR:375
	997 521 325 06 D07	Volcano grey			
(2)	997 521 326 06	Trim for switch	right	1	PR:376
	997 521 326 06 D07	Volcano grey			
(2)	997 521 325 08	Trim for switch	left	1	PR:377
	997 521 325 08 D07	Volcano grey			
	997 521 325 08 V04	Galvano silver			
(2)	997 521 326 08	Trim for switch	right	1	PR:378
	997 521 326 08 D07	Volcano grey			
	997 521 326 08 V04	Galvano silver			
(2)	997 521 326 09	Trim for switch		1	PR:376,560
	997 521 326 09 D07	Volcano grey			
		For vehicles with 'Advanced' airbag			
(2)	997 521 326 11	Trim for switch		1	PR:378,560
	997 521 326 11 D07	Volcano grey			
		For vehicles with 'Advanced' airbag			
3	997 521 631 01	Actuator button backrest D >> - MJ 2010		1	
	997 521 631 01 V05	Galvano silver			
(3)	997 521 631 02	Actuator button backrest D - MJ 2011>>		1	
	997 521 631 02 V05	Galvano silver			
4	997 521 061 01	Retainer plate child seat Not for: Australien		1	
5	997 521 961 01	1 set attachment parts Retainer plate child seat		1	
6	997 521 251 00	Holder for fire extinguisher		1	PR:098,509
(6)	997 521 252 00	Holder for fire extinguisher		1	PR:099,509
7	997 521 607 00	Cup		1	PR:509
		Fire extinguishers			
8	997 521 881 00	Holder for fire extinguisher Cup		1	PR:509

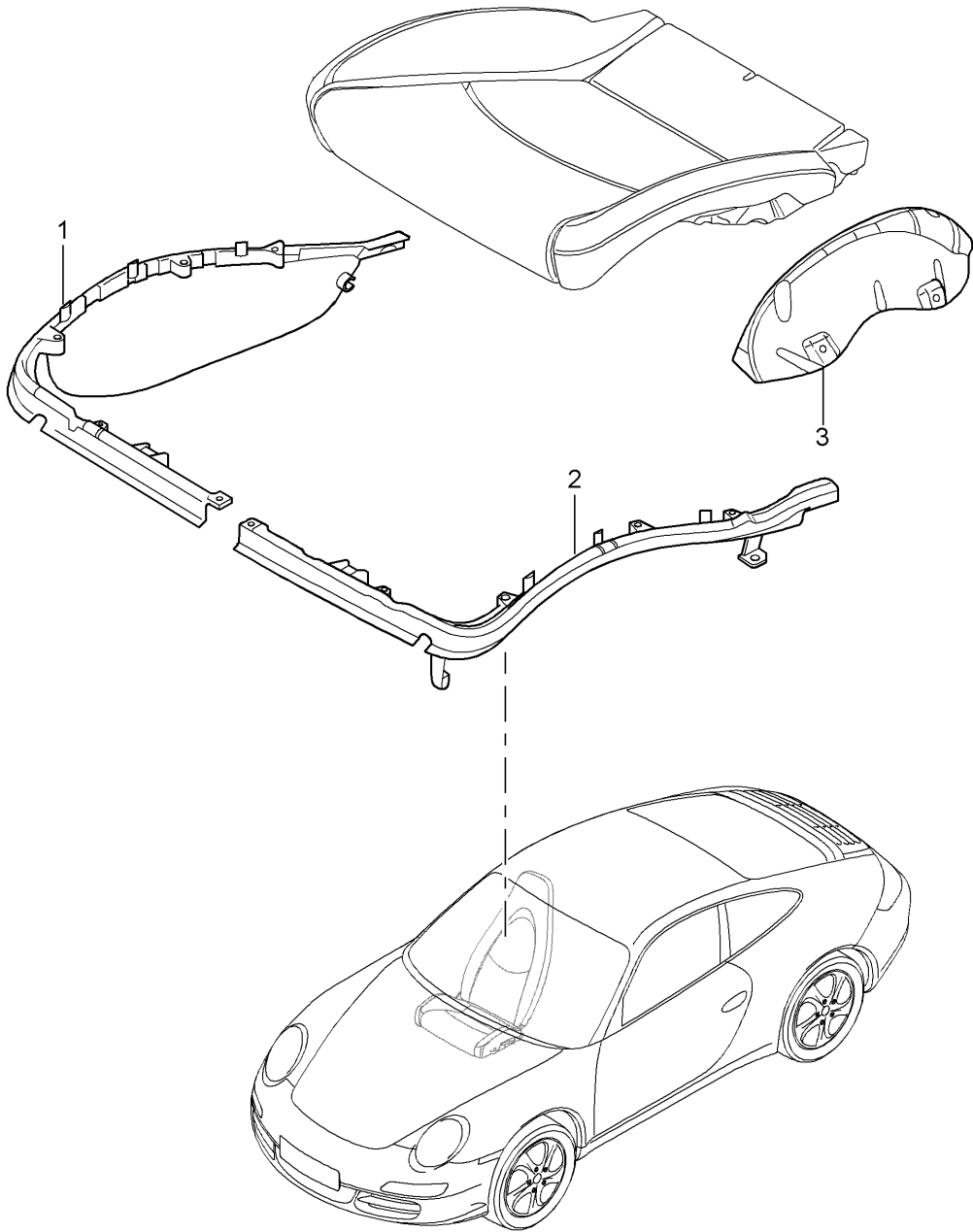
Model: 997G07

Model life 2007>>2011

Pos	Part Number	Description	Remark	Qty	Model
9	997 521 851 00	tensioning strap		1	PR:509
10	996 722 115 00	Fire extinguishers Information available		1	PR:509
11	997 521 841 00	Reinforcement	front	1	PR:509
12	997 521 843 00	Reinforcement	rear	1	
13	997 521 427 01	Cover	left	1	PR:376,378, 560
	997 521 427 01 01C	Satin black			
(13)	997 521 426 01	Cover Sensor Weight	right	1	PR:376,378, 560
	997 521 426 01 01C	Satin black			
14	999 141 047 01	Torx screw Mount Seat rail		4	

Model: 997G07

Model life 2007>>2011



Model: 997G07

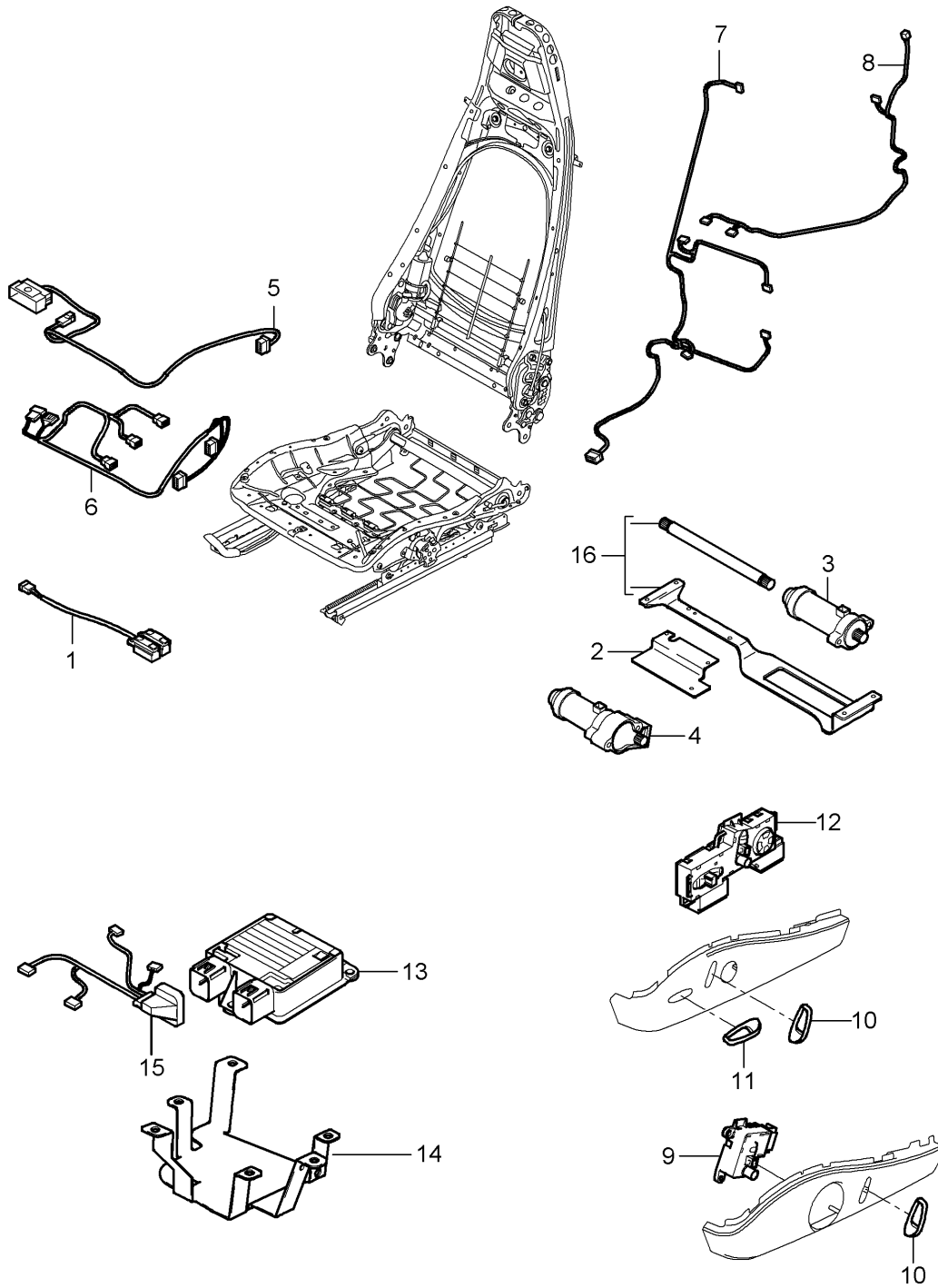
Model life 2007>>2011

Pos	Part Number	Description	Remark	Qty	Model
		Cushion carrier sports seat Frame Seat cushion D - MJ 2007>>			GT3
1	997 521 547 00	Frame	left	1	PR:376,378
(1)	997 521 548 00	Frame	inner right	1	PR:375,377
2	997 521 545 00	Frame	inner left	1	PR:375,377
(2)	997 521 546 00	Frame	outer right	1	PR:376,378
(2)	997 521 546 01	Frame	outer right outer	1	PR:376,378, 560
		For vehicles with 'Advanced' airbag			
3	997 521 519 00	Support plate	left	1	PR:377,378
(3)	997 521 520 00	Support plate Seat cushion	right	1	PR:377,378



Model: 997G07

Model life 2007>>2011



Model: 997G07 Model life 2007>>2011

Pos	Part Number	Description	Remark	Qty	Model
		Wiring looms Switch Control units sports seat D - MJ 2007>>			GT3
1	997 613 725 00	Switch		1	PR:377
(1)	997 613 725 00 V05	Galvano silver			
	997 613 726 00	Switch		1	PR:378
	997 613 726 00 V05	Seat adjuster			
2	997 521 343 00	Galvano silver		1	PR:377,378
		Bracket for compressor			
3	997 624 322 00	Electric motor		1	PR:377,378
		Electric motor			
		Seat adjuster			
		Lengthways			
		without:			
(3)	997 624 322 00	Memory		1	PR:377,378
		Electric motor			
		Seat adjuster			
		Height adjustment			
		without:			
4	997 624 323 00	Memory		1	PR:377,378
		Electric motor			
		Seat adjuster			
		Tilt angle			
		without:			
5	997 612 682 01	Memory		1	PR:375,376
		Wire set			
		Trim for switch			
6	997 612 691 01	Wire set		1	PR:377,378
		Trim for switch			
		without:			
		Memory			
		D >> - MJ 2007			
6	997 612 691 02	Wire set		1	PR:377,378
		Trim for switch			
		without:			
		Memory			
		D - MJ 2008>>			
7	997 612 689 00	Wire set		1	PR:377,378
		Lumbar support			
		without:			
8	997 612 685 01	Memory		1	PR:377
		Wire set			
		backrest			
		without:			
(8)	997 612 686 01	Memory		1	PR:378
		Wire set			
		backrest			
		without:			
9	997 613 713 00	Memory		1	PR:375
		switch for seat adjustment	left		
		D >> - MJ 2010			
9	997 613 713 01	switch for seat adjustment	left	1	PR:375
		D - MJ 2011>>			
(9)	997 613 714 00	switch for seat adjustment	right	1	PR:376
		Manually adjustable			
		D >> - MJ 2010			
(9)	997 613 714 01	switch for seat adjustment	right	1	PR:376
		Manually adjustable			
		D - MJ 2011>>			
10	997 521 631 01	Actuator button	left a. right	1	PR:375,376, 377,378
		backrest			

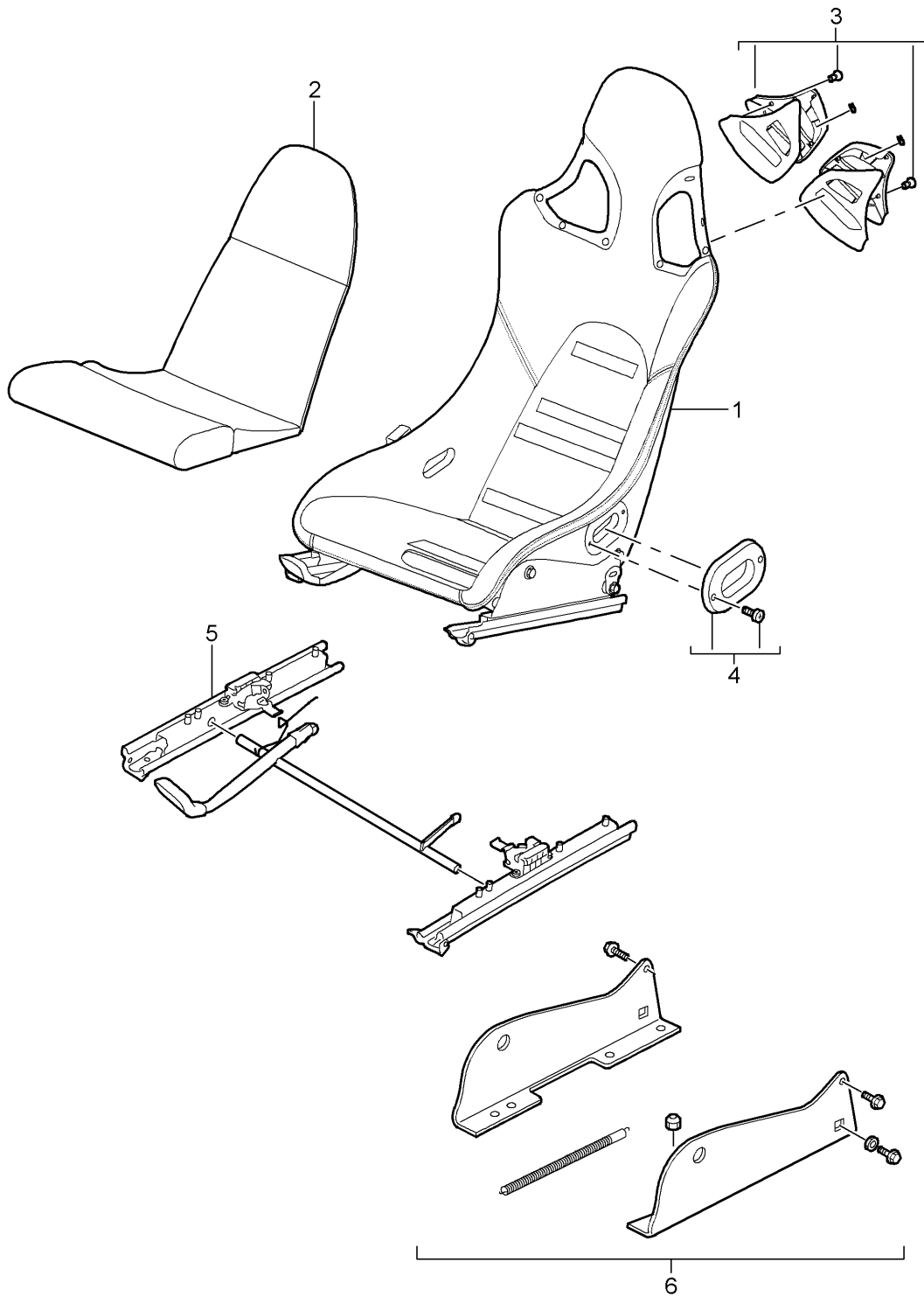
Model: 997G07

Model life 2007>>2011

Pos	Part Number	Description	Remark	Qty	Model
		D >> - MJ 2010			
(17)	997 521 631 01 V05	Galvano silver		1	
	997 521 631 02	Actuator button backrest			
		D - MJ 2011>>			
11	997 521 631 02 V05	Galvano silver		1	PR:377,378
	997 521 633 02	Actuator button Seat cushion			
12	997 521 633 02 V05	Galvano silver		1	PR:377
	997 613 717 01	switch for seat adjustment			
		D >> - MJ 2010			
	997 613 717 01 V05	Galvano silver without: Memory		1	PR:378
(12)	997 613 718 01	switch for seat adjustment			
		D >> - MJ 2010			
	997 613 718 01 V05	Galvano silver without: Memory		1	PR:377
(12)	997 613 717 02	switch for seat adjustment			
		D - MJ 2011>>			
	997 613 717 02 V05	Galvano silver without: Memory		1	PR:378
(12)	997 613 718 02	switch for seat adjustment			
		D - MJ 2011>>			
	997 613 718 02 V05	Galvano silver without: Memory		1	PR:376,378, 560
13	997 618 233 05	Control unit for seat occupied sensor		1	PR:376,378, 560
14	997 521 646 00	Retainer for control units		1	PR:376,378, 560
15	997 612 688 00	seat occupied recognition Wire set		1	PR:376,378, 560
16	000 043 207 06	seat occupied recognition Pliable shaft Adjusting motor Lengthways		1	
(16)	997 521 901 00	repair set Pliable shaft		1	
-	999 650 973 40	Console for engine mounting Clip Mount Wire set seat occupied recognition		1	

Model: 997G07

Model life 2007>>2011

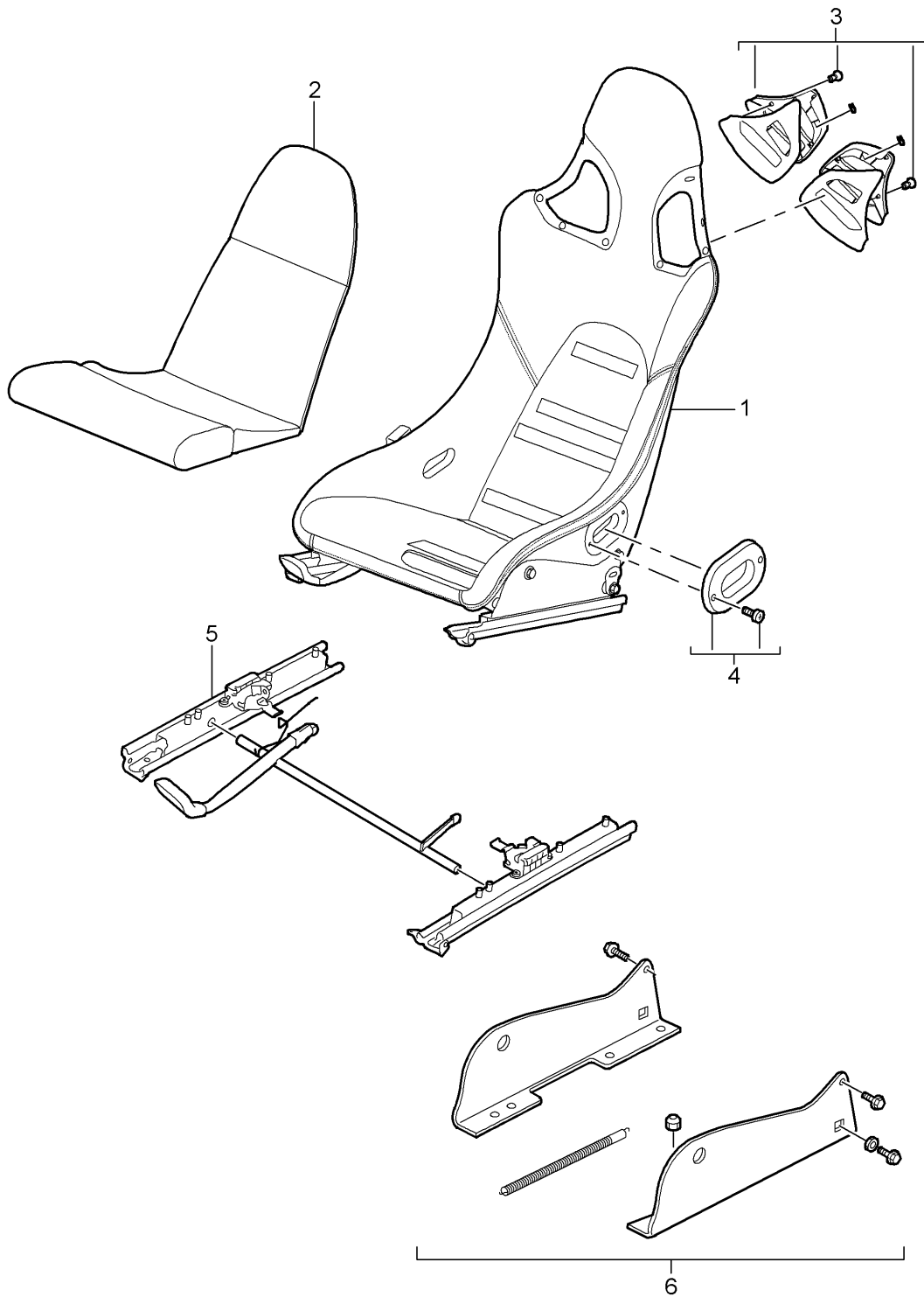


Model: 997G07 Model life 2007>>2011

Pos	Part Number	Description	Remark	Qty	Model
		bucket seat Cover Pearl velour D - MJ 2007>>			GT3
1	997 521 401 01	Cup D >> - MJ 2010	left lhd	1	PR:384,990, 098
(1)	997 521 401 01	Cup D >> - MJ 2010	left rhd	1	PR:384,990, 099
(1)	997 521 402 01	Cup D >> - MJ 2010	left rhd	1	PR:384,951, 099
(1)	997 521 402 01	Cup D >> - MJ 2010	right lhd	1	PR:385,990, 098
(1)	997 521 402 01	Cup D >> - MJ 2010	right rhd	1	PR:385,990, 099
(1)	997 521 401 03	Cup D - MJ 2010>>	left	1	PR:003,384, 990
(1)	997 521 402 03	Cup D - MJ 2010>>	right	1	PR:003,385, 990
(1)	997 521 401 90	Cup D - MJ 2010>> - MJ 2011	left	1	PR:004,384, 990
(1)	997 521 402 90	Cup D - MJ 2010>> - MJ 2011	right	1	PR:004,385, 990
2	997 521 403 01	Set Cushion Pearl velour		1	PR:384,385, 990,003
3	997 521 405 90	Set Trim	upper	1	PR:384,385
4	996 521 907 90	Support for seatbelt Parts kit Guide Belt	lower	1	PR:384,385
5	997 521 429 00	1 set of seat rails	left	1	PR:384
(5)	997 521 430 00	1 set of seat rails	right	1	PR:385
(6)	997 521 423 00	Adapter Set		1	PR:384,385
7	999 141 047 01	Torx screw Mount Seat rail		4	

Model: 997G07

Model life 2007>>2011

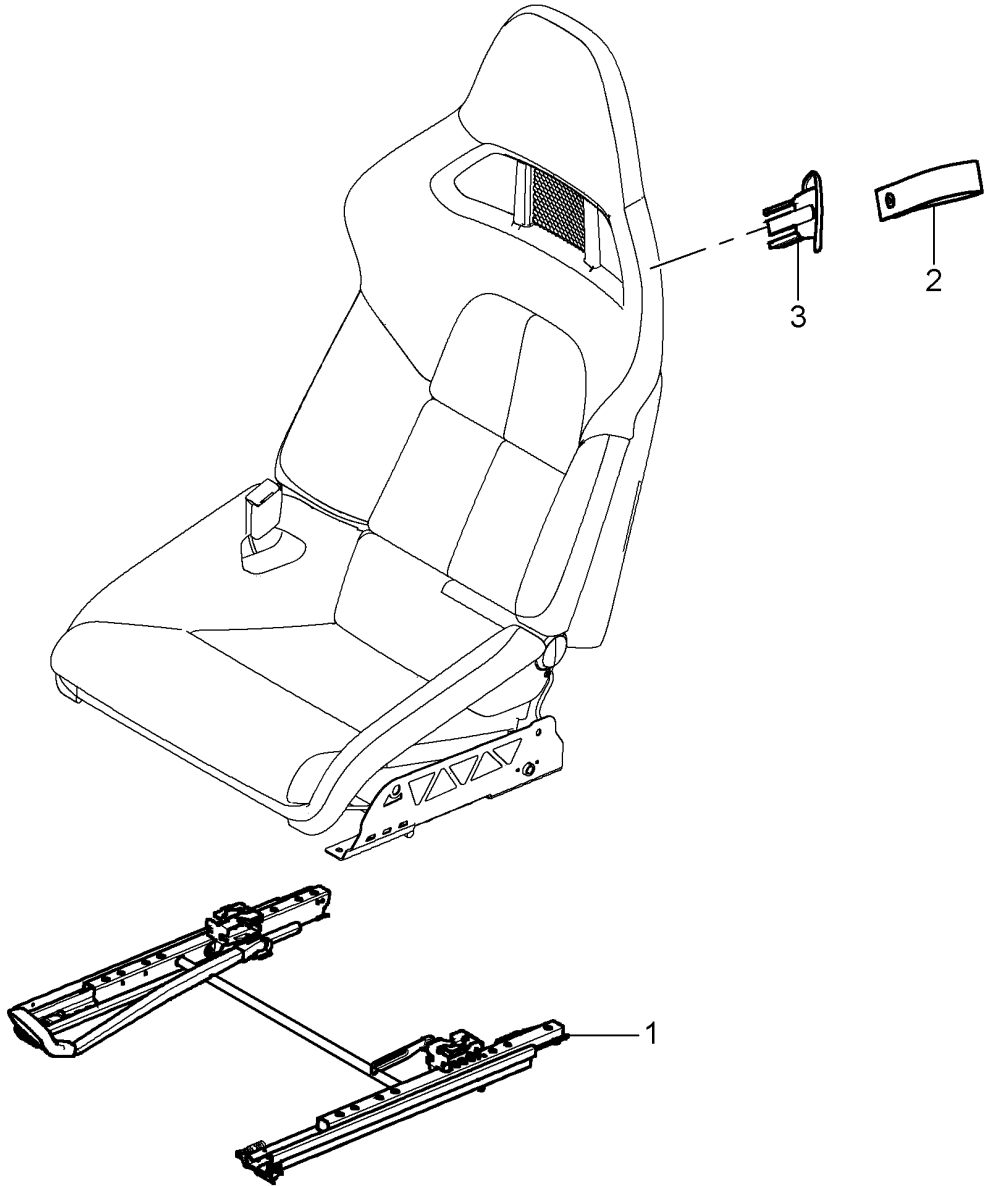


Model: 997G07 Model life 2007>>2011

Pos	Part Number	Description	Remark	Qty	Model
		bucket seat Cover Leather D - MJ 2007>>			GT3
1	997 521 401 00	Cup Partial leather D >> - MJ 2010	left lhd	1	PR:098
(1)	997 521 401 00 8YR 997 521 401 00 D11 997 521 401 00	Black Dark grey/natural Cup Partial leather D >> - MJ 2010	left rhd	1	PR:099
(1)	997 521 401 00 8YR 997 521 401 00 D11 997 521 402 00	Black Dark grey/natural Cup Partial leather D >> - MJ 2010	right lhd	1	PR:098
(1)	997 521 402 00 8YR 997 521 402 00 D11 997 521 402 00	Black Dark grey/natural Cup Partial leather D >> - MJ 2010	right rhd	1	PR:099
(1)	997 521 402 00 8YR 997 521 402 00 D11 997 521 401 02	Black Dark grey/natural Cup Partial leather D - MJ 2010>>	left	1	PR:384,703
(1)	997 521 401 02 8YR 997 521 401 02 D11 997 521 402 02	Black Dark grey/natural Cup Partial leather D - MJ 2010>>	right	1	PR:385,703
(1)	997 521 402 02 8YR 997 521 402 02 D11 997 521 401 91	Black Dark grey/natural Cup Partial leather D - MJ 2011>>	left	1	PR:006,384,951
(1)	997 521 401 91 8YR 997 521 402 91	Black Cup Partial leather D - MJ 2011>>	right	1	PR:006,385,951
2	997 521 402 91 8YR 997 521 403 00	Black Set Cushion Leather		1	PR:951,384,385,703
3	997 521 403 00 A15 997 521 403 00 N13 997 521 405 90	Black Black Set Trim	upper	1	
4	996 521 907 90	Support for seatbelt Parts kit Guide Belt	lower	1	
5	997 521 429 00	1 set of seat rails	left	1	PR:384
(5)	997 521 430 00	1 set of seat rails	right	1	PR:385
6	997 521 423 00	Set Adapter Set		1	
7	999 141 047 01	Torx screw Mount Seat rail		4	

Model: 997G07

Model life 2007>>2011





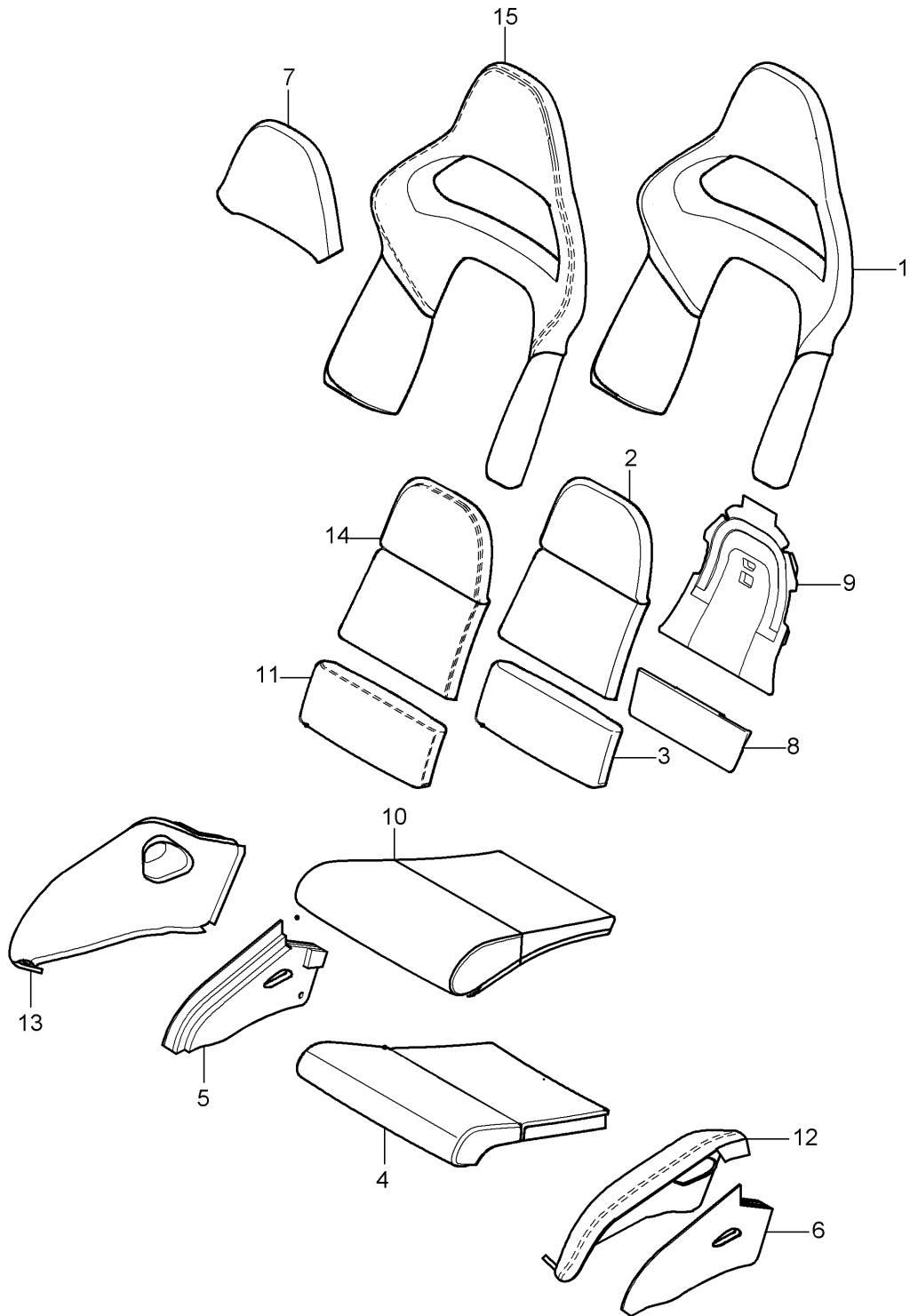
Model: 997G07

Model life 2007>>2011

Pos	Part Number	Description	Remark	Qty	Model
		bucket seat Collapsible (complete) Not available D - MJ 2010>>			
1	997 521 429 01	1 set of seat rails (drivers side)	left lhd	1	PR:098,388
(1)	997 521 430 01	1 set of seat rails (passenger side)	right lhd	1	PR:098,389
(1)	997 521 430 03	1 set of seat rails (passenger side)	right lhd	1	PR:389,560, 098
(1)	997 521 429 02	1 set of seat rails (passenger side)	left rhd	1	PR:099,388
(1)	997 521 430 02	1 set of seat rails (drivers side)	right rhd	1	PR:099,389
2	997 521 539 00	Pull loop Backrest frame	left	1	PR:388
(2)	997 521 539 00 A80	Black			
(2)	997 521 540 00	Pull loop Backrest frame	right	1	PR:389
(2)	997 521 540 00 A80	Black			
3	997 521 538 00	Rosette Pull loop Backrest frame	right	1	PR:389
(3)	997 521 538 00 01C	Satin black			
(3)	997 521 537 00	Rosette Pull loop Backrest frame	left	1	PR:388
(3)	997 521 537 00 01C	Satin black			

Model: 997G07

Model life 2007>>2011



Model: 997G07 Model life 2007>>2011

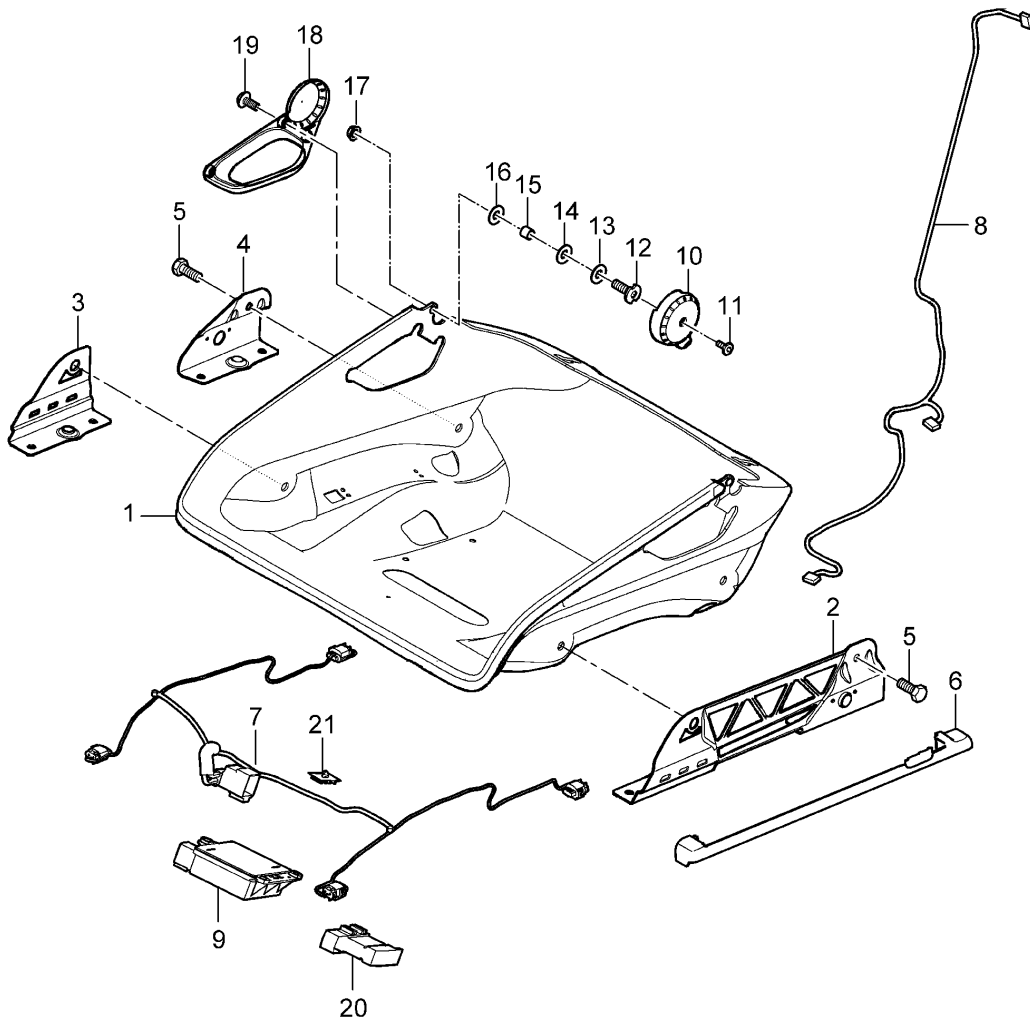
Pos	Part Number	Description	Remark	Qty	Model
1	997 521 447 00	Foam part Cover Seat and backrest surface bucket seat Collapsible D - MJ 2010>>		2	PR:388,389
2	997 521 448 00	Foam part backrest Outer part		2	PR:388,389
3	997 521 441 00	Foam part Seat cushion Centre part	rear	2	PR:388,389
4	997 521 440 00	Foam part Seat cushion	front	2	PR:388,389
5	997 521 443 00	Foam part Seat cushion	left side outer	1	PR:388
(5)	997 521 444 00	Foam part Seat cushion	side inner left	1	PR:388
6	997 521 446 00	Foam part Seat cushion	side outer right	1	PR:389
(6)	997 521 445 00	Foam part Seat cushion	side inner right	1	PR:389
7	997 521 458 00	Foam part Head restraint		2	PR:388,389
8	997 521 456 00	Foam part Seat cushion	rear	1	PR:388,389
9	997 521 457 00	Foam part backrest		1	PR:388,389
10	997 521 380 01	Seat cover	left a. right front	1	PR:388,389, 951
(10)	997 521 380 01 A15	Black			
(10)	997 521 380 01	Seat cover	left a. right front	1	PR:006,388, 389,951
(10)	997 521 380 01 A15	Black			
(10)	997 521 380 01 N13	guards red (Porsche)			
(10)	997 521 380 02	Seat cover	left a. right front	1	PR:388,389, 990
11	997 521 381 01	Cloth Seat cover	rear	1	PR:388,389, 951
(11)	997 521 381 01 A15	Black			
(11)	997 521 381 01	Seat cover	rear	1	PR:006,388, 389,951
(11)	997 521 381 01 A15	Black			
(11)	997 521 381 01 N13	guards red (Porsche)			
(11)	997 521 381 02	Seat cover	rear	1	PR:388,389, 990
12	997 521 383 00	Cloth Cover	left side outer	1	PR:388,951
(12)	997 521 383 00 8YR	Black			
(12)	997 521 383 00 D11	Dark grey/natural			
(12)	997 521 383 01	Seat covering (fabric)	left side outer	1	PR:388,990
13	997 521 384 00	Seat cover (leather)	left	1	PR:388,951

Model: 997G07 Model life 2007>>2011

Pos	Part Number	Description	Remark	Qty	Model
			side inner		
(13)	997 521 384 00 8YR 997 521 384 00 D11 997 521 384 01	Black Dark grey/natural Seat covering (fabric)	left side inner	1	PR:388,990
(13)	997 521 386 00	Cover	right side outer	1	PR:389,951
(13)	997 521 386 00 8YR 997 521 386 00 D11 997 521 386 01	Black Dark grey/natural Seat covering (fabric)	right side outer	1	PR:389,990
(13)	997 521 385 00	Seat cover (leather)	right side inner	1	PR:389,951
(13)	997 521 385 00 8YR 997 521 385 00 D11 997 521 385 01	Black Dark grey/natural Seat covering (fabric)	right side inner	1	PR:389,990
14	997 521 387 01	Backrest centre part w. cover		1	PR:388,389, 951
(14)	997 521 387 01 A15 997 521 387 01	Black Backrest centre part w. cover		1	PR:006,388, 389,951
(14)	997 521 387 01 A15 997 521 387 01 N13 997 521 387 02	Black guards red (Porsche) Backrest centre part w. cover		1	PR:388,389, 990
15	997 521 388 00	Cloth backrest cover (leather)	outer	1	PR:388,389, 951
(15)	997 521 388 00 8YR 997 521 388 00 D11 997 521 388 01	Black Dark grey/natural Backrest cover	outer	1	PR:388,389, 990
(15)	997 521 388 90	Cloth Backrest cover	outer	1	PR:004,388, 990
(15)	997 521 388 91 997 521 388 91 8YR	Cloth D - MJ 2010>> - MJ 2011 backrest cover (leather) Black	outer	1	PR:006,388, 951

Model: 997G07

Model life 2007>>2011



Model: 997G07 Model life 2007>>2011

Pos	Part Number	Description	Remark	Qty	Model
1	997 521 281 00	bucket seat Collapsible Seat frame Accessories D - MJ 2010>> Cup	left a. right	2	PR:388,389
(1)	997 521 182 00	Seat frame without: seat occupied recognition Cup	right	1	PR:389,560
2	997 521 433 00	Seat frame with: seat occupied recognition and Seat rail Adapter	outer left	1	PR:388
(2)	997 521 433 00	Discontinued part Adapter Seat frame	outer left	1	PR:389,560
(2)	997 521 434 00	Discontinued part Adapter Seat frame	outer right	1	PR:389
(2)	997 521 434 00	Discontinued part Adapter Seat frame	outer right	1	PR:389,560
3	997 521 436 00	Discontinued part Adapter Seat frame	front, inner right	1	PR:388
(3)	997 521 435 00	Discontinued part Adapter Seat frame	front, inner left	1	PR:389
4	997 521 438 00	without: seat occupied recognition Discontinued part Adapter	rear, inner right	1	PR:388
(4)	997 521 437 00	Seat frame Discontinued part Adapter	rear, inner left	1	PR:389
5	999 217 168 01	Seat frame without: seat occupied recognition Discontinued part Hexagon bolt M 8 X 16 Mount Seat rail		4	
6	997 521 427 03	bucket seat Cover Sensor	left	1	PR:389,560
(6)	997 521 427 03 01C	seat occupied recognition Satin black			
	997 521 426 03	Cover Sensor	right	1	PR:389,560
7	997 521 426 03 01C	seat occupied recognition Satin black			
	997 612 688 11	Wire set		1	PR:389,560
8	997 612 785 10	seat occupied recognition Wire set	left a. right	1	PR:388,389
9	997 618 233 05	Side airbag unit Control unit for seat occupied sensor		1	PR:560,376, 378,389
10	997 521 563 00	Trim	left	1	PR:388,389

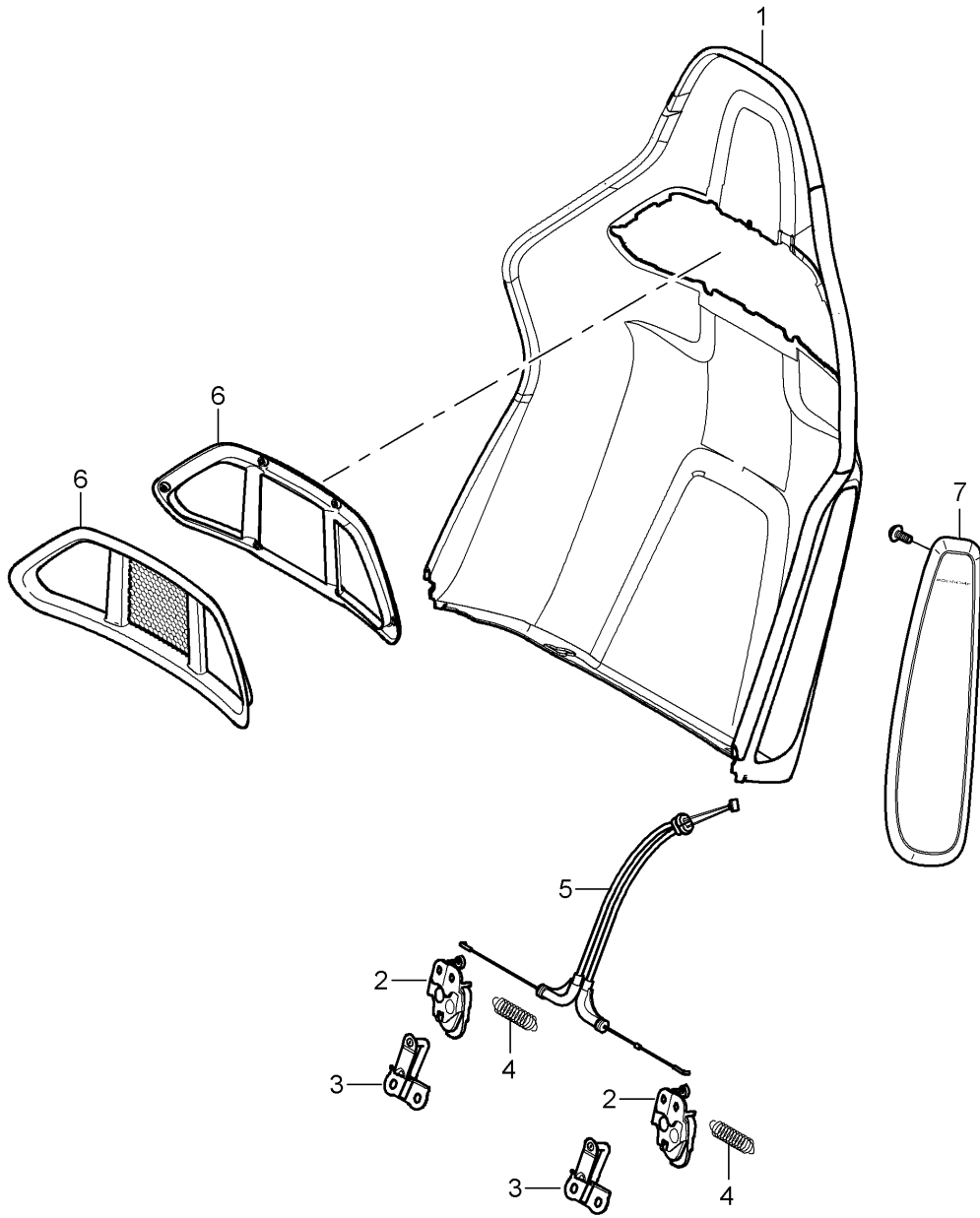
Model: 997G07

Model life 2007>>2011

Pos	Part Number	Description	Remark	Qty	Model
		Hinge	inner		
	997 521 563 00 01C	Satin black			
(10)	997 521 564 00	Trim	right	1	PR:388,389
		Hinge	inner		
	997 521 564 00 01C	Satin black			
11	999 073 456 01	flat round head bolt M4 X 12	inner	2	
		Mount			
		Trim			
12	997 521 690 00	bearing pin	lower	2	
		Backrest shell			
		Cup			
13	999 523 019 01	Belleville spring		2	
		A25			
14	999 234 034 00	fitted washer		2	
		12 X 18 X 0,2			
15	999 924 136 40	Plain bearing		2	
		F12 X 5 X 14			
16	999 025 122 40	thrust washer		2	
		20 X 12 X 0,5			
17	900 380 024 01	Outer hexagon round nut		2	
		M8			
18	997 521 561 00	Trim	left	1	PR:388,389
		Seat belt	lower		
	997 521 561 00 01C	Satin black			
(18)	997 521 562 00	Trim	right	1	PR:388,389
		Seat belt	lower		
	997 521 562 00 01C	Satin black			
19	999 141 049 01	Oval-head screw		3	
		M5 X 10			
		Mount			
		Trim			
20	999 653 070 40	Pin connector socket		1	
		19-pole			
		Wire set			
		bucket seat			
		Collapsible			
21	999 507 408 40	Retaining clip		1	
		for			
		Connector housing			
		Connection point			

Model: 997G07

Model life 2007>>2011



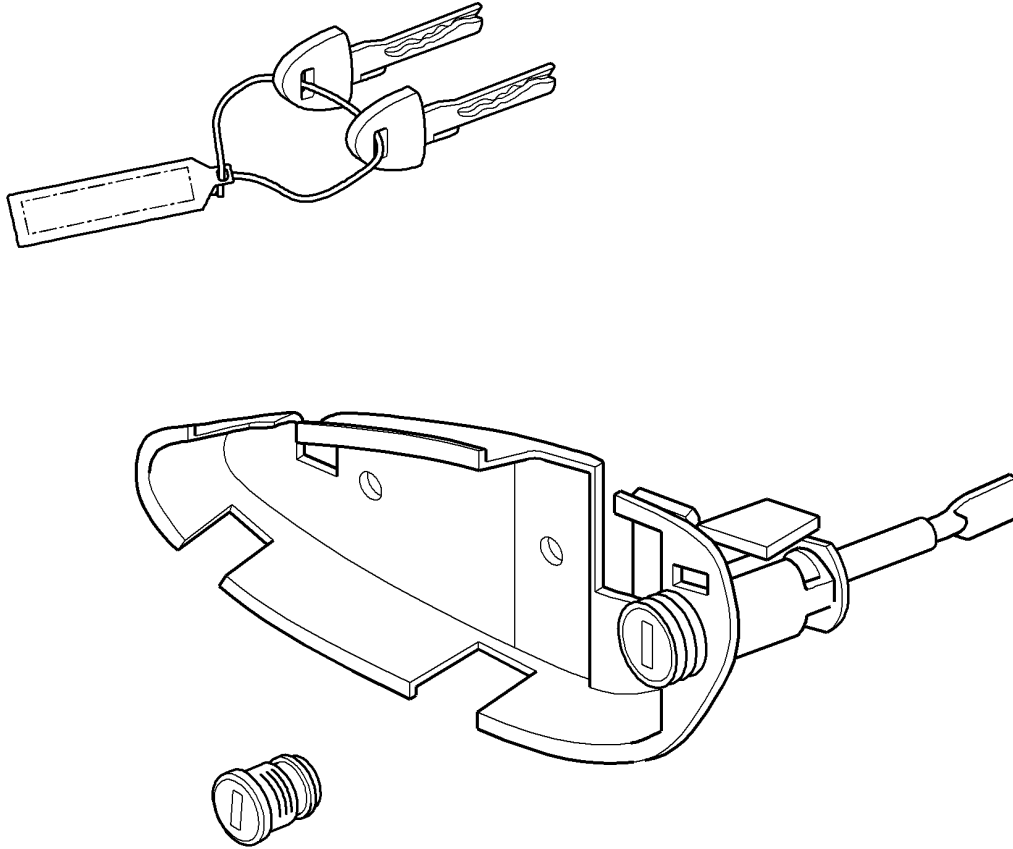


Model: 997G07 Model life 2007>>2011

Pos	Part Number	Description	Remark	Qty	Model
1	997 521 271 00	Backrest shell bucket seat Collapsible Accessories D - MJ 2010>>	left	1	PR:388
(1)	997 521 272 00	Backrest shell bucket seat Collapsible	right	1	PR:389
2	997 521 651 00	backrest lock	left	1	PR:388,389
(2)	997 521 652 00	backrest lock	right	1	PR:388,389
3	997 521 660 00	Closing element lock	left a. right	1	PR:388,389
4	997 521 650 00	Backrest shell tension spring lock	left a. right	1	PR:388,389
5	997 521 640 01	backrest Bowden cable Release	left a. right	1	PR:388,389
-	999 507 147 40	backrest Clip fuse	left a. right	2	PR:388,389
6	997 521 330 00	Bowden cable Trim	front	1	PR:388,389
(6)	997 521 330 00 01C	Seat belt Satin black			
	997 521 531 00	Trim Seat belt	rear	1	PR:388,389
7	997 521 531 00 01C	Satin black			
	997 803 081 01	Side airbag unit	left	1	PR:388
(7)	997 803 081 01 A03	Black			
	997 803 082 01	Side airbag unit Front seat	right	1	PR:389
	997 803 082 01 A03	Black			

Model: 997G07

Model life 2007>>2011



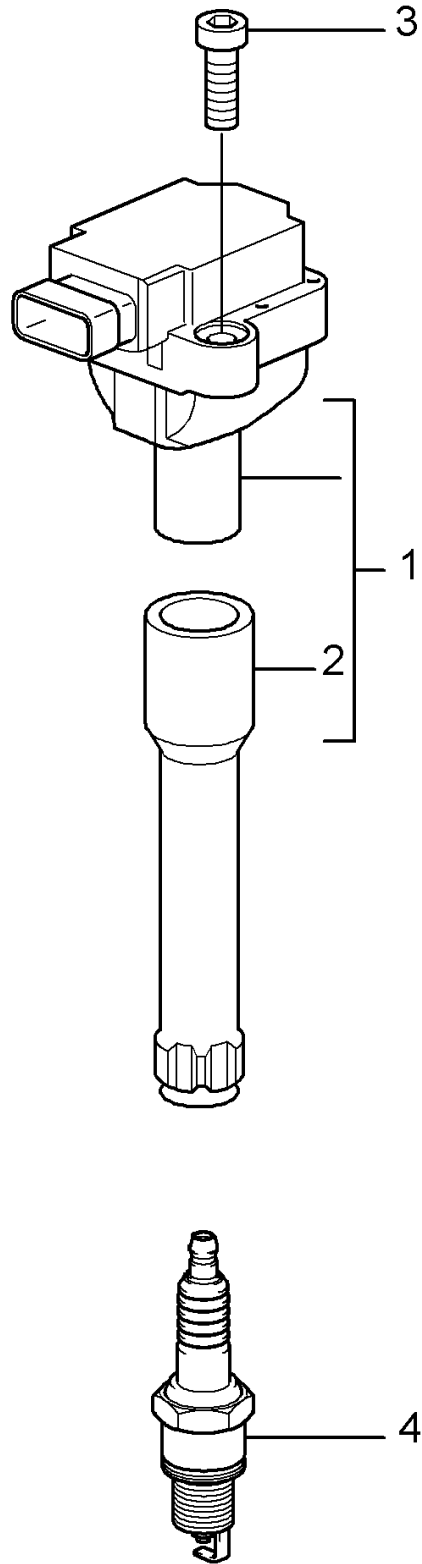
Model: 997G07

Model life 2007&gt;&gt;2011

Pos	Part Number	Description	Remark	Qty	Model
		repair kits Set of locks comprising: Bracket Door handle, exterior Glove compartment lock key Key fob			
-	997 538 011 00	1 set of lock cylinders with handheld trans. & emerg. key		1	PR:098
-	997 538 011 01	1 set of lock cylinders with handheld trans. & emerg. key		1	PR:099

Model: 997G07

Model life 2007>>2011



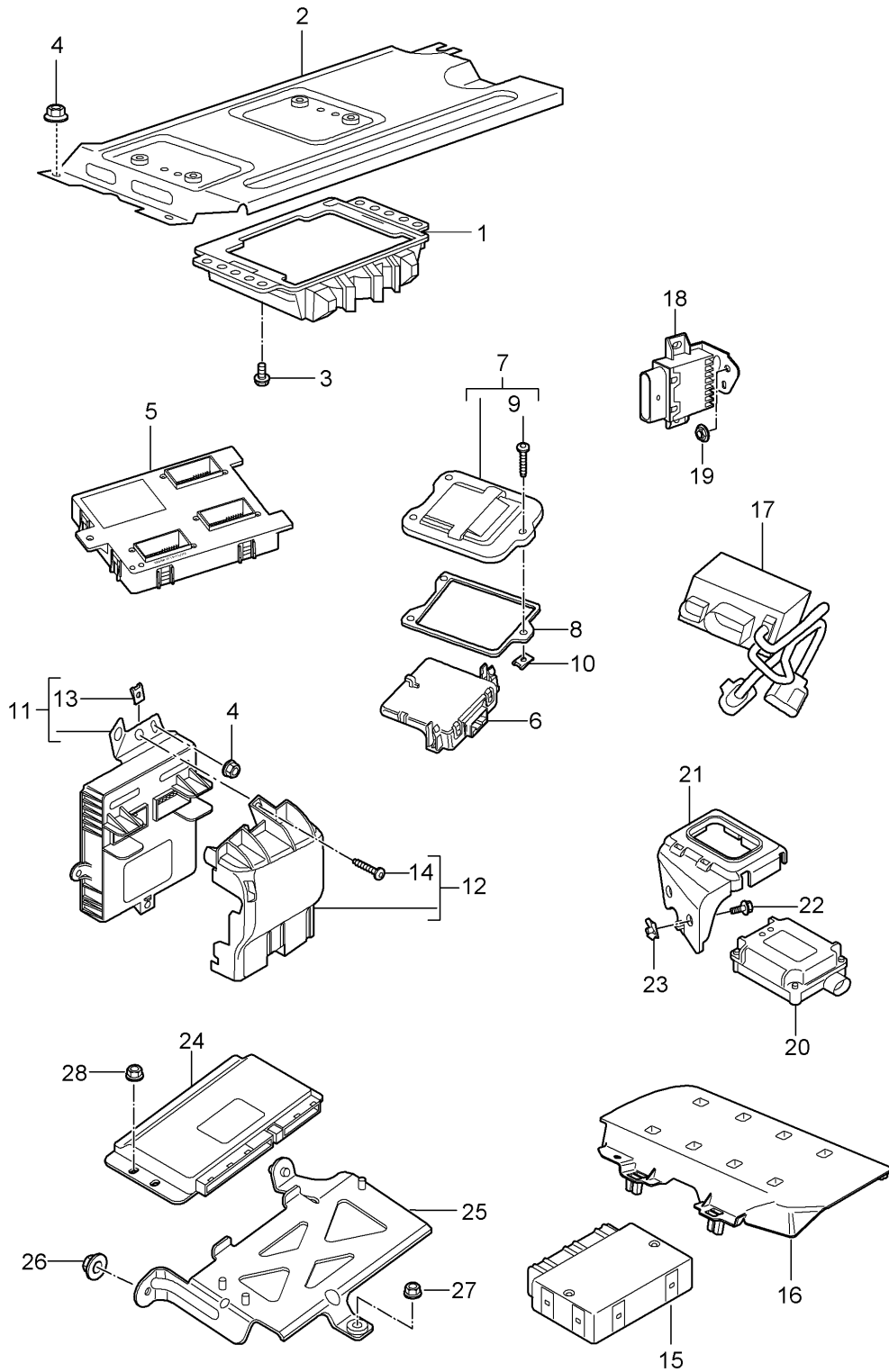
Model: 997G07

Model life 2007>>2011

Pos	Part Number	Description	Remark	Qty	Model
1	997 602 104 02	Ignition system ignition coil with spark plug connector		6	
			900 385 025 01	12	
(1)	9A1 602 104 02	Ignition coil D - MJ 2010>> Discontinued part	also use:	6	
(1)	9A1 602 104 03	Ignition coil D - MJ 2010>>		6	
2	996 602 105 00	spark plug connector D >> - MJ 2008		6	
3	900 387 008 01	Socket head bolt M 6 X 25 D >> - MJ 2008		12	
(3)	999 073 103 01	flat round head bolt M 6 X 16 D - MJ 2010>>		6	
(3)	900 385 025 01	Torx screw M 6 X 40		10	
4	999 170 129 90	Spark plug Y 5DDC		6	

Model: 997G07

Model life 2007>>2011



Model: 997G07 Model life 2007>>2011

Pos	Part Number	Description	Remark	Qty	Model
1	997 618 603 05	Control units Control unit - dme - D >> - MJ 2008		1	
1	997 618 608 01	Control unit - dme - D - MJ 2010>>		1	
2	996 618 129 01	Retainer for control units - dme -		1	
3	900 378 036 01	Hexagon bolt M 6 X 12		4	
4	999 084 629 01	Hexagon nut M 6		3	
5	997 610 102 06	Onboard supply control unit No longer use the part here		1	
5	997 618 516 01	Onboard supply control unit		1	
6	997 610 107 04	Control unit for gateway		1	
7	997 572 419 03	Cover		1	
8	997 572 221 00	Seal		1	
9	900 143 094 09	panel screw ST 4,8 X 19		3	
10	999 591 855 01	panel nut ST 4,8		3	
11	997 618 511 01	Control unit FRONT luggage compartment D >> - MJ 2008		1	PR:-601
11	997 618 511 01	Control unit FRONT luggage compartment D - MJ 2010>>		1	PR:600,603
11	997 610 105 11	Control unit FRONT luggage compartment D >> - MJ 2008		1	PR:601
11	997 618 512 01	Control unit FRONT luggage compartment D - MJ 2010>>		1	PR:601
(12)	997 551 736 01	Cover for control unit		1	
13	999 507 462 09	panel nut 4,8		1	
14	999 073 061 02	panel screw 4,8 X 16		1	
15	997 618 260 08	Control unit Rear end		1	
15	997 618 260 10	Control unit Rear end D - MJ 2010>>		1	PR:474
16	997 618 371 01	Retainer for control units D >> - MJ 2008		1	
16	997 618 381 00	bracket for parking aid control unit D - MJ 2010>>		1	
17	997 618 436 90	Control unit No longer use the part here		1	
17	997 618 436 92	Control unit Cooling air control		1	
18	997 618 023 01	Control unit for fuel pump D - MJ 2010>>		1	PR:663
19	999 049 025 09	Collar nut T 5 D - MJ 2010>>		2	
20	997 618 227 02	Control unit for opening garage door D - MJ 2010>>		1	PR:607

Model: 997G07

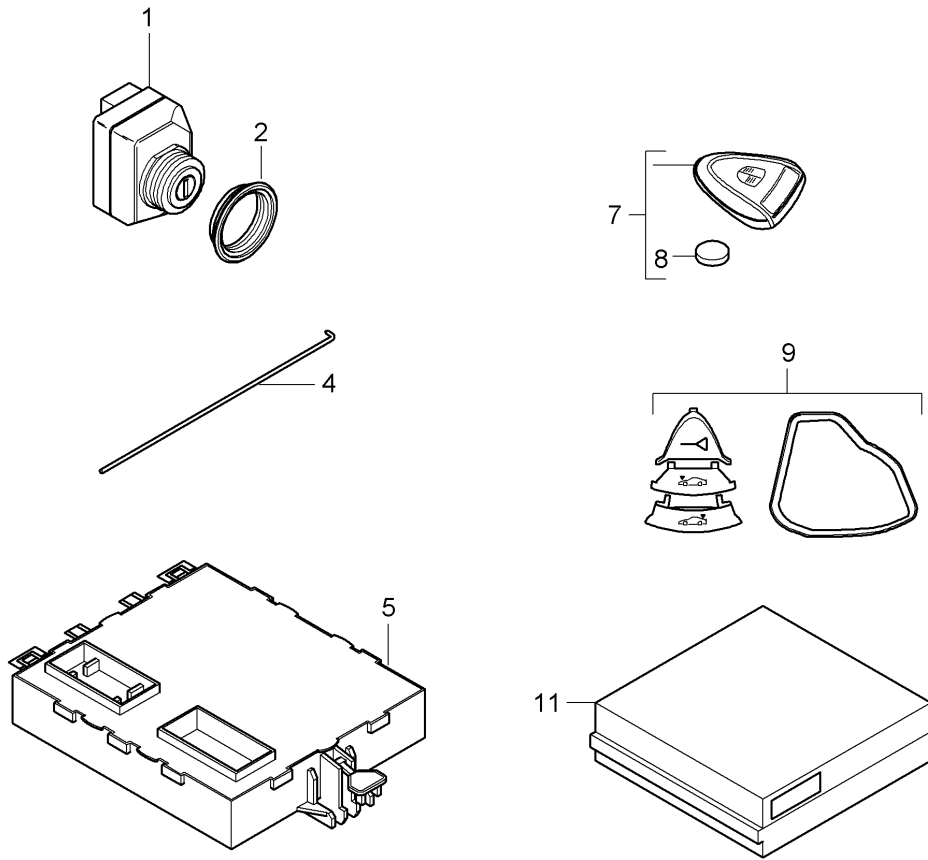
Model life 2007>>2011

Pos	Part Number	Description	Remark	Qty	Model
20	997 618 227 03	Discontinued part Control unit for opening garage door D - MJ 2010>>		1	PR:607
21	997 618 257 00	Bracket Control unit Garage door opener D - MJ 2010>>		1	
(21)	997 618 367 80	Bracket Control unit Garage door opener D - MJ 2010>>		1	
22	900 075 505 01	Bolt with washer M 6 X 20 D - MJ 2010>>		2	
23	999 591 882 01	panel nut M 6 D - MJ 2010>>		2	
24	997 618 465 01	Control unit Unit mount D - MJ 2010>>		1	PR:140
24	997 618 465 03	Discontinued part Control unit Unit mount D - MJ 2010>>		1	PR:140
24	997 618 465 04	Discontinued part Control unit Unit mount D - MJ 2010>>		1	PR:140
25	997 618 163 00	Retainer for control units Unit mount D - MJ 2010>>		1	PR:140
26	999 703 496 40	Rubber bush D - MJ 2010>>		2	PR:140
27	999 703 236 40	Plastic nut T 5 D - MJ 2010>>		1	PR:140
28	900 377 010 02	Hexagon nut M 6 D - MJ 2010>>		3	PR:140



Model: 997G07

Model life 2007>>2011

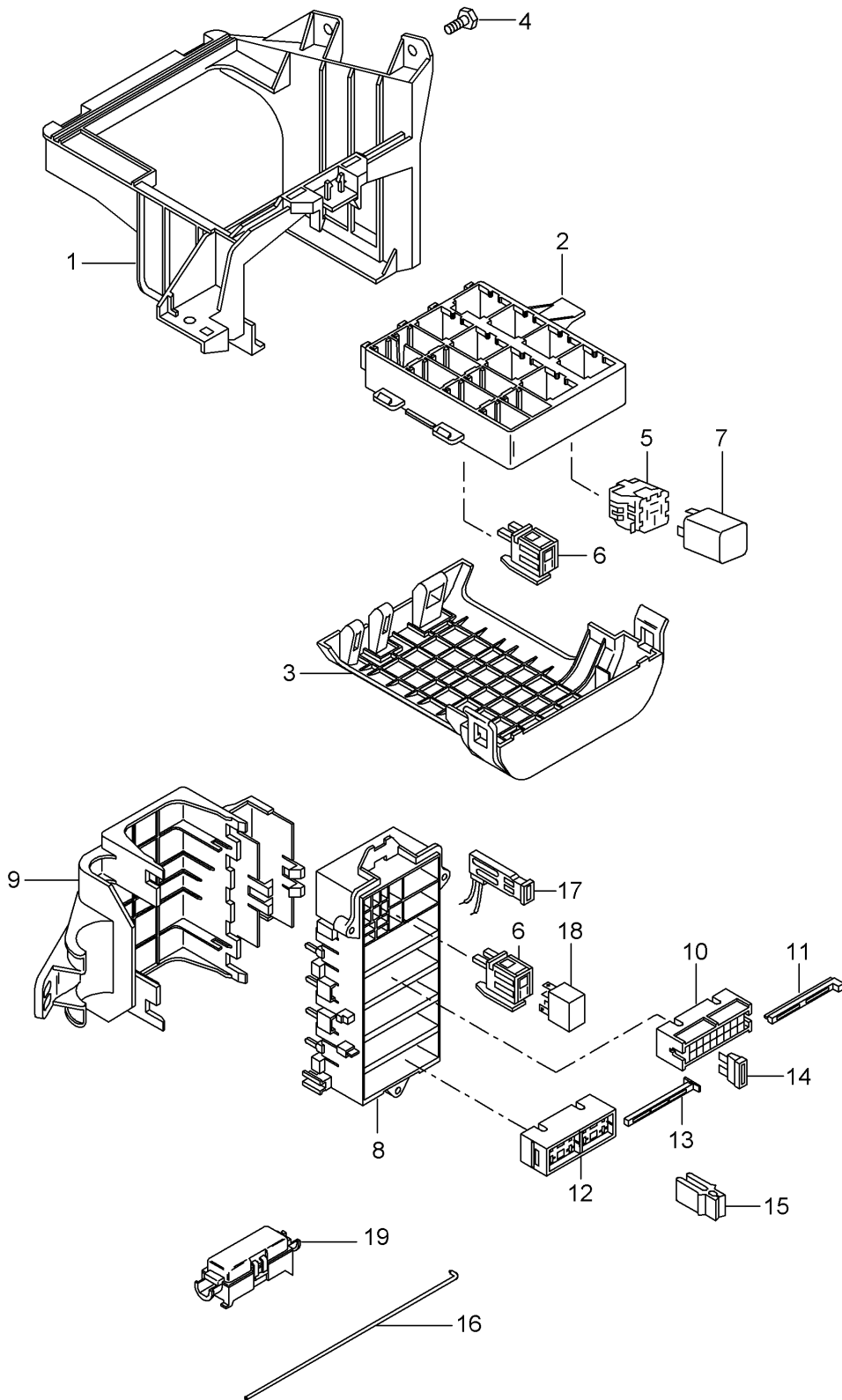


Model: 997G07 Model life 2007>>2011

Pos	Part Number	Description	Remark	Qty	Model
1	997 618 159 04	Control units Ignition/starter switch PORSCHE ACCES SYSTEM Control unit		1	
2	997 618 759 00	Ignition/starter switch Nut		1	
-	997 618 361 00	Cover Release		1	
4	970 618 761 00	Handheld transmitter Emergency operation Release		1	
5	997 618 172 14	Ignition/starter switch Control unit for central locking D - MJ 2007>> - MJ 2007 Discontinued part		1	PR:535
5	997 618 172 15	Control unit for central locking PORSCHE ACCESS SYSTEM D >> - MJ 2008 Discontinued part		1	PR:535
5	997 618 172 16	Control unit for central locking PORSCHE ACCESS SYSTEM D >> - MJ 2008		1	PR:535
5	997 618 172 15	Control unit for central locking PORSCHE ACCESS SYSTEM D - MJ 2010>> Discontinued part		1	PR:525
5	997 618 172 16	Control unit for central locking PORSCHE ACCESS SYSTEM D - MJ 2010>>		1	PR:525
-	997 612 053 01	Connecting line Aerial amplifier Control unit POS. 5 D >> - MJ 2008	lhd	1	PR:098,535
-	997 612 053 01	Connecting line Aerial amplifier Control unit POS. 5 D - MJ 2010>>	lhd	1	PR:098,665
7	997 637 244 47	Handheld transmitter No longer use the part here		1	PR:535
7	997 637 109 01	Handheld transmitter D >> - MJ 2008		1	PR:535
7	997 637 109 01	Handheld transmitter D - MJ 2010>>		1	PR:525
8	999 611 108 00	Battery for hand sender		1	
9	000 043 400 14	repair set Key Handheld transmitter Version Grey See workshop manual KD-NR.: 966237 D >> - MJ 2007		1	
11	997 618 210 01	Sensor for interior monitoring		1	

Model: 997G07

Model life 2007>>2011



Model: 997G07 Model life 2007>>2011

Pos	Part Number	Description	Remark	Qty	Model
		central electrics dashboard			
1	997 610 117 01	bracket for relay bracket	lhd	1	PR:098
2	997 610 110 01	relay plate		1	
		Mounting frame			
3	997 610 112 00	Cover		1	
		Mounting frame			
4	900 378 155 01	Hexagon bolt		2	
		M 6 X 16 ASP			
(4)	900 377 010 01	Hexagon nut		1	
		M 6			
5	928 610 511 00	relay plate		X	
6	999 650 538 40	relay plate		X	
7		Relay			
(7)	999 657 014 90	Relay		1	
		KL. X			
		relay location/code no.:	S4		
(7)	999 657 015 90	Relay		1	
		KL. 86S			
		relay location/code no.:	S6		
(7)	999 657 015 90	Relay		1	
		Fuel pump			
		relay location/code no.:	S8		
(7)	999 657 013 90	Relay		1	
		- dme -			
		relay location/code no.:	S11		
(7)	999 657 013 90	Relay		1	
		heater			
		relay location/code no.:	S12		
(7)	999 657 013 90	Relay		1	PR:288
		Headlight washer system			
		relay location/code no.:	S14		
(7)	999 657 013 90	Relay		1	
		Starter			
		relay location/code no.:	S15		
(7)	999 657 013 90	Relay		1	
		KL. 15			
		relay location/code no.:	S16		
8	997 610 340 00	Carrier		1	
9	997 610 341 00	Cover		1	
10	999 650 209 40	fuse holder		4	
11	999 650 210 40	slide valve		4	
12	999 650 750 40	fuse holder		1	
13	999 650 749 40	slide valve		1	
14	999 607 082 00	fuse		X	
		5 A			
(14)	999 607 083 00	fuse		X	
		7 , 5 A			
(14)	999 607 084 00	fuse		X	
		10 A			
(14)	999 607 085 00	fuse		X	
		15 A			
(14)	999 607 087 00	fuse		X	
		25 A			
(14)	999 607 088 00	fuse		X	
		30 A			
(14)	999 607 072 00	fuse		X	
		30 A			
		Large			
(14)	999 607 073 00	fuse		X	
		40 A			
		Large			
15	999 107 300 40	Tool		X	

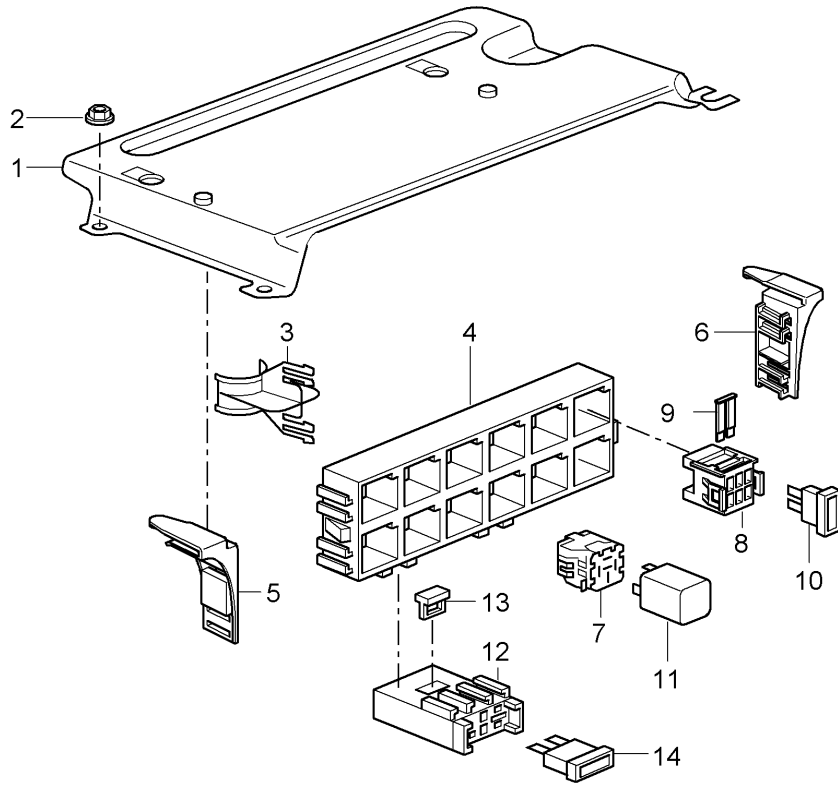
Model: 997G07

Model life 2007>>2011

Pos	Part Number	Description	Remark	Qty	Model
-	997 610 195 07	Assignment sticker fuse		X	
16	997 618 761 00	Emergency operation Release Ignition/starter switch Discontinued part		1	
16	970 618 761 00	Emergency operation Release Ignition/starter switch		1	
-		Emergency operation Cover			
17	996 610 240 00	Terminal clamp		1	
18	999 657 014 90	Relay		1	
19	997 610 915 00	fuse holder		1	
		with:			
		fuse 80 A for Cooling air control Cover for housing fuse		X	
		see illustration:	807-002		

Model: 997G07

Model life 2007>>2011

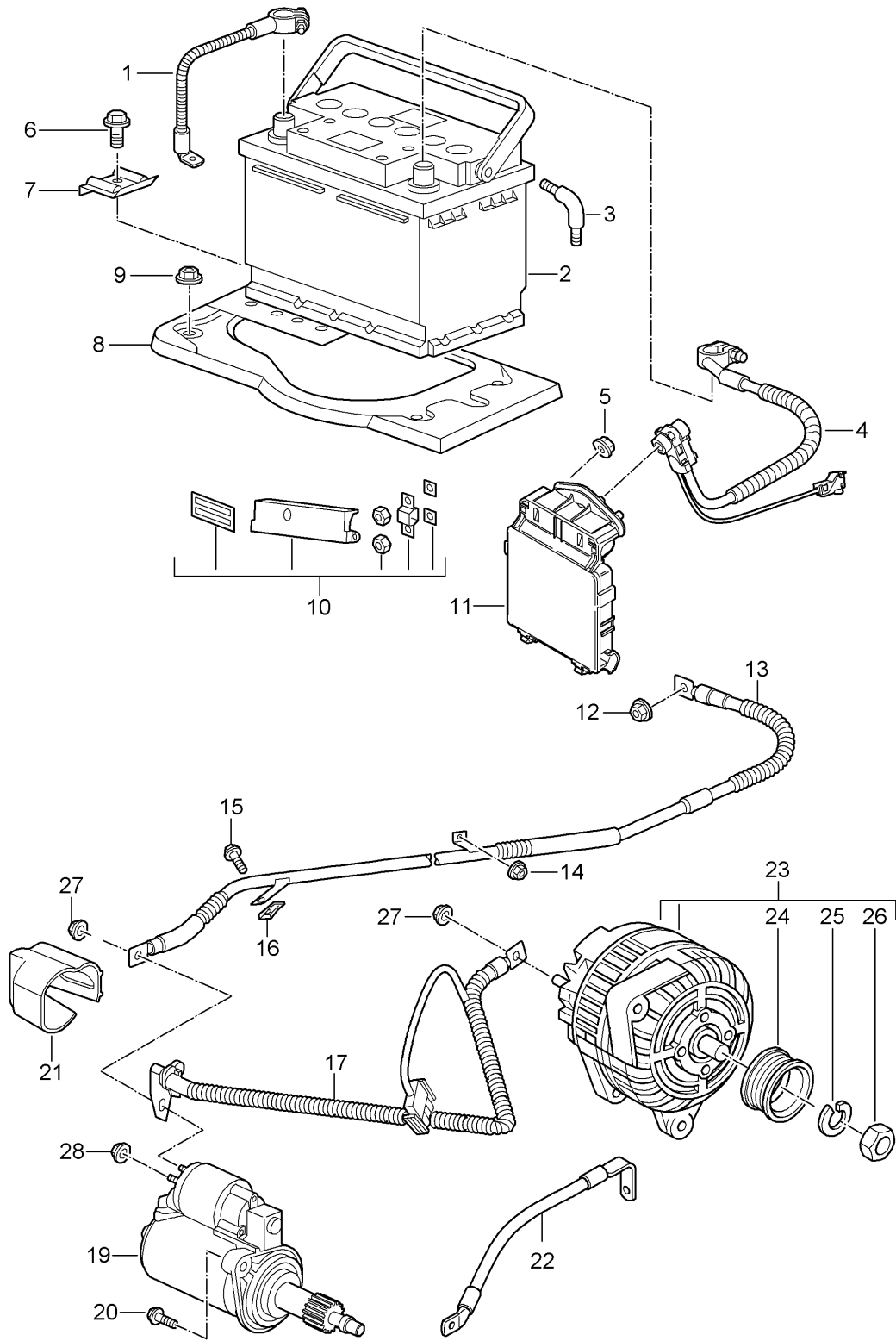


Model: 997G07 Model life 2007>>2011

Pos	Part Number	Description	Remark	Qty	Model
		central electrics			
		Rear end			
(1)	996 610 229 03	mounting plate		1	
2	999 084 629 01	Hexagon nut		2	
		M 6			
3	996 610 112 00	Cable holder		1	
4	996 610 111 00	relay plate		X	
		Mounting frame			
5	987 610 118 00	bracket for relay bracket	right	1	
6	987 610 117 00	bracket for relay bracket	left	1	
7	928 610 511 00	relay plate		X	
8	999 650 747 40	fuse holder		1	
9	999 650 748 40	Locking mechanism		1	
10	999 607 083 00	fuse		X	
		7,5 A			
10	999 607 085 00	fuse		X	
		15 A			
11		Relay			
(11)	999 657 013 90	Relay		1	
		Rear window heating			
		relay location/code no.:	S1		
(11)	999 657 018 90	relay for air conditioner		1	PR:573
		relay location/code no.:	S3		
		D >> - MJ 2008			
(11)	955 615 029 00	Relay		1	PR:474
		Pump			
		relay location/code no.:	S3		
		D - MJ 2010>>			
(11)	999 657 013 90	Relay		1	PR:474
		Switch-off			
		relay location/code no.:	S4		
		D - MJ 2010>>			
(11)	999 657 016 90	Relay		1	
		Fan			
		Engine bay			
		relay location/code no.:	S7		
(11)	999 657 016 90	Relay		1	
		Fan			
		Engine bay			
		relay location/code no.:	S8		
(11)	999 657 017 90	Relay		1	PR:661
		Secondary pump			
		relay location/code no.:	S9		
12	999 650 193 40	fuse holder		3	
13	999 650 371 40	Locking mechanism		3	
14	999 607 073 00	fuse		3	
		40 A			
		Large			

Model: 997G07

Model life 2007>>2011





Model: 997G07 Model life 2007>>2011

Pos	Part Number	Description	Remark	Qty	Model
		Battery Power distributor Starter Alternator Battery main switch			
1	997 611 090 00	Earth line	lhd	1	PR:098
-	900 377 010 01	Hexagon nut M 6		1	
2	999 611 060 20	Battery 60 AH		1	
2	999 611 070 20	Battery 70 AH		1	
2	999 611 080 20	Battery 80 AH		1	
(2)	997 611 020 00	Battery 18 AH D - MJ 2010>>		1	PR:191
(2)	997 611 020 X	Battery 18 AH D - MJ 2010>>		1	PR:191
3	893 915 507	Elbow fitting		1	
4	997 612 993 00	repair set Wire set Battery Power distributor	lhd	1	PR:098
(4)	997 612 908 00	Discontinued part repair set Wire set Battery Power distributor see Technical information 9789	lhd	1	PR:098
(4)	997 612 909 00	repair set Wire set Battery Power distributor see Technical information 9789	rhd	1	PR:099
5	900 380 005 01	Nut VM 8		2	
6	900 378 017 01	Hexagon bolt M 8 X 20		1	
7	996 611 209 00	Rail Battery		1	
8	997 504 151 01	Carrier plate for battery		1	
-	996 504 622 01	Seal Carrier plate for battery		1	
9	999 084 630 01	Hexagon nut VM 8 SB		4	
10	997 610 912 00	repair set Replacement Fuse element comprising:		1	
-		Fuse element 50 AMPERE		1	
-		Fuse element 70 AMPERE		1	
-		Fuse element 80 AMPERE		1	
-		Hexagon nut M 5		4	

Model: 997G07 Model life 2007>>2011

Pos	Part Number	Description	Remark	Qty	Model
-		square washer		4	
-		Cover		1	
-		blue			
-		Seal label		1	
-		red			
(10)	997 610 913 00	repair set		1	
		Replacement			
		Fuse element			
		comprising:			
-		Fuse element		1	
-		150 AMPERE			
-		Hexagon nut		2	
-		M 8			
-		square washer		2	
-		Cover		1	
-		blue			
-		Seal label		1	
-		red			
11	997 610 911 00	repair set		1	
		Replacement			
		Power distributor			
		comprising:			
-		Power distributor		1	
		without:			
-		Fuse element			
-		Hexagon nut		8	
-		M 5			
-		Hexagon nut		3	
-		M 8			
-		Seal label		1	
-		red			
12	900 084 123 02	Hexagon nut		1	
		M 8			
13	997 612 092 01	Cable	lhd	1	PR:098
		Power distributor			
		Starter			
14	999 084 629 01	Hexagon nut		1	
		M 6			
15	900 075 497 01	Bolt with washer		1	
		M 5 X 10			
16	999 507 702 01	panel nut		1	
		M 5			
17	997 607 031 92	Wire set		1	
		Starter			
		Alternator			
19	996 604 107 01	Starter		1	
		Discontinued part			
19	996 604 107 02	Starter		1	
19	996 604 107 BX	Starter		1	
20	900 385 097 01	Torx screw		2	
		BM 10 X 35			
21	996 604 118 00	Protective cap		1	
22	996 607 034 01	Earth line		1	
		Engine			
		Body			
23	997 603 012 06	Alternator		1	
		D >> - MJ 2008			
23	997 603 022 04	Alternator		1	
		D - MJ 2010>>			
23	997 603 022 DX	Alternator		1	
		D - MJ 2010>>			
24	996 603 151 55	pulley		1	
25	N 012 016 1	spring ring		1	

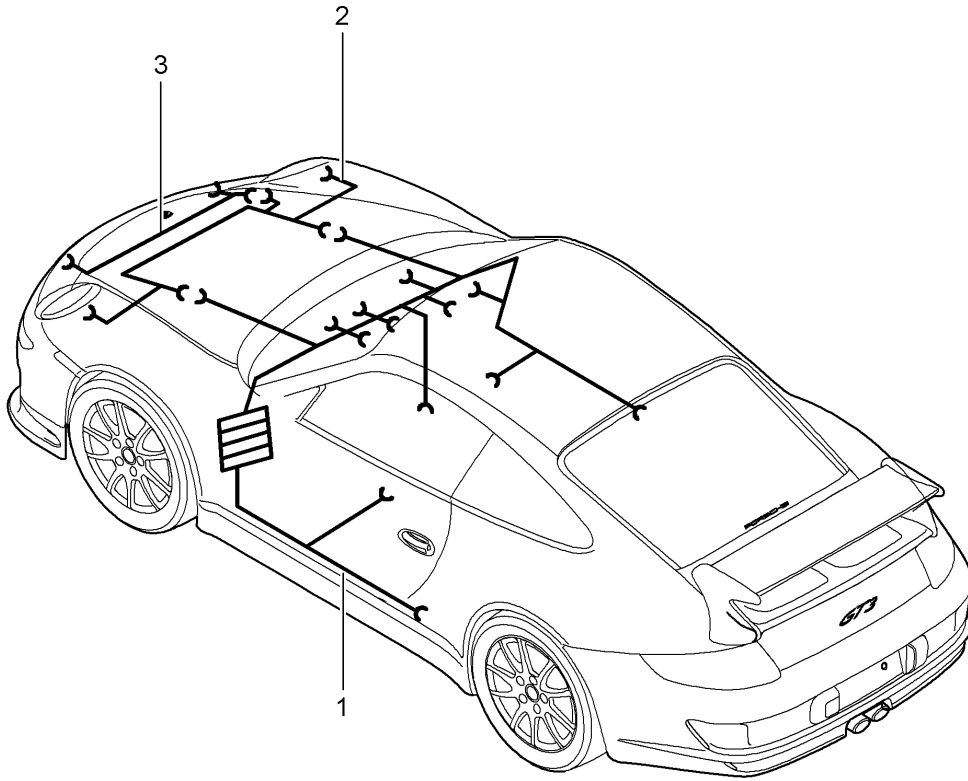
Model: 997G07

Model life 2007>>2011

Pos	Part Number	Description	Remark	Qty	Model
26	900 034 013 01	B 16 Hexagon nut M 16 X 1,5		1	
-	996 603 113 00	Protective cap for 3-phase alternator		1	
-		Fasteners Alternator			
-	900 385 004 01	Torx screw BM 10 X 60		1	
-	900 385 124 01	Torx screw BM 10 X 110		1	
27	900 377 003 01	Hexagon nut M 8		2	
28	900 377 010 02	Hexagon nut M 6		1	
-		Battery main switch			PR:003
-	997 611 027 70	Assembly kit		1	PR:003
-		Battery main switch comprising:			
-	997 611 227 70	Battery main switch		1	PR:003
-	997 613 183 70	Battery main switch	outer	1	PR:003
-	997 613 187 70	Battery main switch	inner	1	PR:003
-	997 611 927 70	Wire set Adapter Battery main switch D - MJ 2010>>		1	PR:003
29	000 998 020	Recycling box for lithium- ion battery Lithium Ionen Starter Battery Defect		1	
30	997 610 916 00	repair set Screw bolt Power distributor comprising: Screw bolt Nut Seal label		1  1 2 1	

Model: 997G07

Model life 2007>>2011



Model: 997G07 Model life 2007>>2011

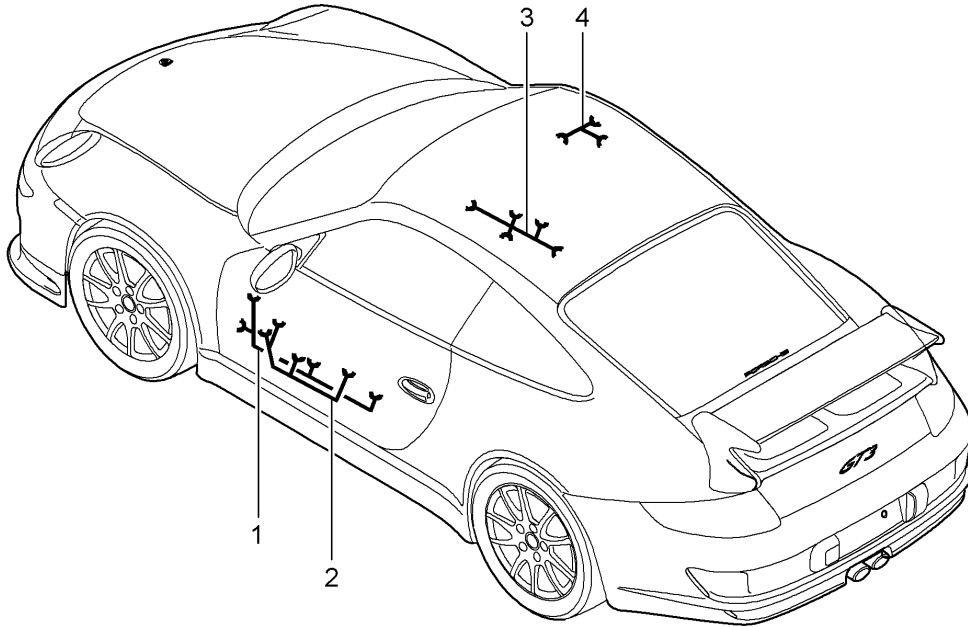
Pos	Part Number	Description	Remark	Qty	Model
		Wiring looms Passenger compartment FRONT luggage compartment Trim Airbag Seat belt tensioner repair kits Shock absorbers anti-locking brake syst. -abs- brake pad wear display Front axle	front		
1	997 612 903 00	Wire set Passenger compartment Vehicle Ident. No. Indicate		1	
1	997 612 914 00	Wire set Lighting Sill trim strip		1	PR:XES
-	996 610 120 01	Bracket Socket		1	
-	999 651 302 40	Diagnostic connector Retaining clip Wire set Passenger compartment Sill		X	
-	999 651 284 40	Retaining clip Wire set Passenger compartment Sill		X	
2	997 612 520 70	Wire set FRONT luggage compartment		1	
(2)	997 612 521 70	D >> - MJ 2008 Wire set FRONT luggage compartment D >> - MJ 2008		1	PR:601
2	997 612 521 27	Wire set FRONT luggage compartment F >> A9-AS783 448 D - MJ 2010>>		1	PR:600
2	997 612 521 33	Wire set FRONT luggage compartment F A9-AS783 448>> D - MJ 2010>>		1	PR:600
(2)	997 612 521 28	Wire set FRONT luggage compartment F >> A9-AS783 448 D - MJ 2010>>		1	PR:601
(2)	997 612 521 31	Wire set FRONT luggage compartment F A9-AS783 448>> D - MJ 2010>>		1	PR:601
(2)	997 612 521 29	Wire set FRONT luggage compartment F >> A9-AS783 448 D - MJ 2010>>		1	PR:603
(2)	997 612 521 30	Wire set FRONT luggage compartment F A9-AS783 448>> D - MJ 2010>>		1	PR:603
-	997 610 215 01	Cable guide for Sensor Airbag		2	

Model: 997G07 Model life 2007>>2011

Pos	Part Number	Description	Remark	Qty	Model
3	997 612 501 01	Wire set Trim	front	1	
3	997 612 501 25	D >> - MJ 2008 Wire set Trim	front	2	
3	997 612 501 70	D - MJ 2010>> Wire set Trim	front	2	PR:004
-	997 612 781 25	D - MJ 2010>> Wire set Airbag (passenger side) Setting 1 Connector green		1	
-	997 612 783 00	Wire set Airbag (passenger side) Setting2 Connector yellow		1	
-	997 612 783 25	D - MJ 2007>> - MJ 2007 Discontinued part Wire set Airbag (passenger side) Setting2 Connector yellow		1	
-	997 612 992 00	Wire set Control unit Airbag Connection point Door		2	
-	997 612 793 01	Wire set Seat belt tensioner		2	
-	997 612 950 70	repair set Wire set Shock absorbers repair set Wire set anti-locking brake syst. -abs- brake pad wear display	front	2	PR:475
-	997 612 961 00	Front axle Repair set for front axle Wire set	left front	1	
-	997 612 960 00	Rear axle Repair set for front axle Wire set repair set Wire set	right front	1	
-		Rear axle see illustration:	902-020		

Model: 997G07

Model life 2007>>2011



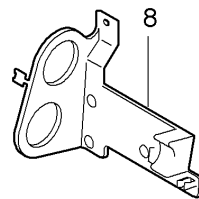
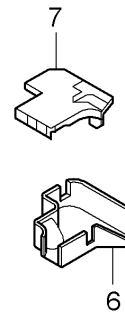
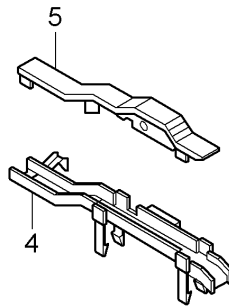
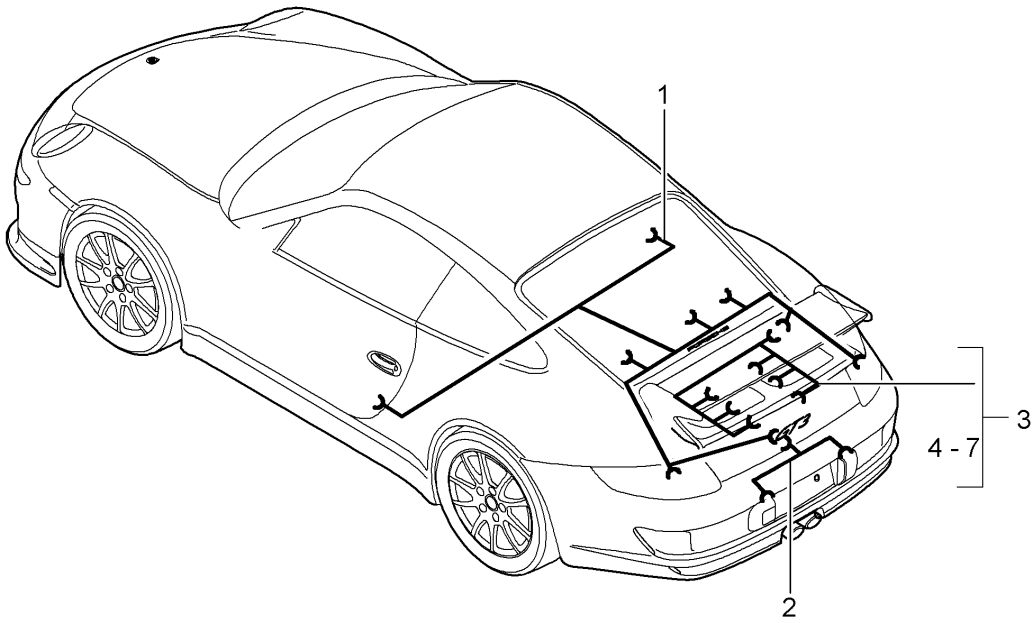
Model: 997G07 Model life 2007>>2011

Pos	Part Number	Description	Remark	Qty	Model
1	997 612 642 05	Wiring looms doors Airbag Centre console Glove box Wire set	lhd	1	PR:098
1	997 612 642 07	Assembly frame Driver's door F >> 99-7S792 062	lhd	1	PR:098
(1)	997 612 643 55	Wire set Assembly frame Passenger's door F >> 99-7S792 062	lhd	1	PR:098
(1)	997 612 643 57	Wire set Assembly frame Passenger's door F 99-7S792 063>>	lhd	1	PR:098
-	997 612 780 16	Wire set		2	
2	997 612 647 05	Airbag Wire set door panel Driver's door F >> 99-7S792 062	lhd	1	PR:098
2	997 612 647 07	Wire set door panel Driver's door F 99-7S792 063>>	lhd	1	PR:098
2	997 612 647 10	D >> - MJ 2008 Wire set door panel Driver's door D - MJ 2010>>	lhd	1	PR:098
(2)	997 612 648 05	Wire set door panel Passenger's door F >> 99-7S792 062	lhd	1	PR:098
(2)	997 612 648 07	Wire set door panel Passenger's door F 99-7S792 063>>	lhd	1	PR:098
(2)	997 612 648 10	D >> - MJ 2008 Wire set door panel Passenger's door D - MJ 2010>>	lhd	1	PR:098
-		use if required:			
-	477 971 951	Protective hose		2	PR:384,385
3	997 612 652 75	Wire set		1	
4	997 612 651 00	Centre console Wire set Glove box		1	



Model: 997G07

Model life 2007>>2011



Model: 997G07 Model life 2007>>2011

Pos	Part Number	Description	Remark	Qty	Model
1	997 612 904 00	Wiring looms Rear end Cover Licence plate light Engine repair kits Shock absorbers anti-locking brake syst. -abs- brake pad wear display Rear axle Wire set Rear end Vehicle Ident. No. Indicate	rear	1	
-	997 612 670 71	Wire set Cover	rear	1	
-	997 612 670 90	Wire set Cover D - MJ 2010>>	rear	1	PR:004,006
2	997 612 660 00	Wire set Licence plate light D >> - MJ 2008 Discontinued part		1	
2	997 612 660 01	Wire set Licence plate light		1	
-	999 507 944 40	Retaining clip for Connection point POS.2		1	
3	997 607 014 92	Wire set Engine D >> - MJ 2008		1	
3	997 607 014 93	Wire set Engine D - MJ 2010>>		1	
-	999 702 324 40	Grommet Air mass meter		1	
4	997 607 141 00	Cable guide Cyl. 1 - 3		1	
5	997 607 151 00	Cover Cable guide Cyl. 1 - 3		1	
6	997 607 142 90	Cable guide Cyl. 4 - 6		1	
7	997 607 152 90	Cover Cable guide Cyl. 4 - 6		1	
(8)	997 610 131 00	Bracket Connection point Wire set Engine		1	
-	997 612 950 00	repair set Wire set Shock absorbers repair set Wire set anti-locking brake syst. -abs- brake pad wear display	rear	2	PR:475
-	997 612 967 00	Rear axle Repair set for rear axle Wire set	left rear	1	
-	997 612 966 00	Repair set for	right rear	1	

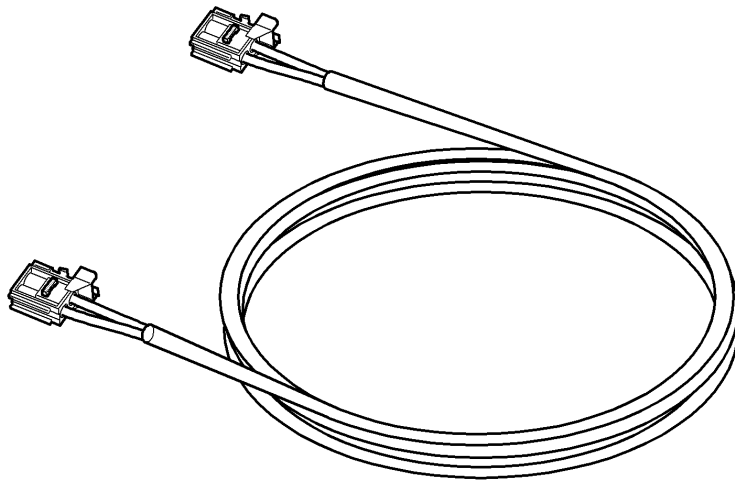
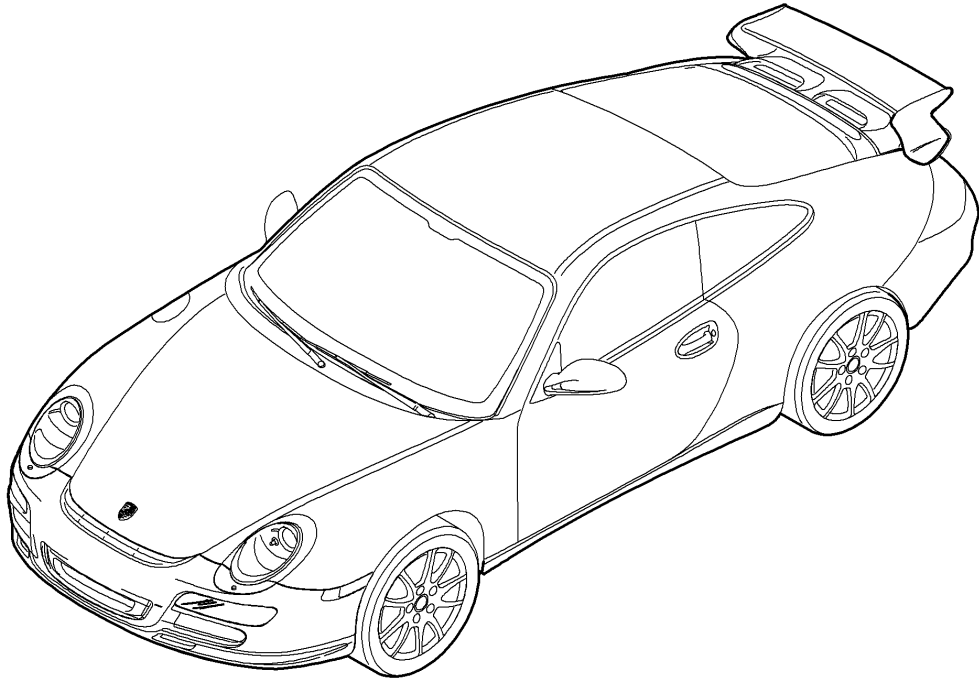
Model: 997G07

Model life 2007>>2011

Pos	Part Number	Description	Remark	Qty	Model
-	999 507 960 02	rear axle Wire set use if required: Cable holder repair set Wire set Front axle see illustration:	902-010	4	

Model: 997G07

Model life 2007>>2011



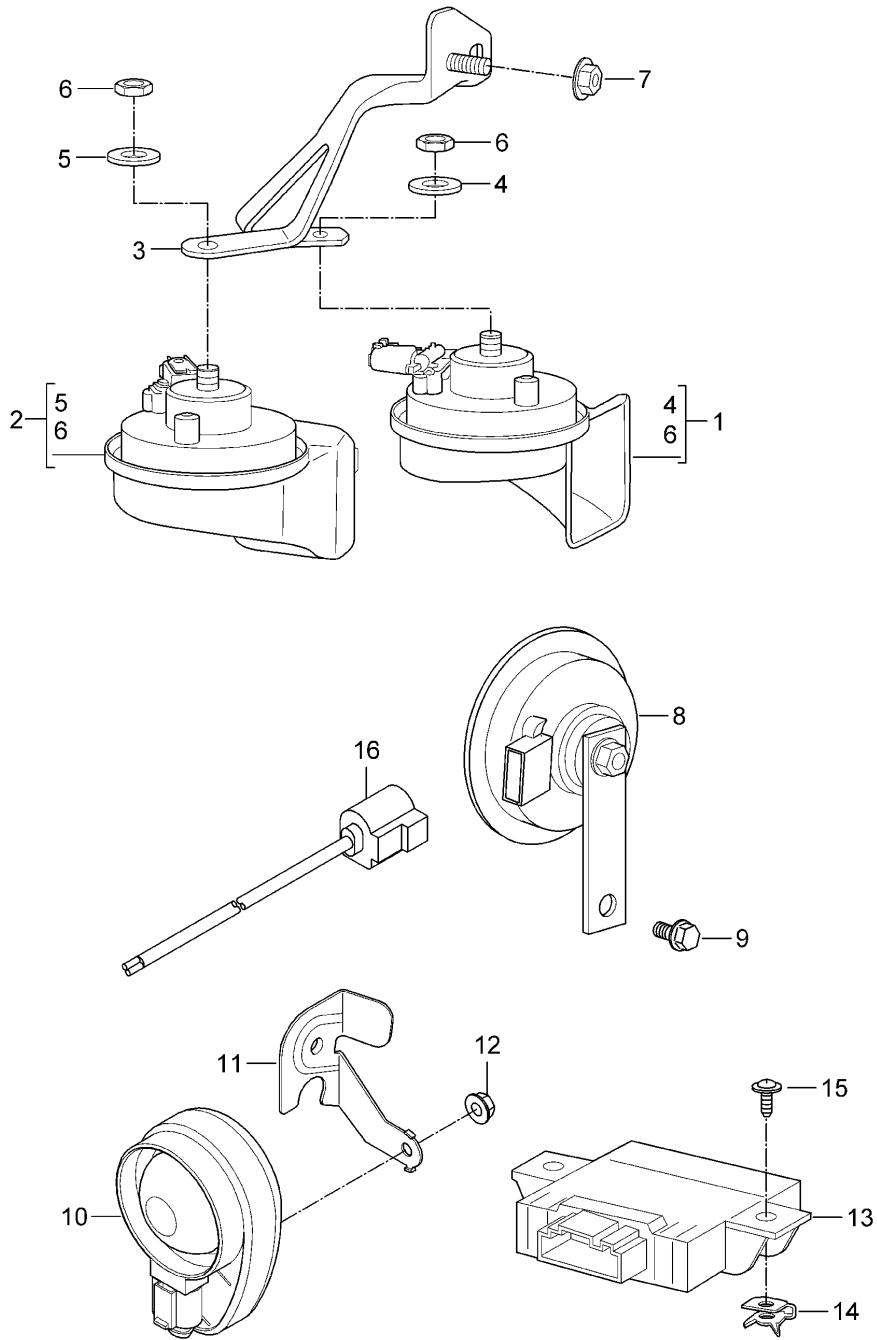
Model: 997G07

Model life 2007>>2011

Pos	Part Number	Description	Remark	Qty	Model
-		fibre optic wave conductor D >> - MJ 2008 Module			
-	997 622 701 00	Passenger compartment fibre optic wave conductor Module	lhd	1	PR:098,670, 672,689
-	997 622 702 00	fibre optic wave conductor Module	lhd	1	PR:098,666, 689
-	997 622 703 00	fibre optic wave conductor Module	lhd	1	PR:098,666, 670,672
-	999 650 091 40	Plug inserts fibre optic wave conductor Module		X	
-	997 610 122 00	FRONT luggage compartment Bracket Connection point		1	
-	997 622 723 00	FRONT luggage compartment fibre optic wave conductor Module	lhd	1	PR:098,670, 672
-	997 622 722 00	fibre optic wave conductor Module	lhd	1	PR:098,664, 670,672

Model: 997G07

Model life 2007>>2011



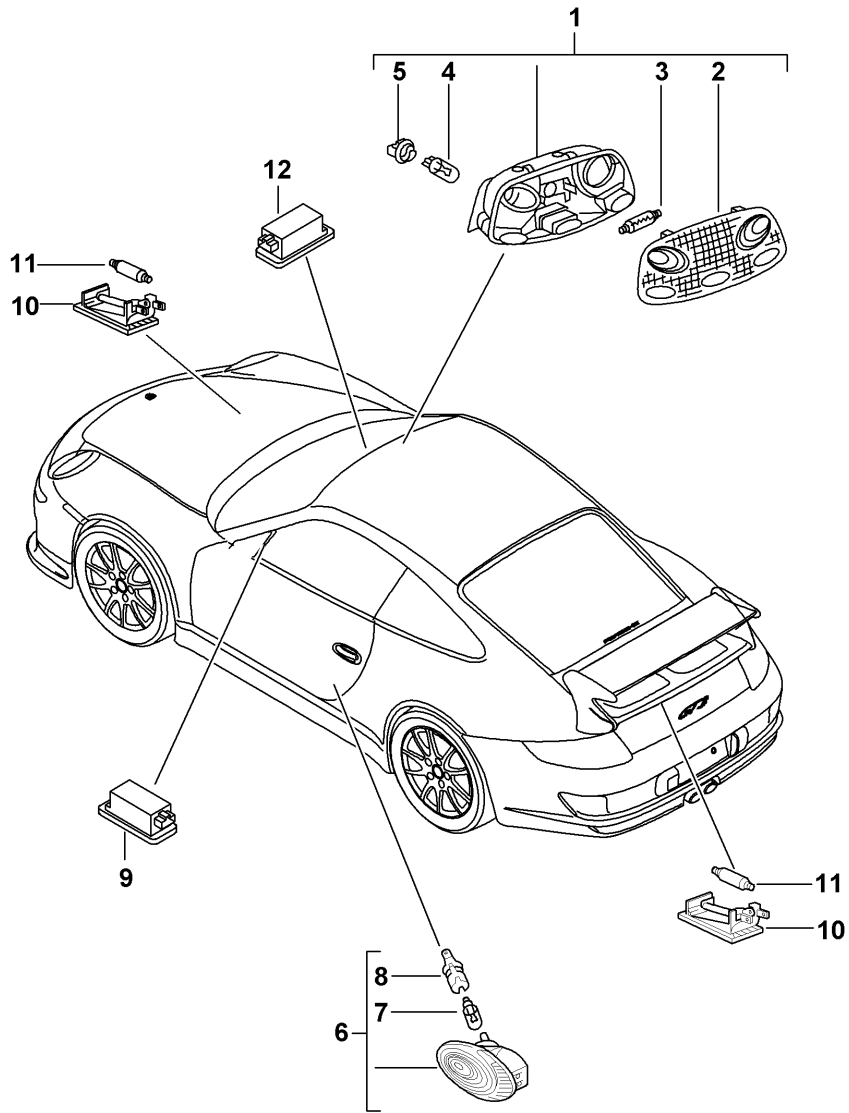
Model: 997G07

Model life 2007>>2011

Pos	Part Number	Description	Remark	Qty	Model
1	997 635 206 03	Fanfare Signal horn Fanfare High-pitched Discontinued part		1	
1	997 635 206 04	Fanfare High-pitched No longer use the part here		1	
1	997 635 216 00	Fanfare High-pitched see Technical information GR.9 NR.100/13 KD-NR.9050		1	
-	997 612 947 00	Adapter cable see Technical information GR.9 NR.100/13 KD-NR.9050		1	
2	997 635 205 03	Fanfare Low-pitched Discontinued part		1	
2	997 635 205 04	Fanfare Low-pitched No longer use the part here		1	
(2)	997 635 215 00	Fanfare Low-pitched see Technical information GR.9 NR.100/13 KD-NR.9050		1	
-	997 612 947 00	Adapter cable see Technical information GR.9 NR.100/13 KD-NR.9050		1	
3	997 635 150 91	Bracket for fanfare		1	
4		Washer High-pitched		1	
5		Washer Low-pitched		1	
6	900 034 001 03	Nut D - MJ 2007>> - MJ 2007 Discontinued part		2	
6	900 034 001 04	Nut M 8		2	
7	900 377 003 03	Hexagon nut M 8		1	
8	996 637 117 03	Signal horn for alarm system		1	
8	996 637 117 05	Signal horn for alarm system Replacement for 996.637.117.03		1	
9	900 075 459 01	use if required: Bolt with washer M 6 X 12 Z2	9P1 998 003 A	1	
16	9P1 998 003 A	Wire set Modification kit Signal horn		1	

Model: 997G07

Model life 2007>>2011





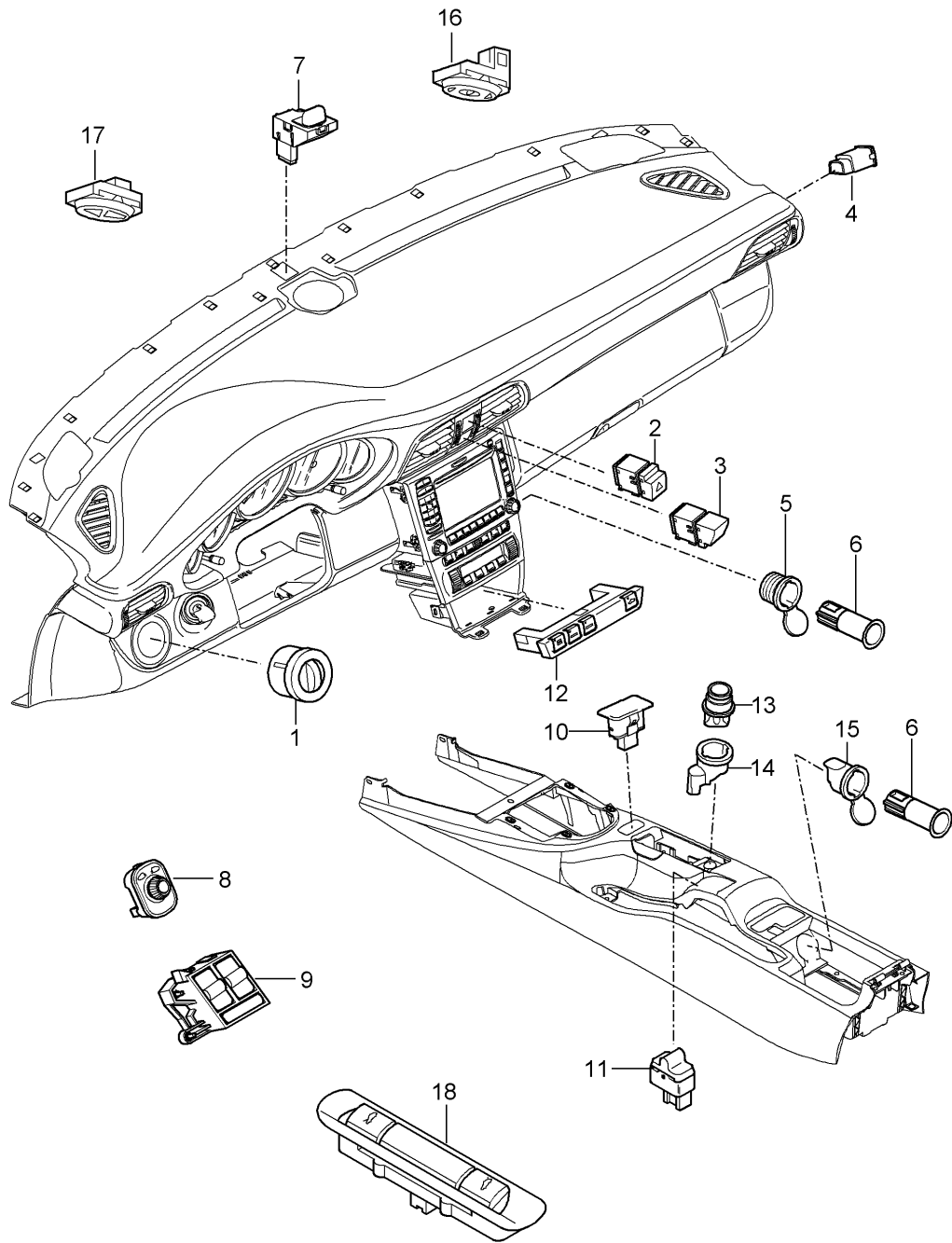
Model: 997G07

Model life 2007>>2011

Pos	Part Number	Description	Remark	Qty	Model
		Interior lights			
		Luggage compartment lamp			
		Engine compartment light			
		Glove box light			
		Footwell light			
1	997 632 051 00	interior light		1	
2	996 632 151 00	Lens		1	
3	900 631 106 90	Linolite lamp		1	
		10 W			
4	999 631 134 90	bulb		2	
		6 W			
5	999 632 018 00	Bulb holder		2	
6	996 632 132 01	Door warning light		2	
7	999 631 032 90	bulb		2	
		5 W			
8	161 949 111	Bulb holder		2	
9	955 632 202 00	Light		2	
		Footwell			
10	997 632 201 00	Light		2	
		Engine bay			
		Luggage compartment			
11	900 631 106 90	Linolite lamp		2	
		10 W			
12	997 632 071 00	Glove box light		1	
-	999 631 147 90	bulb		4	
		3 W			
		Vanity mirror			

Model: 997G07

Model life 2007>>2011



Model: 997G07 Model life 2007>>2011

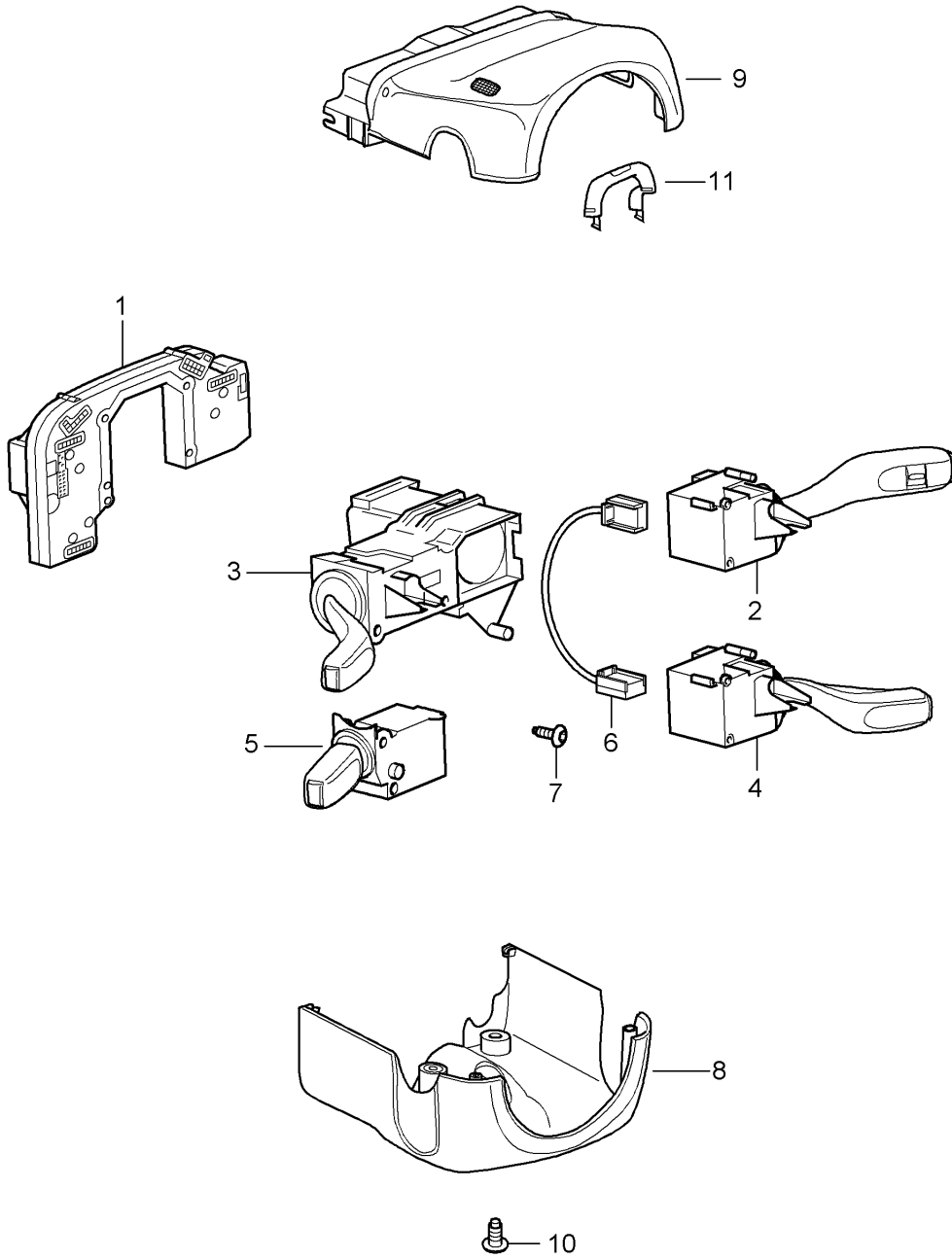
Pos	Part Number	Description	Remark	Qty	Model
1	997 613 535 01	Switch switch for lighting D >> - MJ 2008		1	
(1)	997 613 535 01 A05	Matt black		1	
	997 613 525 00	switch for lighting D - MJ 2010>>		1	
	997 613 525 00 A05	Matt black		1	
2	997 613 120 02	Hazard warning light sw. Discontinued part		1	
	997 613 120 02 A05	Matt black		1	
2	997 613 120 03	Hazard warning light sw.		1	
	997 613 120 03 A05	Matt black		1	
3	997 613 143 00	Switch Central locking system		1	
	997 613 143 00 A05	Matt black		1	
(4)	997 613 211 00	Switch Airbag		1	
	997 613 211 00 B41	Satin black		1	
5	997 652 103 00	clamping ring  with:		1	
6	955 652 107 00	Cover Socket		2	
7	997 653 251 00	Sensor Air conditioning		1	PR:573
8	997 613 241 01	Switch Exterior mirror		1	
	997 613 241 01 A05	Matt black		1	
9	997 613 151 05	Switch for electric window regulator (drivers side)	lhd	1	PR:098
	997 613 151 05 A05	Matt black		1	
9	997 613 151 11	Switch for electric window regulator (drivers side)		1	
	997 613 151 11 A05	Matt black		1	
(9)	997 613 156 04	Switch for electric window regulator (passenger side) Discontinued part	lhd	1	PR:098
	997 613 156 04 A05	Matt black		1	
(9)	997 613 156 05	Switch for electric window regulator (passenger side)	lhd	1	PR:098
	997 613 156 05 A05	Matt black		1	
(9)	997 613 156 11	Switch for electric window regulator (passenger side)		1	
	997 613 156 11 A05	Matt black		1	
10	997 641 165 01	warning lamp Airbag		1	
	997 641 165 01 A05	Matt black Dummy cover		1	
(11)		see illustration:	809-020		
12	997 613 127 00	Combined switch D >> - MJ 2008		1	PR:475
	997 613 127 00 FMH	Volcano Grey/Black Mat		1	
(12)	997 613 541 80	Combined switch D - MJ 2010>> - MJ 2011		1	PR:475
	997 613 541 80 A05	Matt black		1	
(12)	997 613 541 81	Combined switch		1	PR:006,475
	997 613 541 81 A05	Matt black		1	
(12)	997 613 537 81	Combined switch D - MJ 2010>> - MJ 2011		1	PR:474,475

Model: 997G07 Model life 2007>>2011

Pos	Part Number	Description	Remark	Qty	Model
(12)	997 613 537 81 A05 997 613 537 82	Matt black Combined switch		1	PR:006,474, 475
13	997 613 537 82 A05 997 652 101 00	Matt black Cigarette lighter		1	
14	997 652 101 00 A05 997 652 102 00	Matt black Headlight unit		1	
15	997 652 104 00	clamping ring		1	
		with:			
16	997 613 147 00	Cover Switch Sunroof Discontinued part		1	PR:650
16	997 613 147 00 A05 997 613 147 01	Matt black Switch Sunroof		1	PR:650
17	997 613 147 01 A05 997 613 225 02	Matt black Switch Garage door opener D - MJ 2010>>	left	1	PR:607,608
(17)	997 613 225 02 A05 997 613 227 01	Matt black Switch Garage door opener D - MJ 2010>> Discontinued part	right	1	PR:607,608
(17)	997 613 227 01 A05 997 613 227 02	Matt black Switch Garage door opener D - MJ 2010>>	right	1	PR:607,608
(17)	997 613 227 02 A05 997 613 235 00	Matt black Dummy cover		2	
18	997 613 235 00 01C 997 613 105 02	Satin black Switch Cover	front and rear	1	
	997 613 105 02 A05	Matt black			

Model: 997G07

Model life 2007>>2011

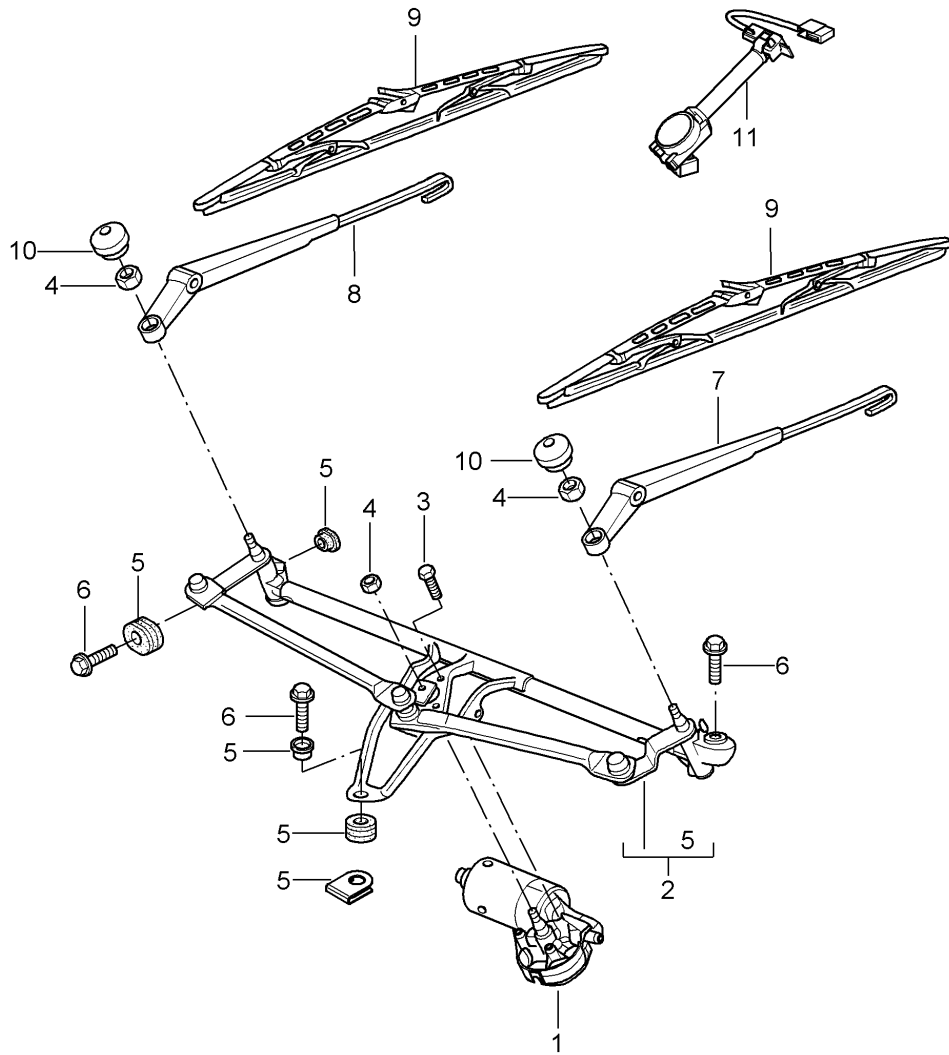


Model: 997G07 Model life 2007>>2011

Pos	Part Number	Description	Remark	Qty	Model
1	997 613 297 02	Steering column switch Electronic unit D >> - MJ 2008 Discontinued part		1	
1	997 613 297 03	Electronic unit D >> - MJ 2008		1	
1	997 613 289 01	Electronic unit D - MJ 2010>>		1	
2	997 613 251 00	Wiper switch		1	
	997 613 251 00 01C	Satin black			
(2)	997 613 253 00	Wiper switch		1	PR:288
	997 613 253 00 01C	Satin black			
3	997 613 245 00	Direction indicator switch		1	
	997 613 245 00 01C	Satin black			
4	997 613 261 00	Switch Cruise control		1	PR:454
	997 613 261 00 01C	Satin black			
5	997 613 265 00	switch for on-board computer		1	PR:659
	997 613 265 00 01C	Satin black			
(5)	997 613 267 00	switch for on-board computer D - MJ 2010>>		1	PR:659,671
	997 613 267 00 01C	Satin black			
6	997 622 674 00	Wire set Cruise control		1	PR:454
7	N 909 068 01	Hex socket head locating bolt M 2,5 X 2,6 X 43,5-D		X	
8	997 552 475 02	Switch housing	lower	1	
	997 552 475 02 A03	Black			
(8)	997 552 475 03	Switch housing	lower	1	PR:454
	997 552 475 03 A03	Black			
8	997 552 979 00	Switch housing Leather D - MJ 2010>>	lower	1	PR:XNS
	997 552 979 00 A11	Black			
	997 552 979 00 D12	Dark grey/natural			
(8)	997 552 979 01	Switch housing Leather D - MJ 2010>>	lower	1	PR:XNS,454
	997 552 979 01 A11	Black			
	997 552 979 01 D12	Dark grey/natural			
9	997 552 273 02	Switch housing	upper	1	
	997 552 273 02 A03	Black			
9	997 552 997 00	Switch housing Leather D - MJ 2010>>	upper	1	PR:XNS
	997 552 997 00 A11	Black			
	997 552 997 00 D12	Dark grey/natural			
10	999 919 136 01	fillister hd. bolt 3,5 X 18		3	
11	997 610 206 00	Cable guide		1	

Model: 997G07

Model life 2007>>2011



Model: 997G07

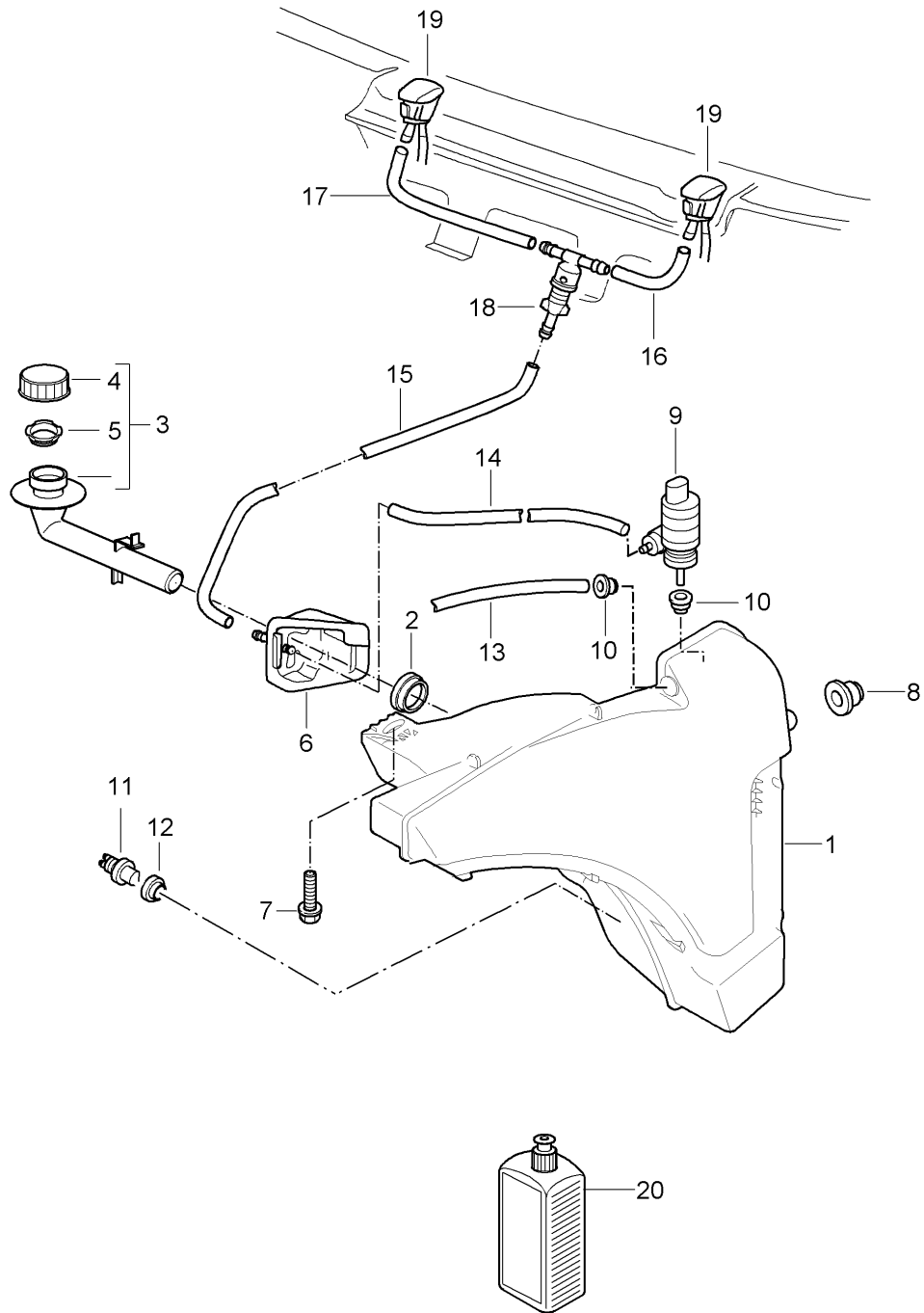
Model life 2007>>2011

Pos	Part Number	Description	Remark	Qty	Model
		Windscreen wiper system, compl			
		Rain sensor			
1	997 624 105 01	Wiper motor	lhd	1	PR:098
2	997 628 235 01	Crank drive	lhd	1	PR:098
3	999 073 152 02	Torx screw M 6 X 18		3	
4	900 076 064 02	Hexagon nut M 8		3	
5	997 628 928 00	repair set comprising:		1	
-		Bearing sleeve		1	
-		Rubber bush		1	
-		Bearing sleeve		1	
-		Rubber bush		1	
-		Clip		2	
6	999 075 075 01	Bolt with washer M 6 X 22 SC		3	
7	997 628 027 00	Wiper arm (drivers side)	lhd	1	PR:098
8	997 628 029 00	Wiper arm (passenger side)	lhd	1	PR:098
9	996 628 901 08	1 set: wiper blades (drivers side) (passenger side)	front	1	
10	944 628 305 01	Cover cap		2	
11	997 612 693 00	Rain sensor		1	PR:268
		with:			
(11)	997 612 694 00	Wire set Rain sensor		1	PR:267,268
		with:			
-	000 043 204 65	Wire set Adhesive film for		1	
(11)	997 612 695 00	Rain sensor Wire set		1	
		with:			
		Light for cars without Rain sensor			



Model: 997G07

Model life 2007>>2011



Model: 997G07

Model life 2007>>2011

Pos	Part Number	Description	Remark	Qty	Model
1	997 528 701 01	Windscreen washer system		1	PR:288
(1)	997 528 701 00	Water reservoir		1	
2	996 528 711 00	Seal		1	
3	997 528 605 00	fuel filler neck		1	
4	996 528 607 00	Cover		1	
5	997 528 621 00	strainer		1	
6	996 528 615 01	Console		1	
-	999 137 091 40	Connector union		X	
		Repair material for Console 996.528.615.01			
7	900 378 154 01	Hexagon bolt AM 8 X 35 SB		1	
8	999 702 221 40	Grommet		2	
9	997 628 182 00	Windscreen washer system pump		1	
10	431 955 465 B	seal ring		2	
11	955 628 105 00	Water level switch		1	
12	955 528 721 00	Seal		1	
13	999 181 347 40	Breather line 273 MM		*	
-	999 181 815 40	Hose 5,0 X 2,5		*	
14		shorten to:	375 MM	1	
15		shorten to:	650 MM	1	
16		shorten to:	97 MM	1	
17		shorten to:	347 MM	1	
(18)	999 137 005 40	t-piece		1	
19	996 628 077 03	jet		2	
		D - MJ 2007>> - MJ 2007			
19	997 628 077 00	jet		2	
		D - MJ 2008>>			
20	999 901 017 42	Window cleaning solution 250 ML Summer		X	



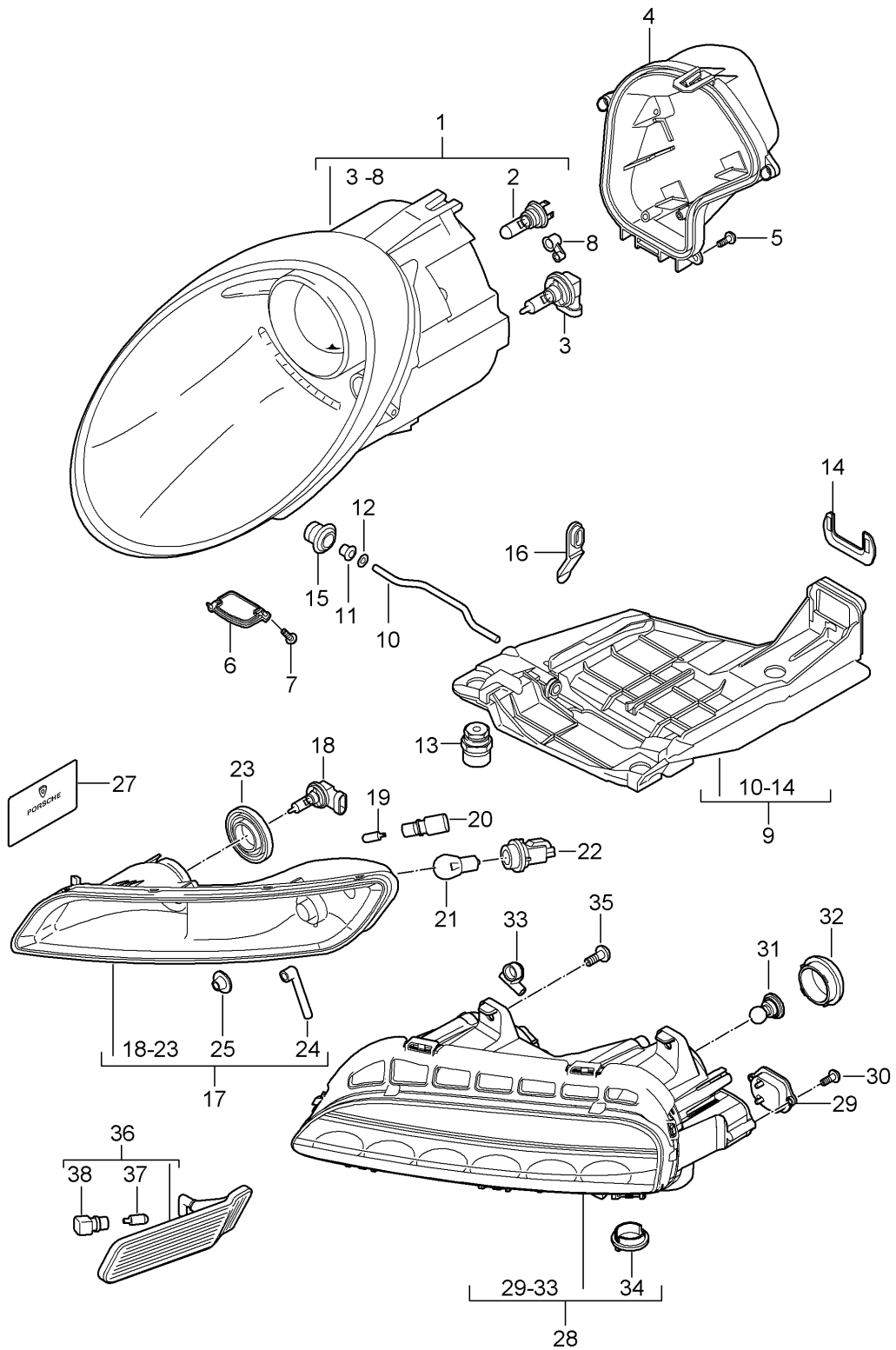
Model: 997G07

Model life 2007>>2011

Pos	Part Number	Description	Remark	Qty	Model
1	997 624 502 00	Headlight washer system Pump for headlight- washer system		1	PR:288
2	928 628 193 00	Seal		1	
-	000 043 204 79	Hose 8 X 3		*	
3		shorten to:	890 MM	1	
4	996 628 204 00	Coupling		1	
5	997 628 208 00	Hose connector		1	
-	999 181 760 40	Hose 10 X 3		*	
6		D >> - MJ 2008 shorten to:	440 MM		
7		D >> - MJ 2008 shorten to:	80 MM		
8		D >> - MJ 2008 shorten to:	1850 MM		
9	999 137 093 40	Y-piece		1	
10	997 628 204 00	Coupling		X	
11	997 628 205 00	Coupling		1	
12	997 628 133 01	D >> - MJ 2008 jet		2	
13	997 628 231 00	D >> - MJ 2008 Nozzle head		2	
-	999 181 760 40	D >> - MJ 2008 Hose 10 X 3		*	
14		D - MJ 2010>> shorten to:	360 MM		
15		D - MJ 2010>> shorten to:	2070 MM		
16		D - MJ 2010>> shorten to:	135 MM		
17	997 628 209 00	D - MJ 2010>> Elbow fitting		1	
18	997 628 163 01	D - MJ 2010>> jet		2	
19	997 628 263 00	D - MJ 2010>> Nozzle head		2	
-	997 628 981 02	D - MJ 2010>> Cap primed for POS 18 + 19 D - MJ 2010>>		2	PR:XUB

Model: 997G07

Model life 2007>>2011



Model: 997G07 Model life 2007>>2011

Pos	Part Number	Description	Remark	Qty	Model
		Headlights Additional headlight side marker light Turn signal repeater			
1	997 631 163 23	Headlights D >> - MJ 2008	left	1	
1	997 631 163 23	Headlights D - MJ 2010>>	left	1	PR:600
(1)	997 631 164 23	Headlights D >> - MJ 2008	right	1	
(1)	997 631 164 23	Headlights D - MJ 2010>>	right	1	PR:600
2	999 631 133 91	Halogen bulb H 7		2	
3	999 631 143 90	Halogen bulb H 9		2	
4	997 631 101 00	Protective hood	left	1	
(4)	997 631 102 00	Protective hood	right	1	
5	997 631 191 00	Screw		8	
6	997 631 149 00	Ventilation component Discontinued part	left	1	
6	997 631 149 10	Ventilation component	left	1	
(6)	997 631 150 00	Ventilation component Discontinued part	right	1	
(6)	997 631 150 10	Ventilation component	right	1	
7	997 631 153 00	Screw		4	
8	997 631 249 00	Ventilation component		2	
9	997 631 073 02	Mounting for main beam headl.	left	1	
(9)	997 631 074 02	Mounting for main beam headl.	right	1	
10	997 631 273 01	Retainer bracket		2	
11	997 631 272 00	Bearing bush		2	
12	900 116 004 09	Retaining washer		2	
13	997 631 194 00	Securing element D >> - MJ 2008 Discontinued part		6	
13	997 631 194 02	Securing element		6	
14	997 631 245 00	Locking mechanism Connector housing		2	
15	999 703 413 40	Bungs		2	
16	993 631 170 03	Bungs		2	
(16)	996 631 127 01	Bungs		2	
-		Additional headlight			
17	997 631 081 04	Additional headlight D >> - MJ 2008 Discontinued part	left	1	
17	997 631 081 05	Additional headlight D >> - MJ 2008	left	1	
(17)	997 631 082 04	Additional headlight D >> - MJ 2008	right	1	
18	999 631 142 90	Halogen bulb H 8 D >> - MJ 2008		2	
19	999 631 033 90	bulb 5 W Position light for Additional headlight 997.631.081/082.01/02 D >> - MJ 2008		2	
19	999 631 040 90	bulb 5 W Position light for		2	

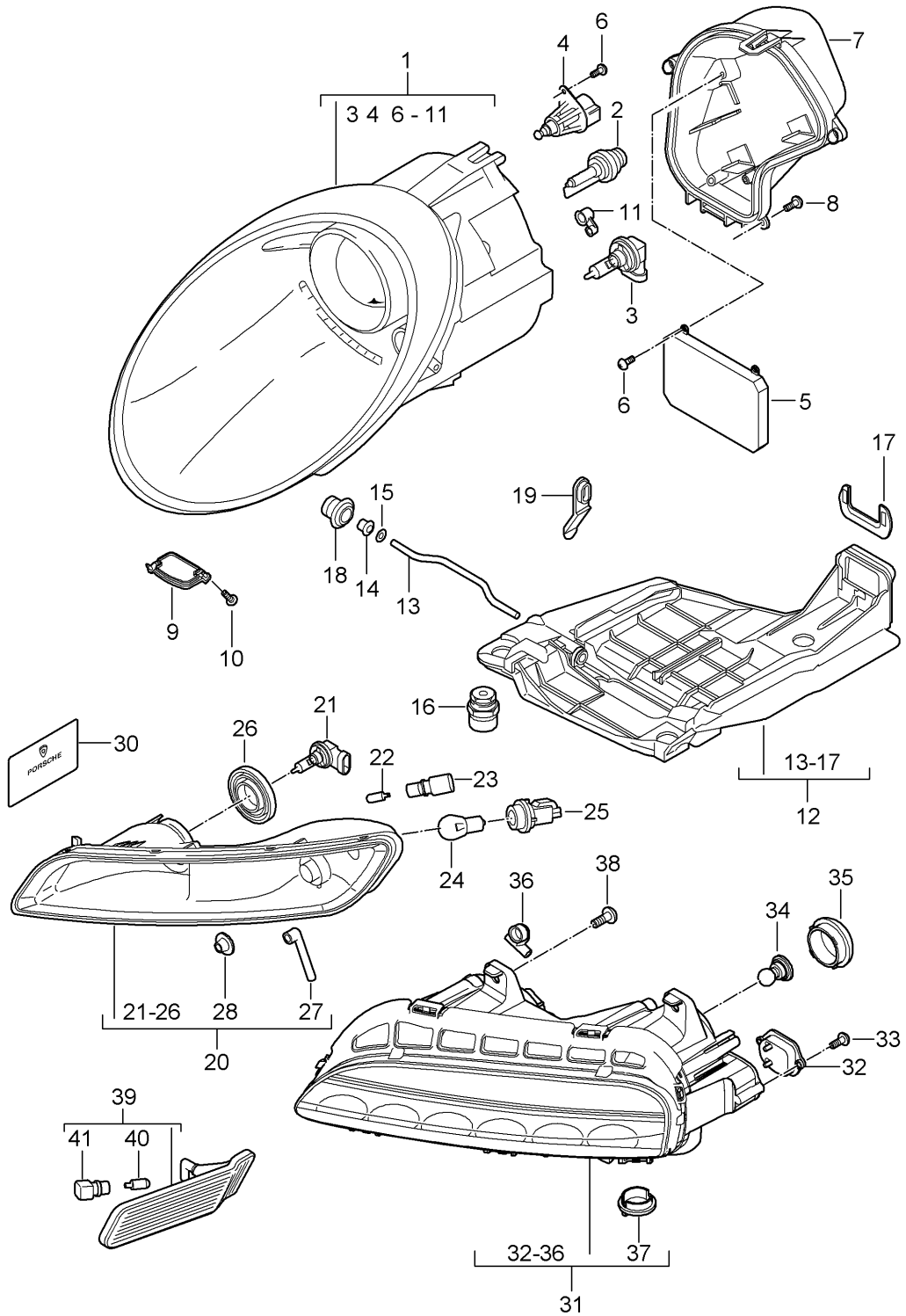
Model: 997G07

Model life 2007>>2011

Pos	Part Number	Description	Remark	Qty	Model
20	997 631 137 00	Additional headlight 997.631.081/082.03/04/05 D >> - MJ 2008 Bulb holder Position light		2	
21	900 631 021 90	D >> - MJ 2008 bulb 21 W Turn signal indicator		2	
22	997 631 139 00	D >> - MJ 2008 Bulb holder Turn signal indicator		2	
23	997 631 145 00	D >> - MJ 2008 Cover cap		2	
24	997 631 147 00	D >> - MJ 2008 ventilation union		2	
25	997 631 293 00	D >> - MJ 2008 Cover		4	
27	997 631 231 00	D >> - MJ 2008 Card for Release		1	
28	997 631 083 01	Additional headlight D >> - MJ 2008 Additional headlight D - MJ 2010>> Discontinued part	left	1	
28	997 631 083 02	Additional headlight D - MJ 2010>>	left	1	
(28)	997 631 084 01	Additional headlight D - MJ 2010>> Discontinued part	right	1	
(28)	997 631 084 02	Additional headlight D - MJ 2010>>	right	1	
29	997 631 241 00	LED module Position light D - MJ 2010>>		2	
30	997 631 297 00	Screw D - MJ 2010>>		4	
31	999 631 253 91	bulb HP 24 W Turn signal indicator D - MJ 2010>>		4	
32	997 631 271 00	Cover cap Turn signal indicator D - MJ 2010>>		4	
33	997 631 247 00	ventilation union D - MJ 2010>>		2	
34	997 631 267 01	ventilation valve D - MJ 2010>>		2	
35	999 919 246 01	fillister hd. bolt 6,0 X 18,0 D - MJ 2010>>		8	
36	997 631 037 02	side marker light	left	1	
36	997 631 037 90	side marker light D - MJ 2010>>	left	1	PR:004
(36)	997 631 038 02	side marker light	right	1	
(36)	997 631 038 90	side marker light D - MJ 2010>>	right	1	PR:004
37	900 631 019 90	Glass-base bulb 3 W white		2	
38	997 631 133 00	Bulb holder		2	

Model: 997G07

Model life 2007>>2011





Model: 997G07 Model life 2007>>2011

Pos	Part Number	Description	Remark	Qty	Model
-		Headlights Additional headlight side marker light Turn signal repeater Headlights  without: Control unit and bulb XENON			PR:601
1	997 631 157 23	Headlights	left	1	
(1)	997 631 158 23	Headlights	right	1	
2	999 631 036 90	Gas discharge lamp - PHILIPS -		2	
3	999 631 144 91	Halogen bulb H 11		2	
4	997 631 141 00	Servomotor Headlight range control		2	
5	997 631 183 00	Control unit		2	
6	997 631 199 00	Screw		6	
7	997 631 101 00	Protective hood	left	1	
(7)	997 631 102 00	Protective hood	right	1	
8	997 631 191 00	Screw		8	
9	997 631 149 00	Ventilation component Discontinued part	left	1	
9	997 631 149 10	Ventilation component	left	1	
(9)	997 631 150 00	Ventilation component Discontinued part	right	1	
(9)	997 631 150 10	Ventilation component	right	1	
10	997 631 153 00	Screw		4	
11	997 631 249 00	Ventilation component		2	
12	997 631 073 02	Mounting for main beam headl.	left	1	
(12)	997 631 074 02	Mounting for main beam headl.	right	1	
13	997 631 273 01	Retainer bracket		2	
14	997 631 272 00	Bearing bush		2	
15	900 116 004 09	Retaining washer		2	
16	997 631 194 00	Securing element D >> - MJ 2008		6	
16	997 631 194 02	Discontinued part Securing element		6	
17	997 631 245 00	Locking mechanism Connector housing		2	
18	999 703 413 40	Bungs		2	
19	993 631 170 03	Bungs		2	
(19)	996 631 127 01	Bungs		2	
-		Additional headlight			
20	997 631 081 04	Additional headlight D >> - MJ 2008	left	1	
20	997 631 081 05	Discontinued part Additional headlight D >> - MJ 2008	left	1	
20	997 631 082 04	Additional headlight D >> - MJ 2008	right	1	
21	999 631 142 90	Halogen bulb H 8 D >> - MJ 2008		2	
22	999 631 033 90	bulb 5 W Position light for Additional headlight 997.631.081/082.01/02 D >> - MJ 2008		2	

Model: 997G07 Model life 2007>>2011

Pos	Part Number	Description	Remark	Qty	Model
22	999 631 040 90	bulb 5 W Position light for Additional headlight 997.631.081/082.03/04/05 D >> - MJ 2008		2	
23	997 631 137 00	Bulb holder Position light D >> - MJ 2008		2	
24	900 631 021 90	bulb 21 W Turn signal indicator D >> - MJ 2008		2	
25	997 631 139 00	Bulb holder Turn signal indicator D >> - MJ 2008		2	
26	997 631 145 00	Cover cap D >> - MJ 2008		2	
27	997 631 147 00	ventilation union D >> - MJ 2008		2	
28	997 631 293 00	Cover D >> - MJ 2008		4	
30	997 631 231 00	Card for Release Additional headlight D >> - MJ 2008		1	
31	997 631 083 01	Additional headlight D - MJ 2010>> Discontinued part	left	1	
31	997 631 083 02	Additional headlight D - MJ 2010>> Discontinued part	left	1	
31	997 631 084 01	Additional headlight D - MJ 2010>> Discontinued part	right	1	
31	997 631 084 02	Additional headlight D - MJ 2010>> Discontinued part	right	1	
32	997 631 241 00	LED module Position light D - MJ 2010>>		2	
33	997 631 297 00	Screw D - MJ 2010>>		4	
34	999 631 253 91	bulb HP 24 W Turn signal indicator D - MJ 2010>>		4	
35	997 631 271 00	Cover cap Turn signal indicator D - MJ 2010>>		4	
36	997 631 247 00	ventilation union D - MJ 2010>>		2	
37	997 631 267 01	ventilation valve D - MJ 2010>>		2	
38	999 919 246 01	fillister hd. bolt 6,0 X 18,0 D - MJ 2010>>		4	
39	997 631 037 02	side marker light	left	1	
39	997 631 037 90	side marker light D - MJ 2010>>	left	1	PR:004
(39)	997 631 038 02	side marker light	right	1	
(39)	997 631 038 90	side marker light D - MJ 2010>>	right	1	PR:004

Model: 997G07

Model life 2007&gt;&gt;2011

Pos	Part Number	Description	Remark	Qty	Model
40	900 631 019 90	Glass-base bulb 3 W white		2	
41	997 631 133 00	Bulb holder		2	



Model: 997G07 Model life 2007>>2011

Pos	Part Number	Description	Remark	Qty	Model
-		Headlights Additional headlight side marker light Turn signal repeater D - MJ 2010>> Headlights  without:  Control unit and bulb XENON			PR:603
1	997 631 169 21	Headlights	left	1	
(1)	997 631 170 21	Headlights	right	1	
2	999 631 036 90	Gas discharge lamp - PHILIPS -		2	
3	999 631 133 91	Halogen bulb H 7		2	
4	997 631 227 01	Servomotor	left	1	
(4)	997 631 228 01	Headlight range control Servomotor	right	1	
5	997 631 283 01	Headlight range control Control unit		2	
6	997 631 223 00	Retainer for control units	left	1	
(6)	997 631 224 00	Retainer for control units	right	1	
7	997 631 199 00	Screw		4	
8	997 631 201 00	Protective hood	left	1	
(8)	997 631 202 00	Protective hood	right	1	
9	997 631 191 00	Screw		14	
10	997 631 211 00	Protective hood High beam		2	
11	997 631 149 00	Ventilation component Discontinued part	left	1	
11	997 631 149 10	Ventilation component	left	1	
(11)	997 631 150 00	Ventilation component Discontinued part	right	1	
(11)	997 631 150 10	Ventilation component	right	1	
12	997 631 153 00	Screw		4	
13	997 631 249 00	Ventilation component		2	
14	997 631 073 02	Mounting for main beam headl.	left	1	
(14)	997 631 074 02	Mounting for main beam headl.	right	1	
15	997 631 273 01	Retainer bracket		2	
16	997 631 272 00	Bearing bush		2	
17	900 116 004 09	Retaining washer		2	
18	997 631 194 02	Securing element		6	
19	997 631 245 00	Locking mechanism Connector housing		2	
20	999 703 413 40	Bungs		2	
21	993 631 170 03	Bungs		4	
(21)	996 631 127 01	Bungs		2	
22	997 618 321 02	Control unit Dynamic cornering light		1	
23	997 618 331 00	Retainer for control units		2	
-		Additional headlight			
24	997 631 083 01	Additional headlight Discontinued part	left	1	
24	997 631 083 02	Additional headlight	left	1	
(24)	997 631 084 01	Additional headlight Discontinued part	right	1	
(24)	997 631 084 02	Additional headlight	right	1	
25	997 631 241 00	LED module Position light		2	
26	997 631 297 00	Screw		4	
27	999 631 253 91	bulb		4	

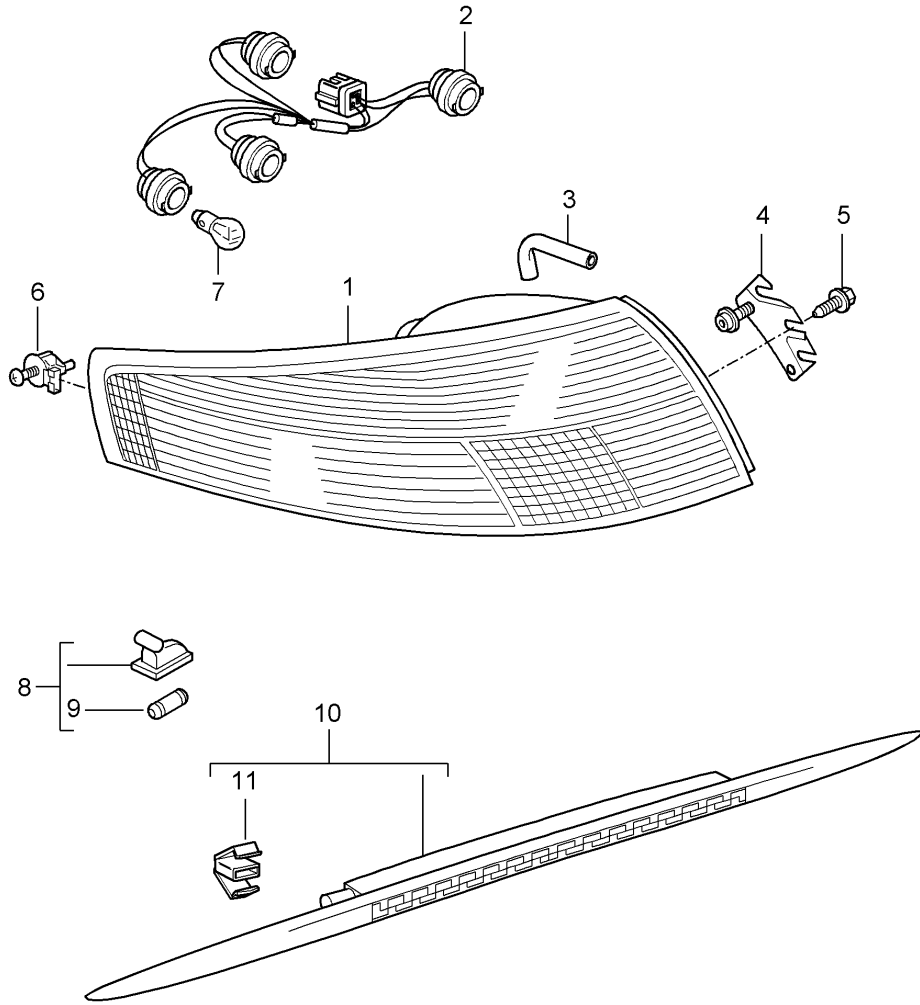
Model: 997G07

Model life 2007>>2011

Pos	Part Number	Description	Remark	Qty	Model
28	997 631 271 00	HP 24 W Turn signal indicator Cover cap		4	
29	997 631 247 00	Turn signal indicator ventilation union		2	
30	997 631 267 01	ventilation valve		2	
31	999 919 246 01	fillister hd. bolt 6,0 X 18,0		8	
32	997 631 037 02	side marker light	left	1	
32	997 631 037 90	side marker light	left	1	PR:004
(32)	997 631 038 02	side marker light	right	1	
(32)	997 631 038 90	side marker light	right	1	PR:004
33	900 631 019 90	Glass-base bulb 3 W white		2	
34	997 631 133 00	Bulb holder		2	

Model: 997G07

Model life 2007>>2011



Model: 997G07

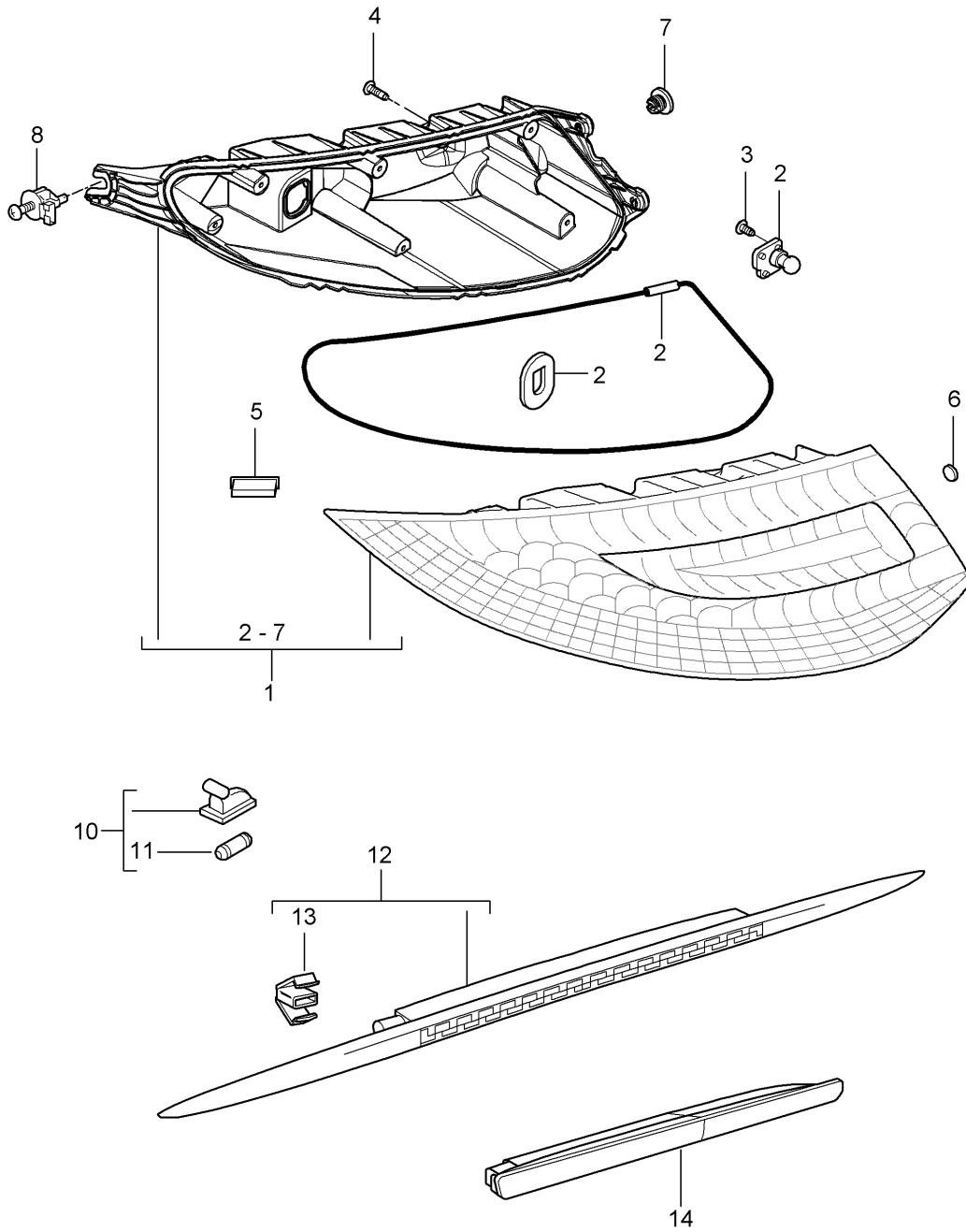
Model life 2007>>2011

Pos	Part Number	Description	Remark	Qty	Model
		Rear light			
		Licence plate light			
		Additional brake light			
		D >> - MJ 2008			
1	997 631 485 03	Tail light housing	left	1	
(1)	997 631 486 03	Tail light housing	right	1	
(1)	997 631 981 00	Rear light (complete)	left	1	PR:XXF
		D - MJ 2008>> - MJ 2008			
(1)	997 631 982 00	Rear light (complete)	right	1	PR:XXF
		D - MJ 2008>> - MJ 2008			
2	997 631 436 00	Wire set		2	
3	997 631 451 00	ventilation union		4	
4	997 631 463 01	Bracket	left	1	
(4)	997 631 464 01	Bracket	right	1	
5	900 146 075 09	Screw M 6 X 12		2	
6	997 631 471 00	Support		2	
7	900 631 018 90	bulb 21 W white		1	
		Back-up light			
7	900 631 021 90	bulb 21 W yellow		1	
		Turn signal indicator			
(7)	900 631 022 90	bulb 21/5 W		1	
		Tail light			
7	900 631 017 90	bulb 21/4 W		1	
		Rear fog light			
		Tail light			
7	900 631 017 91	bulb 21/4 W		1	
		Brake light			
		Tail light			
8	997 631 620 01	Licence plate light Discontinued part		2	
8	997 631 620 02	Licence plate light		2	
9	900 631 025 90	bulb 12V 5W		2	
10	997 631 050 04	Additional brake light		1	
11	997 631 203 00	Clip		6	



Model: 997G07

Model life 2007>>2011



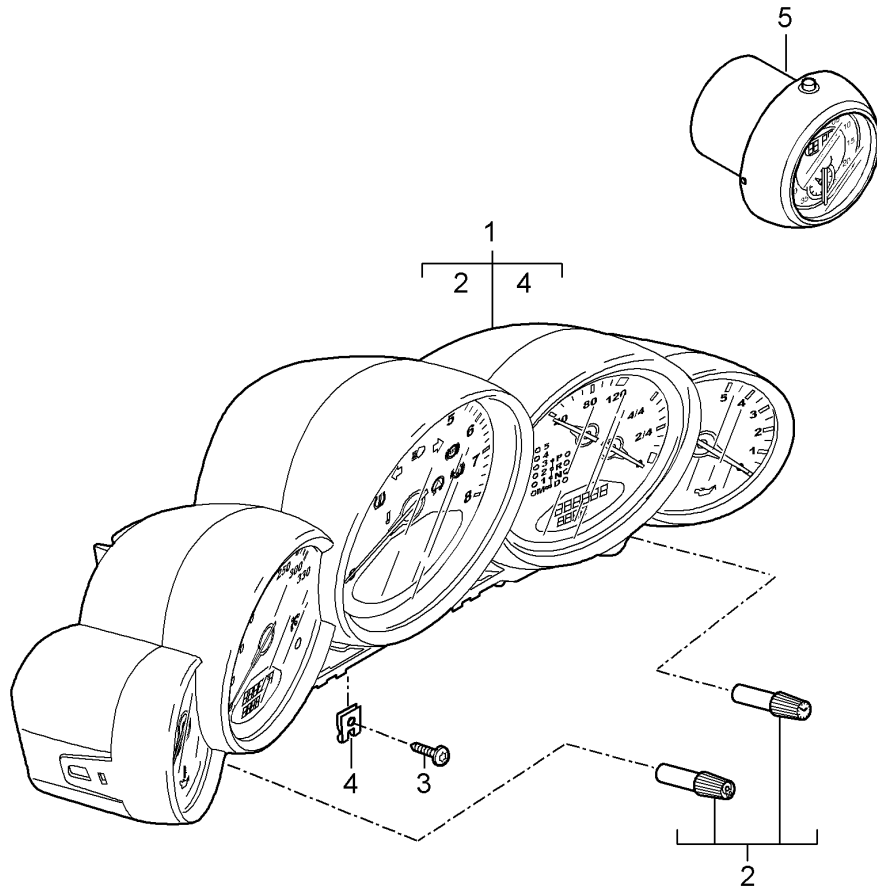
Model: 997G07

Model life 2007>>2011

Pos	Part Number	Description	Remark	Qty	Model
		Rear light Licence plate light Additional brake light D - MJ 2010>>			
1	997 631 413 02	Rear light	left	1	
		Discontinued part			
1	997 631 413 03	Rear light	left	1	
		Discontinued part			
1	997 631 413 04	Rear light	left	1	
1	997 631 991 00	Rear light	left	1	PR:XXG
		Discontinued part			
1	997 631 991 01	Rear light	left	1	PR:XXG
(1)	997 631 414 02	Rear light	right	1	
		Discontinued part			
(1)	997 631 414 03	Rear light	right	1	
		Discontinued part			
(1)	997 631 414 04	Rear light	right	1	
(1)	997 631 992 00	Rear light	right	1	PR:XXG
		Discontinued part			
(1)	997 631 992 01	Rear light	right	1	PR:XXG
		Discontinued part			
(1)	997 631 992 02	Rear light	right	1	PR:XXG
2	997 631 931 01	repair set bulb		2	
		Back-up light			
3	997 631 598 00	Screw		6	
4	997 631 497 00	Screw		14	
5	997 631 585 00	Stop buffer		2	
6	997 631 441 00	Ventilation component		4	
7	997 631 499 00	Screw		4	
8	997 631 471 00	Support		2	
10	997 631 620 01	Licence plate light		2	
		Discontinued part			
10	997 631 620 02	Licence plate light		2	
11	900 631 025 90	bulb 12V 5W		2	
12	997 631 050 04	Additional brake light		1	
13	997 631 203 00	Clip		6	
14	997 631 052 01	Additional brake light in Spoiler		1	

Model: 997G07

Model life 2007>>2011

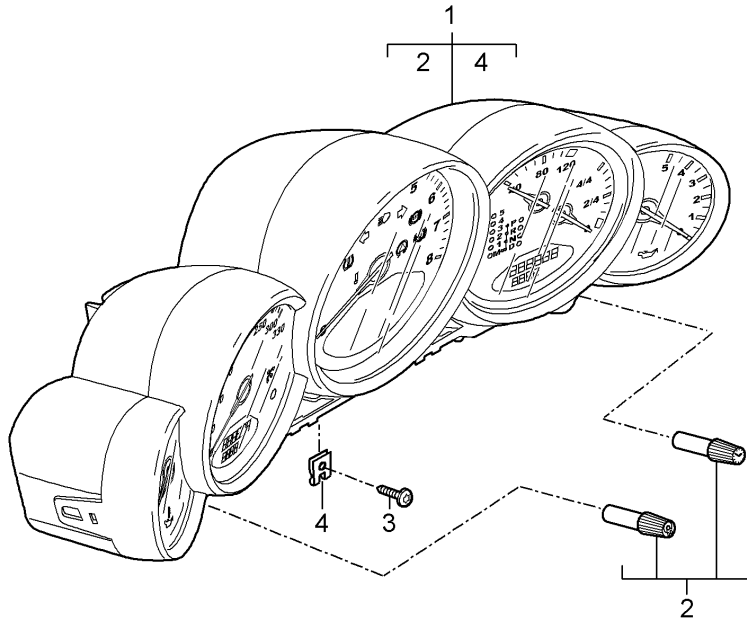


Model: 997G07 Model life 2007>>2011

Pos	Part Number	Description	Remark	Qty	Model
-		Instruments Stopwatch See technical information GR. 9 NR. 5/09 KD - NR. 9025			
1	997 641 103 93	Combi-instrument  (complete) D >> - MJ 2008		1	PR:022,480 "USA"
1	997 641 103 93 D07 997 641 103 94	Volcano grey Combi-instrument  (complete) D - MJ 2010>>		1	PR:022,480 "USA"
1	997 641 103 94 D07 997 641 103 95	Volcano grey Combi-instrument (complete)		1	PR:006,022,480 "USA"
1	997 641 103 95 D07 997 641 105 93	Volcano grey Combi-instrument  (complete) D >> - MJ 2008		1	PR:022,480 "CDN"
1	997 641 105 93 D07 997 641 105 94	Volcano grey Combi-instrument  (complete) D - MJ 2010>>		1	PR:022,480 "CDN"
1	997 641 105 94 D07 997 641 105 95	Volcano grey Combi-instrument (complete)		1	PR:006,022,480 "CDN"
(2)	997 641 105 95 D07 997 641 911 00	Volcano grey knob throttle control element Trip meter and Clock		1	
3	999 073 155 09	panel screw 4,2 X 19		2	
4	999 507 403 02	U-clip		2	
-		Stopwatch			
5	997 641 301 94	Stopwatch D - MJ 2007>> - MJ 2007 Discontinued part		1	PR:639,640
5	997 641 301 94 V05 997 641 301 95	Galvano silver Stopwatch D >> - MJ 2008		1	PR:639,640
5	997 641 301 95 V05 997 641 301 96	Galvano silver Stopwatch D - MJ 2010>>		1	PR:639,640
	997 641 301 96 V05	Galvano silver			

Model: 997G07

Model life 2007>>2011

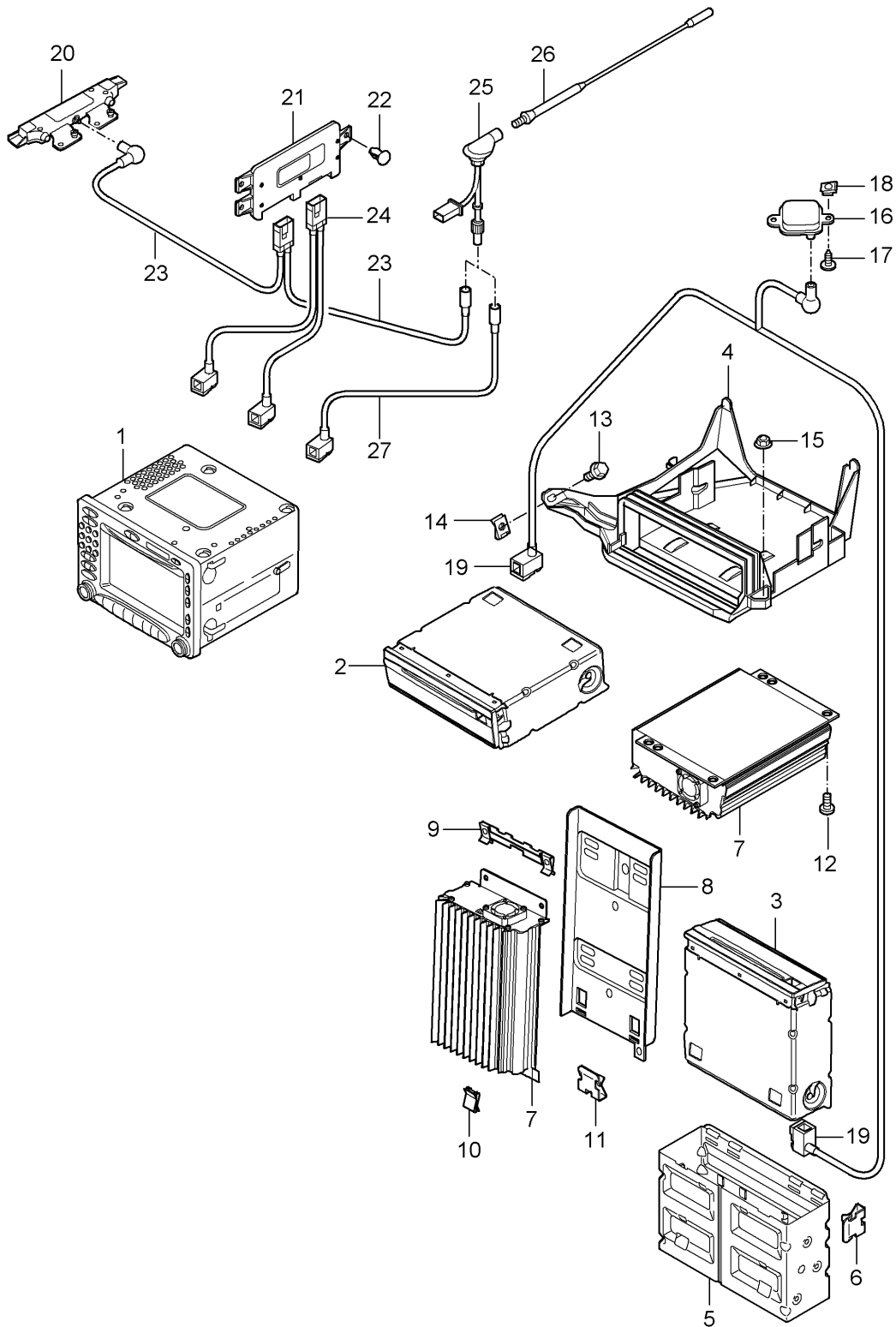


Model: 997G07 Model life 2007>>2011

Pos	Part Number	Description	Remark	Qty	Model
-		Instruments Exclusive programme See technical information GR. 9 NR. 5/09 KD - NR. 9025			
1	997 641 990 13	Combi-instrument (complete) Dial Lacquered D - MJ 2007>> - MJ 2007 Discontinued part		1	PR:480 "USA"
1	997 641 990 13 84A 997 641 990 23	guards red (Porsche) Combi-instrument (complete) Dial Lacquered D >> - MJ 2008		1	PR:XFG PR:480 "USA"
1	997 641 990 23 84A 997 641 990 33	guards red (Porsche) Combi-instrument (complete) Dial Lacquered D - MJ 2010>>		1	PR:XFG PR:480 "USA"
1	997 641 990 33 84A 997 641 990 33 12H 997 641 990 33 B9A 997 641 990 15	guards red (Porsche) Speed yellow Carrara white Combi-instrument (complete) Dial Lacquered D - MJ 2007>> - MJ 2007 Discontinued part		1	PR:XFG PR:XFH PR:XFJ PR:480 "CDN"
1	997 641 990 15 84A 997 641 990 25	guards red (Porsche) Combi-instrument (complete) Dial Lacquered D >> - MJ 2008		1	PR:XFG PR:480 "CDN"
1	997 641 990 25 84A 997 641 990 35	guards red (Porsche) Combi-instrument (complete) Dial Lacquered D - MJ 2010>>		1	PR:XFG PR:480 "CDN"
2	997 641 990 35 84A 997 641 990 35 12H 997 641 990 35 B9A 997 641 911 00	guards red (Porsche) Speed yellow Carrara white knob throttle control element Trip meter and Clock		1	PR:XFG PR:XFH PR:XFJ
3	999 073 155 09	panel screw 4,2 X 19		2	
4	999 507 403 02	U-clip		2	

Model: 997G07

Model life 2007>>2011



Model: 997G07 Model life 2007>>2011

Pos	Part Number	Description	Remark	Qty	Model
-		Radio unit Control panel Navigation system Amplifiers D >> - MJ 2008			
1	997 642 141 10	Radio unit See catalogue T E Q U I P M E N T Control panel		1	PR:665
-	997 642 141 10 FMH	Volcano Grey/Black Mat			
-	997 642 201 00	Rot. knob	left	1	
	997 642 201 00 A05	Matt black for Control panel See technical information GR. 9 , NR. 6/04			
-	997 642 202 00	Rot. knob	right	1	
	997 642 202 00 A05	Matt black for Control panel See technical information GR. 9 , NR. 6/04			
-	997 642 941 00	Trim drawer SIM card for Control panel		1	
-	900 187 038 02	panel screw ST4,2 X 19 for Mount Radio unit and Control panel		1	
2	997 642 157 01	DVD-player Navigation system	lhd	1	PR:098,670, 672
3	997 642 159 01	DVD-player Navigation system		1	PR:664,670, 672
-	997 642 257 04	DVD-ROM for navigation system		1	PR:615
-	997 642 257 05	D - MJ 2007>> - MJ 2007 DVD-ROM for navigation system		1	PR:615
4	997 645 351 00	D - MJ 2008>> - MJ 2008 Holder for amplifier DVD device and	lhd	1	PR:098,490, 670,672
5	997 642 231 00	Bracket DVD device		1	PR:664,670, 672
6	997 645 342 01	U-clip		4	PR:664,670, 672
(7)	997 645 331 01	Amplifiers		1	PR:490
8	997 645 341 01	Holder for amplifier		1	PR:490,664
9	997 645 340 00	Securing clip		1	PR:490,664
10	999 507 532 01	U-clip		2	PR:490,664
11	997 645 342 01	U-clip		4	PR:490,664
12	999 919 164 09	fillister hd. bolt 5,0 X 12,0	lhd	X	PR:098,490
13	900 378 179 09	Hexagon bolt M 6 X 16	lhd	1	PR:098,490, 670,672
14	999 507 766 02	panel nut M 6	lhd	1	PR:098,490, 670,672

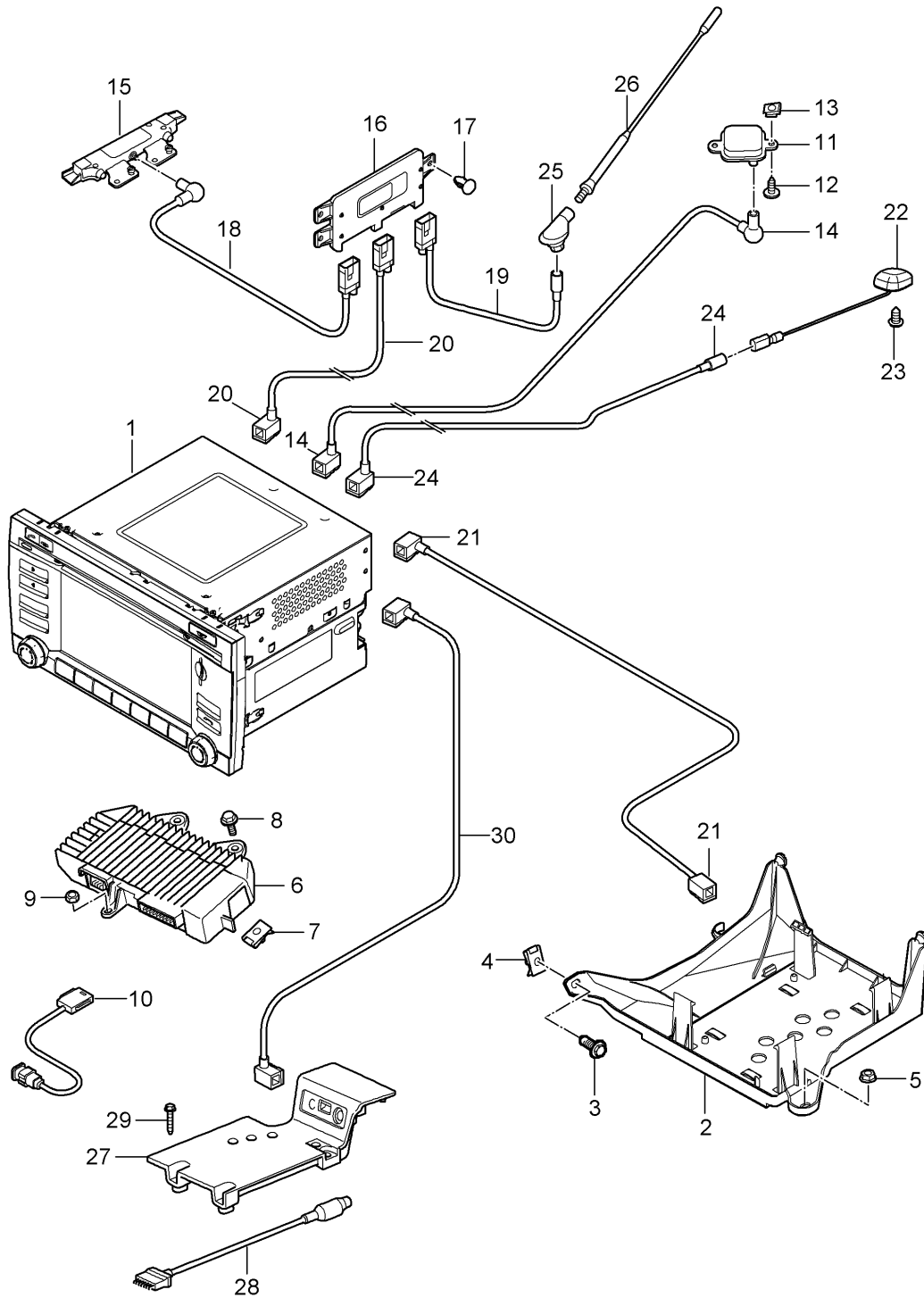


Model: 997G07 Model life 2007>>2011

Pos	Part Number	Description	Remark	Qty	Model
15	999 084 638 01	Hexagon nut M 6	lhd	1	PR:098,490, 670,672
16	997 642 105 00	Aerial GPS		1	PR:670,672
17	999 073 210 00	panel screw 4,8 X 13		1	PR:670,672
18	999 507 441 01	panel nut 4,8		1	PR:670,672
19	997 612 060 25	Aerial connection line DVD device Navigation system		1	PR:670,672
20	997 647 117 00	Aerial amplifier	left	1	PR:440
(20)	997 647 118 00	Aerial amplifier	right	1	PR:440
21	997 647 124 00	Control unit		1	PR:440
22	999 591 904 40	Securing element		2	PR:440
23	997 612 069 00	Connecting line Aerial amplifier Control unit	lhd	1	PR:098,461, 665
(23)	997 612 055 00	Connecting line Aerial amplifier Control unit	lhd	1	PR:098,665
(23)	997 612 062 50	Connecting line Aerial amplifier Control unit		1	PR:694
24	997 612 058 00	Connecting line Control unit Control panel		1	PR:665
(24)	997 612 052 00	Connecting line Control unit Radio unit		1	PR:694
25	997 647 231 00	aerial base		1	PR:461
26	997 647 233 00	rod-type aerial		1	PR:461
27	997 612 070 00	Connecting line aerial base Radio unit		1	PR:461,694

Model: 997G07

Model life 2007>>2011



Model: 997G07 Model life 2007>>2011

Pos	Part Number	Description	Remark	Qty	Model
-		Control panel Navigation system Radio unit Amplifiers Multimedia interface D - MJ 2010>>			
1	997 642 960 X 997 642 960 X FTC	Control panel Only in exchange Matt Black/Galvano Silver We take back: 997.642.960.00.FTC		1	PR:665
1	997 642 961 X 997 642 961 X FTC	Control panel Matt Black/Galvano Silver We take back: 997.642.961.00.FTC		1	PR:665,686
1	997 642 962 X 997 642 962 X FTC	Control panel Matt Black/Galvano Silver We take back: 997.642.962.00.FTC		1	PR:665,693 -"CN."
1	997 642 963 X 997 642 963 X FTC	Control panel Matt Black/Galvano Silver We take back: 997.642.963.00.FTC		1	PR:665,686, 693
1	997 642 970 X 997 642 970 X FTC	Control panel D - MJ 2010>> - MJ 2010 Matt Black/Galvano Silver We take back: 997.642.970.00.FTC		1	PR:665,672
1	997 642 970 AX 997 642 970 AX FTC	Control panel D - MJ 2011>> Matt Black/Galvano Silver We take back: 997.642.970.01.FTC		1	PR:665,672
1	997 642 971 X 997 642 971 X FTC	Control panel D - MJ 2010>> - MJ 2010 Matt Black/Galvano Silver We take back: 997.642.971.00.FTC		1	PR:665,672, 686
1	997 642 971 AX 997 642 971 AX FTC	Control panel D - MJ 2011>> Matt Black/Galvano Silver We take back: 997.642.971.01.FTC		1	PR:665,672, 686
1	997 642 972 X 997 642 972 X FTC	Control panel D - MJ 2010>> - MJ 2010 Matt Black/Galvano Silver We take back: 997.642.972.00.FTC		1	PR:665,672, 693
1	997 642 972 AX 997 642 972 AX FTC	Control panel D - MJ 2011>> Matt Black/Galvano Silver We take back: 997.642.972.01.FTC		1	PR:665,672, 693
1	997 642 973 X 997 642 973 X FTC	Control panel D - MJ 2010>> - MJ 2010 Matt Black/Galvano Silver We take back: 997.642.973.00.FTC		1	PR:665,672, 686,693
1	997 642 973 AX	Control panel D - MJ 2011>>		1	PR:665,672, 686,693

Model: 997G07 Model life 2007>>2011

Pos	Part Number	Description	Remark	Qty	Model
-	997 642 973 AX FTC	Matt Black/Galvano Silver We take back: 997.642.973.01.FTC Control unit Telephone  see illustration:	911-010		
-	997 642 929 00	Rot. knob for Control panel	left	1	PR:665
-	997 642 930 00	Rot. knob for Control panel	right	1	PR:665
(1)	997 645 138 04	radio CDR 30 D >> - MJ 2010 Discontinued part		1	PR:695
(1)	997 645 138 04 FTC 997 645 138 DX	Matt Black/Galvano Silver radio CDR 30 D >> - MJ 2010 Discontinued part		1	PR:695
(1)	997 645 138 DX FTC 997 645 138 05	Matt Black/Galvano Silver We take back: 997.645.138.04 radio CDR 30 Discontinued part		1	PR:695
(1)	997 645 138 05 FTC 997 645 138 EX	Matt Black/Galvano Silver radio CDR 30 Discontinued part		1	PR:695
(1)	997 645 138 EX FTC 997 645 138 06	Matt Black/Galvano Silver We take back: 997.645.138.05 radio CDR 30		1	PR:695
(1)	997 645 138 06 FTC 997 645 138 FX	Matt Black/Galvano Silver radio CDR 30		1	PR:695
(1)	997 645 138 FX FTC 997 645 142 04	Matt Black/Galvano Silver We take back: 997.645.138.06 radio CDR 30 D >> - MJ 2010 Discontinued part		1	PR:618,619, 695
(1)	997 645 142 04 FTC 997 645 142 DX	Matt Black/Galvano Silver radio CDR 30 D >> - MJ 2010 Discontinued part		1	PR:618,619, 695
(1)	997 645 142 DX FTC 997 645 142 05	Matt Black/Galvano Silver We take back: 997.645.142.04 radio CDR 30 Discontinued part		1	PR:618,619, 695
(1)	997 645 142 05 FTC 997 645 142 EX	Matt Black/Galvano Silver radio CDR 30 Discontinued part		1	PR:618,619, 695
	997 645 142 EX FTC	Matt Black/Galvano Silver We take back:			

Model: 997G07 Model life 2007>>2011

Pos	Part Number	Description	Remark	Qty	Model
(1)	997 645 142 06	997.645.142.05 radio CDR 30		1	PR:618,619, 695
(1)	997 645 142 06 FTC 997 645 142 FX	Matt Black/Galvano Silver radio CDR 30		1	PR:618,619, 695
(1)	997 645 142 FX FTC	Matt Black/Galvano Silver We take back: 997.645.142.06			
(1)	997 645 144 04	radio CDR 30 D >> - MJ 2010 Discontinued part		1	PR:618,619, 692,695
(1)	997 645 144 04 FTC 997 645 144 DX	Matt Black/Galvano Silver radio CDR 30 D >> - MJ 2010 Discontinued part		1	PR:618,619, 692,695
(1)	997 645 144 DX FTC	Matt Black/Galvano Silver We take back: 997.645.144.04			
(1)	997 645 144 05	radio CDR 30		1	PR:618,619, 692,695
(1)	997 645 144 05 FTC 997 645 144 EX	Matt Black/Galvano Silver radio CDR 30		1	PR:618,619, 692,695
(1)	997 645 144 EX FTC	Matt Black/Galvano Silver We take back: 997.645.144.05			
(1)	997 645 146 04	radio CDR 30 D >> - MJ 2010 Discontinued part		1	PR:692,695
(1)	997 645 146 04 FTC 997 645 146 DX	Matt Black/Galvano Silver radio CDR 30 D >> - MJ 2010 Discontinued part		1	PR:692,695
(1)	997 645 146 DX FTC	Matt Black/Galvano Silver We take back: 997.645.146.04			
(1)	997 645 146 05	radio CDR 30		1	PR:692,695
(1)	997 645 146 05 FTC 997 645 146 EX	Matt Black/Galvano Silver radio CDR 30		1	PR:692,695
(1)	997 645 146 EX FTC	Matt Black/Galvano Silver We take back: 997.645.146.05			
(1)	997 645 920 00	repair set Key Radio unit CDR 30		1	PR:695
-	997 642 273 50	DVD-ROM for navigation system for Software		1	PR:615
-		See technical information GR. 9 NR. 52/09 KD - NR. 9110			
-	997 642 273 51	DVD-ROM for navigation system for		1	PR:615

Model: 997G07

Model life 2007&gt;&gt;2011

Pos	Part Number	Description	Remark	Qty	Model
-		Software See technical information GR. 9 NR. 52/09 KD - NR. 9110			
-	997 642 273 52	DVD-ROM for navigation system for Software		1	PR:615
-	997 642 273 53	DVD-ROM for navigation system for Software		1	PR:615
-	997 642 273 54	DVD-ROM for navigation system for Software		1	PR:615
-	997 642 148 02	CD-ROM for electronic driver's logbook		1	PR:641
6	997 645 441 01	Amplifiers		1	PR:490
7	999 500 078 00	press insert nut M 6		2	PR:490
8	900 378 188 09	Hexagon bolt M 6 X 20		2	PR:490
9	999 084 638 01	Hexagon nut M 6		1	PR:490
10	997 646 313 00	microphone		1	PR:441,490, 618,619,666, 671
10	997 646 319 00	microphone		1	PR:618,619, 665,666,671
-	997 610 233 01	Cable guide microphone		1	
11	997 642 105 00	Aerial GPS		1	PR:672,673
12	999 073 210 00	panel screw 4,8 X 13		1	PR:672,673
13	999 507 441 01	panel nut 4,8		1	PR:672,673
14	997 612 030 75	Aerial connection line Control panel		1	PR:672
15	997 647 117 00	Aerial amplifier	left	1	PR:440
(15)	997 647 118 00	Aerial amplifier	right	1	PR:440,665, 695
16	997 618 122 00	Control unit		1	PR:440
17	999 591 904 40	Securing element		2	PR:440
18	997 612 069 25	Connecting line	lhd	1	PR:098,461
		Aerial amplifier Control unit Connecting line	left		
18	997 612 055 25	Connecting line	lhd	1	PR:098,665, 695
		Aerial amplifier Control unit Connecting line	left		
18	997 612 056 25	Connecting line	lhd	1	PR:098,665, 695
		Aerial amplifier Control unit Connecting line	right		
19	997 612 066 25	Connecting line aerial base		1	PR:461
(19)	997 612 067 01	Control unit Connecting line aerial base Power supply		1	PR:461

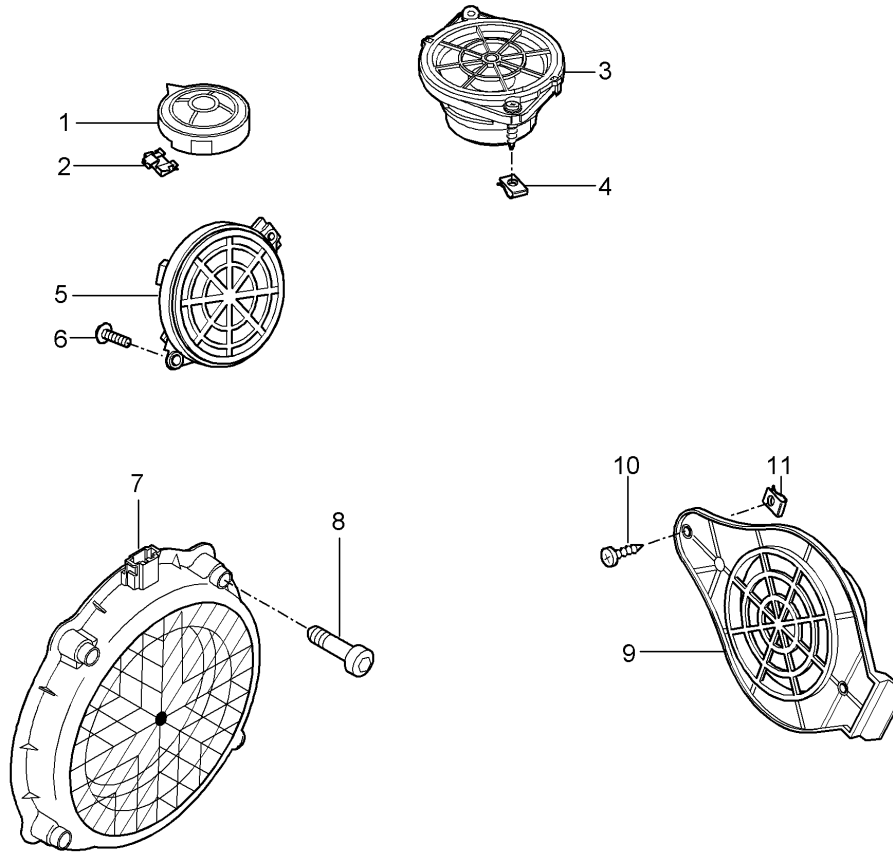
Model: 997G07

Model life 2007&gt;&gt;2011

Pos	Part Number	Description	Remark	Qty	Model
20	997 612 057 25	Connecting line Control unit Control panel	lhd	1	PR:098,665, 695
22	997 647 150 02	Aerial primed Discontinued part		1	PR:686
22	997 647 150 03	Aerial primed		1	PR:686
23	999 073 432 01	fillister hd. bolt M 5 x 8		1	PR:686
24	997 612 080 25	Aerial connection line Control panel		1	PR:686
25	997 647 221 00	aerial base		1	PR:461
26	997 647 223 00	rod-type aerial		1	PR:461
27	997 642 465 00	Adapter Multimedia interface		1	PR:665,870
(27)	997 642 465 00 01C	Satin black			
	997 642 463 00	Adapter Multimedia interface		1	PR:695,870
	997 642 463 00 01C	Satin black			
28	997 612 471 02	Connection cable iPOD		1	PR:665,870
29	999 073 429 01	panel screw 4,2 X 25		3	PR:870
30	997 612 049 75	Connecting line Multimedia interface Control panel		1	PR:665,870

Model: 997G07

Model life 2007>>2011





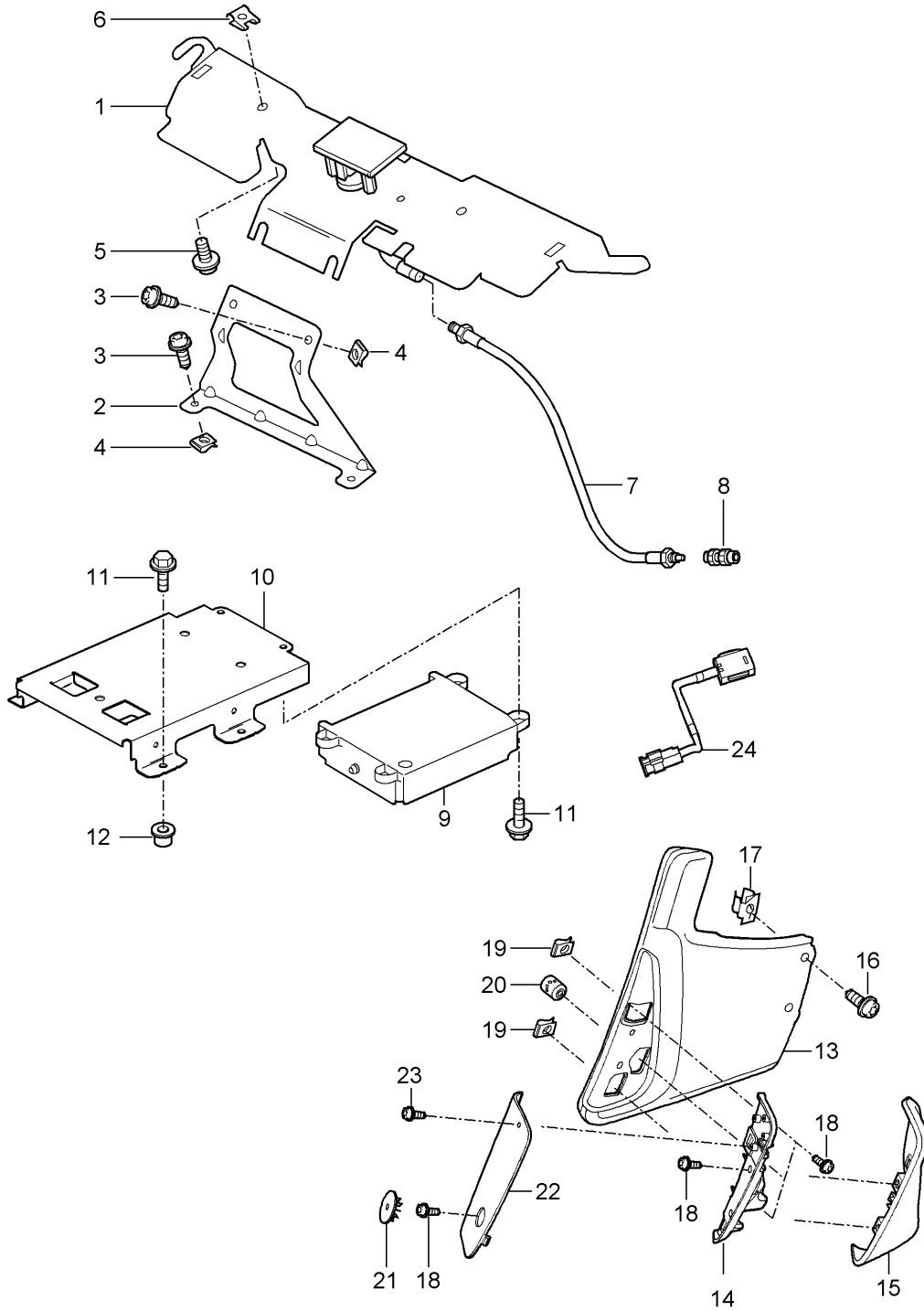
Model: 997G07

Model life 2007>>2011

Pos	Part Number	Description	Remark	Qty	Model
1	997 645 021 00	Loudspeaker Treble speaker dashboard		2	PR:441,490
2	999 591 303 01	U-clip		4	
3	997 645 033 00	Loudspeaker dashboard	center	1	PR:490
4	999 507 971 01	panel nut 4,2		4	
5	997 645 543 00	Mid tone speaker Door		2	PR:490
6	999 919 164 09	fillister hd. bolt 5,0 X 12		4	
7	997 645 551 00	Bass loudspeaker		2	PR:441
7	997 645 553 00	Bass loudspeaker		2	PR:490
8	900 067 012 03	Socket head bolt M 6 X 30		8	
9	997 645 041 01	Loudspeaker	rear	2	PR:490
10	999 073 225 09	panel screw 4,8 X 16		2	
11	999 507 441 09	panel nut 4,8		2	

Model: 997G07

Model life 2007>>2011

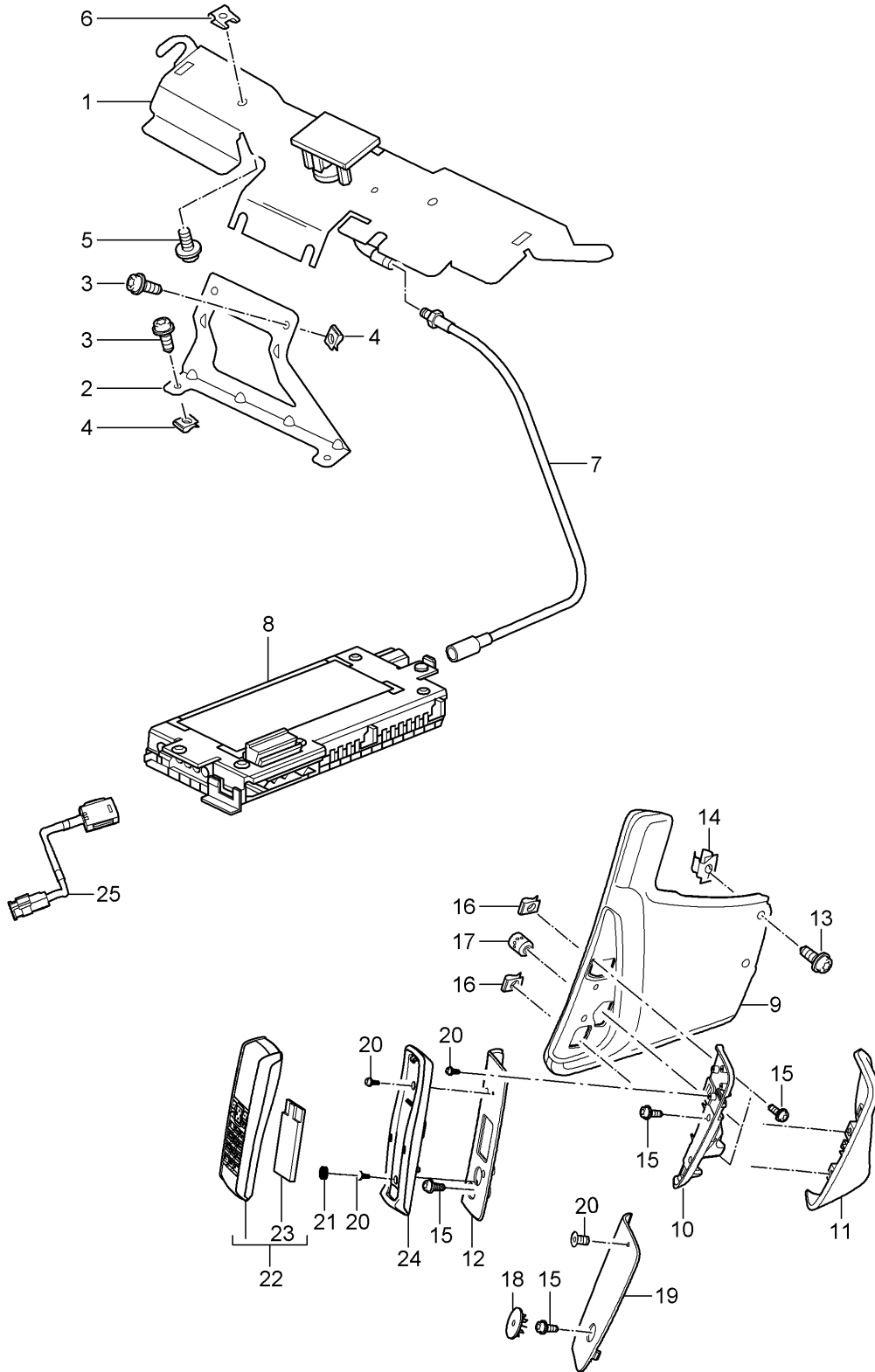


Model: 997G07 Model life 2007>>2011

Pos	Part Number	Description	Remark	Qty	Model
		Telephone D >> - MJ 2008			PR:618,666
1	997 647 125 01	Telephone aerial	lhd	1	PR:098
2	997 647 127 00	Bracket	lhd	1	PR:098
3	999 073 236 0A	fillister hd. bolt M 6 X 10		4	
4	999 507 550 01	panel nut M 6		4	
5	999 073 210 00	panel screw 4,8 X 13		2	
6	999 507 441 01	panel nut 4,8		2	
7	997 612 989 05	Connecting line		1	PR:666
8	964 646 318 00	Adapter plug		1	PR:618
9	997 646 209 00	Control unit for telephone		1	PR:666
10	997 642 216 00	Bracket		1	PR:618,666
11	900 378 035 01	Hexagon bolt M 6 X 16		4	PR:618,666
12	999 500 078 00	press insert nut M 6		2	
(12)	999 507 766 02	panel nut M 6		2	PR:618,666
13	997 553 118 07	Leather panel	lhd	1	PR:098
			side		
	997 553 118 07 FSA	black/grey			
	997 553 118 07 FSH	Darkgrey natural/grey			
14	997 553 520 00	Adapter	lhd	1	PR:098
15	997 553 418 01	Trim	lhd	1	PR:098
	997 553 418 01 A11	Black			
	997 553 418 01 D12	Dark grey/natural			
16	999 073 226 09	panel screw 4,2 X 16		2	
17	999 591 508 01	Cage nut 4,2		2	
18	999 073 155 09	panel screw 4,2 X 13		7	
19	999 507 028 01	panel nut 4,2		2	
20	999 507 645 02	Threaded piece 4,2		1	
21	997 553 751 00	Cover cap		1	
	997 553 751 00 01C	Satin black			
22	997 553 522 01	Carrier plate	lhd	1	PR:098,618
	997 553 522 01 01C	Satin black			
23	999 919 230 00	countersunk bolt 3 X 10		1	PR:618
24	997 646 307 00	microphone		1	
-	997 610 233 00	Cable guide microphone		1	
		D >> - MJ 2007			
-	997 610 233 01	Cable guide microphone		1	
		D - MJ 2008>> - MJ 2008			

Model: 997G07

Model life 2007>>2011



Model: 997G07 Model life 2007>>2011

Pos	Part Number	Description	Remark	Qty	Model
		Telephone			
		D - MJ 2010>>			
1	997 647 125 01	Telephone aerial	lhd	1	PR:098
2	997 647 127 00	Bracket	lhd	1	PR:098
3	999 073 236 0A	fillister hd. bolt		4	
		M 6 X 10			
4	999 507 550 01	panel nut		4	
		M 6			
5	999 073 210 00	panel screw		2	
		4,8 X 13			
6	999 507 441 01	panel nut		2	
		4,8			
7	997 612 065 75	Connecting line		1	PR:666
(7)	997 612 061 25	Aerial connection line		1	PR:618,619
8	997 646 218 01	Control unit for telephone		1	PR:666
8	7PP 035 730 A	Control unit for telephone		1	PR:666
9	997 553 118 07	Leather panel	lhd	1	PR:098
			side		
	997 553 118 07 FSA	black/grey			
	997 553 118 07 FSH	Darkgrey natural/grey			
10	997 553 520 00	Adapter	lhd	1	PR:098,618
(10)	997 553 516 00	Adapter	lhd	1	PR:098,669
11	997 553 418 01	Trim	lhd	1	PR:098,618
	997 553 418 01 A11	Black			
	997 553 418 01 D12	Dark grey/natural			
(11)	997 553 416 00	Trim	lhd	1	PR:098,669
	997 553 416 00 A11	Black			
	997 553 416 00 D12	Dark grey/natural			
12	997 553 524 00	Carrier plate	lhd	1	PR:098,669
	997 553 524 00 01C	Satin black			
13	999 073 226 09	panel screw		2	
		4,2 X 16			
14	999 591 508 01	Cage nut		2	
		4,2			
15	999 073 155 09	panel screw		7	
		4,2 X 13			
16	999 507 028 01	panel nut		2	
		4,2			
17	999 507 645 02	Threaded piece		1	
		4,2			
18	997 553 751 00	Cover cap		1	PR:618
	997 553 751 00 01C	Satin black			
19	997 553 522 01	Carrier plate	lhd	1	PR:098,618
	997 553 522 01 01C	Satin black			
20	999 919 230 00	countersunk bolt		4	
		3 X 10			
21	997 646 311 00	Bungs		2	PR:669
23	997 646 216 00	Battery		1	PR:669
		Discontinued part			
23	997 646 916 00	Battery		1	PR:669
24	997 646 214 00	Support for cellphone receiver		1	PR:669
		Discontinued part			
	997 646 214 00 A05	Black			
24	955 646 214 00	Support for cellphone receiver		1	PR:669
25	997 646 313 00	microphone		1	PR:441,490, 618,619,666, 671
(25)	997 646 319 00	microphone		1	PR:618,619, 665,666,671
-	997 610 233 01	Cable guide		1	
		microphone			