

Model: 997-09

Model life 2009>>2012

Model Overview Sales Type

| Sales term | Description | Mounting time | Remark |
|------------|-----------------------------------|---------------|--------|
| 997110 | Carrera Coupe | 08/08-05/12 | |
| 997111 | Carrera Coupe | 08/08-05/12 | |
| 997120 | Carrera S Coupe | 08/08-05/12 | |
| 997121 | Carrera S Coupe | 08/08-05/12 | |
| 997140 | 911 Sport Classic | 08/09-07/10 | |
| 997141 | 911 Sport Classic | 08/09-07/10 | |
| 997150 | 911 Carrera GTS Coupe | 08/10-05/12 | |
| 997151 | 911 Carrera GTS Coupe | 08/10-05/12 | |
| 997160 | 911 Carrera Black Edition | 08/10-05/12 | |
| 997161 | 911 Carrera Black Edition | 08/10-05/12 | |
| 997170 | 911 Carrera China Edition | 08/10-05/12 | |
| 997310 | Carrera Cabrio | 08/08-05/12 | |
| 997311 | Carrera Cabrio | 08/08-05/12 | |
| 997320 | Carrera S Cabrio | 08/08-05/12 | |
| 997321 | Carrera S Cabrio | 08/08-05/12 | |
| 997350 | 911 Carrera GTS Cabrio | 08/10-05/12 | |
| 997351 | 911 Carrera GTS Cabrio | 08/10-05/12 | |
| 997360 | 911 Cabrio China Style Edition | 08/10-05/12 | |
| 997361 | 911 Cabrio Black Edition | 08/10-05/12 | |
| 997370 | 911 Cabrio China Style Edition | 05/11-05/12 | |
| 997410 | Carrera 4 Coupe | 08/08-05/12 | |
| 997411 | Carrera 4 Coupe | 08/08-05/12 | |
| 997430 | Carrera 4S Coupe | 08/08-05/12 | |
| 997431 | Carrera 4S Coupe | 08/08-05/12 | |
| 997480 | 911 Carrera 4 GTS Coupe | 05/11-05/12 | |
| 997481 | 911 Carrera 4 GTS Coupe | 05/11-05/12 | |
| 997510 | Carrera 4 Targa | 08/08-05/12 | |
| 997511 | Carrera 4 Targa | 08/08-05/12 | |
| 997520 | Carrera 4S Targa | 08/08-05/12 | |
| 997521 | Carrera 4S Targa | 08/08-05/12 | |
| 997610 | Carrera 4 Cabrio | 08/08-05/12 | |
| 997611 | Carrera 4 Cabrio | 08/08-05/12 | |
| 997620 | Carrera 4S Cabrio | 08/08-05/12 | |
| 997621 | Carrera 4S Cabrio | 08/08-05/12 | |
| 997680 | 911 Carrera 4 GTS Cabrio | 05/11-05/12 | |
| 997681 | 911 Carrera 4 GTS Cabrio | 05/11-05/12 | |
| 997720 | 911 Speedster | 08/10-05/11 | |
| 997721 | 911 Speedster | 08/10-05/11 | |

Model: 997-09**Model life 2009>>2012**

Model Overview EC

| EC | Sales term | LTR | KW | Hp | Cyl | Mounting time | Remark |
|------|------------|------|-----|-----|-----|---------------|--------|
| A101 | | 3,80 | 283 | 384 | 6 | 08/08-05/12 | |
| A101 | | 3,80 | 300 | 408 | 6 | 08/09-05/12 | |
| A102 | | 3,60 | 253 | 344 | 6 | 08/08-07/09 | |
| A102 | | 3,60 | 254 | 345 | 6 | 08/09-05/12 | |

Model: 997-09

Model life 2009>>2012

Model Overview TC

| TC | Sales term | Type | Mounting time | Remark |
|-------|------------|------|---------------|--------|
| CG100 | | 7C | 08/08-05/12 | |
| CG130 | | 7C | 08/08-05/12 | |
| G9705 | | 6S | 08/08-05/12 | |
| G9735 | | 6S | 08/08-05/12 | |

Model: 997-09

Model life 2009>>2012

VIN-Numbers Overview

| Model year | Date | VIN | | Remark |
|------------|------------|-------------|--------------|----------------------------------|
| 2009 | 01.08.2008 | 99-9S735061 | >99-9S740000 | 997 Cabrio |
| 2009 | 01.08.2008 | 99-9S745061 | >99-9S754000 | 997 Cabrio S |
| 2009 | 01.08.2008 | 99-9S700061 | >99-9S7 6000 | 997 Coupe |
| 2009 | 01.08.2008 | 99-9S710061 | >99-9S720000 | 997 Coupe S |
| 2009 | 01.08.2008 | 99-9S725061 | >99-9S728000 | 997 Targa |
| 2009 | 01.08.2008 | 99-9S730061 | >99-9S733000 | 997 Targa S |
| 2009 | 01.08.2008 | 99-9S706061 | >99-9S710000 | 997 Coupe (USA,CDN,MEX,BR) |
| 2009 | 01.08.2008 | 99-9S720061 | >99-9S730000 | 997 Coupe S (USA,CDN,MEX,BR) |
| 2009 | 01.08.2008 | 99-9S740061 | >99-9S745000 | 997 Cabrio (USA,CDN,MEX,BR) |
| 2009 | 01.08.2008 | 99-9S754061 | >99-9S760000 | 997 Cabrio S (USA,CDN,MEX,BR) |
| 2009 | 01.08.2008 | 99-9S728061 | >99-9S730000 | 997 Targa (USA,CDN,MEX,BR) |
| 2009 | 01.08.2008 | 99-9S733061 | >99-9S735000 | 997 Targa S (USA,CDN,MEX,BR) |
| 2010 | 01.08.2009 | 99-AS735061 | >99-AS740000 | 997 Cabrio |
| 2010 | 01.08.2009 | A9-AS740061 | >A9-AS745000 | 997 Cabrio (USA,CDN) |
| 2010 | 01.08.2009 | 99-AS745061 | >99-AS754000 | 997 Cabrio S |
| 2010 | 01.08.2009 | 99-AS700061 | >99-AS7 6000 | 997 Coupe |
| 2010 | 01.08.2009 | A9-AS706061 | >A9-AS710000 | 997 Coupe (USA,CDN) |
| 2010 | 01.08.2009 | 99-AS710061 | >99-AS720000 | 997 Coupe S |
| 2010 | 01.08.2009 | 99-AS725061 | >99-AS728000 | 997 Targa |
| 2010 | 01.08.2009 | A9-AS728061 | >A9-AS730000 | 997 Targa (USA,CDN) |
| 2010 | 01.08.2009 | 99-AS730061 | >99-AS733000 | 997 Targa S |
| 2010 | 01.08.2009 | 99-AS706061 | >99-AS710000 | 997 Coupe (KOR,CN,MEX,BR) |
| 2010 | 01.08.2009 | 99-AS720061 | >99-AS725000 | 997 Coupe S (KOR,CN,MEX,BR) |
| 2010 | 01.08.2009 | A9-AS720061 | >A9-AS725000 | 997 Coupe S (USA,CDN) |
| 2010 | 01.08.2009 | 99-AS740061 | >99-AS745000 | 997 Cabrio (KOR,CN,MEX,BR) |
| 2010 | 01.08.2009 | 99-AS754061 | >99-AS760000 | 997 Cabrio S (KOR,CN,MEX,BR) |
| 2010 | 01.08.2009 | A9-AS754061 | >A9-AS760000 | 997 Cabrio S (USA,CDN) |
| 2010 | 01.08.2009 | 99-AS728061 | >99-AS730000 | 997 Targa (KOR,CN,MEX,BR) |
| 2010 | 01.08.2009 | 99-AS733061 | >99-AS735000 | 997 Targa S (KOR,CN,MEX,BR) |
| 2010 | 01.08.2009 | A9-AS733061 | >A9-AS735000 | 997 Targa S (USA,CDN) |
| 2011 | 01.08.2010 | 99-BS735061 | >99-BS740000 | 997 Cabrio |
| 2011 | 01.08.2010 | A9-BS740061 | >A9-BS745000 | 997 Cabrio (USA,CDN) |
| 2011 | 01.08.2010 | 99-BS745061 | >99-BS754000 | 997 Cabrio S |
| 2011 | 01.08.2010 | 99-BS700061 | >99-BS7 6000 | 997 Coupe |
| 2011 | 01.08.2010 | A9-BS706061 | >A9-BS710000 | 997 Coupe (USA,CDN) |
| 2011 | 01.08.2010 | 99-BS710061 | >99-BS720000 | 997 Coupe S |
| 2011 | 01.08.2010 | 99-BS795061 | >99-BS795500 | 997 Speedster |
| 2011 | 01.08.2010 | 99-BS725061 | >99-BS728000 | 997 Targa |
| 2011 | 01.08.2010 | A9-BS728061 | >A9-BS730000 | 997 Targa (USA,CDN) |

| Model: 997-09 | | Model life 2009>>2012 | | |
|---------------|------------|-----------------------|--------------|--|
| 2011 | 01.08.2010 | 99-BS730061 | >99-BS733000 | 997 Targa S |
| 2011 | 01.08.2010 | 99-BS706061 | >99-BS710000 | 997 Coupe (KOR,CN,MEX,BR) |
| 2011 | 01.08.2010 | 99-BS720061 | >99-BS725000 | 997 Coupe S (KOR,CN,MEX,BR) |
| 2011 | 01.08.2010 | A9-BS720061 | >A9-BS725000 | 997 Coupe S (USA,CDN) |
| 2011 | 01.08.2010 | 99-BS740061 | >99-BS745000 | 997 Cabrio (KOR, CN, MEX, BR) |
| 2011 | 01.08.2010 | 99-BS754061 | >99-BS760000 | 997 Cabrio S (KOR, CN, MEX, BR) |
| 2011 | 01.08.2010 | A9-BS754061 | >A9-BS760000 | 997 Cabrio S (USA, CDN) |
| 2011 | 01.08.2010 | 99-BS728061 | >99-BS730000 | 997 Targa (KOR, CN, MEX, BR) |
| 2011 | 01.08.2010 | 99-BS733061 | >99-BS735000 | 997 Targa S (KOR, CN, MEX, BR) |
| 2011 | 01.08.2010 | A9-BS733061 | >A9-BS735000 | 997 Targa S (USA, CDN) |
| 2011 | 01.08.2010 | 99-BS795561 | >99-BS796000 | 997 Speedster (KOR, CN, MEX, BR) |
| 2011 | 01.08.2010 | A9-BS795561 | >A9-BS796000 | 997 Speedster (USA, (USA, CDN) |
| 2012 | 01.06.2011 | 99-CS735061 | >99-CS740000 | 997 Cabrio |
| 2012 | 01.06.2011 | A9-CS740061 | >A9-CS745000 | 997 Cabrio (USA, CDN) |
| 2012 | 01.06.2011 | 99-CS745061 | >99-CS754000 | 997 Cabrio S |
| 2012 | 01.06.2011 | 99-CS700061 | >99-CS7 6000 | 997 Coupe |
| 2012 | 01.06.2011 | A9-CS706061 | >A9-CS710000 | 997 Coupe (USA, CDN) |
| 2012 | 01.06.2011 | 99-CS710061 | >99-CS720000 | 997 Coupe S |
| 2012 | 01.06.2011 | 99-CS725061 | >99-CS728000 | 997 Targa |
| 2012 | 01.06.2011 | A9-CS728061 | >A9-CS730000 | 997 Targa (USA, CDN) |
| 2012 | 01.06.2011 | 99-CS730061 | >99-CS733000 | 997 Targa S |
| 2012 | 01.06.2011 | 99-CS706061 | >99-CS710000 | 997 Coupe (KOR,CN,MEX,BR) |
| 2012 | 01.06.2011 | 99-CS720061 | >99-CS725000 | 997 Coupe S (KOR,CN,MEX,BR) |
| 2012 | 01.06.2011 | A9-CS720061 | >A9-CS725000 | 997 Coupe S (USA,CDN) |
| 2012 | 01.06.2011 | 99-CS740061 | >99-CS745000 | 997 Cabrio (KOR, CN, MEX, BR) |
| 2012 | 01.06.2011 | 99-CS754061 | >99-CS760000 | 997 Cabrio S (KOR, CN, MEX, BR) |
| 2012 | 01.06.2011 | A9-CS754061 | >A9-CS760000 | 997 Cabrio S (USA, CDN) |
| 2012 | 01.06.2011 | 99-CS728061 | >99-CS730000 | 997 Targa (KOR, CN, MEX, BR) |
| 2012 | 01.06.2011 | 99-CS733061 | >99-CS735000 | 997 Targa S (KOR, CN, MEX, BR) |
| 2012 | 01.06.2011 | A9-CS733061 | >A9-CS735000 | 997 Targa S (USA, CDN) |
| 2012 | 01.06.2011 | 99-CS786061 | >99-CS788000 | 997 Coupe Black Edition |
| 2012 | 01.06.2011 | 99-CS790061 | >99-CS792000 | 997 Cabrio Black Edition |
| 2012 | 01.06.2011 | 99-CS788061 | >99-CS790000 | 997 Coupe Black Edition KOR,CN,MEX,BR) |
| 2012 | 01.06.2011 | A9-CS788061 | >A9-CS790000 | 997 Coupe Black |

Model: 997-09**Model life 2009>>2012**

| | | | | |
|------|------------|-------------|--------------|---|
| 2012 | 01.06.2011 | 99-CS792061 | >99-CS794000 | Edition (USA,CDN) 997 Cabrio Black |
| 2012 | 01.06.2011 | A9-CS792061 | >A9-CS794000 | Edition (KOR, CN, MEX, BR) 997 Cabrio Black |
| | | | | Edition (USA, CDN) |

Model: 997-09**Model life 2009>>2012**

Engine Numbers

| Engine number | Model year | Vehicle type | Engine type |
|-----------------|------------|-------------------------------|-------------|
| __9 00501>99999 | 2009 | 997 COUPE S/CABRIO S/TARGA S | A101 |
| __9 00501>99999 | 2009 | 997 COUPE/CABRIO/TARGA | A102 |
| __A 00501>99999 | 2010 | 997 COUPE S/CABRIO S/TARGA S | A101 |
| S_A 00501>60000 | 2010 | 997 COUPE S(Sport Classic)X51 | A101 |
| __A 00501>99999 | 2010 | 997 COUPE/CABRIO/TARGA | A102 |
| __B 00501>60000 | 2011 | 997 COUPE S/CABRIO S/TARGA S | A101 |
| S_B 00501>60000 | 2011 | 997 COUPE S/CABRIO S X51 | A101 |
| __B 00501>60000 | 2011 | 997 COUPE/CABRIO/TARGA | A102 |
| __C 00501>60000 | 2012 | 997 COUPE S/CABRIO S/TARGA S | A101 |
| S C 00501>60000 | 2012 | 997 COUPE S/CABRIO S X51 | A101 |
| __C 00501>60000 | 2012 | 997 COUPE/CABRIO/TARGA | A102 |

Model: 997-09**Model life 2009>>2012**

Transmission Numbers

| Transmission Number | Model year | Vehicle type | Gearbox type |
|-----------------------|------------|--------------------|--------------|
| CG100 1 002001>999999 | 2009 | 997 CARRERA PDK C2 | CG100 |
| CG130 1 002001>999999 | 2009 | 997 CARRERA PDK C4 | CG130 |
| G9705 1 002001>999999 | 2009 | 997 CARRERA C2 | G9705 |
| G9735 1 002001>999999 | 2009 | 997 CARRERA C4 | G9735 |
| CG100 1 002001>999999 | 2010 | 997 CARRERA PDK C2 | CG100 |
| CG130 1 002001>999999 | 2010 | 997 CARRERA PDK C4 | CG130 |
| G9705 1 002001>999999 | 2010 | 997 CARRERA C2 | G9705 |
| G9735 1 002001>999999 | 2010 | 997 CARRERA C4 | G9735 |
| CG100 1 002001>999999 | 2011 | 997 CARRERA PDK C2 | CG100 |
| CG130 1 002001>999999 | 2011 | 997 CARRERA PDK C4 | CG130 |
| G9705 1 002001>999999 | 2011 | 997 CARRERA C2 | G9705 |
| G9735 1 002001>999999 | 2011 | 997 CARRERA C4 | G9735 |
| CG100 1 002001>999999 | 2012 | 997 CARRERA PDK C2 | CG100 |
| CG130 1 002001>999999 | 2012 | 997 CARRERA PDK C4 | CG130 |
| G9705 1 002001>999999 | 2012 | 997 CARRERA C2 | G9705 |
| G9735 1 002001>999999 | 2012 | 997 CARRERA C4 | G9735 |

Model: 997-09

Model life 2009>>2012

| NR | Description |
|-----|---|
| 011 | Special model GTS (981/991) |
| 012 | Special model China Style Edition |
| 013 | Special model Black Edition |
| 019 | Special model 911 Carrera 4 GTS |
| 022 | Black-coloured instrument dials, instrument cluster |
| 023 | Silver -coloured instrument dials, instrument cluster |
| 024 | Version for Greece |
| 025 | Black-coloured instrument dials, stopwatch |
| 026 | Silver-coloured instrument dials, stopwatch |
| 029 | Standard chassis |
| 030 | Sports suspension |
| 032 | Touring suspension |
| 034 | Version for Italy |
| 058 | Impact absorbers, front and rear |
| 061 | Version for Great Britain |
| 062 | sweden version |
| 063 | Version Luxemburg |
| 064 | Version for Netherlands |
| 065 | Version for Denmark |
| 066 | Version for Norway |
| 067 | Version for Finland |
| 068 | PAP right-hand drive version |
| 069 | Other country version |
| 070 | Pedestrian protection |
| 071 | EU country version |
| 072 | Version for Mexico |
| 073 | Version for Russia |
| 074 | PAP left-hand drive version |
| 075 | Chinese version |
| 082 | Fuel tank, 90-litre |
| 098 | Left-hand drive version |
| 099 | Right-hand drive version |
| 111 | Version for Austria |
| 113 | Version for Canada |
| 114 | Version for Taiwan |
| 119 | Version for Spain |
| 124 | Version for France |
| 126 | Control and indications in French lettering |
| 127 | Control and indications in Swedish lettering |
| 130 | Control and indications in English lettering |
| 150 | Operation with leaded gas |
| 170 | Acoustic package RoW |
| 171 | Acoustic package USA |
| 172 | Acoustic package PAP, China, Korea |
| 176 | Sports exhaust system |
| 181 | Standard climatic zones |

Model: 997-09

Model life 2009>>2012

| NR | Description |
|-----|---|
| 182 | Hot country |
| 183 | Super hot country |
| 193 | japan version |
| 194 | Battery, 60 Ah |
| 195 | Battery, 70 Ah |
| 196 | Battery, 80 Ah |
| 197 | Stronger battery |
| 198 | Enhanced starter motor (1.7 kW) |
| 199 | Battery disconnection switch |
| 200 | 95 Ah battery |
| 209 | Licence plate holder version 1 |
| 210 | Licence plate holder version 2 |
| 211 | Licence plate holder version 3 |
| 215 | Version for Saudi Arabia |
| 218 | Licence plate holder version 4 |
| 219 | Differential |
| 220 | Locking differential 40 % |
| 225 | Version for Belgium |
| 250 | PDK transmission (dual clutch) |
| 265 | Automatic anti-dazzle interior mirror with rain sensor |
| 266 | Automatic anti-dazzle door mirror |
| 267 | Automatically dimmable interior and door mirrors |
| 268 | Rain sensor |
| 270 | Door mirrors -flat - driver's side, electrically adjustable and heatable |
| 271 | Door mirrors -aspherical- driver's side, electrically adjustable and heatable |
| 273 | Door mirrors, electrically adjustable and heatable |
| 274 | Vanity mirror, illuminated |
| 277 | Swiss version |
| 288 | Headlamp washer |
| 301 | Transmission ratio long |
| 303 | Front-axle final drive with higher setting torque |
| 305 | Gear lever in Alcantara, Black |
| 310 | PDK gear selector EXC |
| 325 | Version for South Africa/New Zealand |
| 335 | Automatic seat belt, 3-point, rear |
| 338 | Rear-wheel drive |
| 339 | All-wheel drive |
| 342 | Seat heating, left/right seat |
| 345 | Heated steering wheel |
| 346 | Rims, painted Silver |

Model: 997-09

Model life 2009>>2012

| NR | Description |
|-----|--|
| 369 | Standard seat, left |
| 370 | Standard seat, right |
| 375 | Sports seat, backrest shell, left |
| 376 | Sports seat, backrest shell, right |
| 377 | Sports seat, backrest shell, left, electrically adjustable |
| 378 | Sports seat, backrest shell, right, electrically adjustable |
| 388 | Sports bucket seat, left |
| 389 | Sports bucket seat, right |
| 392 | 17-inch Carrera wheel |
| 393 | 17-inch Boxster II wheel (987) |
| 397 | 18-inch Boxster II wheel (987) |
| 398 | 19" Cayman S wheel |
| 401 | 18-in. Cayman S wheel |
| 402 | Carrera 3 wheel 18-inch |
| 403 | Carrera S wheel 19-inch |
| 404 | 19" Turbo-1 wheel |
| 405 | Carrera Classic wheel 19-inch |
| 406 | Carrera GT wheel 19-inch/20-inch |
| 407 | SportDesign wheel 19-inch |
| 410 | 18" Turbo-2/Panamera wheel |
| 411 | 18-inch Carrera wheel -->2005 19-inch Carrera wheel 2012--> |
| 414 | Carrera S Facelift 18" wheel |
| 415 | 18-inch Turbo-Look II wheel |
| 416 | 18-inch GT3 wheel |
| 418 | 18-inch Turbo II wheel in GT Silver |
| 419 | Carrera S Facelift 19" wheel |
| 421 | Turbo 2 wheel, 19" |
| 422 | Turbo wheel, 19", central lock |
| 424 | CD storage unit |
| 425 | Rear window wiper |
| 426 | Without rear window wiper |
| 431 | Multi-function steering wheel, touch + feel |
| 432 | 19" Carrera wheel (6) |
| 435 | 911 Turbo S wheel, 20" central lock |
| 436 | 3-spoke airbag steering wheel |
| 437 | Comfort seat, left, electrically adjustable |
| 438 | Comfort seat, right, electrically adjustable |
| 439 | 20" 911 Turbo 4 wheel |
| 440 | Antenna diversity |
| 441 | Basic sound package |
| 444 | Anti-theft lock, wheel bolts "THATCHAM" |
| 446 | Concave wheel centers |

Model: 997-09

Model life 2009>>2012

| NR | Description |
|-----|--|
| | with full-colour Porsche Crest |
| 447 | Emergency wheel |
| 448 | Brake pad; sport version |
| 450 | Ceramic brake (PCCB) |
| 451 | Multi-function steering wheel, Makassar Ebony, touch + feel |
| 452 | Multi-function steering wheel, Sycamore, touch + feel |
| 453 | Multi-function steering wheel, Carbon, touch + feel |
| 454 | Automatic speed control |
| 459 | 3-spoke airbag steering wheel, touch + feel |
| 460 | 20" RS Spyder Design wheel |
| 461 | External antenna |
| 465 | Rear fog light, left |
| 466 | Rear fog light, right |
| 475 | "PASM" electronic damper control |
| 476 | Porsche Stability Management (PSM) |
| 479 | Version for Australia |
| 480 | 6-speed manual transmission |
| 482 | Tire Pressure Monitoring TPM, 433 MHz |
| 483 | 315-MHz TPM, Tire Pressure Monitoring |
| 484 | Version for USA |
| 488 | Inscriptions in German language |
| 490 | Sound system "ASK" |
| 492 | Headlights for left-hand traffic |
| 498 | Deletion of model designation on rear end |
| 499 | Version for Germany |
| 501 | Car cover |
| 503 | Speedster |
| 509 | Fire extinguishers |
| 513 | Lumbar support, right seat |
| 514 | GTS logo with model designation in Silver |
| 515 | GTS logo with model designation in Black |
| 521 | Tilt sensor |
| 524 | Immobilizer, central locking, 433 MHz |
| 525 | Immobilizer, central locking, 315 MHz |
| 532 | Alarm system remote control omitted |
| 533 | Radio convertible-top operation omitted |
| 534 | Theft security system, 433 MHz |
| 535 | Theft security system, 315 MHz |
| 536 | -07 Alarm siren and tilt sensor 08- Alarm siren |
| 537 | Seat position control for comfort seat, left |
| 538 | Seat position control for |

Model: 997-09

Model life 2009>>2012

| NR | Description |
|-----|---|
| | comfort seat, right |
| 539 | Mechanical seat height adjustment, left |
| 540 | Mechanical seat height adjustment, right |
| 541 | Active seat ventilation (incl. heated seats) |
| 542 | Active seat ventilation, front and rear (incl. heated seats) |
| 544 | Anti-theft protection without infrared monitoring, 433 MHz |
| 545 | Anti-theft protection without infrared monitoring, 315 MHz |
| 549 | Roof Transport System |
| 550 | Hardtop |
| 551 | Wind deflector |
| 553 | Version for USA, Canada |
| 554 | Front spoiler lip included |
| 555 | Black seat belts |
| 560 | Advanced airbag |
| 562 | Airbag, driver's side and front passenger's side |
| 563 | Side airbag |
| 566 | Front fog lights, white |
| 567 | Windscreen tinted, upper part darker coloured |
| 568 | Windscreen without shade band |
| 571 | Activated charcoal filter |
| 572 | Manual air-conditioning system |
| 573 | Air conditioner |
| 574 | No air conditioning |
| 575 | Luggage compartment cooling system |
| 581 | Centre console, front |
| 584 | Storage box on engine cover |
| 586 | Lumbar support, left seat |
| 590 | Steel doors |
| 594 | Alcantara rooflining |
| 599 | Aluminium doors |
| 601 | Xenon lighting system |
| 602 | Center high-mounted stop light |
| 603 | Xenon plus dynamic cornering light |
| 606 | Daytime driving lights |
| 607 | Garage door opener "Homelink", 315 MHz |
| 608 | Garage door opener "Homelink" 433 MHz |
| 610 | DVD navigation, "Europe package" |
| 611 | DVD navigation South Africa |
| 612 | DVD navigation middle east |
| 613 | DVD navigation australia |
| 614 | DVD navigation asia-pacific |
| 615 | DVD navigation system, North America |
| 616 | DVD, Navigation Russia |

Model: 997-09

Model life 2009>>2012

| NR | Description |
|-----|--|
| 617 | DVD Navigation China |
| 618 | Phone preparation |
| 619 | Mobile phone preparation (BLUETOOTH) without console |
| 621 | 12-V socket, passenger's side, footwell |
| 625 | "KESSY" Porsche Entry and Drive |
| 635 | Park distance control |
| 639 | Sport Chrono package |
| 640 | Sport Chrono Plus package |
| 641 | electronic log book |
| 650 | Electrical sliding roof |
| 651 | Electric window opener |
| 652 | Without sliding/tilting roof |
| 657 | Power steering |
| 659 | on-board computer |
| 660 | Obd 2 |
| 661 | Stricter emission-control concept |
| 663 | Fuel pump activation |
| 664 | Orvr |
| 665 | -2008 PCM 2, 2009- PCM 3 basic module incl. radio |
| 666 | -2008 PCM 2, 2009- PCM 3 telephone (GSM) |
| 668 | PCM2 telephone handset |
| 669 | PCM 3 - Telephone handset (BLUETOOTH) |
| 670 | PCM2 navigation |
| 671 | Voice control system |
| 672 | -2008 PCM 2, 2009- PCM 3 Offroad navigation |
| 673 | Navigation system preparation, China |
| 674 | "Vehicle Tracking System" preparation |
| 675 | Without radio preparation (Japan navigation system) |
| 676 | TV tuner |
| 677 | "Driver card" antenna |
| 678 | Alarm system connection |
| 679 | Restart inhibitor |
| 680 | BOSE sound package |
| 685 | Rear seats, split |
| 686 | SAT radio reception XM (SDARS) |
| 689 | Preperation for CD autochanger |
| 690 | CD radio "Porsche Online Pro" |
| 692 | CD autochanger "Porsche" |
| 693 | Integrated CD/DVD autochanger |
| 694 | CD radio "PORSCHE CDR 24" |
| 697 | CD radio "Porsche CDR-23" |
| 711 | Omission underbody protection |
| 751 | PCCB, front axle and rear axle 3K |
| 752 | PCCB, front axle MFF / rear axle 3K |
| 756 | Special model "911 Sport Classic" |
| 796 | Full leather trim natural leather |
| 798 | Full leather trim special leather |

Model: 997-09

Model life 2009>>2012

| NR | Description |
|-----|--|
| 799 | Full leather trim by choice |
| 801 | Makassar Ebony wood package, dark (matt satin finish) |
| 802 | Sycamore package, light (matt satin finish) |
| 803 | Carbon package |
| 804 | GT2 Carbon exterior package |
| 805 | Lifestyle package |
| 810 | foot mats |
| 840 | Sports steering wheel (for PDK with paddle) |
| 841 | Basic steering wheel Smooth leather |
| 843 | Sports steering wheel in Alcantara |
| 844 | Multi-function steering wheel Smooth leather |
| 845 | Multi-function steering wheel Carbon |
| 847 | Multi-function steering wheel Makassar |
| 870 | Universal multimedia interface |
| 911 | Model designation 911 |
| 912 | without identification plate |
| 931 | Rear seat covers in Alcantara/leatherette |
| 932 | Rear seat covers in Alcantara/leather |
| 936 | Seat covers, rear, leather |
| 937 | Seat covers, rear, leatherette |
| 939 | Seat covers, rear, draped leather |
| 946 | Seat covers, front, leather/leather/leatherette |
| 950 | Alcantara seat covers, front |
| 951 | Seat covers front, Alcantara/leather/leather |
| 970 | Two-tone interior |
| 971 | "TORO" embossed leather |
| 975 | Alcantara interior |
| 981 | Leather equipment, without seat covers |
| 982 | Seat covers, front, draped leather/leather/leather |
| 983 | Seat covers, front, leather |
| 985 | Seat covers, leather/leather/leatherette, 2 |
| 990 | Seat covers, front, cloth/cloth/leatherette |
| 991 | Steering wheel airbag module in leather |
| 998 | Leather, natural |
| 999 | Passenger compartment monitoring sensor for leather colour of choice |
| IY2 | Model year period from week 45 to week 22 |
| XAA | Aerokit Cup |
| XAF | Turbo aerokit |
| XAG | Carrera - rear spoiler |
| XAH | Carrera 4S aerokit |
| XAJ | Painted sill covers |
| XAS | Sport Design front apron |

Model: 997-09

Model life 2009>>2012

| NR | Description |
|-----|---|
| XCA | Dashboard trim strip (3-part) sports seats |
| XCB | Instrument surround sports seats |
| XCC | Side air vents sports seats |
| XCD | Center air vent bracket sports seats |
| XCE | Rear center console sports seats |
| XCG | Sports seat backrest in Aluminium Look finish |
| XCH | Side/centre air vent slats, sports seats |
| XCK | Rear center console in Galvano Silver |
| XCL | Instrument surround in Galvano Silver |
| XCM | Roll-over bar in Galvano Silver |
| XCN | Side air vents in Aluminium Look finish (997) |
| XCW | Aluminium Look trim on belt opening in B-pillar |
| XCY | Center air vent in Aluminium Look finish |
| XCZ | Short shifter |
| XDA | Wheel spokes painted Black |
| XDJ | Decorative trim on gear lever/selector, painted |
| XDM | Decorative dashboard trim, painted |
| XDP | Instrument cluster frame, painted |
| XDR | Painted trim on belt opening in B-pillar |
| XDS | Ignition lock surround in leather |
| XDU | Leather trim on belt opening in B-pillar |
| XDV | Dashboard end-trim in leather |
| XDX | Mirror attachment point finisher, leather |
| XDZ | Selector lever cover in leather |
| XD9 | Wheel painted in body colour |
| XEA | Passive handset in leather |
| XES | Preparation, illuminated door entry guard |
| XE8 | Gear lever knob aluminium/dark burr maple/leather |
| XE9 | Handbrake lever aluminium/dark burr maple/leather |
| XFD | Instrument dials in Sand Beige |
| XFE | Instrument dials in Terracotta |
| XFF | Instrument dials in Brown/Natural |
| XFG | Instrument dials in Guards Red |
| XFH | Instrument dials in Speed Yellow |
| XFJ | Instrument dials in Carrara White |
| XFN | Gear lever in aluminium II |
| XFP | Handbrake lever Aluminium II |
| XGB | Decorative dashboard trim, carbon |
| XGC | Dashboard carbon/Alcantara |
| XGD | Parking brake handle carbon/Alcantara |
| XGE | Handle recess insert, carbon |
| XJJ | Carbon trim on belt opening in B-pillar |
| XJL | Makassar Ebony side air vent |
| XJM | Sycamore side air vent |
| XJN | Makassar Ebony center air vent |
| XJP | Sycamore center air vent |
| XJR | Makassar Ebony windscreen defroster panel |

Model: 997-09

Model life 2009>>2012

| NR | Description |
|-----|---|
| XJS | Sycamore windscreen defroster panel |
| XJT | Makassar Ebony rear center console |
| XJU | Sycamore rear center console |
| XJ4 | Leather cover for ignition lock surround |
| XKB | Side air vent in light burr maple |
| XKC | Side air vent in dark burr maple |
| XKD | Side air vent in Carbon |
| XKG | "Defroster trim in light burr maple; leather" |
| XKH | "Defroster trim in dark burr maple; leather" |
| XKJ | Defroster trim in Carbon/leather |
| XKL | Leather speaker covers |
| XKM | Speaker covers in light burr maple |
| XKN | Speaker covers in dark burr maple |
| XKP | Carbon speaker covers |
| XKR | Center air vent bracket in light burr maple |
| XKS | Center air vent bracket in dark burr maple |
| XLA | Boxster tailpipe |
| XLF | Sports exhaust system |
| XLG | Centre console storage bin cover in Alcantara, with logo |
| XLT | Sports tailpipes, 997 |
| XMA | Rooflining in leather |
| XME | Rear section of centre console painted |
| XMF | Front center console including 2 storage bins, leather |
| XMJ | Rear section of centre console in Carbon |
| XMK | Roll-over bar in exterior color |
| XML | Rear center console in light burr maple |
| XMP | Leather sun visor, 2 illuminated vanity mirrors * |
| XMR | Sun visor in leather, 2 illuminated vanity mirrors, |
| XMZ | Rear section of centre console in leather |
| XNB | Rear center console in dark burr maple |
| XNG | Instrument surround in leather |
| XNN | Center air vent bracket in leather |
| XNR | Carbon center air vent bracket |
| XNS | Leather steering column trim, 4-part |
| XNU | Leather trim strip (dashboard) |
| XNV | Trim strip (dashboard) in light burr maple |
| XNW | Trim strip (dashboard) in dark burr maple |
| XNX | Carbon trim strip (dashboard) |
| XN3 | Dashboard side air vent in leather |
| XPA | 3-spoke sports steering wheel in leather interior co |
| XPB | 3-spoke sports steering wheel, light burr maple, leather |
| XPC | 3-spoke sports steering wheel, dark burr maple, leather |

Model: 997-09

Model life 2009>>2012

| NR | Description |
|-----|--|
| XPD | 3-spoke sports steering wheel, Carbon/leather |
| XPG | 3-spoke sports steering wheel, sports seats |
| XPT | Centre console storage bin lid with crest |
| XPU | Multi-function steering wheel Galvano Silver, new generation |
| XPV | Multi-function steering wheel, Galvano Silver |
| XPW | Instrument surround in light burr maple |
| XPX | Instrument surround in dark burr maple * |
| XPY | Carbon instrument surround |
| XRB | 18-inch Sport Classic II wheel |
| XRC | 18-inch SportTechno wheel |
| XRL | 18-inch SportDesign wheel |
| XRN | 17-mm spacers, rear |
| XRP | 5-mm spacers, front/rear |
| XRR | 19-in. Carrera Sport wheel |
| XRS | 19" Sport Classic WHEEL |
| XSA | Painted sports seat backrest |
| XSB | Leather sports seat backrest |
| XSC | Porsche Crest embossed in headrest |
| XSD | Front seat controls in leather |
| XSE | Bucket seat, left |
| XSF | Bucket seat, right |
| XSG | Racing bucket seat, left |
| XSH | Silver seat belts |
| XSJ | 6-point harness |
| XSL | 6-point safety catch |
| XSM | Racing safety cage |
| XSN | Omission of rear seats |
| XSR | Carbon back for bucket seat, right |
| XSS | Carbon back for bucket seat, left |
| XST | Seat belts in Sand Beige |
| XSU | Upholstered seat |
| XSW | Seat belts in Maritime Blue |
| XSX | Seat belts in Guards Red |
| XSY | Seat belts in Speed Yellow |
| XTG | Inner door sills in leather |
| XTJ | Door panel parts in light burr maple |
| XTK | Door panel parts in dark burr maple |
| XTL | Door panel parts in Carbon |
| XTR | Door panel parts in Aluminium Look finish |
| XTT | Makassar Ebony door panel parts |
| XTU | Sycamore door panel parts |
| XTV | Leather door panel parts |
| XTW | Door panel parts in Galvano Silver |
| XUA | Spoiler lip painted |
| XUB | Cover on headlight cleaning system, |

Model: 997-09

Model life 2009>>2012

| NR | Description |
|-----|---|
| | painted |
| XUC | Model designation painted |
| XUV | Centre console storage bin lid with logo |
| XUX | Rear backrest release loop in leather |
| XUZ | Door mirror, bottom half Matt aluminium |
| XVM | Leather center air vent |
| XVP | Trim strip including cupholder cover in leather |
| XVR | Side/centre air vent in leather |
| XVT | Cover for loudspeakers, doors and rear in leather |
| XVW | Interior mirror, leather |
| XV1 | Defroster trim in leather |
| XWR | PDK gate frame in Aluminium Look |
| XWS | PDK gate frame painted |
| XWT | PDK gate frame painted Black |
| XWU | PDK gate frame in leather |
| XXB | Door entry guards, stainless steel, illuminated |
| XXD | Door entry guards, carbon, illuminated |
| XXF | Red tail lights |
| XXG | Tail lights in clear glass look |
| XXH | Alcantara sun visor |
| XXJ | Alcantara interior light cover |
| XXK | Front seat covers in woven leather |
| XXL | Rear seat covers in woven leather |
| XXM | Without chequered flag design (seat) |
| XXZ | Footrest |
| XX1 | Floor mats, logo, leather border |
| XX2 | footwell light |
| XYA | PDK selector lever (EXC) |
| XY5 | Tiptronic gear selector gate in leather |
| XZB | Carbon centre air vent |
| XZD | Interior light surround in leather |
| X45 | Instrument dial in interior color |
| X46 | Tiptronic selector lever in aluminium/leather |
| X47 | Gear lever knob in Carbon/leather |
| X48 | Tiptronic selector lever in Carbon/aluminium |
| X50 | Powerkit 331/340 kW |
| X51 | Powerkit 250 kW |
| X54 | Stainless steel tailpipes |
| X58 | Handbrake lever in Carbon/leather |
| X65 | Tiptronic selector lever in light burr maple/aluminium |
| X66 | Tiptronic selector lever in dark burr maple/aluminium |
| X69 | Door entry guards in Carbon with logo |

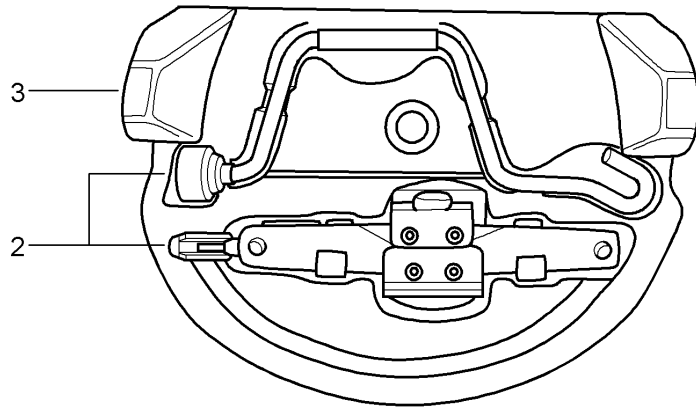
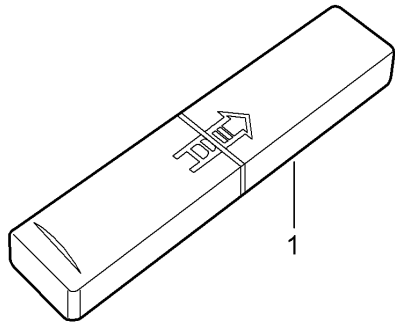
Model: 997-09

Model life 2009>>2012

| NR | Description |
|-----|--|
| X70 | Door entry guards in stainless steel with logo |
| X71 | Instrument dial painted/Aluminium Look finish |
| X72 | Gear lever knob aluminium/light burr maple/leather |
| X73 | Turbo sports suspension |
| X74 | Sports suspension (exclusive) |
| X75 | Differential lock (exclusive) |
| X76 | Inner door sill guard, left/right |
| X91 | Handbrake lever aluminium/light burr maple/leather |
| X97 | Gear lever knob in aluminium/leather |
| X98 | Handbrake lever in aluminium/leather |
| X99 | Natural leather |

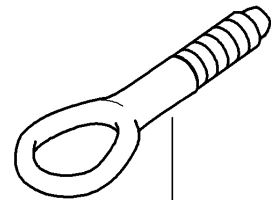
Model: 997-09

Model life 2009>>2012

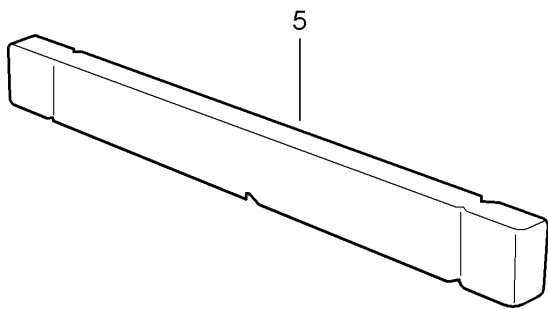


3

2



4



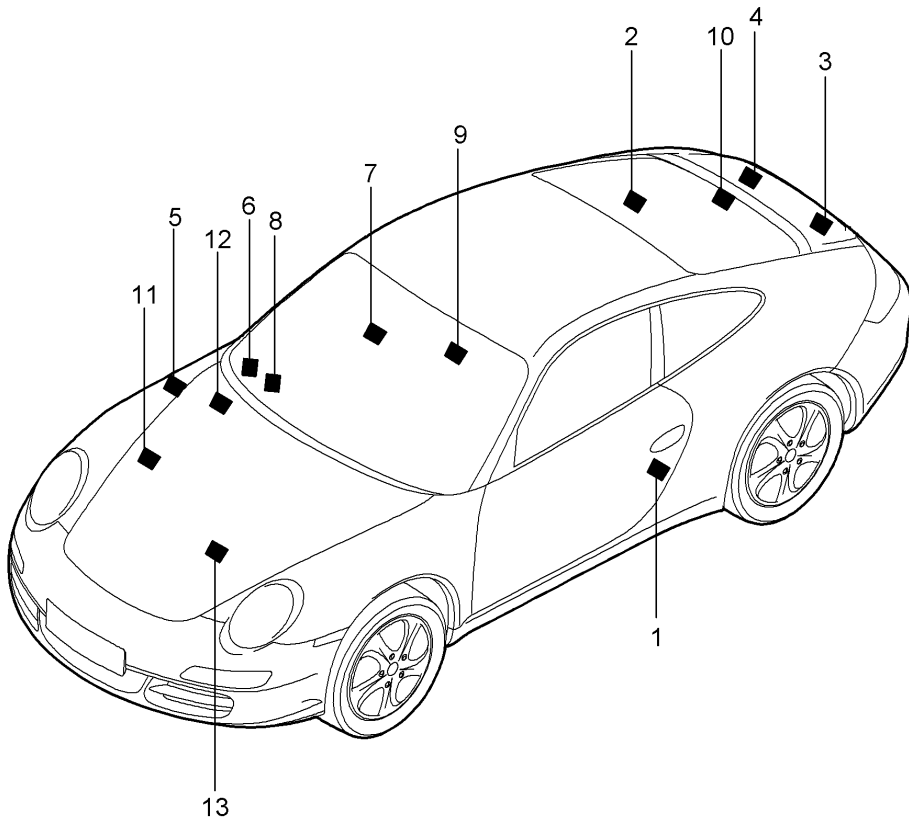
5

Model: 997-09 Model life 2009>>2012

| Pos | Part Number | Description | Remark | Qty | Model |
|-----|----------------|---|--------|-----|---------------------------|
| 1 | 997 721 115 00 | Tool jack Toolbox with contents comprising: | | 1 | |
| - | 477 012 229 | Double open-ended spanner 10 X 13 | | 1 | |
| - | 477 012 231 | screwdriver | | 1 | |
| - | 111 012 287 | handle for screwdriver | | 1 | |
| - | 999 571 077 02 | Socket wrench - 5 - for Headlights | | 1 | |
| 2 | 996 721 211 00 | Scissors type jack | | 1 | PR:447 |
| 3 | 996 722 101 00 | Foam part | | 1 | PR:447 |
| 3 | 997 722 101 00 | Foam part | | 1 | CARRERA GTS PR:011,447 |
| - | 999 571 074 30 | Threaded stud for Assembly Wheels | | 1 | PR:447 |
| - | 477 012 221 A | wheel bolt wrench | | 1 | PR:447 |
| - | 999 571 070 30 | operating rod for Rim wrench | | 1 | PR:447 |
| - | 997 722 801 00 | Mounting for vehicle tools | | 1 | PR:447 |
| - | 997 361 181 52 | Wheel bolt | | 1 | PR:422,447 |
| - | 997 361 069 02 | Tool for Wheel bolt | | 1 | PR:422 |
| - | 997 361 161 00 | Extension for Tool Wheel bolt | | 1 | PR:422,447 |
| - | 997 362 193 00 | Shim | front | 1 | PR:422,447 |
| - | 997 362 195 00 | Shim | rear | 1 | PR:422,447 |
| - | 996 361 521 00 | Protective sleeve | | 1 | PR:447 |
| - | 997 722 061 00 | Cover Spare wheel Discontinued part | | 1 | PR:447 |
| - | 997 722 061 01 | Cover Spare wheel | | 1 | PR:447 |
| - | 997 722 061 02 | Cover Spare wheel | | 1 | CARRERA GTS PR:011,447 |
| - | 997 722 073 00 | tensioning strap Spare wheel | | 1 | CARRERA GTS PR:011,447 |
| - | 997 722 103 00 | Support Spare wheel | | 1 | COUPE/TARGA PR:447 |
| - | 997 722 103 01 | Support Spare wheel | | 1 | CABRIO PR:447 |
| 4 | 997 721 551 00 | Tow hitch | | 1 | |

Model: 997-09

Model life 2009>>2012



Model: 997-09 Model life 2009>>2012

| Pos | Part Number | Description | Remark | Qty | Model |
|-----|----------------|---|--------|-----|--|
| - | | Signs/notices Signs/notices Tyre pressure | | | |
| | | without: | | | |
| 1 | 997 701 289 6F | Paint identification label Data plate for tyre pressure | | 1 | CARRERA 2 PR:414 |
| 1 | 997 701 290 00 | No longer use the part here Data plate for tyre pressure | | 1 | CARRERA 2 PR:414 |
| 1 | 997 701 289 6M | Data plate for tyre pressure D - MJ 2010>> No longer use the part here | | 1 | CARRERA 2 PR:XAA,414 |
| 1 | 997 701 290 14 | Data plate for tyre pressure D - MJ 2010>> | | 1 | CARRERA 2 PR:XAA,414 |
| 1 | 997 701 289 7F | Data plate for tyre pressure | | 1 | CARRERA 2 PR:414,447 "USA" |
| 1 | 997 701 290 01 | No longer use the part here Data plate for tyre pressure | | 1 | CARRERA 2 PR:414,447 "USA" |
| 1 | 997 701 289 7M | Data plate for tyre pressure D - MJ 2010>> | | 1 | CARRERA 2 PR:XAA,414, 447 "USA" |
| 1 | 997 701 290 15 | No longer use the part here Data plate for tyre pressure D - MJ 2010>> | | 1 | CARRERA 2 PR:XAA,414, 447 "USA" |
| 1 | 997 701 289 6J | Data plate for tyre pressure | | 1 | CARRERA 2/S PR:404,405, 407,419,421 |
| 1 | 997 701 290 02 | No longer use the part here Data plate for tyre pressure | | 1 | CARRERA 2/S PR:404,405, 407,419,421 |
| 1 | 997 701 289 6N | Data plate for tyre pressure D - MJ 2010>> | | 1 | CARRERA 2/S PR:XAA,404, 405,407,419, 421 |
| 1 | 997 701 290 16 | No longer use the part here Data plate for tyre pressure D - MJ 2010>> | | 1 | CARRERA 2/S PR:XAA,404, 405,407,419, 421 |
| 1 | 997 701 289 7J | Data plate for tyre pressure | | 1 | CARRERA 2/S PR:404,405, 407,419,421, 447 "USA" |
| 1 | 997 701 290 03 | No longer use the part here Data plate for tyre pressure | | 1 | CARRERA 2/S PR:404,405, 407,419,421, 447 "USA" |

Model: 997-09

Model life 2009>>2012

| Pos | Part Number | Description | Remark | Qty | Model |
|-----|----------------|---|--------|-----|--|
| 1 | 997 701 289 7N | Data plate for tyre pressure D - MJ 2010>> No longer use the part here | | 1 | CARRERA 2/S PR:XAA,404, 405,407,419, 421 "USA" |
| 1 | 997 701 290 17 | Data plate for tyre pressure D - MJ 2010>> | | 1 | CARRERA 2/S PR:XAA,404, 405,407,419, 421 "USA" |
| 1 | 997 701 289 6K | Data plate for tyre pressure No longer use the part here | | 1 | CARRERA 2/S PR:XRR |
| 1 | 997 701 290 04 | Data plate for tyre pressure | | 1 | CARRERA 2/S PR:XRR |
| 1 | 997 701 289 8N | Data plate for tyre pressure D - MJ 2010>> No longer use the part here | | 1 | CARRERA 2/S PR:XAA,XRR |
| 1 | 997 701 290 18 | Data plate for tyre pressure D - MJ 2010>> | | 1 | CARRERA 2/S PR:XAA,XRR |
| 1 | 997 701 289 7K | Data plate for tyre pressure No longer use the part here | | 1 | CARRERA 2/S PR:XRR,447 "USA" |
| 1 | 997 701 290 05 | Data plate for tyre pressure | | 1 | CARRERA 2/S PR:XRR,447 "USA" |
| 1 | 997 701 289 9N | Data plate for tyre pressure D - MJ 2010>> No longer use the part here | | 1 | CARRERA 2/S PR:XAA,XRR, 447 "USA" |
| 1 | 997 701 290 19 | Data plate for tyre pressure D - MJ 2010>> | | 1 | CARRERA 2/S PR:XAA,XRR, 447 "USA" |
| 1 | 997 701 289 6H | Data plate for tyre pressure No longer use the part here | | 1 | CARRERA 4 PR:414 |
| 1 | 997 701 290 06 | Data plate for tyre pressure | | 1 | CARRERA 4 PR:414 |
| 1 | 997 701 289 D6 | Data plate for tyre pressure D - MJ 2010>> No longer use the part here | | 1 | CARRERA 4 PR:XAA,414 |
| 1 | 997 701 290 20 | Data plate for tyre pressure D - MJ 2010>> | | 1 | CARRERA 4 PR:XAA,414 |
| 1 | 997 701 289 7H | Data plate for tyre pressure No longer use the part here | | 1 | CARRERA 4 PR:414,447 "USA" |
| 1 | 997 701 290 07 | Data plate for tyre pressure | | 1 | CARRERA 4 PR:414,447 "USA" |
| 1 | 997 701 289 D7 | Data plate for | | 1 | CARRERA 4 |

Model: 997-09

Model life 2009>>2012

| Pos | Part Number | Description | Remark | Qty | Model |
|-----|----------------|---|--------|-----|--|
| 1 | 997 701 290 21 | tyre pressure D - MJ 2010>> No longer use the part here Data plate for tyre pressure D - MJ 2010>> | | 1 | PR:XAA,414, 447 "USA" CARRERA 4 |
| 1 | 997 701 289 6K | Data plate for tyre pressure No longer use the part here | | 1 | PR:XAA,414, 447 "USA" CARRERA 4/S |
| 1 | 997 701 290 04 | Data plate for tyre pressure | | 1 | PR:404,405, 407,419,421, XRR CARRERA 4/S |
| 1 | 997 701 289 E6 | Data plate for tyre pressure D - MJ 2010>> | | 1 | PR:404,405, 407,419,421, XRR CARRERA 4/S |
| 1 | 997 701 290 22 | No longer use the part here Data plate for tyre pressure D - MJ 2010>> | | 1 | PR:XAA,404, 405,407,419, 421,XRR CARRERA 4/S |
| 1 | 997 701 289 7K | Data plate for tyre pressure No longer use the part here | | 1 | PR:XAA,404, 405,407,419, 421,XRR CARRERA 4/S |
| 1 | 997 701 290 05 | Data plate for tyre pressure | | 1 | PR:404,405, 407,419,421, XRR,447 "USA" CARRERA 4/S |
| 1 | 997 701 289 E7 | Data plate for tyre pressure D - MJ 2010>> No longer use the part here | | 1 | PR:404,405, 407,419,421, XRR,447 "USA" CARRERA 4/S |
| 1 | 997 701 290 23 | Data plate for tyre pressure D - MJ 2010>> | | 1 | PR:XAA,404, 405,407,419, 421,XRR,447 "USA" CARRERA 4/S |
| 1 | 997 701 289 6K | Data plate for tyre pressure D - MJ 2011>> No longer use the part here | | 1 | PR:422 CARRERA GTS |
| 1 | 997 701 290 04 | Data plate for tyre pressure D - MJ 2011>> | | 1 | PR:422 CARRERA GTS |
| 1 | 997 701 289 G5 | Data plate for tyre pressure D - MJ 2011>> No longer use the part here | | 1 | PR:422,447 "USA" CARRERA GTS |

Model: 997-09 Model life 2009>>2012

| Pos | Part Number | Description | Remark | Qty | Model |
|-----|----------------|---|--------|-----|--|
| 1 | 997 701 290 25 | Data plate for tyre pressure D - MJ 2011>> | | 1 | CARRERA GTS PR:422,447 "USA" |
| 1 | 997 701 289 E6 | Data plate for tyre pressure D - MJ 2011>> No longer use the part here | | 1 | CARRERA GTS PR:XAA,422 |
| 1 | 997 701 290 22 | Data plate for tyre pressure D - MJ 2011>> | | 1 | CARRERA GTS PR:XAA,422 |
| 1 | 997 701 289 G3 | Data plate for tyre pressure D - MJ 2011>> No longer use the part here | | 1 | CARRERA GTS PR:XAA,422, 447 "USA" |
| 1 | 997 701 290 27 | Data plate for tyre pressure D - MJ 2011>> | | 1 | CARRERA GTS PR:XAA,422, 447 "USA" |
| 1 | 997 701 289 6K | Data plate for tyre pressure D - MJ 2011>> No longer use the part here | | 1 | SPEEDSTER PR:XRS,503 |
| 1 | 997 701 290 04 | Data plate for tyre pressure D - MJ 2011>> | | 1 | SPEEDSTER PR:XRS,503 |
| 1 | 997 701 289 7K | Data plate for tyre pressure D - MJ 2011>> No longer use the part here | | 1 | SPEEDSTER PR:XRS,447, 503 "USA" |
| 1 | 997 701 290 05 | Data plate for tyre pressure D - MJ 2011>> | | 1 | SPEEDSTER PR:XRS,447, 503 "USA" |
| 1 | 997 701 449 00 | Sticker Mercury | | 1 | PR:484 |
| - | | Signs/notices Spare wheel | | 1 | PR:447 |
| 2 | 996 361 701 20 | Sticker English | | 1 | PR:447 "USA" |
| 2 | 996 701 182 90 | Sticker Warning sign Seat D - MJ 2011>> | rear | 1 | SPEEDSTER |
| - | | Signs/notices Engine specifications | | | |
| 3 | 997 006 109 10 | Notice Engine data | | 1 | CARRERA CARRERA 4 |
| 3 | 997 006 109 14 | Notice Engine data | | 1 | CARRERA CARRERA 4 |
| 3 | 997 006 109 16 | Notice Engine data | | 1 | CARRERA CARRERA 4 |
| 3 | 997 006 109 18 | D - MJ 2011>> - MJ 2011 Notice Engine data | | 1 | CARRERA CARRERA 4 |
| 3 | 997 006 109 11 | D - MJ 2012>> - MJ 2012 Notice Engine data D - MJ 2009>> - MJ 2009 | | 1 | CARRERA S CARRERA 4S |

Model: 997-09

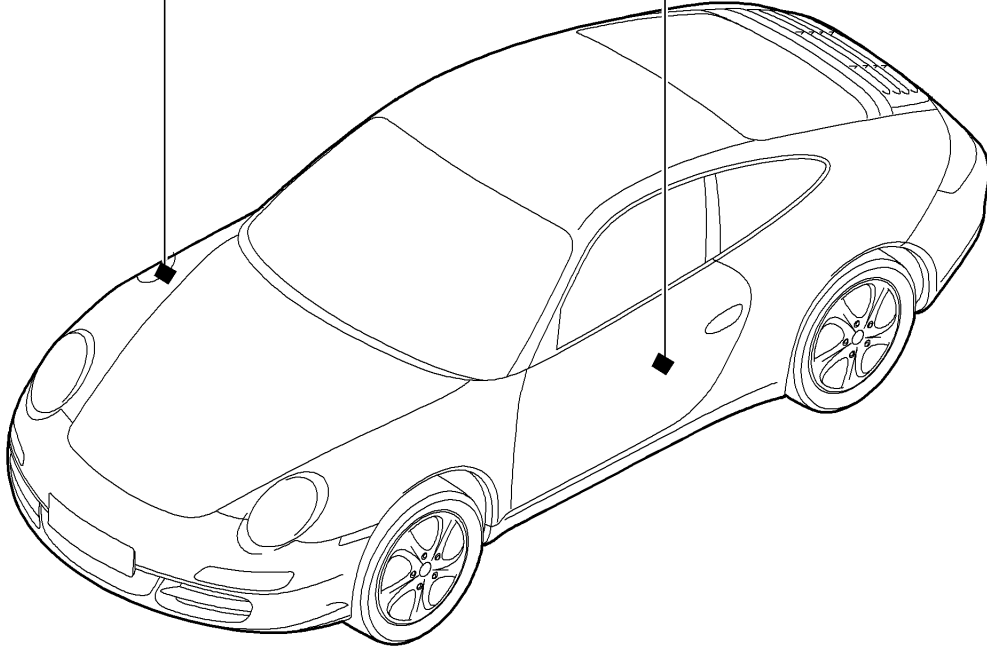
Model life 2009>>2012

| Pos | Part Number | Description | Remark | Qty | Model |
|-----|----------------|--|-----------------|-----|-------------------------|
| 3 | 997 006 109 15 | Notice Engine data D - MJ 2010>> - MJ 2010 | | 1 | CARRERA S CARRERA 4S |
| 3 | 997 006 109 17 | Notice Engine data D - MJ 2011>> - MJ 2011 | | 1 | CARRERA S CARRERA 4S |
| 3 | 997 006 109 19 | Notice Engine data D - MJ 2012>> - MJ 2012 | | 1 | CARRERA S CARRERA 4S |
| 4 | 996 006 140 00 | Sticker Antiknock regulation | | 1 | |
| 4 | 997 006 544 00 | Sticker engine oil - MOBIL 1 - | | 1 | |
| - | | Signs/notices Type of fuel | | | |
| 5 | 996 006 117 03 | Sticker 93 RON/MON/2 | | 1 | |
| - | | Signs/notices Airbag | | | |
| 6 | 3B0 010 219 B | sticker with pictogram for - airbag / child's seat child seat | | 1 | |
| 7 | 996 701 423 01 | Sticker Service Airbag | | 1 | |
| 8 | 997 701 422 00 | Sticker Airbag Warning sign | | 1 | |
| 11 | 996 701 141 01 | Sticker Air conditioning Signs/notices Convertible top control see illustration: | | 1 | CABRIO |
| - | 997 701 451 00 | Sticker Locking mechanism Convertible top | 807-009 left | 1 | SPEEDSTER PR:503 |
| - | 997 701 452 00 | Sticker Locking mechanism Convertible top | right | 1 | SPEEDSTER PR:503 |

Model: 997-09

Model life 2009>>2012

Colour 25H Libell Türkis Metallic

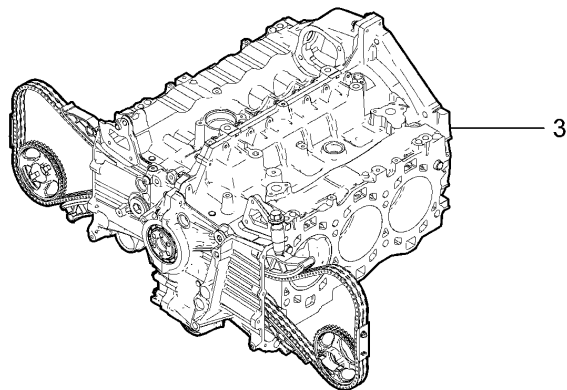
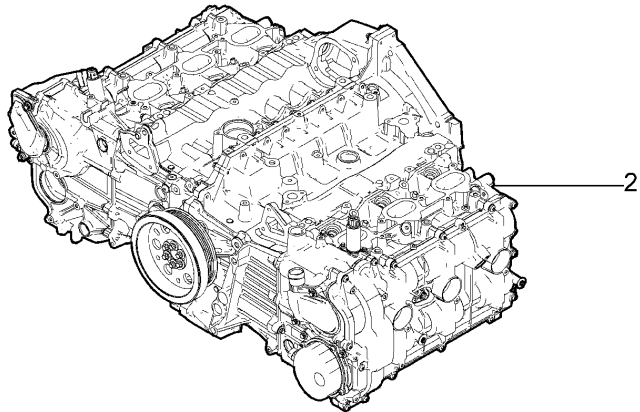
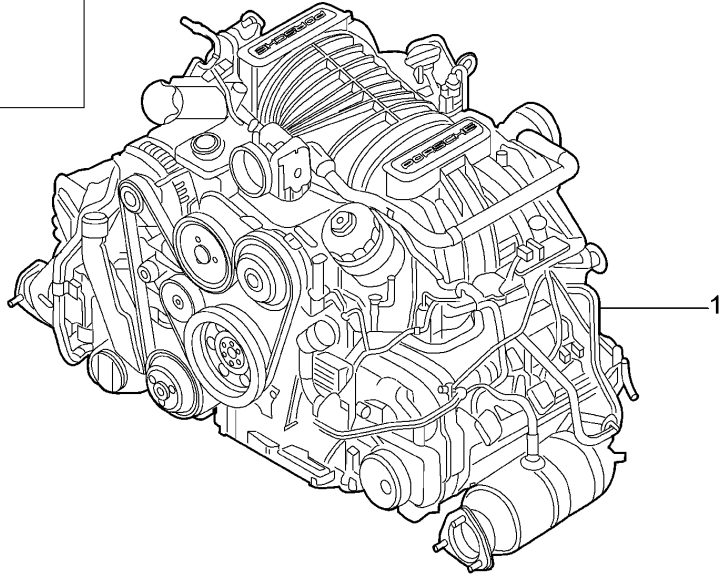
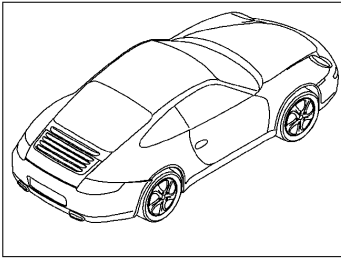


Model: 997-09 Model life 2009>>2012

| Pos | Part Number | Description | Remark | Qty | Model |
|-----|--------------------|--|--------|-----|--------|
| - | 911 095 932 20 | paint touch-up applicator Paints | | X | |
| | 911 095 932 20 041 | Black | | | A 1 |
| | 911 095 932 20 80K | guards red (Porsche) | | | G 1 |
| | 911 095 932 20 B9A | Carrara white | | | B 4 |
| | 911 095 932 20 12G | Speed yellow | | | X 4 |
| | 911 095 932 20 51A | cream white | | | T 2 |
| | 911 095 932 20 63A | SportClassic Grey | | | C 1 |
| | | | | | PR:756 |
| | 911 095 932 20 M5B | Pure Blue | | | M 0 |
| | | | | | PR:503 |
| - | 911 095 933 20 | Paint pen set Set comprising: base paint clear paint | | X | |
| | 911 095 933 20 92T | Arctic silver metallic | | | X 1 |
| | 911 095 933 20 C9Z | Basalt black metallic | | | Z 4 |
| | 911 095 933 20 M7X | Atlas grey metallic | | | E 7 |
| | 911 095 933 20 37W | Midnight Blue Metallic | | | E 9 |
| | 911 095 933 20 M7Z | GT Silver Metallic | | | U 2 |
| | 911 095 933 20 M7W | Meteor Grey Metallic | | | 9 Q |
| | 911 095 933 20 8A7 | Ruby red metallic | | | L 2 |
| | | D >> - MJ 2009 | | | |
| | 911 095 933 20 M3X | Ruby red metallic | | | A 6 |
| | | D - MJ 2010>> | | | |
| | 911 095 933 20 M8W | Macadamia Metallic | | | 9 S |
| | 911 095 933 20 2B5 | Malachite Green Metallic | | | H 1 |
| | 911 095 933 20 M2Z | Nordic Gold Metallic | | | 8 W |
| | 911 095 933 20 32B | Sailing Blue Metallic | | | E 5 |
| | 911 095 933 20 M5R | Aqua blue metallic | | | D 2 |
| | 911 095 933 20 22G | Racing Green Metallic | | | J 1 |
| | 911 095 933 20 M5X | Dark blue metallic | | | N 4 |
| | 911 095 933 20 M4Z | Amethyst metallic | | | N 6 |
| | 911 095 933 20 M5Q | Ice blue metallic | | | H 3 |
| | 911 095 933 20 M7T | Platinum Silver Metallic | | | 1 H |
| | 911 095 933 20 M7T | Platinum Silver Metallic | | | 1 H |
| | 911 095 933 20 3S2 | Ipanema Blue Metallic | | | F 2 |

Model: 997-09

Model life 2009>>2012



Model: 997-09 Model life 2009>>2012

| Pos | Part Number | Description | Remark | Qty | Model |
|-----|----------------|---|--------|-----|-----------------|
| - | | Replacement engine without: Clutch plate - PDK - Gearbox without: flywheel Manual gearbox with: Compressor Air conditioning | | | A101,A102 |
| 1 | 9A1 100 901 00 | Replacement engine D - MJ 2009>> - MJ 2009 | | 1 | A101+ |
| 1 | 9A1 100 901 X | Replacement engine D - MJ 2009>> - MJ 2009 | | 1 | A101+ |
| 1 | 9A1 100 901 02 | Replacement engine D - MJ 2010>> Discontinued part | | 1 | A101+ PR:480 |
| 1 | 9A1 100 901 BX | Replacement engine D - MJ 2010>> Discontinued part | | 1 | A101+ PR:480 |
| 1 | 9A1 100 901 04 | Replacement engine D - MJ 2011>> Discontinued part | | 1 | A101+ PR:480 |
| 1 | 9A1 100 901 DX | Replacement engine D - MJ 2011>> Discontinued part | | 1 | A101+ PR:480 |
| 1 | 9A1 100 901 FX | Replacement engine D - MJ 2011>> | | 1 | A101+ PR:480 |
| 1 | 9A1 100 901 06 | Replacement engine D - MJ 2012>> | | 1 | A101+ PR:480 |
| 1 | 9A1 100 901 FX | Replacement engine D - MJ 2012>> | | 1 | A101+ PR:480 |
| (1) | 9A1 100 901 01 | Replacement engine D - MJ 2009>> - MJ 2009 | | 1 | A101+ |
| (1) | 9A1 100 901 AX | Replacement engine D - MJ 2009>> - MJ 2009 | | 1 | A101+ |
| (1) | 9A1 100 901 03 | Replacement engine D - MJ 2010>> Discontinued part | | 1 | A101+ PR:250 |
| (1) | 9A1 100 901 CX | Replacement engine D - MJ 2010>> Discontinued part | | 1 | A101+ PR:250 |
| (1) | 9A1 100 901 05 | Replacement engine D - MJ 2011>> Discontinued part | | 1 | A101+ PR:250 |
| (1) | 9A1 100 901 EX | Replacement engine D - MJ 2011>> | | 1 | A101+ PR:250 |
| (1) | 9A1 100 901 07 | Replacement engine D - MJ 2012>> | | 1 | A101+ PR:250 |
| (1) | 9A1 100 901 GX | Replacement engine D - MJ 2012>> | | 1 | A101+ PR:250 |
| (1) | 9A1 100 902 00 | Replacement engine D - MJ 2009>> - MJ 2009 | | 1 | A102+ |
| (1) | 9A1 100 902 X | Replacement engine D - MJ 2009>> - MJ 2009 Discontinued part | | 1 | A102+ |
| (1) | 9A1 100 902 02 | Replacement engine D - MJ 2010>> Discontinued part | | 1 | A102+ PR:480 |
| (1) | 9A1 100 902 BX | Replacement engine D - MJ 2010>> Discontinued part | | 1 | A102+ PR:480 |

Model: 997-09

Model life 2009>>2012

| Pos | Part Number | Description | Remark | Qty | Model |
|-----|----------------|---|--------|-----|---------------------|
| (1) | 9A1 100 902 04 | Replacement engine D - MJ 2011>> Discontinued part | | 1 | A102+ PR:480 |
| (1) | 9A1 100 902 DX | Replacement engine D - MJ 2011>> Discontinued part | | 1 | A102+ PR:480 |
| (1) | 9A1 100 902 06 | Replacement engine D - MJ 2012>> | | 1 | A102+ PR:480 |
| (1) | 9A1 100 902 FX | Replacement engine D - MJ 2012>> | | 1 | A102+ PR:480 |
| (1) | 9A1 100 902 01 | Replacement engine D - MJ 2009>> - MJ 2009 | | 1 | A102+ |
| (1) | 9A1 100 902 AX | Replacement engine D - MJ 2009>> - MJ 2009 | | 1 | A102+ |
| (1) | 9A1 100 902 03 | Replacement engine D - MJ 2010>> Discontinued part | | 1 | A102+ PR:250 |
| (1) | 9A1 100 902 CX | Replacement engine D - MJ 2010>> Discontinued part | | 1 | A102+ PR:250 |
| (1) | 9A1 100 902 EX | Replacement engine D - MJ 2010>> Discontinued part | | 1 | A102+ PR:250 |
| (1) | 9A1 100 902 05 | Replacement engine D - MJ 2011>> Discontinued part | | 1 | A102+ PR:250 |
| (1) | 9A1 100 902 EX | Replacement engine D - MJ 2011>> Discontinued part | | 1 | A102+ PR:250 |
| (1) | 9A1 100 902 07 | Replacement engine D - MJ 2012>> | | 1 | A102+ PR:250 |
| (1) | 9A1 100 902 GX | Replacement engine D - MJ 2012>> | | 1 | A102+ PR:250 |
| (1) | 9A1 100 951 00 | Replacement engine Kit D - MJ 2010>> Discontinued part | | 1 | A101+ PR:X51,480 |
| (1) | 9A1 100 951 X | Replacement engine Kit D - MJ 2010>> Discontinued part | | 1 | A101+ PR:X51,480 |
| (1) | 9A1 100 951 02 | Replacement engine Kit D - MJ 2011>> Discontinued part | | 1 | A101+ PR:X51,480 |
| (1) | 9A1 100 951 BX | Replacement engine Kit D - MJ 2011>> Discontinued part | | 1 | A101+ PR:X51,480 |
| (1) | 9A1 100 951 04 | Replacement engine Kit D - MJ 2012>> | | 1 | A101+ PR:X51,480 |
| (1) | 9A1 100 951 DX | Replacement engine Kit D - MJ 2012>> | | 1 | A101+ PR:X51,480 |
| (1) | 9A1 100 951 01 | Replacement engine Kit D - MJ 2010>> Discontinued part | | 1 | A101+ PR:X51,250 |
| (1) | 9A1 100 951 AX | Replacement engine Kit D - MJ 2010>> Discontinued part | | 1 | A101+ PR:X51,250 |

Model: 997-09 Model life 2009>>2012

| Pos | Part Number | Description | Remark | Qty | Model |
|-----|----------------|---|----------------|-----|---------------------|
| (1) | 9A1 100 951 03 | Replacement engine Kit D - MJ 2011>> Discontinued part | | 1 | A101+ PR:X51,250 |
| (1) | 9A1 100 951 CX | Replacement engine Kit D - MJ 2011>> Discontinued part | | 1 | A101+ PR:X51,250 |
| (1) | 9A1 100 951 05 | Replacement engine Kit D - MJ 2012>> | | 1 | A101+ PR:X51,250 |
| (1) | 9A1 100 951 EX | Replacement engine Kit D - MJ 2012>> | | 1 | A101+ PR:X51,250 |
| 2 | 9A1 100 901 60 | Base engine comprising: Crankcase housing Cylinder head Valve cover Connecting rod Crankshaft piston oil pump timing chain Parts kit without: Gaskets | | 1 | A101+ PR:-X51 |
| | | also use: | 999 073 471 01 | 18 | |
| | | | 997 111 113 30 | 2 | |
| | | | 999 170 130 90 | 6 | |
| | | | 948 107 222 00 | 1 | |
| | | | 948 107 322 00 | 1 | |
| 2 | 9A1 100 901 RX | Base engine comprising: Crankcase housing Cylinder head Valve cover Connecting rod Crankshaft piston oil pump timing chain Parts kit without: Gaskets | | 1 | A101+ PR:-X51 |
| | | also use: | 999 073 471 01 | 18 | |
| | | | 997 111 113 30 | 2 | |
| | | | 999 170 130 90 | 6 | |
| | | | 948 107 222 00 | 1 | |
| | | | 948 107 322 00 | 1 | |
| - | 997 111 107 31 | Seal Base engine 9A110090160/RX Parts kit for seals also use: | | 2 | PR:-X51 |
| | | | 9A1 110 866 04 | 6 | |
| | | | 999 701 112 41 | 6 | |
| | | | 9A1 110 524 02 | 6 | |
| | | | 900 906 011 02 | 6 | |
| | | | 9A1 110 520 01 | 6 | |
| | | | 999 704 020 90 | 6 | |
| | | | 999 707 643 40 | 1 | |
| | | | 999 707 404 40 | 2 | |
| | | | 9A1 106 225 02 | 1 | |

Model: 997-09

Model life 2009>>2012

| Pos | Part Number | Description | Remark | Qty | Model |
|-----|----------------|--|--|--------------------------------------|------------------|
| - | 9A1 110 215 01 | Seal intake air distributor Base engine 9A110090160/RX Parts kit for seals Accessories | 999 707 517 40 999 707 589 40 9A1 106 305 00 999 707 625 40 9A1 106 558 00 | 4 4 1 1 1 6 | A101+ PR:-X51 |
| | | also use: | 999 707 348 40 9A1 106 215 00 9A1 106 325 00 9A1 106 326 00 9A1 102 312 00 9A1 102 322 00 999 707 604 40 999 707 589 40 | 1 2 1 1 1 2 2 2 | |
| (2) | 9A1 100 951 60 | Base engine comprising: Crankcase housing Cylinder head Valve cover Connecting rod Crankshaft piston oil pump timing chain Parts kit | | | A101+ PR:X51 |
| | | without: Gaskets | | 1 | |
| | | also use: | 999 073 471 01 997 111 113 30 999 170 232 90 948 107 222 00 948 107 322 00 | 18 2 6 1 1 | |
| (2) | 9A1 100 951 RX | Base engine comprising: Crankcase housing Cylinder head Valve cover Connecting rod Crankshaft piston oil pump timing chain Parts kit | | | A101+ PR:X51 |
| | | without: Gaskets | | 1 | |
| | | also use: | 999 073 471 01 997 111 113 30 999 170 232 90 948 107 222 00 948 107 322 00 | 18 2 6 1 1 | |
| - | 997 111 107 31 | Seal Base engine 9A110095160/RX Parts kit for seals | 9A1 110 866 04 999 701 112 41 9A1 110 524 02 900 906 011 02 | 6 6 6 6 | PR:X51 |
| | | also use: | | | |

Model: 997-09

Model life 2009>>2012

| Pos | Part Number | Description | Remark | Qty | Model |
|-----|----------------|--|--|---|-----------------|
| - | 9A1 110 215 01 | Seal intake air distributor Short block 9A110095160/RX Parts kit for seals Accessories | 9A1 110 520 01 999 704 020 90 999 707 643 40 999 707 404 40 9A1 106 225 02 999 707 517 40 999 707 589 40 9A1 106 305 00 999 707 625 40 9A1 106 558 00 | 6 6 1 2 1 4 4 1 1 1 6 | A101+ PR:X51 |
| | | also use: | 999 707 644 40 9A1 106 215 00 9A1 106 325 00 9A1 106 326 00 9A1 102 312 00 9A1 102 322 00 999 707 604 40 999 707 589 40 | 1 2 1 1 1 2 2 2 | |
| 2 | 9A1 100 902 60 | Base engine comprising: Crankcase housing Cylinder head Valve cover Connecting rod Crankshaft piston oil pump timing chain Parts kit | | 1 | A102 |
| | | without: Gaskets | | | |
| | | also use: | 999 073 471 01 997 111 113 30 999 170 130 90 948 107 222 00 948 107 322 00 | 18 2 6 1 1 | |
| 2 | 9A1 100 902 RX | Base engine comprising: Crankcase housing Cylinder head Valve cover Connecting rod Crankshaft piston oil pump timing chain Parts kit | | 1 | A102 |
| | | without: Gaskets | | | |
| | | also use: | 999 073 471 01 997 111 113 30 999 170 130 90 948 107 222 00 948 107 322 00 | 18 2 6 1 1 | |
| - | 997 111 107 31 | Seal Base engine 9A110090260/RX | | 2 | A102 |

Model: 997-09 Model life 2009>>2012

| Pos | Part Number | Description | Remark | Qty | Model |
|-----|----------------|--|----------------|-----|-------|
| | | Parts kit for seals | | | |
| | | also use: | 9A1 110 866 04 | 6 | |
| | | | 999 701 112 41 | 6 | |
| | | | 9A1 110 524 02 | 6 | |
| | | | 900 906 011 02 | 6 | |
| | | | 9A1 110 520 01 | 6 | |
| | | | 999 704 020 90 | 6 | |
| | | | 999 707 643 40 | 1 | |
| | | | 999 707 404 40 | 2 | |
| | | | 9A1 106 225 02 | 1 | |
| | | | 999 707 517 40 | 4 | |
| | | | 999 707 589 40 | 4 | |
| | | | 9A1 106 305 00 | 1 | |
| | | | 999 707 625 40 | 1 | |
| | | | 9A1 106 558 00 | 1 | |
| - | 9A1 110 215 01 | Seal intake air distributor Base engine 9A110090260/RX Parts kit for seals Accessories | | 6 | A102 |
| | | also use: | 999 707 348 40 | 1 | |
| | | | 9A1 106 215 00 | 2 | |
| | | | 9A1 106 325 00 | 1 | |
| | | | 9A1 106 326 00 | 1 | |
| | | | 9A1 102 312 00 | 1 | |
| | | | 9A1 102 322 00 | 2 | |
| | | | 999 707 604 40 | 2 | |
| | | | 999 707 589 40 | 2 | |
| 3 | 9A1 100 901 50 | Short block comprising: Crankcase housing Connecting rod Crankshaft piston oil pump timing chain Parts kit | | 1 | A101 |
| | | Gaskets | | | |
| | | without: | | | |
| | | also use: | 999 073 471 01 | 18 | |
| | | | 997 111 113 30 | 2 | |
| | | | 999 170 130 90 | 6 | |
| | | | 948 107 222 00 | 1 | |
| | | | 948 107 322 00 | 1 | |
| | | | 999 107 465 01 | 2 | |
| | | | 999 707 594 40 | 1 | |
| | | | 999 707 595 40 | 1 | |
| 3 | 9A1 100 901 TX | Short block comprising: Crankcase housing Connecting rod Crankshaft piston oil pump timing chain Parts kit | | 1 | A101 |
| | | Gaskets | | | |
| | | without: | | | |
| | | also use: | 999 073 471 01 | 18 | |
| | | | 997 111 113 30 | 2 | |
| | | | 999 170 130 90 | 6 | |
| | | | 948 107 222 00 | 1 | |

Model: 997-09

Model life 2009>>2012

| Pos | Part Number | Description | Remark | Qty | Model |
|-----|----------------|--|--|--|-------|
| - | 9A1 104 141 04 | Cylinder head gasket Short block 9A110090150/TX Parts kit for seals | 948 107 322 00 999 107 465 01 999 707 594 40 999 707 595 40 | 1 2 1 1 | A101 |
| | | also use: | 9A1 104 140 04 9A1 110 866 04 999 701 112 41 9A1 110 524 02 900 906 011 02 9A1 110 520 01 999 704 020 90 999 707 643 40 999 707 404 40 997 111 107 31 9A1 105 731 03 9A1 105 732 03 000 043 207 31 | 1 6 6 6 6 6 6 1 2 2 1 1 1 X | |
| - | 9A1 110 215 01 | Seal intake air distributor Short block 9A110090150/TX Parts kit for seals Accessories | | 6 | A101 |
| | | also use: | 999 707 348 40 9A1 106 215 00 9A1 106 325 00 9A1 106 326 00 9A1 102 312 00 9A1 102 322 00 999 707 604 40 9A1 105 339 00 999 707 636 40 999 707 505 40 999 707 589 40 | 1 2 1 1 1 2 2 1 2 1 2 | |
| - | 9A1 106 225 02 | Thermostat insert Short block 9A110090150/TX Parts kit for seals Accessories | | 1 | A101 |
| | | also use: | 999 707 517 40 999 707 589 40 9A1 106 305 00 999 707 625 40 9A1 106 558 00 9A1 105 153 04 9A1 105 155 04 9A1 105 101 03 999 707 346 40 900 123 011 21 999 701 066 40 | 4 4 1 1 1 2 2 2 6 2 2 | |
| (3) | 9A1 100 902 50 | Short block comprising: Crankcase housing Connecting rod Crankshaft piston oil pump timing chain Parts kit | | 1 | A102 |

Model: 997-09 Model life 2009>>2012

| Pos | Part Number | Description | Remark | Qty | Model |
|-----|----------------|--|----------------|-----|-------|
| | | without: Gaskets | | | |
| | | also use: | 999 073 471 01 | 18 | |
| | | | 997 111 113 .3 | 2 | |
| | | | 999 170 130 90 | 6 | |
| | | | 948 107 222 00 | 1 | |
| | | | 948 107 322 00 | 1 | |
| | | | 999 107 465 01 | 2 | |
| | | | 999 707 594 40 | 1 | |
| | | | 999 707 595 40 | 1 | |
| (3) | 9A1 100 902 TX | Short block comprising: Crankcase housing Connecting rod Crankshaft piston oil pump timing chain Parts kit | | 1 | A102 |
| | | without: Gaskets | | | |
| | | also use: | 999 073 471 01 | 18 | |
| | | | 997 111 113 .3 | 2 | |
| | | | 999 170 130 90 | 6 | |
| | | | 948 107 222 00 | 1 | |
| | | | 948 107 322 00 | 1 | |
| | | | 999 107 465 01 | 2 | |
| | | | 999 707 594 40 | 1 | |
| | | | 999 707 595 40 | 1 | |
| - | 9A1 104 143 04 | Cylinder head gasket Short block 9A110090250/TX Parts kit for seals | | 1 | A102 |
| | | also use: | 9A1 104 142 04 | 1 | |
| | | | 9A1 110 866 04 | 6 | |
| | | | 999 701 112 41 | 6 | |
| | | | 9A1 110 524 02 | 6 | |
| | | | 900 906 011 02 | 6 | |
| | | | 9A1 110 520 01 | 6 | |
| | | | 999 704 020 90 | 6 | |
| | | | 999 707 643 40 | 1 | |
| | | | 999 707 404 40 | 2 | |
| | | | 997 111 107 31 | 2 | |
| | | | 9A1 105 731 03 | 1 | |
| | | | 9A1 105 732 03 | 1 | |
| | | | 000 043 207 31 | X | |
| - | 9A1 110 215 01 | Seal intake air distributor Short block 9A110090250/TX Parts kit for seals Accessories | | 6 | A102 |
| | | also use: | 999 707 348 40 | 1 | |
| | | | 9A1 106 215 00 | 2 | |
| | | | 9A1 106 325 00 | 1 | |
| | | | 9A1 106 326 00 | 1 | |
| | | | 9A1 102 312 00 | 1 | |
| | | | 9A1 102 322 00 | 2 | |
| | | | 999 707 604 40 | 2 | |
| | | | 9A1 105 339 00 | 1 | |
| | | | 999 707 636 40 | 2 | |
| | | | 999 707 505 40 | 1 | |
| | | | 999 707 589 40 | 2 | |

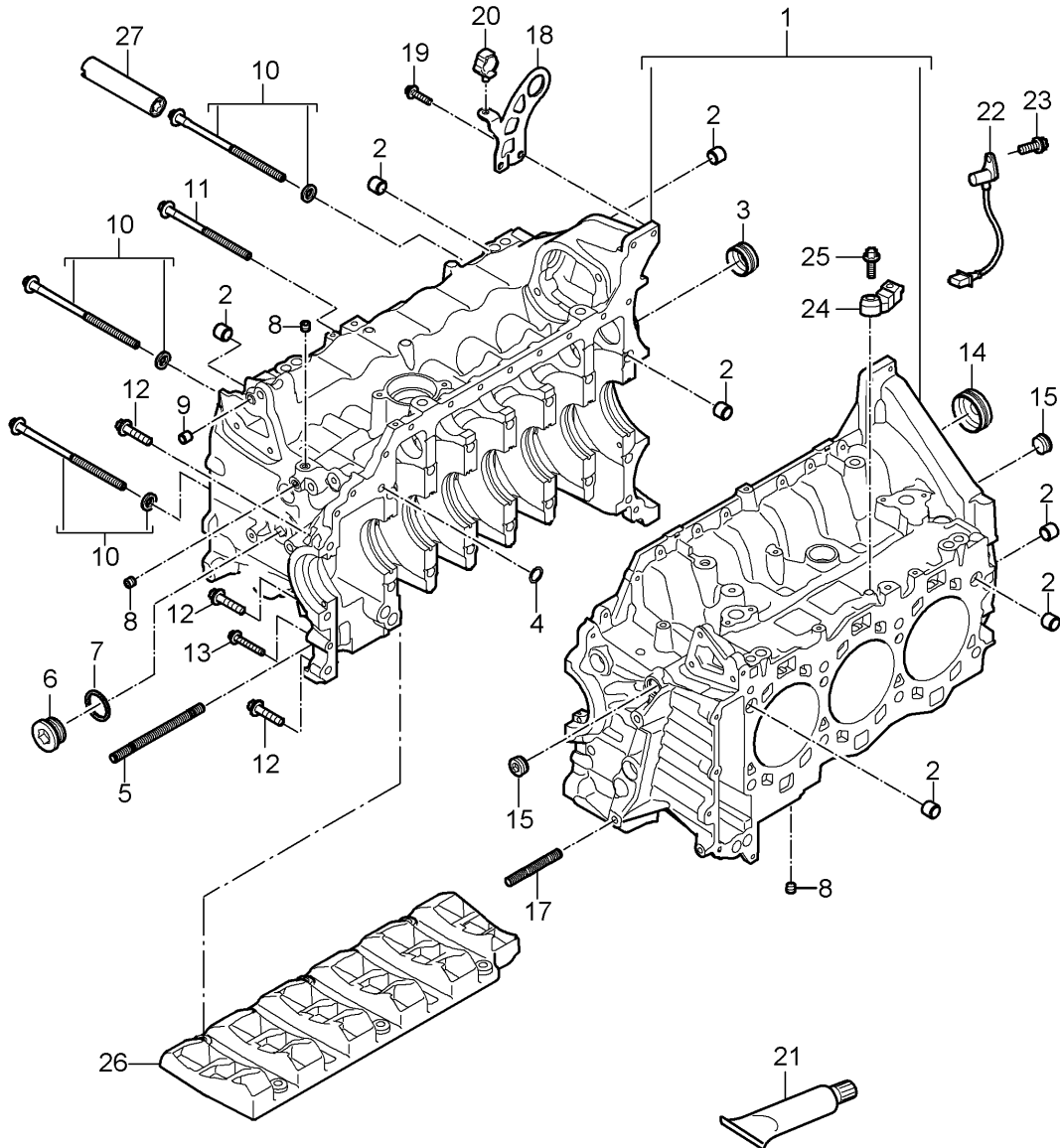
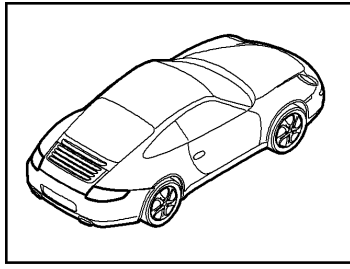
Model: 997-09

Model life 2009>>2012

| Pos | Part Number | Description | Remark | Qty | Model |
|-----|----------------|--|----------------|-----|-------|
| - | 9A1 106 225 02 | Thermostat insert Short block 9A110090250/TX Parts kit for seals Accessories | | 1 | A102 |
| | | also use: | 999 707 517 40 | 4 | |
| | | | 999 707 589 40 | 4 | |
| | | | 9A1 106 305 00 | 1 | |
| | | | 999 707 625 40 | 1 | |
| | | | 9A1 106 558 00 | 1 | |
| | | | 9A1 105 153 04 | 2 | |
| | | | 9A1 105 155 04 | 2 | |
| | | | 9A1 105 101 03 | 2 | |
| | | | 999 707 346 40 | 6 | |
| | | | 900 123 011 21 | 2 | |
| | | | 999 701 066 40 | 2 | |

Model: 997-09

Model life 2009>>2012

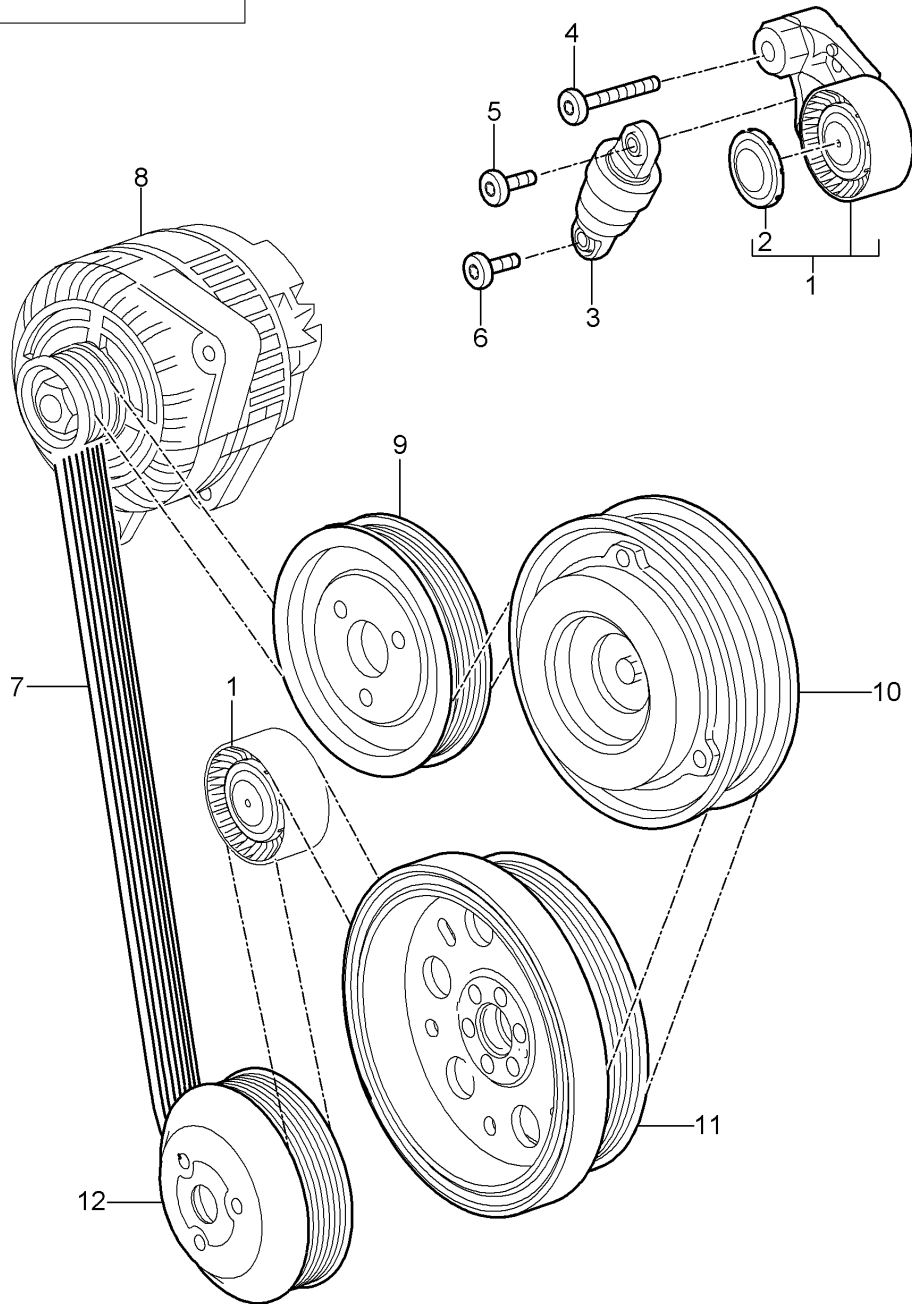
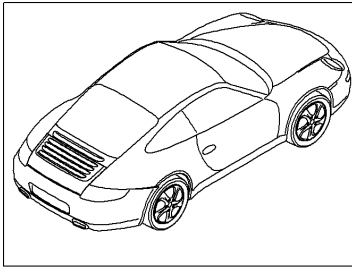


Model: 997-09 Model life 2009>>2012

| Pos | Part Number | Description | Remark | Qty | Model |
|-----|----------------|--|------------------------------|-----|-----------|
| 1 | 9A1 101 938 00 | Crankcase housing | | 1 | A101,A102 |
| 1 | 9A1 101 936 00 | Crankcase housing | | 1 | A101 |
| 2 | 014 301 153 B | dowel sleeve | | 6 | A102 |
| 3 | 9A1 101 215 01 | End cap | | 1 | |
| 4 | 999 707 568 40 | O-ring 12,0 x 3,0 | | 1 | |
| 5 | 900 060 109 01 | Threaded pin M 10 X 120 | | 1 | |
| 6 | 900 219 025 30 | sealing plug M 30 X 1,5 | | 1 | |
| 7 | 900 123 015 30 | seal ring A 30 X 36 | | 1 | |
| 8 | 999 063 033 01 | sealing plug M 10 X 1,0 X 8,0 | | 4 | |
| 9 | 999 095 063 01 | dowel sleeve M 6 X 10 | | 1 | |
| 10 | 9A1 101 250 00 | Outer hexagon round screw M 10 X 1,5 X 195 | | 14 | |
| 11 | 900 385 281 01 | Torx screw M 8 X 120 | | 1 | |
| 12 | 900 385 042 01 | Torx screw M 8 x 35 | | 3 | |
| 13 | 900 385 045 01 | Torx screw M 6 x 40 | | 1 | |
| 14 | 9A1 101 216 01 | End cap M 8 X 35 | | 1 | |
| 15 | 999 063 034 01 | sealing plug M 20 X 1,5 x 10 | | 2 | |
| 17 | 900 060 108 01 | Threaded pin M 10 x 60 | | 1 | |
| 18 | 9A1 101 213 00 | Transportation shackle | | 1 | |
| 19 | 900 385 072 01 | Torx screw M 6 X 25 | | 14 | |
| 20 | 999 507 075 40 | Cable holder | | 1 | |
| 21 | 000 043 207 31 | sealant 80 ML | | X | |
| 22 | 9A1 606 112 01 | impulse sender | | 1 | |
| 23 | 900 387 264 01 | Socket head bolt M 6 X 16 | | 2 | |
| 23 | N 105 464 03 | Discontinued part Hexagon socket head bolt M 6 X 16 | | 2 | |
| 24 | 997 606 121 00 | Knock sensor | | 2 | |
| 25 | 900 385 042 01 | Torx screw M 8 X 35 | | 2 | |
| 26 | | oil separator | | 1 | |
| 27 | 9A1 101 511 01 | reducing piece | see illustration: 104-002 | 12 | |

Model: 997-09

Model life 2009>>2012



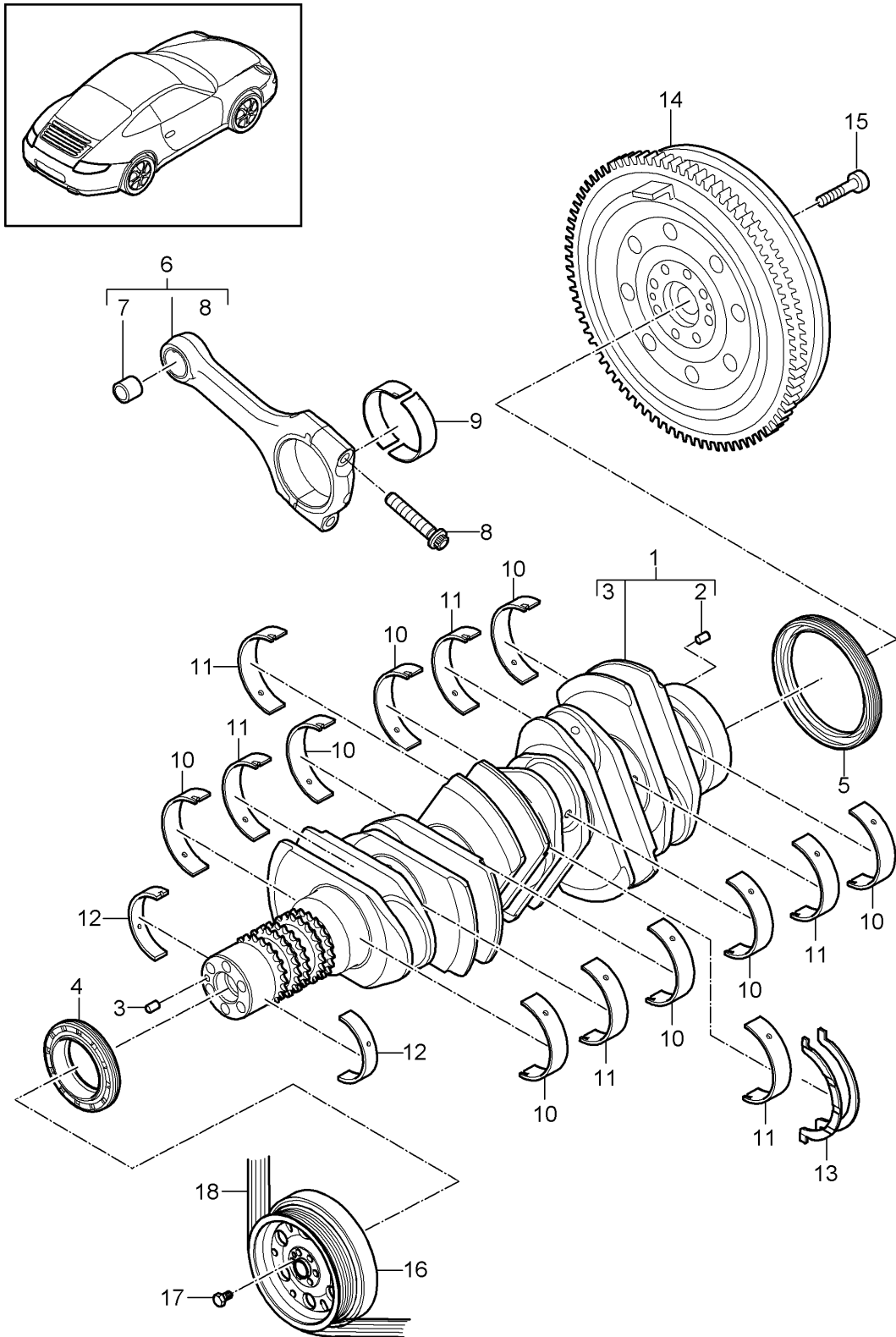
Model: 997-09

Model life 2009>>2012

| Pos | Part Number | Description | Remark | Qty | Model |
|-----|----------------|--|--|-----|-------|
| 1 | 9A1 102 211 00 | Belt tensioner v-belt lever | | 1 | |
| 1 | 9A2 102 211 00 | Tensioning roller lever Tensioning roller | | 1 | |
| | | also use: | 9A1 102 212 00 999 073 579 01 948 102 839 00 | | |
| 2 | 948 102 839 00 | Protective cap | | 1 | |
| 3 | 948 102 261 00 | tensioner Hydraulic | | 1 | |
| 4 | 999 073 411 01 | Hexagon socket flat head bolt M 8 X 60 | | 1 | |
| 5 | 999 073 246 09 | Torx screw M 8 X 33-10,9 | | 1 | |
| 6 | 999 073 412 01 | Torx screw M 8 X 26 | | 1 | |
| 7 | 9A1 102 216 01 | v-belt | | 1 | |
| 8 | | Alternator | | 1 | |
| 9 | | see illustration: pulley Power-steering pump | 902-005 | 1 | |
| | | see illustration: | 403-003 | | |
| 10 | | pulley Compressor | | 1 | |
| | | see illustration: | 813-015 | | |
| 11 | | pulley Crankshaft | | 1 | |
| | | see illustration: | 102-000 | | |
| 12 | | pulley Coolant pump | | 1 | |
| | | see illustration: | 105-000 | | |

Model: 997-09

Model life 2009>>2012



Model: 997-09 Model life 2009>>2012

| Pos | Part Number | Description | Remark | Qty | Model |
|------|----------------|--|--------|--------|-------------------|
| 1 | 9A1 102 077 04 | Crankshaft Crankshaft No longer use the part here | | 1 | A101,A102 A101 |
| 1 | 9A1 102 077 20 | Crankshaft | | 1 | A101 |
| 1 | 9A1 102 081 03 | Crankshaft | | 1 | A102 |
| 2 | 900 095 031 00 | Spring pin 6,0 X 16 | | 1 | |
| 3 | 900 302 016 00 | Cylinder pin A 6,0 X 16 | | 1 | |
| 4 | 9A1 101 222 02 | Shaft oil seal 52,5 X 9 | | 1 | |
| 5 | 997 101 212 01 | Shaft oil seal 85 x 105 x 11 | | 1 | |
| 6 | 9A1 103 914 02 | Connecting rod Set comprising: Connecting rods | | 1 | |
| 7 | 9A1 103 122 02 | bush - connecting rod D = 22 | | 6 6 | |
| 8 | 9A1 103 115 02 | bolt - connecting rod M 10 X 1,25 X 51 | | 12 | |
| 9 | 9A1 103 053 00 | connecting rod bearing shell Identification: >> >> red | | 12 | |
| (9) | 9A1 103 053 01 | connecting rod bearing shell Identification: >> >> yellow | | 12 | |
| (9) | 9A1 103 053 02 | connecting rod bearing shell Identification: >> >> blue | | 12 | |
| 10 | 9A1 101 064 00 | crankshaft bearing Identification: >> >> red | | 8 | |
| (10) | 9A1 101 064 01 | crankshaft bearing Identification: >> >> yellow | | 8 | |
| (10) | 9A1 101 064 02 | crankshaft bearing Identification: >> >> blue | | 8 | |
| 11 | 9A1 101 063 00 | crankshaft bearing with: Partial-groove Identification: >> >> red | | 6 | |
| (11) | 9A1 101 063 01 | crankshaft bearing with: Partial-groove Identification: >> >> yellow | | 6 | |
| (11) | 9A1 101 063 02 | crankshaft bearing with: Partial-groove Identification: >> >> blue | | 6 | |
| 12 | 9A1 101 052 00 | crankshaft bearing Identification: >> >> red | | 2 | |
| (12) | 9A1 101 052 01 | crankshaft bearing Identification: >> >> yellow | | 2 | |
| (12) | 9A1 101 052 02 | crankshaft bearing Identification: >> >> blue | | 2 | |

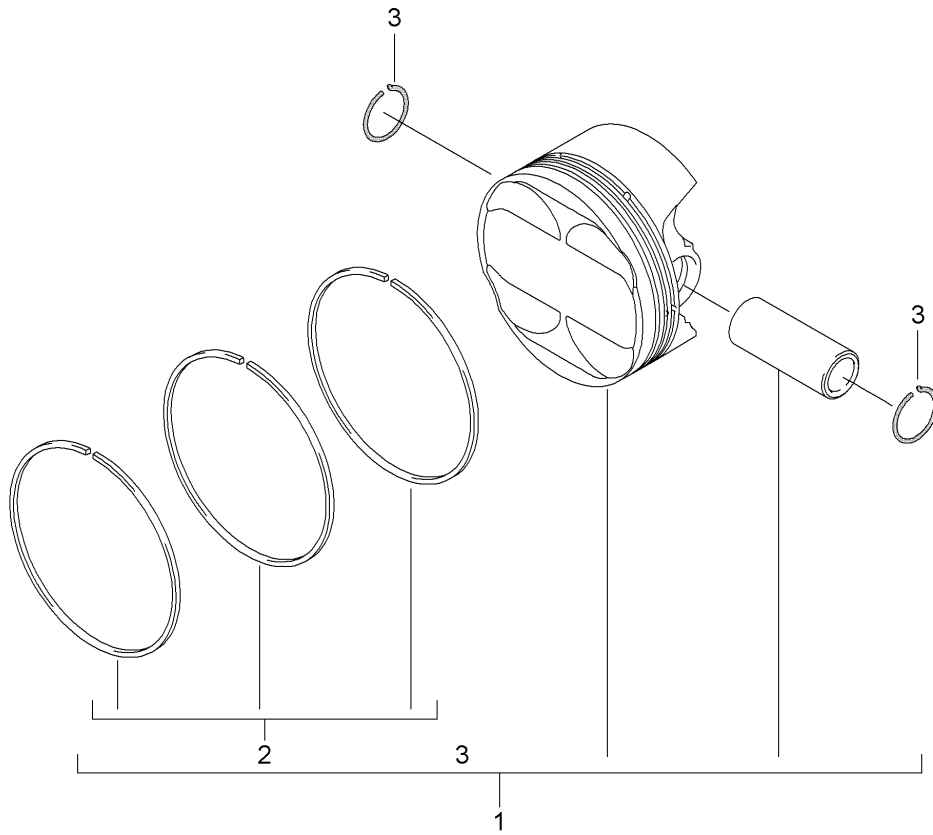
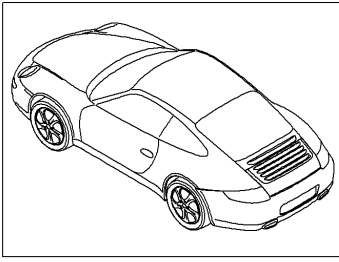
Model: 997-09

Model life 2009>>2012

| Pos | Part Number | Description | Remark | Qty | Model |
|------|----------------|--|---------|-----|--------|
| 13 | 996 101 132 00 | thrust washer D = 63 | | 2 | |
| 14 | 9G1 114 012 01 | Dual-mass flywheel | | 1 | PR:480 |
| (14) | 9G1 114 020 01 | Dual-mass flywheel | | 1 | PR:250 |
| 15 | N 906 651 01 | Socket head bolt with inner multipoint head M 10 X 1 X 29 | | 10 | |
| (15) | 999 073 092 01 | Socket head bolt M 10 X 1 X 50 No longer use the part here | | 8 | PR:480 |
| 16 | 9A1 102 146 02 | pulley with: vibration damper | | 1 | |
| 17 | 900 385 127 01 | Hexagon head bolt M 8 X 25 | | 6 | |
| 18 | | v-belt see illustration: | 101-010 | 1 | |

Model: 997-09

Model life 2009>>2012



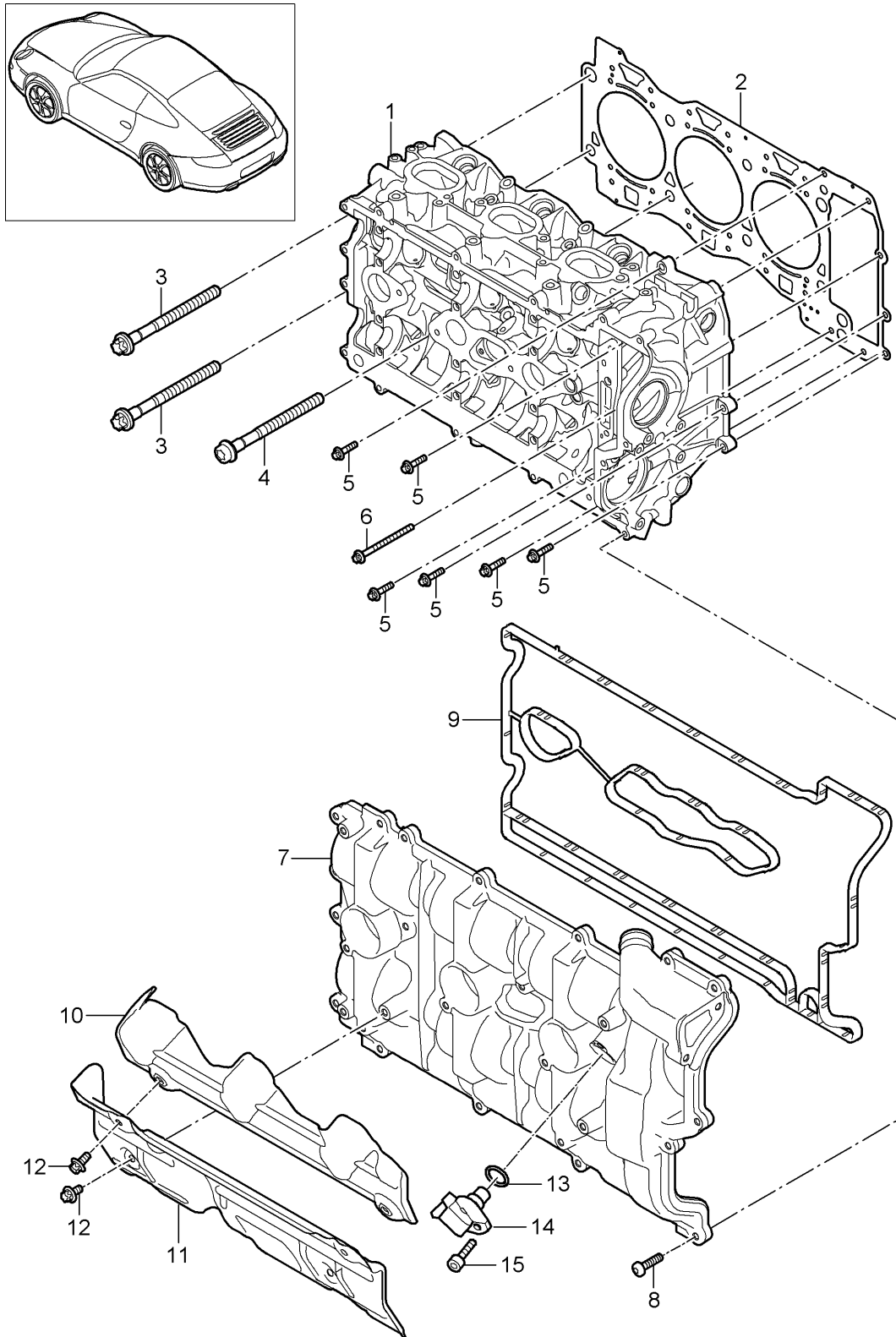
Model: 997-09

Model life 2009>>2012

| Pos | Part Number | Description | Remark | Qty | Model |
|-----|----------------|---|--------|-----|-------------------|
| 1 | 9A1 103 038 00 | piston piston Tolerance range X No longer use the part here | | 6 | A101,A102 A101 |
| 1 | 9A1 103 938 00 | piston Tolerance range X Identification: >> >> - | | 6 | A101 |
| 1 | 9A1 103 938 50 | piston Tolerance range X Identification: >> >> + | | 6 | A101 |
| (1) | 9A1 103 036 00 | piston Tolerance range X No longer use the part here | | 6 | A102 |
| (1) | 9A1 103 936 01 | piston Tolerance range X Identification: >> >> - | | 6 | A102 |
| (1) | 9A1 103 936 51 | piston Tolerance range X Identification: >> >> + | | 6 | A102 |
| 2 | 9A1 103 075 02 | 1 set: piston rings | | 6 | A101 |
| (2) | 9A1 103 065 02 | 1 set: piston rings | | 6 | A102 |
| 3 | 9A1 103 141 01 | Securing ring | | 12 | |

Model: 997-09

Model life 2009>>2012



Model: 997-09

Model life 2009>>2012

| Pos | Part Number | Description | Remark | Qty | Model |
|-----|----------------|--|---------------|-----|-----------------|
| 1 | 9A1 104 903 00 | Cylinder head with: Valves Cylinder head gasket Valve cover Cylinder head | cylinders 1-3 | 1 | A101 |
| 1 | 9A1 104 901 00 | Cylinder head | cylinders 1-3 | 1 | A102 |
| 1 | 9A1 104 011 40 | Cylinder head | cylinders 1-3 | 1 | A101+ PR:X51 |
| 1 | 9A1 104 903 40 | Kit No longer use the part here Cylinder head | cylinders 1-3 | 1 | A101+ PR:X51 |
| 1 | 9A1 104 904 00 | Kit Cylinder head | cylinders 4-6 | 1 | A101 |
| 1 | 9A1 104 902 00 | Cylinder head | cylinders 4-6 | 1 | A102 |
| 1 | 9A1 104 012 40 | Cylinder head | cylinders 4-6 | 1 | A101+ PR:X51 |
| 1 | 9A1 104 904 40 | Kit No longer use the part here Cylinder head | cylinders 4-6 | 1 | A101+ PR:X51 |
| 2 | 9A1 104 141 03 | Kit Cylinder head gasket | cylinders 1-3 | 1 | A101 |
| 2 | 9A1 104 141 04 | D >> - MJ 2009 Cylinder head gasket | cylinders 1-3 | 1 | A101 |
| (2) | 9A1 104 143 03 | D - MJ 2010>> Cylinder head gasket | cylinders 1-3 | 1 | A102 |
| (2) | 9A1 104 143 04 | D >> - MJ 2009 Cylinder head gasket | cylinders 1-3 | 1 | A102 |
| (2) | 9A1 104 140 03 | D - MJ 2010>> Cylinder head gasket | cylinders 4-6 | 1 | A101 |
| (2) | 9A1 104 140 04 | D >> - MJ 2009 Cylinder head gasket | cylinders 4-6 | 1 | A101 |
| (2) | 9A1 104 142 03 | D - MJ 2010>> Cylinder head gasket | cylinders 4-6 | 1 | A102 |
| (2) | 9A1 104 142 04 | D >> - MJ 2009 Cylinder head gasket | cylinders 4-6 | 1 | A102 |
| 3 | 9A1 104 191 00 | D - MJ 2010>> Torx screw M12 X 1,5 X 140 | | 4 | |
| 4 | 9A1 104 191 02 | Torx screw M12 X 1,5 X 140 | | 12 | |
| 5 | 900 385 072 01 | Torx screw M6 X 25 | | 11 | |
| 6 | 900 385 108 02 | Torx screw M6 X 80 | | 2 | |
| 7 | 9A1 105 231 05 | Valve cover | cylinders 1-3 | 1 | A101,A102 |
| | | only in conj. with: 9A1.105.731.02 | | | |

Model: 997-09

Model life 2009>>2012

| Pos | Part Number | Description | Remark | Qty | Model |
|------|----------------|---|---------------|-----|-----------|
| (7) | 9A1 105 231 04 | M >> 9 16162 M >> 9 06813 Valve cover | cylinders 1-3 | 1 | A101,A102 |
| | | Together with 9A1.105.731.03 M 9 16163 >> M 9 06814 >> | | | |
| (7) | 9A1 105 232 05 | Valve cover | cylinders 4-6 | 1 | A101,A102 |
| | | only in conj. with: 9A1.105.732.02 M >> 9 16162 M >> 9 06813 | | | |
| (7) | 9A1 105 232 04 | Valve cover | cylinders 4-6 | 1 | A101,A102 |
| | | only in conj. with: 9A1.105.732.03 M 9 16163 >> M 9 06814 >> | | | |
| 8 | 9A1 107 313 00 | Torx screw M6 X 25 | | 40 | |
| 9 | 9A1 105 731 03 | Seal Valve cover | cylinders 1-3 | 1 | A101,A102 |
| | | M 9 16163 >> M 9 06814 >> | | | |
| (9) | 9A1 105 731 02 | Seal Valve cover | cylinders 1-3 | 1 | A101,A102 |
| | | M >> 9 16162 M >> 9 06813 | | | |
| (9) | 9A1 105 732 03 | Seal Valve cover | cylinders 4-6 | 1 | A101,A102 |
| | | M 9 16163 >> M 9 06814 >> | | | |
| (9) | 9A1 105 732 02 | Seal Valve cover | cylinders 4-6 | 1 | A101,A102 |
| | | M >> 9 16162 M >> 9 06813 | | | |
| 10 | 9A1 104 307 03 | Heat insulation Upper part | cylinders 1-3 | 1 | |
| (10) | 9A1 104 308 04 | Heat insulation Upper part | cylinders 4-6 | 1 | |
| 11 | 9A1 104 309 02 | Heat insulation Lower part | cylinders 1-3 | 1 | |
| | | Discontinued part | | | |
| (11) | 9A1 104 309 03 | Heat insulation Lower part | cylinders 1-3 | 1 | |
| (11) | 9A1 104 310 02 | Heat insulation Lower part | cylinders 4-6 | 1 | |
| | | Discontinued part | | | |
| (11) | 9A1 104 310 03 | Heat insulation Lower part | cylinders 4-6 | 1 | |
| 12 | 900 385 041 01 | Torx screw | | 12 | |

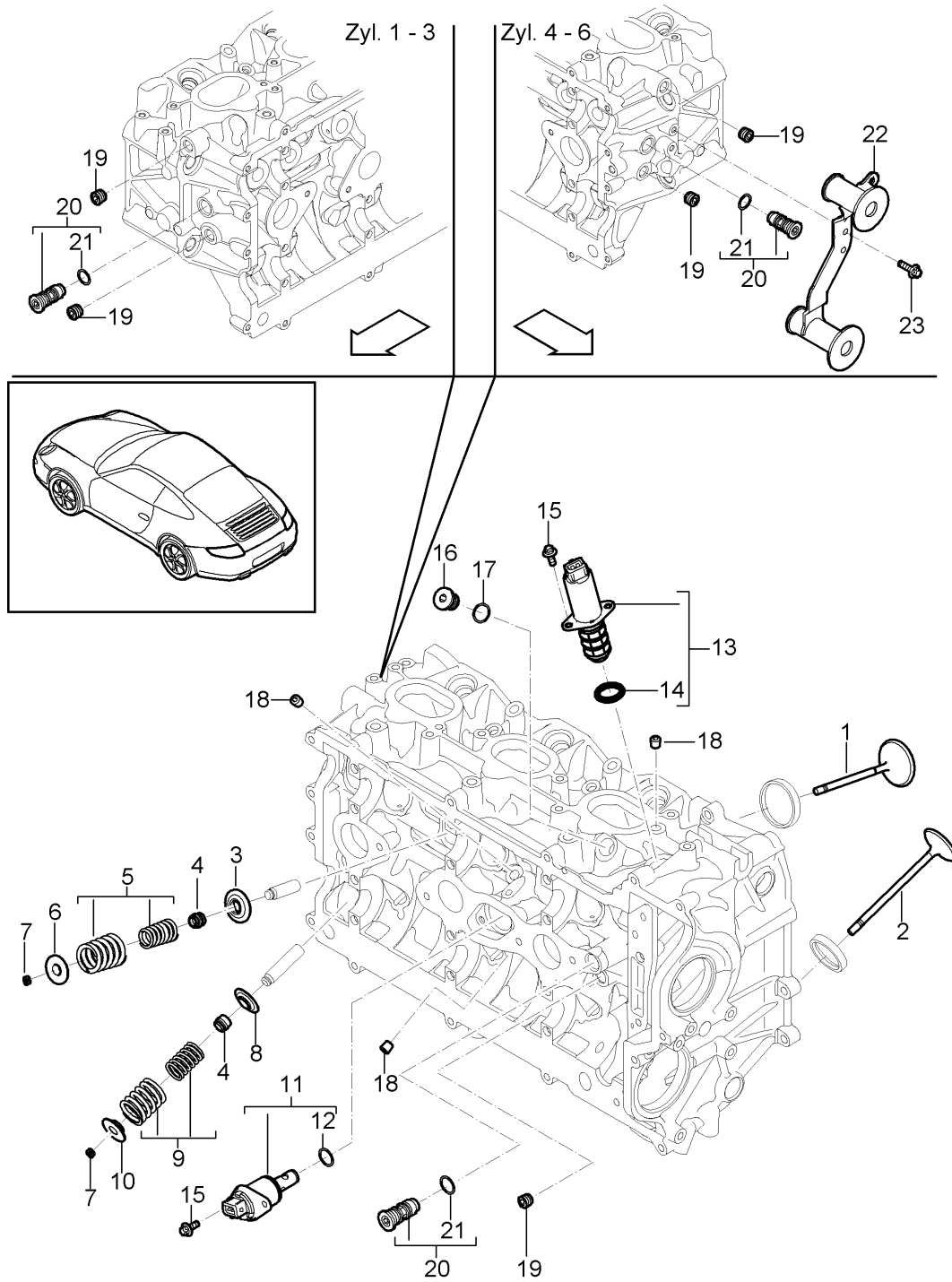
Model: 997-09

Model life 2009>>2012

| Pos | Part Number | Description | Remark | Qty | Model |
|-----|----------------|---|--------|-----|-------|
| 13 | 999 707 404 40 | M6 X 12 O-ring 17,05 X 1,78 To Use 997.606.106.03 No longer use the part here | | 2 | |
| 14 | 997 606 106 01 | Hall sensor Discontinued part | | 2 | |
| 14 | 997 606 106 03 | Hall sensor | | 2 | |
| 15 | 900 387 264 01 | Socket head bolt M 6 X 16 Discontinued part | | 2 | |
| 15 | N 105 464 03 | Hexagon socket head bolt M 6 X 16 | | 2 | |

Model: 997-09

Model life 2009>>2012



Model: 997-09 Model life 2009>>2012

| Pos | Part Number | Description | Remark | Qty | Model |
|------|----------------|--|--------|-----|-------------|
| | | Cylinder head Accessories Valves | | | A101,A102 |
| 1 | 9A1 105 310 02 | Inlet valve | | 12 | A101 |
| (1) | 9A1 105 312 02 | Inlet valve | | 12 | A102 |
| 2 | 9A1 105 320 02 | exhaust valve | | 12 | A101 |
| (2) | 9A1 105 322 02 | exhaust valve | | 12 | A102 |
| 3 | 9A1 105 151 00 | spring disc Intake | lower | 12 | |
| 4 | 996 105 115 52 | Valve stem seal | | 24 | |
| 5 | 9A1 105 110 01 | 1 set of valve springs Intake | | 12 | |
| 6 | 9A1 105 150 00 | spring disc Intake | upper | 12 | |
| 7 | 996 105 123 52 | cotter, split | | 48 | |
| 8 | 948 105 153 51 | spring disc Exhaust | lower | 12 | |
| 9 | 9A1 105 115 01 | 1 set of valve springs Set | | 12 | |
| 10 | 948 105 152 51 | Exhaust spring disc | upper | 12 | |
| 11 | 9A1 105 308 02 | throttle control element VVS | | 1 | |
| 11 | 9A1 105 308 02 | throttle control element VVS | | 1 | |
| 12 | 900 331 057 40 | O-ring 11,2 X 2,65 | | 2 | |
| 13 | 9A1 105 304 01 | throttle control element NVS | | 2 | |
| 13 | 9A1 105 304 02 | Discontinued part throttle control element NVS | | 2 | |
| 13 | 9A1 105 304 03 | Discontinued part throttle control element NVS | | 2 | |
| 13 | 9A1 105 304 04 | Discontinued part throttle control element NVS | | 2 | |
| 14 | 999 707 446 40 | O-ring 18 X 2,5 | | 2 | |
| 15 | 900 385 112 01 | Torx screw M 5 X 12 | | 8 | |
| 15 | 999 073 650 01 | No longer use the part here Torx screw | M5X12 | 1 | |
| 16 | 900 219 002 03 | sealing plug | | 1 | |
| 17 | 900 123 104 30 | seal ring 14 X 18 | | 2 | |
| 18 | 999 063 035 02 | sealing plug M 8 X 1,0 | | 3 | |
| (18) | 999 063 035 02 | Cyl. 1 - 3 sealing plug M 8 X 1,0 | | 4 | |
| 19 | 900 063 014 01 | Cyl. 4 - 6 sealing plug M 12 X 1,5 | | 4 | |
| 20 | 9A1 104 250 00 | choke | | 4 | |
| 21 | 999 707 577 40 | O-ring 10 x 2,5N | | 4 | |
| 22 | 9A1 104 370 01 | Distance piece Cyl. 4 - 6 | | 1 | PR:339 |
| 23 | 900 385 019 01 | Discontinued part Torx screw | | 2 | PR:339,-011 |

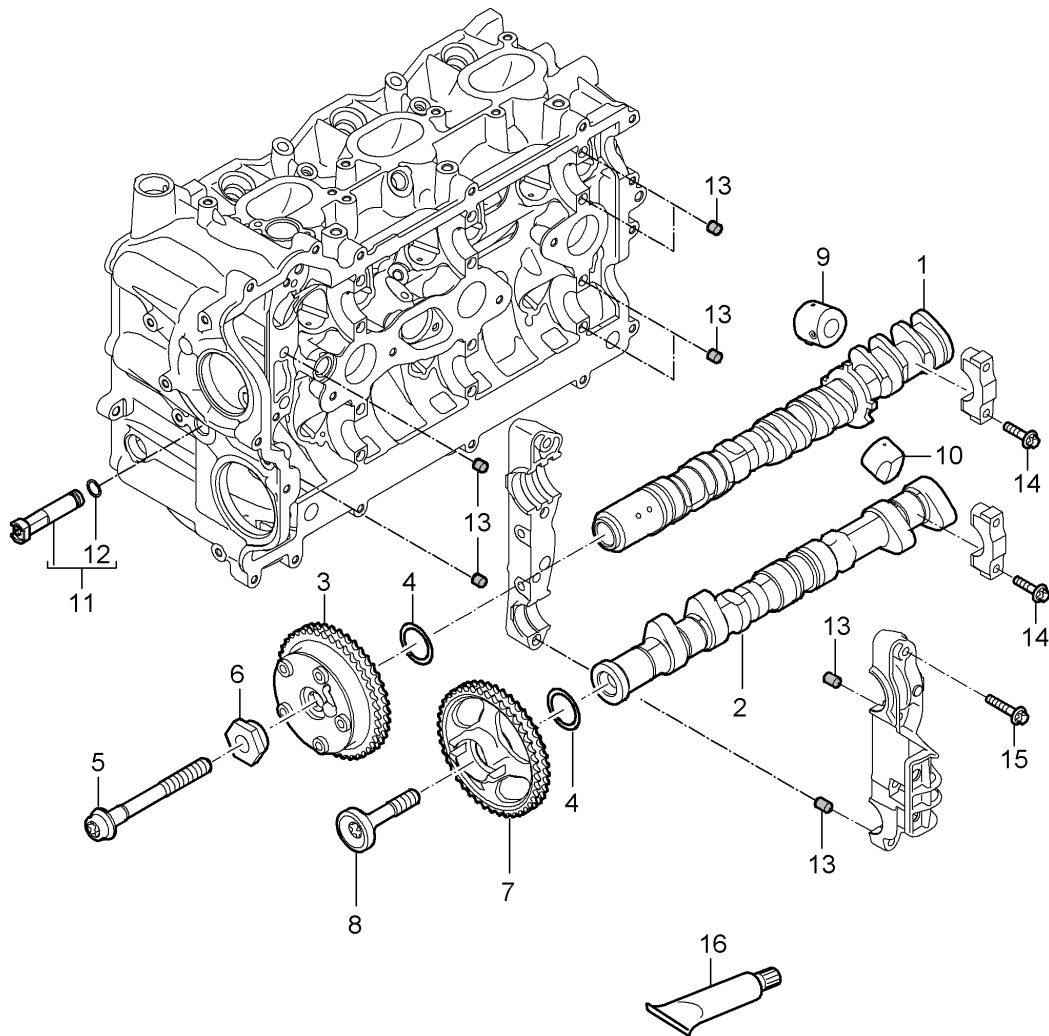
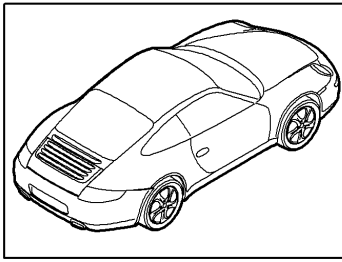
Model: 997-09

Model life 2009>>2012

| Pos | Part Number | Description | Remark | Qty | Model |
|-----|----------------|----------------------------------|--------|-----|-------------|
| 24 | 9A1 104 371 00 | M 6 x 20 sound absorber piece | | 2 | PR:339,-011 |

Model: 997-09

Model life 2009>>2012



Model: 997-09

Model life 2009>>2012

| Pos | Part Number | Description | Remark | Qty | Model |
|------|----------------|---|--------|-----|-----------|
| | | Camshaft Hydraulic tappet camshaft adjuster unit | | | A101,A102 |
| (1) | 9A1 105 013 03 | Camshaft Intake Cyl. 1 - 3 | | 1 | A101 |
| (1) | 9A1 105 027 03 | Camshaft Intake Cyl. 1 - 3 | | 1 | A102 |
| 1 | 9A1 105 014 03 | Camshaft Intake Cyl. 4 - 6 | | 1 | A101 |
| (1) | 9A1 105 028 03 | Camshaft Intake Cyl. 4 - 6 | | 1 | A102 |
| (2) | 9A1 105 215 03 | Camshaft Exhaust Cyl. 1 - 3 | | 1 | A101 |
| (2) | 9A1 105 223 03 | Camshaft Exhaust Cyl. 1 - 3 | | 1 | A102 |
| 2 | 9A1 105 216 03 | Camshaft Exhaust Cyl. 4 - 6 | | 1 | A101 |
| (2) | 9A1 105 224 03 | Camshaft Exhaust Cyl. 4 - 6 | | 1 | A102 |
| 3 | 9A1 105 052 01 | camshaft adjuster unit | | 2 | |
| 4 | 9A1 105 403 02 | Washer for camshaft camshaft adjuster unit | | 4 | |
| 5 | 9A1 105 254 01 | Torx screw M12 X 50 | | 2 | |
| 6 | 948 105 218 01 | Sleeve camshaft adjuster unit No longer use the part here | | 2 | |
| 6 | 9A1 105 245 00 | Sleeve camshaft adjuster unit | | 2 | |
| (7) | 9A1 105 147 02 | Chain sprocket Camshaft Exhaust Cyl. 1 - 3 | | 1 | |
| 7 | 9A1 105 148 02 | Chain sprocket Camshaft Exhaust Cyl. 4 - 6 | | 1 | |
| 8 | 9A1 105 255 00 | Torx screw | | 2 | |
| 8 | 9A1 105 255 02 | Torx screw | | 2 | |
| 9 | 9A1 105 070 02 | Hydraulic tappet Intake D >> - MJ 2008 Discontinued part | | 12 | |
| 9 | 9A1 105 070 03 | Hydraulic tappet Intake | | 12 | |
| 10 | 948 105 071 02 | Hydraulic tappet Exhaust Discontinued part | | 12 | |
| (10) | 9A1 105 071 00 | Hydraulic tappet Exhaust | | 12 | |
| 11 | 9A1 104 402 02 | oil pipe Cyl. 4 - 6 | | 1 | |
| 12 | 999 707 576 40 | O-ring 7,0 X 2,5 | | 1 | |
| 13 | 999 095 075 01 | dowel sleeve | | 32 | |

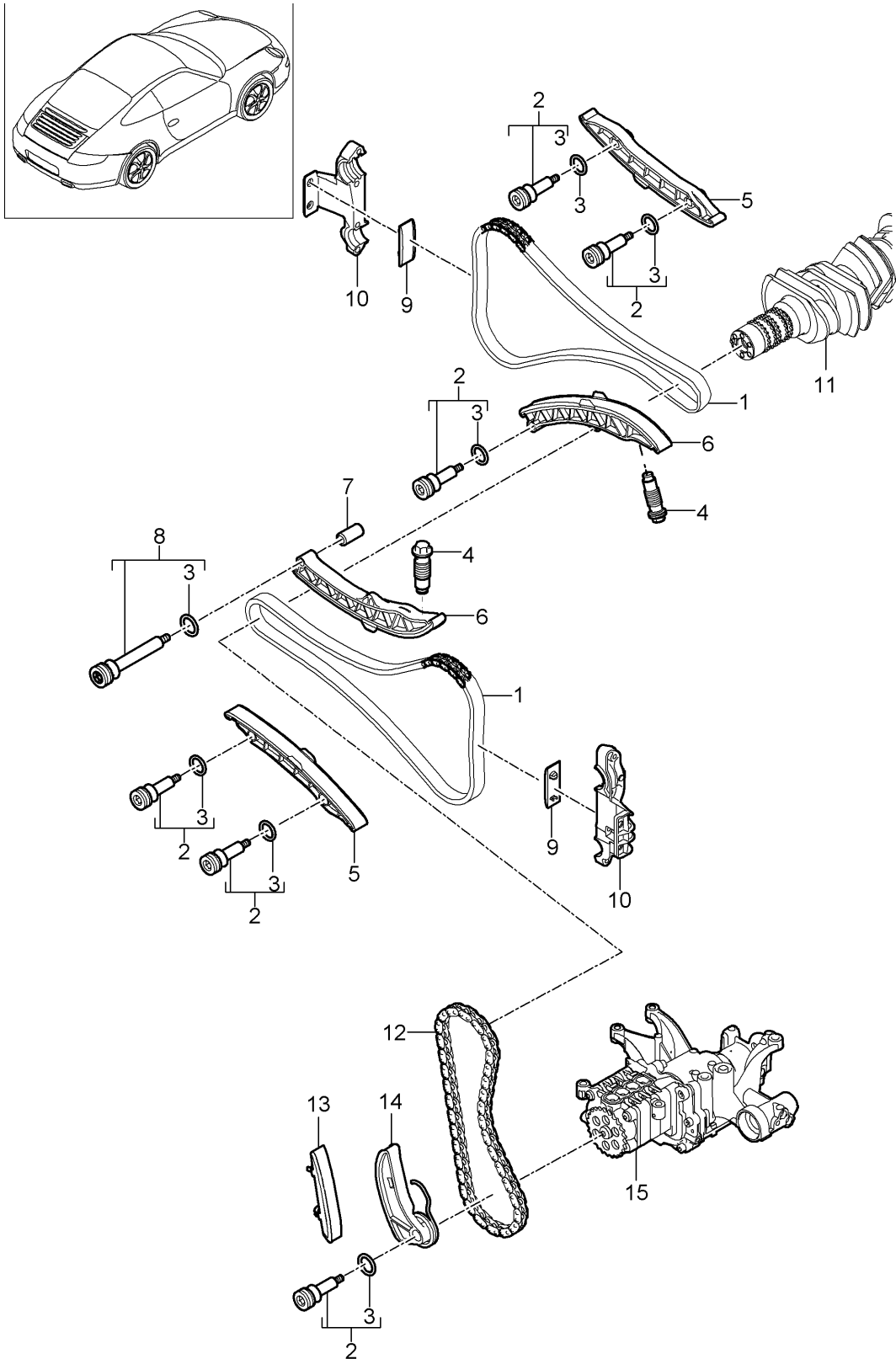
Model: 997-09

Model life 2009>>2012

| Pos | Part Number | Description | Remark | Qty | Model |
|-----|----------------|--|--------|-----|-------|
| 14 | 999 073 450 02 | 8 x 7 Outer hexagon round screw BM 6 X 37 | | 24 | |
| 15 | 900 385 111 01 | Torx screw BM 6 X 55 | | 8 | |
| 16 | 000 043 024 00 | Extreme-pressure grease 1 tube 80 Gr. for Camshaft | | 1 | |

Model: 997-09

Model life 2009>>2012



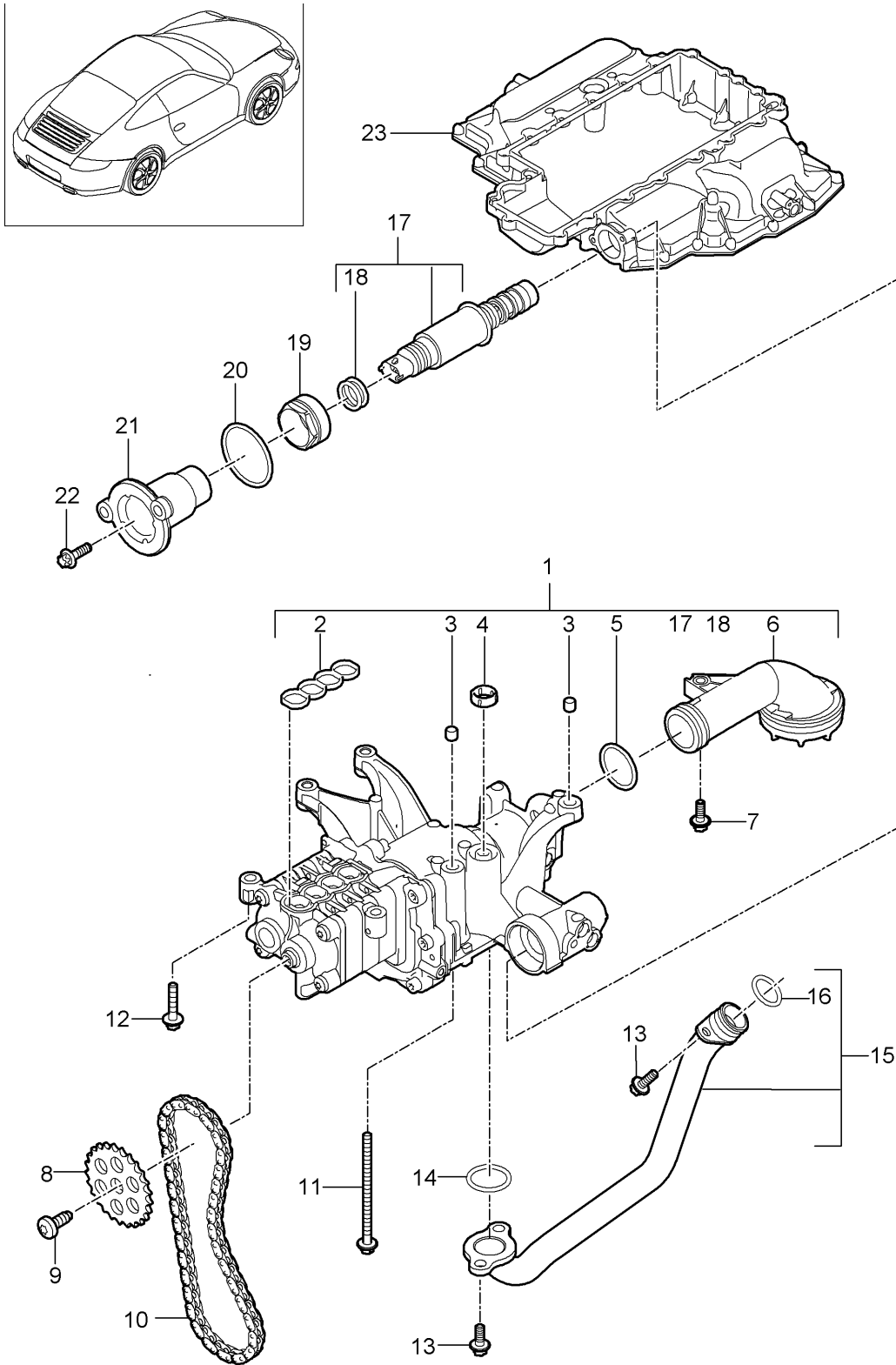
Model: 997-09

Model life 2009>>2012

| Pos | Part Number | Description | Remark | Qty | Model |
|-----|----------------|--|---------|-----|-----------|
| 1 | 9A1 105 142 02 | Valve control timing chain Camshaft Crankshaft | | 2 | A101,A102 |
| 2 | 9A1 105 162 01 | Screw Tensioner blade | | 6 | |
| 3 | 999 707 346 40 | O-ring 15,0 X 3,0 | | X | |
| 4 | 9A1 105 157 02 | chain tensioner | | 2 | |
| - | 900 123 118 30 | seal ring A 22 X 27 Use | with: | 2 | |
| - | 900 123 011 21 | 9A1.105.157.02 seal ring A 22 X 27 Use | with: | 2 | |
| 5 | 9A1 105 153 02 | 9A1.105.157.03 slide rail | | 2 | |
| 6 | 9A1 105 155 02 | Tensioner blade | | 2 | |
| 7 | 9A1 105 165 01 | spacer sleeve | | 2 | |
| 8 | 9A1 105 163 01 | Screw | | 1 | |
| 9 | 9A1 105 101 02 | slide rail | | 2 | |
| 10 | | Bearing cover Not available To Use Cylinder head | | 2 | |
| 11 | | see illustration: Crankshaft | 103-000 | 1 | |
| 12 | 9A1 105 233 02 | see illustration: timing chain oil pump Crankshaft | 102-000 | 1 | |
| 13 | 9A1 105 237 02 | slide rail | | 1 | |
| 14 | 9A1 105 235 02 | Tensioner blade | | 1 | |
| 15 | | oil pump see illustration: | 104-000 | 1 | |

Model: 997-09

Model life 2009>>2012



Model: 997-09 Model life 2009>>2012

| Pos | Part Number | Description | Remark | Qty | Model |
|------|----------------|--|--|-----|----------------------|
| 1 | 9A1 107 050 03 | oil pump | | 1 | |
| (1) | 9A1 107 050 04 | oil pump Discontinued part | | 1 | A101,A102+ PR:X51 |
| | | M >> C 01403 | | | |
| | | M >> C 00913 | | | |
| | | M >> S B 09758 | | | |
| (1) | 9A1 107 050 05 | oil pump Discontinued part | | 1 | A101,A102+ PR:X51 |
| | | M C 01404 >> | | | |
| | | M C 00914 >> | | | |
| | | M S B 09759 >> | | | |
| (1) | 9A1 107 050 11 | oil pump Discontinued part | | 1 | |
| (1) | 9A1 107 050 12 | oil pump | | 1 | |
| 2 | 9A1 107 370 00 | Seal for oil pump use only in conjunction with: | 9A1 107 050 03 9A1 107 050 04 9A1 107 050 05 | 1 | |
| 3 | 996 106 103 50 | dowel sleeve 8,2 X 7,0 | | 2 | |
| 4 | 9A1 107 327 00 | seal ring | | 1 | |
| 5 | 999 707 375 40 | O-ring 30,00 X 3,00 | | 1 | |
| 6 | 9A1 107 075 02 | Suction tube M >> C 01403 M >> C 00913 M >> S B 09758 | | 1 | A101,A102+ PR:X51 |
| (6) | 9A1 107 075 10 | Suction tube M C 01404 >> M C 00914 >> M S B 09759 >> | | 1 | A101,A102+ PR:X51 |
| 7 | 999 073 102 01 | flat round head bolt M6 X 25 | | 1 | |
| 8 | 9A1 105 225 02 | Chain sprocket | | 1 | |
| 9 | 999 073 380 01 | oil pump Torx screw M8 X 22 | | 1 | |
| 10 | | Chain oil pump | | 1 | |
| 11 | 900 385 126 01 | see illustration: Torx screw M6 X 95 | 103-015 | 1 | |
| 12 | 900 385 048 01 | Torx screw M6 X 30 | | 5 | |
| 13 | 900 385 009 01 | Torx screw M6 X 25 | | 1 | |
| 14 | 999 707 409 41 | O-ring 26,00 X 3,00 M >> C 01403 M >> C 00913 M >> S B 09758 | | 1 | A101,A102+ PR:X51 |
| 15 | 9A1 107 025 01 | oil pipe oil pump | | 1 | |
| 16 | 999 707 575 40 | Crankcase housing O-ring 20,00 X 3,00 | | 1 | |
| 17 | 948 107 113 01 | Solenoid valve Discontinued part | | 1 | |
| (17) | 948 107 113 02 | Solenoid valve M >> C 01403 M >> C 00913 | | 1 | A101,A102+ PR:X51 |

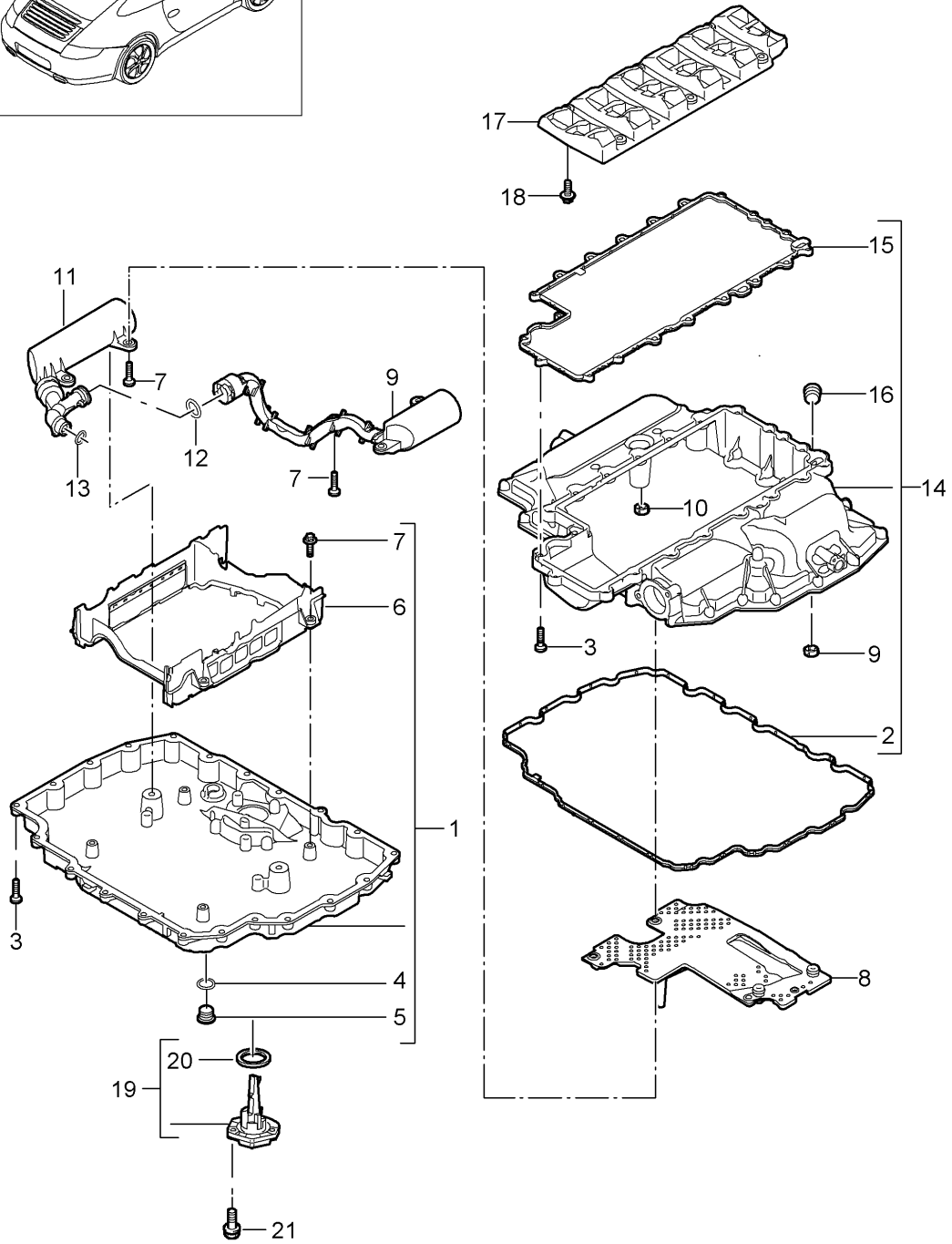
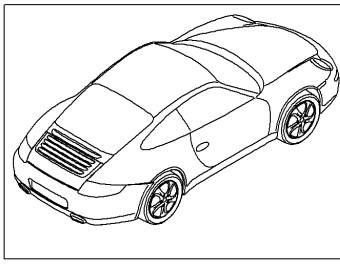
Model: 997-09

Model life 2009>>2012

| Pos | Part Number | Description | Remark | Qty | Model |
|------|----------------|---|---------|-----|-------|
| (17) | 948 107 113 11 | M >> S B 09758 Solenoid valve | | 1 | |
| 18 | 999 707 567 40 | O-ring 17,00 x 3,00 | | 2 | |
| 19 | 999 261 024 01 | Union nut M36 x 1,0 x 12 | | 1 | |
| 20 | 999 707 570 40 | O-ring 44,00 x 3,00 | | 1 | |
| 21 | 9A1 107 330 01 | Sealing flange control valve | | 1 | |
| 22 | 900 385 019 01 | Torx screw M6 X 20 | | 2 | |
| 23 | | oil sump Upper part see illustration: | 104-002 | 1 | |

Model: 997-09

Model life 2009>>2012

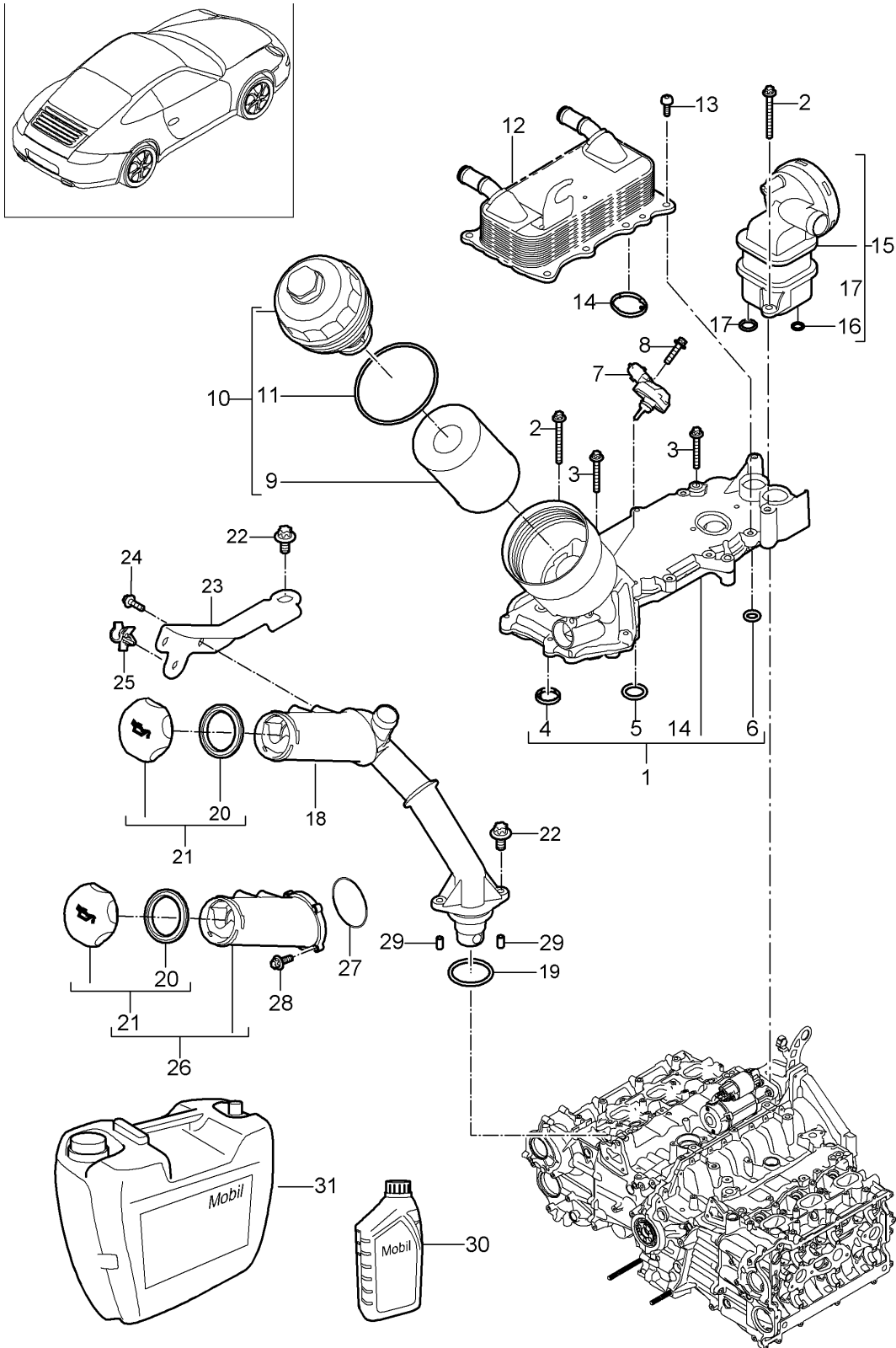


Model: 997-09 Model life 2009>>2012

| Pos | Part Number | Description | Remark | Qty | Model |
|------|----------------|--|--------|-----|-------|
| 1 | 9A1 107 032 10 | oil sump oil sump-lower part Discontinued part | | 1 | |
| 1 | 9A1 107 032 00 | oil sump-lower part | | 1 | |
| 2 | 9A1 107 325 02 | gasket for oil sump | | 1 | |
| 3 | 9A1 107 313 00 | Torx screw M 6 X 25 | | 44 | |
| 4 | 900 123 106 30 | seal ring A 18 X 24 | | 1 | |
| 5 | 900 219 020 31 | sealing plug M 18 X 1,5 | | 1 | |
| 6 | 9A1 107 243 01 | filler plate | | 1 | |
| 7 | 900 385 019 01 | Torx screw M6 x 20 | | 10 | |
| 8 | 9A1 107 420 01 | oil separator | | 1 | |
| 9 | 9A1 107 383 01 | oil separator | | 1 | |
| 10 | 9A1 107 327 00 | seal ring | | 2 | |
| 11 | 9A1 107 380 01 | oil separator | | 1 | |
| 12 | 948 107 439 10 | O-ring 20,0 X 3,8 | | 2 | |
| (12) | 999 707 651 40 | D >> - MJ 2011 O-ring 20,0 x 3,8 D - MJ 2012>> | | 2 | |
| 13 | 999 707 637 40 | O-ring 15,0 X 3,0 Deleted without: Replacement D >> - MJ 2011 | | 1 | |
| 14 | 9A1 107 031 01 | oil sump-upper part | | 1 | |
| 15 | 9A1 107 315 03 | gasket for oil sump | | 1 | |
| 16 | 900 063 010 01 | sealing plug M8 X 1,0 | | 1 | |
| 17 | 9A1 101 010 00 | oil separator | | 1 | A101 |
| (17) | 9A1 101 010 20 | oil separator | | 1 | A102 |
| 18 | 900 385 019 01 | Torx screw M6 X 20 | | 6 | |
| 19 | 948 606 150 00 | oil level sender | | 1 | |
| 20 | 948 606 240 00 | Seal | | 1 | |
| 21 | 900 385 072 01 | Torx screw BM 6 X 25 | | 3 | |

Model: 997-09

Model life 2009>>2012



Model: 997-09 Model life 2009>>2012

| Pos | Part Number | Description | Remark | Qty | Model |
|------|----------------|---|--------------------------|-----|-----------------|
| 1 | 9A1 107 045 01 | Engine lubrication Oil-conducting housing | | 1 | |
| (1) | 9A1 107 045 02 | No longer use the part here Oil-conducting housing | | 1 | |
| 1 | 9A1 107 010 03 | No longer use the part here Oil-conducting housing | | 1 | |
| 1 | 9A1 107 010 05 | Discontinued part Oil-conducting housing | | 1 | |
| 2 | 900 385 276 01 | Torx screw M 6 X 60 | | X | |
| 3 | 900 385 125 01 | Torx screw M 6 X 45 | | 5 | |
| 4 | 9A1 107 465 01 | seal ring Oil-conducting housing Crankcase housing | | 2 | |
| 5 | 999 707 594 40 | O-ring 11,0 X 4,0 | | 1 | |
| 6 | 999 707 595 40 | O-ring 20,0 X 4,0 | | 1 | |
| 7 | 997 606 203 01 | Oil pressure sender 5 BAR D >> - MJ 2009 Discontinued part | | 1 | |
| 7 | 997 606 203 02 | Oil pressure sender 5 BAR See technical information TI 24/09 D >> - MJ 2009 | | 1 | |
| (7) | 948 606 213 00 | Oil pressure sender 10 BAR See technical information TI 24/09 D - MJ 2010>> | | 1 | |
| 8 | 900 385 019 01 | Torx screw M 6 X 25 | | 2 | |
| 9 | 948 107 222 00 | Oil filter insert | | 1 | |
| 10 | 948 107 022 00 | oil filter (complete) | also use: 948 107 322 00 | 1 | |
| 11 | 948 107 322 00 | seal ring 91,0 X 4,0 | | 1 | |
| 12 | 9A1 107 450 00 | heat exchanger | | 1 | |
| 13 | 999 073 416 01 | Bolt with washer M 6 X 20 | | 6 | |
| 14 | 948 107 175 00 | Seal | | 2 | |
| 15 | 9A1 107 040 00 | oil separator | | 1 | |
| 16 | 999 707 634 40 | O-ring 18,5 X 4,0 | | 1 | |
| 17 | 999 707 635 40 | O-ring 21,0 X 4,0 | | 1 | |
| 18 | 9A1 107 115 02 | Filler tube engine oil | | 1 | |
| (18) | 9A1 107 115 40 | Filler tube engine oil without: | | 1 | A101+ PR:X51 |
| 19 | 999 707 348 40 | fuel filler neck O-ring 42,0 X 4,0 | | 1 | |
| 20 | 9A1 107 336 00 | Seal End cap | | 1 | |
| 21 | 9A1 107 035 00 | End cap No longer use the part here | | 1 | |
| 21 | 9A1 107 035 01 | End cap | | 1 | |

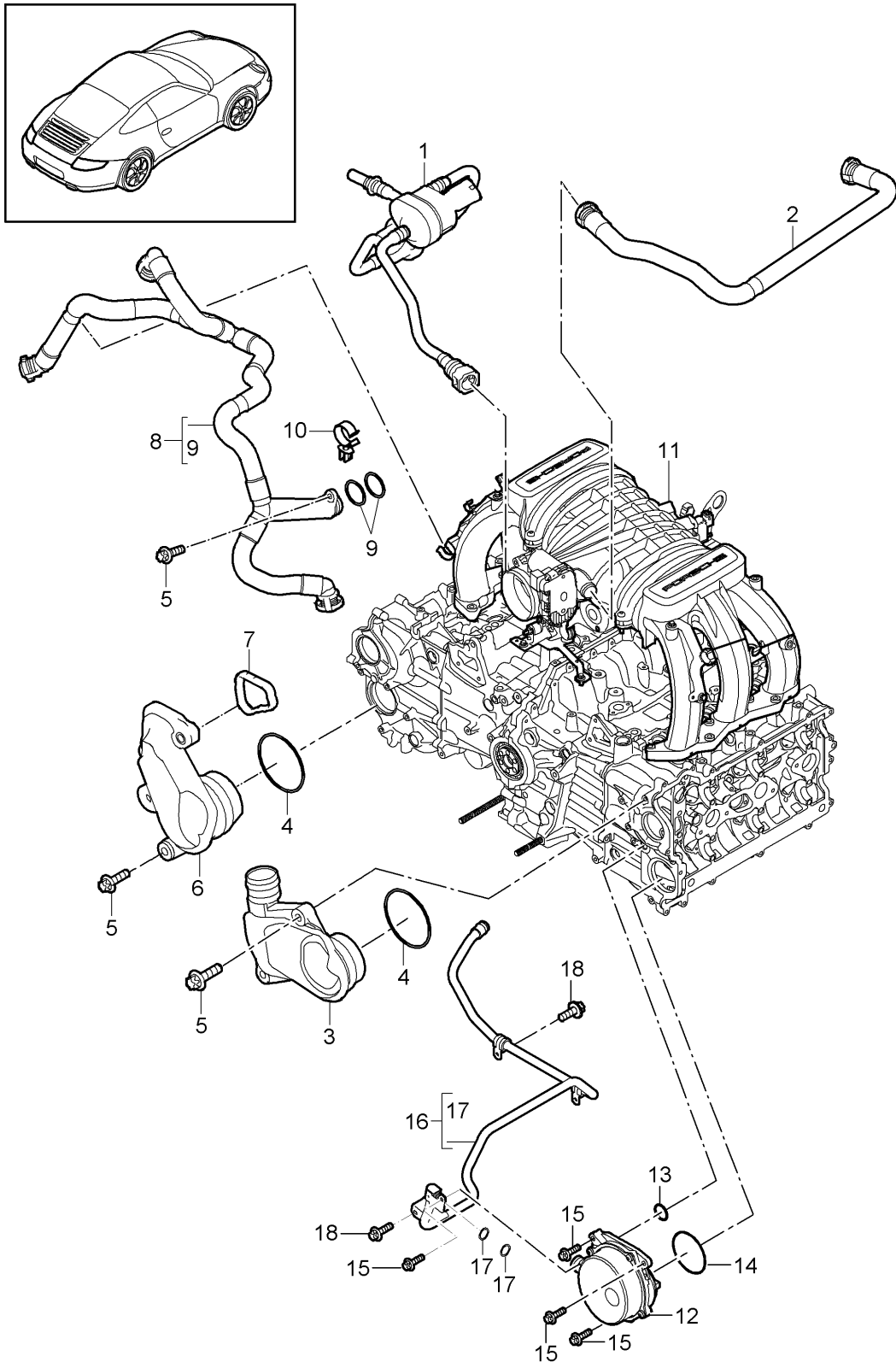
Model: 997-09

Model life 2009>>2012

| Pos | Part Number | Description | Remark | Qty | Model |
|------|----------------|--|--------|-----|-----------------|
| 22 | 900 385 019 01 | Torx screw M 6 X 20 | | 5 | |
| 23 | 9A1 107 215 01 | Bracket Filler tube D >> - MJ 2009 | | 1 | |
| 23 | 9A1 107 215 02 | Bracket Filler tube D - MJ 2010>> | | 1 | |
| (23) | 9A1 107 215 40 | Bracket Filler tube | | 1 | A101+ PR:X51 |
| 24 | 900 385 041 01 | Torx screw M 6 X 20 | | X | |
| 25 | 999 507 886 40 | Hose bracket | | 1 | |
| 26 | 9A1 107 120 40 | fuel filler neck engine oil | | 1 | A101+ PR:X51 |
| 27 | 999 707 644 40 | O-ring fuel filler neck | | 1 | A101+ PR:X51 |
| 28 | 900 385 050 01 | Hexagon head bolt M 6 x 12 | | 4 | A101+ PR:X51 |
| 29 | 9A1 107 415 40 | Sleeve Filler tube | | 2 | A101+ PR:X51 |
| 30 | 000 043 301 19 | engine oil EXXON MOBIL 1 0W-40 1 LITER Container | | X | |
| (30) | 000 043 303 16 | engine oil EXXON MOBIL 1 0W-40 1 qt US gallon Container | | X | |
| 31 | 000 043 301 21 | engine oil EXXON MOBIL 1 0W-40 20 LITER Container | | X | |

Model: 997-09

Model life 2009>>2012



Model: 997-09

Model life 2009>>2012

| Pos | Part Number | Description | Remark | Qty | Model |
|-----|----------------|---|--------|-----|-----------------|
| 1 | 9A1 110 091 02 | Crankcase housing Bleeding Tank ventilation Vacuum pump Breather line (complete) | | 1 | |
| (1) | 9A1 110 091 40 | Breather line (complete) Kit Discontinued part | | 1 | A101+ PR:X51 |
| (1) | 9A1 110 091 41 | Breather line (complete) Kit | | 1 | A101+ PR:X51 |
| 2 | 9A1 107 510 01 | Breather line Distributor tube | | 1 | |
| 3 | 9A1 105 038 00 | Cover Crankcase housing Bleeding | | 1 | |
| 4 | 999 707 636 40 | Cyl. 4 - 6 O-ring 44,0 X 3,5N | | 2 | |
| 5 | 900 385 019 01 | Torx screw BM6 x 20 | | 6 | |
| 6 | 9A1 105 039 00 | Cover Crankcase housing Bleeding | | 1 | |
| 7 | 9A1 105 339 00 | Cyl. 1 - 3 Seal for Cover | | 1 | |
| 8 | 9A1 107 505 01 | Crankcase housing Breather line | | 1 | |
| (8) | 9A1 107 505 40 | Crankcase housing Breather line Crankcase housing Kit | | 1 | A101+ PR:X51 |
| 9 | 999 707 639 40 | O-ring | | 2 | |
| 10 | 999 507 867 40 | Hose bracket | | 1 | |
| 11 | 9A1 107 506 40 | Breather line Cyl. 1 - 3 Kit | | 1 | A101+ PR:X51 |
| 12 | 9A1 110 090 02 | Vacuum pump for brake servo Discontinued part | | 1 | |
| 12 | 9A1 110 090 03 | Vacuum pump for brake servo Discontinued part | | 1 | |
| 12 | 9A1 110 090 04 | Vacuum pump for brake servo Discontinued part | | 1 | |
| 12 | 9A1 110 090 05 | Vacuum pump for brake servo Discontinued part | | 1 | |
| 12 | 9A1 110 090 06 | Vacuum pump for brake servo | | 1 | |
| 13 | 999 701 504 40 | O-ring 10 x 2,5 | | 1 | |
| 14 | 999 701 505 40 | O-ring 54 x 2,5 | | 1 | |
| 15 | 900 385 019 01 | Torx screw M6 x 20 | | 3 | |
| 16 | 9A1 110 055 02 | Vacuum line Discontinued part | | 1 | |

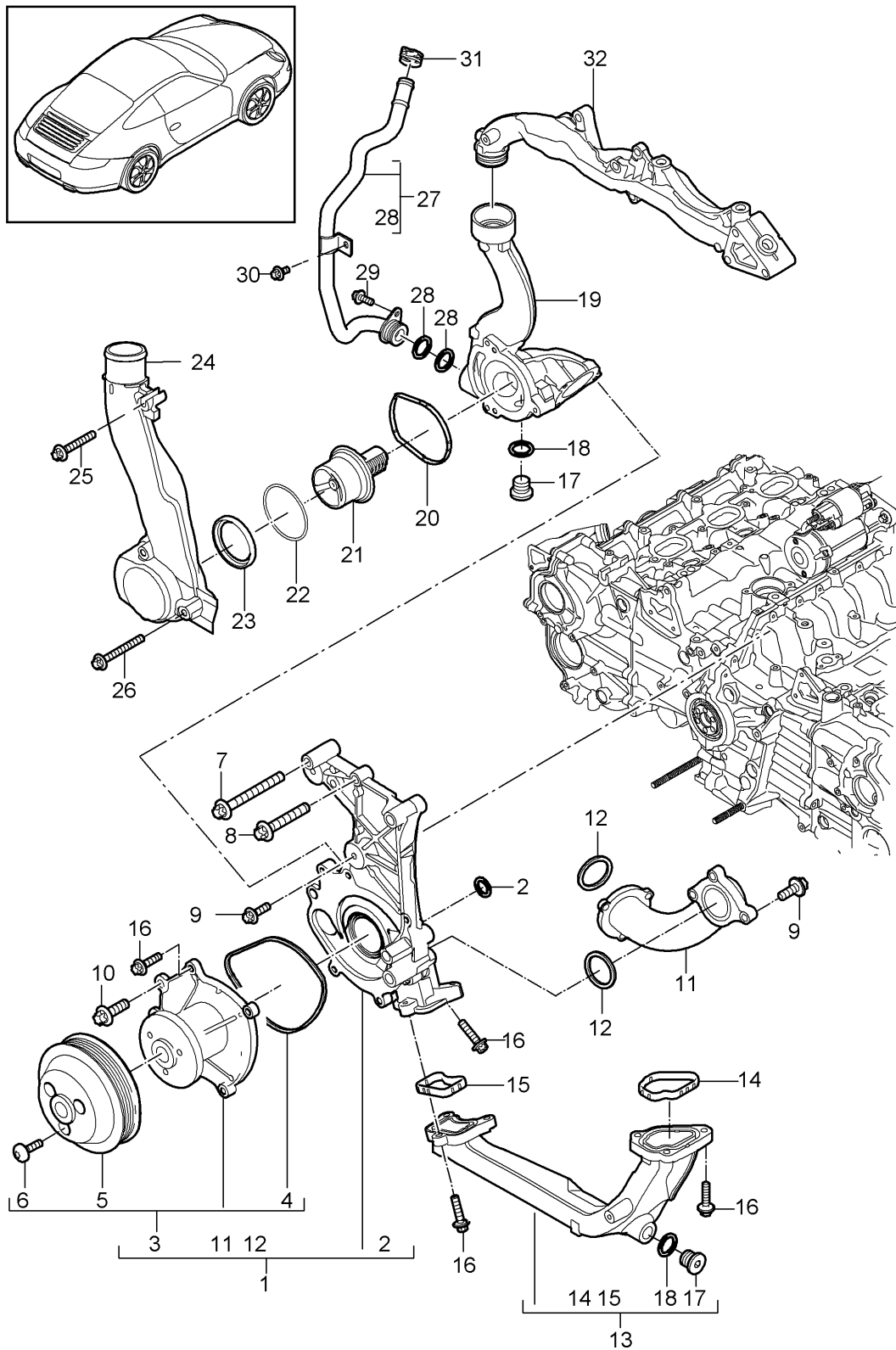
Model: 997-09

Model life 2009>>2012

| Pos | Part Number | Description | Remark | Qty | Model |
|-----|----------------|----------------------------------|--------|-----|-------|
| 16 | 9A1 110 055 03 | Vacuum line Discontinued part | | 1 | |
| 16 | 9A1 110 055 04 | Vacuum line | | 1 | |
| 17 | 999 701 789 40 | O-ring 12 X 2 | | 2 | |
| 18 | 900 385 041 01 | Torx screw M6 X 12 | | 4 | |

Model: 997-09

Model life 2009>>2012



Model: 997-09

Model life 2009>>2012

| Pos | Part Number | Description | Remark | Qty | Model |
|------|----------------|--|--------|-----|-------|
| 1 | 9A1 106 038 02 | Coolant pump thermostat housing Water pump housing (complete) | | 1 | |
| 2 | 999 707 604 40 | O-ring 34,0 X 3,0 | | 2 | |
| 3 | 9A1 106 048 00 | Coolant pump (complete) | | 1 | |
| 4 | 9A1 106 217 00 | Seal Coolant pump | | 1 | |
| 5 | 9A1 106 248 00 | pulley | | 1 | |
| 6 | 999 073 104 01 | Torx screw M8 X 16 | | 3 | |
| 7 | 900 385 115 01 | Torx screw M8 X 70 | | X | |
| 8 | 900 385 071 01 | Torx screw M8 X 50 | | X | |
| 9 | 900 385 019 01 | Torx screw M6 X 20 | | 3 | |
| 10 | 900 385 098 01 | Torx screw M8 X 25 | | 1 | |
| (10) | 900 385 114 01 | Torx screw M8 X 25 | | 1 | |
| 11 | 9A1 106 238 00 | Water pipe | | 1 | |
| 12 | 9A1 106 215 00 | Seal Water pipe | | 2 | |
| 13 | 9A1 106 125 01 | Water pipe | | 1 | |
| 14 | 9A1 106 326 00 | Seal Water pipe | | 1 | |
| 15 | 9A1 106 325 00 | Seal Water pipe | | 1 | |
| 16 | 900 385 072 01 | Torx screw M6 X 25 | | 16 | |
| 17 | 900 219 018 30 | sealing plug M14 X 1,5 | | 2 | |
| 17 | 999 063 038 01 | No longer use the part here sealing plug M14 X 1,5 | | 2 | |
| 18 | 900 123 104 30 | seal ring 14 X 18 | | 2 | |
| 18 | 900 123 173 20 | No longer use the part here seal ring 14 X 18 | | 2 | |
| 19 | 9A1 106 150 01 | thermostat housing | | 1 | |
| 20 | 9A1 106 305 00 | Seal thermostat | | 1 | |
| 21 | 9A1 106 225 01 | Thermostat insert No longer use the part here | | 1 | |
| 21 | 9A1 106 225 02 | Thermostat insert | | 1 | |
| 22 | 999 707 625 40 | O-ring 59,0 X 5,2 | | 1 | |
| 23 | 9A1 106 558 00 | seal ring | | 1 | |
| 24 | 9A1 106 111 01 | Water guide housing | | 1 | |
| 25 | 900 385 045 01 | Torx screw M6 X 40 | | 4 | |
| 26 | 900 385 070 01 | Torx screw M6 X 50 | | 3 | |
| 26 | PAF 008 685 00 | Torx screw M6 X 50 | | 3 | |
| 27 | 9A1 106 850 03 | Water line | | 1 | |
| 28 | 999 707 517 40 | O-ring 22 X 3 | | 2 | |
| 29 | 900 385 009 01 | Torx screw | | 1 | |

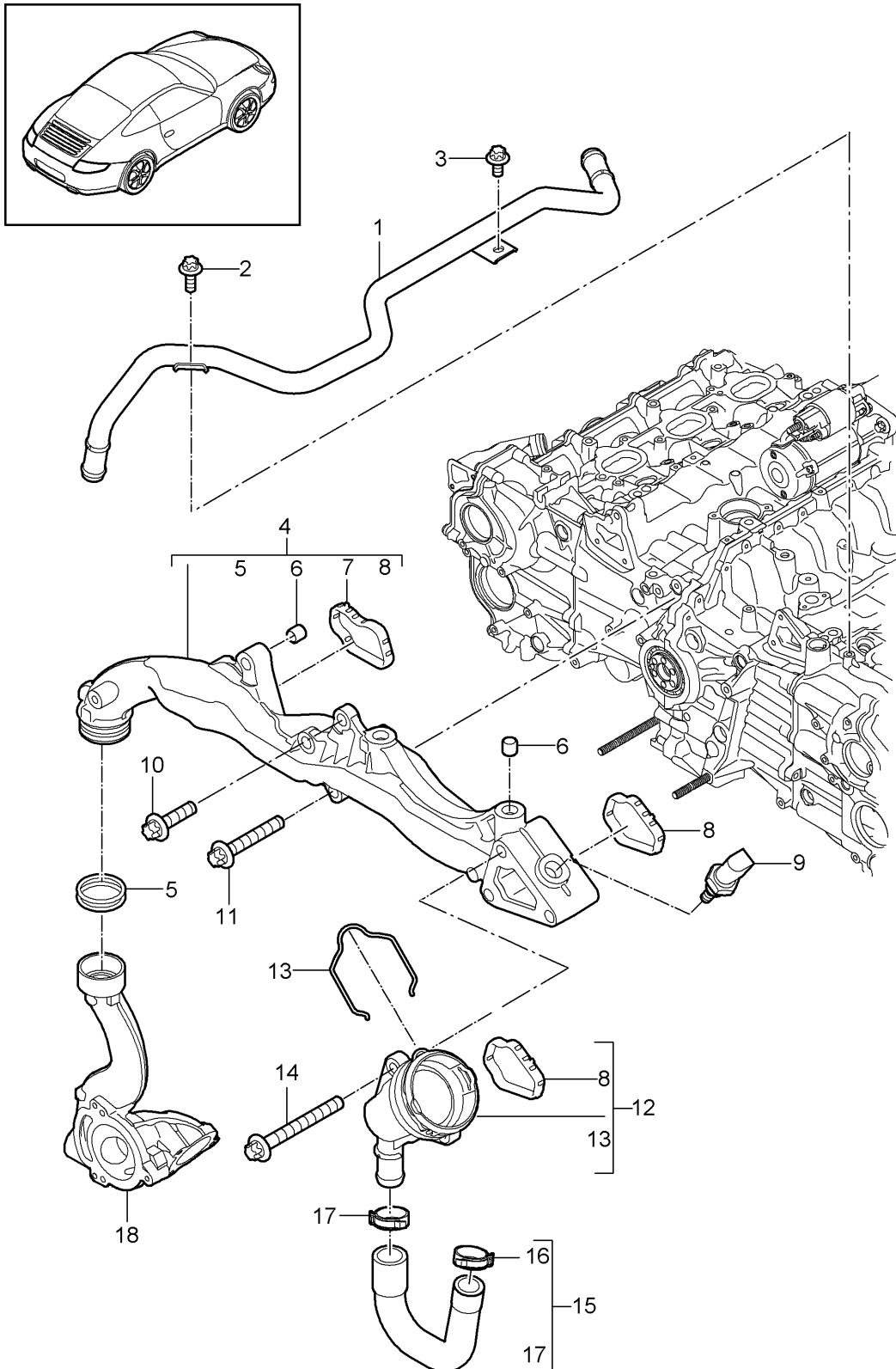
Model: 997-09

Model life 2009>>2012

| Pos | Part Number | Description | Remark | Qty | Model |
|-----|----------------|---------------------------------------|---------|-----|-------|
| 30 | 900 385 041 01 | M6 X 16 Torx screw | | 1 | |
| 31 | 999 512 683 09 | M6 X 12 Hose clamp | | 1 | |
| 32 | | Assembly carrier see illustration: | 105-003 | 1 | |

Model: 997-09

Model life 2009>>2012



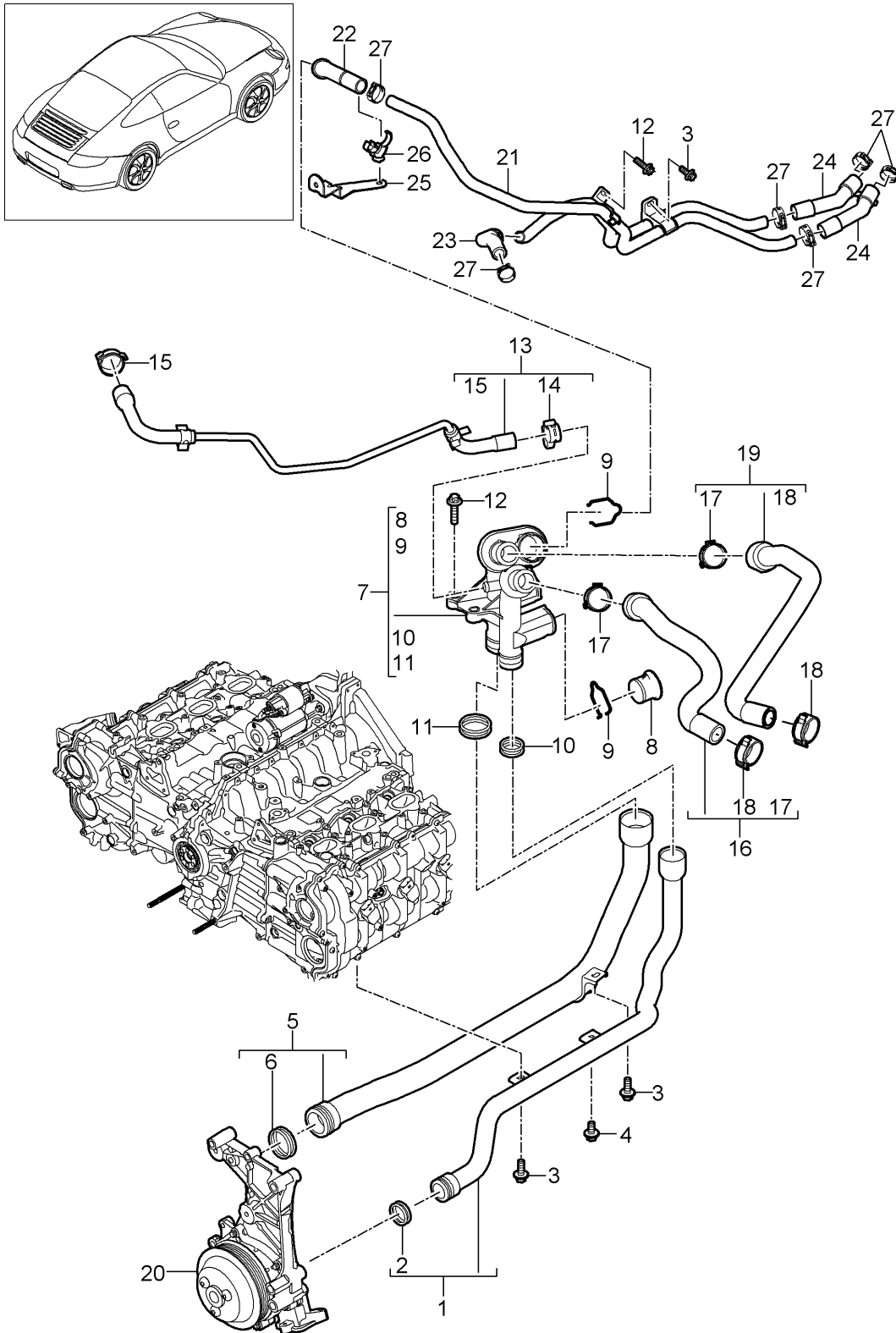
Model: 997-09

Model life 2009>>2012

| Pos | Part Number | Description | Remark | Qty | Model |
|------|----------------|--|--------------------------|-----|-----------------|
| 1 | 9A1 106 810 01 | Assembly carrier Water pipe | | 1 | |
| (1) | 9A1 106 810 40 | Hot air duct Supply Kit | | 1 | A101+ PR:X51 |
| 2 | 900 385 009 01 | Torx screw 6 X 16 | | 1 | |
| 3 | 900 385 041 01 | Torx screw M6 X 12 | | 1 | |
| 4 | 9A1 102 112 02 | Assembly carrier | | 1 | |
| 5 | 999 707 589 40 | O-ring 31,0 X 3,0 | | 2 | |
| 6 | 999 095 063 01 | dowel sleeve 11 M6 X 10 | | 2 | |
| 7 | 9A1 102 312 00 | Seal Cyl. 1 - 3 | | 1 | |
| 8 | 9A1 102 322 00 | Seal Cyl. 4 - 6 | | 2 | |
| (9) | 997 606 420 00 | Temperature sensor No longer use the part here | | 1 | |
| 9 | 997 606 420 01 | Temperature sensor | | 1 | |
| 10 | 900 385 116 01 | Torx screw M8 X 30 | also use: 900 123 111 20 | 2 | |
| 11 | 900 385 071 01 | Torx screw M8 X 50 | | 2 | |
| 12 | 9A1 106 131 00 | connection piece | | 1 | |
| 13 | 997 106 802 03 | Spring | | 1 | |
| 14 | 900 385 115 01 | Torx screw M8 X 70 | | 3 | |
| 15 | 9A1 106 660 00 | Water hose Supply D >> - MJ 2010 | | 1 | |
| 16 | 999 512 601 09 | Hose clamp 23 X 12 No longer use the part here | | 1 | |
| (16) | 999 512 683 09 | Hose clamp 26 X 12 | | 1 | |
| 17 | 999 512 603 09 | Hose clamp 26 X 12 No longer use the part here | | 1 | |
| 17 | 999 512 657 09 | Hose clamp 26 X 12 | | 1 | |
| 18 | 900 123 111 20 | seal ring Copper Temperature sensor Discontinued part | | 1 | |
| 18 | 900 123 111 21 | seal ring Copper Temperature sensor | | 1 | |
| 19 | | housing thermostat see illustration: | 105-000 | | |

Model: 997-09

Model life 2009>>2012



Model: 997-09 Model life 2009>>2012

| Pos | Part Number | Description | Remark | Qty | Model |
|------|----------------|---|--------|-----|-----------|
| 1 | 9A1 106 620 01 | Connection Water pipe Water pipe | | 1 | |
| 2 | 999 707 517 40 | Intake O-ring 22 X 3 | | 4 | |
| 3 | 900 385 009 01 | Torx screw M6 X 16 | | 4 | |
| 4 | 900 385 041 01 | Torx screw M6 X 12 | | 1 | |
| 5 | 9A1 106 625 01 | Water pipe Return line | | 1 | |
| 6 | 999 707 589 40 | O-ring 31 X 3 | | 4 | |
| 7 | 9A1 106 010 00 | Connection Discontinued part | | 1 | |
| (7) | 9A1 106 010 01 | Connection Discontinued part | | 1 | |
| (7) | 9A1 106 010 02 | Connection | | 1 | |
| 8 | 9A1 106 546 00 | Bungs | | 3 | |
| 8 | 0PB 121 099 | Bungs | | 3 | |
| - | 999 707 590 40 | O-ring 21,35 x 3,0 | | X | |
| 9 | 997 106 802 04 | Spring clip | | 3 | |
| 10 | 999 707 517 40 | O-ring 22 X 3 | | 2 | |
| 11 | 999 707 589 40 | O-ring 31 X 3 | | 2 | |
| 12 | 900 385 072 01 | Torx screw M6 X 25 | | 3 | |
| 13 | 9A1 106 549 01 | Breather line | | 1 | |
| 14 | 999 512 699 01 | Hose clamp 18 X 12 | | 1 | |
| | | with: | | | |
| 15 | 999 512 741 01 | Clip Hose clamp 19 X 12 | | 1 | |
| 16 | 9A1 106 610 01 | Water hose Intake | | 1 | |
| (16) | 9A1 106 610 02 | D >> - MJ 2010 Water hose Intake M >> C 04188 M >> C 02308 | | 1 | A101,A102 |
| (16) | 9A1 106 611 00 | D - MJ 2011>> Water hose Intake M C 04189 >> M C 02309 >> | | 1 | A101,A102 |
| 17 | 999 512 608 09 | Hose clamp 32 X 12 | | 1 | |
| | | only in conj. with: | | | |
| (17) | 999 512 662 09 | 9A1.106.610.01 9A1.106.615.00 Hose clamp 32 X 12 | | 1 | |
| | | only in conj. with: | | | |
| 18 | 999 512 589 09 | 9A1.106.610.02 9A1.106.615.01 9A1.106.611.00 Hose clamp 25 X 12 | | 2 | |
| | | only in conj. with: | | | |

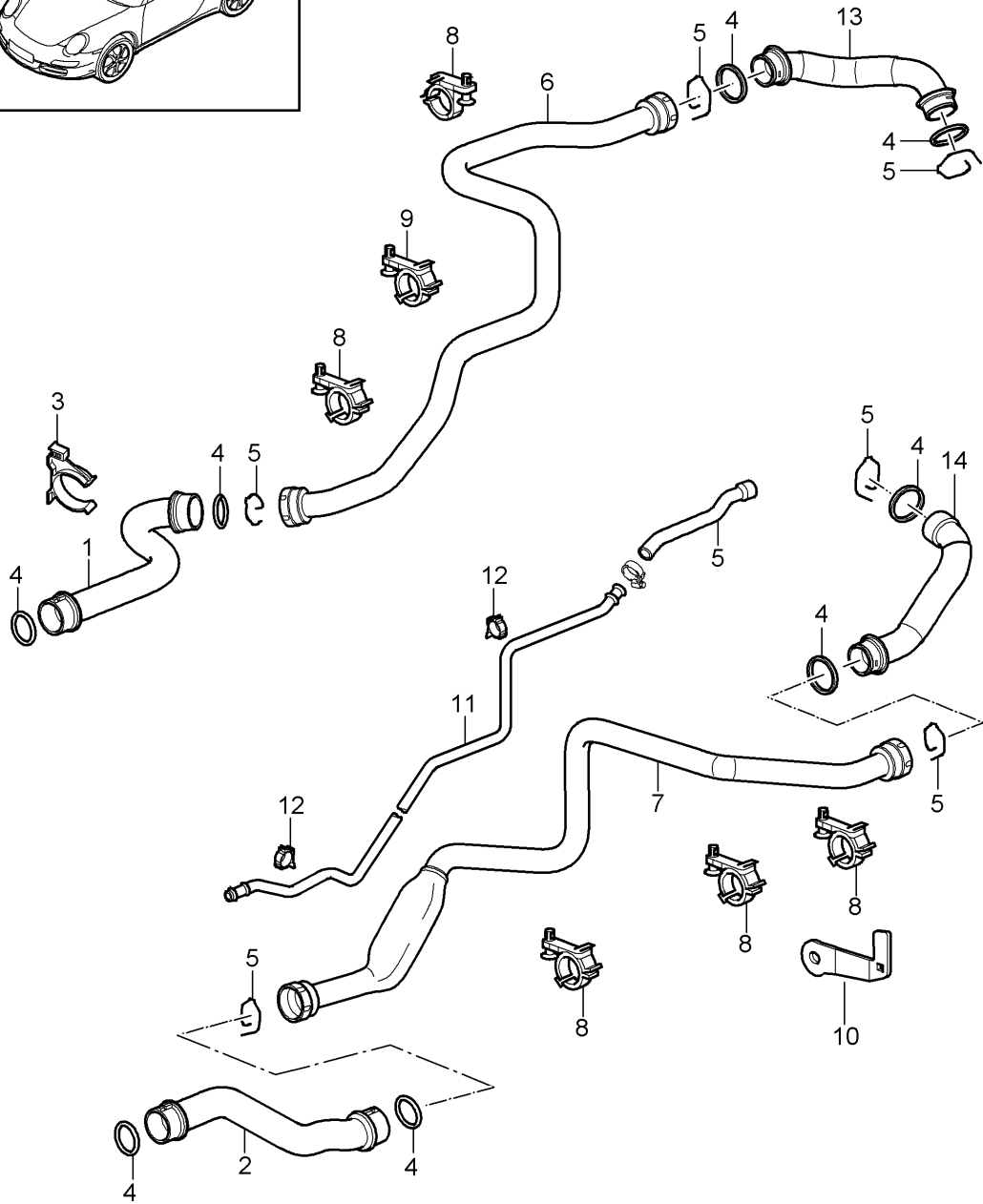
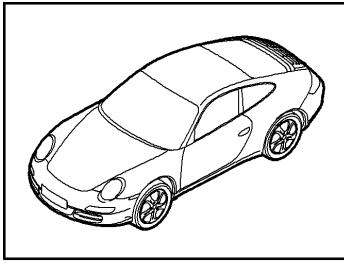
Model: 997-09

Model life 2009>>2012

| Pos | Part Number | Description | Remark | Qty | Model |
|------|----------------|---|---------|-----|--------|
| (18) | 999 512 656 09 | 9A1.106.610.01 9A1.106.615.00 Hose clamp 25 X 12 | | 2 | |
| | | only in conj. with: | | | |
| 19 | 9A1 106 615 00 | 9A1.106.610.02 9A1.106.615.01 9A1.106.611.00 Water hose Return line | | 1 | |
| (19) | 9A1 106 615 01 | D >> - MJ 2010 Water hose Return line | | 1 | |
| 20 | | D - MJ 2011>> Coolant pump | | 1 | |
| | | see illustration: | 105-000 | | |
| 21 | 997 106 181 32 | Heater pipeline | | 1 | PR:480 |
| (21) | 997 106 182 32 | Heater pipeline | | 1 | PR:250 |
| 22 | 997 106 822 31 | Return hose | | 1 | |
| 23 | 997 106 812 30 | Hose Supply | | 1 | |
| 24 | 997 106 212 32 | Hose | | 2 | |
| 25 | 997 106 533 31 | Bracket | | 1 | |
| 26 | 999 511 244 40 | Cable holder | | 1 | |
| 27 | 999 512 658 09 | Hose clamp 27 x 12 | | 4 | |

Model: 997-09

Model life 2009>>2012



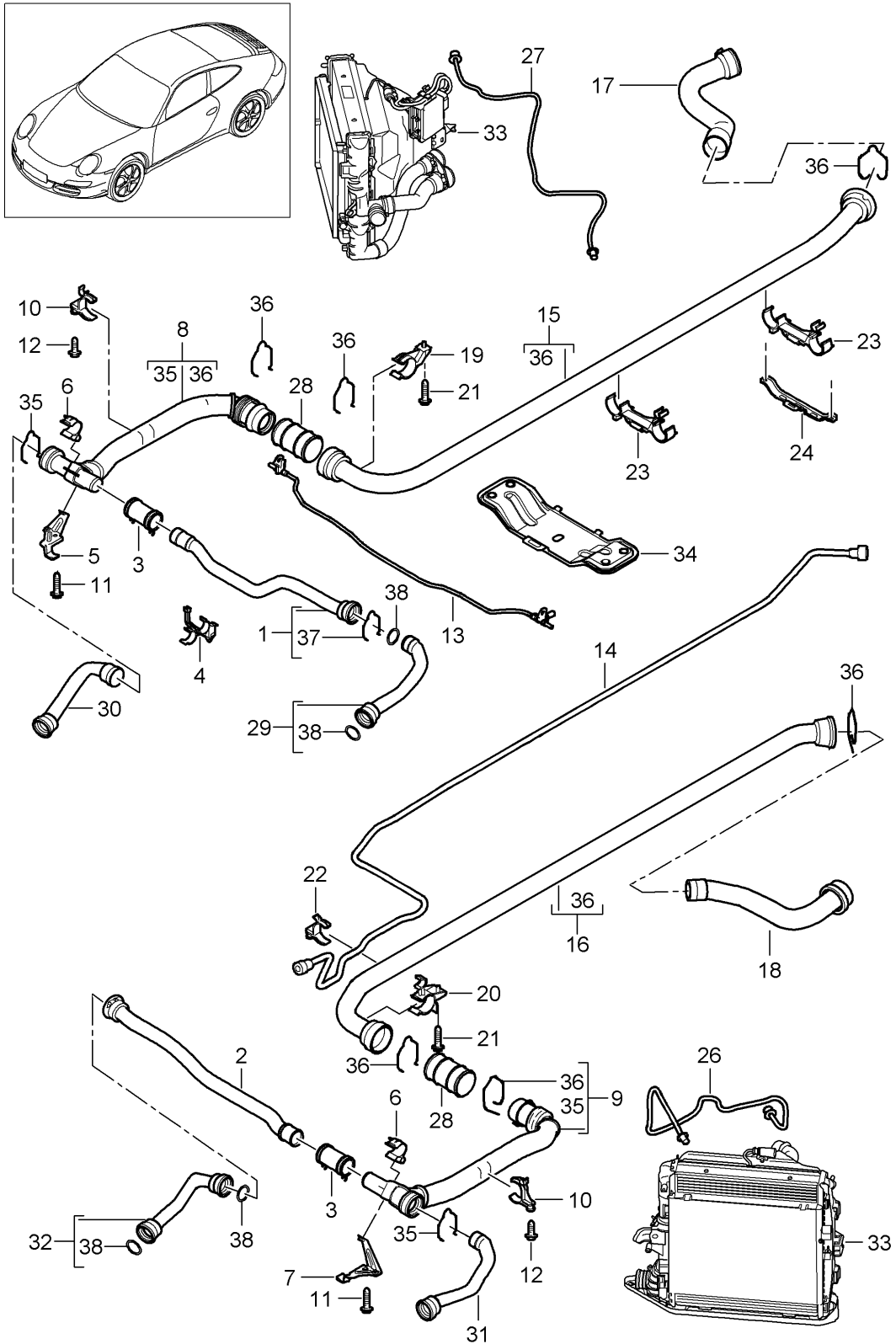
Model: 997-09

Model life 2009>>2012

| Pos | Part Number | Description | Remark | Qty | Model |
|-----|----------------|---|---------|-----|-------|
| 1 | 997 106 740 06 | Water cooling 1 Water hose Supply | | 1 | |
| 2 | 997 106 741 06 | Water hose Return line | | 1 | |
| 3 | 997 106 427 01 | Bracket Water hose Supply | | 1 | |
| 4 | 996 106 801 03 | O-ring | | 8 | |
| 5 | 997 106 802 03 | Spring | | 4 | |
| 6 | 997 106 610 31 | Coolant pipe Supply | | 1 | |
| 7 | 997 106 809 01 | Coolant pipe Return line | | 1 | |
| 8 | 996 106 417 73 | Bracket | | 4 | |
| (8) | 997 106 457 32 | Bracket | | 1 | |
| 9 | 997 106 457 32 | Bracket | | 1 | |
| 10 | 997 106 609 01 | Bracket | | 1 | |
| 11 | 997 106 681 31 | Breather line Rear end | | 1 | |
| 12 | 999 507 743 40 | Cable holder 12,0 | | 2 | |
| 13 | 997 106 831 31 | Water hose Supply for Engine | | 1 | |
| 14 | 997 106 832 31 | Water hose Return line Of Engine | | 1 | |
| 15 | | Vent hose see illustration: | 105-020 | 1 | |

Model: 997-09

Model life 2009>>2012



Model: 997-09

Model life 2009>>2012

| Pos | Part Number | Description | Remark | Qty | Model |
|------|----------------|--|---------------------------------------|-----|------------|
| 1 | 997 106 711 02 | Water cooling 2 Water pipe Cross tube Supply Discontinued part | | 1 | A101,A102 |
| 1 | 997 106 711 03 | Water pipe Cross tube Supply | | 1 | |
| 2 | 997 106 720 02 | Water pipe Cross tube Return line Discontinued part | | 1 | |
| 2 | 997 106 720 03 | Water pipe Cross tube Return line | | 1 | |
| 3 | 997 106 723 07 | Water hose | | 2 | |
| 4 | 997 106 525 01 | Bracket Water pipe Cross tube | center | 1 | |
| 5 | 997 106 574 02 | pipe holder Distributor tube | right | 1 | |
| 6 | 997 106 526 01 | Bracket Cross tube | upper | 2 | |
| 7 | 997 106 573 02 | pipe holder Distributor tube | left | 1 | |
| 8 | 997 106 752 04 | Distributor tube Supply | | 1 | |
| 9 | 997 106 751 04 | Distributor tube Return line | | 1 | |
| 10 | 997 106 413 01 | pipe holder | left a. right | 2 | |
| (10) | 997 106 413 01 | pipe holder | left | 1 | PR:601,603 |
| (10) | 997 106 414 00 | Bracket Distributor tube | right | 1 | PR:601,603 |
| 11 | 900 378 013 01 | Hexagon bolt M6 X 25 | | 2 | |
| 12 | 900 378 036 01 | Hexagon bolt M6 X 12 | | 2 | |
| 13 | 997 106 767 02 | Breather line Transverse | | 1 | |
| 14 | 997 106 227 03 | Breather line tunnel | | 1 | |
| 15 | 997 106 651 02 | Water pipe Supply tunnel | | 1 | |
| 16 | 997 106 652 02 | Return pipe tunnel | | 1 | |
| 17 | | Water hose Supply | | 1 | |
| 18 | | Water hose Return line | see illustration: 105-007 | 1 | PR:480 |
| 19 | 997 106 520 02 | Bracket filler plate | see illustration: 105-007 right | 1 | |
| 20 | 997 106 521 01 | Bracket filler plate | left | 1 | |
| 21 | 900 378 035 01 | Hexagon bolt M6 X 16 | | 2 | |
| 22 | 997 106 512 03 | Distance piece Breather line | | 1 | |
| 23 | 997 106 540 02 | Bracket tunnel | | 2 | |
| 24 | 997 106 515 02 | Bridge | | 1 | |

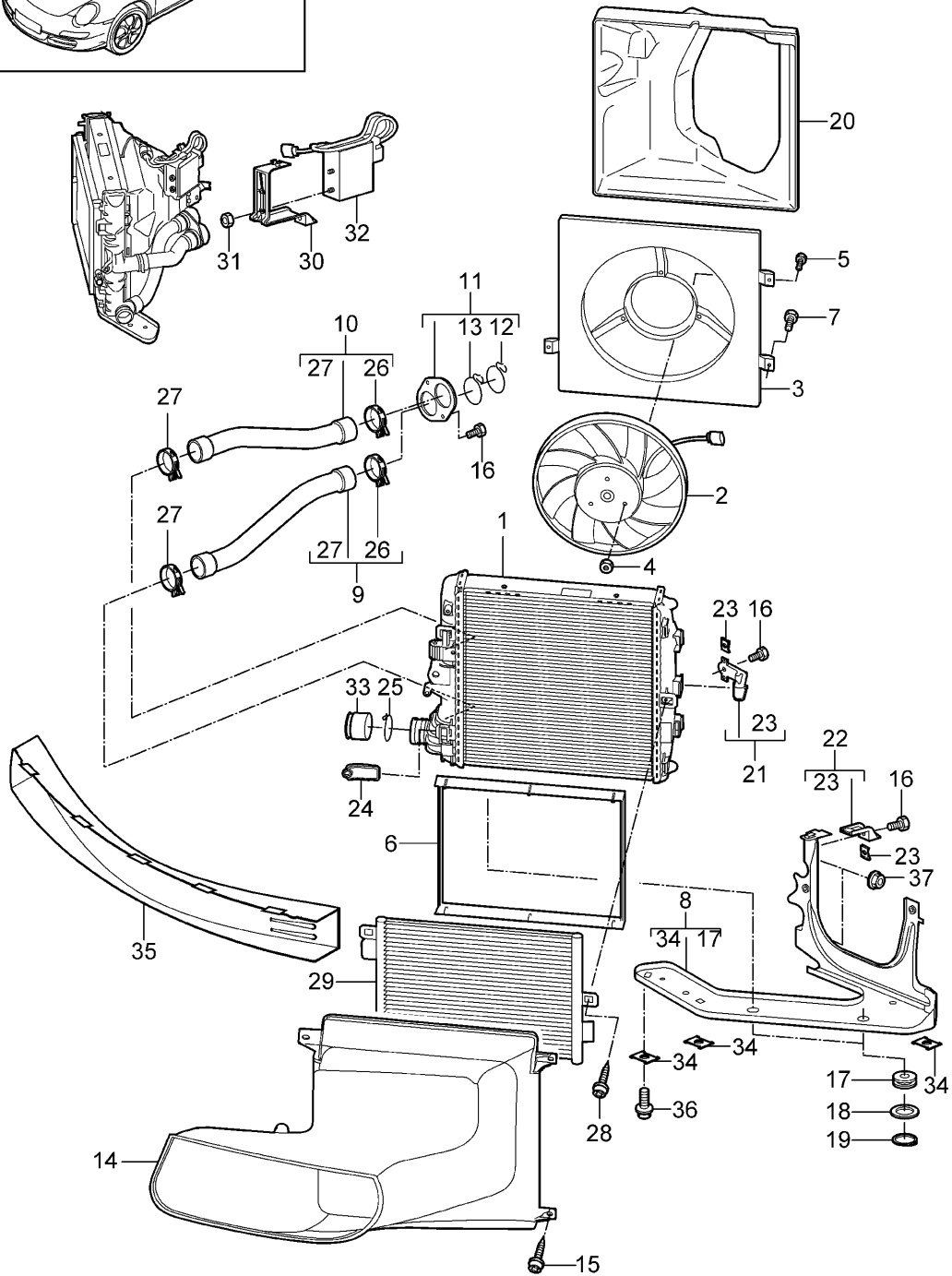
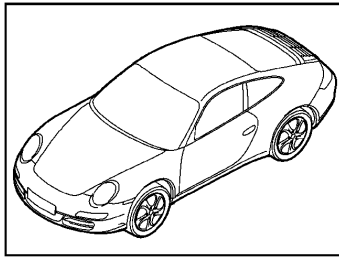
Model: 997-09

Model life 2009>>2012

| Pos | Part Number | Description | Remark | Qty | Model |
|-----|----------------|-------------------|---------|-----|-------|
| | | tunnel | | | |
| 26 | 997 106 765 02 | Line | left | 1 | |
| 27 | 997 106 766 02 | Line | right | 1 | |
| 28 | 997 106 551 03 | Sleeve | | 2 | |
| 29 | 997 106 623 03 | Water hose | left | 1 | |
| | | Supply | | | |
| 30 | 997 106 627 03 | Water hose | right | 1 | |
| | | Supply | | | |
| 31 | 997 106 728 03 | Water hose | left | 1 | |
| | | Return line | | | |
| 32 | 997 106 624 03 | Water hose | right | 1 | |
| | | Return line | | | |
| 33 | | Radiator | | X | |
| | | see illustration: | 105-015 | | |
| 34 | | Transverse strut | | X | |
| | | tunnel | | | |
| | | see illustration: | 801-070 | X | |
| 35 | 997 106 802 02 | Spring | | 2 | |
| | | SCB 36 | | | |
| 36 | 997 106 802 03 | Spring | | 6 | |
| | | SCB 42 | | | |
| 37 | 997 106 802 01 | Spring | | 2 | |
| | | SCB 33 | | | |
| 38 | 996 106 801 02 | O-ring | | 2 | |

Model: 997-09

Model life 2009>>2012



Model: 997-09 Model life 2009>>2012

| Pos | Part Number | Description | Remark | Qty | Model |
|------|--------------------|--|--------|-----|------------|
| | | Water cooling 3 | | | A101,A102 |
| 1 | 997 106 131 02 | Radiator | left | 1 | |
| (1) | 997 106 132 02 | Radiator | right | 1 | |
| 2 | 997 624 127 02 | Radiator fan | left | 1 | |
| (2) | 997 624 128 02 | Fan | right | 1 | |
| 3 | 997 624 131 02 | Air guide | left | 1 | |
| (3) | 997 624 132 02 | Air guide | right | 1 | |
| 4 | 900 377 010 01 | Hexagon nut M 6 | | 6 | |
| 6 | 997 573 711 00 | Sealing frame Condenser | | 1 | |
| 7 | 999 919 125 09 | Hexagon bolt plastic M 6 x 16 | | 6 | |
| 8 | 997 106 155 01 | Console | left | 1 | |
| (8) | 997 106 156 01 | Console | right | 1 | |
| 9 | 997 106 625 04 | Radiator Water hose Return line | left | 1 | |
| (9) | 997 106 626 05 | Water hose Return line | right | 1 | |
| 10 | 997 106 621 05 | Water hose Supply | left | 1 | |
| (10) | 997 106 622 04 | Water hose Supply | right | 1 | |
| 11 | 997 106 255 02 | Connecting piece | | 2 | |
| 12 | 997 106 802 01 | Spring SCB 33 | | 1 | |
| 13 | 997 106 802 02 | Spring SCB 36 | | 1 | |
| 14 | 997 575 321 04 | Air guide | left | 1 | PR:181,182 |
| | 997 575 321 04 01C | Black | | | |
| 14 | 997 575 321 07 | Air guide | left | 1 | PR:183 |
| | 997 575 321 07 01C | Satin black | | | |
| (14) | 997 575 322 04 | Air guide | right | 1 | PR:181,182 |
| | 997 575 322 04 01C | Black | | | |
| (14) | 997 575 322 07 | Air guide | right | 1 | PR:183 |
| | 997 575 322 07 01C | Satin black | | | |
| 15 | 999 919 134 09 | fillister hd. bolt M 6 X 16 | | 6 | |
| 16 | 900 385 009 01 | Torx screw M 6 X 16 | | 6 | |
| 17 | 999 703 494 40 | Rubber bush 15 X 19,5 | | 4 | |
| 18 | 999 025 255 02 | Washer | | 4 | |
| 19 | 999 166 083 09 | Retaining plate B 25 | | 4 | |
| 20 | 997 575 341 00 | Air guide | left | 1 | |
| (20) | 997 575 342 00 | Air guide | right | 1 | |
| 21 | 997 106 232 01 | Bracket | outer | 2 | |
| 22 | 997 106 455 00 | Bracket | left | 1 | |
| 23 | 999 591 350 02 | panel nut ST 4,8 Discontinued part | | 6 | |
| 23 | 999 591 350 01 | panel nut ST 4,8 | | 6 | |
| 24 | 997 106 231 02 | Bracket | inner | 2 | |
| 25 | 997 106 802 00 | Spring SCB 26 | | 2 | |
| 26 | 997 512 742 01 | clamp | | 2 | |
| 27 | 997 106 902 00 | clamp | | 2 | |
| 28 | 999 919 125 09 | Hexagon bolt 6,0 X 16 | | 1 | |

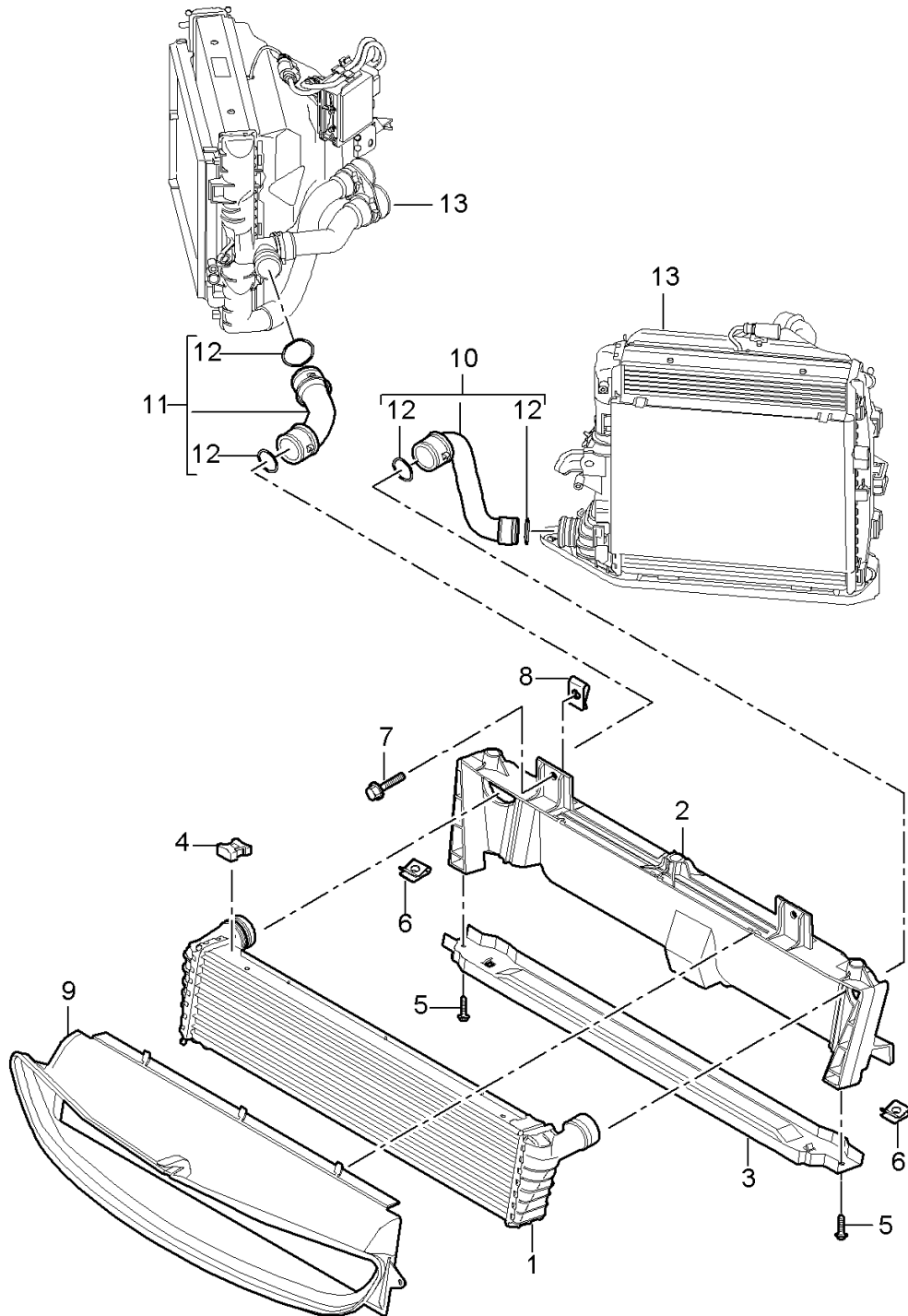
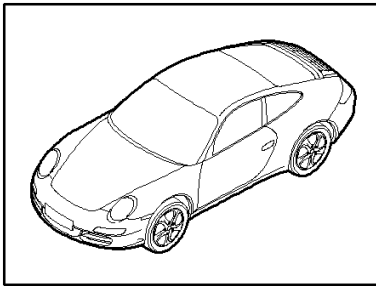
Model: 997-09

Model life 2009>>2012

| Pos | Part Number | Description | Remark | Qty | Model |
|-----|--------------------|--------------------------------------|---------|-----|-------|
| 29 | | Condenser | | | |
| | | see illustration: | 813-025 | | |
| 30 | 997 106 456 00 | Bracket | right | 1 | |
| 31 | 900 377 010 01 | Hexagon nut M 6 | | 2 | |
| 32 | | Control unit Cooling air control | | 1 | |
| | | see illustration: | 901-003 | | |
| 33 | 997 106 546 02 | Bungs | | 2 | |
| 34 | 999 591 329 01 | panel nut ST 4,8 | | 3 | |
| 35 | 997 575 141 04 | Air guide | | 1 | |
| | 997 575 141 04 01C | Black | center | | |
| | | without: | | | |
| 36 | 999 072 048 01 | Radiator Hexagon bolt M 8 X 25 | | 2 | |
| 37 | 999 084 447 01 | Hexagon nut M 8 | | 4 | |
| 37 | PAF 003 923 | Hexagon nut M 8 | | 4 | |

Model: 997-09

Model life 2009>>2012



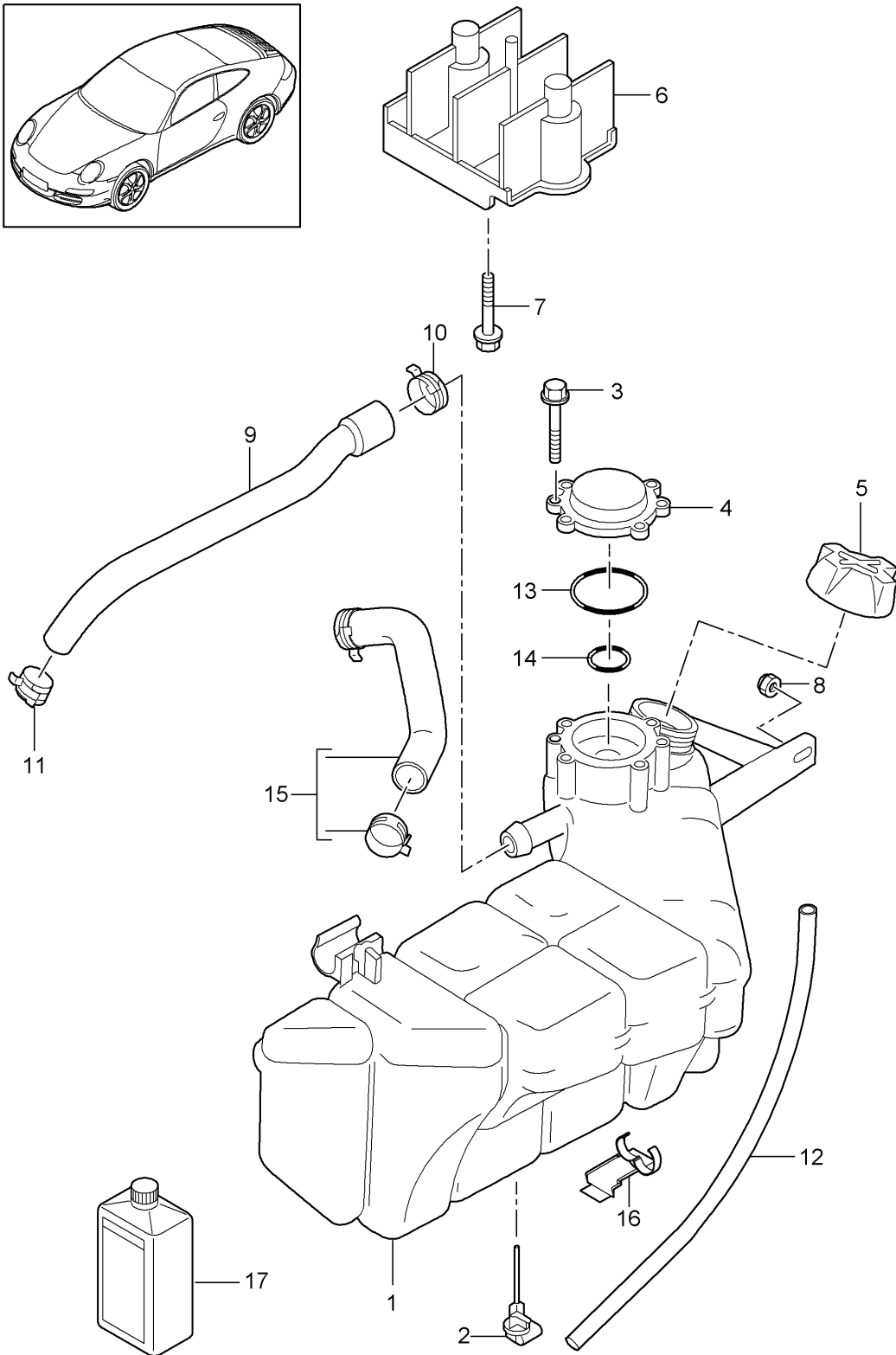
Model: 997-09

Model life 2009>>2012

| Pos | Part Number | Description | Remark | Qty | Model |
|-----|----------------|--|---------|-----|--------|
| | | Radiator | center | | PR:183 |
| 1 | 997 106 037 02 | Radiator | | 1 | |
| 2 | 997 504 487 00 | Retaining frame | upper | 1 | |
| 3 | 997 504 485 00 | Retaining frame | lower | 1 | |
| 4 | 997 106 437 00 | Rubber bush | | 4 | |
| 5 | 900 378 035 01 | Hexagon bolt M 6 X 16 | | 2 | |
| 6 | 999 591 882 01 | panel nut M 6 | | 2 | |
| 7 | 900 378 074 09 | Hexagon bolt M 8 X 16 | | 4 | |
| 8 | 999 591 869 02 | panel nut M 8 | | 4 | |
| 9 | 997 575 141 06 | Air guide Radiator Discontinued part | center | 1 | |
| (9) | 997 575 141 07 | Air guide Radiator | center | 1 | |
| 10 | 997 106 639 04 | Water hose Return line | | 1 | |
| 11 | 997 106 638 04 | Water hose Supply | | 1 | |
| 12 | | see illustration: | 105-015 | | |

Model: 997-09

Model life 2009>>2012



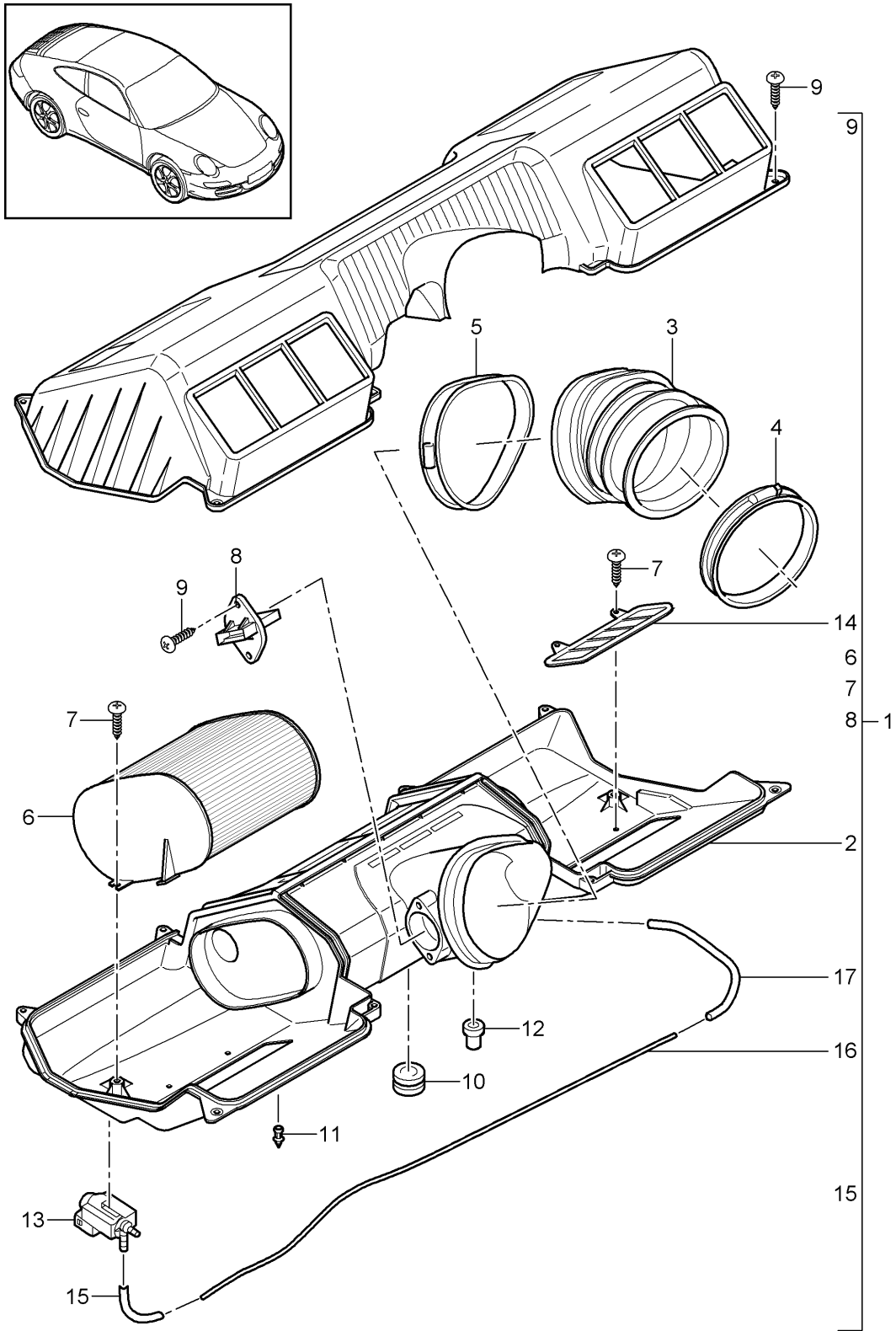
Model: 997-09

Model life 2009>>2012

| Pos | Part Number | Description | Remark | Qty | Model |
|------|----------------|--|----------|-----|-----------|
| | | Coolant cooling system | | | A101,A102 |
| 1 | 996 106 157 03 | Water reservoir | | 1 | |
| 2 | 997 641 503 00 | Switch | | 1 | |
| 3 | 999 919 058 01 | Hexagon bolt 5,0 X 40 | | 8 | |
| 4 | 996 106 347 02 | Bleed valve | | 1 | |
| 5 | 996 106 447 03 | cap for expansion tank | | 1 | |
| 5 | 996 106 447 04 | No longer use the part here cap for expansion tank | | 1 | |
| 6 | 996 106 405 52 | Retainer for reservoir | | 1 | |
| 7 | 900 378 141 09 | Hexagon bolt M 6 X 35 | | 2 | |
| 8 | 999 076 071 02 | Hexagon nut M 6 | | 1 | |
| 9 | 997 106 251 01 | Vent hose | | 1 | |
| 10 | 999 512 657 09 | Hose clamp 26 X 12 | | 1 | |
| 11 | 999 512 653 09 | Hose clamp 20 X 12 | | 1 | |
| 12 | 996 106 297 05 | Overflow hose | | 1 | |
| 13 | 999 707 370 40 | O-ring 47 X 4 | | 1 | |
| 14 | 999 707 371 40 | O-ring 17 X 4 | | 1 | |
| 15 | 997 106 851 33 | Water hose Discontinued part | | 1 | |
| 15 | 997 106 851 34 | Water hose | | 1 | |
| 16 | 996 110 260 00 | Retainer for fuel line | | 1 | |
| 17 | 000 043 301 03 | Coolant additive Discontinued part | 1.0 Ltr. | X | |
| (17) | 000 043 301 05 | Coolant additive 1 GALLON Discontinued part | | X | |
| (17) | 000 043 301 04 | Coolant additive 20 LTR. | 20ltr. | X | |
| (17) | 000 043 301 47 | Coolant additive Discontinued part | 1.0 Ltr. | X | |
| (17) | 000 043 305 15 | Coolant additive | 1.0 Ltr. | X | |
| (17) | 000 043 301 48 | Coolant additive Discontinued part | 20ltr. | X | |
| (17) | 000 043 305 16 | Coolant additive | 20ltr. | X | |
| (17) | 000 043 305 64 | Cleaning solution | 20ltr. | 1 | |
| (17) | 000 043 301 49 | Coolant additive 1 GALLON Discontinued part | | X | |
| (17) | 000 043 305 75 | Coolant additive 1 GALLON | | X | |

Model: 997-09

Model life 2009>>2012



Model: 997-09

Model life 2009>>2012

| Pos | Part Number | Description | Remark | Qty | Model |
|-----|----------------|--|--------|-----|------------------------------------|
| 1 | 997 110 020 31 | Air filter | | 1 | A102+ |
| (1) | 997 110 021 31 | Air filter | | 1 | PR:-172 A102+ |
| (1) | 997 110 022 31 | Air filter | | 1 | PR:172 A101+ |
| (1) | 997 110 022 40 | Air filter | | 1 | PR:-X51,-172 A101+ |
| (1) | 997 110 022 50 | Kit Air filter | | 1 | PR:X51,-011, -172,-019 A101+ |
| (1) | 997 110 022 60 | Kit Air filter | | 1 | PR:X51,011, -172 A101+ |
| (1) | 997 110 023 31 | Kit Air filter | | 1 | PR:X51,019, -172 A101+ |
| (1) | 997 110 023 40 | Air filter | | 1 | PR:172,-X51 A101+ |
| (1) | 997 110 023 50 | Kit Air filter | | 1 | PR:X51,172, -011,-019 A101+ |
| (1) | 997 110 023 60 | Kit Air filter | | 1 | PR:X51,172, 011 A101+ |
| 2 | 997 110 210 31 | Kit air cleaner, lower part | | 1 | PR:X51,019, 172 A102+ |
| 2 | 997 110 211 31 | air cleaner, lower part | | 1 | PR:-172 A102+ |
| (2) | 997 110 212 31 | air cleaner, lower part | | 1 | PR:172 A101+ |
| (2) | 997 110 212 40 | air cleaner, lower part | | 1 | PR:-X51,-172 A101+ |
| (2) | 997 110 212 50 | Kit air cleaner, lower part | | 1 | PR:X51,-011, -172,-019 A101+ |
| (2) | 997 110 212 60 | Kit air cleaner, lower part | | 1 | PR:X51,011, -172 A101+ |
| (2) | 997 110 213 31 | Kit Air filter Lower part | | 1 | PR:X51,019, -172 A101+ |
| (2) | 997 110 213 40 | Kit air cleaner, lower part | | 1 | PR:172,-X51 A101+ |
| (2) | 997 110 213 50 | Kit air cleaner, lower part | | 1 | PR:X51,172, -011,-019 A101+ |
| (2) | 997 110 213 60 | Kit air cleaner, lower part | | 1 | PR:X51,172, 011 A101+ |
| 3 | 997 110 270 30 | Kit air guide for air cleaner | | 1 | PR:X51,172, 019 |
| (3) | 997 110 270 31 | Discontinued part air guide for air cleaner | | 1 | |
| 4 | 999 512 539 01 | Hose clamp 90 - 110 | | 1 | |
| 5 | 997 110 255 30 | Hose clamp | | 1 | |
| 6 | 997 110 130 30 | Air filter element | | 2 | |
| (6) | 997 110 130 31 | D >> - MJ 2009 Air filter element | | 2 | |

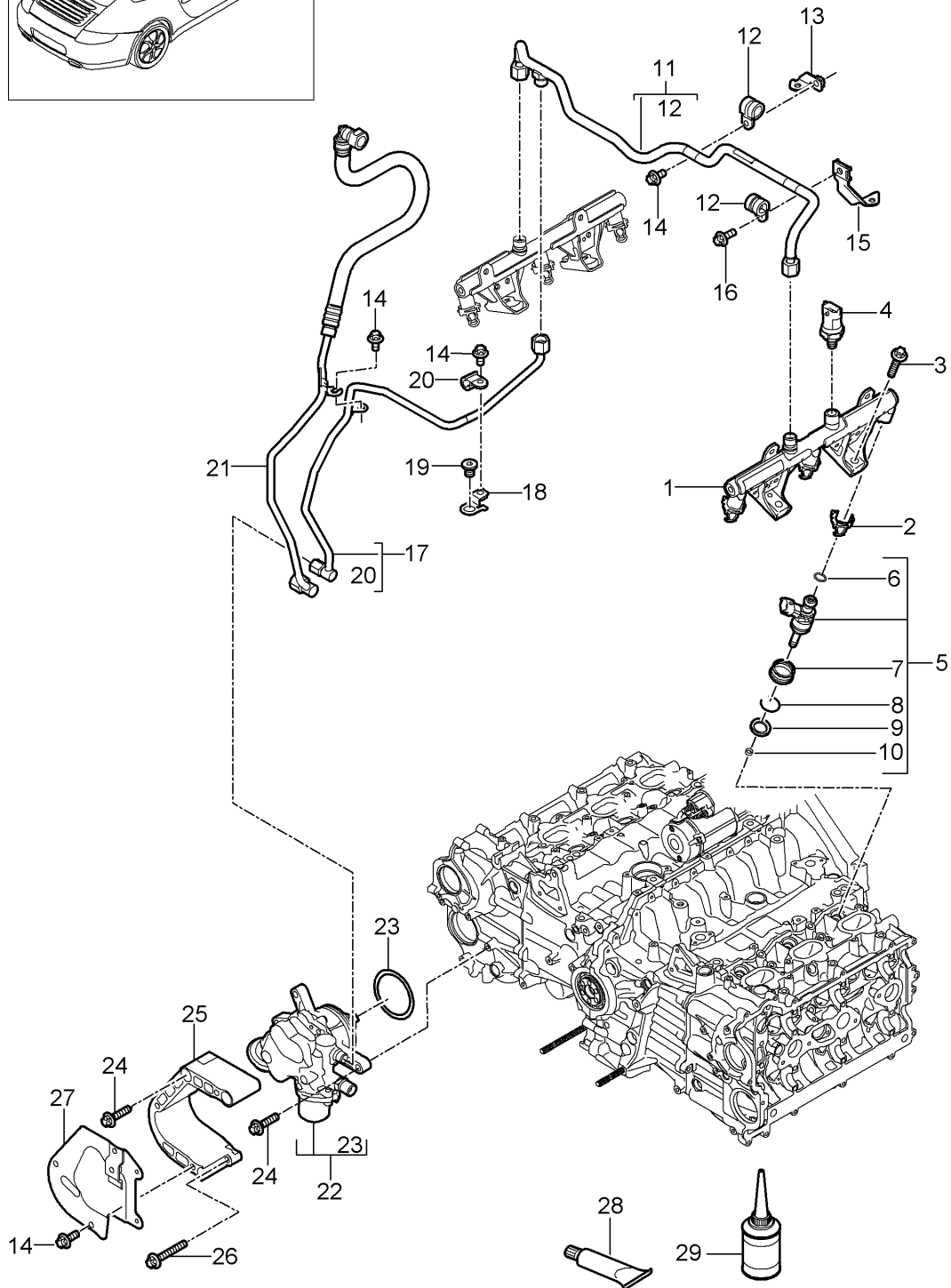
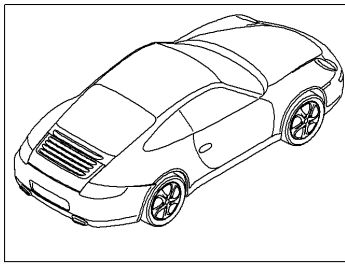
Model: 997-09

Model life 2009>>2012

| Pos | Part Number | Description | Remark | Qty | Model |
|------|----------------|--|--------|-----|---------|
| 7 | 999 919 262 01 | D - MJ 2010>> fillister hd. bolt 4 X 16 | | 6 | |
| 8 | 986 606 125 01 | Air mass meter | | 1 | |
| 9 | 999 919 160 07 | fillister hd. bolt 5 X 20 Air mass meter | | 1 | |
| 10 | 999 702 246 40 | Grommet 12 X 17 | | 2 | |
| 11 | 997 110 137 01 | Clip | | 1 | |
| 12 | 999 703 267 40 | bush 12,0 X 25,6 X 17 | | 1 | |
| 13 | 996 605 123 01 | Change-over valve | | 1 | A101 |
| 14 | 997 110 240 30 | Frame | | 2 | PR:-172 |
| (14) | 997 110 241 30 | Frame | | 1 | PR:172 |
| 15 | 999 239 042 40 | Hose 3,5 X 2,0 X 75 | | 1 | |
| - | 000 043 205 01 | Pipe 4 X 1 | | * | |
| 16 | | shorten to: | 500 MM | 1 | |
| 17 | 999 239 041 40 | Hose 3,5 X 2,0 X 125 | | 1 | |

Model: 997-09

Model life 2009>>2012



Model: 997-09

Model life 2009>>2012

| Pos | Part Number | Description | Remark | Qty | Model |
|-----|----------------|---|--------|-----|-----------------|
| (1) | 9A1 110 859 02 | Fuel collection pipe high pressure pump Fuel collection pipe Cyl. 1 - 3 Discontinued part | | 1 | |
| 1 | 9A1 110 859 03 | Fuel collection pipe Cyl. 1 - 3 | | 1 | |
| (1) | 9A1 110 859 40 | Fuel collection pipe Cyl. 1 - 3 Kit Discontinued part | | 1 | A101+ PR:X51 |
| (1) | 9A1 110 859 41 | Fuel collection pipe Cyl. 1 - 3 Kit | | 1 | A101+ PR:X51 |
| 1 | 9A1 110 860 02 | Fuel collection pipe Cyl. 4 - 6 | | 1 | |
| 1 | 9A1 110 860 04 | Fuel collection pipe Cyl. 4 - 6 | | 1 | |
| (1) | 9A1 110 860 40 | Fuel collection pipe Cyl. 4 - 6 Kit Discontinued part | | 1 | A101+ PR:X51 |
| (1) | 9A1 110 860 41 | Fuel collection pipe Cyl. 4 - 6 Kit | | 1 | A101+ PR:X51 |
| 2 | 9A1 110 866 01 | Fixing Fuel collection pipe high-pressure injector Discontinued part | | 6 | |
| (2) | 9A1 110 866 02 | Fixing Fuel collection pipe high-pressure injector Discontinued part | | 6 | |
| (2) | 9A1 110 866 03 | Fixing Fuel collection pipe high-pressure injector D - MJ 2011>> | | 6 | |
| 3 | 900 385 048 01 | Torx screw M6 X 30 | | 8 | |
| 4 | 948 606 230 01 | Pressure sensor M10 X 1 | | 1 | |
| 4 | 999 653 067 40 | Connector Pressure sensor | | 1 | |
| 5 | 9A1 110 128 00 | high-pressure injector | | 6 | A101 |
| (5) | 9A1 110 128 10 | high-pressure injector | | 6 | A102 |
| 6 | 999 701 112 40 | O-ring 7,52 X 3,51 See technical manual | Group: | 6 | |
| 7 | 9A1 110 524 01 | 24 Bellows high-pressure injector | | 6 | |
| 8 | 900 906 011 02 | snap ring A 14 | | 6 | |
| 9 | 9A1 605 520 00 | Spacer ring | | 6 | |
| 10 | 999 704 020 90 | seal ring 6,3 X 2,8 | | 6 | |
| 11 | 9A1 110 092 01 | Pressure line Fuel collection pipe See technical manual | Group: | 1 | |
| | | 24 Discontinued part | | | |

Model: 997-09 Model life 2009>>2012

| Pos | Part Number | Description | Remark | Qty | Model |
|------|----------------|---|--------|-----|-----------------|
| 11 | 9A1 110 092 02 | Pressure line Fuel collection pipe See technical manual Group: 24 | | 1 | |
| 11 | 9A1 110 092 03 | Pressure line Fuel collection pipe | | 1 | |
| (11) | 9A1 110 092 40 | Pressure line Fuel collection pipe Kit See technical manual Group: 24 | | 1 | A101+ PR:X51 |
| (11) | 9A1 110 092 41 | Discontinued part Pressure line Fuel collection pipe Kit See technical manual Group: 24 | | 1 | A101+ PR:X51 |
| 12 | 999 511 114 01 | Hose clamp D1 12 X 15 | | 2 | |
| (12) | 999 511 803 01 | Hose clamp D1 11 X 15 | | 2 | A101+ PR:X51 |
| 13 | 9A1 110 945 00 | bracket for pressure line | | 1 | |
| 14 | 900 385 041 01 | Torx screw M6 X 12 | | X | |
| 15 | 9A1 110 947 01 | bracket for pressure line | | 1 | |
| 16 | 900 385 009 01 | Torx screw M6 X 16 | | 1 | |
| 17 | 9A1 110 095 01 | Pressure line high pressure pump t-piece See technical manual Group: 24 | | 1 | |
| 17 | 9A1 110 095 02 | Discontinued part Pressure line high pressure pump t-piece See technical manual Group: 24 | | 1 | |
| 18 | 9A1 110 940 00 | bracket for pressure line | | 1 | |
| 19 | 900 219 006 01 | sealing plug M12 X 1,5 | | 1 | |
| 20 | 999 511 153 01 | Hose clamp D1 8 X 15 | | 1 | |
| 21 | 9A1 110 905 03 | Fuel line See technical manual Group: 24 | | 1 | |
| 22 | 9A1 110 315 01 | high pressure pump Discontinued part | | 1 | |
| 22 | 9A1 110 315 02 | high pressure pump D >> - MJ 2009 Discontinued part | | 1 | |
| 22 | 9A1 110 315 03 | high pressure pump D - MJ 2010>> - MJ 2010 Discontinued part | | 1 | |
| 22 | 9A1 110 315 04 | high pressure pump D - MJ 2010>> - MJ 2010 Discontinued part | | 1 | |

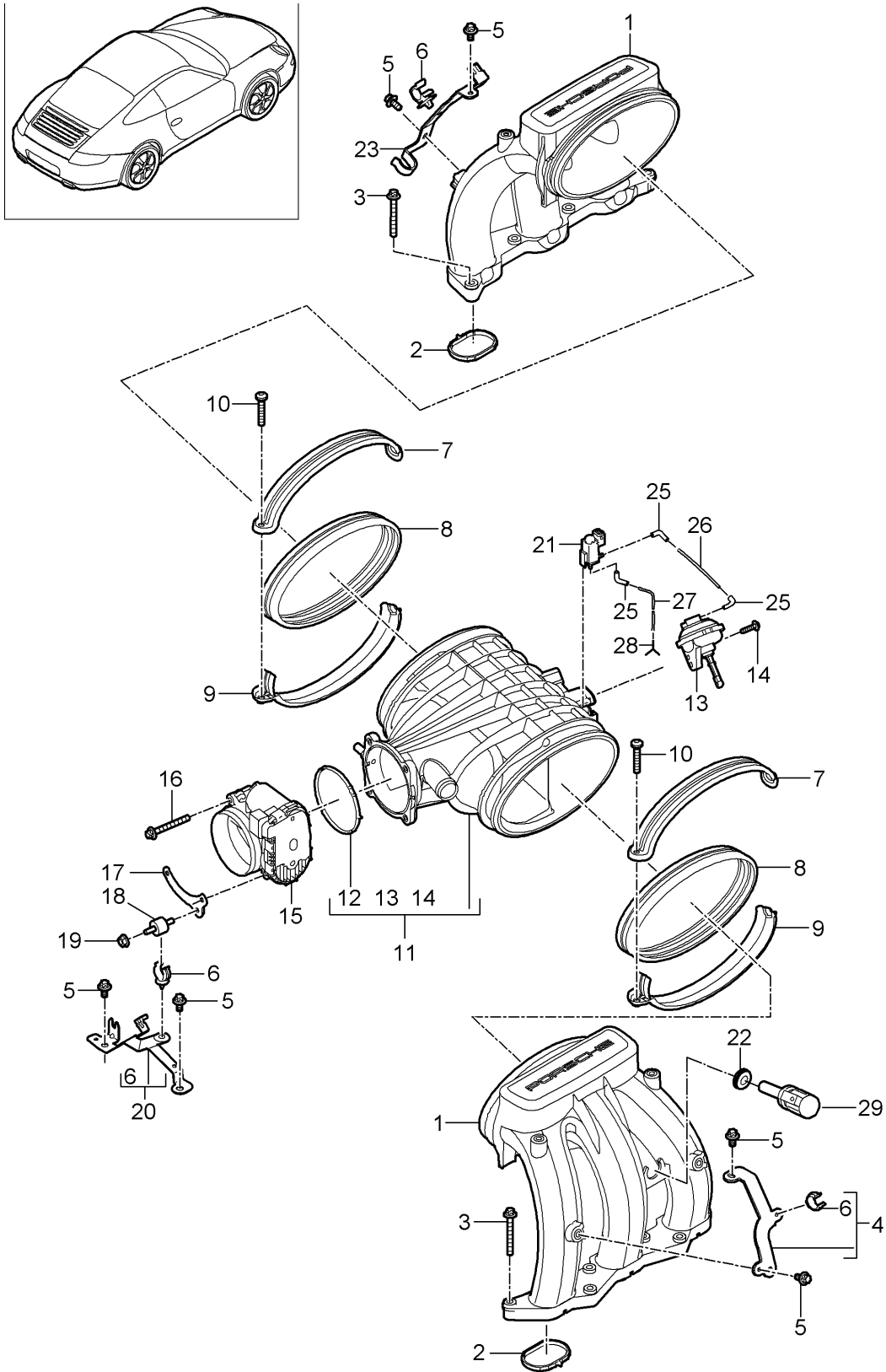
Model: 997-09

Model life 2009>>2012

| Pos | Part Number | Description | Remark | Qty | Model |
|------|----------------|---|--------|-----|-------|
| 22 | 9A1 110 315 05 | high pressure pump D - MJ 2010>> - MJ 2010 | | 1 | |
| 22 | 9A1 110 315 06 | high pressure pump D - MJ 2011>> | | 1 | |
| (22) | 9A1 110 315 FX | high pressure pump D - MJ 2011>> | | 1 | |
| 23 | 999 707 632 40 | O-ring 55,25 x 2,62 | | 1 | |
| 24 | 900 385 072 01 | Torx screw M6 X 25 | | 4 | |
| 25 | 9A1 110 880 00 | Cover high pressure pump | | 1 | |
| 26 | 900 385 045 01 | Torx screw M6 X 40 | | 1 | |
| 27 | 9A1 110 881 00 | Heat insulation high pressure pump D >> - MJ 2011 | | 1 | |
| 27 | 9A1 110 881 01 | Heat insulation high pressure pump D - MJ 2012>> | | 1 | |
| 28 | 000 043 207 35 | Grease 30 ml | | 1 | |
| 29 | 000 043 207 36 | Lubricants 50 ml Discontinued part | | 1 | |
| 29 | 000 043 303 27 | Lubricants 50 ml | | 1 | |
| 30 | 9A1 110 525 00 | Cover cap for high pressure pump | | 1 | |

Model: 997-09

Model life 2009>>2012



Model: 997-09

Model life 2009>>2012

| Pos | Part Number | Description | Remark | Qty | Model |
|------|----------------|---|--------|-----|------------|
| | | intake air distributor throttle valve adapter | | | A101,A102 |
| 1 | 9A1 110 115 01 | intake air distributor | | 2 | |
| 2 | 9A1 110 215 01 | Seal | | 6 | |
| 3 | 900 385 270 01 | Hexagon head bolt M6 X 35 | | 14 | |
| 4 | 9A1 110 294 01 | Bracket intake air distributor | | 1 | |
| 5 | 900 385 041 01 | Torx screw M6 X 10 | | 6 | |
| 6 | 999 507 930 40 | Hose bracket 21,0 - 23,0 | | 3 | |
| 7 | 9A1 110 212 01 | Clamp Upper part | | 2 | |
| 8 | 9A1 110 210 01 | Rubber sleeve | | 2 | |
| 9 | 9A1 110 213 01 | Clamp Lower part | | 2 | |
| 10 | 999 073 352 02 | flat round head bolt M6 X 35 | | 2 | |
| 11 | 9A1 110 020 02 | Distributor tube (complete) | | 1 | A101 |
| (11) | 9A1 110 020 03 | D >> - MJ 2009 Distributor tube (complete) | | 1 | A101 |
| (11) | 9A1 110 020 04 | M >> B 03735 D - MJ 2010>> Distributor tube (complete) | | 1 | A101 |
| (11) | 9A1 110 120 11 | M B 03736 >> Distributor tube | | 1 | A102 |
| (11) | 9A1 110 120 12 | M >> B 02302 Discontinued part Distributor tube | | 1 | A102 |
| 12 | 9A1 110 220 01 | Seal Distributor tube | | 1 | |
| 13 | 993 110 462 02 | Vacuum unit | | 1 | |
| 14 | 999 919 245 01 | fillister hd. bolt M5 X 18 | | 2 | |
| (14) | 999 919 265 01 | No longer use the part here Oval-head screw M5 X 18 | | 2 | |
| 15 | 997 605 116 01 | throttle valve adapter | | 1 | |
| 16 | 900 385 070 01 | Torx screw M6 X 50 | | 4 | |
| 16 | PAF 008 685 00 | Torx screw M6 X 50 | | 4 | |
| 17 | 9A1 110 290 00 | Support throttle valve adapter | | 1 | |
| 18 | 999 703 239 01 | sound absorber piece 20 X 15 /M6 | | 1 | |
| 19 | 900 377 010 01 | Hexagon nut M6 | | 1 | |
| - | 900 380 022 01 | Hexagon nut M6 | | 1 | |
| 20 | 9A1 110 292 00 | Bracket throttle valve adapter Discontinued part | | 1 | |
| 20 | 9A1 110 292 01 | Bracket throttle valve adapter | | 1 | |
| 21 | 996 605 123 01 | Change-over valve | | 1 | PR:250,480 |
| 22 | 993 110 530 01 | Grommet | | 1 | |
| 23 | 9A1 110 296 03 | Bracket | | 1 | |

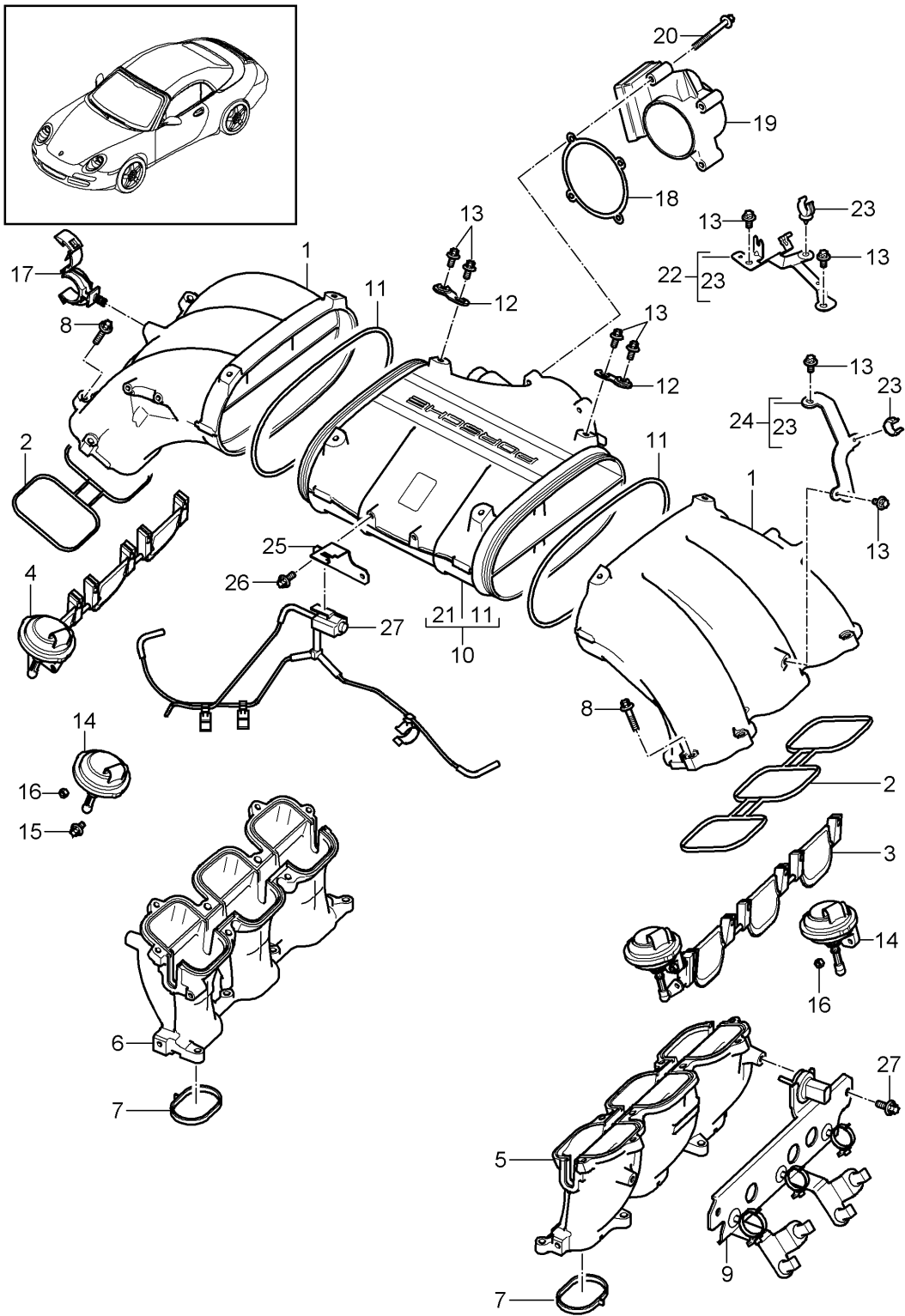
Model: 997-09

Model life 2009>>2012

| Pos | Part Number | Description | Remark | Qty | Model |
|-----|----------------|---|--------|-----|-------|
| 24 | 999 651 398 40 | intake air distributor Cable holder 11,0 / 13,0 | | 1 | |
| 25 | 999 239 045 40 | Molded hose 3,5 X 2,0 X 60 | | 3 | A101 |
| 26 | 999 181 421 40 | Pipe 4,0 X 1,0 X 90 | | 1 | A101 |
| 26 | 900 918 104 40 | D >> - MJ 2010 Pipe 4,0 X 1,0 X 110 | | 1 | A101 |
| 27 | 999 181 373 40 | D - MJ 2011>> Pipe 4,0 X 1,0 X 230 | | 1 | A101 |
| 28 | 928 573 727 03 | Distributor Discontinued part | | 1 | A101 |
| 28 | 928 573 727 05 | Distributor | | 1 | A101 |
| 29 | 997 606 213 00 | Temperature sensor Engine bay | | 1 | |

Model: 997-09

Model life 2009>>2012



Model: 997-09 Model life 2009>>2012

| Pos | Part Number | Description | Remark | Qty | Model |
|-----|----------------|---|------------------------------|-----|-----------------|
| 1 | 9A1 110 115 40 | intake air distributor throttle valve adapter | | 2 | A101+ PR:X51 |
| 2 | 9A1 110 440 40 | intake air distributor Upper part Flange gasket | | 2 | A101+ PR:X51 |
| 3 | 9A1 110 425 40 | shaft Flap | with: cylinders 1-3 | 1 | A101+ PR:X51 |
| (3) | 9A1 110 425 41 | Discontinued part shaft Flap | with: cylinders 1-3 | 1 | A101+ PR:X51 |
| 4 | 9A1 110 426 40 | shaft Flap | with: cylinders 4-6 | 1 | A101+ PR:X51 |
| (4) | 9A1 110 426 41 | Discontinued part shaft Flap | with: cylinders 4-6 | 1 | A101+ PR:X51 |
| 5 | 9A1 110 025 40 | intake air distributor Lower part | cylinders 1-3 | 1 | A101+ PR:X51 |
| 6 | 9A1 110 026 40 | intake air distributor Lower part | cylinders 4-6 | 1 | A101+ PR:X51 |
| 7 | 9A1 110 215 01 | Seal | | 6 | |
| 8 | 900 385 049 01 | Torx screw M 6 X 30 | | 16 | |
| 9 | | Bracket | see illustration: 902-020 | | |
| 10 | 9A1 110 020 40 | Distributor tube | | 1 | A101+ PR:X51 |
| 11 | 900 331 056 40 | O-ring for Distributor tube | | 2 | |
| 12 | 9A1 110 510 40 | Connecting piece Distributor tube | | 4 | |
| 13 | 900 385 041 01 | Torx screw M 6 x 12 | | 14 | |
| 14 | 993 110 462 02 | Vacuum unit | | 2 | |
| 15 | 900 385 112 01 | Torx screw M 5 x 12 | | 1 | |
| 16 | 900 380 001 01 | Hexagon nut M 5 Self-locking | | 2 | |
| 17 | 999 507 996 40 | Bracket 22,0 / 26,0 | | 1 | |
| 18 | 9A1 110 220 01 | Seal | | 1 | |
| 19 | 997 605 116 01 | throttle valve adapter | | 1 | |
| 20 | 900 385 070 01 | Torx screw M 6 x 40 | | 4 | |
| 20 | PAF 008 685 00 | Torx screw M 6 x 40 | | 4 | |
| 21 | 9A1 110 120 40 | Distributor tube | | 1 | |
| 22 | 9A1 110 292 00 | Bracket throttle valve adapter | | 1 | |
| 22 | 9A1 110 292 01 | Discontinued part Bracket | | 1 | |

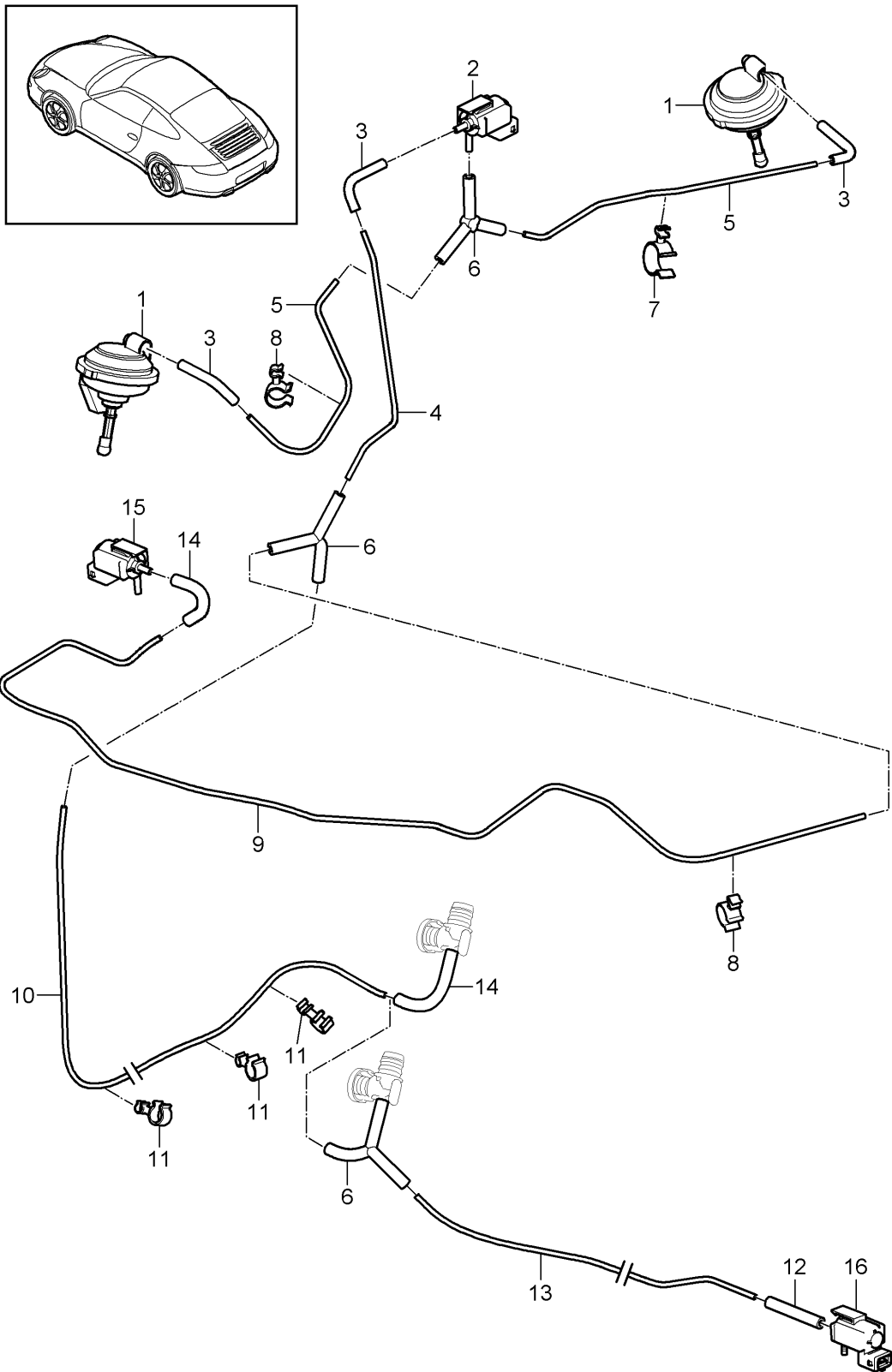
Model: 997-09

Model life 2009>>2012

| Pos | Part Number | Description | Remark | Qty | Model |
|-----|----------------|---|---------|-----|-------|
| 23 | 999 507 930 40 | throttle valve adapter Hose bracket 21,0 - 23,0 | | 2 | |
| 24 | 9A1 110 294 01 | Bracket intake air distributor | | 1 | |
| 25 | 9A1 607 169 40 | Retaining plate Change-over valve | | 1 | |
| 26 | 900 385 041 01 | Torx screw M 6 x 12 | | 2 | |
| 27 | | vacuum system see illustration: | 107-014 | | |

Model: 997-09

Model life 2009>>2012



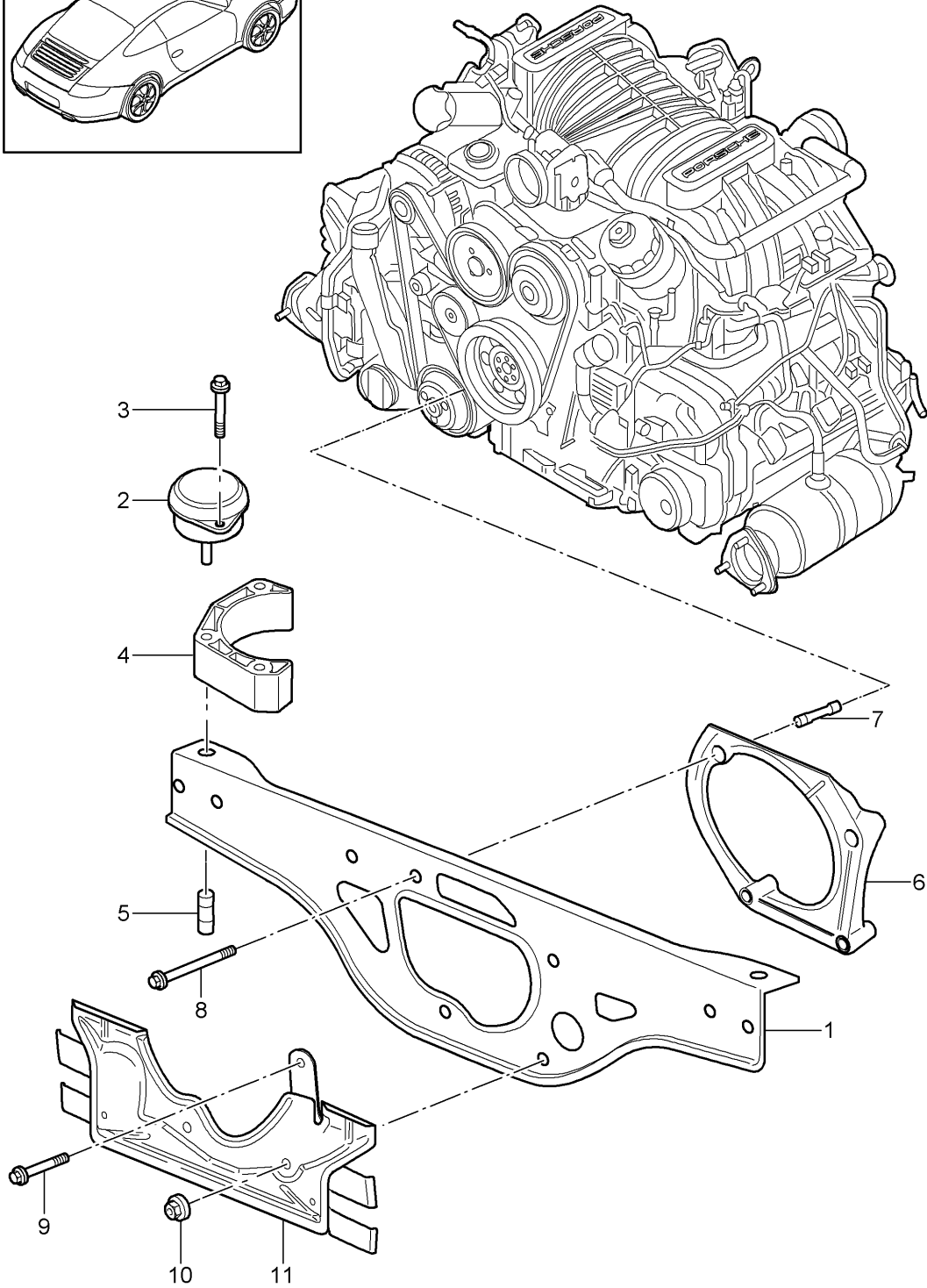
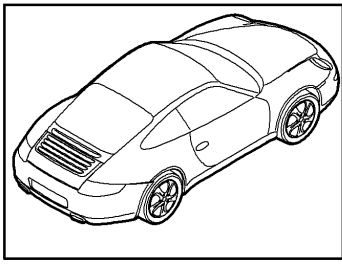
Model: 997-09

Model life 2009>>2012

| Pos | Part Number | Description | Remark | Qty | Model |
|-----|----------------|-----------------------------|--------|-----|--------|
| | | vacuum system | | | A101+ |
| | | Engine | | | PR:X51 |
| 1 | 993 110 462 02 | Vacuum unit | | 2 | |
| 2 | 996 605 123 01 | Change-over valve | | 2 | PR:480 |
| 2 | 996 605 123 01 | Change-over valve | | 3 | PR:250 |
| 3 | 999 239 045 40 | Molded hose | | 3 | |
| | | 3,5 x 2,0 x 60 | | | |
| 3 | 999 239 045 40 | Molded hose | | 3 | |
| | | 3,5 x 2,0 x 60 | | | |
| 4 | 999 181 373 40 | Pipe | | 1 | |
| | | 4 x 1 x 230 | | | |
| 5 | 999 181 369 40 | Pipe | | 2 | |
| | | 4 x 1 x 270 | | | |
| 6 | 928 573 727 05 | Distributor | | 3 | PR:250 |
| | | Triple | | | |
| 6 | 928 573 727 05 | Distributor | | 2 | PR:480 |
| | | Triple | | | |
| 7 | 999 507 872 40 | Bracket | | 1 | |
| | | 4 x 22 | | | |
| 8 | 999 507 873 40 | Bracket | | 2 | |
| | | 4 x 14 | | | |
| 9 | 999 181 441 40 | Pipe | | 1 | |
| | | 4,0 x 1,0 x 990 | | | |
| 10 | 999 181 442 40 | Pipe | | 1 | |
| | | 4,0 x 1,0 x 650 | | | |
| 11 | 999 507 865 40 | Bracket | | 3 | |
| | | 4,0 / 11,0 | | | |
| 12 | 999 239 040 40 | Connecting piece | | 1 | PR:250 |
| 13 | 999 181 829 40 | Pipe | | 1 | PR:250 |
| | | 4,0 x 1,0 x 430 | | | |
| 14 | 928 574 717 05 | Molded hose | | 1 | PR:250 |
| 14 | 928 574 717 07 | Molded hose | | 1 | PR:250 |
| | | No longer use the part here | | | |
| 14 | 9P1 129 487 | Molded hose | | 1 | PR:250 |
| 14 | 928 574 717 05 | Molded hose | | 2 | PR:480 |
| 14 | 928 574 717 07 | Molded hose | | 2 | PR:480 |
| | | No longer use the part here | | | |
| 14 | 9P1 129 487 | Molded hose | | 2 | PR:480 |

Model: 997-09

Model life 2009>>2012



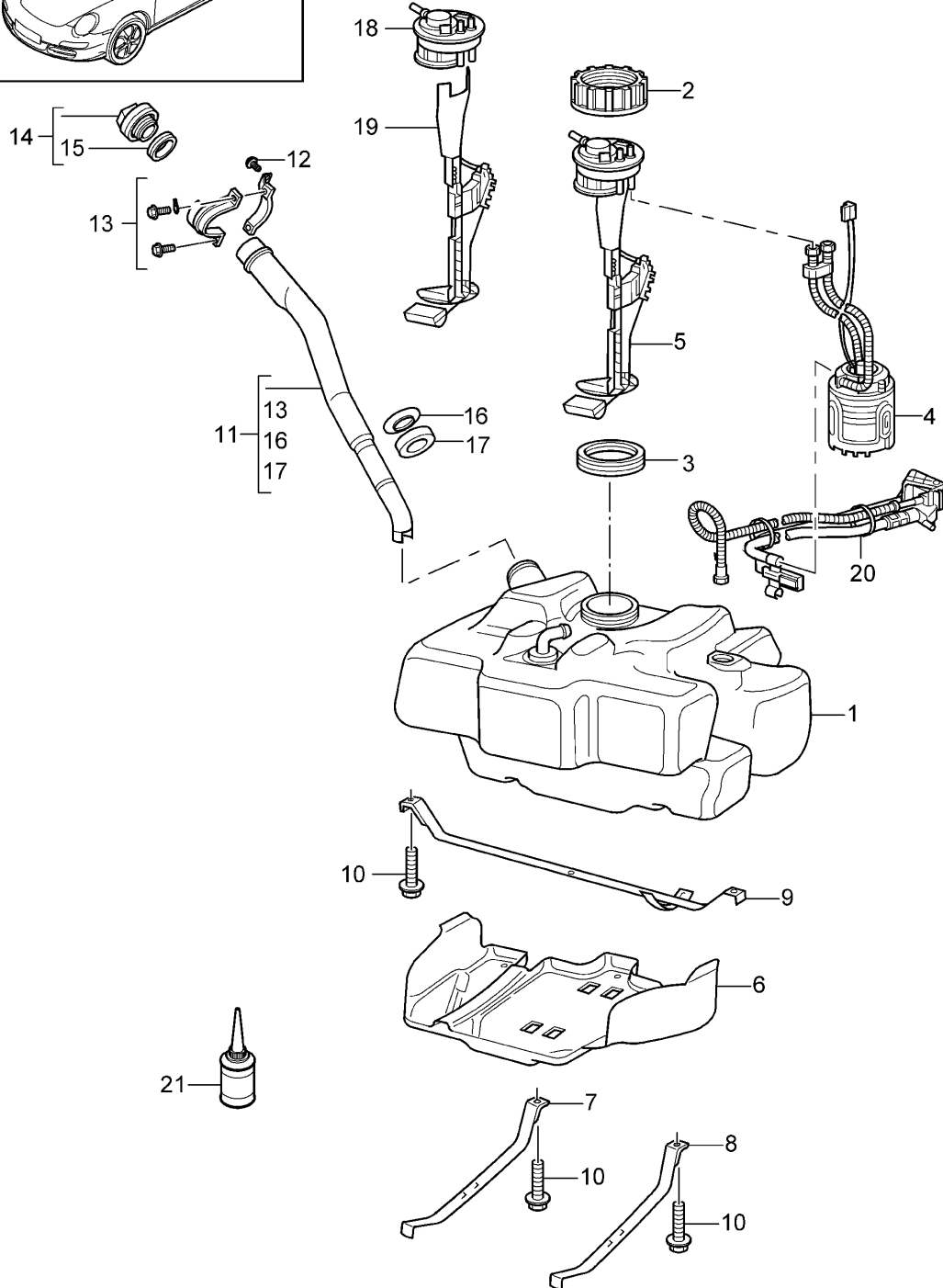
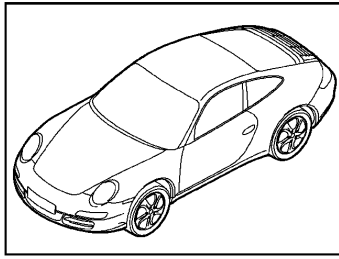
Model: 997-09

Model life 2009>>2012

| Pos | Part Number | Description | Remark | Qty | Model |
|-----|----------------|-----------------------------|---------|-----|-----------------------|
| 1 | 9A1 375 013 03 | Engine suspension | | 1 | A101, A102 |
| 2 | 997 375 049 07 | Engine brackets | | 2 | CABRIO/TARGA COUPE |
| (2) | 997 375 049 08 | hydro-mounting | | 2 | |
| 3 | 900 378 159 01 | hydro-mounting | | 2 | |
| | | Hexagon bolt | | 3 | |
| | | M 8 X 60 | | | |
| 4 | 996 375 221 02 | Adapter | | 2 | |
| 5 | 9A1 375 425 01 | Sleeve | | 2 | |
| | | M12 X 1,5 | | | |
| 6 | 9A1 375 235 02 | Intermediate flange | | 1 | |
| 7 | 9A1 375 245 01 | spacer sleeve | | 1 | |
| | | Intermediate flange | | | |
| 8 | 900 378 283 01 | Torx screw | | 1 | |
| | | M10 X 130 | | | |
| | | No longer use the part here | | | |
| 8 | 900 385 286 01 | Outer hexagon round screw | | 1 | |
| | | BM10 X 130 | | | |
| 9 | 900 378 310 01 | Hexagon bolt | | 1 | |
| | | M10 X 80 | | | |
| | | No longer use the part here | | | |
| 9 | 900 385 062 01 | Outer hexagon round screw | | 1 | |
| | | BM10 X 80 | | | |
| 10 | 900 380 021 01 | Hexagon nut | | 2 | |
| | | M 10 | | | |
| 11 | | Bracket | | 1 | |
| | | Front silencer | | | |
| | | see illustration: | 202-000 | | |

Model: 997-09

Model life 2009>>2012



Model: 997-09 Model life 2009>>2012

| Pos | Part Number | Description | Remark | Qty | Model |
|------|----------------|---------------------------------------|----------|-----|---------------------------|
| (1) | 997 201 021 00 | Fuel tank | | 1 | Carrera 2/2S PR:664 |
| (1) | 997 201 021 02 | Fuel tank | | 1 | Carrera 4/4S PR:664 |
| - | 997 201 543 01 | Pipe | inner | 1 | Carrera 4/4S PR:664 |
| - | 997 201 543 02 | Pipe | inner | 1 | Carrera 2/2S PR:664 |
| (2) | 997 201 623 00 | Union nut | | 1 | Carrera 2/2S PR:664 |
| (2) | 997 201 623 00 | Union nut | | 1 | Carrera 4/4S |
| (3) | 997 201 733 00 | seal ring | | 1 | Carrera 2/2S PR:664 |
| (3) | 997 201 733 00 | seal ring | | 1 | Carrera 4/4S |
| (4) | 997 620 141 00 | Fuel pump | | 1 | Carrera 2/2S PR:664 |
| (4) | 997 620 141 00 | Fuel pump | | 1 | Carrera 4S |
| (4) | 997 620 141 00 | Fuel pump | | 1 | Carrera GTS PR:082 |
| (4) | 997 620 145 00 | Fuel pump | | 1 | Carrera 4/4S |
| 6 | 997 201 331 02 | Bottom protection for fuel tank | lhd | 1 | Carrera 2/2S PR:098 |
| 6 | 997 201 331 02 | Bottom protection for fuel tank | lhd | 1 | Carrera GTS PR:082,098 |
| (6) | 997 201 331 00 | Bottom protection for fuel tank | | 1 | Carrera 4/4S |
| (6) | 997 201 331 00 | Bottom protection for fuel tank | | 1 | Carrera GTS PR:-082 |
| 7 | 997 201 106 01 | tensioning strap | right | 1 | Carrera 2/2S |
| (7) | 997 201 106 00 | tensioning strap | right | 1 | Carrera 4/4S |
| 8 | 997 201 105 01 | tensioning strap | left | 1 | Carrera 2/2S |
| (8) | 997 201 105 00 | tensioning strap | left | 1 | Carrera 4/4S |
| (9) | 997 201 107 01 | tensioning strap | | 1 | Carrera 2/2S PR:664 |
| (9) | 997 201 107 00 | tensioning strap | | 1 | Carrera 4/4S |
| 10 | 900 075 479 01 | Bolt with washer M 8 X 40 | | 4 | |
| (11) | 997 201 043 13 | fuel filler neck | | 1 | Carrera 2/2S PR:664 |
| (11) | 997 201 043 11 | fuel filler neck | | 1 | Carrera 4/4S PR:664 |
| 12 | 999 073 348 09 | fillister hd. bolt M 6 X 20 | | 1 | |
| 13 | 997 201 951 02 | Bracket for filler neck (complete) | | 1 | |
| 14 | 996 201 241 03 | Fuel tank cap | | 1 | |
| | | | with: | | |
| - | 999 507 499 40 | Clip Spreader rivet 5,0 X 11,5 | | 1 | |
| 15 | 191 201 557 | seal ring | | 1 | |
| 16 | 996 201 755 00 | support washer | | 1 | |
| 17 | 996 201 753 00 | Seal | | 1 | |
| 18 | 997 201 421 00 | flange for Tank gauge | | 1 | Carrera 2/2S PR:664 |
| (18) | 997 201 421 02 | flange for Tank gauge | | 1 | Carrera 4/4S PR:664 |
| 19 | 997 620 831 02 | Tank gauge flange | | 1 | Carrera 2/2S PR:664 |
| | | | without: | | |

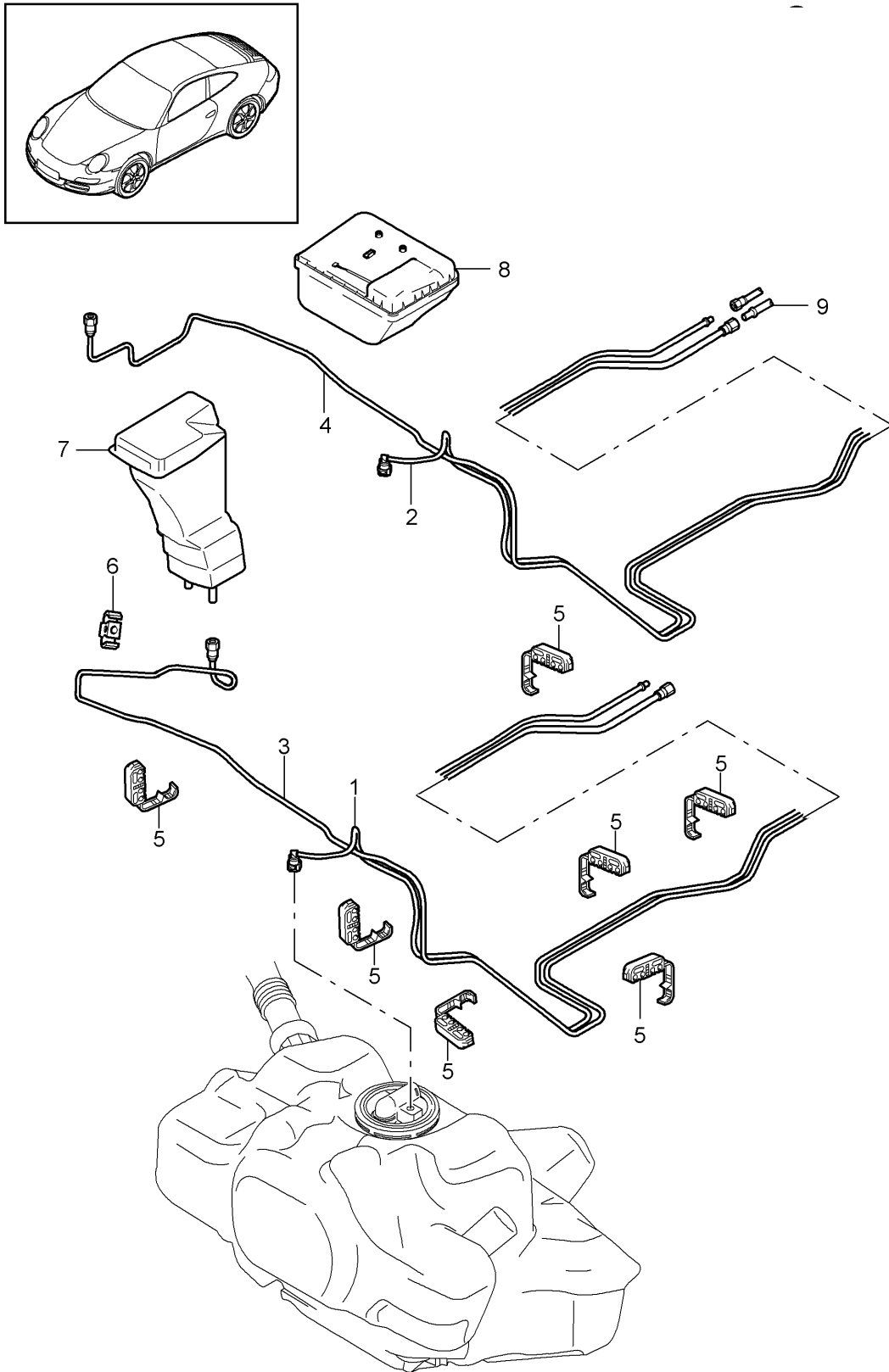
Model: 997-09

Model life 2009>>2012

| Pos | Part Number | Description | Remark | Qty | Model |
|------|----------------|--|---------------|-----|---------------------------------------|
| 19 | 997 620 831 02 | Tank gauge without: flange | | 1 | Carrera 4S |
| (19) | 997 620 833 00 | Tank gauge without: flange | | 1 | Carrera GTS PR:082 Carrera 4/4S |
| 20 | 997 620 123 00 | suction jet pump Set and | left right | 1 | Carrera 4/4S |
| 21 | 000 043 206 89 | Multi-purpose additive for Otto engine fuels 100 ML | | 1 | |
| 21 | 000 043 209 02 | Discontinued part Multi-purpose additive for Otto engine fuels 100 ML | | 1 | |

Model: 997-09

Model life 2009>>2012



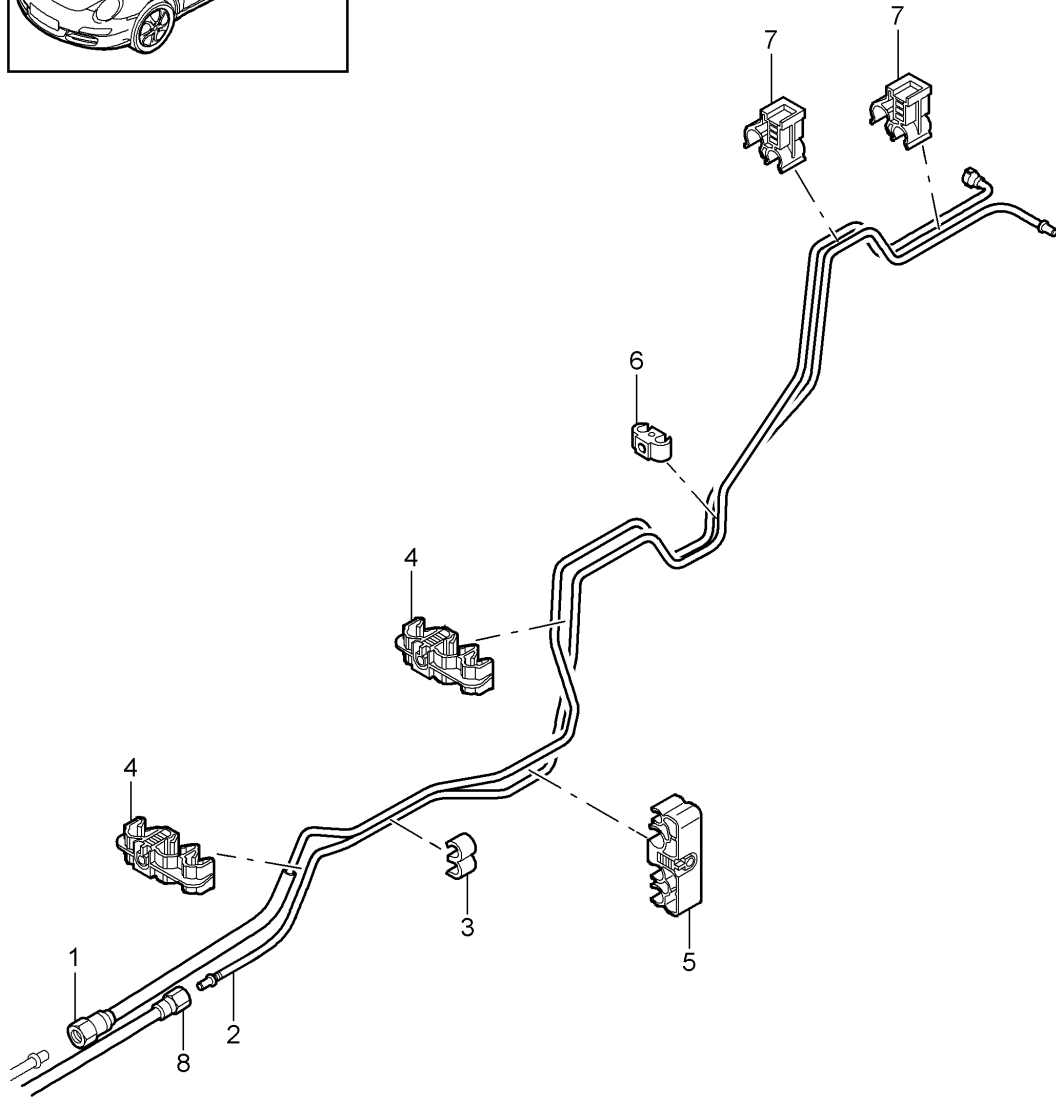
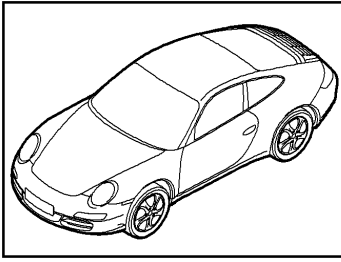
Model: 997-09

Model life 2009>>2012

| Pos | Part Number | Description | Remark | Qty | Model |
|-----|----------------|---|-----------------|-----|--------|
| (1) | 997 201 261 93 | Fuel system Fuel line Fuel pump for Engine | front front | 1 | PR:082 |
| (2) | 997 201 261 00 | Fuel line | | 1 | PR:664 |
| (2) | 997 201 261 01 | Fuel line Fuel pump for Engine | front | 1 | PR:664 |
| 4 | 997 201 351 00 | Purge-air line | | 1 | PR:664 |
| (4) | 997 201 351 01 | Purge-air line Activated charcoal container for Engine | front | 1 | PR:664 |
| 5 | 999 507 264 40 | Cable holder 6,0/8,0/8,0/10,0 | | 8 | |
| 6 | 999 507 727 40 | Cable holder 8,0/10,0 | | 1 | |
| 8 | | Activated charcoal container see illustration: | 201-030 | 1 | PR:664 |
| 9 | | Lines see illustration: | rear 201-010 | 1 | |

Model: 997-09

Model life 2009>>2012



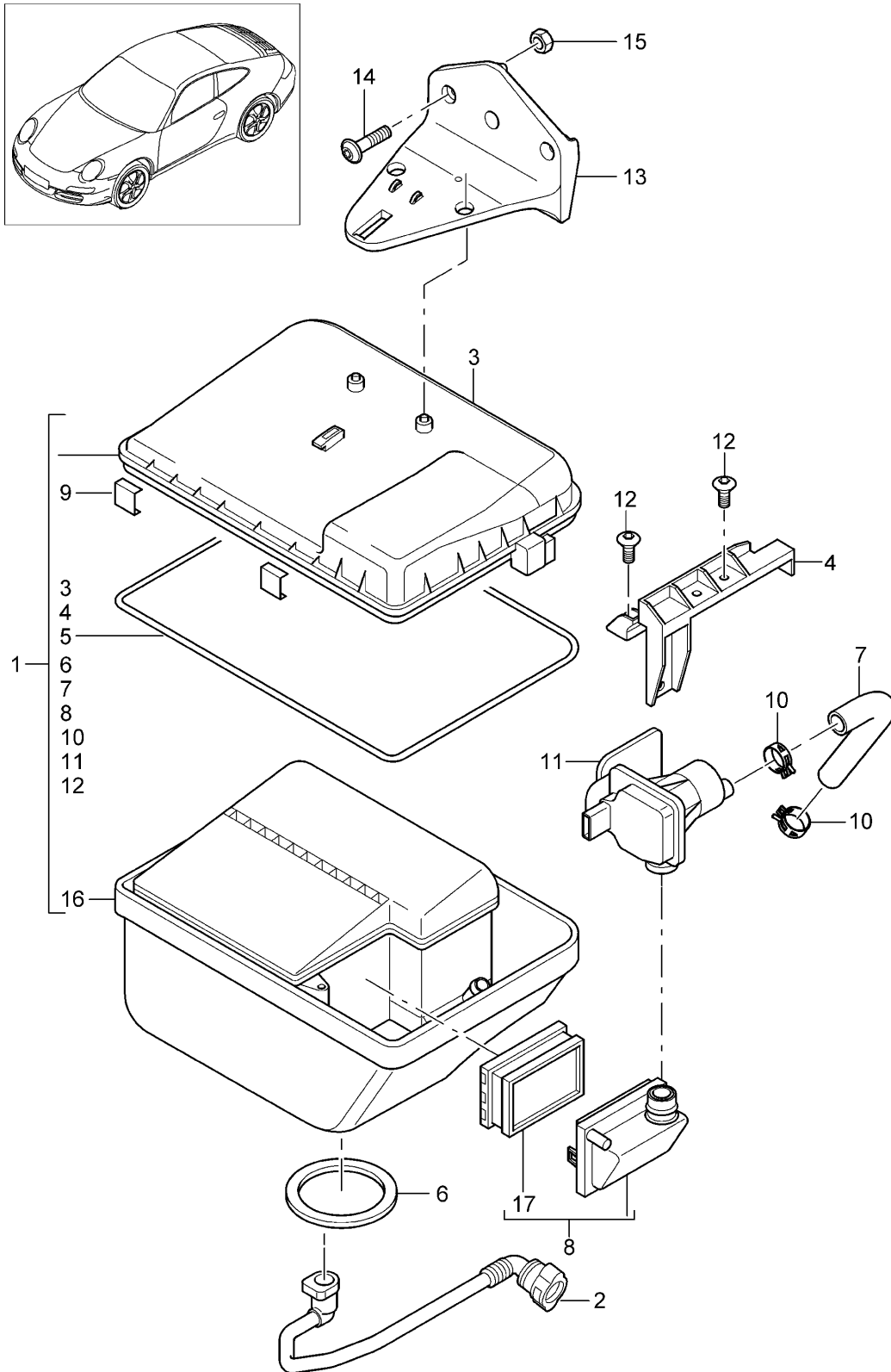
Model: 997-09

Model life 2009>>2012

| Pos | Part Number | Description | Remark | Qty | Model |
|-----|----------------|---|------------------|-----|-------|
| 1 | 997 201 265 02 | Fuel system Fuel line Fuel pump for Engine | rear rear | 1 | |
| 2 | 997 201 355 02 | Purge-air line Activated charcoal container for Engine | rear | 1 | |
| 3 | 999 507 488 40 | Cable holder 5,00/10,0 | | 4 | |
| 4 | 999 507 263 40 | Cable holder | | 2 | |
| 5 | 999 507 264 40 | Cable holder 8,0/8/10 | | 2 | |
| 6 | 999 507 727 40 | Cable holder 8,0/10,0 | | 3 | |
| 7 | 999 507 991 40 | Cable holder 8,0/10,0 | | 2 | |
| 8 | | Lines see illustration: | front 201-005 | 1 | |

Model: 997-09

Model life 2009>>2012



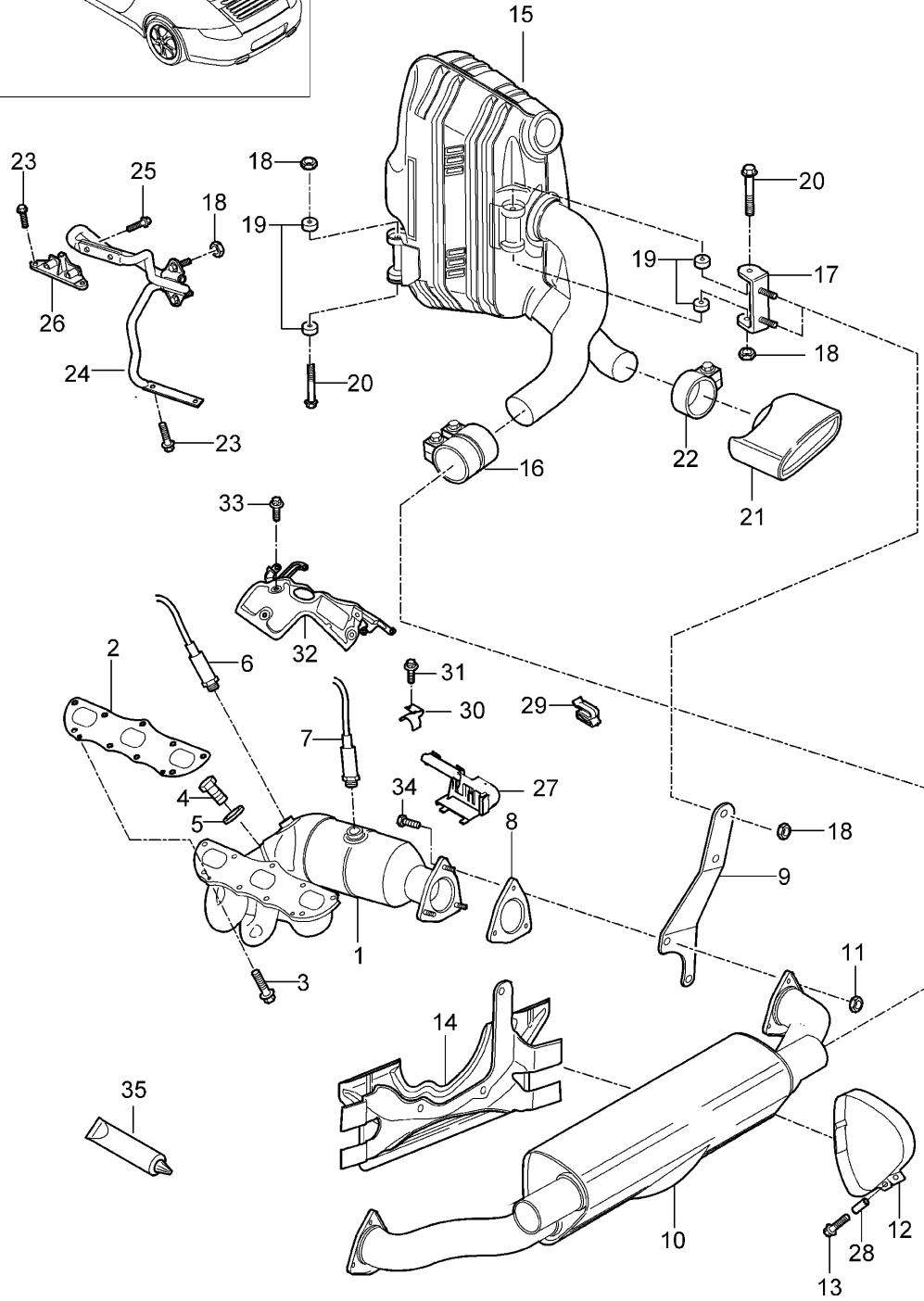
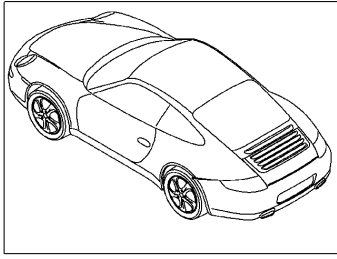
Model: 997-09

Model life 2009>>2012

| Pos | Part Number | Description | Remark | Qty | Model |
|------|----------------|--|--------|-----|--------|
| | | Activated charcoal container ORVR ONBOARD REFUELING VAPOR RECOVERY | | | PR:664 |
| (1) | 997 201 221 04 | Activated charcoal container (complete) | | 1 | |
| 2 | 997 201 253 02 | No longer use the part here Breather line Fuel tank for | | 1 | |
| (2) | 997 201 253 04 | Activated charcoal container Discontinued part Breather line Fuel tank for | | 1 | |
| (2) | 997 201 253 03 | Activated charcoal container Breather line Fuel tank for | | 1 | |
| 3 | 997 201 401 00 | Activated charcoal container Cover | outer | 1 | |
| 4 | 997 201 411 00 | Retainer, diagnosis interface | | 1 | |
| 5 | 997 201 601 00 | gasket for housing | | 1 | |
| 6 | 997 201 631 00 | Seal | lower | 1 | |
| 7 | 997 201 621 00 | Hose Diagnostic | | 1 | |
| 8 | 997 201 501 00 | Filter | | 1 | |
| 9 | 999 507 818 09 | Clip | | 6 | |
| 10 | 999 512 108 09 | Hose clamp 20,7 x 10,0 | | 2 | |
| 11 | 997 605 125 01 | Leak detection module DMTL | | 1 | |
| 12 | 999 919 164 09 | fillister hd. bolt M 5 X 12 | | 7 | |
| 13 | 997 201 611 00 | Bracket for activated carbon container | | 1 | |
| (13) | 997 201 611 01 | Bracket for activated carbon container | | 1 | |
| 14 | 999 073 321 09 | fillister hd. bolt M 6 X 25 | | 2 | |
| (14) | 999 919 716 09 | fillister hd. bolt M 8 X 18 | | 2 | |
| 15 | 999 500 069 02 | riveted cap nut M 6/0 5-3 | | 2 | |
| 16 | 997 201 402 00 | housing lower part | | 1 | |
| 17 | 997 201 222 00 | without: Activated carbon filter filter element | | 1 | |

Model: 997-09

Model life 2009>>2012



Model: 997-09

Model life 2009>>2012

| Pos | Part Number | Description | Remark | Qty | Model |
|------|----------------|--|-------------------------|-----|-----------|
| | | exhaust system Technical information Group 2 Nr.28/09 | | | A101,A102 |
| (1) | 997 113 109 32 | Exhaust manifold with catalytic converter Cyl. 1 - 3 | | 1 | |
| (1) | 997 113 110 32 | Exhaust manifold with catalytic converter Cyl. 4 - 6 | | 1 | |
| 2 | 997 111 107 30 | Seal Exhaust manifolds | | 2 | |
| 3 | 999 073 471 01 | Torx screw M 8 X 21 | | 18 | |
| 4 | 900 124 021 05 | sealing plug M 8 X 1 | | 2 | |
| 5 | 900 123 050 20 | seal ring 8 X 11,5 | | 2 | |
| 6 | 9A1 606 168 00 | Lambda probe in front of Catalytic converter if not fitted | | 2 | |
| | | also use: | 997 113 209 30 left | 1 | |
| | | | 997 113 208 30 right | 1 | |
| 6 | 9A1 606 168 01 | Discontinued part Lambda probe in front of Catalytic converter if not fitted | | 2 | |
| | | also use: | 997 113 209 30 left | 1 | |
| | | | 997 113 208 30 right | 1 | |
| 7 | 9A1 606 177 01 | Lambda probe After Catalytic converter | | 2 | |
| 8 | 997 111 113 30 | Seal | | 2 | |
| (9) | 997 111 129 31 | Support | left | 2 | |
| 9 | 997 111 130 31 | Support | right | 2 | |
| (10) | 997 111 159 32 | Front silencer | | 1 | PR:171 |
| 11 | 900 910 003 03 | Hexagon nut M 8 | | X | |
| 12 | 997 113 119 31 | tensioning strap Front silencer | | 2 | |
| 13 | 900 067 362 01 | Socket head bolt M 8 X 50 | | 2 | |
| 14 | 997 113 026 30 | Bracket Front silencer | | 1 | |
| | | with: | | | |
| (14) | 997 113 026 31 | Heat protection Discontinued part Bracket Front silencer | | 1 | |
| | | with: | | | |
| (14) | 997 113 026 32 | Heat protection Discontinued part Bracket Front silencer | | 1 | |
| | | with: | | | |
| (15) | 997 111 995 31 | Heat protection Silencer | | 1 | PR:756 |

Model: 997-09 Model life 2009>>2012

| Pos | Part Number | Description | Remark | Qty | Model |
|------|----------------|---|------------------------|-----|-------------|
| (15) | 997 111 995 31 | Cyl. 1 - 3 D >> - MJ 2010 Silencer | | 1 | PR:503 |
| (15) | 997 111 311 30 | Cyl. 1 - 3 D - MJ 2011>> - MJ 2011 Silencer | | 1 | PR:171 |
| (15) | 997 111 311 31 | Discontinued part Silencer | | 1 | PR:171,-503 |
| 15 | 997 111 996 31 | Cyl. 1 - 3 Silencer | | 1 | PR:756 |
| 15 | 997 111 996 31 | Cyl. 4 - 6 D >> - MJ 2010 Silencer | | 1 | PR:503 |
| 15 | 997 111 312 30 | Cyl. 4 - 6 D - MJ 2011>> - MJ 2011 Silencer | | 1 | PR:171 |
| 15 | 997 111 312 31 | Discontinued part Silencer | | 1 | PR:171,-503 |
| 16 | 997 111 220 30 | Cyl. 4 - 6 Clamping sleeve | | 2 | |
| 17 | 997 111 140 30 | Retaining bar | | 2 | |
| 18 | 900 380 005 01 | Silencer Nut M 8 | | 6 | |
| 19 | 997 111 229 30 | sound absorber piece | | 8 | |
| 20 | 900 378 319 01 | Hexagon bolt M 8 X 110 | | 2 | |
| 21 | 997 111 151 30 | Tailpipe | left | 1 | A102 |
| (21) | 997 111 351 30 | Tailpipe | left | 1 | A101 |
| (21) | 997 111 983 30 | Tailpipe | left | 1 | PR:XLT |
| (21) | 997 111 991 31 | Exhaust tail pipe | left | 1 | PR:756 |
| (21) | 997 111 991 40 | Exhaust tail pipe D - MJ 2011>> - MJ 2011 | left | 1 | PR:503 |
| (21) | 997 111 152 30 | Tailpipe | right | 1 | A102 |
| (21) | 997 111 352 30 | Tailpipe | right | 1 | A101 |
| (21) | 997 111 984 30 | Tailpipe | right | 1 | PR:XLT |
| (21) | 997 111 992 31 | Exhaust tail pipe | right | 1 | PR:756 |
| (21) | 997 111 992 40 | Exhaust tail pipe D - MJ 2011>> - MJ 2011 | right | 1 | PR:503 |
| 22 | 997 111 240 30 | Clamp | | 2 | |
| 23 | 900 385 098 01 | Tailpipe Torx screw M 8 X 25 | | X | |
| (24) | 997 111 127 31 | Bracket Silencer | left cylinders 1-3 | 1 | |
| 24 | 997 111 128 30 | Bracket Silencer | right cylinders 4-6 | 1 | |
| 25 | 900 385 099 01 | Torx screw M 8 X 12 | | X | |
| 26 | 997 111 126 30 | Console Silencer | | 2 | |
| 27 | 997 606 256 02 | Cable guide | right | 1 | |
| (27) | 997 606 257 02 | Lambda probe Cable guide | left | 1 | |
| 28 | 997 111 218 30 | Lambda probe spacer sleeve | | 2 | |
| 29 | 999 651 399 40 | Clip Line holder | | 2 | |
| 30 | 999 651 392 07 | 5,0 Cable holder 9.5 - 10.5 | | 2 | |

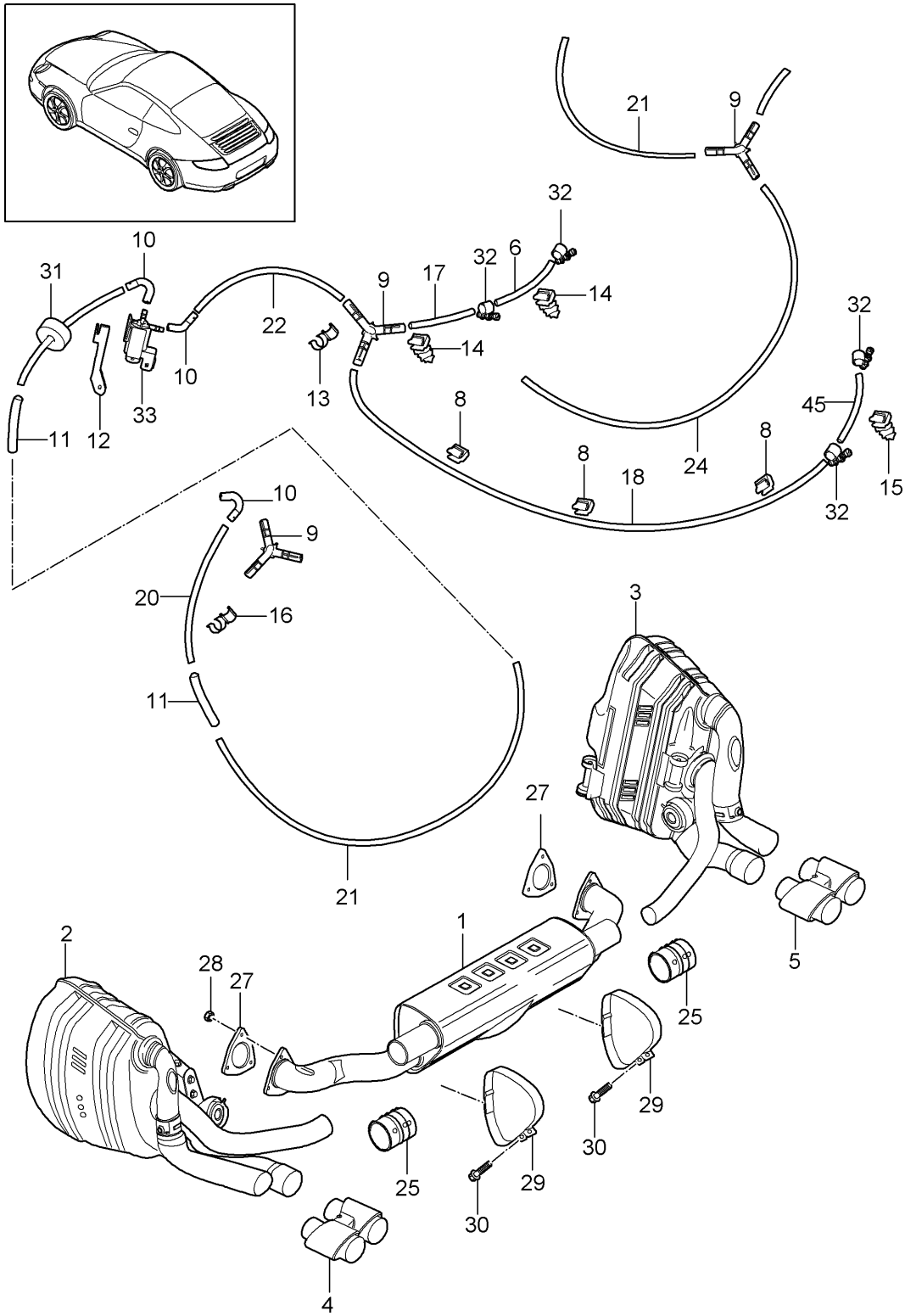
Model: 997-09

Model life 2009>>2012

| Pos | Part Number | Description | Remark | Qty | Model |
|------|----------------|---|--------|-----|-------|
| 31 | 900 387 021 01 | Socket head bolt M 6 X 12 | | 2 | |
| 32 | 997 113 209 30 | Heat insulation Catalytic converter see Technical information Group 2 Nr.28/09 | left | 1 | |
| (32) | 997 113 208 30 | Heat insulation Catalytic converter see Technical information Group 2 Nr.28/09 | right | 1 | |
| 33 | 900 385 009 01 | Torx screw M 6 x 16 | | 8 | |
| 34 | 900 075 365 02 | Screw M 8 X 30 | | X | |
| 35 | 000 043 303 68 | Cleaning solution Tailpipe DR.WACK P21S ALU-POLISH | | X | |

Model: 997-09

Model life 2009>>2012



Model: 997-09 Model life 2009>>2012

| Pos | Part Number | Description | Remark | Qty | Model |
|------|----------------|--|--------|-----|-----------------|
| | | exhaust system Sport version | | | PR:176 |
| 1 | 997 111 150 30 | Front silencer Discontinued part | | 1 | |
| 2 | 997 111 511 30 | Silencer Cyl. 1 - 3 Discontinued part | | 1 | |
| 2 | 997 111 511 31 | Silencer Cyl. 1 - 3 | | 1 | |
| 3 | 997 111 512 30 | Silencer Cyl. 4 - 6 Discontinued part | | 1 | |
| 3 | 997 111 512 31 | Silencer Cyl. 4 - 6 | | 1 | |
| 4 | 997 111 981 31 | Tailpipe No longer use the part here | left | 1 | |
| 4 | 997 111 981 33 | Tailpipe Discontinued part | left | 1 | PR:-011 |
| (4) | 997 111 981 34 | Tailpipe | left | 1 | PR:-011,-019 |
| 4 | 997 111 981 50 | Tailpipe D - MJ 2011>> | left | 1 | PR:011 |
| 4 | 997 111 981 50 | Tailpipe D - MJ 2012>> | left | 1 | PR:019 |
| 5 | 997 111 982 31 | Tailpipe No longer use the part here | right | 1 | |
| 5 | 997 111 982 32 | Tailpipe Discontinued part | right | 1 | |
| 5 | 997 111 982 33 | Tailpipe Discontinued part | right | 1 | PR:-011 |
| (5) | 997 111 982 34 | Tailpipe | right | 1 | PR:-011,-019 |
| 5 | 997 111 982 50 | Tailpipe D - MJ 2011>> | right | 1 | PR:011 |
| 5 | 997 111 982 50 | Tailpipe D - MJ 2012>> | right | 1 | PR:019 |
| 6 | 999 181 299 40 | Hose stahlummantelt 3 x 300 No longer use the part here | | 2 | |
| 6 | 999 110 016 00 | Hose stahlummantelt 3 x 300 No longer use the part here | | 2 | |
| 6 | 997 110 016 00 | Hose stahlummantelt 3 x 300 | | 2 | |
| 7 | 997 111 989 30 | Retaining plate Change-over valve | | 1 | |
| 8 | 999 651 401 01 | Cable fastener Hose | | 3 | |
| 9 | 928 573 727 05 | Distributor Triple | | 2 | |
| (9) | 928 573 727 05 | Distributor Triple | | 1 | A102+ PR:480 |
| 10 | 928 574 717 05 | Molded hose | | 2 | |
| 10 | 928 574 717 07 | Molded hose No longer use the part here | | 2 | |
| 10 | 9P1 129 487 | Molded hose | | 2 | |
| 11 | 999 239 042 40 | Hose | | 2 | A102+ PR:250 |
| (11) | 999 239 042 40 | Hose | | 3 | A102+ PR:480 |
| 12 | 996 111 989 00 | Retaining plate Change-over valve | | 1 | |

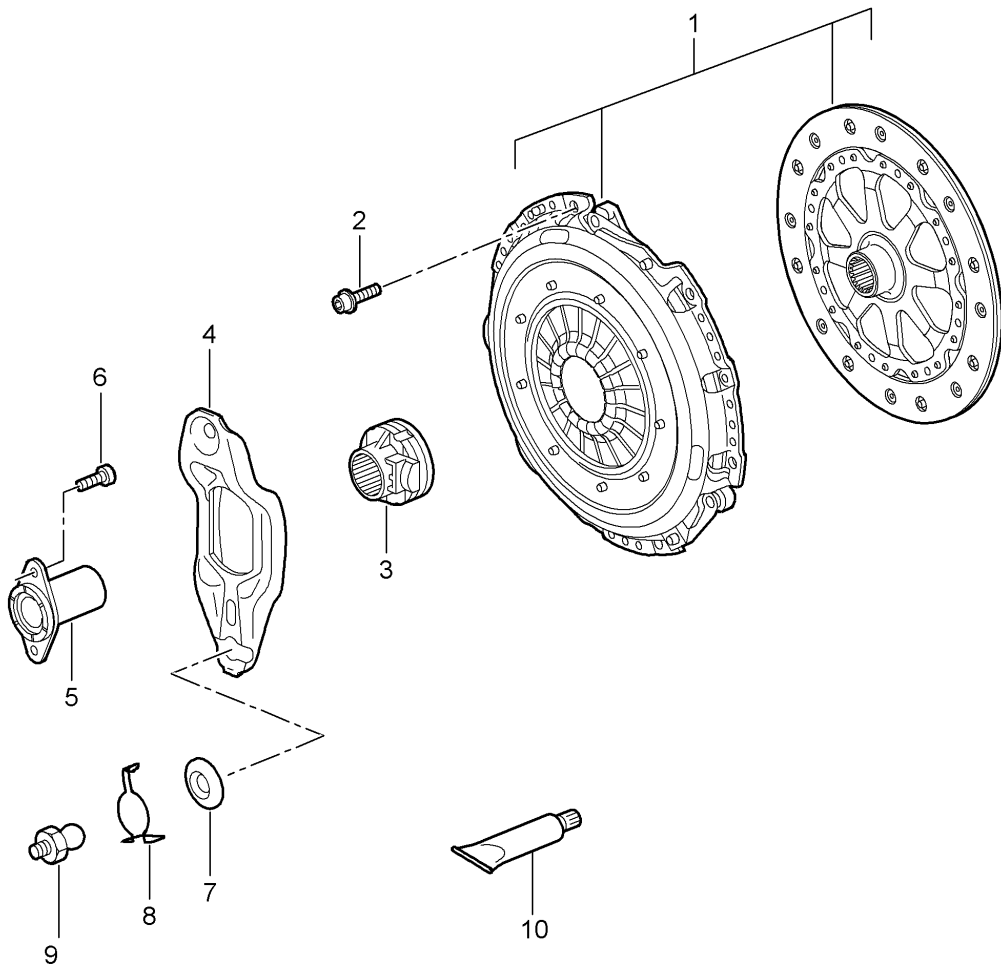
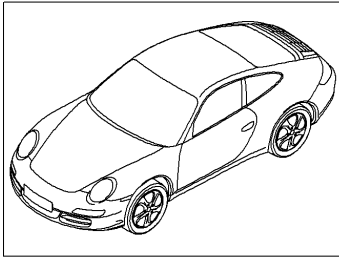
Model: 997-09

Model life 2009>>2012

| Pos | Part Number | Description | Remark | Qty | Model |
|-----|----------------|---|--------|-----|-------|
| 13 | 999 507 148 40 | Bracket Double | | 1 | |
| 14 | 999 507 075 40 | Cable holder for Stahlflexleitung | right | 2 | |
| 15 | 999 507 902 40 | Cable holder for Stahlflexleitung | left | 1 | |
| 16 | 999 507 865 40 | Bracket Double | | 3 | A102 |
| - | 999 181 852 40 | Pipe 4 x 1 x 1650 modify in workshop | | X | |
| 17 | | Hose Control Vacuum unit 4 X 1 X 60 | left | 1 | |
| 18 | | Hose Control Vacuum unit 4 X 1 X 860 | right | 1 | |
| 19 | | Hose Vacuum line Change-over valve 4 X 1 X 280 | | 1 | |
| 20 | | Hose Connection line Brake servo 4 X 1 X 1015 | | 1 | A102 |
| 21 | | Hose Vacuum line Distributor 4 X 1 X 580 | | 1 | |
| 22 | | Hose Vacuum line Change-over valve 4 X 1 X 230 | | 1 | |
| 24 | | Hose Vacuum line Resonance tube 4 X 1 X 740 | | 1 | A101 |
| 25 | 997 111 220 30 | Clamping sleeve | | 2 | |
| 26 | 900 380 005 01 | Nut M 8 | | 8 | |
| 27 | 997 111 113 30 | Seal | | 2 | |
| 28 | 900 910 003 03 | Hexagon nut M 8 flange | | 6 | |
| 29 | 997 113 119 31 | tensioning strap Front silencer | | 2 | |
| 30 | 900 067 362 01 | Socket head bolt M 8 x 50 tensioning strap | | 2 | |
| 31 | 993 110 530 01 | Grommet | | 1 | |
| 32 | 999 512 780 01 | clamp | | 4 | |
| 33 | 996 605 123 01 | Change-over valve | | 1 | |
| 34 | 999 651 401 01 | Cable fastener | | 3 | |

Model: 997-09

Model life 2009>>2012



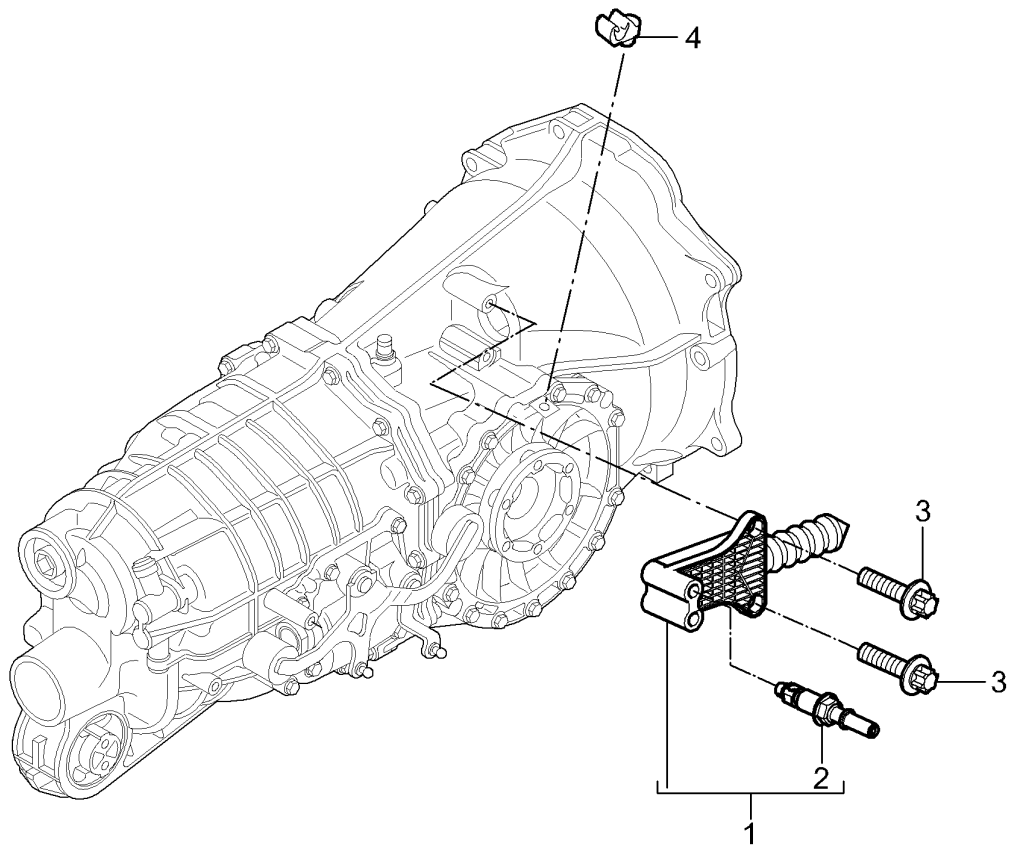
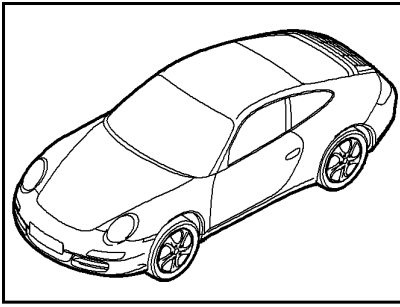
Model: 997-09

Model life 2009>>2012

| Pos | Part Number | Description | Remark | Qty | Model |
|-----|----------------|---|--------|-----|--------------|
| 1 | 9G1 116 913 00 | Coupling Coupling Set | | 1 | G9705, G9735 |
| 2 | 999 073 458 01 | Screw M 8 X 16 | | 6 | |
| 3 | 997 116 080 02 | release bearing | | 1 | |
| 4 | 997 116 712 01 | clutch operating lever | | 1 | |
| 5 | 996 116 087 01 | guide sleeve | | 1 | |
| 6 | N 903 663 01 | Socket head bolt M 8 X 22 | | 2 | |
| 7 | 996 116 743 00 | seal ring | | 1 | |
| 8 | 996 116 741 00 | Clip | | 1 | |
| 9 | 997 116 716 02 | Ball stud | | 1 | |
| 10 | 000 043 304 02 | Grease KLÜBERALFA HM83-801 50 GR. | | 1 | |
| - | 000 043 024 00 | Extreme-pressure grease LONGTIME 3EP 80 GR. | | 1 | |

Model: 997-09

Model life 2009>>2012



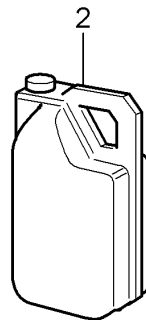
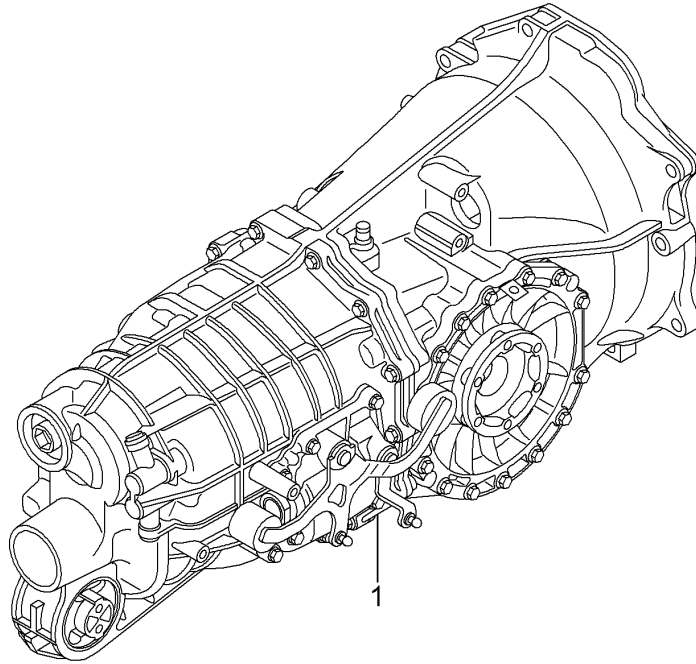
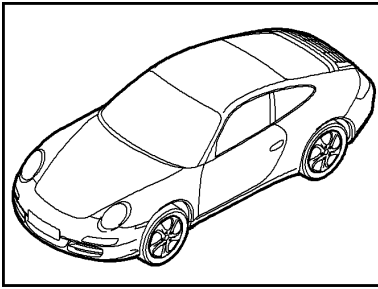
Model: 997-09

Model life 2009>>2012

| Pos | Part Number | Description | Remark | Qty | Model |
|-----|----------------|-----------------------------|--------|-----|-------------|
| | | Clutch release | | | G9705,G9735 |
| 1 | 9G1 116 238 00 | Clutch slave cylinder | | 1 | |
| | | Clutch slave cylinder | | | |
| | | Discontinued part | | | |
| (1) | 9G1 116 238 01 | Clutch slave cylinder | | 1 | |
| 2 | 9G1 116 277 01 | breather assy. | | 1 | |
| | | To | | | |
| | | Use | | | |
| | | Clutch slave cylinder | | | |
| | | No longer use the part here | | | |
| 3 | 900 385 096 01 | Torx screw | | 2 | |
| | | M 8 X 30 | | | |
| 4 | 999 507 586 40 | Cable holder | | 1 | |
| | | 6,0 | | | |

Model: 997-09

Model life 2009>>2012



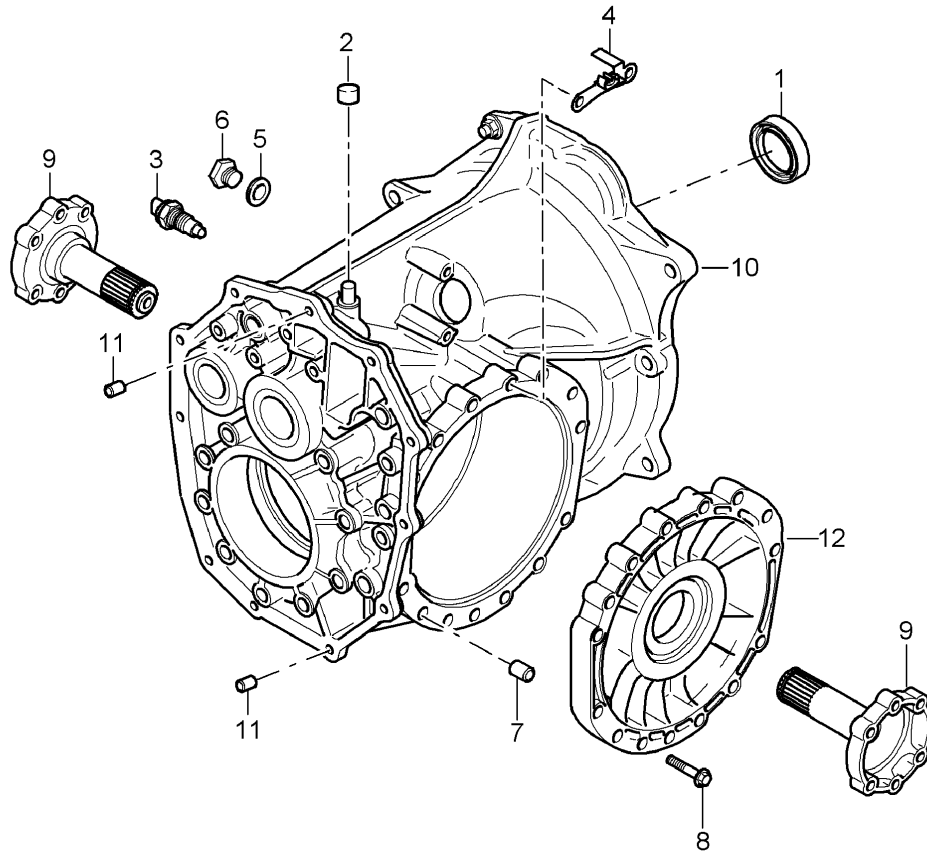
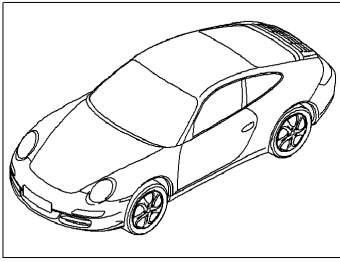
Model: 997-09

Model life 2009>>2012

| Pos | Part Number | Description | Remark | Qty | Model |
|-----|----------------|---|--------|-----|------------------|
| | | Manual gearbox Replacement transmission | | | G9705,G9735 |
| 1 | 997 300 010 05 | 6-speed manual transmission | | 1 | G9705+ |
| 1 | 997 300 010 EX | 6-speed manual transmission | | 1 | PR:219 G9705+ |
| (1) | 997 300 020 05 | 6-speed manual transmission with: | | 1 | PR:219 G9705+ |
| (1) | 997 300 020 GX | limited slip differential 6-speed manual transmission with: | | 1 | PR:220 G9705+ |
| (1) | 997 300 020 35 | limited slip differential 6-speed manual transmission with: | | 1 | PR:220 G9735+ |
| (1) | 997 300 020 HX | limited slip differential 6-speed manual transmission with: | | 1 | PR:220 G9735+ |
| 2 | 000 043 204 19 | Transmission fluid 20 LTR. Container | | X | |
| 2 | 000 043 305 48 | Discontinued part Transmission fluid 20 LTR. Container | | X | |

Model: 997-09

Model life 2009>>2012



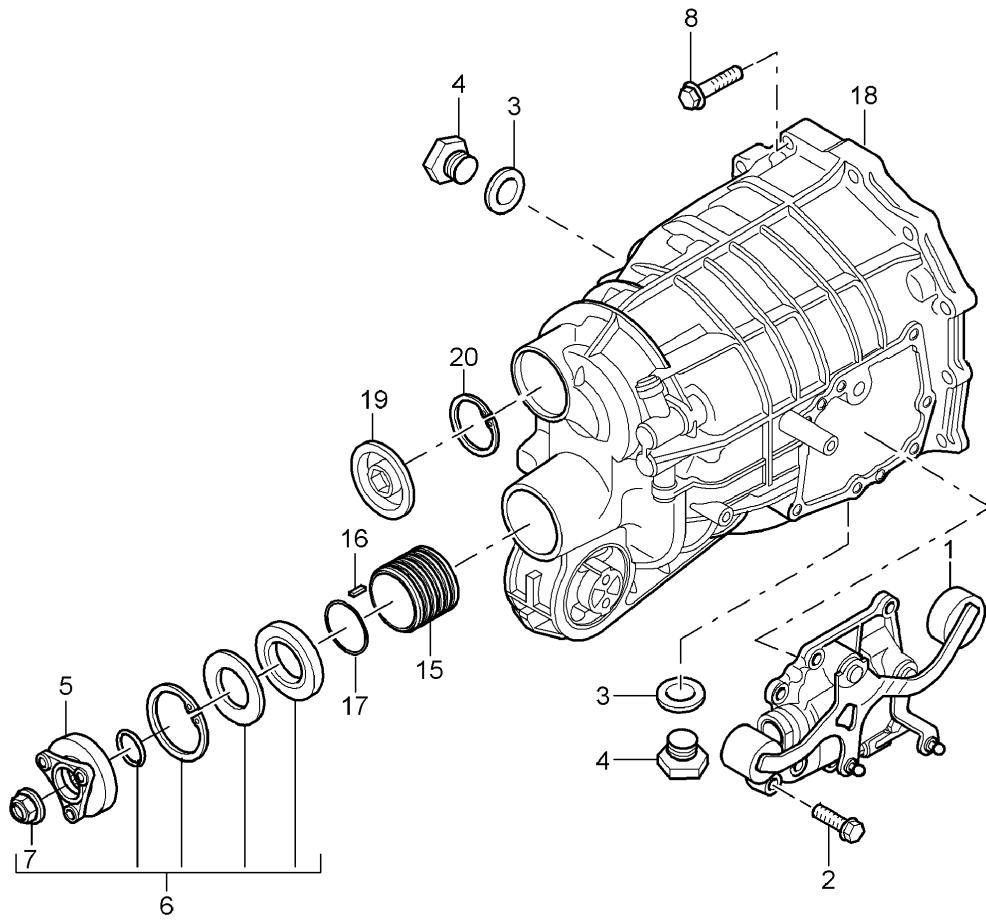
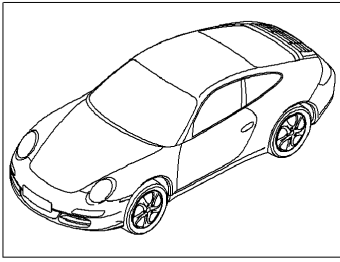
Model: 997-09

Model life 2009>>2012

| Pos | Part Number | Description | Remark | Qty | Model |
|-----|----------------|----------------------|---------|-----|--------------|
| | | Manual gearbox | | | G9705, G9735 |
| | | Individual parts | | | |
| 1 | 997 302 807 00 | Shaft oil seal | | 1 | |
| 2 | 997 301 071 05 | breather assy. | | 1 | |
| 3 | 997 613 180 01 | Reverse light switch | | 1 | |
| 4 | 997 423 777 00 | Bracket | | 1 | |
| 5 | 997 301 808 00 | seal ring | | 1 | |
| 6 | 997 301 807 00 | sealing plug | | 1 | |
| 7 | 997 301 802 00 | Cylinder pin | | 2 | |
| 8 | 997 301 804 00 | Hexagon bolt | | 14 | |
| 9 | 997 332 209 05 | Drive flange | | 2 | |
| 10 | 997 301 010 05 | Gear housing | front | 1 | |
| 11 | 997 301 801 00 | Cylinder pin | lower | 2 | |
| 12 | 997 301 012 00 | Gearbox cover | | 1 | |
| - | | Shaft oil seal | | | |
| | | see illustration: | 305-000 | | |

Model: 997-09

Model life 2009>>2012



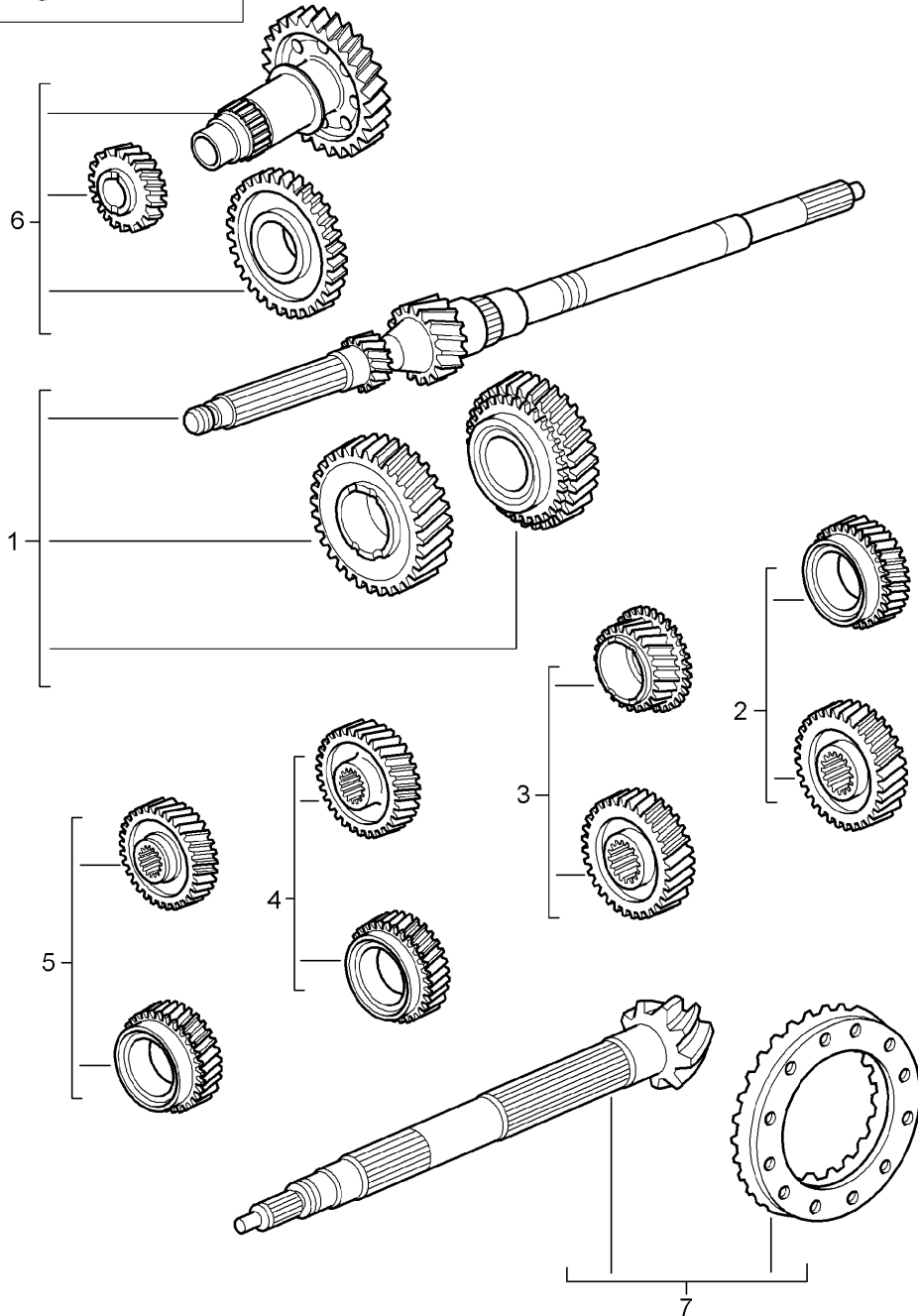
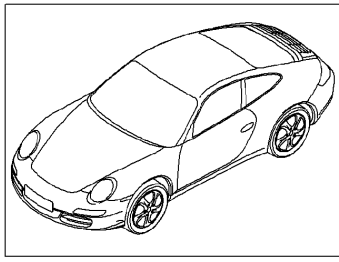
Model: 997-09

Model life 2009>>2012

| Pos | Part Number | Description | Remark | Qty | Model |
|------|----------------|---|-----------|-----|--------------|
| | | Manual gearbox | | | G9705, G9735 |
| | | Individual parts | | | |
| 1 | 997 303 930 00 | Switching module | | 1 | |
| 2 | 997 303 808 00 | Hexagon bolt M8 x 25 | | 7 | |
| 3 | 997 301 808 00 | seal ring | | 2 | |
| 4 | 997 301 807 00 | sealing plug | | 2 | |
| 5 | 997 301 903 05 | Output flange (complete) | | 1 | G9735 |
| 6 | 997 301 911 05 | repair set Output flange comprising: Shaft oil seal Spacer ring Securing ring O-ring Hexagon nut | also use: | 1 | G9735 |
| 7 | 997 302 319 00 | Hexagon nut | | 1 | G9735 |
| 8 | 997 301 803 00 | Hexagon bolt | | 12 | |
| 15 | 997 302 119 05 | Oil-conducting housing | | 1 | G9735 |
| 16 | 997 302 811 05 | feather key | | 1 | G9735 |
| 17 | 997 302 812 05 | O-ring | | 1 | G9735 |
| 18 | 997 301 013 05 | Gear housing | rear | 1 | G9705 |
| (18) | 997 301 013 35 | Gear housing | rear | 1 | G9735 |
| 19 | 997 301 805 00 | End cap | rear | 1 | |
| | | Gear housing | | | |
| 20 | 997 301 902 00 | Set snap ring | | 1 | |

Model: 997-09

Model life 2009>>2012



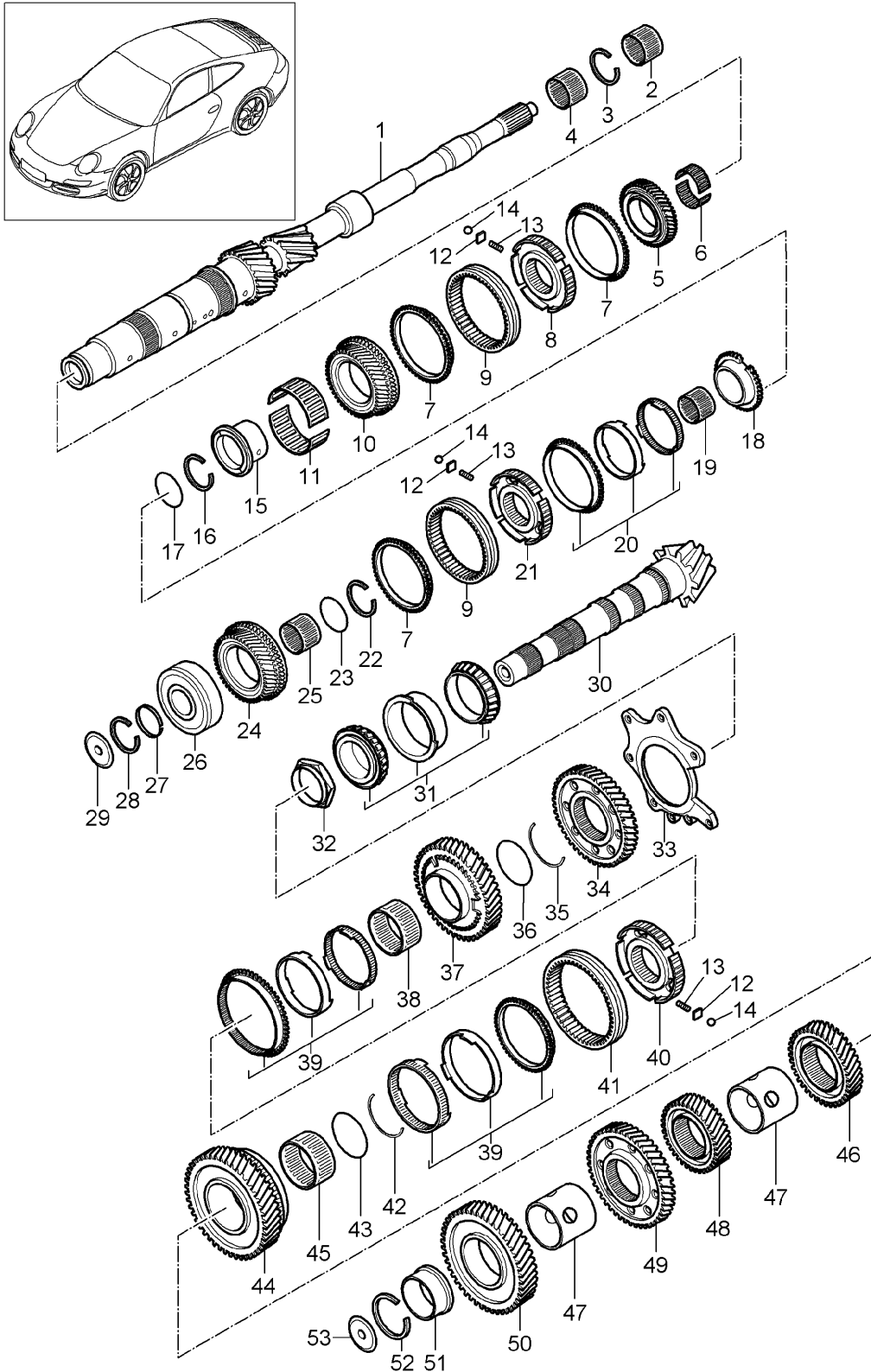
Model: 997-09

Model life 2009>>2012

| Pos | Part Number | Description | Remark | Qty | Model |
|-----|----------------|---------------------------------|--------|-----|--------------|
| 1 | 997 302 901 05 | Gear wheel sets gear set | | 1 | G9705, G9735 |
| 2 | 997 302 903 05 | 1st / 2nd gear gear set | | 1 | |
| 3 | 997 302 904 00 | 3rd gear gear set | | 1 | |
| 4 | 997 302 905 00 | 4th speed gear set | | 1 | |
| 5 | 997 302 906 00 | 5th gear gear set | | 1 | |
| 6 | 997 302 907 05 | 6th gear gear set | | 1 | |
| 7 | 997 302 911 00 | Reverse gear pinion gear set | | 1 | G9705 |
| (7) | 997 302 911 35 | pinion gear set | | 1 | G9735 |

Model: 997-09

Model life 2009>>2012



Model: 997-09

Model life 2009>>2012

| Pos | Part Number | Description | Remark | Qty | Model |
|-----|----------------|---|---------|-----|-------------|
| 1 | | gears and shafts Input shaft | | | G9705,G9735 |
| 2 | 997 302 808 00 | see illustration: needle bearing for drive shaft | 303-000 | 1 | |
| 3 | 997 302 931 00 | 1 set circlips | | 1 | |
| 4 | 997 302 801 00 | Taper roller bearing | | 1 | |
| 5 | | Loose gear wheel 5th gear | | | |
| 6 | 997 302 925 00 | see illustration: Set needle bearing - 5th gear | 303-000 | 1 | |
| 7 | 997 304 211 02 | synchronizer ring 4-speed 5-speed 6th gear | | 3 | |
| 8 | 997 304 221 01 | Guide sleeve 5th and 6th gear | | 1 | |
| 9 | 997 304 231 00 | Shift collar | | 2 | |
| 10 | | Loose gear wheel 6th gear | | | |
| 11 | 997 302 926 00 | see illustration: Set needle bearing - 6th gear | 303-000 | 1 | |
| 12 | 997 304 251 00 | Follower | | 9 | |
| 13 | 997 304 261 00 | Pressure spring | | 12 | |
| 14 | 997 304 271 00 | ball | | 9 | |
| 15 | 997 302 266 00 | inner ring 5th and 6th gear | | 1 | |
| 16 | 997 302 932 00 | 1 set circlips | | 1 | |
| 17 | 997 302 233 00 | Spacer ring 3rd gear | | 1 | |
| 18 | 997 302 083 05 | Loose gear wheel 3rd gear | | 1 | |
| 19 | 997 302 923 00 | see illustration: Set needle bearing - 3rd gear | 303-000 | 1 | |
| 20 | 997 304 611 05 | Set synchronizer ring 3rd gear | | 1 | |
| 21 | 997 304 221 00 | Guide sleeve 3. + 4.GANG | | 1 | |
| 22 | 997 302 933 00 | 1 set circlips 4th speed | | 1 | |
| 23 | 997 302 234 00 | Spacer ring 4th speed | | 1 | |
| 24 | 997 302 084 00 | Loose gear wheel 4th speed | | 1 | |
| 25 | 997 302 924 00 | see illustration: Set needle bearing - 4th speed | 303-000 | 1 | |
| 26 | 997 302 802 00 | Taper roller bearing | | 1 | |
| 27 | 997 301 902 00 | Set snap ring | | 1 | |
| 28 | 997 302 934 00 | 1 set circlips | | 1 | |
| 29 | 997 307 107 05 | Cover Oil duct | | 1 | |
| 30 | | Pinion shaft see illustration: | 303-000 | | |

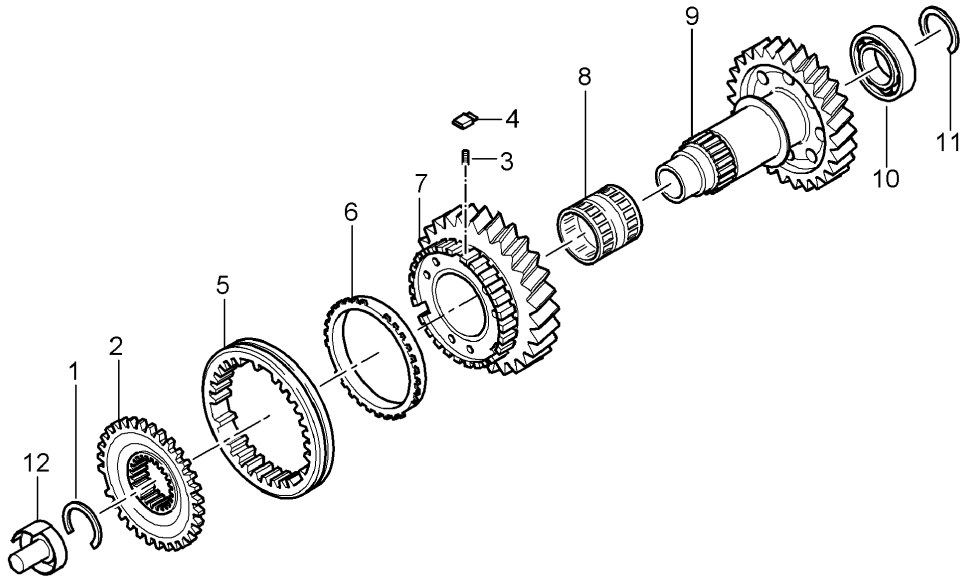
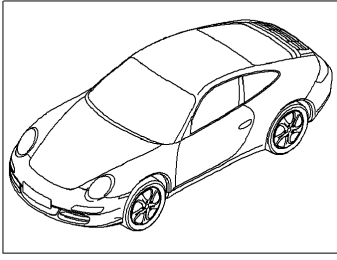
Model: 997-09

Model life 2009>>2012

| Pos | Part Number | Description | Remark | Qty | Model |
|-----|----------------|--|---------|-----|-------|
| 31 | 997 302 803 00 | Taper roller bearing Output shaft | | 1 | |
| 32 | 997 302 317 00 | Hexagon nut | | 1 | |
| 33 | 997 302 121 00 | Retaining plate | | 1 | |
| 34 | | Reversing fixed gear see illustration: | 303-000 | | |
| 35 | 997 302 935 00 | 1 set circlips Reverse gear | | 1 | |
| 36 | 997 302 231 00 | Spacer ring Reverse gear | | 1 | |
| 37 | 997 302 211 05 | Loose gear wheel 1st gear see illustration: | 303-000 | | |
| 38 | 997 302 921 00 | Set needle bearing - 1st gear | | 1 | |
| 39 | 997 304 811 05 | Set synchronizer ring 1st / 2nd gear | | 2 | |
| 40 | 997 304 821 05 | Guide sleeve 1st / 2nd gear | | 1 | |
| 41 | 997 304 831 05 | Shift collar 1st / 2nd gear | | 1 | |
| 42 | 997 302 939 00 | 1 set circlips 1st / 2nd gear | | 1 | |
| 43 | 997 302 232 00 | Spacer ring 2nd gear | | 1 | |
| 44 | 997 302 212 05 | Loose gear wheel 2nd gear see illustration: | 303-000 | | |
| 45 | 997 302 922 00 | Set needle bearing - 2nd gear | | 1 | |
| 46 | | Fixed gear wheel 5th gear see illustration: | 303-000 | | |
| 47 | 997 302 267 00 | spacer bush 5th and 6th gear | | 2 | |
| 48 | | Fixed gear wheel 6th gear see illustration: | 303-000 | | |
| 49 | | Fixed gear wheel 3rd gear see illustration: | 303-000 | | |
| 50 | | Fixed gear wheel 4th speed see illustration: | 303-000 | | |
| 51 | 997 302 804 00 | cylinder roller bearing Output shaft | | 1 | |
| 52 | 997 302 936 00 | 1 set circlips | | 1 | |
| 53 | 997 307 111 00 | Cover Oil duct | | 1 | |

Model: 997-09

Model life 2009>>2012



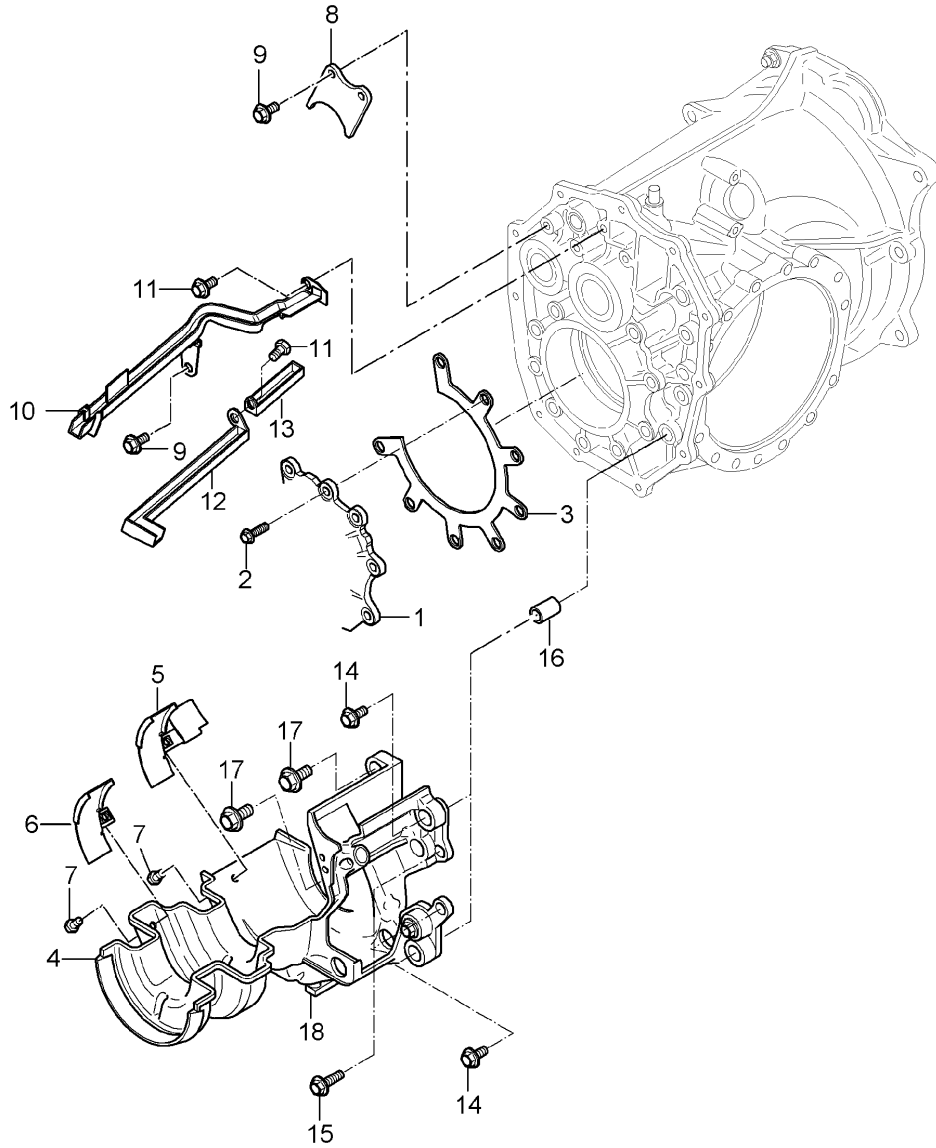
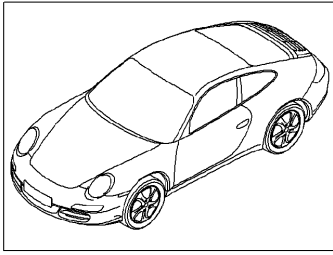
Model: 997-09

Model life 2009>>2012

| Pos | Part Number | Description | Remark | Qty | Model |
|-----|----------------|---|---------|-----|--------------|
| 1 | 997 302 938 00 | Reverse gear 1 set circlips | | 1 | G9705, G9735 |
| 2 | 997 304 201 00 | Reverse gear Clutch body | | 1 | |
| 3 | 997 304 261 00 | Reverse gear Pressure spring | | 12 | |
| 4 | 997 304 251 01 | Reverse gear Follower | | 3 | |
| 5 | 997 304 231 01 | Reverse gear Shift collar | | 1 | |
| 6 | 997 304 211 01 | Reverse gear synchronizer ring | | 1 | |
| 7 | | Reverse gear Reversing gear | | | |
| 8 | 997 302 806 00 | see illustration: needle bearing - | 303-000 | 1 | |
| 9 | | reverse gear idler spindle reverse gear idler spindle | | | |
| 10 | 997 302 805 00 | see illustration: grooved ball bearing | 303-000 | 1 | |
| 11 | 997 302 937 00 | reverse gear idler spindle 1 set circlips | | 1 | |
| 12 | 997 301 060 00 | reverse gear idler spindle Bearing set reverse gear idler spindle | | 1 | |

Model: 997-09

Model life 2009>>2012



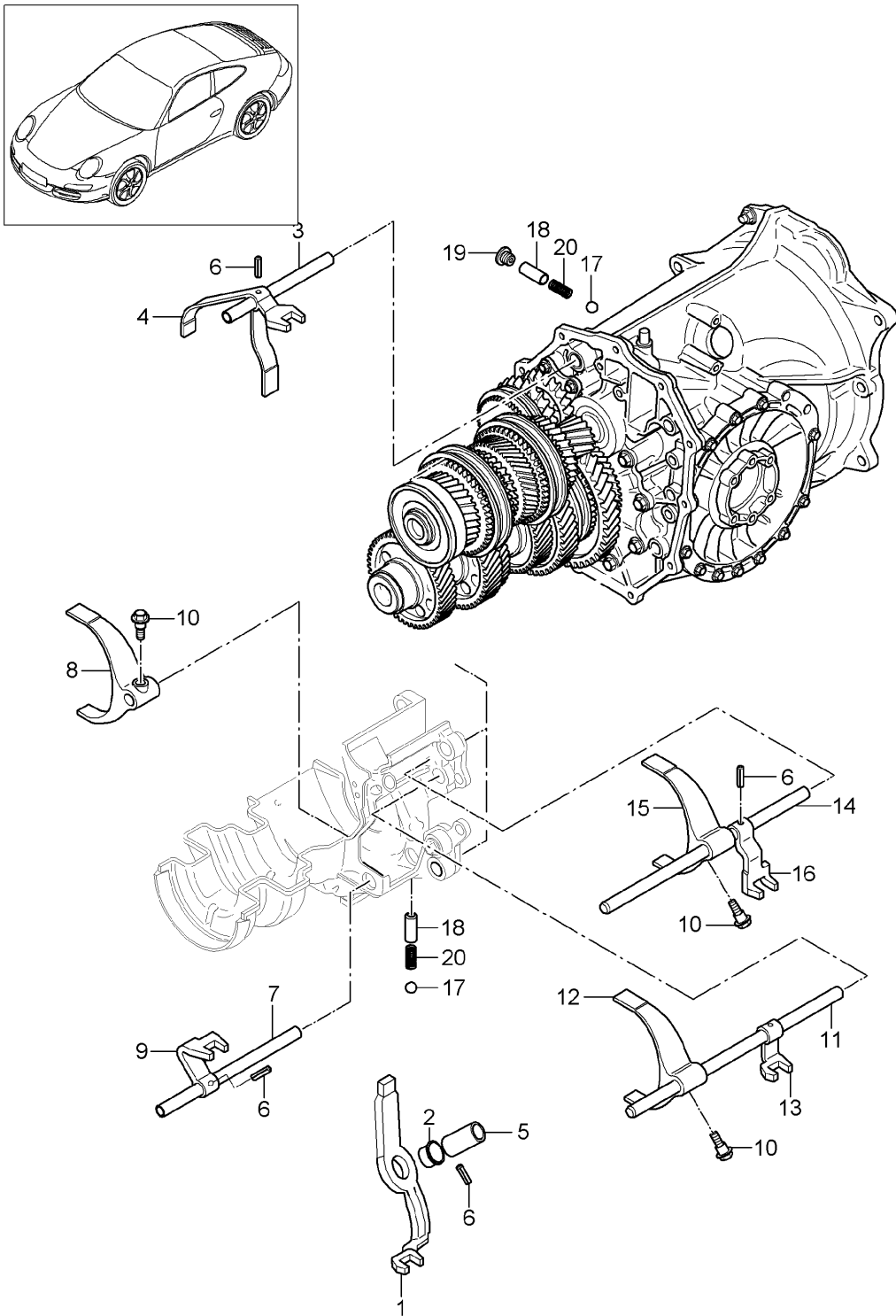
Model: 997-09

Model life 2009>>2012

| Pos | Part Number | Description | Remark | Qty | Model |
|-----|----------------|---|---------|-----|-------------|
| 1 | | gears and shafts guiding plate Retaining plate see illustration: | 303-003 | | G9705,G9735 |
| 2 | 997 302 810 00 | Screw | | 8 | |
| 3 | 997 302 163 00 | 1 set shims Retaining plate | | 1 | |
| 4 | 997 307 020 00 | Capsule gear set | | 1 | |
| 5 | 997 307 250 00 | plate | | 1 | |
| 7 | 997 307 806 01 | Hexagon bolt | | 2 | |
| 8 | 997 302 236 00 | Retaining plate | | 1 | |
| 9 | 997 302 237 00 | Screw | | 2 | |
| 10 | 997 307 010 00 | Oil guide plate Input shaft | | 1 | |
| 11 | 997 307 801 00 | Hexagon bolt guiding plate | | 3 | |
| 12 | 997 307 101 00 | Oil guide plate Output shaft | | 1 | |
| 13 | 997 307 102 00 | Oil guide plate | | 1 | |
| 14 | 997 307 804 05 | Hexagon bolt | | 2 | |
| 15 | 997 307 805 00 | Hexagon bolt | | 2 | |
| 16 | 997 307 802 00 | dowel sleeve | | 2 | |
| 17 | 997 301 803 00 | Hexagon bolt | | 2 | |
| 18 | 997 307 030 00 | Magnet | | 1 | |

Model: 997-09

Model life 2009>>2012



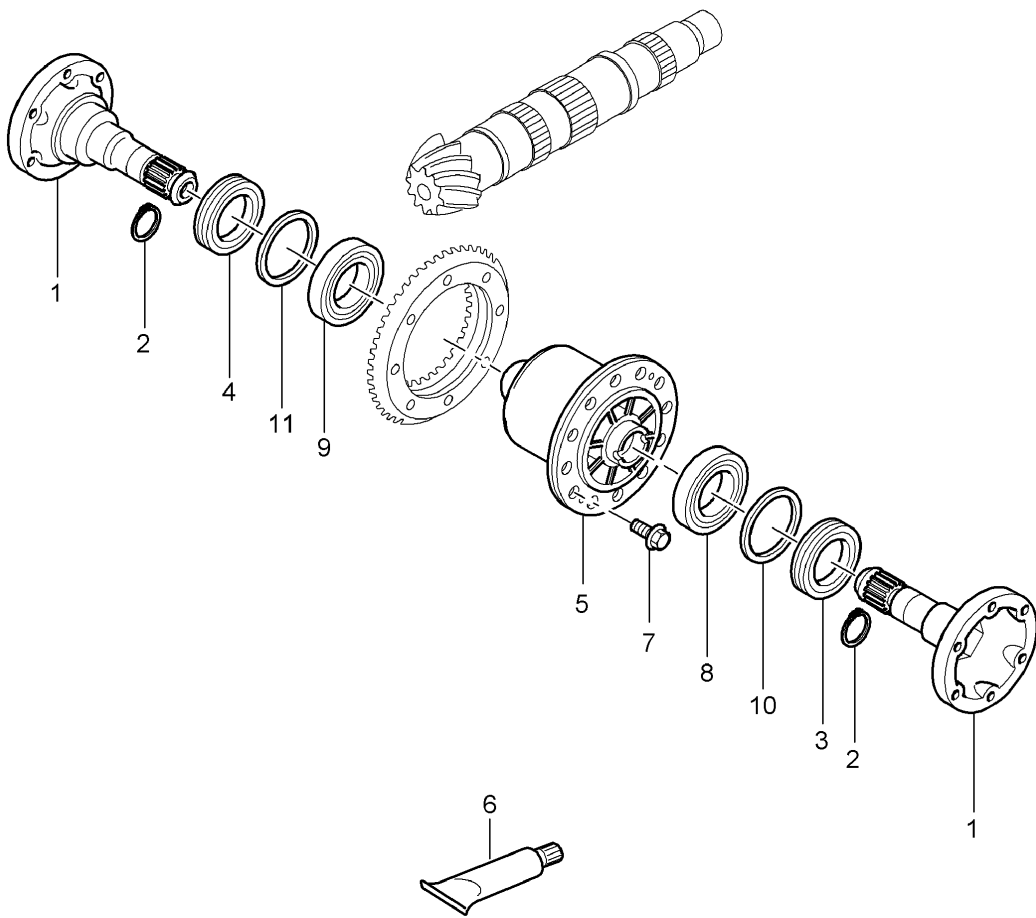
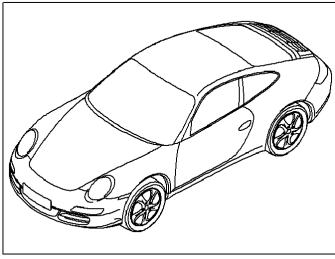
Model: 997-09

Model life 2009>>2012

| Pos | Part Number | Description | Remark | Qty | Model |
|-----|----------------|---|--------|-----|--------------|
| | | selector shaft shift rod Selector fork relay lever Reverse gear | | 1 | G9705, G9735 |
| 1 | 997 303 127 00 | | | 1 | |
| 2 | 997 303 137 00 | axle relay lever Reverse gear | | 1 | |
| 3 | 997 303 107 00 | selector shaft Reverse gear | | 1 | |
| 4 | 997 303 117 00 | Selector fork Reverse gear | | 1 | |
| 5 | 997 303 801 00 | needle bearing - Reverse gear | | 25 | |
| 6 | 997 303 802 00 | spring pin | | 5 | |
| 7 | 997 303 101 00 | selector shaft 1st / 2nd gear | | 1 | |
| 8 | 997 303 111 00 | Selector fork 1st / 2nd gear | | 1 | |
| 9 | 997 303 121 00 | Follower 1st / 2nd gear | | 1 | |
| 10 | 997 303 805 00 | Hexagon bolt | | 3 | |
| 11 | 997 303 103 00 | selector shaft 3rd/4th gear | | 1 | |
| 12 | 997 303 113 00 | Selector fork 3rd/4th gear | | 1 | |
| 13 | 997 303 123 00 | Follower 3rd/4th gear | | 1 | |
| 14 | 997 303 105 00 | selector shaft 5. / 6. Gang | | 1 | |
| 15 | 997 303 115 00 | Selector fork 5. / 6. Gang | | 1 | |
| 16 | 997 303 125 00 | Follower 5. / 6. Gang | | 1 | |
| 17 | 997 303 241 00 | ball | | 4 | |
| 18 | 997 303 243 00 | Sleeve | | 4 | |
| 19 | 997 303 245 00 | Sealing cap | | 3 | |
| 20 | 997 303 247 00 | Pressure spring | | 4 | |
| 21 | 997 303 803 00 | Round socket | | 4 | |
| 22 | 997 303 804 00 | Round socket | | 4 | |

Model: 997-09

Model life 2009>>2012



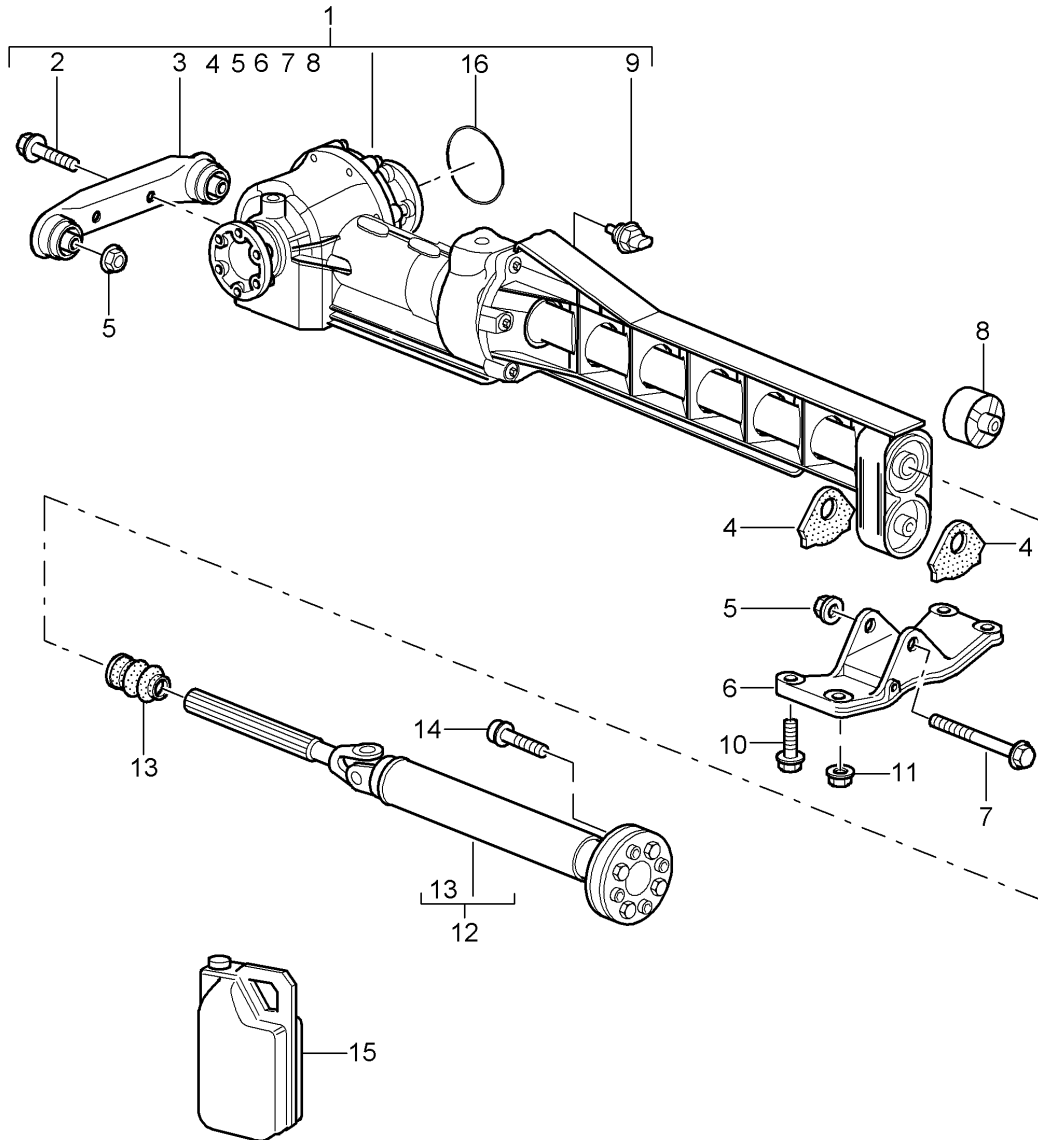
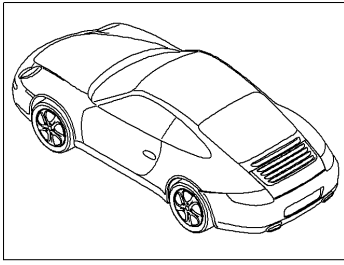
Model: 997-09

Model life 2009>>2012

| Pos | Part Number | Description | Remark | Qty | Model |
|-----|----------------|---------------------------|--------|-----|-------------|
| | | limited slip differential | | | G9705,G9735 |
| | | Differential | | | |
| 1 | 997 332 209 05 | Drive flange | | 2 | |
| 2 | 997 332 249 01 | snap ring | | 2 | |
| 3 | 997 332 804 01 | Shaft oil seal | | 1 | |
| | | Gearbox cover | | | |
| | | 68,2 mm | | | |
| 4 | 997 332 803 01 | Shaft oil seal | | 1 | |
| | | 70 mm | | | |
| (5) | 997 332 008 01 | limited slip differential | | 1 | PR:220 |
| 6 | 000 043 010 00 | Loctite | | X | |
| | | 574 | | | |
| | | 50 Ml. | | | |
| 7 | 997 332 276 00 | Hexagon bolt | | 16 | |
| 8 | 997 332 801 00 | Taper roller bearing | | 1 | |
| 9 | 997 332 802 00 | Taper roller bearing | | 1 | |
| 10 | 997 332 266 00 | 1 set shims | | 1 | |
| | | 1,02 - 1,86 | | | |
| 11 | 997 332 268 00 | 1 set shims | | 1 | |
| | | 0,92 - 1,76 | | | |

Model: 997-09

Model life 2009>>2012



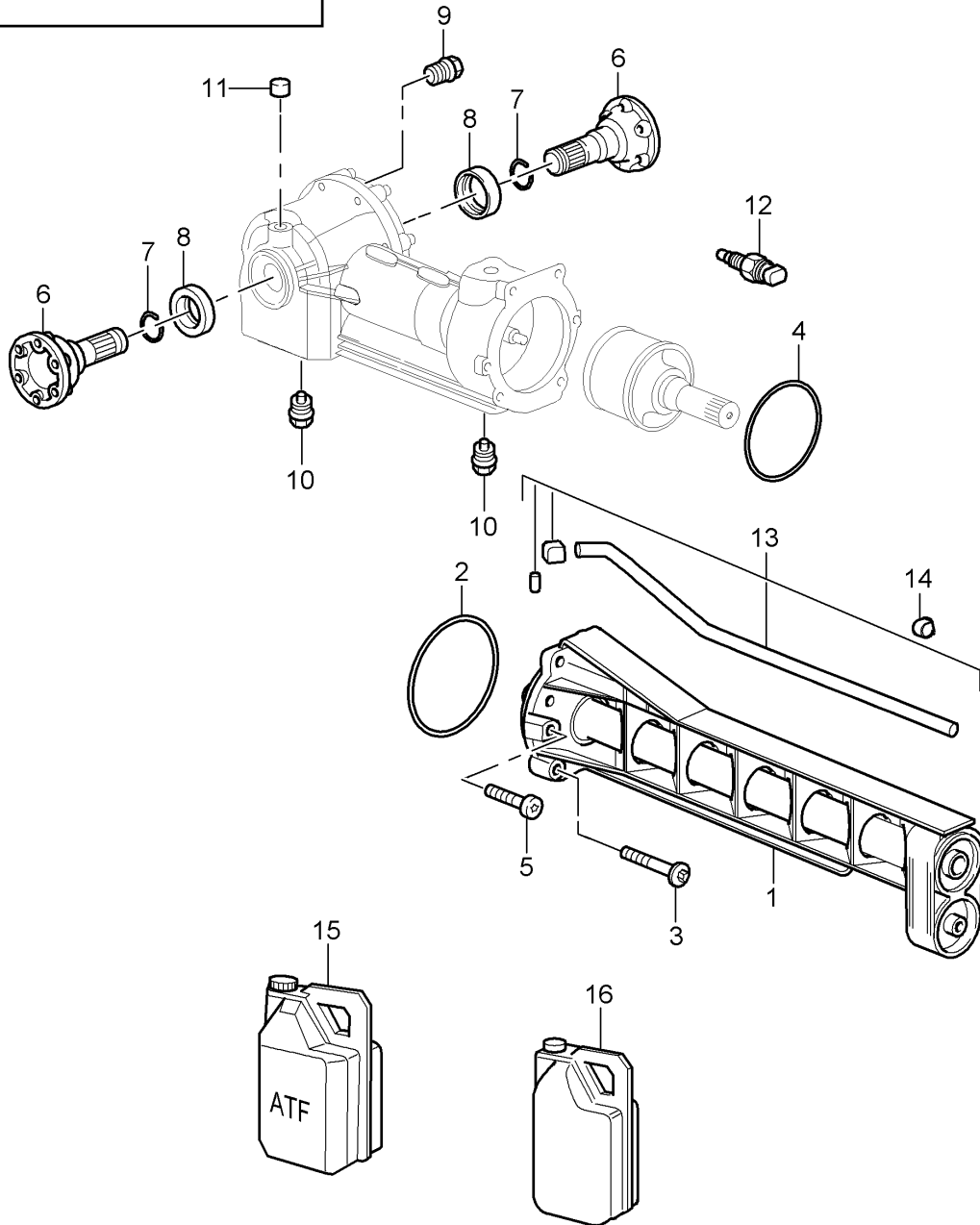
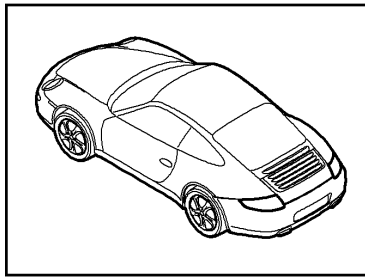
Model: 997-09

Model life 2009>>2012

| Pos | Part Number | Description | Remark | Qty | Model |
|-----|----------------|---|--------|-----|---------|
| 1 | 997 349 020 51 | Front axle differential Cardan shaft Front axle differential Ready for installation Discontinued part | | 1 | |
| 1 | 997 349 020 53 | Front axle differential Ready for installation Discontinued part | | 1 | |
| 1 | 997 349 020 54 | Front axle differential Ready for installation | | 1 | PR:-303 |
| 2 | 999 072 034 01 | Conical screw M 10 X 28 | | 2 | |
| 3 | 996 375 034 01 | transmission carrier | front | 1 | |
| 4 | 997 375 257 00 | Stop | | 2 | |
| 5 | 900 380 008 01 | Hexagon nut M 10 | | 1 | |
| 6 | 997 375 343 00 | transmission carrier | rear | 1 | |
| 7 | 900 378 142 01 | Hexagon bolt M 10 X 90 | | 1 | |
| 8 | 996 375 054 03 | gearbox mounting | rear | 1 | |
| 9 | 997 606 303 00 | Temperature sensor | | 1 | |
| 10 | 900 385 123 01 | Bolt with washer M 10 X 25 | | 4 | |
| 11 | 999 076 053 01 | Hexagon nut M 10 | | 2 | |
| 12 | 9G1 421 020 00 | Cardan shaft Discontinued part | | 1 | |
| 12 | 9G1 421 020 01 | Cardan shaft | | 1 | |
| 13 | 996 421 145 01 | Gaiter | | 1 | |
| 14 | 900 385 097 01 | Torx screw M 10 X 35 | | 3 | |
| 15 | 000 043 204 20 | Transmission fluid Front axle differential MOBILUBE PTX 75 W 90 Container 20 LTR. | | X | |
| 16 | 999 701 743 40 | O-ring Cover 144,5 X 3,0 | | 1 | |

Model: 997-09

Model life 2009>>2012



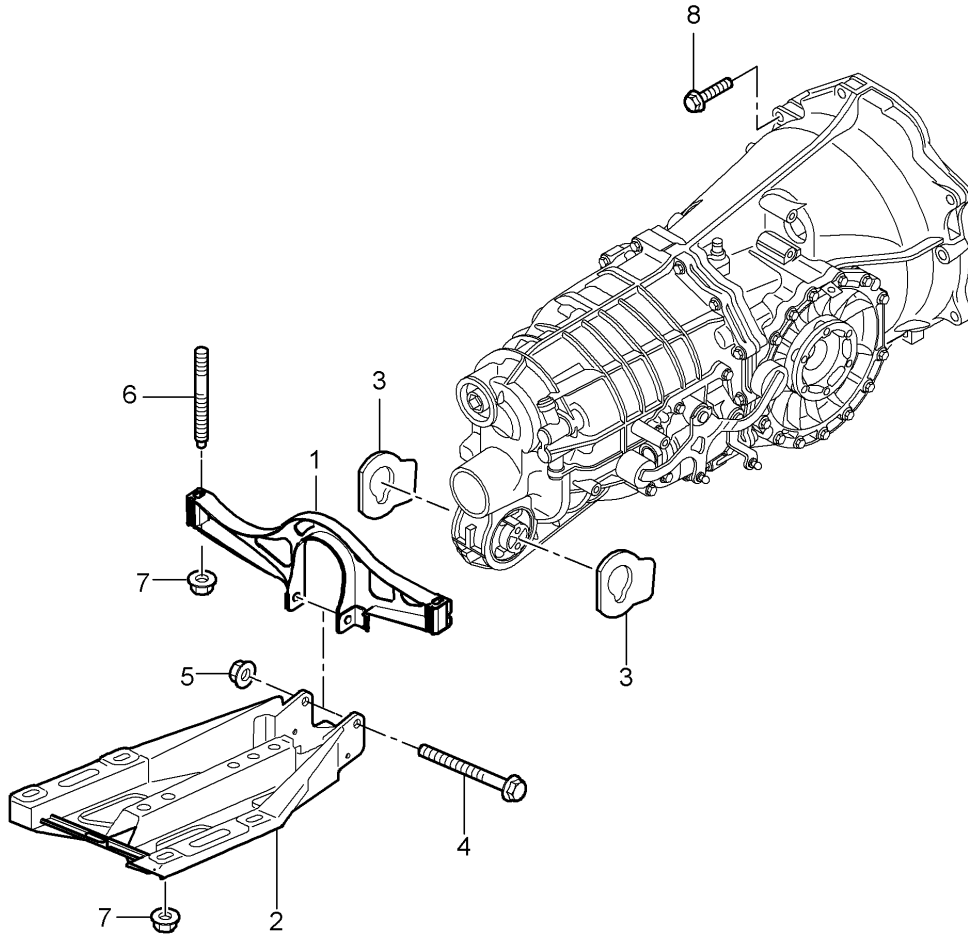
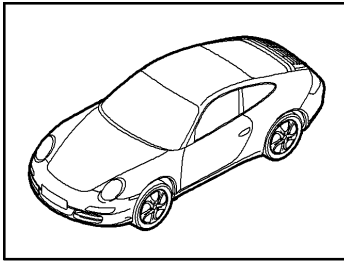
Model: 997-09

Model life 2009>>2012

| Pos | Part Number | Description | Remark | Qty | Model |
|------|----------------|---|---------|-----|-------|
| 2 | 999 707 455 40 | Front axle differential Coupling Individual parts O-ring 123 X 3 | | 1 | |
| 3 | 900 385 141 01 | Torx screw M 8 X 40 | | 5 | |
| 5 | 997 337 825 00 | Socket head bolt M 8 X 25 | | 2 | |
| 6 | 997 332 309 00 | Drive flange | | 2 | |
| 7 | 996 332 311 00 | snap ring 20 X 2,5 | | 2 | |
| 8 | 999 113 454 40 | Shaft oil seal 40 X 60 X 9 | | 2 | |
| 9 | 900 124 013 01 | sealing plug M 18 X 1,5 | | 2 | |
| 10 | 900 124 014 01 | Oil filler screw sealing plug M 18 X 1,5 | | 2 | |
| 11 | 014 301 485 | drain plug Cap for venting the gearbox breather assy. 17 X 13,5 | | 1 | |
| 12 | 997 606 303 00 | Temperature sensor | | 1 | |
| 13 | 997 337 071 00 | Vent hose | | 1 | |
| 14 | 999 507 339 01 | cable terminal | | 4 | |
| 15 | 000 043 303 00 | Transmission fluid for Coupling 1 LTR. Container | | 1 | |
| (15) | 000 043 305 40 | Discontinued part Transmission fluid for Coupling 1 LTR. Container | | 1 | |
| 16 | | Transmission fluid Front axle differential | | | |
| - | 000 043 209 23 | Grease LIQUI MOLY PU 53 / WDR 50 GR. see illustration: | 302-000 | X | |

Model: 997-09

Model life 2009>>2012



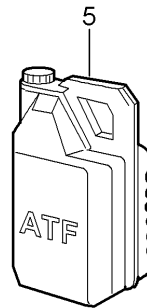
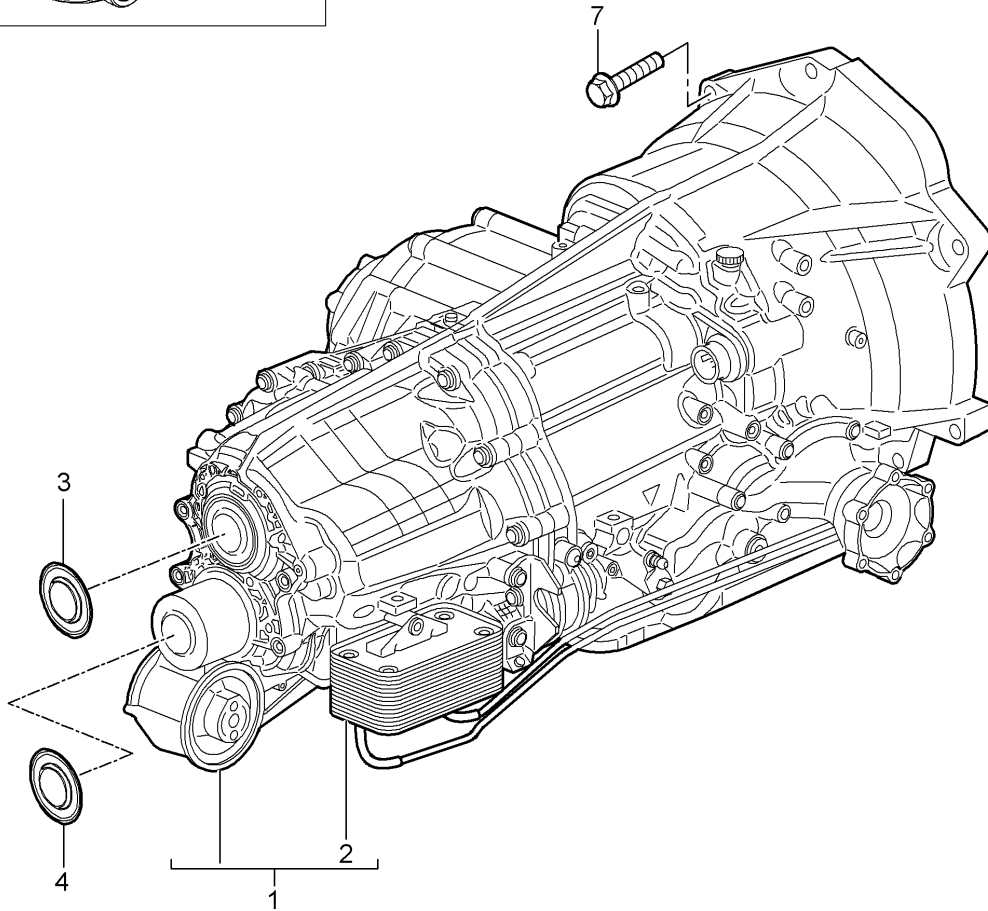
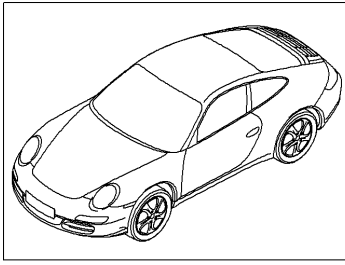
Model: 997-09

Model life 2009>>2012

| Pos | Part Number | Description | Remark | Qty | Model |
|-----|----------------|---|--------|-----|-----------------------------|
| | | Transmission suspension Threaded joint Engine | | | G9705,G9735, CG100,CG130 |
| 1 | 9A1 375 039 01 | transmission carrier Discontinued part | | 1 | |
| (1) | 9A1 375 039 02 | transmission carrier | | 1 | |
| 2 | 9A1 375 113 01 | Side member | | 1 | |
| 3 | 9A1 375 255 00 | Stop | | 2 | PR:480 |
| (3) | 9A1 375 255 00 | Stop | | 2 | PR:250 |
| (3) | 9A1 375 256 00 | Stop | | 2 | PR:250 |
| 4 | 900 385 283 01 | Torx screw BM12 X 1,5 X 130 | | 1 | |
| 5 | 999 086 009 02 | Nut M12 X 1,5 | | 1 | |
| 6 | 999 061 116 01 | Threaded pin M10 X 100 | | 2 | |
| 7 | 999 084 648 01 | Hexagon nut M 10 | | 6 | |
| 8 | 999 385 009 01 | Hexagon head bolt BM 12 X 1,5 X 55 | | 2 | |
| 9 | 9A1 375 055 02 | gearbox mounting | | 1 | |

Model: 997-09

Model life 2009>>2012



Model: 997-09

Model life 2009>>2012

| Pos | Part Number | Description | Remark | Qty | Model |
|-----|----------------|---|---------|-----|----------------------------|
| - | | - PDK - Gearbox Replacement transmission see Technical information Group 3 Nr.21/09 | | | CG100,CG130 |
| 1 | 000 043 300 65 | Gearbox Control unit Discontinued part | with: | 1 | CG100+ PR:219 |
| 1 | 000 043 300 EX | Gearbox Control unit Discontinued part | with: | 1 | CG100+ PR:219 |
| 1 | 000 043 300 66 | Gearbox Control unit Discontinued part | with: | 1 | CG100+ PR:220 |
| 1 | 000 043 300 FX | Gearbox Control unit Discontinued part | with: | 1 | CG100+ PR:220 |
| (1) | 000 043 300 67 | Gearbox Control unit Discontinued part | with: | 1 | CG130+ PR:220 |
| (1) | 000 043 300 GX | Gearbox Control unit Discontinued part | with: | 1 | CG130+ PR:220 |
| 1 | 9G1 300 011 00 | Gearbox C >> 012247 | | 1 | CG100+ PR:219 |
| 1 | 9G1 300 011 02 | Gearbox C 012248 >> | | 1 | CG100+ PR:219 |
| 1 | 9G1 300 011 X | Gearbox C >> 012247 | | 1 | CG100+ PR:219 -"CN." |
| 1 | 9G1 300 011 BX | Gearbox C 012248 >> | | 1 | CG100+ PR:219 -"CN." |
| 1 | 9G1 300 021 00 | Gearbox C >> 003009 | | 1 | CG100+ PR:220 |
| 1 | 9G1 300 021 02 | Gearbox C 003010 >> | | 1 | CG100+ PR:220 |
| 1 | 9G1 300 021 X | Gearbox C >> 003009 | | 1 | CG100+ PR:220 -"CN." |
| 1 | 9G1 300 021 BX | Gearbox C 003010 >> | | 1 | CG100+ PR:220 -"CN." |
| (1) | 9G1 300 021 30 | Gearbox C >> 011703 | | 1 | CG130+ PR:220 |
| 1 | 9G1 300 021 32 | Gearbox C 011704 >> | | 1 | CG130+ PR:220 |
| (1) | 9G1 300 021 GX | Gearbox C >> 011703 | | 1 | CG130+ PR:220 -"CN." |
| (1) | 9G1 300 021 HX | Gearbox C 011704 >> | | 1 | CG130+ PR:220 -"CN." |
| 2 | | heat exchanger see illustration: | 360-000 | 1 | |

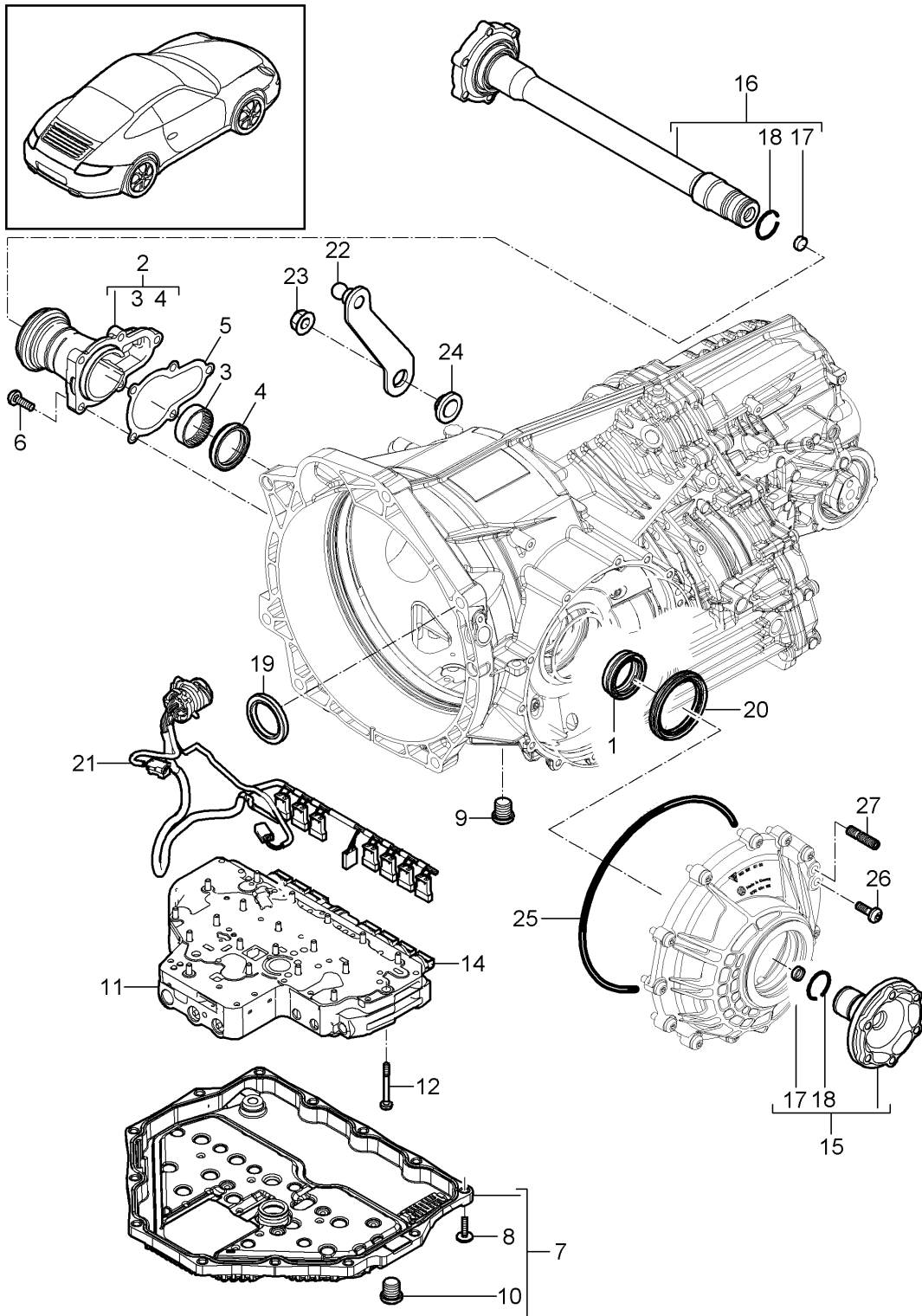
Model: 997-09

Model life 2009>>2012

| Pos | Part Number | Description | Remark | Qty | Model |
|-----|----------------|---|--------|-----|--------|
| 3 | 9G1 321 360 00 | End cap Gear housing | rear | 2 | PR:338 |
| 4 | 9G1 321 360 00 | End cap Gear housing | rear | 1 | PR:339 |
| 5 | 000 043 207 30 | Transmission fluid Pentosin FFL 3 20 LTR. Container | | X | |
| (5) | 000 043 207 29 | Transmission fluid Pentosin FFL 3 1 LTR. Container | | X | |
| 6 | 999 917 546 00 | Transmission fluid 75 W 90 Differential 1 LTR. Container | | X | |
| 6 | 000 043 305 49 | Discontinued part Transmission fluid 75 W 90 Differential 1 LTR. | | X | |
| 7 | 999 385 009 01 | Hexagon head bolt M 12 X 1,5 X 55 Threaded joint Engine and transmission | | 6 | |

Model: 997-09

Model life 2009>>2012



Model: 997-09

Model life 2009>>2012

| Pos | Part Number | Description | Remark | Qty | Model |
|------|----------------|--|--------|-----|-------------|
| | | - PDK - Gearbox Individual parts | | | CG100,CG130 |
| 1 | 9G1 332 806 00 | Shaft oil seal 40X52 / 55X40 | | 1 | |
| 2 | 9G1 321 159 00 | Housing neck Gearbox | | 1 | |
| 2 | 9G1 321 959 00 | No longer use the part here Housing neck (complete) | | 1 | |
| 2 | 9G1 321 059 00 | Discontinued part Housing neck (complete) | | 1 | |
| 4 | 9G1 332 804 00 | Shaft oil seal 42 X 55 X 7 | | 1 | |
| 5 | 9G1 321 259 00 | Seal flange | | 1 | |
| 6 | 9G1 332 801 00 | Torx screw M8 X 25 | | 5 | |
| 7 | 9G1 321 025 00 | oil sump (complete) | | 1 | |
| 8 | 9G1 321 801 00 | Torx screw M6 X 25 | | 13 | |
| 9 | 9G1 321 805 00 | Seal bolt with sealing ring | | 1 | |
| 10 | 9G1 321 825 00 | sealing plug Included seal ring | | 1 | |
| 10 | 9G1 321 825 01 | Discontinued part sealing plug Included seal ring | | 1 | |
| 11 | 9G1 317 015 00 | Control unit Hydraulic | | 1 | |
| 12 | 9G1 317 801 00 | - PDK - Screw M6x55 | | 20 | |
| 13 | 9G1 317 697 00 | Connector housing pressure regulator | | 2 | |
| 14 | 9G1 317 698 00 | Connector housing Solenoid valve | | 6 | |
| 15 | 9G1 332 028 00 | Drive flange Short | | 1 | |
| | | only in conj. with: 999.510.047.01 see Technical information 20/09 3925 4221 | | | |
| (15) | 9G1 332 028 50 | D >> - MJ 2009 Drive flange Short | | 1 | |
| | | only in conj. with: 999.073.517.01 see Technical information 20/09 3925 4221 | | | |
| (15) | 9G1 332 028 55 | D - MJ 2010>> - MJ 2010 Drive flange Short | | 1 | |

Model: 997-09

Model life 2009>>2012

| Pos | Part Number | Description | Remark | Qty | Model |
|------|----------------|--|--------|-----|-------|
| 16 | 9G1 332 029 00 | only in conj. with: 999.073.517.01 see Technical information 20/09 3925 4221 D - MJ 2011>> Drive flange Long | | 1 | |
| (16) | 9G1 332 029 50 | only in conj. with: 999.510.047.01 see Technical information 20/09 3925 4221 D >> - MJ 2009 Drive flange Long | | 1 | |
| (16) | 9G1 332 029 55 | only in conj. with: 999.073.517.01 see Technical information 20/09 3925 4221 D - MJ 2010>> Discontinued part Drive flange Long | | 1 | |
| 17 | 9G1 332 821 00 | only in conj. with: 999.073.517.01 see Technical information 20/09 3925 4221 D - MJ 2010>> End cap | | 2 | |
| 18 | 9G1 332 820 00 | snap ring D36 x 2,6 | | 2 | |
| 19 | 9G1 116 807 00 | Shaft oil seal for Coupling 40 x 57 x 6 | | 1 | |
| 20 | 9G1 332 803 00 | Shaft oil seal 64X82X8 | | 1 | |
| 21 | | Wire set Control unit Not available | | | |
| 22 | 9G1 324 135 00 | gearshift lever | | 1 | |
| 23 | 9G1 324 815 00 | Nut M 8 X 1 | | 1 | |
| 24 | 970 324 805 00 | Shaft oil seal 10 X 18 X 5 | | 1 | |
| 25 | 9G1 321 815 00 | O-ring 221 X 3 | | 1 | |
| 26 | 9G1 332 801 00 | Torx screw M 8 X 25 | | 13 | |
| 27 | 9G1 321 890 00 | Cylinder pin D 10 X 28 | | 1 | |
| - | 9G1 307 385 05 | Pressure sensor | | 2 | |

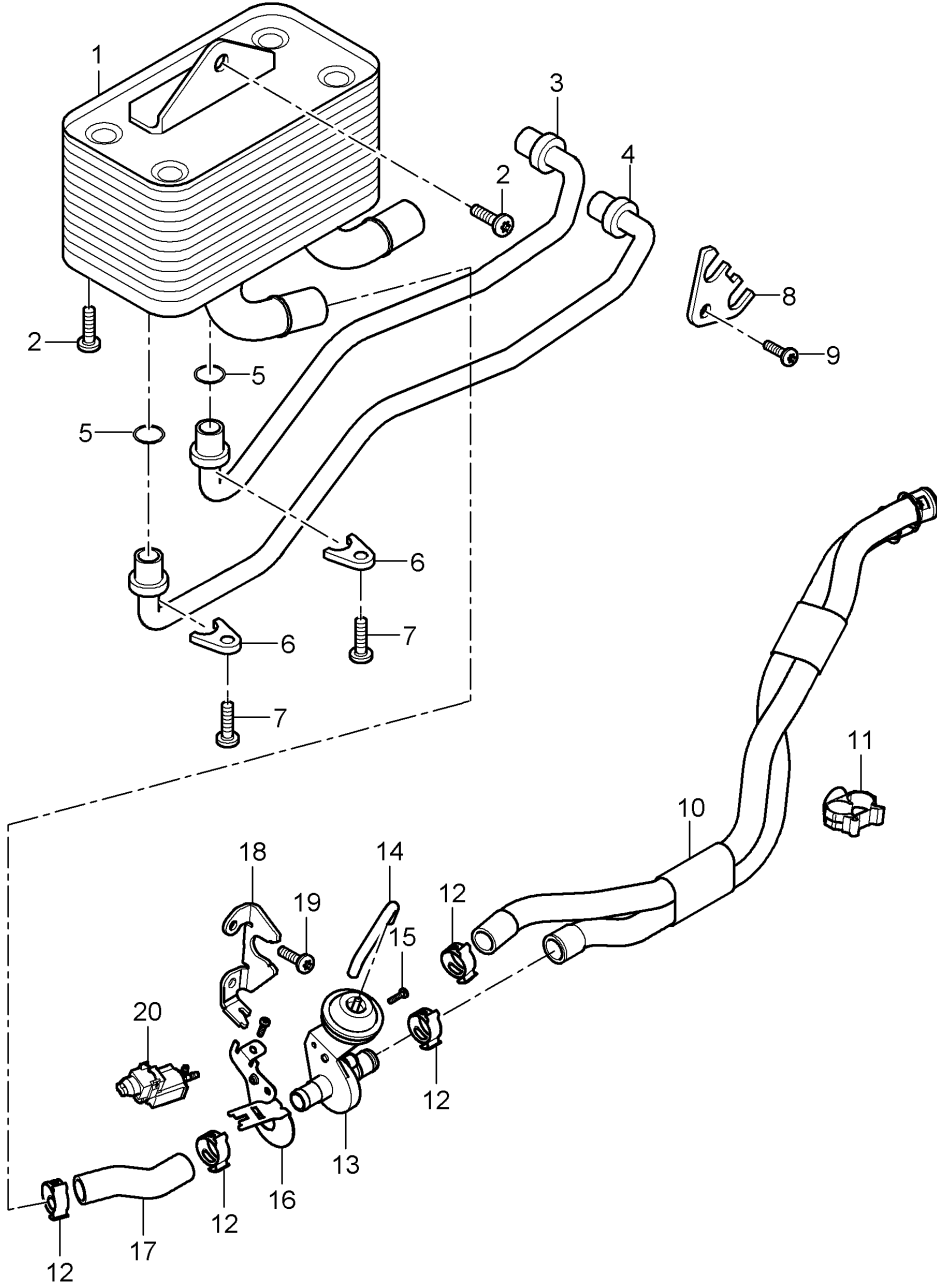
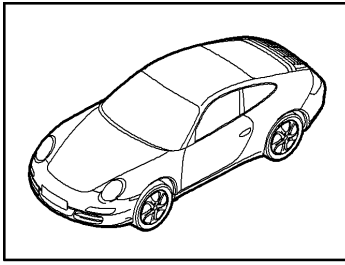
Model: 997-09

Model life 2009>>2012

| Pos | Part Number | Description | Remark | Qty | Model |
|-----|----------------|---------------------------|--------|-----|-------|
| - | 9G1 321 885 00 | bleeder screw M 10 X 1 | | 1 | |

Model: 997-09

Model life 2009>>2012



Model: 997-09

Model life 2009>>2012

| Pos | Part Number | Description | Remark | Qty | Model |
|------|----------------|---|--------------------------|-----|-------------|
| | | - PDK - Gearbox heat exchanger oil pipe Water pipe | | | CG100,CG130 |
| 1 | 9G1 307 017 00 | heat exchanger | | 1 | |
| 2 | 9G1 307 813 00 | Torx screw M6 X 12 | | 3 | |
| 3 | 9G1 307 087 00 | Oil pipe heat exchanger Supply C 023041 >> C 004963 >> C 020579 >> | | 2 | |
| 3 | 9G1 307 087 05 | Oil pipe heat exchanger Supply C >> 023042 C >> 004964 C >> 020580 | | 2 | |
| 4 | 9G1 307 085 00 | Oil return line heat exchanger C 023041 >> C 004963 >> C 020579 >> | | 1 | |
| 4 | 9G1 307 085 05 | Oil return line heat exchanger C >> 023042 C >> 004964 C >> 020580 | | 1 | |
| 5 | 9G1 307 891 00 | seal ring Oil pipe | | 4 | |
| 6 | 9G1 307 245 00 | heat exchanger Retaining plate Oil pipe heat exchanger | | 2 | |
| 7 | 9G1 307 813 00 | Torx screw M6 X 12 | | 2 | |
| 8 | 9G1 307 255 00 | Retaining plate Oil pipe | | 1 | |
| 9 | 9G1 307 802 00 | Gearbox Torx screw M8 X 15 | | 1 | |
| 10 | 9G1 307 711 01 | Hose | | 1 | |
| 11 | 999 507 855 40 | Cable holder 22,0 / 22,0 | | 1 | |
| 12 | 999 512 656 09 | Hose clamp B25 X 12 | | 4 | |
| (13) | 928 574 573 03 | Disc valve | | 1 | |
| 13 | 991 307 573 00 | Disc valve | | 1 | |
| 14 | 9G1 307 673 00 | Molded hose | also use: 9G1 307 401 05 | 1 | |
| 15 | 999 073 415 01 | flat round head bolt M4 X 16 | | 2 | |
| (16) | 9G1 307 401 02 | Bracket Disc valve No longer use the part here | | 1 | |
| 16 | 9G1 307 401 05 | Bracket Disc valve Together with 991.307.573.00 | | 1 | |
| 17 | 9G1 307 713 00 | Water hose | | 1 | |
| 18 | 9G1 426 211 00 | abutment | | 1 | |

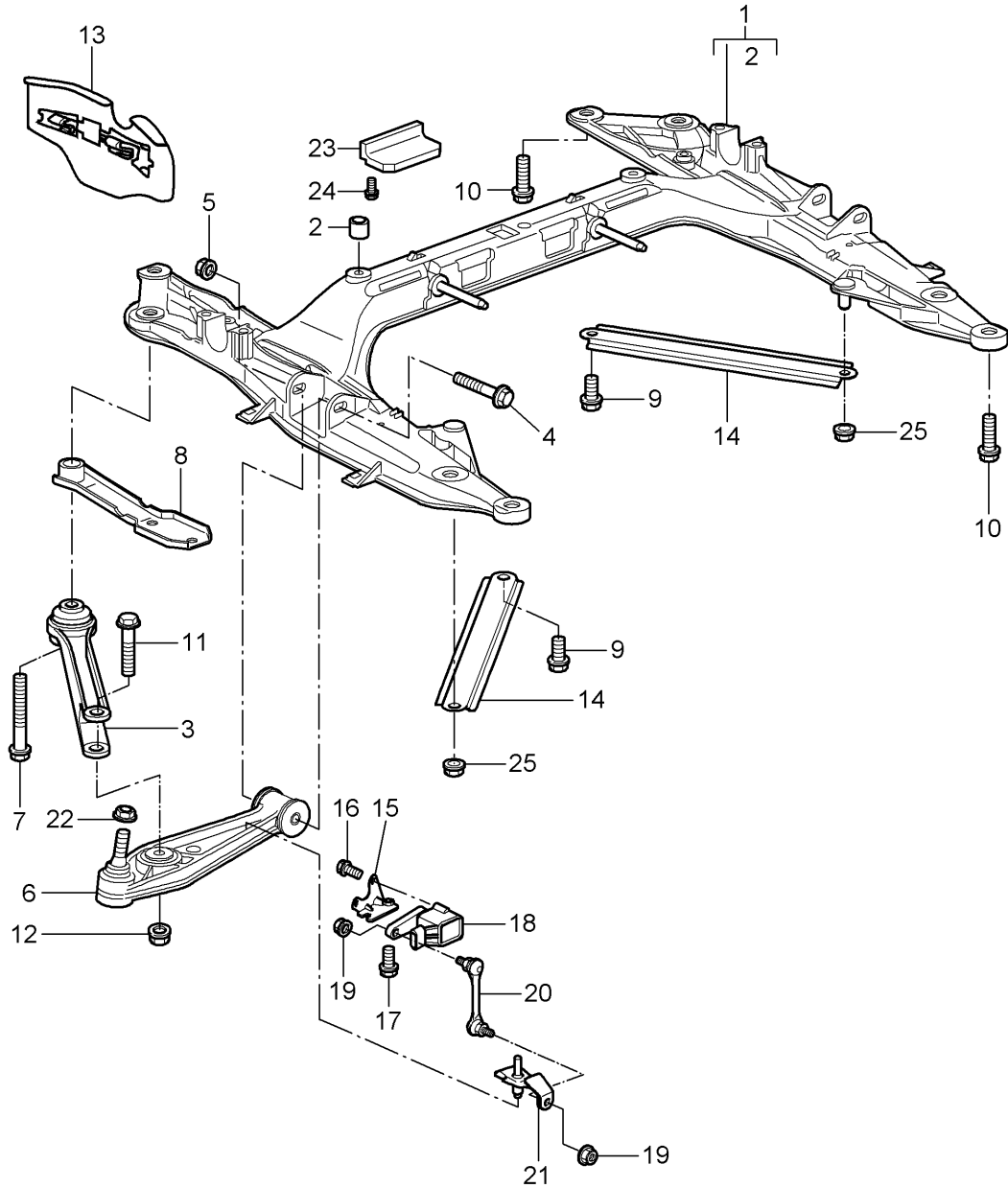
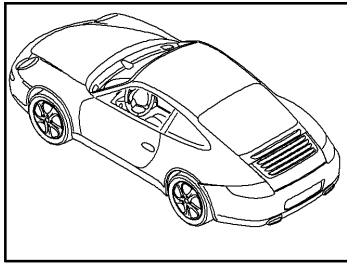
Model: 997-09

Model life 2009>>2012

| Pos | Part Number | Description | Remark | Qty | Model |
|-----|----------------|---------------------------------|--------|-----|-------|
| 19 | 9G1 426 801 00 | flat round head bolt M8 X 20 | | 2 | |
| 20 | 996 605 123 01 | Change-over valve | | 1 | |

Model: 997-09

Model life 2009>>2012



Model: 997-09 Model life 2009>>2012

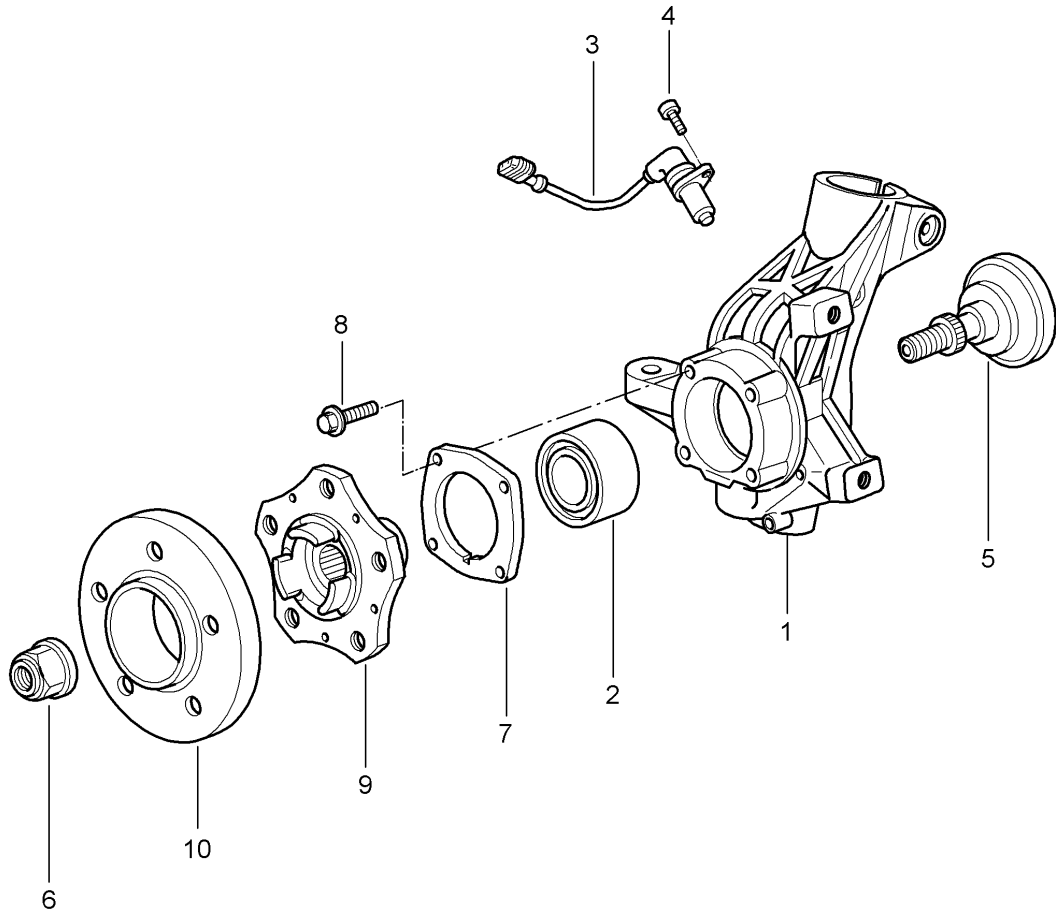
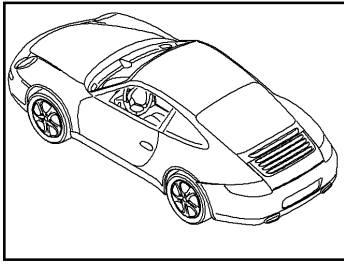
| Pos | Part Number | Description | Remark | Qty | Model |
|------|----------------|---|--------|-----|--|
| (1) | 997 341 081 06 | Cross member Wishbone Cross member | | 1 | CARRERA 2 CARRERA 2-S BLACKEDITION CARRERA GTS SPEEDSTER SPORTCLASSI |
| (1) | 997 341 081 11 | Cross member | | 1 | CARRERA 4 CARRERA 4-S TARGA TARGA-S 4 GTS |
| 2 | 900 197 070 00 | spring pin 13 X 14 | | 1 | |
| 3 | 997 341 043 00 | Guide | | 2 | |
| 4 | 900 378 165 01 | Hexagon bolt M 12 X 1,5 X 95 | | 2 | |
| 5 | 999 084 445 01 | Locknut M 12 X 1,5 | | 2 | |
| 6 | 997 341 053 03 | Wishbone D >> - MJ 2009 | | 2 | |
| 6 | 997 341 053 04 | Wishbone D - MJ 2010>> | | 2 | |
| (7) | 999 072 050 01 | Hexagon bolt M 14 X 1,5 X 120 | | 2 | |
| (8) | 997 341 145 05 | plate | | 2 | |
| (9) | 999 072 047 01 | Hexagon bolt M 12 x 1,5 x 30 | | 4 | |
| (10) | 900 378 072 01 | Hexagon bolt M 12 X 1,5 X 30 | front | 2 | |
| 10 | 900 378 192 01 | Hexagon bolt M 14 x 1,5 x 50 | rear | 2 | |
| 11 | 900 378 279 01 | Hexagon bolt M 14 X 1,5 X 95 | | 2 | |
| 12 | 900 380 012 09 | Hexagon nut M 14 X 1,5 D >> - MJ 2009 | | 2 | |
| 12 | 900 380 012 01 | Hexagon nut M 14 X 1,5 D - MJ 2010>> | | 2 | |
| 13 | 996 341 483 05 | Spoiler | left | 1 | CARRERA 2 CARRERA 4 TARGA BLACKEDITION CHINAEDITION |
| (13) | 997 341 483 02 | Spoiler | left | 1 | CARRERA 2-S CARRERA 4-S TARGA-S SPEEDSTER CARRERA GTS 4 GTS SPORTCLASSIC |
| (13) | 997 341 483 03 | Discontinued part Spoiler | left | 1 | CARRERA 2-S CARRERA 4-S TARGA-S SPEEDSTER CARRERA GTS 4 GTS |
| (13) | 996 341 484 05 | Spoiler | right | 1 | SPORTCLASSIC CARRERA 2 CARRERA 4 |

Model: 997-09 Model life 2009>>2012

| Pos | Part Number | Description | Remark | Qty | Model |
|------|--------------------------------------|---------------------------------|------------------------------|-----|---|
| (13) | 997 341 484 02 | Spoiler | right | 1 | TARGA BLACKEDITION CHINAEDITION CARRERA 2-S CARRERA 4-S TARGA-S SPEEDSTER CARRERA GTS 4 GTS SPORTCLASSIC |
| (13) | 997 341 484 03 | Discontinued part Spoiler | right | 1 | CARRERA 2-S CARRERA 4-S TARGA-S SPEEDSTER CARRERA GTS 4 GTS SPORTCLASSIC |
| 14 | 997 504 433 00 | Brace | | 2 | CARRERA 2 CARRERA 2-S SPORTCLASSIC SPEEDSTER BLACKEDITION CHINAEDITION |
| (14) | 997 504 433 00 GRV 997 504 433 01 | primed Brace | | 2 | CARRERA 4 CARRERA 4-S TARGA TARGA-S CARRERA GTS 4 GTS |
| 15 | | Bracket | | 1 | PR:601,603 |
| 16 | 900 146 003 03 | fillister hd. bolt M 5 x 10 | see illustration: 105-010 | 2 | PR:601,603 |
| 17 | 900 378 036 01 | Hexagon bolt M 6 x 12 | | 1 | |
| 18 | 997 631 121 00 | Level sensor | | 1 | PR:601,603 |
| 19 | 900 380 015 01 | Hexagon nut VM 6 | | 2 | |
| 20 | 997 341 375 01 | Brace | | 1 | PR:601,603 |
| 21 | 996 341 371 03 | Bracket for cross member | | 1 | PR:601,603 |
| 22 | 999 084 449 09 | Locknut M 12 X 1,5 | | 2 | |
| 23 | 997 341 431 02 | Stop | | 1 | CARRERA 4 CARRERA 4-S TARGA TARGA-S 4 GTS |
| 24 | 999 072 047 01 | Hexagon bolt M 12 X 1,5 X 30 | | 4 | CARRERA 4 CARRERA 4-S TARGA TARGA_S 4 GTS |
| 25 | 999 084 445 01 | Locknut M 12 X 1,5 | | 2 | |

Model: 997-09

Model life 2009>>2012



Model: 997-09

Model life 2009>>2012

| Pos | Part Number | Description | Remark | Qty | Model |
|-----|----------------|---|--------|-----|---|
| 1 | 997 341 157 25 | Wheel carrier Wheel hub Wheel carrier | left | 1 | CARRERA 2 CARRERA 2 S CARRERA GTS BLACKEDITION STYLEEDITION |
| (1) | 997 341 157 25 | Wheel carrier | left | 1 | PR:756 |
| (1) | 997 341 157 25 | Wheel carrier | left | 1 | SPEEDSTER PR:503 |
| (1) | 997 341 158 25 | Wheel carrier | right | 1 | CARRERA 2 CARRERA 2 S CARRERA GTS BLACKEDITION STYLEEDITION |
| (1) | 997 341 158 25 | Wheel carrier | right | 1 | PR:756 |
| (1) | 997 341 158 25 | Wheel carrier | right | 1 | SPEEDSTER PR:503 |
| (1) | 997 341 165 24 | Wheel carrier | left | 1 | CARRERA 4 |
| | | | | 1 | CARRERA 4-S |
| | | | | 1 | TARGA |
| | | | | 1 | TARGA-S |
| (1) | 997 341 165 25 | D >> - MJ 2010 Wheel carrier | left | 1 | CARRERA 4 |
| | | | | 1 | CARRERA 4-S |
| | | | | 1 | TARGA |
| | | | | 1 | TARGA-S |
| | | | | 1 | 4 GTS |
| (1) | 997 341 166 24 | D - MJ 2011>> Wheel carrier | right | 1 | CARRERA 4 |
| | | | | 1 | CARRERA 4-S |
| | | | | 1 | TARGA |
| | | | | 1 | TARGA-S |
| (1) | 997 341 166 25 | D >> - MJ 2010 Wheel carrier | right | 1 | CARRERA 4 |
| | | | | 1 | CARRERA 4-S |
| | | | | 1 | TARGA |
| | | | | 1 | TARGA-S |
| | | | | 1 | 4 GTS |
| 2 | 999 053 054 06 | D - MJ 2011>> angular ball bearing | | 2 | |
| 3 | 997 606 407 01 | speed sensor | | 2 | |
| 4 | 900 067 117 04 | Socket head bolt M 6 x 16 | | 2 | |
| 5 | 997 341 131 00 | retaining bolt | | 2 | CARRERA 2 CARRERA 2-S CARRERA GTS BLACKEDITION SPORTCLASSIC STYLEEDITION |
| 6 | 999 084 641 02 | Locknut M 22 X 1,5 | | 2 | |
| 6 | 999 084 641 01 | D >> - MJ 2009 Locknut M 22 X 1,5 | | 2 | |
| | | D - MJ 2010>> | | | |
| 7 | 986 331 661 20 | Cover | | 2 | |
| 8 | 999 217 042 04 | Hexagon bolt M 8 X 35 | | 8 | |
| 9 | 997 341 605 01 | Wheel hub Discontinued part | | 2 | |
| 9 | 991 341 605 02 | Wheel hub Discontinued part | | 2 | |

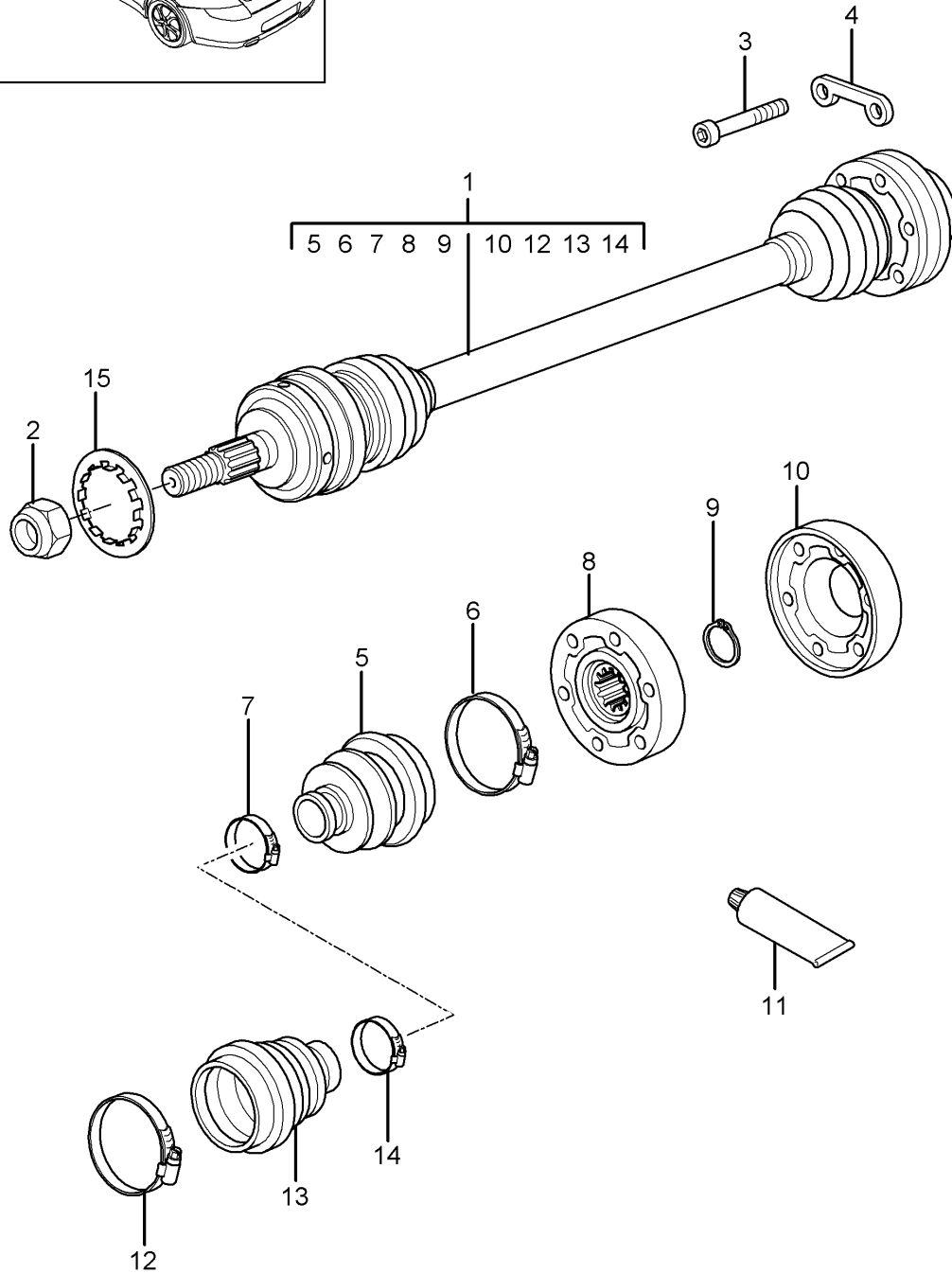
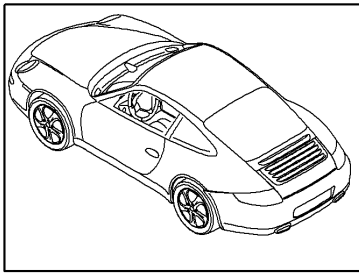
Model: 997-09

Model life 2009>>2012

| Pos | Part Number | Description | Remark | Qty | Model |
|-----|----------------|---------------------|--------|-----|-------------|
| (9) | 991 341 605 03 | Wheel hub | | 2 | |
| 9 | 997 341 607 02 | Wheel hub | | 2 | CARRERA GTS |
| | | | | 2 | 4 GTS |
| 10 | 997 361 605 90 | Spacer ring 5 MM | | 2 | PR:XRP |
| | | D >> - MJ 2011 | | | |
| - | 997 361 605 92 | Spacer ring 5 MM | | 2 | |
| | | D - MJ 2012>> | | | |

Model: 997-09

Model life 2009>>2012



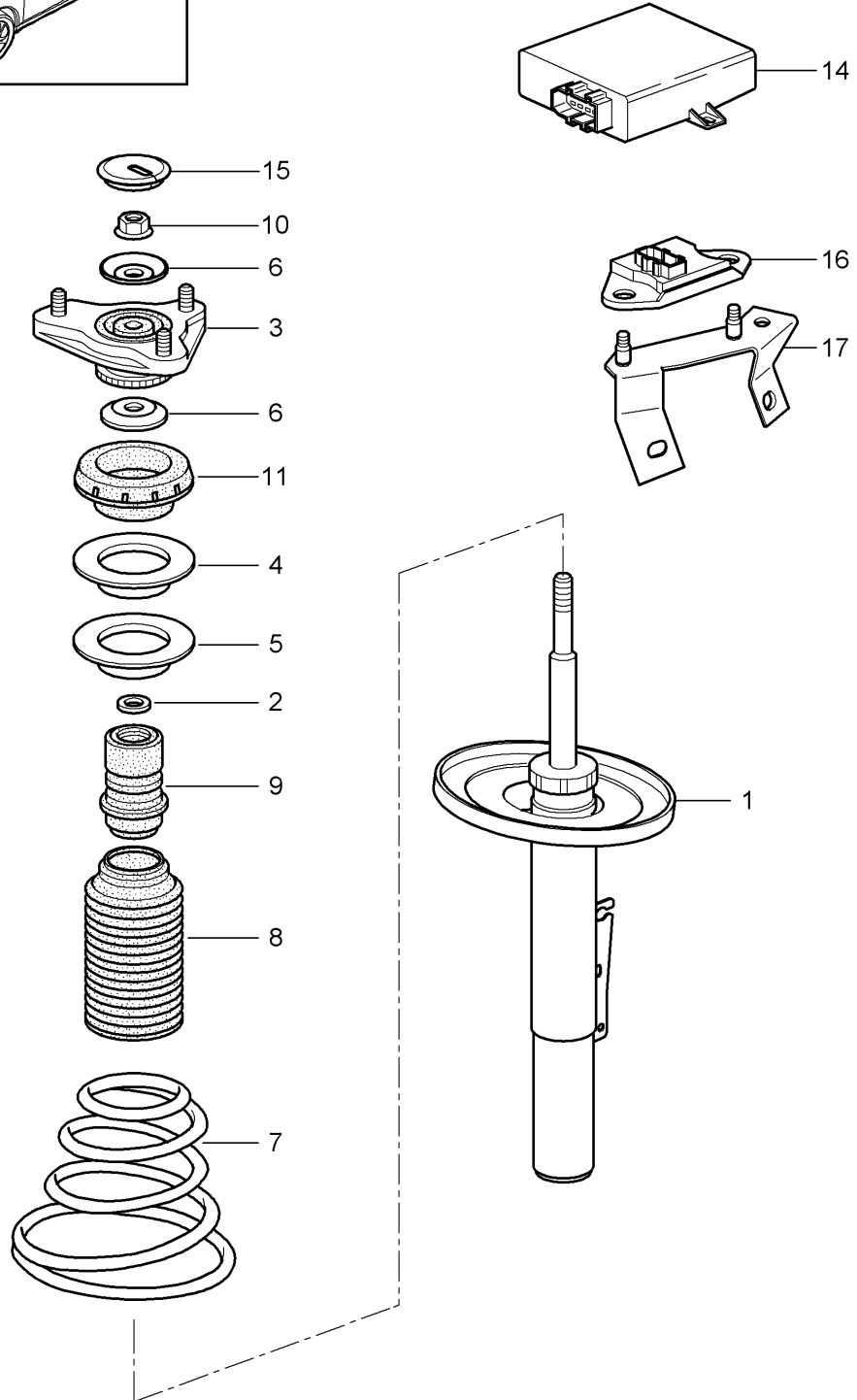
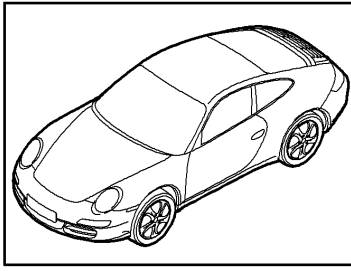
Model: 997-09

Model life 2009>>2012

| Pos | Part Number | Description | Remark | Qty | Model |
|------|----------------|---|--------|-----|---|
| | | Drive shaft | | | CARRERA 4 CARRERA 4-S TARGA TARGA-S 4 GTS |
| 1 | 997 349 038 01 | Drive shaft | | 2 | |
| 2 | 999 084 641 02 | Locknut M 22 X 1,5 | | 2 | |
| 3 | 900 067 073 02 | Socket head bolt M 8 x 45 | | 12 | |
| 4 | 996 349 191 01 | Spacer Discontinued part | | 6 | |
| 4 | 9P1 407 306 | Spacer | | 6 | |
| 5 | 996 349 293 00 | Dust bellows | | 2 | |
| - | 996 349 959 00 | Bellow support for Dust bellows | | 2 | |
| 6 | 997 349 957 00 | Clip | | 2 | |
| 7 | 996 349 257 03 | Clip | | 2 | |
| 8 | 996 349 030 00 | Joint | | 2 | |
| 9 | 900 041 011 01 | Securing ring | | 2 | |
| 10 | 996 349 267 00 | End cap Discontinued part | | 2 | |
| 10 | 996 349 267 01 | End cap | | 2 | |
| 11 | 000 043 110 01 | Grease 1 100-gramme tube | | X | |
| (11) | 000 043 205 36 | sealant Drive shaft 1 100-gramme tube | | X | |
| 12 | 996 349 257 00 | Clip | | 2 | |
| 13 | 996 349 291 00 | Dust bellows | | 2 | |
| 14 | 996 349 257 01 | Clip | | 2 | |
| 15 | 997 349 269 00 | protective ring | | 2 | |

Model: 997-09

Model life 2009>>2012



Model: 997-09 Model life 2009>>2012

| Pos | Part Number | Description | Remark | Qty | Model |
|-----|----------------|------------------------------------|--------|-----|--|
| | | suspension Shock absorber strut | | | CARRERA 2 CARRERA 2-S CABRIO SPEEDSTER CARRERA GTS |
| 1 | 997 343 042 00 | vibration damper | | 2 | PR:029 CARRERA 2 |
| 1 | 997 343 042 00 | vibration damper | | 2 | PR:029 |
| (1) | 997 343 045 21 | vibration damper | | 2 | PR:030 CARRERA 2 CARRERA 2-S |
| (1) | 997 343 045 23 | D >> - MJ 2009 vibration damper | | 2 | PR:030 CARRERA 2 CARRERA 2-S |
| (1) | 997 343 045 23 | D - MJ 2010>> vibration damper | | 2 | PR:756 |
| (1) | 997 343 045 23 | vibration damper | | 2 | CARRERA GTS COUPE PR:011,030 |
| (1) | 997 343 045 20 | vibration damper | | 2 | PR:475 CARRERA 2 CARRERA 2-S |
| (1) | 997 343 045 22 | D >> - MJ 2009 vibration damper | | 2 | PR:029,475 CARRERA 2 CARRERA 2-S |
| (1) | 997 343 045 22 | D - MJ 2010>> vibration damper | | 2 | SPEEDSTER |
| (1) | 997 343 045 22 | D - MJ 2010>> vibration damper | | 2 | PR:475 |
| (1) | 997 343 045 22 | vibration damper | | 2 | CARRERA GTS COUPE CABRIO PR:011,475 |
| - | | Mount vibration damper | | | |
| - | 999 084 445 01 | Locknut M 12 X 1,5 X 12 | | 2 | |
| - | 900 380 012 01 | Hexagon nut M 14 X 1,5 | | 2 | CARRERA GTS PR:011 |
| 2 | 996 343 513 00 | Washer | | 2 | |
| 3 | 997 343 018 01 | Shock absorber bearing | | 2 | |
| - | | Mount Engine support bearing | | | |
| - | 999 084 447 01 | Hexagon nut M 8 | | 6 | |
| - | PAF 003 923 | Hexagon nut M 8 | | 6 | |
| 4 | 996 343 517 01 | Thrust ring | | 2 | |
| 5 | 996 343 511 00 | Balancing plate 3,0 MM | | X | |
| (5) | 996 343 511 01 | Balancing plate 6,5 MM | | X | |
| 6 | 997 343 107 00 | Stop plate | upper | 2 | PR:029 |
| (6) | 997 343 107 01 | Stop plate | lower | 2 | PR:029 |
| (6) | 997 343 107 00 | Stop plate | upper | 1 | PR:475 |
| 6 | 997 343 107 01 | Stop plate | lower | 1 | PR:475 |
| (6) | 997 343 272 00 | Washer | | 2 | PR:030 |
| (6) | 997 343 272 00 | Washer | | 2 | PR:756 |
| 6 | 997 343 107 00 | Stop plate | upper | 2 | CARRERA GTS PR:011 |
| 6 | 997 343 107 01 | Stop plate | lower | 2 | CARRERA GTS |

Model: 997-09

Model life 2009>>2012

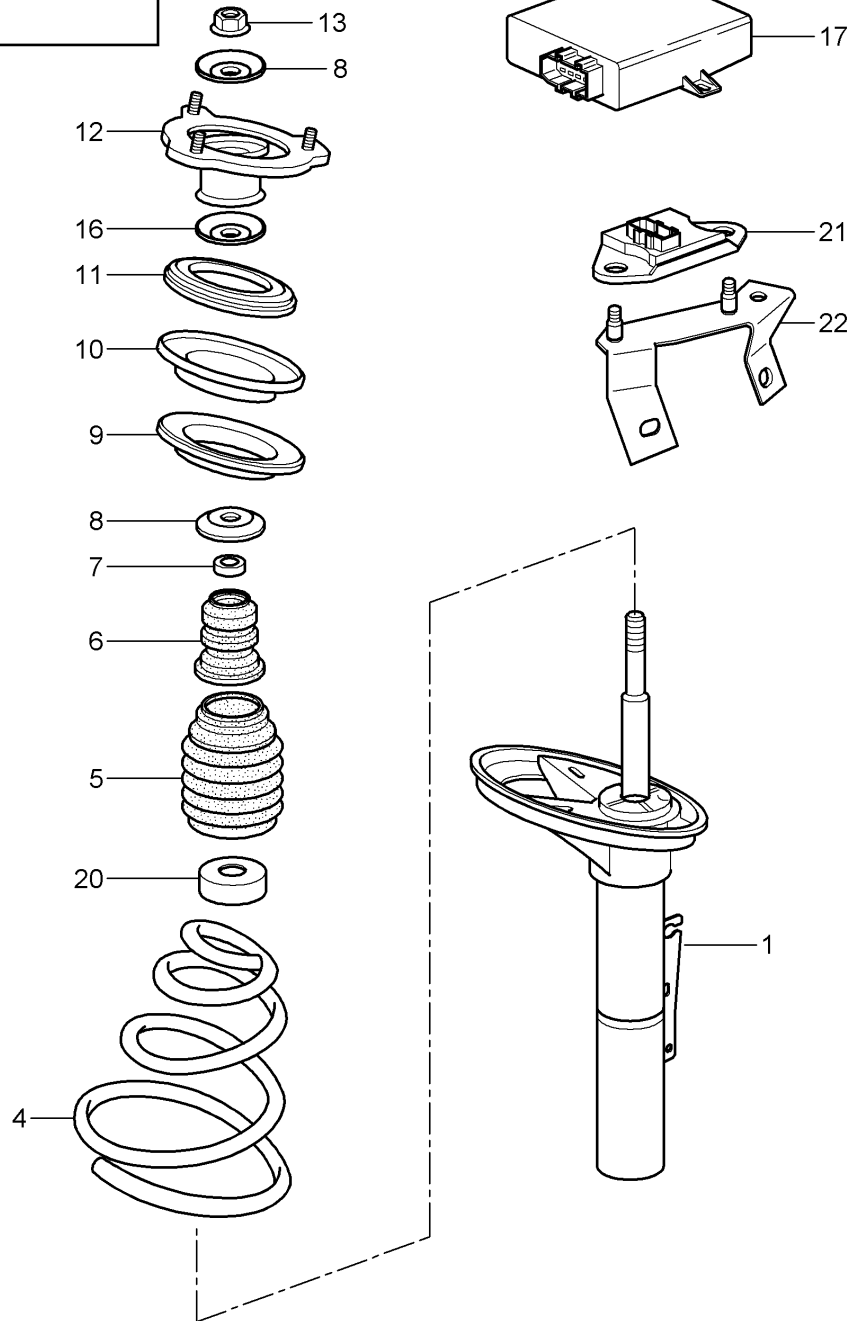
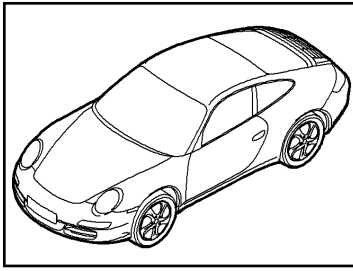
| Pos | Part Number | Description | Remark | Qty | Model |
|-----|--------------------|--|--------|-----|---|
| (7) | 997 343 531 46 | Coil spring 1 set | | 1 | PR:011 PR:029 CARRERA 2 COUPE |
| | 997 343 531 46 504 | 1 pair of springs violet violet blue | | | |
| (7) | 997 343 531 47 | Coil spring 1 set | | 1 | PR:029 CARRERA 2 CABRIO |
| | 997 343 531 47 504 | 1 pair of springs violet violet white | | | |
| 7 | 997 343 531 48 | Coil spring 1 set | | 1 | PR:475 CABRIO CARRERA 2 CARRERA 2-S |
| | 997 343 531 48 504 | 1 pair of springs red yellow | | | |
| (7) | 997 343 531 48 | Coil spring 1 set | | 1 | PR:475,503 CABRIO SPEEDSTER |
| | 997 343 531 48 504 | 1 pair of springs red yellow | | | |
| (7) | 997 343 531 50 | Coil spring 1 set | | 1 | PR:029,475 COUPE CARRERA 2 CARRERA 2-S |
| | 997 343 531 50 504 | 1 pair of springs red red green | | | |
| (7) | 997 343 531 49 | Coil spring 1 set | | 1 | PR:030,475 COUPE CARRERA 2 CARRERA 2-S |
| | 997 343 531 49 504 | 1 pair of springs silver silver | | | |
| (7) | 997 343 531 49 | Coil spring 1 set | | 1 | PR:756 |
| | 997 343 531 49 504 | 1 pair of springs silver silver | | | |
| 7 | 997 343 531 48 | Coil spring 1 set | | 1 | CARRERA GTS CABRIO PR:011,475 |
| | 997 343 531 48 504 | 1 pair of springs red red | | | |
| (7) | 997 343 531 50 | Coil spring 1 set | | 1 | CARRERA GTS COUPE PR:011,475 |
| | 997 343 531 50 504 | 1 pair of springs red red green | | | |
| (7) | 997 343 531 49 | Coil spring 1 set | | 1 | CARRERA GTS COUPE PR:011,030 |
| | 997 343 531 49 504 | 1 pair of springs silver silver | | | |
| 8 | 996 343 505 00 | Bellows | | 2 | |
| (9) | 996 343 980 09 | helper spring | | 2 | PR:030 |
| (9) | 996 343 980 09 | helper spring | | 2 | PR:756 |

Model: 997-09 Model life 2009>>2012

| Pos | Part Number | Description | Remark | Qty | Model |
|------|----------------|--|--------|-----|--|
| (9) | 996 343 301 02 | helper spring | | 2 | PR:029,475 |
| 10 | 900 380 012 09 | Hexagon nut M 14 X 1,5 Discontinued part | | 2 | |
| 10 | 900 380 012 01 | Hexagon nut M 14 X 1,5 | | 2 | |
| 11 | 996 343 515 05 | grooved ball bearing with housing | | 2 | |
| 14 | 997 618 450 01 | Control unit | | 1 | PR:029,475 |
| 14 | 997 618 450 01 | Control unit | | 1 | SPEEDSTER PR:503,475 |
| 14 | 997 618 450 01 | Control unit | | 1 | CARRERA GTS COUPE CABRIO PR:011,475 |
| (14) | 997 618 451 01 | Control unit | | 1 | PR:030,475 |
| (14) | 997 618 451 01 | Control unit | | 1 | PR:756 |
| (14) | 997 618 451 01 | Control unit | | 1 | CARRERA GTS COUPE PR:011,030 |
| - | 997 618 205 00 | Retainer for control units | | 1 | |
| 15 | 999 703 457 40 | End cap | | 2 | |
| 16 | 997 606 111 01 | Acceleration sensor for bodywork | | 2 | |
| 17 | 997 606 212 01 | Bracket Accelerator sensor | | 1 | |
| - | 999 507 016 40 | Cable holder 4,0/10,0 | left | 1 | |
| - | 999 507 673 40 | Cable holder 4,5 | right | 1 | |

Model: 997-09

Model life 2009>>2012



Model: 997-09 Model life 2009>>2012

| Pos | Part Number | Description | Remark | Qty | Model |
|-----|----------------|--|---------|-----|-------------|
| - | | suspension Shock absorber strut suspension Shock absorber strut | | | CARRERA GTS |
| | | see illustration: | 402-000 | | |
| 1 | 997 343 049 10 | vibration damper | left | 1 | PR:029 |
| (1) | 997 343 050 10 | vibration damper | right | 1 | CARRERA 4 |
| (1) | 997 343 047 21 | vibration damper | left | 1 | PR:029 |
| (1) | 997 343 047 23 | D >> - MJ 2009 vibration damper | left | 1 | CARRERA 4 |
| (1) | 997 343 048 21 | D - MJ 2010>> vibration damper | right | 1 | PR:030 |
| (1) | 997 343 048 23 | D >> - MJ 2009 vibration damper | right | 1 | CARRERA 4 |
| (1) | 997 343 047 22 | D - MJ 2010>> vibration damper | left | 1 | CARRERA 4-S |
| (1) | 997 343 047 24 | D >> - MJ 2009 vibration damper | left | 1 | PR:030,019 |
| (1) | 997 343 047 24 | D - MJ 2010>> vibration damper | left | 1 | CARRERA 4 |
| (1) | 997 343 048 22 | D - MJ 2010>> vibration damper | right | 1 | CARRERA 4-S |
| (1) | 997 343 048 24 | D >> - MJ 2009 vibration damper | right | 1 | PR:030,019 |
| (1) | 997 343 048 24 | D - MJ 2010>> vibration damper | right | 1 | CARRERA 4 |
| (1) | 997 343 049 11 | D - MJ 2010>> vibration damper | left | 1 | CARRERA 4-S |
| (1) | 997 343 050 11 | vibration damper | right | 1 | 4 GTS |
| (1) | 997 343 049 11 | D - MJ 2010>> vibration damper | left | 1 | PR:475 |
| (1) | 997 343 050 11 | vibration damper | right | 1 | CARRERA 4 |
| (1) | 997 343 049 11 | D - MJ 2010>> vibration damper | left | 1 | CARRERA 4-S |
| (1) | 997 343 050 11 | vibration damper | right | 1 | 4 GTS |
| (1) | 997 343 049 11 | D - MJ 2010>> vibration damper | left | 1 | PR:475,019 |
| (1) | 997 343 050 11 | vibration damper | right | 1 | CARRERA 4 |
| (1) | 997 343 049 11 | D - MJ 2010>> vibration damper | left | 1 | CARRERA 4-S |
| (1) | 997 343 050 11 | vibration damper | right | 1 | 4 GTS |
| (1) | 997 343 049 11 | D - MJ 2010>> vibration damper | left | 1 | TARGA |
| (1) | 997 343 050 11 | vibration damper | right | 1 | PR:029 |
| (1) | 997 343 049 11 | D - MJ 2010>> vibration damper | left | 1 | TARGA |
| (1) | 997 343 050 11 | vibration damper | right | 1 | PR:029 |

Model: 997-09

Model life 2009>>2012

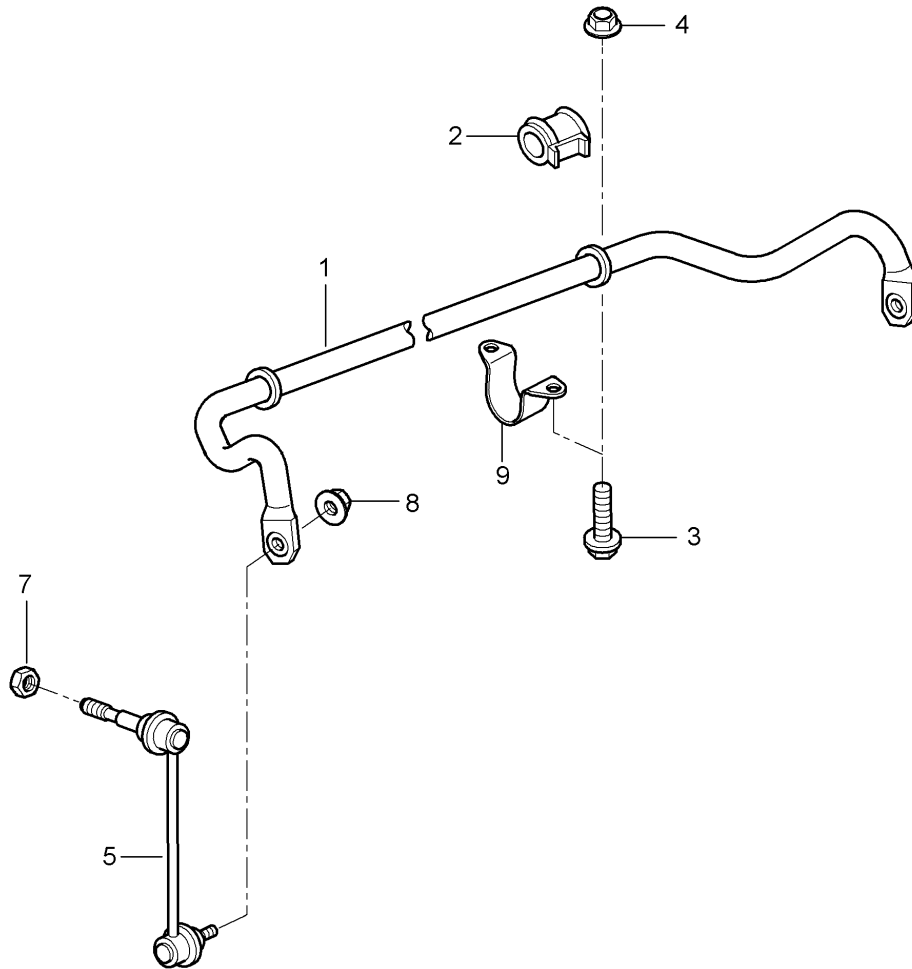
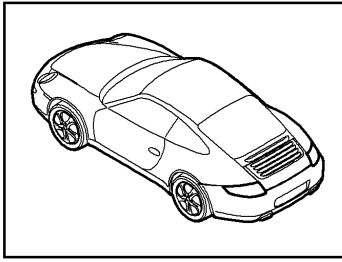
| Pos | Part Number | Description | Remark | Qty | Model |
|-----|--------------------|------------------------------------|--------|-----|-----------------|
| (1) | 997 343 051 10 | vibration damper | left | 1 | TARGA |
| | | | left | 1 | TARGA-S |
| (1) | 997 343 051 11 | D >> - MJ 2009 vibration damper | left | 1 | PR:475 TARGA |
| | | | left | 1 | TARGA-S |
| (1) | 997 343 052 10 | D - MJ 2010>> vibration damper | right | 1 | PR:475 TARGA |
| | | | right | 1 | TARGA-S |
| (1) | 997 343 052 11 | D >> - MJ 2009 vibration damper | right | 1 | PR:475 TARGA |
| | | | right | 1 | TARGA-S |
| - | | D - MJ 2010>> Mount | | | PR:475 |
| - | 900 378 138 01 | Shock absorbers Hexagon bolt | | 2 | |
| | | M 12 X 1,5 X 70 | | | |
| - | 999 084 445 01 | Locknut | | 2 | |
| | | M 12 X 1,5 | | | |
| 4 | 997 343 533 31 | Coil spring | | 1 | PR:029 |
| | | 1 set | | | |
| | 997 343 533 31 504 | 1 pair of springs | | | |
| | | brown | | | |
| | | brown | | | |
| | | white | | | |
| (4) | 997 343 533 32 | Coil spring | | 1 | PR:029 |
| | | 1 set | | | |
| | 997 343 533 32 504 | 1 pair of springs | | | |
| | | brown | | | |
| | | brown | | | |
| | | yellow | | | |
| (4) | 997 343 533 33 | Coil spring | | 1 | PR:475 |
| | | 1 set | | | |
| | 997 343 533 33 504 | 1 pair of springs | | | |
| | | yellow | | | |
| | | yellow | | | |
| | | white | | | |
| (4) | 997 343 533 33 | Coil spring | | 1 | PR:019 |
| | | 1 set | | | |
| | 997 343 533 33 504 | 1 pair of springs | | | |
| | | yellow | | | |
| | | yellow | | | |
| | | white | | | |
| (4) | 997 343 533 34 | Coil spring | | 1 | PR:030 |
| | | 1 set | | | |
| | 997 343 533 34 504 | 1 pair of springs | | | |
| | | green | | | |
| | | green | | | |
| | | yellow | | | |
| (4) | 997 343 533 34 | Coil spring | | 1 | PR:019 |
| | | 1 set | | | |
| | 997 343 533 34 504 | 1 pair of springs | | | |
| | | green | | | |
| | | green | | | |
| | | yellow | | | |
| (4) | 997 343 533 35 | Coil spring | | 1 | PR:475 |
| | | 1 set | | | |
| | 997 343 533 35 504 | 1 pair of springs | | | |
| | | yellow | | | |
| | | yellow | | | |
| | | green | | | |
| (4) | 997 343 533 35 | Coil spring | | 1 | PR:019 |
| | | 1 set | | | |
| | 997 343 533 35 504 | 1 pair of springs | | | |

Model: 997-09 Model life 2009>>2012

| Pos | Part Number | Description | Remark | Qty | Model |
|------|--------------------|---|--------|-----|------------|
| (4) | 997 343 533 43 | yellow yellow green Coil spring 1 set | | 1 | PR:029 |
| | 997 343 533 43 504 | 1 pair of springs 1 set pink gold | | | |
| (4) | 997 343 533 36 | Coil spring 1 set | | 1 | PR:475 |
| | 997 343 533 36 504 | 1 pair of springs blue blue silver | | | |
| 5 | 996 343 509 01 | Bellows | | 2 | |
| (6) | 996 343 301 02 | helper spring | | 2 | PR:029,475 |
| 7 | 996 343 513 00 | Washer | | 2 | |
| 8 | 997 343 107 01 | Stop plate | upper | 2 | PR:029,030 |
| (8) | 997 343 107 01 | Stop plate | lower | 2 | PR:029,030 |
| (8) | 997 343 107 00 | Stop plate | upper | 2 | PR:475 |
| (8) | 997 343 107 01 | Stop plate | lower | 2 | PR:475 |
| 9 | 996 343 525 00 | Balancing plate 3,0 MM | | 2 | |
| (9) | 996 343 525 01 | Balancing plate 6,5 MM | | 2 | |
| 10 | 996 343 523 00 | Thrust ring | | 2 | |
| 11 | 996 343 501 00 | angular ball bearing | | 2 | |
| 12 | 997 343 015 02 | Shock absorber bearing | left | 1 | |
| (12) | 997 343 016 02 | Shock absorber bearing | right | 1 | |
| - | | Mount Engine support bearing | | | |
| - | 999 084 447 01 | Hexagon nut M 8 | | 6 | |
| - | PAF 003 923 | Hexagon nut M 8 | | 6 | |
| 13 | 900 380 012 09 | Hexagon nut M 14 X 1,5 Discontinued part | | 2 | |
| 13 | 900 380 012 01 | Hexagon nut M 14 X 1,5 | | 2 | |
| 16 | 997 343 107 01 | Stop plate | | 2 | |
| 17 | 997 618 450 01 | Control unit | | 1 | PR:475 |
| (17) | 997 618 451 01 | Control unit | | 1 | PR:030 |
| - | 997 618 205 00 | Retainer for control units | | 1 | |
| - | 999 703 457 40 | End cap | | 2 | |
| 20 | 997 343 272 00 | Washer | | 2 | PR:030 |
| 21 | 997 606 111 01 | Acceleration sensor for bodywork | | 2 | |
| - | 900 378 111 01 | Hexagon bolt M 6 X 60 | | 2 | |
| 22 | 997 606 212 01 | Bracket Accelerator sensor | | 1 | |
| - | 999 507 016 40 | Cable holder 4,0-10,0 | left | 1 | |
| - | 999 507 673 40 | Cable holder 4,5 | right | 1 | |

Model: 997-09

Model life 2009>>2012



Model: 997-09 Model life 2009>>2012

| Pos | Part Number | Description | Remark | Qty | Model |
|-----|----------------|---------------------------------|--------|-----|--|
| 1 | 997 343 701 07 | Anti-roll bar Anti-roll bar | | 1 | CARRERA 2 COUPE CABRIO PR:029 |
| (1) | 997 343 701 08 | Anti-roll bar | | 1 | CARRERA 2 CARRERA 2-S COUPE PR:030 |
| (1) | 997 343 701 08 | Anti-roll bar | | 1 | CARRERA 2 COUPE CABRIO PR:475 |
| (1) | 997 343 701 08 | Anti-roll bar | | 1 | CARRERA 2-S COUPE CABRIO PR:475 |
| (1) | 997 343 701 08 | Anti-roll bar | | 1 | PR:756 |
| (1) | 997 343 701 08 | Anti-roll bar | | 1 | SPEEDSTER PR:503 |
| (1) | 997 343 701 08 | Anti-roll bar | | 1 | CARRERA GTS PR:011 |
| (1) | 997 343 703 08 | Anti-roll bar | | 1 | CARRERA 4 COUPE CABRIO PR:029 |
| (1) | 997 343 703 09 | D >> - MJ 2010 Anti-roll bar | | 1 | CARRERA 4 COUPE CABRIO PR:029 |
| (1) | 997 343 703 09 | D - MJ 2011>> Anti-roll bar | | 1 | CARRERA 4 TARGA PR:029 |
| (1) | 997 343 703 09 | Anti-roll bar | | 1 | CARRERA 4 CARRERA 4-S COUPE 4 GTS PR:030 |
| (1) | 997 343 703 09 | Anti-roll bar | | 1 | CARRERA 4 COUPE CABRIO PR:475 |
| (1) | 997 343 703 09 | Anti-roll bar | | 1 | CARRERA 4 CARRERA 4-S TARGA 4 GTS PR:475 |
| (1) | 997 343 703 09 | Anti-roll bar | | 1 | CARRERA 4-S COUPE CABRIO 4 GTS PR:475 |
| (2) | 996 343 792 17 | anti-roll bar bearing bracket | | 2 | CARRERA 2 COUPE CABRIO PR:029,250 |
| (2) | 996 343 792 17 | anti-roll bar bearing bracket | | 2 | CARRERA 2 CARRERA 2-S COUPE PR:030 |
| (2) | 996 343 792 17 | anti-roll bar bearing bracket | | 2 | CARRERA 2 |

Model: 997-09 Model life 2009>>2012

| Pos | Part Number | Description | Remark | Qty | Model |
|-----|----------------|---|--------|-----|---|
| | | | | | CARRERA 2-S COUPE CABRIO PR:475 |
| (2) | 996 343 792 17 | anti-roll bar bearing bracket | | 2 | PR:756 |
| (2) | 996 343 792 17 | anti-roll bar bearing bracket | | 2 | SPEEDSTER PR:503 |
| (2) | 996 343 792 17 | anti-roll bar bearing bracket | | 2 | CARRERA GTS PR:011 |
| (2) | 996 343 792 11 | anti-roll bar bearing bracket | | 2 | CARRERA 4 COUPE CABRIO PR:029 |
| (2) | 996 343 792 12 | D >> - MJ 2010 anti-roll bar bearing bracket | | 2 | CARRERA 4 COUPE CABRIO PR:029 |
| (2) | 996 343 792 17 | D - MJ 2011>> anti-roll bar bearing bracket | | 2 | CARRERA 4 COUPE CABRIO PR:475 |
| (2) | 996 343 792 12 | anti-roll bar bearing bracket | | 2 | CARRERA 4 CABRIO |
| (2) | 996 343 792 12 | anti-roll bar bearing bracket | | 2 | CARRERA 4 CARRERA 4-S COUPE 4 GTS PR:030 |
| (2) | 996 343 792 12 | anti-roll bar bearing bracket | | 2 | CARRERA 4 CARRERA 4-S COUPE CABRIO TARGA 4 GTS PR:475 |
| 3 | 900 378 098 01 | Hexagon bolt M 10 x 60 | | 4 | |
| 4 | 900 380 008 01 | Hexagon nut M 10 | | 4 | CARRERA 4 CARRERA 4-S TARGA TARGA-S |
| 5 | 997 343 069 02 | Coupling rod | left | 1 | CARRERA 2 CARRERA 2-S |
| (5) | 997 343 069 03 | D >> - MJ 2009 Coupling rod | left | 1 | CARRERA 2 CARRERA 2-S |
| (5) | 997 343 069 03 | D - MJ 2010>> Coupling rod | left | 1 | PR:756 |
| (5) | 997 343 069 03 | Coupling rod | left | 1 | SPEEDSTER PR:503 |
| (5) | 997 343 069 03 | Coupling rod | left | 1 | CARRERA GTS PR:011 |
| (5) | 997 343 073 02 | Coupling rod | left | 1 | CARRERA 4 CARRERA 4-S TARGA TARGA-S |
| (5) | 997 343 073 03 | D >> - MJ 2009 Coupling rod | left | 1 | CARRERA 4 CARRERA 4-S TARGA TARGA-S |

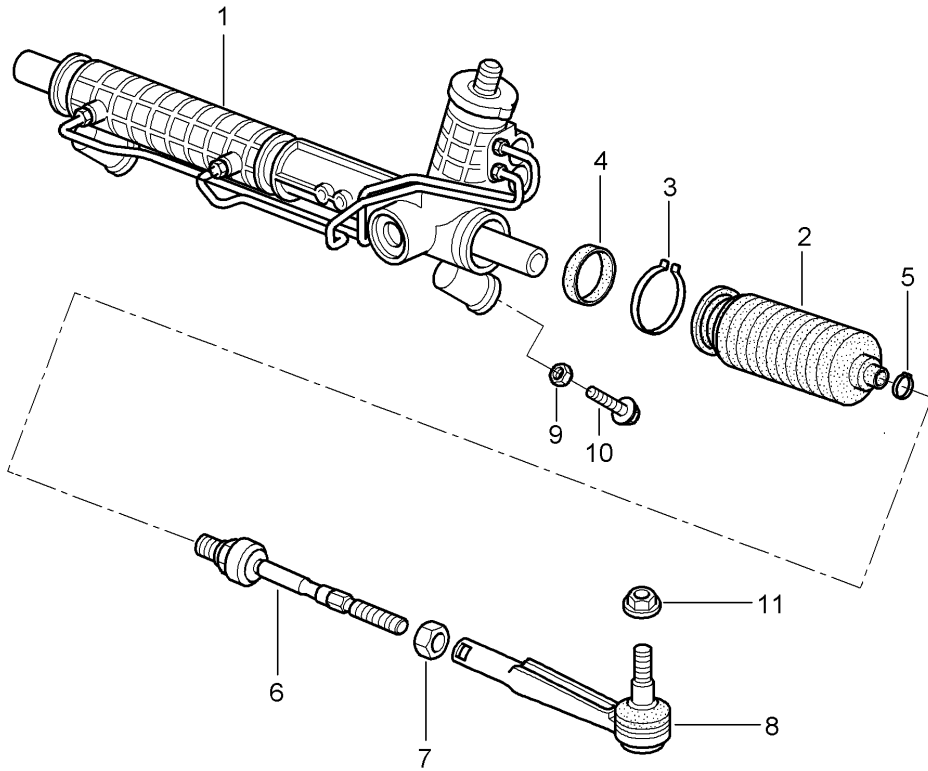
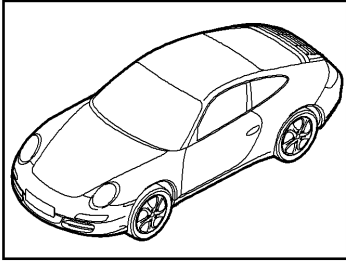
Model: 997-09

Model life 2009>>2012

| Pos | Part Number | Description | Remark | Qty | Model |
|-----|----------------|----------------------------------|--------|-----|---|
| | | | | | 4 GTS |
| (5) | 997 343 070 02 | D - MJ 2010>> Coupling rod | right | 1 | CARRERA 2 CARRERA 2-S |
| (5) | 997 343 070 03 | D >> - MJ 2009 Coupling rod | right | 1 | CARRERA 2 CARRERA 2-S |
| (5) | 997 343 070 03 | D - MJ 2010>> Coupling rod | right | 1 | PR:756 |
| (5) | 997 343 070 03 | Coupling rod | right | 1 | SPEEDSTER PR:503 |
| (5) | 997 343 070 03 | Coupling rod | right | 1 | CARRERA GTS PR:011 |
| (5) | 997 343 074 02 | Coupling rod | right | 1 | CARRERA 4 CARRERA 4-S TARGA TARGA-S |
| (5) | 997 343 074 03 | D >> - MJ 2009 Coupling rod | right | 1 | CARRERA 4 CARRERA 4-S TARGA TARGA-S 4 GTS |
| 7 | 999 084 445 01 | D - MJ 2010>> Locknut M 12 | | 2 | |
| 8 | 999 084 123 09 | Hexagon nut M 10 | | 2 | |
| 9 | 997 343 777 01 | Clamp | | 2 | CARRERA 4 CARRERA 4-S TARGA TARGA-S 4 GTS |

Model: 997-09

Model life 2009>>2012



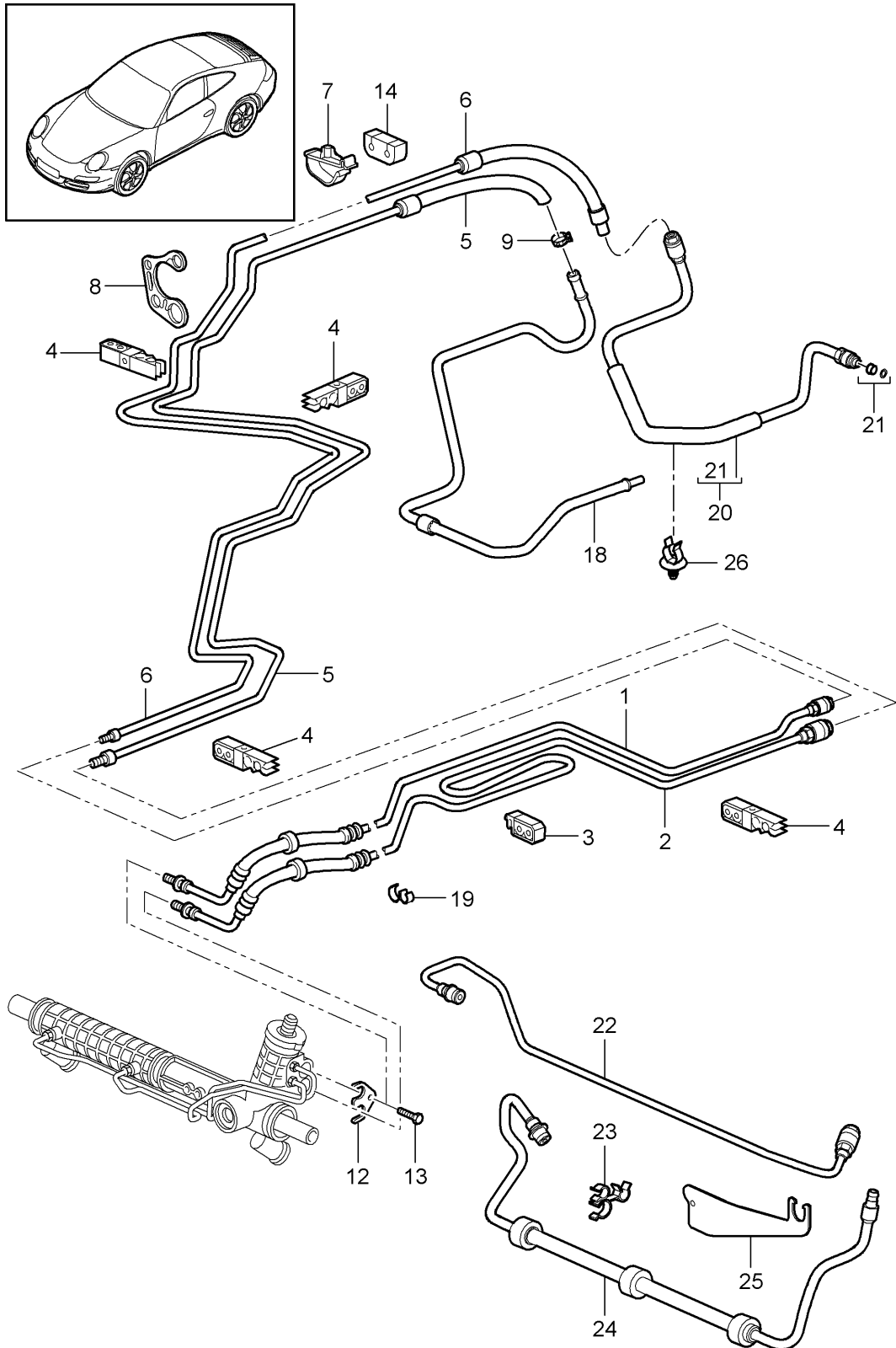
Model: 997-09

Model life 2009>>2012

| Pos | Part Number | Description | Remark | Qty | Model |
|-----|----------------|--|-----------|-----|-------------------|
| 1 | 997 347 011 06 | Power steering Steering gear Steering parts Steering gear Power steering D >> - MJ 2010 | lhd | 1 | PR:098 |
| 1 | 997 347 011 FX | Steering gear Power steering D >> - MJ 2010 | lhd | 1 | PR:098 |
| 1 | 997 347 011 08 | Steering gear Power steering D - MJ 2011>> Discontinued part | lhd | 1 | PR:098 |
| 1 | 997 347 011 HX | Steering gear Power steering D - MJ 2011>> Discontinued part | lhd | 1 | PR:098 |
| (1) | 997 347 011 09 | Steering gear Power steering D - MJ 2011>> | lhd | 1 | PR:098 |
| (1) | 997 347 011 JX | Steering gear Power steering D - MJ 2011>> | lhd | 1 | PR:098 - "CN." |
| 2 | 997 347 191 00 | Bellows | | 2 | |
| 3 | 996 347 293 05 | clamping ring | | 2 | |
| 4 | 997 347 373 00 | seal ring | | 2 | |
| 5 | 999 512 693 09 | clamping ring | | 2 | |
| 6 | 997 347 322 01 | Joint | | 2 | |
| 7 | 999 034 037 09 | Hexagon nut M 14 X 1,5 | | 2 | |
| 8 | 996 347 131 04 | Track rod | | 2 | |
| 9 | | see illustration, item: | 401-000,2 | | |
| 10 | 900 378 100 01 | Hexagon bolt AM 10 X 45 | | 2 | |
| 11 | 999 084 449 09 | Locknut M 12 X 1,5 | | 2 | |

Model: 997-09

Model life 2009>>2012

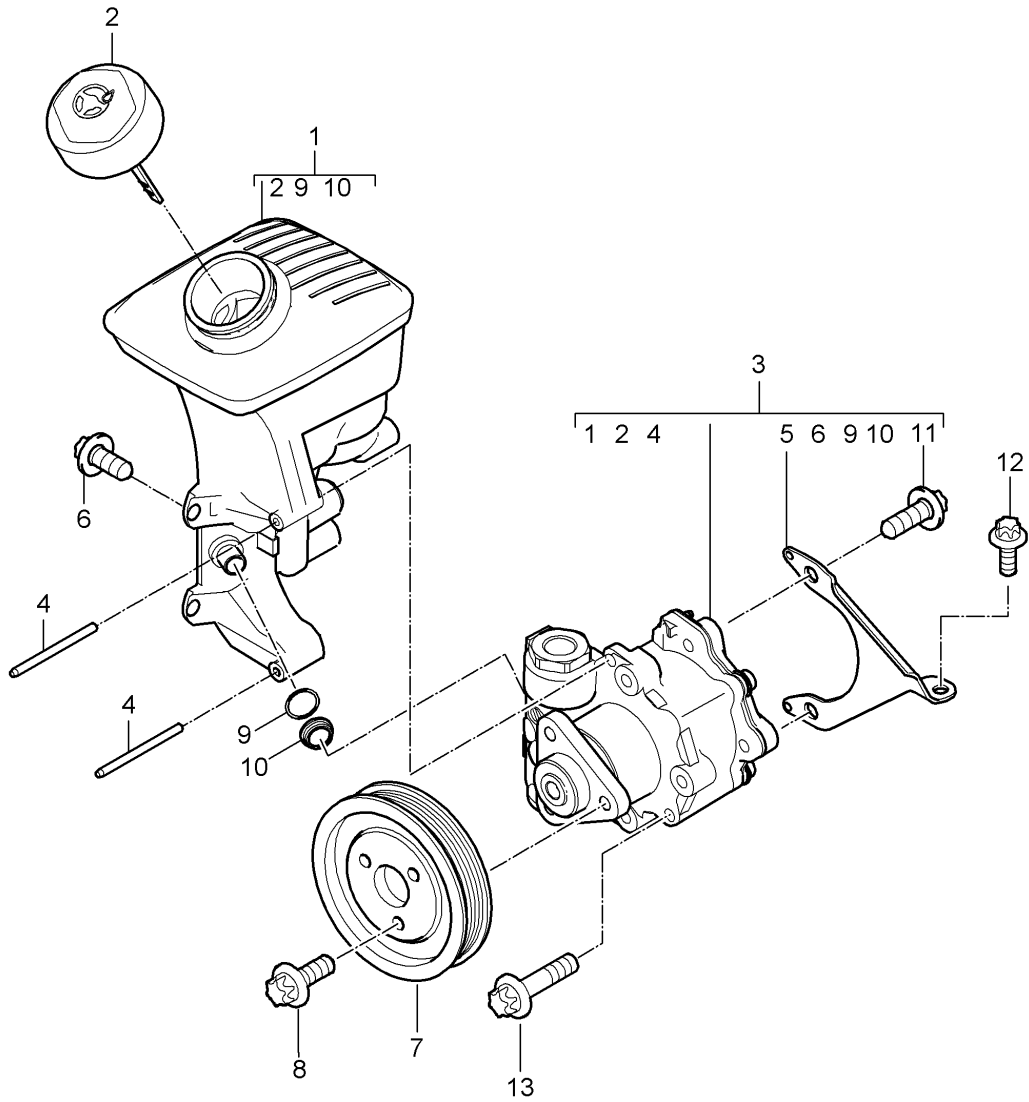
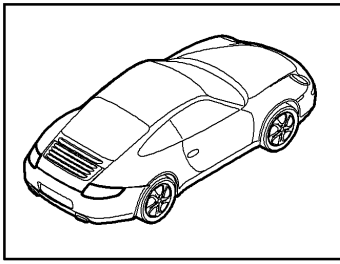


Model: 997-09 Model life 2009>>2012

| Pos | Part Number | Description | Remark | Qty | Model |
|------|----------------|---|--------|-----|--------|
| 1 | 997 347 451 11 | Power steering Lines Pressure line | | 1 | PR:098 |
| (1) | 997 347 451 12 | Discontinued part Pressure line | | 1 | PR:098 |
| 2 | 997 347 449 11 | return line | | 1 | PR:098 |
| 3 | 996 347 543 00 | Cable holder | | X | |
| 4 | 996 355 543 00 | Bracket | | 1 | |
| 5 | 997 347 439 11 | return line | center | 1 | |
| | | | | 1 | |
| 5 | 997 347 439 12 | D >> - MJ 2009 return line | center | 1 | |
| | | | | 1 | |
| 5 | 997 347 439 17 | D - MJ 2010>> - MJ 2010 return line | center | 1 | |
| | | | | 1 | |
| (5) | 997 347 439 18 | D - MJ 2011>> Discontinued part return line | center | 1 | |
| | | | | 1 | |
| 6 | 997 347 445 11 | D - MJ 2011>> Pressure line | center | 1 | |
| | | | | 1 | |
| 6 | 997 347 445 12 | D >> - MJ 2009 Pressure line | center | 1 | |
| | | | | 1 | |
| (6) | 997 347 445 13 | D - MJ 2010>> Discontinued part Pressure line | center | 1 | |
| | | | | 1 | |
| (6) | 997 347 445 14 | D - MJ 2010>> Discontinued part Pressure line | center | 1 | |
| | | | | 1 | |
| 7 | 996 347 549 01 | D - MJ 2010>> bracket for pressure line | | 2 | |
| 8 | 997 347 544 00 | Line holder | | 1 | |
| 9 | 999 512 639 09 | Spring clip | | 1 | |
| 12 | 996 347 769 01 | Tension shackle | | 1 | |
| 13 | 900 067 063 03 | Socket head bolt M 10 x 20 | | 1 | |
| 14 | 996 347 551 01 | Retaining plate | | 1 | |
| 18 | 9A1 347 441 03 | return line | | 1 | |
| 19 | 999 507 091 40 | Cable holder | | 3 | |
| 20 | 9A1 347 443 02 | Pressure line Discontinued part | | 1 | |
| (20) | 9A1 347 443 03 | Pressure line | | 1 | |
| 21 | 997 347 945 00 | repair set comprising: Spring O-ring | | X | |
| 26 | 999 507 136 41 | Cable holder | | 1 | |

Model: 997-09

Model life 2009>>2012



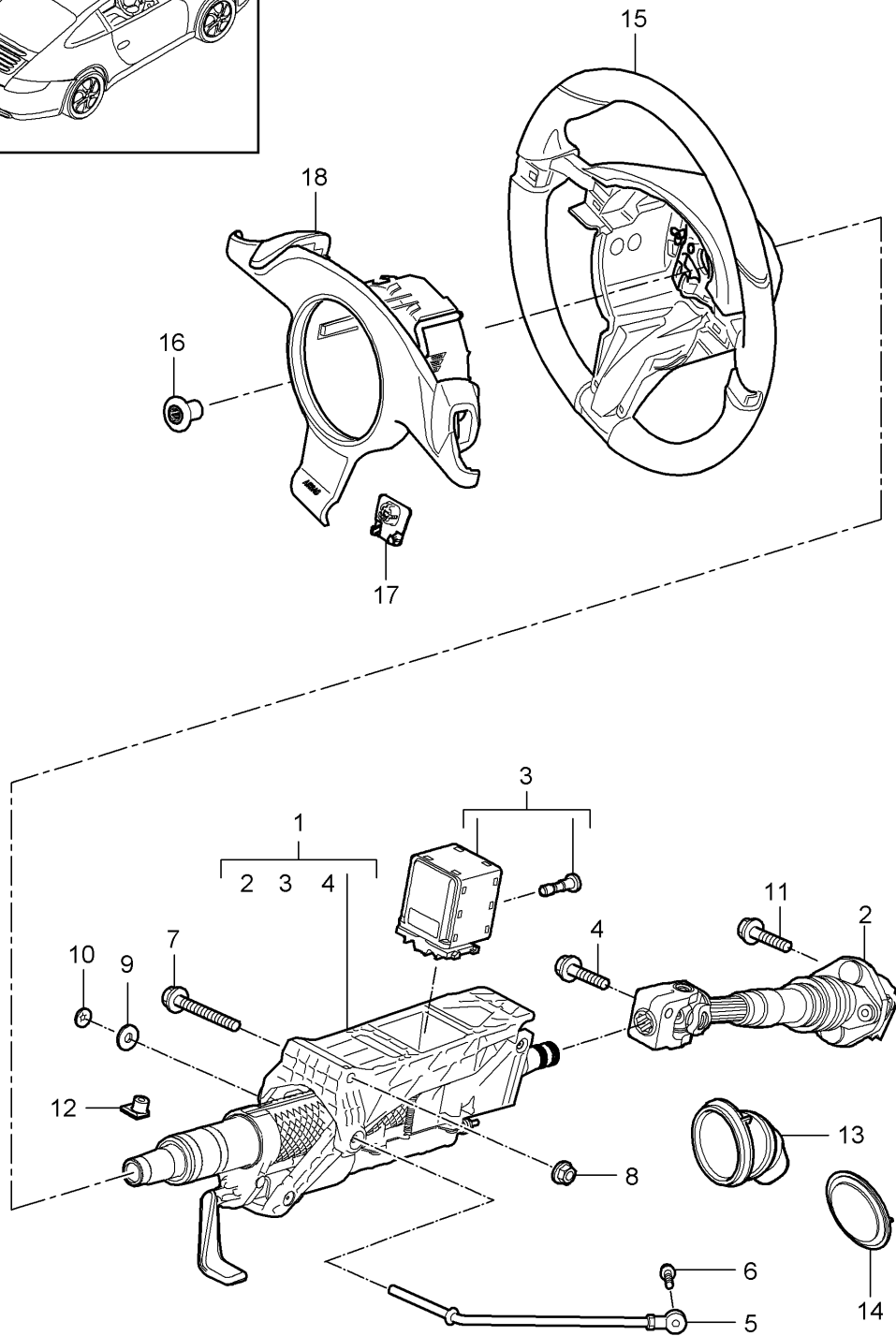
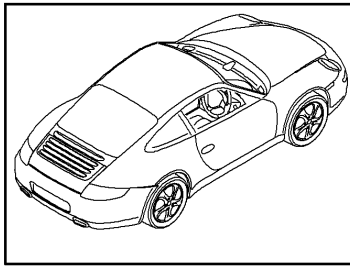
Model: 997-09

Model life 2009>>2012

| Pos | Part Number | Description | Remark | Qty | Model |
|-----|----------------|---------------------|--------|-----|-------|
| | | Power steering | | | |
| | | Power-steering pump | | | |
| | | container | | | |
| 1 | 9A1 314 220 04 | oil container | | 1 | |
| 2 | 9A1 314 223 02 | Cover | | 1 | |
| 3 | 9A1 314 020 03 | Power-steering pump | | 1 | |
| 4 | 996 314 320 03 | Cylinder pin | | 2 | |
| 5 | 9A1 314 430 02 | Support | | 1 | |
| 6 | 900 385 044 01 | Torx screw | | 2 | |
| | | BM 8 X 16 | | | |
| 7 | 9A1 147 123 00 | pulley | | 1 | |
| 8 | 900 385 099 01 | Torx screw | | 3 | |
| | | BM 8 X 12 | | | |
| 9 | | seal ring | | 1 | |
| | | 12,5 X 2,15 | | | |
| 10 | | Guide | | 1 | |
| 11 | 900 385 042 01 | Torx screw | | 2 | |
| | | BM 8 X 35 | | | |
| 12 | 900 385 009 01 | Torx screw | | 1 | |
| | | 6 X 20 | | | |
| - | 000 043 203 33 | Pentosin | | X | |
| | | 1000 ML | | | |
| 13 | 900 385 042 01 | Torx screw | | 2 | |
| | | BM 8 X 35 | | | |

Model: 997-09

Model life 2009>>2012



Model: 997-09 Model life 2009>>2012

| Pos | Part Number | Description | Remark | Qty | Model |
|------|--------------------|------------------------------|--------|-----|---------------------|
| | | Steering protective pipe | | | PR:250 |
| | | Intermediate steering shaft | | | |
| | | Steering wheels | | | |
| (1) | 997 347 007 10 | Complete steering column | | 1 | |
| | | Intermediate steering shaft | | | |
| 2 | 997 347 023 04 | Intermediate steering shaft | | 1 | |
| 3 | 997 618 158 04 | Control unit | | 1 | |
| | | Steering column | | | |
| | | with: | | | |
| | | Screw | | | |
| 4 | 999 217 042 03 | Hexagon bolt | | 1 | |
| | | M 8 X 35 | | | |
| | | Discontinued part | | | |
| 4 | 999 217 042 04 | Hexagon bolt | | 1 | |
| | | M 8 X 35 | | | |
| 5 | 997 347 243 00 | Support | | 1 | |
| 6 | 900 378 173 01 | Hexagon bolt | | 1 | |
| | | M 6 x 20 | | | |
| 7 | 900 378 095 01 | Hexagon bolt | | 1 | |
| | | M 10 X 100 | | | |
| 8 | 900 380 008 01 | Hexagon nut | | 1 | |
| | | M 10 | | | |
| 9 | 900 151 006 03 | Washer | | 1 | |
| 10 | 999 507 217 07 | Clamping washer | | 1 | |
| 11 | 999 217 042 03 | Hexagon bolt | | 1 | |
| | | M 8 X 35 | | | |
| | | Discontinued part | | | |
| 11 | 999 217 042 04 | Hexagon bolt | | 1 | |
| | | M 8 X 35 | | | |
| 12 | 999 920 019 40 | Plug-in nut | | 1 | |
| | | 3,5 X 2,5 X 9 | | | |
| 13 | 986 347 037 01 | Bellows | | 1 | |
| 14 | 996 347 339 02 | Rubber seal | | 1 | |
| | | filler plate | | | |
| - | | Steering wheels | | | |
| | | D - MJ 2009>> - MJ 2009 | | | |
| 15 | 997 347 803 20 | steering wheel | | 1 | PR:250,841, -345 |
| | | Plain leather | | | |
| | | D >> - MJ 2009 | | | |
| | 997 347 803 20 A34 | Black | | | |
| | 997 347 803 20 B24 | Stone grey | | | |
| | 997 347 803 20 T24 | Sand beige | | | |
| | 997 347 803 20 E24 | sea blue | | | |
| | 997 347 803 20 M24 | Terracotta | | | |
| | 997 347 803 20 R24 | Cocoa | | | |
| | 997 347 803 20 D14 | Dark grey/natural | | | |
| | 997 347 803 20 T34 | Brown/natural | | | |
| | 997 347 803 20 N14 | Carrera Red | | | |
| (15) | 997 347 803 25 | steering wheel | | 1 | PR:250,841, 345 |
| | | Plain leather | | | |
| | | D >> - MJ 2009 | | | |
| | 997 347 803 25 A34 | Black | | | |
| | 997 347 803 25 B24 | Stone grey | | | |
| | 997 347 803 25 T24 | Sand beige | | | |
| | 997 347 803 25 E24 | sea blue | | | |
| | 997 347 803 25 M24 | Terracotta | | | |
| | 997 347 803 25 R24 | Cocoa | | | |
| | 997 347 803 25 D14 | Dark grey/natural | | | |
| | 997 347 803 25 T34 | Brown/natural | | | |
| | 997 347 803 25 N14 | Carrera Red | | | |
| (15) | 997 347 803 21 | multifunction steering wheel | | 1 | PR:250,844 |
| | | Plain leather | | | |
| | | D >> - MJ 2009 | | | |

Model: 997-09 Model life 2009>>2012

| Pos | Part Number | Description | Remark | Qty | Model |
|------|--------------------|--|--------|-----|--------------------|
| | 997 347 803 21 A34 | Black | | | |
| | 997 347 803 21 B24 | Stone grey | | | |
| | 997 347 803 21 T24 | Sand beige | | | |
| | 997 347 803 21 E24 | sea blue | | | |
| | 997 347 803 21 M24 | Terracotta | | | |
| | 997 347 803 21 R24 | Cocoa | | | |
| | 997 347 803 21 D14 | Dark grey/natural | | | |
| | 997 347 803 21 T34 | Brown/natural | | | |
| | 997 347 803 21 N14 | Carrera Red | | | |
| (15) | 997 347 803 24 | multifunction steering wheel Plain leather D >> - MJ 2009 | | 1 | PR:250,844, 345 |
| | 997 347 803 24 A34 | Black | | | |
| | 997 347 803 24 B24 | Stone grey | | | |
| | 997 347 803 24 T24 | Sand beige | | | |
| | 997 347 803 24 E24 | sea blue | | | |
| | 997 347 803 24 M24 | Terracotta | | | |
| | 997 347 803 24 R24 | Cocoa | | | |
| | 997 347 803 24 D14 | Dark grey/natural | | | |
| | 997 347 803 24 T34 | Brown/natural | | | |
| | 997 347 803 24 N14 | Carrera Red | | | |
| (15) | 997 347 803 22 | multifunction steering wheel Carbon D >> - MJ 2009 | | 1 | PR:250,845, 345 |
| | 997 347 803 22 A34 | Black | | | |
| | 997 347 803 22 B24 | Stone grey | | | |
| | 997 347 803 22 T24 | Sand beige | | | |
| | 997 347 803 22 E24 | sea blue | | | |
| | 997 347 803 22 M24 | Terracotta | | | |
| | 997 347 803 22 R24 | Cocoa | | | |
| | 997 347 803 22 D14 | Dark grey/natural | | | |
| | 997 347 803 22 T34 | Brown/natural | | | |
| | 997 347 803 22 N14 | Carrera Red | | | |
| (15) | 997 347 803 23 | multifunction steering wheel macassar D >> - MJ 2009 | | 1 | PR:250,847, 345 |
| | 997 347 803 23 A34 | Black | | | |
| | 997 347 803 23 B24 | Stone grey | | | |
| | 997 347 803 23 T24 | Sand beige | | | |
| | 997 347 803 23 E24 | sea blue | | | |
| | 997 347 803 23 M24 | Terracotta | | | |
| | 997 347 803 23 R24 | Cocoa | | | |
| | 997 347 803 23 D14 | Dark grey/natural | | | |
| | 997 347 803 23 T34 | Brown/natural | | | |
| | 997 347 803 23 N14 | Carrera Red | | | |
| (15) | 997 347 980 05 | multifunction steering wheel Aluminium look D >> - MJ 2009 | | 1 | PR:250,XPU, 345 |
| | 997 347 980 05 A34 | Black | | | |
| | 997 347 980 05 B24 | Stone grey | | | |
| | 997 347 980 05 T24 | Sand beige | | | |
| | 997 347 980 05 E24 | sea blue | | | |
| | 997 347 980 05 M24 | Terracotta | | | |
| | 997 347 980 05 R24 | Cocoa | | | |
| | 997 347 980 05 D14 | Dark grey/natural | | | |
| | 997 347 980 05 T34 | Brown/natural | | | |
| | 997 347 980 05 N14 | Carrera Red | | | |
| - | | Steering wheels D - MJ 2010>> - MJ 2010 | | | |
| 15 | 997 347 803 30 | steering wheel | | 1 | PR:840 |

Model: 997-09 Model life 2009>>2012

| Pos | Part Number | Description | Remark | Qty | Model |
|------|--------------------|-------------------|--------|-----|-----------------|
| | | paddle | | | |
| | | D - MJ 2010>> | | | |
| | 997 347 803 30 A34 | Black | | | |
| | 997 347 803 30 B24 | Stone grey | | | |
| | 997 347 803 30 T24 | Sand beige | | | |
| | 997 347 803 30 E24 | sea blue | | | |
| | 997 347 803 30 M24 | Terracotta | | | |
| | 997 347 803 30 R24 | Cocoa | | | |
| | 997 347 803 30 D14 | Dark grey/natural | | | |
| | 997 347 803 30 T34 | Brown/natural | | | |
| | 997 347 803 30 N14 | Carrera Red | | | |
| (15) | 997 347 803 31 | steering wheel | | 1 | PR:840,639,640 |
| | | Paddle | | | |
| | 997 347 803 31 A34 | Black | | | |
| | 997 347 803 31 B24 | Stone grey | | | |
| | 997 347 803 31 T24 | Sand beige | | | |
| | 997 347 803 31 E24 | sea blue | | | |
| | 997 347 803 31 M24 | Terracotta | | | |
| | 997 347 803 31 R24 | Cocoa | | | |
| | 997 347 803 31 D14 | Dark grey/natural | | | |
| | 997 347 803 31 T34 | Brown/natural | | | |
| | 997 347 803 31 N14 | Carrera Red | | | |
| (15) | 997 347 803 32 | steering wheel | | 1 | PR:250,841,-345 |
| | | Plain leather | | | |
| | | D - MJ 2010>> | | | |
| | | Discontinued part | | | |
| | 997 347 803 32 A34 | Black | | | |
| | 997 347 803 32 B24 | Stone grey | | | |
| | 997 347 803 32 T24 | Sand beige | | | |
| | 997 347 803 32 E24 | sea blue | | | |
| | 997 347 803 32 M24 | Terracotta | | | |
| | 997 347 803 32 R24 | Cocoa | | | |
| | 997 347 803 32 D14 | Dark grey/natural | | | |
| | 997 347 803 32 T34 | Brown/natural | | | |
| | 997 347 803 32 N14 | Carrera Red | | | |
| (15) | 997 347 803 98 | steering wheel | | 1 | PR:250,841,-345 |
| | | Plain leather | | | |
| | | D - MJ 2010>> | | | |
| | | Discontinued part | | | |
| | 997 347 803 98 A34 | Black | | | |
| | 997 347 803 98 B24 | Stone grey | | | |
| | 997 347 803 98 T24 | Sand beige | | | |
| | 997 347 803 98 E24 | sea blue | | | |
| | 997 347 803 98 M24 | Terracotta | | | |
| | 997 347 803 98 R24 | Cocoa | | | |
| | 997 347 803 98 D14 | Dark grey/natural | | | |
| | 997 347 803 98 T34 | Brown/natural | | | |
| | 997 347 803 98 N14 | Carrera Red | | | |
| (15) | 997 347 803 D6 | steering wheel | | 1 | PR:250,841,-345 |
| | | Plain leather | | | |
| | | D - MJ 2010>> | | | |
| | 997 347 803 D6 A34 | Black | | | |
| | 997 347 803 D6 B24 | Stone grey | | | |
| | 997 347 803 D6 T24 | Sand beige | | | |
| | 997 347 803 D6 E24 | sea blue | | | |
| | 997 347 803 D6 M24 | Terracotta | | | |
| | 997 347 803 D6 R24 | Cocoa | | | |
| | 997 347 803 D6 D14 | Dark grey/natural | | | |
| | 997 347 803 D6 T34 | Brown/natural | | | |
| | 997 347 803 D6 N14 | Carrera Red | | | |
| (15) | 997 347 803 37 | steering wheel | | 1 | PR:250,841,345 |
| | | Plain leather | | | |
| | | D - MJ 2010>> | | | |

Model: 997-09 Model life 2009>>2012

| Pos | Part Number | Description | Remark | Qty | Model |
|------|--------------------|---|--------|-----|--------------------|
| | | Discontinued part | | | |
| | 997 347 803 37 A34 | Black | | | |
| | 997 347 803 37 B24 | Stone grey | | | |
| | 997 347 803 37 T24 | Sand beige | | | |
| | 997 347 803 37 E24 | sea blue | | | |
| | 997 347 803 37 M24 | Terracotta | | | |
| | 997 347 803 37 R24 | Cocoa | | | |
| | 997 347 803 37 D14 | Dark grey/natural | | | |
| | 997 347 803 37 T34 | Brown/natural | | | |
| | 997 347 803 37 N14 | Carrera Red | | | |
| (15) | 997 347 803 A3 | steering wheel Plain leather D - MJ 2010>> Discontinued part | | 1 | PR:250,841, 345 |
| | 997 347 803 A3 A34 | Black | | | |
| | 997 347 803 A3 B24 | Stone grey | | | |
| | 997 347 803 A3 T24 | Sand beige | | | |
| | 997 347 803 A3 E24 | sea blue | | | |
| | 997 347 803 A3 M24 | Terracotta | | | |
| | 997 347 803 A3 R24 | Cocoa | | | |
| | 997 347 803 A3 D14 | Dark grey/natural | | | |
| | 997 347 803 A3 T34 | Brown/natural | | | |
| | 997 347 803 A3 N14 | Carrera Red | | | |
| (15) | 997 347 803 E1 | steering wheel Plain leather D - MJ 2010>> | | 1 | PR:250,841, 345 |
| | 997 347 803 E1 A34 | Black | | | |
| | 997 347 803 E1 B24 | Stone grey | | | |
| | 997 347 803 E1 T24 | Sand beige | | | |
| | 997 347 803 E1 E24 | sea blue | | | |
| | 997 347 803 E1 M24 | Terracotta | | | |
| | 997 347 803 E1 R24 | Cocoa | | | |
| | 997 347 803 E1 D14 | Dark grey/natural | | | |
| | 997 347 803 E1 T34 | Brown/natural | | | |
| | 997 347 803 E1 N14 | Carrera Red | | | |
| (15) | 997 347 803 33 | multifunction steering wheel Plain leather D - MJ 2010>> Discontinued part | | 1 | PR:250,844 |
| | 997 347 803 33 A34 | Black | | | |
| | 997 347 803 33 B24 | Stone grey | | | |
| | 997 347 803 33 T24 | Sand beige | | | |
| | 997 347 803 33 E24 | sea blue | | | |
| | 997 347 803 33 M24 | Terracotta | | | |
| | 997 347 803 33 R24 | Cocoa | | | |
| | 997 347 803 33 D14 | Dark grey/natural | | | |
| | 997 347 803 33 T34 | Brown/natural | | | |
| | 997 347 803 33 N14 | Carrera Red | | | |
| (15) | 997 347 803 99 | multifunction steering wheel Plain leather D - MJ 2010>> Discontinued part | | 1 | PR:250,844 |
| | 997 347 803 99 A34 | Black | | | |
| | 997 347 803 99 B24 | Stone grey | | | |
| | 997 347 803 99 T24 | Sand beige | | | |
| | 997 347 803 99 E24 | sea blue | | | |
| | 997 347 803 99 M24 | Terracotta | | | |
| | 997 347 803 99 R24 | Cocoa | | | |
| | 997 347 803 99 D14 | Dark grey/natural | | | |
| | 997 347 803 99 T34 | Brown/natural | | | |
| | 997 347 803 99 N14 | Carrera Red | | | |
| (15) | 997 347 803 D7 | multifunction steering wheel Plain leather | | 1 | PR:250,844 |

Model: 997-09 Model life 2009>>2012

| Pos | Part Number | Description | Remark | Qty | Model |
|------|--------------------|---|------------------------------------|-----|--------------------|
| | | D - MJ 2010>> | | | |
| | 997 347 803 D7 A34 | Black | | | |
| | 997 347 803 D7 B24 | Stone grey | | | |
| | 997 347 803 D7 T24 | Sand beige | | | |
| | 997 347 803 D7 E24 | sea blue | | | |
| | 997 347 803 D7 M24 | Terracotta | | | |
| | 997 347 803 D7 R24 | Cocoa | | | |
| | 997 347 803 D7 D14 | Dark grey/natural | | | |
| | 997 347 803 D7 T34 | Brown/natural | | | |
| | 997 347 803 D7 N14 | Carrera Red | | | |
| (15) | 997 347 803 36 | multifunction steering wheel Plain leather | | 1 | PR:250,844, 345 |
| | | D - MJ 2010>> Discontinued part | | | |
| | 997 347 803 36 A34 | Black | | | |
| | 997 347 803 36 B24 | Stone grey | | | |
| | 997 347 803 36 T24 | Sand beige | | | |
| | 997 347 803 36 E24 | sea blue | | | |
| | 997 347 803 36 M24 | Terracotta | | | |
| | 997 347 803 36 R24 | Cocoa | | | |
| | 997 347 803 36 D14 | Dark grey/natural | | | |
| | 997 347 803 36 T34 | Brown/natural | | | |
| | 997 347 803 36 N14 | Carrera Red | | | |
| (15) | 997 347 803 A2 | multifunction steering wheel Plain leather | | 1 | PR:250,844, 345 |
| | | D - MJ 2010>> Discontinued part | | | |
| | 997 347 803 A2 A34 | Black | | | |
| | 997 347 803 A2 B24 | Stone grey | | | |
| | 997 347 803 A2 T24 | Sand beige | | | |
| | 997 347 803 A2 E24 | sea blue | | | |
| | 997 347 803 A2 M24 | Terracotta | | | |
| | 997 347 803 A2 R24 | Cocoa | | | |
| | 997 347 803 A2 D14 | Dark grey/natural | | | |
| | 997 347 803 A2 T34 | Brown/natural | | | |
| | 997 347 803 A2 N14 | Carrera Red | | | |
| (15) | 997 347 803 E0 | multifunction steering wheel Plain leather | | 1 | PR:250,844, 345 |
| | | D - MJ 2010>> | | | |
| | 997 347 803 E0 A34 | Black | | | |
| | 997 347 803 E0 B24 | Stone grey | | | |
| | 997 347 803 E0 T24 | Sand beige | | | |
| | 997 347 803 E0 E24 | sea blue | | | |
| | 997 347 803 E0 M24 | Terracotta | | | |
| | 997 347 803 E0 R24 | Cocoa | | | |
| | 997 347 803 E0 D14 | Dark grey/natural | | | |
| | 997 347 803 E0 T34 | Brown/natural | | | |
| | 997 347 803 E0 N14 | Carrera Red | | | |
| (15) | 997 347 803 34 | multifunction steering wheel | | 1 | PR:250,845, 345 |
| | | Carbon | | | |
| | | D - MJ 2010>> Discontinued part | | | |
| | 997 347 803 34 A34 | Black | -AN, AP, AR, AT, BK, BM, BP, 99 | | |
| | | Discontinued part | | | |
| | 997 347 803 34 B24 | Stone grey | -DC, DD, DE, DF | | |
| | | Discontinued part | | | |
| | 997 347 803 34 T24 | Sand beige | -TD, TE, TF, TG | | |
| | | Discontinued part | | | |
| | 997 347 803 34 E24 | sea blue | -FB, FC, FD, FE | | |
| | | Discontinued part | | | |
| | 997 347 803 34 M24 | Terracotta | -MB | | |

Model: 997-09 Model life 2009>>2012

| Pos | Part Number | Description | Remark | Qty | Model |
|------|--------------------|---|------------------------------|-----|--------------------|
| | 997 347 803 34 R24 | Discontinued part Cocoa | -RA | | |
| | 997 347 803 34 D14 | Discontinued part Dark grey/natural | -05 | | |
| | 997 347 803 34 T34 | Discontinued part Brown/natural | -06 | | |
| | 997 347 803 34 N14 | Discontinued part Carrera Red | -07 | | |
| (15) | 997 347 803 A0 | Discontinued part multifunction steering wheel | | 1 | PR:250,845, 345 |
| | | Carbon D - MJ 2010>> | | | |
| | 997 347 803 A0 A34 | Discontinued part Black | -AN,AP,AR,AT, BK,BM,BP,99 | | |
| | 997 347 803 A0 B24 | Discontinued part Stone grey | -DC,DD,DE,DF | | |
| | 997 347 803 A0 T24 | Discontinued part Sand beige | -TD,TE,TF,TG | | |
| | 997 347 803 A0 E24 | Discontinued part sea blue | -FB,FC,FD,FE | | |
| | 997 347 803 A0 M24 | Discontinued part Terracotta | -MB | | |
| | 997 347 803 A0 R24 | Discontinued part Cocoa | -RA | | |
| | 997 347 803 A0 D14 | Discontinued part Dark grey/natural | -05 | | |
| | 997 347 803 A0 T34 | Discontinued part Brown/natural | -06 | | |
| | 997 347 803 A0 N14 | Discontinued part Carrera Red | -07 | | |
| (15) | 997 347 803 D8 | Discontinued part multifunction steering wheel | | 1 | PR:250,845, 345 |
| | | Carbon D - MJ 2010>> | | | |
| | 997 347 803 D8 A34 | Discontinued part Black | -AN,AP,AR,AT, BK,BM,BP,99 | | |
| | 997 347 803 D8 B24 | Discontinued part Stone grey | -DC,DD,DE,DF | | |
| | 997 347 803 D8 T24 | Discontinued part Sand beige | -TD,TE,TF,TG | | |
| | 997 347 803 D8 E24 | Discontinued part sea blue | -FB,FC,FD,FE | | |
| | 997 347 803 D8 M24 | Discontinued part Terracotta | -MB | | |
| | 997 347 803 D8 R24 | Discontinued part Cocoa | -RA | | |
| | 997 347 803 D8 D14 | Discontinued part Dark grey/natural | -05 | | |
| | 997 347 803 D8 T34 | Discontinued part Brown/natural | -06 | | |
| | 997 347 803 D8 N14 | Discontinued part Carrera Red | -07 | | |
| (15) | 997 347 803 35 | Discontinued part multifunction steering wheel | | 1 | PR:250,847, 345 |
| | | macassar D - MJ 2010>> | | | |
| | 997 347 803 35 A34 | Discontinued part Black | | | |
| | 997 347 803 35 B24 | Discontinued part Stone grey | | | |
| | 997 347 803 35 T24 | Discontinued part Sand beige | | | |
| | 997 347 803 35 E24 | Discontinued part sea blue | | | |
| | 997 347 803 35 M24 | Discontinued part Terracotta | | | |
| | 997 347 803 35 R24 | Discontinued part Cocoa | | | |

Model: 997-09 Model life 2009>>2012

| Pos | Part Number | Description | Remark | Qty | Model |
|------|--------------------|--|--------|-----|--------------------|
| | 997 347 803 35 D14 | Discontinued part Dark grey/natural | | | |
| | 997 347 803 35 T34 | Discontinued part Brown/natural | | | |
| | 997 347 803 35 N14 | Discontinued part Carrera Red | | | |
| (15) | 997 347 803 A1 | Discontinued part multifunction steering wheel | | 1 | PR:250,847, 345 |
| | | macassar D - MJ 2010>> Discontinued part | | | |
| | 997 347 803 A1 A34 | Black | | | |
| | 997 347 803 A1 B24 | Stone grey | | | |
| | 997 347 803 A1 T24 | Sand beige | | | |
| | 997 347 803 A1 E24 | sea blue | | | |
| | 997 347 803 A1 M24 | Terracotta | | | |
| | 997 347 803 A1 R24 | Cocoa | | | |
| | 997 347 803 A1 D14 | Dark grey/natural | | | |
| | 997 347 803 A1 T34 | Brown/natural | | | |
| | 997 347 803 A1 N14 | Carrera Red | | | |
| (15) | 997 347 803 D9 | multifunction steering wheel | | 1 | PR:250,847, 345 |
| | | macassar D - MJ 2010>> | | | |
| | 997 347 803 D9 A34 | Black | | | |
| | 997 347 803 D9 B24 | Stone grey | | | |
| | 997 347 803 D9 T24 | Sand beige | | | |
| | 997 347 803 D9 E24 | sea blue | | | |
| | 997 347 803 D9 M24 | Terracotta | | | |
| | 997 347 803 D9 R24 | Cocoa | | | |
| | 997 347 803 D9 D14 | Dark grey/natural | | | |
| | 997 347 803 D9 T34 | Brown/natural | | | |
| | 997 347 803 D9 N14 | Carrera Red | | | |
| (15) | 997 347 980 09 | multifunction steering wheel | | 1 | PR:250,XPU, 345 |
| | | Aluminium look D - MJ 2010>> Discontinued part | | | |
| | 997 347 980 09 A34 | Black | | | |
| | 997 347 980 09 B24 | Stone grey | | | |
| | 997 347 980 09 T24 | Sand beige | | | |
| | 997 347 980 09 E24 | sea blue | | | |
| | 997 347 980 09 M24 | Terracotta | | | |
| | 997 347 980 09 R24 | Cocoa | | | |
| | 997 347 980 09 D14 | Dark grey/natural | | | |
| | 997 347 980 09 T34 | Brown/natural | | | |
| | 997 347 980 09 N14 | Carrera Red | | | |
| (15) | 997 347 980 14 | multifunction steering wheel | | 1 | PR:250,XPU, 345 |
| | | Aluminium look D - MJ 2010>> Discontinued part | | | |
| | 997 347 980 14 A34 | Black | | | |
| | 997 347 980 14 B24 | Stone grey | | | |
| | 997 347 980 14 T24 | Sand beige | | | |
| | 997 347 980 14 E24 | sea blue | | | |
| | 997 347 980 14 M24 | Terracotta | | | |
| | 997 347 980 14 R24 | Cocoa | | | |
| | 997 347 980 14 D14 | Dark grey/natural | | | |
| | 997 347 980 14 T34 | Brown/natural | | | |
| | 997 347 980 14 N14 | Carrera Red | | | |
| (15) | 997 347 980 B7 | multifunction steering wheel | | 1 | PR:250,XPU, |

Model: 997-09 Model life 2009>>2012

| Pos | Part Number | Description | Remark | Qty | Model |
|------|--------------------|---|--------|-----|-------------|
| | | Aluminium look D - MJ 2010>> | | | 345 |
| | 997 347 980 B7 A34 | Black | | | |
| | 997 347 980 B7 B24 | Stone grey | | | |
| | 997 347 980 B7 T24 | Sand beige | | | |
| | 997 347 980 B7 E24 | sea blue | | | |
| | 997 347 980 B7 M24 | Terracotta | | | |
| | 997 347 980 B7 R24 | Cocoa | | | |
| | 997 347 980 B7 D14 | Dark grey/natural | | | |
| | 997 347 980 B7 T34 | Brown/natural | | | |
| | 997 347 980 B7 N14 | Carrera Red | | | |
| - | | Steering wheels D - MJ 2011>> | | | |
| 15 | 997 347 803 59 | steering wheel Plain leather D - MJ 2011>> Discontinued part | | 1 | PR:841 |
| | 997 347 803 59 A34 | Black | | | |
| | 997 347 803 59 B24 | Stone grey | | | |
| | 997 347 803 59 T24 | Sand beige | | | |
| | 997 347 803 59 E24 | sea blue | | | |
| | 997 347 803 59 M24 | Terracotta | | | |
| | 997 347 803 59 R24 | Cocoa | | | |
| | 997 347 803 59 D14 | Dark grey/natural | | | |
| | 997 347 803 59 T34 | Brown/natural | | | |
| | 997 347 803 59 N14 | Carrera Red | | | |
| 15 | 997 347 803 98 | steering wheel Plain leather D - MJ 2011>> Discontinued part | | 1 | PR:841,-345 |
| | 997 347 803 98 A34 | Black | | | |
| | 997 347 803 98 B24 | Stone grey | | | |
| | 997 347 803 98 T24 | Sand beige | | | |
| | 997 347 803 98 E24 | sea blue | | | |
| | 997 347 803 98 M24 | Terracotta | | | |
| | 997 347 803 98 R24 | Cocoa | | | |
| | 997 347 803 98 D14 | Dark grey/natural | | | |
| | 997 347 803 98 T34 | Brown/natural | | | |
| | 997 347 803 98 N14 | Carrera Red | | | |
| | 997 347 803 98 6H6 | Espresso | | | |
| 15 | 997 347 803 D6 | steering wheel Plain leather D - MJ 2011>> | | 1 | PR:841,-345 |
| | 997 347 803 D6 A34 | Black | | | |
| | 997 347 803 D6 B24 | Stone grey | | | |
| | 997 347 803 D6 T24 | Sand beige | | | |
| | 997 347 803 D6 E24 | sea blue | | | |
| | 997 347 803 D6 M24 | Terracotta | | | |
| | 997 347 803 D6 R24 | Cocoa | | | |
| | 997 347 803 D6 D14 | Dark grey/natural | | | |
| | 997 347 803 D6 T34 | Brown/natural | | | |
| | 997 347 803 D6 N14 | Carrera Red | | | |
| | 997 347 803 D6 6H6 | Espresso | | | |
| (15) | 997 347 803 64 | steering wheel Plain leather D - MJ 2011>> Discontinued part | | 1 | PR:841,345 |
| | 997 347 803 64 A34 | Black | | | |
| | 997 347 803 64 B24 | Stone grey | | | |
| | 997 347 803 64 T24 | Sand beige | | | |
| | 997 347 803 64 E24 | sea blue | | | |
| | 997 347 803 64 M24 | Terracotta | | | |

Model: 997-09 Model life 2009>>2012

| Pos | Part Number | Description | Remark | Qty | Model | | | |
|--------------------|--------------------|------------------------------|------------------------------|-----|-----------------------|-----------------------|---|-----------------------|
| (15) | 997 347 803 64 R24 | Cocoa | | 1 | PR:841,345 | | | |
| | 997 347 803 64 D14 | Dark grey/natural | | | | | | |
| | 997 347 803 64 T34 | Brown/natural | | | | | | |
| | 997 347 803 64 N14 | Carrera Red | | | | | | |
| | 997 347 803 A3 | steering wheel | | | | | | |
| | | Plain leather | | | | | | |
| | | D - MJ 2011>> | | | | | | |
| | | Discontinued part | | | | | | |
| | 997 347 803 A3 A34 | Black | | | | | | |
| | 997 347 803 A3 B24 | Stone grey | | | | | | |
| | 997 347 803 A3 T24 | Sand beige | | | | | | |
| | 997 347 803 A3 E24 | sea blue | | | | | | |
| | 997 347 803 A3 M24 | Terracotta | | | | | | |
| | 997 347 803 A3 R24 | Cocoa | | | | | | |
| | 997 347 803 A3 D14 | Dark grey/natural | | | | | | |
| (15) | 997 347 803 A3 T34 | Brown/natural | | 1 | PR:841,345 | | | |
| | 997 347 803 A3 N14 | Carrera Red | | | | | | |
| | 997 347 803 A3 6H6 | Espresso | | | | | | |
| | 997 347 803 E1 | steering wheel | | | | | | |
| | | Plain leather | | | | | | |
| | | D - MJ 2011>> | | | | | | |
| | 997 347 803 E1 A34 | Black | | | | | | |
| | 997 347 803 E1 B24 | Stone grey | | | | | | |
| | 997 347 803 E1 T24 | Sand beige | | | | | | |
| | 997 347 803 E1 E24 | sea blue | | | | | | |
| | 997 347 803 E1 M24 | Terracotta | | | | | | |
| | 997 347 803 E1 R24 | Cocoa | | | | | | |
| | 997 347 803 E1 D14 | Dark grey/natural | | | | | | |
| | 997 347 803 E1 T34 | Brown/natural | | | | | | |
| | 997 347 803 E1 N14 | Carrera Red | | | | | | |
| (15) | 997 347 803 E1 6H6 | Espresso | | 1 | PR:844,-345,-639,-640 | | | |
| | 997 347 803 60 | multifunction steering wheel | | | | | | |
| | | Plain leather | | | | | | |
| | | D - MJ 2011>> | | | | | | |
| | | Discontinued part | | | | | | |
| | 997 347 803 60 A34 | Black | | | | | | |
| | 997 347 803 60 B24 | Stone grey | | | | | | |
| | 997 347 803 60 T24 | Sand beige | | | | | | |
| | 997 347 803 60 E24 | sea blue | | | | | | |
| | 997 347 803 60 M24 | Terracotta | | | | | | |
| | 997 347 803 60 R24 | Cocoa | | | | | | |
| | 997 347 803 60 D14 | Dark grey/natural | | | | | | |
| | 997 347 803 60 T34 | Brown/natural | | | | | | |
| | 997 347 803 60 N14 | Carrera Red | | | | | | |
| | (15) | 997 347 803 99 | multifunction steering wheel | | | | 1 | PR:844,-345,-639,-640 |
| | | Plain leather | | | | | | |
| | | D - MJ 2011>> | | | | | | |
| | | Discontinued part | | | | | | |
| 997 347 803 99 A34 | | Black | | | | | | |
| 997 347 803 99 B24 | | Stone grey | | | | | | |
| 997 347 803 99 T24 | | Sand beige | | | | | | |
| 997 347 803 99 E24 | | sea blue | | | | | | |
| 997 347 803 99 M24 | | Terracotta | | | | | | |
| 997 347 803 99 R24 | | Cocoa | | | | | | |
| 997 347 803 99 D14 | | Dark grey/natural | | | | | | |
| 997 347 803 99 T34 | | Brown/natural | | | | | | |
| 997 347 803 99 N14 | | Carrera Red | | | | | | |
| (15) | | 997 347 803 99 6H6 | Espresso | | 1 | PR:844,-345,-639,-640 | | |
| | | 997 347 803 D7 | multifunction steering wheel | | | | | |
| | | Plain leather | | | | | | |
| | | D - MJ 2011>> | | | | | | |
| | 997 347 803 D7 A34 | Black | | | | | | |
| | 997 347 803 D7 B24 | Stone grey | | | | | | |

Model: 997-09 Model life 2009>>2012

| Pos | Part Number | Description | Remark | Qty | Model |
|------|--------------------|---|--------|-----|------------|
| | 997 347 803 D7 T24 | Sand beige | | | |
| | 997 347 803 D7 E24 | sea blue | | | |
| | 997 347 803 D7 M24 | Terracotta | | | |
| | 997 347 803 D7 R24 | Cocoa | | | |
| | 997 347 803 D7 D14 | Dark grey/natural | | | |
| | 997 347 803 D7 T34 | Brown/natural | | | |
| | 997 347 803 D7 N14 | Carrera Red | | | |
| | 997 347 803 D7 6H6 | Espresso | | | |
| (15) | 997 347 803 63 | multifunction steering wheel Plain leather D - MJ 2011>> | | 1 | PR:844,345 |
| | 997 347 803 63 A34 | Black | | | |
| | 997 347 803 63 B24 | Stone grey | | | |
| | 997 347 803 63 T24 | Sand beige | | | |
| | 997 347 803 63 E24 | sea blue | | | |
| | 997 347 803 63 M24 | Terracotta | | | |
| | 997 347 803 63 R24 | Cocoa | | | |
| | 997 347 803 63 D14 | Dark grey/natural | | | |
| | 997 347 803 63 T34 | Brown/natural | | | |
| | 997 347 803 63 N14 | Carrera Red | | | |
| (15) | 997 347 803 A2 | multifunction steering wheel Plain leather D - MJ 2011>> Discontinued part | | 1 | PR:844,345 |
| | 997 347 803 A2 A34 | Black | | | |
| | 997 347 803 A2 B24 | Stone grey | | | |
| | 997 347 803 A2 T24 | Sand beige | | | |
| | 997 347 803 A2 E24 | sea blue | | | |
| | 997 347 803 A2 M24 | Terracotta | | | |
| | 997 347 803 A2 R24 | Cocoa | | | |
| | 997 347 803 A2 D14 | Dark grey/natural | | | |
| | 997 347 803 A2 T34 | Brown/natural | | | |
| | 997 347 803 A2 N14 | Carrera Red | | | |
| | 997 347 803 A2 6H6 | Espresso | | | |
| (15) | 997 347 803 E0 | multifunction steering wheel Plain leather D - MJ 2011>> | | 1 | PR:844,345 |
| | 997 347 803 E0 A34 | Black | | | |
| | 997 347 803 E0 B24 | Stone grey | | | |
| | 997 347 803 E0 T24 | Sand beige | | | |
| | 997 347 803 E0 E24 | sea blue | | | |
| | 997 347 803 E0 M24 | Terracotta | | | |
| | 997 347 803 E0 R24 | Cocoa | | | |
| | 997 347 803 E0 D14 | Dark grey/natural | | | |
| | 997 347 803 E0 T34 | Brown/natural | | | |
| | 997 347 803 E0 N14 | Carrera Red | | | |
| | 997 347 803 E0 6H6 | Espresso | | | |
| (15) | 997 347 803 61 | multifunction steering wheel Carbon D - MJ 2011>> Discontinued part | | 1 | PR:845,345 |
| | 997 347 803 61 A34 | Black | | | |
| | 997 347 803 61 B24 | Stone grey | | | |
| | 997 347 803 61 T24 | Sand beige | | | |
| | 997 347 803 61 E24 | sea blue | | | |
| | 997 347 803 61 M24 | Terracotta | | | |
| | 997 347 803 61 R24 | Cocoa | | | |
| | 997 347 803 61 D14 | Dark grey/natural | | | |
| | 997 347 803 61 T34 | Brown/natural | | | |
| | 997 347 803 61 N14 | Carrera Red | | | |
| (15) | 997 347 803 A0 | multifunction steering wheel Carbon D - MJ 2011>> | | 1 | PR:845,345 |

Model: 997-09 Model life 2009>>2012

| Pos | Part Number | Description | Remark | Qty | Model |
|------|--------------------|--|--------|-----|------------|
| | | Discontinued part | | | |
| | 997 347 803 A0 A34 | Black | | | |
| | 997 347 803 A0 B24 | Stone grey | | | |
| | 997 347 803 A0 T24 | Sand beige | | | |
| | 997 347 803 A0 E24 | sea blue | | | |
| | 997 347 803 A0 M24 | Terracotta | | | |
| | 997 347 803 A0 R24 | Cocoa | | | |
| | 997 347 803 A0 D14 | Dark grey/natural | | | |
| | 997 347 803 A0 T34 | Brown/natural | | | |
| | 997 347 803 A0 N14 | Carrera Red | | | |
| | 997 347 803 A0 6H6 | Espresso | | | |
| (15) | 997 347 803 D8 | multifunction steering wheel Carbon D - MJ 2011>> | | 1 | PR:845,345 |
| | 997 347 803 D8 A34 | Black | | | |
| | 997 347 803 D8 B24 | Stone grey | | | |
| | 997 347 803 D8 T24 | Sand beige | | | |
| | 997 347 803 D8 E24 | sea blue | | | |
| | 997 347 803 D8 M24 | Terracotta | | | |
| | 997 347 803 D8 R24 | Cocoa | | | |
| | 997 347 803 D8 D14 | Dark grey/natural | | | |
| | 997 347 803 D8 T34 | Brown/natural | | | |
| | 997 347 803 D8 N14 | Carrera Red | | | |
| | 997 347 803 D8 6H6 | Espresso | | | |
| (15) | 997 347 803 62 | multifunction steering wheel macassar D - MJ 2011>> Discontinued part | | 1 | PR:847,345 |
| | 997 347 803 62 A34 | Black | | | |
| | 997 347 803 62 B24 | Stone grey | | | |
| | 997 347 803 62 T24 | Sand beige | | | |
| | 997 347 803 62 E24 | sea blue | | | |
| | 997 347 803 62 M24 | Terracotta | | | |
| | 997 347 803 62 R24 | Cocoa | | | |
| | 997 347 803 62 D14 | Dark grey/natural | | | |
| | 997 347 803 62 T34 | Brown/natural | | | |
| | 997 347 803 62 N14 | Carrera Red | | | |
| (15) | 997 347 803 A1 | multifunction steering wheel macassar D - MJ 2011>> Discontinued part | | 1 | PR:847,345 |
| | 997 347 803 A1 A34 | Black | | | |
| | 997 347 803 A1 B24 | Stone grey | | | |
| | 997 347 803 A1 T24 | Sand beige | | | |
| | 997 347 803 A1 E24 | sea blue | | | |
| | 997 347 803 A1 M24 | Terracotta | | | |
| | 997 347 803 A1 R24 | Cocoa | | | |
| | 997 347 803 A1 D14 | Dark grey/natural | | | |
| | 997 347 803 A1 T34 | Brown/natural | | | |
| | 997 347 803 A1 N14 | Carrera Red | | | |
| | 997 347 803 A1 6H6 | Espresso | | | |
| (15) | 997 347 803 D9 | multifunction steering wheel macassar D - MJ 2011>> | | 1 | PR:847,345 |
| | 997 347 803 D9 A34 | Black | | | |
| | 997 347 803 D9 B24 | Stone grey | | | |
| | 997 347 803 D9 T24 | Sand beige | | | |
| | 997 347 803 D9 E24 | sea blue | | | |
| | 997 347 803 D9 M24 | Terracotta | | | |
| | 997 347 803 D9 R24 | Cocoa | | | |
| | 997 347 803 D9 D14 | Dark grey/natural | | | |
| | 997 347 803 D9 T34 | Brown/natural | | | |
| | 997 347 803 D9 N14 | Carrera Red | | | |

Model: 997-09 Model life 2009>>2012

| Pos | Part Number | Description | Remark | Qty | Model |
|------|--|---|--------|-----|--------------------|
| (15) | 997 347 803 D9 6H6 997 347 980 11 | Espresso multifunction steering wheel Aluminium look D - MJ 2011>> Discontinued part | | 1 | PR:XPU,345 |
| | 997 347 980 11 A34 997 347 980 11 B24 997 347 980 11 T24 997 347 980 11 E24 997 347 980 11 M24 997 347 980 11 R24 997 347 980 11 D14 997 347 980 11 T34 997 347 980 11 N14 | Black Stone grey Sand beige sea blue Terracotta Cocoa Dark grey/natural Brown/natural Carrera Red | | | |
| (15) | 997 347 980 14 | multifunction steering wheel Aluminium look D - MJ 2011>> Discontinued part | | 1 | PR:XPU,345 |
| | 997 347 980 14 A34 997 347 980 14 B24 997 347 980 14 T24 997 347 980 14 E24 997 347 980 14 M24 997 347 980 14 R24 997 347 980 14 D14 997 347 980 14 T34 997 347 980 14 N14 | Black Stone grey Sand beige sea blue Terracotta Cocoa Dark grey/natural Brown/natural Carrera Red | | | |
| (15) | 997 347 980 14 6H6 997 347 980 B7 | Espresso multifunction steering wheel Aluminium look D - MJ 2011>> | | 1 | PR:XPU,345 |
| | 997 347 980 B7 A34 997 347 980 B7 B24 997 347 980 B7 T24 997 347 980 B7 E24 997 347 980 B7 M24 997 347 980 B7 R24 997 347 980 B7 D14 997 347 980 B7 T34 997 347 980 B7 N14 | Black Stone grey Sand beige sea blue Terracotta Cocoa Dark grey/natural Brown/natural Carrera Red | | | |
| 15 | 997 347 980 B7 6H6 997 347 803 65 | Espresso steering wheel Plain leather D - MJ 2011>> | | 1 | PR:841,640, 639 |
| | 997 347 803 65 A34 997 347 803 65 B24 997 347 803 65 T24 997 347 803 65 E24 997 347 803 65 M24 997 347 803 65 R24 997 347 803 65 D14 997 347 803 65 T34 997 347 803 65 N14 | Black Stone grey Sand beige sea blue Terracotta Cocoa Dark grey/natural Brown/natural Carrera Red | | | |
| 15 | 997 347 803 A4 | steering wheel Plain leather D - MJ 2011>> | | 1 | PR:841,640, 639 |
| (15) | 997 347 803 A4 6H6 997 347 803 70 | Espresso steering wheel Plain leather D - MJ 2011>> | | 1 | PR:841,640, 639 |
| | 997 347 803 70 A34 997 347 803 70 B24 997 347 803 70 T24 | Black Stone grey Sand beige | | | PR:345 |

Model: 997-09 Model life 2009>>2012

| Pos | Part Number | Description | Remark | Qty | Model |
|------|--------------------|---|--------|-----|-------------------------|
| | 997 347 803 70 E24 | sea blue | | | |
| | 997 347 803 70 M24 | Terracotta | | | |
| | 997 347 803 70 R24 | Cocoa | | | |
| | 997 347 803 70 D14 | Dark grey/natural | | | |
| | 997 347 803 70 T34 | Brown/natural | | | |
| | 997 347 803 70 N14 | Carrera Red | | | |
| (15) | 997 347 803 A9 | steering wheel Plain leather D - MJ 2011>> | | 1 | PR:841,640, 639 |
| | 997 347 803 A9 A34 | Black | | | PR:345 |
| | 997 347 803 A9 6H6 | Espresso | | | |
| (15) | 997 347 803 66 | multifunction steering wheel Plain leather D - MJ 2011>> | | 1 | PR:844,-345, 639,640 |
| | 997 347 803 66 A34 | Black | | | |
| | 997 347 803 66 B24 | Stone grey | | | |
| | 997 347 803 66 T24 | Sand beige | | | |
| | 997 347 803 66 E24 | sea blue | | | |
| | 997 347 803 66 M24 | Terracotta | | | |
| | 997 347 803 66 R24 | Cocoa | | | |
| | 997 347 803 66 D14 | Dark grey/natural | | | |
| | 997 347 803 66 T34 | Brown/natural | | | |
| | 997 347 803 66 N14 | Carrera Red | | | |
| (15) | 997 347 803 A5 | multifunction steering wheel Plain leather D - MJ 2011>> Discontinued part | | 1 | PR:844,640, 639 |
| | 997 347 803 A5 A34 | Black | | | |
| | 997 347 803 A5 B24 | Stone grey | | | |
| | 997 347 803 A5 T24 | Sand beige | | | |
| | 997 347 803 A5 E24 | sea blue | | | |
| | 997 347 803 A5 M24 | Terracotta | | | |
| | 997 347 803 A5 R24 | Cocoa | | | |
| | 997 347 803 A5 D14 | Dark grey/natural | | | |
| | 997 347 803 A5 T34 | Brown/natural | | | |
| | 997 347 803 A5 N14 | Carrera Red | | | |
| | 997 347 803 A5 6H6 | Espresso | | | |
| (15) | 997 347 803 E3 | multifunction steering wheel Plain leather D - MJ 2011>> | | 1 | PR:844,640, 639 |
| | 997 347 803 E3 A34 | Black | | | |
| | 997 347 803 E3 B24 | Stone grey | | | |
| | 997 347 803 E3 T24 | Sand beige | | | |
| | 997 347 803 E3 E24 | sea blue | | | |
| | 997 347 803 E3 M24 | Terracotta | | | |
| | 997 347 803 E3 R24 | Cocoa | | | |
| | 997 347 803 E3 D14 | Dark grey/natural | | | |
| | 997 347 803 E3 T34 | Brown/natural | | | |
| | 997 347 803 E3 N14 | Carrera Red | | | |
| | 997 347 803 E3 6H6 | Espresso | | | |
| (15) | 997 347 803 69 | multifunction steering wheel Plain leather D - MJ 2011>> Discontinued part | | 1 | PR:844,640, 639,345 |
| | 997 347 803 69 A34 | Black | | | |
| | 997 347 803 69 B24 | Stone grey | | | |
| | 997 347 803 69 T24 | Sand beige | | | |
| | 997 347 803 69 E24 | sea blue | | | |
| | 997 347 803 69 M24 | Terracotta | | | |
| | 997 347 803 69 R24 | Cocoa | | | |
| | 997 347 803 69 D14 | Dark grey/natural | | | |
| | 997 347 803 69 T34 | Brown/natural | | | |
| | 997 347 803 69 N14 | Carrera Red | | | |

Model: 997-09 Model life 2009>>2012

| Pos | Part Number | Description | Remark | Qty | Model |
|------|--------------------|---|--------|-----|------------------------|
| (15) | 997 347 803 A8 | multifunction steering wheel Plain leather D - MJ 2011>> Discontinued part | | 1 | PR:844,640, 639,345 |
| | 997 347 803 A8 A34 | Black | | | |
| | 997 347 803 A8 B24 | Stone grey | | | |
| | 997 347 803 A8 T24 | Sand beige | | | |
| | 997 347 803 A8 E24 | sea blue | | | |
| | 997 347 803 A8 M24 | Terracotta | | | |
| | 997 347 803 A8 R24 | Cocoa | | | |
| | 997 347 803 A8 D14 | Dark grey/natural | | | |
| | 997 347 803 A8 T34 | Brown/natural | | | |
| | 997 347 803 A8 N14 | Carrera Red | | | |
| | 997 347 803 A8 6H6 | Espresso | | | |
| (15) | 997 347 803 E6 | multifunction steering wheel Plain leather D - MJ 2011>> | | 1 | PR:844,640, 639,345 |
| | 997 347 803 E6 A34 | Black | | | |
| | 997 347 803 E6 B24 | Stone grey | | | |
| | 997 347 803 E6 T24 | Sand beige | | | |
| | 997 347 803 E6 E24 | sea blue | | | |
| | 997 347 803 E6 M24 | Terracotta | | | |
| | 997 347 803 E6 R24 | Cocoa | | | |
| | 997 347 803 E6 D14 | Dark grey/natural | | | |
| | 997 347 803 E6 T34 | Brown/natural | | | |
| | 997 347 803 E6 N14 | Carrera Red | | | |
| | 997 347 803 E6 6H6 | Espresso | | | |
| (15) | 997 347 803 67 | multifunction steering wheel Carbon D - MJ 2011>> Discontinued part | | 1 | PR:845,640, 639,345 |
| | 997 347 803 67 A34 | Black Discontinued part | | | |
| | 997 347 803 67 B24 | Stone grey Discontinued part | | | |
| | 997 347 803 67 T24 | Sand beige Discontinued part | | | |
| | 997 347 803 67 E24 | sea blue Discontinued part | | | |
| | 997 347 803 67 M24 | Terracotta Discontinued part | | | |
| | 997 347 803 67 R24 | Cocoa Discontinued part | | | |
| | 997 347 803 67 D14 | Dark grey/natural Discontinued part | | | |
| | 997 347 803 67 T34 | Brown/natural Discontinued part | | | |
| | 997 347 803 67 N14 | Carrera Red Discontinued part | | | |
| (15) | 997 347 803 A6 | multifunction steering wheel Carbon D - MJ 2011>> Discontinued part | | 1 | PR:845,640, 639,345 |
| | 997 347 803 A6 A34 | Black | | | |
| | 997 347 803 A6 B24 | Stone grey | | | |
| | 997 347 803 A6 T24 | Sand beige | | | |
| | 997 347 803 A6 E24 | sea blue | | | |
| | 997 347 803 A6 M24 | Terracotta | | | |
| | 997 347 803 A6 R24 | Cocoa | | | |
| | 997 347 803 A6 D14 | Dark grey/natural | | | |
| | 997 347 803 A6 T34 | Brown/natural | | | |

Model: 997-09 Model life 2009>>2012

| Pos | Part Number | Description | Remark | Qty | Model |
|------|--|--|--------|-----|------------------------|
| (15) | 997 347 803 A6 N14 997 347 803 A6 6H6 997 347 803 E4 | Carrera Red Black/espresso multifunction steering wheel | | 1 | PR:845,640, 639,345 |
| | | Carbon D - MJ 2011>> | | | |
| | 997 347 803 E4 A34 997 347 803 E4 B24 997 347 803 E4 T24 997 347 803 E4 E24 997 347 803 E4 M24 997 347 803 E4 R24 997 347 803 E4 D14 997 347 803 E4 T34 997 347 803 E4 N14 | Black Stone grey Sand beige sea blue Terracotta Cocoa Dark grey/natural Brown/natural Carrera Red | | | |
| (15) | 997 347 803 E4 6H6 997 347 803 68 | Black/espresso multifunction steering wheel | | 1 | PR:847,640, 639,345 |
| | | macassar D - MJ 2011>> Discontinued part | | | |
| | 997 347 803 68 A34 997 347 803 68 B24 997 347 803 68 T24 997 347 803 68 E24 997 347 803 68 M24 997 347 803 68 R24 997 347 803 68 D14 997 347 803 68 T34 997 347 803 68 N14 | Black Discontinued part Stone grey Discontinued part Sand beige Discontinued part sea blue Discontinued part Terracotta Discontinued part Cocoa Discontinued part Dark grey/natural Discontinued part Brown/natural Discontinued part Carrera Red Discontinued part | | | |
| (15) | 997 347 803 A7 | multifunction steering wheel | | 1 | PR:847,640, 639,345 |
| | | macassar D - MJ 2011>> Discontinued part | | | |
| | 997 347 803 A7 A34 997 347 803 A7 B24 997 347 803 A7 T24 997 347 803 A7 E24 997 347 803 A7 M24 997 347 803 A7 R24 997 347 803 A7 D14 997 347 803 A7 T34 997 347 803 A7 N14 | Black Stone grey Sand beige sea blue Terracotta Cocoa Dark grey/natural Brown/natural Carrera Red | | | |
| (15) | 997 347 803 A7 6H6 997 347 803 E5 | Black/espresso multifunction steering wheel | | 1 | PR:847,640, 639,345 |
| | | macassar D - MJ 2011>> | | | |
| | 997 347 803 E5 A34 997 347 803 E5 B24 997 347 803 E5 T24 997 347 803 E5 E24 997 347 803 E5 M24 | Black Stone grey Sand beige sea blue Terracotta | | | |

Model: 997-09 Model life 2009>>2012

| Pos | Part Number | Description | Remark | Qty | Model |
|--------------------|--------------------|------------------------------|--------|-----|------------------------|
| (15) | 997 347 803 E5 R24 | Cocoa | | 1 | PR:XPU,640, 639,345 |
| | 997 347 803 E5 D14 | Dark grey/natural | | | |
| | 997 347 803 E5 T34 | Brown/natural | | | |
| | 997 347 803 E5 N14 | Carrera Red | | | |
| | 997 347 803 E5 6H6 | Black/espresso | | | |
| | 997 347 980 10 | multifunction steering wheel | | | |
| | | Aluminium look | | | |
| | | D - MJ 2011>> | | | |
| | | Discontinued part | | | |
| | 997 347 980 10 A34 | Black | | | |
| | 997 347 980 10 B24 | Stone grey | | | |
| | 997 347 980 10 T24 | Sand beige | | | |
| | 997 347 980 10 E24 | sea blue | | | |
| | 997 347 980 10 M24 | Terracotta | | | |
| | 997 347 980 10 R24 | Cocoa | | | |
| 997 347 980 10 D14 | Dark grey/natural | | | | |
| 997 347 980 10 T34 | Brown/natural | | | | |
| 997 347 980 10 N14 | Carrera Red | | | | |
| (15) | 997 347 980 13 | multifunction steering wheel | | 1 | PR:XPU,640, 639,345 |
| | | Aluminium look | | | |
| | | D - MJ 2011>> | | | |
| | | Discontinued part | | | |
| 997 347 980 13 A34 | Black | | | | |
| 997 347 980 13 B24 | Stone grey | | | | |
| 997 347 980 13 T24 | Sand beige | | | | |
| 997 347 980 13 E24 | sea blue | | | | |
| 997 347 980 13 M24 | Terracotta | | | | |
| 997 347 980 13 R24 | Cocoa | | | | |
| 997 347 980 13 D14 | Dark grey/natural | | | | |
| 997 347 980 13 T34 | Brown/natural | | | | |
| 997 347 980 13 N14 | Carrera Red | | | | |
| 997 347 980 13 6H6 | Espresso | | | | |
| (15) | 997 347 980 B6 | multifunction steering wheel | | 1 | PR:XPU,640, 639,345 |
| | | Aluminium look | | | |
| | | D - MJ 2011>> | | | |
| 997 347 980 B6 A34 | Black | | | | |
| 997 347 980 B6 B24 | Stone grey | | | | |
| 997 347 980 B6 T24 | Sand beige | | | | |
| 997 347 980 B6 E24 | sea blue | | | | |
| 997 347 980 B6 M24 | Terracotta | | | | |
| 997 347 980 B6 R24 | Cocoa | | | | |
| 997 347 980 B6 D14 | Dark grey/natural | | | | |
| 997 347 980 B6 T34 | Brown/natural | | | | |
| 997 347 980 B6 N14 | Carrera Red | | | | |
| 997 347 980 B6 6H6 | Espresso | | | | |
| 15 | 997 347 803 80 | steering wheel | | 1 | PR:840 |
| | | Paddle | | | |
| | | D - MJ 2011>> | | | |
| | | Discontinued part | | | |
| 997 347 803 80 A34 | Black | | | | |
| 997 347 803 80 B24 | Stone grey | | | | |
| 997 347 803 80 T24 | Sand beige | | | | |
| 997 347 803 80 E24 | sea blue | | | | |
| 997 347 803 80 M24 | Terracotta | | | | |
| 997 347 803 80 R24 | Cocoa | | | | |
| 997 347 803 80 D14 | Dark grey/natural | | | | |
| 997 347 803 80 T34 | Brown/natural | | | | |
| 997 347 803 80 N14 | Carrera Red | | | | |
| 15 | 997 347 803 91 | steering wheel | | 1 | PR:840 |
| | | Shifting paddle | | | |

Model: 997-09 Model life 2009>>2012

| Pos | Part Number | Description | Remark | Qty | Model |
|------|--------------------|---|--------|-----|--------------------|
| | | D - MJ 2011>> Discontinued part | | | |
| | 997 347 803 91 A34 | Black | | | |
| | 997 347 803 91 B24 | Stone grey Discontinued part | | | |
| | 997 347 803 91 T24 | Sand beige | | | |
| | 997 347 803 91 E24 | sea blue | | | |
| | 997 347 803 91 M24 | Terracotta Discontinued part | | | |
| | 997 347 803 91 R24 | Cocoa | | | |
| | 997 347 803 91 D14 | Dark grey/natural Discontinued part | | | |
| | 997 347 803 91 T34 | Brown/natural | | | |
| | 997 347 803 91 N14 | Carrera Red Discontinued part | | | |
| (15) | 997 347 803 91 6H6 | Espresso | | | |
| | 997 347 803 B7 | steering wheel Shifting paddle D - MJ 2011>> Discontinued part | | 1 | PR:840 |
| | 997 347 803 B7 A34 | Black | | | |
| | 997 347 803 B7 B24 | Stone grey | | | |
| | 997 347 803 B7 T24 | Sand beige | | | |
| | 997 347 803 B7 E24 | sea blue | | | |
| | 997 347 803 B7 M24 | Terracotta | | | |
| | 997 347 803 B7 R24 | Cocoa | | | |
| | 997 347 803 B7 D14 | Dark grey/natural | | | |
| | 997 347 803 B7 T34 | Brown/natural | | | |
| | 997 347 803 B7 N14 | Carrera Red | | | |
| 15 | 997 347 803 B7 6H6 | Espresso | | | |
| | 997 347 803 G0 | steering wheel Shifting paddle D - MJ 2011>> | | 1 | PR:840 |
| | 997 347 803 G0 A34 | Black | | | |
| | 997 347 803 G0 B24 | Stone grey | | | |
| | 997 347 803 G0 T24 | Sand beige | | | |
| | 997 347 803 G0 E24 | sea blue | | | |
| | 997 347 803 G0 M24 | Terracotta | | | |
| | 997 347 803 G0 R24 | Cocoa | | | |
| | 997 347 803 G0 D14 | Dark grey/natural | | | |
| | 997 347 803 G0 T34 | Brown/natural | | | |
| | 997 347 803 G0 N14 | Carrera Red | | | |
| (15) | 997 347 803 G0 6H6 | Espresso | | | |
| | 997 347 803 81 | steering wheel Shifting paddle D - MJ 2011>> Discontinued part | | 1 | PR:840,639, 640 |
| | 997 347 803 81 A34 | Black | | | |
| | 997 347 803 81 B24 | Stone grey | | | |
| | 997 347 803 81 T24 | Sand beige | | | |
| | 997 347 803 81 E24 | sea blue | | | |
| | 997 347 803 81 M24 | Terracotta | | | |
| | 997 347 803 81 R24 | Cocoa | | | |
| | 997 347 803 81 D14 | Dark grey/natural | | | |
| | 997 347 803 81 T34 | Brown/natural | | | |
| | 997 347 803 81 N14 | Carrera Red | | | |
| (15) | 997 347 803 92 | steering wheel Shifting paddle D - MJ 2011>> Discontinued part | | 1 | PR:840,639, 640 |
| | 997 347 803 92 A34 | Black Discontinued part | | | |
| | 997 347 803 92 B24 | Stone grey | | | |

Model: 997-09

Model life 2009>>2012

| Pos | Part Number | Description | Remark | Qty | Model |
|------|--------------------|-----------------------|--------|-----|-------------------------------------|
| | | Discontinued part | | | |
| | 997 347 803 92 T24 | Sand beige | | | |
| | 997 347 803 92 E24 | sea blue | | | |
| | 997 347 803 92 M24 | Terracotta | | | |
| | | Discontinued part | | | |
| | 997 347 803 92 R24 | Cocoa | | | |
| | | Discontinued part | | | |
| | 997 347 803 92 D14 | Dark grey/natural | | | |
| | | Discontinued part | | | |
| | 997 347 803 92 T34 | Brown/natural | | | |
| | | Discontinued part | | | |
| | 997 347 803 92 N14 | Carrera Red | | | |
| | | Discontinued part | | | |
| | 997 347 803 92 6H6 | Espresso | | | |
| (15) | 997 347 803 B8 | steering wheel | | 1 | PR:840,639, 640 |
| | | Shifting paddle | | | |
| | | D - MJ 2011>> | | | |
| | | Discontinued part | | | |
| | 997 347 803 B8 A34 | Black | | | |
| | 997 347 803 B8 B24 | Stone grey | | | |
| | 997 347 803 B8 T24 | Sand beige | | | |
| | 997 347 803 B8 E24 | sea blue | | | |
| | 997 347 803 B8 M24 | Terracotta | | | |
| | 997 347 803 B8 R24 | Cocoa | | | |
| | 997 347 803 B8 D14 | Dark grey/natural | | | |
| | 997 347 803 B8 T34 | Brown/natural | | | |
| | 997 347 803 B8 N14 | Carrera Red | | | |
| | 997 347 803 B8 6H6 | Espresso | | | |
| (15) | 997 347 803 G1 | steering wheel | | 1 | PR:840,639, 640 |
| | | Shifting paddle | | | |
| | | D - MJ 2011>> | | | |
| | 997 347 803 G1 A34 | Black | | | |
| | 997 347 803 G1 B24 | Stone grey | | | |
| | 997 347 803 G1 T24 | Sand beige | | | |
| | 997 347 803 G1 E24 | sea blue | | | |
| | 997 347 803 G1 M24 | Terracotta | | | |
| | 997 347 803 G1 R24 | Cocoa | | | |
| | 997 347 803 G1 D14 | Dark grey/natural | | | |
| | 997 347 803 G1 T34 | Brown/natural | | | |
| | 997 347 803 G1 N14 | Carrera Red | | | |
| | 997 347 803 G1 6H6 | Espresso | | | |
| (15) | 997 347 803 86 | steering wheel | | 1 | SPEEDSTER PR:840,639, 503,640 |
| | | Shifting paddle | | | |
| | | Discontinued part | | | |
| | 997 347 803 86 DTB | Black/Carrara White | | | |
| | 997 347 803 86 DTP | Black/Pure Blue | | | |
| (15) | 997 347 803 97 | steering wheel | | 1 | SPEEDSTER PR:840,639, 503,640 |
| | | Shifting paddle | | | |
| | | Discontinued part | | | |
| | 997 347 803 97 DTB | Black/Carrara White | | | |
| | 997 347 803 97 DTP | Black/Pure Blue | | | |
| (15) | 997 347 803 C3 | steering wheel | | 1 | SPEEDSTER PR:840,639, 503,640 |
| | | PADDLE | | | |
| | 997 347 803 C3 DTB | Black/Carrara White | | | |
| | 997 347 803 C3 DTP | Black/Pure Blue | | | |
| (15) | 997 347 803 83 | sports steering wheel | | 1 | PR:250,843, 639 |
| | | Alcantara | | | |
| | | D - MJ 2011>> | | | |
| | | Discontinued part | | | |
| | 997 347 803 83 A15 | Black | | | |
| (15) | 997 347 803 94 | sports steering wheel | | 1 | PR:250,843, 639,640 |
| | | Alcantara | | | |

Model: 997-09 Model life 2009>>2012

| Pos | Part Number | Description | Remark | Qty | Model |
|------|--------------------|--|--------|-----|-----------------------------------|
| (15) | 997 347 803 94 A15 | D - MJ 2011>> Discontinued part Black Shifting paddle | | | |
| | 997 347 803 C0 | sports steering wheel Alcantara | | 1 | PR:250,843, 639,640 |
| (15) | 997 347 803 C0 A15 | D - MJ 2011>> Discontinued part Black Shifting paddle | | | |
| | 997 347 803 G3 | sports steering wheel Alcantara | | 1 | PR:250,843, 639,640 |
| (15) | 997 347 803 G3 A15 | D - MJ 2011>> Black Shifting paddle | | | |
| | 997 347 803 83 | sports steering wheel Alcantara | | 1 | PR:250,843, 640 |
| (15) | 997 347 803 83 A15 | D - MJ 2011>> Discontinued part Black Shifting paddle | | | |
| | 997 347 803 94 | sports steering wheel Alcantara | | 1 | PR:250,843, 640,639,011 |
| (15) | 997 347 803 94 A15 | D - MJ 2011>> Discontinued part Black Shifting paddle | | | |
| | 997 347 803 C0 | sports steering wheel Alcantara | | 1 | PR:250,843, 640,639,011 |
| (15) | 997 347 803 C0 A15 | D - MJ 2011>> Discontinued part Black Shifting paddle | | | |
| | 997 347 803 G3 | sports steering wheel Alcantara | | 1 | PR:250,843, 640,639,011 |
| (15) | 997 347 803 G3 A15 | D - MJ 2011>> Black Shifting paddle | | | |
| | 997 347 803 82 | sports steering wheel Alcantara | | 1 | PR:250,843, -640 |
| (15) | 997 347 803 82 A15 | D - MJ 2011>> Discontinued part Black Shifting paddle | | | |
| | 997 347 803 93 | sports steering wheel Alcantara | | 1 | PR:250,843, -640 |
| (15) | 997 347 803 93 A15 | D - MJ 2011>> Discontinued part Black Shifting paddle | | | |
| | 997 347 803 B9 | sports steering wheel Alcantara | | 1 | PR:250,843 |
| (15) | 997 347 803 B9 A15 | D - MJ 2011>> Discontinued part Black Shifting paddle | | | |
| | 997 347 803 G2 | sports steering wheel Alcantara | | 1 | PR:250,843 |
| (15) | 997 347 803 G2 A15 | D - MJ 2011>> Black Shifting paddle | | | |
| | 997 347 803 82 | sports steering wheel Alcantara | | 1 | CARRERA GTS PR:011,250, 843 |
| (15) | 997 347 803 82 A15 | D - MJ 2011>> Discontinued part Black Shifting paddle | | | |
| | 997 347 803 93 | sports steering wheel | | 1 | CARRERA GTS |

Model: 997-09 Model life 2009>>2012

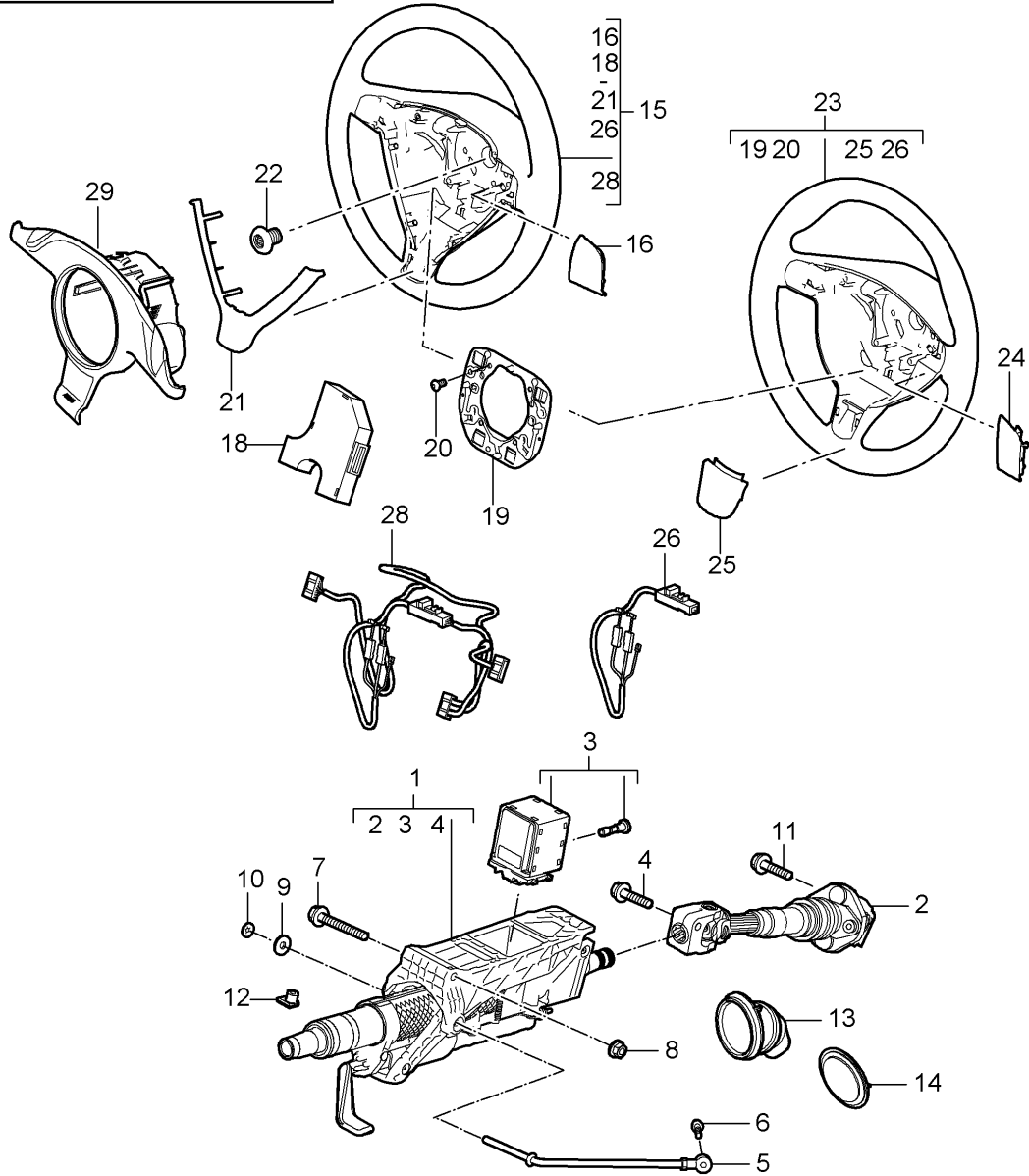
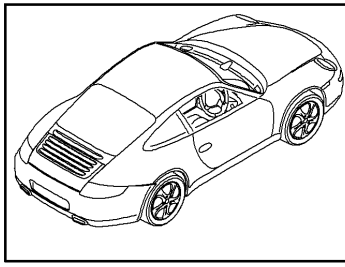
| Pos | Part Number | Description | Remark | Qty | Model |
|------|--------------------------------------|---|--------|-----|------------------------------------|
| | | Alcantara D - MJ 2011>> Discontinued part | | | PR:011,250, 843 |
| (15) | 997 347 803 93 A15 997 347 803 B9 | Black sports steering wheel | | 1 | CARRERA GTS PR:011,250, 843 |
| (15) | 997 347 803 B9 A15 997 347 803 G2 | Alcantara D - MJ 2011>> Discontinued part Black sports steering wheel | | 1 | CARRERA GTS PR:011,250, 843 |
| 16 | 997 347 803 G2 A15 N 910 207 01 | Black Screw with int. serrations M 18 X 1,5 X 26 | | 1 | |
| 17 | 997 613 425 00 | Tip switch Discontinued part | | 1 | PR:250,345 |
| 17 | 997 613 425 00 A05 7PP 951 527 | Black Switch | | 1 | PR:250,345 |
| 18 | 997 613 461 00 997 613 461 00 FUP | Black Module Volcano grey/galvanosilver | | 1 | PR:250,841 |
| (18) | 997 613 461 00 | Module Volcano grey/galvanosilver without: | | 1 | PR:250,841, 639,640 |
| (18) | 997 613 461 00 997 613 461 00 5Q0 | Display Module Black without: | | 1 | PR:250,841 |
| (18) | 997 613 461 00 997 613 461 00 5Q0 | Display Module Black without: | | 1 | PR:250,841, 639,640 |
| (18) | 997 613 465 00 | Display Module Discontinued part | | 1 | PR:250,844, 845,847 |
| (18) | 997 613 465 00 FUQ 997 613 465 01 | Volcano grey/galvanosilver Module Multi-function | | 1 | PR:250,844, 845,847 |
| (18) | 997 613 465 01 FUQ 997 613 465 01 | Volcano grey/galvanosilver Module Multi-function | | 1 | PR:250,844, 845,847 |
| (18) | 997 613 465 01 5Q0 997 613 467 00 | Black Module Discontinued part | | 1 | PR:250,639, 640,841 |
| (18) | 997 613 467 00 FUP 997 613 467 03 | Volcano grey/galvanosilver Display Module without: | | 1 | PR:250,639, 640,841 |
| (18) | 997 613 467 03 FUP 997 613 467 03 | Volcano grey/galvanosilver Display Module with: | | 1 | PR:250,639, 640,841 |
| (18) | 997 613 467 03 5Q0 997 613 469 00 | Black Display Module Discontinued part with: | | 1 | PR:250,639, 640,844,845, 847 |

Model: 997-09 Model life 2009>>2012

| Pos | Part Number | Description | Remark | Qty | Model |
|------|--------------------|---|--------|-----|------------------------------------|
| | 997 613 469 00 FUQ | Volcano grey/galvanosilver Multi-function | | | |
| (18) | 997 613 469 03 | with: Display Module | | 1 | PR:250,639, 640,844,845, 847 |
| | 997 613 469 03 FUQ | Volcano grey/galvanosilver Multi-function | | | |
| (18) | 997 613 469 00 | with: Display Module Discontinued part | | 1 | PR:250,639, 640,844,845, 847 |
| | 997 613 469 00 5Q0 | Black Multi-function | | | |
| (18) | 997 613 469 03 | Module | | 1 | PR:250,639, 640,844,845, 847 |
| | 997 613 469 03 5Q0 | Black Multi-function | | | |
| (18) | | with: Display Module paddle See technical manual 48 12 55 | | | PR:840 |
| - | 000 043 207 50 | emulsion tube | | X | PR:250 |
| - | 000 043 207 48 | Adhesive set steering wheel See technical manual suspension | | 1 | PR:250 |
| | | Group: 48 12 55 Discontinued part | | | |
| - | 000 043 209 01 | emulsion tube only in conj. with: 000.043.209.00 | | X | PR:250 |
| - | 000 043 209 00 | Adhesive set steering wheel only in conj. with: 000.043.209.01 See technical manual suspension | | 1 | PR:250 |
| | | Group: 48 12 55 | | | |

Model: 997-09

Model life 2009>>2012



Model: 997-09 Model life 2009>>2012

| Pos | Part Number | Description | Remark | Qty | Model |
|------|--------------------|---|--------|-----|------------|
| | | Steering protective pipe Intermediate steering shaft Steering wheels | | | PR:480 |
| (1) | 997 347 007 10 | Complete steering column | | 1 | |
| 2 | 997 347 023 04 | Intermediate steering shaft | | 1 | |
| 3 | 997 618 158 04 | Control unit Steering column | | 1 | |
| | | with: | | | |
| 4 | 999 217 042 03 | Screw Hexagon bolt M 8 X 35 | | 1 | |
| 4 | 999 217 042 04 | Discontinued part Hexagon bolt M 8 X 35 | | 1 | |
| 5 | 997 347 243 00 | Support | | 1 | |
| 6 | 900 378 173 01 | Hexagon bolt M 6 x 20 | | 1 | |
| 7 | 900 378 095 01 | Hexagon bolt M 10 X 100 | | 1 | |
| 8 | 900 380 008 01 | Hexagon nut M 10 | | 1 | |
| 9 | 900 151 006 03 | Washer | | 1 | |
| 10 | 999 507 217 07 | Clamping washer | | 1 | |
| 11 | 999 217 042 03 | Hexagon bolt M 8 X 35 Discontinued part | | 1 | |
| 11 | 999 217 042 04 | Hexagon bolt M 8 X 35 | | 1 | |
| 12 | 999 920 019 40 | Plug-in nut 3,5 X 2,5 X 9 | | 1 | |
| 13 | 986 347 037 01 | Bellows | | 1 | |
| 14 | 996 347 339 02 | Rubber seal filler plate | | 1 | |
| - | | Steering wheels | | | |
| 15 | 997 347 804 14 | D >> - MJ 2009 steering wheel Plain leather D >> - MJ 2009 | | 1 | PR:480,459 |
| | 997 347 804 14 A34 | Black | | | |
| | 997 347 804 14 B24 | Stone grey | | | |
| | 997 347 804 14 T24 | Sand beige | | | |
| | 997 347 804 14 E24 | sea blue | | | |
| | 997 347 804 14 M24 | Terracotta | | | |
| | 997 347 804 14 R24 | Cocoa | | | |
| | 997 347 804 14 D14 | Dark grey/natural | | | |
| | 997 347 804 14 T34 | Brown/natural | | | |
| | 997 347 804 14 N14 | Carrera Red | | | |
| (15) | 997 347 804 15 | D >> - MJ 2009 multifunction steering wheel Plain leather D >> - MJ 2009 | | 1 | PR:480,431 |
| | 997 347 804 15 A34 | Black | | | |
| | 997 347 804 15 B24 | Stone grey | | | |
| | 997 347 804 15 T24 | Sand beige | | | |
| | 997 347 804 15 E24 | sea blue | | | |
| | 997 347 804 15 M24 | Terracotta | | | |
| | 997 347 804 15 R24 | Cocoa | | | |
| | 997 347 804 15 D14 | Dark grey/natural | | | |
| | 997 347 804 15 T34 | Brown/natural | | | |
| | 997 347 804 15 N14 | Carrera Red | | | |
| (15) | 997 347 804 16 | multifunction steering wheel Wood macassar | | 1 | PR:480,451 |

Model: 997-09 Model life 2009>>2012

| Pos | Part Number | Description | Remark | Qty | Model |
|------|--------------------|------------------------------|--------|-----|------------|
| | | D >> - MJ 2009 | | | |
| | 997 347 804 16 A34 | Black | | | |
| | 997 347 804 16 B24 | Stone grey | | | |
| | 997 347 804 16 T24 | Sand beige | | | |
| | 997 347 804 16 E24 | sea blue | | | |
| | 997 347 804 16 M24 | Terracotta | | | |
| | 997 347 804 16 R24 | Cocoa | | | |
| | 997 347 804 16 D14 | Dark grey/natural | | | |
| | 997 347 804 16 T34 | Brown/natural | | | |
| | 997 347 804 16 N14 | Carrera Red | | | |
| (15) | 997 347 804 18 | multifunction steering wheel | | 1 | PR:480,453 |
| | | Wood | | | |
| | | Carbon | | | |
| | | D >> - MJ 2009 | | | |
| | 997 347 804 18 A34 | Black | | | |
| | 997 347 804 18 B24 | Stone grey | | | |
| | 997 347 804 18 T24 | Sand beige | | | |
| | 997 347 804 18 E24 | sea blue | | | |
| | 997 347 804 18 M24 | Terracotta | | | |
| | 997 347 804 18 R24 | Cocoa | | | |
| | 997 347 804 18 D14 | Dark grey/natural | | | |
| | 997 347 804 18 T34 | Brown/natural | | | |
| | 997 347 804 18 N14 | Carrera Red | | | |
| (15) | 997 347 981 00 | multifunction steering wheel | | 1 | PR:480,XPV |
| | | Aluminium look | | | |
| | | D >> - MJ 2009 | | | |
| | 997 347 981 00 A34 | Black | | | |
| | 997 347 981 00 B24 | Stone grey | | | |
| | 997 347 981 00 T24 | Sand beige | | | |
| | 997 347 981 00 E24 | sea blue | | | |
| | 997 347 981 00 M24 | Terracotta | | | |
| | 997 347 981 00 R24 | Cocoa | | | |
| | 997 347 981 00 D14 | Dark grey/natural | | | |
| | 997 347 981 00 T34 | Brown/natural | | | |
| | 997 347 981 00 N14 | Carrera Red | | | |
| - | | Steering wheels | | | |
| | | D - MJ 2010>> - MJ 2010 | | | |
| (15) | 997 347 803 51 | steering wheel (leather) | | 1 | PR:841 |
| | | D - MJ 2010>> | | | |
| | | Discontinued part | | | |
| | 997 347 803 51 A34 | Black | | | |
| | 997 347 803 51 B24 | Stone grey | | | |
| | 997 347 803 51 T24 | Sand beige | | | |
| | 997 347 803 51 E24 | sea blue | | | |
| | 997 347 803 51 R24 | Cocoa | | | |
| | 997 347 803 51 M24 | Terracotta | | | |
| | 997 347 803 51 D14 | Dark grey/natural | | | |
| | 997 347 803 51 T34 | Brown/natural | | | |
| | 997 347 803 51 N14 | Carrera Red | | | |
| (15) | 997 347 803 E8 | steering wheel | | 1 | PR:841 |
| | | Leather | | | |
| | | D - MJ 2010>> | | | |
| | 997 347 803 E8 A34 | Black | | | |
| | 997 347 803 E8 B24 | Stone grey | | | |
| | 997 347 803 E8 T24 | Sand beige | | | |
| | 997 347 803 E8 E24 | sea blue | | | |
| | 997 347 803 E8 R24 | Cocoa | | | |
| | 997 347 803 E8 M24 | Terracotta | | | |
| | 997 347 803 E8 D14 | Dark grey/natural | | | |
| | 997 347 803 E8 T34 | Brown/natural | | | |
| | 997 347 803 E8 N14 | Carrera Red | | | |
| (15) | 997 347 803 57 | steering wheel | | 1 | PR:841,345 |
| | | Leather | | | |

Model: 997-09 Model life 2009>>2012

| Pos | Part Number | Description | Remark | Qty | Model |
|------|--------------------|------------------------------------|--------|-----|------------|
| | | D - MJ 2010>> Discontinued part | | | |
| | 997 347 803 57 A34 | Black | | | |
| | 997 347 803 57 B24 | Stone grey | | | |
| | 997 347 803 57 T24 | Sand beige | | | |
| | 997 347 803 57 E24 | sea blue | | | |
| | 997 347 803 57 R24 | Cocoa | | | |
| | 997 347 803 57 M24 | Terracotta | | | |
| | 997 347 803 57 D14 | Dark grey/natural | | | |
| | 997 347 803 57 T34 | Brown/natural | | | |
| | 997 347 803 57 N14 | Carrera Red | | | |
| (15) | 997 347 803 F2 | steering wheel Leather | | 1 | PR:841,345 |
| | | D - MJ 2010>> Discontinued part | | | |
| | 997 347 803 F2 A34 | Black | | | |
| | 997 347 803 F2 B24 | Stone grey | | | |
| | 997 347 803 F2 T24 | Sand beige | | | |
| | 997 347 803 F2 E24 | sea blue | | | |
| | 997 347 803 F2 R24 | Cocoa | | | |
| | 997 347 803 F2 M24 | Terracotta | | | |
| | 997 347 803 F2 D14 | Dark grey/natural | | | |
| | 997 347 803 F2 T34 | Brown/natural | | | |
| | 997 347 803 F2 N14 | Carrera Red | | | |
| (15) | 997 347 803 52 | steering wheel Leather | | 1 | PR:844 |
| | | D - MJ 2010>> Discontinued part | | | |
| | 997 347 803 52 A34 | Black | | | |
| | 997 347 803 52 B24 | Stone grey | | | |
| | 997 347 803 52 T24 | Sand beige | | | |
| | 997 347 803 52 E24 | sea blue | | | |
| | 997 347 803 52 R24 | Cocoa | | | |
| | 997 347 803 52 M24 | Terracotta | | | |
| | 997 347 803 52 D14 | Dark grey/natural | | | |
| | 997 347 803 52 T34 | Brown/natural | | | |
| | 997 347 803 52 N14 | Carrera Red | | | |
| (15) | 997 347 803 E9 | steering wheel Leather | | 1 | PR:844 |
| | | D - MJ 2010>> Discontinued part | | | |
| | 997 347 803 E9 A34 | Black | | | |
| | 997 347 803 E9 B24 | Stone grey | | | |
| | 997 347 803 E9 T24 | Sand beige | | | |
| | 997 347 803 E9 E24 | sea blue | | | |
| | 997 347 803 E9 R24 | Cocoa | | | |
| | 997 347 803 E9 M24 | Terracotta | | | |
| | 997 347 803 E9 D14 | Dark grey/natural | | | |
| | 997 347 803 E9 T34 | Brown/natural | | | |
| | 997 347 803 E9 N14 | Carrera Red | | | |
| (15) | 997 347 803 58 | steering wheel Leather | | 1 | PR:844,345 |
| | | D - MJ 2010>> Discontinued part | | | |
| | 997 347 803 58 A34 | Black | | | |
| | 997 347 803 58 B24 | Stone grey | | | |
| | 997 347 803 58 T24 | Sand beige | | | |
| | 997 347 803 58 E24 | sea blue | | | |
| | 997 347 803 58 R24 | Cocoa | | | |
| | 997 347 803 58 M24 | Terracotta | | | |
| | 997 347 803 58 D14 | Dark grey/natural | | | |
| | 997 347 803 58 T34 | Brown/natural | | | |
| | 997 347 803 58 N14 | Carrera Red | | | |
| (15) | 997 347 803 F3 | steering wheel Leather | | 1 | PR:844,345 |

Model: 997-09 Model life 2009>>2012

| Pos | Part Number | Description | Remark | Qty | Model |
|------|--------------------|---------------------------|--------|-----|------------|
| | | D - MJ 2010>> | | | |
| | 997 347 803 F3 A34 | Black | | | |
| | 997 347 803 F3 B24 | Stone grey | | | |
| | 997 347 803 F3 T24 | Sand beige | | | |
| | 997 347 803 F3 E24 | sea blue | | | |
| | 997 347 803 F3 R24 | Cocoa | | | |
| | 997 347 803 F3 M24 | Terracotta | | | |
| | 997 347 803 F3 D14 | Dark grey/natural | | | |
| | 997 347 803 F3 T34 | Brown/natural | | | |
| | 997 347 803 F3 N14 | Carrera Red | | | |
| (15) | 997 347 803 53 | steering wheel Leather | | 1 | PR:845,345 |
| | | D - MJ 2010>> | | | |
| | 997 347 803 53 A34 | Black | | | |
| | 997 347 803 53 B24 | Stone grey | | | |
| | 997 347 803 53 T24 | Sand beige | | | |
| | 997 347 803 53 E24 | sea blue | | | |
| | 997 347 803 53 R24 | Cocoa | | | |
| | 997 347 803 53 M24 | Terracotta | | | |
| | 997 347 803 53 D14 | Dark grey/natural | | | |
| | 997 347 803 53 T34 | Brown/natural | | | |
| | 997 347 803 53 N14 | Carrera Red | | | |
| (15) | 997 347 803 55 | steering wheel Leather | | 1 | PR:847,345 |
| | | D - MJ 2010>> | | | |
| | 997 347 803 55 A34 | Black | | | |
| | 997 347 803 55 B24 | Stone grey | | | |
| | 997 347 803 55 T24 | Sand beige | | | |
| | 997 347 803 55 E24 | sea blue | | | |
| | 997 347 803 55 R24 | Cocoa | | | |
| | 997 347 803 55 M24 | Terracotta | | | |
| | 997 347 803 55 D14 | Dark grey/natural | | | |
| | 997 347 803 55 T34 | Brown/natural | | | |
| | 997 347 803 55 N14 | Carrera Red | | | |
| (15) | 997 347 980 08 | steering wheel Leather | | 1 | PR:XPU,345 |
| | | D - MJ 2010>> | | | |
| | 997 347 980 08 A34 | Black | | | |
| | 997 347 980 08 B24 | Stone grey | | | |
| | 997 347 980 08 T24 | Sand beige | | | |
| | 997 347 980 08 E24 | sea blue | | | |
| | 997 347 980 08 R24 | Cocoa | | | |
| | 997 347 980 08 M24 | Terracotta | | | |
| | 997 347 980 08 D14 | Dark grey/natural | | | |
| | 997 347 980 08 T34 | Brown/natural | | | |
| | 997 347 980 08 N14 | Carrera Red | | | |
| (15) | 997 347 980 07 | steering wheel (leather) | | 1 | PR:756 |
| - | 997 347 980 07 6H6 | Espresso | | | |
| | | Steering wheels | | | |
| | | D - MJ 2011>> | | | |
| (15) | 997 347 803 71 | steering wheel (leather) | | 1 | PR:841 |
| | | D - MJ 2011>> | | | |
| | | Discontinued part | | | |
| | 997 347 803 71 A34 | Black | | | |
| | 997 347 803 71 B24 | Stone grey | | | |
| | 997 347 803 71 T24 | Sand beige | | | |
| | 997 347 803 71 E24 | sea blue | | | |
| | 997 347 803 71 R24 | Cocoa | | | |
| | 997 347 803 71 M24 | Terracotta | | | |
| | 997 347 803 71 D14 | Dark grey/natural | | | |
| | 997 347 803 71 T34 | Brown/natural | | | |
| | 997 347 803 71 N14 | Carrera Red | | | |
| (15) | 997 347 803 B0 | steering wheel (leather) | | 1 | PR:841 |

Model: 997-09 Model life 2009>>2012

| Pos | Part Number | Description | Remark | Qty | Model |
|------|--------------------|------------------------------------|--------|-----|------------|
| | | D - MJ 2011>> Discontinued part | | | |
| | 997 347 803 B0 A34 | Black | | | |
| | 997 347 803 B0 B24 | Stone grey | | | |
| | 997 347 803 B0 T24 | Sand beige | | | |
| | 997 347 803 B0 E24 | sea blue | | | |
| | 997 347 803 B0 R24 | Cocoa | | | |
| | 997 347 803 B0 M24 | Terracotta | | | |
| | 997 347 803 B0 D14 | Dark grey/natural | | | |
| | 997 347 803 B0 T34 | Brown/natural | | | |
| | 997 347 803 B0 N14 | Carrera Red | | | |
| | 997 347 803 B0 6H6 | Espresso | | | |
| (15) | 997 347 803 F4 | steering wheel (leather) | | 1 | PR:841 |
| | | D - MJ 2011>> Discontinued part | | | |
| | 997 347 803 F4 A34 | Black | | | |
| | 997 347 803 F4 B24 | Stone grey | | | |
| | 997 347 803 F4 T24 | Sand beige | | | |
| | 997 347 803 F4 E24 | sea blue | | | |
| | 997 347 803 F4 R24 | Cocoa | | | |
| | 997 347 803 F4 M24 | Terracotta | | | |
| | 997 347 803 F4 D14 | Dark grey/natural | | | |
| | 997 347 803 F4 T34 | Brown/natural | | | |
| | 997 347 803 F4 N14 | Carrera Red | | | |
| | 997 347 803 F4 6H6 | Espresso | | | |
| (15) | 997 347 803 76 | steering wheel Leather | | 1 | PR:841,345 |
| | | D - MJ 2011>> Discontinued part | | | |
| | 997 347 803 76 A34 | Black | | | |
| | 997 347 803 76 B24 | Stone grey | | | |
| | 997 347 803 76 T24 | Sand beige | | | |
| | 997 347 803 76 E24 | sea blue | | | |
| | 997 347 803 76 R24 | Cocoa | | | |
| | 997 347 803 76 M24 | Terracotta | | | |
| | 997 347 803 76 D14 | Dark grey/natural | | | |
| | 997 347 803 76 T34 | Brown/natural | | | |
| | 997 347 803 76 N14 | Carrera Red | | | |
| (15) | 997 347 803 B5 | steering wheel Leather | | 1 | PR:841,345 |
| | | D - MJ 2011>> Discontinued part | | | |
| | 997 347 803 B5 A34 | Black | | | |
| | 997 347 803 B5 B24 | Stone grey | | | |
| | 997 347 803 B5 T24 | Sand beige | | | |
| | 997 347 803 B5 E24 | sea blue | | | |
| | 997 347 803 B5 R24 | Cocoa | | | |
| | 997 347 803 B5 M24 | Terracotta | | | |
| | 997 347 803 B5 D14 | Dark grey/natural | | | |
| | 997 347 803 B5 T34 | Brown/natural | | | |
| | 997 347 803 B5 N14 | Carrera Red | | | |
| | 997 347 803 B5 6H6 | Espresso | | | |
| (15) | 997 347 803 F8 | steering wheel Leather | | 1 | PR:841,345 |
| | | D - MJ 2011>> Discontinued part | | | |
| | 997 347 803 F8 A34 | Black | | | |
| | 997 347 803 F8 B24 | Stone grey | | | |
| | 997 347 803 F8 T24 | Sand beige | | | |
| | 997 347 803 F8 E24 | sea blue | | | |
| | 997 347 803 F8 R24 | Cocoa | | | |
| | 997 347 803 F8 M24 | Terracotta | | | |
| | 997 347 803 F8 D14 | Dark grey/natural | | | |
| | 997 347 803 F8 T34 | Brown/natural | | | |
| | 997 347 803 F8 N14 | Carrera Red | | | |

Model: 997-09 Model life 2009>>2012

| Pos | Part Number | Description | Remark | Qty | Model |
|------|--------------------------------------|--|--------|-----|------------|
| (15) | 997 347 803 F8 6H6 997 347 803 72 | Espresso steering wheel Leather D - MJ 2011>> | | 1 | PR:844 |
| | 997 347 803 72 A34 | Black | | | |
| | 997 347 803 72 B24 | Stone grey | | | |
| | 997 347 803 72 T24 | Sand beige | | | |
| | 997 347 803 72 E24 | sea blue | | | |
| | 997 347 803 72 R24 | Cocoa | | | |
| | 997 347 803 72 M24 | Terracotta | | | |
| | 997 347 803 72 D14 | Dark grey/natural | | | |
| | 997 347 803 72 T34 | Brown/natural | | | |
| | 997 347 803 72 N14 | Carrera Red | | | |
| (15) | 997 347 803 77 | steering wheel Leather D - MJ 2011>> | | 1 | PR:844,345 |
| | 997 347 803 77 A34 | Black | | | |
| | 997 347 803 77 B24 | Stone grey | | | |
| | 997 347 803 77 T24 | Sand beige | | | |
| | 997 347 803 77 E24 | sea blue | | | |
| | 997 347 803 77 R24 | Cocoa | | | |
| | 997 347 803 77 M24 | Terracotta | | | |
| | 997 347 803 77 D14 | Dark grey/natural | | | |
| | 997 347 803 77 T34 | Brown/natural | | | |
| | 997 347 803 77 N14 | Carrera Red | | | |
| (15) | 997 347 803 73 | steering wheel Leather D - MJ 2011>> | | 1 | PR:845,345 |
| | 997 347 803 73 A34 | Black | | | |
| | 997 347 803 73 B24 | Stone grey | | | |
| | 997 347 803 73 T24 | Sand beige | | | |
| | 997 347 803 73 E24 | sea blue | | | |
| | 997 347 803 73 R24 | Cocoa | | | |
| | 997 347 803 73 M24 | Terracotta | | | |
| | 997 347 803 73 D14 | Dark grey/natural | | | |
| | 997 347 803 73 T34 | Brown/natural | | | |
| | 997 347 803 73 N14 | Carrera Red | | | |
| (15) | 997 347 803 75 | steering wheel Leather D - MJ 2011>> | | 1 | PR:847,345 |
| | 997 347 803 75 A34 | Black | | | |
| | 997 347 803 75 B24 | Stone grey | | | |
| | 997 347 803 75 T24 | Sand beige | | | |
| | 997 347 803 75 E24 | sea blue | | | |
| | 997 347 803 75 R24 | Cocoa | | | |
| | 997 347 803 75 M24 | Terracotta | | | |
| | 997 347 803 75 D14 | Dark grey/natural | | | |
| | 997 347 803 75 T34 | Brown/natural | | | |
| | 997 347 803 75 N14 | Carrera Red | | | |
| (15) | 997 347 803 85 | sports steering wheel Alcantara D - MJ 2011>> Discontinued part | | 1 | PR:843 |
| (15) | 997 347 803 85 A15 997 347 803 C2 | Black sports steering wheel Alcantara D - MJ 2011>> Discontinued part | | 1 | PR:843 |
| (15) | 997 347 803 C2 A15 997 347 803 G5 | Black sports steering wheel Alcantara D - MJ 2011>> | | 1 | PR:843 |
| | 997 347 803 G5 A15 | Black | | | |

Model: 997-09 Model life 2009>>2012

| Pos | Part Number | Description | Remark | Qty | Model |
|------|--------------------|---|--------|-----|---------------------------|
| (15) | 997 347 803 85 | sports steering wheel Alcantara Discontinued part | | 1 | CARRERA GTS PR:011,843 |
| | 997 347 803 85 A15 | Black | | | |
| (15) | 997 347 803 C2 | sports steering wheel Alcantara Discontinued part | | 1 | CARRERA GTS PR:011,843 |
| | 997 347 803 C2 A15 | Black | | | |
| (15) | 997 347 803 G5 | sports steering wheel Alcantara | | 1 | CARRERA GTS PR:011,843 |
| | 997 347 803 G5 A15 | Black | | | |
| (15) | 997 347 803 84 | sports steering wheel Discontinued part | | 1 | CARRERA GTS PR:011,840 |
| | 997 347 803 84 A34 | Black | | | |
| | 997 347 803 84 B24 | Stone grey | | | |
| | 997 347 803 84 E24 | sea blue | | | |
| (15) | 997 347 803 95 | steering wheel Discontinued part | | 1 | CARRERA GTS PR:011 |
| | 997 347 803 95 A34 | Black | | | |
| | 997 347 803 95 B24 | Stone grey | | | |
| | 997 347 803 95 E24 | sea blue | | | |
| | 997 347 803 95 6H6 | Espresso | | | |
| (15) | 997 347 803 C1 | steering wheel Discontinued part | | 1 | CARRERA GTS PR:011 |
| | 997 347 803 C1 A34 | Black | | | |
| | 997 347 803 C1 B24 | Stone grey | | | |
| | 997 347 803 C1 E24 | sea blue | | | |
| | 997 347 803 C1 6H6 | Espresso | | | |
| (15) | 997 347 803 G4 | steering wheel (leather) | | 1 | CARRERA GTS PR:011 |
| | 997 347 803 G4 A34 | Black | | | |
| | 997 347 803 G4 B24 | Stone grey | | | |
| | 997 347 803 G4 E24 | sea blue | | | |
| | 997 347 803 G4 6H6 | Espresso | | | |
| (15) | 997 347 803 84 | sports steering wheel Leather Discontinued part | | 1 | PR:013 |
| | 997 347 803 84 A34 | Black | | | |
| (15) | 997 347 803 95 | steering wheel Leather Discontinued part | | 1 | PR:013 |
| | 997 347 803 95 A34 | Black | | | |
| (15) | 997 347 803 C1 | steering wheel Leather Discontinued part | | 1 | PR:013 |
| | 997 347 803 C1 A34 | Black | | | |
| (15) | 997 347 803 G4 | steering wheel (leather) | | 1 | PR:013 |
| | 997 347 803 G4 A34 | Black | | | |
| (15) | 997 347 980 12 | steering wheel Leather D - MJ 2011>> Discontinued part | | 1 | PR:XPU,345 |
| | 997 347 980 12 A34 | Black | | | |
| | 997 347 980 12 B24 | Stone grey | | | |
| | 997 347 980 12 T24 | Sand beige | | | |
| | 997 347 980 12 E24 | sea blue | | | |

Model: 997-09 Model life 2009>>2012

| Pos | Part Number | Description | Remark | Qty | Model |
|------|--------------------|---|--------|-----|------------|
| | 997 347 980 12 R24 | Discontinued part Cocoa | | | |
| | 997 347 980 12 M24 | Discontinued part Terracotta | | | |
| | 997 347 980 12 D14 | Discontinued part Dark grey/natural | | | |
| | 997 347 980 12 T34 | Discontinued part Brown/natural | | | |
| | 997 347 980 12 N14 | Discontinued part Carrera Red | | | |
| (15) | 997 347 980 B3 | Discontinued part steering wheel Leather D - MJ 2011>> | | 1 | PR:XPU,345 |
| | 997 347 980 B3 A34 | Discontinued part Black | | | |
| | 997 347 980 B3 B24 | Discontinued part Stone grey | | | |
| | 997 347 980 B3 T24 | Discontinued part Sand beige | | | |
| | 997 347 980 B3 E24 | Discontinued part sea blue | | | |
| | 997 347 980 B3 R24 | Discontinued part Cocoa | | | |
| | 997 347 980 B3 M24 | Discontinued part Terracotta | | | |
| | 997 347 980 B3 D14 | Discontinued part Dark grey/natural | | | |
| | 997 347 980 B3 T34 | Discontinued part Brown/natural | | | |
| | 997 347 980 B3 N14 | Discontinued part Carrera Red | | | |
| (15) | 997 347 980 B3 6H6 | Discontinued part Espresso | | 1 | PR:XPU,345 |
| | 997 347 980 C0 | Discontinued part steering wheel Leather D - MJ 2011>> | | | |
| | 997 347 980 C0 A34 | Discontinued part Black | | | |
| | 997 347 980 C0 B24 | Discontinued part Stone grey | | | |
| | 997 347 980 C0 T24 | Discontinued part Sand beige | | | |
| | 997 347 980 C0 E24 | Discontinued part sea blue | | | |
| | 997 347 980 C0 R24 | Discontinued part Cocoa | | | |
| | 997 347 980 C0 M24 | Discontinued part Terracotta | | | |
| | 997 347 980 C0 D14 | Discontinued part Dark grey/natural | | | |
| | 997 347 980 C0 T34 | Discontinued part Brown/natural | | | |
| | 997 347 980 C0 N14 | Discontinued part Carrera Red | | | |
| (15) | 997 347 980 C0 6H6 | Discontinued part Espresso | | 1 | PR:480,840 |
| | 997 347 803 95 | Discontinued part steering wheel Leather D - MJ 2012>> | | | |
| | 997 347 803 95 A34 | Discontinued part Black | | | |
| | 997 347 803 95 B24 | Discontinued part Stone grey | | | |
| | 997 347 803 95 T24 | Discontinued part Sand beige | | | |
| | 997 347 803 95 E24 | Discontinued part sea blue | | | |
| | 997 347 803 95 R24 | Discontinued part Cocoa | | | |
| | 997 347 803 95 M24 | Discontinued part Terracotta | | | |
| | 997 347 803 95 D14 | Discontinued part Dark grey/natural | | | |
| | 997 347 803 95 T34 | Discontinued part Brown/natural | | | |
| | 997 347 803 95 N14 | Discontinued part Carrera Red | | | |
| (15) | 997 347 803 C1 | Discontinued part steering wheel Leather D - MJ 2012>> | | 1 | PR:480,840 |

Model: 997-09 Model life 2009>>2012

| Pos | Part Number | Description | Remark | Qty | Model |
|------|--------------------|--|--------|-----|----------------|
| | | Discontinued part | | | |
| | 997 347 803 C1 A34 | Black | | | |
| | 997 347 803 C1 B24 | Stone grey | | | |
| | 997 347 803 C1 T24 | Sand beige | | | |
| | 997 347 803 C1 E24 | sea blue | | | |
| | 997 347 803 C1 R24 | Cocoa | | | |
| | 997 347 803 C1 M24 | Terracotta | | | |
| | 997 347 803 C1 D14 | Dark grey/natural | | | |
| | 997 347 803 C1 T34 | Brown/natural | | | |
| | 997 347 803 C1 N14 | Carrera Red | | | |
| (15) | 997 347 803 G4 | steering wheel (leather) D - MJ 2012>> | | 1 | PR:480,840 |
| | 997 347 803 G4 A34 | Black | | | |
| | 997 347 803 G4 B24 | Stone grey | | | |
| | 997 347 803 G4 T24 | Sand beige | | | |
| | 997 347 803 G4 E24 | sea blue | | | |
| | 997 347 803 G4 R24 | Cocoa | | | |
| | 997 347 803 G4 M24 | Terracotta | | | |
| | 997 347 803 G4 D14 | Dark grey/natural | | | |
| | 997 347 803 G4 T34 | Brown/natural | | | |
| | 997 347 803 G4 N14 | Carrera Red | | | |
| 16 | 997 347 837 00 | Dummy cover D >> - MJ 2009 | left | 1 | PR:480 |
| | 997 347 837 00 V04 | Galvano silver | | | |
| (16) | 997 347 838 00 | Dummy cover D >> - MJ 2009 | right | 1 | PR:480 |
| | 997 347 838 00 V04 | Galvano silver | | | |
| (16) | 997 347 837 40 | Dummy cover D >> - MJ 2009 | left | 1 | PR:480,460 |
| | 997 347 837 40 V04 | Galvano silver | | | |
| (16) | 997 347 838 40 | Dummy cover D >> - MJ 2009 | right | 1 | PR:480,460 |
| | 997 347 838 40 V04 | Galvano silver | | | |
| (16) | 997 613 433 03 | Switching module Multi-function Manual gearbox D >> - MJ 2009 | left | 1 | PR:480 |
| | 997 613 433 03 V04 | Galvano silver | | | |
| (16) | 997 613 434 03 | Switching module Multi-function Manual gearbox D >> - MJ 2009 | right | 1 | PR:480 |
| | 997 613 434 03 V04 | Galvano silver | | | |
| 17 | 999 073 318 09 | Round-head screw M 4 X 10 D >> - MJ 2009 | | 2 | |
| 18 | 997 613 445 03 | Electronic unit Multi-function D >> - MJ 2009 | | 1 | PR:431,451,453 |
| 19 | 997 347 880 00 | retaining frame D >> - MJ 2009 | | 1 | |
| 20 | 999 141 022 09 | flat round head bolt M 5 X 12,5 D >> - MJ 2009 | | 4 | |
| 21 | 997 347 821 00 | Trim D >> - MJ 2009 | | 1 | |
| | 997 347 821 00 D07 | Volcano grey | | | |
| 22 | N 910 207 01 | Screw with int. serrations M 18 X 1,5 X 26 | | 1 | |
| 23 | 997 347 804 42 | sports steering wheel Plain leather D >> - MJ 2009 | | 1 | PR:480,460 |
| | 997 347 804 42 A34 | Black | | | |

Model: 997-09 Model life 2009>>2012

| Pos | Part Number | Description | Remark | Qty | Model |
|------|--------------------|---|--------|-----|--------------|
| | 997 347 804 42 B24 | Stone grey | | | |
| | 997 347 804 42 T24 | Sand beige | | | |
| | 997 347 804 42 E24 | sea blue | | | |
| | 997 347 804 42 M24 | Terracotta | | | |
| | 997 347 804 42 R24 | Cocoa | | | |
| | 997 347 804 42 D14 | Dark grey/natural | | | |
| | 997 347 804 42 T34 | Brown/natural | | | |
| | 997 347 804 42 N14 | Carrera Red | | | |
| (23) | 997 347 980 00 | sports steering wheel(leather) | | 1 | PR:480,XPA |
| | | D >> - MJ 2009 | | | |
| | 997 347 980 00 A34 | Black | | | |
| | 997 347 980 00 B24 | Stone grey | | | |
| | 997 347 980 00 D14 | Dark grey/natural | | | |
| | 997 347 980 00 E24 | sea blue | | | |
| | 997 347 980 00 M24 | Terracotta | | | |
| | 997 347 980 00 R24 | Cocoa | | | |
| | 997 347 980 00 T24 | Sand beige | | | |
| | 997 347 980 00 T34 | Brown/natural | | | |
| | 997 347 980 00 N14 | Carrera Red | | | |
| 24 | 997 347 837 40 | Dummy cover | left | 1 | PR:480 |
| | | D >> - MJ 2009 | | | |
| (24) | 997 347 837 40 V04 | Galvano silver | | | |
| | 997 347 838 40 | Dummy cover | right | 1 | PR:480 |
| | | D >> - MJ 2009 | | | |
| | 997 347 838 40 V04 | Galvano silver | | | |
| 25 | 997 347 821 40 | Dummy cover | | 1 | |
| | | D >> - MJ 2009 | | | |
| | 997 347 821 40 V04 | Galvano silver | | | |
| 26 | 997 612 672 00 | Wire set | | 1 | PR:480 |
| | | D >> - MJ 2009 | | | |
| | | Discontinued part | | | |
| 26 | 997 612 672 02 | Wire set | | 1 | PR:480 |
| | | D >> - MJ 2009 | | | |
| 28 | 997 612 673 02 | Wire set | | 1 | PR:480,431, |
| | | | | 1 | 451,453 |
| | | | | 1 | |
| | | D >> - MJ 2009 | | | |
| 29 | 997 613 463 01 | Module | | 1 | PR:480,844, |
| | | Discontinued part | | | 845,847 |
| | 997 613 463 01 FUR | Volcano grey/matt black/ volcano grey/matt black Multi-function | | | |
| (29) | 997 613 463 03 | Module | | 1 | PR:480,844, |
| | | D >> - MJ 2010 | | | 845,847 |
| | 997 613 463 03 FUR | Volcano grey/matt black/ volcano grey/matt black Multi-function | | | |
| (29) | 997 613 463 01 | Module | | 1 | PR:480,844, |
| | | D - MJ 2011>> | | | 845,847 |
| | | Discontinued part | | | |
| | 997 613 463 01 5Q0 | Black | | | |
| | | Multi-function | | | |
| (29) | 997 613 463 03 | Module | | 1 | PR:480,844, |
| | | D - MJ 2011>> | | | 845,847 |
| | 997 613 463 03 5Q0 | Black | | | |
| | | Multi-function | | | |
| 29 | 997 613 459 00 | Module | | 1 | PR:480,-844, |
| | | Discontinued part | | | -845,-847 |
| | 997 613 459 00 D07 | Volcano grey | | | |
| 29 | 997 613 459 03 | Module | | 1 | PR:480,-844, |
| | | D >> - MJ 2010 | | | -845,-847 |
| | 997 613 459 03 D07 | Volcano grey | | | |
| 29 | 997 613 459 00 | Module | | 1 | PR:480,756 |

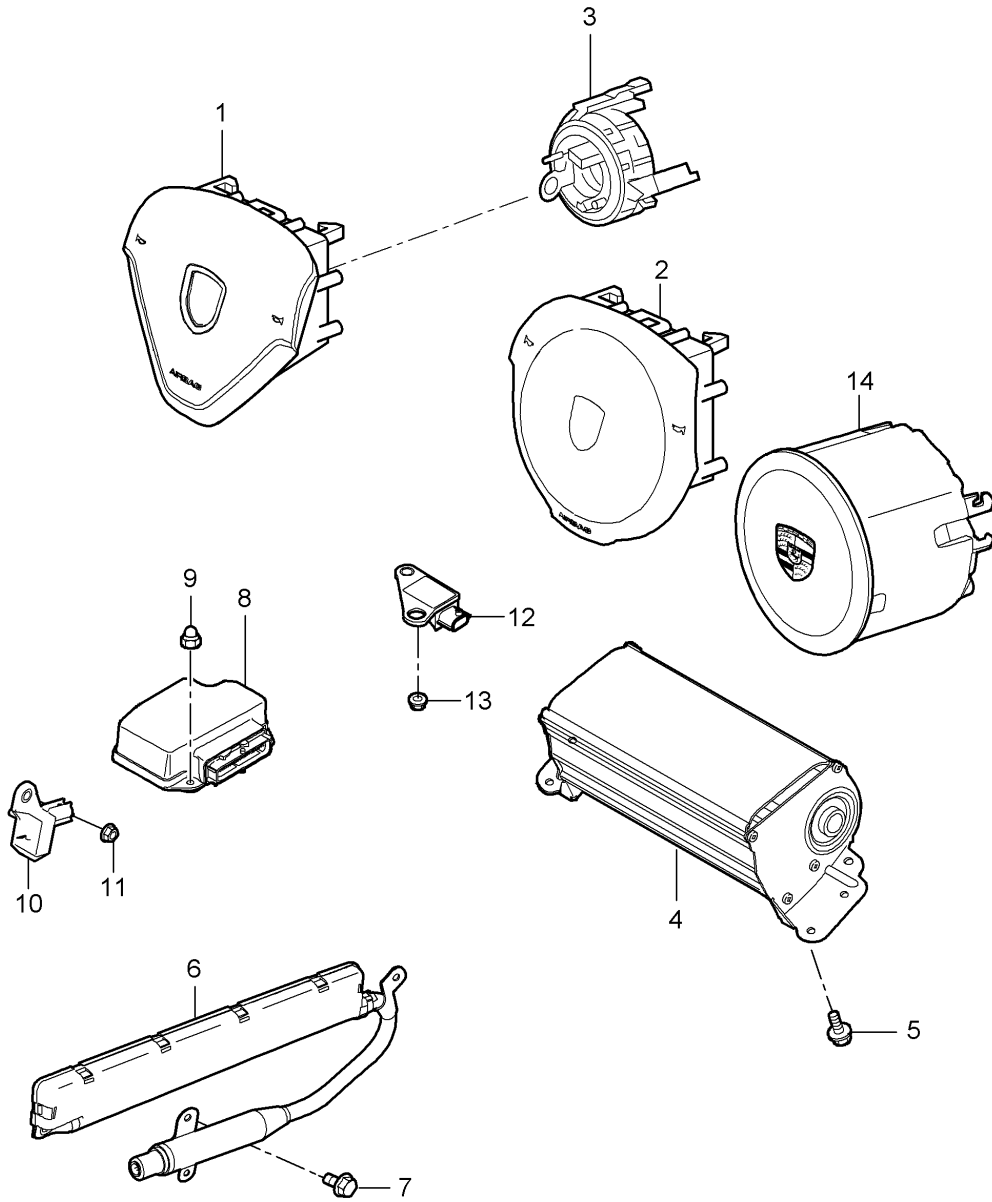
Model: 997-09

Model life 2009>>2012

| Pos | Part Number | Description | Remark | Qty | Model |
|------|--------------------|---|--------|-----|-----------------------|
| | | D - MJ 2010>> - MJ 2010 Discontinued part | | | |
| (29) | 997 613 459 00 3T0 | Espresso | | | |
| | 997 613 459 03 | Module | | 1 | PR:480,756 |
| | | D - MJ 2010>> - MJ 2010 | | | |
| (29) | 997 613 459 03 3T0 | Espresso | | | |
| | 997 613 459 00 | Module | | 1 | PR:480,-844,-845,-847 |
| | | D - MJ 2011>> Discontinued part | | | |
| (29) | 997 613 459 00 5Q0 | Black | | | |
| | 997 613 459 03 | Module | | 1 | PR:480,-844,-845,-847 |
| | | D - MJ 2011>> | | | |
| | 997 613 459 03 5Q0 | Black | | | |
| - | 000 043 207 50 | emulsion tube | | X | |
| | | D - MJ 2010>> | | | |
| - | 000 043 207 48 | Adhesive set steering wheel See technical manual suspension | | 1 | |
| | | Group: 48 12 55 | | | |
| | | D - MJ 2010>> Discontinued part | | | |
| - | 000 043 209 01 | emulsion tube only in conj. with: 000.043.209.00 | | X | |
| | | 000.043.209.00 | | | |
| - | 000 043 209 00 | Adhesive set steering wheel only in conj. with: 000.043.209.01 See technical manual suspension | | 1 | |
| | | Group: 48 12 55 | | | |

Model: 997-09

Model life 2009>>2012



Model: 997-09 Model life 2009>>2012

| Pos | Part Number | Description | Remark | Qty | Model |
|-----|--------------------|--|--------|-------------|------------------------|
| 1 | 997 803 089 13 | Airbag Airbag unit plastic Discontinued part | | 1 | PR:431,451, 453,459 |
| | 997 803 089 13 A32 | Black | | | |
| | 997 803 089 13 B22 | Stone grey | | | |
| | 997 803 089 13 T22 | Sand beige | | | |
| | 997 803 089 13 E22 | sea blue | | | |
| 1 | 997 803 089 19 | Airbag unit plastic Discontinued part | | 1 | PR:431,451, 453,459 |
| | 997 803 089 19 A32 | Black | | | |
| | 997 803 089 19 B22 | Stone grey | | | |
| | 997 803 089 19 T22 | Sand beige | | | |
| | 997 803 089 19 E22 | sea blue | | | |
| 1 | 997 803 089 25 | Airbag unit plastic | | 1 | PR:431,451, 453,459 |
| | 997 803 089 25 A32 | Black | | | |
| | 997 803 089 25 B22 | Stone grey | | | |
| | 997 803 089 25 T22 | Sand beige | | | |
| | 997 803 089 25 E22 | sea blue | | | |
| (1) | 997 803 089 14 | Airbag unit Leather | | 1 | PR:431,991, 459 |
| | 997 803 089 14 A34 | Black Discontinued part | | | |
| | 997 803 089 14 B24 | Stone grey Discontinued part | | | |
| | 997 803 089 14 T24 | Sand beige Discontinued part | | | |
| | 997 803 089 14 E24 | sea blue Discontinued part | | | |
| | 997 803 089 14 M24 | Terracotta Discontinued part | | | |
| | 997 803 089 14 R24 | Cocoa Discontinued part | | | |
| | 997 803 089 14 D14 | Dark grey/natural | | | |
| | 997 803 089 14 T34 | Brown/natural | | | |
| | 997 803 089 14 N14 | Carrera Red Discontinued part | | | |
| (1) | 997 803 089 20 | Airbag unit Leather | | 1 | PR:431,991, 459 |
| | 997 803 089 20 D14 | Dark grey/natural | | | |
| | 997 803 089 20 T34 | Brown/natural | | | |
| (1) | 997 803 089 15 | Airbag unit | | 1 1 1 | PR:XPV,991, 451,453 |
| | 997 803 089 15 A34 | Black | | | |
| | 997 803 089 15 B24 | Stone grey | | | |
| | 997 803 089 15 T24 | Sand beige | | | |
| | 997 803 089 15 E24 | sea blue | | | |
| | 997 803 089 15 M24 | Terracotta | | | |
| | 997 803 089 15 R24 | Cocoa | | | |
| | 997 803 089 15 D14 | Dark grey/natural | | | |
| | 997 803 089 15 T34 | Brown/natural | | | |
| | 997 803 089 15 N14 | Carrera Red | | | |
| 2 | 997 803 089 16 | Airbag unit sports steering wheel plastic Discontinued part | | 1 | PR:460 |
| | 997 803 089 16 A32 | Black | | | |
| | 997 803 089 16 B22 | Stone grey | | | |
| | 997 803 089 16 T22 | Sand beige | | | |
| | 997 803 089 16 E22 | sea blue | | | |

Model: 997-09 Model life 2009>>2012

| Pos | Part Number | Description | Remark | Qty | Model |
|-----|--------------------|--|--------|-----|------------|
| 2 | 997 803 089 21 | Airbag unit sports steering wheel plastic Discontinued part | | 1 | PR:460 |
| | 997 803 089 21 A32 | Black | | | |
| | 997 803 089 21 B22 | Stone grey | | | |
| | 997 803 089 21 T22 | Sand beige | | | |
| | 997 803 089 21 E22 | sea blue | | | |
| (2) | 997 803 089 22 | Airbag unit sports steering wheel Leather Discontinued part | | 1 | PR:460 |
| | 997 803 089 22 A34 | Black | | | |
| | 997 803 089 22 B24 | Stone grey | | | |
| | 997 803 089 22 T24 | Sand beige | | | |
| | 997 803 089 22 E24 | sea blue | | | |
| (2) | 997 803 089 27 | Airbag unit sports steering wheel Leather Discontinued part | | 1 | PR:460 |
| | 997 803 089 27 A34 | Black | | | |
| | 997 803 089 27 B24 | Stone grey | | | |
| | 997 803 089 27 T24 | Sand beige | | | |
| | 997 803 089 27 E24 | sea blue | | | |
| (2) | 997 803 089 17 | Airbag unit sports steering wheel Leather Discontinued part | | 1 | PR:460,991 |
| | 997 803 089 17 A34 | Black | | | |
| | 997 803 089 17 B24 | Stone grey | | | |
| | 997 803 089 17 T24 | Sand beige | | | |
| | 997 803 089 17 E24 | sea blue | | | |
| | 997 803 089 17 M24 | Terracotta | | | |
| | 997 803 089 17 R24 | Cocoa | | | |
| | 997 803 089 17 D14 | Dark grey/natural | | | |
| | 997 803 089 17 T34 | Brown/natural | | | |
| | 997 803 089 17 N14 | Carrera Red | | | |
| (2) | 997 803 089 22 | Airbag unit sports steering wheel Leather Discontinued part | | 1 | PR:460,991 |
| | 997 803 089 22 A34 | Black | | | |
| | 997 803 089 22 B24 | Stone grey | | | |
| | 997 803 089 22 T24 | Sand beige | | | |
| | 997 803 089 22 E24 | sea blue | | | |
| | 997 803 089 22 M24 | Terracotta | | | |
| | 997 803 089 22 R24 | Cocoa | | | |
| | 997 803 089 22 D14 | Dark grey/natural | | | |
| | 997 803 089 22 T34 | Brown/natural | | | |
| | 997 803 089 22 N14 | Carrera Red | | | |
| (2) | 997 803 089 27 | Airbag unit sports steering wheel Leather Discontinued part | | 1 | PR:460,991 |
| | 997 803 089 27 A34 | Black | | | |
| | 997 803 089 27 B24 | Stone grey | | | |
| | 997 803 089 27 T24 | Sand beige | | | |
| | 997 803 089 27 E24 | sea blue | | | |
| | 997 803 089 27 M24 | Terracotta | | | |
| | 997 803 089 27 R24 | Cocoa | | | |
| | 997 803 089 27 D14 | Dark grey/natural | | | |
| | 997 803 089 27 T34 | Brown/natural | | | |
| | 997 803 089 27 N14 | Carrera Red | | | |
| (2) | 997 803 089 18 | Airbag unit sports steering wheel | | 1 | PR:XPA,991 |

Model: 997-09 Model life 2009>>2012

| Pos | Part Number | Description | Remark | Qty | Model |
|------|--------------------|---|--------|-----|--------------------------|
| | | Leather | | | |
| | 997 803 089 18 A34 | Black | | | |
| | 997 803 089 18 B24 | Stone grey | | | |
| | 997 803 089 18 T24 | Sand beige | | | |
| | 997 803 089 18 E24 | sea blue | | | |
| | 997 803 089 18 M24 | Terracotta | | | |
| | 997 803 089 18 R24 | Cocoa | | | |
| | 997 803 089 18 D14 | Dark grey/natural | | | |
| | 997 803 089 18 T34 | Brown/natural | | | |
| | 997 803 089 18 N14 | Carrera Red | | | |
| 3 | 955 652 211 11 | Spring | | 1 | |
| | | with: | | | |
| (3) | 955 652 211 21 | steering sensor Spring | with: | 1 | PR:345 |
| | | steering sensor | | | |
| 4 | 997 803 071 08 | Airbag unit (passenger side) | | 1 | |
| 5 | 900 378 222 01 | Hexagon bolt M 6 X 16 | | 4 | |
| 6 | 997 803 091 03 | Side airbag unit for | left | 1 | |
| (6) | 997 803 092 03 | Head airbag unit Side airbag unit for | right | 1 | |
| | | Head airbag unit | | | |
| 7 | 900 378 035 01 | Hexagon bolt M 6 X 16 | | 6 | |
| 8 | 997 618 217 08 | Control unit for airbag | | 1 | COUPE TARGA CABRIO |
| (8) | 997 618 219 09 | Control unit for airbag | | 1 | |
| 9 | 999 070 015 02 | domed cap nut M 6 | | 3 | |
| 10 | 997 618 221 01 | Crash sensor for airbag | | 2 | |
| 11 | 999 084 638 01 | Side airbag unit Hexagon nut M 6 | | 8 | |
| 12 | 997 618 223 01 | Accelerator sensor | | 2 | |
| | | Airbag Front | | | |
| 13 | 999 084 638 01 | Hexagon nut m 6 SB | | 2 | |
| 14 | 997 803 089 11 | Airbag unit Discontinued part | | 1 | |
| | 997 803 089 11 A03 | Black | | | |
| | 997 803 089 11 5V7 | Stone grey | | | |
| | 997 803 089 11 5Z1 | Sand beige | | | |
| | 997 803 089 11 8W7 | sea blue | | | |
| (14) | 997 803 089 23 | Airbag unit | | 1 | |
| | 997 803 089 23 A03 | Black | | | |
| | 997 803 089 23 5V7 | Stone grey | | | |
| | 997 803 089 23 5Z1 | Sand beige | | | |
| | 997 803 089 23 8W7 | sea blue | | | |
| (14) | 997 803 089 12 | Airbag unit | | 1 | PR:991 |
| | | Leather Discontinued part | | | |
| | 997 803 089 12 A34 | Black | | | |
| | 997 803 089 12 B24 | Stone grey | | | |
| | 997 803 089 12 T24 | Sand beige | | | |
| | 997 803 089 12 E24 | sea blue | | | |
| | 997 803 089 12 M24 | Terracotta | | | |
| | 997 803 089 12 R24 | Cocoa | | | |
| | 997 803 089 12 D14 | Dark grey/natural | | | |

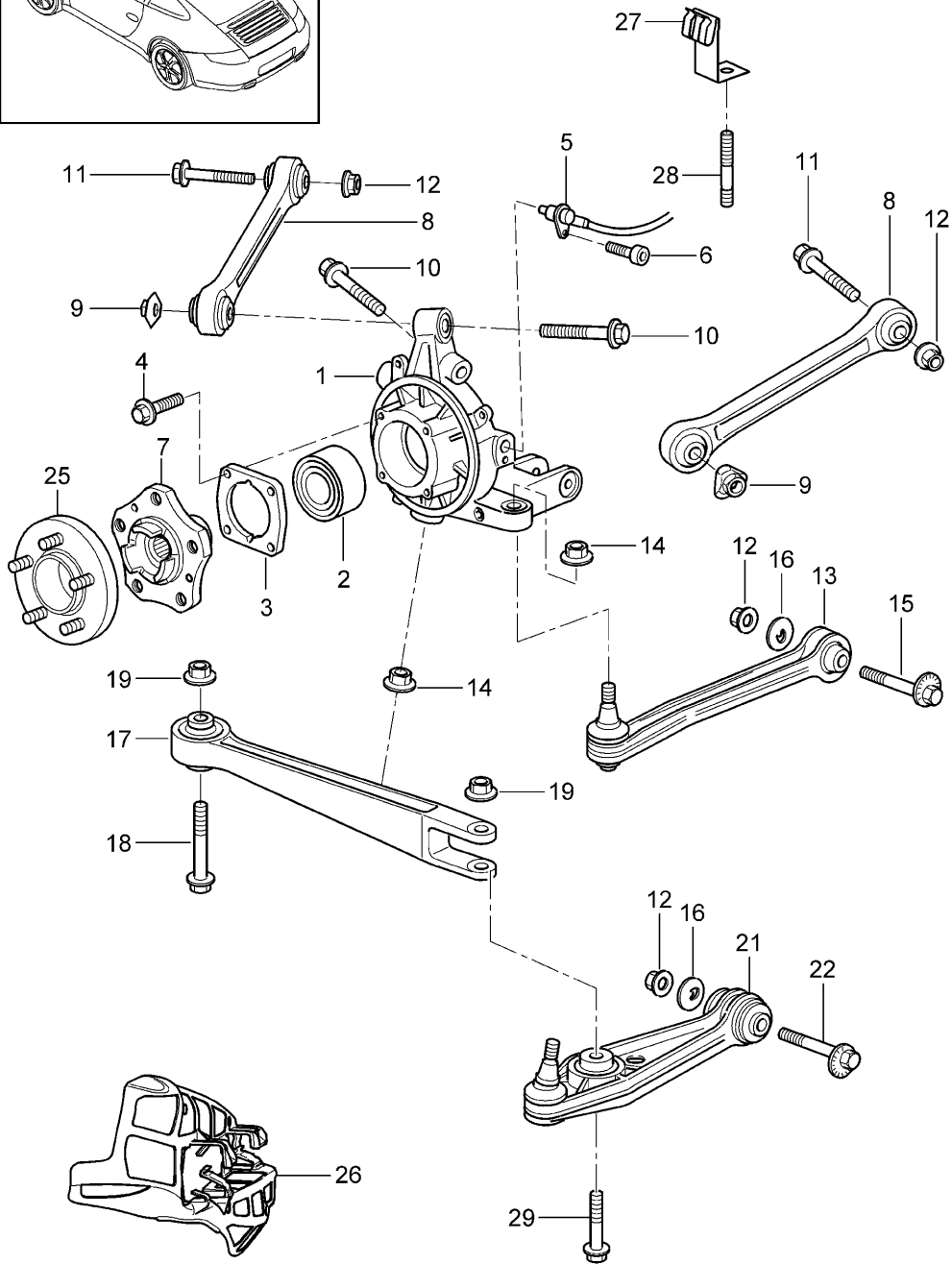
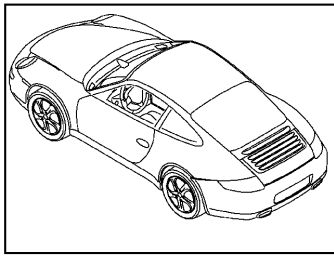
Model: 997-09

Model life 2009>>2012

| Pos | Part Number | Description | Remark | Qty | Model |
|--------------------|--------------------|---------------|--------|-----|-----------------------------|
| (14) | 997 803 089 12 T34 | Brown/natural | | 1 | PR:991 |
| | 997 803 089 12 N14 | Carrera Red | | | |
| | 997 803 089 24 | Airbag unit | | | |
| | | Leather | | | |
| | 997 803 089 24 A34 | Black | | | |
| | 997 803 089 24 B24 | Stone grey | | | |
| | 997 803 089 24 T24 | Sand beige | | | |
| | 997 803 089 24 E24 | sea blue | | | |
| | 997 803 089 24 M24 | Terracotta | | | |
| | 997 803 089 24 R24 | Cocoa | | | |
| 997 803 089 24 D14 | Dark grey/natural | | | | |
| 997 803 089 24 T34 | Brown/natural | | | | |
| 997 803 089 24 N14 | Carrera Red | | | | |
| (14) | 997 803 089 12 | Airbag unit | | 1 | PR:756 |
| | 997 803 089 12 6H6 | Espresso | | | |
| (14) | 997 803 089 11 | Airbag unit | | 1 | 4 GTS PR:019,843 |
| | 997 803 089 11 A03 | Black | | | |
| (14) | 997 803 089 12 | Airbag unit | | 1 | 4 GTS PR:019,843, 991 |
| | | Leather | | | |
| | 997 803 089 12 A34 | Black | | | |

Model: 997-09

Model life 2009>>2012



Model: 997-09 Model life 2009>>2012

| Pos | Part Number | Description | Remark | Qty | Model |
|------|----------------|--|--------|-----|---------------------------|
| | | Rear axle | | | |
| | | Wheel carrier | | | |
| | | Guide | | | |
| | | Wheel hub | | | |
| 1 | 997 331 111 07 | Wheel carrier | left | 1 | |
| (1) | 997 331 112 07 | Wheel carrier | right | 1 | |
| 2 | 999 053 055 02 | angular ball bearing | | 2 | |
| 3 | 996 331 661 01 | Cover | | 2 | |
| 4 | 999 217 042 04 | Hexagon bolt M 8 X 35 | | 8 | |
| 5 | 997 606 407 01 | speed sensor | | 2 | |
| 6 | 900 067 117 04 | Socket head bolt M 6 x 16 | | 2 | |
| 7 | 997 331 605 00 | Wheel hub Discontinued part | | 2 | |
| 7 | 997 331 605 01 | Wheel hub | | 2 | |
| 7 | 997 331 607 02 | Wheel hub | | 2 | CARRERA GTS |
| (7) | 997 331 607 02 | Wheel hub | | 2 | PR:011 4 GTS PR:019 |
| 8 | 997 331 047 00 | Wishbone D >> - MJ 2009 | | 2 | |
| 8 | 997 331 047 01 | Wishbone D - MJ 2010>> | | 2 | |
| 9 | 999 084 445 01 | Locknut M 12 X 1,5 | | 4 | |
| 10 | 900 378 138 09 | Hexagon bolt M 12 X 70 Discontinued part | | 4 | |
| 10 | 900 378 138 01 | Hexagon bolt M 12 X 70 | | 4 | |
| 11 | 900 378 165 01 | Hexagon bolt M 12 X 95 | | 4 | |
| 12 | 999 084 445 01 | Locknut M 12 X 1,5 | | 10 | |
| 13 | 997 331 045 04 | Track rod | | 2 | |
| 14 | 999 084 449 09 | Locknut M 12 X 1,5 | | 4 | |
| 15 | 996 331 217 02 | Eccentric bolt M 12 X 83 D >> - MJ 2009 | | 2 | |
| 15 | 997 331 217 02 | Eccentric bolt M 12 X 83 D - MJ 2010>> | | 2 | |
| 16 | 996 331 219 00 | eccentric washer | | 2 | |
| 17 | 997 331 043 01 | Guide | | 2 | |
| 18 | 900 378 051 01 | Hexagon bolt M 14 x 100 | | 2 | |
| 19 | 900 380 012 01 | Hexagon nut M 14 X 1,5 | | 4 | |
| 21 | 997 331 053 01 | Wishbone D >> - MJ 2009 | | 2 | |
| 21 | 997 331 053 02 | Wishbone D - MJ 2010>> | | 2 | |
| 22 | 996 331 217 03 | Eccentric bolt | | 2 | |
| 25 | 997 361 605 90 | Spacer ring 5 mm D >> - MJ 2011 | | X | PR:XRP |
| (25) | 997 361 605 92 | Spacer ring 5 MM D - MJ 2012>> | | 2 | PR:XRP |
| 26 | 997 331 487 03 | Spoiler | left | 1 | |
| (26) | 997 331 488 03 | Spoiler | right | 1 | |

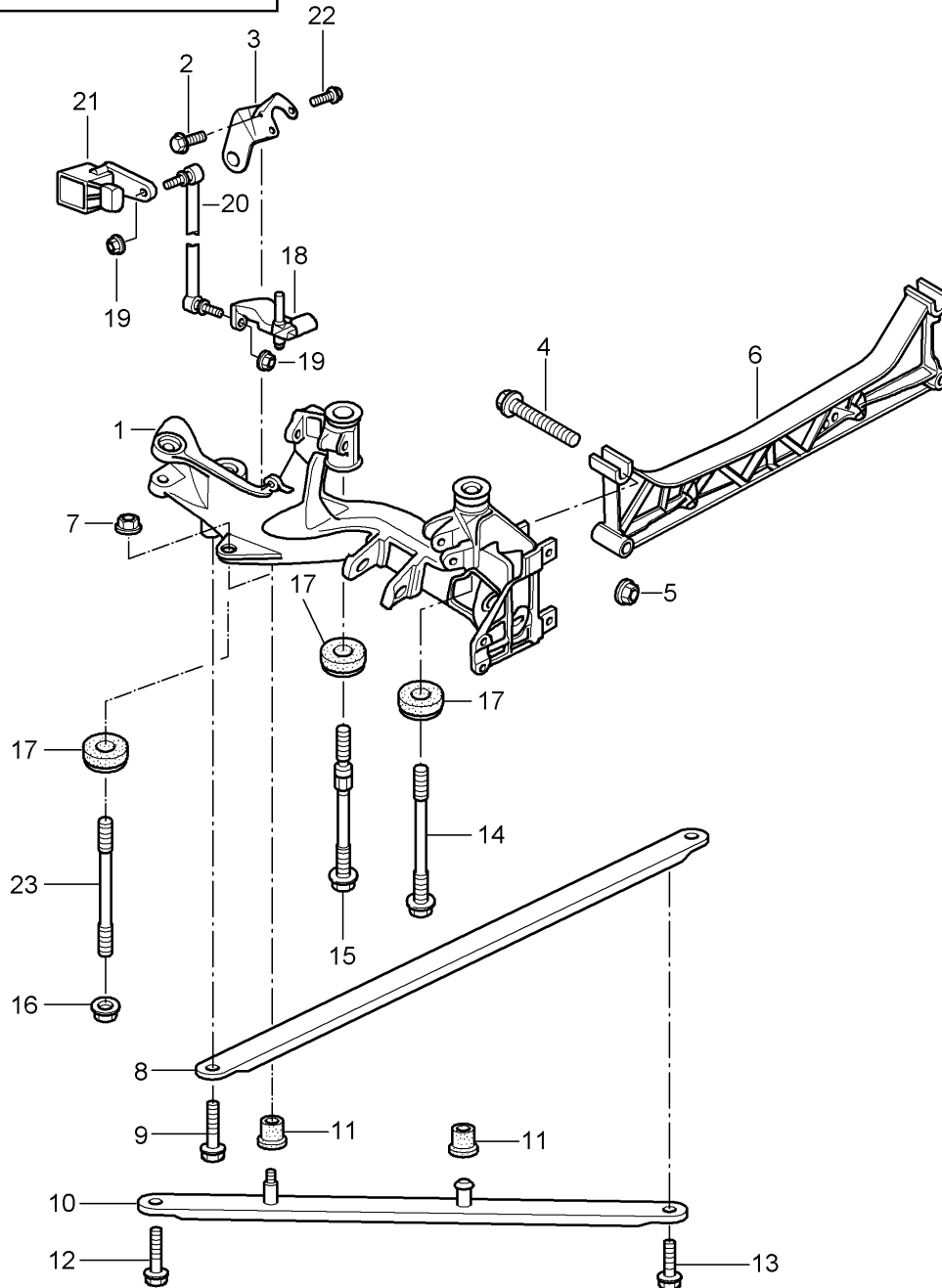
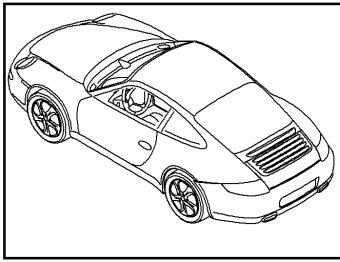
Model: 997-09

Model life 2009>>2012

| Pos | Part Number | Description | Remark | Qty | Model |
|-----|----------------|---|--------|-----|-------|
| 27 | 999 507 530 00 | Cable holder speed sensor | | 2 | |
| 28 | 900 060 070 01 | Threaded pin M6X30 Mount speed sensor D - MJ 2009>> | | 1 | |
| 29 | 900 378 135 01 | Hexagon bolt M 14 X 1,5 X 75 | | 2 | |

Model: 997-09

Model life 2009>>2012



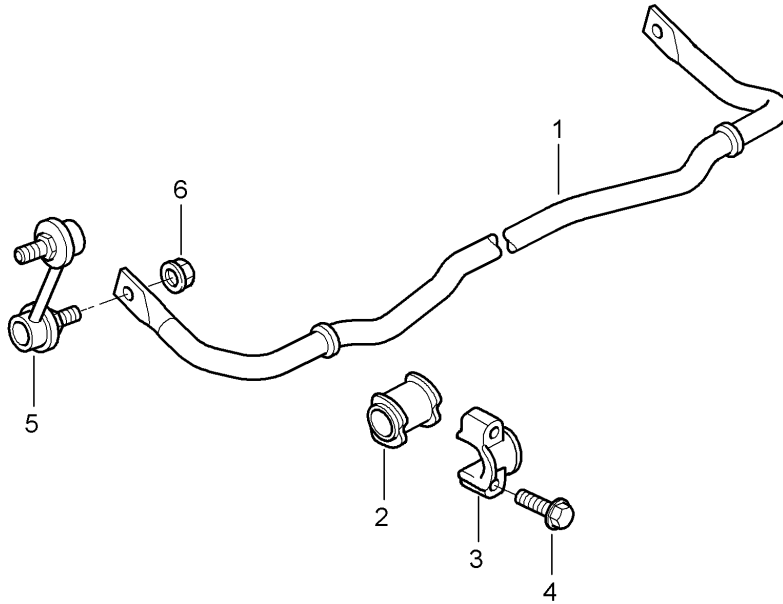
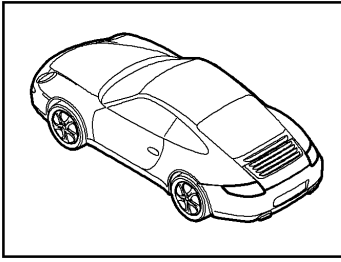
Model: 997-09

Model life 2009>>2012

| Pos | Part Number | Description | Remark | Qty | Model |
|-----|----------------|--------------------------|--------|-----|------------|
| | | Rear axle | | | |
| | | Side part | | | |
| | | Carrier | | | |
| 1 | 997 331 051 05 | Side part | left | 1 | |
| (1) | 997 331 052 05 | Side part | right | 1 | |
| 2 | 900 067 117 04 | Socket head bolt | | 2 | |
| | | M 6 x 16 | | | |
| 3 | 997 355 505 02 | Retainer for brake hose | left | 1 | |
| | | for | | | |
| (3) | 997 355 506 02 | Retainer for brake hose | right | 1 | |
| | | for | | | |
| 4 | 900 378 139 01 | Hexagon bolt | | 4 | |
| | | M 12 x1,5 x 80 | | | |
| 5 | 999 084 445 01 | Locknut | | 4 | |
| | | M 12 X 1,5 | | | |
| 6 | 997 331 261 22 | Cross member | | 1 | |
| 7 | 999 076 053 01 | Hexagon nut | | 2 | |
| | | M 10 | | | |
| 7 | PAF 008 868 | Hexagon nut | | 2 | |
| | | M 10 | | | |
| 8 | 997 331 171 20 | Transverse strut | front | 1 | |
| - | 999 591 629 01 | Cage nut | | X | |
| | | Underbody protection | | | |
| 9 | 999 072 020 01 | Hexagon bolt | | 2 | |
| | | M 10 X 40 | | | |
| 10 | 997 331 081 20 | Brace | | 2 | |
| - | 999 591 629 01 | Cage nut | | X | |
| | | Underbody protection | | | |
| 11 | 996 331 385 00 | Rubber bush | | 6 | |
| 12 | 999 073 443 01 | Bolt with washer | | 2 | |
| | | 12 x 1,5 x 40 | | | |
| 13 | 900 378 072 01 | Hexagon bolt | | 2 | |
| | | M 12 X 30 | | | |
| 14 | 900 178 010 01 | Hexagon bolt | | 2 | |
| | | M 12 x 130 | | | |
| 15 | 900 178 010 01 | Hexagon bolt | | 2 | |
| | | M 12 x 130 | | | |
| 16 | 999 084 445 01 | Locknut | | 2 | |
| | | M 12 X 1,5 | | | |
| 17 | 997 331 291 00 | Washer | | 6 | |
| 18 | 996 341 371 03 | Bracket for cross member | | 1 | PR:601,603 |
| 19 | 900 380 015 01 | Hexagon nut | | 2 | PR:601,603 |
| | | vm 6 | | | |
| 20 | 997 331 375 03 | Brace | | 1 | PR:601,603 |
| 21 | 997 631 121 00 | Level sensor | | 1 | PR:601,603 |
| 22 | N 014 129 12 | fillister hd. bolt | | 2 | PR:601,603 |
| 23 | 999 061 103 01 | Threaded pin | | 2 | |
| | | M 12 X 1,5 X 107,5 | | | |

Model: 997-09

Model life 2009>>2012



Model: 997-09 Model life 2009>>2012

| Pos | Part Number | Description | Remark | Qty | Model |
|-----|----------------|---------------------------------|--------|-----|--|
| 1 | 997 333 703 01 | Anti-roll bar Anti-roll bar | | 1 | PR:029 CARRERA 2 COUPE CABRIO |
| 1 | 997 333 703 01 | Anti-roll bar | | 1 | PR:030 CARRERA 2 COUPE CABRIO |
| (1) | 997 333 703 02 | Anti-roll bar | | 1 | PR:029,220 CARRERA 2 COUPE CABRIO |
| (1) | 997 333 703 02 | Anti-roll bar | | 1 | PR:475,220 CARRERA 2 COUPE CABRIO |
| (1) | 997 333 703 02 | Anti-roll bar | | 1 | PR:475 CARRERA 2-S COUPE CABRIO |
| (1) | 997 333 703 03 | Anti-roll bar | | 1 | PR:475,220 CARRERA 2-S COUPE CABRIO |
| (1) | 997 333 703 03 | Anti-roll bar | | 1 | PR:756 |
| (1) | 997 333 703 03 | Anti-roll bar | | 1 | SPEEDSTER PR:503 |
| (1) | 997 333 703 01 | Anti-roll bar | | 1 | CARRERA GTS COUPE PR:011,030 |
| (1) | 997 333 703 03 | Anti-roll bar | | 1 | CARRERA GTS COUPE CABRIO PR:011,475 |
| (1) | 997 333 703 05 | Anti-roll bar | | 1 | CARRERA GTS COUPE CABRIO PR:011,475, 220 |
| (1) | 997 333 703 03 | Anti-roll bar | | 1 | PR:029 CARRERA 4 COUPE CABRIO TARGA |
| (1) | 997 333 703 03 | Anti-roll bar | | 1 | PR:030 CARRERA 4 CARRERA 4-S COUPE |
| (1) | 997 333 703 03 | Anti-roll bar | | 1 | PR:475 CARRERA 4 CARRERA 4-S TARGA |
| (1) | 997 333 703 05 | Anti-roll bar | | 1 | PR:029 CARRERA 4 COUPE TARGA |
| (1) | 997 333 703 03 | D >> - MJ 2010 Anti-roll bar | | 1 | PR:029 CARRERA 4 COUPE TARGA |
| | | D - MJ 2011>> | | | |

Model: 997-09 Model life 2009>>2012

| Pos | Part Number | Description | Remark | Qty | Model |
|-----|----------------|-------------------------------|--------|-----|--|
| (1) | 997 333 703 05 | Anti-roll bar | | 1 | PR:029,220 CARRERA 4 COUPE CABRIO |
| (1) | 997 333 703 05 | Anti-roll bar | | 1 | PR:475 CARRERA 4 COUPE CABRIO |
| (1) | 997 333 703 05 | Anti-roll bar | | 1 | PR:475 CARRERA 4-S COUPE CABRIO |
| (1) | 997 333 703 03 | Anti-roll bar | | 1 | PR:475,220 CARRERA 4 COUPE CABRIO |
| (1) | 997 333 703 03 | Anti-roll bar | | 1 | PR:475,220 CARRERA 4-S COUPE CABRIO |
| (1) | 997 333 703 01 | Anti-roll bar | | 1 | 4 GTS COUPE PR:019,030 |
| (1) | 997 333 703 03 | Anti-roll bar | | 1 | 4 GTS COUPE CABRIO PR:019,475 |
| (1) | 997 333 703 05 | Anti-roll bar | | 1 | 4 GTS COUPE CABRIO PR:019,475, 220 |
| 2 | 996 333 792 24 | anti-roll bar bearing bracket | | 2 | PR:029 CARRERA 2 COUPE CABRIO |
| (2) | 996 333 792 24 | anti-roll bar bearing bracket | | 2 | PR:030 CARRERA 2 CARRERA 2-S COUPE |
| (2) | 996 333 792 24 | anti-roll bar bearing bracket | | 2 | PR:475 CARRERA 2 COUPE CABRIO |
| (2) | 996 333 792 25 | anti-roll bar bearing bracket | | 2 | PR:029,220 CARRERA 2 COUPE CABRIO |
| (2) | 996 333 792 25 | anti-roll bar bearing bracket | | 2 | PR:475,220 CARRERA 2 COUPE CABRIO |
| (2) | 996 333 792 25 | anti-roll bar bearing bracket | | 2 | PR:475 CARRERA 2-S COUPE CABRIO |
| (2) | 996 333 792 26 | anti-roll bar bearing bracket | | 2 | PR:475,220 CARRERA 2-S COUPE CABRIO |
| (2) | 996 333 792 26 | anti-roll bar bearing bracket | | 2 | PR:756 |
| (2) | 996 333 792 27 | anti-roll bar bearing bracket | | 2 | SPEEDSTER PR:503 |

Model: 997-09 Model life 2009>>2012

| Pos | Part Number | Description | Remark | Qty | Model |
|-----|----------------|---|--------|-----|--|
| (2) | 996 333 792 24 | anti-roll bar bearing bracket | | 2 | CARRERA GTS COUPE |
| (2) | 996 333 792 26 | anti-roll bar bearing bracket | | 2 | PR:011,030 CARRERA GTS COUPE CABRIO |
| (2) | 996 333 792 27 | anti-roll bar bearing bracket | | 2 | PR:011,475 CARRERA GTS COUPE CABRIO |
| (2) | 996 333 792 26 | anti-roll bar bearing bracket | | 2 | PR:011,475, 220 PR:029 CARRERA 4 COUPE CABRIO |
| (2) | 996 333 792 26 | anti-roll bar bearing bracket | | 2 | PR:030 CARRERA 4 CARRERA 4-S COUPE |
| (2) | 996 333 792 26 | anti-roll bar bearing bracket | | 2 | PR:475 TARGA TARGA-S |
| (2) | 996 333 792 27 | anti-roll bar bearing bracket | | 2 | PR:029 CARRERA 4 COUPE CABRIO TARGA |
| (2) | 996 333 792 26 | D >> - MJ 2010 anti-roll bar bearing bracket | | 2 | PR:029 CARRERA 4 COUPE CABRIO TARGA |
| (2) | 996 333 792 27 | D >> - MJ 2011 anti-roll bar bearing bracket | | 2 | PR:475 CARRERA 4 CARRERA 4-S COUPE CABRIO |
| (2) | 996 333 792 29 | anti-roll bar bearing bracket | | 2 | PR:475 CARRERA 4 COUPE CABRIO |
| (2) | 996 333 792 29 | anti-roll bar bearing bracket | | 2 | PR:475 CARRERA 4 COUPE CABRIO |
| (2) | 996 333 792 24 | anti-roll bar bearing bracket | | 2 | CARRERA 4-S COUPE TARGA |
| (2) | 996 333 792 26 | anti-roll bar bearing bracket | | 2 | 4 GTS COUPE PR:019,030 4 GTS COUPE CABRIO |
| (2) | 996 333 792 27 | anti-roll bar bearing bracket | | 2 | PR:019,475 4 GTS COUPE CABRIO |
| 3 | 996 333 777 01 | Bearing clamp | | 2 | |
| 4 | 900 378 055 01 | Hexagon bolt AM 8 X 40 | | 4 | |
| 5 | 997 333 069 05 | Coupling rod | left | 1 | |

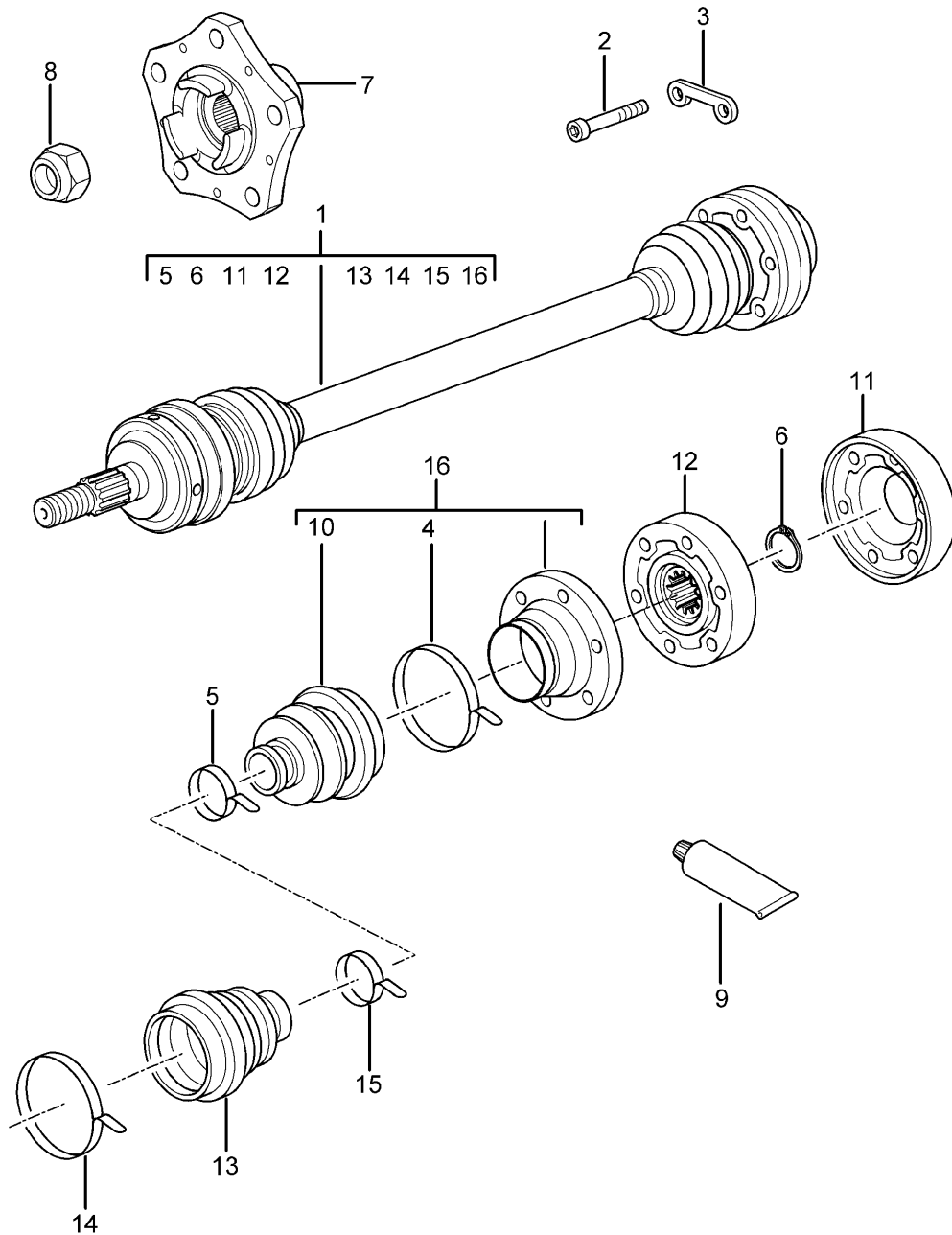
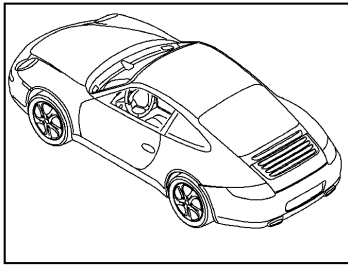
Model: 997-09

Model life 2009>>2012

| Pos | Part Number | Description | Remark | Qty | Model |
|-----|----------------|--|--------|-----|-------|
| (5) | 997 333 069 06 | D >> - MJ 2009 Coupling rod | left | 1 | |
| (5) | 997 333 070 05 | D - MJ 2010>> Coupling rod | right | 1 | |
| (5) | 997 333 070 06 | D >> - MJ 2009 Coupling rod | right | 1 | |
| 6 | 999 084 123 09 | D - MJ 2010>> Hexagon nut M 10 | | 2 | |
| (6) | 999 084 643 01 | Coupling rod Anti-roll bar Hexagon nut M 10 Anti-roll bar Wheel carrier | | 2 | |

Model: 997-09

Model life 2009>>2012



Model: 997-09

Model life 2009>>2012

| Pos | Part Number | Description | Remark | Qty | Model |
|------|----------------|--|--------|----------|-------------------------|
| 1 | 997 332 024 05 | Drive shaft | | 2 | PR:480 |
| (1) | 997 332 024 50 | Wheel hub Drive shaft | | 2 | PR:250 |
| (1) | 997 332 024 51 | No longer use the part here Drive shaft | | 2 | PR:250 |
| (1) | 997 332 024 52 | Drive shaft | | 2 | SPEEDSTER PR:503,250 |
| 2 | 900 067 229 01 | Socket head bolt M 10 X 48,4 | | 12 | PR:480 |
| (2) | 999 510 047 01 | Socket head bolt M 10 X 46,5 see Technical information 20/09 3925 4221 | | 12 | PR:250 |
| 2 | 999 073 517 01 | Socket head bolt M 10 X 1 X 46,5 see Technical information 20/09 3925 4221 | | 12 | PR:250 |
| (2) | 999 073 517 01 | Socket head bolt M 10 X 1 X 46,5 | | 12 | SPEEDSTER PR:503,250 |
| (2) | 999 073 517 01 | Socket head bolt M 10 X 1 X 46,5 | | 12 12 | PR:011,250, |
| (3) | 996 332 191 00 | Spacer | | 6 | |
| 4 | 996 332 957 00 | Clip 73 MM | | 2 | |
| 5 | 996 332 257 00 | Clip | | 2 | PR:480 |
| (5) | 997 332 257 00 | Clip | | 2 | PR:250 |
| (5) | 997 332 257 00 | Clip | | 2 | SPEEDSTER PR:503,250 |
| 6 | 900 041 014 00 | Securing ring | | 2 | |
| 7 | 997 331 605 00 | Wheel hub Discontinued part | | 2 | |
| 7 | 997 331 605 01 | Wheel hub | | 2 | |
| 8 | 999 084 641 02 | Locknut M 22 X 1,5 | | 2 | |
| 9 | 000 043 110 02 | grease 1 100-gramme tube | | X | |
| (9) | 000 043 205 36 | sealant 1 100-gramme tube | | X | |
| 10 | 996 332 293 00 | Dust bellows | | 2 | PR:480 |
| (10) | 997 332 293 00 | Dust bellows | | 2 | PR:250 |
| 11 | 997 332 267 00 | End cap | | 2 | |
| 12 | 996 332 030 00 | Joint | | 2 | |
| 13 | 996 332 293 00 | Dust bellows | | 2 | PR:480 |
| (13) | 997 332 293 00 | Dust bellows | | 2 | PR:250 |
| (13) | 997 332 293 00 | Dust bellows | | 2 | SPEEDSTER PR:503,250 |
| 14 | 996 332 957 00 | Clip | | 2 | |
| 15 | 996 332 257 00 | Clip | | 2 | PR:480 |
| (15) | 997 332 257 00 | Clip | | 2 | PR:503,250 |
| (15) | 997 332 257 00 | Clip | | 2 | SPEEDSTER PR:503,250 |
| 16 | 997 332 955 00 | Bellows | | 2 | PR:480 |
| (16) | 997 332 955 01 | Cap Bellows | with: | 2 | PR:250 |

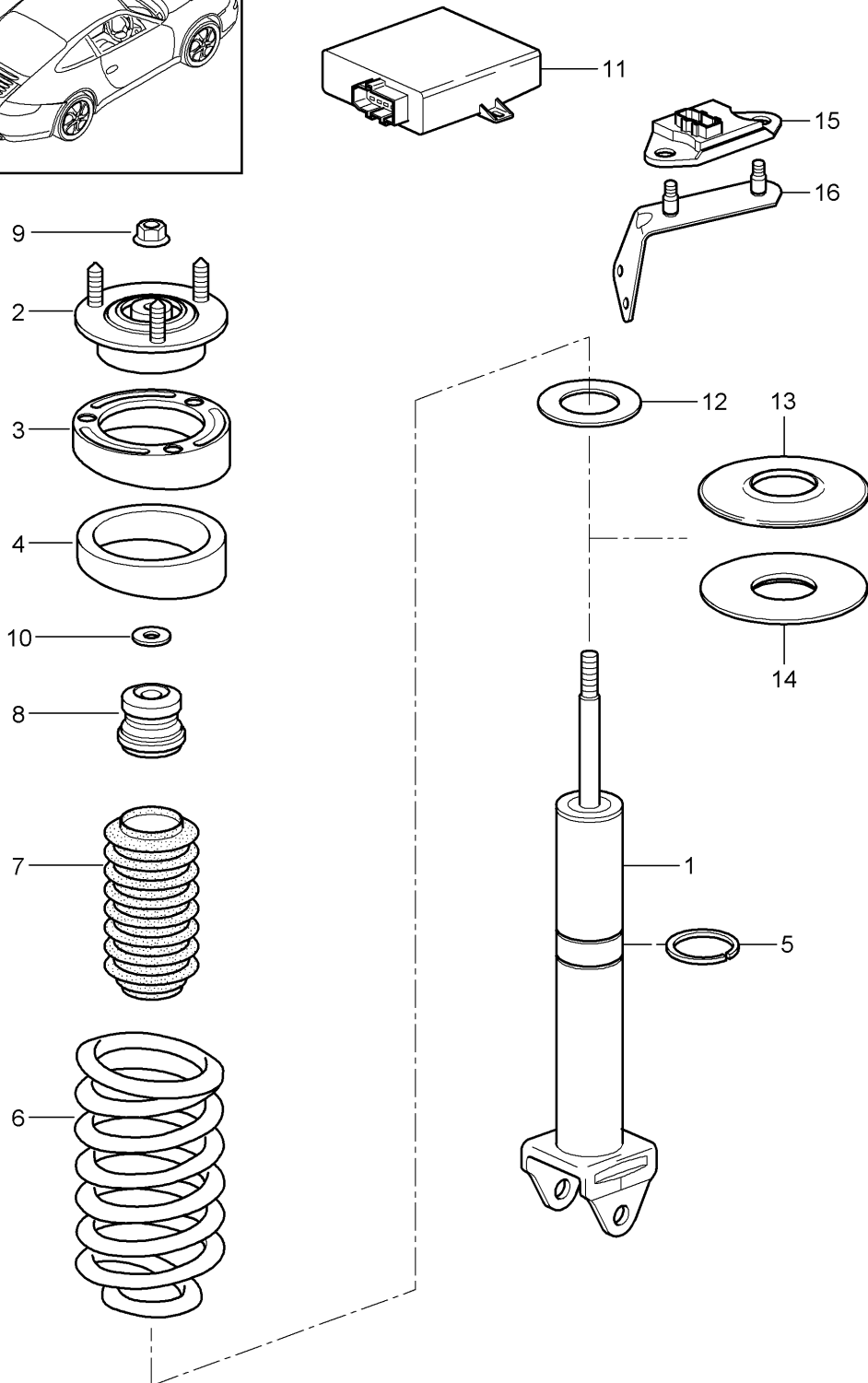
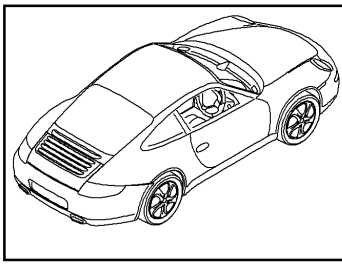
Model: 997-09

Model life 2009>>2012

| Pos | Part Number | Description | Remark | Qty | Model |
|------|----------------|-----------------------|----------------|-----|-------------------------|
| (16) | 997 332 955 01 | Cap Bellows Cap | with: with: | 2 | SPEEDSTER PR:503,250 |

Model: 997-09

Model life 2009>>2012



Model: 997-09 Model life 2009>>2012

| Pos | Part Number | Description | Remark | Qty | Model |
|-----|----------------|---|--------|-----|--|
| | | Shock absorbers Coil spring | | | CARRERA 2 CARRERA 2-S SportClassic SPEEDSTER CARRERA GTS |
| 1 | 997 333 059 10 | Shock absorbers | | 2 | PR:029 CARRERA 2 COUPE CABRIO |
| (1) | 997 333 053 31 | Shock absorbers | | 2 | PR:030 CARRERA 2 CARRERA 2-S COUPE |
| (1) | 997 333 053 31 | Shock absorbers | | 2 | PR:756 |
| (1) | 997 333 053 30 | Shock absorbers | | 2 | PR:475 CARRERA 2 CARRERA 2-S COUPE CABRIO |
| (1) | 997 333 053 30 | Shock absorbers | | 2 | SPEEDSTER PR:029,475, 503 |
| (1) | 997 333 053 30 | Shock absorbers | | 2 | PR:475,503 SPEEDSTER |
| (1) | 997 333 053 31 | Shock absorbers | | 2 | PR:011,030 CARRERA GTS COUPE |
| (1) | 997 333 053 30 | Shock absorbers | | 2 | PR:011,475 CARRERA GTS COUPE CABRIO |
| - | | Mount | | | |
| - | 900 378 138 09 | Shock absorbers Hexagon bolt M 12 X 1,5 X 70 Discontinued part | | 2 | |
| - | 900 378 138 01 | Hexagon bolt M 12 X 1,5 X 70 | | 2 | |
| - | 999 084 445 01 | Locknut M 12 X 1,5 | | 2 | |
| 2 | 997 333 061 00 | Shock absorber bearing | | 2 | PR:029 CARRERA 2 COUPE |
| (2) | 997 333 061 01 | Shock absorber bearing | | 2 | PR:030,475 CARRERA 2 CARRERA 2-S COUPE |
| (2) | 997 333 061 01 | Shock absorber bearing | | 2 | PR:029,475 CARRERA 2 CARRERA 2-S COUPE |
| (2) | 997 333 061 02 | Shock absorber bearing | | 2 | PR:029 CARRERA 2 CABRIO |
| (2) | 997 333 061 02 | Shock absorber bearing | | 2 | CARRERA 2 CARRERA 2-S CABRIO |
| | | | | 2 | SPEEDSTER PR:029,475, 503 |
| 2 | 997 333 061 01 | Shock absorber bearing | | 2 | PR:756 |

Model: 997-09 Model life 2009>>2012

| Pos | Part Number | Description | Remark | Qty | Model |
|-----|--------------------|--|--------|-----|--|
| (2) | 997 333 061 01 | Shock absorber bearing | | 2 | CARRERA GTS COUPE PR:011,030, 475 |
| (2) | 997 333 061 02 | Shock absorber bearing | | 2 | PR:011,475 CARRERA GTS CABRIO |
| - | 900 380 008 01 | Hexagon nut M 10 | | 6 | |
| 3 | 996 333 511 02 | Balancing plate 0,5 MM | | X | |
| (3) | 996 333 511 03 | Balancing plate 4,0 MM | | X | |
| 4 | 997 333 504 01 | shelf | | 2 | |
| 5 | 999 152 163 00 | snap ring SW 52 | | 2 | |
| 6 | 997 333 531 71 | Coil spring 1 set Identification: >> >> Discontinued part | | 1 | PR:029,480 CARRERA 2 COUPE |
| | 997 333 531 71 504 | 1 pair of springs violet white | | | CABRIO |
| 6 | 997 333 531 82 | Coil spring 1 set Identification: >> >> | | 1 | PR:029,480 CARRERA 2 COUPE |
| | 997 333 531 82 504 | 1 pair of springs violet white | | | CABRIO |
| (6) | 997 333 531 63 | Coil spring 1 set Discontinued part | | 1 | PR:029,250 CARRERA 2 |
| | 997 333 531 63 504 | 1 pair of springs violet violet yellow | | | COUPE |
| (6) | 997 333 531 83 | Coil spring 1 set | | 1 | PR:029,250 CARRERA 2 COUPE |
| | 997 333 531 83 504 | 1 pair of springs violet violet yellow | | | |
| (6) | 997 333 531 66 | Coil spring 1 set | | 1 | PR:029,250 CARRERA 2 CABRIO |
| | 997 333 531 66 504 | 1 pair of springs violet violet green | | | |
| (6) | 997 333 531 70 | Coil spring D >> - MJ 2009 | | 1 | PR:030 |
| | 997 333 531 70 504 | 1 pair of springs Identification: >> >> silver silver blue | | | CARRERA 2 CARRERA 2-S COUPE |
| (6) | 997 333 531 73 | Coil spring 1 set D - MJ 2010>> | | 1 | PR:030,475 CARRERA 2 |
| | 997 333 531 73 504 | 1 pair of springs silver silver yellow | | | CARRERA 2-S COUPE |

Model: 997-09 Model life 2009>>2012

| Pos | Part Number | Description | Remark | Qty | Model |
|------|--------------------|---|--------|-----|--|
| (6) | 997 333 531 64 | Coil spring 1 set | | 1 | PR:475 CARRERA 2 |
| | 997 333 531 64 504 | 1 pair of springs red red white | | | CARRERA 2-S COUPE CABRIO |
| (6) | 997 333 531 64 | Coil spring 1 set | | 1 | PR:475,503 SPEEDSTER |
| | 997 333 531 64 504 | 1 pair of springs red red white | | | |
| (6) | 997 333 531 73 | Coil spring 1 set | | 1 | PR:756 |
| | 997 333 531 73 504 | 1 pair of springs silver silver yellow | | | |
| (6) | 997 333 531 73 | Coil spring 1 set | | 1 | PR:011,030 CARRERA GTS COUPE |
| | 997 333 531 73 504 | 1 pair of springs silver silver yellow | | | |
| (6) | 997 333 531 64 | Coil spring 1 set | | 1 | PR:011,475 CARRERA GTS COUPE |
| | 997 333 531 64 504 | 1 pair of springs red red white | | | |
| (6) | 997 333 531 64 | Coil spring 1 set | | 1 | PR:011,475 CARRERA GTS CABRIO |
| | 997 333 531 64 504 | 1 pair of springs red red white | | | |
| 7 | 993 333 107 01 | Bellows | | 2 | |
| 8 | 996 333 105 02 | helper spring | | 2 | PR:029 |
| (8) | 997 333 105 01 | helper spring | | 2 | PR:030,475 |
| | | | | 2 | |
| (8) | 997 333 105 01 | helper spring | | 2 | PR:756 |
| 9 | 999 084 050 02 | Hexagon nut M 12 X 1 | | 2 | |
| 10 | 999 025 271 02 | Washer | | 2 | |
| 11 | 997 618 450 01 | Control unit | | 1 | PR:029,475 |
| 11 | 997 618 450 01 | Control unit | | 1 | SPEEDSTER PR:503 |
| 14 | 997 618 450 01 | Control unit | | 1 | CARRERA GTS COUPE CABRIO PR:011,475 |
| (11) | 997 618 451 01 | Control unit | | 1 | PR:030,475 |
| (11) | 997 618 451 01 | Control unit | | 1 | PR:756 |
| (14) | 997 618 451 01 | Control unit | | 1 | CARRERA GTS COUPE PR:011,030 |
| - | 997 618 205 00 | Retainer for control units for | | 1 | |
| | | | | 1 | |
| 12 | 997 333 513 00 | spring disc | | 2 | PR:475 |
| 13 | 997 333 523 00 | spring disc | | 2 | PR:030 |
| 13 | 997 333 523 00 | spring disc | | 2 | PR:756 |
| 14 | 997 333 513 01 | spring disc | | 2 | PR:030 |
| 14 | 997 333 513 01 | spring disc | | 2 | PR:756 |

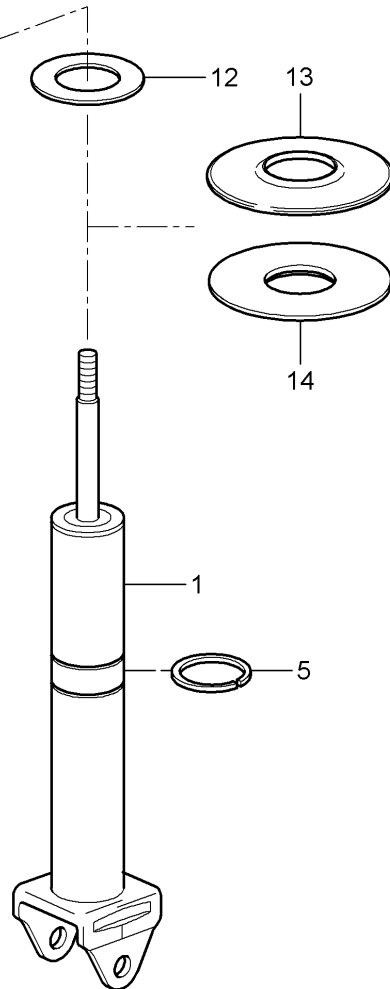
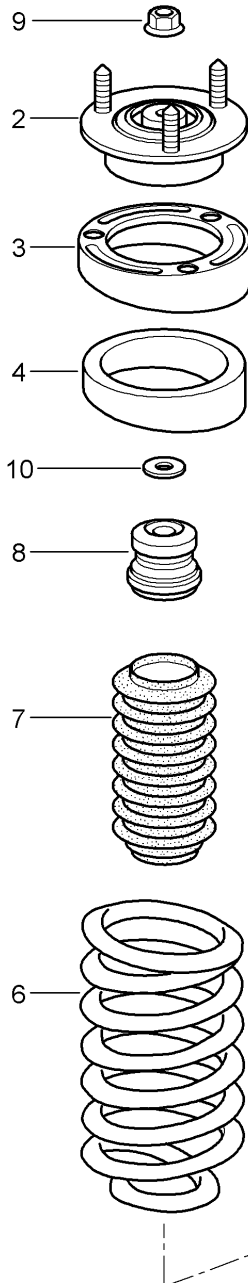
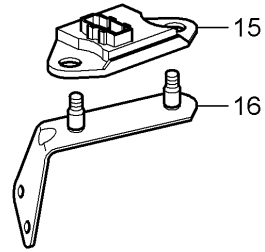
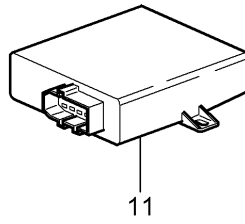
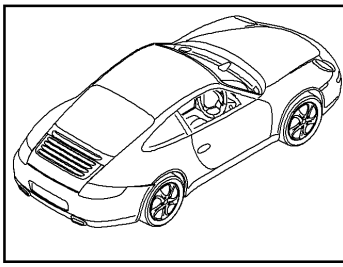
Model: 997-09

Model life 2009>>2012

| Pos | Part Number | Description | Remark | Qty | Model |
|-----|----------------|-------------------------------------|--------|-----|-------|
| 15 | 997 606 111 01 | Acceleration sensor for bodywork | | 1 | |
| 16 | 997 606 214 00 | Bracket Accelerator sensor | | 1 | |

Model: 997-09

Model life 2009>>2012



Model: 997-09 Model life 2009>>2012

| Pos | Part Number | Description | Remark | Qty | Model |
|-----|----------------|--------------------------------------|--------|-----|---|
| | | Shock absorbers Coil spring | | | CARRERA 4 CARRERA 4-S TARGA TARGA-S 4 GTS |
| (1) | 997 333 059 10 | Shock absorbers | | 2 | PR:029 CARRERA 4 COUPE CABRIO |
| (1) | 997 333 053 31 | Shock absorbers | | 2 | PR:030 CARRERA 4 CARRERA 4-S COUPE |
| (1) | 997 333 053 31 | Shock absorbers | | 2 | 4 GTS COUPE PR:019,030 |
| (1) | 997 333 059 11 | Shock absorbers | | 2 | PR:029 TARGA |
| (1) | 997 333 053 30 | Shock absorbers | | 2 | PR:475 CARRERA 4 CARRERA 4-S COUPE CABRIO |
| (1) | 997 333 053 30 | Shock absorbers | | 2 | 4 GTS COUPE CABRIO PR:019,475 |
| (1) | 997 333 049 10 | Shock absorbers | | 2 | PR:475 TARGA TARGA-S |
| - | | Mount | | | |
| - | 900 378 138 01 | Shock absorbers Hexagon bolt | | 2 | |
| - | 999 084 445 01 | M 12 X 1,5 X 70 Locknut | | 2 | |
| 2 | 997 333 061 00 | M 12 X 1,5 Shock absorber bearing | | 2 | PR:029 CARRERA 4 COUPE TARGA |
| (2) | 997 333 061 02 | Shock absorber bearing | | 2 | PR:029 CARRERA 4 CABRIO |
| (2) | 997 333 061 01 | Shock absorber bearing | | 2 | PR:030 CARRERA 4 CARRERA 4-S COUPE |
| (2) | 997 333 061 01 | Shock absorber bearing | | 2 | PR:475 CARRERA 4 CARRERA 4-S COUPE TARGA TARGA-S |
| (2) | 997 333 061 02 | Shock absorber bearing | | 2 | PR:475 CARRERA 4 CARRERA 4-S CABRIO |
| (2) | 997 333 061 01 | Shock absorber bearing | | 2 | 4 GTS COUPE PR:019,030 |
| (2) | 997 333 061 01 | Shock absorber bearing | | 2 | 4 GTS COUPE PR:019,475 |

Model: 997-09 Model life 2009>>2012

| Pos | Part Number | Description | Remark | Qty | Model |
|-----|--------------------|--|--------|-----|-----------------------------------|
| (2) | 997 333 061 02 | Shock absorber bearing | | 2 | 4 GTS CABRIO PR:019,475 |
| - | 900 380 008 01 | Hexagon nut M 10 | | 6 | |
| 3 | 996 333 511 02 | Balancing plate 0,5 MM | | X | |
| (3) | 996 333 511 03 | Balancing plate 4,0 MM | | X | |
| 4 | 997 333 504 01 | shelf | | 2 | |
| 5 | 999 152 163 00 | snap ring SW 52 | | 2 | |
| (6) | 997 333 531 71 | Coil spring 1 set Identification: >> >> Discontinued part | | 1 | PR:029,480 CARRERA 4 COUPE |
| | 997 333 531 71 504 | 1 pair of springs violet white | | | |
| (6) | 997 333 531 82 | Coil spring 1 set Identification: >> >> | | 1 | PR:029,480 CARRERA 4 COUPE |
| | 997 333 531 82 504 | 1 pair of springs violet white | | | |
| 6 | 997 333 531 63 | Coil spring 1 set Discontinued part | | 1 | PR:029,250 CARRERA 4 |
| | 997 333 531 63 504 | 1 pair of springs violet violet yellow | | | COUPE |
| 6 | 997 333 531 83 | Coil spring 1 set | | 1 | PR:029,250 CARRERA 4 COUPE |
| | 997 333 531 83 504 | 1 pair of springs violet violet yellow | | | |
| (6) | 997 333 531 66 | Coil spring 1 set | | 1 | PR:029,250 CARRERA 4 CABRIO |
| | 997 333 531 66 504 | 1 pair of springs violet violet green | | | |
| (6) | 997 333 531 70 | Coil spring 1 set D >> - MJ 2009 | | 1 | PR:030 CARRERA 4 |
| | 997 333 531 70 504 | 1 pair of springs yellow yellow blue | | | CARRERA 4-S |
| (6) | 997 333 531 73 | Coil spring 1 set D - MJ 2010>> | | 1 | PR:030 CARRERA 4 |
| | 997 333 531 73 504 | 1 pair of springs silver silver yellow | | | CARRERA 4-S COUPE |
| (6) | 997 333 531 64 | Coil spring 1 set | | 1 | PR:475,480 CARRERA 4 COUPE |
| | 997 333 531 64 504 | 1 pair of springs red red | | | |

Model: 997-09 Model life 2009>>2012

| Pos | Part Number | Description | Remark | Qty | Model |
|-----|--------------------|---|--------|-----|--|
| (6) | 997 333 531 67 | white Coil spring 1 set | | 1 | PR:475,250 CARRERA 4 COUPE |
| | 997 333 531 67 504 | 1 pair of springs red red blue | | | CARRERA 4 CARRERA 4-S CABRIO PR:475 PR:475 CARRERA 4-S COUPE |
| (6) | 997 333 531 64 | Coil spring 1 set | | 1 | PR:475 PR:475 CARRERA 4-S COUPE |
| | 997 333 531 64 504 | 1 pair of springs red red white | | | |
| (6) | 997 333 531 69 | Coil spring 1 set | | 1 | PR:029,250 TARGA |
| | 997 333 531 69 504 | Discontinued part 1 pair of springs yellow yellow red | | | |
| (6) | 997 333 531 97 | Coil spring 1 set | | 1 | PR:029,250 TARGA |
| | 997 333 531 97 504 | 1 pair of springs yellow yellow red | | | |
| (6) | 997 333 531 96 | Coil spring 1 set | | 1 | PR:029,480 TARGA |
| | 997 333 531 96 504 | 1 pair of springs yellow brown | | | |
| (6) | 997 333 531 72 | Coil spring 1 set | | 1 | PR:475 TARGA TARGA-S |
| | 997 333 531 72 504 | 1 pair of springs pink pink green | | | |
| (6) | 997 333 531 73 | Coil spring 1 set | | 1 | 4 GTS COUPE PR:019,030 |
| | 997 333 531 73 504 | 1 pair of springs silver silver yellow | | | |
| (6) | 997 333 531 86 | Coil spring 1 set | | 1 | 4 GTS CABRIO PR:019,475 |
| | 997 333 531 86 504 | 1 pair of springs red red white | | | |
| 7 | 993 333 107 01 | Bellows | | 2 | |
| 8 | 996 333 105 02 | helper spring | | 2 | PR:029 |
| (8) | 997 333 105 01 | helper spring | | 2 | PR:475 |
| (8) | 997 333 105 01 | helper spring | | 2 | PR:030 |
| 9 | 999 084 050 02 | Hexagon nut M 12 X 1 | | 2 | |
| 10 | 999 025 271 02 | Washer | | 2 | |
| - | | Mount | | | |

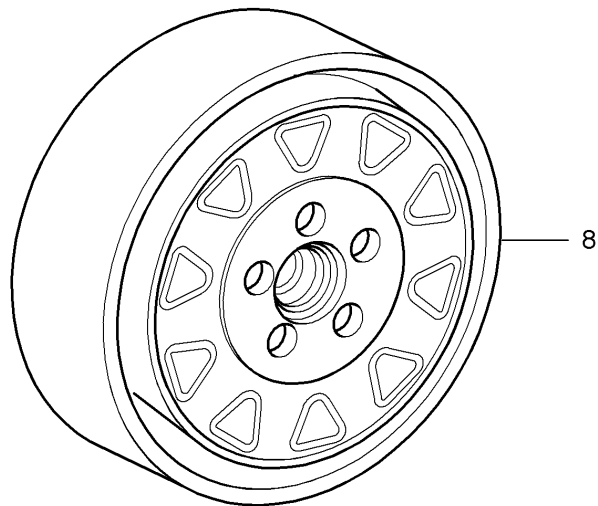
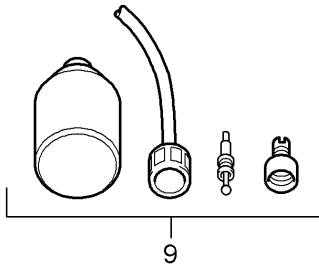
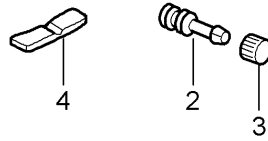
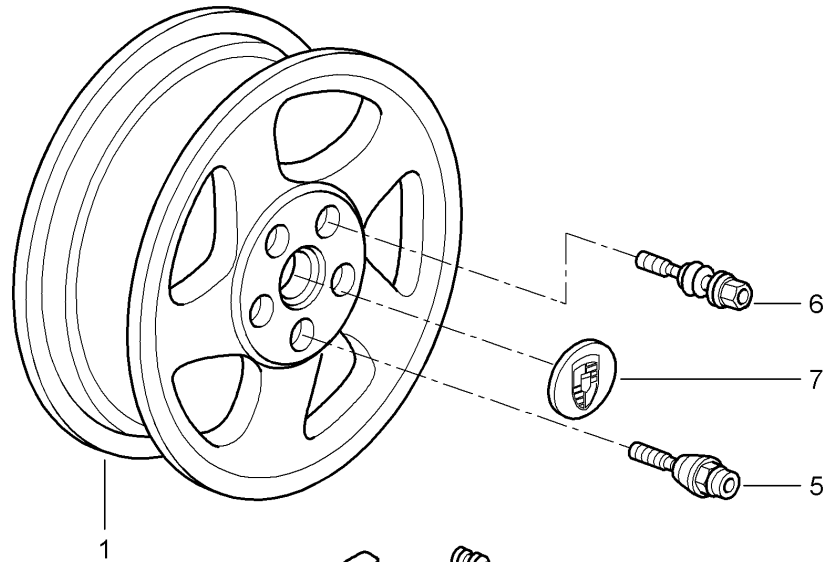
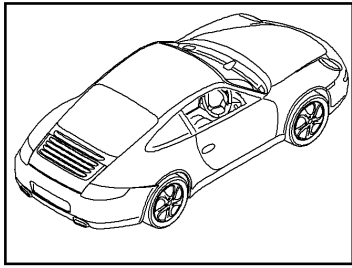
Model: 997-09

Model life 2009>>2012

| Pos | Part Number | Description | Remark | Qty | Model |
|------|----------------|--|--------|-----|--------|
| - | 900 378 138 09 | Shock absorbers Hexagon bolt M 12 X 1,5 X 70 | | 2 | |
| - | 999 084 445 01 | Locknut M 12 X 1,5 | | 2 | |
| 11 | 997 618 450 01 | Control unit | | 1 | PR:475 |
| (11) | 997 618 451 01 | Control unit | | 1 | PR:030 |
| - | 997 618 205 00 | Retainer for control units for | | 1 | |
| - | 997 606 111 01 | Acceleration sensor for bodywork | | 1 | |
| 12 | 997 333 513 00 | spring disc | | 2 | |
| 13 | 997 333 523 00 | spring disc | | 2 | PR:030 |
| 14 | 997 333 513 01 | spring disc | | 2 | PR:030 |
| 15 | 997 606 111 01 | Acceleration sensor for bodywork | | 1 | |
| 16 | 997 606 214 00 | Bracket Accelerator sensor Body | | 1 | |

Model: 997-09

Model life 2009>>2012



Model: 997-09 Model life 2009>>2012

| Pos | Part Number | Description | Remark | Qty | Model |
|-----|--------------------|---|--------|-----|-------------------------------------|
| - | | Wheels Wheel bolts see Technical information 84/11 Group 4 4407 | | | |
| 1 | 997 362 137 01 | Alloy wheel 8 J X 18 ET 57 | front | 2 | PR:414 CARRERA 2 CARRERA 4 |
| (1) | 997 362 156 02 | Alloy wheel 8 J X 19 ET 57 | front | 2 | PR:404 |
| (1) | 997 362 156 03 | Alloy wheel 8 J X 19 ET 57 | front | 2 | PR:405 |
| (1) | 997 362 156 04 | Alloy wheel 8 J X 19 ET 57 | front | 2 | PR:407 |
| (1) | 997 362 156 55 | Alloy wheel 8,5 J X 19 ET 55 | front | 2 | PR:XRR |
| (1) | 997 362 157 00 | Alloy wheel 8 J x 19 ET 57 | front | 2 | PR:419 |
| (1) | 997 362 157 02 | Alloy wheel 8 J x 19 ET 57 | front | 2 | PR:421 |
| (1) | 997 362 157 56 | D - MJ 2010>> Alloy wheel 8,5 J X 19 ET 55 | front | 2 | PR:756,XRS |
| (1) | 997 362 157 56 | Alloy wheel 8,5 J X 19 ET 55 | front | 2 | SPEEDSTER PR:503,XRS |
| (1) | 997 364 156 55 | Alloy wheel | front | 2 | CARRERA GTS PR:011 PR:XDA,XRR |
| | 997 364 156 55 041 | Black Wheel spoke Black 8,5 J X 19 ET 55 | | | |
| (1) | 997 363 156 02 | Alloy wheel | front | 2 | . PR:756 PR:404 "J.." |
| | 997 363 156 02 041 | Black Wheel spoke Black 8 J X 19 ET 57 | | | |
| (1) | 997 362 157 02 | Alloy wheel 8 J x 19 ET 57 | front | 2 | CARRERA 2 CARRERA 2-S PR:421 |
| (1) | 997 362 157 02 | Alloy wheel 8 J x 19 ET 57 | front | 2 | PR:013,421 |
| (1) | 997 364 156 55 | modify in workshop Alloy wheel | front | 2 | 4 GTS PR:019 PR:XDA,XRR |
| | 997 364 156 55 041 | Black Wheel spoke Black 8,5 J X 19 ET 55 | | | |

Model: 997-09 Model life 2009>>2012

| Pos | Part Number | Description | Remark | Qty | Model |
|-----|--------------------------------------|--|--------|-----|---|
| (1) | 997 362 141 05 | Alloy wheel 10,5 J X 18 ET 60 | rear | 2 | PR:414 CARRERA 2 |
| (1) | 997 362 143 00 | Alloy wheel 11 J X 18 ET 51 | rear | 2 | CARRERA 2-S PR:414 CARRERA 4 CARRERA 4-S |
| (1) | 997 362 162 09 | Alloy wheel 11 J X 19 ET 67 | rear | 2 | PR:404 CARRERA 2 CARRERA 2-S |
| (1) | 997 362 162 04 | Alloy wheel 11 J X 19 ET 67 | rear | 2 | PR:405 CARRERA 2 CARRERA2-S |
| (1) | 997 362 162 03 | Alloy wheel 11 J X 19 ET 51 | rear | 2 | PR:405 CARRERA 4 CARRERA 4-S |
| (1) | 997 362 162 06 | Alloy wheel 11 J X 19 ET 51 | rear | 2 | PR:407 CARRERA 4 CARRERA 4-S |
| (1) | 997 362 162 07 | Alloy wheel 11 J x 19 ET 67 | rear | 2 | PR:407 CARRERA 2 CARRERA 2-S |
| (1) | 997 362 162 02 | Alloy wheel 11 J X 19 ET 51 | rear | 2 | PR:404 CARRERA 4 CARRERA 4-S |
| (1) | 997 362 162 55 | Alloy wheel 11,5 J X 19 ET 67 | rear | 2 | PR:XRR CARRERA 2 CARRERA 2-S |
| (1) | 997 362 162 56 | Alloy wheel 11,5 J X 19 ET 50 | rear | 2 | PR:XRR CARRERA 4 CARRERA 4-S |
| (1) | 997 362 163 00 | Alloy wheel 11 J X 19 ET 67 | rear | 2 | PR:419 CARRERA 2 CARRERA 2-S |
| (1) | 997 362 163 01 | Alloy wheel 11 J X 19 ET 51 | rear | 2 | PR:419 CARRERA 4 CARRERA 4-S |
| (1) | 997 362 163 03 | Alloy wheel 11 J X 19 ET 67 | rear | 2 | CARRERA 2 CARRERA 2-S PR:421 |
| (1) | 997 362 163 03 | D - MJ 2010>> Alloy wheel 11 J X 19 ET 67 modify in workshop | rear | 2 | PR:013,421 |
| (1) | 997 362 163 02 | Alloy wheel 11 J X 19 ET 51 D - MJ 2010>> | rear | 2 | CARRERA 4 CARRERA 4-S PR:421 |
| (1) | 997 362 163 56 | Alloy wheel 11,5 J X 19 ET 50 | rear | 2 | PR:756,XRS |
| (1) | 997 362 163 56 | Alloy wheel 11,5 J X 19 ET 50 | rear | 2 | SPEEDSTER PR:503,XRS |
| (1) | 997 363 162 02 997 363 162 02 041 | Alloy wheel Black 11 J X 19 ET 51 | rear | 2 | PR:756 PR:404 "J.." |
| (1) | 997 364 162 56 997 364 162 56 041 | Alloy wheel Black Wheel spoke Black | rear | 2 | CARRERA GTS PR:011 PR:XDA,XRR |

Model: 997-09 Model life 2009>>2012

| Pos | Part Number | Description | Remark | Qty | Model |
|-----|--------------------|--|---------|-----|----------------------|
| (1) | 997 362 163 03 | 11,5 J X 19 ET 50 Alloy wheel | rear | 2 | PR:421 CARRERA 2 |
| (1) | 997 364 162 56 | 11 J X 19 ET 67 Alloy wheel | rear | 2 | CARRERA 2-s 4 GTS |
| | 997 364 162 56 041 | Black Wheel spoke | | | PR:019 |
| | | Black 11,5 J X 19 ET 50 | | | PR:XDA, XRR |
| 2 | 900 265 001 50 | Rubber valve Rubber | | 4 | |
| (2) | 900 265 001 51 | Rubber valve Rubber | | 4 | |
| (2) | 311 601 361 | Discontinued part Rubber valve Rubber | | 4 | |
| (2) | | Valve tyre pressure control system see illustration: | 601-005 | 4 | PR:482,483 |
| 3 | 955 361 163 00 | Cap for Rubber valve | | 4 | |
| 4 | 997 361 405 00 | Balancer weight (self-adhesive) 5.G. | | X | |
| (4) | 997 361 410 00 | Balancer weight (self-adhesive) 10 G. | | X | |
| (4) | 997 361 415 00 | Balancer weight (self-adhesive) 15 G. | | X | |
| (4) | 997 361 420 00 | Balancer weight (self-adhesive) 20 G. | | X | |
| (4) | 997 361 425 00 | Balancer weight (self-adhesive) 25 G. | | X | |
| (4) | 997 361 430 00 | Balancer weight (self-adhesive) 30 G. | | X | |
| (4) | 997 361 435 00 | Balancer weight (self-adhesive) 35 G. | | X | |
| (4) | 997 361 440 00 | Balancer weight (self-adhesive) 40 G. | | X | |
| (4) | 997 361 445 00 | Balancer weight (self-adhesive) 45 G. | | X | |
| (4) | 997 361 450 00 | Balancer weight (self-adhesive) 50 G. | | X | |
| (4) | 997 361 455 00 | Balancer weight (self-adhesive) 55 G. | | X | |
| (4) | 997 361 460 00 | Balancer weight (self-adhesive) 60 G. | | X | |
| (4) | 997 361 465 00 | Balancer weight (self-adhesive) | | X | |

Model: 997-09

Model life 2009>>2012

| Pos | Part Number | Description | Remark | Qty | Model |
|-----|----------------|--|--------|-----|---------------------|
| (4) | 997 361 470 00 | 65 G. Balancer weight (self-adhesive) | | X | |
| (4) | 997 361 475 00 | 70 G. Balancer weight (self-adhesive) | | X | |
| (4) | 997 361 480 00 | 75 G. Balancer weight (self-adhesive) | | X | |
| (4) | 997 361 485 00 | 80 G. Balancer weight (self-adhesive) | | X | |
| (4) | 997 361 490 00 | 85 G. Balancer weight (self-adhesive) | | X | |
| - | | 90 G. Wheel bolts see Technical information 84/11 Group 4 4407 | | | |
| 5 | 997 361 057 02 | Set Anti-theft protection 1 set silver Discontinued part | | 1 | PR:444 |
| (5) | WHT 006 980 C | 1 set wheel studs, anti-theft silver | | 1 | PR:444 |
| (5) | 991 361 057 01 | 1 set wheel studs, anti-theft Black Discontinued part | | 1 | PR:-444 |
| (5) | 997 361 980 10 | Set Anti-theft protection 1 set silver | | 1 | PR:XRP |
| (5) | 991 361 980 01 | 1 set wheel studs, anti-theft Black | | 1 | PR:XRP |
| (5) | 991 361 980 00 | 1 set wheel studs, anti-theft Black Discontinued part | | 1 | PR:XRP,444 "GB." |
| (5) | 991 361 980 02 | 1 set wheel studs, anti-theft Black Discontinued part | | 1 | PR:XRP,444 "GB." |
| (5) | 991 361 980 03 | 1 set wheel studs, anti-theft Black | | 1 | PR:XRP,444 "GB." |
| 6 | 997 361 203 01 | Wheel bolt silver Discontinued part | | X | |
| 6 | 997 361 203 02 | Wheel bolt silver | | X | |
| (6) | 970 361 203 00 | Wheel bolt Black Discontinued part | | X | |
| (6) | 997 361 980 07 | Wheel bolt silver | | X | PR:XRP |
| (6) | WHT 004 676 A | Wheel bolt | | X | PR:XRP |

Model: 997-09 Model life 2009>>2012

| Pos | Part Number | Description | Remark | Qty | Model |
|-----|--------------------|-----------------------------|----------------|-----|----------------|
| 7 | 955 361 303 00 | Black Hub cap | | 4 | |
| (7) | 955 361 303 00 9A1 | silver | | | |
| (7) | 955 361 303 05 | Hub cap | | 4 | PR:446 |
| | | D >> - MJ 2009 | | | |
| | 955 361 303 05 9A1 | silver | | | |
| (7) | 955 361 303 20 | Hub cap | | 4 | PR:446 |
| | | D - MJ 2010>> | | | |
| | 955 361 303 20 9A1 | silver | | | |
| (7) | 997 361 303 01 | Hub cap | | 4 | PR:XRR |
| | | Porsche crest | | | |
| | | Coloured | | | |
| | | silver | | | |
| (7) | 997 361 303 10 | Hub cap | | 4 | PR:756,XRS |
| | 997 361 303 10 041 | Black | | | |
| | | Porsche crest | | | |
| | | Coloured | | | |
| (7) | 958 361 303 03 | Hub cap | | 4 | SPEEDSTER |
| | | Black | | | PR:503,XRS |
| | | Porsche crest | | | |
| | | Coloured | | | |
| (7) | 958 361 303 03 | Hub cap | | 4 | CARRERA GTS |
| | | Black | | | PR:011 |
| | | Porsche crest | | | |
| | | Coloured | | | |
| (7) | 997 361 305 00 | Hub cap | | 4 | PR:404 |
| | | Discontinued part | | | |
| (7) | 7PP 601 149 F | Hub cap | | 4 | PR:404 |
| (7) | 7PP 601 149 H | Hub cap | | 4 | PR:404 |
| (7) | 7PP 601 149 | Hub cap | | 4 | PR:421 |
| | | D - MJ 2010>> | | | |
| (7) | 7PP 601 149 | Hub cap | | 4 | PR:013,421 |
| | | modify in workshop | | | |
| (7) | 7PP 601 149 A | Hub cap | | 4 | PR:421,446 |
| | | Porsche crest | | | |
| | | Coloured | | | |
| | | D - MJ 2010>> | | | |
| (7) | 7PP 601 149 A | Hub cap | | 4 | PR:013,421,446 |
| | | Porsche crest | | | |
| | | Coloured | | | |
| | | modify in workshop | | | |
| (7) | 958 361 303 03 | Hub cap | | 4 | 4 GTS |
| | | Black | | | PR:019,XRS |
| | | Porsche crest | | | |
| | | Coloured | | | |
| (7) | 958 361 303 02 | Hub cap | | 4 | PR:XRR |
| | | Convex | | | |
| | | Porsche crest | | | |
| | | Coloured | | | |
| 8 | 996 362 020 04 | Spare wheel | | 1 | PR:447 |
| 9 | 955 722 631 00 | Compressed air bottle | | 1 | |
| | | Discontinued part | | | |
| 9 | 4L0 012 619 A | Tyre sealant | | 1 | |
| 10 | 996 361 521 00 | Protective sleeve | | 1 | PR:447 |
| | | for | | | |
| | | Spare wheel | | | |
| 11 | 999 914 001 40 | Plastic gloves | | X | PR:447 |
| | | No longer use the part here | | | |
| 12 | 997 652 055 00 | Compressor | | 1 | CARRERA 2 |
| | | for | | | CARRERA 2 S |
| | | Spare wheel | | | |
| | | also use: | 991 555 575 03 | 1 | |
| | | | (1E0) | | |

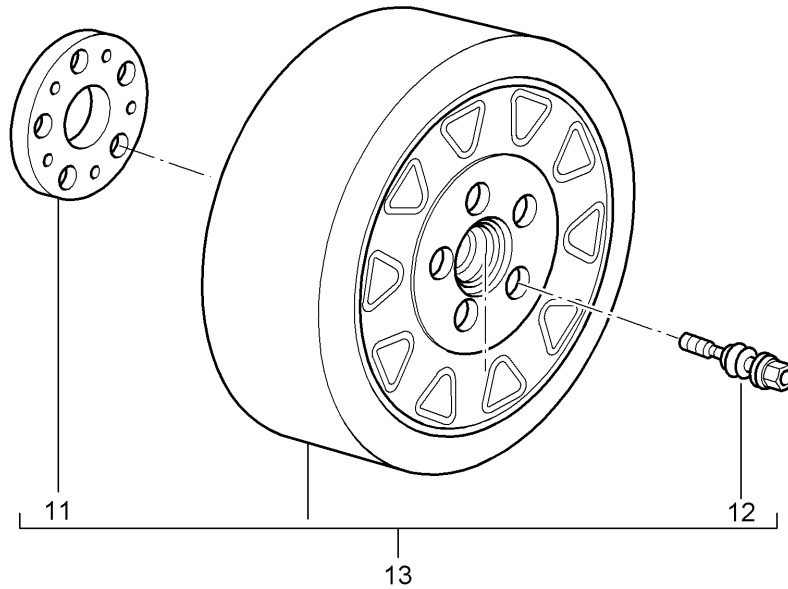
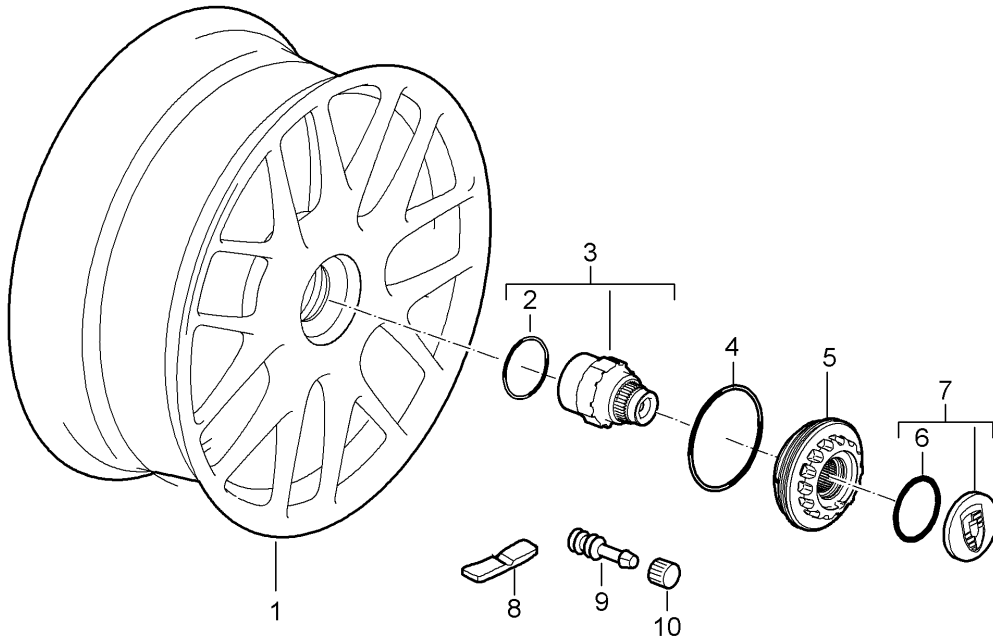
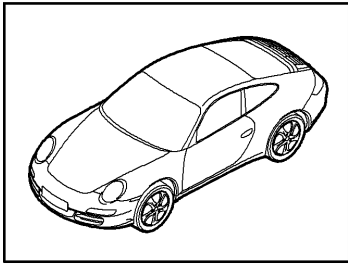
Model: 997-09

Model life 2009>>2012

| Pos | Part Number | Description | Remark | Qty | Model |
|------|----------------|----------------------------------|-------------------------|-----|--------------------------|
| (12) | 997 652 055 00 | Compressor for Spare wheel | 991 555 765 02 (1E0) | 1 | PR:756 |
| | | | also use: | | |
| | | | 991 555 575 03 (1E0) | 1 | |
| | | | 991 555 765 02 (1E0) | 1 | |
| (12) | 997 652 057 00 | Compressor for Spare wheel | | 1 | CARRERA 4 CARRERA 4 S |

Model: 997-09

Model life 2009>>2012



Model: 997-09 Model life 2009>>2012

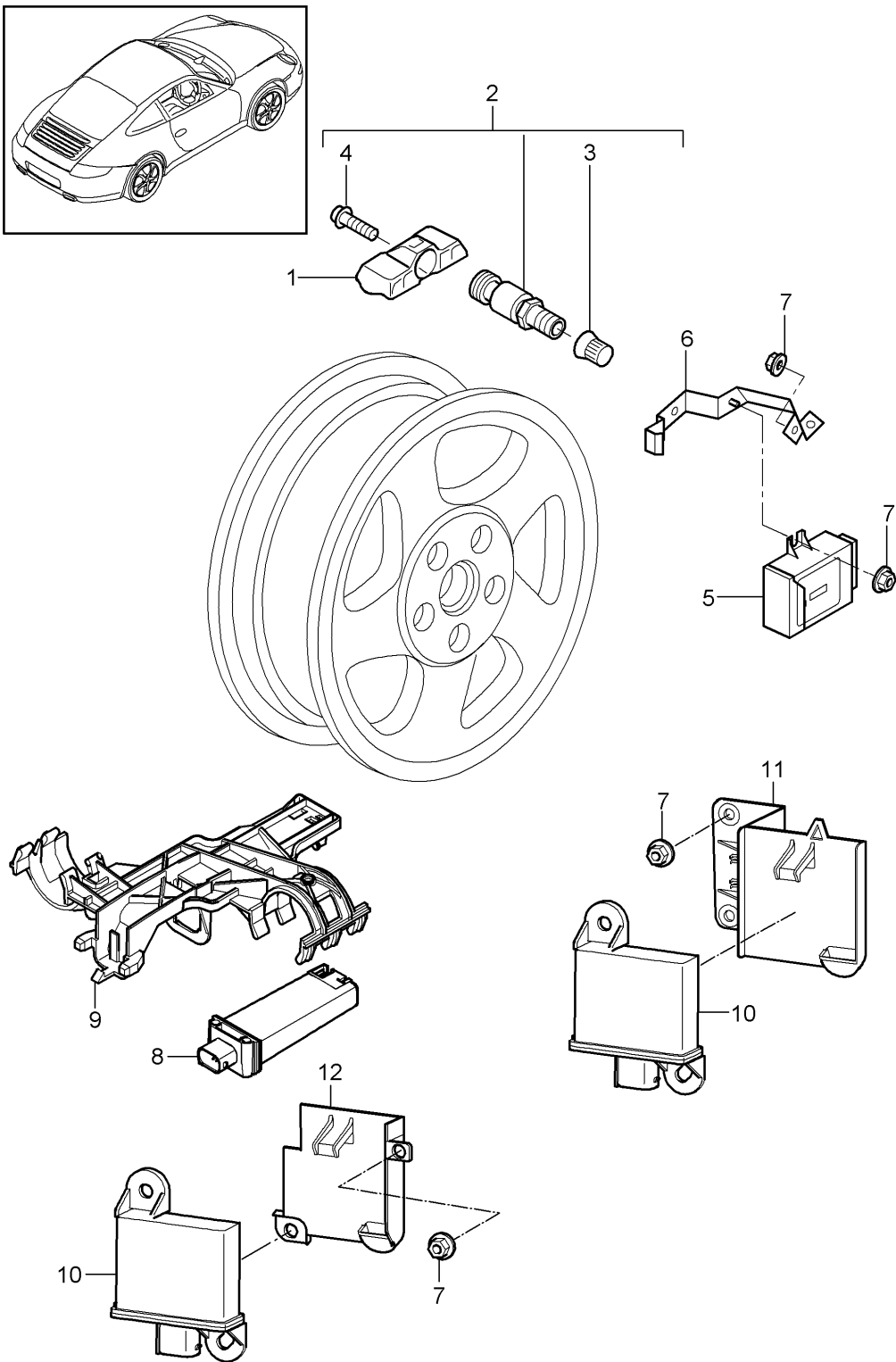
| Pos | Part Number | Description | Remark | Qty | Model |
|-----|--------------------|---|--------|-----|--------------------------------|
| | | Wheels Central locking | | | PR:422 CARRERA GTS 4 GTS |
| 1 | 997 364 157 06 | Alloy wheel with central locking | front | 2 | |
| | 997 364 157 06 041 | Black 8,5 J X 19 ET 56 | | | |
| 1 | 997 362 157 06 | Alloy wheel 8,5 J X 19 ET 56 for winter use Paint modify in workshop | front | 2 | |
| (1) | 997 364 163 04 | Alloy wheel with central locking | rear | 2 | |
| | 997 364 163 04 041 | Black 11 J X 19 ET 51 | | | |
| 1 | 997 362 163 04 | Alloy wheel 11 J X 19 ET 51 for winter use Paint modify in workshop | rear | 2 | |
| 2 | 999 707 012 40 | O-ring 37 X 2,5 N | | 4 | |
| 3 | 997 341 251 04 | Locking mechanism | | 4 | |
| 4 | 999 707 648 40 | O-ring 92,00 X 3,5 | | 4 | |
| 5 | 997 361 081 06 | Wheel bolt | | 4 | |
| 6 | 999 701 045 40 | O-ring 32 X 2,0 N | | 4 | |
| 7 | 997 361 207 03 | Hub cap | | 4 | |
| 8 | 997 361 405 00 | Balancer weight (self-adhesive) 5.G. | | X | |
| (8) | 997 361 410 00 | Balancer weight (self-adhesive) 10 G. | | X | |
| (8) | 997 361 415 00 | Balancer weight (self-adhesive) 15 G. | | X | |
| (8) | 997 361 420 00 | Balancer weight (self-adhesive) 20 G. | | X | |
| (8) | 997 361 425 00 | Balancer weight (self-adhesive) 25 G. | | X | |
| (8) | 997 361 430 00 | Balancer weight (self-adhesive) 30 G. | | X | |
| (8) | 997 361 435 00 | Balancer weight (self-adhesive) 35 G. | | X | |
| (8) | 997 361 440 00 | Balancer weight (self-adhesive) 40 G. | | X | |
| (8) | 997 361 445 00 | Balancer weight (self-adhesive) 45 G. | | X | |
| (8) | 997 361 450 00 | Balancer weight (self-adhesive) | | X | |

Model: 997-09 Model life 2009>>2012

| Pos | Part Number | Description | Remark | Qty | Model |
|-----|----------------|--|--------|-----|-------|
| (8) | 997 361 455 00 | 50 G. Balancer weight (self-adhesive) | | X | |
| (8) | 997 361 460 00 | 55 G. Balancer weight (self-adhesive) | | X | |
| (8) | 997 361 465 00 | 60 G. Balancer weight (self-adhesive) | | X | |
| (8) | 997 361 470 00 | 65 G. Balancer weight (self-adhesive) | | X | |
| (8) | 997 361 475 00 | 70 G. Balancer weight (self-adhesive) | | X | |
| (8) | 997 361 480 00 | 75 G. Balancer weight (self-adhesive) | | X | |
| (8) | 997 361 485 00 | 80 G. Balancer weight (self-adhesive) | | X | |
| (8) | 997 361 490 00 | 85 G. Balancer weight (self-adhesive) | | X | |
| 9 | 900 265 001 51 | 90 G. Rubber valve Rubber Discontinued part | | 4 | |
| 9 | 311 601 361 | Rubber valve Rubber | | 4 | |
| 10 | 955 361 163 00 | Cap for Rubber valve | | 4 | |
| 11 | 997 362 191 00 | Adapter Spare wheel | | 1 | |
| 12 | 997 361 203 01 | Wheel bolt Adapter Discontinued part | | 5 | |
| 12 | 997 361 203 02 | Wheel bolt Adapter | | 5 | |
| 13 | 997 362 021 00 | Spare wheel | | 1 | |
| 14 | 997 361 189 00 | Washer | | 4 | |
| 15 | | Conical ring | | 4 | |
| 16 | 997 361 187 00 | Securing ring 2,0 | | 4 | |

Model: 997-09

Model life 2009>>2012



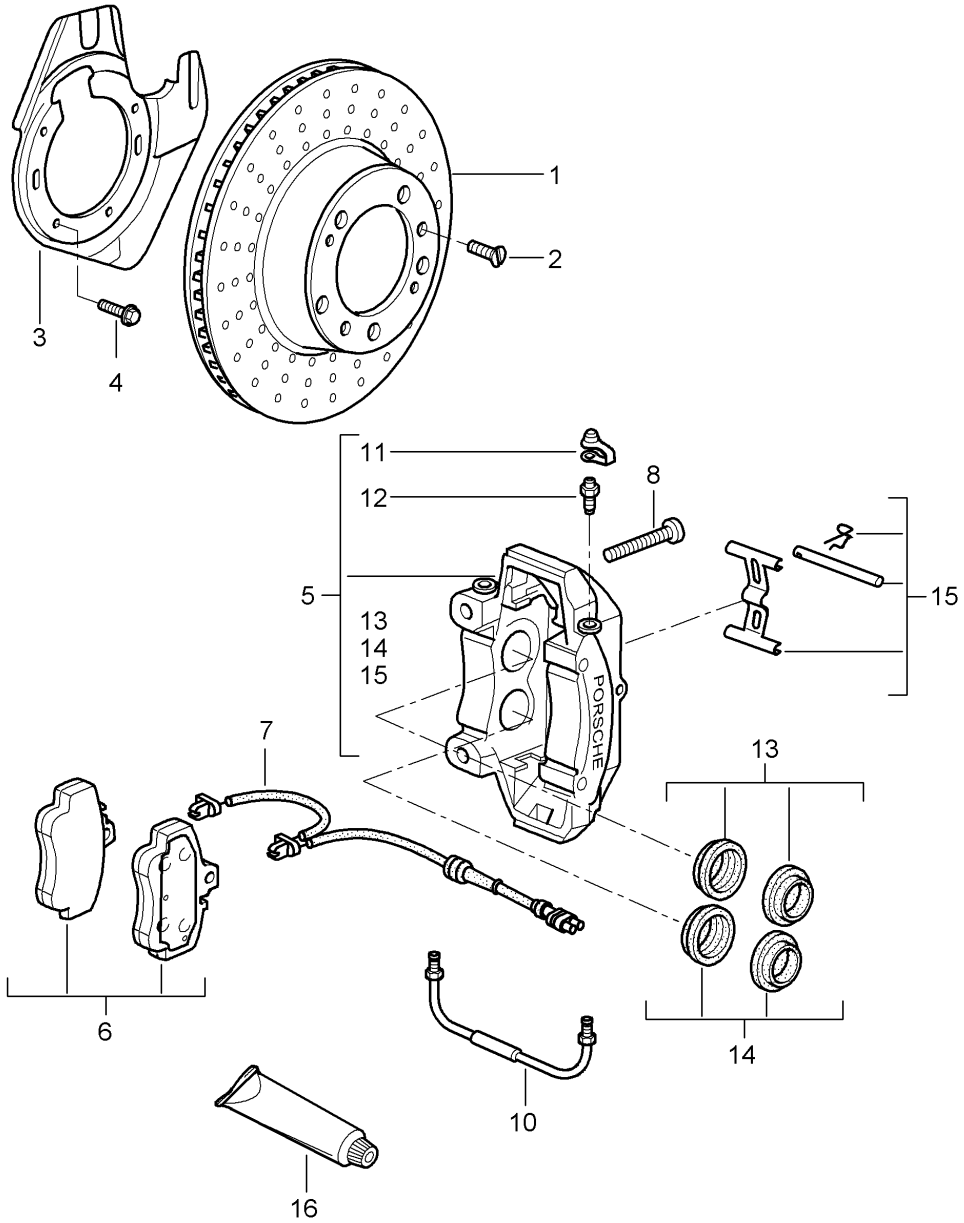
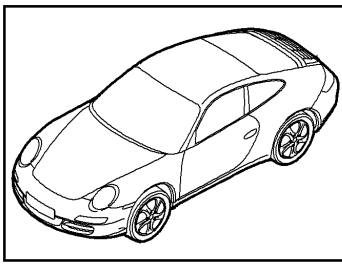
Model: 997-09

Model life 2009>>2012

| Pos | Part Number | Description | Remark | Qty | Model |
|------|----------------|--|--------------------------------|-----|----------------------|
| 1 | 997 606 021 20 | tyre pressure control system Sensor | | 4 | PR:482,483 PR:482 |
| (1) | 958 361 661 00 | tyre pressure control system also use: Discontinued part Sensor | 955 361 053 00 | 4 | PR:482 |
| (1) | 7PP 907 275 F | tyre pressure control system also use: Discontinued part Tyre pressure sensor | 955 361 053 00 | 4 | PR:482 |
| (1) | 997 606 023 21 | tyre pressure control system also use: Sensor | 955 361 053 00 | 4 | PR:483 |
| 2 | 955 361 053 00 | tyre pressure control system also use: D >> - MJ 2009 Valve aluminium | 955 361 053 00 | 4 | |
| (2) | 9P1 601 361 A | Discontinued part Valve aluminium | | 4 | |
| 3 | N 908 729 01 | Valve cap for valve unit | | 4 | |
| 4 | 4D0 601 365 | Hexagon socket head bolt, self-locking | | 4 | |
| 5 | 997 618 103 23 | Control unit for tyre pressure control | | 1 | |
| 5 | 997 618 191 02 | D >> - MJ 2009 Control unit | | 1 | |
| 6 | 997 618 203 02 | D - MJ 2010>> Bracket | | 1 | |
| 7 | 999 076 081 40 | Control unit | | 1 | |
| 8 | 955 606 101 00 | Hexagon plastic collar nut T5 16 X 11, 2 | | 8 | |
| 9 | 997 606 259 00 | Aerial | | 1 | PR:482 |
| 10 | 955 618 113 00 | 433 MHZ Retainer for aerial | | 1 | |
| (10) | 7PP 907 283 | Sender for tyre pressure monitoring system | | 4 | |
| 11 | 997 606 242 00 | D >> - MJ 2009 Sender unit | | 4 | |
| (11) | 997 606 241 00 | D - MJ 2010>> Holder for sender unit | right front | 1 | |
| 12 | 997 606 252 01 | Holder for sender unit | left front right rear | 1 | |

Model: 997-09

Model life 2009>>2012



Model: 997-09 Model life 2009>>2012

| Pos | Part Number | Description | Remark | Qty | Model |
|-----|----------------|--|-------------|-----|---|
| | | Disc brake Front axle | | | CARRERA 2 CARRERA 2-S SportClassic SPEEDSTER Black Editio |
| - | 999 917 565 40 | Grease Interflon HT 1 Tube 150 ml See technical manual Group 4 46 36 20 | | 1 | |
| - | | only in conj. with: 997.351.938.03 | | | |
| - | | Brake disc Only in pairs Replace Technical manual Attention | | | PR:450 |
| 1 | 997 351 401 00 | Brake disc | left front | 1 | CARRERA 2 |
| (1) | 996 351 409 03 | Brake disc D >> - MJ 2010 | left front | 1 | CARRERA 2-S |
| (1) | 996 351 409 04 | Brake disc D - MJ 2011>> | left front | 1 | CARRERA 2-S |
| (1) | 997 351 031 00 | Brake disc Discontinued part | left front | 1 | PR:450 |
| (1) | 997 351 031 01 | Brake disc | left front | 1 | PR:450 |
| (1) | 997 351 031 00 | Brake disc Discontinued part | left front | 1 | PR:756 |
| (1) | 997 351 031 01 | Brake disc | left front | 1 | PR:756 |
| (1) | 997 351 031 00 | Brake disc Discontinued part | left front | 1 | SPEEDSTER PR:503 |
| (1) | 997 351 031 01 | Brake disc | left front | 1 | SPEEDSTER PR:503 |
| (1) | 997 351 402 00 | Brake disc | right front | 1 | CARRERA 2 |
| (1) | 996 351 410 03 | Brake disc D >> - MJ 2010 | right front | 1 | CARRERA 2-S |
| (1) | 996 351 410 04 | Brake disc D - MJ 2011>> | right front | 1 | CARRERA 2-S |
| (1) | 997 351 032 00 | Brake disc Discontinued part | right front | 1 | PR:450 |
| (1) | 997 351 032 01 | Brake disc | right front | 1 | PR:450 |
| (1) | 997 351 032 00 | Brake disc Discontinued part | right front | 1 | PR:756 |
| (1) | 997 351 032 01 | Brake disc | right front | 1 | PR:756 |
| (1) | 997 351 032 00 | Brake disc Discontinued part | right front | 1 | SPEEDSTER PR:503 |
| (1) | 997 351 032 01 | Brake disc | right front | 1 | SPEEDSTER PR:503 |
| 2 | 900 269 047 01 | countersunk bolt M 6 X 12 | | 4 | |
| 3 | 997 351 801 02 | Cover plate | left | 1 | CARRERA 2 |
| (3) | 997 351 805 04 | Cover plate | left | 1 | CARRERA 2-S |
| (3) | 997 351 805 05 | Cover plate | left | 1 | PR:450 |
| (3) | 997 351 805 05 | Cover plate | left | 1 | PR:756 |
| (3) | 997 351 805 05 | Cover plate | left | 1 | SPEEDSTER PR:503 |
| (3) | 997 351 802 02 | Cover plate | right | 1 | CARRERA 2 |
| (3) | 997 351 806 04 | Cover plate | right | 1 | CARRERA 2-S |
| (3) | 997 351 806 05 | Cover plate | right | 1 | PR:450 |
| (3) | 997 351 806 05 | Cover plate | right | 1 | PR:756 |
| (3) | 997 351 806 05 | Cover plate | right | 1 | SPEEDSTER PR:503 |

Model: 997-09 Model life 2009>>2012

| Pos | Part Number | Description | Remark | Qty | Model |
|-----|----------------|---|----------------|-----|---------------------|
| 4 | 999 217 116 01 | Hexagon bolt M 6 x 16 | | X | |
| 5 | 997 351 421 0C | caliper without brake pads | left | 1 | CARRERA 2 |
| | | also use: | 999 067 053 09 | 2 | |
| | | D >> - MJ 2010 | | | |
| 5 | 997 351 421 0D | caliper without brake pads | left | 1 | CARRERA 2 |
| | | also use: | 999 067 053 09 | 2 | |
| | | D - MJ 2011>> | | | |
| (5) | 996 351 429 10 | caliper without brake pads | left | 1 | CARRERA 2-S |
| | | also use: | 999 067 050 09 | 2 | |
| (5) | 996 351 431 31 | caliper without brake pads | left | 1 | PR:450 |
| | | also use: | 999 067 053 09 | 2 | |
| (5) | 996 351 431 31 | caliper without brake pads | left | 1 | PR:756 |
| | | also use: | 999 067 053 09 | 2 | |
| (5) | 996 351 431 31 | caliper without brake pads | left | 1 | SPEEDSTER PR:503 |
| | | also use: | 999 067 053 09 | 2 | |
| (5) | 997 351 422 0C | caliper without brake pads | right | 1 | CARRERA 2 |
| | | also use: | 999 067 053 09 | 2 | |
| | | D >> - MJ 2010 | | | |
| 5 | 997 351 422 0D | caliper without brake pads | right | 1 | CARRERA 2 |
| | | also use: | 999 067 053 09 | 2 | |
| | | D - MJ 2011>> | | | |
| (5) | 996 351 430 10 | caliper without brake pads | right | 1 | CARRERA 2-S |
| | | also use: | 999 067 050 09 | 2 | |
| (5) | 996 351 432 31 | caliper without brake pads | right | 1 | PR:450 |
| | | also use: | 999 067 053 09 | 2 | |
| (5) | 996 351 432 31 | caliper without brake pads | right | 1 | PR:756 |
| | | also use: | 999 067 053 09 | 2 | |
| (5) | 996 351 432 31 | caliper without brake pads | right | 1 | SPEEDSTER PR:503 |
| | | also use: | 999 067 053 09 | 2 | |
| (6) | 997 351 938 03 | 1 set of brake pads for disk brake | front | 1 | CARRERA 2 |
| | | also use: | 999 067 053 09 | 4 | |
| | | observe | | | |
| | | technical service handbook: 46 36 20 | | | |
| (6) | 997 351 949 02 | 1 set of brake pads for disk brake | front | 1 | CARRERA 2-S |
| | | also use: | | | |
| | | Fasteners | | | |
| (6) | 997 351 948 01 | 1 set of brake pads for disk brake | front | 1 | PR:450 |
| | | also use: | | | |
| | | Fasteners | | | |
| (6) | 997 351 948 01 | 1 set of brake pads for disk brake | front | 1 | PR:756 |
| | | also use: | | | |
| | | Fasteners | | | |
| (6) | 997 351 948 01 | 1 set of brake pads for disk brake | front | 1 | SPEEDSTER PR:503 |
| | | also use: | | | |
| | | Fasteners | | | |
| - | 996 351 089 01 | Damping plate | | X | CARRERA 2-S |
| 7 | 997 612 769 00 | sender wire (pad wear indicator) | | 2 | CARRERA 2 |
| (7) | 997 612 757 00 | sender wire (pad wear indicator) | left | 1 | CARRERA 2-S |
| (7) | 997 612 678 00 | sender wire (pad wear indicator) | right | 1 | CARRERA 2-S |

Model: 997-09 Model life 2009>>2012

| Pos | Part Number | Description | Remark | Qty | Model |
|------|----------------|--|--------|-----|---|
| (7) | 997 612 675 01 | sender wire (pad wear indicator) | left | 1 | PR:450 |
| (7) | 997 612 675 01 | sender wire (pad wear indicator) | left | 1 | PR:756 |
| (7) | 997 612 675 01 | sender wire (pad wear indicator) | left | 1 | SPEEDSTER PR:503 |
| (7) | 997 612 679 00 | sender wire (pad wear indicator) | right | 1 | PR:450 |
| (7) | 997 612 679 00 | sender wire (pad wear indicator) | right | 1 | PR:756 |
| (7) | 997 612 679 00 | sender wire (pad wear indicator) | right | 1 | SPEEDSTER PR:503 |
| - | 999 507 464 40 | bracket for speed sensor | | 2 | |
| - | 944 612 627 00 | Line holder for Warning contact | | 3 | |
| 8 | 999 067 053 09 | Socket head bolt M 12 X 1,5 X 85 | | 4 | CARRERA 2 |
| (8) | 999 067 050 09 | Socket head bolt M 12 X 1,5 X 77 | | 4 | CARRERA 2-S |
| (8) | 999 067 053 09 | Socket head bolt M 12 x 1,5 x 85 | | 4 | PR:450 |
| (8) | 999 067 053 09 | Socket head bolt M 12 X 1,5 X 85 | | 4 | SPEEDSTER SportClassic PR:503,756 |
| 10 | 997 351 961 00 | Connecting line | | 2 | CARRERA 2 |
| (10) | 996 351 961 11 | Connecting line | left | 1 | CARRERA 2-S |
| (10) | 996 351 962 11 | Connecting line | right | 1 | CARRERA 2-S |
| (10) | 996 351 961 30 | Connecting line | | 2 | PR:450 |
| (10) | 996 351 961 30 | Connecting line | | 2 | PR:756 |
| (10) | 996 351 961 30 | Connecting line | | 2 | SPEEDSTER PR:503 |
| 11 | 930 351 927 00 | dust cap Discontinued part | | 2 | |
| 11 | 930 351 927 01 | dust cap | | 2 | |
| 12 | 930 351 919 00 | Breather valve | | 2 | |
| 13 | 996 351 915 01 | repair set Protection caps 38 MM | | X | CARRERA 2 |
| 14 | 996 351 915 01 | repair set Protection caps 38 MM | | X | CARRERA 2 |
| (13) | 928 351 917 00 | repair set Protection caps 44 mm | | X | CARRERA 2-S |
| (14) | 951 351 917 00 | repair set Protection caps 36 mm | | X | CARRERA 2-S |
| - | 996 351 915 01 | repair set Protection caps 38 MM | | X | PR:450 |
| - | 996 351 915 01 | repair set Protection caps 38 MM | | X | PR:756 |
| - | 996 351 915 01 | repair set Protection caps 38 MM | | X | SPEEDSTER PR:503 |
| - | 996 351 915 00 | repair set Protection caps 32 MM | | X | PR:450 |
| - | 996 351 915 00 | repair set Protection caps | | X | PR:756 |

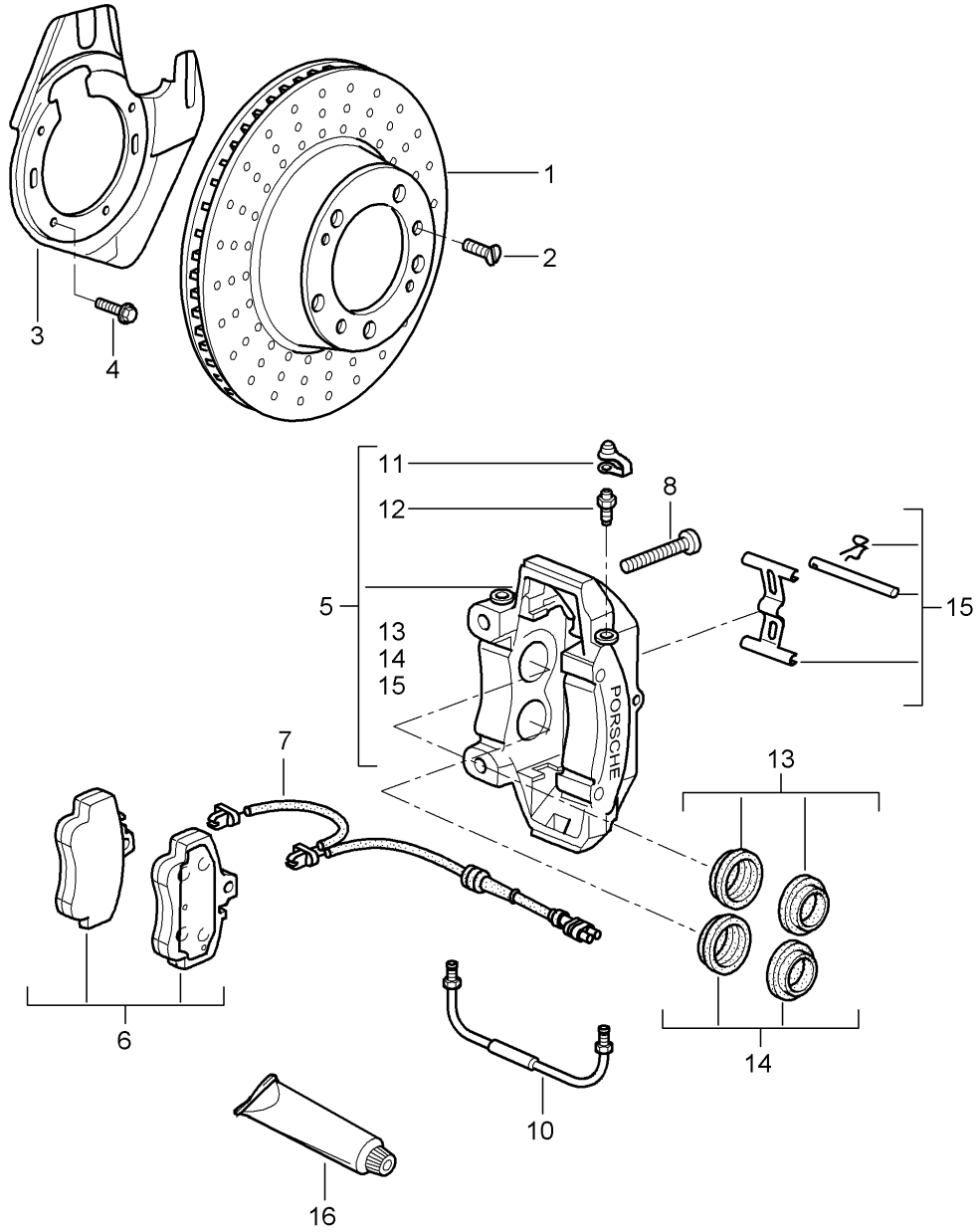
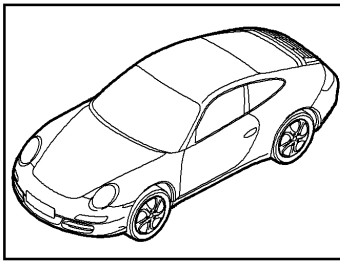
Model: 997-09

Model life 2009>>2012

| Pos | Part Number | Description | Remark | Qty | Model |
|------|----------------|---|--------|-----|---------------------|
| - | 996 351 915 00 | 32 MM repair set Protection caps | | X | SPEEDSTER PR:503 |
| - | 951 352 917 00 | 32 MM repair set Protection caps | | X | PR:756 |
| - | 951 352 917 00 | 28 MM repair set Protection caps | | X | SPEEDSTER PR:503 |
| - | 996 351 915 01 | 28 MM repair set Protection caps | | X | PR:450 |
| - | 996 351 915 01 | 38 MM repair set Protection caps | | X | PR:756 |
| - | 996 351 915 01 | 38 MM repair set Protection caps | | X | SPEEDSTER PR:503 |
| (15) | 997 351 959 00 | Spring | | X | CARRERA 2 |
| 15 | 996 351 959 11 | Repair set for front axle Fasteners Pin Cup expander spring Securing bars | | 1 | CARRERA 2-S |
| 15 | 996 351 959 30 | repair set Fasteners Pin Screw Cup expander spring | | 1 | PR:450 |
| 15 | 996 351 959 30 | repair set Fasteners Pin Screw Cup expander spring | | 1 | PR:756 |
| 15 | 996 351 959 30 | repair set Fasteners Pin Screw Cup expander spring | | 1 | SPEEDSTER PR:503 |
| 16 | 000 043 117 00 | brake cylinder paste 50 G | | X | |
| 16 | 000 043 020 00 | Assembly paste 100 G | | X | |

Model: 997-09

Model life 2009>>2012



Model: 997-09 Model life 2009>>2012

| Pos | Part Number | Description | Remark | Qty | Model |
|-----|----------------|--|------------------------|--------|--|
| | | Disc brake Front axle | | | CARRERA 4 CARRERA 4-S TARGA TARGA-S |
| - | 999 917 565 40 | Grease Interflon HT 1 Tube 150 ml See technical manual Group 4 46 36 20 | | 1 | |
| - | | only in conj. with: 997.351.938.03 | | | |
| - | | Brake disc Only in pairs Replace Technical manual Attention | | | PR:450 |
| 1 | 997 351 401 00 | Brake disc | left front | 1 | CARRERA 4 |
| (1) | 996 351 409 03 | Brake disc | left front | 1 | TARGA CARRERA 4-S |
| (1) | 996 351 409 04 | D >> - MJ 2010 Brake disc | left front | 1 | TARGA-S CARRERA 4-S |
| (1) | 997 351 031 00 | D - MJ 2011>> Brake disc Discontinued part | left front | 1 | TARGA-S PR:450 |
| (1) | 997 351 031 01 | Brake disc | left front | 1 | PR:450 |
| (1) | 997 351 402 00 | Brake disc | right front | 1 | CARRERA 4 |
| (1) | 996 351 410 03 | Brake disc | right front | 1 | TARGA CARRERA 4-S |
| (1) | 996 351 410 04 | D >> - MJ 2010 Brake disc | right front | 1 | TARGA-S CARRERA 4-S |
| (1) | 997 351 032 00 | D - MJ 2011>> Brake disc Discontinued part | right front | 1 | PR:450 |
| (1) | 997 351 032 01 | Brake disc | right front | 1 | PR:450 |
| 2 | 900 269 047 09 | countersunk bolt M 6 X 12 Discontinued part | | 4 | |
| 2 | 900 269 047 01 | countersunk bolt M 6 X 12 | | 4 | |
| 3 | 997 351 805 00 | Cover plate | left | 1 | CARRERA 4 |
| (3) | 997 351 805 04 | Cover plate | left | 1 | TARGA CARRERA 4-S |
| (3) | 997 351 805 05 | Cover plate | left | 1 | TARGA-S |
| (3) | 997 351 806 00 | Cover plate | right | 1 | PR:450 CARRERA 4 |
| (3) | 997 351 806 04 | Cover plate | right | 1 | TARGA CARRERA 4-S |
| (3) | 997 351 806 05 | Cover plate | right | 1 | TARGA-S |
| (4) | 999 217 116 01 | Hexagon bolt M 6 x 16 | | X | PR:450 |
| 5 | 997 351 421 0C | caliper without brake pads | left | 1 | CARRERA 4 |
| 5 | 997 351 421 0D | also use: D >> - MJ 2010 caliper without brake pads | 999 067 053 09 left | 2 1 | TARGA CARRERA 4 |
| | | | | | TARGA |

Model: 997-09 Model life 2009>>2012

| Pos | Part Number | Description | Remark | Qty | Model |
|------|----------------|---|-------------------------|-----|-------------|
| | | also use: | 999 067 053 09 | 2 | |
| (5) | 996 351 429 10 | D - MJ 2011>> caliper without brake pads | left | 1 | CARRERA 4-S |
| | | | | 1 | TARGA-S |
| (5) | 996 351 431 31 | also use: caliper without brake pads | 999 067 050 09 right | 2 | PR:450 |
| (5) | 997 351 422 0C | also use: caliper without brake pads | 999 067 053 09 right | 2 | CARRERA 4 |
| | | | | 1 | TARGA |
| 5 | 997 351 422 0D | also use: D >> - MJ 2010 caliper without brake pads | 999 067 053 09 right | 2 | CARRERA 4 |
| | | | | 1 | TARGA |
| (5) | 996 351 430 10 | also use: D - MJ 2011>> caliper without brake pads | 999 067 053 09 right | 2 | CARRERA 4-S |
| | | | | 1 | TARGA-S |
| (5) | 996 351 432 31 | also use: caliper without brake pads | 999 067 050 09 right | 2 | PR:450 |
| (6) | 997 351 938 03 | also use: 1 set of brake pads for disk brake | 999 067 053 09 front | 2 | CARRERA 4 |
| | | | | 1 | |
| | | | 999 067 053 09 | 4 | |
| | | also use: observe technical service handbook: 46 36 20 | | | |
| (6) | 997 351 949 02 | 1 set of brake pads for disk brake | front | 1 | CARRERA 4-S |
| | | | | 1 | TARGA-S |
| (6) | 997 351 948 01 | also use: Fasteners 1 set of brake pads for disk brake | front | 1 | PR:450 |
| | | | | | |
| - | 996 351 089 01 | also use: Fasteners Damping plate | | X | CARRERA 4-S |
| 7 | 997 612 770 00 | sender wire (pad wear indicator) | | 2 | TARGA-S |
| (7) | 997 612 680 00 | sender wire (pad wear indicator) | | 2 | CARRERA 4 |
| (7) | 997 612 677 00 | sender wire (pad wear indicator) | | 2 | TARGA |
| | | | | 2 | CARRERA 4-S |
| - | 999 507 464 40 | bracket for speed sensor | | 2 | TARGA-S |
| - | 944 612 627 00 | Line holder for Warning contact | | 3 | PR:450 |
| 8 | 999 067 053 09 | Socket head bolt M 12 X 1,5 X 85 | | 4 | CARRERA 4 |
| (8) | 999 067 050 09 | Socket head bolt M 12 X 1,5 X 77 | | 4 | TARGA |
| (8) | 999 067 053 09 | Socket head bolt m 12 x 1,5 x 85 | | 4 | CARRERA 4-S |
| | | | | 4 | TARGA-S |
| 10 | 997 351 961 00 | Connecting line | | 2 | PR:450 |
| (10) | 996 351 961 11 | Connecting line | left | 1 | CARRERA 4 |
| (10) | 996 351 962 11 | Connecting line | right | 1 | CARRERA 4-S |
| (10) | 996 351 961 30 | Connecting line | | 2 | CARRERA 4-S |
| 11 | 930 351 927 00 | dust cap Discontinued part | | 2 | PR:450 |
| 11 | 930 351 927 01 | dust cap | | 2 | |
| 12 | 930 351 919 00 | Breather valve | | 2 | |
| 13 | 996 351 915 01 | repair set Protection caps | | X | CARRERA 4 |
| | | | | X | TARGA |

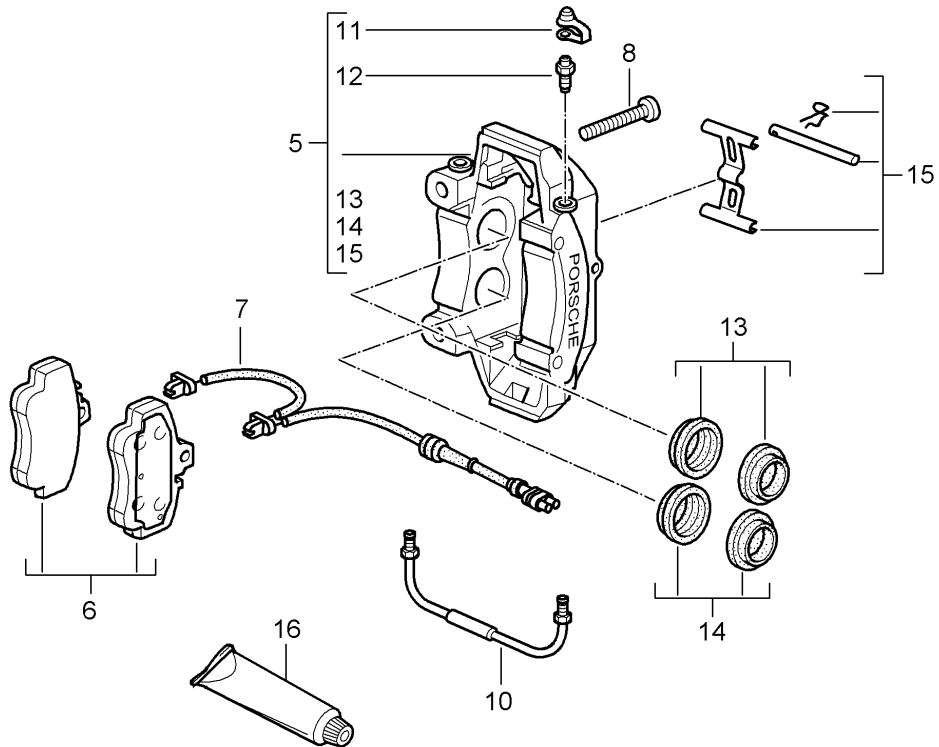
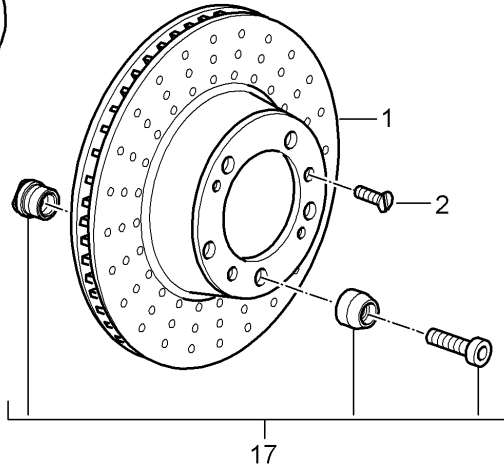
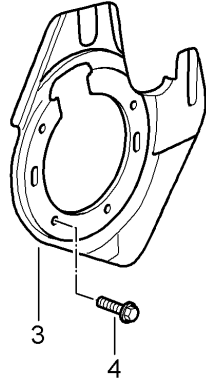
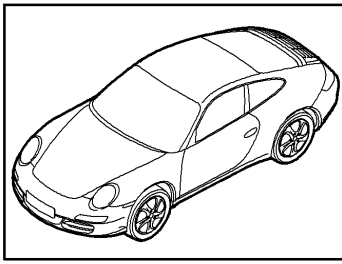
Model: 997-09

Model life 2009>>2012

| Pos | Part Number | Description | Remark | Qty | Model |
|------|----------------|---|--------|-------------|------------------------|
| (13) | 928 351 917 00 | 38 MM repair set Protection caps | | X X | CARRERA 4-S TARGA-S |
| (14) | 951 351 917 00 | 44 mm repair set Protection caps | | X X | CARRERA 4-S TARGA-S |
| - | 996 351 915 01 | 36 mm repair set Protection caps | | X | PR:450 |
| - | 996 351 915 00 | 38 MM repair set Protection caps | | X | PR:450 |
| - | 951 352 917 00 | 32 MM repair set Protection caps | | X | PR:450 |
| (15) | 997 351 959 00 | 28 MM Spring | | X X | CARRERA 4 TARGA |
| (15) | 996 351 959 11 | Repair set for front axle Fasteners Pin Cup expander spring Securing bars | | 1 1 1 | CARRERA 4-S TARGA-S |
| (15) | 996 351 959 30 | repair set Fasteners Pin Screw Cup expander spring | | 1 | PR:450 |
| 16 | 000 043 117 00 | brake cylinder paste 50 G | | X | |
| 16 | 000 043 020 00 | Assembly paste 100 G | | X | |

Model: 997-09

Model life 2009>>2012



Model: 997-09 Model life 2009>>2012

| Pos | Part Number | Description | Remark | Qty | Model |
|-----|----------------|--|----------------|-----|--------------------------------|
| - | | Disc brake Front axle Brake disc Only in pairs Replace Technical manual Attention | | | CARRERA GTS 4 GTS PR:450 |
| 1 | 996 351 409 04 | Brake disc | left front | 1 | |
| (1) | 996 351 409 05 | Brake disc | left front | 1 | PR:422 |
| | | also use: See technical manual | | | |
| | | Group: 46 50 19 | 997 341 901 00 | | |
| (1) | 997 351 031 00 | Brake disc Discontinued part | left front | 1 | PR:450 |
| (1) | 997 351 031 01 | Brake disc | left front | 1 | PR:450 |
| (1) | 996 351 410 04 | Brake disc | right front | 1 | |
| (1) | 996 351 410 05 | Brake disc | right front | 1 | PR:422 |
| | | also use: See technical manual | | | |
| | | Group: 46 50 19 | 997 341 901 00 | | |
| (1) | 997 351 032 00 | Brake disc Discontinued part | right front | 1 | PR:450 |
| (1) | 997 351 032 01 | Brake disc | right front | 1 | PR:450 |
| 2 | 900 269 047 01 | countersunk bolt M 6 X 12 | | 4 | |
| 3 | 997 351 805 04 | Cover plate | left | 1 | |
| (3) | 997 351 805 05 | Cover plate | left | 1 | PR:450 |
| (3) | 997 351 806 04 | Cover plate | right | 1 | |
| (3) | 997 351 806 05 | Cover plate | | 1 | PR:450 |
| 4 | 999 217 116 01 | Hexagon bolt M 6 x 16 | | X | |
| 5 | 996 351 429 10 | caliper without brake pads | left | 1 | |
| | | also use: | 999 067 050 09 | 2 | |
| (5) | 996 351 431 31 | caliper without brake pads | left | 1 | PR:450 |
| | | also use: | 999 067 053 09 | 2 | |
| (5) | 996 351 430 10 | caliper without brake pads | right | 1 | |
| | | also use: | 999 067 050 09 | 2 | |
| (5) | 996 351 432 31 | caliper without brake pads | right | 1 | PR:450 |
| | | also use: | 999 067 053 09 | 2 | |
| 6 | 997 351 949 02 | 1 set of brake pads for disk brake | front | 1 | |
| | | also use: | | | |
| (6) | 997 351 948 01 | Fasteners 1 set of brake pads for disk brake | front | 1 | PR:450 |
| | | also use: | | | |
| - | 996 351 089 01 | Fasteners Damping plate | | X | |
| 7 | 997 612 757 00 | sender wire (pad wear indicator) | left | 1 | |
| (7) | 997 612 678 00 | sender wire (pad wear indicator) | right | 1 | |
| (7) | 997 612 680 00 | sender wire (pad wear indicator) | | 1 | 4 GTS PR:019 |
| (7) | 997 612 675 01 | sender wire (pad wear indicator) | left | 1 | PR:450 |
| (7) | 997 612 679 00 | sender wire (pad wear indicator) | right | 1 | PR:450 |
| - | 999 507 464 40 | bracket for speed sensor | | 2 | |
| - | 944 612 627 00 | Line holder | | 3 | |

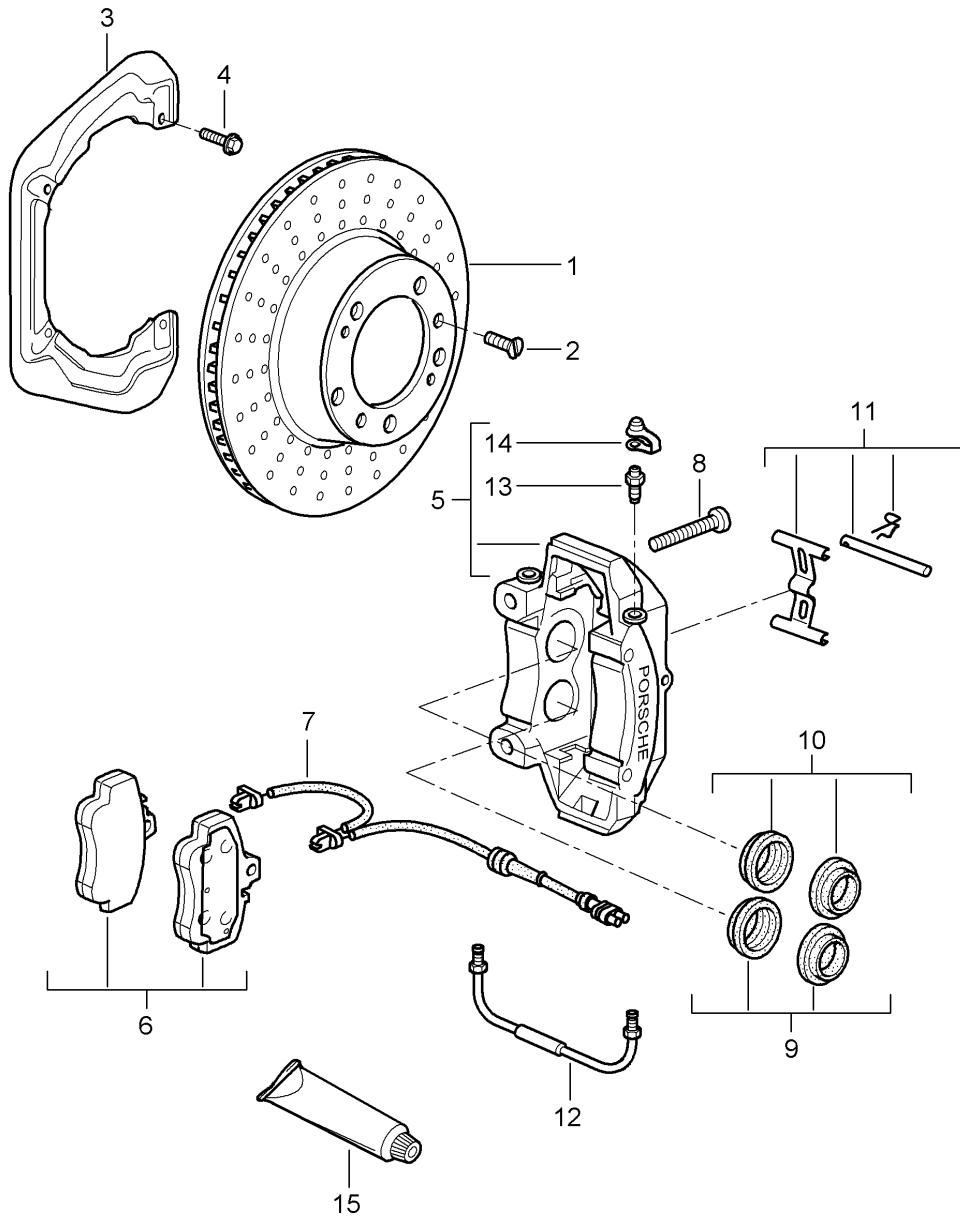
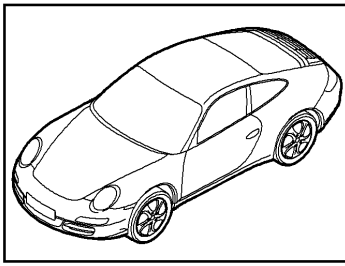
Model: 997-09

Model life 2009>>2012

| Pos | Part Number | Description | Remark | Qty | Model |
|------|----------------|---------------------------|--------|-----|--------|
| | | for | | | |
| 8 | 999 067 050 09 | Warning contact | | 4 | |
| | | Socket head bolt | | | |
| | | M 12 X 1,5 X 77 | | | |
| (8) | 999 067 053 09 | Socket head bolt | | 4 | PR:450 |
| | | m 12 x 1,5 x 85 | | | |
| 10 | 996 351 961 11 | Connecting line | left | 1 | |
| (10) | 996 351 962 11 | Connecting line | right | 1 | |
| (10) | 996 351 961 30 | Connecting line | | 2 | PR:450 |
| 11 | 930 351 927 00 | dust cap | | 2 | |
| | | Discontinued part | | | |
| 11 | 930 351 927 01 | dust cap | | 2 | |
| 12 | 930 351 919 00 | Breather valve | | 2 | |
| 13 | 928 351 917 00 | repair set | | X | |
| | | Protection caps | | | |
| | | 44 mm | | | |
| 14 | 951 351 917 00 | repair set | | X | |
| | | Protection caps | | | |
| | | 36 mm | | | |
| - | 996 351 915 01 | repair set | | X | PR:450 |
| | | Protection caps | | | |
| | | 38 MM | | | |
| - | 996 351 915 00 | repair set | | X | PR:450 |
| | | Protection caps | | | |
| | | 32 MM | | | |
| - | 951 352 917 00 | repair set | | X | PR:450 |
| | | Protection caps | | | |
| | | 28 MM | | | |
| - | 996 351 915 01 | repair set | | X | PR:450 |
| | | Protection caps | | | |
| | | 38 MM | | | |
| 15 | 996 351 959 11 | Repair set for front axle | | 1 | |
| | | Fasteners | | | |
| | | Pin | | | |
| | | Cup expander spring | | | |
| | | Securing bars | | | |
| (15) | 996 351 959 30 | repair set | | 1 | PR:450 |
| | | Fasteners | | | |
| | | Pin | | | |
| | | Screw | | | |
| | | Cup expander spring | | | |
| 16 | 000 043 117 00 | brake cylinder paste | | X | |
| | | 50 G | | | |
| 16 | 000 043 020 00 | Assembly paste | | X | |
| | | 100 G | | | |
| 17 | 997 341 901 00 | Assembly kit | | 2 | PR:422 |
| | | comprising: | | | |
| | | Driving pin | | 5 | |
| | | Sleeve | | 5 | |
| | | Fastening screw | | 5 | |
| | | See technical manual | | | |
| | | 46 50 19 | | | |

Model: 997-09

Model life 2009>>2012



Model: 997-09 Model life 2009>>2012

| Pos | Part Number | Description | Remark | Qty | Model |
|-----|----------------|---|------------|-----|---|
| - | | Disc brake Rear axle Brake disc Only in pairs Replace Technical manual Attention | | | CARRERA 2 CARRERA 2-S SportClassik SPEEDSTER BlackEdition PR:450 |
| 1 | 996 352 405 01 | Brake disc D >> - MJ 2010 | left rear | 1 | |
| 1 | 996 352 405 02 | Brake disc D - MJ 2011>> | left rear | 1 | |
| (1) | 997 352 031 00 | Brake disc Discontinued part | left rear | 1 | PR:450 |
| (1) | 997 352 031 01 | Brake disc Discontinued part | left rear | 1 | PR:450 |
| (1) | 298 615 601 | Brake disc Discontinued part | left rear | 1 | PR:450 |
| (1) | 298 615 601 C | Brake disc | left rear | 1 | PR:450 |
| (1) | 997 352 031 00 | Brake disc Discontinued part | left rear | 1 | PR:756 |
| (1) | 997 352 031 01 | Brake disc Discontinued part | left rear | 1 | PR:756 |
| (1) | 298 615 601 | Brake disc Discontinued part | left rear | 1 | PR:756 |
| (1) | 298 615 601 C | Brake disc | left rear | 1 | PR:756 |
| (1) | 997 352 031 00 | Brake disc Discontinued part | left rear | 1 | SPEEDSTER PR:503 |
| (1) | 997 352 031 01 | Brake disc Discontinued part | left rear | 1 | SPEEDSTER PR:503 |
| (1) | 298 615 601 | Brake disc Discontinued part | left rear | 1 | SPEEDSTER PR:503 |
| (1) | 298 615 601 C | Brake disc | left rear | 1 | SPEEDSTER PR:503 |
| (1) | 996 352 406 01 | Brake disc D >> - MJ 2010 | right rear | 1 | |
| (1) | 996 352 406 02 | Brake disc D - MJ 2011>> | right rear | 1 | |
| (1) | 997 352 032 00 | Brake disc Discontinued part | right rear | 1 | PR:450 |
| (1) | 997 352 032 01 | Brake disc Discontinued part | right rear | 1 | PR:450 |
| (1) | 298 615 602 | Brake disc Discontinued part | right rear | 1 | PR:450 |
| (1) | 298 615 602 C | Brake disc | right rear | 1 | PR:450 |
| (1) | 997 352 032 00 | Brake disc Discontinued part | right rear | 1 | PR:756 |
| (1) | 997 352 032 01 | Brake disc Discontinued part | right rear | 1 | PR:756 |
| (1) | 298 615 602 | Brake disc Discontinued part | right rear | 1 | PR:756 |
| (1) | 298 615 602 C | Brake disc | right rear | 1 | PR:756 |
| (1) | 997 352 032 00 | Brake disc Discontinued part | right rear | 1 | SPEEDSTER PR:503 |
| (1) | 997 352 032 01 | Brake disc Discontinued part | right rear | 1 | SPEEDSTER PR:503 |
| (1) | 298 615 602 | Brake disc Discontinued part | right rear | 1 | SPEEDSTER PR:503 |
| (1) | 298 615 602 C | Brake disc | right rear | 1 | SPEEDSTER PR:503 |

Model: 997-09

Model life 2009>>2012

| Pos | Part Number | Description | Remark | Qty | Model |
|-----|----------------|---------------------------------------|----------------|-----|------------------------------------|
| 2 | 900 269 047 01 | countersunk bolt M 6 X 12 | | 4 | |
| (2) | 900 269 106 01 | countersunk bolt M 6 x 16 | | 4 | PR:XRP CARRERA 2 CARRERA 2-S |
| 3 | 996 352 801 03 | Cover plate | | 2 | |
| (3) | 997 352 801 02 | Cover plate | left | 1 | PR:450 |
| (3) | 997 352 801 02 | Cover plate | left | 1 | PR:756 |
| (3) | 997 352 801 02 | Cover plate | left | 1 | SPEEDSTER PR:503 |
| (3) | 997 352 802 02 | Cover plate | right | 1 | PR:450 |
| (3) | 997 352 802 02 | Cover plate | right | 1 | PR:756 |
| (3) | 997 352 802 02 | Cover plate | right | 1 | SPEEDSTER PR:503 |
| 4 | 999 217 116 01 | Hexagon bolt M 6 x 16 | | X | |
| 5 | 997 352 421 0B | caliper without brake pads | left | 1 | CARRERA 2 |
| | | also use: | 999 067 053 09 | 2 | |
| (5) | 996 352 425 60 | caliper without brake pads | left | 1 | CARRERA 2-S |
| | | also use: | 999 067 050 09 | 2 | |
| (5) | 996 352 423 31 | caliper without brake pads | left | 1 | PR:450 |
| | | also use: | 999 067 053 09 | 2 | |
| (5) | 996 352 423 31 | caliper without brake pads | left | 1 | PR:756 |
| | | also use: | 999 067 053 09 | 2 | |
| (5) | 996 352 423 31 | caliper without brake pads | left | 1 | SPEEDSTER PR:503 |
| | | also use: | 999 067 053 09 | 2 | |
| (5) | 997 352 422 0B | caliper without brake pads | right | 1 | CARRERA 2 |
| | | also use: | 999 067 053 09 | 2 | |
| (5) | 996 352 426 60 | caliper without brake pads | right | 1 | CARRERA 2-S |
| | | also use: | 999 067 050 09 | 2 | |
| (5) | 996 352 424 31 | caliper without brake pads | right | 1 | PR:450 |
| | | also use: | 999 067 053 09 | 2 | |
| (5) | 996 352 424 31 | caliper without brake pads | right | 1 | PR:756 |
| | | also use: | 999 067 053 09 | 2 | |
| (5) | 996 352 424 31 | caliper without brake pads | right | 1 | SPEEDSTER PR:503 |
| | | also use: | 999 067 053 09 | 2 | |
| 6 | 997 352 949 03 | 1 set of brake pads for disk brake | rear | 1 | CARRERA 2 |
| | | also use: | 999 067 053 09 | 4 | |
| (6) | 997 351 939 05 | 1 set of brake pads for disk brake | rear | 1 | CARRERA 2-S |
| | | also use: | | | |
| (6) | 997 352 948 00 | 1 set of brake pads for disk brake | rear | 1 | PR:450 |
| | | also use: | | | |
| (6) | 997 352 948 00 | 1 set of brake pads for disk brake | rear | 1 | PR:756 |
| | | also use: | 999 067 053 09 | 4 | |
| (6) | 997 352 948 00 | 1 set of brake pads for disk brake | rear | 1 | SPEEDSTER |
| | | also use: | 999 067 053 09 | 4 | PR:503 |
| - | 996 352 086 00 | Damping plate 30 mm | | X | CARRERA 2-S |
| - | 996 352 086 02 | Damping plate 28 MM | | X | CARRERA 2-S |
| 7 | 997 612 754 00 | sender wire (pad wear indicator) | | 2 | CARRERA 2 |
| (7) | 997 612 676 01 | sender wire | | 2 | CARRERA 2-S |

Model: 997-09

Model life 2009>>2012

| Pos | Part Number | Description | Remark | Qty | Model |
|------|----------------|---|--------|-----|---------------------|
| (7) | 997 612 676 01 | (pad wear indicator) sender wire | | 2 | PR:450 |
| (7) | 997 612 676 01 | (pad wear indicator) sender wire | | 2 | PR:756 |
| (7) | 997 612 676 01 | (pad wear indicator) sender wire | | 2 | SPEEDSTER PR:503 |
| - | 999 507 464 40 | bracket for speed sensor Warning contact | | 2 | |
| 8 | 999 067 053 09 | Socket head bolt M 12 X 1,5 X 85 | | 4 | CARRERA 2 |
| (8) | 999 067 050 09 | Socket head bolt m 12 x 1,5 x 77 | | 4 | CARRERA 2-S |
| (8) | 999 067 053 09 | Socket head bolt M 12 X 1,5 X 85 | | 4 | PR:450 |
| (8) | 999 067 053 09 | Socket head bolt M 12 X 1,5 X 85 | | 4 | PR:756 |
| (8) | 999 067 053 09 | Socket head bolt M 12 X 1,5 X 85 | | 4 | SPEEDSTER PR:503 |
| 9 | 965 352 917 00 | Repair set for rear axle | | 4 | CARRERA 2 |
| (9) | 951 352 917 01 | Protection caps repair set | | 2 | CARRERA 2 |
| | | Protection caps 30 MM | | 2 | CARRERA 2-S |
| 10 | 951 352 917 00 | repair set | | 2 | CARRERA 2 |
| | | Protection caps 28 MM | | 2 | CARRERA 2-S |
| (10) | 951 352 917 00 | repair set | | X | PR:450 |
| | | Protection caps 28 MM | | | |
| (10) | 951 352 917 00 | repair set | | X | PR:756 |
| | | Protection caps 28 MM | | | |
| (10) | 951 352 917 00 | repair set | | X | SPEEDSTER PR:503 |
| | | Protection caps 28 MM | | | |
| 11 | 997 352 959 10 | Spring | | 2 | CARRERA 2 |
| (11) | 955 352 960 00 | Repair set for rear axle | | 1 | CARRERA 2-S |
| (11) | 996 351 959 01 | repair set | | 1 | PR:450 |
| | | Fasteners | | | |
| | | Pin | | 2 | |
| | | Cup expander spring | | 2 | |
| | | Securing bars | | 2 | |
| (11) | 996 351 959 01 | repair set | | 1 | PR:756 |
| | | Fasteners | | | |
| | | Pin | | 2 | |
| | | Cup expander spring | | 2 | |
| | | Securing bars | | 2 | |
| (11) | 996 351 959 01 | repair set | | 1 | SPEEDSTER PR:503 |
| | | Fasteners | | | |
| | | Pin | | 2 | |
| | | Cup expander spring | | 2 | |
| | | Securing bars | | 2 | |
| (12) | 996 351 962 00 | Connecting line | left | 1 | CARRERA 2-S |
| (12) | 996 351 961 00 | Connecting line | right | 1 | CARRERA 2-S |
| (12) | 996 352 961 30 | Connecting line | left | 1 | PR:450 |
| (12) | 996 352 961 30 | Connecting line | left | 1 | PR:756 |
| (12) | 996 352 961 30 | Connecting line | left | 1 | SPEEDSTER PR:503 |
| (12) | 996 352 961 30 | Connecting line | right | 1 | PR:450 |
| (12) | 996 352 961 30 | Connecting line | right | 1 | PR:756 |

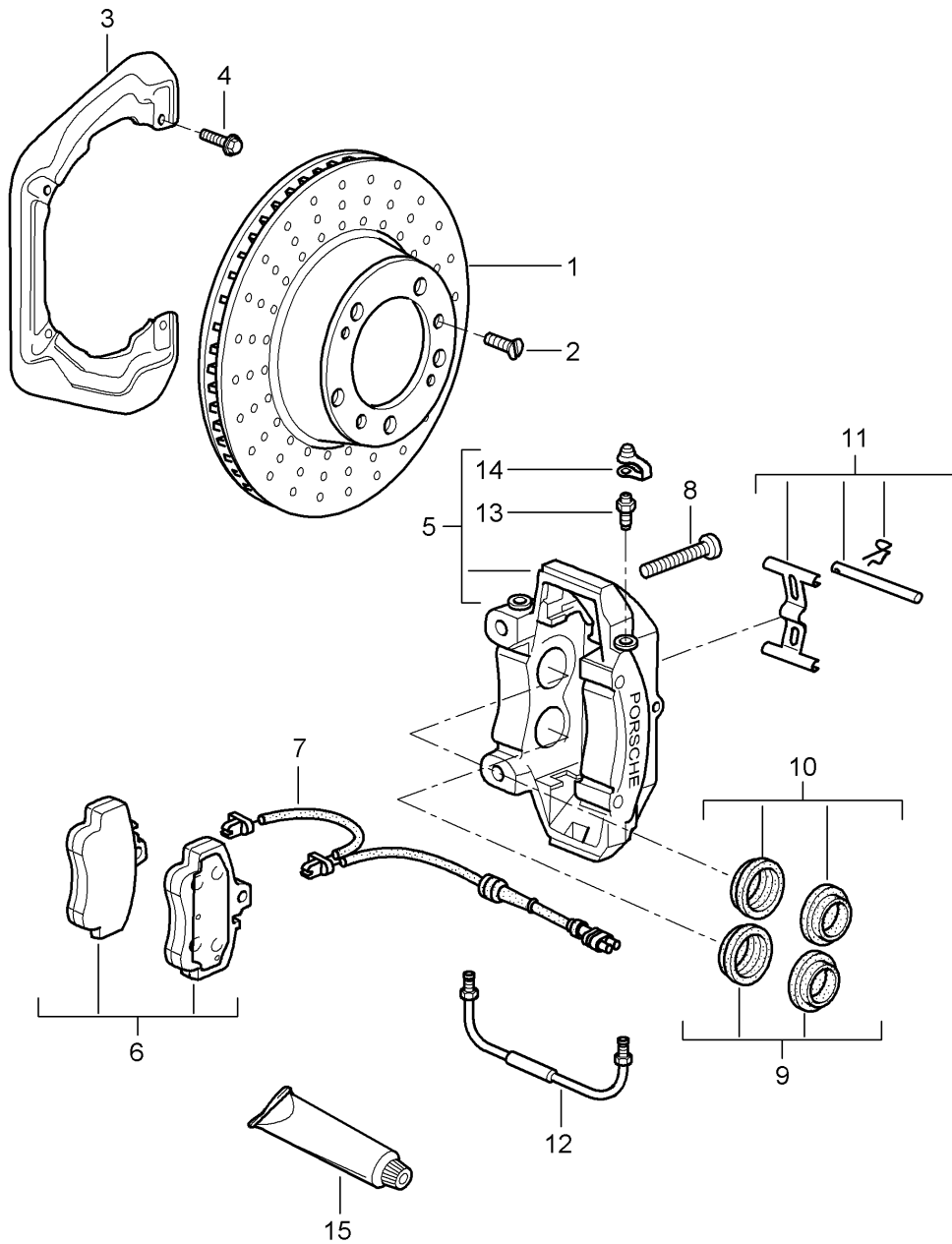
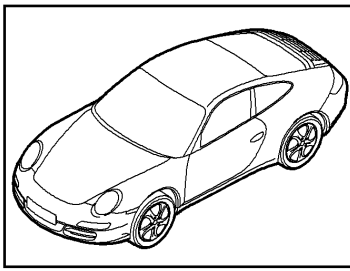
Model: 997-09

Model life 2009>>2012

| Pos | Part Number | Description | Remark | Qty | Model |
|------|----------------|----------------------|--------|-----|---------------------|
| (12) | 996 352 961 30 | Connecting line | right | 1 | SPEEDSTER PR:503 |
| 13 | 930 351 919 01 | Breather valve | | 4 | |
| 14 | 930 351 927 00 | dust cap | | 4 | |
| | | Discontinued part | | | |
| 14 | 930 351 927 01 | dust cap | | 4 | |
| 15 | 000 043 117 00 | brake cylinder paste | | X | |
| | | 50 G | | | |
| (15) | 000 043 020 00 | Assembly paste | | X | |
| | | 100 G | | | |

Model: 997-09

Model life 2009>>2012



Model: 997-09 Model life 2009>>2012

| Pos | Part Number | Description | Remark | Qty | Model |
|-----|----------------|--|-----------------------------|-------------|--|
| - | | Disc brake Rear axle | | | CARRERA 4 CARRERA 4-S TARGA TARGA-S PR:450 |
| | | Brake disc Only in pairs Replace Technical manual Attention | | | |
| (1) | 996 352 405 01 | Brake disc D >> - MJ 2010 | left rear | 1 | |
| (1) | 996 352 405 02 | Brake disc D - MJ 2011>> | left rear | 1 | |
| (1) | 997 352 031 00 | Brake disc Discontinued part | left rear | 1 | PR:450 |
| (1) | 997 352 031 01 | Brake disc Discontinued part | left rear | 1 | PR:450 |
| (1) | 298 615 601 | Brake disc Discontinued part | left rear | 1 | PR:450 |
| (1) | 298 615 601 C | Brake disc | left rear | 1 | PR:450 |
| (1) | 996 352 406 01 | Brake disc D >> - MJ 2010 | right rear | 1 | |
| (1) | 996 352 406 02 | Brake disc D - MJ 2011>> | right rear | 1 | |
| (1) | 997 352 032 00 | Brake disc Discontinued part | right rear | 1 | PR:450 |
| (1) | 997 352 032 01 | Brake disc Discontinued part | right rear | 1 | PR:450 |
| (1) | 298 615 602 | Brake disc Discontinued part | right rear | 1 | PR:450 |
| (1) | 298 615 602 C | Brake disc | right rear | 1 | PR:450 |
| 2 | 900 269 047 01 | countersunk bolt M 6 X 12 | | 4 | CARRERA 4 |
| (2) | 900 269 106 01 | countersunk bolt M 6 x 16 | | 4 | CARRERA 4-S PR:XRP TARGA TARGA-S |
| 3 | 996 352 801 03 | Cover plate | | 2 | |
| (3) | 997 352 801 02 | Cover plate | left | 1 | PR:450 |
| (3) | 997 352 802 02 | Cover plate | right | 1 | PR:450 |
| 4 | 999 217 116 01 | Hexagon bolt M 6 x 16 | | X | |
| 5 | 997 352 421 0B | caliper without brake pads without pad | left left | 1 1 | CARRERA 4 TARGA |
| (5) | 996 352 425 60 | caliper without brake pads without pad | also use: left left | 2 1 1 | 999 067 053 09 CARRERA 4-S TARGA-S |
| (5) | 996 352 423 31 | caliper without brake pads | also use: left | 2 1 | 999 067 050 09 PR:450 |
| (5) | 997 352 422 0B | caliper without brake pads without pad | also use: right right | 2 1 1 | 999 067 053 09 CARRERA 4 TARGA |
| (5) | 996 352 426 60 | caliper without brake pads without pad | also use: right right | 2 1 1 | 999 067 053 09 CARRERA 4-S TARGA-S |
| (5) | 996 352 424 31 | caliper without brake pads | also use: right | 2 1 | 999 067 050 09 PR:450 |
| 6 | 997 352 949 03 | 1 set of brake pads for disk brake | also use: rear | 1 1 | 999 067 053 09 CARRERA 4 TARGA |
| (6) | 997 351 939 05 | 1 set of brake pads for | also use: rear | 1 4 | 999 067 053 09 CARRERA 4-S |

Model: 997-09 Model life 2009>>2012

| Pos | Part Number | Description | Remark | Qty | Model |
|------|----------------|--|--------|-----|-------------|
| | | disk brake | | 1 | TARGA-S |
| | | also use: | | | |
| (6) | 997 352 948 00 | Fasteners 1 set of brake pads for disk brake | rear | 1 | PR:450 |
| | | also use: | | | |
| - | 996 352 086 00 | Damping plate 30 MM | | X | CARRERA 4 |
| | | | | X | CARRERA 4-S |
| | | | | X | TARGA |
| | | | | X | TARGA-S |
| - | 996 352 086 02 | Damping plate 28 MM | | X | CARRERA 4 |
| | | | | X | CARRERA 4-S |
| | | | | X | TARGA |
| | | | | X | TARGA-S |
| (7) | 997 612 754 00 | sender wire (pad wear indicator) | | 2 | |
| 7 | 997 612 676 01 | sender wire (pad wear indicator) | | 2 | PR:450 |
| (8) | 999 067 053 09 | Socket head bolt m 12 x 1,5 x 85 | | 4 | CARRERA 4 |
| (8) | 999 067 050 09 | Socket head bolt M 12 X 1,5 X 77 | | 4 | TARGA |
| (8) | 999 067 053 09 | Socket head bolt m 12 x 1,5 x 85 | | 4 | CARRERA 4-S |
| (8) | 999 067 053 09 | Socket head bolt m 12 x 1,5 x 85 | | 4 | TARGA-S |
| (8) | 965 352 917 00 | Repair set for rear axle | | 4 | PR:450 |
| | | | | | CARRERA-4 |
| | | | | | TARGA |
| 9 | 951 352 917 01 | Protection caps repair set | | 2 | CARRERA 4-S |
| | | Protection caps 30 MM | | 2 | TARGA-S |
| 10 | 951 352 917 00 | repair set | | 2 | CARRERA 4-S |
| | | Protection caps 28 MM | | 2 | TARGA-S |
| (10) | 951 352 917 00 | repair set | | X | PR:450 |
| | | Protection caps 28 MM | | | |
| (11) | 997 352 959 10 | Spring | | 2 | CARRERA 4 |
| | | | | | TARGA |
| (11) | 955 352 960 00 | Repair set for rear axle | | 1 | CARRERA 4-S |
| | | | | 1 | TARGA-S |
| | | Fasteners | | 2 | |
| | | Pin | | 2 | |
| | | Cup expander spring | | 2 | |
| (11) | 996 351 959 01 | Securing bars repair set | | 1 | PR:450 |
| | | Fasteners | | | |
| | | Pin | | 2 | |
| | | Cup expander spring | | 2 | |
| | | Securing bars | | 2 | |
| (12) | 996 351 962 00 | Connecting line | left | 1 | CARRERA 4-S |
| | | | left | 1 | TARGA-S |
| (12) | 996 351 961 00 | Connecting line | right | 1 | CARRERA 4-S |
| | | | right | 1 | TARGA-S |
| (12) | 996 352 961 30 | Connecting line | left | 1 | PR:450 |
| (12) | 996 352 961 30 | Connecting line | right | 1 | PR:450 |
| 13 | 930 351 919 01 | Breather valve | | 4 | |
| 14 | 930 351 927 00 | dust cap | | 4 | |
| | | Discontinued part | | | |
| 14 | 930 351 927 01 | dust cap | | 4 | |
| 15 | 000 043 117 00 | brake cylinder paste 50 G | | X | |

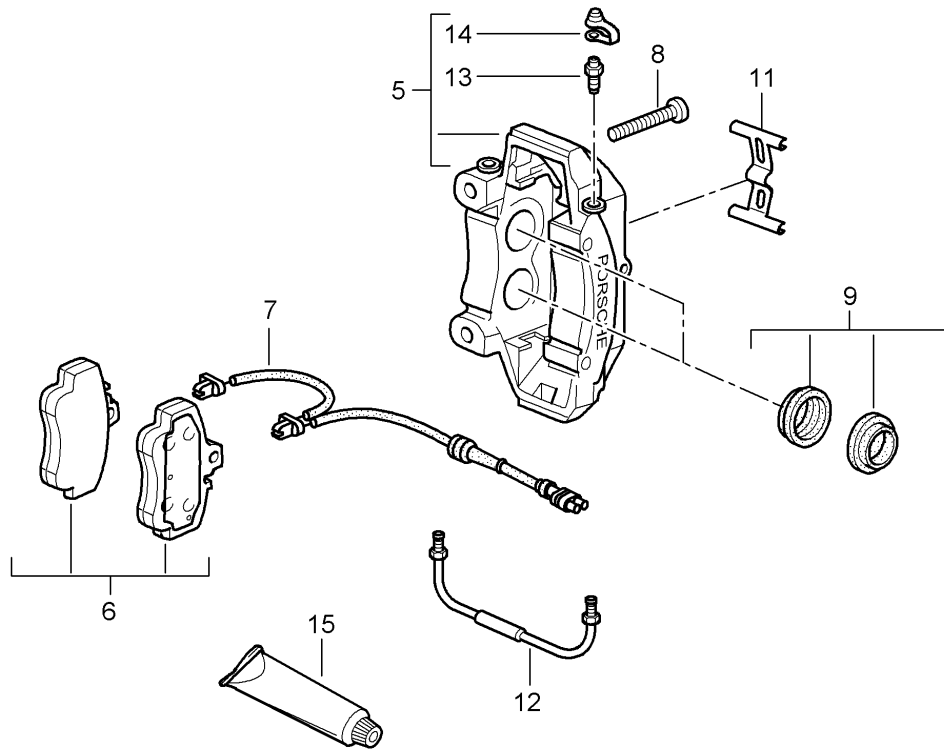
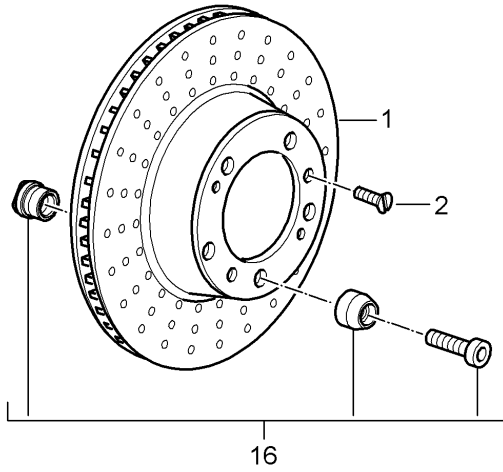
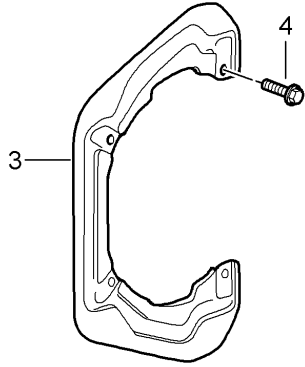
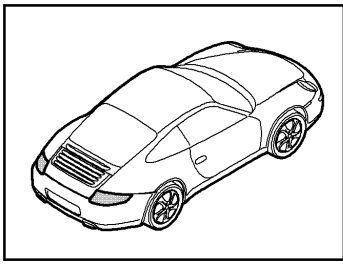
Model: 997-09

Model life 2009>>2012

| Pos | Part Number | Description | Remark | Qty | Model |
|------|----------------|-------------------------|--------|-----|-------|
| (15) | 000 043 020 00 | Assembly paste 100 G | | X | |

Model: 997-09

Model life 2009>>2012



Model: 997-09

Model life 2009>>2012

| Pos | Part Number | Description | Remark | Qty | Model |
|-----|----------------|---|----------------|-----|-----------------------|
| - | | Disc brake Rear axle Brake disc Only in pairs Replace Technical manual Attention | | | CARRERA GTS PR:450 |
| 1 | 996 352 405 02 | Brake disc | left rear | 1 | |
| (1) | 996 352 405 03 | Brake disc | left rear | 1 | PR:422 |
| | | also use: See technical manual | | | |
| | | Group: 46 51 19 | 997 341 901 00 | X | |
| (1) | 997 352 031 00 | Brake disc | left rear | 1 | PR:450 |
| (1) | 997 352 031 01 | Discontinued part Brake disc | left rear | 1 | PR:450 |
| (1) | 298 615 601 | Discontinued part Brake disc | left rear | 1 | PR:450 |
| (1) | 298 615 601 C | Discontinued part Brake disc | left rear | 1 | PR:450 |
| (1) | 996 352 406 02 | Brake disc | right rear | 1 | |
| (1) | 996 352 406 03 | Brake disc | right rear | 1 | PR:422 |
| | | also use: See technical manual | | | |
| | | Group: 46 51 19 | 997 341 901 00 | X | |
| (1) | 997 352 032 00 | Brake disc | right rear | 1 | PR:450 |
| (1) | 997 352 032 01 | Discontinued part Brake disc | right rear | 1 | PR:450 |
| (1) | 298 615 602 | Discontinued part Brake disc | right rear | 1 | PR:450 |
| (1) | 298 615 602 C | Discontinued part Brake disc | right rear | 1 | PR:450 |
| 2 | 900 269 047 01 | countersunk bolt M 6 X 12 | | 4 | |
| 3 | 996 352 801 03 | Cover plate | | 2 | PR:-450 |
| (3) | 997 352 801 02 | Cover plate | left | 1 | PR:450 |
| (3) | 997 352 802 02 | Cover plate | right | 1 | PR:450 |
| 4 | 999 217 116 01 | Hexagon bolt M 6 x 16 | | X | |
| 5 | 996 352 425 60 | caliper without brake pads | left | 1 | PR:-450 |
| (5) | 996 352 423 31 | caliper without brake pads | left | 1 | PR:450 |
| (5) | 996 352 426 60 | caliper without brake pads | right | 1 | PR:-450 |
| (5) | 996 352 424 31 | caliper without brake pads | right | 1 | PR:450 |
| 6 | 997 351 939 05 | 1 set of brake pads for disk brake | rear | 1 | PR:-450 |
| (6) | 997 352 948 00 | 1 set of brake pads for disk brake | rear | 1 | PR:450 |
| - | 996 352 086 00 | Damping plate 30 mm | | X | |
| - | 996 352 086 02 | Damping plate 28 MM | | X | |
| 7 | 997 612 676 01 | sender wire (pad wear indicator) | | 2 | PR:-450 |
| (7) | 997 612 676 01 | sender wire (pad wear indicator) | | 2 | PR:450 |

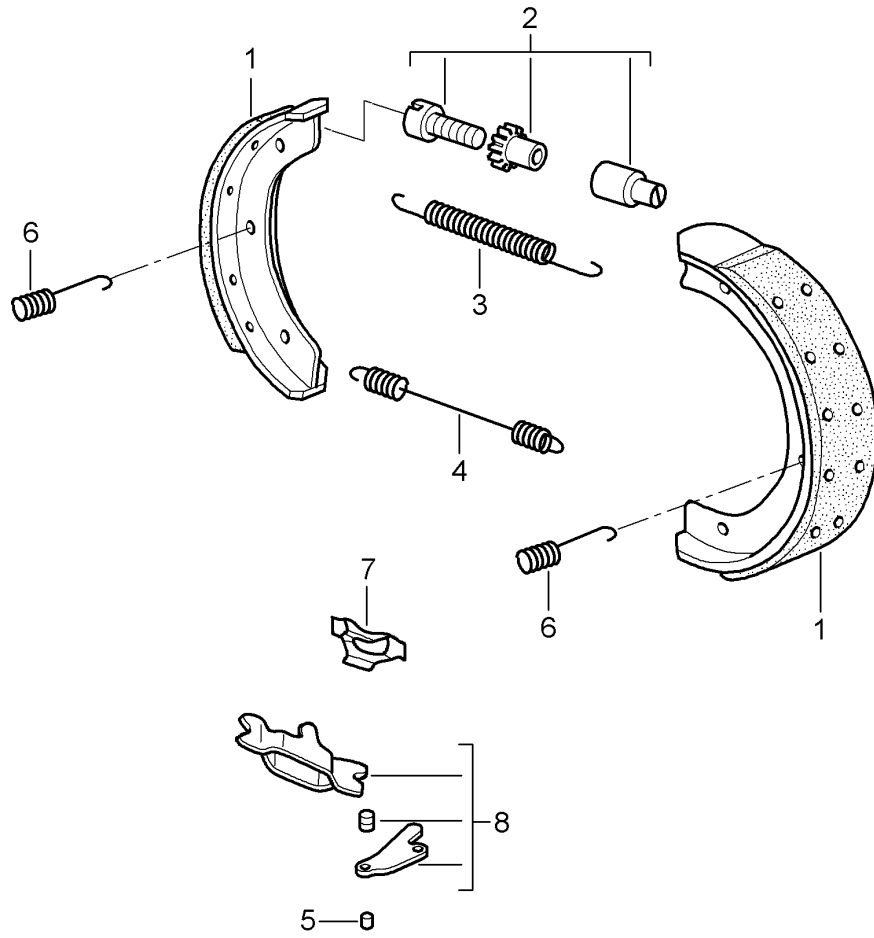
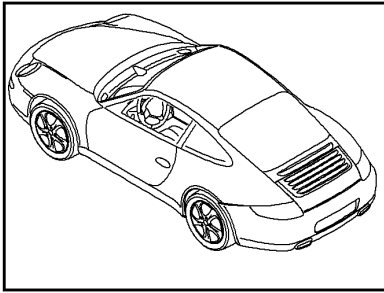
Model: 997-09

Model life 2009>>2012

| Pos | Part Number | Description | Remark | Qty | Model |
|------|----------------|---|--------|------------------|---------|
| 8 | 999 067 050 09 | Socket head bolt M 12 X 1,5 X 77 | | 4 | PR:-450 |
| (8) | 999 067 053 09 | Socket head bolt M 12 X 1,5 X 85 | | 4 | PR:450 |
| 9 | 951 352 917 01 | repair set Protection caps 30 MM | | 2 2 | |
| 10 | 951 352 917 00 | repair set Protection caps 28 MM | | 2 2 | PR:-450 |
| (10) | 951 352 917 00 | repair set Protection caps 28 MM | | X | PR:450 |
| 11 | 955 352 960 00 | Repair set for rear axle | | 1 | PR:-450 |
| (11) | 996 351 959 01 | repair set Fasteners Pin Cup expander spring Securing bars | | 1 2 2 2 | PR:450 |
| 12 | 996 351 962 00 | Connecting line | left | 1 | PR:-450 |
| (12) | 996 351 961 00 | Connecting line | right | 1 | PR:-450 |
| (12) | 996 352 961 30 | Connecting line | left | 1 | PR:450 |
| (12) | 996 352 961 30 | Connecting line | right | 1 | PR:450 |
| 13 | 930 351 919 01 | Breather valve | | 4 | |
| 14 | 930 351 927 00 | dust cap Discontinued part | | 4 4 | |
| 14 | 930 351 927 01 | dust cap | | 4 | |
| 15 | 000 043 117 00 | brake cylinder paste 50 G | | X | |
| (15) | 000 043 020 00 | Assembly paste 100 G | | X | |
| 16 | 997 341 901 00 | Assembly kit comprising: Driving pin Sleeve Fastening screw See technical manual 46 51 19 | | 2 5 5 5 | |

Model: 997-09

Model life 2009>>2012



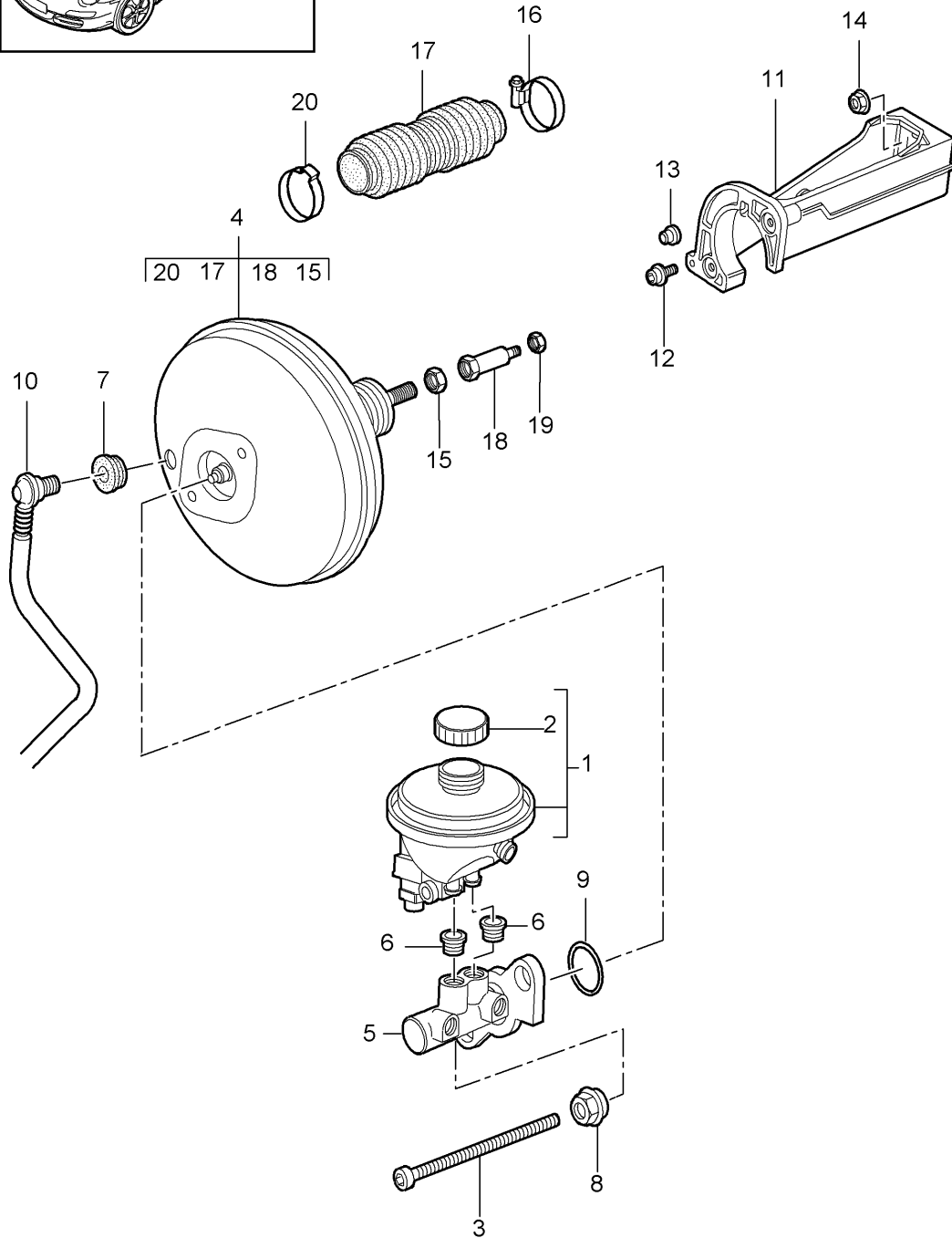
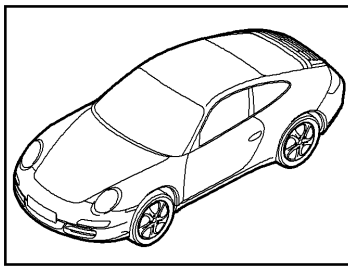
Model: 997-09

Model life 2009>>2012

| Pos | Part Number | Description | Remark | Qty | Model |
|-----|----------------|--|--------|-----|-------|
| 1 | 997 352 993 02 | handbrake Brake shoe 1 set | | 1 | |
| 2 | 993 352 071 00 | adjustment screw Discontinued part | | 2 | |
| (2) | 298 609 723 | adjustment screw | | 2 | |
| 3 | 997 352 721 01 | tension spring Short Discontinued part | | 2 | |
| (3) | 298 609 717 | tension spring Short | | 2 | |
| 4 | 997 352 723 02 | tension spring Long | | 2 | |
| 5 | 993 352 737 00 | Pin | | 2 | |
| 6 | 997 352 741 02 | Pressure spring Discontinued part | | 4 | |
| (6) | 298 609 583 | Pressure spring | | 4 | |
| 7 | 997 352 807 00 | Support panel | | 2 | |
| 8 | 928 352 090 01 | Push-button lock (complete) | | 2 | |

Model: 997-09

Model life 2009>>2012



Model: 997-09 Model life 2009>>2012

| Pos | Part Number | Description | Remark | Qty | Model |
|-----|----------------|-------------------------------------|----------|-----|-------------|
| - | 000 043 210 82 | Brake master cylinder | | | |
| - | 000 043 210 86 | Brake servo | | | |
| - | 000 043 210 86 | brake fluid | 1.0 Ltr. | X | |
| - | 000 043 210 86 | brake fluid | 30ltr. | X | |
| 1 | 997 355 013 01 | Reservoir for brake fluid | | 1 | PR:480 |
| (1) | 997 355 013 21 | Reservoir for brake fluid | | 1 | PR:250 |
| 2 | 996 355 119 01 | catch | | 1 | |
| - | 997 355 125 00 | contact carrier for container | | 1 | |
| 3 | 999 073 124 09 | Socket head bolt M 8 X 154 X 80 | | 2 | CARRERA 2 |
| | | Discontinued part | | 2 | CARRERA 2-S |
| (3) | 999 073 124 02 | Socket head bolt M 8 X 154 X 80 | | 2 | CARRERA 2 |
| | | Discontinued part | | 2 | CARRERA 2-S |
| (3) | 999 073 615 01 | Socket head bolt M 8 X 154 X 80 | | 2 | CARRERA 2 |
| | | Discontinued part | | 2 | CARRERA 2-S |
| (3) | 999 073 124 09 | Socket head bolt M 8 X 154 X 80 | | 2 | PR:756 |
| | | Discontinued part | | 2 | |
| (3) | 999 073 124 02 | Socket head bolt M 8 X 154 X 80 | | 2 | PR:756 |
| | | Discontinued part | | 2 | |
| (3) | 999 073 615 01 | Socket head bolt M 8 X 154 X 80 | | 2 | PR:756 |
| | | Discontinued part | | 2 | |
| 3 | 999 073 124 09 | Socket head bolt M 8 X 154 X 80 | | 2 | SPEEDSTER |
| | | Discontinued part | | 2 | PR:503 |
| (3) | 999 073 124 02 | Socket head bolt M 8 X 154 X 80 | | 2 | SPEEDSTER |
| | | Discontinued part | | 2 | PR:503 |
| (3) | 999 073 615 01 | Socket head bolt M 8 X 154 X 80 | | 2 | SPEEDSTER |
| | | Discontinued part | | 2 | PR:503 |
| (3) | 999 073 327 09 | Socket head bolt M 8 X 197 X 29 | | 2 | CARRERA 4 |
| | | Discontinued part | | 2 | CARRERA 4-S |
| | | Discontinued part | | 2 | TARGA |
| | | Discontinued part | | 2 | TARGA-S |
| (3) | 999 073 327 09 | Socket head bolt M 8 X 197 X 29 | | 2 | CARRERA GTS |
| | | Discontinued part | | 2 | PR:011 |
| 4 | 997 355 923 00 | Brake servo | | 1 | CARRERA 2 |
| | | Discontinued part | | 1 | CARRERA 2-S |
| 4 | 997 355 923 00 | Brake servo | | 1 | PR:756 |
| 4 | 997 355 923 00 | Brake servo | | 1 | SPEEDSTER |
| | | Discontinued part | | 1 | PR:503 |
| (4) | 997 355 923 20 | Brake servo | | 1 | CARRERA 4 |
| | | Discontinued part | | 1 | TARGA |
| (4) | 997 355 925 37 | Brake servo | | 1 | PR:450 |
| | | Discontinued part | | 1 | CARRERA 4 |
| (4) | 997 355 925 37 | Brake servo | | 1 | CARRERA 4-S |
| (4) | 997 355 925 37 | Brake servo | | 1 | PR:450 |
| | | Discontinued part | | 1 | TARGA |
| (4) | 997 355 925 37 | Brake servo | | 1 | TARGA-S |
| 4 | 997 355 923 20 | Brake servo | | 1 | CARRERA GTS |
| | | Discontinued part | | 1 | PR:011 |
| 4 | 997 355 925 37 | Brake servo | | 1 | CARRERA GTS |
| | | Discontinued part | | 1 | PR:011,450 |
| (4) | 997 355 923 20 | Brake servo | | 1 | 4 GTS_ |
| | | Discontinued part | | 1 | PR:019 |
| (4) | 997 355 925 37 | Brake servo | | 1 | 4 GTS |
| | | Discontinued part | | 1 | PR:019,450 |

Model: 997-09 Model life 2009>>2012

| Pos | Part Number | Description | Remark | Qty | Model |
|------|----------------|--------------------------------------|--------|-----|--|
| - | 996 355 137 01 | catch Threaded joint | | 1 | |
| 5 | 997 355 910 10 | Brake servo Brake master cylinder | | 1 | CARRERA 2 |
| (5) | 997 355 910 10 | Brake master cylinder | | 1 | CARRERA 2-S |
| (5) | 997 355 910 10 | Brake master cylinder | | 1 | CARRERA 2-S PR:450 |
| (5) | 997 355 910 10 | Brake master cylinder | | 1 | PR:756 |
| (5) | 997 355 910 10 | Brake master cylinder | | 1 | SPEEDSTER PR:503 |
| (5) | 997 355 910 10 | Brake master cylinder | | 1 | CARRERA 4 |
| (5) | 997 355 910 30 | Brake master cylinder | | 1 | TARGA |
| (5) | 997 355 910 30 | Brake master cylinder | | 1 | CARRERA 4-S TARGA-S PR:450 |
| (5) | 997 355 910 30 | Brake master cylinder | | 1 | CARRERA 4 CARRERA 4-S TARGA TARGA-S |
| (5) | 997 355 910 10 | Brake master cylinder | | 1 | SPEEDSTER PR:503 |
| (5) | 997 355 910 10 | Brake master cylinder | | 1 | CARRERA GTS PR:011 |
| (5) | 997 355 910 30 | Brake master cylinder | | 1 | CARRERA GTS PR:011,450 |
| (5) | 997 355 910 30 | Brake master cylinder | | 1 | 4 GTS PR:019 |
| 6 | 993 355 922 00 | Grommet | | 2 | |
| 7 | 999 702 182 40 | Rubber bush | | 1 | |
| 8 | 997 355 925 00 | Hexagon nut | | 2 | |
| 9 | 993 355 212 00 | Seal | | 1 | |
| 10 | 997 355 577 00 | Vacuum line | | 1 | CARRERA 2 |
| 10 | 997 355 577 00 | Vacuum line | | 1 | CARRERA 2-S PR:098 |
| 10 | 997 355 577 00 | Vacuum line | | 1 | PR:098,756 |
| (10) | 997 355 577 26 | Vacuum line | | 1 | SPEEDSTER PR:098,503 |
| (10) | 997 355 577 26 | Vacuum line | | 1 | CARRERA 4 |
| (10) | 997 355 577 26 | Vacuum line | | 1 | CARRERA 4-S |
| (10) | 997 355 577 26 | Vacuum line | | 1 | TARGA |
| (10) | 997 355 577 26 | Vacuum line | | 1 | TARGA-S PR:098,019 |
| 11 | 997 423 251 00 | Intermediate piece | | 1 | |
| 12 | 999 073 189 01 | flat round head bolt M 6 X 12 | | 2 | |
| 13 | 999 703 448 50 | Bungs | right | 1 | |
| 14 | 999 084 630 09 | Hexagon nut M 8 | | 2 | |
| 15 | 900 183 015 01 | Hexagon nut M 12 X 1,5 | | 1 | |
| - | 996 355 901 01 | Seal Brake servo filler plate | | 1 | |
| 16 | 999 512 478 00 | Hose clamp | | 1 | |
| 17 | 996 423 269 05 | Bellows | | 1 | CARRERA 2 |
| 17 | 996 423 269 05 | Bellows | | 1 | CARRERA 2-S |
| 17 | 996 423 269 05 | Bellows | | 1 | CARRERA 4 |
| 17 | 996 423 269 05 | Bellows | | 1 | TARGA |
| 17 | 996 423 269 05 | Bellows | | 1 | PR:756 |
| 17 | 996 423 269 05 | Bellows | | 1 | SPEEDSTER PR:503 |
| (17) | 997 355 969 00 | Bellows | | 1 | PR:450 |

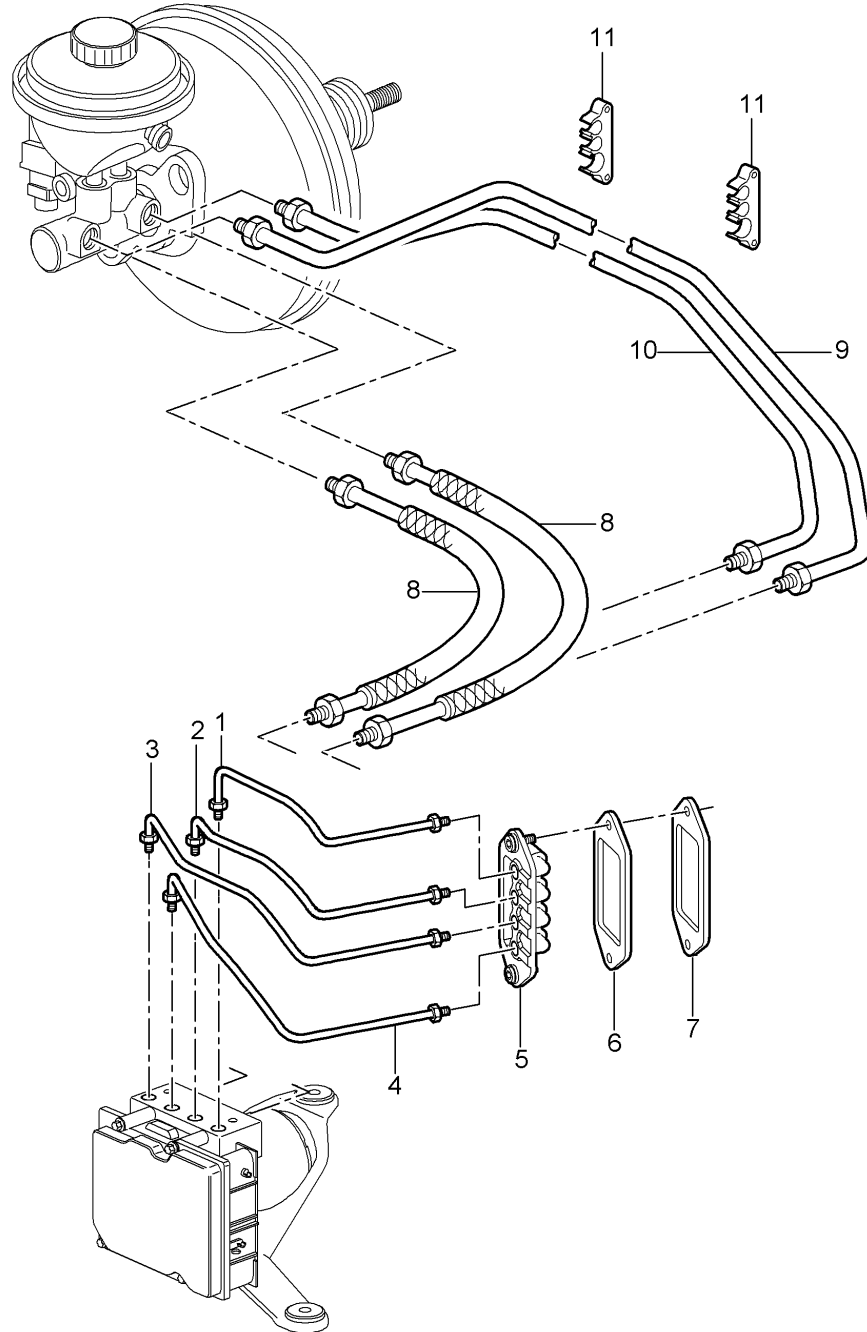
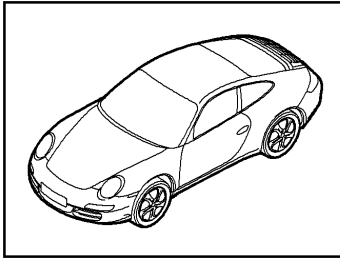
Model: 997-09

Model life 2009>>2012

| Pos | Part Number | Description | Remark | Qty | Model |
|-----|----------------|------------------|--------|-----|-------------|
| | | | | 1 | CARRERA 4 |
| | | | | 1 | CARRERA 4-S |
| | | | | 1 | TARGA |
| | | | | 1 | TARGA-S |
| 17 | 997 355 969 00 | Bellows | | 1 | CARRERA GTS |
| | | | | | PR:011 |
| 17 | 997 355 969 00 | Bellows | | 1 | 4 GTS |
| | | | | | PR:019 |
| 18 | 996 355 927 01 | Connecting piece | | 1 | |
| 19 | 900 380 015 01 | Hexagon nut | | 1 | |
| | | M 6 | | | |
| 20 | 999 512 672 00 | clamp | | 1 | |

Model: 997-09

Model life 2009>>2012



Model: 997-09 Model life 2009>>2012

| Pos | Part Number | Description | Remark | Qty | Model |
|-----|----------------|--------------------------|--------|-----------------------|--|
| | | Brake lines Front end | | | CARRERA 2 CARRERA 2-S SportClassik SPEEDSTER CARRERA GTS |
| 1 | 997 355 315 10 | Brake line | | 1 1 1 1 1 | CARRERA 2 CARRERA 2-S SPEEDSTER CARRERA GTS |
| 2 | 997 355 316 10 | Brake line | | 1 1 1 1 | PR:756,503, 011 CARRERA-2 CARRERA 2-S SPEEDSTER CARRERA GTS |
| 3 | 997 355 327 10 | Brake line | | 1 1 1 1 | PR:756,503, 011 CARRERA 2 CARRERA 2-S SPEEDSTER CARRERA GTS |
| 4 | 997 355 326 10 | Brake line | | 1 1 1 1 | PR:756,503, 011 CARRERA 2 CARRERA 2-S SPEEDSTER CARRERA GTS |
| 5 | 997 355 650 00 | Intermediate piece | | 1 1 1 1 | PR:756,503, 011 CARRERA 2 CARRERA 2-S SPEEDSTER CARRERA GTS |
| 6 | 997 355 752 00 | Seal | | 1 1 1 1 | PR:756,503, 011 CARRERA 2 CARRERA 2-S SPEEDSTER CARRERA GTS |
| 7 | 997 355 753 00 | Reinforcement | | 1 1 1 1 | PR:756,503, 011 CARRERA 2 CARRERA 2-S SPEEDSTER CARRERA GTS |
| 8 | 997 355 311 10 | Pressure line | | 2 2 2 2 | PR:756,503, 011 CARRERA 2 CARRERA 2-S SPEEDSTER CARRERA GTS |
| 9 | 997 355 312 10 | Pressure line | | 1 1 | PR:098,756, 503,011 CARRERA 2 CARRERA 2-S |

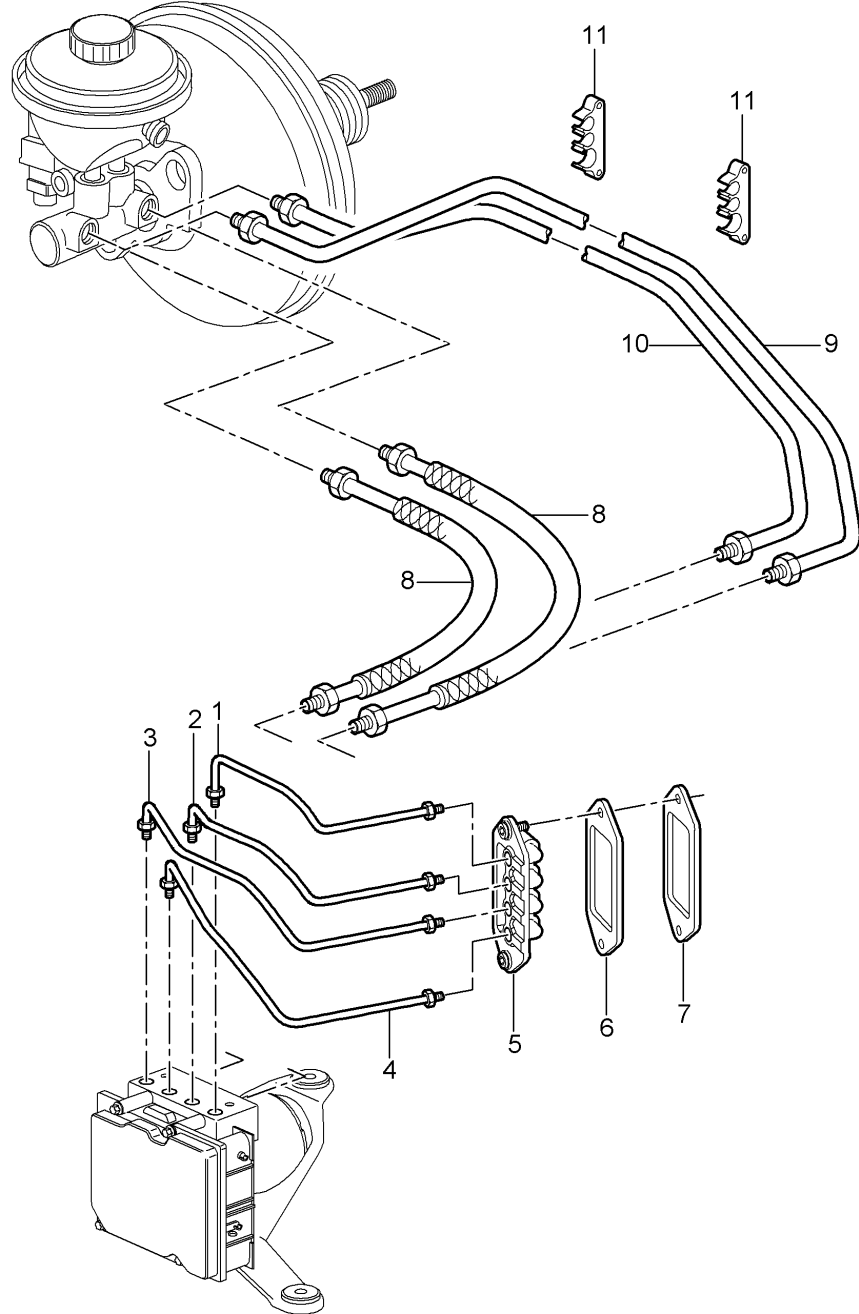
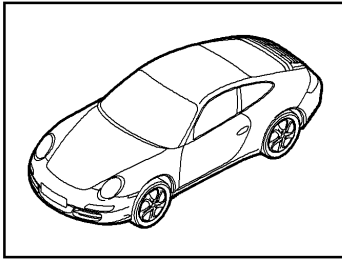
Model: 997-09

Model life 2009>>2012

| Pos | Part Number | Description | Remark | Qty | Model |
|-----|----------------|---------------|--------|----------------------------|--|
| 10 | 997 355 314 10 | Pressure line | | 1 1 1 1 1 1 | SPEEDSTER CARRERA GTS 503,011 SPEEDSTER CARRERA GTS 503,011 |
| 11 | 999 507 632 40 | Cable holder | | 2 2 2 2 | CARRERA 2 CARRERA 2-S SPEEDSTER CARRERA GTS PR:756,503, 011 |

Model: 997-09

Model life 2009>>2012



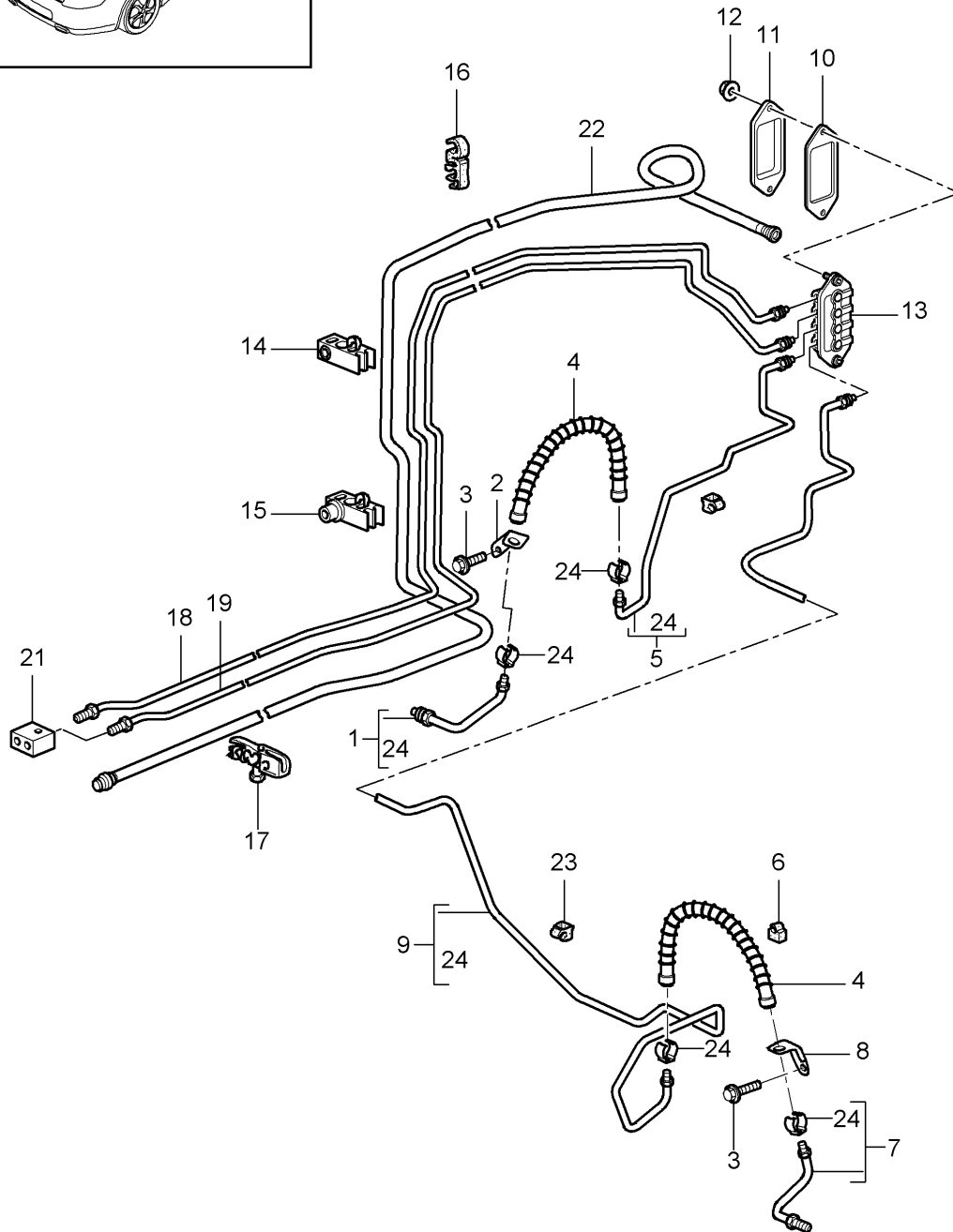
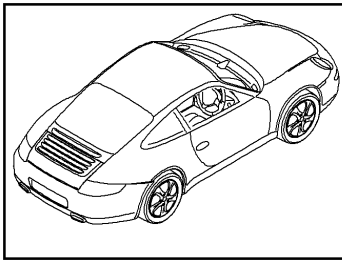
Model: 997-09

Model life 2009>>2012

| Pos | Part Number | Description | Remark | Qty | Model |
|-----|----------------|---------------------------------|---------|-----|--|
| - | | Brake lines Front end | | | CARRERA 4 CARRERA 4-S TARGA TARGA-S 4 GTS CARRERA GTS |
| | | see illustration: | 604-005 | | |
| 1 | 997 355 315 30 | Brake line Discontinued part | | 1 | PR:098 |
| (1) | 997 355 315 31 | Brake line | | 1 | PR:098 |
| (1) | 997 355 315 10 | Brake line | | 1 | PR:099 |
| 2 | 997 355 316 30 | Brake line Discontinued part | | 1 | PR:098 |
| (2) | 997 355 316 31 | Brake line | | 1 | PR:098 |
| 2 | 997 355 316 10 | Brake line | | 1 | PR:099 |
| 3 | 997 355 327 30 | Brake line Discontinued part | | 1 | PR:098 |
| (3) | 997 355 327 31 | Brake line | | 1 | PR:098 |
| (3) | 997 355 327 10 | Brake line | | 1 | PR:099 |
| 4 | 997 355 326 30 | Brake line Discontinued part | | 1 | PR:098 |
| (4) | 997 355 326 31 | Brake line | | 1 | PR:098 |
| (4) | 997 355 326 10 | Brake line | | 1 | PR:099 |
| 5 | 997 355 650 00 | Intermediate piece | | 1 | |
| 6 | 997 355 752 00 | Seal | | 1 | |
| 7 | 997 355 753 00 | Reinforcement | | 1 | |
| 8 | 997 355 311 10 | Pressure line | | 2 | PR:098 |
| 9 | 997 355 312 30 | Pressure line | | 1 | PR:099 |
| 10 | 997 355 314 30 | Pressure line | | 1 | PR:099 |
| 11 | 999 507 632 40 | Cable holder | | 2 | PR:099 |

Model: 997-09

Model life 2009>>2012



Model: 997-09 Model life 2009>>2012

| Pos | Part Number | Description | Remark | Qty | Model |
|-----|----------------|--|--|----------------------------|---|
| 1 | 996 355 581 07 | Brake lines Brake lines Underbody Vacuum line Brake line | left left | 1 1 | CARRERA 2 CARRERA 2-S |
| 1 | 996 355 581 07 | Brake line | left | 1 | PR:011 CARRERA GTS |
| (1) | 996 355 581 9B | Brake line | left | 1 | PR:450 CARRERA 2 |
| (1) | 996 355 581 9B | Brake line | left | 1 | CARRERA 2-S |
| (1) | 996 355 581 9B | Brake line | left | 1 | PR:011,450 CARRERA GTS |
| (1) | 996 355 581 9B | Brake line | left | 1 | PR:756 |
| (1) | 996 355 581 9B | Brake line | left | 1 | SPEEDSTER PR:503 |
| (1) | 997 355 587 02 | Brake line | left left left left left | 1 1 1 1 1 | CARRERA 4 CARRERA 4-S TARGA TARGA-S 4 GTS |
| (1) | 997 355 587 03 | Brake line | left left left left left left | 1 1 1 1 1 1 | PR:019 PR:450,019 CARRERA 4 CARRERA 4-S TARGA TARGA-S 4 GTS |
| 2 | 996 355 501 06 | Brake hose bracket | left | 1 | CARRERA 2 |
| 2 | 996 355 501 06 | Brake hose bracket | left | 1 | CARRERA 2-S |
| 2 | 996 355 501 06 | Brake hose bracket | left | 1 | PR:756 SPEEDSTER |
| 2 | 996 355 501 06 | Brake hose bracket | | 1 | PR:503 PR:011 CARRERA GTS |
| (2) | 996 355 507 05 | Brake hose bracket | left left left left left | 1 1 1 1 1 | CARRERA 4 CARRERA 4-S TARGA TARGA-S 4 GTS |
| 3 | 900 067 117 04 | Socket head bolt M 6 x 16 | | 2 | PR:019 |
| 4 | 996 355 139 01 | Brake hose Discontinued part | | 2 | |
| (4) | 996 355 139 03 | Brake hose | | 2 | |
| 5 | 997 355 175 10 | Brake line | left left | 1 1 | CARRERA 2 CARRERA 2-S |
| (5) | 997 355 175 11 | Discontinued part Brake line | left left | 1 1 | CARRERA 2 CARRERA 2-S |
| (5) | 997 355 175 10 | Brake line | left | 1 | PR:756 |
| (5) | 997 355 175 11 | Discontinued part Brake line | left | 1 | PR:756 |
| (5) | 997 355 175 10 | Brake line | left | 1 | SPEEDSTER |
| (5) | 997 355 175 11 | Discontinued part Brake line | left | 1 | PR:503 SPEEDSTER |
| (5) | 997 355 175 10 | Brake line | left | 1 | PR:503 PR:011 CARRERA GTS |
| (5) | 997 355 175 11 | Discontinued part Brake line | left | 1 | PR:011 CARRERA GTS |

Model: 997-09 Model life 2009>>2012

| Pos | Part Number | Description | Remark | Qty | Model |
|-----|----------------|---------------------------------|--------|-----|-------------|
| (5) | 997 355 175 30 | Brake line | left | 1 | CARRERA 4 |
| | | | left | 1 | CARRERA 4-S |
| | | | left | 1 | TARGA |
| | | | left | 1 | TARGA-S |
| | | | left | 1 | 4 GTS |
| | | Discontinued part | | | PR:019 |
| (5) | 997 355 175 31 | Brake line | left | 1 | CARRERA 4 |
| | | | left | 1 | CARRERA 4-S |
| | | | left | 1 | TARGA |
| | | | left | 1 | TARGA-S |
| | | | left | 1 | 4 GTS |
| | | | | | PR:019 |
| 6 | 999 591 930 40 | Bracket | | X | |
| 7 | 996 355 584 07 | Brake line | right | 1 | CARRERA 2 |
| | | | right | 1 | CARRERA 2-S |
| 7 | 996 355 584 07 | Brake line | | 1 | PR:011 |
| | | | right | | CARRERA GTS |
| (7) | 996 355 584 9B | Brake line | | 1 | PR:450 |
| | | | right | 1 | CARRERA 2 |
| | | | right | 1 | CARRERA 2-S |
| (7) | 996 355 584 9B | Brake line | right | 1 | PR:756 |
| (7) | 996 355 584 9B | Brake line | right | 1 | SPEEDSTER |
| | | | | | PR:503 |
| (7) | 997 355 588 02 | Brake line | right | 1 | CARRERA 4 |
| | | | right | 1 | CARRERA 4-S |
| | | | right | 1 | TARGA |
| | | | right | 1 | TARGA-S |
| | | | right | 1 | 4 GTS |
| | | | | | PR:019 |
| (7) | 997 355 588 03 | Brake line | | 1 | PR:450,019 |
| | | | right | 1 | CARRERA 4 |
| | | | right | 1 | CARRERA 4-S |
| | | | right | 1 | TARGA |
| | | | right | 1 | TARGA-S |
| | | | right | 1 | 4 GTS |
| 8 | 996 355 502 06 | Brake hose bracket | right | 1 | CARRERA 2 |
| | | | right | 1 | CARRERA 2-S |
| 8 | 996 355 502 06 | Brake hose bracket | right | 1 | PR:756 |
| 8 | 996 355 502 06 | Brake hose bracket | right | 1 | SPEEDSTER |
| | | | | | PR:503 |
| 8 | 996 355 502 06 | Brake hose bracket | | 1 | PR:011 |
| | | | right | | CARRERA GTS |
| (8) | 996 355 508 05 | Brake hose bracket | right | 1 | CARRERA 4 |
| | | | right | 1 | CARRERA 4-S |
| | | | right | 1 | TARGA |
| | | | right | 1 | TARGA-S |
| | | | right | 1 | 4 GTS |
| | | | | | PR:019 |
| 9 | 997 355 176 10 | Brake line | | 1 | CARRERA 2 |
| | | | | 1 | CARRERA 2-S |
| | | | | 1 | SPEEDSTER |
| | | | | | PR:756,503 |
| (9) | 997 355 176 90 | Brake line | | 1 | PR:011 |
| | | | | | CARRERA GTS |
| (9) | 997 355 176 91 | Discontinued part Brake line | | 1 | PR:011 |
| | | | | | CARRERA GTS |
| (9) | 997 355 176 30 | Brake line | | 1 | CARRERA 4 |
| | | | | 1 | CARRERA 4-S |
| | | | | 1 | TARGA |
| | | | | 1 | TARGA-S |
| | | | | 1 | 4 GTS |

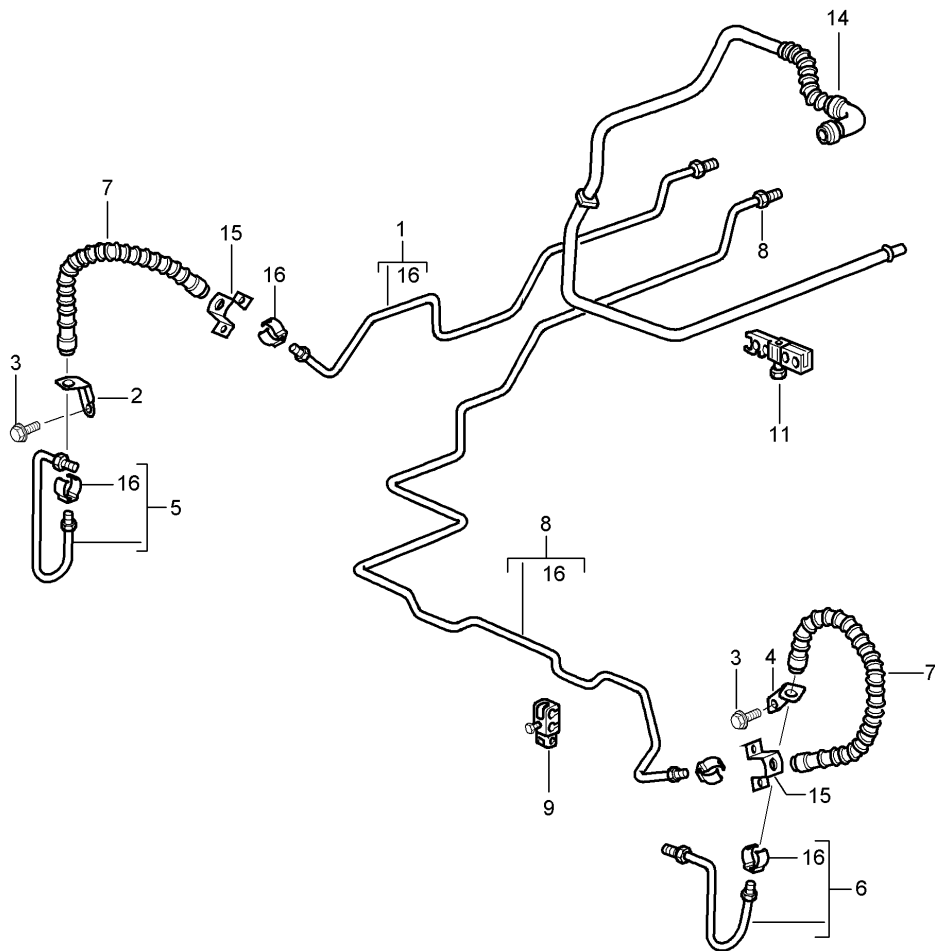
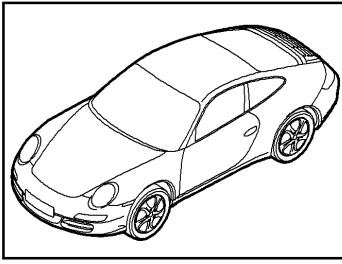
Model: 997-09

Model life 2009>>2012

| Pos | Part Number | Description | Remark | Qty | Model |
|------|----------------|---------------------------------------|--------|-----|--------|
| | | | | | PR:019 |
| 10 | 997 355 753 00 | Reinforcement | | 1 | |
| 11 | 997 355 752 00 | Seal | | 1 | |
| 12 | 900 380 015 01 | Hexagon nut M 6 | | 3 | |
| 13 | 997 355 650 00 | Intermediate piece | | 1 | |
| 14 | 996 355 545 00 | Bracket | | 3 | |
| 15 | 996 355 549 00 | Bracket | | 1 | |
| 16 | 996 355 547 01 | Bracket | | 2 | |
| 17 | 996 355 543 00 | Bracket | | 1 | |
| 18 | 997 355 177 10 | Brake line | | 1 | |
| 19 | 997 355 179 10 | Brake line | | 1 | |
| (19) | 997 355 179 11 | Discontinued part Brake line | | 1 | |
| 21 | 996 355 760 31 | Connecting piece | | 1 | |
| 22 | 997 355 571 01 | Vacuum line | | 1 | |
| - | 999 702 289 41 | Grommet | | 1 | |
| 23 | 999 651 331 40 | Wheel housing Cable holder | | 5 | |
| 24 | 997 355 331 00 | retaining spring for Brake hose | | X | |

Model: 997-09

Model life 2009>>2012

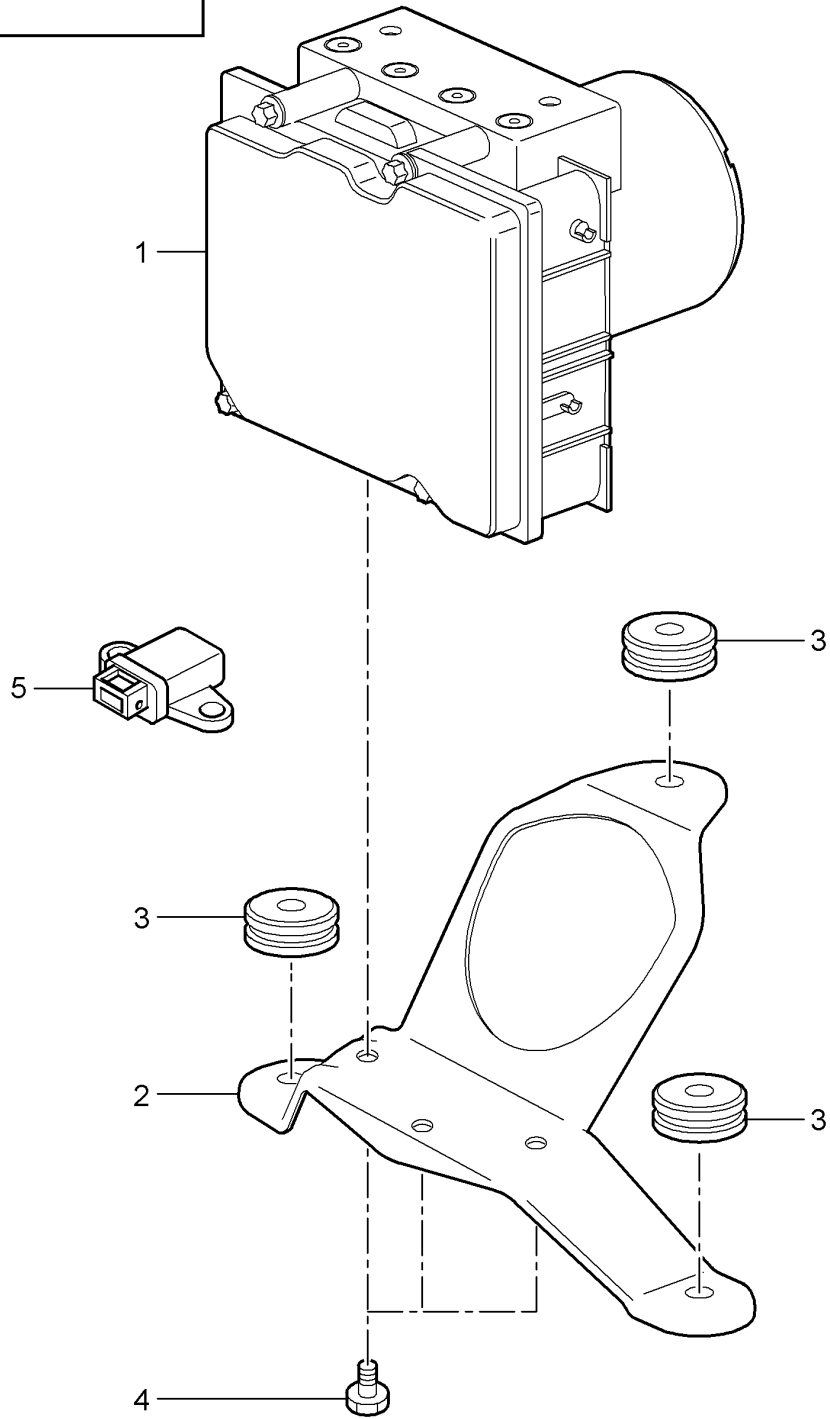
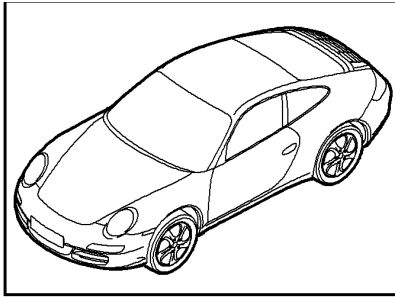


Model: 997-09 Model life 2009>>2012

| Pos | Part Number | Description | Remark | Qty | Model |
|-----|--------------------|---|--------|-----|---------------------|
| 1 | 997 355 189 10 | Brake line Underbody Rear axle Vacuum line Brake line | left | 1 | |
| (1) | 997 355 189 11 | Discontinued part Brake line | left | 1 | |
| 2 | 997 355 503 00 | Retainer for brake hose | left | 1 | |
| (2) | 997 355 503 10 | Retainer for brake hose | left | 1 | PR:450 |
| (2) | 997 355 503 10 | Retainer for brake hose | left | 1 | PR:756 |
| (2) | 997 355 503 10 | Retainer for brake hose | left | 1 | SPEEDSTER PR:503 |
| (3) | 900 067 117 04 | Socket head bolt M 6 x 16 | | 2 | |
| 4 | 997 355 504 00 | Retainer for brake hose | right | 1 | |
| (4) | 997 355 504 10 | Retainer for brake hose | right | 1 | PR:450 |
| (4) | 997 355 504 10 | Retainer for brake hose | right | 1 | PR:756 |
| (4) | 997 355 504 10 | Retainer for brake hose | right | 1 | SPEEDSTER PR:503 |
| 5 | 996 355 585 01 | Brake line | left | 1 | |
| (5) | 996 355 585 11 | Brake line | left | 1 | PR:450 |
| (5) | 996 355 585 11 | Brake line | left | 1 | PR:756 |
| (5) | 996 355 585 11 | Brake line | left | 1 | SPEEDSTER PR:503 |
| 6 | 996 355 586 01 | Brake line | right | 1 | |
| (6) | 996 355 586 11 | Brake line | right | 1 | PR:450 |
| (6) | 996 355 586 11 | Brake line | right | 1 | PR:756 |
| (6) | 996 355 586 11 | Brake line | right | 1 | SPEEDSTER PR:503 |
| 7 | 996 355 139 00 | Brake hose | | 2 | |
| 8 | 997 355 190 11 | Brake line | | 1 | |
| (8) | 997 355 190 14 | Discontinued part Brake line | | 1 | |
| 9 | 996 347 543 00 | Cable holder | | 3 | |
| 11 | 996 355 543 00 | Bracket | | 1 | |
| 14 | 997 355 575 11 | Vacuum line | | 1 | |
| 14 | 997 355 575 12 | D >> - MJ 2009 Vacuum line | | 1 | |
| - | 999 507 495 40 | D - MJ 2010>> Bracket | | 1 | |
| 15 | 996 501 815 02 | Brake line bracket | | 2 | |
| 16 | 996 501 815 02 GRV | primed | | X | |
| 16 | 997 355 331 00 | retaining spring for Brake hose | | X | |

Model: 997-09

Model life 2009>>2012



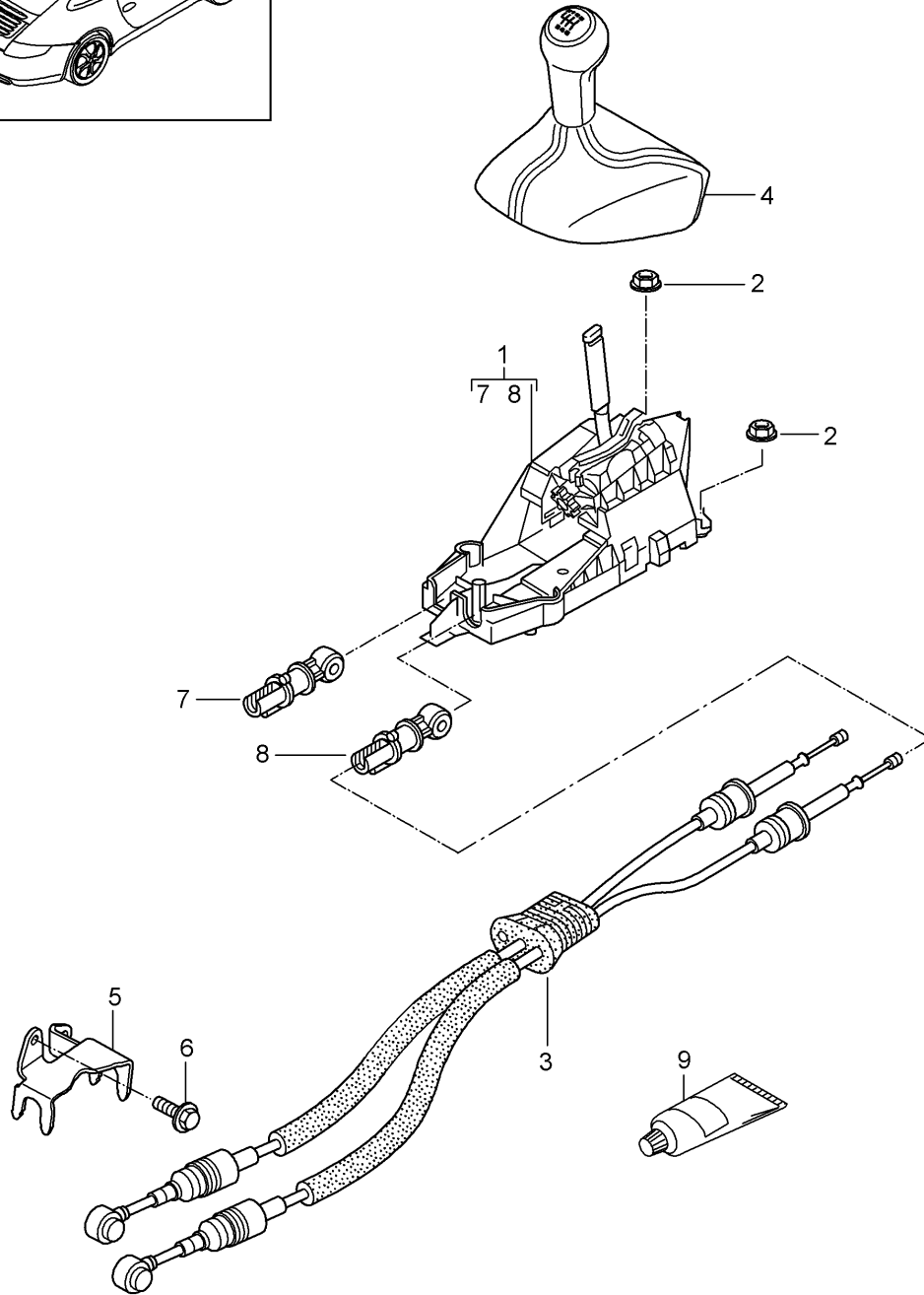
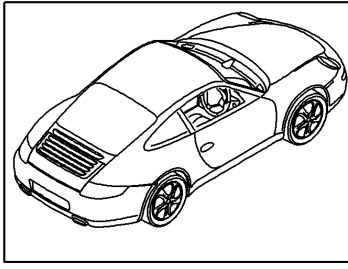
Model: 997-09

Model life 2009>>2012

| Pos | Part Number | Description | Remark | Qty | Model |
|-----|----------------|---|--------|-----|---|
| 1 | 997 355 955 12 | Hydraulic unit anti-locking brake syst. -abs- Control Hydraulic unit | | 1 | CARRERA 2 CARRERA 2-S |
| | | D >> - MJ 2009 | | | |
| (1) | 997 355 955 13 | Discontinued part Hydraulic unit | | 1 | CARRERA 2 CARRERA 2-S |
| | | D >> - MJ 2009 | | | |
| (1) | 997 355 955 13 | Hydraulic unit | | 1 | CARRERA 2 CARRERA 2-S SPORTCLASSIC SPEEDSTER BLACKEDITION CARRERA GTS |
| | | D - MJ 2010>> | | | |
| (1) | 997 355 955 37 | Hydraulic unit | | 1 | CARRERA 4 CARRERA 4-S TARGA TARGA-S |
| | | D >> - MJ 2009 | | | |
| (1) | 997 355 955 38 | Discontinued part Hydraulic unit | | 1 | CARRERA 4 CARRERA 4-S TARGA TARGA-S |
| | | D >> - MJ 2009 | | | |
| (1) | 997 355 955 39 | Discontinued part Hydraulic unit | | 1 | CARRERA 4 CARRERA 4-S TARGA TARGA-S |
| | | D >> - MJ 2009 | | | |
| (1) | 997 355 955 39 | Hydraulic unit | | 1 | CARRERA 4 CARRERA 4-S TARGA TARGA-S 4 GTS |
| | | D - MJ 2010>> | | | |
| 2 | 997 355 033 00 | Bracket | with: | 1 | CARRERA 2 CARRERA 2-S SPORTCLASSIC SPEEDSTER BLACKEDITION CHINAEDITION |
| | | Rubber bush | | | |
| (2) | 997 355 033 25 | Bracket | with: | 1 | CARRERA 4 CARRERA 4-S TARGA TARGA-S 4 GTS CARRERA GTS PR:098 |
| | | Rubber bush | | | |
| 3 | 964 356 635 00 | Rubber bush | | 3 | |
| - | 999 045 004 40 | Hexagon nut | | 3 | |
| | | plastic | | | |
| 4 | 900 385 060 01 | Screw | | 3 | |
| | | BM 6 X 10 | | | |
| 5 | 997 606 145 05 | Sensor | | 1 | |
| | | D >> - MJ 2010 | | | |
| 5 | 997 606 145 07 | Sensor | | 1 | |
| | | D - MJ 2011>> | | | |

Model: 997-09

Model life 2009>>2012



Model: 997-09 Model life 2009>>2012

| Pos | Part Number | Description | Remark | Qty | Model |
|-----|--------------------|--------------------------------|--------|-----|---------|
| | | Transmission control | | | PR:480 |
| | | Manual gearbox | | | |
| 1 | 997 424 010 00 | ball housing - gearshift lever | | 1 | PR:-XCZ |
| (1) | 997 424 983 00 | ball housing - gearshift lever | | 1 | PR:XCZ |
| 2 | 999 084 629 01 | Hexagon nut | | 4 | |
| | | M 6 | | | |
| (3) | 997 424 041 10 | cable for shift mechanism | | 1 | |
| | | Transmission control | | | |
| (4) | 997 424 075 01 | gearstick knob (leather) | | 1 | |
| | | Gearshift knob | | 1 | |
| | | Leather | | 1 | |
| | | Shift pattern | | 1 | |
| | | Aluminium look | | | |
| | 997 424 075 01 FOT | black/black | | | |
| | 997 424 075 01 FOU | Stone grey/stone grey | | | |
| | 997 424 075 01 FOV | Sand beige/sand beige | | | |
| | 997 424 075 01 FOW | Sea blue/sea blue | | | |
| | 997 424 075 01 FPW | Terracotta/terracotta | | | |
| | 997 424 075 01 FPX | Cocoa/Cocoa | | | |
| | 997 424 075 01 FOY | Dark grey/dark grey | | | |
| | 997 424 075 01 FOZ | Brown nat./brown nat. | | | |
| | 997 424 075 01 FSR | Carrera Red/Carrera Red | | | |
| (4) | 997 424 075 03 | gearstick knob | | 1 | PR:803 |
| | | Carbon | | | |
| | | Shift pattern | | | |
| | | Aluminium look | | | |
| | 997 424 075 03 FPP | Black | | | |
| | 997 424 075 03 FPQ | Stone grey | | | |
| | 997 424 075 03 FPR | Sand beige | | | |
| | 997 424 075 03 FPS | sea blue | | | |
| | 997 424 075 03 FQC | Terracotta | | | |
| | 997 424 075 03 FQD | Cocoa | | | |
| | 997 424 075 03 FPU | Dark grey/natural | | | |
| | 997 424 075 03 FPV | Brown/natural | | | |
| | 997 424 075 03 FSS | Carrera Red | | | |
| (4) | 997 424 075 04 | gearstick knob (leather) | | 1 | PR:801 |
| | | macassar | | | |
| | | Shift pattern | | | |
| | | Aluminium look | | | |
| | 997 424 075 04 FPA | Black | | | |
| | 997 424 075 04 FPB | Stone grey | | | |
| | 997 424 075 04 FPC | Sand beige | | | |
| | 997 424 075 04 FPD | sea blue | | | |
| | 997 424 075 04 FPY | Terracotta | | | |
| | 997 424 075 04 FPZ | Cocoa | | | |
| | 997 424 075 04 FPF | Dark grey/natural | | | |
| | 997 424 075 04 FPG | Brown/natural | | | |
| | 997 424 075 04 FST | Carrera Red | | | |
| | 997 424 075 04 FWF | Espresso | | | |
| (4) | 997 424 981 00 | gearstick knob | | 1 | PR:X97 |
| | | aluminium | | | |
| | | Leather | | | |
| | 997 424 981 00 8YR | Black | | | |
| | 997 424 981 00 5X5 | Stone grey | | | |
| | 997 424 981 00 8G1 | Sand beige | | | |
| | 997 424 981 00 3S8 | sea blue | | | |
| | 997 424 981 00 9N2 | Terracotta | | | |
| | 997 424 981 00 9Q3 | Cocoa | | | |
| | 997 424 981 00 D11 | Dark grey/natural | | | |
| | 997 424 981 00 T11 | Brown/natural | | | |
| | 997 424 981 00 N11 | Carrera Red | | | |
| (4) | 997 424 981 01 | gearstick knob | | 1 | PR:756 |
| | | Leather | | | |

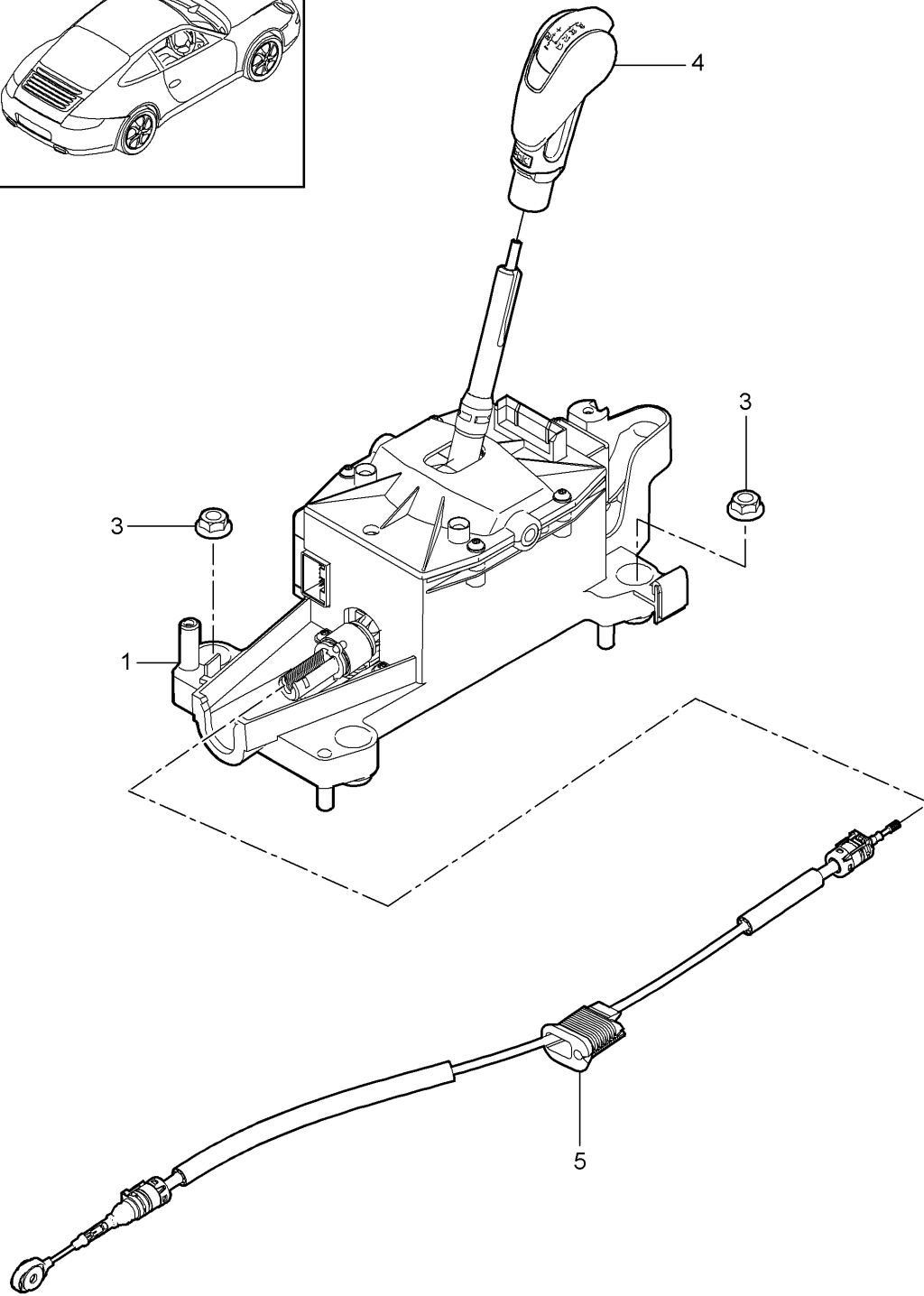
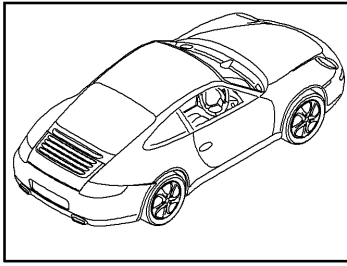
Model: 997-09

Model life 2009>>2012

| Pos | Part Number | Description | Remark | Qty | Model |
|-----|--------------------------------------|--|--------|-----|---------------------------|
| (4) | 997 424 981 01 8C0 997 424 990 00 | Espresso gearstick knob aluminium | | 1 | PR: XFN |
| | 997 424 990 00 8YR | Black | | | |
| | 997 424 990 00 5X5 | Stone grey | | | |
| | 997 424 990 00 8G1 | Sand beige | | | |
| | 997 424 990 00 3S8 | sea blue | | | |
| | 997 424 990 00 9N2 | Terracotta | | | |
| | 997 424 990 00 9Q3 | Cocoa | | | |
| | 997 424 990 00 D11 | Dark grey/natural | | | |
| | 997 424 990 00 T11 | Brown/natural | | | |
| | 997 424 990 00 N11 | Carrera Red | | | |
| (4) | 997 424 990 00 8C0 997 424 075 05 | Espresso gearstick knob (alcantara) | | 1 | CARRERA GTS PR:011,305 |
| | 997 424 075 05 A15 | Black | | | |
| (4) | 997 424 075 05 | gearstick knob (alcantara) | | 1 | 4 GTS PR:019,305 |
| | 997 424 075 05 A15 | Black | | | |
| - | 996 424 445 00 | Clip for Securing element | | X | |
| 5 | 997 424 165 10 | Bracket | | 12 | |
| 6 | 900 385 001 01 | Torx screw BM 8 X 20 | | 2 | |
| 7 | 996 424 145 01 | Securing element for Cable | | 1 | |
| 8 | 996 424 147 00 | Adjustable Securing element for Cable | | 1 | |
| 9 | 000 043 205 93 | Adjustable grease 1 100-gramme tube | | X | |

Model: 997-09

Model life 2009>>2012



Model: 997-09 Model life 2009>>2012

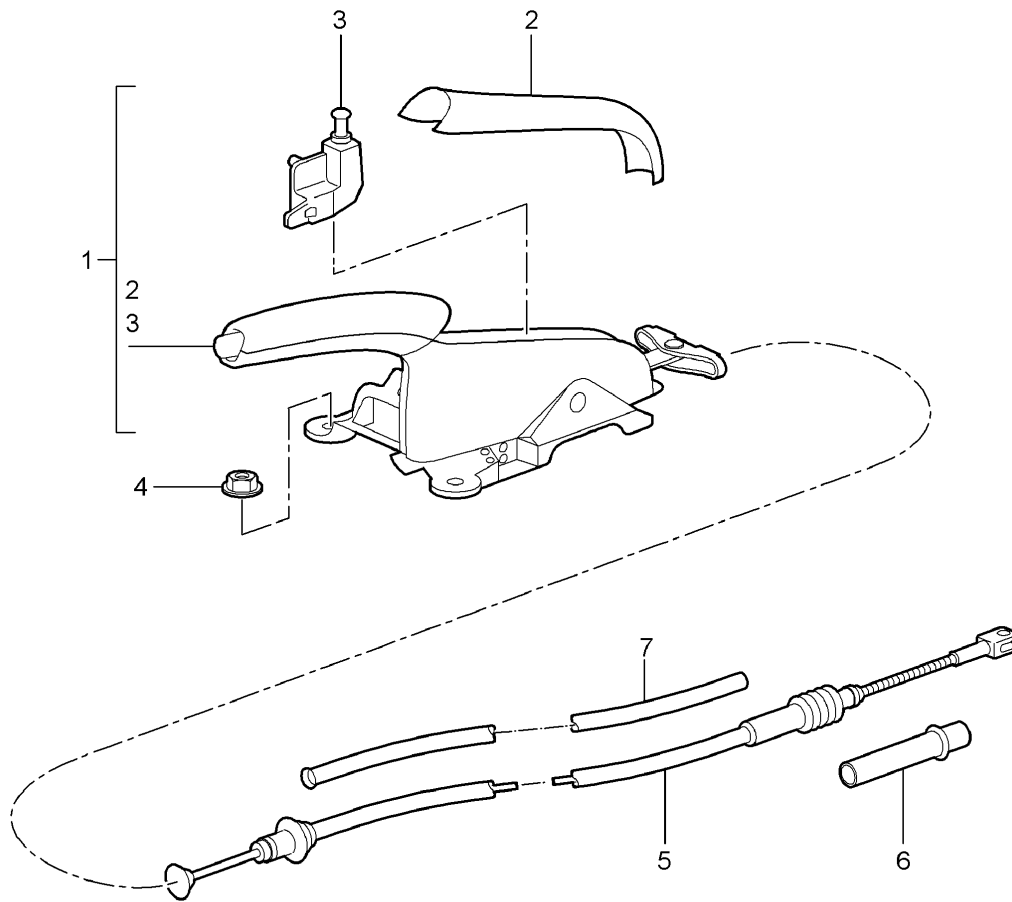
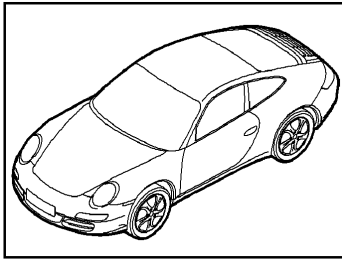
| Pos | Part Number | Description | Remark | Qty | Model |
|-----|--------------------|--------------------------------------|--------|-----|--------|
| 1 | 9G1 426 011 03 | selector lever - PDK - Support | | 1 | PR:250 |
| | | with: | | | |
| | | housing | | | |
| 1 | 9G1 426 011 05 | D >> - MJ 2009 Support | | 1 | |
| | | with: | | | |
| | | housing | | | |
| 3 | 999 084 629 01 | D - MJ 2010>> Hexagon nut | | 4 | |
| 4 | 9G1 426 069 00 | M 6 Selector knob | | 1 | |
| | | Leather | | | |
| | | Volcano grey | | | |
| | 9G1 426 069 00 FTE | Black | | | |
| | 9G1 426 069 00 FTF | Stone grey | | | |
| | 9G1 426 069 00 FTG | Sand beige | | | |
| | 9G1 426 069 00 FTH | sea blue | | | |
| | 9G1 426 069 00 FTJ | Terracotta | | | |
| | 9G1 426 069 00 FTK | Cocoa | | | |
| | 9G1 426 069 00 FTL | Dark grey/natural | | | |
| | 9G1 426 069 00 FTM | Brown/natural | | | |
| | 9G1 426 069 00 FTN | Carrera Red | | | |
| (4) | 9G1 426 069 04 | Selector knob | | 1 | PR:801 |
| | | macassar | | | |
| | | Volcano grey | | | |
| | | D >> - MJ 2009 | | | |
| | 9G1 426 069 04 FTO | Black | | | |
| | 9G1 426 069 04 FTP | Stone grey | | | |
| | 9G1 426 069 04 FTQ | Sand beige | | | |
| | 9G1 426 069 04 FTR | sea blue | | | |
| | 9G1 426 069 04 FTS | Terracotta | | | |
| | 9G1 426 069 04 FTT | Cocoa | | | |
| | 9G1 426 069 04 FTU | Dark grey/natural | | | |
| | 9G1 426 069 04 FTV | Brown/natural | | | |
| | 9G1 426 069 04 FTW | Carrera Red | | | |
| (4) | 9G1 426 069 14 | Selector knob | | 1 | PR:801 |
| | | macassar | | | |
| | | Volcano grey | | | |
| | | D - MJ 2010>> | | | |
| | 9G1 426 069 14 FTO | Black | | | |
| | 9G1 426 069 14 FTP | Stone grey | | | |
| | 9G1 426 069 14 FTQ | Sand beige | | | |
| | 9G1 426 069 14 FTR | sea blue | | | |
| | 9G1 426 069 14 FTS | Terracotta | | | |
| | 9G1 426 069 14 FTT | Cocoa | | | |
| | 9G1 426 069 14 FTU | Dark grey/natural | | | |
| | 9G1 426 069 14 FTV | Brown/natural | | | |
| | 9G1 426 069 14 FTW | Carrera Red | | | |
| (4) | 9G1 426 069 03 | Selector knob | | 1 | PR:803 |
| | | Leather | | | |
| | | Carbon | | | |
| | | Volcano grey | | | |
| | | D >> - MJ 2009 | | | |
| | 9G1 426 069 03 FTX | Black | | | |
| | 9G1 426 069 03 FTY | Stone grey | | | |
| | 9G1 426 069 03 FTZ | Sand beige | | | |
| | 9G1 426 069 03 FUA | sea blue | | | |
| | 9G1 426 069 03 FUB | Terracotta | | | |
| | 9G1 426 069 03 FUC | Cocoa | | | |
| | 9G1 426 069 03 FUD | Dark grey/natural | | | |
| | 9G1 426 069 03 FUE | Brown/natural | | | |

Model: 997-09 Model life 2009>>2012

| Pos | Part Number | Description | Remark | Qty | Model | | | |
|--------------------|--------------------|---|-------------------|-----|--------|-------------------------|---|--------|
| (4) | 9G1 426 069 03 FUF | Carrera Red | | 1 | PR:803 | | | |
| | 9G1 426 069 13 | Selector knob Leather Carbon Volcano grey D - MJ 2010>> | | | | | | |
| | 9G1 426 069 13 FTX | Black | | | | | | |
| | 9G1 426 069 13 FTY | Stone grey | | | | | | |
| | 9G1 426 069 13 FTZ | Sand beige | | | | | | |
| | 9G1 426 069 13 FUA | sea blue | | | | | | |
| | 9G1 426 069 13 FUB | Terracotta | | | | | | |
| | 9G1 426 069 13 FUC | Cocoa | | | | | | |
| | 9G1 426 069 13 FUD | Dark grey/natural | | | | | | |
| | 9G1 426 069 13 FUE | Brown/natural | | | | | | |
| | 9G1 426 069 13 FUF | Carrera Red | | | | | | |
| | (4) | 9G1 426 980 00 | Selector knob | | | | 1 | PR:XYA |
| | | 9G1 426 980 00 D11 | Dark grey/natural | | | | | |
| 9G1 426 980 00 N11 | | Carrera Red | | | | | | |
| 9G1 426 980 00 T11 | | Brown/natural | | | | | | |
| 9G1 426 980 00 3S8 | | sea blue | | | | | | |
| 9G1 426 980 00 5X5 | | Stone grey | | | | | | |
| 9G1 426 980 00 8G1 | | Sand beige | | | | | | |
| 9G1 426 980 00 8YR | | Black No longer use the part here | | | | | | |
| 9G1 426 980 00 FTE | | Black | | | | | | |
| 9G1 426 980 00 9N2 | | Terracotta | | | | | | |
| 9G1 426 980 00 9Q3 | | Cocoa | | | | | | |
| (4) | | 9G1 426 980 00 | Selector knob | | 1 | SPEEDSTER PR:503,XYA | | |
| | | 9G1 426 980 00 FTE | Black | | | | | |
| 5 | 9G1 426 033 00 | Cable | | 1 | | | | |

Model: 997-09

Model life 2009>>2012



Model: 997-09

Model life 2009>>2012

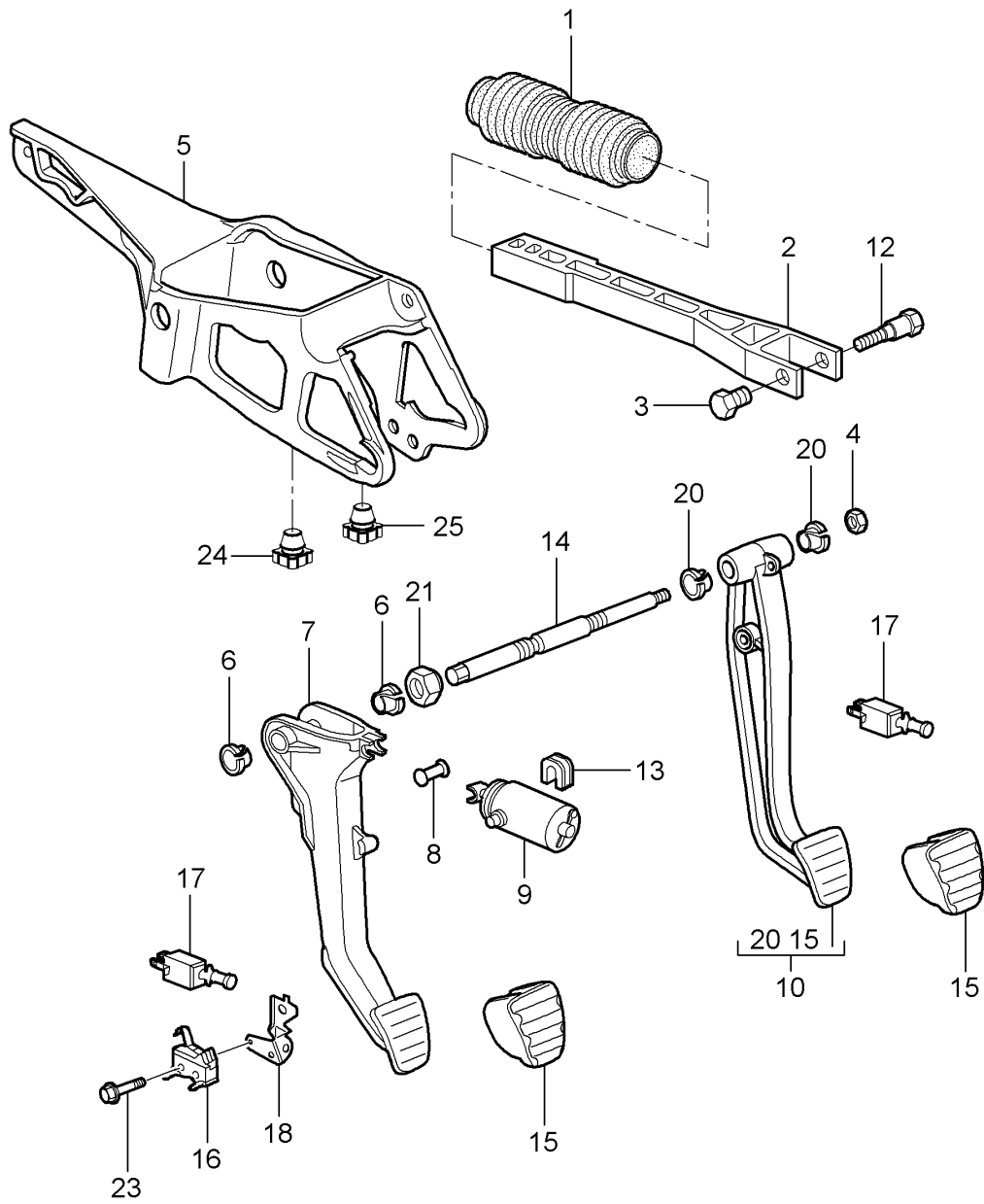
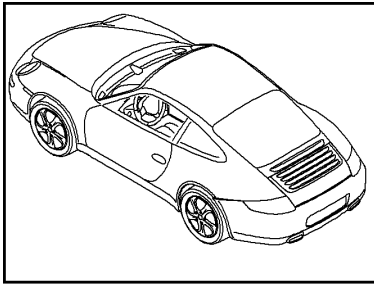
| Pos | Part Number | Description | Remark | Qty | Model |
|-----|--------------------|---|--------|-----|------------|
| (1) | 997 424 031 67 | handbrake Actuator handbrake lever grip (leather) (complete) | | 1 | |
| | 997 424 031 67 8YR | Black | | | |
| | 997 424 031 67 5X5 | Stone grey | | | |
| | 997 424 031 67 8G1 | Sand beige | | | |
| | 997 424 031 67 3S8 | sea blue | | | |
| | 997 424 031 67 9N2 | Terracotta | | | |
| | 997 424 031 67 9Q3 | Cocoa | | | |
| | 997 424 031 67 D11 | Dark grey/natural | | | |
| | 997 424 031 67 T11 | Brown/natural | | | |
| | 997 424 031 67 N11 | Carrera Red | | | |
| | 997 424 031 67 8C0 | Espresso | | | |
| (1) | 997 424 031 68 | Brake lever (complete) macassar | | 1 | PR:801 |
| | 997 424 031 68 8YR | Black | | | |
| | 997 424 031 68 5X5 | Stone grey | | | |
| | 997 424 031 68 8G1 | Sand beige | | | |
| | 997 424 031 68 3S8 | sea blue | | | |
| | 997 424 031 68 9N2 | Terracotta | | | |
| | 997 424 031 68 9Q3 | Cocoa | | | |
| | 997 424 031 68 D11 | Dark grey/natural | | | |
| | 997 424 031 68 T11 | Brown/natural | | | |
| | 997 424 031 68 N11 | Carrera Red | | | |
| | 997 424 031 68 8C0 | Espresso | | | |
| (1) | 997 424 031 70 | Brake lever (complete) Carbon | | 1 | PR:803 |
| | 997 424 031 70 8YR | Black | | | |
| | 997 424 031 70 5X5 | Stone grey | | | |
| | 997 424 031 70 8G1 | Sand beige | | | |
| | 997 424 031 70 3S8 | sea blue | | | |
| | 997 424 031 70 9N2 | Terracotta | | | |
| | 997 424 031 70 9Q3 | Cocoa | | | |
| | 997 424 031 70 D11 | Dark grey/natural | | | |
| | 997 424 031 70 T11 | Brown/natural | | | |
| | 997 424 031 70 N11 | Carrera Red | | | |
| | 997 424 031 70 8C0 | Espresso | | | |
| (1) | 997 424 980 00 | handbrake lever grip (leather) (complete) Discontinued part | | 1 | PR:X98,098 |
| | 997 424 980 00 8YR | Black | | | |
| | 997 424 980 00 5X5 | Stone grey | | | |
| | 997 424 980 00 8G1 | Sand beige | | | |
| | 997 424 980 00 3S8 | sea blue | | | |
| | 997 424 980 00 9N2 | Terracotta | | | |
| | 997 424 980 00 9Q3 | Cocoa | | | |
| | 997 424 980 00 D11 | Dark grey/natural | | | |
| | 997 424 980 00 T11 | Brown/natural | | | |
| | 997 424 980 00 8C0 | Espresso | | | |
| (1) | 997 424 980 06 | handbrake lever grip (leather) (complete) | | 1 | PR:X98,098 |
| | 997 424 980 06 8YR | Black | | | |
| | 997 424 980 06 5X5 | Stone grey | | | |
| | 997 424 980 06 8G1 | Sand beige | | | |
| | 997 424 980 06 3S8 | sea blue | | | |
| | 997 424 980 06 9N2 | Terracotta | | | |
| | 997 424 980 06 9Q3 | Cocoa | | | |
| | 997 424 980 06 D11 | Dark grey/natural | | | |
| | 997 424 980 06 T11 | Brown/natural | | | |
| | 997 424 980 06 8C0 | Espresso | | | |

Model: 997-09 Model life 2009>>2012

| Pos | Part Number | Description | Remark | Qty | Model |
|-----|--------------------|---|--------|-----|---------------------------|
| (1) | 997 424 991 00 | Brake lever (complete) | | 1 | PR:XFP,098 |
| | 997 424 991 00 8YR | Black | | | |
| | 997 424 991 00 5X5 | Stone grey | | | |
| | 997 424 991 00 8G1 | Sand beige | | | |
| | 997 424 991 00 3S8 | sea blue | | | |
| | 997 424 991 00 9N2 | Terracotta | | | |
| | 997 424 991 00 9Q3 | Cocoa | | | |
| | 997 424 991 00 D11 | Dark grey/natural | | | |
| | 997 424 991 00 T11 | Brown/natural | | | |
| | 997 424 991 00 N11 | Carrera Red | | | |
| | 997 424 991 00 8C0 | Espresso | | | |
| (1) | 997 424 031 92 | Brake lever (complete) Alcantara Discontinued part | | 1 | CARRERA GTS PR:011,310 |
| | 997 424 031 92 A15 | Black | | | |
| (1) | 997 424 031 93 | Brake lever (complete) Alcantara | | 1 | CARRERA GTS PR:011,310 |
| | 997 424 031 93 A15 | Black | | | |
| (1) | 997 424 031 92 | Brake lever (complete) Alcantara Discontinued part | | 1 | 4 GTS PR:019,310 |
| | 997 424 031 92 A15 | Black | | | |
| (1) | 997 424 031 93 | Brake lever (complete) Alcantara | | 1 | 4 GTS PR:019,310 |
| | 997 424 031 93 A15 | Black | | | |
| 2 | 997 424 155 00 | trim for handbrake lever Leather | | 1 | |
| | 997 424 155 00 8YR | Black | | | |
| | 997 424 155 00 5X5 | Stone grey | | | |
| | 997 424 155 00 8G1 | Sand beige | | | |
| | 997 424 155 00 3S8 | sea blue | | | |
| | 997 424 155 00 9N2 | Terracotta | | | |
| | 997 424 155 00 9Q3 | Cocoa | | | |
| | 997 424 155 00 D11 | Dark grey/natural | | | |
| | 997 424 155 00 T11 | Brown/natural | | | |
| 3 | 996 613 112 01 | Switch | | 1 | |
| 4 | 999 084 630 01 | Hexagon nut M 8 | | 4 | |
| 5 | 997 424 141 06 | Parking-brake cable | | 2 | |
| 6 | 996 424 721 02 | guide tube | | 2 | |
| 7 | 997 501 691 01 | guide tube Parking-brake cable tunnel | left | 1 | |
| (7) | 997 501 692 01 | guide tube Parking-brake cable tunnel | right | 1 | |

Model: 997-09

Model life 2009>>2012



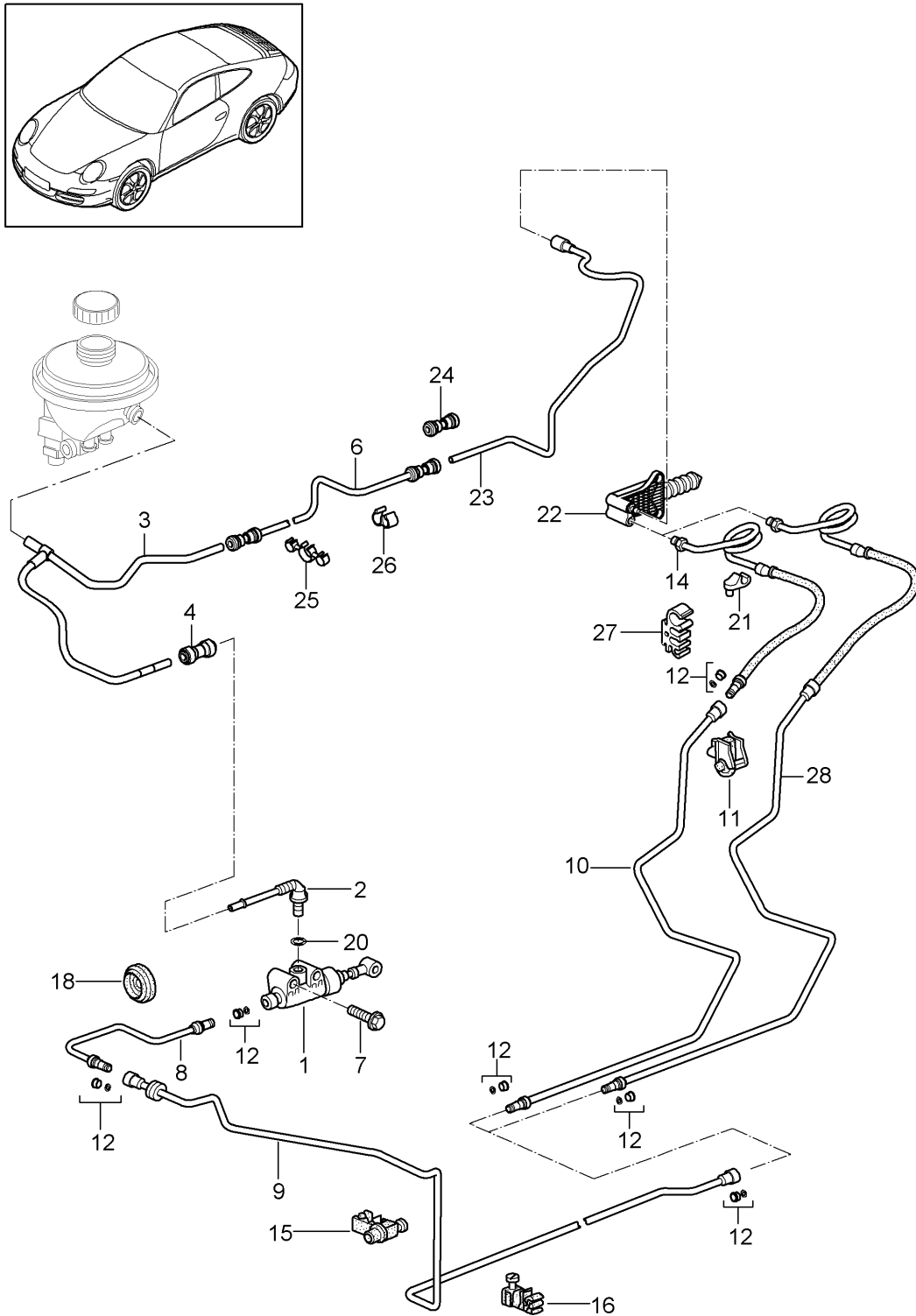
Model: 997-09

Model life 2009>>2012

| Pos | Part Number | Description | Remark | Qty | Model |
|------|----------------|---|---------|-----|------------|
| - | 000 043 206 17 | Pedals universal low temperat. grease 1 tube | | X | |
| 1 | | Bellows see illustration: | 604-000 | 1 | |
| 2 | 996 423 165 05 | push rod | | 1 | |
| 3 | 996 423 307 00 | Sleeve | | 1 | |
| 4 | 999 084 457 01 | Hexagon nut M 8 | | 3 | |
| | | Console | | 2 | |
| 5 | 997 423 571 02 | for Servo spring bush | | 1 | PR:480 |
| 6 | 997 423 399 01 | Clutch pedal switch | | 2 | PR:480 |
| 7 | 997 423 139 01 | Pin | | 1 | PR:480 |
| 8 | 996 423 315 06 | Pin | | 1 | PR:480 |
| - | 999 166 022 01 | Kl-lock for Pin | | 1 | PR:480 |
| 9 | 997 423 081 05 | Servo spring | | 1 | |
| 10 | 997 423 091 04 | brake pedal | | 1 | PR:480,098 |
| (10) | 997 423 093 04 | brake pedal | | 1 | PR:250,098 |
| 12 | 996 423 308 00 | Pin | | 1 | |
| 13 | 997 423 581 00 | bearing shell | | 1 | |
| 14 | 997 423 281 00 | axle | | 1 | PR:480,098 |
| (14) | 996 423 283 05 | axle | | 1 | PR:250,098 |
| 15 | 997 423 910 00 | pad for brake and clutch pedals | | 2 | PR:480 |
| (15) | 997 423 912 00 | Cap for foot brake pedal | | 1 | PR:250 |
| 16 | 997 613 109 01 | Switch for clutch pedal | | 1 | PR:480 |
| 17 | 996 613 113 02 | switch for brake pedal brake pedal | | 1 | |
| (17) | 996 613 114 01 | Switch for clutch pedal Clutch pedal switch | | 1 | |
| 18 | 997 423 541 00 | Bracket | | 1 | |
| 20 | 997 423 401 00 | bush | | 2 | PR:098 |
| 21 | 997 423 275 01 | sealing plug | | 1 | |
| 23 | 900 146 159 02 | flat round head bolt M 3 X 20 Discontinued part | | 1 | |
| 23 | 999 073 480 01 | Bolt with washer M 3 X 20 | | 1 | |
| 24 | 997 423 695 00 | Rubber stop | | 1 | |
| 25 | 997 423 697 00 | Rubber stop | | 1 | |

Model: 997-09

Model life 2009>>2012



Model: 997-09 Model life 2009>>2012

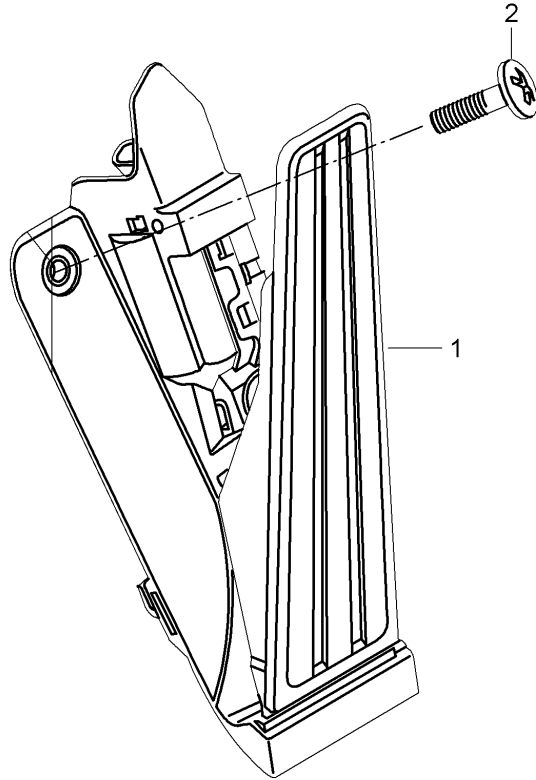
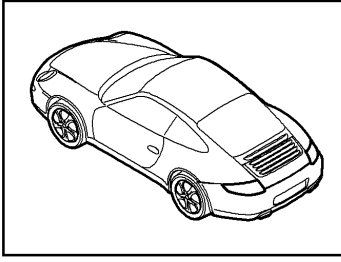
| Pos | Part Number | Description | Remark | Qty | Model |
|------|----------------|---|--------|-----|---|
| | | clutch actuation Clutch master cylinder Clutch tube | | | PR:480 |
| 1 | 997 423 171 01 | Clutch master cylinder | | 1 | |
| - | 996 423 614 00 | Securing ring | | 1 | |
| | | Pressure line | | | |
| - | 996 423 315 06 | Pin | | 1 | |
| - | 999 166 022 01 | Kl-lock for Pin | | 1 | |
| 2 | 997 423 147 00 | Feed line | | 1 | PR:098 |
| 3 | 997 423 191 01 | Feed line | | 1 | PR:098 CARRERA 2 CARRERA 2-S SPORTCLASSIC BLACKEDITION CHINAEDITION SPEEDSTER |
| (3) | 997 423 191 21 | Feed line | | 1 | PR:098 CARRERA 4 CARRERA 4-S TARGA TARGA-S CARRERA GTS 4 GTS |
| 4 | 999 230 447 40 | Adapter | | 1 | |
| 5 | 999 230 448 40 | Adapter | | 1 | |
| 6 | 997 423 192 02 | Feed line | | 1 | |
| 7 | 900 378 217 09 | Hexagon bolt M 6 X 40 | | 2 | |
| 8 | 997 423 107 11 | Clutch tube D >> - MJ 2009 | | 1 | PR:098 |
| (8) | 997 423 107 12 | Clutch tube D - MJ 2010>> Discontinued part | | 1 | PR:098 |
| (8) | 997 423 107 13 | Clutch tube D - MJ 2010>> | | 1 | PR:098 |
| 9 | 997 423 109 11 | Clutch tube | | 1 | |
| 10 | 997 423 113 12 | Clutch tube D >> - MJ 2009 | | 1 | |
| 11 | 999 507 495 40 | Bracket | | 1 | |
| 12 | 997 423 913 00 | repair set comprising: O-ring | | X | |
| | | Sealing rubber | | 1 | |
| 14 | 9A1 423 377 01 | Clutch tube D >> - MJ 2009 | | 1 | |
| 15 | 996 355 549 00 | Bracket | | 1 | |
| 16 | 996 355 545 00 | Bracket | | 2 | |
| 18 | 999 702 313 40 | Grommet | | 1 | |
| 20 | 999 707 333 40 | seal ring 6,07 X 1,78N | | 1 | |
| 21 | 999 507 586 40 | Cable holder | | 1 | |
| (22) | 9G1 116 238 00 | Clutch slave cylinder | | 1 | |
| - | 9G1 116 277 01 | breather assy. | | 1 | |
| - | 900 378 033 01 | Hexagon bolt M 8 X 30 | | 2 | |
| 23 | 997 423 193 02 | return line | | 1 | |
| - | 999 507 567 40 | Cable holder 7,0 / 9,0 | | 1 | |
| | | return line | | | |
| - | 999 591 695 40 | Bracket 6,5 / 12,0 | | 1 | |

Model: 997-09 Model life 2009>>2012

| Pos | Part Number | Description | Remark | Qty | Model |
|------|----------------|----------------------------------|--------|-----|-------------|
| | | return line | | | |
| 24 | 999 230 448 40 | Adapter | | 1 | |
| 25 | 999 507 140 40 | Cable holder | | 1 | |
| 26 | 999 507 567 40 | Cable holder | | 1 | |
| 27 | 999 507 265 40 | Cable holder | | 1 | PR:098 |
| (27) | 999 507 261 40 | Cable holder | | 1 | PR:099 |
| | | D >> - MJ 2009 | | | |
| (27) | 999 507 261 41 | Cable holder | | 1 | PR:099 |
| | | D - MJ 2010>> | | | |
| 28 | 997 423 113 13 | Clutch tube | | 1 | PR:-756, |
| | | D - MJ 2010>> | | | |
| (28) | 997 423 113 14 | Discontinued part Clutch tube | | 1 | PR:-756, |
| | | D - MJ 2010>> | | | |
| (28) | 997 423 113 15 | Discontinued part Clutch tube | | 1 | PR:-756, |
| | | D - MJ 2010>> | | | |
| (28) | 997 423 113 18 | Discontinued part Clutch tube | | 1 | PR:-756, |
| | | D - MJ 2010>> | | | |
| (28) | 997 423 113 15 | Clutch tube | | 1 | PR:756 |
| | | Discontinued part | | | |
| (28) | 997 423 113 18 | Clutch tube | | 1 | PR:756 |
| (28) | 997 423 113 15 | Clutch tube | | 1 | CARRERA GTS |
| | | Discontinued part | | | PR:011 |
| (28) | 997 423 113 18 | Clutch tube | | 1 | CARRERA GTS |
| | | Discontinued part | | | PR:011 |
| (28) | 997 423 113 15 | Clutch tube | | 1 | 4 GTS |
| | | Discontinued part | | | |
| (28) | 997 423 113 18 | Clutch tube | | 1 | 4 GTS |
| | | Discontinued part | | | PR:019 |

Model: 997-09

Model life 2009>>2012



Model: 997-09

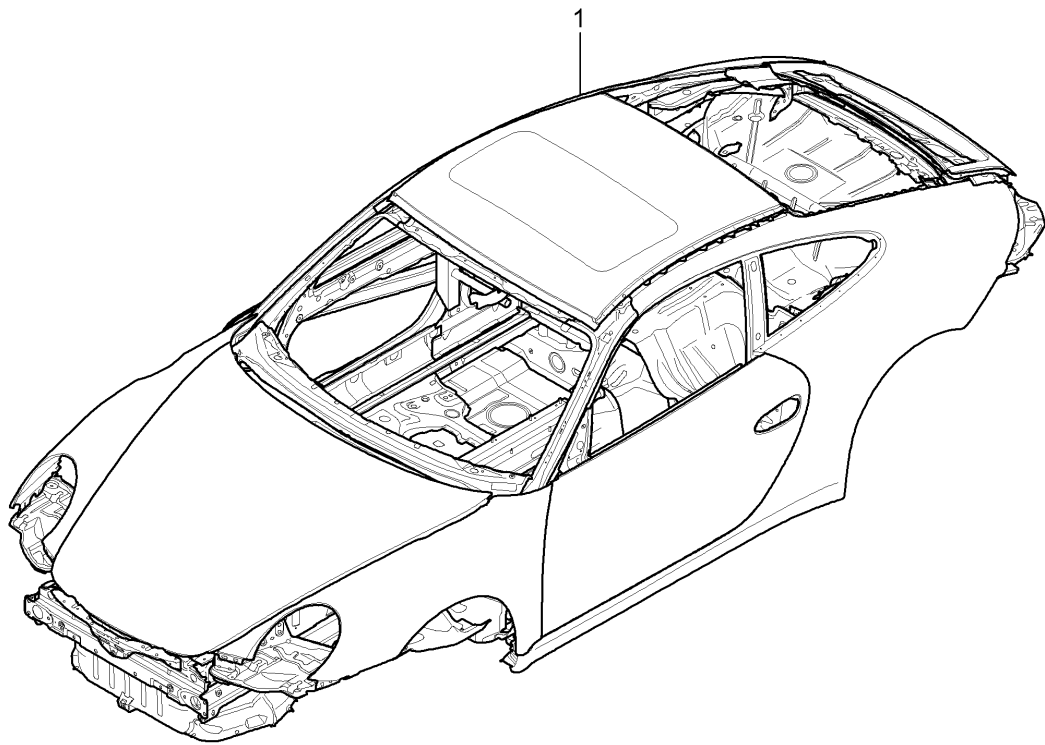
Model life 2009>>2012

| Pos | Part Number | Description | Remark | Qty | Model |
|-----|----------------|----------------------------------|--------|-----|--------|
| | | Pedals | | | |
| 1 | 997 423 019 02 | throttle control | | 1 | PR:480 |
| (1) | 997 423 021 02 | throttle control | | 1 | PR:250 |
| 2 | 900 146 161 09 | flat round head bolt M 6 X 20 | | 1 | |

Model: 997-09

Model life 2009>>2012

| | | | |
|---|--------|---------------------|---|
| B | WPOZZZ | 99 z 5S730070 | |
| C | | 997 121 | |
| | | M9701-685 G9701 | |
| | | L6B4 AT | |
| D | C00 | 267 268 425 437 | A |
| E | | 438 446 454 537 610 | |
| | | 635 640 650 666 670 | |
| F | | 00641 20772 | |



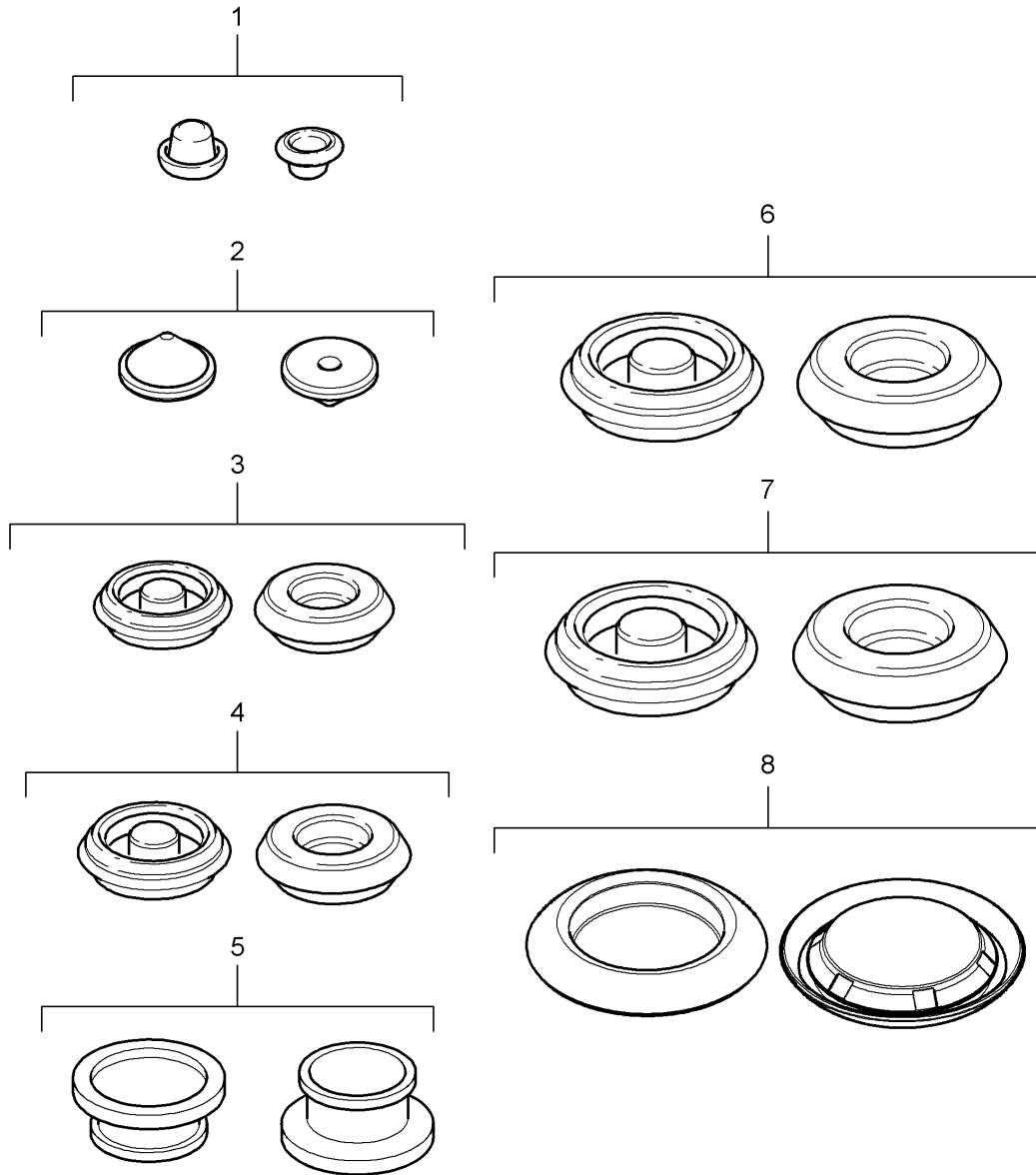
Model: 997-09

Model life 2009>>2012

| Pos | Part Number | Description | Remark | Qty | Model |
|-----|--------------------------------------|--|--------|-----|-------|
| - | | Car body primed Sealed | | | |
| | | with: Underbody protection | | | |
| | | with: Doors/lids/wings | | | |
| - | | BodysHELLS can only only available from current Model year available | | | |
| - | | The data required for your order Can be found on the Vehicle data carrier in Vehicle wallet Please indicate this data in your order Vehicle data carrier Vehicle Ident. No. Order type Country equipment Optional extras Additional applications Please state the colour | | | |
| A | | | | | |
| B | | | | | |
| C | | | | | |
| D | | | | | |
| E | | | | | |
| F | | | | | |
| G | | | | | |
| 1 | 997 500 900 00 997 500 900 00 GRV | Car body primed | | 1 | |

Model: 997-09

Model life 2009>>2012



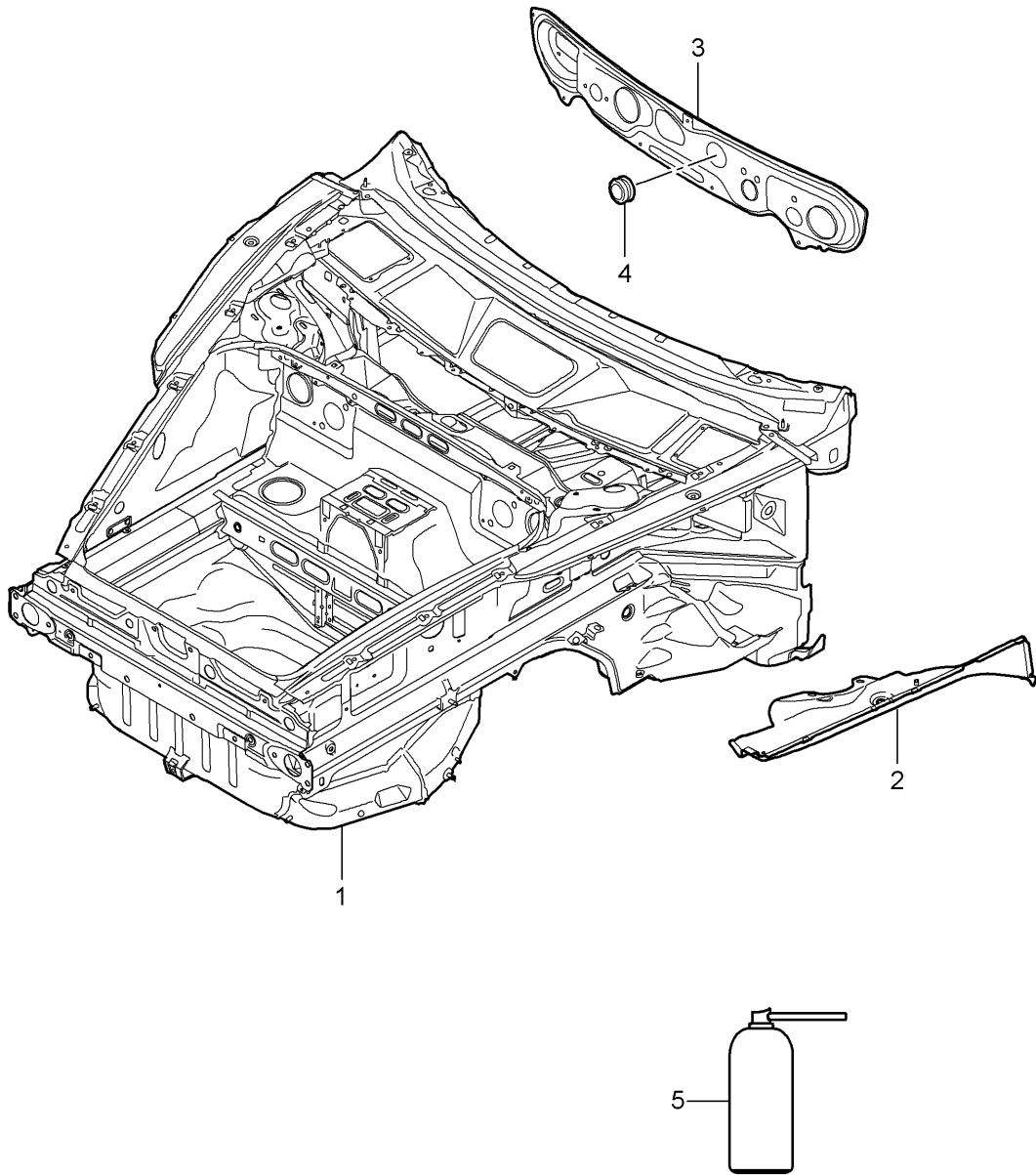
Model: 997-09

Model life 2009>>2012

| Pos | Part Number | Description | Remark | Qty | Model |
|-----|----------------|--|--------|-----|-------|
| 1 | 999 703 462 40 | Bungs End cap 10 x 6,5 | | X | |
| 2 | 999 703 421 40 | Grommet 15 mm | | X | |
| 3 | 999 703 318 40 | End cap 20 x 28 | | X | |
| 4 | 803 803 583 A | Bungs 20 x 30 Discontinued part | | X | |
| 4 | 999 703 196 40 | End cap 20 x 30 | | X | |
| 5 | 999 703 420 40 | Bungs 20,3 x 30 x 11 | | X | |
| 6 | 803 803 583 | Rubber grommet 30 x 40 Discontinued part | | X | |
| 6 | 999 703 195 40 | Rubber grommet 30 x 40 | | X | |
| 7 | 999 703 433 40 | Bungs 30 x 42 | | X | |
| 8 | 999 703 454 40 | Cover 55 x 70 | | X | |

Model: 997-09

Model life 2009>>2012



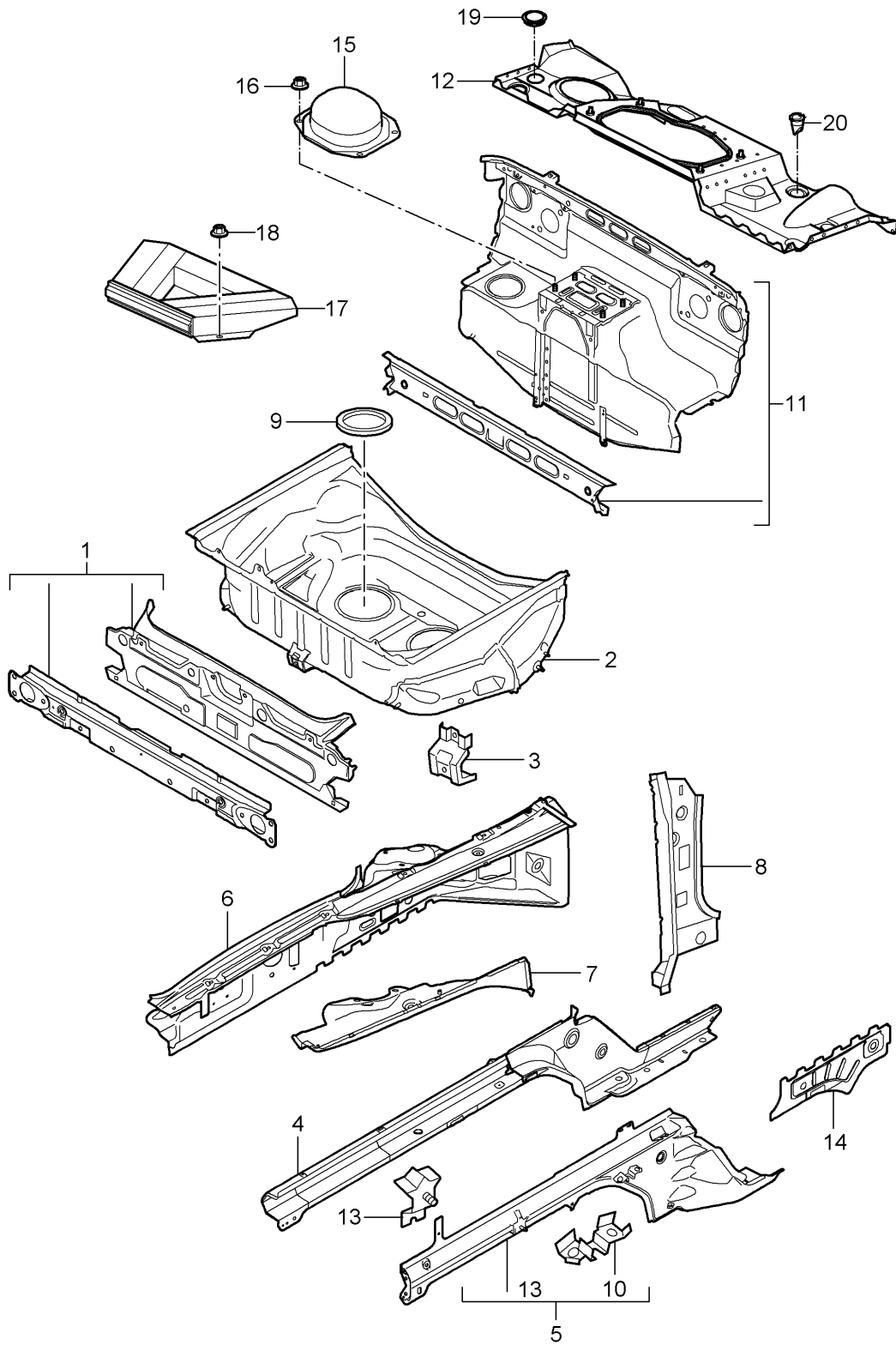
Model: 997-09

Model life 2009>>2012

| Pos | Part Number | Description | Remark | Qty | Model |
|-----|--------------------------------------|---|--------|-----|------------------|
| 1 | 997 501 911 03 997 501 911 03 GRV | Front end Front end primed also use: sealant POS. 5 Processing instructions See technical manual | | 1 | C2 |
| (1) | 997 501 911 04 997 501 911 04 GRV | Front end primed also use: sealant POS. 5 Processing instructions See technical manual | lhd | 1 | C4,GTS PR:098 |
| - | | also use: | | | |
| 2 | 997 501 945 00 997 501 945 00 GRV | Lower part primed | left | 1 | |
| (2) | 997 501 946 01 997 501 946 01 GRV | Lower part primed | right | 1 | |
| 3 | 997 504 121 00 | Cover | lhd | 1 | PR:098 |
| - | 000 043 300 94 | Adhesive set | | 1 | |
| 4 | 999 702 255 41 | End cap 62,5 X 72,6 | | 1 | |
| 5 | 999 915 337 40 | sealant | | 1 | |

Model: 997-09

Model life 2009>>2012



Model: 997-09 Model life 2009>>2012

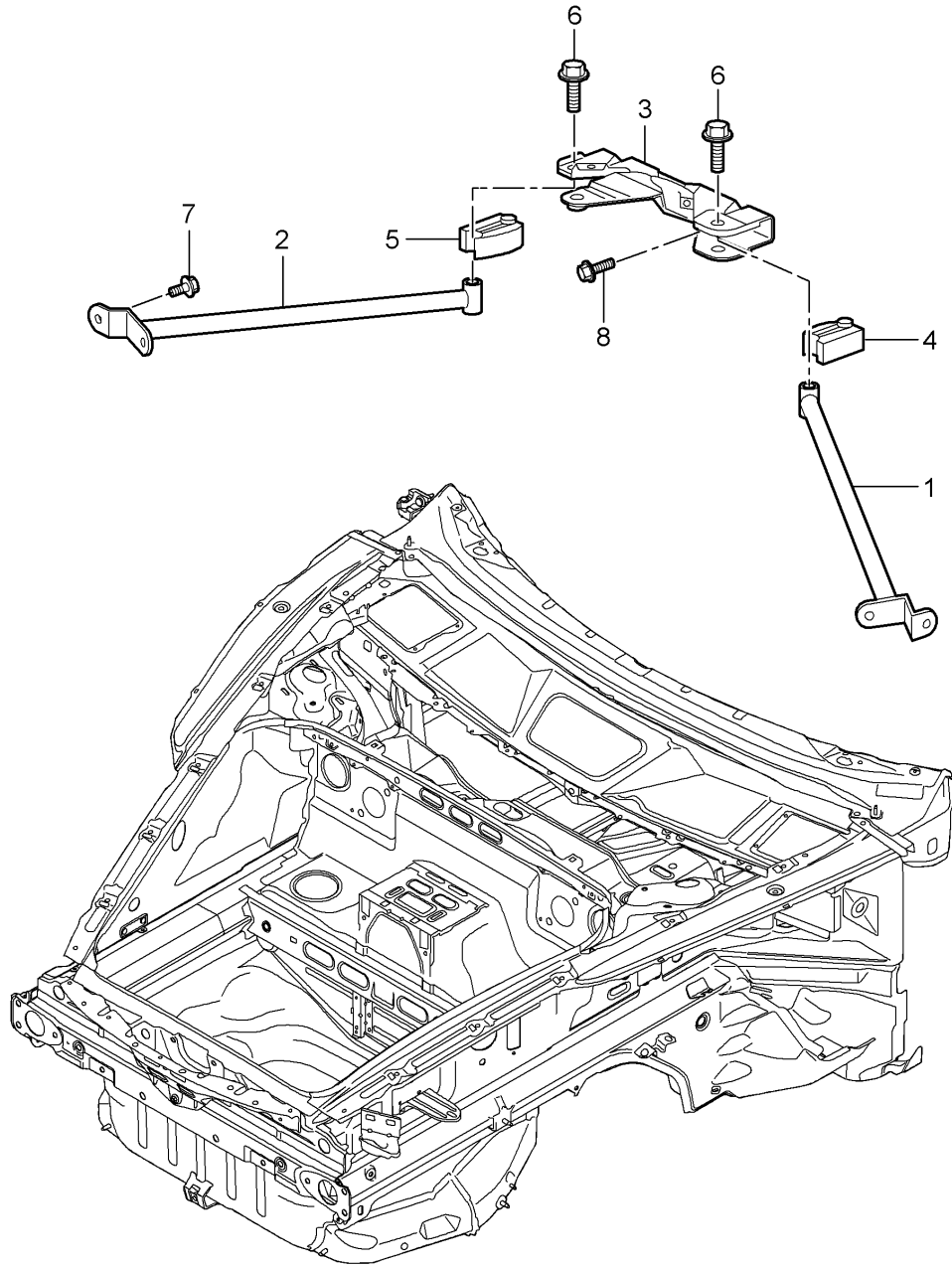
| Pos | Part Number | Description | Remark | Qty | Model |
|-----|--------------------------------------|--|--|-----|--------|
| 1 | 997 501 931 00 | Front end Individual parts Cross panel | | 1 | |
| | | | also use: 000 043 305 51 | 1 | |
| 2 | 997 501 931 00 GRV 997 501 979 00 | primed Spare wheel well | | 1 | |
| | | | also use: 000 043 207 67 | 1 | |
| 2 | 997 501 979 00 GRV 997 501 979 01 | primed Spare wheel well | | 1 | |
| | | | also use: 000 043 207 67 | 1 | |
| (2) | 997 501 979 01 GRV 997 501 979 01 | primed Spare wheel well | | 1 | PR:756 |
| | | | also use: 000 043 207 67 | 1 | |
| 3 | 997 501 979 01 GRV 996 501 621 00 | primed Bracket | | 3 | |
| | | | | | |
| 4 | 996 501 621 00 GRV 997 501 305 01 | primed Side member | left | 1 | |
| | | | also use: 000 043 305 51 | 1 | |
| 4 | 997 501 305 01 GRV 997 501 905 00 | Discontinued part primed Side member | left | 1 | |
| | | | also use: 000 043 305 51 | 1 | |
| (4) | 997 501 905 00 GRV 997 501 306 01 | primed Side member | right | 1 | |
| | | | also use: 000 043 305 51 | 1 | |
| (4) | 997 501 306 01 GRV 997 501 906 00 | Discontinued part primed Side member | right | 1 | |
| | | | also use: 000 043 305 51 | 1 | |
| 5 | 997 501 906 00 GRV 997 501 915 00 | primed Side member | left | 1 | |
| | | | also use: 000 043 305 51 | 1 | |
| (5) | 997 501 915 00 GRV 997 501 916 00 | primed Side member | right | 1 | |
| | | | also use: 000 043 305 51 | 1 | |
| 6 | 997 501 916 00 GRV 997 501 935 00 | primed Wheel housing | left | 1 | |
| | | | also use: 000 043 305 51 000 043 207 67 | 1 | |
| 6 | 997 501 935 00 GRV 997 501 935 01 | Discontinued part primed Wheel housing | left | 1 | |
| | | | also use: 000 043 305 51 000 043 207 67 | 1 | |
| (6) | 997 501 935 01 GRV 997 501 936 01 | primed Wheel housing | right | 1 | |
| | | | also use: 000 043 305 51 000 043 207 67 | 1 | |
| 7 | 997 501 936 01 GRV 997 501 945 00 | primed Lower part | left | 1 | |
| | | | | | |
| (7) | 997 501 945 00 GRV 997 501 946 01 | primed Lower part | right | 1 | |
| | | | | | |
| 8 | 997 501 946 01 GRV 997 501 937 00 | primed Hinge pillar | left | 1 | |
| | | | also use: 000 043 305 51 000 043 207 67 | 1 | |
| (8) | 997 501 937 00 GRV 997 501 938 00 | primed Hinge pillar | right | 1 | |
| | | | also use: 000 043 305 51 000 043 207 67 | 1 | |
| 9 | 997 501 938 00 GRV 996 504 201 01 | primed Cover \$ 145 MM | | 2 | |

Model: 997-09 Model life 2009>>2012

| Pos | Part Number | Description | Remark | Qty | Model |
|------|--------------------|--------------------|----------------|-----|--------------|
| 10 | 996 501 815 02 | Brake line bracket | | 2 | |
| | 996 501 815 02 GRV | primed | | | |
| 11 | 997 502 921 03 | filler plate | | 1 | C2 |
| | | also use: | 000 043 207 67 | 1 | |
| | 997 502 921 03 GRV | primed | | | |
| (11) | 997 502 921 01 | filler plate | lhd | 1 | C4 |
| | | also use: | 000 043 207 67 | 1 | PR:098 |
| | 997 502 921 01 GRV | primed | | | SportClassic |
| (11) | 997 502 915 02 | filler plate | lhd | 1 | C4 |
| | | also use: | 000 043 207 67 | 1 | PR:098 |
| | 997 502 915 02 GRV | primed | | | |
| 12 | 997 502 017 02 | Cross panel | | 1 | C2 |
| | 997 502 017 02 GRV | primed | | | |
| (12) | 997 502 017 03 | Cross panel | | 1 | C4 |
| | 997 502 017 03 GRV | primed | | | SportClassic |
| 13 | 996 501 341 00 | Bracket | | 2 | |
| | 996 501 341 00 GRV | primed | | | |
| 14 | 997 501 665 01 | Web plate | left | 1 | |
| | 997 501 665 01 GRV | primed | | | |
| (14) | 997 501 666 01 | Web plate | right | 1 | |
| | 997 501 666 01 GRV | primed | | | |
| 15 | 997 504 471 00 | Cover | | 1 | C4 |
| | | filler plate | | | SportClassic |
| 16 | 900 380 015 09 | Hexagon nut | | 7 | |
| | | M6 | | | |
| 17 | 997 504 403 00 | Insert | | 1 | C4 |
| | | Spare wheel well | | | SportClassic |
| 18 | 999 084 638 09 | Hexagon nut | | 3 | |
| | | m 6 | | | |
| 18 | 999 084 638 01 | Hexagon nut | | 3 | |
| | | m 6 | | | |
| 18 | 803 803 583 | Rubber grommet | | 1 | |
| | | 30,0 X 40,0 | | | |
| | | Discontinued part | | | |
| 18 | 999 703 195 40 | Rubber grommet | | 1 | |
| | | 30,0 X 40,0 | | | |
| 19 | 999 703 476 40 | Grommet | | 4 | |
| | | 29,8 X 1,0 | | | |
| 19 | 999 703 476 41 | Grommet | | 4 | |
| | | 29,8 X 1,0 | | | |

Model: 997-09

Model life 2009>>2012



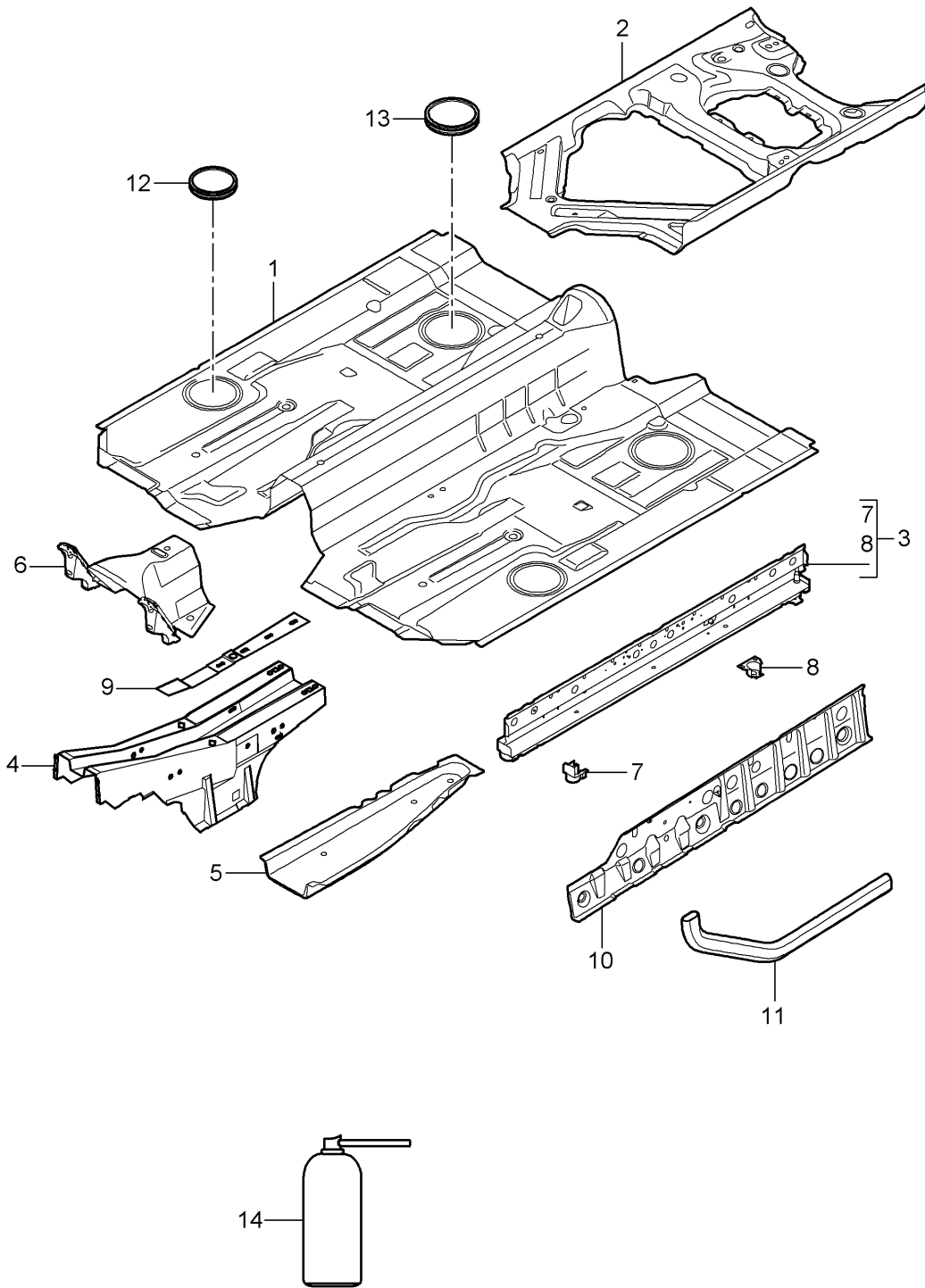
Model: 997-09

Model life 2009>>2012

| Pos | Part Number | Description | Remark | Qty | Model |
|-----|----------------|----------------------------|--------|-----|-------|
| 1 | 996 504 233 01 | Dome strut | left | 1 | |
| 2 | 996 504 234 01 | Dome strut | right | 1 | |
| 3 | 997 504 359 00 | Console | | 1 | |
| 4 | 996 504 633 00 | Filler piece | left | 1 | |
| 5 | 996 504 634 00 | Filler piece | right | 1 | |
| 6 | 900 378 100 09 | Hexagon bolt AM 10 X 45 | | 2 | |
| 7 | 900 075 010 09 | Hexagon bolt M 6 X 12 | | 4 | |
| 8 | 900 378 173 01 | Hexagon bolt M 6 X 20 | | 4 | |

Model: 997-09

Model life 2009>>2012

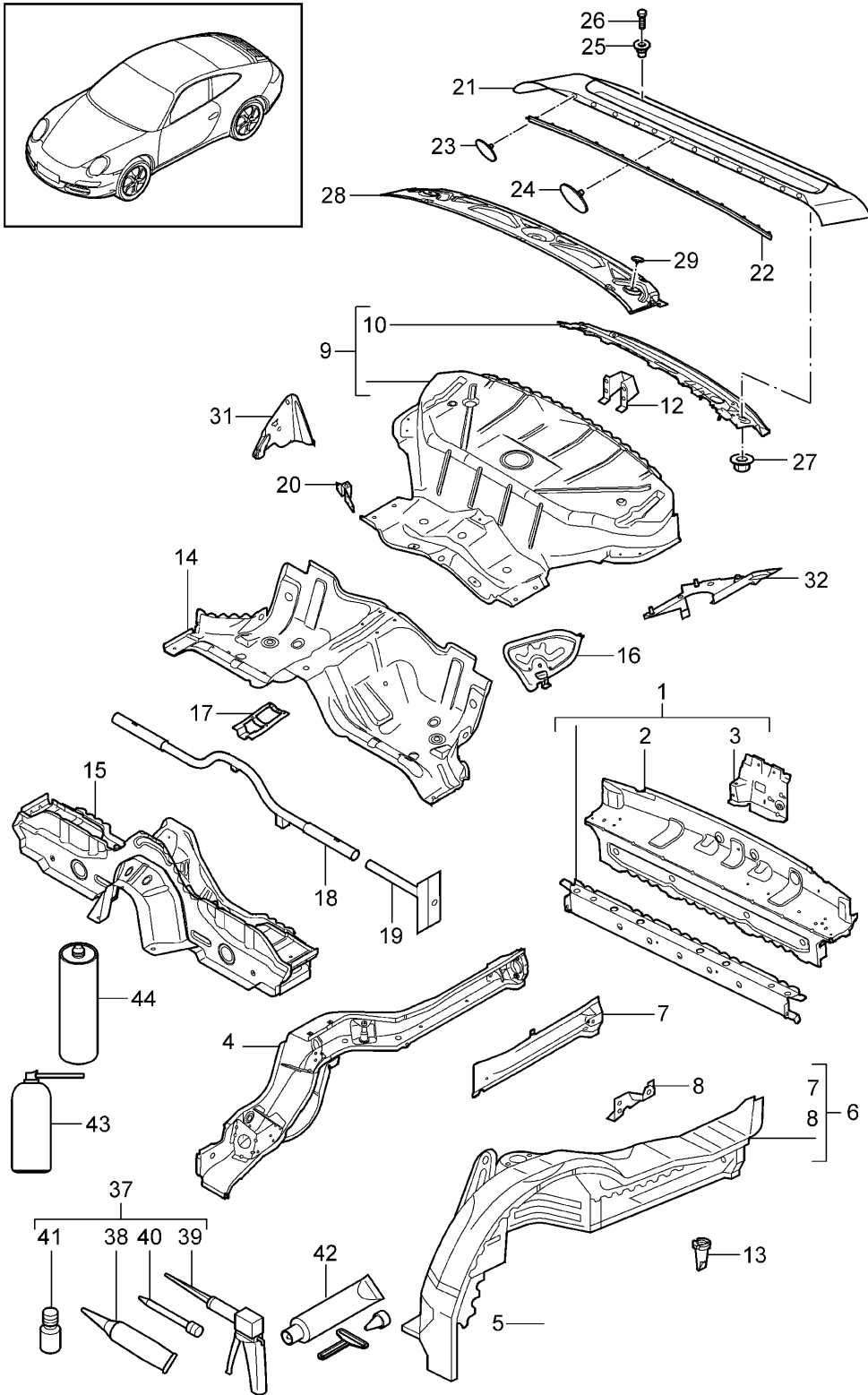


Model: 997-09 Model life 2009>>2012

| Pos | Part Number | Description | Remark | Qty | Model |
|------|--------------------|-------------------------------|----------------|-----|-------|
| - | 000 043 206 29 | Floor Adhesive set Body | center | X | |
| - | 000 043 206 30 | comprising: adhesive | | 1 | |
| - | 000 043 206 31 | Double cartridge gun | | 1 | |
| - | 000 043 206 32 | emulsion tube | | 1 | |
| - | 000 043 206 33 | activator | | 1 | |
| 1 | 997 501 551 01 | Floor | | 1 | |
| | | also use: | 000 043 207 67 | 2 | |
| | 997 501 551 01 GRV | primed | | | |
| 2 | 997 501 953 01 | Seat support | left | 1 | |
| | | also use: | 000 043 305 51 | 1 | |
| | 997 501 953 01 GRV | primed | | | |
| (2) | 997 501 954 02 | Seat support | right | 1 | |
| | | also use: | 000 043 305 51 | 1 | |
| | 997 501 954 02 GRV | primed | | | |
| 3 | 997 501 157 01 | Side member | left | 1 | |
| | | also use: | 000 043 305 51 | 1 | |
| | 997 501 157 01 GRV | primed | | | |
| (3) | 997 501 158 01 | Side member | right | 1 | |
| | | also use: | 000 043 305 51 | 1 | |
| | 997 501 158 01 GRV | primed | | | |
| 4 | 997 501 409 00 | Support | front | 1 | |
| | | also use: | 000 043 207 67 | 1 | |
| 5 | 997 501 525 00 | Side member | left | 1 | |
| | | also use: | 000 043 305 51 | 1 | |
| | 997 501 525 00 GRV | primed | | | |
| (5) | 997 501 526 00 | Side member | right | 1 | |
| | | also use: | 000 043 305 51 | 1 | |
| | 997 501 526 00 GRV | primed | | | |
| 6 | 996 501 751 00 | Extension | | 1 | |
| | | also use: | 000 043 207 67 | 1 | |
| | 996 501 751 00 GRV | primed | | | |
| 7 | 996 501 785 00 | socket - jack | left front | 1 | |
| | 996 501 785 00 GRV | primed | | | |
| (7) | 996 501 786 00 | socket - jack | right front | 1 | |
| | 996 501 786 00 GRV | primed | | | |
| 8 | 997 501 481 00 | socket - jack | left rear | 1 | |
| | 997 501 481 00 GRV | primed | | | |
| (8) | 997 501 482 00 | socket - jack | right rear | 1 | |
| | 997 501 482 00 GRV | primed | | | |
| 9 | 997 501 619 00 | Closing element | | 1 | |
| 10 | 997 501 329 00 | Retaining plate | left | 1 | |
| | | also use: | 000 043 305 51 | 1 | |
| | 997 501 329 00 GRV | primed | | | |
| (10) | 997 501 330 00 | Retaining plate | right | 1 | |
| | | also use: | 000 043 305 51 | 1 | |
| | 997 501 330 00 GRV | primed | | | |
| 11 | 997 501 439 00 | Support tube | | 2 | |
| | 997 501 439 00 GRV | primed | | | |
| | | also use: | | | |
| | | sealant | | | |
| | | Pos. 14 | | | |
| | | Processing instructions | | | |
| | | See technical manual | | | |
| | | 51 49 55 | | | |
| 12 | 996 504 205 01 | Cover | | 2 | |
| | | \$ 125 MM | | | |
| 13 | 996 504 201 01 | Cover | | 2 | |
| | | \$ 145 MM | | | |
| 14 | 999 915 337 40 | sealant | | 1 | |

Model: 997-09

Model life 2009>>2012



Model: 997-09 Model life 2009>>2012

| Pos | Part Number | Description | Remark | Qty | Model |
|------|--------------------|-------------------------|----------------|-----|--------|
| 1 | 997 501 973 02 | Rear end Cross panel | | 1 | |
| | 997 501 973 02 GRV | primed | | | |
| 2 | 997 501 273 01 | Cross panel | | 1 | |
| | | Discontinued part | | | |
| | 997 501 273 01 GRV | primed | | | |
| 3 | 997 501 247 00 | lock carrier | | 1 | |
| | | Discontinued part | | | |
| | 997 501 247 00 GRV | primed | | | |
| 4 | 997 501 977 00 | Side member | left | 1 | |
| | 997 501 977 00 GRV | primed | | | |
| | | also use: | 999 915 337 40 | | |
| | | Processing instructions | | | |
| | | See technical manual | | | |
| | | 53 48 55 | | | |
| (4) | 997 501 978 01 | Side member | right | 1 | |
| | 997 501 978 01 GRV | primed | | | |
| | | also use: | 999 915 337 40 | | |
| | | Processing instructions | | | |
| | | See technical manual | | | |
| | | 53 48 55 | | | |
| 6 | 997 501 943 00 | Wheel housing | left | 1 | |
| | | modify in workshop | | | |
| | | See workshop manual | | | Coupe |
| | 997 501 943 00 GRV | primed | | | |
| (6) | 997 501 943 01 | Wheel housing | left | 1 | CABRIO |
| | 997 501 943 01 GRV | primed | | | |
| (6) | 997 501 944 00 | Wheel housing | right | 1 | |
| | | modify in workshop | | | |
| | | See workshop manual | | | Coupe |
| | 997 501 944 00 GRV | primed | | | |
| (6) | 997 501 944 01 | Wheel housing | right | 1 | CABRIO |
| | | modify in workshop | | | |
| | | See workshop manual | | | |
| | 997 501 944 01 GRV | primed | | | |
| 7 | 996 501 595 01 | Side member | left | 1 | |
| | 996 501 595 01 GRV | primed | | | |
| (7) | 996 501 596 01 | Side member | right | 1 | |
| | 996 501 596 01 GRV | primed | | | |
| 8 | 997 501 571 00 | Console | left | 1 | CABRIO |
| | 997 501 571 00 GRV | primed | | | |
| (8) | 997 501 572 00 | Console | right | 1 | CABRIO |
| | 997 501 572 00 GRV | primed | | | |
| 9 | 997 502 911 05 | rear panel | | 1 | C2 |
| | | also use: | | | CABRIO |
| | | POS. 12 | | | |
| | | See workshop manual | | | |
| | 997 502 911 05 GRV | primed | | | |
| 9 | 997 502 911 07 | rear panel | | 1 | C4/C4S |
| | | also use: | | | CABRIO |
| | | POS. 12 | | | |
| | | See workshop manual | | | |
| | 997 502 911 07 GRV | primed | | | |
| 10 | 997 502 373 00 | Cross member | | 1 | COUPE |
| | 997 502 373 00 GRV | primed | | | |
| (10) | 997 502 673 01 | Cross member | | 1 | CABRIO |
| | 997 502 673 01 GRV | primed | | | |
| (10) | 997 502 373 01 | Cross member | | 1 | TARGA |
| | 997 502 373 01 GRV | primed | | | |
| (10) | 997 502 561 00 | Cross member | | 1 | CABRIO |
| | | Upper part | | | |
| | 997 502 561 00 GRV | primed | | | |
| 11 | 997 501 949 01 | Seat well | | 1 | |

Model: 997-09 Model life 2009>>2012

| Pos | Part Number | Description | Remark | Qty | Model |
|------|--------------------|-------------------|--------------------------|-----|-----------------|
| 12 | 997 501 949 01 GRV | primed | | | |
| | 997 502 525 00 | Console | | 1 | CABRIO |
| | 997 502 525 00 GRV | primed | | | |
| 13 | 996 561 825 00 | Water drain valve | rear | 2 | |
| | | Wheel housing | | | |
| 14 | 997 501 549 01 | Seat well | | 1 | |
| | 997 501 549 01 GRV | primed | | | |
| 15 | 997 501 955 00 | Cross member | | 1 | |
| | 997 501 955 00 GRV | primed | | | |
| 16 | 997 501 461 00 | Reinforcement | left | 1 | |
| | 997 501 461 00 GRV | primed | | | |
| (16) | 996 501 462 02 | Reinforcement | right | 1 | |
| | 996 501 462 02 GRV | primed | | | |
| 17 | 996 501 659 01 | Console | | 1 | |
| | 996 501 659 01 GRV | primed | | | |
| 18 | 996 501 411 00 | Pipe | | 1 | |
| | 996 501 411 00 GRV | primed | | | |
| (19) | 996 501 415 00 | Sleeve | | 2 | |
| | 996 501 415 00 GRV | primed | | | |
| 20 | 997 501 611 00 | Support | left | 1 | CABRIO |
| | 997 501 611 00 GRV | primed | | | |
| (20) | 997 501 612 00 | roll bar | | | |
| | 997 501 612 00 GRV | Support primed | right | 1 | CABRIO |
| | | roll bar | | | |
| (21) | 997 504 345 03 | Rear centre panel | | 1 | COUPE |
| | 997 504 345 03 GRV | primed | | | |
| (21) | 997 504 345 01 | Rear centre panel | | 1 | COUPE PR:756 |
| | 997 504 345 01 GRV | primed | | | |
| (21) | 997 504 545 02 | Rear centre panel | outer | 1 | TARGA |
| | 997 504 545 02 GRV | primed | | | |
| - | | | also use: | | |
| - | 999 911 591 41 | sealing tape | | 2 | COUPE |
| | | 10 x 5 x 285 | | | |
| 22 | 997 504 612 00 | Seal | | 1 | COUPE |
| 22 | 997 504 612 01 | Seal | | 1 | TARGA |
| | | Rear centre panel | | | |
| | | primed | | | |
| 23 | 999 507 973 40 | Mount | | 2 | COUPE |
| | | 2,8 X 6 X 30 | | | |
| 24 | 999 507 974 40 | Mount | | 10 | COUPE |
| | | 2,8 X 6 X 50 | | | |
| 25 | 999 500 109 02 | rivetted cap nut | | 3 | COUPE |
| | | M 6/0,8 - 3 | | | |
| 26 | 999 073 263 09 | Bolt with washer | | 3 | COUPE |
| | | M 6 X 12 | | | |
| 27 | 999 076 029 02 | Hexagon nut | | 2 | |
| | | M 6 | | | |
| 28 | 997 502 409 01 | Closing plate | | 1 | COUPE |
| | 997 502 409 01 GRV | primed | | | |
| | | Rear centre panel | | | |
| (28) | 997 502 409 02 | Closing plate | also use: 999 915 650 40 | 1 | TARGA |
| | 997 502 409 02 GRV | primed | | | |
| | | Rear centre panel | | | |
| 29 | 999 507 838 40 | Bungs | also use: 999 915 650 40 | 4 | TARGA |
| | | 10,0 X 0,9 | | | |
| 31 | 997 504 797 00 | Console | left | 1 | |
| | 997 504 797 00 GRV | primed | | | |
| | | Belt | | | |
| (31) | 997 504 798 00 | Console | right | 1 | |

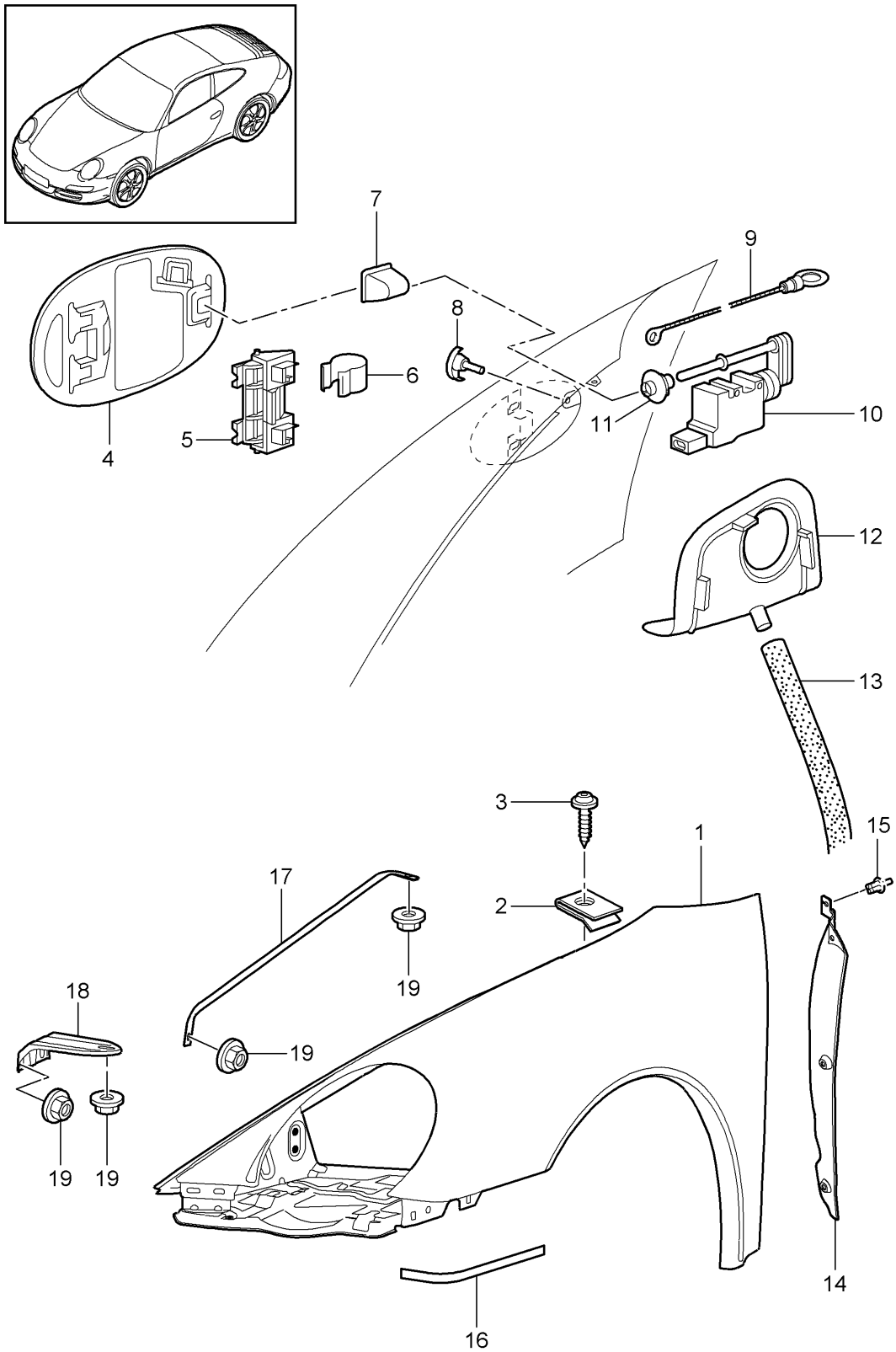
Model: 997-09

Model life 2009>>2012

| Pos | Part Number | Description | Remark | Qty | Model |
|------|--------------------|---|--------|-----|-------------|
| | 997 504 798 00 GRV | primed Belt | | | |
| 32 | 996 502 653 01 | Connection piece | left | 1 | COUPE/TARGA |
| | 996 502 653 01 GRV | primed | | | |
| (32) | 996 502 654 01 | Connection piece | right | 1 | COUPE/TARGA |
| | 996 502 654 01 GRV | primed | | | |
| (32) | 997 502 553 00 | Connection piece | left | 1 | CABRIO |
| | 997 502 553 00 GRV | primed | | | |
| (32) | 997 502 554 00 | Connection piece | right | 1 | CABRIO |
| | 997 502 554 00 GRV | primed | | | |
| 33 | 996 504 745 00 | Crash protection | right | 1 | |
| 34 | 900 377 003 03 | Hexagon nut M 8 | | 1 | |
| 35 | 900 378 074 01 | Hexagon bolt M 8 X 16 | | 1 | |
| 37 | 000 043 206 29 | Adhesive set | | 1 | |
| 38 | 000 043 206 30 | adhesive | | 1 | |
| 39 | 000 043 206 31 | Double cartridge gun | | 1 | |
| 40 | 000 043 206 32 | emulsion tube | | 1 | |
| 41 | 000 043 206 33 | activator | | 1 | |
| 42 | 000 043 204 38 | sealant 70 ML Processing instructions See technical manual | | X | |
| 43 | 999 915 337 40 | sealant Acoustics | | 1 | |
| 44 | 000 043 204 85 | cavity preservative agent | | 1 | |

Model: 997-09

Model life 2009>>2012



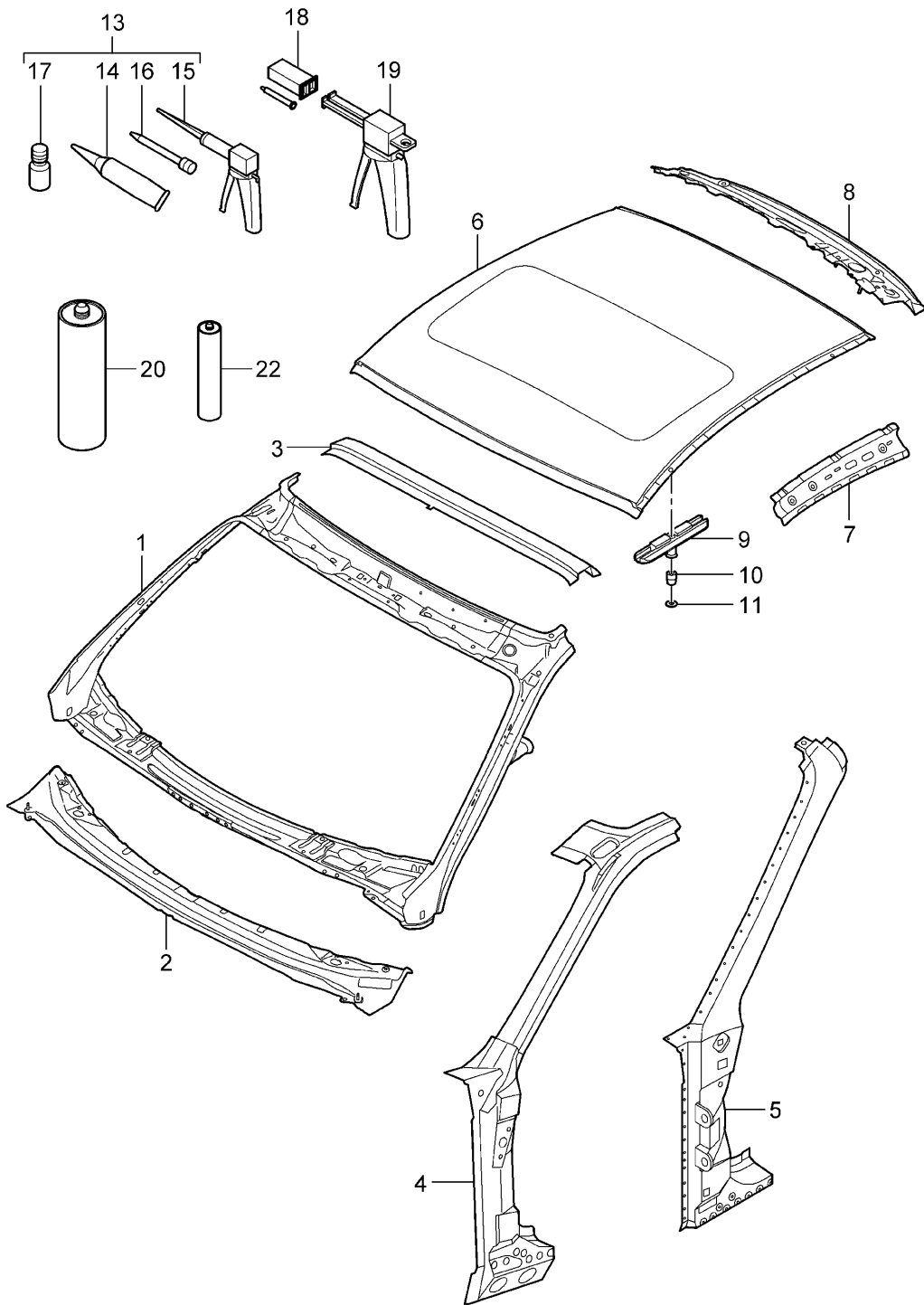
Model: 997-09

Model life 2009>>2012

| Pos | Part Number | Description | Remark | Qty | Model |
|------|--------------------|--------------------------------|--------|-----|--------|
| 1 | 997 503 031 00 | Wing | | | |
| | 997 503 031 00 GRV | Wing primed | left | 1 | |
| (1) | 997 503 932 00 | Wing | | | |
| | 997 503 932 00 GRV | Wing primed | right | 1 | |
| (1) | 997 503 032 03 | Wing | | | |
| | 997 503 032 03 GRV | Wing primed | right | 1 | PR:461 |
| 2 | 999 507 003 02 | panel nut ST 6,3 | | 22 | |
| | | Discontinued part | | | |
| 2 | 999 507 003 01 | panel nut ST 6,3 | | 22 | |
| 3 | 999 073 128 02 | panel screw ST 6,3 X 14 | | 22 | |
| 4 | 997 504 134 00 | Fuel filler flap | | 1 | |
| | 997 504 134 00 GRV | primed | | | |
| 5 | 997 201 063 00 | Hinge | | 1 | |
| 6 | 997 504 711 00 | Spring | | 1 | |
| 7 | 996 201 423 00 | Cap | | 1 | |
| 8 | 997 504 888 01 | Rubber stop | | 1 | |
| 9 | 996 201 493 00 | Emergency operation | | 1 | |
| 10 | 997 624 113 00 | throttle control element | | 1 | |
| 11 | 997 624 505 00 | Guide rose | | 1 | |
| (12) | 997 201 667 00 | Sleeve | | 1 | |
| 13 | 996 201 153 00 | Hose | | 1 | |
| 14 | 997 504 641 02 | lining for fender | left | 1 | |
| | 997 504 641 02 01C | Black | | | |
| (14) | 997 504 642 02 | lining for fender | right | 1 | |
| | 997 504 642 02 01C | Black | | | |
| 15 | 999 591 712 40 | Spreader rivet A 6,0 X 12,0 | | 6 | |
| 16 | 997 504 531 00 | Protective film | left | 1 | |
| (16) | 997 504 532 00 | Protective film | right | 1 | |
| 17 | 997 504 441 00 | Brace | | 2 | |
| | 997 504 441 00 GRV | primed | | | |
| 18 | 997 504 555 00 | Console | | 2 | |
| | 997 504 555 00 GRV | primed | | | |
| 19 | 900 377 010 09 | Hexagon nut M 6 | | X | |

Model: 997-09

Model life 2009>>2012



Model: 997-09 Model life 2009>>2012

| Pos | Part Number | Description | Remark | Qty | Model |
|-----|--|--------------------------------------|--|-----|------------|
| 1 | 997 502 137 00 | Scuttle Scuttle | inner | 1 | COUPE |
| | | also use: | 000 043 305 51 | 1 | |
| | | | 000 043 305 32 | 1 | |
| (1) | 997 502 137 00 GRV 997 502 137 01 | primed Scuttle | inner | 1 | CABRIO |
| | | also use: | 000 043 305 51 | 1 | |
| | | | 000 043 305 32 | 1 | |
| (1) | 997 502 137 01 GRV 997 502 137 02 | primed Scuttle | inner | 1 | TARGA |
| | | also use: | 000 043 305 51 | 1 | |
| | | | 000 043 305 32 | 1 | |
| (1) | 997 502 137 02 GRV 987 502 137 01 | primed Scuttle | inner | 1 | |
| | | also use: | 000 043 305 51 | 1 | |
| | | | 000 043 305 32 | 1 | |
| 2 | 987 502 137 01 GRV 997 502 437 00 997 502 437 00 GRV | primed Scuttle primed | outer lower | 1 | |
| 3 | 997 502 529 00 997 502 529 00 GRV | Scuttle primed | outer upper | 1 | CABRIO |
| (3) | 997 502 529 02 997 502 529 02 GRV | Scuttle primed | outer upper | 1 | TARGA |
| 4 | 997 502 135 03 997 502 135 03 GRV | Reinforcement for A-pillar primed | left inner | 1 | COUPE |
| (4) | 997 502 136 03 997 502 136 03 GRV | Reinforcement for A-pillar primed | right inner | 1 | COUPE |
| | | also use: | 000 043 305 41 | | |
| (4) | 997 502 135 04 997 502 135 04 GRV | Reinforcement for A-pillar primed | left inner | 1 | CABRIO |
| | | also use: | 000 043 305 41 | | |
| (4) | 997 502 136 04 997 502 136 04 GRV | Reinforcement for A-pillar primed | right inner | 1 | CABRIO |
| | | also use: | 000 043 305 41 | | |
| (4) | 997 502 135 05 997 502 135 05 GRV | Reinforcement for A-pillar primed | left inner | 1 | TARGA |
| | | also use: | 000 043 305 41 | | |
| (4) | 997 502 136 05 997 502 136 05 GRV | Reinforcement for A-pillar primed | right inner | 1 | TARGA |
| | | also use: | 000 043 305 41 | | |
| 5 | 997 502 335 00 997 502 335 00 GRV | Hinge pillar primed | left | 1 | CABRIO |
| (5) | 997 502 336 00 997 502 336 00 GRV | Hinge pillar primed | right | 1 | CABRIO |
| (6) | 996 503 501 00 996 503 501 00 GRV | Outer roof panel primed | | 1 | |
| | | also use: | 000 043 305 38 | | |
| (6) | 997 503 501 00 997 503 501 00 GRV | Outer roof panel primed | | 1 | PR:461 |
| | | also use: | 000 043 305 38 | | |
| 6 | 996 503 087 03 996 503 087 03 GRV | Outer roof panel primed | | 1 | PR:650 |
| | | also use: | 000 043 305 38 | | |
| 6 | 997 503 087 00 997 503 087 00 GRV | Outer roof panel primed | with: Frame for sliding sunroof aperture | 1 | PR:650,461 |
| | | also use: | 000 043 305 38 | | |

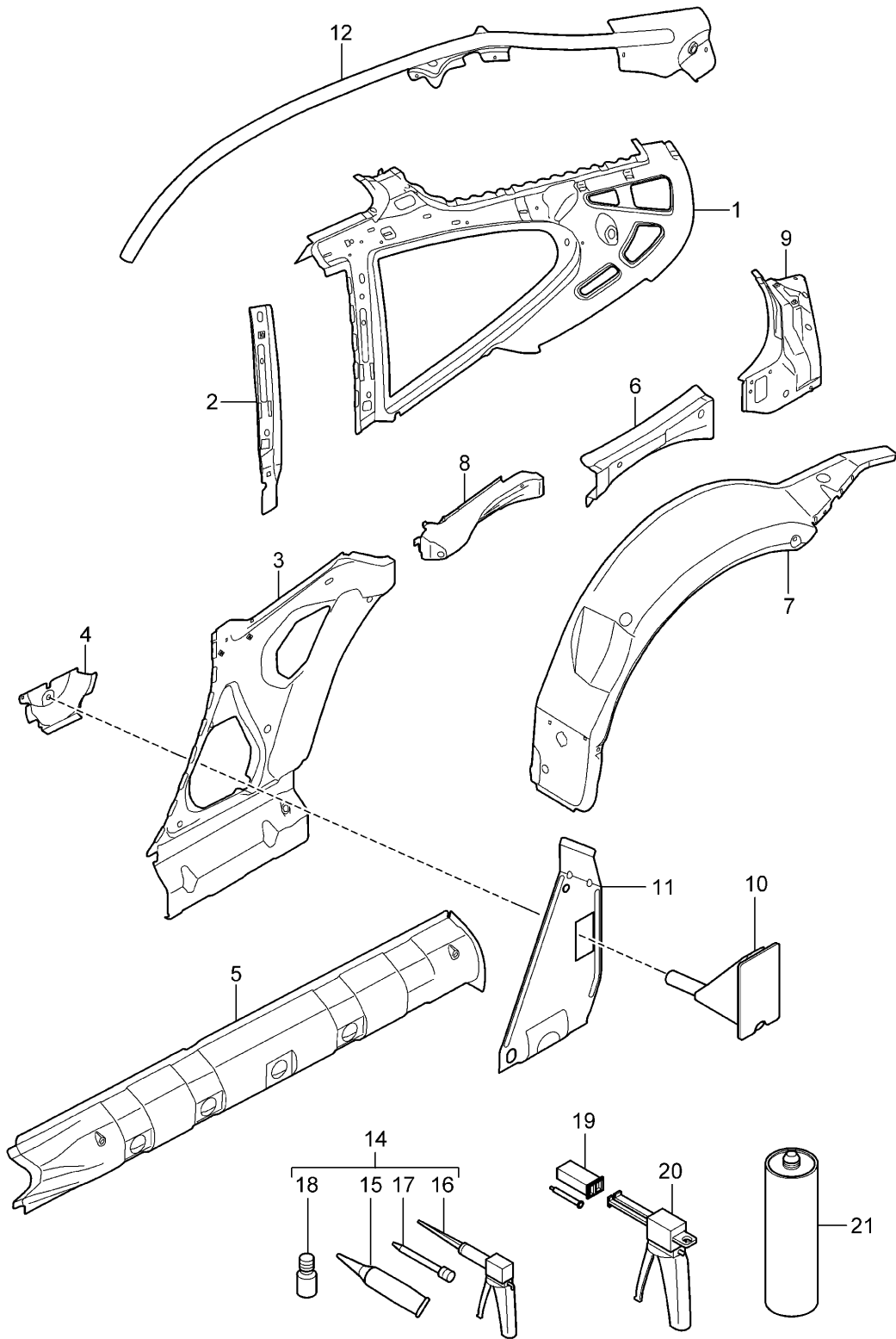
Model: 997-09

Model life 2009>>2012

| Pos | Part Number | Description | Remark | Qty | Model |
|-----|--------------------------------------|--|----------------------------------|-----|------------|
| (6) | 997 503 501 04 997 503 501 04 GRV | Outer roof panel primed | | 1 | PR:756,652 |
| 7 | 996 502 305 03 996 502 305 03 GRV | roof frame primed | also use: 000 043 305 38 left | 1 | COUPE |
| (7) | 996 502 306 03 996 502 306 03 GRV | roof frame primed | right | 1 | COUPE |
| (7) | 996 502 205 01 996 502 205 01 GRV | roof frame primed | left | 1 | TARGA |
| (7) | 996 502 206 01 996 502 206 01 GRV | roof frame primed | right | 1 | TARGA |
| 8 | 997 502 505 00 997 502 505 00 GRV | roof frame primed | | 1 | |
| 9 | 996 504 911 00 | basic plate | with: | X | |
| 10 | 996 504 505 00 | threaded pin Threaded bush | | X | |
| 11 | 900 025 008 09 | Washer A 10,5 | | X | |
| 13 | 000 043 206 29 | Adhesive set Body comprising: | | X | |
| 14 | 000 043 206 30 | adhesive | | 1 | |
| 15 | 000 043 206 31 | Double cartridge gun | | 1 | |
| 16 | 000 043 206 32 | emulsion tube | | 1 | |
| 17 | 000 043 206 33 | activator | | 1 | |
| 18 | 999 915 650 40 | adhesive TEROMIX 6700 | | X | |
| 19 | 000 043 300 48 | Tool set See technical manual Group 5 53 55 55 | | X | |
| 20 | 000 043 204 85 | cavity preservative agent | | 1 | |
| 22 | 000 043 204 38 | sealant 70 ML Processing instructions See technical manual Discontinued part | | X | |

Model: 997-09

Model life 2009>>2012



Model: 997-09 Model life 2009>>2012

| Pos | Part Number | Description | Remark | Qty | Model |
|-----|--------------------|-----------------------------------|----------------|-----|-------------|
| 1 | 997 502 153 00 | Side part | inner | 1 | COUPE/TARGA |
| | | Side part | left | 1 | COUPE |
| | | | also use: | | |
| | 997 502 153 00 GRV | primed | 000 043 305 51 | 1 | |
| (1) | 997 502 154 00 | Side part | | 1 | COUPE |
| | | | also use: | | |
| | 997 502 154 00 GRV | primed | 000 043 305 51 | 1 | |
| (1) | 996 502 153 04 | Side part | left | 1 | TARGA |
| | | | also use: | | |
| | 996 502 153 04 GRV | primed | 000 043 305 51 | 1 | |
| (1) | 996 502 154 04 | Side part | right | 1 | TARGA |
| | | | also use: | | |
| | 996 502 154 04 GRV | primed | 000 043 305 51 | 1 | |
| 2 | 997 502 423 00 | Reinforcement | left | 1 | |
| | | | also use: | | |
| | 997 502 423 00 GRV | primed | 000 043 305 51 | 1 | |
| (2) | 997 502 424 00 | Reinforcement | right | 1 | |
| | | | also use: | | |
| | 997 502 424 00 GRV | primed | 000 043 305 51 | 1 | |
| 3 | 996 502 083 02 | Side part | left | 1 | |
| | | | also use: | | |
| | 996 502 083 02 GRV | primed | 000 043 305 51 | 1 | |
| (3) | 996 502 084 02 | Side part | right | 1 | |
| | | | also use: | | |
| | 996 502 084 02 GRV | primed | 000 043 305 51 | 1 | |
| 4 | 996 502 383 01 | Console | | 2 | |
| | 996 502 383 01 GRV | primed | | | |
| 5 | 996 502 733 01 | Reinforcement | left | 1 | |
| | | | also use: | | |
| | 996 502 733 01 GRV | primed | 000 043 305 51 | 1 | |
| (5) | 996 502 734 01 | Reinforcement | right | 1 | |
| | | | also use: | | |
| | 996 502 734 01 GRV | primed | 000 043 305 51 | 1 | |
| - | 999 703 433 40 | Bungs 30 X 42 for POS. 5 | | 10 | |
| 6 | 997 502 115 00 | Side part | left | 1 | |
| | 997 502 115 00 GRV | primed | | | |
| (6) | 997 502 116 00 | Side part | right | 1 | |
| | 997 502 116 00 GRV | primed | | | |
| 7 | 997 502 215 03 | Wheel housing | left | 1 | |
| | | | also use: | | |
| | | | 000 043 305 51 | 1 | |
| | | | 000 043 207 67 | 1 | |
| (7) | 997 502 215 03 GRV | primed | | | |
| | 997 502 216 03 | Wheel housing | right | 1 | |
| | | | also use: | | |
| | | | 000 043 305 51 | 1 | |
| | | | 000 043 207 67 | 1 | |
| (7) | 997 502 216 03 GRV | primed | | | |
| (7) | 997 502 215 04 | Wheel housing | left | 1 | CARRERA 4 |
| | | | also use: | | |
| | | | 000 043 305 51 | 1 | |
| | | | 000 043 207 67 | 1 | |
| (7) | 997 502 215 04 GRV | primed | | | |
| | 997 502 216 04 | Wheel housing | right | 1 | CARRERA 4 |
| | | | also use: | | |
| | | | 000 043 305 51 | 1 | |
| | | | 000 043 207 67 | 1 | |
| 8 | 997 502 216 04 GRV | primed | | | |
| | 997 502 707 00 | Reinforcement | left | 1 | |
| | 997 502 707 00 GRV | primed | | | |
| (8) | 997 502 708 00 | Reinforcement | right | 1 | |
| | 997 502 708 00 GRV | primed | | | |
| 9 | 997 502 161 00 | Side part | left | 1 | |
| | 997 502 161 00 GRV | primed | | | |

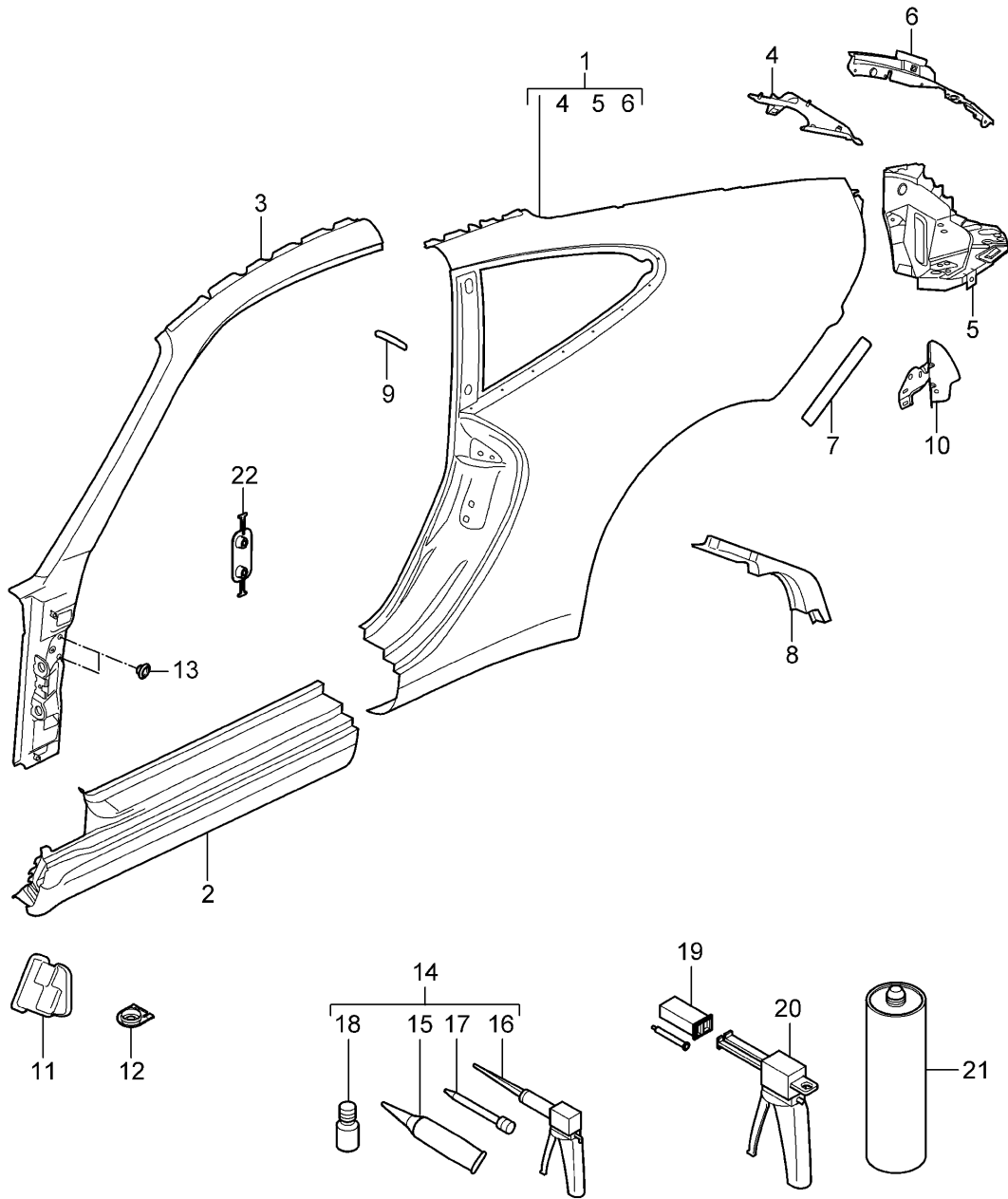
Model: 997-09

Model life 2009>>2012

| Pos | Part Number | Description | Remark | Qty | Model |
|------|--------------------|---------------------------|--------|-----|-------|
| (9) | 997 502 162 00 | Side part | right | 1 | |
| | 997 502 162 00 GRV | primed | | | |
| 10 | 997 502 711 00 | Pipe | | 2 | |
| | 997 502 711 00 GRV | primed | | | |
| 11 | 997 502 745 00 | Reinforcement plate | left | 1 | |
| | 997 502 745 00 GRV | primed | | | |
| (11) | 997 502 746 00 | Reinforcement plate | right | 1 | |
| | 997 502 746 00 GRV | primed | | | |
| 12 | 997 502 619 00 | Pipe | left | 1 | COUPE |
| | 997 502 619 00 GRV | primed | | | |
| (12) | 997 502 620 00 | Pipe | right | 1 | COUPE |
| | 997 502 620 00 GRV | primed | | | |
| (12) | 997 502 935 05 | Pipe | left | 1 | TARGA |
| | 997 502 935 05 GRV | primed | | | |
| (12) | 997 502 936 05 | Pipe | right | 1 | TARGA |
| | 997 502 936 05 GRV | primed | | | |
| 14 | 000 043 206 29 | Adhesive set | | 1 | |
| 15 | 000 043 206 30 | adhesive | | 1 | |
| 16 | 000 043 206 31 | Double cartridge gun | | 1 | |
| 17 | 000 043 206 32 | emulsion tube | | 1 | |
| 18 | 000 043 206 33 | activator | | 1 | |
| 19 | 999 915 650 40 | adhesive | | X | |
| | | TEROMIX 6700 | | | |
| 20 | 000 043 300 48 | Tool set | | X | |
| 21 | 000 043 204 85 | cavity preservative agent | | 1 | |

Model: 997-09

Model life 2009>>2012



Model: 997-09 Model life 2009>>2012

| Pos | Part Number | Description | Remark | Qty | Model |
|------|--------------------------------------|--|--------------------------------------|-----|-----------|
| 1 | 997 503 961 07 997 503 961 07 GRV | Side part Side part primed | outer left | 1 | COUPE |
| (1) | 997 503 962 07 997 503 962 07 GRV | Side part primed | also use: 000 043 206 30 right | 1 | |
| (1) | 997 503 961 09 997 503 961 09 GRV | Side part primed | also use: 000 043 206 30 left | 1 | CARRERA 4 |
| (1) | 997 503 962 09 997 503 962 09 GRV | Side part primed | also use: 000 043 206 30 right | 1 | CARRERA 4 |
| 2 | 997 503 963 00 | Sill | also use: 000 043 206 30 left | 1 | |
| (2) | 997 503 963 00 GRV 997 503 964 00 | primed Sill | also use: 000 043 305 51 right | 1 | |
| (2) | 997 503 964 00 GRV 997 503 963 02 | primed Sill | also use: 000 043 305 51 left | 1 | CARRERA 4 |
| (2) | 997 503 963 02 GRV 997 503 964 02 | primed Sill | also use: 000 043 305 51 right | 1 | CARRERA 4 |
| 3 | 997 503 964 02 GRV 997 503 965 03 | primed roof frame | also use: 000 043 305 51 left | 1 | |
| (3) | 997 503 965 03 GRV 997 503 966 03 | primed roof frame | also use: 000 043 305 51 right | 1 | |
| 4 | 997 503 966 03 GRV 997 502 365 00 | primed Sealing channel | left | 1 | |
| (4) | 997 502 365 00 GRV 997 502 366 00 | primed Sealing channel | right | 1 | |
| 5 | 997 502 366 00 GRV 997 502 461 01 | primed Frame for light | left | 1 | |
| (5) | 997 502 461 01 GRV 997 502 462 01 | primed Frame for light | right | 1 | |
| (6) | 997 502 462 01 GRV 997 502 213 02 | primed Console | left | 1 | |
| (6) | 997 502 213 02 GRV 997 502 214 01 | primed Console | right | 1 | |
| 7 | 997 502 214 01 GRV 997 504 631 00 | primed Protective film | | 2 | |
| 8 | 997 504 631 00 997 504 907 00 | Seal | | 2 | |
| 9 | 996 537 237 00 | See workshop manual Protective film | | 2 | |
| 10 | 997 501 487 01 | Reinforcement | left | 1 | |
| (10) | 997 501 487 01 GRV 997 501 488 01 | primed Reinforcement | also use: 000 043 305 51 right | 1 | |
| 11 | 997 501 488 01 GRV 997 572 311 01 | primed Water protection | also use: 000 043 305 51 left | 1 | |
| (11) | 997 572 312 01 | Water protection | right | 1 | |
| 12 | 999 703 475 40 | drain tube Sill | | 2 | |
| 13 | 999 703 029 40 | End cap 12 x 20 | | 4 | |
| 14 | 000 043 206 29 | Adhesive set | | 1 | |
| 15 | 000 043 206 30 | adhesive | | 1 | |
| 16 | 000 043 206 31 | Double cartridge gun | | 1 | |
| 17 | 000 043 206 32 | emulsion tube | | 1 | |

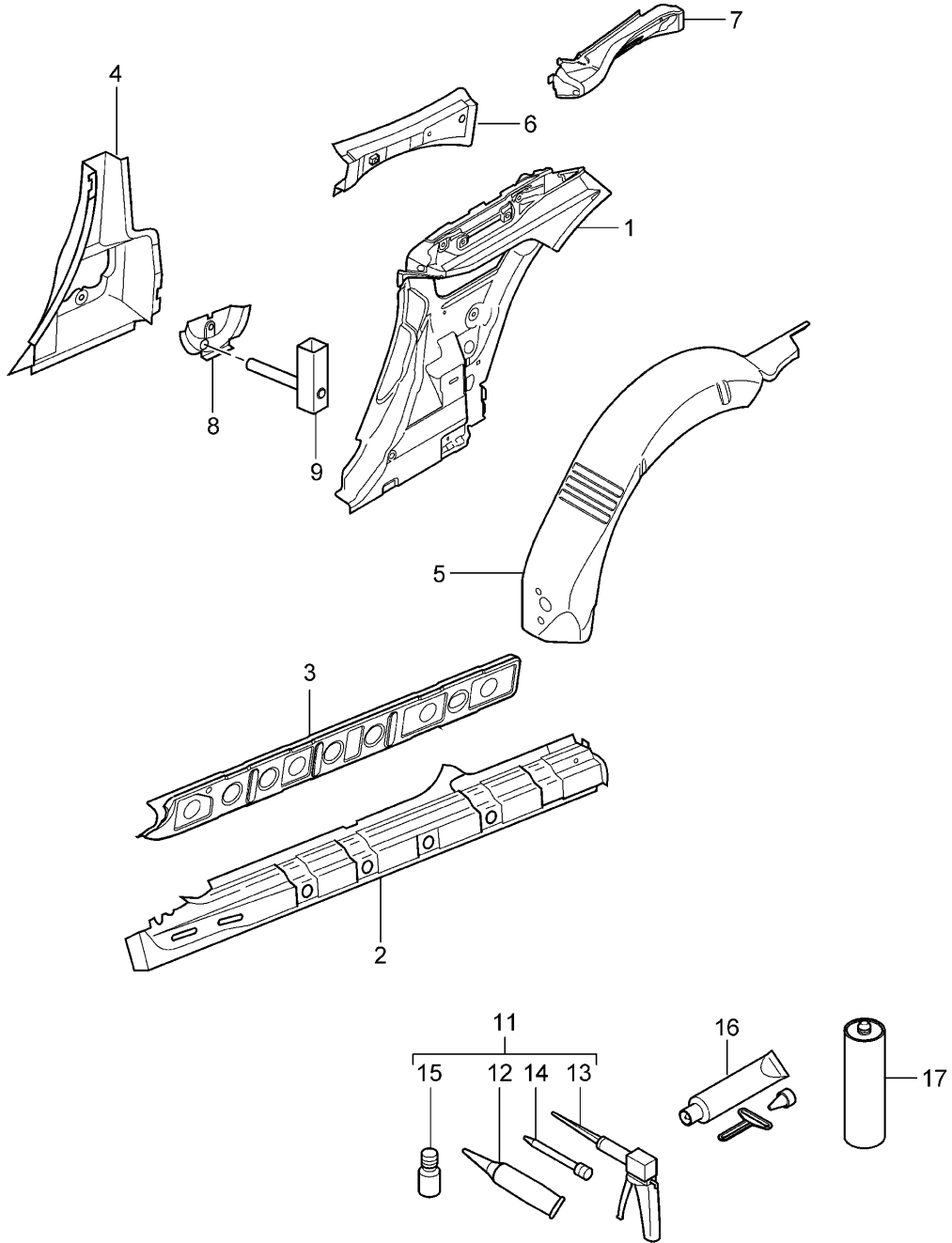
Model: 997-09

Model life 2009>>2012

| Pos | Part Number | Description | Remark | Qty | Model |
|-----|----------------|-----------------------------------|--------|-----|-------|
| 18 | 000 043 206 33 | activator | | 1 | |
| 19 | 999 915 650 40 | adhesive TEROMIX 6700 | | X | |
| 20 | 000 043 300 48 | Tool set | | X | |
| 21 | 000 043 204 85 | cavity preservative agent | | 1 | |
| 22 | 9A7 809 237 00 | Threaded plate for B-pillar | | 1 | |

Model: 997-09

Model life 2009>>2012

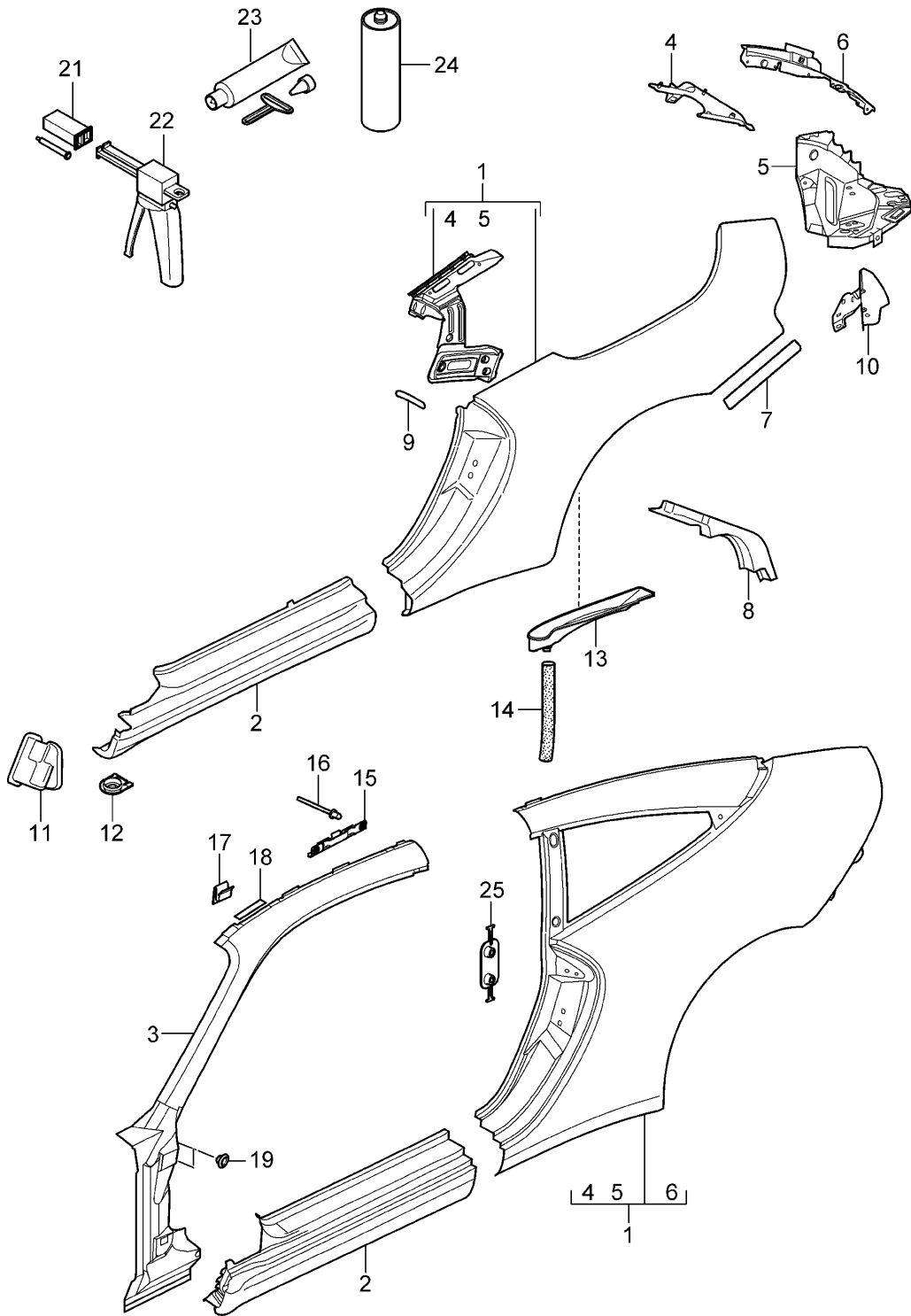


Model: 997-09 Model life 2009>>2012

| Pos | Part Number | Description | Remark | Qty | Model |
|-----|--------------------|---------------------------|--------------------------|-----|-----------|
| 1 | 997 502 073 03 | Side part | inner | 1 | CABRIO |
| | | Side part | left | 1 | |
| | | | also use: 000 043 305 51 | 1 | |
| (1) | 997 502 073 03 GRV | primed | | | |
| | 997 502 074 03 | Side part | right | 1 | |
| | | | also use: 000 043 305 51 | 1 | |
| | 997 502 074 03 GRV | primed | | | |
| 2 | 997 502 663 00 | Reinforcement | left | 1 | |
| | 997 502 663 00 GRV | primed | | | |
| | | | also use: 000 043 206 30 | | |
| (2) | 997 502 664 00 | Reinforcement | right | 1 | |
| | 997 502 664 00 GRV | primed | | | |
| | | | also use: 000 043 206 30 | | |
| 3 | 996 502 683 01 | Web plate | left | 1 | |
| | | | also use: 000 043 305 51 | 1 | |
| | 996 502 683 01 GRV | primed | | | |
| (3) | 996 502 684 01 | Web plate | right | 1 | |
| | | | also use: 000 043 305 51 | 1 | |
| | 996 502 684 01 GRV | primed | | | |
| 4 | 996 502 415 01 | B-pillar | left | 1 | |
| | 996 502 415 01 GRV | primed | | | |
| (4) | 996 502 416 01 | B-pillar | right | 1 | |
| | 996 502 416 01 GRV | primed | | | |
| 5 | 997 502 215 03 | Wheel housing | left | 1 | |
| | | | also use: 000 043 305 51 | 1 | |
| | | | 000 043 207 67 | 1 | |
| | 997 502 215 03 GRV | primed | | | |
| (5) | 997 502 216 03 | Wheel housing | right | 1 | |
| | | | also use: 000 043 305 51 | 1 | |
| | | | 000 043 207 67 | 1 | |
| | 997 502 216 03 GRV | primed | | | |
| (5) | 997 502 215 04 | Wheel housing | left | 1 | CARRERA 4 |
| | | | also use: 000 043 305 51 | 1 | |
| | | | 000 043 207 67 | 1 | |
| | 997 502 215 04 GRV | primed | | | |
| (5) | 997 502 216 04 | Wheel housing | right | 1 | CARRERA 4 |
| | | | also use: 000 043 305 51 | 1 | |
| | | | 000 043 207 67 | 1 | |
| | 997 502 216 04 GRV | primed | | | |
| 6 | 997 502 087 00 | Side part | left | 1 | |
| | 997 502 087 00 GRV | primed | | | |
| (6) | 997 502 088 00 | Side part | right | 1 | |
| | 997 502 088 00 GRV | primed | | | |
| 7 | 997 502 161 01 | Side part | left | 1 | |
| | 997 502 161 01 GRV | primed | | | |
| (7) | 997 502 162 01 | Side part | right | 1 | |
| | 997 502 162 01 GRV | primed | | | |
| 8 | 996 502 383 01 | Console | | 2 | |
| | 996 502 383 01 GRV | primed | | | |
| 9 | 997 502 711 01 | Pipe | | 2 | |
| | 997 502 711 01 GRV | primed | | | |
| 11 | 000 043 206 29 | Adhesive set | | 1 | |
| 12 | 000 043 206 30 | adhesive | | 1 | |
| 13 | 000 043 206 31 | Double cartridge gun | | 1 | |
| 14 | 000 043 206 32 | emulsion tube | | 1 | |
| 15 | 000 043 206 33 | activator | | 1 | |
| 16 | 000 043 204 38 | sealant | | X | |
| | | 70 ML | | | |
| | | Processing instructions | | | |
| | | See technical manual | | | |
| 17 | 000 043 204 85 | cavity preservative agent | | 1 | |

Model: 997-09

Model life 2009>>2012



Model: 997-09 Model life 2009>>2012

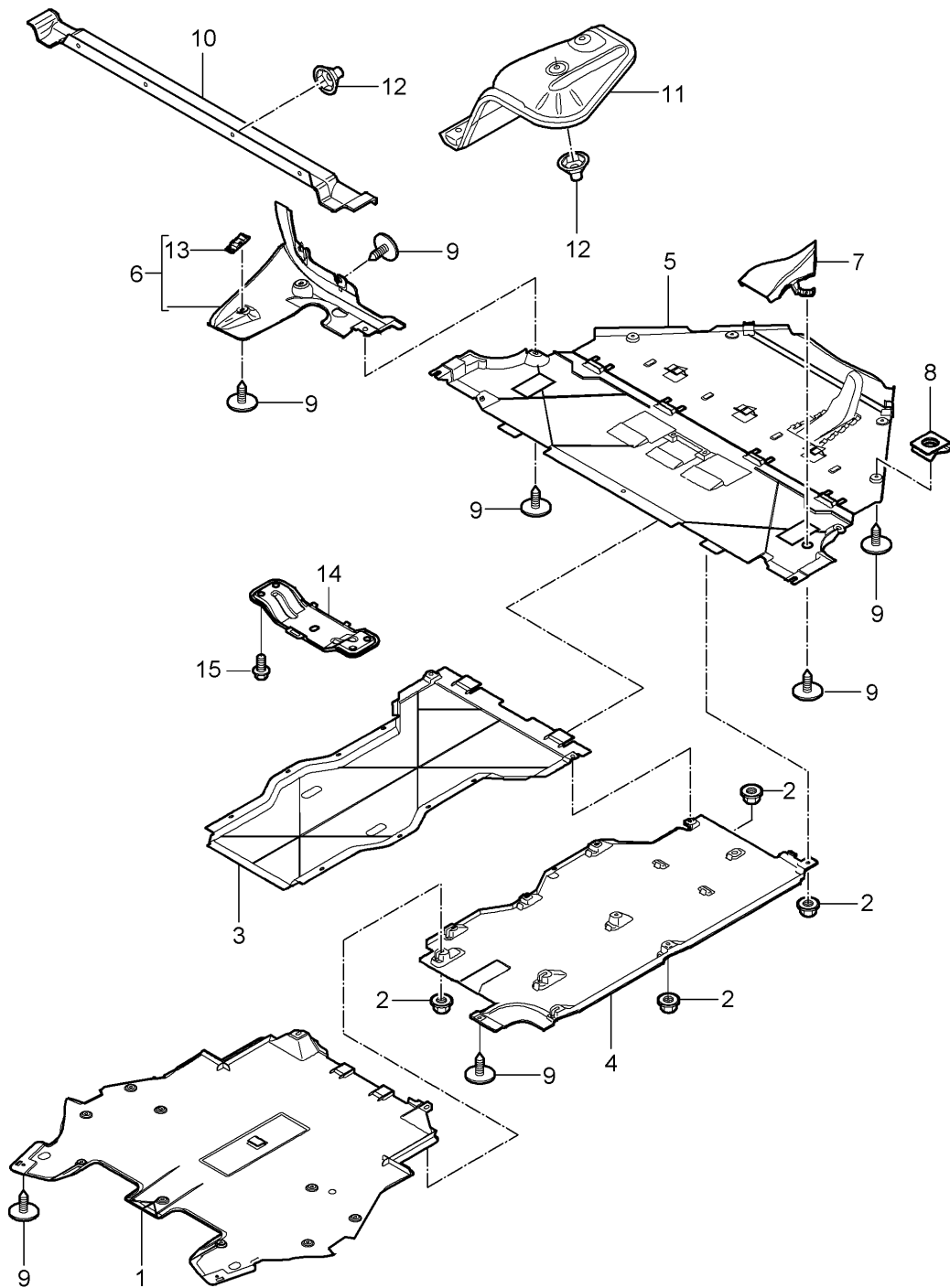
| Pos | Part Number | Description | Remark | Qty | Model |
|-----|--------------------|-----------------|----------------|-----|--------------|
| 1 | 997 503 961 08 | Side part | outer | 1 | CABRIO/TARGA |
| | | Side part | left | 1 | CABRIO |
| | | | also use: | | |
| | | | 999 915 650 40 | 1 | |
| | | | 000 043 305 51 | 1 | |
| (1) | 997 503 961 08 GRV | primed | | | |
| | 997 503 962 08 | Side part | right | 1 | CABRIO |
| | | | also use: | | |
| | | | 999 915 650 40 | 1 | |
| | | | 000 043 305 51 | 1 | |
| (1) | 997 503 962 08 GRV | primed | | | |
| | 997 503 961 10 | Side part | left | 1 | C4 CABRIO |
| | | | also use: | | |
| | | | 999 915 650 40 | 1 | |
| | | | 000 043 305 51 | 1 | |
| (1) | 997 503 961 10 GRV | primed | | | |
| | 997 503 962 10 | Side part | right | 1 | GTS CABRIO |
| | | | also use: | | C4 CABRIO |
| | | | 999 915 650 40 | 1 | |
| | | | 000 043 305 51 | 1 | |
| (1) | 997 503 962 10 GRV | primed | | | |
| | 997 503 961 11 | Side part | left | 1 | GTS CABRIO |
| | | | also use: | | TARGA |
| | | | 999 915 650 40 | 1 | |
| | | | 000 043 305 51 | 1 | |
| (1) | 997 503 961 11 GRV | primed | | | |
| | 997 503 962 11 | Side part | right | 1 | TARGA |
| | | | also use: | | |
| | | | 999 915 650 40 | 1 | |
| | | | 000 043 305 51 | 1 | |
| (1) | 997 503 962 11 GRV | primed | | | |
| 2 | 997 503 963 01 | Sill | left | 1 | CABRIO |
| | | | also use: | | |
| | | | 000 043 305 51 | 1 | |
| (2) | 997 503 963 01 GRV | primed | | | |
| | 997 503 964 01 | Sill | right | 1 | CABRIO |
| | | | also use: | | |
| | | | 000 043 305 51 | 1 | |
| (2) | 997 503 964 01 GRV | primed | | | |
| | 997 503 963 03 | Sill | left | 1 | C4 CABRIO |
| | | | also use: | | |
| | | | 000 043 305 51 | 1 | |
| (2) | 997 503 963 03 GRV | primed | | | |
| | 997 503 963 03 | Sill | left | 1 | GTS CABRIO |
| | | | also use: | | |
| | | | 000 043 305 51 | 1 | |
| (2) | 997 503 963 03 GRV | primed | | | |
| | 997 503 964 03 | Sill | right | 1 | C4 CABRIO |
| | | | also use: | | |
| | | | 000 043 305 51 | 1 | |
| (2) | 997 503 964 03 GRV | primed | | | |
| | 997 503 964 03 | Sill | right | 1 | GTS CABRIO |
| | | | also use: | | |
| | | | 000 043 305 51 | 1 | |
| (2) | 997 503 964 03 GRV | primed | | | |
| | 997 503 963 02 | Sill | left | 1 | TARGA |
| | | | also use: | | |
| | | | 000 043 305 51 | 1 | |
| (2) | 997 503 963 02 GRV | primed | | | |
| | 997 503 964 02 | Sill | right | 1 | TARGA |
| | | | also use: | | |
| | | | 000 043 305 51 | 1 | |
| 3 | 997 503 964 02 GRV | primed | | | |
| | 997 503 965 05 | roof frame | left | 1 | TARGA |
| | | | also use: | | |
| | | | 000 043 305 51 | 1 | |
| (3) | 997 503 965 05 GRV | primed | | | |
| | 997 503 966 05 | roof frame | right | 1 | TARGA |
| | | | also use: | | |
| | | | 000 043 305 51 | 1 | |
| 4 | 997 503 966 05 GRV | primed | | | |
| | 997 502 365 01 | Sealing channel | left | 1 | CABRIO |
| (4) | 997 502 365 01 GRV | primed | | | |
| | 997 502 366 01 | Sealing channel | right | 1 | CABRIO |
| (4) | 997 502 366 01 GRV | primed | | | |
| | 997 502 365 00 | Sealing channel | left | 1 | TARGA |
| (4) | 997 502 365 00 GRV | primed | | | |
| | 997 502 366 00 | Sealing channel | right | 1 | TARGA |
| | 997 502 366 00 GRV | primed | | | |

Model: 997-09 Model life 2009>>2012

| Pos | Part Number | Description | Remark | Qty | Model |
|------|--------------------|---|--------|-----|--------|
| 5 | 997 502 461 01 | Frame for light Discontinued part | left | 1 | |
| | 997 502 461 01 GRV | primed | | | |
| 5 | 997 502 461 02 | Frame for light | left | 1 | |
| | 997 502 461 02 GRV | primed | | | |
| (5) | 997 502 462 01 | Frame for light Discontinued part | right | 1 | |
| | 997 502 462 01 GRV | primed | | | |
| (5) | 997 502 462 02 | Frame for light | right | 1 | |
| | 997 502 462 02 GRV | primed | | | |
| (6) | 997 502 213 02 | Console | left | 1 | |
| | 997 502 213 02 GRV | primed | | | |
| (6) | 997 502 214 01 | Console | right | 1 | |
| | 997 502 214 01 GRV | primed | | | |
| 7 | 997 504 631 00 | Protective film | | 2 | |
| 8 | 997 504 907 00 | Seal | | 2 | |
| | | modify in workshop See workshop manual | | | |
| 9 | 996 537 237 00 | Protective film | | 2 | |
| 10 | 997 501 487 01 | Reinforcement | left | 1 | |
| | 997 501 487 01 GRV | primed | | | |
| (10) | 997 501 488 01 | Reinforcement | right | 1 | |
| | 997 501 488 01 GRV | primed | | | |
| 11 | 997 572 311 01 | Water protection | left | 1 | |
| (11) | 997 572 312 01 | Water protection | right | 1 | |
| 12 | 999 703 475 40 | drain tube Sill | | 2 | |
| 13 | 997 504 967 00 | Water drip pan | left | 1 | CABRIO |
| (13) | 997 504 968 00 | Water drip pan | right | 1 | CABRIO |
| | | also use: | | | |
| 14 | 986 514 241 00 | Water drainage hose See technical manual 53 55 | | 2 | CABRIO |
| 15 | 3D5 853 707 B | Retaining clip Water deflector strip | | 6 | TARGA |
| 16 | N 907 878 02 | cup rivet AK 3,2 X 6,5 | | 12 | TARGA |
| 17 | 999 591 440 01 | U-clip 0,75 X 1,0 | | 2 | TARGA |
| 18 | 999 911 725 40 | Adhesive tape 15 X 60 | | 2 | TARGA |
| 19 | 999 703 029 40 | End cap 12 X 20 | | 4 | |
| 21 | 999 915 650 40 | adhesive TEROMIX 6700 | | X | |
| 22 | 000 043 300 48 | Tool set | | X | |
| 23 | 000 043 204 38 | sealant 70 ML Processing instructions See technical manual | | X | |
| 24 | 000 043 204 85 | cavity preservative agent | | 1 | |
| 25 | 9A7 809 237 00 | Threaded plate for B-pillar | | 1 | |

Model: 997-09

Model life 2009>>2012

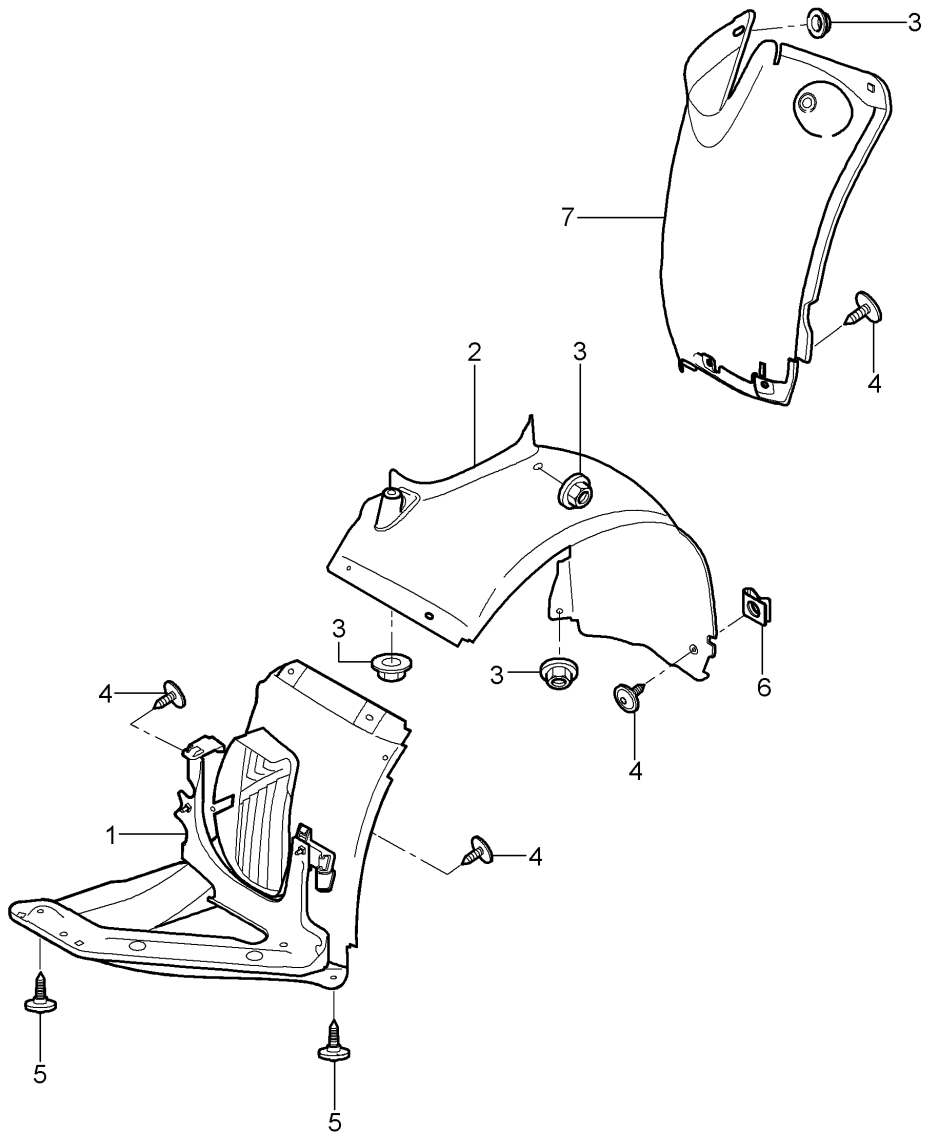


Model: 997-09 Model life 2009>>2012

| Pos | Part Number | Description | Remark | Qty | Model |
|------|--------------------|-------------------|--------|-----|-----------|
| | | Linings | | | |
| | | Underbody | | | |
| 1 | 997 504 527 02 | Cover | | 1 | CARRERA 2 |
| (1) | 997 504 527 01 | Cover | front | 1 | CARRERA 4 |
| 2 | 999 049 028 40 | Plastic nut | | 26 | |
| | | T 5 | | | |
| 3 | 997 504 043 00 | Cover | center | 1 | |
| 4 | 997 504 343 03 | Cover | left | 1 | |
| | | | center | | |
| (4) | 997 504 344 03 | Cover | right | 1 | |
| | | | center | | |
| 5 | 997 504 029 01 | Cover | rear | 1 | PR:480 |
| (5) | 997 504 029 04 | Cover | rear | 1 | PR:250 |
| 6 | 997 504 393 02 | Trim | left | 1 | C2 |
| | 997 504 393 02 01C | Satin black | | | |
| (6) | 997 504 394 02 | Trim | right | 1 | C2 |
| | 997 504 394 02 01C | Satin black | | | |
| 7 | 997 575 183 01 | Air guide channel | left | 1 | |
| | | Brake | | | |
| (7) | 997 575 184 01 | Air guide channel | right | 1 | |
| | | Brake | | | |
| 8 | 999 507 795 09 | panel nut | | 4 | |
| | | ST 4,8 | | | |
| (8) | 999 591 629 01 | Cage nut | | 6 | |
| | | ST 4,8 | | | |
| 9 | 999 073 505 01 | panel screw | | X | |
| | | ST 4,8 X 16 | | | |
| 10 | 996 505 471 00 | Heat insulation | center | 1 | |
| 11 | 997 505 477 02 | Heat insulation | left | 1 | |
| (11) | 997 505 478 02 | Heat insulation | right | 1 | |
| 12 | 999 049 025 09 | Collar nut | | 12 | |
| | | T 5 | | | |
| 13 | 997 504 635 00 | Clip | | 2 | |
| 14 | 997 504 823 01 | Transverse strut | | 1 | |
| | | tunnel | | | |
| | 997 504 823 01 GRV | primed | | | |
| 15 | 900 075 475 09 | Bolt with washer | | 4 | |
| | | M 10 x 25 | | | |
| - | 999 507 849 01 | Cage nut | | X | |
| | | st 4,8 | | | |

Model: 997-09

Model life 2009>>2012



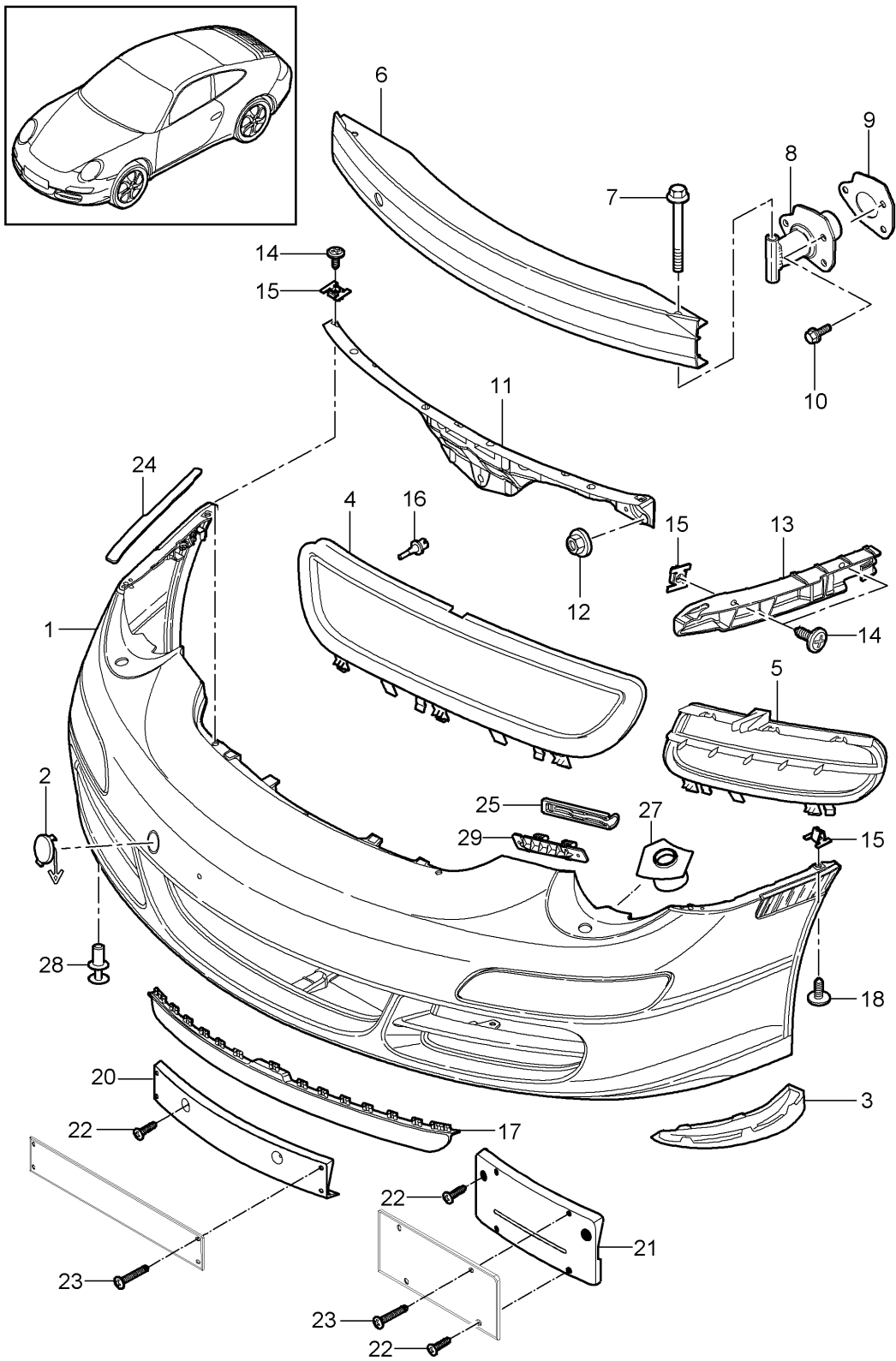
Model: 997-09

Model life 2009>>2012

| Pos | Part Number | Description | Remark | Qty | Model |
|-----|----------------|--------------------------------------|----------------------|-----|--------------|
| | | Linings | | | |
| 1 | 997 504 123 02 | Wheel housing Wheel housing liner | left front front | 1 | PR:-182,-183 |
| 1 | 997 504 123 04 | Wheel housing liner | left front front | 1 | PR:182,183 |
| (1) | 997 504 124 02 | Wheel housing liner | right front front | 1 | PR:-182,-183 |
| (1) | 997 504 124 04 | Wheel housing liner | right front front | 1 | PR:182,183 |
| 2 | 997 504 203 00 | Wheel housing liner | left rear front | 1 | CARRERA 2 |
| 2 | 997 504 203 01 | Wheel housing liner | left rear front | 1 | CARRERA 4 |
| (2) | 997 504 204 00 | Wheel housing liner | right rear front | 1 | CARRERA 2 |
| (2) | 997 504 204 01 | Wheel housing liner | right rear front | 1 | CARRERA 4 |
| 3 | 999 049 028 40 | Plastic nut T5 | | 12 | |
| 4 | 999 073 231 09 | panel screw ST 4,8 X 16 | | 18 | |
| 5 | 999 073 227 09 | panel screw ST 4,8 X 19 | | 4 | |
| 6 | 999 507 795 09 | panel nut ST 4,8 | | 2 | |
| 7 | 997 504 573 03 | Wheel housing liner | left rear | 1 | CARRERA 2 |
| 7 | 997 504 573 02 | Wheel housing liner | left rear | 1 | CARRERA 4 |
| (7) | 997 504 574 03 | Wheel housing liner | right rear | 1 | CARRERA 2 |
| (7) | 997 504 574 02 | Wheel housing liner | right rear | 1 | CARRERA 4 |

Model: 997-09

Model life 2009>>2012



Model: 997-09 Model life 2009>>2012

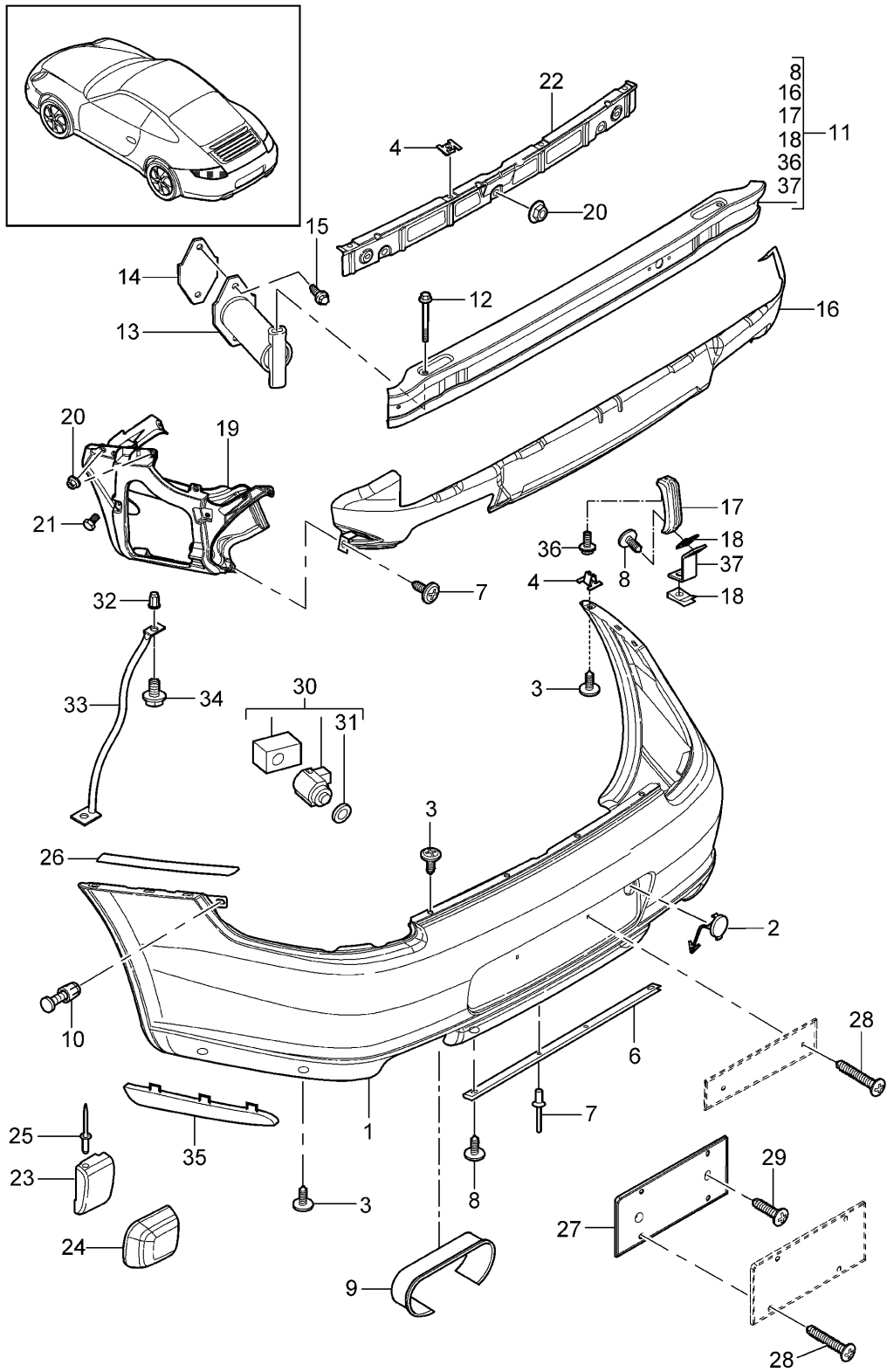
| Pos | Part Number | Description | Remark | Qty | Model |
|------|--------------------------------------|--|----------------|-----|----------------------------|
| 1 | 997 505 191 05 | bumper Trim | front | 1 | PR:181,182, 288 |
| 1 | 997 505 191 05 G2L 997 505 191 07 | primed Trim | | 1 | PR:183,288 |
| 1 | 997 505 191 07 G2L 997 505 961 02 | primed Trim | | 1 | PR:XAA,XAS, 288,182,181 |
| 1 | 997 505 961 03 | primed Trim | | 1 | PR:XAA,XAS, 288,183 |
| 2 | 997 505 703 05 | cover for towing eye | | 1 | |
| (2) | 997 505 703 05 G2L 997 505 994 01 | primed cover for towing eye | | 1 | PR:XAA,XAS |
| 3 | 997 505 525 01 | Trim | left | 1 | |
| (3) | 997 505 525 01 01C 997 505 526 01 | Black Trim | right | 1 | |
| 4 | 997 505 526 01 01C 997 505 541 03 | Black Retaining frame | | 1 | |
| 5 | 997 505 541 03 01C 997 505 563 04 | Satin black Retaining frame | center left | 1 | C2 |
| (5) | 997 505 563 04 01C 997 505 564 04 | Black Retaining frame | right | 1 | C2 |
| (5) | 997 505 564 04 01C 997 505 563 05 | Black Retaining frame | left | 1 | C4 |
| (5) | 997 505 563 05 9B1 997 505 564 05 | Titanium metallic Retaining frame | right | 1 | C4 |
| (5) | 997 505 564 05 9B1 997 505 985 02 | Titanium metallic Retaining frame | left side | 1 | PR:XAS,503, 756 |
| (5) | 997 505 985 02 041 997 505 985 01 | Black Retaining frame | left side | 1 | PR:XAA,XAS |
| (5) | 997 505 985 01 01C 997 505 986 02 | Black Retaining frame | right side | 1 | PR:XAS,503, 756 |
| (5) | 997 505 986 02 041 997 505 986 01 | Black Retaining frame | right side | 1 | PR:XAA,XAS |
| (6) | 997 505 986 01 01C 997 505 131 02 | Black Carrier | | 1 | PR:113 |
| - | 997 505 777 01 | Foam part Foam part in Carrier | with: | 1 | |
| 7 | 900 378 088 01 | Hexagon bolt M 12 x 100 | | 2 | |
| 8 | 997 505 319 00 | Impact pipe | | 2 | |
| 9 | 997 505 751 02 | Seal | | 2 | |
| 10 | 900 378 267 01 | Shock absorber Hexagon bolt M 8 X 30 | | 6 | |
| 11 | 997 505 531 00 | retaining strip | center | 1 | |
| 12 | 999 076 048 01 | Hexagon nut M 6 | | 3 | |
| 13 | 997 505 535 01 | retaining strip | left | 1 | |
| (13) | 997 505 536 01 | retaining strip | right | 1 | |
| 14 | 999 073 418 01 | panel screw ST 4,8 X 19 | | 4 | |
| 15 | 999 507 849 01 | Cage nut ST 4,8 | | 9 | |
| 16 | 996 641 142 00 | Temperature sensor | | 1 | |

Model: 997-09 Model life 2009>>2012

| Pos | Part Number | Description | Remark | Qty | Model |
|------|--------------------|--|----------------|-----|--|
| 17 | 997 505 557 02 | Spoiler | | 1 | PR: -XAA, -XAS, -011, -503, -756 |
| | 997 505 557 02 01C | Black | | | |
| 17 | 997 505 983 03 | Spoiler primed | | 1 | PR: XAA |
| 17 | 997 505 983 05 | Spoiler primed | | 1 | PR: XAS |
| (17) | 997 505 983 06 | Spoiler | | 1 | PR: 756, 503, XAS |
| | 997 505 983 06 G2L | primed | | | |
| (17) | 997 505 983 12 | Spoiler | | 1 | PR: 011, XAS |
| (17) | 997 505 983 12 | Spoiler Black | | 1 | PR: 019, XAS |
| - | 999 507 616 40 | expanding nut 3,5 for Spoiler | | 2 | PR: 756 |
| - | 999 591 712 40 | Spreader rivet 6,0 X 12,0 for Spoiler | | X | PR: 503, 011 |
| 18 | 999 073 227 09 | panel screw ST 4,8 X 19 | | 10 | |
| 19 | 999 591 699 01 | panel nut ST 4,8 | | 1 | |
| 21 | 997 701 051 10 | Assembly kit Number plate | | 1 | PR: 218 |
| (21) | 997 701 051 15 | Assembly kit Number plate | | 1 | PR: 218, XAA, XAS |
| 23 | 999 919 242 01 | Screw 5,0 x 28 | | X | |
| (24) | 997 504 531 00 | Protective film | left front | 1 | |
| 24 | 997 504 532 00 | Protective film | right front | 1 | |
| 25 | 997 505 719 00 | Fixing | | 2 | |
| - | | Air guide | | | |
| | | see illustration: | 105-015 | | |
| 27 | 997 505 761 02 | Retaining plate | left | 1 | PR: 288 |
| | | also use: | 000 043 300 47 | | |
| (27) | 997 505 762 02 | Retaining plate | right | 1 | PR: 288 |
| | | also use: | 000 043 300 47 | | |
| 28 | 999 591 941 40 | Spreader rivet | | 1 | |
| 29 | 997 505 317 00 | Retaining plate | | 2 | |
| | | Trim | | | |
| - | 000 043 300 47 | Adhesive set adhesive | | 1 | |
| | | with: | | | |
| | | 5-fold emulsion tube | | | |
| - | | use if required: | | | |
| - | 000 043 300 48 | Tool set for adhesive | | 1 | |
| - | 999 591 709 40 | Bracket Hose Headlight washer system | | 2 | |

Model: 997-09

Model life 2009>>2012



Model: 997-09 Model life 2009>>2012

| Pos | Part Number | Description | Remark | Qty | Model |
|------|--------------------|---|----------------------|-----|---------------------------------|
| (1) | 997 505 411 25 | bumper Trim | rear | 1 | PR:553,-635 |
| | 997 505 411 25 G2L | primed | | | |
| (1) | 997 505 911 06 | Trim | | 1 | |
| | 997 505 911 06 G2L | primed | | | |
| (1) | 997 505 911 07 | Trim | C2 | 1 | PR:553,635 |
| | 997 505 911 07 G2L | primed | | | |
| (1) | 997 505 411 29 | Trim | C4 | 1 | PR:553,-635, -011,-019 |
| | 997 505 411 29 G2L | primed | | | |
| (1) | 997 505 911 09 | Trim | C4 | 1 | PR:553,635, -011,-019 |
| | 997 505 911 09 G2L | primed | | | |
| (1) | 997 505 411 29 | Trim GTS | | 1 | PR:553,011, 019,-635 |
| | 997 505 411 29 G2L | primed | | | |
| (1) | 997 505 911 09 | Trim GTS | | 1 | PR:553,635, 011,019 |
| | 997 505 911 09 G2L | primed | | | |
| (1) | 997 505 411 42 | Trim | | 1 | PR:756 |
| | 997 505 411 42 G2L | primed | | | |
| (1) | 997 505 911 12 | Trim | | 1 | PR:503,635 |
| | 997 505 911 12 G2L | primed | | | |
| (1) | 997 505 911 13 | Trim | | 1 | Speedster PR:503,635, 553 |
| | 997 505 911 13 G2L | primed | | | |
| 2 | 997 505 803 02 | Cover | | 1 | |
| | 997 505 803 02 G2L | orange | | | |
| 2 | 997 505 803 00 | cover for towing eye | | 1 | PR:756,503 |
| | 997 505 803 00 G2X | primed | | | |
| - | 997 505 813 90 | Frame Air inlet | side, left upper | 1 | PR:756,503 |
| - | 997 505 814 90 | Frame Air inlet | side, right upper | 1 | PR:756,503 |
| 3 | 999 073 314 09 | panel screw 4,8 X 16 | | 10 | |
| 4 | 999 507 849 01 | Cage nut ST 4,8 | | 6 | |
| 5 | 900 144 101 02 | panel screw B 4,8 X 19 | | 4 | |
| 6 | 997 505 837 00 | retaining rail | | 1 | |
| 7 | 999 190 104 30 | Pop rivet 3,2 X 7,9 | | 4 | |
| 8 | 999 073 418 01 | panel screw ST 4,8 X 19 | | 4 | |
| 9 | 997 505 651 01 | Guard plate | left | 1 | |
| | 997 505 651 01 01C | Satin black | | | |
| (9) | 997 505 652 01 | Guard plate | right | 1 | |
| | 997 505 652 01 01C | Satin black | | | |
| (9) | 997 505 651 03 | Guard plate for tail pipe | left | 1 | PR:756,503 |
| | 997 505 651 03 01C | Black | | | |
| (9) | 997 505 652 03 | Guard plate for tail pipe | right | 1 | PR:756,503 |
| | 997 505 652 03 01C | Black | | | |
| 10 | 999 591 941 40 | Spreader rivet ST 4.2 | | 2 | |
| (11) | 997 505 121 16 | Bumper carrier (complete) | | 1 | PR:756,503 |
| (11) | 997 505 121 10 | Bumper carrier (complete) | | 1 | PR:484,553 |
| (11) | 997 505 121 14 | Discontinued part Bumper carrier (complete) | | 1 | PR:484,553 |

Model: 997-09 Model life 2009>>2012

| Pos | Part Number | Description | Remark | Qty | Model |
|------|--------------------|--|--------------------|-----|------------|
| 12 | 900 378 088 09 | Hexagon bolt M 12 X 100 | | 2 | |
| (13) | 996 505 015 00 | Shock absorber | | 2 | PR:113 |
| (14) | 996 505 775 01 | Underlay Shock absorber | | 2 | PR:113 |
| 15 | 900 378 267 09 | Bolt with washer M 8 X 30 | | 4 | |
| 16 | 997 505 475 02 | Heat insulation | center upper | 1 | |
| - | 996 505 471 00 | Heat insulation | also use: upper | 1 | |
| (16) | 997 505 475 04 | Heat insulation | center upper | 1 | |
| (16) | 997 505 475 06 | and Heat insulation | center upper | 1 | PR:756,503 |
| 17 | 997 505 639 00 | and Rear support | | 2 | |
| (17) | 997 505 639 90 | Rear support | | 2 | PR:756,503 |
| 37 | 996 505 649 01 | angle | | 2 | |
| 18 | 999 507 795 09 | panel nut | | 4 | |
| 19 | 997 505 831 02 | Bracket | left | 1 | |
| 19 | 997 505 831 02 | Bracket | left | 1 | |
| (19) | 997 505 831 03 | Bracket | left | 1 | |
| (19) | 997 505 831 03 | Bracket | left | 1 | |
| (19) | 997 505 631 96 | Bracket | left | 1 | Speedster |
| (19) | 997 505 832 02 | Bracket | right | 1 | C2 |
| (19) | 997 505 832 02 | Bracket | right | 1 | C2 |
| (19) | 997 505 832 03 | Bracket | right | 1 | C4 |
| (19) | 997 505 832 03 | Bracket | right | 1 | C4 |
| (19) | 997 505 632 96 | Bracket | right | 1 | Speedster |
| 20 | 999 076 078 09 | Hexagon nut M 6 | | X | |
| 21 | 900 075 459 01 | Bolt with washer M 6 X 12 | | 2 | |
| 22 | 997 505 641 03 | Securing strip | center | 1 | |
| 23 | 997 505 845 01 | Support for bumper Buffer | left | 1 | PR:553 |
| (23) | 997 505 846 01 | Support for bumper Buffer | right | 1 | PR:553 |
| 24 | 997 505 625 05 | Trim Buffer | left | 1 | PR:553 |
| (24) | 997 505 626 05 | Trim Buffer | right | 1 | PR:553 |
| 25 | 999 591 941 40 | Spreader rivet ST 4,2 | | 2 | |
| 26 | 997 504 631 00 | Protective film | | 2 | |
| 27 | 997 701 113 00 | Licence plate holder | | 1 | PR:218 |
| - | 997 701 113 00 01C | Black | | | |
| - | 999 911 740 40 | Adhesive tape for Number plate | | 3 | |
| 28 | 999 919 242 01 | Frame Screw Licence plate holder 5 X 28 | | X | |
| 29 | 999 919 243 01 | Screw Licence plate holder 5 X 13 | | X | |
| 30 | 997 606 191 00 | Sensor Parking aid | | 4 | PR:635 |
| 31 | 7L6 919 659 | O-ring | | 4 | PR:635 |

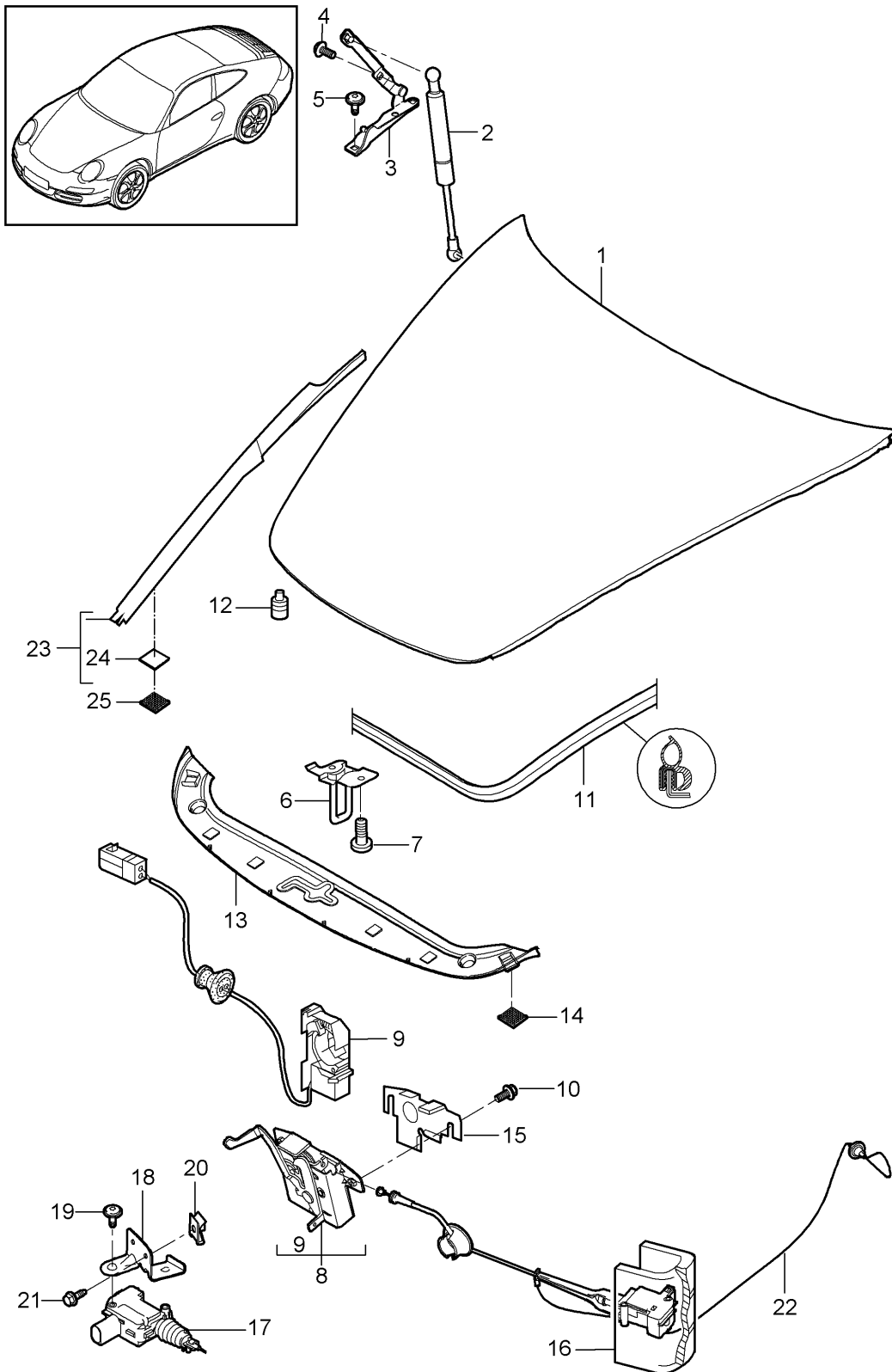
Model: 997-09

Model life 2009>>2012

| Pos | Part Number | Description | Remark | Qty | Model |
|------|--------------------|-----------------------------|--------|-----|-------|
| 32 | 999 500 084 01 | insert nut M6 / 0,5 - 3 | | 2 | |
| 33 | 997 505 681 01 | Brace | left | 1 | |
| (33) | 997 505 682 01 | Brace | right | 1 | |
| 34 | 900 378 035 09 | Hexagon bolt M6 X 16 | | 2 | |
| (35) | 997 505 628 00 | Trim | right | 1 | C4 |
| | 997 505 628 00 01C | Black | | | |
| 35 | 997 505 627 00 | Trim | left | 1 | C4 |
| | 997 505 627 00 01C | Black | | | |
| 36 | 900 075 335 02 | Bolt with washer M6 x 22 | | 2 | |

Model: 997-09

Model life 2009>>2012

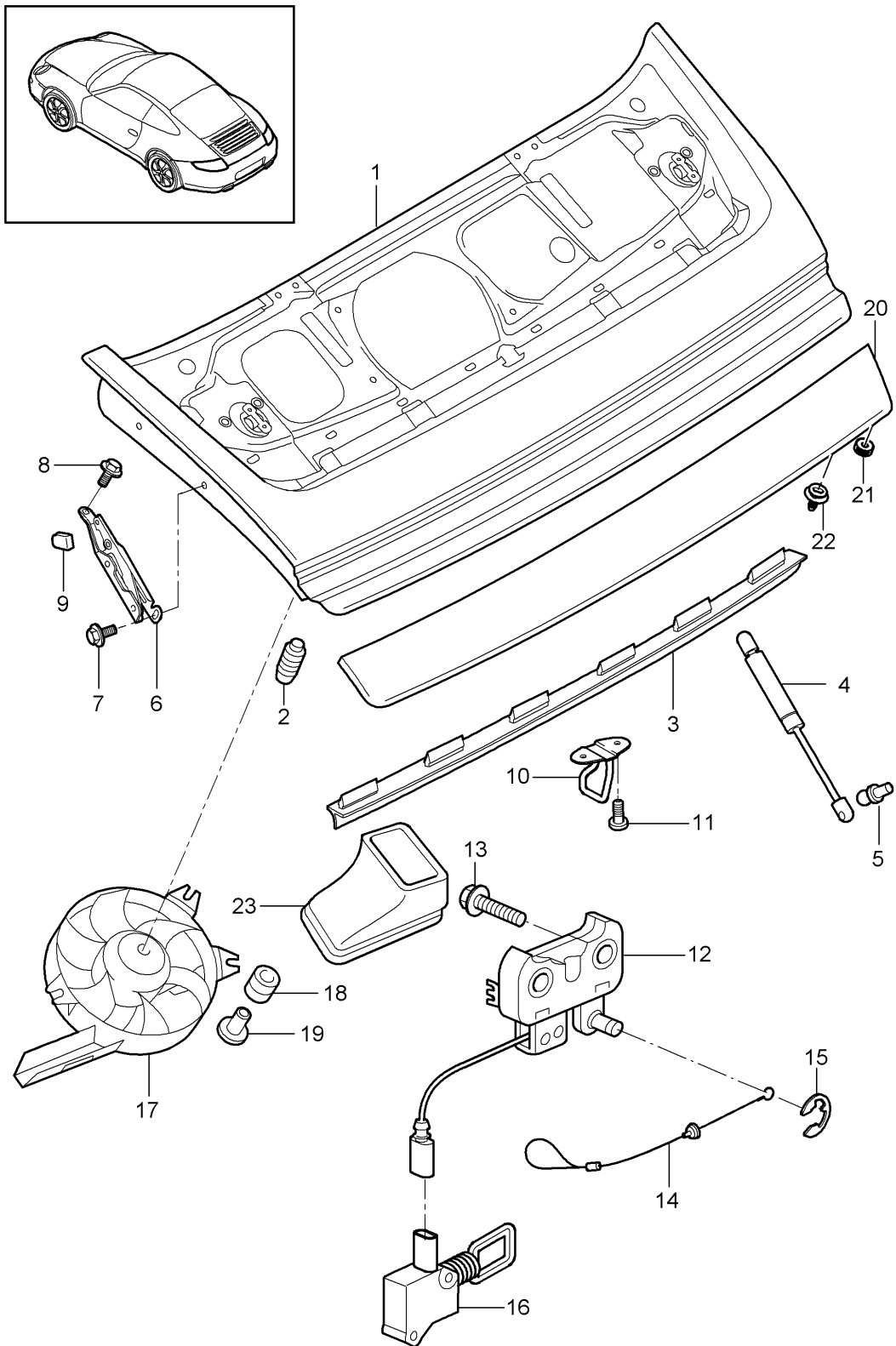


Model: 997-09 Model life 2009>>2012

| Pos | Part Number | Description | Remark | Qty | Model |
|------|--------------------|---|--------|-----|--------|
| 1 | 997 511 011 00 | Cover | front | 1 | |
| | 997 511 011 00 GRV | Cover primed | | | |
| 2 | 997 511 551 01 | Gas filled strut | | 2 | |
| 3 | 997 511 151 01 | Hinge | left | 1 | |
| (3) | 997 511 152 01 | Hinge | right | 1 | |
| 4 | 999 073 357 09 | fillister hd. bolt M 6 X 12 | | 4 | |
| 5 | 999 073 348 09 | fillister hd. bolt M 6 X 20 | | 4 | |
| 6 | 997 511 051 00 | Lock upper part | | 1 | |
| 7 | 999 073 350 04 | flat round head bolt M 6 X 16 | | 2 | |
| 8 | 997 511 053 00 | Lock lower part | | 1 | |
| 9 | 997 613 206 00 | Micro switch | | 1 | |
| 10 | 900 075 466 09 | Bolt with washer M 6 X 16 | | 2 | |
| 10 | 900 075 466 01 | Bolt with washer M 6 X 16 | | 2 | |
| 11 | 997 511 611 00 | Seal | | 1 | |
| 12 | 999 703 140 40 | Rubber buffer | | 2 | |
| 13 | 997 504 811 03 | Cover panel | | 1 | |
| | 997 504 811 03 FMT | Satin black | | | |
| 13 | 997 504 811 04 | Cover panel | | 1 | |
| | 997 504 811 04 FMT | Satin black | | | |
| 14 | 999 902 049 40 | Velcro fastener | | 4 | |
| 15 | 996 511 653 00 | Cover | | 1 | |
| 16 | 997 511 117 00 | throttle control element | | 1 | |
| 17 | 996 624 119 01 | throttle control element Emergency operation | | 1 | PR:553 |
| 18 | 997 511 489 01 | angle throttle control element | | 1 | PR:553 |
| 19 | 999 919 188 09 | fillister hd. bolt 5,0 X 30 | | 2 | PR:553 |
| 20 | 999 591 882 02 | panel nut M 6 Discontinued part | | 2 | PR:553 |
| 20 | 999 591 882 01 | panel nut M 6 | | 2 | PR:553 |
| 21 | 900 378 271 09 | Hexagon bolt M 6 X 16 | | 2 | PR:553 |
| 22 | 997 511 085 00 | Cable Luggage compartment | | 1 | |
| (23) | 997 572 465 02 | Cover panel | left | 1 | |
| | 997 572 465 02 02A | Black | | | |
| 23 | 997 572 466 02 | Cover panel | right | 1 | |
| | 997 572 466 02 02A | Black | | | |
| 24 | 999 902 052 40 | Velcro fastener Cover | | 4 | |
| 25 | 999 902 051 40 | 20 X 20 Velcro fastener Wing 20 X 20 | | 4 | |

Model: 997-09

Model life 2009>>2012



Model: 997-09

Model life 2009>>2012

| Pos | Part Number | Description | Remark | Qty | Model |
|-----|--------------------------------------|---|--------------------------|-----|--------|
| 1 | 997 512 011 03 997 512 011 03 GRV | Cover Cover primed | rear | 1 | C4 |
| (1) | 997 512 011 01 997 512 011 01 GRV | Cover Cover primed | also use: 000 043 204 38 | 1 | C2 |
| (1) | 997 512 011 01 997 512 011 01 GRV | Cover Cover primed | also use: 000 043 204 38 | 1 | PR:011 |
| (1) | 997 512 225 05 | Cover primed | also use: 000 043 204 38 | 1 | PR:XAA |
| (1) | 997 512 225 07 | Cover primed | | 1 | PR:756 |
| - | 000 043 204 38 | sealant | | 1 | |
| 2 | 999 703 140 40 | Rubber buffer | | 2 | |
| 3 | 997 512 611 00 | Seal | | 1 | C2 |
| 3 | 997 512 611 02 | Seal | | 1 | C4 |
| 4 | 997 512 551 00 | Gas filled strut | right | 1 | |
| 5 | 999 167 051 03 | Ball stud | | 2 | |
| 6 | 997 512 151 02 | Hinge | left | 1 | |
| (6) | 997 512 152 01 | Hinge | right | 1 | |
| 7 | 900 378 155 09 | Hexagon bolt M 6 X 16 | | 4 | |
| 7 | 900 378 155 01 | Hexagon bolt M 6 X 16 | | 4 | |
| 8 | 900 075 466 09 | Bolt with washer M 6 X 16 | | 6 | |
| 8 | 900 075 466 01 | Bolt with washer M 6 X 16 | | 6 | |
| 9 | 996 512 153 00 | Stop Hinge | | 2 | |
| 9 | 997 512 153 00 | Stop Hinge | | 2 | |
| 10 | 997 512 213 01 | Lock upper part | | 1 | |
| 11 | 999 073 248 09 | Bolt with washer M 6 X 16 | | 2 | |
| 11 | 999 073 378 02 | Discontinued part flat round head bolt M 6 X 16 | | 2 | |
| 11 | 999 073 378 01 | flat round head bolt M 6 X 20 | | 2 | |
| 12 | 997 512 053 01 | Lock lower part | | 1 | |
| 13 | N 910 664 01 | Hexagon socket head bolt (combi) M 6 X 40 | | 2 | |
| 14 | 997 512 521 00 | Cable Emergency operation | | 1 | |
| 15 | 900 116 002 02 | Retaining washer | | 1 | |
| 16 | 997 624 118 01 | throttle control element | | 1 | |
| 17 | 997 624 050 03 | Fan | | 1 | |
| 17 | 997 624 056 01 | Fan | | 1 | PR:XAA |
| 18 | 999 703 451 40 | Rubber grommet 9,0 x 14,0 x 1,5 | | 3 | |
| 19 | 999 209 093 01 | spacer sleeve | | 3 | |
| 20 | 997 512 259 01 | Reflector cover | | 1 | C4 |
| - | 996 564 245 00 | Bolt with washer M 5 X 8 | | 1 | |
| 21 | 997 512 671 00 | clamping nut | | 2 | C4 |
| 22 | 999 507 131 40 | Plug-in part | | 6 | C4 |
| - | 997 512 971 00 | Set Assembly aux. material Reflector cover | | 1 | C4 |

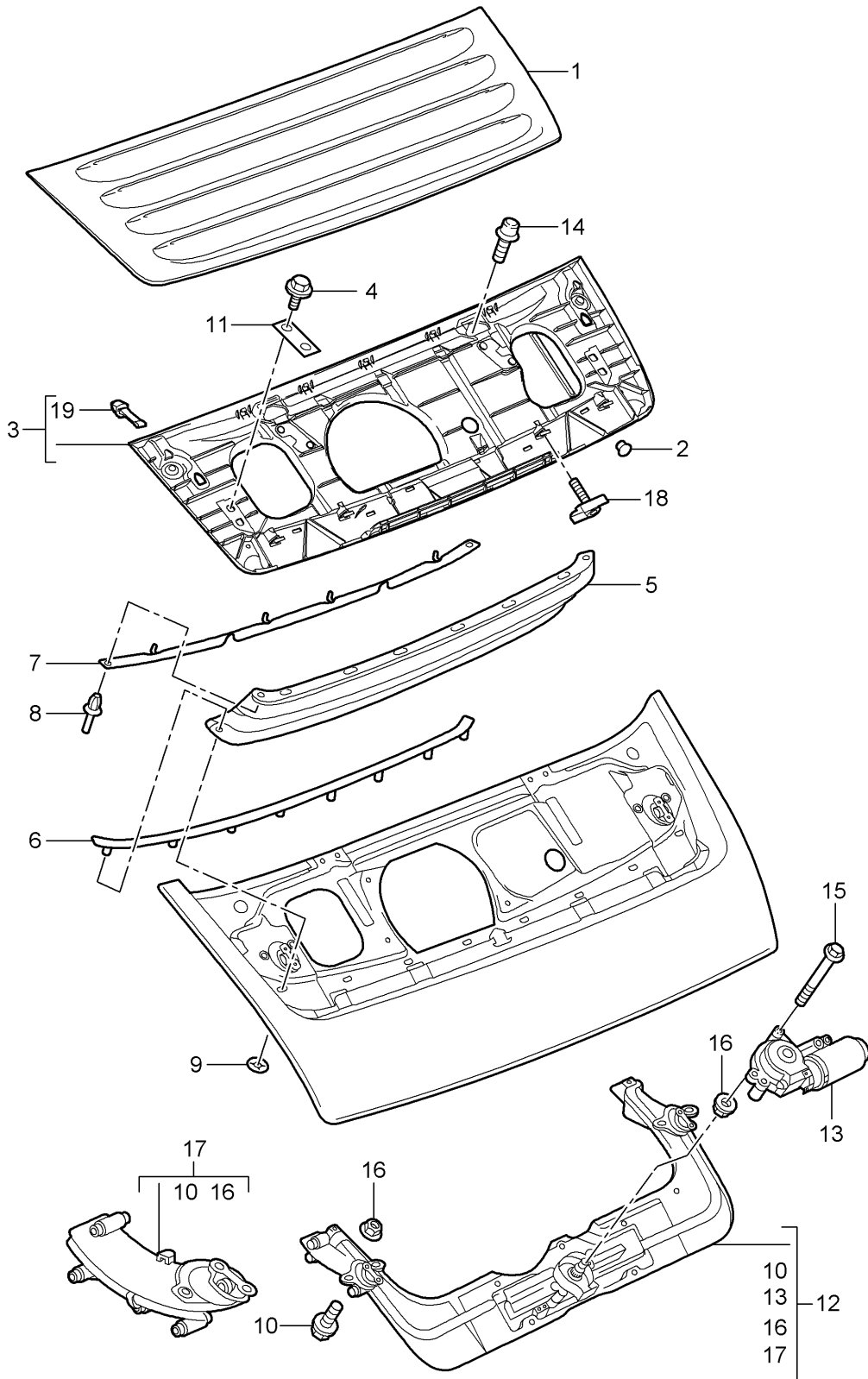
Model: 997-09

Model life 2009>>2012

| Pos | Part Number | Description | Remark | Qty | Model |
|------|----------------|-------------------|--------|-----|---------|
| 23 | 997 110 261 31 | Air guide channel | left | 1 | PR:-XAA |
| (23) | 997 110 262 31 | Air guide channel | right | 1 | PR:-XAA |
| (23) | 997 110 261 40 | Air guide channel | left | 1 | PR:XAA |
| (23) | 997 110 262 40 | Air guide channel | right | 1 | PR:XAA |

Model: 997-09

Model life 2009>>2012



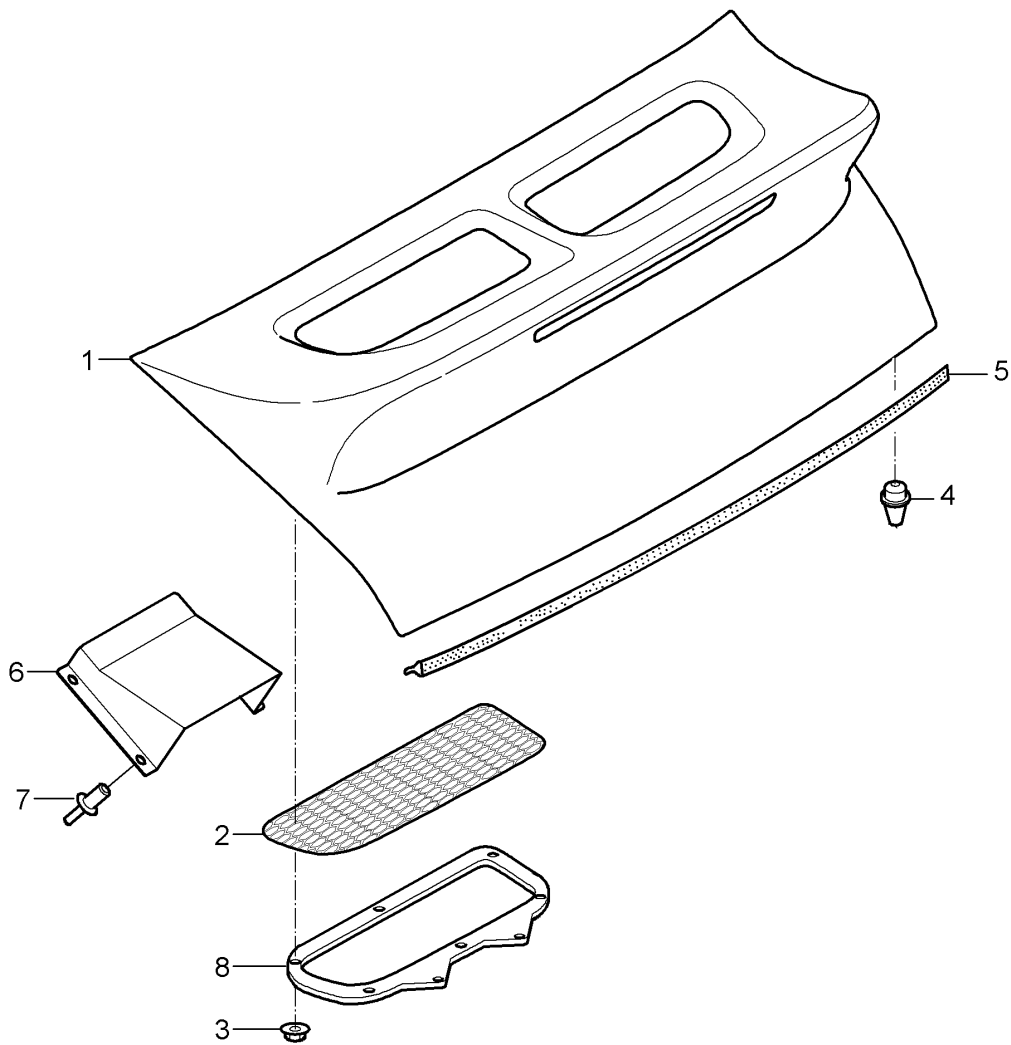
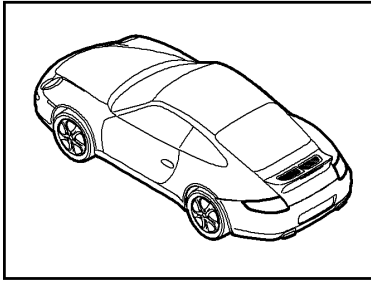
Model: 997-09

Model life 2009>>2012

| Pos | Part Number | Description | Remark | Qty | Model |
|------|----------------|--------------------------------------|--------|-----|--------------|
| 1 | 997 512 241 03 | Rear spoiler Upper part primed | | 1 | |
| 2 | 996 512 212 00 | Bungs | | 4 | |
| 3 | 997 512 205 08 | Spoiler Lower part | | 1 | |
| - | 999 703 488 40 | Stop buffer 5,9 X 11,5 X 16 | | 2 | |
| 4 | 900 075 490 09 | Hexagon bolt M 6 X 8 | | 4 | |
| 5 | 996 512 250 00 | rear panel | | 1 | |
| 6 | 996 512 163 00 | Rail | lower | 1 | |
| 7 | 996 512 164 00 | Rail | upper | 1 | |
| 8 | 999 591 712 40 | Spreader rivet 6,0 X 12,0 | | 2 | |
| 9 | 999 591 974 07 | Clamping washer 5,0 | | 8 | |
| 10 | 999 073 382 01 | Bolt with washer M 6 X 20 | | 10 | |
| 11 | 996 512 757 00 | Underlay | | 2 | |
| (12) | 997 512 109 11 | Driving mechanism | | 1 | COUPE |
| (12) | 997 512 109 13 | Driving mechanism | | 1 | CABRIO/TARGA |
| 13 | 996 624 151 00 | Electric motor | | 1 | |
| 14 | 900 067 273 09 | Bolt with washer M 6 X 16 | | 4 | |
| 15 | 900 074 364 02 | Hexagon bolt M 5 X 55 | | 3 | |
| 16 | 900 377 009 01 | Hexagon nut | | 32 | |
| 17 | 997 512 911 00 | Toggle catch | | 1 | |
| 18 | 997 512 255 00 | retainer for spoiler | | 4 | |

Model: 997-09

Model life 2009>>2012



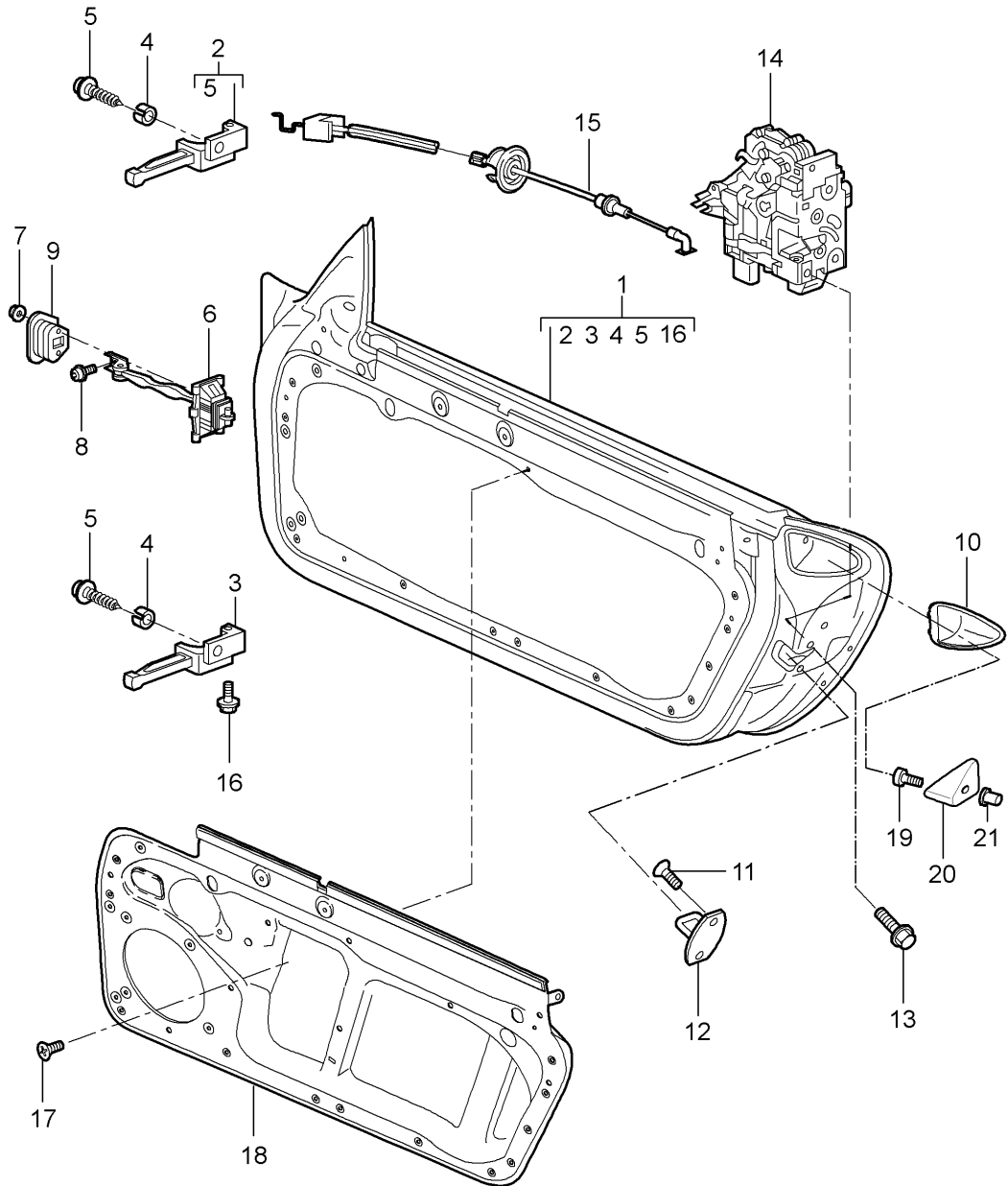
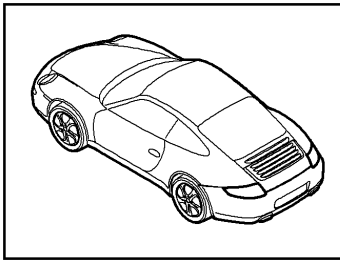
Model: 997-09

Model life 2009>>2012

| Pos | Part Number | Description | Remark | Qty | Model |
|-----|--------------------|------------------------------|--------|-----|--------|
| | | Spoiler lid | rear | | PR:756 |
| 1 | 997 512 225 07 | Cover | | 1 | |
| 2 | 997 512 625 02 | Grille | left | 1 | |
| 2 | 997 512 625 02 | Grille | left | 1 | |
| (2) | 997 512 626 02 | Grille | right | 1 | |
| 3 | 997 512 581 9A | Plastic nut 16 x 7,0 | | 12 | |
| 4 | 996 512 987 00 | adjusting screw | | 2 | |
| 5 | 997 512 611 01 | Seal | | 1 | |
| 5 | 997 512 545 00 | Water deflector | left | 1 | |
| | 997 512 545 00 01C | Black | | | |
| (5) | 997 512 546 00 | Water deflector | right | 1 | |
| | 997 512 546 00 01C | Black | | | |
| 6 | 997 512 665 00 | Frame | | 2 | |
| 7 | 999 507 499 40 | Spreader rivet 5,0 X 11,5 | | 8 | |

Model: 997-09

Model life 2009>>2012



Model: 997-09 Model life 2009>>2012

| Pos | Part Number | Description | Remark | Qty | Model |
|------|--------------------|---|-----------|-----|--------|
| | | Door shell Installation parts | | | |
| (1) | 997 531 011 04 | Door lock | | | |
| | | Door shell | left | 1 | |
| | 997 531 011 04 GRV | primed | | | |
| 1 | 997 531 012 04 | Door shell | right | 1 | |
| | 997 531 012 04 GRV | primed | | | |
| (1) | 997 531 011 05 | Door shell | left | 1 | PR:599 |
| | 997 531 011 05 GRV | primed | | | |
| (1) | 997 531 012 05 | Door shell | right | 1 | PR:599 |
| | 997 531 012 05 GRV | primed | | | |
| - | 000 043 305 32 | sealant | | 1 | |
| (2) | 997 531 321 01 | Hinge | left | 1 | |
| 2 | 997 531 322 01 | Hinge | right | 1 | |
| | | | upper | | |
| (3) | 997 531 319 01 | Hinge | left | 1 | |
| 3 | 997 531 320 01 | Hinge | right | 1 | |
| | | | lower | | |
| 4 | 996 531 831 00 | Sleeve | | 4 | |
| 5 | 900 378 180 01 | Hexagon bolt M 8 X 25 | | 2 | |
| 6 | 997 537 151 01 | Door catch Discontinued part | | 2 | |
| 6 | 997 537 151 02 | Door catch | | 2 | |
| 7 | 999 084 212 02 | Hexagon nut M 6 | | 4 | |
| 8 | 999 073 138 09 | Screw M 8 X 25 Discontinued part | | 2 | |
| (8) | 999 073 138 01 | flat round head bolt M 8 X 25 | | 2 | |
| 9 | 996 537 751 00 | Seal | | 2 | |
| (10) | 997 537 331 00 | Support | left | 1 | |
| | 997 537 331 00 01C | Satin black | | | |
| 10 | 997 537 332 00 | Support | right | 1 | |
| | 997 537 332 00 01C | Satin black | | | |
| 11 | N 910 174 01 | countersunk multi-point socket head bolt M 8 X 22 | | 4 | |
| 12 | 3C0 837 767 A | Striker | | 2 | |
| 13 | WHT 000 439 | flat round head bolt M 8 X 20 | | 2 | |
| (14) | 3D1 837 015 | Door lock | left lhd | 1 | PR:098 |
| 14 | 3D1 837 016 | Door lock | right lhd | 1 | PR:098 |
| (14) | 3D1 837 015 C | Door lock | left | 1 | PR:072 |
| (14) | 3D1 837 016 C | Door lock | right | 1 | PR:072 |
| (14) | 3D1 837 015 C | Door lock | left | 1 | PR:553 |
| (14) | 3D1 837 016 C | Door lock | right | 1 | PR:553 |
| 15 | 997 537 319 02 | Bowden cable | | 2 | |
| - | 970 556 525 00 | sound absorber for side panel | | 2 | |
| 16 | 999 072 043 09 | Hexagon bolt M 6 X 12 Micro-self-locking | | 2 | |
| 17 | 999 073 333 09 | fillister hd. bolt M 6 X 16 | | 8 | |
| (18) | 987 537 201 01 | Inner panel | left | 1 | |
| 18 | 987 537 202 01 | Inner panel | right | 1 | |
| 19 | 900 119 072 00 | Socket head bolt M8 X 16 | | 2 | |
| 20 | 997 537 333 00 | Support | left | 1 | |
| | | Side part | | | |
| | 997 537 333 00 G2X | primed | | | |
| (20) | 997 537 334 00 | Support | right | 1 | |

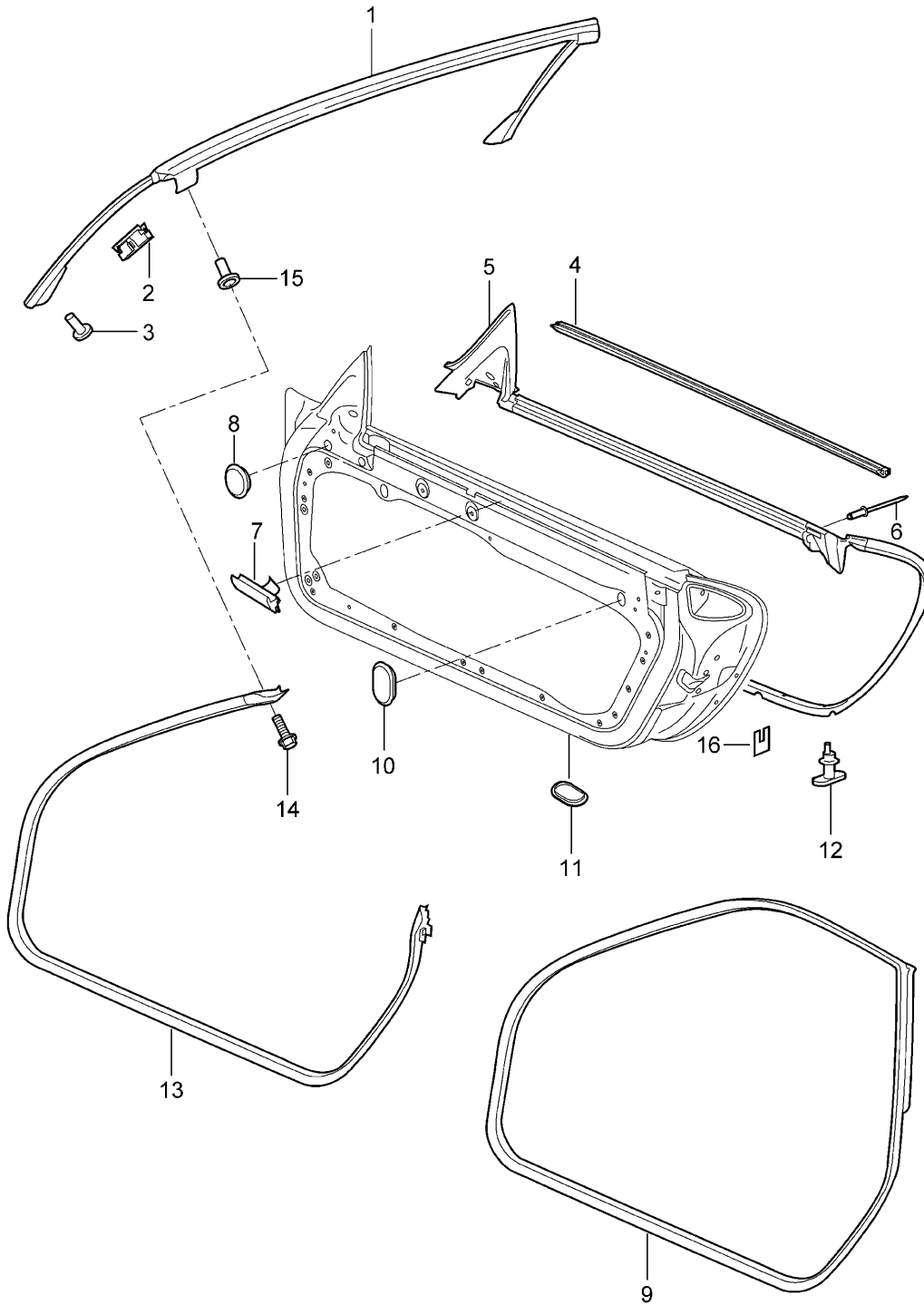
Model: 997-09

Model life 2009>>2012

| Pos | Part Number | Description | Remark | Qty | Model |
|-----|--------------------------------------|---|--------|-----|-------|
| 21 | 997 537 334 00 G2X 999 500 121 02 | Side part primed rivetted cap nut M8 / 0,8 - 3 | | 2 | |

Model: 997-09

Model life 2009>>2012



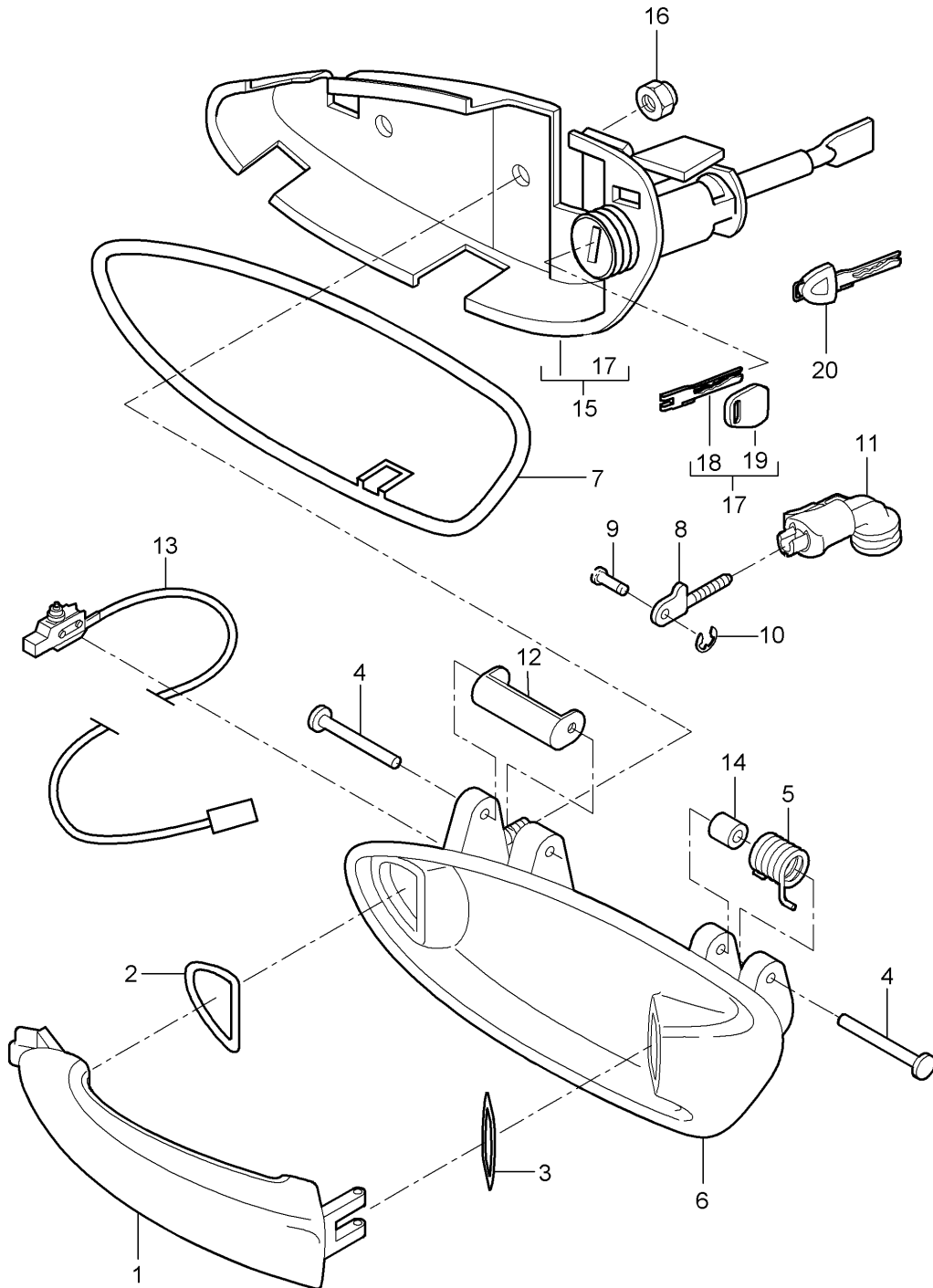
Model: 997-09

Model life 2009>>2012

| Pos | Part Number | Description | Remark | Qty | Model |
|------|----------------|---|----------------|-----|---------------------|
| 1 | 997 537 077 02 | Door seal Seal Windscreen Seal Windscreen | | 1 | CABRIO |
| 2 | 999 507 678 01 | U-clip 4,0-4,5 | | 1 | CABRIO |
| 3 | 999 190 445 37 | Pop rivet A 4,0 X 7,9 | | 36 | CABRIO |
| 4 | 997 537 085 02 | Seal | left | 1 | PR:590 |
| (4) | 997 537 086 02 | Seal | outer right | 1 | PR:590 |
| (4) | 997 537 085 03 | Seal | outer left | 1 | PR:599 |
| (4) | 997 537 086 03 | Seal | outer right | 1 | PR:599 |
| 5 | 997 537 531 07 | Seal | outer left | 1 | PR:590 |
| (5) | 997 537 531 08 | Seal | inner left | 1 | PR:599 |
| (5) | 997 537 532 07 | D - MJ 2009>> Seal | inner right | 1 | PR:590 |
| (5) | 997 537 532 08 | Seal | inner right | 1 | PR:599 |
| 7 | 997 537 495 00 | D - MJ 2009>> Seal | | 1 | |
| 8 | 803 803 583 A | Bungs 20,0 X 30,0 | | 2 | |
| 8 | 999 703 196 40 | Discontinued part End cap 20,0 X 30,0 | | 2 | |
| (9) | 997 537 075 05 | Door seal | left | 1 | COUPE/TARGA |
| 9 | 997 537 076 05 | Door seal | right | 1 | COUPE/TARGA |
| 10 | 999 703 541 40 | End cap 20 X 28 X 1 | | 4 | |
| 11 | 999 703 542 40 | End cap 23,8 X 38,7 | | 8 | |
| 12 | 999 591 513 40 | Clip Seal 5,8 x 0,9 | | 36 | |
| 13 | 997 537 075 07 | Door seal | left | 1 | CABRIO |
| (13) | 997 537 076 07 | Door seal | right | 1 | CABRIO |
| (13) | 997 537 075 08 | Seal | left | 1 | SPEEDSTER PR:503 |
| (13) | 997 537 076 08 | Seal | right | 1 | SPEEDSTER PR:503 |
| 14 | 900 075 362 02 | Bolt with washer M 5 X 16 | | 2 | CABRIO |
| 15 | 999 500 093 02 | Nut M 5/0 - 3 | | 2 | CABRIO |
| 16 | 996 537 337 00 | protective foil for door | | 4 | |

Model: 997-09

Model life 2009>>2012

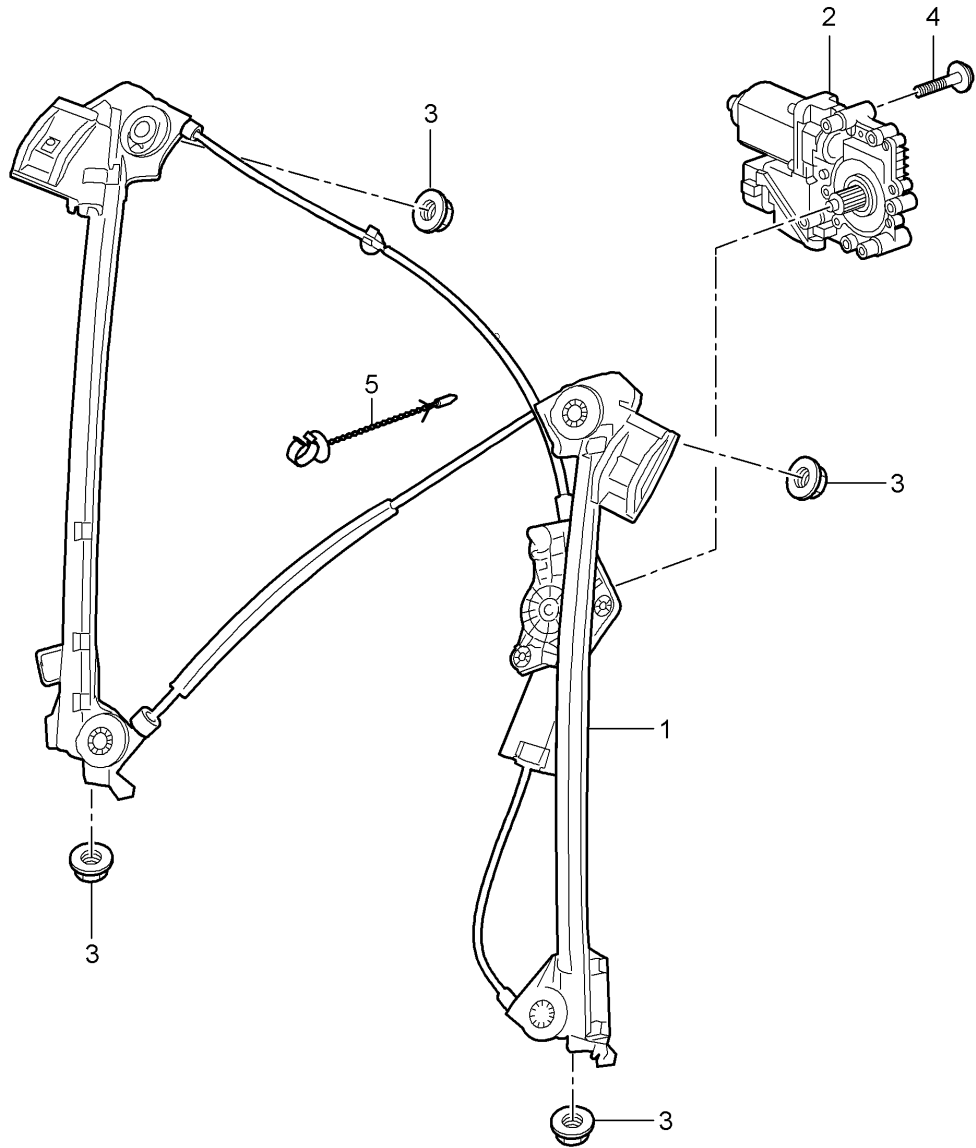


Model: 997-09 Model life 2009>>2012

| Pos | Part Number | Description | Remark | Qty | Model |
|------|--------------------|-----------------------------|-----------|-----|--------|
| 1 | 997 537 613 01 | Door handle | | | |
| (1) | 997 537 614 01 | Door handle, exterior | left | 1 | |
| 2 | 997 537 623 00 | Door handle, exterior | right | 1 | |
| 3 | 997 537 625 00 | Stop buffer | | 2 | |
| 4 | 997 537 625 00 | Stop buffer | | 2 | |
| 5 | 997 537 621 00 | axle | | 2 | |
| 5 | 997 537 611 00 | Return spring | left | 1 | |
| (5) | 997 537 612 00 | Return spring | right | 1 | |
| 6 | 997 537 645 00 | Handle liner | left lhd | 1 | PR:098 |
| | 997 537 645 00 G2X | primed | | | |
| (6) | 997 537 646 01 | Handle liner | right lhd | 1 | PR:098 |
| | 997 537 646 01 G2X | primed | | | |
| 7 | 997 537 637 01 | Underlay | left | 1 | |
| (7) | 997 537 638 01 | Underlay | right | 1 | |
| 8 | 997 537 627 00 | operating rod | | 2 | |
| 9 | 997 537 629 00 | Pin | | 2 | |
| 10 | 997 537 641 00 | Retaining washer | | 2 | |
| 11 | 997 537 445 03 | Connecting piece | | 2 | |
| 12 | 997 537 653 00 | Actuating lever | left | 1 | |
| (12) | 997 537 654 00 | Actuating lever | right | 1 | |
| 13 | 997 613 125 01 | Micro switch | | 2 | |
| | | Window regulator | | | |
| | | Discontinued part | | | |
| 13 | 997 613 125 02 | Micro switch | | 2 | |
| | | Window regulator | | | |
| 14 | 997 537 633 00 | bush | | 2 | |
| 15 | 997 538 963 04 | Bracket | left lhd | 1 | PR:098 |
| | | with lock cylinder | | | |
| | | with stipulated lock number | | | |
| (15) | 997 537 464 01 | Bracket | right lhd | 1 | PR:098 |
| | | Without lock cylinder | | | |
| 16 | 900 380 015 09 | Hexagon nut | | 2 | |
| | | M 6 | | | |
| 17 | 997 538 931 00 | Replacement key | | X | |
| 18 | 997 538 531 00 | Blank key | | X | |
| 19 | 944 538 431 00 | Key cover | | X | |

Model: 997-09

Model life 2009>>2012



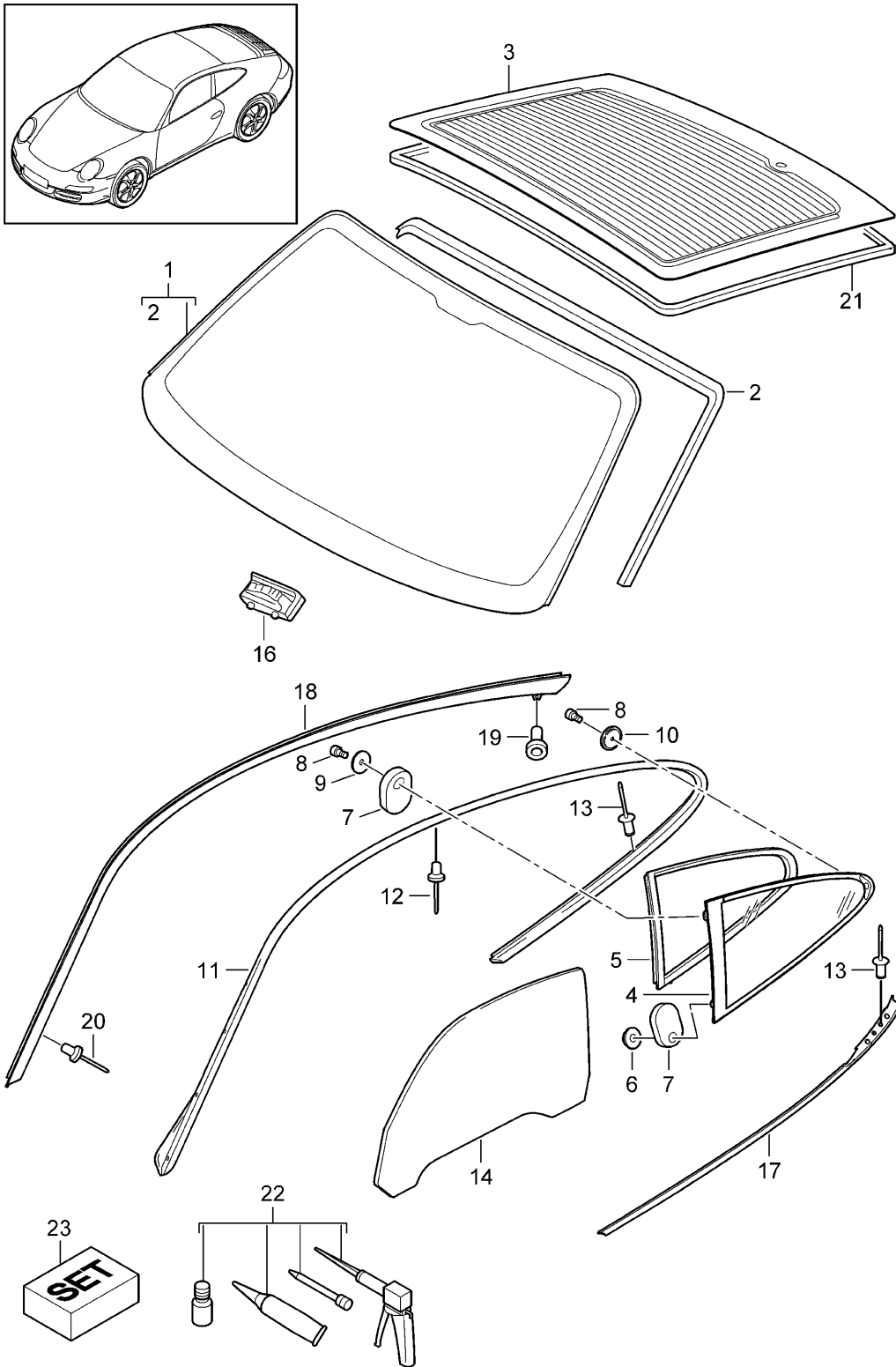
Model: 997-09

Model life 2009>>2012

| Pos | Part Number | Description | Remark | Qty | Model |
|-----|----------------|--|--------|-----|--------|
| 1 | 987 542 075 01 | Window regulator | left | 1 | |
| (1) | 987 542 076 01 | Window regulator See technical manual | right | 1 | |
| 2 | 997 624 181 06 | Electric motor | left | 1 | PR:098 |
| (2) | 997 624 182 06 | Electric motor | right | 1 | PR:098 |
| 3 | 999 084 629 01 | Hexagon nut m6 | | 4 | |
| 4 | 999 919 209 09 | fillister hd. bolt M 5 X 22 | | 3 | |
| 5 | 987 542 941 00 | Clip Bowden cable Window regulator | | 1 | |

Model: 997-09

Model life 2009>>2012



Model: 997-09 Model life 2009>>2012

| Pos | Part Number | Description | Remark | Qty | Model |
|------|----------------|---|--------------------------|-----|---------------------------------|
| 1 | 997 541 911 08 | window glazing Windscreen Tinted | | 1 | PR:440,568 COUPE/TARGA |
| (1) | 997 541 911 06 | Windscreen Tinted | | 1 | PR:440,568 CABRIO |
| (1) | 997 541 911 09 | Windscreen Tinted | | 1 | PR:440,567 COUPE/TARGA |
| (1) | 997 541 911 07 | Windscreen Tinted | | 1 | PR:440,567 CABRIO |
| (1) | 987 541 911 15 | Windscreen D - MJ 2011>> | | 1 | Speedster PR:440,503, 567 |
| 2 | 997 541 901 10 | Seal for front window | | 1 | COUPE/TARGA |
| (2) | 997 541 901 09 | Seal for front window | | 1 | CABRIO |
| 3 | 997 545 911 00 | Rear window Seal | without: | 1 | /COUPE PR:426 |
| (3) | 997 545 911 01 | Rear window Discontinued part | | 1 | /COUPE PR:425 |
| (3) | 997 545 911 03 | Rear window Seal | without: | 1 | /COUPE PR:425 |
| 4 | 997 543 111 00 | Side window | also use: 000 043 305 35 | 1 | COUPE |
| (4) | 997 543 111 02 | Side window | left | 1 | TARGA |
| (4) | 997 543 112 00 | Side window | right | 1 | COUPE |
| (4) | 997 543 112 02 | Side window | right | 1 | TARGA |
| 5 | 996 543 325 00 | Sealing frame | left | 1 | COUPE |
| (5) | 996 543 325 01 | Sealing frame | left | 1 | TARGA |
| (5) | 996 543 326 00 | Sealing frame | right | 1 | COUPE |
| (5) | 996 543 326 01 | Sealing frame | right | 1 | TARGA |
| 6 | 999 084 210 02 | Side window Hexagon nut M 8 | | 1 | COUPE |
| 7 | 996 543 611 02 | Seal | | 2 | COUPE |
| 8 | 999 218 011 02 | Socket head bolt M 6 X 12 | | 2 | COUPE |
| 9 | 999 025 270 02 | Washer 6,4 X 30 X 1,5 | | 1 | COUPE |
| 10 | 996 543 625 00 | Sealing plate | | 1 | COUPE |
| 11 | 997 537 481 00 | roof frame seal | left | 1 | COUPE |
| (11) | 997 537 482 00 | roof frame seal | right | 1 | COUPE |
| 12 | 999 190 445 37 | Pop rivet 4,0 X 7,9 | | X | |
| 13 | 999 190 450 37 | Pop rivet 4,0 X 6,3 | | X | |
| 14 | 997 542 511 00 | Door window | left | 1 | COUPE/TARGA |
| (14) | 997 542 512 00 | Door window | right | 1 | COUPE/TARGA |
| (14) | 997 542 511 01 | Door window | left | 1 | CABRIO |
| (14) | 997 542 512 01 | Door window | right | 1 | CABRIO |
| (14) | 997 542 511 04 | Door window | left | 1 | Speedster PR:503 |
| (14) | 997 542 511 07 | Door window D - MJ 2011>> Discontinued part | left | 1 | Speedster PR:503 |
| (14) | 997 542 512 04 | Door window D - MJ 2011>> Discontinued part | right | 1 | Speedster PR:503 |

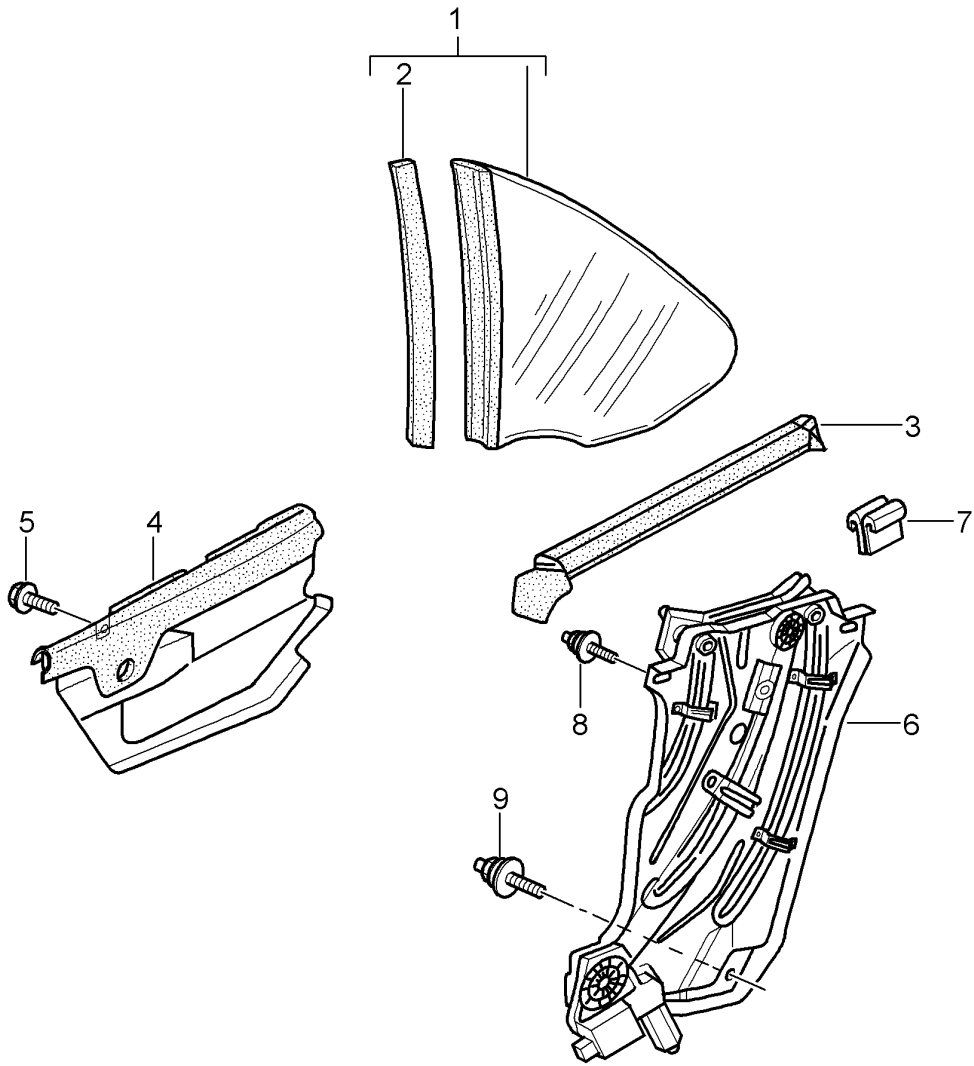
Model: 997-09

Model life 2009>>2012

| Pos | Part Number | Description | Remark | Qty | Model |
|------|----------------|-------------------------|--------|-----|---------------------|
| (14) | 997 542 512 07 | Door window | right | 1 | Speedster PR:503 |
| | | D - MJ 2011>> | | | |
| 16 | 999 507 576 41 | Bracket | | 2 | |
| 17 | 997 543 485 00 | Seal | left | 1 | TARGA |
| (17) | 997 543 486 00 | Seal | right | 1 | TARGA |
| | | Side window | | | |
| 18 | 997 543 481 00 | Trim | left | 1 | TARGA |
| (18) | 997 543 482 00 | Trim | right | 1 | TARGA |
| | | roof frame | side | | |
| 19 | 999 190 464 30 | Pop rivet | | X | TARGA |
| | | 3 X 3,5 | | | |
| 20 | 999 190 185 30 | Pop rivet | | X | TARGA |
| | | 3,9 X 9,5 | | | |
| 21 | 997 545 901 00 | Seal for rear window | | 1 | |
| 22 | 000 043 305 35 | 2K pane adhesive set | | 1 | |
| 23 | 000 043 206 47 | Car care set | | X | |
| | | Side window | | | |
| | | See technical manual | | | |

Model: 997-09

Model life 2009>>2012



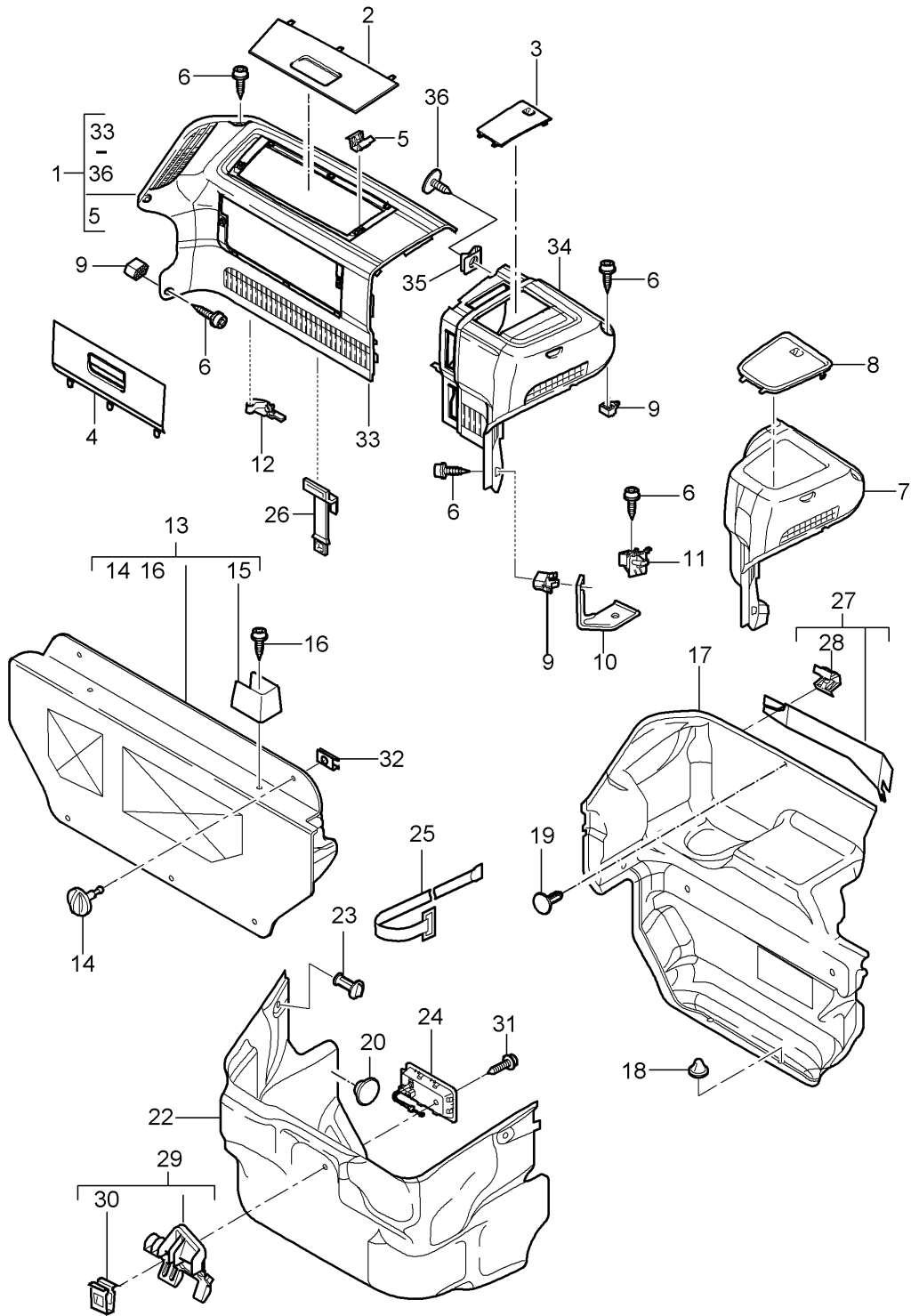
Model: 997-09

Model life 2009>>2012

| Pos | Part Number | Description | Remark | Qty | Model |
|-----|----------------|--------------------------------|-------------------------|-----|---------------------|
| 1 | 997 543 111 11 | Side window | left | 1 | CABRIO |
| (1) | 997 543 112 11 | Side window | right | 1 | PR:-503 |
| (1) | 997 543 111 12 | Side window | left | 1 | PR:503 |
| (1) | 997 543 112 12 | D - MJ 2011>> Side window | right | 1 | PR:503 |
| 2 | 996 543 615 03 | Seal | left | 1 | PR:-503 |
| (2) | 996 543 616 03 | Seal | right | 1 | PR:-503 |
| 3 | 997 543 475 00 | Seal | left | 1 | |
| (3) | 997 543 476 00 | Seal | outer right outer | 1 | |
| 4 | 996 543 177 01 | Seal | left inner | 1 | PR:-503 |
| (4) | 996 543 178 01 | Seal | right inner | 1 | PR:-503 |
| 4 | 997 543 177 00 | Seal | left inner | 1 | Speedster PR:503 |
| (4) | 997 543 178 00 | Seal | right inner | 1 | Speedster PR:503 |
| 5 | 900 378 036 09 | Hexagon bolt M 6 X 12 | | 4 | |
| 6 | 997 543 015 04 | Window regulator | left | 1 | Speedster PR:503 |
| 6 | 997 543 015 05 | Window regulator FA.KUESTER | left | 1 | PR:-503 |
| (6) | 997 543 016 04 | Window regulator | right | 1 | Speedster PR:503 |
| (6) | 997 543 016 05 | Window regulator FA.KUESTER | right | 1 | PR:-503 |

Model: 997-09

Model life 2009>>2012



Model: 997-09

Model life 2009>>2012

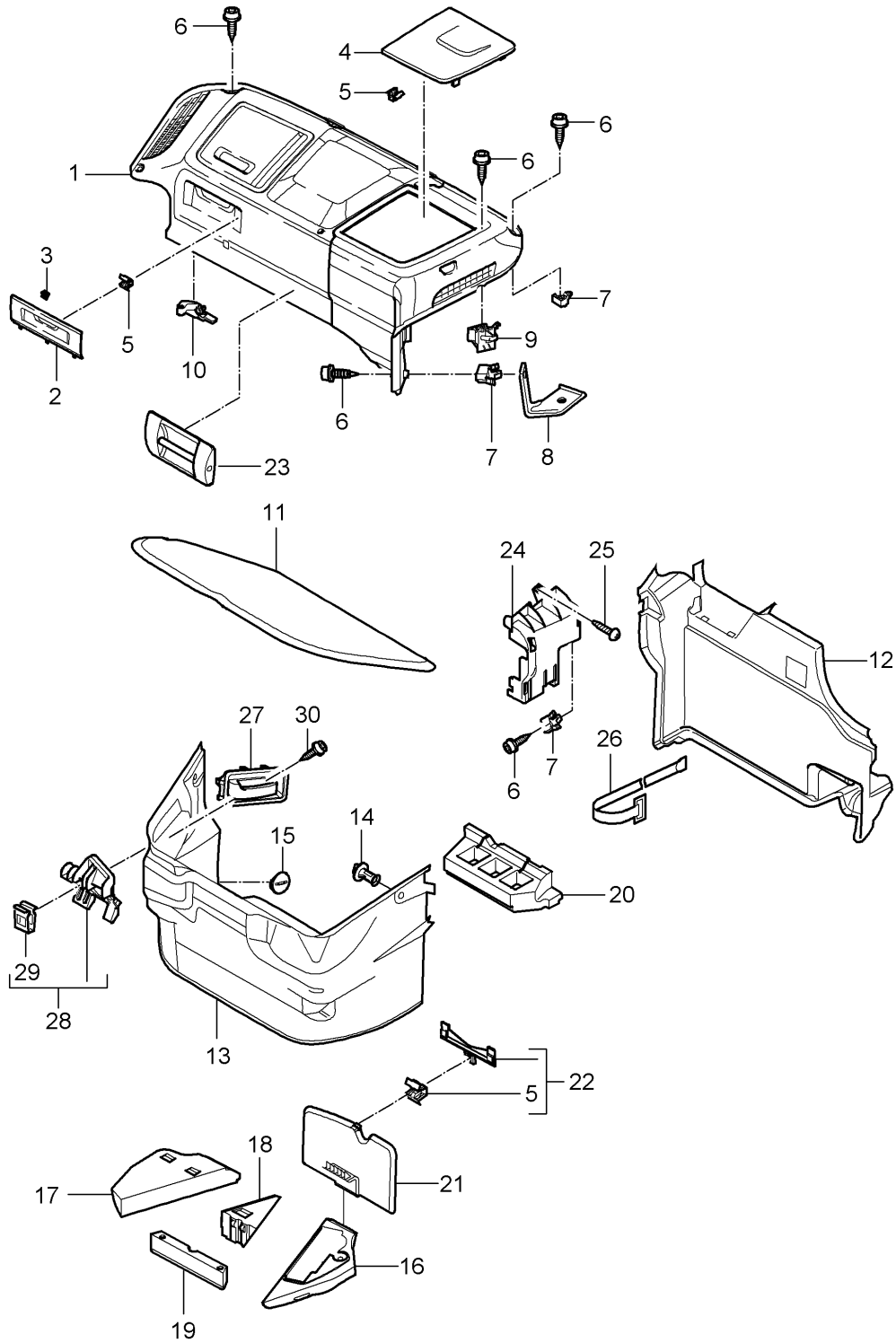
| Pos | Part Number | Description | Remark | Qty | Model |
|------|--------------------|--|--------------|-----|------------|
| | | Luggage compartment D - MJ 2009>> | | | CARRERA 2 |
| (1) | 997 551 133 00 | Lugg. compartment trim, compl. (3-part) | lhd | 1 | PR:098,674 |
| | 997 551 133 00 02A | Black | | | |
| (1) | 997 551 133 00 | Lugg. compartment trim, compl. (3-part) | | 1 | PR:664 |
| | 997 551 133 00 02A | Black | | | |
| 2 | 997 551 306 00 | cover for luggage compartment trim | lhd upper | 1 | PR:098,674 |
| | 997 551 306 00 02A | Black | | | |
| 2 | 997 551 306 00 | cover for luggage compartment trim | upper | 1 | PR:664 |
| | 997 551 306 00 02A | Black | | | |
| 3 | 997 551 301 00 | Cover Brake servo | lhd | 1 | PR:098,674 |
| | 997 551 301 00 02A | Black | | | |
| 3 | 997 551 301 00 | Cover Brake servo | | 1 | PR:664 |
| | 997 551 301 00 02A | Black | | | |
| 4 | 997 551 308 01 | cover for luggage compartment trim | lhd lower | 1 | PR:098,674 |
| | 997 551 308 01 02A | Black | | | |
| 4 | 997 551 308 01 | cover for luggage compartment trim | lower | 1 | PR:664 |
| | 997 551 308 01 02A | Black | | | |
| 5 | 999 507 735 02 | Clamp 9 X 22/2,5 | | 4 | |
| 6 | 900 187 501 01 | panel screw ST 3,5 X 16 | | X | |
| 7 | 997 551 231 00 | Trim Brake servo | lhd | 1 | PR:098 |
| | 997 551 231 00 02A | Black | | | |
| 8 | 997 551 311 00 | Cover trim Brake servo | lhd | 1 | PR:098 |
| | 997 551 311 00 02A | Black | | | |
| 9 | 999 507 734 40 | Bracket ST 3,5 | | X | |
| 10 | 997 551 771 02 | Bracket Trim | | 1 | |
| 11 | 999 507 512 40 | Luggage compartment Bracket ST 3,5 | | X | |
| (12) | 997 551 772 02 | Bracket for trim | | 1 | |
| (13) | 997 551 123 03 | Luggage compartment trim Tool Carpet | | 1 | PR:553 |
| | 997 551 123 03 A31 | Black | | | |
| 14 | 997 551 803 00 | catch Trim Tool | | 2 | |
| (17) | 997 551 051 26 | Luggage compartment trim filler plate Carpet | lhd | 1 | PR:098,674 |
| | 997 551 051 26 A31 | Black | | | |
| (17) | 997 551 051 27 | Luggage compartment trim filler plate Carpet | | 1 | PR:664 |
| | 997 551 051 27 A31 | Black | | | |
| 18 | 999 049 004 40 | Plastic nut T5 / 32 X 20 | | 2 | |
| 19 | 999 703 432 40 | Bungs 8,2 X 18 | | 2 | |

Model: 997-09 Model life 2009>>2012

| Pos | Part Number | Description | Remark | Qty | Model |
|-----|--------------------------------------|--|--------|-----|------------|
| 20 | 999 703 455 41 | End cap 12,2 X 25 | | X | |
| 22 | 997 551 045 13 | Trim Luggage compartment liner Carpet | | 1 | PR:553 |
| 23 | 997 551 045 13 A31 999 049 006 40 | Black Plastic nut T5 /30 X 7,5 | | 2 | |
| 24 | 997 504 087 00 | Emergency operation Luggage compartment | | 1 | PR:553 |
| 26 | 997 551 805 00 | Fastening clip Pocket Windbreak | | 1 | CABRIO |
| 29 | 997 551 805 00 01C 997 551 706 00 | Satin black Bracket Emergency operation | | 1 | PR:553 |
| 30 | 999 591 489 09 | panel nut ST 4,8 | | 1 | PR:553 |
| 31 | 999 073 061 02 | panel screw 4,8 X 16 | | 1 | PR:553 |
| 32 | 999 590 055 01 | Securing clip 10,7 X 11,5 | | 2 | |
| 33 | 997 551 634 00 997 551 634 00 FMU | Luggage compartment trim black/black | lhd | 1 | PR:098,674 |
| 33 | 997 551 634 00 997 551 634 00 FMU | Luggage compartment trim black/black | | 1 | PR:664 |
| 34 | 997 551 633 00 997 551 633 00 FMU | Trim Brake servo black/black | lhd | 1 | PR:098,674 |
| 34 | 997 551 633 00 997 551 633 00 FMU | Trim Brake servo black/black | | 1 | PR:664 |
| 35 | 999 507 795 09 | panel nut 4,8 | | 3 | |
| 36 | 999 073 231 09 | panel screw 4,8 X 16 | | 3 | |
| 37 | 999 025 236 40 | Washer fuse for catch Position 14 | | 2 | |

Model: 997-09

Model life 2009>>2012



Model: 997-09 Model life 2009>>2012

| Pos | Part Number | Description | Remark | Qty | Model |
|------|--------------------|--------------------------------------|-----------|-----|-----------|
| | | Luggage compartment D - MJ 2009>> | | | CARRERA 4 |
| 1 | 997 551 630 00 | Luggage compartment trim | lhd | 1 | PR:098 |
| | 997 551 630 00 FMU | black/black | | | |
| 2 | 997 551 304 00 | Cover trim | lhd | 1 | PR:098 |
| | | lower | | | |
| | 997 551 304 00 02A | Black | | | |
| 3 | 997 551 817 00 | Bracket | lhd | 2 | PR:098 |
| | | Hinge | | | |
| 4 | 997 551 309 00 | Cover | lhd | 1 | PR:098 |
| | | Brake servo | | | |
| | 997 551 309 00 02A | Black | | | |
| 5 | 999 507 552 01 | Spring clip | | X | |
| | | 9 X 13/3,0 | | | |
| 6 | 999 073 048 02 | panel screw | | X | |
| | | ST 3,5 X 13 | | | |
| 7 | 999 507 734 40 | Bracket | | X | |
| | | ST 3,5 | | | |
| 8 | 997 551 771 02 | Bracket | | 1 | |
| | | Trim | | | |
| | | Luggage compartment | | | |
| 9 | 999 507 512 40 | Bracket | | X | |
| | | ST 3,5 | | | |
| 10 | 997 551 772 02 | Bracket for trim | | 1 | |
| 11 | 997 551 351 00 | Cover | | 1 | |
| | | Tool | | | |
| | | Carpet | | | |
| | 997 551 351 00 A31 | Black | | | |
| 12 | 997 551 051 29 | Luggage compartment trim | lhd | 1 | PR:098 |
| | | filler plate | | | |
| | | Carpet | | | |
| | 997 551 051 29 A31 | Black | | | |
| 13 | 997 551 045 17 | Trim | lhd | 1 | PR:098 |
| | | Luggage compartment liner | | | |
| | | Carpet | | | |
| | 997 551 045 17 A31 | Black | | | |
| (13) | 997 551 045 18 | Trim | | 1 | PR:553 |
| | | Luggage compartment liner | | | |
| | | Carpet | | | |
| | 997 551 045 18 A31 | Black | | | |
| 14 | 999 049 006 40 | Plastic nut | | 2 | |
| | | T5 / 30 X 7,5 | | | |
| 15 | 997 551 807 00 | cap nut | | 1 | |
| (15) | 999 703 455 41 | End cap | | 1 | |
| 16 | 997 551 401 00 | Foam part | left lhd | 1 | PR:098 |
| | | Tool | | | |
| 17 | 997 551 408 00 | Foam part | right lhd | 1 | PR:098 |
| | | Luggage compartment liner | | | |
| 18 | 997 551 405 00 | Foam part | rear | 1 | |
| | | Compressor | | | |
| 19 | 997 551 403 00 | Foam part | front | 1 | |
| | | Compressor | | | |
| 20 | 997 551 432 00 | Foam part | lhd | 1 | PR:098 |
| | | filler plate | | | |
| 21 | 997 551 501 00 | Cover | lhd | 1 | PR:098 |
| | | Compressed air bottle | | | |
| | 997 551 501 00 A31 | Black | | | |
| 22 | 997 551 415 00 | Adapter | | 1 | |
| | | Compressed air bottle | | | |
| 23 | 997 551 805 01 | Eye | front | 1 | |
| | | Luggage compartment | | | |
| | 997 551 805 01 02A | Black | | | |
| 24 | 997 551 736 01 | Cover for control unit | | 1 | |

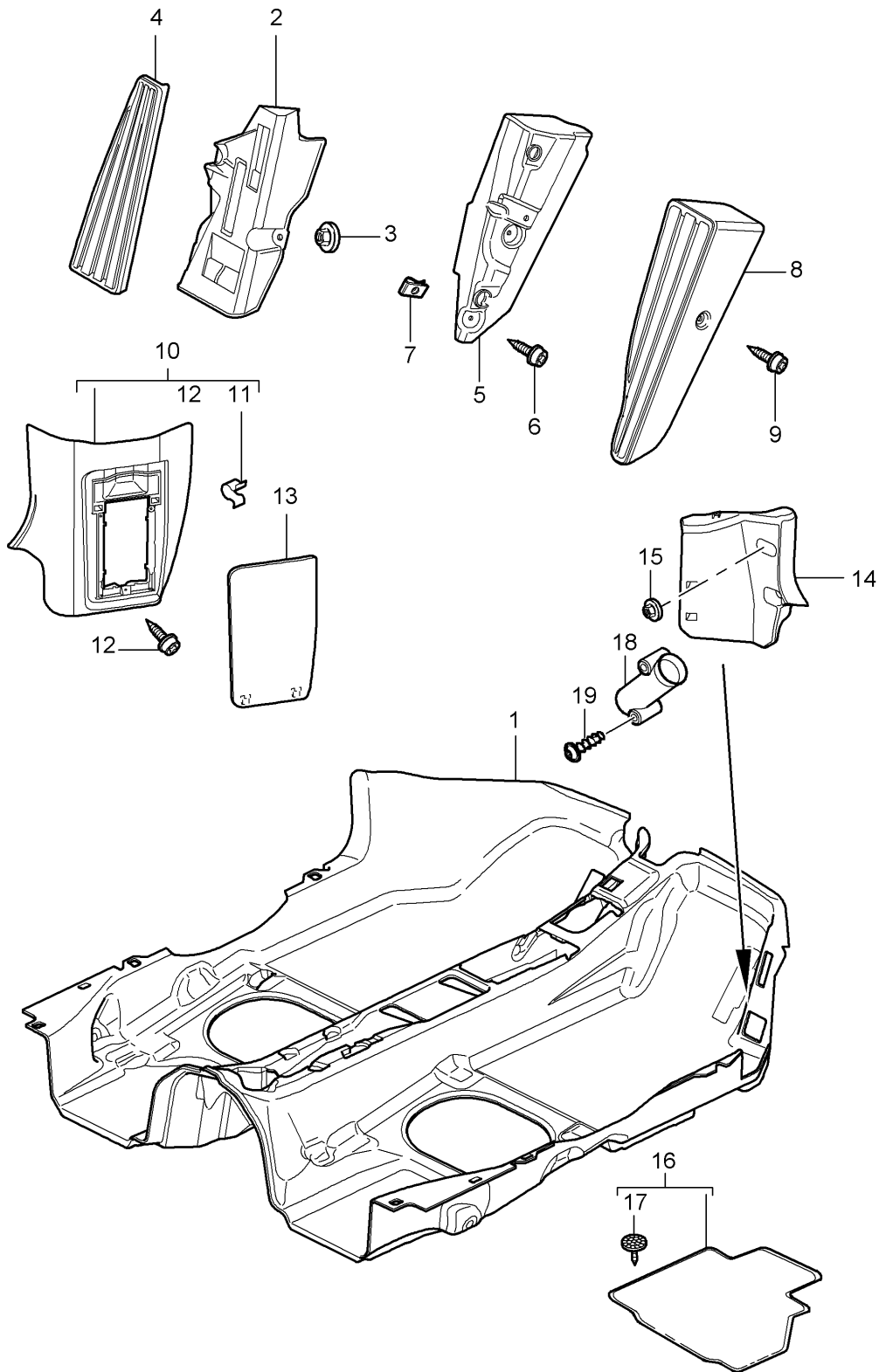
Model: 997-09

Model life 2009>>2012

| Pos | Part Number | Description | Remark | Qty | Model |
|-----|----------------|---|--------|-----|--------|
| 25 | 999 073 061 02 | panel screw ST 4,8 X 16 | | X | |
| 27 | 997 504 087 00 | Emergency operation Luggage compartment | | 1 | PR:553 |
| 28 | 997 551 706 00 | Bracket Emergency operation Luggage compartment | | 1 | PR:553 |
| 29 | 999 591 489 09 | panel nut ST 4,8 | | 1 | PR:553 |
| 30 | 999 073 061 02 | panel screw 4,8 X 16 | | 1 | PR:553 |

Model: 997-09

Model life 2009>>2012



Model: 997-09 Model life 2009>>2012

| Pos | Part Number | Description | Remark | Qty | Model |
|-----|--------------------|---|--------|-----|-----------------|
| 1 | 997 551 011 08 | Flooring Linings Flooring (carpet) | lhd | 1 | COUPE PR:098 |
| | 997 551 011 08 FMB | Terracotta | | | |
| | 997 551 011 08 FMC | Cocoa | | | |
| | 997 551 011 08 FMD | Dark grey/natural | | | |
| | 997 551 011 08 FME | Brown/natural | | | |
| 1 | 997 551 011 08 | Flooring (carpet) | lhd | 1 | COUPE PR:098 |
| | | Until Chassis number See technical information GR.7 NR. 17/11 KD-NR. 70 | | | |
| | 997 551 011 08 FLW | Black | | | |
| | 997 551 011 08 FLX | Stone grey | | | |
| | 997 551 011 08 FLY | Sand beige | | | |
| | 997 551 011 08 FLZ | sea blue | | | |
| | 997 551 011 08 FSV | Carrera Red | | | |
| 1 | 997 551 011 18 | Flooring (carpet) | lhd | 1 | COUPE PR:098 |
| | | From Chassis number See technical information GR.7 NR. 17/11 KD-NR. 70 | | | |
| | 997 551 011 18 FLW | Black | | | |
| | 997 551 011 18 FLX | Stone grey | | | |
| | 997 551 011 18 FLY | Sand beige | | | |
| | 997 551 011 18 FLZ | sea blue | | | |
| | 997 551 011 18 FSV | Carrera Red | | | |
| (1) | 997 551 011 09 | Flooring (carpet) | rhd | 1 | COUPE PR:099 |
| | 997 551 011 09 FMA | Palm green D >> - MJ 2007 | | | |
| | 997 551 011 09 FMB | Terracotta | | | |
| | 997 551 011 09 FMC | Cocoa | | | |
| | 997 551 011 09 FMD | Dark grey/natural | | | |
| | 997 551 011 09 FME | Brown/natural | | | |
| (1) | 997 551 011 09 | Flooring (carpet) | rhd | 1 | COUPE PR:099 |
| | | Until Chassis number See technical information GR.7 NR. 17/11 KD-NR. 70 | | | |
| | 997 551 011 09 FLW | Black | | | |
| | 997 551 011 09 FLX | Stone grey | | | |
| | 997 551 011 09 FLY | Sand beige | | | |
| | 997 551 011 09 FLZ | sea blue | | | |
| | 997 551 011 09 FSV | Carrera Red | | | |
| (1) | 997 551 011 19 | Flooring (carpet) | rhd | 1 | COUPE PR:099 |
| | | From Chassis number See technical information GR.7 NR. 17/11 KD-NR. 70 | | | |
| | 997 551 011 19 FLW | Black | | | |
| | 997 551 011 19 FLX | Stone grey | | | |
| | 997 551 011 19 FLY | Sand beige | | | |
| | 997 551 011 19 FLZ | sea blue | | | |

Model: 997-09 Model life 2009>>2012

| Pos | Part Number | Description | Remark | Qty | Model |
|-----|--|--|--------|-----|-----------------------|
| (1) | 997 551 011 19 FSV 997 551 011 16 | Carrera Red Flooring (carpet) | lhd | 1 | COUPE S PR:098,756 |
| (1) | 997 551 011 16 DSC 997 551 011 10 | D - MJ 2010>> Espresso Flooring (carpet) | lhd | 1 | CABRIO PR:098,490 |
| (1) | 997 551 011 10 FMB 997 551 011 10 FMC 997 551 011 10 FMD 997 551 011 10 FME 997 551 011 10 | Terracotta Cocoa Dark grey/natural Brown/natural Flooring (carpet) | lhd | 1 | CABRIO PR:098,490 |
| (1) | 997 551 011 10 FLW 997 551 011 10 FLX 997 551 011 10 FLY 997 551 011 10 FLZ 997 551 011 10 FSV 997 551 011 20 | Until Chassis number See technical information GR.7 NR. 17/11 KD-NR. 70 Black Stone grey Sand beige sea blue Carrera Red Flooring (carpet) | lhd | 1 | CABRIO PR:098,490 |
| (1) | 997 551 011 20 FLW 997 551 011 20 FLX 997 551 011 20 FLY 997 551 011 20 FLZ 997 551 011 20 FSV 997 551 011 12 | From Chassis number See technical information GR.7 NR. 17/11 KD-NR. 70 Black Stone grey Sand beige sea blue Carrera Red Flooring (carpet) | lhd | 1 | CABRIO PR:098,680 |
| (1) | 997 551 011 12 FMB 997 551 011 12 FMC 997 551 011 12 FMD 997 551 011 12 FME 997 551 011 12 | Terracotta Cocoa Dark grey/natural Brown/natural Flooring (carpet) | lhd | 1 | CABRIO PR:098,680 |
| (1) | 997 551 011 12 FLW 997 551 011 12 FLX 997 551 011 12 FLY 997 551 011 12 FLZ 997 551 011 12 FSV 997 551 011 22 | Until Chassis number See technical information GR.7 NR. 17/11 KD-NR. 70 Black Stone grey Sand beige sea blue Carrera Red Flooring (carpet) | lhd | 1 | CABRIO PR:098,680 |
| (1) | 997 551 011 22 FLW 997 551 011 22 FLX 997 551 011 22 FLY | From Chassis number See technical information GR.7 NR. 17/11 KD-NR. 70 Black Stone grey Sand beige | lhd | 1 | CABRIO PR:098,680 |

Model: 997-09 Model life 2009>>2012

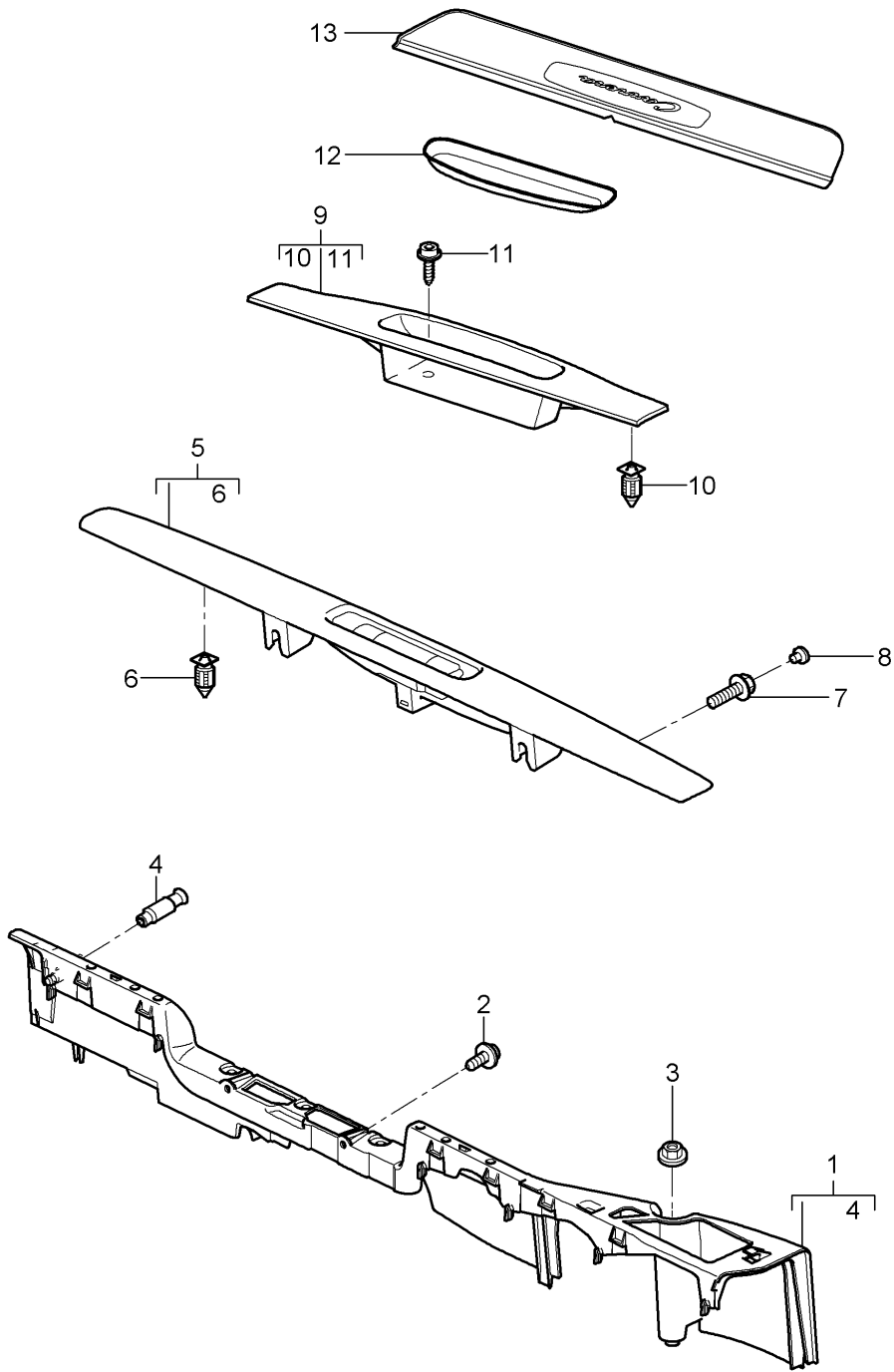
| Pos | Part Number | Description | Remark | Qty | Model |
|-----|--|---|--------|-----|---------------------|
| (1) | 997 551 011 22 FLZ 997 551 011 22 FSV 997 551 011 08 | sea blue Carrera Red Flooring (carpet) | lhd | 1 | TARGA PR:098,490 |
| (1) | 997 551 011 08 FMB 997 551 011 08 FMC 997 551 011 08 FMD 997 551 011 08 FME 997 551 011 08 | Terracotta Cocoa Dark grey/natural Brown/natural Flooring (carpet) | lhd | 1 | TARGA PR:098,490 |
| (1) | 997 551 011 08 FLW 997 551 011 08 FLX 997 551 011 08 FLY 997 551 011 08 FLZ 997 551 011 08 FSV 997 551 011 18 | Until Chassis number See technical information GR.7 NR. 17/11 KD-NR. 70 Black Stone grey Sand beige sea blue Carrera Red Flooring (carpet) | lhd | 1 | TARGA PR:098,490 |
| (1) | 997 551 011 18 FLW 997 551 011 18 FLX 997 551 011 18 FLY 997 551 011 18 FLZ 997 551 011 18 FSV 997 551 011 14 | Until Chassis number See technical information GR.7 NR. 17/11 KD-NR. 70 Black Stone grey Sand beige sea blue Carrera Red Flooring (carpet) | lhd | 1 | TARGA PR:098,680 |
| (1) | 997 551 011 14 FLW 997 551 011 14 FLX 997 551 011 14 FLY 997 551 011 14 FLZ 997 551 011 14 FMB 997 551 011 14 FMC 997 551 011 14 FMD 997 551 011 14 FME 997 551 011 14 FSV 997 551 011 14 | Until Chassis number See technical information GR.7 NR. 17/11 KD-NR. 70 Black Stone grey Sand beige sea blue Terracotta Cocoa Dark grey/natural Brown/natural Carrera Red Flooring (carpet) | lhd | 1 | TARGA PR:098,680 |
| (1) | 997 551 011 14 FMB 997 551 011 14 FMC 997 551 011 14 FMD 997 551 011 14 FME 997 551 011 14 997 551 011 14 FLW 997 551 011 14 FLX 997 551 011 14 FLY 997 551 011 14 FLZ 997 551 011 14 FSV 997 551 011 24 | Until Chassis number See technical information GR.7 NR. 17/11 KD-NR. 70 Black Stone grey Sand beige sea blue Carrera Red Flooring (carpet) | lhd | 1 | TARGA PR:098,680 |

Model: 997-09 Model life 2009>>2012

| Pos | Part Number | Description | Remark | Qty | Model |
|------|--------------------|---|---------|-----|-----------------------|
| | | Until Chassis number See technical information GR.7 NR. 17/11 KD-NR. 70 | | | |
| | 997 551 011 24 FLW | Black | | | |
| | 997 551 011 24 FLX | Stone grey | | | |
| | 997 551 011 24 FLY | Sand beige | | | |
| | 997 551 011 24 FLZ | sea blue | | | |
| | 997 551 011 24 FSV | Carrera Red | | | |
| - | 997 551 813 01 | Protective film Carpet | lhd | 1 | PR:098 |
| 2 | 997 551 211 01 | Foot rest | lhd | 1 | PR:098 |
| 3 | 999 076 081 40 | Hexagon plastic collar nut T5/16 X 11,2 for Mount | lhd | 2 | PR:098 |
| 4 | 997 551 611 00 | Foot rest | | | |
| | 997 551 611 00 01C | Cover for footrest Satin black | lhd | 1 | PR:098 |
| (4) | 997 551 986 00 | Cover for footrest | lhd | 1 | PR:XXZ,098 |
| 10 | 997 551 101 00 | Trim | lhd | 1 | PR:098 |
| | | Fuse box Carpet | | | |
| | 997 551 101 00 A10 | Black | | | |
| | 997 551 101 00 B10 | Stone grey | | | |
| | 997 551 101 00 T10 | Sand beige | | | |
| | 997 551 101 00 E10 | sea blue | | | |
| | 997 551 101 00 M10 | Terracotta | | | |
| | 997 551 101 00 R10 | Cocoa | | | |
| | 997 551 101 00 D11 | Dark grey/natural | | | |
| | 997 551 101 00 T11 | Brown/natural | | | |
| | 997 551 101 00 N10 | Carrera Red | | | |
| (10) | 997 551 101 01 | Trim | lhd | 1 | COUPE S PR:098,756 |
| | | Fuse box Carpet | | | |
| | | D - MJ 2010>> | | | |
| | 997 551 101 01 H31 | Espresso | | | |
| 11 | 999 507 552 01 | Spring clip 9,0 X 13/4,0 | | 2 | |
| 12 | 999 919 161 09 | fillister hd. bolt 5,0 X 18 for Mount | | 3 | |
| | | Trim | | | |
| 13 | 997 551 621 00 | Fuse box Cover trim | lhd | 1 | PR:098 |
| | | Fuse box | | | |
| | 997 551 621 00 01C | Satin black | | | |
| (14) | 997 551 712 02 | Bracket | lhd | 1 | PR:098 |
| | | Flooring | | | |
| 15 | 999 076 081 40 | Hexagon plastic collar nut T5/16 X 11,2 Mount | | 2 | |
| | | Bracket | | | |
| 16 | | Flooring Floor mats Set | | 1 | |
| | | see illustration: | 807-006 | | |
| 17 | 999 902 054 40 | Tequipment catalogue Fixing plate for Floor mats | | 4 | |

Model: 997-09

Model life 2009>>2012



Model: 997-09 Model life 2009>>2012

| Pos | Part Number | Description | Remark | Qty | Model |
|-----|--------------------|---|--------|-----|-------------------------------|
| 1 | 997 551 619 02 | Trim Sill D - MJ 2009>> Support | left | 1 | |
| (1) | 997 551 620 01 | Sill Support | right | 1 | |
| 2 | 900 143 082 01 | Sill panel screw ST 6,3 X 13 for Mount Support | | 4 | |
| 3 | 999 076 081 40 | Sill Hexagon plastic collar nut T5 16 X 11,2 for Mount Support | | 2 | |
| 4 | 996 551 873 00 | Sill Locating peg for Mount Support | | 2 | |
| 5 | 997 551 019 04 | Sill Trim (drivers side) | lhd | 1 | COUPE/CABRIO PR:098 |
| (5) | 997 551 019 04 A03 | Black | | | |
| | 997 551 019 06 | Trim Sill (drivers side) | lhd | 1 | TARGA PR:098 |
| | 997 551 019 06 A03 | Black | | | |
| 5 | 997 551 982 00 | Trim Sill (drivers side) Leather | lhd | 1 | COUPE/CABRIO PR:XTG,098 |
| | 997 551 982 00 A11 | Black | | | |
| | 997 551 982 00 5X6 | Stone grey | | | |
| | 997 551 982 00 8G2 | Sand beige | | | |
| | 997 551 982 00 3S9 | sea blue | | | |
| | 997 551 982 00 9S5 | Terracotta | | | |
| | 997 551 982 00 9V6 | Cocoa | | | |
| | 997 551 982 00 D12 | Dark grey/natural | | | |
| | 997 551 982 00 T12 | Brown/natural | | | |
| | 997 551 982 00 N12 | Carrera Red | | | |
| (5) | 997 551 982 02 | Trim Sill (drivers side) Leather | lhd | 1 | TARGA PR:XTG,098 |
| | 997 551 982 02 A11 | Black | | | |
| | 997 551 982 02 5X6 | Stone grey | | | |
| | 997 551 982 02 8G2 | Sand beige | | | |
| | 997 551 982 02 3S9 | sea blue | | | |
| | 997 551 982 02 9S5 | Terracotta | | | |
| | 997 551 982 02 9V6 | Cocoa | | | |
| | 997 551 982 02 D12 | Dark grey/natural | | | |
| | 997 551 982 02 T12 | Brown/natural | | | |
| | 997 551 982 02 N12 | Carrera Red | | | |
| (5) | 997 551 982 04 | Trim Sill (drivers side) Leather D - MJ 2010>> | lhd | 1 | COUPE S PR:XTG,098, 756 |

Model: 997-09 Model life 2009>>2012

| Pos | Part Number | Description | Remark | Qty | Model |
|------|--------------------------------------|---|----------|-----|------------------------|
| 6 | 997 551 982 04 6J0 999 507 484 40 | Espresso expanding nut 9 X 22 | | 6 | |
| 7 | 999 067 046 01 | Bolt with washer M 6 X 20 | | 2 | |
| 8 | 999 703 443 40 | Bungs 8,0 X 11 | | 2 | |
| 9 | 999 703 443 40 01C 997 551 120 01 | Satin black Trim Sill (passenger side) | | 1 | |
| (9) | 997 551 120 01 A03 997 551 983 00 | Black Trim Sill (passenger side) Leather | | 1 | PR:XTG |
| | 997 551 983 00 A11 | Black | | | |
| | 997 551 983 00 5X6 | Stone grey | | | |
| | 997 551 983 00 8G2 | Sand beige | | | |
| | 997 551 983 00 3S9 | sea blue | | | |
| | 997 551 983 00 9S5 | Terracotta | | | |
| | 997 551 983 00 9V6 | Cocoa | | | |
| | 997 551 983 00 D12 | Dark grey/natural | | | |
| | 997 551 983 00 T12 | Brown/natural | | | |
| | 997 551 983 00 N12 | Carrera Red | | | |
| (9) | 997 551 983 01 | Trim Sill (passenger side) D - MJ 2010>> | | 1 | COUPE S PR:XTG, 756 |
| 10 | 997 551 983 01 6J0 999 507 484 40 | Espresso expanding nut 9 X 22 | | 6 | |
| 11 | 999 919 164 09 | fillister hd. bolt 5,0 X 12 | | 1 | |
| 12 | 996 551 513 00 | Mat | | 1 | |
| 13 | 997 551 303 07 997 551 303 07 A03 | Sill trim strip Lacquered Black Sill trim strip Exclusive | without: | 2 | CARRERA |
| (13) | 997 551 303 08 997 551 303 08 A03 | Sill trim strip Lacquered Black Sill trim strip Exclusive | without: | 2 | CARRERA S |
| (13) | 997 551 303 09 997 551 303 09 A03 | Sill trim strip Lacquered Black Sill trim strip Exclusive | without: | 2 | CARRERA 4 |
| | | Lighting See catalogue Tequipment 8/07/06 | | | |
| | | Lighting See catalogue | | | |

Model: 997-09

Model life 2009>>2012

| Pos | Part Number | Description | Remark | Qty | Model |
|------|--------------------|---|--------|-----|---------------------|
| (13) | 997 551 303 10 | Tequipment 8/07/06 Sill trim strip Lacquered | | 2 | CARRERA 4S |
| | 997 551 303 10 A03 | Black Sill trim strip Exclusive without: | | | |
| (13) | 997 551 303 12 | Lighting See catalogue Tequipment 8/07/06 Sill trim strip Lacquered | | 2 | TARGA_4 |
| | 997 551 303 12 A03 | Black Sill trim strip Exclusive without: | | | |
| (13) | 997 551 303 13 | Lighting See catalogue Tequipment 8/07/06 Sill trim strip Lacquered | | 2 | TARGA_4S |
| | 997 551 303 13 A03 | Black Sill trim strip Exclusive without: | | | |
| (13) | 997 551 990 30 | Lighting See catalogue Tequipment 8/07/06 Sill trim strip Set stainless steel | | 1 | CARRERA PR:XXB |
| | | with: | | | |
| (13) | 997 551 990 31 | Lighting D - MJ 2010>> Sill trim strip Set stainless steel | | 1 | CARRERA S PR:XXB |
| | | with: | | | |
| (13) | 997 551 990 32 | Lighting D - MJ 2010>> Sill trim strip Set stainless steel | | 1 | TARGA 4 PR:XXB |
| | | with: | | | |
| (13) | 997 551 990 33 | Lighting D - MJ 2010>> Sill trim strip Set stainless steel | | 1 | TARGA 4S PR:XXB |
| | | with: | | | |
| (13) | 997 551 990 37 | Lighting D - MJ 2010>> Sill trim strip Set stainless steel | | 1 | CARRERA 4 PR:XXB |
| | | with: | | | |
| (13) | 997 551 990 38 | Lighting D - MJ 2010>> Sill trim strip | | 1 | CARRERA 4S |

Model: 997-09

Model life 2009>>2012

| Pos | Part Number | Description | Remark | Qty | Model |
|------|----------------|--|--------|-----|-------------------------------------|
| (13) | 997 551 990 40 | Set stainless steel with: Lighting D - MJ 2010>> Sill trim strip | | 1 | PR:XXB CARRERA GTS PR:XXB,011 |
| (13) | 997 551 990 41 | Set stainless steel with: Lighting D - MJ 2011>> 1 set of sill strips | | 1 | C4 GTS PR:XXB,019 |
| (13) | 997 551 991 40 | stainless steel with: Lighting D - MJ 2012>> 1 set of sill strips | | 1 | CARRERA GTS PR:XXD,011 |
| (13) | 997 551 991 42 | Carbon with: Lighting D - MJ 2011>> 1 set of sill strips | | 1 | C4 GTS PR:XXD,019 |
| (13) | 997 551 981 18 | Carbon with: Lighting D - MJ 2012>> 1 set of sill strips | | 1 | C4 GTS PR:X70,019 |
| (13) | 997 551 981 15 | stainless steel D - MJ 2012>> 1 set of sill strips | | 1 | CARRERA GTS PR:X70,011 |
| (13) | 997 551 991 30 | stainless steel D - MJ 2011>> Sill trim strip Set Carbon with: | | 1 | CARRERA PR:XXD |
| (13) | 997 551 991 31 | Lighting D - MJ 2010>> Sill trim strip Set Carbon with: | | 1 | CARRERA S PR:XXD |
| (13) | 997 551 991 32 | Lighting D - MJ 2010>> Sill trim strip Set Carbon with: | | 1 | TARGA 4 PR:XXD |
| (13) | 997 551 991 33 | Lighting D - MJ 2010>> Sill trim strip Set Carbon with: | | 1 | TARGA 4S PR:XXD |
| (13) | 997 551 991 37 | Lighting D - MJ 2010>> Sill trim strip Set | | 1 | Carrera 4 PR:XXD |

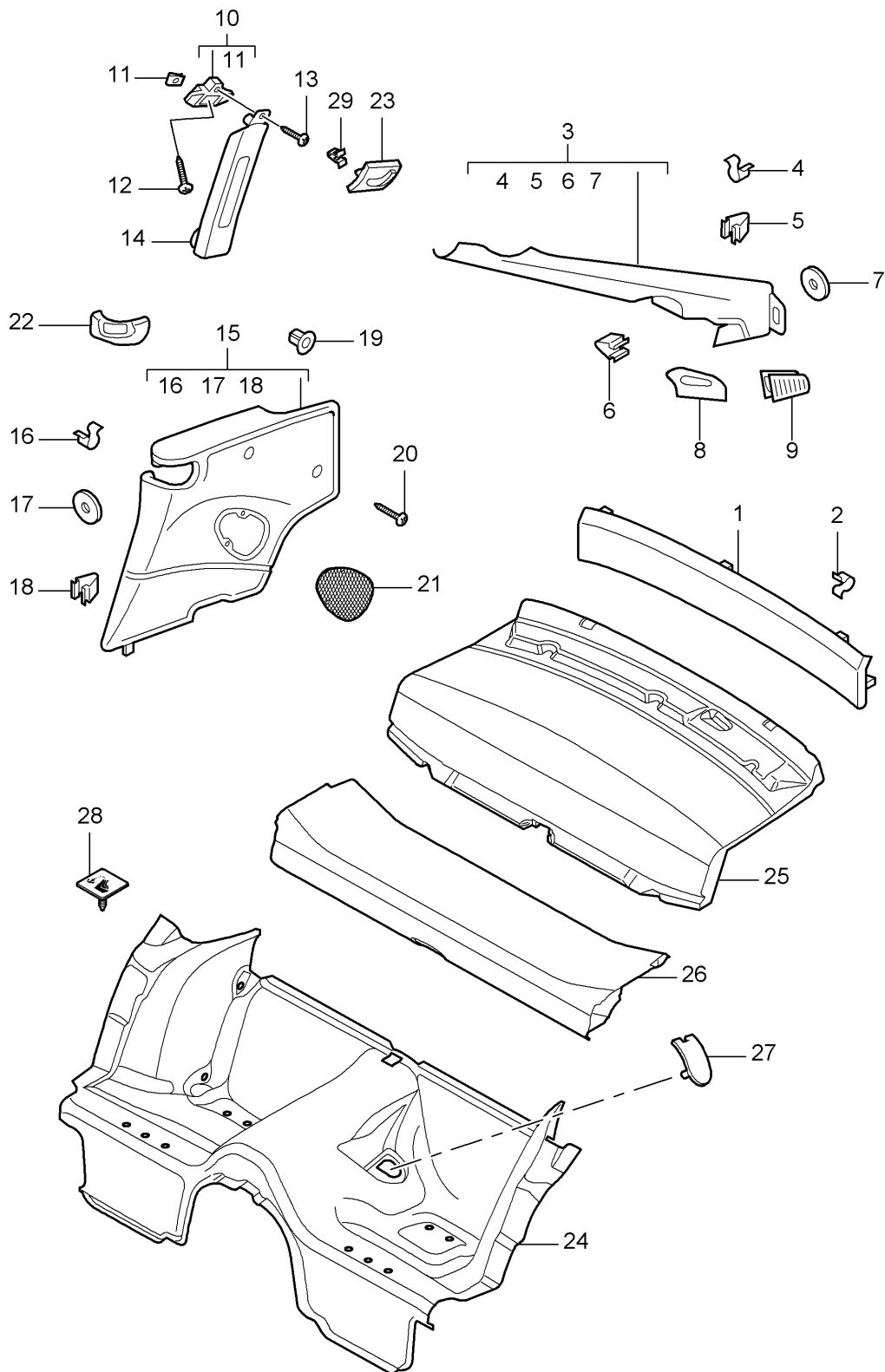
Model: 997-09

Model life 2009>>2012

| Pos | Part Number | Description | Remark | Qty | Model |
|------|----------------|--|--------|-----|-----------------------|
| (13) | 997 551 991 38 | Carbon with: Lighting D - MJ 2010>> Sill trim strip Set Carbon | | 1 | Carrera 4S PR:XXD |
| (13) | 997 551 981 16 | with: Lighting D - MJ 2010>> 1 set of sill strips | | 1 | Carrera PR:X70,013 |
| (13) | 997 551 981 07 | D - MJ 2011>> Entry strip with lettering Set | | 1 | Carrera PR:X70 |

Model: 997-09

Model life 2009>>2012



Model: 997-09 Model life 2009>>2012

| Pos | Part Number | Description | Remark | Qty | Model |
|-----|--------------------|--------------------------------------|--------|-----|-----------------------|
| 1 | 997 555 081 00 | Linings Rear panel trim Carpet | rear | 1 | COUPE PR:426 |
| | 997 555 081 00 A10 | Black | | | |
| | 997 555 081 00 B10 | Stone grey | | | |
| | 997 555 081 00 T10 | Sand beige | | | |
| | 997 555 081 00 E10 | sea blue | | | |
| | 997 555 081 00 M10 | Terracotta | | | |
| | 997 555 081 00 R10 | Cocoa | | | |
| | 997 555 081 00 D11 | Dark grey/natural | | | |
| | 997 555 081 00 T11 | Brown/natural | | | |
| | 997 555 081 00 N10 | Carrera Red | | | |
| (1) | 997 555 081 01 | Rear panel trim Carpet | | 1 | PR:425 |
| | 997 555 081 01 A10 | Black | | | |
| | 997 555 081 01 B10 | Stone grey | | | |
| | 997 555 081 01 T10 | Sand beige | | | |
| | 997 555 081 01 E10 | sea blue | | | |
| | 997 555 081 01 M10 | Terracotta | | | |
| | 997 555 081 01 R10 | Cocoa | | | |
| | 997 555 081 01 D11 | Dark grey/natural | | | |
| | 997 555 081 01 T11 | Brown/natural | | | |
| | 997 555 081 01 N10 | Carrera Red | | | |
| (1) | 997 555 081 02 | Rear panel trim Carpet | | 1 | COUPE S PR:426,756 |
| | | D - MJ 2010>> | | | |
| | 997 555 081 02 H31 | Espresso | | | |
| 2 | 999 507 687 05 | Retaining clip 11,3 | | 5 | |
| 3 | 997 555 187 00 | C-pillar trim Leatherette | left | 1 | |
| | 997 555 187 00 1MZ | Black | | | |
| | 997 555 187 00 1YP | Stone grey | | | |
| | 997 555 187 00 1TK | Sand beige | | | |
| | 997 555 187 00 1VM | sea blue | | | |
| (3) | 997 555 188 00 | C-pillar trim Leatherette | right | 1 | |
| | 997 555 188 00 1MZ | Black | | | |
| | 997 555 188 00 1YP | Stone grey | | | |
| | 997 555 188 00 1TK | Sand beige | | | |
| | 997 555 188 00 1VM | sea blue | | | |
| 3 | 997 555 187 01 | C-pillar trim Leather | left | 1 | PR:981 |
| | 997 555 187 01 A11 | Black | | | |
| | 997 555 187 01 5X6 | Stone grey | | | |
| | 997 555 187 01 8G2 | Sand beige | | | |
| | 997 555 187 01 3S9 | sea blue | | | |
| | 997 555 187 01 9S5 | Terracotta | | | |
| | 997 555 187 01 9V6 | Cocoa | | | |
| | 997 555 187 01 D12 | Dark grey/natural | | | |
| | 997 555 187 01 T12 | Brown/natural | | | |
| | 997 555 187 01 N12 | Carrera Red | | | |
| (3) | 997 555 188 01 | C-pillar trim Leather | right | 1 | PR:981 |
| | 997 555 188 01 A11 | Black | | | |
| | 997 555 188 01 5X6 | Stone grey | | | |
| | 997 555 188 01 8G2 | Sand beige | | | |
| | 997 555 188 01 3S9 | sea blue | | | |
| | 997 555 188 01 9S5 | Terracotta | | | |
| | 997 555 188 01 9V6 | Cocoa | | | |
| | 997 555 188 01 D12 | Dark grey/natural | | | |
| | 997 555 188 01 T12 | Brown/natural | | | |

Model: 997-09 Model life 2009>>2012

| Pos | Part Number | Description | Remark | Qty | Model |
|-----|--------------------------------------|---|---------------|-----|-----------------------|
| (3) | 997 555 188 01 N12 997 555 187 06 | Carrera Red C-pillar trim (Alcantara) | left | 1 | COUPE S PR:756,981 |
| (3) | 997 555 187 06 C24 997 555 188 06 | D - MJ 2010>> light grey C-pillar trim (Alcantara) | right | 1 | COUPE S PR:756,981 |
| 4 | 997 555 188 06 C24 999 507 533 02 | D - MJ 2010>> light grey Clamp 8,0 X10,0/2,5 2,5/09 | | 4 | |
| 5 | 999 507 479 01 | Clip 2,5/09 | | 6 | |
| (5) | 999 507 676 09 | Clip 2,5/2,2 18,0 | | 2 | |
| 6 | 999 651 307 01 | Cable fastener 18,0 | | 2 | |
| 7 | 999 551 609 40 | Plastic washer 8,0 X 23 X 3,0 | | 7 | |
| 8 | 996 555 545 01 | Rosette Seat belt Lacquered | left rear | 1 | |
| | 996 555 545 01 A03 | Black | | | |
| | 996 555 545 01 5V7 | Stone grey | | | |
| | 996 555 545 01 5Z1 | Sand beige | | | |
| | 996 555 545 01 8W7 | sea blue | | | |
| | 996 555 545 01 8X8 | Terracotta | | | |
| | 996 555 545 01 8P9 | Cocoa | | | |
| | 996 555 545 01 T13 | Brown/natural | | | |
| (8) | 996 555 545 01 N23 996 555 546 01 | Carrera Red Rosette Seat belt Lacquered | right rear | 1 | |
| | 996 555 546 01 A03 | Black | | | |
| | 996 555 546 01 5V7 | Stone grey | | | |
| | 996 555 546 01 5Z1 | Sand beige | | | |
| | 996 555 546 01 8W7 | sea blue | | | |
| | 996 555 546 01 8X8 | Terracotta | | | |
| | 996 555 546 01 8P9 | Cocoa | | | |
| | 996 555 546 01 T13 | Brown/natural | | | |
| (8) | 997 555 545 90 | Carrera Red Rosette Seat belt D - MJ 2011>> | left rear | 1 | PR:-685 |
| (8) | 997 555 545 90 01C 997 555 546 90 | Satin black Rosette Seat belt D - MJ 2011>> | right rear | 1 | PR:-685 |
| 9 | 997 555 546 90 01C 996 555 645 00 | Satin black Grille Bleeding Lacquered | left | 1 | |
| | 996 555 645 00 A03 | Black | | | |
| | 996 555 645 00 5V7 | Stone grey | | | |
| | 996 555 645 00 5Z1 | Sand beige | | | |
| | 996 555 645 00 8W7 | sea blue | | | |
| | 996 555 645 00 8X8 | Terracotta | | | |
| | 996 555 645 00 8P9 | Cocoa | | | |
| | 996 555 645 00 T13 | Brown/natural | | | |

Model: 997-09 Model life 2009>>2012

| Pos | Part Number | Description | Remark | Qty | Model |
|------|--------------------------------------|---|--------|-----|--------|
| (9) | 996 555 645 00 N23 996 555 646 00 | Carrera Red Grille Bleeding Lacquered | right | 1 | |
| | 996 555 646 00 A03 | Black | | | |
| | 996 555 646 00 5V7 | Stone grey | | | |
| | 996 555 646 00 5Z1 | Sand beige | | | |
| | 996 555 646 00 8W7 | sea blue | | | |
| | 996 555 646 00 8X8 | Terracotta | | | |
| | 996 555 646 00 8P9 | Cocoa | | | |
| | 996 555 646 00 T13 | Brown/natural | | | |
| | 996 555 646 00 N23 | Carrera Red | | | |
| 10 | 996 555 821 02 | Console Coat hook | left | 1 | |
| (10) | 996 555 822 02 | Console Coat hook | right | 1 | |
| 11 | 999 507 695 01 | panel nut ST 4,8 | | 2 | |
| 12 | 999 073 128 01 | panel screw 6,3 X14 Mount Console Coat hook | | 2 | |
| (12) | 999 025 268 01 | Washer 6,4 X 18 Mount Console Coat hook | | 2 | |
| 13 | 999 073 060 02 | panel screw 4,8 X 13 | | 2 | |
| 14 | 997 555 183 00 | B-pillar trim Leatherette | left | 1 | |
| | 997 555 183 00 1MZ | Black | | | |
| | 997 555 183 00 1YP | Stone grey | | | |
| | 997 555 183 00 1TK | Sand beige | | | |
| | 997 555 183 00 1VM | sea blue | | | |
| (14) | 997 555 184 00 | B-pillar trim Leatherette | right | 1 | |
| | 997 555 184 00 1MZ | Black | | | |
| | 997 555 184 00 1YP | Stone grey | | | |
| | 997 555 184 00 1TK | Sand beige | | | |
| | 997 555 184 00 1VM | sea blue | | | |
| 14 | 997 555 183 01 | B-pillar trim Leather | left | 1 | PR:981 |
| | 997 555 183 01 A11 | Black | | | |
| | 997 555 183 01 5X6 | Stone grey | | | |
| | 997 555 183 01 8G2 | Sand beige | | | |
| | 997 555 183 01 3S9 | sea blue | | | |
| | 997 555 183 01 9S5 | Terracotta | | | |
| | 997 555 183 01 9V6 | Cocoa | | | |
| | 997 555 183 01 D12 | Dark grey/natural | | | |
| | 997 555 183 01 T12 | Brown/natural | | | |
| | 997 555 183 01 N12 | Carrera Red | | | |
| (14) | 997 555 184 01 | B-pillar trim Leather | right | 1 | PR:981 |
| | 997 555 184 01 A11 | Black | | | |
| | 997 555 184 01 5X6 | Stone grey | | | |
| | 997 555 184 01 8G2 | Sand beige | | | |
| | 997 555 184 01 3S9 | sea blue | | | |
| | 997 555 184 01 9S5 | Terracotta | | | |
| | 997 555 184 01 9V6 | Cocoa | | | |
| | 997 555 184 01 D12 | Dark grey/natural | | | |
| | 997 555 184 01 T12 | Brown/natural | | | |

Model: 997-09 Model life 2009>>2012

| Pos | Part Number | Description | Remark | Qty | Model |
|------|--|--|--------|-----|-----------------------|
| (14) | 997 555 184 01 N12 997 555 183 04 | Carrera Red B-pillar trim (Alcantara) D - MJ 2010>> | left | 1 | COUPE S PR:756,981 |
| (14) | 997 555 183 04 C24 997 555 184 04 | light grey B-pillar trim (Alcantara) D - MJ 2010>> | right | 1 | COUPE S PR:756,981 |
| - | 997 555 184 04 C24 996 555 859 00 | light grey Grommet | | 2 | |
| 15 | 997 555 071 00 | B-pillar Side panel trim (leatherette) | left | 1 | |
| | 997 555 071 00 1MZ 997 555 071 00 1YP 997 555 071 00 1TK 997 555 071 00 1VM | Black Stone grey Sand beige sea blue | | | |
| (15) | 997 555 072 00 | Side panel trim (leatherette) | right | 1 | |
| | 997 555 072 00 1MZ 997 555 072 00 1YP 997 555 072 00 1TK 997 555 072 00 1VM | Black Stone grey Sand beige sea blue | | | |
| 15 | 997 555 071 01 997 555 071 01 FSA 997 555 071 01 FSD 997 555 071 01 FSF 997 555 071 01 FSG 997 555 071 01 FSH 997 555 071 01 FSJ | Side panel trim (leather) black/grey Sea blue/grey Terracotta/terracotta Cocoa/Cocoa Darkgrey natural/grey Brown nat./brown nat. | left | 1 | PR:981 |
| 15 | 997 555 071 01 | Side panel trim (leather) Until Chassis number See technical information GR.7 NR. 17/11 KD-NR. 70 | left | 1 | PR:981 |
| | 997 555 071 01 FSB 997 555 071 01 FSC 997 555 071 01 FSP | Stone grey/stone grey Sand beige/sand beige Carrera Red | | | |
| 15 | 997 555 911 00 | Side panel trim (leather) From Chassis number See technical information GR.7 NR. 17/11 KD-NR. 70 | left | 1 | PR:981 |
| | 997 555 911 00 FSB 997 555 911 00 FSC 997 555 911 00 FSP | Stone grey/stone grey Sand beige/sand beige Carrera Red | | | |
| (15) | 997 555 072 01 997 555 072 01 FSA 997 555 072 01 FSD 997 555 072 01 FSF 997 555 072 01 FSG 997 555 072 01 FSH 997 555 072 01 FSJ | Side panel trim (leather) black/grey Sea blue/grey Terracotta/terracotta Cocoa/Cocoa Darkgrey natural/grey Brown nat./brown nat. | right | 1 | PR:981 |
| (15) | 997 555 072 01 | Side panel trim (leather) Until Chassis number See technical information GR.7 NR. 17/11 KD-NR. 70 | right | 1 | PR:981 |
| | 997 555 072 01 FSB 997 555 072 01 FSC | Stone grey/stone grey Sand beige/sand beige | | | |

Model: 997-09 Model life 2009>>2012

| Pos | Part Number | Description | Remark | Qty | Model |
|------|--|--|--------|-----|-----------------------|
| (15) | 997 555 072 01 FSP 997 555 912 00 | Carrera Red Side panel trim (leather) From Chassis number See technical information GR.7 NR. 17/11 KD-NR. 70 | right | 1 | PR:981 |
| | 997 555 912 00 FSB 997 555 912 00 FSC 997 555 912 00 FSP | Stone grey/stone grey Sand beige/sand beige Carrera Red | | | |
| 15 | 997 555 071 06 | Side panel trim two-colour | left | 1 | PR:970 |
| | 997 555 071 06 BCG 997 555 071 06 BCH 997 555 071 06 BCJ | Black/stone grey Black/sand beige Black/terracotta | | | |
| (15) | 997 555 072 06 | Side panel trim two-colour | right | 1 | PR:970 |
| | 997 555 072 06 BCG 997 555 072 06 BCH 997 555 072 06 BCJ | Black/stone grey Black/sand beige Black/terracotta | | | |
| (15) | 997 555 071 16 | Side panel trim (leather) | left | 1 | COUPE S PR:756,981 |
| | 997 555 071 16 SCB | D - MJ 2010>> Espresso/Light Grey | | | |
| (15) | 997 555 072 16 | Side panel trim (leather) | right | 1 | COUPE S PR:756,981 |
| | 997 555 072 16 SCB | D - MJ 2010>> Espresso/Light Grey | | | |
| (15) | 997 555 072 16 | Side panel trim (leather) | right | 1 | COUPE S PR:756,981 |
| | 997 555 072 16 SCB | D - MJ 2010>> Espresso/Light Grey | | | |
| (15) | 997 555 071 10 | Side panel trim (leather) | left | 1 | PR:981,-685, -970 |
| | 997 555 071 10 FSA | black/grey | | | |
| (15) | 997 555 072 10 | Side panel trim (leather) | right | 1 | PR:981,-685, -970 |
| | 997 555 072 10 FSA | black/grey | | | |
| 16 | 999 507 479 01 | Clip 2,5/0,88 | | 2 | |
| 17 | 999 551 609 40 | Plastic washer 8,0 X 23 X 3,0 | | 2 | |
| 18 | 999 507 533 02 | Clamp 8.0 X 10 /2,5 | | 1 | |
| 19 | 999 507 050 40 | expanding nut ST 4,2 | | 2 | |
| 20 | 999 073 142 09 | panel screw ST 4,2 X 19 | | 2 | |
| 21 | 997 555 049 00 | Loudspeaker trim Side panel trim Lacquered | left | 1 | |
| | 997 555 049 00 A03 997 555 049 00 5V7 997 555 049 00 5Z1 997 555 049 00 8W7 997 555 049 00 8X8 997 555 049 00 8P9 997 555 049 00 T13 997 555 049 00 N23 | Black Stone grey Sand beige sea blue Terracotta Cocoa Brown/natural Carrera Red | | | |
| (21) | 997 555 050 00 | Loudspeaker trim Side panel trim Lacquered | right | 1 | |
| | 997 555 050 00 A03 | Black | | | |

Model: 997-09 Model life 2009>>2012

| Pos | Part Number | Description | Remark | Qty | Model |
|------|--------------------|---|--------|-----|------------|
| | 997 555 050 00 5V7 | Stone grey | | | |
| | 997 555 050 00 5Z1 | Sand beige | | | |
| | 997 555 050 00 8W7 | sea blue | | | |
| | 997 555 050 00 8X8 | Terracotta | | | |
| | 997 555 050 00 8P9 | Cocoa | | | |
| | 997 555 050 00 T13 | Brown/natural | | | |
| | 997 555 050 00 N23 | Carrera Red | | | |
| (21) | 997 555 049 01 | Loudspeaker trim Side panel trim Leather D - MJ 2010>> | left | 1 | PR:XVT |
| | 997 555 049 01 A11 | Black | | | |
| | 997 555 049 01 5X6 | Stone grey | | | |
| | 997 555 049 01 8G2 | Sand beige | | | |
| | 997 555 049 01 3S9 | sea blue | | | |
| | 997 555 049 01 9S5 | Terracotta | | | |
| | 997 555 049 01 9V6 | Cocoa | | | |
| | 997 555 049 01 D12 | Dark grey/natural | | | |
| | 997 555 049 01 T12 | Brown/natural | | | |
| | 997 555 049 01 N12 | Carrera Red | | | |
| (21) | 997 555 049 01 | Loudspeaker trim Side panel trim Leather D - MJ 2010>> | left | 1 | PR:XVT,756 |
| | 997 555 049 01 6J0 | Espresso | | | |
| (21) | 997 555 050 01 | Loudspeaker trim Side panel trim Leather D - MJ 2010>> | right | 1 | PR:XVT |
| | 997 555 050 01 A11 | Black | | | |
| | 997 555 050 01 5X6 | Stone grey | | | |
| | 997 555 050 01 8G2 | Sand beige | | | |
| | 997 555 050 01 3S9 | sea blue | | | |
| | 997 555 050 01 9S5 | Terracotta | | | |
| | 997 555 050 01 9V6 | Cocoa | | | |
| | 997 555 050 01 D12 | Dark grey/natural | | | |
| | 997 555 050 01 T12 | Brown/natural | | | |
| | 997 555 050 01 N12 | Carrera Red | | | |
| (21) | 997 555 050 01 | Loudspeaker trim Side panel trim Leather D - MJ 2010>> | right | 1 | PR:XVT,756 |
| | 997 555 050 01 6J0 | Espresso | | | |
| 22 | 997 555 061 00 | Rosette Seat belt Lacquered | left | 1 | |
| | 997 555 061 00 A03 | Black | | | |
| | 997 555 061 00 5V7 | Stone grey | | | |
| | 997 555 061 00 5Z1 | Sand beige | | | |
| | 997 555 061 00 8W7 | sea blue | | | |
| | 997 555 061 00 8X8 | Terracotta | | | |
| | 997 555 061 00 8P9 | Cocoa | | | |
| | 997 555 061 00 T13 | Brown/natural | | | |
| | 997 555 061 00 N23 | Carrera Red | | | |
| (22) | 997 555 062 00 | Rosette Seat belt Lacquered | right | 1 | |
| | 997 555 062 00 A03 | Black | | | |
| | 997 555 062 00 5V7 | Stone grey | | | |
| | 997 555 062 00 5Z1 | Sand beige | | | |
| | 997 555 062 00 8W7 | sea blue | | | |
| | 997 555 062 00 8X8 | Terracotta | | | |
| | 997 555 062 00 8P9 | Cocoa | | | |

Model: 997-09 Model life 2009>>2012

| Pos | Part Number | Description | Remark | Qty | Model |
|------|--------------------|-------------------|--------|-----|--------|
| (22) | 997 555 062 00 T13 | Brown/natural | left | 1 | PR:XDU |
| | 997 555 062 00 N23 | Carrera Red | | | |
| | 997 555 998 01 | Rosette | | | |
| | | Seat belt | | | |
| | | Leather | | | |
| | | D - MJ 2010>> | | | |
| | 997 555 998 01 A11 | Black | | | |
| | 997 555 998 01 5X6 | Stone grey | | | |
| | 997 555 998 01 8G2 | Sand beige | | | |
| | 997 555 998 01 3S9 | sea blue | | | |
| (22) | 997 555 998 01 9S5 | Terracotta | right | 1 | PR:XDU |
| | 997 555 998 01 9V6 | Cocoa | | | |
| | 997 555 998 01 D12 | Dark grey/natural | | | |
| | 997 555 998 01 T12 | Brown/natural | | | |
| | 997 555 998 01 N12 | Carrera Red | | | |
| | 997 555 998 02 | Rosette | | | |
| | | Seat belt | | | |
| | | Leather | | | |
| | | D - MJ 2010>> | | | |
| | 997 555 998 02 A11 | Black | | | |
| (22) | 997 555 998 02 5X6 | Stone grey | left | 1 | PR:XCW |
| | 997 555 998 02 8G2 | Sand beige | | | |
| | 997 555 998 02 3S9 | sea blue | | | |
| | 997 555 998 02 9S5 | Terracotta | | | |
| | 997 555 998 02 9V6 | Cocoa | | | |
| | 997 555 998 02 D12 | Dark grey/natural | | | |
| | 997 555 998 02 T12 | Brown/natural | | | |
| | 997 555 998 02 N12 | Carrera Red | | | |
| | 997 555 998 05 | Rosette | | | |
| | | Seat belt | | | |
| (22) | 997 555 998 05 V04 | Galvano silver | right | 1 | PR:XCW |
| | 997 555 998 06 | Rosette | | | |
| (22) | 997 555 998 06 V04 | Galvano silver | left | 1 | PR:XDR |
| | 997 555 998 09 | Rosette | | | |
| (22) | 997 555 998 09 G2X | primed | right | 1 | PR:XDR |
| | 997 555 998 10 | Rosette | | | |
| (22) | 997 555 998 10 G2X | primed | left | 1 | PR:XJJ |
| | 997 555 998 21 | Rosette | | | |
| (22) | 997 555 998 21 A35 | Black | right | 1 | PR:XJJ |
| | 997 555 998 22 | Rosette | | | |
| 23 | 997 555 998 22 A35 | Black | left | 1 | |
| | 997 555 573 00 | Coat hook | | | |
| | | Lacquered | | | |
| | 997 555 573 00 A03 | Black | | | |
| | 997 555 573 00 5V7 | Stone grey | | | |
| | 997 555 573 00 5Z1 | Sand beige | | | |
| | 997 555 573 00 8W7 | sea blue | | | |
| | 997 555 573 00 8X8 | Terracotta | | | |

Model: 997-09 Model life 2009>>2012

| Pos | Part Number | Description | Remark | Qty | Model |
|------|--------------------|---|--------|-----|-----------------------|
| (23) | 997 555 573 00 8P9 | Cocoa | right | 1 | |
| | 997 555 573 00 T13 | Brown/natural | | | |
| | 997 555 573 00 N23 | Carrera Red | | | |
| | 997 555 574 00 | Coat hook Lacquered | | | |
| | 997 555 574 00 A03 | Black | | | |
| | 997 555 574 00 5V7 | Stone grey | | | |
| | 997 555 574 00 5Z1 | Sand beige | | | |
| | 997 555 574 00 8W7 | sea blue | | | |
| | 997 555 574 00 8X8 | Terracotta | | | |
| | 997 555 574 00 8P9 | Cocoa | | | |
| 24 | 997 555 574 00 T13 | Brown/natural | | 1 | PR:685 |
| | 997 555 574 00 N23 | Carrera Red | | | |
| | 997 551 017 02 | Adhesive carpet Seat well | | | |
| | 997 551 017 02 M10 | Terracotta | | | |
| | 997 551 017 02 R10 | Cocoa | | | |
| | 997 551 017 02 D11 | Dark grey/natural | | | |
| | 997 551 017 02 T11 | Brown/natural | | | |
| | 997 551 017 02 | Adhesive carpet Seat well Until Chassis number See technical information GR.7 NR. 17/11 KD-NR. 70 | | | |
| | 997 551 017 02 A10 | Black | | | |
| | 997 551 017 02 B10 | Stone grey | | | |
| 24 | 997 551 017 02 T10 | Sand beige | | 1 | PR:685 |
| | 997 551 017 02 E10 | sea blue | | | |
| | 997 551 017 02 N10 | Carrera Red | | | |
| | 997 551 017 06 | Adhesive carpet Seat well From Chassis number See technical information GR.7 NR. 17/11 KD-NR. 70 | | | |
| | 997 551 017 06 A10 | Black | | | |
| | 997 551 017 06 B10 | Stone grey | | | |
| | 997 551 017 06 T10 | Sand beige | | | |
| | 997 551 017 06 E10 | sea blue | | | |
| | 997 551 017 06 N10 | Carrera Red | | | |
| | 997 551 017 06 R75 | Espresso | | | |
| (24) | 997 551 017 05 | Adhesive carpet Seat well D - MJ 2010>> | | 1 | COUPE S PR:685,756 |
| | 997 551 017 05 H31 | Espresso | | | |
| (24) | 997 551 021 90 | Adhesive carpet Seat well Carpet D - MJ 2011>> | | 1 | PR:-685 |
| (25) | 997 551 021 90 A10 | Black | | 1 | PR:484,490 |
| | 997 551 031 13 | Adhesive carpet rear panel Carpet | | | |
| (25) | 997 551 031 13 M10 | Terracotta | | 1 | PR:484,490 |
| | 997 551 031 13 R10 | Cocoa | | | |
| | 997 551 031 13 D11 | Dark grey/natural | | | |
| | 997 551 031 13 T11 | Brown/natural | | | |
| | 997 551 031 13 | Adhesive carpet rear panel Carpet | | | |

Model: 997-09

Model life 2009>>2012

| Pos | Part Number | Description | Remark | Qty | Model |
|------|--------------------|---|--------|-----|------------|
| | | Until Chassis number See technical information GR.7 NR. 17/11 KD-NR. 70 | | | |
| | 997 551 031 13 A10 | Black | | | |
| | 997 551 031 13 B10 | Stone grey | | | |
| | 997 551 031 13 T10 | Sand beige | | | |
| | 997 551 031 13 E10 | sea blue | | | |
| | 997 551 031 13 N10 | Carrera Red | | | |
| (25) | 997 551 031 26 | Adhesive carpet rear panel Carpet From Chassis number See technical information GR.7 NR. 17/11 KD-NR. 70 | | 1 | PR:484,490 |
| | 997 551 031 26 A10 | Black | | | |
| | 997 551 031 26 B10 | Stone grey | | | |
| | 997 551 031 26 T10 | Sand beige | | | |
| | 997 551 031 26 E10 | sea blue | | | |
| | 997 551 031 26 N10 | Carrera Red | | | |
| (25) | 997 551 031 14 | Adhesive carpet rear panel Carpet | | 1 | PR:113,490 |
| | 997 551 031 14 M10 | Terracotta | | | |
| | 997 551 031 14 R10 | Cocoa | | | |
| | 997 551 031 14 D11 | Dark grey/natural | | | |
| | 997 551 031 14 T11 | Brown/natural | | | |
| (25) | 997 551 031 14 | Adhesive carpet rear panel Carpet | | 1 | PR:113,490 |
| | 997 551 031 14 A10 | Black | | | |
| | 997 551 031 14 B10 | Stone grey | | | |
| | 997 551 031 14 T10 | Sand beige | | | |
| | 997 551 031 14 E10 | sea blue | | | |
| | 997 551 031 14 N10 | Carrera Red | | | |
| (25) | 997 551 031 30 | Adhesive carpet rear panel Carpet From Chassis number See technical information GR.7 NR. 17/11 KD-NR. 70 | | 1 | PR:113,490 |
| | 997 551 031 30 A10 | Black | | | |
| | 997 551 031 30 B10 | Stone grey | | | |
| | 997 551 031 30 T10 | Sand beige | | | |
| | 997 551 031 30 E10 | sea blue | | | |
| | 997 551 031 30 N10 | Carrera Red | | | |
| (25) | 997 551 031 19 | Adhesive carpet rear panel Carpet From Chassis number See technical information GR.7 NR. 17/11 KD-NR. 70 | | 1 | PR:484,680 |
| | 997 551 031 19 M10 | Terracotta | | | |
| | 997 551 031 19 R10 | Cocoa | | | |
| | 997 551 031 19 D11 | Dark grey/natural | | | |
| | 997 551 031 19 T11 | Brown/natural | | | |

Model: 997-09 Model life 2009>>2012

| Pos | Part Number | Description | Remark | Qty | Model |
|------|--------------------|--|--------|-----|-----------------------|
| (25) | 997 551 031 19 | Adhesive carpet rear panel Carpet Until Chassis number See technical information GR.7 NR. 17/11 KD-NR. 70 | | 1 | PR:484,680 |
| | 997 551 031 19 A10 | Black | | | |
| | 997 551 031 19 B10 | Stone grey | | | |
| | 997 551 031 19 T10 | Sand beige | | | |
| | 997 551 031 19 E10 | sea blue | | | |
| | 997 551 031 19 N10 | Carrera Red | | | |
| (25) | 997 551 031 33 | Adhesive carpet rear panel Carpet From Chassis number See technical information GR.7 NR. 17/11 KD-NR. 70 | | 1 | PR:484,680 |
| | 997 551 031 33 A10 | Black | | | |
| | 997 551 031 33 B10 | Stone grey | | | |
| | 997 551 031 33 T10 | Sand beige | | | |
| | 997 551 031 33 E10 | sea blue | | | |
| | 997 551 031 33 N10 | Carrera Red | | | |
| (25) | 997 551 031 20 | Adhesive carpet rear panel Carpet Terracotta | | 1 | PR:113,680 |
| | 997 551 031 20 M10 | Cocoa | | | |
| | 997 551 031 20 R10 | Dark grey/natural | | | |
| | 997 551 031 20 D11 | Brown/natural | | | |
| (25) | 997 551 031 20 | Adhesive carpet rear panel Carpet Until Chassis number See technical information GR.7 NR. 17/11 KD-NR. 70 | | 1 | PR:113,680 |
| | 997 551 031 20 A10 | Black | | | |
| | 997 551 031 20 B10 | Stone grey | | | |
| | 997 551 031 20 T10 | Sand beige | | | |
| | 997 551 031 20 E10 | sea blue | | | |
| | 997 551 031 20 N10 | Carrera Red | | | |
| (25) | 997 551 031 31 | Adhesive carpet rear panel Carpet From Chassis number See technical information GR.7 NR. 17/11 KD-NR. 70 | | 1 | PR:113,680 |
| | 997 551 031 31 A10 | Black | | | |
| | 997 551 031 31 B10 | Stone grey | | | |
| | 997 551 031 31 T10 | Sand beige | | | |
| | 997 551 031 31 E10 | sea blue | | | |
| | 997 551 031 31 N10 | Carrera Red | | | |
| (25) | 997 551 031 24 | Adhesive carpet rear panel Carpet D - MJ 2010>> | | 1 | COUPE S PR:680,756 |

Model: 997-09 Model life 2009>>2012

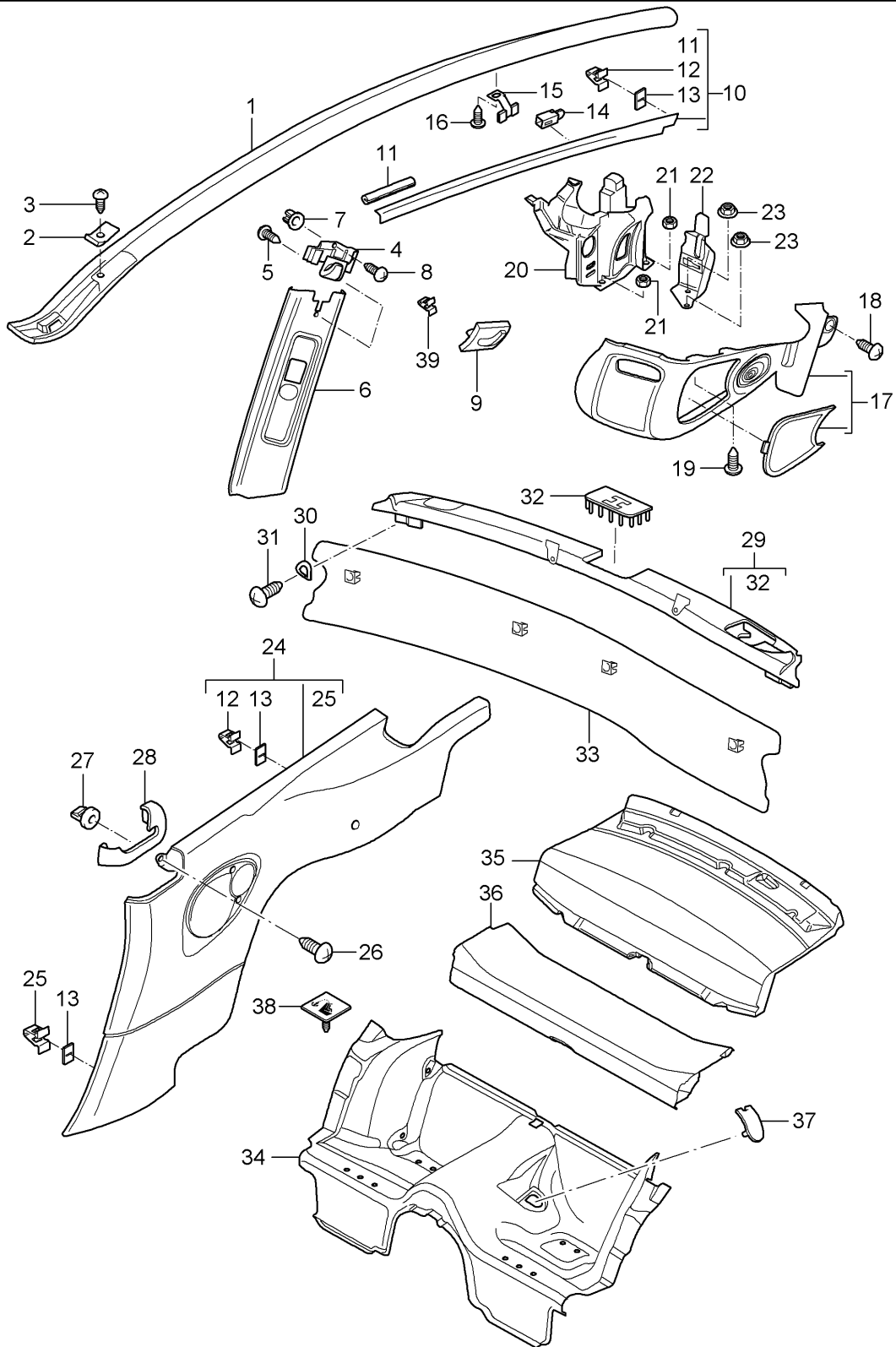
| Pos | Part Number | Description | Remark | Qty | Model |
|------|--------------------|---------------------------|--------|-----|--------|
| - | 997 551 031 24 H31 | Espresso | | | |
| | 996 551 561 00 | Underlay | | 1 | PR:680 |
| 26 | 997 551 033 00 | Trim | | 1 | PR:490 |
| | | Control units | | | |
| | | Carpet | | | |
| | 997 551 033 00 M10 | Terracotta | | | |
| | 997 551 033 00 R10 | Cocoa | | | |
| | 997 551 033 00 D11 | Dark grey/natural | | | |
| | 997 551 033 00 T11 | Brown/natural | | | |
| 26 | 997 551 033 00 | Trim | | 1 | PR:490 |
| | | Control units | | | |
| | | Carpet | | | |
| | | Until | | | |
| | | Chassis number | | | |
| | | See technical information | | | |
| | | GR.7 NR. 17/11 | | | |
| | | KD-NR. 70 | | | |
| | 997 551 033 00 A10 | Black | | | |
| | 997 551 033 00 B10 | Stone grey | | | |
| | 997 551 033 00 T10 | Sand beige | | | |
| | 997 551 033 00 E10 | sea blue | | | |
| | 997 551 033 00 N10 | Carrera Red | | | |
| 26 | 997 551 033 03 | Trim | | 1 | PR:490 |
| | | Control units | | | |
| | | Carpet | | | |
| | | From | | | |
| | | Chassis number | | | |
| | | See technical information | | | |
| | | GR.7 NR. 17/11 | | | |
| | | KD-NR. 70 | | | |
| | 997 551 033 03 A10 | Black | | | |
| | 997 551 033 03 B10 | Stone grey | | | |
| | 997 551 033 03 T10 | Sand beige | | | |
| | 997 551 033 03 E10 | sea blue | | | |
| | 997 551 033 03 N10 | Carrera Red | | | |
| (26) | 997 551 033 01 | Trim | | 1 | PR:680 |
| | | Control units | | | |
| | | Carpet | | | |
| | 997 551 033 01 M10 | Terracotta | | | |
| | 997 551 033 01 R10 | Cocoa | | | |
| | 997 551 033 01 D11 | Dark grey/natural | | | |
| | 997 551 033 01 T11 | Brown/natural | | | |
| (26) | 997 551 033 01 | Trim | | 1 | PR:680 |
| | | Control units | | | |
| | | Carpet | | | |
| | | Until | | | |
| | | Chassis number | | | |
| | | See technical information | | | |
| | | GR.7 NR. 17/11 | | | |
| | | KD-NR. 70 | | | |
| | 997 551 033 01 A10 | Black | | | |
| | 997 551 033 01 B10 | Stone grey | | | |
| | 997 551 033 01 T10 | Sand beige | | | |
| | 997 551 033 01 E10 | sea blue | | | |
| | 997 551 033 01 N10 | Carrera Red | | | |
| (26) | 997 551 033 04 | Trim | | 1 | PR:680 |
| | | Control units | | | |
| | | Carpet | | | |
| | | From | | | |
| | | Chassis number | | | |
| | | See technical information | | | |
| | | GR.7 NR. 17/11 | | | |
| | | KD-NR. 70 | | | |

Model: 997-09 Model life 2009>>2012

| Pos | Part Number | Description | Remark | Qty | Model |
|------|--------------------|----------------|--------|-----|------------|
| | 997 551 033 04 A10 | Black | | | |
| | 997 551 033 04 B10 | Stone grey | | | |
| | 997 551 033 04 T10 | Sand beige | | | |
| | 997 551 033 04 E10 | sea blue | | | |
| | 997 551 033 04 N10 | Carrera Red | | | |
| (26) | 997 551 033 02 | Trim | | 1 | COUPE S |
| | | Control units | | | PR:680,756 |
| | | Carpet | | | |
| | | D - MJ 2010>> | | | |
| | 997 551 033 02 H31 | Espresso | | | |
| 27 | 997 551 525 00 | Cover | left | 1 | |
| | | Belt latch | | | |
| | 997 551 525 00 01C | Satin black | | | |
| (27) | 997 551 526 00 | Cover | right | 1 | |
| | | Belt latch | | | |
| | 997 551 526 00 01C | Satin black | | | |
| 28 | 996 551 551 00 | Cover | | 2 | PR:113 |
| | | Mount | | | |
| | | child seat | | | |
| 29 | 999 507 476 01 | Clamp | | 2 | |
| | | 8,0 x 10 / 2,5 | | | |
| | | Mount | | | |
| | | Coat hook | | | |

Model: 997-09

Model life 2009>>2012



Model: 997-09 Model life 2009>>2012

| Pos | Part Number | Description | Remark | Qty | Model |
|-----|--------------------|---|--------------|-----|--------|
| (1) | 997 555 195 00 | Linings Trim roof member Leatherette | rear left | 1 | TARGA |
| | 997 555 195 00 5Q2 | Black | | | |
| | 997 555 195 00 8X4 | Stone grey | | | |
| | 997 555 195 00 5S4 | Sand beige | | | |
| | 997 555 195 00 8W3 | sea blue | | | |
| 1 | 997 555 196 00 | Trim roof member Leatherette | right | 1 | |
| | 997 555 196 00 5Q2 | Black | | | |
| | 997 555 196 00 8X4 | Stone grey | | | |
| | 997 555 196 00 5S4 | Sand beige | | | |
| | 997 555 196 00 8W3 | sea blue | | | |
| (1) | 997 555 195 01 | Trim roof member Leather | left | 1 | PR:981 |
| | 997 555 195 01 A11 | Black | | | |
| | 997 555 195 01 5X6 | Stone grey | | | |
| | 997 555 195 01 8G2 | Sand beige | | | |
| | 997 555 195 01 3S9 | sea blue | | | |
| | 997 555 195 01 9S5 | Terracotta | | | |
| | 997 555 195 01 9V6 | Cocoa | | | |
| | 997 555 195 01 D12 | Dark grey/natural | | | |
| | 997 555 195 01 T12 | Brown/natural | | | |
| | 997 555 195 01 N12 | Carrera Red | | | |
| 1 | 997 555 196 01 | Trim roof member Leather | right | 1 | PR:981 |
| | 997 555 196 01 A11 | Black | | | |
| | 997 555 196 01 5X6 | Stone grey | | | |
| | 997 555 196 01 8G2 | Sand beige | | | |
| | 997 555 196 01 3S9 | sea blue | | | |
| | 997 555 196 01 9S5 | Terracotta | | | |
| | 997 555 196 01 9V6 | Cocoa | | | |
| | 997 555 196 01 D12 | Dark grey/natural | | | |
| | 997 555 196 01 T12 | Brown/natural | | | |
| | 997 555 196 01 N12 | Carrera Red | | | |
| - | 996 555 887 00 | beading | | 2 | |
| (2) | 997 555 779 00 | Cover | left | 1 | |
| | 997 555 779 00 01C | Satin black | | | |
| 2 | 997 555 780 00 | Cover | right | 1 | |
| | 997 555 780 00 01C | Satin black | | | |
| 3 | 999 073 218 01 | panel screw 4,2 X 16 | | 2 | |
| (4) | 997 555 573 01 | Coat hook Lacquered | left | 1 | |
| | 997 555 573 01 A03 | Black | | | |
| | 997 555 573 01 5V7 | Stone grey | | | |
| | 997 555 573 01 5Z1 | Sand beige | | | |
| | 997 555 573 01 8W7 | sea blue | | | |
| | 997 555 573 01 T13 | Brown/natural | | | |
| | 997 555 573 01 8P9 | Cocoa | | | |
| | 997 555 573 01 8X8 | Terracotta | | | |
| | 997 555 573 01 N23 | Carrera Red | | | |
| 4 | 997 555 574 01 | Coat hook Lacquered | right | 1 | |
| | 997 555 574 01 A03 | Black | | | |
| | 997 555 574 01 5V7 | Stone grey | | | |
| | 997 555 574 01 5Z1 | Sand beige | | | |
| | 997 555 574 01 8W7 | sea blue | | | |
| | 997 555 574 01 T13 | Brown/natural | | | |

Model: 997-09 Model life 2009>>2012

| Pos | Part Number | Description | Remark | Qty | Model | |
|--------------------|--------------------|--------------------------------|---------------------------|-------|--------|--------|
| 5 | 997 555 574 01 8P9 | Cocoa | | | | |
| | 997 555 574 01 8X8 | Terracotta | | | | |
| | 997 555 574 01 N23 | Carrera Red | | | | |
| | 999 919 164 09 | fillister hd. bolt 5,0 X 12 | | 2 | | |
| (6) | 997 555 183 02 | B-pillar trim Leatherette | left | 1 | | |
| 6 | 997 555 183 02 1MZ | Black | | | | |
| | 997 555 183 02 1YP | Stone grey | | | | |
| | 997 555 183 02 1TK | Sand beige | | | | |
| | 997 555 183 02 1VM | sea blue | | | | |
| (6) | 997 555 184 02 | B-pillar trim Leatherette | right | 1 | | |
| | 997 555 184 02 1MZ | Black | | | | |
| | 997 555 184 02 1YP | Stone grey | | | | |
| | 997 555 184 02 1TK | Sand beige | | | | |
| 6 | 997 555 184 02 1VM | sea blue | | | | |
| | 997 555 183 03 | B-pillar trim Leather | left | 1 | PR:981 | |
| | 997 555 183 03 A11 | Black | | | | |
| | 997 555 183 03 5X6 | Stone grey | | | | |
| | 997 555 183 03 8G2 | Sand beige | | | | |
| | 997 555 183 03 3S9 | sea blue | | | | |
| | 997 555 183 03 9S5 | Terracotta | | | | |
| | 997 555 183 03 9V6 | Cocoa | | | | |
| | 997 555 183 03 D12 | Dark grey/natural | | | | |
| | 997 555 183 03 T12 | Brown/natural | | | | |
| | 997 555 183 03 N12 | Carrera Red | | | | |
| | 6 | 997 555 184 03 | B-pillar trim Leather | right | 1 | PR:981 |
| 997 555 184 03 A11 | | Black | | | | |
| 997 555 184 03 5X6 | | Stone grey | | | | |
| 997 555 184 03 8G2 | | Sand beige | | | | |
| 997 555 184 03 3S9 | | sea blue | | | | |
| 997 555 184 03 9S5 | | Terracotta | | | | |
| 997 555 184 03 9V6 | | Cocoa | | | | |
| 997 555 184 03 D12 | | Dark grey/natural | | | | |
| 997 555 184 03 T12 | | Brown/natural | | | | |
| 997 555 184 03 N12 | | Carrera Red | | | | |
| - | | 996 555 859 00 | Grommet | | 2 | |
| 7 | | 999 507 755 40 | B-pillar expanding nut | | 2 | |
| 8 | 999 073 064 02 | panel screw 4,8 X 25 | | 2 | | |
| 9 | 997 555 773 00 | Cover Coat hook | left | 1 | | |
| | 997 555 773 00 A03 | Black | | | | |
| | 997 555 773 00 5V7 | Stone grey | | | | |
| | 997 555 773 00 5Z1 | Sand beige | | | | |
| | 997 555 773 00 8W7 | sea blue | | | | |
| | 997 555 773 00 8X8 | Terracotta | | | | |
| | 997 555 773 00 8P9 | Cocoa | | | | |
| | 997 555 773 00 T13 | Brown/natural | | | | |
| | 997 555 773 00 N23 | Carrera Red | | | | |
| | (9) | 997 555 774 00 | Cover Coat hook | right | 1 | |
| | | 997 555 774 00 A03 | Black | | | |
| | | 997 555 774 00 5V7 | Stone grey | | | |
| 997 555 774 00 5Z1 | | Sand beige | | | | |
| 997 555 774 00 8W7 | | sea blue | | | | |
| 997 555 774 00 8X8 | | Terracotta | | | | |
| 997 555 774 00 8P9 | Cocoa | | | | | |
| 997 555 774 00 T13 | Brown/natural | | | | | |

Model: 997-09 Model life 2009>>2012

| Pos | Part Number | Description | Remark | Qty | Model |
|------|--------------------|-------------------|--------|-----|--------|
| (10) | 997 555 774 00 N23 | Carrera Red | | | |
| | 997 555 187 04 | C-pillar trim | left | 1 | |
| | | Leatherette | | | |
| | 997 555 187 04 1MZ | Black | | | |
| | 997 555 187 04 1YP | Stone grey | | | |
| | 997 555 187 04 1TK | Sand beige | | | |
| | 997 555 187 04 1VM | sea blue | | | |
| 10 | 997 555 188 04 | C-pillar trim | right | 1 | |
| | | Leatherette | | | |
| | 997 555 188 04 1MZ | Black | | | |
| | 997 555 188 04 1YP | Stone grey | | | |
| | 997 555 188 04 1TK | Sand beige | | | |
| | 997 555 188 04 1VM | sea blue | | | |
| (10) | 997 555 187 05 | C-pillar trim | left | 1 | PR:981 |
| | | Leather | | | |
| | 997 555 187 05 A11 | Black | | | |
| | 997 555 187 05 5X6 | Stone grey | | | |
| | 997 555 187 05 8G2 | Sand beige | | | |
| | 997 555 187 05 3S9 | sea blue | | | |
| | 997 555 187 05 9S5 | Terracotta | | | |
| | 997 555 187 05 9V6 | Cocoa | | | |
| | 997 555 187 05 D12 | Dark grey/natural | | | |
| | 997 555 187 05 T12 | Brown/natural | | | |
| | 997 555 187 05 N12 | Carrera Red | | | |
| 10 | 997 555 188 05 | C-pillar trim | right | 1 | PR:981 |
| | | Leather | | | |
| | 997 555 188 05 A11 | Black | | | |
| | 997 555 188 05 5X6 | Stone grey | | | |
| | 997 555 188 05 8G2 | Sand beige | | | |
| | 997 555 188 05 3S9 | sea blue | | | |
| | 997 555 188 05 9S5 | Terracotta | | | |
| | 997 555 188 05 9V6 | Cocoa | | | |
| | 997 555 188 05 D12 | Dark grey/natural | | | |
| | 997 555 188 05 T12 | Brown/natural | | | |
| | 997 555 188 05 N12 | Carrera Red | | | |
| 11 | 999 911 441 40 | Tread | | * | |
| | | 1,0 X 12 | | | |
| 12 | 999 507 681 01 | Clip | | 3 | |
| | | 2,5/3,0 | | | |
| 13 | 999 209 084 40 | Distance piece | | X | |
| | | 20 X 25 X 0,5 | | | |
| 14 | 996 555 581 00 | Support | | 10 | |
| | | Clip | | | |
| 15 | 996 555 875 00 | Clip | | 4 | |
| 16 | 999 073 218 01 | panel screw | | 4 | |
| | | 4,2 X 16 | | | |
| (17) | 997 555 245 00 | Cover | left | 1 | |
| | | Seat belt | | | |
| | | Lacquered | | | |
| | 997 555 245 00 A03 | Black | | | |
| | 997 555 245 00 5V7 | Stone grey | | | |
| | 997 555 245 00 5Z1 | Sand beige | | | |
| | 997 555 245 00 8W7 | sea blue | | | |
| | 997 555 245 00 8X8 | Terracotta | | | |
| | 997 555 245 00 8P9 | Cocoa | | | |
| | 997 555 245 00 T13 | Brown/natural | | | |
| | 997 555 245 00 N23 | Carrera Red | | | |
| | 997 555 245 00 P13 | Cinnamon brown | | | |
| 17 | 997 555 246 00 | Cover | right | 1 | |
| | | Seat belt | | | |
| | | Lacquered | | | |
| | 997 555 246 00 A03 | Black | | | |
| | 997 555 246 00 5V7 | Stone grey | | | |

Model: 997-09 Model life 2009>>2012

| Pos | Part Number | Description | Remark | Qty | Model |
|------|--------------------|--|--------|-----|--------|
| | 997 555 246 00 5Z1 | Sand beige | | | |
| | 997 555 246 00 8W7 | sea blue | | | |
| | 997 555 246 00 8X8 | Terracotta | | | |
| | 997 555 246 00 8P9 | Cocoa | | | |
| | 997 555 246 00 T13 | Brown/natural | | | |
| | 997 555 246 00 N23 | Carrera Red | | | |
| | 997 555 246 00 P13 | Cinnamon brown | | | |
| - | 996 555 877 00 | Clip | | 2 | |
| 18 | 999 073 251 09 | panel screw 4,2 X 25 | | 2 | |
| 19 | 999 073 226 09 | panel screw 4,2 X 16 | | 2 | |
| (20) | 996 555 175 01 | Bracket | left | 1 | |
| 20 | 996 555 176 01 | Bracket | right | 1 | |
| 21 | 999 084 629 01 | Hexagon nut M 6 | | 4 | |
| (22) | 996 555 503 00 | Bracket | left | 1 | |
| 22 | 996 555 504 00 | Bracket | right | 1 | |
| 23 | 999 049 007 40 | Plastic nut | | 4 | |
| (24) | 997 555 071 04 | Side panel trim (leatherette) | left | 1 | |
| | 997 555 071 04 1MZ | Black | | | |
| | 997 555 071 04 1YP | Stone grey | | | |
| | 997 555 071 04 1TK | Sand beige | | | |
| | 997 555 071 04 1VM | sea blue | | | |
| 24 | 997 555 072 04 | Side panel trim (leatherette) | right | 1 | |
| | 997 555 072 04 1MZ | Black | | | |
| | 997 555 072 04 1YP | Stone grey | | | |
| | 997 555 072 04 1TK | Sand beige | | | |
| | 997 555 072 04 1VM | sea blue | | | |
| (24) | 997 555 071 05 | Side panel trim (leather) | left | 1 | PR:981 |
| | 997 555 071 05 FSA | Black | | | |
| | 997 555 071 05 FSD | sea blue | | | |
| | 997 555 071 05 FSF | Terracotta | | | |
| | 997 555 071 05 FSG | Cocoa | | | |
| | 997 555 071 05 FSH | Dark grey/natural | | | |
| | 997 555 071 05 FSJ | Brown/natural | | | |
| (24) | 997 555 071 05 | Side panel trim (leather) Until Chassis number See technical information GR.7 NR. 17/11 KD-NR. 70 | left | 1 | PR:981 |
| | 997 555 071 05 FSB | Stone grey | | | |
| | 997 555 071 05 FSC | Sand beige | | | |
| | 997 555 071 05 FSP | Carrera Red | | | |
| (24) | 997 555 911 01 | Side panel trim (leather) From Chassis number See technical information GR.7 NR. 17/11 KD-NR. 70 | left | 1 | PR:981 |
| | 997 555 911 01 FSB | Stone grey | | | |
| | 997 555 911 01 FSC | Sand beige/sand beige | | | |
| | 997 555 911 01 FSP | Carrera Red | | | |
| 24 | 997 555 072 05 | Side panel trim (leather) | right | 1 | PR:981 |
| | 997 555 072 05 FSA | Black | | | |
| | 997 555 072 05 FSD | sea blue | | | |
| | 997 555 072 05 FSF | Terracotta | | | |
| | 997 555 072 05 FSG | Cocoa | | | |
| | 997 555 072 05 FSH | Dark grey/natural | | | |
| | 997 555 072 05 FSJ | Brown/natural | | | |

Model: 997-09 Model life 2009>>2012

| Pos | Part Number | Description | Remark | Qty | Model |
|------|--------------------|--|--------|-----|--------------------------------|
| 24 | 997 555 072 05 | Side panel trim (leather) Until Chassis number See technical information GR.7 NR. 17/11 KD-NR. 70 | right | 1 | PR:981 |
| | 997 555 072 05 FSB | Stone grey | | | |
| | 997 555 072 05 FSC | Sand beige | | | |
| | 997 555 072 05 FSP | Carrera Red | | | |
| 24 | 997 555 912 01 | Side panel trim (leather) From Chassis number See technical information GR.7 NR. 17/11 KD-NR. 70 | right | 1 | PR:981 |
| | 997 555 912 01 FSB | Stone grey | | | |
| | 997 555 912 01 FSC | Sand beige/sand beige | | | |
| | 997 555 912 01 FSP | Carrera Red | | | |
| (24) | 997 555 071 08 | Side panel trim two-colour | left | 1 | PR:970 |
| | 997 555 071 08 BCG | Black/stone grey | | | |
| | 997 555 071 08 BCH | Black/sand beige | | | |
| | 997 555 071 08 BCJ | Black/terracotta | | | |
| 24 | 997 555 072 08 | Side panel trim two-colour | right | 1 | PR:970 |
| | 997 555 072 08 BCG | Black/stone grey | | | |
| | 997 555 072 08 BCH | Black/sand beige | | | |
| | 997 555 072 08 BCJ | Black/terracotta | | | |
| - | 999 551 127 40 | Adhesive tape | | * | |
| 25 | 999 507 479 01 | Clip 2,5 X 0,9 | | 1 | |
| 26 | 999 073 142 09 | panel screw 4,2 X 19 | | 2 | |
| 27 | 999 507 050 40 | expanding nut | | 2 | |
| (28) | 997 555 061 00 | Rosette Seat belt Lacquered | left | 1 | PR:-XCW, -XDR,-XDU, -XJJ |
| | 997 555 061 00 A03 | Black | | | |
| | 997 555 061 00 5V7 | Stone grey | | | |
| | 997 555 061 00 5Z1 | Sand beige | | | |
| | 997 555 061 00 8W7 | sea blue | | | |
| | 997 555 061 00 8X8 | Terracotta | | | |
| | 997 555 061 00 8P9 | Cocoa | | | |
| | 997 555 061 00 T13 | Brown/natural | | | |
| | 997 555 061 00 N23 | Carrera Red | | | |
| 28 | 997 555 062 00 | Rosette Seat belt Lacquered | right | 1 | PR:-XCW, -XDR,-XDU, -XJJ |
| | 997 555 062 00 A03 | Black | | | |
| | 997 555 062 00 5V7 | Stone grey | | | |
| | 997 555 062 00 5Z1 | Sand beige | | | |
| | 997 555 062 00 8W7 | sea blue | | | |
| | 997 555 062 00 8X8 | Terracotta | | | |
| | 997 555 062 00 8P9 | Cocoa | | | |
| | 997 555 062 00 T13 | Brown/natural | | | |
| | 997 555 062 00 N23 | Carrera Red | | | |
| (28) | 997 555 998 01 | Rosette Seat belt Leather D - MJ 2010>> | left | 1 | PR:XDU |
| | 997 555 998 01 A11 | Black | | | |
| | 997 555 998 01 5X6 | Stone grey | | | |
| | 997 555 998 01 8G2 | Sand beige | | | |

Model: 997-09 Model life 2009>>2012

| Pos | Part Number | Description | Remark | Qty | Model |
|------|--------------------|--|--------|-----|--------|
| | 997 555 998 01 3S9 | sea blue | | | |
| | 997 555 998 01 9S5 | Terracotta | | | |
| | 997 555 998 01 9V6 | Cocoa | | | |
| | 997 555 998 01 D12 | Dark grey/natural | | | |
| | 997 555 998 01 T12 | Brown/natural | | | |
| | 997 555 998 01 N12 | Carrera Red | | | |
| (28) | 997 555 998 02 | Rosette Seat belt Leather D - MJ 2010>> | right | 1 | PR:XDU |
| | 997 555 998 02 A11 | Black | | | |
| | 997 555 998 02 5X6 | Stone grey | | | |
| | 997 555 998 02 8G2 | Sand beige | | | |
| | 997 555 998 02 3S9 | sea blue | | | |
| | 997 555 998 02 9S5 | Terracotta | | | |
| | 997 555 998 02 9V6 | Cocoa | | | |
| | 997 555 998 02 D12 | Dark grey/natural | | | |
| | 997 555 998 02 T12 | Brown/natural | | | |
| | 997 555 998 02 N12 | Carrera Red | | | |
| (28) | 997 555 998 05 | Rosette Seat belt aluminium D - MJ 2010>> | left | 1 | PR:XCW |
| | 997 555 998 05 V04 | Galvano silver | | | |
| (28) | 997 555 998 06 | Rosette Seat belt aluminium D - MJ 2010>> | right | 1 | PR:XCW |
| | 997 555 998 06 V04 | Galvano silver | | | |
| (28) | 997 555 998 09 | Rosette Seat belt D - MJ 2010>> | left | 1 | PR:XDR |
| | 997 555 998 09 G2X | primed | | | |
| (28) | 997 555 998 10 | Rosette Seat belt D - MJ 2010>> | right | 1 | PR:XDR |
| | 997 555 998 10 G2X | primed | | | |
| (28) | 997 555 998 21 | Rosette Seat belt Carbon D - MJ 2010>> | left | 1 | PR:XJJ |
| | 997 555 998 21 A35 | Black | | | |
| (28) | 997 555 998 22 | Rosette Seat belt Carbon D - MJ 2010>> | right | 1 | PR:XJJ |
| | 997 555 998 22 A35 | Black | | | |
| 29 | 997 555 151 00 | Rear panel trim | | 1 | PR:426 |
| | 997 555 151 00 A03 | Black | | | |
| (29) | 997 555 151 01 | Rear panel trim | | 1 | PR:425 |
| | 997 555 151 01 A03 | Black | | | |
| 30 | 999 507 782 01 | Spring washer 5,3 X 18 | | 2 | |
| 31 | 999 073 225 09 | panel screw 4,8 X 16 | | 4 | |
| 32 | 996 555 885 00 | Rosette rear panel Upper part | | 1 | |
| 33 | 996 555 081 08 | Rear panel trim Carpet | | 1 | |
| | 996 555 081 08 A10 | Black | | | |
| | 996 555 081 08 B10 | Stone grey | | | |
| | 996 555 081 08 T10 | Sand beige | | | |

Model: 997-09 Model life 2009>>2012

| Pos | Part Number | Description | Remark | Qty | Model |
|------|--------------------|---------------------------|--------|-----|--------|
| | 996 555 081 08 E10 | sea blue | | | |
| | 996 555 081 08 M10 | Terracotta | | | |
| | 996 555 081 08 R10 | Cocoa | | | |
| | 996 555 081 08 D11 | Dark grey/natural | | | |
| | 996 555 081 08 T11 | Brown/natural | | | |
| | 996 555 081 08 N10 | Carrera Red | | | |
| - | 999 571 080 02 | Tool | | 2 | |
| | | Emergency operation | | | |
| 34 | 997 551 017 02 | Adhesive carpet | | 1 | PR:685 |
| | | Seat well | | | |
| | 997 551 017 02 M10 | Terracotta | | | |
| | 997 551 017 02 R10 | Cocoa | | | |
| | 997 551 017 02 D11 | Dark grey/natural | | | |
| | 997 551 017 02 T11 | Brown/natural | | | |
| 34 | 997 551 017 02 | Adhesive carpet | | 1 | PR:685 |
| | | Seat well | | | |
| | | Until | | | |
| | | Chassis number | | | |
| | | See technical information | | | |
| | | GR.7 NR. 17/11 | | | |
| | | KD-NR. 70 | | | |
| | 997 551 017 02 A10 | Black | | | |
| | 997 551 017 02 B10 | Stone grey | | | |
| | 997 551 017 02 T10 | Sand beige | | | |
| | 997 551 017 02 E10 | sea blue | | | |
| | 997 551 017 02 N10 | Carrera Red | | | |
| 34 | 997 551 017 06 | Adhesive carpet | | 1 | PR:685 |
| | | Seat well | | | |
| | | From | | | |
| | | Chassis number | | | |
| | | See technical information | | | |
| | | GR.7 NR. 17/11 | | | |
| | | KD-NR. 70 | | | |
| | 997 551 017 06 A10 | Black | | | |
| | 997 551 017 06 B10 | Stone grey | | | |
| | 997 551 017 06 T10 | Sand beige | | | |
| | 997 551 017 06 E10 | sea blue | | | |
| | 997 551 017 06 N10 | Carrera Red | | | |
| (35) | 997 551 031 16 | Adhesive carpet | | 1 | PR:484 |
| | | rear panel | | | |
| | | Carpet | | | |
| | 997 551 031 16 M10 | Terracotta | | | |
| | 997 551 031 16 R10 | Cocoa | | | |
| | 997 551 031 16 D11 | Dark grey/natural | | | |
| | 997 551 031 16 T11 | Brown/natural | | | |
| (35) | 997 551 031 16 | Adhesive carpet | | 1 | PR:484 |
| | | rear panel | | | |
| | | Carpet | | | |
| | | Until | | | |
| | | Chassis number | | | |
| | | See technical information | | | |
| | | GR.7 NR. 17/11 | | | |
| | | KD-NR. 70 | | | |
| | 997 551 031 16 A10 | Black | | | |
| | 997 551 031 16 B10 | Stone grey | | | |
| | 997 551 031 16 T10 | Sand beige | | | |
| | 997 551 031 16 E10 | sea blue | | | |
| | 997 551 031 16 N10 | Carrera Red | | | |
| (35) | 997 551 031 28 | Adhesive carpet | | 1 | PR:484 |
| | | rear panel | | | |
| | | Carpet | | | |
| | | From | | | |
| | | Chassis number | | | |

Model: 997-09 Model life 2009>>2012

| Pos | Part Number | Description | Remark | Qty | Model |
|------|--------------------|--|--------|-----|-------------|
| | | See technical information GR.7 NR. 17/11 KD-NR. 70 | | | |
| | 997 551 031 28 A10 | Black | | | |
| | 997 551 031 28 B10 | Stone grey | | | |
| | 997 551 031 28 T10 | Sand beige | | | |
| | 997 551 031 28 E10 | sea blue | | | |
| | 997 551 031 28 N10 | Carrera Red | | | |
| (35) | 997 551 031 17 | Adhesive carpet rear panel Carpet | | 1 | 3 PR:111 |
| | 997 551 031 17 M10 | Terracotta | | | |
| | 997 551 031 17 R10 | Cocoa | | | |
| | 997 551 031 17 D11 | Dark grey/natural | | | |
| | 997 551 031 17 T11 | Brown/natural | | | |
| (35) | 997 551 031 17 | Adhesive carpet rear panel Carpet Until Chassis number See technical information GR.7 NR. 17/11 KD-NR. 70 | | 1 | 3 PR:111 |
| | 997 551 031 17 A10 | Black | | | |
| | 997 551 031 17 B10 | Stone grey | | | |
| | 997 551 031 17 T10 | Sand beige | | | |
| | 997 551 031 17 E10 | sea blue | | | |
| | 997 551 031 17 N10 | Carrera Red | | | |
| (35) | 997 551 031 29 | Adhesive carpet rear panel Carpet From Chassis number See technical information GR.7 NR. 17/11 KD-NR. 70 | | 1 | 3 PR:111 |
| | 997 551 031 29 A10 | Black | | | |
| | 997 551 031 29 B10 | Stone grey | | | |
| | 997 551 031 29 T10 | Sand beige | | | |
| | 997 551 031 29 E10 | sea blue | | | |
| | 997 551 031 29 N10 | Carrera Red | | | |
| 36 | 997 551 033 00 | Trim Control units Carpet | | 1 | |
| | 997 551 033 00 A10 | Black | | | |
| | 997 551 033 00 B10 | Stone grey | | | |
| | 997 551 033 00 T10 | Sand beige | | | |
| | 997 551 033 00 E10 | sea blue | | | |
| | 997 551 033 00 M10 | Terracotta | | | |
| | 997 551 033 00 R10 | Cocoa | | | |
| | 997 551 033 00 D11 | Dark grey/natural | | | |
| | 997 551 033 00 T11 | Brown/natural | | | |
| | 997 551 033 00 N10 | Carrera Red | | | |
| 37 | 997 551 525 00 | Cover Belt latch | left | 1 | |
| | 997 551 525 00 01C | Satin black | | | |
| (37) | 997 551 526 00 | Cover Belt latch | right | 1 | |
| | 997 551 526 00 01C | Satin black | | | |
| 38 | 996 551 551 00 | Cover Mount child seat | | 2 | PR:113 |
| 39 | 999 507 476 01 | Clamp | | 2 | |

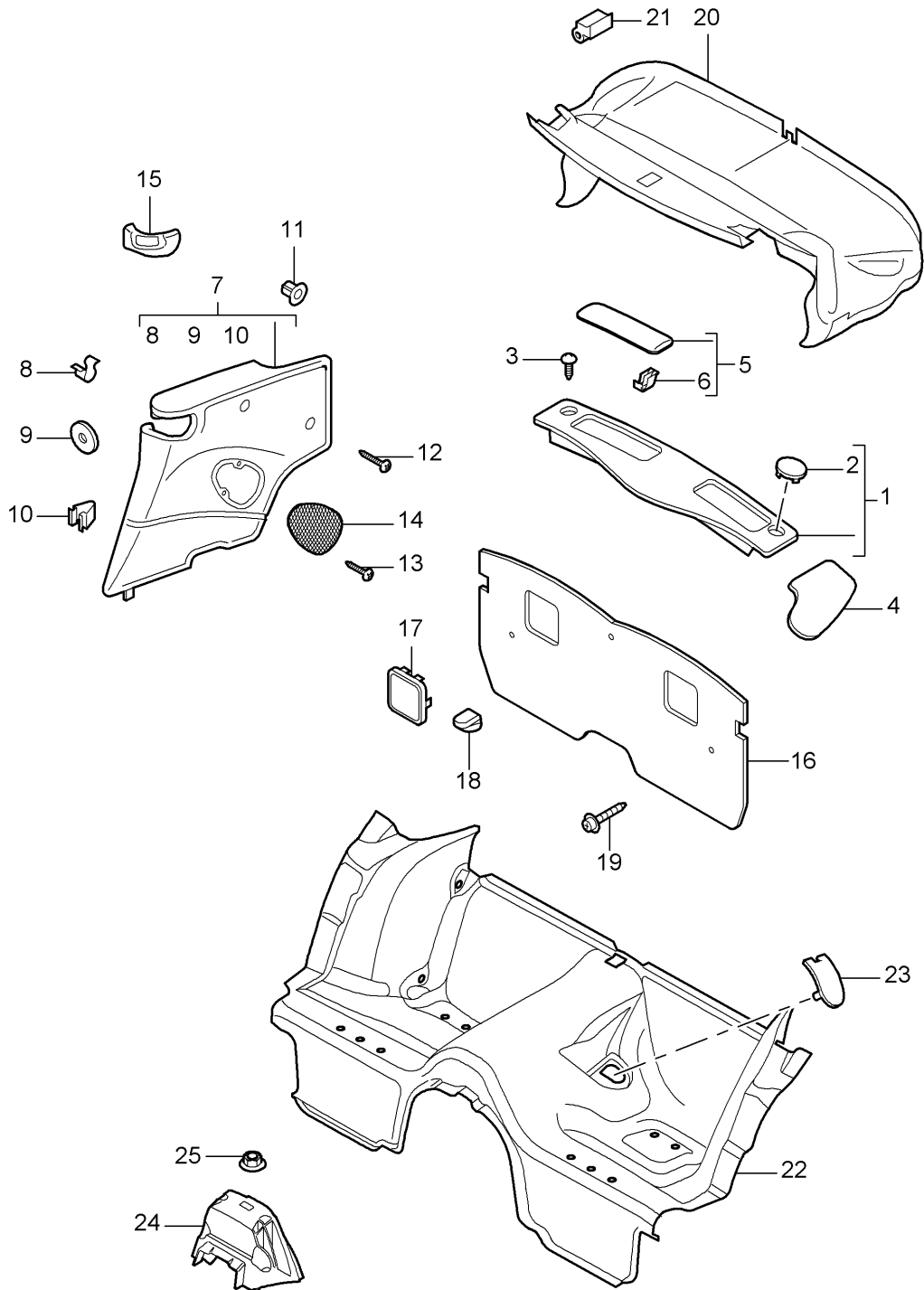
Model: 997-09

Model life 2009>>2012

| Pos | Part Number | Description | Remark | Qty | Model |
|-----|-------------|--------------------------------------|--------|-----|-------|
| | | 8,0 X 10 / 2,5 Mount Coat hook | | | |

Model: 997-09

Model life 2009>>2012



Model: 997-09 Model life 2009>>2012

| Pos | Part Number | Description | Remark | Qty | Model |
|-----|--------------------|---|----------------|-----|--------|
| 1 | 996 555 083 04 | Linings D - MJ 2009>> Cover Convertible top Cloth | rear | 1 | CABRIO |
| | 996 555 083 04 EDK | Black | | | |
| | 996 555 083 04 FNX | Stone grey | | | |
| | 996 555 083 04 ERN | Metropole blue | | | |
| | 996 555 083 04 FNZ | brown | | | |
| 2 | 996 555 457 00 | End cap hardtop Support Lacquered | | 2 | |
| | 996 555 457 00 A10 | Black | | | |
| | 996 555 457 00 5V7 | Stone grey | | | |
| | 996 555 457 00 G10 | Metropole blue | | | |
| | 996 555 457 00 8P9 | Cocoa | | | |
| 3 | 999 073 060 02 | panel screw 4,8 X 13 for Mount Cover Convertible top | | 3 | |
| 4 | 996 555 263 03 | Flap Convertible top Cloth | left | 1 | |
| | 996 555 263 03 A07 | Black | | | |
| | 996 555 263 03 C19 | Stone grey | | | |
| | 996 555 263 03 G03 | Metropole blue | | | |
| | 996 555 263 03 R18 | brown | | | |
| (4) | 996 555 264 03 | Flap Convertible top Cloth | right | 1 | |
| | 996 555 264 03 A07 | Black | | | |
| | 996 555 264 03 C19 | Stone grey | | | |
| | 996 555 264 03 G03 | Metropole blue | | | |
| | 996 555 264 03 R18 | brown | | | |
| 5 | 996 555 341 01 | Flap Cover | left | 1 | |
| | 996 555 341 01 A07 | Black | | | |
| | 996 555 341 01 C19 | Stone grey | | | |
| | 996 555 341 01 G03 | Metropole blue | | | |
| | 996 555 341 01 R18 | brown | | | |
| (5) | 996 555 342 01 | Flap Cover | right | 1 | |
| | 996 555 342 01 A07 | Black | | | |
| | 996 555 342 01 C19 | Stone grey | | | |
| | 996 555 342 01 G03 | Metropole blue | | | |
| | 996 555 342 01 R18 | brown | | | |
| 6 | 996 555 355 00 | Hinge | outer | 2 | |
| (6) | 996 555 356 00 | Hinge | inner | 2 | |
| - | 996 580 667 00 | Bracket | | 2 | |
| - | 999 591 489 02 | panel nut 4,8 Discontinued part | | 2 | |
| - | 999 591 489 01 | panel nut 4,8 | | 2 | |
| - | 999 073 060 02 | panel screw 4,8 X 13 | | 3 | |
| 7 | 997 555 071 11 | Side panel trim (leatherette) | left | 1 | |
| | | | 999 551 173 40 | | |
| | | use if required: | | | |

Model: 997-09 Model life 2009>>2012

| Pos | Part Number | Description | Remark | Qty | Model |
|-----|--------------------|---|-----------------------------|-----|--------|
| | | See TPI Group 8 | | | |
| | 997 555 071 11 1MZ | Black | | | |
| | 997 555 071 11 1YP | Stone grey | | | |
| | 997 555 071 11 1TK | Sand beige | | | |
| | 997 555 071 11 1VM | sea blue | | | |
| (7) | 997 555 072 11 | Side panel trim (leatherette) | right 999 551 173 40 | 1 | |
| | | use if required: | | | |
| | | See TPI Group 8 | | | |
| | 997 555 072 11 1MZ | Black | | | |
| | 997 555 072 11 1YP | Stone grey | | | |
| | 997 555 072 11 1TK | Sand beige | | | |
| | 997 555 072 11 1VM | sea blue | | | |
| 7 | 997 555 071 12 | Side panel trim (leather) | left 999 551 173 40 | 1 | PR:981 |
| | | use if required: | | | |
| | | See TPI Group 8 NR. 52 | | | |
| | 997 555 071 12 FSA | black/grey | -AT | | |
| | 997 555 071 12 FSB | Stone grey/stone grey | -DF | | |
| | 997 555 071 12 FSC | Sand beige/sand beige | -TG | | |
| | 997 555 071 12 FSD | Sea blue/grey | -FE | | |
| | 997 555 071 12 FSF | Terracotta/terracotta | -MB | | |
| | 997 555 071 12 FSG | Cocoa/Cocoa | -RA | | |
| | 997 555 071 12 FSH | Darkgrey natural/grey | -05 | | |
| | 997 555 071 12 FSJ | Brown nat./brown nat. | -06 | | |
| | 997 555 071 12 FSP | Carrera Red/Carrera Red | -07 | | |
| (7) | 997 555 072 12 | Side panel trim (leather) | right 999 551 173 40 | 1 | PR:981 |
| | | use if required: | | | |
| | | See TPI Group 8 NR. 52 | | | |
| | 997 555 072 12 FSA | black/grey | -AT | | |
| | 997 555 072 12 FSB | Stone grey/stone grey | -DF | | |
| | 997 555 072 12 FSC | Sand beige/sand beige | -TG | | |
| | 997 555 072 12 FSD | Sea blue/grey | -FE | | |
| | 997 555 072 12 FSF | Terracotta/terracotta | -MB | | |
| | 997 555 072 12 FSG | Cocoa/Cocoa | -RA | | |
| | 997 555 072 12 FSH | Darkgrey natural/grey | -05 | | |
| | 997 555 072 12 FSJ | Brown nat./brown nat. | -06 | | |
| | 997 555 072 12 FSP | Carrera Red | -07 | | |
| (7) | 997 555 072 12 | Side panel trim (leather) | right 999 551 173 40 | 1 | PR:981 |
| | | use if required: | | | |
| | | See TPI Group 8 Nr. 52 Until Chassis number See technical information GR.7 NR. 17/11 KD-NR. 70 | | | |
| | 997 555 072 12 FSB | Stone grey/stone grey | | | |
| | 997 555 072 12 FSC | Sand beige/sand beige | | | |
| | 997 555 072 12 FSP | Carrera Red | | | |
| (7) | 997 555 912 03 | Side panel trim (leather) | right 999 551 173 40 | 1 | PR:981 |
| | | use if required: | | | |
| | | See TPI Group 8 Nr. 52 From | | | |

Model: 997-09

Model life 2009>>2012

| Pos | Part Number | Description | Remark | Qty | Model |
|-----|--------------------|---|--------|-----|------------|
| | | Chassis number See technical information GR.7 NR. 17/11 KD-NR. 70 | | | |
| | 997 555 912 03 FSB | Stone grey/stone grey | | | |
| | 997 555 912 03 FSC | Sand beige/sand beige | | | |
| | 997 555 912 03 FSP | Carrera Red | | | |
| 7 | 997 555 071 13 | Side panel trim two-colour | left | 1 | PR:970 |
| | | use if required: 999 551 173 40 | | | |
| | | See TPI Group 8 Nr. 52 | | | |
| | 997 555 071 13 BCK | Black/stone grey | | | |
| | 997 555 071 13 BCL | Black/sand beige | | | |
| | 997 555 071 13 BCM | Black/terracotta | | | |
| (7) | 997 555 071 14 | Side panel trim (leather) Until Chassis number See technical information GR.7 NR. 17/11 KD-NR. 70 D - MJ 2011>> | left | 1 | PR:503,981 |
| | 997 555 071 14 DTL | Black-black | | | |
| (7) | 997 555 911 04 | Side panel trim (leather) From Chassis number See technical information GR.7 NR. 17/11 KD-NR. 70 D - MJ 2011>> | left | 1 | PR:503,981 |
| | 997 555 911 04 DTL | Black-black | | | |
| (7) | 997 555 072 14 | Side panel trim (leather) Until Chassis number See technical information GR.7 NR. 17/11 KD-NR. 70 D - MJ 2011>> | right | 1 | PR:503,981 |
| | 997 555 072 14 DTL | Black-black | | | |
| (7) | 997 555 912 04 | Side panel trim (leather) From Chassis number See technical information GR.7 NR. 17/11 KD-NR. 70 D - MJ 2011>> | right | 1 | PR:503,981 |
| | 997 555 912 04 DTL | Black-black | | | |
| - | 999 551 173 40 | felt strip 35 x 22 x 5 | | 2 | |
| 8 | 999 507 676 09 | Clip 2,5/2,2 | | 1 | |
| 9 | 999 551 609 40 | Plastic washer 8,0 X 23 X3,0 | | 1 | |
| 10 | 999 507 533 02 | Clamp 8,0 X 10 /2,5 | | 2 | |
| 11 | 999 507 050 40 | expanding nut ST 4,2 | | 2 | |
| 12 | 999 073 142 09 | panel screw ST 4,2 X 19 | | 2 | |
| 13 | 999 073 048 02 | panel screw ST 3,5 X 13 | | 2 | |
| 14 | 997 555 049 00 | Loudspeaker trim | left | 1 | PR:-XVT |

Model: 997-09 Model life 2009>>2012

| Pos | Part Number | Description | Remark | Qty | Model |
|------|--------------------|---|--------|-----|--------------------------------|
| | | Side panel trim Lacquered | | | |
| | 997 555 049 00 A03 | Black | | | |
| | 997 555 049 00 5V7 | Stone grey | | | |
| | 997 555 049 00 5Z1 | Sand beige | | | |
| | 997 555 049 00 8W7 | sea blue | | | |
| | 997 555 049 00 8X8 | Terracotta | | | |
| | 997 555 049 00 8P9 | Cocoa | | | |
| | 997 555 049 00 T13 | Brown/natural | | | |
| | 997 555 049 00 N23 | Carrera Red | | | |
| (14) | 997 555 050 00 | Loudspeaker trim Side panel trim Lacquered | right | 1 | PR:-XVT |
| | 997 555 050 00 A03 | Black | | | |
| | 997 555 050 00 5V7 | Stone grey | | | |
| | 997 555 050 00 5Z1 | Sand beige | | | |
| | 997 555 050 00 8W7 | sea blue | | | |
| | 997 555 050 00 8X8 | Terracotta | | | |
| | 997 555 050 00 8P9 | Cocoa | | | |
| | 997 555 050 00 T13 | Brown/natural | | | |
| | 997 555 050 00 N23 | Carrera Red | | | |
| (14) | 997 555 049 01 | Loudspeaker trim Side panel trim Leather D - MJ 2010>> | left | 1 | PR:XVT |
| | 997 555 049 01 A11 | Black | | | |
| | 997 555 049 01 5X6 | Stone grey | | | |
| | 997 555 049 01 8G2 | Sand beige | | | |
| | 997 555 049 01 3S9 | sea blue | | | |
| | 997 555 049 01 9S5 | Terracotta | | | |
| | 997 555 049 01 9V6 | Cocoa | | | |
| | 997 555 049 01 D12 | Dark grey/natural | | | |
| | 997 555 049 01 T12 | Brown/natural | | | |
| | 997 555 049 01 N12 | Carrera Red | | | |
| (14) | 997 555 050 01 | Loudspeaker trim Side panel trim Leather D - MJ 2010>> | right | 1 | PR:XVT |
| | 997 555 050 01 A11 | Black | | | |
| | 997 555 050 01 5X6 | Stone grey | | | |
| | 997 555 050 01 8G2 | Sand beige | | | |
| | 997 555 050 01 3S9 | sea blue | | | |
| | 997 555 050 01 9S5 | Terracotta | | | |
| | 997 555 050 01 9V6 | Cocoa | | | |
| | 997 555 050 01 D12 | Dark grey/natural | | | |
| | 997 555 050 01 T12 | Brown/natural | | | |
| | 997 555 050 01 N12 | Carrera Red | | | |
| (15) | 997 555 671 01 | Rosette Seat belt | left | 1 | PR:-XCW, -XDR,-XDU, -XJJ |
| | 997 555 671 01 A03 | Black | | | |
| | 997 555 671 01 5V7 | Stone grey | | | |
| | 997 555 671 01 5Z1 | Sand beige | | | |
| | 997 555 671 01 8W7 | sea blue | | | |
| | 997 555 671 01 8X8 | Terracotta | | | |
| | 997 555 671 01 8P9 | Cocoa | | | |
| | 997 555 671 01 T13 | Brown/natural | | | |
| | 997 555 671 01 N23 | Carrera Red | | | |
| (15) | 997 555 672 01 | Rosette Seat belt | right | 1 | PR:-XCW, -XDR,-XDU, -XJJ |
| | 997 555 672 01 A03 | Black | | | |
| | 997 555 672 01 5V7 | Stone grey | | | |

Model: 997-09 Model life 2009>>2012

| Pos | Part Number | Description | Remark | Qty | Model |
|------|--------------------|--|--------|-----|--------|
| | 997 555 672 01 5Z1 | Sand beige | | | |
| | 997 555 672 01 8W7 | sea blue | | | |
| | 997 555 672 01 8X8 | Terracotta | | | |
| | 997 555 672 01 8P9 | Cocoa | | | |
| | 997 555 672 01 T13 | Brown/natural | | | |
| | 997 555 672 01 N23 | Carrera Red | | | |
| (15) | 997 555 998 03 | Rosette Seat belt Leather D - MJ 2010>> | left | 1 | PR:XDU |
| | 997 555 998 03 A11 | Black | | | |
| | 997 555 998 03 5X6 | Stone grey | | | |
| | 997 555 998 03 8G2 | Sand beige | | | |
| | 997 555 998 03 3S9 | sea blue | | | |
| | 997 555 998 03 9S5 | Terracotta | | | |
| | 997 555 998 03 9V6 | Cocoa | | | |
| | 997 555 998 03 D12 | Dark grey/natural | | | |
| | 997 555 998 03 T12 | Brown/natural | | | |
| | 997 555 998 03 N12 | Carrera Red | | | |
| (15) | 997 555 998 04 | Rosette Seat belt Leather D - MJ 2010>> | right | 1 | PR:XDU |
| | 997 555 998 04 A11 | Black | | | |
| | 997 555 998 04 5X6 | Stone grey | | | |
| | 997 555 998 04 8G2 | Sand beige | | | |
| | 997 555 998 04 3S9 | sea blue | | | |
| | 997 555 998 04 9S5 | Terracotta | | | |
| | 997 555 998 04 9V6 | Cocoa | | | |
| | 997 555 998 04 D12 | Dark grey/natural | | | |
| | 997 555 998 04 T12 | Brown/natural | | | |
| | 997 555 998 04 N12 | Carrera Red | | | |
| (15) | 997 555 998 07 | Rosette Seat belt aluminium D - MJ 2010>> | left | 1 | PR:XCW |
| | 997 555 998 07 V04 | Galvano silver | | | |
| (15) | 997 555 998 08 | Rosette Seat belt aluminium D - MJ 2010>> | right | 1 | PR:XCW |
| | 997 555 998 08 V04 | Galvano silver | | | |
| (15) | 997 555 998 11 | Rosette Seat belt D - MJ 2010>> | left | 1 | PR:XDR |
| | 997 555 998 11 G2X | primed | | | |
| (15) | 997 555 998 12 | Rosette Seat belt D - MJ 2010>> | right | 1 | PR:XDR |
| | 997 555 998 12 G2X | primed | | | |
| (15) | 997 555 998 23 | Rosette Seat belt Carbon D - MJ 2010>> | left | 1 | PR:XJJ |
| | 997 555 998 23 A35 | Black | | | |
| (15) | 997 555 998 24 | Rosette Seat belt Carbon D - MJ 2010>> | right | 1 | PR:XJJ |
| | 997 555 998 24 A35 | Black | | | |
| (16) | 996 555 281 06 | Rear panel trim Carpet | | 1 | |
| | 996 555 281 06 A10 | Black | | | |

Model: 997-09 Model life 2009>>2012

| Pos | Part Number | Description | Remark | Qty | Model |
|------|--------------------|---------------------------|--------|-----|--------|
| | 996 555 281 06 B10 | Stone grey | | | |
| | 996 555 281 06 E10 | sea blue | | | |
| | 996 555 281 06 M10 | Terracotta | | | |
| | 996 555 281 06 R10 | Cocoa | | | |
| | 996 555 281 06 D11 | Dark grey/natural | | | |
| | 996 555 281 06 T11 | Brown/natural | | | |
| | 996 555 281 06 N10 | Carrera Red | | | |
| 18 | 996 555 789 00 | shelf | | 1 | |
| | | Windbreak | | | |
| | 996 555 789 00 01C | Satin black | | | |
| 19 | 999 073 062 02 | panel screw | | 2 | |
| | | 4,8 X 12 | | | |
| 20 | 997 551 035 01 | Trim | | 1 | |
| | | top frame | | | |
| | | Carpet | | | |
| | 997 551 035 01 B04 | dark grey | | | |
| 21 | 999 703 432 40 | Bungs | | X | |
| | | for | | | |
| | | Mount | | | |
| | | Trim | | | |
| | | top frame | | | |
| 22 | 997 551 017 03 | Adhesive carpet | | 1 | |
| | | Seat well | | | |
| | | Carpet | | | |
| | 997 551 017 03 M10 | Terracotta | | | |
| | 997 551 017 03 R10 | Cocoa | | | |
| | 997 551 017 03 D11 | Dark grey/natural | | | |
| | 997 551 017 03 T11 | Brown/natural | | | |
| 22 | 997 551 017 03 | Adhesive carpet | | 1 | |
| | | Seat well | | | |
| | | Carpet | | | |
| | | Until | | | |
| | | Chassis number | | | |
| | | See technical information | | | |
| | | GR.7 NR. 17/11 | | | |
| | | KD-NR. 70 | | | |
| | 997 551 017 03 A10 | Black | | | |
| | 997 551 017 03 B10 | Stone grey | | | |
| | 997 551 017 03 T10 | Sand beige | | | |
| | 997 551 017 03 E10 | sea blue | | | |
| | 997 551 017 03 N10 | Carrera Red | | | |
| 22 | 997 551 017 07 | Adhesive carpet | | 1 | |
| | | Seat well | | | |
| | | Carpet | | | |
| | | From | | | |
| | | Chassis number | | | |
| | | See technical information | | | |
| | | GR.7 NR. 17/11 | | | |
| | | KD-NR. 70 | | | |
| | 997 551 017 07 A10 | Black | | | |
| | 997 551 017 07 B10 | Stone grey | | | |
| | 997 551 017 07 T10 | Sand beige | | | |
| | 997 551 017 07 E10 | sea blue | | | |
| | 997 551 017 07 N10 | Carrera Red | | | |
| (22) | 997 551 021 04 | Carpet | | 1 | PR:503 |
| | | Seat well | | | |
| | | Until | | | |
| | | Chassis number | | | |
| | | See technical information | | | |
| | | GR.7 NR. 17/11 | | | |
| | | KD-NR. 70 | | | |
| | | D - MJ 2011>> | | | |
| | 997 551 021 04 A10 | Black | | | |

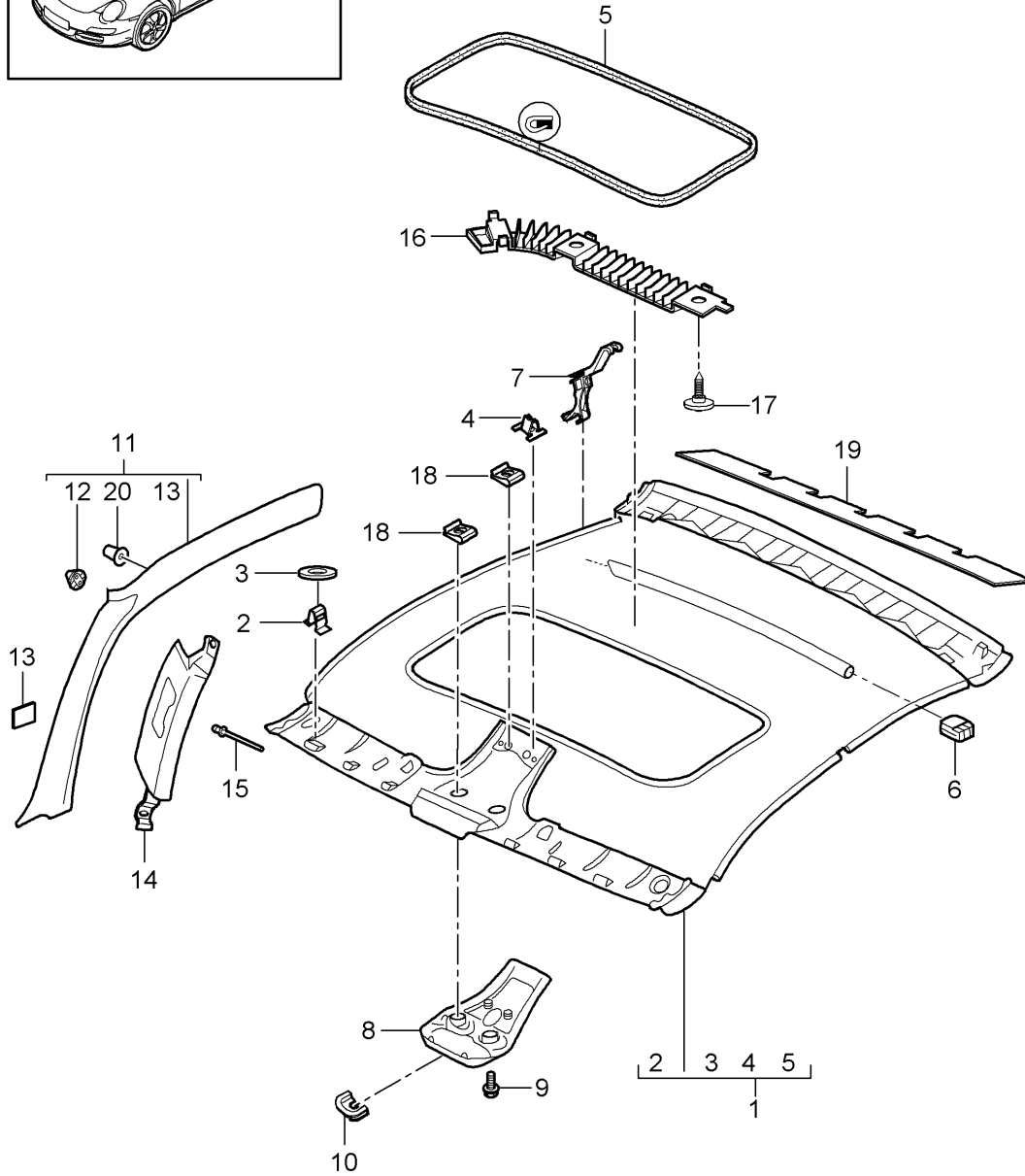
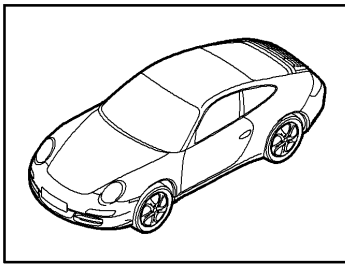
Model: 997-09

Model life 2009>>2012

| Pos | Part Number | Description | Remark | Qty | Model |
|------|--------------------|--|--------|-----|--------|
| (22) | 997 551 021 09 | Carpet Seat well From Chassis number See technical information GR.7 NR. 17/11 KD-NR. 70 D - MJ 2011>> | | 1 | PR:503 |
| | 997 551 021 09 A10 | Black | | | |
| (23) | 997 551 525 00 | Cover | left | 1 | |
| | 997 551 525 00 01C | Belt latch Satin black | | | |
| 23 | 997 551 526 00 | Cover | right | 1 | |
| | 997 551 526 00 01C | Belt latch Satin black | | | |
| 24 | 997 551 221 00 | Support Seat well | | 1 | |
| 25 | 999 076 081 40 | Hexagon plastic collar nut T5 16 X 11,2 | | 2 | |

Model: 997-09

Model life 2009>>2012



Model: 997-09 Model life 2009>>2012

| Pos | Part Number | Description | Remark | Qty | Model |
|-----|--------------------|---|--------|-----|-----------------------|
| 1 | 997 555 091 02 | roof trim A-pillar D - MJ 2009>> | | 1 | COUPE COUPE/TARGA |
| | 997 555 091 02 A14 | Alcantara Black | | | COUPE PR:652 |
| | 997 555 091 02 B14 | Stone grey | | | |
| | 997 555 091 02 T44 | Sand beige | | | |
| | 997 555 091 02 G14 | Metropole blue | | | |
| 1 | 997 555 091 02 | roof trim Alcantara | | 1 | GTS PR:652,011 |
| | 997 555 091 02 A14 | Black | | | |
| 1 | 997 555 091 02 | roof trim Alcantara D - MJ 2010>> | | 1 | COUPE S PR:652,756 |
| | 997 555 091 02 C24 | light grey | | | |
| (1) | 997 555 091 03 | roof trim Alcantara | | 1 | COUPE PR:650 |
| | 997 555 091 03 A14 | Black | | | |
| | 997 555 091 03 B14 | Stone grey | | | |
| | 997 555 091 03 T44 | Sand beige | | | |
| | 997 555 091 03 G14 | Metropole blue | | | |
| 1 | 997 555 091 03 | roof trim Alcantara | | 1 | GTS PR:650,011 |
| | 997 555 091 03 A14 | Black | | | |
| (1) | 997 555 980 02 | roof trim | | 1 | PR:XMA,652 |
| | 997 555 980 02 A11 | Black | | | |
| | 997 555 980 02 5X6 | Stone grey | | | |
| | 997 555 980 02 8G2 | Sand beige | | | |
| | 997 555 980 02 3S9 | sea blue | | | |
| | 997 555 980 02 9S5 | Terracotta | | | |
| | 997 555 980 02 9V6 | Cocoa | | | |
| | 997 555 980 02 D12 | Dark grey/natural | | | |
| | 997 555 980 02 T12 | Brown/natural | | | |
| | 997 555 980 02 N12 | Carrera Red | | | |
| (1) | 997 555 980 03 | roof trim | | 1 | PR:XMA,650 |
| | 997 555 980 03 A11 | Black | | | |
| | 997 555 980 03 5X6 | Stone grey | | | |
| | 997 555 980 03 8G2 | Sand beige | | | |
| | 997 555 980 03 3S9 | sea blue | | | |
| | 997 555 980 03 9S5 | Terracotta | | | |
| | 997 555 980 03 9V6 | Cocoa | | | |
| | 997 555 980 03 D12 | Dark grey/natural | | | |
| | 997 555 980 03 T12 | Brown/natural | | | |
| | 997 555 980 03 N12 | Carrera Red | | | |
| 2 | 999 507 479 01 | Clip 2,5/0,9 | | 6 | COUPE |
| 3 | 999 551 609 40 | Plastic washer 8,0 X 23 X 3,0 | | 6 | COUPE |
| 4 | 999 507 533 02 | Clamp 8 X 10/2,5 | | 2 | COUPE PR:650 |
| 5 | 996 564 231 02 | beading | | 1 | COUPE PR:650 |
| 6 | 997 555 823 00 | Bracket Transverse strut | | 2 | COUPE PR:650 |
| 7 | 996 555 691 02 | Clip Mount | | 8 | COUPE |
| 8 | 996 555 557 09 | roof trim Cover interior light | | 1 | COUPE PR:650 |
| | 996 555 557 09 A03 | Black | | | |
| | 996 555 557 09 5V7 | Stone grey | | | |
| | 996 555 557 09 5Z1 | Sand beige | | | |

Model: 997-09 Model life 2009>>2012

| Pos | Part Number | Description | Remark | Qty | Model |
|------|--|--|--------|-----|-------------------------------|
| (8) | 996 555 557 09 8W7 996 555 557 11 | sea blue Cover interior light | | 1 | COUPE PR:652 |
| | 996 555 557 11 A03 996 555 557 11 5V7 996 555 557 11 5Z1 996 555 557 11 8W7 | Black Stone grey Sand beige sea blue | | | |
| (8) | 996 555 993 02 | Cover (leather) interior light | | 1 | PR:XZD,650 |
| | 996 555 993 02 A11 996 555 993 02 5X6 996 555 993 02 8G2 996 555 993 02 3S9 996 555 993 02 9S5 996 555 993 02 9V6 996 555 993 02 D12 996 555 993 02 T12 | Black Stone grey Sand beige sea blue Terracotta Cocoa Dark grey/natural Brown/natural | | | |
| (8) | 996 555 993 02 N12 996 555 993 03 | Carrera Red Cover (leather) interior light | | 1 | PR:XZD,652 |
| | 996 555 993 03 A11 996 555 993 03 5X6 996 555 993 03 8G2 996 555 993 03 3S9 996 555 993 03 9S5 996 555 993 03 9V6 996 555 993 03 D12 996 555 993 03 T12 | Black Stone grey Sand beige sea blue Terracotta Cocoa Dark grey/natural Brown/natural | | | |
| (8) | 996 555 993 03 N12 997 555 993 03 | Carrera Red Cover interior light | | 1 | COUPE S PR:XXJ,652, 756 |
| | 997 555 993 03 C24 999 073 061 02 | Alcantara D - MJ 2010>> light grey panel screw | | X | |
| 9 | | 4,8 X 16 | | | |
| 10 | 996 555 619 00 | Grommet Wire set Rain sensor | | 1 | |
| (11) | 997 555 181 04 | A-pillar trim (leatherette) | left | 1 | COUPE |
| | 997 555 181 04 1MZ 997 555 181 04 1YP 997 555 181 04 1TK 997 555 181 04 1VM | Black Stone grey Sand beige sea blue | | | |
| (11) | 997 555 182 04 | A-pillar trim (leatherette) | right | 1 | COUPE |
| | 997 555 182 04 1MZ 997 555 182 04 1YP 997 555 182 04 1TK 997 555 182 04 1VM | Black Stone grey Sand beige sea blue | | | |
| (11) | 997 555 181 16 | A-pillar trim (leatherette) | left | 1 | TARGA |
| | 997 555 181 16 1MZ 997 555 181 16 1YP 997 555 181 16 1TK 997 555 181 16 1VM | Black Stone grey Sand beige sea blue | | | |
| (11) | 997 555 182 16 | A-pillar trim (leatherette) | right | 1 | TARGA |
| | 997 555 182 16 1MZ 997 555 182 16 1YP 997 555 182 16 1TK 997 555 182 16 1VM | Black Stone grey Sand beige sea blue | | | |

Model: 997-09 Model life 2009>>2012

| Pos | Part Number | Description | Remark | Qty | Model |
|------|--------------------|--|--------|-----|-----------------------|
| (11) | 997 555 181 05 | A-pillar trim (leather) | left | 1 | COUPE PR:981 |
| | 997 555 181 05 A11 | Black | | | |
| | 997 555 181 05 5X6 | Stone grey | | | |
| | 997 555 181 05 8G2 | Sand beige | | | |
| | 997 555 181 05 3S9 | sea blue | | | |
| | 997 555 181 05 9S5 | Terracotta | | | |
| | 997 555 181 05 9V6 | Cocoa | | | |
| | 997 555 181 05 D12 | Dark grey/natural | | | |
| | 997 555 181 05 T12 | Brown/natural | | | |
| | 997 555 181 05 N12 | Carrera Red | | | |
| (11) | 997 555 182 05 | A-pillar trim (leather) | right | 1 | COUPE PR:981 |
| | 997 555 182 05 A11 | Black | | | |
| | 997 555 182 05 5X6 | Stone grey | | | |
| | 997 555 182 05 8G2 | Sand beige | | | |
| | 997 555 182 05 3S9 | sea blue | | | |
| | 997 555 182 05 9S5 | Terracotta | | | |
| | 997 555 182 05 9V6 | Cocoa | | | |
| | 997 555 182 05 D12 | Dark grey/natural | | | |
| | 997 555 182 05 T12 | Brown/natural | | | |
| | 997 555 182 05 N12 | Leather | | | |
| (11) | 997 555 181 18 | A-pillar trim (Alcantara) | left | 1 | COUPE S PR:756,981 |
| | | D - MJ 2010>> | | | |
| | 997 555 181 18 C24 | light grey | | | |
| (11) | 997 555 182 18 | A-pillar trim (Alcantara) | right | 1 | COUPE S PR:756,981 |
| | | D - MJ 2010>> | | | |
| | 997 555 182 18 C24 | light grey | | | |
| (11) | 997 555 181 17 | A-pillar trim (leather) | left | 1 | TARGA PR:981 |
| | 997 555 181 17 A11 | Black | | | |
| | 997 555 181 17 5X6 | Stone grey | | | |
| | 997 555 181 17 8G2 | Sand beige | | | |
| | 997 555 181 17 3S9 | sea blue | | | |
| | 997 555 181 17 9S5 | Terracotta | | | |
| | 997 555 181 17 9V6 | Cocoa | | | |
| | 997 555 181 17 D12 | Dark grey/natural | | | |
| | 997 555 181 17 T12 | Brown/natural | | | |
| | 997 555 181 17 N12 | Carrera Red | | | |
| (11) | 997 555 182 17 | A-pillar trim (leather) | right | 1 | TARGA PR:981 |
| | 997 555 182 17 A11 | Black | | | |
| | 997 555 182 17 5X6 | Stone grey | | | |
| | 997 555 182 17 8G2 | Sand beige | | | |
| | 997 555 182 17 3S9 | sea blue | | | |
| | 997 555 182 17 9S5 | Terracotta | | | |
| | 997 555 182 17 9V6 | Cocoa | | | |
| | 997 555 182 17 D12 | Dark grey/natural | | | |
| | 997 555 182 17 T12 | Brown/natural | | | |
| | 997 555 182 17 N12 | Carrera Red | | | |
| 12 | 999 507 681 01 | Clip 2,5/3,0 | | 5 | COUPE |
| (12) | 999 507 839 01 | Clip 3,5 | | 2 | COUPE |
| (12) | 999 507 047 01 | Clip 3,6 | | 3 | COUPE |
| 12 | 999 507 681 01 | Clip 2,5/3,0 | 11! | 4 | TARGA |
| (12) | 999 507 047 01 | Clip 3,6 D - MJ 2011>> - MJ 2011 | | 2 | TARGA |

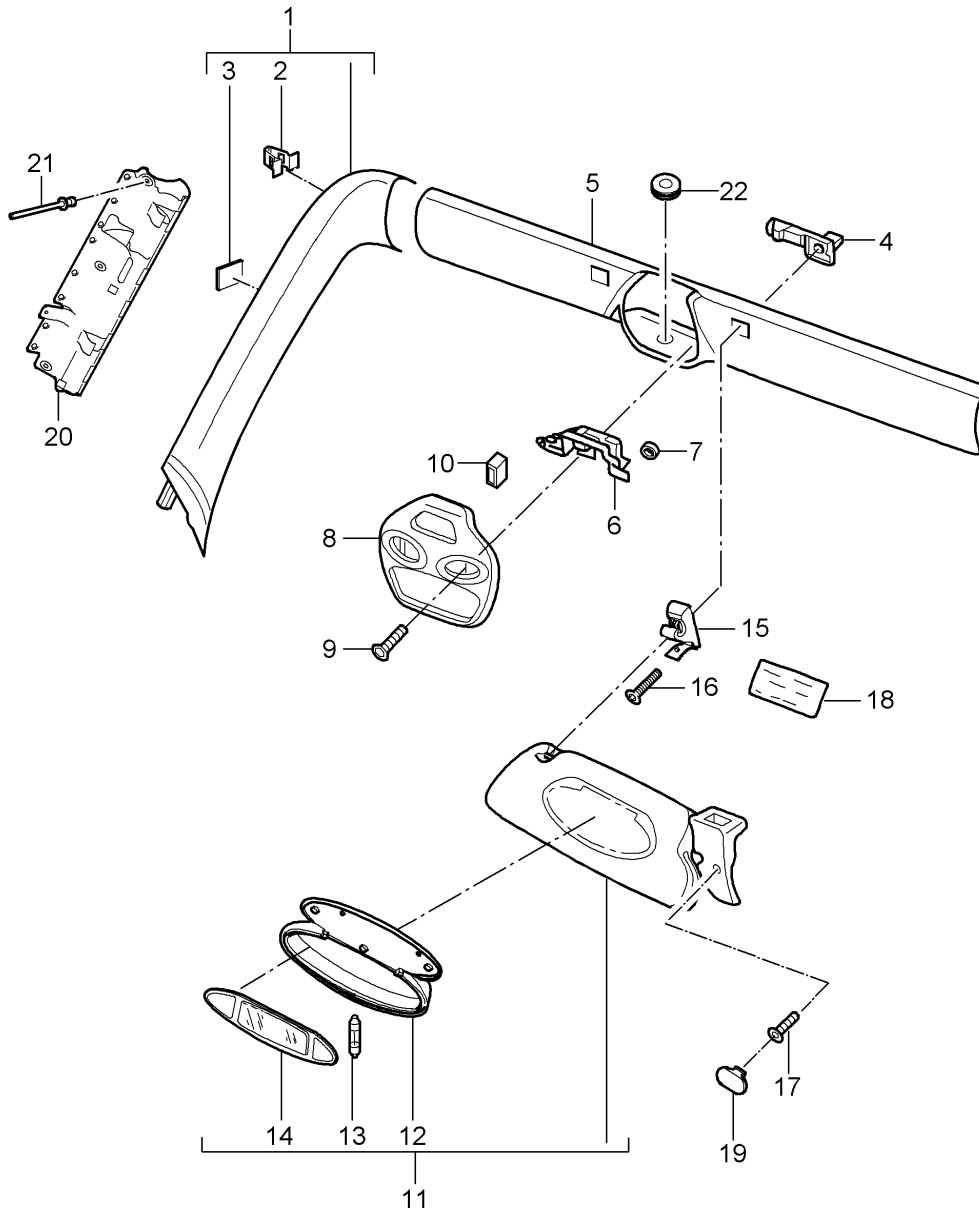
Model: 997-09

Model life 2009>>2012

| Pos | Part Number | Description | Remark | Qty | Model |
|------|----------------|--|--------|-----|--------------------|
| (12) | 999 209 084 40 | Distance piece 20 X 25 X 0,5 D - MJ 2011>> - MJ 2011 | | 6 | TARGA |
| 13 | 999 551 134 40 | Adhesive tape 20 X 65 | | 5 | COUPE |
| (14) | 997 555 291 00 | deformation element A-pillar | left | 1 | PR:553,072 |
| (14) | 997 555 292 00 | deformation element A-pillar | right | 1 | PR:553,072 |
| 15 | 999 190 190 01 | Pop rivet 4,0 X 8,5 | | 8 | |
| (16) | 997 555 689 02 | deformation element Roof | left | 1 | PR:553,072, 650 |
| 16 | 997 555 690 02 | deformation element Roof | right | 1 | PR:553,072, 650 |
| 17 | 999 073 366 02 | fillister hd. bolt M 6 X30 for Mount deformation element Roof | | 4 | |
| 18 | 999 591 348 01 | panel nut St 4,8 | | X | |
| 19 | 997 556 603 00 | Sound absorber tensioner | rear | 1 | |
| 20 | 997 555 857 00 | Grommet A-pillar | | X | COUPE |

Model: 997-09

Model life 2009>>2012



Model: 997-09 Model life 2009>>2012

| Pos | Part Number | Description | Remark | Qty | Model |
|-----|--------------------|--|--------|-----|---|
| | | A-pillar windshield frame windshield frame sun vizors sun vizors | | | CABRIO CABRIO TARGA COUPE/CABRIO TARGA Speedster |
| 1 | 997 555 181 06 | D - MJ 2009>> A-pillar trim (leatherette) | left | 1 | CABRIO |
| | 997 555 181 06 1MZ | Black | | | |
| | 997 555 181 06 1YP | Stone grey | | | |
| | 997 555 181 06 1TK | Sand beige | | | |
| | 997 555 181 06 1VM | sea blue | | | |
| (1) | 997 555 182 06 | A-pillar trim (leatherette) | right | 1 | CABRIO |
| | 997 555 182 06 1MZ | Black | | | |
| | 997 555 182 06 1YP | Stone grey | | | |
| | 997 555 182 06 1TK | Sand beige | | | |
| | 997 555 182 06 1VM | sea blue | | | |
| 1 | 997 555 181 07 | A-pillar trim (leather) | left | 1 | CABRIO PR:981 |
| | 997 555 181 07 A11 | Black | | | |
| | 997 555 181 07 5X6 | Stone grey | | | |
| | 997 555 181 07 8G2 | Sand beige | | | |
| | 997 555 181 07 3S9 | sea blue | | | |
| | 997 555 181 07 9S5 | Terracotta | | | |
| | 997 555 181 07 9V6 | Cocoa | | | |
| | 997 555 181 07 D12 | Dark grey/natural | | | |
| | 997 555 181 07 T12 | Brown/natural | | | |
| | 997 555 181 07 N12 | Carrera Red | | | |
| (1) | 997 555 182 07 | A-pillar trim (leather) | right | 1 | CABRIO PR:981 |
| | 997 555 182 07 A11 | Black | | | |
| | 997 555 182 07 5X6 | Stone grey | | | |
| | 997 555 182 07 8G2 | Sand beige | | | |
| | 997 555 182 07 3S9 | sea blue | | | |
| | 997 555 182 07 9S5 | Terracotta | | | |
| | 997 555 182 07 9V6 | Cocoa | | | |
| | 997 555 182 07 D12 | Dark grey/natural | | | |
| | 997 555 182 07 T12 | Brown/natural | | | |
| | 997 555 182 07 N12 | Carrera Red | | | |
| (1) | 987 555 181 03 | A-pillar trim | left | 1 | CABRIO PR:503 |
| | | Lacquered | | | |
| | | D - MJ 2011>> | | | |
| | 987 555 181 03 A03 | Black | | | |
| (1) | 987 555 182 03 | A-pillar trim | right | 1 | CABRIO PR:503 |
| | | Lacquered | | | |
| | | D - MJ 2011>> | | | |
| | 987 555 182 03 A03 | Black | | | |
| 2 | 999 507 047 01 | Clip | | 2 | |
| | | 3,6 | | | |
| 3 | 999 551 134 40 | Adhesive tape | | 2 | |
| | | 20 X 65 | | | |
| 4 | 986 731 541 01 | basic plate for | | 2 | COUPE/CABRIO |
| | | sun vizors | | | |
| (4) | 997 731 543 00 | contact plate for | | 2 | TARGA |
| | | sun vizors | | | |
| 5 | 997 555 059 00 | Trim Windscreen frame part | | 1 | CABRIO |

Model: 997-09

Model life 2009>>2012

| Pos | Part Number | Description | Remark | Qty | Model | | | |
|--------------------|--------------------|--|---|-----|------------------|--|---|-------------------------------|
| (5) | 997 555 059 00 1MZ | Leatherette Black | | 1 | TARGA | | | |
| | 997 555 059 00 1YP | Stone grey | | | | | | |
| | 997 555 059 00 1TK | Sand beige | | | | | | |
| | 997 555 059 00 1VM | sea blue | | | | | | |
| | 997 555 059 04 | Trim Windscreen frame part Leatherette | | | | | | |
| 5 | 997 555 059 04 1MZ | Black | | 1 | CABRIO PR:981 | | | |
| | 997 555 059 04 1YP | Stone grey | | | | | | |
| | 997 555 059 04 1TK | Sand beige | | | | | | |
| | 997 555 059 04 1VM | sea blue | | | | | | |
| | 997 555 059 01 | Trim Windscreen frame part Leather | | | | | | |
| (5) | 997 555 059 01 A11 | Black | | 1 | TARGA PR:981 | | | |
| | 997 555 059 01 5X6 | Stone grey | | | | | | |
| | 997 555 059 01 8G2 | Sand beige | | | | | | |
| | 997 555 059 01 3S9 | sea blue | | | | | | |
| | 997 555 059 01 9S5 | Terracotta | | | | | | |
| | 997 555 059 01 9V6 | Cocoa | | | | | | |
| | 997 555 059 01 D12 | Dark grey/natural | | | | | | |
| | 997 555 059 01 T12 | Brown/natural | | | | | | |
| | 997 555 059 01 N12 | Carrera Red | | | | | | |
| | 997 555 059 05 | Trim Windscreen frame part Leather | | | | | | |
| | 997 555 059 05 A11 | Black | | | | | | |
| | 997 555 059 05 5X6 | Stone grey | | | | | | |
| | 997 555 059 05 8G2 | Sand beige | | | | | | |
| (5) | 997 555 059 05 3S9 | sea blue | | 1 | Cabrio PR:503 | | | |
| | 997 555 059 05 9S5 | Terracotta | | | | | | |
| | 997 555 059 05 9V6 | Cocoa | | | | | | |
| | 997 555 059 05 D12 | Dark grey/natural | | | | | | |
| | 997 555 059 05 T12 | Brown/natural | | | | | | |
| | 997 555 059 05 N12 | Carrera Red | | | | | | |
| | 986 555 059 03 | Trim Windscreen frame part Lacquered | | | | | | |
| | 986 555 059 03 A03 | D - MJ 2011>> Black | | | | | | |
| | 6 | 996 613 795 01 | Micro switch | | | | 1 | CABRIO Speedster PR:503 |
| | (6) | 986 613 799 00 | Micro switch Locking mechanism Convertible top D - MJ 2011>> | | | | 1 | |
| | 7 | 999 507 534 02 | Clamping washer 2,5 | | | | 2 | CABRIO |
| | 8 | 996 561 635 00 | Cover interior light Lacquered | | | | 1 | CABRIO |
| | (8) | 996 561 635 00 A09 | Rally black | | | | 1 | TARGA |
| 996 555 557 07 | | Cover interior light Lacquered | | | | | | |
| 996 555 557 07 A03 | | Black | | | | | | |
| 996 555 557 07 5V7 | | Stone grey | | | | | | |
| 996 555 557 07 5Z1 | | Sand beige | | | | | | |
| 996 555 557 07 8W7 | | sea blue | | | | | | |
| 996 555 557 07 8X8 | | Terracotta | | | | | | |
| 996 555 557 07 8P9 | | Cocoa | | | | | | |
| 996 555 557 07 T13 | | Brown/natural | | | | | | |
| 996 555 557 07 N23 | | Carrera Red | | | | | | |

Model: 997-09 Model life 2009>>2012

| Pos | Part Number | Description | Remark | Qty | Model |
|------|--------------------|---|--------|-----|------------------------|
| - | 996 561 613 00 | Cover | | 1 | CABRIO |
| | 996 561 613 00 01C | Satin black | | | |
| 8 | 986 561 235 03 | Support Locking mechanism Convertible top | | 1 | Speedster PR:503 |
| | | with: | | | |
| | | Micro switch | | | |
| | | D - MJ 2011>> | | | |
| 9 | 986 561 235 03 A09 | Rally black | | 2 | CABRIO |
| | 999 073 166 09 | countersunk bolt M 6 X 25 | | | |
| (9) | 999 073 061 02 | panel screw 4,8 X 16 | | 2 | TARGA |
| 10 | 996 561 609 00 | Cap | | 1 | CABRIO |
| (11) | 997 731 031 27 | Sun visor with mirror Leatherette | left | 1 | COUPE PR:553 |
| | 997 731 031 27 A12 | Black | | | |
| | 997 731 031 27 8W4 | Stone grey | | | |
| | 997 731 031 27 7E3 | Sand beige | | | |
| | 997 731 031 27 8Z5 | sea blue | | | |
| (11) | 997 731 032 27 | Sun visor with mirror Leatherette | right | 1 | COUPE PR:553 |
| | 997 731 032 27 A12 | Black | | | |
| | 997 731 032 27 8W4 | Stone grey | | | |
| | 997 731 032 27 7E3 | Sand beige | | | |
| | 997 731 032 27 8Z5 | sea blue | | | |
| (11) | 997 731 981 19 | Sun visor Leather | left | 1 | COUPE PR:XMP, 553 |
| | 997 731 981 19 A11 | Black | | | |
| | 997 731 981 19 5X6 | Stone grey | | | |
| | 997 731 981 19 8G2 | Sand beige | | | |
| | 997 731 981 19 3S9 | sea blue | | | |
| | 997 731 981 19 9S5 | Terracotta | | | |
| | 997 731 981 19 9V6 | Cocoa | | | |
| | 997 731 981 19 D12 | Dark grey/natural | | | |
| | 997 731 981 19 T12 | Brown/natural | | | |
| | 997 731 981 19 N12 | Carrera Red | | | |
| (11) | 997 731 982 19 | Sun visor Leather | right | 1 | COUPE PR:XMP, 553 |
| | 997 731 982 19 A11 | Black | | | |
| | 997 731 982 19 5X6 | Stone grey | | | |
| | 997 731 982 19 8G2 | Sand beige | | | |
| | 997 731 982 19 3S9 | sea blue | | | |
| | 997 731 982 19 9S5 | Terracotta | | | |
| | 997 731 982 19 9V6 | Cocoa | | | |
| | 997 731 982 19 D12 | Dark grey/natural | | | |
| | 997 731 982 19 T12 | Brown/natural | | | |
| | 997 731 982 19 N12 | Carrera Red | | | |
| (11) | 997 731 983 00 | Sun visor Alcantara | left | 1 | COUPE S PR:XXH, 756 |
| | | D - MJ 2010>> | | | |
| | 997 731 983 00 C24 | light grey | | | |
| (11) | 997 731 984 00 | Sun visor Alcantara | right | 1 | COUPE S PR:XXH, 756 |
| | | D - MJ 2010>> | | | |
| | 997 731 984 00 C24 | light grey | | | |
| (11) | 997 731 031 28 | Sun visor Leatherette | left | 1 | CABRIO PR:553 |
| | 997 731 031 28 A12 | Black | | | |
| | 997 731 031 28 8W4 | Stone grey | | | |
| | 997 731 031 28 7E3 | Sand beige | | | |
| | 997 731 031 28 8Z5 | sea blue | | | |
| (11) | 997 731 032 28 | Sun visor | right | 1 | CABRIO |

Model: 997-09 Model life 2009>>2012

| Pos | Part Number | Description | Remark | Qty | Model |
|------|--------------------|-------------------|--------|-----|----------------------|
| | | Leatherette | | | PR:553 |
| | 997 731 032 28 A12 | Black | | | |
| | 997 731 032 28 8W4 | Stone grey | | | |
| | 997 731 032 28 7E3 | Sand beige | | | |
| | 997 731 032 28 8Z5 | sea blue | | | |
| (11) | 997 731 981 20 | Sun visor | left | 1 | CABRIO PR:XMP,553 |
| | | Leather | | | |
| | 997 731 981 20 A11 | Black | | | |
| | 997 731 981 20 5X6 | Stone grey | | | |
| | 997 731 981 20 8G2 | Sand beige | | | |
| | 997 731 981 20 3S9 | sea blue | | | |
| | 997 731 981 20 9S5 | Terracotta | | | |
| | 997 731 981 20 9V6 | Cocoa | | | |
| | 997 731 981 20 D12 | Dark grey/natural | | | |
| | 997 731 981 20 T12 | Brown/natural | | | |
| | 997 731 981 20 N12 | Carrera Red | | | |
| (11) | 997 731 982 20 | Sun visor | right | 1 | CABRIO PR:XMP,553 |
| | | Leather | | | |
| | 997 731 982 20 A11 | Black | | | |
| | 997 731 982 20 5X6 | Stone grey | | | |
| | 997 731 982 20 8G2 | Sand beige | | | |
| | 997 731 982 20 3S9 | sea blue | | | |
| | 997 731 982 20 9S5 | Terracotta | | | |
| | 997 731 982 20 9V6 | Cocoa | | | |
| | 997 731 982 20 D12 | Dark grey/natural | | | |
| | 997 731 982 20 T12 | Brown/natural | | | |
| | 997 731 982 20 N12 | Carrera Red | | | |
| (11) | 997 731 031 29 | Sun visor | left | 1 | TARGA PR:553 |
| | | Leatherette | | | |
| | 997 731 031 29 A12 | Black | | | |
| | 997 731 031 29 8W4 | Stone grey | | | |
| | 997 731 031 29 7E3 | Sand beige | | | |
| | 997 731 031 29 8Z5 | sea blue | | | |
| (11) | 997 731 032 29 | Sun visor | right | 1 | TARGA PR:553 |
| | | Leatherette | | | |
| | 997 731 032 29 A12 | Black | | | |
| | 997 731 032 29 8W4 | Stone grey | | | |
| | 997 731 032 29 7E3 | Sand beige | | | |
| | 997 731 032 29 8Z5 | sea blue | | | |
| (11) | 997 731 981 21 | Sun visor | left | 1 | TARGA PR:XMP,553 |
| | | Leather | | | |
| | 997 731 981 21 A11 | Black | | | |
| | 997 731 981 21 5X6 | Stone grey | | | |
| | 997 731 981 21 8G2 | Sand beige | | | |
| | 997 731 981 21 3S9 | sea blue | | | |
| | 997 731 981 21 9S5 | Terracotta | | | |
| | 997 731 981 21 9V6 | Cocoa | | | |
| | 997 731 981 21 D12 | Dark grey/natural | | | |
| | 997 731 981 21 T12 | Brown/natural | | | |
| | 997 731 981 21 N12 | Carrera Red | | | |
| | 997 731 981 21 6J0 | Espresso | | | |
| (11) | 997 731 982 21 | Sun visor | right | 1 | TARGA PR:XMP,553 |
| | | Leather | | | |
| | 997 731 982 21 A11 | Black | | | |
| | 997 731 982 21 5X6 | Stone grey | | | |
| | 997 731 982 21 8G2 | Sand beige | | | |
| | 997 731 982 21 3S9 | sea blue | | | |
| | 997 731 982 21 9S5 | Terracotta | | | |
| | 997 731 982 21 9V6 | Cocoa | | | |
| | 997 731 982 21 D12 | Dark grey/natural | | | |
| | 997 731 982 21 T12 | Brown/natural | | | |
| | 997 731 982 21 N12 | Carrera Red | | | |
| | 997 731 982 21 6J0 | Espresso | | | |

Model: 997-09 Model life 2009>>2012

| Pos | Part Number | Description | Remark | Qty | Model |
|------|--------------------------------------|--|--------|-----|---------------------------------|
| (11) | 997 731 981 22 | Sun visor Leather D - MJ 2011>> | left | 1 | Speedster PR:XMP,503, 553 |
| (11) | 997 731 981 22 TSB 997 731 982 22 | black/black Sun visor Leather D - MJ 2011>> | right | 1 | Speedster PR:XMP,503, 553 |
| (12) | 997 731 982 22 TSB 997 731 903 00 | black/black Mirror housing | | 1 | COUPE/CABRIO PR:484 |
| (12) | 997 731 903 00 01C 997 731 903 01 | Lighting Satin black Mirror housing | with: | 1 | COUPE/CABRIO PR:113 |
| 13 | 997 731 903 01 01C 999 631 147 90 | Lighting Satin black bulb 3 W | | 4 | COUPE/CABRIO |
| 14 | 996 731 531 01 | Mirror glass | with: | 2 | COUPE/CABRIO |
| 15 | 996 731 531 01 01C 996 731 341 00 | Frame Satin black Support | left | 1 | COUPE/CABRIO |
| (15) | 996 731 341 00 01C 996 731 342 00 | Satin black Support | right | 1 | COUPE/CABRIO |
| 16 | 996 731 342 00 01C 999 919 120 09 | Satin black fillister hd. bolt 4,0 X 18 | | 1 | COUPE/CABRIO |
| (16) | 999 073 255 09 | Bolt with washer M 5 X 14 for Mount sun vizors | | 4 | TARGA |
| 17 | 999 073 166 09 | countersunk bolt M 6 X 25 | | 4 | CABRIO |
| 17 | 999 073 326 09 | fillister hd. bolt M 5 X 10 | | 2 | COUPE |
| (17) | 999 500 093 02 | Nut M 5 | | 2 | COUPE |
| 18 | 997 701 401 07 | Notice Convertible top control English | | 1 | CABRIO PR:130 |
| 18 | 997 701 401 08 | Notice Convertible top control French | | 1 | CABRIO PR:113,126 |
| 19 | 996 561 613 00 | Cover Support | | 2 | CABRIO |
| 20 | 996 561 613 00 01C 997 555 291 01 | Satin black deformation element A-pillar | left | 1 | CABRIO PR:553 |
| 20 | 997 555 291 01 | deformation element A-pillar | left | 1 | CABRIO PR:072 |
| (20) | 987 555 291 01 | deformation element A-pillar | left | 1 | CABRIO PR:072,553, 503 |
| (20) | 997 555 292 01 | D - MJ 2011>> deformation element A-pillar | right | 1 | CABRIO PR:553 |
| (20) | 997 555 292 01 | deformation element | right | 1 | CABRIO |

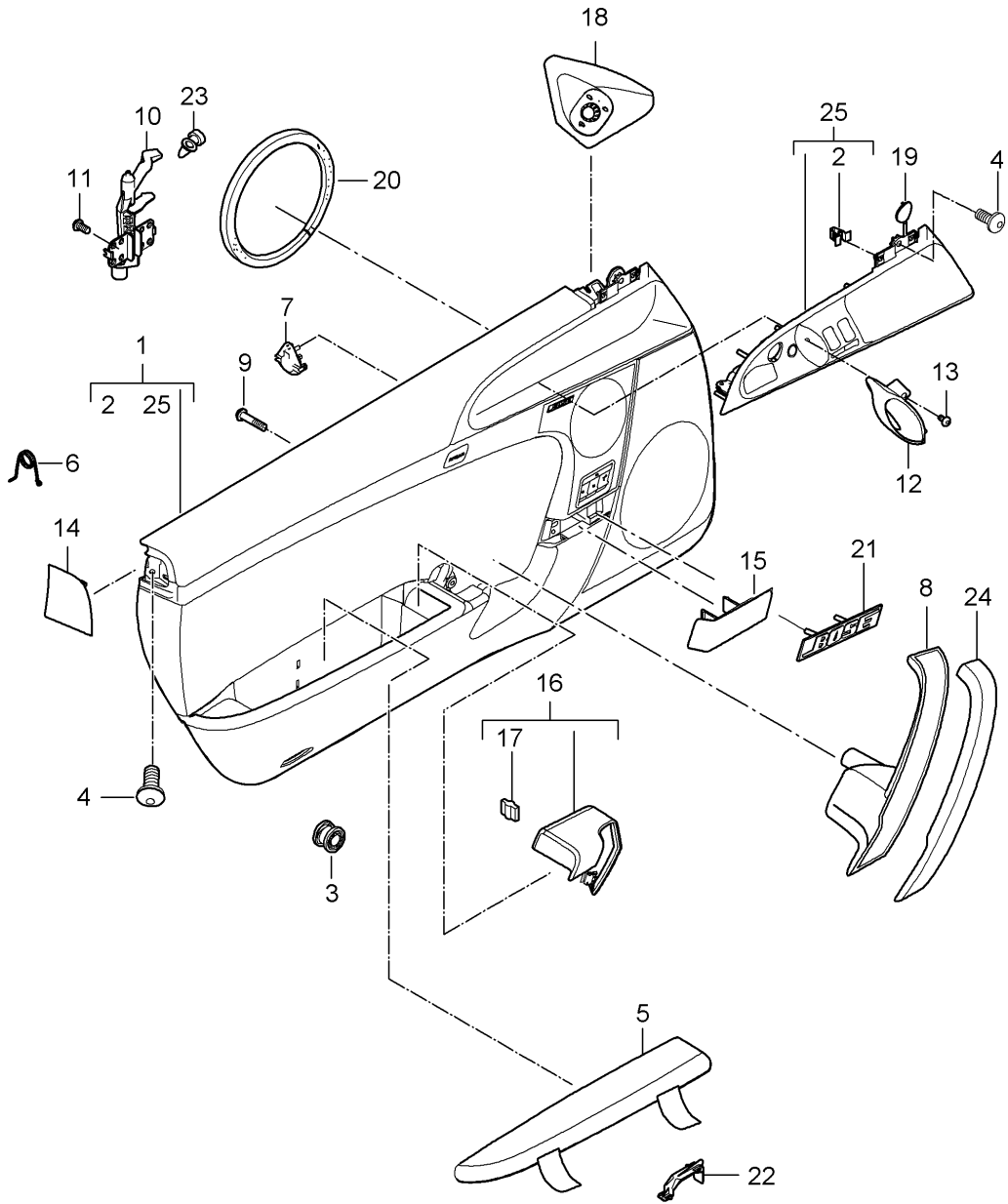
Model: 997-09

Model life 2009>>2012

| Pos | Part Number | Description | Remark | Qty | Model |
|------|----------------|--|--------|-----|--------------------|
| (20) | 987 555 292 01 | A-pillar deformation element | right | 1 | PR:072 CABRIO |
| 21 | 999 190 190 01 | A-pillar D - MJ 2011>> Pop rivet | | 8 | PR:072,503, 553 |
| 22 | 996 555 619 00 | Grommet Wire set Rain sensor | | 1 | PR:553,072 |

Model: 997-09

Model life 2009>>2012



Model: 997-09 Model life 2009>>2012

| Pos | Part Number | Description | Remark | Qty | Model |
|-----|--------------------|--|----------|-----|-----------------------------------|
| 1 | 997 555 201 04 | door panel Accessories door panel slush technology Until Chassis number See technical information GR.7 NR. 17/11 KD-NR. 70 | left lhd | 1 | COUPE/TARGA PR:098,490 |
| | 997 555 201 04 9L4 | Black | | | |
| | 997 555 201 04 9M5 | Stone grey | | | |
| | 997 555 201 04 9C6 | Sand beige | | | |
| | 997 555 201 04 9D7 | sea blue | | | |
| 1 | 997 555 901 01 | door panel slush technology From Chassis number See technical information GR.7 NR. 17/11 KD-NR. 70 | left lhd | 1 | COUPE/TARGA PR:098,490 |
| | 997 555 901 01 9L4 | Black | | | |
| | 997 555 901 01 9M5 | Stone grey | | | |
| | 997 555 901 01 9C6 | Sand beige | | | |
| | 997 555 901 01 9D7 | sea blue | | | |
| 1 | 997 555 201 06 | door panel slush technology Until Chassis number See technical information GR.7 NR. 17/11 KD-NR. 70 | left lhd | 1 | COUPE/TARGA PR:490,537, 098 |
| | 997 555 201 06 9L4 | Black | | | |
| | 997 555 201 06 9M5 | Stone grey | | | |
| | 997 555 201 06 9C6 | Sand beige | | | |
| | 997 555 201 06 9D7 | sea blue | | | |
| 1 | 997 555 901 03 | door panel slush technology From Chassis number See technical information GR.7 NR. 17/11 KD-NR. 70 | left lhd | 1 | COUPE/TARGA PR:490,537, 098 |
| | 997 555 901 03 9L4 | Black | | | |
| | 997 555 901 03 9M5 | Stone grey | | | |
| | 997 555 901 03 9C6 | Sand beige | | | |
| | 997 555 901 03 9D7 | sea blue | | | |
| 1 | 997 555 201 08 | door panel slush technology Until Chassis number See technical information GR.7 NR. 17/11 KD-NR. 70 | left lhd | 1 | COUPE/TARGA PR:098,680 |
| | 997 555 201 08 9L4 | Black | | | |
| | 997 555 201 08 9M5 | Stone grey | | | |
| | 997 555 201 08 9C6 | Sand beige | | | |
| | 997 555 201 08 9D7 | sea blue | | | |
| 1 | 997 555 901 05 | door panel slush technology From Chassis number See technical information GR.7 NR. 17/11 | left lhd | 1 | COUPE/TARGA PR:098,680 |

Model: 997-09 Model life 2009>>2012

| Pos | Part Number | Description | Remark | Qty | Model |
|-----|--------------------|---|----------|-----|-----------------------------------|
| 1 | 997 555 901 05 9L4 | KD-NR. 70 Black | | | |
| | 997 555 901 05 9M5 | Stone grey | | | |
| | 997 555 901 05 9C6 | Sand beige | | | |
| | 997 555 901 05 9D7 | sea blue | | | |
| | 997 555 201 10 | door panel slush technology Until Chassis number See technical information GR.7 NR. 17/11 KD-NR. 70 | left lhd | 1 | COUPE/TARGA PR:537,680, 098 |
| | 997 555 201 10 9L4 | Black | | | |
| | 997 555 201 10 9M5 | Stone grey | | | |
| | 997 555 201 10 9C6 | Sand beige | | | |
| | 997 555 201 10 9D7 | sea blue | | | |
| | 997 555 901 07 | door panel slush technology From Chassis number See technical information GR.7 NR. 17/11 KD-NR. 70 | left lhd | 1 | COUPE/TARGA PR:537,680, 098 |
| (1) | 997 555 901 07 9L4 | Black | | | |
| | 997 555 901 07 9M5 | Stone grey | | | |
| | 997 555 901 07 9C6 | Sand beige | | | |
| | 997 555 901 07 9D7 | sea blue | | | |
| | 997 555 201 16 | door panel slush technology Until Chassis number See technical information GR.7 NR. 17/11 KD-NR. 70 | left lhd | 1 | CABRIO PR:098,490 |
| | 997 555 201 16 9L4 | Black | | | |
| | 997 555 201 16 9M5 | Stone grey | | | |
| | 997 555 201 16 9C6 | Sand beige | | | |
| | 997 555 201 16 9D7 | sea blue | | | |
| | 997 555 901 09 | door panel slush technology Until Chassis number See technical information GR.7 NR. 17/11 KD-NR. 70 | left lhd | 1 | CABRIO PR:098,490 |
| (1) | 997 555 901 09 9L4 | Black | | | |
| | 997 555 901 09 9M5 | Stone grey | | | |
| | 997 555 901 09 9C6 | Sand beige | | | |
| | 997 555 901 09 9D7 | sea blue | | | |
| | 997 555 201 18 | door panel slush technology Until Chassis number See technical information GR.7 NR. 17/11 KD-NR. 70 | left lhd | 1 | CABRIO PR:490,537, 098 |
| | 997 555 201 18 9L4 | Black | | | |
| | 997 555 201 18 9M5 | Stone grey | | | |
| | 997 555 201 18 9C6 | Sand beige | | | |
| | 997 555 201 18 9D7 | sea blue | | | |
| | 997 555 901 11 | door panel slush technology From | left lhd | 1 | CABRIO PR:490,537, 098 |

Model: 997-09 Model life 2009>>2012

| Pos | Part Number | Description | Remark | Qty | Model |
|-----|--------------------|---|-----------|-----|------------------------------|
| | | Chassis number See technical information GR.7 NR. 17/11 KD-NR. 70 | | | |
| | 997 555 901 11 9L4 | Black | | | |
| | 997 555 901 11 9M5 | Stone grey | | | |
| | 997 555 901 11 9C6 | Sand beige | | | |
| | 997 555 901 11 9D7 | sea blue | | | |
| (1) | 997 555 201 20 | door panel slush technology Until Chassis number See technical information GR.7 NR. 17/11 KD-NR. 70 | left lhd | 1 | CABRIO PR:098,680 |
| | 997 555 201 20 9L4 | Black | | | |
| | 997 555 201 20 9M5 | Stone grey | | | |
| | 997 555 201 20 9C6 | Sand beige | | | |
| | 997 555 201 20 9D7 | sea blue | | | |
| (1) | 997 555 901 13 | door panel slush technology From Chassis number See technical information GR.7 NR. 17/11 KD-NR. 70 | left lhd | 1 | CABRIO PR:098,680 |
| | 997 555 901 13 9L4 | Black | | | |
| | 997 555 901 13 9M5 | Stone grey | | | |
| | 997 555 901 13 9C6 | Sand beige | | | |
| | 997 555 901 13 9D7 | sea blue | | | |
| (1) | 997 555 201 22 | door panel slush technology Until Chassis number See technical information GR.7 NR. 17/11 KD-NR. 70 | left lhd | 1 | CABRIO PR:537,680, 098 |
| | 997 555 201 22 9L4 | Black | | | |
| | 997 555 201 22 9M5 | Stone grey | | | |
| | 997 555 201 22 9C6 | Sand beige | | | |
| | 997 555 201 22 9D7 | sea blue | | | |
| (1) | 997 555 901 15 | door panel slush technology From Chassis number See technical information GR.7 NR. 17/11 KD-NR. 70 | left lhd | 1 | CABRIO PR:537,680, 098 |
| | 997 555 901 15 9L4 | Black | | | |
| | 997 555 901 15 9M5 | Stone grey | | | |
| | 997 555 901 15 9C6 | Sand beige | | | |
| | 997 555 901 15 9D7 | sea blue | | | |
| (1) | 997 555 202 26 | door panel slush technology Until Chassis number See technical information GR.7 NR. 17/11 KD-NR. 70 | right lhd | 1 | PR:098,490 |
| | 997 555 202 26 9L4 | Black | | | |
| | 997 555 202 26 9M5 | Stone grey | | | |
| | 997 555 202 26 9C6 | Sand beige | | | |
| | 997 555 202 26 9D7 | sea blue | | | |

Model: 997-09 Model life 2009>>2012

| Pos | Part Number | Description | Remark | Qty | Model |
|-----|--------------------|---|-----------|-----|--|
| (1) | 997 555 902 18 | door panel slush technology From Chassis number See technical information GR.7 NR. 17/11 KD-NR. 70 | right lhd | 1 | PR:098,490 |
| | 997 555 902 18 9L4 | Black | | | |
| | 997 555 902 18 9M5 | Stone grey | | | |
| | 997 555 902 18 9C6 | Sand beige | | | |
| | 997 555 902 18 9D7 | sea blue | | | |
| (1) | 997 555 202 28 | door panel slush technology Until Chassis number See technical information GR.7 NR. 17/11 KD-NR. 70 | right lhd | 1 | PR:098,680 |
| | 997 555 202 28 9L4 | Black | | | |
| | 997 555 202 28 9M5 | Stone grey | | | |
| | 997 555 202 28 9C6 | Sand beige | | | |
| | 997 555 202 28 9D7 | sea blue | | | |
| (1) | 997 555 902 20 | door panel slush technology From Chassis number See technical information GR.7 NR. 17/11 KD-NR. 70 | right lhd | 1 | PR:098,680 |
| | 997 555 902 20 9L4 | Black | | | |
| | 997 555 902 20 9M5 | Stone grey | | | |
| | 997 555 902 20 9C6 | Sand beige | | | |
| | 997 555 902 20 9D7 | sea blue | | | |
| (1) | 997 555 201 05 | Door panel trim (leather) | left lhd | 1 | COUPE/TARGA PR:098,490, 981,-XVT |
| | 997 555 201 05 FSF | Terracotta/terracotta | | | |
| | 997 555 201 05 FSG | Cocoa/Cocoa | | | |
| | 997 555 201 05 FSH | Darkgrey natural/grey | | | |
| | 997 555 201 05 FSJ | Brown nat./brown nat. | | | |
| | 997 555 201 05 BCD | Black/stone grey | | | |
| | 997 555 201 05 BCE | Black/sand beige | | | |
| | 997 555 201 05 BCF | Black/terracotta | | | |
| (1) | 997 555 201 05 | Door panel trim (leather) | left lhd | 1 | COUPE/TARGA PR:098,490, 981,-XVT |
| | | Until Chassis number See technical information GR.7 NR. 17/11 KD-NR. 70 | | | |
| | 997 555 201 05 FSA | black/grey | | | |
| | 997 555 201 05 FSB | Stone grey/stone grey | | | |
| | 997 555 201 05 FSC | Sand beige/sand beige | | | |
| | 997 555 201 05 FSD | Sea blue/grey | | | |
| | 997 555 201 05 FSP | Carrera Red | | | |
| (1) | 997 555 901 02 | Door panel trim (leather) | left lhd | 1 | COUPE/TARGA PR:098,490, 981,-XVT |
| | | From Chassis number See technical information GR.7 NR. 17/11 KD-NR. 70 | | | |
| | 997 555 901 02 FSA | Black | | | |

Model: 997-09 Model life 2009>>2012

| Pos | Part Number | Description | Remark | Qty | Model |
|-----|--------------------|---|----------|-----|--|
| (1) | 997 555 901 02 FSB | Stone grey | | | |
| | 997 555 901 02 FSC | Sand beige/sand beige | | | |
| | 997 555 901 02 FSD | sea blue | | | |
| | 997 555 901 02 FSP | Carrera Red | | | |
| | 997 555 201 07 | Door panel trim (leather) | left lhd | 1 | COUPE/TARGA PR:490,537, 981,-XVT,098 |
| | 997 555 201 07 FSF | Terracotta/terracotta | | | |
| | 997 555 201 07 FSG | Cocoa/Cocoa | | | |
| | 997 555 201 07 FSH | Darkgrey natural/grey | | | |
| | 997 555 201 07 FSJ | Brown nat./brown nat. | | | |
| | 997 555 201 07 BCD | Black/stone grey | | | |
| (1) | 997 555 201 07 BCE | Black/sand beige | | | |
| | 997 555 201 07 BCF | Black/terracotta | | | |
| | 997 555 201 07 | Door panel trim (leather) | left lhd | 1 | COUPE/TARGA PR:490,537, 981,-XVT,098 |
| | | Until Chassis number See technical information GR.7 NR. 17/11 KD-NR. 70 | | | |
| | 997 555 201 07 FSA | black/grey | | | |
| | 997 555 201 07 FSB | Stone grey/stone grey | | | |
| | 997 555 201 07 FSC | Sand beige/sand beige | | | |
| | 997 555 201 07 FSD | Sea blue/grey | | | |
| | 997 555 201 07 FSP | Carrera Red | | | |
| | 997 555 901 04 | Door panel trim (leather) | left lhd | 1 | COUPE/TARGA PR:490,537, 981,-XVT,098 |
| (1) | | From Chassis number See technical information GR.7 NR. 17/11 KD-NR. 70 | | | |
| | 997 555 901 04 FSA | Black | | | |
| | 997 555 901 04 FSB | Stone grey/stone grey | | | |
| | 997 555 901 04 FSC | Sand beige/sand beige | | | |
| | 997 555 901 04 FSD | sea blue | | | |
| | 997 555 901 04 FSP | Carrera Red | | | |
| | 997 555 201 09 | Door panel trim (leather) | left lhd | 1 | COUPE/TARGA PR:098,680, 981,-XVT |
| | 997 555 201 09 FSF | Terracotta/terracotta | | | |
| | 997 555 201 09 FSG | Cocoa/Cocoa | | | |
| | 997 555 201 09 FSH | Darkgrey natural/grey | | | |
| (1) | 997 555 201 09 FSJ | Brown nat./brown nat. | | | |
| | 997 555 201 09 BCD | Black/stone grey | | | |
| | 997 555 201 09 BCE | Black/sand beige | | | |
| | 997 555 201 09 BCF | Black/terracotta | | | |
| | 997 555 201 09 | Door panel trim (leather) | left lhd | 1 | COUPE/TARGA PR:098,680, 981,-XVT |
| | | Until Chassis number See technical information GR.7 NR. 17/11 KD-NR. 70 | | | |
| | 997 555 201 09 FSA | black/grey | | | |
| | 997 555 201 09 FSB | Stone grey/stone grey | | | |
| | 997 555 201 09 FSC | Sand beige/sand beige | | | |
| | 997 555 201 09 FSD | Sea blue/grey | | | |
| (1) | 997 555 201 09 FSP | Carrera Red | | | |
| | 997 555 901 06 | Door panel trim (leather) | left lhd | 1 | COUPE/TARGA PR:098,680, 981,-XVT |
| | From | | | | |

Model: 997-09 Model life 2009>>2012

| Pos | Part Number | Description | Remark | Qty | Model |
|-----|--------------------|---|-----------|-----|--|
| | | Chassis number See technical information GR.7 NR. 17/11 KD-NR. 70 | | | |
| | 997 555 901 06 FSA | Black | | | |
| | 997 555 901 06 FSB | Stone grey | | | |
| | 997 555 901 06 FSC | Sand beige/sand beige | | | |
| | 997 555 901 06 FSD | sea blue | | | |
| | 997 555 901 06 FSP | Carrera Red | | | |
| (1) | 997 555 202 29 | Door panel trim (leather) | right lhd | 1 | COUPE PR:680,981, -XVT,098 |
| | 997 555 202 29 TSK | Black/terracotta | | | |
| | 997 555 202 29 TSL | Black/sand beige | | | |
| (1) | 997 555 201 11 | Door panel trim (leather) | left lhd | 1 | COUPE/TARGA PR:537,680, 981,-XVT,098 |
| | 997 555 201 11 FSF | Terracotta/terracotta | | | |
| | 997 555 201 11 FSG | Cocoa/Cocoa | | | |
| | 997 555 201 11 FSH | Darkgrey natural/grey | | | |
| | 997 555 201 11 FSJ | Brown nat./brown nat. | | | |
| | 997 555 201 11 BCD | Black/stone grey | | | |
| | 997 555 201 11 BCE | Black/sand beige | | | |
| | 997 555 201 11 BCF | Black/terracotta | | | |
| (1) | 997 555 201 11 | Door panel trim (leather) | left lhd | 1 | COUPE/TARGA PR:537,680, 981,-XVT,098 |
| | | Until Chassis number See technical information GR.7 NR. 17/11 KD-NR. 70 | | | |
| | 997 555 201 11 FSA | black/grey | | | |
| | 997 555 201 11 FSB | Stone grey/stone grey | | | |
| | 997 555 201 11 FSC | Sand beige/sand beige | | | |
| | 997 555 201 11 FSD | Sea blue/grey | | | |
| | 997 555 201 11 FSP | Carrera Red | | | |
| (1) | 997 555 901 08 | Door panel trim (leather) | left lhd | 1 | COUPE/TARGA PR:537,680, 981,-XVT,098 |
| | | From Chassis number See technical information GR.7 NR. 17/11 KD-NR. 70 | | | |
| | 997 555 901 08 FSA | Black | | | |
| | 997 555 901 08 FSB | Stone grey/stone grey | | | |
| | 997 555 901 08 FSC | Sand beige/sand beige | | | |
| | 997 555 901 08 FSD | sea blue | | | |
| | 997 555 901 08 FSP | Carrera Red | | | |
| (1) | 997 555 201 17 | Door panel trim (leather) | left lhd | 1 | CABRIO PR:098,490, 981,-XVT |
| | 997 555 201 17 FSF | Terracotta/terracotta | | | |
| | 997 555 201 17 FSG | Cocoa/Cocoa | | | |
| | 997 555 201 17 FSH | Darkgrey natural/grey | | | |
| | 997 555 201 17 FSJ | Brown nat./brown nat. | | | |
| | 997 555 201 17 BCD | Black/stone grey | | | |
| | 997 555 201 17 BCE | Black/sand beige | | | |
| | 997 555 201 17 BCF | Black/terracotta | | | |
| (1) | 997 555 201 17 | Door panel trim (leather) | left lhd | 1 | CABRIO PR:098,490, 981,-XVT |
| | | Until Chassis number See technical information | | | |

Model: 997-09 Model life 2009>>2012

| Pos | Part Number | Description | Remark | Qty | Model |
|-----|--------------------|---|----------|-----|---------------------------------------|
| | | GR.7 NR. 17/11 KD-NR. 70 | | | |
| | 997 555 201 17 FSA | black/grey | | | |
| | 997 555 201 17 FSB | Stone grey/stone grey | | | |
| | 997 555 201 17 FSC | Sand beige/sand beige | | | |
| | 997 555 201 17 FSD | Sea blue/grey | | | |
| | 997 555 201 17 FSP | Carrera Red | | | |
| (1) | 997 555 901 10 | Door panel trim (leather) | left lhd | 1 | CABRIO PR:098,490, 981,-XVT |
| | | From Chassis number See technical information GR.7 NR. 17/11 KD-NR. 70 | | | |
| | 997 555 901 10 FSA | Black | | | |
| | 997 555 901 10 FSB | Stone grey/stone grey | | | |
| | 997 555 901 10 FSC | Sand beige/sand beige | | | |
| | 997 555 901 10 FSD | sea blue | | | |
| | 997 555 901 10 FSP | Carrera Red | | | |
| (1) | 997 555 201 19 | Door panel trim (leather) | left lhd | 1 | CABRIO PR:490,537, 981,-XVT,098 |
| | 997 555 201 19 FSF | Terracotta/terracotta | | | |
| | 997 555 201 19 FSG | Cocoa/Cocoa | | | |
| | 997 555 201 19 FSH | Darkgrey natural/grey | | | |
| | 997 555 201 19 FSJ | Brown nat./brown nat. | | | |
| | 997 555 201 19 BCD | black/grey | | | |
| | 997 555 201 19 BCE | Black/sand beige | | | |
| | 997 555 201 19 BCF | Black/terracotta | | | |
| (1) | 997 555 201 19 | Door panel trim (leather) | left lhd | 1 | CABRIO PR:490,537, 981,-XVT,098 |
| | | Until Chassis number See technical information GR.7 NR. 17/11 KD-NR. 70 | | | |
| | 997 555 201 19 FSA | black/grey | | | |
| | 997 555 201 19 FSB | Stone grey/stone grey | | | |
| | 997 555 201 19 FSC | Sand beige/sand beige | | | |
| | 997 555 201 19 FSD | Sea blue/grey | | | |
| | 997 555 201 19 FSP | Carrera Red | | | |
| (1) | 997 555 901 12 | Door panel trim (leather) | left lhd | 1 | CABRIO PR:490,537, 981,-XVT,098 |
| | | From Chassis number See technical information GR.7 NR. 17/11 KD-NR. 70 | | | |
| | 997 555 901 12 FSA | Black | | | |
| | 997 555 901 12 FSB | Stone grey/stone grey | | | |
| | 997 555 901 12 FSC | Sand beige/sand beige | | | |
| | 997 555 901 12 FSD | sea blue | | | |
| | 997 555 901 12 FSP | Carrera Red | | | |
| (1) | 997 555 201 21 | Door panel trim (leather) | left lhd | 1 | CABRIO PR:098,680, 981,-XVT |
| | 997 555 201 21 FSF | Terracotta/terracotta | | | |
| | 997 555 201 21 FSG | Cocoa/Cocoa | | | |
| | 997 555 201 21 FSH | Darkgrey natural/grey | | | |
| | 997 555 201 21 FSJ | Brown nat./brown nat. | | | |
| | 997 555 201 21 BCD | Black/stone grey | | | |
| | 997 555 201 21 BCE | Black/sand beige | | | |
| | 997 555 201 21 BCF | Black/terracotta | | | |

Model: 997-09 Model life 2009>>2012

| Pos | Part Number | Description | Remark | Qty | Model |
|-----|--------------------|---|-----------|-----|---------------------------------------|
| (1) | 997 555 201 21 | Door panel trim (leather) Until Chassis number See technical information GR.7 NR. 17/11 KD-NR. 70 | left lhd | 1 | CABRIO PR:098,680, 981,-XVT |
| | 997 555 201 21 FSA | black/grey | | | |
| | 997 555 201 21 FSB | Stone grey/stone grey | | | |
| | 997 555 201 21 FSC | Sand beige/sand beige | | | |
| | 997 555 201 21 FSD | Sea blue/grey | | | |
| | 997 555 201 21 FSP | Carrera Red | | | |
| (1) | 997 555 901 14 | Door panel trim (leather) From Chassis number See technical information GR.7 NR. 17/11 KD-NR. 70 | left lhd | 1 | CABRIO PR:098,680, 981,-XVT |
| | 997 555 901 14 FSA | Black | | | |
| | 997 555 901 14 FSB | Stone grey/stone grey | | | |
| | 997 555 901 14 FSC | Sand beige/sand beige | | | |
| | 997 555 901 14 FSD | sea blue | | | |
| | 997 555 901 14 FSP | Carrera Red | | | |
| (1) | 997 555 201 23 | Door panel trim (leather) Terracotta/terracotta Cocoa/Cocoa Darkgrey natural/grey Brown nat./brown nat. Black/stone grey Black/sand beige Black/terracotta Espresso | left lhd | 1 | CABRIO PR:537,680, 981,-XVT,098 |
| | 997 555 201 23 FSF | Terracotta/terracotta | | | |
| | 997 555 201 23 FSG | Cocoa/Cocoa | | | |
| | 997 555 201 23 FSH | Darkgrey natural/grey | | | |
| | 997 555 201 23 FSJ | Brown nat./brown nat. | | | |
| | 997 555 201 23 BCD | Black/stone grey | | | |
| | 997 555 201 23 BCE | Black/sand beige | | | |
| | 997 555 201 23 BCF | Black/terracotta | | | |
| | 997 555 201 23 FWH | Espresso | | | |
| (1) | 997 555 201 23 | Door panel trim (leather) Until Chassis number See technical information GR.7 NR. 17/11 KD-NR. 70 | left lhd | 1 | CABRIO PR:537,680, 981,-XVT,098 |
| | 997 555 201 23 FSA | black/grey | | | |
| | 997 555 201 23 FSB | Stone grey/stone grey | | | |
| | 997 555 201 23 FSC | Sand beige/sand beige | | | |
| | 997 555 201 23 FSD | Sea blue/grey | | | |
| | 997 555 201 23 FSP | Carrera Red | | | |
| (1) | 997 555 901 16 | Door panel trim (leather) From Chassis number See technical information GR.7 NR. 17/11 KD-NR. 70 | left lhd | 1 | CABRIO PR:537,680, 981,-XVT,098 |
| | 997 555 901 16 FSA | Black | | | |
| | 997 555 901 16 FSB | Stone grey/stone grey | | | |
| | 997 555 901 16 FSC | Sand beige/sand beige | | | |
| | 997 555 901 16 FSD | sea blue | | | |
| | 997 555 901 16 FSP | Carrera Red | | | |
| (1) | 997 555 202 27 | Door panel trim (leather) Terracotta/terracotta Cocoa/Cocoa | right lhd | 1 | PR:098,490, 981,-XVT |
| | 997 555 202 27 FSF | Terracotta/terracotta | | | |
| | 997 555 202 27 FSG | Cocoa/Cocoa | | | |

Model: 997-09 Model life 2009>>2012

| Pos | Part Number | Description | Remark | Qty | Model |
|-----|--------------------|---|-----------|-----|-------------------------|
| | 997 555 202 27 FSH | Darkgrey natural/grey | | | |
| | 997 555 202 27 FSJ | Brown nat./brown nat. | | | |
| | 997 555 202 27 BCD | Black/stone grey | | | |
| | 997 555 202 27 BCE | Black/sand beige | | | |
| | 997 555 202 27 BCF | Black/terracotta | | | |
| (1) | 997 555 202 27 | Door panel trim (leather) | right lhd | 1 | PR:098,490, 981,-XVT |
| | | Until Chassis number See technical information GR.7 NR. 17/11 KD-NR. 70 | | | |
| | 997 555 202 27 FSA | black/grey | | | |
| | 997 555 202 27 FSB | Stone grey/stone grey | | | |
| | 997 555 202 27 FSC | Sand beige/sand beige | | | |
| | 997 555 202 27 FSD | Sea blue/grey | | | |
| | 997 555 202 27 FSP | Carrera Red | | | |
| (1) | 997 555 902 19 | Door panel trim (leather) | right lhd | 1 | PR:098,490, 981,-XVT |
| | | From Chassis number See technical information GR.7 NR. 17/11 KD-NR. 70 | | | |
| | 997 555 902 19 FSA | Black | | | |
| | 997 555 902 19 FSB | Stone grey/stone grey | | | |
| | 997 555 902 19 FSC | Sand beige/sand beige | | | |
| | 997 555 902 19 FSD | sea blue | | | |
| | 997 555 902 19 FSP | Carrera Red | | | |
| (1) | 997 555 202 29 | Door panel trim (leather) | right lhd | 1 | PR:098,680, 981,-XVT |
| | 997 555 202 29 FSF | Terracotta/terracotta | | | |
| | 997 555 202 29 FSG | Cocoa/Cocoa | | | |
| | 997 555 202 29 FSH | Darkgrey natural/grey | | | |
| | 997 555 202 29 FSJ | Brown nat./brown nat. | | | |
| | 997 555 202 29 BCD | Black/stone grey | | | |
| | 997 555 202 29 BCE | Black/sand beige | | | |
| | 997 555 202 29 BCF | Black/terracotta | | | |
| | 997 555 202 29 FWH | Espresso | | | |
| (1) | 997 555 202 29 | Door panel trim (leather) | right lhd | 1 | PR:098,680, 981,-XVT |
| | | Until Chassis number See technical information GR.7 NR. 17/11 KD-NR. 70 | | | |
| | 997 555 202 29 FSA | black/grey | | | |
| | 997 555 202 29 FSB | Stone grey/stone grey | | | |
| | 997 555 202 29 FSC | Sand beige/sand beige | | | |
| | 997 555 202 29 FSD | Sea blue/grey | | | |
| | 997 555 202 29 FSP | Carrera Red | | | |
| (1) | 997 555 902 21 | Door panel trim (leather) | right lhd | 1 | PR:098,680, 981,-XVT |
| | | From Chassis number See technical information GR.7 NR. 17/11 KD-NR. 70 | | | |
| | 997 555 902 21 FSA | Black | | | |
| | 997 555 902 21 FSB | Stone grey/stone grey | | | |
| | 997 555 902 21 FSC | Sand beige/sand beige | | | |
| | 997 555 902 21 FSD | sea blue | | | |
| | 997 555 902 21 FSP | Carrera Red | | | |

Model: 997-09 Model life 2009>>2012

| Pos | Part Number | Description | Remark | Qty | Model |
|-----|--------------------------------------|--|-----------|-----|--|
| (1) | 997 555 201 50 | Door trim (Alcantara) Leather | left lhd | 1 | COUPE PR:098,490, 975,981,011 |
| (1) | 997 555 201 50 FSM 997 555 201 E2 | black/black Door trim (Alcantara) Leather | left lhd | 1 | COUPE PR:537,680, 975,981,011, 098 |
| (1) | 997 555 201 E2 FSM 997 555 201 E4 | black/black Door trim (Alcantara) Leather | left lhd | 1 | CABRIO PR:098,490, 975,981,011 |
| (1) | 997 555 201 E4 FSM 997 555 202 52 | black/black Door trim (Alcantara) Leather | right lhd | 1 | COUPE/CABRIO PR:098,490, 975,981,011 |
| (1) | 997 555 202 52 FSM 997 555 201 74 | black/black Door trim (Alcantara) Leather | left lhd | 1 | COUPE PR:490,537, 975,981,011, 098 |
| (1) | 997 555 201 74 FSM 997 555 201 E1 | black/black Door trim (Alcantara) Leather | left lhd | 1 | COUPE PR:098,680, 975,981,011 |
| (1) | 997 555 201 E1 FSM 997 555 201 E6 | black/black Door trim (Alcantara) Leather | left lhd | 1 | CABRIO PR:098,680, 975,981,011 |
| (1) | 997 555 201 E6 FSM 997 555 202 E3 | black/black Door trim (Alcantara) Leather | right lhd | 1 | COUPE/CABRIO PR:098,680, 975,981,011 |
| (1) | 997 555 202 E3 FSM 997 555 201 E7 | black/black Door trim (Alcantara) Leather | left lhd | 1 | CABRIO PR:680,537, 975,981,011, 098 |
| 2 | 997 555 201 E7 FSM 999 507 533 02 | black/black Clamp 8,0X 10/2,5 | | 2 | |
| 3 | 955 555 243 00 | Retaining clip for door panel | | 9 | |
| 4 | 999 073 322 02 | fillister hd. bolt M 6 X 20 for Mount door panel | | 5 | |
| 5 | 997 555 221 01 | Cover Stowage compartment | left | 1 | |
| | 997 555 221 01 FSA | black/grey | | | |
| | 997 555 221 01 FSB | Stone grey/stone grey | | | |
| | 997 555 221 01 FSC | Sand beige/sand beige | | | |
| | 997 555 221 01 FSD | Sea blue/grey | | | |
| | 997 555 221 01 FSF | Terracotta/terracotta | | | |
| | 997 555 221 01 FSG | Cocoa/Cocoa | | | |
| | 997 555 221 01 FSH | Darkgrey natural/grey | | | |
| | 997 555 221 01 FSJ | Brown nat./brown nat. | | | |
| | 997 555 221 01 FSP | Carrera Red | | | |
| (5) | 997 555 222 01 | Cover Stowage compartment | right | 1 | |
| | 997 555 222 01 FSA | black/grey | | | |

Model: 997-09 Model life 2009>>2012

| Pos | Part Number | Description | Remark | Qty | Model |
|-----|--------------------|---|--------|-----|--|
| | 997 555 222 01 FSB | Stone grey/stone grey | | | |
| | 997 555 222 01 FSC | Sand beige/sand beige | | | |
| | 997 555 222 01 FSD | Sea blue/grey | | | |
| | 997 555 222 01 FSF | Terracotta/terracotta | | | |
| | 997 555 222 01 FSG | Cocoa/Cocoa | | | |
| | 997 555 222 01 FSH | Darkgrey natural/grey | | | |
| | 997 555 222 01 FSJ | Brown nat./brown nat. | | | |
| | 997 555 222 01 FSP | Carrera Red | | | |
| (5) | 997 555 221 02 | Cover Stowage compartment Alcantara | left | 1 | PR:975 |
| (5) | 997 555 221 02 FSO | Black | | | |
| | 997 555 222 02 | Cover Stowage compartment Alcantara | right | 1 | PR:975 |
| | 997 555 222 02 FSO | Black | | | |
| 6 | 997 555 833 00 | Leg spring for Cover Stowage compartment | left | 1 | |
| (6) | 997 555 834 00 | Leg spring for Cover Stowage compartment | right | 1 | |
| 7 | 997 555 841 00 | Damper Stowage compartment | | 1 | |
| (8) | 997 555 261 01 | Pull handle (leather) Lower part | left | 1 | |
| | 997 555 261 01 A11 | Black | | | |
| | 997 555 261 01 5X6 | Stone grey | | | |
| | 997 555 261 01 8G2 | Sand beige | | | |
| | 997 555 261 01 3S9 | sea blue | | | |
| | 997 555 261 01 9S5 | Terracotta | | | |
| | 997 555 261 01 9V6 | Cocoa | | | |
| | 997 555 261 01 D12 | Dark grey/natural | | | |
| | 997 555 261 01 T12 | Brown/natural | | | |
| | 997 555 261 01 N12 | Carrera Red | | | |
| (8) | 997 555 262 01 | Pull handle (leather) Lower part | right | 1 | |
| | 997 555 262 01 A11 | Black | | | |
| | 997 555 262 01 5X6 | Stone grey | | | |
| | 997 555 262 01 8G2 | Sand beige | | | |
| | 997 555 262 01 3S9 | sea blue | | | |
| | 997 555 262 01 9S5 | Terracotta | | | |
| | 997 555 262 01 9V6 | Cocoa | | | |
| | 997 555 262 01 D12 | Dark grey/natural | | | |
| | 997 555 262 01 T12 | Brown/natural | | | |
| | 997 555 262 01 N12 | Carrera Red | | | |
| 9 | 999 919 229 02 | fillister hd. bolt 6,0 X 40,0 for Mount | | 2 | |
| 10 | 997 555 381 02 | Pull handle Axle bearing Valid for | left | 1 | Coupe C2 Coupe C2 S Coupe C4 Coupe C4 S Cabrio C2 Cabrio C2 Cabrio C2 S Cabrio C4 |

Model: 997-09 Model life 2009>>2012

| Pos | Part Number | Description | Remark | Qty | Model |
|------|--------------------|--|--------|-----|---|
| (10) | 997 555 382 02 | Axle bearing GÜLTIG FÜR: | right | 1 | Cabrio C4 S Targa C4 Targa C4 S Coupe C2 Coupe C2 S Coupe C4 Coupe C4 S Cabrio C2 Cabrio C2 S Cabrio C4 Cabrio C4 S Targa C4 Targa C4 S |
| (10) | 997 555 381 03 | Axle bearing Valid from: | left | 1 | Coupe C2 Coupe C2 S Coupe C4 Coupe C4 S Cabrio C2 Cabrio C2 S Cabrio C4 Cabrio C4 S Targa C4 Targa C4 S |
| (10) | 997 555 382 03 | Axle bearing Valid from: | right | 1 | Coupe C2 Coupe C2 S Coupe C4 Coupe C4 S Cabrio C2 Cabrio C2 S Cabrio C4 Cabrio C4 S Targa C4 Targa C4 S |
| 11 | 999 919 164 09 | fillister hd. bolt 5 X 12 for Mount | | 3 | |
| 12 | 997 555 461 01 | Axle bearing lever Inner actuator | left | 1 | |
| (12) | 997 555 461 01 V05 | Galvano silver | | | |
| (12) | 997 555 462 01 | lever Inner actuator | right | 1 | |
| (12) | 997 555 462 01 V05 | Galvano silver | | | |
| 13 | 999 919 164 09 | fillister hd. bolt 5 X 12 for Mount | | 1 | |
| 14 | 997 555 683 00 | lever Inner actuator Cover cap Airbag | left | 1 | |
| | 997 555 683 00 A03 | Black | | | |
| | 997 555 683 00 5V7 | Stone grey | | | |
| | 997 555 683 00 5Z1 | Sand beige | | | |
| | 997 555 683 00 8W7 | sea blue | | | |
| | 997 555 683 00 8X8 | Terracotta | | | |

Model: 997-09 Model life 2009>>2012

| Pos | Part Number | Description | Remark | Qty | Model | | | | |
|------|--------------------|-----------------------|----------------|-----|--------|-------|-------|---|--------|
| (14) | 997 555 683 00 8P9 | Cocoa | right | 1 | | | | | |
| | 997 555 683 00 T13 | Brown/natural | | | | | | | |
| | 997 555 683 00 N23 | Carrera Red | | | | | | | |
| | 997 555 684 00 | Cover cap | | | | | | | |
| | | Airbag | | | | | | | |
| | 997 555 684 00 A03 | Black | | | | | | | |
| | 997 555 684 00 5V7 | Stone grey | | | | | | | |
| | 997 555 684 00 5Z1 | Sand beige | | | | | | | |
| | 997 555 684 00 8W7 | sea blue | | | | | | | |
| | 997 555 684 00 8X8 | Terracotta | | | | | | | |
| 15 | 997 555 684 00 8P9 | Cocoa | left front | 1 | | | | | |
| | 997 555 684 00 T13 | Brown/natural | | | | | | | |
| | 997 555 684 00 N23 | Carrera Red | | | | | | | |
| | 997 555 643 01 | Trim | | | | | | | |
| | | Lacquered | | | | | | | |
| | 997 555 643 01 A03 | Black | | | | | | | |
| | 997 555 643 01 5V7 | Stone grey | | | | | | | |
| | 997 555 643 01 5Z1 | Sand beige | | | | | | | |
| | 997 555 643 01 8W7 | sea blue | | | | | | | |
| | 997 555 643 01 8X8 | Terracotta | | | | | | | |
| (15) | 997 555 643 01 8P9 | Cocoa | right front | 1 | | | | | |
| | 997 555 643 01 T13 | Brown/natural | | | | | | | |
| | 997 555 643 01 N23 | Carrera Red | | | | | | | |
| | 997 555 644 01 | Trim | | | | | | | |
| | | Lacquered | | | | | | | |
| | 997 555 644 01 A03 | Black | | | | | | | |
| | 997 555 644 01 5V7 | Stone grey | | | | | | | |
| | 997 555 644 01 5Z1 | Sand beige | | | | | | | |
| | 997 555 644 01 8W7 | sea blue | | | | | | | |
| | 997 555 644 01 8X8 | Terracotta | | | | | | | |
| 16 | 997 555 644 01 8P9 | Cocoa | left | 1 | | | | | |
| | 997 555 644 01 T13 | Brown/natural | | | | | | | |
| | 997 555 644 01 N23 | Carrera Red | | | | | | | |
| | 997 555 431 01 | Leather panel | | | | | | | |
| | | Door handle | | | | | | | |
| | 997 555 431 01 FSA | black/grey | | | | | | | |
| | 997 555 431 01 FSB | Stone grey/stone grey | | | | | | | |
| | 997 555 431 01 FSC | Sand beige/sand beige | | | | | | | |
| | 997 555 431 01 FSD | Sea blue/grey | | | | | | | |
| | 997 555 431 01 FSF | Terracotta/terracotta | | | | | | | |
| (16) | 997 555 431 01 FSG | Cocoa/Cocoa | right | 1 | | | | | |
| | 997 555 431 01 FSH | Darkgrey natural/grey | | | | | | | |
| | 997 555 431 01 FSJ | Brown nat./brown nat. | | | | | | | |
| | 997 555 431 01 FSP | Carrera Red | | | | | | | |
| | 997 555 432 01 | Leather panel | | | | | | | |
| | | Door handle | | | | | | | |
| | 997 555 432 01 FSA | black/grey | | | | | | | |
| | 997 555 432 01 FSB | Stone grey/stone grey | | | | | | | |
| | 997 555 432 01 FSC | Sand beige/sand beige | | | | | | | |
| | 997 555 432 01 FSD | Sea blue/grey | | | | | | | |
| (16) | 997 555 432 01 FSF | Terracotta/terracotta | left | 1 | PR:975 | | | | |
| | 997 555 432 01 FSG | Cocoa/Cocoa | | | | | | | |
| | 997 555 432 01 FSH | Darkgrey natural/grey | | | | | | | |
| | 997 555 432 01 FSJ | Brown nat./brown nat. | | | | | | | |
| | 997 555 432 01 FSP | Carrera Red | | | | | | | |
| | 997 555 431 03 | Trim | | | | | | | |
| | | Door handle | | | | | | | |
| | 997 555 431 03 FSO | Black | | | | | | | |
| | (16) | 997 555 432 03 | | | | Trim | right | 1 | PR:975 |
| | | 997 555 432 03 FSO | | | | Black | | | |

Model: 997-09 Model life 2009>>2012

| Pos | Part Number | Description | Remark | Qty | Model |
|------|--------------------|--|--------|-----|------------|
| 17 | 999 591 380 01 | Cable fastener | | 3 | |
| 18 | 997 555 685 02 | Cover | lhd | 1 | PR:098 |
| | | Exterior mirror (drivers side) Lacquered | | | |
| | 997 555 685 02 A03 | Black | | | |
| | 997 555 685 02 5V7 | Stone grey | | | |
| | 997 555 685 02 5Z1 | Sand beige | | | |
| | 997 555 685 02 8W7 | sea blue | | | |
| | 997 555 685 02 8X8 | Terracotta | | | |
| | 997 555 685 02 8P9 | Cocoa | | | |
| | 997 555 685 02 T13 | Brown/natural | | | |
| | 997 555 685 02 N23 | Carrera Red | | | |
| (18) | 997 555 995 00 | Cover (leather) | lhd | 1 | PR:098,XDX |
| | | Exterior mirror (drivers side) D - MJ 2010>> | | | |
| | 997 555 995 00 A11 | Black | | | |
| | 997 555 995 00 5X6 | Stone grey | | | |
| | 997 555 995 00 8G2 | Sand beige | | | |
| | 997 555 995 00 3S9 | sea blue | | | |
| | 997 555 995 00 9S5 | Terracotta | | | |
| | 997 555 995 00 9V6 | Cocoa | | | |
| | 997 555 995 00 T12 | Brown/natural | | | |
| | 997 555 995 00 N12 | Carrera Red | | | |
| (18) | 997 555 686 02 | Cover | lhd | 1 | PR:098 |
| | | Exterior mirror (passenger side) Lacquered | | | |
| | 997 555 686 02 A03 | Black | | | |
| | 997 555 686 02 5V7 | Stone grey | | | |
| | 997 555 686 02 5Z1 | Sand beige | | | |
| | 997 555 686 02 8W7 | sea blue | | | |
| | 997 555 686 02 8X8 | Terracotta | | | |
| | 997 555 686 02 8P9 | Cocoa | | | |
| | 997 555 686 02 T13 | Brown/natural | | | |
| | 997 555 686 02 N23 | Carrera Red | | | |
| (18) | 997 555 996 00 | Cover (leather) | lhd | 1 | PR:098,XDX |
| | | Exterior mirror (passenger side) | | | |
| | 997 555 996 00 A11 | Black | | | |
| | 997 555 996 00 5X6 | Stone grey | | | |
| | 997 555 996 00 8G2 | Sand beige | | | |
| | 997 555 996 00 3S9 | sea blue | | | |
| | 997 555 996 00 9S5 | Terracotta | | | |
| | 997 555 996 00 9V6 | Cocoa | | | |
| | 997 555 996 00 D12 | Dark grey/natural | | | |
| | 997 555 996 00 T12 | Brown/natural | | | |
| | 997 555 996 00 N12 | Carrera Red | | | |
| 19 | 997 555 577 00 | Cover cap Handle liner | | 1 | |
| | 997 555 577 00 A03 | Black | | | |
| | 997 555 577 00 5V7 | Stone grey | | | |
| | 997 555 577 00 8W7 | sea blue | | | |
| | 997 555 577 00 8X8 | Terracotta | | | |
| | 997 555 577 00 8P9 | Cocoa | | | |
| | 997 555 577 00 T13 | Brown/natural | | | |
| | 997 555 577 00 N23 | Carrera Red | | | |
| 20 | 997 555 895 00 | Plastic foam strip for Bass loudspeaker | | 1 | |
| 21 | 997 645 511 00 | inscription | | 2 | PR:680 |
| 22 | 997 555 597 00 | Distance piece | | 2 | |

Model: 997-09 Model life 2009>>2012

| Pos | Part Number | Description | Remark | Qty | Model |
|------|--------------------|---|-----------|-----|-----------------------|
| 23 | 999 702 281 41 | Bonnet hinge Grommet | | 1 | |
| 24 | 997 555 271 01 | Axle bearing Pull handle (leather) Upper part | left | 1 | |
| | 997 555 271 01 FSA | black/grey | | | |
| | 997 555 271 01 FSB | Stone grey/stone grey | | | |
| | 997 555 271 01 FSC | Sand beige/sand beige | | | |
| | 997 555 271 01 FSD | Sea blue/grey | | | |
| | 997 555 271 01 FSF | Terracotta/terracotta | | | |
| | 997 555 271 01 FSG | Cocoa/Cocoa | | | |
| | 997 555 271 01 FSH | Darkgrey natural/grey | | | |
| | 997 555 271 01 FSJ | Brown nat./brown nat. | | | |
| | 997 555 271 01 FSP | Carrera Red | | | |
| (24) | 997 555 272 01 | Pull handle (leather) Upper part | right | 1 | |
| | 997 555 272 01 FSA | black/grey | | | |
| | 997 555 272 01 FSB | Stone grey/stone grey | | | |
| | 997 555 272 01 FSC | Sand beige/sand beige | | | |
| | 997 555 272 01 FSD | Sea blue/grey | | | |
| | 997 555 272 01 FSF | Terracotta/terracotta | | | |
| | 997 555 272 01 FSG | Cocoa/Cocoa | | | |
| | 997 555 272 01 FSH | Darkgrey natural/grey | | | |
| | 997 555 272 01 FSJ | Brown nat./brown nat. | | | |
| | 997 555 272 01 FSP | Carrera Red | | | |
| (24) | 997 555 271 02 | Pull handle Upper part Alcantara | left | 1 | PR:975 |
| (24) | 997 555 271 02 FSO | black/grey | | | |
| (24) | 997 555 272 02 | Pull handle Upper part Alcantara | right | 1 | PR:975 |
| | 997 555 272 02 FSO | Black | | | |
| 25 | 997 555 351 03 | Insert Handle liner Lacquered | left lhd | 1 | COUPE/TARGA PR:098 |
| | 997 555 351 03 A03 | Black | | | |
| | 997 555 351 03 5V7 | Stone grey | | | |
| | 997 555 351 03 5Z1 | Sand beige | | | |
| | 997 555 351 03 8W7 | sea blue | | | |
| | 997 555 351 03 8X8 | Terracotta | | | |
| | 997 555 351 03 8P9 | Cocoa | | | |
| | 997 555 351 03 T13 | Brown/natural | | | |
| | 997 555 351 03 N23 | Carrera Red | | | |
| | 997 555 351 03 2S8 | Espresso | | | |
| (25) | 997 555 351 05 | Insert Handle liner Lacquered | left lhd | 1 | CABRIO PR:098 |
| | 997 555 351 05 A03 | Black | | | |
| | 997 555 351 05 5V7 | Stone grey | | | |
| | 997 555 351 05 5Z1 | Sand beige | | | |
| | 997 555 351 05 8W7 | sea blue | | | |
| | 997 555 351 05 8X8 | Terracotta | | | |
| | 997 555 351 05 8P9 | Cocoa | | | |
| | 997 555 351 05 T13 | Brown/natural | | | |
| | 997 555 351 05 N23 | Carrera Red | | | |
| | 997 555 351 05 2S8 | Espresso | | | |
| (25) | 997 555 352 04 | Insert Handle liner Lacquered | right lhd | 1 | PR:098 |
| | 997 555 352 04 A03 | Black | | | |
| | 997 555 352 04 5V7 | Stone grey | | | |
| | 997 555 352 04 5Z1 | Sand beige | | | |

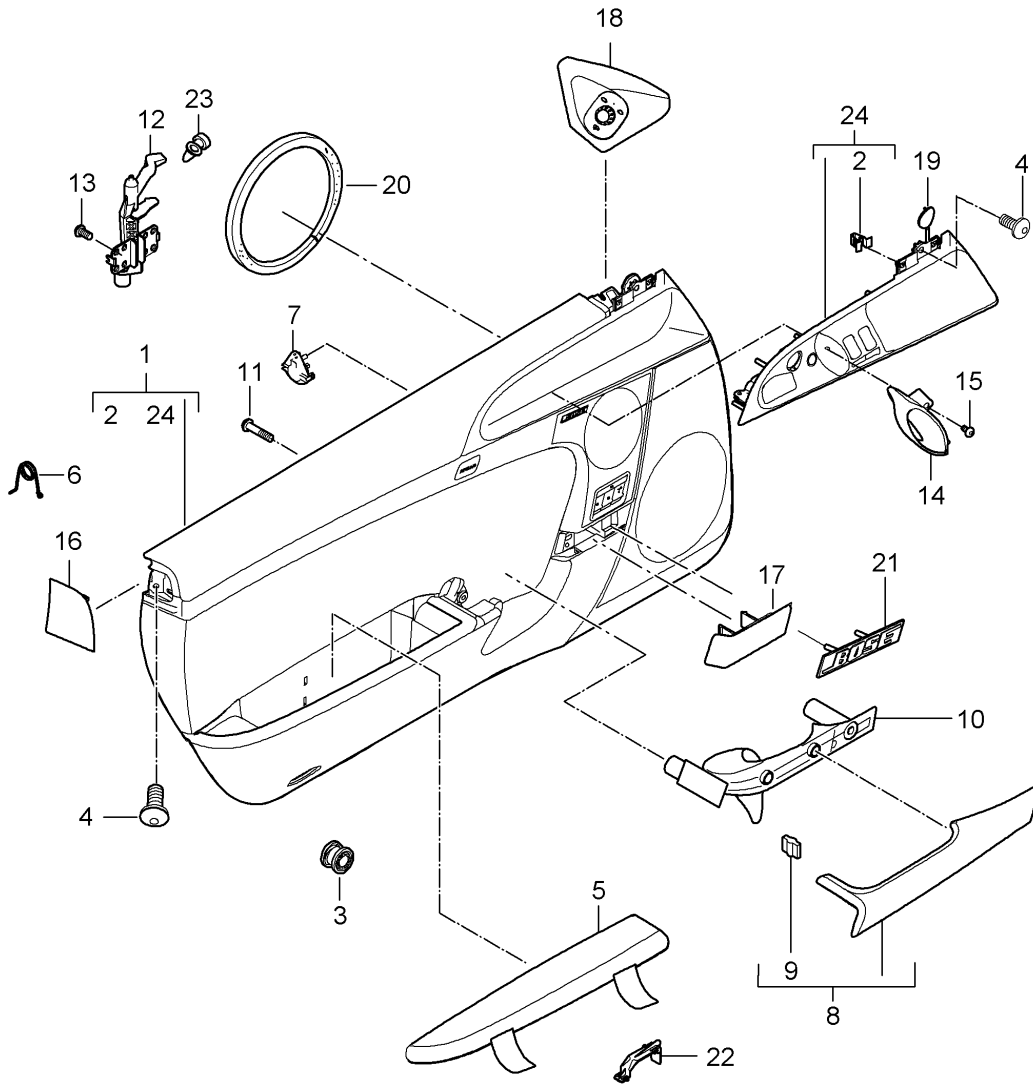
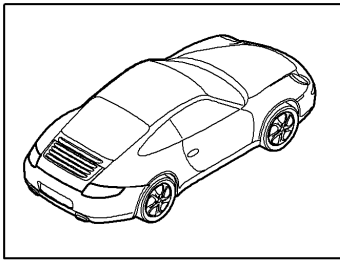
Model: 997-09

Model life 2009>>2012

| Pos | Part Number | Description | Remark | Qty | Model |
|-----|--------------------|---------------|--------|-----|-------|
| | 997 555 352 04 8W7 | sea blue | | | |
| | 997 555 352 04 8X8 | Terracotta | | | |
| | 997 555 352 04 8P9 | Cocoa | | | |
| | 997 555 352 04 T13 | Brown/natural | | | |
| | 997 555 352 04 N23 | Carrera Red | | | |
| | 997 555 352 04 2S8 | Espresso | | | |

Model: 997-09

Model life 2009>>2012



Model: 997-09 Model life 2009>>2012

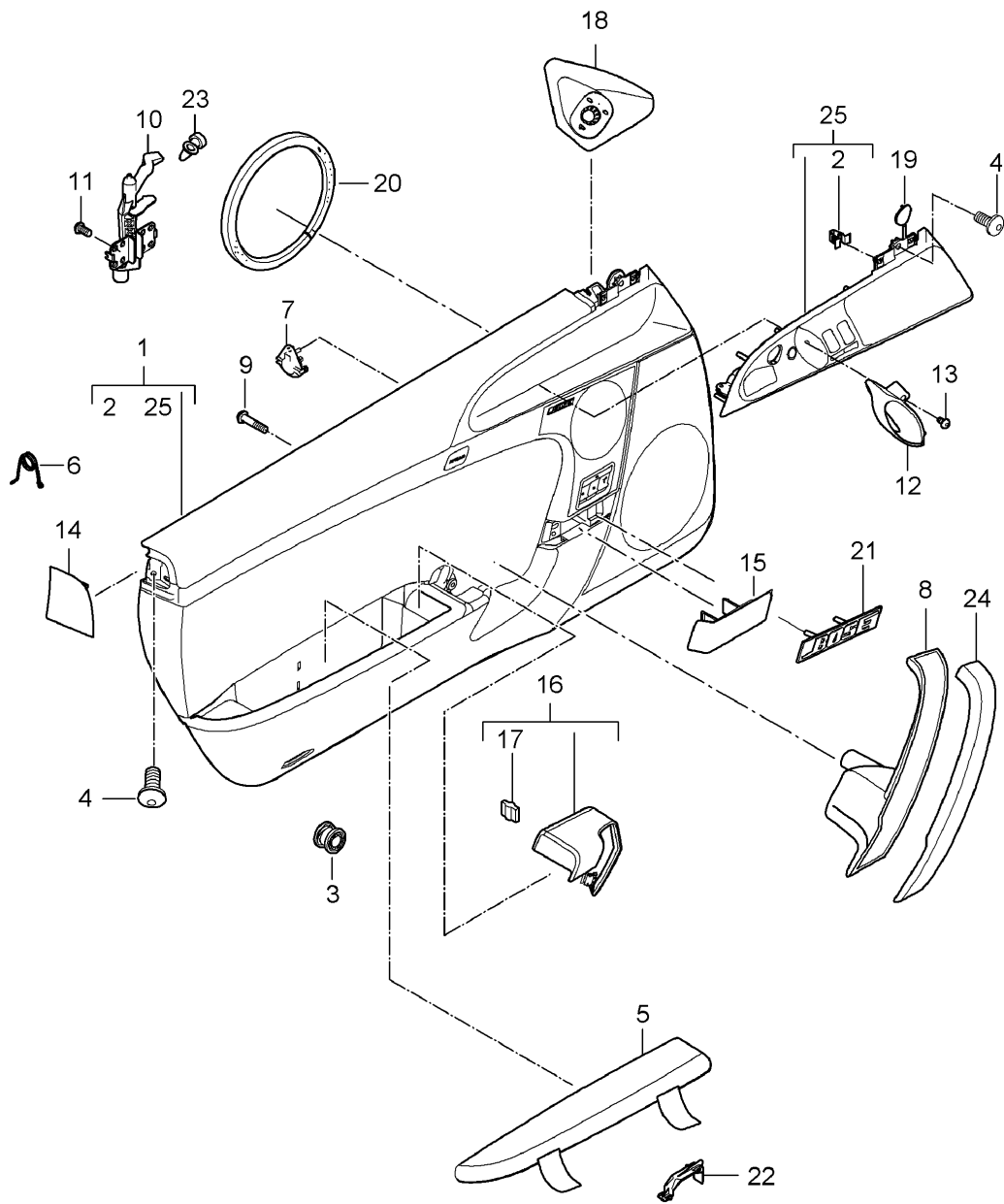
| Pos | Part Number | Description | Remark | Qty | Model |
|------|--------------------|---|-----------|-----|--|
| | | door panel Accessories D - MJ 2010>> | | | PR:756 |
| (1) | 997 555 983 00 | Door panel trim (leather) | left lhd | 1 | PR:XTV,XVT, 537,680,756, 981,098 |
| | 997 555 983 00 SCD | Espresso/Light Grey | | | |
| (1) | 997 555 984 01 | Door panel trim (leather) | right lhd | 1 | PR:XTV,XVT, 098,680,756, 981 |
| | 997 555 984 01 SCD | Espresso/Light Grey | | | |
| 2 | 999 507 533 02 | Clamp 8,0X 10/2,5 | | 2 | |
| 3 | 955 555 243 00 | Retaining clip for door panel | | 9 | |
| 4 | 999 073 322 02 | fillister hd. bolt M 6 X 20 for Mount | | 5 | |
| 5 | 997 555 221 03 | door panel Cover Stowage compartment D - MJ 2010>> | left | 1 | PR:756,981 |
| | 997 555 221 03 SCA | Espresso | | | |
| (5) | 997 555 222 03 | Cover Stowage compartment D - MJ 2010>> | right | 1 | PR:756,981 |
| | 997 555 222 03 SCA | Espresso | | | |
| 6 | 997 555 833 00 | Leg spring for Cover Stowage compartment | left | 1 | |
| (6) | 997 555 834 00 | Leg spring for Cover Stowage compartment | right | 1 | |
| 7 | 997 555 841 00 | Damper Stowage compartment | | 1 | |
| 8 | 997 555 271 03 | Pull handle Upper part D - MJ 2010>> | left | 1 | PR:756 |
| | 997 555 271 03 SCA | Espresso | | | |
| (8) | 997 555 272 03 | Pull handle Upper part D - MJ 2010>> | right | 1 | PR:756 |
| | 997 555 272 03 SCA | Espresso | | | |
| 9 | 999 591 380 01 | Cable fastener | | 4 | |
| 10 | 987 555 261 01 | Pull handle Lower part D - MJ 2010>> | left | 1 | PR:756 |
| | 987 555 261 01 6J0 | Espresso | | | |
| (10) | 987 555 262 01 | Pull handle Lower part D - MJ 2010>> | right | 1 | PR:756 |
| | 987 555 262 01 6J0 | Espresso | | | |
| 11 | 999 919 229 02 | fillister hd. bolt 6,0 X 40,0 for Mount | | 2 | |
| 12 | 997 555 381 03 | Pull handle Axle bearing | left | 1 | |
| (12) | 997 555 382 03 | Axle bearing | right | 1 | |

Model: 997-09 Model life 2009>>2012

| Pos | Part Number | Description | Remark | Qty | Model |
|------|--------------------------------------|---|----------------|-----|--------------------|
| 13 | 999 919 164 09 | fillister hd. bolt 5 X 12 for Mount | | 3 | |
| 15 | 999 919 164 09 | Axle bearing fillister hd. bolt 5 X 12 for Mount lever | | 1 | |
| 16 | 997 555 683 00 | Inner actuator Cover cap Airbag D - MJ 2010>> | left | 1 | PR:756 |
| (16) | 997 555 683 00 3T0 997 555 684 00 | Espresso Cover cap Airbag D - MJ 2010>> | right | 1 | PR:756 |
| 17 | 997 555 684 00 3T0 997 555 643 02 | Espresso Leather panel D - MJ 2010>> | left front | 1 | PR:756 |
| (17) | 997 555 643 02 6J0 997 555 644 02 | Espresso Leather panel D - MJ 2010>> | right front | 1 | PR:756 |
| 20 | 997 555 644 02 6J0 997 555 895 00 | Espresso Plastic foam strip for Bass loudspeaker | | 1 | |
| 21 | 997 645 511 00 | inscription | | 2 | PR:680 |
| 22 | 997 555 597 00 | Distance piece | | 2 | |
| 23 | 999 702 281 41 | Bonnet hinge Grommet | | 1 | |
| 24 | 997 555 985 15 | Axle bearing Insert Handle liner D - MJ 2010>> | left lhd | 1 | PR:XTV,098, 756 |
| (24) | 997 555 985 15 6J0 997 555 986 15 | Espresso Insert Handle liner D - MJ 2010>> | right lhd | 1 | PR:XTV,098, 756 |
| | 997 555 986 15 6J0 | Espresso | | | |

Model: 997-09

Model life 2009>>2012



Model: 997-09 Model life 2009>>2012

| Pos | Part Number | Description | Remark | Qty | Model |
|-----|--------------------|---|-----------|-----|---|
| | | door panel slush technology Accessories Passenger compartment in Carbon macassar Leather Aluminium look | | | PR:-981,XTL, XTT,XTV,XTW |
| (1) | 987 555 981 15 | door panel slush technology | left lhd | 1 | COUPE/TARGA PR:XTL,098, 490,-537, -981 |
| | 987 555 981 15 9L4 | Black | | | |
| | 987 555 981 15 9M5 | Stone grey | | | |
| | 987 555 981 15 9C6 | Sand beige | | | |
| | 987 555 981 15 9D7 | sea blue | | | |
| | 987 555 981 15 9E8 | Palm green | | | |
| | | D >> - MJ 2007 | | | |
| (1) | 987 555 982 15 | door panel slush technology | right rhd | 1 | COUPE/TARGA PR:XTL,099, 490,-538, -981 |
| | 987 555 982 15 9L4 | Black | | | |
| | 987 555 982 15 9M5 | Stone grey | | | |
| | 987 555 982 15 9C6 | Sand beige | | | |
| | 987 555 982 15 9D7 | sea blue | | | |
| (1) | 987 555 981 17 | door panel slush technology | left lhd | 1 | COUPE/TARGA PR:XTL,490, 537,-981,098 |
| | 987 555 981 17 9L4 | Black | | | |
| | 987 555 981 17 9M5 | Stone grey | | | |
| | 987 555 981 17 9C6 | Sand beige | | | |
| | 987 555 981 17 9D7 | sea blue | | | |
| (1) | 987 555 982 17 | door panel slush technology | right rhd | 1 | COUPE/TARGA PR:XTL,490, 538,-981,099 |
| | 987 555 982 17 9L4 | Black | | | |
| | 987 555 982 17 9M5 | Stone grey | | | |
| | 987 555 982 17 9C6 | Sand beige | | | |
| | 987 555 982 17 9D7 | sea blue | | | |
| (1) | 987 555 981 19 | door panel slush technology | left lhd | 1 | COUPE/TARGA PR:XTL,098, 680,-537, -981 |
| | 987 555 981 19 9L4 | Black | | | |
| | 987 555 981 19 9M5 | Stone grey | | | |
| | 987 555 981 19 9C6 | Sand beige | | | |
| | 987 555 981 19 9D7 | sea blue | | | |
| (1) | 987 555 982 19 | door panel slush technology | right rhd | 1 | COUPE/TARGA PR:XTL,099, 680,-538, -981 |
| | 987 555 982 19 9L4 | Black | | | |
| | 987 555 982 19 9M5 | Stone grey | | | |
| | 987 555 982 19 9C6 | Sand beige | | | |
| | 987 555 982 19 9D7 | sea blue | | | |
| (1) | 987 555 981 21 | door panel slush technology | left lhd | 1 | COUPE/TARGA PR:XTL,680, 537,-981,098 |
| | 987 555 981 21 9L4 | Black | | | |
| | 987 555 981 21 9M5 | Stone grey | | | |
| | 987 555 981 21 9C6 | Sand beige | | | |

Model: 997-09 Model life 2009>>2012

| Pos | Part Number | Description | Remark | Qty | Model |
|-----|--------------------------------------|--|-----------|-----|--|
| (1) | 987 555 981 21 9D7 987 555 982 21 | sea blue door panel slush technology | right rhd | 1 | COUPE/TARGA PR:XTL,680, 538,-981,099 |
| | 987 555 982 21 9L4 | Black | | | |
| | 987 555 982 21 9M5 | Stone grey | | | |
| | 987 555 982 21 9C6 | Sand beige | | | |
| (1) | 987 555 982 21 9D7 987 555 981 24 | sea blue door panel slush technology | left rhd | 1 | PR:XTL,099, 490,-981 |
| | 987 555 981 24 9L4 | Black | | | |
| | 987 555 981 24 9M5 | Stone grey | | | |
| | 987 555 981 24 9C6 | Sand beige | | | |
| (1) | 987 555 981 24 9D7 987 555 982 24 | sea blue door panel slush technology | right lhd | 1 | PR:XTL,098, 490,-981 |
| | 987 555 982 24 9L4 | Black | | | |
| | 987 555 982 24 9M5 | Stone grey | | | |
| | 987 555 982 24 9C6 | Sand beige | | | |
| (1) | 987 555 982 24 9D7 987 555 981 26 | sea blue door panel slush technology | left rhd | 1 | PR:XTL,099, 680,-981 |
| | 987 555 981 26 9L4 | Black | | | |
| | 987 555 981 26 9M5 | Stone grey | | | |
| | 987 555 981 26 9C6 | Sand beige | | | |
| (1) | 987 555 981 26 9D7 987 555 982 26 | sea blue door panel slush technology | right lhd | 1 | PR:XTL,098, 680,-981 |
| | 987 555 982 26 9L4 | Black | | | |
| | 987 555 982 26 9M5 | Stone grey | | | |
| | 987 555 982 26 9C6 | Sand beige | | | |
| (1) | 987 555 982 26 9D7 987 555 981 30 | sea blue door panel slush technology | left lhd | 1 | CABRIO PR:XTL,098, 490,-537, -981 |
| | 987 555 981 30 9L4 | Black | | | |
| | 987 555 981 30 9M5 | Stone grey | | | |
| | 987 555 981 30 9C6 | Sand beige | | | |
| (1) | 987 555 981 30 9D7 987 555 982 30 | sea blue door panel slush technology | right rhd | 1 | CABRIO PR:XTL,099, 490,-538, -981 |
| | 987 555 982 30 9L4 | Black | | | |
| | 987 555 982 30 9M5 | Stone grey | | | |
| | 987 555 982 30 9C6 | Sand beige | | | |
| (1) | 987 555 982 30 9D7 987 555 981 32 | sea blue door panel slush technology | left lhd | 1 | CABRIO PR:XTL,490, 537,-981,098 |
| | 987 555 981 32 9L4 | Black | | | |
| | 987 555 981 32 9M5 | Stone grey | | | |
| | 987 555 981 32 9C6 | Sand beige | | | |
| (1) | 987 555 981 32 9D7 987 555 982 32 | sea blue door panel slush technology | right rhd | 1 | CABRIO PR:XTL,490, 538,-981,099 |
| | 987 555 982 32 9L4 | Black | | | |
| | 987 555 982 32 9M5 | Stone grey | | | |
| | 987 555 982 32 9C6 | Sand beige | | | |
| (1) | 987 555 982 32 9D7 987 555 981 34 | sea blue door panel | left lhd | 1 | CABRIO |

Model: 997-09 Model life 2009>>2012

| Pos | Part Number | Description | Remark | Qty | Model |
|-----|--------------------|--------------------------------|-----------|-----|---|
| | | slush technology | | | PR:XTL,098, 680,-537, -981 |
| | 987 555 981 34 9L4 | Black | | | |
| | 987 555 981 34 9M5 | Stone grey | | | |
| | 987 555 981 34 9C6 | Sand beige | | | |
| | 987 555 981 34 9D7 | sea blue | | | |
| (1) | 987 555 982 34 | door panel slush technology | right rhd | 1 | CABRIO PR:XTL,099, 680,-538, -981 |
| | 987 555 982 34 9L4 | Black | | | |
| | 987 555 982 34 9M5 | Stone grey | | | |
| | 987 555 982 34 9C6 | Sand beige | | | |
| | 987 555 982 34 9D7 | sea blue | | | |
| (1) | 987 555 981 36 | door panel slush technology | left lhd | 1 | CABRIO PR:XTL,537, 680,-981,098 |
| | 987 555 981 36 9L4 | Black | | | |
| | 987 555 981 36 9M5 | Stone grey | | | |
| | 987 555 981 36 9C6 | Sand beige | | | |
| | 987 555 981 36 9D7 | sea blue | | | |
| (1) | 987 555 982 36 | door panel slush technology | right lhd | 1 | CABRIO PR:XTL,538, 680,-981,098 |
| | 987 555 982 36 9L4 | Black | | | |
| | 987 555 982 36 9M5 | Stone grey | | | |
| | 987 555 982 36 9C6 | Sand beige | | | |
| | 987 555 982 36 9D7 | sea blue | | | |
| (1) | 987 555 983 15 | door panel slush technology | left lhd | 1 | COUPE/TARGA PR:XTT,098, 490,-537, -981 |
| | 987 555 983 15 9L4 | Black | | | |
| | 987 555 983 15 9M5 | Stone grey | | | |
| | 987 555 983 15 9C6 | Sand beige | | | |
| | 987 555 983 15 9D7 | sea blue | | | |
| | 987 555 983 15 9E8 | Palm green | | | |
| | D | >> - MJ 2007 | | | |
| (1) | 987 555 984 15 | door panel slush technology | right rhd | 1 | COUPE/TARGA PR:XTT,099, 490,-538, -981 |
| | 987 555 984 15 9L4 | Black | | | |
| | 987 555 984 15 9M5 | Stone grey | | | |
| | 987 555 984 15 9C6 | Sand beige | | | |
| | 987 555 984 15 9D7 | sea blue | | | |
| | 987 555 984 15 9E8 | Palm green | | | |
| | D | >> - MJ 2007 | | | |
| (1) | 987 555 983 17 | door panel slush technology | left lhd | 1 | COUPE/TARGA PR:XTT,490, 537,-981,098 |
| | 987 555 983 17 9L4 | Black | | | |
| | 987 555 983 17 9M5 | Stone grey | | | |
| | 987 555 983 17 9C6 | Sand beige | | | |
| | 987 555 983 17 9D7 | sea blue | | | |
| | 987 555 983 17 9E8 | Palm green | | | |
| | D | >> - MJ 2007 | | | |
| (1) | 987 555 984 17 | door panel slush technology | right rhd | 1 | COUPE/TARGA PR:XTT,490, 538,-981,099 |
| | 987 555 984 17 9L4 | Black | | | |
| | 987 555 984 17 9M5 | Stone grey | | | |

Model: 997-09 Model life 2009>>2012

| Pos | Part Number | Description | Remark | Qty | Model | |
|-----|--------------------|--|--|-----------|---|--|
| (1) | 987 555 984 17 9C6 | Sand beige | | | | |
| | 987 555 984 17 9D7 | sea blue | | | | |
| | 987 555 984 17 9E8 | Palm green | | | | |
| | | D >> - MJ 2007 | | | | |
| | 987 555 983 19 | door panel slush technology | left lhd | 1 | COUPE/TARGA PR:XTT,098, 680,-537, -981 | |
| | | 987 555 983 19 9L4 Black 987 555 983 19 9M5 Stone grey 987 555 983 19 9C6 Sand beige 987 555 983 19 9D7 sea blue 987 555 983 19 9E8 Palm green | | | | |
| (1) | | D >> - MJ 2007 | | | | |
| | 987 555 984 19 | door panel slush technology | right rhd | 1 | COUPE/TARGA PR:XTT,099, 680,-538, -981 | |
| | | 987 555 984 19 9L4 Black 987 555 984 19 9M5 Stone grey 987 555 984 19 9C6 Sand beige 987 555 984 19 9D7 sea blue 987 555 984 19 9E8 Palm green | | | | |
| | (1) | | D >> - MJ 2007 | | | |
| | | 987 555 983 21 | door panel slush technology | left lhd | 1 | COUPE/TARGA PR:XTT,680, 537,-981,098 |
| | | | 987 555 983 21 9L4 Black 987 555 983 21 9M5 Stone grey 987 555 983 21 9C6 Sand beige 987 555 983 21 9D7 sea blue 987 555 983 21 9E8 Palm green | | | |
| (1) | | | D >> - MJ 2007 | | | |
| | | 987 555 984 21 | door panel slush technology | right rhd | 1 | COUPE/TARGA PR:XTT,680, 538,-981,099 |
| | | | 987 555 984 21 9L4 Black 987 555 984 21 9M5 Stone grey 987 555 984 21 9C6 Sand beige 987 555 984 21 9D7 sea blue 987 555 984 21 9E8 Palm green | | | |
| | (1) | | D >> - MJ 2007 | | | |
| | | 987 555 983 24 | door panel slush technology | left rhd | 1 | PR:XTT,099, 490,-981 |
| | | | 987 555 983 24 9L4 Black 987 555 983 24 9M5 Stone grey 987 555 983 24 9C6 Sand beige 987 555 983 24 9D7 sea blue 987 555 983 24 9E8 Palm green | | | |
| (1) | | | D >> - MJ 2007 | | | |
| | | 987 555 984 24 | door panel slush technology | right lhd | 1 | PR:XTT,098, 490,-981 |
| | | | 987 555 984 24 9L4 Black 987 555 984 24 9M5 Stone grey 987 555 984 24 9C6 Sand beige 987 555 984 24 9D7 sea blue 987 555 984 24 9E8 Palm green | | | |
| | (1) | | D >> - MJ 2007 | | | |
| | | 987 555 983 26 | door panel slush technology | left rhd | 1 | PR:XTT,099, 680,-981 |
| | | | 987 555 983 26 9L4 Black 987 555 983 26 9M5 Stone grey 987 555 983 26 9C6 Sand beige | | | |

Model: 997-09 Model life 2009>>2012

| Pos | Part Number | Description | Remark | Qty | Model |
|-----|--------------------|--|-----------|-----|--|
| | 987 555 983 26 9D7 | sea blue | | | |
| | 987 555 983 26 9E8 | Palm green | | | |
| (1) | 987 555 984 26 | D >> - MJ 2007 door panel slush technology | right lhd | 1 | PR:XTT,098, 680,-981 |
| | 987 555 984 26 9L4 | Black | | | |
| | 987 555 984 26 9M5 | Stone grey | | | |
| | 987 555 984 26 9C6 | Sand beige | | | |
| | 987 555 984 26 9D7 | sea blue | | | |
| | 987 555 984 26 9E8 | Palm green | | | |
| (1) | 987 555 983 30 | D >> - MJ 2007 door panel slush technology | left lhd | 1 | CABRIO PR:XTT,098, 490,-537, -981 |
| | 987 555 983 30 9L4 | Black | | | |
| | 987 555 983 30 9M5 | Stone grey | | | |
| | 987 555 983 30 9C6 | Sand beige | | | |
| | 987 555 983 30 9D7 | sea blue | | | |
| | 987 555 983 30 9E8 | Palm green | | | |
| (1) | 987 555 984 30 | D >> - MJ 2007 door panel slush technology | right rhd | 1 | CABRIO PR:XTT,099, 490,-538, -981 |
| | 987 555 984 30 9L4 | Black | | | |
| | 987 555 984 30 9M5 | Stone grey | | | |
| | 987 555 984 30 9C6 | Sand beige | | | |
| | 987 555 984 30 9D7 | sea blue | | | |
| | 987 555 984 30 9E8 | Palm green | | | |
| (1) | 987 555 983 32 | D >> - MJ 2007 door panel slush technology | left lhd | 1 | CABRIO PR:XTT,490, 537,-981,098 |
| | 987 555 983 32 9L4 | Black | | | |
| | 987 555 983 32 9M5 | Stone grey | | | |
| | 987 555 983 32 9C6 | Sand beige | | | |
| | 987 555 983 32 9D7 | sea blue | | | |
| | 987 555 983 32 9E8 | Palm green | | | |
| (1) | 987 555 984 32 | D >> - MJ 2007 door panel slush technology | right rhd | 1 | CABRIO PR:XTT,490, 538,-981,099 |
| | 987 555 984 32 9L4 | Black | | | |
| | 987 555 984 32 9M5 | Stone grey | | | |
| | 987 555 984 32 9C6 | Sand beige | | | |
| | 987 555 984 32 9D7 | sea blue | | | |
| | 987 555 984 32 9E8 | Palm green | | | |
| (1) | 987 555 983 34 | D >> - MJ 2007 door panel slush technology | left lhd | 1 | CABRIO PR:XTT,098, 680,-537, -981 |
| | 987 555 983 34 9L4 | Black | | | |
| | 987 555 983 34 9M5 | Stone grey | | | |
| | 987 555 983 34 9C6 | Sand beige | | | |
| | 987 555 983 34 9D7 | sea blue | | | |
| | 987 555 983 34 9E8 | Palm green | | | |
| (1) | 987 555 984 34 | D >> - MJ 2007 door panel slush technology | right rhd | 1 | CABRIO PR:XTT,099, 680,-538, -981 |

Model: 997-09 Model life 2009>>2012

| Pos | Part Number | Description | Remark | Qty | Model |
|-----|--------------------|--|-----------|-----|---|
| | 987 555 984 34 9L4 | Black | | | |
| | 987 555 984 34 9M5 | Stone grey | | | |
| | 987 555 984 34 9C6 | Sand beige | | | |
| | 987 555 984 34 9D7 | sea blue | | | |
| | 987 555 984 34 9E8 | Palm green | | | |
| (1) | 987 555 983 36 | D >> - MJ 2007 door panel slush technology | left lhd | 1 | CABRIO PR:XTT,537, 680,-981,098 |
| | 987 555 983 36 9L4 | Black | | | |
| | 987 555 983 36 9M5 | Stone grey | | | |
| | 987 555 983 36 9C6 | Sand beige | | | |
| | 987 555 983 36 9D7 | sea blue | | | |
| | 987 555 983 36 9E8 | Palm green | | | |
| (1) | 987 555 984 36 | D >> - MJ 2007 door panel slush technology | right lhd | 1 | CABRIO PR:XTT,538, 680,-981,098 |
| | 987 555 984 36 9L4 | Black | | | |
| | 987 555 984 36 9M5 | Stone grey | | | |
| | 987 555 984 36 9C6 | Sand beige | | | |
| | 987 555 984 36 9D7 | sea blue | | | |
| | 987 555 984 36 9E8 | Palm green | | | |
| (1) | 987 555 993 15 | D >> - MJ 2007 door panel slush technology | left lhd | 1 | COUPE/TARGA PR:XTV,098, 490,-537, -981 |
| | 987 555 993 15 9L4 | Black | | | |
| | 987 555 993 15 9M5 | Stone grey | | | |
| | 987 555 993 15 9C6 | Sand beige | | | |
| | 987 555 993 15 9D7 | sea blue | | | |
| (1) | 987 555 994 15 | door panel slush technology | right rhd | 1 | COUPE/TARGA PR:XTV,099, 490,-538, -981 |
| | 987 555 994 15 9L4 | Black | | | |
| | 987 555 994 15 9M5 | Stone grey | | | |
| | 987 555 994 15 9C6 | Sand beige | | | |
| | 987 555 994 15 9D7 | sea blue | | | |
| (1) | 987 555 993 17 | door panel slush technology | left lhd | 1 | COUPE/TARGA PR:XTV,490, 537,-981,098 |
| | 987 555 993 17 9L4 | Black | | | |
| | 987 555 993 17 9M5 | Stone grey | | | |
| | 987 555 993 17 9C6 | Sand beige | | | |
| | 987 555 993 17 9D7 | sea blue | | | |
| (1) | 987 555 994 17 | door panel slush technology | right rhd | 1 | COUPE/TARGA PR:XTV,490, 538,-981,099 |
| | 987 555 994 17 9L4 | Black | | | |
| | 987 555 994 17 9M5 | Stone grey | | | |
| | 987 555 994 17 9C6 | Sand beige | | | |
| | 987 555 994 17 9D7 | sea blue | | | |
| (1) | 987 555 993 19 | door panel slush technology | left lhd | 1 | COUPE/TARGA PR:XTV,098, 680,-537, -981 |
| | 987 555 993 19 9L4 | Black | | | |
| | 987 555 993 19 9M5 | Stone grey | | | |
| | 987 555 993 19 9C6 | Sand beige | | | |
| | 987 555 993 19 9D7 | sea blue | | | |
| (1) | 987 555 994 19 | door panel | right rhd | 1 | COUPE/TARGA |

Model: 997-09 Model life 2009>>2012

| Pos | Part Number | Description | Remark | Qty | Model |
|-----|--------------------|--------------------------------|-----------|-----|--|
| | | slush technology | | | PR:XTV,099, 680,-538, -981 |
| | 987 555 994 19 9L4 | Black | | | |
| | 987 555 994 19 9M5 | Stone grey | | | |
| | 987 555 994 19 9C6 | Sand beige | | | |
| | 987 555 994 19 9D7 | sea blue | | | |
| (1) | 987 555 993 21 | door panel slush technology | left lhd | 1 | COUPE/TARGA PR:XTV,680, 537,-981,098 |
| | 987 555 993 21 9L4 | Black | | | |
| | 987 555 993 21 9M5 | Stone grey | | | |
| | 987 555 993 21 9C6 | Sand beige | | | |
| | 987 555 993 21 9D7 | sea blue | | | |
| (1) | 987 555 994 21 | door panel slush technology | right rhd | 1 | COUPE/TARGA PR:XTV,680, 538,-981,099 |
| | 987 555 994 21 9L4 | Black | | | |
| | 987 555 994 21 9M5 | Stone grey | | | |
| | 987 555 994 21 9C6 | Sand beige | | | |
| | 987 555 994 21 9D7 | sea blue | | | |
| (1) | 987 555 993 24 | door panel slush technology | left rhd | 1 | PR:XTV,099, 490,-981 |
| | 987 555 993 24 9L4 | Black | | | |
| | 987 555 993 24 9M5 | Stone grey | | | |
| | 987 555 993 24 9C6 | Sand beige | | | |
| | 987 555 993 24 9D7 | sea blue | | | |
| (1) | 987 555 994 24 | door panel slush technology | right lhd | 1 | PR:XTV,098, 490,-981 |
| | 987 555 994 24 9L4 | Black | | | |
| | 987 555 994 24 9M5 | Stone grey | | | |
| | 987 555 994 24 9C6 | Sand beige | | | |
| | 987 555 994 24 9D7 | sea blue | | | |
| (1) | 987 555 993 26 | door panel slush technology | left rhd | 1 | PR:XTV,099, 680,-981 |
| | 987 555 993 26 9L4 | Black | | | |
| | 987 555 993 26 9M5 | Stone grey | | | |
| | 987 555 993 26 9C6 | Sand beige | | | |
| | 987 555 993 26 9D7 | sea blue | | | |
| (1) | 987 555 994 26 | door panel slush technology | right lhd | 1 | PR:XTV,098, 680,-981 |
| | 987 555 994 26 9L4 | Black | | | |
| | 987 555 994 26 9M5 | Stone grey | | | |
| | 987 555 994 26 9C6 | Sand beige | | | |
| | 987 555 994 26 9D7 | sea blue | | | |
| (1) | 987 555 993 30 | door panel slush technology | left lhd | 1 | CABRIO PR:XTV,098, 490,-537, -981 |
| | 987 555 993 30 9L4 | Black | | | |
| | 987 555 993 30 9M5 | Stone grey | | | |
| | 987 555 993 30 9C6 | Sand beige | | | |
| | 987 555 993 30 9D7 | sea blue | | | |
| (1) | 987 555 994 30 | door panel slush technology | right rhd | 1 | CABRIO PR:XTV,099, 490,-538, -981 |
| | 987 555 994 30 9L4 | Black | | | |
| | 987 555 994 30 9M5 | Stone grey | | | |
| | 987 555 994 30 9C6 | Sand beige | | | |
| | 987 555 994 30 9D7 | sea blue | | | |
| (1) | 987 555 993 32 | door panel slush technology | left lhd | 1 | CABRIO PR:XTV,490, |

Model: 997-09 Model life 2009>>2012

| Pos | Part Number | Description | Remark | Qty | Model |
|-----|--------------------|--------------------------------|-----------|-----|---|
| | 987 555 993 32 9L4 | Black | | | 537,-981,098 |
| | 987 555 993 32 9M5 | Stone grey | | | |
| | 987 555 993 32 9C6 | Sand beige | | | |
| | 987 555 993 32 9D7 | sea blue | | | |
| (1) | 987 555 994 32 | door panel slush technology | right rhd | 1 | CABRIO PR:XTV,490, 538,-981,099 |
| | 987 555 994 32 9L4 | Black | | | |
| | 987 555 994 32 9M5 | Stone grey | | | |
| | 987 555 994 32 9C6 | Sand beige | | | |
| | 987 555 994 32 9D7 | sea blue | | | |
| (1) | 987 555 993 34 | door panel slush technology | left lhd | 1 | CABRIO PR:XTV,098, 680,-537, -981 |
| | 987 555 993 34 9L4 | Black | | | |
| | 987 555 993 34 9M5 | Stone grey | | | |
| | 987 555 993 34 9C6 | Sand beige | | | |
| | 987 555 993 34 9D7 | sea blue | | | |
| (1) | 987 555 994 34 | door panel slush technology | right rhd | 1 | CABRIO PR:XTV,099, 680,-538, -981 |
| | 987 555 994 34 9L4 | Black | | | |
| | 987 555 994 34 9M5 | Stone grey | | | |
| | 987 555 994 34 9C6 | Sand beige | | | |
| | 987 555 994 34 9D7 | sea blue | | | |
| (1) | 987 555 993 36 | door panel slush technology | left lhd | 1 | CABRIO PR:XTV,537, 680,-981,098 |
| | 987 555 993 36 9L4 | Black | | | |
| | 987 555 993 36 9M5 | Stone grey | | | |
| | 987 555 993 36 9C6 | Sand beige | | | |
| | 987 555 993 36 9D7 | sea blue | | | |
| (1) | 987 555 994 36 | door panel slush technology | right lhd | 1 | CABRIO PR:XTV,538, 680,-981,098 |
| | 987 555 994 36 9L4 | Black | | | |
| | 987 555 994 36 9M5 | Stone grey | | | |
| | 987 555 994 36 9C6 | Sand beige | | | |
| | 987 555 994 36 9D7 | sea blue | | | |
| (1) | 987 555 995 15 | door panel slush technology | left lhd | 1 | COUPE/TARGA PR:XTW,098, 490,-537, -981 |
| | 987 555 995 15 9L4 | Black | | | |
| | 987 555 995 15 9M5 | Stone grey | | | |
| | 987 555 995 15 9C6 | Sand beige | | | |
| | 987 555 995 15 9D7 | sea blue | | | |
| (1) | 987 555 996 15 | door panel slush technology | right rhd | 1 | COUPE/TARGA PR:XTW,099, 490,-538, -981 |
| | 987 555 996 15 9L4 | Black | | | |
| | 987 555 996 15 9M5 | Stone grey | | | |
| | 987 555 996 15 9C6 | Sand beige | | | |
| | 987 555 996 15 9D7 | sea blue | | | |
| (1) | 987 555 995 17 | door panel slush technology | left lhd | 1 | COUPE/TARGA PR:XTW,490, 537,-981,098 |
| | 987 555 995 17 9L4 | Black | | | |
| | 987 555 995 17 9M5 | Stone grey | | | |

Model: 997-09 Model life 2009>>2012

| Pos | Part Number | Description | Remark | Qty | Model |
|-----|--------------------|--------------------------------|-----------|-----|---|
| (1) | 987 555 995 17 9C6 | Sand beige | right rhd | 1 | COUPE/TARGA PR:XTW,490, 538,-981,099 |
| | 987 555 995 17 9D7 | sea blue | | | |
| | 987 555 996 17 | door panel slush technology | | | |
| | 987 555 996 17 9L4 | Black | | | |
| | 987 555 996 17 9M5 | Stone grey | | | |
| (1) | 987 555 996 17 9C6 | Sand beige | left lhd | 1 | COUPE/TARGA PR:XTW,098, 680,-537, -981 |
| | 987 555 996 17 9D7 | sea blue | | | |
| | 987 555 995 19 | door panel slush technology | | | |
| | 987 555 996 19 9L4 | Black | | | |
| | 987 555 996 19 9M5 | Stone grey | | | |
| (1) | 987 555 995 19 9C6 | Sand beige | right rhd | 1 | COUPE/TARGA PR:XTW,099, 680,-538, -981 |
| | 987 555 995 19 9D7 | sea blue | | | |
| | 987 555 996 19 | door panel slush technology | | | |
| | 987 555 996 19 9L4 | Black | | | |
| | 987 555 996 19 9M5 | Stone grey | | | |
| (1) | 987 555 996 19 9C6 | Sand beige | left lhd | 1 | COUPE/TARGA PR:XTW,680, 537,-981,098 |
| | 987 555 996 19 9D7 | sea blue | | | |
| | 987 555 995 21 | door panel slush technology | | | |
| | 987 555 996 21 9L4 | Black | | | |
| | 987 555 996 21 9M5 | Stone grey | | | |
| (1) | 987 555 995 21 9C6 | Sand beige | right rhd | 1 | COUPE/TARGA PR:XTW,680, 538,-981,099 |
| | 987 555 995 21 9D7 | sea blue | | | |
| | 987 555 996 21 | door panel slush technology | | | |
| | 987 555 996 21 9L4 | Black | | | |
| | 987 555 996 21 9M5 | Stone grey | | | |
| (1) | 987 555 996 21 9C6 | Sand beige | left rhd | 1 | PR:XTW,099, 490,-981 |
| | 987 555 996 21 9D7 | sea blue | | | |
| | 987 555 995 24 | door panel slush technology | | | |
| | 987 555 995 24 9L4 | Black | | | |
| | 987 555 995 24 9M5 | Stone grey | | | |
| (1) | 987 555 995 24 9C6 | Sand beige | right lhd | 1 | PR:XTW,098, 490,-981 |
| | 987 555 995 24 9D7 | sea blue | | | |
| | 987 555 996 24 | door panel slush technology | | | |
| | 987 555 996 24 9L4 | Black | | | |
| | 987 555 996 24 9M5 | Stone grey | | | |
| (1) | 987 555 996 24 9C6 | Sand beige | left rhd | 1 | PR:XTL,099, 680,-981 |
| | 987 555 996 24 9D7 | sea blue | | | |
| | 987 555 995 26 | door panel slush technology | | | |
| | 987 555 995 26 9L4 | Black | | | |
| | 987 555 995 26 9M5 | Stone grey | | | |
| (1) | 987 555 995 26 9C6 | Sand beige | right lhd | 1 | PR:XTL,098, 680,-981 |
| | 987 555 995 26 9D7 | sea blue | | | |
| | 987 555 996 26 | door panel slush technology | | | |
| | 987 555 996 26 9L4 | Black | | | |
| | 987 555 996 26 9M5 | Stone grey | | | |
| (1) | 987 555 996 26 9C6 | Sand beige | | | |
| | 987 555 996 26 9D7 | sea blue | | | |
| | 987 555 996 26 9L4 | Black | | | |
| | 987 555 996 26 9M5 | Stone grey | | | |

Model: 997-09 Model life 2009>>2012

| Pos | Part Number | Description | Remark | Qty | Model |
|-----|--------------------|--------------------------------|-----------|-----|--|
| (1) | 987 555 995 30 | door panel slush technology | left lhd | 1 | CABRIO PR:XTW,098, 490,-537, -981 |
| | 987 555 995 30 9L4 | Black | | | |
| | 987 555 995 30 9M5 | Stone grey | | | |
| | 987 555 995 30 9C6 | Sand beige | | | |
| | 987 555 995 30 9D7 | sea blue | | | |
| (1) | 987 555 996 30 | door panel slush technology | right rhd | 1 | CABRIO PR:XTW,099, 490,-538, -981 |
| | 987 555 996 30 9L4 | Black | | | |
| | 987 555 996 30 9M5 | Stone grey | | | |
| | 987 555 996 30 9C6 | Sand beige | | | |
| | 987 555 996 30 9D7 | sea blue | | | |
| (1) | 987 555 995 32 | door panel slush technology | left lhd | 1 | CABRIO PR:XTW,490, 537,-981,098 |
| | 987 555 995 32 9L4 | Black | | | |
| | 987 555 995 32 9M5 | Stone grey | | | |
| | 987 555 995 32 9C6 | Sand beige | | | |
| | 987 555 995 32 9D7 | sea blue | | | |
| (1) | 987 555 996 32 | door panel slush technology | right rhd | 1 | CABRIO PR:XTW,490, 538,-981,099 |
| | 987 555 996 32 9L4 | Black | | | |
| | 987 555 996 32 9M5 | Stone grey | | | |
| | 987 555 996 32 9C6 | Sand beige | | | |
| | 987 555 996 32 9D7 | sea blue | | | |
| (1) | 987 555 995 34 | door panel slush technology | left lhd | 1 | CABRIO PR:XTW,098, 680,-537, -981 |
| | 987 555 995 34 9L4 | Black | | | |
| | 987 555 995 34 9M5 | Stone grey | | | |
| | 987 555 995 34 9C6 | Sand beige | | | |
| | 987 555 995 34 9D7 | sea blue | | | |
| (1) | 987 555 996 34 | door panel slush technology | right rhd | 1 | CABRIO PR:XTW,099, 680,-538, -981 |
| | 987 555 996 34 9L4 | Black | | | |
| | 987 555 996 34 9M5 | Stone grey | | | |
| | 987 555 996 34 9C6 | Sand beige | | | |
| | 987 555 996 34 9D7 | sea blue | | | |
| (1) | 987 555 995 36 | door panel slush technology | left lhd | 1 | CABRIO PR:XTW,537, 680,-981,098 |
| | 987 555 995 36 9L4 | Black | | | |
| | 987 555 995 36 9M5 | Stone grey | | | |
| | 987 555 995 36 9C6 | Sand beige | | | |
| | 987 555 995 36 9D7 | sea blue | | | |
| (1) | 987 555 996 36 | door panel slush technology | right lhd | 1 | CABRIO PR:XTW,538, 680,-981,098 |
| | 987 555 996 36 9L4 | Black | | | |
| | 987 555 996 36 9M5 | Stone grey | | | |
| | 987 555 996 36 9C6 | Sand beige | | | |
| | 987 555 996 36 9D7 | sea blue | | | |
| 2 | 999 507 533 02 | Clamp 8,0X 10/2,5 | | 2 | |
| 3 | 955 555 243 00 | Retaining clip | | 9 | |

Model: 997-09 Model life 2009>>2012

| Pos | Part Number | Description | Remark | Qty | Model |
|------|--------------------|---|--------|-----|--------|
| 4 | 999 073 322 02 | for door panel fillister hd. bolt M 6 X 20 | | 5 | |
| (5) | 997 555 989 00 | for Mount door panel Cover for stowage compartment Carbon | left | 1 | PR:XTL |
| (5) | 997 555 990 00 | 997 555 989 00 A35 Black Cover for stowage compartment Carbon | right | 1 | PR:XTL |
| (5) | 997 555 989 02 | 997 555 990 00 A35 Black Cover for stowage compartment macassar | left | 1 | PR:XTT |
| (5) | 997 555 990 02 | 997 555 989 02 S61 macassar Cover for stowage compartment macassar | right | 1 | PR:XTT |
| (5) | 997 555 989 03 | 997 555 990 02 S61 macassar Cover for stowage compartment Galvano silver | left | 1 | PR:XTW |
| (5) | 997 555 990 03 | 997 555 989 03 V04 Galvano silver Cover for stowage compartment Galvano silver | right | 1 | PR:XTW |
| 6 | 997 555 833 00 | Leg spring for Cover Stowage compartment | left | 1 | |
| (6) | 997 555 834 00 | Leg spring for Cover Stowage compartment | right | 1 | |
| 7 | 997 555 841 00 | Damper Stowage compartment | | 1 | |
| (8) | 997 555 261 01 | Pull handle (leather) Lower part | left | 1 | |
| | 997 555 261 01 A11 | Black | | | |
| | 997 555 261 01 5X6 | Stone grey | | | |
| | 997 555 261 01 8G2 | Sand beige | | | |
| | 997 555 261 01 3S9 | sea blue | | | |
| | 997 555 261 01 9S5 | Terracotta | | | |
| | 997 555 261 01 9V6 | Cocoa | | | |
| | 997 555 261 01 D12 | Dark grey/natural | | | |
| | 997 555 261 01 T12 | Brown/natural | | | |
| | 997 555 261 01 N12 | Carrera Red | | | |
| (8) | 997 555 262 01 | Pull handle (leather) Lower part | right | 1 | |
| | 997 555 262 01 A11 | Black | | | |
| | 997 555 262 01 5X6 | Stone grey | | | |
| | 997 555 262 01 8G2 | Sand beige | | | |
| | 997 555 262 01 3S9 | sea blue | | | |
| | 997 555 262 01 9S5 | Terracotta | | | |
| | 997 555 262 01 9V6 | Cocoa | | | |
| | 997 555 262 01 D12 | Dark grey/natural | | | |
| | 997 555 262 01 T12 | Brown/natural | | | |
| | 997 555 262 01 N12 | Carrera Red | | | |
| 9 | 999 919 229 02 | fillister hd. bolt 6,0 X 40,0 for Mount Pull handle | | 2 | |
| (10) | 997 555 381 03 | Axle bearing | left | 1 | |
| (10) | 997 555 382 03 | Axle bearing | right | 1 | |
| 11 | 999 919 164 09 | fillister hd. bolt 5 X 12 for | | 3 | |

Model: 997-09 Model life 2009>>2012

| Pos | Part Number | Description | Remark | Qty | Model |
|------|--------------------|---|----------------|-----|--------|
| 12 | 997 555 461 01 | Mount Axle bearing lever | left | 1 | |
| (12) | 997 555 461 01 V05 | Inner actuator Galvano silver | | | |
| | 997 555 462 01 | lever | right | 1 | |
| | 997 555 462 01 V05 | Inner actuator Galvano silver | | | |
| 13 | 999 919 164 09 | fillister hd. bolt 5 X 12 for Mount lever Inner actuator | | 1 | |
| 14 | 997 555 683 00 | Cover cap Airbag | left | 1 | |
| | 997 555 683 00 A03 | Black | | | |
| | 997 555 683 00 5V7 | Stone grey | | | |
| | 997 555 683 00 5Z1 | Sand beige | | | |
| | 997 555 683 00 8W7 | sea blue | | | |
| | 997 555 683 00 8X8 | Terracotta | | | |
| | 997 555 683 00 8P9 | Cocoa | | | |
| | 997 555 683 00 T13 | Brown/natural | | | |
| | 997 555 683 00 N23 | Carrera Red | | | |
| (14) | 997 555 684 00 | Cover cap Airbag | right | 1 | |
| | 997 555 684 00 A03 | Black | | | |
| | 997 555 684 00 5V7 | Stone grey | | | |
| | 997 555 684 00 5Z1 | Sand beige | | | |
| | 997 555 684 00 8W7 | sea blue | | | |
| | 997 555 684 00 8X8 | Terracotta | | | |
| | 997 555 684 00 8P9 | Cocoa | | | |
| | 997 555 684 00 T13 | Brown/natural | | | |
| | 997 555 684 00 N23 | Carrera Red | | | |
| (15) | 997 555 643 02 | Leather panel | left front | 1 | PR:XVT |
| | | D - MJ 2010>> | | | |
| | 997 555 643 02 A11 | Black | | | |
| | 997 555 643 02 5X6 | Stone grey | | | |
| | 997 555 643 02 8G2 | Sand beige | | | |
| | 997 555 643 02 3S9 | sea blue | | | |
| | 997 555 643 02 9S5 | Terracotta | | | |
| | 997 555 643 02 9V6 | Cocoa | | | |
| | 997 555 643 02 D12 | Dark grey/natural | | | |
| | 997 555 643 02 T12 | Brown/natural | | | |
| | 997 555 643 02 N12 | Carrera Red | | | |
| (15) | 997 555 644 02 | Leather panel | right front | 1 | PR:XVT |
| | | D - MJ 2010>> | | | |
| | 997 555 644 02 A11 | Black | | | |
| | 997 555 644 02 5X6 | Stone grey | | | |
| | 997 555 644 02 8G2 | Sand beige | | | |
| | 997 555 644 02 3S9 | sea blue | | | |
| | 997 555 644 02 9S5 | Terracotta | | | |
| | 997 555 644 02 9V6 | Cocoa | | | |
| | 997 555 644 02 D12 | Dark grey/natural | | | |
| | 997 555 644 02 T12 | Brown/natural | | | |
| | 997 555 644 02 N12 | Carrera Red | | | |
| (16) | 997 555 991 00 | Trim Door handle Carbon | left | 1 | PR:XTL |
| | 997 555 991 00 A11 | Black | | | |
| | 997 555 991 00 5X6 | Stone grey | | | |

Model: 997-09 Model life 2009>>2012

| Pos | Part Number | Description | Remark | Qty | Model |
|------|--------------------|-------------------|--------|-----|--------|
| | 997 555 991 00 8G2 | Sand beige | | | |
| | 997 555 991 00 3S9 | sea blue | | | |
| | 997 555 991 00 9S5 | Terracotta | | | |
| | 997 555 991 00 9V6 | Cocoa | | | |
| | 997 555 991 00 D12 | Dark grey/natural | | | |
| | 997 555 991 00 T12 | Brown/natural | | | |
| | 997 555 991 00 N12 | Carrera Red | | | |
| (16) | 997 555 992 00 | Trim | right | 1 | PR:XTL |
| | | Door handle | | | |
| | | Carbon | | | |
| | 997 555 992 00 A11 | Black | | | |
| | 997 555 992 00 5X6 | Stone grey | | | |
| | 997 555 992 00 8G2 | Sand beige | | | |
| | 997 555 992 00 3S9 | sea blue | | | |
| | 997 555 992 00 9S5 | Terracotta | | | |
| | 997 555 992 00 9V6 | Cocoa | | | |
| | 997 555 992 00 D12 | Dark grey/natural | | | |
| | 997 555 992 00 T12 | Brown/natural | | | |
| | 997 555 992 00 N12 | Carrera Red | | | |
| (16) | 997 555 991 02 | Trim | left | 1 | PR:XTT |
| | | Door handle | | | |
| | | macassar | | | |
| | 997 555 991 02 A11 | Black | | | |
| | 997 555 991 02 5X6 | Stone grey | | | |
| | 997 555 991 02 8G2 | Sand beige | | | |
| | 997 555 991 02 3S9 | sea blue | | | |
| | 997 555 991 02 9S5 | Terracotta | | | |
| | 997 555 991 02 9V6 | Cocoa | | | |
| | 997 555 991 02 D12 | Dark grey/natural | | | |
| | 997 555 991 02 T12 | Brown/natural | | | |
| | 997 555 991 02 N12 | Carrera Red | | | |
| (16) | 997 555 992 02 | Trim | right | 1 | PR:XTT |
| | | Door handle | | | |
| | | macassar | | | |
| | 997 555 992 02 A11 | Black | | | |
| | 997 555 992 02 5X6 | Stone grey | | | |
| | 997 555 992 02 8G2 | Sand beige | | | |
| | 997 555 992 02 3S9 | sea blue | | | |
| | 997 555 992 02 9S5 | Terracotta | | | |
| | 997 555 992 02 9V6 | Cocoa | | | |
| | 997 555 992 02 D12 | Dark grey/natural | | | |
| | 997 555 992 02 T12 | Brown/natural | | | |
| | 997 555 992 02 N12 | Carrera Red | | | |
| (16) | 997 555 991 03 | Trim | left | 1 | PR:XTW |
| | | Door handle | | | |
| | | Aluminium look | | | |
| | 997 555 991 03 A11 | Black | | | |
| | 997 555 991 03 5X6 | Stone grey | | | |
| | 997 555 991 03 8G2 | Sand beige | | | |
| | 997 555 991 03 3S9 | sea blue | | | |
| | 997 555 991 03 9S5 | Terracotta | | | |
| | 997 555 991 03 9V6 | Cocoa | | | |
| | 997 555 991 03 D12 | Dark grey/natural | | | |
| | 997 555 991 03 T12 | Brown/natural | | | |
| | 997 555 991 03 N12 | Carrera Red | | | |
| (16) | 997 555 992 03 | Trim | right | 1 | PR:XTW |
| | | Door handle | | | |
| | | Aluminium look | | | |
| | 997 555 992 03 A11 | Black | | | |
| | 997 555 992 03 5X6 | Stone grey | | | |
| | 997 555 992 03 8G2 | Sand beige | | | |
| | 997 555 992 03 3S9 | sea blue | | | |
| | 997 555 992 03 9S5 | Terracotta | | | |

Model: 997-09 Model life 2009>>2012

| Pos | Part Number | Description | Remark | Qty | Model |
|------|--------------------|---|--------|-----|-------------|
| | 997 555 992 03 9V6 | Cocoa | | | |
| | 997 555 992 03 D12 | Dark grey/natural | | | |
| | 997 555 992 03 T12 | Brown/natural | | | |
| | 997 555 992 03 N12 | Carrera Red | | | |
| 17 | 999 591 380 01 | Cable fastener | | 3 | |
| 18 | 997 555 685 02 | Cover | lhd | 1 | PR:098 |
| | | Exterior mirror (drivers side) Lacquered | | | |
| | 997 555 685 02 A03 | Black | | | |
| | 997 555 685 02 5V7 | Stone grey | | | |
| | 997 555 685 02 5Z1 | Sand beige | | | |
| | 997 555 685 02 8W7 | sea blue | | | |
| | 997 555 685 02 8X8 | Terracotta | | | |
| | 997 555 685 02 8P9 | Cocoa | | | |
| | 997 555 685 02 T13 | Brown/natural | | | |
| | 997 555 685 02 N23 | Carrera Red | | | |
| 18 | 997 555 995 00 | Cover (leather) Exterior mirror (drivers side) D - MJ 2010>> | lhd | 1 | PR:098 ,XDX |
| | 997 555 995 00 A11 | Black | | | |
| | 997 555 995 00 5X6 | Stone grey | | | |
| | 997 555 995 00 8G2 | Sand beige | | | |
| | 997 555 995 00 3S9 | sea blue | | | |
| | 997 555 995 00 9S5 | Terracotta | | | |
| | 997 555 995 00 9V6 | Cocoa | | | |
| | 997 555 995 00 T12 | Brown/natural | | | |
| | 997 555 995 00 N12 | Carrera Red | | | |
| (18) | 997 555 686 02 | Cover | lhd | 1 | PR:098 |
| | | Exterior mirror (passenger side) Lacquered | | | |
| | 997 555 686 02 A03 | Black | | | |
| | 997 555 686 02 5V7 | Stone grey | | | |
| | 997 555 686 02 5Z1 | Sand beige | | | |
| | 997 555 686 02 8W7 | sea blue | | | |
| | 997 555 686 02 8X8 | Terracotta | | | |
| | 997 555 686 02 8P9 | Cocoa | | | |
| | 997 555 686 02 T13 | Brown/natural | | | |
| | 997 555 686 02 N23 | Carrera Red | | | |
| (18) | 997 555 996 00 | Cover (leather) Exterior mirror (passenger side) | lhd | 1 | PR:098 ,XDX |
| | 997 555 996 00 A11 | Black | | | |
| | 997 555 996 00 5X6 | Stone grey | | | |
| | 997 555 996 00 8G2 | Sand beige | | | |
| | 997 555 996 00 3S9 | sea blue | | | |
| | 997 555 996 00 9S5 | Terracotta | | | |
| | 997 555 996 00 9V6 | Cocoa | | | |
| | 997 555 996 00 D12 | Dark grey/natural | | | |
| | 997 555 996 00 T12 | Brown/natural | | | |
| | 997 555 996 00 N12 | Carrera Red | | | |
| 19 | 997 555 577 00 | Cover cap Handle liner | | 1 | |
| | 997 555 577 00 A03 | Black | | | |
| 20 | 997 555 895 00 | Plastic foam strip for Bass loudspeaker | | 1 | |
| 21 | 997 645 511 00 | inscription | | 2 | PR:680 |
| 22 | 997 555 597 00 | Distance piece | | 2 | |
| | | Bonnet hinge | | | |
| 23 | 999 702 281 41 | Grommet | | 1 | |

Model: 997-09 Model life 2009>>2012

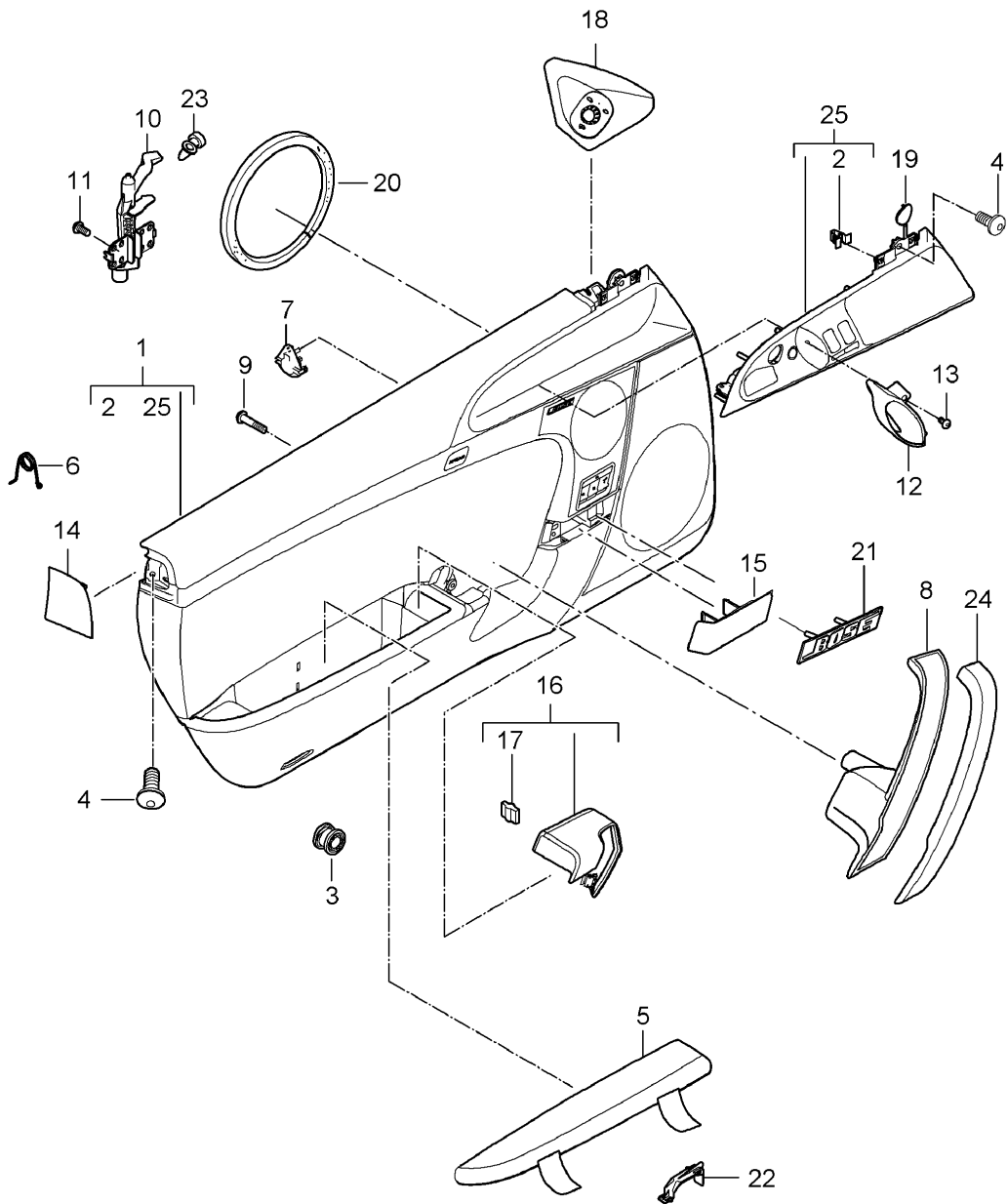
| Pos | Part Number | Description | Remark | Qty | Model |
|------|--------------------|---|----------|-----|---------------------------|
| 24 | 997 555 271 01 | Axle bearing Pull handle (leather) Upper part | left | 1 | |
| | 997 555 271 01 FSA | black/grey | | | |
| | 997 555 271 01 FSB | Stone grey/stone grey | | | |
| | 997 555 271 01 FSC | Sand beige/sand beige | | | |
| | 997 555 271 01 FSD | Sea blue/grey | | | |
| | 997 555 271 01 FSF | Terracotta/terracotta | | | |
| | 997 555 271 01 FSG | Cocoa/Cocoa | | | |
| | 997 555 271 01 FSH | Darkgrey natural/grey | | | |
| | 997 555 271 01 FSJ | Brown nat./brown nat. | | | |
| | 997 555 271 01 FSP | Carrera Red | | | |
| (24) | 997 555 272 01 | Pull handle (leather) Upper part | right | 1 | |
| | 997 555 272 01 FSA | black/grey | | | |
| | 997 555 272 01 FSB | Stone grey/stone grey | | | |
| | 997 555 272 01 FSC | Sand beige/sand beige | | | |
| | 997 555 272 01 FSD | Sea blue/grey | | | |
| | 997 555 272 01 FSF | Terracotta/terracotta | | | |
| | 997 555 272 01 FSG | Cocoa/Cocoa | | | |
| | 997 555 272 01 FSH | Darkgrey natural/grey | | | |
| | 997 555 272 01 FSJ | Brown nat./brown nat. | | | |
| | 997 555 272 01 FSP | Carrera Red | | | |
| (24) | 997 555 987 00 | Pull handle Upper part Carbon | left | 1 | PR:XTL |
| | 997 555 987 00 A35 | Black | | | |
| (24) | 997 555 988 00 | Pull handle Upper part Carbon | right | 1 | PR:XTL |
| | 997 555 988 00 A35 | Black | | | |
| (24) | 997 555 987 02 | Pull handle Upper part | left | 1 | PR:XTT |
| | 997 555 987 02 S61 | macassar | | | |
| (24) | 997 555 988 02 | Pull handle Upper part | right | 1 | PR:XTT |
| | 997 555 988 02 S61 | macassar | | | |
| (24) | 997 555 987 03 | Pull handle Upper part | left | 1 | PR:XTW |
| | 997 555 987 03 V04 | Galvano silver | | | |
| (24) | 997 555 988 03 | Pull handle Upper part | right | 1 | PR:XTW |
| | 997 555 988 03 V04 | aluminium | | | |
| 25 | 997 555 985 00 | Insert Handle liner Leather | left lhd | 1 | COUPE/TARGA PR:XTV,098 |
| | 997 555 985 00 A11 | Black | | | |
| | 997 555 985 00 5X6 | Stone grey | | | |
| | 997 555 985 00 8G2 | Sand beige | | | |
| | 997 555 985 00 3S9 | sea blue | | | |
| | 997 555 985 00 9S5 | Terracotta | | | |
| | 997 555 985 00 9V6 | Cocoa | | | |
| | 997 555 985 00 D12 | Dark grey/natural | | | |
| | 997 555 985 00 T12 | Brown/natural | | | |
| | 997 555 985 00 N12 | Carrera Red | | | |
| (25) | 997 555 985 01 | Insert Handle liner Leather | left lhd | 1 | CABRIO PR:XTV,098 |
| | 997 555 985 01 A11 | Black | | | |
| | 997 555 985 01 5X6 | Stone grey | | | |
| | 997 555 985 01 8G2 | Sand beige | | | |
| | 997 555 985 01 3S9 | sea blue | | | |
| | 997 555 985 01 9S5 | Terracotta | | | |

Model: 997-09 Model life 2009>>2012

| Pos | Part Number | Description | Remark | Qty | Model |
|------|--------------------|-----------------------------------|-----------|-----|---------------------------|
| | 997 555 985 01 9V6 | Cocoa | | | |
| | 997 555 985 01 D12 | Dark grey/natural | | | |
| | 997 555 985 01 T12 | Brown/natural | | | |
| | 997 555 985 01 N12 | Carrera Red | | | |
| (25) | 997 555 986 00 | Insert Handle liner Leather | right lhd | 1 | PR:XTV,098 |
| | 997 555 986 00 A11 | Black | | | |
| | 997 555 986 00 5X6 | Stone grey | | | |
| | 997 555 986 00 8G2 | Sand beige | | | |
| | 997 555 986 00 3S9 | sea blue | | | |
| | 997 555 986 00 9S5 | Terracotta | | | |
| | 997 555 986 00 9V6 | Cocoa | | | |
| | 997 555 986 00 D12 | Dark grey/natural | | | |
| | 997 555 986 00 T12 | Brown/natural | | | |
| | 997 555 986 00 N12 | Carrera Red | | | |
| 25 | 997 555 985 03 | Insert Handle liner Carbon | left lhd | 1 | COUPE/TARGA PR:XTL,098 |
| | 997 555 985 03 A35 | Black | | | |
| (25) | 997 555 985 04 | Insert Handle liner Carbon | left lhd | 1 | CABRIO PR:XTL,098 |
| | 997 555 985 04 A35 | Black | | | |
| (25) | 997 555 986 03 | Insert Handle liner Carbon | right lhd | 1 | PR:XTL,098 |
| | 997 555 986 03 A35 | Black | | | |
| 25 | 997 555 985 09 | Insert Handle liner | left lhd | 1 | COUPE/TARGA PR:XTT,098 |
| | 997 555 985 09 S61 | macassar | | | |
| (25) | 997 555 985 10 | Insert Handle liner | left lhd | 1 | CABRIO PR:XTT,098 |
| | 997 555 985 10 S61 | macassar | | | |
| (25) | 997 555 986 09 | Insert Handle liner | right lhd | 1 | PR:XTT,098 |
| | 997 555 986 09 S61 | macassar | | | |
| 25 | 997 555 985 12 | Insert Handle liner | left lhd | 1 | COUPE/TARGA PR:XTW,098 |
| | 997 555 985 12 V04 | Galvano silver | | | |
| (25) | 997 555 985 13 | Insert Handle liner | left lhd | 1 | CABRIO PR:XTW,098 |
| | 997 555 985 13 V04 | Galvano silver | | | |
| (25) | 997 555 986 12 | Insert Handle liner | right lhd | 1 | PR:XTW,098 |
| | 997 555 986 12 V04 | Galvano silver | | | |

Model: 997-09

Model life 2009>>2012



Model: 997-09 Model life 2009>>2012

| Pos | Part Number | Description | Remark | Qty | Model |
|-----|--------------------|--|----------|-----|---|
| | | door panel Leather Accessories Passenger compartment in Carbon macassar Leather Aluminium look | | | PR:981,XTL, XTT,XTV,XTW |
| (1) | 997 555 981 01 | Door panel trim (leather) | left lhd | 1 | COUPE/TARGA PR:XVT,490, 537,981,098 |
| | | D - MJ 2010>> | | | |
| | 997 555 981 01 A11 | Black | | | |
| | 997 555 981 01 5X6 | Stone grey | | | |
| | 997 555 981 01 8G2 | Sand beige | | | |
| | 997 555 981 01 3S9 | sea blue | | | |
| | 997 555 981 01 9S5 | Terracotta | | | |
| | 997 555 981 01 9V6 | Cocoa | | | |
| | 997 555 981 01 BCD | Black/stone grey | | | |
| | 997 555 981 01 BCE | Black/sand beige | | | |
| | 997 555 981 01 BCF | Black/terracotta | | | |
| | 997 555 981 01 D12 | Dark grey/natural | | | |
| | 997 555 981 01 T12 | Brown/natural | | | |
| | 997 555 981 01 N12 | Carrera Red | | | |
| (1) | 997 555 981 03 | Door panel trim (leather) | left lhd | 1 | COUPE/TARGA PR:XVT,537, 680,981,098 |
| | | D - MJ 2010>> | | | |
| | 997 555 981 03 A11 | Black | | | |
| | 997 555 981 03 5X6 | Stone grey | | | |
| | 997 555 981 03 8G2 | Sand beige | | | |
| | 997 555 981 03 3S9 | sea blue | | | |
| | 997 555 981 03 9S5 | Terracotta | | | |
| | 997 555 981 03 9V6 | Cocoa | | | |
| | 997 555 981 03 BCD | Black/stone grey | | | |
| | 997 555 981 03 BCE | Black/sand beige | | | |
| | 997 555 981 03 BCF | Black/terracotta | | | |
| | 997 555 981 03 D12 | Dark grey/natural | | | |
| | 997 555 981 03 T12 | Brown/natural | | | |
| | 997 555 981 03 N12 | Carrera Red | | | |
| (1) | 997 555 981 04 | Door panel trim (leather) | left lhd | 1 | CABRIO PR:XVT,098, 490,981,-537 |
| | | D - MJ 2010>> | | | |
| | 997 555 981 04 A11 | Black | | | |
| | 997 555 981 04 5X6 | Stone grey | | | |
| | 997 555 981 04 8G2 | Sand beige | | | |
| | 997 555 981 04 3S9 | sea blue | | | |
| | 997 555 981 04 9S5 | Terracotta | | | |
| | 997 555 981 04 9V6 | Cocoa | | | |
| | 997 555 981 04 BCD | Black/stone grey | | | |
| | 997 555 981 04 BCE | Black/sand beige | | | |
| | 997 555 981 04 BCF | Black/terracotta | | | |
| | 997 555 981 04 D12 | Dark grey/natural | | | |
| | 997 555 981 04 T12 | Brown/natural | | | |
| | 997 555 981 04 N12 | Carrera Red | | | |
| (1) | 997 555 981 05 | Door panel trim (leather) | left lhd | 1 | CABRIO PR:XVT,490, 537,981,098 |
| | | D - MJ 2010>> | | | |
| | 997 555 981 05 A11 | Black | | | |
| | 997 555 981 05 5X6 | Stone grey | | | |
| | 997 555 981 05 8G2 | Sand beige | | | |
| | 997 555 981 05 3S9 | sea blue | | | |
| | 997 555 981 05 9S5 | Terracotta | | | |
| | 997 555 981 05 9V6 | Cocoa | | | |

Model: 997-09 Model life 2009>>2012

| Pos | Part Number | Description | Remark | Qty | Model |
|-----|--------------------|---------------------------|-----------|-----|---------------------------------------|
| | 997 555 981 05 BCD | Black/stone grey | | | |
| | 997 555 981 05 BCE | Black/sand beige | | | |
| | 997 555 981 05 BCF | Black/terracotta | | | |
| | 997 555 981 05 D12 | Dark grey/natural | | | |
| | 997 555 981 05 T12 | Brown/natural | | | |
| | 997 555 981 05 N12 | Carrera Red | | | |
| (1) | 997 555 981 06 | Door panel trim (leather) | left lhd | 1 | CABRIO PR:XVT,098, 680,981,-537 |
| | | D - MJ 2010>> | | | |
| | 997 555 981 06 A11 | Black | | | |
| | 997 555 981 06 5X6 | Stone grey | | | |
| | 997 555 981 06 8G2 | Sand beige | | | |
| | 997 555 981 06 3S9 | sea blue | | | |
| | 997 555 981 06 9S5 | Terracotta | | | |
| | 997 555 981 06 9V6 | Cocoa | | | |
| | 997 555 981 06 BCD | Black/stone grey | | | |
| | 997 555 981 06 BCE | Black/sand beige | | | |
| | 997 555 981 06 BCF | Black/terracotta | | | |
| | 997 555 981 06 D12 | Dark grey/natural | | | |
| | 997 555 981 06 T12 | Brown/natural | | | |
| | 997 555 981 06 N12 | Carrera Red | | | |
| (1) | 997 555 981 07 | Door panel trim (leather) | left lhd | 1 | CABRIO PR:XVT,537, 680,981,098 |
| | | D - MJ 2010>> | | | |
| | 997 555 981 07 A11 | Black | | | |
| | 997 555 981 07 5X6 | Stone grey | | | |
| | 997 555 981 07 8G2 | Sand beige | | | |
| | 997 555 981 07 3S9 | sea blue | | | |
| | 997 555 981 07 9S5 | Terracotta | | | |
| | 997 555 981 07 9V6 | Cocoa | | | |
| | 997 555 981 07 BCD | Black/stone grey | | | |
| | 997 555 981 07 BCE | Black/sand beige | | | |
| | 997 555 981 07 BCF | Black/terracotta | | | |
| | 997 555 981 07 D12 | Dark grey/natural | | | |
| | 997 555 981 07 T12 | Brown/natural | | | |
| | 997 555 981 07 N12 | Carrera Red | | | |
| (1) | 997 555 982 08 | Door panel trim (leather) | right lhd | 1 | PR:XVT,098, 490,981 |
| | | D - MJ 2010>> | | | |
| | 997 555 982 08 A11 | Black | | | |
| | 997 555 982 08 5X6 | Stone grey | | | |
| | 997 555 982 08 8G2 | Sand beige | | | |
| | 997 555 982 08 3S9 | sea blue | | | |
| | 997 555 982 08 9S5 | Terracotta | | | |
| | 997 555 982 08 9V6 | Cocoa | | | |
| | 997 555 982 08 BCD | Black/stone grey | | | |
| | 997 555 982 08 BCE | Black/sand beige | | | |
| | 997 555 982 08 BCF | Black/terracotta | | | |
| | 997 555 982 08 D12 | Dark grey/natural | | | |
| | 997 555 982 08 T12 | Brown/natural | | | |
| | 997 555 982 08 N12 | Carrera Red | | | |
| (1) | 997 555 982 09 | Door panel trim (leather) | right lhd | 1 | PR:XVT,098, 680,981 |
| | | D - MJ 2010>> | | | |
| | 997 555 982 09 A11 | Black | | | |
| | 997 555 982 09 5X6 | Stone grey | | | |
| | 997 555 982 09 8G2 | Sand beige | | | |
| | 997 555 982 09 3S9 | sea blue | | | |
| | 997 555 982 09 9S5 | Terracotta | | | |
| | 997 555 982 09 9V6 | Cocoa | | | |
| | 997 555 982 09 BCD | Black/stone grey | | | |
| | 997 555 982 09 BCE | Black/sand beige | | | |
| | 997 555 982 09 BCF | Black/terracotta | | | |

Model: 997-09 Model life 2009>>2012

| Pos | Part Number | Description | Remark | Qty | Model |
|-----|--------------------|---------------------------|------------|-----|--------------------------------------|
| (1) | 997 555 982 09 D12 | Dark grey/natural | | | |
| | 997 555 982 09 T12 | Brown/natural | | | |
| | 997 555 982 09 N12 | Carrera Red | | | |
| | 987 555 981 16 | Door panel trim (leather) | left lhd | 1 | PR:XTL,098, 490,981, -XVT,-537 |
| | 987 555 981 16 A11 | Black | | | |
| | 987 555 981 16 5X6 | Stone grey | | | |
| | 987 555 981 16 8G2 | Sand beige | | | |
| | 987 555 981 16 3S9 | sea blue | | | |
| | 987 555 981 16 4P2 | Palm green | | | |
| | | D >> - MJ 2007 | | | |
| | | 987 555 981 16 9S5 | Terracotta | | |
| | 987 555 981 16 9V6 | Cocoa | | | |
| | 987 555 981 16 BCD | Black/stone grey | | | |
| | 987 555 981 16 BCE | Black/sand beige | | | |
| | 987 555 981 16 BCF | Black/terracotta | | | |
| | 987 555 981 16 D12 | Dark grey/natural | | | |
| | 987 555 981 16 T12 | Brown/natural | | | |
| | 987 555 981 16 N12 | Carrera Red | | | |
| (1) | 987 555 982 16 | Door panel trim (leather) | right rhd | 1 | PR:XTL,099, 490,981, -XVT,-538 |
| | 987 555 982 16 A11 | Black | | | |
| | 987 555 982 16 5X6 | Stone grey | | | |
| | 987 555 982 16 8G2 | Sand beige | | | |
| | 987 555 982 16 3S9 | sea blue | | | |
| | 987 555 982 16 4P2 | Palm green | | | |
| | D >> - MJ 2007 | | | | |
| | 987 555 982 16 9S5 | Terracotta | | | |
| | 987 555 982 16 9V6 | Cocoa | | | |
| | 987 555 982 16 BCD | Black/stone grey | | | |
| | 987 555 982 16 BCE | Black/sand beige | | | |
| | 987 555 982 16 BCF | Black/terracotta | | | |
| | 987 555 982 16 D12 | Dark grey/natural | | | |
| | 987 555 982 16 T12 | Brown/natural | | | |
| | 987 555 982 16 N12 | Carrera Red | | | |
| (1) | 987 555 981 18 | Door panel trim (leather) | left lhd | 1 | PR:XTL,490, 537,981, -XVT,098 |
| | 987 555 981 18 A11 | Black | | | |
| | 987 555 981 18 5X6 | Stone grey | | | |
| | 987 555 981 18 8G2 | Sand beige | | | |
| | 987 555 981 18 3S9 | sea blue | | | |
| | 987 555 981 18 4P2 | Palm green | | | |
| | D >> - MJ 2007 | | | | |
| | 987 555 981 18 9S5 | Terracotta | | | |
| | 987 555 981 18 9V6 | Cocoa | | | |
| | 987 555 981 18 BCD | Black/stone grey | | | |
| | 987 555 981 18 BCE | Black/sand beige | | | |
| | 987 555 981 18 BCF | Black/terracotta | | | |
| | 987 555 981 18 D12 | Dark grey/natural | | | |
| | 987 555 981 18 T12 | Brown/natural | | | |
| | 987 555 981 18 N12 | Carrera Red | | | |
| (1) | 987 555 982 18 | Door panel trim (leather) | right rhd | 1 | PR:XTL,490, 538,981, -XVT,099 |
| | 987 555 982 18 A11 | Black | | | |
| | 987 555 982 18 5X6 | Stone grey | | | |
| | 987 555 982 18 8G2 | Sand beige | | | |
| | 987 555 982 18 3S9 | sea blue | | | |
| | 987 555 982 18 4P2 | Palm green | | | |
| | D >> - MJ 2007 | | | | |

Model: 997-09 Model life 2009>>2012

| Pos | Part Number | Description | Remark | Qty | Model |
|-----|--------------------|---------------------------|-----------|-----|---|
| | 987 555 982 18 9S5 | Terracotta | | | |
| | 987 555 982 18 9V6 | Cocoa | | | |
| | 987 555 982 18 BCD | Black/stone grey | | | |
| | 987 555 982 18 BCE | Black/sand beige | | | |
| | 987 555 982 18 BCF | Black/terracotta | | | |
| | 987 555 982 18 D12 | Dark grey/natural | | | |
| | 987 555 982 18 T12 | Brown/natural | | | |
| | 987 555 982 18 N12 | Carrera Red | | | |
| (1) | 987 555 981 20 | Door panel trim (leather) | left lhd | 1 | COUPE/TARGA PR:XTL,098, 680,981, -XVT,-537 |
| | 987 555 981 20 A11 | Black | | | |
| | 987 555 981 20 5X6 | Stone grey | | | |
| | 987 555 981 20 8G2 | Sand beige | | | |
| | 987 555 981 20 3S9 | sea blue | | | |
| | 987 555 981 20 4P2 | Palm green | | | |
| | D | >> - MJ 2007 | | | |
| | 987 555 981 20 9S5 | Terracotta | | | |
| | 987 555 981 20 9V6 | Cocoa | | | |
| | 987 555 981 20 BCD | Black/stone grey | | | |
| | 987 555 981 20 BCE | Black/sand beige | | | |
| | 987 555 981 20 BCF | Black/terracotta | | | |
| | 987 555 981 20 D12 | Dark grey/natural | | | |
| | 987 555 981 20 T12 | Brown/natural | | | |
| | 987 555 981 20 N12 | Carrera Red | | | |
| (1) | 987 555 982 20 | Door panel trim (leather) | right rhd | 1 | COUPE/TARGA PR:XTL,099, 680,981, -XVT,-538 |
| | 987 555 982 20 A11 | Black | | | |
| | 987 555 982 20 5X6 | Stone grey | | | |
| | 987 555 982 20 8G2 | Sand beige | | | |
| | 987 555 982 20 3S9 | sea blue | | | |
| | 987 555 982 20 4P2 | Palm green | | | |
| | D | >> - MJ 2007 | | | |
| | 987 555 982 20 9S5 | Terracotta | | | |
| | 987 555 982 20 9V6 | Cocoa | | | |
| | 987 555 982 20 BCD | Black/stone grey | | | |
| | 987 555 982 20 BCE | Black/sand beige | | | |
| | 987 555 982 20 BCF | Black/terracotta | | | |
| | 987 555 982 20 D12 | Dark grey/natural | | | |
| | 987 555 982 20 T12 | Brown/natural | | | |
| | 987 555 982 20 N12 | Carrera Red | | | |
| (1) | 987 555 981 22 | Door panel trim (leather) | left lhd | 1 | COUPE/TARGA PR:XTL,537, 680,981, -XVT,098 |
| | 987 555 981 22 A11 | Black | | | |
| | 987 555 981 22 5X6 | Stone grey | | | |
| | 987 555 981 22 8G2 | Sand beige | | | |
| | 987 555 981 22 3S9 | sea blue | | | |
| | 987 555 981 22 4P2 | Palm green | | | |
| | D | >> - MJ 2007 | | | |
| | 987 555 981 22 9S5 | Terracotta | | | |
| | 987 555 981 22 9V6 | Cocoa | | | |
| | 987 555 981 22 BCD | Black/stone grey | | | |
| | 987 555 981 22 BCE | Black/sand beige | | | |
| | 987 555 981 22 BCF | Black/terracotta | | | |
| | 987 555 981 22 D12 | Dark grey/natural | | | |
| | 987 555 981 22 T12 | Brown/natural | | | |
| | 987 555 981 22 N12 | Carrera Red | | | |
| (1) | 987 555 982 22 | Door panel trim (leather) | right rhd | 1 | COUPE/TARGA |

Model: 997-09 Model life 2009>>2012

| Pos | Part Number | Description | Remark | Qty | Model |
|-----|--------------------|---------------------------|-----------|-----|-------------------------------------|
| | | | | | PR:XTL,538, 680,981, -XVT,099 |
| | 987 555 982 22 A11 | Black | | | |
| | 987 555 982 22 5X6 | Stone grey | | | |
| | 987 555 982 22 8G2 | Sand beige | | | |
| | 987 555 982 22 3S9 | sea blue | | | |
| | 987 555 982 22 4P2 | Palm green | | | |
| | D | >> - MJ 2007 | | | |
| | 987 555 982 22 9S5 | Terracotta | | | |
| | 987 555 982 22 9V6 | Cocoa | | | |
| | 987 555 982 22 BCD | Black/stone grey | | | |
| | 987 555 982 22 BCE | Black/sand beige | | | |
| | 987 555 982 22 BCF | Black/terracotta | | | |
| | 987 555 982 22 D12 | Dark grey/natural | | | |
| | 987 555 982 22 T12 | Brown/natural | | | |
| | 987 555 982 22 N12 | Carrera Red | | | |
| (1) | 987 555 981 25 | Door panel trim (leather) | left rhd | 1 | PR:XTL,099, 490,981,-XVT |
| | 987 555 981 25 A11 | Black | | | |
| | 987 555 981 25 5X6 | Stone grey | | | |
| | 987 555 981 25 8G2 | Sand beige | | | |
| | 987 555 981 25 3S9 | sea blue | | | |
| | 987 555 981 25 4P2 | Palm green | | | |
| | D | >> - MJ 2007 | | | |
| | 987 555 981 25 9S5 | Terracotta | | | |
| | 987 555 981 25 9V6 | Cocoa | | | |
| | 987 555 981 25 BCD | Black/stone grey | | | |
| | 987 555 981 25 BCE | Black/sand beige | | | |
| | 987 555 981 25 BCF | Black/terracotta | | | |
| | 987 555 981 25 D12 | Dark grey/natural | | | |
| | 987 555 981 25 T12 | Brown/natural | | | |
| | 987 555 981 25 N12 | Carrera Red | | | |
| (1) | 987 555 982 25 | Door panel trim (leather) | right lhd | 1 | PR:XTL,098, 490,981,-XVT |
| | 987 555 982 25 A11 | Black | | | |
| | 987 555 982 25 5X6 | Stone grey | | | |
| | 987 555 982 25 8G2 | Sand beige | | | |
| | 987 555 982 25 3S9 | sea blue | | | |
| | 987 555 982 25 4P2 | Palm green | | | |
| | D | >> - MJ 2007 | | | |
| | 987 555 982 25 9S5 | Terracotta | | | |
| | 987 555 982 25 9V6 | Cocoa | | | |
| | 987 555 982 25 BCD | Black/stone grey | | | |
| | 987 555 982 25 BCE | Black/sand beige | | | |
| | 987 555 982 25 BCF | Black/terracotta | | | |
| | 987 555 982 25 D12 | Dark grey/natural | | | |
| | 987 555 982 25 T12 | Brown/natural | | | |
| | 987 555 982 25 N12 | Carrera Red | | | |
| (1) | 987 555 981 27 | Door panel trim (leather) | left rhd | 1 | PR:XTL,099, 680,981,-XVT |
| | 987 555 981 27 A11 | Black | | | |
| | 987 555 981 27 5X6 | Stone grey | | | |
| | 987 555 981 27 8G2 | Sand beige | | | |
| | 987 555 981 27 3S9 | sea blue | | | |
| | 987 555 981 27 4P2 | Palm green | | | |
| | D | >> - MJ 2007 | | | |
| | 987 555 981 27 9S5 | Terracotta | | | |
| | 987 555 981 27 9V6 | Cocoa | | | |
| | 987 555 981 27 BCD | Black/stone grey | | | |
| | 987 555 981 27 BCE | Black/sand beige | | | |
| | 987 555 981 27 BCF | Black/terracotta | | | |
| | 987 555 981 27 D12 | Dark grey/natural | | | |

Model: 997-09 Model life 2009>>2012

| Pos | Part Number | Description | Remark | Qty | Model |
|--------------------|--------------------|---------------------------|-----------|-----|--|
| (1) | 987 555 981 27 T12 | Brown/natural | | | |
| | 987 555 981 27 N12 | Carrera Red | | | |
| | 987 555 982 27 | Door panel trim (leather) | right lhd | 1 | PR:XTL,098, 680,981,-XVT |
| | 987 555 982 27 A11 | Black | | | |
| | 987 555 982 27 5X6 | Stone grey | | | |
| | 987 555 982 27 8G2 | Sand beige | | | |
| | 987 555 982 27 3S9 | sea blue | | | |
| | 987 555 982 27 4P2 | Palm green | | | |
| | | D >> - MJ 2007 | | | |
| | 987 555 982 27 9S5 | Terracotta | | | |
| | 987 555 982 27 9V6 | Cocoa | | | |
| | 987 555 982 27 BCD | Black/stone grey | | | |
| | 987 555 982 27 BCE | Black/sand beige | | | |
| | 987 555 982 27 BCF | Black/terracotta | | | |
| (1) | 987 555 982 27 D12 | Dark grey/natural | | | |
| | 987 555 982 27 T12 | Brown/natural | | | |
| | 987 555 982 27 N12 | Carrera Red | | | |
| | 987 555 981 31 | Door panel trim (leather) | left lhd | 1 | CABRIO PR:XTL,098, 490,981,-XVT |
| | 987 555 981 31 A11 | Black | | | |
| | 987 555 981 31 5X6 | Stone grey | | | |
| | 987 555 981 31 8G2 | Sand beige | | | |
| | 987 555 981 31 3S9 | sea blue | | | |
| | 987 555 981 31 4P2 | Palm green | | | |
| | | D >> - MJ 2007 | | | |
| | 987 555 981 31 9S5 | Terracotta | | | |
| | 987 555 981 31 9V6 | Cocoa | | | |
| | 987 555 981 31 BCD | Black/stone grey | | | |
| | 987 555 981 31 BCE | Black/sand beige | | | |
| 987 555 981 31 BCF | Black/terracotta | | | | |
| (1) | 987 555 981 31 D12 | Dark grey/natural | | | |
| | 987 555 981 31 T12 | Brown/natural | | | |
| | 987 555 981 31 N12 | Carrera Red | | | |
| | 987 555 982 31 | Door panel trim (leather) | right rhd | 1 | CABRIO PR:XTL,099, 490,981, -XVT,-538 |
| | 987 555 982 31 A11 | Black | | | |
| | 987 555 982 31 5X6 | Stone grey | | | |
| | 987 555 982 31 8G2 | Sand beige | | | |
| | 987 555 982 31 3S9 | sea blue | | | |
| | 987 555 982 31 4P2 | Palm green | | | |
| | | D >> - MJ 2007 | | | |
| | 987 555 982 31 9S5 | Terracotta | | | |
| | 987 555 982 31 9V6 | Cocoa | | | |
| | 987 555 982 31 BCD | Black/stone grey | | | |
| | 987 555 982 31 BCE | Black/sand beige | | | |
| 987 555 982 31 BCF | Black/terracotta | | | | |
| (1) | 987 555 982 31 D12 | Dark grey/natural | | | |
| | 987 555 982 31 T12 | Brown/natural | | | |
| | 987 555 982 31 N12 | Carrera Red | | | |
| | 987 555 981 33 | Door panel trim (leather) | left lhd | 1 | CABRIO PR:XTL,490, 537,981, -XVT,098 |
| | 987 555 981 33 A11 | Black | | | |
| | 987 555 981 33 5X6 | Stone grey | | | |
| | 987 555 981 33 8G2 | Sand beige | | | |
| | 987 555 981 33 3S9 | sea blue | | | |
| | 987 555 981 33 4P2 | Palm green | | | |
| | | D >> - MJ 2007 | | | |

Model: 997-09 Model life 2009>>2012

| Pos | Part Number | Description | Remark | Qty | Model |
|-----|--------------------|---------------------------|-----------|-----|--|
| | 987 555 981 33 9S5 | Terracotta | | | |
| | 987 555 981 33 9V6 | Cocoa | | | |
| | 987 555 981 33 BCD | Black/stone grey | | | |
| | 987 555 981 33 BCE | Black/sand beige | | | |
| | 987 555 981 33 BCF | Black/terracotta | | | |
| | 987 555 981 33 D12 | Dark grey/natural | | | |
| | 987 555 981 33 T12 | Brown/natural | | | |
| | 987 555 981 33 N12 | Carrera Red | | | |
| (1) | 987 555 982 33 | Door panel trim (leather) | right rhd | 1 | CABRIO PR:XTL,490, 538,981, -XVT,099 |
| | 987 555 982 33 A11 | Black | | | |
| | 987 555 982 33 5X6 | Stone grey | | | |
| | 987 555 982 33 8G2 | Sand beige | | | |
| | 987 555 982 33 3S9 | sea blue | | | |
| | 987 555 982 33 4P2 | Palm green | | | |
| | D | >> - MJ 2007 | | | |
| | 987 555 982 33 9S5 | Terracotta | | | |
| | 987 555 982 33 9V6 | Cocoa | | | |
| | 987 555 982 33 BCD | Black/stone grey | | | |
| | 987 555 982 33 BCE | Black/sand beige | | | |
| | 987 555 982 33 BCF | Black/terracotta | | | |
| | 987 555 982 33 D12 | Dark grey/natural | | | |
| | 987 555 982 33 T12 | Brown/natural | | | |
| | 987 555 982 33 N12 | Carrera Red | | | |
| (1) | 987 555 981 35 | Door panel trim (leather) | left lhd | 1 | CABRIO PR:XTL,098, 680,981,-XVT |
| | 987 555 981 35 A11 | Black | | | |
| | 987 555 981 35 5X6 | Stone grey | | | |
| | 987 555 981 35 8G2 | Sand beige | | | |
| | 987 555 981 35 3S9 | sea blue | | | |
| | 987 555 981 35 4P2 | Palm green | | | |
| | D | >> - MJ 2007 | | | |
| | 987 555 981 35 9S5 | Terracotta | | | |
| | 987 555 981 35 9V6 | Cocoa | | | |
| | 987 555 981 35 BCD | Black/stone grey | | | |
| | 987 555 981 35 BCE | Black/sand beige | | | |
| | 987 555 981 35 BCF | Black/terracotta | | | |
| | 987 555 981 35 D12 | Dark grey/natural | | | |
| | 987 555 981 35 T12 | Brown/natural | | | |
| | 987 555 981 35 N12 | Carrera Red | | | |
| (1) | 987 555 982 35 | Door panel trim (leather) | right rhd | 1 | CABRIO PR:XTL,099, 680,981, -XVT,-538 |
| | 987 555 982 35 A11 | Black | | | |
| | 987 555 982 35 5X6 | Stone grey | | | |
| | 987 555 982 35 8G2 | Sand beige | | | |
| | 987 555 982 35 3S9 | sea blue | | | |
| | 987 555 982 35 4P2 | Palm green | | | |
| | D | >> - MJ 2007 | | | |
| | 987 555 982 35 9S5 | Terracotta | | | |
| | 987 555 982 35 9V6 | Cocoa | | | |
| | 987 555 982 35 BCD | Black/stone grey | | | |
| | 987 555 982 35 BCE | Black/sand beige | | | |
| | 987 555 982 35 BCF | Black/terracotta | | | |
| | 987 555 982 35 D12 | Dark grey/natural | | | |
| | 987 555 982 35 T12 | Brown/natural | | | |
| | 987 555 982 35 N12 | Carrera Red | | | |
| (1) | 987 555 981 37 | Door panel trim (leather) | left lhd | 1 | CABRIO PR:XTL,537, |

Model: 997-09 Model life 2009>>2012

| Pos | Part Number | Description | Remark | Qty | Model |
|-----|--------------------|---------------------------|-----------|-----|--|
| | 987 555 981 37 A11 | Black | | | 680,981, -XVT,098 |
| | 987 555 981 37 5X6 | Stone grey | | | |
| | 987 555 981 37 8G2 | Sand beige | | | |
| | 987 555 981 37 3S9 | sea blue | | | |
| | 987 555 981 37 4P2 | Palm green | | | |
| | | D >> - MJ 2007 | | | |
| | 987 555 981 37 9S5 | Terracotta | | | |
| | 987 555 981 37 9V6 | Cocoa | | | |
| | 987 555 981 37 BCD | Black/stone grey | | | |
| | 987 555 981 37 BCE | Black/sand beige | | | |
| | 987 555 981 37 BCF | Black/terracotta | | | |
| | 987 555 981 37 D12 | Dark grey/natural | | | |
| | 987 555 981 37 T12 | Brown/natural | | | |
| | 987 555 981 37 N12 | Carrera Red | | | |
| (1) | 987 555 982 37 | Door panel trim (leather) | right rhd | 1 | CABRIO PR:XTL,538, 680,981, -XVT,099 |
| | 987 555 982 37 A11 | Black | | | |
| | 987 555 982 37 5X6 | Stone grey | | | |
| | 987 555 982 37 8G2 | Sand beige | | | |
| | 987 555 982 37 3S9 | sea blue | | | |
| | 987 555 982 37 4P2 | Palm green | | | |
| | | D >> - MJ 2007 | | | |
| | 987 555 982 37 9S5 | Terracotta | | | |
| | 987 555 982 37 9V6 | Cocoa | | | |
| | 987 555 982 37 BCD | Black/stone grey | | | |
| | 987 555 982 37 BCE | Black/sand beige | | | |
| | 987 555 982 37 BCF | Black/terracotta | | | |
| | 987 555 982 37 D12 | Dark grey/natural | | | |
| | 987 555 982 37 T12 | Brown/natural | | | |
| | 987 555 982 37 N12 | Carrera Red | | | |
| (1) | 997 555 981 10 | Door panel trim (leather) | left lhd | 1 | COUPE/TARGA PR:XTL,XVT, 098,490,981, -537 |
| | | D - MJ 2010>> | | | |
| | 997 555 981 10 A11 | Black | | | |
| | 997 555 981 10 5X6 | Stone grey | | | |
| | 997 555 981 10 8G2 | Sand beige | | | |
| | 997 555 981 10 3S9 | sea blue | | | |
| | 997 555 981 10 9S5 | Terracotta | | | |
| | 997 555 981 10 9V6 | Cocoa | | | |
| | 997 555 981 10 BCD | Black/stone grey | | | |
| | 997 555 981 10 BCE | Black/sand beige | | | |
| | 997 555 981 10 BCF | Black/terracotta | | | |
| | 997 555 981 10 D12 | Dark grey/natural | | | |
| | 997 555 981 10 T12 | Brown/natural | | | |
| | 997 555 981 10 N12 | Carrera Red | | | |
| (1) | 997 555 981 11 | Door panel trim (leather) | left lhd | 1 | COUPE/TARGA PR:XTL,XVT, 490,537,981, 098 |
| | | D - MJ 2010>> | | | |
| | 997 555 981 11 A11 | Black | | | |
| | 997 555 981 11 5X6 | Stone grey | | | |
| | 997 555 981 11 8G2 | Sand beige | | | |
| | 997 555 981 11 3S9 | sea blue | | | |
| | 997 555 981 11 9S5 | Terracotta | | | |
| | 997 555 981 11 9V6 | Cocoa | | | |
| | 997 555 981 11 BCD | Black/stone grey | | | |
| | 997 555 981 11 BCE | Black/sand beige | | | |
| | 997 555 981 11 BCF | Black/terracotta | | | |

Model: 997-09 Model life 2009>>2012

| Pos | Part Number | Description | Remark | Qty | Model |
|--------------------|--------------------|---------------------------|-----------|-----|--|
| (1) | 997 555 981 11 D12 | Dark grey/natural | | | |
| | 997 555 981 11 T12 | Brown/natural | | | |
| | 997 555 981 11 N12 | Carrera Red | | | |
| | 997 555 981 12 | Door panel trim (leather) | left lhd | 1 | COUPE/TARGA PR: XTL, XVT, 098,680,981, -537 |
| | | D - MJ 2010>> | | | |
| | 997 555 981 12 A11 | Black | | | |
| | 997 555 981 12 5X6 | Stone grey | | | |
| | 997 555 981 12 8G2 | Sand beige | | | |
| | 997 555 981 12 3S9 | sea blue | | | |
| | 997 555 981 12 9S5 | Terracotta | | | |
| | 997 555 981 12 9V6 | Cocoa | | | |
| | 997 555 981 12 BCD | Black/stone grey | | | |
| | 997 555 981 12 BCE | Black/sand beige | | | |
| (1) | 997 555 981 12 BCF | Black/terracotta | | | |
| | 997 555 981 12 D12 | Dark grey/natural | | | |
| | 997 555 981 12 T12 | Brown/natural | | | |
| | 997 555 981 12 N12 | Carrera Red | | | |
| | 997 555 981 13 | Door panel trim (leather) | left lhd | 1 | COUPE/TARGA PR: XTL, XVT, 537,680,981, 098 |
| | | D - MJ 2010>> | | | |
| | 997 555 981 13 A11 | Black | | | |
| | 997 555 981 13 5X6 | Stone grey | | | |
| | 997 555 981 13 8G2 | Sand beige | | | |
| | 997 555 981 13 3S9 | sea blue | | | |
| | 997 555 981 13 9S5 | Terracotta | | | |
| | 997 555 981 13 9V6 | Cocoa | | | |
| | 997 555 981 13 BCD | Black/stone grey | | | |
| 997 555 981 13 BCE | Black/sand beige | | | | |
| (1) | 997 555 981 13 BCF | Black/terracotta | | | |
| | 997 555 981 13 D12 | Dark grey/natural | | | |
| | 997 555 981 13 T12 | Brown/natural | | | |
| | 997 555 981 13 N12 | Carrera Red | | | |
| | 997 555 982 14 | Door panel trim (leather) | right lhd | 1 | PR: XTL, XVT, 098,490,981 |
| | | D - MJ 2010>> | | | |
| | 997 555 982 14 A11 | Black | | | |
| | 997 555 982 14 5X6 | Stone grey | | | |
| | 997 555 982 14 8G2 | Sand beige | | | |
| | 997 555 982 14 3S9 | sea blue | | | |
| | 997 555 982 14 9S5 | Terracotta | | | |
| | 997 555 982 14 9V6 | Cocoa | | | |
| | 997 555 982 14 BCD | Black/stone grey | | | |
| 997 555 982 14 BCE | Black/sand beige | | | | |
| (1) | 997 555 982 14 BCF | Black/terracotta | | | |
| | 997 555 982 14 D12 | Dark grey/natural | | | |
| | 997 555 982 14 T12 | Brown/natural | | | |
| | 997 555 982 14 N12 | Carrera Red | | | |
| | 997 555 982 15 | Door panel trim (leather) | right lhd | 1 | PR: XTL, XVT, 098,680,981 |
| | | D - MJ 2010>> | | | |
| | 997 555 982 15 A11 | Black | | | |
| | 997 555 982 15 5X6 | Stone grey | | | |
| | 997 555 982 15 8G2 | Sand beige | | | |
| | 997 555 982 15 3S9 | sea blue | | | |
| | 997 555 982 15 9S5 | Terracotta | | | |
| | 997 555 982 15 9V6 | Cocoa | | | |
| | 997 555 982 15 BCD | Black/stone grey | | | |
| 997 555 982 15 BCE | Black/sand beige | | | | |
| 997 555 982 15 BCF | Black/terracotta | | | | |
| 997 555 982 15 D12 | Dark grey/natural | | | | |

Model: 997-09 Model life 2009>>2012

| Pos | Part Number | Description | Remark | Qty | Model |
|--------------------|--------------------|---------------------------|----------|-----|---|
| (1) | 997 555 982 15 T12 | Brown/natural | | | |
| | 997 555 982 15 N12 | Carrera Red | | | |
| | 997 555 981 16 | Door panel trim (leather) | left lhd | 1 | CABRIO PR:XTL,XVT, 098,490,981, -537 |
| | | D - MJ 2010>> | | | |
| | 997 555 981 16 A11 | Black | | | |
| | 997 555 981 16 5X6 | Stone grey | | | |
| | 997 555 981 16 8G2 | Sand beige | | | |
| | 997 555 981 16 3S9 | sea blue | | | |
| | 997 555 981 16 9S5 | Terracotta | | | |
| | 997 555 981 16 9V6 | Cocoa | | | |
| | 997 555 981 16 BCD | Black/stone grey | | | |
| | 997 555 981 16 BCE | Black/sand beige | | | |
| | 997 555 981 16 BCF | Black/terracotta | | | |
| (1) | 997 555 981 16 D12 | Dark grey/natural | | | |
| | 997 555 981 16 T12 | Brown/natural | | | |
| | 997 555 981 16 N12 | Carrera Red | | | |
| | 997 555 981 17 | Door panel trim (leather) | left lhd | 1 | CABRIO PR:XTL,XVT, 490,537,981, 098 |
| | | D - MJ 2010>> | | | |
| | 997 555 981 17 A11 | Black | | | |
| | 997 555 981 17 5X6 | Stone grey | | | |
| | 997 555 981 17 8G2 | Sand beige | | | |
| | 997 555 981 17 3S9 | sea blue | | | |
| | 997 555 981 17 9S5 | Terracotta | | | |
| | 997 555 981 17 9V6 | Cocoa | | | |
| | 997 555 981 17 BCD | Black/stone grey | | | |
| | 997 555 981 17 BCE | Black/sand beige | | | |
| (1) | 997 555 981 17 BCF | Black/terracotta | | | |
| | 997 555 981 17 D12 | Dark grey/natural | | | |
| | 997 555 981 17 T12 | Brown/natural | | | |
| | 997 555 981 17 N12 | Carrera Red | | | |
| | 997 555 981 18 | Door panel trim (leather) | left lhd | 1 | CABRIO PR:XTL,XVT, 098,680,981, -537 |
| | | D - MJ 2010>> | | | |
| | 997 555 981 18 A11 | Black | | | |
| | 997 555 981 18 5X6 | Stone grey | | | |
| | 997 555 981 18 8G2 | Sand beige | | | |
| | 997 555 981 18 3S9 | sea blue | | | |
| | 997 555 981 18 9S5 | Terracotta | | | |
| | 997 555 981 18 9V6 | Cocoa | | | |
| | 997 555 981 18 BCD | Black/stone grey | | | |
| 997 555 981 18 BCE | Black/sand beige | | | | |
| (1) | 997 555 981 18 BCF | Black/terracotta | | | |
| | 997 555 981 18 D12 | Dark grey/natural | | | |
| | 997 555 981 18 T12 | Brown/natural | | | |
| | 997 555 981 18 N12 | Carrera Red | | | |
| | 997 555 981 19 | Door panel trim (leather) | left lhd | 1 | CABRIO PR:XTL,XVT, 537,680,981, 098 |
| | | D - MJ 2010>> | | | |
| | 997 555 981 19 A11 | Black | | | |
| | 997 555 981 19 5X6 | Stone grey | | | |
| | 997 555 981 19 8G2 | Sand beige | | | |
| | 997 555 981 19 3S9 | sea blue | | | |
| | 997 555 981 19 9S5 | Terracotta | | | |
| | 997 555 981 19 9V6 | Cocoa | | | |
| | 997 555 981 19 BCD | Black/stone grey | | | |
| 997 555 981 19 BCE | Black/sand beige | | | | |
| 997 555 981 19 BCF | Black/terracotta | | | | |

Model: 997-09 Model life 2009>>2012

| Pos | Part Number | Description | Remark | Qty | Model |
|--------------------|--------------------|---------------------------|-----------|-----|--------------------------------------|
| (1) | 997 555 981 19 D12 | Dark grey/natural | | | |
| | 997 555 981 19 T12 | Brown/natural | | | |
| | 997 555 981 19 N12 | Carrera Red | | | |
| | 987 555 983 16 | Door panel trim (leather) | left lhd | 1 | PR:XTT,098, 490,981, -XVT,-537 |
| | 987 555 983 16 A11 | Black | | | |
| | 987 555 983 16 5X6 | Stone grey | | | |
| | 987 555 983 16 8G2 | Sand beige | | | |
| | 987 555 983 16 3S9 | sea blue | | | |
| | 987 555 983 16 4P2 | Palm green | | | |
| | | D >> - MJ 2007 | | | |
| (1) | 987 555 983 16 9S5 | Terracotta | | | |
| | 987 555 983 16 9V6 | Cocoa | | | |
| | 987 555 983 16 BCD | Black/stone grey | | | |
| | 987 555 983 16 BCE | Black/sand beige | | | |
| | 987 555 983 16 BCF | Black/terracotta | | | |
| | 987 555 983 16 D12 | Dark grey/natural | | | |
| | 987 555 983 16 T12 | Brown/natural | | | |
| | 987 555 983 16 N12 | Carrera Red | | | |
| | 987 555 984 16 | Door panel trim (leather) | right rhd | 1 | PR:XTT,099, 490,981, -XVT,-538 |
| | | D >> - MJ 2007 | | | |
| (1) | 987 555 984 16 A11 | Black | | | |
| | 987 555 984 16 5X6 | Stone grey | | | |
| | 987 555 984 16 8G2 | Sand beige | | | |
| | 987 555 984 16 3S9 | sea blue | | | |
| | 987 555 984 16 4P2 | Palm green | | | |
| | | D >> - MJ 2007 | | | |
| | 987 555 984 16 9S5 | Terracotta | | | |
| | 987 555 984 16 9V6 | Cocoa | | | |
| | 987 555 984 16 BCD | Black/stone grey | | | |
| | 987 555 984 16 BCE | Black/sand beige | | | |
| 987 555 984 16 BCF | Black/terracotta | | | | |
| (1) | 987 555 984 16 D12 | Dark grey/natural | | | |
| | 987 555 984 16 T12 | Brown/natural | | | |
| | 987 555 984 16 N12 | Carrera Red | | | |
| | 987 555 983 18 | Door panel trim (leather) | left lhd | 1 | PR:XTT,490, 537,981, -XVT,098 |
| | 987 555 983 18 A11 | Black | | | |
| | 987 555 983 18 5X6 | Stone grey | | | |
| | 987 555 983 18 8G2 | Sand beige | | | |
| | 987 555 983 18 3S9 | sea blue | | | |
| | 987 555 983 18 4P2 | Palm green | | | |
| | | D >> - MJ 2007 | | | |
| (1) | 987 555 983 18 9S5 | Terracotta | | | |
| | 987 555 983 18 9V6 | Cocoa | | | |
| | 987 555 983 18 BCD | Black/stone grey | | | |
| | 987 555 983 18 BCE | Black/sand beige | | | |
| | 987 555 983 18 BCF | Black/terracotta | | | |
| | 987 555 983 18 D12 | Dark grey/natural | | | |
| | 987 555 983 18 T12 | Brown/natural | | | |
| | 987 555 983 18 N12 | Carrera Red | | | |
| | 987 555 984 18 | Door panel trim (leather) | right rhd | 1 | PR:XTT,490, 538,981, -XVT,099 |
| | | D >> - MJ 2007 | | | |
| (1) | 987 555 984 18 A11 | Black | | | |
| | 987 555 984 18 5X6 | Stone grey | | | |
| | 987 555 984 18 8G2 | Sand beige | | | |
| | 987 555 984 18 3S9 | sea blue | | | |
| | 987 555 984 18 4P2 | Palm green | | | |
| | D >> - MJ 2007 | | | | |

Model: 997-09 Model life 2009>>2012

| Pos | Part Number | Description | Remark | Qty | Model |
|-----|--------------------|---------------------------|-----------|-----|--------------------------------------|
| | 987 555 984 18 9S5 | Terracotta | | | |
| | 987 555 984 18 9V6 | Cocoa | | | |
| | 987 555 984 18 BCD | Black/stone grey | | | |
| | 987 555 984 18 BCE | Black/sand beige | | | |
| | 987 555 984 18 BCF | Black/terracotta | | | |
| | 987 555 984 18 D12 | Dark grey/natural | | | |
| | 987 555 984 18 T12 | Brown/natural | | | |
| | 987 555 984 18 N12 | Carrera Red | | | |
| (1) | 987 555 983 20 | Door panel trim (leather) | left lhd | 1 | PR:XTT,098, 680,981, -XVT,-537 |
| | 987 555 983 20 A11 | Black | | | |
| | 987 555 983 20 5X6 | Stone grey | | | |
| | 987 555 983 20 8G2 | Sand beige | | | |
| | 987 555 983 20 3S9 | sea blue | | | |
| | 987 555 983 20 4P2 | Palm green | | | |
| | D | >> - MJ 2007 | | | |
| | 987 555 983 20 9S5 | Terracotta | | | |
| | 987 555 983 20 9V6 | Cocoa | | | |
| | 987 555 983 20 BCD | Black/stone grey | | | |
| | 987 555 983 20 BCE | Black/sand beige | | | |
| | 987 555 983 20 BCF | Black/terracotta | | | |
| | 987 555 983 20 D12 | Dark grey/natural | | | |
| | 987 555 983 20 T12 | Brown/natural | | | |
| | 987 555 983 20 N12 | Carrera Red | | | |
| (1) | 987 555 984 20 | Door panel trim (leather) | right rhd | 1 | PR:XTT,099, 680,981, -XVT,-538 |
| | 987 555 984 20 A11 | Black | | | |
| | 987 555 984 20 5X6 | Stone grey | | | |
| | 987 555 984 20 8G2 | Sand beige | | | |
| | 987 555 984 20 3S9 | sea blue | | | |
| | 987 555 984 20 4P2 | Palm green | | | |
| | D | >> - MJ 2007 | | | |
| | 987 555 984 20 9S5 | Terracotta | | | |
| | 987 555 984 20 9V6 | Cocoa | | | |
| | 987 555 984 20 BCD | Black/stone grey | | | |
| | 987 555 984 20 BCE | Black/sand beige | | | |
| | 987 555 984 20 BCF | Black/terracotta | | | |
| | 987 555 984 20 D12 | Dark grey/natural | | | |
| | 987 555 984 20 T12 | Brown/natural | | | |
| | 987 555 984 20 N12 | Carrera Red | | | |
| (1) | 987 555 983 22 | Door panel trim (leather) | left lhd | 1 | PR:XTT,537, 680,981, -XVT,098 |
| | 987 555 983 22 A11 | Black | | | |
| | 987 555 983 22 5X6 | Stone grey | | | |
| | 987 555 983 22 8G2 | Sand beige | | | |
| | 987 555 983 22 3S9 | sea blue | | | |
| | 987 555 983 22 4P2 | Palm green | | | |
| | D | >> - MJ 2007 | | | |
| | 987 555 983 22 9S5 | Terracotta | | | |
| | 987 555 983 22 9V6 | Cocoa | | | |
| | 987 555 983 22 BCD | Black/stone grey | | | |
| | 987 555 983 22 BCE | Black/sand beige | | | |
| | 987 555 983 22 BCF | Black/terracotta | | | |
| | 987 555 983 22 D12 | Dark grey/natural | | | |
| | 987 555 983 22 T12 | Brown/natural | | | |
| | 987 555 983 22 N12 | Carrera Red | | | |
| (1) | 987 555 984 22 | Door panel trim (leather) | right rhd | 1 | PR:XTT,538, 680,981, -XVT,099 |
| | 987 555 984 22 A11 | Black | | | |

Model: 997-09 Model life 2009>>2012

| Pos | Part Number | Description | Remark | Qty | Model |
|-----|--------------------|---------------------------|-----------|-----|-----------------------------|
| | 987 555 984 22 5X6 | Stone grey | | | |
| | 987 555 984 22 8G2 | Sand beige | | | |
| | 987 555 984 22 3S9 | sea blue | | | |
| | 987 555 984 22 4P2 | Palm green | | | |
| | | D >> - MJ 2007 | | | |
| | 987 555 984 22 9S5 | Terracotta | | | |
| | 987 555 984 22 9V6 | Cocoa | | | |
| | 987 555 984 22 BCD | Black/stone grey | | | |
| | 987 555 984 22 BCE | Black/sand beige | | | |
| | 987 555 984 22 BCF | Black/terracotta | | | |
| | 987 555 984 22 D12 | Dark grey/natural | | | |
| | 987 555 984 22 T12 | Brown/natural | | | |
| | 987 555 984 22 N12 | Carrera Red | | | |
| (1) | 987 555 983 25 | Door panel trim (leather) | left rhd | 1 | PR:XTT,099, 490,981,-XVT |
| | 987 555 983 25 A11 | Black | | | |
| | 987 555 983 25 5X6 | Stone grey | | | |
| | 987 555 983 25 8G2 | Sand beige | | | |
| | 987 555 983 25 3S9 | sea blue | | | |
| | 987 555 983 25 4P2 | Palm green | | | |
| | | D >> - MJ 2007 | | | |
| | 987 555 983 25 9S5 | Terracotta | | | |
| | 987 555 983 25 9V6 | Cocoa | | | |
| | 987 555 983 25 BCD | Black/stone grey | | | |
| | 987 555 983 25 BCE | Black/sand beige | | | |
| | 987 555 983 25 BCF | Black/terracotta | | | |
| | 987 555 983 25 D12 | Dark grey/natural | | | |
| | 987 555 983 25 T12 | Brown/natural | | | |
| | 987 555 983 25 N12 | Carrera Red | | | |
| (1) | 987 555 984 25 | Door panel trim (leather) | right lhd | 1 | PR:XTT,098, 490,981,-XVT |
| | 987 555 984 25 A11 | Black | | | |
| | 987 555 984 25 5X6 | Stone grey | | | |
| | 987 555 984 25 8G2 | Sand beige | | | |
| | 987 555 984 25 3S9 | sea blue | | | |
| | 987 555 984 25 4P2 | Palm green | | | |
| | | D >> - MJ 2007 | | | |
| | 987 555 984 25 9S5 | Terracotta | | | |
| | 987 555 984 25 9V6 | Cocoa | | | |
| | 987 555 984 25 BCD | Black/stone grey | | | |
| | 987 555 984 25 BCE | Black/sand beige | | | |
| | 987 555 984 25 BCF | Black/terracotta | | | |
| | 987 555 984 25 D12 | Dark grey/natural | | | |
| | 987 555 984 25 T12 | Brown/natural | | | |
| | 987 555 984 25 N12 | Carrera Red | | | |
| (1) | 987 555 983 27 | Door panel trim (leather) | left rhd | 1 | PR:XTT,099, 680,981,-XVT |
| | 987 555 983 27 A11 | Black | | | |
| | 987 555 983 27 5X6 | Stone grey | | | |
| | 987 555 983 27 8G2 | Sand beige | | | |
| | 987 555 983 27 3S9 | sea blue | | | |
| | 987 555 983 27 4P2 | Palm green | | | |
| | | D >> - MJ 2007 | | | |
| | 987 555 983 27 9S5 | Terracotta | | | |
| | 987 555 983 27 9V6 | Cocoa | | | |
| | 987 555 983 27 BCD | Black/stone grey | | | |
| | 987 555 983 27 BCE | Black/sand beige | | | |
| | 987 555 983 27 BCF | Black/terracotta | | | |
| | 987 555 983 27 D12 | Dark grey/natural | | | |
| | 987 555 983 27 T12 | Brown/natural | | | |
| | 987 555 983 27 N12 | Carrera Red | | | |
| (1) | 987 555 984 27 | Door panel trim (leather) | right lhd | 1 | PR:XTT,098, 680,981,-XVT |

Model: 997-09 Model life 2009>>2012

| Pos | Part Number | Description | Remark | Qty | Model |
|-----|--------------------|---------------------------|-----------|-----|--|
| | 987 555 984 27 A11 | Black | | | |
| | 987 555 984 27 5X6 | Stone grey | | | |
| | 987 555 984 27 8G2 | Sand beige | | | |
| | 987 555 984 27 3S9 | sea blue | | | |
| | 987 555 984 27 4P2 | Palm green | | | |
| | | D >> - MJ 2007 | | | |
| | 987 555 984 27 9S5 | Terracotta | | | |
| | 987 555 984 27 9V6 | Cocoa | | | |
| | 987 555 984 27 BCD | Black/stone grey | | | |
| | 987 555 984 27 BCE | Black/sand beige | | | |
| | 987 555 984 27 BCF | Black/terracotta | | | |
| | 987 555 984 27 D12 | Dark grey/natural | | | |
| | 987 555 984 27 T12 | Brown/natural | | | |
| | 987 555 984 27 N12 | Carrera Red | | | |
| (1) | 987 555 983 31 | Door panel trim (leather) | left lhd | 1 | CABRIO PR:XTT,098, 490,981,-XVT |
| | 987 555 983 31 A11 | Black | | | |
| | 987 555 983 31 5X6 | Stone grey | | | |
| | 987 555 983 31 8G2 | Sand beige | | | |
| | 987 555 983 31 3S9 | sea blue | | | |
| | 987 555 983 31 4P2 | Palm green | | | |
| | | D >> - MJ 2007 | | | |
| | 987 555 983 31 9S5 | Terracotta | | | |
| | 987 555 983 31 9V6 | Cocoa | | | |
| | 987 555 983 31 BCD | Black/stone grey | | | |
| | 987 555 983 31 BCE | Black/sand beige | | | |
| | 987 555 983 31 BCF | Black/terracotta | | | |
| | 987 555 983 31 D12 | Dark grey/natural | | | |
| | 987 555 983 31 T12 | Brown/natural | | | |
| | 987 555 983 31 N12 | Carrera Red | | | |
| (1) | 987 555 984 31 | Door panel trim (leather) | right rhd | 1 | CABRIO PR:XTT,099, 490,981, -XVT,-538 |
| | 987 555 984 31 A11 | Black | | | |
| | 987 555 984 31 5X6 | Stone grey | | | |
| | 987 555 984 31 8G2 | Sand beige | | | |
| | 987 555 984 31 3S9 | sea blue | | | |
| | 987 555 984 31 4P2 | Palm green | | | |
| | | D >> - MJ 2007 | | | |
| | 987 555 984 31 9S5 | Terracotta | | | |
| | 987 555 984 31 9V6 | Cocoa | | | |
| | 987 555 984 31 BCD | Black/stone grey | | | |
| | 987 555 984 31 BCE | Black/sand beige | | | |
| | 987 555 984 31 BCF | Black/terracotta | | | |
| | 987 555 984 31 D12 | Dark grey/natural | | | |
| | 987 555 984 31 T12 | Brown/natural | | | |
| | 987 555 984 31 N12 | Carrera Red | | | |
| (1) | 987 555 983 33 | Door panel trim (leather) | left lhd | 1 | CABRIO PR:XTT,490, 537,981, -XVT,098 |
| | 987 555 983 33 A11 | Black | | | |
| | 987 555 983 33 5X6 | Stone grey | | | |
| | 987 555 983 33 8G2 | Sand beige | | | |
| | 987 555 983 33 3S9 | sea blue | | | |
| | 987 555 983 33 4P2 | Palm green | | | |
| | | D >> - MJ 2007 | | | |
| | 987 555 983 33 9S5 | Terracotta | | | |
| | 987 555 983 33 9V6 | Cocoa | | | |
| | 987 555 983 33 BCD | Black/stone grey | | | |
| | 987 555 983 33 BCE | Black/sand beige | | | |

Model: 997-09 Model life 2009>>2012

| Pos | Part Number | Description | Remark | Qty | Model |
|-----|--------------------|---------------------------|-----------|-----|--|
| (1) | 987 555 983 33 BCF | Black/terracotta | | | |
| | 987 555 983 33 D12 | Dark grey/natural | | | |
| | 987 555 983 33 T12 | Brown/natural | | | |
| | 987 555 983 33 N12 | Carrera Red | | | |
| | 987 555 984 33 | Door panel trim (leather) | right rhd | 1 | CABRIO PR:XTT,490, 538,981, -XVT,099 |
| | 987 555 984 33 A11 | Black | | | |
| | 987 555 984 33 5X6 | Stone grey | | | |
| | 987 555 984 33 8G2 | Sand beige | | | |
| | 987 555 984 33 3S9 | sea blue | | | |
| | 987 555 984 33 4P2 | Palm green | | | |
| | | D >> - MJ 2007 | | | |
| (1) | 987 555 984 33 9S5 | Terracotta | | | |
| | 987 555 984 33 9V6 | Cocoa | | | |
| | 987 555 984 33 BCD | Black/stone grey | | | |
| | 987 555 984 33 BCE | Black/sand beige | | | |
| | 987 555 984 33 BCF | Black/terracotta | | | |
| | 987 555 984 33 D12 | Dark grey/natural | | | |
| | 987 555 984 33 T12 | Brown/natural | | | |
| | 987 555 984 33 N12 | Carrera Red | | | |
| | 987 555 983 35 | Door panel trim (leather) | left lhd | 1 | CABRIO PR:XTT,098, 680,981,-XVT |
| | 987 555 983 35 A11 | Black | | | |
| | 987 555 983 35 5X6 | Stone grey | | | |
| (1) | 987 555 983 35 8G2 | Sand beige | | | |
| | 987 555 983 35 3S9 | sea blue | | | |
| | 987 555 983 35 4P2 | Palm green | | | |
| | | D >> - MJ 2007 | | | |
| | 987 555 983 35 9S5 | Terracotta | | | |
| | 987 555 983 35 9V6 | Cocoa | | | |
| | 987 555 983 35 BCD | Black/stone grey | | | |
| | 987 555 983 35 BCE | Black/sand beige | | | |
| | 987 555 983 35 BCF | Black/terracotta | | | |
| | 987 555 983 35 D12 | Dark grey/natural | | | |
| | 987 555 983 35 T12 | Brown/natural | | | |
| (1) | 987 555 983 35 N12 | Carrera Red | | | |
| | 987 555 984 35 | Door panel trim (leather) | right rhd | 1 | CABRIO PR:XTT,099, 680,981, -XVT,-538 |
| | 987 555 984 35 A11 | Black | | | |
| | 987 555 984 35 5X6 | Stone grey | | | |
| | 987 555 984 35 8G2 | Sand beige | | | |
| | 987 555 984 35 3S9 | sea blue | | | |
| | 987 555 984 35 4P2 | Palm green | | | |
| | | D >> - MJ 2007 | | | |
| | 987 555 984 35 9S5 | Terracotta | | | |
| | 987 555 984 35 9V6 | Cocoa | | | |
| | 987 555 984 35 BCD | Black/stone grey | | | |
| (1) | 987 555 984 35 BCE | Black/sand beige | | | |
| | 987 555 984 35 BCF | Black/terracotta | | | |
| | 987 555 984 35 D12 | Dark grey/natural | | | |
| | 987 555 984 35 T12 | Brown/natural | | | |
| | 987 555 984 35 N12 | Carrera Red | | | |
| | 987 555 983 37 | Door panel trim (leather) | left lhd | 1 | CABRIO PR:XTT,537, 680,981, -XVT,098 |
| | 987 555 983 37 A11 | Black | | | |
| | 987 555 983 37 5X6 | Stone grey | | | |

Model: 997-09 Model life 2009>>2012

| Pos | Part Number | Description | Remark | Qty | Model |
|-----|--------------------|---------------------------|-----------|-----|--|
| | 987 555 983 37 8G2 | Sand beige | | | |
| | 987 555 983 37 3S9 | sea blue | | | |
| | 987 555 983 37 4P2 | Palm green | | | |
| | | D >> - MJ 2007 | | | |
| | 987 555 983 37 9S5 | Terracotta | | | |
| | 987 555 983 37 9V6 | Cocoa | | | |
| | 987 555 983 37 BCD | Black/stone grey | | | |
| | 987 555 983 37 BCE | Black/sand beige | | | |
| | 987 555 983 37 BCF | Black/terracotta | | | |
| | 987 555 983 37 D12 | Dark grey/natural | | | |
| | 987 555 983 37 T12 | Brown/natural | | | |
| | 987 555 983 37 N12 | Carrera Red | | | |
| (1) | 987 555 984 37 | Door panel trim (leather) | right rhd | 1 | CABRIO PR:XTT,538, 680,981, -XVT,099 |
| | 987 555 984 37 A11 | Black | | | |
| | 987 555 984 37 5X6 | Stone grey | | | |
| | 987 555 984 37 8G2 | Sand beige | | | |
| | 987 555 984 37 3S9 | sea blue | | | |
| | 987 555 984 37 4P2 | Palm green | | | |
| | | D >> - MJ 2007 | | | |
| | 987 555 984 37 9S5 | Terracotta | | | |
| | 987 555 984 37 9V6 | Cocoa | | | |
| | 987 555 984 37 BCD | Black/stone grey | | | |
| | 987 555 984 37 BCE | Black/sand beige | | | |
| | 987 555 984 37 BCF | Black/terracotta | | | |
| | 987 555 984 37 D12 | Dark grey/natural | | | |
| | 987 555 984 37 T12 | Brown/natural | | | |
| | 987 555 984 37 N12 | Carrera Red | | | |
| (1) | 997 555 981 20 | Door panel trim (leather) | left lhd | 1 | COUPE/TARGA PR:XTT,XVT, 098,490,981, -537 |
| | | D - MJ 2010>> | | | |
| | 997 555 981 20 A11 | Black | | | |
| | 997 555 981 20 5X6 | Stone grey | | | |
| | 997 555 981 20 8G2 | Sand beige | | | |
| | 997 555 981 20 3S9 | sea blue | | | |
| | 997 555 981 20 9S5 | Terracotta | | | |
| | 997 555 981 20 9V6 | Cocoa | | | |
| | 997 555 981 20 BCD | Black/stone grey | | | |
| | 997 555 981 20 BCE | Black/sand beige | | | |
| | 997 555 981 20 BCF | Black/terracotta | | | |
| | 997 555 981 20 D12 | Dark grey/natural | | | |
| | 997 555 981 20 T12 | Brown/natural | | | |
| | 997 555 981 20 N12 | Carrera Red | | | |
| (1) | 997 555 981 21 | Door panel trim (leather) | left lhd | 1 | COUPE/TARGA PR:XTT,XVT, 490,537,981, 098 |
| | | D - MJ 2010>> | | | |
| | 997 555 981 21 A11 | Black | | | |
| | 997 555 981 21 5X6 | Stone grey | | | |
| | 997 555 981 21 8G2 | Sand beige | | | |
| | 997 555 981 21 3S9 | sea blue | | | |
| | 997 555 981 21 9S5 | Terracotta | | | |
| | 997 555 981 21 9V6 | Cocoa | | | |
| | 997 555 981 21 BCD | Black/stone grey | | | |
| | 997 555 981 21 BCE | Black/sand beige | | | |
| | 997 555 981 21 BCF | Black/terracotta | | | |
| | 997 555 981 21 D12 | Dark grey/natural | | | |
| | 997 555 981 21 T12 | Brown/natural | | | |
| | 997 555 981 21 N12 | Carrera Red | | | |
| (1) | 997 555 981 22 | Door panel trim (leather) | left lhd | 1 | COUPE/TARGA |

Model: 997-09 Model life 2009>>2012

| Pos | Part Number | Description | Remark | Qty | Model |
|-----|--------------------|---------------------------|-----------|-----|---|
| | | D - MJ 2010>> | | | PR:XTT,XVT, 098,680,981, -537 |
| | 997 555 981 22 A11 | Black | | | |
| | 997 555 981 22 5X6 | Stone grey | | | |
| | 997 555 981 22 8G2 | Sand beige | | | |
| | 997 555 981 22 3S9 | sea blue | | | |
| | 997 555 981 22 9S5 | Terracotta | | | |
| | 997 555 981 22 9V6 | Cocoa | | | |
| | 997 555 981 22 BCD | Black/stone grey | | | |
| | 997 555 981 22 BCE | Black/sand beige | | | |
| | 997 555 981 22 BCF | Black/terracotta | | | |
| | 997 555 981 22 D12 | Dark grey/natural | | | |
| | 997 555 981 22 T12 | Brown/natural | | | |
| | 997 555 981 22 N12 | Carrera Red | | | |
| (1) | 997 555 981 23 | Door panel trim (leather) | left lhd | 1 | COUPE/TARGA PR:XTT,XVT, 537,680,981, 098 |
| | | D - MJ 2010>> | | | |
| | 997 555 981 23 A11 | Black | | | |
| | 997 555 981 23 5X6 | Stone grey | | | |
| | 997 555 981 23 8G2 | Sand beige | | | |
| | 997 555 981 23 3S9 | sea blue | | | |
| | 997 555 981 23 9S5 | Terracotta | | | |
| | 997 555 981 23 9V6 | Cocoa | | | |
| | 997 555 981 23 BCD | Black/stone grey | | | |
| | 997 555 981 23 BCE | Black/sand beige | | | |
| | 997 555 981 23 BCF | Black/terracotta | | | |
| | 997 555 981 23 D12 | Dark grey/natural | | | |
| | 997 555 981 23 T12 | Brown/natural | | | |
| | 997 555 981 23 N12 | Carrera Red | | | |
| (1) | 997 555 982 24 | Door panel trim (leather) | right lhd | 1 | PR:XTT,XVT, 098,490,981 |
| | | D - MJ 2010>> | | | |
| | 997 555 982 24 A11 | Black | | | |
| | 997 555 982 24 5X6 | Stone grey | | | |
| | 997 555 982 24 8G2 | Sand beige | | | |
| | 997 555 982 24 3S9 | sea blue | | | |
| | 997 555 982 24 9S5 | Terracotta | | | |
| | 997 555 982 24 9V6 | Cocoa | | | |
| | 997 555 982 24 BCD | Black/stone grey | | | |
| | 997 555 982 24 BCE | Black/sand beige | | | |
| | 997 555 982 24 BCF | Black/terracotta | | | |
| | 997 555 982 24 D12 | Dark grey/natural | | | |
| | 997 555 982 24 T12 | Brown/natural | | | |
| | 997 555 982 24 N12 | Carrera Red | | | |
| (1) | 997 555 982 25 | Door panel trim (leather) | right lhd | 1 | PR:XTT,XVT, 098,680,981 |
| | | D - MJ 2010>> | | | |
| | 997 555 982 25 A11 | Black | | | |
| | 997 555 982 25 5X6 | Stone grey | | | |
| | 997 555 982 25 8G2 | Sand beige | | | |
| | 997 555 982 25 3S9 | sea blue | | | |
| | 997 555 982 25 9S5 | Terracotta | | | |
| | 997 555 982 25 9V6 | Cocoa | | | |
| | 997 555 982 25 BCD | Black/stone grey | | | |
| | 997 555 982 25 BCE | Black/sand beige | | | |
| | 997 555 982 25 BCF | Black/terracotta | | | |
| | 997 555 982 25 D12 | Dark grey/natural | | | |
| | 997 555 982 25 T12 | Brown/natural | | | |
| | 997 555 982 25 N12 | Carrera Red | | | |
| (1) | 997 555 981 26 | Door panel trim (leather) | left lhd | 1 | CABRIO PR:XTT,XVT, |

Model: 997-09 Model life 2009>>2012

| Pos | Part Number | Description | Remark | Qty | Model |
|-----|--------------------|---------------------------|----------|-----|---|
| | | D - MJ 2010>> | | | 098,490,981, -538 |
| | 997 555 981 26 A11 | Black | | | |
| | 997 555 981 26 5X6 | Stone grey | | | |
| | 997 555 981 26 8G2 | Sand beige | | | |
| | 997 555 981 26 3S9 | sea blue | | | |
| | 997 555 981 26 9S5 | Terracotta | | | |
| | 997 555 981 26 9V6 | Cocoa | | | |
| | 997 555 981 26 BCD | Black/stone grey | | | |
| | 997 555 981 26 BCE | Black/sand beige | | | |
| | 997 555 981 26 BCF | Black/terracotta | | | |
| | 997 555 981 26 D12 | Dark grey/natural | | | |
| | 997 555 981 26 T12 | Brown/natural | | | |
| | 997 555 981 26 N12 | Carrera Red | | | |
| (1) | 997 555 981 27 | Door panel trim (leather) | left lhd | 1 | CABRIO PR:XTT,XVT, 490,537,981, 098 |
| | | D - MJ 2010>> | | | |
| | 997 555 981 27 A11 | Black | | | |
| | 997 555 981 27 5X6 | Stone grey | | | |
| | 997 555 981 27 8G2 | Sand beige | | | |
| | 997 555 981 27 3S9 | sea blue | | | |
| | 997 555 981 27 9S5 | Terracotta | | | |
| | 997 555 981 27 9V6 | Cocoa | | | |
| | 997 555 981 27 BCD | Black/stone grey | | | |
| | 997 555 981 27 BCE | Black/sand beige | | | |
| | 997 555 981 27 BCF | Black/terracotta | | | |
| | 997 555 981 27 D12 | Dark grey/natural | | | |
| | 997 555 981 27 T12 | Brown/natural | | | |
| | 997 555 981 27 N12 | Carrera Red | | | |
| (1) | 997 555 981 28 | Door panel trim (leather) | left lhd | 1 | CABRIO PR:XTT,XVT, 098,680,981, -537 |
| | | D - MJ 2010>> | | | |
| | 997 555 981 28 A11 | Black | | | |
| | 997 555 981 28 5X6 | Stone grey | | | |
| | 997 555 981 28 8G2 | Sand beige | | | |
| | 997 555 981 28 3S9 | sea blue | | | |
| | 997 555 981 28 9S5 | Terracotta | | | |
| | 997 555 981 28 9V6 | Cocoa | | | |
| | 997 555 981 28 BCD | Black/stone grey | | | |
| | 997 555 981 28 BCE | Black/sand beige | | | |
| | 997 555 981 28 BCF | Black/terracotta | | | |
| | 997 555 981 28 D12 | Dark grey/natural | | | |
| | 997 555 981 28 T12 | Brown/natural | | | |
| | 997 555 981 28 N12 | Carrera Red | | | |
| (1) | 997 555 981 29 | Door panel trim (leather) | left lhd | 1 | CABRIO PR:XTT,XVT, 537,680,981, 098 |
| | | D - MJ 2010>> | | | |
| | 997 555 981 29 A11 | Black | | | |
| | 997 555 981 29 5X6 | Stone grey | | | |
| | 997 555 981 29 8G2 | Sand beige | | | |
| | 997 555 981 29 3S9 | sea blue | | | |
| | 997 555 981 29 9S5 | Terracotta | | | |
| | 997 555 981 29 9V6 | Cocoa | | | |
| | 997 555 981 29 BCD | Black/stone grey | | | |
| | 997 555 981 29 BCE | Black/sand beige | | | |
| | 997 555 981 29 BCF | Black/terracotta | | | |
| | 997 555 981 29 D12 | Dark grey/natural | | | |
| | 997 555 981 29 T12 | Brown/natural | | | |
| | 997 555 981 29 N12 | Carrera Red | | | |
| (1) | 987 555 993 16 | Door panel trim (leather) | left lhd | 1 | PR:XTV,098, |

Model: 997-09 Model life 2009>>2012

| Pos | Part Number | Description | Remark | Qty | Model |
|-----|--------------------|---------------------------|-----------|-----|--------------------------------------|
| | 987 555 993 16 A11 | Black | | | 490,981, -XVT,-537 |
| | 987 555 993 16 5X6 | Stone grey | | | |
| | 987 555 993 16 8G2 | Sand beige | | | |
| | 987 555 993 16 3S9 | sea blue | | | |
| | 987 555 993 16 9S5 | Terracotta | | | |
| | 987 555 993 16 9V6 | Cocoa | | | |
| | 987 555 993 16 BCD | Black/stone grey | | | |
| | 987 555 993 16 BCE | Black/sand beige | | | |
| | 987 555 993 16 BCF | Black/terracotta | | | |
| | 987 555 993 16 D12 | Dark grey/natural | | | |
| | 987 555 993 16 T12 | Brown/natural | | | |
| | 987 555 993 16 N12 | Carrera Red | | | |
| (1) | 987 555 994 16 | Door panel trim (leather) | right rhd | 1 | PR:XTV,099, 490,981, -XVT,-538 |
| | 987 555 994 16 A11 | Black | | | |
| | 987 555 994 16 5X6 | Stone grey | | | |
| | 987 555 994 16 8G2 | Sand beige | | | |
| | 987 555 994 16 3S9 | sea blue | | | |
| | 987 555 994 16 9S5 | Terracotta | | | |
| | 987 555 994 16 9V6 | Cocoa | | | |
| | 987 555 994 16 BCD | Black/stone grey | | | |
| | 987 555 994 16 BCE | Black/sand beige | | | |
| | 987 555 994 16 BCF | Black/terracotta | | | |
| | 987 555 994 16 D12 | Dark grey/natural | | | |
| | 987 555 994 16 T12 | Brown/natural | | | |
| | 987 555 994 16 N12 | Carrera Red | | | |
| (1) | 987 555 993 18 | Door panel trim (leather) | left lhd | 1 | PR:XTV,490, 537,981, -XVT,098 |
| | 987 555 993 18 A11 | Black | | | |
| | 987 555 993 18 5X6 | Stone grey | | | |
| | 987 555 993 18 8G2 | Sand beige | | | |
| | 987 555 993 18 3S9 | sea blue | | | |
| | 987 555 993 18 9S5 | Terracotta | | | |
| | 987 555 993 18 9V6 | Cocoa | | | |
| | 987 555 993 18 BCD | Black/stone grey | | | |
| | 987 555 993 18 BCE | Black/sand beige | | | |
| | 987 555 993 18 BCF | Black/terracotta | | | |
| | 987 555 993 18 D12 | Dark grey/natural | | | |
| | 987 555 993 18 T12 | Brown/natural | | | |
| | 987 555 993 18 N12 | Carrera Red | | | |
| (1) | 987 555 994 18 | Door panel trim (leather) | right rhd | 1 | PR:XTV,490, 538,981, -XVT,099 |
| | 987 555 994 18 A11 | Black | | | |
| | 987 555 994 18 5X6 | Stone grey | | | |
| | 987 555 994 18 8G2 | Sand beige | | | |
| | 987 555 994 18 3S9 | sea blue | | | |
| | 987 555 994 18 9S5 | Terracotta | | | |
| | 987 555 994 18 9V6 | Cocoa | | | |
| | 987 555 994 18 BCD | Black/stone grey | | | |
| | 987 555 994 18 BCE | Black/sand beige | | | |
| | 987 555 994 18 BCF | Black/terracotta | | | |
| | 987 555 994 18 D12 | Dark grey/natural | | | |
| | 987 555 994 18 T12 | Brown/natural | | | |
| | 987 555 994 18 N12 | Carrera Red | | | |
| (1) | 987 555 993 20 | Door panel trim (leather) | left lhd | 1 | PR:XTV,098, 680,981, -XVT,-537 |
| | 987 555 993 20 A11 | Black | | | |

Model: 997-09 Model life 2009>>2012

| Pos | Part Number | Description | Remark | Qty | Model |
|-----|--------------------|---------------------------|-----------|-----|--------------------------------------|
| | 987 555 993 20 5X6 | Stone grey | | | |
| | 987 555 993 20 8G2 | Sand beige | | | |
| | 987 555 993 20 3S9 | sea blue | | | |
| | 987 555 993 20 9S5 | Terracotta | | | |
| | 987 555 993 20 9V6 | Cocoa | | | |
| | 987 555 993 20 BCD | Black/stone grey | | | |
| | 987 555 993 20 BCE | Black/sand beige | | | |
| | 987 555 993 20 BCF | Black/terracotta | | | |
| | 987 555 993 20 D12 | Dark grey/natural | | | |
| | 987 555 993 20 T12 | Brown/natural | | | |
| | 987 555 993 20 N12 | Carrera Red | | | |
| (1) | 987 555 994 20 | Door panel trim (leather) | right rhd | 1 | PR:XTV,099, 680,981, -XVT,-538 |
| | 987 555 994 20 A11 | Black | | | |
| | 987 555 994 20 5X6 | Stone grey | | | |
| | 987 555 994 20 8G2 | Sand beige | | | |
| | 987 555 994 20 3S9 | sea blue | | | |
| | 987 555 994 20 9S5 | Terracotta | | | |
| | 987 555 994 20 9V6 | Cocoa | | | |
| | 987 555 994 20 BCD | Black/stone grey | | | |
| | 987 555 994 20 BCE | Black/sand beige | | | |
| | 987 555 994 20 BCF | Black/terracotta | | | |
| | 987 555 994 20 D12 | Dark grey/natural | | | |
| | 987 555 994 20 T12 | Brown/natural | | | |
| | 987 555 994 20 N12 | Carrera Red | | | |
| (1) | 987 555 993 22 | Door panel trim (leather) | left lhd | 1 | PR:XTV,537, 680,981, -XVT,098 |
| | 987 555 993 22 A11 | Black | | | |
| | 987 555 993 22 5X6 | Stone grey | | | |
| | 987 555 993 22 8G2 | Sand beige | | | |
| | 987 555 993 22 3S9 | sea blue | | | |
| | 987 555 993 22 9S5 | Terracotta | | | |
| | 987 555 993 22 9V6 | Cocoa | | | |
| | 987 555 993 22 BCD | Black/stone grey | | | |
| | 987 555 993 22 BCE | Black/sand beige | | | |
| | 987 555 993 22 BCF | Black/terracotta | | | |
| | 987 555 993 22 D12 | Dark grey/natural | | | |
| | 987 555 993 22 T12 | Brown/natural | | | |
| | 987 555 993 22 N12 | Carrera Red | | | |
| (1) | 987 555 994 22 | Door panel trim (leather) | right rhd | 1 | PR:XTV,538, 680,981, -XVT,099 |
| | 987 555 994 22 A11 | Black | | | |
| | 987 555 994 22 5X6 | Stone grey | | | |
| | 987 555 994 22 8G2 | Sand beige | | | |
| | 987 555 994 22 3S9 | sea blue | | | |
| | 987 555 994 22 9S5 | Terracotta | | | |
| | 987 555 994 22 9V6 | Cocoa | | | |
| | 987 555 994 22 BCD | Black/stone grey | | | |
| | 987 555 994 22 BCE | Black/sand beige | | | |
| | 987 555 994 22 BCF | Black/terracotta | | | |
| | 987 555 994 22 D12 | Dark grey/natural | | | |
| | 987 555 994 22 T12 | Brown/natural | | | |
| | 987 555 994 22 N12 | Carrera Red | | | |
| (1) | 987 555 993 25 | Door panel trim (leather) | left rhd | 1 | PR:XTV,099, 490,981,-XVT |
| | 987 555 993 25 A11 | Black | | | |
| | 987 555 993 25 5X6 | Stone grey | | | |
| | 987 555 993 25 8G2 | Sand beige | | | |
| | 987 555 993 25 3S9 | sea blue | | | |
| | 987 555 993 25 9S5 | Terracotta | | | |

Model: 997-09 Model life 2009>>2012

| Pos | Part Number | Description | Remark | Qty | Model |
|-----|--------------------|---------------------------|-----------|-----|---------------------------------------|
| | 987 555 993 25 9V6 | Cocoa | | | |
| | 987 555 993 25 BCD | Black/stone grey | | | |
| | 987 555 993 25 BCE | Black/sand beige | | | |
| | 987 555 993 25 BCF | Black/terracotta | | | |
| | 987 555 993 25 D12 | Dark grey/natural | | | |
| | 987 555 993 25 T12 | Brown/natural | | | |
| | 987 555 993 25 N12 | Carrera Red | | | |
| (1) | 987 555 994 25 | Door panel trim (leather) | right lhd | 1 | PR:XTV,098, 490,981,-XVT |
| | 987 555 994 25 A11 | Black | | | |
| | 987 555 994 25 5X6 | Stone grey | | | |
| | 987 555 994 25 8G2 | Sand beige | | | |
| | 987 555 994 25 3S9 | sea blue | | | |
| | 987 555 994 25 9S5 | Terracotta | | | |
| | 987 555 994 25 9V6 | Cocoa | | | |
| | 987 555 994 25 BCD | Black/stone grey | | | |
| | 987 555 994 25 BCE | Black/sand beige | | | |
| | 987 555 994 25 BCF | Black/terracotta | | | |
| | 987 555 994 25 D12 | Dark grey/natural | | | |
| | 987 555 994 25 T12 | Brown/natural | | | |
| | 987 555 994 25 N12 | Carrera Red | | | |
| (1) | 987 555 993 27 | Door panel trim (leather) | left rhd | 1 | PR:XTV,099, 680,981,-XVT |
| | 987 555 993 27 A11 | Black | | | |
| | 987 555 993 27 5X6 | Stone grey | | | |
| | 987 555 993 27 8G2 | Sand beige | | | |
| | 987 555 993 27 3S9 | sea blue | | | |
| | 987 555 993 27 9S5 | Terracotta | | | |
| | 987 555 993 27 9V6 | Cocoa | | | |
| | 987 555 993 27 BCD | Black/stone grey | | | |
| | 987 555 993 27 BCE | Black/sand beige | | | |
| | 987 555 993 27 BCF | Black/terracotta | | | |
| | 987 555 993 27 D12 | Dark grey/natural | | | |
| | 987 555 993 27 T12 | Brown/natural | | | |
| | 987 555 993 27 N12 | Carrera Red | | | |
| (1) | 987 555 994 27 | door panel Leather | right lhd | 1 | PR:XTV,098, 680,981,-XVT |
| | 987 555 994 27 A11 | Black | | | |
| | 987 555 994 27 5X6 | Stone grey | | | |
| | 987 555 994 27 8G2 | Sand beige | | | |
| | 987 555 994 27 3S9 | sea blue | | | |
| | 987 555 994 27 9S5 | Terracotta | | | |
| | 987 555 994 27 9V6 | Cocoa | | | |
| | 987 555 994 27 BCD | Black/stone grey | | | |
| | 987 555 994 27 BCE | Black/sand beige | | | |
| | 987 555 994 27 BCF | Black/terracotta | | | |
| | 987 555 994 27 D12 | Dark grey/natural | | | |
| | 987 555 994 27 T12 | Brown/natural | | | |
| | 987 555 994 27 N12 | Carrera Red | | | |
| (1) | 987 555 993 31 | Door panel trim (leather) | left lhd | 1 | CABRIO PR:XTV,098, 490,981,-XVT |
| | 987 555 993 31 A11 | Black | | | |
| | 987 555 993 31 5X6 | Stone grey | | | |
| | 987 555 993 31 8G2 | Sand beige | | | |
| | 987 555 993 31 3S9 | sea blue | | | |
| | 987 555 993 31 9S5 | Terracotta | | | |
| | 987 555 993 31 9V6 | Cocoa | | | |
| | 987 555 993 31 BCD | Black/stone grey | | | |
| | 987 555 993 31 BCE | Black/sand beige | | | |
| | 987 555 993 31 BCF | Black/terracotta | | | |
| | 987 555 993 31 D12 | Dark grey/natural | | | |
| | 987 555 993 31 T12 | Brown/natural | | | |

Model: 997-09

Model life 2009>>2012

| Pos | Part Number | Description | Remark | Qty | Model |
|-----|--------------------------------------|--|-----------|-----|--|
| (1) | 987 555 993 31 N12 987 555 994 31 | Carrera Red Door panel trim (leather) | right rhd | 1 | CABRIO PR:XTV,099, 490,981, -XVT,-538 |
| | 987 555 994 31 A11 | Black | | | |
| | 987 555 994 31 5X6 | Stone grey | | | |
| | 987 555 994 31 8G2 | Sand beige | | | |
| | 987 555 994 31 3S9 | sea blue | | | |
| | 987 555 994 31 9S5 | Terracotta | | | |
| | 987 555 994 31 9V6 | Cocoa | | | |
| | 987 555 994 31 BCD | Black/stone grey | | | |
| | 987 555 994 31 BCE | Black/sand beige | | | |
| | 987 555 994 31 BCF | Black/terracotta | | | |
| | 987 555 994 31 D12 | Dark grey/natural | | | |
| | 987 555 994 31 T12 | Brown/natural | | | |
| (1) | 987 555 994 31 N12 987 555 993 33 | Carrera Red Door panel trim (leather) | left lhd | 1 | CABRIO PR:XTV,490, 537,981, -XVT,098 |
| | 987 555 993 33 A11 | Black | | | |
| | 987 555 993 33 5X6 | Stone grey | | | |
| | 987 555 993 33 8G2 | Sand beige | | | |
| | 987 555 993 33 3S9 | sea blue | | | |
| | 987 555 993 33 9S5 | Terracotta | | | |
| | 987 555 993 33 9V6 | Cocoa | | | |
| | 987 555 993 33 BCD | Black/stone grey | | | |
| | 987 555 993 33 BCE | Black/sand beige | | | |
| | 987 555 993 33 BCF | Black/terracotta | | | |
| | 987 555 993 33 D12 | Dark grey/natural | | | |
| | 987 555 993 33 T12 | Brown/natural | | | |
| (1) | 987 555 993 33 N12 987 555 994 33 | Carrera Red Door panel trim (leather) | right rhd | 1 | CABRIO PR:XTV,490, 538,981, -XVT,099 |
| | 987 555 994 33 A11 | Black | | | |
| | 987 555 994 33 5X6 | Stone grey | | | |
| | 987 555 994 33 8G2 | Sand beige | | | |
| | 987 555 994 33 3S9 | sea blue | | | |
| | 987 555 994 33 9S5 | Terracotta | | | |
| | 987 555 994 33 9V6 | Cocoa | | | |
| | 987 555 994 33 BCD | Black/stone grey | | | |
| | 987 555 994 33 BCE | Black/sand beige | | | |
| | 987 555 994 33 BCF | Black/terracotta | | | |
| | 987 555 994 33 D12 | Dark grey/natural | | | |
| | 987 555 994 33 T12 | Brown/natural | | | |
| (1) | 987 555 994 33 N12 987 555 993 35 | Carrera Red Door panel trim (leather) | left lhd | 1 | CABRIO PR:XTV,098, 680,981,-XVT |
| | 987 555 993 35 A11 | Black | | | |
| | 987 555 993 35 5X6 | Stone grey | | | |
| | 987 555 993 35 8G2 | Sand beige | | | |
| | 987 555 993 35 3S9 | sea blue | | | |
| | 987 555 993 35 9S5 | Terracotta | | | |
| | 987 555 993 35 9V6 | Cocoa | | | |
| | 987 555 993 35 BCD | Black/stone grey | | | |
| | 987 555 993 35 BCE | Black/sand beige | | | |
| | 987 555 993 35 BCF | Black/terracotta | | | |
| | 987 555 993 35 D12 | Dark grey/natural | | | |
| | 987 555 993 35 T12 | Brown/natural | | | |

Model: 997-09 Model life 2009>>2012

| Pos | Part Number | Description | Remark | Qty | Model |
|-----|--------------------------------------|--|-----------|-----|--|
| (1) | 987 555 993 35 N12 987 555 994 35 | Carrera Red Door panel trim (leather) | right rhd | 1 | CABRIO PR:XTV,099, 680,981, -XVT,-538 |
| | 987 555 994 35 A11 | Black | | | |
| | 987 555 994 35 5X6 | Stone grey | | | |
| | 987 555 994 35 8G2 | Sand beige | | | |
| | 987 555 994 35 3S9 | sea blue | | | |
| | 987 555 994 35 9S5 | Terracotta | | | |
| | 987 555 994 35 9V6 | Cocoa | | | |
| | 987 555 994 35 BCD | Black/stone grey | | | |
| | 987 555 994 35 BCE | Black/sand beige | | | |
| | 987 555 994 35 BCF | Black/terracotta | | | |
| | 987 555 994 35 D12 | Dark grey/natural | | | |
| | 987 555 994 35 T12 | Brown/natural | | | |
| (1) | 987 555 994 35 N12 987 555 993 37 | Carrera Red door panel Leather | left lhd | 1 | CABRIO PR:XTV,537, 680,981, -XVT,098 |
| | 987 555 993 37 A11 | Black | | | |
| | 987 555 993 37 5X6 | Stone grey | | | |
| | 987 555 993 37 8G2 | Sand beige | | | |
| | 987 555 993 37 3S9 | sea blue | | | |
| | 987 555 993 37 9S5 | Terracotta | | | |
| | 987 555 993 37 9V6 | Cocoa | | | |
| | 987 555 993 37 BCD | Black/stone grey | | | |
| | 987 555 993 37 BCE | Black/sand beige | | | |
| | 987 555 993 37 BCF | Black/terracotta | | | |
| | 987 555 993 37 D12 | Dark grey/natural | | | |
| | 987 555 993 37 T12 | Brown/natural | | | |
| (1) | 987 555 994 37 N12 987 555 994 37 | Carrera Red Door panel trim (leather) | right rhd | 1 | CABRIO PR:XTV,538, 680,981, -XVT,099 |
| | 987 555 994 37 A11 | Black | | | |
| | 987 555 994 37 5X6 | Stone grey | | | |
| | 987 555 994 37 8G2 | Sand beige | | | |
| | 987 555 994 37 3S9 | sea blue | | | |
| | 987 555 994 37 9S5 | Terracotta | | | |
| | 987 555 994 37 9V6 | Cocoa | | | |
| | 987 555 994 37 BCD | Black/stone grey | | | |
| | 987 555 994 37 BCE | Black/sand beige | | | |
| | 987 555 994 37 BCF | Black/terracotta | | | |
| | 987 555 994 37 D12 | Dark grey/natural | | | |
| | 987 555 994 37 T12 | Brown/natural | | | |
| (1) | 987 555 994 37 N12 997 555 981 30 | Carrera Red Door panel trim (leather) | left lhd | 1 | COUPE/TARGA PR:XTV,XVT, 098,490,981, -537 |
| | | D - MJ 2010>> | | | |
| | 997 555 981 30 A11 | Black | | | |
| | 997 555 981 30 5X6 | Stone grey | | | |
| | 997 555 981 30 8G2 | Sand beige | | | |
| | 997 555 981 30 3S9 | sea blue | | | |
| | 997 555 981 30 9S5 | Terracotta | | | |
| | 997 555 981 30 9V6 | Cocoa | | | |
| | 997 555 981 30 BCD | Black/stone grey | | | |
| | 997 555 981 30 BCE | Black/sand beige | | | |
| | 997 555 981 30 BCF | Black/terracotta | | | |
| | 997 555 981 30 D12 | Dark grey/natural | | | |

Model: 997-09 Model life 2009>>2012

| Pos | Part Number | Description | Remark | Qty | Model |
|--------------------|--------------------|---------------------------|-----------|-----|--|
| (1) | 997 555 981 30 T12 | Brown/natural | left lhd | 1 | COUPE/TARGA PR:XTV,XVT, 490,537,981, 098 |
| | 997 555 981 30 N12 | Carrera Red | | | |
| | 997 555 981 31 | Door panel trim (leather) | | | |
| | | D - MJ 2010>> | | | |
| | 997 555 981 31 A11 | Black | | | |
| | 997 555 981 31 5X6 | Stone grey | | | |
| | 997 555 981 31 8G2 | Sand beige | | | |
| | 997 555 981 31 3S9 | sea blue | | | |
| | 997 555 981 31 9S5 | Terracotta | | | |
| | 997 555 981 31 9V6 | Cocoa | | | |
| | 997 555 981 31 BCD | Black/stone grey | | | |
| | 997 555 981 31 BCE | Black/sand beige | | | |
| | 997 555 981 31 BCF | Black/terracotta | | | |
| (1) | 997 555 981 31 D12 | Dark grey/natural | left lhd | 1 | COUPE/TARGA PR:XTV,XVT, 098,680,981, -537 |
| | 997 555 981 31 T12 | Brown/natural | | | |
| | 997 555 981 31 N12 | Carrera Red | | | |
| | 997 555 981 32 | Door panel trim (leather) | | | |
| | | D - MJ 2010>> | | | |
| | 997 555 981 32 A11 | Black | | | |
| | 997 555 981 32 5X6 | Stone grey | | | |
| | 997 555 981 32 8G2 | Sand beige | | | |
| | 997 555 981 32 3S9 | sea blue | | | |
| | 997 555 981 32 9S5 | Terracotta | | | |
| | 997 555 981 32 9V6 | Cocoa | | | |
| | 997 555 981 32 BCD | Black/stone grey | | | |
| | 997 555 981 32 BCE | Black/sand beige | | | |
| (1) | 997 555 981 32 BCF | Black/terracotta | left lhd | 1 | COUPE/TARGA PR:XTV,XVT, 537,680,981, 098 |
| | 997 555 981 32 D12 | Dark grey/natural | | | |
| | 997 555 981 32 T12 | Brown/natural | | | |
| | 997 555 981 32 N12 | Carrera Red | | | |
| | 997 555 981 33 | Door panel trim (leather) | | | |
| | | D - MJ 2010>> | | | |
| | 997 555 981 33 A11 | Black | | | |
| | 997 555 981 33 5X6 | Stone grey | | | |
| | 997 555 981 33 8G2 | Sand beige | | | |
| | 997 555 981 33 3S9 | sea blue | | | |
| | 997 555 981 33 9S5 | Terracotta | | | |
| | 997 555 981 33 9V6 | Cocoa | | | |
| | 997 555 981 33 BCD | Black/stone grey | | | |
| (1) | 997 555 981 33 BCE | Black/sand beige | right lhd | 1 | PR:XTV,XVT, 098,490,981 |
| | 997 555 981 33 BCF | Black/terracotta | | | |
| | 997 555 981 33 D12 | Dark grey/natural | | | |
| | 997 555 981 33 T12 | Brown/natural | | | |
| | 997 555 981 33 N12 | Carrera Red | | | |
| | 997 555 982 34 | Door panel trim (leather) | | | |
| | | D - MJ 2010>> | | | |
| | 997 555 982 34 A11 | Black | | | |
| | 997 555 982 34 5X6 | Stone grey | | | |
| | 997 555 982 34 8G2 | Sand beige | | | |
| | 997 555 982 34 3S9 | sea blue | | | |
| | 997 555 982 34 9S5 | Terracotta | | | |
| | 997 555 982 34 9V6 | Cocoa | | | |
| 997 555 982 34 BCD | Black/stone grey | | | | |
| 997 555 982 34 BCE | Black/sand beige | | | | |
| 997 555 982 34 BCF | Black/terracotta | | | | |
| 997 555 982 34 D12 | Dark grey/natural | | | | |

Model: 997-09 Model life 2009>>2012

| Pos | Part Number | Description | Remark | Qty | Model |
|--------------------|--------------------|---------------------------|-----------|-----|---|
| (1) | 997 555 982 34 T12 | Brown/natural | | | |
| | 997 555 982 34 N12 | Carrera Red | | | |
| | 997 555 982 35 | Door panel trim (leather) | right lhd | 1 | PR:XTV,XVT, 098,680,981 |
| | | D - MJ 2010>> | | | |
| | 997 555 982 35 A11 | Black | | | |
| | 997 555 982 35 5X6 | Stone grey | | | |
| | 997 555 982 35 8G2 | Sand beige | | | |
| | 997 555 982 35 3S9 | sea blue | | | |
| | 997 555 982 35 9S5 | Terracotta | | | |
| | 997 555 982 35 9V6 | Cocoa | | | |
| | 997 555 982 35 BCD | Black/stone grey | | | |
| | 997 555 982 35 BCE | Black/sand beige | | | |
| | 997 555 982 35 BCF | Black/terracotta | | | |
| (1) | 997 555 982 35 D12 | Dark grey/natural | | | |
| | 997 555 982 35 T12 | Brown/natural | | | |
| | 997 555 982 35 N12 | Carrera Red | | | |
| | 997 555 981 36 | Door panel trim (leather) | left lhd | 1 | CABRIO PR:XTV,XVT, 098,490,981, -537 |
| | | D - MJ 2010>> | | | |
| | 997 555 981 36 A11 | Black | | | |
| | 997 555 981 36 5X6 | Stone grey | | | |
| | 997 555 981 36 8G2 | Sand beige | | | |
| | 997 555 981 36 3S9 | sea blue | | | |
| | 997 555 981 36 9S5 | Terracotta | | | |
| | 997 555 981 36 9V6 | Cocoa | | | |
| | 997 555 981 36 BCD | Black/stone grey | | | |
| | 997 555 981 36 BCE | Black/sand beige | | | |
| (1) | 997 555 981 36 BCF | Black/terracotta | | | |
| | 997 555 981 36 D12 | Dark grey/natural | | | |
| | 997 555 981 36 T12 | Brown/natural | | | |
| | 997 555 981 36 N12 | Carrera Red | | | |
| | 997 555 981 37 | Door panel trim (leather) | left lhd | 1 | CABRIO PR:XTV,XVT, 490,537,981, 098 |
| | | D - MJ 2010>> | | | |
| | 997 555 981 37 A11 | Black | | | |
| | 997 555 981 37 5X6 | Stone grey | | | |
| | 997 555 981 37 8G2 | Sand beige | | | |
| | 997 555 981 37 3S9 | sea blue | | | |
| | 997 555 981 37 9S5 | Terracotta | | | |
| | 997 555 981 37 9V6 | Cocoa | | | |
| | 997 555 981 37 BCD | Black/stone grey | | | |
| 997 555 981 37 BCE | Black/sand beige | | | | |
| (1) | 997 555 981 37 BCF | Black/terracotta | | | |
| | 997 555 981 37 D12 | Dark grey/natural | | | |
| | 997 555 981 37 T12 | Brown/natural | | | |
| | 997 555 981 37 N12 | Carrera Red | | | |
| | 997 555 981 38 | Door panel trim (leather) | left lhd | 1 | CABRIO PR:XTV,XVT, 098,680,981, -537 |
| | | D - MJ 2010>> | | | |
| | 997 555 981 38 A11 | Black | | | |
| | 997 555 981 38 5X6 | Stone grey | | | |
| | 997 555 981 38 8G2 | Sand beige | | | |
| | 997 555 981 38 3S9 | sea blue | | | |
| | 997 555 981 38 9S5 | Terracotta | | | |
| | 997 555 981 38 9V6 | Cocoa | | | |
| | 997 555 981 38 BCD | Black/stone grey | | | |
| 997 555 981 38 BCE | Black/sand beige | | | | |
| 997 555 981 38 BCF | Black/terracotta | | | | |
| 997 555 981 38 D12 | Dark grey/natural | | | | |

Model: 997-09 Model life 2009>>2012

| Pos | Part Number | Description | Remark | Qty | Model |
|-----|--------------------|---------------------------|-----------|-----|---|
| (1) | 997 555 981 38 T12 | Brown/natural | | | |
| | 997 555 981 38 N12 | Carrera Red | | | |
| | 997 555 981 39 | Door panel trim (leather) | left lhd | 1 | CABRIO PR:XTV,XVT, 537,680,981, 098 |
| | | D - MJ 2010>> | | | |
| | 997 555 981 39 A11 | Black | | | |
| | 997 555 981 39 5X6 | Stone grey | | | |
| | 997 555 981 39 8G2 | Sand beige | | | |
| | 997 555 981 39 3S9 | sea blue | | | |
| | 997 555 981 39 9S5 | Terracotta | | | |
| | 997 555 981 39 9V6 | Cocoa | | | |
| | 997 555 981 39 BCD | Black/stone grey | | | |
| | 997 555 981 39 BCE | Black/sand beige | | | |
| | 997 555 981 39 BCF | Black/terracotta | | | |
| (1) | 997 555 981 39 D12 | Dark grey/natural | | | |
| | 997 555 981 39 T12 | Brown/natural | | | |
| | 997 555 981 39 N12 | Carrera Red | | | |
| | 987 555 995 16 | Door panel trim (leather) | left lhd | 1 | COUPE/TARGA PR:XTW,098, 490,981, -XVT,-537 |
| | 987 555 995 16 A11 | Black | | | |
| | 987 555 995 16 5X6 | Stone grey | | | |
| | 987 555 995 16 8G2 | Sand beige | | | |
| | 987 555 995 16 3S9 | sea blue | | | |
| | 987 555 995 16 9S5 | Terracotta | | | |
| | 987 555 995 16 9V6 | Cocoa | | | |
| | 987 555 995 16 BCD | Black/stone grey | | | |
| | 987 555 995 16 BCE | Black/sand beige | | | |
| | 987 555 995 16 BCF | Black/terracotta | | | |
| (1) | 987 555 995 16 D12 | Dark grey/natural | | | |
| | 987 555 995 16 T12 | Brown/natural | | | |
| | 987 555 995 16 N12 | Carrera Red | | | |
| | 987 555 996 16 | Door panel trim (leather) | right rhd | 1 | COUPE/TARGA PR:XTW,099, 490,981, -XVT,-538 |
| | 987 555 996 16 A11 | Black | | | |
| | 987 555 996 16 5X6 | Stone grey | | | |
| | 987 555 996 16 8G2 | Sand beige | | | |
| | 987 555 996 16 3S9 | sea blue | | | |
| | 987 555 996 16 9S5 | Terracotta | | | |
| | 987 555 996 16 9V6 | Cocoa | | | |
| | 987 555 996 16 BCD | Black/stone grey | | | |
| | 987 555 996 16 BCE | Black/sand beige | | | |
| | 987 555 996 16 BCF | Black/terracotta | | | |
| (1) | 987 555 996 16 D12 | Dark grey/natural | | | |
| | 987 555 996 16 T12 | Brown/natural | | | |
| | 987 555 996 16 N12 | Carrera Red | | | |
| | 987 555 995 18 | Door panel trim (leather) | left lhd | 1 | COUPE/TARGA PR:XTW,490, 537,981, -XVT,098 |
| | 987 555 995 18 A11 | Black | | | |
| | 987 555 995 18 5X6 | Stone grey | | | |
| | 987 555 995 18 8G2 | Sand beige | | | |
| | 987 555 995 18 3S9 | sea blue | | | |
| | 987 555 995 18 9S5 | Terracotta | | | |
| | 987 555 995 18 9V6 | Cocoa | | | |
| | 987 555 995 18 BCD | Black/stone grey | | | |
| | 987 555 995 18 BCE | Black/sand beige | | | |
| | 987 555 995 18 BCF | Black/terracotta | | | |

Model: 997-09 Model life 2009>>2012

| Pos | Part Number | Description | Remark | Qty | Model |
|--------------------|---------------------------|---------------------------|-----------|---|--|
| (1) | 987 555 995 18 D12 | Dark grey/natural | right rhd | 1 | COUPE/TARGA PR:XTW,490, 538,981, -XVT,099 |
| | 987 555 995 18 T12 | Brown/natural | | | |
| | 987 555 995 18 N12 | Carrera Red | | | |
| | 987 555 996 18 | Door panel trim (leather) | | | |
| | 987 555 996 18 A11 | Black | | | |
| | 987 555 996 18 5X6 | Stone grey | | | |
| | 987 555 996 18 8G2 | Sand beige | | | |
| | 987 555 996 18 3S9 | sea blue | | | |
| | 987 555 996 18 9S5 | Terracotta | | | |
| | 987 555 996 18 9V6 | Cocoa | | | |
| | 987 555 996 18 BCD | Black/stone grey | | | |
| 987 555 996 18 BCE | Black/sand beige | | | | |
| 987 555 996 18 BCF | Black/terracotta | | | | |
| 987 555 996 18 D12 | Dark grey/natural | left lhd | 1 | COUPE/TARGA PR:XTW,098, 680,981, -XVT,-537 | |
| 987 555 996 18 T12 | Brown/natural | | | | |
| 987 555 996 18 N12 | Carrera Red | | | | |
| 987 555 995 20 | Door panel trim (leather) | | | | |
| 987 555 995 20 A11 | Black | | | | |
| 987 555 995 20 5X6 | Stone grey | | | | |
| 987 555 995 20 8G2 | Sand beige | | | | |
| 987 555 995 20 3S9 | sea blue | | | | |
| 987 555 995 20 9S5 | Terracotta | | | | |
| 987 555 995 20 9V6 | Cocoa | | | | |
| 987 555 995 20 BCD | Black/stone grey | | | | |
| 987 555 995 20 BCE | Black/sand beige | | | | |
| 987 555 995 20 BCF | Black/terracotta | | | | |
| 987 555 995 20 D12 | Dark grey/natural | right rhd | 1 | COUPE/TARGA PR:XTW,099, 680,981, -XVT,-538 | |
| 987 555 995 20 T12 | Brown/natural | | | | |
| 987 555 995 20 N12 | Carrera Red | | | | |
| 987 555 996 20 | Door panel trim (leather) | | | | |
| 987 555 996 20 A11 | Black | | | | |
| 987 555 996 20 5X6 | Stone grey | | | | |
| 987 555 996 20 8G2 | Sand beige | | | | |
| 987 555 996 20 3S9 | sea blue | | | | |
| 987 555 996 20 9S5 | Terracotta | | | | |
| 987 555 996 20 9V6 | Cocoa | | | | |
| 987 555 996 20 BCD | Black/stone grey | | | | |
| 987 555 996 20 BCE | Black/sand beige | | | | |
| 987 555 996 20 BCF | Black/terracotta | | | | |
| 987 555 996 20 D12 | Dark grey/natural | left lhd | 1 | COUPE/TARGA PR:XTW,537, 680,981, -XVT,098 | |
| 987 555 996 20 T12 | Brown/natural | | | | |
| 987 555 996 20 N12 | Carrera Red | | | | |
| 987 555 995 22 | Door panel trim (leather) | | | | |
| 987 555 995 22 A11 | Black | | | | |
| 987 555 995 22 5X6 | Stone grey | | | | |
| 987 555 995 22 8G2 | Sand beige | | | | |
| 987 555 995 22 3S9 | sea blue | | | | |
| 987 555 995 22 9S5 | Terracotta | | | | |
| 987 555 995 22 9V6 | Cocoa | | | | |
| 987 555 995 22 BCD | Black/stone grey | | | | |
| 987 555 995 22 BCE | Black/sand beige | | | | |

Model: 997-09 Model life 2009>>2012

| Pos | Part Number | Description | Remark | Qty | Model |
|--------------------|---------------------------|---------------------------|-----------|-----|--|
| (1) | 987 555 995 22 BCF | Black/terracotta | right rhd | 1 | COUPE/TARGA PR:XTW,538, 680,981, -XVT,099 |
| | 987 555 995 22 D12 | Dark grey/natural | | | |
| | 987 555 995 22 T12 | Brown/natural | | | |
| | 987 555 995 22 N12 | Carrera Red | | | |
| | 987 555 996 22 | Door panel trim (leather) | | | |
| | 987 555 996 22 A11 | Black | | | |
| | 987 555 996 22 5X6 | Stone grey | | | |
| | 987 555 996 22 8G2 | Sand beige | | | |
| | 987 555 996 22 3S9 | sea blue | | | |
| | 987 555 996 22 9S5 | Terracotta | | | |
| | 987 555 996 22 9V6 | Cocoa | | | |
| (1) | 987 555 996 22 BCD | Black/stone grey | left rhd | 1 | PR:XTW,099, 490,981,-XVT |
| | 987 555 996 22 BCE | Black/sand beige | | | |
| | 987 555 996 22 BCF | Black/terracotta | | | |
| | 987 555 996 22 D12 | Dark grey/natural | | | |
| | 987 555 996 22 T12 | Brown/natural | | | |
| | 987 555 996 22 N12 | Carrera Red | | | |
| | 987 555 995 25 | Door panel trim (leather) | | | |
| | 987 555 995 25 A11 | Black | | | |
| | 987 555 995 25 5X6 | Stone grey | | | |
| | 987 555 995 25 8G2 | Sand beige | | | |
| | 987 555 995 25 3S9 | sea blue | | | |
| (1) | 987 555 995 25 9S5 | Terracotta | right lhd | 1 | PR:XTW,098, 490,981,-XVT |
| | 987 555 995 25 9V6 | Cocoa | | | |
| | 987 555 995 25 BCD | Black/stone grey | | | |
| | 987 555 995 25 BCE | Black/sand beige | | | |
| | 987 555 995 25 BCF | Black/terracotta | | | |
| | 987 555 995 25 D12 | Dark grey/natural | | | |
| | 987 555 995 25 T12 | Brown/natural | | | |
| | 987 555 995 25 N12 | Carrera Red | | | |
| | 987 555 996 25 | Door panel trim (leather) | | | |
| | 987 555 996 25 A11 | Black | | | |
| | 987 555 996 25 5X6 | Stone grey | | | |
| (1) | 987 555 996 25 8G2 | Sand beige | left rhd | 1 | PR:XTW,099, 680,981,-XVT |
| | 987 555 996 25 3S9 | sea blue | | | |
| | 987 555 996 25 9S5 | Terracotta | | | |
| | 987 555 996 25 9V6 | Cocoa | | | |
| | 987 555 996 25 BCD | Black/stone grey | | | |
| | 987 555 996 25 BCE | Black/sand beige | | | |
| | 987 555 996 25 BCF | Black/terracotta | | | |
| | 987 555 996 25 D12 | Dark grey/natural | | | |
| | 987 555 996 25 T12 | Brown/natural | | | |
| | 987 555 996 25 N12 | Carrera Red | | | |
| | 987 555 995 27 | Door panel trim (leather) | | | |
| (1) | 987 555 995 27 A11 | Black | right lhd | 1 | PR:XTW,098, |
| | 987 555 995 27 5X6 | Stone grey | | | |
| | 987 555 995 27 8G2 | Sand beige | | | |
| | 987 555 995 27 3S9 | sea blue | | | |
| | 987 555 995 27 9S5 | Terracotta | | | |
| | 987 555 995 27 9V6 | Cocoa | | | |
| | 987 555 995 27 BCD | Black/stone grey | | | |
| | 987 555 995 27 BCE | Black/sand beige | | | |
| | 987 555 995 27 BCF | Black/terracotta | | | |
| | 987 555 995 27 D12 | Dark grey/natural | | | |
| | 987 555 995 27 T12 | Brown/natural | | | |
| 987 555 995 27 N12 | Carrera Red | | | | |
| 987 555 996 27 | Door panel trim (leather) | | | | |

Model: 997-09 Model life 2009>>2012

| Pos | Part Number | Description | Remark | Qty | Model |
|-----|--------------------|---------------------------|-----------|-----|--|
| | 987 555 996 27 A11 | Black | | | 680,981,-XVT |
| | 987 555 996 27 5X6 | Stone grey | | | |
| | 987 555 996 27 8G2 | Sand beige | | | |
| | 987 555 996 27 3S9 | sea blue | | | |
| | 987 555 996 27 9S5 | Terracotta | | | |
| | 987 555 996 27 9V6 | Cocoa | | | |
| | 987 555 996 27 BCD | Black/stone grey | | | |
| | 987 555 996 27 BCE | Black/sand beige | | | |
| | 987 555 996 27 BCF | Black/terracotta | | | |
| | 987 555 996 27 D12 | Dark grey/natural | | | |
| | 987 555 996 27 T12 | Brown/natural | | | |
| | 987 555 996 27 N12 | Carrera Red | | | |
| (1) | 987 555 995 31 | Door panel trim (leather) | left lhd | 1 | CABRIO PR:XTW,098, 490,981,-XVT |
| | 987 555 995 31 A11 | Black | | | |
| | 987 555 995 31 5X6 | Stone grey | | | |
| | 987 555 995 31 8G2 | Sand beige | | | |
| | 987 555 995 31 3S9 | sea blue | | | |
| | 987 555 995 31 9S5 | Terracotta | | | |
| | 987 555 995 31 9V6 | Cocoa | | | |
| | 987 555 995 31 BCD | Black/stone grey | | | |
| | 987 555 995 31 BCE | Black/sand beige | | | |
| | 987 555 995 31 BCF | Black/terracotta | | | |
| | 987 555 995 31 D12 | Dark grey/natural | | | |
| | 987 555 995 31 T12 | Brown/natural | | | |
| | 987 555 995 31 N12 | Carrera Red | | | |
| (1) | 987 555 996 31 | Door panel trim (leather) | right rhd | 1 | CABRIO PR:XTW,099, 490,981, -XVT,-538 |
| | 987 555 996 31 A11 | Black | | | |
| | 987 555 996 31 5X6 | Stone grey | | | |
| | 987 555 996 31 8G2 | Sand beige | | | |
| | 987 555 996 31 3S9 | sea blue | | | |
| | 987 555 996 31 9S5 | Terracotta | | | |
| | 987 555 996 31 9V6 | Cocoa | | | |
| | 987 555 996 31 BCD | Black/stone grey | | | |
| | 987 555 996 31 BCE | Black/sand beige | | | |
| | 987 555 996 31 BCF | Black/terracotta | | | |
| | 987 555 996 31 D12 | Dark grey/natural | | | |
| | 987 555 996 31 T12 | Brown/natural | | | |
| | 987 555 996 31 N12 | Carrera Red | | | |
| (1) | 987 555 995 33 | Door panel trim (leather) | left lhd | 1 | CABRIO PR:XTW,490, 537,981, -XVT,098 |
| | 987 555 995 33 A11 | Black | | | |
| | 987 555 995 33 5X6 | Stone grey | | | |
| | 987 555 995 33 8G2 | Sand beige | | | |
| | 987 555 995 33 3S9 | sea blue | | | |
| | 987 555 995 33 9S5 | Terracotta | | | |
| | 987 555 995 33 9V6 | Cocoa | | | |
| | 987 555 995 33 BCD | Black/stone grey | | | |
| | 987 555 995 33 BCE | Black/sand beige | | | |
| | 987 555 995 33 BCF | Black/terracotta | | | |
| | 987 555 995 33 D12 | Dark grey/natural | | | |
| | 987 555 995 33 T12 | Brown/natural | | | |
| | 987 555 995 33 N12 | Carrera Red | | | |
| (1) | 987 555 996 33 | Door panel trim (leather) | right rhd | 1 | CABRIO PR:XTW,490, 538,981, |

Model: 997-09 Model life 2009>>2012

| Pos | Part Number | Description | Remark | Qty | Model |
|-----|--------------------|---------------------------|-----------|-----|--|
| | 987 555 996 33 A11 | Black | | | -XVT,099 |
| | 987 555 996 33 5X6 | Stone grey | | | |
| | 987 555 996 33 8G2 | Sand beige | | | |
| | 987 555 996 33 3S9 | sea blue | | | |
| | 987 555 996 33 9S5 | Terracotta | | | |
| | 987 555 996 33 9V6 | Cocoa | | | |
| | 987 555 996 33 BCD | Black/stone grey | | | |
| | 987 555 996 33 BCE | Black/sand beige | | | |
| | 987 555 996 33 BCF | Black/terracotta | | | |
| | 987 555 996 33 D12 | Dark grey/natural | | | |
| | 987 555 996 33 T12 | Brown/natural | | | |
| | 987 555 996 33 N12 | Carrera Red | | | |
| (1) | 987 555 995 35 | Door panel trim (leather) | left lhd | 1 | CABRIO PR:XTW,098, 680,981,-XVT |
| | 987 555 995 35 A11 | Black | | | |
| | 987 555 995 35 5X6 | Stone grey | | | |
| | 987 555 995 35 8G2 | Sand beige | | | |
| | 987 555 995 35 3S9 | sea blue | | | |
| | 987 555 995 35 9S5 | Terracotta | | | |
| | 987 555 995 35 9V6 | Cocoa | | | |
| | 987 555 995 35 BCD | Black/stone grey | | | |
| | 987 555 995 35 BCE | Black/sand beige | | | |
| | 987 555 995 35 BCF | Black/terracotta | | | |
| | 987 555 995 35 D12 | Dark grey/natural | | | |
| | 987 555 995 35 T12 | Brown/natural | | | |
| | 987 555 995 35 N12 | Carrera Red | | | |
| (1) | 987 555 996 35 | Door panel trim (leather) | right rhd | 1 | CABRIO PR:XTW,099, 680,981, -XVT,-538 |
| | 987 555 996 35 A11 | Black | | | |
| | 987 555 996 35 5X6 | Stone grey | | | |
| | 987 555 996 35 8G2 | Sand beige | | | |
| | 987 555 996 35 3S9 | sea blue | | | |
| | 987 555 996 35 9S5 | Terracotta | | | |
| | 987 555 996 35 9V6 | Cocoa | | | |
| | 987 555 996 35 BCD | Black/stone grey | | | |
| | 987 555 996 35 BCE | Black/sand beige | | | |
| | 987 555 996 35 BCF | Black/terracotta | | | |
| | 987 555 996 35 D12 | Dark grey/natural | | | |
| | 987 555 996 35 T12 | Brown/natural | | | |
| | 987 555 996 35 N12 | Carrera Red | | | |
| (1) | 987 555 995 37 | Door panel trim (leather) | left lhd | 1 | CABRIO PR:XTW,537, 680,981, -XVT,098 |
| | 987 555 995 37 A11 | Black | | | |
| | 987 555 995 37 5X6 | Stone grey | | | |
| | 987 555 995 37 8G2 | Sand beige | | | |
| | 987 555 995 37 3S9 | sea blue | | | |
| | 987 555 995 37 9S5 | Terracotta | | | |
| | 987 555 995 37 9V6 | Cocoa | | | |
| | 987 555 995 37 BCD | Black/stone grey | | | |
| | 987 555 995 37 BCE | Black/sand beige | | | |
| | 987 555 995 37 BCF | Black/terracotta | | | |
| | 987 555 995 37 D12 | Dark grey/natural | | | |
| | 987 555 995 37 T12 | Brown/natural | | | |
| | 987 555 995 37 N12 | Carrera Red | | | |
| (1) | 987 555 996 37 | Door panel trim (leather) | right rhd | 1 | CABRIO PR:XTW,538, 680,981, |

Model: 997-09 Model life 2009>>2012

| Pos | Part Number | Description | Remark | Qty | Model |
|-----|--------------------|---------------------------|----------|-----|--|
| | 987 555 996 37 A11 | Black | | | -XVT,099 |
| | 987 555 996 37 5X6 | Stone grey | | | |
| | 987 555 996 37 8G2 | Sand beige | | | |
| | 987 555 996 37 3S9 | sea blue | | | |
| | 987 555 996 37 9S5 | Terracotta | | | |
| | 987 555 996 37 9V6 | Cocoa | | | |
| | 987 555 996 37 BCD | Black/stone grey | | | |
| | 987 555 996 37 BCE | Black/sand beige | | | |
| | 987 555 996 37 BCF | Black/terracotta | | | |
| | 987 555 996 37 D12 | Dark grey/natural | | | |
| | 987 555 996 37 T12 | Brown/natural | | | |
| | 987 555 996 37 N12 | Carrera Red | | | |
| (1) | 997 555 981 40 | Door panel trim (leather) | left lhd | 1 | COUPE/TARGA PR:XTW,XVT, 098,490,981, -537 |
| | | D - MJ 2010>> | | | |
| | 997 555 981 40 A11 | Black | | | |
| | 997 555 981 40 5X6 | Stone grey | | | |
| | 997 555 981 40 8G2 | Sand beige | | | |
| | 997 555 981 40 3S9 | sea blue | | | |
| | 997 555 981 40 9S5 | Terracotta | | | |
| | 997 555 981 40 9V6 | Cocoa | | | |
| | 997 555 981 40 BCD | Black/stone grey | | | |
| | 997 555 981 40 BCE | Black/sand beige | | | |
| | 997 555 981 40 BCF | Black/terracotta | | | |
| | 997 555 981 40 D12 | Dark grey/natural | | | |
| | 997 555 981 40 T12 | Brown/natural | | | |
| | 997 555 981 40 N12 | Carrera Red | | | |
| (1) | 997 555 981 41 | Door panel trim (leather) | left lhd | 1 | COUPE/TARGA PR:XTW,XVT, 490,537,981, 098 |
| | | D - MJ 2010>> | | | |
| | 997 555 981 41 A11 | Black | | | |
| | 997 555 981 41 5X6 | Stone grey | | | |
| | 997 555 981 41 8G2 | Sand beige | | | |
| | 997 555 981 41 3S9 | sea blue | | | |
| | 997 555 981 41 9S5 | Terracotta | | | |
| | 997 555 981 41 9V6 | Cocoa | | | |
| | 997 555 981 41 BCD | Black/stone grey | | | |
| | 997 555 981 41 BCE | Black/sand beige | | | |
| | 997 555 981 41 BCF | Black/terracotta | | | |
| | 997 555 981 41 D12 | Dark grey/natural | | | |
| | 997 555 981 41 T12 | Brown/natural | | | |
| | 997 555 981 41 N12 | Carrera Red | | | |
| (1) | 997 555 981 42 | Door panel trim (leather) | left lhd | 1 | COUPE/TARGA PR:XTW,XVT, 098,680,981, -537 |
| | | D - MJ 2010>> | | | |
| | 997 555 981 42 A11 | Black | | | |
| | 997 555 981 42 5X6 | Stone grey | | | |
| | 997 555 981 42 8G2 | Sand beige | | | |
| | 997 555 981 42 3S9 | sea blue | | | |
| | 997 555 981 42 9S5 | Terracotta | | | |
| | 997 555 981 42 9V6 | Cocoa | | | |
| | 997 555 981 42 BCD | Black/stone grey | | | |
| | 997 555 981 42 BCE | Black/sand beige | | | |
| | 997 555 981 42 BCF | Black/terracotta | | | |
| | 997 555 981 42 D12 | Dark grey/natural | | | |
| | 997 555 981 42 T12 | Brown/natural | | | |
| | 997 555 981 42 N12 | Carrera Red | | | |
| (1) | 997 555 981 43 | Door panel trim (leather) | left lhd | 1 | COUPE/TARGA PR:XTW,XVT, |

Model: 997-09 Model life 2009>>2012

| Pos | Part Number | Description | Remark | Qty | Model |
|-----|--------------------|---------------------------|-----------|-----|---------------------------------------|
| | | D - MJ 2010>> | | | 537,680,981,098 |
| | 997 555 981 43 A11 | Black | | | |
| | 997 555 981 43 5X6 | Stone grey | | | |
| | 997 555 981 43 8G2 | Sand beige | | | |
| | 997 555 981 43 3S9 | sea blue | | | |
| | 997 555 981 43 9S5 | Terracotta | | | |
| | 997 555 981 43 9V6 | Cocoa | | | |
| | 997 555 981 43 BCD | Black/stone grey | | | |
| | 997 555 981 43 BCE | Black/sand beige | | | |
| | 997 555 981 43 BCF | Black/terracotta | | | |
| | 997 555 981 43 D12 | Dark grey/natural | | | |
| | 997 555 981 43 T12 | Brown/natural | | | |
| | 997 555 981 43 N12 | Carrera Red | | | |
| (1) | 997 555 982 44 | Door panel trim (leather) | right lhd | 1 | PR:XTW,XVT,098,490,981 |
| | | D - MJ 2010>> | | | |
| | 997 555 982 44 A11 | Black | | | |
| | 997 555 982 44 5X6 | Stone grey | | | |
| | 997 555 982 44 8G2 | Sand beige | | | |
| | 997 555 982 44 3S9 | sea blue | | | |
| | 997 555 982 44 9S5 | Terracotta | | | |
| | 997 555 982 44 9V6 | Cocoa | | | |
| | 997 555 982 44 BCD | Black/stone grey | | | |
| | 997 555 982 44 BCE | Black/sand beige | | | |
| | 997 555 982 44 BCF | Black/terracotta | | | |
| | 997 555 982 44 D12 | Dark grey/natural | | | |
| | 997 555 982 44 T12 | Brown/natural | | | |
| | 997 555 982 44 N12 | Carrera Red | | | |
| (1) | 997 555 982 45 | Door panel trim (leather) | right lhd | 1 | PR:XTW,XVT,098,680,981 |
| | | D - MJ 2010>> | | | |
| | 997 555 982 45 A11 | Black | | | |
| | 997 555 982 45 5X6 | Stone grey | | | |
| | 997 555 982 45 8G2 | Sand beige | | | |
| | 997 555 982 45 3S9 | sea blue | | | |
| | 997 555 982 45 9S5 | Terracotta | | | |
| | 997 555 982 45 9V6 | Cocoa | | | |
| | 997 555 982 45 BCD | Black/stone grey | | | |
| | 997 555 982 45 BCE | Black/sand beige | | | |
| | 997 555 982 45 BCF | Black/terracotta | | | |
| | 997 555 982 45 D12 | Dark grey/natural | | | |
| | 997 555 982 45 T12 | Brown/natural | | | |
| | 997 555 982 45 N12 | Carrera Red | | | |
| (1) | 997 555 981 46 | Door panel trim (leather) | left lhd | 1 | CABRIO PR:XTW,XVT,098,490,981,-537 |
| | | D - MJ 2010>> | | | |
| | 997 555 981 46 A11 | Black | | | |
| | 997 555 981 46 5X6 | Stone grey | | | |
| | 997 555 981 46 8G2 | Sand beige | | | |
| | 997 555 981 46 3S9 | sea blue | | | |
| | 997 555 981 46 9S5 | Terracotta | | | |
| | 997 555 981 46 9V6 | Cocoa | | | |
| | 997 555 981 46 BCD | Black/stone grey | | | |
| | 997 555 981 46 BCE | Black/sand beige | | | |
| | 997 555 981 46 BCF | Black/terracotta | | | |
| | 997 555 981 46 D12 | Dark grey/natural | | | |
| | 997 555 981 46 T12 | Brown/natural | | | |
| | 997 555 981 46 N12 | Carrera Red | | | |
| (1) | 997 555 981 47 | Door panel trim (leather) | left lhd | 1 | CABRIO PR:XTW,XVT,490,537,981, |
| | | D - MJ 2010>> | | | |

Model: 997-09 Model life 2009>>2012

| Pos | Part Number | Description | Remark | Qty | Model |
|-----|--------------------|-------------------------------|----------|-----|---|
| | 997 555 981 47 A11 | Black | | | 098 |
| | 997 555 981 47 5X6 | Stone grey | | | |
| | 997 555 981 47 8G2 | Sand beige | | | |
| | 997 555 981 47 3S9 | sea blue | | | |
| | 997 555 981 47 9S5 | Terracotta | | | |
| | 997 555 981 47 9V6 | Cocoa | | | |
| | 997 555 981 47 BCD | Black/stone grey | | | |
| | 997 555 981 47 BCE | Black/sand beige | | | |
| | 997 555 981 47 BCF | Black/terracotta | | | |
| | 997 555 981 47 D12 | Dark grey/natural | | | |
| | 997 555 981 47 T12 | Brown/natural | | | |
| | 997 555 981 47 N12 | Carrera Red | | | |
| (1) | 997 555 981 48 | Door panel trim (leather) | left lhd | 1 | CABRIO PR:XTW,XVT, 098,680,981, -537 |
| | | D - MJ 2010>> | | | |
| | 997 555 981 48 A11 | Black | | | |
| | 997 555 981 48 5X6 | Stone grey | | | |
| | 997 555 981 48 8G2 | Sand beige | | | |
| | 997 555 981 48 3S9 | sea blue | | | |
| | 997 555 981 48 9S5 | Terracotta | | | |
| | 997 555 981 48 9V6 | Cocoa | | | |
| | 997 555 981 48 BCD | Black/stone grey | | | |
| | 997 555 981 48 BCE | Black/sand beige | | | |
| | 997 555 981 48 BCF | Black/terracotta | | | |
| | 997 555 981 48 D12 | Dark grey/natural | | | |
| | 997 555 981 48 T12 | Brown/natural | | | |
| | 997 555 981 48 N12 | Carrera Red | | | |
| (1) | 997 555 981 49 | Door panel trim (leather) | left lhd | 1 | CABRIO PR:XTW,XVT, 537,680,981, 098 |
| | | D - MJ 2010>> | | | |
| | 997 555 981 49 A11 | Black | | | |
| | 997 555 981 49 5X6 | Stone grey | | | |
| | 997 555 981 49 8G2 | Sand beige | | | |
| | 997 555 981 49 3S9 | sea blue | | | |
| | 997 555 981 49 9S5 | Terracotta | | | |
| | 997 555 981 49 9V6 | Cocoa | | | |
| | 997 555 981 49 BCD | Black/stone grey | | | |
| | 997 555 981 49 BCE | Black/sand beige | | | |
| | 997 555 981 49 BCF | Black/terracotta | | | |
| | 997 555 981 49 D12 | Dark grey/natural | | | |
| | 997 555 981 49 T12 | Brown/natural | | | |
| | 997 555 981 49 N12 | Carrera Red | | | |
| 2 | 999 507 533 02 | Clamp | | 2 | |
| | | 8,0X 10/2,5 | | | |
| 3 | 955 555 243 00 | Retaining clip | | 9 | |
| | | for | | | |
| | | door panel | | | |
| 4 | 999 073 322 02 | fillister hd. bolt | | 5 | |
| | | M 6 X 20 | | | |
| | | for | | | |
| | | Mount | | | |
| | | door panel | | | |
| (5) | 997 555 989 00 | Cover for stowage compartment | left | 1 | PR:XTL |
| | | Carbon | | | |
| (5) | 997 555 989 00 A35 | Black | | | |
| (5) | 997 555 990 00 | Cover for stowage compartment | right | 1 | PR:XTL |
| | | Carbon | | | |
| | 997 555 990 00 A35 | Black | | | |
| (5) | 997 555 989 02 | Cover for stowage compartment | left | 1 | PR:XTT |
| | 997 555 989 02 S61 | macassar | | | |

Model: 997-09

Model life 2009>>2012

| Pos | Part Number | Description | Remark | Qty | Model |
|------|--|--|--------|-----|--------|
| (5) | 997 555 990 02 997 555 990 02 S61 | Cover for stowage compartment macassar | right | 1 | PR:XTT |
| (5) | 997 555 989 03 997 555 989 03 V04 | Cover for stowage compartment Galvano silver | left | 1 | PR:XTW |
| (5) | 997 555 990 03 997 555 990 03 V04 | Cover for stowage compartment Galvano silver | right | 1 | PR:XTW |
| 6 | 997 555 833 00 | Leg spring for Cover Stowage compartment | left | 1 | |
| (6) | 997 555 834 00 | Leg spring for Cover Stowage compartment | right | 1 | |
| 7 | 997 555 841 00 | Damper Stowage compartment | | 1 | |
| (8) | 997 555 261 01 997 555 261 01 A11 997 555 261 01 5X6 997 555 261 01 8G2 997 555 261 01 3S9 997 555 261 01 9S5 997 555 261 01 9V6 997 555 261 01 D12 997 555 261 01 T12 997 555 261 01 N12 | Pull handle (leather) Lower part Black Stone grey Sand beige sea blue Terracotta Cocoa Dark grey/natural Brown/natural Carrera Red | left | 1 | |
| (8) | 997 555 262 01 997 555 262 01 A11 997 555 262 01 5X6 997 555 262 01 8G2 997 555 262 01 3S9 997 555 262 01 9S5 997 555 262 01 9V6 997 555 262 01 D12 997 555 262 01 T12 997 555 262 01 N12 | Pull handle (leather) Lower part Black Stone grey Sand beige sea blue Terracotta Cocoa Dark grey/natural Brown/natural Carrera Red | right | 1 | |
| 9 | 999 919 229 02 | fillister hd. bolt 6,0 X 40,0 for Mount Pull handle | | 2 | |
| (10) | 997 555 381 03 | Axle bearing | left | 1 | |
| (10) | 997 555 382 03 | Axle bearing | right | 1 | |
| 11 | 999 919 164 09 | fillister hd. bolt 5 X 12 for Mount Axle bearing | | 3 | |
| 12 | 997 555 461 01 997 555 461 01 V05 | lever Inner actuator Galvano silver | left | 1 | |
| (12) | 997 555 462 01 997 555 462 01 V05 | lever Inner actuator Galvano silver | right | 1 | |
| 13 | 999 919 164 09 | fillister hd. bolt 5 X 12 for Mount lever Inner actuator | | 1 | |
| 14 | 997 555 683 00 | Cover cap | left | 1 | |

Model: 997-09 Model life 2009>>2012

| Pos | Part Number | Description | Remark | Qty | Model |
|------|--------------------|-------------------|-------------|-----|--------|
| | | Airbag | | | |
| | 997 555 683 00 A03 | Black | | | |
| | 997 555 683 00 5V7 | Stone grey | | | |
| | 997 555 683 00 5Z1 | Sand beige | | | |
| | 997 555 683 00 8W7 | sea blue | | | |
| | 997 555 683 00 8X8 | Terracotta | | | |
| | 997 555 683 00 8P9 | Cocoa | | | |
| | 997 555 683 00 T13 | Brown/natural | | | |
| | 997 555 683 00 N23 | Carrera Red | | | |
| (14) | 997 555 684 00 | Cover cap | right | 1 | |
| | | Airbag | | | |
| | 997 555 684 00 A03 | Black | | | |
| | 997 555 684 00 5V7 | Stone grey | | | |
| | 997 555 684 00 5Z1 | Sand beige | | | |
| | 997 555 684 00 8W7 | sea blue | | | |
| | 997 555 684 00 8X8 | Terracotta | | | |
| | 997 555 684 00 8P9 | Cocoa | | | |
| | 997 555 684 00 T13 | Brown/natural | | | |
| | 997 555 684 00 N23 | Carrera Red | | | |
| 15 | 997 555 643 02 | Leather panel | left front | 1 | PR:XVT |
| | | D - MJ 2010>> | | | |
| | 997 555 643 02 A11 | Black | | | |
| | 997 555 643 02 5X6 | Stone grey | | | |
| | 997 555 643 02 8G2 | Sand beige | | | |
| | 997 555 643 02 3S9 | sea blue | | | |
| | 997 555 643 02 9S5 | Terracotta | | | |
| | 997 555 643 02 9V6 | Cocoa | | | |
| | 997 555 643 02 D12 | Dark grey/natural | | | |
| | 997 555 643 02 T12 | Brown/natural | | | |
| | 997 555 643 02 N12 | Carrera Red | | | |
| (15) | 997 555 644 02 | Leather panel | right front | 1 | PR:XVT |
| | | D - MJ 2010>> | | | |
| | 997 555 644 02 A11 | Black | | | |
| | 997 555 644 02 5X6 | Stone grey | | | |
| | 997 555 644 02 8G2 | Sand beige | | | |
| | 997 555 644 02 3S9 | sea blue | | | |
| | 997 555 644 02 9S5 | Terracotta | | | |
| | 997 555 644 02 9V6 | Cocoa | | | |
| | 997 555 644 02 D12 | Dark grey/natural | | | |
| | 997 555 644 02 T12 | Brown/natural | | | |
| | 997 555 644 02 N12 | Carrera Red | | | |
| 16 | 997 555 991 00 | Trim | left | 1 | PR:XTL |
| | | Door handle | | | |
| | | Carbon | | | |
| | 997 555 991 00 A11 | Black | | | |
| | 997 555 991 00 5X6 | Stone grey | | | |
| | 997 555 991 00 8G2 | Sand beige | | | |
| | 997 555 991 00 3S9 | sea blue | | | |
| | 997 555 991 00 9S5 | Terracotta | | | |
| | 997 555 991 00 9V6 | Cocoa | | | |
| | 997 555 991 00 D12 | Dark grey/natural | | | |
| | 997 555 991 00 T12 | Brown/natural | | | |
| | 997 555 991 00 N12 | Carrera Red | | | |
| (16) | 997 555 992 00 | Trim | right | 1 | PR:XTL |
| | | Door handle | | | |
| | | Carbon | | | |
| | 997 555 992 00 A11 | Black | | | |
| | 997 555 992 00 5X6 | Stone grey | | | |
| | 997 555 992 00 8G2 | Sand beige | | | |
| | 997 555 992 00 3S9 | sea blue | | | |
| | 997 555 992 00 9S5 | Terracotta | | | |

Model: 997-09 Model life 2009>>2012

| Pos | Part Number | Description | Remark | Qty | Model | | | | |
|--------------------|--------------------|--------------------|-----------------|-------|--------|----------------|------|---|------------|
| (16) | 997 555 992 00 9V6 | Cocoa | left | 1 | PR:XTT | | | | |
| | 997 555 992 00 D12 | Dark grey/natural | | | | | | | |
| | 997 555 992 00 T12 | Brown/natural | | | | | | | |
| | 997 555 992 00 N12 | Carrera Red | | | | | | | |
| | 997 555 991 02 | Trim | | | | | | | |
| | | Door handle | | | | | | | |
| | | macassar | | | | | | | |
| | 997 555 991 02 A11 | Black | | | | | | | |
| | 997 555 991 02 5X6 | Stone grey | | | | | | | |
| | 997 555 991 02 8G2 | Sand beige | | | | | | | |
| | 997 555 991 02 3S9 | sea blue | | | | | | | |
| | 997 555 991 02 9S5 | Terracotta | | | | | | | |
| | 997 555 991 02 9V6 | Cocoa | | | | | | | |
| | 997 555 991 02 D12 | Dark grey/natural | | | | | | | |
| | 997 555 991 02 T12 | Brown/natural | | | | | | | |
| | 997 555 991 02 N12 | Carrera Red | | | | | | | |
| (16) | 997 555 992 02 | Trim | right | 1 | PR:XTT | | | | |
| | | Door handle | | | | | | | |
| | | macassar | | | | | | | |
| | 997 555 992 02 A11 | Black | | | | | | | |
| | 997 555 992 02 5X6 | Stone grey | | | | | | | |
| | 997 555 992 02 8G2 | Sand beige | | | | | | | |
| | 997 555 992 02 3S9 | sea blue | | | | | | | |
| | 997 555 992 02 9S5 | Terracotta | | | | | | | |
| | 997 555 992 02 9V6 | Cocoa | | | | | | | |
| | 997 555 992 02 D12 | Dark grey/natural | | | | | | | |
| | 997 555 992 02 T12 | Brown/natural | | | | | | | |
| | 997 555 992 02 N12 | Carrera Red | | | | | | | |
| | (16) | 997 555 991 03 | | | | Trim | left | 1 | PR:XTW |
| | | | | | | Door handle | | | |
| | | | | | | Aluminium look | | | |
| | | 997 555 991 03 A11 | | | | Black | | | |
| 997 555 991 03 5X6 | | Stone grey | | | | | | | |
| 997 555 991 03 8G2 | | Sand beige | | | | | | | |
| 997 555 991 03 3S9 | | sea blue | | | | | | | |
| 997 555 991 03 9S5 | | Terracotta | | | | | | | |
| 997 555 991 03 9V6 | | Cocoa | | | | | | | |
| 997 555 991 03 D12 | | Dark grey/natural | | | | | | | |
| 997 555 991 03 T12 | | Brown/natural | | | | | | | |
| 997 555 991 03 N12 | | Carrera Red | | | | | | | |
| (16) | | 997 555 992 03 | Trim | right | 1 | PR:XTW | | | |
| | | | Door handle | | | | | | |
| | | | Aluminium look | | | | | | |
| | | 997 555 992 03 A11 | Black | | | | | | |
| | 997 555 992 03 5X6 | Stone grey | | | | | | | |
| | 997 555 992 03 8G2 | Sand beige | | | | | | | |
| | 997 555 992 03 3S9 | sea blue | | | | | | | |
| | 997 555 992 03 9S5 | Terracotta | | | | | | | |
| | 997 555 992 03 9V6 | Cocoa | | | | | | | |
| | 997 555 992 03 D12 | Dark grey/natural | | | | | | | |
| | 997 555 992 03 T12 | Brown/natural | | | | | | | |
| | 997 555 992 03 N12 | Carrera Red | | | | | | | |
| | 17 | 999 591 380 01 | Cable fastener | | | | | 3 | |
| | 18 | 997 555 995 00 | Cover (leather) | | | | lhd | 1 | PR:098,XDX |
| | | | Exterior mirror | | | | | | |
| | | | (drivers side) | | | | | | |
| | | D - MJ 2010>> | | | | | | | |
| | | 997 555 995 00 A11 | Black | | | | | | |
| | | 997 555 995 00 5X6 | Stone grey | | | | | | |
| | | 997 555 995 00 8G2 | Sand beige | | | | | | |
| | | 997 555 995 00 3S9 | sea blue | | | | | | |
| | | 997 555 995 00 9S5 | Terracotta | | | | | | |
| | | 997 555 995 00 9V6 | Cocoa | | | | | | |

Model: 997-09 Model life 2009>>2012

| Pos | Part Number | Description | Remark | Qty | Model |
|--------------------|--------------------|---|--------|-----|-------------|
| (18) | 997 555 995 00 T12 | Brown/natural | | | |
| | 997 555 995 00 N12 | Carrera Red | | | |
| | 997 555 996 00 | Cover (leather) | lhd | 1 | PR:098, XDX |
| | | Exterior mirror (passenger side) | | | |
| | 997 555 996 00 A11 | Black | | | |
| | 997 555 996 00 5X6 | Stone grey | | | |
| | 997 555 996 00 8G2 | Sand beige | | | |
| | 997 555 996 00 3S9 | sea blue | | | |
| | 997 555 996 00 9S5 | Terracotta | | | |
| | 997 555 996 00 9V6 | Cocoa | | | |
| 997 555 996 00 D12 | Dark grey/natural | | | | |
| 997 555 996 00 T12 | Brown/natural | | | | |
| 997 555 996 00 N12 | Carrera Red | | | | |
| 19 | 997 555 577 00 | Cover cap Handle liner | | 1 | |
| | 997 555 577 00 A03 | Black | | | |
| 20 | 997 555 895 00 | Plastic foam strip for Bass loudspeaker | | 1 | |
| 21 | 997 645 511 00 | inscription | | 2 | PR:680 |
| 22 | 997 555 597 00 | Distance piece | | 2 | |
| | | Bonnet hinge | | | |
| 23 | 999 702 281 41 | Grommet | | 1 | |
| | | Axle bearing | | | |
| 24 | 997 555 271 01 | Pull handle (leather) Upper part | left | 1 | |
| | 997 555 271 01 FSA | black/grey | | | |
| | 997 555 271 01 FSB | Stone grey/stone grey | | | |
| | 997 555 271 01 FSC | Sand beige/sand beige | | | |
| | 997 555 271 01 FSD | Sea blue/grey | | | |
| | 997 555 271 01 FSF | Terracotta/terracotta | | | |
| | 997 555 271 01 FSG | Cocoa/Cocoa | | | |
| | 997 555 271 01 FSH | Darkgrey natural/grey | | | |
| | 997 555 271 01 FSJ | Brown nat./brown nat. | | | |
| | 997 555 271 01 FSP | Carrera Red | | | |
| (24) | 997 555 272 01 | Pull handle (leather) Upper part | right | 1 | |
| | 997 555 272 01 FSA | black/grey | | | |
| | 997 555 272 01 FSB | Stone grey/stone grey | | | |
| | 997 555 272 01 FSC | Sand beige/sand beige | | | |
| | 997 555 272 01 FSD | Sea blue/grey | | | |
| | 997 555 272 01 FSF | Terracotta/terracotta | | | |
| | 997 555 272 01 FSG | Cocoa/Cocoa | | | |
| | 997 555 272 01 FSH | Darkgrey natural/grey | | | |
| | 997 555 272 01 FSJ | Brown nat./brown nat. | | | |
| | 997 555 272 01 FSP | Carrera Red | | | |
| (24) | 997 555 987 00 | Pull handle Upper part Carbon | left | 1 | PR:XTL |
| | 997 555 987 00 A35 | Black | | | |
| (24) | 997 555 988 00 | Pull handle Upper part Carbon | right | 1 | PR:XTL |
| | 997 555 988 00 A35 | Black | | | |
| (24) | 997 555 987 02 | Pull handle Upper part | left | 1 | PR:XTT |
| | 997 555 987 02 S61 | macassar | | | |
| (24) | 997 555 988 02 | Pull handle Upper part | right | 1 | PR:XTT |
| | 997 555 988 02 S61 | macassar | | | |
| (24) | 997 555 987 03 | Pull handle Upper part | left | 1 | PR:XTW |

Model: 997-09 Model life 2009>>2012

| Pos | Part Number | Description | Remark | Qty | Model |
|------|--------------------|----------------------|-----------|-----|---------------------------|
| (24) | 997 555 987 03 V04 | Galvano silver | | | |
| | 997 555 988 03 | Pull handle | right | 1 | PR:XTW |
| | 997 555 988 03 V04 | Upper part aluminium | | | |
| 25 | 997 555 985 00 | Insert | left lhd | 1 | COUPE/TARGA PR:XTV,098 |
| | | Handle liner | | | |
| | | Leather | | | |
| | 997 555 985 00 A11 | Black | | | |
| | 997 555 985 00 5X6 | Stone grey | | | |
| | 997 555 985 00 8G2 | Sand beige | | | |
| | 997 555 985 00 3S9 | sea blue | | | |
| | 997 555 985 00 9S5 | Terracotta | | | |
| | 997 555 985 00 9V6 | Cocoa | | | |
| | 997 555 985 00 D12 | Dark grey/natural | | | |
| | 997 555 985 00 T12 | Brown/natural | | | |
| | 997 555 985 00 N12 | Carrera Red | | | |
| (25) | 997 555 985 01 | Insert | left lhd | 1 | CABRIO PR:XTV,098 |
| | | Handle liner | | | |
| | | Leather | | | |
| | 997 555 985 01 A11 | Black | | | |
| | 997 555 985 01 5X6 | Stone grey | | | |
| | 997 555 985 01 8G2 | Sand beige | | | |
| | 997 555 985 01 3S9 | sea blue | | | |
| | 997 555 985 01 9S5 | Terracotta | | | |
| | 997 555 985 01 9V6 | Cocoa | | | |
| | 997 555 985 01 D12 | Dark grey/natural | | | |
| | 997 555 985 01 T12 | Brown/natural | | | |
| | 997 555 985 01 N12 | Carrera Red | | | |
| (25) | 997 555 986 00 | Insert | right lhd | 1 | PR:XTV,098 |
| | | Handle liner | | | |
| | | Leather | | | |
| | 997 555 986 00 A11 | Black | | | |
| | 997 555 986 00 5X6 | Stone grey | | | |
| | 997 555 986 00 8G2 | Sand beige | | | |
| | 997 555 986 00 3S9 | sea blue | | | |
| | 997 555 986 00 9S5 | Terracotta | | | |
| | 997 555 986 00 9V6 | Cocoa | | | |
| | 997 555 986 00 D12 | Dark grey/natural | | | |
| | 997 555 986 00 T12 | Brown/natural | | | |
| | 997 555 986 00 N12 | Carrera Red | | | |
| 25 | 997 555 985 03 | Insert | left lhd | 1 | COUPE/TARGA PR:XTL,098 |
| | | Handle liner | | | |
| | | Carbon | | | |
| (25) | 997 555 985 03 A35 | Black | | | |
| (25) | 997 555 985 04 | Insert | left lhd | 1 | CABRIO PR:XTL,098 |
| | | Handle liner | | | |
| | | Carbon | | | |
| (25) | 997 555 985 04 A35 | Black | | | |
| (25) | 997 555 986 03 | Insert | right lhd | 1 | PR:XTL,098 |
| | | Handle liner | | | |
| | | Carbon | | | |
| 25 | 997 555 986 03 A35 | Black | | | |
| 25 | 997 555 985 09 | Insert | left lhd | 1 | COUPE/TARGA PR:XTT,098 |
| | | Handle liner | | | |
| (25) | 997 555 985 09 S61 | macassar | | | |
| (25) | 997 555 985 10 | Insert | left lhd | 1 | CABRIO PR:XTT,098 |
| | | Handle liner | | | |
| (25) | 997 555 985 10 S61 | macassar | | | |
| (25) | 997 555 986 09 | Insert | right lhd | 1 | PR:XTT,098 |
| | | Handle liner | | | |
| 25 | 997 555 986 09 S61 | macassar | | | |
| 25 | 997 555 985 12 | Insert | left lhd | 1 | COUPE/TARGA PR:XTW,098 |
| | | Handle liner | | | |

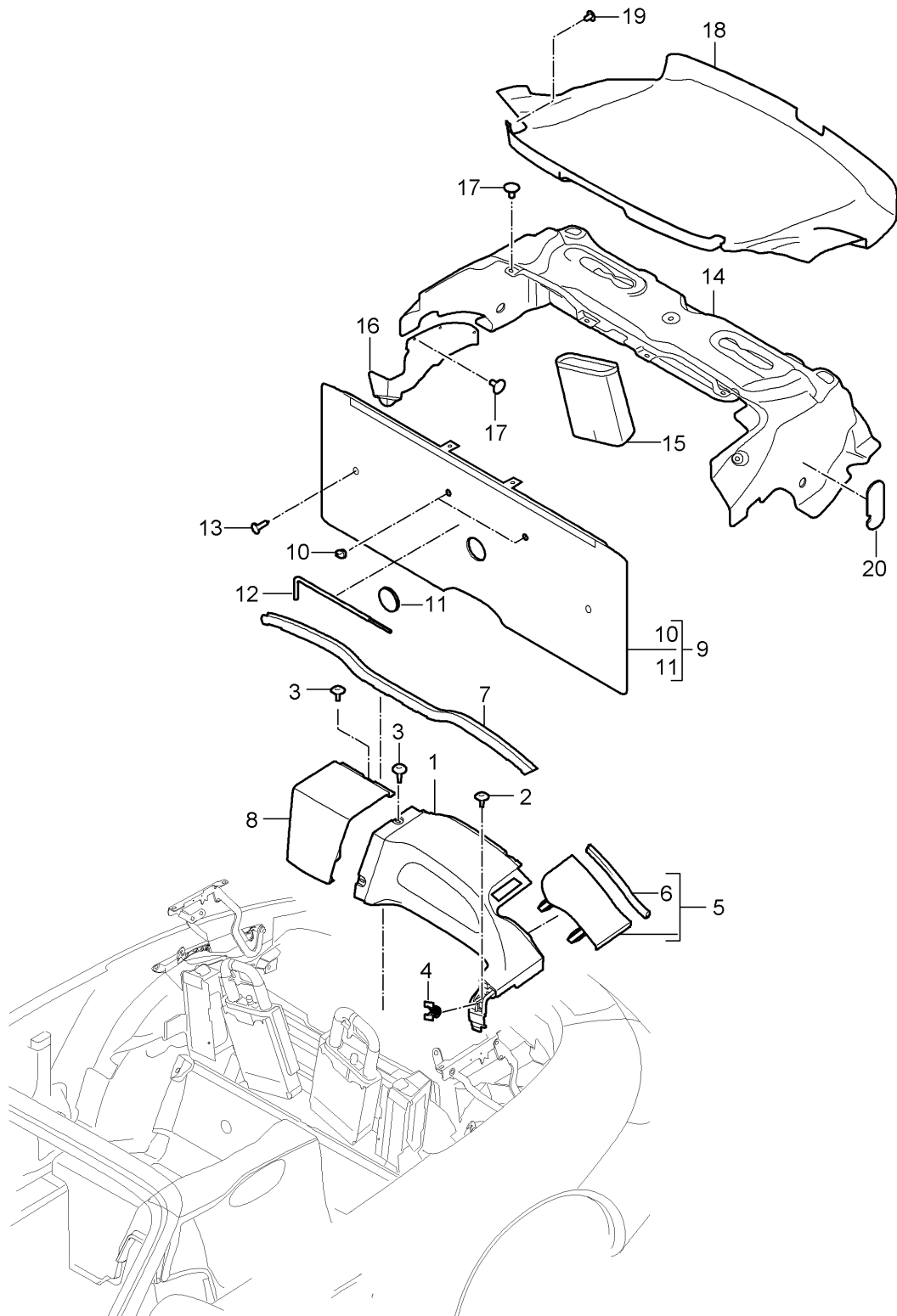
Model: 997-09

Model life 2009>>2012

| Pos | Part Number | Description | Remark | Qty | Model |
|------|--------------------------------------|--|-----------|-----|----------------------|
| (25) | 997 555 985 12 V04 997 555 985 13 | Galvano silver Insert Handle liner | left lhd | 1 | CABRIO PR:XTW,098 |
| (25) | 997 555 985 13 V04 997 555 986 12 | Galvano silver Insert Handle liner | right lhd | 1 | PR:XTW,098 |
| | 997 555 986 12 V04 | Galvano silver | | | |

Model: 997-09

Model life 2009>>2012



Model: 997-09

Model life 2009>>2012

| Pos | Part Number | Description | Remark | Qty | Model |
|------|--------------------|---|----------------|-----|---------------------|
| | | Linings | rear | | Speedster PR:503 |
| 1 | 997 555 437 01 | Frame roll bar Rear panel trim D - MJ 2011>> Trim | left | 1 | |
| (1) | 997 555 437 01 5Q0 | Black | | | |
| | 997 555 438 01 | Trim | right | 1 | |
| | 997 555 438 01 5Q0 | Black | | | |
| 2 | 999 073 142 09 | panel screw 4.2X19 | | 2 | |
| 3 | 999 073 322 02 | fillister hd. bolt M6X20 | | 6 | |
| 4 | 999 507 533 02 | Clamp | | 2 | |
| 5 | 997 555 627 01 | Cover | left | 1 | |
| | 997 555 627 01 5Q0 | Convertible top support Black | | | |
| (5) | 997 555 628 01 | Cover | right | 1 | |
| | 997 555 628 01 5Q0 | Convertible top support Black | | | |
| 6 | 997 555 877 01 | Rubber support | left | 1 | |
| (6) | 997 555 878 01 | Cover convertible top stowage box Rubber support | right | 1 | |
| 7 | 997 555 875 01 | Cover convertible top stowage box Rubber support | center | 1 | |
| 8 | 997 555 567 00 | Trim | center | 1 | |
| | | Frame | | | |
| | | also use: | 997 555 967 00 | | |
| - | 997 555 567 00 5Q0 | Black | | X | |
| 9 | 997 555 967 00 | Double-sided adhesive tape | | 1 | |
| | 997 555 081 04 | Rear panel trim | | 1 | |
| | 997 555 081 04 A10 | Black | | | |
| 10 | 999 507 633 40 | Clip | | 2 | |
| | | Tool | | | |
| 11 | 996 555 457 00 | Emergency operation End cap | | 1 | |
| | 996 555 457 00 A03 | Black | | | |
| 12 | 999 571 079 03 | screwdriver | | 1 | |
| | | Emergency operation Convertible top | | | |
| 13 | 999 073 062 02 | panel screw 4.8x19 | | 2 | |
| 14 | 997 551 441 01 | Rollover bar trim | | 1 | |
| 15 | 997 551 451 01 | Storage pocket for | | 2 | |
| 16 | 997 567 216 01 | Trim | right | 1 | |
| | | Cover | | | |
| | | Guide | | | |
| (16) | 997 567 215 01 | Water drip pan | right | 1 | |
| | | Cover | | | |
| | | Guide | | | |
| | | Water drip pan | | | |
| 17 | 999 591 553 40 | Spreader rivet | | X | |
| 18 | 997 551 035 02 | Carpet | | 1 | |
| | | Trim | | | |
| | | Convertible top tray | | | |

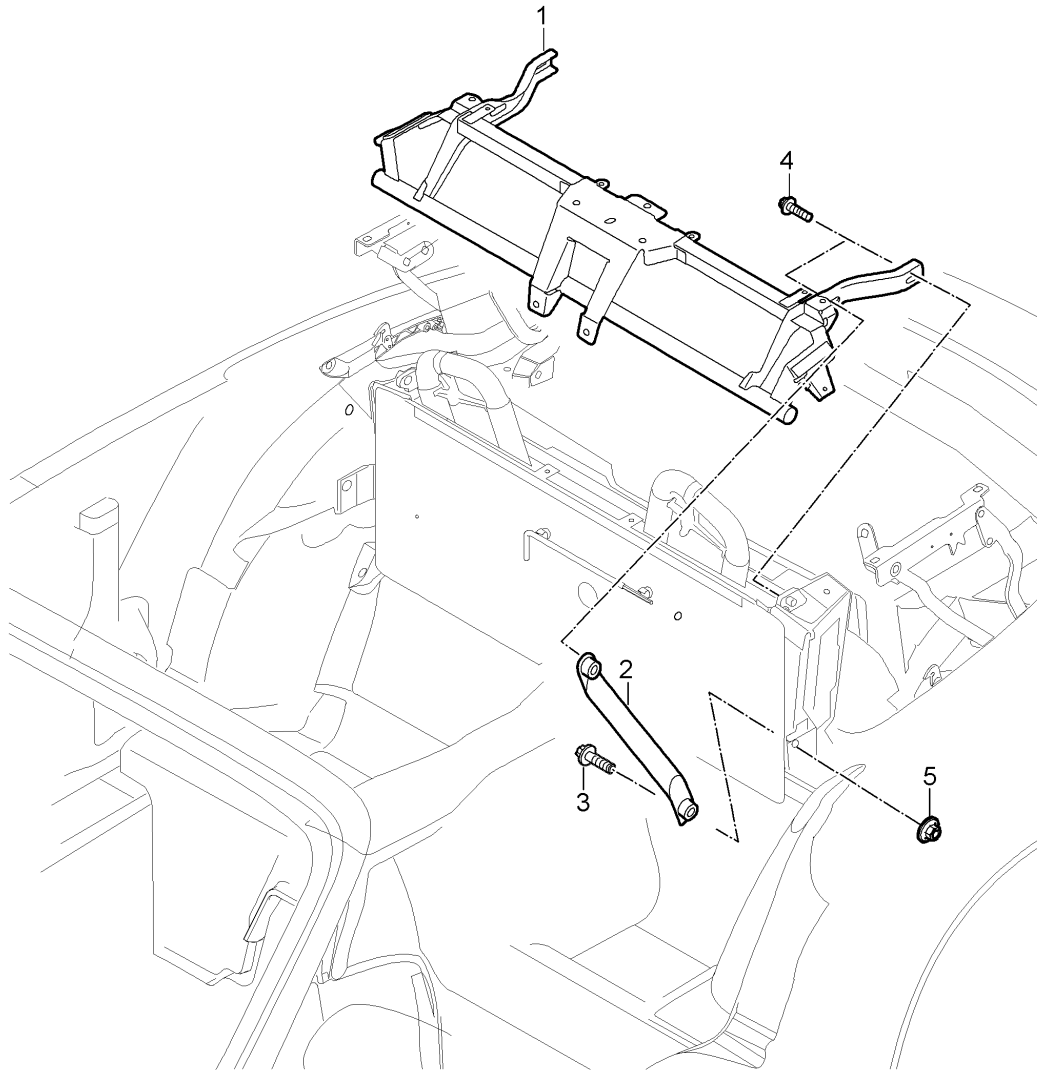
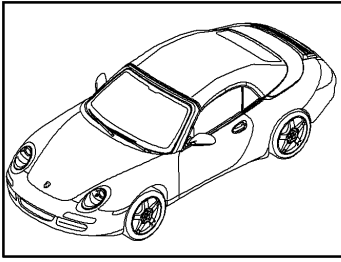
Model: 997-09

Model life 2009>>2012

| Pos | Part Number | Description | Remark | Qty | Model |
|-----|--------------------|--|------------|-----|-------|
| 19 | 997 551 035 02 B04 | dark grey | | 2 | |
| 20 | 999 703 432 40 | Bungs Protective film see illustration, item: modify in workshop See workshop manual | 810-000,11 | 1 | |

Model: 997-09

Model life 2009>>2012



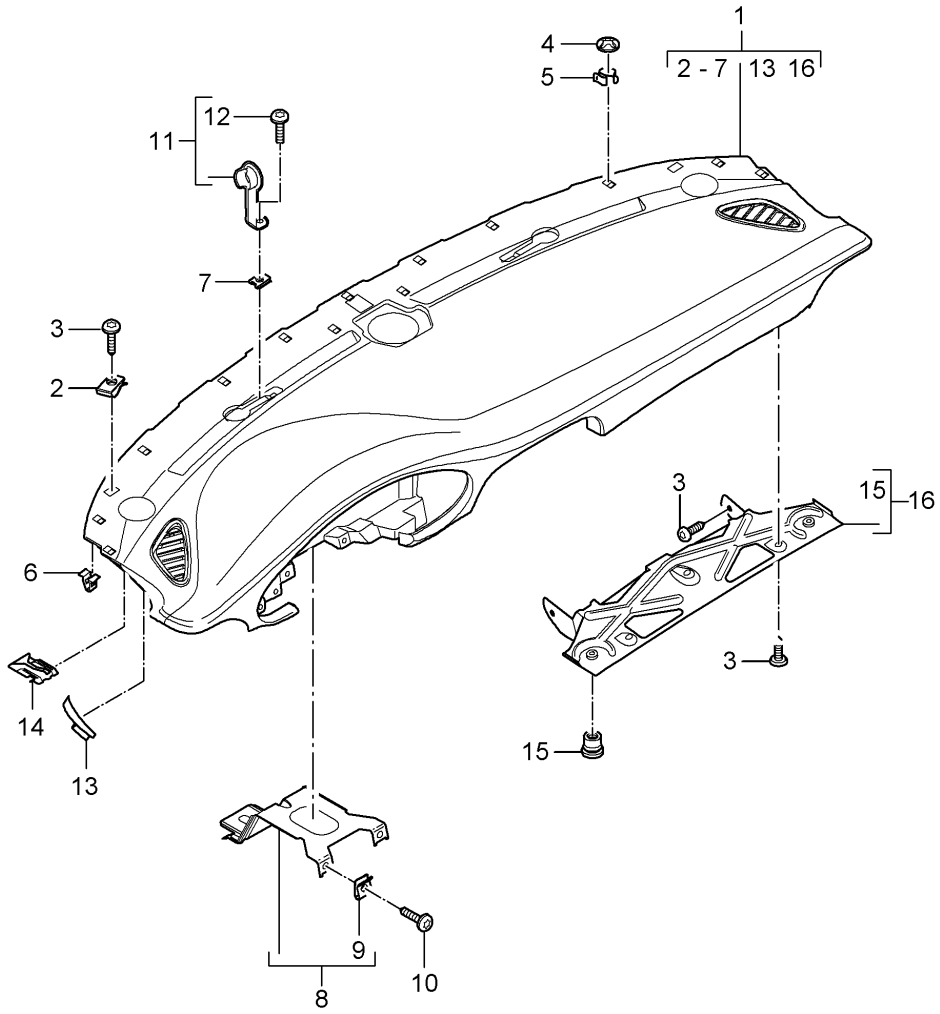
Model: 997-09

Model life 2009>>2012

| Pos | Part Number | Description | Remark | Qty | Model |
|-----|----------------|------------------------|--------|-----|---------------------|
| | | Frame | rear | | Speedster PR:503 |
| | | Mount | | | |
| | | D - MJ 2011>> | | | |
| 1 | 997 555 433 00 | Frame | | 1 | |
| 2 | 997 555 443 00 | Brace | | 2 | |
| 3 | 900 378 249 01 | Hexagon bolt M10x55 | | 2 | |
| 4 | 900 378 301 01 | Hexagon bolt M10x25 | | 4 | |
| 5 | 999 049 034 40 | Plastic nut M10 | | 2 | |

Model: 997-09

Model life 2009>>2012



Model: 997-09 Model life 2009>>2012

| Pos | Part Number | Description | Remark | Qty | Model |
|-----|--------------------------------------|---|---------|-----|---------------------------------------|
| - | | Instrument panel trim Upper part with: Fasteners Accessories see illustration: | 809-001 | | |
| 1 | 997 552 101 10 | dashboard Upper part Leatherette 997 552 101 10 9L4 Black 997 552 101 10 9M5 Stone grey 997 552 101 10 9C6 Sand beige 997 552 101 10 9D7 sea blue | lhd | 1 | PR:098 |
| 1 | 997 552 101 12 | dashboard Upper part Leatherette 997 552 101 12 9L4 Black 997 552 101 12 9M5 Stone grey 997 552 101 12 9C6 Sand beige 997 552 101 12 9D7 sea blue | lhd | 1 | PR:098,639, 640 |
| 1 | 997 552 101 11 | dashboard Upper part Leather 997 552 101 11 FSA Black 997 552 101 11 FSB Stone grey 997 552 101 11 FSC Sand beige 997 552 101 11 FSD sea blue 997 552 101 11 FSF Terracotta 997 552 101 11 FSG Cocoa 997 552 101 11 FSH Dark grey/natural 997 552 101 11 FSJ Brown/natural 997 552 101 11 FSP Carrera Red 997 552 101 11 TSM Black/terracotta 997 552 101 11 TSN Black/sand beige | lhd | 1 | PR:098,981 |
| 1 | 997 552 101 13 | dashboard Upper part Leather 997 552 101 13 FSA Black 997 552 101 13 FSB Stone grey 997 552 101 13 FSC Sand beige 997 552 101 13 FSD sea blue 997 552 101 13 FSF Terracotta 997 552 101 13 FSG Cocoa 997 552 101 13 FSH Dark grey/natural 997 552 101 13 FSJ Brown/natural 997 552 101 13 FSP Carrera Red 997 552 101 13 FWH Espresso 997 552 101 13 DTC Black/Carrara White 997 552 101 13 DTQ Black/Pure Blue 997 552 101 13 TSM Black/terracotta 997 552 101 13 TSN Black/sand beige | lhd | 1 | PR:098,639, 640,981 |
| (1) | 997 552 101 14 | dashboard Upper part Leather D - MJ 2010>> | lhd | 1 | COUPE S PR:098,639, 640,756,981 |
| 2 | 997 552 101 14 SCB 999 507 971 01 | Espresso panel nut ST 4,2 for Mount dashboard | | X | |
| 3 | 999 073 155 09 | panel screw | | X | |

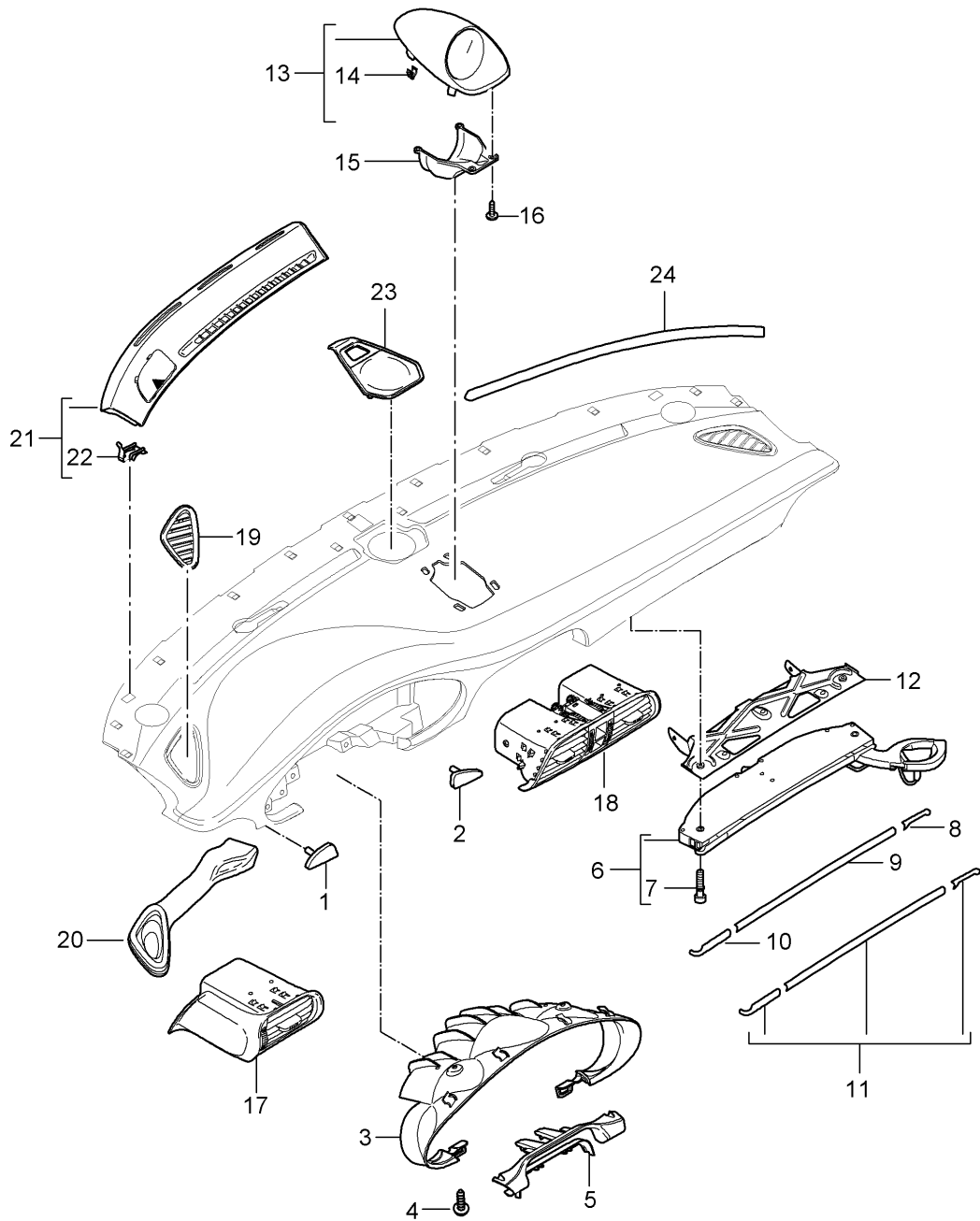
Model: 997-09

Model life 2009>>2012

| Pos | Part Number | Description | Remark | Qty | Model |
|------|----------------|---|--------|-----|--------|
| 4 | 999 507 106 02 | ST 4,2 X 13 for Mount dashboard Clamping washer 8,0 for Mount dashboard | | X | |
| 5 | 999 507 573 02 | Clip 6,7 - 8,1 for Mount dashboard | | X | |
| 6 | 999 507 732 01 | Clamp 8,0 X 12,0 /4,0 for Mount dashboard | | X | |
| 7 | 999 507 020 01 | panel nut ST 4,2 for Mount dashboard | | X | |
| 8 | 997 552 617 01 | bracket for dash panel (drivers side) | | 1 | |
| 9 | 999 507 020 01 | panel nut ST 4,2 | | 2 | |
| 10 | 999 073 155 09 | panel screw ST 4,2 X 13 | | 2 | |
| 11 | 997 552 673 00 | Cover Defroster trim | | 2 | |
| 12 | 999 073 226 09 | panel screw ST 4,2 X 16 | | 2 | |
| 13 | 997 552 481 00 | Insert A-pillar | left | 1 | |
| (13) | 997 552 482 00 | Insert A-pillar | right | 1 | |
| 14 | 8E0 857 117 | Clip Mount dashboard | | 2 | |
| (15) | 999 507 319 01 | Cowl panel Cage nut M 5 | | 2 | |
| (16) | 997 552 360 03 | Retaining plate for Beverages Bracket | lhd | 1 | PR:098 |

Model: 997-09

Model life 2009>>2012



Model: 997-09 Model life 2009>>2012

| Pos | Part Number | Description | Remark | Qty | Model |
|-----|--------------------|------------------------|------------|-----|-------------------------------|
| | | Accessories | | | |
| | | Instrument panel trim | | | |
| | | Upper part | | | |
| 1 | 997 552 381 01 | Trim (drivers side) | outer lhd | 1 | CARRERA PR:098 |
| | 997 552 381 01 D07 | Volcano grey | | | |
| 1 | 997 552 381 02 | Trim (drivers side) | outer lhd | 1 | CARRERA S PR:098 |
| | 997 552 381 02 V04 | Galvano silver | | | |
| (1) | 997 552 381 02 | Trim (drivers side) | outer lhd | 1 | PR:098 |
| | | D - MJ 2011>> | | | |
| | 997 552 381 02 V04 | Galvano silver | | | |
| 1 | 997 552 381 03 | Trim (drivers side) | outer lhd | 1 | PR:098,801 |
| | 997 552 381 03 S61 | macassar | | | |
| 1 | 997 552 381 05 | Trim (drivers side) | outer lhd | 1 | PR:098,803 |
| | 997 552 381 05 A35 | Black | | | |
| 1 | 997 552 986 00 | Trim (drivers side) | outer lhd | 1 | PR:XVP,098 |
| | 997 552 986 00 A11 | Black | | | |
| | 997 552 986 00 5X6 | Stone grey | | | |
| | 997 552 986 00 8G2 | Sand beige | | | |
| | 997 552 986 00 3S9 | sea blue | | | |
| | 997 552 986 00 9S5 | Terracotta | | | |
| | 997 552 986 00 9V6 | Cocoa | | | |
| | 997 552 986 00 D12 | Dark grey/natural | | | |
| | 997 552 986 00 T12 | Brown/natural | | | |
| | 997 552 986 00 N12 | Carrera Red | | | |
| | 997 552 986 00 B9A | Carrara white | | | |
| | | D - MJ 2011>> | | | |
| | 997 552 986 00 M5B | Pure Blue | | | |
| | | D - MJ 2011>> | | | |
| | 997 552 986 00 6J0 | Espresso | | | |
| 1 | 997 552 986 00 | Trim (drivers side) | outer lhd | 1 | COUPE S PR:XVP,756, 098 |
| | | D - MJ 2010>> | | | |
| | 997 552 986 00 6J0 | Espresso | | | |
| (1) | 997 552 986 50 | Trim (drivers side) | outer lhd | 1 | PR:XDM,098 |
| | | D - MJ 2010>> | | | |
| | 997 552 986 50 G2X | primed | | | |
| 2 | 997 552 383 01 | Trim (drivers side) | center lhd | 1 | CARRERA PR:098 |
| | 997 552 383 01 D07 | Volcano grey | | | |
| 2 | 997 552 383 02 | Trim (drivers side) | center lhd | 1 | CARRERA S PR:098 |
| | 997 552 383 02 V04 | Galvano silver | | | |
| 2 | 997 552 383 02 | Trim (drivers side) | center lhd | 1 | PR:098 |
| | | D - MJ 2011>> | | | |
| | 997 552 383 02 V04 | Galvano silver | | | |
| 2 | 997 552 383 03 | Trim (drivers side) | center lhd | 1 | PR:098,801 |
| | 997 552 383 03 S61 | macassar | | | |
| 2 | 997 552 383 05 | Trim (drivers side) | center lhd | 1 | PR:098,803 |
| | 997 552 383 05 A35 | Black | | | |
| 2 | 997 552 987 00 | Trim (drivers side) | center lhd | 1 | PR:XVP,098 |
| | 997 552 987 00 A11 | Black | | | |

Model: 997-09 Model life 2009>>2012

| Pos | Part Number | Description | Remark | Qty | Model | |
|-----|--------------------|---|--------|-----|-------|-------------------------------|
| | 997 552 987 00 5X6 | Stone grey | | | | |
| | 997 552 987 00 8G2 | Sand beige | | | | |
| | 997 552 987 00 3S9 | sea blue | | | | |
| | 997 552 987 00 9S5 | Terracotta | | | | |
| | 997 552 987 00 9V6 | Cocoa | | | | |
| | 997 552 987 00 D12 | Dark grey/natural | | | | |
| | 997 552 987 00 T12 | Brown/natural | | | | |
| | 997 552 987 00 N12 | Carrera Red | | | | |
| | 997 552 987 00 B9A | Carrara white | | | | |
| | | D - MJ 2011>> | | | | |
| | 997 552 987 00 M5B | Pure Blue | | | | |
| | | D - MJ 2011>> | | | | |
| 2 | 997 552 987 00 6J0 | Espresso | | | | |
| | 997 552 987 00 | Trim (drivers side) | center | lhd | 1 | COUPE S PR:XVP,756, 098 |
| | | D - MJ 2010>> | | | | |
| (2) | 997 552 987 00 6J0 | Espresso | | | | |
| | 997 552 987 50 | Trim (drivers side) | center | lhd | 1 | PR:XDM,098 |
| | | D - MJ 2010>> | | | | |
| 3 | 997 552 987 50 G2X | primed | | | | |
| | 997 552 325 01 | Trim Combi-instrument see Technical information Group 9 Nummer 53/10 | | lhd | 1 | PR:098 |
| | 997 552 325 01 A03 | Black | | | | |
| | 997 552 325 01 5V7 | Stone grey | | | | |
| | 997 552 325 01 5Z1 | Sand beige | | | | |
| | 997 552 325 01 8W7 | sea blue | | | | |
| | 997 552 325 01 8X8 | Terracotta | | | | |
| | 997 552 325 01 8P9 | Cocoa | | | | |
| | 997 552 325 01 T13 | Brown/natural | | | | |
| | 997 552 325 01 N23 | Carrera Red | | | | |
| | 997 552 325 01 2S8 | Espresso | | | | |
| 3 | 997 552 989 00 | Leather panel Combi-instrument see Technical information Group 9 Nummer 53/10 | | lhd | 1 | PR:XNG,098 |
| | 997 552 989 00 A11 | Black | | | | |
| | 997 552 989 00 5X6 | Stone grey | | | | |
| | 997 552 989 00 8G2 | Sand beige | | | | |
| | 997 552 989 00 3S9 | sea blue | | | | |
| | 997 552 989 00 9S5 | Terracotta | | | | |
| | 997 552 989 00 9V6 | Cocoa | | | | |
| | 997 552 989 00 D12 | Dark grey/natural | | | | |
| | 997 552 989 00 T12 | Brown/natural | | | | |
| | 997 552 989 00 N12 | Carrera Red | | | | |
| | 997 552 989 00 6J0 | Espresso | | | | |
| 3 | 997 552 989 00 | Leather panel Combi-instrument see Technical information Group 9 Nummer 53/10 D - MJ 2010>> | | lhd | 1 | COUPE S PR:XNG,756, 098 |
| | 997 552 989 00 6J0 | Espresso | | | | |
| 3 | 997 552 989 02 | Trim Combi-instrument | | lhd | 1 | PR:XCL,098 |

Model: 997-09 Model life 2009>>2012

| Pos | Part Number | Description | Remark | Qty | Model |
|-----|--------------------|--|-----------|-----|-----------------------|
| | | see Technical information Group 9 Nummer 53/10 | | | |
| (3) | 997 552 989 02 V04 | Galvano silver | | | |
| | 997 552 995 00 | Trim Combi-instrument see Technical information Group 9 Nummer 53/10 D - MJ 2010>> | lhd | 1 | PR:XDP,098 |
| 4 | 997 552 995 00 G2X | primed | | | |
| | 999 073 155 09 | panel screw ST 4,2 X 13 | | 2 | |
| 5 | 997 552 271 01 | Bridge | | 1 | PR:-XNS |
| | 997 552 271 01 A03 | Black | | | |
| | 997 552 271 01 5V7 | Stone grey | | | |
| | 997 552 271 01 5Z1 | Sand beige | | | |
| | 997 552 271 01 8W7 | sea blue | | | |
| | 997 552 271 01 8X8 | Terracotta | | | |
| | 997 552 271 01 8P9 | Cocoa | | | |
| | 997 552 271 01 T13 | Brown/natural | | | |
| | 997 552 271 01 N23 | Carrera Red | | | |
| | 997 552 271 01 2S8 | Espresso | | | |
| 5 | 997 552 978 00 | Bridge Leather | | 1 | PR:XNS |
| | 997 552 978 00 A11 | Black | | | |
| | 997 552 978 00 5X6 | Stone grey | | | |
| | 997 552 978 00 8G2 | Sand beige | | | |
| | 997 552 978 00 3S9 | sea blue | | | |
| | 997 552 978 00 9S5 | Terracotta | | | |
| | 997 552 978 00 9V6 | Cocoa | | | |
| | 997 552 978 00 D12 | Dark grey/natural | | | |
| | 997 552 978 00 T12 | Brown/natural | | | |
| | 997 552 978 00 N12 | Carrera Red | | | |
| | 997 552 978 00 6J0 | Espresso | | | |
| 5 | 997 552 978 00 | Bridge Leather D - MJ 2010>> | | 1 | COUPE S PR:XNS,756 |
| | 997 552 978 00 6J0 | Espresso | | | |
| 6 | 997 552 294 03 | Drinks holder | lhd | 1 | PR:098 |
| - | 997 552 905 00 | repair set Flap torsion spring for Beverages Bracket | | 1 | |
| 7 | 900 067 416 01 | Socket head bolt M5 X 27 | | 1 | |
| 8 | 997 552 394 01 | Retainer for trim | right lhd | 1 | CARRERA PR:098 |
| | 997 552 394 01 D07 | Volcano grey | | | |
| 8 | 997 552 394 02 | Retainer for trim | right lhd | 1 | CARRERA S PR:098 |
| | 997 552 394 02 V04 | Galvano silver | | | |
| 8 | 997 552 394 02 | Retainer for trim D - MJ 2011>> | right lhd | 1 | PR:098 |
| | 997 552 394 02 V04 | Galvano silver | | | |
| 8 | 997 552 396 05 | Retainer for trim | right lhd | 1 | PR:098,803 |
| | 997 552 396 05 A35 | Black | | | |
| 8 | 997 552 993 00 | Leather panel | right lhd | 1 | PR:XVP,098 |
| | 997 552 993 00 A11 | Black | | | |

Model: 997-09 Model life 2009>>2012

| Pos | Part Number | Description | Remark | Qty | Model |
|-----|--------------------|-------------------|------------|-----|-------------------------------|
| | 997 552 993 00 5X6 | Stone grey | | | |
| | 997 552 993 00 8G2 | Sand beige | | | |
| | 997 552 993 00 3S9 | sea blue | | | |
| | 997 552 993 00 9S5 | Terracotta | | | |
| | 997 552 993 00 9V6 | Cocoa | | | |
| | 997 552 993 00 D12 | Dark grey/natural | | | |
| | 997 552 993 00 T12 | Brown/natural | | | |
| | 997 552 993 00 N12 | Carrera Red | | | |
| | 997 552 993 00 B9A | Carrara white | | | |
| | | D - MJ 2011>> | | | |
| | 997 552 993 00 M5B | Pure Blue | | | |
| | | D - MJ 2011>> | | | |
| | 997 552 993 00 6J0 | Espresso | | | |
| 8 | 997 552 993 00 | Leather panel | right lhd | 1 | COUPE S PR:XVP,756, 098 |
| | | D - MJ 2010>> | | | |
| | 997 552 993 00 6J0 | Espresso | | | |
| (8) | 997 552 993 50 | Retainer for trim | right lhd | 1 | PR:XDM,098 |
| | | D - MJ 2010>> | | | |
| | 997 552 993 50 G2X | primed | | | |
| 9 | 997 552 398 00 | Retainer for trim | center lhd | 1 | CARRERA PR:098 |
| | | | | | |
| | 997 552 398 00 D07 | Volcano grey | | | |
| 9 | 997 552 398 01 | Retainer for trim | center lhd | 1 | CARRERA S PR:098 |
| | | | | | |
| | 997 552 398 01 V04 | Galvano silver | | | |
| 9 | 997 552 398 01 | Retainer for trim | center lhd | 1 | PR:098 |
| | | | | | |
| | | D - MJ 2011>> | | | |
| | 997 552 398 01 V04 | Galvano silver | | | |
| 9 | 997 552 398 04 | Retainer for trim | center lhd | 1 | PR:098,803 |
| | | | | | |
| | 997 552 398 04 A35 | Black | | | |
| 9 | 997 552 994 00 | Leather panel | center lhd | 1 | PR:XVP,098 |
| | | | | | |
| | 997 552 994 00 A11 | Black | | | |
| | 997 552 994 00 5X6 | Stone grey | | | |
| | 997 552 994 00 8G2 | Sand beige | | | |
| | 997 552 994 00 3S9 | sea blue | | | |
| | 997 552 994 00 9S5 | Terracotta | | | |
| | 997 552 994 00 9V6 | Cocoa | | | |
| | 997 552 994 00 D12 | Dark grey/natural | | | |
| | 997 552 994 00 T12 | Brown/natural | | | |
| | 997 552 994 00 N12 | Carrera Red | | | |
| | 997 552 994 00 B9A | Carrara white | | | |
| | | D - MJ 2011>> | | | |
| | 997 552 994 00 M5B | Pure Blue | | | |
| | | D - MJ 2011>> | | | |
| | 997 552 994 00 6J0 | Espresso | | | |
| 9 | 997 552 994 00 | Leather panel | center lhd | 1 | COUPE S PR:XVP,756, 098 |
| | | | | | |
| | | D - MJ 2010>> | | | |
| | 997 552 994 00 6J0 | Espresso | | | |
| (9) | 997 552 994 50 | Retainer for trim | center lhd | 1 | PR:XDM,098 |
| | | | | | |
| | | D - MJ 2010>> | | | |
| | 997 552 994 50 G2X | primed | | | |
| 10 | 997 552 396 01 | Retainer for trim | left lhd | 1 | CARRERA PR:098 |
| | | | | | |
| | 997 552 396 01 D07 | Volcano grey | | | |
| 10 | 997 552 396 02 | Retainer for trim | left lhd | 1 | CARRERA S PR:098 |
| | | | | | |
| | 997 552 396 02 V04 | Galvano silver | | | |

Model: 997-09 Model life 2009>>2012

| Pos | Part Number | Description | Remark | Qty | Model |
|------|--------------------|------------------------------------|------------------------------|-----|-----------------------------------|
| 10 | 997 552 396 02 | Retainer for trim D - MJ 2011>> | left lhd | 1 | PR:098 |
| 10 | 997 552 396 02 V04 | Galvano silver | | | |
| 10 | 997 552 394 05 | Retainer for trim | left lhd | 1 | PR:098,803 |
| | 997 552 394 05 A35 | Black | | | |
| 10 | 997 552 992 00 | Leather panel | left lhd | 1 | PR:XVP,098 |
| | 997 552 992 00 A11 | Black | | | |
| | 997 552 992 00 5X6 | Stone grey | | | |
| | 997 552 992 00 8G2 | Sand beige | | | |
| | 997 552 992 00 3S9 | sea blue | | | |
| | 997 552 992 00 9S5 | Terracotta | | | |
| | 997 552 992 00 9V6 | Cocoa | | | |
| | 997 552 992 00 D12 | Dark grey/natural | | | |
| | 997 552 992 00 T12 | Brown/natural | | | |
| | 997 552 992 00 N12 | Carrera Red | | | |
| | 997 552 992 00 B9A | Carrara white | | | |
| | | D - MJ 2011>> | | | |
| | 997 552 992 00 M5B | Pure Blue | | | |
| | | D - MJ 2011>> | | | |
| | 997 552 992 00 6J0 | Espresso | | | |
| 10 | 997 552 992 00 | Leather panel | left lhd | 1 | COUPE S PR:XVP,756, 098 |
| | | D - MJ 2010>> | | | |
| | 997 552 992 00 6J0 | Espresso | | | |
| (10) | 997 552 992 50 | Retainer for trim | left lhd | 1 | PR:XDM,098 |
| | | D - MJ 2010>> | | | |
| | 997 552 992 50 G2X | primed | | | |
| 11 | 997 552 904 00 | Set | lhd | 1 | PR:098,801 |
| | | Trim | | | |
| | | Wood | | | |
| 12 | 997 552 904 00 S61 | macassar | | 1 | |
| | | Retaining plate | | | |
| | | for | | | |
| | | Beverages | | | |
| | | Bracket | | | |
| 13 | 997 552 371 00 | Air guide | see illustration: 809-000 | 1 | PR:639,640 |
| | | Upper part | | | |
| | 997 552 371 00 A03 | Black | | | |
| | 997 552 371 00 5V7 | Stone grey | | | |
| | 997 552 371 00 5Z1 | Sand beige | | | |
| | 997 552 371 00 8W7 | sea blue | | | |
| (13) | 997 552 371 01 | Air guide | | 1 | PR:639,640, 981 |
| | | Upper part | | | |
| | 997 552 371 01 A11 | Black | | | |
| | 997 552 371 01 5X6 | Stone grey | | | |
| | 997 552 371 01 8G2 | Sand beige | | | |
| | 997 552 371 01 3S9 | sea blue | | | |
| | 997 552 371 01 9S5 | Terracotta | | | |
| | 997 552 371 01 9V6 | Cocoa | | | |
| | 997 552 371 01 D12 | Dark grey/natural | | | |
| | 997 552 371 01 T12 | Brown/natural | | | |
| | 997 552 371 01 N12 | Carrera Red | | | |
| | 997 552 371 01 6J0 | Espresso | | | |
| (13) | 997 552 371 01 | Air guide | | 1 | COUPE S PR:639,640, 756,981 |
| | | Upper part | | | |
| | | D - MJ 2010>> | | | |
| | 997 552 371 01 6J0 | Espresso | | | |
| 14 | 999 507 920 01 | U-clip | | 4 | PR:639,640 |
| | | 1,7-2,1 | | | |
| 15 | 997 552 373 01 | Retainer, upper part | | 1 | PR:639,640 |
| | | for | | | |
| | | Air guide | | | |

Model: 997-09 Model life 2009>>2012

| Pos | Part Number | Description | Remark | Qty | Model |
|------|--------------------------------------|--|--------|-----|------------------------|
| 16 | 999 919 167 09 | fillister hd. bolt 3,0 X 10 for Mount Bracket Air guide | | 4 | |
| 17 | 997 552 131 05 | Vent D >> - MJ 2009 | left | 1 | CARRERA |
| 17 | 997 552 131 05 D07 997 552 131 07 | Volcano grey Vent D - MJ 2010>> | left | 1 | CARRERA |
| (17) | 997 552 131 07 D07 997 552 132 05 | Volcano grey Vent D >> - MJ 2009 | right | 1 | CARRERA |
| (17) | 997 552 132 05 D07 997 552 132 07 | Volcano grey Vent D - MJ 2010>> | right | 1 | CARRERA |
| 17 | 997 552 132 07 D07 997 552 131 06 | Volcano grey Vent D >> - MJ 2009 | left | 1 | CARRERA S |
| 17 | 997 552 131 06 V04 997 552 131 08 | Galvano silver Vent D - MJ 2010>> | left | 1 | CARRERA S |
| 17 | 997 552 131 08 V04 997 552 131 08 | Galvano silver Vent D - MJ 2011>> | left | 1 | GTS PR:012,013 |
| (17) | 997 552 131 08 V04 997 552 132 06 | Galvano silver Vent D >> - MJ 2009 | right | 1 | CARRERA S |
| (17) | 997 552 132 06 V04 997 552 132 08 | Galvano silver Vent D - MJ 2010>> | right | 1 | CARRERA S |
| (17) | 997 552 132 08 V04 997 552 132 08 | Galvano silver Vent D - MJ 2011>> | right | 1 | GTS PR:012,013 |
| 17 | 997 552 132 08 V04 997 552 981 00 | Galvano silver Vent | left | 1 | PR: XN3 |
| | 997 552 981 00 A11 | Black | | | |
| | 997 552 981 00 5X6 | Stone grey | | | |
| | 997 552 981 00 8G2 | Sand beige | | | |
| | 997 552 981 00 3S9 | sea blue | | | |
| | 997 552 981 00 9S5 | Terracotta | | | |
| | 997 552 981 00 9V6 | Cocoa | | | |
| | 997 552 981 00 D12 | Dark grey/natural | | | |
| | 997 552 981 00 T12 | Brown/natural | | | |
| | 997 552 981 00 N12 | Carrera Red | | | |
| | 997 552 981 00 B9A | Carrara white D - MJ 2011>> | | | |
| | 997 552 981 00 M5B | Pure Blue D - MJ 2011>> | | | |
| 17 | 997 552 981 00 6J0 997 552 981 00 | Espresso Vent D - MJ 2010>> | left | 1 | COUPE S PR: XN3,756 |
| (17) | 997 552 981 00 6J0 997 552 982 00 | Espresso Vent D - MJ 2010>> | right | 1 | PR: XN3 |
| | 997 552 982 00 A11 | Black | | | |
| | 997 552 982 00 5X6 | Stone grey | | | |
| | 997 552 982 00 8G2 | Sand beige | | | |
| | 997 552 982 00 3S9 | sea blue | | | |
| | 997 552 982 00 9S5 | Terracotta | | | |
| | 997 552 982 00 9V6 | Cocoa | | | |
| | 997 552 982 00 D12 | Dark grey/natural | | | |
| | 997 552 982 00 T12 | Brown/natural | | | |

Model: 997-09 Model life 2009>>2012

| Pos | Part Number | Description | Remark | Qty | Model |
|------|--------------------|-------------------|--------|-----|------------------------|
| | 997 552 982 00 N12 | Carrera Red | | | |
| | 997 552 982 00 B9A | Carrara white | | | |
| | | D - MJ 2011>> | | | |
| | 997 552 982 00 M5B | Pure Blue | | | |
| | | D - MJ 2011>> | | | |
| (17) | 997 552 982 00 6J0 | Espresso | | | |
| | 997 552 982 00 | Vent | right | 1 | COUPE S PR: XN3,756 |
| | | D - MJ 2010>> | | | |
| 17 | 997 552 982 00 6J0 | Espresso | | | |
| | 997 552 981 01 | Vent | left | 1 | PR: XKD |
| | 997 552 981 01 A11 | Black | | | |
| | 997 552 981 01 5X6 | Stone grey | | | |
| | 997 552 981 01 8G2 | Sand beige | | | |
| | 997 552 981 01 3S9 | sea blue | | | |
| | 997 552 981 01 9S5 | Terracotta | | | |
| | 997 552 981 01 9V6 | Cocoa | | | |
| | 997 552 981 01 D12 | Dark grey/natural | | | |
| | 997 552 981 01 T12 | Brown/natural | | | |
| | 997 552 981 01 N12 | Carrera Red | | | |
| | 997 552 981 01 6J0 | Espresso | | | |
| (17) | 997 552 982 01 | Vent | right | 1 | PR: XKD |
| | 997 552 982 01 A11 | Black | | | |
| | 997 552 982 01 5X6 | Stone grey | | | |
| | 997 552 982 01 8G2 | Sand beige | | | |
| | 997 552 982 01 3S9 | sea blue | | | |
| | 997 552 982 01 9S5 | Terracotta | | | |
| | 997 552 982 01 9V6 | Cocoa | | | |
| | 997 552 982 01 D12 | Dark grey/natural | | | |
| | 997 552 982 01 T12 | Brown/natural | | | |
| | 997 552 982 01 N12 | Carrera Red | | | |
| | 997 552 982 01 6J0 | Espresso | | | |
| 17 | 997 552 981 03 | Vent | left | 1 | PR: XJL |
| | 997 552 981 03 A11 | Black | | | |
| | 997 552 981 03 5X6 | Stone grey | | | |
| | 997 552 981 03 8G2 | Sand beige | | | |
| | 997 552 981 03 3S9 | sea blue | | | |
| | 997 552 981 03 9S5 | Terracotta | | | |
| | 997 552 981 03 9V6 | Cocoa | | | |
| | 997 552 981 03 D12 | Dark grey/natural | | | |
| | 997 552 981 03 T12 | Brown/natural | | | |
| | 997 552 981 03 N12 | Carrera Red | | | |
| | 997 552 981 03 6J0 | Espresso | | | |
| (17) | 997 552 982 03 | Vent | right | 1 | PR: XJL |
| | 997 552 982 03 A11 | Black | | | |
| | 997 552 982 03 5X6 | Stone grey | | | |
| | 997 552 982 03 8G2 | Sand beige | | | |
| | 997 552 982 03 3S9 | sea blue | | | |
| | 997 552 982 03 9S5 | Terracotta | | | |
| | 997 552 982 03 9V6 | Cocoa | | | |
| | 997 552 982 03 D12 | Dark grey/natural | | | |
| | 997 552 982 03 T12 | Brown/natural | | | |
| | 997 552 982 03 N12 | Carrera Red | | | |
| | 997 552 982 03 6J0 | Espresso | | | |
| 17 | 997 552 981 04 | Vent | left | 1 | PR: XCN |
| | 997 552 981 04 A11 | Black | | | |
| | 997 552 981 04 5X6 | Stone grey | | | |
| | 997 552 981 04 8G2 | Sand beige | | | |
| | 997 552 981 04 3S9 | sea blue | | | |
| | 997 552 981 04 9S5 | Terracotta | | | |
| | 997 552 981 04 9V6 | Cocoa | | | |
| | 997 552 981 04 D12 | Dark grey/natural | | | |
| | 997 552 981 04 T12 | Brown/natural | | | |
| | 997 552 981 04 N12 | Carrera Red | | | |

Model: 997-09 Model life 2009>>2012

| Pos | Part Number | Description | Remark | Qty | Model |
|------|--------------------|-------------------|--------|-----|-----------------------|
| (17) | 997 552 981 04 6J0 | Espresso | | | |
| | 997 552 982 04 | Vent | right | 1 | PR:XCN |
| | 997 552 982 04 A11 | Black | | | |
| | 997 552 982 04 5X6 | Stone grey | | | |
| | 997 552 982 04 8G2 | Sand beige | | | |
| | 997 552 982 04 3S9 | sea blue | | | |
| | 997 552 982 04 9S5 | Terracotta | | | |
| | 997 552 982 04 9V6 | Cocoa | | | |
| | 997 552 982 04 D12 | Dark grey/natural | | | |
| | 997 552 982 04 T12 | Brown/natural | | | |
| | 997 552 982 04 N12 | Carrera Red | | | |
| | 997 552 982 04 6J0 | Espresso | | | |
| 18 | 997 552 141 07 | Centre nozzle | | 1 | CARRERA |
| | | D >> - MJ 2009 | | | |
| | 997 552 141 07 D07 | Volcano grey | | | |
| 18 | 997 552 141 09 | Centre nozzle | | 1 | CARRERA |
| | | D - MJ 2010>> | | | |
| | 997 552 141 09 D07 | Volcano grey | | | |
| 18 | 997 552 141 08 | Centre nozzle | | 1 | CARRERA S |
| | | D >> - MJ 2009 | | | |
| | 997 552 141 08 V04 | Galvano silver | | | |
| 18 | 997 552 141 10 | Centre nozzle | | 1 | CARRERA S |
| | | D - MJ 2010>> | | | |
| | 997 552 141 10 V04 | Galvano silver | | | |
| 18 | 997 552 141 10 | Centre nozzle | | 1 | GTS PR:012,013 |
| | | D - MJ 2011>> | | | |
| | 997 552 141 10 V04 | Galvano silver | | | |
| (18) | 997 552 980 05 | Centre nozzle | | 1 | PR:XVM |
| | 997 552 980 05 A11 | Black | | | |
| | 997 552 980 05 5X6 | Stone grey | | | |
| | 997 552 980 05 8G2 | Sand beige | | | |
| | 997 552 980 05 3S9 | sea blue | | | |
| | 997 552 980 05 9S5 | Terracotta | | | |
| | 997 552 980 05 9V6 | Cocoa | | | |
| | 997 552 980 05 D12 | Dark grey/natural | | | |
| | 997 552 980 05 T12 | Brown/natural | | | |
| | 997 552 980 05 N12 | Carrera Red | | | |
| | 997 552 980 05 B9A | Carrara white | | | |
| | | D - MJ 2011>> | | | |
| | 997 552 980 05 M5B | Pure Blue | | | |
| | | D - MJ 2011>> | | | |
| (18) | 997 552 980 05 6J0 | Espresso | | | |
| | 997 552 980 05 | Centre nozzle | | 1 | COUPE S PR:XVM,756 |
| | | D - MJ 2010>> | | | |
| (18) | 997 552 980 05 6J0 | Espresso | | | |
| | 997 552 980 06 | Centre nozzle | | 1 | PR:XZB |
| | 997 552 980 06 A11 | Black | | | |
| | 997 552 980 06 5X6 | Stone grey | | | |
| | 997 552 980 06 8G2 | Sand beige | | | |
| | 997 552 980 06 3S9 | sea blue | | | |
| | 997 552 980 06 9S5 | Terracotta | | | |
| | 997 552 980 06 9V6 | Cocoa | | | |
| | 997 552 980 06 D12 | Dark grey/natural | | | |
| | 997 552 980 06 T12 | Brown/natural | | | |
| | 997 552 980 06 N12 | Carrera Red | | | |
| (18) | 997 552 980 06 6J0 | Espresso | | | |
| | 997 552 980 08 | Centre nozzle | | 1 | PR:XJN |
| | 997 552 980 08 A11 | Black | | | |
| | 997 552 980 08 5X6 | Stone grey | | | |
| | 997 552 980 08 8G2 | Sand beige | | | |
| | 997 552 980 08 3S9 | sea blue | | | |
| | 997 552 980 08 9S5 | Terracotta | | | |
| | 997 552 980 08 9V6 | Cocoa | | | |

Model: 997-09 Model life 2009>>2012

| Pos | Part Number | Description | Remark | Qty | Model | |
|--------------------|--------------------|--------------------|----------------|------------|---------|---------|
| (18) | 997 552 980 08 D12 | Dark grey/natural | | | | |
| | 997 552 980 08 T12 | Brown/natural | | | | |
| | 997 552 980 08 N12 | Carrera Red | | | | |
| | 997 552 980 08 6J0 | Espresso | | | | |
| | 997 552 980 09 | Centre nozzle | | 1 | PR: XCY | |
| | 997 552 980 09 A11 | Black | | | | |
| | 997 552 980 09 5X6 | Stone grey | | | | |
| | 997 552 980 09 8G2 | Sand beige | | | | |
| | 997 552 980 09 3S9 | sea blue | | | | |
| | 997 552 980 09 9S5 | Terracotta | | | | |
| | 997 552 980 09 9V6 | Cocoa | | | | |
| | 997 552 980 09 D12 | Dark grey/natural | | | | |
| | 997 552 980 09 T12 | Brown/natural | | | | |
| 19 | 997 552 980 09 N12 | Carrera Red | | | | |
| | 997 552 980 09 6J0 | Espresso | | | | |
| | 997 552 455 01 | Cover | left | 1 | | |
| | | Defroster vent | | | | |
| | 997 552 455 01 A03 | Black | | | | |
| | 997 552 455 01 5V7 | Stone grey | | | | |
| | 997 552 455 01 5Z1 | Sand beige | | | | |
| | 997 552 455 01 8W7 | sea blue | | | | |
| | 997 552 455 01 8X8 | Terracotta | | | | |
| | 997 552 455 01 8P9 | Cocoa | | | | |
| | 997 552 455 01 T13 | Brown/natural | | | | |
| | 997 552 455 01 N23 | Carrera Red | | | | |
| | 997 552 455 01 2S8 | Espresso | | | | |
| (19) | 997 552 456 01 | Cover | right | 1 | | |
| | | Defroster vent | | | | |
| | 997 552 456 01 A03 | Black | | | | |
| | 997 552 456 01 5V7 | Stone grey | | | | |
| | 997 552 456 01 5Z1 | Sand beige | | | | |
| | 997 552 456 01 8W7 | sea blue | | | | |
| | 997 552 456 01 8X8 | Terracotta | | | | |
| | 997 552 456 01 8P9 | Cocoa | | | | |
| | 997 552 456 01 T13 | Brown/natural | | | | |
| | 997 552 456 01 N23 | Carrera Red | | | | |
| | 997 552 456 01 2S8 | Espresso | | | | |
| | 20 | 997 552 315 02 | Air guide | left side | 1 | |
| | | | | right side | 1 | |
| (20) | 997 552 316 02 | Air guide | side | 1 | | |
| | | | left | 1 | | |
| | 997 552 175 01 | Defroster trim | | | | |
| | 997 552 175 01 A03 | Black | | | | |
| | 997 552 175 01 5V7 | Stone grey | | | | |
| | 997 552 175 01 5Z1 | Sand beige | | | | |
| | 997 552 175 01 8W7 | sea blue | | | | |
| | 997 552 175 01 8X8 | Terracotta | | | | |
| | 997 552 175 01 8P9 | Cocoa | | | | |
| | 997 552 175 01 T13 | Brown/natural | | | | |
| | 997 552 175 01 N23 | Carrera Red | | | | |
| | 997 552 175 01 2S8 | Espresso | | | | |
| | (21) | 997 552 176 01 | Defroster trim | right | 1 | |
| 997 552 176 01 A03 | | Black | | | | |
| 997 552 176 01 5V7 | | Stone grey | | | | |
| 997 552 176 01 5Z1 | | Sand beige | | | | |
| 997 552 176 01 8W7 | | sea blue | | | | |
| 997 552 176 01 8X8 | | Terracotta | | | | |
| 997 552 176 01 8P9 | | Cocoa | | | | |
| 997 552 176 01 T13 | | Brown/natural | | | | |
| 997 552 176 01 N23 | | Carrera Red | | | | |
| 997 552 176 01 2S8 | | Espresso | | | | |
| (21) | | 997 552 983 00 | Defroster trim | left | 1 | PR: XV1 |
| | | 997 552 983 00 A11 | Black | | | |

Model: 997-09 Model life 2009>>2012

| Pos | Part Number | Description | Remark | Qty | Model |
|------|--------------------|-----------------------------------|--------|-----|---------------------------|
| | 997 552 983 00 5X6 | Stone grey | | | |
| | 997 552 983 00 8G2 | Sand beige | | | |
| | 997 552 983 00 3S9 | sea blue | | | |
| | 997 552 983 00 9S5 | Terracotta | | | |
| | 997 552 983 00 9V6 | Cocoa | | | |
| | 997 552 983 00 D12 | Dark grey/natural | | | |
| | 997 552 983 00 T12 | Brown/natural | | | |
| | 997 552 983 00 N12 | Carrera Red | | | |
| | 997 552 983 00 6J0 | Espresso | | | |
| (21) | 997 552 984 00 | Defroster trim | right | 1 | PR: XV1 |
| | 997 552 984 00 A11 | Black | | | |
| | 997 552 984 00 5X6 | Stone grey | | | |
| | 997 552 984 00 8G2 | Sand beige | | | |
| | 997 552 984 00 3S9 | sea blue | | | |
| | 997 552 984 00 9S5 | Terracotta | | | |
| | 997 552 984 00 9V6 | Cocoa | | | |
| | 997 552 984 00 D12 | Dark grey/natural | | | |
| | 997 552 984 00 T12 | Brown/natural | | | |
| | 997 552 984 00 N12 | Carrera Red | | | |
| | 997 552 984 00 6J0 | Espresso | | | |
| (21) | 997 552 983 50 | Defroster trim | left | 1 | COUPE S PR: XV1, 756 |
| | D - MJ 2010>> | | | | |
| | 997 552 983 50 6J0 | Espresso | | | |
| (21) | 997 552 984 50 | Defroster trim | right | 1 | COUPE S PR: XV1, 756 |
| | D - MJ 2010>> | | | | |
| | 997 552 984 50 6J0 | Espresso | | | |
| (21) | 997 552 983 50 | Defroster trim | left | 1 | Speedster PR: XV1, 503 |
| | D - MJ 2011>> | | | | |
| | 997 552 983 50 A11 | Black | | | |
| (21) | 997 552 984 50 | Defroster trim | right | 1 | Speedster PR: XV1, 503 |
| | D - MJ 2011>> | | | | |
| | 997 552 984 50 A11 | Black | | | |
| 22 | 999 591 307 01 | U-clip Mount Defroster trim | | 2 | |
| 23 | 997 552 351 01 | Trim | center | 1 | |
| | 997 552 351 01 A03 | Black | | | |
| | 997 552 351 01 5V7 | Stone grey | | | |
| | 997 552 351 01 5Z1 | Sand beige | | | |
| | 997 552 351 01 8W7 | sea blue | | | |
| | 997 552 351 01 8X8 | Terracotta | | | |
| | 997 552 351 01 8P9 | Cocoa | | | |
| | 997 552 351 01 T13 | Brown/natural | | | |
| | 997 552 351 01 N23 | Carrera Red | | | |
| | 997 552 351 01 2S8 | Espresso | | | |
| (23) | 997 552 985 00 | Leather panel | center | 1 | PR: XV1 |
| | 997 552 985 00 A11 | Black | | | |
| | 997 552 985 00 5X6 | Stone grey | | | |
| | 997 552 985 00 8G2 | Sand beige | | | |
| | 997 552 985 00 3S9 | sea blue | | | |
| | 997 552 985 00 9S5 | Terracotta | | | |
| | 997 552 985 00 9V6 | Cocoa | | | |
| | 997 552 985 00 D12 | Dark grey/natural | | | |
| | 997 552 985 00 T12 | Brown/natural | | | |
| | 997 552 985 00 N12 | Carrera Red | | | |
| | 997 552 985 00 6J0 | Espresso | | | |
| (23) | 997 552 985 50 | Leather panel | center | 1 | COUPE S PR: XV1, 756 |
| | D - MJ 2010>> | | | | |
| | 997 552 985 50 6J0 | Espresso | | | |
| (23) | 997 552 985 50 | Leather panel | center | 1 | Speedster PR: XV1, 503 |
| | D - MJ 2011>> | | | | |

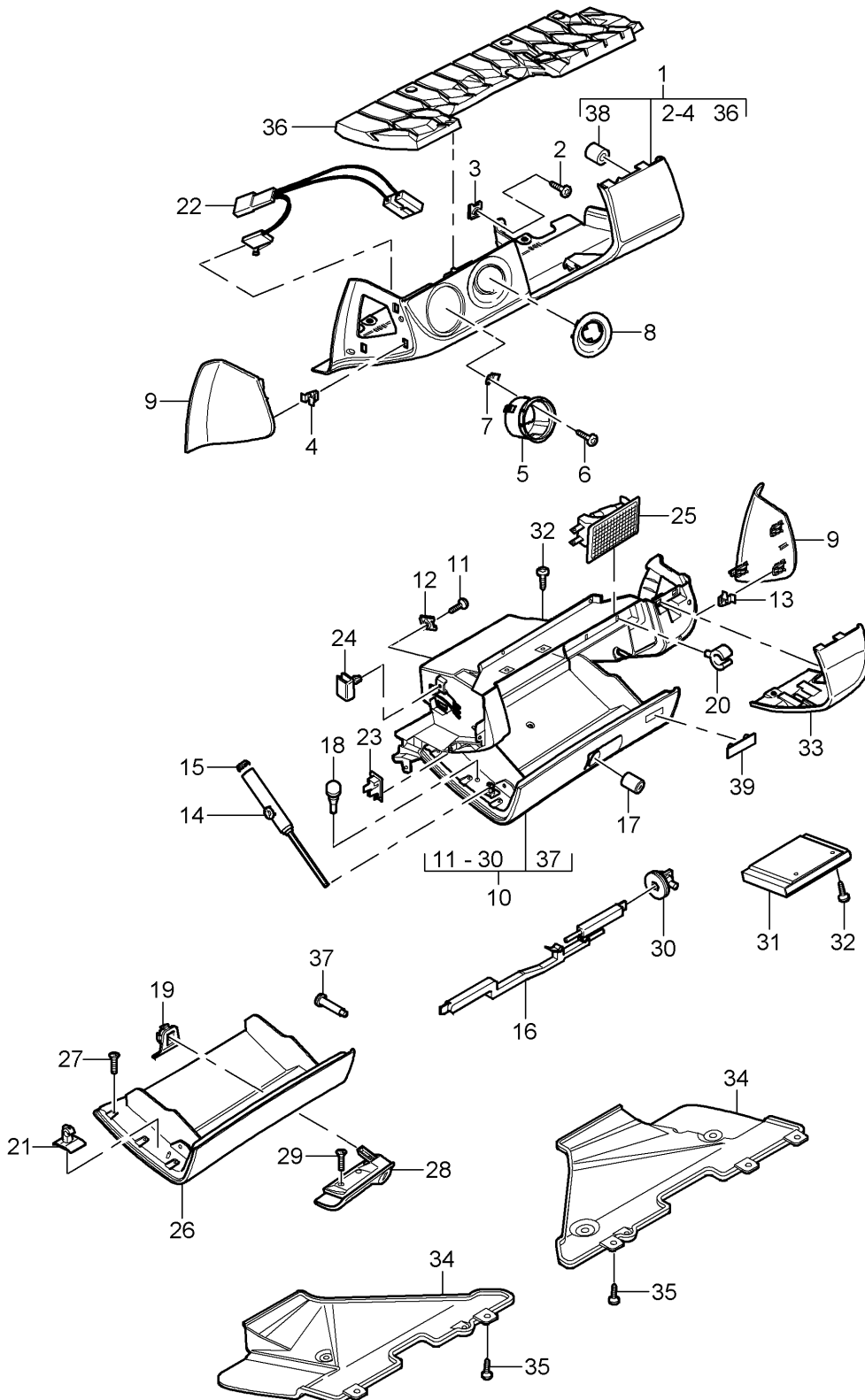
Model: 997-09

Model life 2009>>2012

| Pos | Part Number | Description | Remark | Qty | Model |
|-----|--------------------------------------|--------------------------------|--------|-----|-------|
| 24 | 997 552 985 50 TSB 997 552 645 00 | black/black Seal Scuttle | | 1 | |

Model: 997-09

Model life 2009>>2012



Model: 997-09 Model life 2009>>2012

| Pos | Part Number | Description | Remark | Qty | Model |
|-----|--------------------|--|--------|-----|-------------------------------|
| 1 | 997 552 201 02 | Glove box Cover and Trim (drivers side) Trim lower section Leatherette | lhd | 1 | PR:098 |
| | 997 552 201 02 1MZ | Black | | | |
| | 997 552 201 02 1YP | Stone grey | | | |
| | 997 552 201 02 1TK | Sand beige | | | |
| | 997 552 201 02 1VM | sea blue | | | |
| 1 | 997 552 201 03 | Trim lower section Leather | lhd | 1 | PR:098,981 |
| | 997 552 201 03 A11 | Black | | | |
| | 997 552 201 03 5X6 | Stone grey | | | |
| | 997 552 201 03 8G2 | Sand beige | | | |
| | 997 552 201 03 3S9 | sea blue | | | |
| | 997 552 201 03 9S5 | Terracotta | | | |
| | 997 552 201 03 9V6 | Cocoa | | | |
| | 997 552 201 03 D12 | Dark grey/natural | | | |
| | 997 552 201 03 T12 | Brown/natural | | | |
| | 997 552 201 03 N12 | Carrera Red | | | |
| | 997 552 201 03 6J0 | Espresso | | | |
| 1 | 997 552 201 03 | Trim lower section Leather D - MJ 2010>> | lhd | 1 | COUPE S PR:098,756, 981 |
| | 997 552 201 03 6J0 | Espresso | | | |
| (1) | 997 552 201 91 | Trim lower section D - MJ 2011>> | lhd | 1 | PR:098,975, 981 |
| | 997 552 201 91 A14 | Black | | | |
| 2 | 999 073 155 09 | panel screw 4,2 X 13 for Mount Trim | | 8 | |
| 3 | 999 507 971 01 | panel nut 4,2 for Mount Trim | | 8 | |
| 4 | 999 507 732 01 | Clamp 8 X 12/ 4 for Mount Trim | | 7 | |
| 5 | 997 552 427 01 | Trim Light switch | | 1 | |
| | 997 552 427 01 A03 | Black | | | |
| | 997 552 427 01 5V7 | Stone grey | | | |
| | 997 552 427 01 5Z1 | Sand beige | | | |
| | 997 552 427 01 8W7 | sea blue | | | |
| | 997 552 427 01 8X8 | Terracotta | | | |
| | 997 552 427 01 8P9 | Cocoa | | | |
| | 997 552 427 01 T13 | Brown/natural | | | |
| | 997 552 427 01 N23 | Carrera Red | | | |
| | 997 552 427 01 2S8 | Espresso | | | |
| 5 | 997 552 427 01 | Trim Light switch D - MJ 2010>> | | 1 | COUPE S PR:756 |
| | 997 552 427 01 3T0 | Espresso | | | |
| 6 | 999 073 155 09 | panel screw 4,2 X 13 for | | 3 | |

Model: 997-09 Model life 2009>>2012

| Pos | Part Number | Description | Remark | Qty | Model |
|-----|--------------------|---|--------|-----|------------|
| 7 | 999 507 971 01 | Mount Trim Light switch panel nut 4,2 for Mount Trim | | 3 | |
| 8 | 997 552 425 01 | Light switch Trim Ignition starter lock | lhd | 1 | PR:098 |
| | 997 552 425 01 A03 | Black | | | |
| | 997 552 425 01 5V7 | Stone grey | | | |
| | 997 552 425 01 5Z1 | Sand beige | | | |
| | 997 552 425 01 8W7 | sea blue | | | |
| | 997 552 425 01 8X8 | Terracotta | | | |
| | 997 552 425 01 8P9 | Cocoa | | | |
| | 997 552 425 01 T13 | Brown/natural | | | |
| | 997 552 425 01 N23 | Carrera Red | | | |
| | 997 552 425 01 2S8 | Espresso | | | |
| (8) | 997 552 998 00 | Leather panel Ignition starter lock D - MJ 2009>> | lhd | 1 | PR:XDS,098 |
| | 997 552 998 00 A11 | Black | | | |
| | 997 552 998 00 5X6 | Stone grey | | | |
| | 997 552 998 00 8G2 | Sand beige | | | |
| | 997 552 998 00 3S9 | sea blue | | | |
| | 997 552 998 00 9S5 | Terracotta | | | |
| | 997 552 998 00 9V6 | Cocoa | | | |
| | 997 552 998 00 D12 | Dark grey/natural | | | |
| | 997 552 998 00 T12 | Brown/natural | | | |
| | 997 552 998 00 N12 | Carrera Red | | | |
| | 997 552 998 00 6J0 | Espresso | | | |
| 9 | 997 552 405 02 | Trim | left | 1 | |
| | 997 552 405 02 A03 | Black | | | |
| | 997 552 405 02 5V7 | Stone grey | | | |
| | 997 552 405 02 5Z1 | Sand beige | | | |
| | 997 552 405 02 8W7 | sea blue | | | |
| | 997 552 405 02 8X8 | Terracotta | | | |
| | 997 552 405 02 8P9 | Cocoa | | | |
| | 997 552 405 02 T13 | Brown/natural | | | |
| | 997 552 405 02 N23 | Carrera Red | | | |
| | 997 552 405 02 2S8 | Espresso | | | |
| (9) | 997 552 406 02 | Trim | right | 1 | |
| | 997 552 406 02 A03 | Black | | | |
| | 997 552 406 02 5V7 | Stone grey | | | |
| | 997 552 406 02 5Z1 | Sand beige | | | |
| | 997 552 406 02 8W7 | sea blue | | | |
| | 997 552 406 02 8X8 | Terracotta | | | |
| | 997 552 406 02 8P9 | Cocoa | | | |
| | 997 552 406 02 T13 | Brown/natural | | | |
| | 997 552 406 02 N23 | Carrera Red | | | |
| | 997 552 406 02 2S8 | Espresso | | | |
| (9) | 997 552 996 01 | Leather panel D - MJ 2009>> | left | 1 | PR:XDV |
| | 997 552 996 01 A11 | Black | | | |
| | 997 552 996 01 5X6 | Stone grey | | | |
| | 997 552 996 01 8G2 | Sand beige | | | |
| | 997 552 996 01 3S9 | sea blue | | | |
| | 997 552 996 01 9S5 | Terracotta | | | |
| | 997 552 996 01 9V6 | Cocoa | | | |
| | 997 552 996 01 D12 | Dark grey/natural | | | |
| | 997 552 996 01 T12 | Brown/natural | | | |

Model: 997-09 Model life 2009>>2012

| Pos | Part Number | Description | Remark | Qty | Model |
|------|--------------------|---|--------|-----|---------------------------------|
| (9) | 997 552 996 01 N12 | Carrera Red | right | 1 | PR:XDV |
| | 997 552 996 01 6J0 | Espresso | | | |
| | 997 552 996 02 | Leather panel D - MJ 2009>> | | | |
| | 997 552 996 02 A11 | Black | | | |
| | 997 552 996 02 5X6 | Stone grey | | | |
| | 997 552 996 02 8G2 | Sand beige | | | |
| | 997 552 996 02 3S9 | sea blue | | | |
| | 997 552 996 02 9S5 | Terracotta | | | |
| | 997 552 996 02 9V6 | Cocoa | | | |
| | 997 552 996 02 D12 | Dark grey/natural | | | |
| 10 | 997 552 996 02 T12 | Brown/natural | lhd | 1 | PR:098 |
| | 997 552 996 02 N12 | Carrera Red | | | |
| | 997 552 996 02 6J0 | Espresso | | | |
| | 997 552 204 06 | Glove box Leatherette (complete) | | | |
| | 997 552 204 06 1MZ | Black | | | |
| | 997 552 204 06 1YP | Stone grey | | | |
| | 997 552 204 06 1TK | Sand beige | | | |
| | 997 552 204 06 1VM | sea blue | | | |
| | 997 552 204 07 | Glove box Leather (complete) | | | |
| | 997 552 204 07 A11 | Black | | | |
| (10) | 997 552 204 07 5X6 | Stone grey | lhd | 1 | PR:098,756, 981 |
| | 997 552 204 07 8G2 | Sand beige | | | |
| | 997 552 204 07 3S9 | sea blue | | | |
| | 997 552 204 07 9S5 | Terracotta | | | |
| | 997 552 204 07 9V6 | Cocoa | | | |
| | 997 552 204 07 D12 | Dark grey/natural | | | |
| | 997 552 204 07 T12 | Brown/natural | | | |
| | 997 552 204 07 N12 | Carrera Red | | | |
| | 997 552 204 07 6J0 | Espresso | | | |
| | 997 552 204 08 | Glove box Leather (complete) D - MJ 2010>> | | | |
| (10) | 997 552 204 08 6J0 | Espresso | lhd | 1 | Speedster PR:098,503, 981 |
| | 997 552 204 08 | Glove box Leather (complete) D - MJ 2011>> | | | |
| (10) | 997 552 204 08 A11 | Black | lhd | 1 | PR:013,098 |
| | 987 552 204 04 | Glove box Leatherette (complete) D - MJ 2011>> | | | |
| (10) | 987 552 204 04 1MZ | Black | lhd | 1 | PR:098,012, 013,981 |
| | 987 552 204 06 | Glove box Leather (complete) D - MJ 2011>> | | | |
| (10) | 987 552 204 06 A11 | Black | lhd | 1 | PR:098,975, 981 |
| | 997 552 204 90 | Glove box Alcantara (complete) D - MJ 2011>> | | | |
| 11 | 997 552 204 90 A14 | Black | | X | |
| | 999 073 155 09 | panel screw 4,2 X 13 for Mount | | | |

Model: 997-09 Model life 2009>>2012

| Pos | Part Number | Description | Remark | Qty | Model |
|------|--------------------|---|-----------|-----|-------------------------------|
| 12 | 999 507 971 01 | Glove box panel nut 4,2 for Mount | | X | |
| 13 | 999 507 732 01 | Glove box Clamp 8 X 12 /4 for Mount | | X | |
| 14 | 997 552 484 01 | Glove box Damper | | 1 | |
| 15 | 997 552 612 00 | Glove box Cover Damper | | 1 | |
| 16 | 997 552 410 01 | Release Glove box | lhd | 1 | PR:098 |
| 17 | 996 552 915 01 | Lock cylinders Glove box Vehicle Ident. No. Indicate | | 1 | |
| 18 | 999 703 068 40 | Stop buffer 3,7 x 10,3 Glove box | | 2 | |
| 19 | 997 552 509 02 | Support Closing element | left lhd | 1 | PR:098 |
| (19) | 997 552 510 02 | Support Closing element | right lhd | 1 | PR:098 |
| 20 | 996 552 813 00 | Pen holder | | 2 | |
| 21 | 996 552 879 00 | Adapter for Damper | | 2 | |
| 22 | 997 612 651 00 | Wire set Glove box light | | 1 | |
| 23 | 999 650 564 40 | Clip for Wire set Micro switch | | 1 | |
| 24 | 999 650 565 40 | Clip for Wire set | | 1 | |
| 25 | 997 632 071 00 | Glove box light | | 1 | |
| 26 | 997 552 252 02 | Glove compartment cover Leatherette | lhd | 1 | PR:098 |
| | 997 552 252 02 1MZ | Black | | | |
| | 997 552 252 02 1YP | Stone grey | | | |
| | 997 552 252 02 1TK | Sand beige | | | |
| | 997 552 252 02 1VM | sea blue | | | |
| 26 | 997 552 252 03 | Glove compartment cover Leather | lhd | 1 | PR:098,981 |
| | 997 552 252 03 A11 | Black | | | |
| | 997 552 252 03 5X6 | Stone grey | | | |
| | 997 552 252 03 8G2 | Sand beige | | | |
| | 997 552 252 03 3S9 | sea blue | | | |
| | 997 552 252 03 9S5 | Terracotta | | | |
| | 997 552 252 03 9V6 | Cocoa | | | |
| | 997 552 252 03 D12 | Dark grey/natural | | | |
| | 997 552 252 03 T12 | Brown/natural | | | |
| | 997 552 252 03 N12 | Carrera Red | | | |
| | 997 552 252 03 6J0 | Espresso | | | |
| (26) | 987 552 252 03 | Glove compartment cover Leather D - MJ 2010>> | lhd | 1 | COUPE S PR:098,756, 981 |

Model: 997-09 Model life 2009>>2012

| Pos | Part Number | Description | Remark | Qty | Model |
|------|--|--|--------|-----|----------------------------|
| (26) | 987 552 252 03 6J0 987 552 252 01 | Espresso Glove compartment cover Leatherette D - MJ 2011>> | lhd | 1 | PR:013,098 |
| (26) | 987 552 252 01 1MZ 987 552 252 03 | Black Glove compartment cover Leather D - MJ 2011>> | lhd | 1 | PR:098,503, 012,013,981 |
| (26) | 987 552 252 03 A11 997 552 252 90 | Black Glove compartment cover D - MJ 2011>> | lhd | 1 | PR:098,975, 981 |
| 27 | 997 552 252 90 A14 999 073 249 07 | Black panel screw 3.5 X 12 for Mount | | 11 | |
| 28 | 997 552 362 01 997 552 362 01 A03 997 552 362 01 5V7 997 552 362 01 5Z1 997 552 362 01 8W7 997 552 362 01 8X8 997 552 362 01 8P9 997 552 362 01 T13 997 552 362 01 N23 997 552 362 01 2S8 | Glove compartment cover handle (complete) Black Stone grey Sand beige sea blue Terracotta Cocoa Brown/natural Carrera Red Espresso | lhd | 1 | PR:098 |
| 28 | 997 552 362 01 997 552 362 01 3T0 | handle (complete) D - MJ 2010>> Espresso | lhd | 1 | COUPE S PR:098,756 |
| 29 | 999 073 240 01 | Screw M 4 X 10 for Mount handle | | 2 | |
| 30 | 997 552 448 00 | Stop | | 1 | |
| 31 | 997 552 663 00 | Box for cds | | 1 | PR:424 |
| 32 | 999 073 240 01 | Screw M 4 X 10 for Mount Box for cds | | 2 | |
| 33 | 997 552 256 02 997 552 256 02 1MZ 997 552 256 02 1YP 997 552 256 02 1TK 997 552 256 02 1VM | Trim (passenger side) Leatherette Black Stone grey Sand beige sea blue | lhd | 1 | PR:098 |
| 33 | 997 552 256 03 997 552 256 03 A11 997 552 256 03 5X6 997 552 256 03 8G2 997 552 256 03 3S9 997 552 256 03 9S5 997 552 256 03 9V6 997 552 256 03 D12 997 552 256 03 T12 997 552 256 03 N12 997 552 256 03 6J0 | Leather panel (passenger side) Black Stone grey Sand beige sea blue Terracotta Cocoa Dark grey/natural Brown/natural Carrera Red Espresso | lhd | 1 | PR:098,981 |

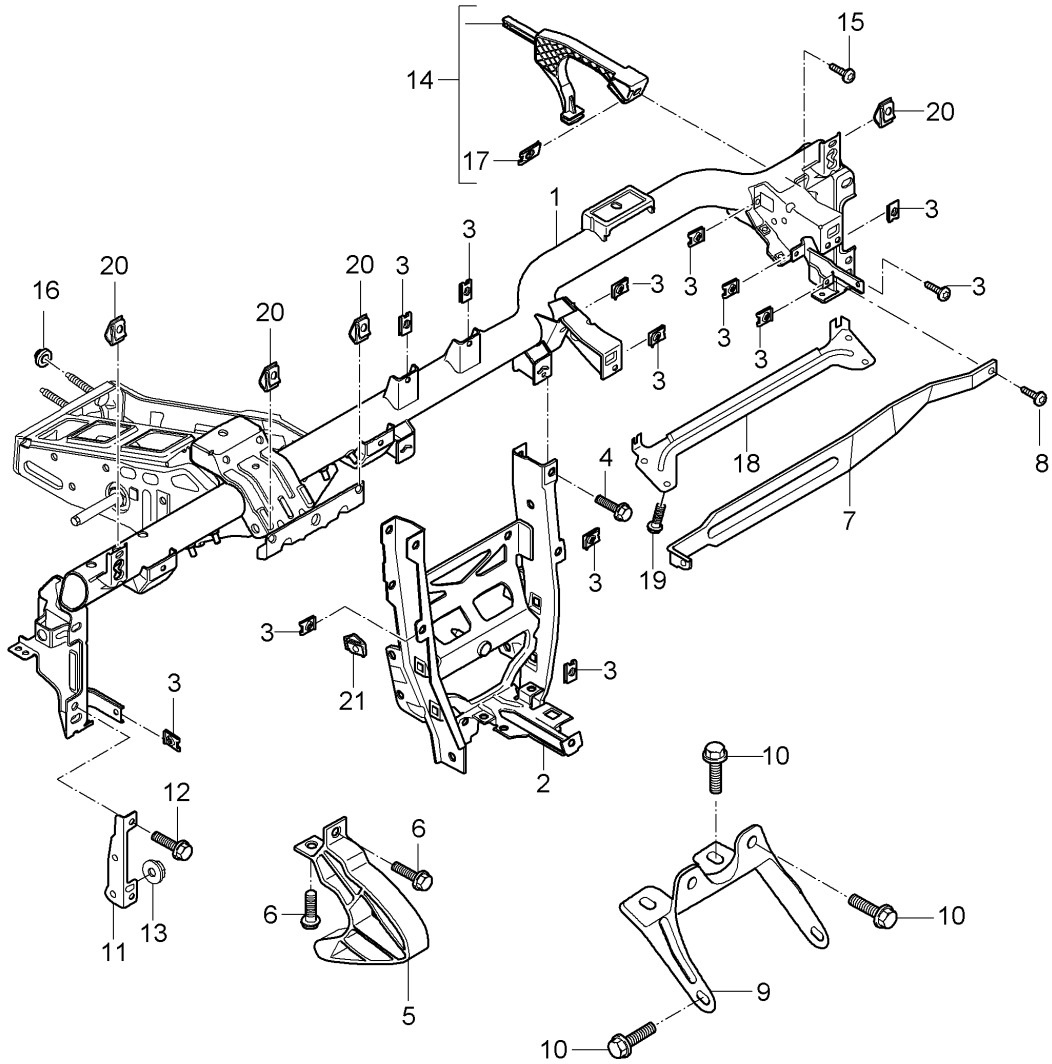
Model: 997-09

Model life 2009>>2012

| Pos | Part Number | Description | Remark | Qty | Model |
|------|--------------------------------------|---|--------|-----|-------------------------------|
| 33 | 997 552 256 03 | Leather panel (passenger side) D - MJ 2010>> | lhd | 1 | COUPE S PR:098,756, 981 |
| (33) | 997 552 256 03 6J0 997 552 256 90 | Espresso Trim (passenger side) D - MJ 2011>> | lhd | 1 | PR:098,975, 981 |
| 34 | 997 552 256 90 A14 997 552 414 01 | Black Trim Footwell (passenger side) | lhd | 1 | PR:098 |
| (34) | 997 552 413 01 | Trim Footwell (passenger side) | rhd | 1 | PR:099 |
| 35 | 1H0 819 943 | round hd. screw for Mount Trim Footwell | | X | |
| 36 | 997 552 451 01 | Insert | lhd | 1 | PR:098 |
| 37 | 997 552 649 01 | Hinge bolt Glove box | | 2 | |
| 38 | 997 552 821 00 | Grommet | | 3 | |
| 39 | 997 552 783 02 | Badge Special model Vehicle Ident. No. Indicate D - MJ 2011>> | | 1 | Carrera PR:012 |
| 39 | 997 552 783 00 | Badge Special model Vehicle Ident. No. Indicate D - MJ 2011>> | | 1 | Carrera PR:013 |

Model: 997-09

Model life 2009>>2012



Model: 997-09

Model life 2009>>2012

| Pos | Part Number | Description | Remark | Qty | Model |
|------|----------------|--|--------|-----|--------|
| (1) | 997 552 063 09 | retaining frame dashboard | | 1 | PR:553 |
| 2 | 997 552 163 05 | retaining frame Support | lhd | 1 | PR:098 |
| 3 | 999 507 020 01 | tunnel panel nut ST 4,2 | | X | |
| 4 | 900 378 305 01 | Hexagon bolt M 8 X 65 for Mount | | 2 | |
| 5 | 997 552 191 05 | Support knee pad (drivers side) | | 2 | PR:553 |
| (5) | 997 552 192 05 | knee pad (passenger side) | | 2 | PR:553 |
| 6 | 900 378 036 09 | Hexagon bolt M 6 X 12 for Mount | | 8 | PR:553 |
| 7 | 997 552 764 05 | knee pad Reinforcement strip | | 1 | PR:553 |
| 8 | 999 073 155 09 | Glove box panel screw ST 4,2 X 13 for Mount | | 2 | PR:553 |
| 9 | 997 552 515 01 | Reinforcement strip Bracket | | 1 | |
| 10 | 999 073 442 01 | tunnel Screw M 6 X 25 for Mount | | X | |
| 11 | 997 552 407 01 | Bracket tunnel | left | 1 | |
| (11) | 997 552 408 01 | Screw M 6 X 25 for Mount Bracket tunnel | right | 1 | |
| 12 | 900 378 176 01 | bracket for dash panel A-pillar | | 4 | |
| 13 | 999 084 630 09 | bracket for dash panel A-pillar Hexagon bolt M 8 X 20 for Mount | | 4 | |
| 14 | 997 552 401 00 | Bracket A-pillar Hexagon nut M 8 for Mount | | 1 | |
| 15 | 999 073 155 09 | Bracket A-pillar Retainer for support frame heater | | 1 | |
| 16 | 997 423 299 01 | panel screw ST 4,2 X 13 for Mount Bracket heater | | 1 | |
| | | Nut for Adjustment | | 2 | |

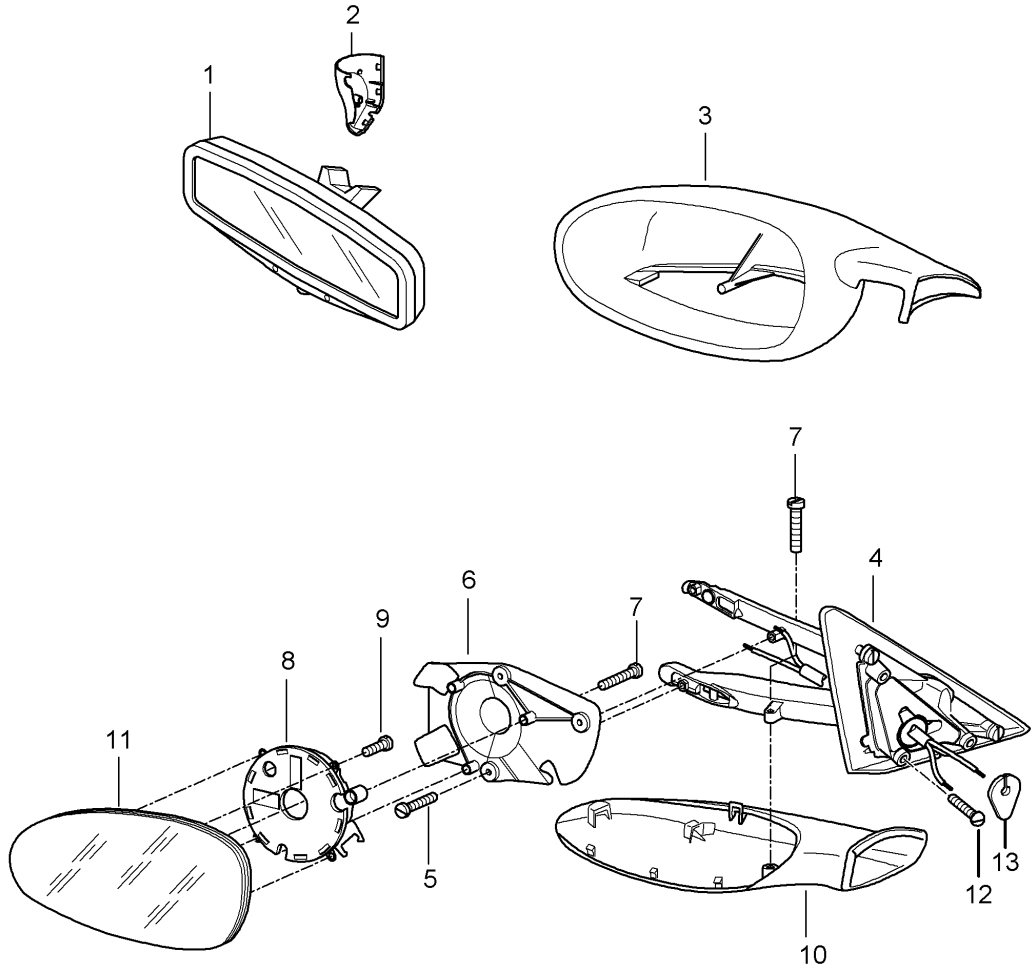
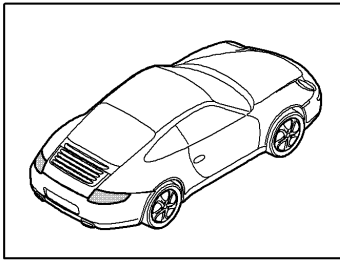
Model: 997-09

Model life 2009>>2012

| Pos | Part Number | Description | Remark | Qty | Model |
|-----|----------------|---|--------|-----|-------|
| 17 | 999 507 971 01 | retaining frame Firewall panel nut ST 4,2 for Mount Bracket heater | | 1 | |
| 18 | 997 552 603 01 | Reinforcement plate Bracket Airbag | | 1 | |
| 19 | 900 378 222 09 | Hexagon bolt M 6 X 16 | | 4 | |
| 20 | 999 591 850 01 | panel nut ST 4,2 | | X | |
| 21 | 999 591 951 03 | panel nut ST 4,2 | | 2 | |

Model: 997-09

Model life 2009>>2012



Model: 997-09 Model life 2009>>2012

| Pos | Part Number | Description | Remark | Qty | Model |
|-----|--------------------|---|--------|-----|---------------------------------|
| 1 | 997 731 511 05 | Interior mirror Exterior mirror | | 1 | PR:267 |
| (1) | 997 731 511 02 | Interior mirror, automatic anti-dazzle | | 1 | |
| (1) | 997 731 511 02 01C | Satin black | | 1 | |
| (1) | 997 731 993 00 | Interior mirror, automatic anti-dazzle | | 1 | PR:XVW,267 |
| | | Leather | | | |
| | 997 731 993 00 A11 | Black | | | |
| | 997 731 993 00 D12 | dark grey | | | |
| | 997 731 993 00 N12 | Carrera Red | | | |
| | 997 731 993 00 T12 | Natural brown | | | |
| | 997 731 993 00 3S9 | sea blue | | | |
| | 997 731 993 00 5X6 | Stone grey | | | |
| | 997 731 993 00 6J0 | Espresso | | | |
| | 997 731 993 00 7J0 | Luxor beige | | | |
| | 997 731 993 00 8G2 | Sand beige | | | |
| | 997 731 993 00 9S5 | Terracotta | | | |
| | 997 731 993 00 9V6 | Cocoa | | | |
| (1) | 997 731 993 01 | Interior mirror Manually | | 1 | PR:XVW,-267 |
| | | Leather | | | |
| | 997 731 993 01 A11 | Black | | | |
| | 997 731 993 01 D12 | dark grey | | | |
| | 997 731 993 01 N12 | Carrera Red | | | |
| | 997 731 993 01 T12 | Natural brown | | | |
| | 997 731 993 01 3S9 | sea blue | | | |
| | 997 731 993 01 5X6 | Stone grey | | | |
| | 997 731 993 01 6J0 | Espresso | | | |
| | 997 731 993 01 7J0 | Luxor beige | | | |
| | 997 731 993 01 8G2 | Sand beige | | | |
| | 997 731 993 01 9S5 | Terracotta | | | |
| | 997 731 993 01 9V6 | Cocoa | | | |
| (1) | 987 731 993 00 | Interior mirror, automatic anti-dazzle | | 1 | Speedster PR:XVW,267, 503 |
| | | Leather | | | |
| | 987 731 993 00 A11 | Black | | | |
| 2 | 997 731 811 00 | Cover | left | 1 | PR:574 |
| (2) | 997 731 811 00 01C | Interior mirror Satin black | | 1 | |
| (2) | 997 731 997 00 | Cover (leather) Interior mirror | left | 1 | PR:XVW |
| | | Interior mirror | | | |
| | 997 731 997 00 A11 | Black | | | |
| | 997 731 997 00 D12 | dark grey | | | |
| | 997 731 997 00 N12 | Carrera Red | | | |
| | 997 731 997 00 T12 | Natural brown | | | |
| | 997 731 997 00 3S9 | sea blue | | | |
| | 997 731 997 00 5X6 | Stone grey | | | |
| | 997 731 997 00 6J0 | Espresso | | | |
| | 997 731 997 00 7J0 | Luxor beige | | | |
| | 997 731 997 00 8G2 | Sand beige | | | |
| | 997 731 997 00 9S5 | Terracotta | | | |
| | 997 731 997 00 9V6 | Cocoa | | | |
| (2) | 997 731 812 00 | Cover | right | 1 | PR:574 |
| | | Interior mirror | | | |
| (2) | 997 731 812 00 01C | Satin black | | 1 | |
| (2) | 997 731 997 01 | Cover (leather) Interior mirror | right | 1 | PR:XVW |
| | | Interior mirror | | | |
| | 997 731 997 01 A11 | Black | | | |
| | 997 731 997 01 D12 | dark grey | | | |
| | 997 731 997 01 N12 | Carrera Red | | | |

Model: 997-09 Model life 2009>>2012

| Pos | Part Number | Description | Remark | Qty | Model |
|-----|--------------------|-------------------------|-----------|-----|------------------|
| | 997 731 997 01 T12 | Natural brown | | | |
| | 997 731 997 01 3S9 | sea blue | | | |
| | 997 731 997 01 5X6 | Stone grey | | | |
| | 997 731 997 01 6J0 | Espresso | | | |
| | 997 731 997 01 7J0 | Luxor beige | | | |
| | 997 731 997 01 8G2 | Sand beige | | | |
| | 997 731 997 01 9S5 | Terracotta | | | |
| | 997 731 997 01 9V6 | Cocoa | | | |
| 3 | 997 731 619 02 | Exterior mirror housing | left | 1 | |
| | 997 731 619 02 G2L | primed | | | |
| (3) | 997 731 620 02 | Exterior mirror housing | right | 1 | |
| | 997 731 620 02 G2L | primed | | | |
| - | 000 043 110 17 | Velour | | 1 | |
| | | Seal | | | |
| 4 | 997 731 219 00 | Mirror base | left lhd | 1 | PR:098,-537,-267 |
| | 997 731 219 00 G2L | primed | | | |
| | | Wire set | with: | | |
| (4) | 997 731 220 00 | Mirror base | right lhd | 1 | PR:098,-537,-267 |
| | 997 731 220 00 G2L | Exterior mirror primed | | | |
| | | Wire set | with: | | |
| (4) | 997 731 219 01 | Mirror base | left lhd | 1 | PR:537,098,-267 |
| | 997 731 219 01 G2L | Exterior mirror primed | | | |
| | | Wire set | with: | | |
| (4) | 997 731 220 01 | Mirror base | right lhd | 1 | PR:537,098,-267 |
| | 997 731 220 01 G2L | Exterior mirror primed | | | |
| | | Wire set | with: | | |
| (4) | 997 731 219 02 | Mirror base | left lhd | 1 | PR:098,267,-537 |
| | 997 731 219 02 G2L | Exterior mirror primed | | | |
| | | Wire set | with: | | |
| (4) | 997 731 220 02 | Mirror base | right lhd | 1 | PR:098,267,-537 |
| | 997 731 220 02 G2L | Exterior mirror primed | | | |
| | | Wire set | with: | | |
| (4) | 997 731 219 03 | Mirror base | left lhd | 1 | PR:267,537,098 |
| | 997 731 219 03 G2L | Exterior mirror primed | | | |
| | | Wire set | with: | | |
| (4) | 997 731 220 03 | Mirror base | right lhd | 1 | PR:267,537,098 |
| | 997 731 220 03 G2L | Exterior mirror primed | | | |
| | | Wire set | with: | | |
| 5 | 999 919 024 09 | fillister hd. bolt | | 3 | |
| | | 3,0 X 12 | | | |
| 6 | 997 731 519 00 | plate | left | 1 | |
| | | Exterior mirror | | | |
| (6) | 997 731 520 00 | plate | right | 1 | |
| | | Exterior mirror | | | |
| 7 | 999 141 043 02 | fillister hd. bolt | | 4 | |
| | | M 3 X 14 | | | |
| 8 | 997 624 047 00 | Adjusting motor | | 2 | |

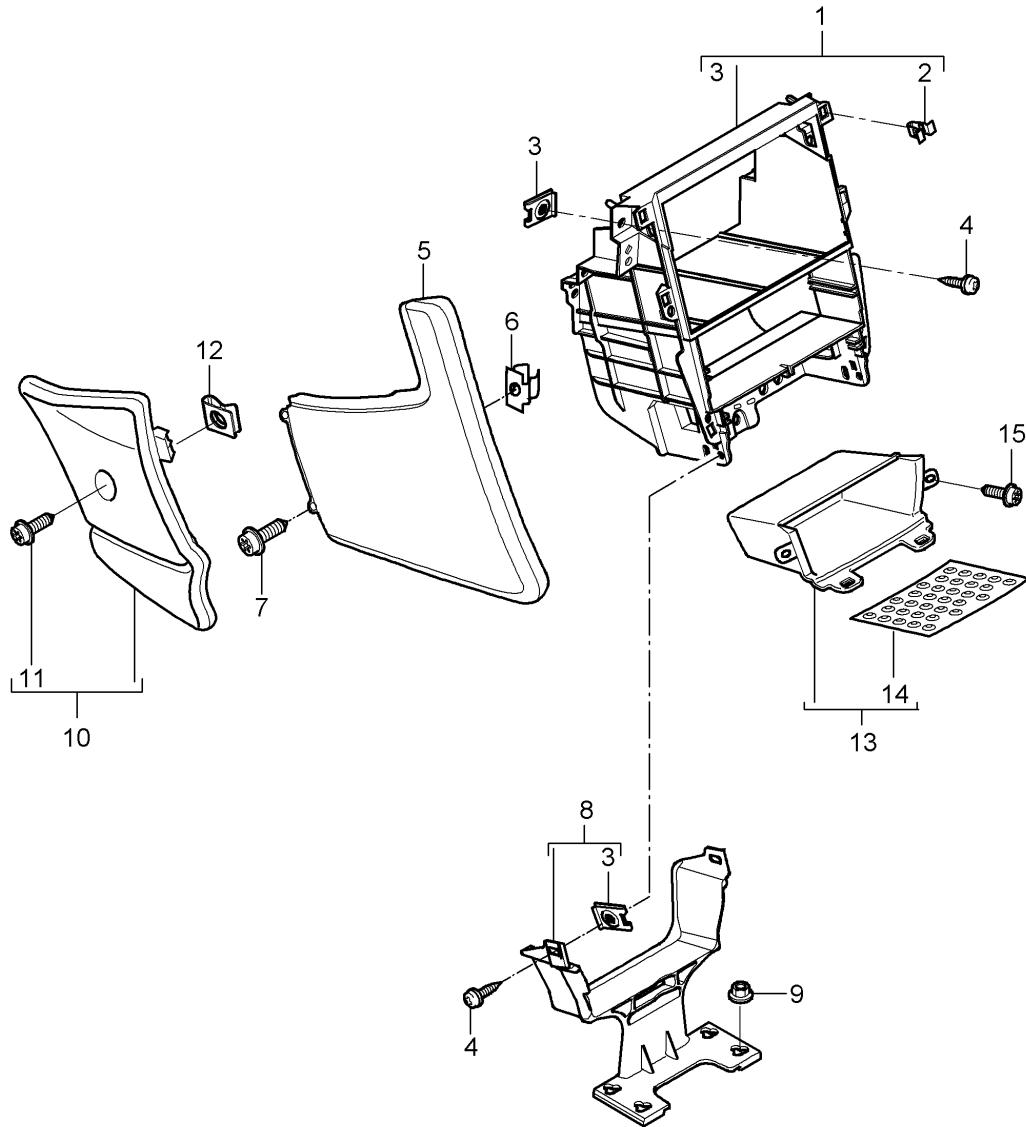
Model: 997-09

Model life 2009>>2012

| Pos | Part Number | Description | Remark | Qty | Model |
|------|--------------------|---|----------------|-----|--------------------|
| 8 | 997 624 047 01 | Discontinued part Adjusting motor | | 2 | |
| 8 | 7PP 959 578 D | Adjusting motor | | 2 | PR:-537,-538 |
| (8) | 997 624 048 00 | Exterior mirror Adjusting motor | | 2 | PR:537,538 |
| (8) | 997 624 048 01 | Discontinued part Adjusting motor | | 2 | PR:537,538 |
| 9 | 999 141 043 02 | fillister hd. bolt M 3,0 X 14 | | 3 | |
| 10 | 997 731 719 02 | Trim for exterior mirror housing | left lower | 1 | PR:-XUZ |
| (10) | 997 731 719 02 G2L | primed | | | |
| (10) | 997 731 720 02 | Trim for exterior mirror housing | right lower | 1 | PR:-XUZ |
| (10) | 997 731 720 02 G2L | primed | | | |
| (10) | 997 731 995 01 | Trim for exterior mirror housing Aluminium look | left lower | 1 | PR:XUZ |
| (10) | 997 731 995 02 | Trim for exterior mirror housing Aluminium look | right lower | 1 | PR:XUZ |
| 11 | 997 731 035 06 | Mirror glass (flat) | left lhd | 1 | PR:098,270 |
| (11) | 997 731 035 08 | Mirror glass (flat) | left lhd | 1 | PR:098,267, 270 |
| (11) | 997 731 035 07 | Mirror (aspherical) Aspherical | left lhd | 1 | PR:098,271 |
| (11) | 997 731 035 09 | Mirror (aspherical) Aspherical | left lhd | 1 | PR:098,267, 271 |
| (11) | 997 731 038 09 | Mirror glass (convex) | right lhd | 1 | PR:098 |
| (11) | 997 731 038 10 | Mirror glass (convex) | right lhd | 1 | PR:553,098 |
| (11) | 997 731 038 12 | Mirror glass (convex) | right lhd | 1 | PR:098,267 |
| (11) | 997 731 038 13 | Mirror glass (convex) | right lhd | 1 | PR:553,267, 098 |
| 12 | 999 073 345 09 | Oval-head screw M 5 X 18 | | 3 | |
| 13 | 997 537 733 00 | Seal Cable plug Mirror base | | 1 | |

Model: 997-09

Model life 2009>>2012



Model: 997-09 Model life 2009>>2012

| Pos | Part Number | Description | Remark | Qty | Model |
|-----|--------------------|-----------------------------|----------------|-----|--------------------------------|
| 1 | 997 553 111 03 | Centre console Carrier | front front | 1 | |
| 2 | 999 507 476 01 | Centre console Clamp | | 6 | |
| 3 | 999 507 971 01 | 8,0 X 10,0/2,5 panel nut | | X | |
| 4 | 999 073 155 09 | st 4,2 panel screw | | X | |
| 5 | 997 553 117 05 | Trim | left side | 1 | PR:-618, -668,-669, -619 |
| | | Leatherette | | | |
| | 997 553 117 05 9L4 | Black | | | |
| | 997 553 117 05 9M5 | Stone grey | | | |
| | 997 553 117 05 9C6 | Sand beige | | | |
| | 997 553 117 05 9D7 | sea blue | | | |
| (5) | 997 553 117 05 | Trim | left side | 1 | PR:619 |
| | | Leatherette | | | |
| | 997 553 117 05 9L4 | Black | | | |
| | 997 553 117 05 9M5 | Stone grey | | | |
| | 997 553 117 05 9C6 | Sand beige | | | |
| | 997 553 117 05 9D7 | sea blue | | | |
| (5) | 997 553 118 05 | Trim | right side | 1 | PR:-618, -668,-669, -619 |
| | | Leatherette | | | |
| | 997 553 118 05 9L4 | Black | | | |
| | 997 553 118 05 9M5 | Stone grey | | | |
| | 997 553 118 05 9C6 | Sand beige | | | |
| | 997 553 118 05 9D7 | sea blue | | | |
| (5) | 997 553 118 05 | Trim | right side | 1 | PR:619 |
| | | Leatherette | | | |
| | 997 553 118 05 9L4 | Black | | | |
| | 997 553 118 05 9M5 | Stone grey | | | |
| | 997 553 118 05 9C6 | Sand beige | | | |
| | 997 553 118 05 9D7 | sea blue | | | |
| 5 | 997 553 117 06 | Leather panel | left side | 1 | PR:981,618, 619,668,669 |
| | 997 553 117 06 FSA | black/grey | | | |
| | 997 553 117 06 FSB | Stone grey/stone grey | | | |
| | 997 553 117 06 FSC | Sand beige/sand beige | | | |
| | 997 553 117 06 FSD | Sea blue/grey | | | |
| | 997 553 117 06 FSF | Terracotta/terracotta | | | |
| | 997 553 117 06 FSG | Cocoa/Cocoa | | | |
| | 997 553 117 06 FSH | Darkgrey natural/grey | | | |
| | 997 553 117 06 FSJ | Brown nat./brown nat. | | | |
| | 997 553 117 06 FSP | Carrera Red | | | |
| | 997 553 117 06 FWH | Espresso | | | |
| (5) | 997 553 118 06 | Leather panel | right side | 1 | PR:981,618, 619,668,669 |
| | 997 553 118 06 FSA | black/grey | | | |
| | 997 553 118 06 FSB | Stone grey/stone grey | | | |
| | 997 553 118 06 FSC | Sand beige/sand beige | | | |
| | 997 553 118 06 FSD | Sea blue/grey | | | |
| | 997 553 118 06 FSF | Terracotta/terracotta | | | |
| | 997 553 118 06 FSG | Cocoa/Cocoa | | | |
| | 997 553 118 06 FSH | Darkgrey natural/grey | | | |
| | 997 553 118 06 FSJ | Brown nat./brown nat. | | | |
| | 997 553 118 06 FSP | Carrera Red | | | |
| | 997 553 118 06 FWH | Espresso | | | |
| (5) | 997 553 117 08 | Leather panel | left side | 1 | COUPE S PR:098,618, |

Model: 997-09 Model life 2009>>2012

| Pos | Part Number | Description | Remark | Qty | Model |
|------|--------------------|--|-----------------|-----|-----------------------|
| | | D - MJ 2010>> | | | 756,981 |
| (5) | 997 553 117 08 SCA | Espresso | | | |
| | 997 553 117 08 | Leather panel | left side | 1 | COUPE S PR:756,981 |
| | | D - MJ 2010>> | | | |
| (5) | 997 553 117 08 SCA | Espresso | | | |
| | 997 553 118 08 | Leather panel | right side | 1 | COUPE S PR:756,981 |
| | | D - MJ 2010>> | | | |
| - | 997 553 118 08 SCA | Espresso | | | |
| | | Trim | side | 1 | |
| | | with: preparation for telephone see illustration: | | | |
| 6 | 999 591 508 01 | Cage nut st 4,2 for Mount Trim | 911-010 side | 4 | |
| 7 | 999 073 226 09 | panel screw ST 4,2 X 16 for Mount Trim | side | 4 | |
| 8 | 997 553 361 01 | Support | center | 1 | |
| 9 | 999 084 629 01 | Hexagon nut m 6 | | 4 | |
| 10 | 997 553 131 01 | Cover Footwell outlet vent Carpet Until Chassis number See technical information GR.7 NR. 17/11 KD-NR. 70 | left | 1 | PR:098,099 |
| | 997 553 131 01 A10 | Black | | | |
| | 997 553 131 01 B10 | Stone grey | | | |
| | 997 553 131 01 T10 | Sand beige | | | |
| | 997 553 131 01 E10 | sea blue | | | |
| | 997 553 131 01 M10 | Terracotta | | | |
| | 997 553 131 01 R10 | Cocoa | | | |
| | 997 553 131 01 D11 | Dark grey/natural | | | |
| | 997 553 131 01 T11 | Brown/natural | | | |
| | 997 553 131 01 N10 | Carrera Red | | | |
| 10 | 997 553 131 05 | Cover Footwell outlet vent Carpet From Chassis number See technical information GR.7 NR. 17/11 KD-NR. 70 | left | 1 | PR:098,099 |
| | 997 553 131 05 A10 | Black | | | |
| | 997 553 131 05 B10 | Stone grey | | | |
| | 997 553 131 05 T10 | Sand beige | | | |
| | 997 553 131 05 E10 | sea blue | | | |
| | 997 553 131 05 N10 | Carrera Red | | | |
| (10) | 997 553 131 05 R75 | Espresso | | | |
| | 997 553 132 02 | Cover Footwell outlet vent Carpet Until | right | 1 | PR:098,099 |

Model: 997-09 Model life 2009>>2012

| Pos | Part Number | Description | Remark | Qty | Model |
|------|--------------------|--|-----------|-----|-----------------------|
| | | Chassis number See technical information GR.7 NR. 17/11 KD-NR. 70 | | | |
| | 997 553 132 02 A10 | Black | | | |
| | 997 553 132 02 B10 | Stone grey | | | |
| | 997 553 132 02 T10 | Sand beige | | | |
| | 997 553 132 02 E10 | sea blue | | | |
| | 997 553 132 02 M10 | Terracotta | | | |
| | 997 553 132 02 R10 | Cocoa | | | |
| | 997 553 132 02 D11 | Dark grey/natural | | | |
| | 997 553 132 02 T11 | Brown/natural | | | |
| | 997 553 132 02 N10 | Carrera Red | | | |
| (10) | 997 553 132 06 | Cover Footwell outlet vent Carpet From Chassis number See technical information GR.7 NR. 17/11 KD-NR. 70 | right | 1 | PR:098,099 |
| | 997 553 132 06 A10 | Black | | | |
| | 997 553 132 06 B10 | Stone grey | | | |
| | 997 553 132 06 T10 | Sand beige | | | |
| | 997 553 132 06 E10 | sea blue | | | |
| | 997 553 132 06 N10 | Carrera Red | | | |
| | 997 553 132 06 R75 | Espresso | | | |
| (10) | 997 553 132 01 | Cover Footwell outlet vent Carpet Until Chassis number See technical information GR.7 NR. 17/11 KD-NR. 70 | right lhd | 1 | PR:098,621 |
| | 997 553 132 01 A10 | Black | | | |
| | 997 553 132 01 B10 | Stone grey | | | |
| | 997 553 132 01 T10 | Sand beige | | | |
| | 997 553 132 01 E10 | sea blue | | | |
| | 997 553 132 01 M10 | Terracotta | | | |
| | 997 553 132 01 R10 | Cocoa | | | |
| | 997 553 132 01 D11 | Dark grey/natural | | | |
| | 997 553 132 01 T11 | Brown/natural | | | |
| | 997 553 132 01 N10 | Carrera Red | | | |
| (10) | 997 553 132 05 | Cover Footwell outlet vent Carpet From Chassis number See technical information GR.7 NR. 17/11 KD-NR. 70 | right lhd | 1 | PR:098,621 |
| | 997 553 132 05 A10 | Black | | | |
| | 997 553 132 05 B10 | Stone grey | | | |
| | 997 553 132 05 T10 | Sand beige | | | |
| | 997 553 132 05 E10 | sea blue | | | |
| | 997 553 132 05 N10 | Carrera Red | | | |
| | 997 553 132 05 R75 | Espresso | | | |
| (10) | 997 553 131 03 | Cover Footwell outlet vent Carpet D - MJ 2010>> | left lhd | 1 | COUPE S PR:098,756 |
| | 997 553 131 03 H31 | Espresso | | | |

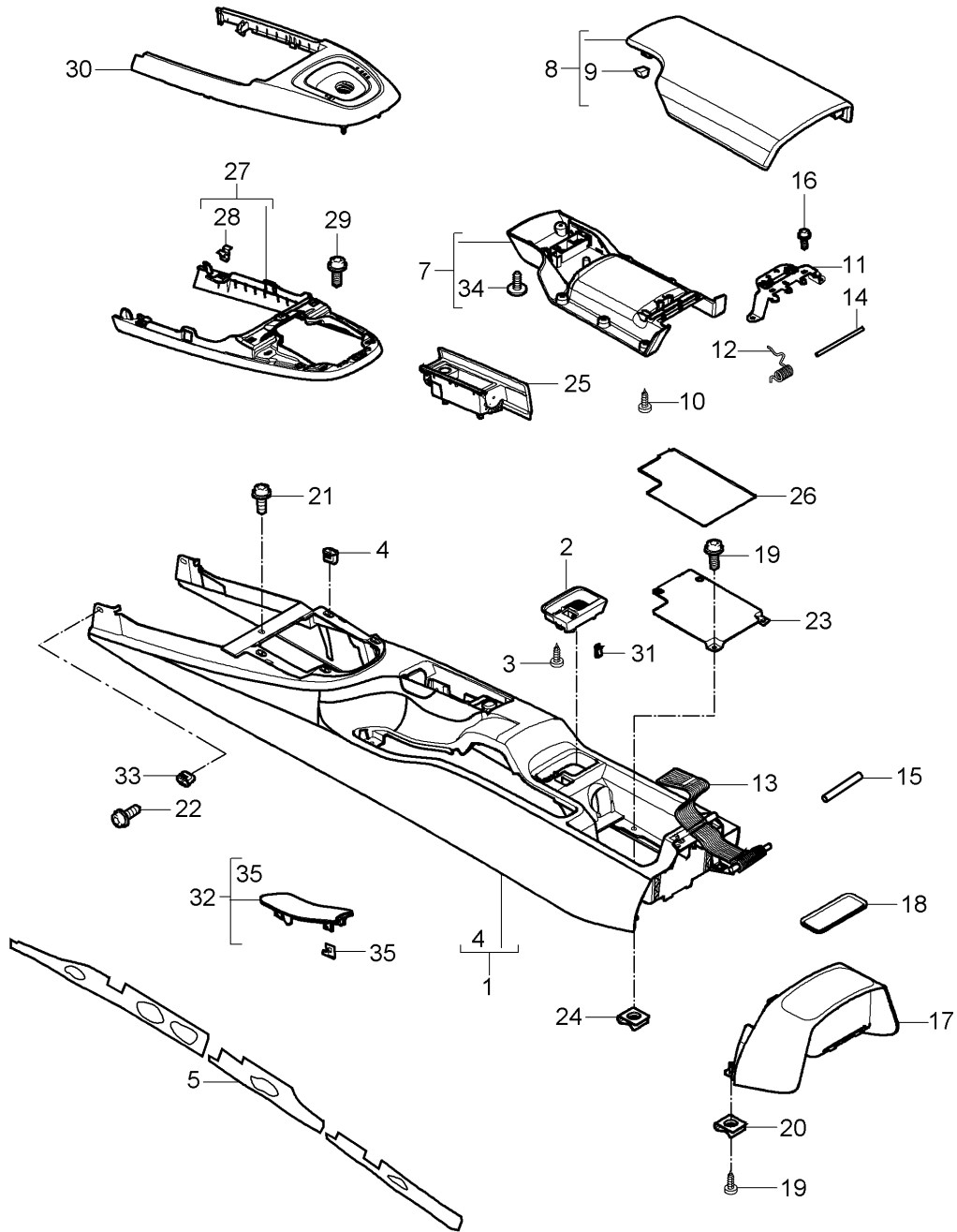
Model: 997-09

Model life 2009>>2012

| Pos | Part Number | Description | Remark | Qty | Model |
|------|--------------------|---|-----------|-----|-------------------------------|
| (10) | 997 553 132 04 | Cover Footwell outlet vent Carpet D - MJ 2010>> | right lhd | 1 | COUPE S PR:098,621, 756 |
| | 997 553 132 04 H31 | Espresso | | | |
| 11 | 999 073 223 01 | Bolt with washer M 6 X 25 | | 2 | |
| 12 | 999 507 766 02 | panel nut M 6 for Mount Cover | | 2 | |
| | | Footwell outlet vent | | | |
| 13 | 997 553 143 02 | Stowage compartment Centre console | front | 1 | |
| | 997 553 143 02 A05 | Matt black | | | |
| 14 | 997 553 543 01 | Insert for centre console Stowage compartment | | 1 | |
| 15 | 999 919 164 09 | fillister hd. bolt 5,0 X 12,0 for Mount Stowage compartment | | 3 | |

Model: 997-09

Model life 2009>>2012



Model: 997-09

Model life 2009>>2012

| Pos | Part Number | Description | Remark | Qty | Model |
|-----|--------------------|----------------------------------|--------|-----|--------------------------------|
| (1) | 997 553 901 01 | Centre console Centre console | rear | 1 | COUPE PR:560 |
| | 997 553 901 01 A03 | Black | | | |
| | 997 553 901 01 5V7 | Stone grey | | | |
| | 997 553 901 01 5Z1 | Sand beige | | | |
| | 997 553 901 01 8W7 | sea blue | | | |
| | 997 553 901 01 8X8 | Terracotta | | | |
| | 997 553 901 01 8P9 | Cocoa | | | |
| | 997 553 901 01 T13 | Brown/natural | | | |
| | 997 553 901 01 N23 | Carrera Red | | | |
| | 997 553 901 01 2S8 | Espresso | | | |
| (1) | 997 553 901 03 | Centre console | | 1 | CABRIO/TARGA PR:560 |
| | 997 553 901 03 A03 | Black | | | |
| | 997 553 901 03 5V7 | Stone grey | | | |
| | 997 553 901 03 5Z1 | Sand beige | | | |
| | 997 553 901 03 8W7 | sea blue | | | |
| | 997 553 901 03 8X8 | Terracotta | | | |
| | 997 553 901 03 8P9 | Cocoa | | | |
| | 997 553 901 03 T13 | Brown/natural | | | |
| | 997 553 901 03 N23 | Carrera Red | | | |
| | 997 553 901 03 2S8 | Espresso | | | |
| (1) | 997 553 980 69 | Centre console Leather | | 1 | COUPE PR:XMZ |
| | 997 553 980 69 A11 | Black | | | |
| | 997 553 980 69 5X6 | Stone grey | | | |
| | 997 553 980 69 8G2 | Sand beige | | | |
| | 997 553 980 69 3S9 | sea blue | | | |
| | 997 553 980 69 9S5 | Terracotta | | | |
| | 997 553 980 69 9V6 | Cocoa | | | |
| | 997 553 980 69 D12 | Dark grey/natural | | | |
| | 997 553 980 69 T12 | Brown/natural | | | |
| | 997 553 980 69 N12 | Carrera Red | | | |
| | 997 553 980 69 6J0 | Espresso | | | |
| (1) | 997 553 980 70 | Centre console Leather | | 1 | COUPE PR:XMZ, 560 |
| | 997 553 980 70 A11 | Black | | | |
| | 997 553 980 70 5X6 | Stone grey | | | |
| | 997 553 980 70 8G2 | Sand beige | | | |
| | 997 553 980 70 3S9 | sea blue | | | |
| | 997 553 980 70 9S5 | Terracotta | | | |
| | 997 553 980 70 9V6 | Cocoa | | | |
| | 997 553 980 70 D12 | Dark grey/natural | | | |
| | 997 553 980 70 T12 | Brown/natural | | | |
| | 997 553 980 70 N12 | Carrera Red | | | |
| | 997 553 980 70 6J0 | Espresso | | | |
| (1) | 997 553 980 68 | Centre console Leather | | 1 | COUPE S PR:XMZ, 756 |
| | | D - MJ 2010>> | | | |
| | 997 553 980 68 6J0 | Espresso | | | |
| (1) | 997 553 980 73 | Centre console Leather | | 1 | COUPE S PR:XMZ, 560, 756 |
| | | D - MJ 2010>> | | | |
| | 997 553 980 73 6J0 | Espresso | | | |
| (1) | 997 553 980 71 | Centre console Leather | | 1 | CABRIO/TARGA PR:XMZ |
| | 997 553 980 71 A11 | Black | | | |
| | 997 553 980 71 5X6 | Stone grey | | | |
| | 997 553 980 71 8G2 | Sand beige | | | |
| | 997 553 980 71 3S9 | sea blue | | | |
| | 997 553 980 71 9S5 | Terracotta | | | |
| | 997 553 980 71 9V6 | Cocoa | | | |

Model: 997-09 Model life 2009>>2012

| Pos | Part Number | Description | Remark | Qty | Model |
|-----|--------------------|---------------------------|--------|-----|----------------------------|
| | 997 553 980 71 D12 | Dark grey/natural | | | |
| | 997 553 980 71 T12 | Brown/natural | | | |
| | 997 553 980 71 N12 | Carrera Red | | | |
| | 997 553 980 71 6J0 | Espresso | | | |
| (1) | 997 553 980 72 | Centre console Leather | | 1 | CABRIO/TARGA PR:XMZ,560 |
| | 997 553 980 72 A11 | Black | | | |
| | 997 553 980 72 5X6 | Stone grey | | | |
| | 997 553 980 72 8G2 | Sand beige | | | |
| | 997 553 980 72 3S9 | sea blue | | | |
| | 997 553 980 72 9S5 | Terracotta | | | |
| | 997 553 980 72 9V6 | Cocoa | | | |
| | 997 553 980 72 D12 | Dark grey/natural | | | |
| | 997 553 980 72 T12 | Brown/natural | | | |
| | 997 553 980 72 N12 | Carrera Red | | | |
| | 997 553 980 72 6J0 | Espresso | | | |
| (1) | 997 553 980 52 | Centre console Carbon | | 1 | COUPE PR:XMJ |
| | 997 553 980 52 A35 | Black | | | |
| (1) | 997 553 980 53 | Centre console Carbon | | 1 | COUPE PR:XMJ,560 |
| | 997 553 980 53 A35 | Black | | | |
| (1) | 997 553 980 54 | Centre console Carbon | | 1 | CABRIO/TARGA PR:XMJ |
| | 997 553 980 54 A35 | Black | | | |
| (1) | 997 553 980 55 | Centre console Carbon | | 1 | CABRIO/TARGA PR:XMJ,560 |
| | 997 553 980 55 A35 | Black | | | |
| (1) | 997 553 980 56 | Centre console | | 1 | COUPE PR:XJT |
| | 997 553 980 56 S61 | macassar | | | |
| (1) | 997 553 980 57 | Centre console | | 1 | COUPE PR:XJT,560 |
| | 997 553 980 57 S61 | macassar | | | |
| (1) | 997 553 980 58 | Centre console | | 1 | CABRIO/TARGA PR:XJT |
| | 997 553 980 58 S61 | macassar | | | |
| (1) | 997 553 980 59 | Centre console | | 1 | CABRIO/TARGA PR:XJT,560 |
| | 997 553 980 59 S61 | macassar | | | |
| (1) | 997 553 980 60 | Centre console | | 1 | COUPE PR:XCK |
| | 997 553 980 60 V04 | Galvano silver | | | |
| (1) | 997 553 980 61 | Centre console | | 1 | COUPE PR:XCK,560 |
| | 997 553 980 61 V04 | Galvano silver | | | |
| (1) | 997 553 980 62 | Centre console | | 1 | CABRIO/TARGA PR:XCK |
| | 997 553 980 62 V04 | Galvano silver | | | |
| (1) | 997 553 980 63 | Centre console | | 1 | CABRIO/TARGA PR:XCK,560 |
| | 997 553 980 63 V04 | Galvano silver | | | |
| (1) | 997 553 980 64 | Centre console | | 1 | COUPE PR:XME |
| | 997 553 980 64 041 | Black | | | |
| | 997 553 980 64 84A | guards red (Porsche) | | | |
| | 997 553 980 64 B9A | Carrara white | | | |
| | 997 553 980 64 12H | Speed yellow | | | |
| | 997 553 980 64 92U | Arctic silver metallic | | | |
| | 997 553 980 64 C9Z | Basalt black metallic | | | |
| | 997 553 980 64 M7X | Atlas grey metallic | | | |
| | 997 553 980 64 39C | Midnight Blue Metallic | | | |
| | 997 553 980 64 M7W | Meteor Grey Metallic | | | |

Model: 997-09 Model life 2009>>2012

| Pos | Part Number | Description | Remark | Qty | Model |
|-----|--------------------|--------------------------|--------|-----|--------------------------|
| | 997 553 980 64 M8W | Macadamia Metallic | | | |
| | 997 553 980 64 M3X | Ruby red metallic | | | |
| | 997 553 980 64 M5X | Dark blue metallic | | | |
| | | D - MJ 2010>> | | | |
| | 997 553 980 64 22G | Racing Green Metallic | | | |
| | 997 553 980 64 32B | Sailing Blue Metallic | | | |
| | 997 553 980 64 M5R | Aqua blue metallic | | | |
| | 997 553 980 64 51A | cream white | | | |
| | 997 553 980 64 M2Z | Nordic Gold Metallic | | | |
| | 997 553 980 64 M7Z | GT Silver Metallic | | | |
| | 997 553 980 64 2B5 | Malachite Green Metallic | | | |
| | 997 553 980 64 M4Z | Amethyst metallic | | | |
| | 997 553 980 64 M5Q | Ice blue metallic | | | |
| | 997 553 980 64 3S2 | Ipanema Blue Metallic | | | |
| (1) | 997 553 980 65 | Centre console | | 1 | COUPE PR : XME , 560 |
| | 997 553 980 65 041 | Black | | | |
| | 997 553 980 65 84A | guards red (Porsche) | | | |
| | 997 553 980 65 B9A | Carrara white | | | |
| | 997 553 980 65 12H | Speed yellow | | | |
| | 997 553 980 65 92U | Arctic silver metallic | | | |
| | 997 553 980 65 C9Z | Basalt black metallic | | | |
| | 997 553 980 65 M7X | Atlas grey metallic | | | |
| | 997 553 980 65 39C | Midnight Blue Metallic | | | |
| | 997 553 980 65 M7W | Meteor Grey Metallic | | | |
| | 997 553 980 65 M8W | Macadamia Metallic | | | |
| | 997 553 980 65 M3X | Ruby red metallic | | | |
| | 997 553 980 65 M5X | Dark blue metallic | | | |
| | | D - MJ 2010>> | | | |
| | 997 553 980 65 22G | Racing Green Metallic | | | |
| | 997 553 980 65 32B | Sailing Blue Metallic | | | |
| | 997 553 980 65 M5R | Aqua blue metallic | | | |
| | 997 553 980 65 51A | cream white | | | |
| | 997 553 980 65 M2Z | Nordic Gold Metallic | | | |
| | 997 553 980 65 M7Z | GT Silver Metallic | | | |
| | 997 553 980 65 2B5 | Malachite Green Metallic | | | |
| | 997 553 980 65 M4Z | Amethyst metallic | | | |
| | 997 553 980 65 M5Q | Ice blue metallic | | | |
| | 997 553 980 65 3S2 | Ipanema Blue Metallic | | | |
| (1) | 997 553 980 66 | Centre console | | 1 | CABRIO/TARGA PR : XME |
| | 997 553 980 66 041 | Black | | | |
| | 997 553 980 66 84A | guards red (Porsche) | | | |
| | 997 553 980 66 B9A | Carrara white | | | |
| | 997 553 980 66 12H | Speed yellow | | | |
| | 997 553 980 66 92U | Arctic silver metallic | | | |
| | 997 553 980 66 C9Z | Basalt black metallic | | | |
| | 997 553 980 66 M7X | Atlas grey metallic | | | |
| | 997 553 980 66 39C | Midnight Blue Metallic | | | |
| | 997 553 980 66 M7W | Meteor Grey Metallic | | | |
| | 997 553 980 66 M8W | Macadamia Metallic | | | |
| | 997 553 980 66 M3X | Ruby red metallic | | | |
| | 997 553 980 66 M5X | Dark blue metallic | | | |
| | | D - MJ 2010>> | | | |
| | 997 553 980 66 22G | Racing Green Metallic | | | |
| | 997 553 980 66 32B | Sailing Blue Metallic | | | |
| | 997 553 980 66 M5R | Aqua blue metallic | | | |
| | 997 553 980 66 51A | cream white | | | |
| | 997 553 980 66 M2Z | Nordic Gold Metallic | | | |
| | 997 553 980 66 M7Z | GT Silver Metallic | | | |
| | 997 553 980 66 2B5 | Malachite Green Metallic | | | |
| | 997 553 980 66 M4Z | Amethyst metallic | | | |
| | 997 553 980 66 M5Q | Ice blue metallic | | | |

Model: 997-09 Model life 2009>>2012

| Pos | Part Number | Description | Remark | Qty | Model |
|-----|--------------------------------------|--|--------|-----|----------------------------|
| (1) | 997 553 980 66 3S2 997 553 980 67 | Ipanema Blue Metallic Centre console | | 1 | CABRIO/TARGA PR:XME,560 |
| | 997 553 980 67 041 | Black | | | |
| | 997 553 980 67 84A | guards red (Porsche) | | | |
| | 997 553 980 67 B9A | Carrara white | | | |
| | 997 553 980 67 12H | Speed yellow | | | |
| | 997 553 980 67 92U | Arctic silver metallic | | | |
| | 997 553 980 67 C9Z | Basalt black metallic | | | |
| | 997 553 980 67 M7X | Atlas grey metallic | | | |
| | 997 553 980 67 39C | Midnight Blue Metallic | | | |
| | 997 553 980 67 M7W | Meteor Grey Metallic | | | |
| | 997 553 980 67 M8W | Macadamia Metallic | | | |
| | 997 553 980 67 M3X | Ruby red metallic | | | |
| | 997 553 980 67 M5X | Dark blue metallic | | | |
| | | D - MJ 2010>> | | | |
| | 997 553 980 67 22G | Racing Green Metallic | | | |
| | 997 553 980 67 32B | Sailing Blue Metallic | | | |
| | 997 553 980 67 M5R | Aqua blue metallic | | | |
| | 997 553 980 67 51A | cream white | | | |
| | 997 553 980 67 M2Z | Nordic Gold Metallic | | | |
| | 997 553 980 67 M7Z | GT Silver Metallic | | | |
| | 997 553 980 67 2B5 | Malachite Green Metallic | | | |
| | 997 553 980 67 M4Z | Amethyst metallic | | | |
| | 997 553 980 67 M5Q | Ice blue metallic | | | |
| (1) | 997 553 980 67 3S2 997 553 997 01 | Ipanema Blue Metallic Protective film Centre console | | 2 | |
| | | See technical manual 681749 | | | |
| 2 | 997 553 575 02 | Insert Locking mechanism Centre console | | 1 | |
| 3 | 997 553 575 02 01C 999 919 159 09 | Satin black fillister hd. bolt 4 X 12 for Mount Insert Locking mechanism expanding nut 4,2 | | 1 | |
| 4 | 999 591 210 40 | expanding nut 4,2 | | 4 | |
| 5 | 997 553 843 00 | Sound absorber | left | 1 | |
| (5) | 997 553 844 00 | Sound absorber | right | 1 | |
| 7 | 997 553 433 01 | cover for center console | inner | 1 | |
| | 997 553 433 01 01C | Satin black | | | |
| 8 | 997 553 231 01 | Cover (leather) | outer | 1 | |
| | 997 553 231 01 A11 | Black | | | |
| | 997 553 231 01 5X6 | Stone grey | | | |
| | 997 553 231 01 8G2 | Sand beige | | | |
| | 997 553 231 01 3S9 | sea blue | | | |
| | 997 553 231 01 9S5 | Terracotta | | | |
| | 997 553 231 01 9V6 | Cocoa | | | |
| | 997 553 231 01 D12 | Dark grey/natural | | | |
| | 997 553 231 01 T12 | Brown/natural | | | |
| | 997 553 231 01 N12 | Carrera Red | | | |
| | 997 553 231 01 6J0 | Espresso | | | |
| (8) | 997 553 991 25 | Cover (leather) | outer | 1 | Coupe C2/C2S PR:XUV,098 |
| | | with: inscription Carrera D - MJ 2009>> | | | |

Model: 997-09 Model life 2009>>2012

| Pos | Part Number | Description | Remark | Qty | Model |
|--------------------|--------------------|--|-----------|-----|----------------------------|
| (8) | 997 553 991 25 A11 | Black | | | |
| | 997 553 991 25 5X6 | Stone grey | | | |
| | 997 553 991 25 8G2 | Sand beige | | | |
| | 997 553 991 25 3S9 | sea blue | | | |
| | 997 553 991 25 9S5 | Terracotta | | | |
| | 997 553 991 25 9V6 | Cocoa | | | |
| | 997 553 991 25 D12 | Dark grey/natural | | | |
| | 997 553 991 25 T12 | Brown/natural | | | |
| | 997 553 991 25 N12 | Carrera Red | | | |
| | 997 553 991 25 6J0 | Espresso | | | |
| (8) | 997 553 991 27 | Cover (leather) | outer | 1 | CabrioC2/C2S PR:XUV,098 |
| | | with: inscription CARRERA S D - MJ 2009>> | | | |
| | 997 553 991 27 A11 | Black | | | |
| | 997 553 991 27 5X6 | Stone grey | | | |
| | 997 553 991 27 8G2 | Sand beige | | | |
| | 997 553 991 27 3S9 | sea blue | | | |
| | 997 553 991 27 9S5 | Terracotta | | | |
| | 997 553 991 27 9V6 | Cocoa | | | |
| | 997 553 991 27 D12 | Dark grey/natural | | | |
| | 997 553 991 27 T12 | Brown/natural | | | |
| 997 553 991 27 N12 | Carrera Red | | | | |
| 997 553 991 27 6J0 | Espresso | | | | |
| (8) | 997 553 991 05 | Cover | outer | 1 | PR:XPT |
| | | with: Porsche crest D - MJ 2009>> | | | |
| | 997 553 991 05 A11 | Black | | | |
| | 997 553 991 05 5X6 | Stone grey | | | |
| | 997 553 991 05 8G2 | Sand beige | | | |
| | 997 553 991 05 3S9 | sea blue | | | |
| | 997 553 991 05 9S5 | Terracotta | | | |
| | 997 553 991 05 9V6 | Cocoa | | | |
| | 997 553 991 05 D12 | Dark grey/natural | | | |
| | 997 553 991 05 T12 | Brown/natural | | | |
| 997 553 991 05 N12 | Carrera Red | | | | |
| 997 553 991 05 6J0 | Espresso | | | | |
| (8) | 997 553 991 31 | Cover | outer lhd | 1 | Coupe C4 PR:XUV,098 |
| | | with: inscription Carrera 4 D - MJ 2009>> | | | |
| | 997 553 991 31 A11 | Black | | | |
| | 997 553 991 31 5X6 | Stone grey | | | |
| | 997 553 991 31 8G2 | Sand beige | | | |
| | 997 553 991 31 3S9 | sea blue | | | |
| | 997 553 991 31 9S5 | Terracotta | | | |
| | 997 553 991 31 9V6 | Cocoa | | | |
| | 997 553 991 31 D12 | Dark grey/natural | | | |
| | 997 553 991 31 T12 | Brown/natural | | | |
| 997 553 991 31 N12 | Carrera Red | | | | |
| 997 553 991 31 6J0 | Espresso | | | | |
| (8) | 997 553 991 31 | Cover | outer lhd | 1 | Cabrio C4 PR:XUV,098 |
| | | with: inscription Carrera 4 D - MJ 2009>> | | | |
| | 997 553 991 31 A11 | Black | | | |
| | 997 553 991 31 5X6 | Stone grey | | | |
| | 997 553 991 31 8G2 | Sand beige | | | |
| | 997 553 991 31 3S9 | sea blue | | | |
| | 997 553 991 31 9S5 | Terracotta | | | |
| | 997 553 991 31 9V6 | Cocoa | | | |
| | 997 553 991 31 D12 | Dark grey/natural | | | |
| | 997 553 991 31 T12 | Brown/natural | | | |
| 997 553 991 31 N12 | Carrera Red | | | | |
| 997 553 991 31 6J0 | Espresso | | | | |

Model: 997-09 Model life 2009>>2012

| Pos | Part Number | Description | Remark | Qty | Model |
|----------------|--------------------|---|-----------|--------------------------|-------------------------|
| (8) | 997 553 991 31 5X6 | Stone grey | | | |
| | 997 553 991 31 8G2 | Sand beige | | | |
| | 997 553 991 31 3S9 | sea blue | | | |
| | 997 553 991 31 9S5 | Terracotta | | | |
| | 997 553 991 31 9V6 | Cocoa | | | |
| | 997 553 991 31 D12 | Dark grey/natural | | | |
| | 997 553 991 31 T12 | Brown/natural | | | |
| | 997 553 991 31 N12 | Carrera Red | | | |
| | 997 553 991 31 6J0 | Espresso | | | |
| | 997 553 991 33 | Cover | outer lhd | 1 | Coupe C4S PR:XUV,098 |
| | | with: inscription Carrera 4s D - MJ 2009>> | | | |
| (8) | 997 553 991 33 A11 | Black | | | |
| | 997 553 991 33 5X6 | Stone grey | | | |
| | 997 553 991 33 8G2 | Sand beige | | | |
| | 997 553 991 33 3S9 | sea blue | | | |
| | 997 553 991 33 9S5 | Terracotta | | | |
| | 997 553 991 33 9V6 | Cocoa | | | |
| | 997 553 991 33 D12 | Dark grey/natural | | | |
| | 997 553 991 33 T12 | Brown/natural | | | |
| | 997 553 991 33 N12 | Carrera Red | | | |
| | 997 553 991 33 6J0 | Espresso | | | |
| 997 553 991 33 | Cover | outer lhd | 1 | Cabrio C4S PR:XUV,098 | |
| | | with: inscription Carrera 4s D - MJ 2009>> | | | |
| (8) | 997 553 991 33 A11 | Black | | | |
| | 997 553 991 33 5X6 | Stone grey | | | |
| | 997 553 991 33 8G2 | Sand beige | | | |
| | 997 553 991 33 3S9 | sea blue | | | |
| | 997 553 991 33 9S5 | Terracotta | | | |
| | 997 553 991 33 9V6 | Cocoa | | | |
| | 997 553 991 33 D12 | Dark grey/natural | | | |
| | 997 553 991 33 T12 | Brown/natural | | | |
| | 997 553 991 33 N12 | Carrera Red | | | |
| | 997 553 991 33 6J0 | Espresso | | | |
| 997 553 991 35 | Cover | outer lhd | 1 | TARGA 4 PR:XUV,098 | |
| | | with: inscription TARGA 4 D - MJ 2009>> | | | |
| (8) | 997 553 991 35 A11 | Black | | | |
| | 997 553 991 35 5X6 | Stone grey | | | |
| | 997 553 991 35 8G2 | Sand beige | | | |
| | 997 553 991 35 3S9 | sea blue | | | |
| | 997 553 991 35 9S5 | Terracotta | | | |
| | 997 553 991 35 9V6 | Cocoa | | | |
| | 997 553 991 35 D12 | Dark grey/natural | | | |
| | 997 553 991 35 T12 | Brown/natural | | | |
| | 997 553 991 35 N12 | Carrera Red | | | |
| | 997 553 991 35 6J0 | Espresso | | | |
| 997 553 991 37 | Cover | outer lhd | 1 | TARGA 4S PR:XUV,098 | |
| | | with: inscription TARGA 4S D - MJ 2009>> | | | |

Model: 997-09 Model life 2009>>2012

| Pos | Part Number | Description | Remark | Qty | Model |
|-----|--------------------|--------------------------|-----------|-----|----------------|
| | 997 553 991 37 A11 | Black | | | |
| | 997 553 991 37 5X6 | Stone grey | | | |
| | 997 553 991 37 8G2 | Sand beige | | | |
| | 997 553 991 37 3S9 | sea blue | | | |
| | 997 553 991 37 9S5 | Terracotta | | | |
| | 997 553 991 37 9V6 | Cocoa | | | |
| | 997 553 991 37 D12 | Dark grey/natural | | | |
| | 997 553 991 37 T12 | Brown/natural | | | |
| | 997 553 991 37 N12 | Carrera Red | | | |
| | 997 553 991 37 6J0 | Espresso | | | |
| (8) | 997 553 991 20 | Cover | outer lhd | 1 | PR:XLG,098 |
| | | Alcantara | | | |
| | | D - MJ 2009>> | | | |
| (8) | 997 553 991 20 A25 | Black | outer | 1 | COUPE S |
| | 997 553 991 24 | Cover (leather) | | | PR:XMZ,756 |
| | | D - MJ 2010>> | | | |
| (8) | 997 553 991 24 6J0 | Espresso | outer | 1 | Speedster |
| | 997 553 991 45 | Cover (leather) | | | PR:503 |
| | | D - MJ 2011>> | | | |
| (8) | 997 553 991 45 TSB | Black | outer lhd | 1 | GTS |
| | 997 553 991 46 | Cover | | | PR:XUV,011,098 |
| | | with: | | | |
| | | inscription | | | |
| | | Carrera GTS | | | |
| | | D - MJ 2011>> | | | |
| | 997 553 991 46 A11 | Black | | | |
| | 997 553 991 46 8G2 | Sand beige | | | |
| | 997 553 991 46 9S5 | Terracotta | | | |
| | 997 553 991 46 9V6 | Cocoa | | | |
| | 997 553 991 46 D12 | Dark grey/natural | | | |
| | 997 553 991 46 T12 | Brown/natural | | | |
| | 997 553 991 46 N12 | Carrera Red | | | |
| | 997 553 991 46 6J0 | Espresso | | | |
| (8) | 997 553 231 90 | cover for center console | outer | 1 | PR:975,981 |
| | | Leather | | | |
| | | Alcantara | | | |
| | | D - MJ 2011>> | | | |
| 9 | 997 553 231 90 A25 | Black | outer | 8 | |
| | 999 507 972 01 | panel nut | | | |
| | | 3,5 | | | |
| | | 3,5 X 14 | | | |
| | | for | | | |
| | | Mount | | | |
| | | Cover | | | |
| 10 | 999 073 153 01 | panel screw | outer | 8 | |
| | | 3,5 X 14 | | | |
| | | for | | | |
| | | Mount | | | |
| | | Cover | | | |
| 11 | 997 553 437 01 | Hinge | | 1 | |
| 12 | 997 553 439 00 | Leg spring | | 1 | |
| 13 | 997 553 441 00 | Belt | | 1 | |
| 14 | 997 553 447 00 | axle | | 1 | |
| 15 | 997 553 733 00 | Locking pin | | 1 | |
| 16 | 999 919 159 09 | fillister hd. bolt | | X | |
| | | M4X12 | | | |
| 17 | 997 553 221 01 | Extension for | | 1 | COUPE/TARGA |
| | | centre console | | | |
| | | Lacquered | | | |

Model: 997-09 Model life 2009>>2012

| Pos | Part Number | Description | Remark | Qty | Model |
|------|--------------------|--|--------|-----|-----------------------|
| | 997 553 221 01 A03 | Black | | | |
| | 997 553 221 01 5V7 | Stone grey | | | |
| | 997 553 221 01 5Z1 | Sand beige | | | |
| | 997 553 221 01 8W7 | sea blue | | | |
| | 997 553 221 01 8X8 | Terracotta | | | |
| | 997 553 221 01 8P9 | Cocoa | | | |
| | 997 553 221 01 T13 | Brown/natural | | | |
| | 997 553 221 01 N23 | Carrera Red | | | |
| | 997 553 221 01 2S8 | Espresso | | | |
| (17) | 997 553 983 06 | Extension for centre console Leather | | 1 | COUPE/TARGA PR:XMZ |
| | 997 553 983 06 A11 | Black | | | |
| | 997 553 983 06 5X6 | Stone grey | | | |
| | 997 553 983 06 8G2 | Sand beige | | | |
| | 997 553 983 06 3S9 | sea blue | | | |
| | 997 553 983 06 9S5 | Terracotta | | | |
| | 997 553 983 06 9V6 | Cocoa | | | |
| | 997 553 983 06 D12 | Dark grey/natural | | | |
| | 997 553 983 06 T12 | Brown/natural | | | |
| | 997 553 983 06 N12 | Carrera Red | | | |
| | 997 553 983 06 6J0 | Espresso | | | |
| (17) | 997 553 983 00 | Extension for centre console Leather | | 1 | COUPE S PR:756 |
| | 997 553 983 00 6J0 | Espresso | | | |
| (17) | 997 553 983 01 | Extension for centre console Leather | | 1 | COUPE/TARGA PR:XMJ |
| | 997 553 983 01 A11 | Black | | | |
| | 997 553 983 01 5X6 | Stone grey | | | |
| | 997 553 983 01 8G2 | Sand beige | | | |
| | 997 553 983 01 3S9 | sea blue | | | |
| | 997 553 983 01 9S5 | Terracotta | | | |
| | 997 553 983 01 9V6 | Cocoa | | | |
| | 997 553 983 01 D12 | Dark grey/natural | | | |
| | 997 553 983 01 T12 | Brown/natural | | | |
| | 997 553 983 01 N12 | Carrera Red | | | |
| | 997 553 983 01 6J0 | Espresso | | | |
| (17) | 997 553 983 03 | Extension for centre console Leather | | 1 | COUPE/TARGA PR:XJT |
| | 997 553 983 03 A11 | Black | | | |
| | 997 553 983 03 5X6 | Stone grey | | | |
| | 997 553 983 03 8G2 | Sand beige | | | |
| | 997 553 983 03 3S9 | sea blue | | | |
| | 997 553 983 03 9S5 | Terracotta | | | |
| | 997 553 983 03 9V6 | Cocoa | | | |
| | 997 553 983 03 D12 | Dark grey/natural | | | |
| | 997 553 983 03 T12 | Brown/natural | | | |
| | 997 553 983 03 N12 | Carrera Red | | | |
| | 997 553 983 03 6J0 | Espresso | | | |
| (17) | 997 553 983 04 | Extension for centre console Leather | | 1 | COUPE/TARGA PR:XCK |
| | 997 553 983 04 A11 | Black | | | |
| | 997 553 983 04 5X6 | Stone grey | | | |
| | 997 553 983 04 8G2 | Sand beige | | | |
| | 997 553 983 04 3S9 | sea blue | | | |
| | 997 553 983 04 9S5 | Terracotta | | | |
| | 997 553 983 04 9V6 | Cocoa | | | |
| | 997 553 983 04 D12 | Dark grey/natural | | | |
| | 997 553 983 04 T12 | Brown/natural | | | |

Model: 997-09

Model life 2009>>2012

| Pos | Part Number | Description | Remark | Qty | Model |
|------|--------------------|--|--------|-----|-----------------------|
| (17) | 997 553 983 04 N12 | Carrera Red | | | |
| | 997 553 983 04 6J0 | Espresso | | | |
| | 997 553 983 05 | Extension for centre console Lacquered | | 1 | COUPE/TARGA PR:XME |
| | 997 553 983 05 041 | Black | | | |
| | 997 553 983 05 84A | guards red (Porsche) | | | |
| | 997 553 983 05 B9A | Carrara white | | | |
| | 997 553 983 05 12H | Speed yellow | | | |
| | 997 553 983 05 92U | Arctic silver metallic | | | |
| | 997 553 983 05 C9Z | Basalt black metallic | | | |
| | 997 553 983 05 M7X | Atlas grey metallic | | | |
| | 997 553 983 05 39C | Midnight Blue Metallic | | | |
| | 997 553 983 05 M7W | Meteor Grey Metallic | | | |
| | 997 553 983 05 M8W | Macadamia Metallic | | | |
| | 997 553 983 05 M3X | Ruby red metallic | | | |
| | 997 553 983 05 M5X | Dark blue metallic | | | |
| | | D - MJ 2010>> | | | |
| | 997 553 983 05 22G | Racing Green Metallic | | | |
| | 997 553 983 05 32B | Sailing Blue Metallic | | | |
| | 997 553 983 05 M5R | Aqua blue metallic | | | |
| | 997 553 983 05 51A | cream white | | | |
| | 997 553 983 05 M2Z | Nordic Gold Metallic | | | |
| | 997 553 983 05 M7Z | GT Silver Metallic | | | |
| | 997 553 983 05 2B5 | Malachite Green Metallic | | | |
| | 997 553 983 05 M4Z | Amethyst metallic | | | |
| | 997 553 983 05 M5Q | Ice blue metallic | | | |
| | 997 553 983 05 3S2 | Ipanema Blue Metallic | | | |
| 18 | 997 553 625 01 | Insert for centre console Extension | | 1 | COUPE/TARGA |
| 19 | 999 073 226 09 | panel screw 4,2 X 16 | | X | |
| 20 | 999 507 020 01 | panel nut 4,2 | | X | |
| 21 | 999 919 121 09 | fillister hd. bolt 5 X 16 | | 2 | |
| 22 | 999 073 155 09 | panel screw 4,2 X 13 | | 2 | |
| 23 | 997 553 615 01 | Floor Centre console | | 1 | |
| 24 | 999 507 028 01 | panel nut 4,2 | | X | |
| 25 | 997 553 902 00 | ashtray Lacquered | | 1 | |
| | 997 553 902 00 A03 | Black | | | |
| | 997 553 902 00 5V7 | Stone grey | | | |
| | 997 553 902 00 5Z1 | Sand beige | | | |
| | 997 553 902 00 8W7 | sea blue | | | |
| | 997 553 902 00 8X8 | Terracotta | | | |
| | 997 553 902 00 8P9 | Cocoa | | | |
| | 997 553 902 00 T13 | Brown/natural | | | |
| | 997 553 902 00 N23 | Carrera Red | | | |
| | 997 553 902 00 2S8 | Espresso | | | |
| (25) | 997 553 982 00 | ashtray Leather | | 1 | COUPE S PR:756 |
| | | D - MJ 2010>> | | | |
| | 997 553 982 00 6J0 | Espresso | | | |
| (25) | 997 553 982 06 | ashtray Leather | | 1 | PR:XMZ |
| | 997 553 982 06 A11 | Black | | | |
| | 997 553 982 06 5X6 | Stone grey | | | |
| | 997 553 982 06 8G2 | Sand beige | | | |
| | 997 553 982 06 3S9 | sea blue | | | |

Model: 997-09

Model life 2009>>2012

| Pos | Part Number | Description | Remark | Qty | Model |
|------|--------------------|---------------------------|--------|-----|------------|
| | 997 553 982 06 9S5 | Terracotta | | | |
| | 997 553 982 06 9V6 | Cocoa | | | |
| | 997 553 982 06 D12 | Dark grey/natural | | | |
| | 997 553 982 06 T12 | Brown/natural | | | |
| | 997 553 982 06 N12 | Carrera Red | | | |
| | 997 553 982 06 6J0 | Espresso | | | |
| (25) | 997 553 982 01 | ashtray | | 1 | PR:XMJ |
| | | Carbon | | | |
| | 997 553 982 01 A35 | Black | | | |
| (25) | 997 553 982 03 | ashtray | | 1 | PR:XJT |
| | 997 553 982 03 S61 | macassar | | | |
| (25) | 997 553 982 04 | ashtray | | 1 | PR:XCK |
| | | Aluminium look | | | |
| | 997 553 982 04 V04 | Galvano silver | | | |
| (25) | 997 553 982 05 | ashtray | | 1 | PR:XME |
| | | Lacquered | | | |
| | 997 553 982 05 041 | Black | | | |
| | 997 553 982 05 84A | guards red (Porsche) | | | |
| | 997 553 982 05 B9A | Carrara white | | | |
| | 997 553 982 05 12H | Speed yellow | | | |
| | 997 553 982 05 92U | Arctic silver metallic | | | |
| | 997 553 982 05 C9Z | Basalt black metallic | | | |
| | 997 553 982 05 M7X | Atlas grey metallic | | | |
| | 997 553 982 05 39C | Midnight Blue Metallic | | | |
| | 997 553 982 05 M7W | Meteor Grey Metallic | | | |
| | 997 553 982 05 M8W | Macadamia Metallic | | | |
| | 997 553 982 05 M3X | Ruby red metallic | | | |
| | 997 553 982 05 M5X | Dark blue metallic | | | |
| | | D - MJ 2010>> | | | |
| | 997 553 982 05 22G | Racing Green Metallic | | | |
| | 997 553 982 05 32B | Sailing Blue Metallic | | | |
| | 997 553 982 05 M5R | Aqua blue metallic | | | |
| | 997 553 982 05 51A | cream white | | | |
| | 997 553 982 05 M2Z | Nordic Gold Metallic | | | |
| | 997 553 982 05 M7Z | GT Silver Metallic | | | |
| | 997 553 982 05 2B5 | Malachite Green Metallic | | | |
| | 997 553 982 05 M4Z | Amethyst metallic | | | |
| | 997 553 982 05 M5Q | Ice blue metallic | | | |
| | 997 553 982 05 3S2 | Ipanema Blue Metallic | | | |
| 26 | 997 553 611 01 | Insert for centre console | | 1 | |
| 26 | 997 553 613 00 | Insert for centre console | | 1 | PR:870 |
| 27 | 997 553 261 05 | Frame | | 1 | CARRERA |
| | | Lacquered | | | |
| | 997 553 261 05 D07 | Volcano grey | | | |
| (27) | 997 553 261 06 | Frame | | 1 | CARRERA S |
| | | Lacquered | | | |
| | 997 553 261 06 V04 | Galvano silver | | | |
| (27) | 997 553 261 06 | Frame | | 1 | PR:012,013 |
| | | Lacquered | | | |
| | | D - MJ 2011>> | | | |
| | 997 553 261 06 V04 | Galvano silver | | | |
| (27) | 987 553 261 01 | Frame | | 1 | PR:XDJ |
| | | D - MJ 2010>> | | | |
| | 987 553 261 01 G2X | primed | | | |
| 28 | 999 507 533 02 | Clamp | | 7 | |
| | | 8,0 X 10,0/2,5 | | | |
| 29 | 999 073 155 09 | panel screw | | 4 | |
| | | 4,2 X 13 | | | |
| | | for | | | |
| | | Mount | | | |
| | | Frame | | | |
| 30 | 997 553 245 01 | Cover | | 1 | PR:250 |
| | | Shift gate | | | |

Model: 997-09 Model life 2009>>2012

| Pos | Part Number | Description | Remark | Qty | Model |
|------|--------------------|------------------------------|--------|-----|------------|
| | 997 553 245 01 FUG | Black/Galvano Silver | | | |
| | 997 553 245 01 FUH | Stone Grey/Galvano Silver | | | |
| | 997 553 245 01 FUJ | Sand Beige/Galvano Silver | | | |
| | 997 553 245 01 FUK | Ocean Blue/Galvano Silver | | | |
| | 997 553 245 01 FUL | Terracotta/Galvano Silver | | | |
| | 997 553 245 01 FUM | Cocoa/Galvano Silver | | | |
| | 997 553 245 01 FUN | Natural Brown/Galvano Silver | | | |
| | 997 553 245 01 FU0 | Carrera Red/Galvano Silver | | | |
| | 997 553 245 01 FWJ | Espresso/Galvano Silver | | | |
| (30) | 997 553 987 00 | Cover | | 1 | PR:XWS,250 |
| | | Shift gate | | | |
| | | Lacquered | | | |
| | 997 553 987 00 041 | Black | | | |
| | 997 553 987 00 84A | guards red (Porsche) | | | |
| | 997 553 987 00 B9A | Carrara white | | | |
| | 997 553 987 00 12H | Speed yellow | | | |
| | 997 553 987 00 92U | Arctic silver metallic | | | |
| | 997 553 987 00 C9Z | Basalt black metallic | | | |
| | 997 553 987 00 M7X | Atlas grey metallic | | | |
| | 997 553 987 00 39C | Midnight Blue Metallic | | | |
| | 997 553 987 00 M7W | Meteor Grey Metallic | | | |
| | 997 553 987 00 M7Z | GT Silver Metallic | | | |
| | 997 553 987 00 M8W | Macadamia Metallic | | | |
| | 997 553 987 00 M3X | Ruby red metallic | | | |
| | 997 553 987 00 M5X | Dark blue metallic | | | |
| | | D - MJ 2010>> | | | |
| | 997 553 987 00 2B5 | Malachite Green Metallic | | | |
| | 997 553 987 00 22G | Racing Green Metallic | | | |
| | 997 553 987 00 32B | Sailing Blue Metallic | | | |
| | | D >> - MJ 2009 | | | |
| | 997 553 987 00 M5R | Aqua blue metallic | | | |
| | 997 553 987 00 51A | cream white | | | |
| | 997 553 987 00 M2Z | Nordic Gold Metallic | | | |
| | 997 553 987 00 M4Z | Amethyst metallic | | | |
| | 997 553 987 00 M5Q | Ice blue metallic | | | |
| (30) | 997 553 987 00 3S2 | Ipanema Blue Metallic | | 1 | PR:XWT,250 |
| | | Cover | | | |
| | | Shift gate | | | |
| | | Lacquered | | | |
| (30) | 997 553 987 00 041 | Black | | 1 | PR:XWR,250 |
| | 997 553 987 01 | Cover | | | |
| | | Shift gate | | | |
| (30) | 997 553 987 01 V04 | Galvano silver | | 1 | PR:XWU,250 |
| | 997 553 987 02 | Cover (leather) | | | |
| | | Shift gate | | | |
| | 997 553 987 02 A11 | Black | | | |
| | 997 553 987 02 5X6 | Stone grey | | | |
| | 997 553 987 02 8G2 | Sand beige | | | |
| | 997 553 987 02 3S9 | sea blue | | | |
| | 997 553 987 02 9S5 | Terracotta | | | |
| | 997 553 987 02 9V6 | Cocoa | | | |
| | 997 553 987 02 D12 | Dark grey/natural | | | |
| | 997 553 987 02 T12 | Brown/natural | | | |
| | 997 553 987 02 N12 | Carrera Red | | | |
| | 997 553 987 02 6J0 | Espresso | | | |
| (30) | 997 553 243 01 | Cover | | 1 | PR:480 |
| | | Shift gate | | | |
| | | Lacquered | | | |
| | 997 553 243 01 A03 | Black | | | |
| | 997 553 243 01 5V7 | Stone grey | | | |
| | 997 553 243 01 5Z1 | Sand beige | | | |
| | 997 553 243 01 8W7 | sea blue | | | |
| | 997 553 243 01 8X8 | Terracotta | | | |

Model: 997-09 Model life 2009>>2012

| Pos | Part Number | Description | Remark | Qty | Model | | | |
|--------------------|--------------------|-------------------|--------|-----|------------|--|---|--------|
| (30) | 997 553 243 01 8P9 | Cocoa | | 1 | PR:XDZ,480 | | | |
| | 997 553 243 01 T13 | Brown/natural | | | | | | |
| | 997 553 243 01 N23 | Carrera Red | | | | | | |
| | 997 553 243 01 2S8 | Espresso | | | | | | |
| | 997 553 996 00 | Cover (leather) | | | | | | |
| | | Shift gate | | | | | | |
| | | D - MJ 2010>> | | | | | | |
| | 997 553 996 00 A11 | Black | | | | | | |
| | 997 553 996 00 5X6 | Stone grey | | | | | | |
| | 997 553 996 00 8G2 | Sand beige | | | | | | |
| | 997 553 996 00 3S9 | sea blue | | | | | | |
| | 997 553 996 00 9S5 | Terracotta | | | | | | |
| | 997 553 996 00 9V6 | Cocoa | | | | | | |
| | 997 553 996 00 D12 | Dark grey/natural | | | | | | |
| 997 553 996 00 T12 | Brown/natural | | | | | | | |
| 997 553 996 00 N12 | Carrera Red | | | | | | | |
| 997 553 996 00 6J0 | Espresso | | | | | | | |
| 31 | 999 507 922 01 | U-clip 4,0 | | 1 | PR:870 | | | |
| 32 | 997 553 903 00 | Cover | | 1 | PR:XCK | | | |
| | | Brake lever | | | | | | |
| | | Lacquered | | | | | | |
| | 997 553 903 00 A03 | Black | | | | | | |
| | 997 553 903 00 5V7 | Stone grey | | | | | | |
| | 997 553 903 00 5Z1 | Sand beige | | | | | | |
| | 997 553 903 00 8W7 | sea blue | | | | | | |
| | 997 553 903 00 8X8 | Terracotta | | | | | | |
| | 997 553 903 00 8P9 | Cocoa | | | | | | |
| | 997 553 903 00 T13 | Brown/natural | | | | | | |
| | 997 553 903 00 N23 | Carrera Red | | | | | | |
| | 997 553 903 00 2S8 | Espresso | | | | | | |
| | (32) | 997 553 981 00 | Cover | | | | 1 | PR:XCK |
| | | Brake lever | | | | | | |
| 997 553 981 00 A11 | Black | | | | | | | |
| 997 553 981 00 5X6 | Stone grey | | | | | | | |
| 997 553 981 00 8G2 | Sand beige | | | | | | | |
| 997 553 981 00 3S9 | sea blue | | | | | | | |
| 997 553 981 00 9S5 | Terracotta | | | | | | | |
| 997 553 981 00 9V6 | Cocoa | | | | | | | |
| 997 553 981 00 D12 | Dark grey/natural | | | | | | | |
| 997 553 981 00 T12 | Brown/natural | | | | | | | |
| 997 553 981 00 N12 | Carrera Red | | | | | | | |
| 997 553 981 00 6J0 | Espresso | | | | | | | |
| (32) | 997 553 981 00 | Cover | | 1 | PR:XJT | | | |
| | Brake lever | | | | | | | |
| 997 553 981 00 A11 | Black | | | | | | | |
| 997 553 981 00 5X6 | Stone grey | | | | | | | |
| 997 553 981 00 8G2 | Sand beige | | | | | | | |
| 997 553 981 00 3S9 | sea blue | | | | | | | |
| 997 553 981 00 9S5 | Terracotta | | | | | | | |
| 997 553 981 00 9V6 | Cocoa | | | | | | | |
| 997 553 981 00 D12 | Dark grey/natural | | | | | | | |
| 997 553 981 00 T12 | Brown/natural | | | | | | | |
| 997 553 981 00 N12 | Carrera Red | | | | | | | |
| 997 553 981 00 6J0 | Espresso | | | | | | | |
| (32) | 997 553 981 00 | Cover | | 1 | PR:XME | | | |
| | Brake lever | | | | | | | |
| 997 553 981 00 A11 | Black | | | | | | | |
| 997 553 981 00 5X6 | Stone grey | | | | | | | |
| 997 553 981 00 8G2 | Sand beige | | | | | | | |
| 997 553 981 00 3S9 | sea blue | | | | | | | |
| 997 553 981 00 9S5 | Terracotta | | | | | | | |
| 997 553 981 00 9V6 | Cocoa | | | | | | | |

Model: 997-09

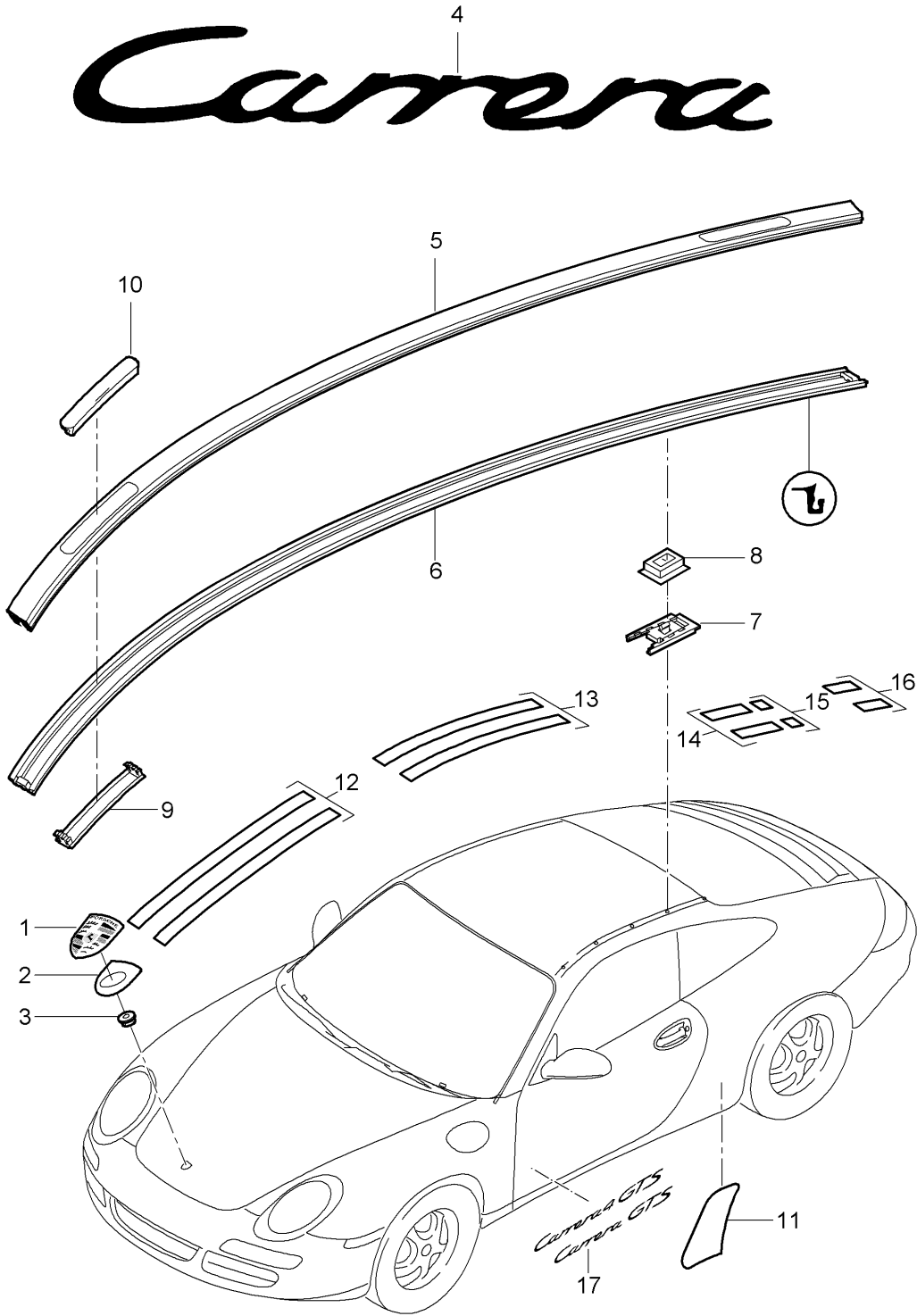
Model life 2009>>2012

| Pos | Part Number | Description | Remark | Qty | Model | | | |
|------|--------------------|----------------------|---------------|-----|-------------------|-------|---|--------|
| (32) | 997 553 981 00 D12 | Dark grey/natural | | 1 | PR:XMJ | | | |
| | 997 553 981 00 T12 | Brown/natural | | | | | | |
| | 997 553 981 00 N12 | Carrera Red | | | | | | |
| | 997 553 981 00 6J0 | Espresso | | | | | | |
| | 997 553 981 00 | Cover | | | | | | |
| | | Brake lever | | | | | | |
| | 997 553 981 00 A11 | Black | | | | | | |
| | 997 553 981 00 5X6 | Stone grey | | | | | | |
| | 997 553 981 00 8G2 | Sand beige | | | | | | |
| | 997 553 981 00 3S9 | sea blue | | | | | | |
| (32) | 997 553 981 00 9S5 | Terracotta | | 1 | COUPE S PR:756 | | | |
| | 997 553 981 00 9V6 | Cocoa | | | | | | |
| | 997 553 981 00 D12 | Dark grey/natural | | | | | | |
| | 997 553 981 00 T12 | Brown/natural | | | | | | |
| | 997 553 981 00 N12 | Carrera Red | | | | | | |
| | 997 553 981 00 6J0 | Espresso | | | | | | |
| | 997 553 981 00 | Cover | | | | | | |
| | | Brake lever | | | | | | |
| | | D - MJ 2010>> | | | | | | |
| | | Espresso | | | | | | |
| (32) | 997 553 981 00 6J0 | Espresso | | 1 | PR:XMZ | | | |
| | 997 553 981 07 | Cover | | | | | | |
| | | Brake lever | | | | | | |
| | 997 553 981 07 A11 | Black | | | | | | |
| | 997 553 981 07 5X6 | Stone grey | | | | | | |
| | 997 553 981 07 8G2 | Sand beige | | | | | | |
| | 997 553 981 07 3S9 | sea blue | | | | | | |
| | 997 553 981 07 9S5 | Terracotta | | | | | | |
| | 997 553 981 07 9V6 | Cocoa | | | | | | |
| | 997 553 981 07 D12 | Dark grey/natural | | | | | | |
| 33 | 997 553 981 07 T12 | Brown/natural | | 2 | | | | |
| | 997 553 981 07 N12 | Carrera Red | | | | | | |
| | 997 553 981 07 6J0 | Espresso | | | | | | |
| | 999 591 215 40 | expanding nut 4,2 | | | | | | |
| | 34 | 997 553 732 00 | Rubber buffer | | | inner | 2 | |
| | | | Cover | | | | | |
| | 35 | 997 553 861 00 | Clamp | | | | 4 | PR:XMZ |

Model: 997-09

Model life 2009>>2012

Carrera



Model: 997-09 Model life 2009>>2012

| Pos | Part Number | Description | Remark | Qty | Model |
|-----|--------------------|---|--------|-----|------------|
| | | inscriptions/lettering Decorative fittings Stone guard film | | | |
| 1 | 997 559 211 00 | Porsche crest | | 1 | |
| 2 | 7L5 853 611 B | Underlay | | 1 | |
| 3 | 999 591 423 03 | Tapping nut | | 2 | |
| 4 | 997 559 237 00 | inscription *CARRERA* Lacquered Titanium | | 1 | C2/C4 |
| (4) | 997 559 237 01 | inscription *CARRERA* Mat chrome | | 1 | C2S/C4S |
| (4) | 997 559 237 04 | inscription *TARGA* Lacquered Titanium | | 1 | C4 |
| (4) | 997 559 237 05 | inscription *TARGA* Mat chrome | | 1 | C4S |
| (4) | 997 559 231 00 | inscription *911* chromed | | 1 | PR:911 |
| (4) | 997 559 243 00 | inscription *S* | | 1 | C2S/C4S |
| (4) | 997 559 241 00 | inscription *4* | | 1 | C4 |
| (4) | 997 559 241 01 | inscription *4* | | 1 | C4S |
| (4) | 997 559 980 02 | inscription *Sport Classic* | | 1 | PR:756 |
| (4) | 997 559 221 00 | inscription *Speedster* | | 1 | PR:503 |
| (4) | 997 559 221 00 041 | Black | | | |
| (4) | 997 559 037 05 | 1 lettering set *Carrera GTS* Black Lacquered | | 1 | PR:011,515 |
| (4) | 997 559 037 06 | 1 lettering set *Carrera GTS* silver Lacquered | | 1 | PR:011,514 |
| (4) | 997 559 037 07 | 1 lettering set *CARRERA 4 GTS* Black Lacquered | | 1 | PR:019,515 |
| (4) | 997 559 037 08 | 1 lettering set *Carrera 4 GTS* silver Lacquered | | 1 | PR:019,514 |
| 5 | 997 559 401 00 | Roof edge strip | left | 1 | |
| (5) | 997 559 401 00 G2X | primed | | | |
| (5) | 997 559 402 00 | Roof edge strip | right | 1 | |
| (5) | 997 559 402 00 G2X | primed | | | |
| 6 | 997 559 721 01 | Seal Roof edge strip D - MJ 2009>> | left | 1 | |
| (6) | 997 559 722 01 | Seal Roof edge strip D - MJ 2009>> | right | 1 | |
| 7 | 996 559 403 01 | Clip | | 10 | |
| 8 | 996 559 405 01 | Adapter | | 10 | |
| 9 | 996 559 729 00 | Bracket | | 4 | |

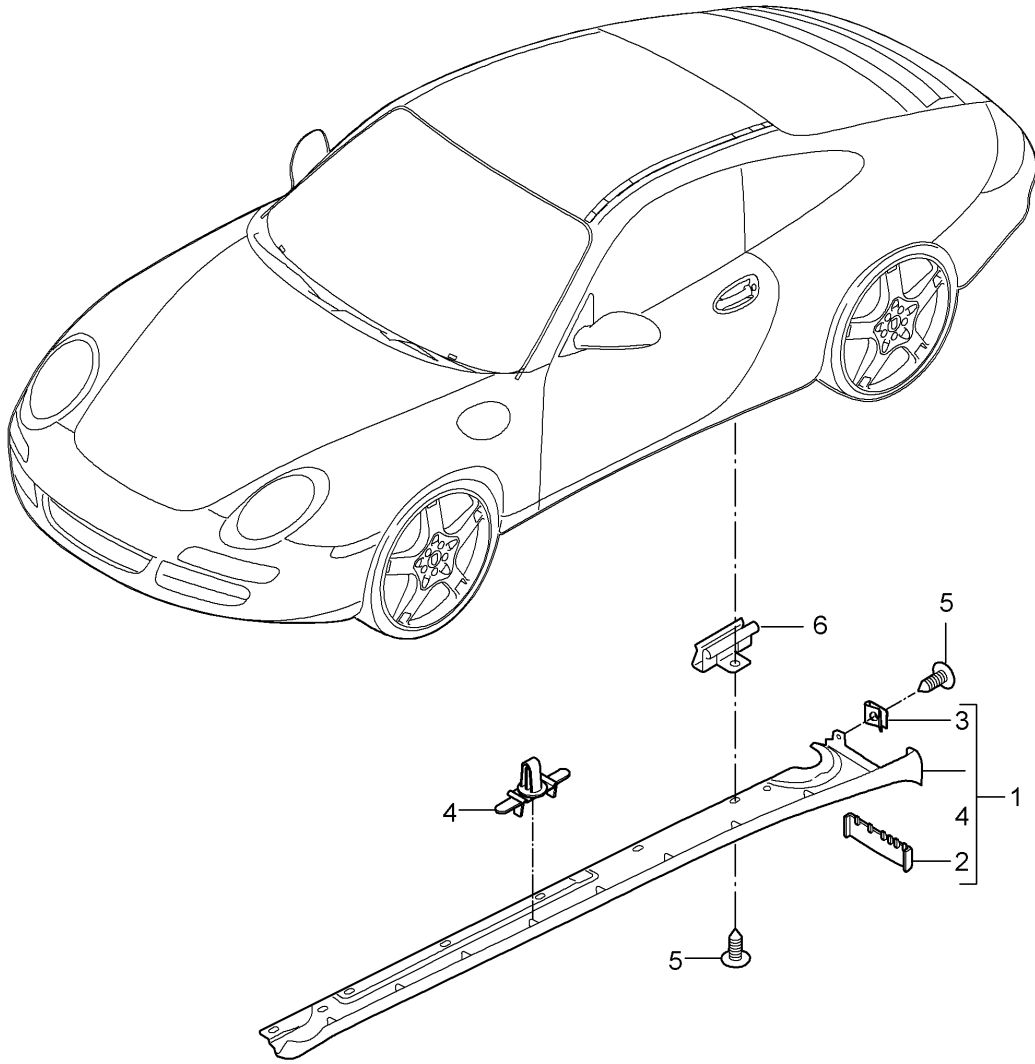
Model: 997-09

Model life 2009>>2012

| Pos | Part Number | Description | Remark | Qty | Model |
|------|--------------------|--------------------------|--------|-----|------------|
| 10 | 996 559 501 00 | for Flap | front | 2 | |
| | 996 559 501 00 G2X | Flap primed | | | |
| (10) | 996 559 503 00 | Flap | rear | 2 | |
| | 996 559 503 00 G2X | Flap primed | | | |
| 11 | 997 504 825 02 | Stone guard film | left | 1 | |
| | | Side part | | | |
| (11) | 997 504 826 02 | Stone guard film | right | 1 | |
| | | Side part | | | |
| (11) | 997 558 101 06 | Decorative film | | 1 | PR:756 |
| | | Set | | | |
| | | Stone guard film | | | |
| | | Side part | | | |
| (11) | 997 559 035 00 | Set | | 1 | PR:503 |
| | | Decorative film | | | |
| | | Side part | | | |
| | | Black | | | |
| 12 | 997 558 101 01 | Decorative film | front | 1 | PR:756 |
| | | Cover | | | |
| 13 | 997 558 101 02 | Decorative film | | 1 | PR:756 |
| | | Roof | | | |
| 14 | 997 558 101 03 | Decorative film | | 1 | PR:756 |
| | | Rear centre panel | | | |
| 15 | 997 558 101 04 | Decorative film | upper | 1 | PR:756 |
| | | Rear lid | | | |
| 16 | 997 558 101 05 | Decorative film | rear | 1 | PR:756 |
| | | Rear lid | | | |
| 17 | 997 559 443 00 | Decorative film for door | front | 2 | PR:011,514 |
| | | silver | | | |
| (17) | 997 559 443 01 | Decorative film for door | front | 2 | PR:011,515 |
| | | Black | | | |
| (17) | 997 559 443 02 | Decorative film for door | front | 2 | PR:019,515 |
| | | Black | | | |
| (17) | 997 559 443 03 | Decorative film for door | front | 2 | PR:019,514 |
| | | silver | | | |

Model: 997-09

Model life 2009>>2012

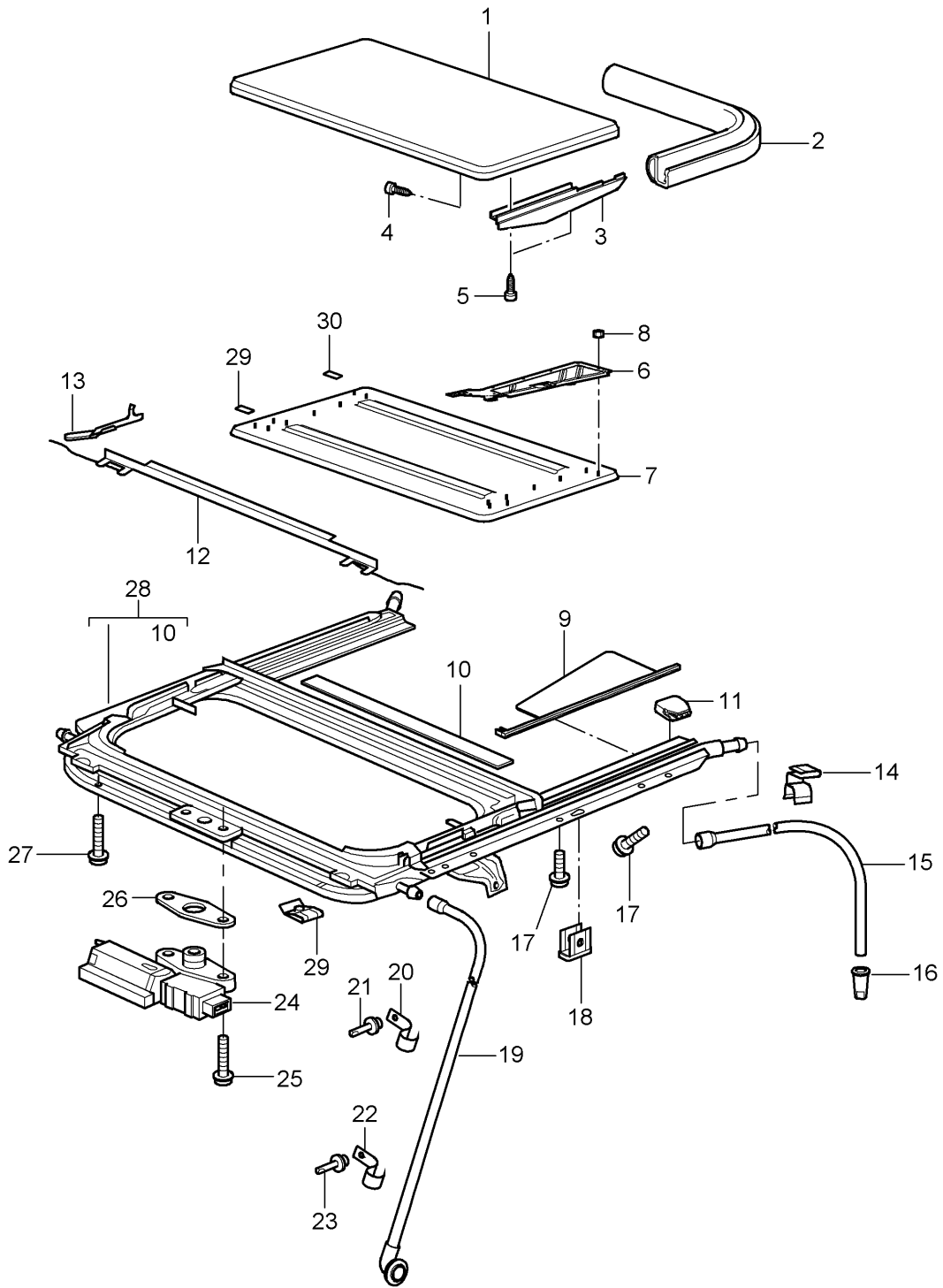


Model: 997-09 Model life 2009>>2012

| Pos | Part Number | Description | Remark | Qty | Model |
|-----|--------------------------------------|---|--------|-----|-----------------------|
| 1 | 997 504 363 00 | Side member trim Side member trim | left | 1 | PR:-011, -019,-XAJ |
| (1) | 997 504 363 00 01C 997 504 364 00 | Satin black Side member trim | right | 1 | PR:-011, -019,-XAJ |
| 1 | 997 504 364 00 01C 997 504 363 80 | Satin black Side member trim | left | 1 | PR:011,-XAJ |
| 1 | 997 504 363 80 997 504 363 80 01C | Side member trim Satin black | left | 1 | PR:019,-XAJ |
| (1) | 997 504 364 80 997 504 364 80 01C | Side member trim Satin black | right | 1 | PR:011,-XAJ |
| (1) | 997 504 364 80 997 504 364 80 01C | Side member trim Satin black | right | 1 | PR:019,-XAJ |
| 1 | 997 504 981 00 | Side member trim | left | 1 | PR:XAJ,-011, -019 |
| 1 | 997 504 981 00 G2X 997 504 981 82 | primed Side member trim | left | 1 | PR:XAJ,011 |
| 1 | 997 504 981 82 | Side member trim primed | left | 1 | PR:XAJ,019 |
| (1) | 997 504 982 00 | Side member trim | right | 1 | PR:XAJ,-011, -019 |
| 1 | 997 504 982 00 G2X 997 504 982 82 | primed Side member trim | right | 1 | PR:XAJ,011 |
| 1 | 997 504 982 82 | Side member trim primed | right | 1 | PR:XAJ,019 |
| 2 | 997 504 863 00 | Rubber lip Side member trim | left | 1 | PR:-011,-019 |
| (2) | 997 504 863 00 01C 997 504 863 80 | Satin black Rubber lip | left | 1 | GTS PR:011 |
| (2) | 997 504 863 80 01C 997 504 863 80 | Satin black Rubber lip | left | 1 | GTS PR:019 |
| (2) | 997 504 863 80 01C 997 504 864 00 | Satin black Rubber lip | right | 1 | PR:-011,-019 |
| (2) | 997 504 864 00 01C 997 504 864 80 | Satin black Rubber lip | right | 1 | GTS PR:011 |
| (2) | 997 504 864 80 01C 997 504 864 80 | Satin black Rubber lip | right | 1 | GTS PR:019 |
| 3 | 999 507 795 09 | panel nut ST 4,8 | | 4 | |
| 4 | 999 507 986 40 | Retaining clip Side member trim 9,0 x 1,5 | | 18 | |
| 5 | 999 073 231 09 | panel screw st 4,8 x 16 | | 24 | |
| 6 | 999 507 640 09 | U-clip | | 18 | |

Model: 997-09

Model life 2009>>2012



Model: 997-09 Model life 2009>>2012

| Pos | Part Number | Description | Remark | Qty | Model |
|------|--------------------|---|--------|-----|------------|
| | | Sunroof | | | PR:650 |
| 1 | 996 564 941 01 | Cover | | 1 | |
| | 996 564 941 01 GRV | primed | | | |
| 2 | 997 564 211 00 | Seal | | 1 | |
| 3 | 997 564 181 00 | Trim | left | 1 | |
| | 997 564 181 00 01C | Black | | | |
| (3) | 997 564 182 00 | Trim | right | 1 | |
| | 997 564 182 00 01C | Black | | | |
| 4 | 996 564 245 00 | Bolt with washer | | 4 | |
| 5 | 900 143 189 09 | panel screw | | 4 | |
| 6 | 996 564 321 01 | Guide plate | left | 1 | |
| (6) | 996 564 322 01 | Guide plate | right | 1 | |
| 7 | 997 564 021 00 | Roofliner | | 1 | |
| | | Alcantara | | | |
| | 997 564 021 00 A14 | Black | | | |
| | 997 564 021 00 B14 | Stone grey | | | |
| | 997 564 021 00 G14 | Metropole blue | | | |
| | 997 564 021 00 T44 | Sand beige | | | |
| | 997 564 021 00 J44 | Palm green | | | |
| (7) | 996 564 983 00 | Roofliner | | 1 | |
| | | Leather | | | |
| | 996 564 983 00 A11 | Black | | | |
| | 996 564 983 00 5X6 | Stone grey | | | |
| | 996 564 983 00 8G2 | Sand beige | | | |
| | 996 564 983 00 3S9 | sea blue | | | |
| | 996 564 983 00 4P2 | Palm green | | | |
| | 996 564 983 00 9S5 | Terracotta | | | |
| | 996 564 983 00 D12 | Dark grey/natural | | | |
| | 996 564 983 00 T12 | Natural brown | | | |
| | 996 564 983 00 9V6 | Cocoa | | | |
| 8 | 900 076 084 07 | Nut | | 16 | |
| 9 | 997 564 241 00 | Interior lining | left | 1 | |
| (9) | 997 564 242 00 | Interior lining | right | 1 | |
| 10 | 997 564 671 00 | Edge protection | | 11 | |
| 11 | 997 555 823 00 | Bracket | | 2 | |
| 12 | 997 564 161 00 | wind deflector | | 1 | |
| 13 | 996 564 522 01 | Toggle catch | right | 1 | |
| (13) | 996 564 521 01 | Toggle catch | left | 1 | |
| 14 | 999 507 631 02 | Cable holder | | 4 | |
| 15 | 996 564 205 01 | Water drainage hose | rear | 2 | |
| 16 | 996 561 825 00 | Water drain valve | rear | 2 | |
| 17 | 999 073 130 02 | fillister hd. bolt | | 6 | |
| 17 | 999 073 279 02 | fillister hd. bolt | | 6 | |
| 18 | 999 703 258 42 | Clip | | 2 | |
| 19 | 996 564 207 00 | Water drainage hose | front | 2 | |
| 20 | 997 564 301 00 | Retainer for coolant hose | upper | 2 | |
| 21 | 999 190 184 01 | Pop rivet 4,0X8,5 | | 2 | |
| 22 | 997 564 303 00 | Retainer for coolant hose | lower | 2 | |
| 23 | 999 190 450 37 | Pop rivet 4,0X6,3 | | 1 | |
| 24 | 997 624 213 00 | Driving mechanism | | 1 | PR:072,553 |
| 25 | 999 073 135 07 | countersunk bolt | | 1 | |
| 26 | 996 564 213 00 | Distance piece | | 1 | |
| 27 | 999 073 366 02 | fillister hd. bolt M6x30 | | 4 | |
| 28 | 997 564 911 00 | Frame for sliding sunroof aperture | | 1 | |
| | | without: | | | |
| 29 | 997 564 903 00 | Driving mechanism sound absorber piece | front | 3 | |

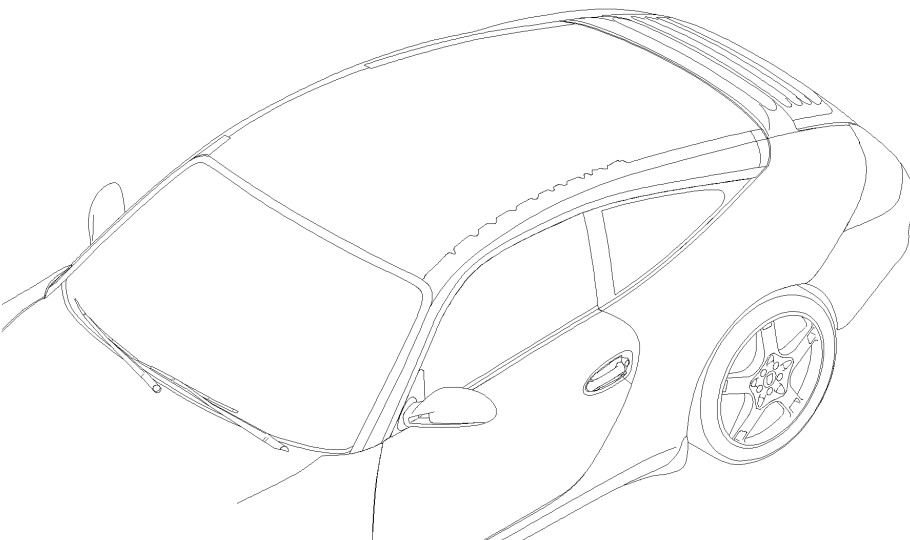
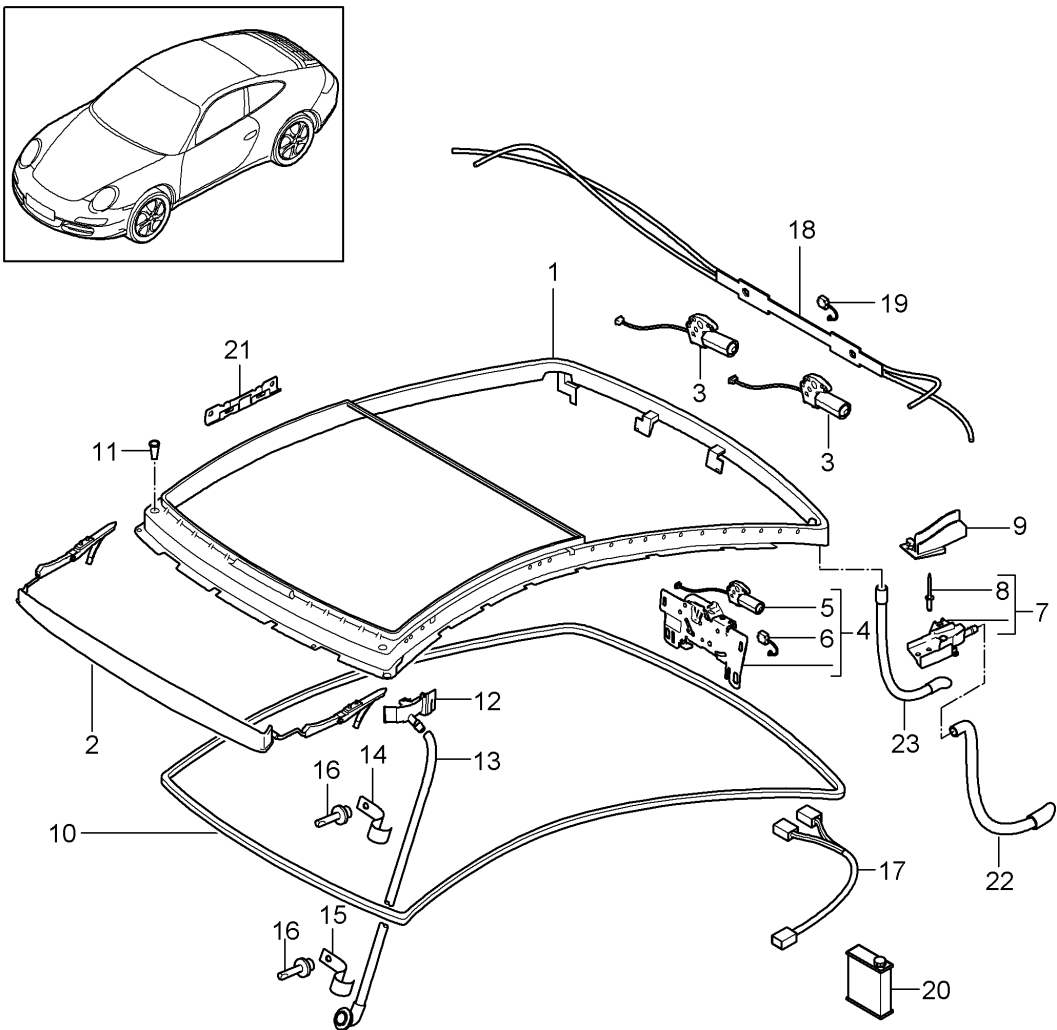
Model: 997-09

Model life 2009>>2012

| Pos | Part Number | Description | Remark | Qty | Model |
|-----|----------------|----------------------|--------|-----|-------|
| 30 | 997 564 905 00 | sound absorber piece | rear | 3 | |

Model: 997-09

Model life 2009>>2012



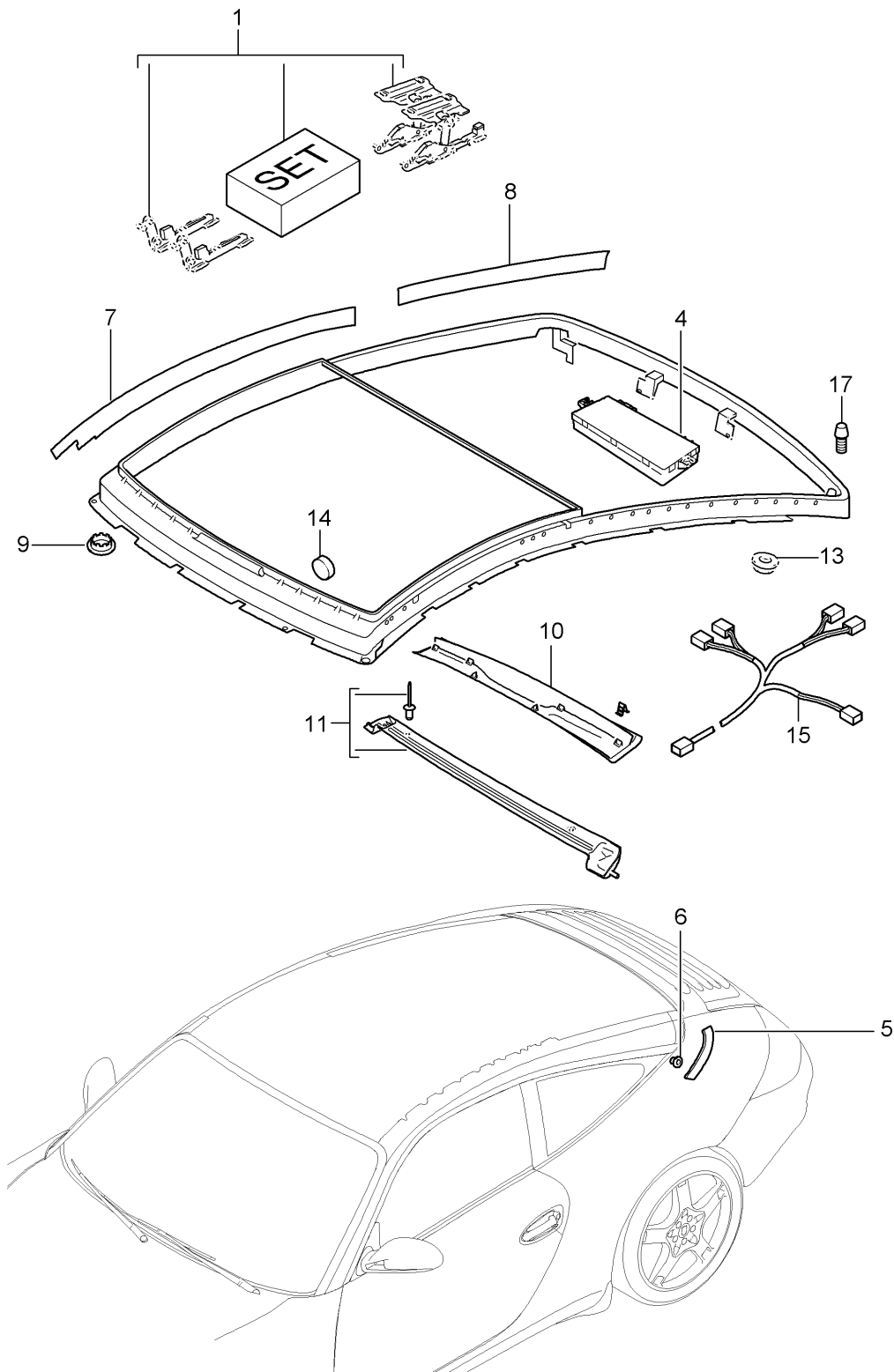
Model: 997-09

Model life 2009>>2012

| Pos | Part Number | Description | Remark | Qty | Model |
|------|----------------|------------------------------|---------------|-----|-------|
| | | Glass roof | | | TARGA |
| 1 | 997 562 905 00 | Frame | | 1 | |
| 2 | 997 562 953 00 | wind deflector repair set | | 1 | |
| 3 | 996 624 221 00 | Electric drive | | 2 | |
| 4 | 997 562 335 00 | catch | | 1 | |
| 5 | 996 624 231 00 | Driving mechanism | | 1 | |
| 6 | 996 613 231 00 | Micro switch | | 1 | |
| 7 | 996 562 439 00 | end piece | left | 1 | |
| | | Guide rail | | | |
| (7) | 996 562 440 00 | end piece | right | 1 | |
| | | Guide rail | | | |
| 8 | 999 190 172 30 | Pop rivet | | 4 | |
| 9 | 996 562 437 00 | Cover | left | 1 | |
| (9) | 996 562 438 00 | Cover | right | 1 | |
| 10 | 996 562 425 00 | sealing tape | | 1 | |
| 11 | 997 562 421 00 | drain tube | | 1 | |
| 12 | 996 562 401 00 | water drain pipe | left | 1 | |
| (12) | 996 562 402 00 | water drain pipe | right | 1 | |
| 13 | 996 562 203 01 | Water drainage hose | | 2 | |
| 14 | 997 564 301 00 | Retainer for coolant hose | upper | 2 | |
| 15 | 997 564 303 00 | Retainer for coolant hose | lower | 2 | |
| 16 | 999 190 450 37 | Pop rivet | | 4 | |
| 17 | 996 612 344 00 | Wire set | | 1 | |
| | | roller blind | | | |
| 18 | 996 562 913 00 | guide tube | | 1 | |
| | | with: | | | |
| | | Input shaft | | | |
| 19 | 996 613 221 00 | Micro switch | | 1 | |
| 20 | 000 043 157 00 | Cleaning solution 30 ML | | 1 | |
| 21 | | see illustration: | 801-065 | 1 | |
| 22 | 996 562 205 01 | Water drainage hose | rear outer | 2 | |
| 23 | 996 562 207 01 | Water drainage hose | rear inner | 2 | |

Model: 997-09

Model life 2009>>2012



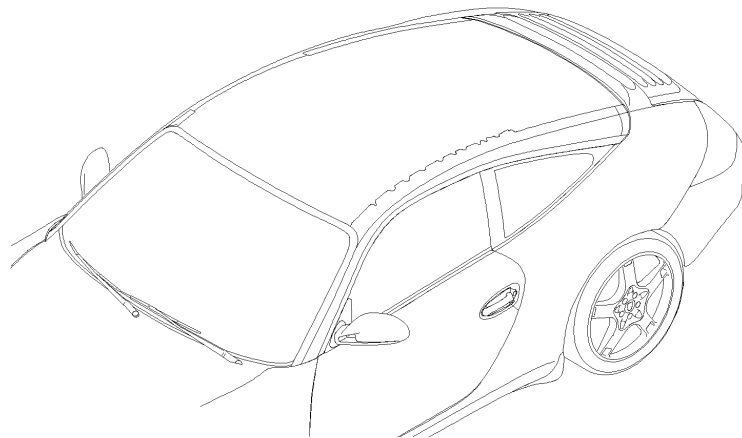
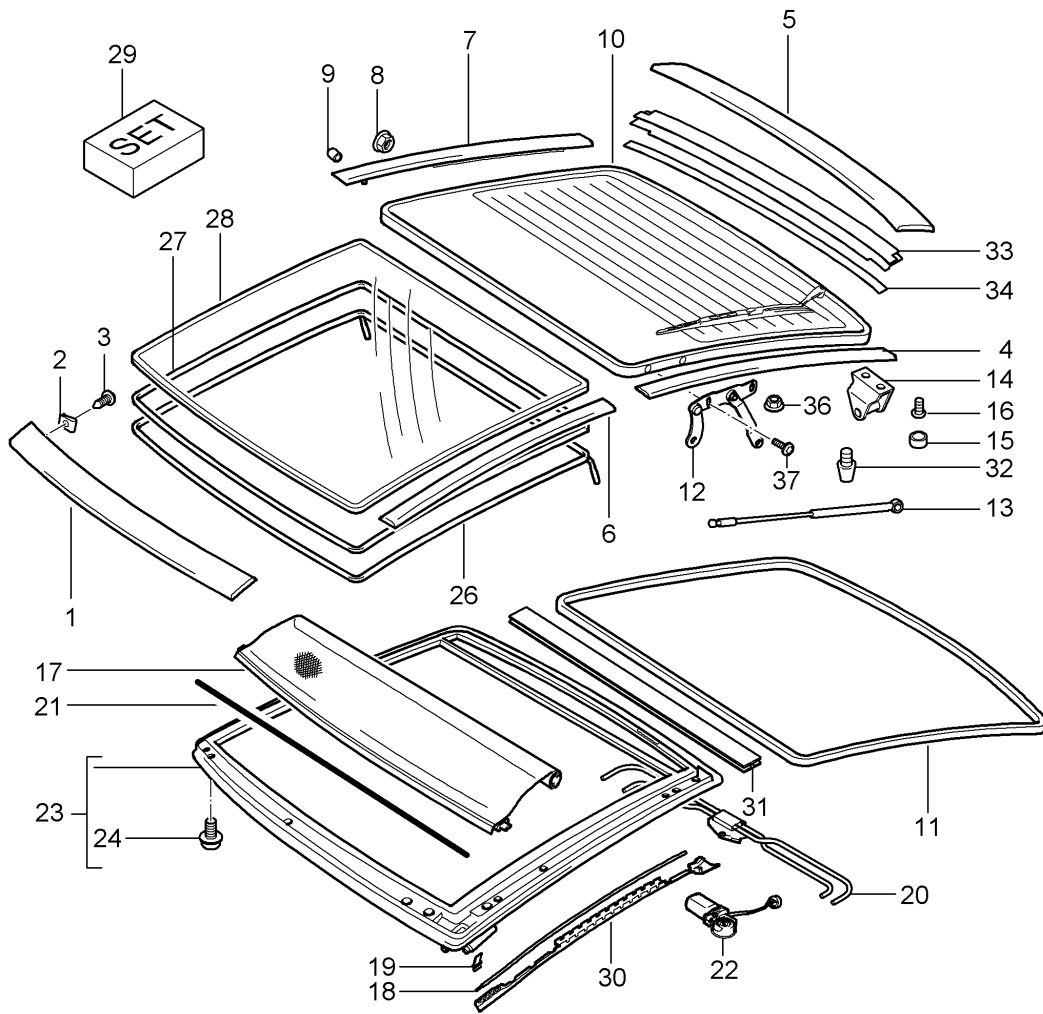
Model: 997-09

Model life 2009>>2012

| Pos | Part Number | Description | Remark | Qty | Model |
|-----|--------------------|---|--------|-----|-------|
| 1 | 996 562 906 00 | Glass roof Driving mechanism repair set Lifting mechanism with: Knock-out lever and Fasteners also use: pos.2 pos.3 fitting instructions See technical manual | | 1 | TARGA |
| 2 | 996 562 315 00 | Cable | left | 1 | |
| 3 | 996 562 316 00 | Cable | right | 1 | |
| 4 | 997 618 241 01 | Control unit | | 1 | |
| 5 | 997 562 541 00 | trim for pillar c | left | 1 | |
| | 997 562 541 00 GRV | primed | | | |
| (5) | 997 562 542 00 | trim for pillar c | right | 1 | |
| | 997 562 542 00 GRV | primed | | | |
| 6 | 893 853 231 A | expanding nut | | 4 | |
| 7 | 996 562 407 00 | Trim | left | 1 | |
| (7) | 996 562 408 00 | Trim | right | 1 | |
| 8 | 996 562 911 00 | Trim | left | 1 | |
| (8) | 996 562 404 00 | Trim | right | 1 | |
| 9 | 999 703 866 40 | Cover | | 3 | |
| 10 | 996 562 943 00 | Trim | | 1 | |
| 11 | 996 562 459 00 | Profile strip | | 1 | |
| 12 | 996 562 427 00 | Bracket | | 1 | |
| 13 | 999 084 456 09 | Hexagon nut | | X | |
| 14 | 999 703 134 40 | Stop buffer 40,0 x 11,0 | | 2 | |
| 15 | 997 612 699 00 | Wire set | | 1 | |
| 16 | 999 507 778 02 | Securing clip | | 6 | |
| - | 997 562 661 00 | Rubber buffer for gate guide See workshop manual 600649 | | 4 | |
| 17 | 999 703 488 40 | Stop buffer for Rear lid 5,9x11,5x16 | | 2 | |

Model: 997-09

Model life 2009>>2012



Model: 997-09 Model life 2009>>2012

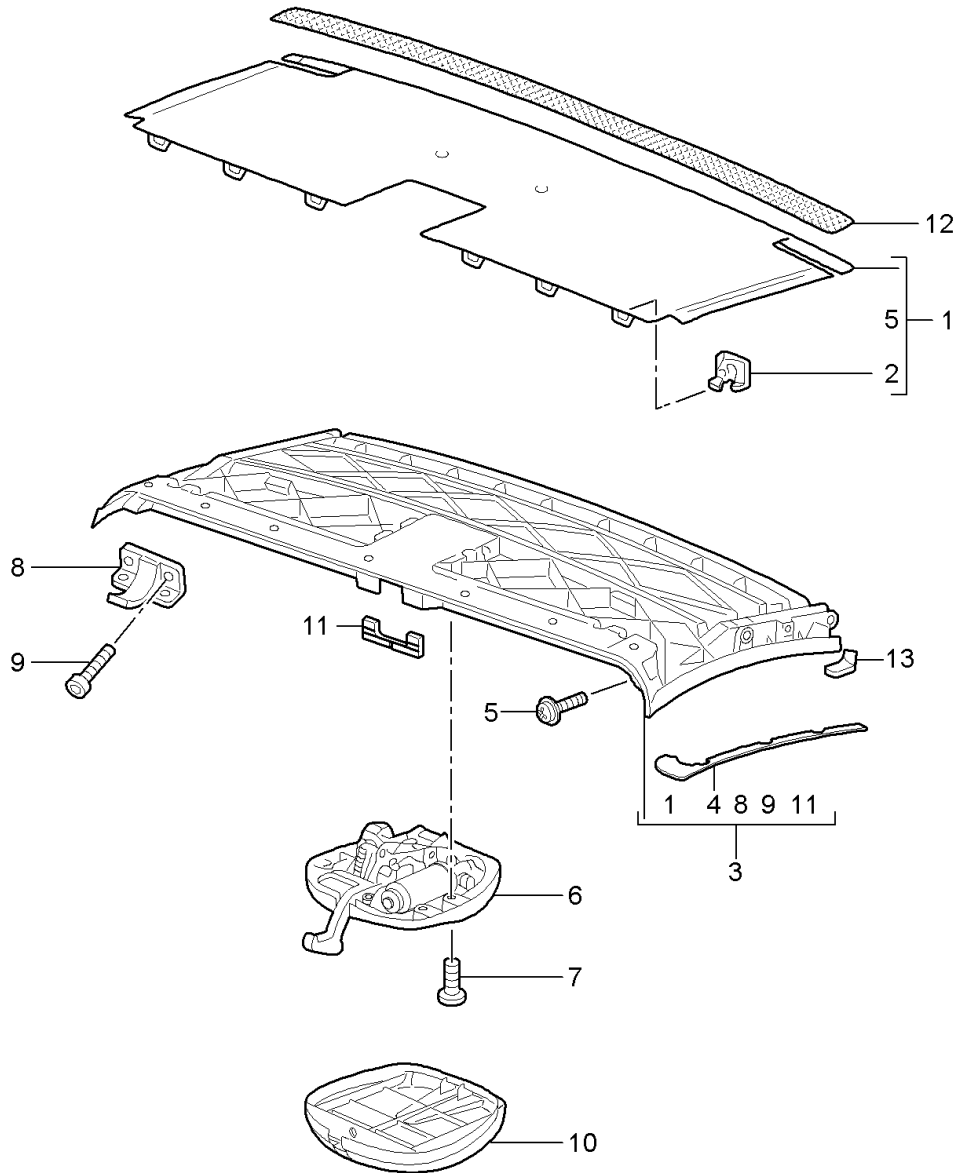
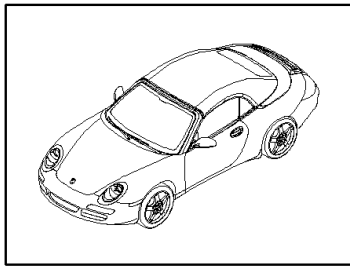
| Pos | Part Number | Description | Remark | Qty | Model |
|------|----------------|--|--------------------------|------------------|--------|
| 1 | 997 562 021 00 | Glass roof Linings Trim Scuttle | | 1 | TARGA |
| 1 | 997 562 021 02 | Discontinued part Trim Scuttle | | 1 | |
| 1 | 997 562 021 01 | Trim Scuttle | | 1 | PR:686 |
| | | with: | | | |
| 2 | 999 591 591 01 | Aerial panel nut | | 3 | |
| 3 | 999 919 162 09 | St 3,5 fillister hd. bolt | | 3 | |
| 4 | 997 562 651 00 | M 4 x 8 Cover | left | 1 | |
| (4) | 997 562 652 00 | roof member Cover | right | 1 | |
| 5 | 997 562 653 01 | roof member Cover | rear | 1 | |
| 6 | 997 562 303 00 | Centre part Cover trim | left | 1 | |
| (6) | 997 562 304 00 | Glass roof Cover trim | right | 1 | |
| 7 | 997 562 341 00 | Glass roof Tailgate panel | left side | 1 | |
| | | with: | | | |
| (7) | 997 562 342 00 | Seal Screw nut, square Tailgate panel | right side | 1 6 6 1 | |
| | | with: | | | |
| 8 | 999 076 073 07 | Seal Screw nut, square Hexagon nut | | 1 6 6 2 | |
| 9 | 900 228 017 09 | threaded pin | | 2 | |
| 10 | 997 562 323 00 | Rear lid | | 1 | |
| 10 | 997 562 323 01 | Rear lid | | 1 | PR:425 |
| - | 000 043 207 64 | Assembly kit | | 1 | PR:425 |
| | | with: | | | |
| - | 996 562 453 00 | shaft Rear window wiper Grommet Rear window wiper | also use: 996 562 453 00 | 1 | PR:425 |
| 11 | 996 562 337 00 | Seal | | 1 | |
| 12 | 996 562 319 00 | Rear lid hinge | left | 1 | |
| (12) | 996 562 320 00 | Rear lid hinge | right | 1 | |
| 13 | 997 562 429 00 | Gas filled strut | left | 1 | |
| (13) | 997 562 430 00 | Gas filled strut | right | 1 | |
| 14 | 996 562 325 00 | arm | | 1 | |
| - | 999 073 189 09 | Torx screw arm M6x12 | | 2 | |
| 15 | 996 562 461 00 | Cover cap | | 1 | |
| 16 | 900 228 017 09 | threaded pin | | 2 | |
| 17 | 996 562 405 00 | roller blind | | 1 | |
| 18 | 997 562 917 00 | Cable | left | 1 | |
| (18) | 997 562 918 00 | Cable roller blind | right | 1 | |

Model: 997-09 Model life 2009>>2012

| Pos | Part Number | Description | Remark | Qty | Model |
|------|----------------|---|--------|-----|-------|
| 19 | 997 562 915 00 | Sliding piece | left | 1 | |
| (19) | 997 562 916 00 | Sliding piece roller blind | right | 1 | |
| 20 | 996 562 910 00 | Guide Cable | | 1 | |
| 21 | 996 562 901 00 | Roof arch | | 1 | |
| 22 | 996 624 241 00 | Electric motor | | 1 | |
| 23 | 996 562 933 01 | repair set retaining frame | | 1 | |
| 24 | 996 562 904 00 | repair set Fastening screw retaining frame | | 1 | |
| 25 | 999 073 262 09 | Torx screw | | 10 | |
| 26 | 996 562 455 01 | M 5X14 Seal | | 1 | |
| | | with: | | | |
| 27 | 996 562 331 00 | Water drainage hose Seal | | 1 | |
| | | also use: | | | |
| - | 000 043 207 25 | activator 1 Liter See workshop manual 600649 | | 1 | |
| 28 | 997 562 329 00 | Glass roof | | 1 | |
| - | 000 043 207 27 | Adhesive tape 4MM X 1600MM | | 1 | |
| 29 | 996 562 903 00 | 1 set of spacers | | 1 | |
| 30 | 996 562 907 00 | Trim | left | 1 | |
| (30) | 996 562 908 00 | Trim | right | 1 | |
| 31 | 997 562 443 00 | Seal Centre piece | | 1 | |
| 32 | 999 703 100 40 | Stop buffer Rear lid | | 2 | |
| 33 | 997 562 441 00 | Trim Rear window | lower | 1 | |
| 34 | 996 562 415 00 | strip Clamping strip for Trim | | 1 | |
| 35 | 000 043 157 00 | Cleaning solution 30 ML | | 1 | |
| 36 | 999 084 456 09 | Hexagon nut M6 | | 3 | |
| 37 | 999 073 264 09 | fillister hd. bolt M6x10 | | 2 | |

Model: 997-09

Model life 2009>>2012

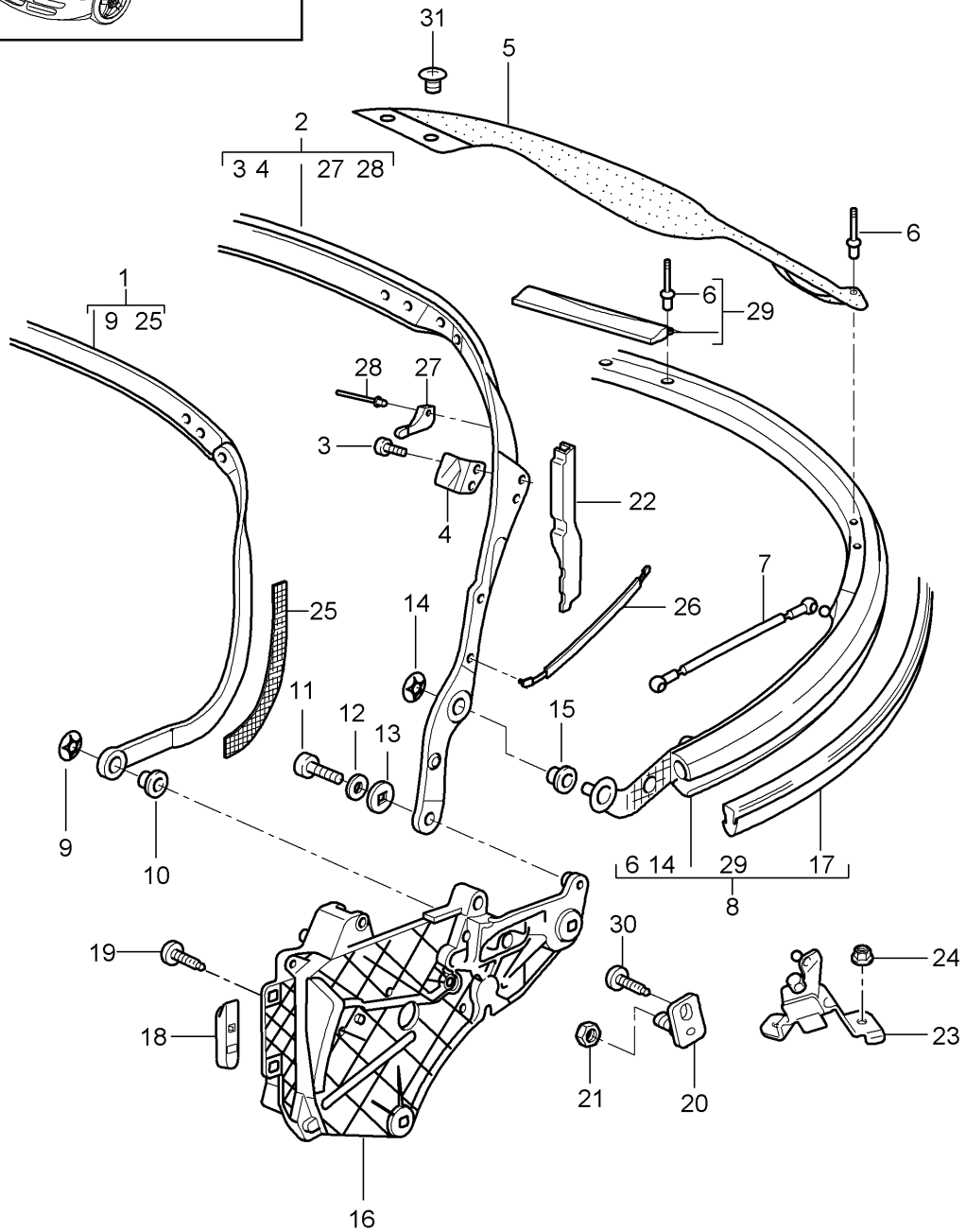
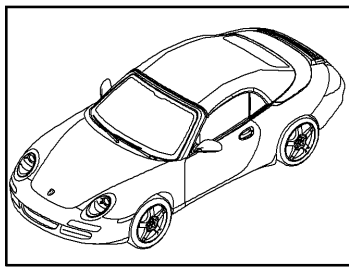


Model: 997-09 Model life 2009>>2012

| Pos | Part Number | Description | Remark | Qty | Model |
|------|--------------------|---|---------|-----|-------|
| | | top frame | front | | |
| | | roof frame | | | |
| | | catch | | | |
| 1 | 996 561 963 00 | shelf | | 1 | |
| 2 | 996 561 731 00 | Clip | | 6 | |
| 3 | 997 561 905 00 | roof frame | | 1 | |
| | 997 561 905 00 A09 | Black | | | |
| - | | also use: | | | |
| - | 997 561 509 00 | felt strip 60 x 25 See TPI Group 8 Nr. 53 | | 1 | |
| 4 | 996 561 807 00 | roof frame seal | left | 1 | |
| | | roof frame Plastic foam strip | | | |
| (4) | 996 561 808 00 | roof frame seal | right | 1 | |
| | | roof frame Plastic foam strip | | | |
| 5 | 999 919 192 09 | fillister hd. bolt | | 6 | |
| 6 | 997 561 117 01 | Soft top catch | | 1 | |
| 7 | 999 073 195 09 | fillister hd. bolt | | 4 | |
| 8 | 997 561 605 00 | Centring journal | left | 1 | |
| (8) | 997 561 606 00 | Centring journal | right | 1 | |
| 9 | 999 919 144 09 | fillister hd. bolt | | 4 | |
| 10 | 997 561 515 00 | Cover panel | | 1 | |
| | 997 561 515 00 01C | Black | | | |
| 11 | | Buffer | | 1 | |
| | | see illustration: | 811-009 | | |
| 12 | 000 043 207 44 | felt strip 30 mm x 5 Meter | | 1 | |
| 13 | 997 561 827 00 | Foam part | left | 1 | |
| (13) | 997 561 828 00 | Foam part | right | 1 | |
| - | 000 043 206 65 | Grease Krytox 1 tube 56 Gramm | | X | |
| - | 000 043 206 83 | Grease Optitemp LG2 1 tube 80 Gramm | | X | |
| - | 999 917 557 00 | Grease Osixo 30 ml | | X | |

Model: 997-09

Model life 2009>>2012

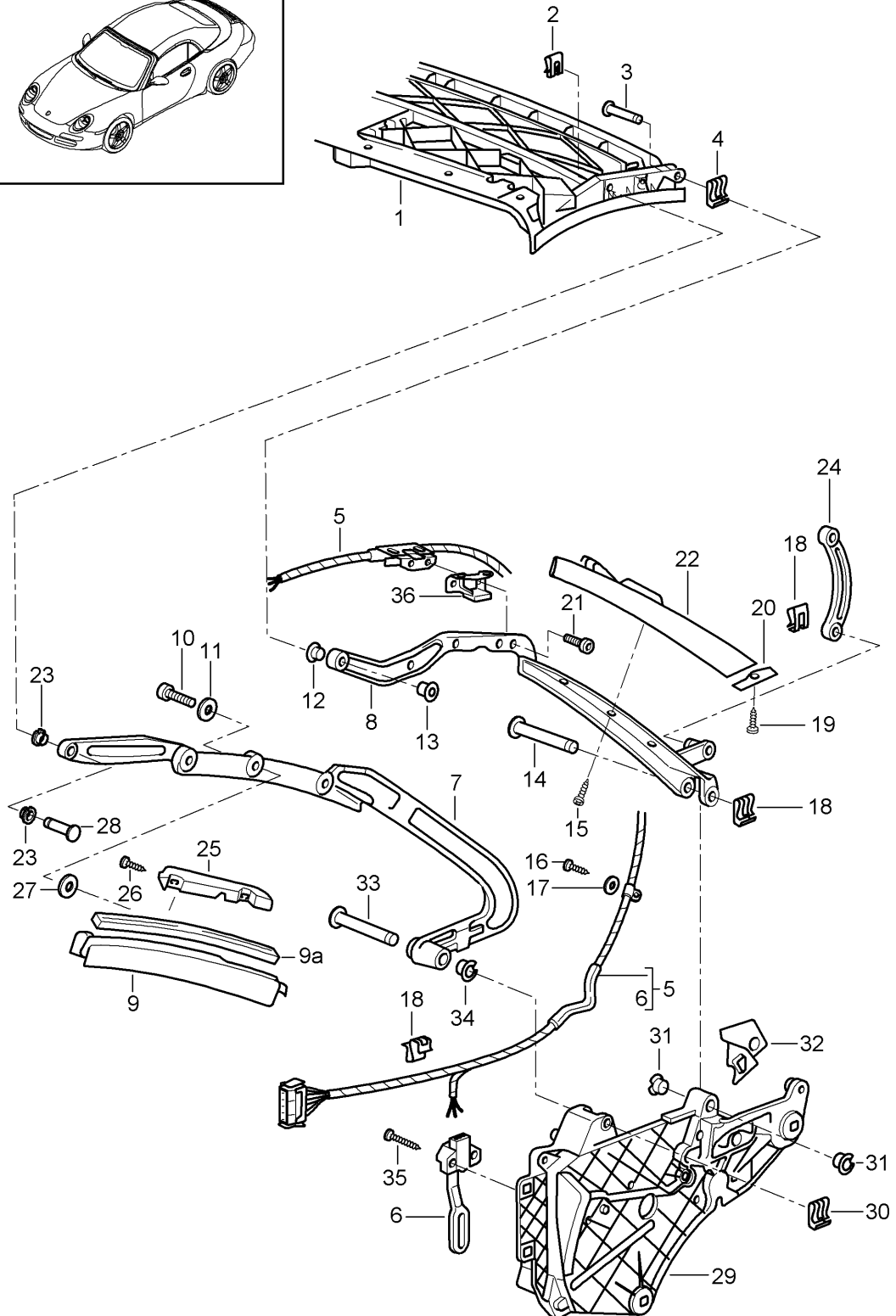
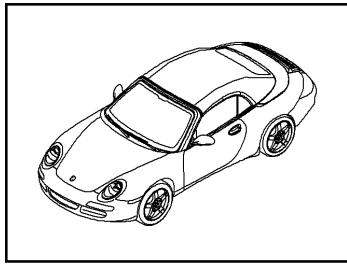


Model: 997-09 Model life 2009>>2012

| Pos | Part Number | Description | Remark | Qty | Model |
|------|----------------|-------------------------------|--------|-----|-------|
| | | top frame | | | |
| | | Individual parts | | | |
| 1 | 997 561 942 00 | Roof arch | | 1 | |
| 2 | 997 561 037 00 | Main bracing | | 1 | |
| 3 | 900 146 003 02 | fillister hd. bolt | | 6 | |
| 4 | 996 561 959 00 | Thrust wedge | | 2 | |
| 5 | 997 561 089 02 | tensioning strap | left | 1 | |
| (5) | 997 561 090 02 | tensioning strap | right | 1 | |
| 6 | 999 190 446 30 | Pop rivet | | 12 | |
| 7 | 996 561 191 00 | tension wire | lower | 2 | |
| 8 | 997 561 941 00 | Roof arch | | 1 | |
| | | with: | | | |
| | | Buffer | | | |
| 9 | 996 561 645 00 | fuse | | 4 | |
| 10 | 999 924 122 40 | bush | | 4 | |
| 11 | 999 073 195 09 | fillister hd. bolt | | 2 | |
| 12 | 900 151 006 09 | Washer | | 2 | |
| 13 | 999 924 131 30 | Washer | | 2 | |
| 14 | 996 561 645 00 | fuse | | 4 | |
| 15 | 999 924 122 40 | bush | | X | |
| 16 | 997 561 943 00 | Convertible top support | left | 1 | |
| (16) | 997 561 944 00 | Convertible top support | right | 1 | |
| 17 | 996 561 693 00 | Gaskets | | 1 | |
| | | for | | | |
| | | Roof arch | | | |
| | | POS.8 | | | |
| 18 | 996 561 735 02 | adjusting washer | | 2 | |
| 19 | 999 075 065 09 | Hexagon bolt | | 6 | |
| | | M8x35 | | | |
| | | Mount | | | |
| | | Convertible top support | | | |
| 20 | 996 561 715 00 | Bracket | | 2 | |
| 21 | 999 084 629 01 | Hexagon nut | | 2 | |
| 22 | 996 561 259 00 | Seal | left | 1 | |
| (22) | 996 561 260 00 | Seal | right | 1 | |
| 23 | 996 561 055 01 | Console | left | 1 | |
| | | for | | | |
| | | tension wire | | | |
| (23) | 996 561 056 01 | Console | right | 1 | |
| 24 | 999 084 629 01 | Hexagon nut | | 4 | |
| 25 | 997 561 897 00 | Velcro | left | 1 | |
| (25) | 997 561 898 00 | Velcro | right | 1 | |
| 26 | 997 561 531 00 | spring plate | | 2 | |
| 27 | 997 561 579 00 | Protective plate | left | 1 | |
| (27) | 997 561 580 00 | Protective plate | right | 1 | |
| 28 | 999 190 494 30 | Rivet | | 2 | |
| | | A 4.8x12.0 | | | |
| 29 | 997 561 961 00 | Repair set for stop buffer | | 1 | |
| | | Set | | | |
| 30 | 999 073 138 01 | flat round head bolt | | 1 | |
| | | M8x25 | | | |
| 31 | 999 919 141 09 | fillister hd. bolt | | 4 | |
| | | for | | | |
| | | tensioning strap | | | |

Model: 997-09

Model life 2009>>2012



Model: 997-09 Model life 2009>>2012

| Pos | Part Number | Description | Remark | Qty | Model |
|------|--------------------|--------------------------|---------|-----|-------|
| 1 | 997 561 905 00 | top frame | | 1 | |
| | | Individual parts | | | |
| | 997 561 905 00 A09 | roof frame | | | |
| 2 | 999 166 075 02 | Black | | X | |
| 3 | 999 088 050 30 | securing clip | | 2 | |
| | | Pin | | | |
| | | 8X27,8 | | | |
| - | 997 561 909 00 | repair set | | 1 | |
| | | bush | | | |
| | | Pin | | | |
| | | fuse | | | |
| 4 | 999 166 075 02 | securing clip | | X | |
| 5 | 997 612 698 03 | Wire set | | 1 | |
| | | Not for: | | | |
| | | Convertible top covering | | | |
| | | Black | | | |
| (5) | 997 612 698 01 | Wire set | | 1 | |
| | | for | | | |
| | | Convertible top covering | | | |
| | | Black | | | |
| - | 997 561 965 00 | Protective sleeve | | 1 | |
| 6 | 996 613 313 02 | Potentiometer | | 1 | |
| 7 | 996 561 335 00 | roof frame | left | 1 | |
| (7) | 996 561 336 00 | roof frame | right | 1 | |
| 8 | 997 561 939 00 | roof frame | left | 1 | |
| (8) | 997 561 940 00 | roof frame | right | 1 | |
| 9 | 997 561 355 01 | Sealing frame | left | 1 | |
| | 997 561 355 01 A09 | Black | | | |
| (9) | 997 561 356 01 | Sealing frame | right | 1 | |
| | 997 561 356 01 A09 | Black | | | |
| 9A | 996 561 219 00 | Seal | | 2 | |
| | | for | | | |
| | | Sealing frame | | | |
| 10 | 999 073 195 09 | fillister hd. bolt | | X | |
| | | M 6X20 | | | |
| 11 | 900 151 006 09 | Washer | | X | |
| 12 | 999 924 086 40 | Bearing bush | | 4 | |
| 13 | 999 924 086 40 | Bearing bush | | 4 | |
| 14 | 999 088 037 30 | Pin | | 1 | |
| 15 | 999 919 153 09 | fillister hd. bolt | | X | |
| 16 | 900 144 101 02 | panel screw | | X | |
| 17 | 900 151 027 02 | Washer | | 8 | |
| 18 | 999 166 076 02 | securing clip | | X | |
| | | Discontinued part | | | |
| 18 | 999 166 076 01 | securing clip | | X | |
| 19 | | Pop rivet | | 4 | |
| | | see illustration: | 811-009 | | |
| 20 | | Seal | | 2 | |
| | | see illustration: | 811-009 | | |
| 21 | N 014 128 13 | fillister hd. bolt | | 4 | |
| | | M5X8 | | | |
| 22 | 997 561 319 03 | Sealing frame | left | 1 | |
| | 997 561 319 03 A09 | Black | | | |
| (22) | 997 561 320 03 | Sealing frame | right | 1 | |
| | 997 561 320 03 A09 | Black | | | |
| 23 | 999 924 086 40 | Bearing bush | | 8 | |
| 24 | 996 561 051 01 | Lever | left | 1 | |
| (24) | 996 561 052 01 | Lever | right | 1 | |
| 25 | 996 561 535 00 | Guide | left | 1 | |
| (25) | 996 561 536 00 | Guide | right | 1 | |
| 26 | 999 919 141 09 | fillister hd. bolt | | 4 | |
| 27 | 999 025 267 09 | Washer | | 8 | |
| 28 | 999 088 049 30 | Pin | | 2 | |

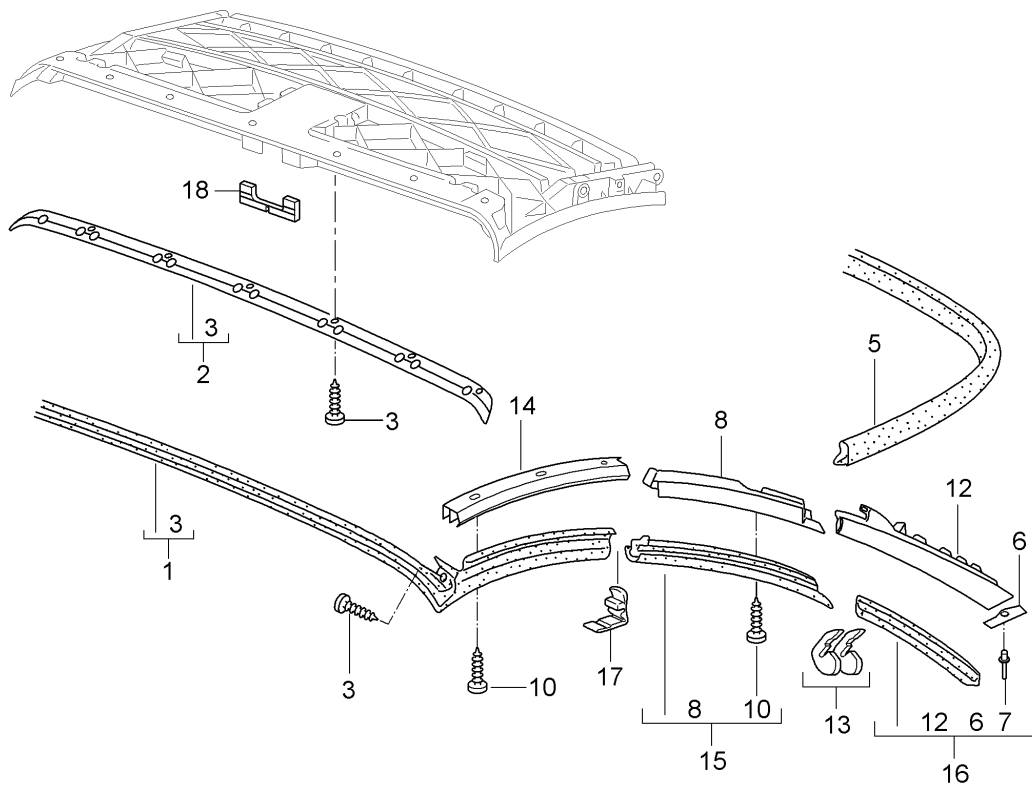
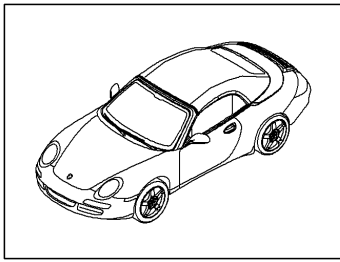
Model: 997-09

Model life 2009>>2012

| Pos | Part Number | Description | Remark | Qty | Model |
|------|----------------|------------------------------------|--------|-----|-------|
| 29 | 997 561 943 00 | 8x32,8 Convertible top support | left | 1 | |
| (29) | 997 561 944 00 | Convertible top support | right | 1 | |
| 30 | 999 166 076 02 | securing clip Discontinued part | | 6 | |
| 30 | 999 166 076 01 | securing clip | | 6 | |
| 31 | 999 924 125 40 | bush | | 4 | |
| 32 | 996 561 249 01 | Sealing strip | left | 1 | |
| (32) | 996 561 250 01 | Sealing strip | right | 1 | |
| 33 | 999 088 031 30 | Pin | | 4 | |
| 34 | 999 924 125 40 | bush | | 4 | |
| 35 | 999 919 152 09 | fillister hd. bolt 3,5X8 | | 2 | |

Model: 997-09

Model life 2009>>2012



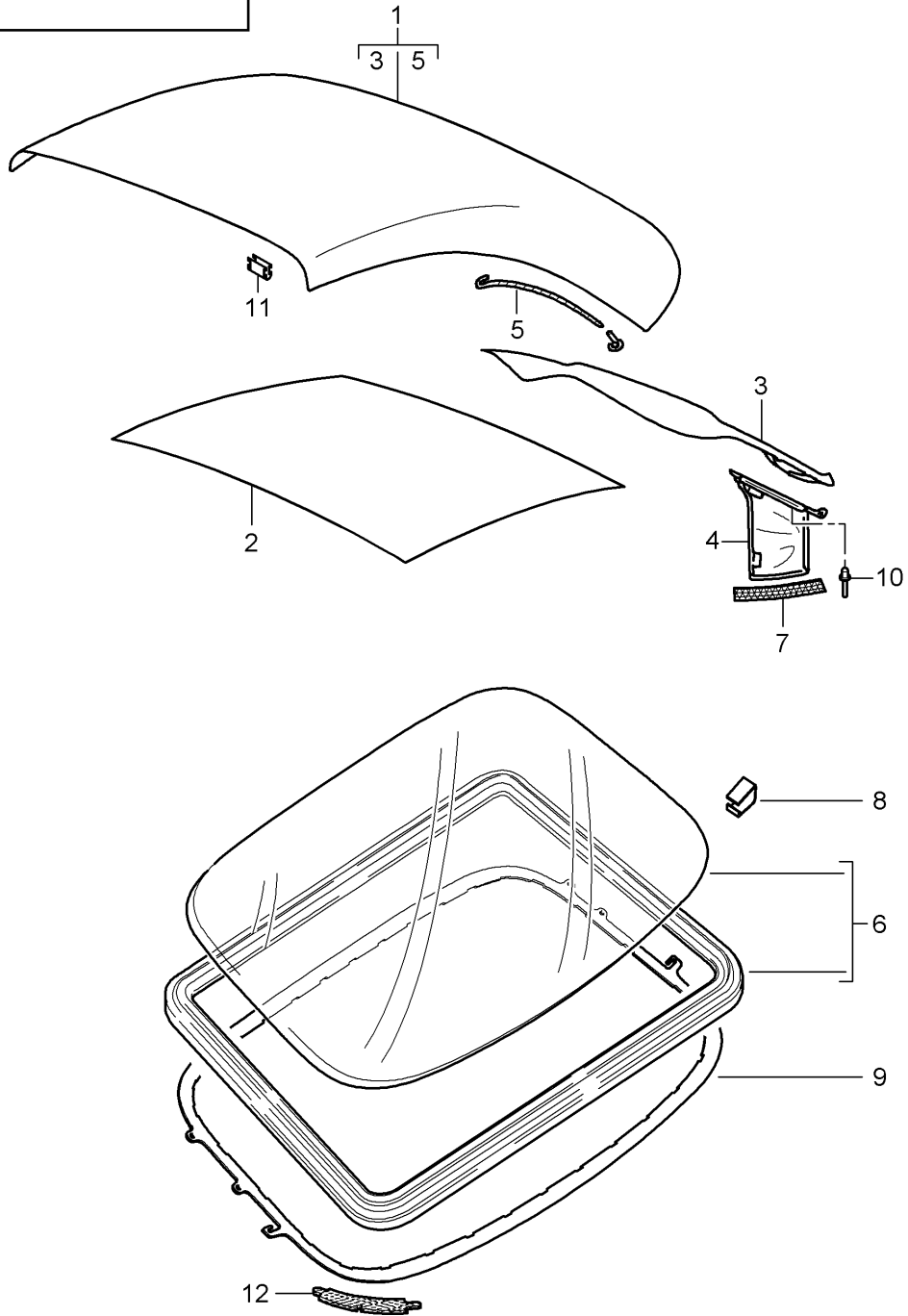
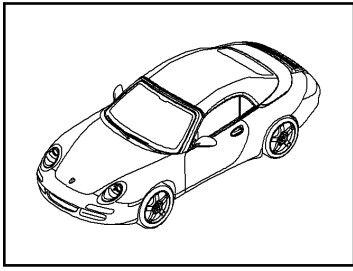
Model: 997-09

Model life 2009>>2012

| Pos | Part Number | Description | Remark | Qty | Model |
|------|--------------------|--------------------|--------|-----|-------|
| | | Convertible top | | | |
| | | Seal | | | |
| 1 | 997 561 937 00 | roof frame seal | | 1 | |
| 2 | 997 561 951 00 | retaining strip | | 1 | |
| 3 | 999 141 036 09 | fillister hd. bolt | | 8 | |
| 5 | 997 561 949 00 | Seal | | 1 | |
| | | Roof arch | | | |
| 6 | 997 561 239 00 | roof frame seal | left | 1 | |
| (6) | 997 561 240 00 | roof frame seal | right | 1 | |
| 7 | 999 190 495 30 | Pop rivet | | 4 | |
| 8 | 997 561 355 01 | Sealing frame | left | 1 | |
| | 997 561 355 01 A09 | Black | | | |
| (8) | 997 561 356 01 | Sealing frame | right | 1 | |
| | 997 561 356 01 A09 | Black | | | |
| 10 | 999 919 152 09 | fillister hd. bolt | | x | |
| 12 | 997 561 319 03 | Sealing frame | left | 1 | |
| | 997 561 319 03 A09 | Black | | | |
| (12) | 997 561 320 03 | Sealing frame | right | 1 | |
| | 997 561 320 03 A09 | Black | | | |
| 13 | 996 561 935 00 | Filler piece | | 2 | |
| | | Set | | | |
| 14 | 996 561 527 00 | Support | left | 1 | |
| (14) | 996 561 528 00 | Support | right | 1 | |
| 15 | 997 561 913 02 | Gasket set | left | 1 | |
| | | Assembly kit | | | |
| (15) | 997 561 914 02 | Gasket set | right | 1 | |
| | | Assembly kit | | | |
| 16 | 997 561 923 03 | Gaskets | left | 1 | |
| | | Assembly kit | | | |
| (16) | 997 561 924 03 | Gaskets | right | 1 | |
| | | Assembly kit | | | |
| 17 | 997 561 813 00 | Filler piece | left | 1 | |
| (17) | 997 561 814 00 | Filler piece | right | 1 | |
| 18 | 996 561 745 00 | Stop buffer | right | 1 | |

Model: 997-09

Model life 2009>>2012

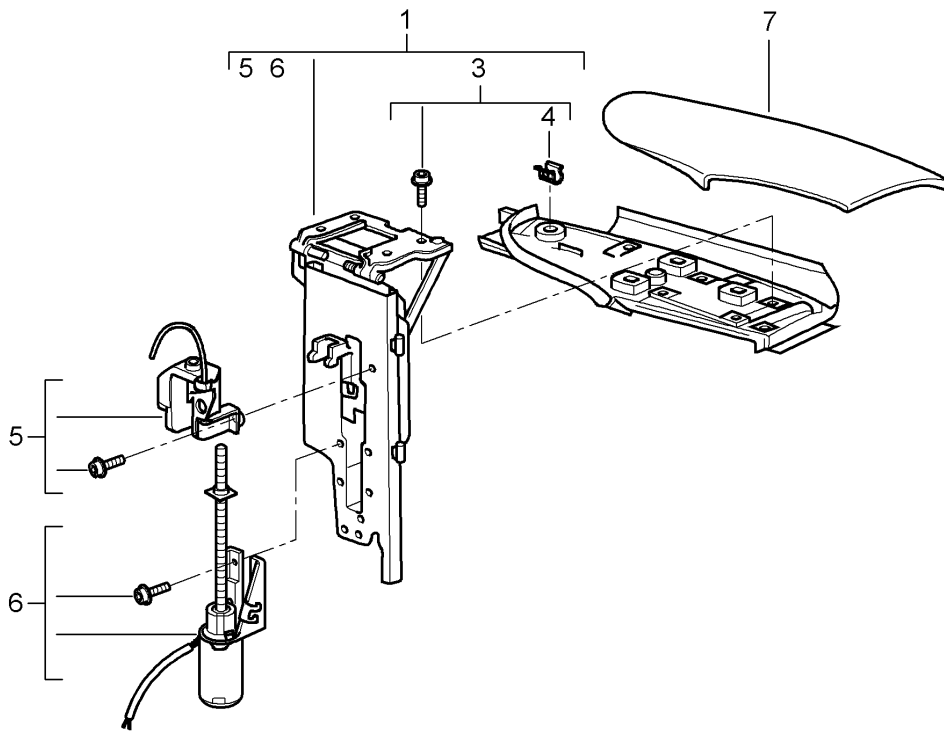
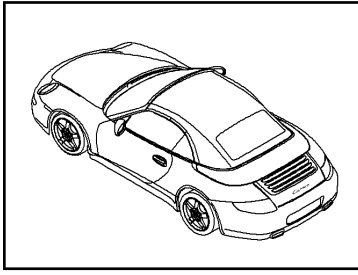


Model: 997-09 Model life 2009>>2012

| Pos | Part Number | Description | Remark | Qty | Model |
|-----|--------------------|--|----------------|-----|---|
| 1 | 997 561 901 02 | Convertible top covering Roofliner Convertible top covering without: Rear window F >> 99-9S740 435 F >> 99-9S755 146 F >> 99-9S740 433 F >> 99-9S755 147 modify in workshop SIEHE Technical information Group 6 12/09 997 561 901 02 A10 Black 997 561 901 02 C17 Stone grey 997 561 901 02 G02 Metropole blue 997 561 901 02 R17 brown | | 1 | PR:098,099 Cabrio Cabrio S Cabrio C4 Cabrio C4S |
| 1 | 997 561 901 03 | Convertible top covering without: Rear window Valid from: F 99-9S740 436>> F 99-9S755 147>> F 99-9S740 434>> F 99-9S755 148>> 997 561 901 03 A10 Black 997 561 901 03 C17 Stone grey 997 561 901 03 G02 Metropole blue 997 561 901 03 R17 brown | | 1 | PR:098,099 Cabrio Cabrio S Cabrio C4 Cabrio C4S |
| 2 | 997 561 085 02 | Moulded headliner | | 1 | |
| 3 | 997 561 085 02 A21 | Black tensioning strap see illustration: | 811-006 | 2 | |
| 4 | 997 561 095 02 | Stripe | left | 1 | |
| (4) | 997 561 095 02 A21 | Black | right | 1 | |
| 5 | 997 561 096 02 | Stripe | | 1 | |
| 6 | 997 561 096 02 A21 | Black | | 1 | |
| 5 | 996 561 931 01 | tension wire | | 2 | |
| 6 | 997 561 979 00 | Seal for rear window with: | | 1 | |
| 7 | 997 561 897 00 | Velcro | left | 1 | |
| (7) | 997 561 898 00 | Velcro | right | 1 | |
| 8 | 996 561 205 00 | Clip | | 32 | |
| 9 | 996 561 203 00 | Rear window frame | | 1 | |
| - | 997 561 929 00 | also use: 1 set attachment parts Accessories Rear window | 997 561 929 00 | 1 | |
| 10 | 999 190 446 30 | Pop rivet | | 4 | |
| 11 | 997 561 915 00 | 1 set of retaining clips 20 Stück | | 1 | |
| 12 | 997 561 721 00 | Velcro | | 2 | |

Model: 997-09

Model life 2009>>2012



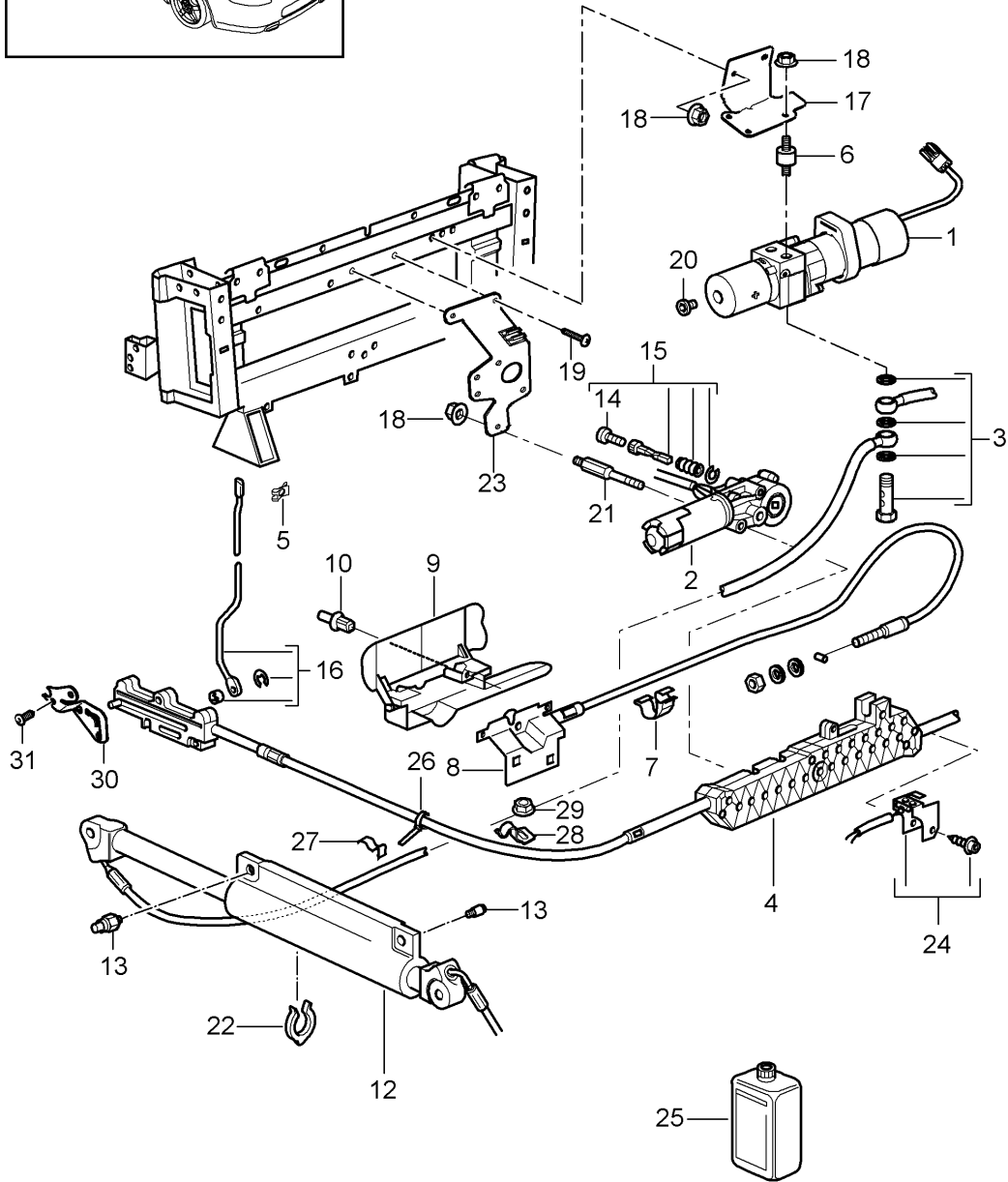
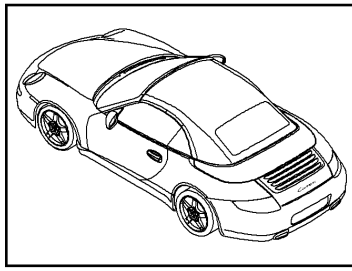
Model: 997-09

Model life 2009>>2012

| Pos | Part Number | Description | Remark | Qty | Model |
|-----|----------------|-----------------------|---------|-----|-------|
| | | Flap | side | | |
| | | Folding top | | | |
| 1 | 996 561 175 01 | Flap for soft top box | left | 1 | |
| (1) | 996 561 176 01 | Flap for soft top box | right | 1 | |
| 3 | 996 561 625 00 | Lower part | left | 1 | |
| (3) | 996 561 626 00 | Lower part | right | 1 | |
| 4 | 999 507 533 02 | Clamp | | X | |
| 5 | 996 561 685 00 | Micro switch | left | 1 | |
| (5) | 996 561 686 00 | Micro switch | right | 1 | |
| 6 | 996 561 675 00 | Driving mechanism | left | 1 | |
| (6) | 996 561 676 00 | Driving mechanism | right | 1 | |
| 7 | | see illustration: | 807-007 | 1 | |

Model: 997-09

Model life 2009>>2012

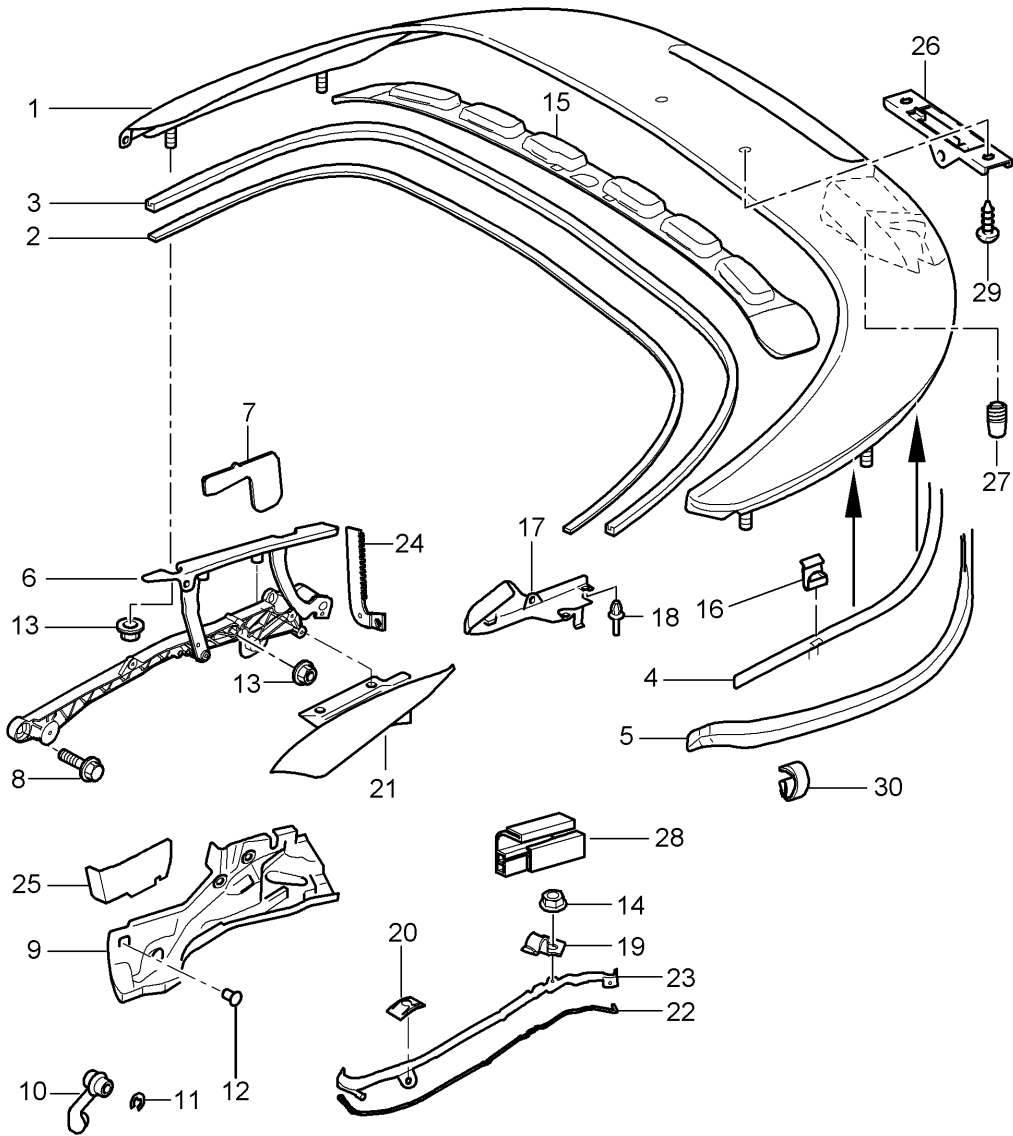


Model: 997-09 Model life 2009>>2012

| Pos | Part Number | Description | Remark | Qty | Model |
|------|----------------|---|---------|-----|-------|
| - | | Convertible top Driving mechanism Hydraulic Driving mechanism Convertible top Speedster see illustration: | 811-050 | | |
| 1 | 997 561 307 00 | Hydraulic unit | | 1 | |
| 2 | 996 561 933 01 | Engine | | 1 | |
| 3 | 996 561 573 00 | Banjo bolt Set | | 2 | |
| 4 | 997 561 021 00 | Driving mechanism | | 1 | |
| 5 | 999 166 054 01 | Sl-lock | | 2 | |
| 6 | 999 703 235 01 | Bonded rubber buffer | | 2 | |
| 7 | 999 507 683 40 | Cable holder | | X | |
| 8 | 996 561 065 01 | Locking mechanism | | 1 | |
| (9) | 996 561 265 03 | Trim | | 1 | |
| 10 | 999 591 941 40 | Spreader rivet | | X | |
| 11 | 900 380 015 01 | Hexagon nut | | 2 | |
| 12 | 997 561 945 00 | cylinder | | 2 | |
| 13 | 996 561 245 00 | Pin | | 1 | |
| 14 | 996 561 671 00 | Screw | | 1 | |
| 15 | 996 561 673 01 | repair set | | 1 | |
| 16 | 996 561 229 00 | slide rod | left | 1 | |
| (16) | 996 561 230 00 | slide rod | right | 1 | |
| 17 | 997 561 217 00 | Bracket Hydraulic unit | | 1 | |
| 18 | 900 377 010 01 | Hexagon nut M 6 | | 7 | |
| 19 | 999 073 228 09 | panel screw St 4,8 | | 3 | |
| 20 | 996 561 407 01 | Oil filler screw | | 1 | |
| 21 | 996 561 863 01 | Threaded pin | | 3 | |
| 22 | 996 561 281 00 | Clamping ring | | 2 | |
| 23 | 996 561 207 01 | Retainer for pump Driving mechanism convertible top stowage box | | 1 | |
| 24 | 996 561 165 01 | Micro switch | | 1 | |
| 25 | 000 043 204 89 | Oil 250 ML | | X | |
| 26 | 999 513 077 40 | Cable ties | | 2 | |
| 27 | 997 561 773 00 | Clip Hydraulic line | | 2 | |
| 28 | 997 561 775 00 | holder for bowden cable | | 2 | |
| 29 | 900 380 015 01 | Hexagon nut M6 | | 2 | |
| 30 | 996 561 221 00 | Knock-out lever gate guide | left | 1 | |
| (30) | 996 561 222 00 | Knock-out lever gate guide | right | 1 | |
| 31 | 999 919 205 09 | Torx screw M6X12 | | 2 | |

Model: 997-09

Model life 2009>>2012



Model: 997-09

Model life 2009>>2012

| Pos | Part Number | Description | Remark | Qty | Model |
|------|--------------------|--------------------------------------|--------|-----|--------|
| 1 | 997 514 011 04 | convertible top stowage box Cover | | 1 | |
| | | Gaskets | | | |
| | 997 514 011 04 GRV | cabrio top stowage box cover | | 1 | |
| (1) | 997 514 011 02 | primed | | 1 | PR:686 |
| | 997 514 011 02 GRV | cabrio top stowage box cover | | 1 | |
| | | primed | | | |
| 2 | 997 514 633 01 | Sealing strip | | 1 | |
| | | also use: | | | |
| - | 000 043 207 26 | Adhesive tape | | 1 | |
| 3 | 996 514 731 00 | Seal | | 1 | |
| 4 | 997 514 714 02 | Edge protection | | 1 | |
| 5 | 997 514 211 01 | seal for conv. top stowage box | | 1 | |
| | | Body | | | |
| (6) | 996 561 907 02 | Hinge | left | 1 | |
| 6 | 996 561 908 02 | Hinge | right | 1 | |
| | | also use: | | | |
| 7 | 996 561 904 00 | Seal | | 1 | |
| | | Hinge | | | |
| 8 | 900 378 180 01 | Hexagon bolt | | 2 | |
| (9) | 996 561 805 03 | Water drip pan | left | 1 | |
| 9 | 996 561 806 03 | Water drip pan | right | 1 | |
| (10) | 996 561 815 01 | Water drainage hose | left | 1 | |
| 10 | 996 561 816 01 | Water drainage hose | right | 1 | |
| 11 | 996 561 809 00 | Clip | | 2 | |
| | | for | | | |
| | | Pos. 10 | | | |
| 12 | 999 703 432 40 | Bungs | | 2 | |
| 13 | 900 377 003 03 | Hexagon nut | | 1 | |
| | | M 8 | | | |
| 14 | 900 380 015 01 | Hexagon nut | | 2 | |
| 15 | 997 561 633 00 | Buffer | | 1 | |
| | | Foam part | | | |
| 16 | 999 507 600 09 | U-clip | | 4 | |
| 17 | 997 514 651 02 | Support | left | 1 | |
| (17) | 997 514 652 02 | Support | right | 1 | |
| 18 | 999 591 712 40 | Spreader rivet | | 2 | |
| 19 | 997 561 775 00 | holder for bowden cable | | 1 | |
| 20 | 999 507 647 01 | Clamping washer | front | 1 | |
| | | for | | | |
| | | Water deflector strip | | | |
| 21 | 996 561 061 02 | Flap for soft top box | left | 1 | |
| (21) | 996 561 062 02 | Flap for soft top box | right | 1 | |
| 22 | 999 911 673 41 | sealing cord | | 1 | |
| (23) | 997 561 755 02 | Water deflector strip | left | 1 | |
| 23 | 997 561 756 02 | Water deflector strip | right | 1 | |
| 24 | 996 612 504 00 | Cable guide | left | 1 | |
| | | Wire set | | | |
| | | Brake light | | | |
| (24) | 997 610 241 00 | Cable guide | right | 1 | PR:686 |
| | | Wire set | | | |
| | | Aerial | | | |
| 25 | 997 561 522 00 | Cover | right | 1 | |
| (25) | 997 561 521 00 | Cover | left | 1 | |
| 26 | 996 561 465 00 | arm | | 1 | |
| 27 | 999 703 140 40 | Rubber buffer | | 1 | |
| 28 | 997 561 801 00 | Stop | | 2 | |
| | | -2MM | | | |
| 28 | 997 561 801 01 | Stop | | 2 | |
| | | -1MM | | | |
| 28 | 997 561 801 02 | Stop | | 2 | |
| | | +0 | | | |
| 28 | 997 561 801 03 | Stop | | 2 | |

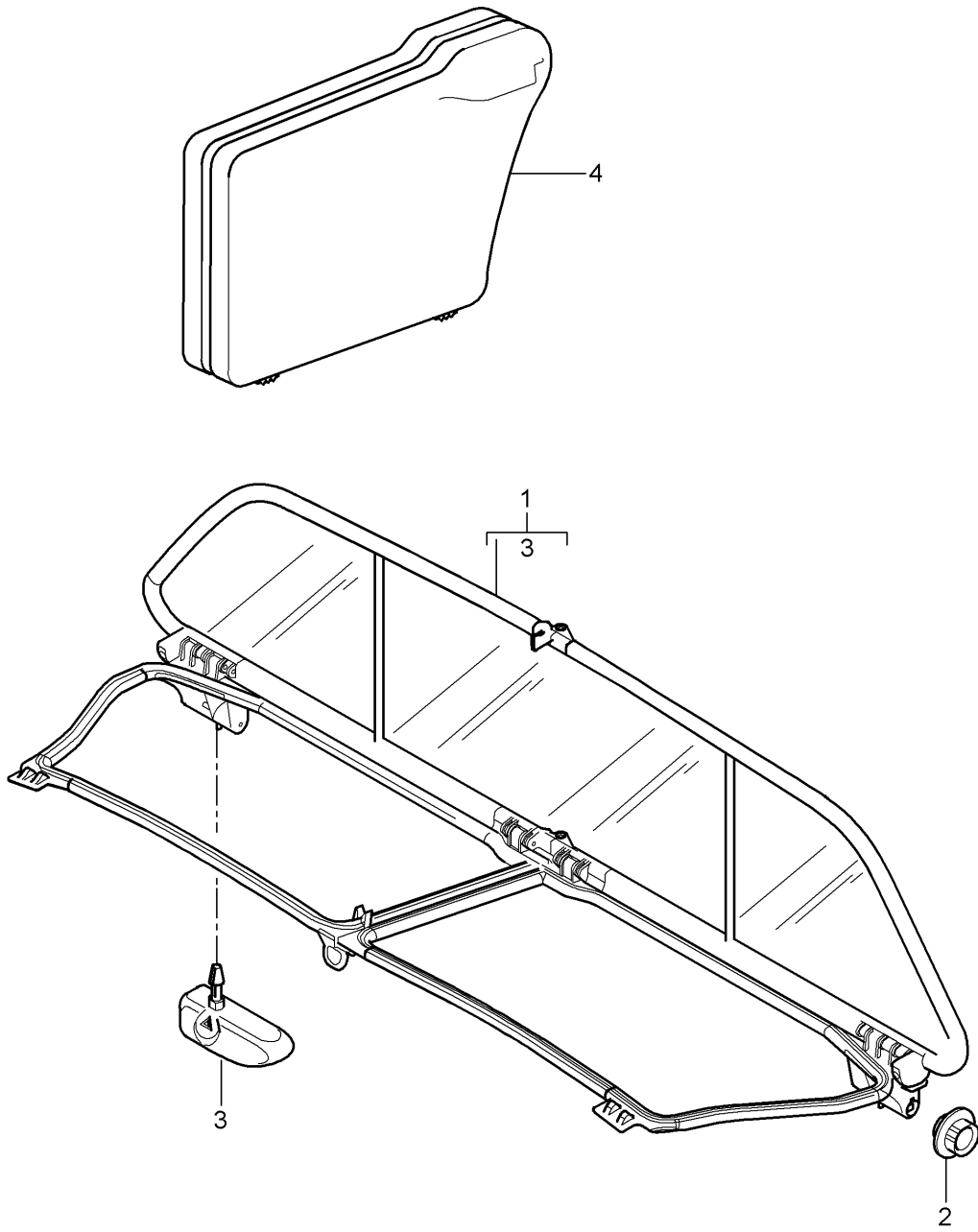
Model: 997-09

Model life 2009>>2012

| Pos | Part Number | Description | Remark | Qty | Model |
|-----|----------------|----------------------------|--------|-----|-------|
| 28 | 997 561 801 04 | +1MM Stop | | 2 | |
| 28 | 997 561 801 05 | +2MM Stop | | 2 | |
| 29 | 999 073 130 02 | +3MM fillister hd. bolt | | 2 | |
| 30 | 996 514 511 00 | Clip | | 2 | |
| - | 999 703 117 40 | Bungs | | 1 | |

Model: 997-09

Model life 2009>>2012



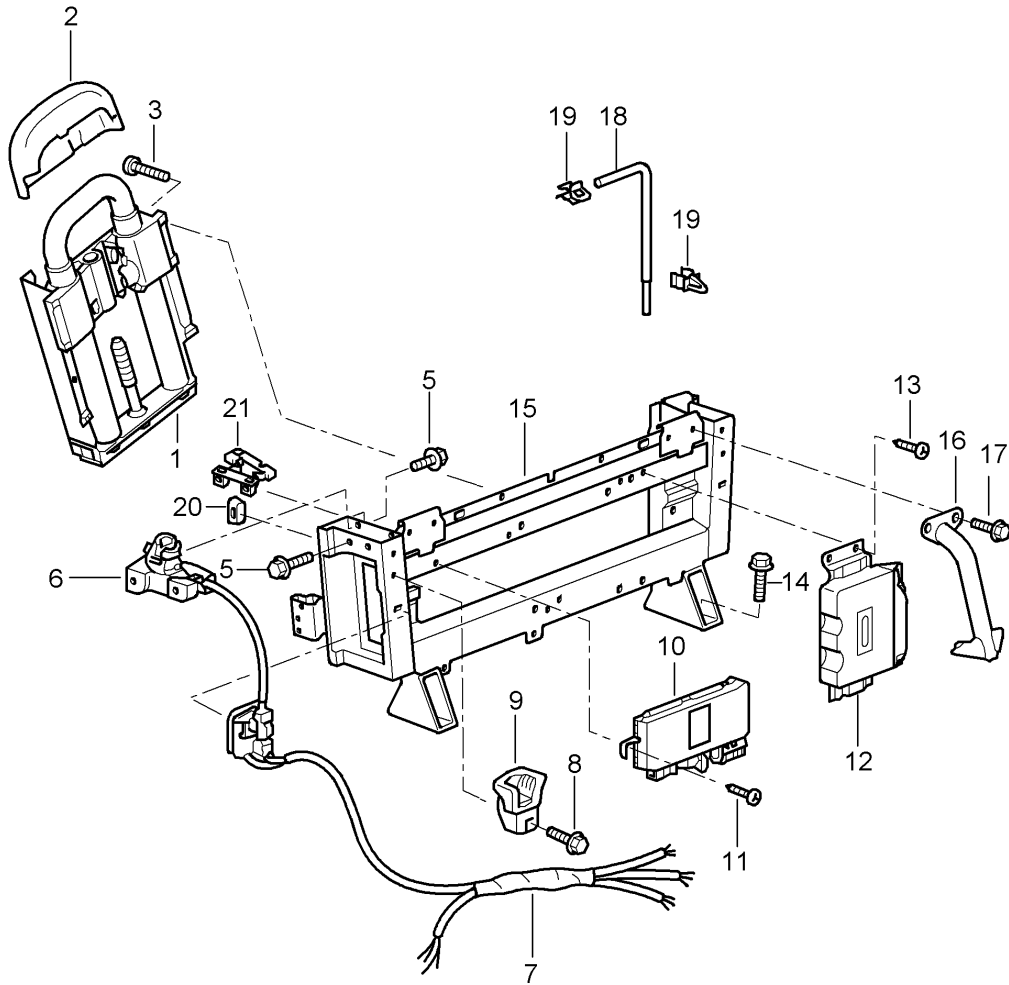
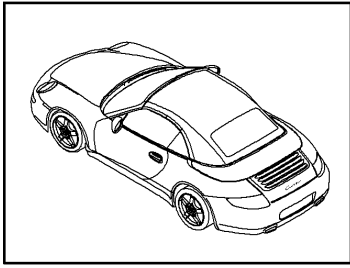
Model: 997-09

Model life 2009>>2012

| Pos | Part Number | Description | Remark | Qty | Model |
|-----|--------------------|-------------|--------|-----|--------|
| | | Windbreak | | | PR:551 |
| 1 | 997 561 125 00 | Windbreak | | 1 | |
| | 997 561 125 00 01C | Black | | | |
| 2 | 996 561 127 00 | Rosette | left | 1 | |
| | 996 561 127 00 01C | Black | | | |
| 2 | 996 561 128 00 | Rosette | right | 1 | |
| | 996 561 128 00 01C | Black | | | |
| 3 | 996 561 955 00 | repair set | left | 1 | |
| (3) | 996 561 956 00 | repair set | right | 1 | |
| 4 | 997 561 161 02 | Pocket | | 1 | |
| | | Windbreak | | | |

Model: 997-09

Model life 2009>>2012

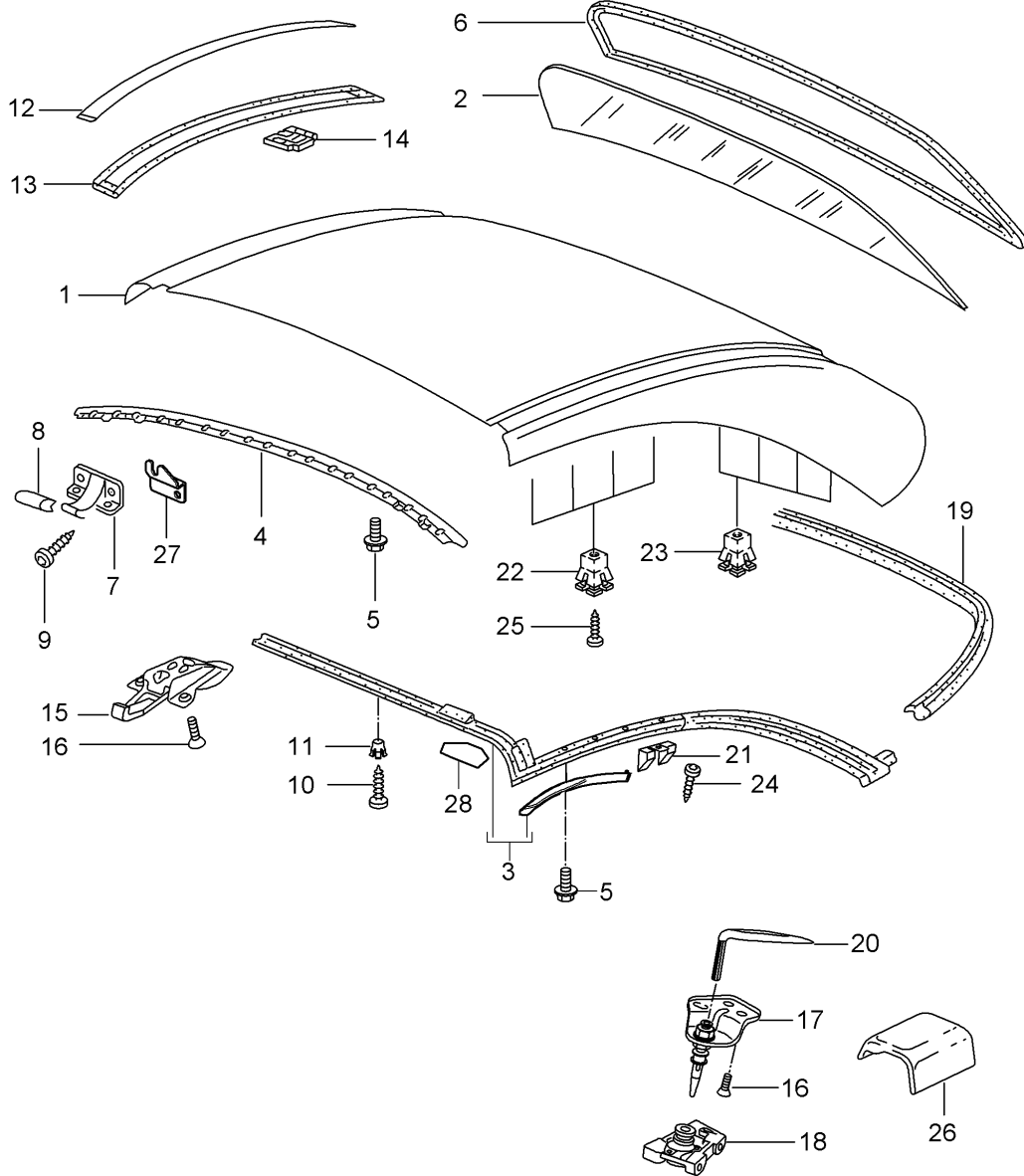
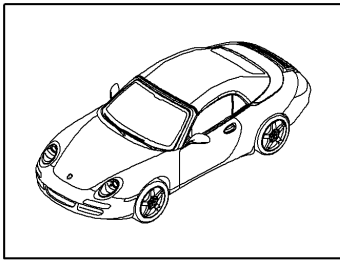


Model: 997-09 Model life 2009>>2012

| Pos | Part Number | Description | Remark | Qty | Model |
|------|----------------|---|---------|-----|--------|
| - | | roll bar roll bar Speedster | | | |
| | | see illustration: | 811-055 | | |
| 1 | 997 580 021 04 | Cassette | | 2 | |
| 2 | 996 580 191 01 | Cover | | 2 | |
| 3 | 900 067 394 01 | Socket head bolt | | 12 | |
| 4 | 996 561 175 01 | Flap for soft top box | | 1 | |
| | | see illustration: | 811-011 | | |
| 5 | 900 378 173 01 | Hexagon bolt | | 4 | |
| 6 | | Support | | 2 | PR:550 |
| | | see illustration: | 811-016 | | |
| 7 | 997 612 696 00 | Wire set | | 1 | |
| 8 | 999 217 166 01 | Hexagon bolt M10 X 55 | | 2 | |
| 9 | 996 561 463 02 | Guide | left | 1 | |
| (9) | 996 561 464 02 | Guide | right | 1 | |
| 10 | 997 618 111 03 | Control unit for convertible roof controls Convertible top Driving mechanism | | 1 | |
| 11 | 999 073 228 09 | panel screw | | X | |
| 12 | | Control unit - dme - | | X | |
| | | see illustration: | 901-003 | | |
| 13 | 999 073 228 09 | panel screw | | X | |
| 14 | 999 385 006 01 | Outer hexagon round screw | | 4 | |
| 15 | 997 580 911 00 | Support frame | | 1 | |
| | | also use: | | | |
| - | 997 580 913 00 | 1 set attachment parts Pop rivet Screw | | 1 | |
| (16) | 997 580 331 02 | Support | left | 1 | |
| 16 | 997 580 332 02 | Support | right | 1 | |
| 17 | 900 385 097 01 | Torx screw BM10 X 35 | | X | |
| 18 | 999 571 079 03 | screwdriver | | 1 | |
| 19 | 999 507 633 40 | Clip | | 2 | |
| 20 | 997 561 457 00 | Sleeve | | 2 | |
| 21 | 996 561 297 00 | Insert | left | 1 | |
| (21) | 996 561 298 00 | Insert | right | 1 | |
| 22 | 999 650 176 40 | Clip for Connector housing | | 3 | |
| 23 | 996 610 126 00 | bracket for relay bracket Relay carrier 2 | | 1 | |
| 24 | 996 610 128 00 | Retaining clip Relay carrier 2 | | 1 | |

Model: 997-09

Model life 2009>>2012



Model: 997-09 Model life 2009>>2012

| Pos | Part Number | Description | Remark | Qty | Model |
|------|--------------------------------------|---|-------------------------|-----|--------|
| | | hardtop Accessories Gaskets | | | PR:550 |
| 1 | 996 563 911 00 996 563 911 00 GRV | hardtop primed | | 1 | |
| | | without: | | | |
| 2 | 996 563 091 00 | Accessories Rear window | | 1 | |
| 3 | 997 563 225 00 | Ready for installation roof frame seal | rear | 1 | |
| | | with: | | | |
| | | retaining strip | | | |
| | | use if required: | | | |
| - | 996 563 309 00 | retaining strip | left | 1 | |
| - | 996 563 310 00 | retaining strip | front right front | 1 | |
| 4 | 996 563 319 00 | retaining strip | | 1 | |
| 5 | 999 073 049 02 | panel screw | front | 8 | |
| | | for retaining strip | | | |
| 6 | 996 563 029 00 | Transverse Seal for rear window | | 1 | |
| 7 | 996 563 405 00 | Centring journal | left | 1 | |
| (7) | 996 563 406 00 | Centring journal | right | 1 | |
| 8 | 996 563 705 01 | Cap | left | 1 | |
| 8 | 996 563 706 01 | Cap | right | 1 | |
| 9 | 999 919 144 09 | fillister hd. bolt | | 4 | |
| 10 | 999 073 049 02 | panel screw | | 14 | |
| 11 | 999 507 547 40 | expanding nut | | 8 | |
| 12 | 996 563 707 00 | Cover trim | left | 1 | |
| | 996 563 707 00 GRV | primed | | | |
| (12) | 996 563 708 00 | Cover trim | right | 1 | |
| | 996 563 708 00 GRV | primed | | | |
| 13 | 996 563 361 00 | Seal | left | 1 | |
| (13) | 996 563 362 00 | Seal | right | 1 | |
| 14 | 986 563 721 00 | Clip | | 8 | |
| 15 | 996 563 401 00 | catch | | 1 | |
| 16 | 900 249 055 09 | countersunk bolt M 6X20 | | 3 | |
| 17 | 996 563 403 04 | catch | left | 1 | |
| (17) | 996 563 404 04 | catch | right | 1 | |
| 18 | 996 561 653 04 | Support | left | 1 | |
| - | 996 561 657 02 | Insert | | 1 | |
| - | 900 249 031 09 | countersunk bolt | | 6 | |
| (18) | 996 561 654 04 | Support | right | 1 | |
| - | 996 561 658 02 | Insert | | 1 | |
| 19 | 996 563 027 01 | Seal | | 1 | |
| 20 | 996 563 413 01 | Tool | | 1 | |
| 21 | 996 563 125 00 | Thrust wedge | | 2 | |
| 22 | 999 507 923 40 | expanding nut green | | 8 | |
| 23 | 999 507 924 40 | expanding nut yellow | | 8 | |
| 24 | 999 450 008 09 | panel screw | | 2 | |
| 25 | 999 073 049 02 | panel screw | | 16 | |
| 26 | 996 563 421 01 | Protective tab | | 2 | |
| - | 999 507 659 40 | expanding nut | left | 1 | |
| | | hardtop contact carrier | | | |
| - | 999 507 662 40 | expanding nut | right | 1 | |
| | | hardtop | | | |

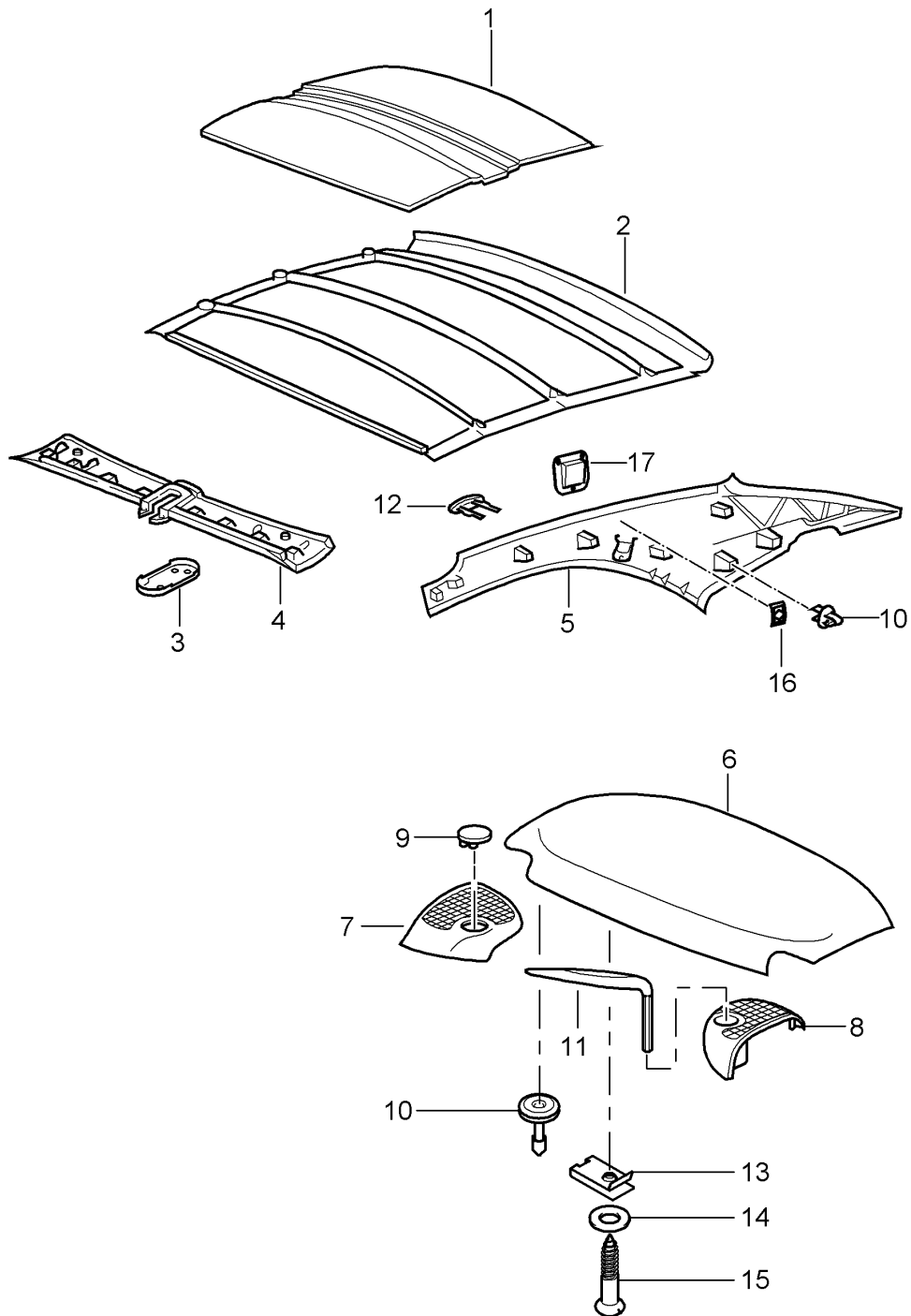
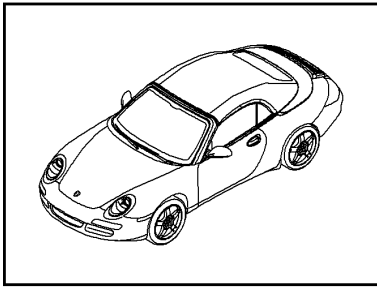
Model: 997-09

Model life 2009>>2012

| Pos | Part Number | Description | Remark | Qty | Model |
|------|----------------|-------------------------------------|---------|-----|-------|
| 27 | 996 563 509 00 | contact carrier Bracket for trim | left | 1 | |
| | | see illustration: | 811-017 | | |
| (27) | 996 563 510 00 | Bracket for trim | right | 1 | |
| | | see illustration: | 811-017 | | |
| 28 | 997 563 539 00 | Protective film Scuttle | left | 1 | |
| (28) | 997 563 540 00 | Protective film Scuttle | right | 1 | |

Model: 997-09

Model life 2009>>2012

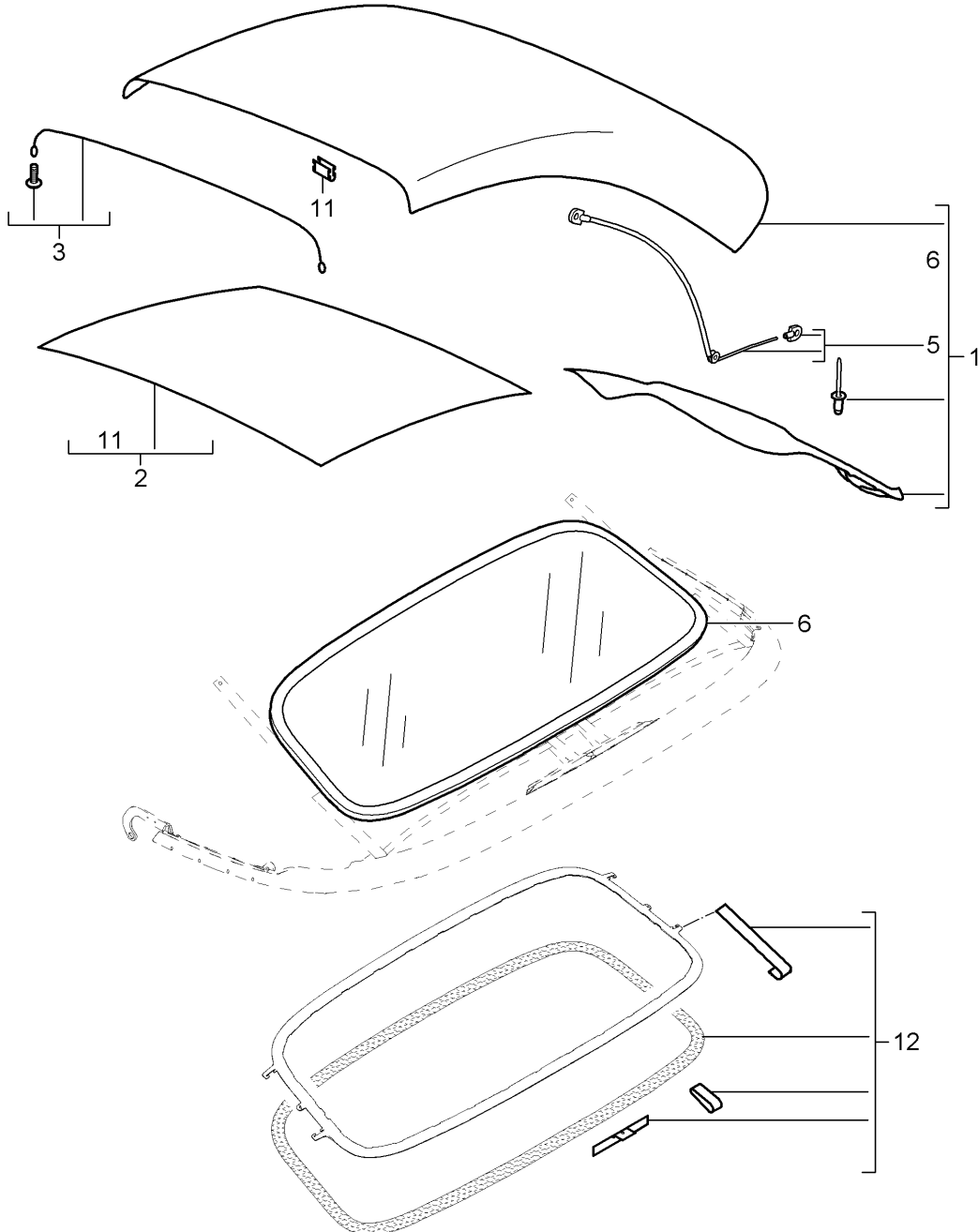
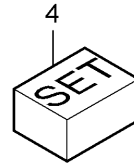
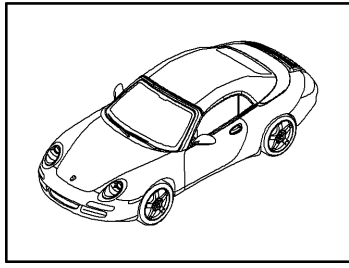


Model: 997-09 Model life 2009>>2012

| Pos | Part Number | Description | Remark | Qty | Model |
|-----|--------------------|-----------------------|--------|-----|--------|
| | | hardtop | | | PR:550 |
| 1 | 996 563 523 00 | Sound absorber | | 1 | |
| 2 | 996 563 111 01 | Moulded headliner | | 1 | |
| | 996 563 111 01 A21 | Black | | | |
| 3 | 997 563 551 00 | Cover panel | | 1 | |
| | 997 563 551 00 01C | Black | | | |
| 4 | 997 563 501 00 | Trim | | 1 | |
| | | Leatherette | | | |
| | 997 563 501 00 1MZ | Black | | | |
| | 997 563 501 00 1TK | Sand beige | | | |
| | 997 563 501 00 1UL | Palm green | | | |
| | 997 563 501 00 1VM | sea blue | | | |
| | 997 563 501 00 1YP | Stone grey | | | |
| 5 | 997 563 503 00 | Trim | left | 1 | |
| | | Leatherette | | | |
| | 997 563 503 00 1MZ | Black | | | |
| | 997 563 503 00 1TK | Sand beige | | | |
| | 997 563 503 00 1UL | Palm green | | | |
| | 997 563 503 00 1VM | sea blue | | | |
| | 997 563 503 00 1YP | Stone grey | | | |
| (5) | 997 563 504 00 | Trim | right | 1 | |
| | | Leatherette | | | |
| | 997 563 504 00 1MZ | Black | | | |
| | 997 563 504 00 1TK | Sand beige | | | |
| | 997 563 504 00 1UL | Palm green | | | |
| | 997 563 504 00 1VM | sea blue | | | |
| | 997 563 504 00 1YP | Stone grey | | | |
| 6 | 996 563 505 00 | Trim | | 1 | |
| | 996 563 505 00 A07 | Black | | | |
| | 996 563 505 00 B07 | Space grey | | | |
| | 996 563 505 00 C07 | Graphite grey | | | |
| | 996 563 505 00 G07 | Metropole blue | | | |
| 7 | 996 563 554 00 | Trim | right | 1 | |
| | 996 563 554 00 A10 | Black | | | |
| | 996 563 554 00 B50 | Space grey | | | |
| | 996 563 554 00 C50 | Graphite grey | | | |
| | 996 563 554 00 G10 | Metropole blue | | | |
| 8 | 996 563 553 00 | Trim | left | 1 | |
| | 996 563 553 00 A10 | Black | | | |
| | 996 563 553 00 B50 | Space grey | | | |
| | 996 563 553 00 C50 | Graphite grey | | | |
| | 996 563 553 00 G10 | Metropole blue | | | |
| 9 | 996 555 457 00 | End cap | | 2 | |
| | 996 555 457 00 A10 | Black | | | |
| | 996 555 457 00 C50 | Graphite grey | | | |
| | 996 555 457 00 G10 | Metropole blue | | | |
| | 996 555 457 00 B50 | Space grey | | | |
| 10 | 999 507 764 40 | Clip | | X | |
| 11 | 996 563 413 01 | Tool | | 1 | |
| 12 | 996 563 561 00 | Stop buffer | | 2 | |
| | 996 563 561 00 01C | Black | | | |
| | | for | | | |
| | | sun vizors | | | |
| 13 | 999 507 139 01 | panel nut | | X | |
| 14 | 900 151 027 02 | Washer | | 2 | |
| 15 | 900 143 046 02 | oval head panel screw | | 2 | |
| | | Discontinued part | | | |
| 15 | 900 143 046 01 | oval head panel screw | | 2 | |

Model: 997-09

Model life 2009>>2012



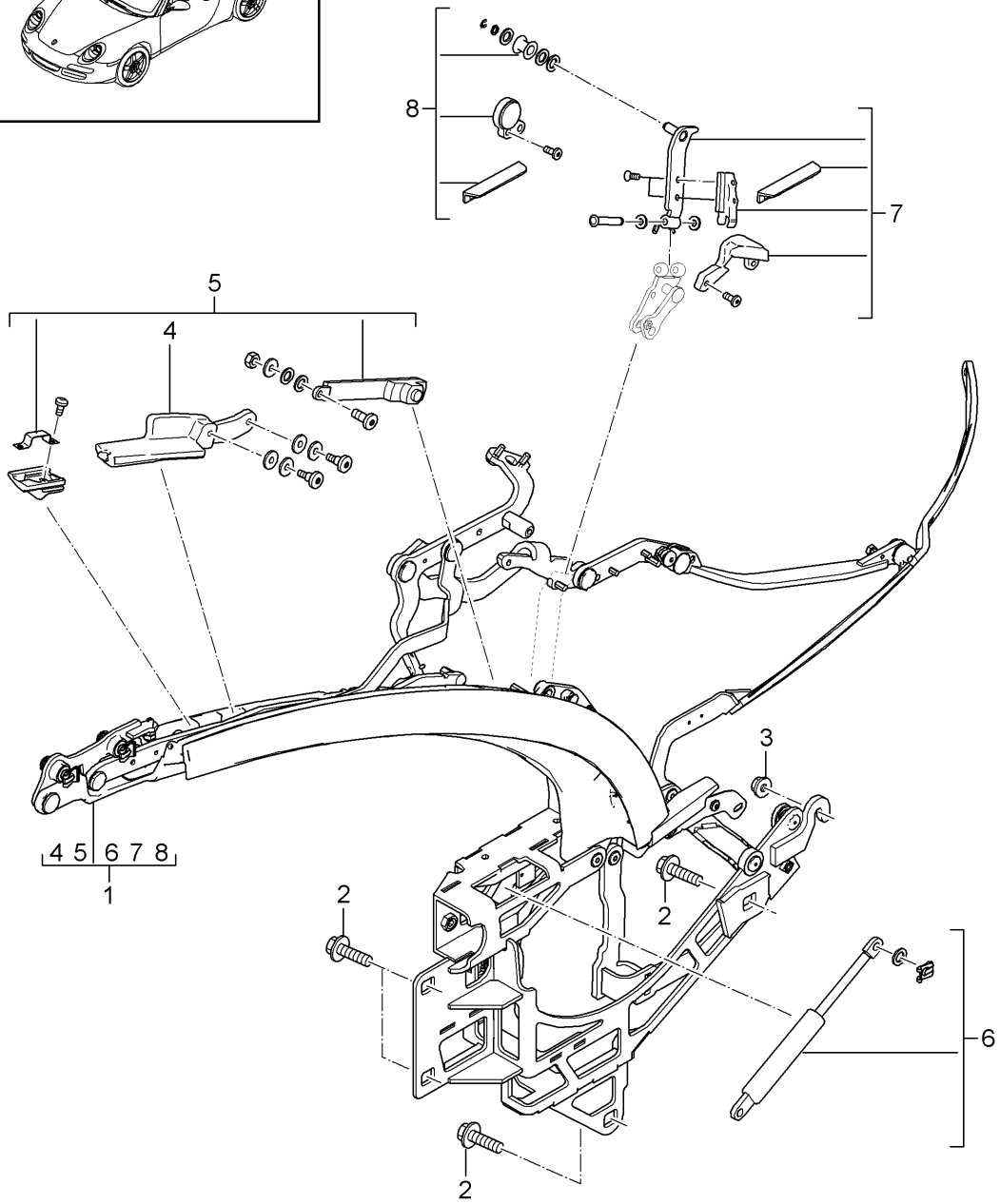
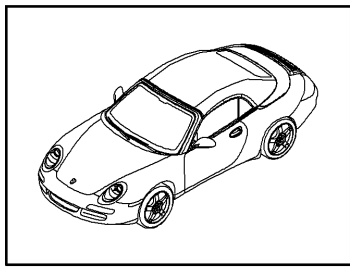
Model: 997-09

Model life 2009>>2012

| Pos | Part Number | Description | Remark | Qty | Model |
|-----|----------------|--|----------------|-----|---------------------|
| | | Convertible top covering Roofliner D - MJ 2011>> | | | Speedster PR:503 |
| 1 | 997 567 924 00 | Convertible top covering with: | | 1 | |
| | | Rear window Black | | | |
| 2 | 997 567 931 00 | Moulded headliner with: | | 1 | |
| | | Accessories Black | | | |
| - | 997 567 943 00 | repair set Rubber strap Roofliner | | 1 | |
| 3 | 997 567 936 00 | repair set Cord Transverse | | 1 | |
| 4 | 997 567 925 00 | Assembly kit Convertible top covering use if required: | 997 567 927 00 | 1 | |
| 5 | 997 567 934 00 | Assembly kit repair set tension wire Convertible top covering | side | 1 | |
| 6 | | Together with Position 1 | | 1 | |
| 11 | 999 591 352 01 | Retaining clip Roofliner | | X | |
| 12 | 997 567 927 00 | Assembly kit Mount Rear window Roof arch with: | | 1 | |
| | | Rubber strap for Frame | | | |

Model: 997-09

Model life 2009>>2012



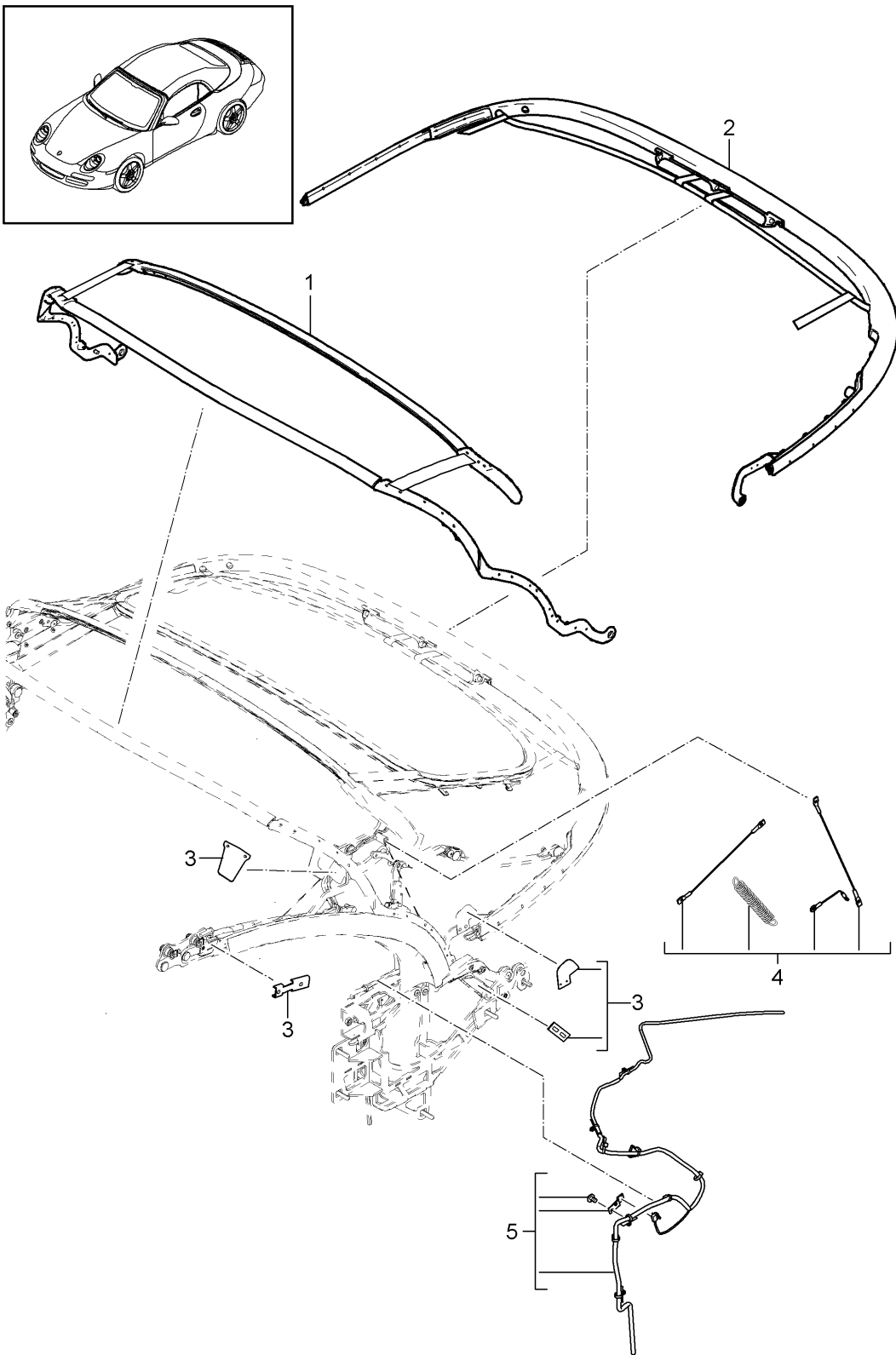
Model: 997-09

Model life 2009>>2012

| Pos | Part Number | Description | Remark | Qty | Model |
|-----|----------------|--|---------------|-----|---------------------|
| | | top frame Individual parts D - MJ 2011>> | | | Speedster PR:503 |
| 1 | 997 567 917 00 | top frame | left | 1 | |
| (1) | 997 567 918 00 | top frame | right | 1 | |
| 2 | 999 075 065 09 | Hexagon bolt M8x35 | | 8 | |
| 3 | 999 084 630 01 | Hexagon nut M8 | | 2 | |
| 4 | 997 567 930 00 | repair set handle Locking mechanism and Sticker Locking mechanism | left right | 1 | |
| - | | see illustration: | 001-005 | 1 | |
| 5 | 997 567 921 00 | repair set Locking mechanism with: handle Damper | left | 1 | |
| (5) | 997 567 922 00 | repair set Locking mechanism with: handle Damper | right | 1 | |
| 6 | 997 567 923 00 | Assembly kit Damper | | 1 | |
| 7 | 997 567 935 00 | Gas filled strut repair set Locking segment Locking mechanism lever with: | | 1 | |
| 8 | 997 567 933 00 | Clutch Glide piece repair set Tensioning roller with: Glide piece idler pulley | | 1 | |

Model: 997-09

Model life 2009>>2012



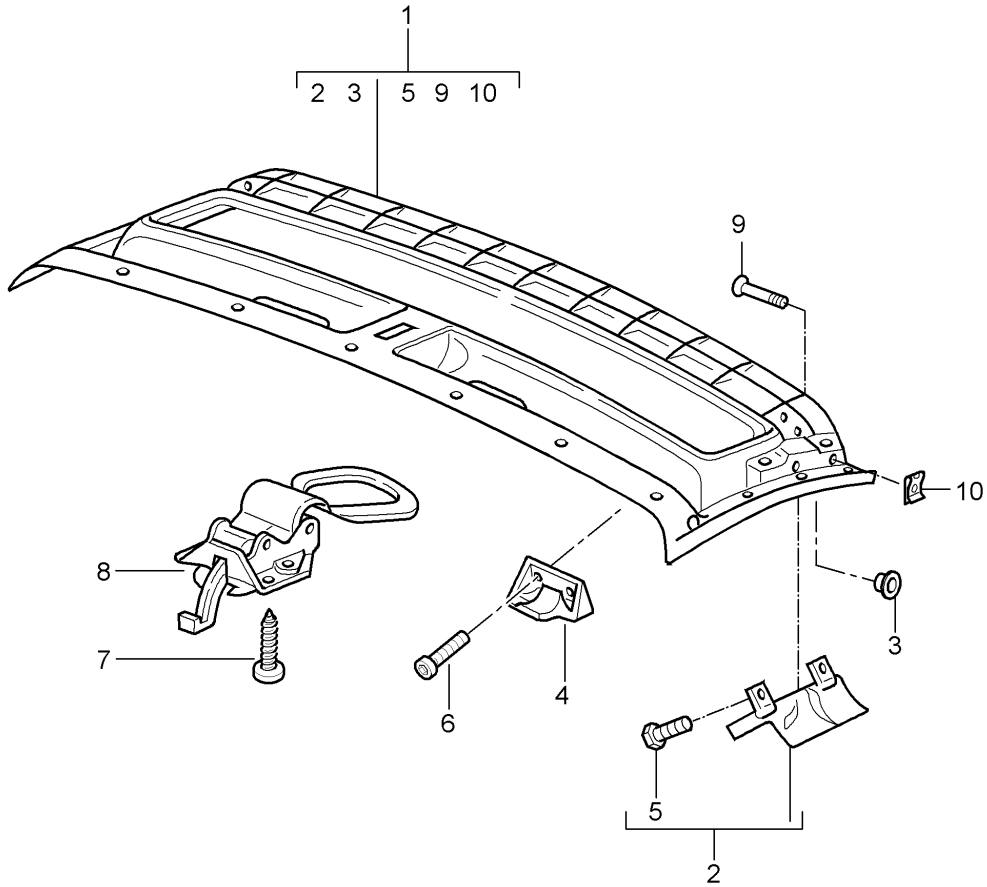
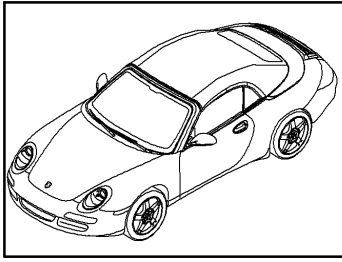
Model: 997-09

Model life 2009>>2012

| Pos | Part Number | Description | Remark | Qty | Model |
|-----|----------------|---|--------|-----|---------------------|
| 1 | 997 567 926 00 | top frame Individual parts D - MJ 2011>> Assembly kit Roof arch | | 1 | Speedster PR:503 |
| 2 | 997 567 919 00 | with: tensioning strap repair set Roof arch (complete) | rear | 1 | |
| 3 | 997 567 932 00 | with: Rubber strap for Frame Rear window Repair set for convertible roof frame Protection cover for (complete) | | 1 | |
| 4 | 997 567 928 00 | Repair set for convertible roof frame tension wire tension spring for (complete) | | 1 | |
| 5 | 997 612 919 00 | Wire set with: Micro switch Mount | | 1 | |

Model: 997-09

Model life 2009>>2012



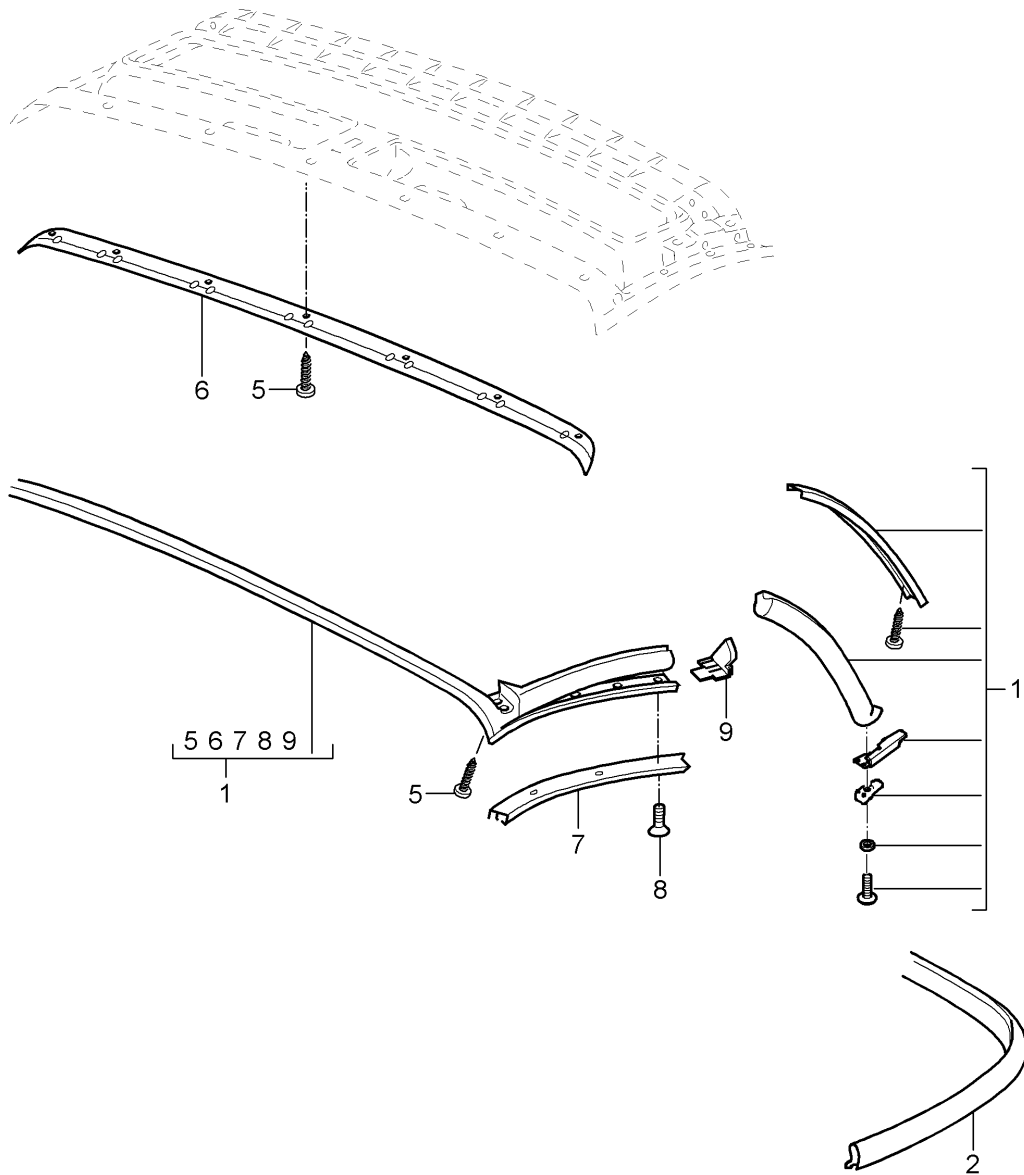
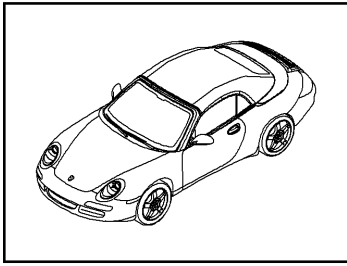
Model: 997-09

Model life 2009>>2012

| Pos | Part Number | Description | Remark | Qty | Model |
|-----|--------------------|---|--------|-----|---------------------|
| | | roof frame catch D - MJ 2011>> | | | Speedster PR:503 |
| 1 | 997 567 937 00 | roof frame (complete) Rally black | | 1 | |
| 2 | 997 567 938 00 | repair set Flap | | 1 | |
| 3 | 999 924 086 40 | Bearing bush | | X | |
| 4 | 987 561 605 00 | Centring journal | left | 1 | |
| | 987 561 605 00 70C | Black | | | |
| (4) | 987 561 606 00 | Centring journal | right | 1 | |
| | 987 561 606 00 70C | Black | | | |
| 5 | 999 919 141 09 | fillister hd. bolt | | 2 | |
| 6 | 999 919 144 09 | fillister hd. bolt | | 4 | |
| 7 | 999 919 148 09 | fillister hd. bolt | | 4 | |
| 8 | 987 561 017 00 | Soft top catch | | 1 | |
| | 987 561 017 00 A09 | Black | | | |
| 9 | 999 088 049 30 | Pin | | 4 | |
| 10 | 999 166 075 09 | securing clip | | 4 | |

Model: 997-09

Model life 2009>>2012



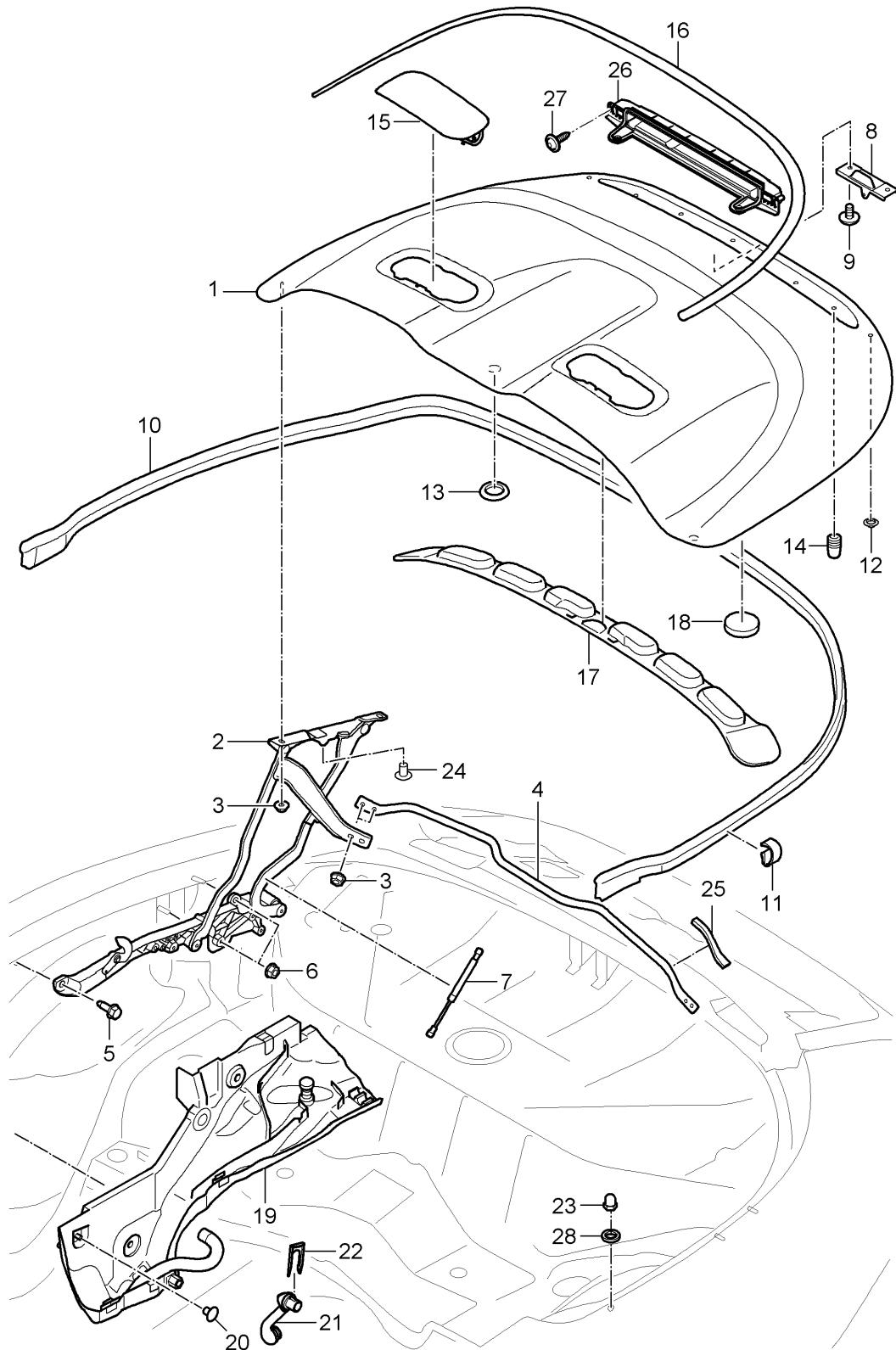
Model: 997-09

Model life 2009>>2012

| Pos | Part Number | Description | Remark | Qty | Model |
|-----|----------------|--|----------------|-----|---------------------|
| 1 | 997 567 915 00 | Convertible top Gaskets D - MJ 2011>> Assembly kit Gaskets with: Fasteners use if required: | 997 567 531 00 | 1 | Speedster PR:503 |
| 2 | 997 567 531 00 | Seal Roof arch Seal Roof arch | | 1 | |
| 5 | 999 919 139 09 | fillister hd. bolt | | 6 | |
| 6 | 987 561 501 00 | retaining strip | | 1 | |
| 7 | 987 561 401 00 | retaining strip | left | 1 | |
| (7) | 987 561 402 00 | retaining strip | right | 1 | |
| 8 | 999 919 152 09 | fillister hd. bolt | | 8 | |
| 9 | 987 561 813 02 | Filler piece | left | 1 | |
| (9) | 987 561 814 02 | Filler piece | right | 1 | |

Model: 997-09

Model life 2009>>2012



Model: 997-09

Model life 2009>>2012

| Pos | Part Number | Description | Remark | Qty | Model |
|------|--------------------|--------------------------------------|-----------------------------|-----|---------------------|
| | | convertible top stowage box Cover | | | Speedster PR:503 |
| 1 | 997 514 011 06 | Water drip pan | | | |
| | 997 514 011 06 GRV | cabrio top stowage box cover | | 1 | PR:-686 |
| (1) | 997 514 011 07 | primed | | | |
| | 997 514 011 07 GRV | cabrio top stowage box cover | | 1 | PR:686 |
| | | primed | | | |
| 2 | 997 567 680 00 | Hinge | right | 1 | |
| | | | also use: 996 561 904 00 | | |
| (2) | 997 567 679 00 | Hinge | left | 1 | |
| | | | also use: 996 561 904 00 | | |
| - | 996 561 904 00 | Seal | | 1 | |
| | | Hinge | | | |
| 3 | 999 076 066 09 | Hexagon nut | | X | |
| | | M6 | | | |
| 4 | 997 567 411 00 | Transverse strut | | 1 | |
| 5 | 900 378 180 01 | Hexagon bolt | | 2 | |
| | | M8x25 | | | |
| 6 | 900 377 003 03 | Hexagon nut | | 4 | |
| | | M8 | | | |
| 7 | 997 567 751 00 | Damper | | 2 | |
| - | 999 166 022 01 | K1-lock | | 4 | |
| 8 | 996 561 465 00 | arm | | 1 | |
| 9 | 999 073 279 02 | fillister hd. bolt | | 2 | |
| | | M6x12 | | | |
| 10 | 997 514 211 01 | seal for conv. top stowage box | | 1 | |
| | | Body | | | |
| 11 | 996 514 511 00 | Clip | | 2 | |
| | | Seal | | | |
| | | Body | | | |
| 12 | 999 703 462 40 | End cap | | 3 | |
| | | 10.0x6.5 | | | |
| 13 | 999 703 195 40 | Rubber grommet | | 1 | |
| | | 30x40 | | | |
| 14 | 999 703 140 41 | Rubber buffer | | 2 | |
| 15 | 997 514 721 00 | Cover | left | 1 | |
| | | Flap | | | |
| | | roll bar | | | |
| | 997 514 721 00 G2X | primed | | | |
| (15) | 997 514 722 00 | Cover | right | 1 | |
| | | Flap | | | |
| | | roll bar | | | |
| | 997 514 722 00 G2X | primed | | | |
| 16 | 997 514 797 00 | Protective film | | 1 | |
| | | Convertible top | | | |
| 17 | 997 561 633 02 | Buffer | | 1 | |
| | | Foam part | | | |
| 18 | 997 561 633 02 | Buffer | | 2 | |
| 19 | 997 567 806 00 | Water drip pan | right | 1 | |
| | | | with: | | |
| | | Water hose | | | |
| (19) | 997 567 805 00 | Water drip pan | left | 1 | |
| | | | with: | | |
| | | Water hose | | | |
| 20 | 999 703 432 40 | Bungs | | 2 | |
| 21 | 996 561 816 01 | Water drainage hose | right | 1 | |
| (21) | 996 561 815 01 | Water drainage hose | left | 1 | |
| 22 | 996 561 809 00 | Clip | | 2 | |
| | | Mount | | | |
| | | Water drainage hose | | | |
| 23 | 997 567 801 00 | Buffer | | 2 | |
| | | Sealing channel | | | |
| 24 | 999 703 071 40 | Stop buffer | | 2 | |

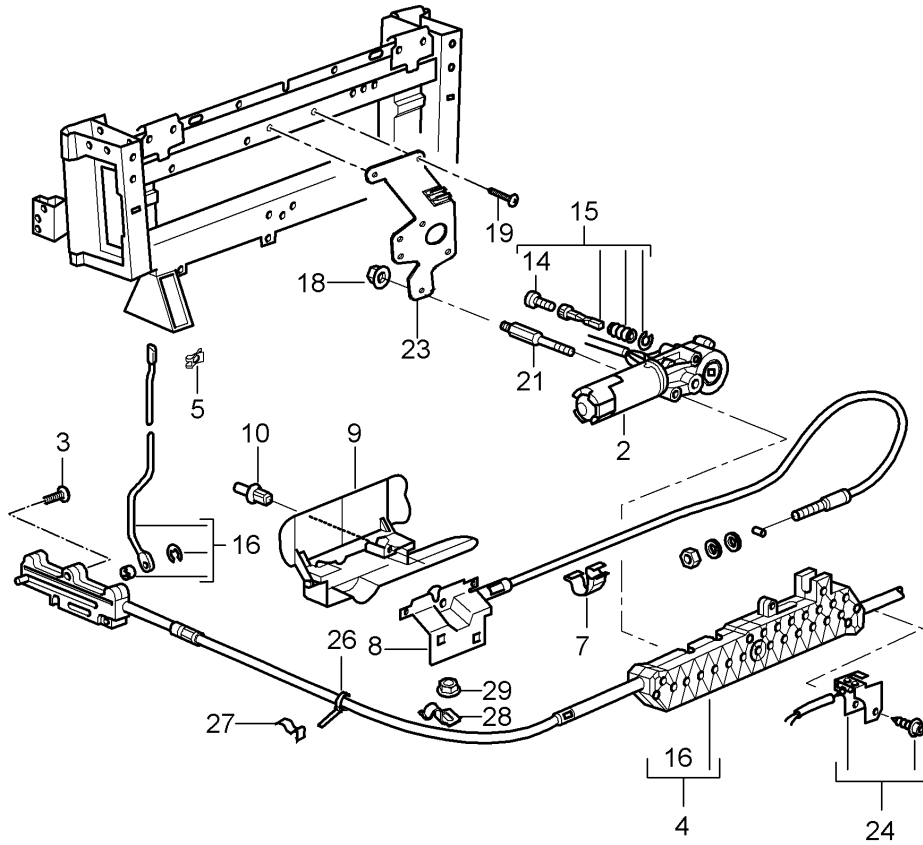
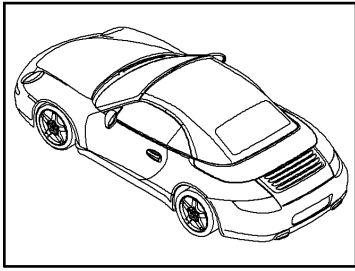
Model: 997-09

Model life 2009>>2012

| Pos | Part Number | Description | Remark | Qty | Model |
|------|----------------|--|--------|-----|-------|
| 25 | 997 514 855 00 | Trim Transverse strut | left | 1 | |
| (25) | 997 514 856 00 | Trim Transverse strut | right | 1 | |
| 26 | 997 514 161 01 | Housing for light for Brake light | | 1 | |
| 27 | 999 919 237 00 | fillister hd. bolt 5x20 | | 2 | |
| 28 | N 011 524 27 | Washer 6.4x12.5x1x6 for Buffer Sealing channel | | 4 | |

Model: 997-09

Model life 2009>>2012



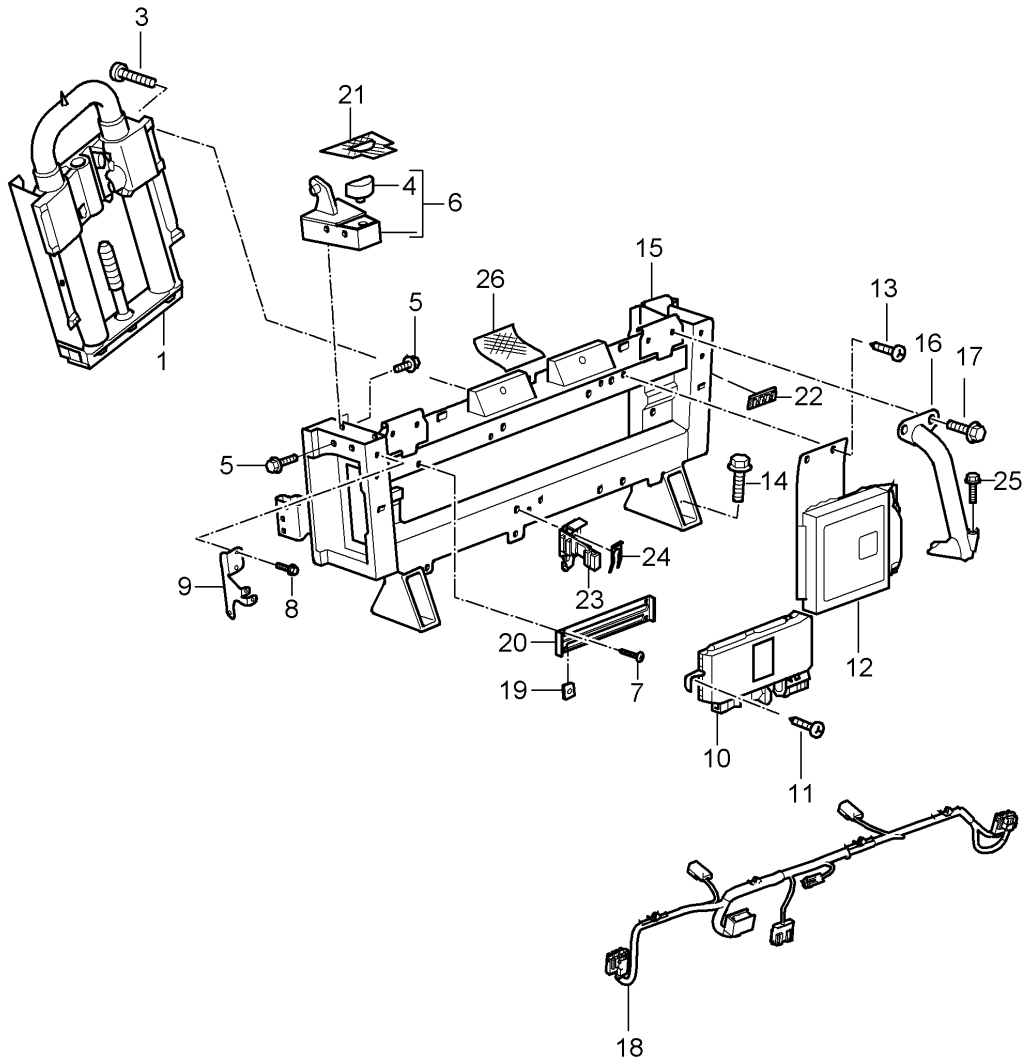
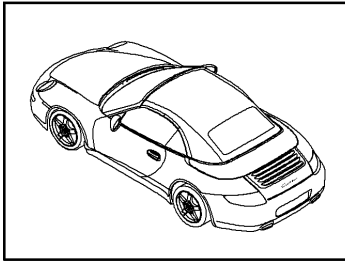
Model: 997-09

Model life 2009>>2012

| Pos | Part Number | Description | Remark | Qty | Model |
|-----|----------------|---|---------------|-----|---------------------|
| | | Driving mechanism convertible top stowage box D - MJ 2011>> | | | Speedster PR:503 |
| 2 | 996 561 933 01 | Engine | | 1 | |
| 3 | 999 919 249 01 | convertible top stowage box fillister hd. bolt M6x30 | | 4 | |
| 4 | 997 567 021 00 | Engine | | 1 | |
| 5 | 999 166 054 01 | Driving mechanism Sl-lock | | 2 | |
| 7 | 999 507 683 40 | Cable holder | | X | |
| 8 | 996 561 065 01 | Locking mechanism | | 1 | |
| 9 | 996 561 265 03 | Trim | | 1 | |
| 10 | 999 591 941 40 | Spreader rivet | | X | |
| 14 | 996 561 671 00 | Screw | | 1 | |
| 15 | 996 561 673 01 | Emergency operation repair set | | 1 | |
| 16 | 997 567 229 00 | slide rod | left a. right | 2 | |
| 18 | 900 377 010 01 | Hexagon nut M 6 | | 2 | |
| 19 | 999 073 228 09 | panel screw St 4,8 | | 3 | |
| 21 | 996 561 863 01 | Threaded pin | | 2 | |
| 23 | 996 561 207 01 | Retainer for pump | | 1 | |
| 24 | 996 561 165 01 | Driving mechanism convertible top stowage box Micro switch | | 1 | |
| 26 | 999 513 077 40 | Cable ties | | 2 | |
| 27 | 997 561 773 00 | Clip Line | | 2 | |
| 28 | 997 561 775 00 | holder for bowden cable | | 2 | |
| 29 | 900 380 015 01 | Hexagon nut M6 | | 2 | |

Model: 997-09

Model life 2009>>2012

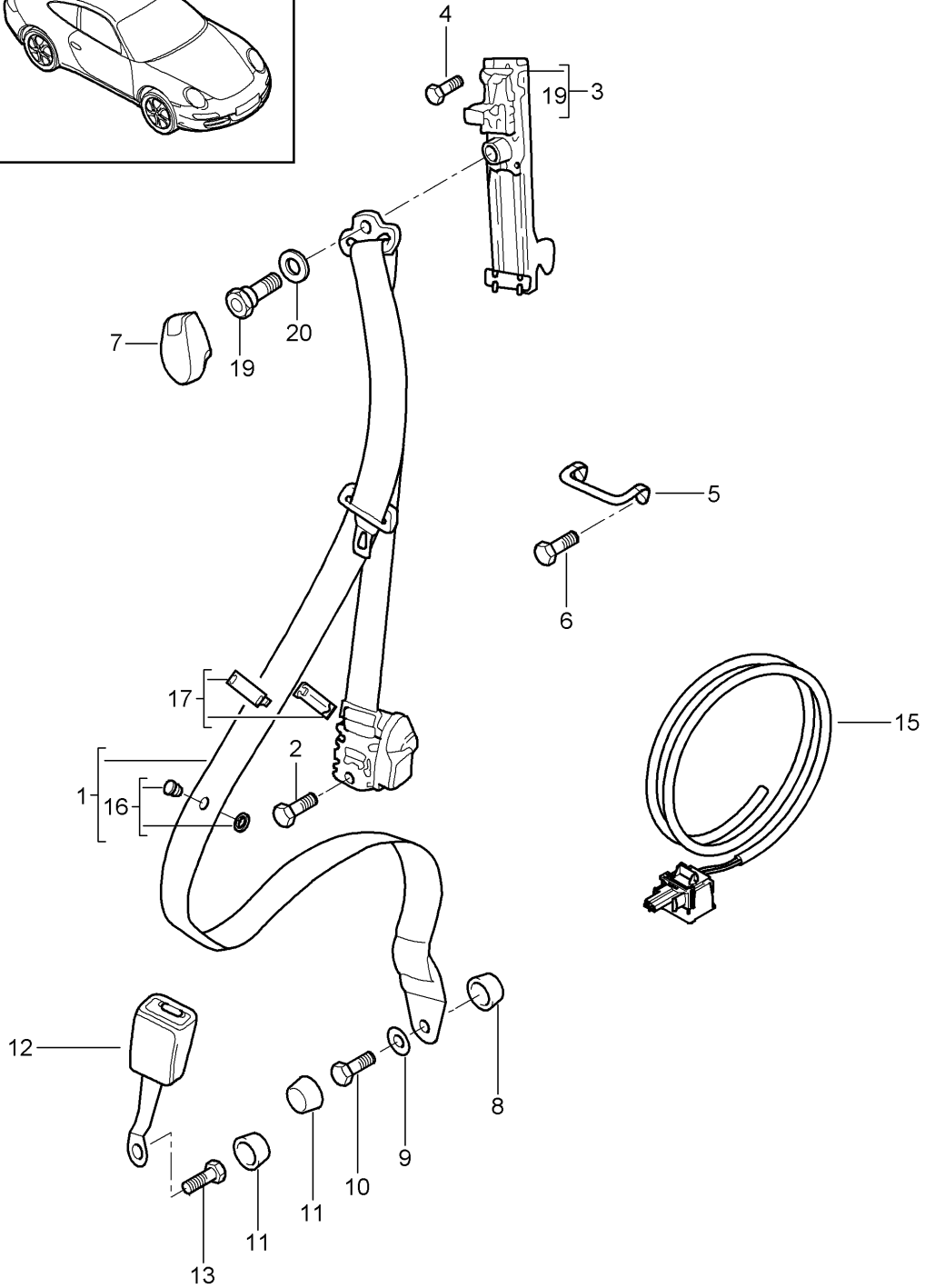
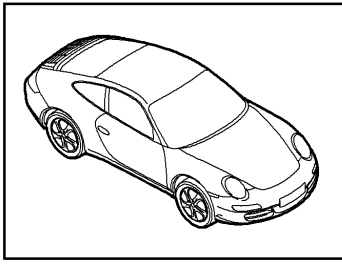


Model: 997-09 Model life 2009>>2012

| Pos | Part Number | Description | Remark | Qty | Model |
|------|----------------|---|---------|-----|---------------------|
| | | roll bar Accessories roll bar D - MJ 2011>> | | | Speedster PR:503 |
| 1 | 997 580 013 05 | Cassette | | 2 | |
| 3 | 900 067 394 01 | Socket head bolt | | 12 | |
| 4 | 997 567 463 00 | Rubber support | | 2 | |
| 5 | 900 378 173 01 | Hexagon bolt M6x20 | | 8 | |
| 6 | 997 580 721 00 | Adapter Mount Frame | left | 1 | |
| (6) | 997 580 722 00 | Adapter Mount Frame | right | 1 | |
| 7 | 999 073 228 09 | panel screw | | 2 | |
| 8 | 999 073 322 02 | fillister hd. bolt M6x20 | | 4 | |
| 9 | 997 580 611 00 | Bracket for trim Carpet | left | 1 | |
| (9) | 997 580 612 00 | Bracket for trim Carpet | right | 1 | |
| 10 | 997 618 111 20 | Control unit for convertible roof controls convertible top stowage box Driving mechanism | | 1 | |
| 11 | 999 073 228 09 | panel screw | | X | |
| 12 | | Control unit - dme - see illustration: | 901-003 | X | |
| 13 | 999 073 228 09 | panel screw | | X | |
| 14 | 999 385 006 01 | Outer hexagon round screw | | 4 | |
| 15 | 997 580 911 00 | Support frame | | 1 | |
| - | 997 580 913 00 | also use: 1 set attachment parts Pop rivet Screw | | 1 | |
| (16) | 997 580 331 02 | Support | left | 1 | |
| 16 | 997 580 332 02 | Support | right | 1 | |
| 17 | 900 385 097 01 | Torx screw BM10 X 35 | | X | |
| 18 | 997 612 696 85 | Wire set Frame roll bar | | 1 | |
| 19 | 999 507 714 01 | panel nut | | 2 | |
| 20 | 997 580 731 00 | Retainer for control units convertible top stowage box | | 1 | |
| 21 | 997 580 523 00 | Cover Felt | | 2 | |
| 22 | 999 650 176 40 | Clip for Connector housing | | 3 | |
| 23 | 996 610 126 00 | bracket for relay bracket Relay carrier 2 | | 1 | |
| 24 | 996 610 128 00 | Retaining clip Relay carrier 2 | | 1 | |
| 25 | 999 217 166 01 | Hexagon bolt M10x55 | | 2 | |
| 26 | 997 580 521 00 | Cover Felt | | 1 | |

Model: 997-09

Model life 2009>>2012



Model: 997-09 Model life 2009>>2012

| Pos | Part Number | Description | Remark | Qty | Model |
|------|--------------------|--------------------------------|-----------|-----|-------------------------|
| | | Seat belt | front | | COUPE TARGA |
| 1 | 997 803 033 02 | Three-point safety belt | left | 1 | |
| | 997 803 033 02 A23 | Black | | | PR:555 |
| | 997 803 033 02 N13 | guards red (Porsche) | | | PR:XSX |
| | 997 803 033 02 U01 | silver | | | PR:XSH |
| | 997 803 033 02 V02 | Speed yellow | | | PR:XSX |
| 1 | 997 803 033 05 | Three-point safety belt | left | 1 | |
| | 997 803 033 05 6M4 | Sand beige | | | PR:XST |
| (1) | 997 803 034 09 | Three-point safety belt | right | 1 | |
| | 997 803 034 09 A23 | Black | | | PR:555 |
| | 997 803 034 09 N13 | guards red (Porsche) | | | PR:XSX |
| | 997 803 034 09 U01 | silver | | | PR:XSH |
| | 997 803 034 09 V02 | Speed yellow | | | PR:XSX |
| (1) | 997 803 034 13 | Three-point safety belt | right | 1 | |
| | 997 803 034 13 6M4 | Sand beige | | | PR:553 PR:XST |
| 2 | 999 075 070 09 | Hexagon bolt | | 2 | |
| 3 | 997 803 231 01 | Bracket | | 2 | |
| | | Height adjustment | | | |
| | | | with: | | |
| - | 999 075 078 01 | Hexagon bolt | | 2 | |
| 4 | 900 067 131 02 | Socket head bolt | | 2 | |
| 5 | 996 803 825 01 | Deflection angle | | 2 | |
| 6 | 900 378 036 09 | Hexagon bolt | | 4 | |
| 7 | 997 803 521 00 | Cover | | 2 | |
| | 997 803 521 00 A03 | Black | | | |
| 8 | 999 924 064 02 | spacer sleeve | | 2 | |
| | | Discontinued part | | | |
| 8 | 999 924 064 01 | spacer sleeve | | 2 | |
| (8) | 997 803 663 00 | spacer sleeve | | 1 | PR:388,389 |
| 9 | 211 857 771 | Washer | | 2 | |
| (9) | 999 028 022 01 | Spring washer | | 1 | PR:388,389 |
| - | 999 025 275 A2 | Washer | | 1 | PR:388,389 |
| 10 | 999 075 073 09 | Hexagon bolt | | 2 | |
| (10) | 999 075 072 09 | Hexagon bolt | | 2 | PR:388,389 |
| 11 | 811 857 845 | Cover cap | | 2 | |
| | 811 857 845 01C | Satin black | | | |
| (12) | 997 803 183 01 | Belt latch (drivers side) | | 1 | |
| (12) | 997 803 183 01 | Belt latch (passenger side) | | 1 | |
| (12) | 997 803 183 02 | Belt latch (passenger side) | | 1 | PR:389,560 |
| 12 | 997 803 183 04 | Belt latch (drivers side) | | 1 | PR:388 |
| 12 | 997 803 993 08 | Belt latch (drivers side) | left lhd | 1 | PR:098,377, 756 |
| | | D - MJ 2010>> | | | |
| | 997 803 993 08 6J0 | Espresso | | | |
| (12) | 997 803 993 08 | Belt latch (passenger side) | right lhd | 1 | PR:072,378, 756,098 |
| | | D - MJ 2010>> | | | |
| | 997 803 993 08 6J0 | Espresso | | | |
| (12) | 997 803 993 02 | Belt latch (passenger side) | right lhd | 1 | PR:098,378, 756,-072 |
| | | D - MJ 2010>> | | | |
| | 997 803 993 02 6J0 | Espresso | | | |
| 13 | 999 218 101 02 | Hexagon bolt | | 2 | |
| 14 | 999 075 073 09 | Hexagon bolt | | 2 | |
| 15 | | Cable | | X | |
| | | for Seat belt tensioner | | | |
| | | see illustration: | 902-010 | | |

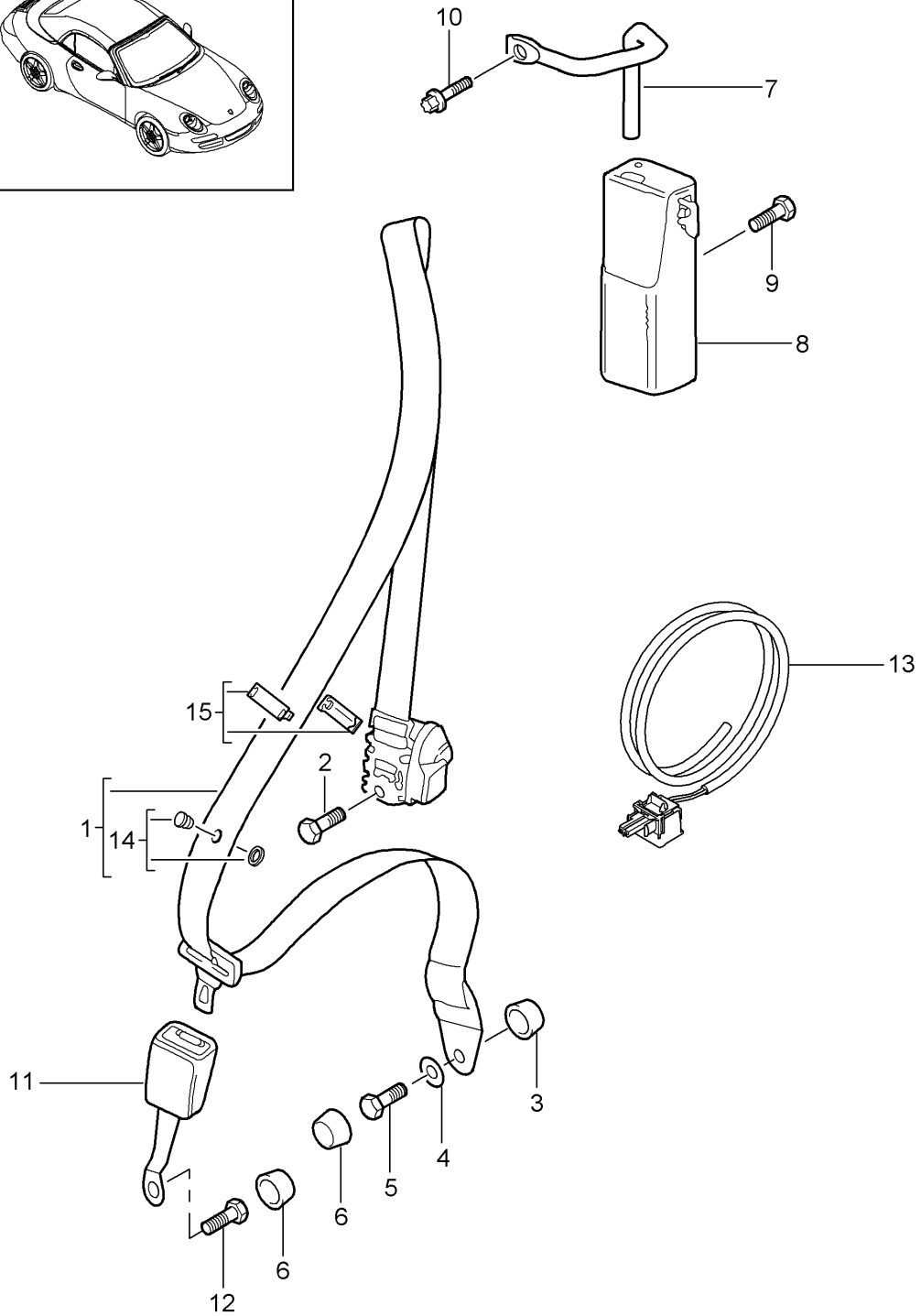
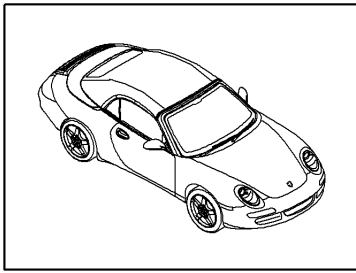
Model: 997-09

Model life 2009>>2012

| Pos | Part Number | Description | Remark | Qty | Model |
|-----|--------------------|--------------------------------|--------|-----|-------|
| 16 | 955 803 056 00 | knob | | 2 | |
| | 955 803 056 00 HCP | Black | | | |
| 17 | 997 803 334 00 | clamping piece | | 2 | |
| | 997 803 334 00 01C | Black | | | |
| 18 | 000 043 206 96 | Clip | | 2 | |
| | | See technical manual 693649 | | | |
| 19 | 999 075 078 01 | Hexagon bolt | | 2 | |
| | | 7/16-20UNF | | | |
| 20 | 999 031 052 40 | adjusting washer | | 2 | |
| | | 14,2X22,0 | | | |

Model: 997-09

Model life 2009>>2012



Model: 997-09 Model life 2009>>2012

| Pos | Part Number | Description | Remark | Qty | Model |
|------|--------------------|-------------------------|-----------|-----|-------------|
| 1 | 997 803 033 03 | Seat belt | front | | CABRIO |
| | 997 803 033 03 A23 | Three-point safety belt | left | 1 | |
| | 997 803 033 03 N13 | Black | | | PR:555 |
| | 997 803 033 03 V02 | guards red (Porsche) | | | PR:XSX |
| | 997 803 033 03 U01 | Speed yellow | | | PR:XSY |
| | 997 803 033 03 U01 | silver | | | PR:XSH |
| 1 | 997 803 033 06 | Three-point safety belt | left | 1 | |
| | 997 803 033 06 6M4 | Sand beige | | | PR:XST |
| (1) | 997 803 034 07 | Three-point safety belt | right | 1 | |
| | 997 803 034 07 A23 | Black | | | PR:553 |
| | 997 803 034 07 N13 | guards red (Porsche) | | | PR:555 |
| | 997 803 034 07 V02 | Speed yellow | | | PR:XSX |
| | 997 803 034 07 U01 | silver | | | PR:XSY |
| (1) | 997 803 034 12 | Three-point safety belt | right | 1 | |
| | 997 803 034 12 6M4 | Sand beige | | | PR:XSH |
| 2 | 999 075 070 09 | Hexagon bolt | | 2 | |
| 3 | 999 924 064 02 | spacer sleeve | | 2 | |
| | | Discontinued part | | | |
| 3 | 999 924 064 01 | spacer sleeve | | 2 | |
| (3) | 997 803 663 00 | spacer sleeve | | 1 | PR:388,389 |
| 4 | 211 857 771 | Washer | | 2 | |
| (4) | 999 028 022 01 | Spring washer | | 1 | PR:388,389 |
| - | 999 025 275 A2 | Washer | | 1 | PR:388,389 |
| 5 | 999 075 073 09 | Hexagon bolt | | 2 | |
| (5) | 999 075 072 09 | Hexagon bolt | | 2 | PR:388,389 |
| 6 | 811 857 845 | Cover cap | | 2 | |
| 7 | 996 803 815 00 | relay lever | left | 1 | |
| 7 | 996 803 816 00 | relay lever | right | 1 | |
| 8 | 996 803 581 00 | Support | left | 1 | |
| 8 | 996 803 582 00 | Support | right | 1 | |
| 9 | 999 075 065 09 | Hexagon bolt | | 4 | |
| | | M8x35 | | | |
| 10 | 900 378 017 01 | Hexagon bolt | | 2 | |
| | | M8x20 | | | |
| (11) | 997 803 183 01 | Belt latch | | 1 | |
| | | (drivers side) | | | |
| | | and | | | |
| | | (passenger side) | | | |
| (11) | 997 803 183 02 | Belt latch | | 1 | PR:389,560 |
| | | (passenger side) | | | |
| 11 | 997 803 183 04 | Belt latch | | 1 | PR:388 |
| | | (drivers side) | | | |
| (11) | 997 803 993 08 | Belt latch | left lhd | 1 | Speedster |
| | | (drivers side) | | | PR:098,377, |
| | | Leather | | | 503 |
| | | D - MJ 2011>> | | | |
| (11) | 997 803 993 08 A11 | Black | | | |
| (11) | 997 803 993 08 | Belt latch | right lhd | 1 | Speedster |
| | | (passenger side) | | | PR:072,378, |
| | | Leather | | | 503,098 |
| | | D - MJ 2011>> | | | |
| (12) | 997 803 993 08 A11 | Black | | | |
| (12) | 997 803 993 02 | Belt latch | right lhd | 1 | Speedster |
| | | (passenger side) | | | PR:098,378, |
| | | Leather | | | 503,-072 |
| | | D - MJ 2011>> | | | |
| 12 | 999 218 101 02 | Hexagon bolt | | 2 | |
| 13 | | Cable | | X | |
| | | for | | | |
| | | Seat belt tensioner | | | |
| | | see illustration: | 902-010 | | |
| 14 | 955 803 056 00 | knob | | 2 | |

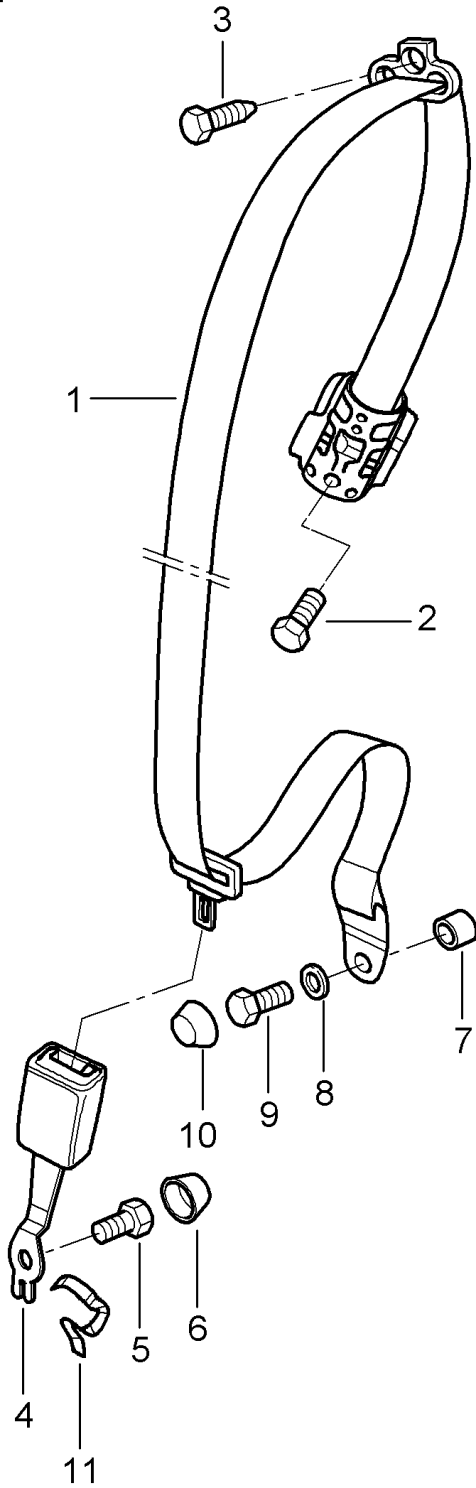
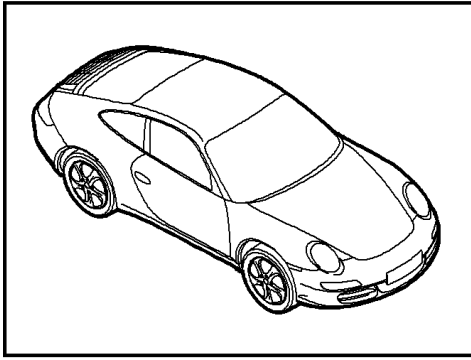
Model: 997-09

Model life 2009>>2012

| Pos | Part Number | Description | Remark | Qty | Model |
|-----|--|----------------------------------|--------|-----|-------|
| 15 | 955 803 056 00 HCP 997 803 334 00 997 803 334 00 01C | Black clamping piece Black | | 2 | |

Model: 997-09

Model life 2009>>2012



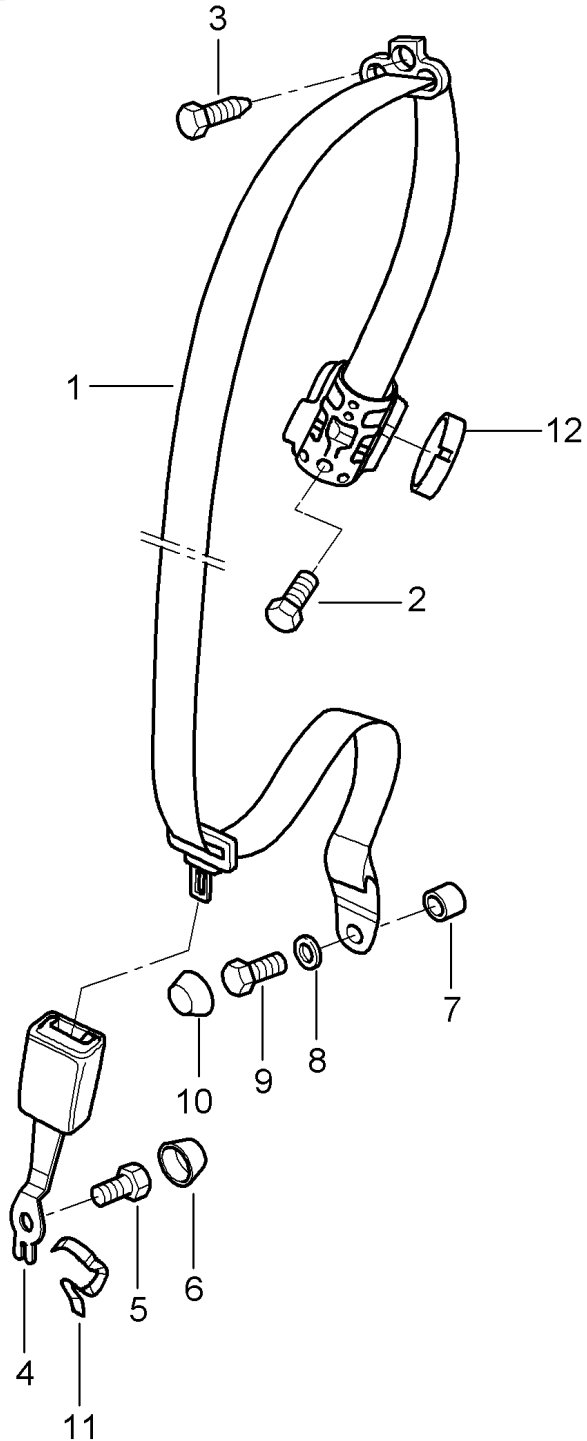
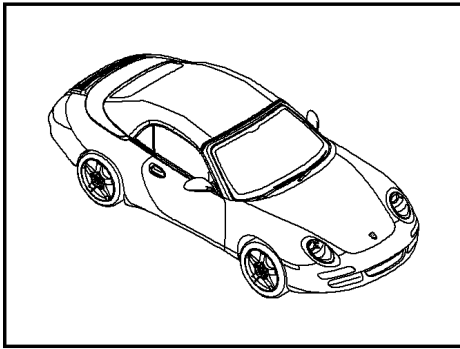
Model: 997-09

Model life 2009>>2012

| Pos | Part Number | Description | Remark | Qty | Model |
|------|--------------------|-------------------------|--------|-----|--------|
| 1 | 997 803 035 03 | Seat belt | rear | | COUPE |
| | 997 803 035 03 U01 | Three-point safety belt | left | 1 | |
| | 997 803 035 03 V02 | silver | | | PR:XSH |
| | 997 803 035 03 N13 | Speed yellow | | | PR:XSX |
| | 997 803 035 03 A23 | guards red (Porsche) | | | PR:555 |
| | 997 803 035 03 6M4 | Black | | | PR:XST |
| (1) | 997 803 036 03 | Sand beige | right | 1 | |
| | 997 803 036 03 U01 | Three-point safety belt | | | PR:XSH |
| | 997 803 036 03 V02 | silver | | | PR:XSX |
| | 997 803 036 03 N13 | Speed yellow | | | PR:XSX |
| | 997 803 036 03 A23 | guards red (Porsche) | | | PR:555 |
| | 997 803 036 03 6M4 | Black | | | PR:XST |
| 2 | 999 075 070 09 | Hexagon bolt | | 2 | |
| 3 | 999 075 057 09 | Hexagon bolt | | 2 | |
| 4 | 996 803 165 01 | Hexagon bolt | left | 1 | |
| (4) | 996 803 166 01 | Belt latch | right | 1 | |
| 5 | 999 075 070 09 | Hexagon bolt | | 2 | |
| 6 | 811 857 845 | Cover cap | | 2 | |
| 7 | 999 924 064 02 | spacer sleeve | | 2 | |
| | | Discontinued part | | | |
| 7 | 999 924 064 01 | spacer sleeve | | 2 | |
| 8 | 211 857 771 | Washer | | 2 | |
| 9 | 999 075 073 09 | Hexagon bolt | | 2 | |
| 10 | 811 857 845 | Cover cap | | 2 | PR:193 |
| 11 | 996 551 745 00 | Securing clip | left | 2 | |
| (11) | 996 551 746 00 | Securing clip | right | 2 | |

Model: 997-09

Model life 2009>>2012

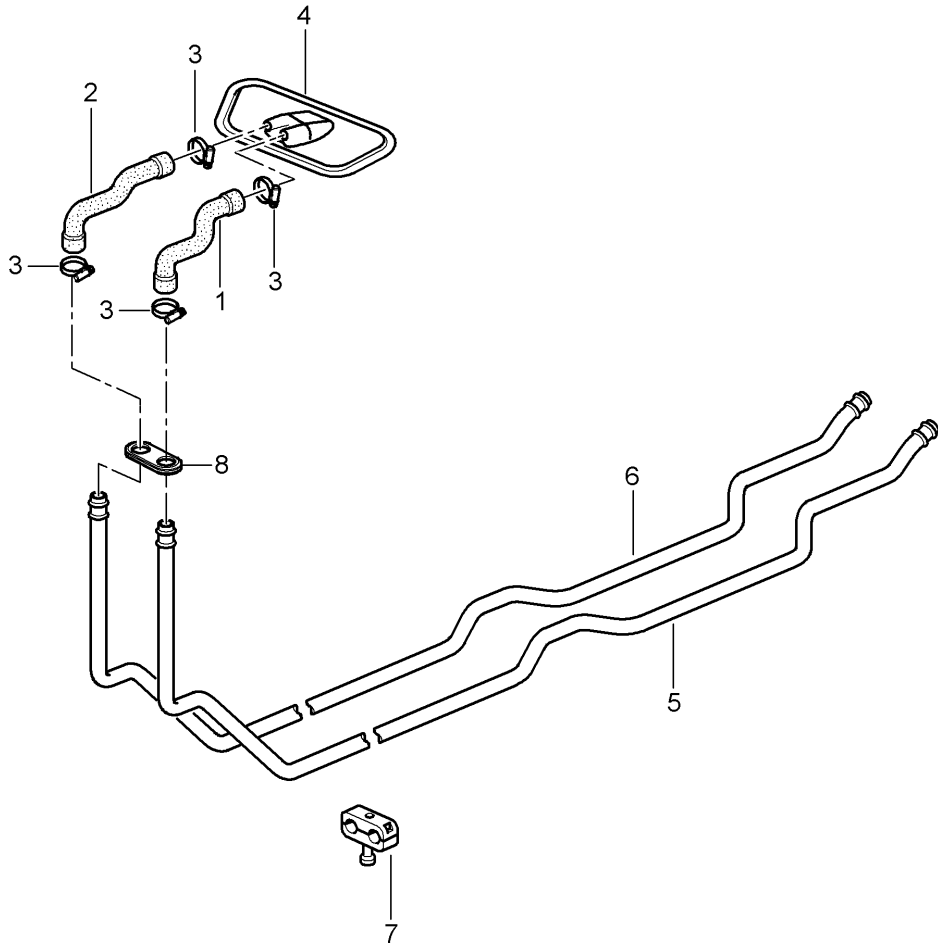
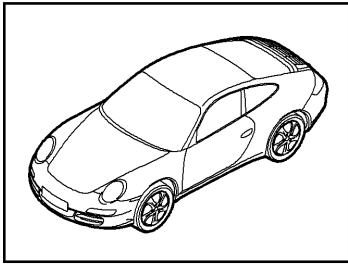


Model: 997-09 Model life 2009>>2012

| Pos | Part Number | Description | Remark | Qty | Model |
|-----|--------------------|-------------------------|--------|-----|--------|
| | | Seat belt | rear | | CABRIO |
| (1) | 997 803 035 01 | Three-point safety belt | left | 1 | TARGA |
| | 997 803 035 01 V02 | Speed yellow | | | CABRIO |
| | 997 803 035 01 N13 | guards red (Porsche) | | | PR:553 |
| | 997 803 035 01 U01 | silver | | | PR:XSX |
| | 997 803 035 01 A23 | Black | | | PR:XSH |
| | 997 803 035 01 6M4 | Sand beige | | | PR:555 |
| (1) | 997 803 035 05 | Three-point safety belt | left | 1 | PR:XST |
| | 997 803 035 05 V02 | Speed yellow | | | TARGA |
| | 997 803 035 05 N13 | guards red (Porsche) | | | PR:553 |
| | 997 803 035 05 U01 | silver | | | PR:XSX |
| | 997 803 035 05 A23 | Black | | | PR:XSH |
| | 997 803 035 05 6M4 | Sand beige | | | PR:555 |
| (1) | 997 803 036 01 | Three-point safety belt | right | 1 | PR:XST |
| | 997 803 036 01 V02 | Speed yellow | | | CABRIO |
| | 997 803 036 01 N13 | guards red (Porsche) | | | PR:553 |
| | 997 803 036 01 U01 | silver | | | PR:XSX |
| | 997 803 036 01 A23 | Black | | | PR:XSH |
| | 997 803 036 01 6M4 | Sand beige | | | PR:555 |
| (1) | 997 803 036 05 | Three-point safety belt | right | 1 | PR:XST |
| | 997 803 036 05 V02 | Speed yellow | | | TARGA |
| | 997 803 036 05 N13 | guards red (Porsche) | | | PR:553 |
| | 997 803 036 05 U01 | silver | | | PR:XSX |
| | 997 803 036 05 A23 | Black | | | PR:XSH |
| | 997 803 036 05 6M4 | Sand beige | | | PR:555 |
| 2 | 999 075 070 09 | Hexagon bolt | | 2 | PR:XST |
| 3 | 999 075 057 09 | Hexagon bolt | | 2 | |
| 4 | 996 803 165 01 | Belt latch | left | 1 | |
| (4) | 996 803 166 01 | Belt latch | right | 1 | |
| 5 | 999 075 070 09 | Hexagon bolt | | 2 | |
| 6 | 811 857 845 | Cover cap | | 2 | |
| 7 | 999 924 064 02 | spacer sleeve | | 2 | |
| | | Discontinued part | | | |
| 7 | 999 924 064 01 | spacer sleeve | | 2 | |
| 8 | 211 857 771 | Washer | | 2 | |
| 9 | 999 075 073 09 | Hexagon bolt | | 2 | |
| 10 | 811 857 845 | Cover cap | | 2 | |
| | 811 857 845 01C | Satin black | | | |
| 11 | 996 551 745 00 | Securing clip | | 2 | |

Model: 997-09

Model life 2009>>2012



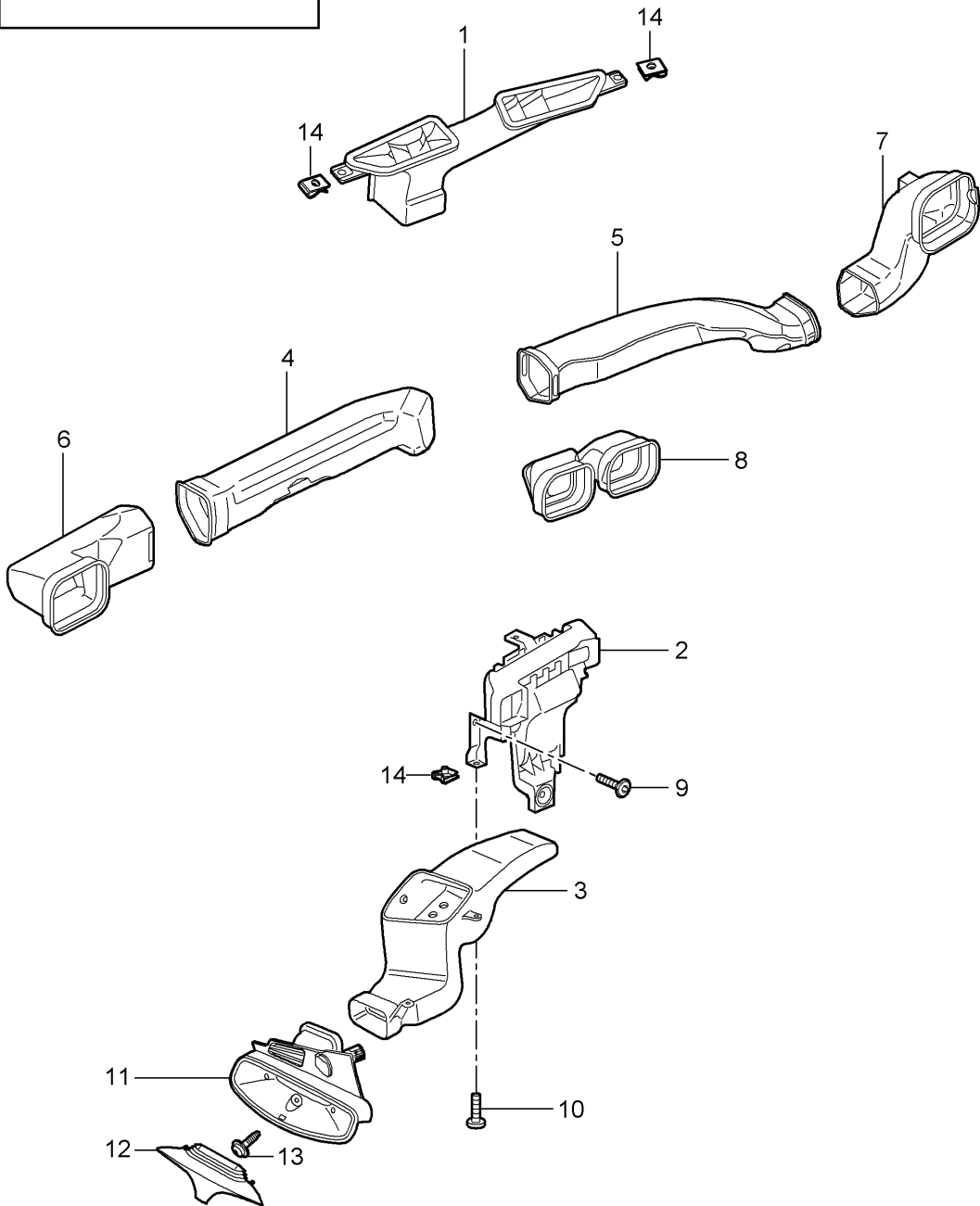
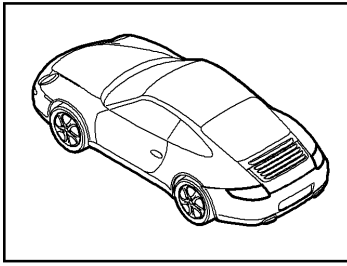
Model: 997-09

Model life 2009>>2012

| Pos | Part Number | Description | Remark | Qty | Model |
|-----|----------------|--|--------|-----|--------|
| 1 | 997 572 553 00 | Heating system 1 Feed line return line Heating hose Intake | lhd | 1 | PR:098 |
| 2 | 997 572 555 00 | Heating hose Return line | lhd | 1 | PR:098 |
| 3 | 999 512 603 09 | Hose clamp | | 4 | |
| 4 | 996 572 263 02 | Seal | lhd | 1 | PR:098 |
| 5 | 997 572 681 00 | Heater pipeline Supply | | 1 | |
| 6 | 997 572 683 00 | Discontinued part Heater pipeline Return line Discontinued part | | 1 | |
| - | 996 572 785 00 | Distance piece | | X | |
| 7 | 999 511 230 40 | Cable holder | | 4 | |
| - | 999 511 232 41 | Rubber bush | | 4 | |
| 8 | 996 572 765 02 | Grommet | | 1 | |

Model: 997-09

Model life 2009>>2012

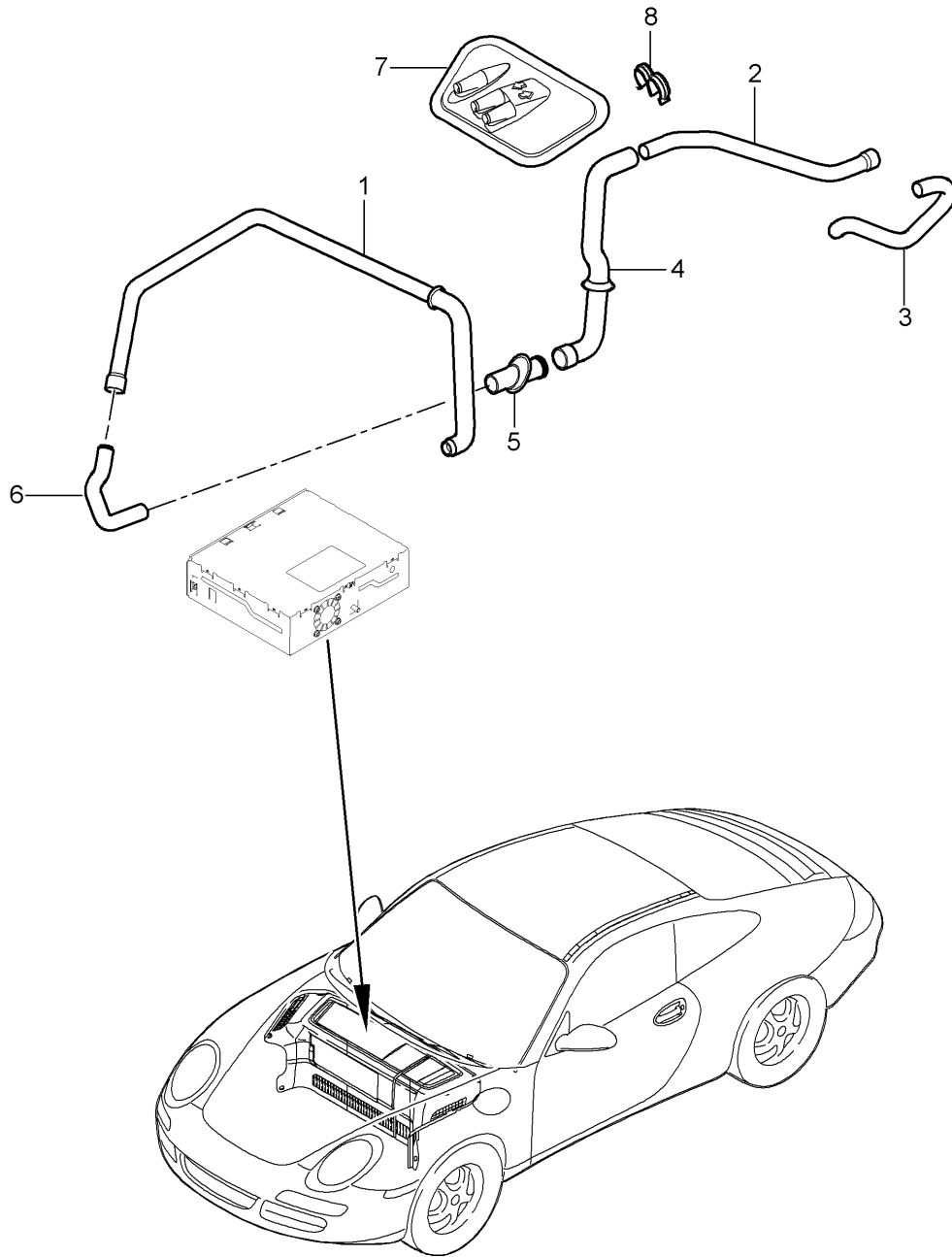


Model: 997-09 Model life 2009>>2012

| Pos | Part Number | Description | Remark | Qty | Model |
|-----|--------------------|--|-----------|-----|----------------------|
| 1 | 997 572 631 00 | Air distributor Passenger compartment Defroster nozzle for wind- screen | lhd | 1 | PR:098 |
| 2 | 997 572 171 00 | Air distributor | lhd | 1 | PR:098 |
| 3 | 997 572 793 00 | Footwell outlet vent | lhd | 1 | PR:098,-680 |
| (3) | 997 572 793 02 | Footwell outlet vent | lhd | 1 | PR:098,680 |
| 4 | 997 572 463 00 | Air guide | left lhd | 1 | PR:098 |
| 5 | 997 572 464 00 | Air guide | right lhd | 1 | PR:098 |
| 6 | 997 572 767 00 | Air guide | left lhd | 1 | PR:098 |
| 7 | 997 572 768 00 | Air guide | right lhd | 1 | PR:098 |
| 8 | 997 572 769 00 | Air guide | | 1 | PR:098 |
| 9 | 999 919 118 09 | fillister hd. bolt | | 2 | |
| 10 | 999 073 339 09 | panel screw | | 2 | |
| 11 | 997 572 396 02 | Trim | lhd | 1 | CABRIO PR:098 |
| | 997 572 396 02 01C | Satin black | | | |
| 11 | 997 572 396 03 | Trim | lhd | 1 | CABRIO PR:098,680 |
| | | Lacquered | | | |
| | 997 572 396 03 5V7 | Stone grey | | | |
| | 997 572 396 03 5Y2 | Palm green | | | |
| | 997 572 396 03 5Z1 | Sand beige | | | |
| | 997 572 396 03 8P9 | Cocoa | | | |
| | 997 572 396 03 8W7 | sea blue | | | |
| | 997 572 396 03 8X8 | Terracotta | | | |
| | 997 572 396 03 T13 | Brown/natural | | | |
| 12 | 997 572 798 02 | Trim | lhd | 1 | CABRIO PR:098,680 |
| | 997 572 798 02 01C | Satin black | | | |
| 12 | 997 572 798 03 | Trim | lhd | 1 | CABRIO PR:098,680 |
| | | Lacquered | | | |
| | 997 572 798 03 5V7 | Stone grey | | | |
| | 997 572 798 03 5Y2 | Palm green | | | |
| | 997 572 798 03 5Z1 | Sand beige | | | |
| | 997 572 798 03 8P9 | Cocoa | | | |
| | 997 572 798 03 8W7 | sea blue | | | |
| | 997 572 798 03 8X8 | Terracotta | | | |
| | 997 572 798 03 T13 | Brown/natural | | | |
| 13 | 999 073 345 09 | Oval-head screw M 5 x 18 | | 1 | CABRIO PR:680 |
| 14 | 999 507 785 02 | panel nut ST 4,2 | | 3 | |
| 14 | 999 507 785 01 | Discontinued part panel nut st 4,2 | | 3 | |

Model: 997-09

Model life 2009>>2012



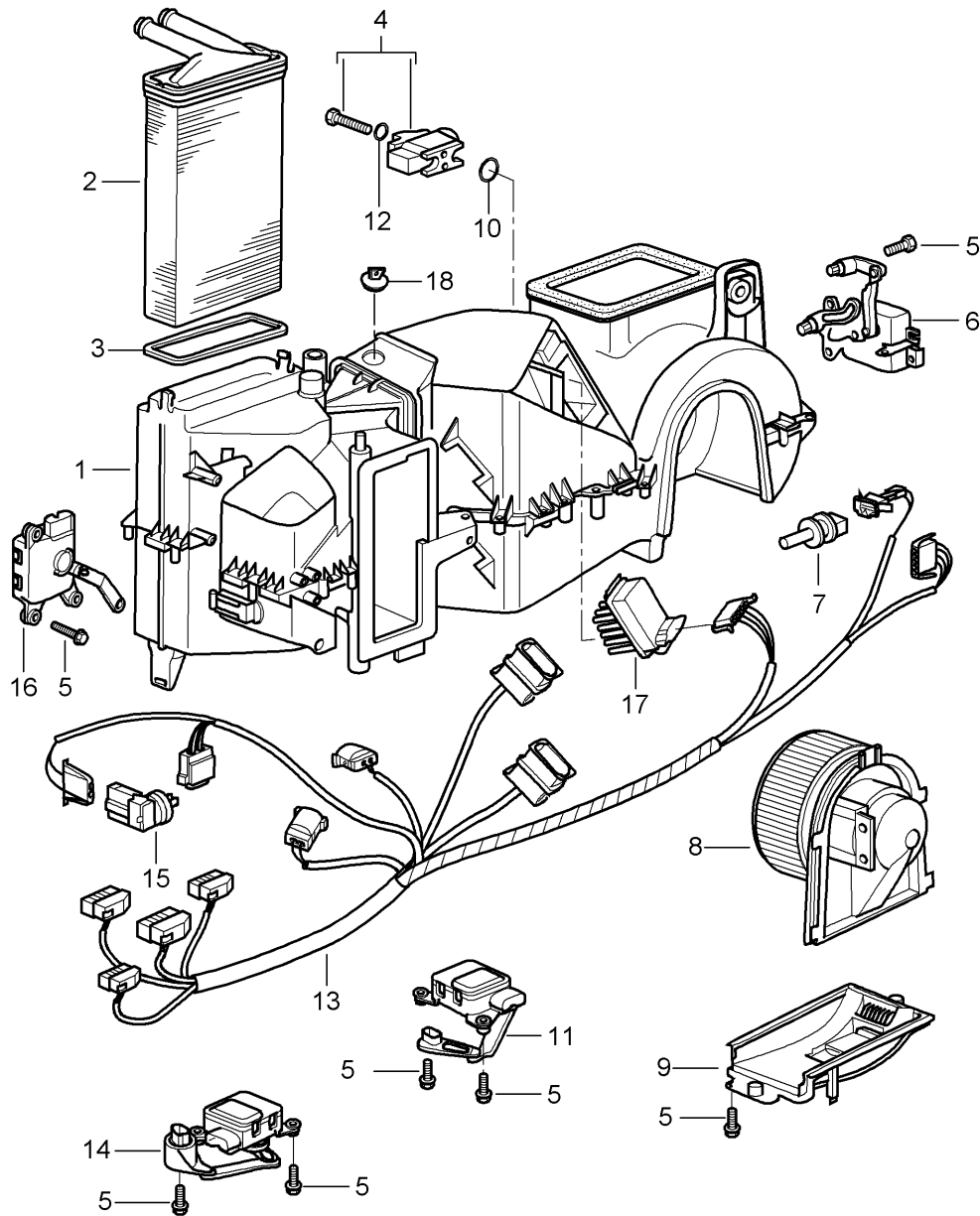
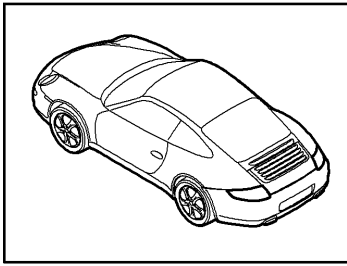
Model: 997-09

Model life 2009>>2012

| Pos | Part Number | Description | Remark | Qty | Model |
|-----|----------------|--------------------------------|--------|-----|--------|
| | | Luggage compartment Cooling | | | PR:575 |
| 1 | 997 572 588 02 | Air guide | | 1 | PR:575 |
| 2 | 997 572 582 00 | Air guide | | 1 | PR:575 |
| | | water box | | | |
| 3 | 997 572 580 00 | Air guide | | 1 | PR:575 |
| | | Air conditioner | | | |
| 4 | 997 572 584 03 | Air guide | | 1 | /C2 |
| | | filler plate | | | PR:575 |
| (4) | 997 572 584 01 | Air guide | | 1 | /C4 |
| | | filler plate | | | PR:575 |
| 5 | 997 572 593 02 | connection piece | | 1 | /C2 |
| | | | | | PR:575 |
| (5) | 997 572 593 03 | connection piece | | 1 | /C4 |
| | | | | | PR:575 |
| 6 | 997 572 586 08 | Air guide | | 1 | /C2 |
| | | | | | PR:575 |
| (6) | 997 572 586 07 | Air guide | | 1 | /C4 |
| | | | | | PR:575 |
| 7 | 997 572 263 00 | Seal | | 1 | PR:575 |
| 8 | 999 507 830 40 | Cable holder | | 1 | PR:575 |
| - | 999 076 081 40 | Hexagon plastic collar nut | | X | |
| - | 999 703 009 40 | Bungs | | 1 | |

Model: 997-09

Model life 2009>>2012

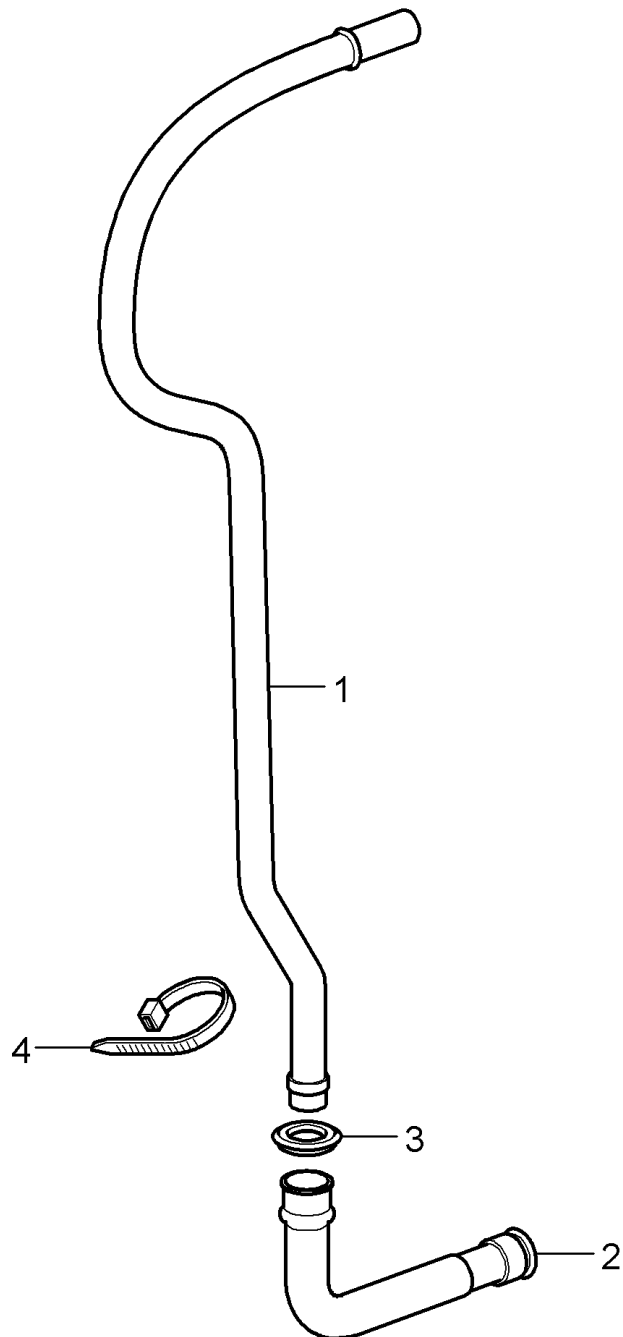
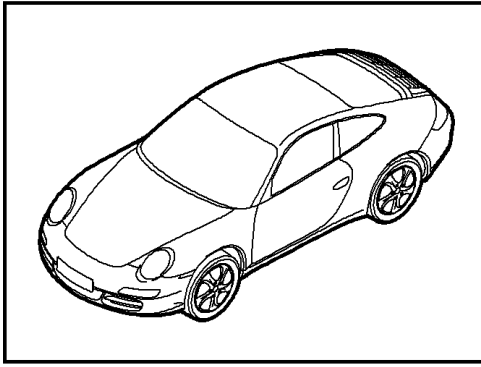


Model: 997-09 Model life 2009>>2012

| Pos | Part Number | Description | Remark | Qty | Model |
|-----|----------------|---|--------|-----|------------|
| 1 | 997 573 901 02 | Air conditioner Individual parts Air conditioner without: heat exchanger with: evaporator | lhd | 1 | PR:098,573 |
| 2 | 997 572 129 00 | heat exchanger | | 1 | |
| 3 | 996 572 913 00 | Seal | | 1 | |
| 4 | 997 573 929 00 | Expansion valve | | 1 | |
| 5 | 900 143 102 02 | Bolt with washer | | X | |
| 6 | 996 573 915 00 | actuator motor for fresh air flap fresh air flap Identification: >> >> Black | lhd | 1 | PR:098,573 |
| 7 | 955 572 304 10 | Temperature sensor | | 1 | |
| 8 | 996 624 107 01 | Fan | lhd | 1 | PR:098 |
| 9 | 996 573 905 00 | Cover | | 1 | |
| 10 | 999 707 596 40 | O-ring 14x1,82 | | 1 | |
| 11 | 996 573 919 02 | Servomotor Temperature valve Identification: >> >> pink | lhd | 1 | PR:098 |
| 12 | 999 707 534 41 | O-ring 17x2,00 | | 1 | |
| 13 | 997 612 655 26 | Wire set | | 1 | PR:098,573 |
| 14 | 996 573 921 02 | Servomotor for defroster flap Identification: >> >> yellow | lhd | 1 | PR:098 |
| 15 | 1H0 907 543 A | Temperature sensor | | 1 | |
| 16 | 996 573 917 02 | central flap positioning motor Identification: >> >> green | lhd | 1 | PR:098 |
| 17 | 996 573 923 00 | Resistor | | 1 | |
| - | 996 573 927 00 | Blower outlet sensor | | 1 | PR:573 |
| - | 1H0 819 943 | round hd. screw | | 2 | |
| 18 | 997 573 935 00 | Bungs | | 1 | |
| - | 997 573 937 00 | Seal | | 1 | |
| - | 997 573 939 00 | Air inlet Seal | | 1 | |
| - | 997 573 941 00 | heat exchanger Seal | | 1 | |
| - | 997 573 943 00 | Evaporator housing Seal | | 1 | |
| - | 997 573 945 00 | Pipe evaporator Seal | lhd | 1 | PR:098 |
| - | 997 573 947 00 | Expansion valve Seal Expansion valve | rhd | 1 | PR:099 |

Model: 997-09

Model life 2009>>2012



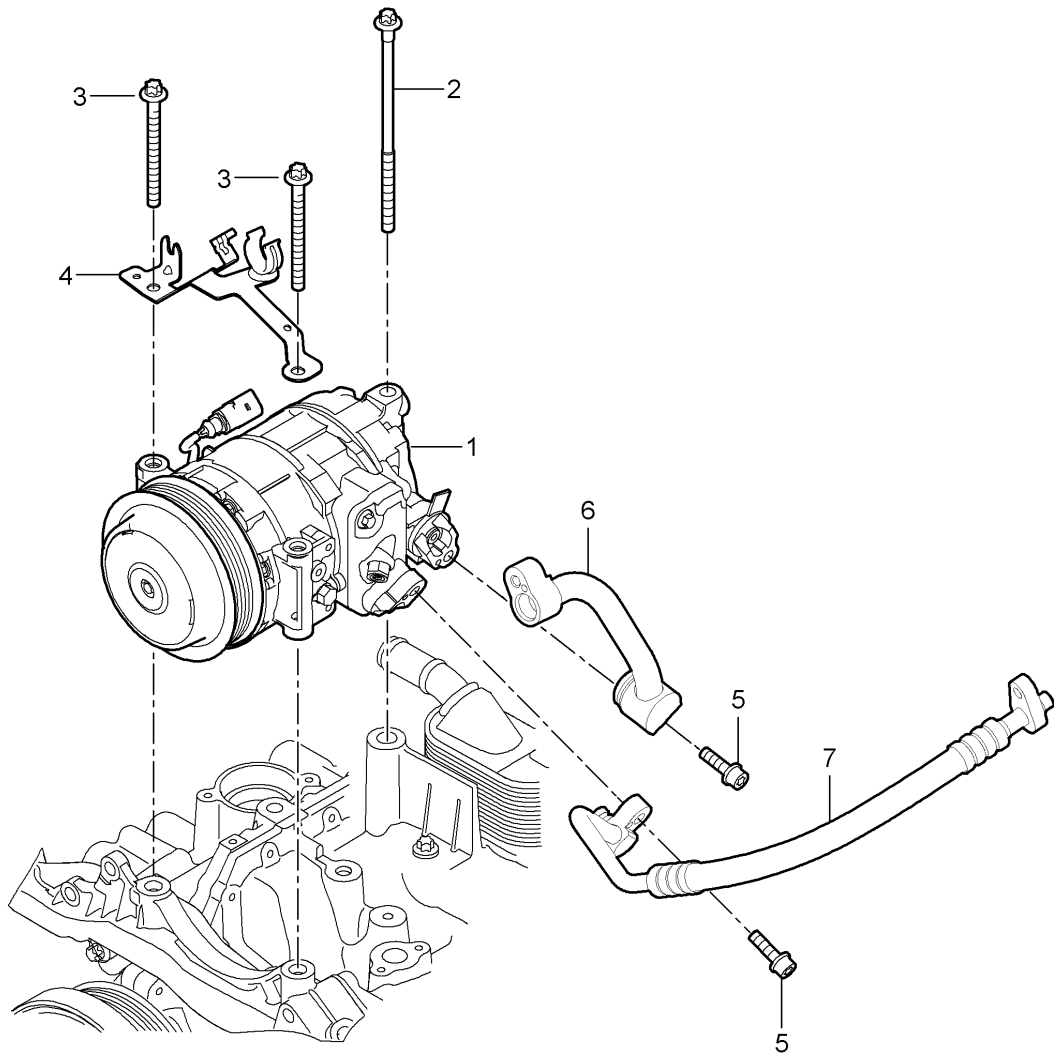
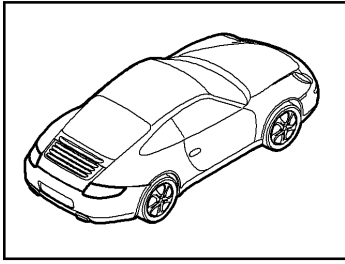
Model: 997-09

Model life 2009>>2012

| Pos | Part Number | Description | Remark | Qty | Model |
|-----|----------------|------------------|--------|-----|--------|
| | | water drain pipe | | | |
| | | Mount | | | |
| | | Air conditioner | | | |
| 1 | 996 573 793 01 | water drain pipe | lhd | 1 | PR:098 |
| 2 | 996 573 797 02 | Connecting piece | | 1 | |
| 3 | 996 573 795 01 | Grommet | | 1 | |
| 4 | 999 513 049 40 | Cable ties | | 1 | |

Model: 997-09

Model life 2009>>2012



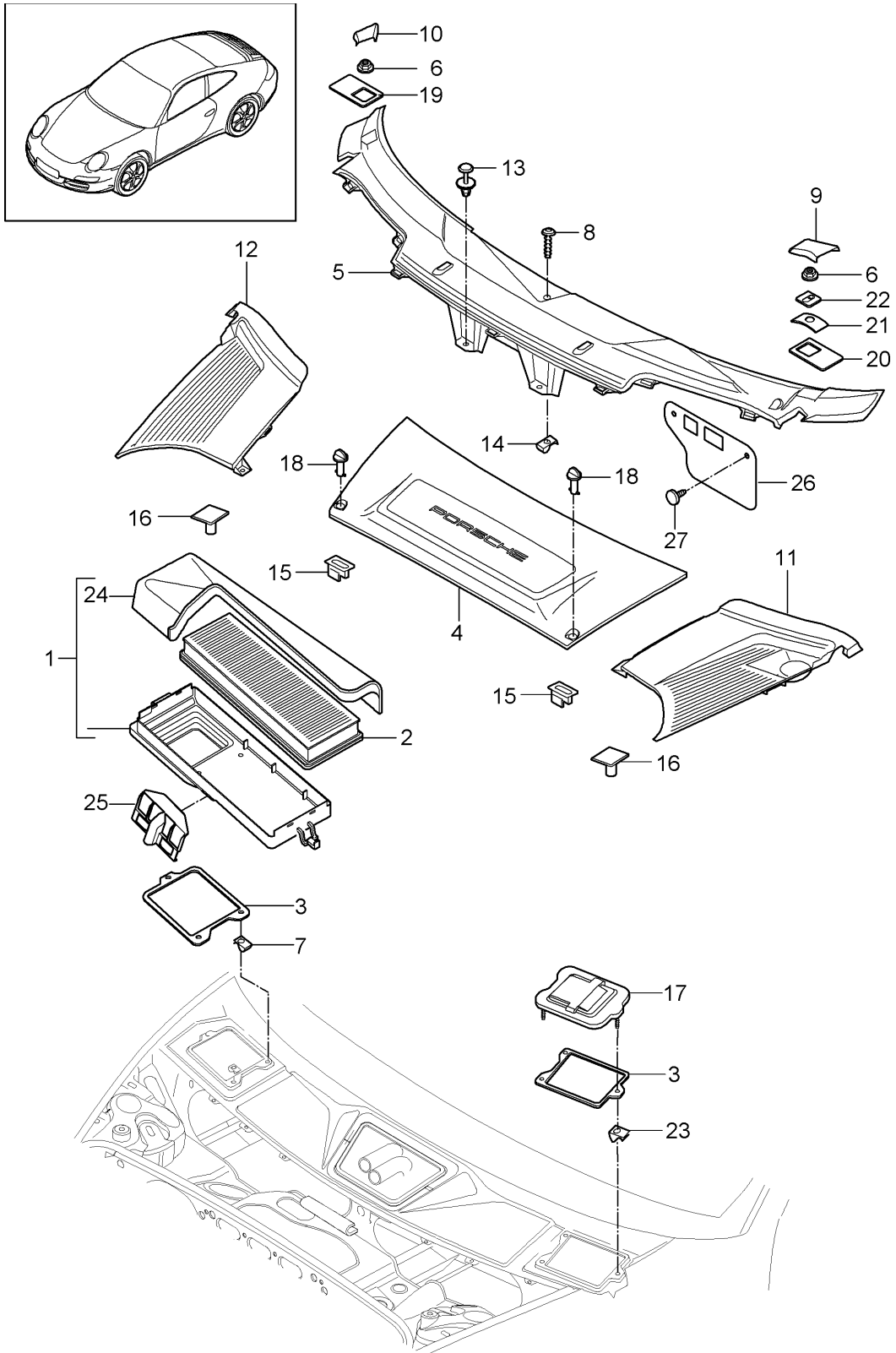
Model: 997-09

Model life 2009>>2012

| Pos | Part Number | Description | Remark | Qty | Model |
|-----|----------------|---|-----------|-----|-------|
| 1 | 9A1 126 011 05 | Compressor | | 1 | |
| 2 | 900 385 134 01 | Compressor Hexagon head bolt M 8 X 170 | | 1 | |
| 3 | 900 385 102 04 | Outer hexagon round screw M 8 X 90 m8x90 | | 2 | |
| 4 | | Bracket | | 1 | |
| 5 | N 104 144 02 | see illustration: Socket head bolt with hexagon socket head | 107-010 | 2 | |
| 6 | | suction line | | 1 | |
| 7 | | see illustration, item: Pressure line | 813-025,7 | 1 | |
| - | 000 043 200 04 | see illustration, item: Compressor oil 250 ml | 813-025,8 | 1 | |

Model: 997-09

Model life 2009>>2012

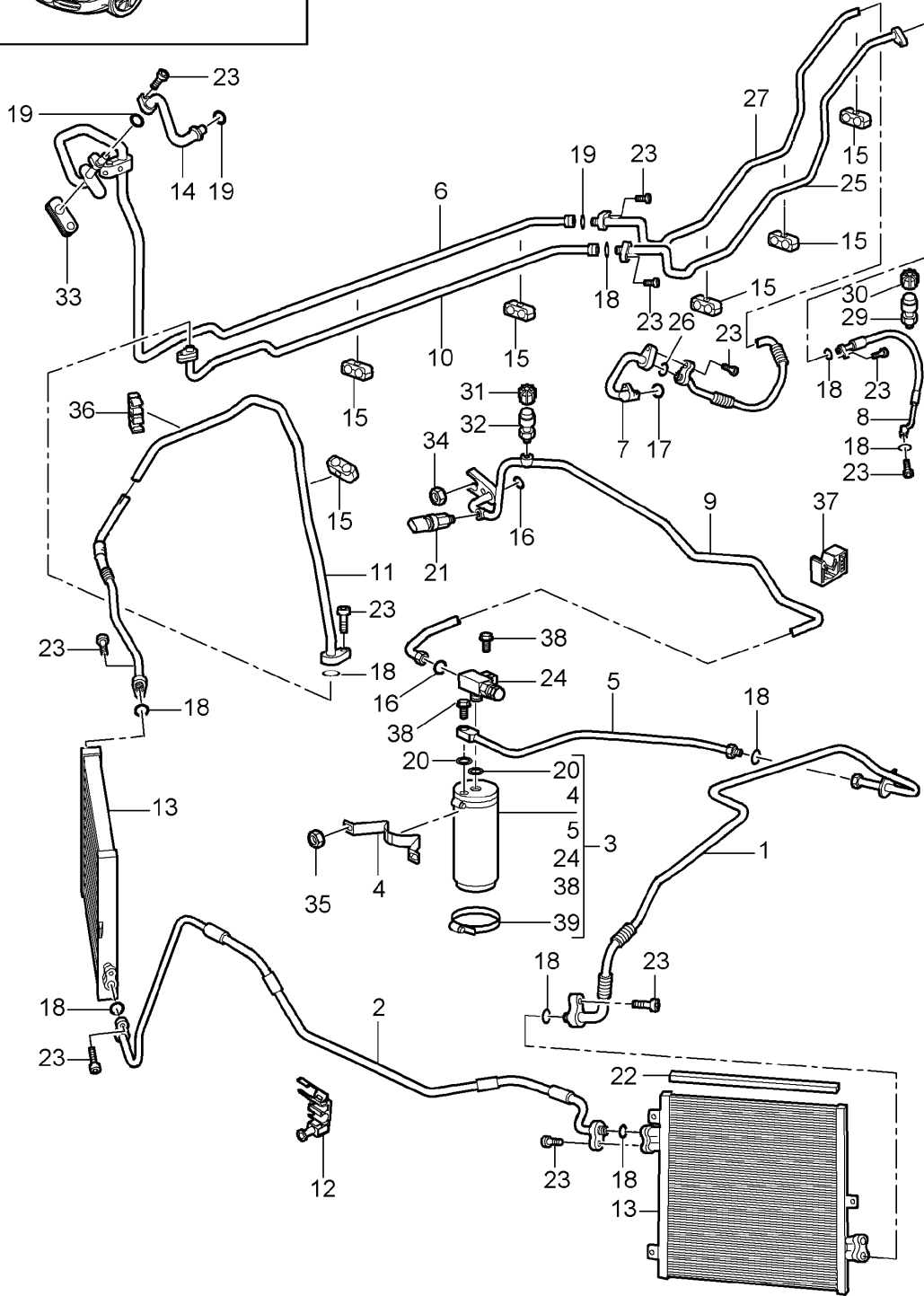
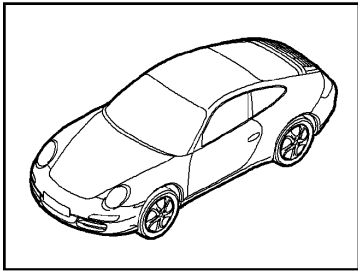


Model: 997-09 Model life 2009>>2012

| Pos | Part Number | Description | Remark | Qty | Model |
|-----|--------------------|-------------------------------|-----------|-----|--------|
| 1 | 997 572 019 04 | Particulate filter housing | lhd | 1 | PR:098 |
| 2 | 997 571 219 01 | Cowl panel covering | | 1 | |
| 3 | 997 572 221 00 | Dust and pollen filter | | 2 | |
| 4 | 997 572 567 04 | Seal | | 1 | |
| | 997 572 567 04 FMT | Battery cover | | | |
| | | Black | | | |
| | | Battery | | | |
| 5 | 997 572 563 08 | Cover | lhd | 1 | PR:098 |
| | 997 572 563 08 FMT | Black | | | |
| 6 | 999 076 071 02 | Hexagon nut | | 2 | |
| | | M6 | | | |
| 7 | 999 507 348 01 | panel nut | | 3 | |
| 8 | N 906 487 02 | Oval hexagon socket head bolt | | 1 | |
| 9 | 997 572 569 04 | Cover cap | left | 2 | PR:098 |
| | 997 572 569 04 FMT | Black | | | |
| 10 | 997 572 570 04 | Cover cap | right | 1 | PR:098 |
| | 997 572 570 04 FMT | Black | | | |
| 11 | 997 572 361 07 | Plenum chamber cover | left | 1 | |
| | 997 572 361 07 02A | Black | | | |
| 12 | 997 572 362 08 | Plenum chamber cover | right | 1 | |
| | 997 572 362 08 02A | Black | | | |
| 13 | 999 507 497 40 | Spreader rivet | | 2 | |
| | | 8 X 14 | | | |
| 14 | 999 507 834 41 | expanding nut | | 1 | |
| | | ST 4,8 | | | |
| 15 | 999 590 046 40 | Cam disc | | 2 | |
| 16 | 999 902 046 40 | catch | | 1 | |
| 17 | 997 572 419 03 | Cover | | 2 | |
| 18 | 997 572 867 00 | Locking bolt | | 2 | |
| | 997 572 867 00 02A | Black | | | |
| 18 | 997 572 867 01 | Locking bolt | | 2 | |
| | 997 572 867 01 02A | Black | | | |
| 19 | 997 572 842 00 | Pressure plate | | 1 | |
| | | (passenger side) | | | |
| | | Discontinued part | | | |
| 19 | 997 572 842 01 | Pressure plate | right lhd | 1 | PR:098 |
| | | (passenger side) | | | |
| 20 | 997 572 841 00 | Pressure plate | | 1 | |
| | | (drivers side) | | | |
| 21 | 997 572 837 00 | spring plate | | 1 | |
| | | (drivers side) | | | |
| 22 | 997 572 533 00 | Retaining plate | | 1 | |
| | | (drivers side) | | | |
| 23 | 999 591 855 01 | panel nut | | 3 | |
| 24 | 997 572 729 02 | Dust and pollen filter insert | lhd | 1 | PR:098 |
| | | Particulate filter | | | |
| - | 997 572 731 00 | shelf | | 1 | |
| 25 | 997 572 862 01 | Support | | 1 | |
| 26 | 997 572 763 00 | Cover | | 1 | |
| 27 | 999 703 432 40 | Bungs | | 2 | |
| | | 8,0 | | | |
| | | 12,2 X 25 | | | |

Model: 997-09

Model life 2009>>2012

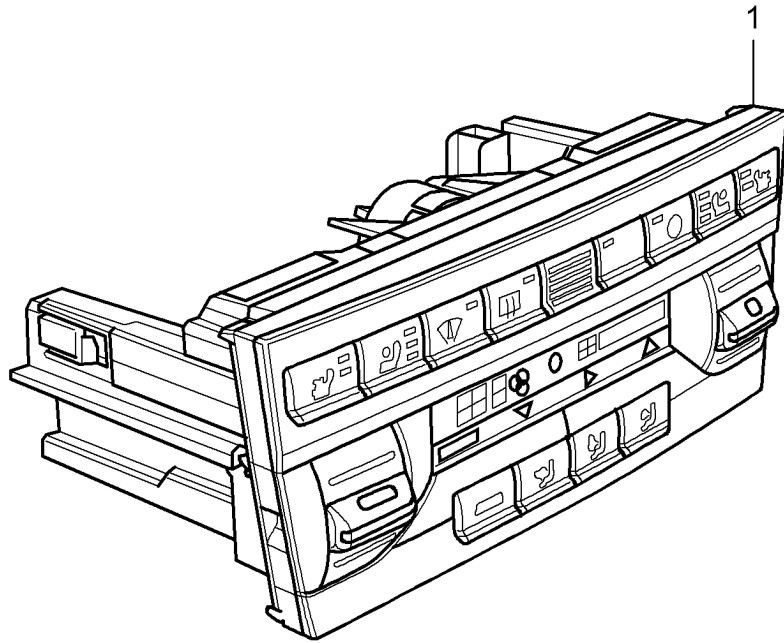
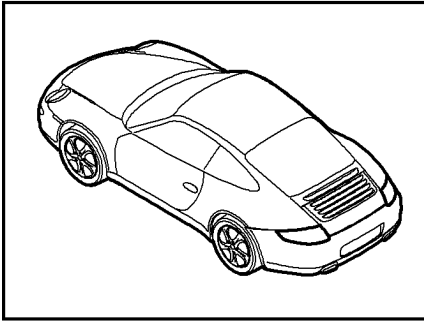


Model: 997-09 Model life 2009>>2012

| Pos | Part Number | Description | Remark | Qty | Model |
|------|----------------|------------------------------|--------|-----|-----------|
| | | refrigerant circuit | | | |
| 1 | 997 573 105 03 | Pressure line | | 1 | |
| 2 | 997 573 103 02 | Pressure line | | 1 | |
| 3 | 996 573 043 00 | Drier | | 1 | |
| 4 | 996 573 451 00 | bracket for drier | | 1 | |
| 5 | 996 573 106 00 | Refrigerant line | | 1 | |
| 6 | 996 573 091 01 | suction line | | 1 | |
| 7 | 9A1 573 099 03 | suction line | | 1 | A101,A102 |
| 8 | 9A1 573 097 03 | Pressure line | | 1 | A101,A102 |
| 9 | 997 573 108 04 | Pressure line | lhd | 1 | PR:098 |
| 10 | 996 573 092 02 | Pressure line | | 1 | |
| 11 | 997 573 094 02 | Pressure line | | 1 | |
| 12 | 996 347 543 00 | Cable holder | | 2 | |
| 13 | 997 573 911 02 | Condenser | | 2 | |
| 14 | 996 573 093 06 | suction line | lhd | 1 | PR:098 |
| 15 | 999 511 230 40 | Cable holder | | X | |
| | | also use: | | | |
| - | 999 511 231 41 | Rubber bush | | X | |
| 16 | 999 707 247 40 | O-ring 7,5X2 | | 2 | |
| 17 | 999 707 439 41 | O-ring 23,8X2,4 | | 8 | |
| 18 | 999 707 434 41 | O-ring 10,6X2 | | 8 | |
| 19 | 999 707 534 41 | O-ring 17X2 | | 3 | |
| 20 | 999 707 262 40 | O-ring 6,7X1,8 | | X | |
| 21 | 1K0 959 126 B | Pressure sensor | | 1 | |
| | | use if required: | | | |
| | | Discontinued part | | | |
| 21 | 955 613 137 01 | Pressure sensor | | 1 | |
| | | use if required: | | | |
| | | Discontinued part | | | |
| (21) | 955 613 137 02 | Pressure sensor | | 1 | |
| - | 999 707 555 41 | O-ring 10,8 X 1,8 | | 1 | |
| 22 | 996 573 711 00 | Cover trim | | 2 | |
| 23 | 900 067 247 01 | Bolt with washer | | X | |
| 24 | 997 573 243 00 | Distributor | | 1 | |
| 25 | 997 573 096 04 | Pressure line | | 1 | |
| 26 | 999 707 558 41 | O-ring 13,7x2,5 | | X | |
| 27 | 997 573 095 06 | suction line | | 1 | |
| 29 | 996 573 466 00 | Pressure valve Druckseite | | 1 | |
| 30 | 944 573 663 01 | Cap | | 1 | |
| 31 | 944 573 663 02 | Cap | | 1 | |
| 32 | 996 573 465 00 | Valve Saugseite | | 1 | |
| 33 | 996 573 769 01 | Grommet | | 1 | |
| 34 | 900 377 010 09 | Hexagon nut M 6 | | 1 | |
| 35 | 900 380 015 09 | Hexagon nut M6 | | 2 | |
| 36 | 996 355 547 01 | Bracket | | 1 | |
| 37 | 999 591 922 40 | Bracket | | 1 | |
| 38 | 900 075 340 01 | Bolt with washer | | 2 | |
| 39 | 999 512 349 01 | Hose clamp A50-70/9 | | 1 | |
| 40 | 999 707 557 41 | O-ring 11x2,5 | | 1 | |

Model: 997-09

Model life 2009>>2012



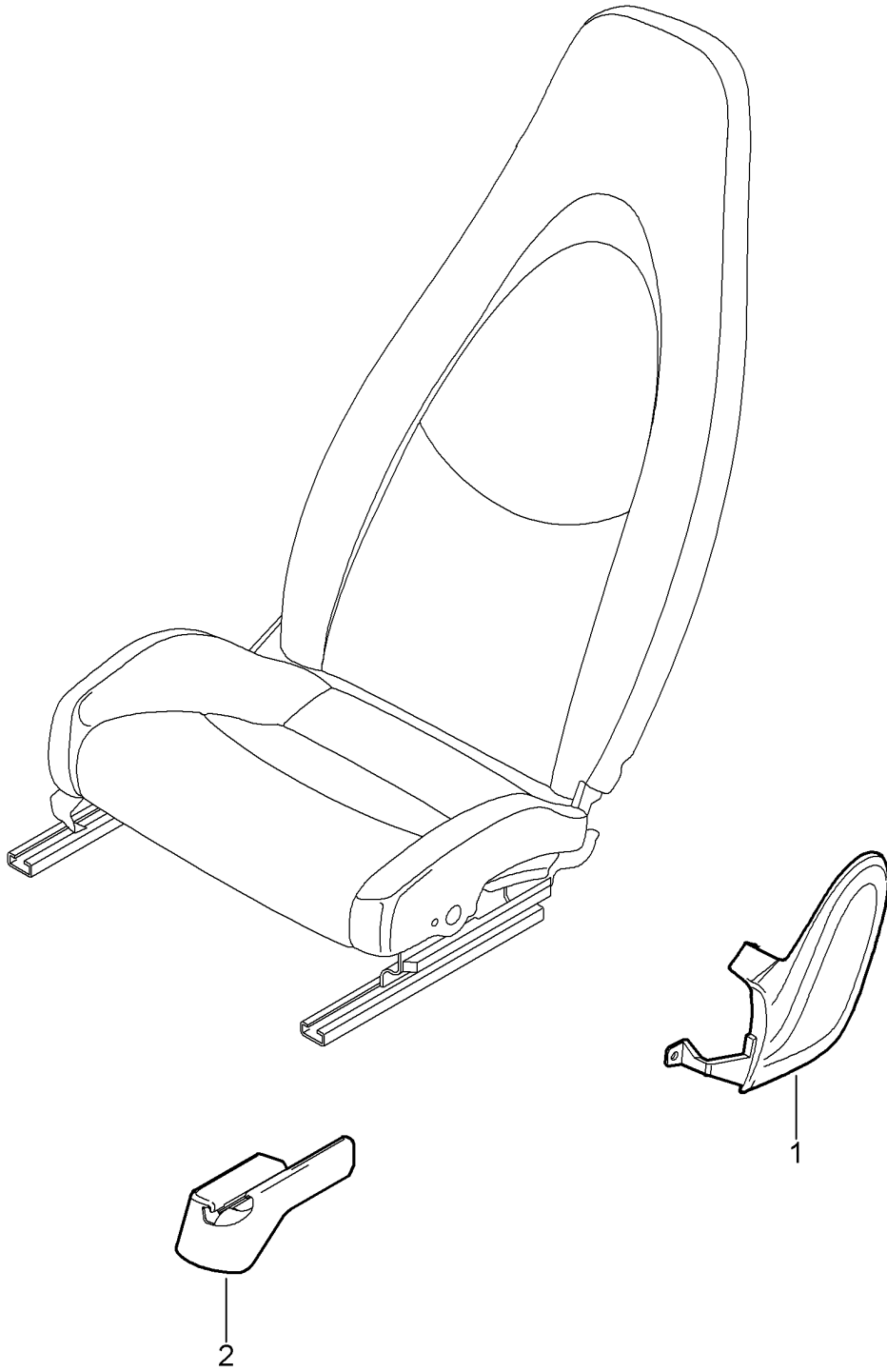
Model: 997-09

Model life 2009>>2012

| Pos | Part Number | Description | Remark | Qty | Model |
|-----|--------------------|--|--------|-----|------------------|
| 1 | 997 653 201 01 | Control switch Control panel | | 1 | PR:573,-342,-541 |
| | 997 653 201 01 FTC | Matt Black/Galvano Silver MATTSCHWARZ/GALVANOSILBER | | | |
| 1 | 997 653 211 02 | Control panel | | 1 | PR:342,573,-541 |
| | 997 653 211 02 FTC | Matt Black/Galvano Silver MATTSCHWARZ/GALVANOSILBER | | | |
| 1 | 997 653 221 03 | Control panel | | 1 | PR:342,541,573 |
| | 997 653 221 03 FTC | Matt Black/Galvano Silver Mattschwarz/Galvanosilber | | | |

Model: 997-09

Model life 2009>>2012

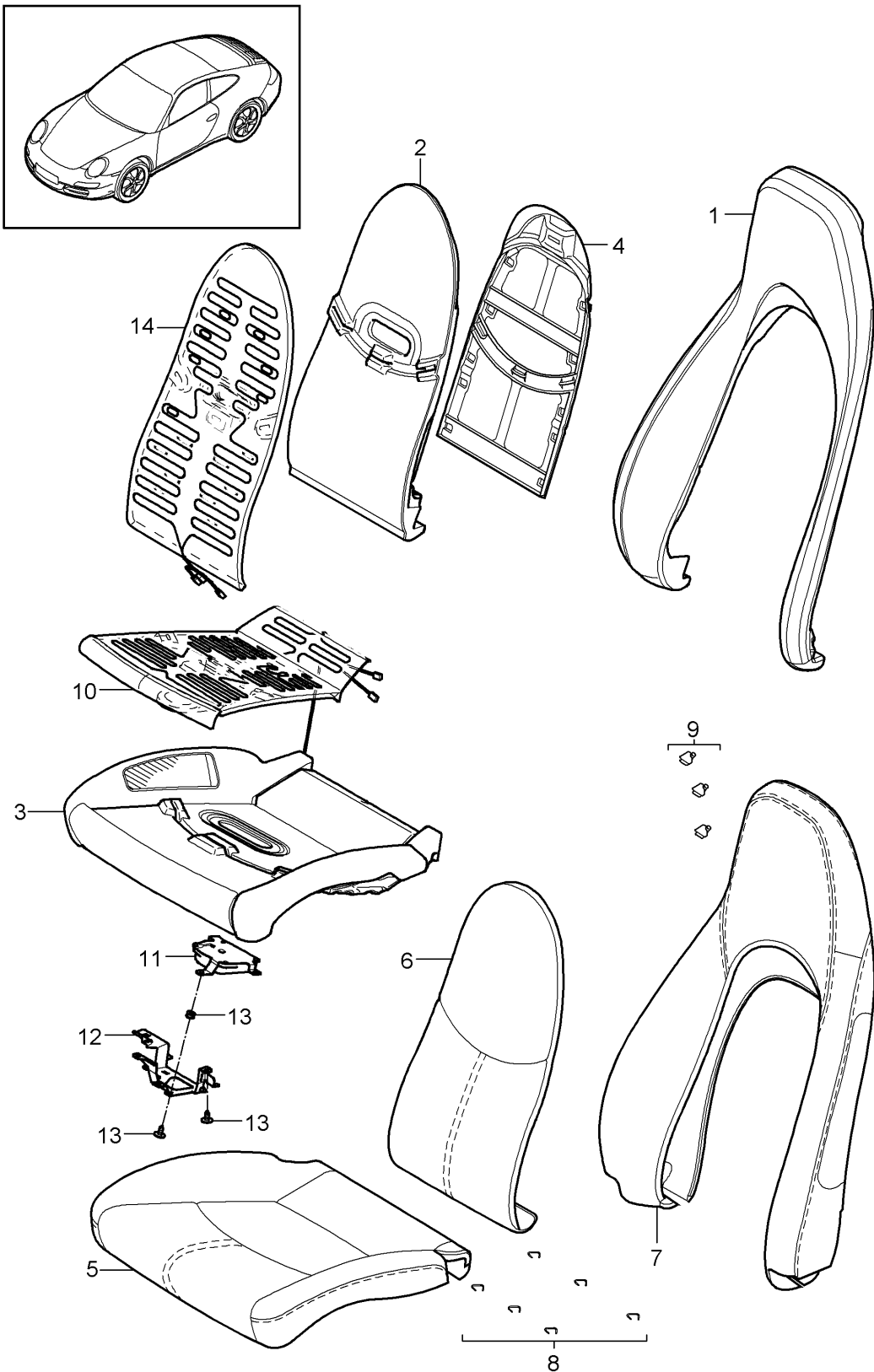


Model: 997-09 Model life 2009>>2012

| Pos | Part Number | Description | Remark | Qty | Model |
|-----|--------------------|--|---------------|-----|--------------------|
| 1 | 997 521 315 02 | Front seat (complete) Not available Comfort seat Cover panel Mounting component | left | 1 | PR:369,437 |
| (1) | 997 521 315 02 D07 | Volcano grey | | | |
| | 997 521 316 03 | Cover panel Mounting component | right | 1 | PR:370,438, 560 |
| | 997 521 316 03 D07 | Volcano grey | | | |
| 2 | 997 521 359 01 | Rail Seat Seat rail | left | 1 | PR:369 |
| (2) | 997 521 359 01 01C | Satin black | | | |
| | 997 521 362 00 | Rail Seat Seat rail | left right | 1 | PR:369 |
| (2) | 997 521 362 00 01C | Satin black | | | |
| | 997 521 361 00 | Rail Seat Seat rail | right left | 1 | PR:370 |
| (2) | 997 521 361 00 01C | Satin black | | | |
| | 997 521 360 01 | Rail Seat Seat rail | right | 1 | PR:370 |
| (2) | 997 521 360 01 01C | Satin black | | | |
| | 997 521 361 00 | Rail Seat Seat rail | left | 1 | PR:437 |
| (2) | 997 521 361 00 01C | Satin black | | | |
| | 997 521 362 00 | Rail Seat Seat rail | left right | 1 | PR:437 |
| (2) | 997 521 362 00 01C | Satin black | | | |
| | 997 521 361 00 | Rail Seat Seat rail | right left | 1 | PR:438 |
| (2) | 997 521 361 00 01C | Satin black | | | |
| | 997 521 362 00 | Rail Seat Seat rail | right | 1 | PR:438 |
| (2) | 997 521 362 00 01C | Satin black | | | |

Model: 997-09

Model life 2009>>2012



Model: 997-09 Model life 2009>>2012

| Pos | Part Number | Description | Remark | Qty | Model |
|-----|--------------------|--|--------|-----|--------------------|
| 1 | 997 521 535 00 | Foam part Cover Standard seat Comfort seat Foam part backrest Outer part | | 1 | PR:369,370 |
| 1 | 997 521 535 00 | Foam part backrest Outer part | | 1 | PR:437,438 |
| (1) | 997 521 535 03 | Foam part backrest Outer part | | 1 | PR:369,370, 541 |
| (1) | 997 521 535 03 | Foam part backrest Outer part | | 1 | PR:437,438, 541 |
| 2 | 997 521 581 00 | Foam part backrest Centre part | | 1 | PR:369,370 |
| 2 | 997 521 581 00 | Foam part backrest Centre part | | 1 | PR:437,438 |
| (2) | 997 521 581 01 | Foam part backrest Centre part | | 1 | PR:369,370, 541 |
| (2) | 997 521 581 01 | Foam part backrest Centre part | | 1 | PR:437,438, 541 |
| 3 | 997 521 571 00 | Foam part Seat cushion with heating | | 1 | PR:369,370 |
| 3 | 997 521 571 00 | Foam part Seat cushion with heating | | 1 | PR:437,438 |
| (3) | 997 521 571 03 | Foam part Seat cushion with heating | | 1 | PR:370,438, 560 |
| (3) | 997 521 571 06 | Foam part Seat cushion with heating | | 1 | PR:369,370, 541 |
| (3) | 997 521 571 06 | Foam part Seat cushion with heating | | 1 | PR:437,438, 541 |
| (3) | 997 521 571 07 | Foam part Seat cushion with heating | | 1 | PR:370,541, 560 |
| (3) | 997 521 571 07 | Foam part Seat cushion with heating | | 1 | PR:438,541, 560 |
| 4 | 997 521 551 01 | Backrest-padding support part | | 1 | |
| 5 | 997 521 161 00 | Seat cover Leatherette | | 1 | PR:369,370, 946 |
| | 997 521 161 00 FLB | Black | | | |
| | 997 521 161 00 FLE | Stone grey | | | |
| | 997 521 161 00 FLH | Sand beige | | | |
| | 997 521 161 00 FLL | sea blue | | | |
| 5 | 997 521 161 00 | Seat cover Leatherette | | 1 | PR:437,438, 946 |
| | 997 521 161 00 FLB | Black | | | |
| | 997 521 161 00 FLE | Stone grey | | | |
| | 997 521 161 00 FLH | Sand beige | | | |
| | 997 521 161 00 FLL | sea blue | | | |
| (5) | 997 521 161 09 | Seat cover | | 1 | PR:369,541, |

Model: 997-09 Model life 2009>>2012

| Pos | Part Number | Description | Remark | Qty | Model |
|-----|--------------------|-------------------|--------|-----|----------------|
| | | Leatherette | | | 946 |
| | 997 521 161 09 FLB | Black | | | |
| | 997 521 161 09 FLE | Stone grey | | | |
| | 997 521 161 09 FLH | Sand beige | | | |
| | 997 521 161 09 FLL | sea blue | | | |
| (5) | 997 521 161 09 | Seat cover | | 1 | PR:370,541,946 |
| | | Leatherette | | | |
| | 997 521 161 09 FLB | Black | | | |
| | 997 521 161 09 FLE | Stone grey | | | |
| | 997 521 161 09 FLH | Sand beige | | | |
| | 997 521 161 09 FLL | sea blue | | | |
| (5) | 997 521 161 09 | Seat cover | | 1 | PR:437,541,946 |
| | | Leatherette | | | |
| | 997 521 161 09 FLB | Black | | | |
| | 997 521 161 09 FLE | Stone grey | | | |
| | 997 521 161 09 FLH | Sand beige | | | |
| | 997 521 161 09 FLL | sea blue | | | |
| (5) | 997 521 161 09 | Seat cover | | 1 | PR:438,541,946 |
| | | Leatherette | | | |
| | 997 521 161 09 FLB | Black | | | |
| | 997 521 161 09 FLE | Stone grey | | | |
| | 997 521 161 09 FLH | Sand beige | | | |
| | 997 521 161 09 FLL | sea blue | | | |
| (5) | 997 521 161 01 | Seat cover | | 1 | PR:369,370,983 |
| | | Black | | | |
| | 997 521 161 01 FLC | Black | | | |
| | 997 521 161 01 FLF | Stone grey | | | |
| | 997 521 161 01 FLJ | Sand beige | | | |
| | 997 521 161 01 FLM | sea blue | | | |
| | 997 521 161 01 FLQ | Terracotta | | | |
| | 997 521 161 01 FLR | Cocoa | | | |
| | 997 521 161 01 VAA | Dark grey/natural | | | |
| | 997 521 161 01 VAB | Brown/natural | | | |
| | 997 521 161 01 VAC | Carrera Red | | | |
| (5) | 997 521 161 01 | Seat cover | | 1 | PR:437,438,983 |
| | | Black | | | |
| | 997 521 161 01 FLC | Black | | | |
| | 997 521 161 01 FLF | Stone grey | | | |
| | 997 521 161 01 FLJ | Sand beige | | | |
| | 997 521 161 01 FLM | sea blue | | | |
| | 997 521 161 01 FLQ | Terracotta | | | |
| | 997 521 161 01 FLR | Cocoa | | | |
| | 997 521 161 01 VAA | Dark grey/natural | | | |
| | 997 521 161 01 VAB | Brown/natural | | | |
| | 997 521 161 01 VAC | Carrera Red | | | |
| (5) | 997 521 161 10 | Seat cover | | 1 | PR:369,541,983 |
| | | Black | | | |
| | 997 521 161 10 FLC | Black | | | |
| | 997 521 161 10 FLF | Stone grey | | | |
| | 997 521 161 10 FLJ | Sand beige | | | |
| | 997 521 161 10 FLM | sea blue | | | |
| | 997 521 161 10 FLQ | Terracotta | | | |
| | 997 521 161 10 FLR | Cocoa | | | |
| | 997 521 161 10 VAA | Dark grey/natural | | | |
| | 997 521 161 10 VAB | Brown/natural | | | |
| | 997 521 161 10 VAC | Carrera Red | | | |
| (5) | 997 521 161 10 | Seat cover | | 1 | PR:370,541,983 |
| | | Black | | | |
| | 997 521 161 10 FLC | Black | | | |
| | 997 521 161 10 FLF | Stone grey | | | |
| | 997 521 161 10 FLJ | Sand beige | | | |
| | 997 521 161 10 FLM | sea blue | | | |
| | 997 521 161 10 FLQ | Terracotta | | | |

Model: 997-09 Model life 2009>>2012

| Pos | Part Number | Description | Remark | Qty | Model |
|-----|--------------------|------------------------|--------|-----|----------------|
| (5) | 997 521 161 10 FLR | Cocoa | | 1 | PR:437,541,983 |
| | 997 521 161 10 VAA | Dark grey/natural | | | |
| | 997 521 161 10 VAB | Brown/natural | | | |
| | 997 521 161 10 VAC | Carrera Red | | | |
| | 997 521 161 10 | Seat cover | | | |
| | 997 521 161 10 FLC | Black | | | |
| | 997 521 161 10 FLF | Stone grey | | | |
| | 997 521 161 10 FLJ | Sand beige | | | |
| | 997 521 161 10 FLM | sea blue | | | |
| | 997 521 161 10 FLQ | Terracotta | | | |
| (5) | 997 521 161 10 FLR | Cocoa | | 1 | PR:438,541,983 |
| | 997 521 161 10 VAA | Dark grey/natural | | | |
| | 997 521 161 10 VAB | Brown/natural | | | |
| | 997 521 161 10 VAC | Carrera Red | | | |
| | 997 521 161 10 VAN | Espresso | | | |
| | 997 521 161 10 | Seat cover | | | |
| | 997 521 161 10 FLC | Black | | | |
| | 997 521 161 10 FLF | Stone grey | | | |
| | 997 521 161 10 FLJ | Sand beige | | | |
| | 997 521 161 10 FLM | sea blue | | | |
| (5) | 997 521 161 10 FLQ | Terracotta | | 1 | PR:369,370,982 |
| | 997 521 161 10 FLR | Cocoa | | | |
| | 997 521 161 10 VAA | Dark grey/natural | | | |
| | 997 521 161 10 VAB | Brown/natural | | | |
| | 997 521 161 10 VAC | Carrera Red | | | |
| | 997 521 161 10 VAN | Espresso | | | |
| | 997 521 161 02 | Seat cover | | | |
| | 997 521 161 02 FLC | Black | | | |
| | 997 521 161 02 FLF | Stone grey | | | |
| | 997 521 161 02 FLJ | Sand beige | | | |
| (5) | 997 521 161 02 FLM | sea blue | | 1 | PR:437,438,982 |
| | 997 521 161 02 FLQ | Terracotta | | | |
| | 997 521 161 02 FLR | Cocoa | | | |
| | 997 521 161 02 VAA | Dark grey/natural | | | |
| | 997 521 161 02 VAB | Brown/natural | | | |
| | 997 521 161 02 VAC | Carrera Red | | | |
| | 997 521 161 02 | Seat cover | | | |
| | 997 521 161 02 FLC | Black | | | |
| | 997 521 161 02 FLF | Stone grey | | | |
| | 997 521 161 02 FLJ | Sand beige | | | |
| 6 | 997 521 151 00 | Backrest cushion cover | | 2 | PR:369,370,946 |
| | | Centre part | | | |
| | 997 521 151 00 A08 | Black | | | |
| | 997 521 151 00 5D6 | Stone grey | | | |
| | 997 521 151 00 T25 | Sand beige | | | |
| | 997 521 151 00 3W7 | sea blue | | | |
| | 997 521 151 00 | Backrest cushion cover | | | |
| | | Centre part | | | |
| | 997 521 151 00 A08 | Black | | | |
| | 997 521 151 00 5D6 | Stone grey | | | |
| 6 | 997 521 151 00 | Backrest cushion cover | | 2 | PR:437,438,946 |
| | | Centre part | | | |
| | 997 521 151 00 A08 | Black | | | |
| | 997 521 151 00 5D6 | Stone grey | | | |
| | 997 521 151 00 T25 | Sand beige | | | |
| | 997 521 151 00 3W7 | sea blue | | | |
| | 997 521 151 00 | Backrest cushion cover | | | |
| | | Centre part | | | |
| | 997 521 151 00 A08 | Black | | | |
| | 997 521 151 00 5D6 | Stone grey | | | |
| (6) | 997 521 151 03 | Backrest cushion cover | | 2 | PR:369,541, |

Model: 997-09 Model life 2009>>2012

| Pos | Part Number | Description | Remark | Qty | Model |
|-----|--------------------|------------------------|--------|-----|----------------|
| | | Centre part | | | 946 |
| | 997 521 151 03 A08 | Black | | | |
| | 997 521 151 03 5D6 | Stone grey | | | |
| | 997 521 151 03 T25 | Sand beige | | | |
| | 997 521 151 03 3W7 | sea blue | | | |
| (6) | 997 521 151 03 | Backrest cushion cover | | 2 | PR:370,541,946 |
| | | Centre part | | | |
| | 997 521 151 03 A08 | Black | | | |
| | 997 521 151 03 5D6 | Stone grey | | | |
| | 997 521 151 03 T25 | Sand beige | | | |
| | 997 521 151 03 3W7 | sea blue | | | |
| (6) | 997 521 151 03 | Backrest cushion cover | | 2 | PR:437,541,946 |
| | | Centre part | | | |
| | 997 521 151 03 A08 | Black | | | |
| | 997 521 151 03 5D6 | Stone grey | | | |
| | 997 521 151 03 T25 | Sand beige | | | |
| | 997 521 151 03 3W7 | sea blue | | | |
| (6) | 997 521 151 03 | Backrest cushion cover | | 2 | PR:438,541,946 |
| | | Centre part | | | |
| | 997 521 151 03 A08 | Black | | | |
| | 997 521 151 03 5D6 | Stone grey | | | |
| | 997 521 151 03 T25 | Sand beige | | | |
| | 997 521 151 03 3W7 | sea blue | | | |
| (6) | 997 521 151 00 | Backrest cushion cover | | 2 | PR:369,370,983 |
| | 997 521 151 00 8YR | Black | | | |
| | 997 521 151 00 5X5 | Stone grey | | | |
| | 997 521 151 00 8G1 | Sand beige | | | |
| | 997 521 151 00 3S8 | sea blue | | | |
| | 997 521 151 00 9N2 | Terracotta | | | |
| | 997 521 151 00 9Q3 | Cocoa | | | |
| | 997 521 151 00 D11 | Dark grey/natural | | | |
| | 997 521 151 00 T11 | Brown/natural | | | |
| | 997 521 151 00 N11 | Carrera Red | | | |
| (6) | 997 521 151 00 | Backrest cushion cover | | 2 | PR:437,438,983 |
| | 997 521 151 00 8YR | Black | | | |
| | 997 521 151 00 5X5 | Stone grey | | | |
| | 997 521 151 00 8G1 | Sand beige | | | |
| | 997 521 151 00 3S8 | sea blue | | | |
| | 997 521 151 00 9N2 | Terracotta | | | |
| | 997 521 151 00 9Q3 | Cocoa | | | |
| | 997 521 151 00 D11 | Dark grey/natural | | | |
| | 997 521 151 00 T11 | Brown/natural | | | |
| | 997 521 151 00 N11 | Carrera Red | | | |
| (6) | 997 521 151 03 | Backrest cushion cover | | 2 | PR:369,541,983 |
| | 997 521 151 03 8YR | Black | | | |
| | 997 521 151 03 5X5 | Stone grey | | | |
| | 997 521 151 03 8G1 | Sand beige | | | |
| | 997 521 151 03 3S8 | sea blue | | | |
| | 997 521 151 03 9N2 | Terracotta | | | |
| | 997 521 151 03 9Q3 | Cocoa | | | |
| | 997 521 151 03 D11 | Dark grey/natural | | | |
| | 997 521 151 03 T11 | Brown/natural | | | |
| | 997 521 151 03 N11 | Carrera Red | | | |
| (6) | 997 521 151 03 | Backrest cushion cover | | 2 | PR:370,541,983 |
| | 997 521 151 03 8YR | Black | | | |
| | 997 521 151 03 5X5 | Stone grey | | | |
| | 997 521 151 03 8G1 | Sand beige | | | |
| | 997 521 151 03 3S8 | sea blue | | | |
| | 997 521 151 03 9N2 | Terracotta | | | |

Model: 997-09 Model life 2009>>2012

| Pos | Part Number | Description | Remark | Qty | Model |
|-----|--------------------|---|--------|-----|----------------|
| (6) | 997 521 151 03 9Q3 | Cocoa | | 2 | PR:437,541,983 |
| | 997 521 151 03 D11 | Dark grey/natural | | | |
| | 997 521 151 03 T11 | Brown/natural | | | |
| | 997 521 151 03 N11 | Carrera Red | | | |
| | 997 521 151 03 | Backrest cushion cover | | | |
| | 997 521 151 03 8YR | Black | | | |
| | 997 521 151 03 5X5 | Stone grey | | | |
| | 997 521 151 03 8G1 | Sand beige | | | |
| | 997 521 151 03 3S8 | sea blue | | | |
| | 997 521 151 03 9N2 | Terracotta | | | |
| (6) | 997 521 151 03 9Q3 | Cocoa | | 2 | PR:438,541,983 |
| | 997 521 151 03 D11 | Dark grey/natural | | | |
| | 997 521 151 03 T11 | Brown/natural | | | |
| | 997 521 151 03 N11 | Carrera Red | | | |
| | 997 521 151 03 | Backrest cushion cover | | | |
| | 997 521 151 03 8YR | Black | | | |
| | 997 521 151 03 5X5 | Stone grey | | | |
| | 997 521 151 03 8G1 | Sand beige | | | |
| | 997 521 151 03 3S8 | sea blue | | | |
| | 997 521 151 03 9N2 | Terracotta | | | |
| (6) | 997 521 151 03 9Q3 | Cocoa | | 2 | PR:369,370,982 |
| | 997 521 151 03 D11 | Dark grey/natural | | | |
| | 997 521 151 03 T11 | Brown/natural | | | |
| | 997 521 151 03 N11 | Carrera Red | | | |
| | 997 521 151 01 | Backrest cushion cover Centre part | | | |
| | 997 521 151 01 8YR | Black | | | |
| | 997 521 151 01 5X5 | Stone grey | | | |
| | 997 521 151 01 8G1 | Sand beige | | | |
| | 997 521 151 01 3S8 | sea blue | | | |
| | 997 521 151 01 9N2 | Terracotta | | | |
| (6) | 997 521 151 01 9Q3 | Cocoa | | 2 | PR:437,438,982 |
| | 997 521 151 01 D11 | Dark grey/natural | | | |
| | 997 521 151 01 T11 | Brown/natural | | | |
| | 997 521 151 01 N11 | Carrera Red | | | |
| | 997 521 151 01 | Backrest cushion cover Centre part | | | |
| | 997 521 151 01 8YR | Black | | | |
| | 997 521 151 01 5X5 | Stone grey | | | |
| | 997 521 151 01 8G1 | Sand beige | | | |
| | 997 521 151 01 3S8 | sea blue | | | |
| | 997 521 151 01 9N2 | Terracotta | | | |
| 7 | 997 521 151 01 9Q3 | Cocoa | | 1 | PR:369,437,946 |
| | 997 521 151 01 D11 | Dark grey/natural | | | |
| | 997 521 151 01 T11 | Brown/natural | | | |
| | 997 521 151 01 N11 | Carrera Red | | | |
| | 997 521 141 03 | Backrest cover Outer part Leatherette | left | | |
| | 997 521 141 03 FLB | Black | | | |
| | 997 521 141 03 FLE | Stone grey | | | |
| | 997 521 141 03 FLH | Sand beige | | | |
| | 997 521 141 03 FLL | sea blue | | | |
| | 997 521 141 04 | Backrest cover Outer part Leatherette | left | | |
| (7) | 997 521 141 04 FLB | Black | | 1 | PR:369,541,946 |
| | 997 521 141 04 FLE | Stone grey | | | |
| | 997 521 141 04 FLH | Sand beige | | | |
| | 997 521 141 04 FLL | sea blue | | | |
| | 997 521 141 04 | Backrest cover | left | | |
| | 997 521 141 04 FLB | Black | | | |
| | 997 521 141 04 FLE | Stone grey | | | |
| | 997 521 141 04 FLH | Sand beige | | | |
| | 997 521 141 04 FLL | sea blue | | | |
| | 997 521 141 04 | Backrest cover | left | | |

Model: 997-09 Model life 2009>>2012

| Pos | Part Number | Description | Remark | Qty | Model |
|-----|--------------------|---------------------------|--------|-----|--------------------|
| | | Outer part Leatherette | | | 946 |
| | 997 521 141 04 FLB | Black | | | |
| | 997 521 141 04 FLE | Stone grey | | | |
| | 997 521 141 04 FLH | Sand beige | | | |
| | 997 521 141 04 FLL | sea blue | | | |
| (7) | 997 521 142 03 | Backrest cover | right | 1 | PR:370,438, 946 |
| | | Outer part Leatherette | | | |
| | 997 521 142 03 FLB | Black | | | |
| | 997 521 142 03 FLE | Stone grey | | | |
| | 997 521 142 03 FLH | Sand beige | | | |
| | 997 521 142 03 FLL | sea blue | | | |
| (7) | 997 521 142 04 | Backrest cover | right | 1 | PR:370,541, 946 |
| | | Outer part Leatherette | | | |
| | 997 521 142 04 FLB | Black | | | |
| | 997 521 142 04 FLE | Stone grey | | | |
| | 997 521 142 04 FLH | Sand beige | | | |
| | 997 521 142 04 FLL | sea blue | | | |
| (7) | 997 521 142 04 | Backrest cover | right | 1 | PR:438,541, 946 |
| | | Outer part Leatherette | | | |
| | 997 521 142 04 FLB | Black | | | |
| | 997 521 142 04 FLE | Stone grey | | | |
| | 997 521 142 04 FLH | Sand beige | | | |
| | 997 521 142 04 FLL | sea blue | | | |
| (7) | 997 521 141 01 | Backrest cover | left | 1 | PR:369,437, 983 |
| | | Outer part | | | |
| | 997 521 141 01 FLC | Black | | | |
| | 997 521 141 01 FLF | Stone grey | | | |
| | 997 521 141 01 FLJ | Sand beige | | | |
| | 997 521 141 01 FLM | sea blue | | | |
| | 997 521 141 01 FLQ | Terracotta | | | |
| | 997 521 141 01 FLR | Cocoa | | | |
| | 997 521 141 01 VAA | Dark grey/natural | | | |
| | 997 521 141 01 VAB | Brown/natural | | | |
| | 997 521 141 01 VAC | Carrera Red | | | |
| (7) | 997 521 141 05 | Backrest cover | left | 1 | PR:369,541, 983 |
| | | Outer part | | | |
| | 997 521 141 05 FLC | Black | | | |
| | 997 521 141 05 FLF | Stone grey | | | |
| | 997 521 141 05 FLJ | Sand beige | | | |
| | 997 521 141 05 FLM | sea blue | | | |
| | 997 521 141 05 FLQ | Terracotta | | | |
| | 997 521 141 05 FLR | Cocoa | | | |
| | 997 521 141 05 VAA | Dark grey/natural | | | |
| | 997 521 141 05 VAB | Brown/natural | | | |
| | 997 521 141 05 VAC | Carrera Red | | | |
| (7) | 997 521 141 05 | Backrest cover | left | 1 | PR:437,541, 983 |
| | | Outer part | | | |
| | 997 521 141 05 FLC | Black | | | |
| | 997 521 141 05 FLF | Stone grey | | | |
| | 997 521 141 05 FLJ | Sand beige | | | |
| | 997 521 141 05 FLM | sea blue | | | |
| | 997 521 141 05 FLQ | Terracotta | | | |
| | 997 521 141 05 FLR | Cocoa | | | |
| | 997 521 141 05 VAA | Dark grey/natural | | | |
| | 997 521 141 05 VAB | Brown/natural | | | |
| | 997 521 141 05 VAC | Carrera Red | | | |
| (7) | 997 521 142 01 | Backrest cover | right | 1 | PR:370,438, 983 |
| | | Outer part | | | |
| | 997 521 142 01 FLC | Black | | | |

Model: 997-09 Model life 2009>>2012

| Pos | Part Number | Description | Remark | Qty | Model |
|-----|--------------------|---|--------|-----|--------------------|
| | 997 521 142 01 FLF | Stone grey | | | |
| | 997 521 142 01 FLJ | Sand beige | | | |
| | 997 521 142 01 FLM | sea blue | | | |
| | 997 521 142 01 FLQ | Terracotta | | | |
| | 997 521 142 01 FLR | Cocoa | | | |
| | 997 521 142 01 VAA | Dark grey/natural | | | |
| | 997 521 142 01 VAB | Brown/natural | | | |
| | 997 521 142 01 VAC | Carrera Red | | | |
| (7) | 997 521 142 05 | Backrest cover Outer part | right | 1 | PR:370,541, 983 |
| | 997 521 142 05 FLC | Black | | | |
| | 997 521 142 05 FLF | Stone grey | | | |
| | 997 521 142 05 FLJ | Sand beige | | | |
| | 997 521 142 05 FLM | sea blue | | | |
| | 997 521 142 05 FLQ | Terracotta | | | |
| | 997 521 142 05 FLR | Cocoa | | | |
| | 997 521 142 05 VAA | Dark grey/natural | | | |
| | 997 521 142 05 VAB | Brown/natural | | | |
| | 997 521 142 05 VAC | Carrera Red | | | |
| (7) | 997 521 142 05 | Backrest cover Outer part | right | 1 | PR:438,541, 983 |
| | 997 521 142 05 FLC | Black | | | |
| | 997 521 142 05 FLF | Stone grey | | | |
| | 997 521 142 05 FLJ | Sand beige | | | |
| | 997 521 142 05 FLM | sea blue | | | |
| | 997 521 142 05 FLQ | Terracotta | | | |
| | 997 521 142 05 FLR | Cocoa | | | |
| | 997 521 142 05 VAA | Dark grey/natural | | | |
| | 997 521 142 05 VAB | Brown/natural | | | |
| | 997 521 142 05 VAC | Carrera Red | | | |
| (7) | 997 521 141 01 | Backrest cover Outer part Leather | left | 1 | PR:369,437, 982 |
| | 997 521 141 01 FLC | Black | | | |
| | 997 521 141 01 FLF | Stone grey | | | |
| | 997 521 141 01 FLJ | Sand beige | | | |
| | 997 521 141 01 FLM | sea blue | | | |
| | 997 521 141 01 FLQ | Terracotta | | | |
| | 997 521 141 01 FLR | Cocoa | | | |
| | 997 521 141 01 VAA | Dark grey/natural | | | |
| | 997 521 141 01 VAB | Brown/natural | | | |
| | 997 521 141 01 VAC | Carrera Red | | | |
| (7) | 997 521 142 01 | Backrest cover Outer part Leather | right | 1 | PR:370,438, 982 |
| | 997 521 142 01 FLC | Black | | | |
| | 997 521 142 01 FLF | Stone grey | | | |
| | 997 521 142 01 FLJ | Sand beige | | | |
| | 997 521 142 01 FLM | sea blue | | | |
| | 997 521 142 01 FLQ | Terracotta | | | |
| | 997 521 142 01 FLR | Cocoa | | | |
| | 997 521 142 01 VAA | Dark grey/natural | | | |
| | 997 521 142 01 VAB | Brown/natural | | | |
| | 997 521 142 01 VAC | Carrera Red | | | |
| (7) | 997 521 941 03 | Backrest cover Outer part | left | 1 | PR:XSC,369, 946 |
| | 997 521 941 03 A08 | Black | | | |
| | 997 521 941 03 5D6 | Stone grey | | | |
| | 997 521 941 03 T25 | Sand beige | | | |
| | 997 521 941 03 3W7 | sea blue | | | |
| (7) | 997 521 941 03 | Backrest cover Outer part | left | 1 | PR:XSC,437, 946 |
| | 997 521 941 03 A08 | Black | | | |

Model: 997-09 Model life 2009>>2012

| Pos | Part Number | Description | Remark | Qty | Model |
|--------------------|--------------------|-------------------|--------|-----|------------------------|
| (7) | 997 521 941 03 5D6 | Stone grey | left | 1 | PR:XSC,369, 541,946 |
| | 997 521 941 03 T25 | Sand beige | | | |
| | 997 521 941 03 3W7 | sea blue | | | |
| | 997 521 941 04 | Backrest cover | | | |
| | | Outer part | | | |
| (7) | 997 521 941 04 A08 | Black | left | 1 | PR:XSC,437, 541,946 |
| | 997 521 941 04 5D6 | Stone grey | | | |
| | 997 521 941 04 T25 | Sand beige | | | |
| | 997 521 941 04 3W7 | sea blue | | | |
| (7) | 997 521 941 04 | Backrest cover | | | |
| | | Outer part | | | |
| (7) | 997 521 941 04 A08 | Black | right | 1 | PR:XSC,370, 946 |
| | 997 521 941 04 5D6 | Stone grey | | | |
| | 997 521 941 04 T25 | Sand beige | | | |
| | 997 521 941 04 3W7 | sea blue | | | |
| (7) | 997 521 942 03 | Backrest cover | | | |
| | | Outer part | | | |
| (7) | 997 521 942 03 A08 | Black | right | 1 | PR:XSC,438, 946 |
| | 997 521 942 03 5D6 | Stone grey | | | |
| | 997 521 942 03 T25 | Sand beige | | | |
| | 997 521 942 03 3W7 | sea blue | | | |
| (7) | 997 521 942 03 | Backrest cover | | | |
| | | Outer part | | | |
| (7) | 997 521 942 03 A08 | Black | right | 1 | PR:XSC,370, 541,946 |
| | 997 521 942 03 5D6 | Stone grey | | | |
| | 997 521 942 03 T25 | Sand beige | | | |
| | 997 521 942 03 3W7 | sea blue | | | |
| (7) | 997 521 942 04 | Backrest cover | | | |
| | | Outer part | | | |
| (7) | 997 521 942 04 A08 | Black | right | 1 | PR:XSC,438, 541,946 |
| | 997 521 942 04 5D6 | Stone grey | | | |
| | 997 521 942 04 T25 | Sand beige | | | |
| | 997 521 942 04 3W7 | sea blue | | | |
| (7) | 997 521 942 04 | Backrest cover | | | |
| | | Outer part | | | |
| (7) | 997 521 942 04 A08 | Black | left | 1 | PR:XSC,369, 983 |
| | 997 521 942 04 5D6 | Stone grey | | | |
| | 997 521 942 04 T25 | Sand beige | | | |
| | 997 521 942 04 3W7 | sea blue | | | |
| (7) | 997 521 941 01 | Backrest cover | | | |
| | | Outer part | | | |
| (7) | 997 521 941 01 8YR | Black | left | 1 | PR:XSC,437, 983 |
| | 997 521 941 01 5X5 | Stone grey | | | |
| | 997 521 941 01 8G1 | Sand beige | | | |
| | 997 521 941 01 3S8 | sea blue | | | |
| | 997 521 941 01 9N2 | Terracotta | | | |
| | 997 521 941 01 9Q3 | Cocoa | | | |
| | 997 521 941 01 D11 | Dark grey/natural | | | |
| | 997 521 941 01 T11 | Brown/natural | | | |
| | 997 521 941 01 N11 | Carrera Red | | | |
| | 997 521 941 01 | Backrest cover | | | |
| | | Outer part | | | |
| | 997 521 941 01 8YR | Black | | | |
| 997 521 941 01 5X5 | Stone grey | | | | |
| 997 521 941 01 8G1 | Sand beige | | | | |
| 997 521 941 01 3S8 | sea blue | | | | |
| 997 521 941 01 9N2 | Terracotta | | | | |
| 997 521 941 01 9Q3 | Cocoa | | | | |
| 997 521 941 01 D11 | Dark grey/natural | | | | |

Model: 997-09 Model life 2009>>2012

| Pos | Part Number | Description | Remark | Qty | Model |
|-----|--------------------|-------------------|--------|-----|------------------------|
| (7) | 997 521 941 01 T11 | Brown/natural | left | 1 | PR:XSC,369, 541,983 |
| | 997 521 941 01 N11 | Carrera Red | | | |
| | 997 521 941 05 | Backrest cover | | | |
| | | Outer part | | | |
| | 997 521 941 05 8YR | Black | | | |
| | 997 521 941 05 5X5 | Stone grey | | | |
| | 997 521 941 05 8G1 | Sand beige | | | |
| | 997 521 941 05 3S8 | sea blue | | | |
| | 997 521 941 05 9N2 | Terracotta | | | |
| | 997 521 941 05 9Q3 | Cocoa | | | |
| (7) | 997 521 941 05 D11 | Dark grey/natural | left | 1 | PR:XSC,437, 541,983 |
| | 997 521 941 05 T11 | Brown/natural | | | |
| | 997 521 941 05 N11 | Carrera Red | | | |
| | 997 521 941 05 | Backrest cover | | | |
| | | Outer part | | | |
| | 997 521 941 05 8YR | Black | | | |
| | 997 521 941 05 5X5 | Stone grey | | | |
| | 997 521 941 05 8G1 | Sand beige | | | |
| | 997 521 941 05 3S8 | sea blue | | | |
| | 997 521 941 05 9N2 | Terracotta | | | |
| (7) | 997 521 941 05 9Q3 | Cocoa | right | 1 | PR:XSC,370, 983 |
| | 997 521 941 05 D11 | Dark grey/natural | | | |
| | 997 521 941 05 T11 | Brown/natural | | | |
| | 997 521 941 05 N11 | Carrera Red | | | |
| | 997 521 942 01 | Backrest cover | | | |
| | | Outer part | | | |
| | 997 521 942 01 8YR | Black | | | |
| | 997 521 942 01 5X5 | Stone grey | | | |
| | 997 521 942 01 8G1 | Sand beige | | | |
| | 997 521 942 01 3S8 | sea blue | | | |
| (7) | 997 521 942 01 9N2 | Terracotta | right | 1 | PR:XSC,438, 983 |
| | 997 521 942 01 9Q3 | Cocoa | | | |
| | 997 521 942 01 D11 | Dark grey/natural | | | |
| | 997 521 942 01 T11 | Brown/natural | | | |
| | 997 521 942 01 N11 | Carrera Red | | | |
| | 997 521 942 01 | Backrest cover | | | |
| | | Outer part | | | |
| | 997 521 942 01 8YR | Black | | | |
| | 997 521 942 01 5X5 | Stone grey | | | |
| | 997 521 942 01 8G1 | Sand beige | | | |
| (7) | 997 521 942 01 3S8 | sea blue | right | 1 | PR:XSC,370, 541,983 |
| | 997 521 942 01 9N2 | Terracotta | | | |
| | 997 521 942 01 9Q3 | Cocoa | | | |
| | 997 521 942 01 D11 | Dark grey/natural | | | |
| | 997 521 942 01 T11 | Brown/natural | | | |
| | 997 521 942 01 N11 | Carrera Red | | | |
| | 997 521 942 05 | Backrest cover | | | |
| | | Outer part | | | |
| | 997 521 942 05 8YR | Black | | | |
| | 997 521 942 05 5X5 | Stone grey | | | |
| (7) | 997 521 942 05 8G1 | Sand beige | right | 1 | PR:XSC,438, 541,983 |
| | 997 521 942 05 3S8 | sea blue | | | |
| | 997 521 942 05 9N2 | Terracotta | | | |
| | 997 521 942 05 9Q3 | Cocoa | | | |

Model: 997-09

Model life 2009>>2012

| Pos | Part Number | Description | Remark | Qty | Model |
|-----|--------------------|-------------------|--------|-----|--------------------|
| | 997 521 942 05 9N2 | Terracotta | | | |
| | 997 521 942 05 9Q3 | Cocoa | | | |
| | 997 521 942 05 D11 | Dark grey/natural | | | |
| | 997 521 942 05 T11 | Brown/natural | | | |
| | 997 521 942 05 N11 | Carrera Red | | | |
| (7) | 997 521 941 01 | Backrest cover | left | 1 | PR:XSC,369, 982 |
| | | Outer part | | | |
| | 997 521 941 01 8YR | Black | | | |
| | 997 521 941 01 5X5 | Stone grey | | | |
| | 997 521 941 01 8G1 | Sand beige | | | |
| | 997 521 941 01 3S8 | sea blue | | | |
| | 997 521 941 01 9N2 | Terracotta | | | |
| | 997 521 941 01 9Q3 | Cocoa | | | |
| | 997 521 941 01 D11 | Dark grey/natural | | | |
| | 997 521 941 01 T11 | Brown/natural | | | |
| | 997 521 941 01 N11 | Carrera Red | | | |
| (7) | 997 521 941 01 | Backrest cover | left | 1 | PR:XSC,437, 982 |
| | | Outer part | | | |
| | 997 521 941 01 8YR | Black | | | |
| | 997 521 941 01 5X5 | Stone grey | | | |
| | 997 521 941 01 8G1 | Sand beige | | | |
| | 997 521 941 01 3S8 | sea blue | | | |
| | 997 521 941 01 9N2 | Terracotta | | | |
| | 997 521 941 01 9Q3 | Cocoa | | | |
| | 997 521 941 01 D11 | Dark grey/natural | | | |
| | 997 521 941 01 T11 | Brown/natural | | | |
| | 997 521 941 01 N11 | Carrera Red | | | |
| (7) | 997 521 942 01 | Backrest cover | right | 1 | PR:XSC,370, 982 |
| | | Outer part | | | |
| | 997 521 942 01 8YR | Black | | | |
| | 997 521 942 01 5X5 | Stone grey | | | |
| | 997 521 942 01 8G1 | Sand beige | | | |
| | 997 521 942 01 3S8 | sea blue | | | |
| | 997 521 942 01 9N2 | Terracotta | | | |
| | 997 521 942 01 9Q3 | Cocoa | | | |
| | 997 521 942 01 D11 | Dark grey/natural | | | |
| | 997 521 942 01 T11 | Brown/natural | | | |
| | 997 521 942 01 N11 | Carrera Red | | | |
| (7) | 997 521 942 01 | Backrest cover | right | 1 | PR:XSC,438, 982 |
| | | Outer part | | | |
| | 997 521 942 01 8YR | Black | | | |
| | 997 521 942 01 5X5 | Stone grey | | | |
| | 997 521 942 01 8G1 | Sand beige | | | |
| | 997 521 942 01 3S8 | sea blue | | | |
| | 997 521 942 01 9N2 | Terracotta | | | |
| | 997 521 942 01 9Q3 | Cocoa | | | |
| | 997 521 942 01 D11 | Dark grey/natural | | | |
| | 997 521 942 01 T11 | Brown/natural | | | |
| | 997 521 942 01 N11 | Carrera Red | | | |
| 8 | 997 521 837 00 | Clip | | 6 | |
| | | Padding | | | |
| (8) | 000 043 207 39 | Retaining clip | | 3 | PR:541 |
| | | Seat | | | |
| 9 | 997 521 897 00 | Clip | | 5 | |
| | | Backrest cover | | | |
| (9) | 000 043 207 39 | Retaining clip | | 3 | PR:541 |
| | | Backrest cover | | | |
| 10 | 997 521 721 00 | Airbag | | 1 | PR:369,370, 541 |
| | | Seat cushion | | | |
| 10 | 997 521 721 00 | Airbag | | 1 | PR:437,438, 541 |
| | | Seat cushion | | | |
| 11 | 997 624 335 00 | Electric motor | | 1 | PR:541 |
| | | Seat cushion | | | |

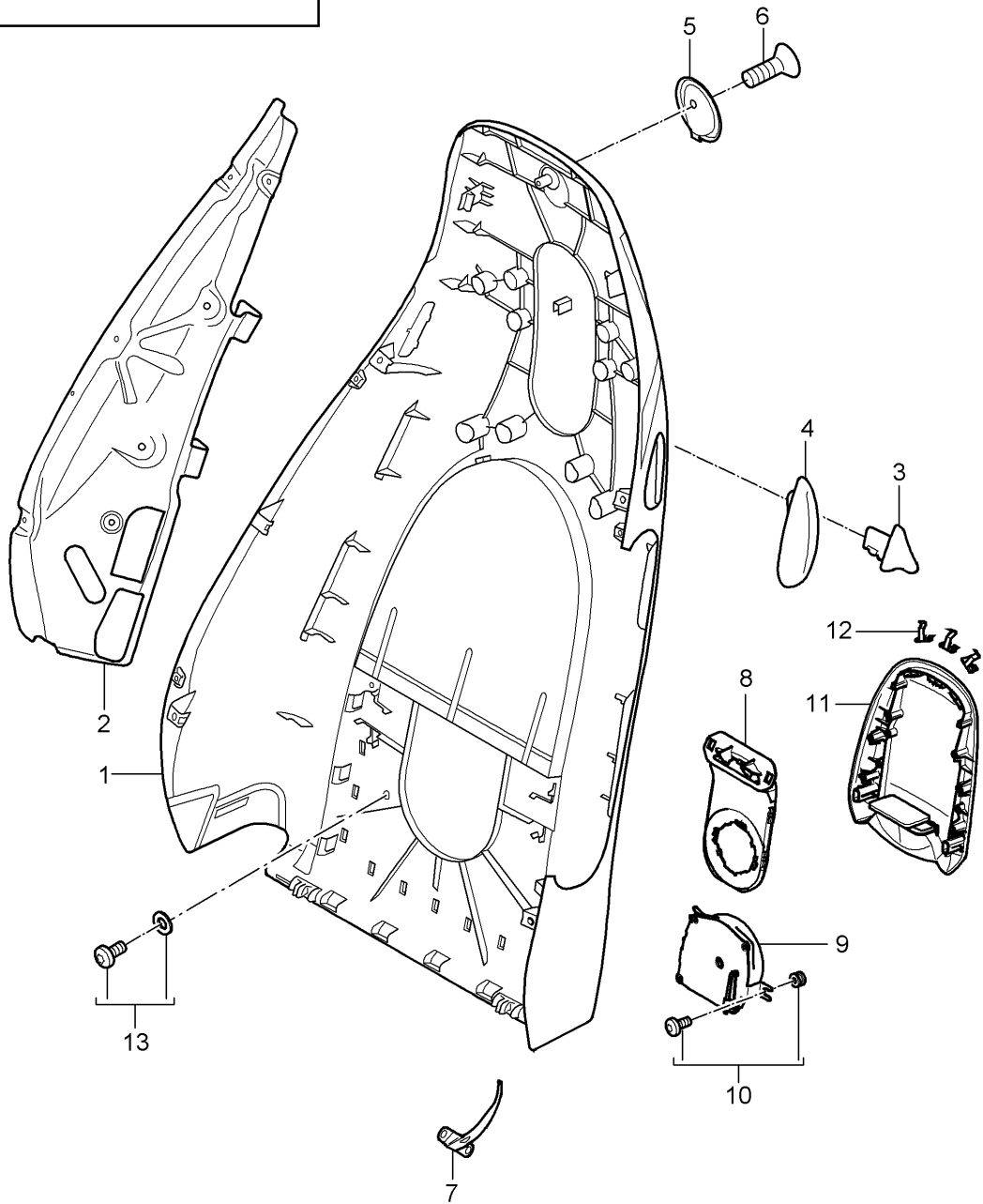
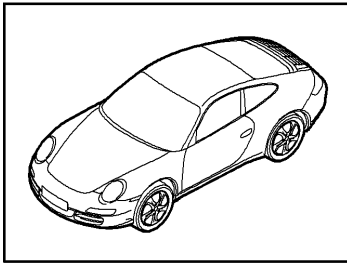
Model: 997-09

Model life 2009>>2012

| Pos | Part Number | Description | Remark | Qty | Model |
|-----|----------------|--|--------|-----|--------------------|
| 12 | 997 521 661 00 | Bracket Electric motor Seat cushion | | 1 | PR:541 |
| 13 | 000 043 207 38 | 1 set attachment parts Electric motor Seat cushion backrest | | 13 | PR:541 |
| 14 | 997 521 731 00 | Airbag backrest | | 1 | PR:369,370, 541 |
| 14 | 997 521 731 00 | Airbag backrest | | 1 | PR:437,438, 541 |

Model: 997-09

Model life 2009>>2012



Model: 997-09 Model life 2009>>2012

| Pos | Part Number | Description | Remark | Qty | Model |
|-----|--------------------|--|--------|-----|------------------------|
| 1 | 997 521 303 09 | Backrest shell Standard seat Comfort seat Accessories | left | 1 | PR:369,437, 946 |
| | 997 521 303 09 5Q2 | Black | | | |
| | 997 521 303 09 8X4 | Stone grey | | | |
| | 997 521 303 09 5S4 | Sand beige | | | |
| | 997 521 303 09 8W3 | sea blue | | | |
| (1) | 997 521 303 14 | Backrest shell | left | 1 | PR:369,437, 541,946 |
| | 997 521 303 14 5Q2 | Black | | | |
| | 997 521 303 14 8X4 | Stone grey | | | |
| | 997 521 303 14 5S4 | Sand beige | | | |
| | 997 521 303 14 8W3 | sea blue | | | |
| (1) | 997 521 304 09 | Backrest shell | right | 1 | PR:370,438, 946 |
| | 997 521 304 09 5Q2 | Black | | | |
| | 997 521 304 09 8X4 | Stone grey | | | |
| | 997 521 304 09 5S4 | Sand beige | | | |
| | 997 521 304 09 8W3 | sea blue | | | |
| (1) | 997 521 304 14 | Backrest shell | right | 1 | PR:370,438, 541,946 |
| | 997 521 304 14 5Q2 | Black | | | |
| | 997 521 304 14 8X4 | Stone grey | | | |
| | 997 521 304 14 5S4 | Sand beige | | | |
| | 997 521 304 14 8W3 | sea blue | | | |
| (1) | 997 521 303 10 | Backrest shell | left | 1 | PR:369,437, 983 |
| | 997 521 303 10 A80 | Black | | | |
| | 997 521 303 10 B80 | Stone grey | | | |
| | 997 521 303 10 T80 | Sand beige | | | |
| | 997 521 303 10 E80 | sea blue | | | |
| | 997 521 303 10 M80 | Terracotta | | | |
| | 997 521 303 10 R80 | Cocoa | | | |
| (1) | 997 521 303 15 | Backrest shell | left | 1 | PR:369,541, 983 |
| | 997 521 303 15 A80 | Black | | | |
| | 997 521 303 15 B80 | Stone grey | | | |
| | 997 521 303 15 T80 | Sand beige | | | |
| | 997 521 303 15 E80 | sea blue | | | |
| | 997 521 303 15 M80 | Terracotta | | | |
| | 997 521 303 15 R80 | Cocoa | | | |
| (1) | 997 521 303 15 | Backrest shell | left | 1 | PR:437,541, 983 |
| | 997 521 303 15 A80 | Black | | | |
| | 997 521 303 15 B80 | Stone grey | | | |
| | 997 521 303 15 T80 | Sand beige | | | |
| | 997 521 303 15 E80 | sea blue | | | |
| | 997 521 303 15 M80 | Terracotta | | | |
| | 997 521 303 15 R80 | Cocoa | | | |
| (1) | 997 521 304 10 | Backrest shell | right | 1 | PR:370,438, 983 |
| | 997 521 304 10 A80 | Black | | | |
| | 997 521 304 10 B80 | Stone grey | | | |
| | 997 521 304 10 T80 | Sand beige | | | |
| | 997 521 304 10 E80 | sea blue | | | |
| | 997 521 304 10 M80 | Terracotta | | | |
| | 997 521 304 10 R80 | Cocoa | | | |
| (1) | 997 521 304 15 | Backrest shell | right | 1 | PR:370,541, 983 |
| | 997 521 304 15 A80 | Black | | | |

Model: 997-09 Model life 2009>>2012

| Pos | Part Number | Description | Remark | Qty | Model |
|-----|--------------------|-------------------|--------|-----|--------------------|
| | 997 521 304 15 B80 | Stone grey | | | |
| | 997 521 304 15 T80 | Sand beige | | | |
| | 997 521 304 15 E80 | sea blue | | | |
| | 997 521 304 15 M80 | Terracotta | | | |
| | 997 521 304 15 R80 | Cocoa | | | |
| (1) | 997 521 304 15 | Backrest shell | right | 1 | PR:438,541,983 |
| | 997 521 304 15 A80 | Black | | | |
| | 997 521 304 15 B80 | Stone grey | | | |
| | 997 521 304 15 T80 | Sand beige | | | |
| | 997 521 304 15 E80 | sea blue | | | |
| | 997 521 304 15 M80 | Terracotta | | | |
| | 997 521 304 15 R80 | Cocoa | | | |
| (1) | 997 521 303 10 | Backrest shell | left | 1 | PR:369,437,982 |
| | 997 521 303 10 A80 | Black | | | |
| | 997 521 303 10 B80 | Stone grey | | | |
| | 997 521 303 10 T80 | Sand beige | | | |
| | 997 521 303 10 E80 | sea blue | | | |
| | 997 521 303 10 M80 | Terracotta | | | |
| | 997 521 303 10 R80 | Cocoa | | | |
| (1) | 997 521 304 10 | Backrest shell | right | 1 | PR:370,438,982 |
| | 997 521 304 10 A80 | Black | | | |
| | 997 521 304 10 B80 | Stone grey | | | |
| | 997 521 304 10 T80 | Sand beige | | | |
| | 997 521 304 10 E80 | sea blue | | | |
| | 997 521 304 10 M80 | Terracotta | | | |
| | 997 521 304 10 R80 | Cocoa | | | |
| (1) | 997 521 303 11 | Backrest shell | left | 1 | PR:369,983,998 |
| | 997 521 303 11 D11 | Dark grey/natural | | | |
| | 997 521 303 11 T11 | Brown/natural | | | |
| | 997 521 303 11 N11 | Carrera Red | | | |
| (1) | 997 521 303 11 | Backrest shell | left | 1 | PR:437,983,998 |
| | 997 521 303 11 D11 | Dark grey/natural | | | |
| | 997 521 303 11 T11 | Brown/natural | | | |
| | 997 521 303 11 N11 | Carrera Red | | | |
| (1) | 997 521 303 16 | Backrest shell | left | 1 | PR:369,541,983,998 |
| | 997 521 303 16 D11 | Dark grey/natural | | | |
| | 997 521 303 16 T11 | Brown/natural | | | |
| | 997 521 303 16 N11 | Carrera Red | | | |
| (1) | 997 521 303 16 | Backrest shell | left | 1 | PR:437,541,983,998 |
| | 997 521 303 16 D11 | Dark grey/natural | | | |
| | 997 521 303 16 T11 | Brown/natural | | | |
| | 997 521 303 16 N11 | Carrera Red | | | |
| (1) | 997 521 304 11 | Backrest shell | right | 1 | PR:370,983,998 |
| | 997 521 304 11 D11 | Dark grey/natural | | | |
| | 997 521 304 11 T11 | Brown/natural | | | |
| | 997 521 304 11 N11 | Carrera Red | | | |
| (1) | 997 521 304 11 | Backrest shell | right | 1 | PR:438,983,998 |
| | 997 521 304 11 D11 | Dark grey/natural | | | |
| | 997 521 304 11 T11 | Brown/natural | | | |
| | 997 521 304 11 N11 | Carrera Red | | | |
| (1) | 997 521 304 16 | Backrest shell | right | 1 | PR:370,541,983,998 |
| | 997 521 304 16 D11 | Dark grey/natural | | | |
| | 997 521 304 16 T11 | Brown/natural | | | |

Model: 997-09

Model life 2009>>2012

| Pos | Part Number | Description | Remark | Qty | Model |
|-----|--|------------------------------------|--------|-----|----------------------------|
| (1) | 997 521 304 16 N11 997 521 304 16 | Carrera Red Backrest shell | | 1 | PR:438,541, 983,998 |
| | 997 521 304 16 D11 997 521 304 16 T11 | Dark grey/natural Brown/natural | | | |
| (1) | 997 521 304 16 N11 997 521 303 11 | Carrera Red Backrest shell | left | 1 | PR:369,982, 998 |
| | 997 521 303 11 D11 997 521 303 11 T11 | Dark grey/natural Brown/natural | | | |
| (1) | 997 521 303 11 N11 997 521 303 11 | Carrera Red Backrest shell | left | 1 | PR:437,982, 998 |
| | 997 521 303 11 D11 997 521 303 11 T11 | Dark grey/natural Brown/natural | | | |
| (1) | 997 521 303 11 N11 997 521 304 11 | Carrera Red Backrest shell | right | 1 | PR:370,982, 998 |
| | 997 521 304 11 D11 997 521 304 11 T11 | Dark grey/natural Brown/natural | | | |
| (1) | 997 521 304 11 N11 997 521 304 11 | Carrera Red Backrest shell | right | 1 | PR:438,982, 998 |
| | 997 521 304 11 D11 997 521 304 11 T11 | Dark grey/natural Brown/natural | | | |
| (2) | 997 521 304 11 N11 997 521 319 00 | Carrera Red Support | left | 1 | |
| | | Backrest side bolster | | | |
| 2 | 997 521 320 00 | Support | right | 1 | |
| | | Backrest side bolster | | | |
| 3 | 997 521 623 02 | Actuator button | left | 1 | |
| | | lever for folding backrest | | | |
| (3) | 997 521 623 02 V05 997 521 624 02 | Galvano silver Actuator button | right | 1 | |
| | | lever for folding backrest | | | |
| | 997 521 624 02 V05 | Galvano silver | | | |
| 4 | 997 521 621 02 | Rosette | left | 1 | PR:369,370, 437,438 |
| | | lever for folding backrest | | | |
| (4) | 997 521 621 02 D07 997 521 622 02 | Volcano grey Rosette | | 1 | PR:369,370, 437,438 |
| | | lever for folding backrest | | | |
| 5 | 997 521 622 02 D07 997 521 373 01 | Volcano grey Coat hook | | 1 | PR:369,370, 437,438 |
| | 997 521 373 01 D07 | Volcano grey | | | |
| 6 | 999 919 232 09 | Screw | | 1 | PR:369,370, 437,438 |
| | | M5 X 20 | | | |
| | | Coat hook | | | |
| 7 | 997 521 783 00 | Support panel | left | 1 | PR:369,370, 437,438 |
| | | Backrest shell | | | |
| (7) | 997 521 784 00 | Support panel | right | 1 | PR:369,370, 437,438 |
| | | Backrest shell | | | |
| 8 | 997 521 733 00 | Air guide channel | | 1 | PR:369,370, 437,438,541 |
| | | Backrest shell | | | |
| 9 | 997 624 337 00 | Electric motor | | 1 | PR:541 |
| | | Vented | | | |
| | | backrest | | | |
| 10 | 000 043 207 38 | 1 set attachment parts | | 1 | PR:541 |

Model: 997-09 Model life 2009>>2012

| Pos | Part Number | Description | Remark | Qty | Model |
|------|--------------------|--------------------------------|--------|-----|------------------------|
| 11 | 997 521 491 00 | Electric motor Cover Fan | | 1 | PR:369,370, 946 |
| | 997 521 491 00 5Q2 | Black | | | |
| | 997 521 491 00 8X4 | Stone grey | | | |
| | 997 521 491 00 5S4 | Sand beige | | | |
| | 997 521 491 00 8W3 | sea blue | | | |
| 11 | 997 521 491 00 | Cover Fan | | 1 | PR:437,438, 946 |
| | 997 521 491 00 5Q2 | Black | | | |
| | 997 521 491 00 8X4 | Stone grey | | | |
| | 997 521 491 00 5S4 | Sand beige | | | |
| | 997 521 491 00 8W3 | sea blue | | | |
| (11) | 997 521 491 01 | Cover Fan | | 1 | PR:369,541, 983 |
| | 997 521 491 01 A80 | Black | | | |
| | 997 521 491 01 B80 | Stone grey | | | |
| | 997 521 491 01 T80 | Sand beige | | | |
| | 997 521 491 01 E80 | sea blue | | | |
| | 997 521 491 01 M80 | Terracotta | | | |
| | 997 521 491 01 R80 | Cocoa | | | |
| (11) | 997 521 491 01 | Cover Fan | | 1 | PR:370,541, 983 |
| | 997 521 491 01 A80 | Black | | | |
| | 997 521 491 01 B80 | Stone grey | | | |
| | 997 521 491 01 T80 | Sand beige | | | |
| | 997 521 491 01 E80 | sea blue | | | |
| | 997 521 491 01 M80 | Terracotta | | | |
| | 997 521 491 01 R80 | Cocoa | | | |
| (11) | 997 521 491 01 | Cover Fan | | 1 | PR:437,541, 983 |
| | 997 521 491 01 A80 | Black | | | |
| | 997 521 491 01 B80 | Stone grey | | | |
| | 997 521 491 01 T80 | Sand beige | | | |
| | 997 521 491 01 E80 | sea blue | | | |
| | 997 521 491 01 M80 | Terracotta | | | |
| | 997 521 491 01 R80 | Cocoa | | | |
| (11) | 997 521 491 01 | Cover Fan | | 1 | PR:438,541, 983 |
| | 997 521 491 01 A80 | Black | | | |
| | 997 521 491 01 B80 | Stone grey | | | |
| | 997 521 491 01 T80 | Sand beige | | | |
| | 997 521 491 01 E80 | sea blue | | | |
| | 997 521 491 01 M80 | Terracotta | | | |
| | 997 521 491 01 R80 | Cocoa | | | |
| (11) | 997 521 491 02 | Cover | | 1 | PR:369,541, 983,998 |
| | | Fan | | | |
| | 997 521 491 02 D11 | Dark grey/natural | | | |
| | 997 521 491 02 T11 | Brown/natural | | | |
| | 997 521 491 02 N11 | Carrera Red | | | |
| (11) | 997 521 491 02 | Cover | | 1 | PR:370,541, 983,998 |
| | | Fan | | | |
| | 997 521 491 02 D11 | Dark grey/natural | | | |
| | 997 521 491 02 T11 | Brown/natural | | | |
| | 997 521 491 02 N11 | Carrera Red | | | |
| (11) | 997 521 491 02 | Cover | | 1 | PR:437,541, 983,998 |
| | | Fan | | | |
| | 997 521 491 02 D11 | Dark grey/natural | | | |
| | 997 521 491 02 T11 | Brown/natural | | | |
| | 997 521 491 02 N11 | Carrera Red | | | |

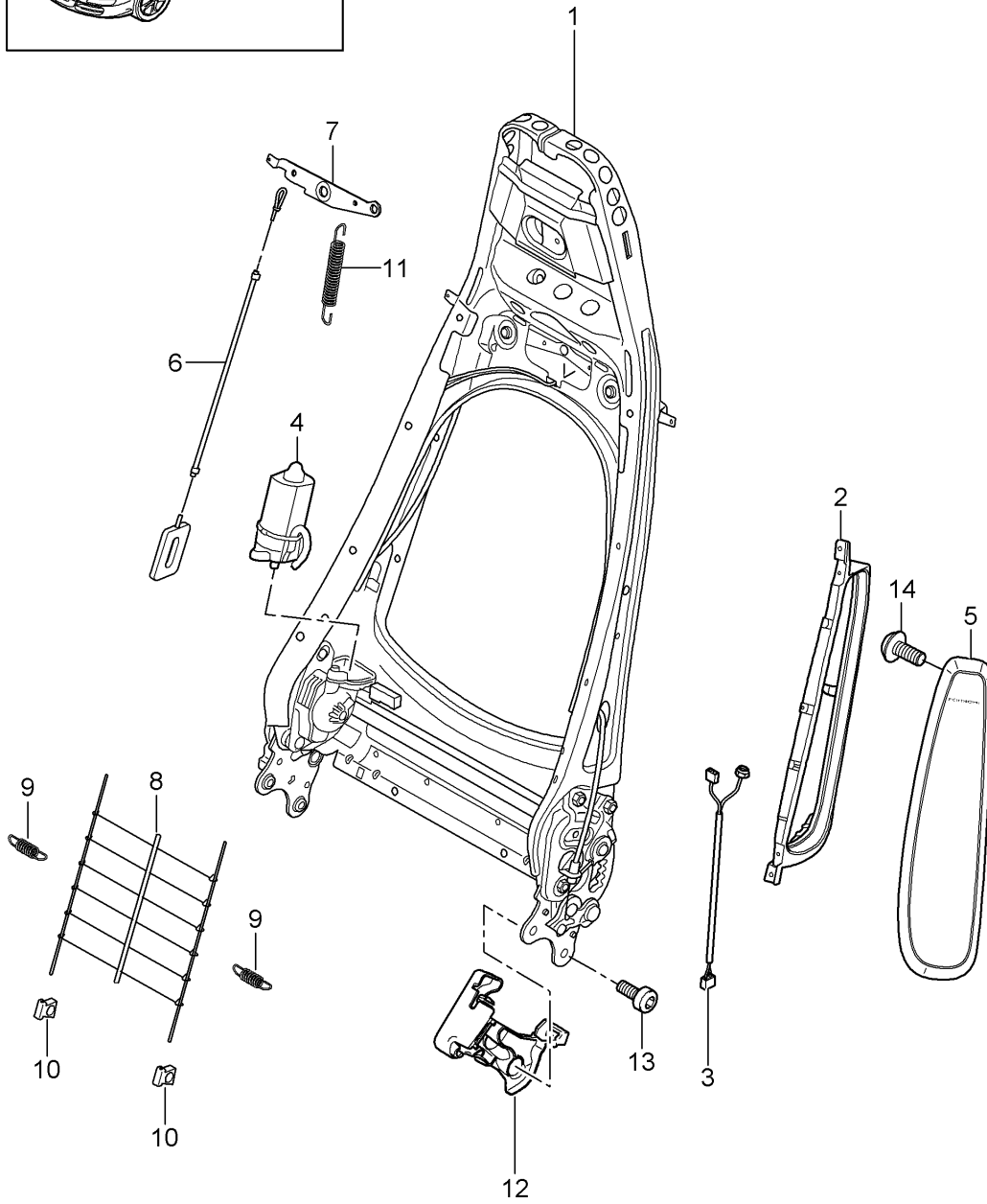
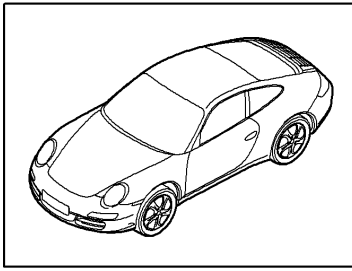
Model: 997-09

Model life 2009>>2012

| Pos | Part Number | Description | Remark | Qty | Model |
|------|--------------------|---|--------|-----|------------------------|
| (11) | 997 521 491 02 | Cover Fan | | 1 | PR:438,541, 983,998 |
| | 997 521 491 02 D11 | Dark grey/natural | | | |
| | 997 521 491 02 T11 | Brown/natural | | | |
| | 997 521 491 02 N11 | Carrera Red | | | |
| 12 | 000 043 207 40 | Clip Mount Cover Fan | | 3 | PR:541 |
| 13 | 000 043 207 41 | 1 set attachment parts Mount Cover Fan | | 1 | PR:541 |

Model: 997-09

Model life 2009>>2012



Model: 997-09 Model life 2009>>2012

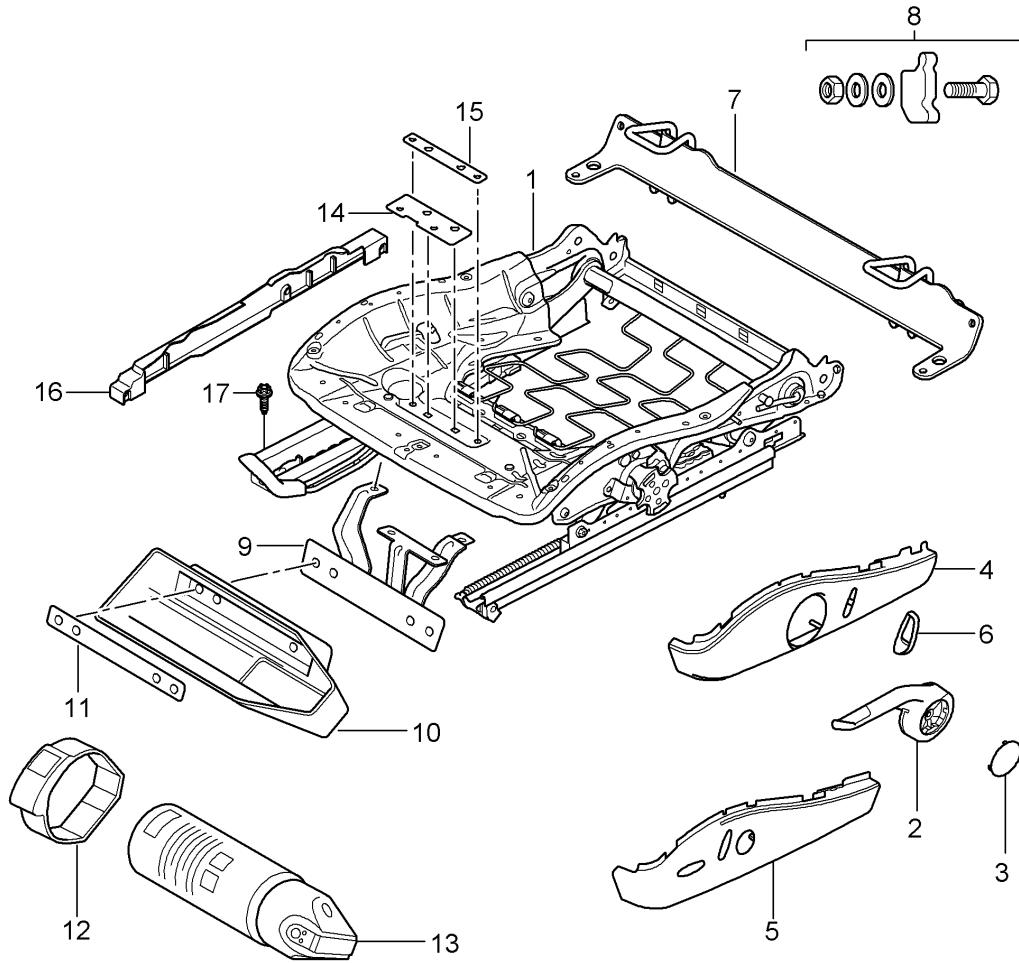
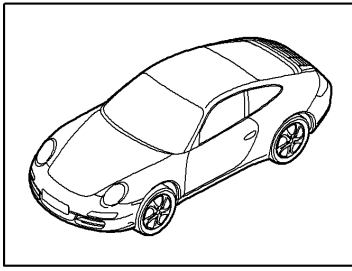
| Pos | Part Number | Description | Remark | Qty | Model |
|-----|--------------------|---|--------|-----|------------|
| 1 | 997 521 329 02 | Backrest frame Standard seat Comfort seat backrest frame without: | | 1 | PR:369,370 |
| 1 | 997 521 329 02 | Memory backrest frame without: | | 1 | PR:437,438 |
| (1) | 997 521 329 03 | Memory backrest frame with: | | 1 | PR:537,538 |
| 2 | 997 521 533 00 | Memory Cushion carrier | left | 1 | PR:369,437 |
| (2) | 997 521 534 00 | Side airbag unit Cushion carrier | right | 1 | PR:370,438 |
| 3 | 997 612 785 01 | Side airbag unit Wire set | left | 1 | PR:537 |
| (3) | 997 612 786 01 | Side airbag unit Wire set | right | 1 | PR:538 |
| (3) | 997 612 685 01 | Side airbag unit Wire set | left | 1 | PR:369 |
| (3) | 997 612 686 01 | Side airbag unit Wire set | right | 1 | PR:370 |
| 4 | 997 624 331 00 | Side airbag unit Electric motor Backrest frame without: | | 1 | PR:537,538 |
| (4) | 997 624 321 00 | Gearbox Memory Electric motor Backrest frame without: | | 1 | PR:369,370 |
| (4) | 997 624 321 00 | Gearbox Memory Electric motor Backrest frame without: | | 1 | PR:437,438 |
| 5 | 997 803 081 01 | Gearbox Memory Side airbag unit | left | 1 | PR:369,437 |
| | 997 803 081 01 A03 | Black | | | |
| | 997 803 081 01 5V7 | Stone grey | | | |
| | 997 803 081 01 5Z1 | Sand beige | | | |
| | 997 803 081 01 8W7 | sea blue | | | |
| | 997 803 081 01 8X8 | Terracotta | | | |
| | 997 803 081 01 8P9 | Cocoa | | | |
| | 997 803 081 01 T13 | Brown/natural | | | |
| | 997 803 081 01 N23 | Carrera Red | | | |
| (5) | 997 803 082 01 | Side airbag unit | right | 1 | PR:370,438 |
| | 997 803 082 01 A03 | Black | | | |
| | 997 803 082 01 5V7 | Stone grey | | | |
| | 997 803 082 01 5Z1 | Sand beige | | | |
| | 997 803 082 01 8W7 | sea blue | | | |
| | 997 803 082 01 8X8 | Terracotta | | | |
| | 997 803 082 01 8P9 | Cocoa | | | |
| | 997 803 082 01 T13 | Brown/natural | | | |
| | 997 803 082 01 N23 | Carrera Red | | | |
| (5) | 997 803 081 02 | Side airbag unit | left | 1 | PR:377 |
| | 997 803 081 02 D07 | Volcano grey | | | |
| (5) | 997 803 082 02 | Side airbag unit | right | 1 | PR:378 |
| | 997 803 082 02 D07 | Volcano grey | | | |

Model: 997-09 Model life 2009>>2012

| Pos | Part Number | Description | Remark | Qty | Model |
|------|--------------------|--|----------------|-----|------------|
| 6 | 997 521 485 00 | Bowden cable Backrest frame | | 2 | PR:369,370 |
| 6 | 997 521 485 00 | Bowden cable Backrest frame | | 2 | PR:437,438 |
| 7 | 997 521 375 00 | Release Backrest frame | | 1 | PR:369,370 |
| 7 | 997 521 375 00 | Release Backrest frame | | 1 | PR:437,438 |
| 8 | 997 521 855 00 | Grille Backrest frame | | 1 | PR:369,370 |
| 8 | 997 521 855 00 | Grille Backrest frame | | 1 | PR:437,438 |
| 9 | 997 521 893 00 | tension spring Inner spring | | 2 | PR:369,370 |
| 9 | 997 521 893 00 | tension spring Inner spring | | 2 | PR:437,438 |
| 10 | 997 521 895 00 | Clip Inner spring | | 2 | PR:369,370 |
| 10 | 997 521 895 00 | Clip Inner spring | | 2 | PR:437,438 |
| 11 | 997 521 797 00 | tension spring Release backrest | | 1 | PR:369,370 |
| 11 | 997 521 797 00 | tension spring Release backrest | | 1 | PR:437,438 |
| 12 | 997 521 335 01 | Trim Mounting component | left inner | 1 | |
| | 997 521 335 01 D07 | Volcano grey | | | |
| (12) | 997 521 336 01 | Trim Mounting component | right inner | 1 | |
| | 997 521 336 01 D07 | Volcano grey | | | |
| 13 | 999 073 375 09 | Screw Mount backrest Seat frame | | 4 | |
| 14 | 999 073 306 09 | Screw Mount Side airbag unit | | 2 | |

Model: 997-09

Model life 2009>>2012



Model: 997-09 Model life 2009>>2012

| Pos | Part Number | Description | Remark | Qty | Model |
|-----|----------------|---|--------|-----|----------------------------|
| (1) | 997 521 201 10 | Seat frame Standard seat Comfort seat | left | 1 | PR:369,480, 553 |
| (1) | 997 521 201 14 | Seat frame Manually (drivers side) | left | 1 | PR:369,480, 541,553 |
| (1) | 997 521 201 18 | Seat frame Manually (drivers side) | left | 1 | PR:250,369, 553 |
| (1) | 997 521 201 19 | Seat frame Manually (drivers side) | left | 1 | PR:250,369, 541,553 |
| (1) | 997 521 202 23 | Seat frame Manually (passenger side) | right | 1 | PR:370,560 |
| (1) | 997 521 201 24 | Seat frame Electric without: | left | 1 | PR:437,480, 553 |
| (1) | 997 521 201 26 | Memory (drivers side) Seat frame Electric without: | left | 1 | PR:437,480, 541,553 |
| (1) | 997 521 201 28 | Memory (drivers side) Seat frame Electric without: | left | 1 | PR:250,437, 553 |
| (1) | 997 521 202 30 | Memory (drivers side) Seat frame Electric without: | right | 1 | PR:438 |
| (1) | 997 521 202 24 | Memory (drivers side) Seat frame Electric without: | right | 1 | PR:438,560 |
| (1) | 997 521 202 32 | Memory (passenger side) Seat frame Electric without: | right | 1 | PR:438,541 |
| (1) | 997 521 201 25 | Memory (drivers side) Seat frame Electric with: | left | 1 | PR:437,480, 537,553 |
| (1) | 997 521 201 27 | Memory (drivers side) Seat frame Electric with: Memory (drivers side) | left | 1 | PR:437,480, 537,541,553 |

Model: 997-09 Model life 2009>>2012

| Pos | Part Number | Description | Remark | Qty | Model |
|-----|--------------------|---|-----------|-----|----------------------------|
| (1) | 997 521 201 29 | Seat frame Electric with: Memory (drivers side) | left | 1 | PR:250,437, 537,553 |
| (1) | 997 521 201 30 | Seat frame Electric with: Memory (drivers side) | left | 1 | PR:250,437, 537,541,553 |
| (1) | 997 521 202 31 | Seat frame Electric with: Memory (drivers side) | right | 1 | PR:438,538 |
| (1) | 997 521 202 33 | Seat frame Electric with: Memory (drivers side) | right | 1 | PR:438,538, 541 |
| (1) | 997 521 202 20 | Seat frame Manually (passenger side) | right lhd | 1 | PR:098,370 |
| (1) | 997 521 202 26 | Seat frame Manually (passenger side) | right lhd | 1 | PR:098,370, 541 |
| 2 | 997 521 627 01 | Actuating lever Height adjustment | left | 1 | PR:369 |
| (2) | 997 521 627 01 V05 | Galvano silver | | | |
| (2) | 997 521 628 01 | Actuating lever Height adjustment | right | 1 | PR:370 |
| | 997 521 628 01 V05 | Galvano silver | | | |
| 3 | 997 521 629 01 | Cover cap Actuating lever | | 2 | PR:369,370 |
| | 997 521 629 01 D07 | Volcano grey | | | |
| 4 | 997 521 325 06 | Trim for switch | left | 1 | PR:369 |
| | 997 521 325 06 D07 | Volcano grey | | | |
| (4) | 997 521 326 06 | Trim for switch | right | 1 | PR:370 |
| | 997 521 326 06 D07 | Volcano grey | | | |
| (4) | 997 521 326 09 | Trim for switch | right | 1 | PR:370,560 |
| | 997 521 326 09 D07 | Volcano grey | | | |
| 5 | 997 521 325 07 | Trim for switch | left | 1 | PR:437 |
| | 997 521 325 07 D07 | Volcano grey | | | |
| (5) | 997 521 326 07 | Trim for switch | right | 1 | PR:438 |
| | 997 521 326 07 D07 | Volcano grey | | | |
| (5) | 997 521 326 10 | Trim for switch | right | 1 | PR:438,560 |
| | 997 521 326 10 D07 | Volcano grey | | | |
| 6 | 997 521 631 01 | Actuator button backrest D >> - MJ 2010 | | 1 | PR:369,370, 437,438 |
| | 997 521 631 01 V05 | Galvano silver | | | |
| 6 | 997 521 631 02 | Actuator button backrest D - MJ 2011>> | | 1 | PR:369,370, 437,438 |
| | 997 521 631 02 V05 | Galvano silver | | | |
| 9 | 997 521 251 00 | Holder for fire extinguisher | | 1 | PR:098,509 |
| 10 | 997 521 607 00 | Cup Fire extinguishers | | 1 | PR:509 |
| 11 | 997 521 881 00 | Holder for fire extinguisher | | 1 | PR:509 |

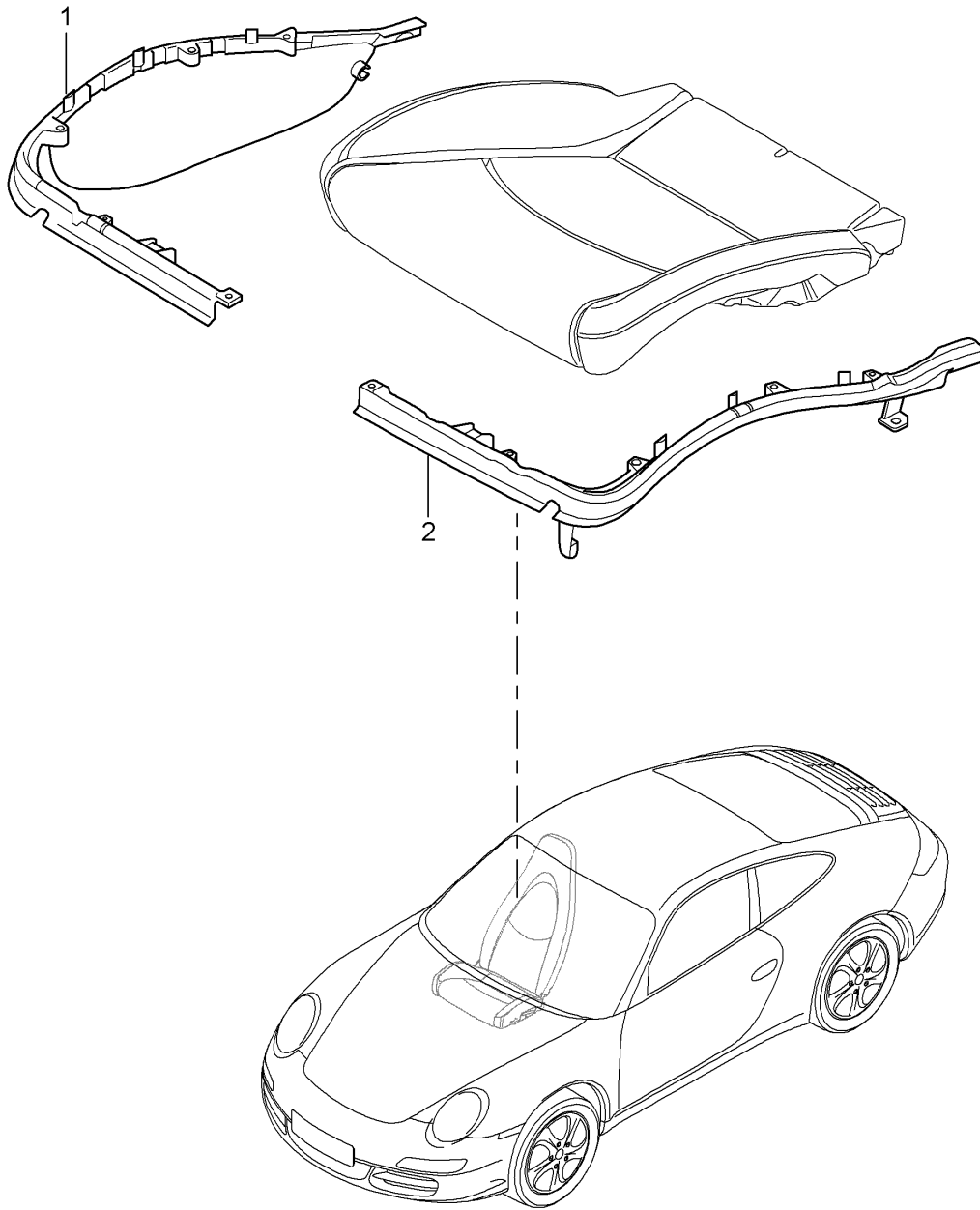
Model: 997-09

Model life 2009>>2012

| Pos | Part Number | Description | Remark | Qty | Model |
|------|--------------------|---|--------|-----|--------------------|
| 12 | 997 521 851 00 | Cup tensioning strap | | 1 | PR:509 |
| 13 | 996 722 115 00 | Fire extinguishers Fire extinguishers Information available | | 1 | PR:509 |
| 14 | 997 521 841 00 | Reinforcement | front | 1 | PR:509 |
| 15 | 997 521 843 00 | Reinforcement | rear | 1 | PR:509 |
| 16 | 997 521 427 01 | Cover Sensor Weight | left | 1 | PR:370,438, 560 |
| (16) | 997 521 427 01 01C | Satin black | | | |
| | 997 521 426 01 | Cover Sensor Weight | right | 1 | PR:370,438, 560 |
| | 997 521 426 01 01C | Satin black | | | |
| 17 | 999 141 047 01 | Torx screw Seat rail Mount | | 4 | |

Model: 997-09

Model life 2009>>2012



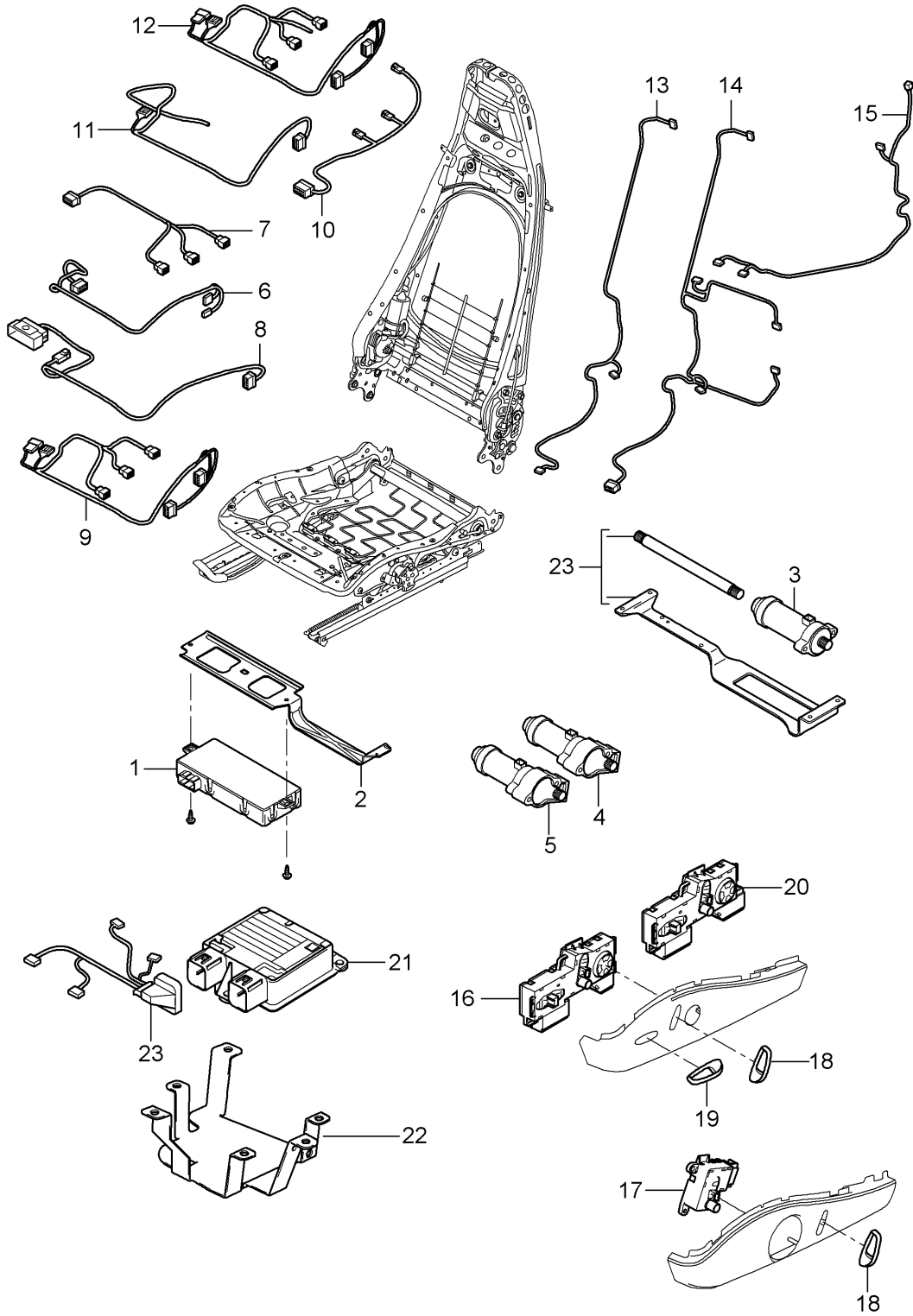
Model: 997-09

Model life 2009>>2012

| Pos | Part Number | Description | Remark | Qty | Model |
|-----|----------------|--|----------------|-----|--------------------|
| (1) | 997 521 547 00 | Cushion carrier Frame Seat surface Standard seat Comfort seat Frame | left inner | 1 | PR:370,438 |
| 1 | 997 521 548 00 | Frame | right inner | 1 | PR:369,437 |
| 2 | 997 521 545 00 | Frame | left outer | 1 | PR:369,437 |
| (2) | 997 521 546 00 | Frame | right outer | 1 | PR:370,438 |
| (2) | 997 521 546 01 | Frame | right outer | 1 | PR:370,438, 560 |

Model: 997-09

Model life 2009>>2012



Model: 997-09 Model life 2009>>2012

| Pos | Part Number | Description | Remark | Qty | Model |
|-----|----------------|--|----------|-----|--------------------|
| 1 | 997 618 537 07 | Wire set Switch Control unit Electric motor Comfort seat Control unit | | 1 | PR:537,538 |
| 2 | 997 521 643 01 | Seating position control Retainer for control units Seating position control | | 1 | PR:537,538 |
| 3 | 997 624 322 00 | Electric motor Seat adjuster Lengthways | | 1 | PR:437,438 |
| (3) | 997 624 332 00 | Memory Electric motor Seat adjuster Lengthways | without: | 1 | PR:537,538 |
| 4 | 997 624 322 00 | Memory Electric motor Seat adjuster Height adjustment | with: | 1 | PR:437,438 |
| (4) | 997 624 332 00 | Memory Electric motor Seat adjuster Height adjustment | without: | 1 | PR:537,538 |
| 5 | 997 624 323 00 | Memory Electric motor Seat adjuster Tilt angle | with: | 1 | PR:437,438 |
| (5) | 997 624 333 00 | Memory Electric motor Seat adjuster Tilt angle | without: | 1 | PR:537,538 |
| 6 | 997 612 684 00 | Memory Wire set Seat adjuster | | 1 | PR:537,538 |
| 7 | 997 612 690 00 | Memory Wire set Lengthways Height adjustment | | 1 | PR:537,538 |
| 8 | 997 612 682 01 | Memory Wire set Switch Seat adjuster | | 1 | PR:369,370 |
| 9 | 997 612 683 01 | Wire set Switch Seat adjuster | | 1 | PR:437,438 |
| 10 | 997 612 657 00 | Memory Wire set Seat | without: | 2 | PR:541 |
| 11 | 997 612 658 00 | Wire set Standard seat Manually | | 1 | PR:369,370, 541 |
| 12 | 997 612 659 00 | Wire set Comfort seat Electric | | 1 | PR:437,438, 541 |
| 13 | 997 612 689 00 | Wire set | | 1 | PR:437,438 |

Model: 997-09 Model life 2009>>2012

| Pos | Part Number | Description | Remark | Qty | Model |
|------|--------------------|--|--------|-----|------------|
| 14 | 997 612 687 00 | Lumbar support without: Memory Wire set Lumbar backrest | | 1 | PR:437,537 |
| 14 | 997 612 687 00 | Memory Wire set Lumbar backrest | | 1 | PR:438,538 |
| 15 | 997 612 685 01 | Memory Wire set backrest | left | 1 | PR:369,437 |
| (15) | 997 612 686 01 | Wire set backrest | right | 1 | PR:370,438 |
| 16 | 997 613 721 01 | Memory switch for seat adjustment | left | 1 | PR:437,537 |
| | 997 613 721 01 V05 | Galvano silver use if required: | | | |
| (16) | 997 613 722 01 | POSITION 18+19 switch for seat adjustment Memory switch | right | 1 | PR:438,538 |
| | 997 613 722 01 V05 | Galvano silver use if required: | | | |
| 17 | 997 613 713 00 | POSITION 18+19 switch for seat adjustment D >> - MJ 2010 | left | 1 | PR-369,375 |
| (17) | 997 613 713 01 | switch for seat adjustment Manually adjustable D - MJ 2011>> | left | 1 | PR:369 |
| (17) | 997 613 714 00 | switch for seat adjustment D >> - MJ 2010 | right | 1 | PR-370,376 |
| (17) | 997 613 714 01 | switch for seat adjustment Manually adjustable D - MJ 2011>> | right | 1 | PR:370 |
| 18 | 997 521 631 01 | Actuator button backrest D >> - MJ 2010 | | 1 | PR:369,370 |
| | 997 521 631 01 V05 | Galvano silver | | | |
| 18 | 997 521 631 02 | Actuator button backrest D - MJ 2011>> | | 1 | PR:369,370 |
| | 997 521 631 02 V05 | Galvano silver | | | |
| (18) | 997 521 631 01 | Actuator button backrest D >> - MJ 2010 | | 1 | PR:437,438 |
| | 997 521 631 01 V05 | Galvano silver | | | |
| (18) | 997 521 631 02 | Actuator button backrest D - MJ 2011>> | | 1 | PR:437,438 |
| | 997 521 631 02 V05 | Galvano silver | | | |
| 19 | 997 521 633 02 | Actuator button Seat cushion D >> - MJ 2010 | | 1 | PR:437,438 |
| | 997 521 633 02 V05 | Galvano silver | | | |
| 19 | 997 521 633 03 | Actuator button Seat cushion D - MJ 2011>> | | 1 | PR:437,438 |
| | 997 521 633 03 V05 | Galvano silver | | | |
| 20 | 997 613 717 01 | switch for seat adjustment without: Memory D >> - MJ 2010 | left | 1 | PR:437 |

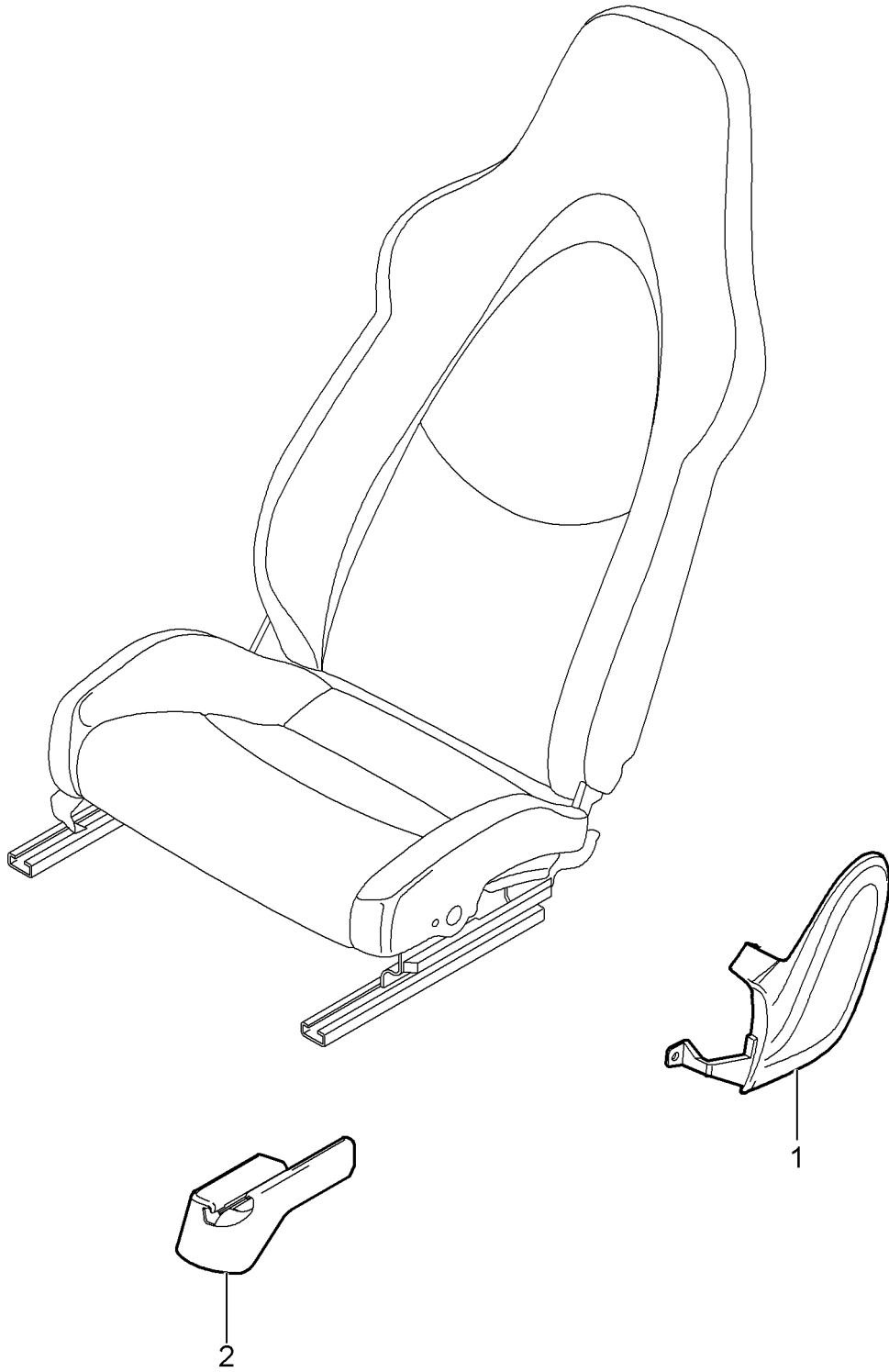
Model: 997-09

Model life 2009>>2012

| Pos | Part Number | Description | Remark | Qty | Model |
|------|--------------------------------------|--|--------|-----|--------------------|
| 20 | 997 613 717 01 V05 997 613 717 01 | Galvano silver switch for seat adjustment without: Memory D - MJ 2011>> | left | 1 | PR:437 |
| (20) | 997 613 717 01 V05 997 613 718 01 | Galvano silver switch for seat adjustment without: Memory D >> - MJ 2010 | right | 1 | PR:438 |
| (20) | 997 613 718 01 V05 997 613 718 02 | Galvano silver switch for seat adjustment without: Memory D - MJ 2011>> | right | 1 | PR:438 |
| (21) | 997 613 718 02 V05 997 618 233 05 | Galvano silver Control unit for seat occupied sensor | | 1 | PR:370,438, 560 |
| 22 | 997 521 646 00 | Retainer for control units | | 1 | PR:370,438, 560 |
| 23 | 997 612 688 00 | seat occupied recognition Wire set | | 1 | PR:370,438, 560 |
| (24) | 997 521 901 00 | repair set Pliable shaft Console for engine mounting | | 1 | |
| - | 999 650 973 40 | Clip Mount Wire set seat occupied recognition | | 1 | |

Model: 997-09

Model life 2009>>2012

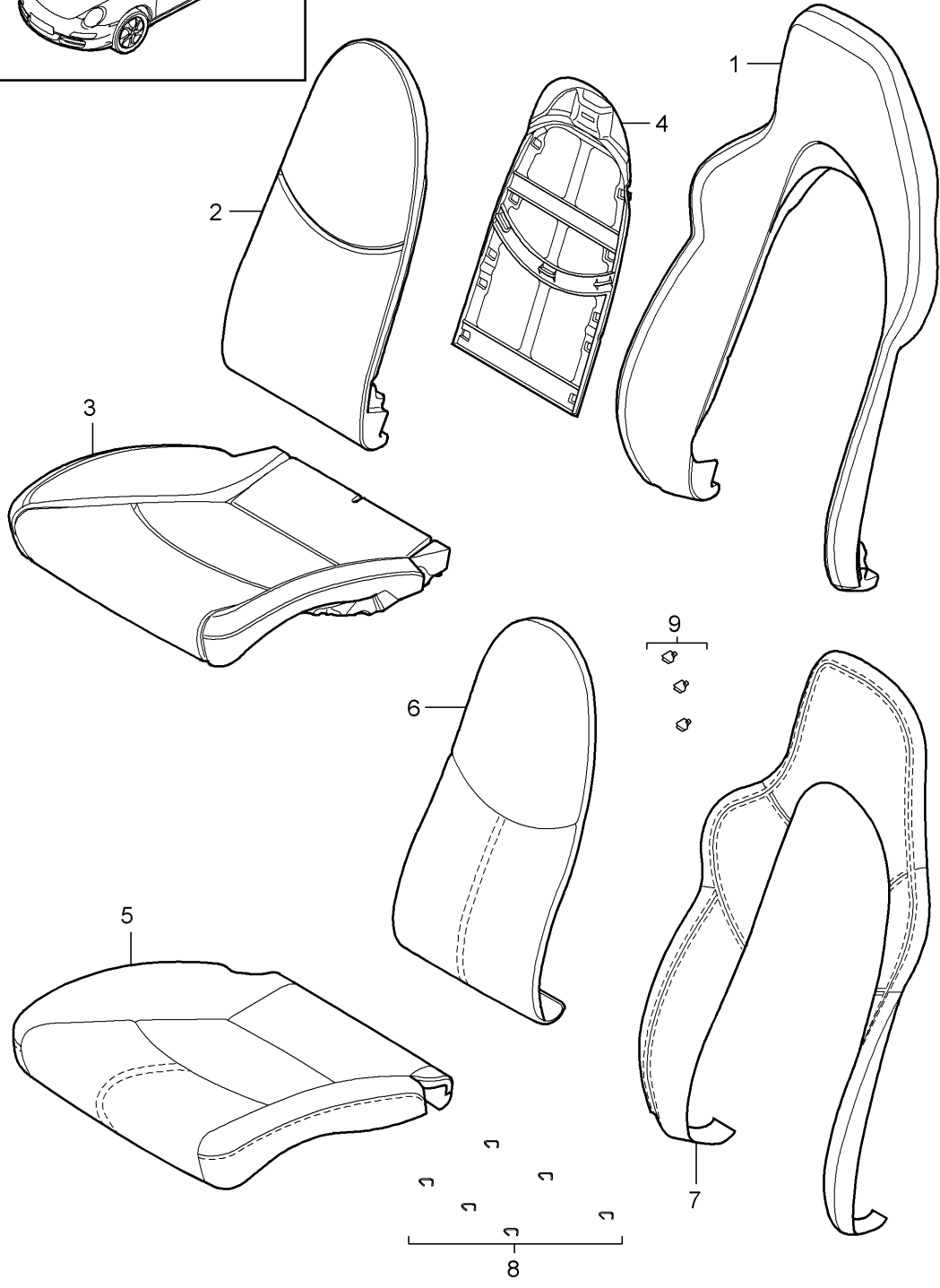
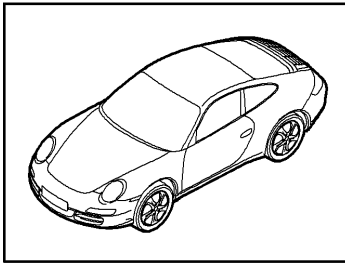


Model: 997-09 Model life 2009>>2012

| Pos | Part Number | Description | Remark | Qty | Model |
|-----|--------------------|---|--------|-----|--------------------|
| 1 | 997 521 315 02 | Front seat (complete) Not available sports seat Cover panel Mounting component | left | 1 | PR:375,377 |
| (1) | 997 521 315 02 D07 | Volcano grey | | | |
| | 997 521 316 03 | Cover panel Mounting component | right | 1 | PR:375,377, 560 |
| | 997 521 316 03 D07 | Volcano grey | | | |
| 2 | 997 521 359 01 | Rail Seat rail | left | 1 | PR:375 |
| (2) | 997 521 359 01 01C | Satin black | | | |
| | 997 521 362 00 | Rail Seat rail | right | 1 | PR:375 |
| (2) | 997 521 362 00 01C | Satin black | | | |
| | 997 521 361 00 | Rail Seat rail | left | 1 | PR:376 |
| (2) | 997 521 361 00 01C | Satin black | | | |
| | 997 521 360 01 | Rail Seat rail | right | 1 | PR:376 |
| (2) | 997 521 360 01 01C | Satin black | | | |
| | 997 521 361 00 | Rail Seat rail | left | 1 | PR:377 |
| (2) | 997 521 361 00 01C | Satin black | | | |
| | 997 521 362 00 | Rail Seat rail | right | 1 | PR:377 |
| (2) | 997 521 362 00 01C | Satin black | | | |
| | 997 521 361 00 | Rail Seat rail | left | 1 | PR:378 |
| (2) | 997 521 361 00 01C | Satin black | | | |
| | 997 521 362 00 | Rail Seat rail | right | 1 | PR:378 |
| (2) | 997 521 362 00 01C | Satin black | | | |

Model: 997-09

Model life 2009>>2012



Model: 997-09 Model life 2009>>2012

| Pos | Part Number | Description | Remark | Qty | Model |
|-----|--------------------|---|--------|-----|----------------------------|
| 1 | 997 521 535 01 | Foam part Cover sports seat | outer | 2 | PR:375,376 |
| (1) | 997 521 535 02 | Foam part backrest | outer | 2 | PR:377,378 |
| 2 | 997 521 581 00 | Foam part | | 1 | PR:375,376 |
| 2 | 997 521 581 00 | Foam part backrest | | 1 | PR:377,378 |
| 3 | 997 521 571 01 | Centre part Foam part | | 1 | PR:375,376 |
| (3) | 997 521 571 02 | Seat cushion with heating Foam part | | 1 | PR:377,378 |
| (3) | 997 521 571 04 | Seat cushion with heating Foam part | | 1 | PR:376,560 |
| (3) | 997 521 571 05 | Seat cushion with heating Foam part | | 1 | PR:378,560 |
| 4 | 997 521 551 01 | Backrest-padding support part | | 2 | |
| 5 | 997 521 161 03 | Seat cover | | 1 | PR:375,376, 983 |
| | 997 521 161 03 FLC | Black | | | |
| | 997 521 161 03 FLF | Stone grey | | | |
| | 997 521 161 03 FLJ | Sand beige | | | |
| | 997 521 161 03 FLM | sea blue | | | |
| | 997 521 161 03 FLQ | Terracotta | | | |
| | 997 521 161 03 FLR | Cocoa | | | |
| | 997 521 161 03 VAA | Dark grey/natural | | | |
| | 997 521 161 03 VAB | Brown/natural | | | |
| | 997 521 161 03 VAC | Carrera Red | | | |
| | 997 521 161 03 VAN | Espresso | | | |
| (5) | 997 521 161 06 | Seat cover | | 1 | PR:377,378, 983 |
| | 997 521 161 06 FLC | Black | | | |
| | 997 521 161 06 FLF | Stone grey | | | |
| | 997 521 161 06 FLJ | Sand beige | | | |
| | 997 521 161 06 FLM | sea blue | | | |
| | 997 521 161 06 FLQ | Terracotta | | | |
| | 997 521 161 06 FLR | Cocoa | | | |
| | 997 521 161 06 VAA | Dark grey/natural | | | |
| | 997 521 161 06 VAB | Brown/natural | | | |
| | 997 521 161 06 VAC | Carrera Red | | | |
| | 997 521 161 06 VAN | Espresso | | | |
| (5) | 997 521 161 07 | Seat cover D - MJ 2011>> | | 1 | PR:011,375, 376,951,019 |
| | 997 521 161 07 RAA | Black Alcantara | | | |
| (5) | 997 521 161 08 | Seat cover D - MJ 2011>> | | 1 | PR:011,377, 378,951,019 |
| | 997 521 161 08 RAA | Black Alcantara | | | |
| (5) | 997 521 161 11 | Seat cover | | 1 | PR:XXK,377, 378,756 |
| | 997 521 161 11 VAM | Espresso | | | |
| (5) | 997 521 161 12 | Seat cover D - MJ 2011>> | | 1 | PR:377,378, 983,503 |
| | 997 521 161 12 DTA | Black/Carrara White | | | |
| | 997 521 161 12 DTN | Black/Pure Blue | | | |

Model: 997-09 Model life 2009>>2012

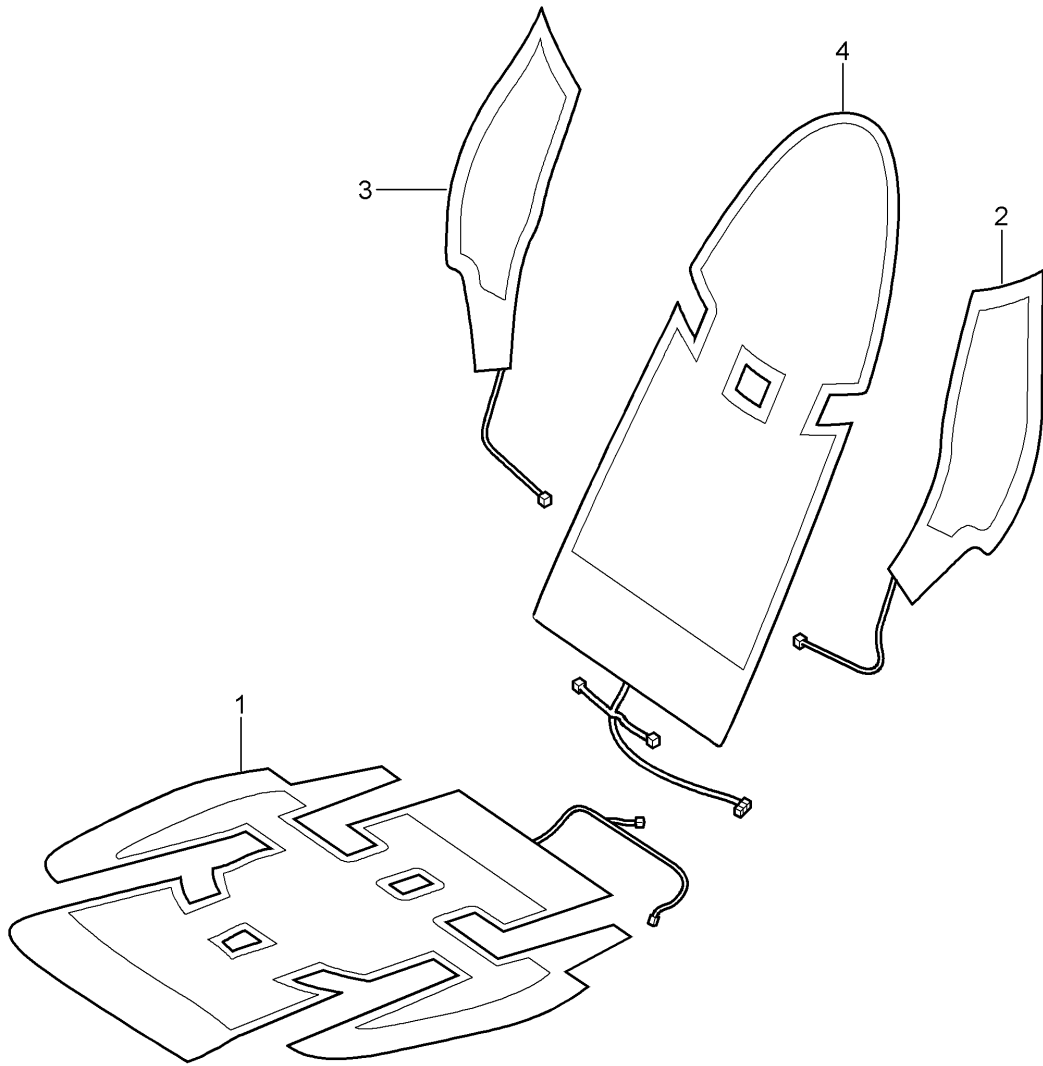
| Pos | Part Number | Description | Remark | Qty | Model |
|-----|--------------------|--|--------|-----|----------------------------|
| (5) | 997 521 161 13 | Seat cover D - MJ 2011>> | | 1 | PR:377,378, 983,503,XXM |
| | 997 521 161 13 DTA | Black/Carrara White | | | |
| | 997 521 161 13 DTN | Black/Pure Blue | | | |
| 6 | 997 521 151 00 | Backrest cushion cover Centre part | | 1 | PR:375,376, 983 |
| | 997 521 151 00 8YR | Black | | | |
| | 997 521 151 00 5X5 | Stone grey | | | |
| | 997 521 151 00 8G1 | Sand beige | | | |
| | 997 521 151 00 3S8 | sea blue | | | |
| | 997 521 151 00 9N2 | Terracotta | | | |
| | 997 521 151 00 9Q3 | Cocoa | | | |
| | 997 521 151 00 D11 | Dark grey/natural | | | |
| | 997 521 151 00 T11 | Brown/natural | | | |
| | 997 521 151 00 N11 | Carrera Red | | | |
| (6) | 997 521 151 00 | Backrest cushion cover Centre part D - MJ 2011>> | | 1 | PR:377,503, 983,XXM,378 |
| | 997 521 151 00 TSF | Black-black | | | |
| (6) | 997 521 151 00 | Backrest cushion cover Centre part | | 1 | PR:377,378, 983 |
| | 997 521 151 00 8YR | Black | | | |
| | 997 521 151 00 5X5 | Stone grey | | | |
| | 997 521 151 00 8G1 | Sand beige | | | |
| | 997 521 151 00 3S8 | sea blue | | | |
| | 997 521 151 00 9N2 | Terracotta | | | |
| | 997 521 151 00 9Q3 | Cocoa | | | |
| | 997 521 151 00 D11 | Dark grey/natural | | | |
| | 997 521 151 00 T11 | Brown/natural | | | |
| | 997 521 151 00 N11 | Carrera Red | | | |
| (6) | 997 521 151 04 | Backrest cushion cover Centre part | | 1 | PR:XXK,377, 378,756 |
| | 997 521 151 04 H12 | Espresso | | | |
| (6) | 997 521 151 05 | Backrest cushion cover Centre part D - MJ 2011>> | | 1 | PR:377,378, 983,503 |
| | 997 521 151 05 8YR | Black | | | |
| (6) | 987 521 151 00 | Backrest cushion cover Centre part D - MJ 2011>> | | 1 | PR:011,377, 378,951 |
| | 987 521 151 00 A15 | Black Alcantara | | | |
| (7) | 997 521 155 01 | Backrest cover Outer part | | 2 | PR:375,376, 983 |
| | 997 521 155 01 FLC | Black | | | |
| | 997 521 155 01 FLF | Stone grey | | | |
| | 997 521 155 01 FLJ | Sand beige | | | |
| | 997 521 155 01 FLM | sea blue | | | |
| | 997 521 155 01 FLQ | Terracotta | | | |
| | 997 521 155 01 FLR | Cocoa | | | |
| | 997 521 155 01 VAA | Dark grey/natural | | | |
| | 997 521 155 01 VAB | Brown/natural | | | |
| | 997 521 155 01 VAC | Carrera Red | | | |
| (7) | 997 521 155 01 | Backrest cover Outer part | | 2 | PR:375,376, 951 |
| | 997 521 155 01 FLC | Black | | | |
| | 997 521 155 01 FLF | Stone grey | | | |
| | 997 521 155 01 FLJ | Sand beige | | | |
| | 997 521 155 01 FLM | sea blue | | | |
| | 997 521 155 01 FLQ | Terracotta | | | |
| | 997 521 155 01 FLR | Cocoa | | | |
| | 997 521 155 01 VAA | Dark grey/natural | | | |
| | 997 521 155 01 VAB | Brown/natural | | | |

Model: 997-09 Model life 2009>>2012

| Pos | Part Number | Description | Remark | Qty | Model |
|-----|--------------------|-----------------------------------|--------|-----|----------------------------|
| (7) | 997 521 155 01 VAC | Carrera Red | | | |
| | 997 521 155 01 | Backrest cover | | 2 | PR:377,378,983 |
| | | Outer part | | | |
| | 997 521 155 01 FLC | Black | | | |
| | 997 521 155 01 FLF | Stone grey | | | |
| | 997 521 155 01 FLJ | Sand beige | | | |
| | 997 521 155 01 FLM | sea blue | | | |
| | 997 521 155 01 FLQ | Terracotta | | | |
| | 997 521 155 01 FLR | Cocoa | | | |
| | 997 521 155 01 VAA | Dark grey/natural | | | |
| | 997 521 155 01 VAB | Brown/natural | | | |
| | 997 521 155 01 VAC | Carrera Red | | | |
| (7) | 997 521 155 01 | Backrest cover | | 2 | PR:377,378,951 |
| | | Outer part | | | |
| | 997 521 155 01 FLC | Black | | | |
| | 997 521 155 01 FLF | Stone grey | | | |
| | 997 521 155 01 FLJ | Sand beige | | | |
| | 997 521 155 01 FLM | sea blue | | | |
| | 997 521 155 01 FLQ | Terracotta | | | |
| | 997 521 155 01 FLR | Cocoa | | | |
| | 997 521 155 01 VAA | Dark grey/natural | | | |
| | 997 521 155 01 VAB | Brown/natural | | | |
| | 997 521 155 01 VAC | Carrera Red | | | |
| (7) | 997 521 155 02 | Backrest cover | | 2 | PR:XXK,377,378,756 |
| | | Outer part | | | |
| | 997 521 155 02 8C0 | Espresso | | | |
| (7) | 997 521 941 02 | Backrest cover | | 1 | PR:XSC,375,376,377,378,983 |
| | | Outer part | | | |
| | 997 521 941 02 8YR | Black | | | |
| | 997 521 941 02 5X5 | Stone grey | | | |
| | 997 521 941 02 8G1 | Sand beige | | | |
| | 997 521 941 02 3S8 | sea blue | | | |
| | 997 521 941 02 9N2 | Terracotta | | | |
| | 997 521 941 02 9Q3 | Cocoa | | | |
| | 997 521 941 02 D11 | Dark grey/natural | | | |
| | 997 521 941 02 T11 | Brown/natural | | | |
| | 997 521 941 02 N11 | Carrera Red | | | |
| (7) | 997 521 155 03 | Cover | | 1 | PR:377,378,983,503 |
| | | Outer part | | | |
| | | D - MJ 2011>> | | | |
| | 997 521 155 03 DTA | Black/Carrara White | | | |
| | 997 521 155 03 DTN | Black/Pure Blue | | | |
| 8 | 997 521 837 00 | Clip | | 6 | |
| | | Padding | | | |
| | | Seat | | | |
| - | 999 917 822 40 | Paint for Seat side bolster cover | outer | X | Berucoat |

Model: 997-09

Model life 2009>>2012



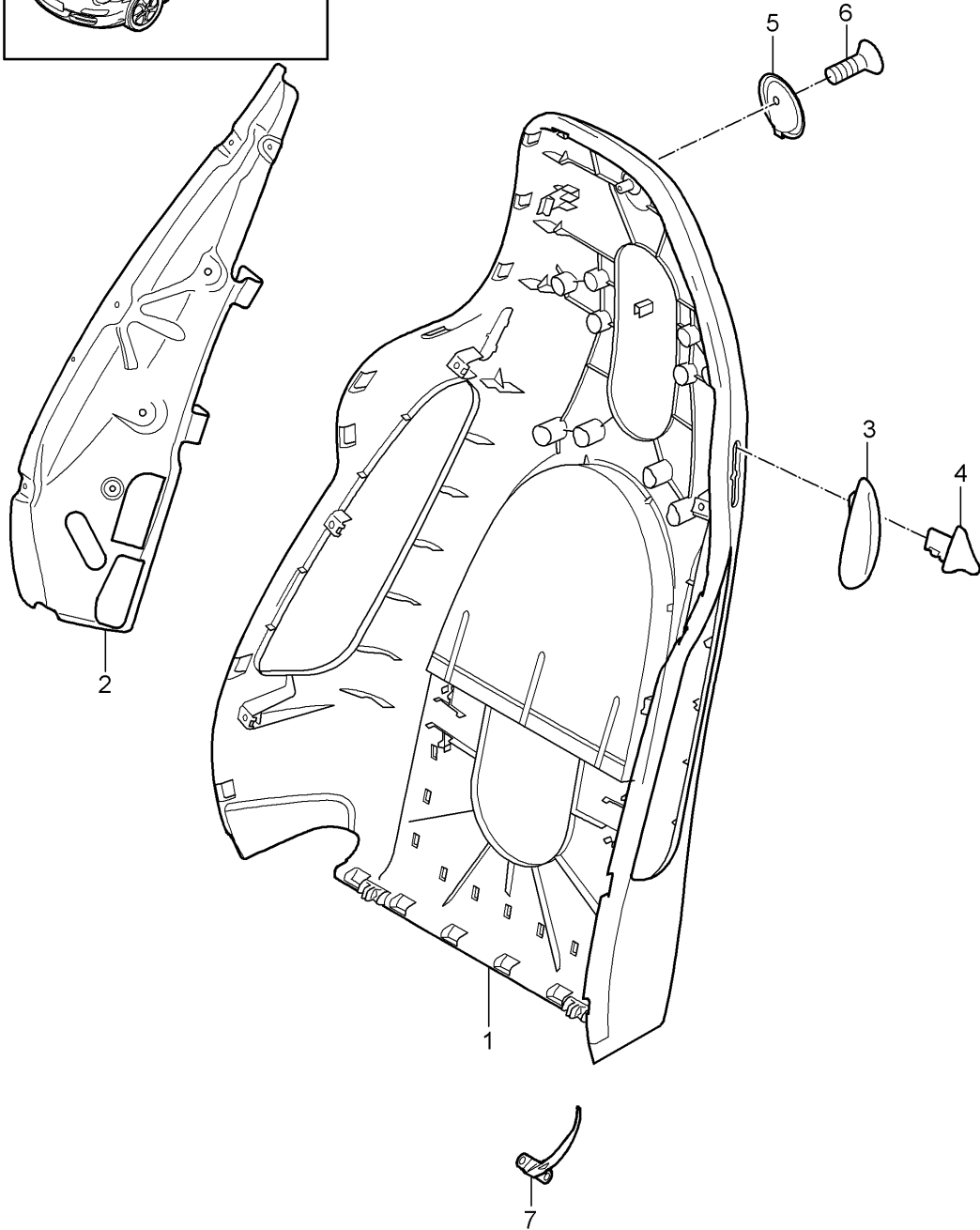
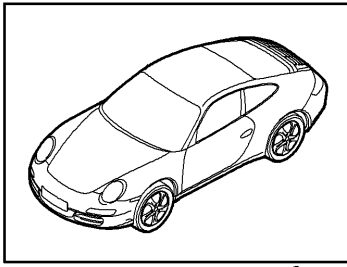
Model: 997-09

Model life 2009>>2012

| Pos | Part Number | Description | Remark | Qty | Model |
|-----|----------------|--|--------|-----|----------------------------|
| 1 | 997 653 105 02 | heater Front seat Heating element Seat cushion Standard seat Comfort seat | | 2 | PR:342,369, 370,437,438 |
| (1) | 997 653 105 03 | Heating element Seat cushion sports seat | | 2 | PR:342,375, 376,377,378 |
| 2 | 997 653 109 00 | Heating element Backrest side bolster Standard seat Comfort seat | left | 1 | PR:342,369, 370,437,438 |
| (2) | 997 653 109 01 | Heating element Backrest side bolster sports seat | left | 1 | PR:342,375, 376,377,378 |
| 3 | 997 653 110 00 | Heating element Backrest side bolster Standard seat Comfort seat | right | 1 | PR:342,369, 370,437,438 |
| (3) | 997 653 110 01 | Heating element Backrest side bolster sports seat | right | 1 | PR:342,375, 376,377,378 |
| 4 | 997 653 107 00 | Heating element Backrest cushion | | 2 | PR:342 |

Model: 997-09

Model life 2009>>2012



Model: 997-09 Model life 2009>>2012

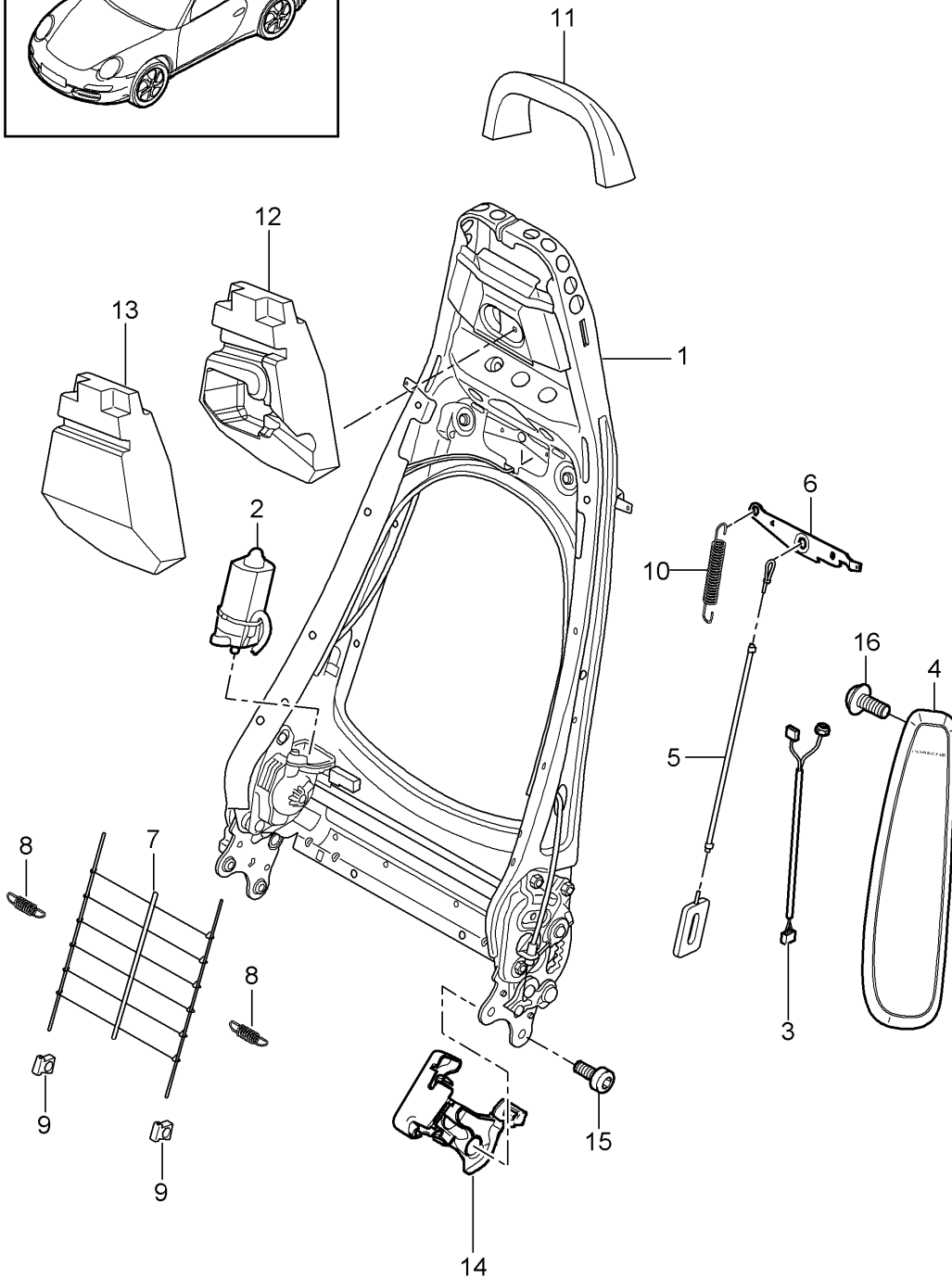
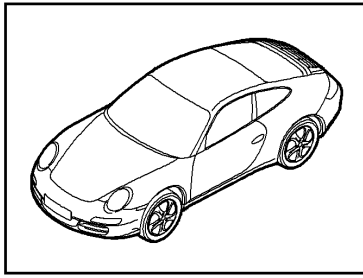
| Pos | Part Number | Description | Remark | Qty | Model |
|-----|--------------------|--------------------------------|--------|-----|--------------------|
| 1 | 997 521 303 13 | Backrest shell sports seat | | | |
| | 997 521 303 13 D07 | Backrest shell Volcano grey | left | 1 | PR:375,377 |
| (1) | 997 521 304 13 | Backrest shell | right | 1 | PR:376,378 |
| | 997 521 304 13 D07 | Backrest shell Volcano grey | | | |
| (1) | 997 521 303 17 | Backrest shell | left | 1 | PR:XSB,377, 756 |
| | 997 521 303 17 6J0 | Espresso | | | |
| (1) | 997 521 304 17 | Backrest shell | right | 1 | PR:XSB,378, 756 |
| | 997 521 304 17 6J0 | Espresso | | | |
| (1) | 997 521 981 00 | Backrest shell | left | 1 | PR:XSA,375, 377 |
| | 997 521 981 00 041 | Black | | | |
| | 997 521 981 00 84A | guards red (Porsche) | | | |
| | 997 521 981 00 12H | Speed yellow | | | |
| | 997 521 981 00 B9A | Carrara white | | | |
| | 997 521 981 00 92U | Arctic silver metallic | | | |
| | 997 521 981 00 C9Z | Basalt black metallic | | | |
| | 997 521 981 00 M7X | Atlas grey metallic | | | |
| | 997 521 981 00 39C | Midnight Blue Metallic | | | |
| | 997 521 981 00 M7Z | GT Silver Metallic | | | |
| | 997 521 981 00 M7W | Meteor Grey Metallic | | | |
| | 997 521 981 00 M8W | Macadamia Metallic | | | |
| | 997 521 981 00 8A7 | Ruby red metallic | | | |
| | 997 521 981 00 22G | Racing Green Metallic | | | |
| | 997 521 981 00 M5R | Aqua blue metallic | | | |
| | 997 521 981 00 51A | cream white | | | |
| | 997 521 981 00 M2Z | Nordic Gold Metallic | | | |
| | 997 521 981 00 2B5 | Malachite Green Metallic | | | |
| (1) | 997 521 982 00 | Backrest shell | right | 1 | PR:XSA,376, 378 |
| | 997 521 982 00 041 | Black | | | |
| | 997 521 982 00 84A | guards red (Porsche) | | | |
| | 997 521 982 00 12H | Speed yellow | | | |
| | 997 521 982 00 B9A | Carrara white | | | |
| | 997 521 982 00 92U | Arctic silver metallic | | | |
| | 997 521 982 00 C9Z | Basalt black metallic | | | |
| | 997 521 982 00 M7X | Atlas grey metallic | | | |
| | 997 521 982 00 39C | Midnight Blue Metallic | | | |
| | 997 521 982 00 M7Z | GT Silver Metallic | | | |
| | 997 521 982 00 M7W | Meteor Grey Metallic | | | |
| | 997 521 982 00 M8W | Macadamia Metallic | | | |
| | 997 521 982 00 8A7 | Ruby red metallic | | | |
| | 997 521 982 00 22G | Racing Green Metallic | | | |
| | 997 521 982 00 M5R | Aqua blue metallic | | | |
| | 997 521 982 00 51A | cream white | | | |
| | 997 521 982 00 M2Z | Nordic Gold Metallic | | | |
| | 997 521 982 00 2B5 | Malachite Green Metallic | | | |
| (1) | 997 521 981 02 | Backrest shell Leather | left | 1 | PR:XSB,375, 377 |
| | 997 521 981 02 A11 | Black | | | |
| | 997 521 981 02 5X6 | Stone grey | | | |
| | 997 521 981 02 8G2 | Sand beige | | | |
| | 997 521 981 02 3S9 | sea blue | | | |
| | 997 521 981 02 9S5 | Terracotta | | | |
| | 997 521 981 02 9V6 | Cocoa | | | |
| | 997 521 981 02 D12 | Dark grey/natural | | | |
| | 997 521 981 02 T12 | Brown/natural | | | |
| | 997 521 981 02 N12 | Carrera Red | | | |
| (1) | 997 521 982 02 | Backrest shell Leather | right | 1 | PR:XSB,376, 378 |

Model: 997-09 Model life 2009>>2012

| Pos | Part Number | Description | Remark | Qty | Model |
|-----|--------------------|--|--------|-----|---------------------------|
| | 997 521 982 02 A11 | Black | | | |
| | 997 521 982 02 5X6 | Stone grey | | | |
| | 997 521 982 02 8G2 | Sand beige | | | |
| | 997 521 982 02 3S9 | sea blue | | | |
| | 997 521 982 02 9S5 | Terracotta | | | |
| | 997 521 982 02 9V6 | Cocoa | | | |
| | 997 521 982 02 D12 | Dark grey/natural | | | |
| | 997 521 982 02 T12 | Brown/natural | | | |
| | 997 521 982 02 N12 | Carrera Red | | | |
| (1) | 997 521 983 03 | Backrest shell Leather | left | 1 | PR: XSB, 377, 503 |
| (1) | 997 521 983 03 V04 | Galvano silver | | | |
| (1) | 997 521 984 04 | Backrest shell Leather | right | 1 | PR: XSB, 376 |
| (1) | 997 521 984 04 V04 | Galvano silver | | | |
| (1) | 997 521 984 05 | Backrest shell Leather | right | 1 | PR: XSB, 503, 378 |
| (1) | 997 521 984 05 V04 | Galvano silver | | | |
| (1) | 997 521 984 06 | Backrest shell Leather | right | 1 | PR: XSB, 376, 560 |
| (1) | 997 521 984 06 V04 | Galvano silver | | | |
| (1) | 997 521 984 07 | Backrest shell Leather | right | 1 | PR: XSB, 378, 560, 503 |
| | 997 521 984 07 V04 | Galvano silver | | | |
| 2 | 997 521 319 00 | Support | left | 1 | |
| (2) | 997 521 320 00 | Support | right | 1 | |
| 3 | 997 521 621 03 | Backrest side bolster Rosette | left | 1 | PR: 375, 376, 377, 378 |
| | 997 521 621 03 D07 | lever for folding backrest Volcano grey | | | |
| (3) | 997 521 622 03 | Rosette | right | 1 | PR: 375, 376, 377, 378 |
| | 997 521 622 03 D07 | lever for folding backrest Volcano grey | | | |
| 4 | 997 521 623 02 | Actuator button | left | 1 | |
| | 997 521 623 02 V05 | lever for folding backrest Galvano silver | | | |
| (4) | 997 521 624 02 | Actuator button | right | 1 | |
| | 997 521 624 02 V05 | lever for folding backrest Galvano silver | | | |
| 5 | 997 521 373 01 | Coat hook | | 2 | PR: 375, 376, 377, 378 |
| 6 | 997 521 373 01 D07 | Volcano grey | | | |
| | 999 919 232 09 | Screw M5 X 20 | | 1 | PR: 375, 376, 377, 378 |
| 7 | 997 521 783 00 | Coat hook | | | |
| | 997 521 783 00 | Support panel | left | 1 | PR: 375, 376, 377, 378 |
| (7) | 997 521 784 00 | Backrest shell | | | |
| | 997 521 784 00 | Support panel | right | 1 | PR: 375, 376, 377, 378 |
| | 997 521 784 00 | Backrest shell | | | |

Model: 997-09

Model life 2009>>2012



Model: 997-09 Model life 2009>>2012

| Pos | Part Number | Description | Remark | Qty | Model |
|-----|--------------------|---|--------|-----|--------------------|
| 1 | 997 521 329 02 | Backrest frame sports seat backrest frame without: | | 1 | PR:375,376 |
| 1 | 997 521 329 02 | Memory backrest frame without: | | 1 | PR:377,378 |
| (1) | 997 521 329 03 | Memory backrest frame with: | | 1 | PR:537,538 |
| 2 | 997 624 331 00 | Memory Electric motor backrest with: | | 1 | PR:537,538 |
| (2) | 997 624 321 00 | Memory Gearbox Electric motor backrest without: | | 1 | PR:375,376 |
| (2) | 997 624 321 00 | Memory Gearbox Electric motor backrest without: | | 1 | PR:377,378 |
| 3 | 997 612 785 01 | Gearbox Wire set Side airbag unit | left | 1 | PR:537 |
| (3) | 997 612 786 01 | Wire set Side airbag unit | right | 1 | PR:538 |
| (3) | 997 612 685 01 | Wire set Side airbag unit without: | left | 1 | PR:375 |
| 3 | 997 612 686 01 | Memory Wire set Side airbag unit without: | right | 1 | PR:376 |
| 4 | 997 803 081 02 | Memory Side airbag unit | left | 1 | PR:375,377 |
| (4) | 997 803 081 02 D07 | Volcano grey | | | |
| (4) | 997 803 082 02 | Side airbag unit | right | 1 | PR:376,378 |
| (4) | 997 803 082 02 D07 | Volcano grey | | | |
| (4) | 997 803 981 00 | Side airbag unit | left | 1 | PR:XSA,375, 377 |
| | 997 803 981 00 A03 | Black | | | |
| | 997 803 981 00 5V7 | Stone grey | | | |
| | 997 803 981 00 5Z1 | Sand beige | | | |
| | 997 803 981 00 8W7 | sea blue | | | |
| | 997 803 981 00 8X8 | Terracotta | | | |
| | 997 803 981 00 8P9 | Cocoa | | | |
| | 997 803 981 00 T13 | Brown/natural | | | |
| | 997 803 981 00 N23 | Carrera Red | | | |
| (4) | 997 803 981 00 | Side airbag unit | left | 1 | PR:XSB,375, 377 |
| | 997 803 981 00 A03 | Black | | | |
| | 997 803 981 00 5V7 | Stone grey | | | |
| | 997 803 981 00 5Z1 | Sand beige | | | |
| | 997 803 981 00 8W7 | sea blue | | | |
| | 997 803 981 00 8X8 | Terracotta | | | |
| | 997 803 981 00 8P9 | Cocoa | | | |

Model: 997-09 Model life 2009>>2012

| Pos | Part Number | Description | Remark | Qty | Model |
|------|--------------------|--------------------|----------------|-----|--------------------|
| (4) | 997 803 981 00 T13 | Brown/natural | right | 1 | PR:XSA,376, 378 |
| | 997 803 981 00 N23 | Carrera Red | | | |
| | 997 803 982 00 | Side airbag unit | | | |
| | 997 803 982 00 A03 | Black | | | |
| | 997 803 982 00 5V7 | Stone grey | | | |
| | 997 803 982 00 5Z1 | Sand beige | | | |
| | 997 803 982 00 8W7 | sea blue | | | |
| | 997 803 982 00 8X8 | Terracotta | | | |
| | 997 803 982 00 8P9 | Cocoa | | | |
| (4) | 997 803 982 00 T13 | Brown/natural | right | 1 | PR:XSB,376, 378 |
| | 997 803 982 00 N23 | Carrera Red | | | |
| | 997 803 982 00 | Side airbag unit | | | |
| | 997 803 982 00 A03 | Black | | | |
| | 997 803 982 00 5V7 | Stone grey | | | |
| | 997 803 982 00 5Z1 | Sand beige | | | |
| | 997 803 982 00 8W7 | sea blue | | | |
| | 997 803 982 00 8X8 | Terracotta | | | |
| | 997 803 982 00 8P9 | Cocoa | | | |
| 5 | 997 803 982 00 T13 | Brown/natural | | 2 | PR:375,376 |
| | 997 803 982 00 N23 | Carrera Red | | | |
| 5 | 997 521 485 00 | Bowden cable | | 2 | PR:377,378 |
| | 997 521 485 00 | Backrest frame | | | |
| 6 | 997 521 375 00 | Release | | 1 | PR:375,376 |
| | 997 521 375 00 | Backrest frame | | | |
| 7 | 997 521 855 00 | Grille | | 1 | PR:375,376 |
| | 997 521 855 00 | Backrest frame | | | |
| 8 | 997 521 893 00 | tension spring | | 2 | PR:375,376 |
| | 997 521 893 00 | Inner spring | | | |
| 9 | 997 521 895 00 | Clip | | 2 | PR:375,376 |
| | 997 521 895 00 | Inner spring | | | |
| 10 | 997 521 797 00 | tension spring | | 1 | PR:375,376 |
| | 997 521 797 00 | Release | | | |
| 11 | 997 521 885 00 | Foam part | upper | 1 | PR:375,376 |
| | 997 521 885 00 | Head restraint | | | |
| 12 | 997 521 887 01 | Foam part | center | 1 | PR:377,378 |
| | 997 521 887 00 | Head restraint | | | |
| 13 | 997 521 887 00 | Electric | center | 1 | PR:375,376 |
| | 997 521 335 01 | Foam part | | | |
| (14) | 997 521 335 01 | Head restraint | left inner | 1 | |
| | 997 521 335 01 D07 | Trim | | | |
| | 997 521 336 01 | Mounting component | | | |
| | 997 521 336 01 D07 | Volcano grey | | | |
| 14 | 997 521 335 01 | Trim | right inner | 1 | |
| | 997 521 336 01 | Mounting component | | | |
| | 997 521 336 01 D07 | Volcano grey | | | |

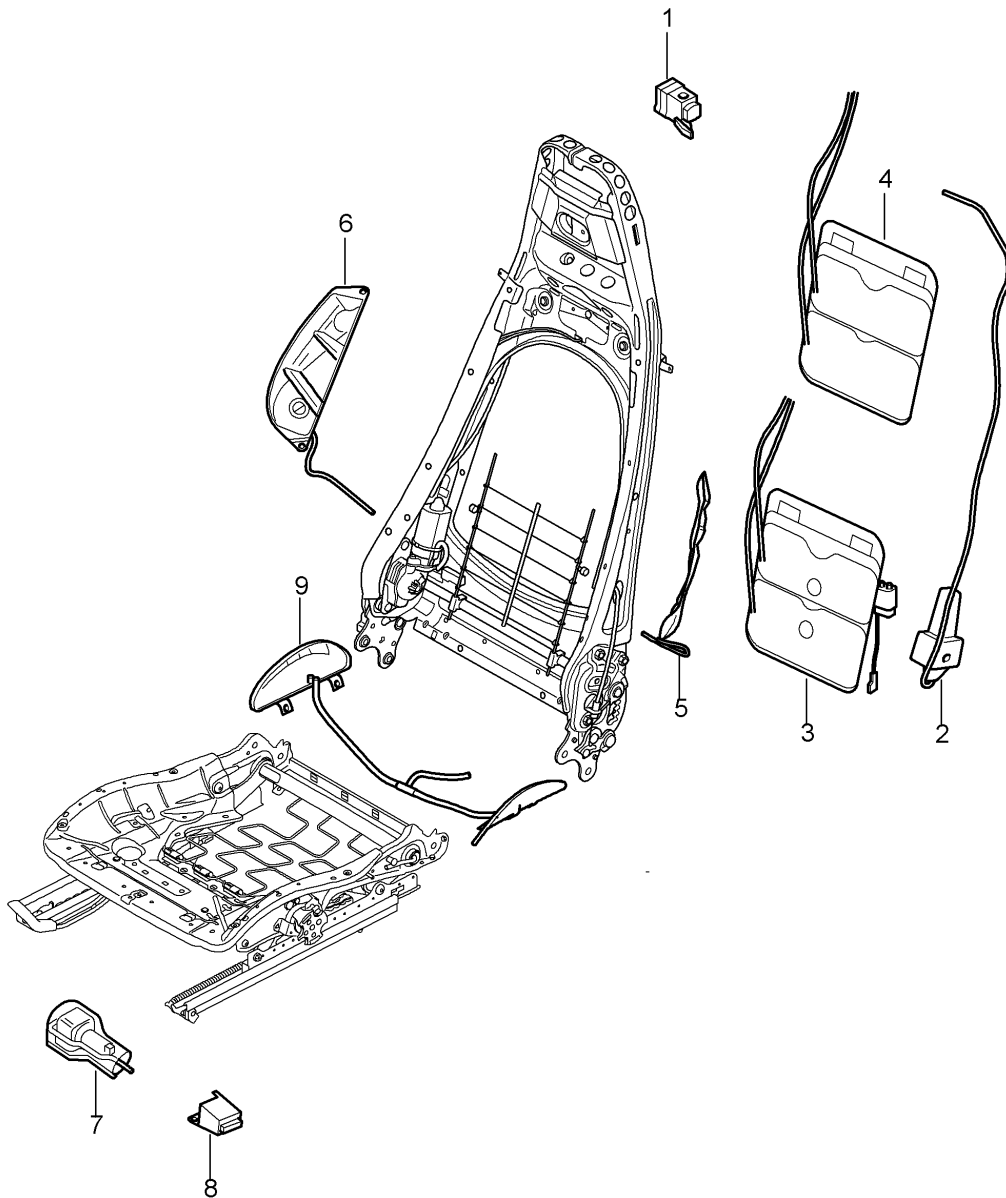
Model: 997-09

Model life 2009>>2012

| Pos | Part Number | Description | Remark | Qty | Model |
|-----|----------------|--|--------|-----|-------|
| 15 | 999 073 375 09 | Screw Mount backrest Seat frame | | 4 | |
| 16 | 999 073 306 09 | Screw Mount Side airbag unit | | 2 | |

Model: 997-09

Model life 2009>>2012



Model: 997-09 Model life 2009>>2012

| Pos | Part Number | Description | Remark | Qty | Model |
|-----|----------------|--|--------|-----|------------------------|
| 1 | 997 617 725 00 | Lumbar support Valve Lumbar support without: | | 1 | PR:377,378, 437,438 |
| (1) | 997 617 726 00 | Memory Valve Lumbar support Memory | | 1 | PR:437,438, 537,538 |
| 2 | 997 620 725 00 | Compressor Lumbar | | 1 | PR:377,378, 437,438 |
| 3 | 997 521 709 01 | Lumbar support Airbag with: | | 1 | PR:377,537 |
| 3 | 997 521 709 01 | Memory Lumbar support Airbag with: | | 1 | PR:378,538 |
| 3 | 997 521 709 01 | Memory Lumbar support Airbag with: | | 1 | PR:437,537 |
| 3 | 997 521 709 01 | Memory Lumbar support Airbag with: | | 1 | PR:438,538 |
| (3) | 997 521 709 03 | Memory Lumbar support Airbag with: | | 1 | PR:437,537, 541 |
| (3) | 997 521 709 03 | Memory Lumbar support Airbag with: | | 1 | PR:438,538, 541 |
| 4 | 997 521 709 00 | Memory Lumbar support Airbag without: | | 1 | PR:377,378 |
| 4 | 997 521 709 00 | Memory Lumbar support Airbag without: | | 1 | PR:437,438 |
| (4) | 997 521 709 02 | Memory Lumbar support Airbag without: | | 1 | PR:437,541 |
| (4) | 997 521 709 02 | Memory Lumbar support Airbag without: | | 1 | PR:438,541 |
| 5 | 997 521 711 00 | Memory container Air distributor | left | 1 | PR:377,378 |
| 6 | 997 521 712 00 | Backrest side bolster container Air distributor | right | 1 | PR:377,378 |
| 7 | 997 620 727 00 | Backrest side bolster Compressor Adjustment | | 1 | PR:377,378 |
| 8 | 997 617 727 00 | Seat side bolster Valve Adjustment Seat Wide | | 1 | PR:377,378 |

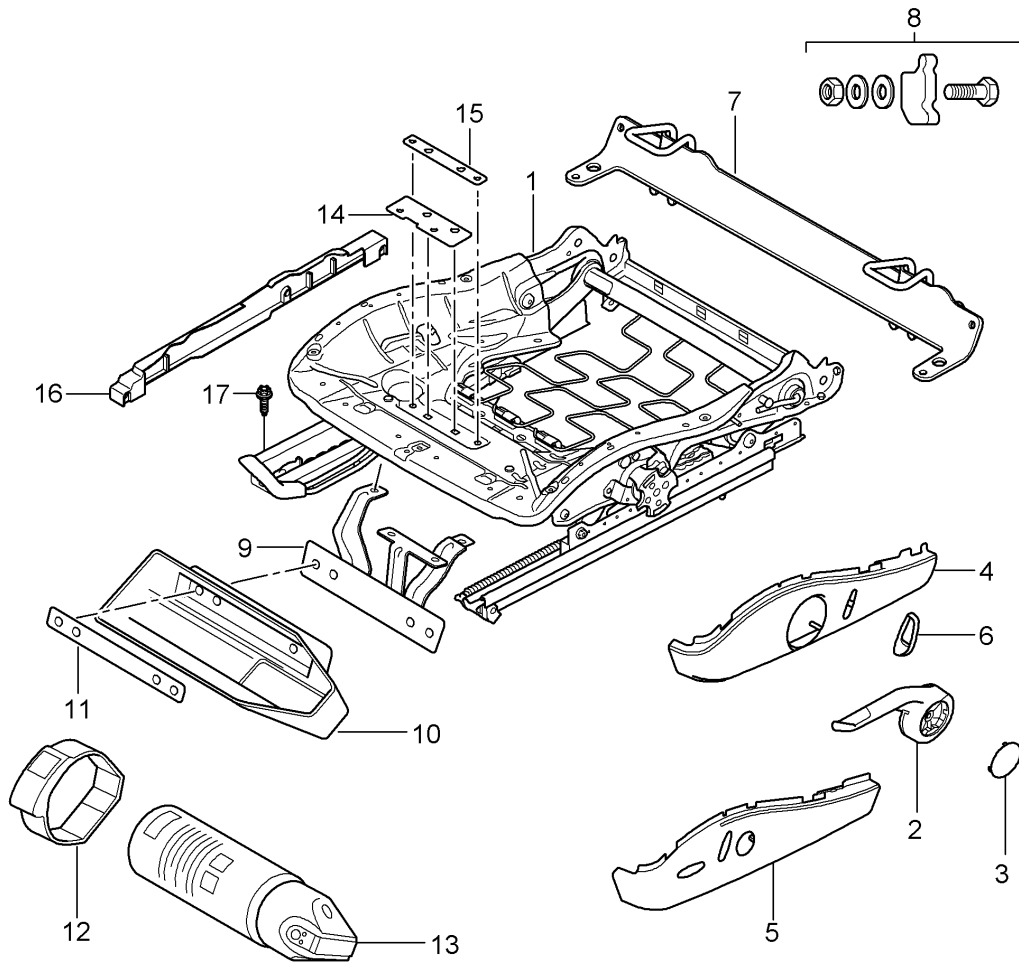
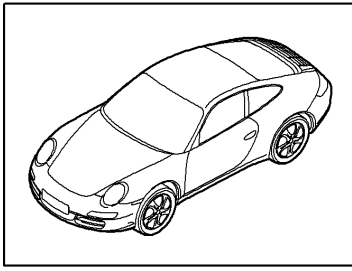
Model: 997-09

Model life 2009>>2012

| Pos | Part Number | Description | Remark | Qty | Model |
|-----|----------------|---|--------|-----|------------|
| 9 | 997 521 713 01 | container Air distributor Seat side bolster | | 1 | PR:377,378 |

Model: 997-09

Model life 2009>>2012



Model: 997-09 Model life 2009>>2012

| Pos | Part Number | Description | Remark | Qty | Model |
|-----|----------------|--|----------|-----|------------------------|
| 1 | 997 521 201 10 | Seat frame sports seat | left lhd | 1 | PR:098,375 |
| (1) | 997 521 201 10 | Seat frame Manually (drivers side) | left | 1 | PR:375,480, 553 |
| (1) | 997 521 201 14 | Seat frame Manually (drivers side) | left lhd | 1 | PR:098,375, 541 |
| (1) | 997 521 201 14 | Seat frame Manually (drivers side) | left | 1 | PR:375,480, 541,553 |
| (1) | 997 521 201 18 | Seat frame Manually (drivers side) | left | 1 | PR:250,375, 553 |
| (1) | 997 521 201 19 | Seat frame Manually (drivers side) | left | 1 | PR:250,375, 541,553 |
| (1) | 997 521 202 23 | Seat frame Manually (drivers side) | right | 1 | PR:376,560 |
| (1) | 997 521 201 24 | Seat frame Electric without: | left | 1 | PR:377 |
| (1) | 997 521 201 24 | Memory (drivers side) Seat frame Electric without: | left | 1 | PR:377,480, 553 |
| (1) | 997 521 201 26 | Memory (drivers side) Seat frame Electric without: | left | 1 | PR:377,541 |
| (1) | 997 521 201 26 | Memory (drivers side) Seat frame Electric without: | left | 1 | PR:377,480, 541,553 |
| (1) | 997 521 201 28 | Memory (drivers side) Seat frame Electric without: | left | 1 | PR:250,377, 553 |
| (1) | 997 521 202 30 | Memory (drivers side) Seat frame Electric without: | right | 1 | PR:378 |
| (1) | 997 521 202 24 | Memory (drivers side) Seat frame Electric without: | right | 1 | PR:378,560 |
| (1) | 997 521 202 32 | Memory (drivers side) Seat frame Electric | right | 1 | PR:378,541 |

Model: 997-09 Model life 2009>>2012

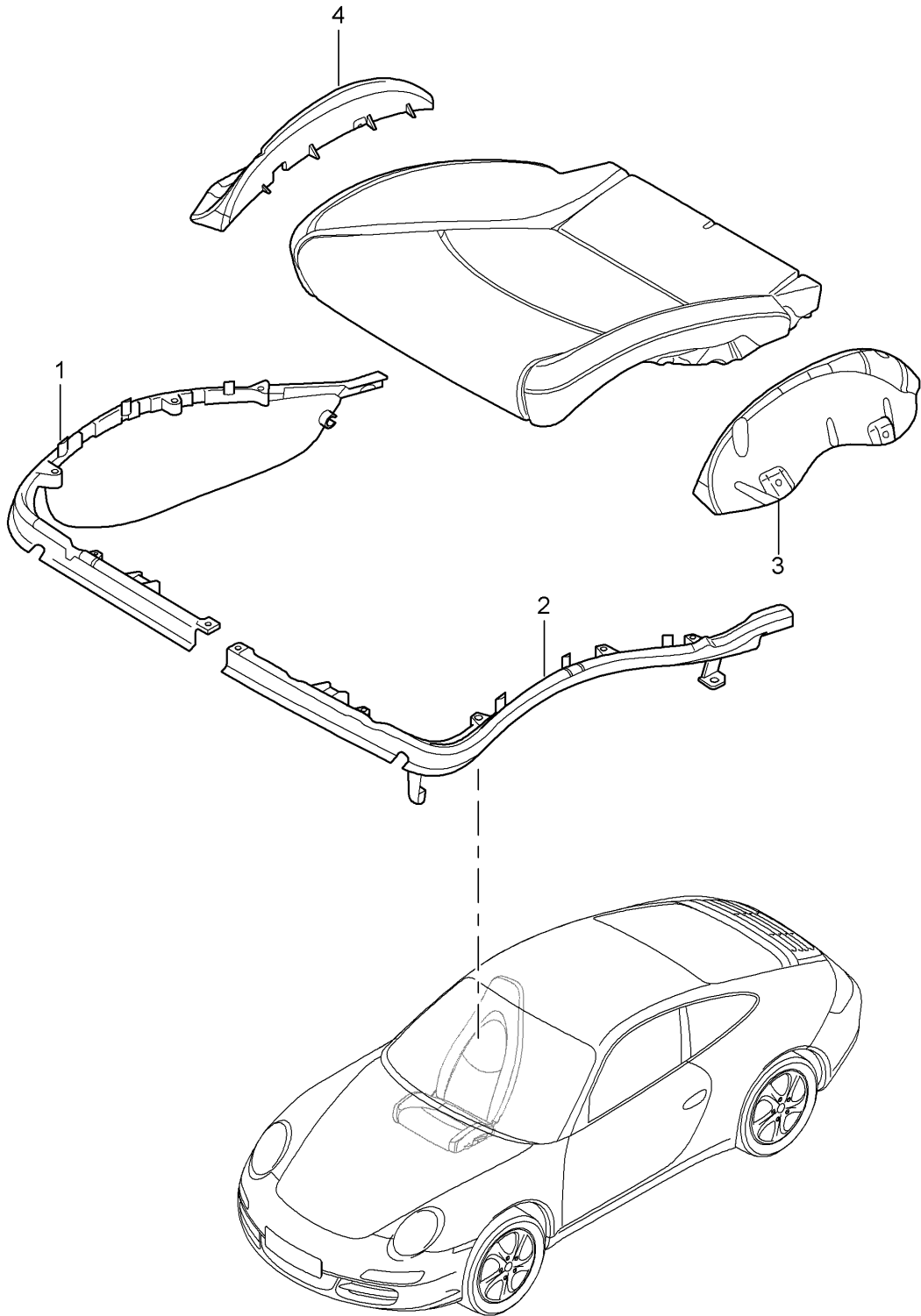
| Pos | Part Number | Description | Remark | Qty | Model |
|-----|--------------------|--|-----------|-----|----------------------------|
| | | without: | | | |
| (1) | 997 521 201 25 | Memory (drivers side) Seat frame Electric Memory (drivers side) | left | 1 | PR:377,537 |
| (1) | 997 521 201 25 | Seat frame Electric Memory (drivers side) | left | 1 | PR:377,480, 537,553 |
| (1) | 997 521 201 27 | Seat frame Electric Memory (drivers side) | left | 1 | PR:377,537, 541 |
| (1) | 997 521 201 27 | Seat frame Electric Memory (drivers side) | left | 1 | PR:377,480, 537,541,553 |
| (1) | 997 521 201 29 | Seat frame Electric Memory (drivers side) | left | 1 | PR:250,377, 537,553 |
| (1) | 997 521 201 30 | Seat frame Electric Memory (drivers side) | left | 1 | PR:250,377, 537,541,553 |
| (1) | 997 521 202 31 | Seat frame Electric Memory (drivers side) | right | 1 | PR:378,538 |
| (1) | 997 521 202 33 | Seat frame Electric Memory (drivers side) | right | 1 | PR:378,538, 541 |
| (1) | 997 521 202 20 | Seat frame Manually (passenger side) | right lhd | 1 | PR:098,376 |
| (1) | 997 521 202 26 | Seat frame Manually (passenger side) | right lhd | 1 | PR:098,376, 541 |
| 2 | 997 521 627 01 | Actuating lever Height adjustment | left | 1 | PR:375 |
| (2) | 997 521 627 01 V05 | Galvano silver | | | |
| (2) | 997 521 628 01 | Actuating lever Height adjustment | right | 1 | PR:376 |
| | 997 521 628 01 V05 | Galvano silver | | | |
| 3 | 997 521 629 01 | Cover cap Height adjustment | | 2 | PR:375,376 |
| 4 | 997 521 629 01 D07 | Volcano grey | | | |
| (4) | 997 521 325 06 | Trim for switch | left | 1 | PR:375 |
| (4) | 997 521 325 06 D07 | Volcano grey | | | |
| (4) | 997 521 326 06 | Trim for switch | right | 1 | PR:376 |
| (4) | 997 521 326 06 D07 | Volcano grey | | | |
| (4) | 997 521 326 09 | Trim for switch | right | 1 | PR:376,560 |
| | 997 521 326 09 D07 | Volcano grey | | | |
| 5 | 997 521 325 08 | Trim for switch | left | 1 | PR:377 |
| | 997 521 325 08 D07 | Volcano grey | | | |
| (5) | 997 521 326 08 | Trim for switch | right | 1 | PR:378 |

Model: 997-09 Model life 2009>>2012

| Pos | Part Number | Description | Remark | Qty | Model |
|------|--------------------|------------------------------|--------|-----|------------------------|
| (5) | 997 521 326 08 D07 | Volcano grey | | 1 | PR:378,560 |
| | 997 521 326 11 | Trim for switch | | | |
| | 997 521 326 11 D07 | Volcano grey | | | |
| 6 | 997 521 631 01 | Actuator button | | 1 | PR:375,376, 377,378 |
| | | backrest | | | |
| | | D >> - MJ 2010 | | | |
| (6) | 997 521 631 01 V05 | Galvano silver | | 1 | PR:375,376, 377,378 |
| | 997 521 631 02 | Actuator button | | | |
| | | backrest | | | |
| | | D - MJ 2011>> | | | |
| 7 | 997 521 631 02 V05 | Galvano silver | | 1 | |
| | 997 521 061 01 | Retainer plate | | | |
| | | child seat | | | |
| | | Retainer plate | | | |
| | | Not for: | | | |
| | | AUSTRALIEN | | | |
| 8 | 997 521 961 01 | 1 set attachment parts | | 1 | |
| | | Retainer plate | | | |
| 9 | 997 521 251 00 | Holder for fire extinguisher | | 1 | PR:098,509 |
| 10 | 997 521 607 00 | Cup | | 1 | PR:509 |
| | | Fire extinguishers | | | |
| 11 | 997 521 881 00 | Holder for fire extinguisher | | 1 | PR:509 |
| | | Cup | | | |
| 12 | 997 521 851 00 | tensioning strap | | 1 | PR:509 |
| | | Fire extinguishers | | | |
| 13 | 996 722 115 00 | Fire extinguishers | | 1 | PR:509 |
| | | Information available | | | |
| 14 | 997 521 841 00 | Reinforcement | front | 1 | PR:509 |
| 15 | 997 521 843 00 | Reinforcement | rear | 1 | PR:509 |
| 16 | 997 521 427 01 | Cover | left | 1 | PR:376,378, 560 |
| | | Sensor | | | |
| | | Weight | | | |
| (16) | 997 521 427 01 01C | Satin black | | 1 | |
| | 997 521 426 01 | Cover | right | 1 | PR:376,378, 560 |
| | | Sensor | | | |
| | | Weight | | | |
| 17 | 997 521 426 01 01C | Satin black | | 4 | |
| | 999 141 047 01 | Torx screw | | | |
| | | Seat rail | | | |
| | | Mount | | | |

Model: 997-09

Model life 2009>>2012



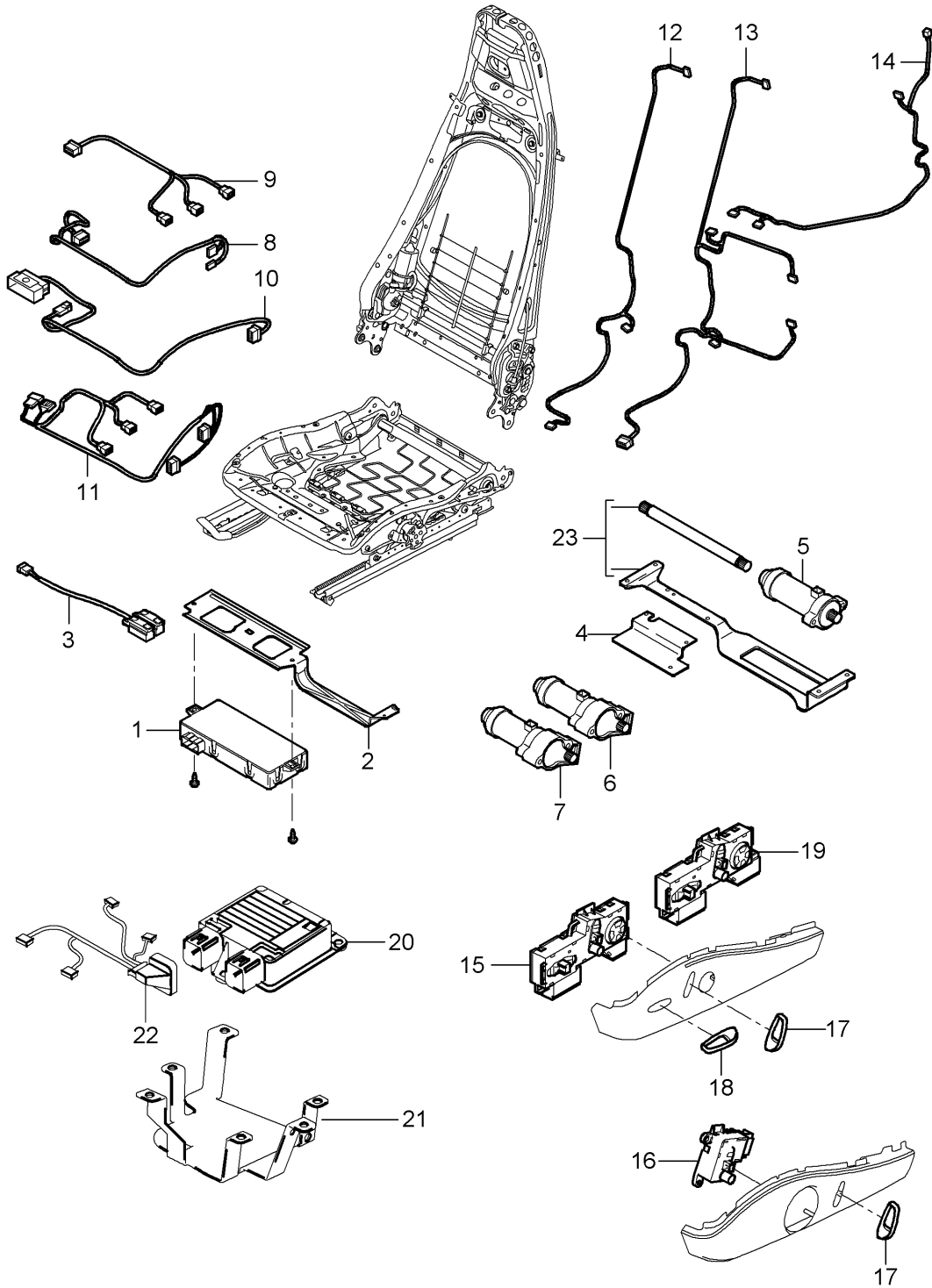
Model: 997-09

Model life 2009>>2012

| Pos | Part Number | Description | Remark | Qty | Model |
|-----|----------------|--|----------------|-----|--------------------|
| (1) | 997 521 547 00 | Cushion carrier Frame Seat surface sports seat Frame | left inner | 1 | PR:376,378 |
| 1 | 997 521 548 00 | Frame | right inner | 1 | PR:375,377 |
| 2 | 997 521 545 00 | Frame | left outer | 1 | PR:375,377 |
| (2) | 997 521 546 00 | Frame | right outer | 1 | PR:376,378 |
| (2) | 997 521 546 01 | Frame | right outer | 1 | PR:376,378, 560 |
| 3 | 997 521 519 00 | Support plate Seat cushion | left | 1 | PR:377,378 |
| 4 | 997 521 520 00 | Support plate Seat cushion | right | 1 | PR:377,378 |

Model: 997-09

Model life 2009>>2012



Model: 997-09 Model life 2009>>2012

| Pos | Part Number | Description | Remark | Qty | Model |
|-----|--------------------|---|--------|-----|------------|
| 1 | 997 618 537 07 | Wiring looms Switch Control unit Electric motor sports seat Control unit | | 1 | PR:537,538 |
| 2 | 997 521 643 01 | Seating position control Retainer for control units Seating position control | | 1 | PR:537,538 |
| 3 | 997 613 725 00 | Switch Seat adjuster | | 1 | PR:377 |
| (3) | 997 613 725 00 V05 | Galvano silver | | 1 | PR:378 |
| | 997 613 726 00 | Switch Seat adjuster | | | |
| 4 | 997 613 726 00 V05 | Galvano silver | | 1 | PR:377,378 |
| 5 | 997 521 343 00 | Bracket for compressor Electric motor | | 1 | PR:377,378 |
| | | Electric motor Seat adjuster Lengthways | | | |
| (5) | 997 624 322 00 | without: Memory | | 1 | PR:537,538 |
| | | Electric motor Seat adjuster Lengthways | | | |
| 6 | 997 624 322 00 | with: Memory | | 1 | PR:377,378 |
| | | Electric motor Seat adjuster Height adjustment | | | |
| (6) | 997 624 322 00 | without: Memory | | 1 | PR:537,538 |
| | | Electric motor Seat adjuster Height adjustment | | | |
| 7 | 997 624 323 00 | with: Memory | | 1 | PR:377,378 |
| | | Electric motor Seat adjuster Tilt angle | | | |
| (7) | 997 624 323 00 | without: Memory | | 1 | PR:537,538 |
| | | Electric motor Seat adjuster Tilt angle | | | |
| 8 | 997 624 333 00 | with: Memory | | 1 | PR:537,538 |
| | | Electric motor Seat adjuster Tilt angle | | | |
| 9 | 997 612 684 00 | without: Memory | | 1 | PR:537,538 |
| | | Wire set Switch Seat adjuster | | | |
| 9 | 997 612 690 00 | Memory | | 1 | PR:537,538 |
| | | Wire set Lengthways Height adjustment | | | |
| 10 | 997 612 682 01 | Memory Wire set Switch | | 1 | PR:375,376 |
| 11 | 997 612 691 02 | Seat adjuster | | 1 | PR:377,378 |
| | | Wire set Switch | | | |
| 12 | 997 612 689 00 | without: Memory | | 1 | PR:377,378 |
| | | Wire set | | | |

Model: 997-09 Model life 2009>>2012

| Pos | Part Number | Description | Remark | Qty | Model |
|------|--------------------------------------|--|--------|-----|------------|
| 13 | 997 612 692 01 | Lumbar support without: Memory Wire set backrest Lumbar | | 1 | PR:377,537 |
| 13 | 997 612 692 01 | with: Memory Wire set backrest Lumbar | | 1 | PR:378,538 |
| 14 | 997 612 685 01 | with: Memory Wire set backrest | left | 1 | PR:375,377 |
| (14) | 997 612 686 01 | without: Memory Wire set backrest | right | 1 | PR:376,378 |
| 15 | 997 613 721 01 | without: Memory switch for seat adjustment Memory switch | left | 1 | PR:377,537 |
| (15) | 997 613 721 01 V05 997 613 722 01 | Galvano silver switch for seat adjustment Memory switch | right | 1 | PR:378,538 |
| 16 | 997 613 722 01 V05 997 613 713 00 | Galvano silver switch for seat adjustment Manually adjustable | left | 1 | PR:375 |
| (16) | 997 613 713 01 | D >> - MJ 2010 switch for seat adjustment Manually adjustable | left | 1 | PR:375 |
| (16) | 997 613 714 00 | D - MJ 2011>> switch for seat adjustment Manually adjustable | right | 1 | PR:376 |
| (16) | 997 613 714 01 | D >> - MJ 2010 switch for seat adjustment Manually adjustable | right | 1 | PR:376 |
| 17 | 997 521 631 01 | D - MJ 2011>> Actuator button backrest | | 1 | PR:375,376 |
| (17) | 997 521 631 01 V05 997 521 631 02 | D >> - MJ 2010 Galvano silver Actuator button backrest | | 1 | PR:375,376 |
| (17) | 997 521 631 02 V05 997 521 631 01 | D - MJ 2011>> Galvano silver Actuator button backrest | | 1 | PR:377,378 |
| (17) | 997 521 631 01 V05 997 521 631 02 | D >> - MJ 2010 Galvano silver Actuator button backrest | | 1 | PR:377,378 |
| 18 | 997 521 631 02 V05 997 521 633 02 | D - MJ 2011>> Galvano silver Actuator button Seat cushion | | 1 | PR:377,378 |
| 19 | 997 521 633 02 V05 997 613 717 01 | Galvano silver switch for seat adjustment | left | 1 | PR:377 |
| (19) | 997 613 717 01 V05 997 613 718 01 | without: Memory Galvano silver switch for seat adjustment | right | 1 | PR:378 |

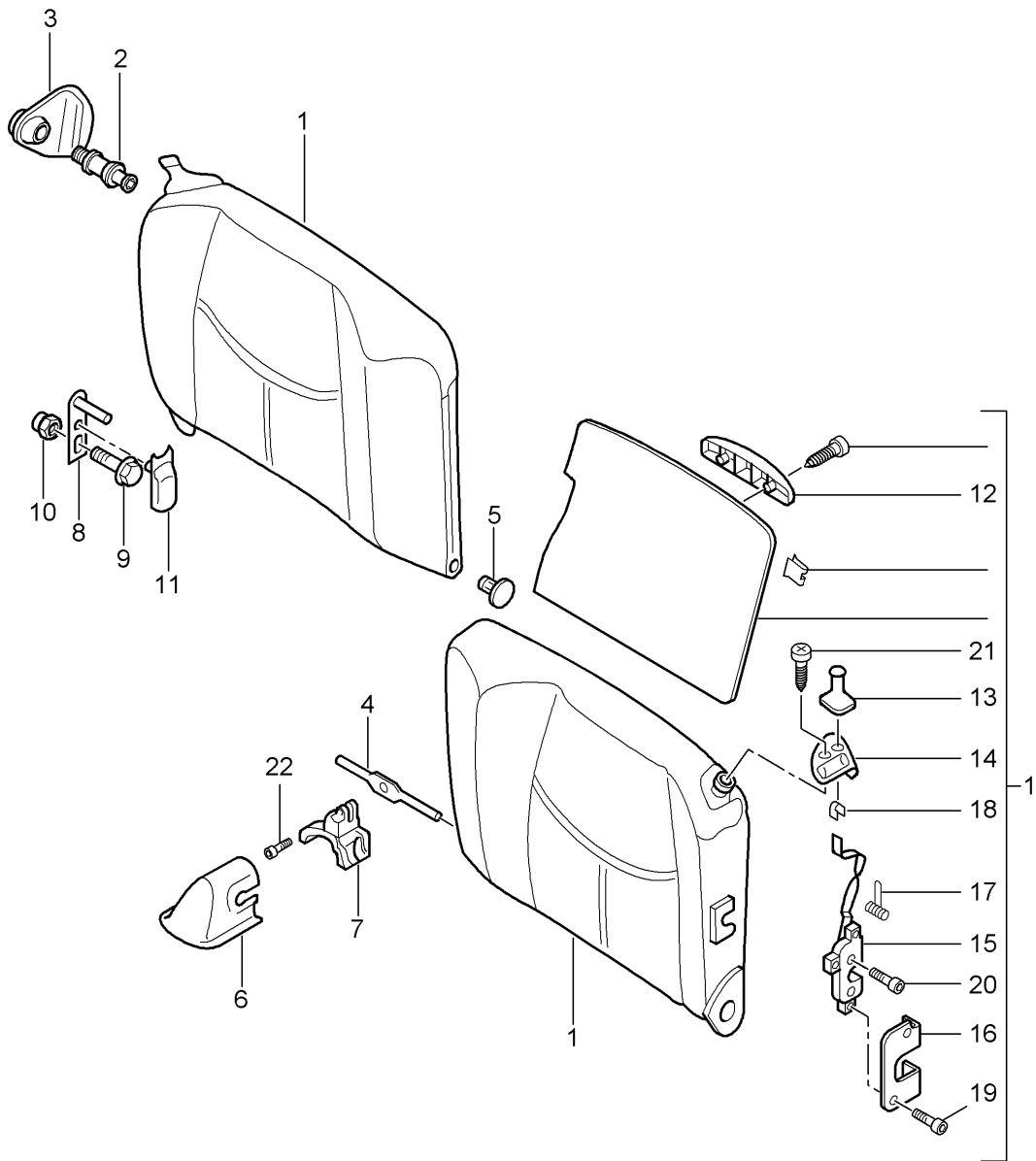
Model: 997-09

Model life 2009>>2012

| Pos | Part Number | Description | Remark | Qty | Model |
|------|--------------------|--|--------|-----|--------------------|
| | | without: | | | |
| | 997 613 718 01 V05 | Memory | | | |
| (20) | 997 618 233 05 | Galvano silver Control unit for seat occupied sensor | | 1 | PR:376,378, 560 |
| (21) | 997 521 646 00 | Retainer for control units | | 1 | PR:376,378, 560 |
| 22 | 997 612 688 00 | seat occupied recognition Wire set | | 1 | PR:376,378, 560 |
| (23) | 997 521 901 00 | seat occupied recognition repair set | | 1 | |
| - | 999 650 973 40 | Pliable shaft Console for engine mounting Clip Mount Wire set seat occupied recognition | | 1 | |

Model: 997-09

Model life 2009>>2012



Model: 997-09

Model life 2009>>2012

| Pos | Part Number | Description | Remark | Qty | Model |
|-----|--------------------|--|--------|-----|---|
| | | Emergency seat backrest | | | CARRERA COUPE TARGA PR:685,937 |
| 1 | 997 522 011 06 | Emergency seat backrest Until Chassis number See technical information GR.7 NR. 17/11 KD-NR. 70 | left | 1 | |
| | 997 522 011 06 5Q2 | Black | | | |
| | 997 522 011 06 8X4 | Stone grey | | | |
| | 997 522 011 06 5S4 | Sand beige | | | |
| | 997 522 011 06 8W3 | sea blue | | | |
| 1 | 997 522 911 00 | Emergency seat backrest From Chassis number See technical information GR.7 NR. 17/11 KD-NR. 70 | left | 1 | PR:685,937 |
| | 997 522 911 00 5Q2 | Black | | | |
| | 997 522 911 00 8X4 | Stone grey | | | |
| | 997 522 911 00 5S4 | Sand beige | | | |
| | 997 522 911 00 8W3 | sea blue | | | |
| (1) | 997 522 012 06 | Emergency seat backrest Until Chassis number See technical information GR.7 NR. 17/11 KD-NR. 70 | right | 1 | PR:685,937 |
| | 997 522 012 06 5Q2 | Black | | | |
| | 997 522 012 06 8X4 | Stone grey | | | |
| | 997 522 012 06 5S4 | Sand beige | | | |
| | 997 522 012 06 8W3 | sea blue | | | |
| (1) | 997 522 912 00 | Emergency seat backrest From Chassis number See technical information GR.7 NR. 17/11 KD-NR. 70 | right | 1 | PR:685,937 |
| | 997 522 912 00 5Q2 | Black | | | |
| | 997 522 912 00 8X4 | Stone grey | | | |
| | 997 522 912 00 5S4 | Sand beige | | | |
| | 997 522 912 00 8W3 | sea blue | | | |
| (1) | 997 522 011 07 | Emergency seat backrest | left | 1 | PR:685,936 |
| | 997 522 011 07 9N2 | Terracotta | | | |
| | 997 522 011 07 9Q3 | Cocoa | | | |
| | 997 522 011 07 D11 | Dark grey/natural | | | |
| | 997 522 011 07 T11 | Brown/natural | | | |
| (1) | 997 522 011 07 | Emergency seat backrest Until Chassis number See technical information GR.7 NR. 17/11 KD-NR. 70 | left | 1 | PR:685,936 |
| | 997 522 011 07 8YR | Black | | | |
| | 997 522 011 07 5X5 | Stone grey | | | |
| | 997 522 011 07 8G1 | Sand beige | | | |
| | 997 522 011 07 3S8 | sea blue | | | |
| | 997 522 011 07 N11 | Carrera Red | | | |
| (1) | 997 522 911 01 | Emergency seat backrest From Chassis number See technical information | left | 1 | PR:685,936 |

Model: 997-09 Model life 2009>>2012

| Pos | Part Number | Description | Remark | Qty | Model |
|-----|--------------------|--|--------|-----|------------|
| | | GR.7 NR. 17/11 KD-NR. 70 | | | |
| | 997 522 911 01 8YR | Black | | | |
| | 997 522 911 01 5X5 | Stone grey | | | |
| | 997 522 911 01 8G1 | Sand beige | | | |
| | 997 522 911 01 3S8 | sea blue | | | |
| | 997 522 911 01 N11 | Carrera Red | | | |
| (1) | 997 522 012 07 | Emergency seat backrest | right | 1 | PR:685,936 |
| | 997 522 012 07 9N2 | Terracotta | | | |
| | 997 522 012 07 9Q3 | Cocoa | | | |
| | 997 522 012 07 D11 | Dark grey/natural | | | |
| | 997 522 012 07 T11 | Brown/natural | | | |
| (1) | 997 522 012 07 | Emergency seat backrest | right | 1 | PR:685,936 |
| | | Until Chassis number See technical information | | | |
| | | GR.7 NR. 17/11 KD-NR. 70 | | | |
| | 997 522 012 07 8YR | Black | | | |
| | 997 522 012 07 5X5 | Stone grey | | | |
| | 997 522 012 07 8G1 | Sand beige | | | |
| | 997 522 012 07 3S8 | sea blue | | | |
| | 997 522 012 07 N11 | Carrera Red | | | |
| (1) | 997 522 912 01 | Emergency seat backrest | right | 1 | PR:685,936 |
| | | From Chassis number See technical information | | | |
| | | GR.7 NR. 17/11 KD-NR. 70 | | | |
| | 997 522 912 01 8YR | Black | | | |
| | 997 522 912 01 5X5 | Stone grey | | | |
| | 997 522 912 01 8G1 | Sand beige | | | |
| | 997 522 912 01 3S8 | sea blue | | | |
| | 997 522 912 01 N11 | Carrera Red | | | |
| (1) | 997 522 011 08 | Emergency seat backrest | left | 1 | PR:685,939 |
| | 997 522 011 08 9N2 | Terracotta | | | |
| | 997 522 011 08 9Q3 | Cocoa | | | |
| | 997 522 011 08 D11 | Dark grey/natural | | | |
| | 997 522 011 08 T11 | Brown/natural | | | |
| (1) | 997 522 011 08 | Emergency seat backrest | left | 1 | PR:685,939 |
| | | Until Chassis number See technical information | | | |
| | | GR.7 NR. 17/11 KD-NR. 70 | | | |
| | 997 522 011 08 8YR | Black | | | |
| | 997 522 011 08 5X5 | Stone grey | | | |
| | 997 522 011 08 8G1 | Sand beige | | | |
| | 997 522 011 08 3S8 | sea blue | | | |
| | 997 522 011 08 N11 | Carrera Red | | | |
| (1) | 997 522 911 02 | Emergency seat backrest | left | 1 | PR:685,939 |
| | | From Chassis number See technical information | | | |
| | | GR.7 NR. 17/11 KD-NR. 70 | | | |
| | 997 522 911 02 8YR | Black | | | |
| | 997 522 911 02 5X5 | Stone grey | | | |
| | 997 522 911 02 8G1 | Sand beige | | | |
| | 997 522 911 02 3S8 | sea blue | | | |
| | 997 522 911 02 N11 | Carrera Red | | | |
| (1) | 997 522 012 08 | Emergency seat backrest | right | 1 | PR:685,939 |
| | 997 522 012 08 9N2 | Terracotta | | | |

Model: 997-09 Model life 2009>>2012

| Pos | Part Number | Description | Remark | Qty | Model |
|-----|--------------------|--|--------|-----|------------------------|
| (1) | 997 522 012 08 9Q3 | Cocoa | | | |
| | 997 522 012 08 D11 | Dark grey/natural | | | |
| | 997 522 012 08 T11 | Brown/natural | | | |
| | 997 522 012 08 | Emergency seat backrest Until Chassis number See technical information GR.7 NR. 17/11 KD-NR. 70 | right | 1 | PR:685,939 |
| | 997 522 012 08 8YR | Black | | | |
| (1) | 997 522 012 08 5X5 | Stone grey | | | |
| | 997 522 012 08 8G1 | Sand beige | | | |
| | 997 522 012 08 3S8 | sea blue | | | |
| | 997 522 012 08 N11 | Carrera Red | | | |
| | 997 522 912 02 | Emergency seat backrest From Chassis number See technical information GR.7 NR. 17/11 KD-NR. 70 | right | 1 | PR:685,939 |
| (1) | 997 522 912 02 8YR | Black | | | |
| | 997 522 912 02 5X5 | Stone grey | | | |
| | 997 522 912 02 8G1 | Sand beige | | | |
| | 997 522 912 02 3S8 | sea blue | | | |
| | 997 522 912 02 N11 | Carrera Red | | | |
| (1) | 997 522 012 12 | Emergency seat backrest | right | 1 | PR:XUX,XXL, 685,756 |
| (1) | 997 522 012 12 VAM | Espresso | | | |
| (1) | 997 522 011 12 | Emergency seat backrest | left | 1 | PR:XUX,XXL, 685,756 |
| (1) | 997 522 011 12 VAM | Espresso | | | |
| | 997 522 011 20 | Emergency seat backrest Alcantara Until Chassis number See technical information GR.7 NR. 17/11 KD-NR. 70 D - MJ 2011>> | left | 1 | PR:011,685, 931 |
| (1) | 997 522 011 20 FLA | Black | | | |
| | 997 522 911 06 | Emergency seat backrest Alcantara From Chassis number See technical information GR.7 NR. 17/11 KD-NR. 70 D - MJ 2011>> | left | 1 | PR:011,685, 931 |
| (1) | 997 522 911 06 FLA | Black | | | |
| | 997 522 012 20 | Emergency seat backrest Alcantara Until Chassis number See technical information GR.7 NR. 17/11 KD-NR. 70 D - MJ 2011>> | right | 1 | PR:011,685, 931 |
| (1) | 997 522 012 20 FLA | Black | | | |
| | 997 522 912 06 | Emergency seat backrest Alcantara From Chassis number See technical information | right | 1 | PR:011,685, 931 |

Model: 997-09 Model life 2009>>2012

| Pos | Part Number | Description | Remark | Qty | Model |
|-----|--------------------------------------|--|--------|-----|--------------------|
| (1) | 997 522 912 06 FLA 997 522 011 22 | GR.7 NR. 17/11 KD-NR. 70 D - MJ 2011>> Black Emergency seat backrest Alcantara Until Chassis number See technical information GR.7 NR. 17/11 KD-NR. 70 D - MJ 2011>> Black | left | 1 | PR:011,685, 932 |
| (1) | 997 522 011 22 RAA 997 522 911 08 | Black Emergency seat backrest Alcantara From Chassis number See technical information GR.7 NR. 17/11 KD-NR. 70 D - MJ 2011>> Black | left | 1 | PR:011,685, 932 |
| (1) | 997 522 911 08 RAA 997 522 012 22 | Black Emergency seat backrest Alcantara Until Chassis number See technical information GR.7 NR. 17/11 KD-NR. 70 D - MJ 2011>> Black | right | 1 | PR:011,685, 932 |
| (1) | 997 522 012 22 RAA 997 522 912 08 | Black Emergency seat backrest Alcantara From Chassis number See technical information GR.7 NR. 17/11 KD-NR. 70 D - MJ 2011>> Black | right | 1 | PR:011,685, 932 |
| 2 | 997 522 912 08 RAA 996 522 267 06 | Black Pin Locking mechanism | | 2 | PR:685 |
| 3 | 997 522 095 00 | Stop | left | 1 | PR:685 |
| (3) | 997 522 095 00 01C | Satin black | | | |
| | 997 522 096 00 | Stop | right | 1 | PR:685 |
| 4 | 997 522 096 00 01C | Satin black | | | |
| | 997 522 615 01 | Bearing shaft | | 1 | PR:685 |
| - | 999 073 436 01 | Bolt with washer Bearing shaft | | 1 | PR:685 |
| | 996 522 571 00 | Protection washer | | 1 | PR:685 |
| 6 | 996 522 571 00 01C | Protection washer | | 1 | PR:685 |
| 7 | 996 522 431 02 | Cover | | 1 | PR:685 |
| | 996 522 431 02 01C | Black | | | |
| 8 | 996 522 333 00 | Console | | 1 | PR:685 |
| 8 | 997 522 211 00 | Mounting | outer | 2 | PR:685 |
| 9 | 999 073 138 01 | flat round head bolt M 8 X 25 | | 2 | PR:685 |
| 10 | 996 522 271 00 | bush | | 2 | PR:685 |
| 11 | 996 522 425 01 | Cover | | 1 | PR:685 |
| 12 | 996 522 425 01 01C | Black | | | |
| | 996 522 421 00 | Stop Backrest | | 2 | PR:685 |
| | 996 522 421 00 01C | Satin black | | | |

Model: 997-09 Model life 2009>>2012

| Pos | Part Number | Description | Remark | Qty | Model |
|------|--------------------|---------------------------------------|--------|-----|--------|
| 13 | 997 522 321 00 | Actuating lever Backrest | left | 1 | PR:685 |
| | 997 522 321 00 01C | Satin black | | | |
| (13) | 997 522 322 00 | Actuating lever Backrest | right | 1 | PR:685 |
| | 997 522 322 00 01C | Satin black | | | |
| (13) | 997 522 981 00 | Actuating lever Backrest | left | 1 | PR:XUX |
| | 997 522 981 00 A11 | Black | | | |
| | 997 522 981 00 5X6 | Leather | | | |
| | 997 522 981 00 8G2 | Sand beige | | | |
| | 997 522 981 00 3S9 | sea blue | | | |
| | 997 522 981 00 9S5 | Terracotta | | | |
| | 997 522 981 00 9V6 | Cocoa | | | |
| | 997 522 981 00 D12 | Dark grey/natural | | | |
| | 997 522 981 00 T12 | Brown/natural | | | |
| | 997 522 981 00 N12 | Carrera Red | | | |
| | 997 522 981 00 6J0 | Espresso | | | |
| (13) | 997 522 982 00 | Actuating lever Backrest | right | 1 | PR:XUX |
| | 997 522 982 00 A11 | Black | | | |
| | 997 522 982 00 5X6 | Leather | | | |
| | 997 522 982 00 8G2 | Sand beige | | | |
| | 997 522 982 00 3S9 | sea blue | | | |
| | 997 522 982 00 9S5 | Terracotta | | | |
| | 997 522 982 00 9V6 | Cocoa | | | |
| | 997 522 982 00 D12 | Dark grey/natural | | | |
| | 997 522 982 00 T12 | Leather braun | | | |
| | 997 522 982 00 N12 | Carrera Red | | | |
| | 997 522 982 00 6J0 | Espresso | | | |
| 14 | 996 522 315 00 | Rosette Actuator button | left | 1 | PR:685 |
| | 996 522 315 00 01C | Satin black | | | |
| (14) | 996 522 316 00 | Rosette Actuator button | right | 1 | PR:685 |
| | 996 522 316 00 01C | Satin black | | | |
| (14) | 997 522 985 00 | Rosette Actuator button Leather | left | 1 | PR:XUX |
| | 997 522 985 00 A11 | Black | | | |
| | 997 522 985 00 5X6 | Leather | | | |
| | 997 522 985 00 8G2 | Sand beige | | | |
| | 997 522 985 00 3S9 | sea blue | | | |
| | 997 522 985 00 9S5 | Terracotta | | | |
| | 997 522 985 00 9V6 | Cocoa | | | |
| | 997 522 985 00 D12 | Dark grey/natural | | | |
| | 997 522 985 00 T12 | Leather | | | |
| | 997 522 985 00 N12 | Carrera Red | | | |
| | 997 522 985 00 6J0 | Espresso | | | |
| (14) | 997 522 986 00 | Rosette Actuator button Leather | right | 1 | PR:XUX |
| | 997 522 986 00 A11 | Black | | | |
| | 997 522 986 00 5X6 | Leather | | | |
| | 997 522 986 00 8G2 | Sand beige | | | |
| | 997 522 986 00 3S9 | sea blue | | | |
| | 997 522 986 00 9S5 | Terracotta | | | |
| | 997 522 986 00 9V6 | Cocoa | | | |
| | 997 522 986 00 D12 | Dark grey/natural | | | |
| | 997 522 986 00 T12 | Leather | | | |
| | 997 522 986 00 N12 | Carrera Red | | | |
| | 997 522 986 00 6J0 | Espresso | | | |

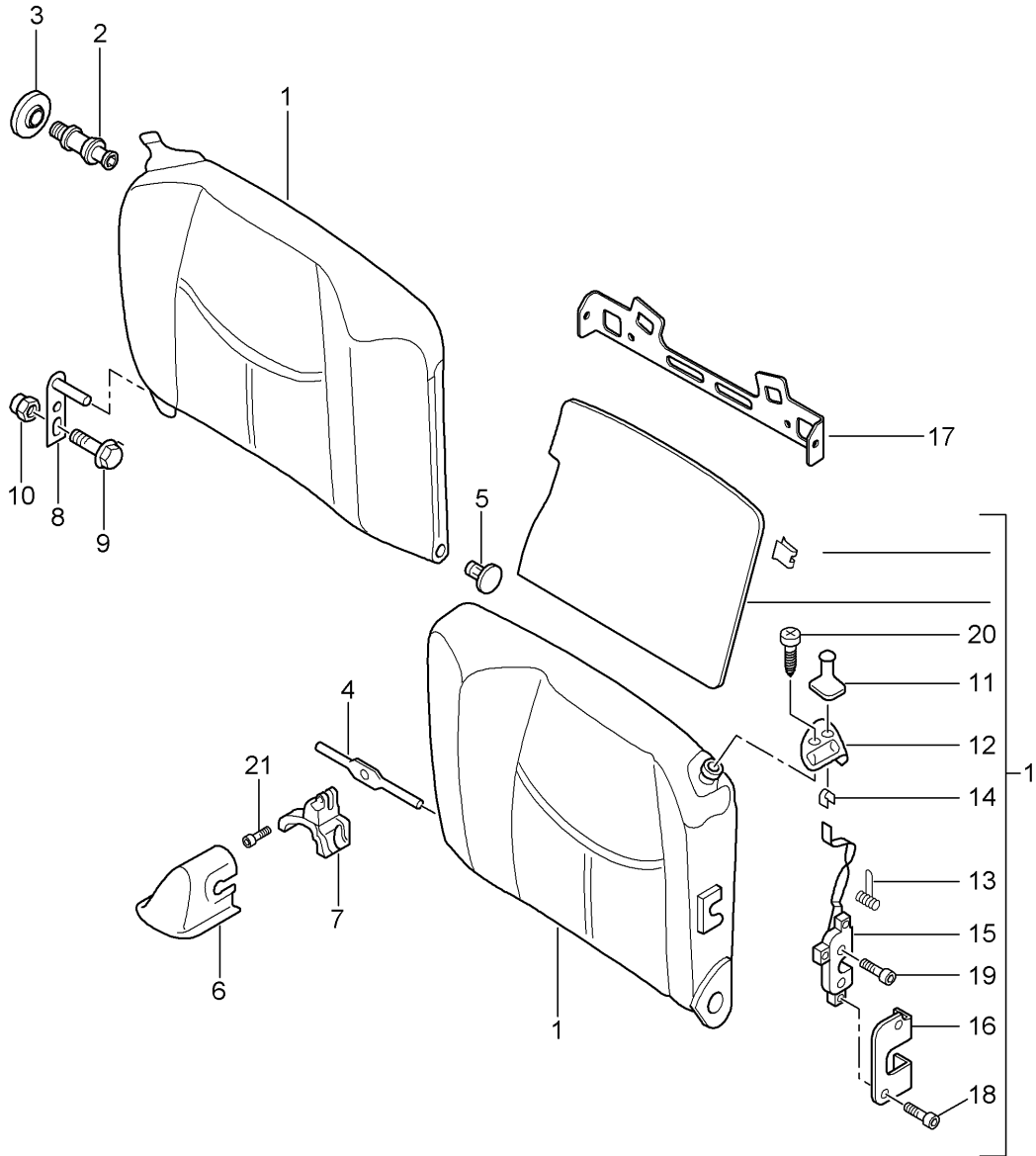
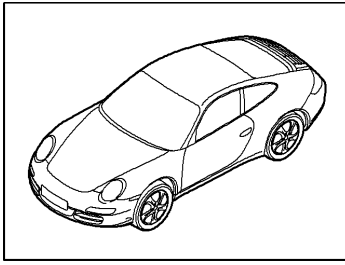
Model: 997-09

Model life 2009>>2012

| Pos | Part Number | Description | Remark | Qty | Model |
|------|--------------------|------------------------------|--------|-----|--------|
| 15 | 996 522 281 02 | lock Backrest | left | 1 | PR:685 |
| (15) | 996 522 282 02 | lock Backrest | right | 1 | PR:685 |
| 16 | 997 522 771 00 | Cover panel lock | left | 1 | PR:685 |
| | 997 522 771 00 01C | Satin black | | | |
| (16) | 997 522 772 00 | Cover panel lock | right | 1 | PR:685 |
| | 997 522 772 00 01C | Satin black | | | |
| 17 | 996 522 653 00 | Spring lock | | 2 | PR:685 |
| 18 | 999 507 630 01 | Clip Actuator button | | 2 | PR:685 |
| 19 | 999 073 049 02 | panel screw ST 3,5 X 16 | | 4 | PR:685 |
| 20 | 900 269 028 03 | countersunk bolt M 8 X 30 | | 4 | PR:685 |
| 21 | 900 145 041 07 | panel screw B 3,5 X 16 | | 4 | PR:685 |
| 22 | 900 067 358 09 | Bolt with washer M 5 X 16 | | 1 | PR:685 |

Model: 997-09

Model life 2009>>2012



Model: 997-09 Model life 2009>>2012

| Pos | Part Number | Description | Remark | Qty | Model |
|-----|--------------------|---|--------|-----|-------------------|
| | | Emergency seat backrest | | | CARRERA CABRIO |
| 1 | 997 522 011 09 | D - MJ 2009>> Emergency seat backrest Until Chassis number See technical information GR.7 NR. 17/11 KD-NR. 70 | left | 1 | PR:685,937 |
| | 997 522 011 09 5Q2 | Black | | | |
| | 997 522 011 09 8X4 | Stone grey | | | |
| | 997 522 011 09 5S4 | Sand beige | | | |
| | 997 522 011 09 8W3 | sea blue | | | |
| 1 | 997 522 911 03 | Emergency seat backrest From Chassis number See technical information GR.7 NR. 17/11 KD-NR. 70 | left | 1 | PR:685,937 |
| | 997 522 911 03 5Q2 | Black | | | |
| | 997 522 911 03 8X4 | Stone grey | | | |
| | 997 522 911 03 5S4 | Sand beige | | | |
| | 997 522 911 03 8W3 | sea blue | | | |
| (1) | 997 522 012 09 | Emergency seat backrest Until Chassis number See technical information GR.7 NR. 17/11 KD-NR. 70 | right | 1 | PR:685,937 |
| | 997 522 012 09 5Q2 | Black | | | |
| | 997 522 012 09 8X4 | Stone grey | | | |
| | 997 522 012 09 5S4 | Sand beige | | | |
| | 997 522 012 09 8W3 | sea blue | | | |
| (1) | 997 522 912 03 | Emergency seat backrest From Chassis number See technical information GR.7 NR. 17/11 KD-NR. 70 | right | 1 | PR:685,937 |
| | 997 522 912 03 5Q2 | Black | | | |
| | 997 522 912 03 8X4 | Stone grey | | | |
| | 997 522 912 03 5S4 | Sand beige | | | |
| | 997 522 912 03 8W3 | sea blue | | | |
| (1) | 997 522 011 10 | Emergency seat backrest | left | 1 | PR:685,936 |
| | 997 522 011 10 9N2 | Terracotta | | | |
| | 997 522 011 10 9Q3 | Cocoa | | | |
| | 997 522 011 10 D11 | Dark grey/natural | | | |
| | 997 522 011 10 T11 | Brown/natural | | | |
| (1) | 997 522 011 10 | Emergency seat backrest Until Chassis number See technical information GR.7 NR. 17/11 KD-NR. 70 | left | 1 | PR:685,936 |
| | 997 522 011 10 8YR | Black | | | |
| | 997 522 011 10 5X5 | Stone grey | | | |
| | 997 522 011 10 8G1 | Sand beige | | | |
| | 997 522 011 10 3S8 | sea blue | | | |
| | 997 522 011 10 N11 | Carrera Red | | | |
| | 997 522 011 10 8C0 | Espresso | | | |
| (1) | 997 522 911 04 | Emergency seat backrest From Chassis number | left | 1 | PR:685,936 |

Model: 997-09 Model life 2009>>2012

| Pos | Part Number | Description | Remark | Qty | Model |
|-----|--------------------|---|--------|-----|------------|
| | | See technical information GR.7 NR. 17/11 KD-NR. 70 | | | |
| | 997 522 911 04 8YR | Black | | | |
| | 997 522 911 04 5X5 | Stone grey | | | |
| | 997 522 911 04 8G1 | Sand beige | | | |
| | 997 522 911 04 3S8 | sea blue | | | |
| | 997 522 911 04 N11 | Carrera Red | | | |
| (1) | 997 522 012 10 | Emergency seat backrest | right | 1 | PR:685,936 |
| | 997 522 012 10 9N2 | Terracotta | | | |
| | 997 522 012 10 9Q3 | Cocoa | | | |
| | 997 522 012 10 D11 | Dark grey/natural | | | |
| | 997 522 012 10 T11 | Brown/natural | | | |
| | 997 522 012 10 8C0 | Espresso | | | |
| (1) | 997 522 012 10 | Emergency seat backrest | right | 1 | PR:685,936 |
| | | Until Chassis number See technical information GR.7 NR. 17/11 KD-NR. 70 | | | |
| | 997 522 012 10 8YR | Black | | | |
| | 997 522 012 10 5X5 | Stone grey | | | |
| | 997 522 012 10 8G1 | Sand beige | | | |
| | 997 522 012 10 3S8 | sea blue | | | |
| | 997 522 012 10 N11 | Carrera Red | | | |
| (1) | 997 522 912 04 | Emergency seat backrest | right | 1 | PR:685,936 |
| | | From Chassis number See technical information GR.7 NR. 17/11 KD-NR. 70 | | | |
| | 997 522 912 04 8YR | Black | | | |
| | 997 522 912 04 5X5 | Stone grey | | | |
| | 997 522 912 04 8G1 | Sand beige | | | |
| | 997 522 912 04 3S8 | sea blue | | | |
| | 997 522 912 04 N11 | Carrera Red | | | |
| (1) | 997 522 011 11 | Emergency seat backrest | left | 1 | PR:685,939 |
| | 997 522 011 11 9N2 | Terracotta | | | |
| | 997 522 011 11 9Q3 | Cocoa | | | |
| | 997 522 011 11 D11 | Dark grey/natural | | | |
| | 997 522 011 11 T11 | Brown/natural | | | |
| (1) | 997 522 011 11 | Emergency seat backrest | left | 1 | PR:685,939 |
| | | Until Chassis number See technical information GR.7 NR. 17/11 KD-NR. 70 | | | |
| | 997 522 011 11 8YR | Black | | | |
| | 997 522 011 11 5X5 | Stone grey | | | |
| | 997 522 011 11 8G1 | Sand beige | | | |
| | 997 522 011 11 3S8 | sea blue | | | |
| | 997 522 011 11 N11 | Carrera Red | | | |
| (1) | 997 522 911 05 | Emergency seat backrest | left | 1 | PR:685,939 |
| | | From Chassis number See technical information GR.7 NR. 17/11 KD-NR. 70 | | | |
| | 997 522 911 05 8YR | Black | | | |
| | 997 522 911 05 5X5 | Stone grey | | | |
| | 997 522 911 05 8G1 | Sand beige | | | |
| | 997 522 911 05 3S8 | sea blue | | | |
| | 997 522 911 05 N11 | Carrera Red | | | |

Model: 997-09 Model life 2009>>2012

| Pos | Part Number | Description | Remark | Qty | Model |
|-----|--------------------|---------------------------|--------|-----|----------------|
| (1) | 997 522 012 11 | Emergency seat backrest | right | 1 | PR:685,939 |
| | 997 522 012 11 9N2 | Terracotta | | | |
| | 997 522 012 11 9Q3 | Cocoa | | | |
| | 997 522 012 11 D11 | Dark grey/natural | | | |
| | 997 522 012 11 T11 | Brown/natural | | | |
| (1) | 997 522 012 11 | Emergency seat backrest | right | 1 | PR:685,939 |
| | | Until | | | |
| | | Chassis number | | | |
| | | See technical information | | | |
| | | GR.7 NR. 17/11 | | | |
| | | KD-NR. 70 | | | |
| | 997 522 012 11 8YR | Black | | | |
| | 997 522 012 11 5X5 | Stone grey | | | |
| | 997 522 012 11 8G1 | Sand beige | | | |
| | 997 522 012 11 3S8 | sea blue | | | |
| | 997 522 012 11 N11 | Carrera Red | | | |
| (1) | 997 522 912 05 | Emergency seat backrest | right | 1 | PR:685,939 |
| | | From | | | |
| | | Chassis number | | | |
| | | See technical information | | | |
| | | GR.7 NR. 17/11 | | | |
| | | KD-NR. 70 | | | |
| | 997 522 912 05 8YR | Black | | | |
| | 997 522 912 05 5X5 | Stone grey | | | |
| | 997 522 912 05 8G1 | Sand beige | | | |
| | 997 522 912 05 3S8 | sea blue | | | |
| | 997 522 912 05 N11 | Carrera Red | | | |
| (1) | 997 522 011 21 | Emergency seat backrest | left | 1 | PR:011,685,931 |
| | | Alcantara | | | |
| | | Until | | | |
| | | Chassis number | | | |
| | | See technical information | | | |
| | | GR.7 NR. 17/11 | | | |
| | | KD-NR. 70 | | | |
| | | D - MJ 2011>> | | | |
| | 997 522 011 21 FLA | Black | | | |
| (1) | 997 522 911 07 | Emergency seat backrest | left | 1 | PR:011,685,931 |
| | | Alcantara | | | |
| | | From | | | |
| | | Chassis number | | | |
| | | See technical information | | | |
| | | GR.7 NR. 17/11 | | | |
| | | KD-NR. 70 | | | |
| | | D - MJ 2011>> | | | |
| | 997 522 911 07 FLA | Black | | | |
| (1) | 997 522 012 21 | Emergency seat backrest | right | 1 | PR:011,685,931 |
| | | Alcantara | | | |
| | | Until | | | |
| | | Chassis number | | | |
| | | See technical information | | | |
| | | GR.7 NR. 17/11 | | | |
| | | KD-NR. 70 | | | |
| | | D - MJ 2011>> | | | |
| | 997 522 012 21 FLA | Black | | | |
| (1) | 997 522 912 07 | Emergency seat backrest | right | 1 | PR:011,685,931 |
| | | Alcantara | | | |
| | | From | | | |
| | | Chassis number | | | |
| | | See technical information | | | |
| | | GR.7 NR. 17/11 | | | |
| | | KD-NR. 70 | | | |
| | | D - MJ 2011>> | | | |
| | 997 522 912 07 FLA | Black | | | |

Model: 997-09 Model life 2009>>2012

| Pos | Part Number | Description | Remark | Qty | Model |
|------|--------------------|--|--------|-----|--------------------|
| (1) | 997 522 011 23 | Emergency seat backrest Alcantara Until Chassis number See technical information GR.7 NR. 17/11 KD-NR. 70 D - MJ 2011>> | left | 1 | PR:011,685, 932 |
| | 997 522 011 23 RAA | Black | | | |
| (1) | 997 522 911 09 | Emergency seat backrest Alcantara From Chassis number See technical information GR.7 NR. 17/11 KD-NR. 70 D - MJ 2011>> | left | 1 | PR:011,685, 932 |
| | 997 522 911 09 RAA | Black | | | |
| (1) | 997 522 012 23 | Emergency seat backrest Alcantara Until Chassis number See technical information GR.7 NR. 17/11 KD-NR. 70 D - MJ 2011>> | left | 1 | PR:011,685, 932 |
| | 997 522 012 23 RAA | Black | | | |
| (1) | 997 522 912 09 | Emergency seat backrest Alcantara From Chassis number See technical information GR.7 NR. 17/11 KD-NR. 70 D - MJ 2011>> | left | 1 | PR:011,685, 932 |
| | 997 522 912 09 RAA | Black | | | |
| 2 | 996 522 267 07 | Pin Locking mechanism | | 2 | PR:685 |
| 3 | 996 522 097 08 | Rosette | | 2 | PR:685 |
| | 996 522 097 08 01C | Satin black | | | |
| 4 | 997 522 615 01 | Bearing shaft | | 1 | PR:685 |
| - | 999 073 436 01 | Bolt with washer Bearing shaft | | 1 | PR:685 |
| 5 | 996 522 571 00 | Protection washer | | 1 | PR:685 |
| | 996 522 571 00 01C | Protection washer | | | |
| 6 | 996 522 431 02 | Cover | | 1 | PR:685 |
| | 996 522 431 02 01C | Black | | | |
| 7 | 996 522 041 00 | Mounting | | 1 | |
| 8 | 997 522 211 00 | Mounting | outer | 2 | PR:685 |
| 9 | 999 073 138 01 | flat round head bolt M 8 X 25 | | 2 | PR:685 |
| 10 | 996 522 271 00 | bush | | 2 | PR:685 |
| 11 | 997 522 321 00 | Actuating lever | left | 1 | PR:685 |
| | 997 522 321 00 01C | Satin black | | | |
| (11) | 997 522 322 00 | Actuating lever | right | 1 | PR:685 |
| | 997 522 322 00 01C | Satin black | | | |
| 12 | 996 522 315 00 | Rosette | left | 1 | PR:685 |
| | 996 522 315 00 01C | Satin black | | | |
| (12) | 996 522 316 00 | Rosette | right | 1 | PR:685 |
| | 996 522 316 00 01C | Satin black | | | |
| 13 | 996 522 653 00 | Spring lock | | 2 | PR:685 |
| 14 | 999 507 630 01 | Clip | | 2 | PR:685 |

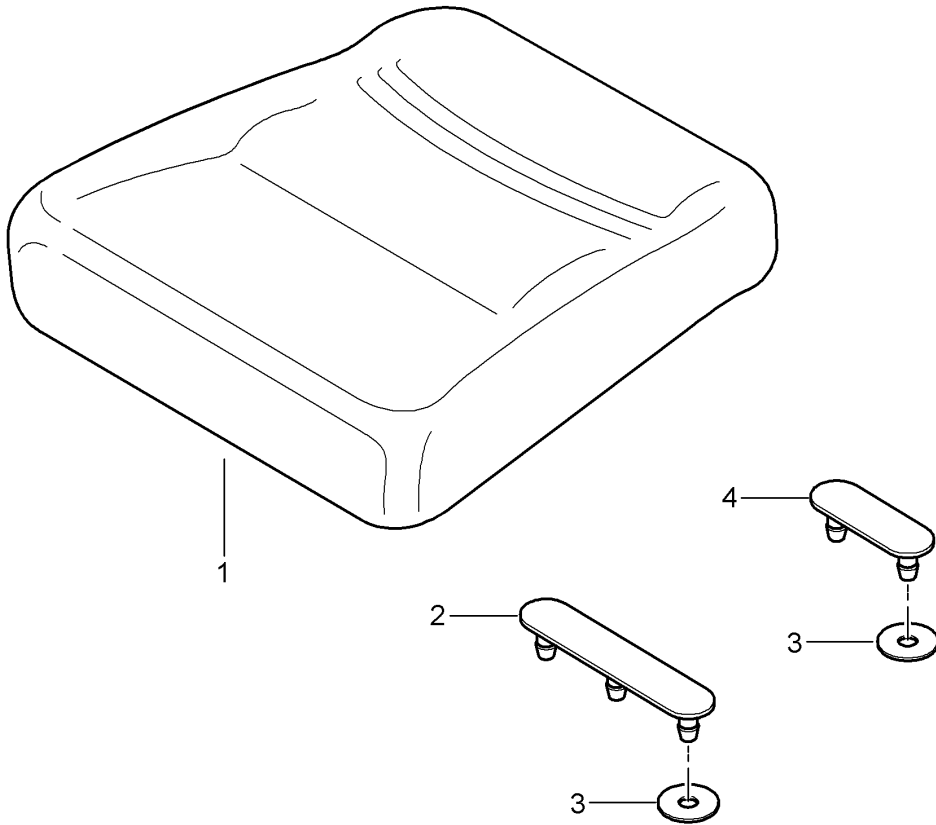
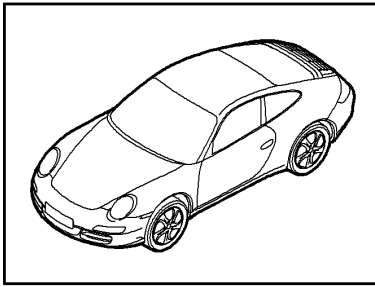
Model: 997-09

Model life 2009>>2012

| Pos | Part Number | Description | Remark | Qty | Model |
|------|--------------------|--|--------|-----|------------|
| 15 | 996 522 281 02 | Actuator button lock | left | 1 | PR:685 |
| (15) | 996 522 282 02 | Backrest lock | right | 1 | PR:685 |
| 16 | 997 522 771 00 | Backrest | left | 1 | PR:685 |
| | 997 522 771 00 01C | Cover panel Satin black | | 1 | PR:685 |
| (16) | 997 522 772 00 | Cover panel | right | 1 | PR:685 |
| | 997 522 772 00 01C | Satin black | | 1 | PR:685 |
| 17 | 997 803 721 00 | bracket for child seat Connecting plate | | 1 | PR:335,479 |
| 18 | 999 073 049 02 | Back seat backrest panel screw | | 4 | PR:685 |
| | | ST 4,3 X 16 | | | |
| 19 | 900 269 028 03 | countersunk bolt | | 4 | PR:685 |
| | | M 8 X 30 | | | |
| 20 | 900 145 041 07 | panel screw | | 4 | PR:685 |
| | | B 3,5 X 16 | | | |
| 21 | 900 067 358 09 | Bolt with washer | | 1 | PR:685 |
| | | M 5 X 16 | | | |

Model: 997-09

Model life 2009>>2012

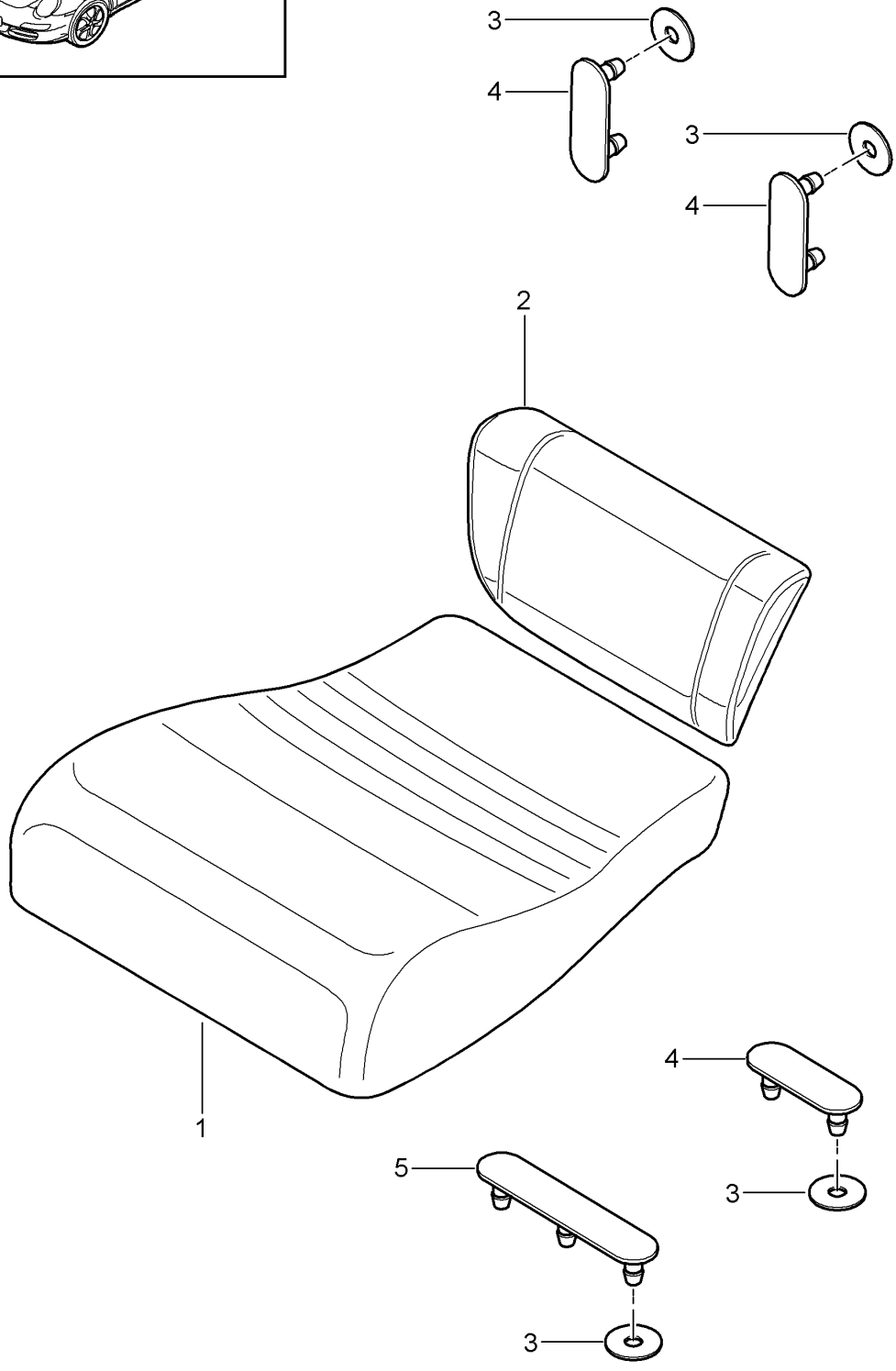
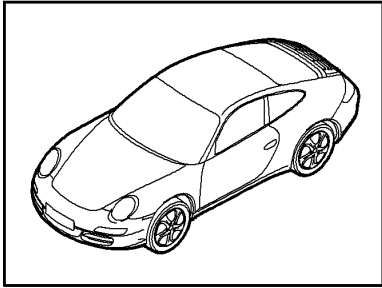


Model: 997-09 Model life 2009>>2012

| Pos | Part Number | Description | Remark | Qty | Model |
|-----|--------------------|------------------------------------|--------|-----|--------------------|
| 1 | 997 522 051 00 | Back seat cushion D - MJ 2009>> | | | |
| | 997 522 051 00 5Q2 | Back seat cushion Black | left | 1 | PR:685,937 |
| | 997 522 051 00 8X4 | Stone grey | | | |
| | 997 522 051 00 5S4 | Sand beige | | | |
| | 997 522 051 00 8W3 | sea blue | | | |
| (1) | 997 522 052 00 | Back seat cushion | right | 1 | PR:685,937 |
| | 997 522 052 00 5Q2 | Black | | | |
| | 997 522 052 00 8X4 | Stone grey | | | |
| | 997 522 052 00 5S4 | Sand beige | | | |
| | 997 522 052 00 8W3 | sea blue | | | |
| (1) | 997 522 051 01 | Back seat cushion | left | 1 | PR:685,936 |
| | 997 522 051 01 8YR | Black | | | |
| | 997 522 051 01 5X5 | Stone grey | | | |
| | 997 522 051 01 8G1 | Sand beige | | | |
| | 997 522 051 01 3S8 | sea blue | | | |
| | 997 522 051 01 9N2 | Terracotta | | | |
| | 997 522 051 01 9Q3 | Cocoa | | | |
| | 997 522 051 01 D11 | Dark grey/natural | | | |
| | 997 522 051 01 T11 | Brown/natural | | | |
| | 997 522 051 01 N11 | Carrera Red | | | |
| (1) | 997 522 052 01 | Back seat cushion | right | 1 | PR:685,936 |
| | 997 522 052 01 8YR | Black | | | |
| | 997 522 052 01 5X5 | Stone grey | | | |
| | 997 522 052 01 8G1 | Sand beige | | | |
| | 997 522 052 01 3S8 | sea blue | | | |
| | 997 522 052 01 9N2 | Terracotta | | | |
| | 997 522 052 01 9Q3 | Cocoa | | | |
| | 997 522 052 01 D11 | Dark grey/natural | | | |
| | 997 522 052 01 T11 | Brown/natural | | | |
| | 997 522 052 01 N11 | Carrera Red | | | |
| (1) | 997 522 051 02 | Back seat cushion | left | 1 | PR:685,939 |
| | 997 522 051 02 8YR | Black | | | |
| | 997 522 051 02 5X5 | Stone grey | | | |
| | 997 522 051 02 8G1 | Sand beige | | | |
| | 997 522 051 02 3S8 | sea blue | | | |
| | 997 522 051 02 9N2 | Terracotta | | | |
| | 997 522 051 02 9Q3 | Cocoa | | | |
| | 997 522 051 02 D11 | Dark grey/natural | | | |
| | 997 522 051 02 T11 | Brown/natural | | | |
| | 997 522 051 02 N11 | Carrera Red | | | |
| (1) | 997 522 052 02 | Back seat cushion | right | 1 | PR:685,939 |
| | 997 522 052 02 8YR | Black | | | |
| | 997 522 052 02 5X5 | Stone grey | | | |
| | 997 522 052 02 8G1 | Sand beige | | | |
| | 997 522 052 02 3S8 | sea blue | | | |
| | 997 522 052 02 9N2 | Terracotta | | | |
| | 997 522 052 02 9Q3 | Cocoa | | | |
| | 997 522 052 02 D11 | Dark grey/natural | | | |
| | 997 522 052 02 T11 | Brown/natural | | | |
| | 997 522 052 02 N11 | Carrera Red | | | |
| (1) | 997 522 051 12 | Back seat cushion D - MJ 2010>> | left | 1 | PR:XXL,685, 756 |
| | 997 522 051 12 VAM | Espresso | | | |
| (1) | 997 522 052 12 | Back seat cushion D - MJ 2010>> | right | 1 | PR:XXL,685, 756 |
| | 997 522 052 12 VAM | Espresso | | | |
| 2 | 997 551 893 01 | Clip Triple | | X | PR:685 |
| (3) | 997 551 897 01 | Retaining washer | | X | PR:685 |
| 4 | 997 551 895 01 | Clip Double | | X | PR:685 |

Model: 997-09

Model life 2009>>2012



Model: 997-09 Model life 2009>>2012

| Pos | Part Number | Description | Remark | Qty | Model |
|-----|--------------------|------------------------------------|--------|-----|--------------------|
| | | Back seat cushion | | | CARRERA CABRIO |
| (1) | 997 522 051 09 | D - MJ 2009>> Back seat cushion | left | 1 | PR:685,937 |
| | 997 522 051 09 5Q2 | Black | | | |
| | 997 522 051 09 8X4 | Stone grey | | | |
| | 997 522 051 09 5S4 | Sand beige | | | |
| | 997 522 051 09 8W3 | sea blue | | | |
| (1) | 997 522 052 09 | Back seat cushion | right | 1 | PR:685,937 |
| | 997 522 052 09 5Q2 | Black | | | |
| | 997 522 052 09 8X4 | Stone grey | | | |
| | 997 522 052 09 5S4 | Sand beige | | | |
| | 997 522 052 09 8W3 | sea blue | | | |
| (1) | 997 522 051 10 | Back seat cushion | left | 1 | PR:685,936 |
| | 997 522 051 10 8YR | Black | | | |
| | 997 522 051 10 5X5 | Stone grey | | | |
| | 997 522 051 10 8G1 | Sand beige | | | |
| | 997 522 051 10 3S8 | sea blue | | | |
| | 997 522 051 10 9N2 | Terracotta | | | |
| | 997 522 051 10 9Q3 | Cocoa | | | |
| | 997 522 051 10 D11 | Dark grey/natural | | | |
| | 997 522 051 10 T11 | Brown/natural | | | |
| | 997 522 051 10 N11 | Carrera Red | | | |
| | 997 522 051 10 8C0 | Espresso | | | |
| (1) | 997 522 052 10 | Back seat cushion | right | 1 | PR:685,936 |
| | 997 522 052 10 8YR | Black | | | |
| | 997 522 052 10 5X5 | Stone grey | | | |
| | 997 522 052 10 8G1 | Sand beige | | | |
| | 997 522 052 10 3S8 | sea blue | | | |
| | 997 522 052 10 9N2 | Terracotta | | | |
| | 997 522 052 10 9Q3 | Cocoa | | | |
| | 997 522 052 10 D11 | Dark grey/natural | | | |
| | 997 522 052 10 T11 | Brown/natural | | | |
| | 997 522 052 10 N11 | Carrera Red | | | |
| | 997 522 052 10 8C0 | Espresso | | | |
| (1) | 997 522 051 11 | Back seat cushion | left | 1 | PR:685,939 |
| | 997 522 051 11 8YR | Black | | | |
| | 997 522 051 11 5X5 | Stone grey | | | |
| | 997 522 051 11 8G1 | Sand beige | | | |
| | 997 522 051 11 3S8 | sea blue | | | |
| | 997 522 051 11 9N2 | Terracotta | | | |
| | 997 522 051 11 9Q3 | Cocoa | | | |
| | 997 522 051 11 D11 | Dark grey/natural | | | |
| | 997 522 051 11 T11 | Brown/natural | | | |
| | 997 522 051 11 N11 | Carrera Red | | | |
| (1) | 997 522 052 11 | Back seat cushion | right | 1 | PR:685,939 |
| | 997 522 052 11 8YR | Black | | | |
| | 997 522 052 11 5X5 | Stone grey | | | |
| | 997 522 052 11 8G1 | Sand beige | | | |
| | 997 522 052 11 3S8 | sea blue | | | |
| | 997 522 052 11 9N2 | Terracotta | | | |
| | 997 522 052 11 9Q3 | Cocoa | | | |
| | 997 522 052 11 D11 | Dark grey/natural | | | |
| | 997 522 052 11 T11 | Brown/natural | | | |
| | 997 522 052 11 N11 | Carrera Red | | | |
| (1) | 997 522 051 16 | Back seat cushion | left | 1 | PR:685,931, 937 |
| | 997 522 051 16 5Q2 | Black | | | |
| | 997 522 051 16 8X4 | Stone grey | | | |
| | 997 522 051 16 5S4 | Sand beige | | | |
| | 997 522 051 16 8W3 | sea blue | | | |
| (1) | 997 522 052 16 | Back seat cushion | right | 1 | PR:685,931, 937 |

Model: 997-09 Model life 2009>>2012

| Pos | Part Number | Description | Remark | Qty | Model |
|--------------------|--------------------|--------------------|--------|-----|--------------------|
| (1) | 997 522 052 16 5Q2 | Black | left | 1 | PR:685,932, 936 |
| | 997 522 052 16 8X4 | Stone grey | | | |
| | 997 522 052 16 5S4 | Sand beige | | | |
| | 997 522 052 16 8W3 | sea blue | | | |
| | 997 522 051 17 | Back seat cushion | | | |
| (1) | 997 522 051 17 5X5 | Stone grey | right | 1 | PR:685,932, 936 |
| | 997 522 051 17 8G1 | Sand beige | | | |
| | 997 522 051 17 3S8 | sea blue | | | |
| | 997 522 051 17 8YR | Black | | | |
| | 997 522 051 17 N11 | Carrera Red | | | |
| (1) | 997 522 051 17 8C0 | Espresso | left | 1 | PR:685,939 |
| | 997 522 052 17 | Back seat cushion | | | |
| | 997 522 052 17 5X5 | Stone grey | | | |
| | 997 522 052 17 8G1 | Sand beige | | | |
| | 997 522 052 17 3S8 | sea blue | | | |
| (1) | 997 522 052 17 8YR | Black | right | 1 | PR:685,939 |
| | 997 522 052 17 N11 | Carrera Red | | | |
| | 997 522 052 17 8C0 | Espresso | | | |
| | 997 522 051 18 | Back seat cushion | | | |
| | 997 522 051 18 8YR | Black | | | |
| (1) | 997 522 051 18 5X5 | Stone grey | left | 1 | PR:685,937 |
| | 997 522 051 18 8G1 | Sand beige | | | |
| | 997 522 051 18 3S8 | sea blue | | | |
| | 997 522 051 18 N11 | Carrera Red | | | |
| | 997 522 051 18 8C0 | Espresso | | | |
| 2 | 997 522 235 00 | Centre part | right | 1 | PR:685,937 |
| | | Back seat backrest | | | |
| | 997 522 235 00 5Q2 | Black | | | |
| | 997 522 235 00 8X4 | Stone grey | | | |
| | 997 522 235 00 5S4 | Sand beige | | | |
| (2) | 997 522 235 00 8W3 | sea blue | left | 1 | PR:685,936 |
| | 997 522 236 00 | Centre part | | | |
| | | Back seat backrest | | | |
| | 997 522 236 00 5Q2 | Black | | | |
| | 997 522 236 00 8X4 | Stone grey | | | |
| (2) | 997 522 236 00 5S4 | Sand beige | right | 1 | PR:685,936 |
| | 997 522 236 00 8W3 | sea blue | | | |
| | 997 522 235 01 | Centre part | | | |
| | | Back seat backrest | | | |
| | 997 522 235 01 8YR | Black | | | |
| (2) | 997 522 235 01 5X5 | Stone grey | left | 1 | PR:685,936 |
| | 997 522 235 01 8G1 | Sand beige | | | |
| | 997 522 235 01 3S8 | sea blue | | | |
| | 997 522 235 01 9N2 | Terracotta | | | |
| | 997 522 235 01 9Q3 | Cocoa | | | |
| | 997 522 235 01 D11 | Dark grey/natural | | | |
| | 997 522 235 01 T11 | Brown/natural | | | |
| | 997 522 235 01 N11 | Carrera Red | | | |
| | 997 522 235 01 8C0 | Espresso | | | |
| | 997 522 236 01 | Centre part | | | |
| | | Back seat backrest | | | |
| 997 522 236 01 8YR | Black | | | | |
| 997 522 236 01 5X5 | Stone grey | | | | |
| 997 522 236 01 8G1 | Sand beige | | | | |

Model: 997-09 Model life 2009>>2012

| Pos | Part Number | Description | Remark | Qty | Model |
|-----|--------------------|--------------------|--------|-----|----------------|
| | 997 522 236 01 3S8 | sea blue | | | |
| | 997 522 236 01 9N2 | Terracotta | | | |
| | 997 522 236 01 9Q3 | Cocoa | | | |
| | 997 522 236 01 D11 | Dark grey/natural | | | |
| | 997 522 236 01 T11 | Brown/natural | | | |
| | 997 522 236 01 N11 | Carrera Red | | | |
| | 997 522 236 01 8C0 | Espresso | | | |
| (2) | 997 522 235 02 | Centre part | left | 1 | PR:685,939 |
| | | Back seat backrest | | | |
| | 997 522 235 02 8YR | Black | | | |
| | 997 522 235 02 5X5 | Stone grey | | | |
| | 997 522 235 02 8G1 | Sand beige | | | |
| | 997 522 235 02 3S8 | sea blue | | | |
| | 997 522 235 02 9N2 | Terracotta | | | |
| | 997 522 235 02 9Q3 | Cocoa | | | |
| | 997 522 235 02 D11 | Dark grey/natural | | | |
| | 997 522 235 02 T11 | Brown/natural | | | |
| | 997 522 235 02 N11 | Carrera Red | | | |
| (2) | 997 522 236 02 | Centre part | right | 1 | PR:685,939 |
| | | Back seat backrest | | | |
| | 997 522 236 02 8YR | Black | | | |
| | 997 522 236 02 5X5 | Stone grey | | | |
| | 997 522 236 02 8G1 | Sand beige | | | |
| | 997 522 236 02 3S8 | sea blue | | | |
| | 997 522 236 02 9N2 | Terracotta | | | |
| | 997 522 236 02 9Q3 | Cocoa | | | |
| | 997 522 236 02 D11 | Dark grey/natural | | | |
| | 997 522 236 02 T11 | Brown/natural | | | |
| | 997 522 236 02 N11 | Carrera Red | | | |
| (2) | 997 522 235 03 | Centre part | left | 1 | PR:685,931,937 |
| | | Back seat backrest | | | |
| | 997 522 235 03 5Q2 | Black | | | |
| | 997 522 235 03 8X4 | Stone grey | | | |
| | 997 522 235 03 5S4 | Sand beige | | | |
| | 997 522 235 03 8W3 | sea blue | | | |
| (2) | 997 522 236 03 | Centre part | right | 1 | PR:685,931,937 |
| | | Back seat backrest | | | |
| | 997 522 236 03 5Q2 | Black | | | |
| | 997 522 236 03 8X4 | Stone grey | | | |
| | 997 522 236 03 5S4 | Sand beige | | | |
| | 997 522 236 03 8W3 | sea blue | | | |
| (2) | 997 522 235 04 | Centre part | left | 1 | PR:685,932,936 |
| | | Back seat backrest | | | |
| | 997 522 235 04 8YR | Black | | | |
| | 997 522 235 04 5X5 | Stone grey | | | |
| | 997 522 235 04 8G1 | Sand beige | | | |
| | 997 522 235 04 3S8 | sea blue | | | |
| | 997 522 235 04 N11 | Carrera Red | | | |
| | 997 522 235 04 8C0 | Espresso | | | |
| (2) | 997 522 236 04 | Centre part | right | 1 | PR:685,932,936 |
| | | Back seat backrest | | | |
| | 997 522 236 04 8YR | Black | | | |
| | 997 522 236 04 5X5 | Stone grey | | | |
| | 997 522 236 04 8G1 | Sand beige | | | |
| | 997 522 236 04 3S8 | sea blue | | | |
| | 997 522 236 04 N11 | Carrera Red | | | |
| | 997 522 236 04 8C0 | Espresso | | | |
| (2) | 997 522 235 05 | Centre part | left | 1 | PR:685,939 |
| | | Back seat backrest | | | |
| | 997 522 235 05 8YR | Black | | | |
| | 997 522 235 05 5X5 | Stone grey | | | |
| | 997 522 235 05 8G1 | Sand beige | | | |
| | 997 522 235 05 3S8 | sea blue | | | |

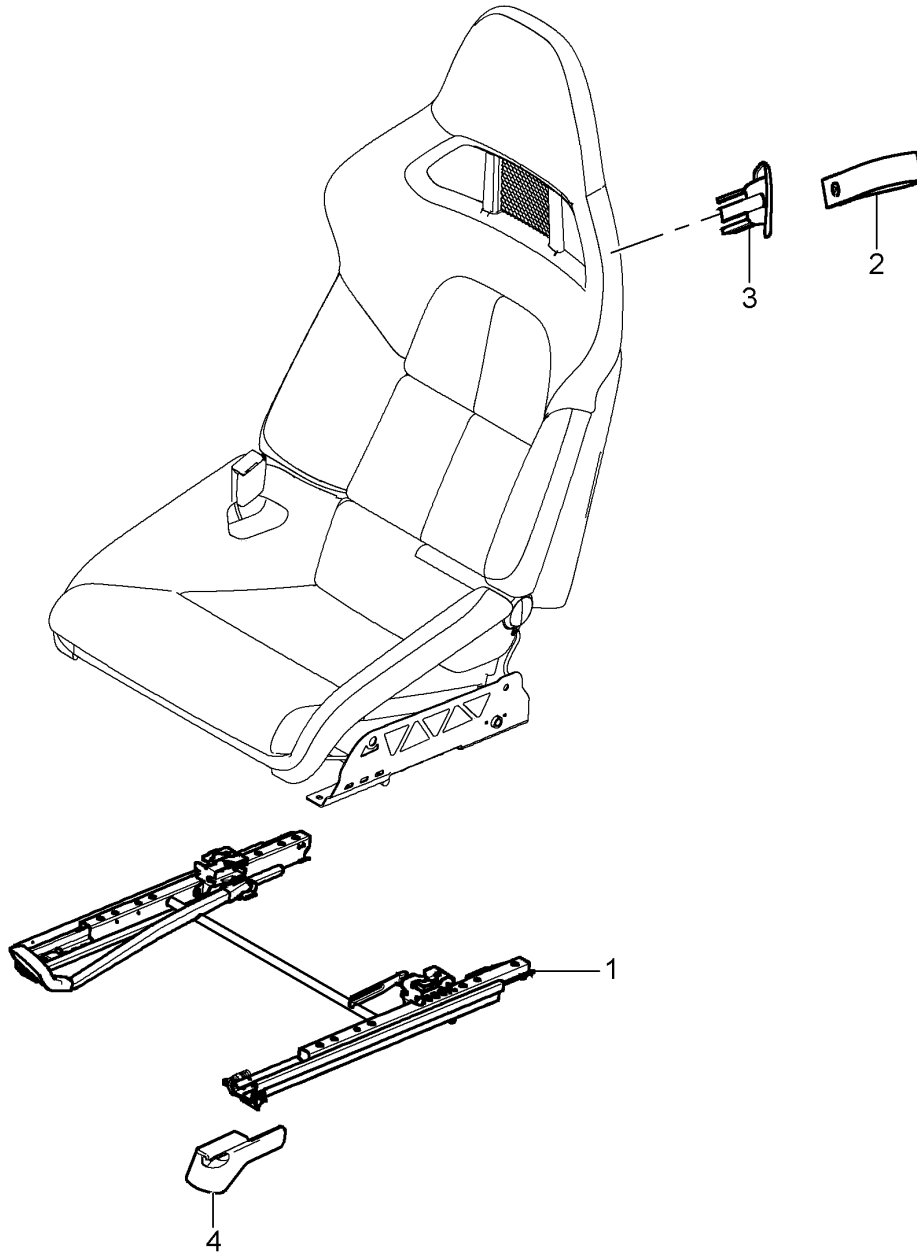
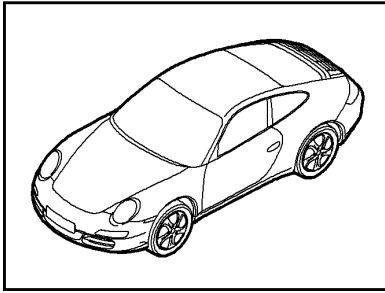
Model: 997-09

Model life 2009>>2012

| Pos | Part Number | Description | Remark | Qty | Model |
|-----|--------------------|--------------------|--------|-----|------------|
| (2) | 997 522 235 05 N11 | Carrera Red | right | 1 | PR:685,939 |
| | 997 522 235 05 8C0 | Espresso | | | |
| | 997 522 236 05 | Centre part | | | |
| | | Back seat backrest | | | |
| | 997 522 236 05 8YR | Black | | | |
| | 997 522 236 05 5X5 | Stone grey | | | |
| | 997 522 236 05 8G1 | Sand beige | | | |
| | 997 522 236 05 3S8 | sea blue | | | |
| | 997 522 236 05 N11 | Carrera Red | | | |
| | 997 522 236 05 8C0 | Espresso | | | |
| 3 | 997 551 897 01 | Retaining washer | | X | PR:685 |
| 4 | 997 551 895 01 | Clip | | X | |
| | | Double | | | |
| 5 | 997 551 893 01 | Clip | | X | PR:685 |
| | | Triple | | | |

Model: 997-09

Model life 2009>>2012



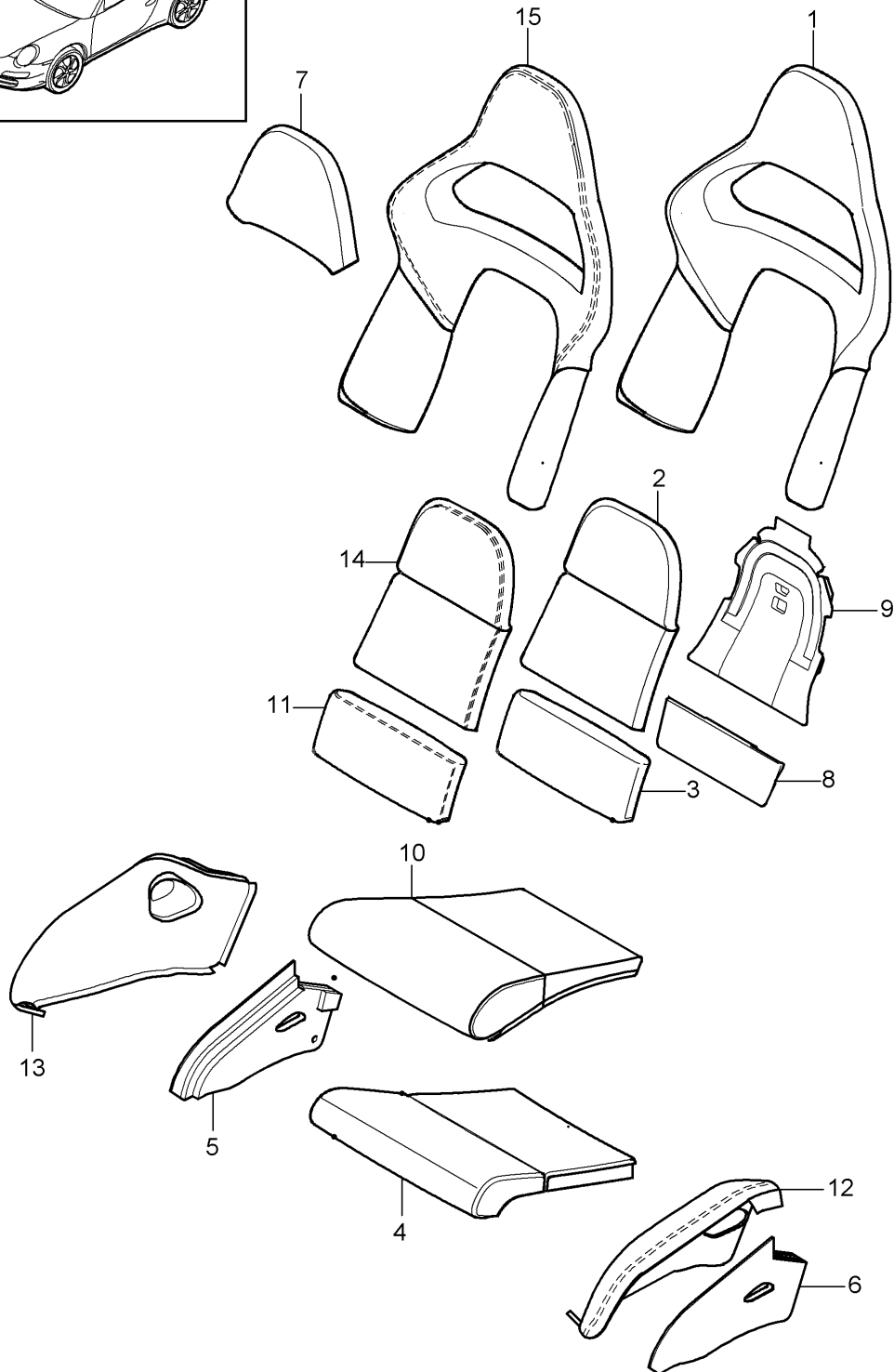
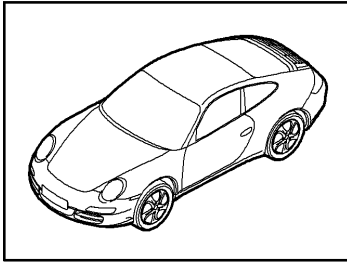
Model: 997-09

Model life 2009>>2012

| Pos | Part Number | Description | Remark | Qty | Model |
|-----|--------------------|---|-----------|-----|--------------------|
| | | bucket seat Collapsible (complete) Not available | | | |
| 1 | 997 521 429 01 | 1 set of seat rails (drivers side) | left lhd | 1 | PR:098,388 |
| 1 | 997 521 429 01 | 1 set of seat rails (drivers side) | left | 1 | PR:388,480, 553 |
| (1) | 997 521 429 03 | 1 set of seat rails (drivers side) | left | 1 | PR:250,388, 553 |
| (1) | 997 521 430 01 | 1 set of seat rails (passenger side) | right lhd | 1 | PR:098,389 |
| (1) | 997 521 429 02 | 1 set of seat rails (passenger side) | left rhd | 1 | PR:099,388 |
| (1) | 997 521 430 02 | 1 set of seat rails (drivers side) | right rhd | 1 | PR:099,389 |
| 2 | 997 521 539 00 | Pull loop Backrest frame | left | 1 | PR:388 |
| | 997 521 539 00 A80 | Black | | | |
| (2) | 997 521 540 00 | Pull loop Backrest frame | right | 1 | PR:389 |
| | 997 521 540 00 A80 | Black | | | |
| 3 | 997 521 538 00 | Rosette Pull loop Backrest frame | right | 1 | PR:389 |
| | 997 521 538 00 01C | Satin black | | | |
| (3) | 997 521 537 00 | Rosette Pull loop Backrest frame | left | 1 | PR:388 |
| | 997 521 537 00 01C | Satin black | | | |

Model: 997-09

Model life 2009>>2012



Model: 997-09 Model life 2009>>2012

| Pos | Part Number | Description | Remark | Qty | Model |
|-----|--------------------|---|------------------------|-----|--------------------|
| 1 | 997 521 447 00 | Foam part Cover Seat and backrest surface bucket seat Collapsible | | 2 | PR:388,389 |
| 2 | 997 521 448 00 | Foam part backrest Outer part | | 2 | PR:388,389 |
| 3 | 997 521 441 00 | Foam part Seat cushion | rear | 2 | PR:388,389 |
| 4 | 997 521 440 00 | Foam part Seat cushion | front | 2 | PR:388,389 |
| 5 | 997 521 443 00 | Foam part Seat cushion | left side outer | 1 | PR:388 |
| (5) | 997 521 444 00 | Foam part Seat cushion | side inner left | 1 | PR:388 |
| 6 | 997 521 446 00 | Foam part Seat cushion | right side outer | 1 | PR:389 |
| (6) | 997 521 445 00 | Foam part Seat cushion | right side inner | 1 | PR:389 |
| 7 | 997 521 458 00 | Foam part Head restraint | | 2 | PR:388,389 |
| 8 | 997 521 456 00 | Foam part Seat cushion | rear | 1 | PR:388,389 |
| 9 | 997 521 457 00 | Foam part backrest | | 1 | PR:388,389 |
| 10 | 997 521 380 00 | Seat cover | front | 1 | PR:388,389, 983 |
| | 997 521 380 00 8YR | Black | | | |
| | 997 521 380 00 5X5 | Stone grey | | | |
| | 997 521 380 00 8G1 | Sand beige | | | |
| | 997 521 380 00 3S8 | sea blue | | | |
| | 997 521 380 00 9N2 | Terracotta | | | |
| | 997 521 380 00 9Q3 | Cocoa | | | |
| | 997 521 380 00 D11 | Dark grey/natural | | | |
| | 997 521 380 00 T11 | Brown/natural | | | |
| | 997 521 380 00 N11 | Carrera Red | | | |
| 11 | 997 521 381 00 | Seat cover | rear | 1 | PR:388,389, 983 |
| | 997 521 381 00 8YR | Black | | | |
| | 997 521 381 00 5X5 | Stone grey | | | |
| | 997 521 381 00 8G1 | Sand beige | | | |
| | 997 521 381 00 3S8 | sea blue | | | |
| | 997 521 381 00 9N2 | Terracotta | | | |
| | 997 521 381 00 9Q3 | Cocoa | | | |
| | 997 521 381 00 D11 | Dark grey/natural | | | |
| | 997 521 381 00 T11 | Brown/natural | | | |
| | 997 521 381 00 N11 | Carrera Red | | | |
| 12 | 997 521 383 00 | Cover | left side outer | 1 | PR:388,983 |
| | 997 521 383 00 8YR | Black | | | |
| | 997 521 383 00 5X5 | Stone grey | | | |
| | 997 521 383 00 8G1 | Sand beige | | | |
| | 997 521 383 00 3S8 | sea blue | | | |
| | 997 521 383 00 9N2 | Terracotta | | | |

Model: 997-09 Model life 2009>>2012

| Pos | Part Number | Description | Remark | Qty | Model |
|------|--------------------|-------------------------------|------------------------|-----|------------------------|
| 13 | 997 521 383 00 9Q3 | Cocoa | left side inner | 1 | PR:388,983 |
| | 997 521 383 00 D11 | Dark grey/natural | | | |
| | 997 521 383 00 T11 | Brown/natural | | | |
| | 997 521 383 00 N11 | Carrera Red | | | |
| | 997 521 384 00 | Seat cover (leather) | | | |
| | 997 521 384 00 8YR | Black | | | |
| | 997 521 384 00 5X5 | Stone grey | | | |
| | 997 521 384 00 8G1 | Sand beige | | | |
| | 997 521 384 00 3S8 | sea blue | | | |
| | 997 521 384 00 9N2 | Terracotta | | | |
| (13) | 997 521 384 00 9Q3 | Cocoa | right side outer | 1 | PR:389,983 |
| | 997 521 384 00 D11 | Dark grey/natural | | | |
| | 997 521 384 00 T11 | Brown/natural | | | |
| | 997 521 384 00 N11 | Carrera Red | | | |
| | 997 521 386 00 | Cover | | | |
| | 997 521 386 00 8YR | Black | | | |
| | 997 521 386 00 5X5 | Stone grey | | | |
| | 997 521 386 00 8G1 | Sand beige | | | |
| | 997 521 386 00 3S8 | sea blue | | | |
| | 997 521 386 00 9N2 | Terracotta | | | |
| (13) | 997 521 386 00 9Q3 | Cocoa | right side inner | 1 | PR:389,983 |
| | 997 521 386 00 D11 | Dark grey/natural | | | |
| | 997 521 386 00 T11 | Brown/natural | | | |
| | 997 521 386 00 N11 | Carrera Red | | | |
| | 997 521 385 00 | Seat cover (leather) | | | |
| | 997 521 385 00 8YR | Black | | | |
| | 997 521 385 00 5X5 | Stone grey | | | |
| | 997 521 385 00 8G1 | Sand beige | | | |
| | 997 521 385 00 3S8 | sea blue | | | |
| | 997 521 385 00 9N2 | Terracotta | | | |
| 14 | 997 521 385 00 9Q3 | Cocoa | outer | 1 | PR:388,389, 983 |
| | 997 521 385 00 D11 | Dark grey/natural | | | |
| | 997 521 385 00 T11 | Brown/natural | | | |
| | 997 521 385 00 N11 | Carrera Red | | | |
| | 997 521 387 00 | Backrest centre part w. cover | | | |
| | 997 521 387 00 8YR | Black | | | |
| | 997 521 387 00 5X5 | Stone grey | | | |
| | 997 521 387 00 8G1 | Sand beige | | | |
| | 997 521 387 00 3S8 | sea blue | | | |
| | 997 521 387 00 9N2 | Terracotta | | | |
| 15 | 997 521 387 00 9Q3 | Cocoa | outer | 1 | PR:388,389, 983,951 |
| | 997 521 387 00 D11 | Dark grey/natural | | | |
| | 997 521 387 00 T11 | Brown/natural | | | |
| | 997 521 387 00 N11 | Carrera Red | | | |
| | 997 521 388 00 | backrest cover (leather) | | | |
| | 997 521 388 00 8YR | Black | | | |
| | 997 521 388 00 5X5 | Stone grey | | | |
| | 997 521 388 00 8G1 | Sand beige | | | |
| | 997 521 388 00 3S8 | sea blue | | | |
| | 997 521 388 00 9N2 | Terracotta | | | |
| | 997 521 388 00 9Q3 | Cocoa | | | |
| | 997 521 388 00 D11 | Dark grey/natural | | | |
| | 997 521 388 00 T11 | Brown/natural | | | |
| | 997 521 388 00 N11 | Carrera Red | | | |
| | 997 521 388 00 P12 | Palm green | | | |

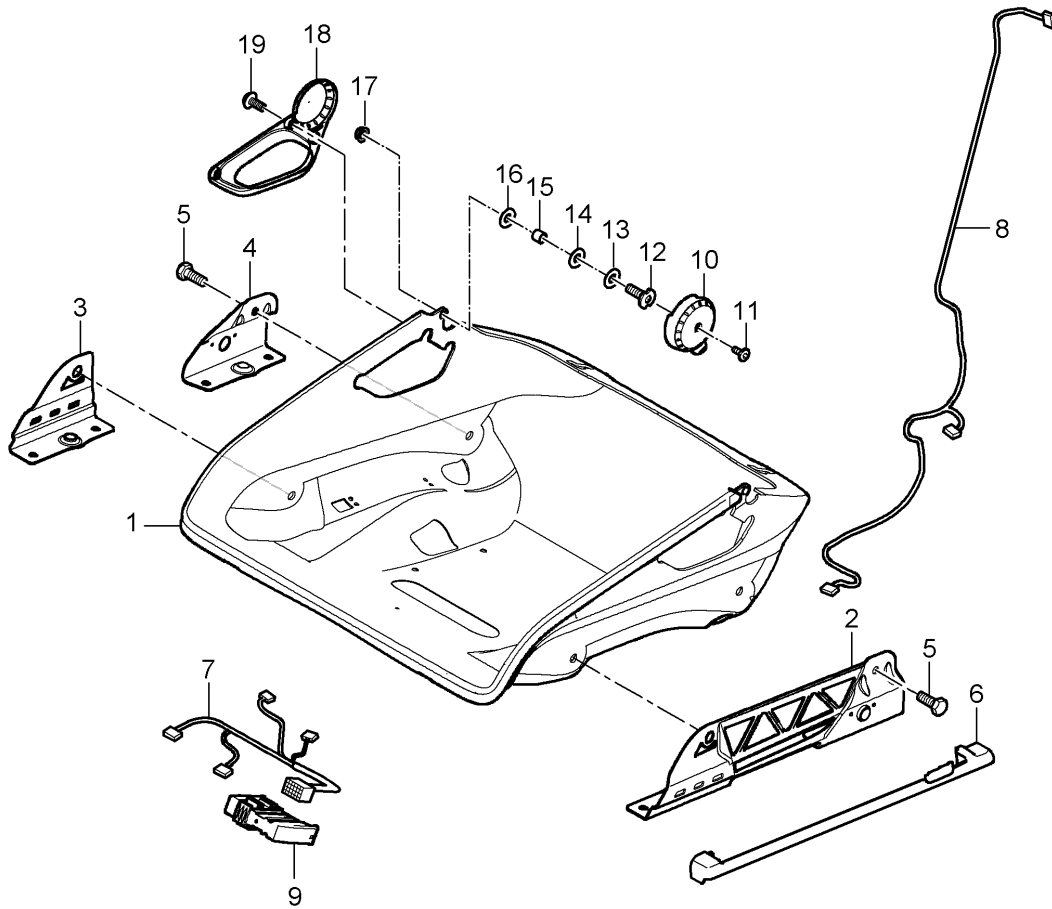
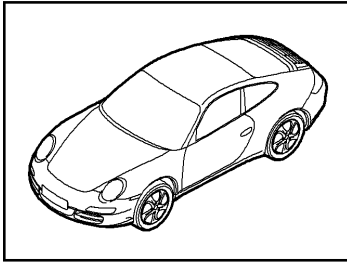
Model: 997-09

Model life 2009>>2012

| Pos | Part Number | Description | Remark | Qty | Model |
|-----|-------------|---------------|--------|-----|-------|
| | | D - MJ 2010>> | | | |

Model: 997-09

Model life 2009>>2012



Model: 997-09 Model life 2009>>2012

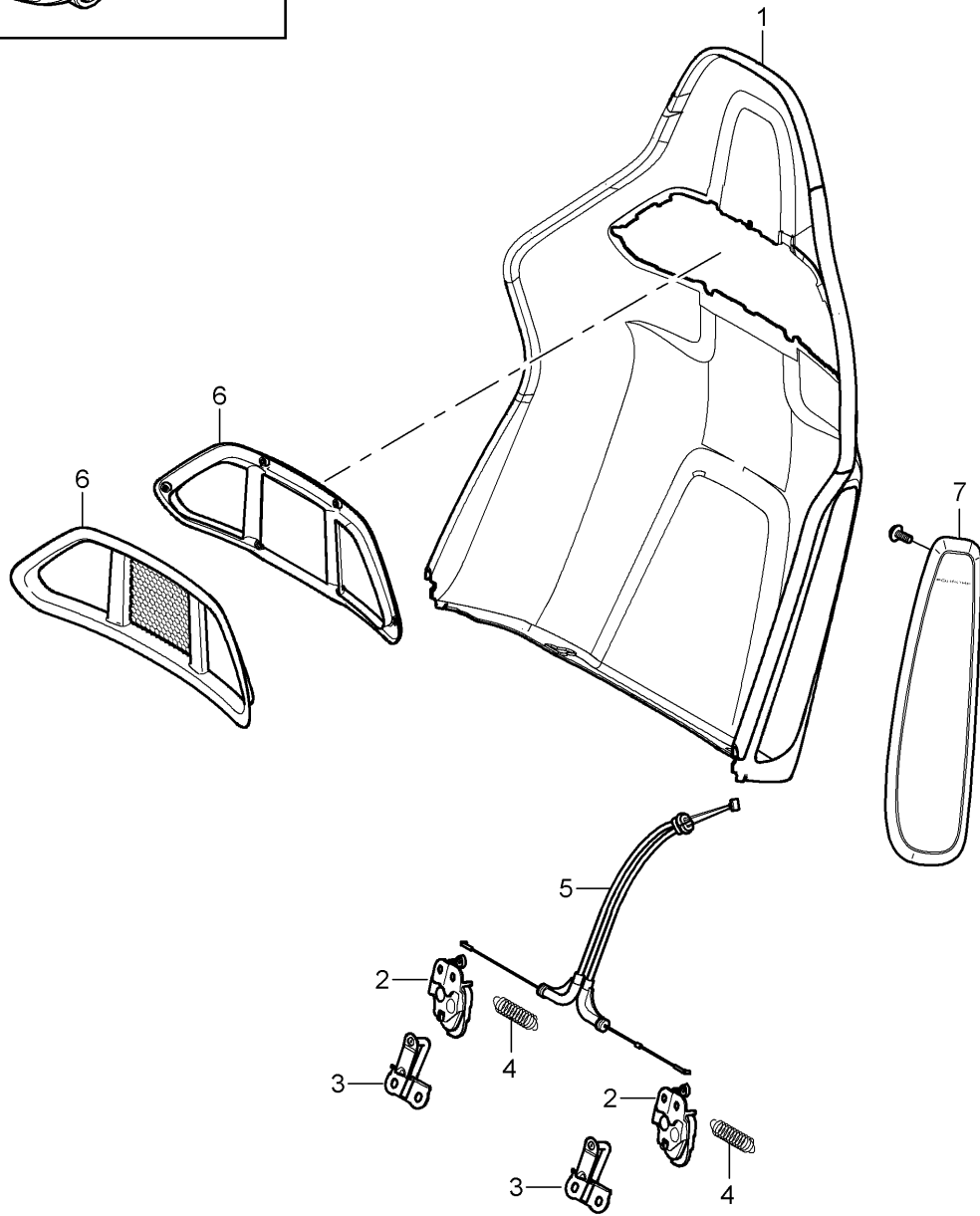
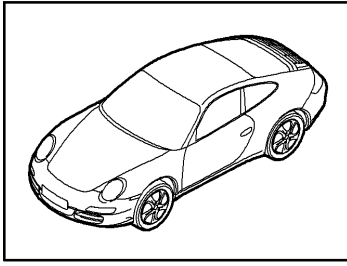
| Pos | Part Number | Description | Remark | Qty | Model |
|-----|--------------------------------------|---|-----------------------|-----|------------|
| 1 | 997 521 281 00 | bucket seat Collapsible Seat frame Accessories D - MJ 2009>> Cup Seat frame | | 2 | PR:388,389 |
| (1) | 997 521 182 00 | without: seat occupied recognition Cup Seat frame | right | 1 | PR:389,560 |
| 2 | 997 521 433 00 | with: seat occupied recognition and Seat rail Adapter Seat frame Discontinued part | outer left | 1 | PR:388 |
| 2 | 997 521 433 00 | Adapter Seat frame Discontinued part | outer left | 1 | PR:389,560 |
| (2) | 997 521 434 00 | Adapter Seat frame Discontinued part | outer right | 1 | PR:389 |
| (2) | 997 521 434 00 | Adapter Seat frame Discontinued part | outer right | 1 | PR:389 |
| (2) | 997 521 434 00 | Adapter Seat frame Discontinued part | outer right | 1 | PR:389,560 |
| 3 | 997 521 436 00 | Adapter Seat frame Discontinued part | front, inner right | 1 | PR:388 |
| (3) | 997 521 435 00 | Adapter Seat frame | front, inner left | 1 | PR:389 |
| 4 | 997 521 438 00 | without: seat occupied recognition Discontinued part Adapter Seat frame Discontinued part | rear, inner right | 1 | PR:388 |
| (4) | 997 521 437 00 | Adapter Seat frame | rear, inner left | 1 | PR:389 |
| 5 | 999 217 168 01 | without: seat occupied recognition Discontinued part Hexagon bolt M 8 X 16 Mount Seat rail bucket seat | | 4 | |
| 6 | 997 521 427 03 | Cover Sensor seat occupied recognition | left | 1 | PR:389,560 |
| (6) | 997 521 427 03 01C 997 521 426 03 | Satin black Cover Sensor seat occupied recognition | right | 1 | PR:389,560 |
| 7 | 997 521 426 03 01C 997 612 688 10 | Satin black Wire set seat occupied recognition | | 1 | PR:389,560 |
| 8 | 997 612 785 10 | Wire set Side airbag unit | | 1 | PR:388,389 |

Model: 997-09 Model life 2009>>2012

| Pos | Part Number | Description | Remark | Qty | Model |
|------|--------------------|--|----------------|-----|------------|
| 9 | 997 618 233 05 | Control unit for seat occupied sensor | | 1 | PR:389,560 |
| 10 | 997 521 563 00 | Trim Hinge | left inner | 1 | |
| | 997 521 563 00 01C | Satin black | | | |
| (10) | 997 521 564 00 | Trim Hinge | right inner | 1 | |
| | 997 521 564 00 01C | Satin black | | | |
| 11 | 999 073 456 01 | flat round head bolt M4 X 12 Mount Trim | inner | 2 | |
| 12 | 997 521 690 00 | bearing pin Backrest shell Cup | lower | 2 | |
| 13 | 999 523 019 01 | Belleville spring A25 | | 2 | |
| 14 | 999 234 034 00 | fitted washer 12 X 18 X 0,2 | | 2 | |
| 15 | 999 924 136 40 | Plain bearing F12 X 5 X 14 | | 2 | |
| 16 | 999 025 122 40 | thrust washer 20 X 12 X 0,5 | | 2 | |
| 17 | 900 380 024 01 | Outer hexagon round nut M8 | | 2 | |
| 18 | 997 521 561 00 | Trim Seat belt | left lower | 1 | |
| | 997 521 561 00 01C | Satin black | | | |
| (18) | 997 521 562 00 | Trim Seat belt | right lower | 1 | |
| | 997 521 562 00 01C | Satin black | | | |
| 19 | 999 141 049 01 | Oval-head screw M5 X 10 Mount Trim | | 3 | |

Model: 997-09

Model life 2009>>2012

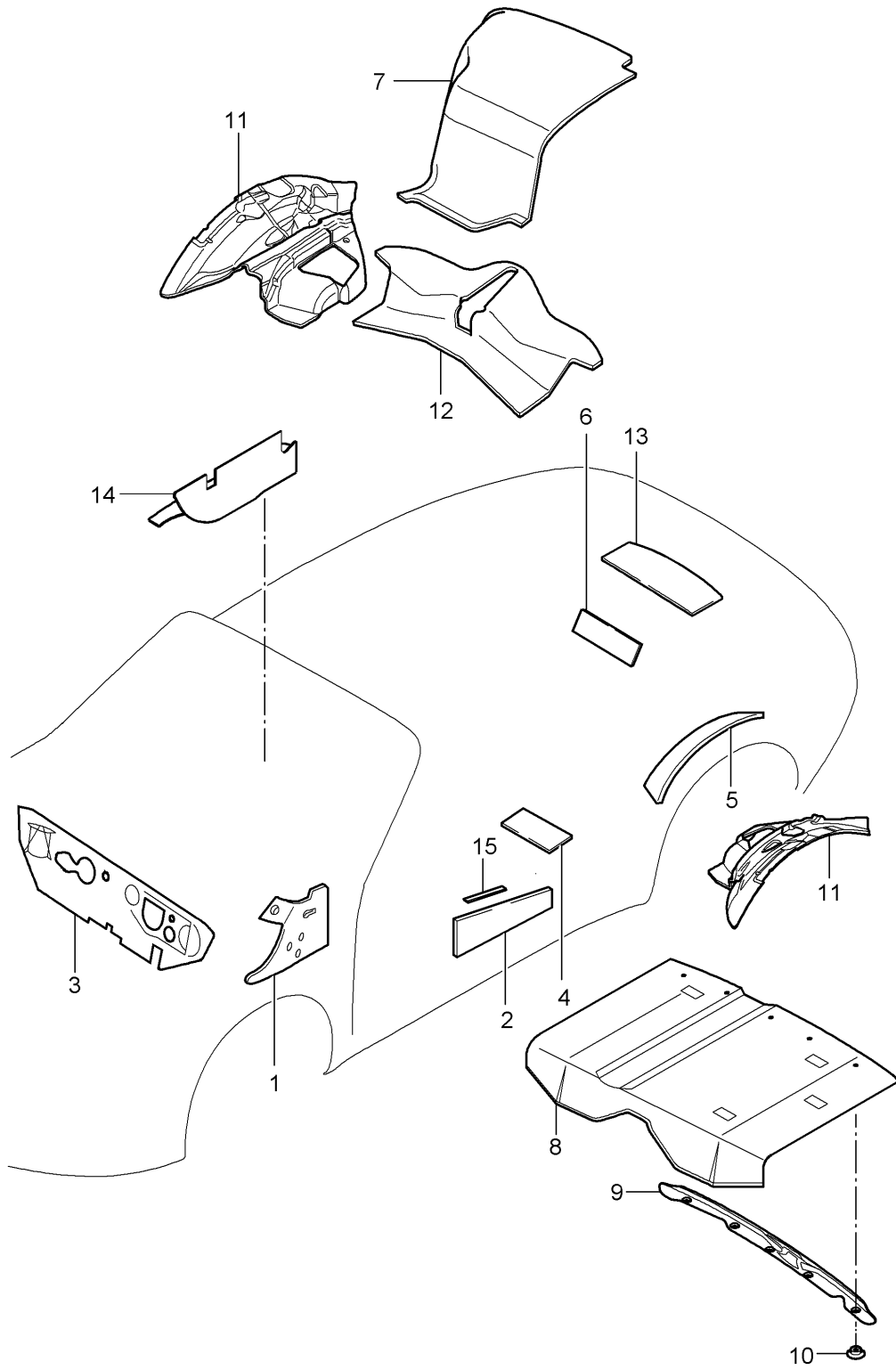


Model: 997-09 Model life 2009>>2012

| Pos | Part Number | Description | Remark | Qty | Model |
|-----|--------------------|--|--------|-----|------------|
| 1 | 997 521 271 00 | Backrest shell bucket seat Collapsible Accessories D - MJ 2009>> | left | 1 | PR:388 |
| (1) | 997 521 272 00 | Backrest shell bucket seat Collapsible | right | 1 | PR:389 |
| 2 | 997 521 651 00 | backrest lock | left | 1 | PR:388,389 |
| (2) | 997 521 652 00 | backrest lock | right | 1 | PR:388,389 |
| 3 | 997 521 660 00 | Closing element lock | | 2 | PR:388,389 |
| 4 | 997 521 650 00 | Backrest shell tension spring lock | | 2 | PR:388,389 |
| 5 | 997 521 640 01 | backrest Bowden cable Release | | 1 | PR:388,389 |
| 6 | 997 521 330 00 | backrest Trim | front | 1 | PR:388,389 |
| (6) | 997 521 330 00 01C | Seat belt Satin black | | | |
| | 997 521 531 00 | Trim Seat belt | rear | 1 | PR:388,389 |
| 7 | 997 521 531 00 01C | Satin black | | | |
| | 997 803 081 01 | Side airbag unit Front seat | | 1 | PR:388 |
| (7) | 997 803 081 01 A03 | Black | | | |
| | 997 803 082 01 | Side airbag unit Front seat | | 1 | PR:389 |
| | 997 803 082 01 A03 | Black | | | |

Model: 997-09

Model life 2009>>2012



Model: 997-09 Model life 2009>>2012

| Pos | Part Number | Description | Remark | Qty | Model |
|------|----------------|--|-----------------------|-----|-------------|
| 1 | 997 556 605 00 | Body Sound proofing 1 Sound absorber | left | 1 | COUPE/TARGA |
| (1) | 997 556 606 00 | Wheel housing Sound absorber | front right | 1 | |
| 2 | 997 537 551 00 | Wheel housing Sound absorber for door | front | 2 | |
| 3 | 997 556 723 00 | Sound absorber Firewall | lhd | 1 | PR:098 |
| 4 | 997 556 503 00 | Insulation for floor | | 2 | |
| 5 | 997 556 655 00 | Sound absorber | left | 1 | |
| (5) | 997 556 656 00 | Side panel trim Sound absorber | right | 1 | |
| 6 | 997 556 523 00 | Side panel trim Damping | | 2 | |
| 7 | 997 556 507 00 | tray sound absorb.for wheel housing | left | 1 | |
| (7) | 997 556 508 00 | sound absorb.for wheel housing | rear right rear | 1 | |
| 8 | 997 556 511 00 | sound absorber for rear panel | lower | 1 | |
| 9 | 997 556 521 00 | sound absorber for rear panel | upper | 1 | |
| 10 | 997 556 711 01 | Sound absorber | | 1 | |
| 10 | 997 556 711 02 | D >> - MJ 2005 Sound absorber | | 1 | |
| 10 | 997 556 711 03 | D >> - MJ 2007 Sound absorber | | 1 | |
| 11 | 996 556 761 01 | Engine bay retaining strip | | 1 | |
| 12 | 999 049 020 40 | Engine bay Plastic nut | | 5 | |
| 13 | 997 556 647 00 | T5/30 X 5,1 Sound absorber | | 1 | PR:652 |
| 14 | 997 556 657 00 | Roof Sound absorber | left | 1 | |
| (14) | 997 556 658 00 | Wheel housing liner Sound absorber | rear right | 1 | |
| 15 | 997 556 571 02 | Wheel housing liner Sound absorber | rear | 2 | |
| 16 | 996 556 753 01 | Side panel trim Seal | left | 1 | |
| (16) | 996 556 754 01 | Side part Seal | upper right | 1 | |
| 17 | 997 556 811 01 | Side part Filler piece | upper left | 1 | |
| (17) | 997 556 812 01 | Wheel housing Filler piece | left right | 1 | |
| 18 | 997 556 807 00 | Wheel housing Sound absorber | | 2 | |
| 19 | 997 556 805 00 | 40,0 Cross panel Rear end | | 1 | |
| 20 | 997 556 801 00 | Sound absorber 120 X 90 Cross panel | | 4 | |
| 21 | 997 556 803 00 | Rear end Sound absorber | | 2 | |
| 22 | 997 556 513 02 | Seat well Filler piece | | 2 | |
| 23 | 997 556 619 00 | Seat well Sound absorber | | 2 | |
| | | B-pillar Sound absorber | left | 1 | |

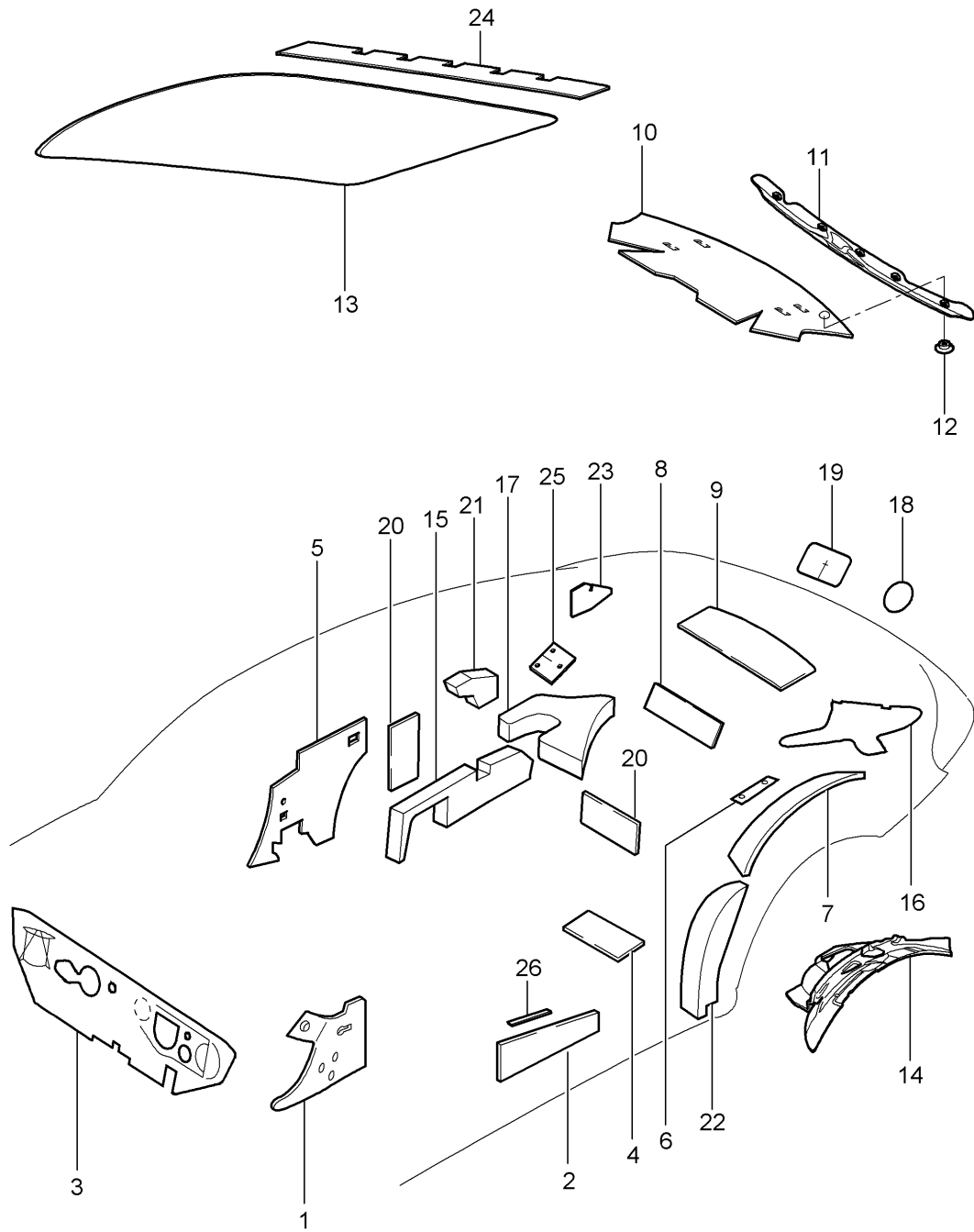
Model: 997-09

Model life 2009>>2012

| Pos | Part Number | Description | Remark | Qty | Model |
|------|----------------|---|--------|-----|-------|
| (23) | 997 556 620 00 | Air guide Sound absorber | right | 1 | |
| 24 | 997 556 603 00 | Air guide Sound absorber tensioner | rear | 1 | |
| 25 | 997 556 613 00 | Sound absorber Support | left | 1 | |
| (25) | 997 556 614 00 | Spring strut Sound absorber Support | right | 1 | |
| 26 | 997 537 553 00 | Spring strut sound absorber for door | | 4 | |
| 27 | 999 049 027 40 | Reinforcement Plastic nut 30 X 1,8 | | 2 | |

Model: 997-09

Model life 2009>>2012



Model: 997-09 Model life 2009>>2012

| Pos | Part Number | Description | Remark | Qty | Model |
|------|----------------|---|------------------------|-----|--------|
| | | Body | | | |
| 1 | 997 556 605 00 | Sound proofing 1 Sound absorber | left | 1 | |
| (1) | 997 556 606 00 | Wheel housing Sound absorber | front right | 1 | |
| 2 | 997 556 531 01 | Wheel housing sound absorber for door | front | 1 | |
| 3 | 997 556 723 00 | Sound absorber Firewall | lhd | 1 | PR:098 |
| 4 | 997 556 503 00 | Insulation for floor | | 2 | |
| 5 | 997 556 655 00 | Sound absorber | left | 1 | |
| (5) | 997 556 656 00 | Side panel trim Sound absorber | right | 1 | |
| 6 | 997 556 523 00 | Side panel trim Damping | | 2 | |
| 7 | 997 556 507 00 | tray sound absorb.for wheel housing | left | 1 | |
| (7) | 997 556 508 00 | sound absorb.for wheel housing | rear right rear | 1 | |
| 8 | 997 556 511 00 | sound absorber for rear panel | lower | 1 | |
| 9 | 997 556 521 00 | sound absorber for rear panel | upper | 1 | |
| 10 | 997 556 711 02 | Sound absorber | | 1 | |
| 10 | 997 556 711 03 | Sound absorber | | 1 | |
| 11 | 996 556 761 01 | Engine bay retaining strip | | 1 | |
| 12 | 999 049 020 40 | Engine bay Plastic nut | | 5 | |
| 13 | 997 556 647 00 | T5/30 X 5,1 Sound absorber | | 1 | TURBO |
| 14 | 997 556 657 00 | Roof Sound absorber | left | 1 | |
| (14) | 997 556 658 00 | Wheel housing liner Sound absorber | rear right | 1 | |
| 15 | 997 556 571 02 | Wheel housing liner Sound absorber | rear | 2 | |
| 16 | 996 556 753 01 | Side panel trim Seal | | 1 | |
| (16) | 996 556 754 01 | Side part Seal | left upper right | 1 | |
| 17 | 997 556 811 01 | Side part Filler piece | upper left | 1 | |
| (17) | 997 556 812 01 | Wheel housing Filler piece | right | 1 | |
| 18 | 997 556 807 00 | Wheel housing Sound absorber | | 2 | |
| 19 | 997 556 805 00 | 40,0 Cross panel Rear end Sound absorber | | 1 | |
| 20 | 997 556 801 00 | 120 X 90 Cross panel Rear end Sound absorber | | 4 | |
| 21 | 997 556 803 00 | Seat well Filler piece | | 2 | |
| 22 | 997 556 513 01 | Seat well Sound absorber | | 2 | |
| 23 | 997 556 619 00 | B-pillar Sound absorber | left | 1 | |
| (23) | 997 556 620 00 | Air guide Sound absorber | right | 1 | |
| | | Air guide | | | |

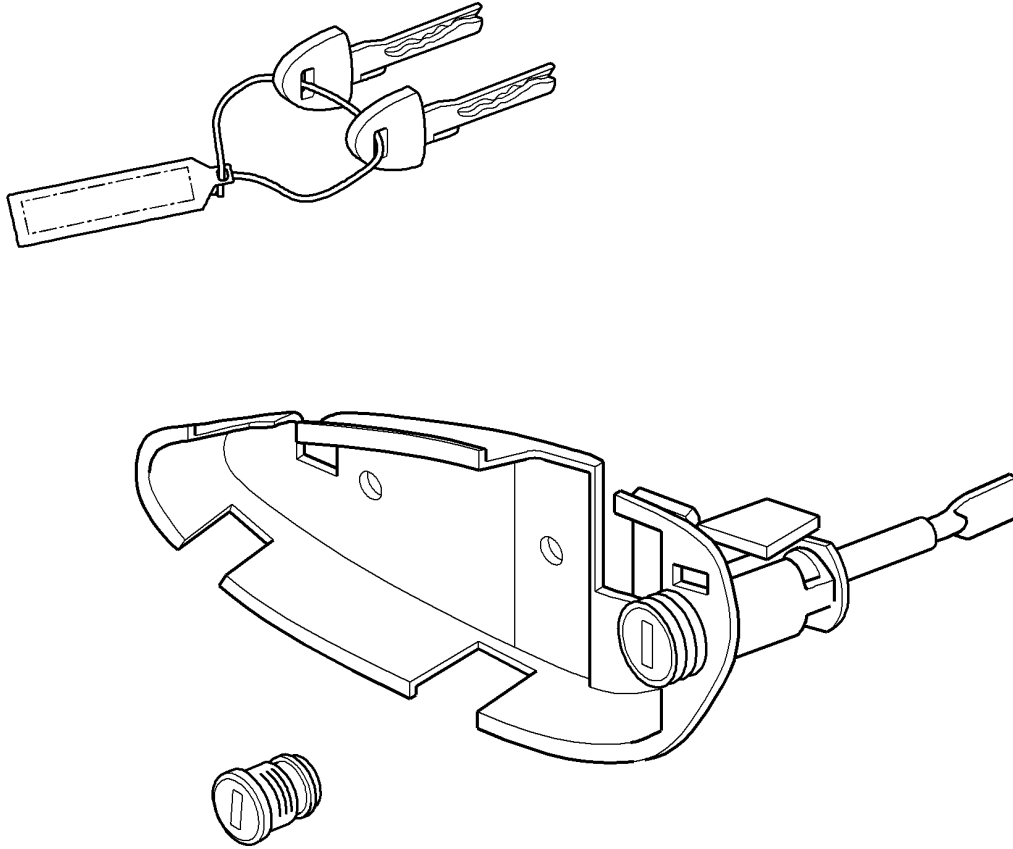
Model: 997-09

Model life 2009>>2012

| Pos | Part Number | Description | Remark | Qty | Model |
|------|----------------|---|--------|-----|-------|
| 24 | 997 556 603 00 | Sound absorber tensioner | rear | 1 | |
| 25 | 997 556 613 00 | Sound absorber Support | left | 1 | |
| (25) | 997 556 614 00 | Spring strut Sound absorber Support | right | 1 | |
| 27 | 999 049 027 40 | Spring strut Plastic nut 30 X 1,8 | | 2 | |

Model: 997-09

Model life 2009>>2012



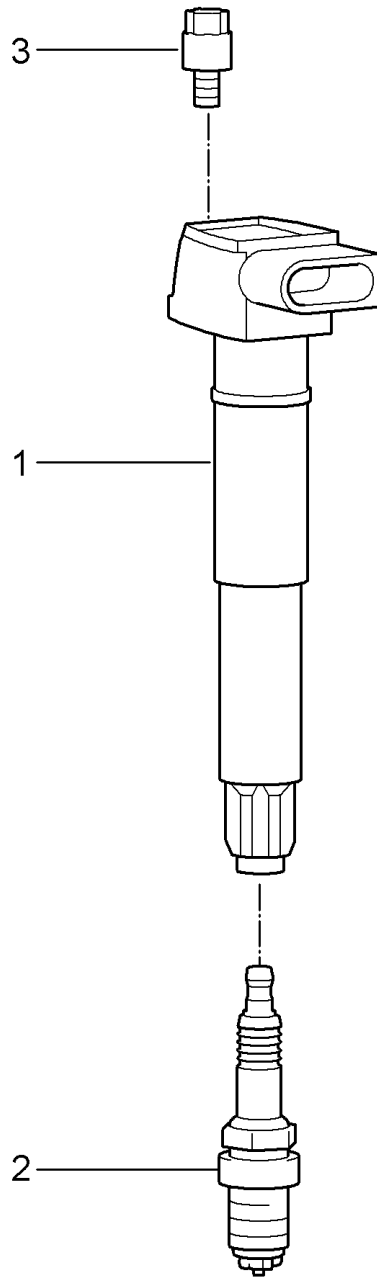
Model: 997-09

Model life 2009>>2012

| Pos | Part Number | Description | Remark | Qty | Model |
|-----|----------------|---|--------|-----|--------|
| - | 997 538 011 06 | repair set Set of locks comprising: Bracket Door handle, exterior Glove compartment lock key Key fob | | 1 | PR:098 |
| - | 997 538 011 07 | 1 set of lock cylinders with handheld trans. & emerg. key | | 1 | PR:099 |

Model: 997-09

Model life 2009>>2012



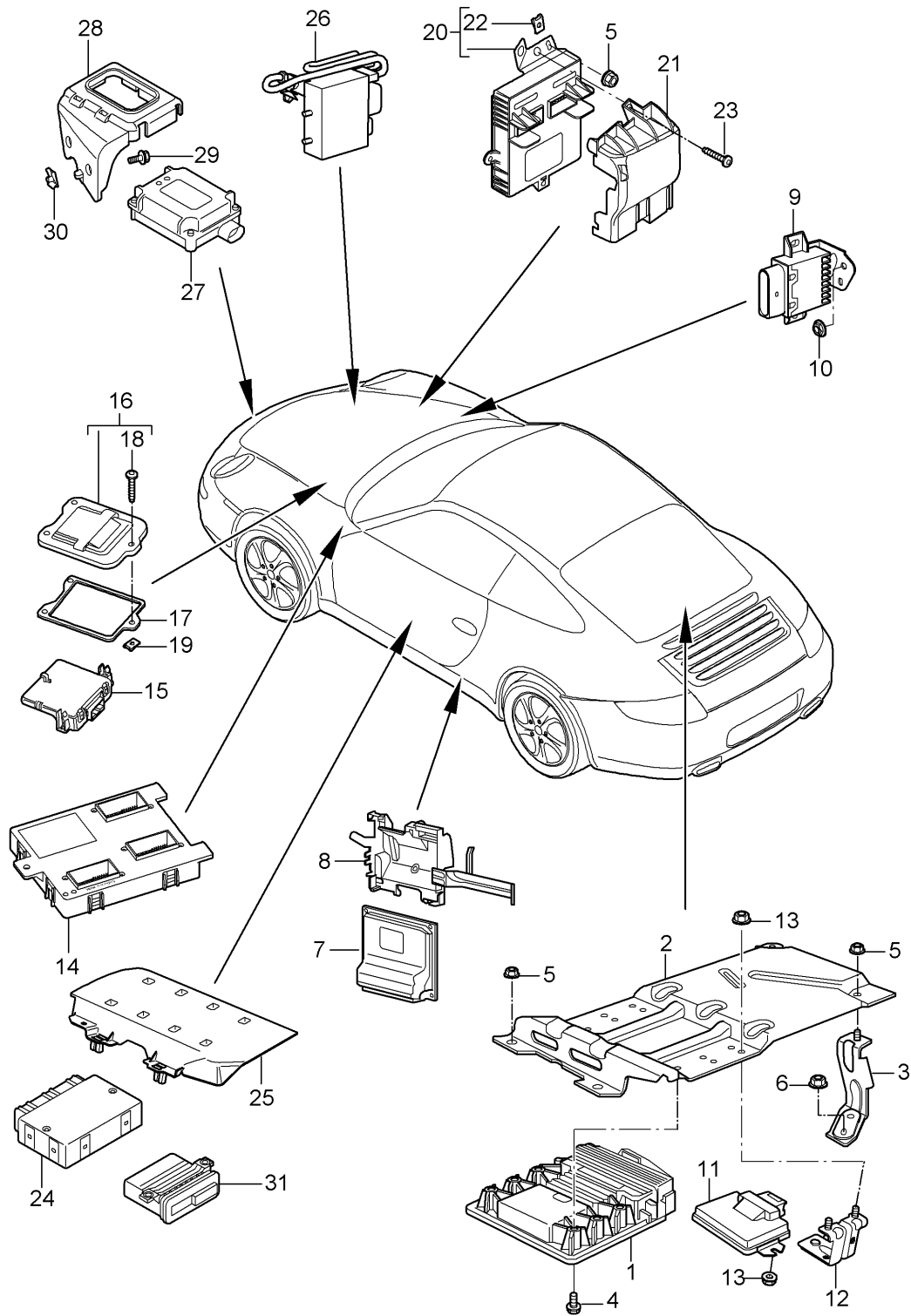
Model: 997-09

Model life 2009>>2012

| Pos | Part Number | Description | Remark | Qty | Model |
|-----|----------------|---|--------|-----|--------|
| 1 | 9A1 602 104 01 | Ignition system Ignition coil Discontinued part | | 6 | |
| 1 | 9A1 602 104 02 | Ignition coil Discontinued part | | 6 | |
| 1 | 9A1 602 104 03 | Ignition coil | | 6 | |
| 2 | 999 170 130 90 | Spark plug FGR 5NQE | | 6 | |
| 2 | 999 170 232 90 | Spark plug FGR 4NQE | | 6 | PR:X51 |
| 3 | 999 073 103 01 | D - MJ 2010>> flat round head bolt M 6 X 16 | | 6 | |

Model: 997-09

Model life 2009>>2012



Model: 997-09 Model life 2009>>2012

| Pos | Part Number | Description | Remark | Qty | Model |
|-----|----------------|---|---------|-----|-----------------------------|
| 1 | 997 618 607 05 | Control units Control unit - dme - | | 1 | |
| 2 | 997 618 133 00 | Retainer for control units - dme - | | 1 | COUPE/TARGA |
| (2) | 997 618 141 00 | Retainer for control units - dme - | | 1 | CABRIO |
| 3 | 997 618 134 00 | Bracket | | 1 | COUPE/TARGA |
| 4 | 999 141 044 09 | fillister hd. bolt M 6 X 16 | | 6 | |
| 5 | 999 084 629 01 | Hexagon nut M 6 | | 4 | COUPE/TARGA |
| (5) | 999 073 228 09 | panel screw 4,8 X 13 | | 3 | CABRIO |
| 6 | 999 049 025 09 | Collar nut T 5 | | 2 | COUPE/TARGA |
| 7 | 997 618 270 33 | Control unit - PDK - Discontinued part | | 1 | PR:250 |
| 7 | 997 618 270 40 | Control unit - PDK - | | 1 | PR:250 |
| 7 | 000 043 207 32 | Control unit - PDK - * Part number must be ordered * manually by indicating * vehicle ID number. No longer use the part here | | 1 | CG100+ PR:219 |
| 7 | 000 043 207 33 | Control unit - PDK - * Part number must be ordered * manually by indicating * vehicle ID number. No longer use the part here | | 1 | CG100+ PR:220 |
| 7 | 000 043 207 34 | Control unit - PDK - * Part number must be ordered * manually by indicating * vehicle ID number. No longer use the part here | | 1 | CG130+ PR:220 |
| 8 | 997 618 255 00 | Retainer for control units - PDK - | | 1 | PR:250 |
| 9 | 997 618 023 00 | Control unit for fuel pump | | 1 | PR:663 |
| 10 | 999 049 025 09 | Collar nut T 5 | | 2 | |
| - | | Control unit Convertible top control see illustration: | 811-015 | 1 | CABRIO |
| 11 | 997 618 195 11 | Control unit for four-wheel drive Discontinued part | | 1 | CARRERA 4/4S |
| 11 | 997 618 195 13 | Control unit for four-wheel drive | | 1 | CARRERA 4/4S |
| 12 | 997 618 143 00 | Bracket Control unit All-wheel | | 2 | CARRERA 4/4S COUPE/TARGA |
| 13 | 900 377 010 01 | Hexagon nut M 6 | | 6 | CARRERA 4/4S COUPE/TARGA |
| 14 | 997 618 516 01 | Onboard supply control unit | | 1 | |
| 15 | 997 610 107 04 | Control unit for gateway | | 1 | |
| 16 | 997 572 419 03 | Cover | | 1 | |
| 17 | 997 572 221 00 | Seal | | 1 | |
| 18 | 900 143 094 09 | panel screw | | 3 | |

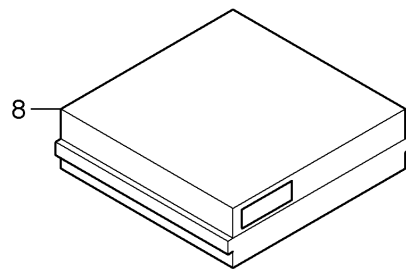
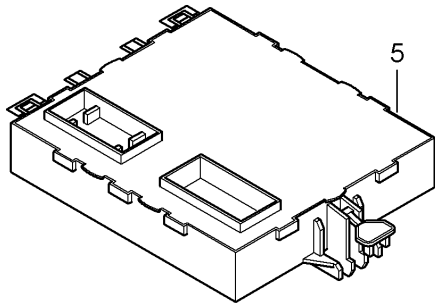
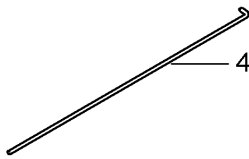
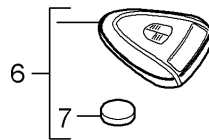
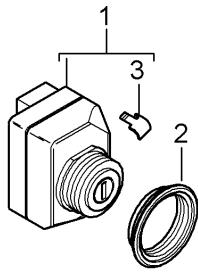
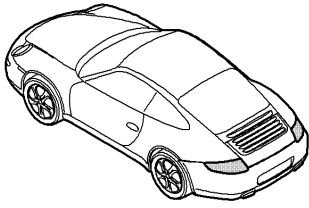
Model: 997-09

Model life 2009>>2012

| Pos | Part Number | Description | Remark | Qty | Model |
|------|----------------|--|---------|-----|--------------|
| 19 | 999 591 855 01 | ST 4,8 X 19 panel nut | | 3 | |
| 20 | 997 618 511 01 | ST 4,8 Control unit | | 1 | PR:603 |
| 20 | 997 618 512 01 | FRONT luggage compartment Control unit | | 1 | PR:601 |
| 21 | 997 551 736 00 | FRONT luggage compartment Cover for control unit | | 1 | CARRERA/S |
| (21) | 997 551 736 01 | Cover for control unit | | 1 | CARRERA 4/4S |
| 22 | 999 507 462 09 | panel nut 4,8 | | 1 | |
| 23 | 999 073 061 02 | panel screw 4,8 X 16 | | 1 | |
| 24 | 997 618 260 08 | Control unit Rear end | | 1 | |
| 25 | 997 618 381 00 | bracket for parking aid control unit | | 1 | |
| 26 | 997 618 436 03 | Control unit Cooling air control | | 1 | |
| 27 | 997 618 227 02 | Control unit for opening garage door | | 1 | PR:607 |
| 27 | 997 618 227 03 | Discontinued part Control unit for opening garage door | | 1 | PR:607 |
| 28 | 997 618 257 00 | Bracket Control unit Garage door opener | | 1 | |
| 29 | 900 075 505 01 | Bolt with washer M 6 X 20 | | 2 | |
| 30 | 999 591 882 01 | panel nut M 6 | | 2 | |
| 31 | 997 618 183 01 | Control unit for parking aid Sensor | | 1 | PR:635 |
| | | see illustration: | 802-005 | | |

Model: 997-09

Model life 2009>>2012



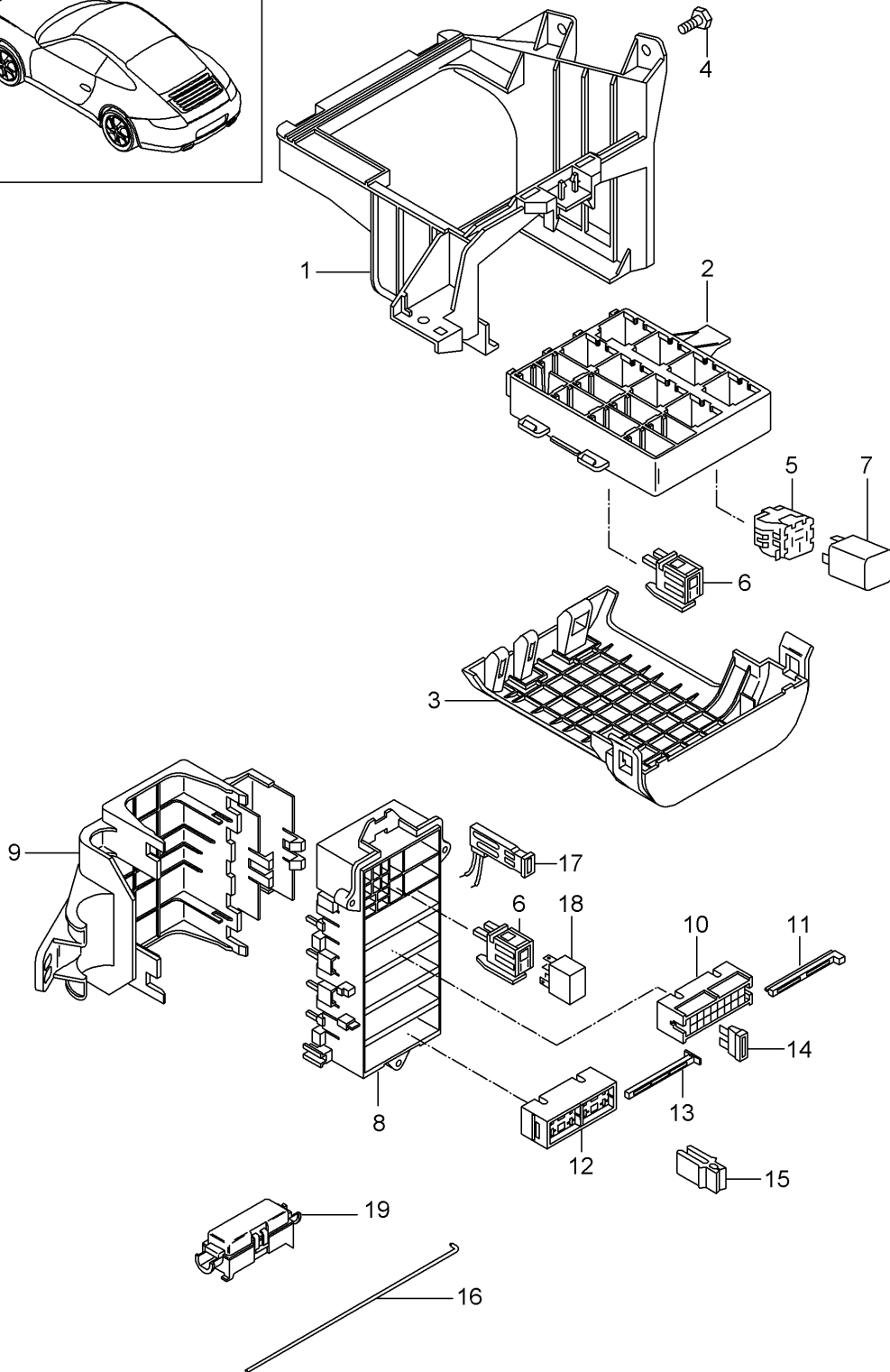
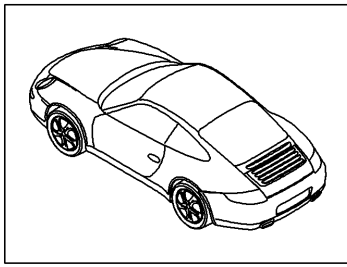
Model: 997-09

Model life 2009>>2012

| Pos | Part Number | Description | Remark | Qty | Model |
|-----|----------------|---|--------|-----|-------------------------|
| 1 | 997 618 159 04 | Control units Ignition/starter switch PORSCHE ACCES SYSTEM Control unit | | 1 | |
| 2 | 997 618 759 00 | Ignition/starter switch Nut | | 1 | |
| 3 | 997 618 361 00 | Cover Release | | 1 | |
| 4 | 970 618 761 00 | Handheld transmitter Emergency operation Release | | 1 | |
| 5 | 997 618 172 15 | Ignition/starter switch Control unit for central locking PORSCHE ACCESS SYSTEM D >> - MJ 2010 | | 1 | PR:525 |
| 5 | 997 618 172 16 | Discontinued part Control unit for central locking PORSCHE ACCESS SYSTEM | | 1 | PR:525 |
| - | 997 612 053 01 | Connecting line Aerial amplifier Control unit POS. 5 | lhd | 1 | PR:665,098 |
| 6 | 997 637 109 01 | Handheld transmitter | | 1 | COUPE PR:525 |
| 6 | 997 637 109 01 | Handheld transmitter | | 1 | CABRIO PR:525,533 |
| 6 | 997 637 109 01 | Handheld transmitter | | 1 | SPEEDSTER PR:525,503 |
| (6) | 997 637 103 01 | Handheld transmitter | | 1 | CABRIO PR:525 |
| (6) | 997 637 103 01 | Handheld transmitter | | 1 | TARGA PR:525 |
| 7 | 999 611 108 00 | Battery for hand sender | | 1 | |
| 8 | 997 618 210 01 | Sensor for interior monitoring | | 1 | |

Model: 997-09

Model life 2009>>2012



Model: 997-09 Model life 2009>>2012

| Pos | Part Number | Description | Remark | Qty | Model |
|------|----------------|--------------------------------|--------|-----|--------|
| | | central electrics dashboard | | | |
| 1 | 997 610 117 01 | bracket for relay bracket | lhd | 1 | PR:098 |
| 2 | 997 610 110 01 | relay plate | | 1 | |
| | | Mounting frame | | | |
| 3 | 997 610 112 00 | Cover | | 1 | |
| | | Mounting frame | | | |
| 4 | 900 378 155 01 | Hexagon bolt | | 2 | |
| | | M 6 X 16 ASP | | | |
| (4) | 900 377 010 01 | Hexagon nut | | 1 | |
| | | M 6 | | | |
| 5 | 928 610 511 00 | relay plate | | X | |
| 6 | 999 650 538 40 | relay plate | | X | |
| 7 | | Relay | | | |
| (7) | 999 657 015 90 | Relay | | 1 | |
| | | Fuel pump | | | |
| | | relay location/code no.: | S2 | | |
| (7) | 999 657 015 90 | Relay | | 1 | |
| | | KL. 86S | | | |
| | | relay location/code no.: | S4 | | |
| (7) | 999 657 013 90 | Relay | | 1 | |
| | | - dme - | | | |
| | | relay location/code no.: | S11 | | |
| (7) | 999 657 013 90 | Relay | | 1 | |
| | | heater | | | |
| | | relay location/code no.: | S12 | | |
| (7) | 999 657 013 90 | Relay | | 1 | PR:288 |
| | | Headlight washer system | | | |
| | | relay location/code no.: | S14 | | |
| (7) | 999 657 013 90 | Relay | | 1 | |
| | | Starter | | | |
| | | relay location/code no.: | S15 | | |
| (7) | 999 657 013 90 | Relay | | 1 | |
| | | KL. 15 | | | |
| | | relay location/code no.: | S16 | | |
| 8 | 997 610 340 00 | Carrier | | 1 | |
| 9 | 997 610 341 00 | Cover | | 1 | |
| 10 | 999 650 209 40 | fuse holder | | 4 | |
| 11 | 999 650 210 40 | slide valve | | 4 | |
| 12 | 999 650 750 40 | fuse holder | | 1 | |
| 13 | 999 650 749 40 | slide valve | | 1 | |
| 14 | 999 607 082 00 | fuse | | X | |
| | | 5 A | | | |
| (14) | 999 607 083 00 | fuse | | X | |
| | | 7 , 5 A | | | |
| (14) | 999 607 084 00 | fuse | | X | |
| | | 10 A | | | |
| (14) | 999 607 085 00 | fuse | | X | |
| | | 15 A | | | |
| (14) | 999 607 087 00 | fuse | | X | |
| | | 25 A | | | |
| (14) | 999 607 088 00 | fuse | | X | |
| | | 30 A | | | |
| (14) | 999 607 072 00 | fuse | | X | |
| | | 30 A | | | |
| | | Large | | | |
| (14) | 999 607 073 00 | fuse | | X | |
| | | 40 A | | | |
| | | Large | | | |
| 15 | 999 107 300 40 | Tool | | X | |
| - | 997 610 195 25 | Assignment sticker | | X | |
| | | fuse | | | |
| 16 | 997 618 761 00 | Emergency operation | | 1 | |

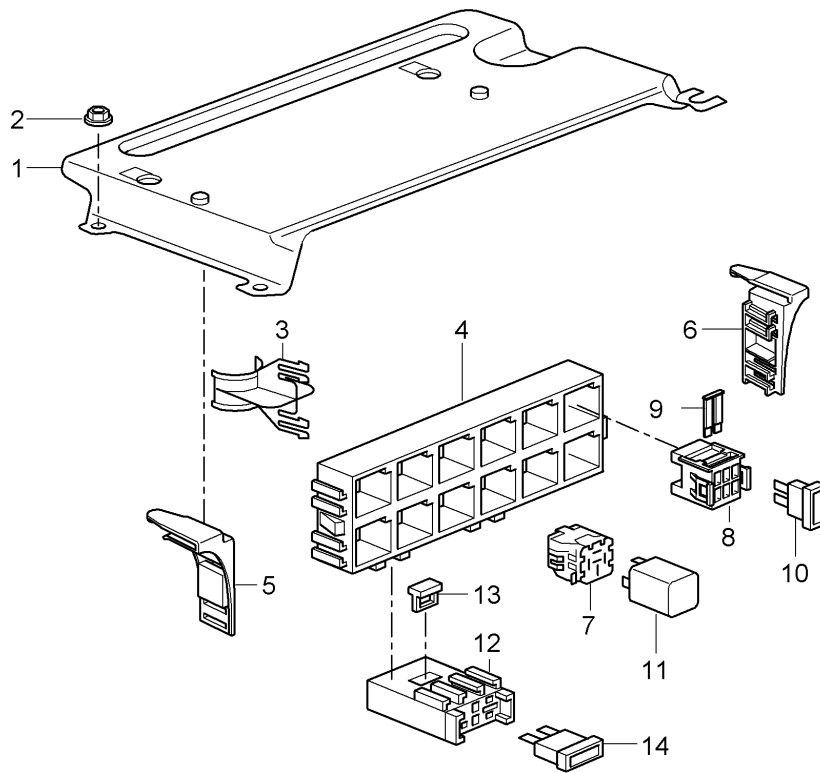
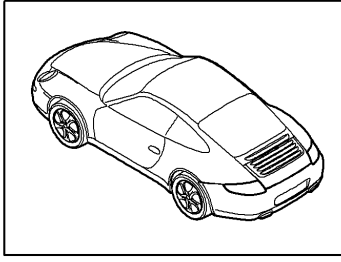
Model: 997-09

Model life 2009>>2012

| Pos | Part Number | Description | Remark | Qty | Model |
|-----|----------------|--|---------|-----|-------|
| 16 | 970 618 761 00 | Release Ignition/starter switch Discontinued part Emergency operation | | 1 | |
| - | | Release Ignition/starter switch Emergency operation Cover | | | |
| 17 | 996 610 240 00 | Terminal clamp | | 1 | |
| 18 | 999 657 014 90 | Relay | | 1 | |
| 19 | 997 610 915 00 | fuse holder | | 1 | |
| | | with: | | | |
| | | fuse 80 A for Cooling air control | | | |
| - | | Cover for housing fuse | | X | |
| | | see illustration: | 807-002 | | |

Model: 997-09

Model life 2009>>2012

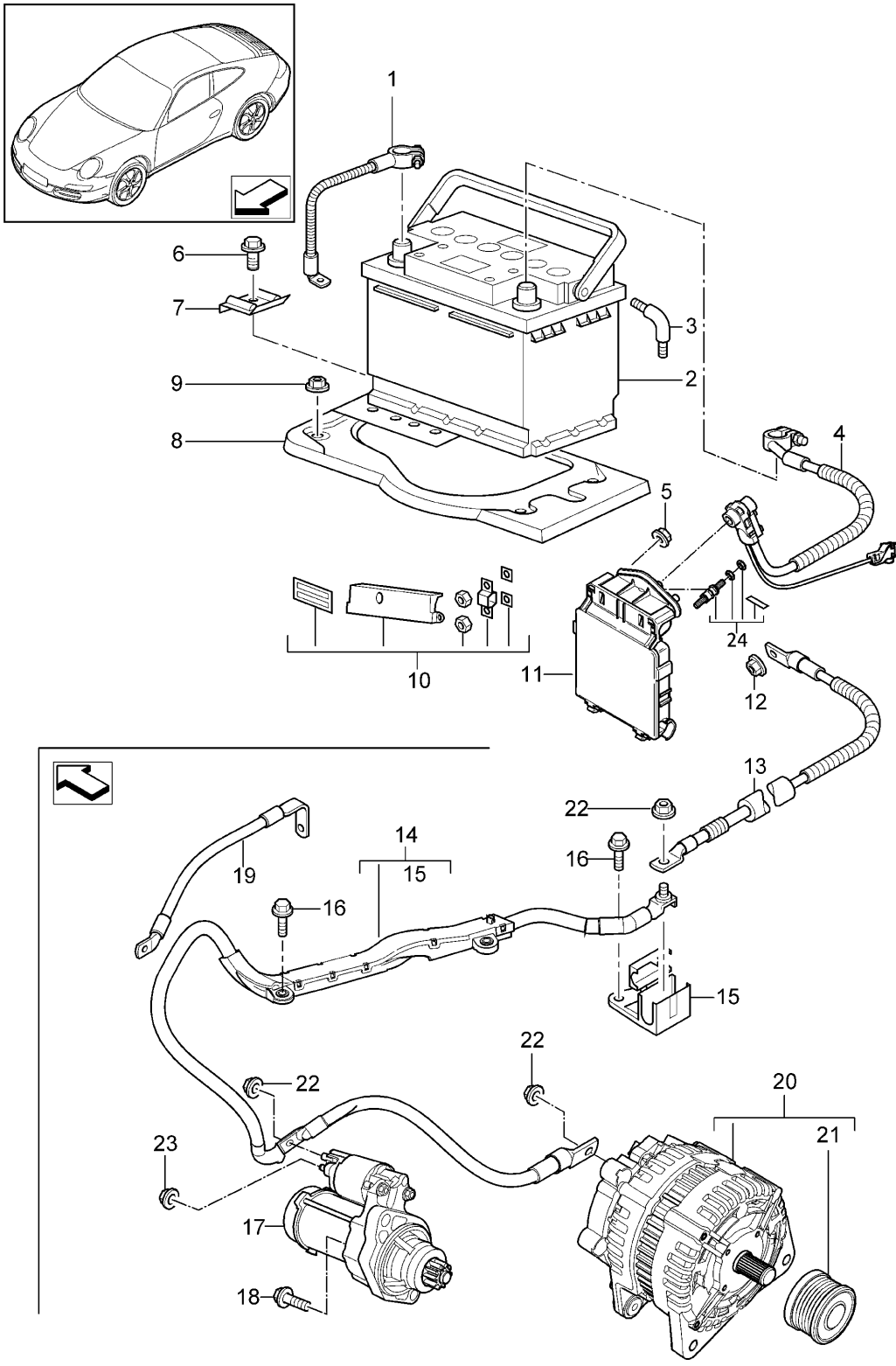


Model: 997-09 Model life 2009>>2012

| Pos | Part Number | Description | Remark | Qty | Model |
|------|----------------|---------------------------|--------|-----|-------------|
| | | central electrics | | | |
| | | Rear end | | | |
| 1 | 996 610 229 03 | mounting plate | | 1 | COUPE/TARGA |
| 2 | 999 084 629 01 | Hexagon nut | | 2 | COUPE/TARGA |
| | | M 6 | | | |
| 3 | 996 610 112 00 | Cable holder | | 1 | COUPE/TARGA |
| (3) | 996 610 115 00 | Cable holder | | 1 | CABRIO |
| 4 | 996 610 111 00 | relay plate | | X | |
| | | Mounting frame | | | |
| 5 | 987 610 118 00 | bracket for relay bracket | right | 1 | COUPE/TARGA |
| (5) | 996 610 126 00 | bracket for relay bracket | right | 1 | CABRIO |
| 6 | 987 610 117 00 | bracket for relay bracket | left | 1 | COUPE/TARGA |
| (6) | 996 610 127 00 | bracket for relay bracket | left | 1 | CABRIO |
| - | 996 610 128 00 | Retaining clip | | 2 | CABRIO |
| - | 999 074 059 01 | flat round head bolt | | 2 | CABRIO |
| | | M 5 | | | |
| 7 | 928 610 511 00 | relay plate | | X | |
| 8 | 999 650 747 40 | fuse holder | | 1 | |
| 9 | 999 650 748 40 | Locking mechanism | | 1 | |
| 10 | 999 607 084 00 | fuse | | X | |
| | | 10 A | | | |
| 10 | 999 607 098 00 | fuse | | X | |
| | | 3 A | | | |
| 11 | | Relay | | | |
| (11) | 999 657 013 90 | Relay | | 1 | COUPE |
| | | Rear window heating | | | |
| | | relay location/code no.: | S1 | | |
| (11) | 996 615 112 00 | Relay | | 1 | CABRIO |
| | | Rear window heating | | | |
| | | relay location/code no.: | S2 | | |
| (11) | 999 657 013 90 | Relay | | 1 | |
| | | Fan | | | |
| | | Engine bay | | | |
| | | relay location/code no.: | S7 | | |
| (11) | 999 657 013 90 | Relay | | 1 | |
| | | Fan | | | |
| | | Engine bay | | | |
| | | relay location/code no.: | S8 | | |
| (11) | 999 657 017 90 | Relay | | 1 | PR:661 |
| | | Secondary pump | | | |
| | | relay location/code no.: | S9 | | |
| 12 | 999 650 193 40 | fuse holder | | 2 | |
| 13 | 999 650 371 40 | Locking mechanism | | 2 | |
| 14 | 999 607 073 00 | fuse | | X | |
| | | 40 A | | | |
| | | Rear window heating | | | |
| 14 | 999 607 077 00 | fuse | | X | PR:661 |
| | | 60 A | | | |
| | | Secondary pump | | | |

Model: 997-09

Model life 2009>>2012



Model: 997-09 Model life 2009>>2012

| Pos | Part Number | Description | Remark | Qty | Model |
|------|----------------|---------------------------|--------|-----|--------------|
| 1 | 997 611 090 00 | Battery | | | |
| - | 900 377 010 01 | Power distributor | | | |
| | | Starter | | | |
| | | Alternator | | | |
| | | Earth line | lhd | 1 | PR:098 |
| | | Hexagon nut | | 1 | |
| | | M 6 | | | |
| (2) | 999 611 070 20 | Battery | | 1 | |
| | | 70 AH | | | |
| 2 | 999 611 080 20 | Battery | | 1 | |
| | | 80 AH | | | |
| 3 | 893 915 507 | Elbow fitting | | 1 | |
| 4 | 997 612 993 00 | repair set | lhd | 1 | PR:098 |
| | | Wire set | | | |
| | | Battery | | | |
| | | Power distributor | | | |
| | | Discontinued part | | | |
| (4) | 997 612 908 00 | repair set | lhd | 1 | PR:098 |
| | | Wire set | | | |
| | | Battery | | | |
| | | Power distributor | | | |
| | | see | | | |
| | | Technical information | | | |
| | | 9789 | | | |
| (4) | 997 612 909 00 | repair set | rhd | 1 | PR:099 |
| | | Wire set | | | |
| | | Battery | | | |
| | | Power distributor | | | |
| | | see | | | |
| | | Technical information | | | |
| | | 9789 | | | |
| 5 | 900 380 005 01 | Nut | | 2 | |
| | | VM 8 | | | |
| 6 | 900 378 017 01 | Hexagon bolt | | 1 | |
| | | M 8 X 20 | | | |
| 7 | 996 611 209 01 | Rail | | 1 | |
| | | Battery | | | |
| 8 | 997 504 151 00 | Carrier plate for battery | | 1 | CARRERA/S |
| (8) | 997 504 151 01 | Carrier plate for battery | | 1 | CARRERA 4/4S |
| - | 996 504 622 00 | Seal for battery tray | | 1 | CARRERA/S |
| - | 996 504 622 01 | Seal | | 1 | CARRERA 4/4S |
| | | Carrier plate for battery | | | |
| 9 | 999 084 630 01 | Hexagon nut | | 4 | |
| | | VM 8 SB | | | |
| 10 | 997 610 912 00 | repair set | | 1 | |
| | | Replacement | | | |
| | | Fuse element | | | |
| | | comprising: | | | |
| - | | Fuse element | | 1 | |
| | | 50 AMPERE | | | |
| - | | Fuse element | | 1 | |
| | | 70 AMPERE | | | |
| - | | Fuse element | | 1 | |
| | | 80 AMPERE | | | |
| - | | Hexagon nut | | 4 | |
| | | M 5 | | | |
| - | | square washer | | 4 | |
| - | | Cover | | 1 | |
| | | blue | | | |
| - | | Seal label | | 1 | |
| | | red | | | |
| (10) | 997 610 913 00 | repair set | | 1 | |
| | | Replacement | | | |

Model: 997-09 Model life 2009>>2012

| Pos | Part Number | Description | Remark | Qty | Model |
|------|----------------|--|--------|-----|------------|
| - | | Fuse element comprising: Fuse element 150 AMPERE | | 1 | |
| - | | Hexagon nut M 8 | | 2 | |
| - | | square washer | | 2 | |
| - | | Cover blue | | 1 | |
| - | | Seal label red | | 1 | |
| 11 | 997 610 911 00 | repair set Replacement Power distributor comprising: Power distributor | | 1 | |
| - | | without: Fuse element | | 1 | |
| - | | Hexagon nut M 5 | | 8 | |
| - | | Hexagon nut M 8 | | 3 | |
| - | | Seal label red | | 1 | |
| 12 | 900 084 123 02 | Hexagon nut M 8 | | 1 | |
| 13 | 997 612 090 25 | Cable Power distributor Connection point | lhd | 1 | PR:098,480 |
| (13) | 997 612 091 25 | Cable Power distributor Connection point | lhd | 1 | PR:098,250 |
| - | 999 084 629 01 | Hexagon nut M 6 | | 1 | PR:250 |
| - | 900 075 497 01 | Bolt with washer M 5 X 10 | | 1 | PR:250 |
| - | 999 651 404 01 | Cable fastener 16,0 for Mount POS. 13 | | 1 | PR:480 |
| - | 999 084 629 01 | Hexagon nut M 6 for Cable fastener | | 1 | PR:480 |
| 14 | 9A1 607 019 01 | Wire set with: | | 1 | PR:480 |
| (14) | 9A1 607 018 01 | Connection point Alternator Starter Wire set with: | | 1 | PR:250 |
| 15 | 997 607 201 00 | Connection point (complete) | | 1 | PR:480 |
| (15) | 9A1 607 230 00 | Cover Connection point | | 1 | PR:250 |
| 16 | 900 385 009 01 | Torx screw BM 6 X 16 | | 4 | PR:480,250 |
| 17 | 9A1 604 103 00 | Starter | | 1 | |
| 17 | 9A1 604 103 X | Starter | | 1 | |

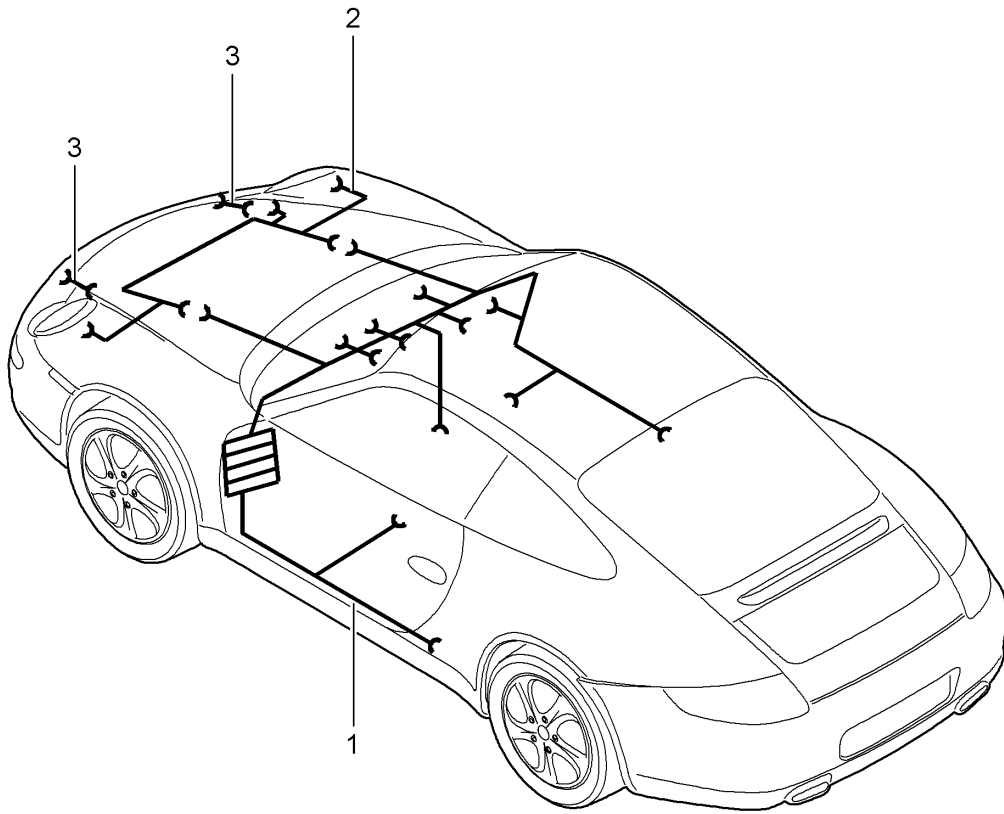
Model: 997-09

Model life 2009>>2012

| Pos | Part Number | Description | Remark | Qty | Model |
|-----|----------------|---|--------|------------------------------|-------|
| 18 | 900 385 097 01 | Torx screw BM 10 X 35 | | 2 | |
| 19 | 9A1 607 030 01 | Earth line Engine Body | | 1 | |
| 20 | 9A1 603 012 00 | Alternator | | 1 | |
| 20 | 9A1 603 012 X | Alternator | | 1 | |
| 21 | 9A1 603 953 00 | repair set pulley | | 1 | |
| - | | Fasteners Alternator | | | |
| - | 900 385 102 01 | Torx screw BM 8 X 90 | | 2 | |
| 22 | 900 377 003 01 | Hexagon nut M 8 | | 3 | |
| 23 | 900 377 010 02 | Hexagon nut M 6 | | 1 | |
| 24 | 997 610 916 00 | repair set Screw bolt Power distributor comprising: Screw bolt Nut Seal label | | 1 1 2 1 | |

Model: 997-09

Model life 2009>>2012



Model: 997-09 Model life 2009>>2012

| Pos | Part Number | Description | Remark | Qty | Model |
|-----|----------------|---|--------|-----|------------------------|
| 1 | 997 612 903 00 | Wiring looms Passenger compartment FRONT luggage compartment Trim Airbag Seat belt tensioner repair kits Shock absorbers anti-locking brake syst. -abs- brake pad wear display Front axle | front | 1 | |
| 1 | 997 612 914 00 | Wire set Passenger compartment Vehicle Ident. No. Indicate | | 1 | PR:XES |
| - | 996 610 120 01 | Wire set Lighting Sill trim strip | | 1 | |
| - | 999 651 302 40 | Bracket Socket Diagnostic connector Retaining clip | | X | |
| - | 999 651 284 40 | Wire set Passenger compartment Sill Retaining clip | | X | |
| 2 | 997 612 521 25 | Wire set Passenger compartment Sill | | 1 | PR:601 |
| 2 | 997 612 521 26 | FRONT luggage compartment D >> - 30.04.2010 | | 1 | PR:601 |
| (2) | 997 612 522 25 | Wire set FRONT luggage compartment F >> A9-AS706 358 F >> A9-AS740 286 F >> A9-AS720 627 F >> A9-AS754 685 | | 1 | CARRERA 2/2S |
| 2 | 997 612 522 25 | Wire set FRONT luggage compartment D >> - 30.04.2010 | | 1 | PR:603 PR:603 |
| 2 | 997 612 522 26 | Wire set FRONT luggage compartment D - 01.05.2010>> | | 1 | PR:603 |
| (2) | 997 612 522 75 | Wire set FRONT luggage compartment D - MJ 2009>> - MJ 2009 Discontinued part | | 1 | CARRERA 4/4S PR:603 |
| 2 | 997 612 522 76 | Wire set FRONT luggage compartment D >> - 30.04.2010 | | 1 | PR:603 |
| (2) | 997 612 522 78 | Wire set FRONT luggage compartment D - 01.05.2010>> | | 1 | PR:603 |
| - | 997 610 215 01 | Cable guide for Sensor Airbag | | 2 | |
| 3 | 997 612 501 25 | Wire set | front | 2 | |

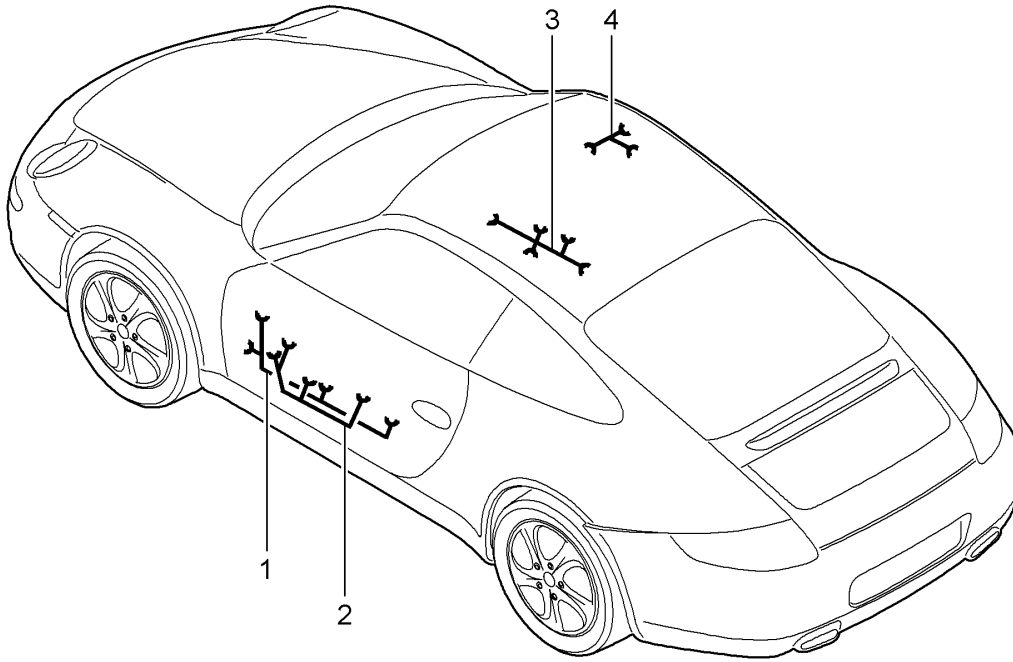
Model: 997-09

Model life 2009>>2012

| Pos | Part Number | Description | Remark | Qty | Model |
|-----|----------------|--|--|-----|-------------|
| - | 997 612 781 25 | Trim Wire set Airbag (passenger side) Setting 1 Connector green | | 1 | |
| - | 997 612 783 25 | Wire set Airbag (passenger side) Setting2 Connector yellow | | 1 | |
| - | 997 612 992 00 | Wire set Control unit Airbag Connection point Door | | 2 | |
| - | | Wire set Airbag Seat | | | |
| - | 997 612 793 01 | Wire set Seat belt tensioner | see illustration: 817-006 | 2 | |
| - | 997 612 950 00 | repair set Wire set Shock absorbers | front | 2 | PR:030,475 |
| - | | repair set Wire set anti-locking brake syst. -abs- brake pad wear display Front axle | | | |
| - | 997 612 961 00 | Repair set for front axle Wire set | left front | 1 | CARRERA/S |
| - | 997 612 965 00 | Repair set for front axle Wire set | left front | 1 | CARRERA4/4S |
| - | 997 612 960 00 | Repair set for front axle Wire set | right front | 1 | CARRERA/S |
| - | 997 612 964 00 | Repair set for front axle Wire set | right front | 1 | CARRERA4/4S |
| - | 999 513 049 40 | Cable ties repair set Wire set Rear axle | use if required: see illustration: 902-020 | 4 | |

Model: 997-09

Model life 2009>>2012

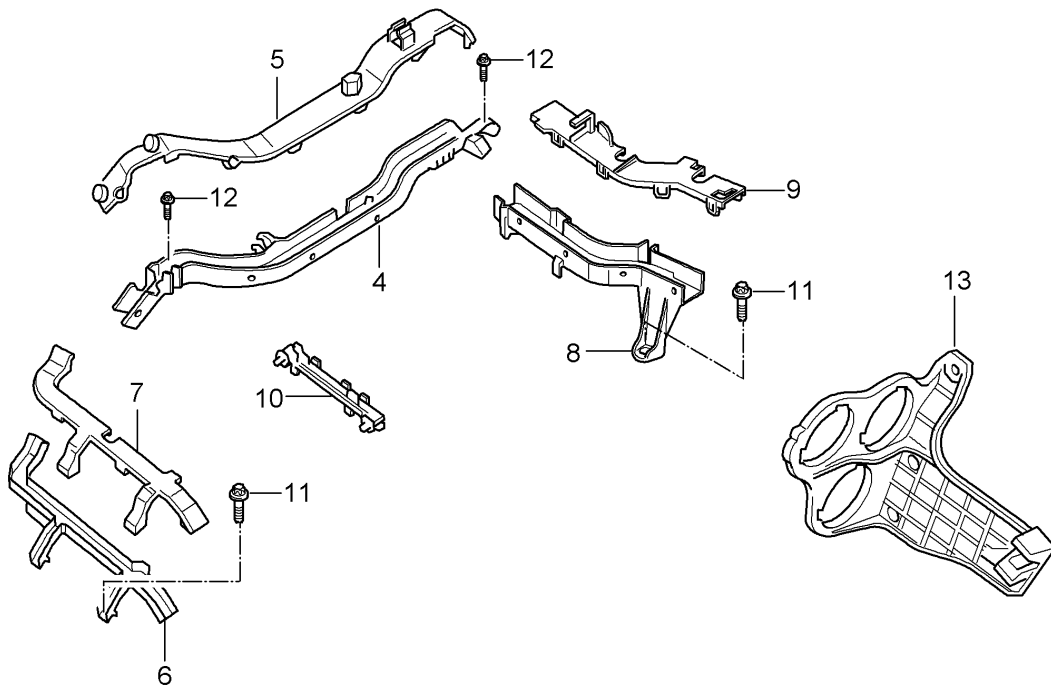
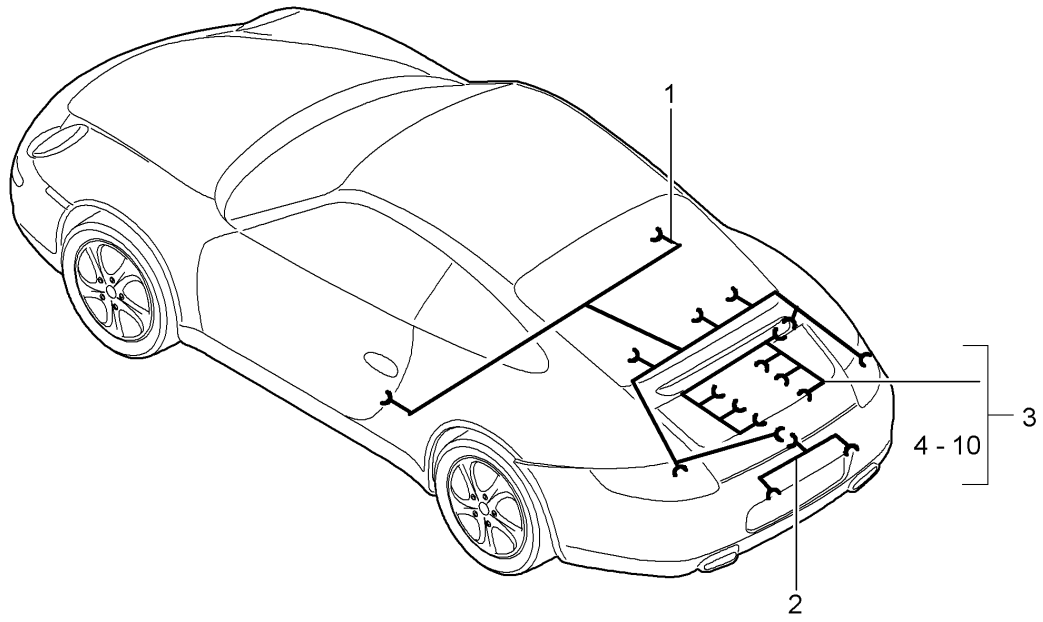


Model: 997-09 Model life 2009>>2012

| Pos | Part Number | Description | Remark | Qty | Model |
|-----|----------------|--|--------------------|-----|--------|
| 1 | 997 612 642 07 | Wiring looms doors Airbag Centre console Glove box Targa roof Convertible top control Support frame | lhd | 1 | PR:098 |
| (1) | 997 612 643 57 | Wire set Assembly frame Driver's door | lhd | 1 | PR:098 |
| - | 997 612 780 16 | Wire set Airbag | | 2 | |
| 2 | 997 612 647 10 | Wire set door panel Driver's door | lhd | 1 | PR:098 |
| (2) | 997 612 648 10 | Wire set door panel Passenger's door | lhd | 1 | PR:098 |
| 3 | 997 612 652 75 | Wire set | | 1 | |
| 4 | 997 612 651 00 | Centre console Wire set Glove box | | 1 | |
| - | | Wire set Targa roof | | 1 | TARGA |
| - | | Wire set Convertible top control see illustration: | 811-002 | 1 | CABRIO |
| - | | Wire set Support frame see illustration: | 811-007 811-015 | 1 | CABRIO |

Model: 997-09

Model life 2009>>2012



Model: 997-09 Model life 2009>>2012

| Pos | Part Number | Description | Remark | Qty | Model |
|-----|----------------|---|--------|-----|---------------------|
| 1 | 997 612 904 00 | Wiring looms Rear end Additional brake light Licence plate light Engine Gearbox repair kits Shock absorbers anti-locking brake syst. -abs- brake pad wear display Rear axle Wire set Rear end Vehicle Ident. No. Indicate | | 1 | |
| - | 997 612 670 71 | Wire set Cover D - MJ 2010>> | rear | 1 | PR:XAA |
| - | 997 612 681 00 | Wire set Additional brake light | | 1 | CABRIO |
| - | 997 612 681 85 | Wire set Additional brake light Connection point convertible top stowage box Cover | | 1 | SPEEDSTER PR:503 |
| - | 997 612 701 85 | Wire set Additional brake light Connection point convertible top stowage box Cover Connection point | | 1 | SPEEDSTER PR:503 |
| - | 997 610 255 00 | Rear end Protective hose for Wire set | | 1 | CABRIO SPEEDSTER |
| 2 | 997 612 660 01 | Wire set Licence plate light | | 1 | |
| (2) | 997 612 661 25 | Wire set Parking aid Licence plate light | | 1 | PR:635 |
| 3 | 9A1 607 011 02 | Wire set Engine D >> - MJ 2009 | | 1 | A101 |
| 3 | 9A1 607 011 03 | Wire set Engine D - MJ 2010>> | | 1 | A101 |
| (3) | 9A1 607 011 90 | Wire set Engine D >> - MJ 2010 Discontinued part | | 1 | A101+ PR:X51 |
| (3) | 9A1 607 011 91 | Wire set Engine | | 1 | A101+ PR:X51 |
| 3 | 9A1 607 010 02 | Wire set Engine D >> - MJ 2009 | | 1 | A102 |
| 3 | 9A1 607 010 03 | Wire set Engine D - MJ 2010>> | | 1 | A102 |
| - | 999 702 324 40 | Grommet Air mass meter | | 1 | |
| 4 | 9A1 607 110 00 | Cable guide Crankcase housing | | 1 | |
| (4) | 9A1 607 165 40 | Cable holder | | 1 | PR:X51 |

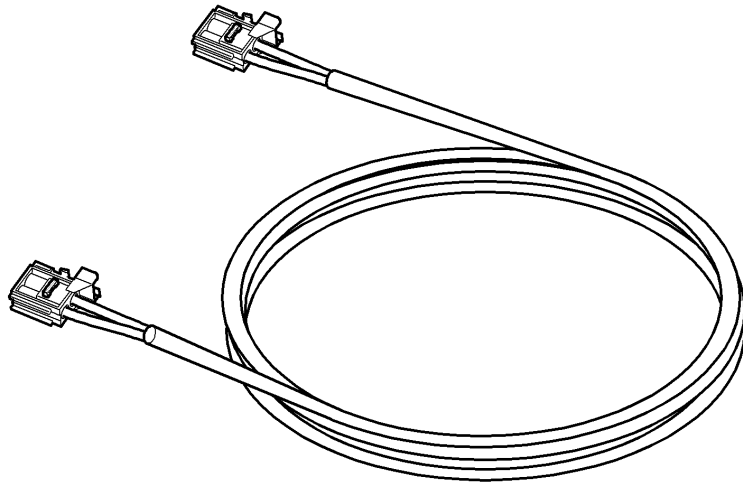
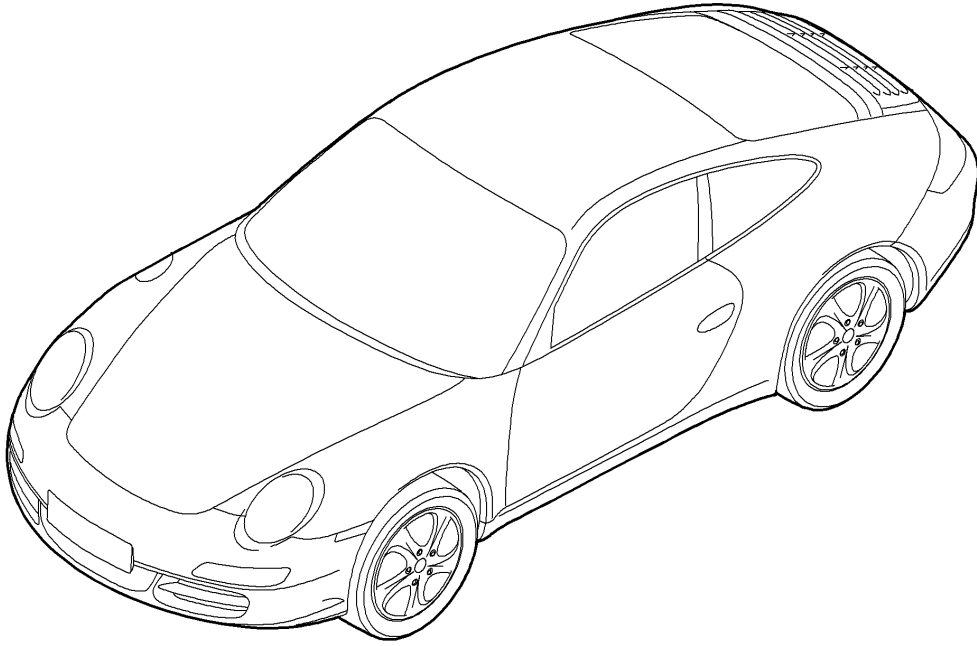
Model: 997-09

Model life 2009>>2012

| Pos | Part Number | Description | Remark | Qty | Model |
|-----|----------------|---|------------|-----|------------|
| 5 | 9A1 607 120 00 | Crankcase housing Cover | | 1 | |
| 6 | 9A1 607 111 01 | Cable guide | | 1 | |
| (6) | 9A1 607 163 40 | Cable holder Cyl. 1 - 3 | | 1 | PR:X51 |
| 7 | 9A1 607 121 00 | Cable guide Cover | | 1 | |
| 8 | 9A1 607 112 01 | Cable guide Cyl. 4 - 6 | | 1 | |
| (8) | 9A1 607 161 40 | Cable holder Cyl. 4 - 6 | | 1 | PR:X51 |
| (8) | 999 511 124 01 | Clamp 25 X 15 | | 1 | PR:X51 |
| - | 9A1 607 167 40 | Bracket Wire set Engine | | 1 | PR:X51 |
| | | with: | | | |
| - | 9A1 607 167 41 | Cable ties for Wire set 9A1.607.011.90 Bracket Wire set Engine for Wire set 9A1.607.011.91 | | 1 | PR:X51 |
| 9 | 9A1 607 122 00 | Cable guide Cover | | 1 | |
| 10 | 9A1 607 113 00 | Cable guide | | 2 | |
| 11 | 900 385 044 01 | Fuel collection pipe Torx screw BM 8 X 16 | | 2 | |
| 12 | 900 385 009 01 | Torx screw BM 6 X 16 | | 2 | |
| 13 | 997 610 131 00 | Bracket Connection point Wire set Engine | | 1 | |
| - | 997 612 950 00 | repair set Wire set Shock absorbers | rear | 2 | PR:030,475 |
| - | | repair set Wire set anti-locking brake syst. -abs- brake pad wear display Rear axle | | | |
| - | 997 612 967 00 | Repair set for rear axle Wire set | left rear | 1 | |
| - | 997 612 966 00 | Repair set for rear axle Wire set | right rear | 1 | |
| - | 999 507 960 02 | use if required: | | 4 | |
| - | | Cable holder repair set Wire set Front axle see illustration: | 902-010 | | |

Model: 997-09

Model life 2009>>2012



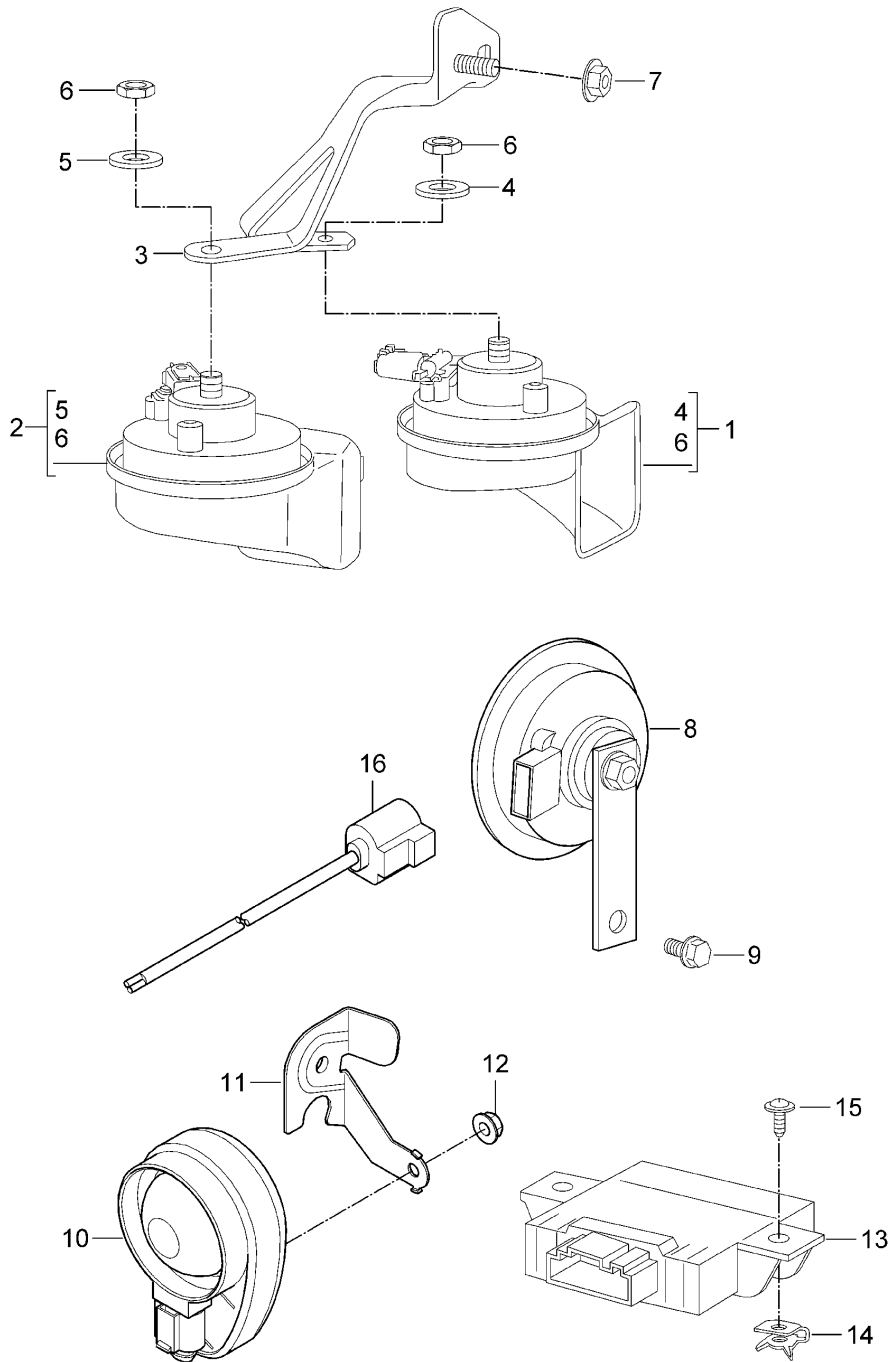
Model: 997-09

Model life 2009>>2012

| Pos | Part Number | Description | Remark | Qty | Model |
|-----|----------------|--|--------|-----|--------------------|
| - | | fibre optic wave conductor for CARRERA / S | | | |
| - | 997 622 701 25 | fibre optic wave conductor Module | lhd | 1 | PR:098,665, 680 |
| - | | for Carrera 4/4S | | | |
| - | 997 622 701 25 | fibre optic wave conductor Module | lhd | 1 | PR:098,665, 680 |
| - | 999 650 091 40 | Plug inserts fibre optic wave conductor | | X | |

Model: 997-09

Model life 2009>>2012

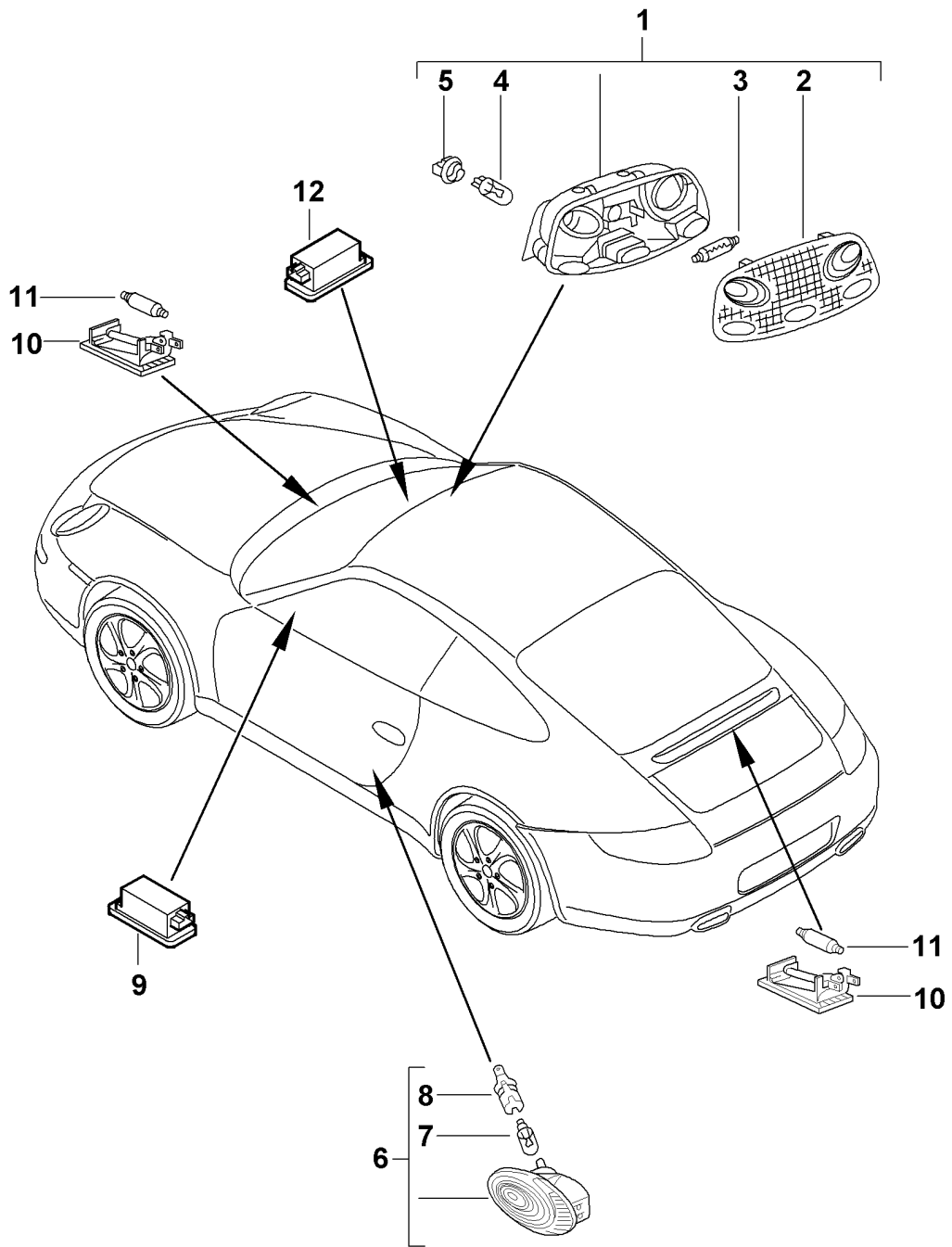


Model: 997-09 Model life 2009>>2012

| Pos | Part Number | Description | Remark | Qty | Model |
|-----|----------------|---|--------------------------------|-----|-------|
| 1 | 997 635 206 03 | Fanfare Signal horn Fanfare High-pitched Discontinued part | | 1 | |
| 1 | 997 635 206 04 | Fanfare High-pitched No longer use the part here | | 1 | |
| 1 | 997 635 216 00 | Fanfare High-pitched see Technical information GR.9 NR.100/13 KD-NR.9050 | | 1 | |
| - | 997 612 947 00 | Adapter cable see Technical information GR.9 NR.100/13 KD-NR.9050 | | 1 | |
| 2 | 997 635 205 03 | Fanfare Low-pitched Discontinued part | | 1 | |
| 2 | 997 635 205 04 | Fanfare Low-pitched No longer use the part here | | 1 | |
| (2) | 997 635 215 00 | Fanfare Low-pitched see Technical information GR.9 NR.100/13 KD-NR.9050 | | 1 | |
| - | 997 612 947 00 | Adapter cable see Technical information GR.9 NR.100/13 KD-NR.9050 | | 1 | |
| 3 | 997 635 150 04 | Bracket for fanfare Discontinued part | | 1 | |
| 3 | 997 635 150 05 | Bracket for fanfare | | 1 | |
| 4 | | Washer High-pitched | | 1 | |
| 5 | | Washer Low-pitched | | 1 | |
| 6 | 900 034 001 04 | Nut M 8 | | 2 | |
| 7 | 900 377 003 03 | Hexagon nut M 8 | | 1 | |
| 8 | 996 637 117 03 | Signal horn for alarm system | | 1 | |
| 8 | 996 637 117 05 | Signal horn for alarm system Replacement for 996.637.117.03 | | 1 | |
| 9 | 900 075 459 01 | Bolt with washer M 6 X 12 Z2 | use if required: 9P1 998 003 A | 1 | |
| 16 | 9P1 998 003 A | Wire set Modification kit Signal horn | | 1 | |

Model: 997-09

Model life 2009>>2012



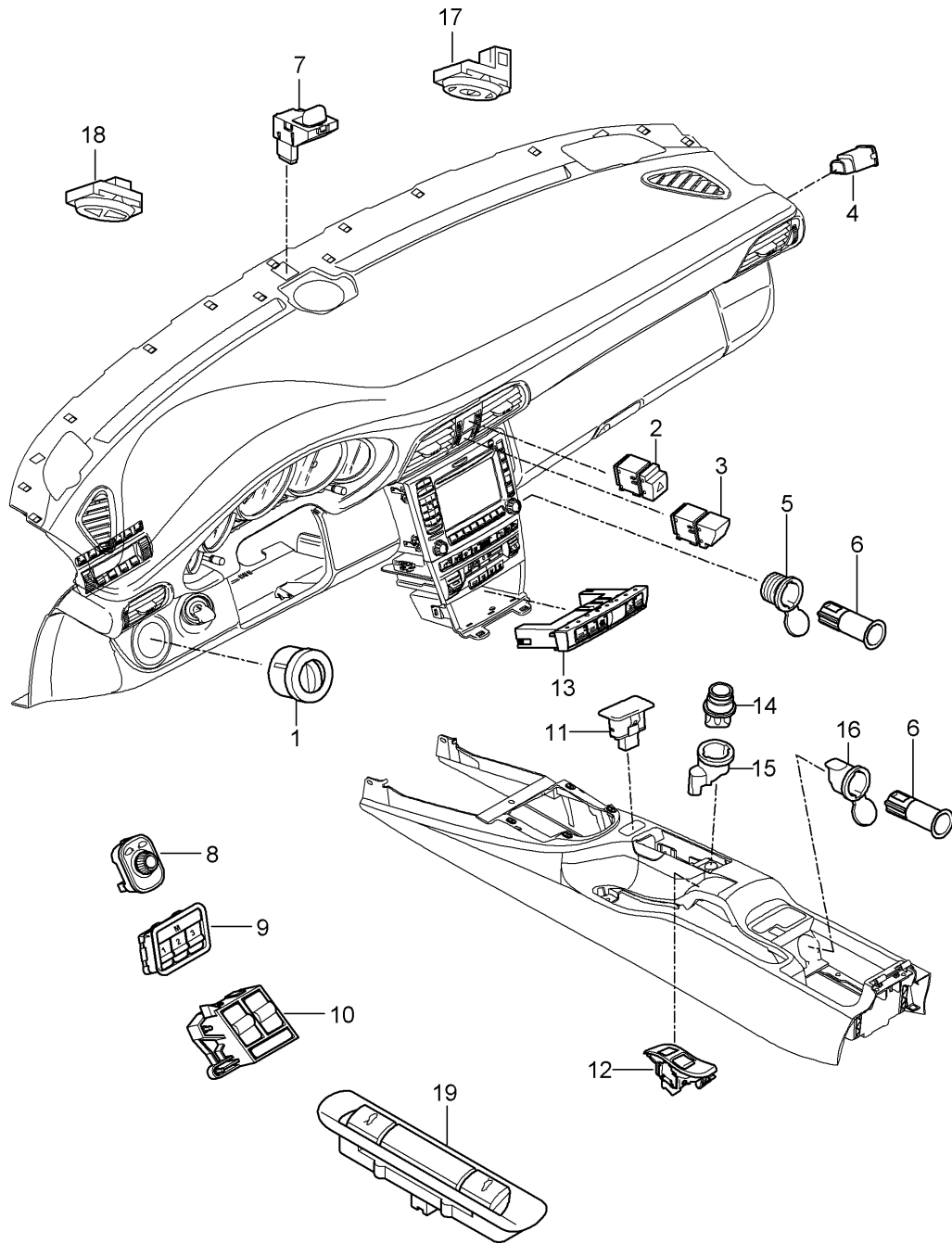
Model: 997-09

Model life 2009>>2012

| Pos | Part Number | Description | Remark | Qty | Model |
|-----|----------------|--------------------------|--------|-----|-----------|
| | | Interior lights | | | |
| | | Luggage compartment lamp | | | |
| | | Engine compartment light | | | |
| | | Glove box light | | | |
| | | Footwell light | | | |
| 1 | 997 632 051 00 | interior light | | 1 | PR:-503 |
| 1 | 987 632 053 00 | interior light | | 1 | SPEEDSTER |
| | | | | | PR:503 |
| 2 | 996 632 151 00 | Lens | | 1 | PR:-503 |
| 3 | 900 631 106 90 | Linolite lamp | | 1 | PR:-503 |
| | | 10 W | | | |
| 4 | 999 631 134 90 | bulb | | 2 | PR:-503 |
| | | 6 W | | | |
| 4 | 999 631 032 90 | bulb | | 1 | SPEEDSTER |
| | | 6 W | | | PR:503 |
| 5 | 999 632 018 00 | Bulb holder | | 2 | |
| 6 | 996 632 132 01 | Door warning light | | 2 | |
| (6) | 996 632 135 00 | Light tray | | 2 | TARGA |
| | | Luggage | | | |
| 7 | 999 631 032 90 | bulb | | 2 | |
| | | 5 W | | | |
| 8 | 161 949 111 | Bulb holder | | 2 | |
| 9 | 955 632 202 00 | Light | | 2 | |
| | | Footwell | | | |
| 10 | 997 632 201 00 | Light | | 2 | |
| | | Engine bay | | | |
| | | Luggage compartment | | | |
| 11 | 900 631 106 90 | Linolite lamp | | 2 | |
| | | 10 W | | | |
| 12 | 997 632 071 00 | Glove box light | | 1 | |
| - | 999 631 147 90 | bulb | | 4 | |
| | | 3 W | | | |
| | | Vanity mirror | | | |

Model: 997-09

Model life 2009>>2012



Model: 997-09

Model life 2009>>2012

| Pos | Part Number | Description | Remark | Qty | Model |
|------|--------------------|--|--------|-----|---------------------|
| 1 | 997 613 525 00 | Switch switch for lighting | | 1 | |
| | 997 613 525 00 A05 | Matt black | | | |
| 2 | 997 613 120 02 | Hazard warning light sw. Discontinued part | | 1 | |
| | 997 613 120 02 A05 | Matt black | | | |
| 2 | 997 613 120 03 | Hazard warning light sw. | | 1 | |
| | 997 613 120 03 A05 | Matt black | | | |
| 3 | 997 613 143 00 | Switch Central locking system | | 1 | |
| | 997 613 143 00 A05 | Matt black | | | |
| 4 | 997 613 211 00 | Switch Airbag | | 1 | |
| | 997 613 211 00 B41 | Satin black | | | |
| 5 | 997 652 103 00 | clamping ring | | 1 | |
| | | with: | | | |
| 6 | 955 652 107 00 | Cover Socket | | 2 | |
| 7 | 997 653 251 00 | Sensor Air conditioning | | 1 | PR:573 |
| 8 | 997 613 241 01 | Switch Exterior mirror | | 1 | |
| | 997 613 241 01 A05 | Matt black | | | |
| 9 | 997 613 103 01 | Memory switch | left | 1 | PR:537 |
| | 997 613 103 01 A05 | Matt black | | | |
| (9) | 997 613 104 00 | Memory switch | right | 1 | PR:538 |
| | 997 613 104 00 A05 | Matt black | | | |
| 10 | 997 613 151 10 | Switch for electric window regulator (drivers side) Discontinued part | | 1 | COUPE/TARGA |
| | 997 613 151 10 A05 | Matt black | | | |
| 10 | 997 613 151 11 | Switch for electric window regulator (drivers side) | | 1 | COUPE/TARGA |
| | 997 613 151 11 A05 | Matt black | | | |
| (10) | 997 613 153 10 | Switch for electric window regulator (drivers side) Discontinued part | | 1 | CABRIO |
| | 997 613 153 10 A05 | Matt black | | | |
| (10) | 997 613 153 11 | Switch for electric window regulator (drivers side) | | 1 | CABRIO |
| | 997 613 153 11 A05 | Matt black | | | |
| (10) | 997 613 156 11 | Switch for electric window regulator (passenger side) | | 1 | |
| | 997 613 156 11 A05 | Matt black | | | |
| 11 | 997 641 165 01 | warning lamp Airbag | | 1 | |
| | 997 641 165 01 A05 | Matt black | | | |
| 12 | 997 613 141 12 | Switch for convertible roof control | | 1 | CABRIO |
| | 997 613 141 12 A05 | Matt black | | | |
| (12) | 997 613 161 00 | Switch for convertible roof control | | 1 | SPEEDSTER PR:503 |
| | 997 613 161 00 A05 | Matt black | | | |
| (12) | 997 613 119 12 | switch for roller blind Glass roof | | 1 | TARGA |
| | 997 613 119 12 A05 | Matt black | | | |
| 13 | 997 613 541 00 | Combined switch | | 1 | PR:029,476 |

Model: 997-09 Model life 2009>>2012

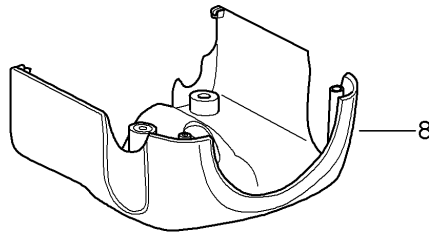
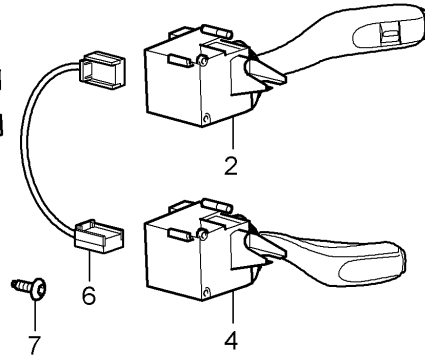
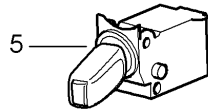
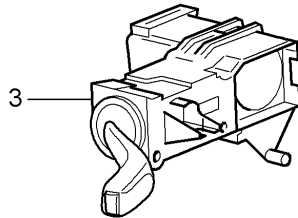
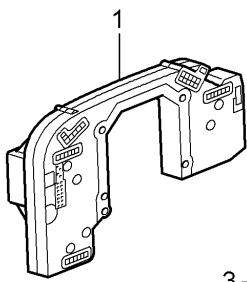
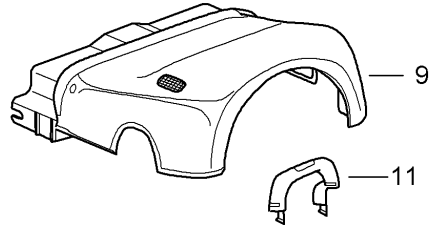
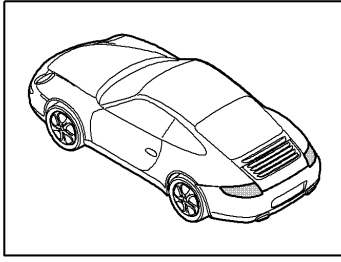
| Pos | Part Number | Description | Remark | Qty | Model |
|------|--------------------|-------------------|--------|-----|--------------|
| | | D >> - MJ 2011 | | | |
| 13 | 997 613 541 00 A05 | Matt black | | 1 | PR:029,476 |
| | 997 613 541 02 | Combined switch | | | |
| | | D - MJ 2012>> | | | |
| (13) | 997 613 541 02 A05 | Matt black | | 1 | PR:029,476, |
| | 997 613 543 01 | Combined switch | | | 480,639,640 |
| | | D >> - MJ 2011 | | | |
| (13) | 997 613 543 01 A05 | Matt black | | 1 | PR:029,476, |
| | 997 613 543 02 | Combined switch | | | 480,639,640 |
| | | D - MJ 2012>> | | | |
| (13) | 997 613 543 02 A05 | Matt black | | 1 | PR:030,475, |
| | 997 613 545 00 | Combined switch | | | 476,-756 |
| | | D >> - MJ 2011 | | | |
| (13) | 997 613 545 00 A05 | Matt black | | 1 | PR:030,475, |
| | 997 613 545 02 | Combined switch | | | 476 |
| | | D - MJ 2012>> | | | |
| (13) | 997 613 545 02 A05 | Matt black | | 1 | PR:030,475, |
| | 997 613 547 00 | Combined switch | | | 476,480,639, |
| | | D >> - MJ 2011 | | | 640 |
| | | Discontinued part | | | |
| (13) | 997 613 547 00 A05 | Matt black | | 1 | PR:030,475, |
| | 997 613 547 01 | Combined switch | | | 476,480,639, |
| | | D >> - MJ 2011 | | | 640 |
| (13) | 997 613 547 01 A05 | Matt black | | 1 | PR:030,475, |
| | 997 613 547 02 | Combined switch | | | 476,480,639, |
| | | D - MJ 2012>> | | | 640 |
| (13) | 997 613 547 02 A05 | Matt black | | 1 | PR:029,176, |
| | 997 613 549 01 | Combined switch | | | 476 |
| | | D >> - MJ 2011 | | | |
| (13) | 997 613 549 01 A05 | Matt black | | 1 | PR:029,176, |
| | 997 613 549 02 | Combined switch | | | 476 |
| | | D - MJ 2012>> | | | |
| (13) | 997 613 549 02 A05 | Matt black | | 1 | PR:029,176, |
| | 997 613 551 01 | Combined switch | | | 476,480,639, |
| | | D >> - MJ 2011 | | | 640 |
| (13) | 997 613 551 01 A05 | Matt black | | 1 | PR:029,176, |
| | 997 613 551 02 | Combined switch | | | 476,480,639, |
| | | D - MJ 2012>> | | | 640 |
| (13) | 997 613 551 02 A05 | Matt black | | 1 | PR:030,176, |
| | 997 613 553 01 | Combined switch | | | 475,476 |
| | | D >> - MJ 2011 | | | |
| (13) | 997 613 553 01 A05 | Matt black | | 1 | PR:030,176, |
| | 997 613 553 02 | Combined switch | | | 475,476 |
| | | D - MJ 2012>> | | | |
| (13) | 997 613 553 02 A05 | Matt black | | 1 | PR:030,176, |
| | 997 613 555 01 | Combined switch | | | 475,476,480, |
| | | D >> - MJ 2011 | | | 639,640 |
| (13) | 997 613 555 01 A05 | Matt black | | 1 | PR:030,176, |
| | 997 613 555 02 | Combined switch | | | 475,476,480, |
| | | D - MJ 2012>> | | | 639,640 |

Model: 997-09 Model life 2009>>2012

| Pos | Part Number | Description | Remark | Qty | Model |
|------|--------------------------------------|--|----------------|-----|--|
| (13) | 997 613 555 02 A05 997 613 557 00 | Matt black Combined switch D >> - MJ 2011 Discontinued part | | 1 | PR:029,250, 476,639,640 |
| (13) | 997 613 557 00 A05 997 613 557 01 | Matt black Combined switch D >> - MJ 2011 | | 1 | PR:029,250, 476,639,640 |
| (13) | 997 613 557 01 A05 997 613 557 02 | Matt black Combined switch D - MJ 2012>> | | 1 | PR:029,250, 476,639,640 |
| (13) | 997 613 557 02 A05 997 613 559 01 | Matt black Combined switch D >> - MJ 2011 | | 1 | PR:030,250, 475,476,639, 640 |
| (13) | 997 613 559 01 A05 997 613 559 02 | Matt black Combined switch D - MJ 2012>> | | 1 | PR:030,250, 475,476,639, 640 |
| (13) | 997 613 559 02 A05 997 613 561 01 | Matt black Combined switch D >> - MJ 2011 | | 1 | PR:029,176, 250,476,639, 640 |
| (13) | 997 613 561 01 A05 997 613 561 02 | Matt black Combined switch D - MJ 2012>> | | 1 | PR:029,176, 250,476,639, 640 |
| (13) | 997 613 561 02 A05 997 613 563 01 | Matt black Combined switch D >> - MJ 2011 | | 1 | PR:030,176, 250,475,476, 639,640 |
| (13) | 997 613 563 01 A05 997 613 563 02 | Matt black Combined switch D - MJ 2012>> | | 1 | PR:030,176, 250,475,476, 639,640 |
| 14 | 997 613 563 02 A05 997 652 101 00 | Matt black Cigarette lighter | | 1 | |
| 15 | 997 652 101 00 A05 997 652 102 00 | Matt black Headlight unit | | 1 | |
| 16 | 997 652 104 00 | clamping ring | | 1 | |
| | | with: | | | |
| 17 | 997 613 147 01 | Cover Switch | | 1 | PR:650 |
| | 997 613 147 01 A05 | Sunroof | | | |
| 18 | 997 613 225 02 | Matt black Switch | left | 1 | PR:607,608 |
| | 997 613 225 02 A05 | Garage door opener | | | |
| (18) | 997 613 227 02 | Matt black Switch | right | 1 | PR:607,608 |
| | 997 613 227 02 A05 | Garage door opener | | | |
| (18) | 997 613 235 00 | Matt black Dummy cover | | 2 | |
| | 997 613 235 00 01C | Satin black | | | |
| 19 | 997 613 105 02 | Switch Cover | front and rear | 1 | COUPE/CABRIO |
| | 997 613 105 02 A05 | Matt black | | | |
| (19) | 997 613 107 02 | Switch Cover | front and rear | 1 | TARGA |
| | 997 613 107 02 A05 | Matt black | | | |

Model: 997-09

Model life 2009>>2012



Model: 997-09 Model life 2009>>2012

| Pos | Part Number | Description | Remark | Qty | Model |
|-----|--------------------|---|--------|-----|--------------------|
| 1 | 997 613 297 03 | Steering column switch Electronic unit | | 1 | PR:480,-345 |
| 1 | 997 613 289 01 | D - MJ 2009>> - MJ 2009 Electronic unit | | 1 | PR:250,-345 |
| 1 | 997 613 289 01 | D - MJ 2009>> - MJ 2009 Electronic unit | | 1 | PR:-345 |
| 1 | 997 613 299 01 | D - MJ 2010>> Electronic unit | | 1 | PR:345 |
| 1 | 997 613 299 02 | Discontinued part Electronic unit | | 1 | PR:345 |
| 2 | 997 613 253 00 | Wiper switch | | 1 | PR:288 |
| (2) | 997 613 253 00 01C | Satin black | | | |
| | 997 613 257 00 | Wiper switch | | 1 | PR:288,425 |
| | 997 613 257 00 01C | Satin black | | | |
| 3 | 997 613 245 00 | Direction indicator switch | | 1 | |
| | 997 613 245 00 01C | Satin black | | | |
| 4 | 997 613 261 00 | Switch | | 1 | PR:454 |
| | 997 613 261 00 01C | Cruise control Satin black | | | |
| 5 | 997 613 265 00 | switch for on-board computer | | 1 | PR:659 |
| | 997 613 265 00 01C | Satin black | | | |
| (5) | 997 613 267 00 | switch for on-board computer | | 1 | PR:659,671 |
| | 997 613 267 00 01C | Satin black | | | |
| 6 | 997 622 674 00 | Wire set | | 1 | PR:454 |
| 7 | N 909 068 01 | Cruise control Hex socket head locating bolt M 2,5 X 2,6 X 43,5-D | | X | |
| 8 | 997 552 475 02 | Switch housing | lower | 1 | |
| | 997 552 475 02 A03 | Black | | | |
| (8) | 997 552 475 03 | Switch housing | lower | 1 | PR:454 |
| | 997 552 475 03 A03 | Black | | | |
| 8 | 997 552 979 00 | Switch housing | lower | 1 | PR:XNS |
| | 997 552 979 00 A11 | Leather Black | | | |
| | 997 552 979 00 5X6 | Stone grey | | | |
| | 997 552 979 00 8G2 | Sand beige | | | |
| | 997 552 979 00 3S9 | sea blue | | | |
| | 997 552 979 00 9S5 | Terracotta | | | |
| | 997 552 979 00 9V6 | Cocoa | | | |
| | 997 552 979 00 D12 | Dark grey/natural | | | |
| | 997 552 979 00 T12 | Brown/natural | | | |
| | 997 552 979 00 N12 | Carrera Red | | | |
| (8) | 997 552 979 01 | Switch housing | lower | 1 | PR:XNS,454 |
| | 997 552 979 01 A11 | Leather Black | | | |
| | 997 552 979 01 5X6 | Stone grey | | | |
| | 997 552 979 01 8G2 | Sand beige | | | |
| | 997 552 979 01 3S9 | sea blue | | | |
| | 997 552 979 01 9S5 | Terracotta | | | |
| | 997 552 979 01 9V6 | Cocoa | | | |
| | 997 552 979 01 D12 | Dark grey/natural | | | |
| | 997 552 979 01 T12 | Brown/natural | | | |
| | 997 552 979 01 N12 | Carrera Red | | | |
| (8) | 997 552 979 02 | Switch housing | lower | 1 | PR:XNS,454, 756 |
| | 997 552 979 02 6J0 | Leather Espresso | | | |
| 9 | 997 552 273 02 | Switch housing | upper | 1 | |
| | 997 552 273 02 A03 | Black | | | |
| 9 | 997 552 997 00 | Switch housing | upper | 1 | PR:XNS |
| | 997 552 997 00 A11 | Leather Black | | | |
| | 997 552 997 00 5X6 | Stone grey | | | |

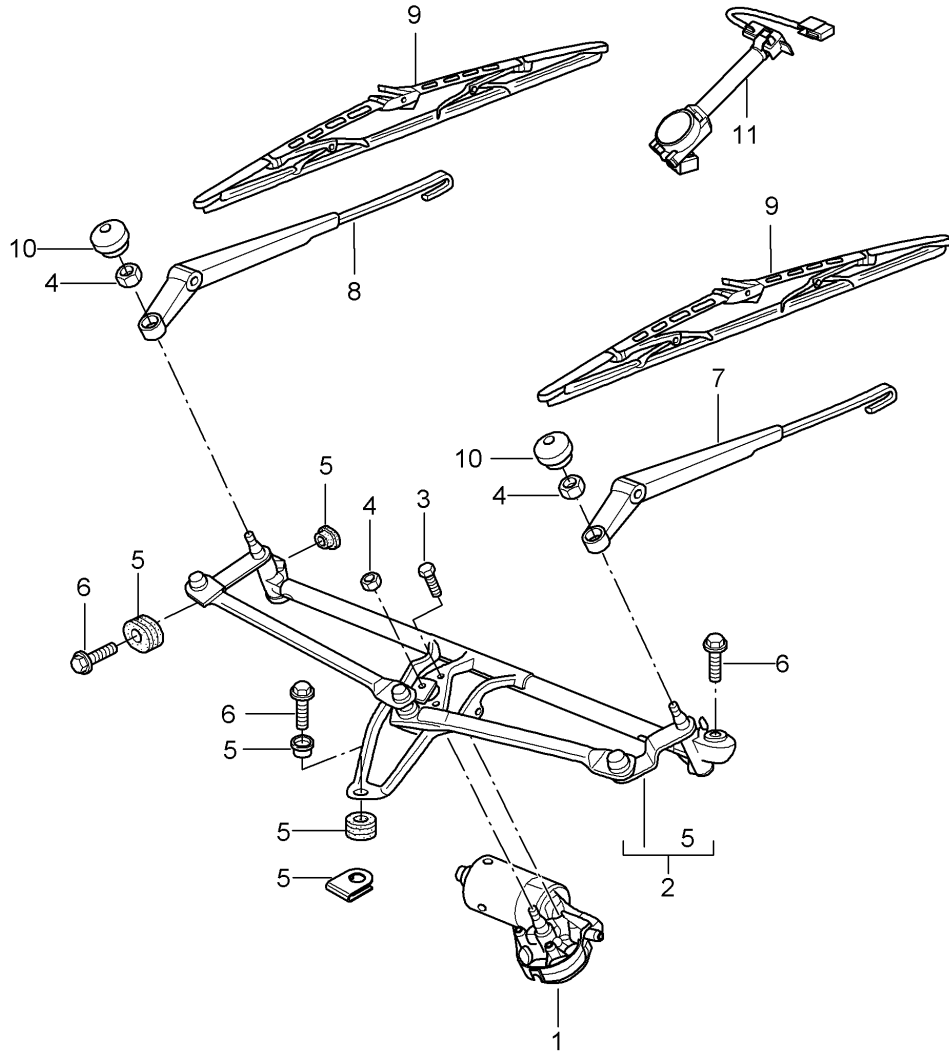
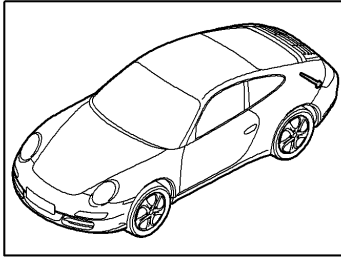
Model: 997-09

Model life 2009>>2012

| Pos | Part Number | Description | Remark | Qty | Model |
|-----|--------------------|--------------------------------|--------|-----|------------|
| | 997 552 997 00 8G2 | Sand beige | | | |
| | 997 552 997 00 3S9 | sea blue | | | |
| | 997 552 997 00 9S5 | Terracotta | | | |
| | 997 552 997 00 9V6 | Cocoa | | | |
| | 997 552 997 00 D12 | Dark grey/natural | | | |
| | 997 552 997 00 T12 | Brown/natural | | | |
| | 997 552 997 00 N12 | Carrera Red | | | |
| 9 | 997 552 997 03 | Switch housing Leather | upper | 1 | PR:XNS,756 |
| | 997 552 997 03 6J0 | Espresso | | | |
| 10 | 999 919 136 01 | fillister hd. bolt 3,5 X 18 | | 3 | |
| 11 | 997 610 206 00 | Cable guide | | 1 | |

Model: 997-09

Model life 2009>>2012



Model: 997-09

Model life 2009>>2012

| Pos | Part Number | Description | Remark | Qty | Model |
|------|----------------|--------------------------------|--------|-----|-------------|
| | | Windscreen wiper system, compl | | | |
| | | Rain sensor | | | |
| 1 | 997 624 105 01 | Wiper motor | lhd | 1 | PR:098 |
| 2 | 997 628 235 01 | Crank drive | lhd | 1 | PR:098 |
| 3 | 999 073 152 02 | Torx screw | | 3 | |
| | | M 6 X 18 | | | |
| 4 | 900 076 064 02 | Hexagon nut | | 3 | |
| | | M 8 | | | |
| 5 | 997 628 928 00 | repair set | | 1 | |
| | | comprising: | | | |
| - | | Bearing sleeve | | 1 | |
| - | | Rubber bush | | 1 | |
| - | | Bearing sleeve | | 1 | |
| - | | Rubber bush | | 1 | |
| - | | Clip | | 2 | |
| 6 | 999 075 075 01 | Bolt with washer | | 3 | |
| | | M 6 X 22 SC | | | |
| 7 | 997 628 027 00 | Wiper arm | lhd | 1 | PR:098,-503 |
| | | (drivers side) | | | |
| 7 | 987 628 027 00 | Wiper arm | lhd | 1 | SPEEDSTER |
| | | (drivers side) | | | PR:098,503 |
| 8 | 997 628 029 00 | Wiper arm | lhd | 1 | PR:098 |
| | | (passenger side) | | | |
| 9 | 996 628 901 08 | 1 set: wiper blades | front | 1 | |
| | | (drivers side) | | | |
| | | (passenger side) | | | |
| 10 | 944 628 305 01 | Cover cap | | 2 | |
| 11 | 997 612 693 00 | Rain sensor | | 1 | COUPE |
| | | with: | | | PR:268 |
| (11) | 997 612 693 25 | Wire set | | 1 | CABRIO |
| | | Rain sensor | | | PR:268 |
| | | with: | | | |
| (11) | 997 612 693 25 | Wire set | | 1 | SPEEDSTER |
| | | Rain sensor | | | PR:267,268 |
| | | with: | | | |
| (11) | 997 612 693 50 | Wire set | | 1 | TARGA |
| | | Rain sensor | | | PR:268 |
| | | with: | | | |
| (11) | 997 612 694 00 | Wire set | | 1 | COUPE |
| | | Rain sensor | | | PR:267,268 |
| | | with: | | | |
| (11) | 997 612 694 25 | Wire set | | 1 | CABRIO |
| | | Rain sensor | | | PR:267,268 |
| | | with: | | | |
| (11) | 997 612 694 50 | Wire set | | 1 | TARGA |
| | | Rain sensor | | | PR:267,268 |
| | | with: | | | |
| - | 000 043 204 65 | Wire set | | 1 | |
| | | Adhesive film | | | |
| | | for | | | |
| (11) | 997 612 695 00 | Rain sensor | | 1 | COUPE |
| | | Wire set | | | |
| | | with: | | | |
| (11) | 997 612 695 25 | Light | | 1 | CABRIO |
| | | for cars without | | | |
| | | Rain sensor | | | |
| | | Wire set | | | |
| | | with: | | | |
| | | Light | | | |
| | | for cars without | | | |

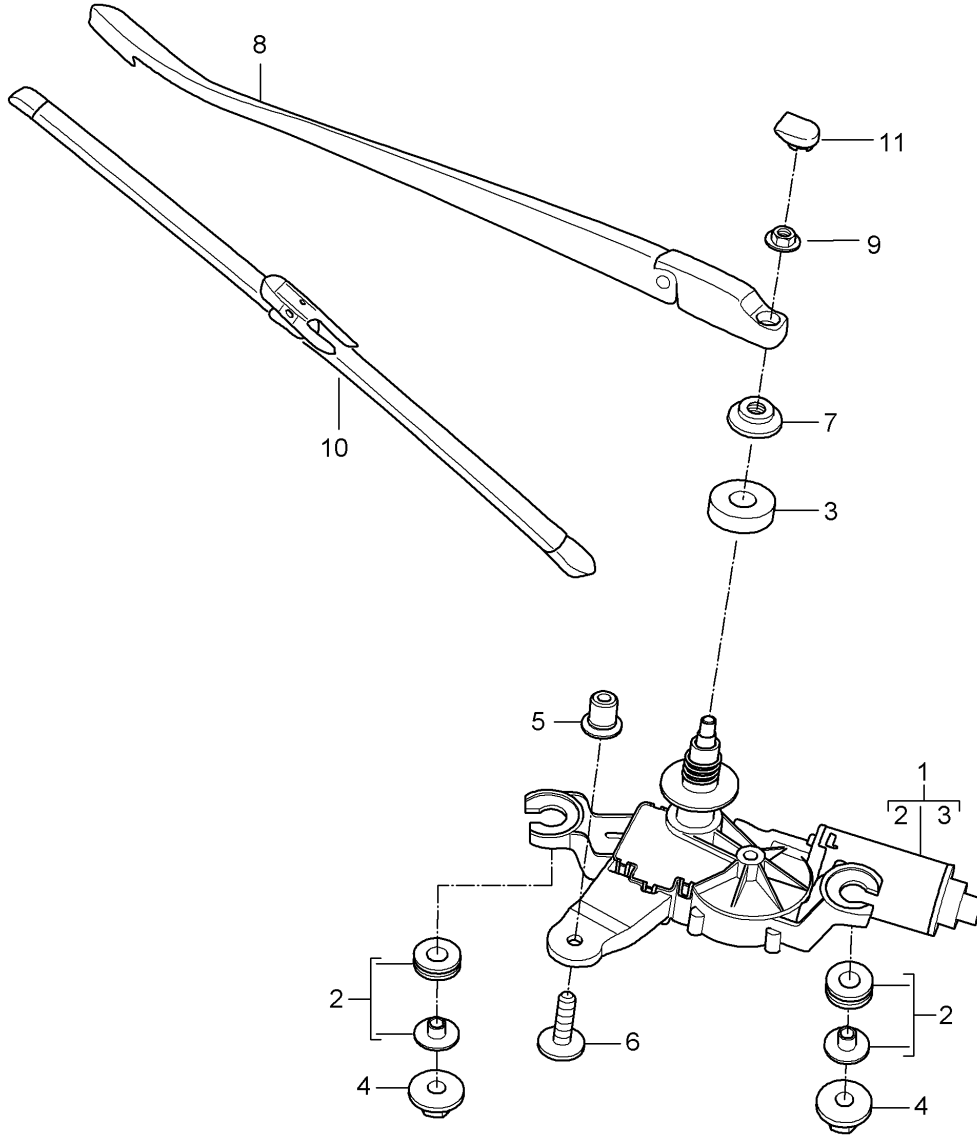
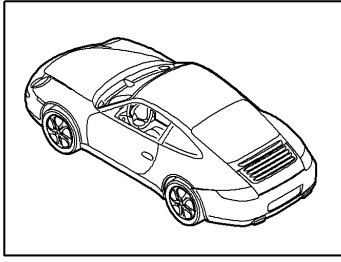
Model: 997-09

Model life 2009>>2012

| Pos | Part Number | Description | Remark | Qty | Model |
|------|----------------|--|--------|-----|-------|
| (11) | 997 612 695 50 | Rain sensor Wire set with: Light for cars without Rain sensor | | 1 | TARGA |

Model: 997-09

Model life 2009>>2012



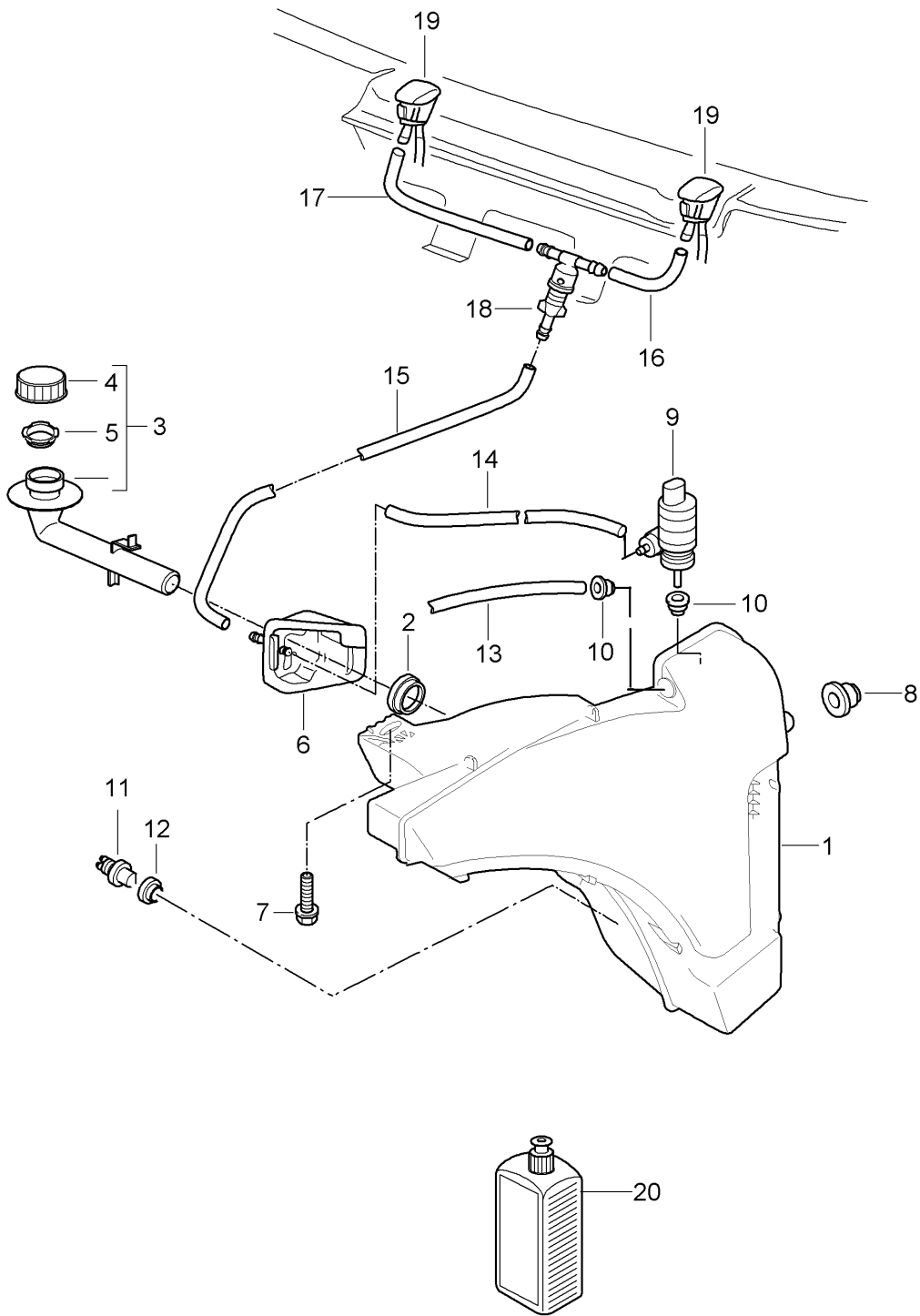
Model: 997-09

Model life 2009>>2012

| Pos | Part Number | Description | Remark | Qty | Model |
|-----|----------------|-------------------|--------|-----|--------|
| | | Rear window wiper | | | PR:425 |
| 1 | 997 628 080 00 | Wiper motor | | 1 | COUPE |
| (1) | 996 628 090 01 | Wiper motor | | 1 | TARGA |
| 2 | 997 628 908 00 | repair set | | 1 | |
| | | comprising: | | | |
| - | | Grommet | | 2 | |
| - | | bush | | 2 | |
| 3 | 997 628 910 00 | seal ring | | 1 | |
| 4 | 999 076 078 01 | Hexagon nut | | 2 | |
| | | M 6 | | | |
| 5 | 999 500 078 00 | press insert nut | | 1 | |
| 6 | 999 073 468 01 | Bolt with washer | | 1 | |
| | | M 6 X 22 SC | | | |
| 7 | 997 628 273 00 | Grommet | | 1 | |
| 8 | 997 628 169 00 | Wiper arm | | 1 | COUPE |
| (8) | 997 628 159 00 | Wiper arm | | 1 | TARGA |
| 9 | 900 377 003 03 | Hexagon nut | | 1 | |
| 10 | 997 628 189 00 | wiper blade | rear | 1 | |
| 11 | 997 628 122 00 | Cover cap | | 1 | |

Model: 997-09

Model life 2009>>2012



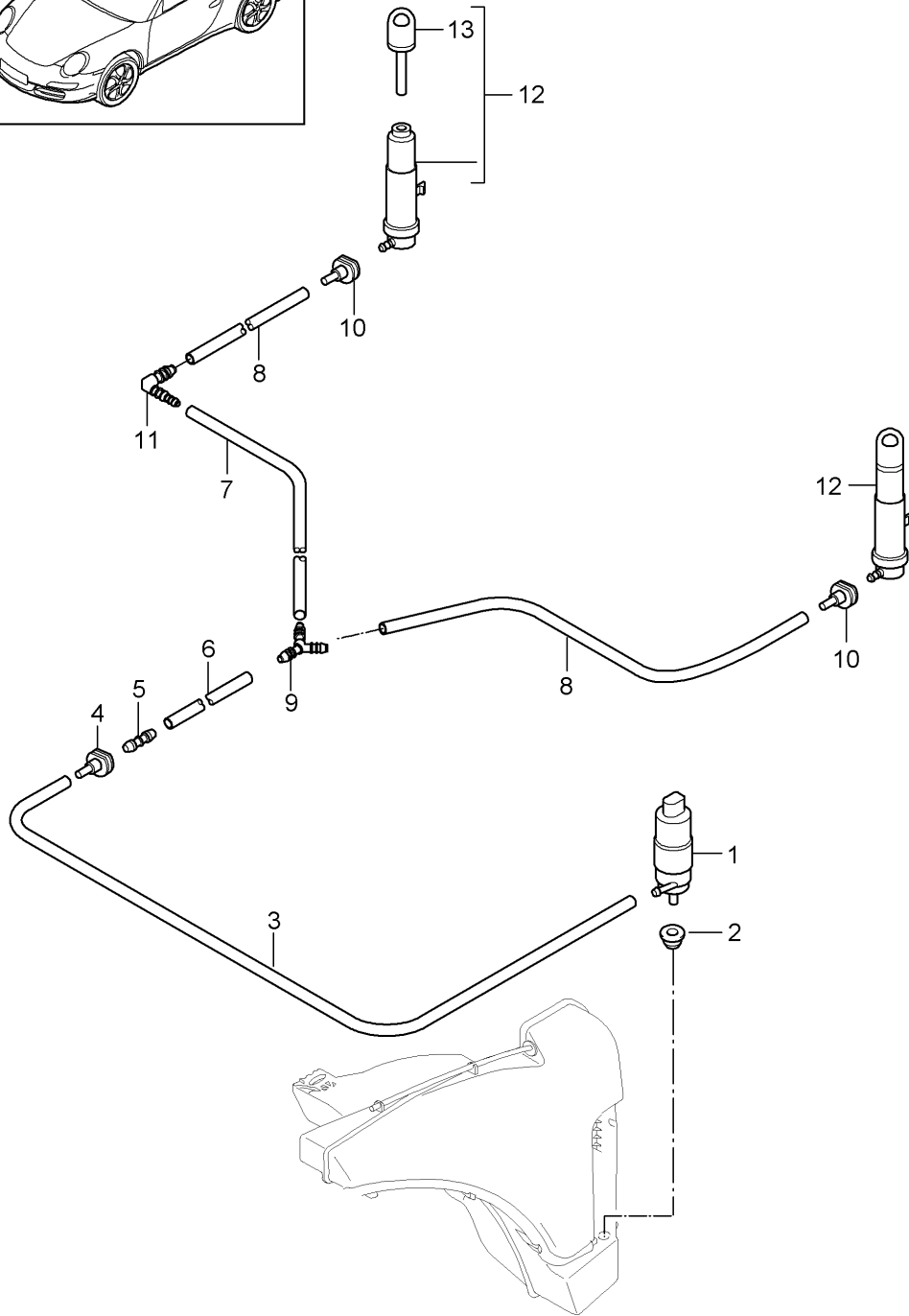
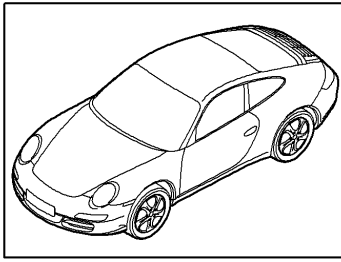
Model: 997-09

Model life 2009>>2012

| Pos | Part Number | Description | Remark | Qty | Model |
|------|----------------|---|--------|-----|--------|
| 1 | 997 528 701 01 | Windscreen washer system | | 1 | PR:288 |
| (1) | 997 528 701 00 | Water reservoir | | 1 | |
| 2 | 996 528 711 00 | Seal | | 1 | |
| 3 | 997 528 605 00 | fuel filler neck | | 1 | |
| 4 | 996 528 607 00 | Cover | | 1 | |
| 5 | 997 528 621 00 | strainer | | 1 | |
| 6 | 996 528 615 01 | Console | | 1 | |
| - | 999 137 091 40 | Connector union | | X | |
| | | Repair material for Console 996.528.615.01 | | | |
| 7 | 900 378 154 01 | Hexagon bolt AM 8 X 35 SB | | 1 | |
| 8 | 999 702 221 40 | Grommet | | 2 | |
| 9 | 997 628 182 00 | Windscreen washer system pump | | 1 | |
| 10 | 431 955 465 B | seal ring | | 2 | |
| 11 | 955 628 105 00 | Water level switch | | 1 | |
| 12 | 955 528 721 00 | Seal | | 1 | |
| 13 | 999 181 347 40 | Breather line 273 MM | | * | |
| - | 999 181 815 40 | Hose 5,0 X 2,5 | | * | |
| 14 | | shorten to: | 375 MM | 1 | |
| 15 | | shorten to: | 650 MM | 1 | |
| 16 | | shorten to: | 97 MM | 1 | |
| 17 | | shorten to: | 347 MM | 1 | |
| (18) | 999 137 005 40 | t-piece | | 1 | |
| 19 | 997 628 077 00 | jet | | 2 | |
| 20 | 999 901 017 42 | Window cleaning solution 250 ML Summer | | X | |
| 20 | 999 901 033 40 | Window cleaning solution 1000 ML Winter | | X | |

Model: 997-09

Model life 2009>>2012



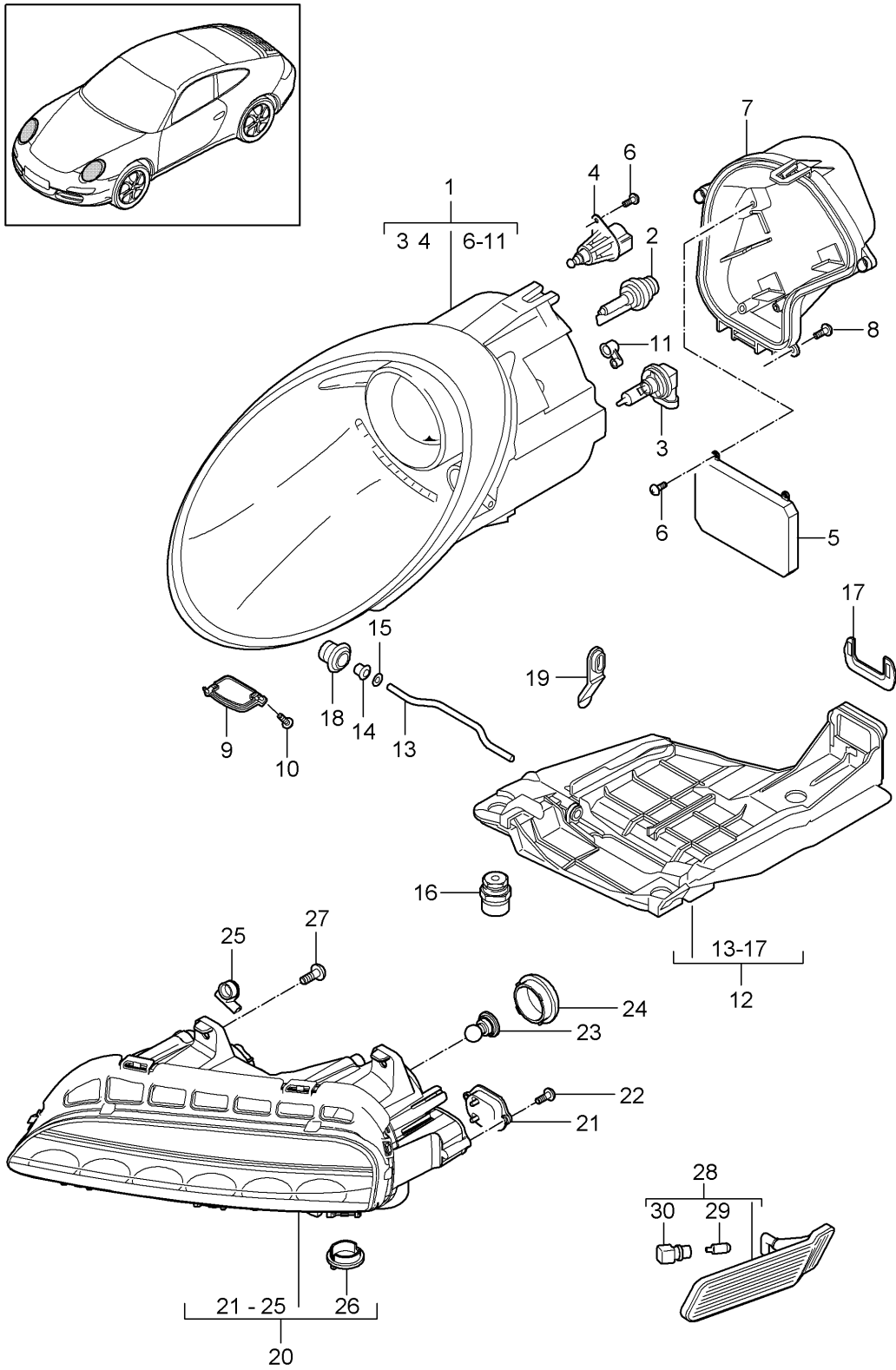
Model: 997-09

Model life 2009>>2012

| Pos | Part Number | Description | Remark | Qty | Model |
|-----|----------------|---|---------|-----|--------|
| 1 | 997 624 502 00 | Headlight washer system Pump for headlight- washer system | | 1 | PR:288 |
| 2 | 928 628 193 00 | Seal | | 1 | |
| - | 000 043 204 79 | Hose 8 X 3 | | * | |
| 3 | | shorten to: | 890 MM | 1 | |
| 4 | 996 628 204 00 | Coupling | | 1 | |
| 5 | 997 628 208 00 | Hose connector | | 1 | |
| - | 999 181 760 40 | Hose 10 X 3 | | * | |
| 6 | | shorten to: | 380 MM | | |
| 7 | | shorten to: | 1980 MM | | |
| 8 | | shorten to: | 120 MM | | |
| 9 | 999 137 093 40 | Y-piece | | 1 | |
| 10 | 997 628 204 00 | Coupling | | 2 | |
| 11 | 997 628 209 00 | Elbow fitting | | 1 | |
| 12 | 997 628 163 01 | jet | | 2 | |
| 13 | 997 628 263 00 | Nozzle head | | 2 | |
| - | 997 628 981 02 | Cap primed for POS 12 + 13 D - MJ 2010>> | | 2 | PR:XUB |

Model: 997-09

Model life 2009>>2012



Model: 997-09 Model life 2009>>2012

| Pos | Part Number | Description | Remark | Qty | Model |
|------|----------------|---|--------|-----|--------|
| - | | Headlights Additional headlight side marker light Turn signal repeater Headlights without: Control unit and bulb XENON | | | PR:601 |
| 1 | 997 631 157 23 | Headlights | left | 1 | PR:601 |
| (1) | 997 631 158 23 | Headlights | right | 1 | PR:601 |
| 2 | 999 631 036 90 | Gas discharge lamp - PHILIPS - | | 2 | |
| 3 | 999 631 144 91 | Halogen bulb H 11 | | 2 | |
| 4 | 997 631 141 00 | Servomotor Headlight range control | | 2 | |
| 5 | 997 631 183 00 | Control unit | | 2 | PR:601 |
| 6 | 997 631 199 00 | Screw | | 6 | |
| 7 | 997 631 101 00 | Protective hood | left | 1 | |
| (7) | 997 631 102 00 | Protective hood | right | 1 | |
| 8 | 997 631 191 00 | Screw | | 8 | |
| 9 | 997 631 149 00 | Ventilation component Discontinued part | left | 1 | |
| 9 | 997 631 149 10 | Ventilation component | left | 1 | |
| (9) | 997 631 150 00 | Ventilation component Discontinued part | right | 1 | |
| (9) | 997 631 150 10 | Ventilation component | right | 1 | |
| 10 | 997 631 153 00 | Screw | | 4 | |
| 11 | 997 631 249 00 | Ventilation component | | 2 | |
| 12 | 997 631 073 02 | Mounting for main beam headl. | left | 1 | |
| (12) | 997 631 074 02 | Mounting for main beam headl. | right | 1 | |
| 13 | 997 631 273 01 | Retainer bracket | | 2 | |
| 14 | 997 631 272 00 | Bearing bush | | 2 | |
| 15 | 900 116 004 09 | Retaining washer | | 2 | |
| 16 | 997 631 194 02 | Securing element | | 6 | |
| 17 | 997 631 245 00 | Locking mechanism Connector housing | | 2 | |
| 18 | 999 703 413 40 | Bungs | | 2 | |
| 19 | 993 631 170 03 | Bungs | | 4 | |
| (19) | 996 631 127 01 | Bungs | | 2 | |
| - | | Additional headlight | | | |
| 20 | 997 631 083 01 | Additional headlight Discontinued part | left | 1 | |
| 20 | 997 631 083 02 | Additional headlight | left | 1 | |
| (20) | 997 631 084 01 | Additional headlight Discontinued part | right | 1 | |
| (20) | 997 631 084 02 | Additional headlight | right | 1 | |
| 21 | 997 631 241 00 | LED module Position light | | 2 | |
| 22 | 997 631 297 00 | Screw | | 4 | |
| 23 | 999 631 253 91 | bulb HP 24 W | | 4 | |
| 24 | 997 631 271 00 | Turn signal indicator Cover cap Turn signal indicator | | 4 | |
| 25 | 997 631 247 00 | ventilation union | | 2 | |
| 26 | 997 631 267 01 | ventilation valve | | 2 | |
| 27 | 999 919 246 01 | fillister hd. bolt 6,0 X 18,0 | | 8 | |
| 28 | 997 631 037 02 | side marker light | left | 1 | |
| (28) | 997 631 038 02 | side marker light | right | 1 | |

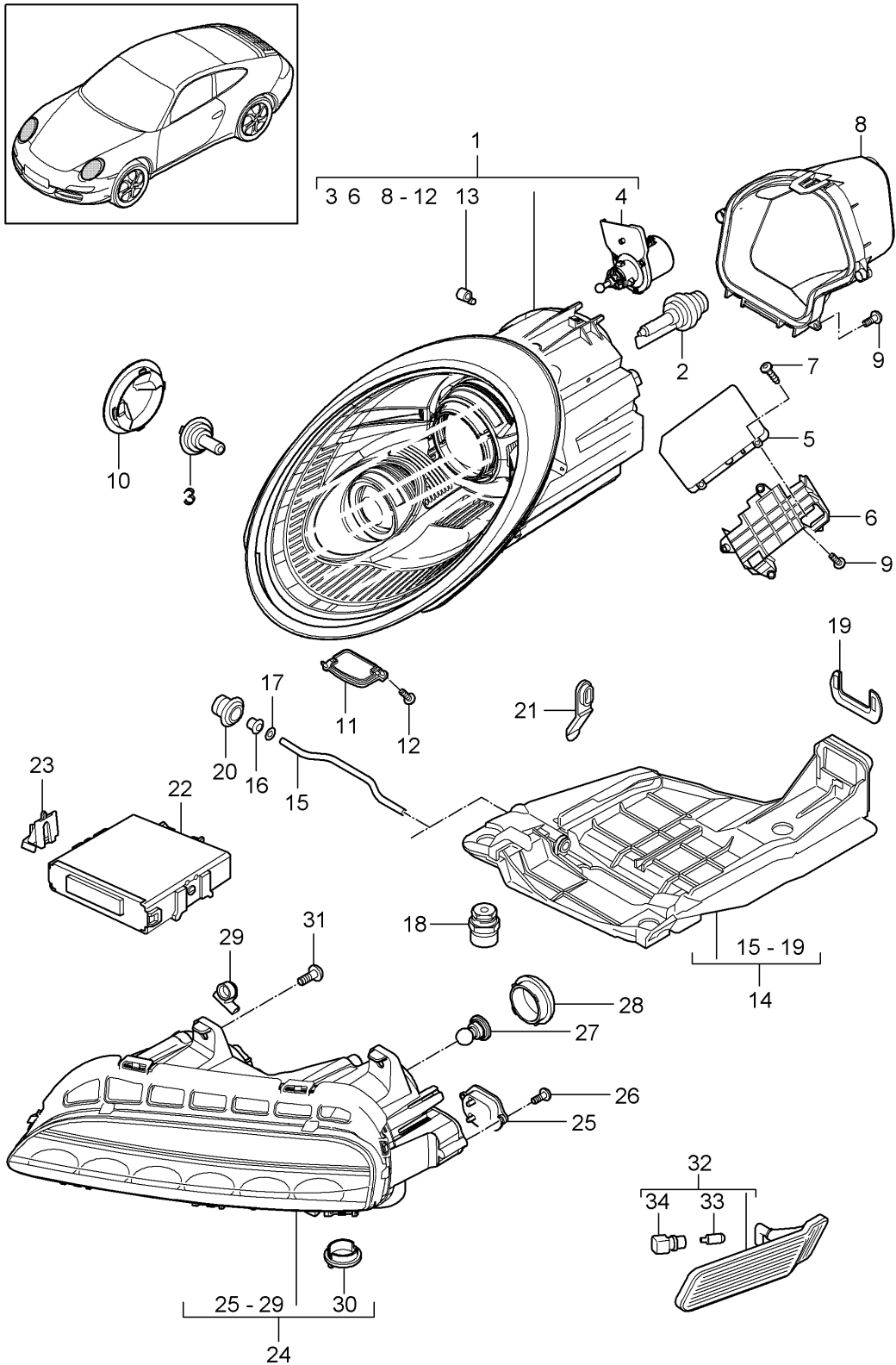
Model: 997-09

Model life 2009>>2012

| Pos | Part Number | Description | Remark | Qty | Model |
|-----|----------------|---------------------------------|--------|-----|-------|
| 29 | 900 631 019 90 | Glass-base bulb 3 W white | | 2 | |
| 30 | 997 631 133 00 | Bulb holder | | 2 | |

Model: 997-09

Model life 2009>>2012



Model: 997-09 Model life 2009>>2012

| Pos | Part Number | Description | Remark | Qty | Model |
|------|----------------|---|--------|-----|---------------------|
| - | | Headlights Additional headlight side marker light Turn signal repeater Headlights without: Control unit and bulb XENON | | | PR:603 |
| 1 | 997 631 169 21 | Headlights | left | 1 | |
| 1 | 997 631 169 70 | Headlights | left | 1 | PR:503 |
| (1) | 997 631 170 21 | Headlights | right | 1 | |
| (1) | 997 631 170 70 | Headlights | right | 1 | PR:503 |
| 2 | 999 631 036 90 | Gas discharge lamp - PHILIPS - | | 2 | |
| 3 | 999 631 133 91 | Halogen bulb H 7 | | 2 | |
| 4 | 997 631 227 01 | Servomotor Headlight range control | left | 1 | |
| (4) | 997 631 228 01 | Servomotor Headlight range control | right | 1 | |
| 5 | 997 631 283 01 | Control unit | | 2 | |
| 6 | 997 631 223 00 | Retainer for control units | left | 1 | |
| (6) | 997 631 224 00 | Retainer for control units | right | 1 | |
| 7 | 997 631 199 00 | Screw | | 4 | |
| 8 | 997 631 201 00 | Protective hood | left | 1 | |
| (8) | 997 631 202 00 | Protective hood | right | 1 | |
| 9 | 997 631 191 00 | Screw | | 14 | |
| 10 | 997 631 211 00 | Protective hood High beam | | 2 | |
| 11 | 997 631 149 00 | Ventilation component Discontinued part | left | 1 | |
| 11 | 997 631 149 10 | Ventilation component | left | 1 | |
| (11) | 997 631 150 00 | Ventilation component Discontinued part | right | 1 | |
| (11) | 997 631 150 10 | Ventilation component | right | 1 | |
| 12 | 997 631 153 00 | Screw | | 4 | |
| 13 | 997 631 249 00 | Ventilation component | | 2 | |
| 14 | 997 631 073 02 | Mounting for main beam headl. | left | 1 | |
| (14) | 997 631 074 02 | Mounting for main beam headl. | right | 1 | |
| 15 | 997 631 273 01 | Retainer bracket | | 2 | |
| 16 | 997 631 272 00 | Bearing bush | | 2 | |
| 17 | 900 116 004 09 | Retaining washer | | 2 | |
| 18 | 997 631 194 02 | Securing element | | 6 | |
| 19 | 997 631 245 00 | Locking mechanism Connector housing | | 2 | |
| 20 | 999 703 413 40 | Bungs | | 2 | |
| 21 | 993 631 170 03 | Bungs | | 4 | |
| (21) | 996 631 127 01 | Bungs | | 2 | |
| 22 | 997 618 321 02 | Control unit Dynamic cornering light | | 1 | |
| 23 | 997 618 331 00 | Retainer for control units | | 2 | CARRERA/S |
| - | | Additional headlight | | | |
| 24 | 997 631 083 01 | Additional headlight Discontinued part | left | 1 | |
| 24 | 997 631 083 02 | Additional headlight | left | 1 | |
| 24 | 997 631 085 00 | Additional headlight | left | 1 | SPEEDSTER PR:503 |
| (24) | 997 631 084 01 | Additional headlight Discontinued part | right | 1 | |
| (24) | 997 631 084 02 | Additional headlight | right | 1 | |
| (24) | 997 631 086 00 | Additional headlight | right | 1 | SPEEDSTER |

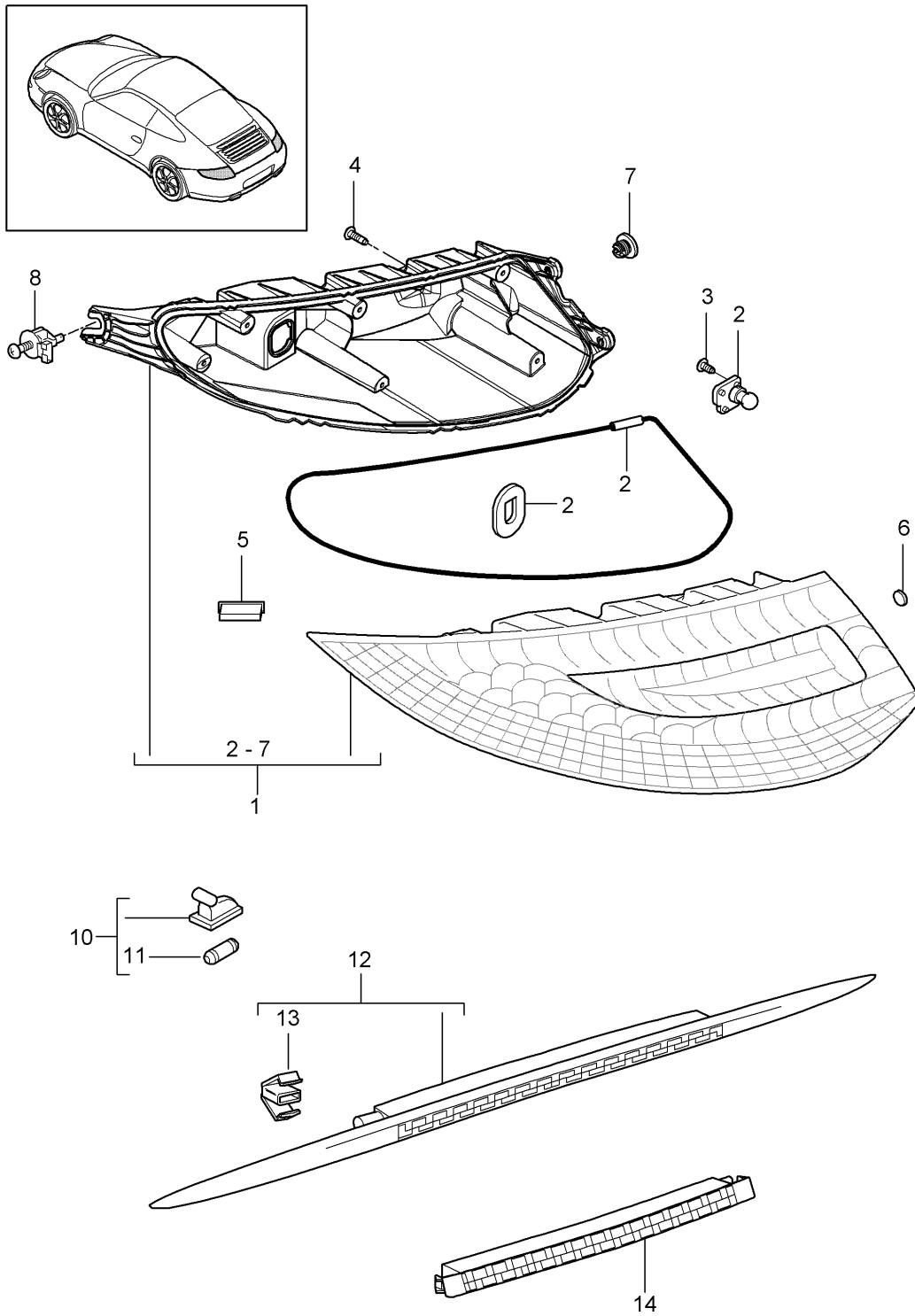
Model: 997-09

Model life 2009>>2012

| Pos | Part Number | Description | Remark | Qty | Model |
|------|----------------|--|--------|-----|--------|
| 25 | 997 631 241 00 | LED module Position light | | 2 | PR:503 |
| 26 | 997 631 297 00 | Screw | | 4 | |
| 27 | 999 631 253 91 | bulb HP 24 W Turn signal indicator | | 4 | |
| 28 | 997 631 271 00 | Cover cap Turn signal indicator | | 4 | |
| 29 | 997 631 247 00 | ventilation union | | 2 | |
| 30 | 997 631 267 01 | ventilation valve | | 2 | |
| 31 | 999 919 246 01 | fillister hd. bolt 6,0 X 18,0 | | 8 | |
| 32 | 997 631 037 02 | side marker light | left | 1 | |
| (32) | 997 631 038 02 | side marker light | right | 1 | |
| 33 | 900 631 019 90 | Glass-base bulb 3 W white | | 2 | |
| 34 | 997 631 133 00 | Bulb holder | | 2 | |

Model: 997-09

Model life 2009>>2012



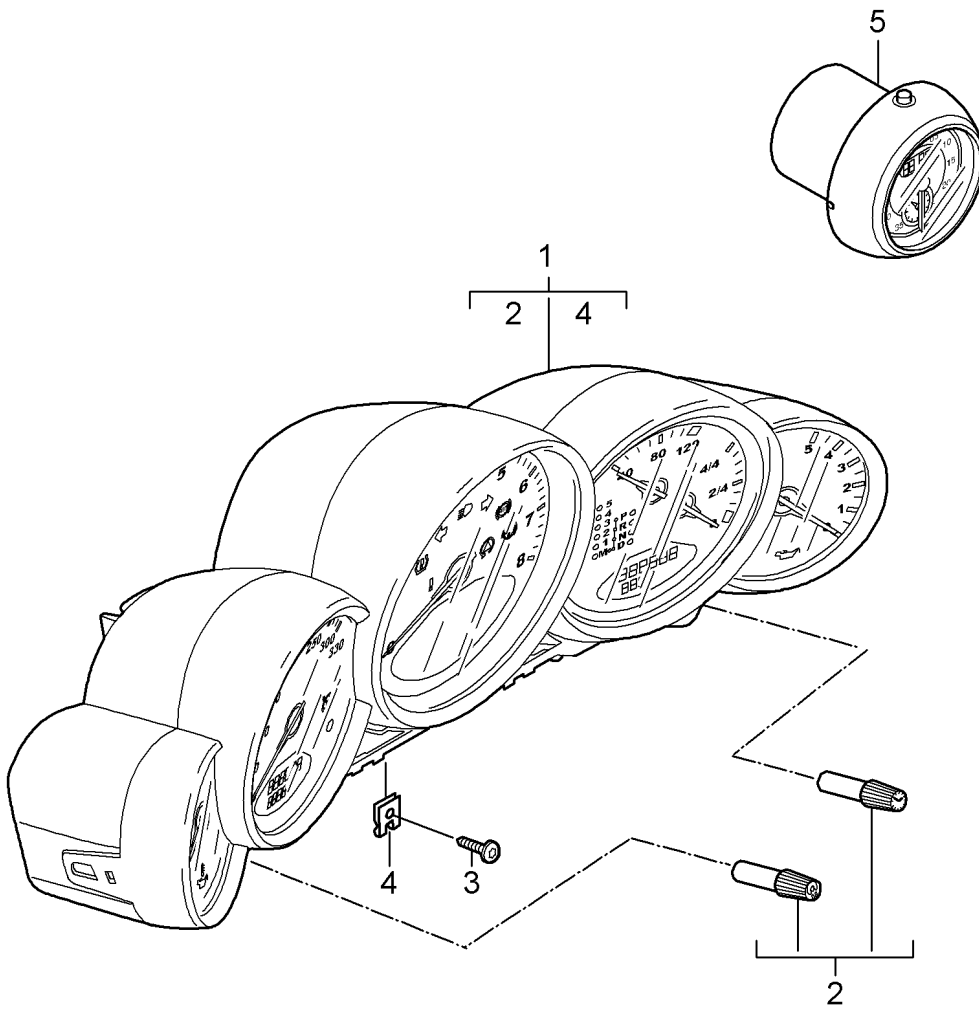
Model: 997-09

Model life 2009>>2012

| Pos | Part Number | Description | Remark | Qty | Model |
|------|----------------|--|--------|-----|-------------|
| - | | Rear light Licence plate light Additional brake light See technical information GR. 9 NR. 1/09 KD - NR 9431 | | | |
| 1 | 997 631 413 02 | Rear light | left | 1 | |
| | | Discontinued part | | | |
| 1 | 997 631 413 03 | Rear light | left | 1 | |
| | | Discontinued part | | | |
| 1 | 997 631 413 04 | Rear light | left | 1 | |
| 1 | 997 631 991 00 | Rear light | left | 1 | PR:XXG |
| | | Discontinued part | | | |
| 1 | 997 631 991 01 | Rear light | left | 1 | PR:XXG |
| (1) | 997 631 414 02 | Rear light | right | 1 | |
| | | Discontinued part | | | |
| (1) | 997 631 414 03 | Rear light | right | 1 | |
| | | Discontinued part | | | |
| (1) | 997 631 414 04 | Rear light | right | 1 | |
| (1) | 997 631 992 00 | Rear light | right | 1 | PR:XXG |
| | | Discontinued part | | | |
| (1) | 997 631 992 01 | Rear light | right | 1 | PR:XXG |
| | | Discontinued part | | | |
| (1) | 997 631 992 02 | Rear light | right | 1 | PR:XXG |
| 2 | 997 631 931 01 | repair set bulb | | 2 | |
| | | Back-up light | | | |
| 3 | 997 631 598 00 | Screw | | 6 | |
| 4 | 997 631 497 00 | Screw | | 14 | |
| 5 | 997 631 585 00 | Stop buffer | | 2 | |
| 6 | 997 631 441 00 | Ventilation component | | 4 | |
| 7 | 997 631 499 00 | Screw | | 4 | |
| 8 | 997 631 471 00 | Support | | 2 | |
| 10 | 997 631 620 01 | Licence plate light | | 2 | |
| | | Discontinued part | | | |
| 10 | 997 631 620 02 | Licence plate light | | 2 | |
| 11 | 900 631 025 90 | bulb 12V 5W | | 2 | |
| 12 | 997 631 050 04 | Additional brake light | | 1 | COUPE/TARGA |
| (12) | 997 631 054 03 | Additional brake light | | 1 | CABRIO |
| 13 | 997 631 203 00 | Clip | | 6 | COUPE/TARGA |
| 14 | 997 631 051 04 | Additional brake light in Spoiler | | 1 | |

Model: 997-09

Model life 2009>>2012



Model: 997-09 Model life 2009>>2012

| Pos | Part Number | Description | Remark | Qty | Model |
|-----|--------------------------------------|--|--------|-----|--|
| - | | Instruments Stopwatch See technical information GR. 9 NR. 5/09 KD - NR. 9025 | | | |
| 1 | 997 641 305 03 | Combi-instrument (complete) D >> - MJ 2011 | | 1 | PR:022,480, -503 "USA" |
| 1 | 997 641 305 03 D07 997 641 305 04 | Volcano grey Combi-instrument (complete) D - MJ 2012>> | | 1 | PR:022,480, -503 "USA" |
| 1 | 997 641 305 04 D07 997 641 306 03 | Volcano grey Combi-instrument (complete) D - MJ 2009>> - MJ 2009 | | 1 | PR:022,250, -503 "USA" |
| 1 | 997 641 306 03 D07 997 641 306 04 | Volcano grey Combi-instrument (complete) D - MJ 2010>> - MJ 2011 | | 1 | PR:022,250, -503 "USA" |
| 1 | 997 641 306 04 D07 997 641 306 05 | Volcano grey Combi-instrument (complete) D - MJ 2012>> | | 1 | PR:022,250, -503 "USA" |
| 1 | 997 641 306 05 D07 997 641 326 00 | Volcano grey Combi-instrument (complete) | | 1 | SPEEDSTER PR:022,250, 503 "USA" |
| 1 | 997 641 326 00 V04 997 641 303 03 | Galvano silver Combi-instrument (complete) D >> - MJ 2011 | | 1 | PR:022,480, -503 "CDN" |
| 1 | 997 641 303 03 D07 997 641 303 04 | Volcano grey Combi-instrument (complete) D - MJ 2012>> | | 1 | PR:022,480, -503 "CDN" |
| 1 | 997 641 303 04 D07 997 641 304 03 | Volcano grey Combi-instrument (complete) D - MJ 2009>> - MJ 2009 | | 1 | PR:022,250, -503 "CDN" |
| 1 | 997 641 304 03 D07 997 641 304 04 | Volcano grey Combi-instrument (complete) D - MJ 2010>> - MJ 2011 | | 1 | PR:022,250, -503 "CDN" |
| 1 | 997 641 304 04 D07 997 641 304 05 | Volcano grey Combi-instrument (complete) D - MJ 2012>> | | 1 | PR:022,250, -503 "CDN" |
| 1 | 997 641 304 05 D07 997 641 324 00 | Volcano grey Combi-instrument (complete) | | 1 | SPEEDSTER PR:022,250, 503 "CDN" |
| 1 | 997 641 324 00 V04 997 641 315 02 | Galvano silver Combi-instrument (complete) D >> - MJ 2011 | | 1 | PR:023,480 "USA" |
| 1 | 997 641 315 02 D07 997 641 315 03 | Discontinued part Volcano grey Combi-instrument | | 1 | PR:023,480 "USA" |

Model: 997-09 Model life 2009>>2012

| Pos | Part Number | Description | Remark | Qty | Model |
|-----|--------------------------------------|---|--------|-----|---------------------|
| 1 | 997 641 315 03 D07 997 641 315 04 | (complete) D >> - MJ 2011 Discontinued part Volcano grey Combi-instrument | | 1 | PR:023,480 "USA" |
| 1 | 997 641 315 04 D07 997 641 316 03 | (complete) Volcano grey Combi-instrument | | 1 | PR:023,250 "USA" |
| 1 | 997 641 316 03 D07 997 641 316 04 | (complete) D - MJ 2009>> - MJ 2009 Volcano grey Combi-instrument | | 1 | PR:023,250 "USA" |
| 1 | 997 641 316 04 D07 997 641 316 05 | (complete) D - MJ 2010>> - MJ 2011 Volcano grey Combi-instrument | | 1 | PR:023,250 "USA" |
| 1 | 997 641 316 05 D07 997 641 313 03 | (complete) D - MJ 2012>> Volcano grey Combi-instrument | | 1 | PR:023,480 "CDN" |
| 1 | 997 641 313 03 D07 997 641 313 04 | (complete) D >> - MJ 2011 Volcano grey Combi-instrument | | 1 | PR:023,480 "CDN" |
| 1 | 997 641 313 04 D07 997 641 314 03 | (complete) D - MJ 2012>> Volcano grey Combi-instrument | | 1 | PR:023,250 "CDN" |
| 1 | 997 641 314 03 D07 997 641 314 04 | (complete) D - MJ 2009>> - MJ 2009 Discontinued part Volcano grey Combi-instrument | | 1 | PR:023,250 "CDN" |
| 1 | 997 641 314 04 D07 997 641 314 05 | (complete) D >> - MJ 2011 Volcano grey Combi-instrument | | 1 | PR:023,250 "CDN" |
| (2) | 997 641 314 05 D07 997 641 911 00 | (complete) D - MJ 2012>> Volcano grey knob throttle control element Trip meter and Clock | | 1 | |
| 3 | 999 073 155 09 | panel screw 4,2 X 19 | | 2 | |
| 4 | 999 507 403 02 | U-clip | | 2 | |
| - | | Stopwatch | | | |
| 5 | 997 641 301 26 | Stopwatch | | 1 | PR:025,639, 640 |
| (5) | 997 641 301 26 V05 997 641 311 26 | Galvano silver Stopwatch | | 1 | PR:026,639, 640 |

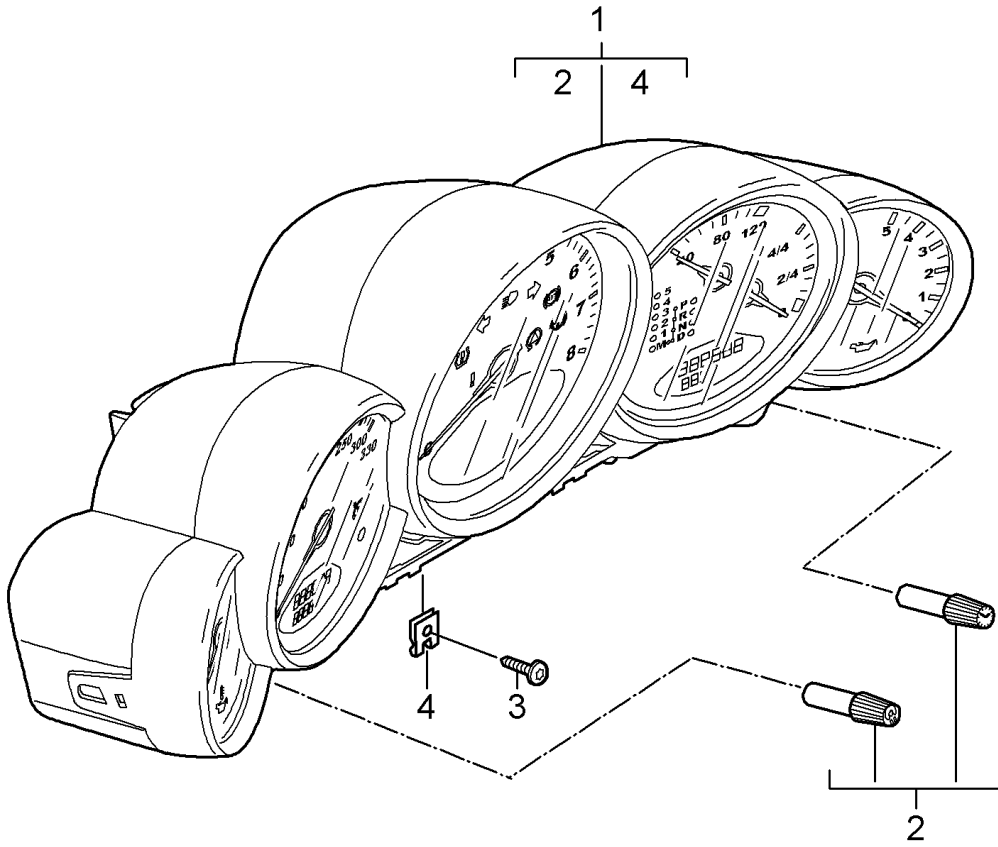
Model: 997-09

Model life 2009>>2012

| Pos | Part Number | Description | Remark | Qty | Model |
|-----|--------------------|----------------|--------|-----|-------|
| | 997 641 311 26 V05 | Galvano silver | | | |

Model: 997-09

Model life 2009>>2012



Model: 997-09 Model life 2009>>2012

| Pos | Part Number | Description | Remark | Qty | Model |
|-----|--------------------|--|--------|-----|-----------------|
| - | | Instruments Exclusive programme See technical information GR. 9 NR. 5/09 KD - NR. 9025 | | | |
| (1) | 997 641 981 15 | Combi-instrument (complete) Dial Lacquered D >> - MJ 2011 Discontinued part | | 1 | PR:480 "USA" |
| | 997 641 981 15 5Z1 | Sand beige | | | PR:XFD |
| | 997 641 981 15 84A | guards red (Porsche) | | | PR:XFG |
| | 997 641 981 15 12H | Speed yellow | | | PR:XFH |
| | 997 641 981 15 B9A | Carrara white | | | PR:XFJ |
| (1) | 997 641 981 35 | Combi-instrument (complete) Dial Lacquered | | 1 | PR:480 "USA" |
| | 997 641 981 35 5Z1 | Sand beige | | | PR:XFD |
| | 997 641 981 35 84A | guards red (Porsche) | | | PR:XFG |
| | 997 641 981 35 12H | Speed yellow | | | PR:XFH |
| | 997 641 981 35 B9A | Carrara white | | | PR:XFJ |
| 1 | 997 641 981 26 | Combi-instrument (complete) Dial Lacquered D >> - MJ 2011 Discontinued part | | 1 | PR:250 "USA" |
| | 997 641 981 26 5Z1 | Sand beige | | | PR:XFD |
| | 997 641 981 26 84A | guards red (Porsche) | | | PR:XFG |
| | 997 641 981 26 12H | Speed yellow | | | PR:XFH |
| | 997 641 981 26 B9A | Carrara white | | | PR:XFJ |
| 1 | 997 641 981 36 | Combi-instrument (complete) Dial Lacquered | | 1 | PR:250 "USA" |
| | 997 641 981 36 5Z1 | Sand beige | | | PR:XFD |
| | 997 641 981 36 84A | guards red (Porsche) | | | PR:XFG |
| | 997 641 981 36 12H | Speed yellow | | | PR:XFH |
| | 997 641 981 36 B9A | Carrara white | | | PR:XFJ |
| (1) | 997 641 981 13 | Combi-instrument (complete) Dial Lacquered D >> - MJ 2011 Discontinued part | | 1 | PR:480 "CDN" |
| | 997 641 981 13 5Z1 | Sand beige | | | PR:XFD |
| | 997 641 981 13 84A | guards red (Porsche) | | | PR:XFG |
| | 997 641 981 13 12H | Speed yellow | | | PR:XFH |
| | 997 641 981 13 B9A | Carrara white | | | PR:XFJ |
| (1) | 997 641 981 33 | Combi-instrument (complete) Dial Lacquered | | 1 | PR:480 "CDN" |
| | 997 641 981 33 5Z1 | Sand beige | | | PR:XFD |
| | 997 641 981 33 84A | guards red (Porsche) | | | PR:XFG |
| | 997 641 981 33 12H | Speed yellow | | | PR:XFH |
| | 997 641 981 33 B9A | Carrara white | | | PR:XFJ |
| 1 | 997 641 981 24 | Combi-instrument (complete) Dial Lacquered | | 1 | PR:250 "CDN" |

Model: 997-09

Model life 2009>>2012

| Pos | Part Number | Description | Remark | Qty | Model |
|-----|--------------------|--|--------|-----|------------------|
| | | D >> - MJ 2011 Discontinued part | | | |
| | 997 641 981 24 5Z1 | Sand beige | | | PR: XFD |
| | 997 641 981 24 84A | guards red (Porsche) | | | PR: XFG |
| | 997 641 981 24 12H | Speed yellow | | | PR: XFH |
| | 997 641 981 24 B9A | Carrara white | | | PR: XFJ |
| 1 | 997 641 981 34 | Combi-instrument (complete) Dial Lacquered | | 1 | PR: 250 "CDN" |
| | 997 641 981 34 5Z1 | Sand beige | | | PR: XFD |
| | 997 641 981 34 84A | guards red (Porsche) | | | PR: XFG |
| | 997 641 981 34 12H | Speed yellow | | | PR: XFH |
| | 997 641 981 34 B9A | Carrara white | | | PR: XFJ |
| (2) | 997 641 911 00 | knob throttle control element Trip meter and Clock | | 1 | |
| 3 | 999 073 155 09 | panel screw 4,2 X 19 | | 2 | |
| 4 | 999 507 403 02 | U-clip | | 2 | |

Model: 997-09 Model life 2009>>2012

| Pos | Part Number | Description | Remark | Qty | Model |
|-----|--------------------------------------|---|--------|-----|------------------------|
| - | | Control panel Navigation system Amplifiers Multimedia interface | | | |
| 1 | 997 642 960 X 997 642 960 X FTC | Control panel Matt Black/Galvano Silver We take back: 997.642.960.00.FTC | | 1 | PR:665,-672 |
| 1 | 997 642 961 X 997 642 961 X FTC | Control panel Matt Black/Galvano Silver We take back: 997.642.961.00.FTC | | 1 | PR:665,686 |
| 1 | 997 642 962 X 997 642 962 X FTC | Control panel Matt Black/Galvano Silver We take back: 997.642.962.00.FTC | | 1 | PR:665,693 - "CN." |
| 1 | 997 642 963 X 997 642 963 X FTC | Control panel Matt Black/Galvano Silver We take back: 997.642.963.00.FTC | | 1 | PR:665,686, 693 |
| 1 | 997 642 970 X 997 642 970 X FTC | Control panel D >> - MJ 2010 Matt Black/Galvano Silver We take back: 997.642.970.00.FTC | | 1 | PR:665,672 |
| 1 | 997 642 970 AX 997 642 970 AX FTC | Control panel D - MJ 2011>> Matt Black/Galvano Silver We take back: 997.642.970.01.FTC | | 1 | PR:665,672 |
| 1 | 997 642 971 X 997 642 971 X FTC | Control panel D >> - MJ 2010 Matt Black/Galvano Silver We take back: 997.642.971.00.FTC | | 1 | PR:665,672, 686 |
| 1 | 997 642 971 AX 997 642 971 AX FTC | Control panel D - MJ 2011>> Matt Black/Galvano Silver We take back: 997.642.971.01.FTC | | 1 | PR:665,672, 686 |
| 1 | 997 642 972 X 997 642 972 X FTC | Control panel D >> - MJ 2010 Matt Black/Galvano Silver We take back: 997.642.972.00.FTC | | 1 | PR:665,672, 693 |
| 1 | 997 642 972 AX 997 642 972 AX FTC | Control panel D - MJ 2011>> Matt Black/Galvano Silver We take back: 997.642.972.01.FTC | | 1 | PR:665,672, 693 |
| 1 | 997 642 973 X 997 642 973 X FTC | Control panel D >> - MJ 2010 Matt Black/Galvano Silver We take back: 997.642.973.00.FTC | | 1 | PR:665,672, 686,693 |
| 1 | 997 642 973 AX 997 642 973 AX FTC | Control panel D - MJ 2011>> Matt Black/Galvano Silver We take back: | | 1 | PR:665,672, 686,693 |

Model: 997-09

Model life 2009>>2012

| Pos | Part Number | Description | Remark | Qty | Model |
|-----|----------------|---|-----------------|-----|----------------------------|
| - | | 997.642.973.01.FTC Control unit Telephone | | | |
| - | 997 642 929 00 | Rot. knob for Control panel | 911-010 left | 1 | PR:665 |
| - | 997 642 930 00 | Rot. knob for Control panel | right | 1 | PR:665 |
| - | 997 642 273 50 | DVD-ROM for navigation system for Software | | 1 | PR:615 |
| - | | See technical information GR. 9 NR. 52/09 KD - NR. 9110 | | | |
| - | 997 642 273 51 | DVD-ROM for navigation system for Software | | 1 | PR:615 |
| - | | See technical information GR. 9 NR. 52/09 KD - NR. 9110 | | | |
| - | 997 642 273 52 | DVD-ROM for navigation system for Software | | 1 | PR:615 |
| - | 997 642 273 53 | DVD-ROM for navigation system for Software | | 1 | PR:615 |
| - | 997 642 273 54 | DVD-ROM for navigation system for Software | | 1 | PR:615 |
| - | 997 642 273 55 | DVD-ROM for navigation system for Software | | 1 | PR:615 |
| - | 997 642 148 02 | CD-ROM for electronic driver's logbook | | 1 | PR:641 |
| - | 7PP 919 855 | D >> - MJ 2011 CD-ROM for electronic driver's logbook | | 1 | PR:641 |
| 7 | 997 645 441 01 | D - MJ 2012>> Amplifiers | | 1 | COUPE/TARGA |
| 7 | 997 645 442 00 | Amplifiers | | 1 | CABRIO |
| (7) | 7PP 035 223 K | Discontinued part Amplifiers | | 1 | PR:490 |
| 8 | 999 507 766 02 | Note coding panel nut | | 2 | PR:490,680 |
| 9 | 900 378 035 01 | M 6 Hexagon bolt | | 2 | PR:490,680 |
| 10 | 999 084 638 01 | M 6 X 16 Hexagon nut | | 1 | PR:490,680 |
| 11 | 997 646 313 00 | M 6 microphone | | 1 | PR:490,618, 619,666,671 |
| 11 | 997 646 315 00 | microphone | | 1 | PR:618,619, 666,671,680 |
| 11 | 997 646 317 00 | microphone | | 1 | PR:680,-618, -619,-666, |

Model: 997-09 Model life 2009>>2012

| Pos | Part Number | Description | Remark | Qty | Model |
|------|----------------|---|-----------|-----|------------------------------------|
| 11 | 997 646 319 00 | microphone | | 1 | -671 PR:618,619, 665,666,671 |
| - | 997 610 233 01 | Cable guide microphone | | 1 | |
| 12 | 997 642 105 00 | Aerial GPS | | 1 | PR:672,673 |
| 13 | 999 073 210 00 | panel screw 4,8 X 13 | | 1 | PR:672,673 |
| 14 | 999 507 441 01 | panel nut 4,8 | | 1 | PR:672,673 |
| 15 | 997 612 030 75 | Aerial connection line Control panel | | 1 | PR:672 |
| 16 | 997 647 117 00 | Aerial amplifier | left | 1 | PR:440 |
| (16) | 997 647 118 00 | Aerial amplifier | right | 1 | PR:440 |
| 17 | 997 618 122 00 | Control unit | | 1 | PR:440 |
| 18 | 999 591 904 40 | Securing element | | 2 | PR:440 |
| 19 | 997 612 069 25 | Connecting line | lhd | 1 | PR:098,461 |
| | | Aerial amplifier Control unit Connecting line | left | | |
| 19 | 997 612 055 25 | Connecting line | lhd | 1 | PR:098,665 |
| | | Aerial amplifier Control unit Connecting line | left | | |
| 19 | 997 612 056 25 | Connecting line | lhd | 1 | PR:098,665 |
| | | Aerial amplifier Control unit Connecting line | right | | |
| 20 | 997 612 066 25 | Connecting line aerial base Control unit | | 1 | PR:461 |
| (20) | 997 612 067 01 | Connecting line aerial base Power supply | | 1 | PR:461 |
| 21 | 997 612 057 25 | Connecting line Control unit Control panel | lhd | 1 | PR:098,665 |
| 23 | 997 647 150 02 | Aerial primed Discontinued part | | 1 | COUPE/CABRIO PR:686 |
| 23 | 997 647 150 03 | Aerial primed | | 1 | COUPE/CABRIO PR:686 |
| (23) | | Aerial see illustration, item: | 811-003,1 | 1 | TARGA PR:686 |
| 24 | 999 073 432 01 | fillister hd. bolt M 5 x 8 | | 1 | COUPE/CABRIO PR:686 |
| 25 | 997 610 255 00 | Protective hose Aerial Control panel | | 1 | CABRIO PR:686 |
| 26 | 997 612 080 25 | Aerial connection line | | 1 | COUPE PR:686 |
| 26 | 997 612 083 25 | Control panel Aerial connection line | | 1 | TARGA PR:686 |
| 27 | 997 612 082 50 | Control panel Aerial connection line | | 1 | CABRIO PR:686 |
| 28 | 997 612 082 25 | Connection point Cover convertible top stowage box Connecting line Connection point | | 1 | CABRIO PR:686 |

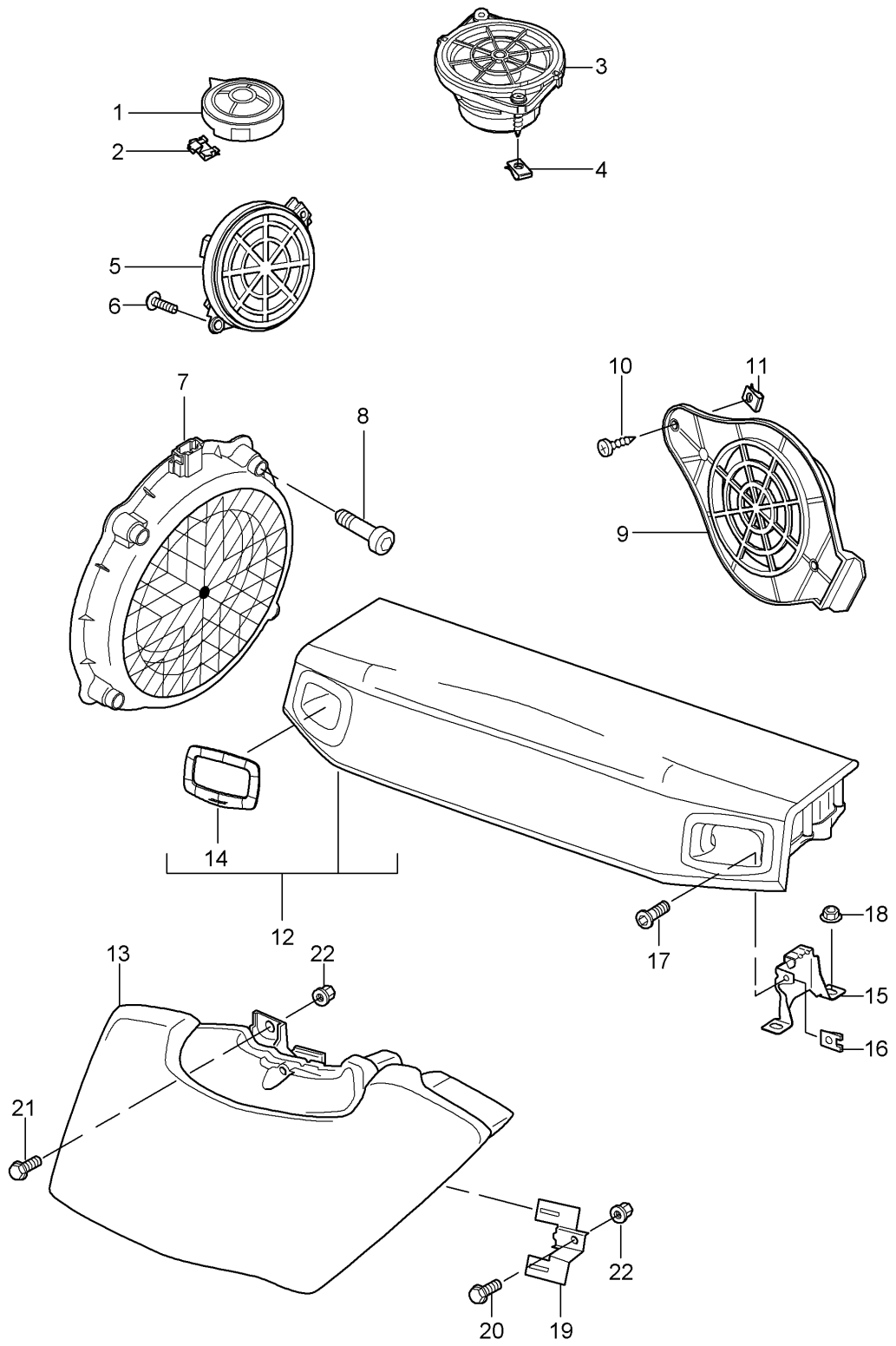
Model: 997-09

Model life 2009>>2012

| Pos | Part Number | Description | Remark | Qty | Model |
|-----|--------------------------------------|--|--------|-----|------------------|
| 29 | 997 610 241 00 | Cover convertible top stowage box Connection point Rear end Cable guide Hinge | | 1 | CABRIO PR:686 |
| 30 | 997 612 081 25 | Cover convertible top stowage box Connecting line Connection point Rear end | | 1 | CABRIO PR:686 |
| 31 | 997 647 221 00 | Control panel aerial base | | 1 | PR:461 |
| 32 | 997 647 223 00 | rod-type aerial | | 1 | PR:461 |
| 33 | 997 642 465 00 | Adapter Multimedia interface | | 1 | PR:870 |
| 34 | 997 642 465 00 01C 997 612 471 02 | Satin black Connection cable iPOD | | 1 | PR:870 |
| 35 | 999 073 429 01 | panel screw 4,2 X 25 | | 3 | PR:870 |
| 36 | 997 612 049 75 | Connecting line Multimedia interface Control panel | | 1 | PR:870 |

Model: 997-09

Model life 2009>>2012



Model: 997-09 Model life 2009>>2012

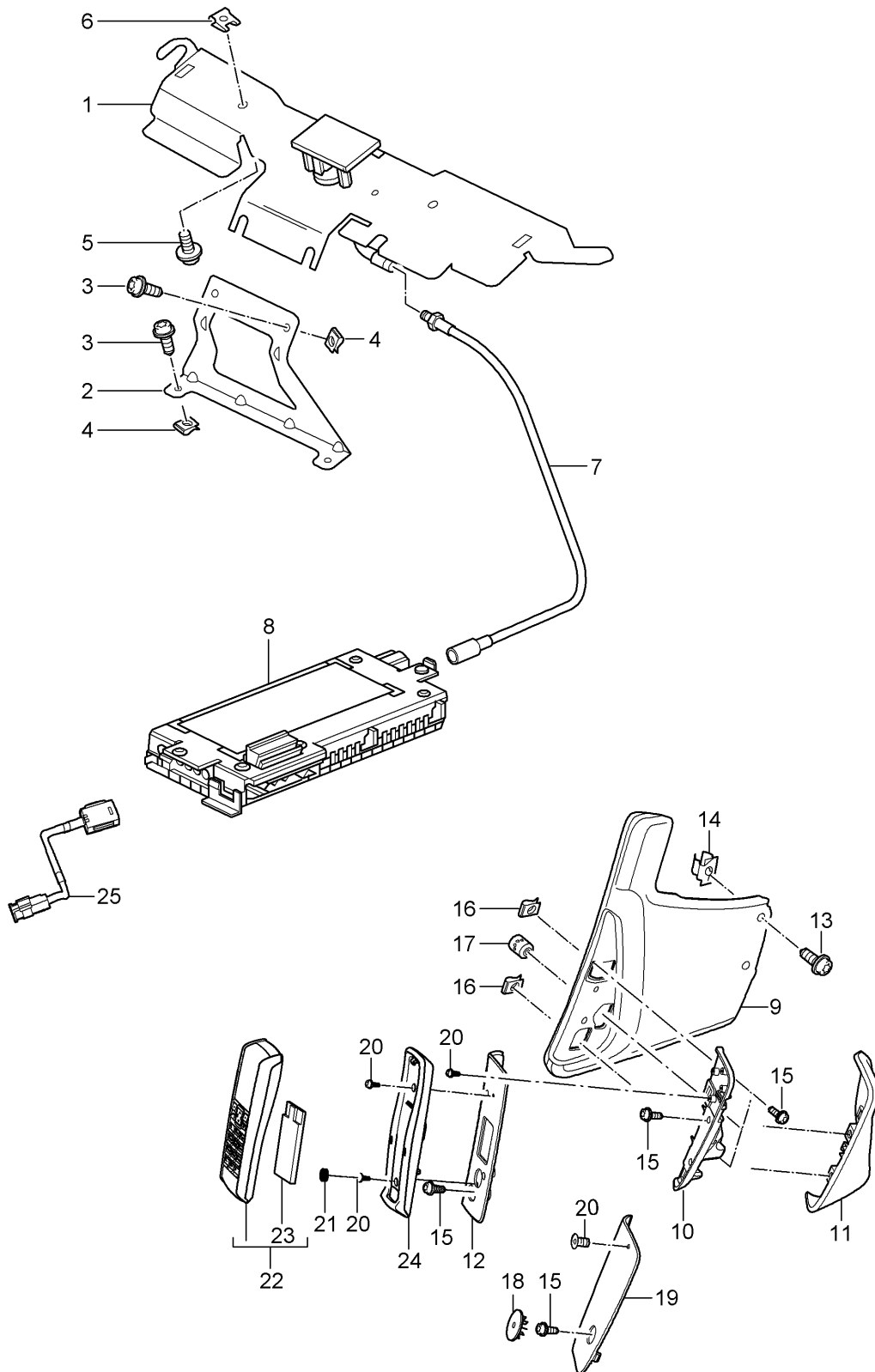
| Pos | Part Number | Description | Remark | Qty | Model |
|-----|--------------------|--|--------|-----|----------------------------|
| 1 | 997 645 021 00 | Loudspeaker Treble speaker dashboard | | 2 | PR:490 |
| (1) | 997 645 025 00 | Treble speaker dashboard | | 2 | PR:680 |
| 2 | 999 591 303 01 | U-clip | | 4 | |
| 3 | 997 645 033 00 | Loudspeaker dashboard | center | 1 | PR:490 |
| (3) | 997 645 035 00 | Loudspeaker dashboard | center | 1 | PR:680 |
| 4 | 999 507 971 01 | panel nut 4,2 | | 4 | |
| 5 | 997 645 543 00 | Mid tone speaker Door | | 2 | PR:490 |
| (5) | 997 645 545 00 | Mid tone speaker Door | | 2 | PR:680 |
| 6 | 999 919 164 09 | fillister hd. bolt 5,0 X 12 | | 4 | |
| 7 | 997 645 553 00 | Bass loudspeaker | | 2 | PR:490 |
| (7) | 997 645 555 00 | Bass loudspeaker | | 2 | PR:680 |
| 8 | 900 067 012 03 | Socket head bolt M 6 X 30 | | 8 | |
| 9 | 997 645 041 01 | Loudspeaker | rear | 2 | PR:490 |
| (9) | 997 645 045 01 | Loudspeaker | rear | 2 | PR:680 |
| 10 | 999 073 225 09 | panel screw 4,8 X 16 | | 2 | |
| 11 | 999 507 441 09 | panel nut 4,8 | | 2 | |
| - | | Subwoofer | | | |
| 12 | 997 645 564 00 | Subwoofer | | 1 | COUPE PR:680 |
| | 997 645 564 00 FMP | Terracotta | | | |
| | 997 645 564 00 FMQ | Cocoa | | | |
| | 997 645 564 00 FMR | Dark grey/natural | | | |
| | 997 645 564 00 FMS | Brown/natural | | | |
| 12 | 997 645 564 00 | Subwoofer Until Chassis number See technical information GR.7 NR. 17/11 KD-NR. 70 | | 1 | COUPE PR:680 |
| | 997 645 564 00 FMF | Black | | | |
| | 997 645 564 00 FMG | Stone grey | | | |
| | 997 645 564 00 FMM | Sand beige | | | |
| | 997 645 564 00 FMN | sea blue | | | |
| | 997 645 564 00 FTA | Carrera Red | | | |
| 12 | 997 645 564 01 | Subwoofer From Chassis number See technical information GR.7 NR. 17/11 KD-NR. 70 | | 1 | COUPE PR:680 |
| | 997 645 564 01 FMF | Black | | | |
| | 997 645 564 01 FMG | Stone grey | | | |
| | 997 645 564 01 FMM | Sand beige | | | |
| | 997 645 564 01 FMN | sea blue | | | |
| | 997 645 564 01 FTA | Carrera Red | | | |
| 13 | 997 645 566 00 | Subwoofer | lhd | 1 | CABRIO/TARGA PR:098,680 |
| | 997 645 566 00 M10 | Terracotta | | | |
| | 997 645 566 00 R10 | Cocoa | | | |
| | 997 645 566 00 D11 | Dark grey/natural | | | |
| | 997 645 566 00 T11 | Brown/natural | | | |

Model: 997-09 Model life 2009>>2012

| Pos | Part Number | Description | Remark | Qty | Model |
|------|--------------------|---|--------|-----|----------------------------|
| 13 | 997 645 566 00 | Subwoofer | lhd | 1 | CABRIO/TARGA PR:098,680 |
| | | Until Chassis number See technical information GR.7 NR. 17/11 KD-NR. 70 | | | |
| | 997 645 566 00 A10 | Black | | | |
| | 997 645 566 00 B10 | Stone grey | | | |
| | 997 645 566 00 T10 | Sand beige | | | |
| | 997 645 566 00 E10 | sea blue | | | |
| | 997 645 566 00 N10 | Carrera Red | | | |
| 13 | 997 645 566 01 | Subwoofer | lhd | 1 | CABRIO/TARGA PR:098,680 |
| | | From Chassis number See technical information GR.7 NR. 17/11 KD-NR. 70 | | | |
| | 997 645 566 01 A10 | Black | | | |
| | 997 645 566 01 B10 | Stone grey | | | |
| | 997 645 566 01 T10 | Sand beige | | | |
| | 997 645 566 01 E10 | sea blue | | | |
| | 997 645 566 01 N10 | Carrera Red | | | |
| 14 | 996 645 568 00 | Rosette | | 2 | COUPE PR:680 |
| | 996 645 568 00 A03 | Black | | | |
| | 996 645 568 00 5V7 | Stone grey | | | |
| | 996 645 568 00 5Z1 | Sand beige | | | |
| | 996 645 568 00 8W7 | sea blue | | | |
| | 996 645 568 00 8X8 | Terracotta | | | |
| | 996 645 568 00 8P9 | Cocoa | | | |
| | 996 645 568 00 T13 | Brown/natural | | | |
| | 996 645 568 00 N23 | Carrera Red | | | |
| (15) | 996 645 245 00 | Bracket for subwoofer | left | 1 | COUPE PR:680 |
| 15 | 996 645 246 00 | Bracket for subwoofer | right | 1 | COUPE PR:680 |
| 16 | 999 507 766 02 | panel nut M 6 | | 2 | COUPE PR:680 |
| 17 | 999 073 113 09 | fillister hd. bolt M 6,0 X 50 ASP | | 2 | COUPE PR:680 |
| 18 | 900 380 015 01 | Hexagon nut VM 6 | | 4 | COUPE PR:680 |
| 19 | 997 645 569 00 | Bracket for subwoofer | | 2 | CABRIO/TARGA PR:680 |
| 20 | 900 378 035 01 | Hexagon bolt M 6 X 16 | | 2 | CABRIO/TARGA PR:680 |
| 21 | 999 073 223 01 | Bolt with washer M 6 X 25 | | 1 | CABRIO/TARGA PR:680 |
| 22 | 999 500 069 01 | rivetted cap nut M 6 | | 3 | CABRIO/TARGA PR:680 |

Model: 997-09

Model life 2009>>2012



Model: 997-09 Model life 2009>>2012

| Pos | Part Number | Description | Remark | Qty | Model |
|------|--------------------|----------------------------|--------|-----|-------------|
| 1 | 997 647 125 01 | Telephone | | | |
| | | Telephone aerial | lhd | 1 | PR:098 |
| 2 | 997 647 127 00 | Bracket | lhd | 1 | PR:098 |
| 3 | 999 073 236 0A | fillister hd. bolt | | 4 | |
| | | M 6 X 10 | | | |
| 4 | 999 507 550 01 | panel nut | | 4 | |
| | | M 6 | | | |
| 5 | 999 073 210 00 | panel screw | | 2 | |
| | | 4,8 X 13 | | | |
| 6 | 999 507 441 01 | panel nut | | 2 | |
| | | 4,8 | | | |
| 7 | 997 612 065 75 | Connecting line | | 1 | PR:666 |
| (7) | 997 612 061 25 | Aerial connection line | | 1 | PR:618,619 |
| 8 | 997 646 218 01 | Control unit for telephone | | 1 | PR:666 |
| | | Discontinued part | | | |
| 8 | 7PP 035 730 B | Control unit for telephone | | 1 | PR:666,IY2 |
| | | Discontinued part | | | |
| 8 | 7PP 035 730 C | Control unit for telephone | | 1 | PR:666 |
| 9 | 997 553 118 07 | Leather panel | lhd | 1 | PR:098,-756 |
| | | | side | | |
| | 997 553 118 07 FSA | black/grey | | | |
| | 997 553 118 07 FSB | Stone grey/stone grey | | | |
| | 997 553 118 07 FSC | Sand beige/sand beige | | | |
| | 997 553 118 07 FSD | Sea blue/grey | | | |
| | 997 553 118 07 FSF | Terracotta/terracotta | | | |
| | 997 553 118 07 FSG | Cocoa/Cocoa | | | |
| | 997 553 118 07 FSH | Darkgrey natural/grey | | | |
| | 997 553 118 07 FSJ | Brown nat./brown nat. | | | |
| | 997 553 118 07 FSP | Carrera Red/Carrera Red | | | |
| | 997 553 118 07 FWH | Espresso | | | |
| 10 | 997 553 520 00 | Adapter | lhd | 1 | PR:098,618 |
| (10) | 997 553 516 00 | Adapter | lhd | 1 | PR:098,669 |
| 11 | 997 553 418 01 | Trim | lhd | 1 | PR:098,618 |
| | 997 553 418 01 A11 | Black | | | |
| | 997 553 418 01 5X6 | Stone grey | | | |
| | 997 553 418 01 8G2 | Sand beige | | | |
| | 997 553 418 01 3S9 | sea blue | | | |
| | 997 553 418 01 9S5 | Terracotta | | | |
| | 997 553 418 01 9V6 | Cocoa | | | |
| | 997 553 418 01 D12 | Dark grey/natural | | | |
| | 997 553 418 01 T12 | Brown/natural | | | |
| | 997 553 418 01 N12 | Carrera Red | | | |
| (11) | 997 553 416 00 | Trim | lhd | 1 | PR:098,669 |
| | 997 553 416 00 A11 | Black | | | |
| | 997 553 416 00 5X6 | Stone grey | | | |
| | 997 553 416 00 8G2 | Sand beige | | | |
| | 997 553 416 00 3S9 | sea blue | | | |
| | 997 553 416 00 9S5 | Terracotta | | | |
| | 997 553 416 00 9V6 | Cocoa | | | |
| | 997 553 416 00 D12 | Dark grey/natural | | | |
| | 997 553 416 00 T12 | Brown/natural | | | |
| | 997 553 416 00 N12 | Carrera Red | | | |
| | 997 553 416 00 6J0 | Espresso | | | |
| 12 | 997 553 524 00 | Carrier plate | lhd | 1 | PR:098,669 |
| | 997 553 524 00 01C | Satin black | | | |
| 13 | 999 073 226 09 | panel screw | | 2 | |
| | | 4,2 X 16 | | | |
| 14 | 999 591 508 01 | Cage nut | | 2 | |
| | | 4,2 | | | |
| 15 | 999 073 155 09 | panel screw | | 7 | |
| | | 4,2 X 13 | | | |
| 16 | 999 507 028 01 | panel nut | | 2 | |
| | | 4,2 | | | |

Model: 997-09 Model life 2009>>2012

| Pos | Part Number | Description | Remark | Qty | Model |
|------|--------------------|---|--------|-----|----------------------------|
| 17 | 999 507 645 02 | Threaded piece 4,2 | | 1 | |
| 18 | 997 553 751 00 | Cover cap | | 1 | PR:618 |
| | 997 553 751 00 01C | Satin black | | | |
| 19 | 997 553 522 01 | Carrier plate | lhd | 1 | PR:098,618 |
| | 997 553 522 01 01C | Satin black | | | |
| 20 | 999 919 230 00 | countersunk bolt 3 X 10 | | 4 | |
| 21 | 997 646 311 00 | Bungs Discontinued part | | 2 | PR:669 |
| 21 | 955 646 311 00 | Bungs | | 2 | PR:669 |
| 22 | 7PP 035 725 | Telephone controls/receiver Discontinued part | | 1 | PR:669 |
| 22 | 7PP 035 725 C | Telephone controls/receiver | | 1 | PR:669 |
| 23 | 997 646 216 00 | Battery Discontinued part | | 1 | PR:669 |
| 23 | 997 646 916 00 | Battery | | 1 | PR:669 |
| 24 | 997 646 214 00 | Support for cellphone receiver Discontinued part | | 1 | PR:669 |
| | 997 646 214 00 A05 | Black | | | |
| 24 | 955 646 214 00 | Support for cellphone receiver | | 1 | PR:669 |
| (25) | 997 646 313 00 | microphone | | 1 | PR:490,618, 619,666,671 |
| (25) | 997 646 315 00 | microphone | | 1 | PR:618,619, 666,671,680 |
| (25) | 997 646 319 00 | microphone | | 1 | PR:618,619, 665,666 |
| - | 997 610 233 01 | Cable guide microphone | | 1 | |