

Model: 911 94**Model life 1994>>1998**

ORDER-INFO

THIS PARTS CATALOGUE CONTAINS ALL ORDER INFORMATION OF
TYPE 911 - CARRERA FROM MODEL YEAR 1994
- CARRERA S FROM MODEL YEAR 1997
- CARRERA 4 FROM MODEL YEAR 1995
- CARRERA 4S FROM MODEL YEAR 1996
- CARRERA RS FROM MODEL YEAR 1995
- TURBO FROM MODEL YEAR 1995

IT IS AVAILABLE IN TWO EDITIONS IN THE FOLLOWING LANGUAGES:

EDITION

USA, CANADA - *

EDITION

ALL OTHER COUNTRIES - GERMAN

* - ENGLISH

- FRENCH

- ITALIAN

- SPANISH

UPDATING IS BEING PERFORMED BY CHANGING OF UPDATE.

THE EDITION CAN BE RECOGNIZED BY THE CURRENT NO.
IN THE BOTTOM LINE OF SUBJECT UPDATE.

THE PREVIOUS UPDATE SHOULD NO LONGER BE USED.

ALL ILLUSTRATIONS ARE SUBJECT TO CHANGE WITHOUT OBLIGATION.

THE SEATS FOR EACH MODEL ARE AVAILABLE IN THE PARTS CATALOGUE
"SEATS (STZ 18)".

Model: 911 94 Model life 1994>>1998

SUMMARY TYPES

VEHICLE TYPE	MY	VIN	ENGINE TYPE
911 CARRERA COUPE	94 R	99RS3 10061>19000	M64.05/06 200 KW
911 CARRERA COUPE (USA) (CDN)	94 R	99SS3 20061>29000	M64.07/08 200 KW
911 CARRERA CABRIO	94 R	99RS3 30061>39000	M64.05/06 200 KW
911 CARRERA CABRIO(USA) (CDN)	94 R	99SS3 40061>49000	M64.07/08 200 KW
911 CARRERA COUPE	95 S	99SS3 10061>19000	M64.05/06 200 KW
911 CARRERA COUPE (USA) (CDN)	95 S	99SS3 20061>29000	M64.07/08 200 KW
911 CARRERA RS	95 S	99SS3 90061>90207	M64.20 220 KW
911 CARRERA RS	95 S	99TS3 90061>90640	M64.20 220 KW
911 CARRERA CABRIO	95 S	99SS3 30061>39000	M64.05/06 200 KW
911 CARRERA CABRIO(USA) (CDN)	95 S	99SS3 40061>49000	M64.07/08 200 KW
911 CARRERA 4 COUPE	95 S	99SS3 10061>19000	M64.05 200 KW
911 CARRERA 4 COUPE (USA) (CDN)	95 S	99SS3 20061>29000	M64.07 200 KW
911 CARRERA 4 CABRIO	95 S	99SS3 30061>39000	M64.05 200 KW
911 CARRERA 4 CABRIO(USA) (CDN)	95 S	99SS3 40061>49000	M64.07 200 KW
911 TURBO COUPE(S) (CH) (AG)	95 S	99SS3 70061>73000	M64.60 300 KW
911 TURBO COUPE	95 S	99TS3 70061>71089	M64.60 300 KW
911 TURBO COUPE (USA) (CDN)	95 S	99TS3 75001>75544	M64.60 300 KW
911 CARRERA COUPE	96 T	99TS3 10061>19000	M64.21/22 210 KW
911 CARERRA COUPE (USA) (CDN) (BR)	96 T	99TS3 20061>29000	M64.23/24 210 KW
911 CARRERA RS	96 T	99SS3 90208>90999	M64.20 220 KW
911 CARRERA RS	96 T	99TS3 90641>90800	M64.20 220 KW
911 CARRERA CABRIO	96 T	99TS3 30061>39000	M64.21/22 210 KW
911 CARRERA CABRIO(USA) (CDN) (BR)	96 T	99TS3 40061>49000	M64.23/24 210 KW
911 CARRERA TARGA	96 T	99TS3 80061>85000	M64.21/22 210 KW
911 CARRERA TARGA (USA) (CDN) (BR)	96 T	99TS3 85061>89000	M64.23/24 210 KW
911 CARRERA 4 COUPE	96 T	99TS3 10061>19000	M64.21 210 KW
911 CARRERA 4 COUPE (USA) (CDN) (BR)	96 T	99TS3 20061>29000	M64.23 210 KW
911 CARRERA 4 CABRIO	96 T	99TS3 30061>39000	M64.21 210 KW
911 CARRERA 4 CABRIO(USA) (CDN) (BR)	96 T	99TS3 40061>49000	M64.23 210 KW
911 TURBO COUPE	96 T	99TS3 71090>73000	M64.60 300 KW
911 TURBO COUPE (USA) (CDN) (BR)	96 T	99TS3 75545>76000	M64.60 300 KW
911 CARRERA COUPE	97 V	99VS3 10061>19000	M64.21/22 210 KW
911 CARRERA COUPE (USA) (CDN)	97 V	99VS3 20061>29000	M64.23/24 210 KW
911 CARRERA COUPE (BR)	97 V	99TS3 29601>29999	M64.23/24 210 KW
911 CARRERA COUPE (BR)	97 V	99VS3 29201>29999	M64.23/24 210 KW
911 CARRERA CABRIO	97 V	99VS3 30061>39000	M64.21/22 210 KW

Model: 911 94**Model life 1994>>1998**

911 CARRERA	CABRIO(USA)(CDN)	97 V 99VS3	40061>49000	M64.23/24	210 KW
911 CARRERA	CABRIO(BR)	97 V 99VS3	49601>49999	M64.23/24	210 KW

Model: 911 94 Model life 1994>>1998

SUMMARY TYPES

VEHICLE TYPE	MY	VIN	ENGINE TYPE
911 CARRERA TARGA	97 V	99VS3 80061>85000	M64.21/22 210 KW
911 CARRERA TARGA (USA) (CDN)	97 V	99VS3 85061>89000	M64.23/24 210 KW
911 CARRERA TARGA (BR)	97 V	99VS3 89801>89999	M64.23/24 210 KW
911 CARRERA 4 COUPE	97 V	99VS3 10061>19000	M64.21 210 KW
911 CARRERA 4 COUPE (USA) (CDN)	97 V	99VS3 20061>29000	M64.23 210 KW
911 CARRERA 4 COUPE (BR)	97 V	99VS3 29401>29999	M64.23 210 KW
911 CARRERA 4 CABRIO	97 V	99VS3 30061>39000	M64.21 210 KW
911 CARRERA 4 CABRIO(USA) (CDN)	97 V	99VS3 40061>49000	M64.23 210 KW
911 CARRERA 4 CABRIO(BR)	97 V	99VS3 49801>49999	M64.23 210 KW
911 TURBO COUPE	97 V	99VS3 70061>73000	M64.60 300 KW
911 TURBO COUPE (USA) (CDN)	97 V	99VS3 75061>76000	M64.60 300 KW
911 TURBO COUPE (BR)	97 V	99VS3 79801>79999	M64.60 300 KW
911 CARRERA COUPE	98 W	99WS3 10061>19000	M64.21/22 210 KW
911 CARRERA COUPE (USA) (CDN)	98 W	99WS3 20061>29000	M64.23/24 210 KW
911 CARRERA COUPE (BR)	98 W	99WS3 29201>29999	M64.23/24 210 KW
911 CARRERA CABRIO	98 W	99WS3 30061>39000	M64.21/22 210 KW
911 CARRERA CABRIO(USA) (CDN)	98 W	99WS3 40061>49000	M64.23/24 210 KW
911 CARRERA CABRIO(BR)	98 W	99WS3 49601>49999	M64.23/24 210 KW
911 CARRERA TARGA	98 W	99WS3 80061>85000	M64.21/22 210 KW
911 CARRERA TARGA (USA) (CDN)	98 W	99WS3 85061>89000	M64.23/24 210 KW
911 CARRERA TARGA (BR)	98 W	99WS3 89801>89999	M64.23/24 210 KW
911 CARRERA 4 COUPE	98 W	99WS3 10061>19000	M64.21 210 KW
911 CARRERA 4 COUPE (USA) (CDN)	98 W	99WS3 20061>29000	M64.23 210 KW
911 CARRERA 4 COUPE (BR)	98 W	99WS3 29401>29999	M64.23 210 KW
911 CARRERA 4 CABRIO	98 W	99WS3 30061>39000	M64.21 210 KW
911 CARRERA 4 CABRIO(USA) (CDN)	98 W	99WS3 40061>49000	M64.23 210 KW
911 CARRERA 4 CABRIO(BR)	98 W	99WS3 49801>49999	M64.23 210 KW
911 TURBO COUPE	98 W	99WS3 70061>73000	M64.60 300 KW
911 TURBO COUPE (USA) (CDN)	98 W	99VS3 75061>77000	M64.60 300 KW
911 TURBO COUPE (MEX)	98 W	99WS3 75061>77000	M64.60 300 KW
911 TURBO COUPE (BR)	98 W	99WS3 79801>79999	M64.60 300 KW

Model: 911 94

Model life 1994>>1998

EXPL. ENGINE-NO.

EXPLANATION OF THE MOTOR-NUMBERS USED IN THE CATALOGUE

=====

DIGIT:	1 2 3	4 5 6 7 8
EXAMPLE:	6 3 R	0 0 1 3 6
	= = =	=====
	! ! !	!
ENGINE TYPE (6 = 6-CYL.-ENGINE)-----+	! !	!
	! !	!
ENGINE VERSION-----+	!	!
	!	!
MODEL YEAR-----+		!
		!
SERIAL NUMBER-----+		!

Model: 911 94

Model life 1994>>1998

SUMMARY ENGINES

VEHICLE TYPE	ENGINE		ENGINE NO.	TECHNICAL DATA
	TYPE	MY		
911 CARRERA	M64.05	94 R 63R	00501>20000	6ZYL/3,6L /200 KW
911 CARRERA (USA) (CDN)	M64.07	94 R 64R	00501>20000	6ZYL/3,6L /200 KW
911 CARRERA TIPTRONIC	M64.06	94 R 63R	50501>60000	6ZYL/3,6L /200 KW
911 CARRERA TIPTRONIC (USA) (CDN)	M64.08	94 R 64R	50501>60000	6ZYL/3,3L /200 KW
911 CARRERA	M64.05	95 S 63S	00501>20000	6ZYL/3,6L /200 KW
911 CARRERA (USA) (CDN)	M64.07	95 S 64S	00501>20000	6ZYL/3,6L /200 KW
911 CARRERA RS	M64.20	95 S 63S	85501>90000	6ZYL/3,75L/220 KW
911 CARRERA TIPTRONIC	M64.06	95 S 63S	50501>60000	6ZYL/3,6L /200 KW
911 CARRERA TIPTRONIC (USA) (CDN)	M64.08	95 S 64S	50501>60000	6ZYL/3,6L /200 KW
911 CARRERA 4	M64.05	95 S 63S	00501>20000	6ZYL/3,6L /200 KW
911 CARRERA 4 (USA) (CDN)	M64.07	95 S 64S	00501>20000	6ZYL/3,6L /200 KW
911 TURBO	M64.60	95 S 61T	00501>20000	6ZYL/3,6L /300 KW
911 CARRERA	M64.21	96 T 63T	00501>20000	6ZYL/3,6L /210 KW
911 CARRERA (USA) (CDN)	M64.23	96 T 64T	00501>20000	6ZYL/3,6L /210 KW
911 CARRERA RS	M64.20	96 T 63T	85501>90000	6ZYL/3,75L/220 KW
911 CARRERA TIPTRONIC	M64.22	96 T 63T	50501>60000	6ZYL/3,6L /210 KW
911 CARRERA TIPTRONIC	M64.24	96 T 64T	50501>60000	6ZYL/3,6L /210 KW
911 CARRERA 4	M64.21	96 T 63T	00501>20000	6ZYL/3,6L /210 KW
911 CARRERA 4 (USA) (CDN)	M64.23	96 T 64T	00501>20000	6ZYL/3,6L /210 KW
911 TURBO	M64.60	96 T 61T	00501>20000	6ZYL/3,6L /300 KW
911 CARRERA	M64.21	97 V 63V	00501>20000	6ZYL/3,6L /210 KW
911 CARRERA (USA) (CDN)	M64.23	97 V 64V	00501>20000	6ZYL/3,6L /210 KW
911 CARRERA TIPTRONIC	M64.22	97 V 63V	50501>60000	6ZYL/3,6L /210 KW
911 CARRERA TIPTRONIC (USA) (CDN)	M64.24	97 V 64V	50501>60000	6ZYL/3,6L /210 KW
911 CARRERA 4	M64.21	97 V 63V	00501>20000	6ZYL/3,6L /210 KW
911 CARRERA 4 (USA) (CDN)	M64.23	97 V 64V	00501>20000	6ZYL/3,6L /210 KW
911 TURBO	M64.60	97 V 61V	00501>20000	6ZYL/3,6L /300 KW

Model: 911 94

Model life 1994>>1998

SUMMARY ENGINES

VEHICLE TYPE	ENGINE		ENGINE NO.ER	TECHNICAL DATA
	TYPE	MY		
911 CARRERA	M64.21	98 W 63W	00501>20000	6ZYL/3,6L /210 KW
911 CARRERA (USA)(CDN)	M64.23	98 W 64W	00501>20000	6ZYL/3.6L /210 KW
911 CARRERA TIPTRONIC	M64.22	98 W 63W	50501>60000	6ZYL/3,6L /210 KW
911 CARRERA TIPTRONIC (USA)(CDN)	M64.24	98 W 64W	50501>60000	6ZYL/3,6L /210 KW
911 CARRERA 4	M64.21	98 W 63W	00501>20000	6ZYL/3,6L /210 KW
911 CARRERA 4 (USA)(CDN)	M64.23	98 W 64W	00501>20000	6ZYL/3,6L /210 KW
911 TURBO	M64.60	98 W 61W	00501>20000	6ZYL/3,6L /300 KW

Model: 911 94

Model life 1994>>1998

EXPL. TRANSM. NO.

EXPLANATION OF THE TRANSMISSION-NUMBERS USED IN THE CATALOGUE

=====

DIGIT:	1	2	3	4	5	6	7	8	9	10	11
EXAMPLE:	G	5	0	2	0	1	0	0	5	4	3
	=	=====				=	=====				
	!		!			!			!		!
	!		!			!			!		!
TRANSMISSION TYPE-----+			!			!			!		!
			!			!			!		!
TRANSMISSION VERSION-----+						!			!		!
						!			!		!
INDEX OF VARIANTS-----+									!		!
									!		!
SERIAL NUMBER-----+											!

Model: 911 94 Model life 1994>>1998

SUMM. TRANSMISS.

VEHICLE TYPE	TYPE	MY	TRANSMISSION NO.	TECNICAL DATA
911 CARRERA (USA) (CDN) (CH) (A)	G50.20	94 R	G5020 1 002001>999999	6-SPEED
911 CARRERA (USA) (CDN) (CH) (A) M220	G50.20	94 R	G5020 2 002001>999999	6-SPEED
911 CARRERA	G50.21	94 R	G5021 1 002001>999999	6-SPEED
911 CARRERA M220	G50.21	94 R	G5021 2 002001>999999	6-SPEED
911 CARRERA TIPTRONIC	A50.04	94 R	A5004 1 002001>999999	4-SPEED
911 CARRERA TIPTRONIC (USA) (RC)	A50.05	94 R	A5005 1 002001>999999	4-SPEED
911 CARRERA (USA) (CDN) (CH) (A)	G50.20	95 S	G5020 1 002001>999999	6-SPEED
911 CARRERA (USA) (CDN) (CH) (A) M220	G50.20	95 S	G5020 2 002001>999999	6-SPEED
911 CARRERA	G50.21	95 S	G5021 1 002001>999999	6-SPEED
911 CARRERA M220	G50.21	95 S	G5021 2 002001>999999	6-SPEED
911 CARRERA RS	G50.31	95 S	G5031 2 002001>999999	6-SPEED
911 CARRERA RS (M 003)	G50.32	95 S	G5032 2 002001>999999	6-SPEED
911 CARRERA RS (CH)	G50.33	95 S	G5033 2 002001>999999	6-SPEED
911 CARRERA TIPTRONIC	A50.04	95 S	A5004 1 002001>999999	4-SPEED
911 CARRERA TIPTRONIC (USA) (CDN)	A50.05	95 S	A5005 1 002001>999999	4-SPEED
911 CARRERA 4 (USA) (CDN) (CH) (A) M220	G64.20	95 S	G6420 2 002001>999999	6-SPEED
911 CARRERA 4 M220	G64.21	95 S	G6421 2 002001>999999	6-SPEED
911 TURBO M220	G64.51	95 S	G6451 2 002001>999999	6-SPEED
911 CARRERA (USA)	G50.20	96 T	G5020 1 002001>999999	6-SPEED
911 CARRERA (USA) M220	G50.20	96 T	G5020 2 002001>999999	6-SPEED
911 CARRERA	G50.21	96 T	G5021 1 002001>999999	6-SPEED
911 CARRERA M220	G50.21	96 T	G5021 2 002001>999999	6-SPEED
911 CARRERA TIPTRONIC	A50.04	96 T	A5004 1 002001>999999	4-SPEED
911 CARRERA TIPTRONIC (USA) (RC)	A50.05	96 T	A5005 1 002001>999999	4-SPEED
911 CARRERA 4 (USA) (CH) /4S (A) M220	G64.20	96 T	G6420 2 002001>999999	6-SPEED
911 CARRERA 4 M220	G64.21	96 T	G6421 2 002001>999999	6-SPEED
911 TURBO M220	G64.51	96 T	G6451 2 002001>999999	6-SPEED
911 CARRERA	G50.20	97 V	G5020 1 002001>999999	6-SPEED
911 CARRERA M220	G50.20	97 V	G5020 2 002001>999999	6-SPEED
911 CARRERA TIPTRONIC	A50.04	97 V	A5006 1 002001>999999	4-SPEED
911 CARRERA TIPTRONIC (USA) (RC)	A50.05	97 V	A5007 1 002001>999999	4-SPEED
911 CARRERA 4 M220	G64.20	97 V	G6420 2 002001>999999	6-SPEED
911 TURBO M220	G64.51	97 V	G6451 2 002001>999999	6-SPEED

Model: 911 94

Model life 1994>>1998

SUMM. TRANSMISS.

VEHICLE TYPE	TYPE	MY	TRANSMISSION NO.	TECHNICAL DATA
911 CARRERA	G50.20	98 W	G5020 1 002001>999999	6-SPEED
911 CARRERA M220	G50.20	98 W	G5020 2 002001>999999	6-SPEED
911 CARRERA TIPTRONIC	A50.04	98 W	A5006 1 002001>999999	4-SPEED
911 CARRERA TIPTRONIC (USA) (RC)	A50.05	98 W	A5007 1 002001>999999	4-SPEED
911 CARRERA 4/4S	G64.20	98 W	G6420 2 002001>999999	6-SPEED
911 TURBO M220	G64.51	98 W	G6451 2 002001>999999	6-SPEED
911 TURBO M220 (RC)	G64.42	98 W	G6452 2 002001>999999	6-SPEED

Model: 911 94

Model life 1994>>1998

LEGENDS/NOTICES

LEGENDS AND NOTICES

=====

IN COLUMN -S- STATUS

N NEW ADDITION

P PART ALREADY IN PROGRAMME, BUT NEW
AT THIS APPLICATION

W DELETED AT THIS APPLICATION, BUT CONTINUED
TO BE CARRIED

A STOCK TO BE USED UP

U DELETED WITHOUT REPLACEMENT

* PART ALSO OR ONLY AVAILABLE
IN REPAIR KIT

> ALSO AVAILABLE IN EXCHANGE

IN COLUMN - ILL. -

1 IDENTIFICATION NO. IN ILLUSTRATION

(1) PART ONLY SIMILAR AS ILLUSTRATED

- PART IS NOT ILLUSTRATED

FIG.-NUMBERS FOR WHICH THERE IS SHOWN NO TEXT ARE
NOT VALID FOR THIS EDITION OF CATALOGUE

IN COLUMN -PART NUMBER/CODE-

000 000 000 00 PART NUMBER EQUALS ORDERING NO., IF A CODE IS
SHOWN, IT WILL HAVE TO BE PART OF ORDERING
NUMBER

01C COLOUR CODE

IN COLUMN -TEXT

INSTALLATION WITH ENGINE OR CHASSIS
NUMBER-RANGE

EXAMPLE:

M 63R 00389>>

FROM ENGINE NO.

Model: 911 94**Model life 1994>>1998**

F

>>99RS3 00889

UP TO CHASSIS NO.

Model: 911 94

Model life 1994>>1998

LEGENDS/NOTICES

IN COLUMN - A -

IDENTIFICATION LETTER FOR PERIOD OF INSTALLATION
THAT IS REPEATED SEVERAL TIMES IN THE CATALOG GROUP.

EXPLANATION PLEASE FIND IN TEXT COLUMN OF THE CATALOG GROUP

IN COLUMN - QU - = NO. OF PIECES

- 1 NUMBER PER APPLICATION
- X NUMBER AS NEEDED
- * AVAILABLE ONLY IN RUNNING LENGTHS 1 = 1 METRE

IN COLUMN - MODEL/SYMBOL -

- M650 OPTIONAL EQUIPMENT - SEE M-NO. LIST
- 94 LIMITATION OF MODEL YEAR FOR INSTANCE: VALID UP TO
END OF MODEL YEAR 1994
- /LL LHD
- /RL RHD
- +
- /V FRONT I
I
- /H REAR I
I----> APPLIES TO
- /L LEFT I DIRECTION OF TRAVEL
I
- /R RIGHT I
-----+
- WW THE PART CAN BE USED INSTEAD OF THE
PRECEDING ONE.

Model: 911 94

Model life 1994>>1998

COUNTRY-EQIPM.

EQUIPMENT BY COUNTRY REGULATIONS

=====

(A)	AUSTRIA
(AG)	ARABIAN GULF STATES
(AUS)	AUSTRALIA
(B)	BELGIUM
(BR)	BRAZIL
(CDN)	CANADA
(CH)	SWITZERLAND
(D)	FEDERAL REPUBLIC OF GERMANY
(DK)	DENMARK
(E)	SPAIN
(F)	FRANCE
(GB)	GREAT BRITAIN
(GR)	GREECE
(HK)	HONGKONG
(I)	ITALY
(J)	JAPAN
(L)	LUXEMBURG
(N)	NORWAY
(NL)	NETHERLANDS
(NZ)	NEW ZEALAND
(P)	PORTUGAL
(RC)	TAIWAN
(S)	SWEDEN
(SA)	SAUDI ARABIA
(SF)	FINLAND
(USA)	UNITED STATES OF AMERICA
(ZA)	SOUTH AFRICA

Model: 911 94 Model life 1994>>1998

NR	Description
I491	Turbo Look
M000	+-----+ ! Summary of optional extras "M"! +-----+
M002	911 Carrera RS road version
M003	911 Carrera RS Clubsport
M018	Sports steering wheel with elevated hub 30 mm
M020	Speedometer with two scales mph-km/h
M024	Version for Greece
M030	Sport-type chassis
M032	Touring suspension
M033	Lowered vehicle
M034	Version for Italy
M058	Impact absorbers, front and rear
M061	Version for Great Britain
M062	Version for Sweden
M063	Version Luxemburg
M064	Version for Netherlands
M065	Version for Denmark
M066	Version for Norway
M067	Version for Finland
M068	Version for Thailand
M069	Other country version
M071	EU country version
M092	Special model Turbo S
M111	Version for Austria
M113	Version for Canada
M114	Version for Taiwan
M119	Version for Spain
M124	Version for France
M126	Control and indications in French lettering
M127	Control and indications in Swedish
M130	Control and indications in English lettering
M139	Seat heating system, left seat
M150	Operation with leaded gas
M159	Engine sound package
M185	2-point seat belts, rear automatic
M186	2-point seat belts, rear manual
M193	Version for Japan
M197	Stronger battery
M215	Version for Saudi Arabia
M219	Differential
M220	Locking differential 40 %
M224	Automatic limited slip differential

Model: 911 94 Model life 1994>>1998

NR	Description
M225	Version for Belgium
M249	Tiptronic transmission
M261	Door mirror - flat - passenger's side, electrically adjustable and heatable
M277	Version for Switzerland
M288	Headlamp washer
M320	Radio "Porsche CR-11" ROW
M324	Radio "Porsche CR-10"
M325	Version for South Africa/New Zealand
M326	Radio "Porsche CR-21" ROW
M329	Radio Blaupunkt Toronto SQR 48 Radio "Porsche CR-210" USA
M330	Radio Blaupunkt Toronto SQR 46 Radio "Porsche CR-31" ROW 97-
M331	Radio "Porsche CR-1"
M333	Radio Paris RCR 41
M334	Radio/cassette player Bremen RCM 42
M335	Automatic seat belt, 3-point, rear
M336	Radio "Duesseldorf RCR 84"
M338	Rear-wheel drive
M339	All-wheel drive
M340	Seat heating system, right seat
M371	Sports seat, left manually adjustable
M372	Sports seat, right manually adjustable
M373	Sports seat, left, electrically height adjustable
M374	Sports seat, right, electrically height adjustable
M379	Standard seat, left, electrical vertical adjustment
M380	Standard seat, right, electrcal vertical adjustment
M381	Standard seat, left, manually adjustable
M382	Standard seat, right, manually adjustable
M383	Sports seat, left, electrically vertically adjustable
M384	Bucket seat, left
M385	Bucket seat, right
M387	Sports seat, right, electrically vertically adjustable
M393	17-inch Targa wheel
M397	Cup wheel, 16-inch

Model: 911 94 Model life 1994>>1998

NR	Description
M398	Cup wheel, 17-inch
M405	RS wheel, 18-inch
M408	18-inch Techno wheel
M413	18-inch Turbo-Look wheel
M419	Rear luggage dump
M423	Holder for cassettes and coins
M425	Rear window wiper
M432	Steering wheel with Tiptronic control
M433	Leather steering wheel Atiwe
M435	Leather steering wheel Momo
M437	Comfort seat, left, electrically adjustable
M438	Comfort seat, right, electrically adjustable
M439	Electrical hood operation
M441	Radio preparation
M445	Silver wheel centres with full-colour Porsche Crest
M446	Concave wheel centers with full-colour Porsche Crest
M451	Reduceg radio preparation
M454	Automatic speed control
M455	Anti-theft device for wheels
M459	Dome strut
M467	Door mirror for driver's side, convex, electrically heatable and adjustable
M470	Fixed spoiler
M471	Fixed spoiler with additional wing
M479	Version for Australia
M480	6-speed manual transmission
M484	Version for USA
M487	Control for front fog lights with side marker lights
M488	Inscriptions in German language
M490	Sound package
M491	Turbo Look Carrera 4S
M492	Headlamps for left-hand traffic
M493	Narrow bodywork
M495	Carrera S
M498	Deletion of model designation on rear end
M499	Version for Germany
M513	Lumbar support, right seat
M520	Passenger compartment monitoring
M529	Anti-drive-off feature 315 MHz
M530	Anti-drive-off feature -96

Model: 911 94

Model life 1994>>1998

NR	Description
	Anti-drive-off feature 433 MHz 97-
M534	Theft security system
M544	Tank of 75 litres
M545	Tank of 92 litres
M551	Wind deflector
M553	Version for USA, Canada
M561	Airbag, driver's side
M562	Airbag, driver's side and front passenger's side
M564	Without airbag
M566	Front fog lights, white
M567	Windscreen tinted, upper part darker coloured
M573	Air conditioner
M576	Without rear fog lamp
M586	Lumbar support, left seat
M599	Roof cover molding
M601	Litronic headlights
M602	Raised stop lamp
M605	Headlight levelling system
M611	Preparation for telephone installation Nokia (D-network)
M614	Preparation for telephone installation Motorola (D-network)
M615	Facility for the installation of a Nokia mobile phone
M631	Child's seat detection
M650	Electrical sliding roof
M651	Electric window opener
M656	Without power-assisted steering
M657	Power assisted steering
M659	On-board computer
M660	Obd 2
M661	Stricter emission-control concept
M680	-MY 01 digital sound package MY 02- sound system Bose analog
M685	Rear seats, split
M686	Radio "Porsche CDR-21" ROW
M687	Radio "Muenchen RD 104"
M688	Radio "Porsche CDR-210" USA
M692	CD autochanger "Porsche "
M693	CD radio London RDM 42
M936	Seat covers, rear, leather
M937	Seat covers, rear, leatherette
M938	Seat covers, rear, cloth
M939	Seat covers, rear, draped leather
M946	Seat covers, front, leather/leather/leatherette

Model: 911 94

Model life 1994>>1998

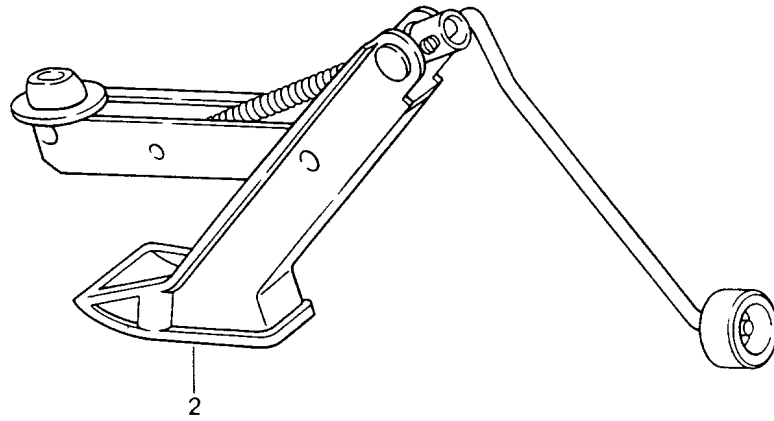
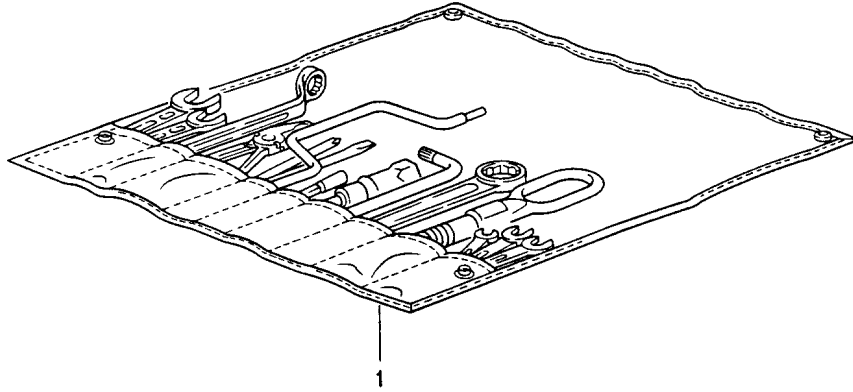
NR	Description
M975	Luggage compartment lining with velour carpet
M981	Leather equipment without seat covers
M982	Seat covers, front, draped leather/leather/leather
M983	Seat covers, front, leather
M990	Seat covers, front, cloth/cloth/leatherette

Model: 911 94

Model life 1994>>1998

Model: 911 94

Model life 1994>>1998



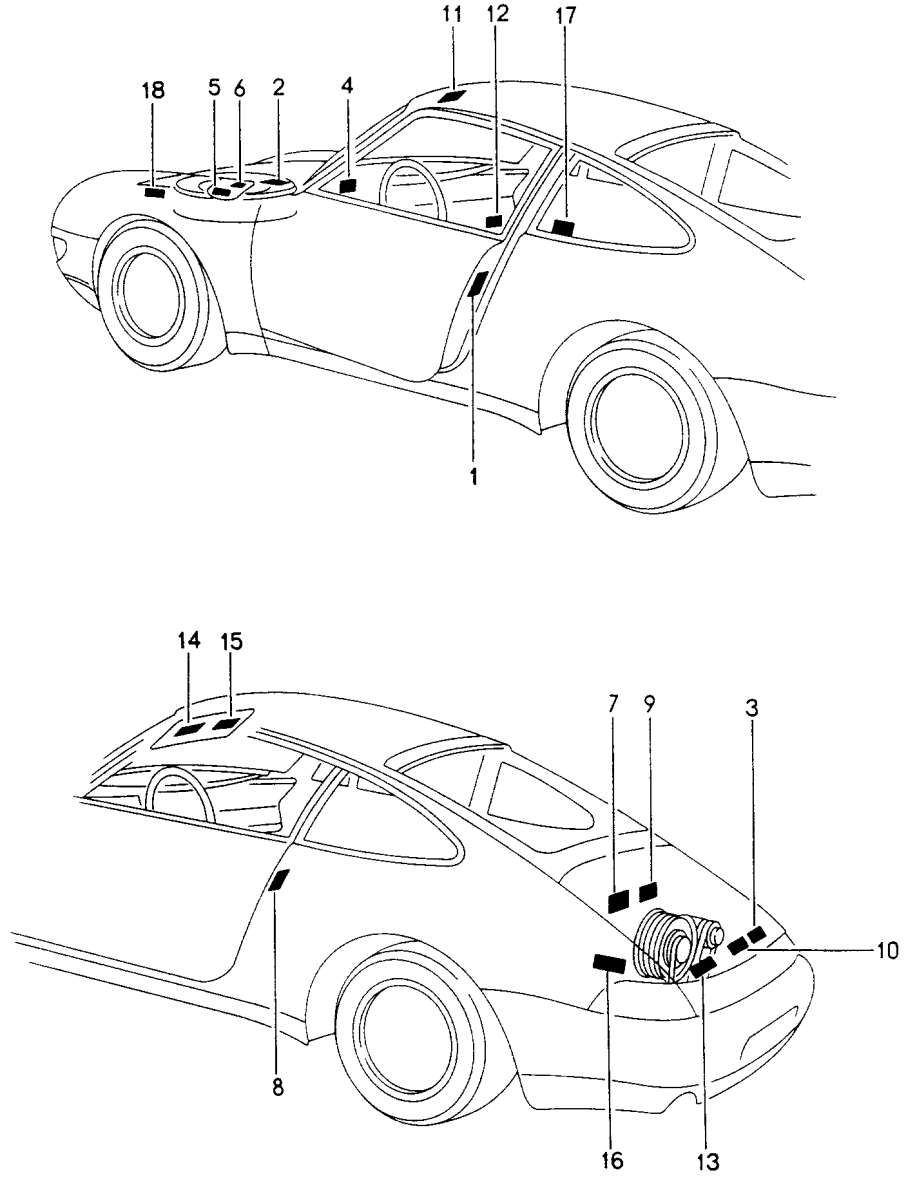
Model: 911 94

Model life 1994>>1998

Pos	Part Number	Description	Remark	Qty	Model
1	993 721 115 01	Tool Jack Tool bag with contents Comprising:		1	
-		Angular screw driver		1	
-		Spark plug wrench		1	
-		Angular screw driver		1	
-		Double-end spanner 8 X 10		1	
-		Double-end spanner 13 X 17		1	
-	911 721 107 02	Screwdriver Set		1	
-		Universal pliers		1	
-		Socket wrench		1	
-	999 571 066 02	Intermediate piece for emergency control Sunroof		1	
-	928 521 907 02	Crank for emergency control		1	
-	996 721 151 00	Towing lug		1	
-		Rim wrench		1	
-		Operating rod for Rim wrench		1	
-		Screwdriver		1	
2	000 721 710 01	Jack		1	
2	000 721 710 03	Jack		1	
(2)	996 721 211 00	Scissors type jack		1	TURBO

Model: 911 94

Model life 1994>>1998



Model: 911 94 Model life 1994>>1998

Pos	Part Number	Description	Remark	Qty	Model
1	993 701 287 01	Stickers Stickers Tyre pressure Sticker	-95	1	COUPE/CABRIO M685
1	993 701 287 03	Sticker	-95	1	COUPE/CABRIO M419
1	993 701 287 01	Sticker	96	1	CABRIO/TARGA M685
1	993 701 287 03	Sticker	96	1	CABRIO/TARGA M419
1	993 701 287 31	Sticker	96- 97- 97-	1	COUPE M685 CABRIO M685 TARGA M685
1	993 701 287 32	Sticker	96- 97- 97-	1	COUPE M419 CABRIO M419 TARGA M419
1	993 701 287 26	Sticker		1	TURBO M685
1	993 701 287 18	Sticker		1	TURBO M419
1	993 701 287 24	Sticker		1	CARRERA 4 S M685
1	993 701 287 17	Sticker		1	CARRERA 4 S M419
1	993 701 287 29	Sticker Stickers Emergency wheel		1	CARRERA S
2	996 361 701 00	Sticker English Stickers Engine specifications		1	
3	993 006 109 01	Sticker	94	1	
3	993 006 109 06	Sticker	95	1	
3		Sticker	95	1	
3	993 006 109 10	Sticker	96	1	
3	993 006 109 12	Sticker	97	1	
3	993 006 109 15	Sticker	98	1	
3	993 006 109 09	Sticker	96	1	TURBO
3	993 006 109 11	Sticker	97	1	TURBO
3	993 006 109 13	Sticker	98	1	TURBO
4	911 701 253 00	Sticker Unleaded fuel only English Stickers		1	
5	911 701 251 01	Unleaded fuel only Sticker		1	
5	911 701 257 00	English Sticker French Stickers	(CDN)	1	
6	930 701 203 05	Type of fuel Sticker		1	
6	993 006 118 00	93 RON/MON/2 Sticker	(USA) 98	1	
7	964 602 544 01	Fuel filler flap Sticker		1	

Model: 911 94 Model life 1994>>1998

Pos	Part Number	Description	Remark	Qty	Model
8	477 000 267	Firing order Sticker		1	
9	944 006 140 00	Catalytic converter Sticker		1	
10	964 006 111 00	Antiknock regulation Sticker		1	
		Engine-oil level Stickers			
		Airbag			
11	993 701 421 05	Sticker	(USA)	2	
11	993 701 421 03	Sticker	(CDN)	2	
11	993 701 422 03	Sticker	(USA)	1	
11	993 701 422 02	Sticker	(CDN)	1	
12	993 701 421 04	Sticker	97-	1	
12	928 701 421 02	Sticker		1	
-	996 701 421 01	Sticker	97-	1	
		Child car seat			
13	964 701 141 01	Sticker	(S) (USA)	1	
		Air conditioner Stickers			CABRIO
		Convertible top control See group			
		8/09/05			
15	964 701 121 00	Sticker	(USA) -96	1	
		KEY + SHIFT-LOCK			
15	996 701 121 01	Sticker	(USA) 97	1	
		KEY + SHIFT-LOCK			
16	964 701 163 00	Sticker		1	
		High voltage			
17	911 701 250 00	Sticker		2	
		Alarm system			
(17)	993 701 250 00	Sticker		2	M530
		Immobiliser			
18	993 701 631 02	Sticker		2	M601
		High voltage			
		Headlamp			
		English			
		French			
-	997 006 544 00	Sticker		1	
		Engine oil			
		- MOBIL 1 -			
-	7PP 010 786 T	Sticker		1	
		Engine oil			
		- MOBIL 1 -			

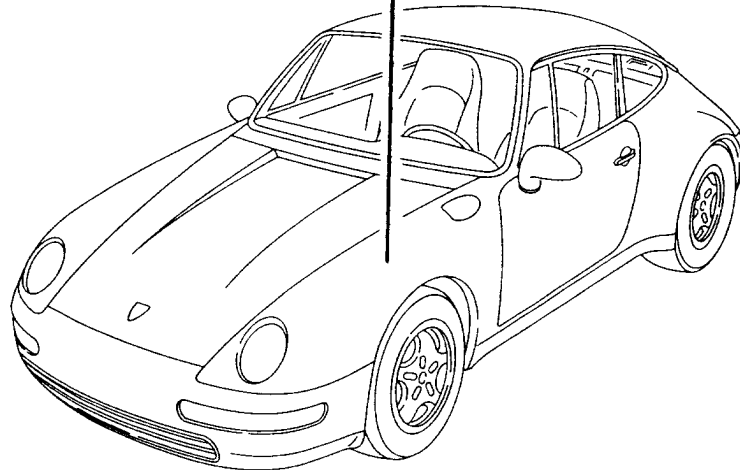
Model: 911 94

Model life 1994>>1998

FARBNUMMER
COLOUR NUMBER
NUMERO DE COULEUR
NUMERO COLORE
NUMERO DE COLOR

6979 1
DIAMOND BLUE METALLIC
DIAMANT BLAU METALLIC
F5

FARB BENENNUNG
COLOUR
COULEUR
COLORE
COLOR

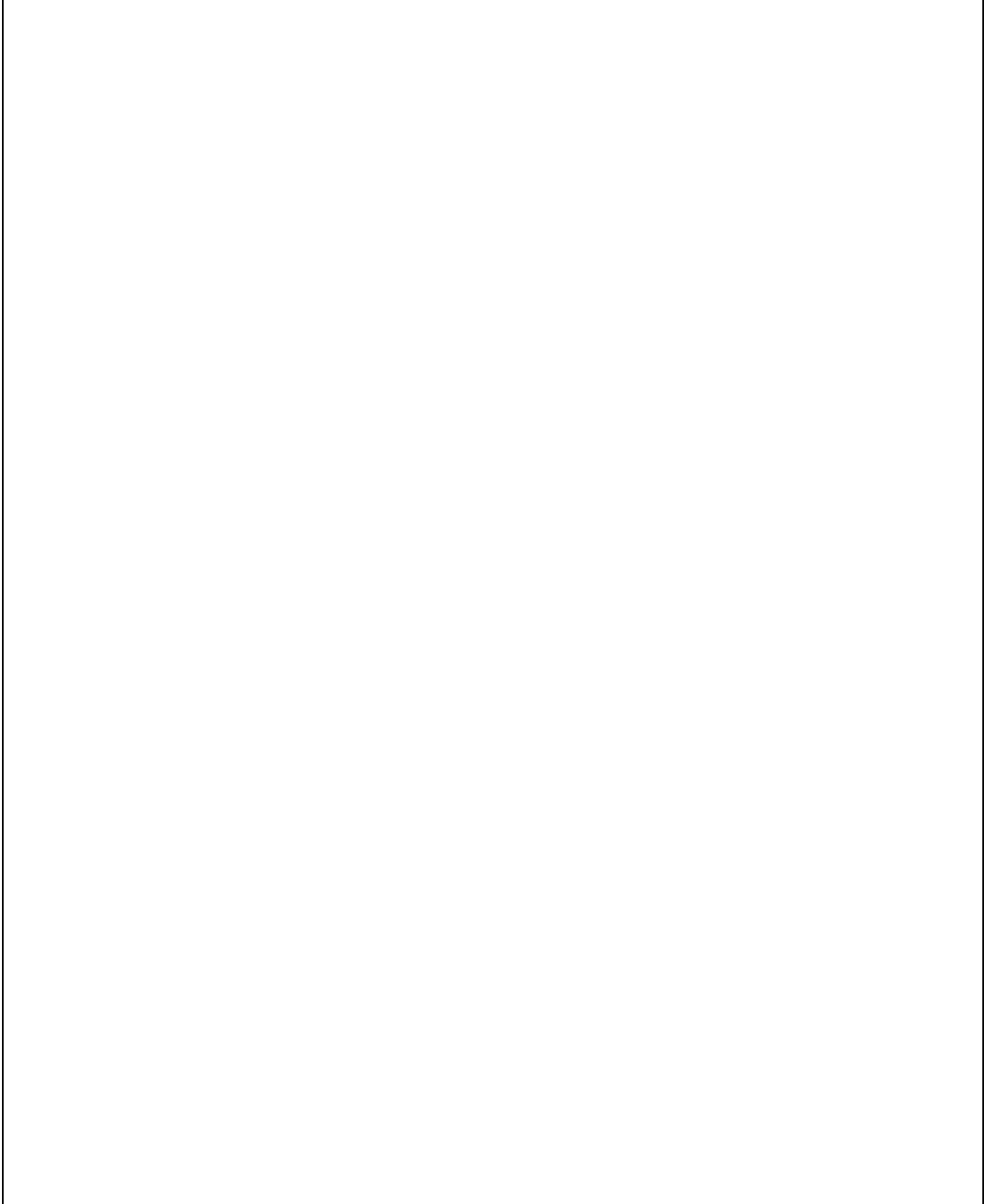


Model: 911 94 Model life 1994>>1998

Pos	Part Number	Description	Remark	Qty	Model
-	911 095 932 20	Paint touch-up applicator		X	
	911 095 932 20 908	Paint touch-up applicator			
	911 095 932 20 719	Grand prix white			
	911 095 932 20 80K	Black			
	911 095 932 20 12G	Guards red			
	911 095 932 20 39E	Speed yellow			
	911 095 932 20 39D	Riviera blue			
	911 095 932 20 3AR	Amaranth violet			
	911 095 932 20 12L	Blue turquoise			
	911 095 932 20 3AT	Pastel yellow			
-	911 095 933 20	Glacier white		X	
		Paint touch-up applicator			
		Set			
		Comprising:			
		Paint touch-up applicator			
		Primer			
		Paint touch-up applicator			
		Clear lacquer			
	911 095 933 20 746	Black-metallic			
	911 095 933 20 22D	Slate grey metallic			
	911 095 933 20 92E	Polar silver metallic			
	911 095 933 20 37W	Midnight Blue Metallic			
	911 095 933 20 39N	Iris blue metallic			
	911 095 933 20 39R	Aventurine green metallic			
	911 095 933 20 84R	Arena red metallic			
	911 095 933 20 25C	Turquoise metallic			
	911 095 933 20 3AY	Ocean blue metallic			
	911 095 933 20 3AW	Zenith blue metallic			
	911 095 933 20 25H	Ocean jade metallic			
	911 095 933 20 92T	Arctic silver metallic			
	911 095 933 20 40W	Vesuvio grey metallic			
	911 095 933 20 554	Mirage metallic			

Model: 911 94

Model life 1994>>1998



Model: 911 94

Model life 1994>>1998

Pos	Part Number	Description	Remark	Qty	Model
-	928 101 921 00	Securing liquid Sealing compound Preservative agent Securing liquid Loctite -270- 10 CCM High strength		X	
-	000 043 012 00	Loctite -221- 10 CCM Low strength		X	
-	000 043 306 48	Loctite -221- 10 CCM Low strength Sealing compound		X	
-	000 043 010 00	Loctite -574- 50 CCM		X	
-	000 043 011 00	Loctite -638- 10 CCM for Balance shaft		X	
-	000 043 013 00	Loctite Adhesive remover -80646- Spraying can		X	
-	AMV 176 000 05	Adhesive sealing compound 310 CCM Loctite for pasting Metal Glass Ceramics Thermoset plastic Adhesive set Comprising:		1	
-	000 043 051 00	Loctite Loctite -317- 50 CCM		X	
-	000 043 202 65	Loctite AKTIVATOR NF 736 180 CCM		X	
-	000 043 019 01	Sealing compound SILASTIK 730 RTV 90 CCM		X	
-	PCG 043 019 01	Sealing compound SILASTIK 730 RTV 90 CCM		X	
-	000 043 004 00	Mounting paste Optimoly ht 1 90-gramme tube		X	
-	000 043 020 00	Optimoly Mounting paste OPTIMOLY - TA 1 100-gramme tube		X	
-	000 043 110 01	Silver Grease OPTITEMP PU35 1 100-gramme tube		X	

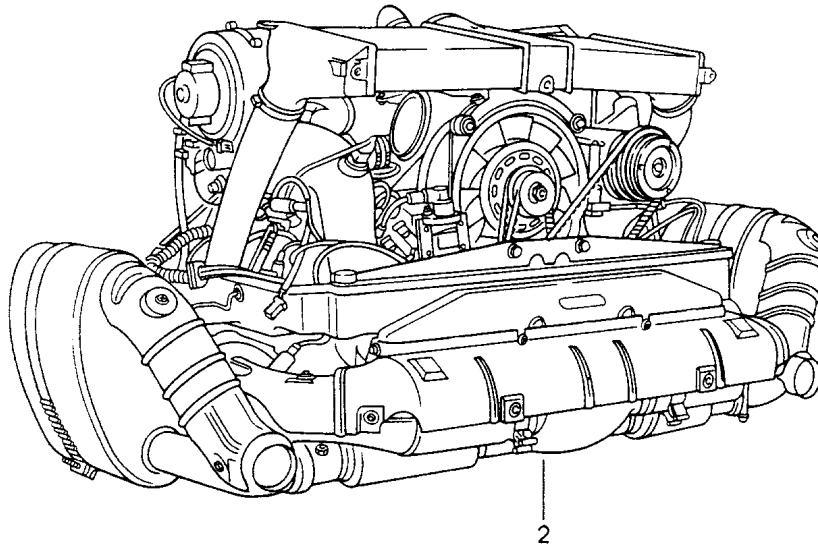
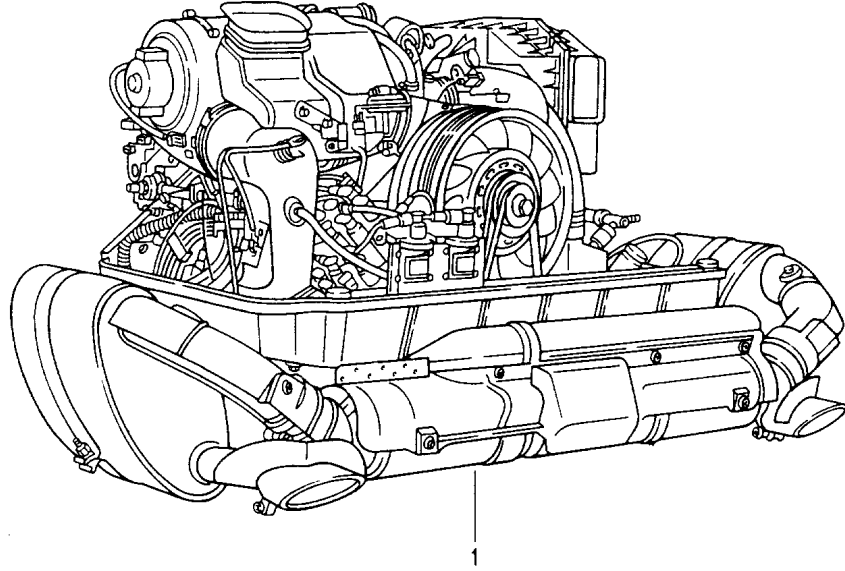
Model: 911 94

Model life 1994>>1998

Pos	Part Number	Description	Remark	Qty	Model
-	000 043 204 21	Grease for lock cylinder Spraying can		X	
-	G 052 778 A2	Grease for lock cylinder Spraying can Preservative agent		X	
-	999 571 062 00	Care kit Comprising: Suitcase		1	
-	999 901 013 40	Liquid preservative		1	
-	999 901 014 41	Car shampoo		1	
-	999 901 015 40	Polisher		1	
-	999 901 016 40	Tar remover		1	
-	999 901 017 40	Dashboard cleaner		1	
-	999 901 018 40	Paint polish		1	
-	999 901 019 41	Insect remover		1	
-	999 901 020 40	Spot remover		1	
-	999 901 021 40	Polishing cotton		1	
-	999 901 022 40	Polishing cloth		1	
-	000 044 000 02	Leather care 250 ML		X	
-	999 901 017 41	Window cleaner Summer 250 ML		X	
-	999 901 017 42	Window cleaner Summer 250 ML		X	
-	000 044 000 87	Window cleaner Summer 250 ML		X	
-	999 901 033 40	Window cleaner Winter 1000 ML		X	
-	999 901 036 40	Car shampoo Refilling bottle 1000 ML		X	
-	999 917 803 00	Window cleaner Spray bottle 250 ML		X	
-	928 628 931 00	Silicone remover 1000 ML		X	
-	000 044 000 93	Silicone remover 1000 ML		X	
-	999 901 030 40	Rim cleaner Spray bottle 500 ML		X	
-	999 901 031 40	Rim cleaner Refilling bottle 1000 ML		X	

Model: 911 94

Model life 1994>>1998



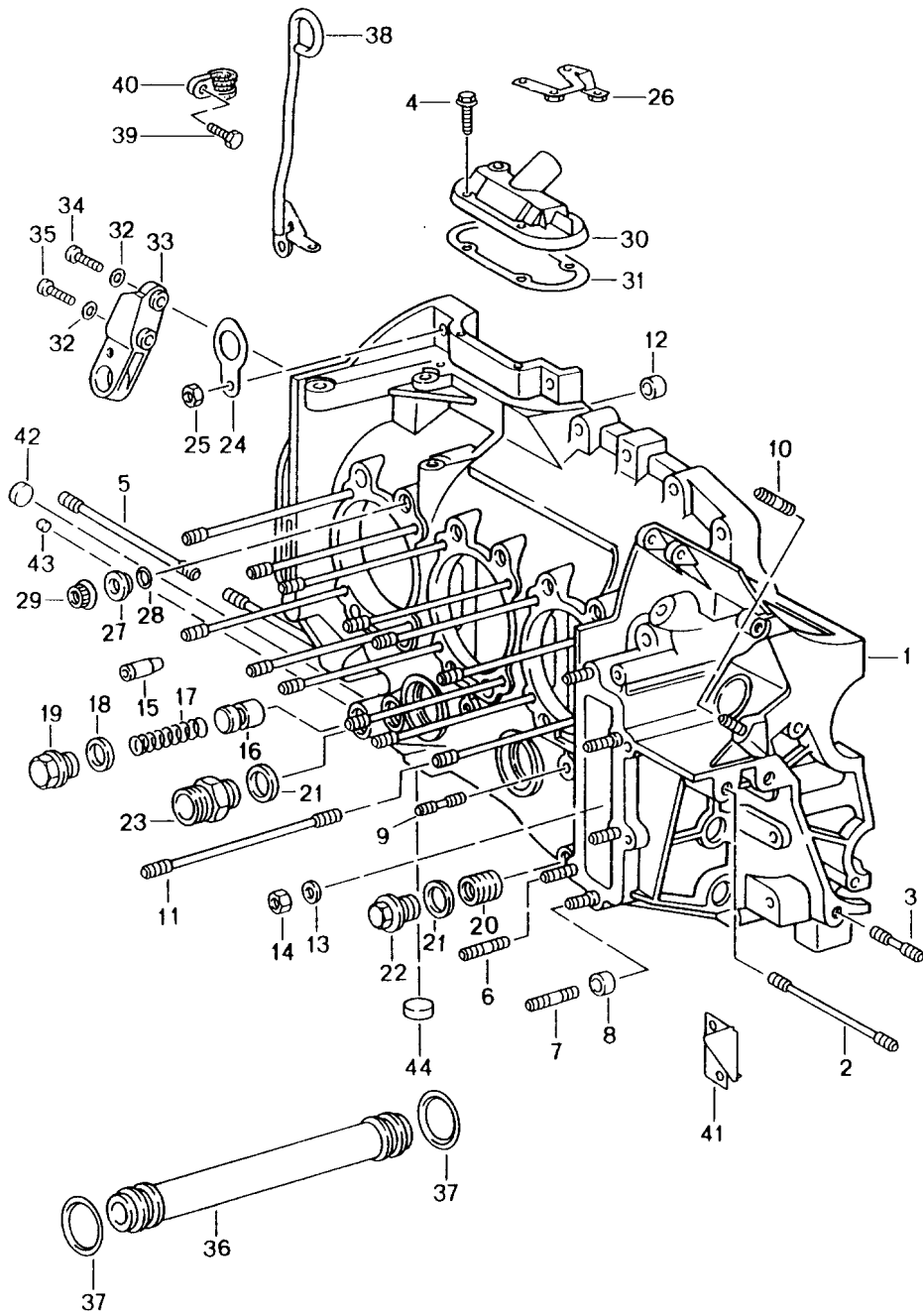
Model: 911 94

Model life 1994>>1998

Pos	Part Number	Description	Remark	Qty	Model
		Replacement engine Ready for installation			
1	993 100 264 07	Replacement engine		1	M64.07
1	993 100 264 08	Replacement engine		1	M64.08
(1)	993 100 964 23	Short engine		1	M64.23/24
(1)	993 100 964 ZX	Short engine		1	M64.23/24
(2)	993 100 964 60	Short engine		1	M64.60

Model: 911 94

Model life 1994>>1998



Model: 911 94 Model life 1994>>1998

Pos	Part Number	Description	Remark	Qty	Model
		Crankcase Left See technical information Group 1 NR. 4/94			
1	964 101 905 10	Crankcase with studs		1	
1	964 101 905 11	Crankcase with studs		1	
1	993 101 905 20	Crankcase with studs		1	M64.20
2	999 062 283 08	Stud BM 10 X 95		1	
3	999 062 316 09	Stud BM 10 X 38		1	
3	999 062 056 02	Stud BM 10 X 60		1	M64.60
3	900 060 098 01	Stud BM 10 X 60		1	M64.60
4	900 075 347 02	Combination screw M 6 X 30		2	
4	900 075 345 02	Combination screw M 6 X 35		2	
4	900 075 345 01	Combination screw M 6 X 35		2	
5	999 062 099 02	Stud BM 10 X 105		2	
5	900 060 096 01	Stud BM 10 X 105		2	
6	999 062 008 02	Stud BM 8 X 25		3	
7	999 062 044 02	Stud BM 8 X 30		2	
8	901 101 145 00	Dowel sleeve		2	
9	999 062 091 02	Stud BM 6 X 30		6	
10	999 062 009 02	Stud BM 8 X 28		1	
10	900 060 105 01	Stud BM 8 X 28		1	
11	993 101 172 02	Stud		24	M64.05/06/07 M64.08 M64.21/22/23 M64.24
11	993 101 172 03	Stud		24	M64.05/06/07 M64.08 M64.21/22/23 M64.24
11	993 101 170 51	Stud		24	M64.20/60
11	993 101 170 53	Stud		24	M64.20/60
12	901 101 195 00	Dowel sleeve		2	
13	900 025 008 09	Washer A 10,5		1	
13	900 025 008 04	Washer A 10,5		1	
14	900 076 078 01	Hexagon nut M 10 X 1,25		1	
15	964 101 020 00	Spray jet 22,5 MM		6	
15	993 101 018 51	Spray jet 33,5 MM		6	
15	964 101 020 50	Spray jet		6	

Model: 911 94 Model life 1994>>1998

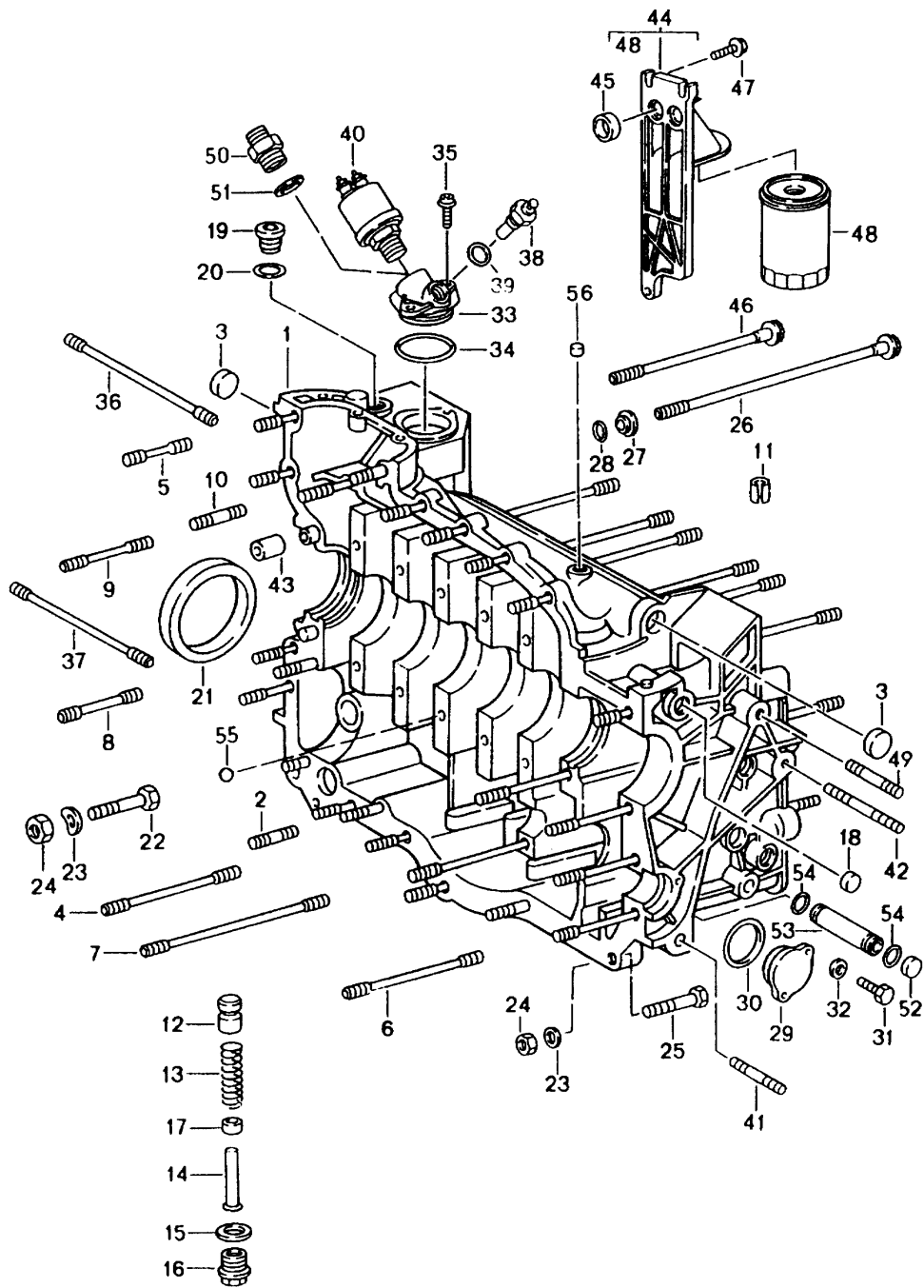
Pos	Part Number	Description	Remark	Qty	Model
15	993 101 018 60	22,5 MM Oversize Spray jet		6	
		33,5 MM Oversize			
16	911 107 512 00	Piston		1	
17	901 107 531 00	Compression spring		1	
17	901 107 531 01	Compression spring		1	
18	900 123 106 30	Sealing ring		1	
		A 18 X 24			
19	999 064 026 02	Screw plug		1	
		M 18 X 1,5			
19	999 064 026 01	Screw plug		1	
		M 18 X 1,5			
20	999 504 127 00	Threaded insert		1	
		M 20 X 1,5			
21	900 123 118 30	Sealing ring		1	
		A 22 X 27			
21	900 123 011 30	Sealing ring	96-	1	
		A 22 X 27			
22	944 107 197 01	Screw plug		1	
		M 20 X 1,5			
23	999 136 008 09	Connection piece	-95	1	
		18			
23	999 136 008 01	Union		1	
		18			
23	999 136 044 09	Union	96-	1	
		M 22 X 1,5			
24	901 101 151 00	Clip		1	M64.05/06 M64.07/08/20
25	999 084 095 02	Lock nut		1	
		M 8			
26	964 110 313 02	Support		1	
27	964 101 313 02	Washer		15	
28	999 701 006 40	O-ring		15	
		8 X 2			
29	959 101 172 00	Nut		11	
30	901 107 073 02	Lid		1	
31	930 107 791 02	Gasket		1	
32	N 011 524 7	Washer		2	
		A 6,4			
32	N 011 524 27	Washer		2	
		A 6,4			
33	964 101 187 01	Support		1	
34	900 075 341 02	Combination screw		1	
		M 6 X 25			
34	900 075 341 01	Combination screw		1	
		M 6 X 25			
35	900 075 345 02	Combination screw		1	
		M 6 X 35			
35	900 075 345 01	Combination screw		1	
		M 6 X 35			
36	901 107 351 01	Oil tube		4	
(36)	930 107 040 01	Set		X	
		Set			
		Divided			
		Comprising:			
		Oil tube			
		I			
		Oil tube			
		II			
-	900 041 013 01	Circlip		1	
-	999 707 113 40	Round seal		2	

Model: 911 94 Model life 1994>>1998

Pos	Part Number	Description	Remark	Qty	Model
-	999 707 113 41	O-ring		2	
-	999 707 112 40	Round seal		2	
-	999 707 112 4A	Round seal		2	
37	999 707 112 40	Round seal 25 X 6		8	
37	999 707 112 4A	Round seal 25 X 6		8	
38	993 101 151 50	Retaining bar		1	M64.60
39	900 075 355 02	Combination screw M 6 X 16		1	M64.60
39	900 075 355 01	Hexagon-head bolt M 6 X 16		1	M64.60
40	999 511 153 02	Clip 8 X 15		1	M64.60
41	993 126 130 51	Cover plate		1	M64.60
42	911 101 182 00	Stopper 13,00 X 8,5		1	
42	911 101 182 01	Stopper Oversize 14,00 X 8,5		1	
43	911 101 186 00	Stopper 7,5 X 8		1	
43	911 101 186 01	Stopper Oversize 8,5 X 8		1	
44	911 101 184 00	Stopper 19,00 X 13		1	
44	911 101 184 01	Stopper Oversize 20,00 X 13		1	

Model: 911 94

Model life 1994>>1998



Model: 911 94

Model life 1994>>1998

Pos	Part Number	Description	Remark	Qty	Model
		Crankcase Right See technical information Group 1 NR. 4/94			
1	964 101 905 10	Crankcase with studs		1	
1	964 101 905 11	Crankcase with studs		1	
1	993 101 905 20	Crankcase with studs		1	M64.20
2	999 062 007 02	Stud BM 8 X 22		3	
2	900 060 106 01	Stud BM 8 X 22		3	
3	911 101 185 00	Stopper 22,00 X 9		2	
3	911 101 185 01	Stopper Oversize 23,00 X 9		2	
4	996 101 175 70	Stud	-97	1	
4		Stud	98-	1	
5	999 062 115 02	Stud BM 8 X 32		13	
6	999 062 156 02	Stud BM 8 X 78		3	
6	900 060 101 01	Stud BM 8 X 78		3	
7	999 062 051 02	Stud BM 8 X 108		1	
8	999 062 075 02	Stud BM 8 X 48		2	
9	999 062 138 02	Stud BM 8 X 52		1	
9	900 060 102 01	Stud BM 8 X 52		1	
10	999 062 009 02	Stud BM 8 X 28		1	
10	900 060 105 01	Stud BM 8 X 28		1	
11	900 095 025 01	Roll pin 8 X 16		1	
12	911 107 512 00	Piston		1	
13	930 107 531 01	Compression spring		1	
14	930 107 533 00	Guide sleeve		1	
14	930 107 533 01	Guide sleeve		1	
15	900 123 106 30	Sealing ring A 18 X 24		1	
16	999 064 026 02	Screw plug M 18 X 1,5		1	
16	999 064 026 01	Screw plug M 18 X 1,5		1	
17	964 107 532 00	Spacer ring		1	
18	911 101 182 00	Stopper 13,00 X 8,5		1	
18	911 101 182 01	Stopper Oversize 14,00 X 8,5		1	
19	900 219 009 30	Screw plug M 18 X 1,5		1	
20	900 123 140 30	Sealing ring A 18 X 22		1	

Model: 911 94 Model life 1994>>1998

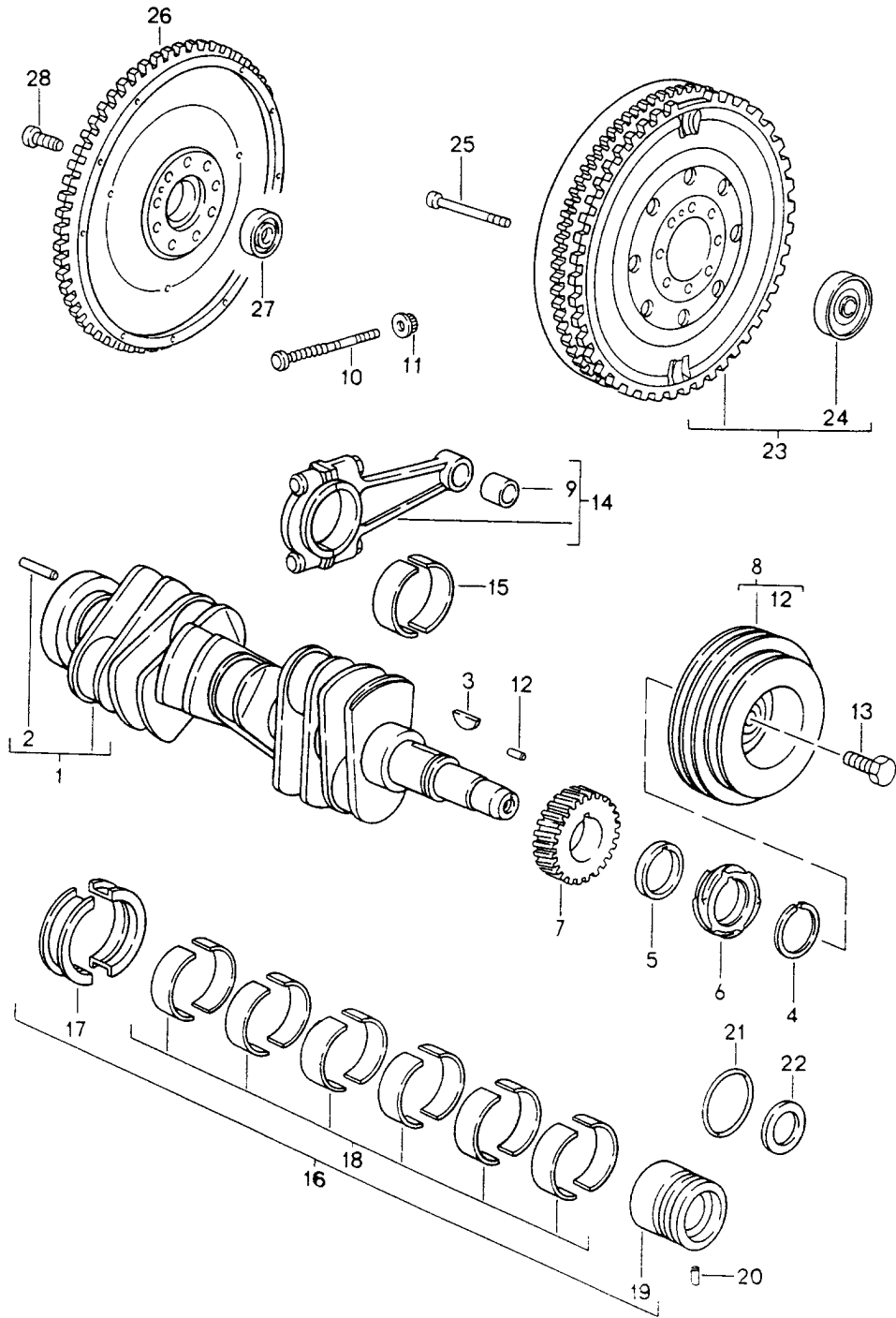
Pos	Part Number	Description	Remark	Qty	Model
21	999 113 426 41	Radial sealing ring 90 X 110 X 12		1	
22	900 074 139 02	Hexagon-head bolt M 8 X 55		1	
22	900 074 139 03	Hexagon-head bolt M 8 X 55		1	
23	900 031 001 02	Washer 8,4		26	
23	900 031 105 01	Washer 8,4		26	
24	999 084 095 02	Lock nut M 8		23	
25	900 074 134 02	Hexagon-head bolt M 8 X 45		1	
26	959 101 173 01	Screw		11	
26	959 101 173 02	Screw		11	
27	964 101 313 02	Washer		13	
28	999 701 006 40	O-ring 8 X 2		13	
29	930 105 165 00	Cover		1	
30	999 707 315 40	O-ring 33,3 X 2,4		1	
31	900 075 355 02	Combination screw M 6 X 16		2	
31	900 075 355 01	Hexagon-head bolt M 6 X 16		2	
32	N 011 524 7	Washer A 6,4		4	
32	N 011 524 27	Washer A 6,4		4	
33	993 101 768 01	Lid		1	
34	999 707 314 40	O-ring 39,2 X 3		1	
35	900 075 221 02	Pan-head screw M 6 X 18		2	
36	999 062 225 02	Stud BM 10 X 140		1	
36	900 060 095 01	Stud BM 10 X 140		1	
37	999 062 099 02	Stud BM 10 X 105		1	
37	900 060 096 01	Stud BM 10 X 105		1	
38	911 606 112 00	Remote temperature sensor		1	
39	900 123 007 30	Sealing ring A 14 X 18		1	
40	928 606 203 01	Oil pressure sender		1	
40	928 606 203 04	Oil pressure sender		1	
41	999 062 316 09	Stud M 10 X 38		1	
41	999 062 056 02	Stud BM 10 X 60		1	M64.60
41	900 060 098 01	Stud BM 10 X 60		1	M64.60
42	999 062 283 08	Stud M 10 X 95		1	
43	901 101 195 00	Dowel sleeve		2	
44	993 107 057 00	Bracket		1	
44	993 107 057 01	Bracket		1	
45	999 704 172 50	Sealing ring 16,3 X 22		2	
46	964 101 174 00	Screw		2	
47	900 075 447 02	Combination screw		3	

Model: 911 94 Model life 1994>>1998

Pos	Part Number	Description	Remark	Qty	Model
47	900 075 447 01	M 8 X 25 Combination screw		3	
48	993 107 203 00	M 8 X 25 Oil filter	-94	1	
48	993 107 203 02	Oil filter	-94	1	
48	993 107 203 03	Oil filter		1	
48	993 107 203 04	Not Turbo Oil filter		1	M64.60
48	993 107 203 05	Only Turbo Oil filter		1	
49	999 062 316 09	Stud		1	M64.60
50	900 283 005 02	BM 10 X 38 Connection piece		1	M64.60
51	900 123 106 30	A 10 - M 18 X 1,5 Sealing ring		1	M64.60
52	911 101 184 00	A 18 X 24 Stopper		1	
52	911 101 184 01	19,00 X 13 Stopper		1	
53	993 107 216 51	Oversize 20,00 X 13 Connecting piece		1	M64.60
54	999 707 320 40	O-ring		2	M64.60
55	999 707 305 40	15 X 2 O-ring		4	
56	911 101 186 00	8,2 X 2,8 Stopper		1	
56	911 101 186 01	7,5 X 8 Stopper		1	
		Oversize 8,5 X 8			

Model: 911 94

Model life 1994>>1998



Model: 911 94 Model life 1994>>1998

Pos	Part Number	Description	Remark	Qty	Model
1	993 102 021 01	Crankshaft	-94	1	
1	993 102 021 02	Crankshaft	95-	1	
2	900 095 031 00	Tensioning sleeve 6 X 16		1	
3	901 102 147 00	Woodruff key		1	
4	901 102 148 00	Circlip Number 0		1	
4	901 102 148 01	Circlip Number 1		1	
4	901 102 148 02	Circlip Number 2		1	
4	901 102 148 03	Circlip Number 3		1	
5	901 102 145 00	Intermediate ring		1	
6	930 102 112 00	Drive wheel		1	
6	930 102 112 01	Drive wheel		1	
7		See group 1/03/15		.	
8	993 102 050 01	Pulley		1	
(8)	993 102 050 40	Pulley		1	M64.20
(8)	993 102 050 41	Pulley		1	M64.20 M573
9	993 103 134 01	Connecting rod bush		6	
10	993 103 176 04	Connecting rod bolt		12	
10	993 103 176 05	Connecting rod bolt		12	
10	996 103 176 70	Connecting rod bolt		12	
11	993 103 174 02	Connecting rod nut		12	
12	N 101 090 01	Straight pin 5 M 6 X 14		1	
12	N 101 090 0A	Straight pin 5 M 6 X 14		1	
13	999 217 128 01	Hexagon-head bolt M 14 X 1,5 X 33		1	
14	993 103 020 50	Connecting rods Connecting rod Weight group: 1=508 - 514 G	-94	6	
14	993 103 020 51	Connecting rod Weight group: 2=514 - 520 G		6	
14	993 103 020 52	Connecting rod Weight group: 3=520 - 526 G		6	
14	993 103 020 53	Connecting rod Weight group: 4=526 - 532 G		6	
14	993 103 020 54	Connecting rod Weight group: 5=532 - 538 G		6	
14	993 103 020 55	Connecting rod Weight group: 6=538 - 544 G		6	
14	993 103 020 56	Connecting rod Weight group: 7=544 - 550 G		6	
		Connecting rods M 63S 05848 >> M 63S 52685 >> M 64S 04238 >> M 64S 51181 >> M 63S 85654 >> M 61T 00932 >>			

Model: 911 94

Model life 1994>>1998

Pos	Part Number	Description	Remark	Qty	Model
14	993 103 020 64	Connecting rod Weight group: 1=534 - 540 G		6	
14	993 103 020 65	Connecting rod Weight group: 2=540 - 546 G		6	
14	993 103 020 66	Connecting rod Weight group: 3=546 - 552 G		6	
14	993 103 020 67	Connecting rod Weight group: 4=552 - 558 G		6	
14	993 103 020 68	Connecting rod Weight group: 5=558 - 564 G		6	
14	993 103 020 69	Connecting rod Weight group: 6=564 - 570 G		6	
-	993 103 975 00	Connecting rod Connecting rods Comprising: Connecting rods		1 6	
-	993 103 975 01	Connecting rod Connecting rods Comprising: Connecting rods		1 6	
15	993 103 147 15	Connecting-rod bearing		6	
15	993 103 147 53	Connecting-rod bearing Oversize 0,25 MM		12	
15	993 103 147 63	Connecting-rod bearing Oversize 0,50 MM		12	
16	964 101 901 00	Set of crankshaft bearings		1	
16	964 101 901 51	Set of crankshaft bearings Oversize Inner 0,25 MM		1	
16	964 101 901 56	Set of crankshaft bearings Oversize Inner 0,50 MM		1	
16	964 101 901 61	Set of crankshaft bearings Oversize Outer 0,25 MM		1	
16	964 101 901 71	Set of crankshaft bearings Oversize Inner 0,25 MM Oversize Outer 0,25 MM		1	
16	964 101 901 76	Set of crankshaft bearings Oversize Inner 0,50 MM Oversize Outer 0,25 MM		1	
17	930 101 131 15	Bearing shell Set I		1	

Model: 911 94 Model life 1994>>1998

Pos	Part Number	Description	Remark	Qty	Model
17	930 101 131 51	Bearing shell I Oversize Inner 0,25 MM		2	
17	930 101 131 56	Bearing shell I Oversize Inner 0,50 MM		2	
17	930 101 131 61	Bearing shell I Oversize Outer 0,25 MM		2	
17	930 101 131 71	Bearing shell I Oversize Inner 0,25 MM Outer 0,25 MM		2	
17	930 101 131 76	Bearing shell I Oversize Inner 0,50 MM Outer 0,25 MM		2	
18	930 101 132 15	Bearing shell II-VII		12	
18	930 101 132 51	Bearing shell II-VII Oversize Inner 0,25 MM		12	
18	930 101 132 92	Bearing shell II-VII Oversize Inner 0,25 MM		12	
18		Bearing shell Bearing shell II-VII Oversize Inner 0,25 MM		12	
18	930 101 132 56	Bearing shell II-VII Oversize Inner 0,50 MM		12	
18	930 101 132 61	Bearing shell II-VII Oversize Outer 0,25 MM		12	
18	930 101 132 71	Bearing shell II-VII Oversize Inner 0,25 MM Outer		12	

Model: 911 94 Model life 1994>>1998

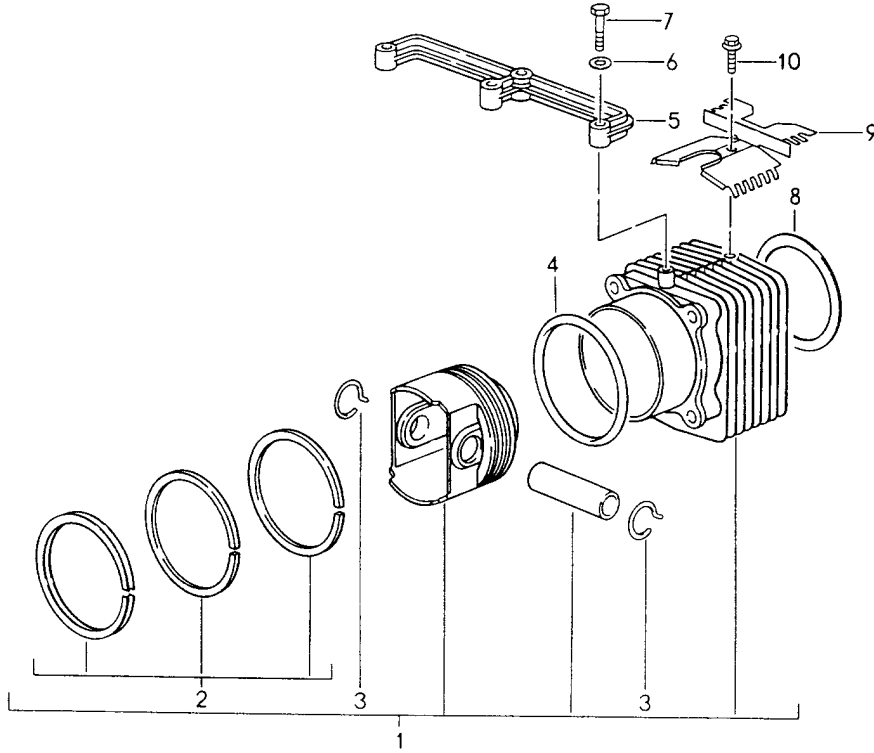
Pos	Part Number	Description	Remark	Qty	Model
18	930 101 132 72	0,25 MM Bearing shell II-VII Oversize Inner 0,25 MM Outer 0,25 MM		12	
18		Bearing shell Bearing shell II-VII Oversize Inner 0,25 MM Outer 0,25 MM		12	
18	930 101 132 76	Bearing shell II-VII Oversize Inner 0,50 MM Outer 0,25 MM		12	
19	964 101 138 01	Bearing sleeve VIII		1	
19	964 101 138 54	Bearing sleeve VIII Oversize Inner 0,25 MM		1	
19	964 101 138 55	Bearing sleeve VIII Oversize Inner 0,50 MM		1	
19	964 101 138 65	Bearing sleeve VIII Oversize Outer 0,25 MM		1	
19	964 101 138 66	Bearing sleeve VIII Oversize Inner 0,25 MM Outer 0,25 MM		1	
19	964 101 138 67	Bearing sleeve VIII Oversize Inner 0,50 MM Outer 0,25 MM		1	
20	900 012 061 00	Straight pin 5 H 8 X 10		1	
21	999 707 285 40	O-ring 51 X 4,5		1	
22	999 113 290 41	Radial sealing ring 30 X 50 X 10		1	
23	964 114 012 02	Double-mass flywheel		1	M64.05/07/20 M64.21/23
23	996 114 012 50	Double-mass flywheel		1	M64.60

Model: 911 94 Model life 1994>>1998

Pos	Part Number	Description	Remark	Qty	Model
24	999 052 169 00	Deep-groove ball bearing 15 X 50 X 11		1	
25	999 119 017 01	Pan-head screw M 10 X 1,25 X 62		9	
(26)	964 102 239 31	Flywheel		1	M64.20 M003
-	964 114 143 31	Ring gear		1	M64.20 M003
27	931 102 111 00	Deep-groove ball bearing		1	M64.20 M003
27	931 102 111 02	Deep-groove ball bearing		1	M64.20 M003
28	928 102 151 01	Pan-head screw		9	M64.20 M003

Model: 911 94

Model life 1994>>1998



Model: 911 94 Model life 1994>>1998

Pos	Part Number	Description	Remark	Qty	Model
1	993 103 915 21	Cylinder with piston Group 5 MAHLE Cylinder with piston Identification -- / - 592 - 600 G		6	M64.05/06 M64.07/08
1	993 103 915 26	Cylinder with piston Identification -- / - 596 - 604 G	-96	6	M64.21/22 M64.23/24
1	993 103 915 31	Cylinder with piston Identification -- / - 596 - 604 G	97-	6	M64.21/22 M64.23/24
1	993 103 915 51	Cylinder with piston Identification -- / - 576 - 584 G	-96	6	M64.60
1	993 103 915 56	Cylinder with piston Identification -- / - 576 - 584 G	97-	6	M64.60
1	PCG 504 369 0	Cylinder with piston Complete FA. MAHLE Only by sets	97-	6	M64.60
1	993 103 915 22	Cylinder with piston Identification + / ++ 600 - 608 G		6	M64.05/06 M64.07/08
1	993 103 915 27	Cylinder with piston Identification + / ++ 604 - 612 G	-96	6	M64.21/22 M64.23/24
1	993 103 915 32	Cylinder with piston Identification + / ++ 604 - 612 G	97-	6	M64.21/22 M64.23/24
1	993 103 915 52	Cylinder with piston Identification + / ++ 584 - 592 G	-96	6	M64.60
1	993 103 915 57	Cylinder with piston Identification + / ++ 584 - 592 G	97-	6	M64.60
1	993 103 915 23	Group 6 MAHLE Cylinder with piston Identification -- / - 592 - 600 G		6	M64.05/06 M64.07/08
1	PCG 504 379 2	Cylinder with piston Complete Fa. Mahle Only by sets		6	M64.05/06 M64.07/08
1	993 103 915 28	Cylinder with piston Identification -- / - 596 - 604 G	-96	6	M64.21/22 M64.23/24
1	993 103 915 33	Cylinder with piston	97-	6	M64.21/22

Model: 911 94 Model life 1994>>1998

Pos	Part Number	Description	Remark	Qty	Model
		Identification -- / -			M64.23/24
1	993 103 915 53	596 - 604 G Cylinder with piston Identification -- / -	-96	6	M64.60
1	993 103 915 58	576 - 584 G Cylinder with piston Identification -- / -	97-	6	M64.60
1	993 103 915 24	576 - 584 G Cylinder with piston Identification + / ++		6	M64.05/06 M64.07/08
1	993 103 915 29	600 - 608 G Cylinder with piston Identification + / ++	-96	6	M64.21/22 M64.23/24
1	993 103 915 34	604 - 612 G Cylinder with piston Identification + / ++	97-	6	M64.21/22 M64.23/24
1	993 103 915 54	604 - 612 G Cylinder with piston Identification + / ++	-96	6	M64.60
1	993 103 915 59	584 - 592 G Cylinder with piston Identification + / ++	97-	6	M64.60
2	993 103 925 00	584 - 592 G Piston rings MAHLE Set of piston rings		6	M64.05/06 M64.07/08
2	993 103 925 03	Set of piston rings	-95	6	M64.05/06 M64.07/08
2	993 103 925 05	Set of piston rings	-96	6	M64.21/22 M64.23/24
2	993 103 925 06	Set of piston rings	97-	6	M64.21/22 M64.23/24
2	993 103 925 50	Set of piston rings	-96	6	M64.60
2	993 103 925 51	Set of piston rings	97-	6	M64.60
3	999 178 016 00	Circlip 23 X 1,6		12	
4	999 707 152 40	O-ring 102 X 2		6	
(4)	999 705 022 40	Sealing ring 110,72 X 3,53		6	M64.20
(4)	999 705 023 41	Sealing ring 110,72 X 3,53		6	M64.20
5	993 104 391 00	Bridge		2	
6	N 011 524 7	Washer A 6,4		6	
6	N 011 524 27	Washer A 6,4		6	
7	900 074 015 02	Hexagon-head bolt M 6 X 30		6	
7	900 074 015 03	Hexagon-head bolt M 6 X 30		6	
8	964 104 115 20	Cylinder head gasket		6	
9	993 106 257 51	Air guide		6	M64.60
10	900 075 363 02	Combination screw		6	M64.60

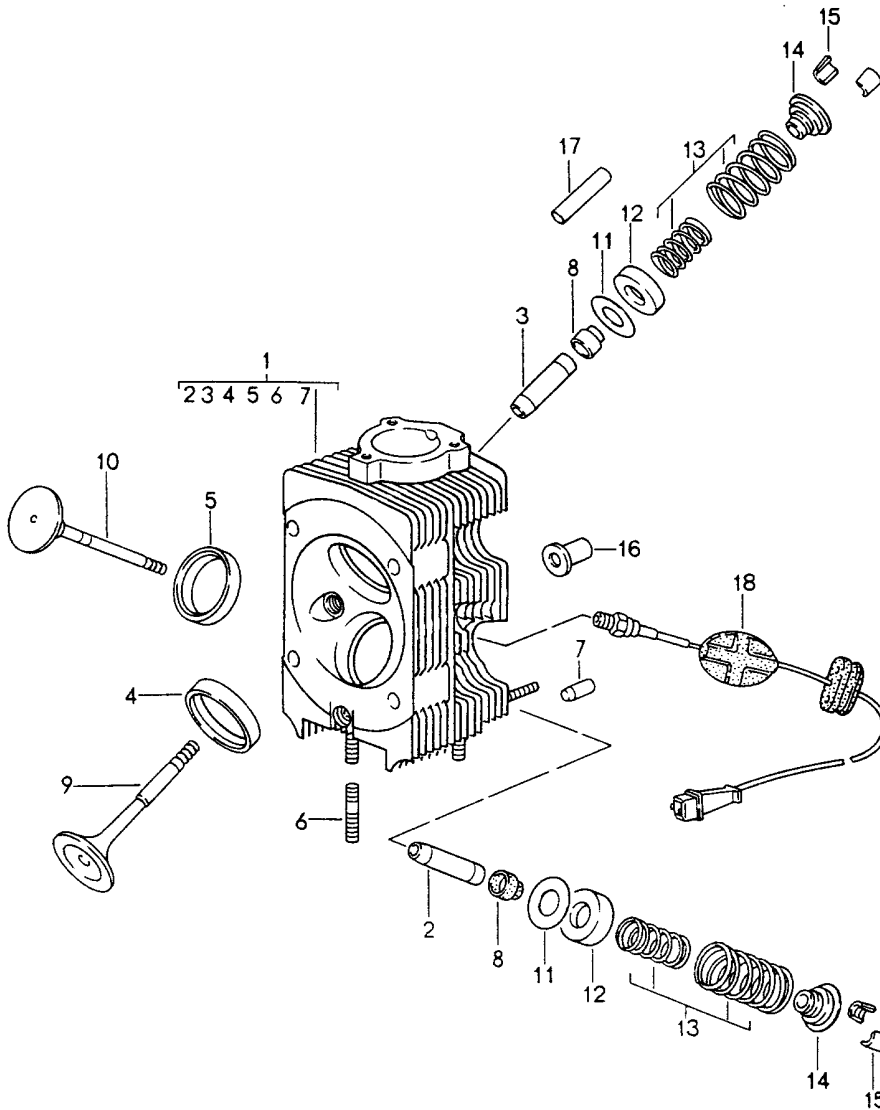
Model: 911 94

Model life 1994>>1998

Pos	Part Number	Description	Remark	Qty	Model
		M 6 X 10			

Model: 911 94

Model life 1994>>1998



Model: 911 94 Model life 1994>>1998

Pos	Part Number	Description	Remark	Qty	Model
1	993 104 033 05	Cylinder head Cylinder head without valves		6	M64.07/08
1	993 104 035 07	Cylinder head without valves		6	M64.23/24
1	993 104 033 52	Cylinder head When required order also: POS.6 + POS.7 without valves		6	M64.60
1	993 104 053 52	Cylinder head without valves When required order also: POS.6+ POS.7		6	M64.60
2	993 104 321 70	Valve guide 1st oversize Exhaust	-96	6	
2	993 104 321 71	Valve guide 1st oversize Exhaust		6	
2	993 104 321 60	Valve guide 1st oversize Exhaust	-96	6	M64.60
2	993 104 321 61	Valve guide 1st oversize Exhaust		6	M64.60
3	993 104 322 71	Valve guide 1st oversize Intake		6	
4	930 104 331 50	Valve seat ring Intake Oversize		6	
5	930 104 335 56	Valve seat ring Exhaust Oversize		6	
6	999 062 007 02	Stud BM 8 X 22		12	
6	900 060 106 01	Stud BM 8 X 22		12	
7	999 012 006 00	Straight pin		12	
8	993 104 111 01	Valve stem seal		12	
9	993 105 409 02	Intake valve		6	M64.05/06 M64.07/08/60
9	993 105 405 02	Intake valve		6	M64.21/22 M64.23/24
10	993 105 419 01	Exhaust valve		6	M64.05/06 M64.07/08
10	993 105 419 06	Exhaust valve		6	M64.21/22 M64.23/24
10	993 105 419 52	Exhaust valve		6	M64.60
11	930 105 461 00	Washer 0,5MM		12	
11	964 105 461 01	Washer 0,25MM		12	
12	993 105 463 02	Ring		12	
13	993 105 901 51	Set of valve springs		12	
14	993 105 421 00	Concave washer		12	
15	993 105 417 00	Collet		24	
16	964 104 382 01	Cylinder head nut		24	M64.05/06 M64.07/08
16	993 104 382 53	Cylinder head nut		24	M64.20 M64.21/22 M64.23/24 M64.60

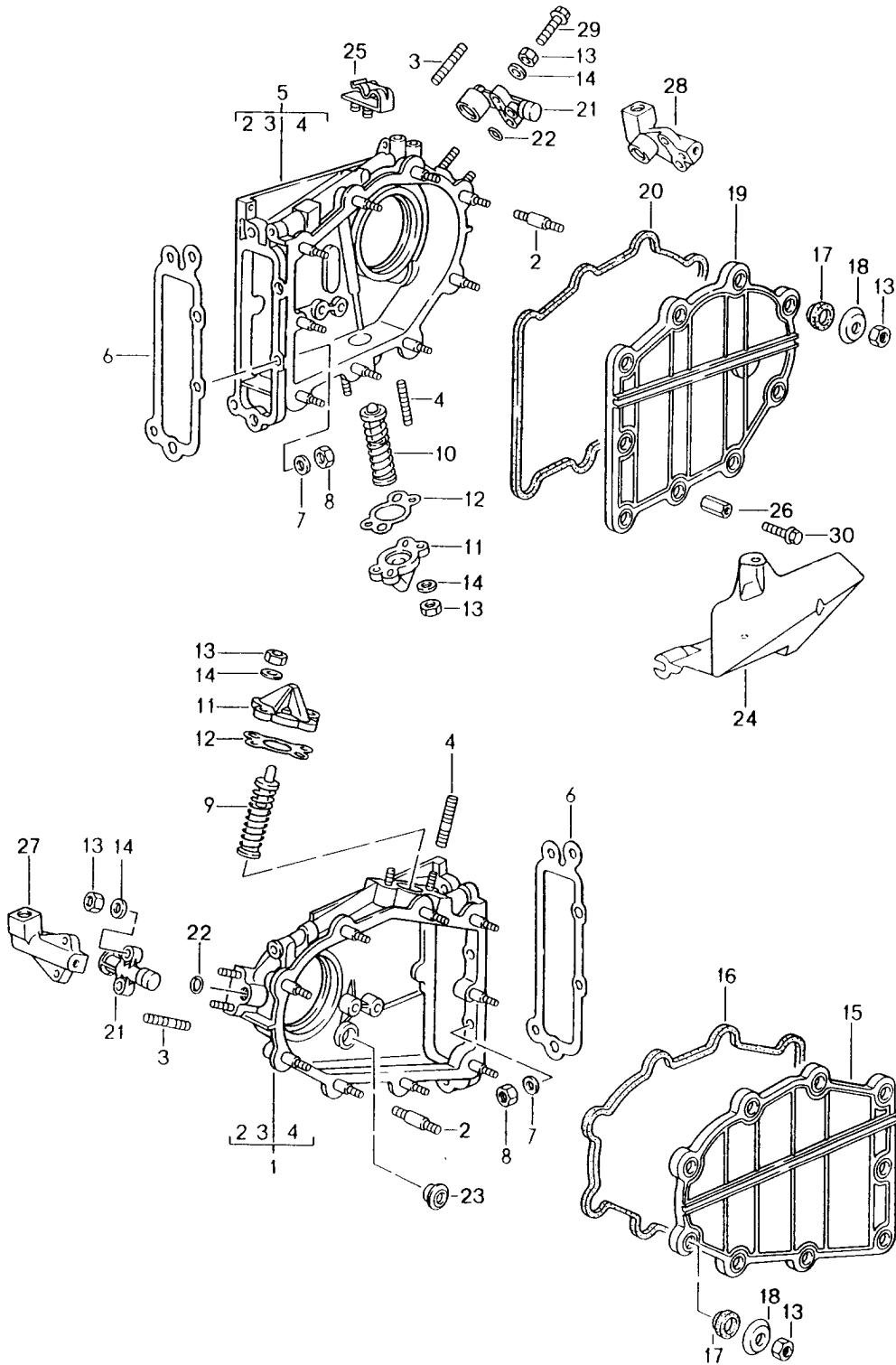
Model: 911 94

Model life 1994>>1998

Pos	Part Number	Description	Remark	Qty	Model
17	000 043 204 47	Sleeve for Valve stem seal		1	
18	993 606 013 00	Temperature sensor See workshop manual 993 GR.97-013 When required order also:		1	
-	999 650 157 40	Plug socket		1	
-	999 652 871 22	Connector		2	
-	999 704 161 40	Gasket		2	
-	999 652 811 40	Stopper		1	

Model: 911 94

Model life 1994>>1998

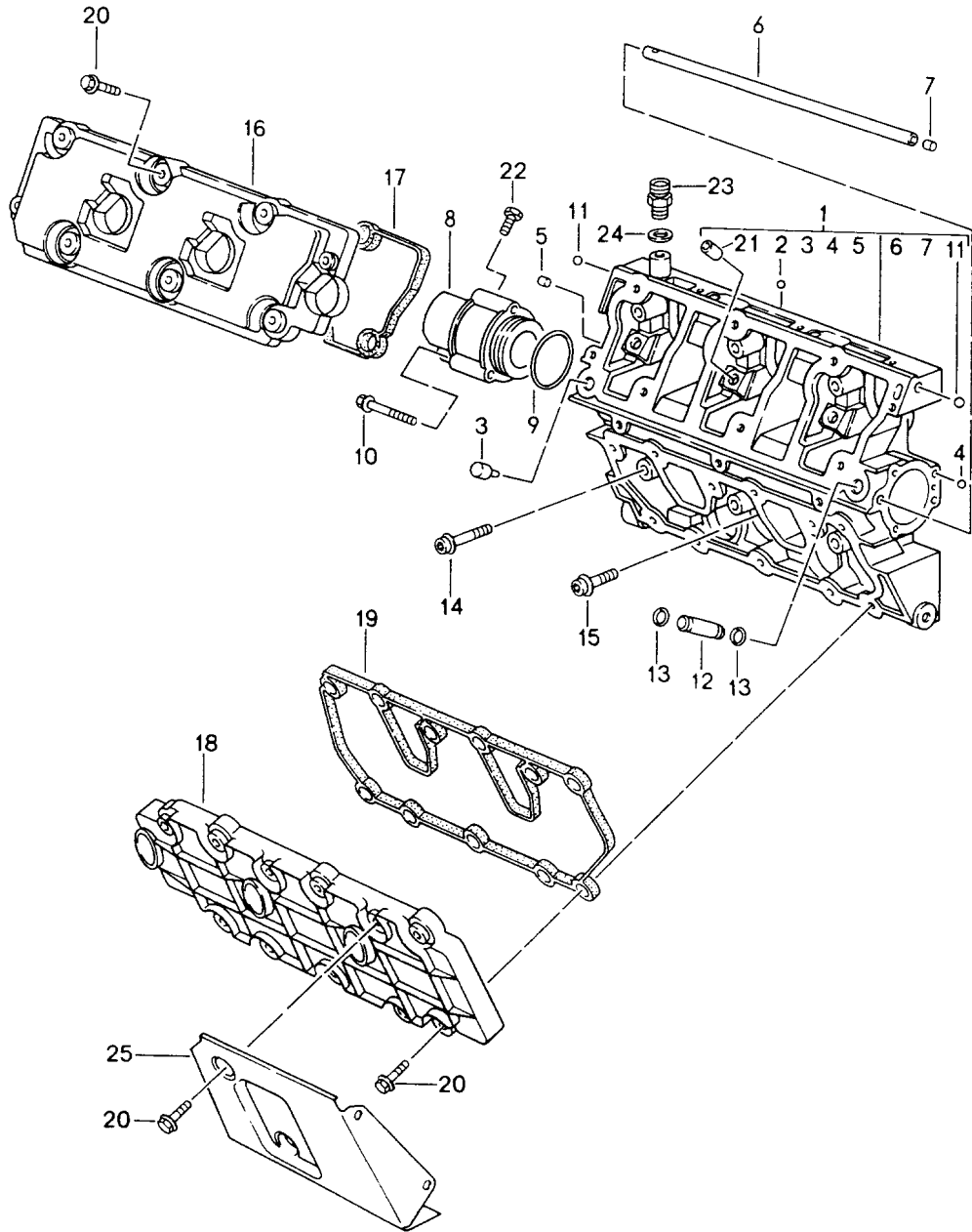


Model: 911 94 Model life 1994>>1998

Pos	Part Number	Description	Remark	Qty	Model
		Chain case			
		Chain adjuster			
1	993 105 093 05	Chain case	/L	1	
2	964 105 583 01	Collar bolt		18	
3	999 062 102 02	Stud		4	
		BM 6 X 22			
4	999 062 017 02	Stud		4	
		BM 6 X 18			
5	964 105 094 04	Chain case	/R	1	
6	993 105 193 00	Gasket		2	
7	999 025 194 30	Washer		10	
		8,4 X 18 X 3			
8	999 084 095 02	Lock nut		10	
		M 8			
9	964 105 079 00	Chain adjuster	/L	1	
10	964 105 080 00	Chain adjuster	/R	1	
11	993 105 022 01	Lid		2	
12	964 105 177 03	Gasket		2	
13	999 084 094 02	Lock nut		26	
		M 6			
14	999 025 193 30	Spacer		8	
		6,4 X 14 X 3			
14	N 011 524 7	Washer		8	M64.20
		A 6,4			
14	N 011 524 27	Washer		8	M64.20
		A 6,4			
15	964 105 107 01	Lid	/L	1	
16	964 105 181 01	Gasket	/L	1	
17	964 105 140 01	Rubber seal		18	
18	964 105 445 00	Thrust washer		18	
19	964 105 108 01	Lid	/R	1	
20	964 105 181 01	Gasket	/R	1	
21	993 107 088 00	Bridge		2	
22	999 707 288 40	O-ring		2	
		6 X 2,5			
23	964 105 110 01	Bearing		4	
24	993 106 253 06	Heat shield		1	
25	993 606 225 00	Support		1	
26	993 107 243 50	Spacer		2	M64.60
27	993 107 087 51	Oil gallery	/L	1	M64.60
28	993 107 088 52	Oil gallery	/R	1	M64.60
29	999 218 099 02	Combination screw		4	M64.20/21/22
		M 6 X 25			M64.23/24
29	999 217 138 02	Combination screw		4	M64.60
		M 6 X 22			
30	N 010 215 13	Hexagon-head bolt		2	M64.60
		M 6 X 15			

Model: 911 94

Model life 1994>>1998



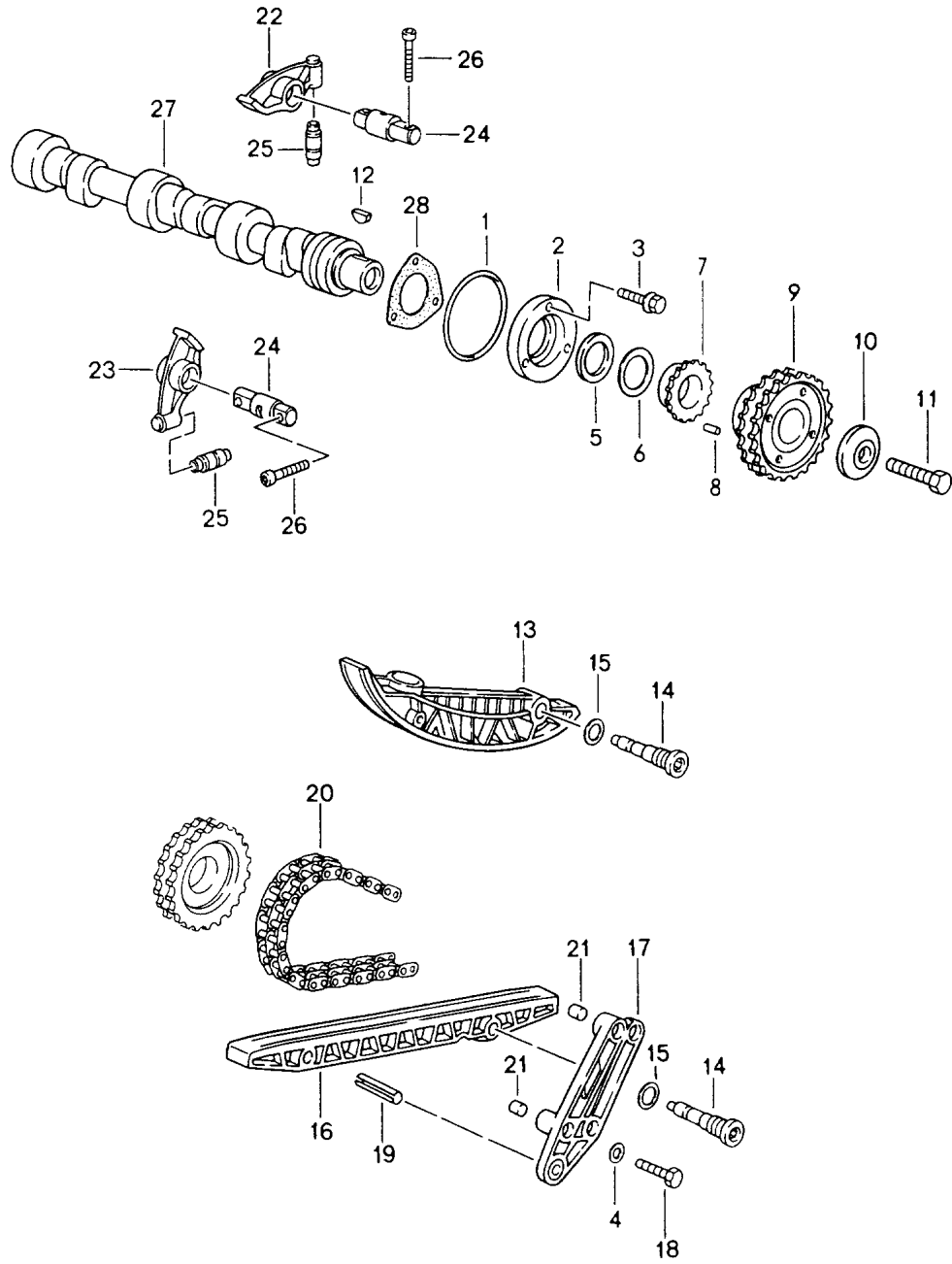
Model: 911 94

Model life 1994>>1998

Pos	Part Number	Description	Remark	Qty	Model
1	993 105 011 06	Camshaft housing	/L	1	
1	993 105 011 50	Camshaft housing	/L	1	M64.60
1	993 105 012 06	Camshaft housing	/R	1	
1	993 105 012 50	Camshaft housing	/R	1	M64.60
2	900 108 014 00	Ball 4,5 MM		12	
2	900 108 065 00	Ball 4,5 MM		12	
3	993 105 345 00	Stopper		2	
4	900 108 011 00	Ball 6,35MM		4	
5	999 501 080 30	Stopper 6,35 X 7		4	
6	993 105 362 03	Oil splash tube		2	
7	993 105 379 00	Stopper 8,15 X 9		4	
8	993 105 117 02	Lid		1	
8	993 105 117 04	Lid		1	
9	999 707 293 40	O-ring 40 X 4		1	
10	900 075 328 02	Combination screw M 6 X 55		3	
11	900 108 038 00	Ball 9,52 MM		4	
12	993 107 118 00	Pressure pipe		2	
13	999 701 449 40	O-ring 8,3 X 2,4		4	
14	999 218 082 02	Combination screw M 8 X 50		24	
14	900 387 025 01	Combination screw M 8 X 50		24	
15	999 218 081 02	Combination screw M 8 X 30		12	
15	900 387 026 01	Combination screw M 8 X 30		12	
16	993 105 115 05	Lid		2	
17	993 105 173 02	Gasket		3	
18	993 105 116 07	Lid		2	
(18)	993 105 116 54	Lid	/R	1	M64.60
(18)	993 105 117 50	Lid	/R	1	M64.60
(18)		Lid	/L	1	M64.60
19	993 105 135 02	Gasket		2	
20	900 067 238 02	Combination screw M 6 X 30		38	
20	900 067 238 01	Combination screw M 6 X 30		38	
20	900 075 345 02	Combination screw M 6 X 35		4	M64.60
20	900 075 345 01	Combination screw M 6 X 35		4	M64.60
21	993 105 175 00	Dowel sleeve		24	
22	N 010 210 13	Hexagon-head bolt M 6 X 10		1	
23	900 915 005 02	Connection piece A 12		2	M64.60
24	900 123 019 30	Sealing ring A 16 X 22		2	M64.60
25	993 105 295 52	Heat protection plate	/L	1	M64.60
(25)	993 105 294 52	Heat protection plate	/R	1	M64.60

Model: 911 94

Model life 1994>>1998



Model: 911 94 Model life 1994>>1998

Pos	Part Number	Description	Remark	Qty	Model
1	999 707 313 40	Valve control Left O-ring 67,2 X 5,77		1	
2	930 105 196 00	Cover		1	
3	900 075 442 02	Combination screw M 6 X 25		3	
4	N 011 524 7	Washer A 6,4		2	
4	N 011 524 27	Washer A 6,4		2	
5	901 105 562 00	Thrust washer		1	
5	901 105 562 02	Thrust washer		1	
6	901 105 561 00	Shim		X	
7	901 105 583 01	Flange		1	
8	900 243 001 00	Straight pin 6 H 8 X 14		1	
(9)	901 105 546 02	Sprocket		1	
(9)	901 105 546 04	Sprocket	-95 -95	1	
9	993 105 546 01	Sprocket	96-	1	
10	993 105 163 00	Washer	-95	1	
10	993 105 163 50	Washer	96-	1	
11	900 082 072 01	Hexagon-head bolt M 12 X 1,5 X 50		1	
12	N 012 708 2	Woodruff key 4,0 X 5,0		1	
13	964 105 043 02	Tensioner blade		1	
14	964 105 171 02	Bolt		1	
15	900 123 131 30	Sealing ring A 16 X 20		2	
16	964 105 029 00	Guide rail		1	
17	964 105 018 01	Supporting bow	-94	1	
17	964 105 018 02	Supporting bow	95-	1	
18	900 075 476 02	Hexagon-head bolt M 6 X 38		4	
19	999 095 045 01	Roll pin 10,5 X 43		1	
19	999 095 045 0A	Roll pin 10,5 X 43		1	
20	993 105 529 00	Timing chain Closed		1	
21	999 095 048 00	Dowel sleeve 8 X 8		4	
22	993 105 081 26	Rocker arm Intake		6	
22	993 105 085 00	Rocker arm Intake		6	
23	993 105 082 01	Rocker arm Exhaust		6	
23	993 105 086 00	Rocker arm Exhaust		6	
24	993 105 342 06	Rocker shaft		12	
25	993 105 141 03	Hydraulic valve tappet		12	M64.60
25	993 105 141 05	Hydraulic valve tappet		12	
25	993 105 141 50	Hydraulic valve tappet Size 1		X	M64.60
25	993 105 141 51	Hydraulic valve tappet Size 1		X	
25	993 105 141 60	Hydraulic valve tappet Size 2		X	M64.60
25	993 105 141 61	Hydraulic valve tappet Size 2		X	
26	900 067 346 01	Pan-head screw		24	

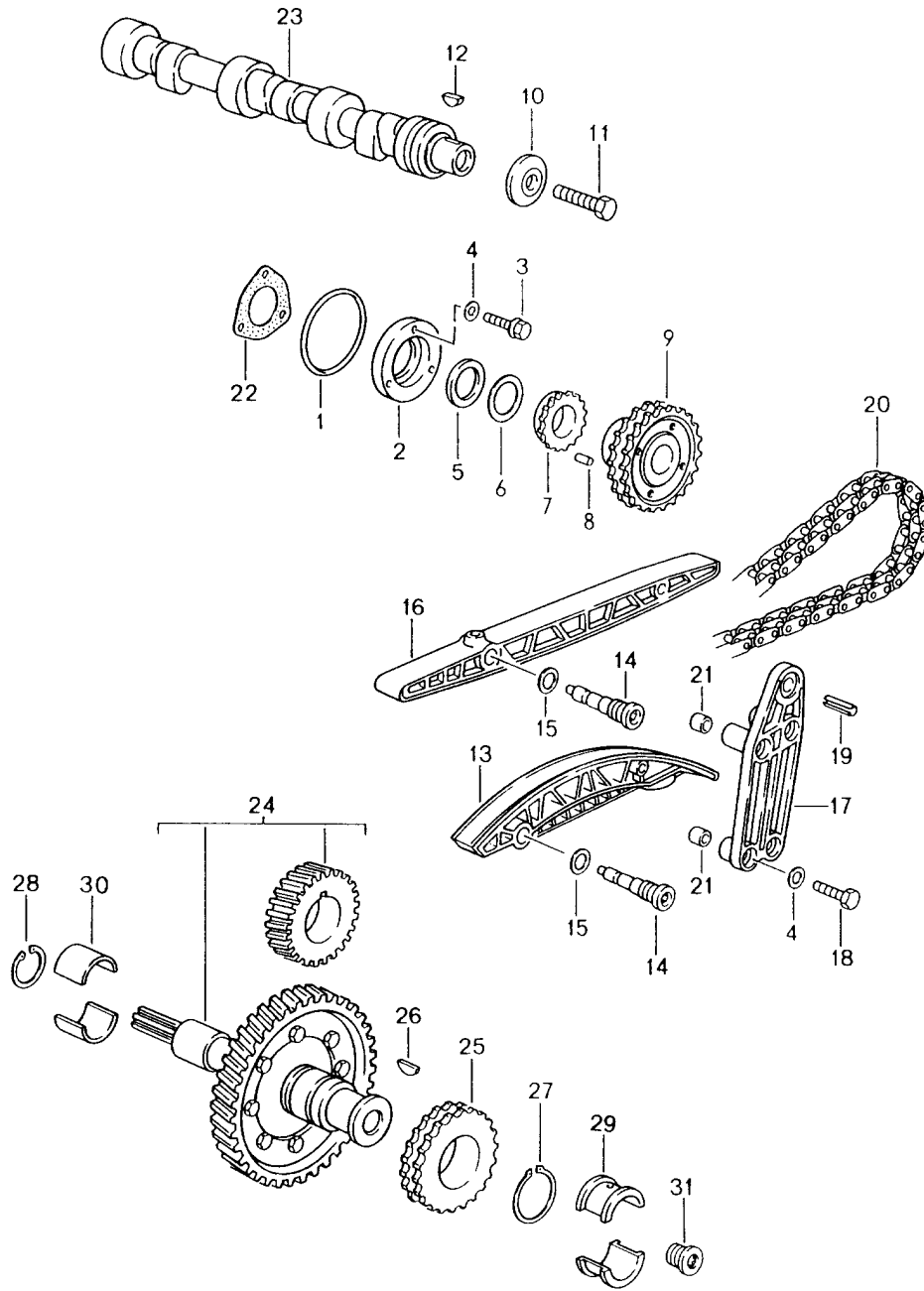
Model: 911 94

Model life 1994>>1998

Pos	Part Number	Description	Remark	Qty	Model
27	993 105 247 07	M 6 X 35 Camshaft		1	M64.05/06 M64.07/08
27	993 105 247 11	Camshaft		1	M64.05/06 M64.07/08
27	993 105 247 09	Camshaft		1	M64.21/22 M64.23/24
27	993 105 247 12	Camshaft		1	M64.21/22 M64.23/24
27	993 105 247 51	Camshaft		1	M64.60
27	993 105 247 53	Camshaft		1	M64.60
28	930 105 197 05	Gasket		1	

Model: 911 94

Model life 1994>>1998



Model: 911 94 Model life 1994>>1998

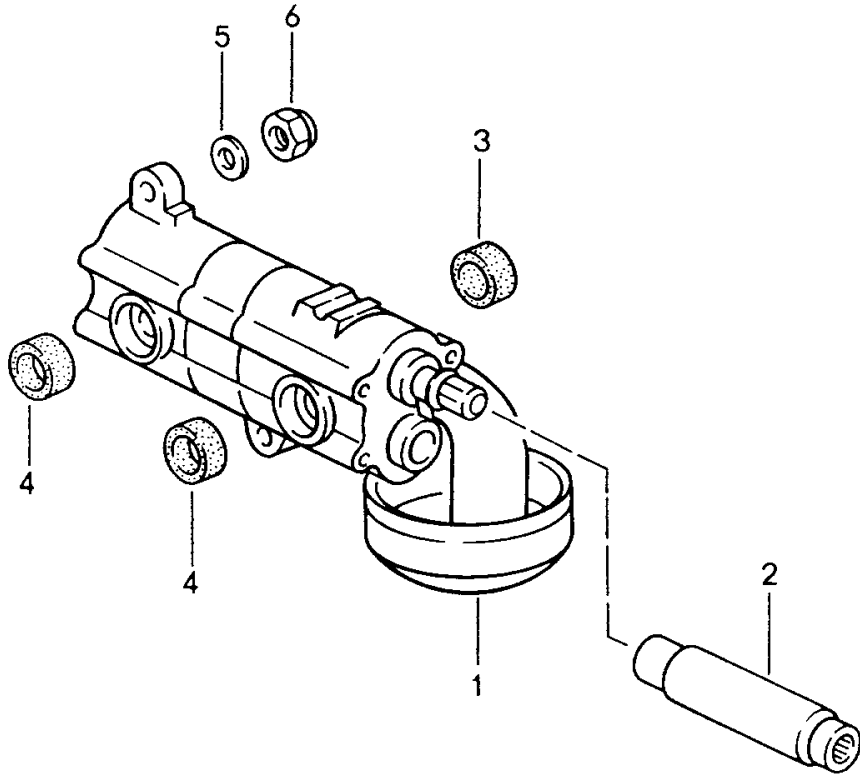
Pos	Part Number	Description	Remark	Qty	Model
1	999 707 313 40	Valve control Right O-ring 67,2 X 5,77		1	
2	930 105 196 00	Cover		1	
3	900 075 442 02	Combination screw M 6 X 25		3	
4	N 011 524 7	Washer A 6,4		3	
4	N 011 524 27	Washer A 6,4		3	
5	901 105 562 00	Thrust washer		1	
5	901 105 562 02	Thrust washer		1	
6	901 105 561 00	Shim		X	
7	901 105 583 01	Flange		1	
8	900 243 001 00	Straight pin 6 H 8 X 14		1	
(9)	901 105 546 02	Sprocket		1	
(9)	901 105 546 04	Sprocket		1	
9	993 105 546 02	Sprocket	96-	1	
10	993 105 163 00	Washer	-95	1	
10	993 105 163 50	Washer	96-	1	
11	900 082 072 01	Hexagon-head bolt M 12 X 1,5 X 50		1	
12	N 012 708 2	Woodruff key 4,0 X 5,0		1	
13	964 105 043 02	Tensioner blade		1	
14	964 105 171 02	Bolt		1	
15	900 123 131 30	Sealing ring A 16 X 20		2	
16	964 105 030 00	Guide rail		1	
17	964 105 018 01	Supporting bow	-94	1	
17	964 105 018 02	Supporting bow	95-	1	
18	900 075 476 02	Hexagon-head bolt M 6 X 38		4	
19	999 095 045 01	Roll pin 10,5 X 43		1	
19	999 095 045 0A	Roll pin 10,5 X 43		1	
20	993 105 529 00	Timing chain Closed		1	
21	999 095 048 00	Dowel sleeve 8 X 8		4	
22	930 105 197 05	Gasket		1	
23	993 105 246 07	Camshaft		1	M64.05/06 M64.07/08
23	993 105 246 09	Camshaft		1	M64.21/22 M64.23/24
23	993 105 246 51	Camshaft		1	M64.60
23	993 105 246 53	Camshaft		1	M64.60
24	993 105 911 52	Intermediate shaft with Timing gear Number 0		1	
24	993 105 911 56	Intermediate shaft with Timing gear Number 0		1	
24	993 105 911 53	Intermediate shaft with Timing gear Number 1		1	
24	993 105 911 55	Intermediate shaft		1	

Model: 911 94 Model life 1994>>1998

Pos	Part Number	Description	Remark	Qty	Model
24	993 105 911 57	with Timing gear Number 1 Intermediate shaft		1	
25	901 105 125 04	with Timing gear Number 1 Sprocket		2	
26	900 118 010 00	Woodruff key 6,0 X 7,5		2	
27	900 041 025 01	Circlip 36 X 1,75		2	
28	900 041 026 01	Circlip 13 X 1		1	
29	993 101 137 00	Thrust bearing		2	
29	993 101 137 01	Thrust bearing		2	
30	996 101 435 70	Bearing shell		2	
31	999 064 038 30	Screw plug 18 X 1,5		1	M64.21/22 M64.23/24
31	993 105 275 52	Intermediate piece Information available		1	M64.60 M64.60

Model: 911 94

Model life 1994>>1998



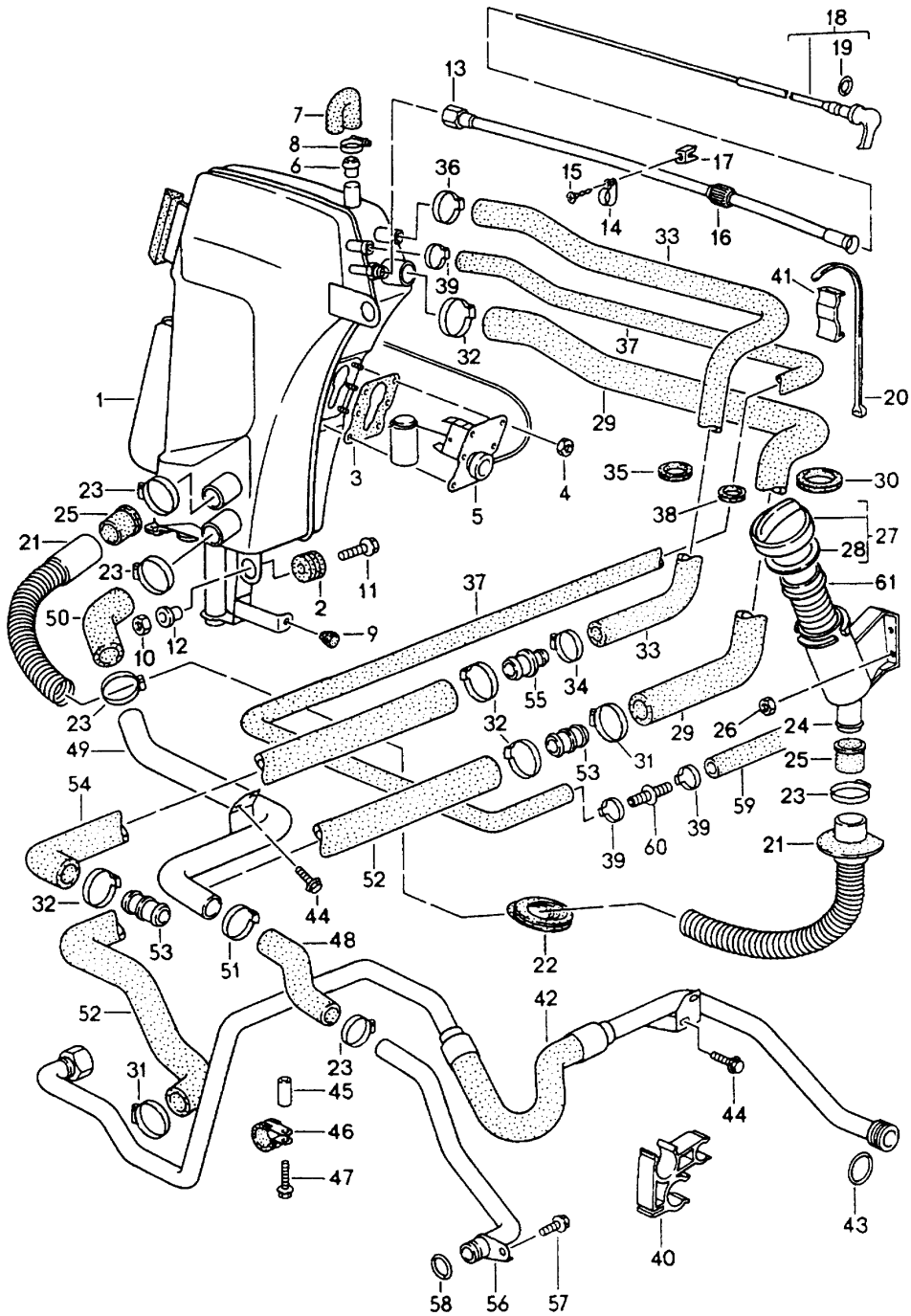
Model: 911 94

Model life 1994>>1998

Pos	Part Number	Description	Remark	Qty	Model
1	964 107 011 11	Oil pump		1	
1	964 107 011 14	Oil pump		1	
		It is necessary to rework FREIGANG PLEUEL PRUEFEN			
2	930 107 143 03	Connecting shaft		1	
3	999 704 173 50	Sealing ring 19,5 X 26		1	
4	999 704 172 50	Sealing ring 16,3 X 22		2	
5	900 031 001 02	Washer 8,4		3	
5	900 031 105 01	Washer 8,4		3	
6	999 084 095 02	Lock nut M 8		3	

Model: 911 94

Model life 1994>>1998



Model: 911 94

Model life 1994>>1998

Pos	Part Number	Description	Remark	Qty	Model
		Oil tank Lines			
1	993 207 070 51	Oil tank		1	
2	999 702 193 40	Rubber sleeve		2	
3	993 207 226 00	Gasket		1	
4	999 076 050 02	Hexagon nut M 5		6	
5	993 641 051 00	Tank gauge		1	
6	944 107 324 00	Valve		1	
7	964 207 177 00	Breather hose		1	
8	999 512 554 00	Hose clamp 12 - 22/9		1	
9	999 703 044 50	Stopper 8,0 X 1,0		1	
10	999 084 210 02	Hexagon nut M 8		2	
11	900 074 310 02	Combination screw M 8 X 35		2	
12	999 209 037 02	Spacer sleeve 8,4 X 1,8		2	
13	993 207 057 01	Guide tube		1	
14	999 511 069 02	Clamp 12 X 15		1	
14	999 511 069 0C	Clamp 12 X 15		1	
15	900 187 118 02	Combination screw B 4,2 X 16		1	
16	993 207 158 00	Rubber sleeve		1	
17	999 507 050 40	Expander nut B 4,2		1	
18	993 207 041 00	Oil level dipstick		1	
19	900 174 063 40	Round seal		1	
20	999 513 003 40	Tie-wrap 1,6 - 100		1	
21	993 207 212 02	Filling hose		1	
22	993 207 213 00	Rubber sleeve		1	
23	999 512 566 00	Hose clamp 25 - 40		5	
24	993 207 361 04	Filler neck		1	
25	993 207 212 60	Sealing rubber		2	
26	900 380 003 02	Hexagon nut M 6		2	
27	911 107 072 02	Fuel tank cap		1	
28	930 107 272 01	Sealing ring		1	
29	993 207 146 01	Breather hose		1	
30	999 702 199 50	Grommet 32 X 36 X 8		1	
31	999 512 551 00	Hose clamp 25 - 40,9		2	
32	999 512 473 02	Hose clamp 29,2 - 35,0		4	
33	993 207 149 01	Breather hose		1	
33	993 207 149 02	Breather hose		1	
34	999 512 346 00	Hose clamp 16 - 27,9		1	
35	999 702 196 50	Grommet 22 X 36 X 8		1	
36	999 512 447 02	Hose clamp 21,3 - 24,1		1	
37	993 207 150 01	Breather hose		1	M64.05/06 M64.07/08
37	993 207 150 82	Breather hose		1	M64.05/06 M64.07/08

Model: 911 94 Model life 1994>>1998

Pos	Part Number	Description	Remark	Qty	Model
(37)	993 207 150 02	Breather hose		1	M64.20/21/22 M64.23/24
(37)	993 207 150 53	Breather hose		1	M64.60
38	999 702 198 50	Grommet 19 X 22 X 8		1	
39	999 512 386 02	Clamp 17,2 - 21,0		1	
40	993 207 332 01	Hose holder		1	M64.05/06/07 M64.08/60
(40)	993 207 332 02	Hose holder		1	M64.20/21/22 M64.23/24
41	993 207 136 00	Spacer		1	
42	993 207 252 01	Return line		1	
42	993 207 252 82	Return line		1	
(42)	993 207 252 52	Return line		1	M64.60
(42)	993 207 252 54	Return line		1	M64.60
43	999 707 255 40	O-ring 26,64 X 2,62		2	
44	900 075 355 02	Combination screw M 6 X 16		4	
44	900 075 355 01	Hexagon-head bolt M 6 X 16		4	
45	993 207 407 00	Sleeve		1	M480
46	930 107 407 03	Pipe clamp		1	
47	900 075 346 02	Combination screw M 6 X 40		1	M480
48	993 207 253 00	Oil hose		1	
49	993 207 251 00	Oil tube		1	
49	993 207 251 01	Oil tube		1	
50	993 207 255 00	Oil hose		1	
51	999 512 566 00	Hose clamp 25 - 40		1	
52	993 207 143 01	Breather hose		1	M64.05/06 M64.07/08
(52)	993 207 143 03	Breather hose		1	M64.20/21/22 M64.23/24
(52)	993 207 143 51	Breather hose		1	M64.60
53	930 110 267 04	Connecting piece		2	
54	993 207 151 00	Breather hose		1	M64.05/06 M64.07/08
54	993 207 151 03	Breather hose		1	M64.05/06 M64.07/08
(54)	993 207 151 01	Breather hose		1	M64.20/21/22 M64.23/24
(54)	993 207 151 02	Breather hose		1	M64.20/21/22 M64.23/24
(54)	993 207 151 51	Breather hose		1	M64.60
55	993 207 324 01	Connection piece		1	
56	993 207 250 04	Oil pipe		1	M64.06/08 M64.22/24
56	993 207 260 01	Oil pipe		1	M64.05/07 M64.20/21/23
(56)	993 207 260 51	Oil pipe		1	M64.60
(56)	993 207 260 52	Oil pipe		1	M64.60
57	900 075 087 02	Hexagon-head bolt M 8 X 16		1	
57	900 075 087 03	Hexagon-head bolt M 8 X 16		1	
58	999 707 316 40	O-ring 21,89 X 2,62		2	
(58)	999 707 309 40	O-ring 26 X 1		1	
59	993 207 152 00	Breather hose		1	M64.20/21/22

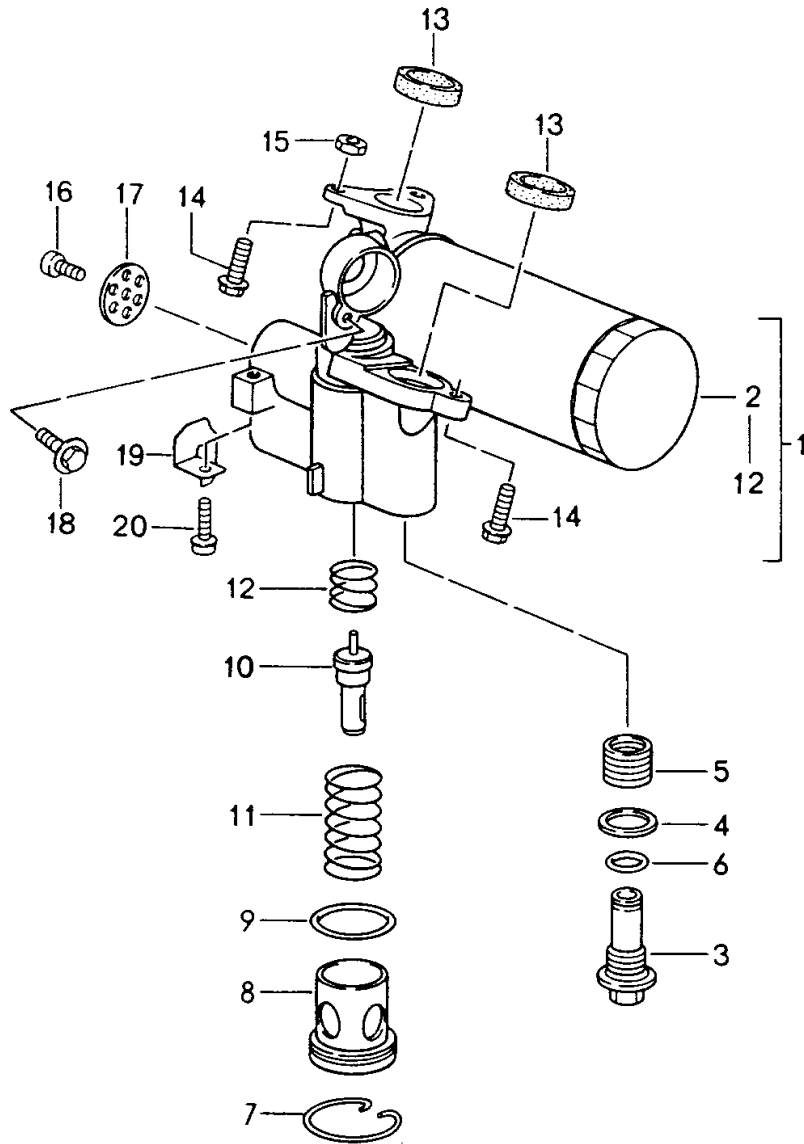
Model: 911 94

Model life 1994>>1998

Pos	Part Number	Description	Remark	Qty	Model
60	964 207 313 01	Connecting piece		1	M64.23/24 M64.20/21/22 M64.23/24
61	993 207 363 50	Bellows		1	

Model: 911 94

Model life 1994>>1998



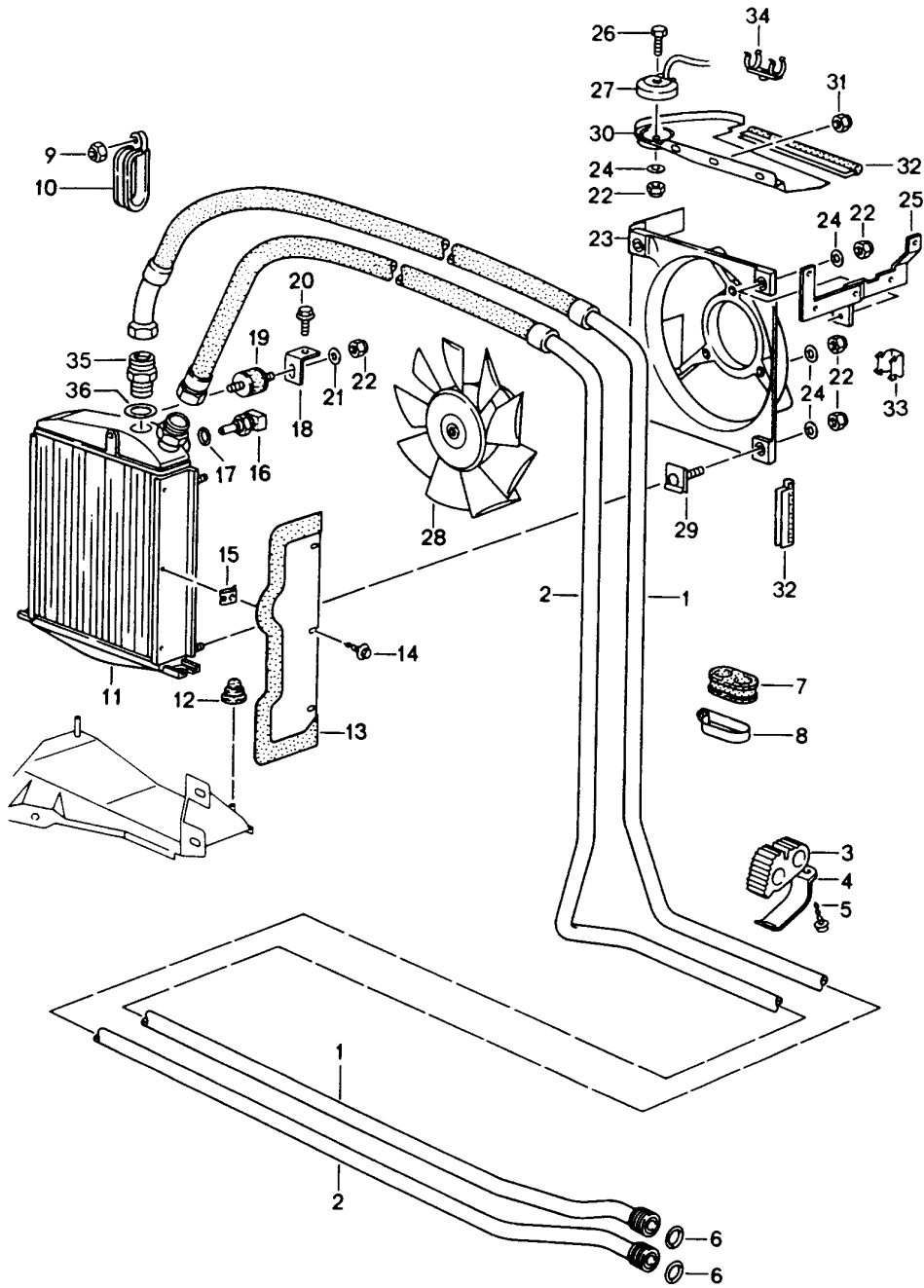
Model: 911 94

Model life 1994>>1998

Pos	Part Number	Description	Remark	Qty	Model
		Bracket for Oil filter And Thermostat			
1	993 207 058 03	Thermostat		1	
2	993 207 201 02	Oil filter		1	
3	993 207 258 02	Screw plug		1	
4	900 123 118 30	Sealing ring A 22 X 27		1	
5	999 504 127 00	Threaded insert M 20 X 1,5 X 15		1	
6	999 701 269 40	O-ring 11 X 2,5		1	
7	999 041 111 00	Circlip A 40,9		1	
8	993 207 351 01	Lid		1	
9	999 701 393 40	O-ring 32 X 2,5		1	
10	928 107 172 02	Regulator insert		1	
11	928 107 171 01	Compression spring		1	
12	928 107 173 00	Compression spring		1	
13	993 207 225 00	Sealing ring		2	
14	900 075 221 02	Pan-head screw M 6 X 18		3	
15	900 380 003 02	Hexagon nut M 6		3	
16	900 067 008 02	Pan-head screw M 6 X 12		1	
16	900 067 008 03	Pan-head screw M 6 X 12		1	
17	999 025 247 00	Fastening washer 6,5 X 28 X 2,0		1	
18	900 075 413 09	Combination screw M 6 X 16		1	
19	993 207 221 00	Support		1	
20	993 207 925 00	Combination screw		1	

Model: 911 94

Model life 1994>>1998



Model: 911 94 Model life 1994>>1998

Pos	Part Number	Description	Remark	Qty	Model
		Oil cooler Lines			
1	993 207 133 03	Oil pipe		1	
1	993 207 133 04	Oil pipe		1	
2	993 207 135 03	Oil pipe	-95	1	
2	993 207 135 05	Oil pipe		1	
2	993 207 135 03	Oil pipe		1	
2	993 207 135 05	Oil pipe		1	
3	993 207 305 01	Rubber mounting		2	
4	993 207 303 00	Clamp		2	
5	900 187 118 02	Combination screw ST 4,2 X 16		2	
6	999 707 255 40	O-ring 26,64 X 2,62		4	
7	993 207 265 01	Rubber mounting		1	
8	999 511 162 02	Pipe clamp 29 X 15		1	
9	999 084 094 02	Lock nut M 6		3	
10	964 207 121 00	Hose clamp		2	
11	964 207 220 02	Oil cooler		1	
12	964 207 413 01	Buffer		2	
13	964 207 223 01	Air baffle plate		1	
14	900 187 132 02	Combination screw B 3,5 X 13		3	
15	999 591 713 02	Speed nut ST 4,2		3	
15	999 591 713 03	Speed nut ST 4,2		3	
16	964 624 110 00	Temperature sensor		1	
17	900 123 007 30	Sealing ring A 14 X 18		1	
18	993 207 415 00	Bracket		1	
19	999 703 323 00	Bonded rubber buffer 20 X 20		1	
20	900 075 374 02	Combination screw M 6 X 14		1	
21	900 151 003 02	Washer A 6,4		1	
21	900 151 006 03	Washer A 6,4		1	
22	900 076 010 02	Nut M 6		9	
22	900 076 010 0B	Nut M 6		9	
23	993 624 041 00	Air-guide cowl		1	
24	N 011 524 7	Washer A 6,4		8	
24	N 011 524 27	Washer A 6,4		8	
25	993 612 807 00	Cable holder		1	
26	900 378 030 09	Hexagon-head bolt M 6 X 20		1	
27	993 616 521 01	Series resistor		1	
28	964 624 035 00	Blower		1	
29	999 591 911 02	Bolt M 6 X 20		4	
30	993 575 522 00	Air guide		1	M480
30	993 575 522 01	Air guide		1	M249
31	999 591 839 40	Plastic nut T5		3	
32	999 911 398 40	Edge protection 557 MM		*	

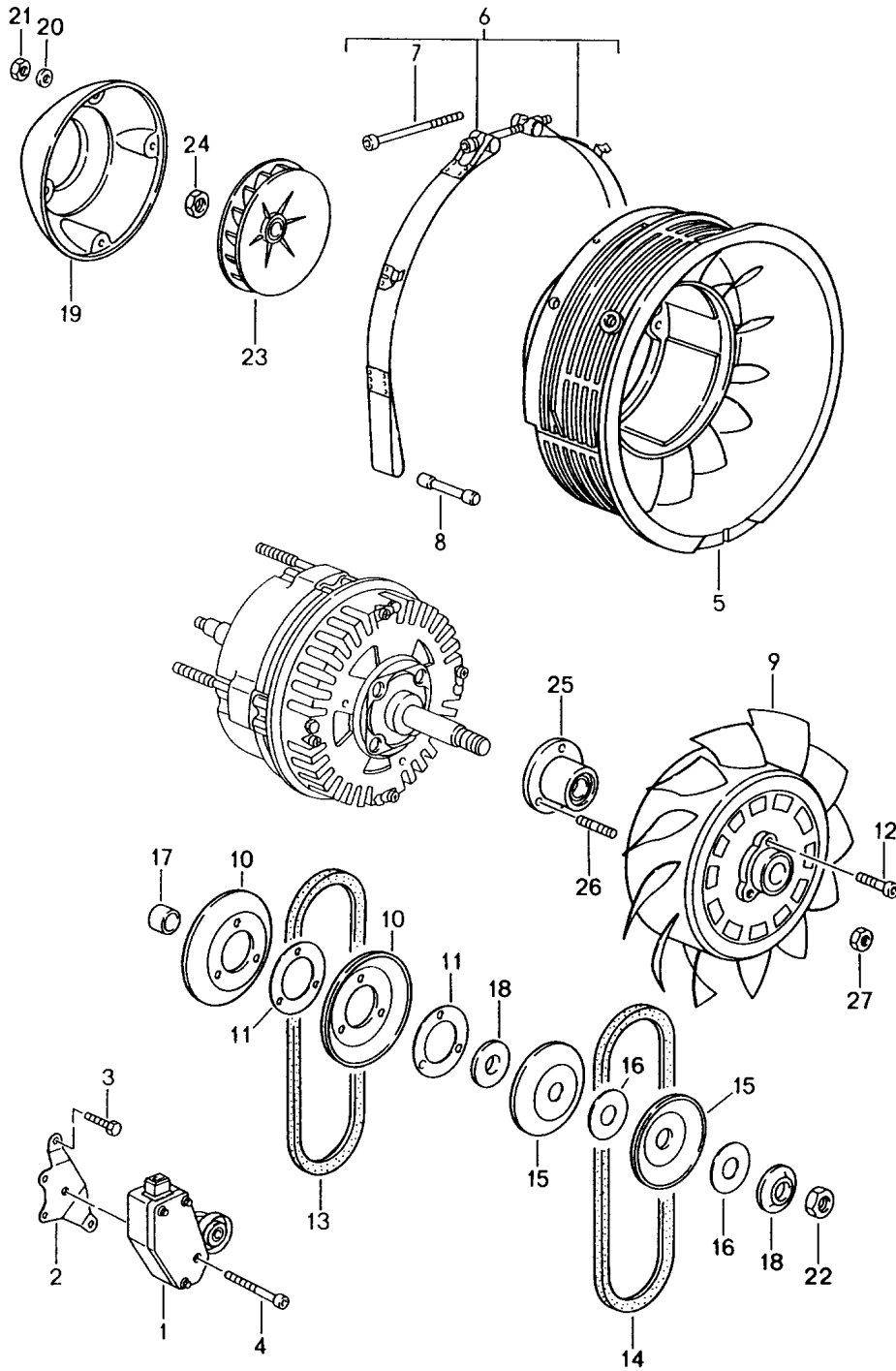
Model: 911 94

Model life 1994>>1998

Pos	Part Number	Description	Remark	Qty	Model
		It is necessary to rework			
33	999 591 895 02	Retaining clip		3	
33	999 591 895 01	Retaining clip		3	
34	999 651 203 40	Cable holder		1	
35	999 136 045 09	Union		2	
36	900 123 118 30	Sealing ring A 22 X 27		2	
37	900 151 026 02	Washer 10,5		1	
37	900 151 050 01	Washer 10,5		1	

Model: 911 94

Model life 1994>>1998



Model: 911 94 Model life 1994>>1998

Pos	Part Number	Description	Remark	Qty	Model
1	993 106 035 00	Air cooling Sender		1	
2	964 106 315 02	Support		1	
3	999 072 005 09	Hexagon nut M 6 X 12		2	
3	999 072 005 01	Hexagon nut M 6 X 12		2	
4	N 014 743 2	Pan-head screw M 6 X 30		1	
4	900 067 012 03	Pan-head screw M 6 X 30		1	
5	993 106 667 01	Fan housing		1	
5	993 106 667 03	Fan housing		1	
5	993 106 667 50	Fan housing		1	M64.60
6	993 106 017 00	Restraining strap	-95	1	
6	993 106 017 01	Restraining strap	96-	1	
(6)	993 106 251 50	Restraining strap		1	M64.60
-	PCG 106 017 00	Cable holder Restraining strap for Wiring harness NR.16		1	
7	900 067 290 02	Pan-head screw M 6 X 70 X 36		1	
7	900 067 152 02	Pan-head screw M 8 X 55		1	M64.60
8	964 106 273 00	Pin		2	
8	964 106 273 01	Pin		2	
9	964 106 015 31	Impeller with POS. 25		1	
9	964 106 015 21	Impeller		1	M64.60
9	964 106 015 22	Impeller		1	M64.60
10	964 106 511 02	Pulley half		2	
(10)	993 106 509 50	Pulley half Inner		1	M64.60
(10)	993 106 510 50	Pulley half Outer		1	M64.60
11	964 106 517 01	Shim		X	
12	900 119 026 02	Pan-head screw M 6 X 30		3	
12	900 976 004 01	Pan-head screw M 6 X 30		3	
13	999 192 338 50	Narrow v-belt 9,5 X 776		1	
13	999 192 343 50	Narrow v-belt 9,5 X 760		1	M64.60
14		Narrow v-belt 9,5 X 760		1	M64.06/07/08 M64.22/23/24
14	999 192 373 50	V-belt 9,5 X 753 Tech. information memo 7/97		1	M64.60
14	999 192 372 50	Narrow v-belt 9,5 X 757		1	M64.60
15	964 106 267 31	Pulley half		2	M64.06/07/08 M64.22/23/24
15	993 106 268 00	Pulley		2	M64.60
15	993 106 268 01	Pulley half		2	M64.60
16	964 106 268 30	Shim 0,5 MM		X	M64.21/22 M64.23/24/60
16	964 106 268 31	Shim 0,5 MM		X	M64.05/06 M64.07/08

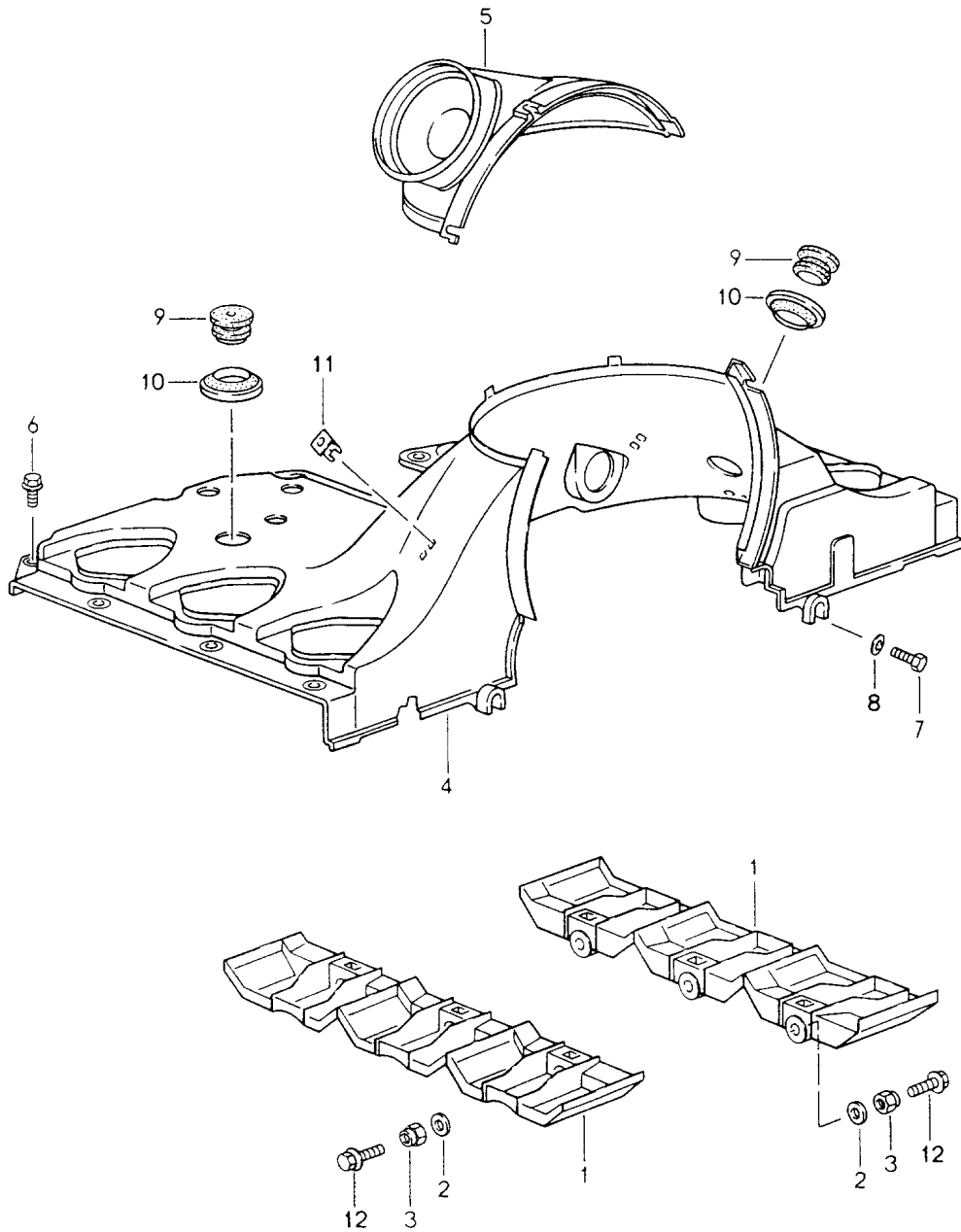
Model: 911 94

Model life 1994>>1998

Pos	Part Number	Description	Remark	Qty	Model
16	964 106 268 32	Shim 0,7 MM		X	M64.21/22 M64.23/24/60
17	964 106 515 30	Spacer sleeve		1	
18	964 106 211 32	Sleeve		2	
19	930 603 041 01	Hub extension		1	
20	N 011 524 7	Washer A 6,4		4	
20	N 011 524 27	Washer A 6,4		4	
21	900 910 010 09	Lock nut VM 6		4	
22	900 034 013 02	Hexagon nut BM 16 X 1,5		1	
22	900 034 013 01	Hexagon nut BM 16 X 1,5		1	
23	928 603 045 01	Impeller		1	
24	900 034 003 02	Hexagon nut BM 10		1	
25	964 106 051 30	Wheel hub		1	
25	964 106 051 31	Wheel hub		1	

Model: 911 94

Model life 1994>>1998



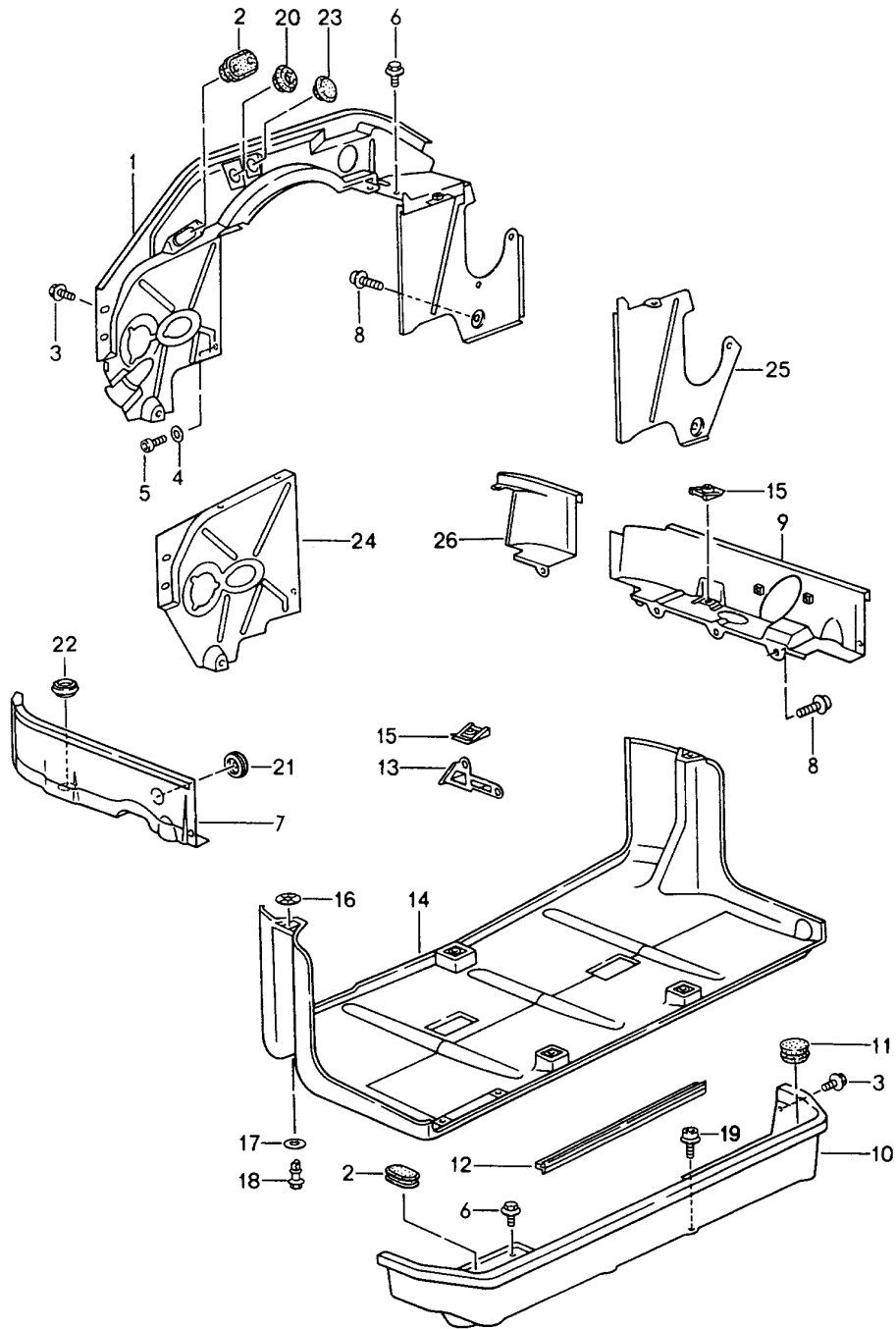
Model: 911 94

Model life 1994>>1998

Pos	Part Number	Description	Remark	Qty	Model
1	964 106 266 01	Air guide		2	
2	999 025 193 30	Air guide		6	
		Spacer			
		6,4 X 14 X 3			
3	999 084 094 02	Lock nut		6	
		M 6			
4	993 106 402 02	Air guide		1	
5	964 106 403 02	Air guide		1	M64.20 M003
5	993 106 403 00	Air guide		1	
6	900 075 355 02	Combination screw		14	
		M 6 X 16			
6	900 075 355 01	Hexagon-head bolt		14	
		M 6 X 16			
7	900 075 014 02	Hexagon-head bolt		2	
		M 6 X 18			
7	900 075 014 03	Hexagon-head bolt		2	
		M 6 X 18			
8	930 126 135 01	Washer		2	
		6,1			
9	911 612 328 00	Rubber sleeve		2	
10	911 612 327 00	Rubber sleeve		2	
11	999 591 592 40	Special nut		6	
12	999 217 135 02	Combination screw		6	
		M 6 X 32			

Model: 911 94

Model life 1994>>1998



Model: 911 94 Model life 1994>>1998

Pos	Part Number	Description	Remark	Qty	Model
		Engine cover			
		Protective plate			
1	993 106 285 07	Engine cover	/V	1	
2	911 606 407 00	Grommet		1	
3	999 075 039 02	Combination screw M 6 X 12		4	
3	999 075 039 0C	Combination screw M 6 X 12		4	
4	N 011 524 7	Washer 6,4		2	
4	N 011 524 27	Washer 6,4		2	
5	900 067 008 02	Pan-head screw M 6 X 12		1	
5	900 067 008 03	Pan-head screw M 6 X 12		1	
6	999 143 004 08	Combination screw M 6 X 12		3	
6	999 143 004 01	Combination screw M 6 X 12		3	
6	999 075 039 0C	Combination screw M 6 X 12		3	
7	993 106 229 05	Engine cover	/L	1	
7		Engine cover	/L	1	
7	993 106 229 51	Engine cover	/L	1	M64.60
8	900 067 329 02	Combination screw M 8 X 18		8	
9	993 106 289 11	Engine cover	/R	1	M64.06/08 M64.22/24
9	993 106 289 10	Engine cover	/R	1	M64.05/07 M64.20/21 M64.23
9	993 106 289 51	Engine cover	/R	1	M64.60
10	993 106 214 06	Engine cover	/H	1	
10	993 106 214 51	Engine cover	/H	1	M64.60
11	999 507 429 02	Lid		2	
12	964 106 223 01	Engine compartment seal		2	
13	993 119 108 00	Support		1	
14	993 119 129 04	Protective plate		1	
14	993 119 129 05	Protective plate		1	
14	993 119 129 51	Protective plate		1	M64.60
14	993 119 129 52	Protective plate		1	M64.60
15	999 507 413 09	Retaining clip		3	
15	999 507 413 08	Retaining clip		3	
16	999 507 412 08	Spring washer 6,3 X 12,5		5	
17	900 151 007 02	Washer 7,4		5	
17	900 151 007 03	Washer 7,4		5	
18	999 507 425 09	Locking bolt 6 X 22		5	
19	900 067 271 09	Combination screw M 8 X 20		2	
20	999 702 126 50	Grommet 17,5 X 23,5 X 7		1	
20	999 702 084 51	Grommet 5,5 X 23,5 X 10		1	
21	999 702 166 50	Grommet 15,0 X 23,5 X 1,0		4	M64.60
22	993 606 407 00	Grommet		2	
23	993 106 287 00	Cap		1	
24	993 106 283 51	Engine cover	/L	1	M64.60

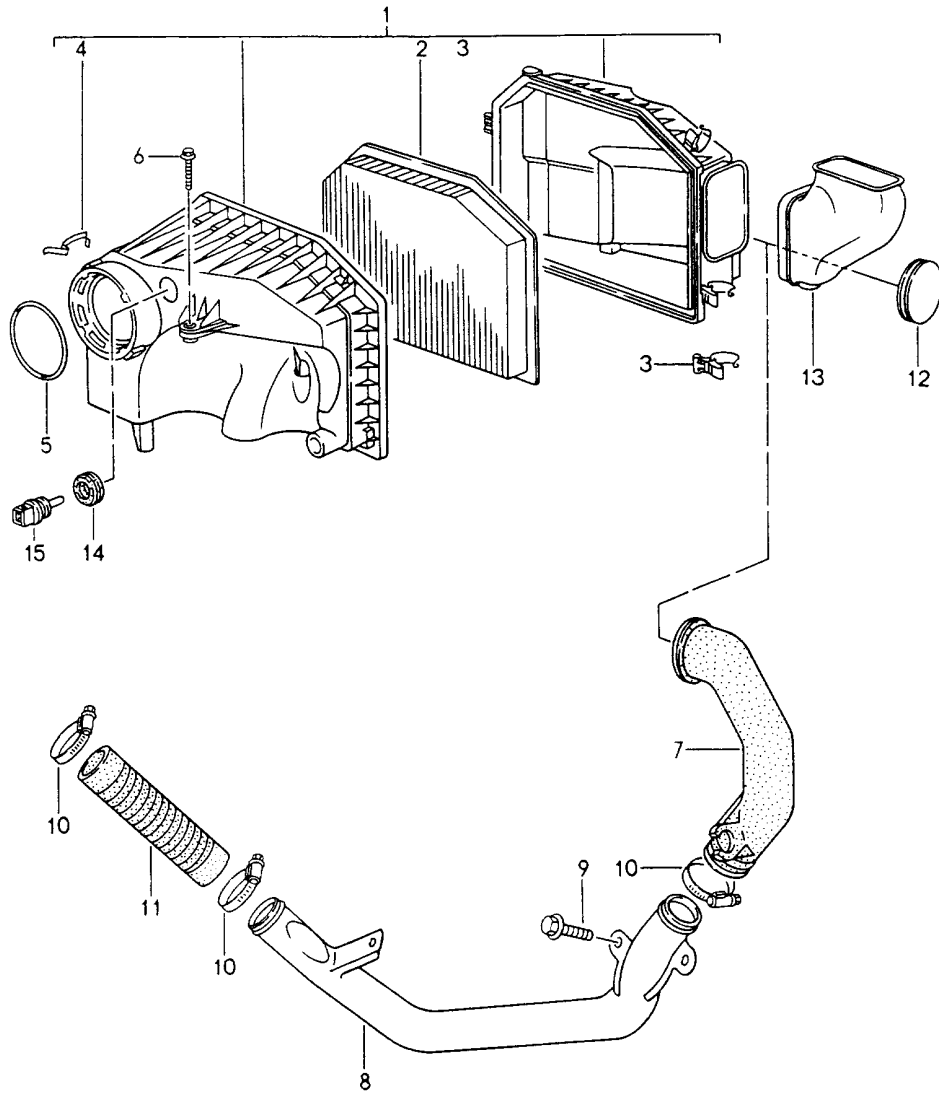
Model: 911 94

Model life 1994>>1998

Pos	Part Number	Description	Remark	Qty	Model
25	993 106 284 51	Engine cover	/R	1	M64.60
26	993 106 291 50	Engine cover	/R	1	M64.60

Model: 911 94

Model life 1994>>1998



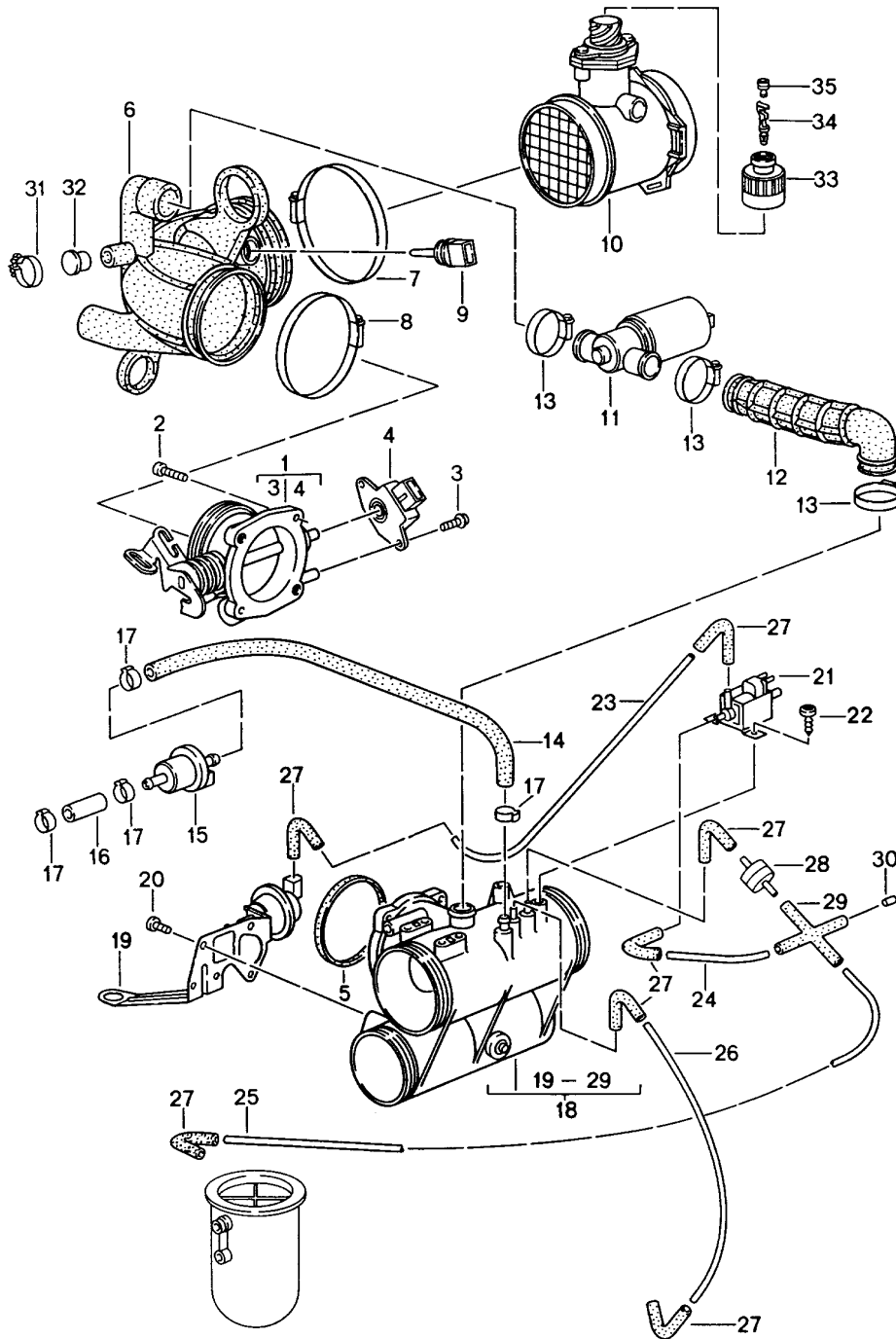
Model: 911 94

Model life 1994>>1998

Pos	Part Number	Description	Remark	Qty	Model
1	993 110 030 02	Air cleaner Air cleaner	-95	1	M64.05/06 M64.07/08
1	993 110 030 07	Air cleaner	96-	1	M64.20/21/22 M64.23/24
1	993 110 030 06	Air cleaner	95	1	M64.05/06 M64.07/08 M159
1	993 110 030 08	Air cleaner	96-	1	M64.21/22 M64.23/24 M159
(1)	993 110 032 52	Air cleaner		1	M64.60
2	993 110 327 00	Filter element		1	
2	993 110 327 01	Filter element		1	
3	993 110 116 00	Clamp		2	
4	993 110 116 01	Clamp		2	
5	993 110 147 01	Sealing ring		1	
6	900 075 346 02	Combination screw M 6 X 40		1	
7	993 110 118 00	Hose elbow		1	CARRERA
(7)	993 110 118 50	Hose elbow		1	TURBO
8	993 110 020 02	Pipe		1	CARRERA
9	900 075 374 02	Combination screw M 6 X 14		2	CARRERA
9	900 075 374 01	Combination screw M 6 X 14		2	CARRERA
10	999 512 499 00	Hose clamp 32 - 50/9		3	CARRERA
11	999 782 041 90	Hose 41 X 1,5 X 185		1	CARRERA
11	999 782 043 90	Hose 41 X 46 X 300		1	TURBO
12	993 110 333 00	Stopper		1	M64.06/08 M64.22/24
13	993 110 360 51	Intake trumpet		1	TURBO
14	993 110 530 00	Grommet		1	CARRERA
15	993 606 113 00	Temperature sensor		1	CARRERA

Model: 911 94

Model life 1994>>1998

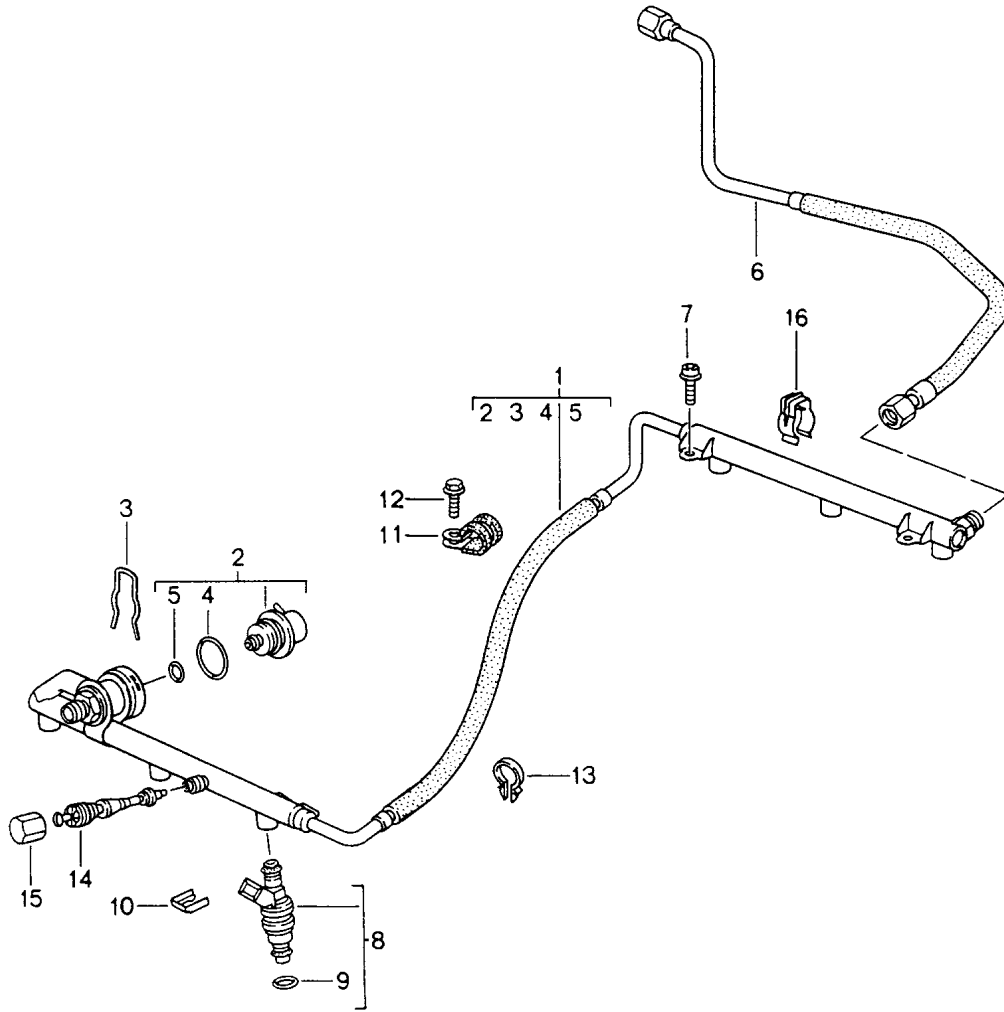


Model: 911 94 Model life 1994>>1998

Pos	Part Number	Description	Remark	Qty	Model
		L-jetronic			M64.05/06
		Flap-Nozzle			M64.07/08
1	993 110 128 11	Throttle body		1	
2	900 067 111 02	Pan-head screw		4	
		M 5 X 18			
2	900 067 111 01	Pan-head screw		4	
		M 5 X 18			
3	900 146 120 02	Oval-head screw		2	
		M 4 X 10 Z1			
4	944 606 116 01	Throttle-valve switch		1	
5	964 110 227 00	Sealing ring		1	
6	993 110 367 04	Air guide		1	
7	999 512 350 02	Hose clamp		1	
		80 - 100			
8	999 512 351 02	Hose clamp		1	
		70 - 90/9			
9	993 606 113 00	Temperature sensor		1	
10	993 606 123 01	Mass air flow meter		1	
(10)	993 606 123 AX	Mass air flow meter		1	
11	993 606 160 00	Idle-speed adjuster		1	
12	993 110 589 02	Hose		1	
12	PCG 110 589 02	Hose		1	
13	999 512 551 00	Hose clamp		3	
		25 - 40/9			
14	993 110 543 00	Hose		1	
15	993 605 240 00	Bleeder valve		1	
-	000 043 205 00	Hose		*	
		8,0 X 3,0			
16		37 MM			
17	999 512 498 00	Hose clamp		4	
		13,1 - 15,3			
18	993 110 027 03	Connecting piece		1	
19	993 110 012 01	Vacuum unit		1	
20	900 146 003 02	Oval-head screw		5	
		M 5 X 10			
21	911 618 123 01	Change-over valve		1	
22	999 919 098 02	Oval-head screw		2	
		M 5,0 X 12			
-	N 020 139 11	Pipe		*	
		4,0 X 1,0			
23		270 MM		1	
24		90 MM		1	
25		220 MM		1	
26		580 MM		1	
27	928 574 717 03	Moulded hose		7	
28	964 110 950 01	Check valve		1	
28	964 110 950 02	Check valve		1	
29	928 573 729 02	Distributing piece		1	
30	900 312 012 02	Stopper		1	
		A 4,0 X 10			
30	900 312 042 01	Stopper		1	
		A 4,0 X 10			
31	999 512 554 00	Hose clamp		1	M339
		LC 12-22/9			
32	999 703 385 40	Stopper		1	M339
		13,2			
33	999 652 774 40	Plug socket		1	
34	999 652 775 22	Contact bush		1	
35	999 652 777 40	Rubber seal		1	

Model: 911 94

Model life 1994>>1998



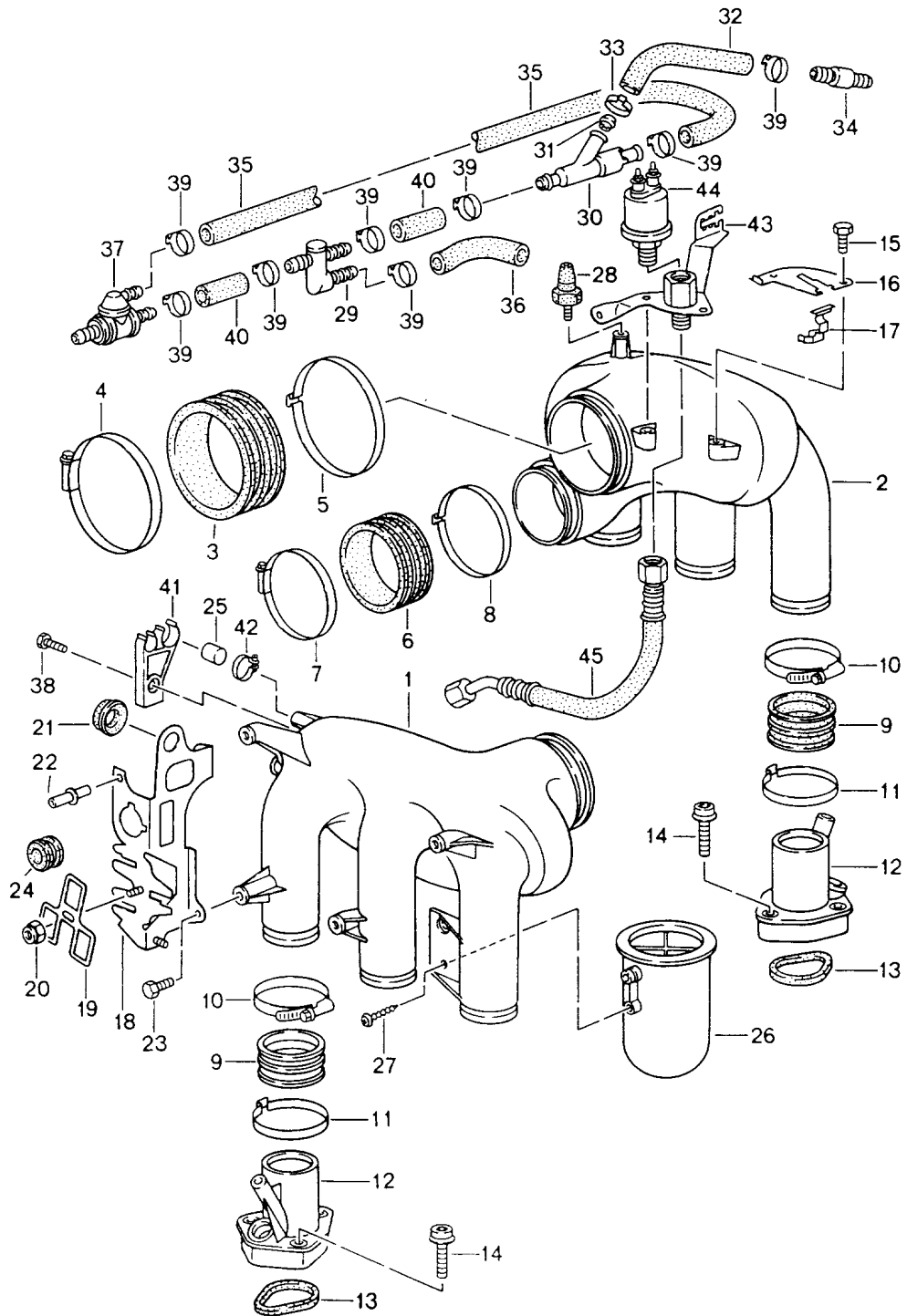
Model: 911 94

Model life 1994>>1998

Pos	Part Number	Description	Remark	Qty	Model
		L-jetronic Lines			
1	993 110 040 02	Fuel line		1	
1	993 110 040 51	Fuel line		1	M64.60
1	993 110 040 52	Fuel line		1	M64.60
2	993 110 199 00	Pressure regulator		1	
3	993 110 196 00	Retaining clip		1	
4	999 707 277 40	O-ring		1	
5	999 707 276 40	O-ring		1	
6	993 110 415 01	Fuel line		1	
(6)	993 110 415 56	Fuel line		1	M64.60
7	900 075 355 02	Combination screw M 6 X 16		4	
7	900 075 355 01	Hexagon-head bolt M 6 X 16		4	
8	993 606 120 00	Injector valve		6	
8	993 606 122 00	Injector valve		6	M64.60
9	944 110 901 01	O-ring 7,52 X 3,53		12	
10	930 110 388 00	Retaining clip		6	
10	930 110 388 01	Retaining clip		6	
11	999 511 066 02	Clamp B 18 X 15		1	
12	900 075 357 02	Combination screw M 6 X 12		1	
12	900 075 456 01	Combination screw M 6 X 12		1	
13	291 711 245	Cable clip A 18		1	
14	993 110 217 00	Valve		1	
15	993 110 218 01	Cap		1	
16	993 607 503 00	Cable holder		4	

Model: 911 94

Model life 1994>>1998



Model: 911 94 Model life 1994>>1998

Pos	Part Number	Description	Remark	Qty	Model
		L-jetronic			M64.05/06/07
		Intake distributor			M64.08/60
1	993 110 627 04	Intake distributor		1	
1	993 110 627 50	Intake distributor		1	
1	993 110 627 04	Intake distributor		1	
2	996 110 618 70	Intake distributor		1	
3	964 110 685 03	Rubber sleeve		2	
3	993 110 685 51	Rubber sleeve		2	M64.60
4	999 512 350 02	Hose clamp 80-100/9		2	
5	999 512 579 00	Clamp 93,3-96,5		2	
6	964 110 686 01	Rubber sleeve		2	
6	964 110 686 03	Rubber sleeve		2	
6	993 110 686 51	Rubber sleeve		2	M64.60
7	999 512 351 02	Hose clamp 70-90/9		2	
8	999 512 578 00	Clamp 78,3-81,5		2	
9	964 110 687 03	Rubber sleeve		6	
9	993 110 687 51	Rubber sleeve		6	M64.60
		Information available			M64.60
10	999 512 348 02	Hose clamp 40-60		6	
11	999 512 577 00	Clamp 55,8-59		6	
12	993 110 712 50	Intake manifold		6	
13	993 110 713 01	Sealing ring		6	
14	900 067 316 02	Combination screw M 6 X 35		18	
15	999 919 102 02	Hexagon-head bolt M 6,0 X 12		2	
15	999 919 103 02	Hexagon-head bolt M 6,0 X 18		2	M64.60
16	993 606 243 00	Support		1	
17	928 606 282 00	Tensioning spring		1	
18	993 110 546 07	Support	-94	1	
18	993 110 546 08	Support	95-	1	
19	964 606 241 00	Tab washer		1	
20	999 084 094 02	Lock nut		1	
21	999 702 171 50	Grommet		1	
22	993 110 532 02	Connection piece		1	
23	999 072 005 09	Hexagon nut M 6 X 12		2	
23	999 072 005 01	Hexagon nut M 6 X 12		2	
24	964 110 510 01	Grommet		1	
25	930 110 256 09	Cap		1	M339
26	993 110 140 03	Vacuum tank		1	
27	999 919 115 02	Oval-head screw 5,0 X 22		1	
28	993 110 321 03	Bonded rubber buffer		2	
29	930 110 691 01	Connection piece		1	
30	067 133 753 A	Venturi tube		1	
30	067 133 753 B	Venturi tube		1	
31	964 110 278 00	Restrictor		1	
32	993 110 513 00	Hose		1	
33	999 512 536 02	Clamp 20,0 - 24,1		1	
34	964 207 313 01	Connecting piece		1	
35	999 181 068 41	Hose		1	
36	964 110 515 02	Hose		1	
37	930 110 667 01	Check valve		1	

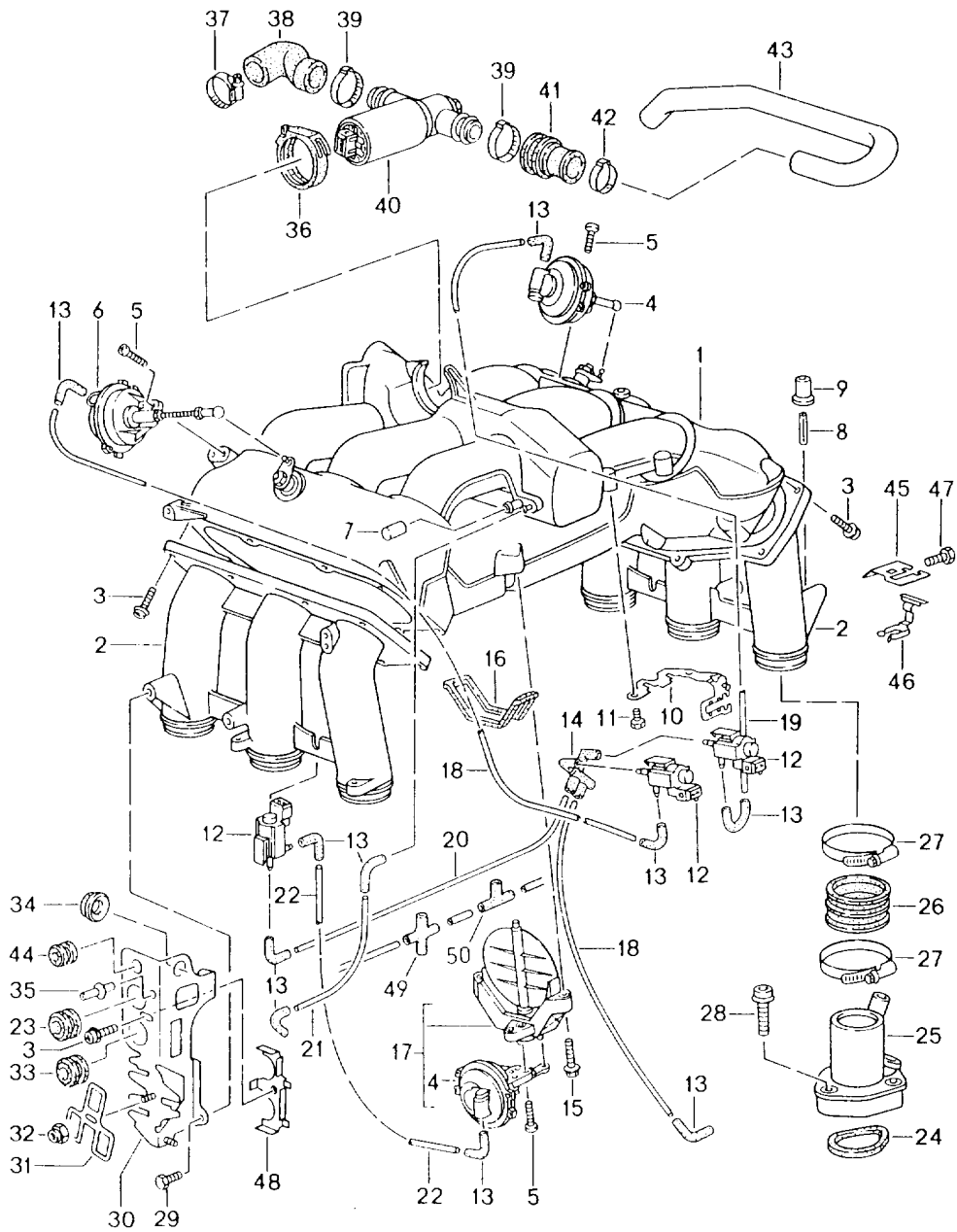
Model: 911 94

Model life 1994>>1998

Pos	Part Number	Description	Remark	Qty	Model
38	900 187 010 02	Hexagon-head tapping screw 6,3 X 19		1	
38	900 187 010 03	Hexagon-head tapping screw 6,3 X 19		1	
39	999 512 534 00	Hose clamp 18,8-21,1		8	
-	999 181 022 51	Hose 12,0 X 4 45 MM		*	
40		Hose holder		2	
41	993 207 334 00	Hose holder		1	
42	999 512 504 02	Clamp 19,2 - 21,8		1	
43	993 107 032 52	Connecting piece		1	M64.60
44	928 606 203 01	Oil pressure sender		1	M64.60
44	928 606 203 04	Oil pressure sender		1	M64.60
45	993 107 223 51	Oil pipe		1	M64.60
46	999 703 422 40	Rubber cap		1	M64.60
47	900 382 004 02	Screw M 6 X 30		1	M64.60

Model: 911 94

Model life 1994>>1998



Model: 911 94 Model life 1994>>1998

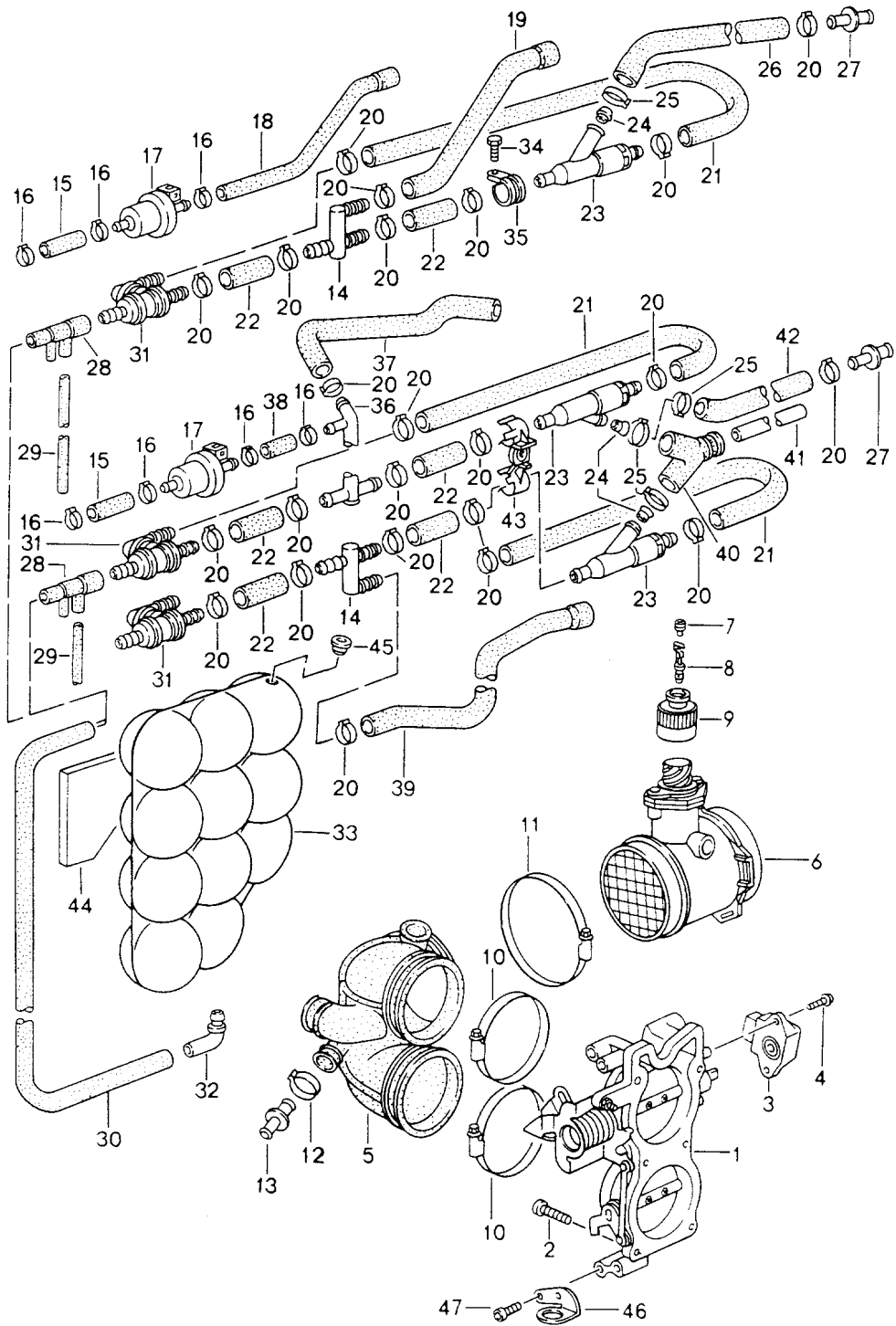
Pos	Part Number	Description	Remark	Qty	Model
		Intake distributor			M64.20/21/22
1	993 110 081 42	Intake distributor		1	M64.23/24
1	993 110 087 42	Bearing sleeve		1	M64.20
		- INTERNTEIL -			M64.20
		ZSB 99311008142			
1	993 110 081 02	Intake distributor		1	M64.21/22
					M64.23/24
2	993 110 181 43	Intake manifold		2	M64.20
2	993 110 181 04	Intake manifold		2	M64.21/22
					M64.23/24
3	900 067 207 02	Combination screw		27	
		M 6 X 20			
4	993 110 462 02	Vacuum unit		2	
5	900 146 123 02	Screw		6	
		M 5 X 16			
5	999 073 455 01	Screw		6	
		M 5 X 16			
6	993 110 461 03	Vacuum unit		1	
7	930 110 256 02	Cap		1	
8	900 095 054 01	Roll pin		2	
		6,0 X 30			
9	999 703 422 40	Rubber cap		2	
10	993 110 515 02	Support		1	
11	900 075 010 02	Hexagon nut		2	
		M 6 X 12			
11	N 010 212 14	Hexagon-head bolt		2	
		M 6 X 12			
11	999 072 005 09	Hexagon nut		2	
		M 6 X 12			
11	999 072 005 01	Hexagon nut		2	
		M 6 X 12			
12	7PP 906 270	Change-over valve		3	
12	996 605 123 01	Change-over valve		3	
12	7PP 906 270	Change-over valve		3	
13	928 574 717 03	Moulded hose		10	
14	993 110 571 01	Distributing piece		1	
15	900 075 341 02	Combination screw		2	
		M 6 X 25			
15	900 075 341 01	Combination screw		2	
		M 6 X 25			
16	993 110 263 01	Gasket		1	
17	993 110 061 03	Flap housing		1	
-	900 918 005 40	Pipe		*	
		5,0 X 1,0			
18		490 MM		2	
19		245 MM		1	
20		375 MM		1	
21		380 MM		1	
22		100 MM		1	
23	993 110 510 02	Grommet		1	
24	993 110 723 40	Sealing ring		6	M64.20
(24)	993 110 713 01	Sealing ring		6	M64.21/22
					M64.23/24
25	993 110 722 00	Intake connection		6	M64.20
25	993 110 712 50	Intake manifold		6	M64.21/22
					M64.23/24
26	964 110 687 03	Rubber sleeve		6	M64.21/22
					M64.23/24
26	993 110 683 00	Rubber sleeve		6	M64.20
27	999 512 348 02	Hose clamp		6	
		40-60			
28	900 067 316 02	Combination screw		18	

Model: 911 94 Model life 1994>>1998

Pos	Part Number	Description	Remark	Qty	Model
29	900 075 267 02	M 6 X 35 Hexagon-head bolt		2	
30	993 110 546 08	M 6 X 14 Support		1	M64.20
(30)	993 110 546 09	Support		1	M64.21/22 M64.23/24
31	964 606 241 00	Tab washer		1	
32	999 084 094 02	Lock nut		1	
33	964 110 510 01	Grommet		1	
34	999 702 171 50	Grommet		1	
36	993 110 587 02	Grommet		1	
37	999 512 252 02	Hose clamp 23-35/9		2	
38	993 110 585 01	Hose		1	
39	999 512 473 02	Hose clamp 29,2-35,0		2	
40	993 606 160 00	Idle-speed adjuster		1	
41	993 110 583 00	Hose		1	
42	999 512 380 02	Hose clamp 26,0-30,1		1	
42	999 512 380 0B	Hose clamp 26,0-30,1		1	
43	993 110 581 02	Connecting tube		1	
43	993 110 581 03	Connecting tube		1	
44	993 110 509 01	Grommet		1	M64.21/22 M64.23/24
45	993 606 241 00	Support		1	
46	928 606 282 00	Tensioning spring		1	
47	900 378 036 09	Hexagon-head bolt		1	
48	993 110 534 01	Support		1	
49	999 137 017 40	Distributing piece KS 4		1	
50	999 137 075 40	T-piece 4 - 6 - 4		1	
-	999 201 371 00	Shaft sealing ring 8 X 12 X 3		2	

Model: 911 94

Model life 1994>>1998



Model: 911 94

Model life 1994>>1998

Pos	Part Number	Description	Remark	Qty	Model
		Throttle body			M64.20/21/22 M64.23/24
1	993 110 125 06	Throttle body		1	
2	900 067 207 02	Combination screw M 6 X 20		6	
3	944 606 116 01	Throttle-valve switch		1	
4	900 146 120 02	Oval-head screw M 4 X 10		2	
5	993 110 385 02	Air guide		1	
5	993 110 385 04	Air guide		1	
6	993 606 123 01	Mass air flow meter		1	
(6)	993 606 123 AX	Mass air flow meter		1	
7	999 652 777 40	Rubber seal		1	
8	999 652 775 22	Contact bush		1	
9	999 652 774 40	Plug socket		1	
10	999 512 351 02	Hose clamp 70-90/9		2	
11	999 512 350 02	Hose clamp 80-100/9		1	
12	999 512 252 02	Hose clamp 23-35/9		1	
13	993 207 324 01	Connection piece		1	
14	930 110 691 01	Connection piece		1	
-	000 043 205 00	Hose 8,0 X 3,0 37 MM		*	
15				1	
16	999 512 498 00	Hose clamp 13,1 - 15,3		3	
17	993 605 240 00	Bleeder valve		1	
18	993 110 543 01	Hose		1	M64.20
19	993 110 511 00	Hose		1	M64.20
20	999 512 497 02	Clamp 18,8-21,1		9	
21	999 181 068 41	Hose		1	
-	999 181 022 51	Hose 12,0 X 4 45 MM		*	
22				2	
23	067 133 753 A	Venturi tube		1	M64.20
23	067 133 753 B	Venturi tube		1	M64.20
23	078 133 753	Venturi tube		1	M64.21/22 M64.23/24
24	964 110 278 00	Restrictor		1	M64.20
24	993 110 578 00	Restrictor		2	M64.21/22 M64.23/24
25	999 512 557 02	Clamp 21,0 - 23,8		1	
26	993 110 513 02	Hose		1	M64.20
27	964 207 313 01	Connecting piece		1	
28	993 110 573 00	Distributing piece		1	
-	000 043 204 80	Pipe		*	
-	000 043 300 56	Pipeline 8,0 X 1,0 915 MM		*	
29				1	
30		1200 MM		1	
31	930 110 667 01	Check valve		1	
32	993 110 601 40	Connecting piece		1	
33	171 820 603	Vacuum reservoir		1	
33	993 110 060 00	Vacuum reservoir		1	
34	900 075 267 02	Hexagon-head bolt M 6 X 14		1	
35	999 512 428 02	Clamp 17 X 15		1	
36	993 110 691 01	Connection piece		1	

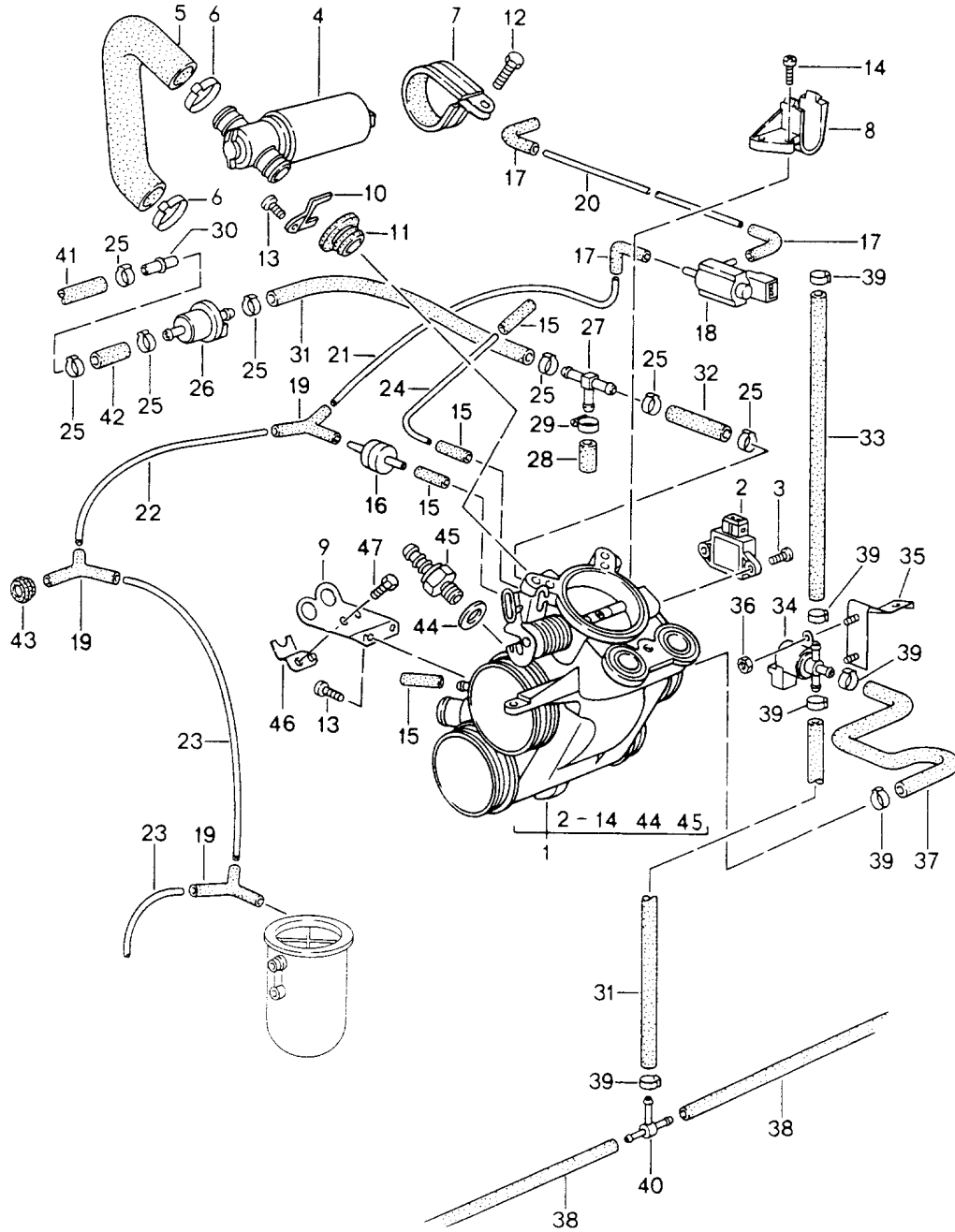
Model: 911 94

Model life 1994>>1998

Pos	Part Number	Description	Remark	Qty	Model
37	993 110 521 00	Hose		1	
-	000 043 205 00	Hose 8 X 3,0		*	
38		45 MM		1	
39	993 110 511 01	Hose		1	C 2
40	993 110 522 00	Y-piece		1	C 2
41	993 110 516 01	Connecting tube		1	C 2
42	993 110 512 01	Hose		1	C 4
43	993 110 534 00	Support		1	
44	993 110 560 00	Spacer		1	
45	431 820 667	Grommet		1	
46	993 110 134 00	Support		1	
47	999 073 121 02	Pan-head screw M 6 X 14		2	

Model: 911 94

Model life 1994>>1998



Model: 911 94

Model life 1994>>1998

Pos	Part Number	Description	Remark	Qty	Model
		Throttle body			TURBO
1	993 110 026 54	Flap-Nozzle		1	
2	944 606 116 01	Throttle-valve switch		1	
3	900 146 120 02	Oval-head screw M 4 X 10		2	
4	993 606 160 00	Idle-speed adjuster		1	
5	993 110 133 50	Hose		1	
6	999 512 473 02	Hose clamp 29,2 - 35,0		2	
7	999 511 235 00	Hose clamp 46 X 20		1	
8	964 126 211 04	Support		1	
9	993 110 134 51	Support		1	
10	993 110 135 50	Support		1	
11	993 110 136 50	Rubber sleeve		1	
12	900 075 085 02	Hexagon-head bolt M 8 X 20		1	
13	999 073 121 02	Pan-head screw M 6 X 14		3	
14	999 073 129 09	Pan-head screw		2	
15	928 574 747 03	Connecting piece		6	
16	964 110 950 01	Check valve		1	
16	964 110 950 02	Check valve		1	
17	928 574 717 03	Moulded hose		3	
18	7PP 906 270	Change-over valve		1	
18	996 605 123 01	Change-over valve		1	
18	7PP 906 270	Change-over valve		1	
19	928 573 727 03	Distributing piece		3	
19	928 573 727 05	Distributing piece		3	
-	000 043 205 01	Pipe 4,0 X 1,0		*	
20		250 MM		1	
21		40 MM		1	
22		400 MM		1	
23		300 MM		2	
24		500 MM		1	
25	999 512 498 00	Hose clamp 13,1 - 15,3		7	
26	993 605 242 00	Bleeder valve		1	
27	999 137 030 40	T-socket		1	
28	930 110 256 02	Cap		1	
29	999 512 160 02	Hose clamp 13/9		1	
29	PCG 512 160 02	Hose clamp 13/9		1	
30	993 110 532 02	Connection piece		1	
-	999 181 152 50	Fuel hose 7,5 X 13,5		*	
31		350 MM		2	
32		60 MM		1	
33		300 MM		1	
34	993 605 119 00	Cycle valve		1	
35	993 605 219 01	Support		1	
36	900 377 009 02	Hexagon nut M 5		2	
37	993 110 123 50	Hose		1	
-	900 926 001 40	Hose 4,8 X 10,8		*	
38		700 MM		2	
39	999 512 460 00	Clamp 12,0 - 14,0		6	
40	993 123 221 51	T-socket		1	
41	993 110 543 00	Hose		1	

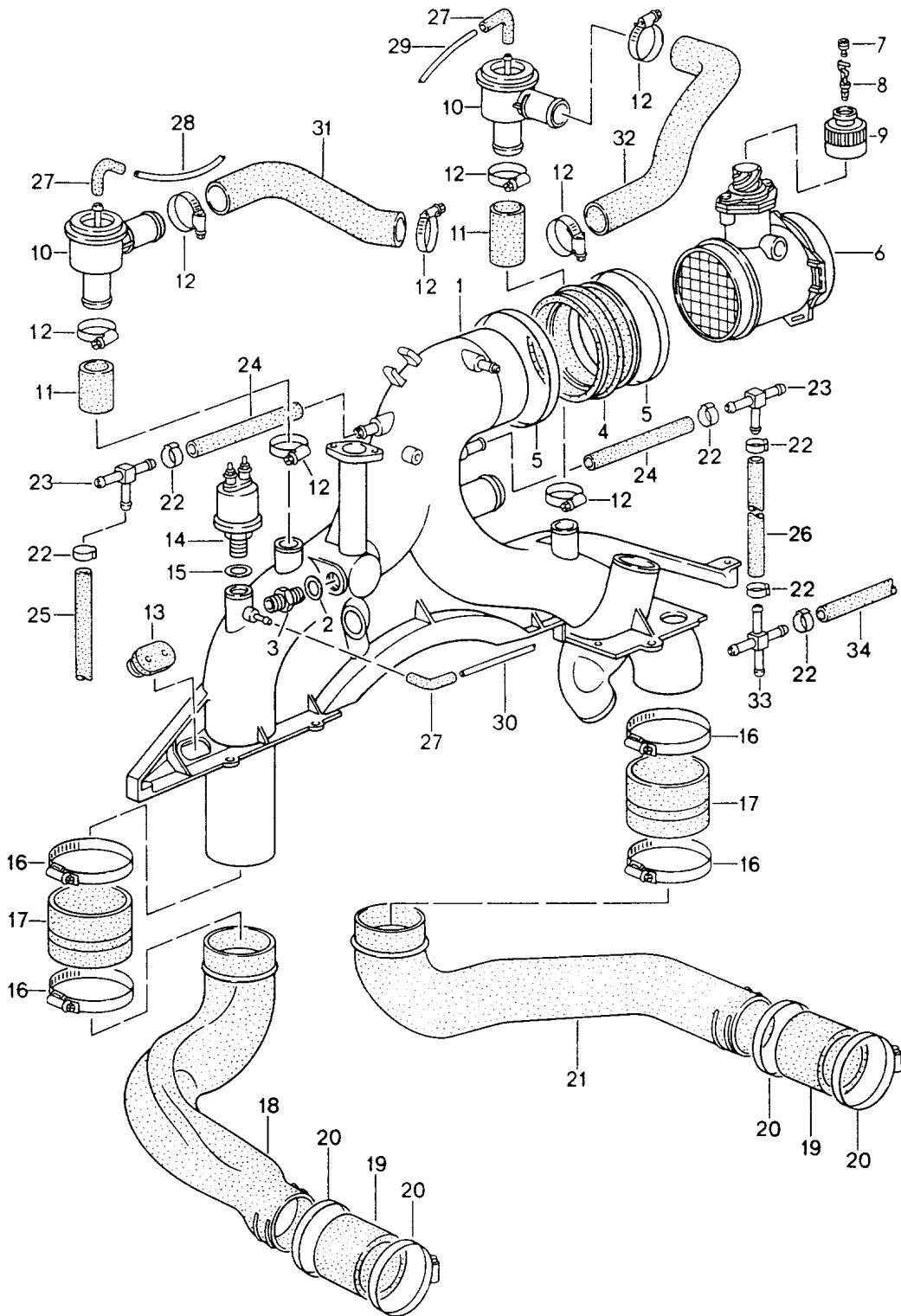
Model: 911 94

Model life 1994>>1998

Pos	Part Number	Description	Remark	Qty	Model
-	000 043 205 00	Hose 8,0 X 3,0		*	
42		37 MM		1	
43	111 971 911 A	Grommet		1	
44	993 110 137 50	Sealing ring		1	
45	993 110 138 50	Oil separator		1	
46	993 110 139 50	Bracket		1	
47	999 072 005 09	Hexagon nut M 6 X 12		1	
47	999 072 005 01	Hexagon nut M 6 X 12		1	

Model: 911 94

Model life 1994>>1998



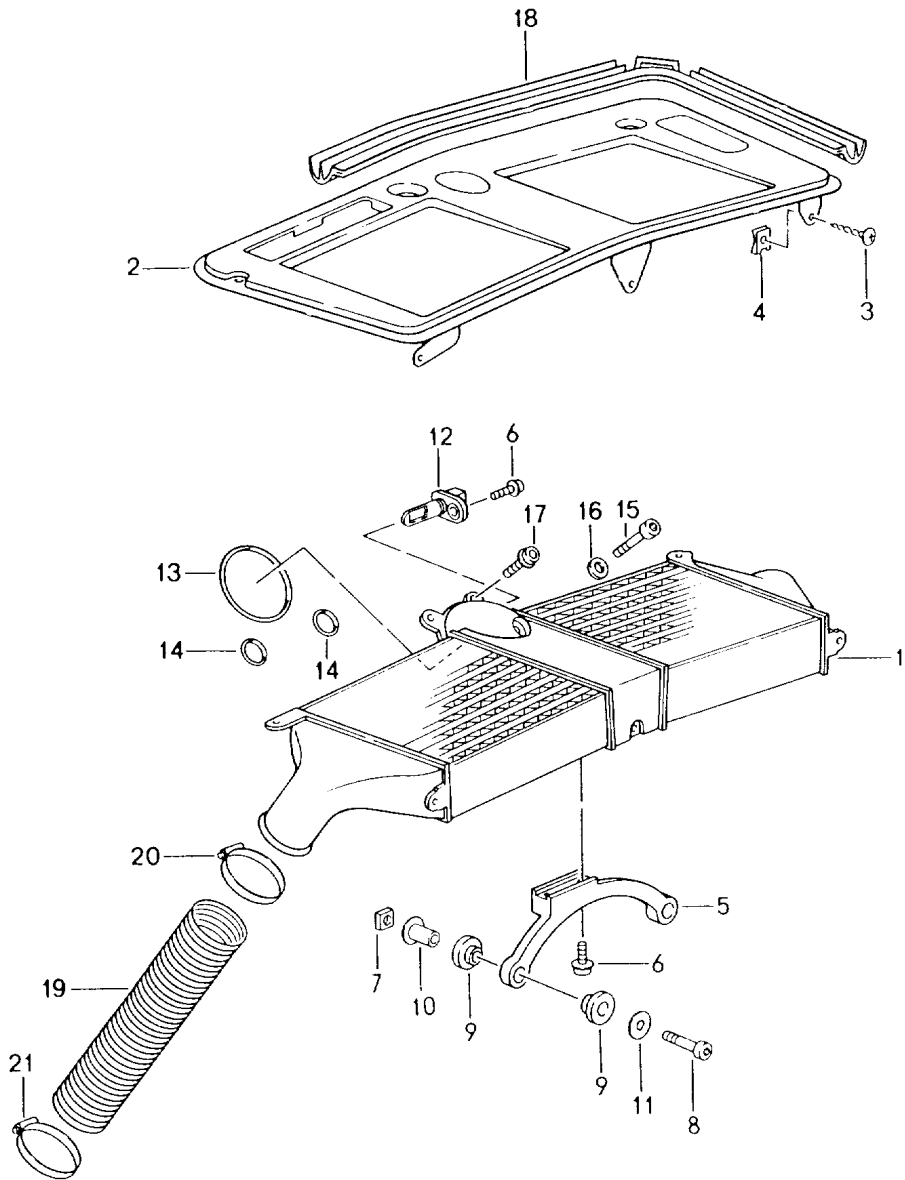
Model: 911 94

Model life 1994>>1998

Pos	Part Number	Description	Remark	Qty	Model
		Turbocharging			TURBO
1	993 110 062 50	Intake manifold		1	
1	993 110 062 51	Intake manifold		1	
2	900 123 019 30	Sealing ring		2	
		A 16 X 22			
3	900 915 005 02	Connection piece		2	
		A 12			
4	993 110 368 51	Rubber sleeve		1	
5	999 512 539 00	Hose clamp		2	
		90 - 110/9			
5	999 512 539 01	Hose clamp		2	
		90 - 110/9			
6	993 606 124 01	Mass air flow meter	-96	1	
7	999 652 777 40	Rubber seal		1	
8	999 652 775 22	Contact bush		1	
9	999 652 774 40	Plug socket		1	
10	993 110 337 50	Shut-off valve		2	
10	993 110 337 51	Shut-off valve		2	
-	000 043 204 98	Hose		*	
		25 X 5,0			
11		55 MM		2	
12	999 512 551 00	Hose clamp		8	
		25 - 40/9		1	
13	911 606 407 00	Grommet		5	
14	993 606 103 00	Pressure transmitter		1	
14	993 606 103 01	Pressure transmitter		1	
15	900 123 106 30	Sealing ring		1	
		A 18 X 24			
16	999 512 317 00	Clip		4	
		60 - 80/9		1	
17	993 110 693 52	Rubber sleeve		2	
18	993 110 631 54	Intake manifold	/L	1	
19	993 110 397 50	Rubber sleeve		2	
19	993 110 397 51	Rubber sleeve		2	
20	999 512 349 02	Hose clamp		4	
		50 - 70/9			
20	999 512 349 01	Hose clamp		4	
		50 - 70/9			
21	993 110 630 52	Intake manifold	/R	1	
21	993 110 630 53	Intake manifold	/R	1	
22	999 512 198 02	Hose clamp		6	
		17 X 9			
22	PCG 512 198 02	Hose clamp		6	
		17 X 9			
23	999 137 076 40	T-socket		2	
		TS 10			
-	000 043 204 96	Breather hose		*	
		10 X 15			
24		145 MM		2	
25		230 MM		1	
26		310 MM		1	
27	928 574 717 03	Moulded hose		3	
-	000 043 205 01	Pipe		*	
		4 X 1			
28		350 MM		1	
29		230 MM		1	
30		400 MM		1	
31	993 110 113 52	Hose	/L	1	
32	993 110 114 51	Hose	/R	1	
33	999 137 088 40	Distributing piece		1	
-	999 181 022 51	Hose		*	
		12,0 X 4			
34		93 MM		1	

Model: 911 94

Model life 1994>>1998



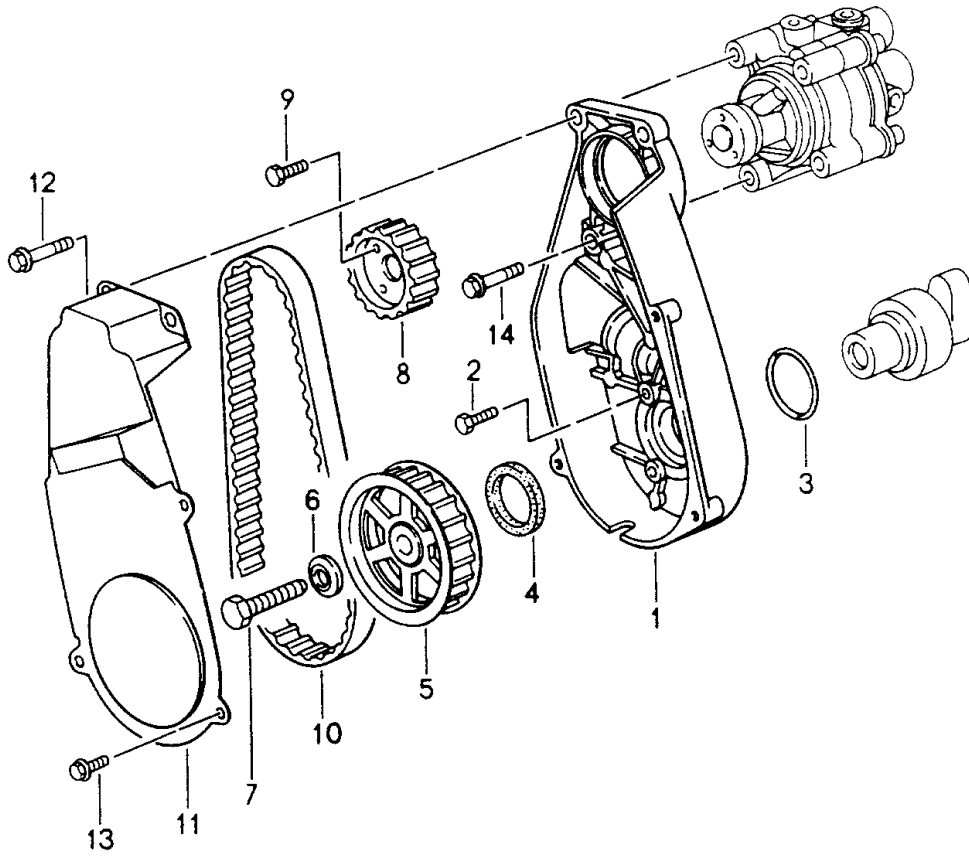
Model: 911 94

Model life 1994>>1998

Pos	Part Number	Description	Remark	Qty	Model
		Charge air cooler			TURBO
1	993 110 330 53	Charge air cooler		1	
2	993 110 340 53	Air guide		1	
2	993 110 340 54	Air guide		1	
3	900 187 115 02	Combination screw ST 5,5 X 16		6	
3	900 187 115 01	Combination screw ST 5,5 X 16		6	
4	999 507 478 02	Speed nut ST 5,5		6	
5	993 110 110 50	Bracket		1	
5	993 110 110 52	Bracket		1	
6	900 067 207 02	Combination screw M 6 X 20		3	
7	964 126 311 00	Nut		2	
8	N 014 715 3	Pan-head screw M 8 X 45		2	
8	900 067 103 01	Pan-head screw M 8 X 45		2	
9	930 113 430 00	Rubber mounting		4	
10	993 110 111 50	Sleeve		2	
11	900 151 008 02	Washer 8,4		4	
12	993 606 114 00	Temperature sensor		1	
13	964 110 227 00	Sealing ring		1	
14	999 707 326 40	O-ring 30 X 3		2	
15	900 067 142 02	Pan-head screw M 8 X 110		1	
15	900 067 431 01	Pan-head screw M 8 X 110		1	
16	900 031 001 02	Washer 8,4		1	
16	900 031 105 01	Washer 8,4		1	
17	900 067 276 02	Pan-head screw M 8 X35		2	
17	900 067 276 01	Combination screw M 8 X 35		2	
18	993 504 325 04	Gasket		1	
19	993 110 633 56	Pressure hose	/L	1	
(19)	993 110 632 56	Pressure hose	/R	1	
20	999 512 648 02	Hose clamp 60 - 80/12		2	
21	999 512 647 02	Hose clamp 40 - 60/9		2	

Model: 911 94

Model life 1994>>1998



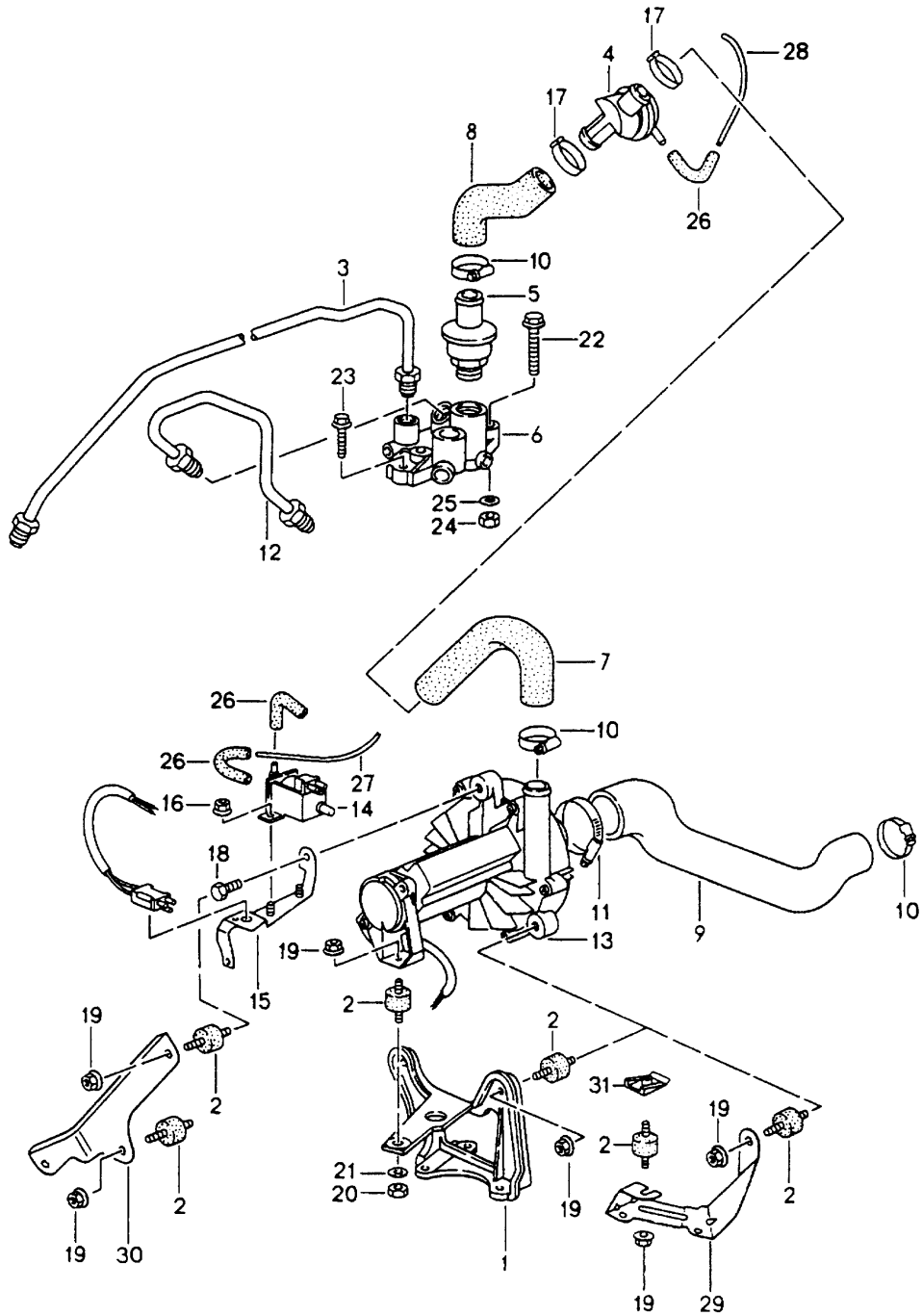
Model: 911 94

Model life 1994>>1998

Pos	Part Number	Description	Remark	Qty	Model
		Driving mechanism			
		Power-steering pump			
1	993 147 185 02	Bracket		1	
1	993 147 185 03	Bracket		1	
2	999 217 113 02	Hexagon-head bolt		3	
		M 6 X 28			
3	999 707 293 40	O-ring		1	
		40 X 4			
4	999 113 463 40	Shaft sealing ring		1	
		A 30 X 42 X 7			
5	993 147 081 00	Gear wheel		1	
6	900 025 009 02	Washer		1	
		A 13			
7	900 082 072 01	Hexagon-head bolt		1	
		M 12 X 1,5 X 50			
8	993 147 183 02	Gear wheel		1	
9	999 218 005 02	Pan-head screw		3	
		M 6 X 16			
9	999 218 005 01	Pan-head screw		3	
		M 6 X 16			
10	993 147 187 01	Toothed belt		1	
11	993 147 192 03	Cover		1	
12	900 067 247 02	Combination screw		2	
		M 8 X 30			
12	900 067 247 01	Combination screw		2	
		M 8 X 30			
13	900 075 355 02	Combination screw		3	
		M 6 X 16			
13	900 075 355 01	Hexagon-head bolt		3	
		M 6 X 16			
14	900 067 276 02	Pan-head screw		2	
		M 8 X 35			
14	900 067 276 01	Combination screw		2	
		M 8 X 35			

Model: 911 94

Model life 1994>>1998



Model: 911 94

Model life 1994>>1998

Pos	Part Number	Description	Remark	Qty	Model
		Air injection			CARRERA
1	993 113 240 00	Support	-95	1	
2	999 703 396 00	Bonded rubber buffer		3	
2	999 703 396 01	Bonded rubber buffer		3	
3	993 113 275 01	Air tube	/L	1	
4	993 113 245 01	Shut-off valve		1	
5	993 113 250 03	Check valve		1	
6	993 113 251 05	Distributor housing		1	
6	993 113 251 07	Distributor housing		1	
7	993 113 255 00	Hose	-95	1	
(7)	993 113 255 03	Hose	96-	1	
8	993 113 260 00	Hose	-95	1	
8	993 113 260 04	Hose		1	
(8)	993 113 260 03	Hose	96-	1	
9	993 113 241 01	Hose	-95	1	
(9)	993 113 241 03	Hose	96-	1	
10	999 512 551 00	Hose clamp 25-40/9		3	
11	999 512 499 00	Hose clamp 32-50/9		1	
12	993 113 288 02	Air tube	/R	1	
13	993 624 103 00	Air pump	-95	1	
13	993 624 103 01	Air pump	96-	1	
13	993 624 103 02	Air pump	96-	1	
14	911 618 123 01	Change-over valve	-95	1	
(14)	996 605 123 01	Change-over valve		1	
(14)	7PP 906 270	Change-over valve		1	
15	993 624 113 00	Support		1	
16	900 377 009 02	Hexagon nut M 5		2	
17	999 512 380 02	Hose clamp 26,0 - 30,1		2	
17	999 512 380 0B	Hose clamp 26,0 - 30,1		2	
18	N 010 210 13	Hexagon-head bolt M 6 X 10		1	
19	900 377 010 09	Hexagon nut M 6		3	
20	999 084 094 02	Lock nut M 6		1	
21	N 011 524 7	Washer A 6,4		1	
21	N 011 524 27	Washer A 6,4		1	
22	900 074 310 02	Combination screw M 8 X 35		2	
23	900 075 341 02	Combination screw M 6 X 25		1	
23	900 075 341 01	Combination screw M 6 X 25		1	
24	900 076 025 02	Hexagon nut M 8		2	
24	900 076 064 02	Hexagon nut M 8		2	
25	900 025 007 02	Washer A 8,4		2	
25	900 025 007 03	Washer A 8,4		2	
26	928 574 717 03	Moulded hose		3	
-	N 020 139 11	Pipe 4,0 X 1,0		*	
27		605 MM		1	
28		180 MM		1	

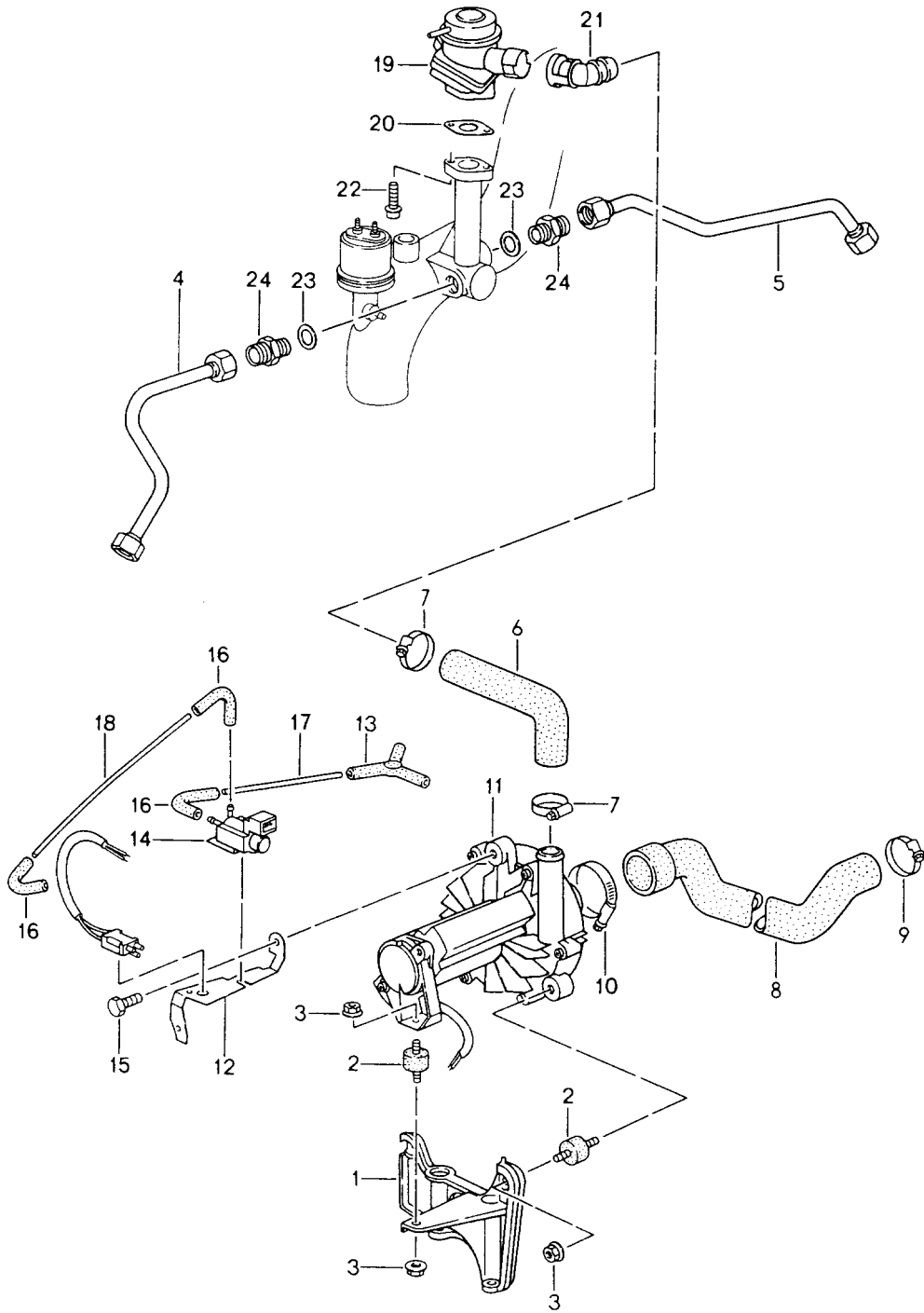
Model: 911 94

Model life 1994>>1998

Pos	Part Number	Description	Remark	Qty	Model
29	993 113 237 00	Support	96-	1	
30	993 113 239 01	Support	96-	1	
31	999 507 447 09	Speed nut M 6		1	

Model: 911 94

Model life 1994>>1998



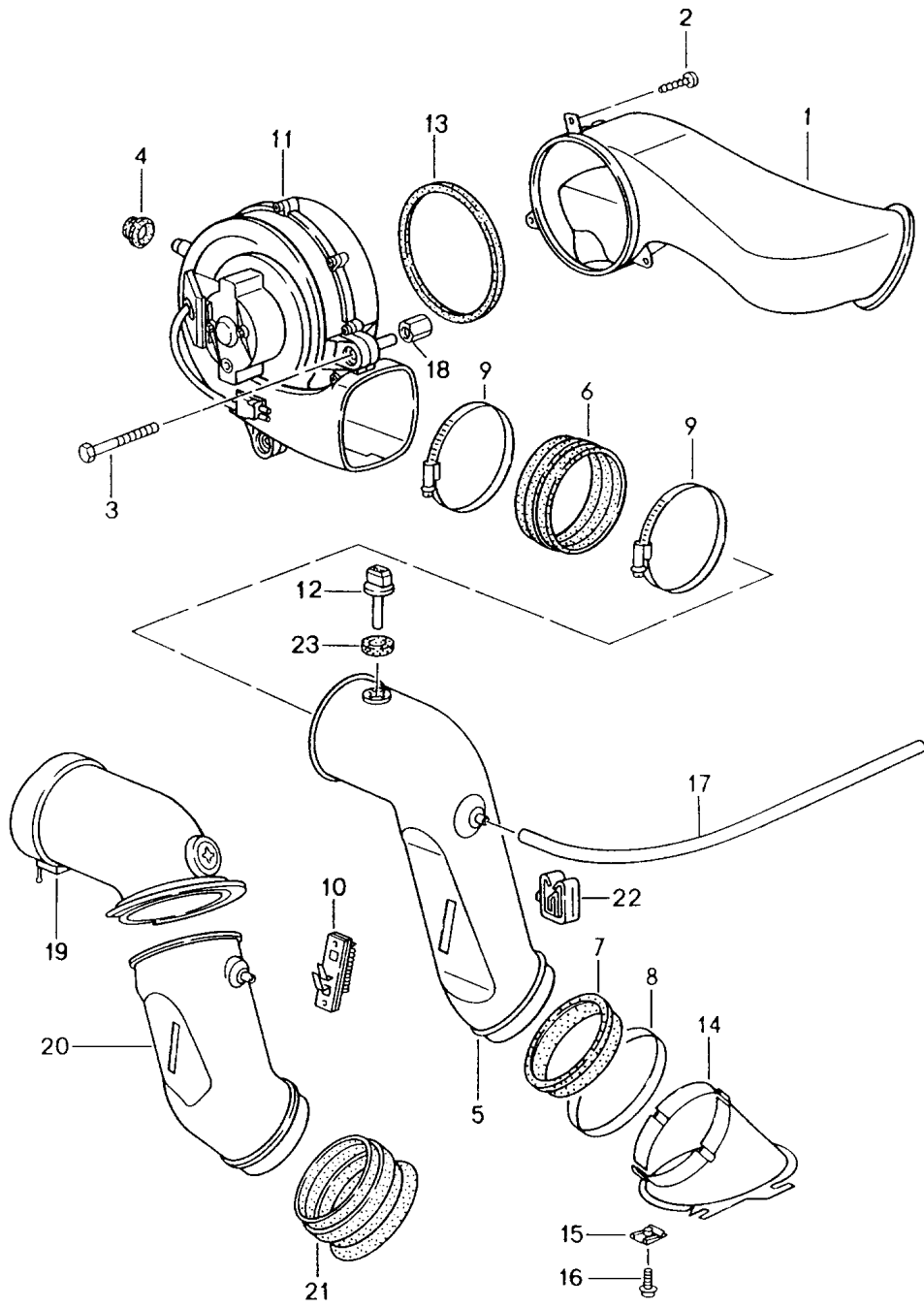
Model: 911 94

Model life 1994>>1998

Pos	Part Number	Description	Remark	Qty	Model
		Air injection			TURBO
1	993 113 240 50	Support		1	
2	999 703 396 00	Bonded rubber buffer		3	
2	999 703 396 01	Bonded rubber buffer		3	
3	999 084 613 02	Lock nut		4	
		M 6			
4	993 113 275 55	Air tube	/L	1	
5	993 113 288 53	Air tube	/R	1	
6	993 113 255 53	Hose		1	
6	993 113 255 54	Hose		1	
7	999 512 507 02	Hose clamp		2	
		20 - 32/9			
8	993 113 241 01	Hose		1	
9	999 512 551 00	Hose clamp		1	
		25 - 40/9			
10	999 512 499 00	Hose clamp		1	
		32 - 50/9			
11	993 624 103 01	Air pump		1	
11	993 624 103 02	Air pump		1	
12	993 624 113 00	Support		1	
13	928 573 727 03	Distributing piece		1	
13	928 573 727 05	Distributing piece		1	
14	7PP 906 270	Change-over valve		1	
14	996 605 123 01	Change-over valve		1	
14	7PP 906 270	Change-over valve		1	
15	N 010 210 13	Hexagon-head bolt		1	
		M 6 X 10			
16	928 574 717 03	Moulded hose		3	
-	N 020 139 11	Pipe		*	
		4,0 X 1,0			
17		300 MM		1	
18		140 MM		1	
19	996 113 257 70	Valve		1	
20	993 113 258 51	Gasket		1	
21	999 230 499 40	Connecting piece		1	
22	900 067 207 02	Combination screw		2	
		M 6 X 20			
23	900 123 019 30	Sealing ring		2	
		A 16 X 22			
24	900 915 005 02	Connection piece		2	
		A 12			

Model: 911 94

Model life 1994>>1998

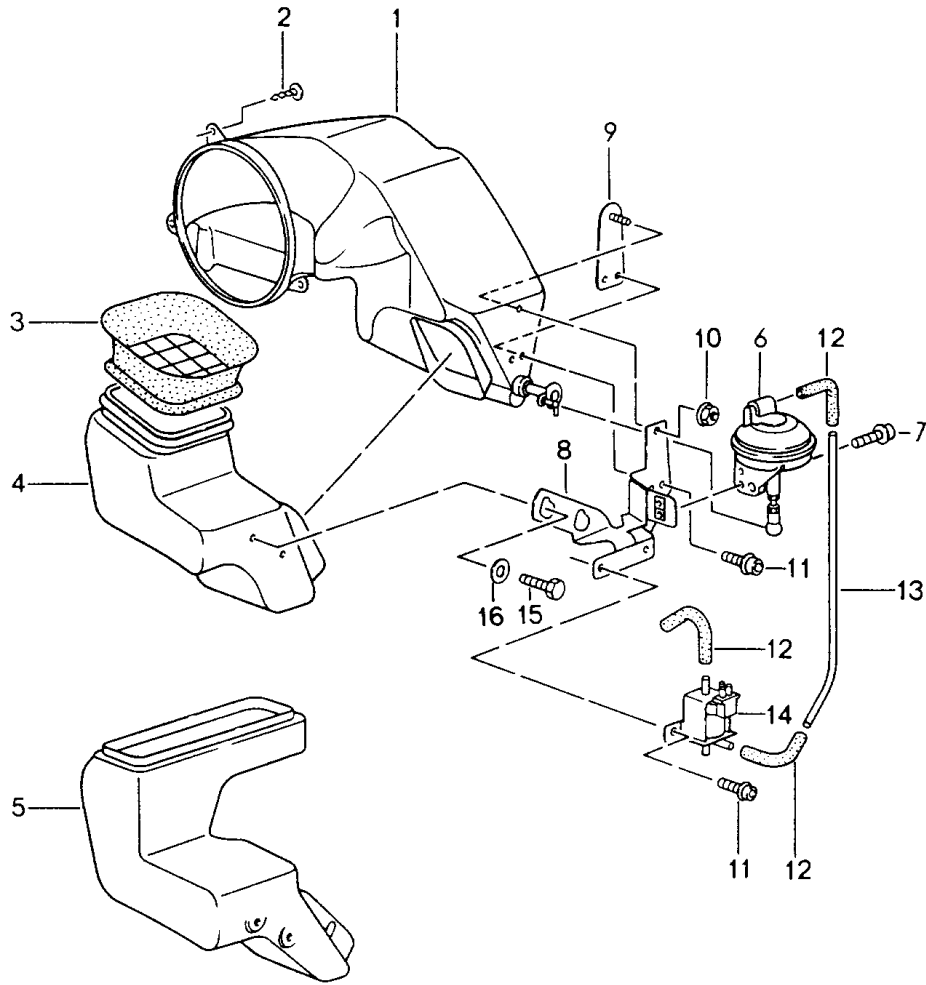


Model: 911 94 Model life 1994>>1998

Pos	Part Number	Description	Remark	Qty	Model
1	964 211 323 03	Additional blower		1	
2	999 919 090 02	Hot air socket		3	
3	N 010 367 4	Oval-head screw 5 X 14		2	
3	900 074 021 03	Hexagon-head bolt M 6 X 60		2	
3	900 074 358 02	Hexagon-head bolt M 6 X 65	95-	2	M64.05/06 M64.07/08
3	900 074 358 01	Hexagon-head bolt M 6 X 65	95-	1	M64.20
3	900 074 358 01	Hexagon-head bolt M 6 X 65		2	M64.05/06 M64.07/08
3	900 074 365 02	Hexagon-head bolt M 6 X 80		1	M64.20
3	900 074 365 02	Hexagon-head bolt M 6 X 80		2	M64.21/22 M64.23/24
3	900 074 365 01	Hexagon-head bolt M 6 X 80		1	M64.20
3	900 074 365 01	Hexagon-head bolt M 6 X 80		2	M64.21/22 M64.23/24
4	999 702 171 50	Grommet 15 X 21 X 9,5		1	M64.20
5	993 211 341 03	Hot-air manifold		1	M64.20
(5)	993 211 341 41	Hot-air manifold		1	M64.05/06 M64.07/08
(5)	993 211 941 41	Hot-air manifold		1	M64.20 M003
(5)	993 211 941 00	Hot-air manifold		1	M64.20 M003
(5)	993 211 341 53	Hot-air manifold		1	M64.20 M003
6	964 211 311 02	Hot-air manifold		1	M64.60
7	993 211 350 00	Rubber sleeve		1	
8	999 512 505 02	Rubber sleeve		1	
8	999 512 505 02	Clamp 102 X 12		1	
9	999 512 539 00	Hose clamp 90 - 110/9		2	
9	999 512 539 01	Hose clamp 90 - 110/9		2	
10	964 616 550 02	Series resistor		1	
11	993 624 328 01	Blower		1	
12	964 659 120 00	Outer sensor		1	
13	964 624 338 00	Gasket		1	
14	993 211 034 01	Connection piece		1	
15	999 507 447 09	Speed nut M 6		4	
16	900 075 221 02	Pan-head screw M 6 X 18		4	
-	000 043 204 78	Hose 6,0 X 2,0		*	
17		360 MM		1	
18	993 211 385 00	Sleeve		1	M64.20/21/22 M64.23/24
19	993 211 343 00	Hose elbow		1	M64.20/21/22 M64.23/24
20	993 211 346 01	Connecting piece		1	M64.20/21/22 M64.23/24
21	993 211 312 50	Rubber sleeve		1	M64.60
22	999 507 511 40	Cable holder 6,0 - 8,0		1	
23	964 659 120 10	Gasket		1	

Model: 911 94

Model life 1994>>1998

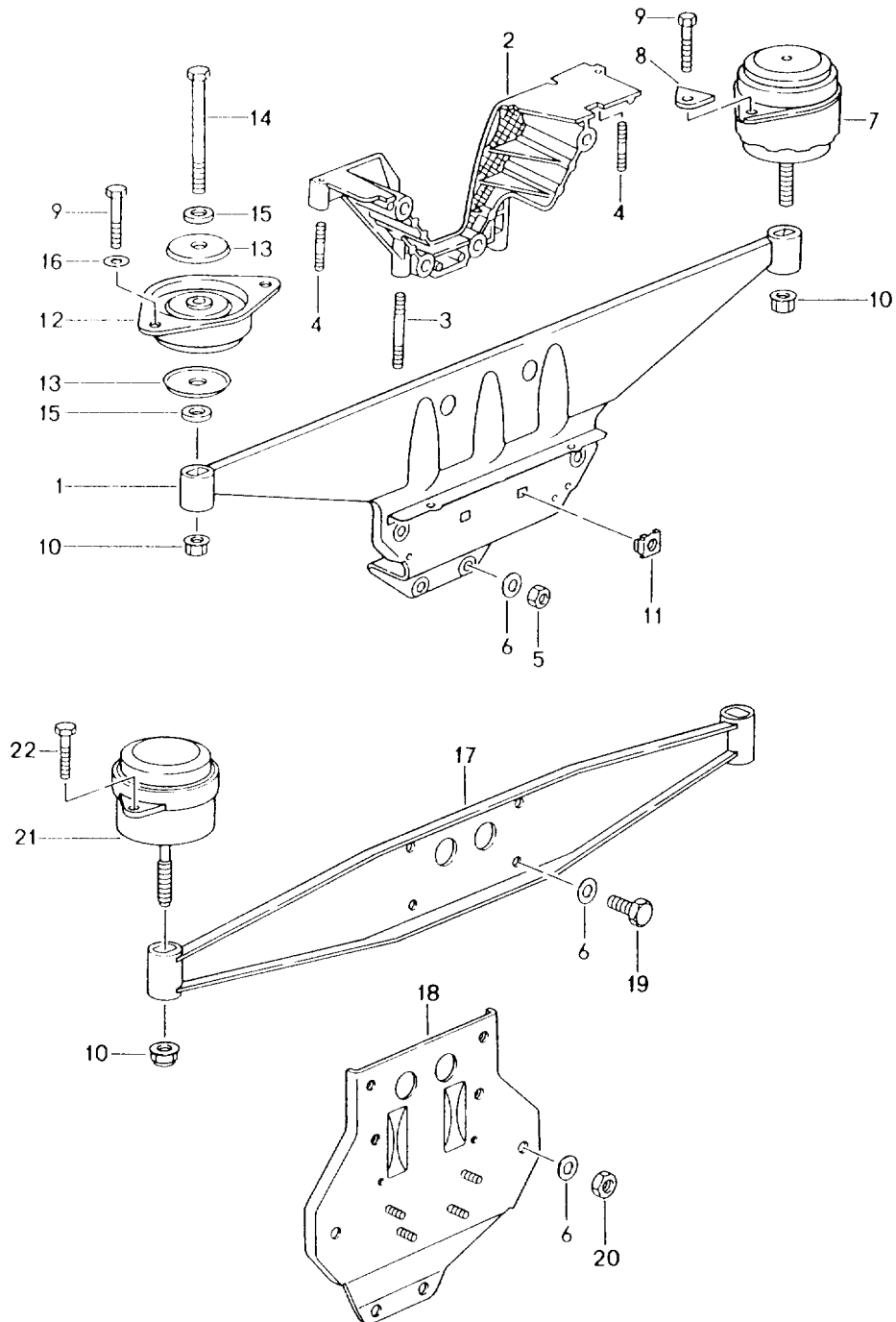


Model: 911 94 Model life 1994>>1998

Pos	Part Number	Description	Remark	Qty	Model
1	993 211 085 00	Fresh-air intake system Hot air socket		1	M64.05/06 M64.07/08
1	993 211 085 01	Hot air socket		1	M64.05/06 M64.07/08
1	993 211 085 02	Hot air socket		1	M64.21/22 M64.23/24
1	993 211 085 51	Hot air socket		1	M64.60
2	999 919 090 02	Oval-head screw 5 X 14		3	
3	993 211 270 01	Gasket		1	
3	993 211 270 40	Gasket		1	M64.20
4	993 211 283 00	Intake trumpet		1	
5	993 211 283 51	Intake trumpet		1	M64.60
6	993 110 462 02	Vacuum unit		1	
7	N 044 734 1	Pan-head screw M 5 X 15		2	
7	900 067 137 01	Pan-head screw M 5 X 15		2	
8	993 211 259 02	Support M >> 61T 02071	-95	1	M64.60
8	993 211 259 03	Support M 61T 02072 >>	96-	1	M64.60
9	993 211 260 00	Retainer plate		1	
10	900 377 009 02	Hexagon nut M 5		1	
11	900 067 255 02	Pan-head screw M 5 X 12		4	
12	928 574 717 03	Moulded hose		3	
-	000 043 205 01	Pipe 4 X 1,0		*	
13		195 MM		1	
14	911 618 123 01	Change-over valve M >> 61T 02071	-95	1	M64.60
14	993 605 123 00	Valve	-96	1	
14	996 605 123 01	Change-over valve M 61T 02072 >>		1	M64.60
14	7PP 906 270	Change-over valve M 61T 02072 >>		1	M64.60
15	999 919 130 09	Hexagon-head bolt 6,0 X 18		2	
16	900 151 006 09	Washer 6,4		2	

Model: 911 94

Model life 1994>>1998

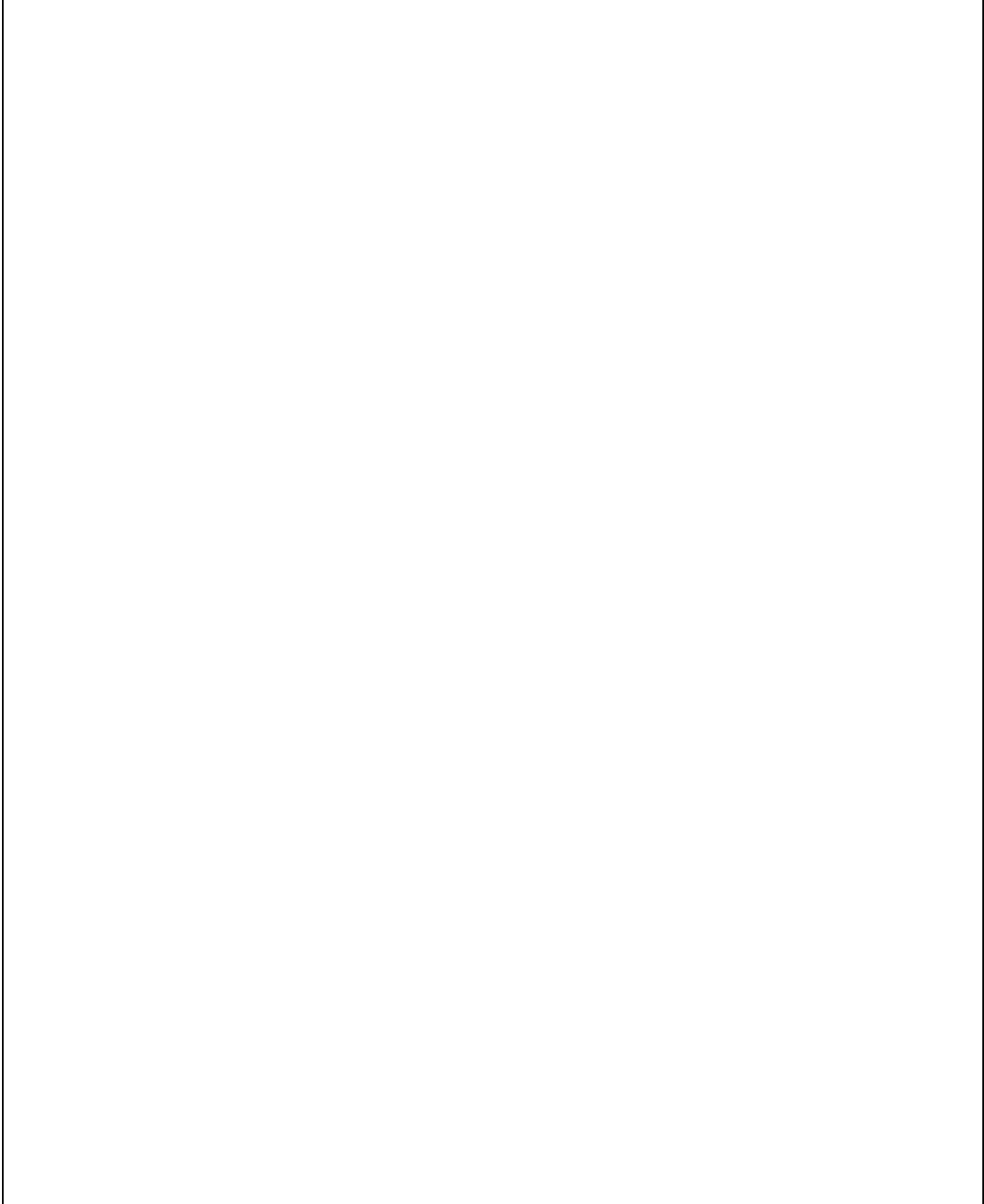


Model: 911 94 Model life 1994>>1998

Pos	Part Number	Description	Remark	Qty	Model
1	993 115 021 90	Engine suspension Engine carrier		1	C2/C4/CABRIO
2	964 115 011 02	Engine bracket		1	
3	999 062 096 02	Stud B M 6 X 40		1	
4	999 062 002 02	Stud B M 6 X 15		3	
5	N 011 010 13	Hexagon nut M 10		4	
6	900 025 008 09	Washer A 10,5		8	
6	900 025 008 04	Washer A 10,5		8	
7	965 375 049 00	Engine mounting	/L	1	
7	965 375 050 00	Engine mounting	/R	1	
7	993 375 049 05	Engine mounting		2	
8	964 375 110 00	Washer		4	
9	900 074 134 02	Hexagon-head bolt M 8 X 45		4	
10	999 084 215 09	Lock nut M 12 X 1,5		2	
11	999 507 423 02	Captive nut M 8 Engine suspension Turbo		2	
17	993 115 021 53	Engine carrier		1	
18	993 115 103 52	Engine bracket		1	
19	900 075 040 02	Hexagon-head bolt M 10 X 20		4	
19	900 075 517 01	Hexagon-head bolt M 10 X 20		4	
20	N 011 010 6	Hexagon nut M 10		4	
20	N 101 552 10	Hexagon nut M 10		4	
21	993 375 049 05	Engine mounting		2	
22	900 378 055 09	Hexagon-head bolt M 8 X 40		4	

Model: 911 94

Model life 1994>>1998



Model: 911 94

Model life 1994>>1998

Pos	Part Number	Description	Remark	Qty	Model
>>	993 100 902 00	Maintenance set Gasket set Repair kits Gasket set Cylinder Cylinder head Order also: 999 705 022 41 993 110 723 40 for M64.60 999 707 326 40 944 111 205 01 965 111 205 00 900 123 019 30 999 707 320 40 900 123 140 30 999 701 598 40 Comprising:		1	
-	999 707 152 40	O-ring 102 X 2		6	
-	993 104 111 01	Valve stem seal		12	
-	000 043 204 48	Sleeve		2	
-	993 105 193 00	Gasket		2	
-	964 105 177 03	Gasket		2	
-	964 105 181 01	Gasket		2	
-	999 707 288 40	O-ring 6 X 2,5		2	
-	964 105 140 01	Rubber seal		18	
-	900 067 238 02	Combination screw M 6 X 30		38	
-	900 067 238 01	Combination screw M 6 X 30		38	
-	993 105 173 02	Gasket		6	
-	993 105 135 02	Gasket		2	
-	999 707 313 40	O-ring 67,2 X 5,77		2	
-	900 123 131 30	Sealing ring A 16 X 20		4	
-	930 105 197 05	Gasket		2	
-	993 110 713 01	Sealing ring		6	
-	999 707 293 40	O-ring 40 X 4		1	
-	999 113 463 40	Shaft sealing ring A 30 X 42 X 7		1	
-	993 111 195 00	Sealing ring		6	
-	930 111 192 06	Gasket		2	
-	999 707 112 40	Round seal 25 X 6		8	
-	999 707 112 4A	Round seal 25 X 6		8	
-	964 104 115 20	Cylinder head gasket		6	
-	999 084 094 02	Lock nut M 6		26	
-	999 084 052 02	Lock nut M 8		14	
-	999 704 172 50	Sealing ring 16,3 X 22		2	
-	999 707 316 40	O-ring 21,89 X 2,62		2	
-	999 707 305 40	O-ring 8,2 X 2,8		4	
-	999 701 449 40	O-ring		4	

Model: 911 94 Model life 1994>>1998

Pos	Part Number	Description	Remark	Qty	Model
-	928 111 127 02	8,3 X 2,4 Gasket		2	
-	000 043 204 47	Sleeve		2	
>>	930 100 901 04	Gasket set Crankcase Comprising:		1	
-	999 704 172 50	Sealing ring 16,3 X 22		3	
-	999 701 006 40	O-ring 8 X 2		26	
-	999 113 426 41	Radial sealing ring 90 X 110 X 12		1	
-	900 123 118 30	Sealing ring A 22 X 27		1	
-	999 113 290 41	Radial sealing ring 30 X 50 X 10		1	
-	999 707 285 40	O-ring 51 X 4,5		1	
-	900 123 141 30	Sealing ring A 25 X 30		1	
-	900 123 140 30	Sealing ring A 18 X 22		1	
-	999 704 173 50	Sealing ring 19,5 X 26		1	
-	999 707 314 40	O-ring 39,2 X 3		1	
-	900 123 106 30	Sealing ring A 18 X 24		2	
-	930 107 791 02	Gasket		1	
-	911 602 102 01	Sealing ring		1	
-	900 123 007 30	Sealing ring A 14 X 18		2	
-	999 707 315 40	O-ring 33,3 X 2,4		1	
-	900 031 011 30	Washer 6,4		3	
-	999 084 095 02	Lock nut M 8		26	
-	900 025 007 02	Washer A 8,4		25	
-	900 025 007 03	Washer A 8,4		25	
-	930 101 391 01	Gasket		2	
-	901 102 191 00	Sealing ring		1	
-	930 105 198 01	Gasket		1	
-	900 123 005 00	Sealing ring A 12 X 16		4	
-	900 123 009 20	Sealing ring A 18 X 24		1	
-	900 123 011 20	Sealing ring A 22 X 27		1	
-	900 123 066 30	Sealing ring A 10 X 16		8	
-	900 123 011 30	Sealing ring A 22 X 27		1	
-	999 707 305 40	O-ring 8,2 X 2,8		4	
>>	993 100 901 00	Maintenance set for Periodic maintenance 40 000KM 24 000 MLS Comprising:		1	

Model: 911 94 Model life 1994>>1998

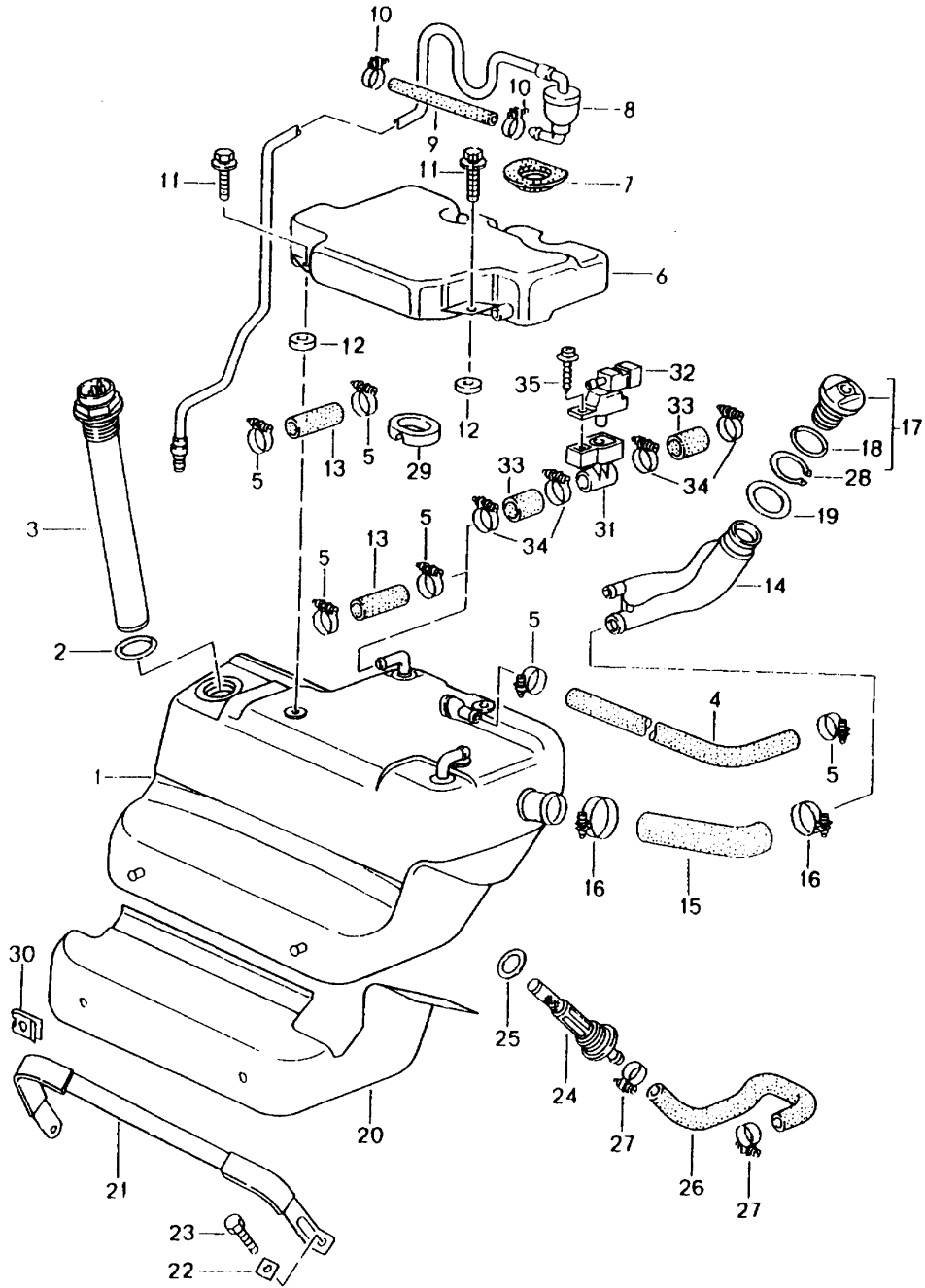
Pos	Part Number	Description	Remark	Qty	Model
-	993 110 327 00	Filter element		1	
-	993 110 327 01	Filter element		1	
-	993 207 201 02	Oil filter		1	
-	993 107 203 03	Oil filter		1	
		Not Turbo			
-	993 107 203 04	Oil filter Only Turbo		1	M64.60
-	993 107 203 05	Oil filter		1	
-	999 170 195 90	Spark plug		12	
-	900 123 118 30	Sealing ring		2	
-	993 572 479 00	Particle filter		2	
-	999 707 316 40	O-ring 21,89 X 2,62		2	
-	999 701 269 40	O-ring 11 X 2,5		1	
-	999 707 309 40	O-ring 26 X 1		1	
>>	930 107 040 01	Set Oil tube Divided Comprising: Oil tube Oil tube		1	
-	900 041 013 01	Circlip		1	
-	999 707 112 40	Round seal 25 X 6		2	
-	999 707 112 4A	Round seal 25 X 6		2	
-	999 707 113 40	Round seal 20,22 X 3,53		2	
-	999 707 113 41	O-ring 20,22 X 3,53		2	
>>	993 103 975 01	Connecting rod Connecting rods		1	
>>	993 103 925 06	Set of piston rings		1	
>>	993 103 925 40	Set of piston rings		1	M64.20
>>	993 103 925 51	Set of piston rings		1	M64.60
>>	964 101 901 00	Set of crankshaft bearings Comprising:		1	
-	930 101 131 15	Bearing shell Set I		1	
-	930 101 132 15	Bearing shell II-VII		12	
-	964 101 138 01	Bearing sleeve VIII		1	
>>	964 101 901 51	Set of crankshaft bearings Oversize Inner 0,25 MM Comprising:		1	
-	930 101 131 51	Bearing shell I		2	
-	930 101 132 51	Bearing shell II-VII		12	
-	930 101 132 92	Bearing shell II-VII		12	
-	964 101 138 54	Bearing sleeve VIII		1	
>>	964 101 901 56	Set of crankshaft bearings Oversize		1	

Model: 911 94 Model life 1994>>1998

Pos	Part Number	Description	Remark	Qty	Model
-	930 101 131 56	Inner 0,50 MM Comprising: Bearing shell I		2	
-	930 101 132 56	Bearing shell II-VII		12	
-	964 101 138 55	Bearing sleeve VIII		1	
>>	964 101 901 61	Set of crankshaft bearings Oversize Outer 0,25 MM Comprising:		1	
-	930 101 131 61	Bearing shell I		2	
-	930 101 132 61	Bearing shell II-VII		12	
-	964 101 138 65	Bearing sleeve VIII		1	
>>	964 101 901 71	Set of crankshaft bearings Oversize Inner 0,25 MM Oversize Outer 0,25 MM Comprising:		1	
-	930 101 131 71	Bearing shell I		2	
-	930 101 132 71	Bearing shell II-VII		12	
-	930 101 132 72	Bearing shell II-VII		12	
-		Bearing shell Bearing shell II-VII		12	
-	964 101 138 66	Bearing sleeve VIII		1	
>>	964 101 901 76	Set of crankshaft bearings Oversize Inner 0,50 MM Oversize Outer 0,25 MM Comprising:		1	
-	930 101 131 76	Bearing shell I		2	
-	930 101 132 76	Bearing shell II-VII		12	
-	964 101 138 67	Bearing sleeve VIII		1	

Model: 911 94

Model life 1994>>1998



Model: 911 94 Model life 1994>>1998

Pos	Part Number	Description	Remark	Qty	Model
1	993 201 021 00	Fuel tank		1	
2	999 707 115 40	Fuel tank	/LL	1	
		O-ring		1	
		44 X 4			
3	964 641 801 02	Tank gauge		1	
4	964 201 415 00	Hose		1	
5	PCG 512 237 02	Hose clamp		6	
		26 X 9			
6	964 201 077 04	Expansion tank		1	
6	964 201 077 03	Expansion tank		1	M545
7	964 201 375 00	Grommet		1	
8	964 201 061 00	Vent line	/LL	1	
		with			
		Shut-off valve			
(8)	964 201 062 00	Vent line	/RL	1	
		with			
		Shut-off valve			
-	000 043 205 02	Hose		*	
		9,5 X 15,5			
		180 MM		1	
9				1	
(9)	964 201 545 02	Fuel hose		1	M545
(9)	964 201 545 03	Fuel hose		1	M545
10	999 512 525 00	Hose clamp		2	
		14 X 9			
11	900 075 335 02	Combination screw		3	
		M 6 X 22			
12	999 703 362 40	Sleeve		3	
-	000 043 205 03	Hose		*	
		20 X 26			
13		80 MM		2	
13		125 MM		1	M545
14	993 201 043 00	Filler neck		1	
14	993 201 043 01	Filler neck	(J)	1	M150
15	964 201 287 03	Hose		1	
16	999 512 595 00	Hose clamp		1	
		25 - 40			
		with			
		Flat plug			
(16)	999 512 551 01	Hose clamp		1	
		25 - 40			
		without			
		Flat plug			
17	993 201 271 00	Fuel tank cap		1	
18	191 201 557	Sealing ring		1	
		Information available			
19	993 201 301 00	Desk pad		1	
20	964 201 331 04	Protection cap	/LL	1	
20	993 201 331 00	Protection cap	/LL	1	M545
21	993 201 103 01	Restraining strap	/LL	1	
21	993 201 103 02	Restraining strap	/LL	1	M545
22	964 201 387 00	Plate		1	
23	900 075 414 08	Hexagon-head bolt		1	
		M 8 X 40			
24	928 201 081 04	Fuel filter		1	
25	928 201 187 02	Sealing ring		1	
26	964 201 581 03	Suction hose	/LL	1	
26	964 201 581 04	Suction hose	/LL	1	
(26)	964 201 582 02	Suction hose	/RL	1	
(26)	964 201 582 03	Suction hose	/RL	1	
27	N 023 565 3	Hose clamp		2	
		21 X 9ZV			
28	999 041 039 09	Snap ring		1	
		57 X 2			

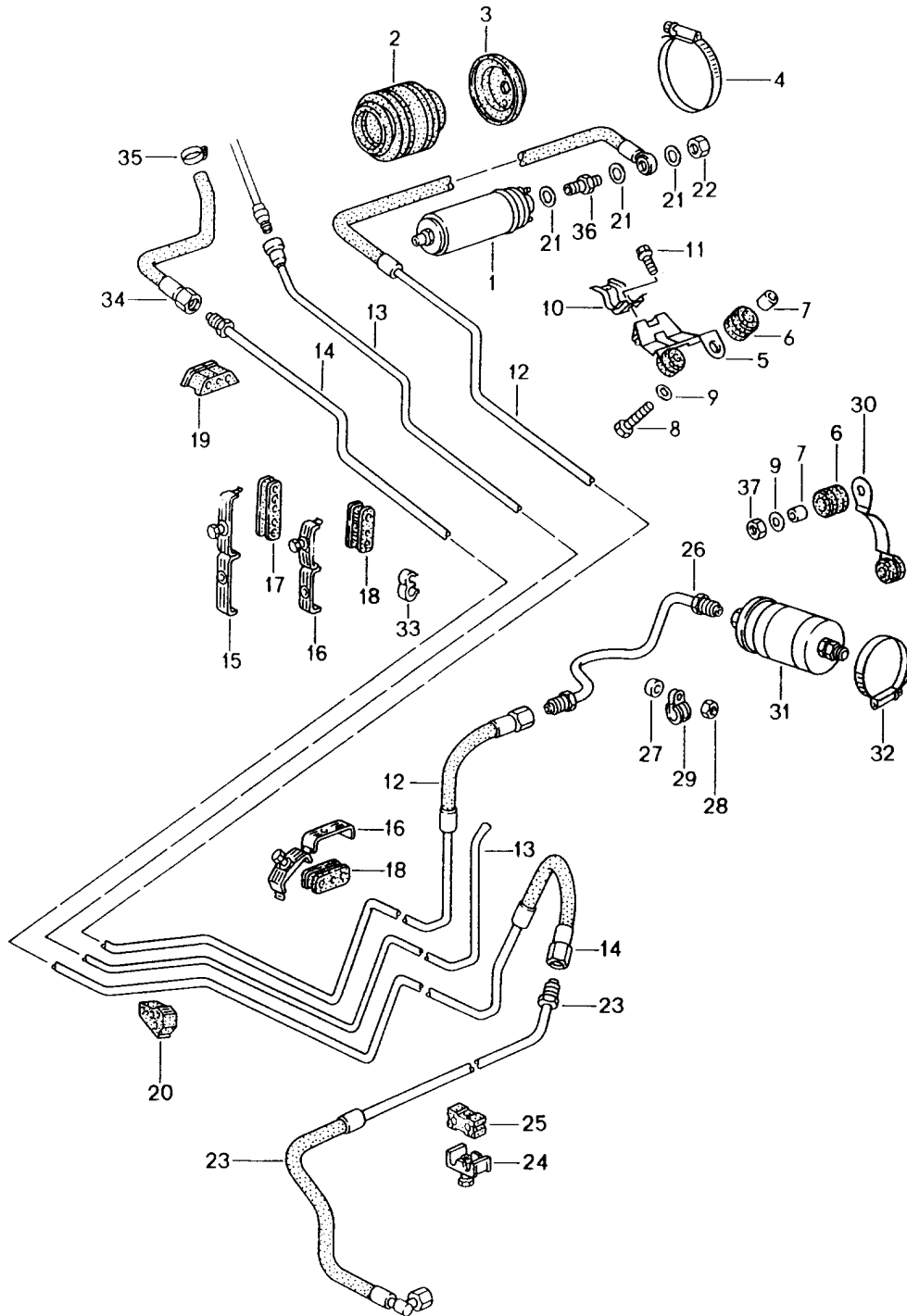
Model: 911 94

Model life 1994>>1998

Pos	Part Number	Description	Remark	Qty	Model
29	964 201 376 00	Spacer rubber		1	
30	N 012 653 3	Lock washer		2	
31	993 201 721 00	Support	98-	1	M660
32	996 606 205 00	Sensor	98-	1	M660
-	000 043 205 07	Hose 19 X 3,5		*	
33		36 MM	98-	2	M660
34	999 512 346 00	Hose clamp 16 - 27/9	98-	4	M660
35	999 919 121 09	Oval-head screw 5,0 X 16	98-	1	M660
-	964 201 153 00	Overflow hose for Filler neck		1	

Model: 911 94

Model life 1994>>1998



Model: 911 94 Model life 1994>>1998

Pos	Part Number	Description	Remark	Qty	Model
		Fuel system			
1	964 620 104 00	Fuel pump		1	
2	965 356 391 01	Housing		1	
3	965 356 389 00	Cap		1	
4	999 512 397 00	Hose clamp 80-100		1	
5	964 356 249 03	Support		1	
6	964 356 635 00	Rubber mounting		5	
7	928 355 633 00	Bush		5	
7	928 355 633 03	Bush		5	
8	900 075 017 02	Hexagon-head bolt M 6 X 25		3	
8	900 075 017 03	Hexagon-head bolt M 6 X 25		3	
9	900 151 003 02	Washer A 6,4		5	
9	900 151 006 03	Washer A 6,4		5	
10	964 201 577 01	Bearing		1	
11	900 075 393 02	Combination screw M 6 X 12		1	
11	900 075 393 0C	Combination screw M 6 X 12		1	
12	993 356 061 03	Fuel line	/LL -94	1	
12		Fuel line	/LL 95-	1	
13	993 201 091 02	Vent line	/LL -96	1	
13		Vent line	/LL 97-	1	
14	993 356 063 02	Return line	/LL -94	1	
14		Return line	/LL 95-	1	
15	964 356 593 00	Clamp	/LL	6	
17	964 356 595 00	Rubber mounting	/LL	6	
18	964 356 557 00	Rubber mounting		7	
19	964 356 559 00	Rubber mounting		1	
20	964 356 569 00	Rubber mounting		1	
21	900 123 055 20	Sealing ring A 12 X 17		2	
22	928 110 475 01	Cap nut		1	
23	993 356 367 08	Return line	/LL -95	1	CARRERA
23	993 356 367 09	Return line	/LL	1	CARRERA
23	993 356 367 11	Return line	/LL	1	CARRERA
23	993 356 367 08	Return line	/LL 96-	1	CARRERA
23	993 356 367 09	Return line	/LL 96-	1	CARRERA
23	993 356 367 11	Return line	/LL 96-	1	CARRERA
23	993 356 367 07	Return line	/LL	1	TURBO
23	993 356 367 10	Return line	/LL	1	TURBO
24	928 356 555 00	Clamp		2	
25	928 356 525 01	Rubber mounting		2	
26	993 356 065 01	Pressure line	/LL	1	
27	999 209 005 40	Sleeve		1	
28	900 076 010 02	Nut M 6		1	
28	900 076 010 0B	Nut M 6		1	
29	999 511 116 02	Clamp B 10 X 15		1	
29	999 511 116 03	Clamp B 10 X 15		1	
30	993 356 511 00	Support		1	
31	928 110 253 06	Fuel filter		1	
32	999 512 390 00	Hose clamp 60-80/13		1	
33	964 356 521 00	Dual clip		3	
34	964 356 583 02	Return line	/LL	1	

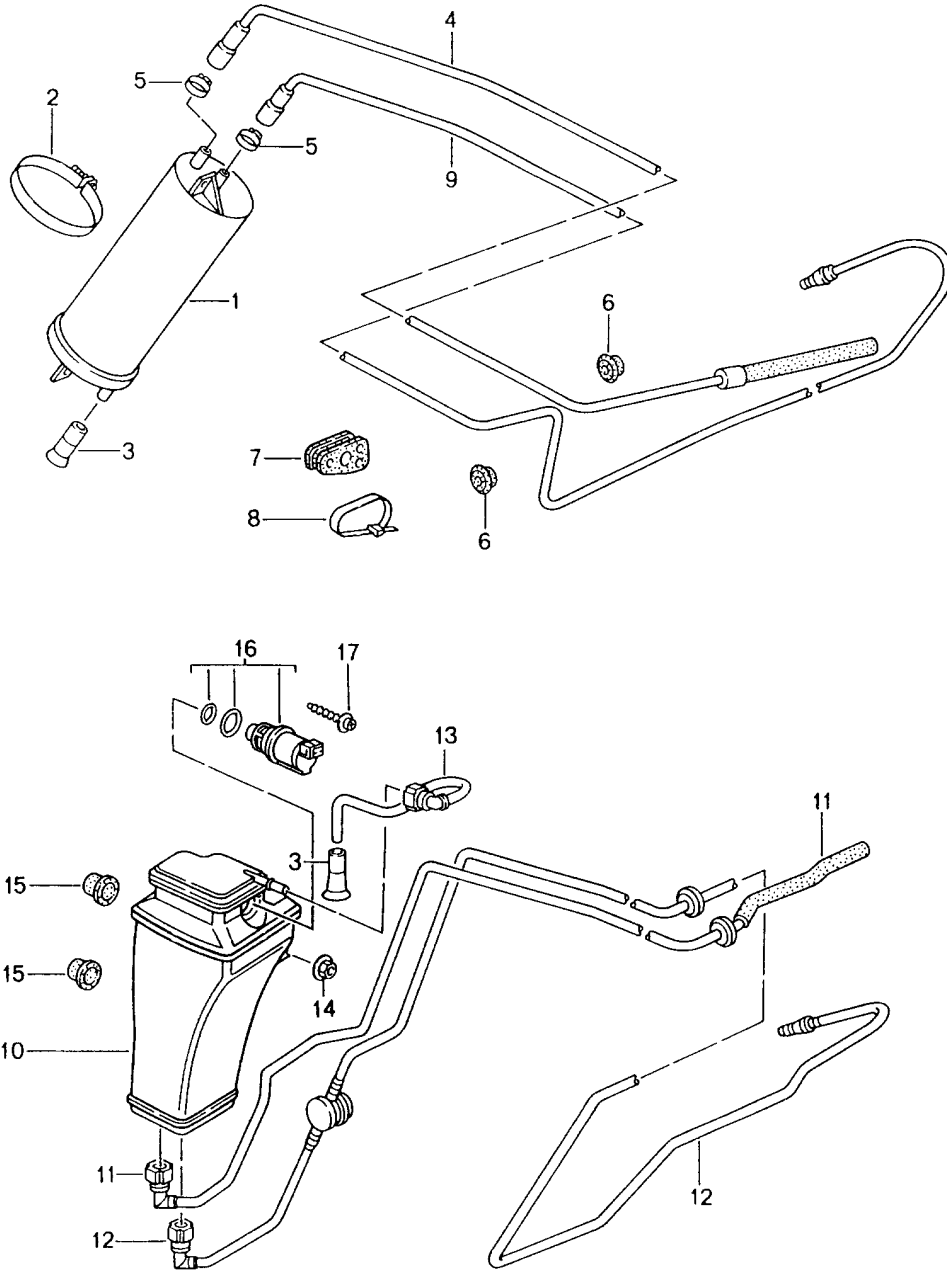
Model: 911 94

Model life 1994>>1998

Pos	Part Number	Description	Remark	Qty	Model
(34)	964 356 584 01	Return line	/RL	1	
35	N 023 569 2	Hose clamp AG 16 X 9 ZY		1	
35	PCG 023 569 2	Hose clamp AG 16 X 9 ZY		1	
36	964 620 951 00	Retaining valve		1	
37	999 045 004 40	Hexagon nut M 6		2	

Model: 911 94

Model life 1994>>1998

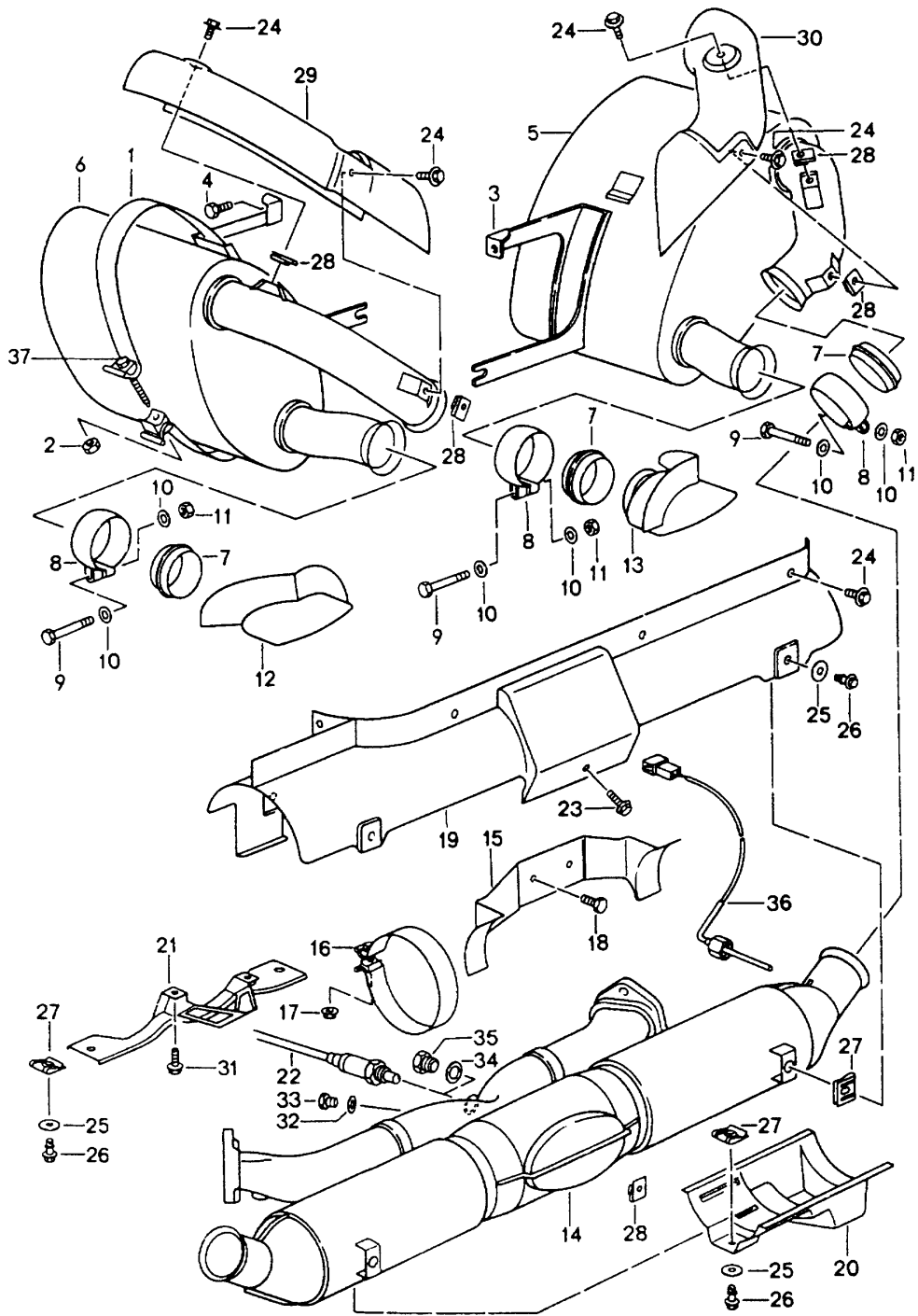


Model: 911 94 Model life 1994>>1998

Pos	Part Number	Description	Remark	Qty	Model
1	993 201 221 01	Carbon canister	-94	1	
1		Carbon canister	95-	1	
1		Carbon canister	95-	1	
1	993 201 221 03	Carbon canister		1	
2	999 512 506 02	Clamp 106 X 25		1	
2	PCG 512 506 02	Clamp 106 X 25		1	
3	928 201 195 02	End piece		1	
4	993 201 131 02	Vent line	-95	1	
4		Vent line	96-	1	
5	999 512 265 02	Hose clamp 17,0 - 17,9		2	
6	999 702 084 50	Rubber sleeve		2	
7	964 201 615 00	Rubber mounting		1	
8	999 513 010 40	Tie-wrap 9 X 250		1	
9	993 201 133 04	Vent line	/LL	1	
10	993 201 221 02	Carbon canister	98	1	M660
11	993 201 131 03	Vent line	98	1	M660
12	993 201 433 04	Vent line	98	1	M660
13	993 201 361 00	Vent line	98	1	M660
14	999 084 629 09	Hexagon nut M 6	98	1	
14	999 084 629 01	Hexagon nut M 6	98-	1	
15	999 702 221 40	Grommet	98	2	M660
16	996 605 201 01	Shut-off valve	98	1	M660
17	999 919 171 07	Oval-head screw 5,0 X 20	98	1	M660

Model: 911 94

Model life 1994>>1998



Model: 911 94 Model life 1994>>1998

Pos	Part Number	Description	Remark	Qty	Model
		Exhaust system			CARRERA
		Muffler			
		Catalytic converter			
		See technical information			
		Group 2			
		NR. 2/ 98			
1	993 111 119 04	Restraining strap	-94	2	
1	993 111 119 06	Restraining strap		2	
1	993 111 119 07	Restraining strap		2	
1		Restraining strap	95-	2	
2	900 910 022 02	Lock nut		2	
		VF M 8			
(3)	993 111 113 06	Bracket	/L	1	
3	993 111 114 06	Bracket	/R	1	
4	900 074 356 02	Combination screw		2	
		M 8 X 20			
5	993 111 046 11	Muffler	/R	1	
		BISCHOFF			
5	993 111 046 14	Muffler	/R	1	
5	993 111 046 11	Muffler	/R	1	
		GILLET			
5	993 111 046 14	Muffler	/R	1	
5	993 111 046 12	Muffler	/R 95-	1	M159
		BISCHOFF			
5	993 111 046 15	Muffler	/R 95-	1	M159
5	993 111 046 12	Muffler	/R 95-	1	M159
		GILLET			
5	993 111 046 15	Muffler	/R 95-	1	M159
6	993 111 045 11	Muffler	/L	1	
		BISCHOFF			
6		Muffler	/L	1	
		GILLET			
6	993 111 045 12	Muffler	/L 95-	1	M159
		BISCHOFF			
6		Muffler	/L 95-	1	M159
		GILLET			
7	928 111 246 05	Sealing ring		4	
7	928 111 246 06	Sealing ring		4	
8	928 111 427 00	Pipe clamp		4	
9	900 074 252 02	Screw		4	
		M 8 X 65			
10	999 025 125 09	Washer		8	
		8,4 X 17 X 3,0			
(10)	999 025 125 01	Washer		8	
		8,4 x 17 x 3,0			
11	999 084 052 02	Lock nut		4	
		M 8			
12	993 111 251 02	Tail pipe	/L -95	1	
12	993 111 251 03	Tail pipe	/L -95	1	M159
12	993 111 251 10	Tail pipe	/L 96-	1	M493
12	993 111 251 12	Tail pipe	/L 96-	1	M493
12	993 111 251 11	Tail pipe	/L 96-	1	M159/493
12	993 111 251 51	Tail pipe	/L 96-	1	M491/495
		GESTRAHLT			
12	993 111 251 56	Tail pipe	/L 96-	1	M491/495
12	993 111 251 52	Tail pipe	/L 96-	1	M159/491
		Polished			M159/495
13	993 111 252 02	Tail pipe	/R -95	1	
13	993 111 252 03	Tail pipe	/R -95	1	M159
13	993 111 252 10	Tail pipe	/R 96-	1	M493
13	993 111 252 12	Tail pipe	/R 96-	1	M493
13	993 111 252 11	Tail pipe	/R 96-	1	M159/493
13	993 111 252 51	Tail pipe	/R 96-	1	M491/495

Model: 911 94

Model life 1994>>1998

Pos	Part Number	Description	Remark	Qty	Model
13	993 111 252 52	GESTRAHLT Tail pipe Polished	/R 96-	1	M159/491 M159/495
13	993 111 252 56	Tail pipe Polished	/R 96-	1	M159/491 M159/495
14	993 113 213 15	Catalytic converter BISCHOFF		1	M64.07/08
14	993 113 213 39	Catalytic converter		1	M64.07/08
14	993 113 285 00	Catalytic converter BISCHOFF		1	M64.23/24
(14)	993 113 213 36	Catalytic converter GILLET	-96	1	M64.23/24
(14)		Catalytic converter GILLET	97-	1	M64.23/24
15	993 113 223 02	Bracket		1	
16	993 113 225 01	Restraining strap		2	
17	900 910 022 02	Lock nut VF M 8		2	
18	900 075 364 02	Combination screw M 8 X 16		2	
19	993 211 214 02	Heat protection plate		1	
21	993 119 106 02	Support		1	
22	993 606 126 01	Oxygen sensor	-96	1	
22		Oxygen sensor	97-	1	
22	993 606 116 01	Oxygen sensor in front of Catalytic converter	-96	2	M64.23/24
22		Oxygen sensor in front of Catalytic converter	97-	2	M64.23/24
22	993 606 118 01	Oxygen sensor After Catalytic converter	-96	2	M64.23/24
22		Oxygen sensor After Catalytic converter	97-	2	M64.23/24
23	900 075 392 00	Combination screw M 6 X 18		1	
24	900 075 374 02	Combination screw M 6 X 14		8	
24	900 075 374 01	Combination screw M 6 X 14		8	
25	900 151 007 02	Washer 7,4		10	
25	900 151 007 03	Washer 7,4		10	
26	999 507 430 09	Locking bolt 6 X 12		10	
27	999 507 413 09	Retaining clip 6		10	
27	999 507 413 08	Retaining clip 6		10	
28	999 507 073 00	Nut lock M 6		1	
29	993 211 215 03	Heat protection plate	/L	1	
30	993 211 216 03	Heat protection plate	/R	1	
31	900 075 448 02	Combination screw M 6 X 14		2	
32	900 123 050 20	Sealing ring A 8 X 11,5		1	
33	900 083 080 00	Hexagon-head bolt M 8 X 1 X 10		1	
34	900 123 009 20	Sealing ring		1	M150

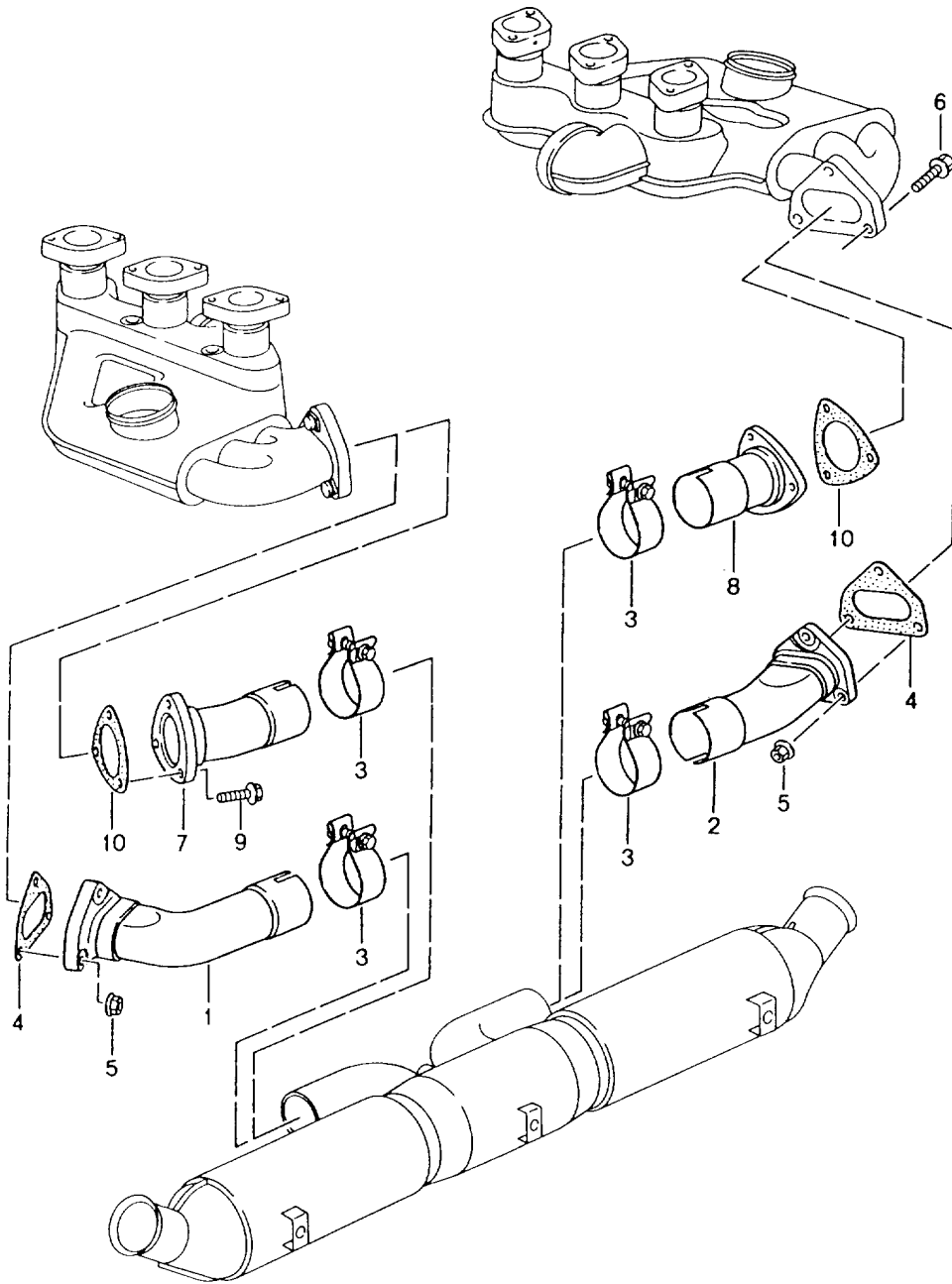
Model: 911 94

Model life 1994>>1998

Pos	Part Number	Description	Remark	Qty	Model
35	900 219 015 00	A 18 X 24 Screw plug		1	M150
37	900 067 362 02	M 18 X 1,5 Pan-head screw AM 8 X 50		2	

Model: 911 94

Model life 1994>>1998

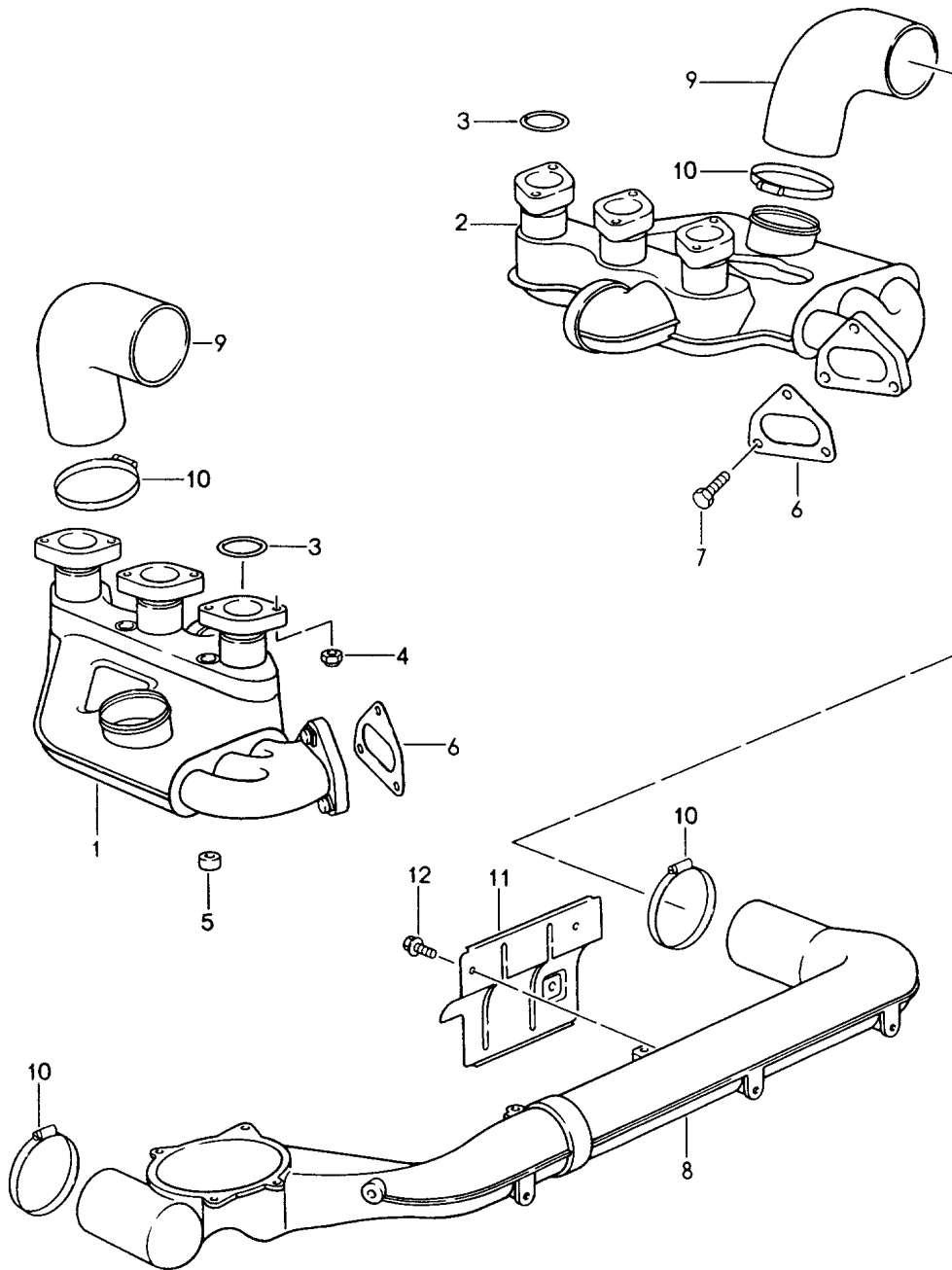


Model: 911 94 Model life 1994>>1998

Pos	Part Number	Description	Remark	Qty	Model
		Exhaust system Repair kits See technical information Group 2 NR. 2/98			CARRERA
1	993 113 913 10	Joining socket	/R	1	
2	993 113 913 00	Joining socket	/L	1	
3	996 111 109 50	Clip		2	
3	996 111 109 51	Clip		2	
4	930 111 192 06	Gasket		2	
5	999 084 052 02	Lock nut M 8		6	
6	900 074 282 02	Screw M 8 X 37		6	
7	993 211 939 00	Joining socket	/L	1	
8	993 211 940 00	Joining socket	/R	1	
9	993 113 216 00	Hexagon-head bolt M 8 X 25		6	
10	928 111 127 02	Gasket		2	

Model: 911 94

Model life 1994>>1998



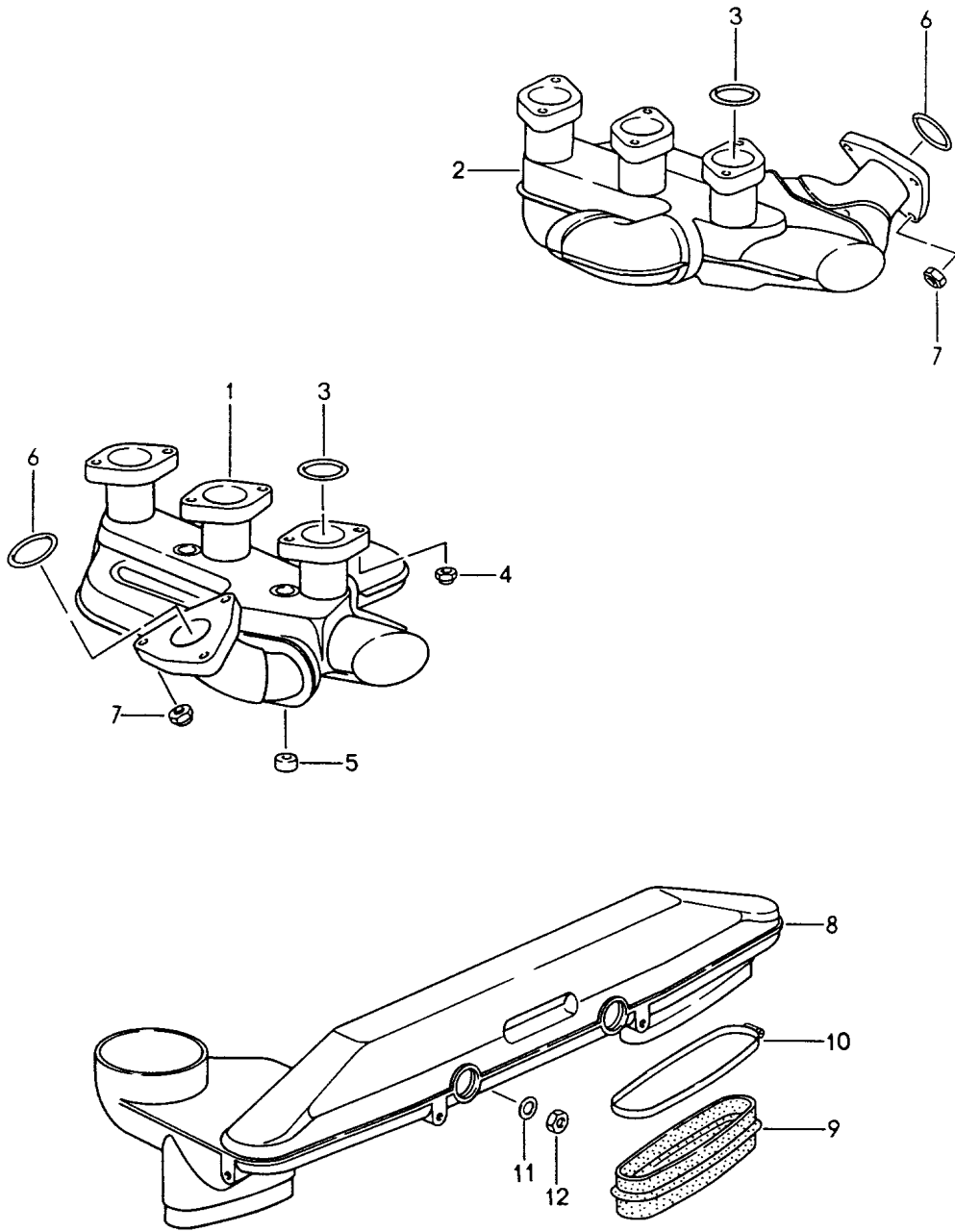
Model: 911 94

Model life 1994>>1998

Pos	Part Number	Description	Remark	Qty	Model
		Exhaust system Heat exchanger See technical information Group 2 NR. 2/ 98			CARRERA
1	993 211 039 05	Heat exchanger BISCHOFF	/L	1	
1	993 211 039 07	Heat exchanger BISCHOFF	/L	1	
1	993 211 039 10	Heat exchanger GILLET	/L	1	
1	993 211 039 11	Heat exchanger GILLET	/L	1	
2	993 211 040 05	Heat exchanger BISCHOFF	/R	1	
2	993 211 040 07	Heat exchanger BISCHOFF	/R	1	
2	993 211 040 10	Heat exchanger GILLET	/R	1	
2	993 211 040 11	Heat exchanger GILLET	/R	1	
3	993 111 195 00	Sealing ring		6	
3		Sealing ring		6	
4	999 084 052 02	Lock nut M 8		12	
5	999 085 001 02	Socket head nut M 8		5	
6	930 111 192 06	Gasket for BISCHOFF		2	
6	928 111 127 02	Gasket for GILLET		2	
7	900 074 282 02	Screw M 8 X 37	-96	6	
7	993 113 216 00	Hexagon-head bolt M 8 X 25	97-	6	
8	993 211 360 00	Heating tube	-94	1	
8		Heating tube	95-	1	
9	993 211 339 02	Heater hose	-96	2	
9	993 211 339 03	Heater hose	/R 97-	2	
9	993 211 339 04	Heater hose	/L 97-	2	
10	999 512 351 02	Hose clamp 70 - 90		4	
11	993 211 213 04	Heat protection plate	-95	1	
11		Heat protection plate	96-	1	
12	900 075 354 00	Combination screw M 6 X 16		2	

Model: 911 94

Model life 1994>>1998

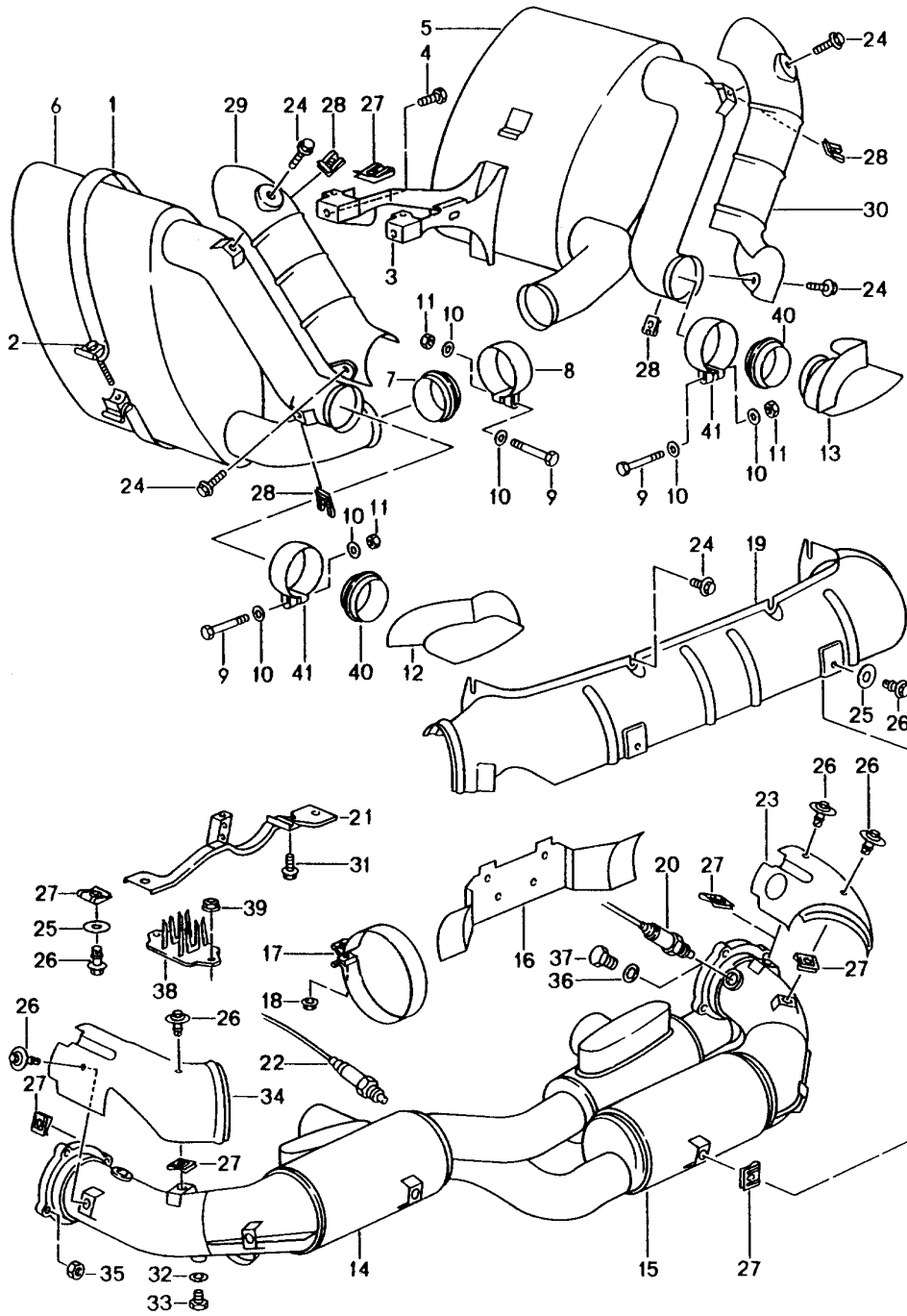


Model: 911 94 Model life 1994>>1998

Pos	Part Number	Description	Remark	Qty	Model
		Exhaust system			TURBO
		Heat exchanger			
1	993 211 039 55	Heat exchanger	/L -97	1	
1	993 211 039 56	Heat exchanger	/L	1	
1	993 211 039 55	Heat exchanger	/L 98-	1	
1	993 211 039 56	Heat exchanger	/L 98-	1	
2	993 211 040 55	Heat exchanger	/R -97	1	
2	993 211 040 56	Heat exchanger	/R	1	
2	993 211 040 55	Heat exchanger	/R 98-	1	
2	993 211 040 56	Heat exchanger	/R 98-	1	
3	993 111 195 00	Sealing ring		6	
4	999 084 052 02	Lock nut		8	
		M 8			
5	999 085 001 02	Socket head nut		4	
		M 8			
6	944 111 205 01	Sealing ring		2	
7	999 084 627 02	Lock nut		6	
		M 8			
8	993 211 036 56	Heating tube		1	
9	993 211 313 52	Rubber sleeve		2	
9	993 211 313 53	Rubber sleeve		2	
10	999 512 539 00	Hose clamp		4	
		90 - 110/9			
10	999 512 539 01	Hose clamp		4	
		90 - 110/9			
11	900 025 007 02	Washer		2	
		A 8,4			
11	900 025 007 03	Washer		2	
		A 8,4			
12	900 076 025 02	Hexagon nut		2	
		M 8			
12	900 076 064 02	Hexagon nut		2	
		M 8			

Model: 911 94

Model life 1994>>1998



Model: 911 94 Model life 1994>>1998

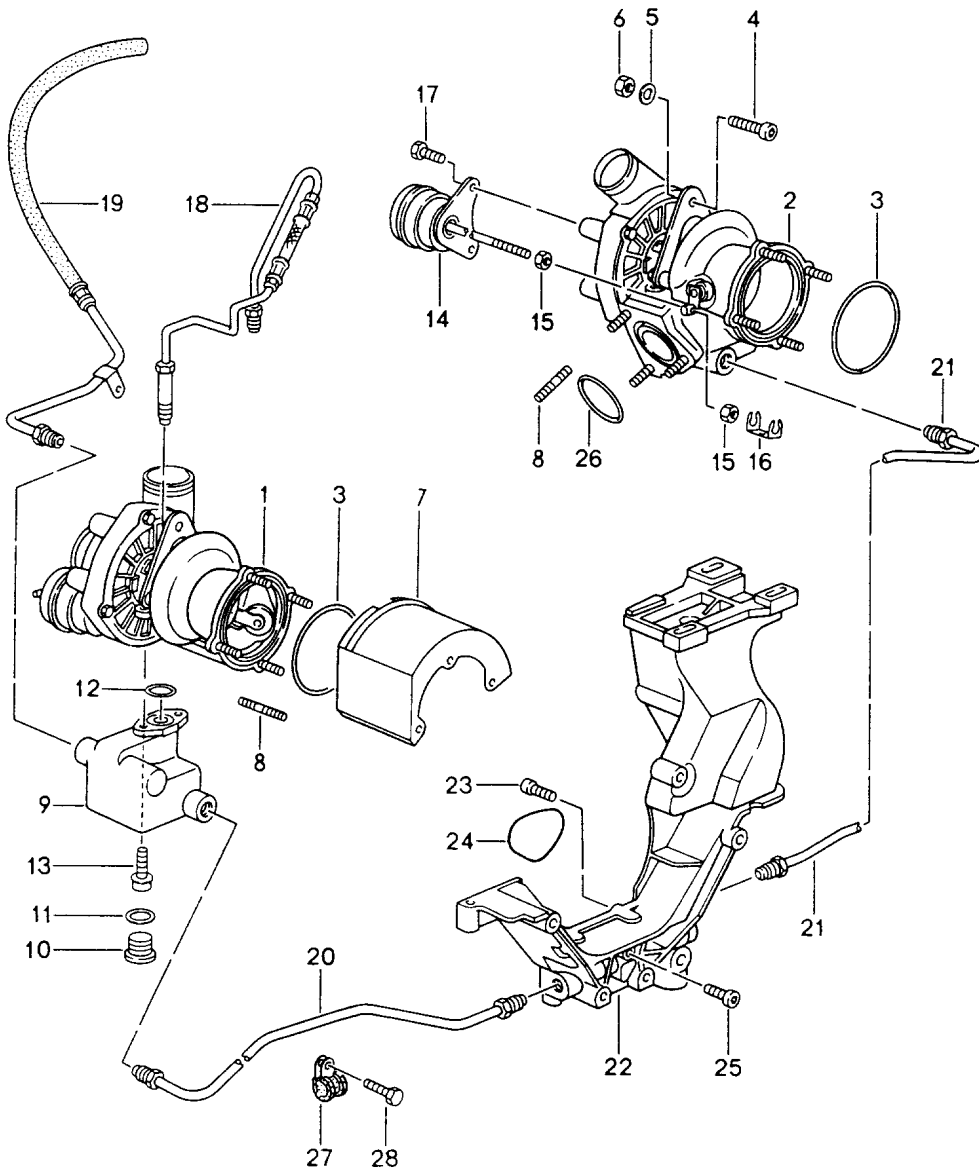
Pos	Part Number	Description	Remark	Qty	Model
		Exhaust system			TURBO
		Muffler			
		Catalytic converter			
1	993 111 119 07	Restraining strap		2	
2	900 067 362 02	Pan-head screw		2	
		AM 8 X 50			
(3)	993 111 113 53	Bracket	/L	1	
(3)	993 111 113 83	Bracket	/L	1	
3	993 111 114 53	Bracket	/R	1	
3	993 111 114 84	Bracket	/R	1	
4	900 074 356 02	Combination screw		2	
		M 8 X 20			
5	993 111 046 54	Muffler	/R -96	1	
5		Muffler	/R 97-	1	
6	993 111 045 54	Muffler	/L -96	1	
6		Muffler	/L 97-	1	
7	993 111 246 51	Sealing ring		2	
7	993 111 246 52	Sealing ring		2	
8	959 111 335 00	Pipe clamp		2	
9	900 074 252 02	Screw		4	
		M 8 X 65			
10	999 025 125 09	Washer		8	
		8,4 X 17 X 3,0			
(10)	999 025 125 01	Washer		8	
		8,4 x 17 x 3,0			
11	999 084 052 02	Lock nut		4	
		M 8			
12	993 111 251 50	Tail pipe	/L	1	
12	993 111 251 54	Tail pipe	/L -96	1	
12		Tail pipe	/L 97-	1	
13	993 111 252 50	Tail pipe	/R	1	
13	993 111 252 54	Tail pipe	/R -96	1	
13	993 111 252 55	Tail pipe	/R	1	
13	993 111 252 54	Tail pipe	/R 97-	1	
13	993 111 252 55	Tail pipe	/R 97-	1	
14	993 113 213 57	Catalytic converter	/L -96	1	
14		Catalytic converter	/L 97-	1	
15	993 113 214 57	Catalytic converter	/R -96	1	
15	993 113 214 58	Catalytic converter	/R	1	
15	993 113 214 57	Catalytic converter	/R 97-	1	
15	993 113 214 58	Catalytic converter	/R 97-	1	
16	993 113 223 52	Bracket		1	
17	993 113 225 51	Restraining strap		2	
18	900 910 022 02	Lock nut		2	
		VF M 8			
19	993 113 247 51	Catalytic converter cover		1	
20	993 606 128 01	Oxygen sensor	-96	2	
20		Oxygen sensor	97-	2	
21	993 119 106 51	Support		1	
22	993 606 127 01	Oxygen sensor	-96	2	
22		Oxygen sensor	97-	2	
23	993 113 244 51	Cover	/R	1	
24	900 075 374 02	Combination screw		8	
		M 6 X 14			
24	900 075 374 01	Combination screw		8	
		M 6 X 14			
25	900 151 007 02	Washer		16	
25	900 151 007 03	Washer		16	
26	999 507 430 09	Locking bolt		16	
		6 X 12			
27	999 507 413 09	Retaining clip		16	
		6			
27	999 507 413 08	Retaining clip		16	

Model: 911 94 Model life 1994>>1998

Pos	Part Number	Description	Remark	Qty	Model
28	999 507 073 00	6 Nut lock M 6		4	
29	993 111 211 52	Heat protection plate	/L	1	
30	993 111 212 52	Heat protection plate	/R	1	
31	900 075 448 02	Combination screw M 6 X 14		2	
32	900 123 050 20	Sealing ring A 8 X 11,5		2	
33	900 083 080 00	Hexagon-head bolt M 8 X 1 X 10		2	
34	993 113 243 51	Cover	/L	1	
35	999 084 627 02	Lock nut M 8		8	
36	900 123 009 20	Sealing ring A 18 X 24		1	M150
37	900 219 015 00	Screw plug M 18 X 1,5		1	M150
38	993 606 105 00	Support		1	
39	999 049 008 40	Plastic nut T5/16 X 10		2	
40	928 111 246 05	Sealing ring		2	
40	928 111 246 06	Sealing ring		2	
41	928 111 427 00	Pipe clamp		2	

Model: 911 94

Model life 1994>>1998



Model: 911 94 Model life 1994>>1998

Pos	Part Number	Description	Remark	Qty	Model
		Turbocharger			
		Oil pump			
		for			
		Turbocharger			
1	993 123 013 51	Turbocharger	/L	1	
1	993 123 013 52	Turbocharger	/L	1	
(1)	993 123 013 CX	Turbocharger	/L	1	
2	993 123 014 51	Turbocharger	/R	1	
2	993 123 014 52	Turbocharger	/R	1	
(2)	993 123 014 DX	Turbocharger	/R	1	
3	965 111 205 00	Sealing ring		2	
4	900 378 074 09	Hexagon-head bolt		2	
		M 8 X 16			
5	900 336 005 00	Washer		2	
		8			
6	999 084 052 02	Lock nut		2	
		M 8			
7	993 123 113 51	Cover	/L	1	
(7)	993 123 114 51	Cover	/R	1	
8	999 061 099 00	Stud		14	
		M 8 X 26			
9	993 107 127 51	Oil collection container	/L	1	
(9)	993 107 128 51	Oil collection container	/R	1	
10	900 219 009 30	Screw plug		2	
		M 18 X 1,5			
11	900 123 106 30	Sealing ring		2	
		A 18 X 24			
12	999 701 598 40	O-ring		2	
		18,65 X 2,45			
13	900 067 271 02	Pan-head screw		4	
		M 8 X 20			
14	993 123 115 50	Control box		2	
14	993 123 115 51	Control box		2	
15	900 076 077 00	Hexagon nut		4	
		M 6			
16	993 123 117 50	Securing clip		2	
17	N 014 761 2	Pan-head screw		4	
		M 6 X 12			
17	900 119 129 01	Pan-head screw		4	
		M 6 X 12			
18	993 107 125 53	Oil pipe	/L	1	
(18)	993 107 126 53	Oil pipe	/R	1	
19	993 107 311 53	Vent line	/L	1	
(19)	993 107 312 52	Vent line	/R	1	
(19)	993 107 312 54	Vent line	/R	1	
20	993 107 339 53	Oil pipe	/L	1	
21	993 107 338 53	Oil pipe	/R	1	
22	993 107 005 52	Bracket		1	
		with			
		Oil pump			
22	993 107 005 53	Bracket		1	
		with			
		Oil pump			
23	900 119 091 02	Pan-head screw		4	
		M 6 X 16			
24	999 701 926 40	O-ring		1	
		63 X 2			
25	999 218 005 02	Pan-head screw		1	
		M 6 X 16			
25	999 218 005 01	Pan-head screw		1	
		M 6 X 16			
26	944 111 205 01	Sealing ring		2	
27	999 511 116 02	Clamp		2	

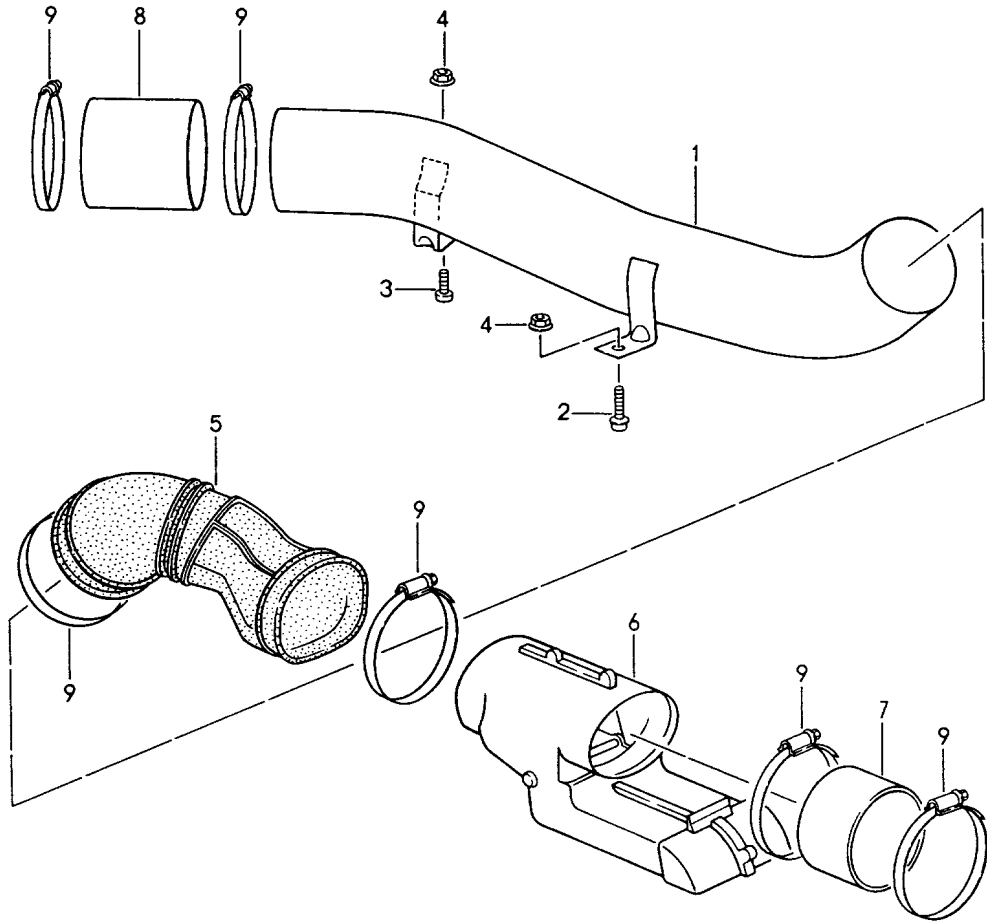
Model: 911 94

Model life 1994>>1998

Pos	Part Number	Description	Remark	Qty	Model
27	999 511 116 03	10 X 15 Clamp		2	
28	999 072 005 09	10 X 15 Hexagon nut		2	
28	999 072 005 01	M 6 X 12 Hexagon nut		2	
		M 6 X 12			

Model: 911 94

Model life 1994>>1998

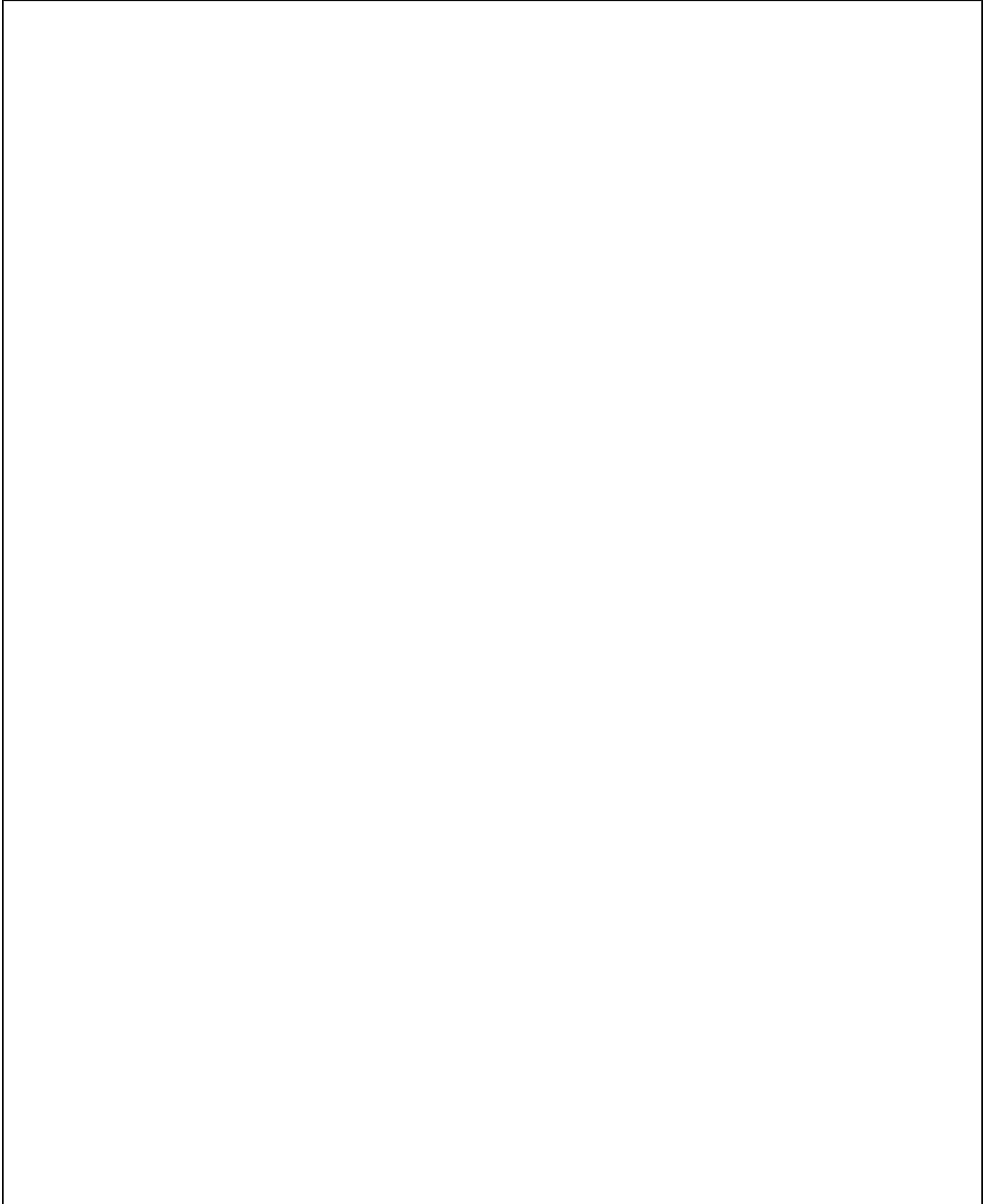


Model: 911 94 Model life 1994>>1998

Pos	Part Number	Description	Remark	Qty	Model
1	993 572 789 00	Heating air supply			
		Heating tube	/L	1	
(1)	993 572 790 00	Heating tube	/R	1	
2	900 067 207 02	Combination screw		2	
		M 6 X 20			
3	900 067 008 02	Pan-head screw		2	
		M 6 X 12			
3	900 067 008 03	Pan-head screw		2	
		M 6 X 12			
4	900 380 003 02	Hexagon nut		4	
		M 6			
5	993 572 785 01	Connecting hose	/L -94	1	
5		Connecting hose	/L 95-	1	
(5)	993 572 786 01	Connecting hose	/R -94	1	
(5)		Connecting hose	/R 95-	1	
6	993 572 087 00	Heat control box		2	
6	993 572 087 01	Heat control box		2	
-	000 043 205 04	Hose		*	
		72 X 2,0			
7		45 MM		2	
8		80 MM		2	
9	999 512 351 02	Hose clamp		12	
		70 - 90/9			

Model: 911 94

Model life 1994>>1998



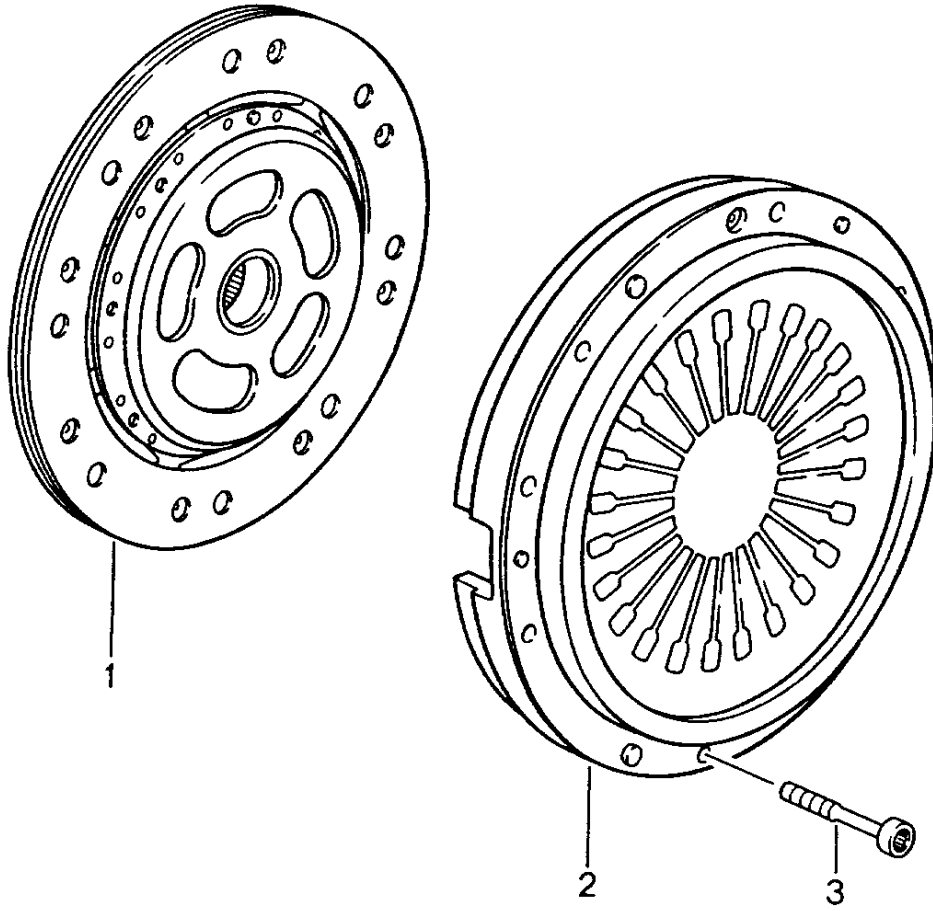
Model: 911 94

Model life 1994>>1998

Pos	Part Number	Description	Remark	Qty	Model
>>	PCG 993 111 00	Maintenance set Repair kit Gasket set Assembly kit Muffler Comprising:		1	CARRERA
-	999 025 125 01	Washer		8	
-	900 067 362 01	Pan-head screw		2	
-	900 074 252 02	Screw		4	
-	993 111 119 07	Restraining strap		2	
-	928 111 427 00	Pipe clamp		4	
-	999 084 052 02	Lock nut		4	
-	900 075 374 01	Combination screw		4	

Model: 911 94

Model life 1994>>1998

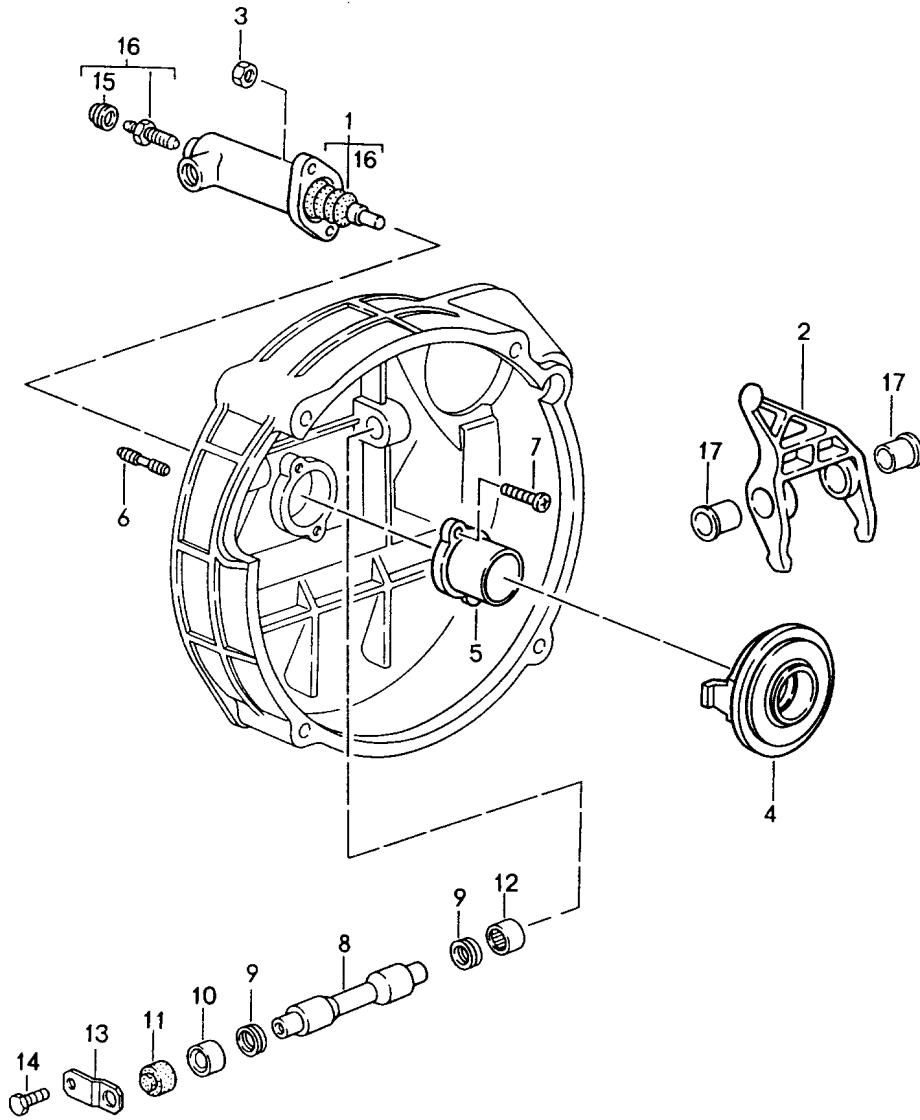


Model: 911 94 Model life 1994>>1998

Pos	Part Number	Description	Remark	Qty	Model
		Clutch			M64.05/07
			M002		M64.20
			M003		M64.20
					M64.60
1	964 116 014 90	Drive plate	-95	1	M64.05/07
			M002		M64.20
					M64.60
		Alternative parts:			
		964.116.013.51			
		964.116.013.52			
		964.116.014.51			
		964.116.014.52			
1	964 116 014 62	Drive plate	96-	1	M64.21/23
			M002		M64.20
					M64.60
1	964 116 014 63	Drive plate	96-	1	M64.21/23
			M002		M64.20
					M64.60
		Alternative parts:			
		964.116.013.62			
		964.116.014.62			
1	996 116 015 30	Clutch plate	M003	1	M64.20
1	996 116 015 32	Clutch plate	M003	1	M64.20
				1	M64.60
1	996 116 015 33	Clutch plate	M003	1	M64.20
				1	M64.60
2	964 116 028 03	Pressure plate	W	1	
(2)	964 116 028 53	Pressure plate		1	M64.60
3	999 510 015 02	Pan-head screw		9	
		M 8 X 40			
3	999 510 015 01	Pan-head screw		9	
		M 8 X 40			
(3)	N 014 715 3	Pan-head screw	M 003	9	M64.20
		M 8 X 45			
(3)	900 067 103 01	Pan-head screw	M 003	9	M64.20
		M 8 X 45			
-	964 114 143 31	Ring gear	M 003	1	M64.20
-	993 116 911 00	Repair kit		1	M64.05/07
					M64.21/23
			M 002		M64.20
		for			
		Clutch			
		Comprising:			
-	964 116 028 03	Pressure plate		1	
-	964 116 014 62	Drive plate		1	
-	964 116 014 63	Drive plate		1	
-	950 116 080 08	Clutch release bearing		1	

Model: 911 94

Model life 1994>>1998

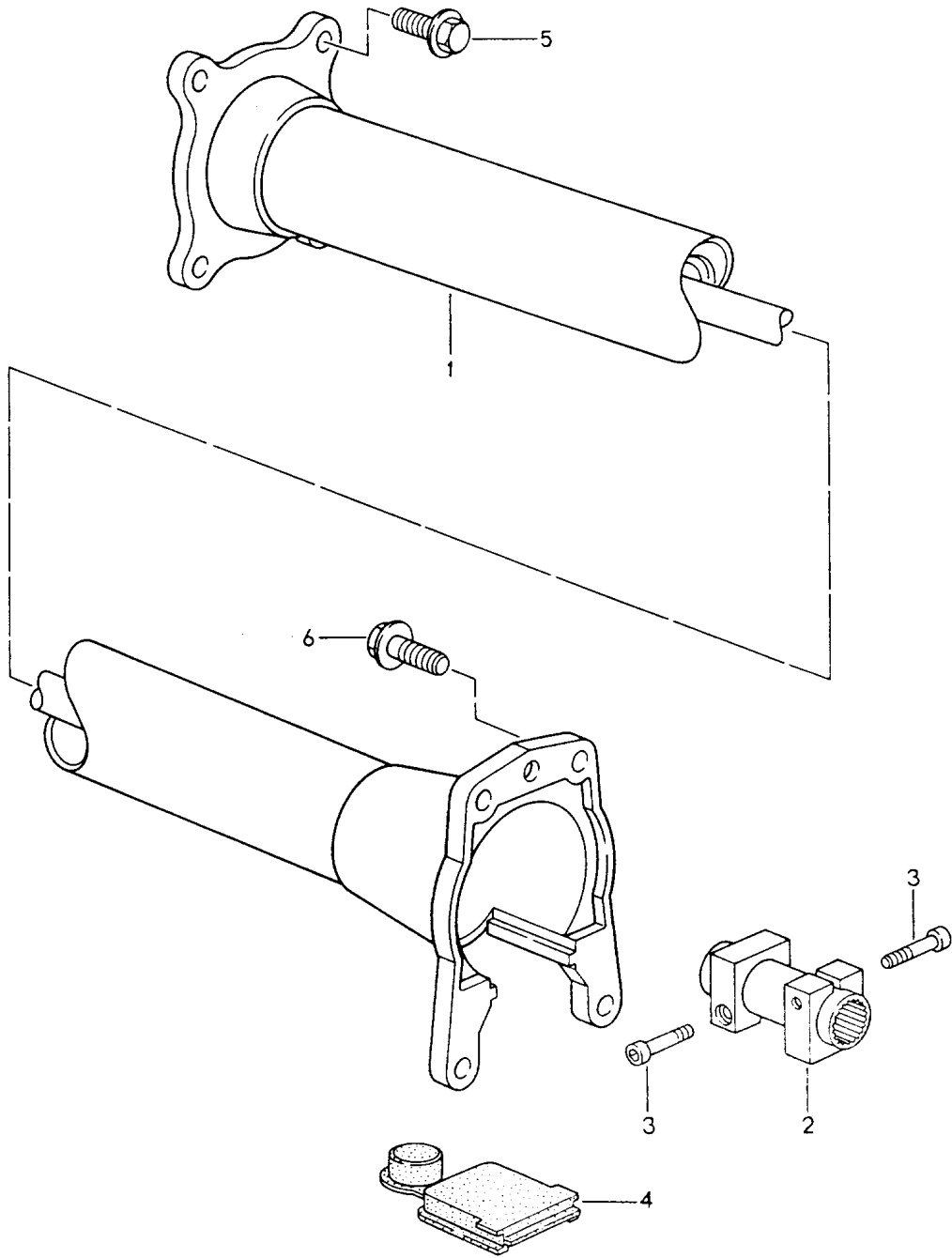


Model: 911 94 Model life 1994>>1998

Pos	Part Number	Description	Remark	Qty	Model
		Clutch release	95-		G50.20/21 G64.20/21 G50.31 G50.32 G50.33 G64.51
1	950 116 237 12	Clutch operating cylinder	M003 (CH)	1	G50.20/21 G64.20/21 G50.31/32/33 G64.51
(1)		Clutch operating cylinder See group 7/02/09		1	
2	950 116 086 06	Release fork		1	
2	997 116 086 90	Release fork		1	
3	900 076 025 02	Hexagon nut M 8		2	
3	900 076 064 02	Hexagon nut M 8		2	
4	950 116 080 08	Clutch release bearing		1	
4	944 116 080 01	Clutch release bearing	M003	1	M64.20
5	950 116 813 06	Guide tube		1	
5	950 116 813 30	Guide tube	M003	1	G50.32
6	999 062 007 02	Stud BM 8 X 22		2	G50.20/21 G64.20/21 G50.31/33
6	900 060 106 01	Stud BM 8 X 22		2	G50.20/21 G64.20/21 G50.31/33
7	900 270 055 02	Rais. counters. h. tap. s. M 6 X 14		2	
7	999 270 070 01	Oval-head screw M 6 X 14		2	
8	950 116 710 04	Clutch control shaft		1	
9	999 113 418 40	Gasket 13,02 X 16,4		2	
10	999 201 339 00	Bush		1	
10	999 201 339 01	Bush		1	
11	950 116 725 00	Cover		1	
12	999 201 365 00	Articulated bush		1	
12	999 201 365 01	Articulated bush		1	
13	950 116 713 02	Retaining bracket		1	
14	900 075 057 02	Hexagon-head bolt M 6 X 16		1	
14	900 075 057 03	Hexagon-head bolt M 6 X 16		1	
15	901 351 927 10	Dust boot		1	G50.20/21 G64.20/21 G50.31/33
16	928 351 945 03	Ventilation valve		1	G50.20/21 G64.20/21 G50.31/33
17	950 116 715 01	Bush		2	

Model: 911 94

Model life 1994>>1998



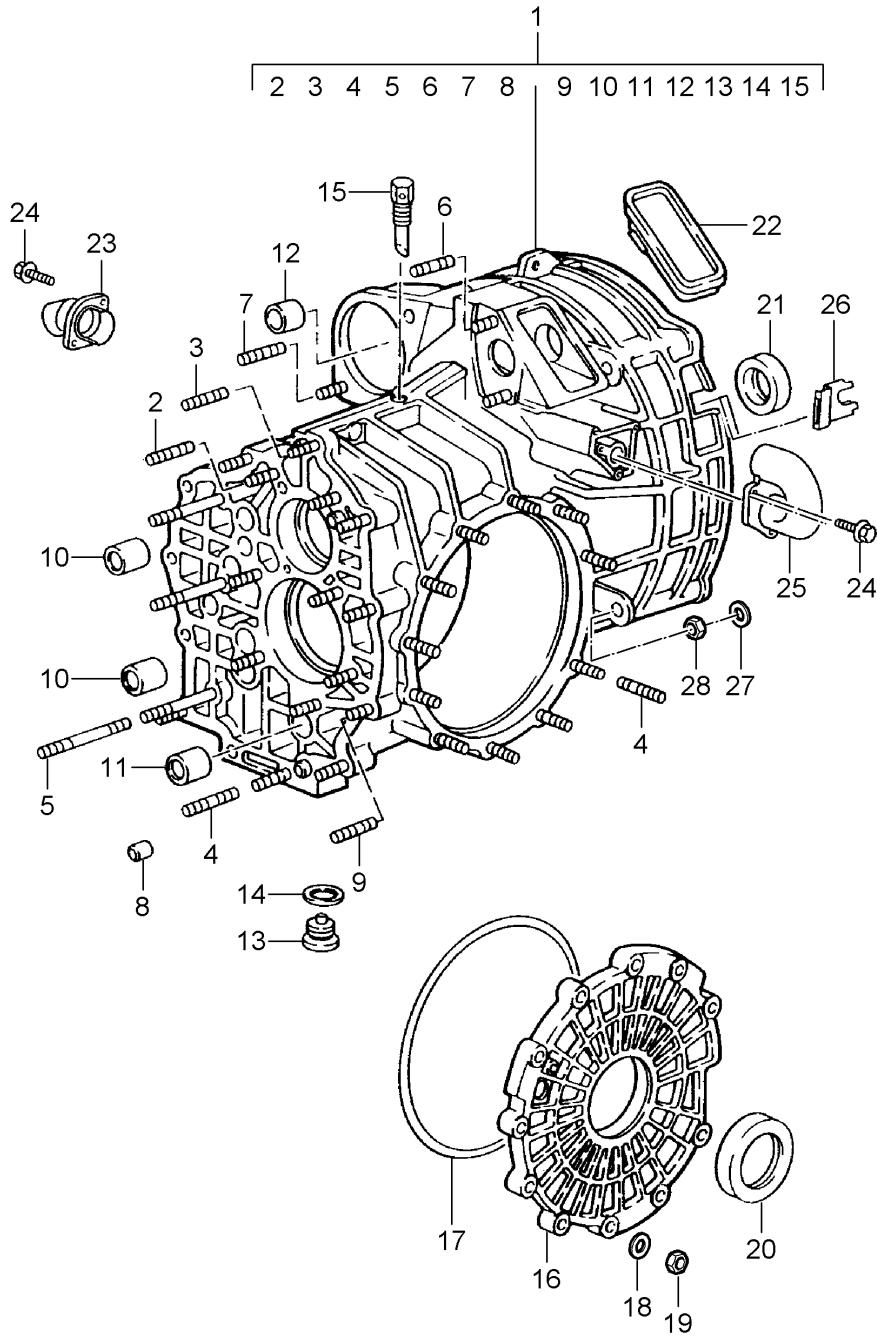
Model: 911 94

Model life 1994>>1998

Pos	Part Number	Description	Remark	Qty	Model
		Central tube	95-		G64.20/21 G64.51/52
1	964 421 012 24	Central tube		1	
1	964 421 012 AX	Central tube		1	
2	477 521 145 A	Clamping sleeve		1	
3	477 521 501 A	Pan-head screw		2	
4	993 421 251 01	Lid		1	
4		Lid		1	
5	900 378 059 02	Hexagon-head bolt M 10 X 25		4	
6	900 378 054 02	Hexagon-head bolt M 12 X 1,5 X 35		4	

Model: 911 94

Model life 1994>>1998



Model: 911 94

Model life 1994>>1998

Pos	Part Number	Description	Remark	Qty	Model
		Replacement transmission Ready for installation Transmission case	95- M 003 (CH)		G50.20/21 G64.20/21 G50.31 G50.32 G50.33
-	950 300 010 20	Transmission		1	G50.20
-	950 300 020 20	Transmission with Limited-slip differential		1	G50.20
-	964 300 020 20	Transmission with Limited-slip differential		1	G64.20
-	950 300 010 21	Transmission	-96	1	G50.21
-	950 300 020 21	Transmission with Limited-slip differential	-96	1	G50.21
-	950 300 020 31	Replacement transmission with Limited-slip differential		1	G50.31
-	950 300 020 32	Replacement transmission with Limited-slip differential	M 003	1	G50.32
1	964 301 010 04	Transmission case		1	
1	964 301 010 57	Transmission case		1	
-	PCG 301 010 57	Parts kit Transmission case Comprising: POS. 2 - 15		1	
(1)	964 301 010 20	Transmission case		1	G50.31/32/33
2	999 062 008 02	Stud M 8 X 25		8	
3	999 062 009 02	Stud M 8 X 28		6	
3	900 060 105 01	Stud M 8 X 28		6	
4	999 062 010 02	Stud M 8 X 35		12	
5	999 062 156 02	Stud M 8 X 78		2	
5	900 060 101 01	Stud M 8 X 78		2	
6	999 062 007 02	Stud M 8 X 22		2	
6	900 060 106 01	Stud M 8 X 22		2	
7	999 062 118 02	Stud M 10 X 28		2	
8	900 012 144 00	Straight pin 12 M 6 X 14		3	
9	999 062 006 02	Stud BM 8 X 20		1	
10	999 203 003 00	Bearing sleeve 16 X 22 X 20		4	
11	999 203 004 10	Round socket 16 X 22 X 27		1	
12	999 531 017 10	Bush		1	
13	999 063 008 02	Screw plug with magnet M 22 X 1,5		1	
14	900 123 011 30	Sealing ring A 22 X 27		1	
15	950 301 071 00	Bleeder		1	
16	950 301 312 07	Transmission cover		1	

Model: 911 94

Model life 1994>>1998

Pos	Part Number	Description	Remark	Qty	Model
17	999 701 745 40	O-ring		1	
18	900 025 007 02	Washer A 8,4		11	
18	900 025 007 03	Washer A 8,4		11	
19	900 076 025 02	Hexagon nut M 8		11	
19	900 076 064 02	Hexagon nut M 8		11	
20	999 113 347 40	Shaft sealing ring 48 X 68 X 10		2	
21	999 113 326 41	Shaft sealing ring 26,5 X 40		1	
22	950 301 151 01	Cap		1	
23	993 116 063 00	Connection piece		1	
23	993 116 063 01	Connection piece		1	
24	900 075 431 02	Hexagon-head bolt M 6 X 20 Z1		5	
25	993 116 061 00	Intake manifold		1	
-	993 116 065 00	Flange for Intake manifold		1	
26	993 116 630 00	Cap		1	
27	900 031 005 02	Washer 10,5		3	
27	900 031 005 03	Washer 10,5		3	
28	900 157 002 02	Hexagon nut M 10		3	
28	900 157 002 03	Hexagon nut M 10		3	

Model: 911 94

Model life 1994>>1998

Pos	Part Number	Description	Remark	Qty	Model
		Replacement transmission Ready for installation			G64.51
-	964 300 020 51	Transmission case Transmission with limited-slip differential		1	G64.51
1	964 301 010 55	Transmission case		1	G64.51
2	900 074 170 02	Hexagon-head bolt M 8 X 67		1	
3	900 075 033 02	Stud M 8 X 40		10	
3	900 075 033 03	Stud M 8 X 40		10	
4	999 062 052 02	Stud M 8 X 42		1	
5	964 307 107 00	Funnel		1	
6	999 062 008 02	Stud M 8 X 25		2	
7	999 062 118 02	Stud M 10 X 28		1	
8	900 012 144 00	Straight pin 12 M 6 X 14		3	
9	999 062 006 02	Stud BM 8 X 20		1	
10	999 203 003 00	Bearing sleeve 16 X 22 X 20		4	
11	999 203 004 10	Round socket 16 X 22 X 27		1	
12	999 531 017 10	Bush		1	
13	999 063 008 02	Screw plug with magnet M 22 X 1,5		1	
14	900 123 118 30	Sealing ring A 22 X 27		1	
15	950 301 071 00	Bleeder		1	
16	950 301 312 52	Transmission cover		1	
16	950 301 312 54	Transmission cover		1	
17	999 707 328 40	O-ring 205 X 3,5		1	
18	900 025 007 02	Washer A 8,4		12	
18	900 025 007 03	Washer A 8,4		12	
19	900 076 025 02	Hexagon nut M 8		1	
19	900 076 064 02	Hexagon nut M 8		1	
20	999 113 347 40	Shaft sealing ring 48 X 68 X 10		2	
21	999 113 326 41	Shaft sealing ring 26,5 X 40		1	
22	950 301 151 01	Cap		1	
23	993 116 063 00	Connection piece		1	
23	993 116 063 01	Connection piece		1	
24	900 075 431 02	Hexagon-head bolt M 6 X 20 Z1		5	
25	993 116 061 00	Intake manifold		1	
-	993 116 065 00	Flange for Intake manifold		1	
26	993 116 630 00	Cap		1	
-	993 116 065 00	Flange for		1	

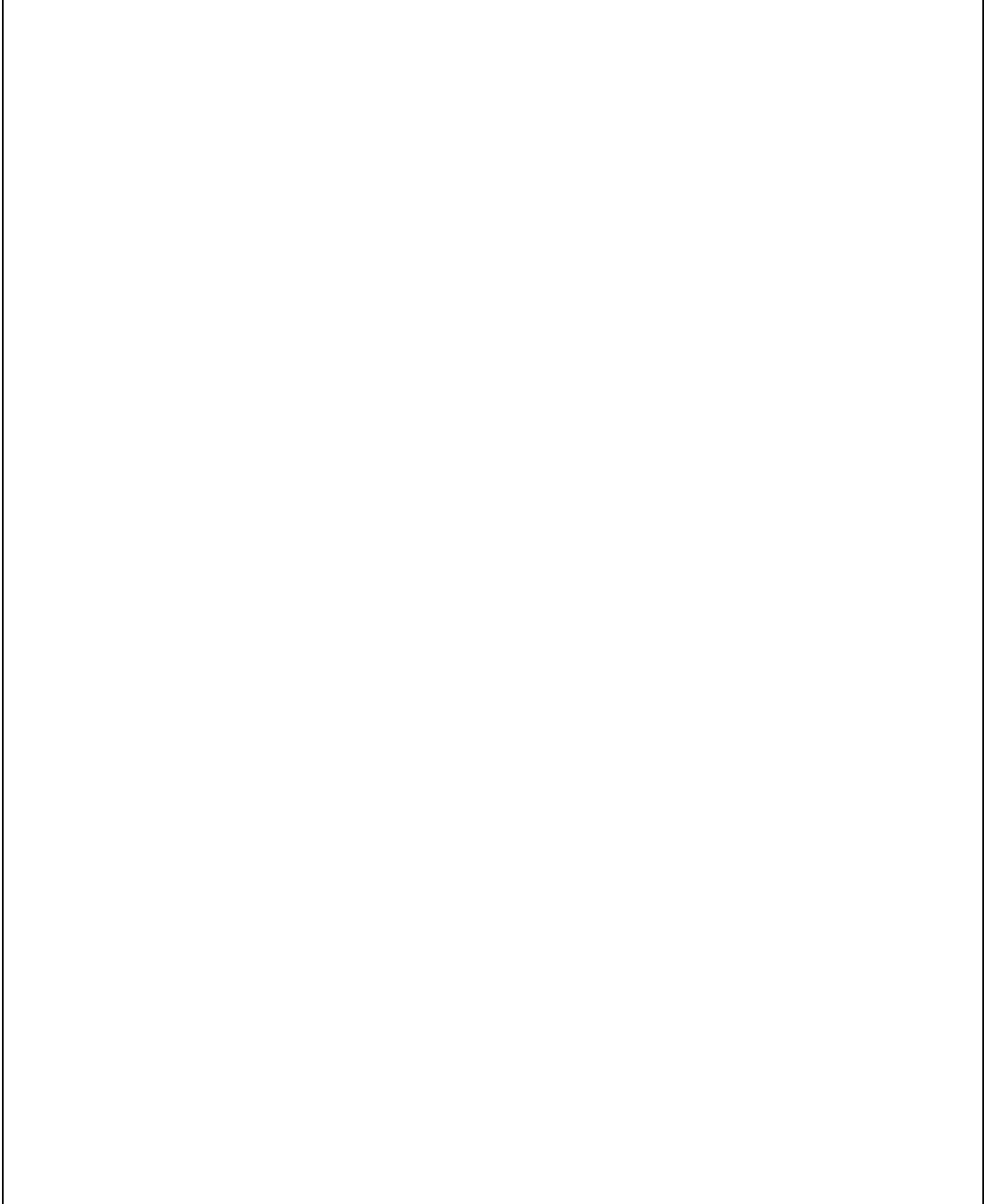
Model: 911 94

Model life 1994>>1998

Pos	Part Number	Description	Remark	Qty	Model
27	900 067 005 02	Intake manifold Pan-head screw M 5 X 30		2	
27	900 067 005 03	Pan-head screw M 5 X 30		2	
28	900 025 003 02	Washer A 5,3		2	

Model: 911 94

Model life 1994>>1998



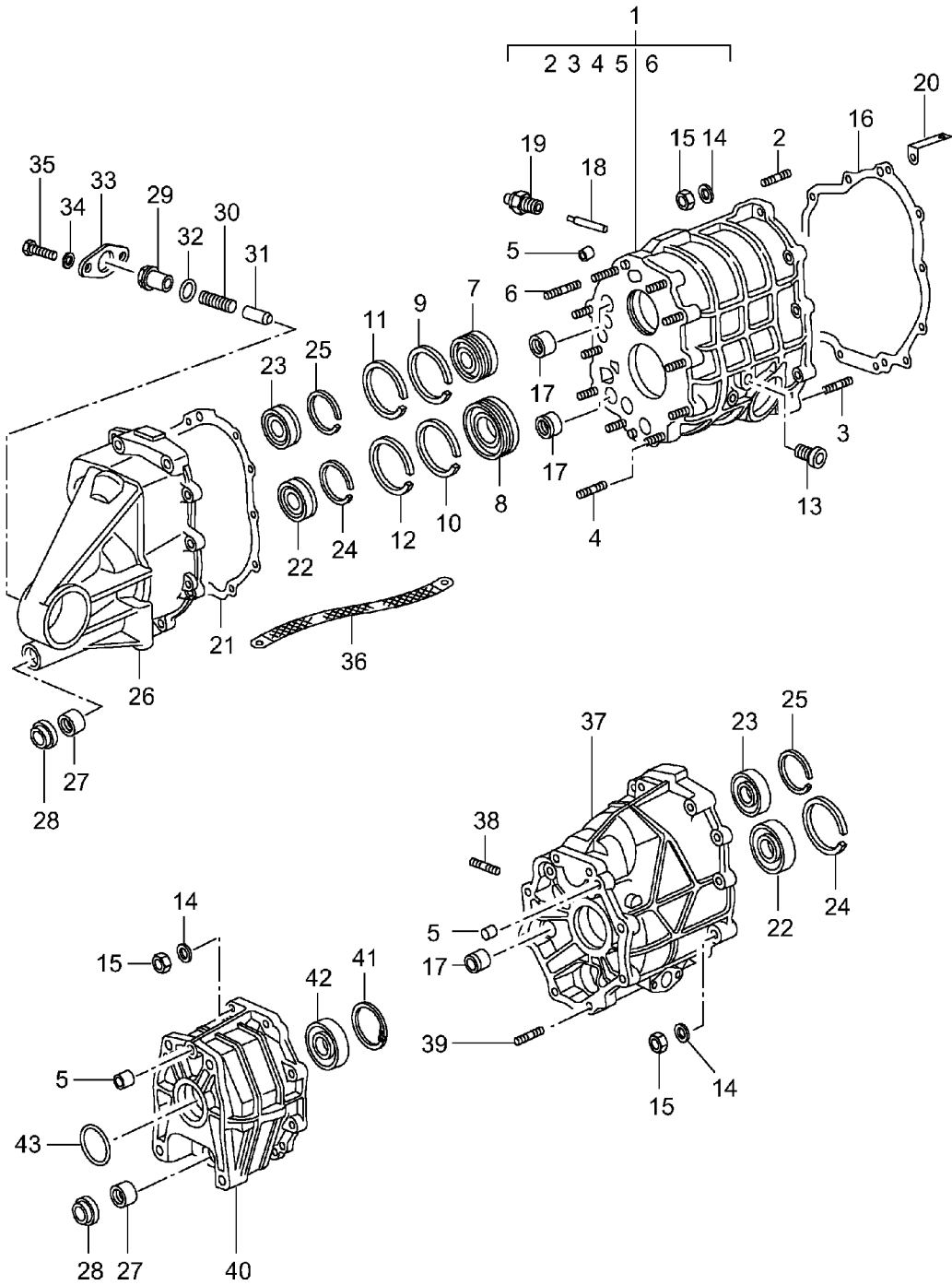
Model: 911 94

Model life 1994>>1998

Pos	Part Number	Description	Remark	Qty	Model
16	950 301 312 54	Transmission cover		1	

Model: 911 94

Model life 1994>>1998



Model: 911 94

Model life 1994>>1998

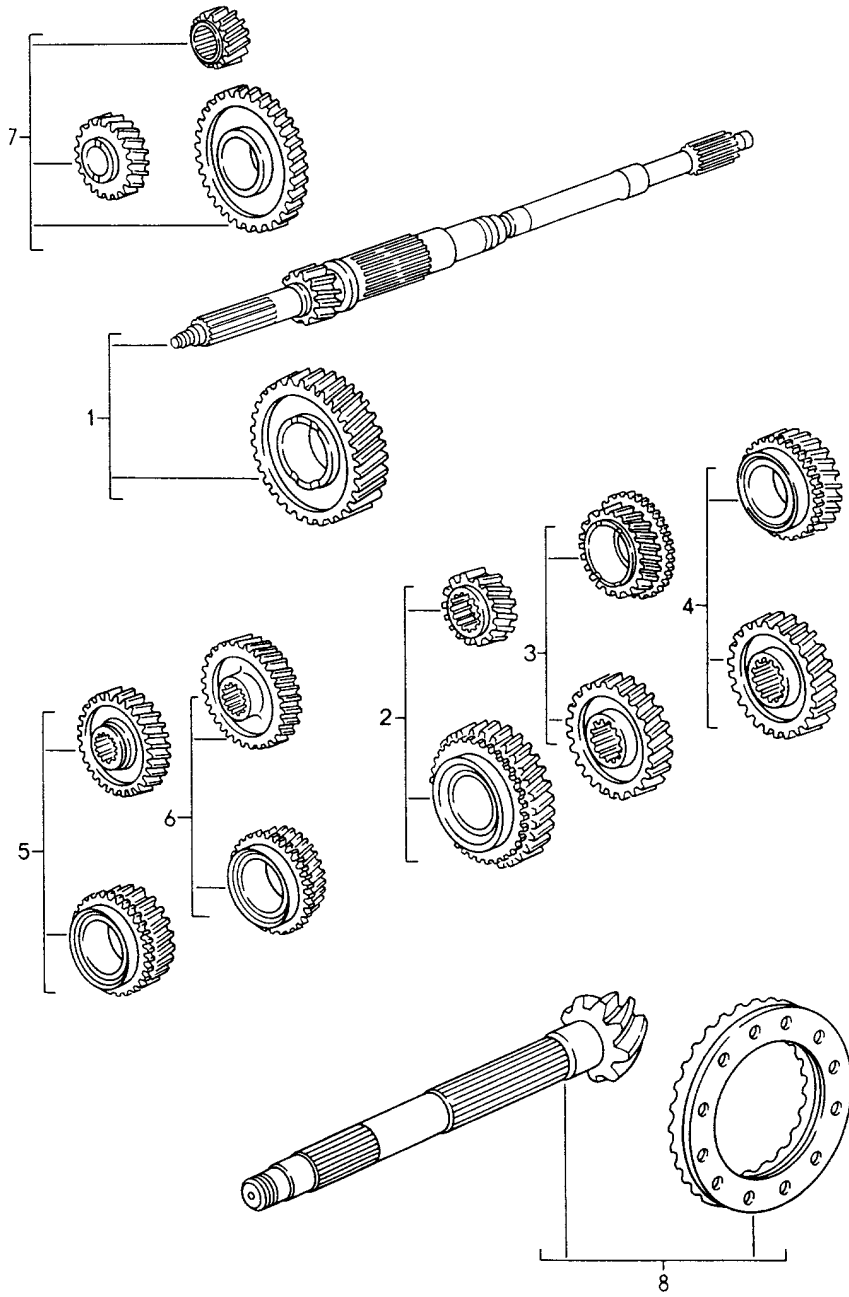
Pos	Part Number	Description	Remark	Qty	Model
		Gear housing Transmission cover	95-		G50.20/21 G50.31/33 G64.20/21 G64.51
1	950 301 011 07	Gear housing		1	
1	950 301 011 08	Gear housing		1	
2	999 062 009 02	Stud M 8 X 28		3	
2	900 060 105 01	Stud M 8 X 28		3	
3	999 062 010 02	Stud M 8 X 35		1	
4	999 062 008 02	Stud M 8 X 25		7	
5	900 012 144 00	Straight pin 12 M6 X 14		4	
6	999 062 119 02	Stud M 8 X 40		2	
7	999 110 181 00	Cylindrical-roller bearing 30 X 62 X 16		1	
8	999 110 109 01	Cylindrical-roller bearing 35 X 80 X 18		1	
9	900 111 001 00	Circlip SP 62		1	
10	N 100 709 01	Circlip SP 80		1	
11	999 152 031 01	Circlip SB 68		1	
12	999 152 106 00	Circlip SB 87		1	
13	900 219 001 30	Screw plug		1	
14	900 025 007 02	Washer A 8,4		37	
14	900 025 007 03	Washer A 8,4		37	
15	900 076 025 02	Hexagon nut M 8		40	
15	900 076 064 02	Hexagon nut M 8		40	
16	950 301 191 01	Gasket		1	
17	999 203 003 00	Bearing sleeve		3	
18	950 303 240 01	Cam follower		1	
19	914 613 541 02	Back-up light switch		1	
20	911 606 229 00	Retaining bracket		1	
(20)	911 606 225 00	Retaining bracket		1	
21	950 301 351 02	Gasket		1	
22	999 110 192 00	Cylindrical-roller bearing 30 X 62 X 16		1	
23	999 110 194 01	Cylindrical-roller bearing 25 X 52 X 15		1	
24	999 152 024 01	Circlip SB 62		1	
25	999 152 062 01	Circlip SB 52		1	
26	964 301 301 02	Transmission cover	95-	1	G50.20/21 G50.31/33
26	964 301 301 04	Transmission cover		1	G50.20/21 G50.31/33
27	999 203 004 10	Round socket		1	
28	999 113 404 40	Shaft sealing ring		1	
29	964 303 230 01	Eccentric		1	
29	964 303 230 02	Eccentric		1	
30	950 303 235 01	Compression spring		1	

Model: 911 94 Model life 1994>>1998

Pos	Part Number	Description	Remark	Qty	Model
31	950 303 233 00	Arresting bush		1	
32	900 123 010 40	Sealing ring		1	
		A 20 X 24 X 1,5			
33	964 303 231 00	Tensioning plate		1	
34	N 011 524 7	Washer		2	
		A 6,4			
34	N 011 524 27	Washer		2	
		A 6,4			
35	900 075 057 02	Hexagon-head bolt		2	
		M6 X 16			
35	900 075 057 03	Hexagon-head bolt		2	
		M6 X 16			
36	999 611 920 20	Ground strap		1	
37	964 301 103 06	Intermediate housing		1	G64.20/21
(37)	964 301 103 07	Intermediate housing		1	G64.20/21
(37)		Intermediate housing		1	G64.51
38	999 061 093 02	Stud		3	
		M 10 X 20			
39	999 062 008 02	Stud		8	
		BM 8 X 25			
40	964 301 104 09	Distributor housing		1	G64.20/21 G64.51
41	900 042 025 01	Circlip		1	
		55 X 2			
42	999 052 143 02	Deep-groove ball bearing		1	
		30 X 55 X 9			
43	999 113 386 40	Shaft sealing ring		1	
		30 X 47 X 7			
-	964 307 101 00	Cup		1	G64.51
-	900 095 050 00	Roll pin		1	G64.51

Model: 911 94

Model life 1994>>1998

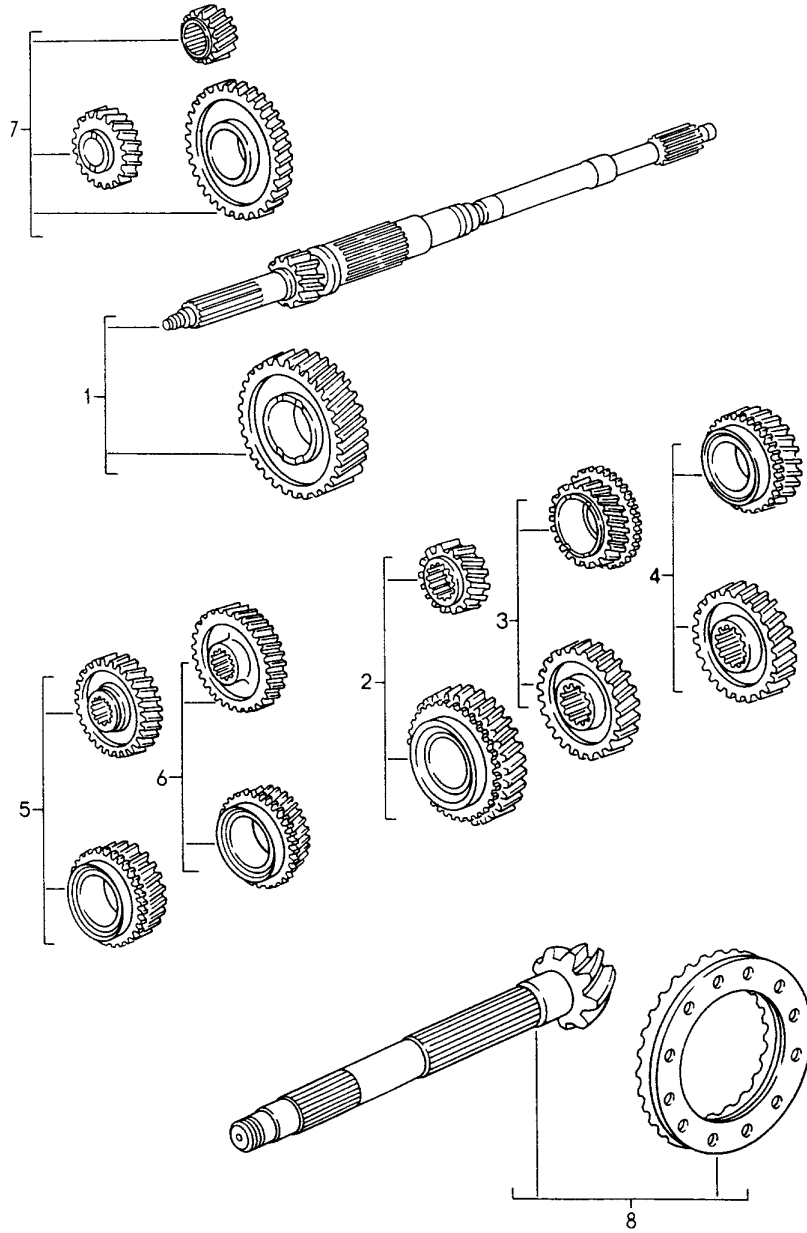


Model: 911 94 Model life 1994>>1998

Pos	Part Number	Description	Remark	Qty	Model
1	950 302 901 21	Gear wheel sets >> G50.20 1 002693 >> G50.20 2 002174 >> G50.21 1 005072 >> G50.21 2 003094 Gear set 1st gear Z = 42 : 11		1	G50.20/21 G50.20 G50.20 G50.21 G50.21 G50.20/21
2	950 302 902 37	Gear set 2nd gear Z = 43 : 20		1	G50.21
2	950 302 902 56	Gear set 2nd gear Z = 43 : 21		1	G50.20
3	950 302 903 52	Gear set 3rd gear Z = 39 : 25		1	G50.21
3	950 302 903 39	Gear set 3rd gear Z = 38 : 27		1	G50.20
4	950 302 904 42	Gear set 4th speed Z = 41 : 33		1	G50.21
4	950 302 904 46	Gear set 4th speed Z = 38 : 34		1	G50.20
5	950 302 905 80	Gear set 5th gear Z = 38 : 37		1	G50.21
5	993 302 905 00	Gear set 5th gear Z = 42 : 41		1	G50.21
5	993 302 905 05	Gear set 5th gear Z = 39 : 42		1	G50.20
6	950 302 906 01	Gear set 6th gear Z = 32 : 39		1	G50.21
6	950 302 906 11	Gear set 6th gear Z = 31 : 40		1	G50.20
7	950 302 907 06	Gear set Reverse gear		1	
8	950 302 911 13	Ring gear and pinion shaft 31 : 9		1	G50.20/21

Model: 911 94

Model life 1994>>1998

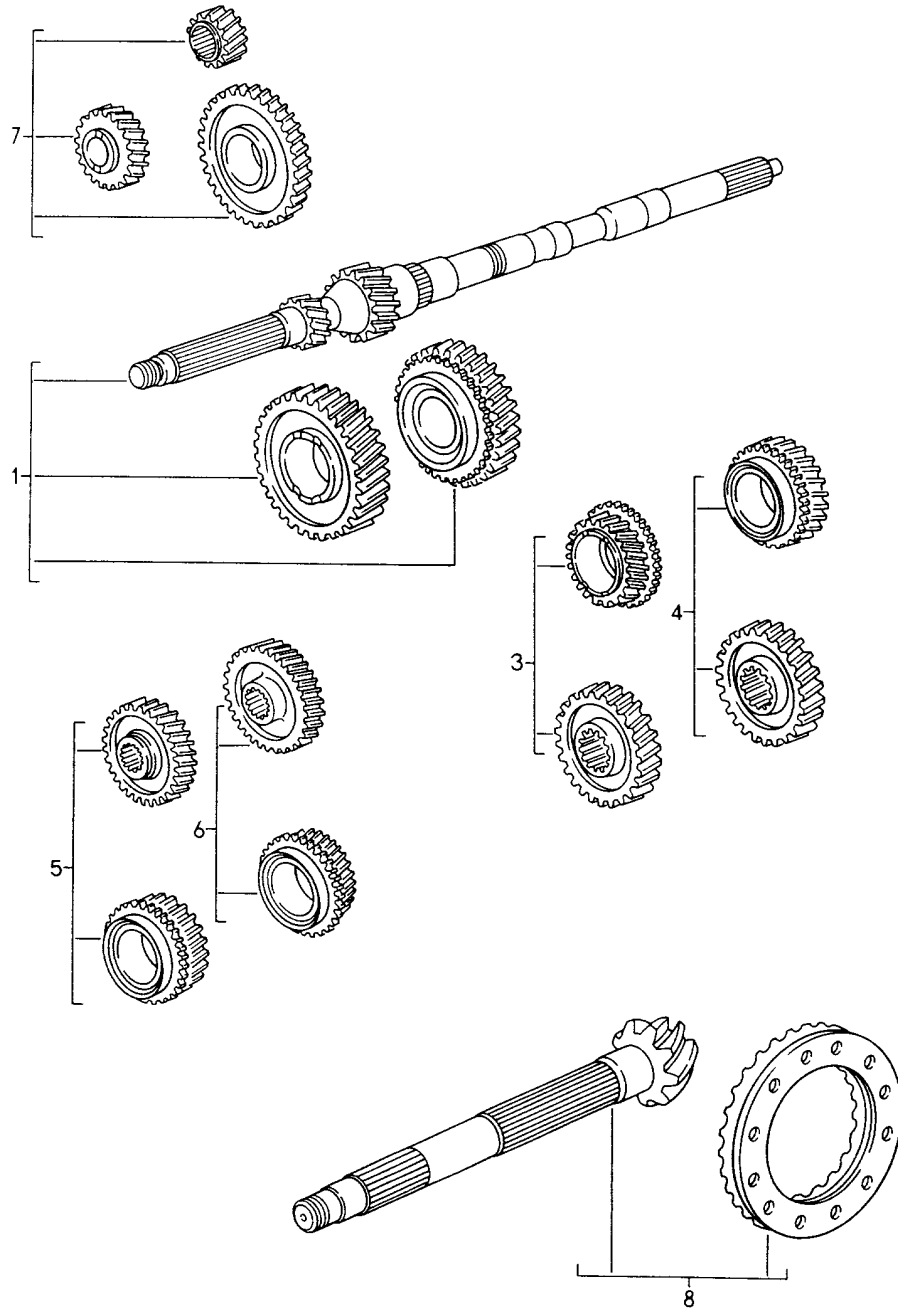


Model: 911 94 Model life 1994>>1998

Pos	Part Number	Description	Remark	Qty	Model
		Gear wheel sets	M002		G50.31
			M003		G50.32
			(CH)		G50.33
1	993 302 901 16	Gear set 1st gear Z = 41 : 13		1	G50.31/32/33
2	950 302 952 05	Gear set 2nd gear Z = 40 : 20		1	G50.31/32/33
3	950 302 953 06	Gear set 3rd gear Z = 35 : 23		1	G50.31
3	993 302 903 35	Gear set 3rd gear Z = 38 : 27	(CH)	1	G50.33
3	950 302 953 05	Gear set 3rd gear Z = 35 : 23		1	G50.32
4	993 302 904 40	Gear set 4th speed Z = 41 : 33		1	G50.31
4	950 302 954 05	Gear set 4th speed Z = 36 : 29		1	G50.32
4	993 302 904 45	Gear set 4th speed Z = 38 : 34	(CH)	1	G50.33
5	993 302 905 00	Gear set 5th gear Z = 42 : 41		1	G50.31
5	950 302 955 11	Gear set 5th gear Z = 33 : 32		1	G50.32
5	950 302 955 87	Gear set 5th gear Z = 36 : 37	(CH)	1	G50.33
6	950 302 906 01	Gear set 6th gear Z = 32 : 39		1	
6	950 302 956 45	Gear set 6th gear Z = 29 : 35		1	G50.32
7	950 302 907 06	Gear set Reverse gear		1	
8	950 302 911 13	Ring gear and pinion shaft 31 : 9		1	

Model: 911 94

Model life 1994>>1998

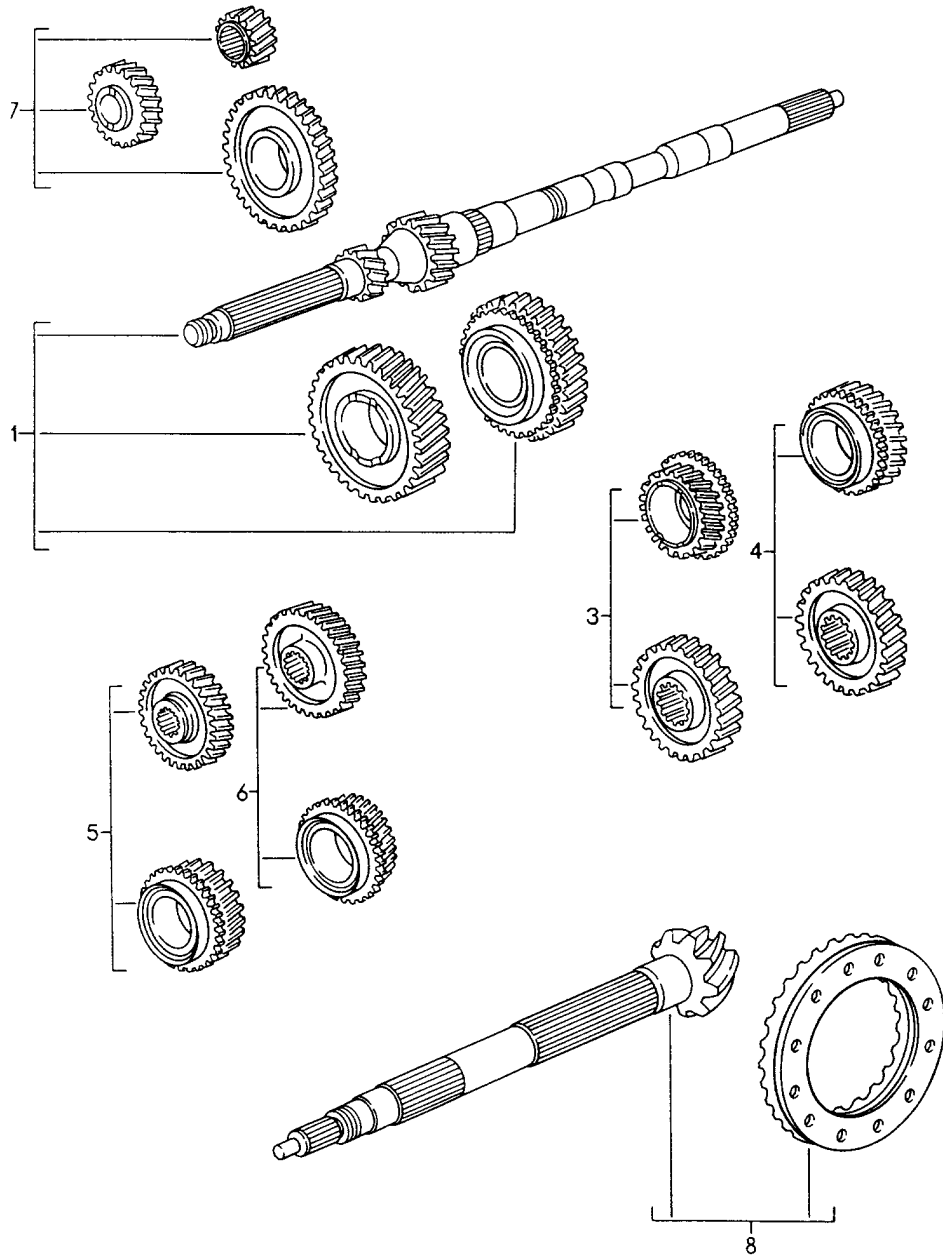


Model: 911 94 Model life 1994>>1998

Pos	Part Number	Description	Remark	Qty	Model
1	993 302 901 22	Gear wheel sets G50.20 1 002694 >> G50.20 2 002174 >> G50.21 1 005073 >> G50.21 2 003095 >> Gear set 1st / 2nd gear 1st gear Z = 42 : 11 2nd gear Z = 43 : 21	95-	1	G50.20/21 G64.20/21 G50.20 G50.20 G50.21 G50.21 G50.20 G64.20
1	993 302 901 23	Gear set 1st / 2nd gear 1st gear Z = 42 : 11 2nd gear Z = 43 : 20		1	G50.21 G64.21
3	993 302 903 51	Gear set 3rd gear Z = 39 : 25		1	G50.21 G64.21
3	993 302 903 35	Gear set 3rd gear Z = 38 : 27		1	G50.20 G64.20
4	993 302 904 40	Gear set 4th speed Z = 41 : 33		1	G50.21 G64.21
4	993 302 904 45	Gear set 4th speed Z = 38 : 34		1	G50.20 G64.20
5	993 302 905 05	Gear set 5th gear Z = 39 : 42		1	G50.20 G64.20
5	993 302 905 00	Gear set 5th gear Z = 42 : 41		1	G50.21 G64.21
6	950 302 906 01	Gear set 6th gear Z = 32 : 39		1	G50.21 G64.21
6	950 302 906 11	Gear set 6th gear Z = 31 : 40		1	G50.20 G64.20
7	950 302 907 06	Gear set Reverse gear		1	
8	950 302 911 13	Ring gear and pinion shaft 31 : 9		1	G50.20/21
(8)	964 302 911 13	Ring gear and pinion shaft 31 : 9		1	G64.20/21

Model: 911 94

Model life 1994>>1998

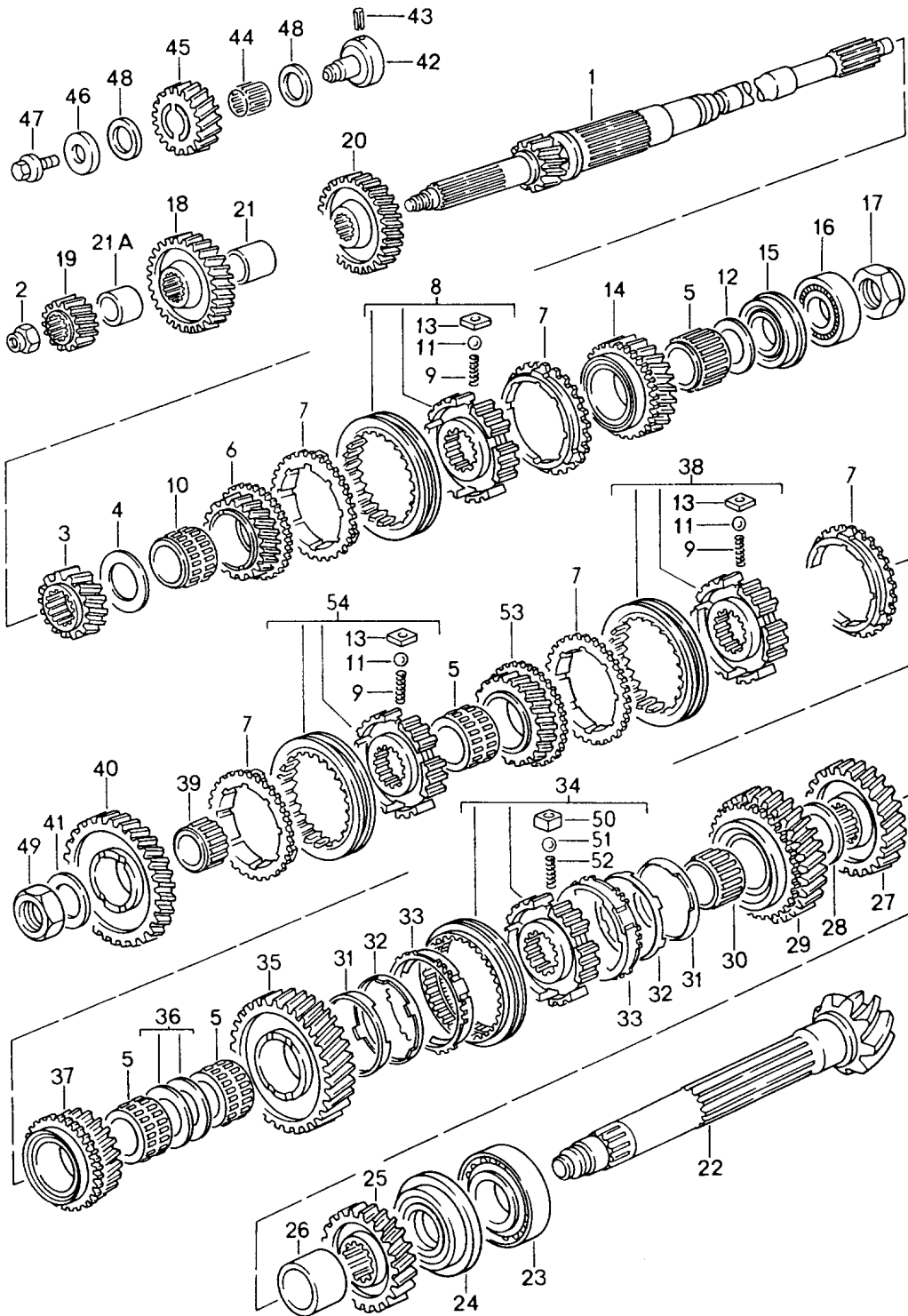


Model: 911 94 Model life 1994>>1998

Pos	Part Number	Description	Remark	Qty	Model
1	993 302 901 71	Gear wheel sets Gear set 1st / 2nd gear 1st gear Z = 42 : 11 2nd gear Z = 43 : 20		1	G64.51
3	950 302 953 50	Gear set 3rd gear Z = 39 : 25		1	
4	950 302 954 55	Gear set 4th speed Z = 40 : 33		1	
5	950 302 955 87	Gear set 5th gear Z = 36 : 37		1	
6	950 302 956 06	Gear set 6th gear Z = 30 : 40		1	
7	950 302 907 06	Gear set Reverse gear		1	
8	964 302 911 74	Ring gear and pinion shaft 31 : 9		1	

Model: 911 94

Model life 1994>>1998



Model: 911 94 Model life 1994>>1998

Pos	Part Number	Description	Remark	Qty	Model
		Gears and shafts			G50.20/21 G64.20/21 G50.31 G50.32 G50.33 G64.51
		Gear wheel sets See group 3/03/00 Until 3/03/03			
1		Drive shaft		1	
-	964 302 335 02	Washer 7 MM		1	G64.51
2	999 034 035 00	Lock nut M 22 X 1,5	95-	1	
3		Fixed gear wheel 2nd gear		1	
4	950 302 293 05	Thrust washer 3rd gear		1	
5	999 201 239 04	Needle-roller bearing 35 X 50 X 32,2		4	
5	999 201 437 02	Needle-roller bearing 35 X 47 X 32,2		1	
5	999 201 239 06	Needle-roller bearing 35 X 50 X 32,2 5th gear And 6th gear		2	G64.51
5	999 201 437 06	Needle cage 35 X 47 X 32,2 4th speed		1	G64.51
6		Loose gear wheel 3rd gear	94	1	
7	928 304 211 23	Synchroniser ring		4	
7	928 304 211 30	Synchroniser ring		4	G50.32
8	950 304 021 22	Guide sleeve 3rd/4th gear 36,83 MM Inner >> G50.20 1 002693 >> G50.20 2 002174 >> G50.21 1 005072 >> G50.21 2 003094	94 94 94 94	1	G64.51
8	950 304 021 23	Guide sleeve 3rd/4th gear 33,66 MM Inner G50.20 1 002694 >> G50.20 2 002174 >> G50.21 1 005073 >> G50.21 2 003095 >>	95- 95- 95- 95-	1	
9	928 304 261 01	Compression spring		9	
10	999 201 259 04	Needle cage 38 X 50 X 32,2 >> G50.20 1 002693 >> G50.20 2 002173 >> G50.21 1 005072 >> G50.21 2 003094		1	
10	999 201 442 00	Needle-roller bearing 42 X 47 X 32 3rd gear G50.20 1 002694 >>		1	

Model: 911 94 Model life 1994>>1998

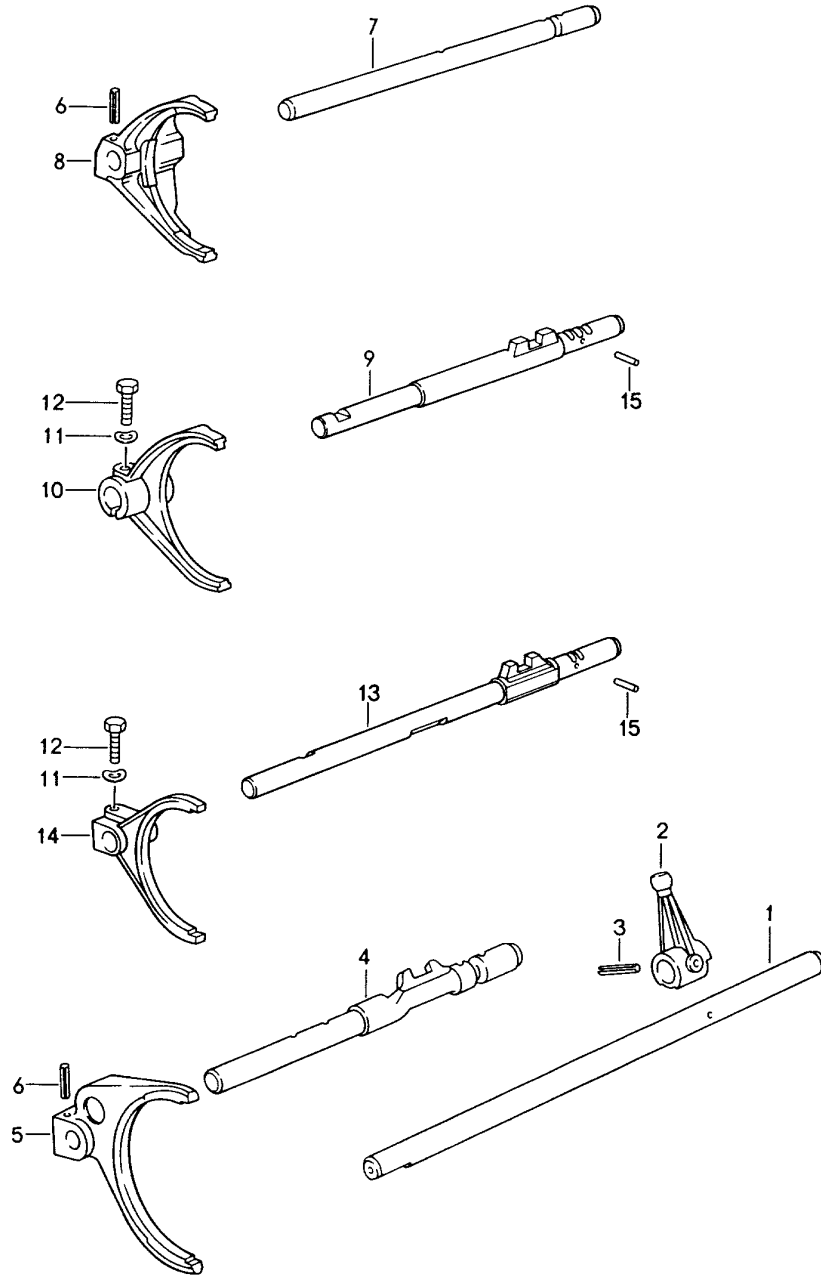
Pos	Part Number	Description	Remark	Qty	Model
(10)	999 201 445 00	G50.20 2 002174 >> G50.21 1 005073 >> G50.21 2 003095 >> Needle cage 32 X 47 X 32,2 4th speed		1	G50.31/32/33
11	N 025 653 2	Ball 6,5 MM		9	
12	950 302 294 05	Thrust washer 4th speed		1	
13	928 304 251 00	Stone		9	
14		Loose gear wheel 4th speed		1	
15	999 052 094 00	Four-point bearing		1	
15	999 052 098 00	Four-point bearing		1	
16	999 110 117 01	Cylindrical-roller bearing 30 X 62 X 20		1	
17	915 302 281 00	Hexagon nut M 30 X 1,5		2	
17	999 034 033 00	Hexagon nut M 30 X 1,5 MK		2	
18		Fixed gear wheel 5th gear		1	
19		Fixed gear wheel		1	
		Reverse gear wheel		1	
20		Fixed gear wheel 6th gear		1	
21	950 302 268 06	Spacer sleeve		1	
21		Spacer sleeve		1	
(21)	950 302 268 12	Spacer sleeve		1	G64.51
(21A)	950 302 270 01	Spacer sleeve		1	
(21A)		Spacer sleeve		1	
(21A)	950 302 270 02	Spacer sleeve		1	G64.51
22		Pinion shaft		1	
23	999 110 119 01	Cylindrical-roller bearing 40 X 90 X 23		1	
24	999 052 164 00	Four-point bearing		1	
24	997 302 293 00	Angular-contact bearing		1	
25		Fixed gear wheel 4th speed		1	
26	950 302 267 01	Spacer sleeve		1	
27		Fixed gear wheel 3rd gear		1	
28	950 302 292 00	Thrust washer 2nd gear		1	
29		Loose gear wheel 2nd gear		1	
30	999 201 225 04	Needle-roller bearing 39,68 X 50		1	
31	950 304 617 20	Ring		2	
31	950 304 617 11	Ring		2	G50.32
32	950 304 613 20	Cone ring		2	
32	950 304 613 11	Cone ring		2	G50.32
33	950 304 611 20	Synchroniser ring		2	
33	950 304 611 11	Synchroniser ring		2	G50.32
34	950 304 061 01	Guide sleeve 1st / 2nd gear		1	
34	950 304 061 02	Guide sleeve 1st / 2nd gear		1	
35		Loose gear wheel 1st gear		1	
36	950 302 295 07	Thrust washer 1st gear		2	

Model: 911 94 Model life 1994>>1998

Pos	Part Number	Description	Remark	Qty	Model
37		6th gear Loose gear wheel		1	
38	950 304 021 23	6th gear Guide sleeve		1	
39	999 201 253 00	5. / 6. GANG Needle cage		1	
40		Loose gear wheel		1	
41	950 302 296 07	Reverse gear Thrust washer		1	
42	950 302 228 03	Reverse gear Bolt		1	
43	N 013 302 1	Roll pin		1	
44	999 201 227 00	Needle cage		1	
44	999 201 227 01	Needle cage		1	
45		Reverse idler gear		1	
46	950 302 297 10	Thrust washer		1	
47	950 302 230 00	Screw plug		1	
48	950 302 297 12	Thrust washer		2	
49	999 034 034 00	Reverse idler gear Hexagon nut	95-	1	
		M 30 X 1,25			
50	950 304 651 00	Stone		3	
51	900 108 058 00	Ball		3	
		5 MM			
52	950 304 661 03	Compression spring		3	
52		Compression spring		3	
53		Loose gear wheel			
54	950 304 021 24	5th gear Guide sleeve		1	
		Reverse gear			
55	950 302 296 07	Thrust washer		1	
-	964 307 109 00	Lid		1	G64.51

Model: 911 94

Model life 1994>>1998

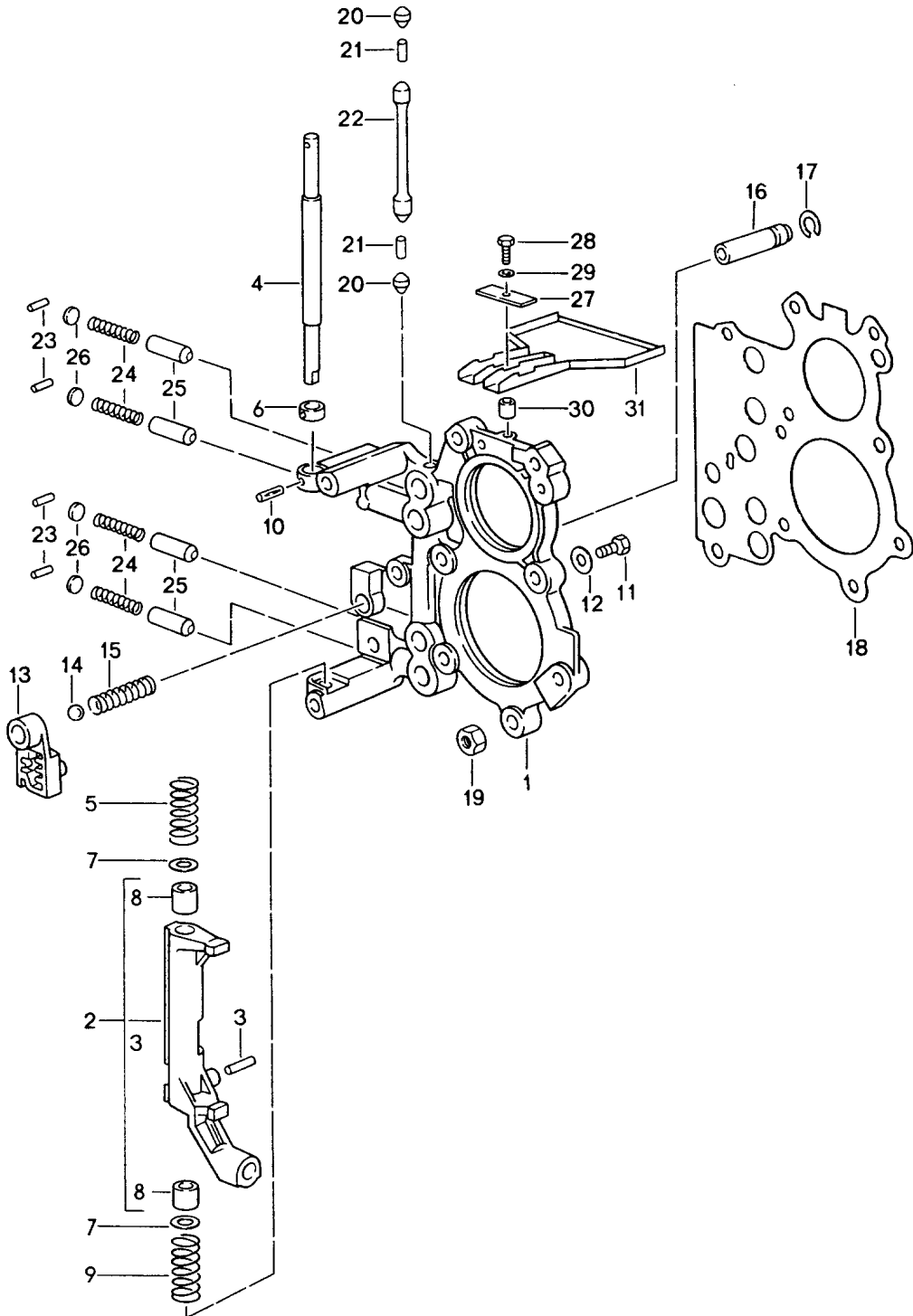


Model: 911 94 Model life 1994>>1998

Pos	Part Number	Description	Remark	Qty	Model
		Gear shift rod Shift fork	95-		G50.20/21 G64.20/21 G50.31/33 G50.32 G64.51
1	950 303 109 12	Gear shift rod		1	
2	950 303 120 01	Shift lever		2	
3	900 309 024 00	Roll pin 5 X 26		1	
4	950 303 101 02	Gear shift rod 1st / 2nd gear		1	
5	950 303 111 04	Shift fork 1st / 2nd gear		1	
6	900 095 017 01	Roll pin 5 X 24		4	
7	950 303 103 00	Gear shift rod 3rd/4th gear		1	
8	950 303 113 04	Shift fork 3rd/4th gear		1	G50.32
8	950 303 113 08	Shift fork 3rd/4th gear		1	G50.32
8	950 303 113 06	Shift fork 3rd/4th gear		1	
8	950 303 113 07	Shift fork 3rd/4th gear		1	
8	950 303 113 06	Shift fork 3rd/4th gear		1	
8	950 303 113 07	Shift fork 3rd/4th gear		1	
9	950 303 106 00	Gear shift rod 5th and 6th gear		1	
10	950 303 116 00	Shift fork 5th and 6th gear		1	
11	900 025 007 02	Washer A 8,4		2	
11	900 025 007 03	Washer A 8,4		2	
12	900 075 099 02	Hexagon-head bolt M 8 X 30		2	
12	900 075 099 03	Hexagon-head bolt M 8 X 30		2	
13	950 303 105 05	Gear shift rod Reverse gear		1	
14	950 303 115 03	Shift fork Reverse gear		1	
15	950 303 143 00	Detent		2	

Model: 911 94

Model life 1994>>1998



Model: 911 94 Model life 1994>>1998

Pos	Part Number	Description	Remark	Qty	Model
		Tensioning plate Shift control lock device	95-		G50.20/21 G64.20/21 G50.31/33 G64.51
1	950 303 130 55	Tensioning plate	-95	1	
1	950 303 130 56	Tensioning plate with Compression spring 950 303 245 01	96-	1	
2	950 303 035 06	Reverse lever		1	
3	900 302 028 01	Straight pin 4M 6 X 20		1	
4	950 303 134 02	Bearing shaft		1	G50.20/21 G64.20/21/51
4		Bearing shaft		1	G50.20/21 G64.20/21/51
4	950 303 134 05	Bearing shaft		1	G50.31/32/33
5	950 303 133 21	Compression spring		1	
6	959 303 139 00	Ring piece		1	
7	N 027 381 1	Shim 10 X 16 X 1,0		2	
8	999 924 026 00	Bush 12 X 14 X 15		2	
9	950 303 132 23	Compression spring		1	
10	900 095 048 01	Roll pin 4 X 22		1	
11	999 072 005 09	Hexagon nut M 6 X 12		1	
11	999 072 005 01	Hexagon nut M 6 X 12		1	
12	900 151 029 02	Washer B 6,1 X 18 X 2		1	
13	950 303 140 04	Reverse lever		1	
14	N 025 669 2	Ball D = 10 MM		1	
15	950 303 137 00	Compression spring		1	
16	950 303 136 00	Dowel sleeve		1	
17	999 152 018 01	Circlip		1	
18	950 303 125 10	Adjusting shim 0,10 MM		X	
18	950 303 125 11	Adjusting shim 0,15 MM		X	
18	950 303 125 12	Adjusting shim 0,20 MM		X	
19	900 076 025 02	Hexagon nut M 8		12	
19	900 076 064 02	Hexagon nut M 8		12	
20	950 303 142 00	Detent		2	
21	950 303 143 00	Detent		2	
22	959 303 141 00	Detent		1	
23	900 109 106 00	Needle-roller bearing 4H 11 X 16		4	
24	950 303 245 00	Compression spring M 8	-95	4	
(24)	950 303 245 01	Compression spring	96-	4	
25	950 303 243 00	Arresting bush Not available 950.303.930.00	-95	4	
25	950 303 930 00	Tensioning plate Use Arresting bush Not available		4	

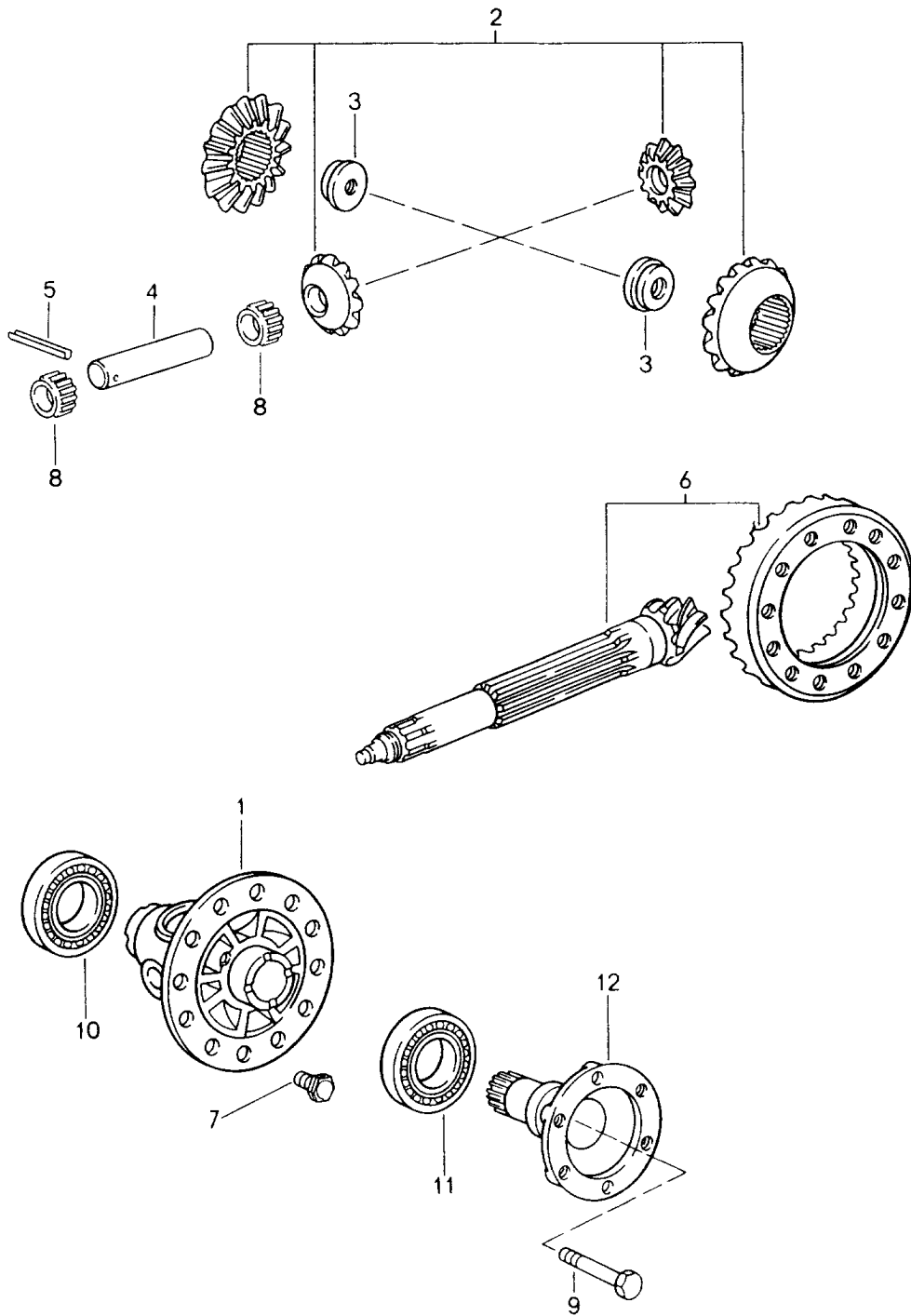
Model: 911 94

Model life 1994>>1998

Pos	Part Number	Description	Remark	Qty	Model
		950.303.930.00 Tensioning plate			
		Use			
(25)	950 303 041 00	Arresting bush	96-	4	
26	N 011 540 2	Washer A 5,5		4	
27	950 307 121 00	Retaining bracket		1	
28	999 075 055 02	Hexagon-head bolt M 5 X 18		1	
29	900 025 003 02	Washer A 5,3		1	
30	999 209 040 00	Spacer sleeve 7 X 0,8 X 10,3		1	
31	950 307 101 00	Cup		1	G50.20/21 G50.31/33 G64.20/21

Model: 911 94

Model life 1994>>1998



Model: 911 94

Model life 1994>>1998

Pos	Part Number	Description	Remark	Qty	Model
1	950 332 212 01	Differential		1	G50.20/21
(1)	993 099 332 14	Differential housing		1	
		Differential vorgespannt Complete without Crown wheel Memo Ti 71/94			
2	950 332 902 00	Differential pinions 1 set		1	
3	928 332 279 03	Threaded disc		2	
4	928 332 207 07	Differential bolt		1	
5	900 309 035 00	Roll pin 5 X 40		1	
6	950 302 911 13	Ring gear and pinion shaft 31:9		1	
7	928 332 276 05	Hexagon-head bolt		12	
7	928 332 276 06	Hexagon-head bolt		12	
8	999 201 347 00	Needle cage 18 X 22 X 19,8		2	
9	N 010 472 4	Hexagon-head bolt M 10 X 85		2	
9	900 074 375 01	Hexagon-head bolt M 10 X 85		2	
10	999 059 027 00	Taper roller bearing 50 X 80 X 20		1	
10	999 059 027 02	Taper roller bearing 50 X 80 X 20		1	
11	999 059 064 00	Taper roller bearing 50 X 90 X 21,7		1	
12	950 332 209 01	Joint flange		2	G50.20/21 G64.20/21
13	950 332 268 00	Adjusting ring 0,25 MM		X	
13	950 332 268 01	Adjusting ring 1,6 MM		X	
13	950 332 268 02	Adjusting ring 1,7 MM		X	
13	996 332 266 56	Adjusting ring 1,8 MM		X	
13	950 332 268 04	Adjusting ring 1,9 MM		X	
13	950 332 268 05	Adjusting ring 2,0 MM		X	
13	950 332 268 06	Adjusting ring 2,1 MM		X	
13	950 332 268 07	Adjusting ring 2,2 MM		X	
13	950 332 268 08	Adjusting ring 2,3 MM		X	
13	950 332 268 09	Adjusting ring 2,4 MM		X	
13	950 332 268 10	Adjusting ring 2,5 MM		X	
13	950 332 268 11	Adjusting ring 2,6 MM		X	
13	950 332 268 12	Adjusting ring 2,7 MM		X	
13	996 332 266 76	Adjusting ring 2,8 MM		X	
13	950 332 268 14	Adjusting ring 2,9 MM		X	
13	996 332 266 50	Adjusting ring		X	

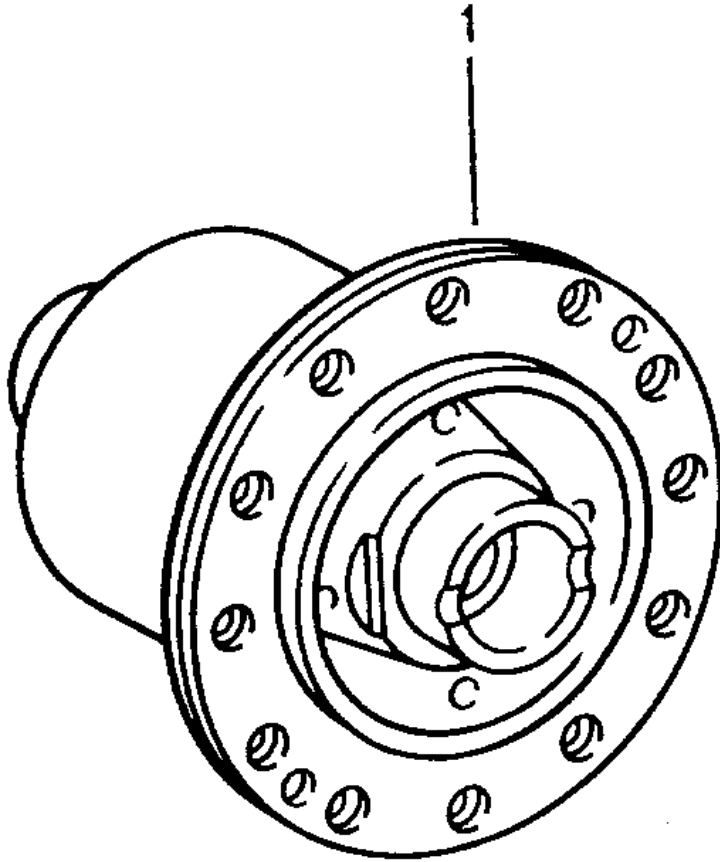
Model: 911 94

Model life 1994>>1998

Pos	Part Number	Description	Remark	Qty	Model
13	950 332 268 16	3,0 MM Adjusting ring		X	
-	950 332 205 00	3,1 MM Spacer sleeve for Differential bolt		1	

Model: 911 94

Model life 1994>>1998



Model: 911 94 Model life 1994>>1998

Pos	Part Number	Description	Remark	Qty	Model
		Limited-slip differential	95-		G50.20/21 G64.20/21 G50.31/32/33 G64.51/52
		Complete And Repair kits			
1	950 332 053 05	Limited-slip differential 25/65 % FA.ZF	-95	1	G50.20/21
(1)	950 332 083 02	Limited-slip differential 25/65 % FA.GKN	96-	1	G50.20/21
(1)	950 332 083 03	Limited-slip differential 22/40 % FA.GKN		1	G64.20/21 G64.51
(1)	950 332 083 38	Limited-slip differential 40/65 % FA.GKN		1	G50.31/32/33
2	950 332 983 00	Vanes Set FA.GKN		1	G50.20/21
(2)	950 332 983 09	Vanes Set FA.GKN		1	G50.20/21
(2)	950 332 983 08	Vanes Set FA.GKN		1	G64.20/21 G64.51
(2)	950 332 983 32	Vanes Set FA.GKN		1	G50.31/32/33
3	950 332 983 02	Gear set FA.GKN		1	G50.20/21 G50.31/32/33 G64.20/21 G64.51
		Complete			
4	950 332 983 03	Countersunk-head screw Set FA.GKN		1	
5	950 332 983 06	Axle Set FA.GKN		1	
6	950 332 983 05	Ring Set FA. GKN		1	
(6)	950 332 983 07	Ring Set FA.GKN		1	G50.31/32/33
7	950 332 268 00	Adjusting ring 0,25 MM		X	
7	996 332 266 50	Adjusting ring 1,5 MM		X	
7	950 332 268 01	Adjusting ring 1,6 MM		X	
7	950 332 268 02	Adjusting ring 1,7 MM		X	
7	996 332 266 56	Adjusting ring 1,8 MM		X	
7	950 332 268 04	Adjusting ring 1,9 MM		X	
7	950 332 268 05	Adjusting ring 2,0MM		X	
7	950 332 268 06	Adjusting ring		X	

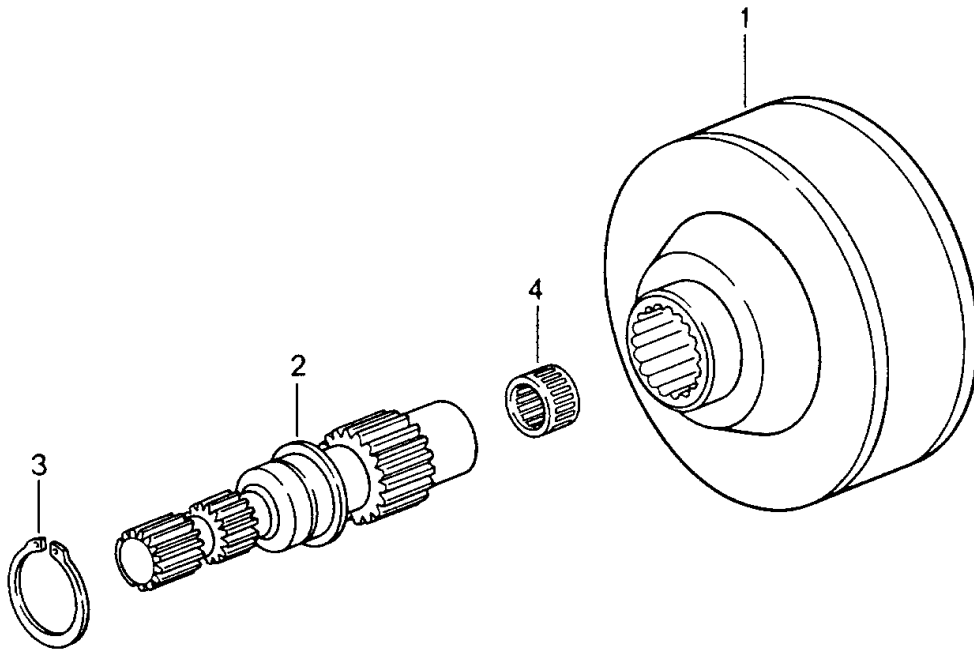
Model: 911 94

Model life 1994>>1998

Pos	Part Number	Description	Remark	Qty	Model
7	950 332 268 07	2,1 MM Adjusting ring		X	
7	950 332 268 08	2,2 MM Adjusting ring		X	
7	950 332 268 09	2,3 MM Adjusting ring		X	
7	950 332 268 10	2,4 MM Adjusting ring		X	
7	950 332 268 11	2,5 MM Adjusting ring		X	
7	950 332 268 12	2,6 MM Adjusting ring		X	
7	996 332 266 76	2,7 MM Adjusting ring		X	
7	950 332 268 14	2,8 MM Adjusting ring		X	
7	950 332 268 16	2,9 MM Adjusting ring		X	
8	999 059 064 00	3,1 MM Taper roller bearing 50 X 90		1	
9	950 332 209 01	Joint flange		2	
10	900 074 068 02	Hexagon-head bolt M 10 X 85		2	
11	999 059 066 01	Taper roller bearing 50 X 80 X 20		1	
11	999 059 066 02	Taper roller bearing 50 X 80 X 20		1	

Model: 911 94

Model life 1994>>1998



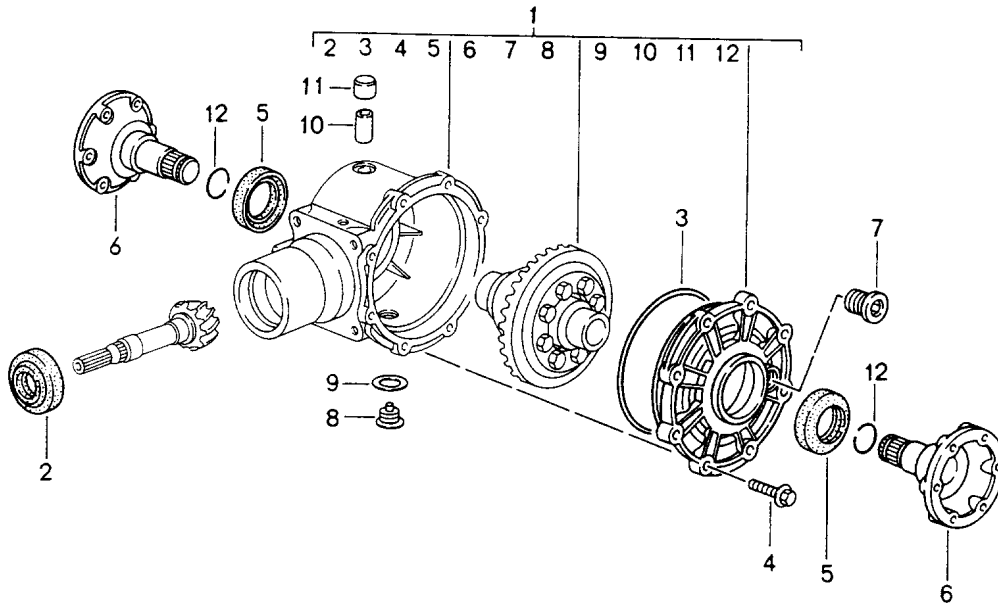
Model: 911 94

Model life 1994>>1998

Pos	Part Number	Description	Remark	Qty	Model
		Viscous clutch			G64.20/21 G64.51
1	964 339 021 01	Viscous clutch		1	
2	964 302 112 06	Drive shaft		1	
3	N 012 375 1	Circlip 30 X 1,5		1	
(3)	900 041 012 01	Snap ring 22 X 1,2		1	
4	999 201 054 00	Needle cage 12 X 18 X 12		1	

Model: 911 94

Model life 1994>>1998

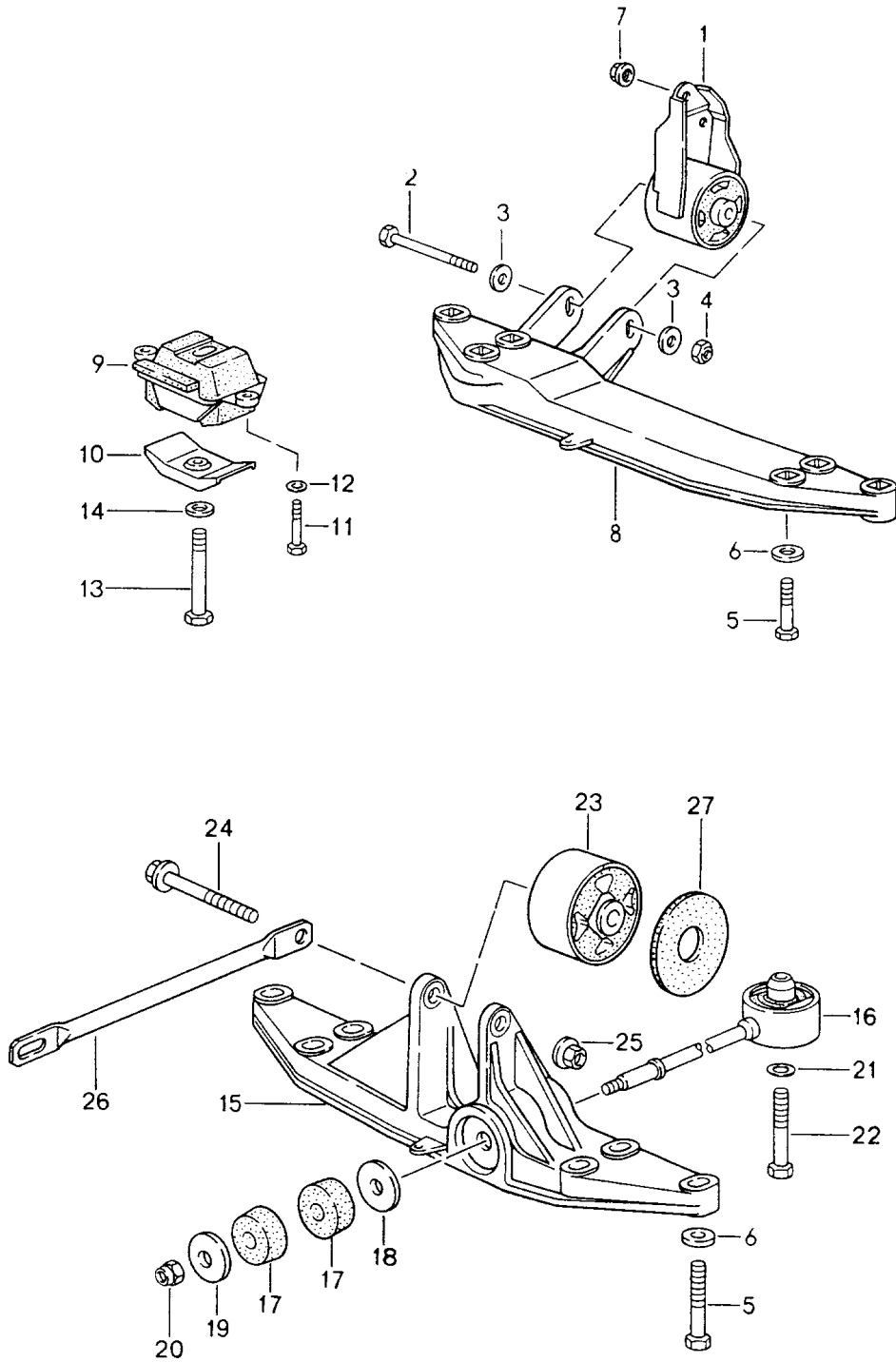


Model: 911 94 Model life 1994>>1998

Pos	Part Number	Description	Remark	Qty	Model
		Front-axle final drive	C4 95-		Z64.20
			TURBO 96-		Z64.20
			(RC)		Z64.52
1	964 349 010 22	Front-axle final drive 31 : 9		1	Z64.20
		Ready for installation			
1	964 349 010 23	Front-axle final drive 31 : 9		1	Z64.20
		Ready for installation			
1	964 349 010 24	Front-axle final drive 31 : 9		1	Z64.20
		Ready for installation			
2	999 113 456 40	Shaft sealing ring B 25 X 65 X 10		1	
3	999 701 743 40	O-ring 144,5 X 3		1	
4	900 378 033 02	Hexagon-head bolt M 8 X 30		8	
5	999 113 454 40	Shaft sealing ring 40 X 60 X 9		2	
5	999 113 454 41	Shaft sealing ring 40 X 60 X 9		2	
6	964 332 209 05	Joint flange See technical information Group 4 NR.3/95		2	
(6)		Joint flange See technical information Group 4 NR.3/95		2	
7	900 219 001 30	Screw plug M 22 X 1,5		1	
8	999 063 008 02	Screw plug M 22 X 1,5		1	
9	900 123 118 30	Sealing ring A 22 X 27		1	
10	014 301 473	Sleeve		1	
10	0A2 301 473	Sleeve		1	
11	014 301 485	Cap		1	
12	012 409 413 A	Circlip		2	

Model: 911 94

Model life 1994>>1998



Model: 911 94 Model life 1994>>1998

Pos	Part Number	Description	Remark	Qty	Model
		Transmission suspension G64.20/21 G64.51/52			
1	993 375 023 00	Bearing bracket		1	
2	900 075 455 09	Hexagon-head bolt M10 X 100		1	
3	999 025 195 02	Washer 10,3 X 25 X 3		2	
4	900 910 031 09	Lock nut M10		1	
4	900 910 031 01	Lock nut M10		1	
5	999 075 059 09	Hexagon-head bolt M 10 X 70		6	
5	999 075 059 01	Hexagon-head bolt M 10 X 70		6	
6	999 025 196 02	Washer 10,3 X 28 X 5		6	
7	900 380 007 09	Hexagon nut M10		3	
7	900 380 008 01	Hexagon nut M10		3	
8	993 375 313 01	Bracket		1	
9	964 375 053 01	Bearing bracket		1	
10	964 375 183 01	Stop		1	
11	900 075 073 09	Hexagon-head bolt M8 X 45		2	
12	900 025 007 02	Washer A 8,4		2	
12	900 025 007 03	Washer A 8,4		2	
13	900 083 074 09	Hexagon-head bolt M12 X 1,5 X 75		1	
14	999 025 215 02	Washer 12,1 X 26/26		1	
		Transmission suspension G50.20/21 G50.31/32/33			
15	993 375 309 00	Transmission carrier		1	
16	964 375 070 04	Bracket		1	
17	964 375 211 01	Rubber buffer		2	
18	999 025 182 02	Washer 13,2 X 44 X 5		1	
19	999 025 181 02	Washer 10,1 X 44 X 5		1	
19	999 025 181 03	Washer 10,1 X 44 X 5		1	
20	900 910 031 09	Lock nut VM 10		1	
20	900 910 031 01	Lock nut VM 10		1	
21	900 025 009 02	Washer A 13		1	
22	900 082 034 09	Hexagon-head bolt M 12 X 1,5 X 65		1	
23	964 375 055 02	Transmission mounting		1	G50.20/21
23	964 375 055 80	Transmission mounting		1	G50.31/32/33
24	900 378 023 09	Hexagon-head bolt M 12 X 1,5 X 100		1	
25	999 084 445 09	Lock nut M 12 X 1,5		1	
25	999 084 445 01	Lock nut M 12 X 1,5		1	

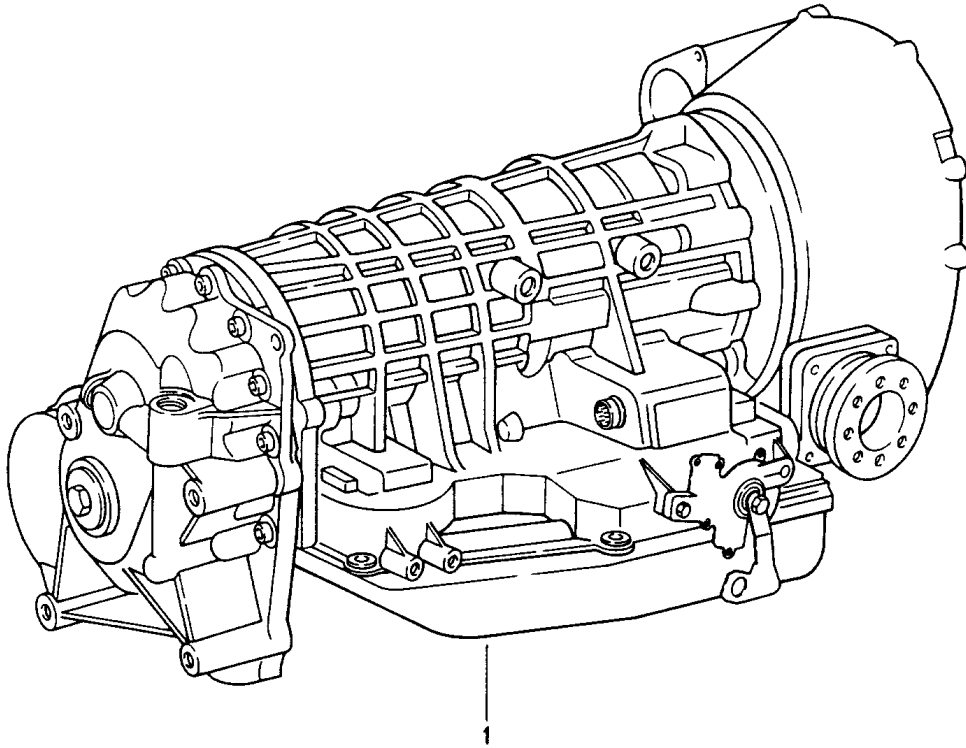
Model: 911 94

Model life 1994>>1998

Pos	Part Number	Description	Remark	Qty	Model
26	993 504 621 00	Strut		2	
27	964 375 255 00	Washer		2	
-	993 504 623 00	Support for Strut		1	
-	900 075 199 02	Hexagon-head bolt M 12 X 22		2	
-	900 025 009 02	Washer A 13		2	

Model: 911 94

Model life 1994>>1998

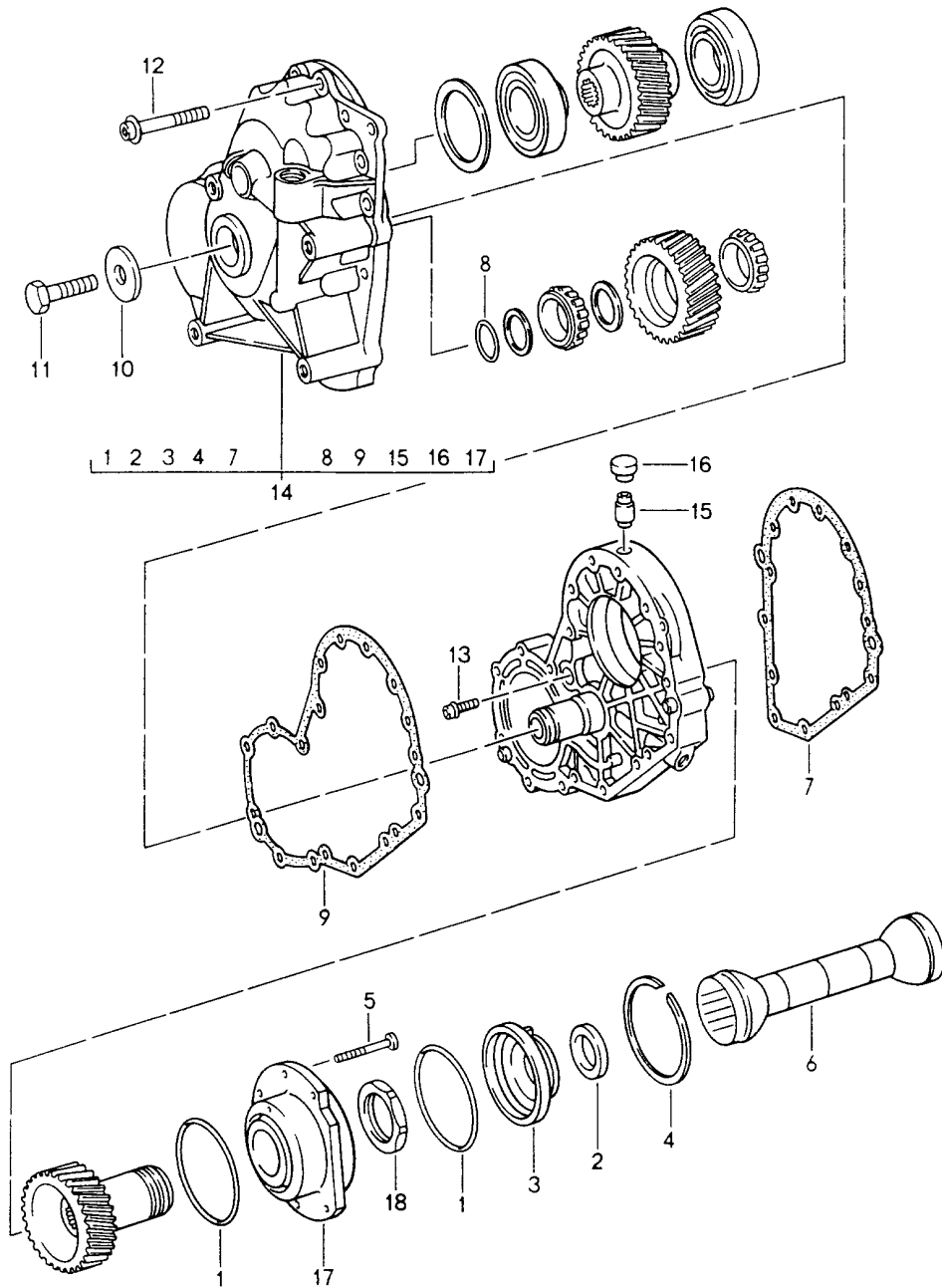


Model: 911 94 Model life 1994>>1998

Pos	Part Number	Description	Remark	Qty	Model
		Tiptronic Replacement transmission	-96 97-		A50.04/05 A50.06/07
		From Model year 97 Introduction Attention			
1	943 300 010 05	Transmission	-96	1	A50.05
1	943 300 010 EX	Transmission	-96	1	A50.05
1	943 300 010 07	Transmission	97-	1	A50.07
1	943 300 010 GX	Transmission	97-	1	A50.07

Model: 911 94

Model life 1994>>1998



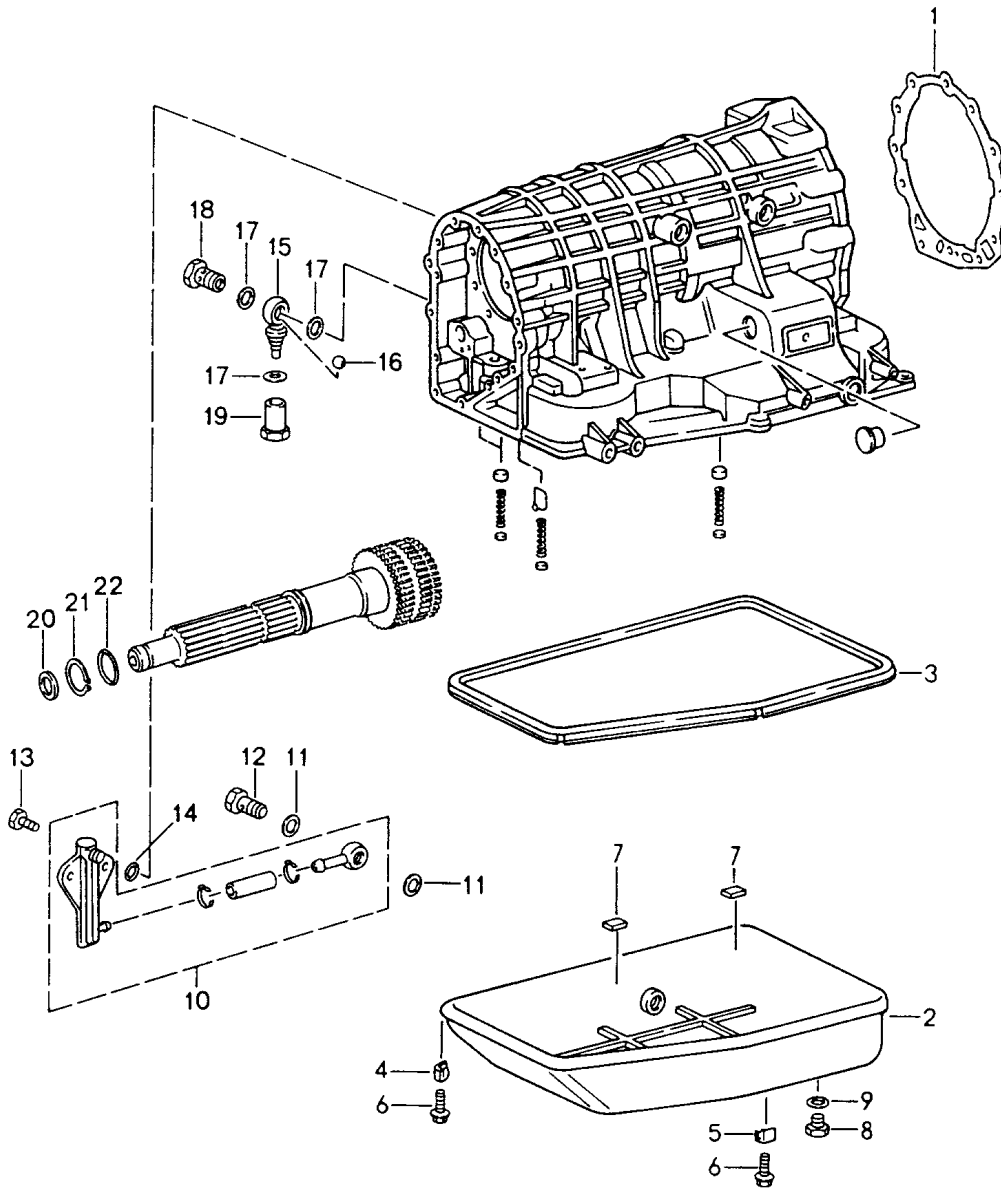
Model: 911 94

Model life 1994>>1998

Pos	Part Number	Description	Remark	Qty	Model
		Tiptronic Spur gears Intermediate plate			A50.04/05
1	943 397 022 00	Round seal		2	
2	943 397 023 01	Shaft sealing ring 30 X 45 X 8		1	
3	943 321 861 00	Housing		1	
4	943 397 029 00	Circlip SB 86		1	
5	943 397 024 00	Pan-head screw M 8 X 55		1	
6	943 321 831 00	Protective tube		1	
7	943 321 150 03	Gasket		1	
8	943 397 028 00	Round seal		1	
9	943 321 138 01	Gasket		1	
10	943 397 025 00	Washer		1	
11	N 010 275 3	Hexagon-head bolt M 10 X 35		1	
11	900 075 460 01	Hexagon-head bolt M 10 X 35		1	
12	943 397 026 00	Pan-head screw		11	
13	943 397 027 00	Pan-head screw		2	
14	943 300 911 01	Transmission cover Complete with Spur gears		1	
-	943 321 131 06	Intermediate plate		1	
15	943 321 311 00	Breather pipe		1	
16	943 321 312 01	Bleeder		1	
17	943 302 083 04	Bearing sleeve		1	
18	964 302 270 00	Lock nut		1	

Model: 911 94

Model life 1994>>1998

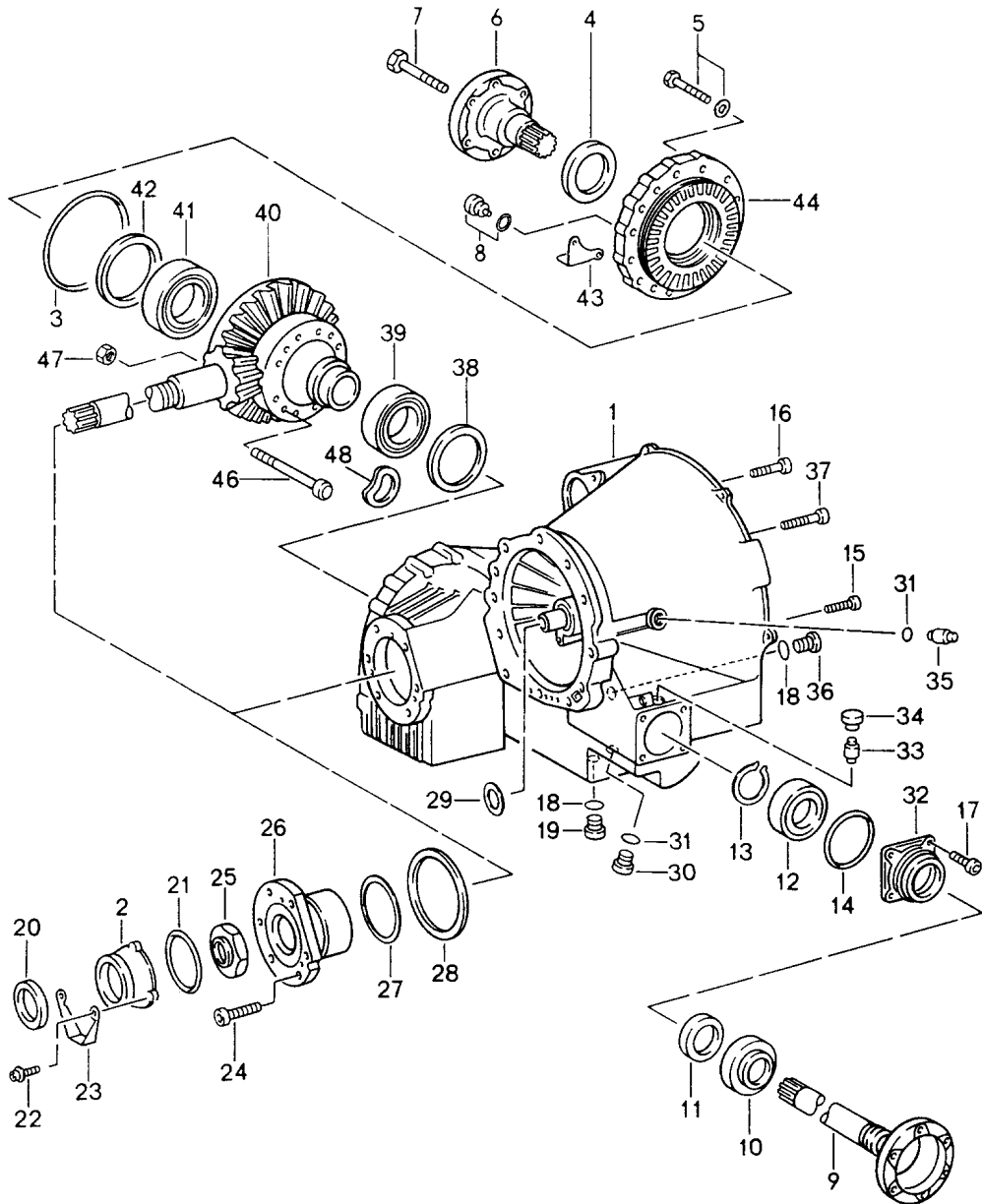


Model: 911 94 Model life 1994>>1998

Pos	Part Number	Description	Remark	Qty	Model
		Tiptronic Transmission case			A50.04/05
1	943 321 134 01	Oil pan Gasket		1	
2	943 321 025 06	Oil pan		1	
3	943 321 123 06	Gasket		1	
4	943 321 161 01	Retaining bracket		4	
5	943 321 163 00	Retaining bracket		2	
6	943 397 001 00	Hexagon-head bolt M 6		6	
6	943 397 001 01	Hexagon-head bolt M 6		6	
7	943 321 119 00	Magnet		2	
8	900 219 002 01	Screw plug M 14 X 1,5		1	
9	900 123 104 30	Sealing ring A 14 X 18		1	
10	943 321 027 01	Filling container		1	
11	900 123 116 30	Sealing ring A 12 X 15,5		2	
12	N 021 071 2	Banjo bolt 8		1	
13	900 236 014 02	Screw M 6 X 4		2	
14	943 397 032 00	Round seal		1	
15	943 307 101 00	Connection piece		1	
16	N 025 657 1	Ball 6 MM		1	
17	900 123 007 30	Sealing ring A 14 X 18		3	
18	N 021 074 1	Banjo bolt LL 10		1	
18	N 021 074 7	Banjo bolt LL 10		1	
19	960 307 163 00	Screw plug		1	
20	943 397 037 00	Round seal		1	
21	999 041 022 00	Circlip 27 X 1,2		1	
22	943 397 035 00	Sealing ring		1	

Model: 911 94

Model life 1994>>1998



Model: 911 94 Model life 1994>>1998

Pos	Part Number	Description	Remark	Qty	Model
		Tiptronic Differential Differential housing			A50.04/05
1	943 321 041 00	Rear axle housing		1	
2	943 321 851 00	Housing		1	
3	943 397 020 00	Round seal		1	
4	943 397 019 01	Shaft sealing ring 48 X 68 X 10		1	
5	N 010 247 7	Hexagon-head bolt M 8 X 35		11	
5	N 010 247 18	Hexagon-head bolt M 8 X 35		11	
6	943 332 210 01	Joint flange	/R	1	
7	900 074 064 02	Hexagon-head bolt M 10 X 60		1	
7	900 074 377 01	Hexagon-head bolt M 10 X 60		1	
8	900 219 001 30	Screw plug M 22 X 1,5		1	
9	943 332 209 01	Joint flange	/L	1	
10	943 332 207 01	Protective ring		1	
11	943 397 021 01	Shaft sealing ring 40 X 55 X 10		1	
12	999 052 141 00	Deep-groove ball bearing 35 X 62 X 14		1	
13	900 041 016 01	Circlip 35 X 1,5		1	
13	900 041 016 0B	Circlip 35 X 1,5		1	
14	943 397 017 00	Round seal		1	
15	943 397 015 00	Pan-head screw		3	
16	943 397 014 00	Pan-head screw		6	
17	943 397 016 00	Pan-head screw M 8 X 25		4	
18	900 123 118 30	Sealing ring A 22 X 27		3	
19	999 063 008 02	Screw plug M 22 X 1,5		1	
20	943 397 036 00	Shaft sealing ring		1	
21	943 397 034 00	O-ring		1	
23	964 119 181 01	Support		1	
24	943 397 038 00	Pan-head screw M 10 X 35		6	
25	999 034 014 00	Lock nut		1	
26	943 302 084 04	Bearing sleeve		1	
27	999 701 964 40	Round seal		1	
28	943 302 299 20	Adjusting shim 1,30 MM		X	
28	943 302 299 21	Adjusting shim 1,35 MM		X	
28	943 302 299 22	Adjusting shim 1,40 MM		X	
28	943 302 299 23	Adjusting shim 1,45 MM		X	
28	943 302 299 24	Adjusting shim 1,50 MM		X	
28	943 302 299 25	Adjusting shim 1,55 MM		X	
28	943 302 299 26	Adjusting shim 1,60 MM		X	
28	943 302 299 27	Adjusting shim 1,65 MM		X	
28	943 302 299 28	Adjusting shim		X	

Model: 911 94

Model life 1994>>1998

Pos	Part Number	Description	Remark	Qty	Model
28	943 302 299 29	1,70 MM Adjusting shim		X	
28	943 302 299 30	1,75 MM Adjusting shim		X	
28	943 302 299 31	1,80 MM Adjusting shim		X	
28	943 302 299 32	1,85 MM Adjusting shim		X	
28	943 302 299 33	1,90 MM Adjusting shim		X	
28	943 302 299 34	1,95 MM Adjusting shim		X	
29	943 323 291 00	2,00 MM Adjusting shim		X	
29	943 323 291 01	0,80 MM Adjusting shim		X	
29	943 323 291 02	1,00 MM Adjusting shim		X	
29	943 323 291 03	1,20 MM Adjusting shim		X	
29	943 323 291 04	1,40 MM Adjusting shim		X	
29	943 323 291 05	1,60 MM Adjusting shim		X	
29	943 323 291 06	1,80 MM Adjusting shim		X	
29	943 323 291 07	2,00 MM Adjusting shim		X	
29	943 323 291 08	2,20 MM Adjusting shim		X	
29	943 323 291 09	2,40 MM Adjusting shim		X	
29	943 323 291 10	2,60 MM Adjusting shim		X	
30	900 219 002 02	2,80 MM Screw plug M 14 X 1,5		1	
32	943 321 145 06	Housing		1	
33	943 321 311 00	Breather pipe		1	
34	943 321 312 00	Bleeder		1	
37	943 397 040 00	Pan-head screw		3	
38	943 332 218 10	Adjusting shim		X	
38	943 332 218 11	1,00 MM Adjusting shim		X	
38	943 332 218 12	1,05 MM Adjusting shim		X	
38	943 332 218 13	1,10 MM Adjusting shim		X	
38	943 332 218 14	1,15 MM Adjusting shim		X	
38	943 332 218 15	1,20 MM Adjusting shim		X	
38	943 332 218 16	1,25 MM Adjusting shim		X	
38	943 332 218 17	1,30 MM Adjusting shim		X	
38	943 332 218 18	1,35 MM Adjusting shim		X	
38	943 332 218 19	1,40 MM Adjusting shim		X	
38	943 332 218 20	1,45 MM Adjusting shim		X	
38	943 332 218 20	1,50 MM Adjusting shim		X	

Model: 911 94 Model life 1994>>1998

Pos	Part Number	Description	Remark	Qty	Model
38	943 332 218 21	Adjusting shim 1,55 MM		X	
38	943 332 218 22	Adjusting shim 1,60 MM		X	
38	943 332 218 23	Adjusting shim 1,65 MM		X	
38	943 332 218 24	Adjusting shim 1,70 MM		X	
38	943 332 218 25	Adjusting shim 1,75 MM		X	
38	943 332 218 26	Adjusting shim 1,80 MM		X	
38	943 332 218 27	Adjusting shim 1,85 MM		X	
38	943 332 218 28	Adjusting shim 1,90 MM		X	
38	943 332 218 29	Adjusting shim 1,95 MM		X	
38	943 332 218 30	Adjusting shim 2,00 MM		X	
39	999 059 112 00	Taper roller bearing		1	
40	943 332 091 00	Differential 33 : 9		1	
41	999 059 111 00	Taper roller bearing		1	
42	943 332 219 10	Adjusting shim 1,00 MM		X	
42	943 332 219 11	Adjusting shim 1,05 MM		X	
42	943 332 219 12	Adjusting shim 1,10 MM		X	
42	943 332 219 13	Adjusting shim 1,15 MM		X	
42	943 332 219 14	Adjusting shim 1,20 MM		X	
42	943 332 219 15	Adjusting shim 1,25 MM		X	
42	943 332 219 16	Adjusting shim 1,30 MM		X	
42	943 332 219 17	Adjusting shim 1,35 MM		X	
42	943 332 219 18	Adjusting shim 1,40 MM		X	
42	943 332 219 19	Adjusting shim 1,45 MM		X	
42	943 332 219 20	Adjusting shim 1,50 MM		X	
42	943 332 219 21	Adjusting shim 1,55 MM		X	
42	943 332 219 22	Adjusting shim 1,60 MM		X	
42	943 332 219 23	Adjusting shim 1,65 MM		X	
42	943 332 219 24	Adjusting shim 1,70 MM		X	
42	943 332 219 25	Adjusting shim 1,75 MM		X	
42	943 332 219 26	Adjusting shim 1,80 MM		X	
42	943 332 219 27	Adjusting shim 1,85 MM		X	
42	943 332 219 28	Adjusting shim 1,90 MM		X	
43	964 119 182 00	Support		1	

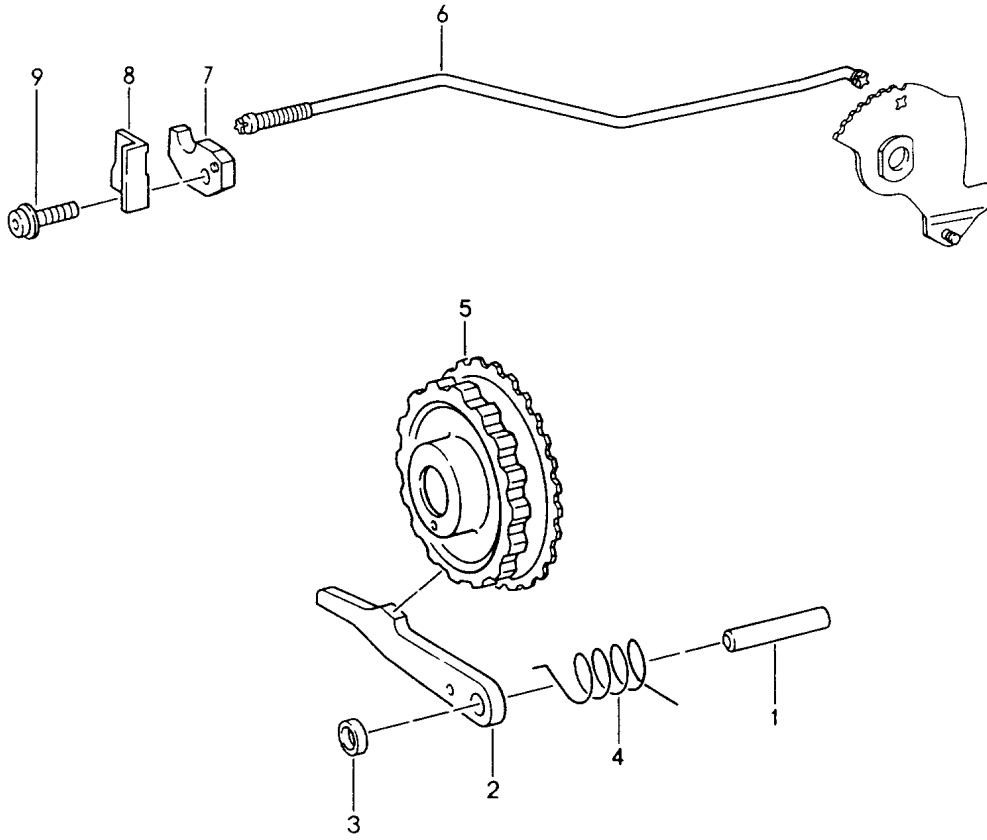
Model: 911 94

Model life 1994>>1998

Pos	Part Number	Description	Remark	Qty	Model
44	943 321 134 07	Transmission cover		1	
45		Screw plug		1	
46	943 332 750 06	Locking screw		12	
47	900 076 078 01	Hexagon nut M 10 X 1,25		12	
48	943 332 101 00	Spring washer GEWELLT POS.46/47/48 NUR FUER KD.		2	

Model: 911 94

Model life 1994>>1998



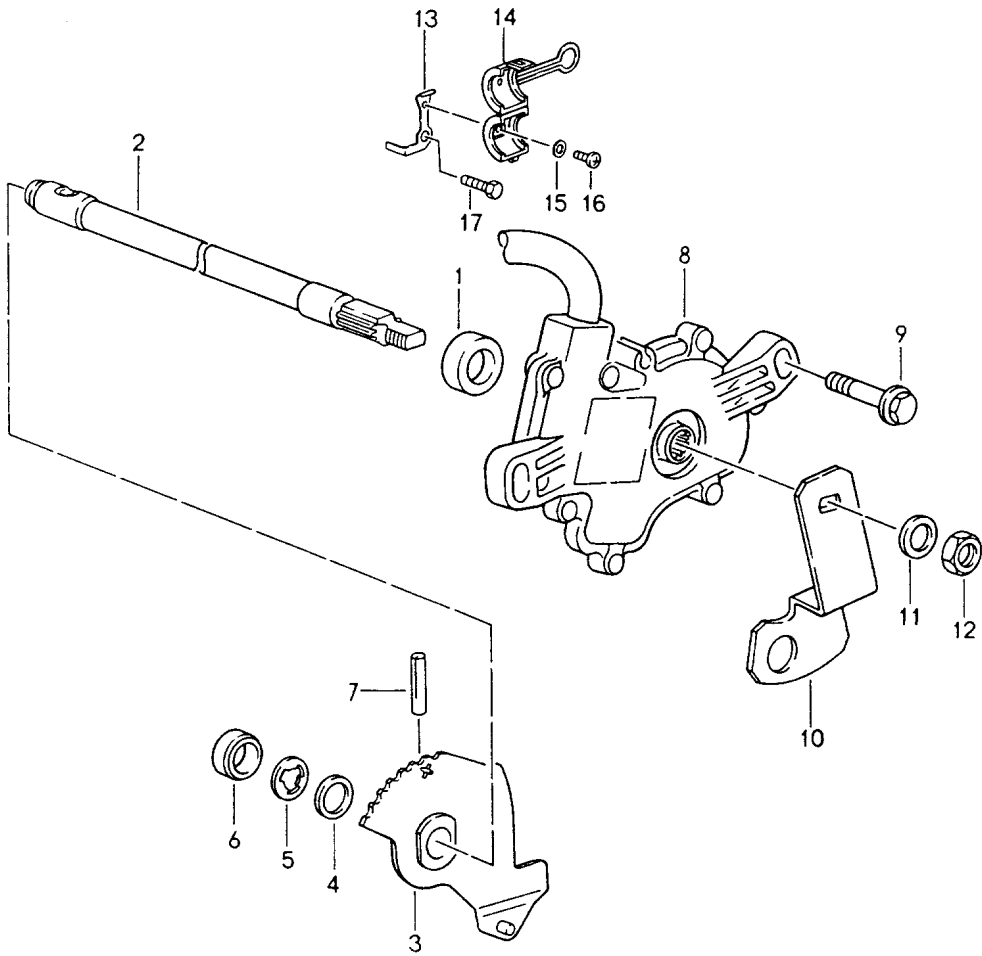
Model: 911 94

Model life 1994>>1998

Pos	Part Number	Description	Remark	Qty	Model
		Tiptronic			
		Parking lock			A50.04/05
1	943 303 107 00	Bolt		1	
2	943 303 111 00	Stop		1	
3	943 303 113 00	Bush		1	
4	943 303 109 00	Steering knuckle spring		1	
5	943 303 115 00	Parking lock		1	
6	943 303 101 00	Connecting rod		1	
7	943 303 103 00	Guide piece		1	
8	943 303 105 00	Guide plate		1	
9	943 397 039 00	Pan-head screw		1	

Model: 911 94

Model life 1994>>1998



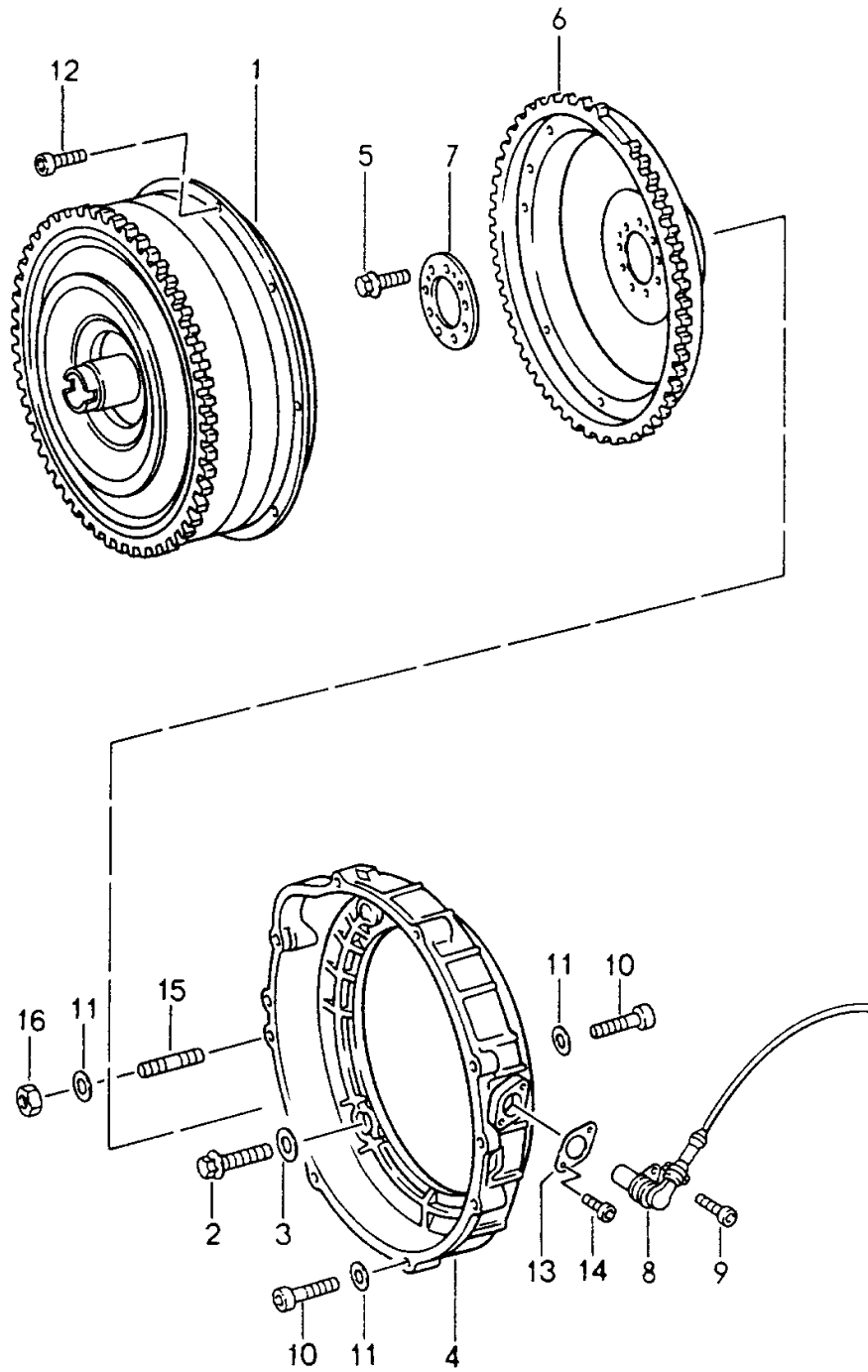
Model: 911 94

Model life 1994>>1998

Pos	Part Number	Description	Remark	Qty	Model
1	943 397 018 03	Tiptronic Selector switch Shaft sealing ring 10 X 18 X 5		1	A50.04/05
2	943 325 101 00	Shaft		1	
4	900 234 029 00	Shim 9 X 15 X 1,0		1	
5	900 041 037 01	Circlip 9 X 1		1	
6	943 397 031 00	Protection cap		1	
7	900 095 107 01	Roll pin 5 X 22		1	
8	993 613 212 00	Switch		1	
9	900 378 013 09	Hexagon-head bolt M 6 X 25		2	
11	900 031 001 02	Washer 8,4		1	
11	900 031 105 01	Washer 8,4		1	
12	943 397 008 00	Hexagon nut M 8 X 1		1	
13	964 612 471 00	Support		1	
14	964 612 431 00	Support		1	
15	900 025 002 02	Washer A 4,3		1	
15	900 025 002 03	Washer A 4,3		1	
16	900 014 002 02	Pan-head screw AM 4 X 6		1	

Model: 911 94

Model life 1994>>1998



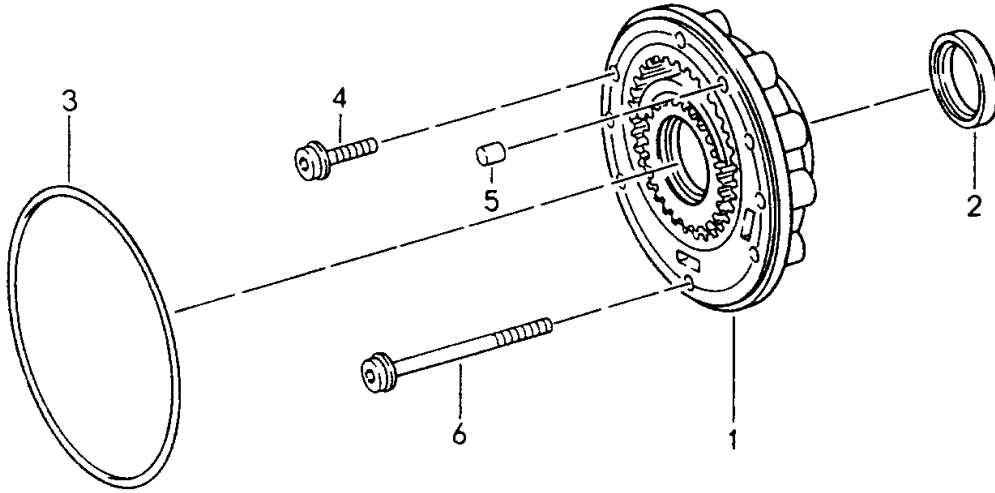
Model: 911 94

Model life 1994>>1998

Pos	Part Number	Description	Remark	Qty	Model
		Tiptronic Converter			A50.04/05
1	943 316 001 00	Converter		1	
2	999 073 023 08	Torx screw M 10 X 35		4	
2	999 073 023 01	Torx screw M 10 X 35		4	
3	900 025 008 09	Washer A 10,5		4	
3	900 025 008 04	Washer A 10,5		4	
4	943 116 101 01	Converter housing		1	
5	999 073 024 08	Torx screw M 10 X 1,25		9	
6	943 116 075 01	Drive plate		1	
7	943 116 153 02	Perforated plate		1	
8	911 606 217 03	Pulse sender		1	
9	999 218 005 02	Pan-head screw M 6 X 16		1	
9	999 218 005 01	Pan-head screw M 6 X 16		1	
10	900 067 081 09	Pan-head screw M 8 X 35		7	
11	900 031 001 02	Washer 8,4		8	
11	900 031 105 01	Washer 8,4		8	
12	900 067 280 08	Pan-head screw M 6 X 16		8	
12	900 067 280 01	Pan-head screw M 6 X 16		8	
13	964 606 217 00	Shim 0,1 MM		X	
13	964 606 217 02	Shim 0,4 MM		X	
14	N 014 740 2	Pan-head screw M 6 X 16		1	
14	N 014 740 11	Pan-head screw M 6 X 16		1	
15	999 062 009 02	Stud BM 8 X 28		1	
15	900 060 105 01	Stud BM 8 X 28		1	
16	900 076 025 02	Hexagon nut M 8		1	
16	900 076 064 02	Hexagon nut M 8		1	

Model: 911 94

Model life 1994>>1998



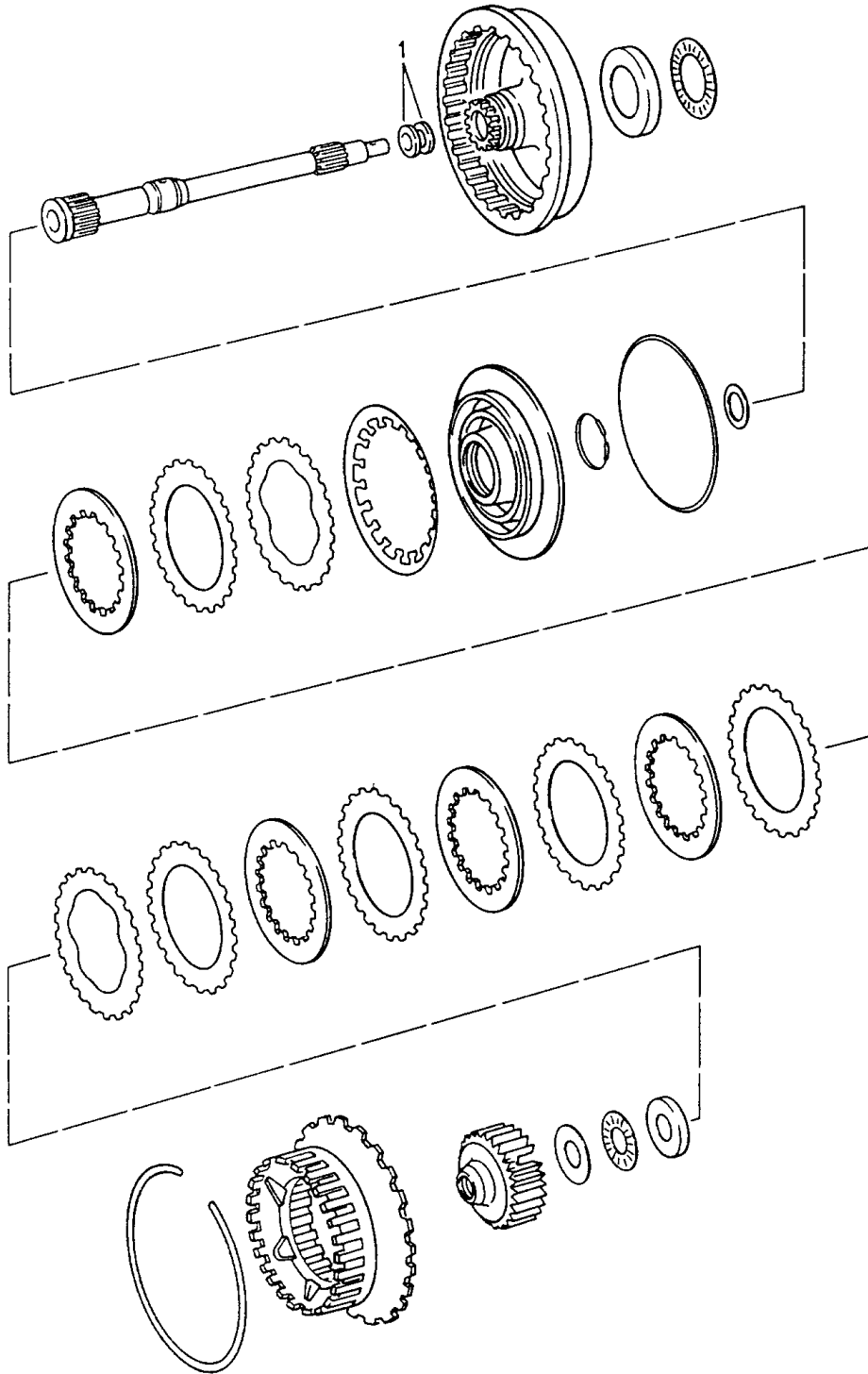
Model: 911 94

Model life 1994>>1998

Pos	Part Number	Description	Remark	Qty	Model
		Tiptronic			
		Oil pump			A50.04/05
1	943 307 001 00	Oil pump		1	
2	943 397 010 01	Shaft sealing ring 40 X 52 X 7		1	
3	943 397 011 00	Round seal		1	
4	943 397 013 00	Pan-head screw M 6 X 30		7	
5	943 397 030 00	Sleeve		1	
6	943 397 006 00	Pan-head screw M 6 X 80		1	

Model: 911 94

Model life 1994>>1998



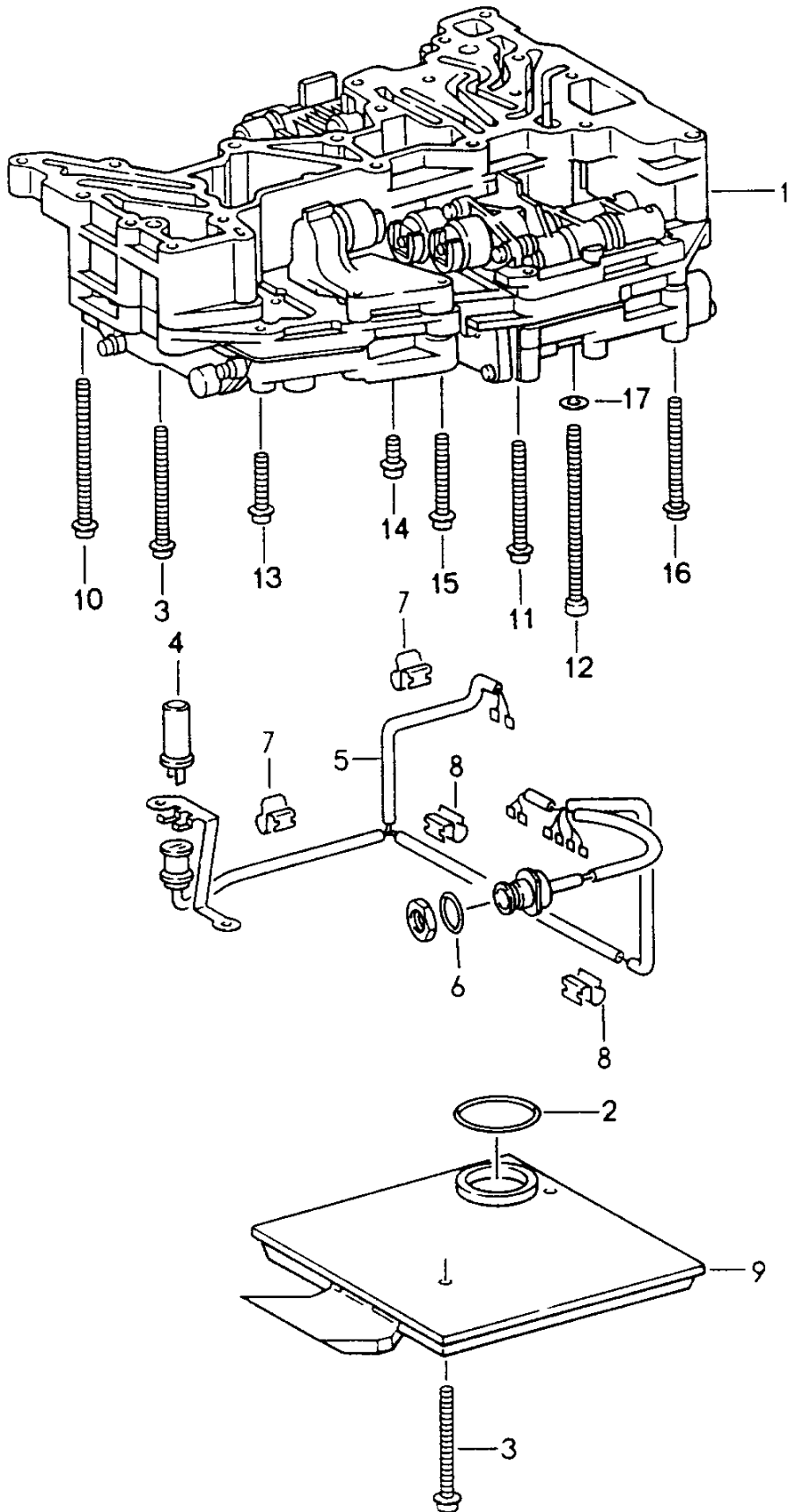
Model: 911 94

Model life 1994>>1998

Pos	Part Number	Description	Remark	Qty	Model
1	943 397 033 00	Tiptronic Drive shaft Sealing ring		2	A50.04/05

Model: 911 94

Model life 1994>>1998



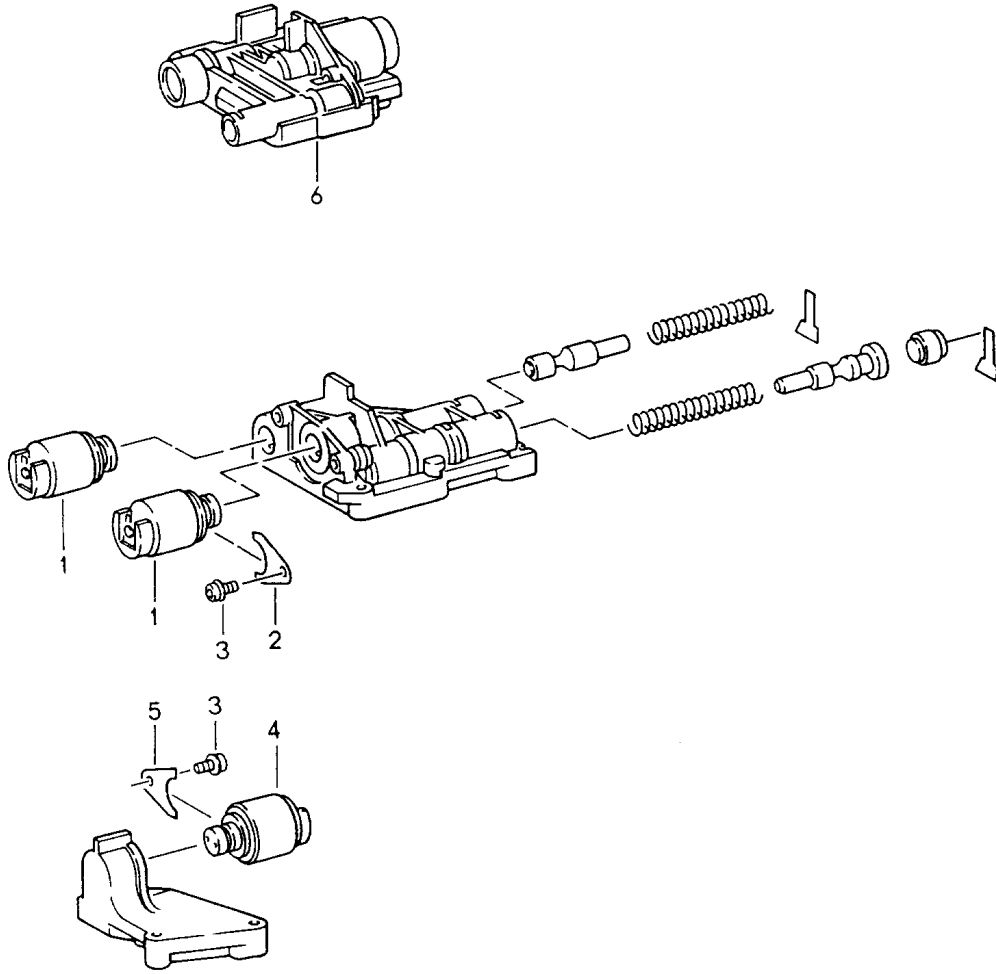
Model: 911 94

Model life 1994>>1998

Pos	Part Number	Description	Remark	Qty	Model
		Tiptronic Oil strainer Inductive transmitter Mounting parts for Switch unit See technical information Group 3 NR. 1/95			A50.04/05
1	943 325 001 03	Switch unit	-96	1	
1		Switch unit	97-	1	
2	943 307 041 00	Round seal		1	
3	943 397 003 00	Pan-head screw M 6 X 65		5	
4	943 325 604 00	Inductive transmitter		1	
5	943 325 605 01	Wiring harness		1	
6	943 397 007 00	Round seal 26,7X1,78		1	
7	943 325 606 00	Cable terminal		2	
8	943 325 607 00	Cable terminal		2	
9	943 307 011 02	Oil strainer		1	
10	943 397 006 00	Pan-head screw M 6 X 80		7	
11	943 397 005 00	Pan-head screw M 6 X 60		3	
12	943 397 004 00	Pan-head screw M 6 X 105		1	
13	943 397 044 00	Pan-head screw M 5 X 30		1	
14	943 397 045 00	Pan-head screw M 5 X 12		3	
15	943 397 043 00	Pan-head screw M 5 X 45		6	
16	943 397 042 00	Pan-head screw M 5 X 60		12	
17	N 012 226 5	Spring washer B 6		1	

Model: 911 94

Model life 1994>>1998



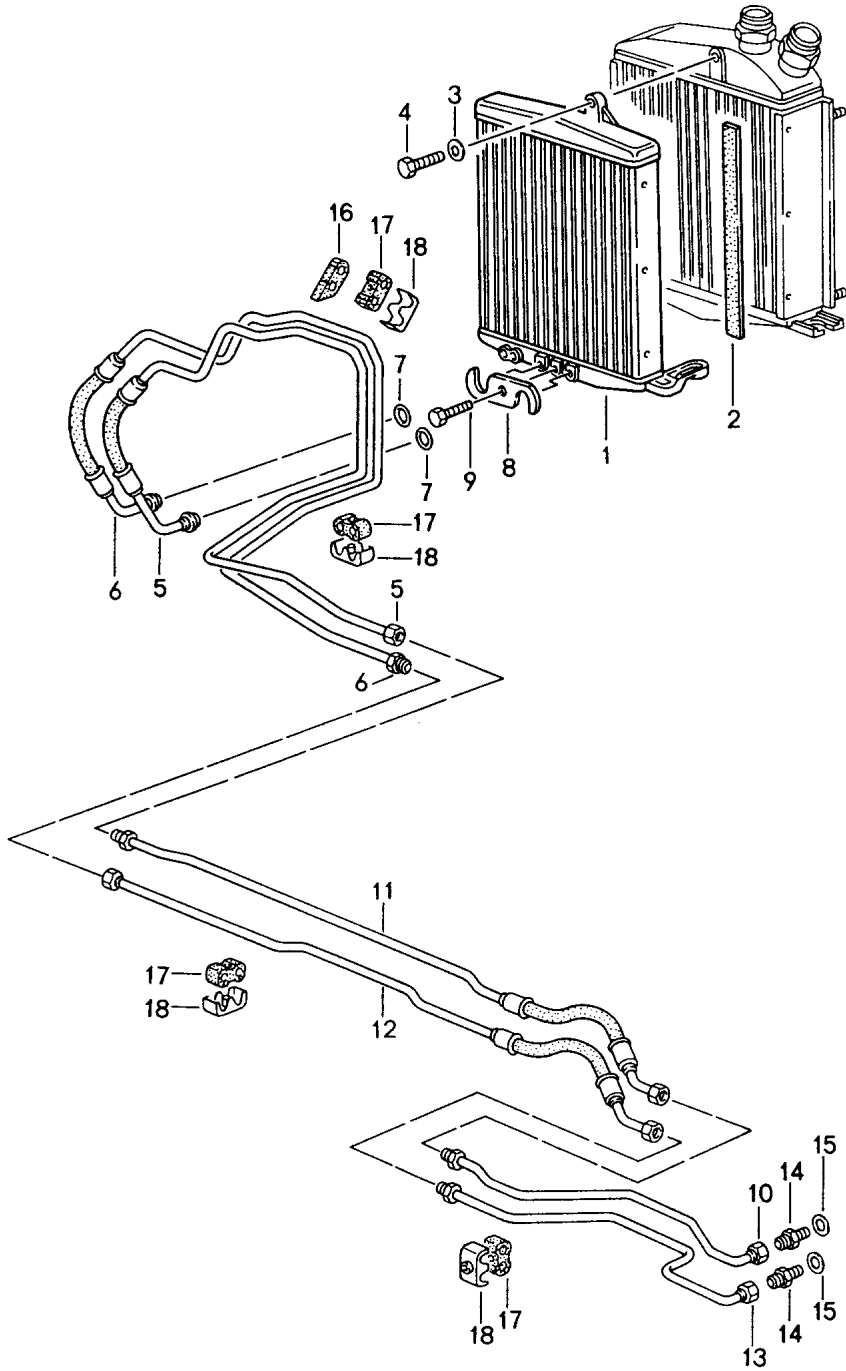
Model: 911 94

Model life 1994>>1998

Pos	Part Number	Description	Remark	Qty	Model
		Tiptronic			
		Solenoid valve			A50.04/05
1	943 325 601 00	Solenoid valve		2	
1	944 325 602 00	Solenoid valve		2	
2	943 325 111 00	Retaining bracket		2	
3	943 397 009 00	Pan-head screw		3	
		M 5 X 10			
4	943 325 602 02	Solenoid valve		1	
5	943 325 112 00	Retaining bracket		1	
6	943 325 603 01	Pressure regulator		1	

Model: 911 94

Model life 1994>>1998

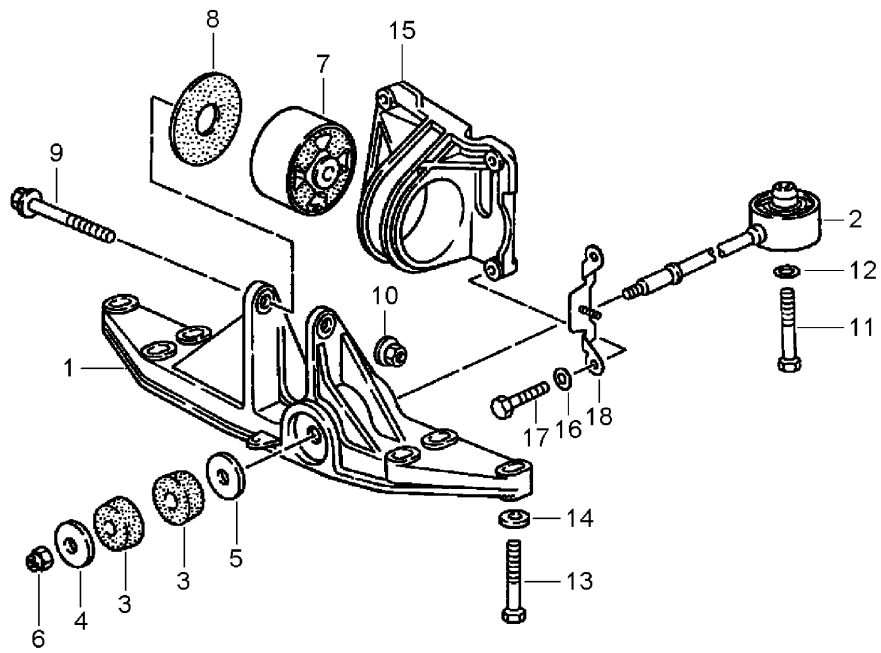


Model: 911 94 Model life 1994>>1998

Pos	Part Number	Description	Remark	Qty	Model
		Tiptronic			A50.04/05
		Atf cooler			
		Atf lines			
1	943 307 027 10	Transmission oil cooler		1	
-	000 043 204 88	Sealing strap		*	
		Roll with 10 meters			
		9 X 3			
2		260 MM		1	
3	900 151 003 02	Washer		1	
		A 6,4			
3	900 151 006 03	Washer		1	
		A 6,4			
4	900 075 016 02	Hexagon-head bolt		1	
		M 6 X 22			
4	900 075 016 03	Hexagon-head bolt		1	
		M 6 X 22			
5	993 307 073 00	Oil pipe		1	
6	993 307 074 00	Oil pipe		1	
7	900 331 031 40	O-ring		2	
		11,8 X 1,8			
8	993 307 143 00	Latch		1	
9	900 378 030 09	Hexagon-head bolt		1	
		M 6 X 20			
10	993 307 081 00	Oil pipe		1	
10	993 307 081 01	Oil pipe		1	
11	993 307 072 00	Oil pipe		1	
12	993 307 075 00	Oil pipe		1	
13	993 307 086 00	Oil pipe		1	
13	993 307 086 01	Oil pipe		1	
14	999 105 133 02	Connection piece		2	
		M 14 X 1,5			
15	900 123 007 30	Sealing ring		2	
		A14 X 18			
16	993 307 145 00	Gasket		1	
17	928 347 527 00	Rubber mounting		6	
18	928 347 555 00	Clamp		6	

Model: 911 94

Model life 1994>>1998



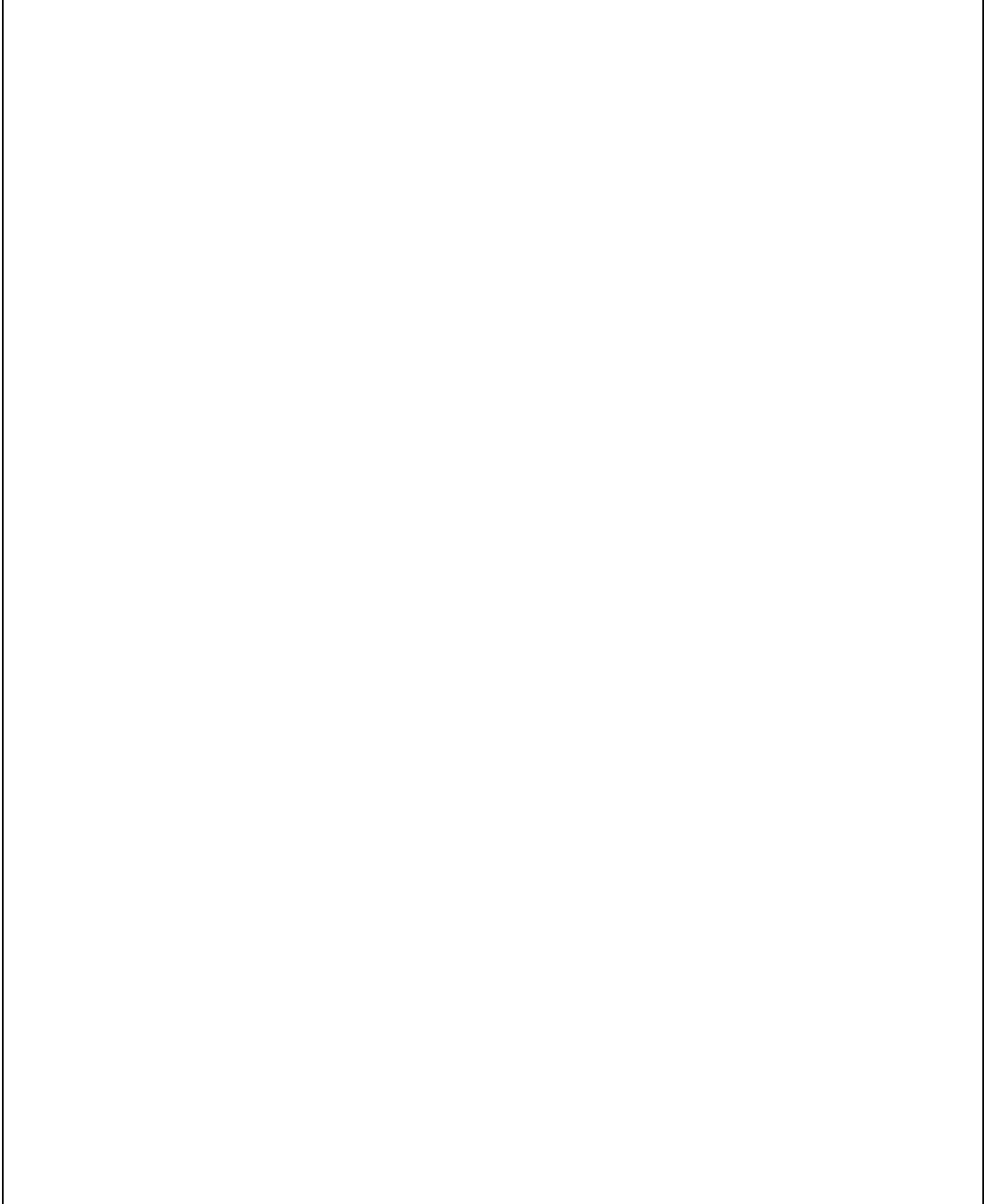
Model: 911 94

Model life 1994>>1998

Pos	Part Number	Description	Remark	Qty	Model
		Tiptronic Transmission suspension			A50.04/05
1	993 375 309 00	Transmission carrier		1	
2	964 375 070 04	Bracket		1	
3	964 375 211 01	Rubber buffer		2	
4	999 025 181 02	Washer 10.1 X 44 X 5		1	
4	999 025 181 03	Washer 10.1 X 44 X 5		1	
5	999 025 182 02	Washer 13,2 X 44 X 5		1	
6	900 910 031 09	Lock nut VM 10		1	
6	900 910 031 01	Lock nut VM 10		1	
7	964 375 055 02	Transmission mounting		1	
8	964 375 255 00	Washer		2	
9	900 378 023 09	Hexagon-head bolt M 12 X 1,5 X 100		1	
10	999 084 445 09	Lock nut M 12 X 1,5		1	
10	999 084 445 01	Lock nut M 12 X 1,5		1	
11	900 082 034 09	Hexagon-head bolt M 12 X 1,5 X 65		1	
12	900 025 009 02	Washer A 13		1	
13	999 075 059 09	Hexagon-head bolt M 10 X 70		6	
13	999 075 059 01	Hexagon-head bolt M 10 X 70		6	
14	999 025 196 02	Washer 10,3 X 28 X 5		6	
15	993 375 410 00	Bracket without Transmission mounting		1	
(15)	993 375 041 00	Bracket with Transmission mounting		1	
16	900 025 007 02	Washer A 8,4		2	
16	900 025 007 03	Washer A 8,4		2	
17	900 075 032 09	Hexagon-head bolt M 8 X 35		2	
18	993 375 415 00	Support		1	

Model: 911 94

Model life 1994>>1998



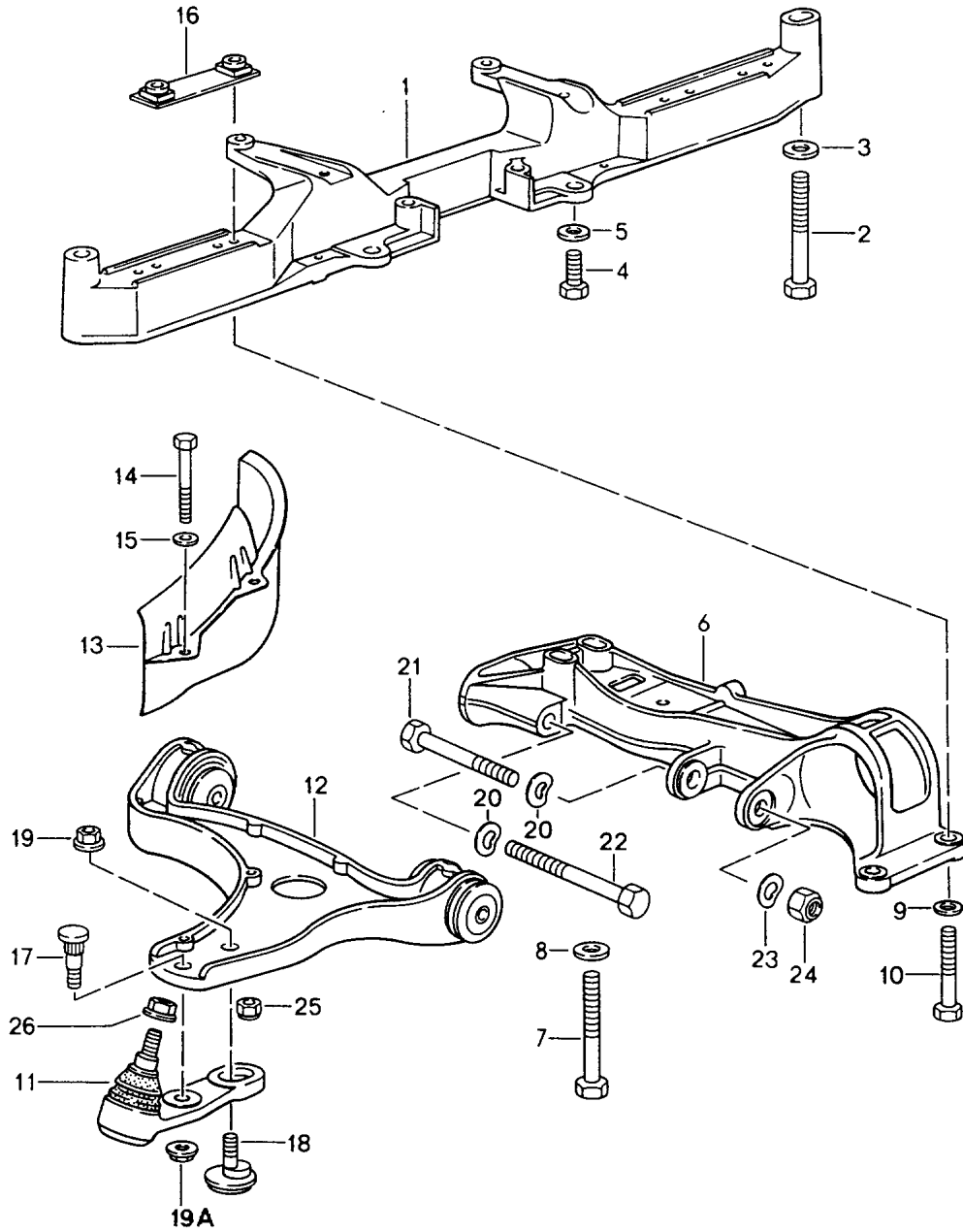
Model: 911 94

Model life 1994>>1998

Pos	Part Number	Description	Remark	Qty	Model
>>	964 300 912 00	Gasket set Gasket set Transmission Comprising:		1	
-	999 113 326 41	Shaft sealing ring		1	
-	950 301 151 01	Cap		1	
-	928 332 776 00	Flange gasket		1	
-	900 123 011 30	Sealing ring A 22 X 27		2	
-	999 113 347 40	Shaft sealing ring		2	
-	999 701 745 40	O-ring		1	
-	950 301 191 01	Gasket		1	
-	950 301 351 02	Gasket		1	
-	999 113 404 40	Shaft sealing ring		1	
-	999 701 734 40	Sealing ring 29,5 X 1,5 N		1	
-	999 701 387 40	O-ring 210 X 3,5		1	
-	900 123 043 30	Sealing ring A 12 X 15,5		1	
-	993 116 911 00	Repair kit		1	M64.05/07 M64.21/23 M64.20
		Complete for Clutch See group 3/01/00	M 002		

Model: 911 94

Model life 1994>>1998



Model: 911 94

Model life 1994>>1998

Pos	Part Number	Description	Remark	Qty	Model
		Cross member			
		Wishbone			
1	964 341 101 05	Cross member	-94	1	
1	993 341 101 05	Cross member	95-	1	
2	900 082 128 09	Hexagon-head bolt 12 X 1,5 X 100	-96	2	
3	901 333 143 01	Washer	-96	2	
2	999 074 055 09	Hexagon-head bolt M 12 X 1,5 X 100	97-	2	
4	900 075 041 09	Hexagon-head bolt M 10 X 25	-96	2	
4	900 075 481 01	Hexagon-head bolt M 10 X 25		2	
5	999 025 076 09	Washer 10,2 X 21 X 3	-96	2	
4	999 072 026 09	Hexagon-head bolt M 10 X 30	97-	2	
6	993 341 111 01	Side member	/L	1	
(6)	993 341 112 01	Side member	/R	1	
(6)	993 341 111 21	Side member	/L 95-	1	M339
(6)	993 341 112 21	Side member	/R 95-	1	M339
7	900 082 020 09	Hexagon-head bolt M 12 X 1,5 X 80	-96	4	
7	900 082 020 03	Hexagon-head bolt M 12 X 1,5 X 80		4	
8	901 333 143 01	Washer 12,5 X 28 X 4	-96	4	
7	999 074 054 09	Hexagon-head bolt M 12 X 1,5 X 85	97-	4	
9	900 025 008 09	Washer A 10,5		4	
9	900 025 008 04	Washer A 10,5		4	
10	999 072 025 09	Hexagon-head bolt M 10 X 65		4	
11	993 341 049 02	Ball joint		2	
11	993 341 049 06	Ball joint		2	
12	993 341 017 00	Wishbone	/L	1	
12	993 341 017 02	Wishbone	/L	1	
(12)	993 341 018 01	Rubber mounting	/R	1	
(12)	993 341 018 02	Wishbone	/R	1	
13	993 341 083 00	Air guide	/L	1	
13	993 341 084 00	Air guide	/R	1	
14	900 074 020 09	Hexagon-head bolt M 6 X 55		4	
15	900 151 006 09	Washer A 6,4		8	
16	964 341 015 00	Plate		2	
17	993 341 465 00	Knurled screw		2	
18	964 341 455 02	Caster eccentric		2	
(18)	993 341 455 00	Caster eccentric		2	
19	999 084 624 09	Lock nut M 10		2	
19	999 084 624 0J	Lock nut M 10		2	
19A	999 084 621 09	Lock nut M 12		2	
19A	999 084 621 01	Hexagon nut M 12 X 1,5		2	
20	999 025 212 09	Washer		4	
20	999 025 212 01	Washer		4	
21	900 082 039 09	Hexagon-head bolt M 12 X 1,5 X 100		2	

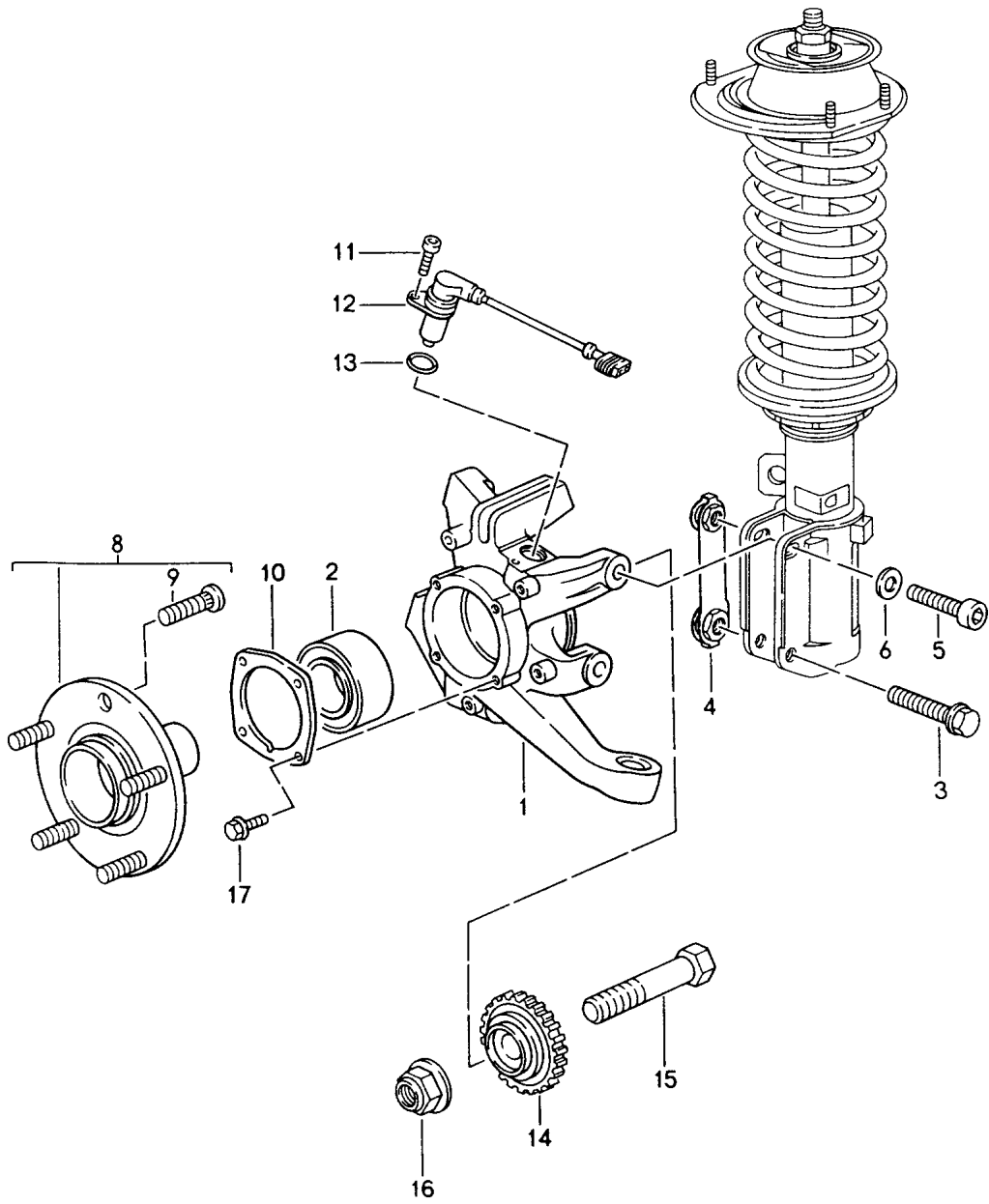
Model: 911 94

Model life 1994>>1998

Pos	Part Number	Description	Remark	Qty	Model
21	900 082 137 09	Hexagon-head bolt M 12 X 1,5 X 100		2	
21	900 082 137 01	Hexagon-head bolt M 12 X 1,5 X 100		2	
22	900 082 118 09	Hexagon-head bolt M 12 X 1,5 X 125		2	
22	900 082 118 01	Hexagon-head bolt M 12 X 1,5 X 125		2	
23	900 028 014 02	Washer		X	
23	900 028 014 03	Washer		X	
24	999 084 445 09	Lock nut VM 12 X 1,5		4	
24	999 084 445 01	Lock nut VM 12 X 1,5		4	
25	900 910 010 09	Lock nut M 6		4	
26	999 084 449 09	Lock nut M 12 X 1,5		2	

Model: 911 94

Model life 1994>>1998



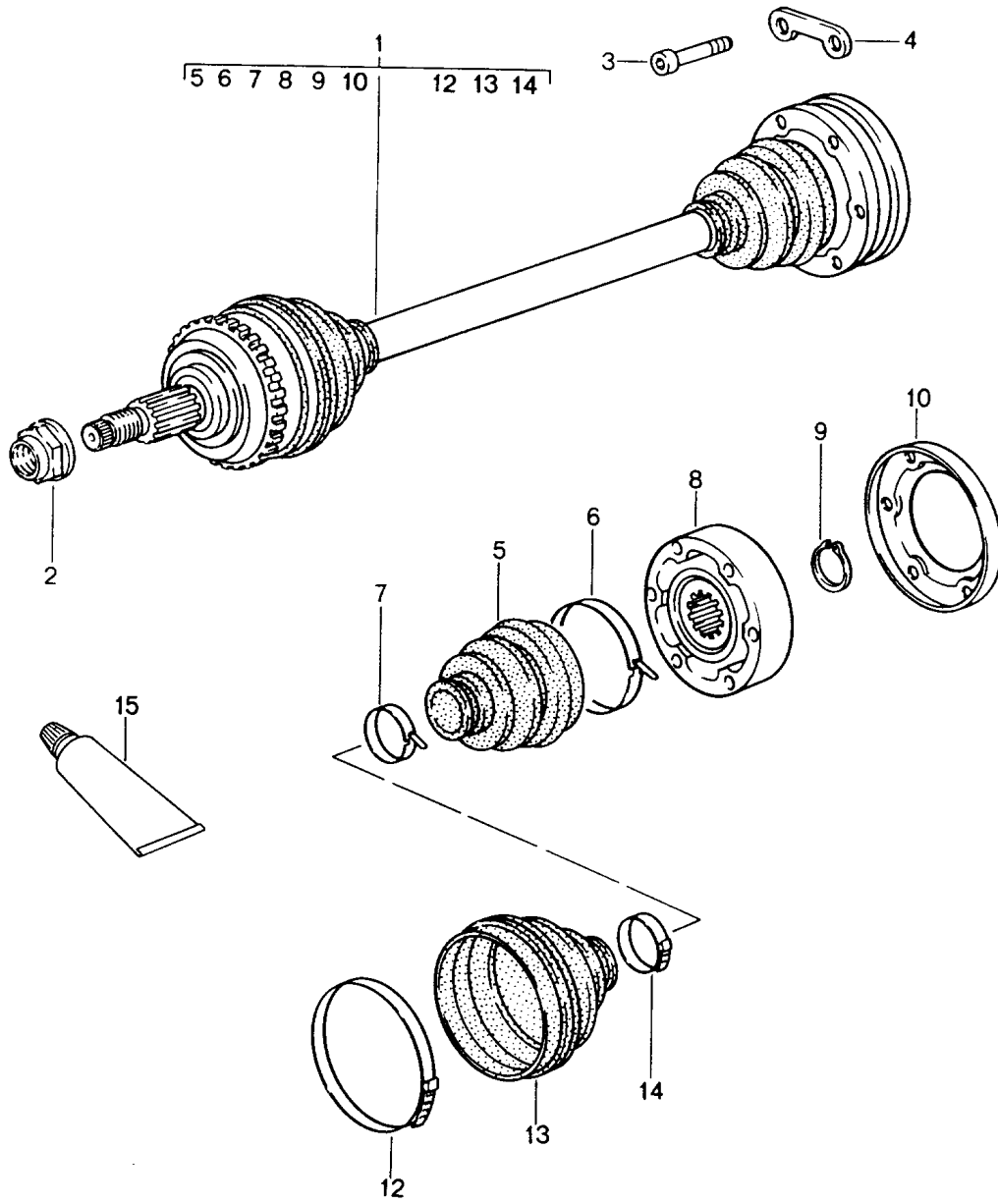
Model: 911 94

Model life 1994>>1998

Pos	Part Number	Description	Remark	Qty	Model
		Wheel carrier			
		Wheel hub			
1	993 341 157 02	Wheel carrier	/L 94	1	
(1)	993 341 157 03	Wheel carrier	/L 95-	1	
(1)	993 341 158 02	Wheel carrier	/R 94	1	
(1)	993 341 158 03	Wheel carrier	/R 95-	1	
2	999 053 041 03	Angular-contact bearing		2	
3	999 072 006 01	Hexagon-head bolt M 14 X 1,5 X 55		2	
4	993 343 156 00	Captive nut M 12 / 14		2	
5	999 067 039 09	Pan-head screw M 12 X 1,5 X 50		2	
6	999 025 212 09	Washer 12,5 X 24 X 3		4	
6	999 025 212 01	Washer 12,5 X 24 X 3		4	
8	964 341 065 12	Front wheel hub See technical information 2/94	94	2	
8	964 341 065 04	Front wheel hub See technical information 2/94	94	2	
8	993 341 065 01	Front wheel hub	95-	2	
9	904 341 671 00	Wheel bolt	94	10	
9	993 331 671 02	Wheel bolt	94-	10	
9	928 341 671 02	Wheel bolt	95-	10	
10	964 341 661 01	Lid		2	
11	900 067 117 09	Pan-head screw M 6 X 16		2	
12	993 606 404 00	Speed sensor	-95	2	
12	993 606 405 00	Speed sensor	96-	2	
13	900 174 032 40	O-ring		2	
14	993 341 155 00	Shake-proof washer See technical information 2/94	94	2	
14	993 341 155 01	Shake-proof washer See technical information 2/94	94	2	
14		Shake-proof washer	95-	2	
15	900 082 123 09	Hexagon-head bolt M 22 X 1,5 X 100		2	
15	900 082 123 01	Hexagon-head bolt M 22 X 1,5 X 100		2	
16	999 084 634 02	Lock nut M 22 X 1,5		2	
17	999 217 042 09	Hexagon-head bolt M 8 X 35		4	

Model: 911 94

Model life 1994>>1998

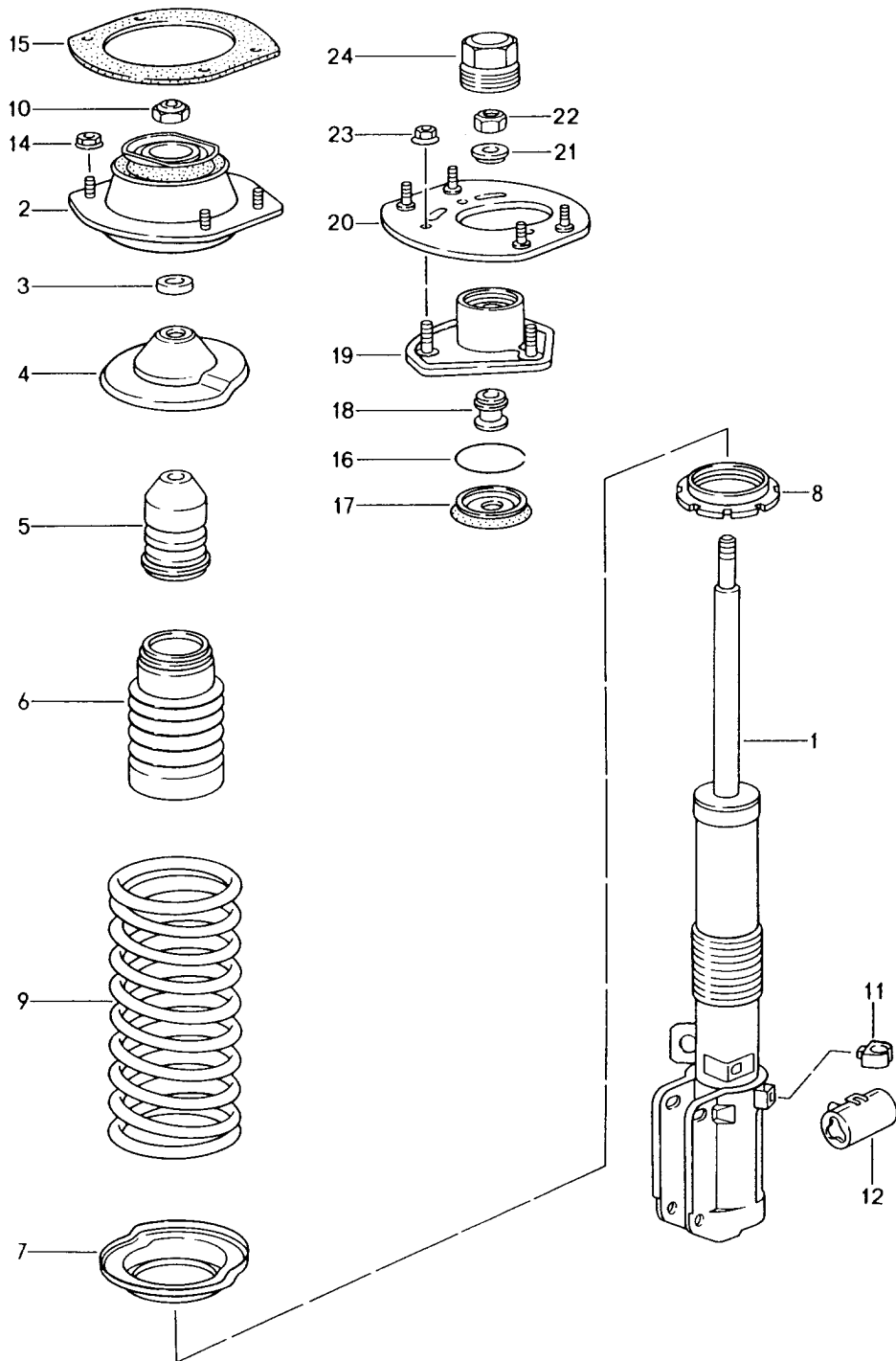


Model: 911 94 Model life 1994>>1998

Pos	Part Number	Description	Remark	Qty	Model
1	993 349 038 02	Drive shaft Drive shaft See technical information GR.4 NR.3/95		2	M339
1	993 349 038 03	Drive shaft See technical information GR.4 NR.3/95	96-	2	
2	999 090 008 02	Lock nut M 22 X 1,5		2	
3	900 067 211 09	Pan-head screw M 8 X 50		12	
4	993 349 191 00	Plate		6	
5	928 332 293 02	Dust bellows		2	
6	911 332 257 00	Clip		2	
7	928 332 257 01	Clip		2	
8	964 349 030 00	Joint		2	
9	N 012 425 1	Circlip		2	
9	900 041 013 01	Circlip		2	
10	964 349 267 01	Lid See technical information GR.4 3/95		2	
10	993 349 267 00	Lid See technical information GR.4 3/95	96-	2	
12	993 349 620 00	Clip		2	
13	964 349 291 00	Dust bellows		2	
14	928 332 257 01	Clip		2	
15	000 043 110 00	Grease for drive shaft 1 100-gramme tube		X	
(15)	000 043 203 47	Adhesive 1 100-gramme tube		X	

Model: 911 94

Model life 1994>>1998



Model: 911 94 Model life 1994>>1998

Pos	Part Number	Description	Remark	Qty	Model
1	993 343 041 03	suspension Shock absorber strut See technical information NR.5/94 Shock absorber strut - boge - F 99SS3 20073>>99SS3 20281 See illustrations 4/02/01 New design	/L -95	1	COUPE
(1)	993 343 041 06	Shock absorber strut - boge - F 99SS3 20073>>99SS3 20281 See illustrations 4/02/01 New design	/L -95	1	COUPE
(1)	993 343 042 03	Shock absorber strut - boge - F 99SS3 20073>>99SS3 20281 See illustrations 4/02/01 New design	/R -95	1	COUPE
(1)	993 343 042 06	Shock absorber strut - boge - F 99SS3 20073>>99SS3 20281 See illustrations 4/02/01 New design	/R -95	1	COUPE
(1)	993 343 041 01	Shock absorber strut - boge - F 99SS320203 F 99SS320225 F 99SS320270 F 99SS3 20282>>99SS3 20418 See illustrations 4/02/01 New design	/L -95	1	COUPE
(1)	993 343 041 06	Shock absorber strut - boge - F 99SS320203 F 99SS320225 F 99SS320270 F 99SS3 20282>>99SS3 20418 See illustrations 4/02/01 New design	/L -95	1	COUPE
(1)	993 343 042 01	Shock absorber strut - boge - F 99SS320203 F 99SS320225 F 99SS320270 F 99SS3 20282>>99SS3 20418 See illustrations 4/02/01 New design	/R -95	1	COUPE
(1)	993 343 042 06	Shock absorber strut - boge - F 99SS320203 F 99SS320225 F 99SS320270 F 99SS3 20282>>99SS3 20418 See illustrations 4/02/01 New design	/R -95	1	COUPE

Model: 911 94 Model life 1994>>1998

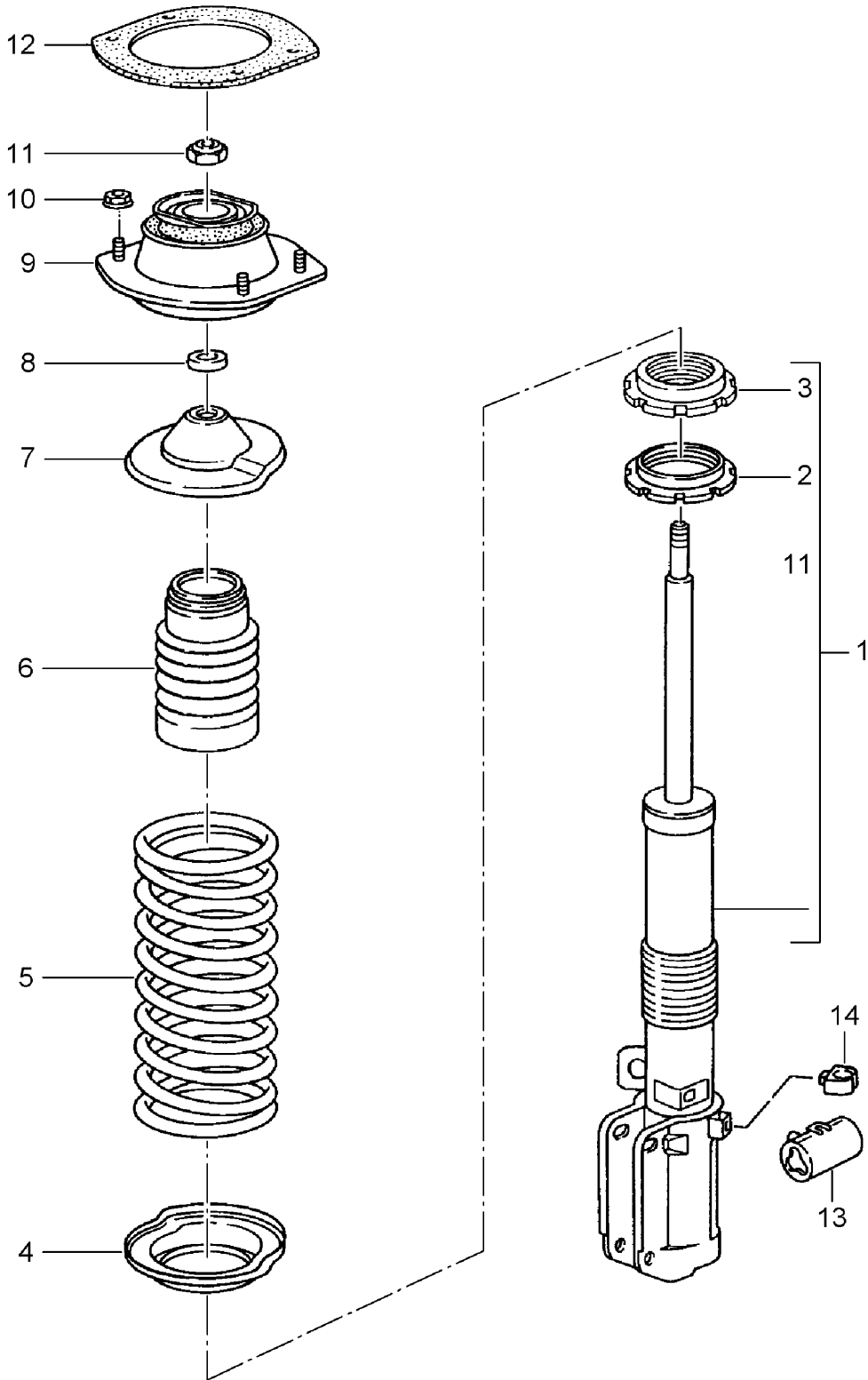
Pos	Part Number	Description	Remark	Qty	Model
(1)	993 343 041 06	New design Shock absorber strut - boge - F 99SS320419 F 99SS320456 F 99SS3 20478>> See illustrations 4/02/01	/L -95	1	COUPE
(1)	993 343 042 06	New design Shock absorber strut - boge - F 99SS320419 F 99SS320456 F 99SS3 20478>> See illustrations 4/02/01	/R -95	1	COUPE
(1)	993 343 041 04	New design Shock absorber strut - boge - See illustrations 4/02/01	/L /L	1 1	COUPE M030 TURBO
1	993 343 041 35	New design Shock absorber strut - MONROE - See illustrations 4/02/01	/L /L /L	1 1 1	COUPE M030 TURBO M030/491
(1)	993 343 042 04	New design Shock absorber strut - boge -	/R /R	1 1	COUPE M030 TURBO
1	993 343 042 35	New design Shock absorber strut - MONROE - See illustrations 4/02/01	/R /R /R	1 1 1	COUPE M030 TURBO M030/491
(1)	993 343 041 06	New design Shock absorber strut - boge - See illustrations 4/02/01	/L	1	CABRIO
(1)	993 343 042 06	New design Shock absorber strut - boge - See illustrations 4/02/01	/R	1	CABRIO
(1)	993 343 041 37	New design Shock absorber strut - MONROE - See illustrations 4/02/01	/L	1	CABRIO COUPE
(1)	993 343 042 37	New design Shock absorber strut - MONROE -	/R	1	CABRIO COUPE

Model: 911 94 Model life 1994>>1998

Pos	Part Number	Description	Remark	Qty	Model
1	993 343 041 37	See illustrations 4/02/01 New design Shock absorber strut	/L /L	1 1	COUPE M491 CABRIO
1	993 343 042 37	- MONROE - See illustrations 4/02/01 New design Shock absorber strut	/R /R	1 1	COUPE M491 CABRIO
2	993 343 018 00	Supporting mount		2	
3	964 343 514 00	Spacer sleeve		2	
3	964 343 514 01	Spacer sleeve		2	
4	964 343 507 00	Concave washer		2	
5	964 343 301 00	Rubber stop		2	
6	993 343 505 00	Bellows		2	
7	964 343 503 00	Concave washer		2	
7	964 343 503 01	Concave washer		2	
8	964 343 502 00	Adjusting nut		2	
(9)	964 343 531 11	Coil spring 1 set		1	
	964 343 531 11 504	Identification Green			
9	964 343 531 13	Coil spring 1 set		1 1	CARRERA RS
	964 343 531 13 504	Identification Green			
(9)	964 343 531 12	Coil spring 1 set		1 1	M030 TURBO
	964 343 531 12 504	Identification Orange			
(9)	964 343 531 14	Coil spring 1 set		1 1	M030 TURBO
	964 343 531 14 504	Identification Orange			
10	900 910 125 09	Lock nut M 14 X 1,5		2	
10	999 084 441 09	Lock nut VM 14 X 1,5		2	
11	928 612 409 00	Clip		2	
12	928 612 531 00	Push-on connector	/L	1	
12	928 612 531 01	Push-on connector	/R	1	
14	900 380 005 09	Hexagon nut M 8		8	
15	993 341 511 00	Gasket		2	
15	993 341 511 01	Gasket		2	

Model: 911 94

Model life 1994>>1998



Model: 911 94 Model life 1994>>1998

Pos	Part Number	Description	Remark	Qty	Model
		suspension Shock absorber strut New design See technical information Group 4 NR. 145/15 NR. 7/16 Modification Accessories Attention			993 993 Turbo
1	993 343 041 40	Shock absorber strut New design Only by sets When required order also: 993.343.042.40	/L	1	
(1)	993 343 042 40	Shock absorber strut New design Only by sets When required order also: 993.343.041.40	/R /R	1	
(1)	993 343 041 39	Shock absorber strut	/L /L /L	1 1 1	M030 TURBO M030/491
(1)	993 343 042 39	Front axle New design Only by sets 993.343.042.39 Shock absorber strut	/R /R /R /R	1 1 1 1	M030 TURBO M030/491
(1)	993 343 041 39	Front axle New design Only by sets 993.343.041.39 Shock absorber strut	/L /L	1	M033 M033/491
-	965 343 531 02	Coil spring 1 set	/R /V	2 1	
	965 343 531 02 504	Identification Orange Green			
-	993 333 531 11	Coil spring 1 set	/H	1	
	993 333 531 11 504	Identification Brown			
-	993 333 531 20	Coil spring 1 set	/H	1	
	993 333 531 20 504	Identification Brown			
(1)	993 343 042 39	Shock absorber strut Front axle New design Only by sets 993.343.041.39 Only together with	/R /L	1	M033 M033/491

Model: 911 94 Model life 1994>>1998

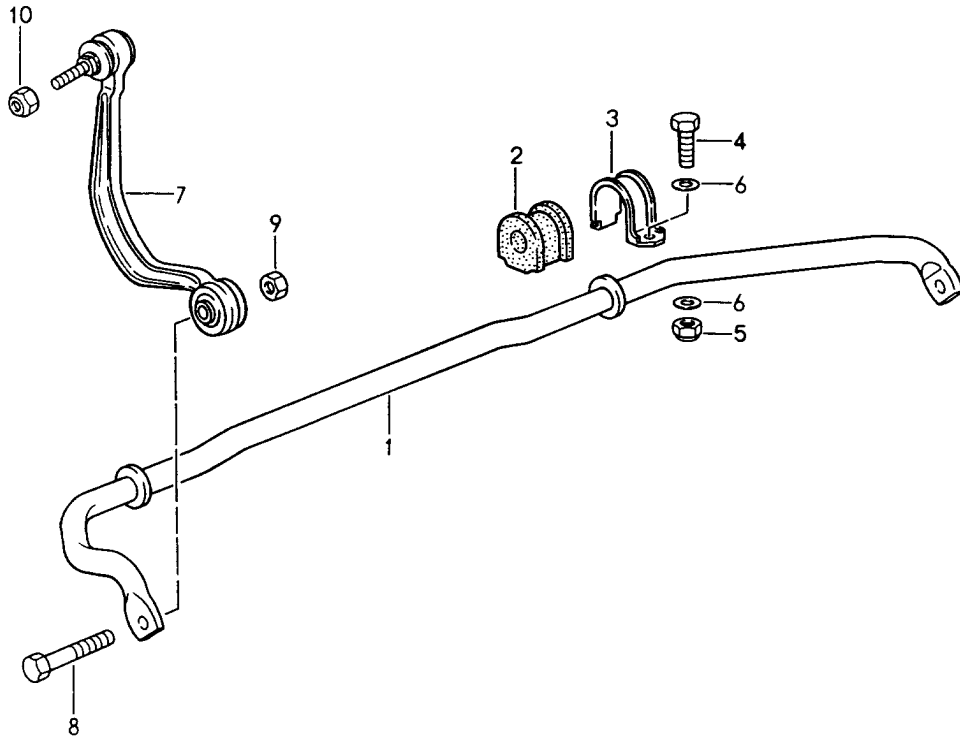
Pos	Part Number	Description	Remark	Qty	Model
		Rear axle New design 993.333.052.39	/R /L	2	
-	965 343 531 02	Coil spring 1 set	/V	1	
	965 343 531 02 504	Identification Orange Green			
-	993 333 531 11	Coil spring 1 set	/H	1	
	993 333 531 11 504	Identification Brown			
-	993 333 531 20	Coil spring 1 set	/H	1	
	993 333 531 20 504	Identification Brown			
(1)	993 343 041 39	Shock absorber strut	/L /L /L /L	1 1 1 1	M030 M491 Turbo M030/491
		Front axle New design Only by sets 993.343.042.39	/R		
(1)	993 343 042 39	Shock absorber strut	/R /R /R /R	1 1 1 1	M030 M491 Turbo M030/491
		Front axle New design Only by sets 993.343.041.39	/L		
(1)	993 343 041 40	Shock absorber strut	/L /L /L	1	COUPE CABRIO M491
		New design Only by sets When required order also: 993.343.042.40	/R		
(1)	993 343 042 40	Shock absorber strut	/R /R /R	1	COUPE CABRIO M491
		New design Only by sets When required order also: 993.343.041.40	/L		
(1)	993 343 041 39	Shock absorber strut	/L /L /L	1 1 1	COUPE M030 TURBO M030/491
		New design Only by sets When required order also: 993.343.042.39	/R		
(1)	993 343 042 39	Shock absorber strut	/R /R /R /R	1 1 1 1	COUPE M030 TURBO M030/491
		New design Only by sets When required order also: 993.343.041.39	/L		

Model: 911 94 Model life 1994>>1998

Pos	Part Number	Description	Remark	Qty	Model
2	964 343 502 03	Lock nut Lower Black		2	
3	964 343 503 02	Adjusting nut Upper Black		2	
4	964 343 503 01	Concave washer Lower		2	
5	964 343 531 13	Coil spring 1 set		1	COUPE
	964 343 531 13 504	Identification Green		1	CABRIO
	964 343 531 13 504	Identification Green		1	TARGA
(5)	964 343 531 14	Coil spring 1 set		1	M030
	964 343 531 14 504	Identification Orange		1	TURBO
	964 343 531 14 504	Identification Orange		1	M030/491
6	993 343 505 01	Use also: Bellows Protective tube		2	
7	964 343 507 00	Concave washer		2	
8	964 343 514 01	Spacer sleeve		2	
9	993 343 018 00	Supporting mount		2	
10	900 380 005 09	Hexagon nut M 8		8	
11	999 084 441 09	Lock nut M14 X 1,5		2	
12	993 341 511 01	Gasket		2	
13	928 612 531 00	Push-on connector	/L	1	
(13)	928 612 531 01	Push-on connector	/R	1	
14	928 612 409 00	Clip		2	

Model: 911 94

Model life 1994>>1998

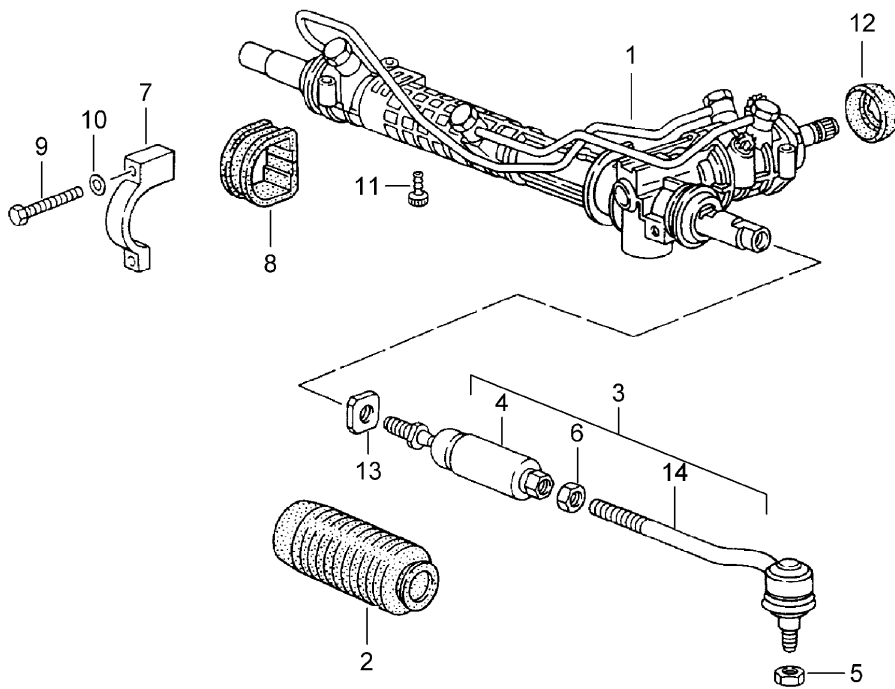


Model: 911 94 Model life 1994>>1998

Pos	Part Number	Description	Remark	Qty	Model
1	993 343 707 00	Stabiliser See technical information NR.5/94 Stabiliser 21 MM F >>99SS3 20477		2	COUPE
1	993 343 707 04	Stabiliser 20 MM		2	COUPE
1		Stabiliser 20 MM		2	CABRIO
1	993 343 707 01	Stabiliser 22 MM		2	COUPE M030
2	964 343 792 21	Stabiliser mounting 21 MM F >>99SS3 20477		2	COUPE
2	964 343 792 20	Stabiliser mounting 20 MM		2	COUPE
2		Stabiliser mounting 20 MM		2	CABRIO
2	964 343 792 22	Stabiliser mounting 22 MM		2	COUPE M030
2		Stabiliser mounting 22 MM		2	TURBO
3	964 343 777 80	Clip		2	
4	900 075 029 09	Hexagon-head bolt M 8 X 25		4	
4	900 075 029 03	Hexagon-head bolt M 8 X 25		4	
5	900 910 022 09	Lock nut M 8		4	
5	900 910 022 03	Lock nut M 8		4	
6	999 025 125 09	Washer A 8,4		4	
6	999 025 125 01	Washer A 8,4		4	
(7)	993 343 071 00	Stabiliser mounting	/L	1	
(7)	993 343 071 01	Stabiliser mounting	/L	1	
(7)	993 343 069 00	Stabiliser mounting	/L	1	M030
			/L	1	TURBO
			/L	1	M339
(7)	993 343 072 00	Stabiliser mounting	/R	1	
(7)	993 343 072 01	Stabiliser mounting	/R	1	
7	993 343 070 00	Stabiliser mounting	/R	1	M030
			/R	1	TURBO
			/R	1	M339
8	N 010 455 6	Hexagon-head bolt M 10 X 55		2	M030
		Lock nut M 10		2	TURBO
		Lock nut M 10		2	M339
9	900 910 031 09	Lock nut M 10		2	
9	900 910 031 01	Lock nut M 10		2	
10	900 910 031 09	Lock nut M 10		2	
10	900 910 031 01	Lock nut M 10		2	
-	900 089 002 09	Washer 10		2	

Model: 911 94

Model life 1994>>1998

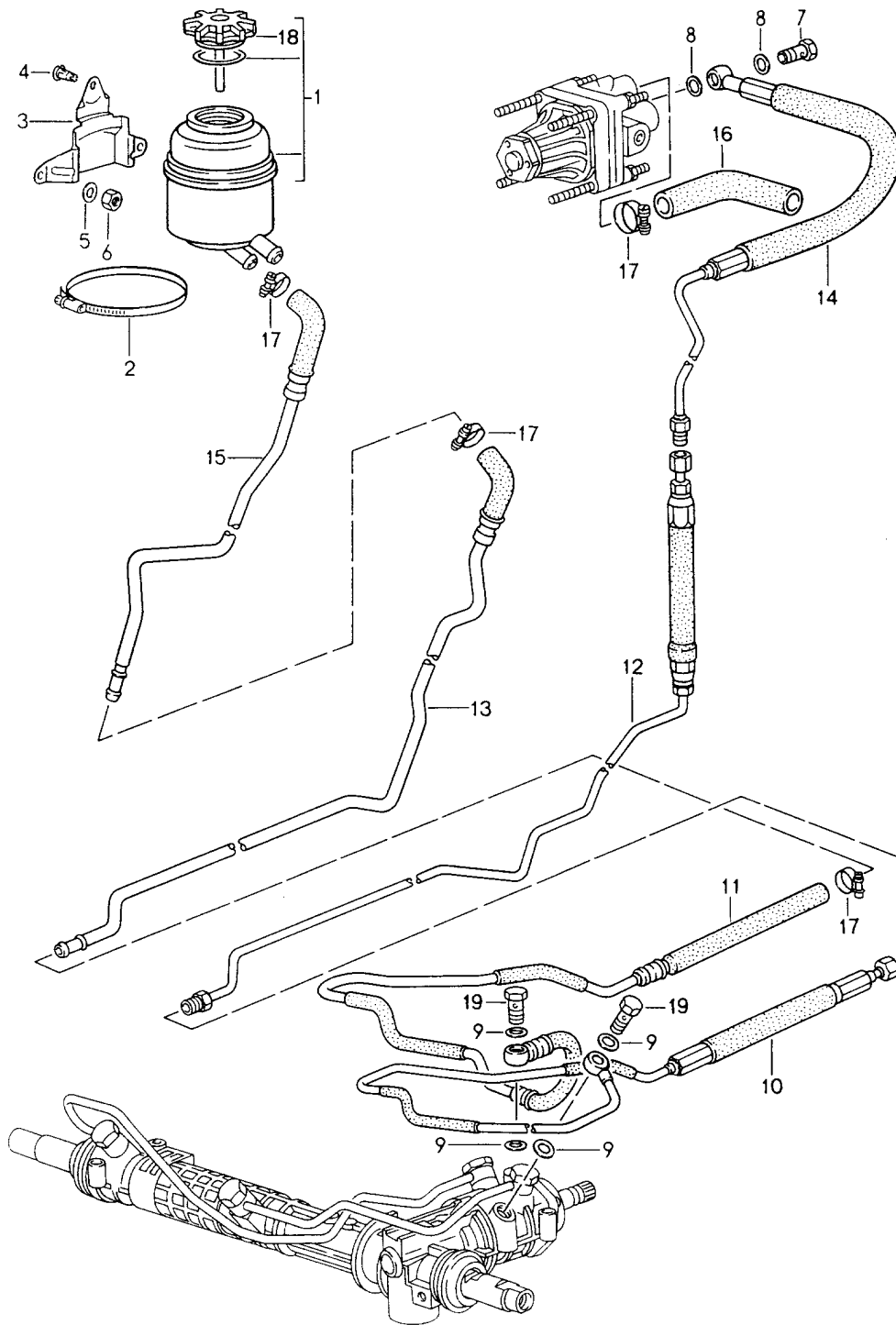


Model: 911 94 Model life 1994>>1998

Pos	Part Number	Description	Remark	Qty	Model
1	993 347 011 00	Steering gear Steering parts Steering gear Power steering Use also: POS.7,8,9,10		1	
1	993 347 011 X	Steering gear Power steering Use also: POS.7,8,9,10		1	
-	993 347 131 02	Transverse strut Power steering	96-	1	TURBO
-	993 347 131 03	Transverse strut Power steering	96-	1	TURBO
2	171 419 831 C	Bellows		2	
2	PCG 419 831 C	Bellows		2	
3	993 347 031 03	Tie rod		2	
4	993 347 131 01	Ball joint		2	
(5)	999 084 449 09	Lock nut M 12 X 1,5		2	
6	900 034 024 07	Hexagon nut M 14 X 1,5		2	
6	900 034 024 01	Hexagon nut M 14 X 1,5		2	
7	964 347 223 08	Clip		2	
7	964 347 223 10	Clip		2	
8	964 347 137 07	Rubber insert		2	
9	999 218 102 09	Pan-head screw M 8 X 60	-95	4	
9	999 218 102 01	Pan-head screw M 8 X 60		4	
9	999 218 102 09	Pan-head screw M 8 X 60		2	TURBO
9	999 218 102 01	Pan-head screw M 8 X 60		2	TURBO
9	999 218 103 09	Pan-head screw M 8 X 80		2	TURBO
9	999 218 103 0J	Pan-head screw M 8 X 80		2	TURBO
9	999 218 102 09	Pan-head screw M 8 X 60	96-	2	
9	999 218 102 01	Pan-head screw M 8 X 60	96-	2	
9	999 218 103 09	Pan-head screw M 8 X 80	96-	2	
9	999 218 103 0J	Pan-head screw M 8 X 80	96-	2	
10	900 031 001 02	Washer		4	
10	900 031 105 01	Washer		4	
11	477 419 115	Stopper		1	
12	964 347 333 02	Rubber seal		1	
12	964 347 333 03	Rubber seal		1	
13	993 347 325 01	Stop washer		2	
14	993 347 322 02	Ball joint for Track rod 993.347.031.03		2	
14	993 347 031 03	Ball joint for Track rod 993.347.031.03		2	

Model: 911 94

Model life 1994>>1998

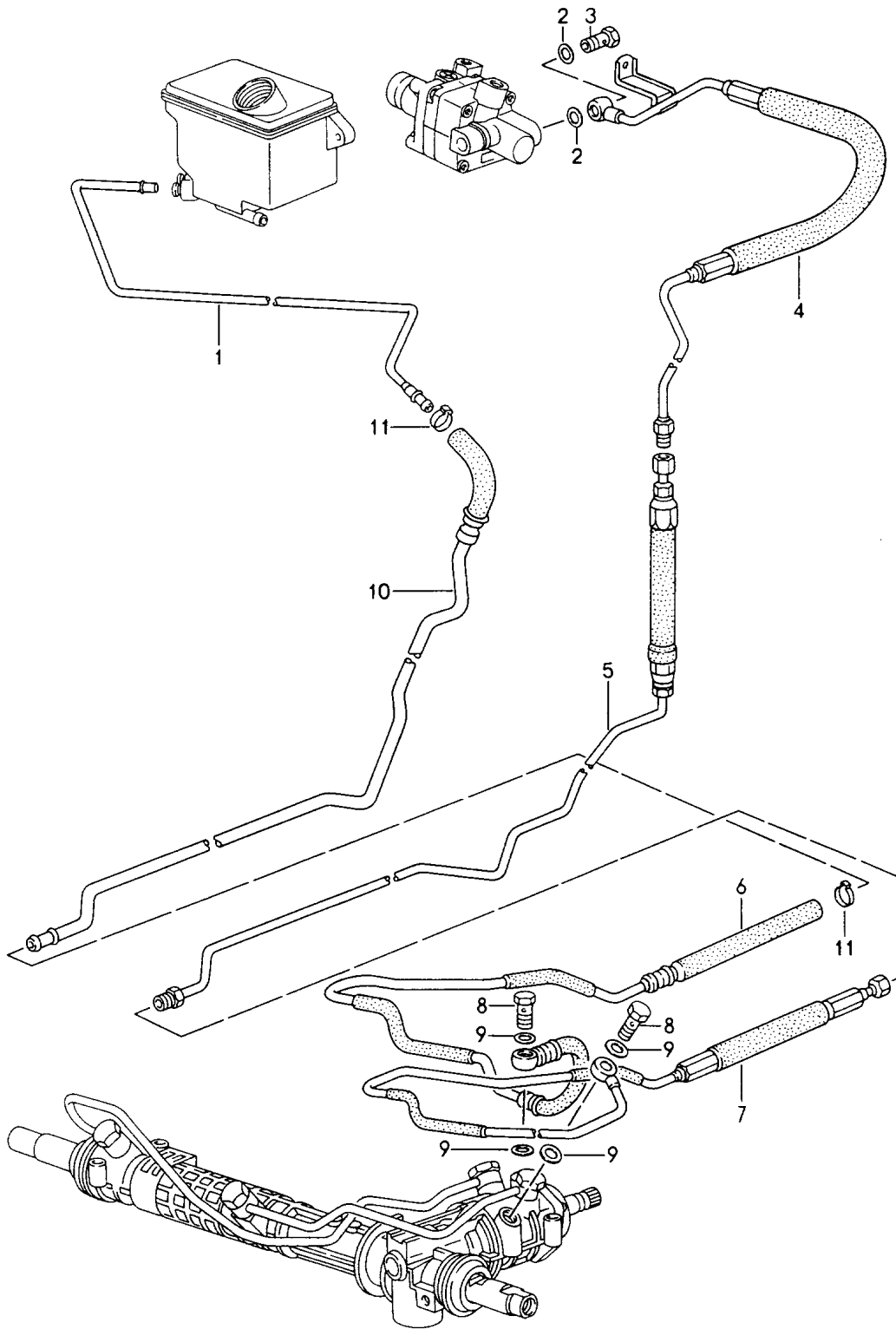


Model: 911 94 Model life 1994>>1998

Pos	Part Number	Description	Remark	Qty	Model
		Power steering Lines			
1	993 347 015 01	Oil tank		1	
2	999 512 350 02	Hose clamp		1	
3	993 314 210 26	Support		1	
4	999 702 179 40	Grommet		1	
6	999 045 004 40	Hexagon nut M 6		2	
7	999 230 395 02	Banjo bolt		3	
8	999 701 135 50	O-ring 15 X 2,5		2	
9	900 123 026 20	Sealing ring D 12X16		4	
10	993 347 448 11	Pressure line	/LL	1	
(10)	993 347 448 25	Pressure line F >>99SS3 21801	/LL 95-	1	M339
(10)	993 347 448 11	Pressure line Use also: 993.504.127.00 F >>99SS3 21801	/LL 95-	1	M339
(10)		Pressure line F 99SS3 21802>>	/LL 95-	1	M339
11	993 347 449 01	Return line	/LL	1	
12	993 347 446 00	Pressure line	/LL	1	
13	993 347 450 03	Return line	/LL	1	
14	993 347 447 26	Pressure line		1	
15	993 347 451 27	Return line		1	
16	993 314 253 26	Moulded hose		1	
16	993 314 253 27	Moulded hose		1	
17	999 512 346 00	Hose clamp		4	
18	928 347 925 00	Lid		1	
19	900 175 020 02	Banjo bolt M 12X24		2	
19	900 175 020 01	Banjo bolt M 12X24		2	
-	993 347 558 01	Clip Triple		X	
-	993 347 557 00	Rubber mounting Triple		X	
-	993 347 473 00	Support Return line		1	
-	944 347 467 00	Pressure line Cable clip		2	

Model: 911 94

Model life 1994>>1998



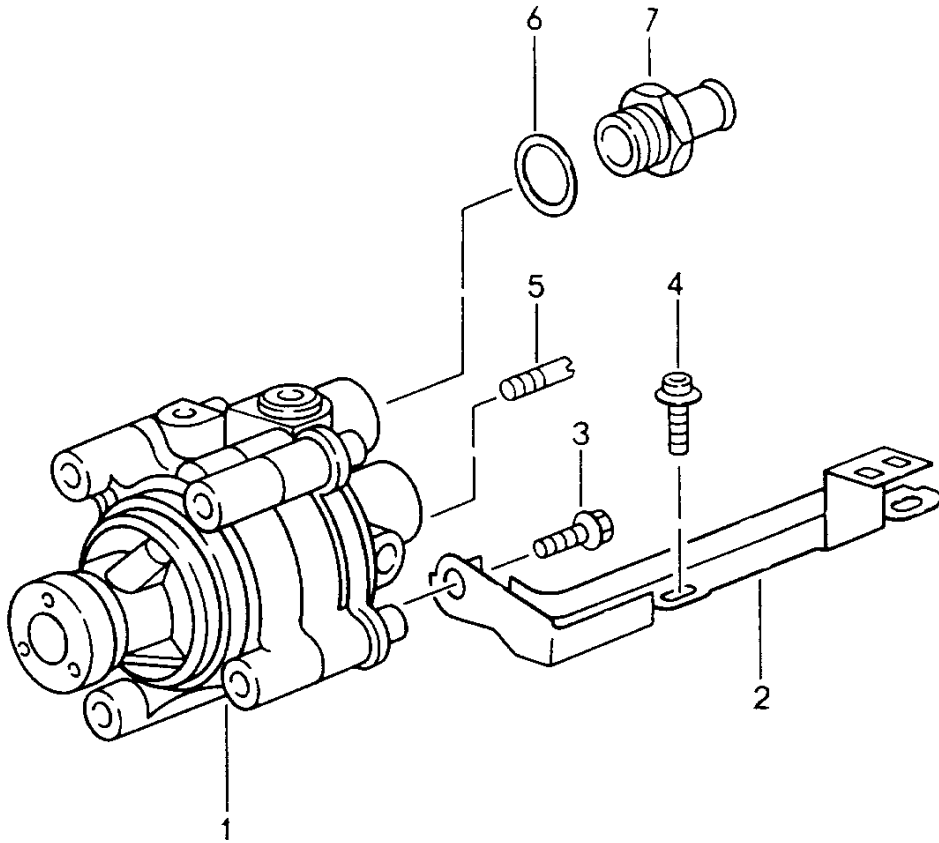
Model: 911 94

Model life 1994>>1998

Pos	Part Number	Description	Remark	Qty	Model
		Power steering Lines			TURBO
1	993 347 246 00	Return line		1	
2	900 123 007 30	Sealing ring A 14 X 18		2	
3	N 021 074 1	Banjo bolt		1	
3	N 021 074 7	Banjo bolt		1	
4	993 347 437 01	Pressure line		1	
5	993 347 446 00	Pressure line	/LL	1	
6	993 347 449 01	Return line	/LL	1	
7	993 347 448 11	Pressure line	/LL	1	
8	900 175 020 02	Banjo bolt M 12 X 24		2	
8	900 175 020 01	Banjo bolt M 12 X 24		2	
9	900 123 026 20	Sealing ring D 12 X 16		4	
10	993 347 450 03	Return line	/LL	1	
11	999 512 463 00	Hose clamp		1	

Model: 911 94

Model life 1994>>1998



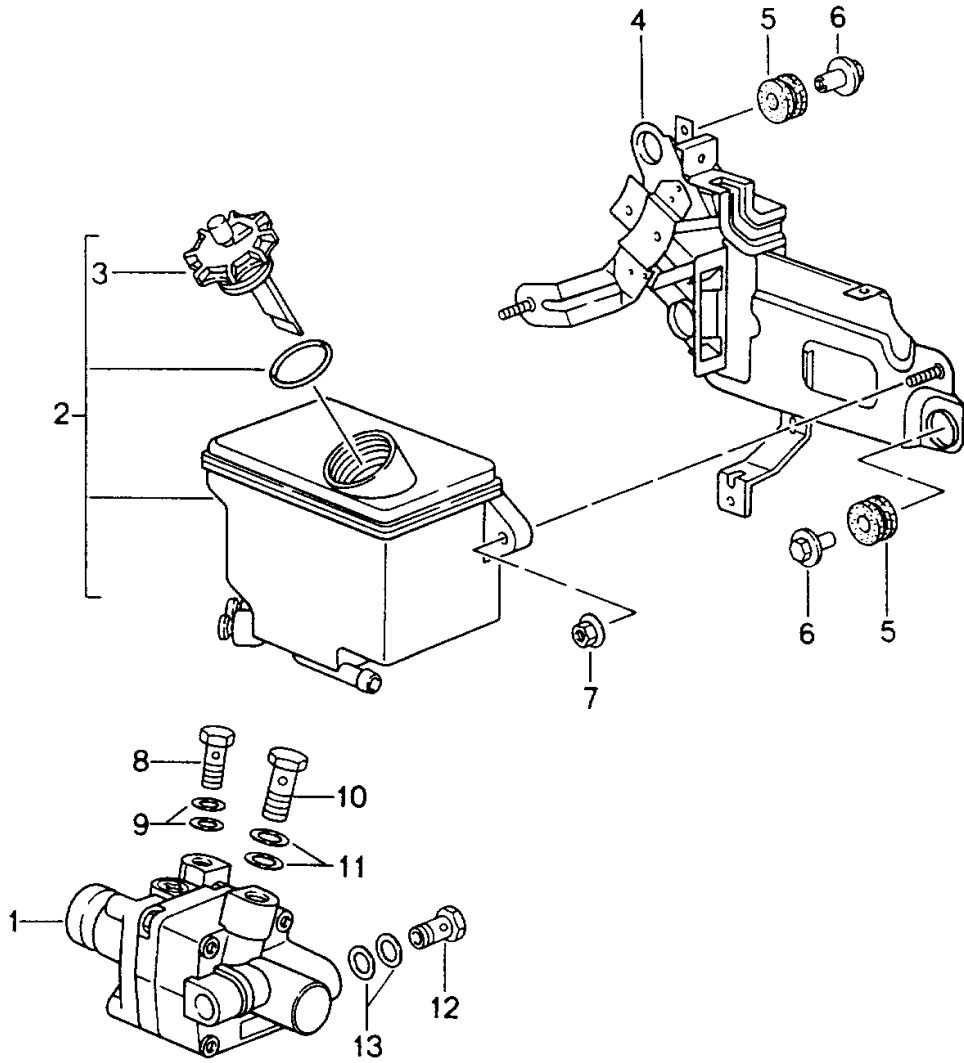
Model: 911 94

Model life 1994>>1998

Pos	Part Number	Description	Remark	Qty	Model
		Power steering			
		Power-steering pump			
1	993 314 050 27	Power-steering pump		1	
2	993 147 189 00	Fastening angle		1	
3	900 075 366 02	Combination screw		1	
		M 8 X 16			
4	900 075 221 02	Pan-head screw		2	
		M 6 X 18			
-	930 126 135 01	Washer		2	
5	900 382 002 02	Screw		1	
		M 8 X 20			
6	900 123 140 30	Sealing ring		1	
		A 18 X 22			
7	993 314 157 26	Union		1	

Model: 911 94

Model life 1994>>1998



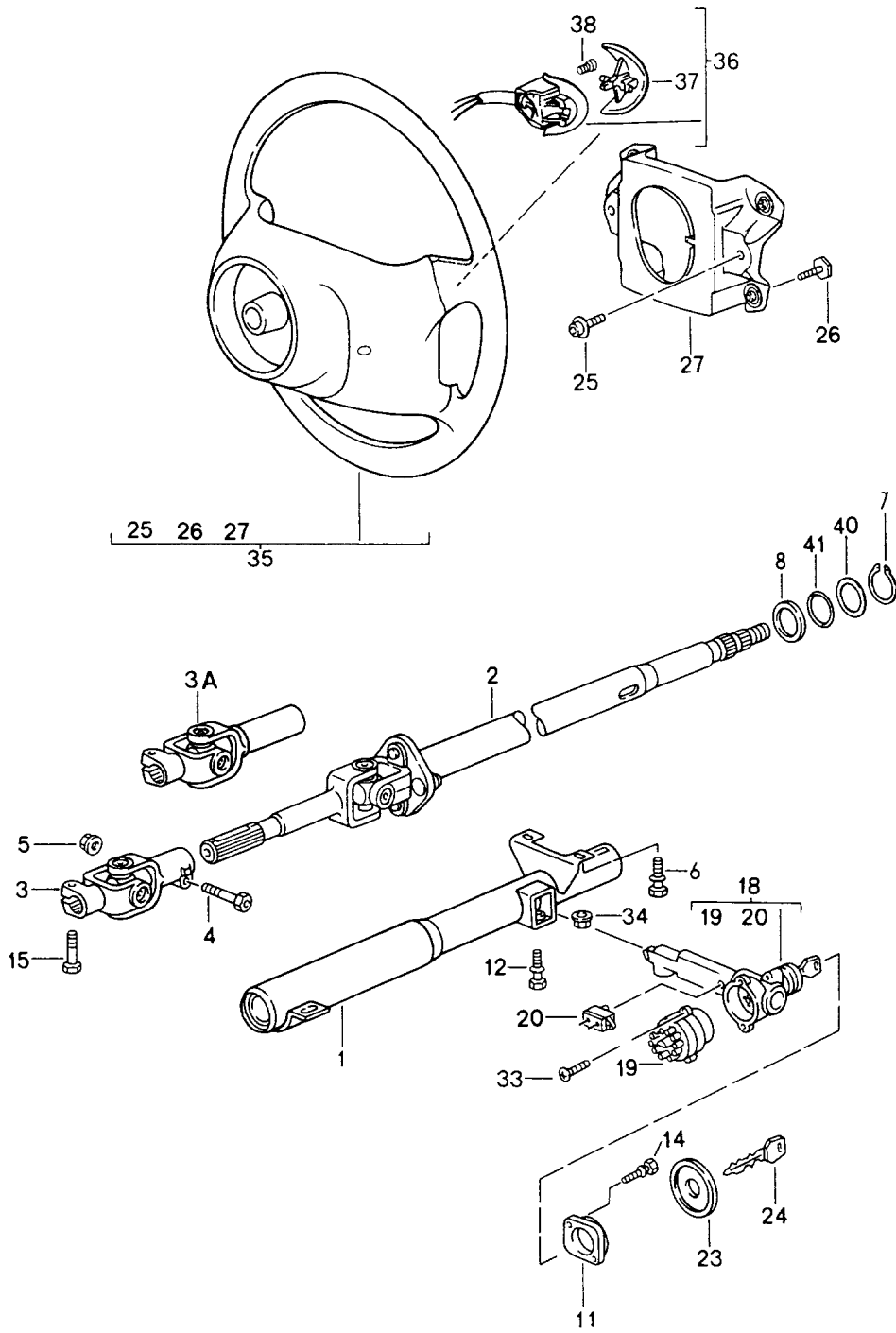
Model: 911 94

Model life 1994>>1998

Pos	Part Number	Description	Remark	Qty	Model
		Power steering Power-steering pump Container			TURBO
1	993 314 050 10	Power-steering pump Clutch		1	
-	993 147 191 50	Steering Support Mount		1	
-	900 075 345 02	Support Combination screw		1	
-	900 075 345 01	m 6 x 35 Combination screw		1	
-	900 075 343 02	m 6 x 35 Hexagon-head bolt		1	
-	900 067 332 02	m 6 x 45 Hexagon socket head bolt		2	
2	993 314 020 30	m 6 x 45 Container		1	
3	993 314 145 00	Lid		1	
4	993 314 110 02	Support		1	
5	964 356 635 00	Rubber mounting		3	
6	999 045 004 40	Hexagon nut		3	
7	900 380 003 02	Hexagon nut M 6		1	
8	900 175 020 02	Banjo bolt		1	
8	900 175 020 01	Banjo bolt		1	
9	900 123 116 30	Sealing ring A 12 X 15,5		2	
10	900 175 005 02	Banjo bolt		1	
11	900 123 131 30	Sealing ring A 16 X 20		2	
12	N 021 074 1	Banjo bolt		1	
12	N 021 074 7	Banjo bolt		1	
13	900 123 007 30	Sealing ring A 14 X 18		2	

Model: 911 94

Model life 1994>>1998



Model: 911 94

Model life 1994>>1998

Pos	Part Number	Description	Remark	Qty	Model
1	993 347 013 50	Steering outer tube Steering shaft Steering wheels Steering outer tube	/LL	1	
2	993 347 059 50	Airbag Steering shaft Airbag	/LL	1	
3A	964 347 206 50	Universal joint	/LL	1	
3A	964 347 206 51	Universal joint	/LL	1	
6	901 347 753 00	Shear bolt		2	
7	999 042 039 01	Snap ring		1	
8	999 234 022 01	Shim 1 MM		1	
10	900 031 011 02	Washer		2	
11	911 347 359 01	Tab washer		1	
12	999 219 024 02	Shear bolt M 8 X 13,5	/LL	1	
14	999 219 017 02	Shear bolt M 6 X 25		2	
15	999 311 004 02	Fit bolt M 8 X 26		1	
18	964 347 917 01	Steering lock W/o stipulated lock number		1	
18	964 347 917 00	State lock number Steering lock with stipulated lock number State lock number		1 1	
19	964 613 012 00	Ignition starter switch		1	
20	911 613 125 00	Buzzer contact		1	
23	911 613 160 01	Rosette		1	
	911 613 160 01 70B	Black for Ignition starter lock			
24	911 538 902 00	Replacement key State lock number Information available		1	
25	999 073 088 09	Combination screw M 6X16	-94	2	
25		Combination screw M 6 X 16 See technical information GR.6 NR.5/96	95-	2	
25		Combination screw M 6 X 16 See technical information GR.6 NR.5/96	96	2	
25	999 073 134 02	Pan-head screw M 6 X 9,1 See technical information GR.6 NR.5/96	96-	2	
26	999 073 089 02	Hexagon-head bolt M 5 X 20	-94	4	
26		Hexagon-head bolt M 5 X 20 See technical information GR.6 NR.5/96	95-	4	
26		Hexagon-head bolt M 5 X 20 See technical information GR.6 NR.5/96	96	4	
26	999 073 127 02	Hexagon-head bolt M 5 X 20 See technical information	96-	4	

Model: 911 94 Model life 1994>>1998

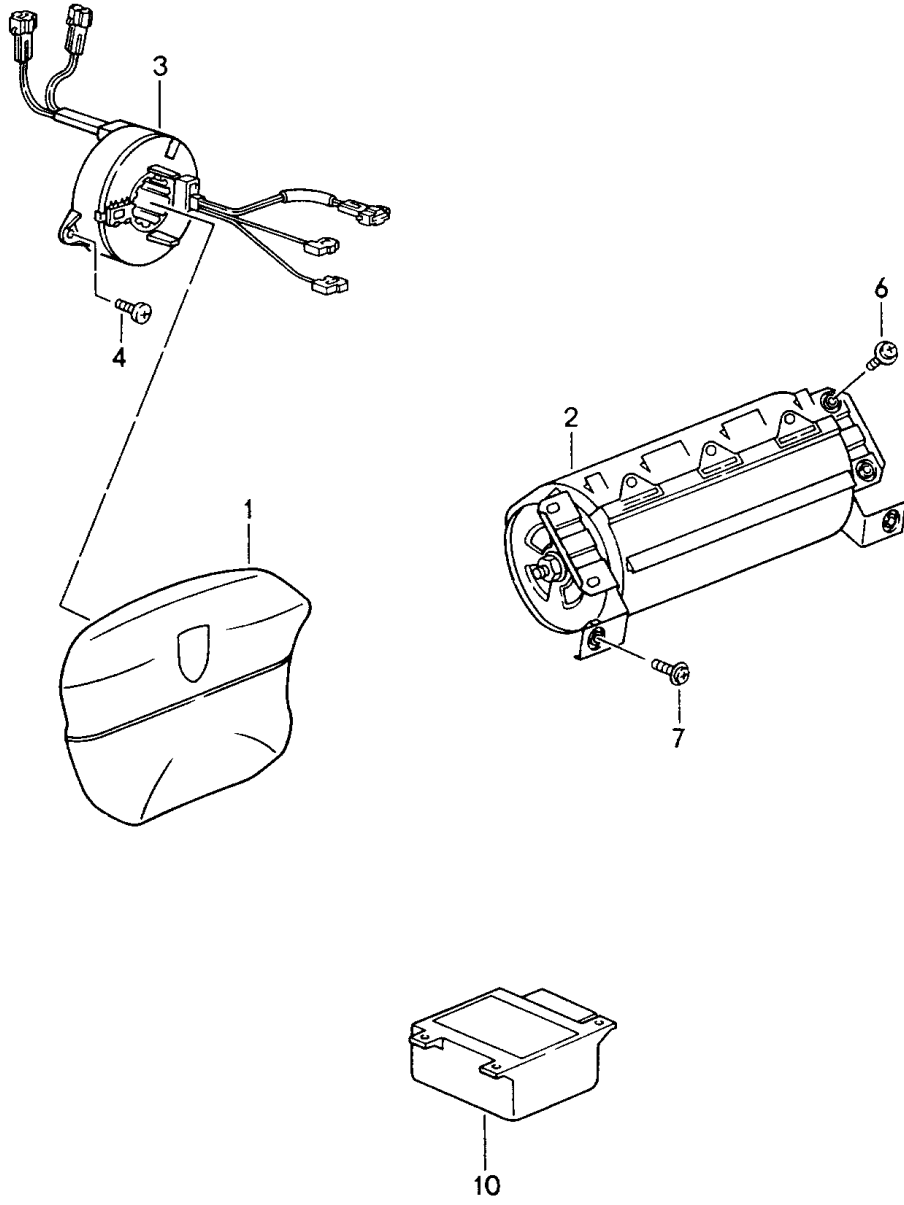
Pos	Part Number	Description	Remark	Qty	Model
27	993 347 088 00	GR.6 NR.5/96 Retaining frame	94	1	
27		Retaining frame See technical information	95	1	
27	993 347 088 01	GR.6 NR.7/96 Retaining frame	96	1	
27		See technical information GR.6 NR.7/96 Retaining frame	96-	1	
33	N 014 122 8	Oval-head screw		2	
33	N 014 122 17	Oval-head screw		2	
34	964 347 811 01	M4 X 8 Threaded bush for		1	
35	993 347 804 50	Steering outer tube Steering wheel	94	1	
		Airbag			
	993 347 804 50 8YR	Black			
	993 347 804 50 6XL	Classic grey			
	993 347 804 50 H24	Midnight blue			
	993 347 804 50 T15	Chestnut brown			
35	993 347 804 52	Steering wheel	94	1	
		Airbag			
	993 347 804 52 8YR	Black			
	993 347 804 52 6XL	Classic grey			
	993 347 804 52 H24	Midnight blue			
	993 347 804 52 T15	Chestnut brown			
35	993 347 804 53	Steering wheel	95-	1	
		Airbag			
		See technical information			
		GR.6 NR.5/96			
	993 347 804 53 A28	Black			
	993 347 804 53 6XL	Classic grey			
	993 347 804 53 H24	Midnight blue			
	993 347 804 53 T15	Chestnut brown			
35	993 347 804 53	Steering wheel	96	1	
		Airbag			
		See technical information			
		GR.6 NR.5/96			
	993 347 804 53 A28	Black			
	993 347 804 53 6XL	Classic grey			
	993 347 804 53 H24	Midnight blue			
	993 347 804 53 T15	Chestnut brown			
35	993 347 804 55	Steering wheel	96-	1	
		Airbag			
		See technical information			
		GR.6 NR.5/96			
	993 347 804 55 8YR	Black			
	993 347 804 55 6XL	Classic grey			
	993 347 804 55 H24	Midnight blue			
	993 347 804 55 T15	Chestnut brown			
35	993 347 804 56	Steering wheel	98	1	
		Airbag			
		See technical information			
		GR.6 NR.5/96			
	993 347 804 56 8YR	Black			
	993 347 804 56 6XL	Classic grey			
	993 347 804 56 H24	Midnight blue			
	993 347 804 56 T15	Chestnut brown			
(35)	993 347 804 60	Steering wheel	95	1	M249
		Airbag			

Model: 911 94 Model life 1994>>1998

Pos	Part Number	Description	Remark	Qty	Model
		See technical information GR.6 NR.5/96			
	993 347 804 60 8YR	Black			
	993 347 804 60 6XL	Classic grey			
	993 347 804 60 H24	Midnight blue			
	993 347 804 60 T15	Chestnut brown			
(35)	993 347 804 61	Steering wheel	96	1	M249
		Airbag			
		See technical information GR.6 NR.5/96			
	993 347 804 61 8YR	Black			
	993 347 804 61 6XL	Classic grey			
	993 347 804 61 H24	Midnight blue			
	993 347 804 61 T15	Chestnut brown			
(35)	993 347 804 63	Steering wheel	96-	1	M249
		Airbag			
		See technical information GR.6 NR.5/96			
	993 347 804 63 8YR	Black			
	993 347 804 63 6XL	Classic grey			
	993 347 804 63 H24	Midnight blue			
	993 347 804 63 T15	Chestnut brown			
(35)	993 347 804 64	Steering wheel	98	1	M249
		Airbag			
		See technical information GR.6 NR.5/96			
	993 347 804 64 8YR	Black			
	993 347 804 64 6XL	Classic grey			
	993 347 804 64 H24	Midnight blue			
	993 347 804 64 T15	Chestnut brown			
-	900 078 006 01	Hexagon nut M 16 X 1,5		1	
-	N 012 238 1	Washer B 16		1	
36	993 347 831 00	Switch without Lever	95-	1	M249
37	993 347 835 00	Lever	/L 95-	1	M249
	993 347 835 00 01C	Black			
(37)	993 347 836 00	Lever	/R 95-	1	M249
	993 347 836 00 01C	Black			
38	900 146 016 02	Oval-head screw M 3 X 6	95-	4	M249
-	900 078 006 01	Hexagon nut M 16 X 1,5		1	
-	900 028 020 01	Spring washer B 16		1	
40	999 234 023 01	Shim 28 X 22,4 X 2,8		1	
41	999 707 138 40	O-ring		1	

Model: 911 94

Model life 1994>>1998



Model: 911 94 Model life 1994>>1998

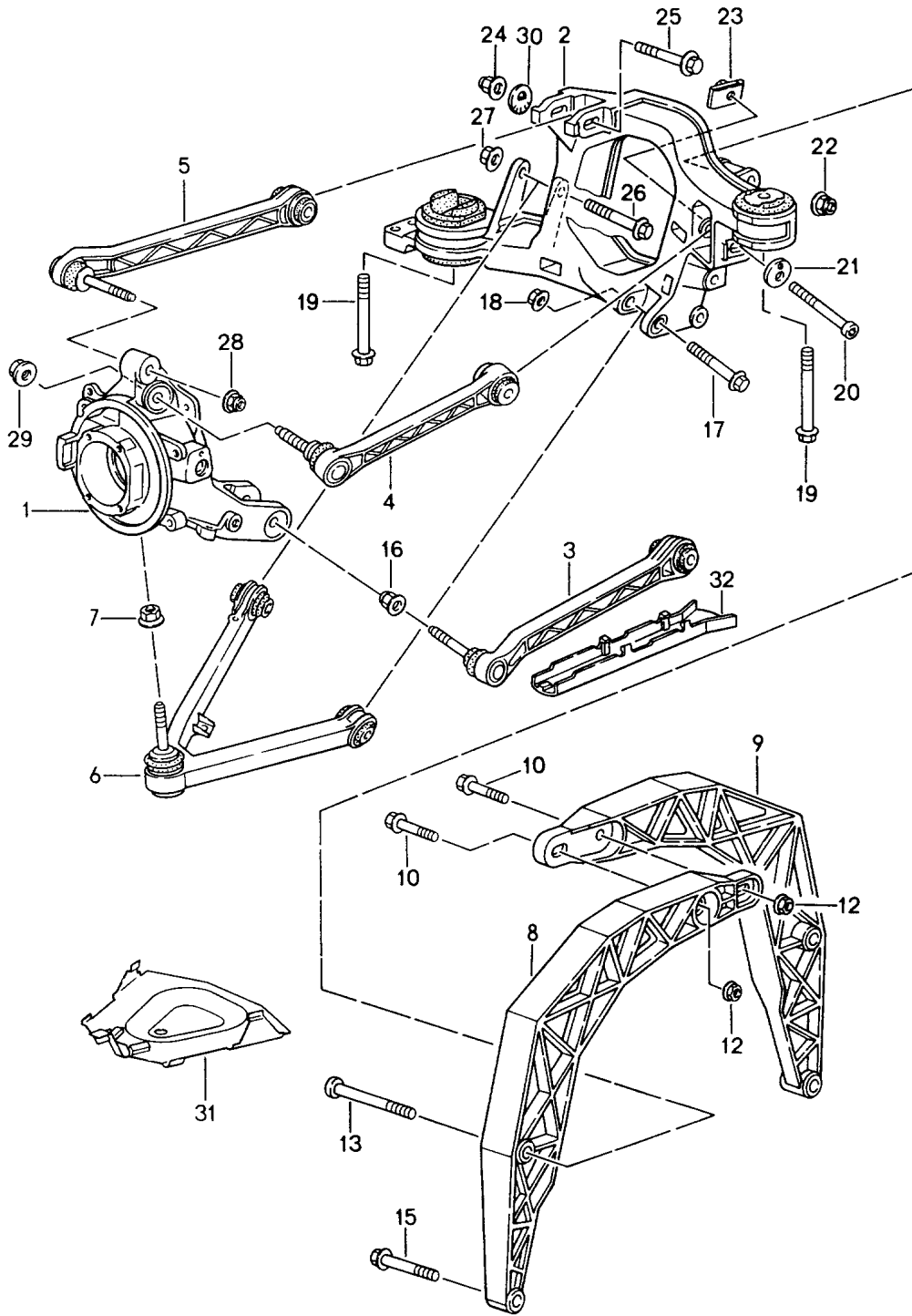
Pos	Part Number	Description	Remark	Qty	Model
1	993 347 089 00	Airbag See technical information GR.6 NR.5/96	94	1	
	993 347 089 00 8YR	Black			
	993 347 089 00 6XL	Classic grey			
	993 347 089 00 H24	Midnight blue			
	993 347 089 00 T15	Chestnut brown			
1	993 803 089 00	Airbag unit See technical information GR.6 NR.5/96	95-	1	
	993 803 089 00 8YR	Black			
	993 803 089 00 6XL	Classic grey			
	993 803 089 00 H24	Midnight blue			
	993 803 089 00 T15	Chestnut brown			
1	993 803 089 03	Airbag unit See technical information GR.6 NR.5/96	95-	1	
	993 803 089 03 8YR	Black			
1	993 803 089 00	Airbag unit See technical information GR.6 NR.5/96	96	1	
	993 803 089 00 8YR	Black			
	993 803 089 00 6XL	Classic grey			
	993 803 089 00 H24	Midnight blue			
	993 803 089 00 T15	Chestnut brown			
1	993 803 089 03	Airbag unit See technical information GR.6 NR.5/96	95-	1	
	993 803 089 03 8YR	Black			
1	993 803 089 01	Airbag unit See technical information GR.6 NR.5/96	96-	1	
	993 803 089 01 8YR	Black			
	993 803 089 01 6XL	Classic grey			
	993 803 089 01 H24	Midnight blue			
	993 803 089 01 T15	Chestnut brown			
1	996 803 089 03	Airbag unit See technical information GR.6 NR.5/96	96-	1	
	996 803 089 03 8YR	Black			
	996 803 089 03 6XL	Classic grey			
	996 803 089 03 H24	Midnight blue			
	996 803 089 03 T15	Chestnut brown			
1	996 803 089 10	Airbag unit See technical information GR.6 NR.5/96	96-	1	
	996 803 089 10 8YR	Black			
	996 803 089 10 6XL	Classic grey			
2	993 803 071 00	Airbag unit Passenger's side		1	
3	996 652 211 00	Support for contact		1	
3	996 652 211 01	Support for contact		1	
(3)	996 652 211 02	Support for contact		1	
(3)	996 652 213 00	Support for contact	95-	1	M249
(3)	996 652 213 01	Support for contact	95-	1	M249
(3)	996 652 213 02	Support for contact	95-	1	M249
4	900 146 024 07	Oval-head screw M 5 X 8		2	
6	900 146 003 02	Oval-head screw M 5 X 10		2	

Model: 911 94 Model life 1994>>1998

Pos	Part Number	Description	Remark	Qty	Model
7	900 146 153 02	Combination screw M 5 X 12		2	
-	900 028 007 07	Spring washer A 5		1	
10	993 618 217 00	Control mechanism		2	
10	996 618 217 01	Switch unit	-96	1	
10		Switch unit	97-	1	
-	944 618 401 00	Nut		3	

Model: 911 94

Model life 1994>>1998



Model: 911 94 Model life 1994>>1998

Pos	Part Number	Description	Remark	Qty	Model
		Rear axle			
1	993 331 155 00	Wheel carrier	/L 94	1	
1	993 331 155 01	Wheel carrier	/L 95-	1	
1	993 331 156 00	Wheel carrier	/R 94	1	
1	993 331 156 01	Wheel carrier	/R 95-	1	
-	993 612 551 00	Cable holder		2	
-	928 612 529 01	Cable clip		2	
		Anti-lock brake system			
-	999 591 924 40	Cable holder		2	
		Anti-lock brake system			
-	928 612 531 01	Push-on connector	/L	1	
-	928 612 531 00	Push-on connector	/R	1	
2	993 331 051 00	Side section	/L	1	
2	993 331 052 00	Side section	/R	1	
3	993 331 043 00	Wishbone		2	
4	993 331 045 02	Control arm	-95	2	
4	993 331 045 03	Wishbone	96-	2	
5	993 331 047 00	Wishbone	94	2	
5	993 331 047 03	Wishbone	95-	2	
5		Wishbone	96-	2	
6	993 331 041 01	Wishbone	/L -95	1	
6	993 331 041 02	Wishbone	/L 96-	1	
6	993 331 042 01	Wishbone	/R -95	1	
6	993 331 042 02	Wishbone	/R 96-	1	
7	900 380 009 09	Hexagon nut		2	
		VM 12 X 1,5			
8	993 331 131 04	Cross member		1	
8	993 331 131 05	Cross member		1	TURBO
8	993 331 131 06	Cross member	96-	1	
9	993 331 131 04	Cross member		1	
9	993 331 131 05	Cross member		1	TURBO
9	993 331 131 06	Cross member	96-	1	
10	900 378 021 09	Hexagon-head bolt		2	
		M 10 X 40			
10	900 378 021 01	Hexagon-head bolt		2	
		M 10 X 40			
12	900 380 008 09	Lock nut		2	
		VM 10			
13	900 378 052 09	Hexagon-head bolt		2	
		M 12 X 1,5 X 80			
15	900 378 049 09	Hexagon-head bolt		2	
		M 12 X 1,5 X 60			
16	999 084 449 09	Lock nut		2	
		VM 12 X 1,5			
17	900 378 052 09	Hexagon-head bolt		2	
		M 12 X 1,5 X 80			
18	999 084 445 09	Lock nut		2	
		VM 12 X 1,5			
18	999 084 445 01	Lock nut		2	
		VM 12 X 1,5			
19	999 072 003 09	Hexagon-head bolt		2	
		M 12 X 1,5 X 110			
20	900 067 323 09	Pan-head screw		2	
		M 12 X 1,5 X 90			
20	900 067 323 01	Pan-head screw		2	
		M 12 X 1,5 X 90			
21	993 331 219 01	Eccentric washer		2	
22	999 084 445 09	Lock nut		2	
		VM 12 X 1,5			
22	999 084 445 01	Lock nut		2	
		VM 12 X 1,5			
23	999 507 384 09	Captive nut		2	
		M 12 X 1,5			

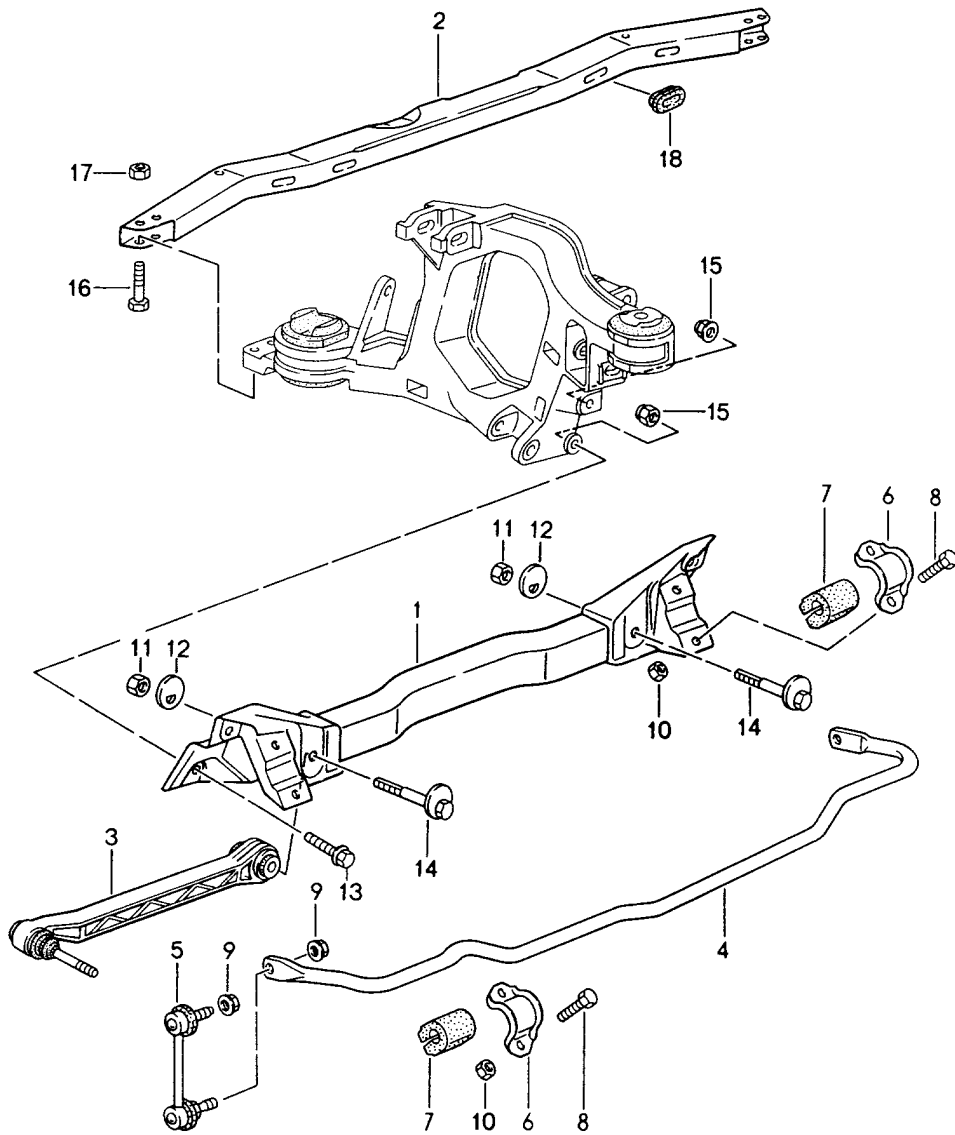
Model: 911 94

Model life 1994>>1998

Pos	Part Number	Description	Remark	Qty	Model
24	999 084 445 09	Lock nut VM 12 X 1,5		2	
24	999 084 445 01	Lock nut VM 12 X 1,5		2	
25	993 331 217 01	Eccentric screw		2	
25	996 331 217 02	Eccentric screw		2	
26	900 378 051 09	Hexagon-head bolt M 14 X 1,5 X 100		2	
27	900 380 012 09	Hexagon nut VM 14 X 1,5		2	
28	999 084 449 09	Lock nut VM 12 X 1,5		2	
29		Lock nut VM 12 X 1,5		2	
30	996 331 219 00	Eccentric washer		2	
31	993 331 313 03	Cover		2	
32	993 331 315 01	Cover		2	

Model: 911 94

Model life 1994>>1998



Model: 911 94 Model life 1994>>1998

Pos	Part Number	Description	Remark	Qty	Model
		Rear axle carrier Stabiliser See technical information NR.5/94			
1	993 331 261 01	Cross member	-95	1	
(1)	993 331 261 02	Cross member	96-	1	
2	993 331 171 02	Cross member		1	
2	993 331 171 03	Cross member		1	
3	993 331 043 00	Wishbone	-95	2	
3	993 331 043 01	Wishbone	96-	2	
4	993 333 701 01	Stabiliser 18 MM		1	COUPE
4	993 333 701 00	F >>99SS3 20477 Stabiliser 17 MM		1	COUPE CABRIO
4	993 333 701 03	Stabiliser 20 MM		1	M030
4	993 333 701 05	Stabiliser 20 MM		1	M030
4	993 333 701 02	Stabiliser 19 MM		1	TURBO
4	993 333 701 01	Stabiliser 18 MM		1	M030/491
5	993 333 073 01	Stabiliser mounting		2	M495
5	993 333 073 02	Stabiliser mounting		2	
5	993 333 073 03	Stabiliser mounting	95-	2	M030
5		Stabiliser mounting		2	TURBO
6	113 411 333	Retaining bar		2	
7	477 411 313 A	Stabiliser mounting		2	COUPE
7	477 411 313 B	16 MM Stabiliser mounting		2	CABRIO
7	477 411 313 N	18 MM Stabiliser mounting		2	M030/491
7	477 411 313 C	18 MM Stabiliser mounting		2	M495
7	964 333 792 00	20 MM Stabiliser mounting		2	M030
8	900 378 017 09	19 MM Hexagon-head bolt	94	4	TURBO
8	900 378 022 09	M 8 X 20 Hexagon-head bolt		4	
9	900 380 007 09	M 8 X 25 Hexagon nut	95-	4	
9	900 380 008 01	M 10 Hexagon nut	95-	4	
10	900 380 005 09	M 10 Hexagon nut		4	
11	999 084 445 09	M 8 Lock nut		2	
11	999 084 445 01	M 12 Lock nut		2	
12	993 331 219 00	M 12 Eccentric washer	-96	2	
12	996 331 219 00	Eccentric washer	97-	2	
13	900 378 061 09	Hexagon-head bolt		2	
13	900 378 061 01	M 12 X 1,5 X 50 Hexagon-head bolt		2	
		M 12 X 1,5 X 50			

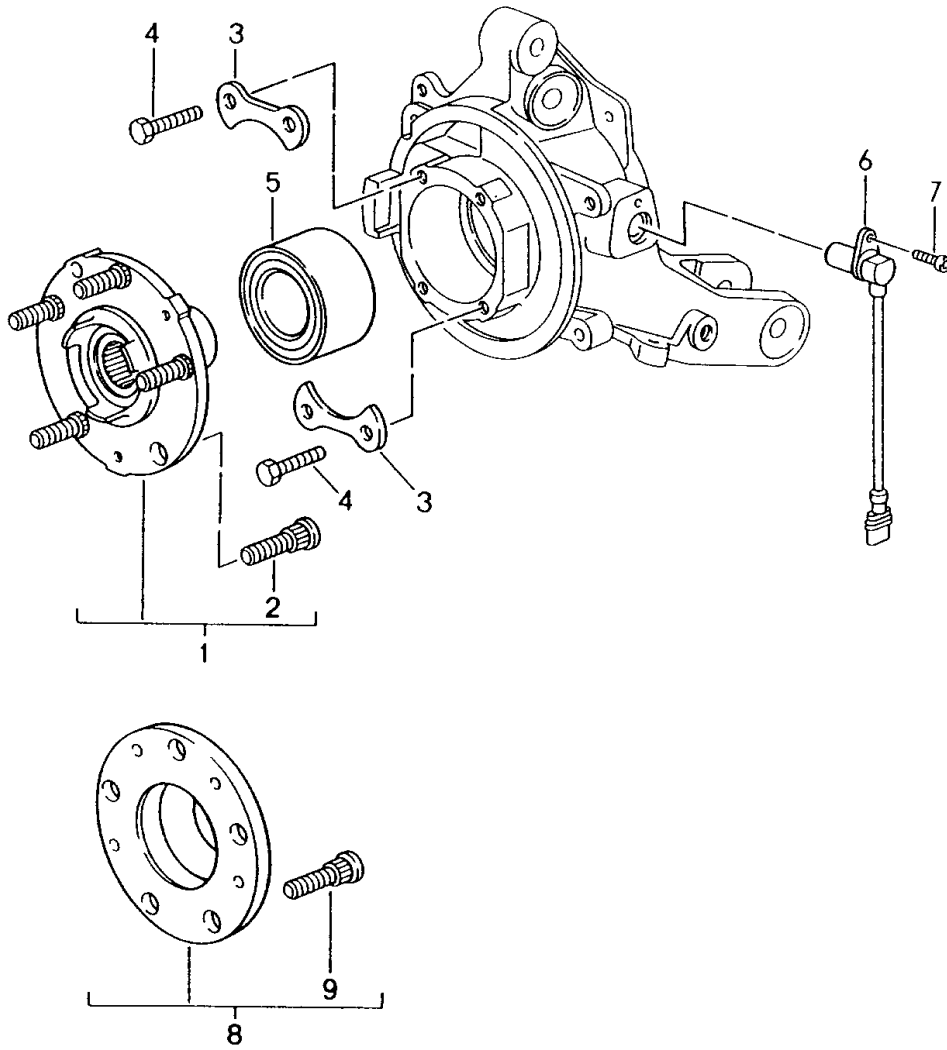
Model: 911 94

Model life 1994>>1998

Pos	Part Number	Description	Remark	Qty	Model
14	993 331 217 00	Eccentric screw		2	
14	993 331 217 01	Eccentric screw	-96	2	
14	996 331 217 02	Eccentric screw	97-	2	
15	999 084 445 09	Lock nut M 12		4	
15	999 084 445 01	Lock nut M 12		4	
16	900 378 021 09	Hexagon-head bolt M 10 X 40		4	
16	900 378 021 01	Hexagon-head bolt M 10 X 40		4	
17	900 380 008 09	Lock nut M 10		4	
18	993 331 310 00	Rubber sleeve		4	

Model: 911 94

Model life 1994>>1998



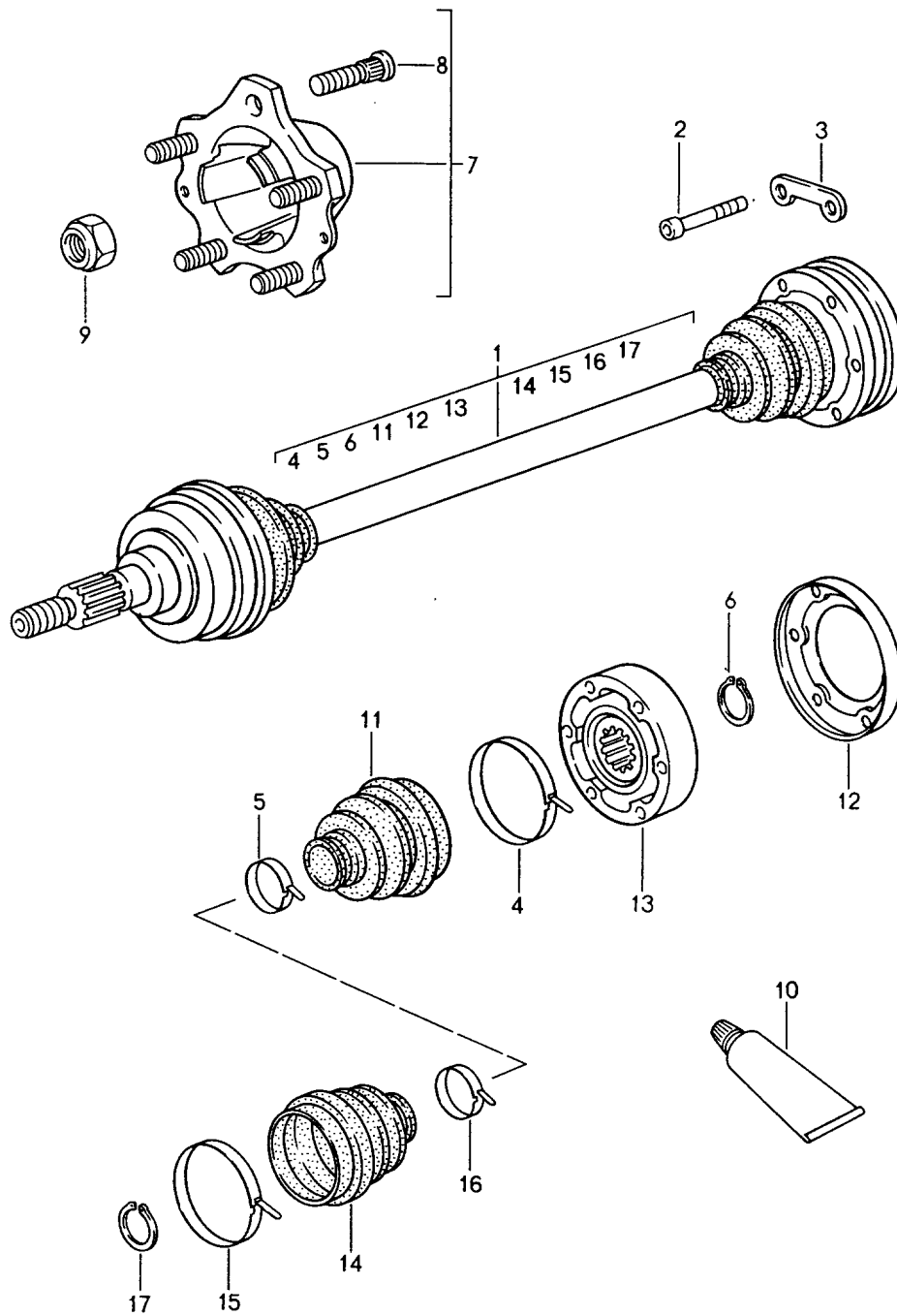
Model: 911 94

Model life 1994>>1998

Pos	Part Number	Description	Remark	Qty	Model
1	993 331 065 01	Wheel hub		2	
1	993 331 065 02	Wheel hub		2	
2	904 341 671 00	Wheel bolt		10	
2	993 331 671 02	Wheel bolt		10	
3	964 331 199 02	Retainer plate		4	
4	900 075 033 09	Hexagon-head bolt M 8 X 40		8	
(4)	900 075 414 09	Hexagon-head bolt M 8 X 40		8	
5	999 053 050 00	Angular-contact bearing		2	
5	999 053 055 02	Angular-contact bearing		2	
6	993 606 402 00	Speed sensor	-95	2	
6	993 606 405 00	Speed sensor	96-	2	
7	900 067 117 09	Pan-head screw M 6 X 16		2	
8	996 361 631 00	Spacer ring 31 MM	97-	2	M495
9	993 331 671 01	Wheel bolt	97-	10	M495

Model: 911 94

Model life 1994>>1998

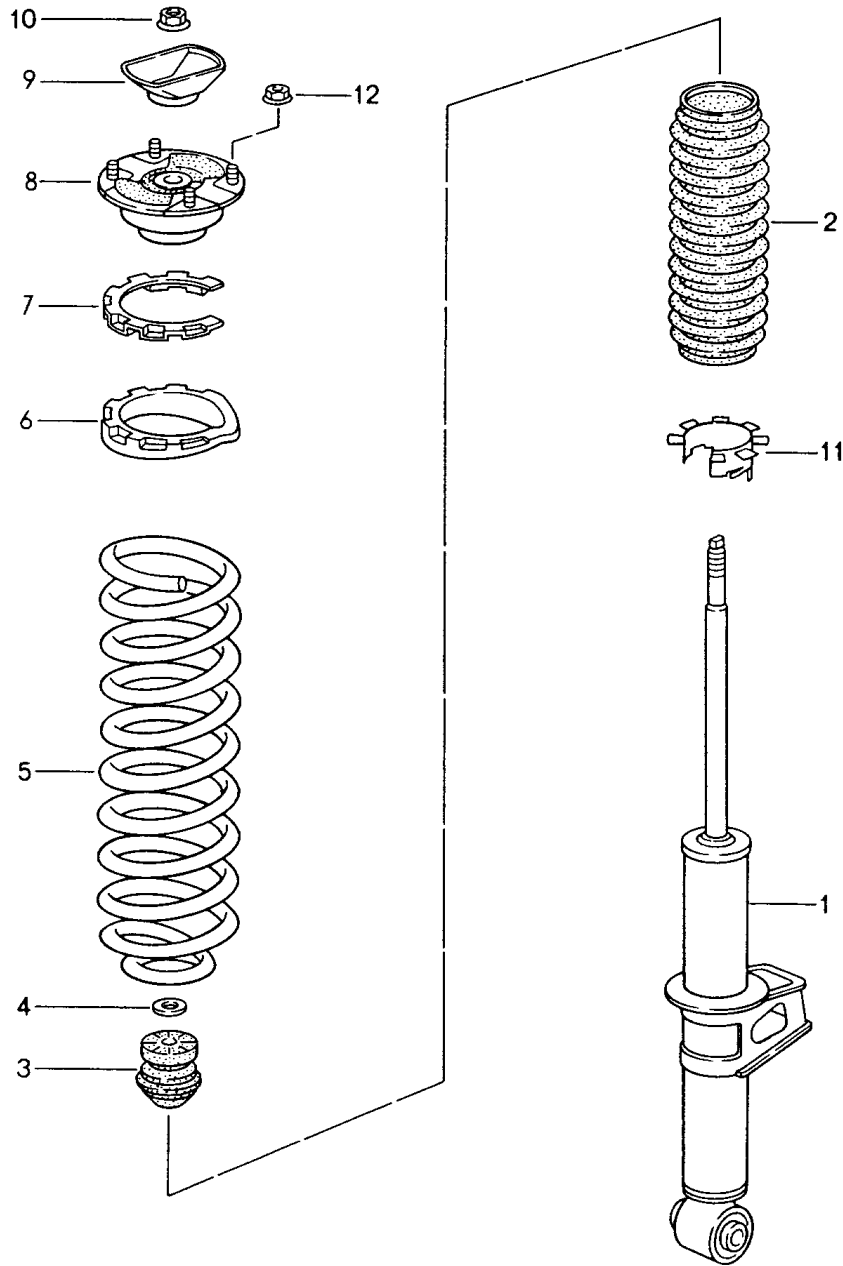


Model: 911 94 Model life 1994>>1998

Pos	Part Number	Description	Remark	Qty	Model
		Drive shaft			
		Rear-wheel hub			
1	993 332 024 00	Drive shaft	-96	2	
1	993 332 024 04	Drive shaft	97-	2	
1	993 332 024 01	Drive shaft	-96	2	M249
1	993 332 024 05	Drive shaft	97-	2	M249
1	993 332 024 10	Drive shaft	-96	2	TURBO
1	993 332 024 12	Drive shaft	97-	2	TURBO
1	993 332 024 13	Drive shaft	97-	2	TURBO
2	900 067 123 09	Pan-head screw M 10 X 50		12	
3	993 332 191 00	Plate		6	
4	911 332 257 00	Clip \$ 73 MM		4	
5	928 332 257 01	Clip \$ 34 MM		4	
6	900 041 014 00	Circlip		4	
-	911 332 259 01	Bellow support		2	
-	911 332 259 02	Bellow support		2	
7	993 331 065 01	Wheel hub		2	
7	993 331 065 02	Wheel hub		2	
8	904 341 671 00	Wheel bolt		10	
8	993 331 671 02	Wheel bolt		10	
9	999 084 634 02	Lock nut M 22 X 1,5		2	
(9)	999 090 010 09	Lock nut M 22 X 1,5		2	CARRERA RS
(9)	999 090 010 01	Lock nut M 22 X 1,5		2	CARRERA RS
(9)	999 076 046 09	Hexagon nut KONTERMUTTER M 22 X 1,5		2	CARRERA RS
10	000 043 110 01	Grease 1 100-gramme tube		X	
11	928 332 293 02	Dust bellows		2	
12	928 332 267 01	Lid		1	
11	997 332 267 00	Lid		2	
13	911 332 030 01	Joint		2	
13	928 332 030 08	Joint	-96	2	CARRERA RS
			-96	2	TURBO
13	993 332 030 00	Joint	97-	2	TURBO
14	928 332 293 02	Dust bellows		2	
15	911 332 257 00	Clip		2	
16	928 332 257 01	Clip		2	
17	900 041 014 00	Circlip		2	

Model: 911 94

Model life 1994>>1998



Model: 911 94 Model life 1994>>1998

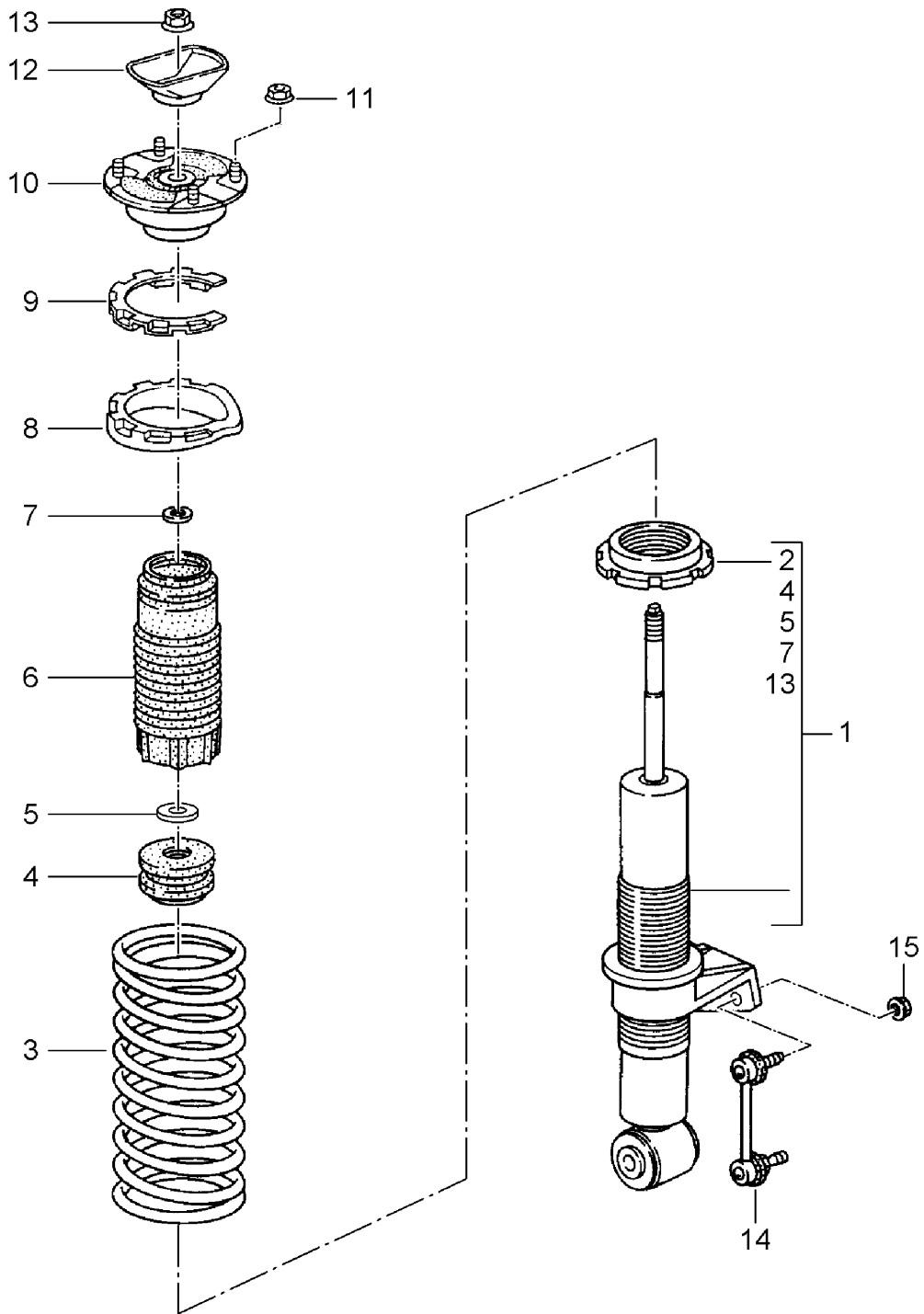
Pos	Part Number	Description	Remark	Qty	Model
1	993 333 051 00	Shock absorber Coil spring See technical information NR.5/94 Vibration damper -BOGE- F >>99SS3 20477 See illustrations 5/02/02 New design	/L	1	COUPE
1	993 333 051 14	Vibration damper -BOGE- See illustrations 5/02/02 New design	/L	1	COUPE CABRIO
1	993 333 051 34	Vibration damper	/L /L	1 1	COUPE CABRIO M491 TARGA
1	993 333 051 13	- MONROE - Vibration damper	/L	1	COUPE M030
1	993 333 051 36	-BOGE- Vibration damper	/L /L	1 1	TURBO COUPE M030
1	993 333 052 00	- MONROE - Vibration damper -BOGE- F >>99SS3 20477 See illustrations 5/02/02 New design	/L /R	1 1	TURBO COUPE
1	993 333 052 14	Vibration damper -BOGE- See illustrations 5/02/02 New design	/R	1	COUPE CABRIO
1	993 333 052 34	Vibration damper	/R /R	1 1	COUPE CABRIO M491 TARGA
1	993 333 052 13	- MONROE - Vibration damper	/R	1	COUPE M030
1	993 333 052 36	-BOGE- Vibration damper	/R	1 1	TURBO COUPE M030
2	993 333 107 01	- MONROE - Bellows	/R	1	TURBO
3	993 333 105 00	Additional spring		2	
4	999 025 240 02	Washer		2	
5	993 333 531 07	Coil spring 1 set		1	COUPE
	993 333 531 07 504	Identification Chrome Yellow F >>99SS3 20477			
5	993 333 531 08	Coil spring 1 set		1	COUPE
	993 333 531 08 504	Identification White Green F >>99SS3 20477			

Model: 911 94 Model life 1994>>1998

Pos	Part Number	Description	Remark	Qty	Model
5	993 333 531 18	Coil spring 1 set		1	
	993 333 531 18 504	Identification Gold-coloured Yellow			
5	993 333 531 19	Coil spring 1 set		1	
	993 333 531 19 504	Identification Silver			
5	993 333 531 18	Coil spring 1 set		1	M491
	993 333 531 18 504	Identification Gold-coloured Yellow			
5	993 333 531 13	Coil spring		1	COUPE M030 M030/491
		1 set		1	
	993 333 531 13 504	Identification Light blue			
5	993 333 531 17	Coil spring 1 set		1	TURBO
	993 333 531 17 504	Identification Yellow-green			
5	993 333 531 27	Coil spring 1 set		1	TURBO
	993 333 531 27 504	Identification Yellow-green			
6	993 333 504 00	Base		2	
6	997 333 504 00	Base		2	
7	993 333 511 00	Intermediate piece 3,0 MM		2	
(7)	993 333 511 01	Intermediate piece 5,5 MM		2	
(7)	993 333 511 02	Intermediate piece 8,0 MM		2	
8	993 333 059 00	Supporting mount		2	
8	993 333 059 01	Supporting mount		2	
9	993 333 503 00	Stop plate		2	
10	999 084 445 09	Lock nut		2	
10	999 084 445 01	Lock nut		2	
11	993 333 110 01	Supporting mount		2	
12	900 380 005 09	Hexagon nut		8	

Model: 911 94

Model life 1994>>1998



Model: 911 94 Model life 1994>>1998

Pos	Part Number	Description	Remark	Qty	Model
1	993 333 051 38	Shock absorber Coil spring Stabiliser mounting New design See technical information Group 4 NR. 145/15 NR. 7/16 Modification Accessories Attention Vibration damper	/L /R /L /R /L /R /L /R	2 2 2 2	993 993 Turbo COUPE CABRIO TARGA M491
1	993 333 051 39	Rear axle New design Only by sets Vibration damper	/L /R /L /R /L /R	2 2 2	CARRERA M030 TURBO M030/491
2	993 333 504 81	Rear axle New design Only by sets Concave washer		2	
3	993 333 531 18	Rear axle Coil spring		1 1	CARRERA M491
	993 333 531 18 504	1 set Identification Gold-coloured Yellow			
3	993 333 531 19	Coil spring		1	
	993 333 531 19 504	1 set Identification Silver			
3	993 333 531 13	Coil spring		1 1	COUPE M030 M030/491
	993 333 531 13 504	1 set Identification Light blue			
3	993 333 531 27	Coil spring		1	TURBO
	993 333 531 27 504	1 set Identification Yellow-green			
4	964 333 105 82	Additional spring Plastic material		2	
5	999 025 230 03	Concave washer Use also:		2	
6	993 343 505 01	Bellows		2	
7	993 333 466 81	Protective tube Sleeve Protective tube Mounting piece		2 2	
8	993 333 504 00	Base		2	
8	997 333 504 00	Base		2	
9	993 333 511 00	Intermediate piece 3,0 MM		2	
(9)	993 333 511 01	Intermediate piece 5,5 MM		2	
(9)	993 333 511 02	Intermediate piece		2	

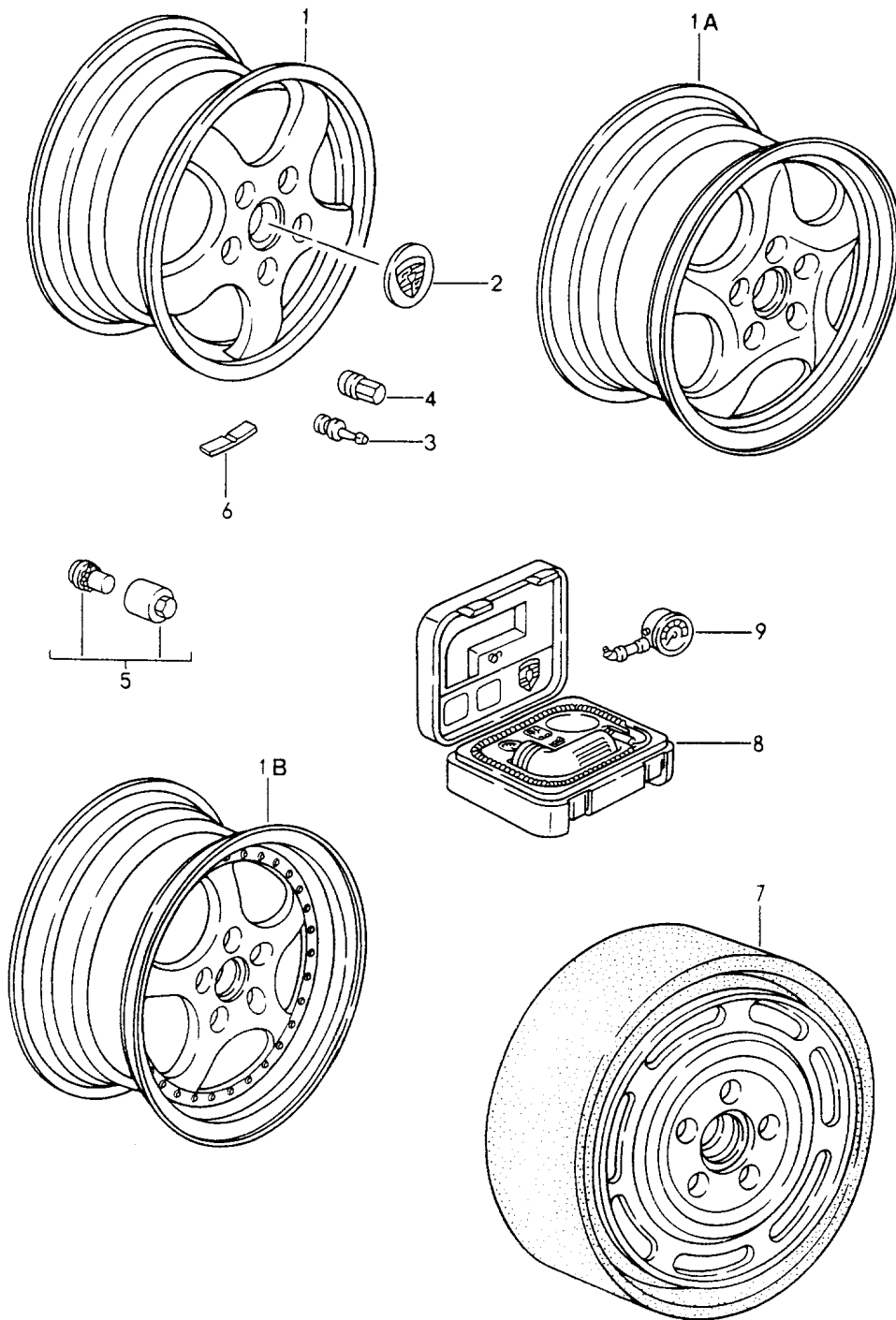
Model: 911 94

Model life 1994>>1998

Pos	Part Number	Description	Remark	Qty	Model
10	993 333 059 01	8,0 MM Supporting mount		2	
11	900 380 005 09	Hexagon nut		8	
12	993 333 503 00	Stop plate		2	
13	999 084 445 0B	Lock nut M12 X 1,25		2	
14	993 333 073 04	Stabiliser mounting		2	
(15)	900 380 008 01	Hexagon nut M 10		4	

Model: 911 94

Model life 1994>>1998



Model: 911 94 Model life 1994>>1998

Pos	Part Number	Description	Remark	Qty	Model
1	993 362 114 00	Wheels See technical information GR.4 NR.5/95-10/95 Alloy wheel 7 J X 16 ET 55 Silver metallic	/V	2	M397
1	993 362 124 00	Alloy wheel See TPI GR.6 NR.10/96 7 J X 17 ET 55 Silver metallic	/V /V	2 2	M398 M398/495
1		Alloy wheel	/V	2	TURBO
			/V 96-	2	TARGA
			/V	2	M491
			/V	2	
		Silver metallic 7 J X 17 ET 55 for winter use			
1A	993 362 136 00	Alloy wheel	/V	2	TURBO
			/V	2	M408/493
		8 J X 18 ET 52	/V 97-	2	M408/495
(1B)	993 362 124 50	Silver metallic Alloy wheel	/V 96-	2 2	TARGA M393/495
		TARGA DESIGN 7 J X 17 ET 55			
(1B)	993 362 128 50	Silver metallic Alloy wheel	/H 96- /H	2 2	TARGA M393/495
		TARGA DESIGN 9 J X 17 ET 55			
-	000 043 203 81	Silver metallic Cap for SCHRAUBENKÖPFE	/V /H 96- /V /H	X	TARGA M393/495
1	993 362 118 01	Paint refinishing system Alloy wheel 9 J X 16 ET 70	/H	2	M397
1A	993 362 136 01	Silver metallic Disc wheel 8 J X 18 ET 52	/V 96-	2	M413/491
1	993 362 116 01	Silver metallic Alloy wheel 8 J X 16 ET 70	/H	2	
1	993 362 128 00	Silver metallic for winter use Alloy wheel	/H	2	M398
	993 362 128 00 61M	Silver metallic 9 J X 17 ET 55			
1	993 362 128 00	Alloy wheel See TPI GR.6 NR.10/96	/H 97-	2	M398/495
	993 362 128 00 61M	Silver metallic			

Model: 911 94

Model life 1994>>1998

Pos	Part Number	Description	Remark	Qty	Model
1	993 362 126 01	9 J X 17 ET 55 Alloy wheel	/H /H	2 2	TARGA
-	000 043 203 81	8 J X 17 ET 70 Silver metallic for winter use Cap for SCHRAUBENKÖPFE Paint refinishing system	/V 96- /V	1	TARGA M393/495
1A	993 362 140 00	Alloy wheel 10 J X 18 ET 40 Silver metallic	/H /H /H 97-	2 2 2	TURBO M408/491 M408/495
1A	993 362 140 01	Disc wheel 10 J X 18 ET 65 Silver metallic	/H 96-	2	M408/493
1A	993 362 140 03	Alloy wheel 10 J X 18 ET 40 Silver metallic	/H 96-	2	M413/491
1	993 362 126 02	Alloy wheel	/H /H	2 2	TURBO M491
(1B)	993 362 980 04	8 J X 17 ET 30 Silver metallic for winter use Alloy wheel 8J X 18 ET 52 Lacquered HIGH GLOSS SILVER	/V	2	TURBO S
(1B)	993 362 980 05	Alloy wheel 10J X 18 ET 40 Lacquered HIGH GLOSS SILVER	/H	2	TURBO S
2	993 361 980 00	Hub cap High Gloss Silber Lacquered Logo Turbo S		4	TURBO S
(2)	993 361 303 00	Hub cap		4	
(2)	993 361 303 00 61M	Silver metallic		4	
(2)	993 361 303 01	Hub cap	95-	4	M339
(2)	993 361 303 01 61M	Silver		4	
(2)	993 361 303 02	Hub cap		4	TURBO
(2)	993 361 303 02 61M	Silver metallic		4	
(2)	993 361 303 04	Hub cap		4	M339/408
(2)	993 361 303 04 61M	Silver		4	
(2)	993 361 303 05	Hub cap	-96	4	M338/408
(2)	993 361 303 05 61M	Silver		4	
(2)	993 361 303 11	Hub cap	97	4	M338/408
(2)	993 361 303 11 61M	Silver		4	
(2)	993 361 303 11 9A1	Silver	98-	4	M338/408
(2)	993 361 303 03	Hub cap		4	M491
(2)	993 361 303 03 61M	Silver		4	
(2)	993 361 303 07	Hub cap Polished	-96	4	M094

Model: 911 94

Model life 1994>>1998

Pos	Part Number	Description	Remark	Qty	Model
(2)	993 361 303 07 61M	Hub cap Silver Crest Coloured	97-	4	M445
(2)	993 361 303 07 993 361 303 07 61W	Hub cap Steel grey Crest Coloured	97-	4	M495
(2)	993 361 303 09 993 361 303 09 92T	Hub cap Arctic silver metallic Crest Coloured	-98	4	M446
3	900 265 001 50	Rubber valve		4	
3	900 265 001 51	Rubber valve		4	
(3)	993 361 073 00	Valve		4	TURBO
		Steel		4	M408
4	999 182 003 36	Wheel nut		16	
5	993 361 057 00	Wheel nut		1	
		Anti-theft protection 1 set			
6	901 361 410 50	Balance stick-on weight 5 G		X	
6	901 361 410 00	Balance stick-on weight 10 G		X	
6	901 361 411 50	Balance stick-on weight 15 G		X	
6	901 361 411 00	Balance stick-on weight 20 G		X	
6	901 361 412 50	Balance stick-on weight 25 G		X	
6	901 361 412 00	Balance stick-on weight 30 G		X	
6	901 361 413 50	Balance stick-on weight 35 G		X	
6	901 361 413 00	Balance stick-on weight 40 G		X	
6	901 361 414 50	Balance stick-on weight 45 G		X	
6	901 361 414 00	Balance stick-on weight 50 G		X	
6	901 361 415 50	Balance stick-on weight 55 G		X	
6	901 361 415 00	Balance stick-on weight 60 G		X	
6	901 361 416 50	Balance stick-on weight 65 G		X	
6	901 361 416 00	Balance stick-on weight 70 G		X	
6	901 361 417 50	Balance stick-on weight 75 G		X	
6	901 361 417 00	Balance stick-on weight 80 G		X	
7	965 362 030 00	Emergency wheel with collapsible tire Mount for		1	
-	900 074 059 02	Emergency wheel Hexagon-head bolt M 10 X 40		1	
-	900 074 379 01	Hexagon-head bolt M 10 X 40		1	
-	477 813 157	Mounting plate		1	

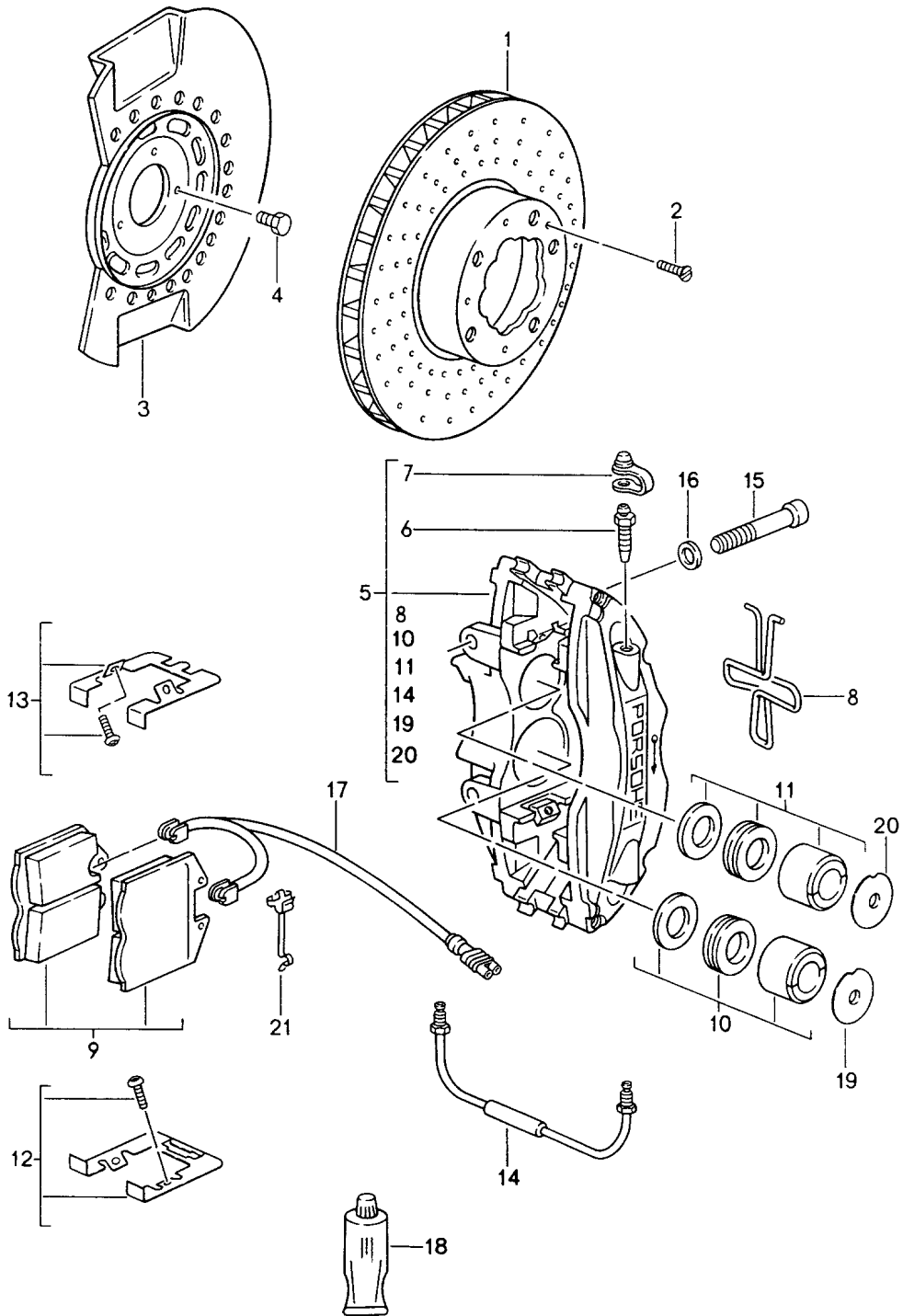
Model: 911 94

Model life 1994>>1998

Pos	Part Number	Description	Remark	Qty	Model
8	996 652 053 00	Compressor		1	
8	997 652 051 00	Compressor		1	
8	997 652 055 00	Compressor		1	
9	911 722 202 00	Tyre pressure gauge Porsche Classic mit Lederhülle		1	

Model: 911 94

Model life 1994>>1998



Model: 911 94 Model life 1994>>1998

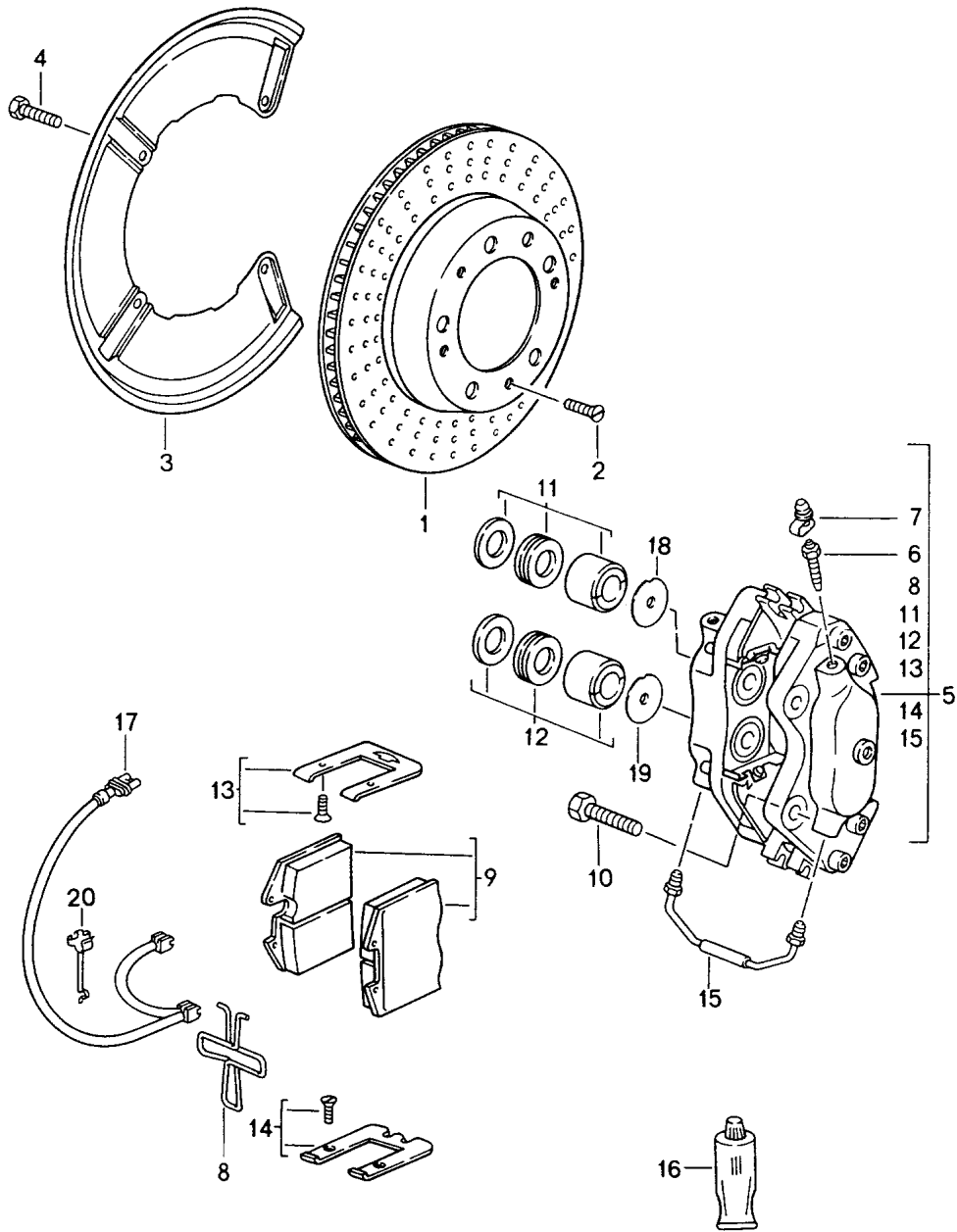
Pos	Part Number	Description	Remark	Qty	Model
1	993 351 043 01	Disc brake Front axle		1	
1	993 351 045 10	Brake disc	/L	1	TURBO
			/L 96-	1	M491
1	993 351 044 01	Brake disc	/R	1	
1	993 351 046 10	Brake disc	/R	1	TURBO
			/R 96-	1	M491
2	900 269 047 09	Countersunk-head screw M 6 X 12		8	
3	964 351 803 04	Protective plate	/L	1	
(3)	964 351 804 04	Protective plate	/R	1	
4	900 075 456 09	Hexagon-head bolt M 6 X 12 Z1		6	
5	993 351 421 00	Fixed calliper without pad	/L	1	
(5)	993 351 421 20	Fixed calliper	/L 95- /L 96-	1 1	M339 M339/493
		without pad Silver Lacquered			
5	993 351 425 10	Fixed calliper	/L /L 96-	1 1	TURBO M491
		without pad Red Lacquered			
(5)	993 351 980 07	Brake calliper	/L /L 96-	1 1	TURBO M491
		without pad Silver Lacquered			
(5)	993 351 980 11	Brake calliper	/L /L 96-	1 1	TURBO M491
		without pad Yellow Lacquered			
5	993 351 422 00	Fixed calliper without pad	/R	1	
(5)	993 351 422 20	Fixed calliper	/R 95- /R 96-	1 1	M339 M339/493
		without pad silber Lacquered			
(5)	993 351 980 04	Brake calliper	/R 95- /R 96-	1 1	M339 M339/493
		without pad Red Lacquered			
5	993 351 426 10	Fixed calliper	/R /R 96-	1 1	TURBO M491
		without pad Red Lacquered			
(5)	993 351 980 08	Brake calliper	/R /R 96-	1 1	TURBO M491
		without pad Silver Lacquered			
(5)	993 351 980 12	Brake calliper	/R /R 96-	1 1	TURBO M491
		without pad gelb Lacquered			

Model: 911 94 Model life 1994>>1998

Pos	Part Number	Description	Remark	Qty	Model
6	930 351 919 00	Ventilation valve		4	
7	930 351 927 01	Dust boot		4	
8	928 351 950 01	Expanding spring		2	
9	993 351 939 01	Brake pad repair set		1	CAR. 2
9		Brake pad repair set	95	1	M339
			96-		M339/493
9	993 351 949 00	Brake pad repair set		1	TURBO
9		Brake pad repair set	96-	1	M339/491
10	928 351 919 10	Gasket set		4	
		44 MM \$			
11	951 351 919 10	Gasket set		4	
		36 MM \$			
12	993 351 959 01	Repair kit		2	
		Spring plate			
12	993 351 959 03	Repair kit		2	TURBO
				2	M491
		Spring plate			
13	993 351 959 00	Repair kit		2	
		Spring plate			
13	993 351 959 02	Repair kit		2	TURBO
				2	M491
		Spring plate			
14	928 351 971 00	Connecting line		2	
14	928 351 971 01	Connecting line		2	TURBO
				2	CARRERA RS
				2	M491
15	900 067 292 09	Pan-head screw	94	4	
		M 12 X 1,5 X 75			
15	900 031 002 09	Washer	94	4	
		B 12			
15	999 067 041 09	Pan-head screw	95-	4	
			96-	4	M493
		M 12 X 1,5 X 72			
15	999 067 042 09	Pan-head screw	96-	4	TURBO
				4	M339/491
		M 12 X 1,5 X 77			
17	964 612 363 01	Warning contact		2	
17	964 612 363 02	Warning contact		2	
17	993 612 368 00	Warning contact		2	TURBO
				2	M491
17	993 612 368 01	Warning contact		2	TURBO
				2	M491
-	944 612 627 00	Line bracket		2	
18	000 043 117 00	Brake cylinder paste		X	
		1 50-g tube			
18	000 043 305 11	Brake cylinder paste		X	
		1 50-g tube			
18	000 043 020 00	Optimoly		X	
		1 100-gramme tube			
19	965 351 096 00	Damping plate		4	
		44 MM \$			
19		Damping plate	96-	4	TURBO
				4	M339/491
		44 MM \$			
20	964 351 096 01	Damping plate		4	
		36 MM \$			
20		Damping plate	96-	4	TURBO
				4	M339/491
		36 MM \$			
21	928 612 361 00	Cable holder		2	

Model: 911 94

Model life 1994>>1998



Model: 911 94 Model life 1994>>1998

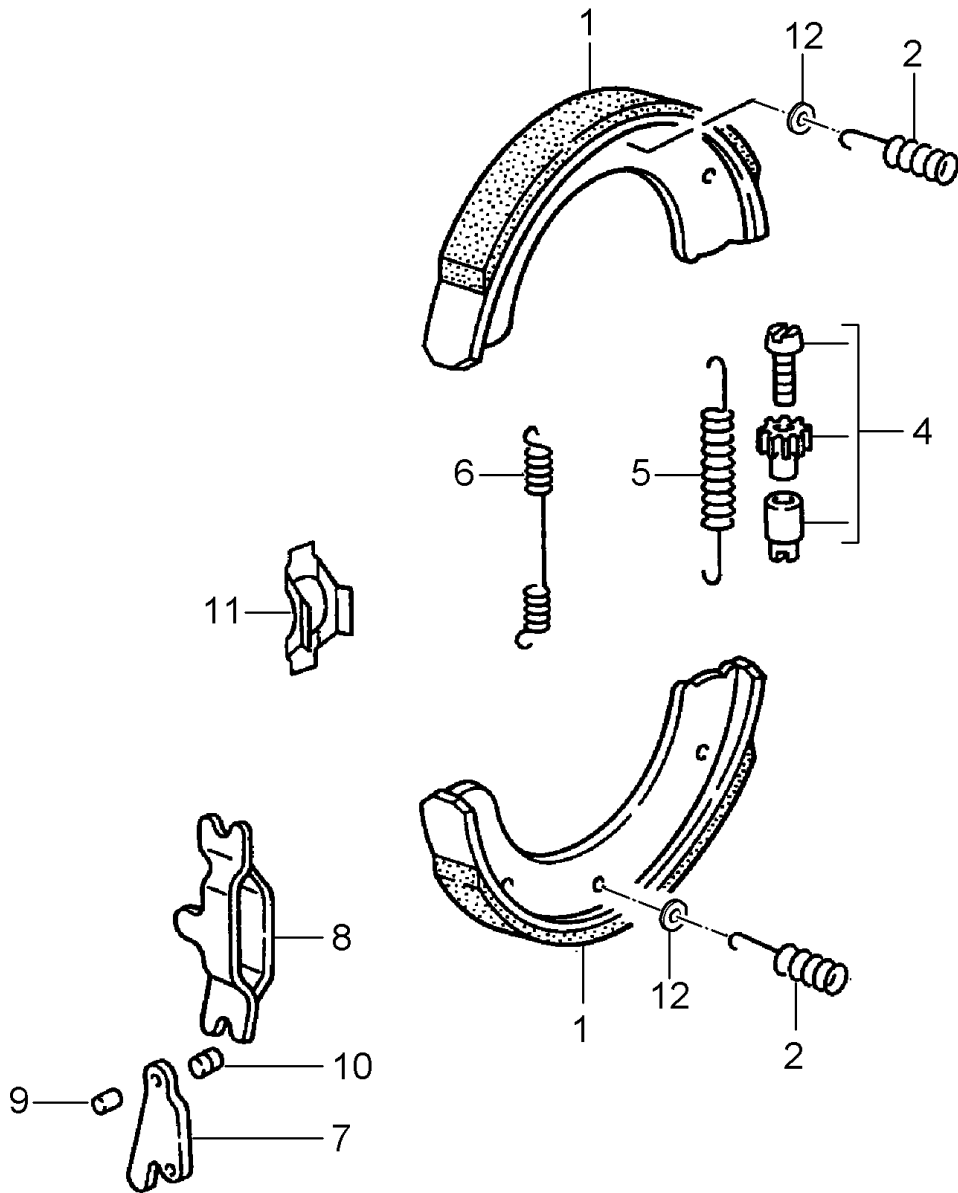
Pos	Part Number	Description	Remark	Qty	Model
1	993 352 041 02	Disc brake Rear axle Brake disc		2	
			96-	2	M339/493
1	993 352 045 00	Brake disc	/L	1	TURBO
			/L 96-	1	M339/491
1	993 352 046 00	Brake disc	/R	1	TURBO
			/R 96-	1	M339/491
2	900 269 047 09	Countersunk-head screw AM 6 X 12		4	
3	993 352 801 01	Protective plate	94	2	
3	993 352 801 02	Protective plate	95-	2	
4	900 075 456 09	Hexagon-head bolt M 6 X 12 Z1		8	
5	993 352 421 00	Fixed calliper without pad	/L	1	
5	993 352 421 21	Fixed calliper	/L 95-	1	M339
		without pad	/L	1	M339/493
5	993 352 425 10	Fixed calliper	/L	1	TURBO
		without pad	/L	1	M339/491
5	993 352 422 00	Fixed calliper without pad	/R	1	
5	993 352 422 21	Fixed calliper	/R 95-	1	M339
		without pad	/R	1	M339/493
5	993 352 426 10	Fixed calliper	/R	1	TURBO
		without pad	/R 96-	1	M339/491
6	930 351 919 00	Ventilation valve		2	
7	930 351 927 01	Dust boot		2	
8	951 352 950 00	Expanding spring		2	
9	965 352 939 04	Brake pad repair set		1	
			96-	1	M339/493
9	993 351 939 01	Brake pad repair set		1	TURBO
				1	M339/491
10	900 378 054 09	Hexagon-head bolt M 12 X 1,5 X 35		4	
10	900 378 068 09	Hexagon-head bolt M 12 X 1,5 X 38		4	
10	900 378 068 01	Hexagon-head bolt M 12 X 1,5 X 38		4	
11	965 352 919 10	Gasket set 34 MM \$		4	
12	951 352 919 11	Gasket set 30 MM \$		4	
-	951 352 919 10	Gasket set 28 MM \$		4	TURBO
-	951 351 919 10	Gasket set 36 MM \$		4	M491
				2	CARRERA RS
13	993 352 959 01	Repair kit Spring plate Upper		2	
14	993 352 959 00	Repair kit Spring plate Lower		2	
13	964 351 959 00	Repair kit Spring plate Upper		2	CARRERA RS
14	964 351 959 01	Repair kit Spring plate Lower		2	CARRERA RS

Model: 911 94 Model life 1994>>1998

Pos	Part Number	Description	Remark	Qty	Model
15	951 352 971 00	Connecting line		2	
15	993 352 971 00	Connecting line	96-	2	TURBO
				2	M339/491
				2	CARRERA RS
16	000 043 117 00	Brake cylinder paste 1 50-g tube		X	
16	000 043 305 11	Brake cylinder paste 1 50-g tube		X	
17	993 612 365 01	Warning contact		2	
-	944 612 627 00	Line bracket		2	
18	965 352 096 01	Damping plate 34 MM \$		4	
18	964 352 096 00	Damping plate 30 MM \$	95-	4	M339
18	996 352 086 00	Damping plate 30 MM \$	95-	4	M339
19	964 352 096 00	Damping plate 30 MM \$		4	
19	996 352 086 00	Damping plate 30 MM \$		4	
19	964 352 096 01	Damping plate 28 MM \$	95-	4	M339
19		Damping plate 28 MM \$		8	TURBO
19		Damping plate 28 MM \$	96-	8	M491
20	928 612 361 00	Cable holder		2	

Model: 911 94

Model life 1994>>1998

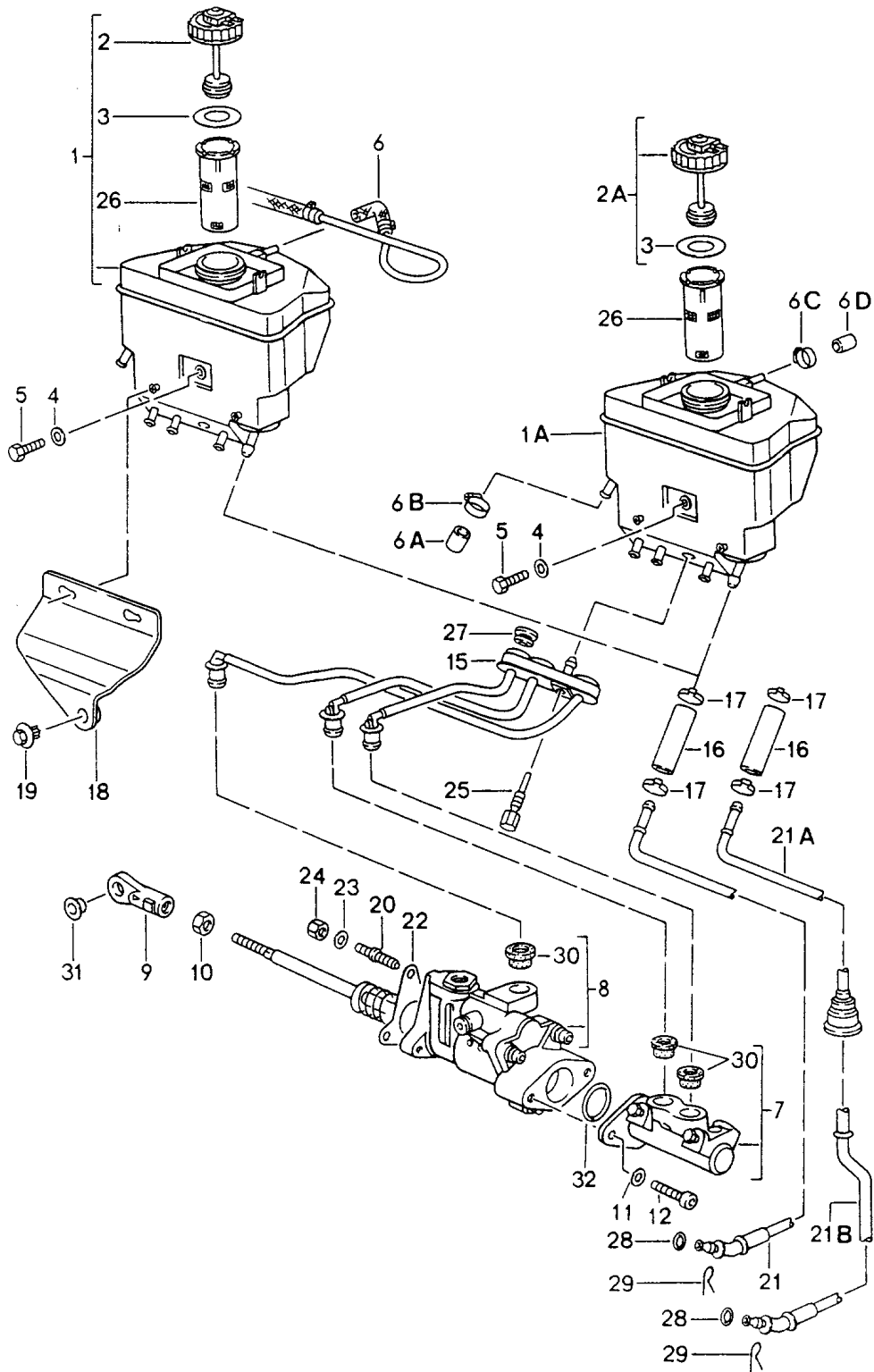


Model: 911 94 Model life 1994>>1998

Pos	Part Number	Description	Remark	Qty	Model
1	928 352 097 10	Handbrake		4	
1	996 352 993 00	Brake shoe		4	
1	997 352 993 02	Repair kit		4	
		Brake shoe		4	
		1 set			
		Only together with			
		Washer			
		928.352.963.00			
		Adjusting screw			
		993.352.071.00			
2	928 352 957 02	Compression spring		4	
4	993 352 071 00	Adjusting screw		2	
4	298 609 723	Adjusting screw		2	
5	901 352 932 10	Adjusting screw		2	
6	951 352 454 00	Return spring		2	
6	996 352 723 00	Return spring		2	
6	996 352 723 00	Tension spring		2	
7	928 352 441 01	Actuating lever		2	
8	928 352 443 01	Clip		2	
9	928 352 445 00	Bolt		2	
10	928 352 447 00	Articulated bolt		2	
11	993 352 807 00	Supporting plate		2	
12	928 352 963 00	Washer		4	
		Only together with			
		Brake shoe			
		997.352.993.02			

Model: 911 94

Model life 1994>>1998



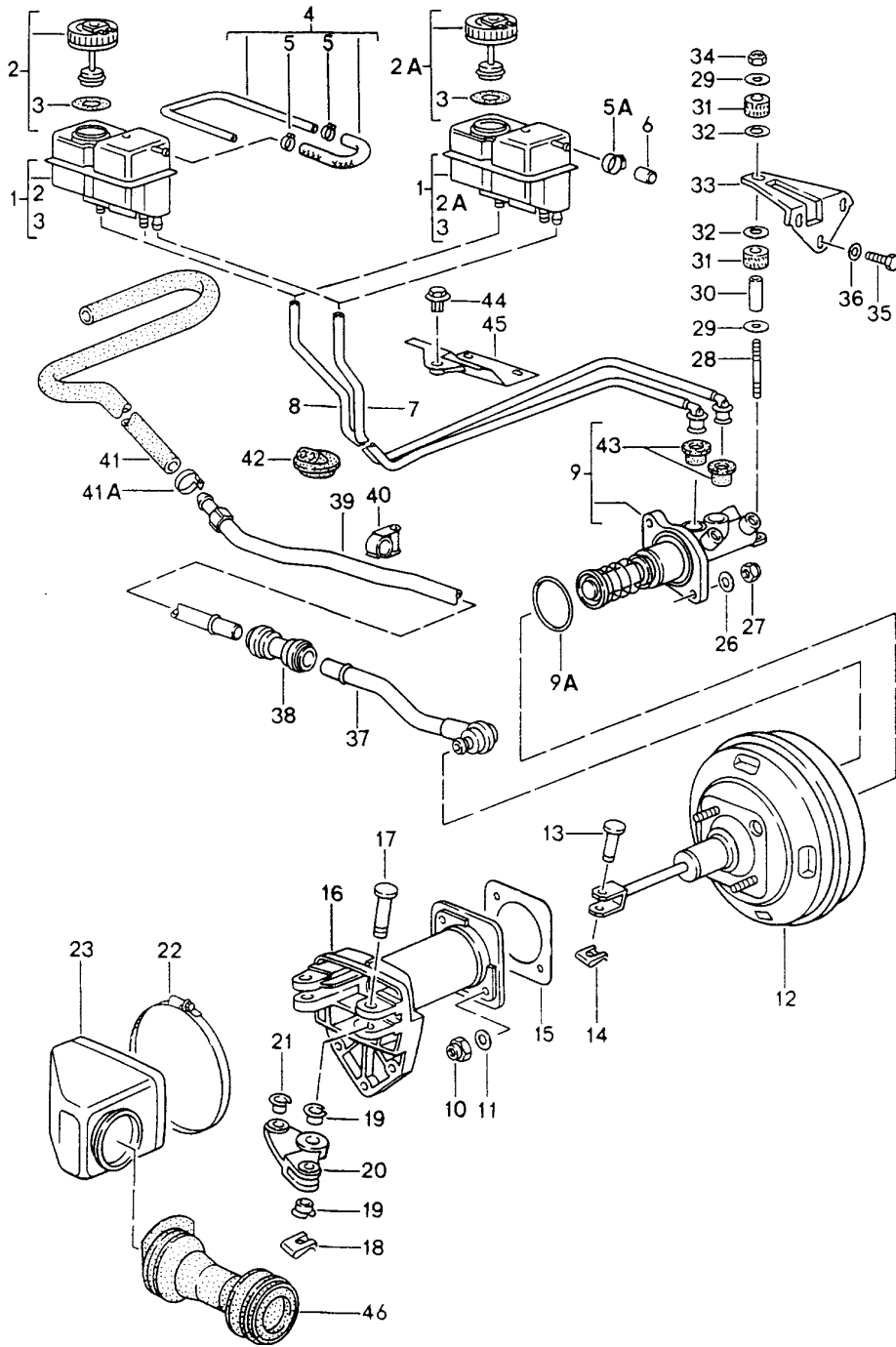
Model: 911 94

Model life 1994>>1998

Pos	Part Number	Description	Remark	Qty	Model
		Brake fluid reservoir Brake master cylinder Brake booster	95-		M339 TURBO
		See technical information GR.4 NR16/95	-96		
1	964 355 013 50	Brake fluid reservoir		1	
1A	964 355 013 25	Brake fluid reservoir		1	TURBO
1A	964 355 113 51	Container		1	
1A	993 355 113 50	Container		1	
2	964 355 181 51	Threaded cover		1	
2A	993 355 181 50	Threaded cover with Bleeding		1	
3	911 355 908 00	Gasket		1	
4	N 011 666 7	Washer		1	
5	N 010 212 14	Hexagon-head bolt		1	
5	999 072 005 09	Hexagon nut		1	
5	999 072 005 01	Hexagon nut		1	
6	964 355 363 51	Overflow hose	/LL	1	
6A	911 355 327 00	Cap		1	TURBO
6B	999 512 055 02	Hose clamp		1	TURBO
6B	PCG 512 055 02	Hose clamp		1	TURBO
6C	999 512 069 02	Hose clamp		X	
6C	PCG 512 069 02	Hose clamp		X	
6D	993 355 331 00	Cap		X	
7	993 355 903 00	Brake master cylinder		1	
8	964 355 904 01	Brake booster		1	
9	964 355 513 04	Swivel head		1	
9	964 355 513 05	Swivel head		1	
10	900 157 002 02	Hexagon nut		1	
10	900 157 002 03	Hexagon nut		1	
11	900 025 007 02	Washer		2	
11	900 025 007 03	Washer		2	
12	900 067 019 02	Pan-head screw		2	
15	993 355 121 50	Line harness	/LL	1	
16	999 181 021 50	Hose 60 MM		*	
17	999 512 532 00	Terminal		2	
18	964 355 423 00	Cover	/LL	1	
19	999 703 236 40	Plastic nut		1	
20	999 061 092 02	Stud		3	
21	993 355 227 00	Intake pipe	/LL	1	
22	964 355 851 00	Gasket		1	
24	900 380 005 09	Hexagon nut VM 8		3	
25	999 217 086 02	Hexagon-head bolt		1	
26	964 355 187 01	Restrictor bush		1	
27	999 702 164 50	Rubber bush		3	
28	999 707 075 40	O-ring		1	
29	999 021 003 00	Lock		1	
30	993 355 922 01	Rubber seal		3	
31	999 924 003 40	Bush		1	
32	964 355 909 01	Gasket		1	

Model: 911 94

Model life 1994>>1998



Model: 911 94

Model life 1994>>1998

Pos	Part Number	Description	Remark	Qty	Model
		Brake fluid reservoir			
		Brake master cylinder			
		See technical information	-96		
		GR.4 NR16/95			
1	993 355 017 00	Brake fluid reservoir	-96	1	
1A	993 355 017 01	Brake fluid reservoir	-96	1	
1A	993 355 017 02	Brake fluid reservoir	97-	1	
2	964 355 351 00	Threaded cover		1	
2A	993 355 351 00	Threaded cover		1	
		with			
		Bleeding			
3	911 355 908 00	Gasket		1	
4	964 355 363 00	Breather hose	/LL	1	
5	999 512 527 00	Clamp		2	
5A	999 512 069 02	Hose clamp		X	
5A	PCG 512 069 02	Hose clamp		X	
6	993 355 331 00	Cap		X	
7	993 355 285 01	Line	/LL	1	
8	993 355 283 01	Line	/LL	1	
9	993 355 910 00	Brake master cylinder		1	
9A	993 355 212 00	Gasket		1	
10	999 084 425 02	Lock nut		2	
		M 8			
11	900 025 007 02	Washer		2	
		A 8,4 X 17 X 1,6			
11	900 025 007 03	Washer		2	
		A 8,4 X 17 X 1,6			
12	993 355 023 10	Brake booster		1	
13	999 088 016 02	Bolt		2	
14	999 166 076 02	Safety clip		2	
14	999 166 076 01	Safety clip		2	
15	993 355 301 00	Gasket		1	
16	993 355 495 01	Bearing bracket	/LL	1	
16	993 355 495 02	Bearing bracket	/LL /RL	1	
17	999 088 020 02	Bolt		1	
-	900 378 055 09	Hexagon-head bolt		3	
		m 8 x 40			
18	999 166 077 02	Safety clip		1	
19	999 924 057 00	Bush		2	
		12 X 7 X 14			
20	993 355 471 01	Reverse lever		1	
21	999 924 058 00	Bush		1	
22	N 024 521 1	Hose clamp		1	
23	993 355 329 00	Cap		1	
26	900 025 007 02	Washer		2	
26	900 025 007 03	Washer		2	
27	N 021 129 2	Lock nut		2	
27	900 910 003 02	Lock nut		2	
27	900 910 003 04	Lock nut		2	
28	999 062 032 02	Stud		1	
29	N 011 670 6	Washer		2	
29	900 151 008 02	Washer		2	
30	964 355 483 00	Sleeve		1	
31	964 355 485 00	Damping piece		2	
32	999 025 903 00	Washer		2	
33	993 355 163 03	Support	/LL	1	
34	N 021 129 2	Lock nut		1	
34	900 910 003 02	Lock nut		1	
34	900 910 003 04	Lock nut		1	
35	N 010 240 11	Hexagon-head bolt		3	
36	N 011 525 8	Washer		3	
36	900 025 007 02	Washer		3	
36	900 025 007 03	Washer		3	

Model: 911 94

Model life 1994>>1998

Pos	Part Number	Description	Remark	Qty	Model
37	993 355 577 01	Vacuum line	/LL	1	
38	999 137 084 40	Intermediate piece		1	
39	993 355 571 02	Vacuum line		1	
39	993 355 571 03	Vacuum line		1	
40	999 591 964 40	Support		X	
41	993 355 679 02	Vacuum hose		1	
41A	999 511 177 02	Clamp		X	
41A	999 511 177 01	Clamp		X	
42	964 355 819 01	Rubber sleeve		1	
43	993 355 922 00	Grommet		2	
44	999 703 236 40	Plastic nut		1	
45	964 355 447 00	Cover	/LL	1	
46	964 355 397 03	Bellows		1	

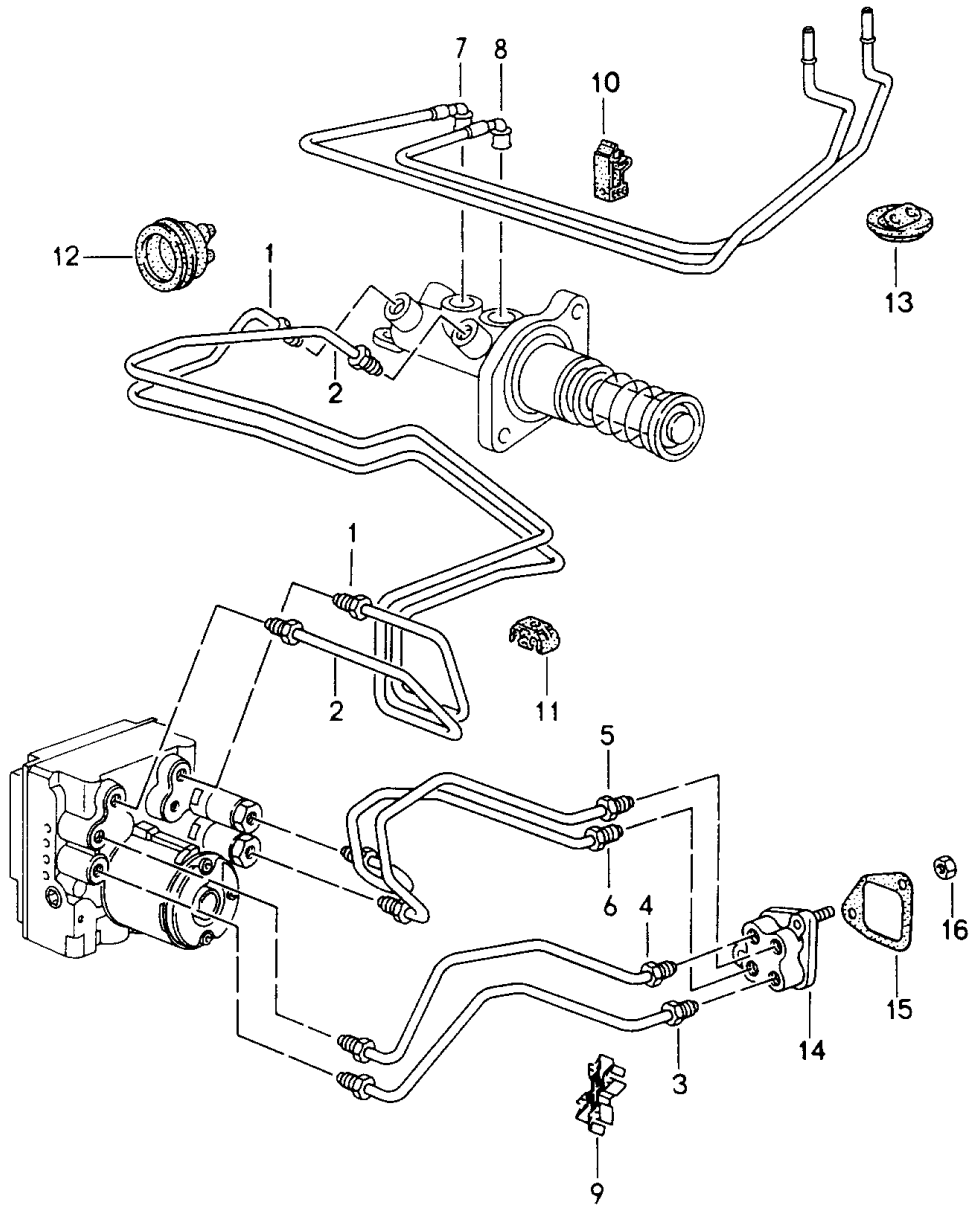
Model: 911 94

Model life 1994>>1998

Pos	Part Number	Description	Remark	Qty	Model
1	993 355 311 01	Brake lines Body front section Pressure line	/LL	1	
(1)	993 355 311 02	Rear axle Pressure line	/LL	1	
2	993 355 313 01	Rear axle Brake line	/LL	1	
(2)	993 355 313 02	Front axle Brake line	/LL	1	
3	993 355 327 01	Front axle Brake line	/L	1	
(3)	993 355 327 02	Front Brake line	/L	1	
4	993 355 326 00	Front Brake line	/R	1	
(4)	993 355 326 01	Brake line	/R	1	
5	993 355 650 00	Front Intermediate piece		1	
6	993 355 752 00	Gasket		1	
7	900 377 010 09	Hexagon nut M 6		2	
8	993 355 283 01	Line	/LL	1	
9	993 355 285 01	Line	/LL	1	
10	999 507 421 40	Support		1	
11	999 507 396 40	Support		1	
12	999 591 880 40	Support		2	
13	993 355 821 00	Grommet		1	
14	964 355 819 01	Rubber sleeve		1	
15	993 355 315 00	Brake line		1	

Model: 911 94

Model life 1994>>1998

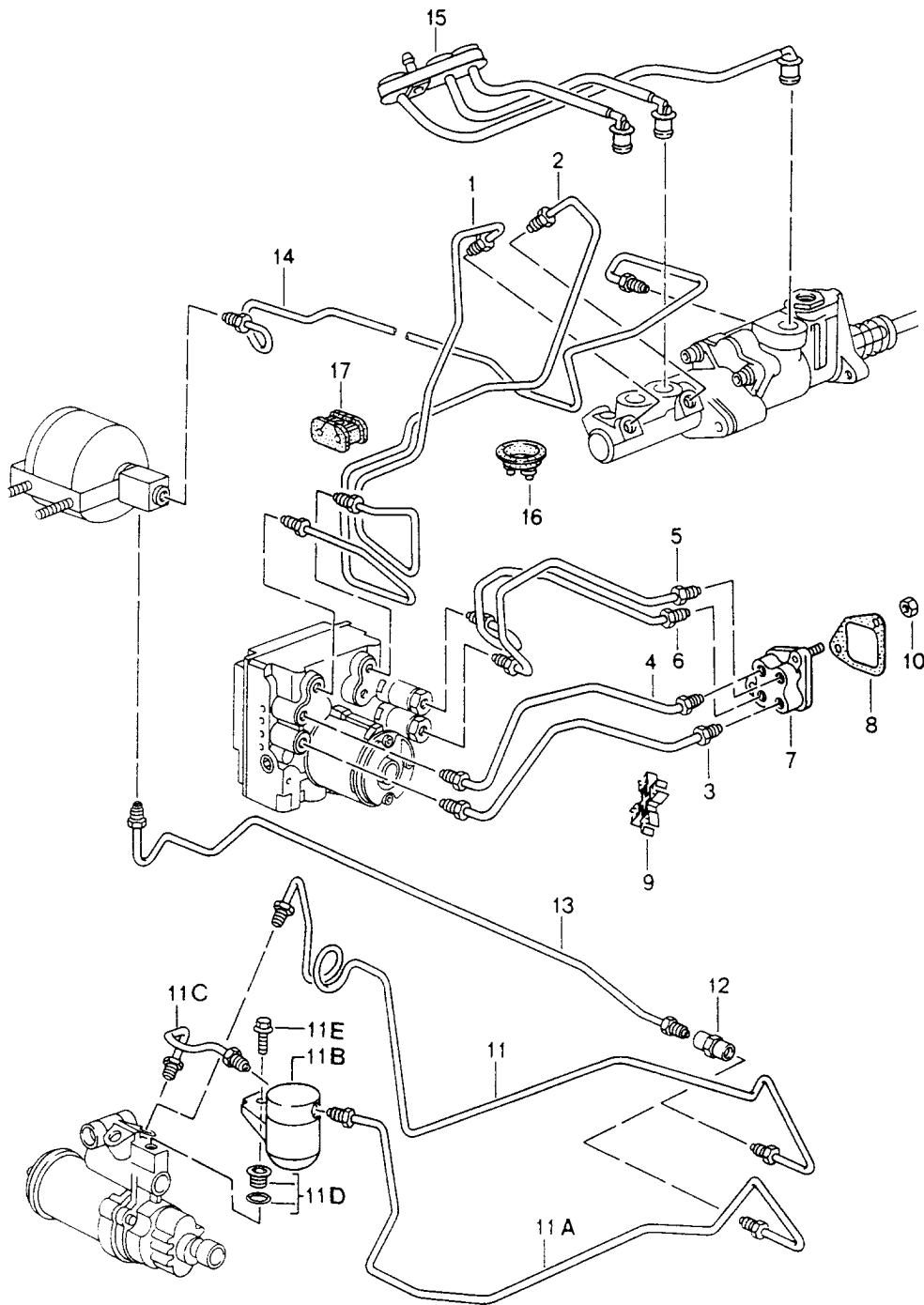


Model: 911 94 Model life 1994>>1998

Pos	Part Number	Description	Remark	Qty	Model
		Brake lines Body front section			M224
1	993 355 311 26	Pressure line	/LL	1	M224
		Rear axle			
2	993 355 313 26	Brake line	/LL	1	M224
		Front axle			
3	993 355 327 01	Brake line	/L	1	
		Front			
(3)	993 355 327 02	Brake line	/L	1	
		Front			
4	993 355 326 00	Brake line	/R	1	
(4)	993 355 326 01	Brake line	/R	1	
		Front			
5	993 355 315 00	Brake line	/L	1	
6	993 355 316 01	Brake line	/R	1	
7	993 355 283 01	Line	/LL	1	M224
8	993 355 285 01	Line	/LL	1	M224
9	999 507 421 40	Support		1	
10	999 507 396 40	Support		1	M224
11	999 591 880 40	Support		1	
12	993 355 821 00	Grommet		1	
13	964 355 819 01	Rubber sleeve		1	M224
14	993 355 650 25	Intermediate piece		1	
15	993 355 752 00	Gasket		1	
16	900 377 010 09	Hexagon nut		2	
		M 6			

Model: 911 94

Model life 1994>>1998

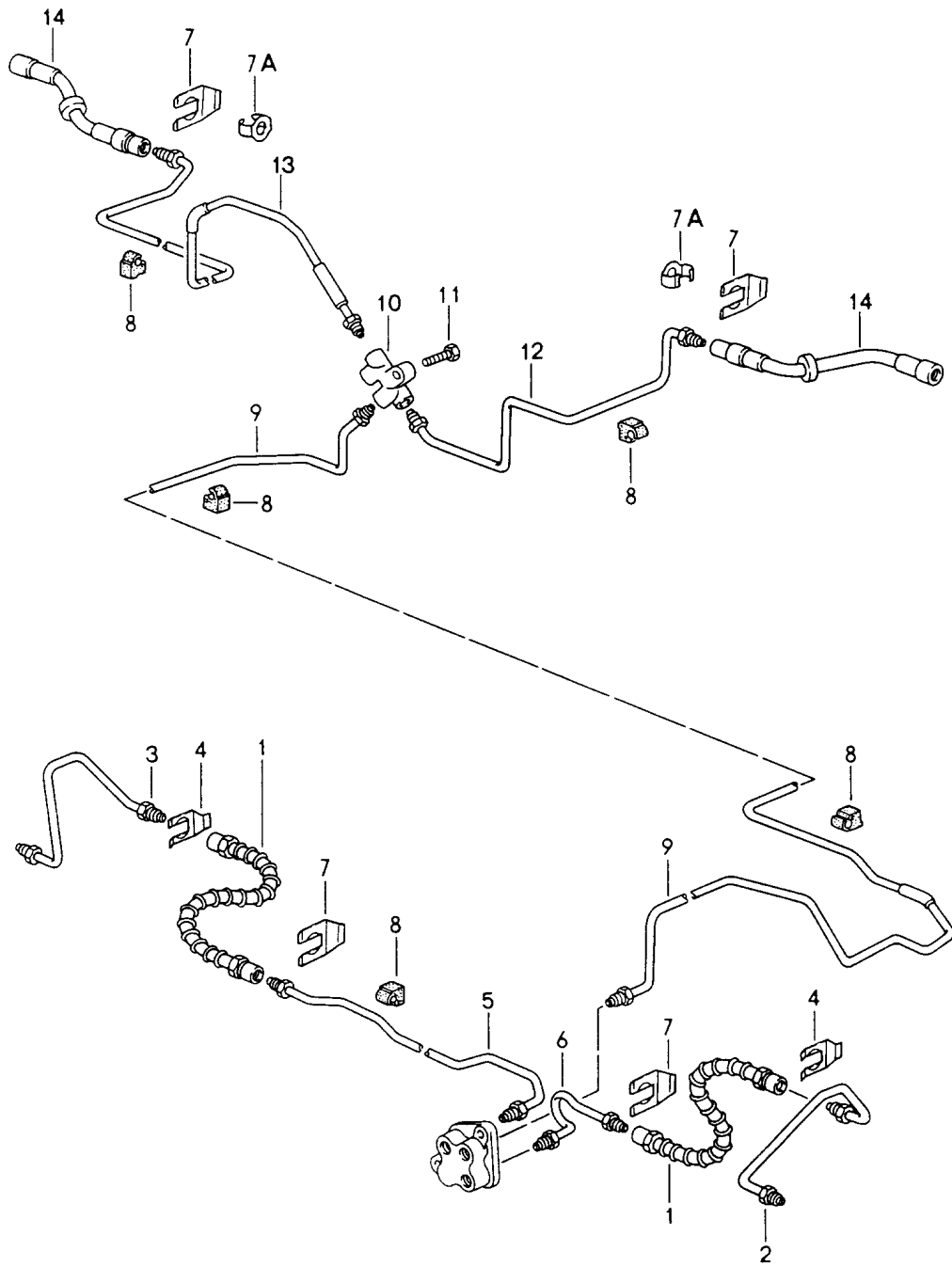


Model: 911 94 Model life 1994>>1998

Pos	Part Number	Description	Remark	Qty	Model
1	993 355 311 50	Brake lines Body front section Brake line	95- /LL	1	M339 TURBO
(1)	993 355 311 51	Rear axle Brake line	/LL	1	
2	993 355 313 50	Rear axle Pressure line	/LL	1	
3	993 355 327 01	Front axle Brake line	/L	1	
(3)	993 355 327 02	Front Brake line	/L	1	
4	993 355 326 00	Front Brake line	/R	1	
(4)	993 355 326 01	Brake line Front	/R	1	
5	993 355 315 00	Brake line	/L	1	
6	993 355 316 01	Brake line	/R	1	
7	993 355 650 25	Intermediate piece		1	
8	993 355 752 00	Gasket		1	
9	999 507 421 40	Support		1	
10	900 377 010 09	Hexagon nut M 6		2	
11	993 355 249 01	Pressure line		1	
11A	993 355 249 03	Pressure line		1	TURBO
11A	993 355 249 04	Pressure line	96-	1	M491 TURBO
11B	993 355 123 01	Pressure damper	96-	1	M491 TURBO
11B	993 355 123 03	Pressure damper	96-	1	M491 TURBO
11C	993 355 247 02	Pressure line	96-	1	M491 TURBO
11C	993 355 247 03	Pressure line	96-	1	M491 TURBO
11D	993 355 954 00	Repair kit	96- 96-	1 1	M491 TURBO M491
11E	900 378 158 09	See technical information GR.4 NR4/95 Hexagon-head bolt M 6 X 16	96-	1 1	TURBO M491
12	914 355 661 00	Intermediate piece		1	
13	993 355 251 00	Pressure line	-96	1	
13	993 355 251 01	Pressure line	97-	1	
14	993 355 171 00	Pressure line	/LL	1	
(14)	993 355 172 00	Pressure line	/RL	1	
15	993 355 121 50	Line harness	/LL	1	
16	993 355 821 00	Grommet		1	
17	993 355 568 00	Rubber mounting	/LL	1	
-	993 355 545 01	Support		1	

Model: 911 94

Model life 1994>>1998

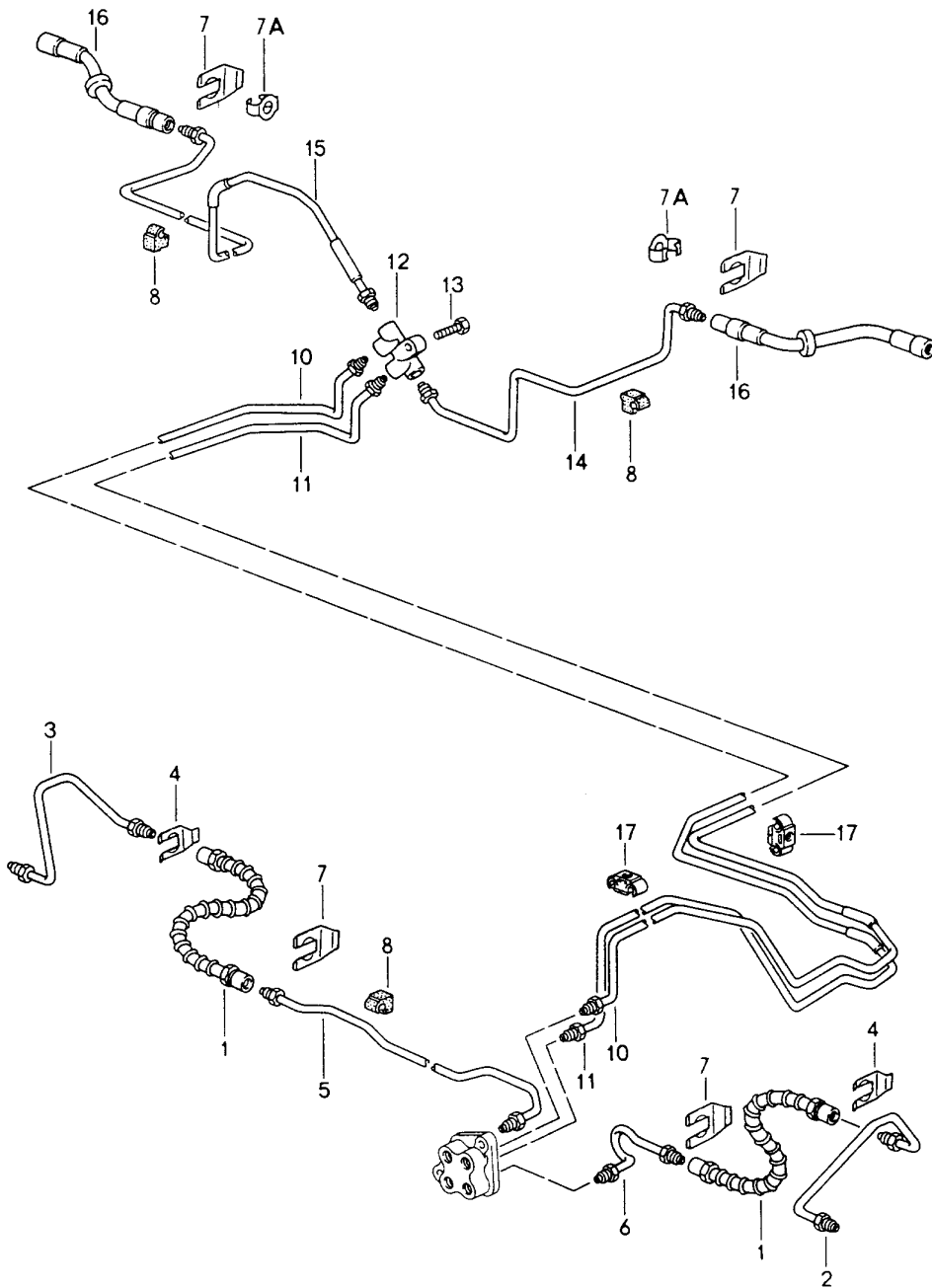


Model: 911 94 Model life 1994>>1998

Pos	Part Number	Description	Remark	Qty	Model
		Brake lines			
		Front axle			
		Underbody			
		Rear axle			
1	993 355 139 00	Brake hose		2	
1	993 355 139 01	Brake hose		2	
2	993 355 581 01	Brake line	/L	1	
(2)	993 355 581 02	Brake line	/L	1	
		Front			
3	993 355 584 01	Brake line	/R	1	
(3)	993 355 584 02	Brake line	/R	1	
		Front			
4	999 166 071 01	Support		2	
5	993 355 176 01	Brake line	/R	1	
		Front			
(5)	993 355 176 02	Brake line	/R	1	
		Front			
6	964 355 175 11	Brake line	/L	1	
		Front			
(6)	964 355 175 12	Brake line	/L	1	
		Front			
7	113 611 715 A	Brake hose bracket		2	
		Front			
7A	993 355 321 00	Retainer spring	95-	X	
		Rear			
(7A)	955 355 321 00	Retainer spring		X	
		Rear			
8	999 591 930 40	Support		X	
9	993 355 179 02	Brake line	/LL	1	
-	964 423 811 00	Support	95-	2	
		for			
		Brake line			
		Clutch pipeline			
10	993 355 760 00	Distributing piece		1	
10	993 355 760 01	Distributing piece		1	
11	900 378 013 01	Hexagon-head bolt		1	
		M 6 X 25			
12	993 355 189 01	Brake line	/L 94	1	
		Rear			
12	993 355 189 02	Brake line	/L 95-	1	
		Rear			
(12)	993 355 189 03	Brake line	/L 95-	1	
		Rear			
(12)	993 355 189 04	Brake line	/L	1	
		Rear			
13	993 355 190 02	Brake line	/R 94	1	
		Rear			
13	993 355 190 03	Brake line	/R 95-	1	
		Rear			
(13)	993 355 190 05	Brake line	/R	1	
		Rear			
14	993 355 060 02	Brake hose	/H 94	2	
14	993 355 060 03	Brake hose	/H 94-	2	
14	993 355 129 00	Brake hose	/H 95-	2	
14	993 355 129 01	Brake hose	/H 95-	2	

Model: 911 94

Model life 1994>>1998

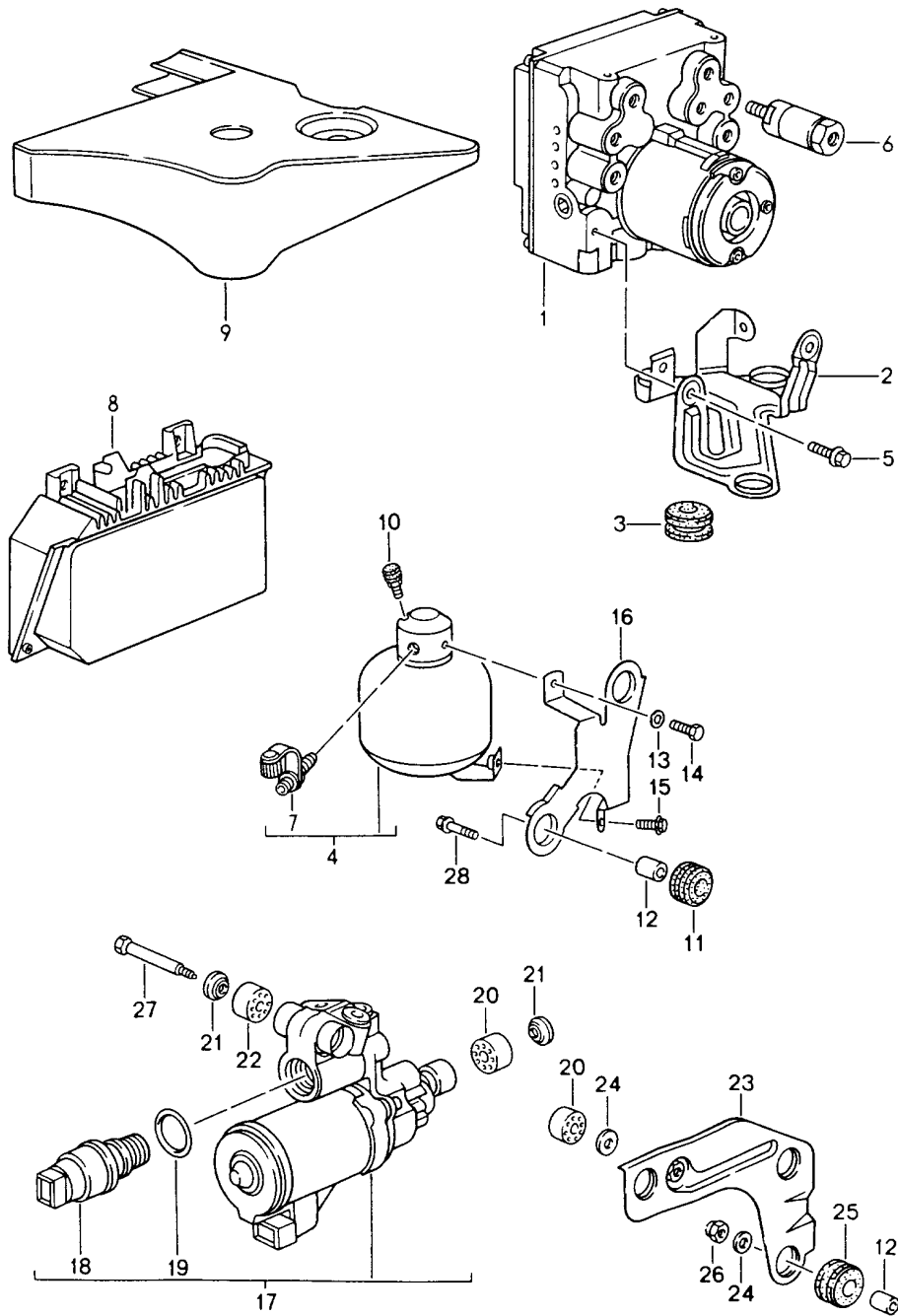


Model: 911 94 Model life 1994>>1998

Pos	Part Number	Description	Remark	Qty	Model
		Brake lines			M224
		Front axle	95-		M339
		Underbody			TURBO
1	993 355 139 00	Brake hose		2	
1	993 355 139 01	Brake hose		2	
2	993 355 581 01	Brake line	/L	1	
(2)	993 355 581 02	Brake line	/L	1	
		Front			
3	993 355 584 01	Brake line	/R	1	
(3)	993 355 584 02	Brake line	/R	1	
		Front			
4	999 166 071 01	Support		2	
5	993 355 176 01	Brake line	/R	1	
		Front			
(5)	993 355 176 02	Brake line	/R	1	
		Front			
6	964 355 175 11	Brake line	/L	1	
		Front			
(6)	964 355 175 12	Brake line	/L	1	
		Front			
7	113 611 715 A	Brake hose bracket		X	
		Front			
7A	955 355 321 00	Retainer spring	95-	X	
		Rear			
8	999 591 930 40	Support		X	
10	993 355 177 02	Brake line	/LL	1	
		Rear			
		Right			
(10)	993 355 177 03	Brake line	/LL	1	
		Rear			
		Right			
11	993 355 179 02	Brake line	/LL	1	
		Rear			
		Left			
(11)	993 355 179 03	Brake line	/LL	1	
		Rear			
		Left			
12	993 355 760 25	Distributing piece		1	
13	900 378 013 01	Hexagon-head bolt		1	
		M 6 X 25			
14	993 355 189 01	Brake line	/L	1	
		Rear			
(14)	993 355 189 03	Brake line	/L 95-	1	
		Rear			
(14)	993 355 189 04	Brake line	/L 95-	1	
		Rear			
15	993 355 190 02	Brake line	/R 94	1	
		Rear			
(15)	993 355 190 03	Brake line	/R 95-	1	
		Rear			
(15)	993 355 190 05	Brake line	/R	1	
		Rear			
16	993 355 060 02	Brake hose	94	2	
16	993 355 060 03	Brake hose	94-	2	
(16)	993 355 129 00	Brake hose	95-	2	
(16)	993 355 129 01	Brake hose	95-	2	
17	811 611 797	Support	94	X	
(17)	964 423 811 00	Support	95-	3	

Model: 911 94

Model life 1994>>1998



Model: 911 94 Model life 1994>>1998

Pos	Part Number	Description	Remark	Qty	Model
		Hydraulic unit Anti-lock brake system Control See technical information GR.4 NR3/94			
1	993 355 955 00	Hydraulic unit		1	
1	993 355 955 50	Hydraulic unit		1	M224
1		Hydraulic unit	95-	1	M224/339
2	993 355 533 02	Support		1	
3	964 356 635 00	Rubber mounting		3	
-	999 045 004 40	Hexagon nut		3	
4	993 355 109 03	Pressure accumulator	95-	1	
5	N 010 219 2	Hexagon-head bolt M 6 X 28	94	3	
5	900 075 135 01	Hexagon-head bolt M 6 X 28	94	3	
(5)	900 378 036 09	Hexagon-head bolt M 6 X 12	95-	3	M224/339
6	993 355 305 01	Regulator		1	
(6)		Regulator		2	M224
(6)	964 355 305 00	Regulator	95-	2	M224/339
(6)	964 355 305 10	Regulator		2	TURBO
(6)	993 355 305 01	Regulator	96-	2	M339/491
7	964 355 893 00	Valve		1	
8	993 618 125 00	Control unit	94	1	
(8)	993 618 125 01	Control unit	95-	1	
(8)	993 355 126 00	Control unit		1	M224
(8)	993 618 126 00	Control unit	94	1	M224
(8)	993 618 127 00	Control unit	95-	1	M224
				1	M339
				1	CARRERA RS
-	993 618 036 00	Cover Control unit		1	
-	996 618 038 00	Cover Control unit		1	
-	999 167 047 02	Ball pin Cover		4	
9	993 355 203 00	Cover		1	
-	999 049 018 40	Push button for Cover		2	
10	964 355 809 00	Ventilation valve	95-	1	
11	964 356 635 00	Rubber mounting	95-	2	
12	928 355 633 00	Bush	95-	2	
12	928 355 633 03	Bush	95-	2	
13	900 025 004 02	Washer A 6	95-	1	
14	900 075 008 02	Hexagon-head bolt M 6 X 8	95-	1	
15	900 378 036 09	Hexagon-head bolt M 6 X 12	95-	1	
16	993 355 451 01	Support	95-	1	
17	993 355 953 00	Pump	95	1	M339
17	993 355 953 01	Pump	96-	1	M339
17	993 355 953 50	Pump		1	TURBO
			96-	1	M491
18	964 606 904 00	Pressure switch	95-	1	M339
19	999 707 094 40	O-ring	95-	1	M339
20	964 355 908 00	Rubber mounting	95-	2	M339
20	964 355 908 50	Sleeve		2	TURBO
			96-	2	M491
21	999 025 202 02	Washer	95-	1	M339
22	964 355 908 00	Rubber mounting	95-	1	M339

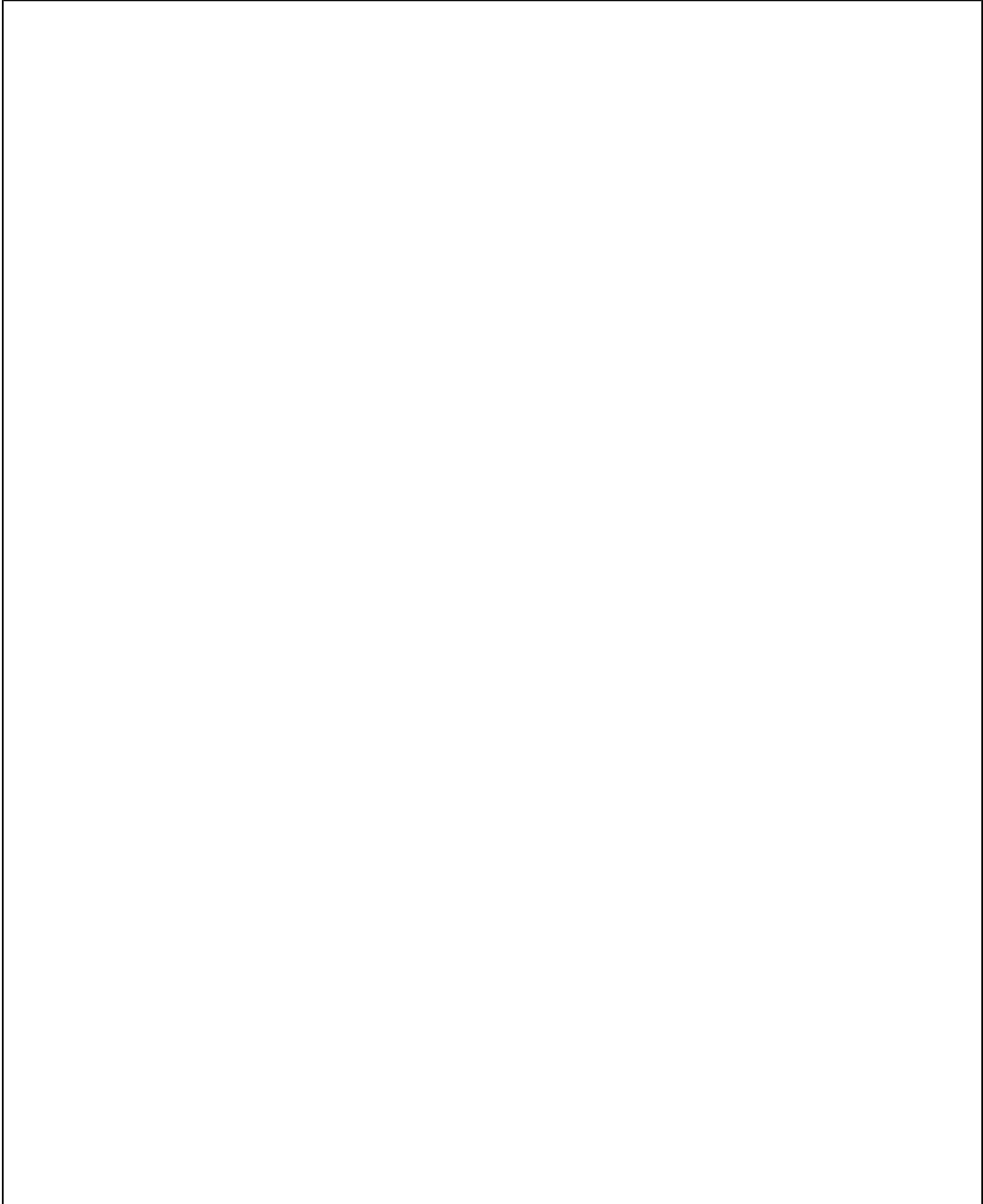
Model: 911 94

Model life 1994>>1998

Pos	Part Number	Description	Remark	Qty	Model
22	964 355 908 50	Sleeve		1	TURBO
			96-	1	M491
23	964 355 465 00	Support	95-	1	M339
23	964 355 465 04	Support	95-	1	M339
24	N 011 666 7	Washer	95-	2	M339
		A 6,4			
25	964 356 635 00	Rubber mounting	95-	3	M339
26	900 910 010 02	Lock nut	95-	3	M339
		VM 6			
27	999 074 043 02	Hexagon-head bolt	95-	1	M339
		M 6 X 65			
28	900 378 116 09	Hexagon-head bolt		2	
		M 6 X 30			
28	900 378 014 09	Hexagon-head bolt		2	
		M 6 X 30			
-	900 904 016 02	Washer		2	
		B 6,5			

Model: 911 94

Model life 1994>>1998



Model: 911 94 Model life 1994>>1998

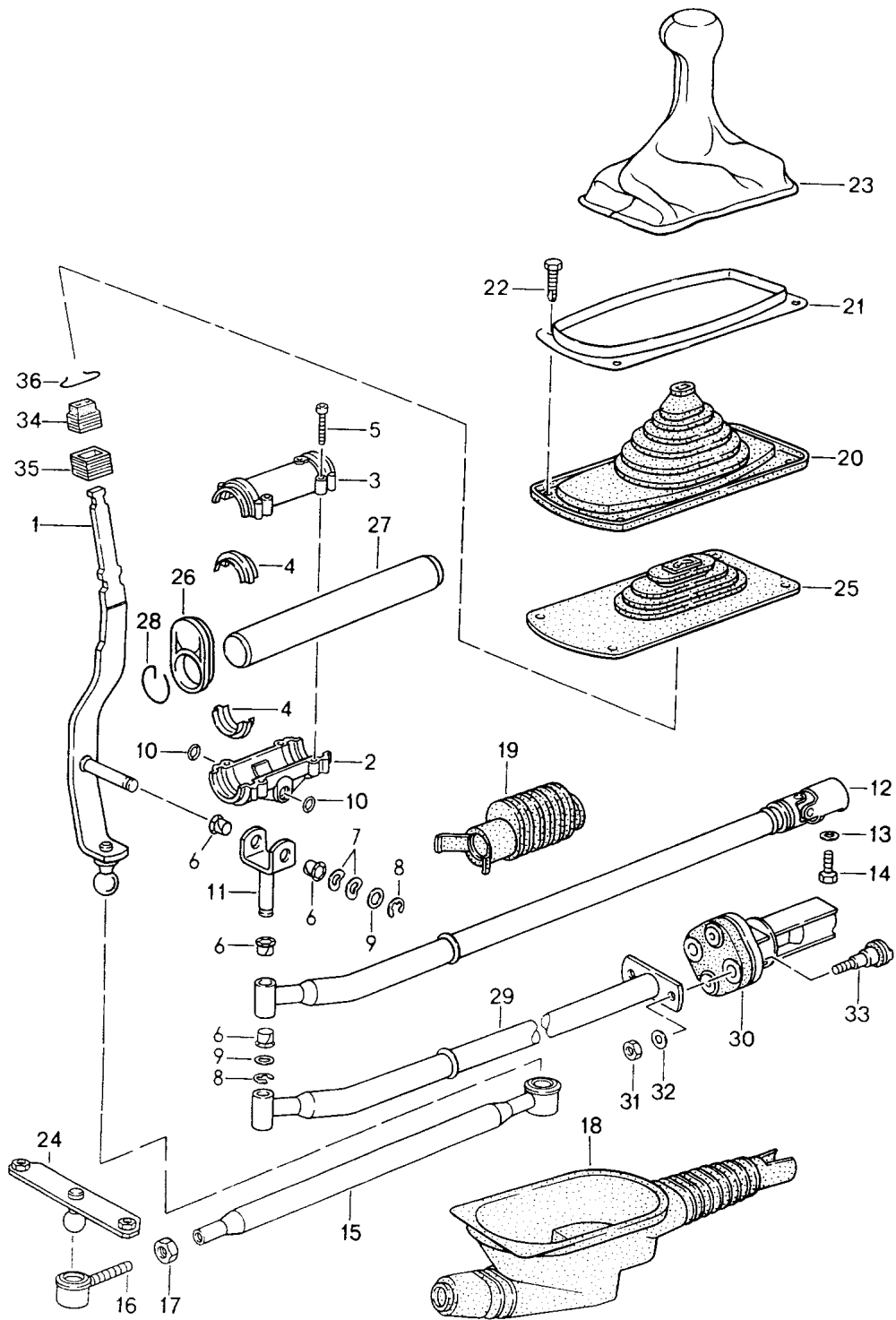
Pos	Part Number	Description	Remark	Qty	Model
>>	993 351 939 01	Repair kits Brake pad repair set Comprising: Brake pad Use also: Mounting parts	/V	1	
>>	993 351 949 00	Brake pad repair set Comprising: Brake pad Use also: Mounting parts	/V /V	1 1	TURBO M491
>>	928 351 919 10	Gasket set Comprising: Piston Boot Inner Boot Outer \$44 MM	/V	X	
>>	951 351 919 10	Gasket set Comprising: Piston Boot Inner Boot Outer \$36 MM	/V	X	
>>	993 351 959 01	Repair kit Comprising: Spring plate Screw Lower	/V	X	
>>	993 351 959 03	Repair kit Comprising: Spring plate Screw Lower	/V /V	X X	TURBO M491
>>	993 351 959 00	Repair kit Comprising: Spring plate Screw Upper	/V	X	
>>	993 351 959 02	Repair kit Comprising: Spring plate Screw Upper	/V /V	X X	TURBO M491
>>	965 352 939 04	Brake pad repair set Comprising: Brake pad Use also: Mounting parts	/H /H	1 1	M339/493
>>	993 351 939 01	Brake pad repair set Comprising: Brake pad Use also: Mounting parts	/H /H 96-	1 1	TURBO M339/491
>>	965 352 919 10	Gasket set	/H	1	

Model: 911 94 Model life 1994>>1998

Pos	Part Number	Description	Remark	Qty	Model
>>	951 352 919 11	Comprising: Piston Boot Inner Boot Outer \$ 34 MM Gasket set	/H	1	
>>	993 352 959 01	Comprising: Piston Boot Inner Boot Outer \$ 30 MM Repair kit	/H	1	
>>	993 352 959 00	Comprising: Spring plate Screw Upper Repair kit Comprising: Spring plate Screw Lower	/H	1	

Model: 911 94

Model life 1994>>1998



Model: 911 94 Model life 1994>>1998

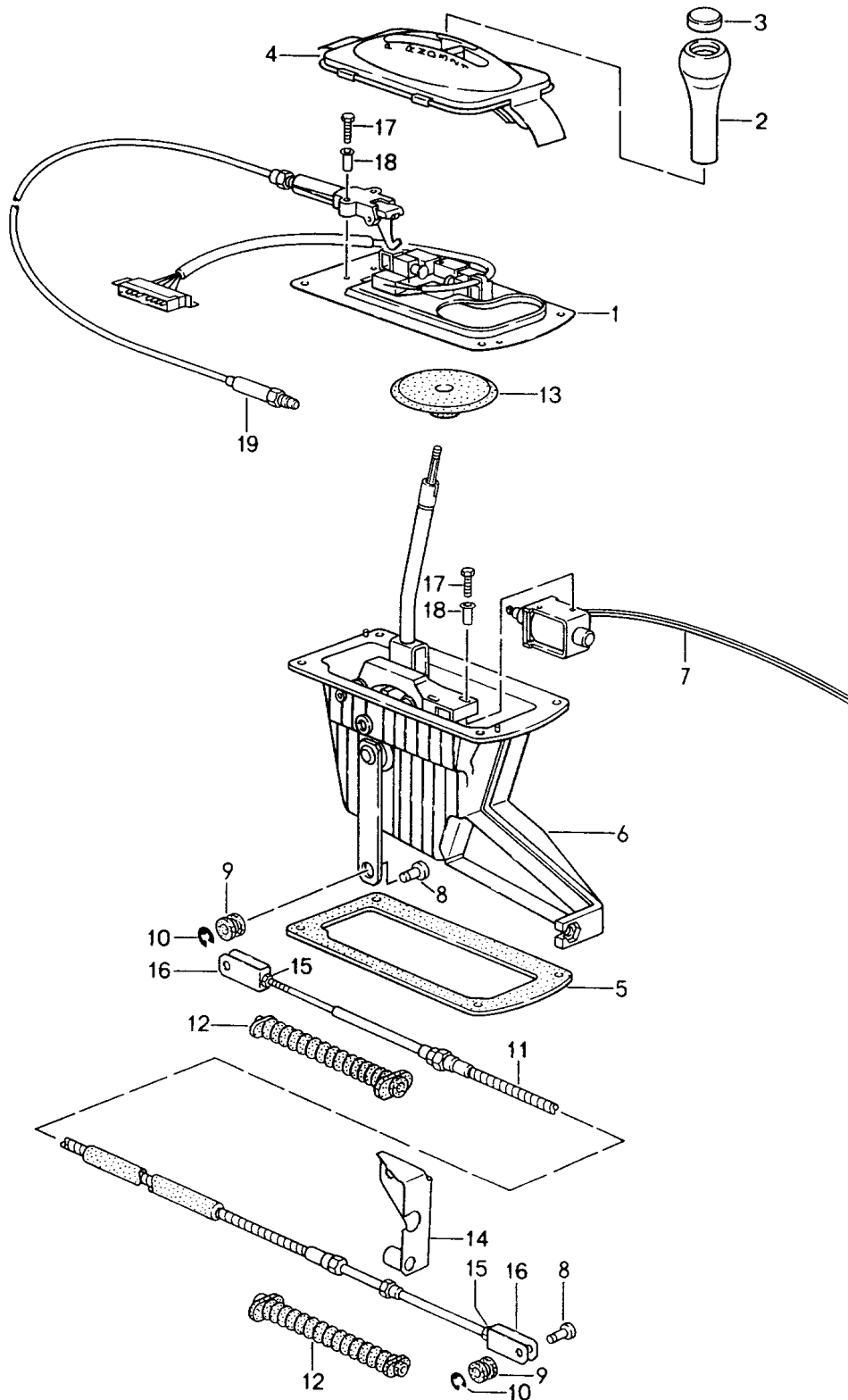
Pos	Part Number	Description	Remark	Qty	Model
		Transmission control			M480
1	964 424 015 04	Gearshift lever		1	
1	993 424 015 00	Gearshift lever	95-	1	M339
1	993 424 015 01	Gearshift lever	95-	1	M339
2	964 424 104 05	Slide		1	
3	964 424 103 05	Slide		1	
4	964 424 115 00	Insert		4	
4	964 424 115 01	Insert		4	
5	900 067 148 02	Pan-head screw		4	
5	900 067 148 01	Pan-head screw		4	
6	999 924 002 40	Bush		2	
7	900 234 510 02	Support washer		2	
8	N 012 439 2	Lock washer		1	
9	N 012 231 4	Spring washer		1	
10	999 701 012 50	O-ring		2	
11	964 424 017 00	Fork		1	
13	N 011 654 2	Washer		1	
14	999 074 042 02	Fit bolt M 8 X 21,5		1	
14	999 074 023 02	Fit bolt M 8 X 25,5	95-	1	M339
(15)	964 424 011 31	Guide tube		1	
(15)	964 424 011 01	Guide tube	95-	1	M339
16	928 424 005 01	Angular joint		1	
17	N 011 010 6	Hexagon nut M 10		1	
17	N 101 552 10	Hexagon nut M 10		1	
18	964 424 292 02	Rubber sleeve		1	
19	964 424 294 05	Sealing sleeve	94	1	
19	993 424 294 00	Sealing sleeve	95-	1	
20	964 424 139 06	Bellows	94	1	
20	993 424 139 00	Bellows	95-	1	
21	964 424 134 00	Frame		1	
22	900 075 010 02	Hexagon nut M 6 X 12		4	
22	N 010 212 14	Hexagon-head bolt M 6 X 12		4	
22	999 072 005 09	Hexagon nut M 6 X 12		4	
22	999 072 005 01	Hexagon nut M 6 X 12		4	
23	964 424 075 05	Gearshift knob		1	M338
	964 424 075 05 8YR	Black			
	964 424 075 05 6XL	Classic grey			
	964 424 075 05 H24	Midnight blue			
	964 424 075 05 T15	Chestnut brown			
	964 424 075 05 3QN	Marble grey			
	964 424 075 05 4YU	Cashmere beige			
	964 424 075 05 G43	Provence blue			
	964 424 075 05 K03	Cedar green			
	964 424 075 05 8SE	Flamenco red			
	964 424 075 05 E38	Rubicon grey			
	964 424 075 05 J30	Nephrite green	97-		
	964 424 075 05 M30	Boxster red	97-		
	964 424 075 05 B50	Space grey			
23	993 424 075 00	Gearshift knob	95-	1	M339
	993 424 075 00 8YR	Black			
	993 424 075 00 6XL	Classic grey			
	993 424 075 00 H24	Midnight blue			
	993 424 075 00 T15	Chestnut brown			
	993 424 075 00 3QN	Marble grey			
	993 424 075 00 4YU	Cashmere beige			

Model: 911 94 Model life 1994>>1998

Pos	Part Number	Description	Remark	Qty	Model
	993 424 075 00 G43	Provence blue			
	993 424 075 00 K03	Cedar green			
	993 424 075 00 8SE	Flamenco red			
	993 424 075 00 J30	Nephrite green	97-		
	993 424 075 00 M30	Boxster red	97-		
	993 424 075 00 B50	Space grey			
	993 424 075 00 E38	Rubicon grey			
23	993 424 075 01	Gearshift knob		1	M495
	993 424 075 01 8YR	Black			
	993 424 075 01 6XL	Classic grey			
	993 424 075 01 H24	Midnight blue			
	993 424 075 01 T15	Chestnut brown			
	993 424 075 01 4YU	Cashmere beige			
	993 424 075 01 E38	Rubicon grey			
	993 424 075 01 J30	Nephrite green			
	993 424 075 01 M30	Boxster red			
	993 424 075 01 B50	Space grey			
24	964 424 055 00	Bearing plate		1	
26	964 424 028 00	Bearing sleeve		2	
27	964 424 131 02	Pipe		1	
28	999 178 007 02	Circlip		2	
28	999 178 007 01	Circlip		2	
29	993 424 020 30	Gear shift rod	94	1	
29	993 424 020 00	Gear shift rod	95-	1	
30	950 424 028 01	Bearing body	94	1	
30	993 424 028 00	Bearing body	95-	1	
31	N 011 008 13	Hexagon nut		2	
		M 8			
31	900 076 025 02	Hexagon nut		2	
		M 8			
31	900 076 064 02	Hexagon nut		2	
		M 8			
32	N 011 525 8	Washer		2	
		A 8,4			
32	900 025 007 02	Washer		2	
		A 8,4			
32	900 025 007 03	Washer		2	
		A 8,4			
33	950 424 025 00	Bolt		2	
34	931 424 111 00	Vibration damper		1	
35	931 424 110 00	Vibration damper		1	
36	993 424 299 00	Retaining clip		1	
-	964 424 180 02	Sound absorber		1	
		Between			
		Gearshift lever			
		And			
		Central tube			

Model: 911 94

Model life 1994>>1998

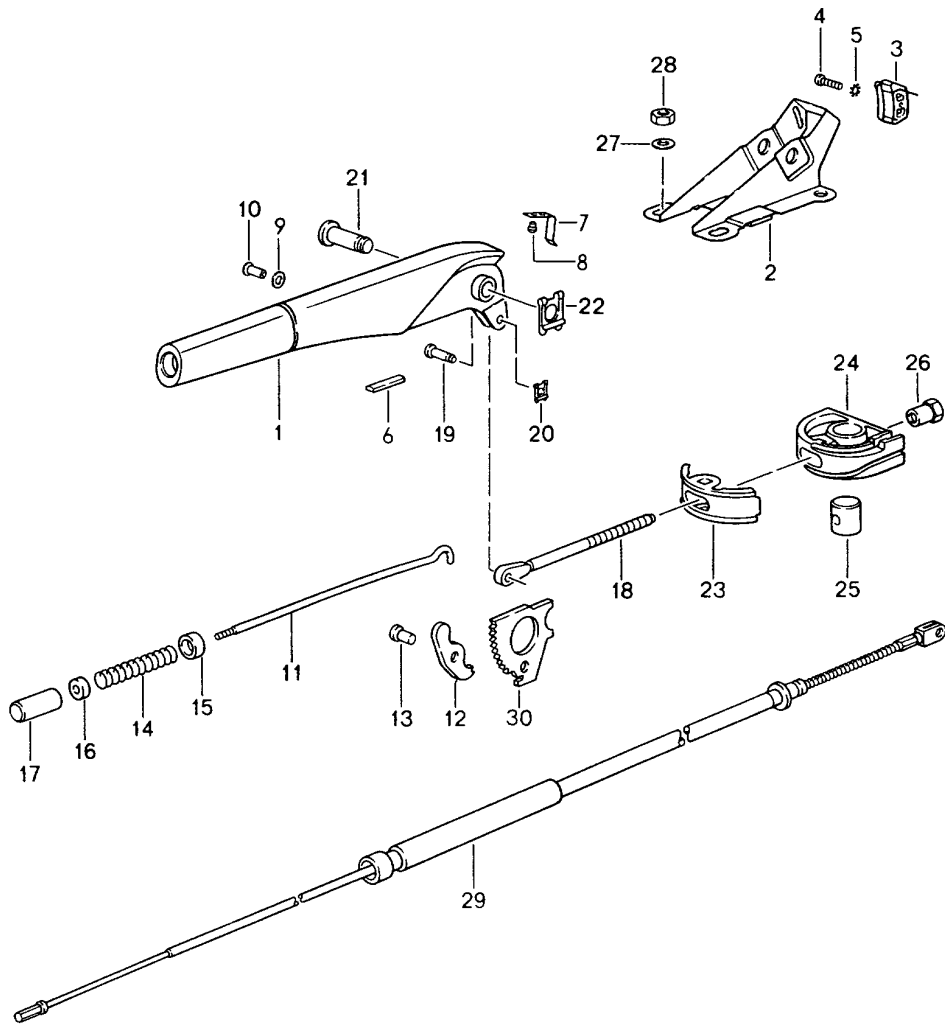


Model: 911 94 Model life 1994>>1998

Pos	Part Number	Description	Remark	Qty	Model
		Selector lever Tiptronic			M249
1	964 613 023 05	Switch	-95	1	
(1)	993 613 023 00	Switch	96-	1	
2	943 426 069 01	Selector knob Leather		1	
	943 426 069 01 8YR	Black			
	943 426 069 01 6XL	Classic grey			
	943 426 069 01 H24	Midnight blue			
	943 426 069 01 T15	Chestnut brown			
	943 426 069 01 3QN	Marble grey			
	943 426 069 01 4YU	Cashmere beige			
	943 426 069 01 G43	Provence blue			
	943 426 069 01 K03	Cedar green			
	943 426 069 01 8SE	Flamenco red			
	943 426 069 01 E38	Rubicon grey			
	943 426 069 01 J30	Nephrite green			
	943 426 069 01 M30	Boxster red			
	943 426 069 01 B50	Space grey			
3	943 426 275 05	Key		1	
	943 426 275 05 01C	Black			
3	943 426 275 06	Key	97-	1	M495
	943 426 275 06 61W	Steel grey			
4	964 552 169 00	Shift gate		1	
	964 552 169 00 1DB	Black			
4	964 552 169 01	Shift gate		1	
	964 552 169 01 1DB	Black			
5	943 426 129 03	Gasket		1	
6	943 426 011 05	Selector lever with Housing	-95	1	
6	943 426 011 07	Selector lever with Housing	96-	1	
7	928 624 170 00	Solenoid	-95	1	
(7)	993 624 170 00	Solenoid	96-	1	
		It is necessary to rework			
8	943 426 149 00	Bolt		2	
9	943 426 261 00	Rubber mounting		2	
10	N 012 436 2	Lock washer		2	
11	943 426 033 02	Cable		1	
12	943 426 103 00	Bellows		2	
13	999 704 159 40	Washer		1	
14	993 426 021 01	Support		1	
15	N 011 005 14	Hexagon nut M 5		2	
15	900 076 091 01	Hexagon nut M 5		2	
16	943 426 047 00	Clevis		2	
17	900 075 164 02	Hexagon-head bolt		4	
18	900 121 033 01	Tubular rivet		4	
19	943 426 073 01	Cable		1	

Model: 911 94

Model life 1994>>1998



Model: 911 94 Model life 1994>>1998

Pos	Part Number	Description	Remark	Qty	Model
1	964 424 051 01	Handbrake Actuator Parking-brake lever		1	
	964 424 051 01 8YR	Black			
	964 424 051 01 6XL	Classic grey			
	964 424 051 01 H24	Midnight blue			
	964 424 051 01 T15	Chestnut brown			
	964 424 051 01 3QN	Marble grey			
	964 424 051 01 4YU	Cashmere beige			
1	964 424 051 50	Parking-brake lever Leather		1	
	964 424 051 50 8YR	Black			
	964 424 051 50 6XL	Classic grey			
	964 424 051 50 H24	Midnight blue			
	964 424 051 50 T15	Chestnut brown			
	964 424 051 50 3QN	Marble grey			
	964 424 051 50 4YU	Cashmere beige			
	964 424 051 50 G43	Provence blue			
	964 424 051 50 K03	Cedar green			
	964 424 051 50 8SE	Flamenco red			
	964 424 051 50 J30	Nephrite green	97-		
	964 424 051 50 M30	Boxster red	97-		
	964 424 051 50 B50	Space grey			
1	993 424 051 00	Parking-brake lever	/LL 97-	1	M495
	993 424 051 00 8YR	Black			
	993 424 051 00 4YU	Cashmere beige			
	993 424 051 00 6XL	Classic grey			
	993 424 051 00 H24	Midnight blue			
	993 424 051 00 T15	Chestnut brown			
	993 424 051 00 E38	Rubicon grey			
1	993 424 051 50	Parking-brake lever Leather	/LL 97-	1	M495
	993 424 051 50 8YR	Black			
	993 424 051 50 4YU	Cashmere beige			
	993 424 051 50 6XL	Classic grey			
	993 424 051 50 H24	Midnight blue			
	993 424 051 50 E38	Rubicon grey			
	993 424 051 50 T15	Chestnut brown			
	993 424 051 50 J30	Nephrite green			
	993 424 051 50 M30	Boxster red			
	993 424 051 50 3QN	Marble grey			
	993 424 051 50 B50	Space grey			
2	964 424 060 00	Bearing bracket		1	
2	964 424 060 01	Bearing bracket		1	
3	901 613 521 20	Contact switch		1	
4	900 015 025 02	Oval-head screw AM 4 X 15		1	
5	N 012 097 3	Washer A 4,3		1	
6	901 424 509 01	Stop		1	
7	964 424 533 00	Contact spring		1	
7	964 424 533 01	Contact spring		1	
8	900 055 001 20	Buttonhead rivet		2	
9	900 031 012 10	Washer 2,8		2	
10	900 206 003 00	Tubular rivet 5 X 0,5 X 10		1	
11	901 424 567 03	Push rod		1	
12	901 424 508 00	Pawl		1	
13	901 424 511 00	Bolt		1	
14	901 424 543 00	Compression spring		1	
15	914 424 258 00	Guide sleeve		1	
16	901 424 593 01	Ring		1	

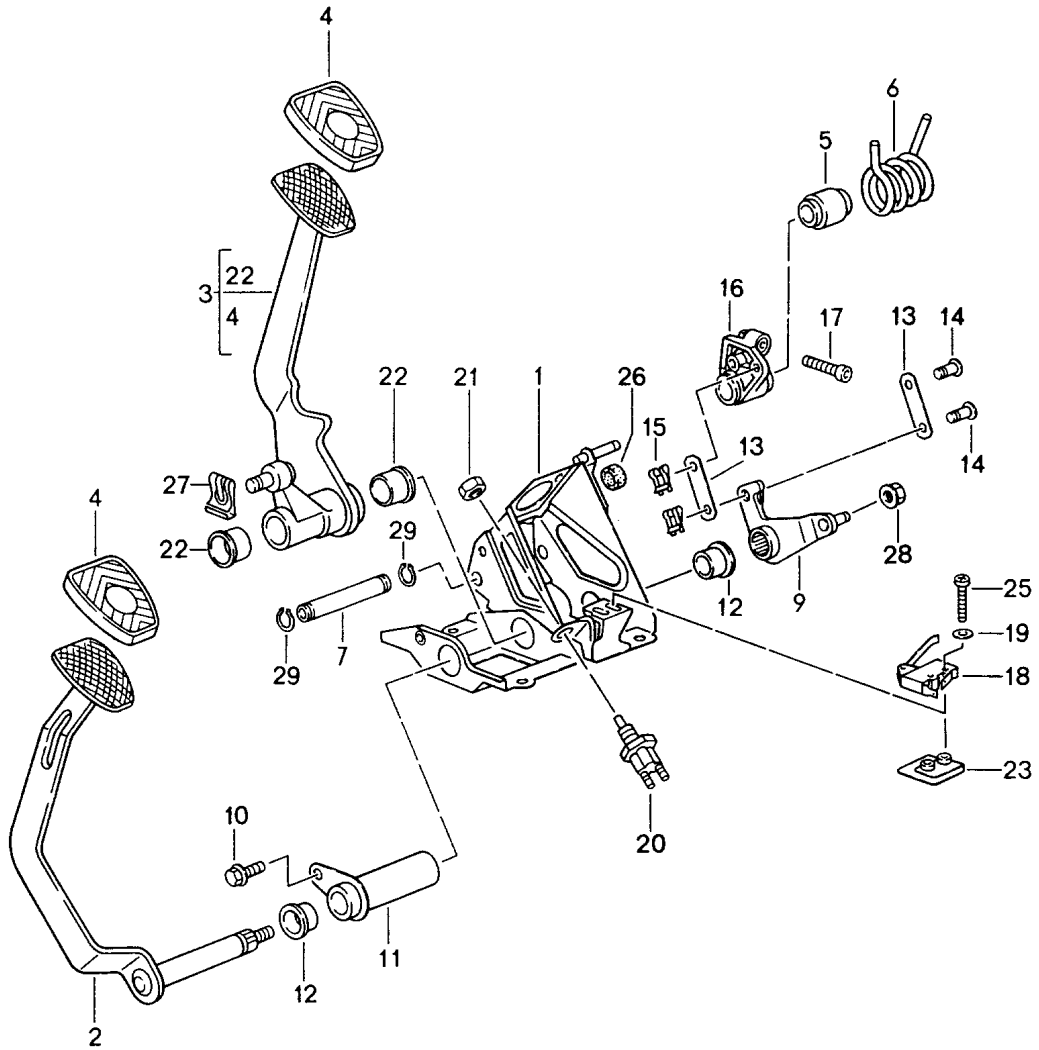
Model: 911 94

Model life 1994>>1998

Pos	Part Number	Description	Remark	Qty	Model
17	964 424 523 00	Push button		1	
18	964 424 567 00	Pull rod		1	
19	999 166 010 02	Bolt A6 X 16 X 13		1	
20	N 012 645 2	Lock washer		1	
21	959 424 519 00	Bearing pin		1	
22	N 012 653 1	Lock washer		1	
23	964 424 570 00	Securing clip		1	
24	964 424 568 00	Turnbuckle		1	
25	999 230 333 02	Nipple		1	
26	964 424 569 00	Adjusting nut		1	
28	900 380 005 09	Hexagon nut M 8		4	
29	993 424 551 02	Parking-brake cable		2	
29	993 424 551 05	Parking-brake cable		2	
-	993 424 045 00	Guide tube		2	
-	993 424 045 01	Guide tube		2	
-	993 424 045 02	Guide tube		2	
30	914 424 541 00	Locking segment		1	

Model: 911 94

Model life 1994>>1998

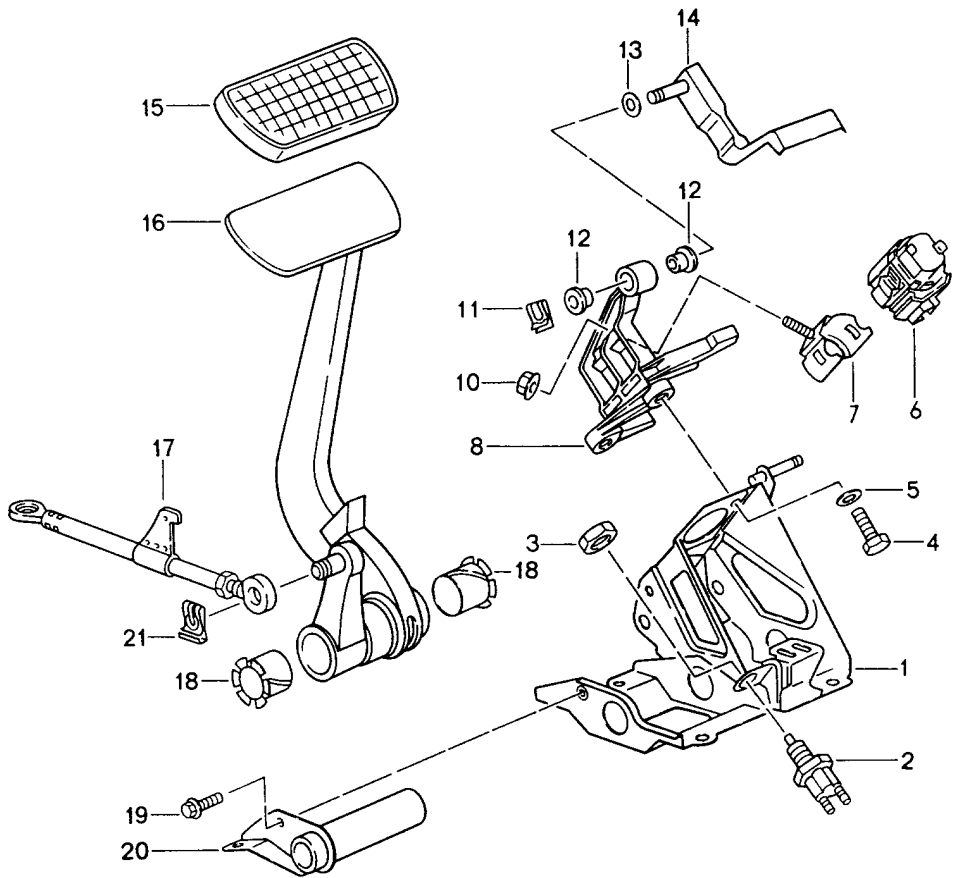


Model: 911 94 Model life 1994>>1998

Pos	Part Number	Description	Remark	Qty	Model
		Pedals			
		Manual transmission			
1	993 423 065 00	Bearing bracket	/LL -96	1	
1	993 423 065 01	Bearing bracket	/LL 97-	1	
2	993 423 073 00	Clutch pedal	/LL	1	
-	964 423 036 02	Stop	/LL	1	
		Clutch pedal			
-	901 423 368 00	Desk pad		2	
-	900 119 001 02	Pan-head screw		2	
		M 5 X 12			
-	900 976 003 01	Pan-head screw		2	
		M 5 X 12			
3	993 423 051 00	Brake pedal	/LL	1	
-	900 234 524 00	Shim		X	
		35 X 25 X 0,2			
-	900 234 525 00	Shim		X	
		35 X 25 X 0,3			
-	964 355 287 05	Push rod		1	
-	964 355 321 03	Fuse holder		1	
		for			
		Push rod			
4	914 423 210 00	Rubber pad	/LL	2	
5	964 423 543 01	Bearing sleeve		1	
6	964 423 551 02	Clutch power spring		1	
(6)	993 423 551 51	Clutch power spring		1	TURBO
7	993 423 565 00	Shaft		1	
9	993 423 519 00	Lever		1	
9	993 423 519 01	Lever		1	
9	993 423 519 02	Lever	-96	1	
9	993 423 519 03	Lever	97-	1	
10	N 010 210 7	Hexagon-head bolt		1	
		M 6 X 10			
11	965 423 069 00	Bearing tube	/LL	1	
12	999 924 081 00	Bush	/LL	2	
13	911 423 567 00	Intermediate piece		2	
14	959 423 569 01	Bolt		1	
15	N 012 645 2	Lock washer		2	
16	965 423 143 00	Lever		1	
		with			
		Bush			
(16)	999 924 057 00	Bush		2	
17	900 067 148 02	Pan-head screw		1	
		M 5 X 25			
18	993 613 415 00	Microswitch	-96	1	M480
(18)	993 613 416 00	Microswitch	97-	1	M480
-	993 423 251 00	Support		1	
		Microswitch			
-	999 076 062 02	Hexagon nut		2	
		M 3			
19	900 025 001 02	Washer		2	
20	964 613 301 00	Brake light switch		1	
21	999 076 044 40	Retaining clip		1	
22	999 924 094 00	Bush		2	
23	964 423 613 00	Threaded plate		1	
25	N 044 134 2	Oval-head screw		2	
26	901 423 193 00	Rubber stop		1	
27	999 166 077 02	Safety clip		1	
28	900 380 008 09	Lock nut		1	
		M 10			
29	N 012 412 1	Circlip		2	
		12 X 1			

Model: 911 94

Model life 1994>>1998

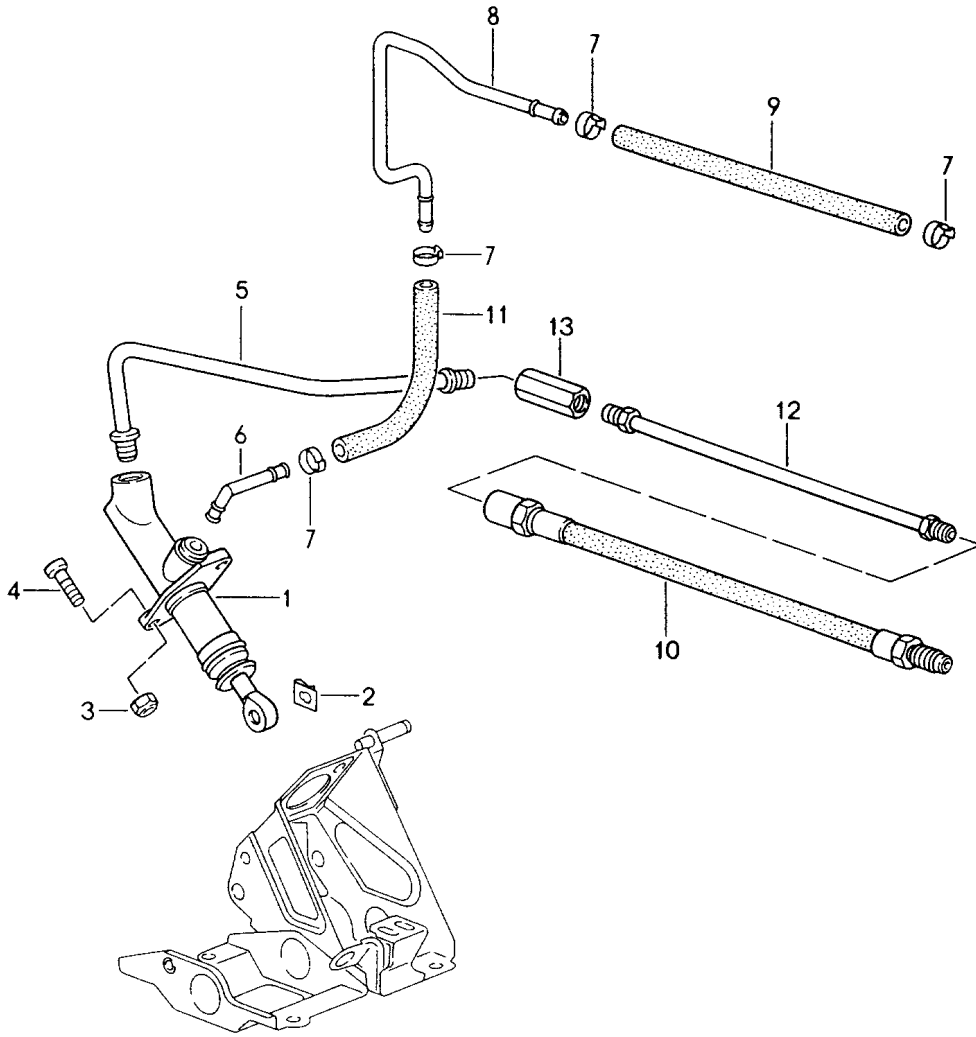


Model: 911 94 Model life 1994>>1998

Pos	Part Number	Description	Remark	Qty	Model
		Pedals Tiptronic			M249
1	993 423 065 00	Bearing bracket	/LL -96	1	
1	993 423 065 01	Bearing bracket	/LL 97-	1	
2	964 613 301 00	Brake light switch		1	
3	999 076 044 40	Retaining clip		1	
4	900 378 074 09	Hexagon-head bolt M 8 X 16		2	
6	964 613 211 00	Kickdown switch		1	
7	964 423 243 01	Support	/LL	1	
8	964 423 241 03	Bracket	/LL	1	
10	900 380 015 09	Hexagon nut VM 6		1	
11	999 166 035 02	Safety clip		1	
12	999 924 069 00	Bearing sleeve		2	
13	N 015 278 2	Washer		1	
14	964 423 245 01	Lever	/LL	1	
15	964 423 583 00	Rubber pad		1	
16	993 423 053 00	Brake pedal	/LL	1	
17	964 355 287 05	Push rod		1	
-	999 088 014 02	Bolt 10 H9 X 29		1	
-	964 355 321 03	Fuse holder for Push rod		1	
18	999 924 094 00	Bush		2	
19	900 378 036 09	Hexagon-head bolt M 6 X 12		1	
20	964 423 162 00	Bearing tube	/LL	1	
20	964 423 162 01	Bearing tube	/LL	1	
21	999 166 077 02	Safety clip		1	

Model: 911 94

Model life 1994>>1998



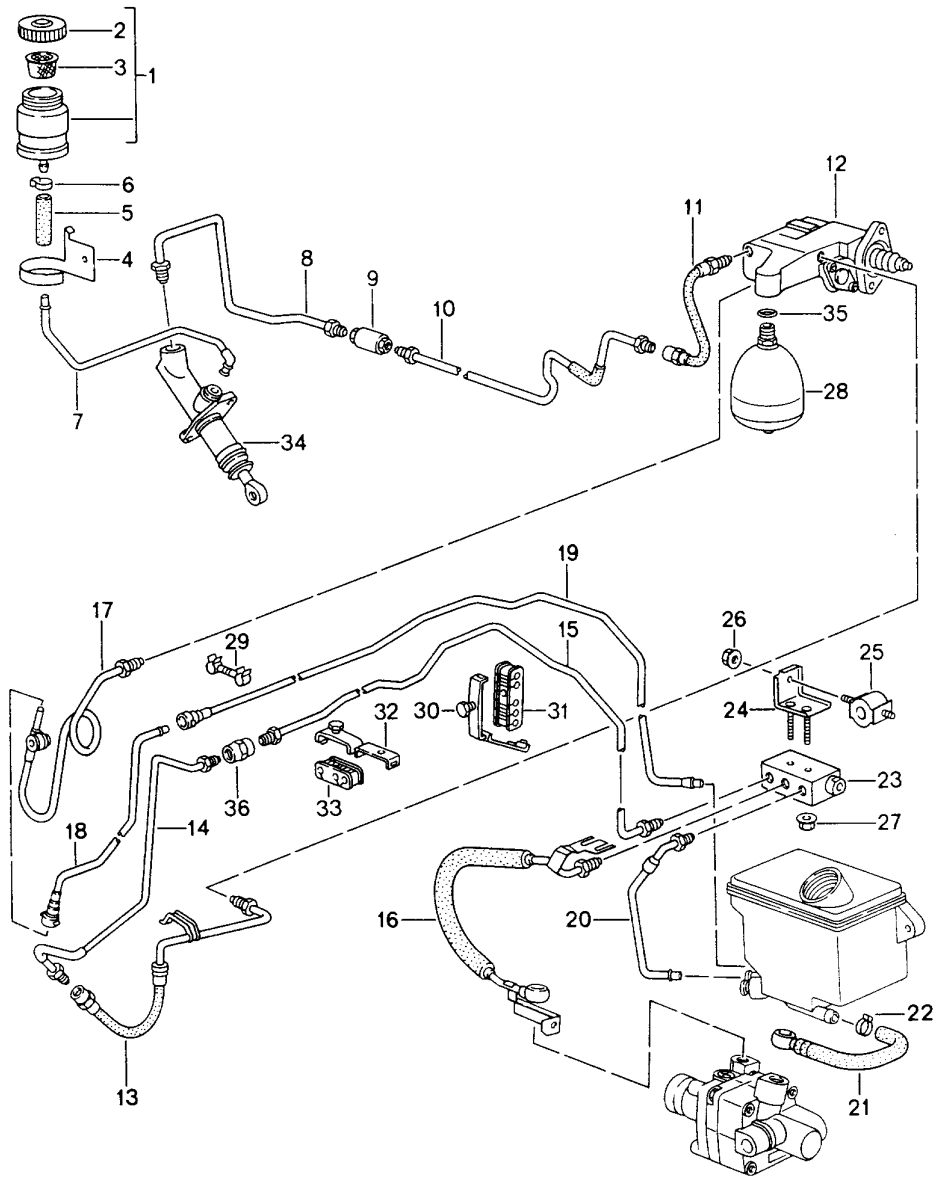
Model: 911 94

Model life 1994>>1998

Pos	Part Number	Description	Remark	Qty	Model
		clutch actuation			
		Clutch master cylinder			
1	993 423 171 00	Clutch master cylinder		1	
2	999 166 075 02	Safety clip		1	
3	999 084 095 02	Lock nut		2	
4	N 010 293 3	Hexagon-head bolt		2	
5	964 423 107 00	Clutch pipeline	/LL	1	
6	964 423 757 00	Elbow		1	
7	999 512 445 00	Clamp		7	
8	964 423 137 02	Clutch pipeline	/LL	1	
9	999 181 021 50	Hose		*	
		7,5 X 12,5			
10	964 423 477 00	Clutch hose		1	
10	964 423 477 01	Clutch hose		1	
11	999 181 021 50	Hose		*	
		7,5 X 12,5 X 270			
12	993 423 109 01	Clutch pipeline	/LL	1	
12	993 423 109 02	Clutch pipeline	/LL	1	
-	999 591 922 40	Support		X	
		for			
		Clutch pipeline			
13	477 209 161	Connecting piece		2	

Model: 911 94

Model life 1994>>1998

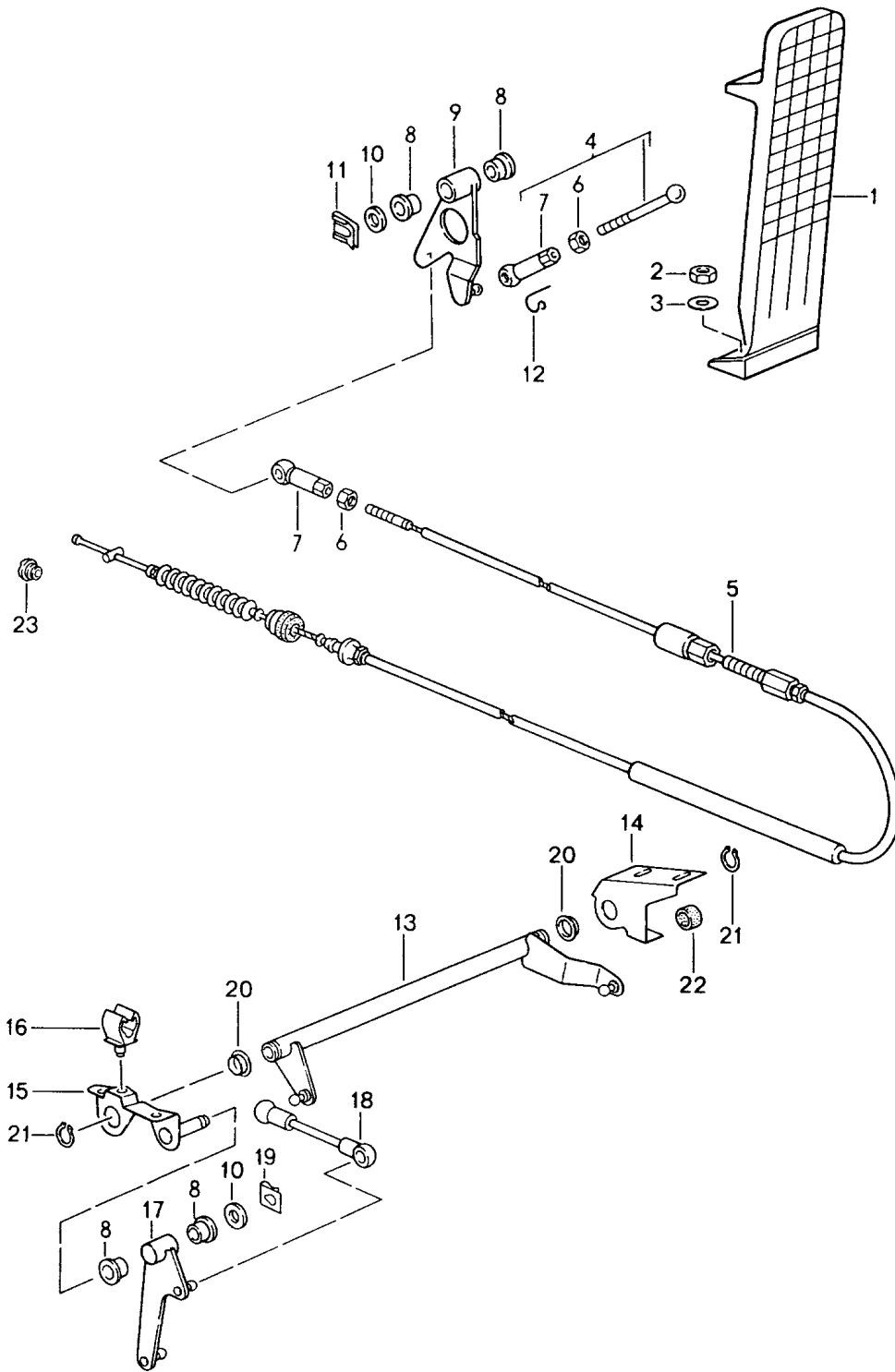


Model: 911 94 Model life 1994>>1998

Pos	Part Number	Description	Remark	Qty	Model
		clutch actuation			TURBO
		Clutch master cylinder			
		Clutch operating cylinder			
		Pressure accumulator			
		Lines			
		Container			
1	993 423 417 00	Container		1	
2	993 423 817 00	Lid		1	
3	211 611 381 B	Strainer		1	
4	993 423 419 00	Support	/LL	1	
5	000 043 205 12	Hose		*	
		STÜCK -70MM			
5	PCG 043 205 12	Hose		1	
		STÜCK -70MM			
6	999 512 532 00	Terminal		1	
7	993 423 137 01	Feed line	/LL	1	
8	964 423 107 00	Clutch pipeline	/LL	1	
9	477 209 161	Connecting piece		1	
-	964 423 110 00	Clutch pipeline	/RL	1	
		Centre			
10	993 423 109 50	Pressure line	/LL	1	
10	993 423 109 02	Clutch pipeline	/LL	1	
11	993 314 477 02	Clutch hose		1	
12	993 116 237 52	Clutch operating cylinder		1	
-	993 116 201 00	Support		1	
		Clutch operating cylinder			
13	993 314 294 04	Pressure line		1	
14	993 314 288 03	Pressure line		1	
(14)	993 314 288 04	Pressure line		1	
15	993 314 282 02	Pressure line		1	
(15)	993 314 282 03	Pressure line		1	
16	993 314 290 13	Pressure line		1	
17	993 314 480 05	Return line		1	
18	993 314 263 02	Return line	/LL	1	
19	993 314 280 12	Return line		1	
20	993 314 232 00	Return line		1	
21	993 314 153 00	Intake pipe		1	
21	993 314 153 02	Intake pipe		1	
22	999 512 559 02	Hose clamp		1	
23	993 314 180 00	Pressure valve		1	
24	993 314 184 00	Support		1	
25	999 703 411 00	Bearing		1	
26	900 380 001 02	Nut		2	
		M 6			
27	900 380 003 02	Hexagon nut		2	
		M 6			
28	993 314 166 00	Pressure accumulator		1	
(28)	996 314 166 00	Pressure accumulator		1	
(28)	997 314 166 00	Pressure accumulator		1	
29	999 507 496 40	Support		1	
30	993 314 593 00	Clamp		1	
31	993 347 545 00	Rubber mounting		1	
32	964 356 555 00	Clamp		2	
33	993 347 561 00	Rubber mounting		2	
34	993 423 171 50	Clutch master cylinder		1	
35	999 707 224 40	O-ring		1	
36	999 136 041 02	Connecting piece		1	
-	000 043 203 33	Pentosin		X	
		1000 ML			
-	000 043 206 56	Pentosin		X	
		1000 ML			

Model: 911 94

Model life 1994>>1998



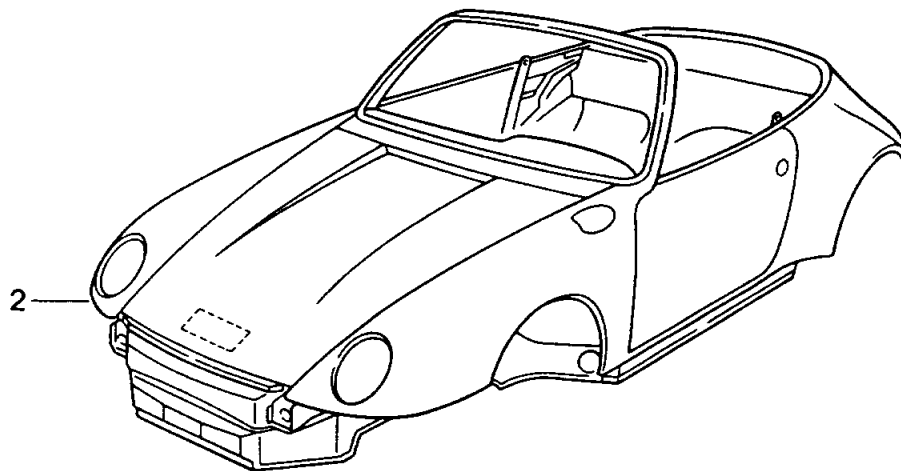
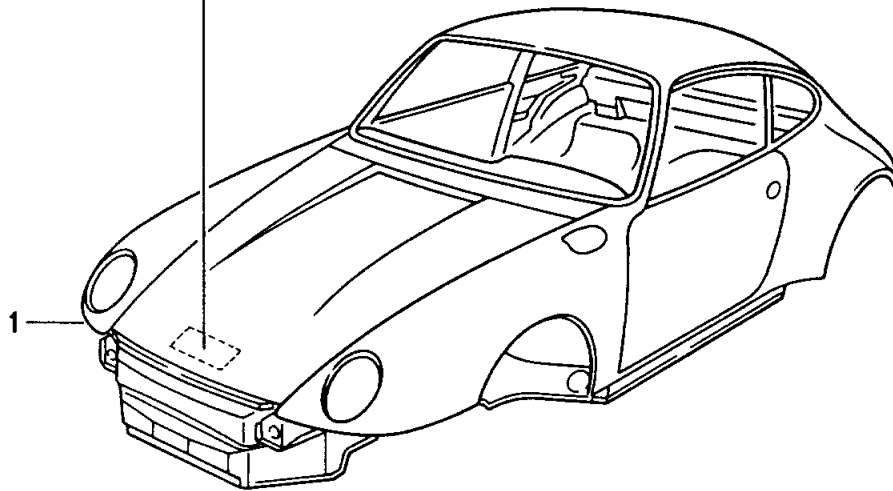
Model: 911 94 Model life 1994>>1998

Pos	Part Number	Description	Remark	Qty	Model
		Pedals			
		Accelerator control			
1	964 423 111 00	Accelerator pedal		1	
1	964 423 111 01	Accelerator pedal		1	
2	900 910 010 09	Lock nut		2	
3	900 151 006 09	Washer		2	
		B 6,4			
4	964 423 027 00	Push rod	/LL	1	
4	964 423 027 20	Push rod	/LL	1	M249
5	993 423 023 03	Accelerator cable	/LL -95	1	
5	993 423 023 81	Accelerator cable	/LL 96-	1	
5	993 423 023 21	Accelerator cable	/LL 94	1	M249
5	993 423 023 30	Accelerator cable	/LL 95-	1	M249
5	993 423 023 10	Accelerator cable	/LL	1	TURBO
6	N 011 115 6	Hexagon nut		2	
		M 5			
-	999 507 523 40	Hose holder	96-	1	
		Accelerator cable			
		Transmission			
7	911 423 147 00	Ball socket		2	
8	901 423 253 00	Bearing sleeve		2	
9	964 423 251 01	Reverse lever		1	
9	964 423 251 02	Reverse lever		1	
10	900 089 006 02	Washer		3	
10	900 089 006 01	Washer		3	
11	999 166 075 02	Safety clip		1	
12	N 015 526 2	Securing clip		2	
23	964 423 435 00	Clip		1	

Model: 911 94

Model life 1994>>1998

B — WPOZZZ **99z RS 302477**
C — **993 330**
M64.05 62L G5020
L 35V SW — **A**
D — COO 139 155 176 243
573 650 340 348 383
E — 425 430 474 498 567
650
F — 00311 00321 00341
04661 05981 08301

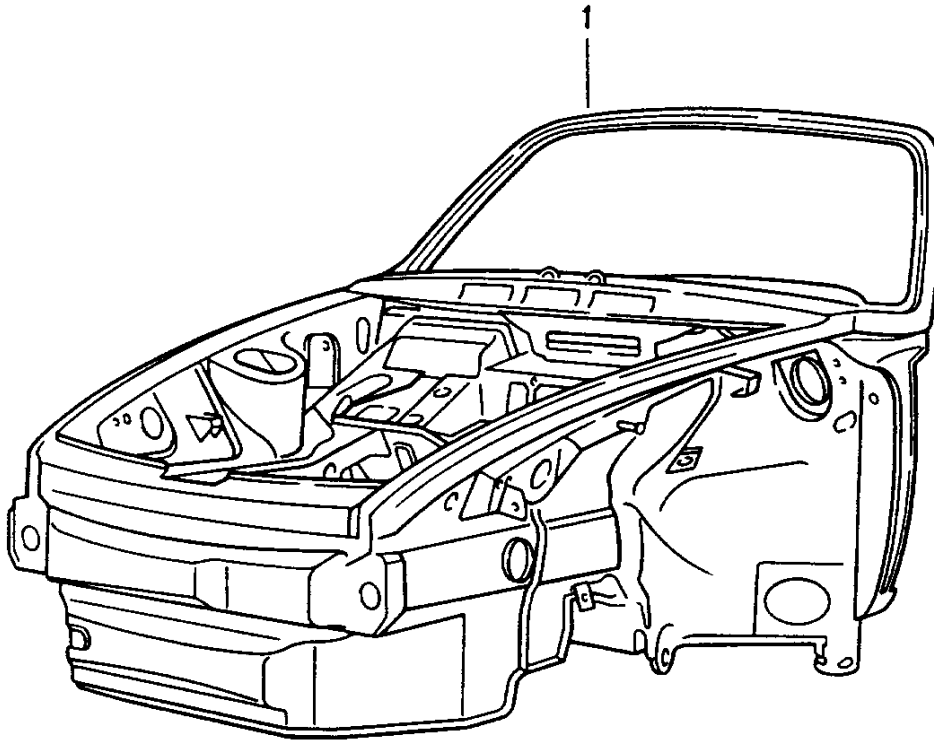


Model: 911 94 Model life 1994>>1998

Pos	Part Number	Description	Remark	Qty	Model
		Body in white Prime coated Sealed with Underbody protection BodysHELLs can only only available from current Model year available The data required for your order Can be found on the Vehicle data carrier Please indicate this data in your order A Vehicle data carrier B Vehicle Ident. No. C Order type D Country equipment E Optional extras F Additional applications			
1	993 500 900 00	Body in white		1	COUPE
	993 500 900 00 GRV	Prime coated			
2	993 500 900 60	Body in white		1	CABRIO
	993 500 900 60 GRV	Prime coated			

Model: 911 94

Model life 1994>>1998



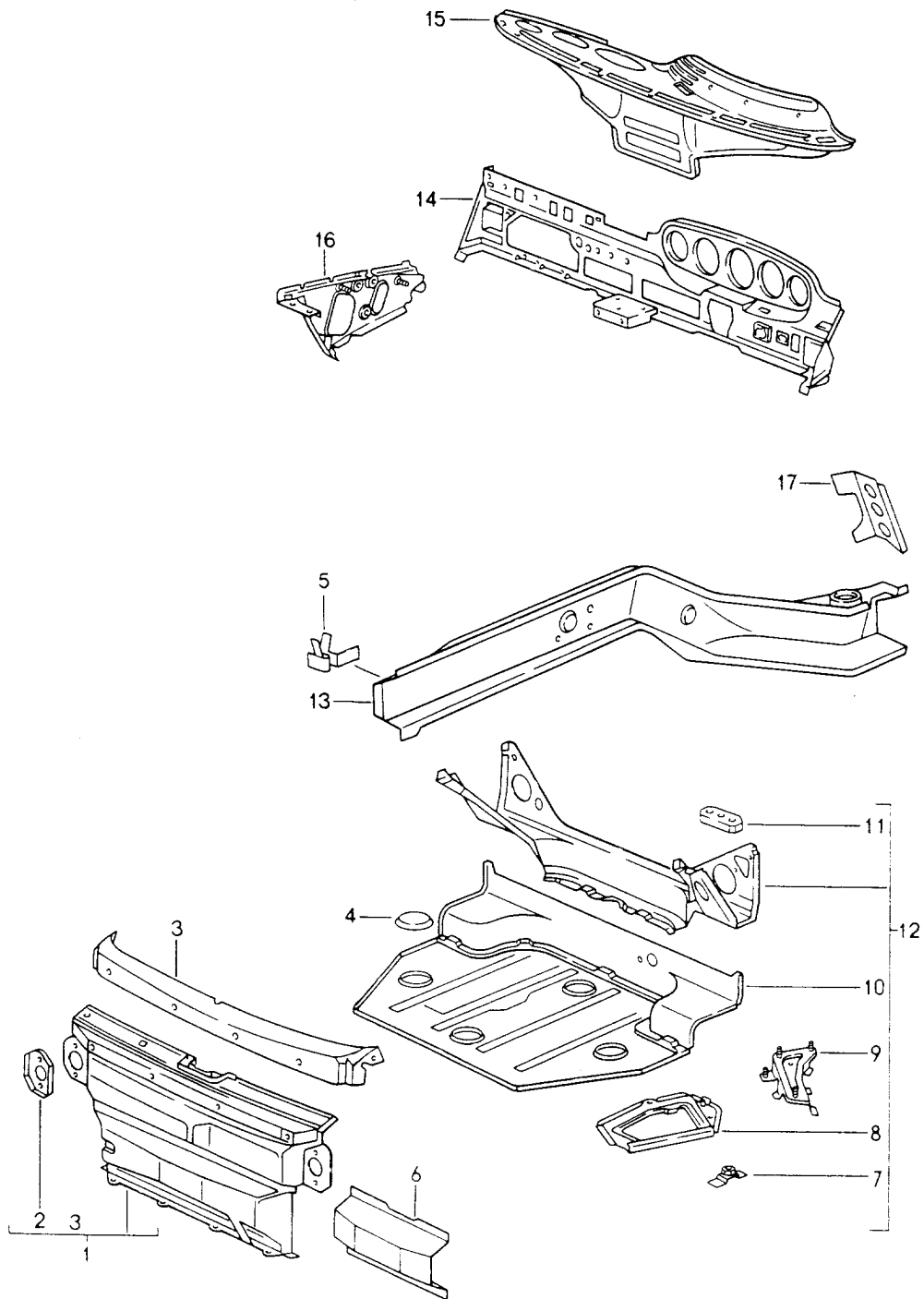
Model: 911 94

Model life 1994>>1998

Pos	Part Number	Description	Remark	Qty	Model
1	993 501 911 01	Body front section Body front section	/LL	1	

Model: 911 94

Model life 1994>>1998



Model: 911 94 Model life 1994>>1998

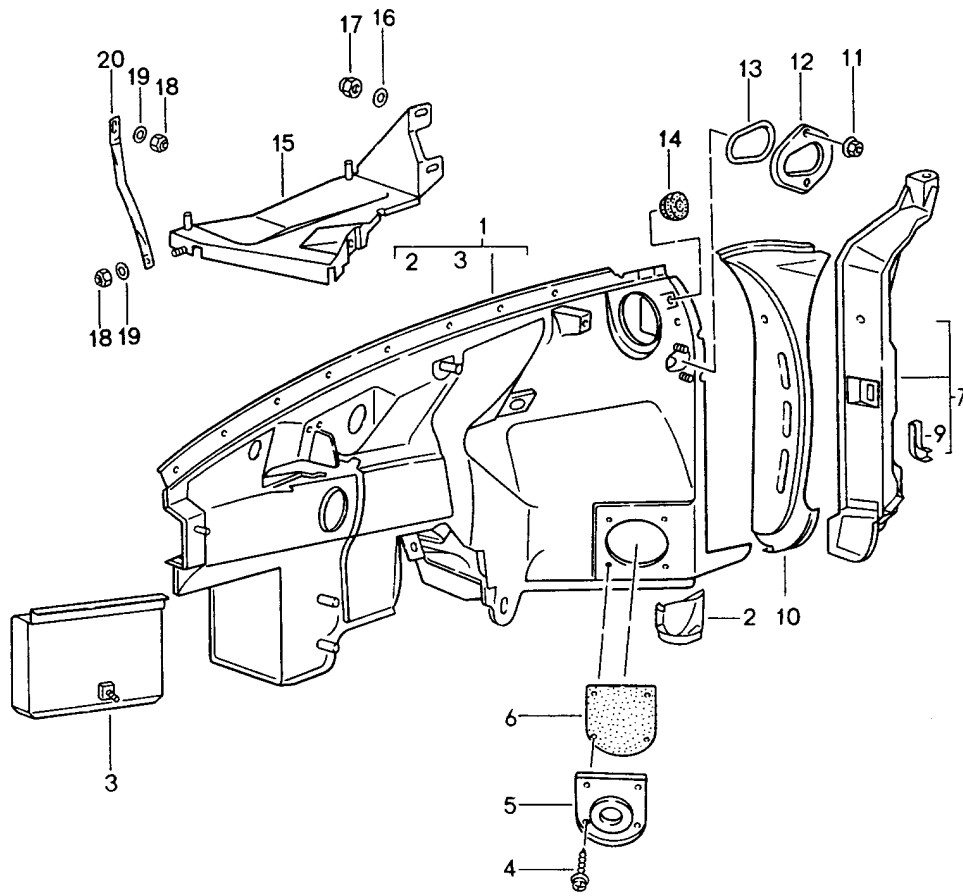
Pos	Part Number	Description	Remark	Qty	Model
1	993 501 033 00	Frame			
		Front			
		End plate		1	
	993 501 033 00 GRV	Prime coated			
1	993 501 033 01	End plate		1	
	993 501 033 01 GRV	Prime coated			
(2)	964 501 117 00	Reinforcement	/L	1	
(2)		Reinforcement	/L	1	
		for			
		Impact absorber			
		Left			
	964 501 117 00 GRV	Prime coated			
2	964 501 118 00	Reinforcement	/R	1	
2		Reinforcement	/R	1	
	964 501 118 00 GRV	Prime coated			
3	993 501 755 00	Sealing rail		1	
	993 501 755 00 GRV	Prime coated			
4	964 504 209 00	Lid		2	
		100 MM			
(4)	964 504 213 00	Lid		2	
		85 MM			
(4)	996 504 213 00	Lid		2	
		85 MM			
(4)	996 504 213 01	Lid		2	
		for			
		Spare-wheel well			
		85 MM			
5	964 501 673 00	Support		2	
	964 501 673 00 GRV	Prime coated			
		for			
		Cover			
6	993 501 807 00	Reinforcement		1	CARRERA RS
	993 501 807 00 GRV	Prime coated			
7	964 501 383 01	Mounting		1	
		for			
		Emergency wheel			
7		Mounting		1	
	964 501 383 01 GRV	Prime coated			
		for			
		Emergency wheel			
8	993 501 285 01	Carrier plate for battery		1	
	993 501 285 01 GRV	Prime coated			
9	993 501 289 00	Support		1	
	993 501 289 00 GRV	Prime coated			
		for			
		Hydraulic unit			
-	993 501 053 01	Floor section	/LL	1	
	993 501 053 01 GRV	Prime coated			
10	993 501 505 00	Spare-wheel well		1	
	993 501 505 00 GRV	Prime coated			
11	964 501 133 00	Threaded plate		2	
12	993 599 055 00	Spare-wheel well		1	
	993 599 055 00 GRV	Prime coated			
		Complete			
		with			
		Cross member			
13	964 501 015 03	Side member	/L	1	
13		Side member	/L	1	
	964 501 015 03 GRV	Prime coated			
(13)	964 501 016 02	Side member	/R	1	
(13)		Side member	/R	1	
	964 501 016 02 GRV	Prime coated			
14	993 502 027 02	Dashboard	/LL	1	

Model: 911 94 Model life 1994>>1998

Pos	Part Number	Description	Remark	Qty	Model
	993 502 027 02 GRV	Prime coated Lower part			
15	993 502 025 00	Dashboard	/LL	1	
	993 502 025 00 GRV	Prime coated Upper part			
16	993 501 081 00	Bracket	/L	1	
	993 501 081 00 GRV	Prime coated			
(16)	993 501 082 00	Bracket	/R	1	
	993 501 082 00 GRV	Prime coated			
17	964 501 123 00	Foot support	/LL	1	
	964 501 123 00 GRV	Prime coated			
-	964 501 514 00	Support panel	/LL /R	1	
	964 501 514 00 GRV	Prime coated			
-	964 501 519 00	Gusset plate	/LL /L	1	
	964 501 519 00 GRV	Prime coated			

Model: 911 94

Model life 1994>>1998

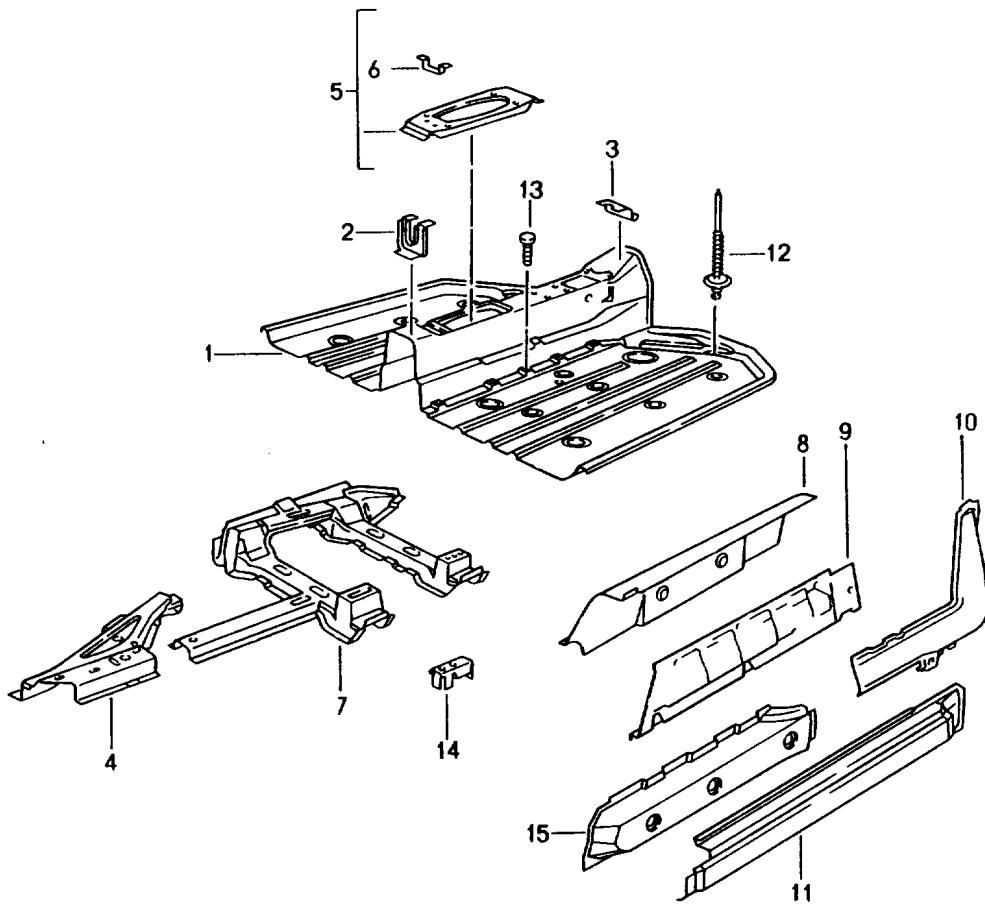


Model: 911 94 Model life 1994>>1998

Pos	Part Number	Description	Remark	Qty	Model
		Wheel housing Front			
1	993 501 035 00	Wheel housing	/L	1	
	993 501 035 00 GRV	Prime coated			
(1)	993 501 036 01	Wheel housing	/R	1	
	993 501 036 01 GRV	Prime coated			
2	964 501 297 00	Jacking point	/L	1	
2		Jacking point	/L	1	
	964 501 297 00 GRV	Prime coated			
(2)	964 501 298 00	Jacking point	/R	1	
(2)		Jacking point	/R	1	
	964 501 298 00 GRV	Prime coated			
3	964 501 125 00	Gusset plate	/L	1	
3		Gusset plate	/L	1	
	964 501 125 00 GRV	Prime coated			
(3)	993 501 126 00	Gusset plate	/R	1	
	993 501 126 00 GRV	Prime coated			
4	900 143 157 07	Combination screw B 4,2 X 13		8	
5	964 504 251 01	Lid		2	
6	964 504 725 00	Gasket		2	
7	993 502 039 00	Hinge pillar	/L	1	
	993 502 039 00 GRV	Prime coated			
(7)	993 502 040 00	Hinge pillar	/R	1	
	993 502 040 00 GRV	Prime coated			
(7)	993 502 039 01	Hinge pillar	/L	1	TURBO M491/495
	993 502 039 01 GRV	Prime coated			
(7)	993 502 040 01	Hinge pillar	/R	1	TURBO M491/495
	993 502 040 01 GRV	Prime coated			
9	901 501 305 20	Angular bracket	/L	1	
9		Angular bracket	/L	1	
	901 501 305 20 GRV	Prime coated			
(9)	901 501 306 20	Angular bracket	/R	1	
(9)		Angular bracket	/R	1	
	901 501 306 20 GRV	Prime coated			
10	993 502 053 00	Wing joining plate	/L	1	
	993 502 053 00 GRV	Prime coated			
10	993 502 053 02	Wing joining plate	/L	1	
	993 502 053 02 GRV	Prime coated			
(10)	993 502 054 00	Wing joining plate	/R	1	
	993 502 054 00 GRV	Prime coated			
(10)	993 502 054 02	Wing joining plate	/R	1	
	993 502 054 02 GRV	Prime coated			
14	111 971 911 A	Grommet		4	
(14)	999 703 348 40	Rubber sleeve		2	M650
15	993 504 138 00	Bracket for Oil cooler	/R	1	
16	900 151 008 02	Washer B 8,4		3	
17	900 910 022 02	Lock nut M 8		3	
18	900 910 010 09	Lock nut M 6		2	
19	N 011 666 7	Washer B 6,4		2	
20	993 504 139 00	Tension strut		1	

Model: 911 94

Model life 1994>>1998



Model: 911 94 Model life 1994>>1998

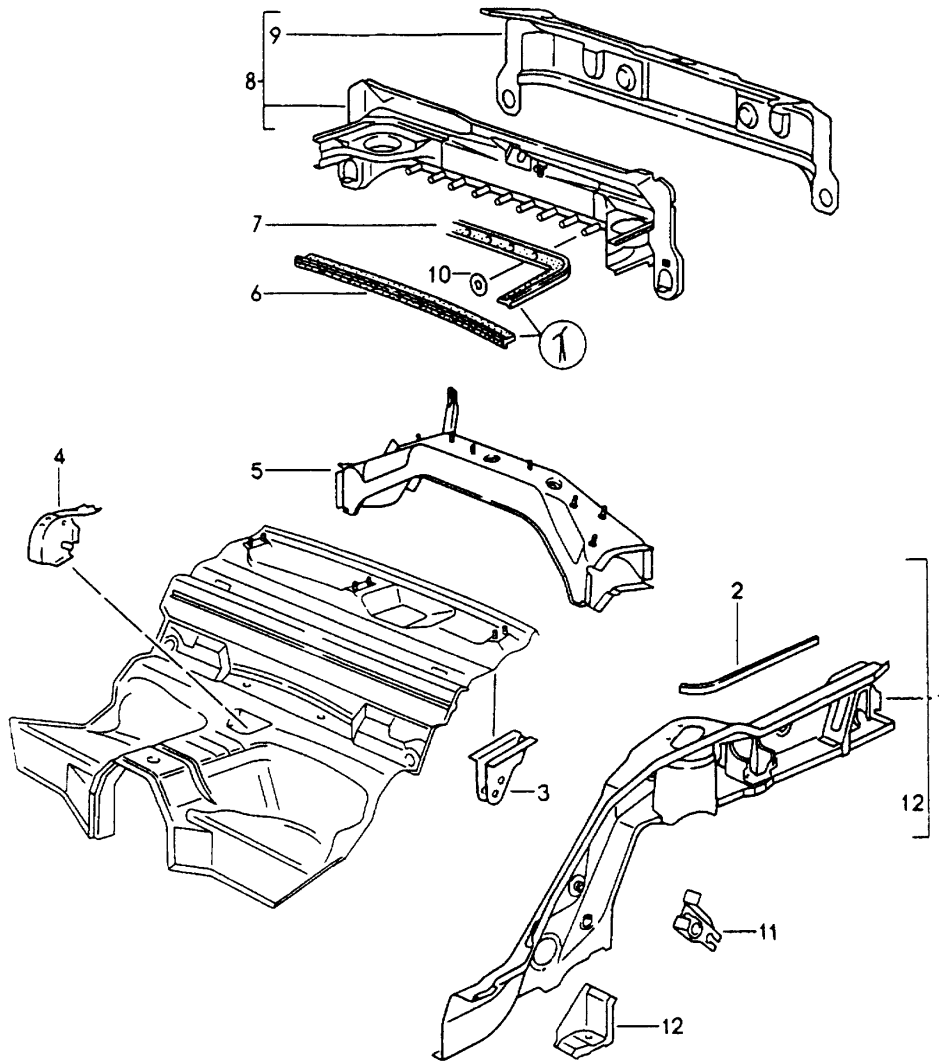
Pos	Part Number	Description	Remark	Qty	Model
1	993 501 501 00	Frame Centre Floor		1	
2	993 501 501 00 GRV	Prime coated			
2	964 501 433 00	Support	/V	1	
	964 501 433 00 GRV	Prime coated for Centre console			
3	964 501 430 00	Support	/H	1	
	964 501 430 00 GRV	Prime coated for Centre console			
4	993 501 621 00	Reinforcement	/LL /L	1	
	993 501 621 00 GRV	Prime coated			
(5)	993 501 059 00	Bracket		1	
	993 501 059 00 GRV	Prime coated for cars with Tiptronic			
6	964 501 432 00	It is necessary to rework Support		1	
	964 501 432 00 GRV	Prime coated for Centre console			
7	993 501 057 00	Seat support	/L 94	1	
	993 501 057 00 GRV	Prime coated			
(7)	993 501 058 00	Seat support	/R 94	1	
	993 501 058 00 GRV	Prime coated			
7	993 501 057 01	Seat support	/L 95-	1	
	993 501 057 01 GRV	Prime coated			
(7)	993 501 058 01	Seat support	/R 95-	1	
	993 501 058 01 GRV	Prime coated			
8	993 501 021 00	Side member	/L	1	
	993 501 021 00 GRV	Prime coated			
(8)	993 501 022 00	Side member	/R	1	
	993 501 022 00 GRV	Prime coated			
9	993 501 335 00	Side member	/L	1	
	993 501 335 00 GRV	Prime coated			
(9)	993 501 336 00	Side member	/R	1	
	993 501 336 00 GRV	Prime coated			
10	993 502 177 00	Gusset plate	/L	1	
	993 502 177 00 GRV	Prime coated			
(10)	993 502 578 00	Gusset plate	/R	1	
	993 502 578 00 GRV	Prime coated			
(10)	993 502 177 01	Gusset plate	/L	1	TURBO M491/495
	993 502 177 01 GRV	Prime coated			
(10)	993 502 178 01	Gusset plate	/R	1	TURBO M491/495
	993 502 178 01 GRV	Prime coated			
11	993 503 961 00	Door sill	/L	1	
	993 503 961 00 GRV	Prime coated			
(11)	993 503 962 00	Door sill	/R	1	
	993 503 962 00 GRV	Prime coated			
(11)	993 503 961 01	Door sill	/L	1	TURBO M491/495
	993 503 961 01 GRV	Prime coated			
(11)	993 503 962 01	Door sill	/R	1	TURBO M491/495
	993 503 962 01 GRV	Prime coated			
12	928 299 516 06	Tubular rivet A 4,8 X 6,5 X 22		X	
12	928 299 516 0G	Tubular rivet A 4,8 X 6,5 X 22		X	

Model: 911 94 Model life 1994>>1998

Pos	Part Number	Description	Remark	Qty	Model
13	999 503 094 00	Weld screw M 6 X 12		10	
14	964 501 535 01	Compensating plate Seat support		2	
14		Compensating plate for Seat support		2	
15	964 501 535 01 GRV	Prime coated			
	993 502 579 00	Gusset plate Extension	/L	1	CABRIO, TARGA
	993 502 579 00 GRV	Prime coated			
(15)	993 502 580 00	Gusset plate Extension	/R	1	CABRIO, TARGA
	993 502 580 00 GRV	Prime coated			
-	993 501 691 00	Guide tube	/L	1	
	993 501 691 00 GRV	Prime coated for Parking-brake cable			
-	993 501 692 00	Guide tube	/R	1	
	993 501 692 00 GRV	Prime coated for Parking-brake cable			
-	993 501 293 00	Guide tube	/LL	1	
	993 501 293 00 GRV	Prime coated for Accelerator cable			
-	996 504 201 01	Lid \$ 145 MM		X	
-	999 703 454 40	Lid \$ 70 MM		X	
-	996 504 217 01	Lid \$ 55 MM		X	
-	996 504 217 02	Lid \$ 55 MM		X	
-	996 504 207 01	Lid \$ 100 MM		X	

Model: 911 94

Model life 1994>>1998



Model: 911 94 Model life 1994>>1998

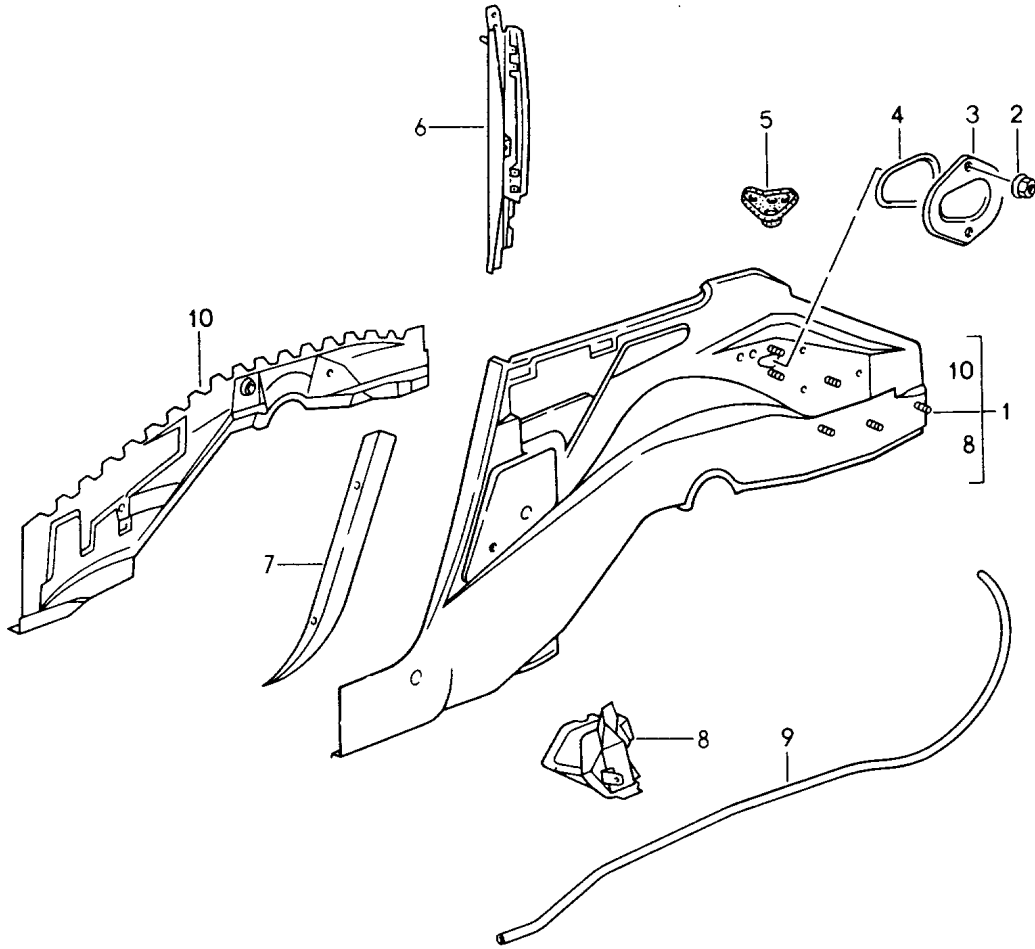
Pos	Part Number	Description	Remark	Qty	Model
(1)	993 501 925 01 993 501 925 01 GRV	Frame Rear Side member Prime coated with Rail Use also: POS.(11) 95-	/L	1	
(1)	993 501 926 01 993 501 926 01 GRV	Side member Prime coated with Rail Use also: POS.(11) 95-	/R	1	
1	993 501 925 02 993 501 925 02 GRV	Side member Prime coated with Bolt	/L	1	
(1)	993 501 926 02 993 501 926 02 GRV	Side member Prime coated with Bolt	/R	1	
2	993 501 793 00 993 501 793 00 GRV	Profile rail Prime coated for Engine compartment seal	/L	1	
(2)	993 501 794 00 993 501 794 00 GRV	Profile rail Prime coated for Engine compartment seal	/R	1	
(2)	993 501 794 01 993 501 794 01 GRV	Profile rail Prime coated for Engine compartment seal	/R	1	
3	911 501 729 01	Pneumatic spring mount		2	
3	911 501 729 01 GRV	Pneumatic spring mount Prime coated		2	
4	964 501 041 00	Bearing		1	
4	964 501 041 00 GRV	Bearing Prime coated		1	
5	993 501 075 00 993 501 075 00 GRV	Rear axle cross member Prime coated		1	
(5)	993 501 075 01 993 501 075 01 GRV	Rear axle cross member Prime coated		1	
6	993 504 325 00	Engine compartment seal for Rail		1	
6	993 504 325 08	Engine compartment seal		1	
(6)		Engine compartment seal for Bolt		1	
7	993 504 325 01	Engine compartment seal for Rail		1	
7	993 504 325 07	Engine compartment seal		1	
(7)		Engine compartment seal for Bolt		1	
8	993 501 079 01 993 501 079 01 GRV	Cross member Prime coated		1	
-	993 501 045 00 993 501 045 00 GRV	Engine mounting Prime coated	/L	1	
-	993 501 046 00	Engine mounting	/R	1	

Model: 911 94 Model life 1994>>1998

Pos	Part Number	Description	Remark	Qty	Model
9	993 501 046 00 GRV	Prime coated			
	993 501 091 00	Cross member		1	
	993 501 091 00 GRV	Prime coated Outer			
10	999 591 974 02	Clamping washer		30	
10	999 591 974 01	Clamping washer		30	
11	993 501 153 00	Support	/L 94	1	
	993 501 153 00 GRV	Prime coated			
(11)	993 501 154 00	Support	/R 94	1	
	993 501 154 00 GRV	Prime coated			
(11)	993 501 533 02	Support	/L 95-	1	
	993 501 533 02 GRV	Prime coated			
(11)	993 501 534 02	Support	/R 95-	1	
	993 501 534 02 GRV	Prime coated			
12	993 501 221 00	Bracket	/L	1	
	993 501 221 00 GRV	Prime coated			
(12)	993 501 222 00	Bracket	/R	1	
	993 501 222 00 GRV	Prime coated			

Model: 911 94

Model life 1994>>1998

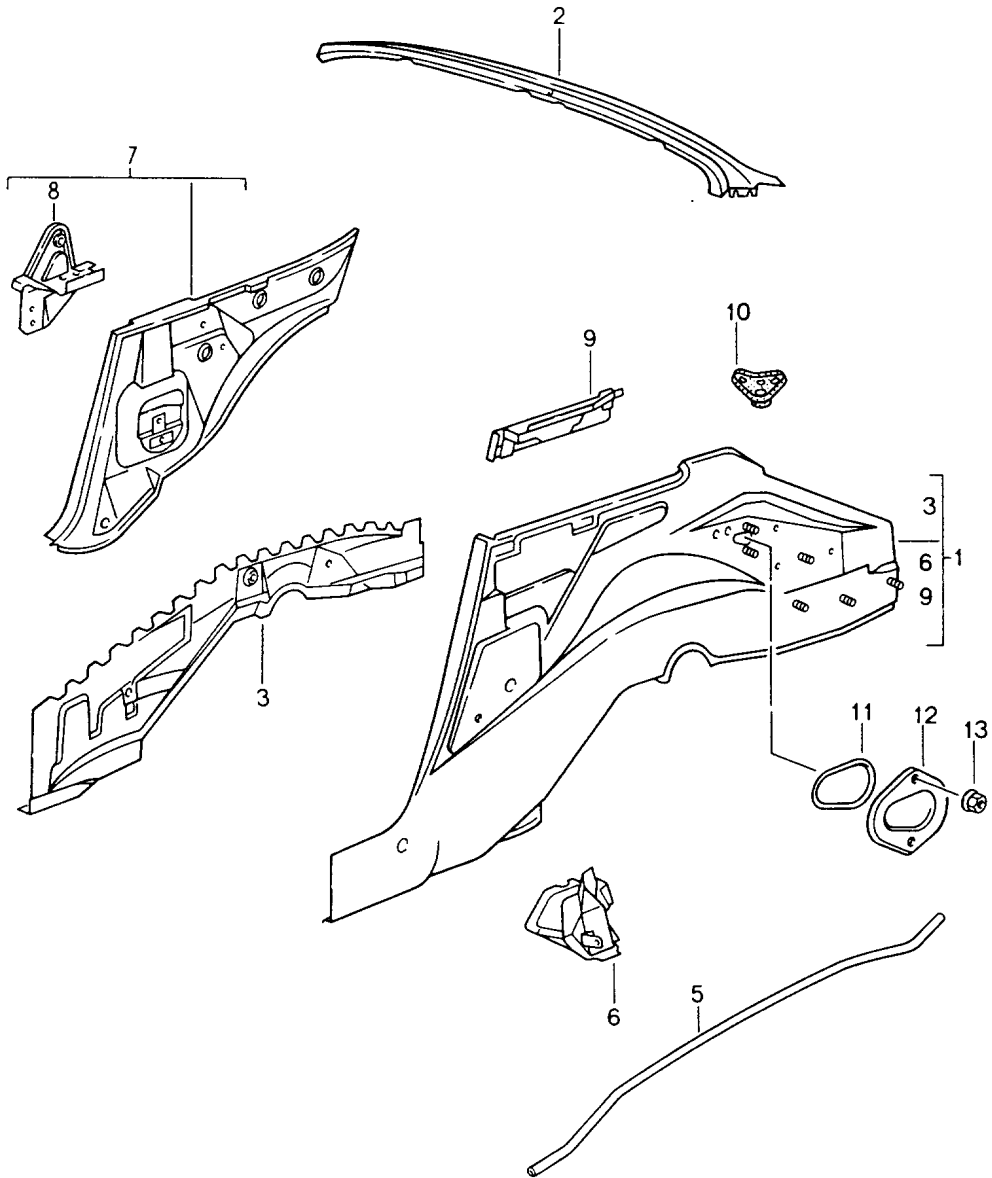


Model: 911 94 Model life 1994>>1998

Pos	Part Number	Description	Remark	Qty	Model
		Wheel housing Rear			COUPE
1	993 502 017 00	Wheel housing	/L	1	
	993 502 017 00 GRV	Prime coated			
(1)	993 502 018 00	Wheel housing	/R	1	
	993 502 018 00 GRV	Prime coated			
5	964 504 610 00	Rubber sleeve for Oil hose	/R	1	
6	993 502 071 00	Lock pillar	/L	1	
	993 502 071 00 GRV	Prime coated			
(6)	993 502 072 00	Lock pillar	/R	1	
	993 502 072 00 GRV	Prime coated			
7	964 502 771 00	Profile	/L	1	
7		Profile	/L	1	
	964 502 771 00 GRV	Prime coated			
(7)	964 502 772 00	Profile	/R	1	
(7)		Profile	/R	1	
	964 502 772 00 GRV	Prime coated			
8	993 502 085 00	Bracket	/L	1	
	993 502 085 00 GRV	Prime coated			
(8)	993 502 086 00	Bracket	/R	1	
	993 502 086 00 GRV	Prime coated for Jacking point			
-	993 501 803 00	Filler plate	/L	1	
	993 501 803 00 GRV	Prime coated			
-	993 501 804 00	Filler plate	/R	1	
	993 501 804 00 GRV	Prime coated			
9	993 502 283 00	Guide tube		1	
	993 502 283 00 GRV	Prime coated for Lid-release cable			
10	993 502 121 01	Reinforcement	/L	1	
	993 502 121 01 GRV	Prime coated			
(10)	993 502 122 01	Reinforcement	/R	1	
	993 502 122 01 GRV	Prime coated			
-	993 504 371 00	Support Carbon canister	98	1	M660
-	999 084 629 09	Hexagon nut M 6	98	4	M660
-	999 084 629 01	Hexagon nut M 6	98-	4	

Model: 911 94

Model life 1994>>1998



Model: 911 94 Model life 1994>>1998

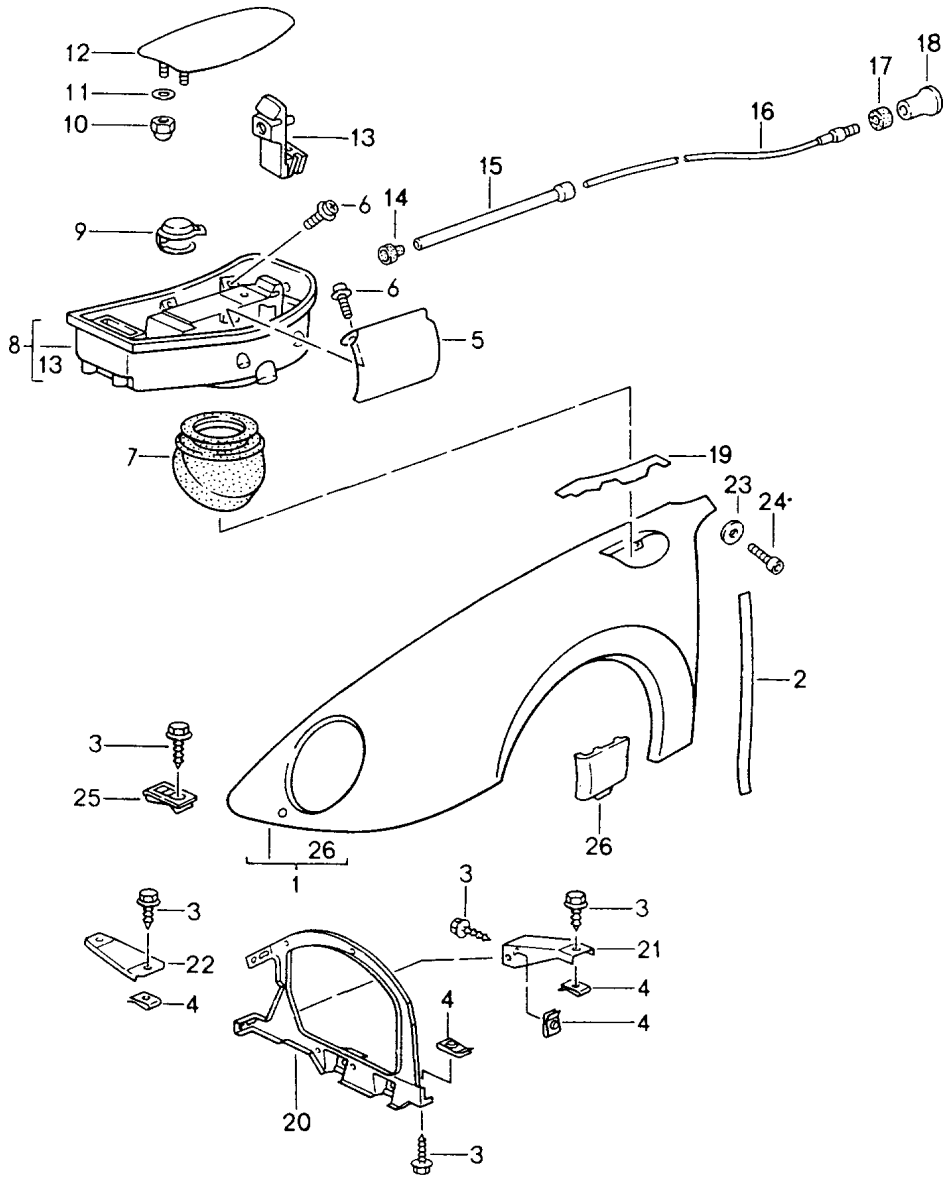
Pos	Part Number	Description	Remark	Qty	Model
		Wheel housing Rear			CABRIO/TARGA
1	993 502 017 01	Wheel housing	/L	1	CABRIO
(1)	993 502 017 01 GRV	Prime coated			
	993 502 018 01	Wheel housing	/R	1	CABRIO
(1)	993 502 018 01 GRV	Prime coated			
	993 502 017 07	Wheel housing	/L	1	TARGA
(1)	993 502 017 07 GRV	Prime coated			
	993 502 018 04	Wheel housing	/R	1	TARGA
(1)	993 502 018 04 GRV	Prime coated			
2	993 503 511 00	Centre part		1	CABRIO
		F >>99SS3 43486			
(2)	993 503 511 00 GRV	Prime coated			
	993 503 511 02	Centre part		1	CABRIO, TARGA
		F 99SS3 43487>>			
	993 503 511 02 GRV	Prime coated			
3	993 502 121 01	Reinforcement	/L	1	
(3)	993 502 121 01 GRV	Prime coated			
	993 502 122 01	Reinforcement	/R	1	
(3)	993 502 122 01 GRV	Prime coated			
5	993 502 283 00	Guide tube		1	
	993 502 283 00 GRV	Prime coated			
		for			
6	993 502 085 00	Lid-release cable	/L	1	
	993 502 085 00 GRV	Bracket			
		Prime coated			
		for			
(6)	993 502 086 00	Jacking point	/R	1	
	993 502 086 00 GRV	Bracket			
		Prime coated			
		for			
-	993 501 803 00	Jacking point	/L	1	
	993 501 803 00 GRV	Filler plate			
-	993 501 804 00	Filler plate	/R	1	
	993 501 804 00 GRV	Prime coated			
7	993 501 061 00	Rear bulkhead	/L	1	CABRIO
(7)	993 501 061 00 GRV	Prime coated			
	993 501 062 00	Rear bulkhead	/R	1	CABRIO
(7)	993 501 062 00 GRV	Prime coated			
	993 501 061 01	Rear bulkhead	/L	1	TARGA
(7)	993 501 061 01 GRV	Prime coated			
	993 501 062 01	Rear bulkhead	/R	1	TARGA
(7)	993 501 062 01 GRV	Prime coated			
8	964 501 465 60	Convertible top support	/L	1	CABRIO
(8)	964 501 465 60 GRV	Prime coated			
	964 501 466 60	Convertible top support	/R	1	CABRIO
(8)	964 501 466 60 GRV	Prime coated			
	993 501 465 00	Convertible top support	/L	1	TARGA
(8)	993 501 465 00 GRV	Prime coated			
	993 501 466 00	Convertible top support	/R	1	TARGA
(8)	993 501 466 00 GRV	Prime coated			
9	964 502 465 60	Insert	/L	1	
(9)	964 502 465 60 GRV	Prime coated			
	964 502 466 60	Insert	/R	1	
(9)	964 502 466 60 GRV	Prime coated			
10	964 504 610 00	Rubber sleeve		1	
		for			
-	000 043 172 00	Oil hose		*	
		Sealing cord			
		Roll with 10 meters			
		\$ 9 MM			
11		250 MM		1	

Model: 911 94 Model life 1994>>1998

Pos	Part Number	Description	Remark	Qty	Model
12	964 572 565 00	Lid for cars without Air conditioner		1	
13	999 084 075 02	Lock nut M 6		2	
-	993 504 371 00	Support Carbon canister	98	1	M660
-	999 084 629 09	Hexagon nut M 6	98	4	M660
-	999 084 629 01	Hexagon nut M 6	98-	4	

Model: 911 94

Model life 1994>>1998



Model: 911 94

Model life 1994>>1998

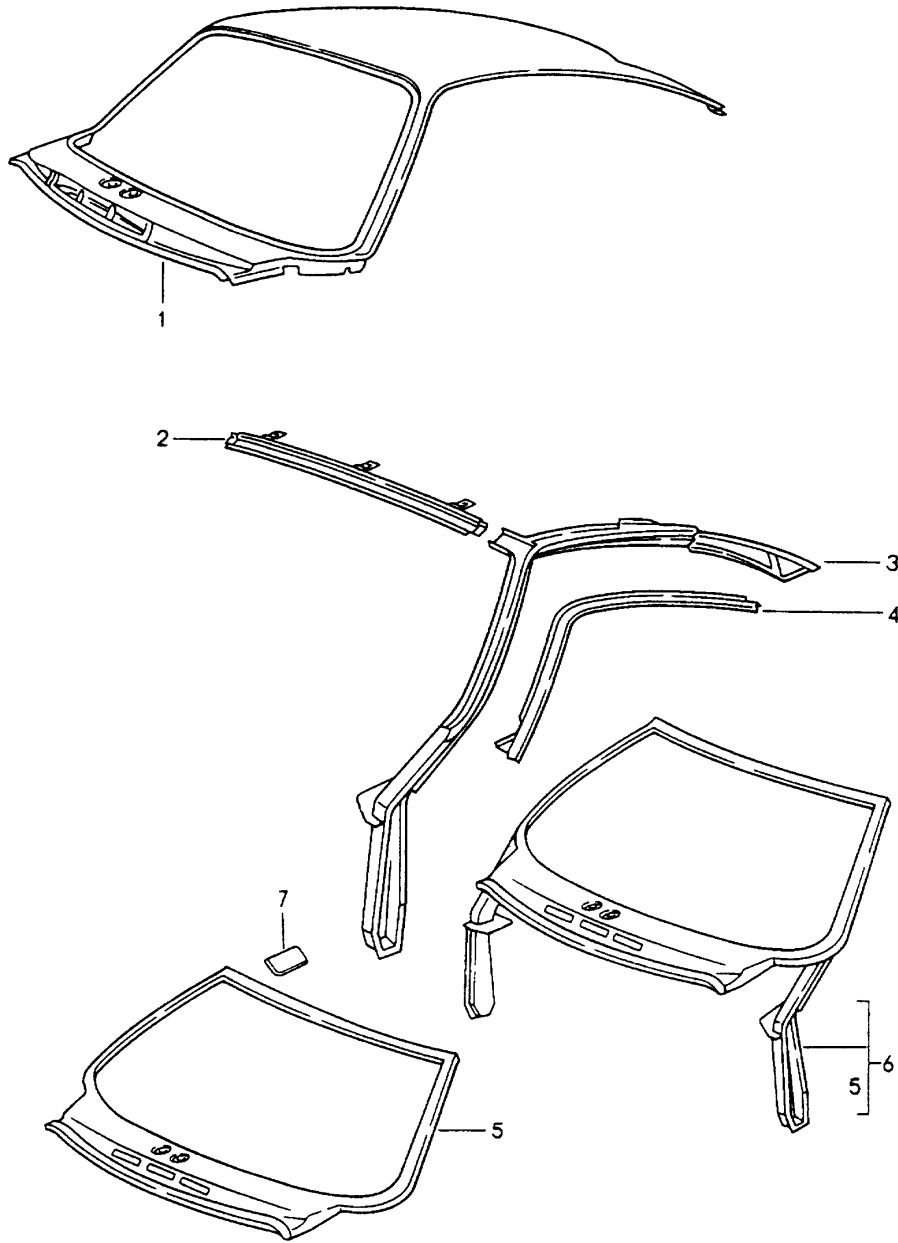
Pos	Part Number	Description	Remark	Qty	Model
1	993 503 031 01 993 503 031 01 GRV	Wing Front Wing Prime coated See technical information Group 9 NR.4/95	/L	1	
(1)	993 503 032 01 993 503 032 01 GRV	Wing Prime coated See technical information Group 9 NR.4/95	/R -95	1	
(1)	993 503 032 07 993 503 032 07 GRV	Wing Prime coated	/R 96-	1	
(1)	993 503 031 03 993 503 031 03 GRV	Wing Prime coated See technical information Group 9 NR.4/95	/L	1	TURBO M491/495
(1)	993 503 032 03 993 503 032 03 GRV	Wing Prime coated See technical information Group 9 NR.4/95	/R -95	1	TURBO M491/495
(1)	993 503 032 09 993 503 032 09 GRV	Wing Prime coated	/R 96-	1	TURBO M491/495
2	000 043 129 00	Sealing strap 25 X 2 MM		X	
3	999 450 007 02	Combination screw B 6,3 X 16		40	
4	999 591 327 02	Speed nut B 6,3		8	
4	999 501 327 01	Speed nut B 6,3		8	
4	999 591 327 01	Speed nut B 6,3		8	
5	964 201 279 00	Protective flap		1	
6	999 919 089 07	Combination screw B 5 X 16		4	
6	PCG 919 089 07	Lens-head screw B 5 X 16		4	
7	964 201 267 01	Sleeve		1	
8	993 201 030 01	Cup		1	
9	964 201 507 00	Lid for Filler neck Water reservoir		1	
10	900 085 011 07	Cap nut M 5		3	
11	900 151 027 07	Washer B 3,5 X 15 X 1,6		3	
12	993 504 033 01 993 504 033 01 GRV	Lid Prime coated		1	
13	993 201 167 02	Latch		1	
14	964 201 675 00	Grommet		1	
15	993 504 507 00	Guide tube		1	

Model: 911 94 Model life 1994>>1998

Pos	Part Number	Description	Remark	Qty	Model
16	993 504 337 00	Cable		1	
17	999 209 004 40	Grommet		1	
18	901 552 822 00	Knob		1	
19	993 503 393 00	Piping		2	
20	993 504 781 00	Supporting plate		1	
	993 504 781 00 GRV	Prime coated for Water reservoir			
20	993 504 781 01	Supporting plate		1	
	993 504 781 01 GRV	Prime coated for Water reservoir			
21	993 504 735 00	Support		2	
	993 504 735 00 GRV	Prime coated			
22	993 504 745 00	Support	/R	1	
	993 504 745 00 GRV	Prime coated			
23	999 025 904 02	Washer 6,4 X 20 X 3		4	
24	N 014 740 2	Pan-head screw M 6 X 16		4	
24	N 014 740 11	Pan-head screw M 6 X 16		4	
25	999 507 468 00	Speed nut ST 6,3		31	
26	993 503 331 00	Wing joining plate	/L	1	TURBO M491/495
	993 503 331 00 GRV	Prime coated			
(26)	993 503 332 00	Wing joining plate	/R	1	TURBO M491/495
	993 503 332 00 GRV	Prime coated			

Model: 911 94

Model life 1994>>1998

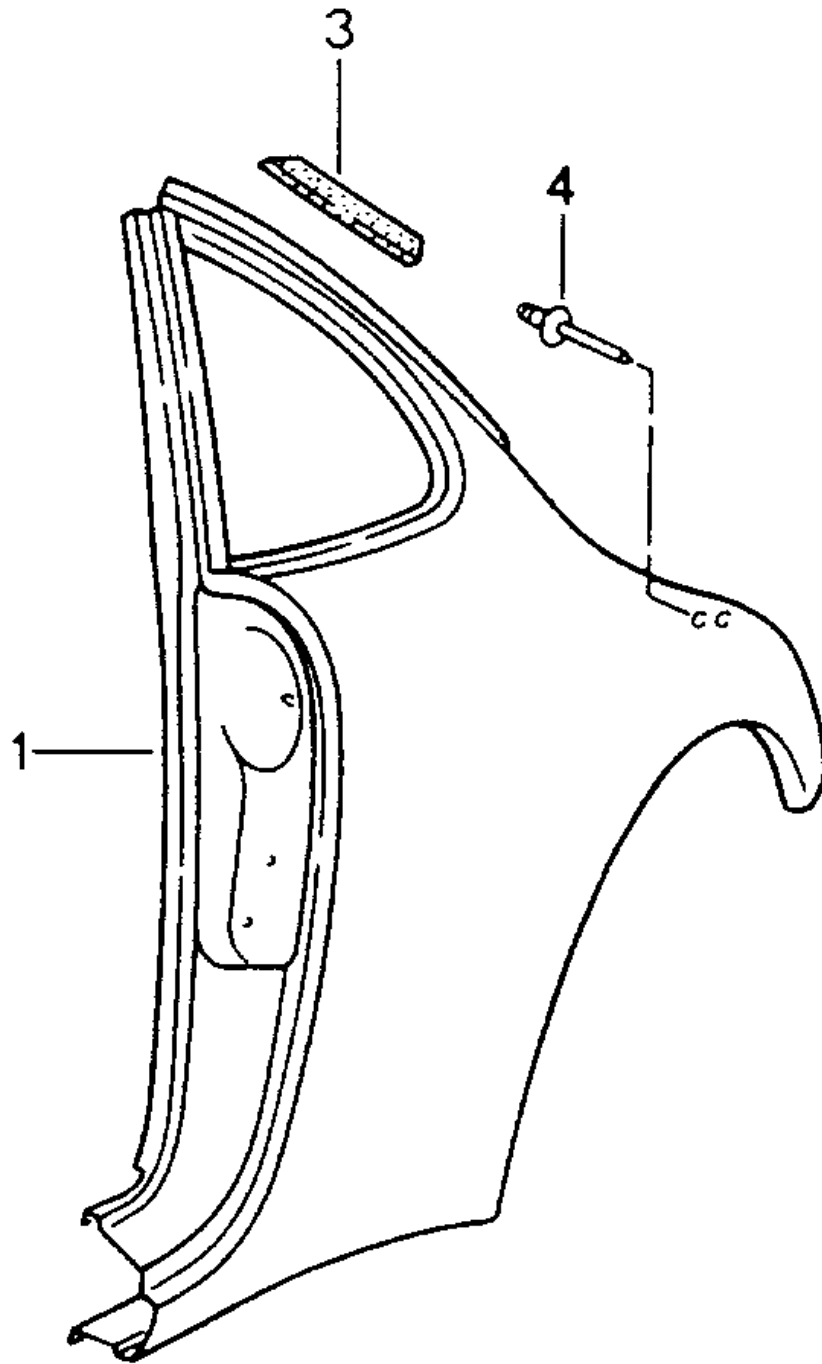


Model: 911 94 Model life 1994>>1998

Pos	Part Number	Description	Remark	Qty	Model
1	993 503 087 00	Outer roof panel		1	COUPE
		Windscreen frame			
	993 503 087 00 GRV	Outer roof panel			
		Prime coated			
1	993 503 087 03	Outer roof panel		1	COUPE M650
	993 503 087 03 GRV	Prime coated			
(1)	993 503 087 05	Outer roof panel		1	COUPE
	993 503 087 05 GRV	Prime coated			
(1)	993 503 087 06	Outer roof panel		1	COUPE M650
	993 503 087 06 GRV	Prime coated			
2	993 502 143 00	Cross piece for windscreen		1	COUPE M650
	993 502 143 00 GRV	Prime coated			
		for cars without			
		Sunroof			
		It is necessary to rework			
3	993 502 029 00	Roof frame	/L	1	COUPE
	993 502 029 00 GRV	Prime coated			
(3)	993 502 030 00	Roof frame	/R	1	COUPE
	993 502 030 00 GRV	Prime coated			
4	993 502 551 00	Metal sheet to bend	/L	1	COUPE
	993 502 551 00 GRV	Prime coated			
(4)	993 502 552 00	Metal sheet to bend	/R	1	COUPE
	993 502 552 00 GRV	Prime coated			
5	993 503 087 02	Windscreen frame		1	CABRIO
	993 503 087 02 GRV	Prime coated			
		Exterior panelling			
		It is necessary to rework			
(5)	993 503 087 04	Windscreen frame		1	TARGA
	993 503 087 04 GRV	Prime coated			
		Exterior panelling			
6	993 503 987 00	Windscreen frame		1	CABRIO
	993 503 987 00 GRV	Prime coated			
(6)	993 503 987 01	Windscreen frame		1	TARGA
	993 503 987 01 GRV	Prime coated			
(7)	993 504 705 01	Cover	/L	1	TARGA
	993 504 705 01 G2X	Prime coated			
(7)	993 504 705 02	Cover	/L	1	TARGA
	993 504 705 02 G2X	Prime coated			
7	993 504 706 01	Cover	/R	1	TARGA
	993 504 706 01 G2X	Prime coated			
7	993 504 706 02	Cover	/R	1	TARGA
	993 504 706 02 G2X	Prime coated			

Model: 911 94

Model life 1994>>1998

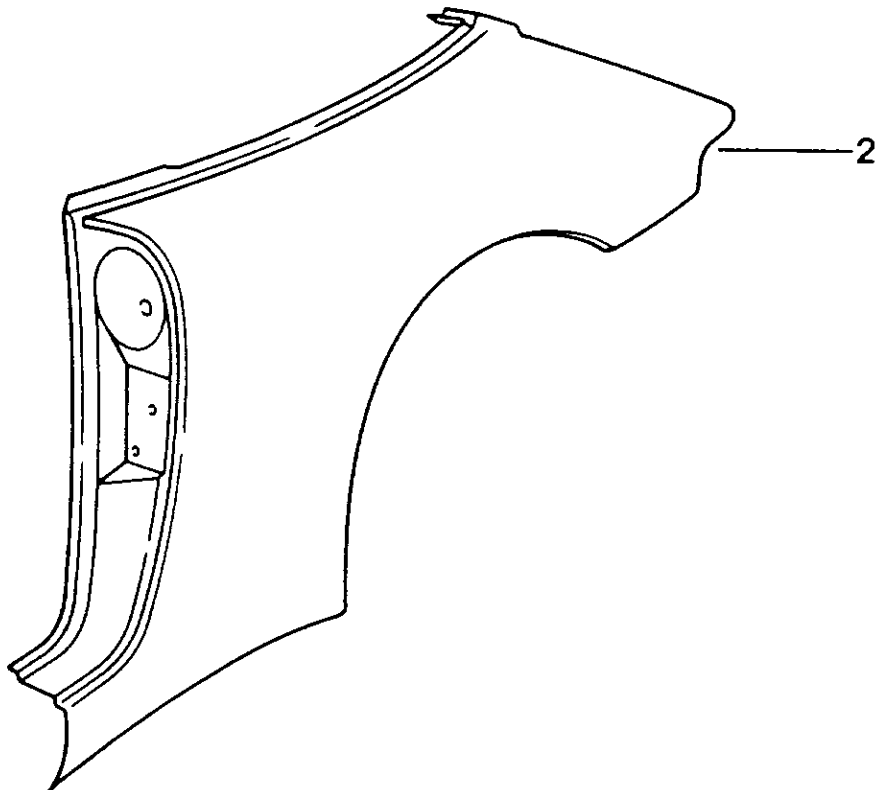
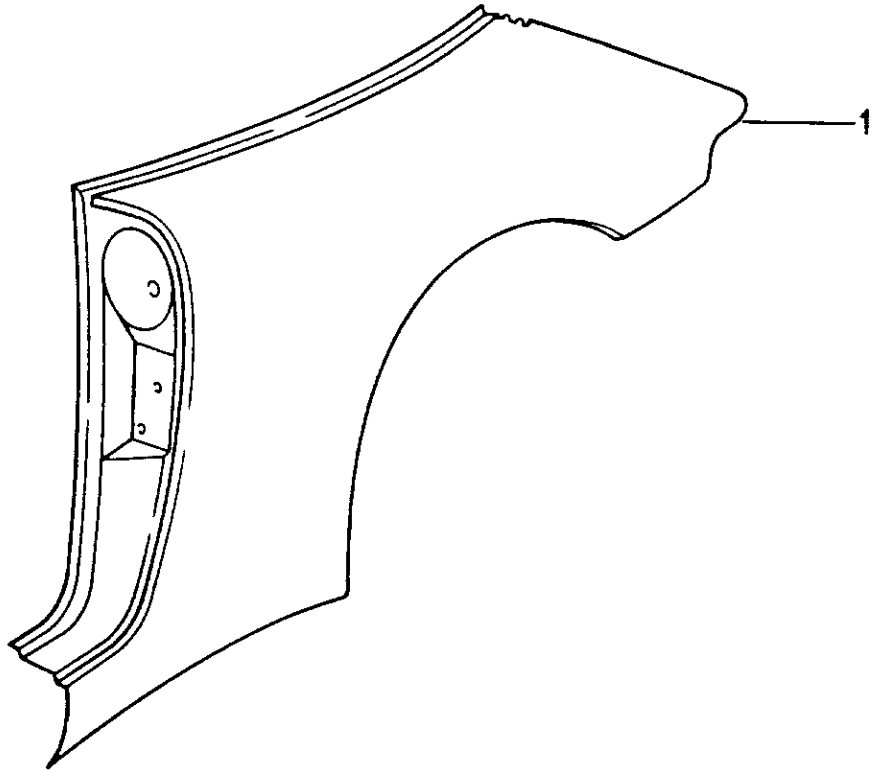


Model: 911 94 Model life 1994>>1998

Pos	Part Number	Description	Remark	Qty	Model
1	993 503 901 00	Side section	/L	1	COUPE
	993 503 901 00 GRV	Side section			
-	911 504 471 00	Prime coated		1	
		Cap		1	
		Behind		1	
		Lock pillar		1	
(1)	993 503 902 00	Side section	/R	1	
	993 503 902 00 GRV	Side section			
-	911 504 471 00	Prime coated		1	
		Cap		1	
		Behind		1	
		Lock pillar		1	
(1)	993 503 901 02	Side section	/L	1	TURBO M491/495
	993 503 901 02 GRV	Side section			
-	911 504 471 00	Prime coated		1	
		Cap		1	
		Behind		1	
		Lock pillar		1	
(1)	993 503 902 02	Side section	/R	1	TURBO M491/495
	993 503 902 02 GRV	Side section			
-	911 504 471 00	Prime coated		1	
		Cap		1	
		Behind		1	
		Lock pillar		1	
3	993 504 847 00	Seal	/L	1	
3		Seal	/L	1	
(3)	993 504 848 00	Seal	/R	1	
4	999 507 509 40	Expansion rivet		4	M491/495
		Protective strip			
		9935128750001C			
		Use			
-	993 512 875 00	Protective strip		2	
	993 512 875 00 01C				

Model: 911 94

Model life 1994>>1998

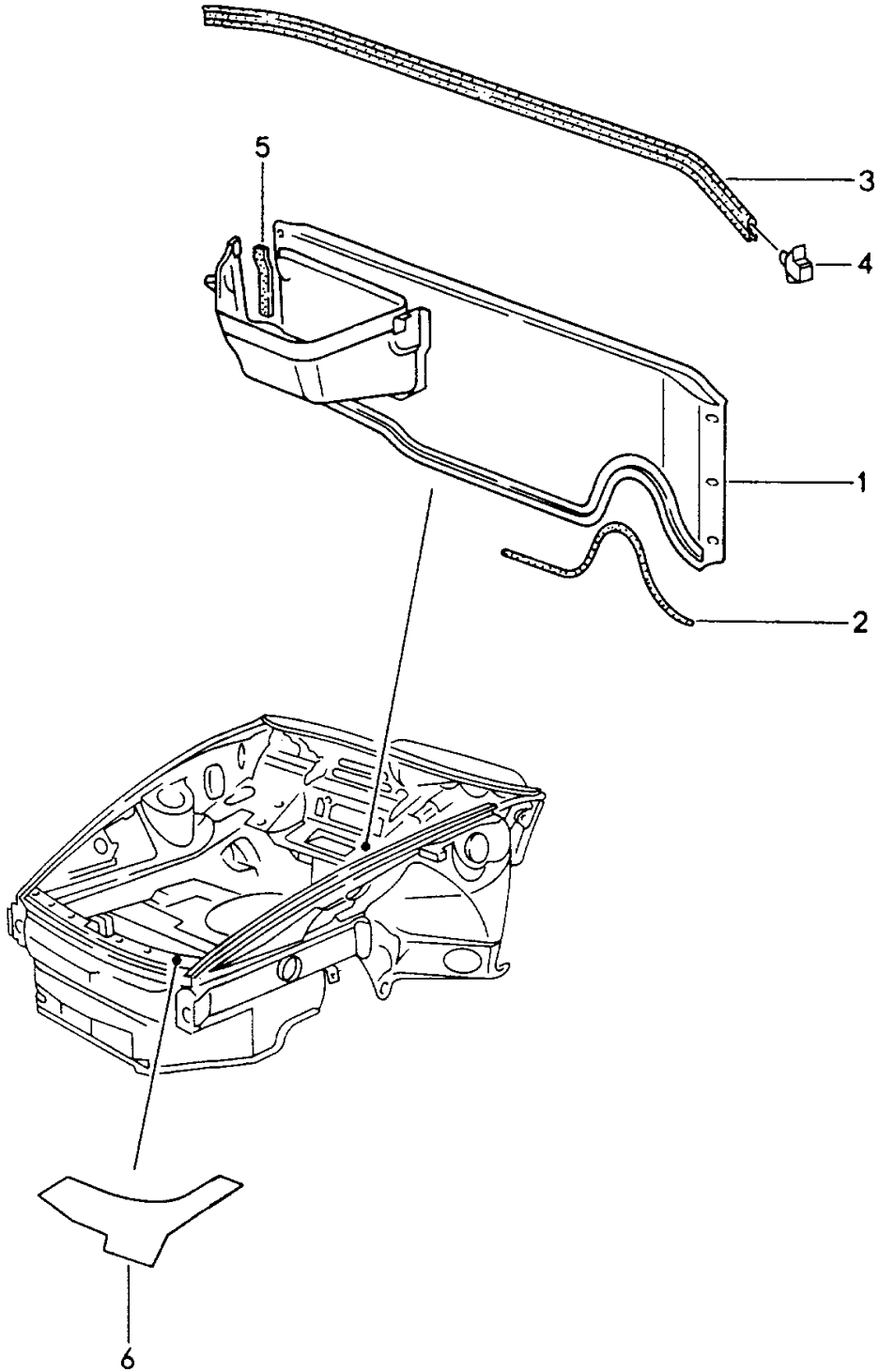


Model: 911 94 Model life 1994>>1998

Pos	Part Number	Description	Remark	Qty	Model
1	993 503 901 01	Side section	/L	1	CABRIO/TARGA
	993 503 901 01 GRV	Side section Prime coated See workshop manual			CABRIO
(1)	993 503 902 01	Side section	/R	1	CABRIO
	993 503 902 01 GRV	Side section Prime coated See workshop manual			
2	993 503 901 04	Side section	/L	1	CABRIO
	993 503 901 04 GRV	Side section Prime coated			
(2)	993 503 902 04	Side section	/R	1	CABRIO
	993 503 902 04 GRV	Side section Prime coated			
2	993 503 901 03	Side section	/L	1	TARGA
	993 503 901 03 GRV	Side section Prime coated			
(2)	993 503 902 03	Side section	/R	1	TARGA
	993 503 902 03 GRV	Side section Prime coated			

Model: 911 94

Model life 1994>>1998



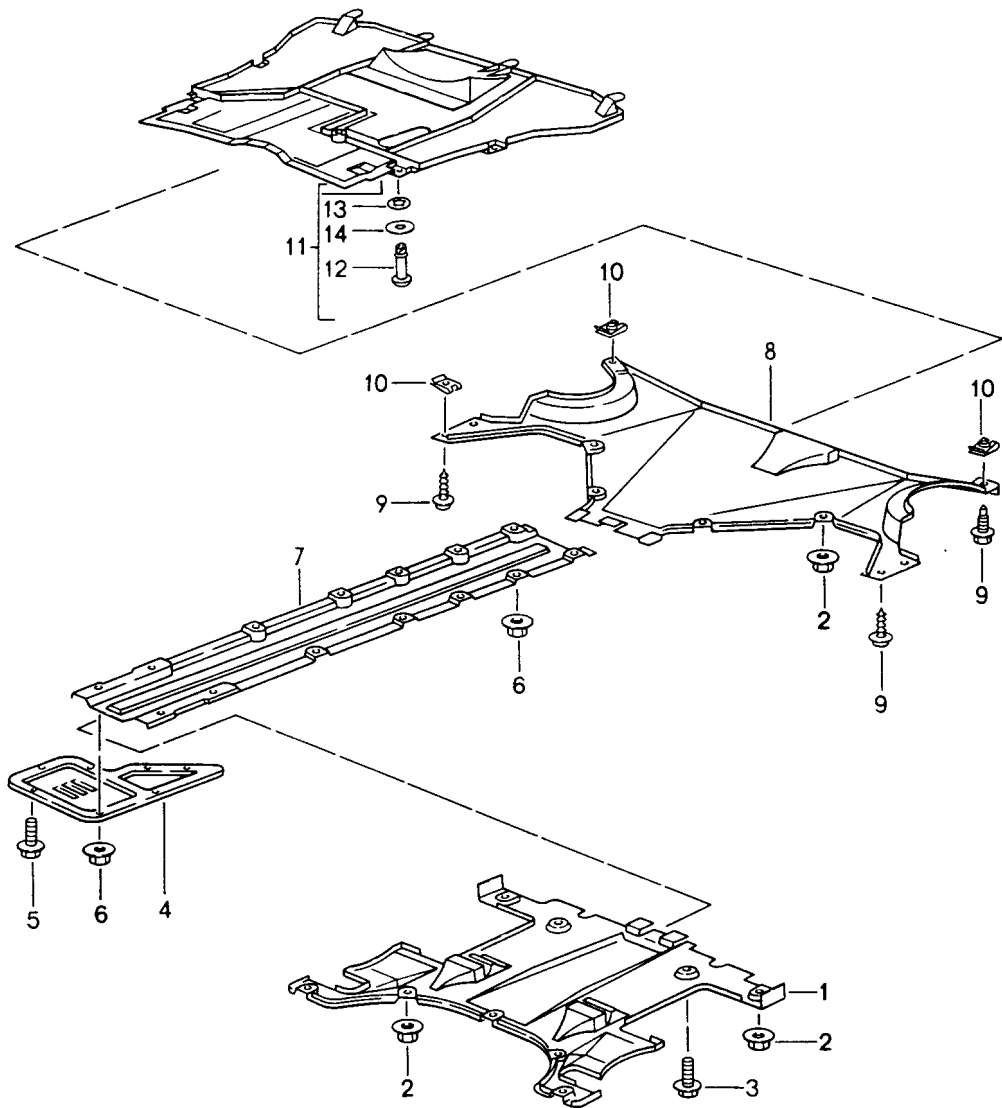
Model: 911 94

Model life 1994>>1998

Pos	Part Number	Description	Remark	Qty	Model
1	993 504 051 00	Cross panel for Body front section	/LL	1	
	993 504 051 00 GRV	Prime coated			
2	964 504 525 00	Gasket		1	
3	993 504 631 00	Gasket		1	
4	993 504 521 00	End piece		2	
5	999 911 041 00	Edge protection		*	
6	993 559 385 00	Cover foil	/L	1	
(6)	993 559 386 00	Cover foil	/R	1	

Model: 911 94

Model life 1994>>1998

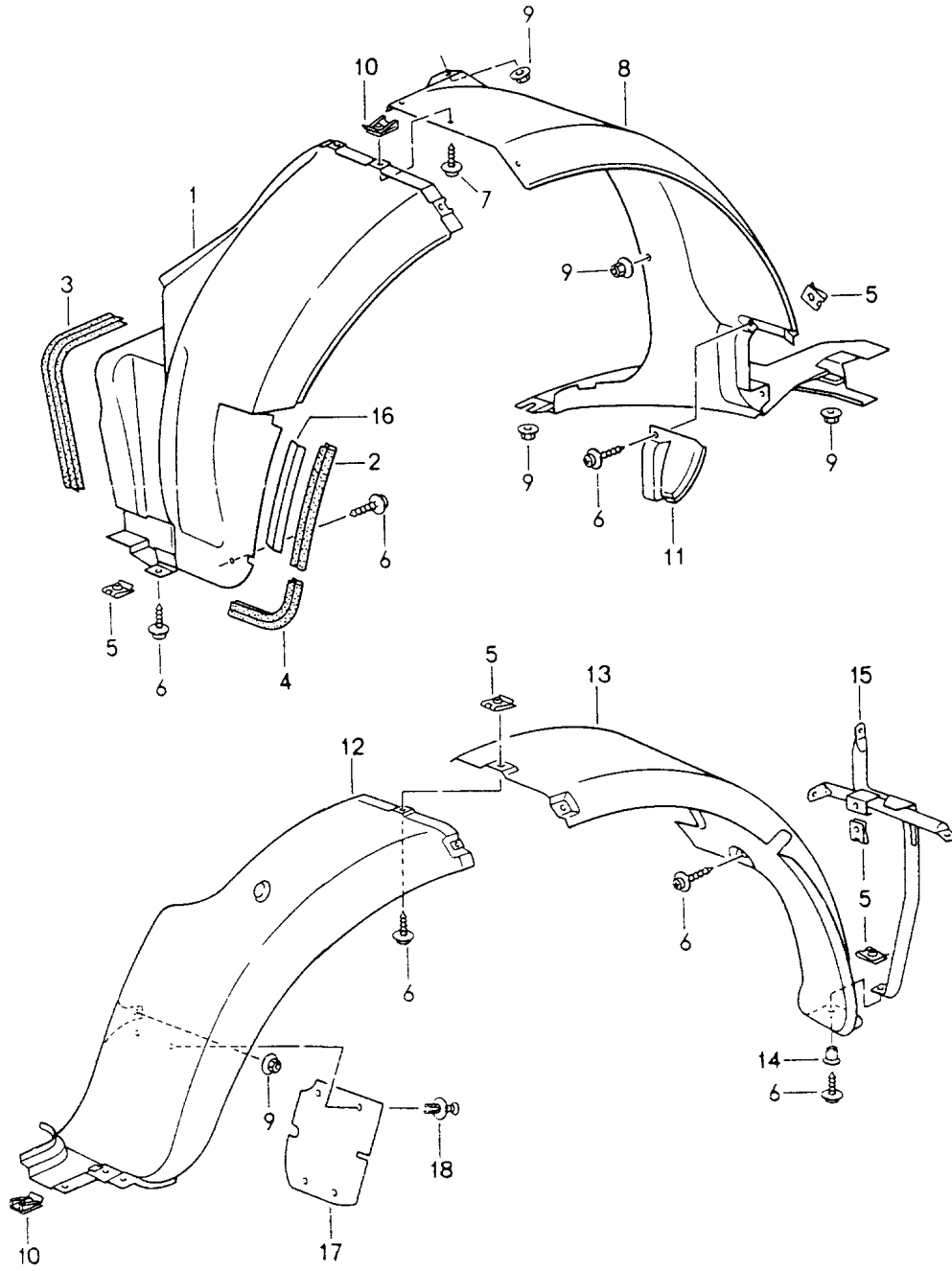


Model: 911 94 Model life 1994>>1998

Pos	Part Number	Description	Remark	Qty	Model
1	964 504 127 01	Cover for Underbody		1	
1	964 504 127 00	Cover Front	95-	1	M339
(1)	993 504 127 00	F >>99SS3 21801 Cover Front	95-	1	M339
2	999 049 022 40	F 99SS3 21802>> Plastic nut T5		11	
3	900 075 413 09	Combination screw M 6 X 16		8	
4	964 504 231 00	Lid		1	
5	900 075 393 02	Combination screw M 6 X 12		6	
5	900 075 393 0C	Combination screw M 6 X 12		6	
6	900 377 001 07	Nut M 6		16	
7	993 504 043 00	Cover Centre		1	
8	993 504 129 00	Cover		1	
9	900 143 159 07	Combination screw B 4,8 X 19		10	
10	999 591 699 02	Speed nut B 4,8		10	
10	999 591 699 01	Speed nut B 4,8		10	
11	993 331 080 02	Cover		1	M480
(11)	993 331 081 02	Cover		1	M249
12	999 590 034 09	Locking bolt		5	
-	999 507 413 09	Retaining clip Locking bolt 9,3 X 25		5	
-	999 507 413 08	Retaining clip Locking bolt 9,3 X 25		5	
13	999 507 412 08	Spring washer		5	
14	999 590 035 40	Washer		5	

Model: 911 94

Model life 1994>>1998



Model: 911 94 Model life 1994>>1998

Pos	Part Number	Description	Remark	Qty	Model
		Cover for Wheel housing			
1	993 504 125 00	Wheel-housing liner	/V /L	1	
(1)	993 504 126 00	Wheel-housing liner	/V /R	1	
(1)	993 504 125 01	Wheel-housing liner	/V /L	1	TURBO M491/495
(1)	993 504 126 01	Wheel-housing liner	/V /R	1	TURBO M491/495
-	999 911 398 40	Edge protection 550 MM		*	
2		250 MM		2	
2		510 MM		2	TURBO M491/495
3		370 MM		2	
4		225 MM		2	
5	999 591 699 02	Speed nut B 4,8		12	
5	999 591 699 01	Speed nut B 4,8		12	
6	900 143 159 07	Combination screw B 4,8 X 19		12	
7	900 143 113 07	Oval-head screw B 4,2 X 13		4	
7	900 143 113 0G	Oval-head screw B 4,2 X 13		4	
8	993 504 203 00	Wheel-housing liner It is necessary to rework	/V /L	1	TURBO M491/495
(8)	993 504 204 00	Wheel-housing liner It is necessary to rework	/V /R	1	TURBO M491/495
-	951 201 147 05	Plastic foam strip		2	
9	999 049 022 40	Plastic nut		12	
10	999 591 850 02	Speed nut B 4,2		6	
10	999 591 850 01	Speed nut B 4,2		6	
11	993 504 219 02	Lid	/L	1	
(11)	993 504 220 00	Lid	/R	1	
(11)	993 504 219 01	Lid	/L	1	TURBO M491/495
(11)	993 504 220 01	Lid	/R	1	TURBO M491/495
12	993 504 461 00	Wheel-housing liner	/H /L	1	
12	993 504 461 03	Wheel-housing liner	/H /L -96	1	
12		Wheel-housing liner	/H /L 97-	1	
(12)	993 504 462 02	Wheel-housing liner	/H /R	1	
(12)		Wheel-housing liner	/H /R	1	
(12)	993 504 461 04	Wheel-housing liner	/H /L	1	TURBO M491/495
(12)		Wheel-housing liner	/H /L	1	TURBO M491/495
(12)	993 504 462 01	Wheel-housing liner	/H /R	1	TURBO M491/495
13	993 504 463 00	Wheel-housing liner	/H /L	1	
(13)	993 504 464 00	Wheel-housing liner	/H /R	1	
(13)	993 504 463 01	Wheel-housing liner	/H /L	1	TURBO M491/495
(13)	993 504 464 01	Wheel-housing liner	/H /R	1	TURBO M491/495
14	944 503 255 00	Spacer		2	
15		Support tube		1	

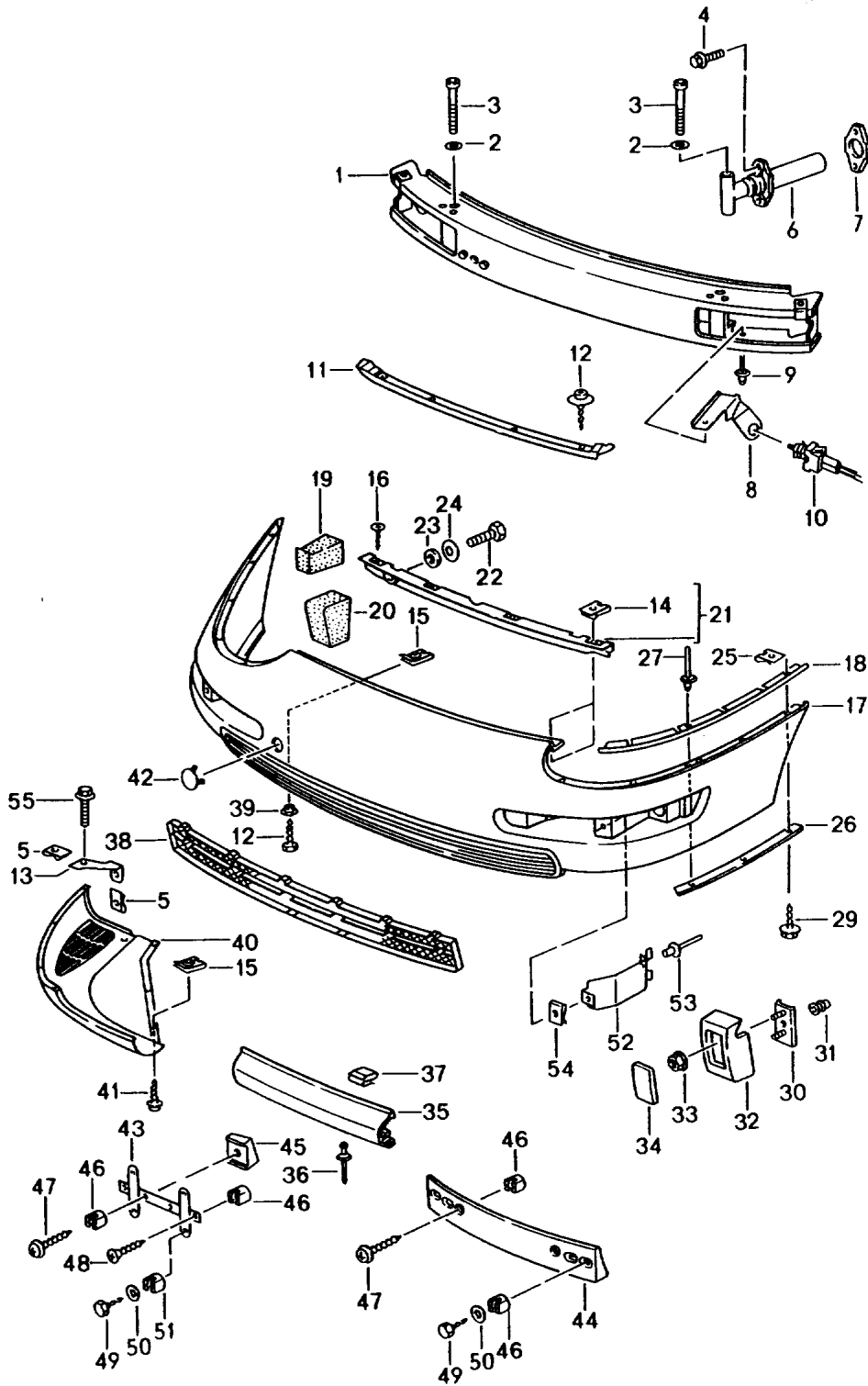
Model: 911 94

Model life 1994>>1998

Pos	Part Number	Description	Remark	Qty	Model
16	993 505 795 00	See group 8/02/05 Reinforcement	94	2	

Model: 911 94

Model life 1994>>1998



Model: 911 94 Model life 1994>>1998

Pos	Part Number	Description	Remark	Qty	Model
		Bumper Front			
1	993 505 011 00	Bumper reinforcement		1	
2	900 025 009 02	Washer A 13		2	
3	900 067 084 02	Pan-head screw M 12 X 110		2	
3	900 067 084 03	Pan-head screw M 12 X 110		2	
4	900 075 457 02	Combination screw M 8 X 30		4	
5	999 591 699 02	Speed nut B 4,8		4	
5	999 591 699 01	Speed nut B 4,8		4	
6	993 505 016 01	Impact absorber	-95	2	
6		Impact absorber	96-	2	
7	993 505 775 00	Desk pad		2	
8	993 505 725 01	Support	-94	1	
(8)		Support	95-	1	
9	999 190 114 30	Blind rivet A 3,2 X 9,7		1	
10	928 641 142 00	Temperature sensor		1	
11	993 505 143 01	Sealing strip		1	
	993 505 143 01 70B	Satin black			
11	999 911 557 4A	Adhesive tape		1	
11	993 505 499 01	Piping		1	
	993 505 499 01 70B	Black			
11	993 505 343 00	Cover strip		1	
12	900 143 159 07	Combination screw B 4,8 X 19		4	
(13)	993 505 793 00	Support	/L	1	
13	993 505 794 00	Support	/R	1	
14	999 507 442 02	Speed nut 4,8		6	
15	999 591 699 02	Speed nut B 4,8		8	
15	999 591 699 01	Speed nut B 4,8		8	
16	900 145 092 07	Tapping screw B 4,8 X 22		2	
17	993 505 311 01	Lining		1	
	993 505 311 01 G2X	Prime coated			
18	993 505 543 00	Piping	/L	1	
(18)	993 505 544 00	Piping	/R	1	
19	993 575 740 00	Sealing wedge		1	M573
20	993 575 738 00	Sealing wedge		1	M573
21	993 505 531 00	Retaining strip		1	
22	900 075 260 02	Hexagon-head bolt M 6 X 16		4	
23	N 011 666 7	Washer A 6,4		4	
24	999 704 150 40	Washer 6,4 X 16 X 1,5		4	
25	999 591 485 02	Speed nut B 4,8		6	
26	993 505 735 01	Retaining strip		2	
26		Retaining strip		2	
27	999 190 104 30	Blind rivet A 3,2 X 7,9		2	
29	900 187 145 02	Combination screw B 4,8 X 22		6	
30	993 505 385 00	Mounting	/L	1	

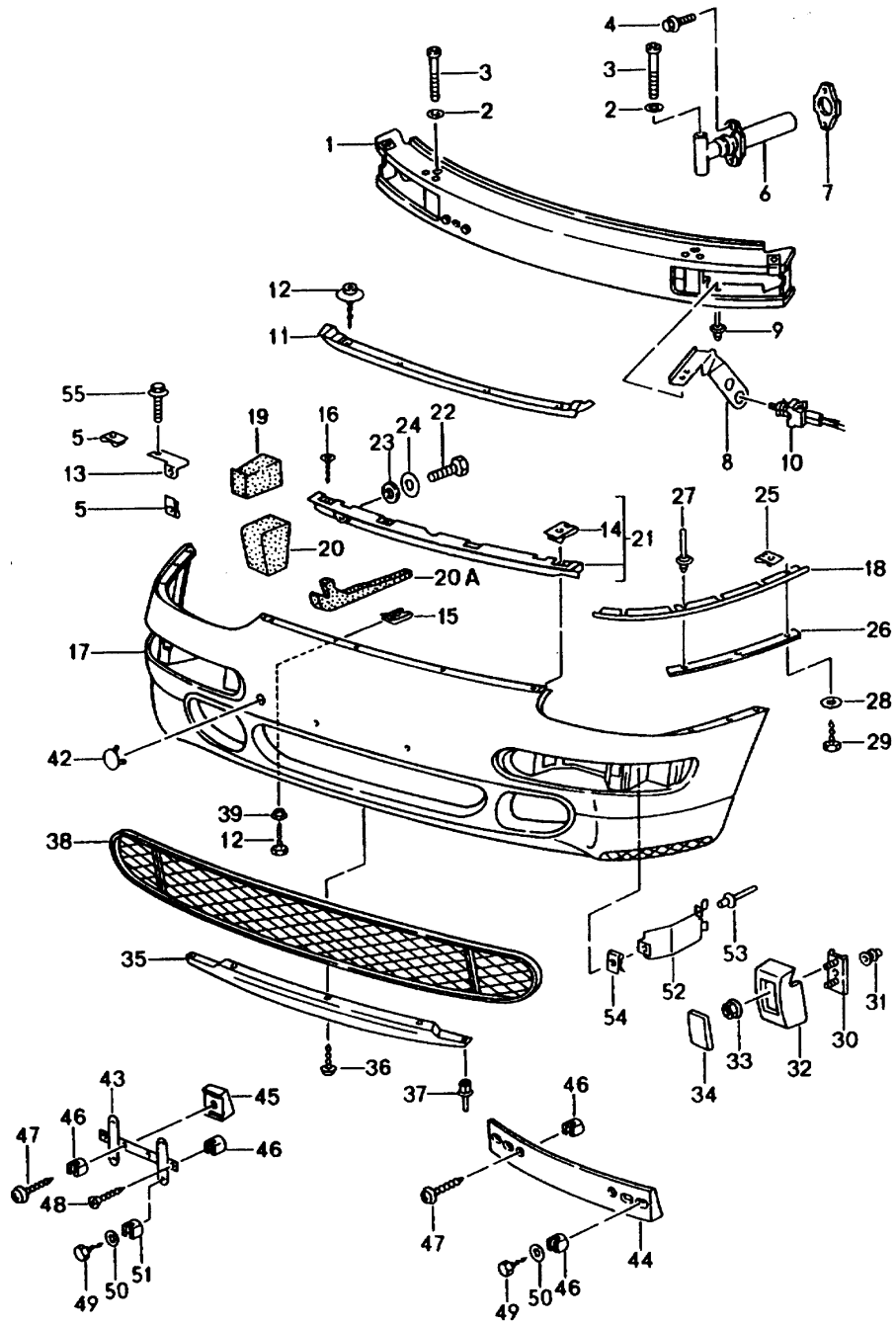
Model: 911 94

Model life 1994>>1998

Pos	Part Number	Description	Remark	Qty	Model
(30)	993 505 386 00	Mounting	/R	1	
31	999 500 059 02	Nut		2	
32	993 505 357 00	Protective bar	/L	1	
	993 505 357 00 01C	Satin black			
(32)	993 505 358 00	Protective bar	/R	1	
	993 505 358 00 01C	Satin black			
33	900 377 009 07	Hexagon nut		4	
34	993 505 763 00	Cap	/L	1	
	993 505 763 00 01C	Satin black			
(34)	993 505 764 00	Cap	/R	1	
	993 505 764 00 01C	Satin black			
35	993 505 737 00	Retaining strip		1	
36	999 190 114 30	Blind rivet A 3,2 X 9,7		3	
37	999 651 152 02	Cable clamp		4	
37	999 651 152 01	Cable clamp		4	
38	993 505 551 00	Ventilation grille		1	
39	951 505 157 00	Spacer		6	
(40)	993 505 521 01	Lining	/L	1	
	993 505 521 01 G2X	Prime coated			
(40)	993 505 521 05	Lining	/L	1	
		Prime coated			
40	993 505 522 01	Lining	/R	1	
	993 505 522 01 G2X	Prime coated			
40	993 505 522 05	Lining	/R	1	
		Prime coated			
41	900 187 103 02	Combination screw B 4,8 X 16		2	
42	964 505 103 00	Cap		1	
	964 505 103 00 G2X	Prime coated			
-	999 651 225 40	Safety rope		1	
		Number plate			
		Mount			
43	928 701 050 03	Support		1	
45	993 701 801 00	Spacer	/L	1	
(45)	993 701 802 00	Spacer	/R	1	
46	999 507 040 40	Expander nut		4	
47	900 143 151 02	Combination tapping screw B 4,2 X 16		2	
48	900 145 012 07	Counters. head tapp. screw B 4,2 X 32		2	
49	900 143 134 00	Tapping screw B 4,2 X 9,5		4	
50	900 025 024 40	Washer A 4,3		4	
51	999 591 498 40	Special nut		4	
52	993 631 181 00	Retaining bow	/L	1	
(52)	993 631 182 00	Retaining bow	/R	1	
53	999 190 104 30	Blind rivet A 3,2 X 7,9		2	
54	999 591 764 02	Speed nut B 4,2		2	
55	900 187 103 02	Combination screw 4,8 X 16		2	

Model: 911 94

Model life 1994>>1998



Model: 911 94 Model life 1994>>1998

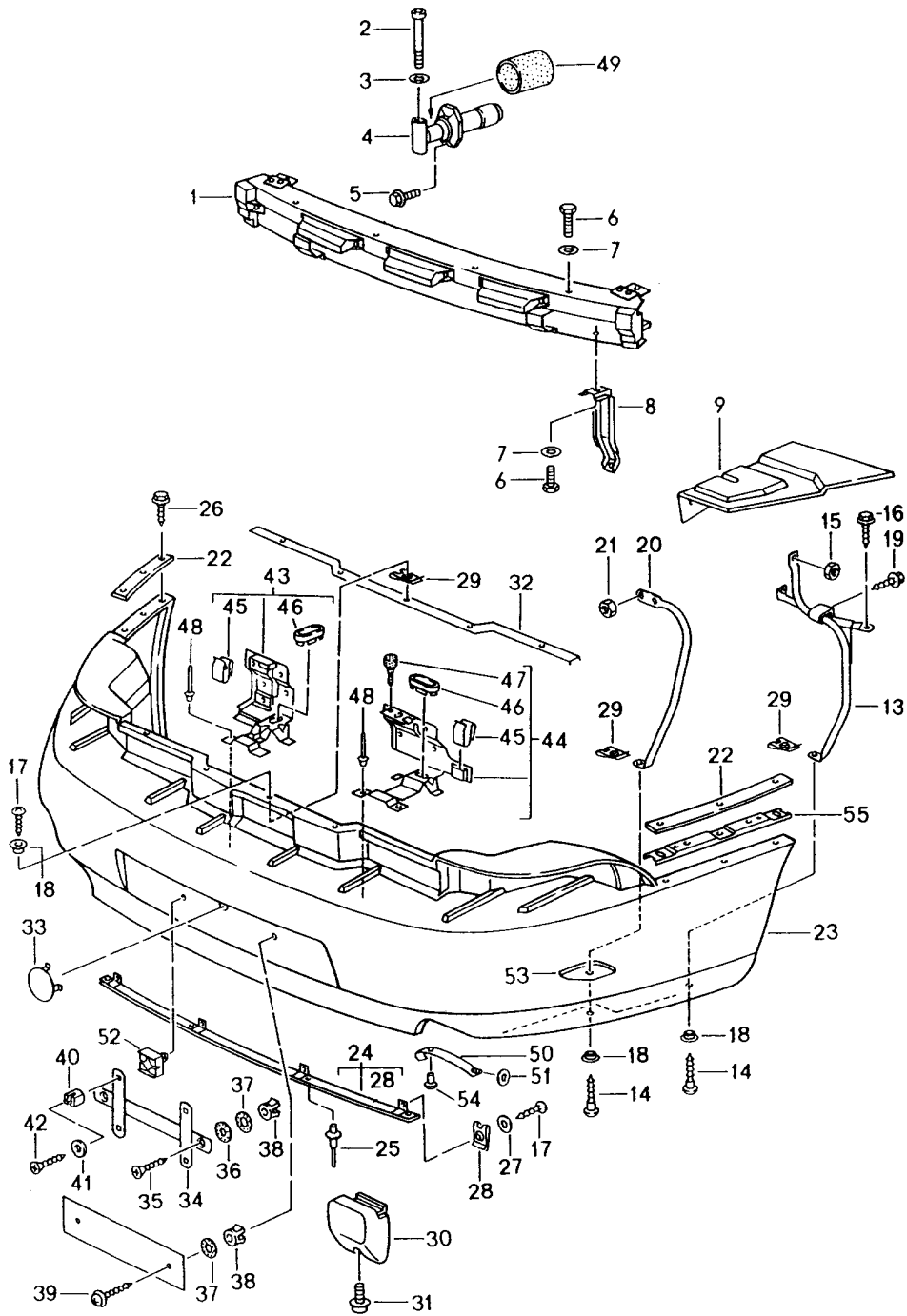
Pos	Part Number	Description	Remark	Qty	Model
		Bumper Front			Turbo Turbo-Look Carrera S/4S
1	993 505 011 00	Bumper reinforcement		1	
2	900 025 009 02	Washer A 13		2	
3	900 067 084 02	Pan-head screw M 12 X 110		2	
3	900 067 084 03	Pan-head screw M 12 X 110		2	
4	900 075 457 02	Combination screw M 8 X 30		4	
5	999 591 699 02	Speed nut B 4,8		4	
5	999 591 699 01	Speed nut B 4,8		4	
6	993 505 016 01	Impact absorber	-95	2	
6		Impact absorber	96-	2	
7	993 505 775 00	Desk pad		2	
8	993 505 725 01	Support		1	
9	999 190 114 30	Blind rivet A 3,2 X 9,7		2	
10	928 641 142 00	Temperature sensor		1	
11	993 505 143 01	Sealing strip		1	
	993 505 143 01 70B	Satin black			
11	999 911 557 4A	Adhesive tape		1	
11	993 505 499 01	Piping		1	
	993 505 499 01 70B	Black			
12	900 143 159 07	Combination screw B 4,8 X 19		4	
(13)	993 505 793 01	Support	/L	1	
13	993 505 794 01	Support	/R	1	
14	999 507 442 02	Speed nut 4,8		6	
15	999 591 699 02	Speed nut B 4,8		8	
15	999 591 699 01	Speed nut B 4,8		8	
16	900 145 092 07	Tapping screw B 4,8 X 22		2	
17	993 505 311 03	Lining		1	
	993 505 311 03 G2X	Prime coated			
18	993 505 543 00	Piping	/L	1	
(18)	993 505 544 00	Piping	/R	1	
19	993 575 740 00	Sealing wedge		1	M573
20	993 575 738 00	Sealing wedge		1	M573
20A	993 575 772 00	Sealing wedge Lower		2	
21	993 505 531 00	Retaining strip		1	
22	900 075 260 02	Hexagon-head bolt M 6 X 16		4	
23	N 011 666 7	Washer A 6,4		4	
24	999 704 150 40	Washer 6,4 X 16 X 1,5		4	
25	999 591 485 02	Speed nut B 4,8		6	
26	993 505 735 01	Retaining strip		2	
27	999 190 104 30	Blind rivet A 3,2 X 7,9		2	
29	900 187 145 02	Combination screw B 4,8 X 22		6	
30	993 505 385 00	Mounting	/L	1	

Model: 911 94 Model life 1994>>1998

Pos	Part Number	Description	Remark	Qty	Model
(30)	993 505 386 00	Mounting	/R	1	
31	999 500 059 02	Nut		2	
32	993 505 357 00	Protective bar	/L	1	
	993 505 357 00 01C	Satin black			
(32)	993 505 358 00	Protective bar	/R	1	
	993 505 358 00 01C	Satin black			
33	900 377 009 07	Hexagon nut		4	
34	993 505 763 00	Cap	/L	1	
	993 505 763 00 01C	Satin black			
(34)	993 505 764 00	Cap	/R	1	
	993 505 764 00 01C	Satin black			
35	993 505 523 00	Spoiler		1	
	993 505 523 00 01C	Black			
35	993 505 523 02	Spoiler		1	
	993 505 523 02 01C	Black			
36	999 073 081 02	Tapping screw ST 4,2 X 13		3	
37	999 507 499 40	Expansion rivet 5,0 X 11,5		2	
38	993 505 551 01	Ventilation grille		1	
39	951 505 157 00	Spacer		6	
42	964 505 103 00	Cap		1	
	964 505 103 00 G2X	Prime coated			
-	999 651 225 40	Safety rope		1	
43	928 701 050 03	Support		1	
45	993 701 801 00	Spacer	/L	1	
(45)	993 701 802 00	Spacer	/R	1	
46	999 507 040 40	Expander nut		4	
47	900 143 151 02	Combination tapping screw B 4,2 X 16		2	
48	900 145 012 07	Counters. head tapp. screw B 4,2 X 32		2	
49	900 143 134 00	Tapping screw B 4,2 X 9,5		4	
50	900 025 024 40	Washer A 4,3		4	
51	999 591 498 40	Special nut		4	
52	993 631 181 00	Retaining bow	/L	1	
(52)	993 631 182 00	Retaining bow	/R	1	
53	999 190 104 30	Blind rivet A 3,2 X 7,9		2	
54	999 591 764 02	Speed nut B 4,2		2	
55	900 187 103 02	Combination screw 4,8 X 16		2	

Model: 911 94

Model life 1994>>1998



Model: 911 94

Model life 1994>>1998

Pos	Part Number	Description	Remark	Qty	Model
		Bumper Rear			
1	993 505 021 03	Bumper reinforcement		1	
1		Bumper reinforcement		1	TURBO M491/495
2	900 067 084 02	Pan-head screw M 12 X 110		2	
2	900 067 084 03	Pan-head screw M 12 X 110		2	
3	900 025 009 02	Washer A 13		2	
4	928 505 015 22	Impact absorber	-95	2	
4	996 505 015 00	Impact absorber	96-	2	
5	900 075 457 02	Combination screw M 8 X 30		4	
6	900 278 025 02	Hexagon-head bolt M 5 X 12		6	
7	900 151 027 02	Washer A 5,3		6	
7	900 151 027 03	Washer A 5,3		6	
8	993 505 639 00	Rear support		2	
(8)	993 505 639 01	Rear support		2	TURBO M491/495
(9)	993 504 115 00	Support	/L	1	
	993 504 115 00 GRV	Prime coated			
9	993 504 116 00	Support	/R	1	
	993 504 116 00 GRV	Prime coated			
(9)	993 504 115 01	Support	/L	1	TURBO
	993 504 115 01 GRV	Prime coated			
(9)	993 504 116 01	Support	/R	1	M491/495 TURBO
	993 504 116 01 GRV	Prime coated			
10	N 011 666 7	Washer B 6,4		4	M491/495
11	900 076 010 02	Nut M 6		4	
11	900 076 010 0B	Nut M 6		4	
12	900 075 354 00	Combination screw M 6 X 16		2	
13	993 505 641 03	Support tube	/L -95	1	
13		Support tube	/L 96-	1	
(13)	993 505 642 03	Support tube	/R -95	1	
(13)		Support tube	/R 96-	1	
(13)	993 505 641 01	Support tube	/L	1	TURBO M491/495
(13)	993 505 642 01	Support tube	/R	1	TURBO M491/495
14	999 073 064 02	Tapping screw B 4,8 X 25		4	
15	999 084 629 09	Hexagon nut M 6		4	
15	999 084 629 01	Hexagon nut M 6		4	
16	900 187 103 02	Combination screw B 4,8 X 16		4	
17	900 143 147 07	Tapping screw B 4,8 X 16		11	
18	944 503 255 00	Spacer		11	
19	900 143 159 07	Combination screw B 4,8 X 19		2	

Model: 911 94 Model life 1994>>1998

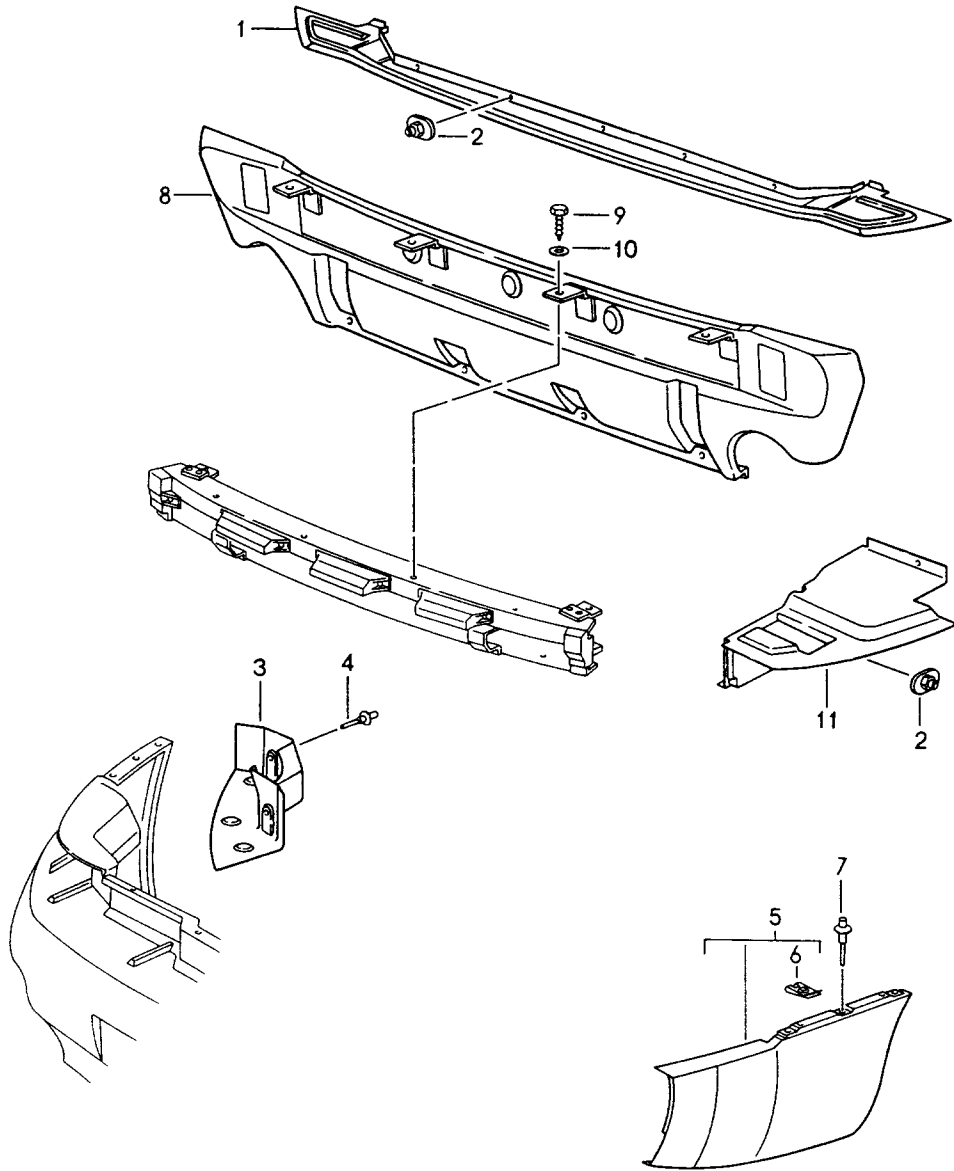
Pos	Part Number	Description	Remark	Qty	Model
20	993 505 643 00	Support tube	/L	1	
(20)	993 505 644 00	Support tube	/R	1	
(20)	993 505 643 01	Support tube	/L	1	TURBO
(20)	993 505 644 01	Support tube		1	M491/495 TURBO M491/495
21	900 377 009 01	Hexagon nut M 5		2	
22	993 505 843 00	Piping	/L	1	
	993 505 843 00 01C	Black			
(22)	993 505 844 00	Piping	/R	1	
	993 505 844 00 01C	Black			
(22)	993 505 843 01	Piping	/L	1	TURBO
	993 505 843 01 01C	Black			M491/495
(22)	993 505 844 01	Piping	/R	1	TURBO
	993 505 844 01 01C	Black			M491/495
23	993 505 411 01	Lining	(USA)	1	(SA)
	993 505 411 01 G2X	Prime coated			
(23)	993 505 411 03	Lining		1	TURBO
	993 505 411 03 G2X	Prime coated	(USA)		M491/495 (SA)
24	993 505 633 00	Retaining strip		1	
(24)	993 505 633 01	Retaining strip		1	TURBO
25	999 190 104 30	Blind rivet A 3,2 X 7,9		4	
26	900 187 141 09	Combination screw B 4,8 X 25		6	
27	999 025 243 02	Washer 5 X 26 X 1		4	
28	999 507 441 09	Speed nut B 4,8		4	
29	999 507 023 02	Speed nut B 4,8		5	
29	999 507 023 01	Speed nut B 4,8		5	
30	993 505 425 00	Buffer	/L (USA)	1	(SA)
	993 505 425 00 01C	Satin black			
30	993 505 425 01	Buffer	/L (USA)	1	(SA)
	993 505 425 01 01C	Satin black			
30	993 505 426 00	Buffer	/R (USA)	1	(SA)
	993 505 426 00 01C	Satin black			
30	993 505 426 01	Buffer	/R (USA)	1	(SA)
	993 505 426 01 01C	Satin black			
31	900 067 345 02	Combination screw M 10 X 20	(USA)	2	(SA)
32	993 504 717 00	Retaining strip		1	
33	964 505 103 00	Cap		1	
	964 505 103 00 G2X	Prime coated			
-	999 651 225 40	Safety rope		1	
34	928 701 050 03	Support		1	
35	900 143 043 02	Tapping screw B 4,2 X 22		2	
35	900 143 096 01	Tapping screw B 4,2 X 22		2	
35	900 143 043 02	Tapping screw B 4,2 X 22		2	
35	900 143 096 01	Tapping screw B 4,2 X 22		2	
36	914 571 903 10	Sealing ring		2	

Model: 911 94 Model life 1994>>1998

Pos	Part Number	Description	Remark	Qty	Model
37	999 025 235 40	Rubber washer		2	
38	999 507 040 40	Expander nut		2	
39	900 143 151 02	Combination tapping screw B 4,2 X 16		2	
40	999 591 498 40	Special nut		4	
41	900 025 024 40	Washer		4	
42	900 143 134 00	Tapping screw		4	
43	993 631 106 00	Support Centre		1	
(44)	993 631 107 00	Support	/L	1	
44	993 631 108 00	Support	/R	1	
45	944 628 181 00	Retaining clip		3	
46	993 631 501 00	Guide		3	
47	999 703 363 40	Buffer		2	
48	999 190 408 30	Blind rivet A 4,0 X 18,8		18	
49	999 623 001 00	Heat protection		2	TURBO M058
(50)	993 505 611 00	Heat protection	/L	1	TURBO
50	993 505 612 00	Heat protection	/R	1	TURBO
51	999 166 051 08	Clamping washer 4,0		6	TURBO
52	993 701 805 00	Spacer		2	TURBO M491/495
(53)	993 505 623 00	Protection cap	/L	1	TURBO M491/495
53	993 505 624 00	Protection cap		1	TURBO M491/495
54	999 190 463 30	Blind rivet 4 X 13		4	TURBO M491/495
55	993 505 635 00	Retaining strip Lateral		2	

Model: 911 94

Model life 1994>>1998

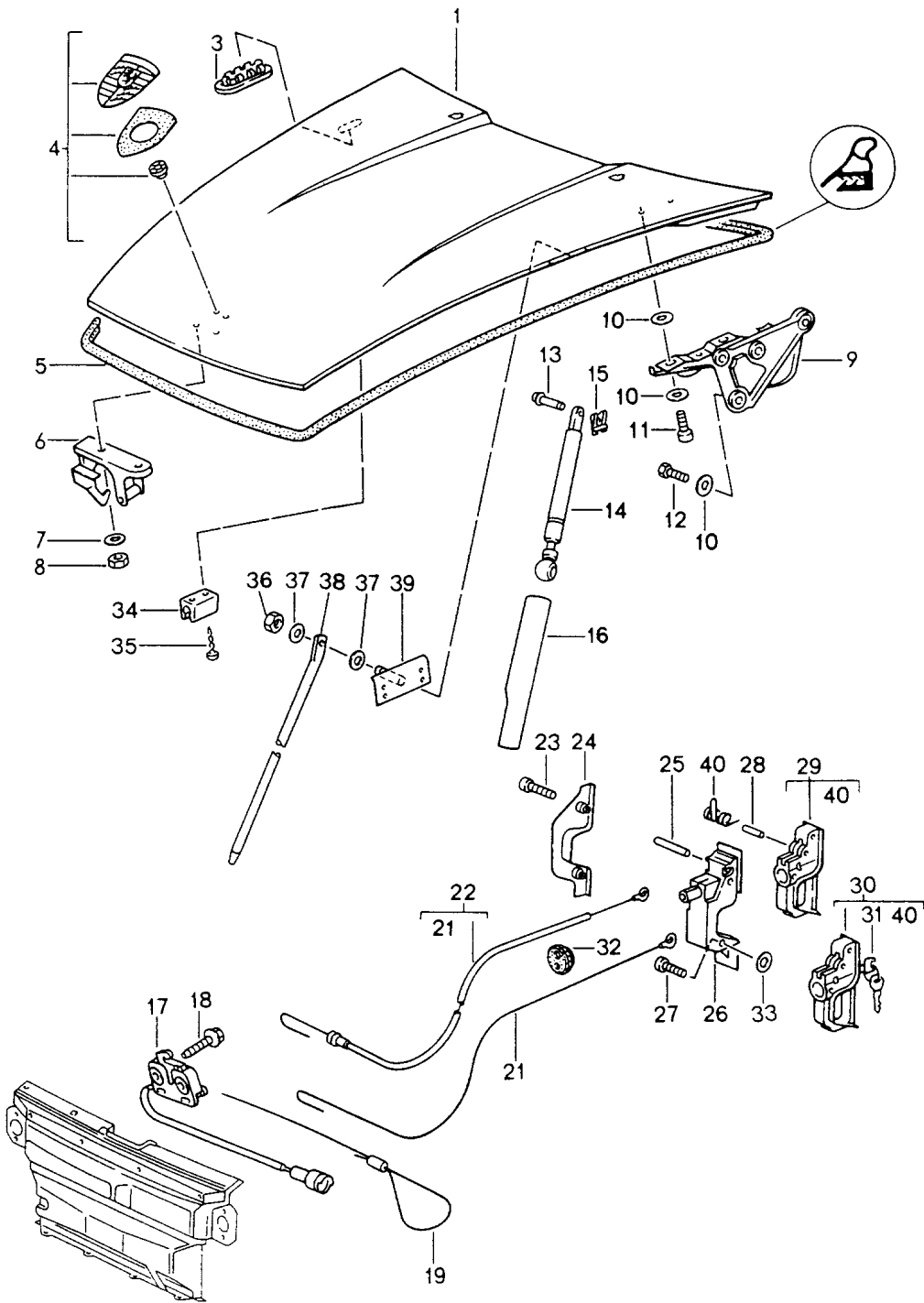


Model: 911 94 Model life 1994>>1998

Pos	Part Number	Description	Remark	Qty	Model
1	993 505 471 01	Heat protection for Bumper Rear	-94	1	
1		Heat protection for Covering	95-	1	
2	999 049 025 09	Collar nut		9	
(3)	993 505 655 00	Heat protection for	/L	1	
3	993 505 656 00	Frame for light Heat protection for	/R	1	
4	999 190 408 30	Frame for light Blind rivet A 4 X 18,8		4	
(5)	993 505 277 00	Heat protection	/L	1	
5	993 505 278 00	Heat protection Lateral	/R	1	
(5)	993 505 277 01	Heat protection	/L	1	TURBO M491/495
(5)	993 505 278 01	Heat protection Lateral	/R	1	TURBO M491/495
6	999 591 485 02	Speed nut B 4,8		6	
7	999 190 378 02	Blind rivet A 3,2 X 9,7		4	
8	993 505 475 00	Heat protection Centre		1	
(8)	993 505 475 01	Heat protection Centre		1	TURBO M491/495
9	900 143 046 02	Oval-head sheetmetal screw B 4,8 X 16		4	
9	900 143 046 01	Oval-head sheetmetal screw B 4,8 X 16		4	
10	999 025 243 02	Washer 5 X 26 X 1		4	
(11)	993 505 645 00	Heat protection	/L	1	
11	993 505 646 00	Heat protection Lateral	/R	1	
(11)	993 505 645 01	Heat protection Upper	/L	1	TURBO M491/495
(11)	993 505 646 01	Heat protection Upper It is necessary to rework Lateral	/R	1	TURBO M491/495

Model: 911 94

Model life 1994>>1998



Model: 911 94 Model life 1994>>1998

Pos	Part Number	Description	Remark	Qty	Model
		Lid Front			
1	993 511 010 01	Lid		1	
	993 511 010 01 GRV	Prime coated			
3	999 703 226 40	Cap		2	
		50 X 8			
4		Lid emblem			
		See group			
		8/10/00			
5	993 504 641 01	Gasket		1	
6	964 511 051 00	Lock upper part		1	
7	N 011 666 7	Washer		2	
		A 6,4			
8	900 076 010 02	Nut		2	
		M 6			
8	900 076 010 0B	Nut		2	
		M 6			
9	993 511 031 00	Hinge	/L	1	
	993 511 031 00 GRV	Prime coated			
(9)	993 511 032 00	Hinge	/R	1	
	993 511 032 00 GRV	Prime coated			
10	900 151 008 02	Washer		12	
		A 8,4			
11	900 067 342 02	Pan-head screw		4	
		M 8 X 22			
11	900 067 433 01	Pan-head screw		4	
		M 8 X 22			
12	900 075 087 02	Hexagon-head bolt		6	
		M 8 X 16			
12	900 075 087 03	Hexagon-head bolt		6	
		M 8 X 16			
13	999 166 043 02	Bolt		4	
14	993 511 331 00	Gas-pressure spring		2	
-	900 169 016 02	Securing clip		2	
		for			
		Gas-pressure spring			
15	N 012 645 2	Lock washer		4	
16	964 511 591 00	Protective tube	/R	1	
17	964 511 052 00	Lock lower part		1	
18	900 075 417 02	Combination screw		2	
		M 6 X 30			
18	900 075 417 01	Combination screw		2	
		M 6 X 30			
19	964 512 521 00	Emergency operation		1	
20	911 511 067 00	Clamp		1	
21	964 511 073 01	Wire pull		1	
22	964 511 053 00	Bowden cable	/LL	1	
23	900 119 091 02	Pan-head screw		2	
		M 6 X 16			
24	964 538 625 00	Cover	/LL	1	
	964 538 625 00 01C	Satin black			
25	900 012 053 00	Pin		1	
		6 X 36			
26	993 538 101 00	Housing		1	
	993 538 101 00 01C	Satin black			
27	999 119 018 02	Pan-head screw		2	
		M 6 X 15			
28	900 309 009 00	Roll pin		1	
		4 X 18			
29	993 538 071 01	Handle		1	COUPE
	993 538 071 01 01C	Satin black			
30	993 538 971 00	Handle		1	CABRIO
		with 2 secondary keys			

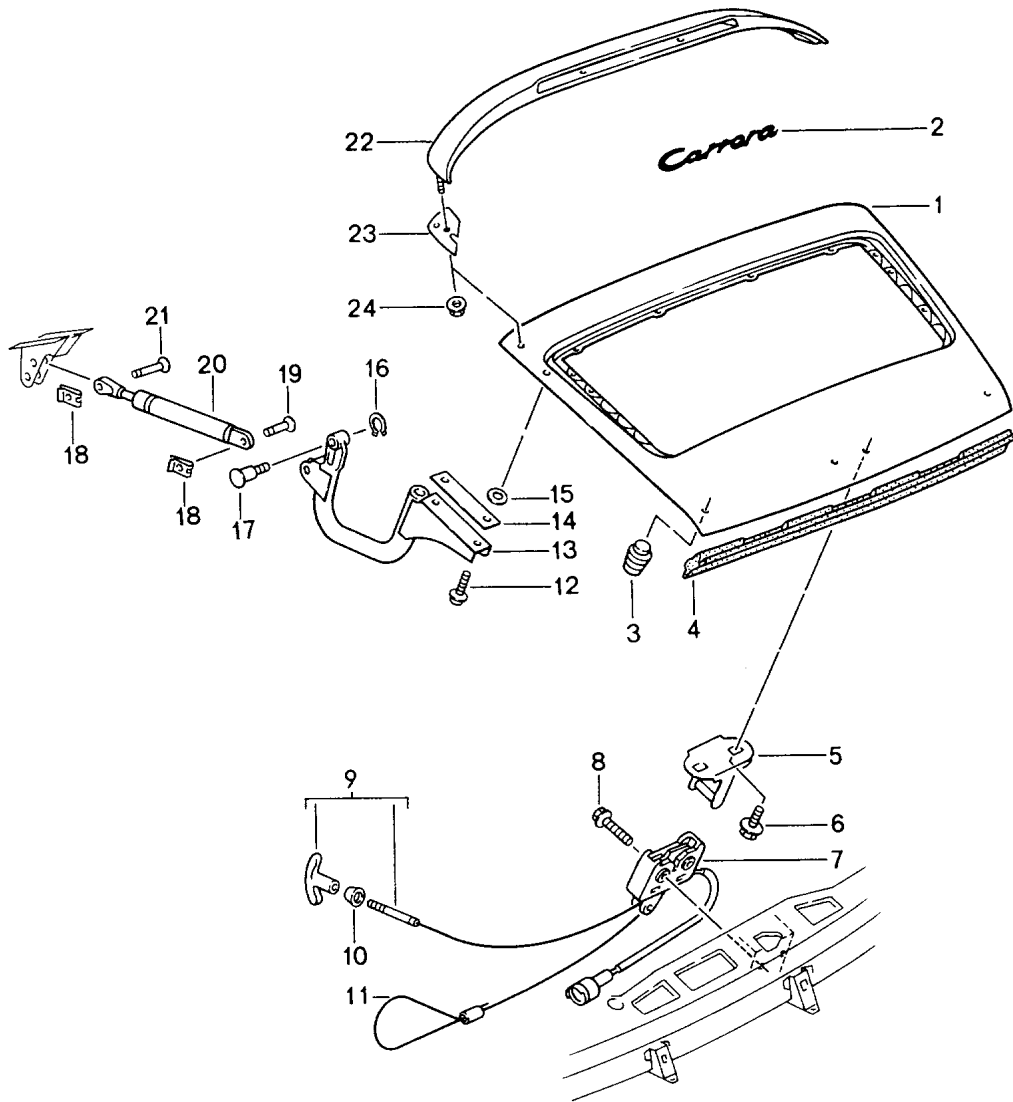
Model: 911 94

Model life 1994>>1998

Pos	Part Number	Description	Remark	Qty	Model
30	993 538 971 01	Key cap W/o stipulated lock number Handle with 2 secondary keys		1	CABRIO
31	911 538 902 00	Key cap State lock number Replacement key		1	
32	111 971 911 A	Key cap State lock number Information available		1	
33	900 223 003 02	Grommet		2	
40	993 538 771 00	Washer 6,4 Steering knuckle spring		1	

Model: 911 94

Model life 1994>>1998

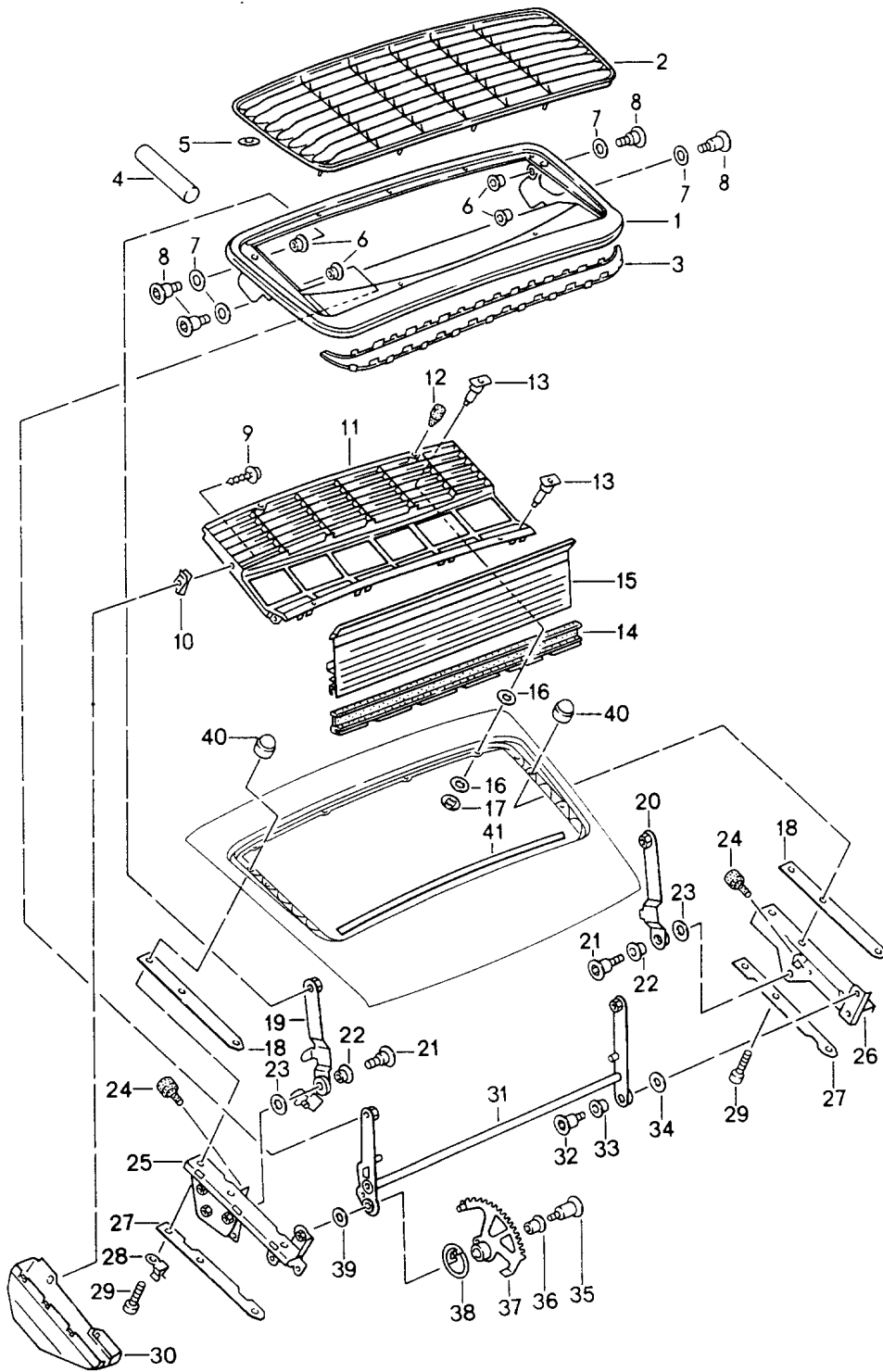


Model: 911 94 Model life 1994>>1998

Pos	Part Number	Description	Remark	Qty	Model
1	993 512 010 00	Lid Rear		1	
2	993 512 010 00 GRV	Lid Prime coated		.	
		Logo			
		See group 8/10/00			
3	999 703 132 40	Rubber buffer		2	
4	993 504 513 00	Gasket		1	
5	996 512 213 00	Lock upper part		1	
6	900 075 014 02	Hexagon-head bolt M 6 X 18		2	
6	900 075 014 03	Hexagon-head bolt M 6 X 18		2	
7	965 512 052 01	Lock		1	
8	900 075 417 02	Combination screw M 6 X 30		2	
8	900 075 417 01	Combination screw M 6 X 30		2	
9	993 512 063 00	Lid-release cable		1	
10	911 512 531 00	Grommet		1	
11	964 512 521 00	Emergency operation		1	
(11)	993 512 523 00	Emergency operation		1	TURBO
12	900 067 273 09	Combination screw M 6 X 16		4	
13	993 512 023 01	Hinge		2	
13	993 512 023 00	Hinge		2	
14	993 512 469 00	Desk pad		2	
15	999 025 090 02	Washer 6,5 X 14 X 2	/R	1	
16	999 166 008 02	Safety clip		2	
17	964 512 326 00	Hinge bolt		2	
18	N 012 645 2	Lock washer		4	
19	999 166 010 02	Bolt		2	
20	911 512 331 01	Gas-pressure spring		2	
(20)	993 512 321 00	Gas-pressure spring		2	CABRIO M602
21	999 166 043 02	Bolt		2	
22	993 504 181 00	Bracket		1	M602
	993 504 181 00 G2X	Prime coated for Additional brake light			
23	993 504 681 00	Desk pad	/L	1	M602
(23)	993 504 682 00	Desk pad	/R	1	M602
24	900 380 015 09	Hexagon nut V M 6		2	M602

Model: 911 94

Model life 1994>>1998



Model: 911 94

Model life 1994>>1998

Pos	Part Number	Description	Remark	Qty	Model
1	993 512 317 00	Rear spoiler		1	
	993 512 317 00 G2X	Spoiler Prime coated			
2	993 512 587 00	Outer part		1	
	993 512 587 00 01C	Grille Satin black			
(2)	993 512 591 00	Grille	/L 97-	1	CARRERA S
	993 512 591 00 G2X	Prime coated			
(2)	993 512 592 00	Grille	/R 97-	1	CARRERA S
	993 512 592 00 G2X	Prime coated			
-	993 512 123 00	Centre web	97-	1	CARRERA S
	993 512 123 00 G2X	Prime coated			
-	999 591 390 02	Clamping washer 5,0	97-	14	CARRERA S
-	993 512 777 00	Reinforcement	97-	1	CARRERA S
3	993 512 717 00	Cover		1	
	993 512 717 00 01C	Satin black			
4	999 915 509 40	Adhesive set		1	
4	000 043 300 94	Adhesive set for Grille		1	
5	999 591 390 02	Clamping washer 5,0		10	
6	964 512 732 00	Bearing sleeve 16 X 10,1 X 11,6 POM		4	
7	964 512 751 00	Washer 16 X 10,5 X 1POM		4	
8	964 512 722 00	Bearing screw Micro-self-locking M 6 X 23		4	
9	999 073 122 09	Tapping screw		2	
10	999 591 723 02	Speed nut B 4,2		2	
11	993 512 333 02	Ventilation grille		1	
	993 512 333 02 01C	Black			
12	964 512 531 00	Stop Rear spoiler		4	
12	964 512 531 01	Stop Rear spoiler		4	
13	999 088 025 40	T-headed screw 5 X 17,7		8	
14	993 512 533 00	Seal		1	
15	993 512 121 00	Rear wall		1	
16	999 025 209 40	Washer 9 X 15 X 2		16	
17	999 591 974 02	Clamping washer 5,0		8	
17	999 591 974 01	Clamping washer 5,0		8	
18	964 512 467 00	Desk pad		X	
19	964 512 049 00	Lever	/L	1	
20	964 512 050 00	Lever	/R	1	
21	964 512 721 00	Bearing screw Micro-self-locking M 6 X 19		2	
22	964 512 711 00	Bearing sleeve 17 X 7 X 10,1 POM		2	
23	964 512 741 00	Washer 16 X 3,6 X 10,5 POM		2	
24	999 703 363 40	Buffer		2	
25	964 512 211 00	Mounting plate	/L	1	
26	964 512 212 00	Mounting plate	/R	1	
27	964 512 461 00	Desk pad		2	

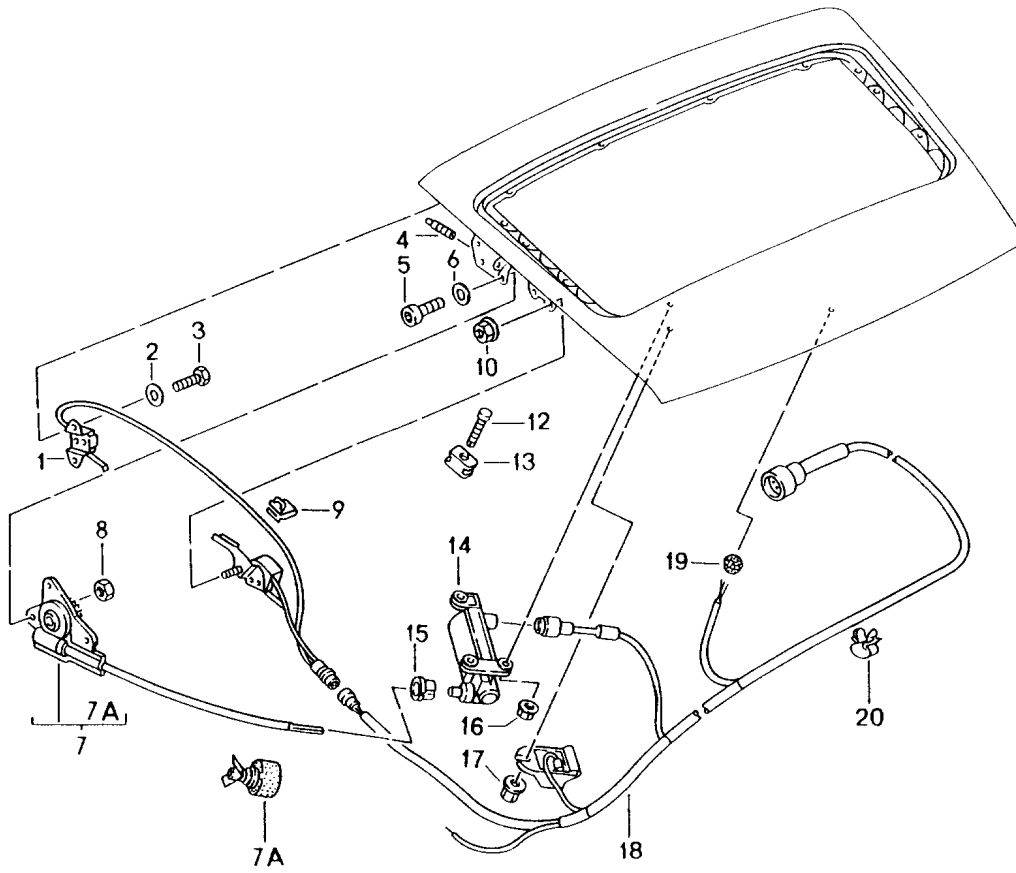
Model: 911 94

Model life 1994>>1998

Pos	Part Number	Description	Remark	Qty	Model
28	964 612 138 00	Cable holder		1	
29	900 119 107 07	Pan-head screw M 6 X 16		6	
30	964 512 225 00	Cover		1	
	964 512 225 00 01C	Satin black			
31	964 512 110 00	Linkage		1	
32	964 512 723 00	Bearing screw Micro-self-locking M 6 X 17		1	
33	964 512 711 00	Bearing sleeve 17 X 7 X 10,1 POM		1	
34	964 512 742 00	Washer 16 X 1,6 X 10,5 POM		1	
35	964 512 381 00	Bearing screw Micro-self-locking M 6 X 27		1	
35	964 512 381 01	Bearing screw Micro-self-locking M 6 X 27		1	
36	964 512 361 00	Bearing sleeve 16 X 18,5 X 10,1 POM		1	
37	964 512 111 00	Segment Tooth sector		1	
38	964 512 314 00	Torsion spring		1	
39	964 512 371 00	Washer 24 X 12,5 X 1,6 POM		1	
40	999 703 449 40	Protection cap		6	
40		Protection cap		6	
41	999 911 614 40	Sealing strap		1	

Model: 911 94

Model life 1994>>1998

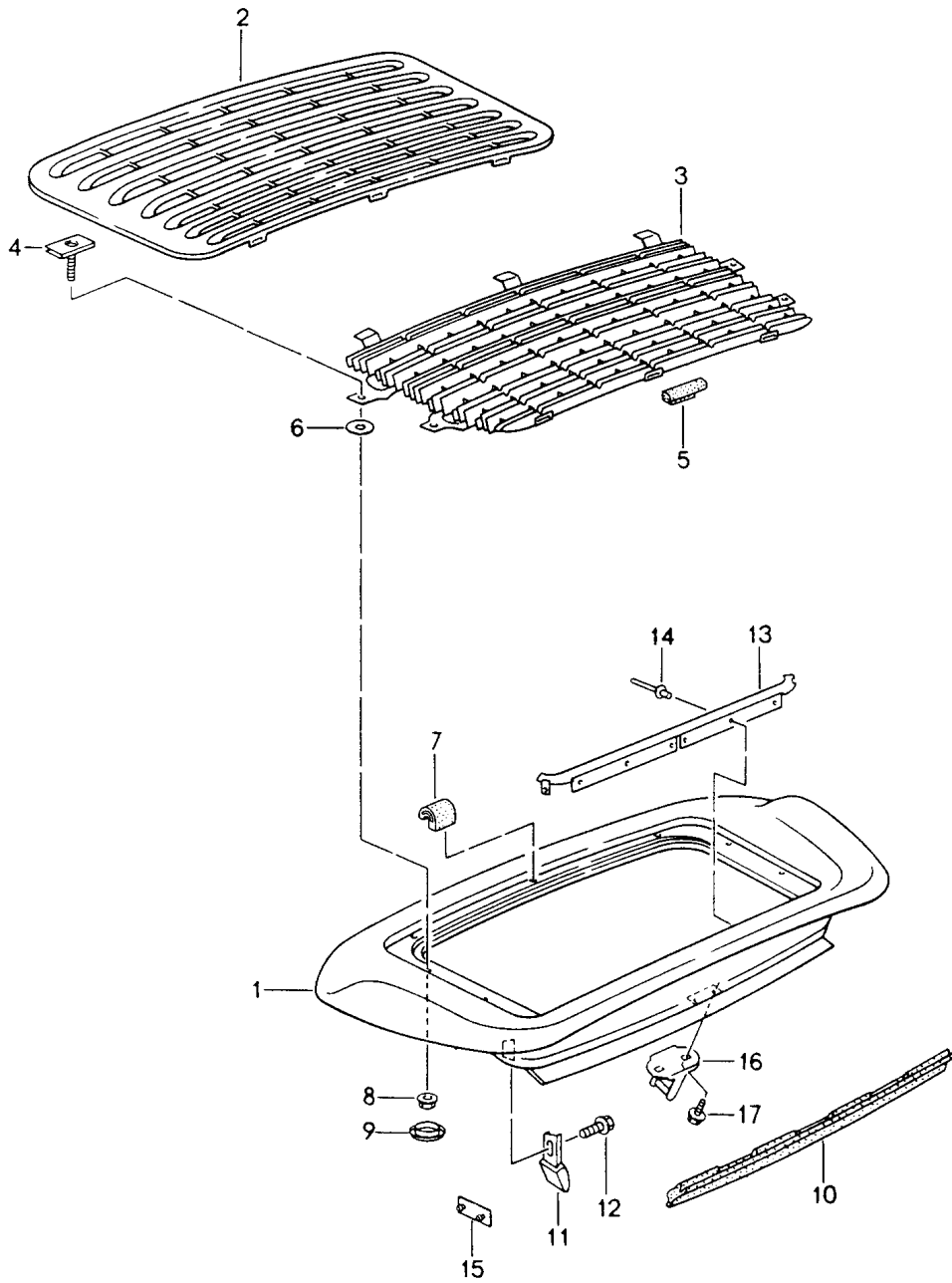


Model: 911 94 Model life 1994>>1998

Pos	Part Number	Description	Remark	Qty	Model
		Rear spoiler			
		Driving mechanism			
1	964 613 107 01	Microswitch		1	
2	900 025 003 02	Washer		2	
		A 5,3			
3	N 010 205 6	Hexagon-head bolt		2	
		M 5 X 10			
3	900 075 105 02	Screw		2	
		M 5 X 10			
4	999 224 001 02	Threaded pin		1	
		M 4 X 16			
5	N 014 701 7	Pan-head screw		3	
		Micro-self-locking			
		M 6 X 12			
6	N 011 524 7	Washer		3	
		A 6,4			
6	N 011 524 27	Washer		3	
		A 6,4			
7	964 624 121 00	Transmission		1	
7A	964 624 122 00	Cap		1	
		for			
		Flexible shaft			
		Of			
		Transmission			
8	N 011 116 5	Hexagon nut		3	
		M 6			
9	999 591 746 02	Cable clamp		3	
9	999 591 746 01	Cable clamp		3	
10	900 377 009 01	Hexagon nut		1	
		M 5			
12	964 613 323 00	Threaded pin		1	
13	964 613 313 00	Special nut		1	
14	964 624 111 00	Geared motor		1	
15	964 624 165 00	Bush		1	
16	900 377 010 09	Hexagon nut		3	
		M 6			
17	999 049 022 40	Plastic nut		1	
18		Wiring harness			
		See group			
		9/02/20			
19	477 971 909	Rubber sleeve		1	
20	477 971 851	Cable clip		12	

Model: 911 94

Model life 1994>>1998



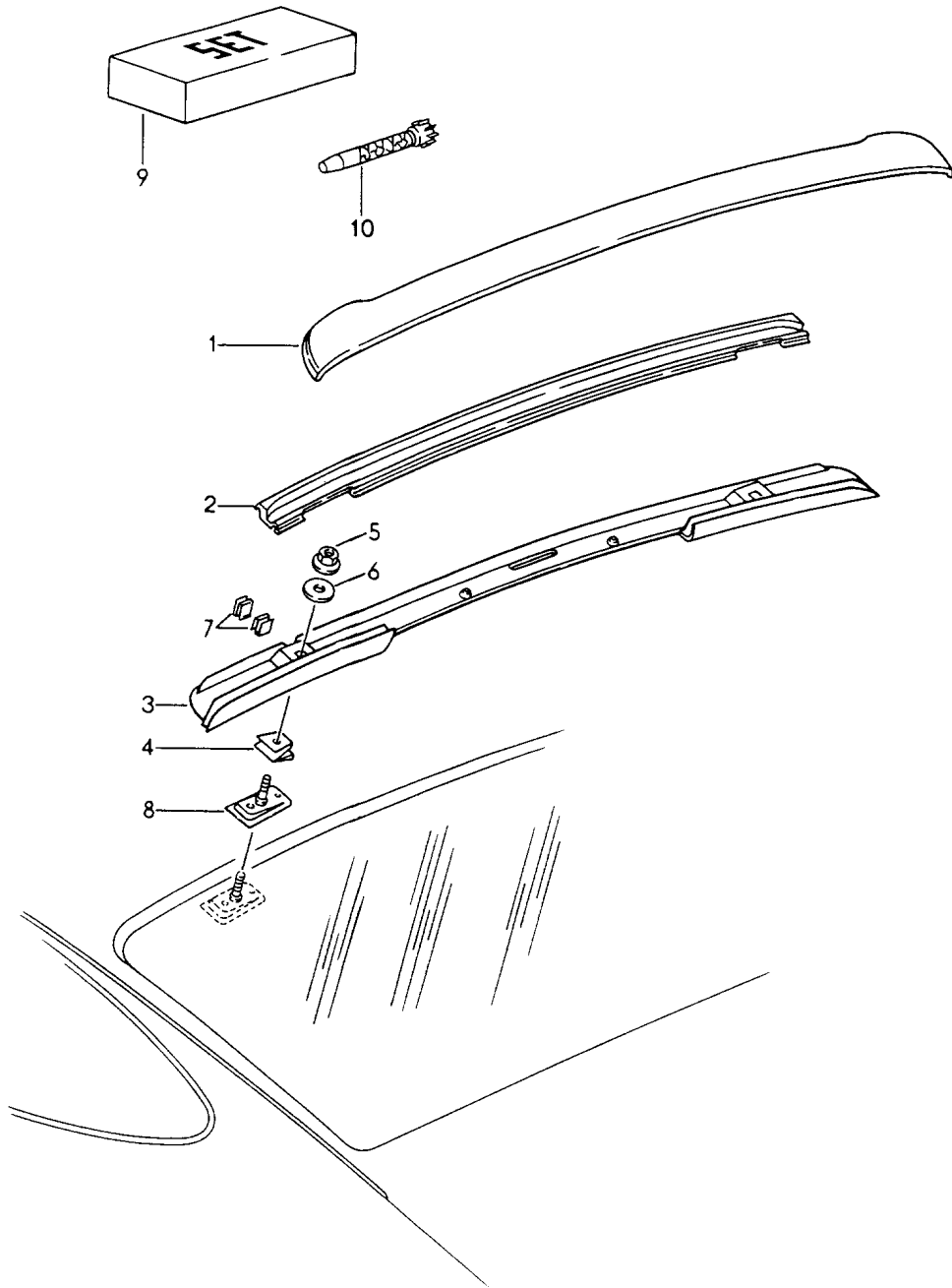
Model: 911 94

Model life 1994>>1998

Pos	Part Number	Description	Remark	Qty	Model
		Rear spoiler			TURBO
1	993 512 511 00	Rear spoiler		1	
	993 512 511 00 G2X	Prime coated			
2	993 512 333 01	Ventilation grille		1	
	993 512 333 01 G2X	Prime coated			
2	993 512 333 03	Ventilation grille		1	
	993 512 333 03 G2X	Prime coated			
3	993 512 501 00	Protective grille		1	
	993 512 501 00 70K	Black			
4	999 507 546 02	Clamp M 4		4	
5	993 512 861 00	Boot		6	
6	900 151 028 02	Washer 4,3		4	
6	900 151 028 01	Washer 4,3		4	
7	993 512 633 00	Spacer		3	
8	900 084 020 02	Lock nut M 4		4	
9	999 703 146 40	Lid 23,6 X 31,0		4	
10	993 504 513 00	Gasket		1	
11	993 512 521 00	Stop	/L	1	
(11)	993 512 522 00	Stop	/R	1	
12	900 075 355 02	Combination screw M 6 X 14		4	
12	900 075 355 01	Hexagon-head bolt M 6 X 14		4	
13	993 512 629 01	Sealing strip		1	
14	999 190 408 30	Blind rivet A 4,0 X 18,8		8	
15	993 512 875 00	Protective strip		2	
	993 512 875 00 01C	Black			
16	996 512 213 00	Lock upper part		1	
17	900 075 014 02	Hexagon-head bolt M 6 X 18		2	
17	900 075 014 03	Hexagon-head bolt M 6 X 18		2	

Model: 911 94

Model life 1994>>1998



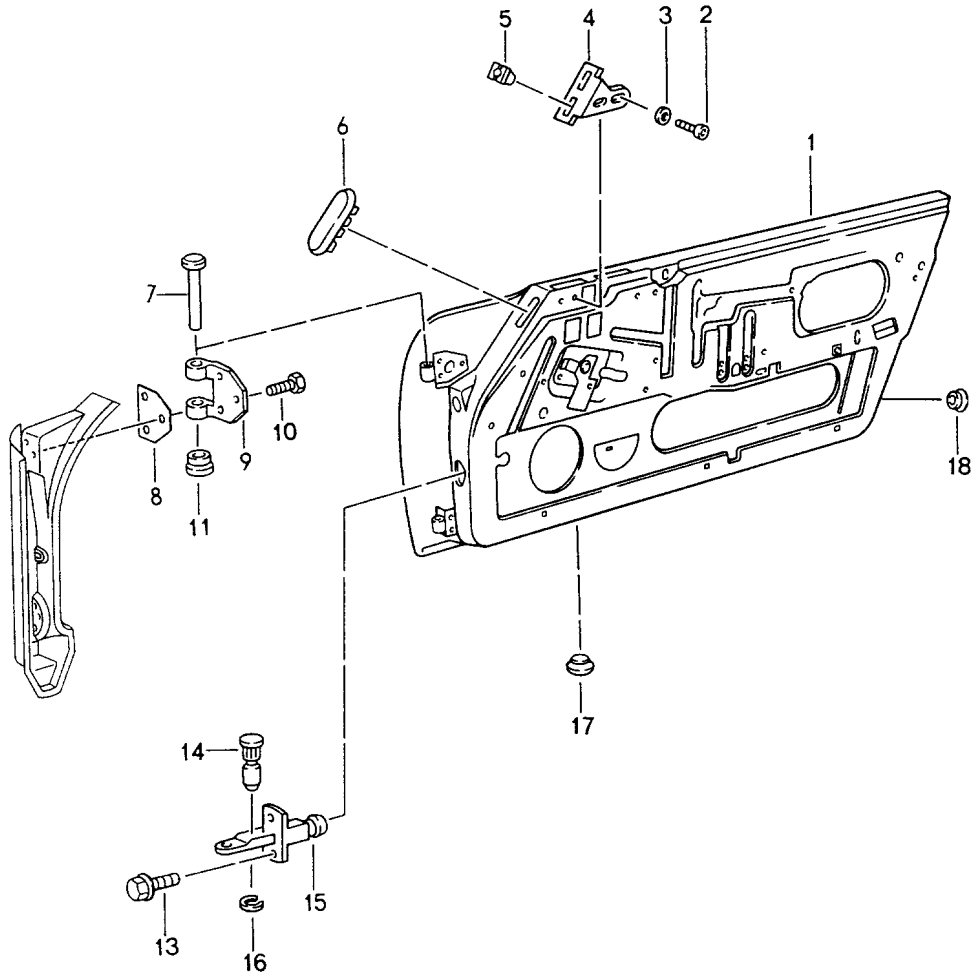
Model: 911 94

Model life 1994>>1998

Pos	Part Number	Description	Remark	Qty	Model
1	993 504 445 02	Roof cover moulding		1	M599
	993 504 445 02 G2X	Roof cover moulding Prime coated			
2	993 504 659 01	Insert		1	
3	993 504 455 02	Reinforcing support		1	M602
	993 504 455 02 70C	Black Technical information 5/95 Gruppe 6 Attention			
4	993 504 715 00	Actuator		2	
5	900 377 001 07	Nut M 6		2	
6	900 151 037 07	Washer A 6,4		2	
7	999 507 477 00	U-clamp		13	
8	993 504 361 00	Locking lug		2	
9	000 043 203 42	Adhesive set Order also:		1	
10	000 043 203 49	Pipe		1	

Model: 911 94

Model life 1994>>1998



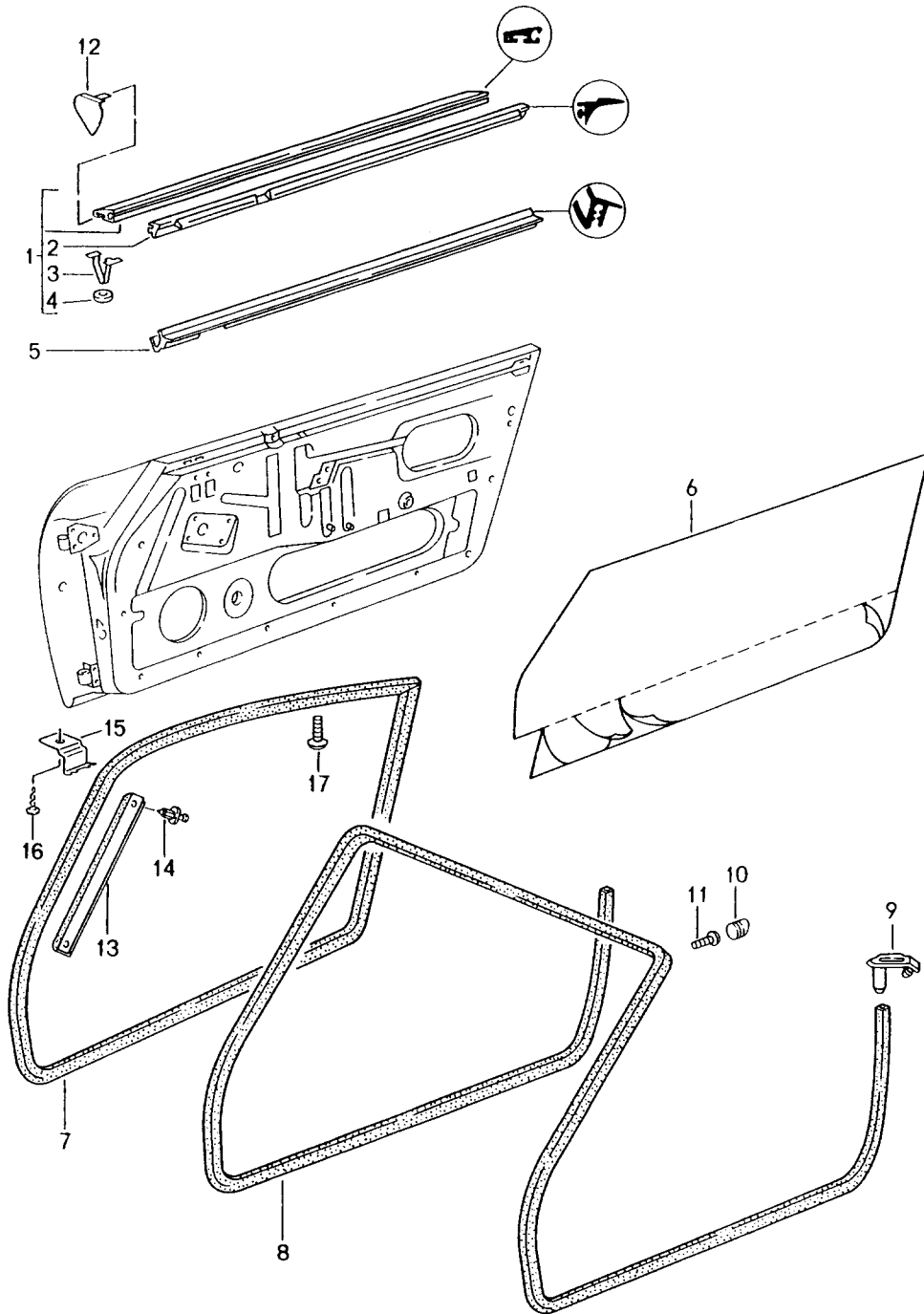
Model: 911 94

Model life 1994>>1998

Pos	Part Number	Description	Remark	Qty	Model
(1)	993 531 005 00	Door in white Bare door shell	/LL /L	1	
	993 531 005 00 GRV	Prime coated			
(1)	993 531 005 02	Bare door shell	/LL /L	1	
	993 531 005 02 GRV	Prime coated			
		It is necessary to rework			
1	993 531 006 00	Bare door shell	/LL /R	1	
	993 531 006 00 GRV	Prime coated			
1	993 531 006 02	Bare door shell	/LL /R	1	
	993 531 006 02 GRV	Prime coated			
		It is necessary to rework			
2	900 119 064 02	Pan-head screw M 6 X 15		4	
2	900 976 005 01	Pan-head screw M 6 X 15		4	
3	N 011 524 7	Washer A 6,4		4	
3	N 011 524 27	Washer A 6,4		4	
(4)	911 555 821 00	Bracket	/L	1	
4	911 555 822 00	Bracket for Mount Cover strip	/R	1	
5	999 591 498 40	Special nut		4	
6	999 703 345 40	Cap Oval 57 X 22 X 64		4	
7	901 531 305 20	Hinge bolt		4	
8	901 531 391 20	Desk pad		4	
9	901 531 303 21	Hinge arm		4	
10	999 093 010 02	Hexagon-head bolt M 8 X 20		12	
11	901 531 311 20	Bush		4	
13	900 075 374 02	Combination screw M 6 X 14		4	
13	900 075 374 01	Combination screw M 6 X 14		4	
14	911 531 275 00	Bolt		2	
14	911 531 275 01	Bolt		2	
15	964 537 057 00	Door arrester		2	
16	999 166 008 02	Safety clip		2	
17	999 926 018 40	Valve		2	
18	999 703 344 40	Cap Round 22 X 28 X 4,7		2	

Model: 911 94

Model life 1994>>1998



Model: 911 94 Model life 1994>>1998

Pos	Part Number	Description	Remark	Qty	Model
		Seal			
		Doors			
(1)	993 531 041 00	Moulding	/L	1	COUPE
	993 531 041 00 70K	Black			
1	993 531 042 00	Moulding	/R	1	COUPE
	993 531 042 00 70K	Black			
(1)	993 531 041 02	Moulding	/L	1	COUPE
	993 531 041 02 70K	Black			
(1)	993 531 042 02	Moulding	/R	1	COUPE
	993 531 042 02 70K	Black			
(1)	993 531 041 01	Moulding	/L	1	CABRIO
	993 531 041 01 70K	Black			
(1)	993 531 042 01	Moulding	/R	1	CABRIO
	993 531 042 01 70K	Black			
(1)	993 531 041 03	Moulding	/L	1	CABRIO
	993 531 041 03 70K	Black			
(1)	993 531 042 03	Moulding	/R	1	CABRIO
	993 531 042 03 70K	Black			
(1)	993 531 041 04	Moulding	/L	1	TARGA
	993 531 041 04 70K	Black			
(1)	993 531 042 04	Moulding	/R	1	TARGA
	993 531 042 04 70K	Black			
2	993 531 732 00	Sealing strip	/R	1	COUPE
(2)	993 531 731 02	Sealing strip	/L	1	COUPE
2	993 531 732 02	Sealing strip	/R	1	COUPE
(2)	993 531 731 01	Sealing strip	/L	1	CABRIO
(2)	993 531 732 01	Sealing strip	/R	1	CABRIO
(2)	993 531 731 03	Sealing strip	/L	1	CABRIO
(2)	993 531 732 03	Sealing strip	/R	1	CABRIO
(2)	993 531 731 04	Sealing strip	/L	1	TARGA
(2)	993 531 732 04	Sealing strip	/R	1	TARGA
3	999 591 326 02	Moulding clip		14	
3	999 591 326 01	Moulding clip		14	
4	911 531 309 00	Ring		14	
(5)	993 537 295 00	Sealing for door slot	/L	1	
		Inner			
(5)	993 537 295 01	Sealing for door slot	/L	1	
		Inner			
5	993 537 296 00	Sealing for door slot	/R	1	
		Inner			
(5)	911 531 295 40	Sealing for door slot	/L	1	CABRIO, TARGA
		Outer			
(5)	911 531 296 40	Sealing for door slot	/R	1	CABRIO, TARGA
		Outer			
(6)	911 531 889 00	Seal	/L	1	
6	911 531 890 00	Seal	/R	1	
(7)	964 531 095 00	Door sealing	/L	1	COUPE
7	964 531 096 00	Door sealing	/R	1	COUPE
(7)	993 562 305 01	Door seal	/L	1	TARGA
(7)	993 562 306 01	Door seal	/R	1	TARGA
8	993 504 095 01	Gasket		1	CABRIO
9	911 531 523 65	Cap		2	CABRIO
10	993 504 721 00	Stopper	/L	1	CABRIO
(10)	993 504 722 00	Stopper	/R	1	CABRIO
11	900 146 011 02	Oval-head screw		2	CABRIO
		M 4 X 10			
(12)	993 531 429 02	End piece	/L	1	
12	993 531 430 02	End piece	/R	1	
(12)	993 531 429 03	End piece	/L	1	TARGA
(12)	993 531 429 02	End piece	/L	1	TARGA
(12)	993 531 430 03	End piece	/R	1	TARGA
13	993 504 505 00	Cover		2	TARGA
14	999 507 515 40	Expansion rivet		4	TARGA

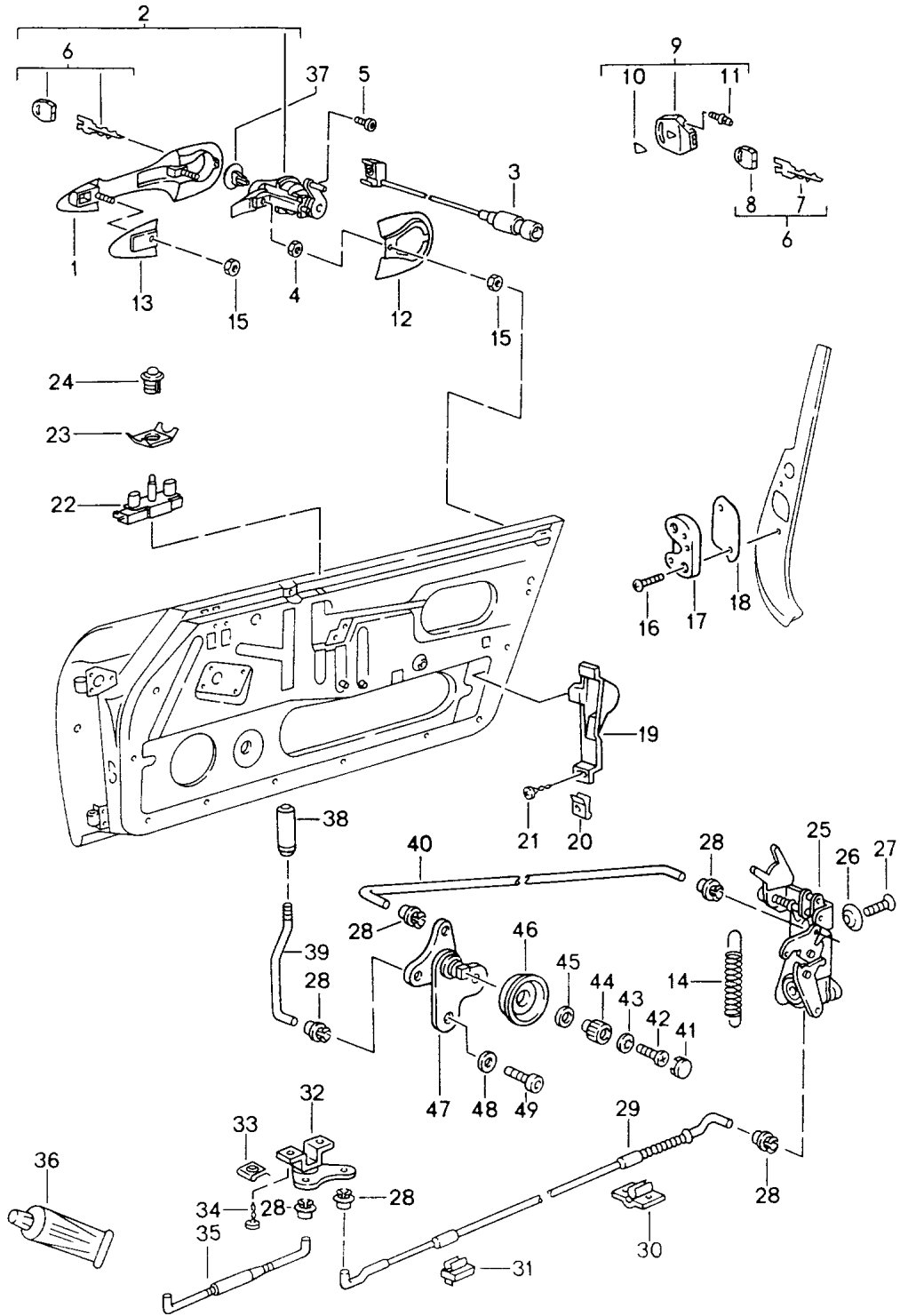
Model: 911 94

Model life 1994>>1998

Pos	Part Number	Description	Remark	Qty	Model
15	993 562 571 00	4,9 X 10 Holding claw		2	TARGA
16	900 145 093 07	Oval-head sheetmetal screw ST 3,9 X 9,5		2	TARGA
17	993 562 831 00	Screw for Door seal		12	TARGA

Model: 911 94

Model life 1994>>1998



Model: 911 94 Model life 1994>>1998

Pos	Part Number	Description	Remark	Qty	Model
1	993 537 661 00	Door latch		2	
	993 537 661 00 G2X	Outer door handle			
(2)	993 537 937 00	Prime coated Insert	/L	1	
		W/o stipulated lock number			
2	993 537 938 00	Insert	/R	1	
		W/o stipulated lock number			
(2)	993 537 937 01	Insert	/L	1	
		with stipulated lock number			
		State lock number			
(2)	993 537 938 01	Insert	/R	1	
		with stipulated lock number			
		State lock number			
(2)	993 537 438 02	Insert	/LL /R 97-	1	
		without lock cylinder			
		with			
		Dummy plug			
3	964 613 134 00	Microswitch	-94	2	
4	900 034 006 02	Hexagon nut		2	
		M 5			
5	900 186 033 02	Pan-head screw		2	
		M 4 X 6			
6	911 538 902 00	Replacement key		1	
		Key cap			
		State lock number			
		Information available			
7	911 538 903 00	Blank key		1	
8	944 538 431 00	Key cap		1	
9	944 538 041 00	Key lamp		1	
9	944 538 041 01	Key lamp		1	
10	944 538 443 00	Crest		1	
11	928 537 630 02	Bulb		1	
12	993 537 631 00	Desk pad	/H	1	
13	993 537 621 00	Desk pad	/V	1	
15	900 380 001 02	Nut		4	
		V M 5			
16	999 219 008 00	Oval-head screw		4	
		M 8 X 40			
(17)	993 531 029 00	Door lock striker	/L	1	
(17)	993 531 029 01	Door lock striker	/L	1	
17	993 531 030 00	Door lock striker	/R	1	
17	993 531 030 01	Door lock striker	/R	1	
(18)	901 531 703 23	Desk pad		1	
18	901 531 703 24	Desk pad		1	
19		Cover			
		for			
		Transmission element			
		Central locking system			
		See group			
		8/04/15			
(19)	911 537 335 00	Cover	/L	1	
19	911 537 336 00	Cover	/R	1	
20	N 015 438 1	Speed nut		4	
		B 3,5			
21	900 144 028 07	Tapping screw		4	
		B 3,5 X 13			
22	993 637 237 00	Bracket		2	
23	993 637 245 00	Clamping washer		2	
24	993 637 243 00	Guide bush		2	
	993 637 243 00 01C	Satin black			
(25)	993 531 053 03	Door lock	/LL /L	1	
		with antishutout mechanism			
(25)		Door lock	/LL /L	1	

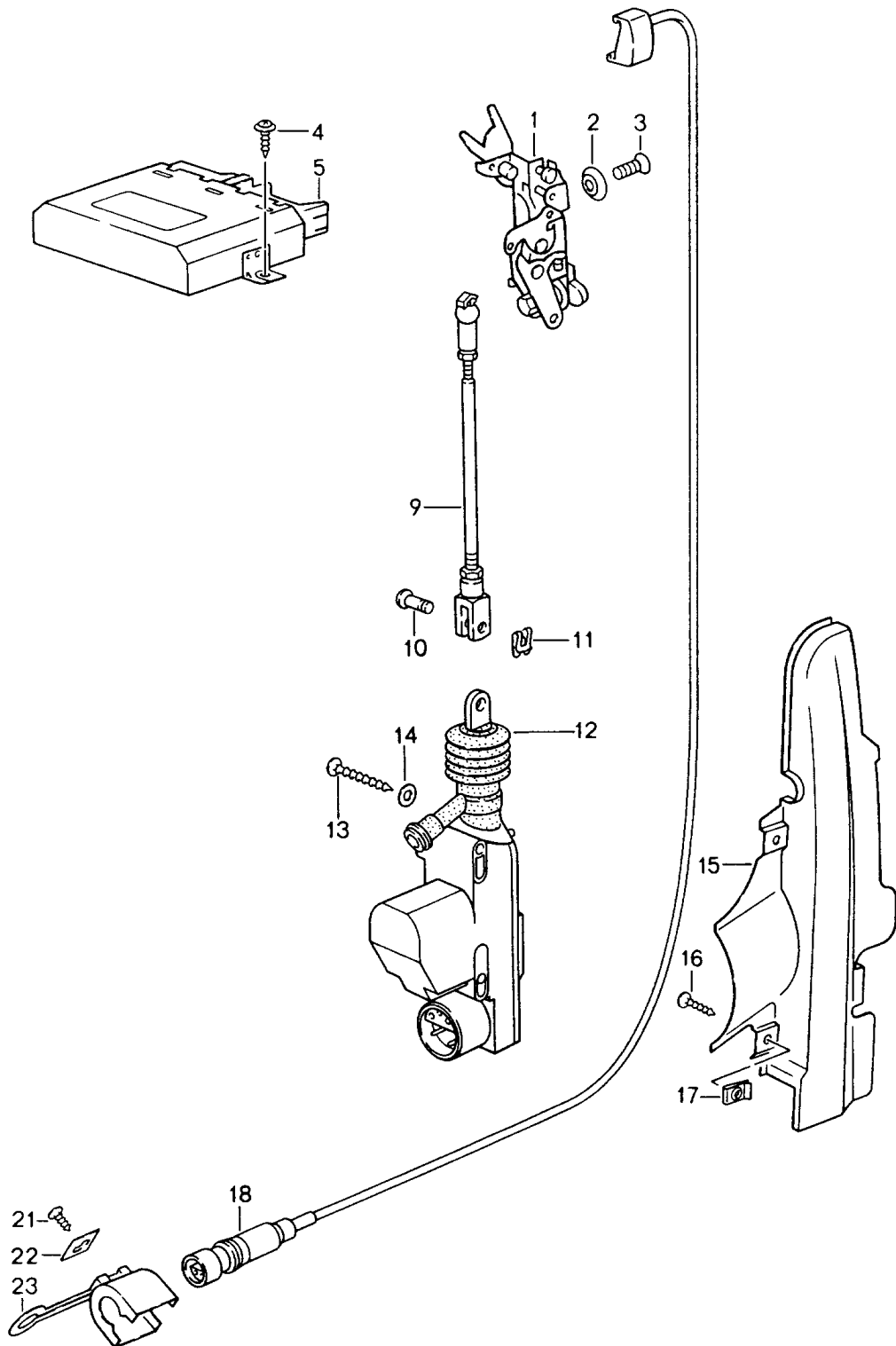
Model: 911 94

Model life 1994>>1998

Pos	Part Number	Description	Remark	Qty	Model
25	993 531 054 02	with antishutout mechanism Door lock	/LL /R	1	
25		without antishutout mechanism Door lock	/LL /R	1	
26	999 591 118 02	Washer		6	
27	999 219 009 00	Oval-head screw Micro-self-locking M 6 X 16		6	
28	993 531 563 01	Linkage clip		X	
29	993 531 509 00	Bowden cable		2	
30	911 531 099 00	Support		2	
31	911 531 097 00	Support		2	
(32)	993 531 083 00	Relay lever	/L	1	
32	993 531 084 00	Relay lever	/R	1	
33	999 507 009 02	Speed nut B 3,5		4	
34	N 014 086 4	Rais. counters. h. tap. s. B 3,5 X 13		4	
35	993 531 091 01	Pull rod		2	
35		Pull rod		2	
36	000 043 204 21	Grease for lock cylinder		X	
36	G 052 778 A2	Grease for lock cylinder		X	
37	993 537 613 00	Cap		2	
	993 537 613 00 01C	Black			

Model: 911 94

Model life 1994>>1998

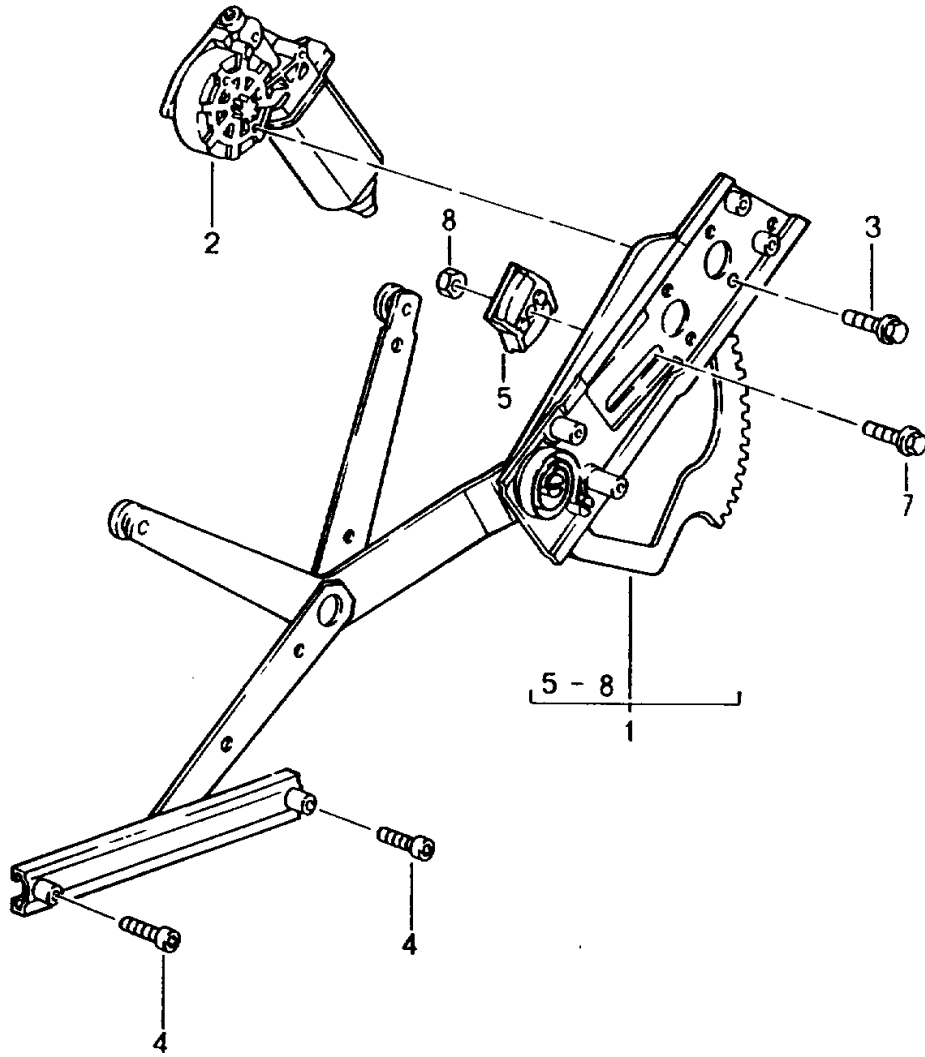


Model: 911 94 Model life 1994>>1998

Pos	Part Number	Description	Remark	Qty	Model
1-3		Central locking system See group 8/04/10			
4	900 143 117 02	Combination tapping screw B 4,2 X 9,5		2	
5	928 618 260 01	Control unit		1	
9	964 537 571 00	Operating rod		2	
10	N 100 438 01	Bolt		2	
11	N 012 644 1	Safety clip		2	
12	928 624 211 00	Transmission element		2	
13	999 141 018 02	Half-round screw		2	
14	900 151 001 02	Washer A 4,3		2	
15	911 537 355 00	Cover	/L	1	
(15)	911 537 356 00	Cover	/R	1	
16	900 144 028 07	Tapping screw B 3,5 X 13		6	
17	N 015 438 1	Speed nut B 3,5		6	
18	964 613 134 00	Microswitch		2	
21	N 013 956 7	Oval-head sheetmetal screw B 3,5 X 6,5		2	
22	999 591 351 02	Speed nut		2	
23	944 612 420 00	Locking device		2	

Model: 911 94

Model life 1994>>1998

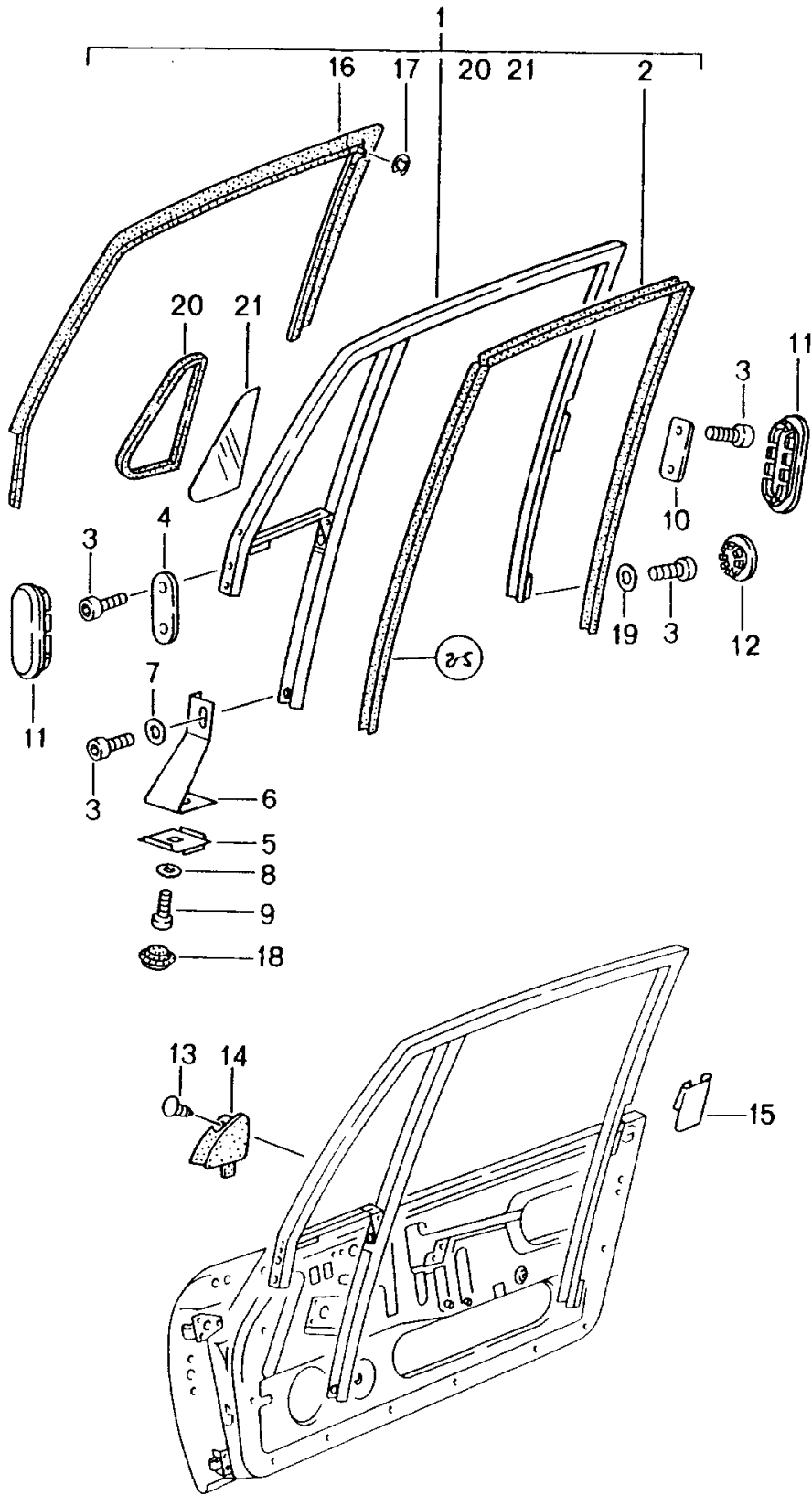


Model: 911 94 Model life 1994>>1998

Pos	Part Number	Description	Remark	Qty	Model
		Power windows			
		Electric			
1	911 542 935 46	Cross-arm	/L	1	
(1)	911 542 936 46	Cross-arm	/R	1	
2	911 624 015 43	Motor	/L	1	
(2)	911 624 014 43	Motor	/R	1	
3	999 919 073 02	Oval-head screw 53 X 28/20		6	
4	999 218 016 02	Combination screw Micro-self-locking M 6 X 16		12	
4	999 218 016 01	Combination screw Micro-self-locking M 6 X 16		12	
5	911 542 231 41	Stop bracket	/L	1	
(5)	911 542 232 41	Stop bracket	/R	1	
7	999 217 043 08	Hexagon-head bolt M 8 X 16		2	
8	900 910 003 02	Lock nut M 8		2	
8	900 910 003 04	Lock nut M 8		2	

Model: 911 94

Model life 1994>>1998



Model: 911 94 Model life 1994>>1998

Pos	Part Number	Description	Remark	Qty	Model
(1)	993 542 129 00 993 542 129 00 70K	Door glass frame Door glass frame Black See TPI Group 8 NR.46/96	/L -96	1	COUPE
(1)	993 542 130 00 993 542 130 00 70K	Door glass frame Door glass frame Black See TPI Group 8 NR.46/96	/R -96	1	
(1)	993 542 067 04 993 542 067 04 70K	Door glass frame Door glass frame Black	/L 97-	1	
(1)	993 542 068 04 993 542 068 04 70K	Door glass frame Door glass frame Black	/R 97-	1	
(1)	993 542 067 07 993 542 067 07 70K	Door glass frame Door glass frame Black	/L	1	CARRERA RS
1	993 542 068 07 993 542 068 07 70K	Door glass frame Door glass frame Black	/R	1	CARRERA RS
2	911 542 905 00	Window guide		2	
2	959 542 805 00	Window guide		2	CARRERA RS
3	999 218 008 02	Pan-head screw M 8 X 12 Micro-self-locking		12	
3	900 119 018 03	Pan-head screw M 8 X 12 Micro-self-locking		12	
4	911 542 236 00	Plate		2	
5	993 542 417 00	Plate		2	
(6)	993 542 415 00	Fastening angle	/L -96	1	
6	993 542 416 00	Fastening angle	/R -96	1	
(6)	993 542 315 00	Fastening angle	/L 97-	1	
6	993 542 316 00	Fastening angle	/R 97-	1	
7	900 025 007 02	Washer 8,4		2	
7	900 025 007 03	Washer 8,4		2	
8	900 151 026 02	Washer 10,5		2	
8	900 151 050 01	Washer 10,5		2	
9	999 218 045 07	Pan-head screw M 8 X 16 Micro-self-locking		2	
10	911 542 237 00	Plate		2	
11	999 703 345 40	Cap Oval 57 X 22 X 64		4	
12	999 703 344 40	Cap Round 22 X 28 X 4,7		2	
13	999 703 366 40	Fastening plug		2	
(14)	993 537 711 01	Joint rubber	/V /L -96	1	
14	993 537 712 01	Joint rubber	/V /R -96	1	
(15)	993 531 713 00 993 531 713 00 01C	Joint rubber Satin black	/H /L	1	
15	993 531 714 00 993 531 714 00 01C	Joint rubber Satin black	/H /R	1	
(16)	993 542 095 00	Door seal	/L -96	1	
16	993 542 096 00	Door seal	/R -96	1	
(16)	993 542 095 05	Additional gasket	/L 97-	1	

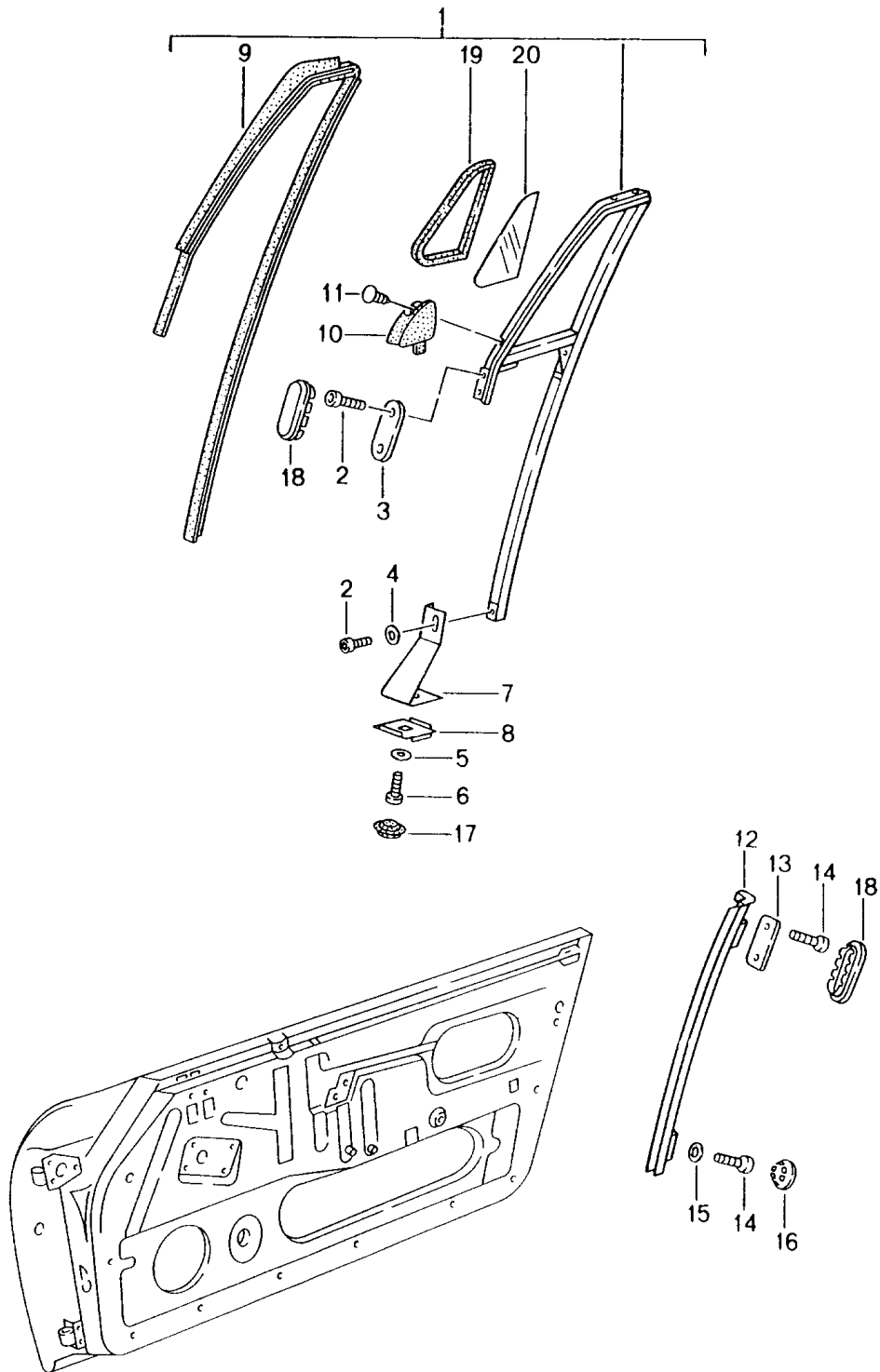
Model: 911 94

Model life 1994>>1998

Pos	Part Number	Description	Remark	Qty	Model
16	993 542 096 05	Additional gasket	/R 97-	1	
17	900 116 011 02	Lock washer		2	
18	803 803 583	Rubber sleeve		2	
18	999 703 195 40	Rubber sleeve		2	
19	N 900 577 02	Washer		2	
		21 X 8,4 X 2			
19	999 151 022 02	Washer		2	
		20 X 8,4 X 2			
20		See group			
		8/05/00			
21		See group			
		8/05/00			

Model: 911 94

Model life 1994>>1998



Model: 911 94

Model life 1994>>1998

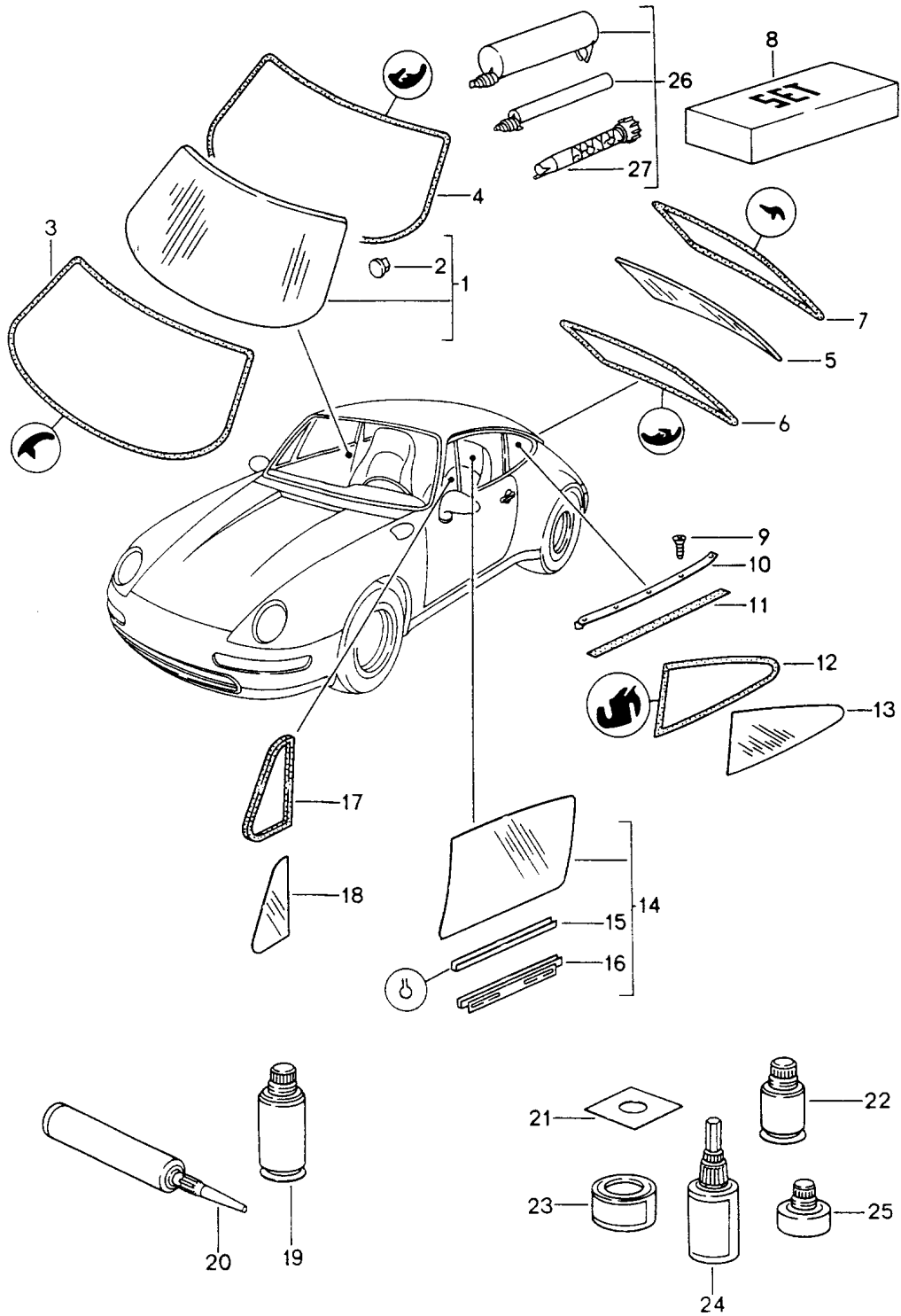
Pos	Part Number	Description	Remark	Qty	Model
(1)	993 542 129 01 993 542 129 01 70K	Door glass frame Door glass frame Black See TPI Group 8 NR.46/96	/L -96	1	CABRIO/TARGA CABRIO
1	993 542 130 01 993 542 130 01 70K	Door glass frame Black See TPI Group 8 NR.46/96	/R -96	1	CABRIO
(1)	993 542 129 02 993 542 129 02 70K	Door glass frame Black See TPI Group 8 NR.46/96	/L -96	1	TARGA
(1)	993 542 130 02 993 542 130 02 70K	Door glass frame Black See TPI Group 8 NR.46/96	/R -96	1	TARGA
(1)	993 542 067 05 993 542 067 05 70K	Door glass frame Black	/L 97-	1	CABRIO
1	993 542 068 05 993 542 068 05 70K	Door glass frame Black	/R 97-	1	CABRIO
(1)	993 542 067 06 993 542 067 06 70K	Door glass frame Black	/L 97-	1	TARGA
1	993 542 068 06 993 542 068 06 70K	Door glass frame Black	/R 97-	1	TARGA
2	999 218 008 02	Pan-head screw M 8 X 12 Micro-self-locking		6	CABRIO
2	900 119 018 03	Pan-head screw M 8 X 12 Micro-self-locking		6	CABRIO
3	911 542 236 40	Plate		2	CABRIO
4	900 025 007 02	Washer 8,4		2	
4	900 025 007 03	Washer 8,4		2	
5	900 151 026 02	Washer 10,5		2	
5	900 151 050 01	Washer 10,5		2	
6	999 218 045 07	Pan-head screw M 8 X 16		2	
(7)	993 542 415 00	Fastening angle	/L -96	1	
7	993 542 416 00	Fastening angle	/R -96	1	
(7)	993 542 315 00	Fastening angle	/L 97-	1	
7	993 542 316 00	Fastening angle	/R 97-	1	
8	993 542 417 00	Plate		2	
(9)	993 542 095 01	Door seal	/L -96	1	CABRIO
9	993 542 096 01	Door seal	/R -96	1	CABRIO
(9)	993 542 095 04	Additional gasket	/L 97-	1	CABRIO
9	993 542 096 04	Additional gasket	/R 97-	1	CABRIO
(9)	993 542 095 02	Door seal	/L	1	TARGA
(9)	993 542 096 02	Door seal	/R	1	TARGA
(10)	993 537 711 01	Joint rubber	/L -96	1	CABRIO
10	993 537 712 01	Joint rubber	/R -96	1	CABRIO

Model: 911 94 Model life 1994>>1998

Pos	Part Number	Description	Remark	Qty	Model
11	999 703 366 40	Fastening plug	-96	2	CABRIO
(12)	964 542 035 40	Window guide rail	/L	1	
	964 542 035 40 70K	Black			
12	964 542 036 40	Window guide rail	/R	1	
	964 542 036 40 70K	Black			
13	911 542 237 40	Plate		2	
14	900 119 035 02	Pan-head screw M 6 X 8		6	
15	N 011 550 1	Washer A 6,5		2	
16	999 703 344 40	Cap Round 22 X 28 X 4,7		2	
17	803 803 583	Rubber sleeve		2	
17	999 703 195 40	Rubber sleeve		2	
18	999 703 345 40	Cap Oval		4	CABRIO
19		See group 8/05/05			
20		See group 8/05/05			

Model: 911 94

Model life 1994>>1998



Model: 911 94 Model life 1994>>1998

Pos	Part Number	Description	Remark	Qty	Model
1	993 541 911 00	window glazing Windscreen Tinted F >>99SS3 20897		1	COUPE
(1)	993 541 911 01	Windscreen Tinted Green top tint F >>99SS3 20897		1	
1	993 541 111 05	Windscreen Tinted F 99SS3 20898>>		1	
1		Windscreen Tinted F 99SS3 20898>>		1	
(1)	993 541 111 06	Windscreen Tinted Green top tint F 99SS3 20898>>		1	
(1)		Windscreen Tinted Green top tint F 99SS3 20898>>		1	
2	477 845 043	Retainer plate F >>99SS3 20897		1	
(2)	000 731 513 00	Adhesive plate F 99SS3 20898>>		1	
3	993 541 925 00	Covering frame Outer		1	
4	993 541 435 01	Covering frame Inner		1	
5	993 545 107 05	Rear window	94	1	
(5)	993 545 107 06	Rear window	94	1	M425
5	993 545 107 08	Rear window	95-	1	
5	993 545 107 12	Rear window	95-	1	
(5)	993 545 107 09	Rear window	95-	1	M425
(5)	993 545 107 13	Rear window	95-	1	M425
6	993 545 335 02	Cover strip Inner		1	
7	993 545 925 00	Covering frame Outer	94	1	
7	993 545 225 02	Covering frame Outer	95-	1	
8	000 043 203 42	Adhesive set Rear window for Windscreen Order also: POS.26		X	
-	000 043 203 48	Sealing compound for Windscreen Rear window		X	
-	000 043 204 38	Sealing compound for Windscreen Rear window		X	
9	900 144 017 07	Tapping screw B 2,9 X 13		10	
10	911 543 195 02	Moulding	/L	1	
(10)	911 543 195 02 70K	Black			
(10)	911 543 196 02	Moulding	/R	1	
(10)	911 543 196 02 70K	Black			
11	000 043 129 00	Sealing strap		X	

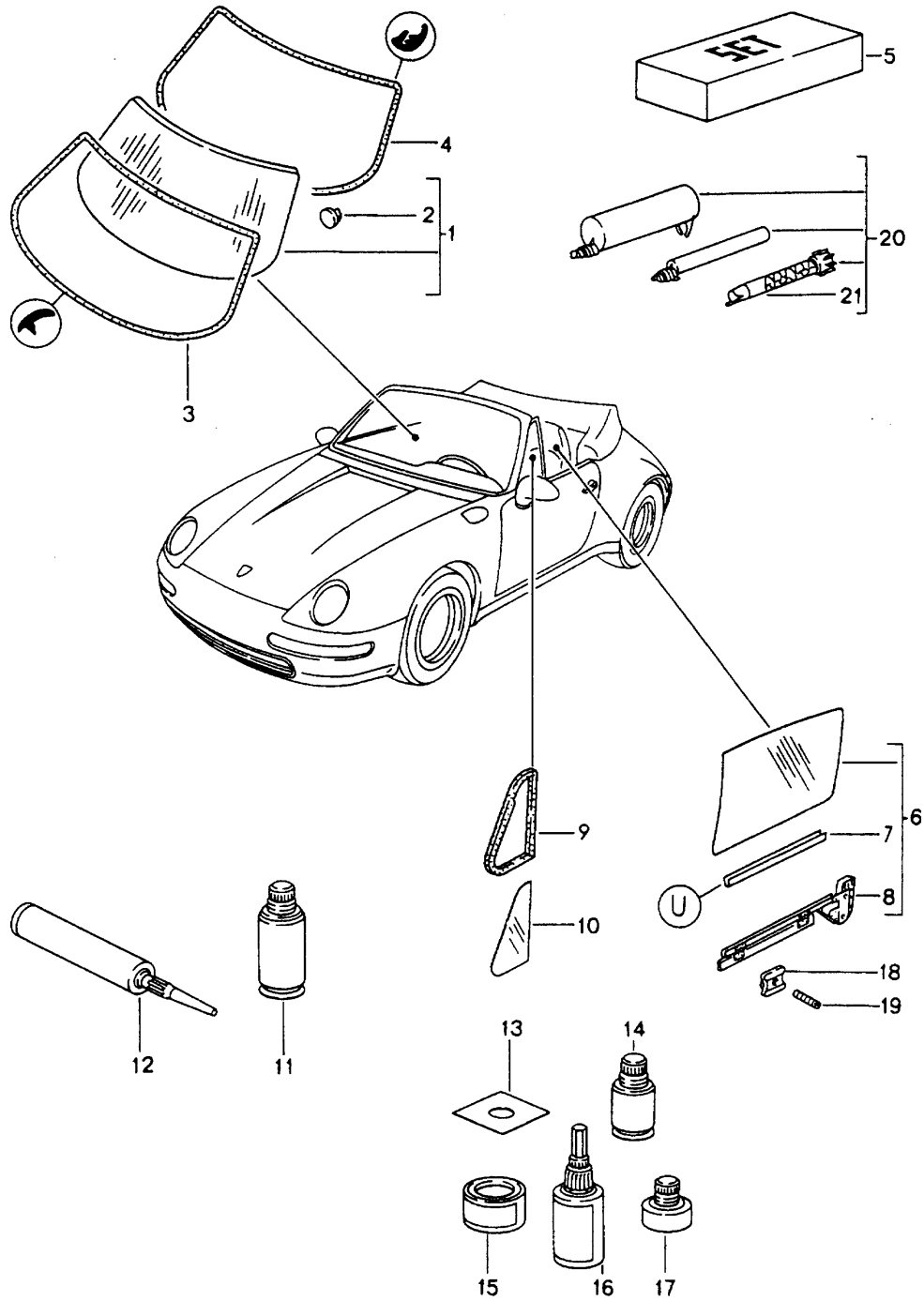
Model: 911 94

Model life 1994>>1998

Pos	Part Number	Description	Remark	Qty	Model
		Roll with 10 meters			
12	993 543 435 00	Sealing frame	/L	1	
(12)	993 543 436 00	Sealing frame	/R	1	
13	993 543 101 00	Rear window	/L	1	
(13)	993 543 102 00	Rear window	/R	1	
14	993 542 011 01	Door window glass	/L	1	
(14)	993 542 012 01	Door window glass	/R	1	
15	911 542 491 40	Rubber ply		2	
16	911 542 057 00	Window lifter rail	/L	1	
(16)	911 542 058 00	Window lifter rail	/R	1	
17	993 542 721 00	Sealing frame	/L	1	
(17)	993 542 722 00	Sealing frame	/R	1	
18	993 542 511 00	Side window	/L	1	
(18)	993 542 512 00	Side window	/R	1	
19	999 915 478 40	Cleaning agent 400 ML		X	
20	000 043 204 82	Adhesive Adhesive set for Interior mirror See technical information GR.6 NR.5/91		X	
21	000 043 177 00	Cover foil F >>99SS3 20897		1	
21	000 043 177 01	Cover foil F 99SS3 20898>>		1	
22	000 043 157 00	Cleaning agent		X	
23	000 043 158 00	Primer		X	
24	000 043 051 00	Loctite		X	
25	000 043 202 65	Loctite		X	
26	000 043 203 43	Adhesive		X	
27	000 043 203 50	Pipe		X	

Model: 911 94

Model life 1994>>1998

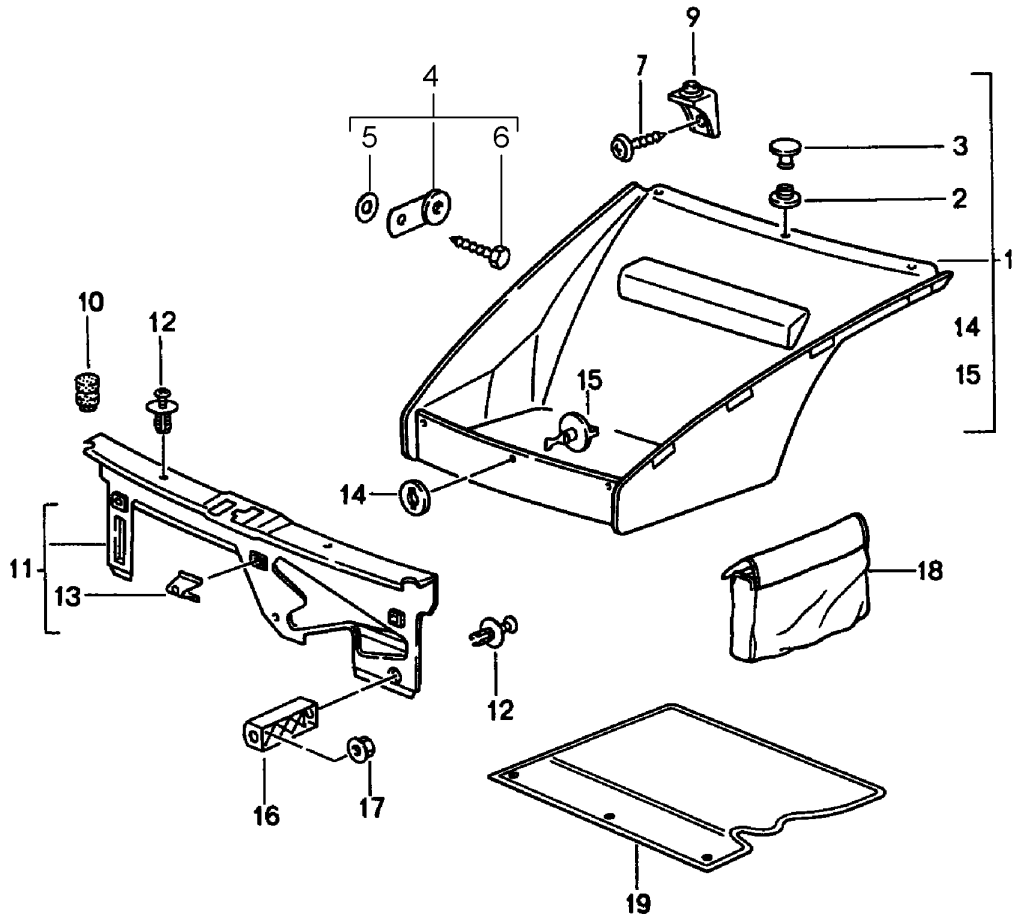


Model: 911 94 Model life 1994>>1998

Pos	Part Number	Description	Remark	Qty	Model
1	993 541 911 00	window glazing Windscreen Tinted		1	CABRIO/TARGA
(1)	993 541 911 01	Windscreen Tinted Green top tint		1	
1	993 541 111 05	Windscreen Tinted		1	
(1)		Windscreen Tinted		1	
(1)	993 541 111 06	Windscreen Tinted Green top tint		1	
(1)		Windscreen Tinted Green top tint		1	
2	477 845 043	Retainer plate		1	
(2)	000 731 513 00	Adhesive plate		1	
3	993 541 925 00	Covering frame Outer		1	
4	993 541 435 01	Covering frame Inner		1	
5	000 043 203 42	Adhesive set Order also: POS.20		X	
6	993 542 011 00	Door window glass	/L	1	CABRIO
(6)	993 542 012 00	Door window glass	/R	1	CABRIO
(6)	993 542 011 03	Door window glass	/L	1	TARGA
(6)	993 542 012 03	Door window glass	/R	1	TARGA
7	911 542 491 41	Rubber ply		2	
8	993 542 057 00	Window lifter rail	/L	1	
(8)	993 542 058 00	Window lifter rail	/R	1	
9	993 542 721 00	Sealing frame	/L	1	
(9)	993 542 722 00	Sealing frame	/R	1	
10	993 542 511 00	Side window	/L	1	
(10)	993 542 512 00	Side window	/R	1	
11	999 915 478 40	Cleaning agent 400 ML		X	
12	000 043 204 82	Adhesive Adhesive for Interior mirror See technical information GR.6 NR.5/91		X	
13	000 043 177 00	Cover foil		1	
14	000 043 157 00	Cleaning agent		X	
15	000 043 158 00	Primer		X	
16	000 043 051 00	Loctite		X	
17	000 043 202 65	Loctite		X	
18	993 537 681 00	Stop bracket		4	
19	900 244 012 02	Threaded pin M 6 X 10 Micro-self-locking		4	
20	000 043 203 43	Adhesive		X	
21	000 043 203 50	Pipe A F >>99SS3 40545 B F 99SS3 40546>>		X	

Model: 911 94

Model life 1994>>1998

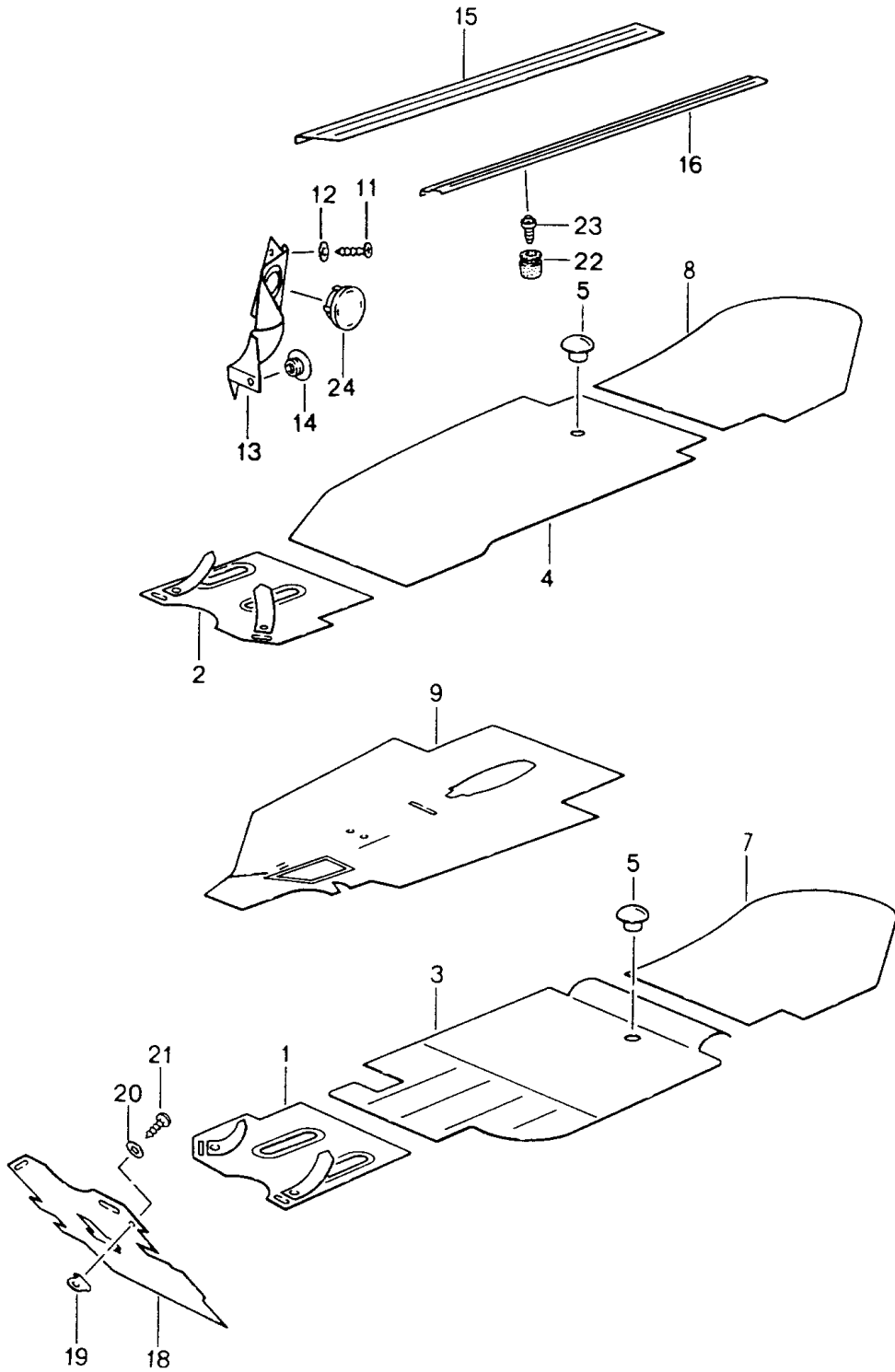


Model: 911 94 Model life 1994>>1998

Pos	Part Number	Description	Remark	Qty	Model
(1)	993 551 067 03	Interior equipment FRONT luggage compartment Front-compartment carpet Carpet		1	M544
	993 551 067 03 5FV	Black			
(1)	993 551 067 04	Front-compartment carpet for cars with CD player Order also: POS.18 Carpet	-95	1	M544
	993 551 067 04 5FV	Black			
(1)	993 551 067 05	Front-compartment carpet Carpet		1	M545
	993 551 067 05 5FV	Black			
(1)	993 551 067 08	Front-compartment carpet for cars with CD player	96-	1	M544
	993 551 067 08 5FV	Black			
(1)	993 551 067 10	Front-compartment carpet for cars with CD player Carpet	96-	1	M545
	993 551 067 10 5FV	Black			
2	999 591 836 17	Push button		3	
3	999 591 838 17	Push button		3	
4	964 503 375 00	Desk pad		8	
4	964 503 901 00	Desk pad		8	
5	999 704 157 40	Washer 5,5 X 18 X 1,5		8	
6	900 187 010 02	Hexagon-head tapping screw BZ 6,3 X 19	-94	8	
6	900 187 010 03	Hexagon-head tapping screw BZ 6,3 X 19		8	
6	900 187 143 02	Tapping screw 6,3 X 16	95-	8	
7	900 143 151 02	Combination tapping screw 4,2 X 16		5	
9	964 624 033 00	Retaining bracket		5	
10	999 703 036 50	Rubber stop 12 X 18 X 27		2	
11	993 555 085 01	Cover		1	
	993 555 085 01 01C	Black			
12	999 507 427 40	Expander nut 6,3		3	
13	999 590 038 09	Catch 5		3	
14	999 025 236 40	Washer		3	
15	999 590 037 40	Bolt		3	
16	993 504 587 00	Support		1	
17	999 049 008 40	Plastic nut T 5		1	
18	993 555 675 00	Lining CD changer	-95	1	
	993 555 675 00 5FV	Black			
18	993 555 675 02	Lining CD changer	96-	1	
	993 555 675 02 5FV	Black			
	993 555 675 02 A16	Anthracite	96-		
19	993 551 067 06	Boot floor carpet		1	CARRERA RS
	993 551 067 06 A16	Anthracite			

Model: 911 94

Model life 1994>>1998



Model: 911 94 Model life 1994>>1998

Pos	Part Number	Description	Remark	Qty	Model
1	964 551 015 00	Linings Footwell Detachable carpets Floorboard carpet Carpet	/L	1	M480
	964 551 015 00 5FV	Black			
	964 551 015 00 8UT	Cashmere beige			
	964 551 015 00 4XR	Classic grey			
	964 551 015 00 3GE	Midnight blue			
	964 551 015 00 6SC	Chestnut brown			
	964 551 015 00 DDQ	Florentine grey			
	964 551 015 00 1HQ	Provence blue			
	964 551 015 00 2JP	Cedar green			
	964 551 015 00 3TE	Flamenco red			
	964 551 015 00 8AS	Rubicon grey	96-		
	964 551 015 00 J30	Nephrite green	97-		
	964 551 015 00 M30	Boxster red	97-		
(1)	964 551 015 01	Floorboard carpet Carpet	/L	1	M249
	964 551 015 01 5FV	Black			
	964 551 015 01 8UT	Cashmere beige			
	964 551 015 01 4XR	Classic grey			
	964 551 015 01 3GE	Midnight blue			
	964 551 015 01 6SC	Chestnut brown			
	964 551 015 01 DDQ	Florentine grey			
	964 551 015 01 1HQ	Provence blue			
	964 551 015 01 2JP	Cedar green			
	964 551 015 01 3TE	Flamenco red			
	964 551 015 01 8AS	Rubicon grey	96-		
	964 551 015 01 J30	Nephrite green	97-		
	964 551 015 01 M30	Boxster red	97-		
(1)	993 551 015 00	Floorboard carpet Carpet	/L 95-	1	M480
	993 551 015 00 5FV	Black			
	993 551 015 00 8UT	Cashmere beige			
	993 551 015 00 4XR	Classic grey			
	993 551 015 00 3GE	Midnight blue			
	993 551 015 00 6SC	Chestnut brown			
	993 551 015 00 DDQ	Florentine grey	-96		
	993 551 015 00 1HQ	Provence blue	-96		
	993 551 015 00 2JP	Cedar green	-96		
	993 551 015 00 3TE	Flamenco red	-96		
	993 551 015 00 8AS	Rubicon grey	96-		
	993 551 015 00 J30	Nephrite green	97-		
	993 551 015 00 M30	Boxster red	97-		
(1)	993 551 015 01	Floorboard carpet Carpet	/L 95-	1	M249
	993 551 015 01 5FV	Black			
	993 551 015 01 8UT	Cashmere beige			
	993 551 015 01 4XR	Classic grey			
	993 551 015 01 3GE	Midnight blue			
	993 551 015 01 6SC	Chestnut brown			
	993 551 015 01 DDQ	Florentine grey	-96		
	993 551 015 01 1HQ	Provence blue	-96		
	993 551 015 01 2JP	Cedar green	-96		
	993 551 015 01 3TE	Flamenco red	-96		
	993 551 015 01 8AS	Rubicon grey	96-		
	993 551 015 01 J30	Nephrite green	97-		
	993 551 015 01 M30	Boxster red	97-		
3	993 551 021 00	Carpet Airbag	/L	1	M480

Model: 911 94 Model life 1994>>1998

Pos	Part Number	Description	Remark	Qty	Model
		Carpet			
	993 551 021 00 5FV	Black			
	993 551 021 00 8UT	Cashmere beige			
	993 551 021 00 4XR	Classic grey			
	993 551 021 00 3GE	Midnight blue			
	993 551 021 00 6SC	Chestnut brown			
	993 551 021 00 DDQ	Florentine grey			
	993 551 021 00 1HQ	Provence blue			
	993 551 021 00 2JP	Cedar green			
	993 551 021 00 3TE	Flamenco red			
	993 551 021 00 8AS	Rubicon grey	96-		
	993 551 021 00 J30	Nephrite green	97-		
	993 551 021 00 M30	Boxster red	97-		
(3)	993 551 021 01	Carpet	/L	1	M249
		Airbag			
		Carpet			
	993 551 021 01 5FV	Black			
	993 551 021 01 8UT	Cashmere beige			
	993 551 021 01 4XR	Classic grey			
	993 551 021 01 3GE	Midnight blue			
	993 551 021 01 6SC	Chestnut brown			
	993 551 021 01 DDQ	Florentine grey			
	993 551 021 01 1HQ	Provence blue			
	993 551 021 01 2JP	Cedar green			
	993 551 021 01 3TE	Flamenco red			
	993 551 021 01 8AS	Rubicon grey	96-		
	993 551 021 01 J30	Nephrite green	97-		
	993 551 021 01 M30	Boxster red	97-		
3	993 551 021 00	Carpet	/L	1	
		Airbag			
		Carpet			
	993 551 021 00 5FV	Black			
	993 551 021 00 8UT	Cashmere beige			
	993 551 021 00 4XR	Classic grey			
	993 551 021 00 3GE	Midnight blue			
	993 551 021 00 6SC	Chestnut brown			
	993 551 021 00 DDQ	Florentine grey	-96		
	993 551 021 00 1HQ	Provence blue	-96		
	993 551 021 00 2JP	Cedar green	-96		
	993 551 021 00 3TE	Flamenco red	-96		
	993 551 021 00 8AS	Rubicon grey	96-		
	993 551 021 00 J30	Nephrite green	97-		
	993 551 021 00 M30	Boxster red	97-		
4	993 551 022 00	Carpet	/R	1	
		Carpet			
	993 551 022 00 5FV	Black			
	993 551 022 00 8UT	Cashmere beige			
	993 551 022 00 4XR	Classic grey			
	993 551 022 00 3GE	Midnight blue			
	993 551 022 00 6SC	Chestnut brown			
	993 551 022 00 DDQ	Florentine grey	-96		
	993 551 022 00 1HQ	Provence blue	-96		
	993 551 022 00 2JP	Cedar green	-96		
	993 551 022 00 3TE	Flamenco red	-96		
	993 551 022 00 8AS	Rubicon grey	96-		
	993 551 022 00 J30	Nephrite green	97-		
	993 551 022 00 M30	Boxster red	97-		
5	999 049 011 40	Push button		2	
7	964 551 013 00	Carpet	/H /L	1	
		Carpet			

Model: 911 94 Model life 1994>>1998

Pos	Part Number	Description	Remark	Qty	Model
	964 551 013 00 5FV	Black			
	964 551 013 00 8UT	Cashmere beige			
	964 551 013 00 4XR	Classic grey			
	964 551 013 00 3GE	Midnight blue			
	964 551 013 00 6SC	Chestnut brown			
	964 551 013 00 DDQ	Florentine grey	-96		
	964 551 013 00 1HQ	Provence blue	-96		
	964 551 013 00 2JP	Cedar green	-96		
	964 551 013 00 3TE	Flamenco red	-96		
	964 551 013 00 8AS	Rubicon grey	96-		
	964 551 013 00 J30	Nephrite green	97-		
	964 551 013 00 M30	Boxster red	97-		
8	964 551 014 00	Carpet	/H /R	1	
		Carpet			
	964 551 014 00 5FV	Black			
	964 551 014 00 8UT	Cashmere beige			
	964 551 014 00 4XR	Classic grey			
	964 551 014 00 3GE	Midnight blue			
	964 551 014 00 6SC	Chestnut brown			
	964 551 014 00 DDQ	Florentine grey	-96		
	964 551 014 00 1HQ	Provence blue	-96		
	964 551 014 00 2JP	Cedar green	-96		
	964 551 014 00 3TE	Flamenco red	-96		
	964 551 014 00 8AS	Rubicon grey	96-		
	964 551 014 00 J30	Nephrite green	97-		
	964 551 014 00 M30	Boxster red	97-		
9	993 551 023 00	Carpet for tunnel		1	
		Carpet			
	993 551 023 00 5FV	Black			
	993 551 023 00 8UT	Cashmere beige			
	993 551 023 00 4XR	Classic grey			
	993 551 023 00 3GE	Midnight blue			
	993 551 023 00 6SC	Chestnut brown			
	993 551 023 00 DDQ	Florentine grey	-96		
	993 551 023 00 1HQ	Provence blue	-96		
	993 551 023 00 2JP	Cedar green	-96		
	993 551 023 00 3TE	Flamenco red	-96		
	993 551 023 00 8AS	Rubicon grey	96-		
	993 551 023 00 J30	Nephrite green	97-		
	993 551 023 00 M30	Boxster red	97-		
11	900 145 070 07	Tapping screw		4	
		B 3,5 X 16			
12	999 591 102 17	Washer		4	
		3,5			
12	999 591 102 1H	Washer		4	
		3,5			
(13)	993 551 049 01	Lining	/L	1	
		for cars with			
		Airbag			
		Carpet			
	993 551 049 01 5FV	Black			
	993 551 049 01 8UT	Cashmere beige			
	993 551 049 01 4XR	Classic grey			
	993 551 049 01 3GE	Midnight blue			
	993 551 049 01 6SC	Chestnut brown			
	993 551 049 01 DDQ	Florentine grey	-96		
	993 551 049 01 1HQ	Provence blue	-96		
	993 551 049 01 2JP	Cedar green	-96		
	993 551 049 01 3TE	Flamenco red	-96		
	993 551 049 01 8AS	Rubicon grey	96-		
	993 551 049 01 J30	Nephrite green	97-		
	993 551 049 01 M30	Boxster red	97-		
13	993 551 050 01	Lining	/R	1	

Model: 911 94 Model life 1994>>1998

Pos	Part Number	Description	Remark	Qty	Model
		for cars with Airbag Carpet			
	993 551 050 01 5FV	Black			
	993 551 050 01 8UT	Cashmere beige			
	993 551 050 01 4XR	Classic grey			
	993 551 050 01 3GE	Midnight blue			
	993 551 050 01 6SC	Chestnut brown			
	993 551 050 01 DDQ	Florentine grey			
	993 551 050 01 1HQ	Provence blue			
	993 551 050 01 2JP	Cedar green			
	993 551 050 01 3TE	Flamenco red			
	993 551 050 01 8AS	Rubicon grey	96-		
	993 551 050 01 J30	Nephrite green	97-		
	993 551 050 01 M30	Boxster red	97-		
(13)	993 551 050 05	Lining	/R 95-	1	
		for cars with Airbag Carpet			
	993 551 050 05 5FV	Black			
	993 551 050 05 8UT	Cashmere beige			
	993 551 050 05 4XR	Classic grey			
	993 551 050 05 3GE	Midnight blue			
	993 551 050 05 6SC	Chestnut brown			
	993 551 050 05 DDQ	Florentine grey	-96		
	993 551 050 05 1HQ	Provence blue	-96		
	993 551 050 05 2JP	Cedar green	-96		
	993 551 050 05 3TE	Flamenco red	-96		
	993 551 050 05 8AS	Rubicon grey	96-		
	993 551 050 05 J30	Nephrite green	97-		
	993 551 050 05 M30	Boxster red	97-		
14	N 900 685 01	Push button	94	1	
14		Push button	95-	1	
(15)	911 551 619 00	Rubber pad	/L	1	
15	911 551 620 00	Rubber pad	/R	1	
(15)	993 551 619 00	Rubber pad	/L 97-	1	M495
	993 551 619 00 61W	Grey			
15	993 551 620 00	Rubber pad	/R 97-	1	M495
	993 551 620 00 61W	Grey			
16	964 551 419 00	Cover strip	94	2	
	964 551 419 00 01C	Black			
16	993 551 419 00	Cover strip		2	
	993 551 419 00 01C	Black			
		Use also:			
-	999 507 484 40	Expander nut	94	10	
18	964 551 601 00	Pedal floor board	94	1	M480
(18)	964 551 601 01	Pedal floor board	94	1	M249
18	993 551 063 00	Pedal floor board	95-	1	M480
(18)	993 551 063 01	Pedal floor board	95-	1	M249
19	999 591 850 02	Speed nut		3	
		B 4,2			
19	999 591 850 01	Speed nut		3	
		B 4,2			
20	N 015 392 2	Washer	94	3	
		B 4,7			
21	900 143 007 02	Oval-head sheetmetal screw	94	3	
		B 4,2 X 13			
21	900 073 507 01	Oval-head sheetmetal screw	94-	3	
		B 4,2 X 13			
(21)	900 143 151 02	Combination tapping screw	95-	3	
		4,2 X 16			
22	999 702 202 50	Grommet	94	10	

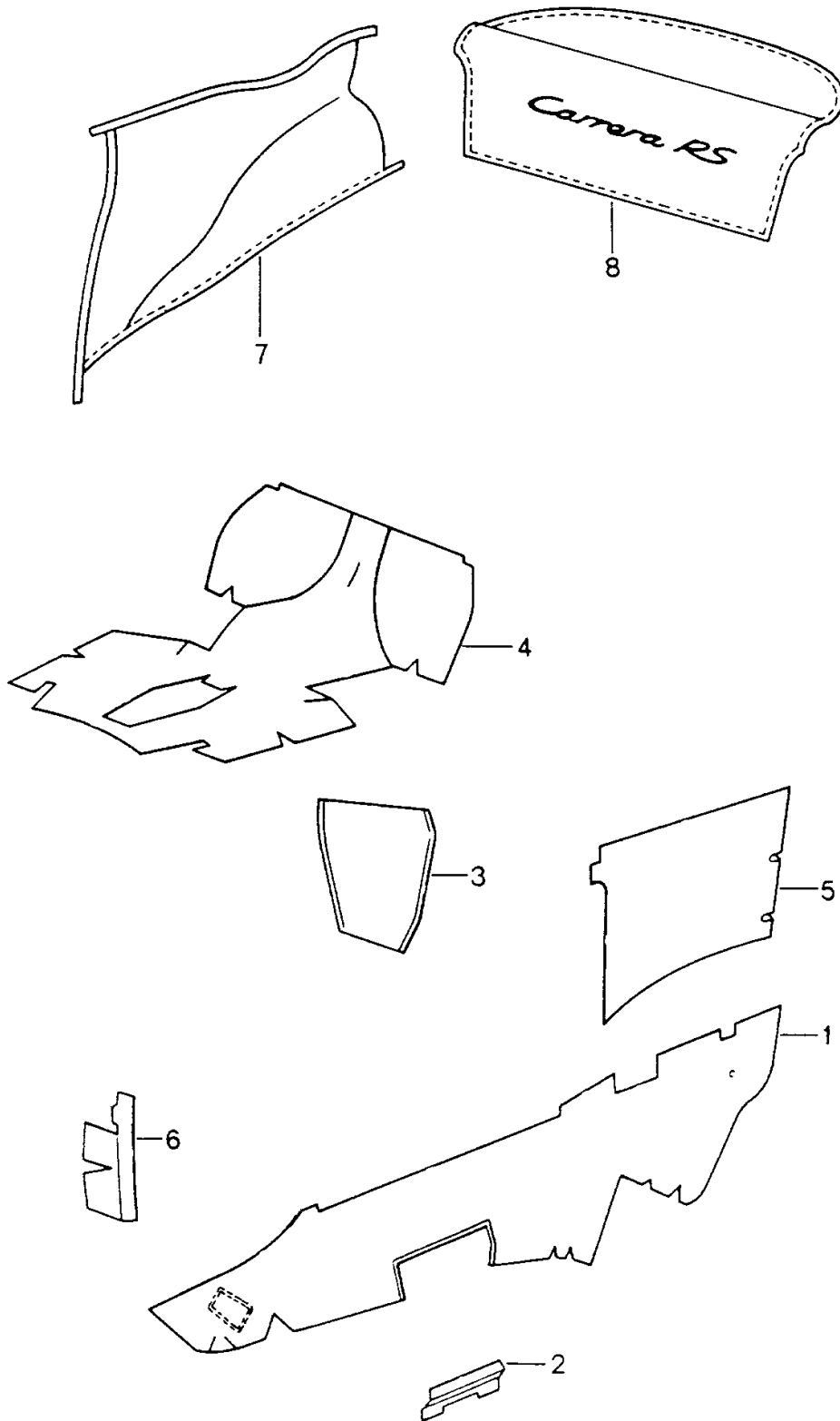
Model: 911 94

Model life 1994>>1998

Pos	Part Number	Description	Remark	Qty	Model
23	999 507 365 40	4,8 X 9 X 1,55 Stopper	94	10	
23	999 507 484 40	6 X 15,4 Expander nut	95-	10	
24	964 612 114 00 964 612 114 00 01C	Cover Black Diagnostic connector	94	1	

Model: 911 94

Model life 1994>>1998



Model: 911 94 Model life 1994>>1998

Pos	Part Number	Description	Remark	Qty	Model
(1)	993 551 031 02	Interior equipment Adhesive carpets Adhesive carpet Door sill	/L	1	
	993 551 031 02 5FV	Black			
	993 551 031 02 4XR	Classic grey			
	993 551 031 02 8UT	Cashmere beige			
	993 551 031 02 3GE	Midnight blue			
	993 551 031 02 6SC	Chestnut brown			
	993 551 031 02 DDQ	Florentine grey	-96		
	993 551 031 02 1HQ	Provence blue	-96		
	993 551 031 02 2JP	Cedar green	-96		
	993 551 031 02 3TE	Flamenco red	-96		
	993 551 031 02 8AS	Rubicon grey	96-		
	993 551 031 02 J30	Nephrite green	97-		
	993 551 031 02 M30	Boxster red	97-		
(1)	993 551 032 02	Adhesive carpet Door sill	/R	1	
	993 551 032 02 5FV	Black			
	993 551 032 02 4XR	Classic grey			
	993 551 032 02 8UT	Cashmere beige			
	993 551 032 02 3GE	Midnight blue			
	993 551 032 02 6SC	Chestnut brown			
	993 551 032 02 DDQ	Florentine grey	-96		
	993 551 032 02 1HQ	Provence blue	-96		
	993 551 032 02 2JP	Cedar green	-96		
	993 551 032 02 3TE	Flamenco red	-96		
	993 551 032 02 8AS	Rubicon grey	96-		
	993 551 032 02 J30	Nephrite green	97-		
	993 551 032 02 M30	Boxster red	97-		
2	964 551 433 00	Cover plate	/L	1	
(2)	964 551 434 00	Cover plate	/R	1	
		Seat rail support			
3	993 551 057 00	Adhesive carpet Heel plate	/L	1	
	993 551 057 00 5FV	Black			
	993 551 057 00 8UT	Cashmere beige			
	993 551 057 00 4XR	Classic grey			
	993 551 057 00 3GE	Midnight blue			
	993 551 057 00 6SC	Chestnut brown			
	993 551 057 00 DDQ	Florentine grey	-96		
		Florentine grey	/R 97		
	993 551 057 00 1HQ	Provence blue	-96		
	993 551 057 00 2JP	Cedar green	-96		
	993 551 057 00 3TE	Flamenco red	-96		
	993 551 057 00 8AS	Rubicon grey	96-		
	993 551 057 00 J30	Nephrite green	97-		
	993 551 057 00 M30	Boxster red	97-		
(3)	993 551 058 00	Adhesive carpet Heel plate	/R	1	
	993 551 058 00 5FV	Black			
	993 551 058 00 8UT	Cashmere beige			
	993 551 058 00 4XR	Classic grey			
	993 551 058 00 3GE	Midnight blue			
	993 551 058 00 6SC	Chestnut brown			
	993 551 058 00 DDQ	Florentine grey	-96		
		Florentine grey	/R 97		
	993 551 058 00 1HQ	Provence blue	-96		
	993 551 058 00 2JP	Cedar green	-96		
	993 551 058 00 3TE	Flamenco red	-96		
	993 551 058 00 8AS	Rubicon grey	96-		
	993 551 058 00 J30	Nephrite green	97-		
	993 551 058 00 M30	Boxster red	97-		

Model: 911 94 Model life 1994>>1998

Pos	Part Number	Description	Remark	Qty	Model
4	993 551 055 02	Adhesive carpet Seat well		1	COUPE/CABRIO
	993 551 055 02 5FV	Black			
	993 551 055 02 8UT	Cashmere beige			
	993 551 055 02 4XR	Classic grey			
	993 551 055 02 3GE	Midnight blue			
	993 551 055 02 6SC	Chestnut brown			
	993 551 055 02 DDQ	Florentine grey	-96		
	993 551 055 02 1HQ	Provence blue	-96		
	993 551 055 02 2JP	Cedar green	-96		
	993 551 055 02 3TE	Flamenco red	-96		
	993 551 055 02 8AS	Rubicon grey	96-		
	993 551 055 02 J30	Nephrite green	97-		
	993 551 055 02 M30	Boxster red	97-		
(4)	993 551 055 03	Adhesive carpet Seat well		1	CABRIO M335
	993 551 055 03 5FV	Black			
	993 551 055 03 8UT	Cashmere beige			
	993 551 055 03 4XR	Classic grey			
	993 551 055 03 3GE	Midnight blue			
	993 551 055 03 6SC	Chestnut brown			
	993 551 055 03 DDQ	Florentine grey	-96		
	993 551 055 03 1HQ	Provence blue	-96		
	993 551 055 03 2JP	Cedar green	-96		
	993 551 055 03 3TE	Flamenco red	-96		
	993 551 055 03 8AS	Rubicon grey	96-		
	993 551 055 03 J30	Nephrite green	97-		
	993 551 055 03 M30	Boxster red	97-		
(5)	993 551 771 00	Adhesive carpet Rear	/L	1	CABRIO
	993 551 771 00 5FV	Black			
	993 551 771 00 8UT	Cashmere beige			
	993 551 771 00 4XR	Classic grey			
	993 551 771 00 3GE	Midnight blue			
	993 551 771 00 6SC	Chestnut brown			
	993 551 771 00 D50	Florentine grey	-96		
	993 551 771 00 1HQ	Provence blue	-96		
	993 551 771 00 2JP	Cedar green	-96		
	993 551 771 00 3TE	Flamenco red	-96		
	993 551 771 00 8AS	Rubicon grey	96-		
	993 551 771 00 J30	Nephrite green	97-		
	993 551 771 00 M30	Boxster red	97-		
(5)	993 551 772 00	Adhesive carpet Rear	/R	1	CABRIO
	993 551 772 00 5FV	Black			
	993 551 772 00 8UT	Cashmere beige			
	993 551 772 00 4XR	Classic grey			
	993 551 772 00 3GE	Midnight blue			
	993 551 772 00 6SC	Chestnut brown			
	993 551 772 00 D50	Florentine grey	-96		
	993 551 772 00 1HQ	Provence blue	-96		
	993 551 772 00 2JP	Cedar green	-96		
	993 551 772 00 3TE	Flamenco red	-96		
	993 551 772 00 8AS	Rubicon grey	96-		
	993 551 772 00 J30	Nephrite green	97-		
	993 551 772 00 M30	Boxster red	97-		
6	964 551 157 01	Lining strap Hinge pillar for cars with Airbag Carpet	/L	1	
	964 551 157 01 5FV	Black			

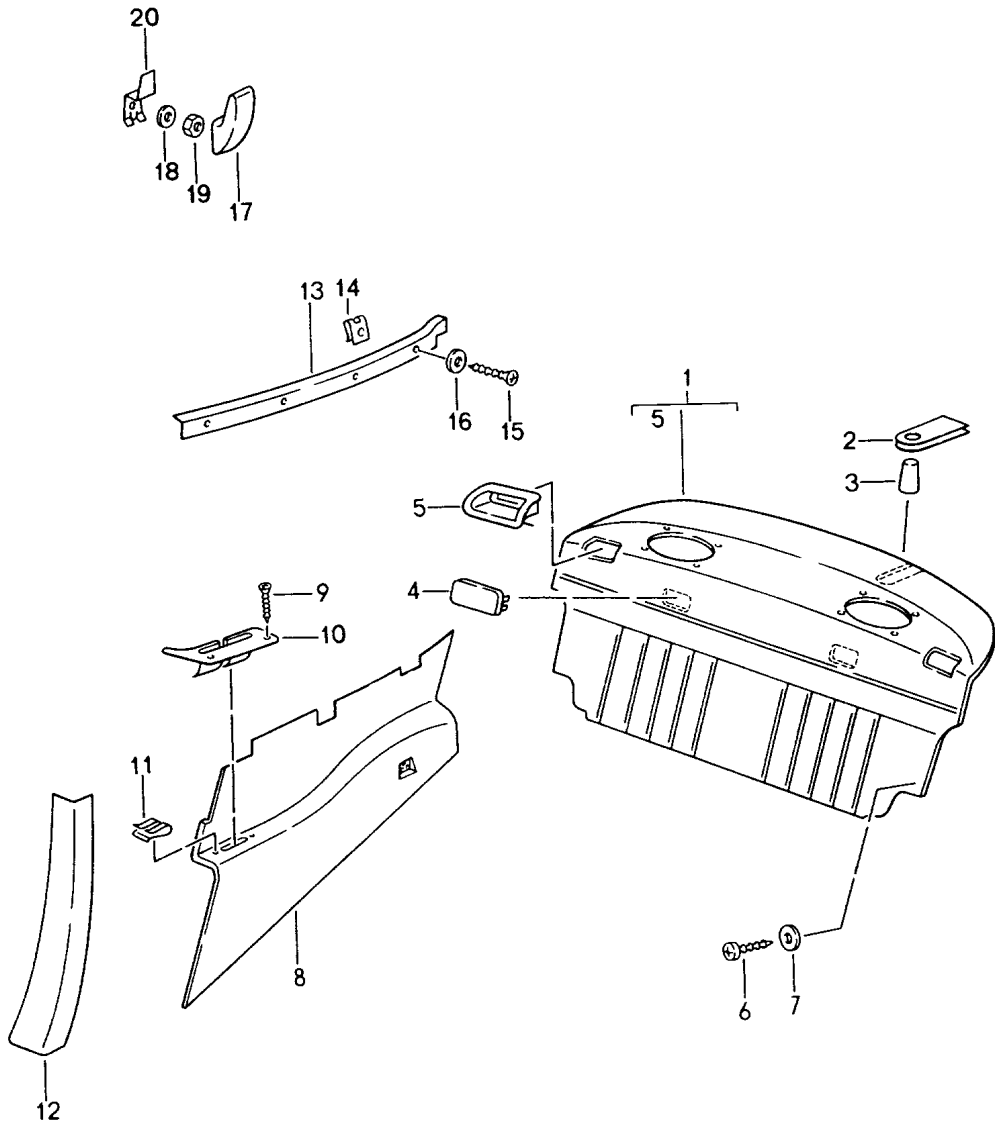
Model: 911 94

Model life 1994>>1998

Pos	Part Number	Description	Remark	Qty	Model
(6)	964 551 158 01	Lining strap Hinge pillar for cars with Airbag Carpet	/R	1	
	964 551 158 01 5FV	Black			

Model: 911 94

Model life 1994>>1998



Model: 911 94 Model life 1994>>1998

Pos	Part Number	Description	Remark	Qty	Model
1	993 555 245 00	Interior equipment Rear Back wall lining Leatherette Upper part/lower part		1	COUPE
	993 555 245 00 05T	Black/black			
	993 555 245 00 XN8	Black/cashmere beige			
	993 555 245 00 2WJ	Classic grey/classic grey			
	993 555 245 00 6HP	Midnight bl./midnight blue			
	993 555 245 00 7PD	Chestnut brown Chestnut brown			
	993 555 245 00 DDN	Black/marble grey	-96		
	993 555 245 00 DBW	Midnight blue/marble grey	-96		
(1)	993 555 245 16	Back wall lining Leatherette Upper part/lower part		1	M490
	993 555 245 16 05T	Black/black			
	993 555 245 16 XN8	Black/cashmere beige			
	993 555 245 16 2WJ	Classic grey/classic grey			
	993 555 245 16 6HP	Midnight bl./midnight blue			
	993 555 245 16 7PD	Chestnut brown Chestnut brown			
	993 555 245 16 DDN	Black/marble grey	-96		
	993 555 245 16 DBW	Midnight blue/marble grey	-96		
(1)	993 555 245 02	Back wall lining Leatherette Upper part/lower part		1	M425
	993 555 245 02 05T	Black/black			
	993 555 245 02 XN8	Black/cashmere beige			
	993 555 245 02 2WJ	Classic grey/classic grey			
	993 555 245 02 6HP	Midnight bl./midnight blue			
	993 555 245 02 7PD	Chestnut brown Chestnut brown			
	993 555 245 02 DDN	Black/marble grey	-96		
	993 555 245 02 DBW	Midnight blue/marble grey	-96		
(1)	993 555 245 18	Back wall lining Leatherette Upper part/lower part		1	M425/490
	993 555 245 18 05T	Black/black			
	993 555 245 18 XN8	Black/cashmere beige			
	993 555 245 18 2WJ	Classic grey/classic grey			
	993 555 245 18 6HP	Midnight bl./midnight blue			
	993 555 245 18 7PD	Chestnut brown Chestnut brown			
	993 555 245 18 DDN	Black/marble grey	-96		
	993 555 245 18 DBW	Midnight blue/marble grey	-96		
1	993 555 245 01	Back wall lining Whole-leather Upper part/lower part		1	
	993 555 245 01 8YR	Black/black			
	993 555 245 01 6XL	Classic grey/classic grey			
	993 555 245 01 ATQ	Black/cashmere beige			
	993 555 245 01 H24	Midnight bl./midnight blue			
	993 555 245 01 T15	Chestnut brown Chestnut brown			
	993 555 245 01 DDP	Black/marble grey	-96		
	993 555 245 01 DBX	Midnight blue/marble grey	-96		
	993 555 245 01 DFQ	Black/provence blue	-96		
	993 555 245 01 DFP	Midnight bl./provence blue	-96		
	993 555 245 01 K03	Cedar green/cedar green	-96		
	993 555 245 01 8SE	Flamenco red/flamenco red	-96		
	993 555 245 01 E38	Rubicon grey/rubicon grey	96-97		
	993 555 245 01 J30	Nephrite gr./nephr. green	97-		

Model: 911 94 Model life 1994>>1998

Pos	Part Number	Description	Remark	Qty	Model
(1)	993 555 245 01 M30	Boxster red/boxster red	97-	1	M490
	993 555 245 01 B50	Space grey/space grey	98-		
	993 555 245 17	Back wall lining			
		Whole-leather			
		Upper part/lower part			
	993 555 245 17 8YR	Black/black			
	993 555 245 17 6XL	Classic grey/classic grey			
	993 555 245 17 ATQ	Black/cashmere beige			
	993 555 245 17 H24	Midnight bl./midnight blue			
	993 555 245 17 T15	Chestnut brown			
		Chestnut brown			
	993 555 245 17 DDP	Black/marble grey	-96		
	993 555 245 17 DBX	Midnight blue/marble grey	-96		
	993 555 245 17 DFQ	Black/provence blue	-96		
	993 555 245 17 DFP	Midnight bl./provence blue	-96		
(1)	993 555 245 17 K03	Cedar green/cedar green	-96	1	M425
	993 555 245 17 8SE	Flamenco red/flamenco red	-96		
	993 555 245 17 E38	Rubicon grey/rubicon grey	96-97		
	993 555 245 17 J30	Nephrite gr./nephr. green	97-		
	993 555 245 17 M30	Boxster red/boxster red	97-		
	993 555 245 17 B50	Space grey/space grey	98-		
	993 555 245 03	Back wall lining			
		Whole-leather			
		Upper part/lower part			
	993 555 245 03 8YR	Black/black			
	993 555 245 03 6XL	Classic grey/classic grey			
	993 555 245 03 ATQ	Black/cashmere beige			
	993 555 245 03 H24	Midnight bl./midnight blue			
	993 555 245 03 T15	Chestnut brown			
		Chestnut brown			
993 555 245 03 DDP	Black/marble grey	-96			
993 555 245 03 DBX	Midnight blue/marble grey	-96			
993 555 245 03 DFQ	Black/provence blue	-96			
993 555 245 03 DFP	Midnight bl./provence blue	-96			
993 555 245 03 K03	Cedar green/cedar green	-96			
993 555 245 03 8SE	Flamenco red/flamenco red	-96			
993 555 245 03 E38	Rubicon grey/rubicon grey	96-97			
993 555 245 03 J30	Nephrite gr./nephr. green	97-			
993 555 245 03 M30	Boxster red/boxster red	97-			
993 555 245 03 B50	Space grey/space grey	98-			
(1)	993 555 245 19	Back wall lining		1	M425/490
		Whole-leather			
		Upper part/lower part			
	993 555 245 19 8YR	Black/black			
	993 555 245 19 6XL	Classic grey/classic grey			
	993 555 245 19 ATQ	Black/cashmere beige			
	993 555 245 19 H24	Midnight bl./midnight blue			
	993 555 245 19 T15	Chestnut brown			
		Chestnut brown			
	993 555 245 19 DDP	Black/marble grey	-96		
	993 555 245 19 DBX	Midnight blue/marble grey	-96		
	993 555 245 19 DFQ	Black/provence blue	-96		
	993 555 245 19 DFP	Midnight bl./provence blue	-96		
	993 555 245 19 K03	Cedar green/cedar green	-96		
	993 555 245 19 8SE	Flamenco red/flamenco red	-96		
993 555 245 19 E38	Rubicon grey/rubicon grey	96-97			
993 555 245 19 J30	Nephrite gr./nephr. green	97-			
993 555 245 19 M30	Boxster red/boxster red	97-			
993 555 245 19 B50	Space grey/space grey	98-			
-	993 555 545 00	Felt strip		1	
2	964 555 425 01	Back wall lining		1	
	964 555 425 01 01C	Cover			
	964 555 425 01 01C	Satin black			

Model: 911 94 Model life 1994>>1998

Pos	Part Number	Description	Remark	Qty	Model
3	964 555 525 00	Cover		1	
	964 555 525 00 01C	Satin black Rear window wiper			
4	911 555 627 00	Trim cover	(AUS) (CDN)	2	
	911 555 627 00 01C	Satin black			
(5)	964 555 511 01	Cover	/L	1	
	964 555 511 01 01C	Black Seat belt			
5	964 555 512 01	Cover	/R	1	
	964 555 512 01 01C	Black Seat belt			
6	900 145 072 07	Tapping screw B 3,5 X 22		4	
7	999 591 102 17	Washer		4	
7	999 591 102 1H	Washer		4	
(8)	993 555 071 00	Side trim panel Leatherette	/L	1	
	993 555 071 00 05T	Black			
	993 555 071 00 2WJ	Classic grey			
	993 555 071 00 6HP	Midnight blue			
	993 555 071 00 7PD	Chestnut brown			
	993 555 071 00 8CF	Marble grey	-96		
	993 555 071 00 7RT	Cashmere beige			
8	993 555 072 00	Side trim panel Leatherette	/R	1	
	993 555 072 00 05T	Black			
	993 555 072 00 2WJ	Classic grey			
	993 555 072 00 6HP	Midnight blue			
	993 555 072 00 7PD	Chestnut brown			
	993 555 072 00 8CF	Marble grey	-96		
	993 555 072 00 7RT	Cashmere beige			
(8)	993 555 071 02	Side trim panel Leather	/L	1	
	993 555 071 02 8YR	Black			
	993 555 071 02 6XL	Classic grey			
	993 555 071 02 H24	Midnight blue			
	993 555 071 02 T15	Chestnut brown			
	993 555 071 02 3QN	Marble grey	-96		
	993 555 071 02 4YU	Cashmere beige			
	993 555 071 02 G43	Provence blue	-96		
	993 555 071 02 K03	Cedar green	-96		
	993 555 071 02 8SE	Flamenco red	-96		
	993 555 071 02 E38	Rubicon grey	96-97		
	993 555 071 02 J30	Nephrite green	97-		
	993 555 071 02 M30	Boxster red	97-		
	993 555 071 02 B50	Space grey	98-		
8	993 555 072 02	Side trim panel Leather	/R	1	
	993 555 072 02 8YR	Black			
	993 555 072 02 6XL	Classic grey			
	993 555 072 02 H24	Midnight blue			
	993 555 072 02 T15	Chestnut brown			
	993 555 072 02 3QN	Marble grey	-96		
	993 555 072 02 4YU	Cashmere beige			
	993 555 072 02 G43	Provence blue	-96		
	993 555 072 02 K03	Cedar green	-96		
	993 555 072 02 8SE	Flamenco red	-96		
	993 555 072 02 E38	Rubicon grey	96-97		
	993 555 072 02 J30	Nephrite green	97-		
	993 555 072 02 M30	Boxster red	97-		
	993 555 072 02 B50	Space grey	98-		
9	900 145 075 07	Tapping screw B 4,2 X 16		4	

Model: 911 94 Model life 1994>>1998

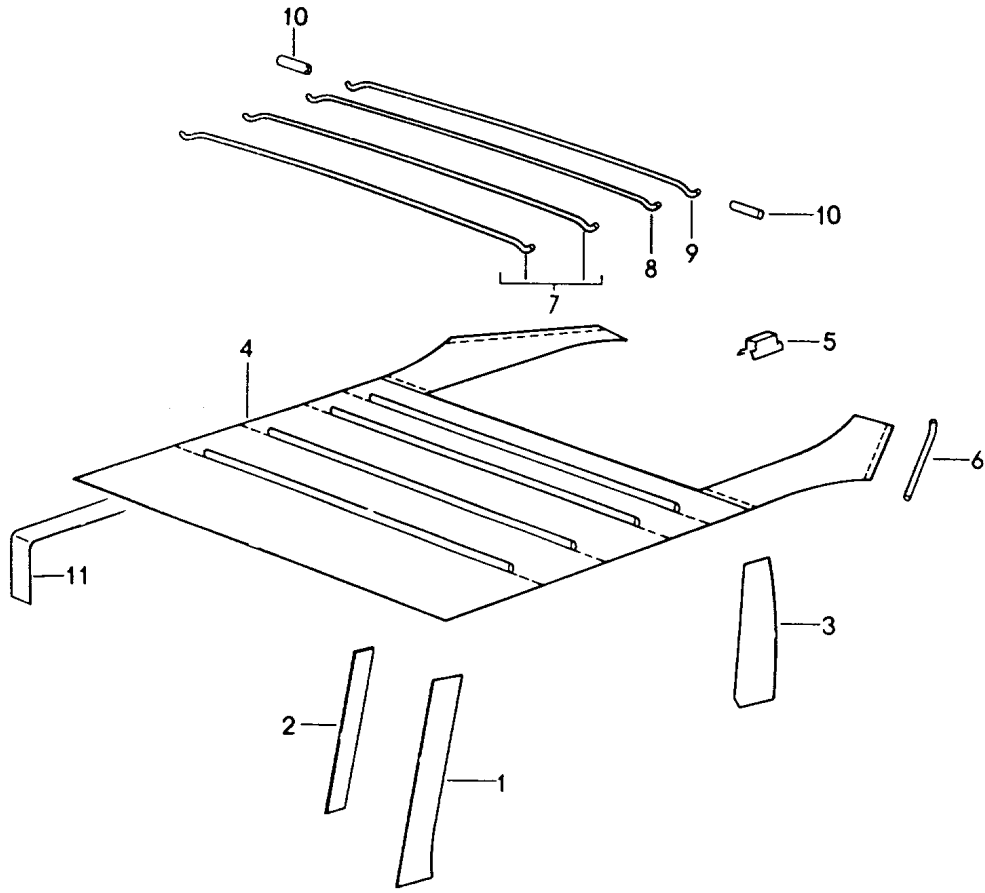
Pos	Part Number	Description	Remark	Qty	Model
(10)	911 803 615 00	Rosette	/L	1	
	911 803 615 00 01C	Satin black			
10	911 803 616 00	Rosette	/R	1	
	911 803 616 00 01C	Satin black			
11	999 507 028 02	Speed nut 4,2		4	
(12)	911 555 757 00	Cover	/L	1	
		Lock pillar			
		Leatherette			
	911 555 757 00 05T	Black			
	911 555 757 00 7RT	Cashmere beige			
	911 555 757 00 2WJ	Classic grey			
	911 555 757 00 6HP	Midnight blue			
	911 555 757 00 7PD	Chestnut brown			
	911 555 757 00 8CF	Marble grey	-96		
12	911 555 758 00	Cover	/R	1	
		Lock pillar			
		Leatherette			
	911 555 758 00 05T	Black			
	911 555 758 00 7RT	Cashmere beige			
	911 555 758 00 2WJ	Classic grey			
	911 555 758 00 6HP	Midnight blue			
	911 555 758 00 7PD	Chestnut brown			
	911 555 758 00 8CF	Marble grey	-96		
(12)	911 555 757 70	Cover	/L	1	M981
		Lock pillar			
		Leather			
	911 555 757 70 8YR	Black			
	911 555 757 70 6XL	Classic grey			
	911 555 757 70 4YU	Cashmere beige			
	911 555 757 70 H24	Midnight blue			
	911 555 757 70 T15	Chestnut brown			
	911 555 757 70 3QN	Marble grey	-96		
	911 555 757 70 G43	Provence blue	-96		
	911 555 757 70 K03	Cedar green	-96		
	911 555 757 70 8SE	Flamenco red	-96		
	911 555 757 70 E38	Rubicon grey	96-97		
	911 555 757 70 J30	Nephrite green	97-		
	911 555 757 70 M30	Boxster red	97-		
	911 555 757 70 B50	Boxster red	98-		
12	911 555 758 70	Cover	/R	1	M981
		Lock pillar			
		Leather			
	911 555 758 70 8YR	Black			
	911 555 758 70 6XL	Classic grey			
	911 555 758 70 4YU	Cashmere beige			
	911 555 758 70 H24	Midnight blue			
	911 555 758 70 T15	Chestnut brown			
	911 555 758 70 3QN	Marble grey	-96		
	911 555 758 70 G43	Provence blue	-96		
	911 555 758 70 K03	Cedar green	-96		
	911 555 758 70 8SE	Flamenco red	-96		
	911 555 758 70 E38	Rubicon grey	96-97		
	911 555 758 70 J30	Nephrite green	97-		
	911 555 758 70 M30	Boxster red	97-		
	911 555 758 70 B50	Boxster red	98-		
-	911 555 641 00	Desk pad	/L	1	
-	911 555 642 00	Desk pad	/R	1	
		B-pillar			
(13)	964 555 091 02	Rear cover moulding	/L	1	
		Leatherette			
	964 555 091 02 05T	Black			
	964 555 091 02 2WJ	Classic grey			

Model: 911 94 Model life 1994>>1998

Pos	Part Number	Description	Remark	Qty	Model
13	964 555 091 02 6HP	Midnight blue		1	
	964 555 091 02 7PD	Chestnut brown			
	964 555 092 02	Rear cover moulding Leatherette	/R		
	964 555 092 02 05T	Black			
	964 555 092 02 2WJ	Classic grey			
	964 555 092 02 6HP	Midnight blue			
	964 555 092 02 7PD	Chestnut brown			
	(13) 964 555 091 03	Rear cover moulding Leather	/L		
	964 555 091 03 8YR	Black			
	964 555 091 03 6XL	Classic grey			
964 555 091 03 H24	Midnight blue				
964 555 091 03 T15	Chestnut brown				
964 555 091 03 K03	Cedar green	-96			
964 555 091 03 8SE	Flamenco red	-96			
964 555 091 03 E38	Rubicon grey	96-97			
964 555 091 03 J30	Nephrite green	97-			
964 555 091 03 M30	Boxster red	97-			
964 555 091 03 B50	Space grey	98-			
13	964 555 092 03	Rear cover moulding Leather	/R	1	
	964 555 092 03 8YR	Black			
	964 555 092 03 6XL	Classic grey			
	964 555 092 03 H24	Midnight blue			
	964 555 092 03 T15	Chestnut brown			
	964 555 092 03 K03	Cedar green	-96		
	964 555 092 03 8SE	Flamenco red	-96		
	964 555 092 03 E38	Rubicon grey	96-97		
	964 555 092 03 J30	Nephrite green	97-		
	964 555 092 03 M30	Boxster red	97-		
	964 555 092 03 B50	Space grey	98-		
-	911 555 295 00	Base wedge Cover strip		2	COUPE
14	999 591 338 02	Speed nut B 3,5		6	
14	999 591 460 01	Speed nut B 3,5		6	
15	900 145 070 07	Tapping screw B 3,5 X 16		8	
16	999 591 116 07	Cone washer 3,5		8	
17	901 552 871 40	Cover		2	
	901 552 871 40 01C	Satin black			
18	900 025 003 02	Washer A 5,3		2	
19	N 011 005 14	Hexagon nut M 5		2	
19	900 076 091 01	Hexagon nut M 5		2	
20	901 552 872 20	Coat hook		2	

Model: 911 94

Model life 1994>>1998

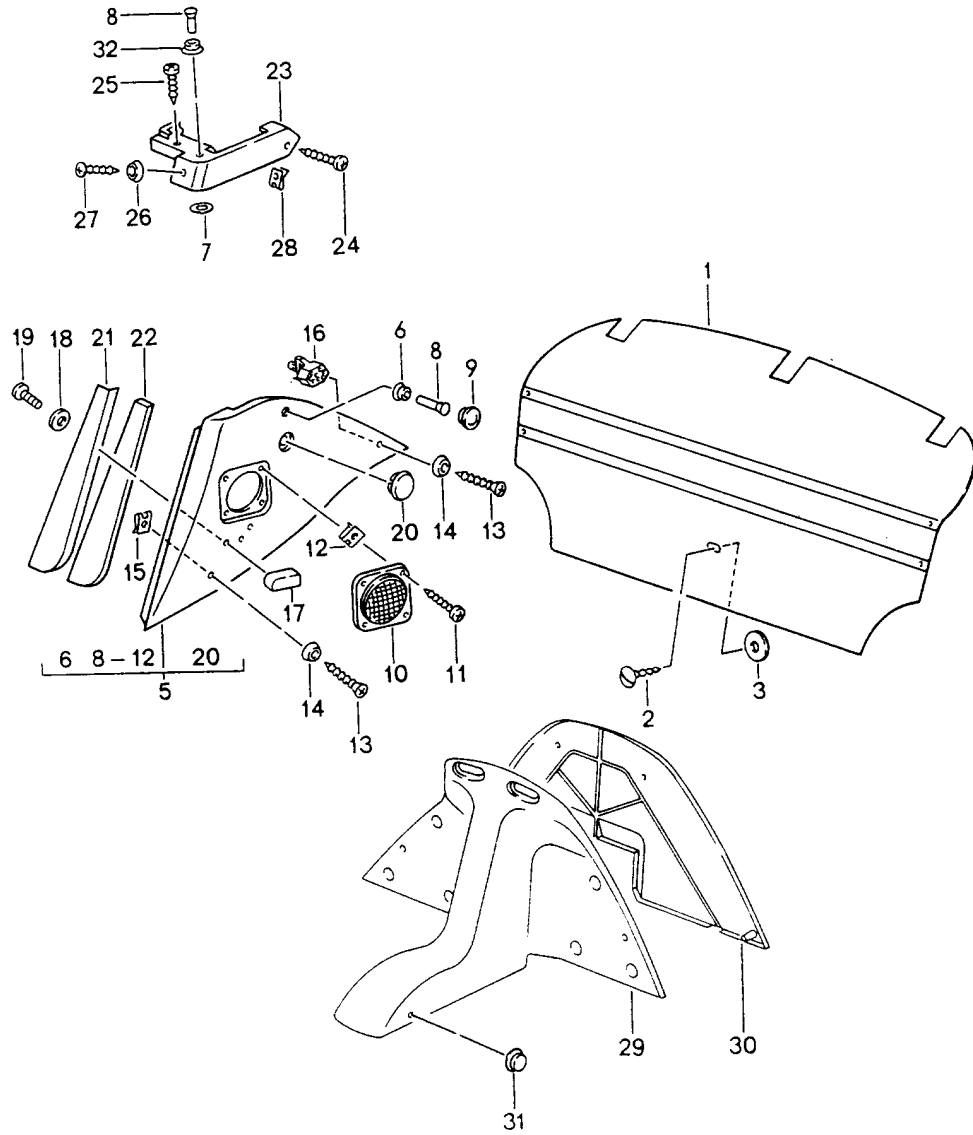


Model: 911 94 Model life 1994>>1998

Pos	Part Number	Description	Remark	Qty	Model
1	964 555 507 00	Interior equipment Roof Lining Windscreen frame part	/L	1	COUPE
	964 555 507 00 05T	Black			
	964 555 507 00 2WJ	Classic grey			
	964 555 507 00 6HP	Midnight blue			
	964 555 507 00 7PD	Chestnut brown			
	964 555 507 00 5TP	Rubicon grey	96-97		
(1)	964 555 508 00	Lining Windscreen frame part	/R	1	
	964 555 508 00 05T	Black			
	964 555 508 00 2WJ	Classic grey			
	964 555 508 00 6HP	Midnight blue			
	964 555 508 00 7PD	Chestnut brown			
	964 555 508 00 5TP	Rubicon grey	96-97		
2	964 555 563 00	Desk pad 5 X 35 X 400		2	
3	911 555 505 01	Lining Door pillar	/L	1	M650
	911 555 505 01 05T	Black			
	911 555 505 01 2WJ	Classic grey			
	911 555 505 01 6HP	Midnight blue			
	911 555 505 01 7PD	Chestnut brown			
	911 555 505 01 5TP	Rubicon grey	96-97		
(3)	911 555 506 01	Lining Door pillar	/R	1	
	911 555 506 01 05T	Black			
	911 555 506 01 2WJ	Classic grey			
	911 555 506 01 6HP	Midnight blue			
	911 555 506 01 7PD	Chestnut brown			
	911 555 506 01 5TP	Rubicon grey	96-97		
4	993 555 055 00	Roof lining for cars without Sunroof with POS.7-10		1	
	993 555 055 00 5VE	Black			
	993 555 055 00 6WP	Classic grey			
	993 555 055 00 1GE	Midnight blue			
	993 555 055 00 1NE	Chestnut brown			
	993 555 055 00 D03	Rubicon grey	96-97		
(4)	993 555 055 01	Roof lining for cars with Sunroof		1	
	993 555 055 01 5VE	Black			
	993 555 055 01 6WP	Classic grey			
	993 555 055 01 1GE	Midnight blue			
	993 555 055 01 1NE	Chestnut brown			
	993 555 055 01 D03	Rubicon grey	96-97		
5	999 591 336 01	Fastening clamp 1,5 - 1,75		31	
6	911 555 561 00	Tension wire		2	
7	901 555 511 20	Transverse strut 1 + 2		2	
8	901 555 512 20	Transverse strut 3		1	
9	901 555 513 20	Transverse strut 4		1	
10	644 555 515 00	Rubber profile		8	
11	964 555 565 00	Felt strip 1 X 24 X 725		2	

Model: 911 94

Model life 1994>>1998



Model: 911 94 Model life 1994>>1998

Pos	Part Number	Description	Remark	Qty	Model
		Interior equipment			CABRIO
		Rear			
1	993 555 245 60	Back wall lining		1	
		Carpet			
	993 555 245 60 5FV	Black			
	993 555 245 60 8UT	Cashmere beige			
	993 555 245 60 4XR	Classic grey			
	993 555 245 60 3GE	Midnight blue			
	993 555 245 60 6SC	Chestnut brown			
	993 555 245 60 DDQ	Florentine grey	-96		
	993 555 245 60 1HQ	Provence blue	-96		
	993 555 245 60 2JP	Cedar green	-96		
	993 555 245 60 3TE	Flamenco red	-96		
	993 555 245 60 8AS	Rubicon grey	96-97		
	993 555 245 60 J30	Nephrite green	97-		
	993 555 245 60 M30	Boxster red	97-		
2	999 590 044 40	Catch	-96	1	
	999 590 044 40 01C	Satin black			
2	999 507 381 40	Catch	97-	1	
		13,5			
3	999 591 483 40	Lock washer	94	1	
		20,3 X 1,5			
(5)	993 555 071 03	Side trim panel	/L	1	
		Carpet			
	993 555 071 03 5FV	Black			
	993 555 071 03 8UT	Cashmere beige			
	993 555 071 03 4XR	Classic grey			
	993 555 071 03 3GE	Midnight blue			
	993 555 071 03 6SC	Chestnut brown			
	993 555 071 03 DDQ	Florentine grey	-96		
	993 555 071 03 1HQ	Provence blue	-96		
	993 555 071 03 2JP	Cedar green	-96		
	993 555 071 03 3TE	Flamenco red	-96		
	993 555 071 03 8AS	Rubicon grey	96-97		
	993 555 071 03 J30	Nephrite green	97-		
	993 555 071 03 M30	Boxster red	97-		
5	993 555 072 03	Side trim panel	/R	1	
		Carpet			
	993 555 072 03 5FV	Black			
	993 555 072 03 8UT	Cashmere beige			
	993 555 072 03 4XR	Classic grey			
	993 555 072 03 3GE	Midnight blue			
	993 555 072 03 6SC	Chestnut brown			
	993 555 072 03 DDQ	Florentine grey	-96		
	993 555 072 03 1HQ	Provence blue	-96		
	993 555 072 03 2JP	Cedar green	-96		
	993 555 072 03 3TE	Flamenco red	-96		
	993 555 072 03 8AS	Rubicon grey	96-97		
	993 555 072 03 J30	Nephrite green	97-		
	993 555 072 03 M30	Boxster red	97-		
6	999 507 393 17	Snap fastener lower part		2	
7	900 025 001 02	Washer		4	
		A 3,2			
8	999 190 162 37	Blind rivet		4	
		B 3,2 X 12,6			
8	PCG 190 162 37	Blind rivet		4	
		B 3,2 X 12,6			
9	911 561 434 00	Cap		2	
	911 561 434 00 70B	Black			
10	928 645 423 00	Loudspeaker grille		2	
11	900 143 132 07	Tapping screw		8	
		B 3,9 X 16			
12	999 507 071 00	Speed nut		8	

Model: 911 94 Model life 1994>>1998

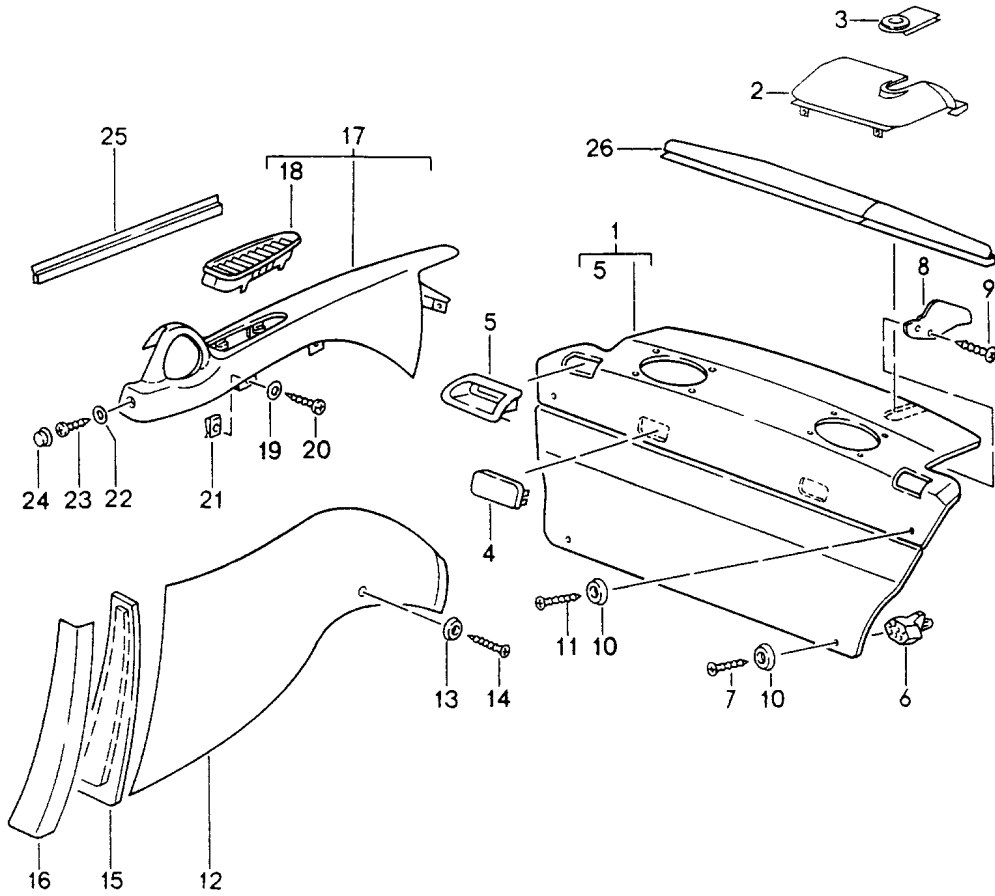
Pos	Part Number	Description	Remark	Qty	Model
13	900 144 028 07	B 3,9 Tapping screw 3,5 X 13		4	
14	999 591 102 17	Washer		4	
14	999 591 102 1H	Washer		4	
15	999 591 460 02	Speed nut 3,5		2	
16	999 507 438 40	Support		2	
17	477 857 375 A	Support for seatbelt		2	
	477 857 375 A 01C	Black			
18	900 151 027 02	Washer B 5,3		4	
18	900 151 027 03	Washer B 5,3		4	
19	900 146 003 02	Oval-head screw M 5 X 10		4	
20	911 555 523 66	Cap		2	
	911 555 523 66 70B	Black for emergency control			
(21)	911 555 757 40	Cover Lock pillar Leatherette	/L	1	
	911 555 757 40 05T	Black			
	911 555 757 40 7RT	Cashmere beige			
	911 555 757 40 2WJ	Classic grey			
	911 555 757 40 6HP	Midnight blue			
	911 555 757 40 7PD	Chestnut brown			
	911 555 757 40 8CF	Marble grey	-96		
21	911 555 758 40	Cover Lock pillar Leatherette	/R	1	
	911 555 758 40 05T	Black			
	911 555 758 40 7RT	Cashmere beige			
	911 555 758 40 2WJ	Classic grey			
	911 555 758 40 6HP	Midnight blue			
	911 555 758 40 7PD	Chestnut brown			
	911 555 758 40 8CF	Marble grey	-96		
(21)	911 555 757 75	Cover Lock pillar Leather	/L	1	
	911 555 757 75 8YR	Black			
	911 555 757 75 6XL	Classic grey			
	911 555 757 75 4YU	Cashmere beige			
	911 555 757 75 H24	Midnight blue			
	911 555 757 75 T15	Chestnut brown			
	911 555 757 75 3QN	Marble grey	-96		
	911 555 757 75 G43	Provence blue	-96		
	911 555 757 75 K03	Cedar green	-96		
	911 555 757 75 8SE	Flamenco red	-96		
	911 555 757 75 E38	Rubicon grey	96-97		
	911 555 757 75 J30	Nephrite green	97-		
	911 555 757 75 M30	Boxster red	97-		
	911 555 757 75 B50	Space grey	98-		
21	911 555 758 75	Cover Lock pillar Leather	/R	1	
	911 555 758 75 8YR	Black			
	911 555 758 75 6XL	Classic grey			
	911 555 758 75 4YU	Cashmere beige			
	911 555 758 75 H24	Midnight blue			
	911 555 758 75 T15	Chestnut brown			
	911 555 758 75 3QN	Marble grey	-96		
	911 555 758 75 G43	Provence blue	-96		

Model: 911 94 Model life 1994>>1998

Pos	Part Number	Description	Remark	Qty	Model
	911 555 758 75 K03	Cedar green	-96		
	911 555 758 75 8SE	Flamenco red	-96		
	911 555 758 75 E38	Rubicon grey	96-97		
	911 555 758 75 J30	Nephrite green	97-		
	911 555 758 75 M30	Boxster red	97-		
	911 555 758 75 B50	Space grey	98-		
(22)	901 555 023 01	Filler piece	/L	1	
22	901 555 024 01	Filler piece	/R	1	
23	964 555 763 60	Cover	/L	1	
	964 555 763 60 01C	Black			
(23)	964 555 764 60	Cover	/R	1	
	964 555 764 60 01C	Black			
24	900 143 085 07	Tapping screw B 4,2 X 16		2	
25	900 144 028 07	Tapping screw B 3,5 X 13		2	
26	999 591 102 17	Washer 3,5		2	
26	999 591 102 1H	Washer 3,5		2	
27	900 144 031 07	Counters. head tapp. screw B 3,5 X 16		2	
28	999 591 460 02	Speed nut B 3,5		2	
(29)	993 803 075 01	Mounting Seat belt		1	
32	999 591 835 17	Snap fastener lower part		2	

Model: 911 94

Model life 1994>>1998



Model: 911 94 Model life 1994>>1998

Pos	Part Number	Description	Remark	Qty	Model
1	993 555 245 28	Interior equipment Rear Back wall lining Leatherette Upper part/lower part	96-	1	TARGA
	993 555 245 28 05T	Black/black			
	993 555 245 28 2WJ	Classic grey/classic grey			
	993 555 245 28 6HP	Midnight bl./midnight blue			
	993 555 245 28 7PD	Chestnut brown Chestnut brown			
	993 555 245 28 DDN	Black/marble grey	96		
	993 555 245 28 DBW	Midnight blue/marble grey	96		
	993 555 245 28 XN8	Black/cashmere beige			
1	993 555 245 30	Back wall lining Leatherette Upper part/lower part		1	M425
	993 555 245 30 05T	Black/black			
	993 555 245 30 2WJ	Classic grey/classic grey			
	993 555 245 30 6HP	Midnight bl./midnight blue			
	993 555 245 30 7PD	Chestnut brown Chestnut brown			
	993 555 245 30 DDN	Black/marble grey	96		
	993 555 245 30 DBW	Midnight blue/marble grey	96		
	993 555 245 30 XN8	Black/cashmere beige			
1	993 555 245 29	Back wall lining Leather Upper part/lower part		1	
	993 555 245 29 8YR	Black/black			
	993 555 245 29 6XL	Classic grey/classic grey			
	993 555 245 29 H24	Midnight bl./midnight blue			
	993 555 245 29 T15	Chestnut brown Chestnut brown			
	993 555 245 29 DDP	Black/marble grey	96		
	993 555 245 29 DBX	Midnight blue/marble grey	96		
	993 555 245 29 ATQ	Black/cashmere beige			
	993 555 245 29 DFQ	Black/provence blue	96		
	993 555 245 29 DFP	Midnight bl./provence blue	96		
	993 555 245 29 K03	Cedar green/cedar green	96		
	993 555 245 29 8SE	Flamenco red/flamenco red	96		
	993 555 245 29 E38	Rubicon grey/rubicon grey	-97		
	993 555 245 29 J30	Nephrite gr./nephr. green	97-		
	993 555 245 29 M30	Boxster red/boxster red	97-		
	993 555 245 29 B50	Space grey/space grey	98-		
(1)	993 555 245 31	Back wall lining Leather Upper part/lower part		1	M425
	993 555 245 31 8YR	Black/black			
	993 555 245 31 6XL	Classic grey/classic grey			
	993 555 245 31 H24	Midnight bl./midnight blue			
	993 555 245 31 T15	Chestnut brown Chestnut brown			
	993 555 245 31 DDP	Black/marble grey	96		
	993 555 245 31 DBX	Midnight blue/marble grey	96		
	993 555 245 31 ATQ	Black/cashmere beige			
	993 555 245 31 DFQ	Black/provence blue	96		
	993 555 245 31 DFP	Midnight bl./provence blue	96		
	993 555 245 31 K03	Cedar green/cedar green	96		
	993 555 245 31 8SE	Flamenco red/flamenco red	96		
	993 555 245 31 E38	Rubicon grey/rubicon grey	-97		
	993 555 245 31 J30	Nephrite gr./nephr. green	97-		
	993 555 245 31 M30	Boxster red/boxster red	97-		
	993 555 245 31 B50	Space grey/space grey	98-		
2		Cover		1	M425

Model: 911 94 Model life 1994>>1998

Pos	Part Number	Description	Remark	Qty	Model
3		See group 9/04/06 Bush		1	M425
4	911 555 627 00	Trim cover	(AUS) (CDN)	2	
	911 555 627 00 01C	Satin black			
(5)	964 555 511 01	Cover	/L	1	
	964 555 511 01 01C	Satin black			
5	964 555 512 01	Seat belt		1	
	964 555 512 01 01C	Cover	/R	1	
		Satin black			
6	999 507 438 40	Support		4	
7	900 145 072 07	Tapping screw		4	
		B 3,5 X 22			
8	993 555 405 00	Trim cover	/H	2	
		Lateral			
9	999 073 062 02	Tapping screw		4	
		B 4,8 X 19			
10	999 591 102 17	Washer		4	
		A 3,5			
10	999 591 102 1H	Washer		4	
		A 3,5			
11	900 145 070 07	Tapping screw		2	
		3,5 X 16			
(12)	993 555 071 05	Side trim panel	/L	1	
		Carpet			
	993 555 071 05 5FV	Black			
	993 555 071 05 4XR	Classic grey			
	993 555 071 05 3GE	Midnight blue			
	993 555 071 05 6SC	Chestnut brown			
	993 555 071 05 DDQ	Florentine grey	96		
	993 555 071 05 8UT	Cashmere beige			
	993 555 071 05 1HQ	Provence blue	96		
	993 555 071 05 2JP	Cedar green	96		
	993 555 071 05 3TE	Flamenco red	96		
	993 555 071 05 8AS	Rubicon grey	-97		
	993 555 071 05 J30	Nephrite green	97-		
	993 555 071 05 M30	Boxster red	97-		
12	993 555 072 05	Side trim panel	/R	1	
		Carpet			
	993 555 072 05 5FV	Black			
	993 555 072 05 4XR	Classic grey			
	993 555 072 05 3GE	Midnight blue			
	993 555 072 05 6SC	Chestnut brown			
	993 555 072 05 DDQ	Florentine grey	96		
	993 555 072 05 8UT	Cashmere beige			
	993 555 072 05 1HQ	Provence blue	96		
	993 555 072 05 2JP	Cedar green	96		
	993 555 072 05 3TE	Flamenco red	96		
	993 555 072 05 8AS	Rubicon grey	-97		
	993 555 072 05 J30	Nephrite green	97-		
	993 555 072 05 M30	Boxster red	97-		
13	999 591 102 17	Washer		2	
		A 3,5			
13	999 591 102 1H	Washer		2	
		A 3,5			
14	900 145 070 07	Tapping screw		2	
		B 3,5 X 16			
(15)	901 555 023 01	Filler piece	/L	1	
15	901 555 024 01	Filler piece	/R	1	
(16)	911 555 757 40	Cover	/L	1	

Model: 911 94 Model life 1994>>1998

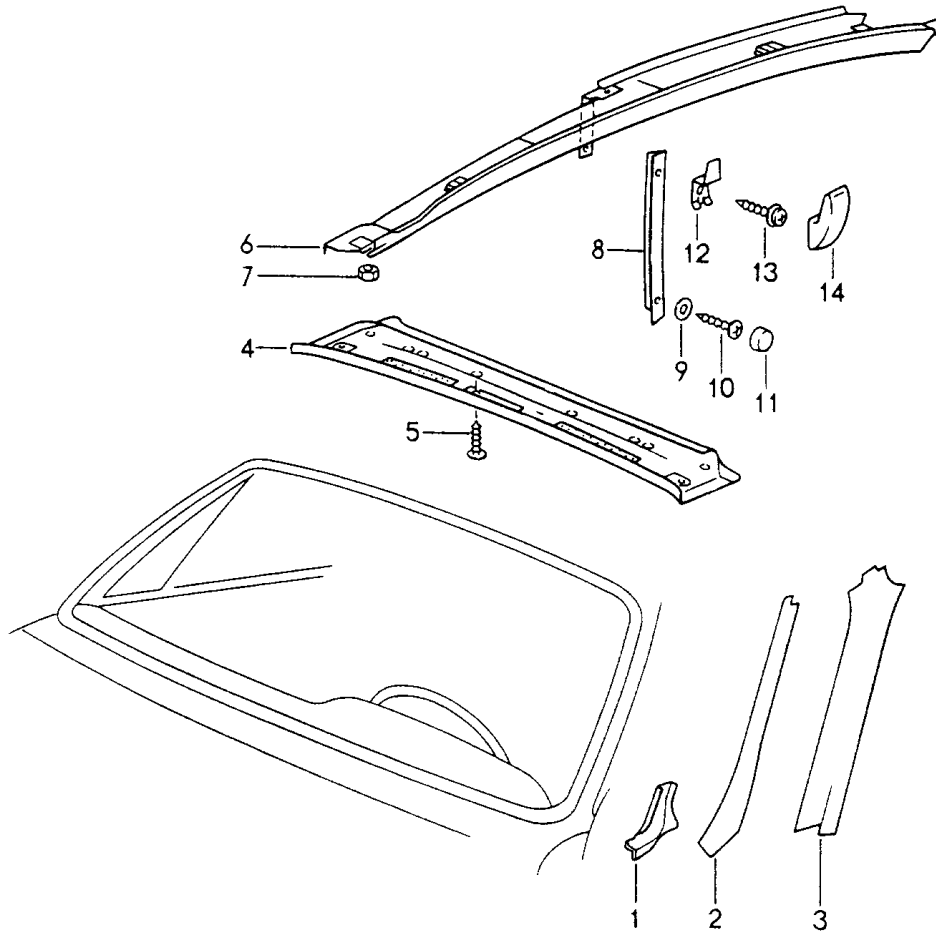
Pos	Part Number	Description	Remark	Qty	Model
		Lock pillar			
		Leatherette			
	911 555 757 40 05T	Black			
	911 555 757 40 2WJ	Classic grey			
	911 555 757 40 6HP	Midnight blue			
	911 555 757 40 7PD	Chestnut brown			
	911 555 757 40 8CF	Marble grey	96		
	911 555 757 40 7RT	Cashmere beige			
16	911 555 758 40	Cover	/R	1	
		Lock pillar			
		Leatherette			
	911 555 758 40 05T	Black			
	911 555 758 40 2WJ	Classic grey			
	911 555 758 40 6HP	Midnight blue			
	911 555 758 40 7PD	Chestnut brown			
	911 555 758 40 8CF	Marble grey	96		
	911 555 758 40 7RT	Cashmere beige			
(16)	911 555 757 75	Cover	/L	1	
		Lock pillar			
		Leather			
	911 555 757 75 8YR	Black			
	911 555 757 75 6XL	Classic grey			
	911 555 757 75 H24	Midnight blue			
	911 555 757 75 T15	Chestnut brown			
	911 555 757 75 3QN	Marble grey	96		
	911 555 757 75 4YU	Cashmere beige			
	911 555 757 75 G43	Provence blue	96		
	911 555 757 75 K03	Cedar green	96		
	911 555 757 75 8SE	Flamenco red	96		
	911 555 757 75 E38	Rubicon grey	-97		
	911 555 757 75 J30	Nephrite green	97-		
	911 555 757 75 M30	Boxster red	97-		
	911 555 757 75 B50	Space grey	98-		
16	911 555 758 75	Cover	/R	1	
		Lock pillar			
		Leather			
	911 555 758 75 8YR	Black			
	911 555 758 75 6XL	Classic grey			
	911 555 758 75 H24	Midnight blue			
	911 555 758 75 T15	Chestnut brown			
	911 555 758 75 3QN	Marble grey	96		
	911 555 758 75 4YU	Cashmere beige			
	911 555 758 75 G43	Provence blue	96		
	911 555 758 75 K03	Cedar green	96		
	911 555 758 75 8SE	Flamenco red	96		
	911 555 758 75 E38	Rubicon grey	-97		
	911 555 758 75 J30	Nephrite green	97-		
	911 555 758 75 M30	Boxster red	97-		
	911 555 758 75 B50	Space grey	98-		
(17)	993 555 091 00	Rear cover moulding	/L	1	
		Leatherette			
	993 555 091 00 05T	Black			
	993 555 091 00 2WJ	Classic grey			
	993 555 091 00 6HP	Midnight blue			
	993 555 091 00 7PD	Chestnut brown			
17	993 555 092 00	Rear cover moulding	/R	1	
		Leatherette			
	993 555 092 00 05T	Black			
	993 555 092 00 2WJ	Classic grey			
	993 555 092 00 6HP	Midnight blue			
	993 555 092 00 7PD	Chestnut brown			
(17)	993 555 091 01	Rear cover moulding	/L	1	
		Leather			

Model: 911 94 Model life 1994>>1998

Pos	Part Number	Description	Remark	Qty	Model
	993 555 091 01 8YR	Black			
	993 555 091 01 6XL	Classic grey			
	993 555 091 01 H24	Midnight blue			
	993 555 091 01 T15	Chestnut brown			
	993 555 091 01 K03	Cedar green	96		
	993 555 091 01 8SE	Flamenco red	96		
	993 555 091 01 E38	Rubicon grey	-97		
	993 555 091 01 J30	Nephrite green	97-		
	993 555 091 01 M30	Boxster red	97-		
	993 555 091 01 B50	Space grey	98-		
17	993 555 092 01	Rear cover moulding Leather	/R	1	
	993 555 092 01 8YR	Black			
	993 555 092 01 6XL	Classic grey			
	993 555 092 01 H24	Midnight blue			
	993 555 092 01 T15	Chestnut brown			
	993 555 092 01 K03	Cedar green	96		
	993 555 092 01 8SE	Flamenco red	96		
	993 555 092 01 E38	Rubicon grey	-97		
	993 555 092 01 J30	Nephrite green	97-		
	993 555 092 01 M30	Boxster red	97-		
	993 555 092 01 B50	Space grey	98-		
18	993 555 771 00	Nozzle		2	
	993 555 771 00 01C	Satin black			
19	N 011 663 4	Washer 3,7		4	
20	900 143 049 07	Tapping screw B 3,5 X 9,5		4	
21	N 100 665 01	Speed nut 3,5		4	
22	900 151 048 09	Washer 4,3		2	
23	311 867 167	Oval-head sheetmetal screw B 4,2 X 13		2	
24	311 867 169	Cap		2	
	311 867 169 01C	Black			
	311 867 169 4XC	Classic grey			
	311 867 169 2GS	Midnight blue			
	311 867 169 4PV	Chestnut brown			
25	993 555 415 00	Cover Lower Rear window		2	
26	993 555 303 00	Cover		1	
(26)	993 555 303 01	Cover Back wall lining		1	M425

Model: 911 94

Model life 1994>>1998

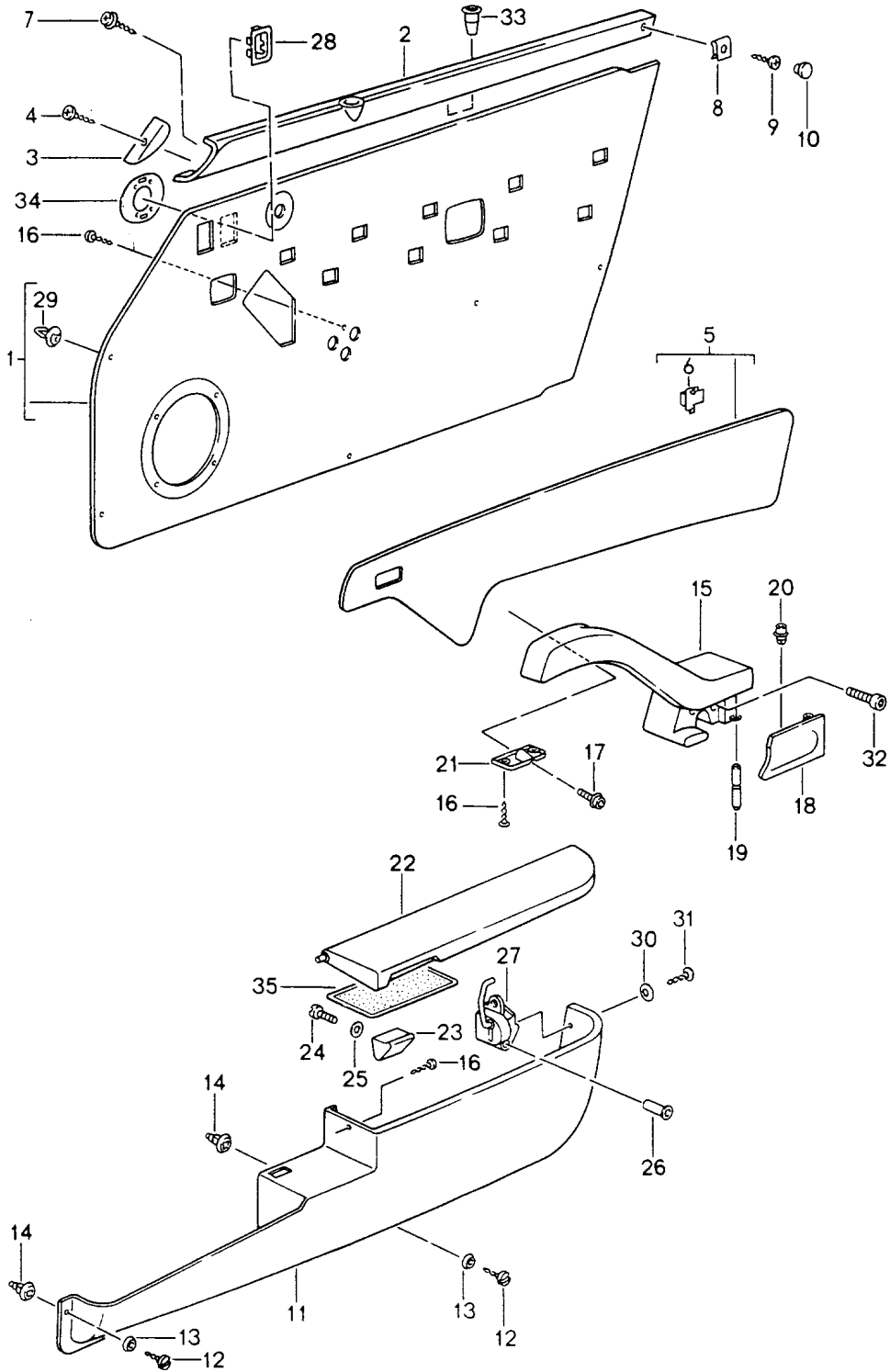


Model: 911 94 Model life 1994>>1998

Pos	Part Number	Description	Remark	Qty	Model
		Interior equipment	96-		TARGA
		Roof			
1	993 555 419 00	Filler piece	/L	1	
(1)	993 555 420 00	Filler piece	/R	1	
2	964 555 563 00	Desk pad		2	
3	993 555 507 00	Lining	/L	1	
		Windscreen frame part			
	993 555 507 00 05T	Black			
(3)	993 555 508 00	Lining	/R	1	
		Windscreen frame part			
	993 555 508 00 05T	Black			
4	993 555 059 01	Lining		1	
		Leatherette			
	993 555 059 01 05T	Black			
5	900 145 075 07	Tapping screw		4	
		4,2 X 16			
(6)	993 562 311 00	Lining	/L	1	
		Roof			
		Leatherette			
	993 562 311 00 05T	Black			
6	993 562 312 00	Lining	/R	1	
		Roof			
		Leatherette			
	993 562 312 00 05T	Black			
-	993 562 733 00	Slide		4	
-	993 562 737 00	Screw		2	
7	999 084 450 02	Hexagon nut		2	
		M 4			
(8)	993 562 313 00	Lining	/L	1	
		B-pillar lining			
		Leatherette			
	993 562 313 00 05T	Black			
8	993 562 314 00	Lining	/R	1	
		B-pillar lining			
		Leatherette			
	993 562 314 00 05T	Black			
9	900 151 048 09	Washer		2	
		4,3			
10	311 867 167	Oval-head sheetmetal screw		2	
		B 4,2 X 13			
11	311 867 169	Cap		2	
	311 867 169 01C	Black			
12	901 552 872 20	Coat hook		2	
13	900 143 151 02	Combination tapping screw		2	
14	901 552 871 40	Cover		2	
	901 552 871 40 01C	Satin black			

Model: 911 94

Model life 1994>>1998



Model: 911 94 Model life 1994>>1998

Pos	Part Number	Description	Remark	Qty	Model
(1)	993 555 031 01	Interior equipment Doors Door trim panel Leatherette	-96 -96 /L	1	CARRERA /4 TURBO/TARGA
	993 555 031 01 05T	Black			
	993 555 031 01 7RT	Cashmere beige			
	993 555 031 01 2WJ	Classic grey			
	993 555 031 01 6HP	Midnight blue			
	993 555 031 01 7PD	Chestnut brown			
	993 555 031 01 8CF	Marble grey			
1	993 555 032 00	Door trim panel Leatherette	/R	1	
	993 555 032 00 05T	Black			
	993 555 032 00 7RT	Cashmere beige			
	993 555 032 00 2WJ	Classic grey			
	993 555 032 00 6HP	Midnight blue			
	993 555 032 00 7PD	Chestnut brown			
	993 555 032 00 8CF	Marble grey			
1	993 555 032 00	Door trim panel Leatherette	/R	1	
	993 555 032 00 05T	Black			
	993 555 032 00 7RT	Cashmere beige			
	993 555 032 00 2WJ	Classic grey			
	993 555 032 00 6HP	Midnight blue			
	993 555 032 00 7PD	Chestnut brown			
	993 555 032 00 8CF	Marble grey			
(1)	993 555 031 03	Door trim panel Leather	/L	1	
	993 555 031 03 8YR	Black			
	993 555 031 03 6XL	Classic grey			
	993 555 031 03 4YU	Cashmere beige			
	993 555 031 03 H24	Midnight blue			
	993 555 031 03 T15	Chestnut brown			
	993 555 031 03 3QN	Marble grey			
	993 555 031 03 G43	Provence blue			
	993 555 031 03 K03	Cedar green			
	993 555 031 03 8SE	Flamenco red			
	993 555 031 03 E38	Rubicon grey	96		
(1)	993 555 032 02	Door trim panel Leather	/R	1	
	993 555 032 02 8YR	Black			
	993 555 032 02 6XL	Classic grey			
	993 555 032 02 4YU	Cashmere beige			
	993 555 032 02 H24	Midnight blue			
	993 555 032 02 T15	Chestnut brown			
	993 555 032 02 3QN	Marble grey			
	993 555 032 02 G43	Provence blue			
	993 555 032 02 K03	Cedar green			
	993 555 032 02 8SE	Flamenco red			
	993 555 032 02 E38	Rubicon grey	96		
-	993 555 715 00	Plastic foam strip		2	
(2)	993 555 083 01	Cover strip Leatherette	/L	1	
	993 555 083 01 05T	Black			
	993 555 083 01 9WH	Classic grey			
	993 555 083 01 3HP	Midnight blue			
	993 555 083 01 6PN	Chestnut brown			
2	993 555 084 00	Cover strip Leatherette	/R	1	
	993 555 084 00 05T	Black			
	993 555 084 00 9WH	Classic grey			
	993 555 084 00 3HP	Midnight blue			
	993 555 084 00 6PN	Chestnut brown			

Model: 911 94 Model life 1994>>1998

Pos	Part Number	Description	Remark	Qty	Model
(2)	993 555 083 03	Cover strip Leather	/L	1	
	993 555 083 03 8YR	Black			
	993 555 083 03 6XL	Classic grey			
	993 555 083 03 H24	Midnight blue			
	993 555 083 03 T15	Chestnut brown			
	993 555 083 03 K03	Cedar green			
	993 555 083 03 8SE	Flamenco red			
	993 555 083 03 E38	Rubicon grey	96		
2	993 555 084 02	Cover strip Leather	/R	1	
	993 555 084 02 8YR	Black			
	993 555 084 02 6XL	Classic grey			
	993 555 084 02 H24	Midnight blue			
	993 555 084 02 T15	Chestnut brown			
	993 555 084 02 K03	Cedar green			
	993 555 084 02 8SE	Flamenco red			
	993 555 084 02 E38	Rubicon grey	96		
(3)	911 555 421 00	Cap	/L	1	
	911 555 421 00 01C	Black			
3	911 555 422 00	Cap	/R	1	
	911 555 422 00 01C	Black			
4	N 014 093 3	Oval-head sheetmetal screw B 4,2 X 13		2	
(5)	993 555 093 00	Trim cover Leatherette	/L	1	
	993 555 093 00 05T	Black			
	993 555 093 00 2WJ	Classic grey			
	993 555 093 00 6HP	Midnight blue			
	993 555 093 00 7PD	Chestnut brown			
	993 555 093 00 8CF	Marble grey			
	993 555 093 00 7RT	Cashmere beige			
5	993 555 094 00	Trim cover Leatherette	/R	1	
	993 555 094 00 05T	Black			
	993 555 094 00 2WJ	Classic grey			
	993 555 094 00 6HP	Midnight blue			
	993 555 094 00 7PD	Chestnut brown			
	993 555 094 00 8CF	Marble grey			
	993 555 094 00 7RT	Cashmere beige			
(5)	993 555 093 01	Trim cover Leather	/L	1	
	993 555 093 01 8YR	Black			
	993 555 093 01 6XL	Classic grey			
	993 555 093 01 4YU	Cashmere beige			
	993 555 093 01 H24	Midnight blue			
	993 555 093 01 T15	Chestnut brown			
	993 555 093 01 3QN	Marble grey			
	993 555 093 01 G43	Provence blue			
	993 555 093 01 K03	Cedar green			
	993 555 093 01 8SE	Flamenco red			
	993 555 093 01 E38	Rubicon grey	96		
5	993 555 094 01	Trim cover Leather	/R	1	
	993 555 094 01 8YR	Black			
	993 555 094 01 6XL	Classic grey			
	993 555 094 01 4YU	Cashmere beige			
	993 555 094 01 H24	Midnight blue			
	993 555 094 01 T15	Chestnut brown			
	993 555 094 01 3QN	Marble grey			
	993 555 094 01 G43	Provence blue			
	993 555 094 01 K03	Cedar green			
	993 555 094 01 8SE	Flamenco red			

Model: 911 94 Model life 1994>>1998

Pos	Part Number	Description	Remark	Qty	Model
	993 555 094 01 E38	Rubicon grey	96		
6	999 507 432 02	Clamp		20	
7	900 143 177 02	Combination tapping screw B 4,2 X 13		4	
8	N 100 665 01	Speed nut B 3,5		2	
9	N 013 958 7	Oval-head sheetmetal screw B 3,5 X 13		2	
10	999 703 077 40	Cap		2	
(11)	993 555 147 02	Package box Carpet/ Wrapping strap Leatherette	/L	1	M490
	993 555 147 02 5FV	Black/black			
	993 555 147 02 8UT	Cashmere beige/cash. beige			
	993 555 147 02 4XR	Classic grey/classic grey			
	993 555 147 02 3GE	Midnight bl./midnight blue			
	993 555 147 02 6SC	Chestnut brown/ Chestnut brown			
11	993 555 148 02	Package box Carpet/ Wrapping strap Leatherette	/R	1	M490
	993 555 148 02 5FV	Black/black			
	993 555 148 02 8UT	Cashmere beige/cash. beige			
	993 555 148 02 4XR	Classic grey/classic grey			
	993 555 148 02 3GE	Midnight bl./midnight blue			
	993 555 148 02 6SC	Chestnut brown/ Chestnut brown			
(11)	993 555 037 01	Package box Carpet/ Wrapping strap Leather	/L	1	
	993 555 037 01 5FV	Black/black			
	993 555 037 01 8UT	Cashmere beige/cash. beige			
	993 555 037 01 4XR	Classic grey/classic grey			
	993 555 037 01 3GE	Midnight bl./midnight blue			
	993 555 037 01 6SC	Chestnut brown/ Chestnut brown			
	993 555 037 01 DDQ	Florentine gr./marble grey			
	993 555 037 01 1HQ	Provence blue/provence bl.			
	993 555 037 01 2JP	Cedar green/cedar green			
	993 555 037 01 3TE	Flamenco red/flamenco red			
11	993 555 037 01 8AS	Rubicon grey/rubicon grey	96		
	993 555 038 01	Package box Carpet/ Wrapping strap Leather	/R	1	
	993 555 038 01 5FV	Black/black			
	993 555 038 01 8UT	Cashmere beige/cash. beige			
	993 555 038 01 4XR	Classic grey/classic grey			
	993 555 038 01 3GE	Midnight bl./midnight blue			
	993 555 038 01 6SC	Chestnut brown/ Chestnut brown			
	993 555 038 01 DDQ	Florentine gr./marble grey			
	993 555 038 01 1HQ	Provence blue/provence bl.			
	993 555 038 01 2JP	Cedar green/cedar green			
	993 555 038 01 3TE	Flamenco red/flamenco red			
(11)	993 555 038 01 8AS	Rubicon grey/rubicon grey	96		
	993 555 147 01	Package box Carpet/ Wrapping strap Leather	/L	1	M490

Model: 911 94 Model life 1994>>1998

Pos	Part Number	Description	Remark	Qty	Model
	993 555 147 01 5FV	Black/black			
	993 555 147 01 8UT	Cashmere beige/cash. beige			
	993 555 147 01 4XR	Classic grey/classic grey			
	993 555 147 01 3GE	Midnight bl./midnight blue			
	993 555 147 01 6SC	Chestnut brown/ Chestnut brown			
	993 555 147 01 DDQ	Florentine gr./marble grey			
	993 555 147 01 1HQ	Provence blue/provence bl.			
	993 555 147 01 2JP	Cedar green/cedar green			
	993 555 147 01 3TE	Flamenco red/flamenco red			
	993 555 147 01 8AS	Rubicon grey/rubicon grey	96		
(11)	993 555 148 01	Package box Carpet/ Wrapping strap Leather	/R	1	M490
	993 555 148 01 5FV	Black/black			
	993 555 148 01 8UT	Cashmere beige/cash. beige			
	993 555 148 01 4XR	Classic grey/classic grey			
	993 555 148 01 3GE	Midnight bl./midnight blue			
	993 555 148 01 6SC	Chestnut brown/ Chestnut brown			
	993 555 148 01 DDQ	Florentine gr./marble grey			
	993 555 148 01 1HQ	Provence blue/provence bl.			
	993 555 148 01 2JP	Cedar green/cedar green			
	993 555 148 01 3TE	Flamenco red/flamenco red			
	993 555 148 01 8AS	Rubicon grey/rubicon grey	96		
12	900 145 026 07	Tapping screw B 4,2 X 22		8	
13	999 591 103 17	Protection washer		8	
13	PCG 591 103 17	Protection washer		8	
14	999 591 717 40	Expander nut		10	
14		Expander nut B 4,2		18	M490
(15)	993 555 097 00	Grab handle Leatherette	/L	1	
	993 555 097 00 041	Black			
	993 555 097 00 2UU	Cashmere beige			
	993 555 097 00 8WR	Classic grey			
	993 555 097 00 8GE	Midnight blue			
	993 555 097 00 2PT	Chestnut brown			
	993 555 097 00 1AQ	Marble grey			
15	993 555 098 00	Grab handle Leatherette	/R	1	
	993 555 098 00 041	Black			
	993 555 098 00 2UU	Cashmere beige			
	993 555 098 00 8WR	Classic grey			
	993 555 098 00 8GE	Midnight blue			
	993 555 098 00 2PT	Chestnut brown			
	993 555 098 00 1AQ	Marble grey			
(15)	993 555 097 01	Grab handle Leather	/L	1	
	993 555 097 01 8YR	Black			
	993 555 097 01 6XL	Classic grey			
	993 555 097 01 4YU	Cashmere beige			
	993 555 097 01 H24	Midnight blue			
	993 555 097 01 T15	Chestnut brown			
	993 555 097 01 3QN	Marble grey			
	993 555 097 01 G43	Provence blue			
	993 555 097 01 K03	Cedar green			
	993 555 097 01 8SE	Flamenco red			
	993 555 097 01 E38	Rubicon grey	96		
15	993 555 098 01	Grab handle Leather	/R	1	

Model: 911 94 Model life 1994>>1998

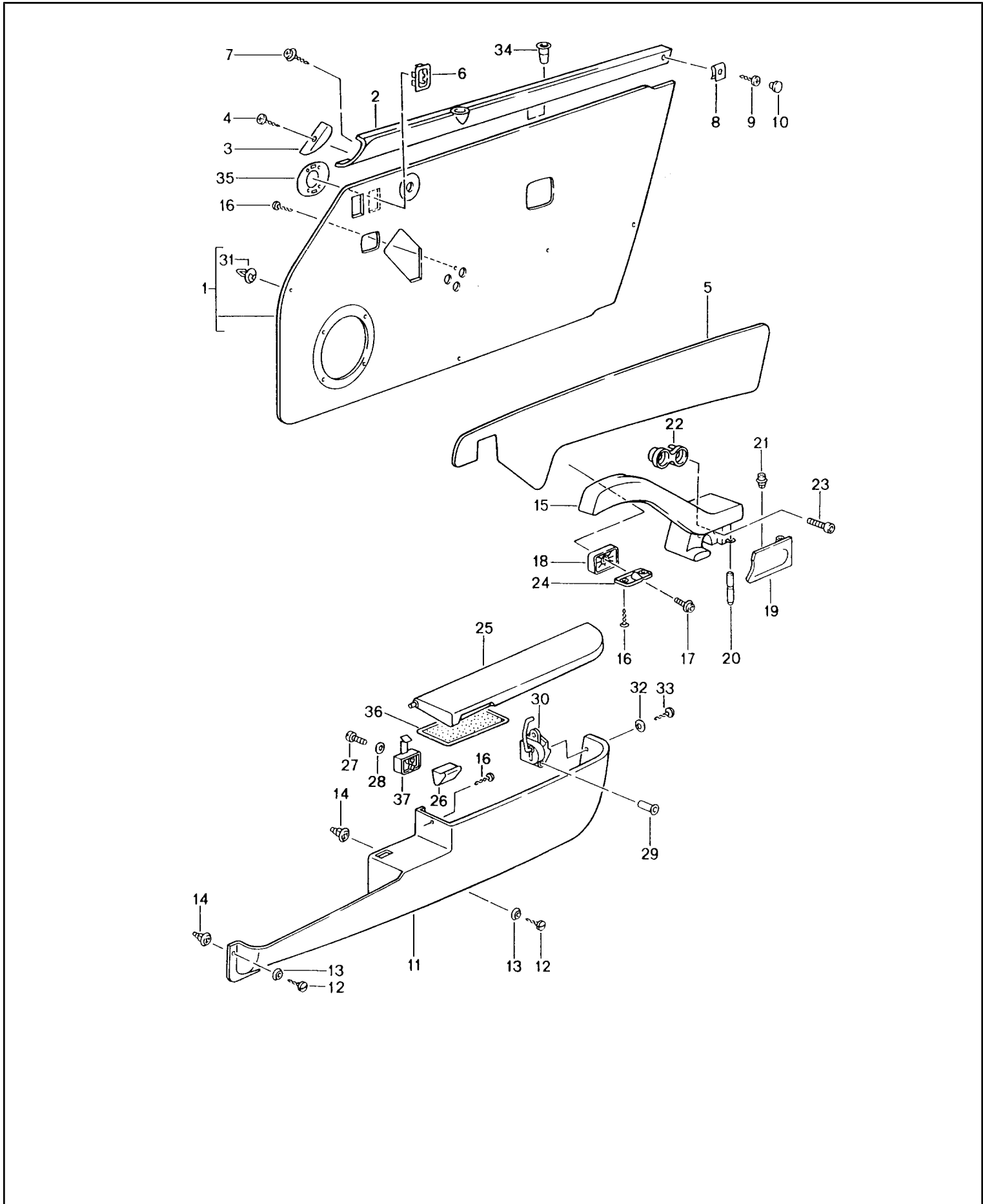
Pos	Part Number	Description	Remark	Qty	Model
	993 555 098 01 8YR	Black			
	993 555 098 01 6XL	Classic grey			
	993 555 098 01 4YU	Cashmere beige			
	993 555 098 01 H24	Midnight blue			
	993 555 098 01 T15	Chestnut brown			
	993 555 098 01 3QN	Marble grey			
	993 555 098 01 G43	Provence blue			
	993 555 098 01 K03	Cedar green			
	993 555 098 01 8SE	Flamenco red			
	993 555 098 01 E38	Rubicon grey	96		
16	999 919 084 07	Oval-head screw 4,0 X 16		8	
17	900 067 240 02	Combination screw M 6 X 12		2	
(18)	993 555 851 00	Door opener	/L	1	
	993 555 851 00 01C	Satin black			
18	993 555 852 00	Door opener	/R	1	
	993 555 852 00 01C	Satin black			
19	993 555 583 00	Bolt		2	
20	993 531 563 00	Linkage clip	94	2	
20		Linkage clip		2	
21	993 555 697 00	Trim cover		2	
	993 555 697 00 01C	Satin black			
(22)	911 555 039 03	Lid	/L	1	
		Lacquered			
	911 555 039 03 041	Black			
	911 555 039 03 2UU	Cashmere beige			
	911 555 039 03 2YJ	Classic grey			
	911 555 039 03 7GP	Midnight blue			
	911 555 039 03 1PS	Chestnut brown			
	911 555 039 03 9BZ	Marble grey			
22	911 555 040 03	Lid	/R	1	
		Lacquered			
	911 555 040 03 041	Black			
	911 555 040 03 2UU	Cashmere beige			
	911 555 040 03 2YJ	Classic grey			
	911 555 040 03 7GP	Midnight blue			
	911 555 040 03 1PS	Chestnut brown			
	911 555 040 03 9BZ	Marble grey			
(22)	993 555 039 00	Lid	/L	1	
		Leather			
	993 555 039 00 8YR	Black			
	993 555 039 00 6XL	Classic grey			
	993 555 039 00 4YU	Cashmere beige			
	993 555 039 00 H24	Midnight blue			
	993 555 039 00 T15	Chestnut brown			
	993 555 039 00 3QN	Marble grey			
	993 555 039 00 G43	Provence blue			
	993 555 039 00 K03	Cedar green			
	993 555 039 00 8SE	Flamenco red			
	993 555 039 00 E38	Rubicon grey	96		
22	993 555 040 00	Lid	/R	1	
		Leather			
	993 555 040 00 8YR	Black			
	993 555 040 00 6XL	Classic grey			
	993 555 040 00 4YU	Cashmere beige			
	993 555 040 00 H24	Midnight blue			
	993 555 040 00 T15	Chestnut brown			
	993 555 040 00 3QN	Marble grey			
	993 555 040 00 G43	Provence blue			
	993 555 040 00 K03	Cedar green			
	993 555 040 00 8SE	Flamenco red			
	993 555 040 00 E38	Rubicon grey	96		

Model: 911 94 Model life 1994>>1998

Pos	Part Number	Description	Remark	Qty	Model
23	914 555 059 10	Support		2	
24	900 146 120 02	Oval-head screw M 4 X 10		2	
25	900 151 028 02	Washer B 4,3		2	
25	900 151 028 01	Washer B 4,3		2	
26	900 206 018 02	Tubular rivet 6 X 0,4 X 12	94	4	
26		Tubular rivet 6 X 0,4 X 20	96-	4	
27	911 555 045 03	Bearing	/L	1	
(27)	911 555 046 03	Bearing	/R	1	
28	911 613 635 20	Assembly frame		3	
29	823 867 299	Clip		3	
30	999 704 605 07	Cone washer 5,3		2	
31	900 145 079 07	Oval-head sheetmetal screw 4,8 X 19		2	
32	900 067 238 02	Combination screw M 6 X 30		4	
32	900 067 238 01	Combination screw M 6 X 30		4	
33	999 507 448 40	Expander nut 5,5 X 15		2	
34	993 555 653 00	Mounting plate		2	
-	999 190 215 30	Blind rivet 4,0 X 6,9		4	
35	964 552 121 00	Insert		1	
	964 552 121 00 01C	Satin black			
35	993 552 091 00	Insert		1	

Model: 911 94

Model life 1994>>1998



Model: 911 94 Model life 1994>>1998

Pos	Part Number	Description	Remark	Qty	Model
		Interior equipment Doors	97-		CARRERA /4 TURBO/TARGA CARRERA S
(1)	993 555 031 16	Door trim panel Leatherette	/L	1	
	993 555 031 16 05T	Black			
	993 555 031 16 7RT	Cashmere beige			
	993 555 031 16 2WJ	Classic grey			
	993 555 031 16 6HP	Midnight blue			
	993 555 031 16 7PD	Chestnut brown			
1	993 555 032 15	Door trim panel Leatherette	/R	1	
	993 555 032 15 05T	Black			
	993 555 032 15 7RT	Cashmere beige			
	993 555 032 15 2WJ	Classic grey			
	993 555 032 15 6HP	Midnight blue			
	993 555 032 15 7PD	Chestnut brown			
(1)	993 555 031 18	Door trim panel Leather	/L	1	
	993 555 031 18 8YR	Black			
	993 555 031 18 6XL	Classic grey			
	993 555 031 18 H24	Midnight blue			
	993 555 031 18 T15	Chestnut brown			
	993 555 031 18 E38	Rubicon grey	97		
	993 555 031 18 J30	Nephrite green			
	993 555 031 18 M30	Boxster red			
	993 555 031 18 B50	Space grey	98-		
(1)	993 555 032 17	Door trim panel Leather	/R	1	
	993 555 032 17 8YR	Black			
	993 555 032 17 6XL	Classic grey			
	993 555 032 17 H24	Midnight blue			
	993 555 032 17 T15	Chestnut brown			
	993 555 032 17 E38	Rubicon grey	97		
	993 555 032 17 J30	Nephrite green			
	993 555 032 17 M30	Boxster red			
	993 555 032 17 B50	Space grey	98-		
(1)	993 555 031 20	Door trim panel Leather	/L	1	CARRERA S
	993 555 031 20 A04	Black			
(1)	993 555 032 19	Door trim panel Leather	/R	1	CARRERA S
	993 555 032 19 A04	Black			
-	993 555 715 00	Plastic foam strip		2	
(2)	993 555 083 01	Cover strip Leatherette	/L	1	
	993 555 083 01 05T	Black			
	993 555 083 01 9WH	Classic grey			
	993 555 083 01 3HP	Midnight blue			
	993 555 083 01 6PN	Chestnut brown			
2	993 555 084 00	Cover strip Leatherette	/R	1	
	993 555 084 00 05T	Black			
	993 555 084 00 9WH	Classic grey			
	993 555 084 00 3HP	Midnight blue			
	993 555 084 00 6PN	Chestnut brown			
(2)	993 555 083 03	Cover strip Leather	/L	1	
	993 555 083 03 8YR	Black			
	993 555 083 03 6XL	Classic grey			
	993 555 083 03 H24	Midnight blue			
	993 555 083 03 T15	Chestnut brown			
	993 555 083 03 E38	Rubicon grey	97		

Model: 911 94 Model life 1994>>1998

Pos	Part Number	Description	Remark	Qty	Model	
2	993 555 083 03 J30	Nephrite green				
	993 555 083 03 M30	Boxster red				
	993 555 083 03 B50	Space grey	98-			
	993 555 084 02	Cover strip	/R	1		
		Leather				
	993 555 084 02 8YR	Black				
	993 555 084 02 6XL	Classic grey				
	993 555 084 02 H24	Midnight blue				
	993 555 084 02 T15	Chestnut brown				
	993 555 084 02 E38	Rubicon grey	97			
(3)	993 555 084 02 J30	Nephrite green				
	993 555 084 02 M30	Boxster red				
	993 555 084 02 B50	Space grey	98-			
	911 555 421 00	Cap	/L	1		
	911 555 421 00 01C	Black				
	3	911 555 422 00	Cap	/R	1	
		911 555 422 00 01C	Black			
	4	N 014 093 3	Oval-head sheetmetal screw		2	
			B 4,2 X 13			
	(5)	993 555 093 02	Trim cover	/L	1	
		Leatherette				
993 555 093 02 05T		Black				
993 555 093 02 2WJ		Classic grey				
993 555 093 02 6HP		Midnight blue				
993 555 093 02 7PD		Chestnut brown				
993 555 093 02 7RT		Cashmere beige				
5		993 555 094 02	Trim cover	/R	1	
			Leatherette			
		993 555 094 02 05T	Black			
	993 555 094 02 2WJ	Classic grey				
	993 555 094 02 6HP	Midnight blue				
	993 555 094 02 7PD	Chestnut brown				
	993 555 094 02 7RT	Cashmere beige				
(5)	993 555 093 03	Trim cover	/L	1		
		Leather				
	993 555 093 03 8YR	Black				
	993 555 093 03 6XL	Classic grey				
	993 555 093 03 4YU	Cashmere beige				
	993 555 093 03 H24	Midnight blue				
	993 555 093 03 T15	Chestnut brown				
	993 555 093 03 E38	Rubicon grey	97			
	993 555 093 03 J30	Nephrite green				
	993 555 093 03 M30	Boxster red				
5	993 555 093 03 B50	Space grey	98-			
	993 555 094 03	Trim cover	/R	1		
		Leather				
	993 555 094 03 8YR	Black				
	993 555 094 03 6XL	Classic grey				
	993 555 094 03 4YU	Cashmere beige				
	993 555 094 03 H24	Midnight blue				
	993 555 094 03 T15	Chestnut brown				
	993 555 094 03 E38	Rubicon grey	97			
	993 555 094 03 J30	Nephrite green				
6	993 555 094 03 M30	Boxster red				
	993 555 094 03 B50	Space grey	98-			
	911 613 635 20	Assembly frame		3		
	7	900 143 177 02	Combination tapping screw		4	
			B 4,2 X 13			
	8	N 100 665 01	Speed nut		2	
			B 3,5			
	9	N 013 958 7	Oval-head sheetmetal screw		2	
			B 3,5 X 13			
	10	999 703 077 40	Cap		2	

Model: 911 94 Model life 1994>>1998

Pos	Part Number	Description	Remark	Qty	Model
(11)	993 555 147 02	Package box Carpet/ Wrapping strap Leatherette	/L	1	M490
	993 555 147 02 5FV	Black/black			
	993 555 147 02 8UT	Cashmere beige/cash. beige			
	993 555 147 02 4XR	Classic grey/classic grey			
	993 555 147 02 3GE	Midnight bl./midnight blue			
	993 555 147 02 6SC	Chestnut brown/ Chestnut brown			
11	993 555 148 02	Package box Carpet/ Wrapping strap Leatherette	/R	1	M490
	993 555 148 02 5FV	Black/black			
	993 555 148 02 8UT	Cashmere beige/cash. beige			
	993 555 148 02 4XR	Classic grey/classic grey			
	993 555 148 02 3GE	Midnight bl./midnight blue			
	993 555 148 02 6SC	Chestnut brown/ Chestnut brown			
(11)	993 555 037 01	Package box Carpet/ Wrapping strap Leather	/L	1	
	993 555 037 01 5FV	Black/black			
	993 555 037 01 8UT	Cashmere beige/cash. beige			
	993 555 037 01 4XR	Classic grey/classic grey			
	993 555 037 01 3GE	Midnight bl./midnight blue			
	993 555 037 01 6SC	Chestnut brown/ Chestnut brown			
	993 555 037 01 8AS	Rubicon grey/rubicon grey	97		
	993 555 037 01 J30	Nephrite gr./nephr. green			
	993 555 037 01 M30	Boxster red/boxster red			
	993 555 037 01 B50	Space grey/space grey	98-		
11	993 555 038 01	Package box Carpet/ Wrapping strap Leather	/R	1	
	993 555 038 01 5FV	Black/black			
	993 555 038 01 8UT	Cashmere beige/cash. beige			
	993 555 038 01 4XR	Classic grey/classic grey			
	993 555 038 01 3GE	Midnight bl./midnight blue			
	993 555 038 01 6SC	Chestnut brown/ Chestnut brown			
	993 555 038 01 8AS	Rubicon grey/rubicon grey	97		
	993 555 038 01 J30	Nephrite gr./nephr. green			
	993 555 038 01 M30	Boxster red/boxster red			
	993 555 038 01 B50	Space grey/space grey	98-		
(11)	993 555 147 03	Package box Carpet/ Wrapping strap Leather	/L	1	M490
	993 555 147 03 5FV	Black/black			
	993 555 147 03 8UT	Cashmere beige/cash. beige			
	993 555 147 03 4XR	Classic grey/classic grey			
	993 555 147 03 3GE	Midnight bl./midnight blue			
	993 555 147 03 6SC	Chestnut brown/ Chestnut brown			
	993 555 147 03 8AS	Rubicon grey/rubicon grey	97		
	993 555 147 03 J30	Nephrite gr./nephr. green			
	993 555 147 03 M30	Boxster red/boxster red			
	993 555 147 03 B50	Space grey/space grey	98-		
(11)	993 555 148 03	Package box	/R	1	M490

Model: 911 94 Model life 1994>>1998

Pos	Part Number	Description	Remark	Qty	Model
		Carpet/ Wrapping strap Leather			
	993 555 148 03 5FV	Black/black			
	993 555 148 03 8UT	Cashmere beige/cash. beige			
	993 555 148 03 4XR	Classic grey/classic grey			
	993 555 148 03 3GE	Midnight bl./midnight blue			
	993 555 148 03 6SC	Chestnut brown/ Chestnut brown			
	993 555 148 03 8AS	Rubicon grey/rubicon grey	97		
	993 555 148 03 J30	Nephrite gr./nephr. green			
	993 555 148 03 M30	Boxster red/boxster red			
	993 555 148 03 B50	Space grey/space grey	98-		
12	900 145 026 07	Tapping screw B 4,2 X 22		8	
13	999 591 103 17	Protection washer		8	
13	PCG 591 103 17	Protection washer		8	
14	999 591 717 40	Expander nut		10	
14		Expander nut B 4,2		18	M490
(15)	993 555 097 00	Grab handle Leatherette	/L	1	
	993 555 097 00 041	Black			
	993 555 097 00 2UU	Cashmere beige			
	993 555 097 00 8WR	Classic grey			
	993 555 097 00 8GE	Midnight blue			
	993 555 097 00 2PT	Chestnut brown			
15	993 555 098 00	Grab handle Leatherette	/R	1	
	993 555 098 00 041	Black			
	993 555 098 00 2UU	Cashmere beige			
	993 555 098 00 8WR	Classic grey			
	993 555 098 00 8GE	Midnight blue			
	993 555 098 00 2PT	Chestnut brown			
(15)	993 555 097 01	Grab handle Leather	/L	1	
	993 555 097 01 8YR	Black			
	993 555 097 01 6XL	Classic grey			
	993 555 097 01 4YU	Cashmere beige			
	993 555 097 01 H24	Midnight blue			
	993 555 097 01 T15	Chestnut brown			
	993 555 097 01 E38	Rubicon grey	97		
	993 555 097 01 J30	Nephrite green			
	993 555 097 01 M30	Boxster red			
	993 555 097 01 B50	Space grey	98-		
15	993 555 098 01	Grab handle Leather	/R	1	
	993 555 098 01 8YR	Black			
	993 555 098 01 6XL	Classic grey			
	993 555 098 01 4YU	Cashmere beige			
	993 555 098 01 H24	Midnight blue			
	993 555 098 01 T15	Chestnut brown			
	993 555 098 01 E38	Rubicon grey	97		
	993 555 098 01 J30	Nephrite green			
	993 555 098 01 M30	Boxster red			
	993 555 098 01 B50	Space grey	98-		
17	900 067 269 02	Combination screw M 6 X 16		2	
17	900 067 269 01	Combination screw M 6 X 16		2	
18	993 555 707 00	Spacer		2	
(19)	993 555 851 00	Door opener	/L	1	
	993 555 851 00 01C	Satin black			

Model: 911 94 Model life 1994>>1998

Pos	Part Number	Description	Remark	Qty	Model
19	993 555 852 00	Door opener	/R	1	
	993 555 852 00 01C	Satin black			
20	993 555 583 00	Bolt		2	
21	993 531 563 00	Linkage clip		2	
22	993 555 807 00	Spacer		2	
23	900 067 316 02	Combination screw M 6 X 35		4	
24	993 555 697 00	Trim cover		2	
	993 555 697 00 01C	Satin black			
(25)	911 555 039 03	Lid	/L	1	
		Lacquered			
	911 555 039 03 041	Black			
	911 555 039 03 2UU	Cashmere beige			
	911 555 039 03 2YJ	Classic grey			
	911 555 039 03 7GP	Midnight blue			
	911 555 039 03 1PS	Chestnut brown			
25	911 555 040 03	Lid	/R	1	
		Lacquered			
	911 555 040 03 041	Black			
	911 555 040 03 2UU	Cashmere beige			
	911 555 040 03 2YJ	Classic grey			
	911 555 040 03 7GP	Midnight blue			
	911 555 040 03 1PS	Chestnut brown			
(25)	993 555 039 00	Lid	/L	1	
		Leather			
	993 555 039 00 8YR	Black			
	993 555 039 00 6XL	Classic grey			
	993 555 039 00 4YU	Cashmere beige			
	993 555 039 00 H24	Midnight blue			
	993 555 039 00 T15	Chestnut brown			
	993 555 039 00 E38	Rubicon grey	97		
	993 555 039 00 J30	Nephrite green			
	993 555 039 00 M30	Boxster red			
	993 555 039 00 B50	Space grey	98-		
(25)	993 555 040 00	Lid	/R	1	
		Leather			
	993 555 040 00 8YR	Black			
	993 555 040 00 6XL	Classic grey			
	993 555 040 00 4YU	Cashmere beige			
	993 555 040 00 H24	Midnight blue			
	993 555 040 00 T15	Chestnut brown			
	993 555 040 00 E38	Rubicon grey	97		
	993 555 040 00 J30	Nephrite green			
	993 555 040 00 M30	Boxster red			
	993 555 040 00 B50	Space grey	98-		
26	914 555 059 10	Support		2	
27	900 146 150 02	Oval-head screw M 4 X 16		2	
28	900 151 028 02	Washer B 4,3		2	
28	900 151 028 01	Washer B 4,3		2	
29	900 206 018 02	Tubular rivet 6 X 0,4 X 12		4	
29		Tubular rivet 6 X 0,4 X 12		4	
(30)	911 555 045 03	Bearing	/L	1	
30	911 555 046 03	Bearing	/R	1	
31	823 867 299	Clip		3	
32	999 704 605 07	Cone washer 5,3		2	
33	900 145 079 07	Oval-head sheetmetal screw 4,8 X 19		2	

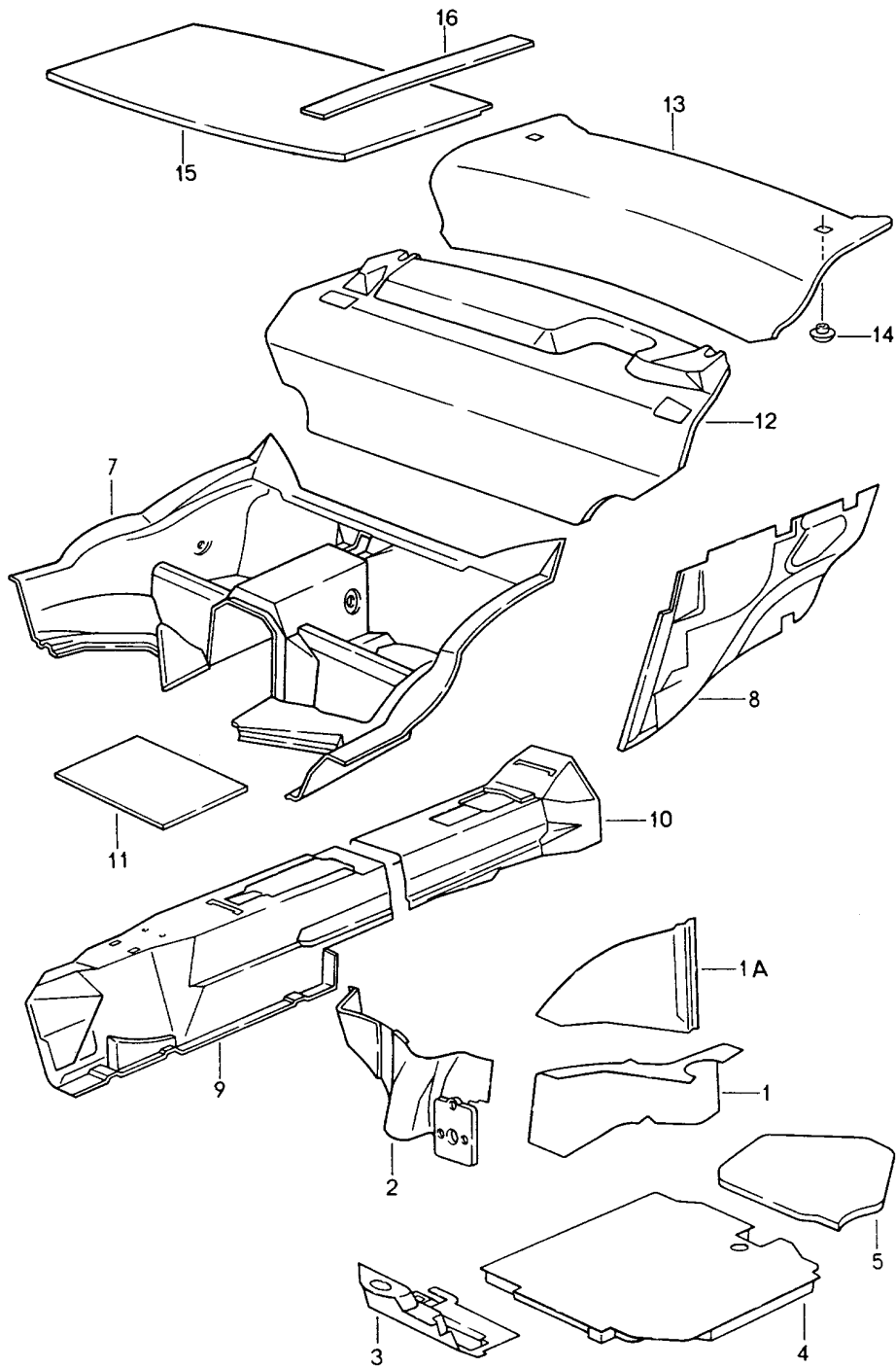
Model: 911 94

Model life 1994>>1998

Pos	Part Number	Description	Remark	Qty	Model
34	999 507 448 40	Expander nut 5,5 X 15		2	
35	993 555 653 00	Mounting plate		2	
-	999 190 215 30	Blind rivet 4,0 X 6,9		4	
36	964 552 121 00	Insert		1	
	964 552 121 00 01C	Satin black			
36	993 552 091 00	Insert		1	
37	993 555 859 00	Spacer		2	

Model: 911 94

Model life 1994>>1998



Model: 911 94 Model life 1994>>1998

Pos	Part Number	Description	Remark	Qty	Model
1	964 556 205 00	Body Sound proofing 1 Sound absorber F >>99SS3 23939 F >>99SS3 43477	/LL /L	1	COUPE CABRIO
1		Sound absorber F >>99SS3 23939 F >>99SS3 43477	/L	1	COUPE CABRIO
(1)	964 556 205 02	Sound absorber F >>99SS3 23939 F >>99SS3 43477	/RL /L	1	COUPE CABRIO
(1)	964 556 206 02	Sound absorber F >>99SS3 23939 F >>99SS3 43477	/LL /R	1	COUPE CABRIO
(1)		Sound absorber F >>99SS3 23939 F >>99SS3 43477	/R	1	COUPE CABRIO
(1)	964 556 206 01	Sound absorber F >>99SS3 23939 F >>99SS3 43477	/RL /R	1	COUPE CABRIO
1A	964 556 207 01	Side section Sound absorber F >>99SS3 23939 F >>99SS3 43477	/LL /L	1	COUPE CABRIO
1A		Sound absorber F >>99SS3 23939 F >>99SS3 43477	/L	1	COUPE CABRIO
(1A)	964 556 208 01	Sound absorber F >>99SS3 23939 F >>99SS3 43477	/RL /R	1	COUPE CABRIO
(1A)	993 556 205 00	Sound absorber F 99SS3 23940>> F 99SS3 43478>>	/L	1	COUPE CABRIO
(1A)	993 556 206 00	Sound absorber Side section F 99SS3 23940>> F 99SS3 43478>>	/R	1	COUPE CABRIO
2	964 556 261 00	Sound absorber	/L -95	1	
3	964 556 263 00	Sound absorber	/L -95	1	
4	993 556 217 00	Sound absorber	/L	1	
(4)	964 556 218 02	Sound absorber	/R	1	
5	993 556 215 00	Sound absorber	/L	1	
(5)	993 556 216 00	Sound absorber	/R	1	
7	993 556 233 01	Floor Sound absorber	/H	1	
(7)	993 556 233 02	Sound absorber		1	CABRIO M335
8	993 556 275 00	Seat well Sound absorber	/L	1	COUPE
(8)	993 556 276 00	Sound absorber Side section	/R /H	1	COUPE
9	964 556 872 02	Sound absorber	/V 94	1	
9	993 556 872 02	Sound absorber	/V -95	1	
(9)		Sound absorber	/V 96-	1	
10	993 556 873 00	Sound absorber Tunnel		1	
11	911 556 902 00	Rear Damping mat		X	
(12)	993 556 239 02	Sound absorber		1	COUPE
(12)	993 556 239 03	Sound absorber Upper part for rear panel		1	CABRIO
13	993 556 281 00	Sound absorber		1	

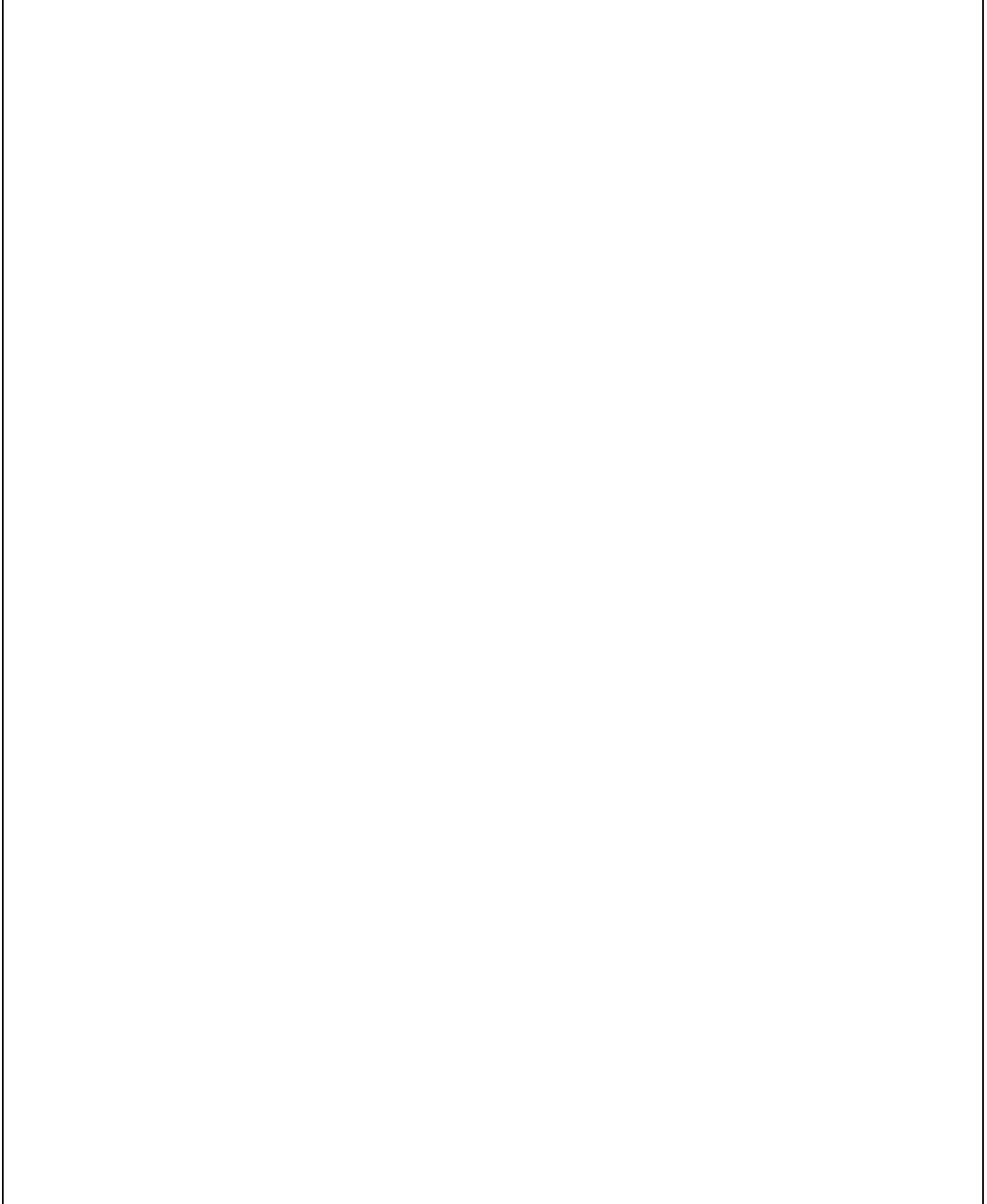
Model: 911 94

Model life 1994>>1998

Pos	Part Number	Description	Remark	Qty	Model
14	999 049 011 40	Engine compartment Push button T 5		10	
15	911 556 023 01	Damping mat Roofliner		1	
15	911 556 023 02	Damping mat Roofliner 100 X 90		1	
16	911 556 248 00	It is necessary to rework Damping strip		3	
-	993 556 521 00	Insulation	-96	2	
-		Insulation	97-	2	
-	993 556 245 00	Door Sound absorber Rear window Lower	96-	1	TARGA

Model: 911 94

Model life 1994>>1998



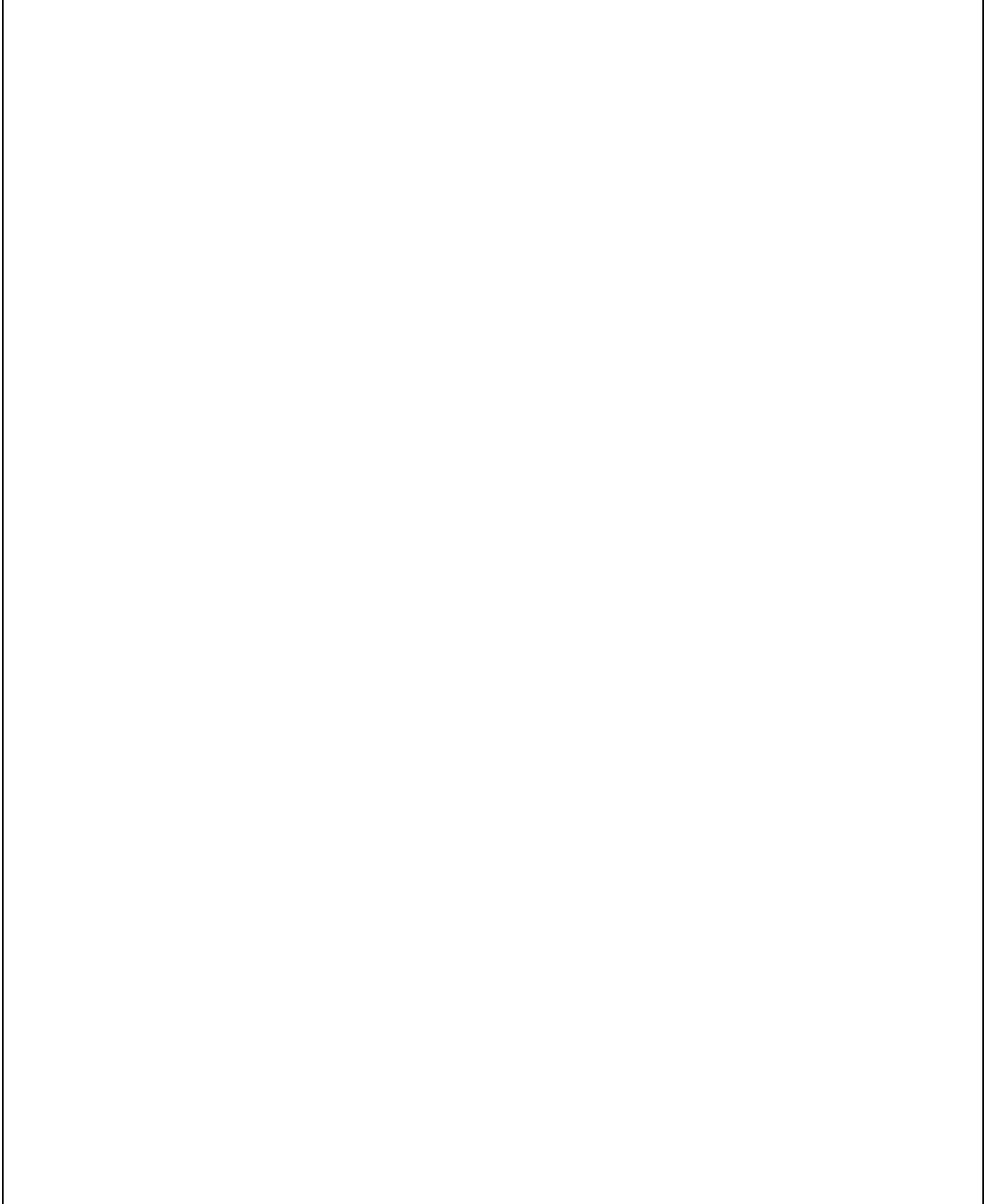
Model: 911 94

Model life 1994>>1998

Pos	Part Number	Description	Remark	Qty	Model
-	PCG 043 204 90 PCG 043 204 90 2CZ	Seat Complete See group 8/07/00 - 8/07/80 Catalogue STZ.18 Cloth PORSCHE logo Black Pieces 2000 MM X 1500 MM		1	
-	PCG 000 000 00 PCG 000 000 00 4GP	Cloth PORSCHE logo Midnight blue Pieces 2000 MM X 1500 MM		1	
-	TPC 000 000 00 TPC 000 000 00 6WC	Cloth by the running meter PORSCHE logo Classic grey Running meter		1	

Model: 911 94

Model life 1994>>1998



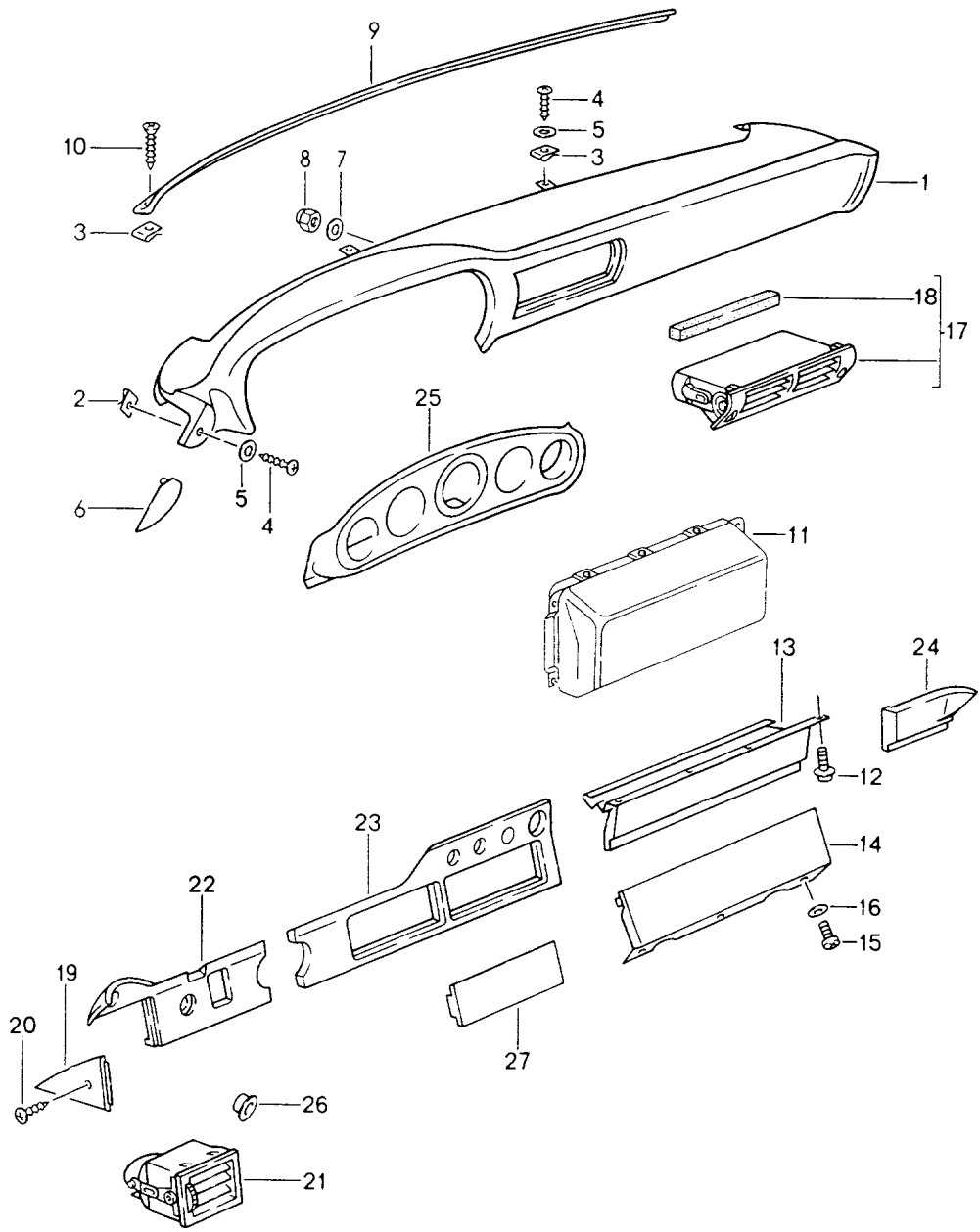
Model: 911 94

Model life 1994>>1998

Pos	Part Number	Description	Remark	Qty	Model
-	PCG 043 204 90 PCG 043 204 90 2CZ	Cloth Pieces Cloth PORSCHE logo Black Pieces 2000 MM X 1500 MM		1	
-	PCG 000 000 00 PCG 000 000 00 4GP	Cloth PORSCHE logo Midnight blue Pieces 2000 MM X 1500 MM		1	

Model: 911 94

Model life 1994>>1998



Model: 911 94 Model life 1994>>1998

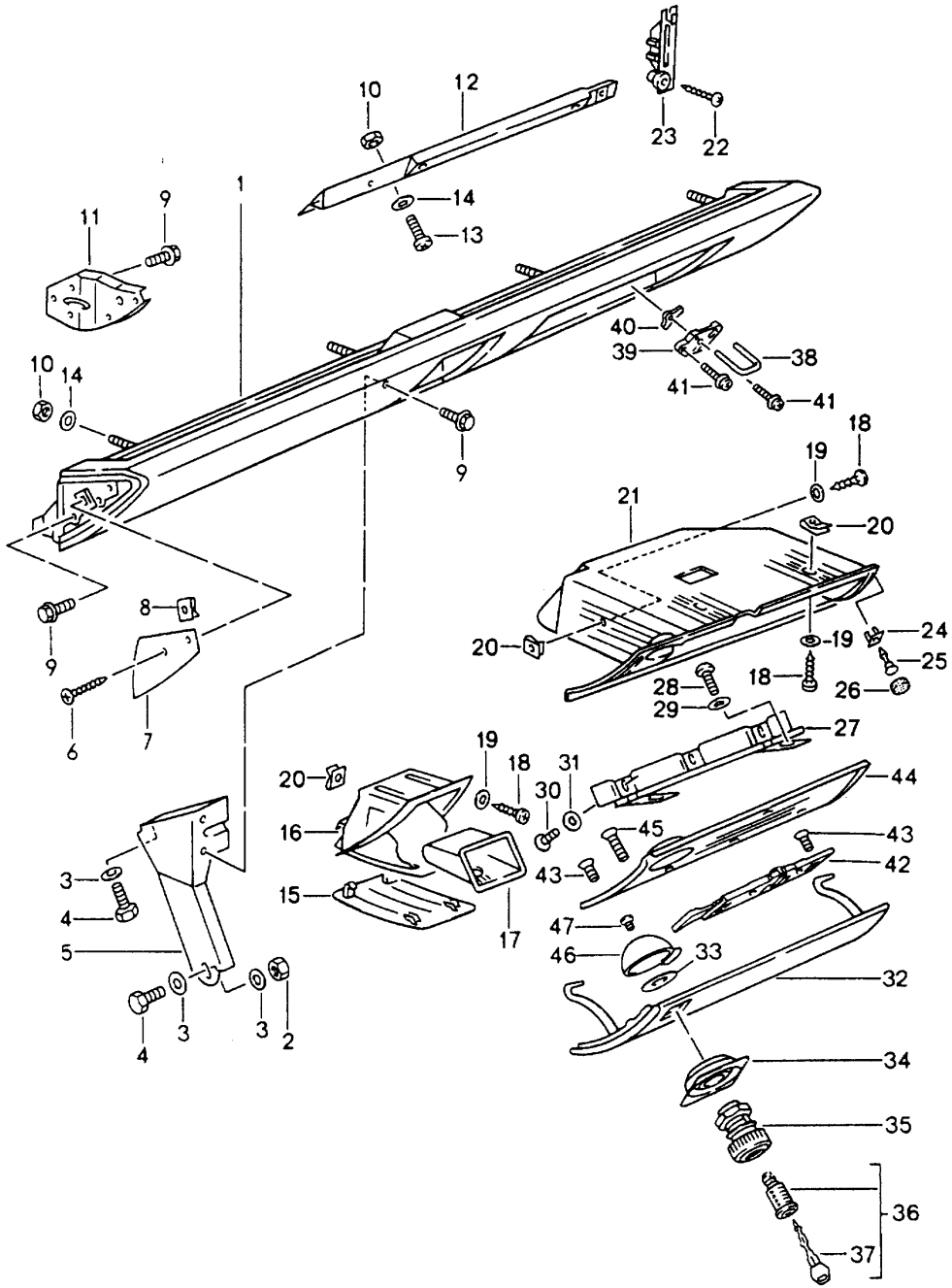
Pos	Part Number	Description	Remark	Qty	Model
1	993 552 055 00	Dashboard for cars with Airbag Passenger's side Dashboard trim Leatherette		1	
	993 552 055 00 05T	Black			
	993 552 055 00 9WH	Classic grey			
	993 552 055 00 3HP	Midnight blue			
	993 552 055 00 6PN	Chestnut brown			
1	993 552 055 01	Dashboard trim Leather		1	
	993 552 055 01 8YR	Black			
	993 552 055 01 A10	Black			
	993 552 055 01 A11	Black			
	993 552 055 01 6XL	Classic grey			
	993 552 055 01 H24	Midnight blue			
	993 552 055 01 T15	Chestnut brown			
	993 552 055 01 K03	Cedar green	-96		
	993 552 055 01 8SE	Flamenco red	-96		
	993 552 055 01 E38	Rubicon grey	96-97		
	993 552 055 01 J30	Nephrite green	97-		
	993 552 055 01 M30	Boxster red	97-		
	993 552 055 01 B50	Space grey	98-		
2	999 591 331 02	Speed nut B 4,2		2	
3	999 591 713 02	Speed nut B 4,2		7	
3	999 591 713 03	Speed nut B 4,2		7	
4	900 143 121 07	Tapping screw		4	
4	900 143 121 0H	Tapping screw		4	
(4)	900 143 177 02	Combination tapping screw B 4,2 X 16		4	
5	900 025 002 02	Washer A 4,3		4	
5	900 025 002 03	Washer A 4,3		4	
6	964 552 231 01	Cover	/L	1	
(6)	964 552 231 01 01C	Satin black			
	964 552 232 01	Cover	/R	1	
	964 552 232 01 01C	Satin black			
7	900 151 006 09	Washer B 6,4		1	
8	900 377 010 09	Hexagon nut M 6		1	
9	964 552 411 00	Defroster trim		1	
	964 552 411 00 5XJ	Black			
	964 552 411 00 5XL	Classic grey			
	964 552 411 00 3GP	Midnight blue			
	964 552 411 00 1QB	Chestnut brown			
9	964 552 411 01	Defroster trim		1	
	964 552 411 01 5XJ	Black			
10	900 145 084 07	Tapping screw B 4,2 X 19		5	
11		Airbag unit Passenger's side See group 4/03/06		1	
12	999 218 062 07	Combination screw Micro-self-locking M 5 X 10		4	
13	993 552 088 00	Lid		1	

Model: 911 94 Model life 1994>>1998

Pos	Part Number	Description	Remark	Qty	Model
13	993 552 088 00 05T 993 552 078 00	Upper part Black Lid	97-	1	CARRERA S
14	993 552 078 00 A04 993 552 090 00	Upper part Leather Black Lid		1	
14	993 552 090 00 05T 993 552 080 00	Lower part Black Lid	97-	1	CARRERA S
15	993 552 080 00 A04 900 146 003 02	Leather Black Oval-head screw		5	
16	900 151 027 02	M 5 X 10 Washer		5	
16	900 151 027 03	B 5,3 Washer		5	
17	964 572 051 00	B 5,3 Centre nozzle		1	
18	964 572 051 00 01C 964 572 787 00	Black Plastic foam strip		1	
19	911 552 591 00	365 X 15 X 10 Cover	/L	1	
(19)	911 552 591 00 01C 911 552 592 00	Satin black Cover	/R	1	
20	911 552 592 00 01C 900 145 003 07	Satin black Tapping screw		2	
21	964 572 261 00	BZ 3,5 X 9,5 Side vent	/L	1	
(21)	964 572 261 00 01C 964 572 262 00	Black Side vent	/R	1	
22	964 572 262 00 01C 964 552 477 00	Black Cover	/L	1	
22	964 552 477 00 05T 993 552 387 00	Black Cover	/L 97-	1	CARRERA S
23	993 552 387 00 A04 964 552 479 00	Leather Black Cover		1	
23	964 552 479 00 05T 993 552 373 00	Black Cover	97-	1	CARRERA S
24	993 552 373 00 A04 964 552 594 00	Leather Black Cover	/R	1	
24	964 552 594 00 05T 993 552 494 00	Black Cover	/R 97-	1	CARRERA S
25	993 552 494 00 A04 911 552 549 00	Leather Black Cover		1	
26	911 552 549 00 700 911 552 217 00	Black Dashboard trim Rosette		1	
27	911 552 217 00 70B 911 552 463 02	Black Trim cover		1	
	911 552 463 02 70B	Black			

Model: 911 94

Model life 1994>>1998



Model: 911 94 Model life 1994>>1998

Pos	Part Number	Description	Remark	Qty	Model
(1)	964 552 053 00	Knee protection strip for cars with Airbag Passenger's side Knee protection strip Complete		1	
	964 552 053 00 05T	Black			
	964 552 053 00 9WH	Classic grey			
	964 552 053 00 3HP	Midnight blue			
	964 552 053 00 6PN	Chestnut brown			
1	964 552 073 06	Knee protection strip Leatherette		1	
	964 552 073 06 05T	Black			
	964 552 073 06 9WH	Classic grey			
	964 552 073 06 3HP	Midnight blue			
	964 552 073 06 6PN	Chestnut brown			
	964 552 073 06 3MX	Burgundy			
(1)	964 552 053 01	Knee protection strip Complete	-96	1	
	964 552 053 01 8YR	Black			
	964 552 053 01 E38	Rubicon grey	96		
	964 552 053 01 H24	Midnight blue			
	964 552 053 01 K03	Cedar green	-96		
	964 552 053 01 T15	Chestnut brown			
	964 552 053 01 6XL	Classic grey			
	964 552 053 01 8SE	Flamenco red	-96		
1	964 552 073 07	Knee protection strip Leather		1	
	964 552 073 07 8YR	Black			
	964 552 073 07 6XL	Classic grey			
	964 552 073 07 H24	Midnight blue			
	964 552 073 07 T15	Chestnut brown			
	964 552 073 07 K03	Cedar green	-96		
	964 552 073 07 8SE	Flamenco red	-96		
	964 552 073 07 E38	Rubicon grey	96-97		
	964 552 073 07 J30	Nephrite green	97-		
	964 552 073 07 M30	Boxster red	97-		
	964 552 073 07 B50	Space grey	98-		
2	900 076 025 02	Hexagon nut M 8		1	
2	900 076 064 02	Hexagon nut M 8		1	
3	900 151 008 02	Washer A 8,4 X 25 X 2		3	
4	900 075 087 02	Hexagon-head bolt M 8 X 16		2	
4	900 075 087 03	Hexagon-head bolt M 8 X 16		2	
5	964 552 069 01	Support Tunnel		1	
6	999 919 114 07	Tapping screw B 3,5 X 16		4	
7	964 552 465 00	Cover	/L	1	
	964 552 465 00 01C	Black			
(7)	964 552 466 00	Cover	/R	1	
	964 552 466 00 01C	Black			
8	999 591 725 02	Speed nut B 3,5		2	
9	900 075 374 02	Combination screw M 6 X 14		12	
9	900 075 374 01	Combination screw M 6 X 14		12	
10	N 011 005 14	Hexagon nut		4	

Model: 911 94 Model life 1994>>1998

Pos	Part Number	Description	Remark	Qty	Model
10	900 076 091 01	M 5 Hexagon nut		4	
11	993 552 377 00	M 5 Support	/L	1	
(11)	993 552 378 00	Support	/R	1	
12	993 552 195 00	Hinge pillar Reinforcement		1	
13	900 146 003 02	Oval-head screw M 5 X 10		6	
14	900 151 027 02	Washer B 5,3		5	
14	900 151 027 03	Washer B 5,3		5	
15	964 552 571 00	Cover Leatherette		1	
	964 552 571 00 05T	Black			
	964 552 571 00 9WH	Classic grey			
	964 552 571 00 3HP	Midnight blue			
	964 552 571 00 6PN	Chestnut brown			
15	964 552 571 01	Cover Leather		1	
	964 552 571 01 8YR	Black			
	964 552 571 01 6XL	Classic grey			
	964 552 571 01 H24	Midnight blue			
	964 552 571 01 T15	Chestnut brown			
	964 552 571 01 K03	Cedar green	-96		
	964 552 571 01 8SE	Flamenco red	-96		
	964 552 571 01 E38	Rubicon grey	96-97		
	964 552 571 01 J30	Nephrite green	97-		
	964 552 571 01 M30	Boxster red	97-		
	964 552 571 01 B50	Space grey	98-		
15	964 552 571 00	Cover		1	
	964 552 571 00 9WH	Classic grey			
	964 552 571 00 3HP	Midnight blue			
16	964 552 923 00	Housing		1	
17	964 552 925 00	Container insert		1	
18	900 143 085 07	Tapping screw B 4,2 X 16		3	
19	900 151 028 07	Washer B 4,3		4	
20	999 591 925 02	Speed nut	94	7	
20	999 591 850 02	Speed nut B 4,2	95-	2	
20	999 591 850 01	Speed nut B 4,2	95-	2	
21	964 552 501 03	Glove compartment		1	
22	999 919 088 02	Oval-head screw 5,0 X 16		2	
23	964 552 723 00	Stop		1	
24	999 591 679 40	Special nut B 4,2		2	
25	N 902 662 01	Combination tapping screw B 3,5 X 16		2	
25	PCG 902 662 01	Combination tapping screw B 4,2 X 16		2	
26	944 552 259 00	Plug		2	
27	964 552 095 00	Hinge		1	
	964 552 095 00 70B	Black			
28	900 146 132 07	Oval-head screw M 5 X 8		2	
29	999 025 234 07	Washer 5,3 X 22 X 1,6		2	
30	900 146 003 02	Oval-head screw		3	

Model: 911 94 Model life 1994>>1998

Pos	Part Number	Description	Remark	Qty	Model
31	900 151 027 02	M 5 X 10 Washer		3	
31	900 151 027 03	B 5,3 Washer		3	
(32)	964 552 123 04	B 5,3 Glove compartment cover Leatherette		1	
	964 552 123 04 05T	Black			
	964 552 123 04 9WH	Classic grey			
	964 552 123 04 3HP	Midnight blue			
	964 552 123 04 6PN	Chestnut brown			
32	964 552 125 04	Glove compartment cover Leatherette		1	
	964 552 125 04 05T	Black			
	964 552 125 04 9WH	Classic grey			
	964 552 125 04 3HP	Midnight blue			
	964 552 125 04 6PN	Chestnut brown			
	964 552 125 04 3MX	Burgundy			
(32)	964 552 123 05	Glove compartment cover Leather		1	
	964 552 123 05 8YR	Black			
	964 552 123 05 6XL	Classic grey			
	964 552 123 05 H24	Midnight blue			
	964 552 123 05 T15	Chestnut brown			
	964 552 123 05 K03	Cedar green	-96		
	964 552 123 05 8SE	Flamenco red	-96		
	964 552 123 05 E38	Rubicon grey			
	964 552 123 05 J30	Nephrite green	97-		
	964 552 123 05 M30	Boxster red	97-		
	964 552 123 05 B50	Space grey	98-		
32	993 552 129 00	Glove compartment cover Leather		1	
	993 552 129 00 8YR	Black			
	993 552 129 00 6XL	Classic grey			
	993 552 129 00 H24	Midnight blue			
	993 552 129 00 T15	Chestnut brown			
	993 552 129 00 K03	Cedar green	-96		
	993 552 129 00 8SE	Flamenco red	-96		
	993 552 129 00 E38	Rubicon grey	96-97		
	993 552 129 00 J30	Nephrite green	97-		
	993 552 129 00 M30	Boxster red	97-		
	993 552 129 00 B50	Space grey	98-		
33	999 025 200 07	Washer		1	
		21,3 X 40 X 1			
34	964 552 312 00	Rosette		1	
	964 552 312 00 01C	Satin black			
35	964 538 061 00	Glove compartment lock		1	
	964 538 061 00 01C	Satin black			
36	964 538 961 00	Lock cylinder W/o stipulated lock number		1	
		Order also: POS.35			
36	964 538 961 01	Lock cylinder State lock number		1	
		Order also: POS.35			
37	911 538 902 00	Replacement key State lock number Information available		X	
38	964 552 633 01	Clip		1	
39	964 552 635 01	Mounting plate		1	
40	964 552 637 01	Clamping piece		1	

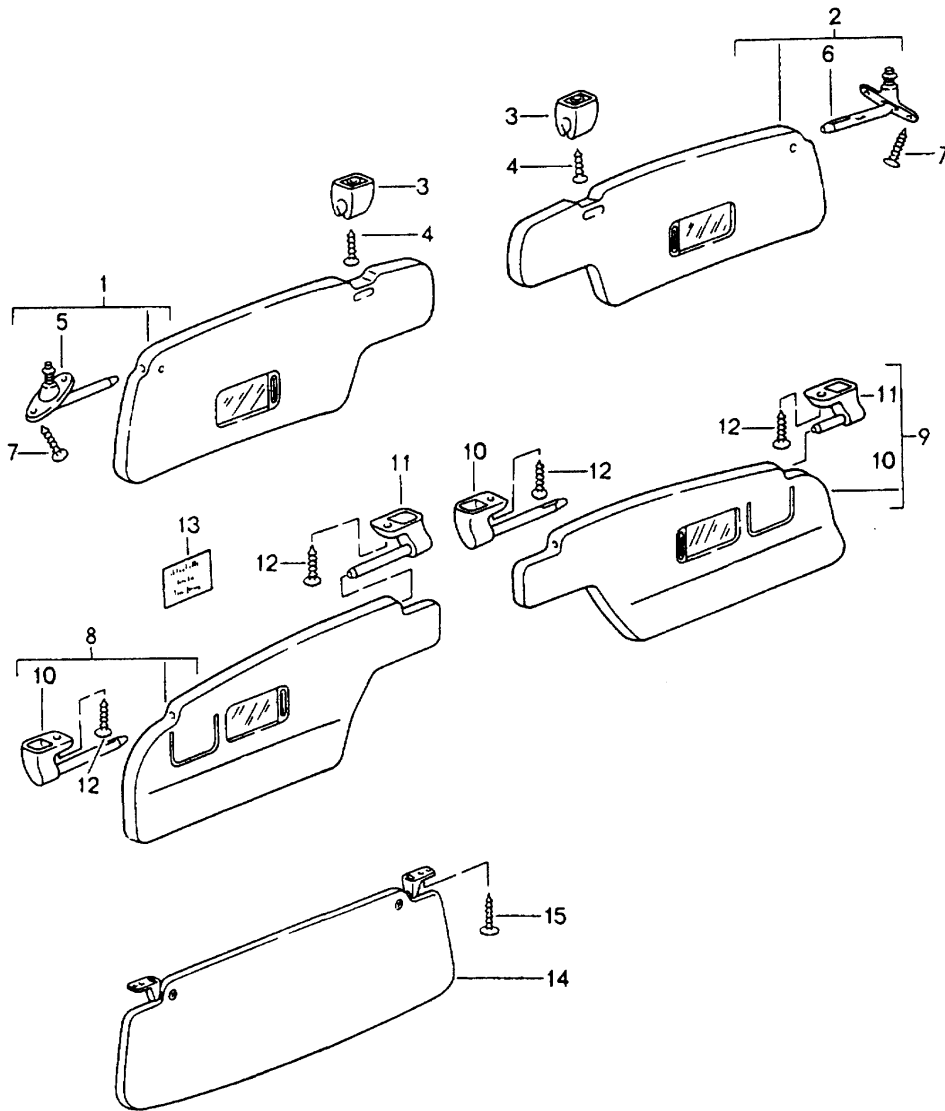
Model: 911 94

Model life 1994>>1998

Pos	Part Number	Description	Remark	Qty	Model
41	900 146 117 02	Combination screw M 5 X 12		2	
42	964 552 061 00	Mounting plate Locking device Glove compartment cover	/LL	1	
43	900 269 013 07	Countersunk-head screw M 5 X 8		1	
44	964 552 315 02	Interior frame	/LL	1	
45	900 269 018 07	Countersunk-head screw M 5 X 16		2	
46	964 552 623 00	Control button		1	
	964 552 623 00 01C	Black			
47	900 270 046 07	Countersunk-head screw M 4 X 8		1	

Model: 911 94

Model life 1994>>1998



Model: 911 94 Model life 1994>>1998

Pos	Part Number	Description	Remark	Qty	Model
1	964 731 031 01	Sun visors Sun visor	/L	1	COUPE TURBO COUPE TURBO COUPE TURBO:M 520
	964 731 031 01 CA9	Black	-95		
	964 731 031 01 70A	Black	96-		
	964 731 031 01 6WJ	Classic grey	96-		
	964 731 031 01 5GS	Midnight blue			
	964 731 031 01 8PQ	Chestnut brown			
	964 731 031 01 2UE	Rubicon grey			
	(14) 964 731 031 00	Sun visor with mirror	/L		
	964 731 031 00 CA9	Black			
	(1) 993 731 031 00	Sun visor	/L 96-		
	993 731 031 00 70A	Black	96-		
	993 731 031 00 6WJ	Classic grey	96-		
	993 731 031 00 5GS	Midnight blue			
	993 731 031 00 8PQ	Chestnut brown			
993 731 031 00 2UE	Rubicon grey	96-97			
2	964 731 032 01	Sun visor	/R	1	COUPE TURBO COUPE TURBO COUPE TURBO:M 520
	964 731 032 01 CA9	Black	-95		
	964 731 032 01 70A	Black	96-		
	964 731 032 01 6WJ	Classic grey	96-		
	964 731 032 01 5GS	Midnight blue			
	964 731 032 01 8PQ	Chestnut brown			
	964 731 032 01 2UE	Rubicon grey			
	(2) 993 731 032 00	Sun visor	/R 96-		
	993 731 032 00 70A	Black	96-		
	993 731 032 00 6WJ	Classic grey	96-		
	993 731 032 00 5GS	Midnight blue			
	993 731 032 00 8PQ	Chestnut brown			
	993 731 032 00 2UE	Rubicon grey	96-97		
	911 731 331 00	Support			
900 143 111 07	Oval-head sheetmetal screw B 3,9 X 13				
5	964 731 319 00	Bearing	/L	2	COUPE
6	964 731 320 00	Bearing	/R	2	COUPE
7	900 145 075 07	Tapping screw B 4,2 X 16		4	COUPE
8	964 731 031 43	Sun visor	/L -95	1	CABRIO
	964 731 031 43 CA9	Black	-95		
	(8) 993 731 031 01	Sun visor	/L 96-		
9	993 731 031 01 70A	Black	96-	1	CABRIO TARGA
	964 731 032 41	Sun visor	/R -95		
9	964 731 032 41 CA9	Black	-95	1	CABRIO
	964 731 032 40	Sun visor	/R -95		
(9)	964 731 032 40 CA9	Black	-95	1	CABRIO TARGA
	993 731 032 01	Sun visor	/R 96-		
10	993 731 032 01 70A	Black	96-	2	CABRIO
	964 731 319 40	Bearing bracket	/L		
11	964 731 320 40	Bearing bracket	/R	2	CABRIO

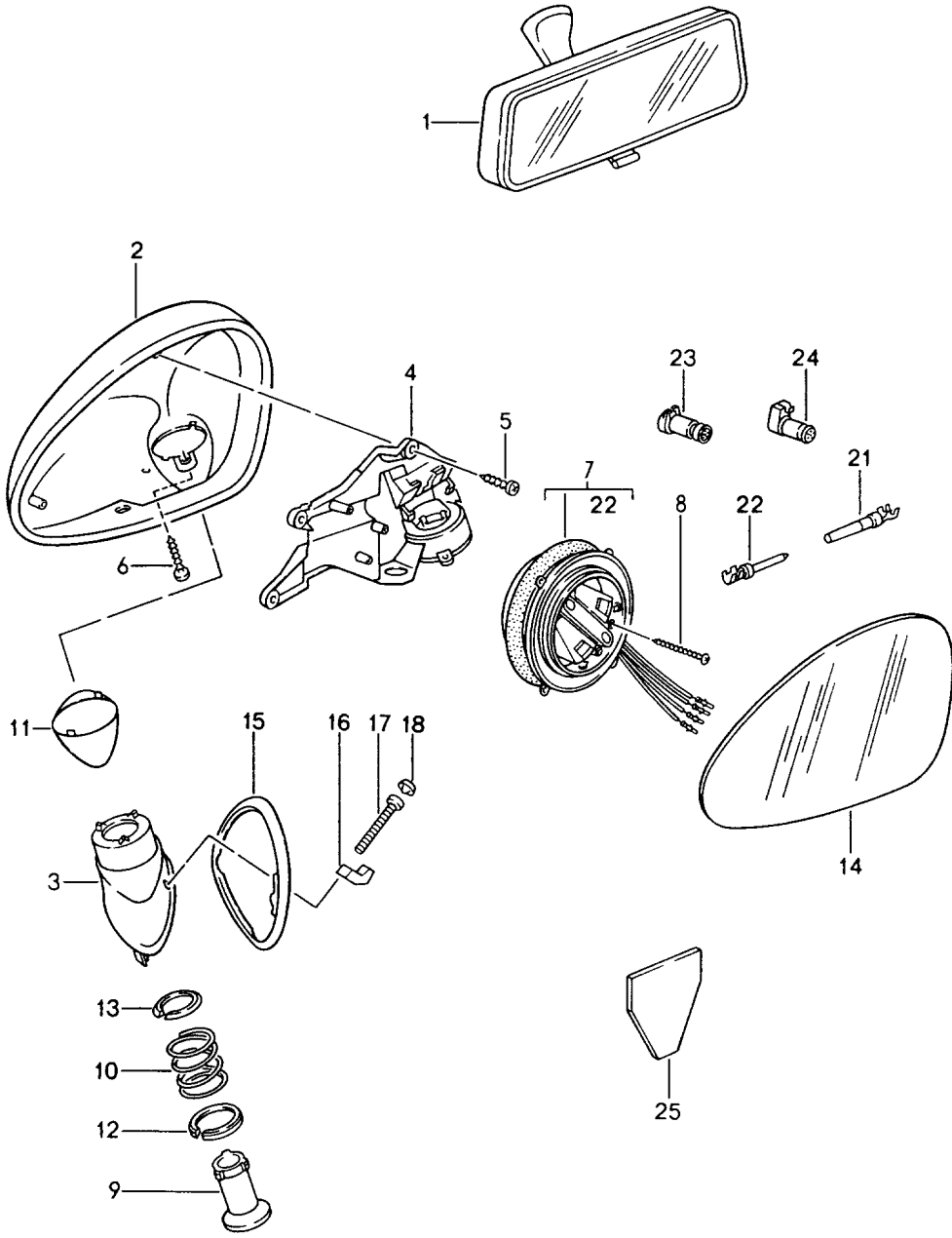
Model: 911 94

Model life 1994>>1998

Pos	Part Number	Description	Remark	Qty	Model
12	900 145 101 07	Tapping screw B 4,8 X 16		4	CABRIO
12	900 145 079 07	Oval-head sheetmetal screw 4,8 X 19		4	TARGA
13	993 701 401 07	Sticker English Convertible top control		1	CABRIO
(13)	993 701 421 05	Sticker		1	M484
(13)	993 701 421 03	Sticker Airbag		1	M113

Model: 911 94

Model life 1994>>1998



Model: 911 94 Model life 1994>>1998

Pos	Part Number	Description	Remark	Qty	Model
(1)	477 857 511 A 477 857 511 A 01C	Interior mirror Door mirror Interior mirror Satin black F >>99SS3 20897 F >>99SS3 40545		1	CARRERA /4 TURBO/TARGA COUPE CABRIO
(1)	477 857 511 B 477 857 511 B 01C	Interior mirror Satin black F >>99SS3 20897 F >>99SS3 40545		1	COUPE CABRIO
1	000 731 511 00 000 731 511 00 01C	Interior mirror Satin black F 99SS3 20898>> F 99SS3 40546>>		1	COUPE CABRIO
2	965 731 243 00 965 731 243 00 G2L	Mirror housing Prime coated	/L	1	
(2)	965 731 244 00 965 731 244 00 G2L	Mirror housing Prime coated	/R	1	
3	965 731 241 00 965 731 241 00 G2M	Mirror base Prime coated	/LL /L	1	
(3)	965 731 242 01 965 731 242 01 G2M	Mirror base Prime coated	/LL /R	1	
4	965 731 245 01	Reinforcement plate	/L	1	
(4)	965 731 246 01	Reinforcement plate	/R	1	
5	999 919 109 02	Countersunk-head screw 3,0 X 12		6	
6	999 919 110 02	Oval-head screw 3 X 14		2	
7	965 624 901 00	Adjusting motor		2	
7	965 624 901 01	Adjusting motor		2	
8	900 278 013 02	Oval-head screw M 3 X 30		6	
8	900 278 008 01	Oval-head screw M 3 X 30		6	
9	965 731 257 00	Bolt		2	
10	965 731 259 00	Compression spring		2	
11	965 731 143 00	Gasket	/L	1	
(11)	965 731 144 00	Gasket	/R	1	
12	965 731 345 00	Centring washer Lower		2	
13	965 731 347 00	Centring washer Upper		2	
14	965 731 035 00	Mirror glass Plane	/L	1	
(14)	965 731 038 01	Mirror glass Convex	/R	1	
15	965 731 247 00	Desk pad	/LL /L	1	
(15)	965 731 248 01	Desk pad	/LL /R	1	
16	911 731 263 00	Mounting piece		2	
17	999 218 021 02	Pan-head screw Micro-self-locking M 5 X 35		2	
17	999 218 021 0C	Pan-head screw Micro-self-locking M 5 X 35		2	
18	999 703 137 40	Cap		2	
20	964 612 909 01	Wiring harness		1	
21	999 652 711 10	Bush		X	
22	999 652 710 10	Cylindrical socket		X	
23	964 612 516 00	Pin connector socket 6-pole		1	
24	964 612 616 00	Plug socket 6-pole		1	

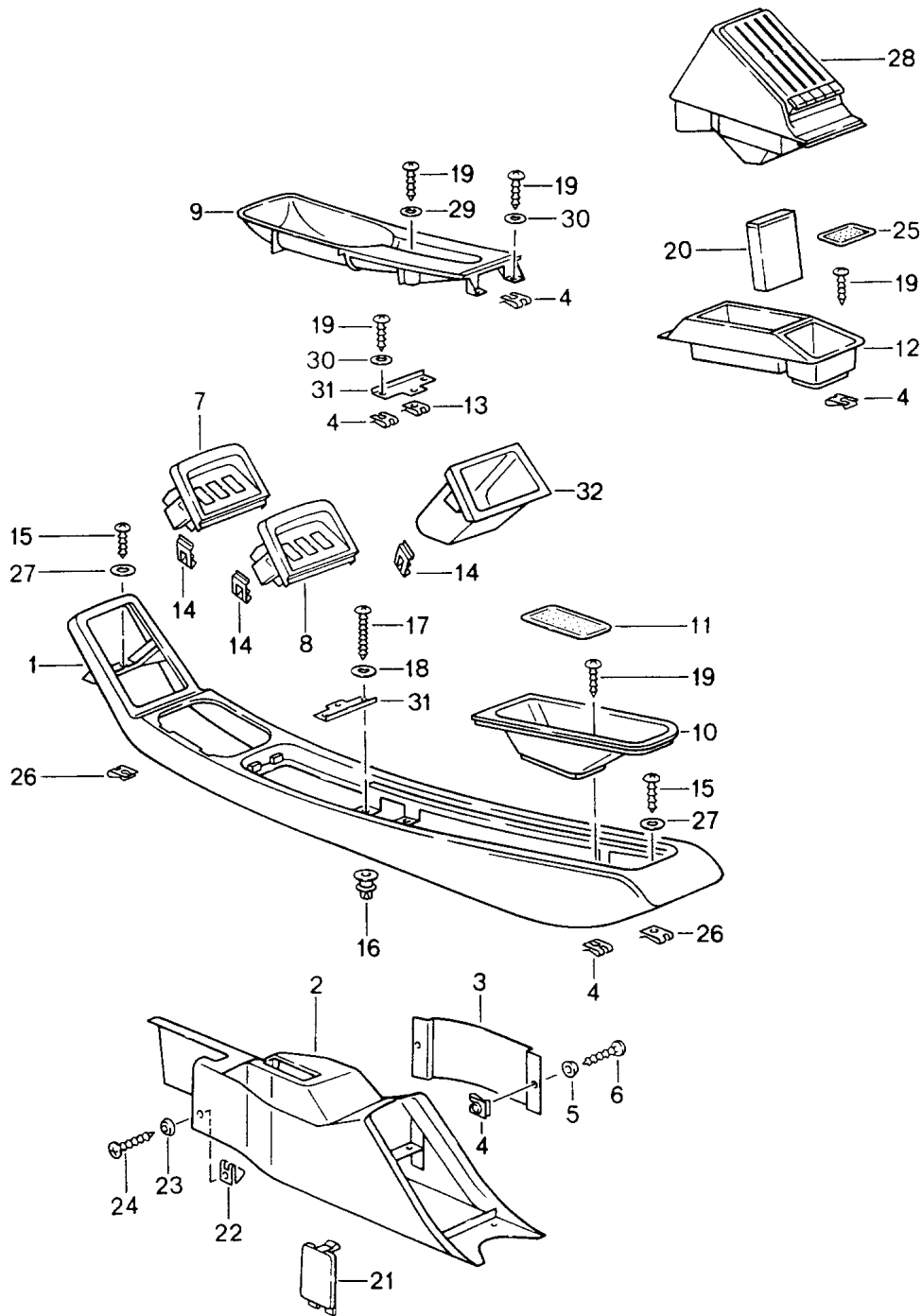
Model: 911 94

Model life 1994>>1998

Pos	Part Number	Description	Remark	Qty	Model
25	911 731 343 03	Gasket		1	

Model: 911 94

Model life 1994>>1998



Model: 911 94 Model life 1994>>1998

Pos	Part Number	Description	Remark	Qty	Model
1	964 552 017 00	Centre console Centre console Upper part Leatherette		1	
	964 552 017 00 05T	Black			
	964 552 017 00 2WJ	Classic grey			
	964 552 017 00 6HP	Midnight blue			
	964 552 017 00 7PD	Chestnut brown			
	964 552 017 00 8CF	Marble grey	-96		
	964 552 017 00 7RT	Cashmere beige			
1	964 552 017 01	Centre console Upper part Leather		1	
	964 552 017 01 8YR	Black			
	964 552 017 01 6XL	Classic grey			
	964 552 017 01 H24	Midnight blue			
	964 552 017 01 T15	Chestnut brown			
	964 552 017 01 3QN	Marble grey	-96		
	964 552 017 01 4YU	Cashmere beige			
	964 552 017 01 G43	Provence blue	-96		
	964 552 017 01 K03	Cedar green	-96		
	964 552 017 01 8SE	Flamenco red	-96		
	964 552 017 01 E38	Rubicon grey	96-97		
	964 552 017 01 J30	Nephrite green	97-		
	964 552 017 01 M30	Boxster red	97-		
	964 552 017 01 B50	Space grey	98-		
2	964 552 013 06	Centre console for cars with Airbag Lower part Carpet		1	
	964 552 013 06 5FV	Black			
	964 552 013 06 4XR	Classic grey			
	964 552 013 06 3GE	Midnight blue			
	964 552 013 06 6SC	Chestnut brown			
	964 552 013 06 DDQ	Florentine grey			
	964 552 013 06 8UT	Cashmere beige			
	964 552 013 06 1HQ	Provence blue			
	964 552 013 06 2JP	Cedar green			
	964 552 013 06 3TE	Flamenco red			
	964 552 013 06 8AS	Rubicon grey			
	964 552 013 06 J30	Nephrite green	97-		
	964 552 013 06 M30	Boxster red	97-		
(2)	993 552 013 04	Centre console for cars with Airbag Lower part Carpet	95-	1	
	993 552 013 04 5FV	Black			
	993 552 013 04 4XR	Classic grey			
	993 552 013 04 3GE	Midnight blue			
	993 552 013 04 6SC	Chestnut brown			
	993 552 013 04 DDQ	Florentine grey			
	993 552 013 04 8UT	Cashmere beige			
	993 552 013 04 1HQ	Provence blue	-96		
	993 552 013 04 2JP	Cedar green	-96		
	993 552 013 04 3TE	Flamenco red	-96		
	993 552 013 04 8AS	Rubicon grey	96-97		
	993 552 013 04 J30	Nephrite green	97-		
	993 552 013 04 M30	Boxster red	97-		
3	964 552 133 00	Lid Carpet		1	

Model: 911 94 Model life 1994>>1998

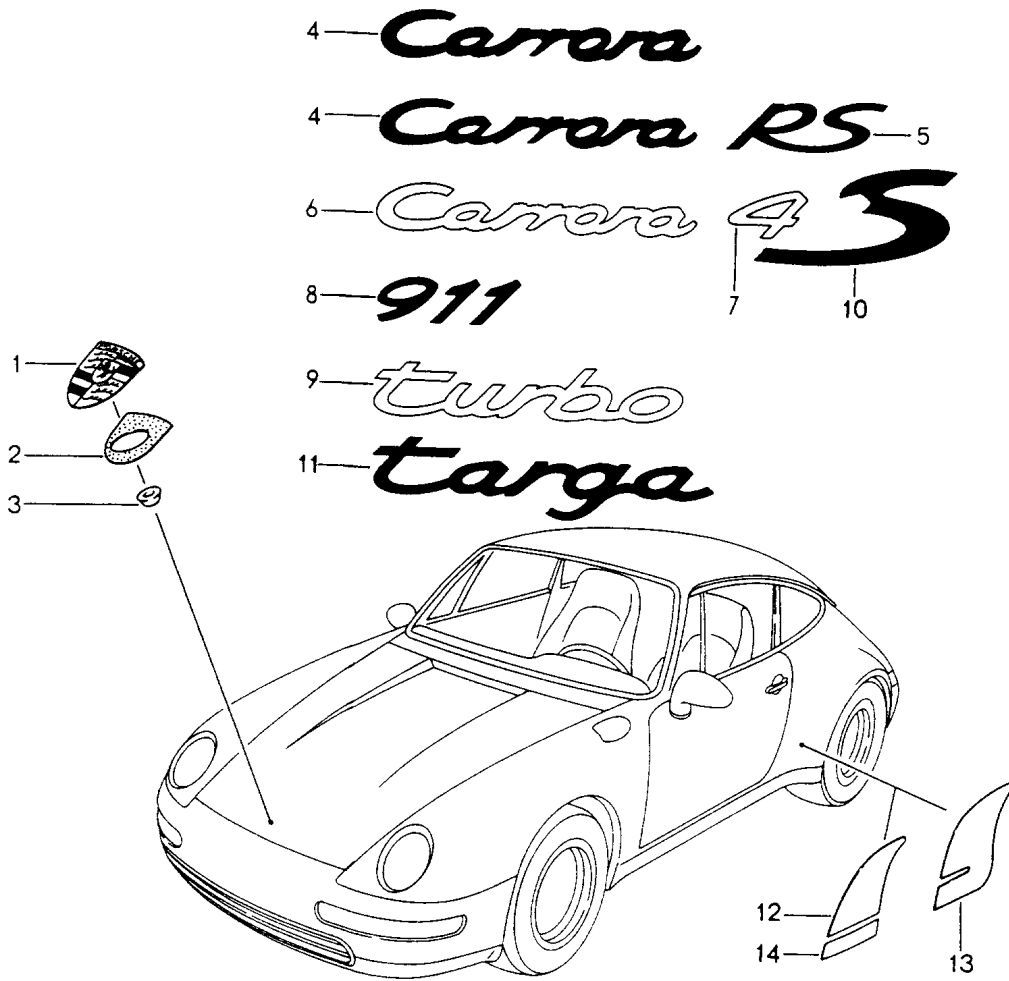
Pos	Part Number	Description	Remark	Qty	Model
	964 552 133 00 5FV	Black			
	964 552 133 00 4XR	Classic grey			
	964 552 133 00 3GE	Midnight blue			
	964 552 133 00 6SC	Chestnut brown			
	964 552 133 00 DDQ	Florentine grey			
	964 552 133 00 8UT	Cashmere beige			
	964 552 133 00 1HQ	Provence blue	-96		
	964 552 133 00 2JP	Cedar green	-96		
	964 552 133 00 3TE	Flamenco red	-96		
	964 552 133 00 8AS	Rubicon grey	96-97		
	964 552 133 00 J30	Nephrite green	97-		
	964 552 133 00 M30	Boxster red	97-		
4	999 591 349 02	Speed nut B 3,5		12	
5	999 591 102 17	Washer 3,5		2	
5	999 591 102 1H	Washer 3,5		2	
6	900 145 041 07	Tapping screw B 3,5 X 16		2	
7	964 552 135 01	Cover		1	
	964 552 135 01 1DB	Black Upper without Combined lights When required order also:			
-	964 632 130 01	Combined lights		1	
8	993 632 071 10	Cover without Combined lights When required order also:		1	COUPE
-	993 632 062 00	Combined lights		1	
(8)	993 632 071 11	Cover without Combined lights When required order also:		1	M650
-	993 632 062 04	Combined lights		1	
(8)	993 632 071 12	Cover without Combined lights When required order also:		1	CABRIO
-	993 632 062 04	Combined lights		1	
(8)	993 632 071 13	Cover		1	M425
(8)	993 632 071 14	Cover Centre without Combined lights When required order also:		1	M425/650
-	993 632 062 03	Combined lights		1	
9	964 552 539 00	Cover		1	
	964 552 539 00 1DB	Black Parking-brake lever			
(9)	993 552 539 00	Cover		1	TARGA M425
	993 552 539 00 1DB	Black Parking-brake lever			
10	964 552 159 00	Cup		1	
	964 552 159 00 1DB	Black			
11	964 552 121 00	Insert		1	
	964 552 121 00 01C	Black			
11	993 552 091 00	Insert		1	
12	964 552 553 00	Cassette box		1	
	964 552 553 00 1DB	Black			

Model: 911 94 Model life 1994>>1998

Pos	Part Number	Description	Remark	Qty	Model
13	999 591 725 02	Speed nut B 3,5		1	
14	944 552 557 00	Spring clamp		4	
15	900 143 007 02	Oval-head sheetmetal screw B 4,2 X 13		6	
15	900 073 507 01	Oval-head sheetmetal screw B 4,2 X 13		6	
16	999 591 919 40	Expander nut B 4,8		2	
17	900 143 088 07	Tapping screw B 4,8 X 32		2	
18	900 151 027 02	Washer B 5,3		2	
18	900 151 027 03	Washer B 5,3		2	
19	N 013 958 14	Tapping screw B 3,5 X 13		7	
20	993 552 753 00	Cassette box		4	
	993 552 753 00 01C	Satin black			
21	993 552 523 00	Cover	95-	1	
	993 552 523 00 01C	Satin black			
22	999 591 850 02	Speed nut B 4,2		2	
22	999 591 850 01	Speed nut B 4,2		2	
23	999 591 116 07	Cone washer 4,5		2	
24	N 014 093 3	Oval-head sheetmetal screw B 4,2 X 13		2	
25	964 552 715 00	Insert	-95	1	
	964 552 715 00 01C	Black			
25	993 552 675 00	Insert	96-	1	
26	999 591 331 02	Speed nut B 4,2		6	
27	900 151 028 02	Washer B 4,3		6	
27	900 151 028 01	Washer B 4,3		6	
28	EXC 993 017 70	Box for cds for		1 5	COUPE
28	EXC 993 017 80	Box for cds for		1 8	
29	N 011 663 4	Washer B 3,7		1	
30	900 025 013 07	Washer A 3,7		4	
31	964 552 543 00	Reinforcement		1	
32	964 552 157 00	Package box		1	
	964 552 157 00 1DB	Black			

Model: 911 94

Model life 1994>>1998



Model: 911 94 Model life 1994>>1998

Pos	Part Number	Description	Remark	Qty	Model
1	997 559 211 00	Insignias Stone guard film Lid emblem Information available		1	
1	997 559 211 01	Lid emblem		1	
1	997 559 211 02	Lid emblem		1	
(1)	996 559 211 01	Lid emblem Information available		1	
2	901 559 215 20	Desk pad		1	
2	7L5 853 611 B	Desk pad		1	
3	999 591 423 03	Tapping nut		2	
4	993 559 237 00	Logo		1	
5	993 559 237 00 70C	Rally black		1	
5	993 559 241 02	Logo		1	
	993 559 241 02 70C	Rally black		1	
6	993 559 237 02	Logo	95-	1	
	993 559 237 02 4PU	Silver		1	
6	993 559 237 06	Logo	97-	1	M495
	993 559 237 06 61W	Steel grey		1	
7	993 559 241 01	Logo	95-	1	
	993 559 241 01 4PU			1	
-	993 559 982 00	Logo Special model Turbo S		1	M092
8	993 559 237 01	Logo		1	
	993 559 237 01 70C	Rally black		1	
9	993 559 237 03	Logo		1	
	993 559 237 03 4PU	Silver		1	
10	993 559 243 00	Logo		1	TURBO-LOOK
	993 559 243 00 D04	Grey		1	
(10)	993 559 243 01	Logo	97-	1	M495
	993 559 243 01 61W	Steel grey		1	
11	993 559 237 04	Logo	96-	1	
	993 559 237 04 70C	Rally black		1	
12	993 559 325 00	Stone guard film Side section	/L	1	CARRERA
	993 559 325 00 3YK	Clear F >>99SS3 22021 F >>99SS3 41710		1	COUPE CABRIO CARRERA
(12)	993 559 326 00	Stone guard film Side section	/R	1	
	993 559 326 00 3YK	Clear F >>99SS3 22021 F >>99SS3 41710		1	COUPE CABRIO CARRERA
12	993 559 325 04	Stone guard film Side section	/L	1	
	993 559 325 04 3YK	Clear F 99SS3 22022>> F 99SS3 41711>>		1	COUPE CABRIO CARRERA
(12)	993 559 326 04	Stone guard film Side section	/R	1	
	993 559 326 04 3YK	Clear F 99SS3 22022>> F 99SS3 41711>>		1	COUPE CABRIO CARRERA
12	993 559 325 01	Stone guard film Side section	/L	1	
	993 559 325 01 3YB	Grand prix white	-96	1	
	993 559 325 01 Z07	Polar silver metallic	-96	1	
		F >>99SS3 21866	-96	1	COUPE CABRIO CARRERA
(12)	993 559 326 01	Stone guard film Side section	/R	1	
		F >>99SS3 41704	-96	1	

Model: 911 94 Model life 1994>>1998

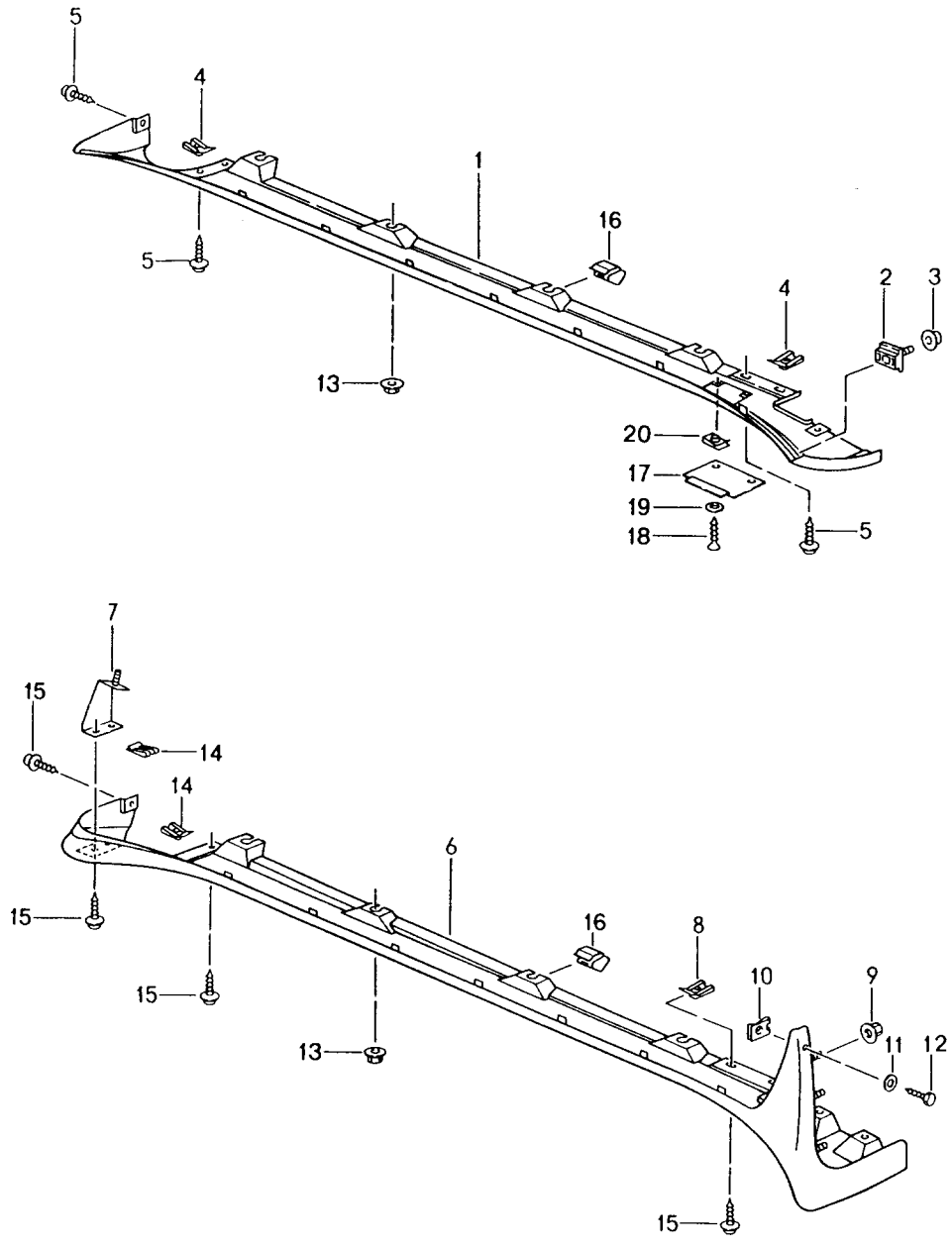
Pos	Part Number	Description	Remark	Qty	Model
12	993 559 326 01 3YB	Grand prix white	-96	1	COUPE CABRIO CARRERA
	993 559 326 01 Z07	Polar silver metallic	-96		
		F >>99SS3 21866	-96		
		F >>99SS3 41704	-96		
	993 559 325 05	Stone guard film	/L		
		Side section			
	993 559 325 05 3YB	Grand prix white	-96		
	993 559 325 05 Z07	Polar silver metallic	-96		
		F 99SS3 21867>>	-96		
		F 99SS3 41705>>	-96		
	993 559 325 05 92T	Arctic silver metallic	97-		
	993 559 325 05 3AT	Glacier white	97-		
(12) 993 559 326 05	Stone guard film	/R	1	CARRERA	
	Side section				
993 559 326 05 3YB	Grand prix white	-96	1	COUPE	
993 559 326 05 Z07	Polar silver metallic	-96			
	F 99SS3 21867>>	-96			
	F 99SS3 41705>>	-96			
993 559 326 05 92T	Arctic silver metallic	97-			
993 559 326 05 3AT	Glacier white	97-			
(13) 993 559 325 02	Stone guard film	/L -95			
	Small				
	Side section				
993 559 325 02 3YK	Clear				
(13) 993 559 326 02	Stone guard film	/R -95			
	Small				
	Side section				
993 559 326 02 3YK	Clear		1	TURBO-LOOK M491 TURBO M495 TURBO	
13 993 559 325 06	Stone guard film	/L			
	Large				
	Side section				
993 559 325 06 3YK	Clear				
(13) 993 559 326 06	Stone guard film	/R			
	Large				
	Side section				
993 559 326 06 3YK	Clear				
(13) 993 559 325 03	Stone guard film	/L			
	Small				
	Side section				
993 559 325 03 3YB	Grand prix white		1	TURBO-LOOK M491 TURBO M495 TURBO	
993 559 325 03 Z07	Polar silver metallic				
(13) 993 559 326 03	Stone guard film	/R			
	Small				
	Side section				
993 559 326 03 3YB	White				
993 559 326 03 Z07	Polar silver metallic				
13 993 559 325 07	Stone guard film	/L			
	Small				
	Side section				
	Large				

Model: 911 94 Model life 1994>>1998

Pos	Part Number	Description	Remark	Qty	Model
(13)		Side section			
	993 559 325 07 3YB	Grand prix white	-96		
	993 559 325 07 Z07	Polar silver metallic	-96		
	993 559 325 07 92T	Arctic silver metallic	97-		
	993 559 325 07 3AT	Glacier white	97-		
	993 559 326 07	Stone guard film	/R	1	TURBO-LOOK TURBO CARRERA S
		Large			
		Side section			
	993 559 326 07 3YB	Grand prix white	-96		
	993 559 326 07 Z07	Polar silver metallic	-96		
993 559 326 07 92T	Arctic silver metallic	97-			
993 559 326 07 3AT	Glacier white	97-			

Model: 911 94

Model life 1994>>1998

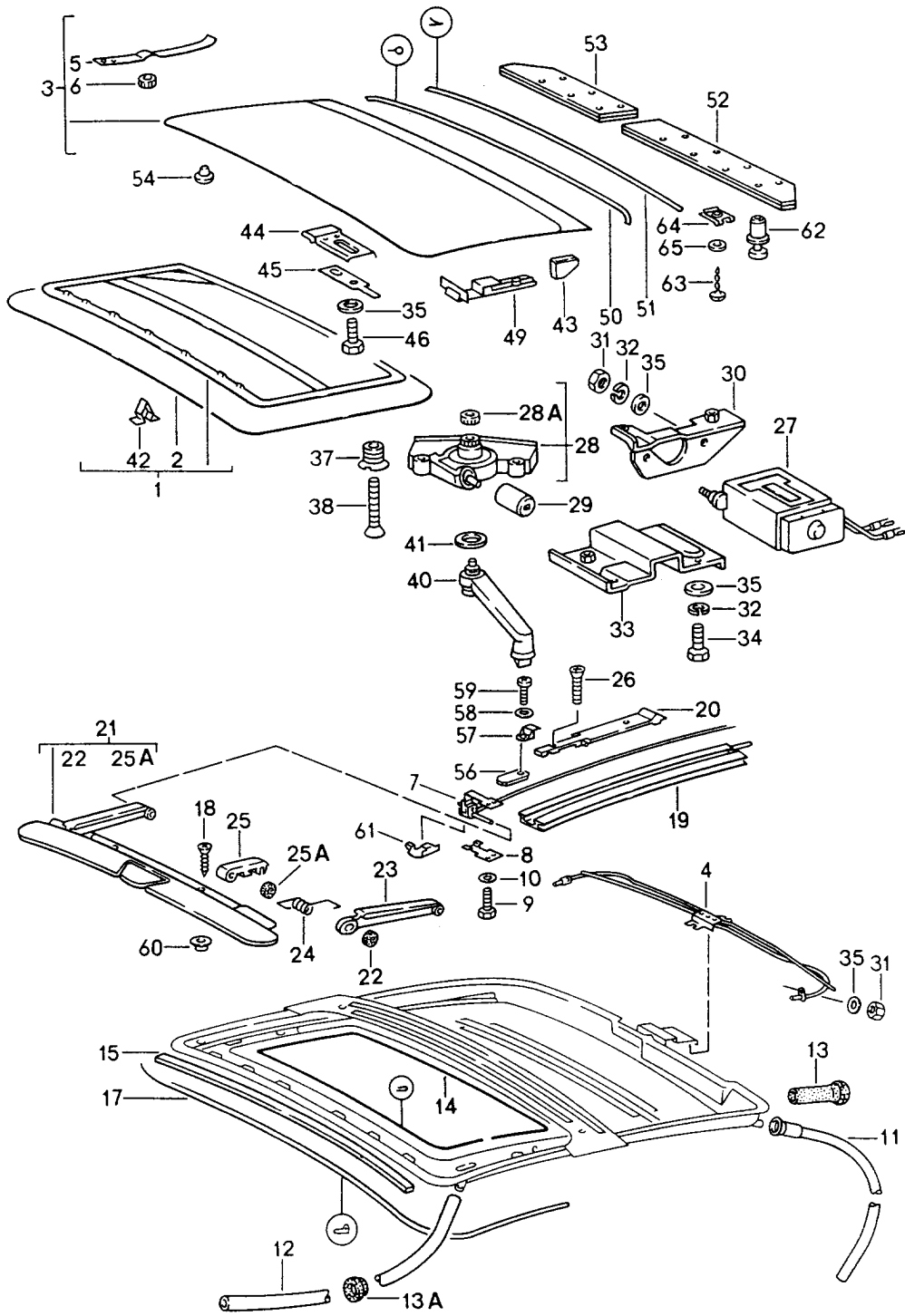


Model: 911 94 Model life 1994>>1998

Pos	Part Number	Description	Remark	Qty	Model
1	993 559 519 00	Trim cover Door sill	/L	1	CARRERA
(1)	993 559 519 00 01C	Satin black			
(1)	993 559 520 00	Trim cover	/R	1	CARRERA
(1)	993 559 520 00 01C	Satin black			
	993 559 125 00	Trim cover	/L 96-	1	/TURBO M491 M495
	993 559 125 00 01C	Satin black	/L 97-		
(1)	993 559 126 00	Trim cover	/R 96-	1	/TURBO M491 M495
	993 559 126 00 01C	Satin black	/R 97-		
2	999 507 373 00	Support		4	CARRERA
(2)	999 591 990 00	Support		4	/TURBO M491 M495
3	999 049 008 40	T 5 Plastic nut		12	
4	999 591 699 02	T 5 Speed nut		14	
4	999 591 699 01	B 4,8 Speed nut		14	
5	900 143 159 07	B 4,8 Combination screw		10	CARRERA
16	999 507 524 09	B 4,8 X 19 U-clamp		8	/TURBO M491 M495
17	993 559 526 00	Lid	/R	1	/TURBO M491 M495
18	993 559 526 00 01C	Satin black			
18	900 145 079 07	Oval-head sheetmetal screw		2	/TURBO M491
19	999 704 606 17	4,8 X 19 Washer		2	CARRERA RS /TURBO M491
20	999 591 350 02	5,3 Speed nut		2	CARRERA RS M495 /TURBO M491
20	999 591 350 01	4,8 Speed nut		2	CARRERA RS M495 /TURBO M491
		4,8			CARRERA RS M495

Model: 911 94

Model life 1994>>1998



Model: 911 94 Model life 1994>>1998

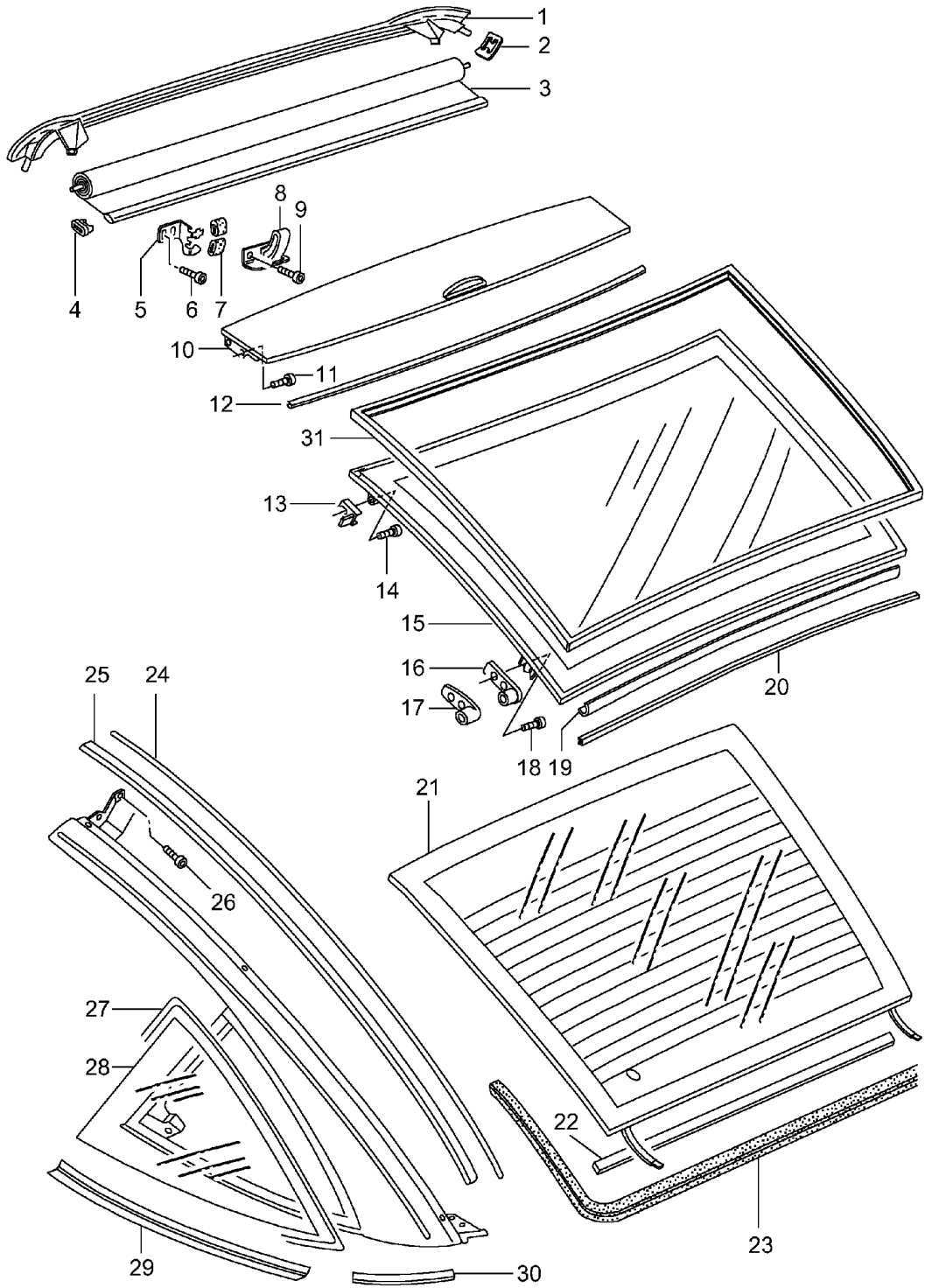
Pos	Part Number	Description	Remark	Qty	Model
		Sunroof			
1	993 564 019 00	Roofliner frame		1	
	993 564 019 00 5VE	Black			
	993 564 019 00 6WP	Classic grey			
	993 564 019 00 1GE	Midnight blue			
	993 564 019 00 1NE	Chestnut brown			
	993 564 019 00 D03	Rubicon grey			TURBO
2	993 564 201 00	Cover		1	
	993 564 201 00 5VE	Black			
	993 564 201 00 6WP	Classic grey			
	993 564 201 00 1GE	Midnight blue			
	993 564 201 00 1NE	Chestnut brown			
	993 564 201 00 D03	Rubicon grey			TURBO
3	993 564 051 00	Lid	-96	1	
	993 564 051 00 GRV	Prime coated			
3	993 564 051 01	Lid	97-	1	
	993 564 051 01 GRV	Prime coated			
4	993 564 231 00	Pipeline		1	
4	964 564 231 00	Pipeline		1	
5	911 564 417 00	Leaf spring		2	
6	911 564 420 00	Knurled nut		2	
(7)	964 564 143 00	Guide	/L -96	1	
(7)	993 564 143 00	Guide	/L 97-	1	
7	964 564 144 00	Guide	/R -96	1	
7	993 564 144 00	Guide	/R 97-	1	
8	901 564 451 05	Reinforcement	-96	2	
8	993 564 451 00	Reinforcement	97-	2	
9	900 075 106 02	Hexagon-head bolt M 4 X 6		4	
10	900 025 002 02	Washer A 4,3		4	
10	900 025 002 03	Washer A 4,3		4	
11	944 564 235 04	Water drain hose	/H	2	
11	944 564 924 00	Water drain hose	/H	2	
12	964 564 725 00	Water drain hose 8 X 1 X 1000	/V	2	
12	964 564 902 00	Water drain hose 8 X 1 X 1000	/V	2	
13	911 564 297 00	Grommet	/H	2	
13A	999 703 348 40	Rubber sleeve	/V	4	
14	911 564 465 00	Beading		1	
15	911 564 409 00	Sealing strip		1	
17	911 564 191 00	Velvet strip		1	
18	900 145 093 07	Oval-head sheetmetal screw BZ 3,9 X 9,5		2	
(19)	964 564 341 00	Guide rail	/L	1	
19	964 564 342 00	Guide rail	/R	1	
20	911 564 047 01	Intermediate piece	-96	2	
20	993 564 047 00	Intermediate piece	97-	2	
21	964 564 005 01	Air deflector		1	
	964 564 005 01 70K	Black			
22	911 564 423 00	Rubber stop		2	
23	911 564 127 00	Hinge		2	
24	964 564 125 00	Steering knuckle spring	/L	1	
(24)	964 564 126 00	Steering knuckle spring	/R	1	
25	911 564 123 00	Bearing clip		2	
25A	911 564 301 00	Spacer ring		2	
26	900 270 060 07	Countersunk-head screw M 4 X 10		4	
27	911 624 016 03	Motor		1	
28	911 564 601 01	Transmission		1	
28A	928 564 125 02	Drive pinion		1	

Model: 911 94 Model life 1994>>1998

Pos	Part Number	Description	Remark	Qty	Model
29	911 624 103 00	Clutch		1	
29	911 624 103 01	Clutch		1	
30	911 624 007 01	Engine support		1	
31	N 011 005 14	Hexagon nut M 5		2	
31	900 076 091 01	Hexagon nut M 5		2	
32	N 012 005 3	Lock ring B 5		4	
33	964 564 035 00	Gear support		1	
34	900 075 001 03	Hexagon-head bolt M 5 X 8		2	
35	900 025 003 02	Washer A 5,3		10	
37	901 564 661 05	Screw		2	
38	900 269 012 02	Countersunk-head screw M 4 X 25		2	
40	901 564 085 05	Crank		1	
41	911 564 643 00	Washer		3	
42	901 564 299 05	Duct clamp		7	
42	901 564 299 0F	Duct clamp		7	
43	901 564 431 05	Guide shoe		2	
44	911 564 045 00	Guide		2	
45	911 564 451 00	Tab washer		2	
46	911 564 459 00	Wedge screw AM 5 X 12		4	
(46)	999 217 134 01	Hexagon-head bolt M 5X16		4	
49	911 564 433 00	Support		2	
(49)	964 564 435 00	Support		1	
50	911 564 193 00	Velvet strip Small		1	
51	901 564 905 05	Sealing rubber Rear		1	
(52)	964 556 025 00	Cover	/L	1	
(53)	911 556 026 00	Cover	/R	1	
54	999 703 013 50	Stopper		2	
56	911 564 425 00	Threaded plate		2	
57	911 564 165 00	Terminal piece		2	
58	900 025 053 07	Washer A 5,3		2	
59	900 146 106 07	Oval-head screw M 5 X 12		2	
60	911 564 521 00	Protection cap		2	
61	964 564 241 00	Slide		2	
62	999 591 941 40	Expansion rivet \$=6 POM SW		10	
63	900 145 079 07	Oval-head sheetmetal screw B 4,8 X 19		4	
64	999 507 041 09	Speed nut B 4,8		4	
65	999 704 605 07	Cone washer 5,3		4	

Model: 911 94

Model life 1994>>1998



Model: 911 94 Model life 1994>>1998

Pos	Part Number	Description	Remark	Qty	Model
-	993 562 727 00 993 562 727 00 92U	Glass roof Glass roof Complete MIT Driving mechanism Rear window without Rear window Linings		1	TARGA M425
1	993 562 303 00	Gasket		1	
2	999 507 560 01	Clamping washer		2	
3	993 562 905 00	Shade		1	
4	993 562 587 00	Plain bearing		4	
5	993 562 561 00	Guide	/L	1	
(5)	993 562 562 00	Guide	/R	1	
6	993 562 569 00	Pan-head screw M 5X12		4	
7	993 562 563 00	Sliding piece		4	
8	993 562 725 00	Gate guide	/L	2	
(8)	993 562 726 00	Gate guide	/R	2	
9	993 562 569 00	Pan-head screw M 5X12		4	
10	993 562 904 00	Air deflector	/L	1	
11	993 562 577 01	Torx screw M 5X12	/R	2	
12	993 562 531 00	Gasket		1	
13	993 562 573 01	Axle bearing	/L	1	
(13)	993 562 574 01	Axle bearing	/R	1	
14	993 562 575 00	Pan-head screw M 6X12		2	
15	993 562 903 00	Sunroof		1	
16	993 562 579 00	Axle plate	/L	1	
(16)	993 562 580 00	Axle plate	/R	1	
17	993 562 579 01	Axle plate		2	
18	993 562 577 01	Torx screw		4	
19	993 562 529 00	Gasket		1	
20	993 562 531 00	Gasket		1	
21	993 562 901 01	Rear window		1	
(21)	993 562 901 00	Rear window		1	M425
22	993 562 517 01	Retaining strip	-96	1	
(22)		Retaining strip	97-	1	
23	993 562 519 02	Gasket		1	
24	993 562 527 00	Gasket		2	
25	993 562 513 00	Cover strip	/L	1	
25	993 562 513 01	Cover strip	/L	1	
(25)	993 562 514 00	Cover strip	/R	1	
(25)	993 562 514 01	Cover strip	/R	1	
26	993 562 565 00	Torx screw		1	
27	993 562 543 00	Sealing rubber	/L	1	
(27)	993 562 544 00	Sealing rubber	/R	1	
28	993 562 511 00	Rear window	/L	1	
28	993 562 511 01	Rear window	/L	1	
(28)	993 562 512 01	Rear window	/R	1	
(28)	993 562 512 02	Rear window	/R	1	
29	993 562 515 00	Moulding	/L	1	
(29)	993 562 516 00	Moulding	/R	1	
30	993 562 523 02	Retaining strip		1	
(30)	993 562 524 02	Retaining strip		1	
31	993 562 911 00	Gasket		1	
-	993 562 843 00	Clip		6	
-	000 043 173 00	Sealing compound 320 ML		1	
-	993 562 741 00	Lens-head screw		4	

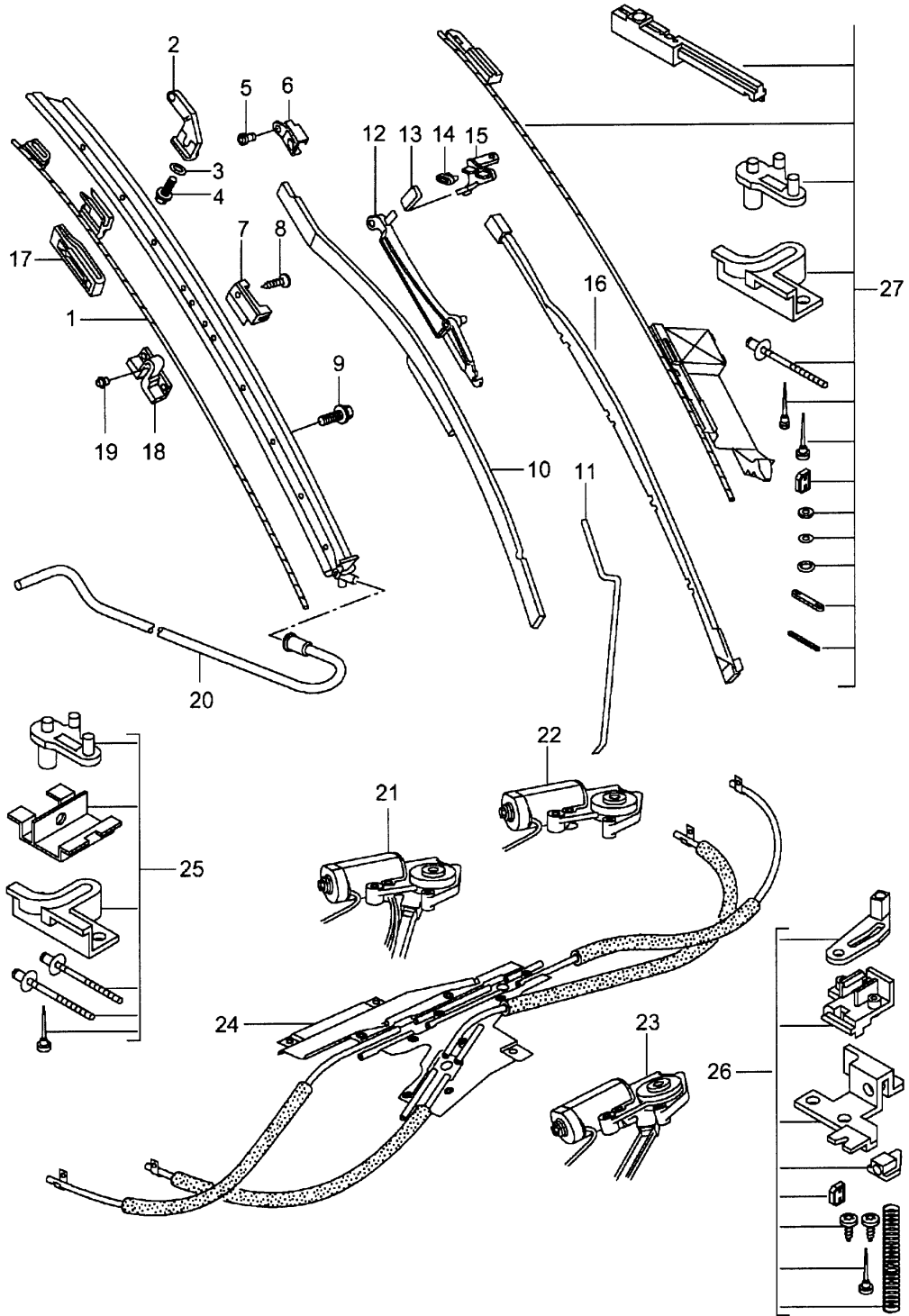
Model: 911 94

Model life 1994>>1998

Pos	Part Number	Description	Remark	Qty	Model
-	993 555 401 00	M 6X10 Trim cover Shade		1	
-	993 562 591 00	Water drain hose		X	
-	993 562 567 00	Torx screw M 5X9,5		X	

Model: 911 94

Model life 1994>>1998



Model: 911 94 Model life 1994>>1998

Pos	Part Number	Description	Remark	Qty	Model
		Driving mechanism			TARGA
		Glass roof			
1	993 562 593 00	Drive shaft	/L	1	
		Shade			
(1)	993 562 594 00	Drive shaft	/R	1	
		Shade			
2	993 562 535 00	Bearing bracket	/L	1	
(2)	993 562 536 00	Bearing bracket	/R	1	
3	993 562 537 00	O-ring		4	
4	993 562 577 01	Torx screw		4	
5	993 562 547 00	Plain bearing		1	
6	993 562 545 00	Bearing	/L	1	
		Guide rail			
(6)	993 562 546 00	Bearing	/R	1	
		Guide rail			
7	993 562 585 00	Support	/L	1	
(7)	993 562 586 00	Support	/R	1	
8	993 562 711 00	Fit bolt		2	
9	993 562 549 00	Combination screw		X	
10	993 562 541 00	Guide rail	/L	1	
(10)	993 562 542 00	Guide rail	/R	1	
11	993 562 557 00	Spring		2	
12	993 562 551 00	Lever	/L	1	
		Shade			
(12)	993 562 552 00	Lever	/R	1	
		Shade			
13	993 562 555 00	Plain bearing		2	
14	993 562 587 00	Plain bearing		2	
15	993 562 553 00	Roof strut	/L	1	
(15)	993 562 554 00	Roof strut	/R	1	
16	993 562 559 00	Gate guide	/L	1	
16	993 562 560 00	Gate guide	/R	1	
17	993 562 713 00	Gate guide	/L	1	
		Front			
(17)	993 562 714 00	Gate guide	/R	1	
		Front			
18	993 562 715 00	Gate guide	/L	1	
		Rear			
(18)	993 562 716 00	Gate guide	/R	1	
		Rear			
19	993 562 810 00	Buffer		2	
20	993 562 753 00	Water drain hose	/L	1	
20	993 562 754 00	Water drain hose	/R	1	
21	993 624 122 00	Engine		1	
		Glass roof			
		with			
		Switch		2	
22	993 624 123 00	Engine		1	
		Glass roof			
		without			
		Switch			
23	993 624 121 00	Engine	/R	1	
		Shade			
		with			
		Switch		1	
24	000 043 204 36	Mounting plate		1	
		Driving mechanism			
25	993 562 913 00	Knock-out lever	/L	1	
		Rear			
(25)	993 562 914 00	Knock-out lever	/R	1	
		Rear			
26	993 562 909 00	Repair kit	/L	1	
(26)	993 562 910 00	Repair kit	/R	1	

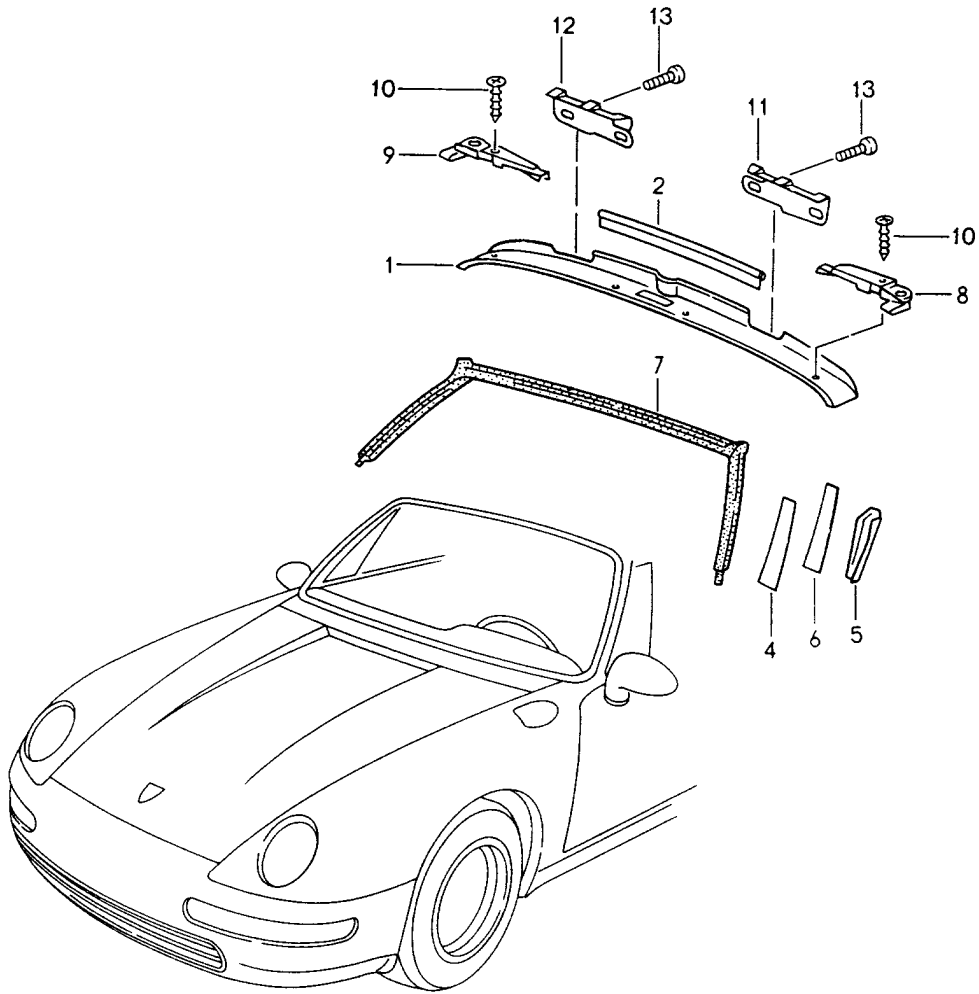
Model: 911 94

Model life 1994>>1998

Pos	Part Number	Description	Remark	Qty	Model
27	993 562 907 00	Repair kit		1	

Model: 911 94

Model life 1994>>1998

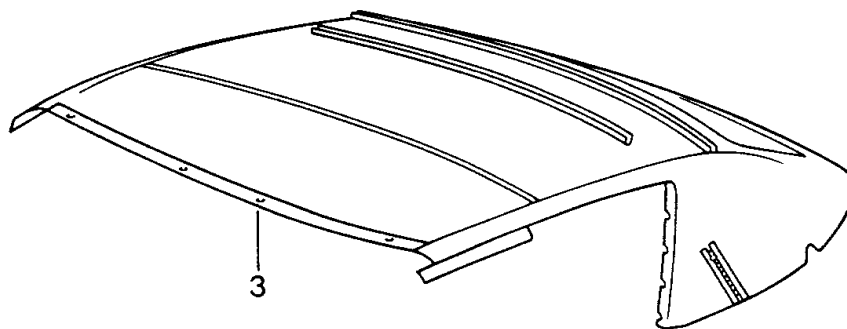
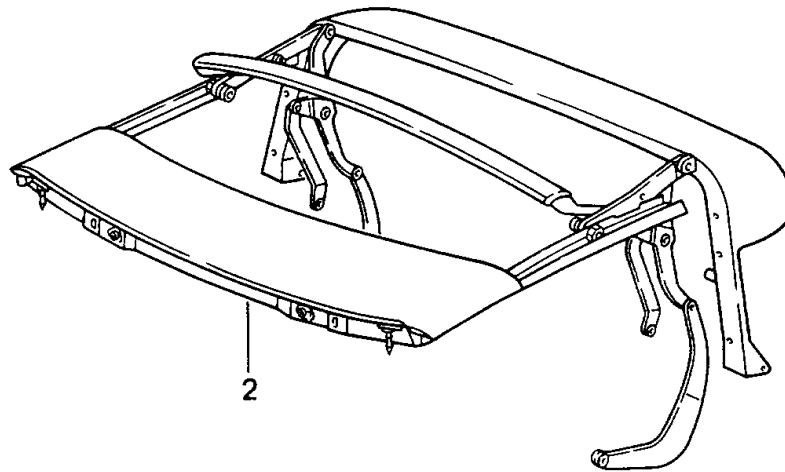
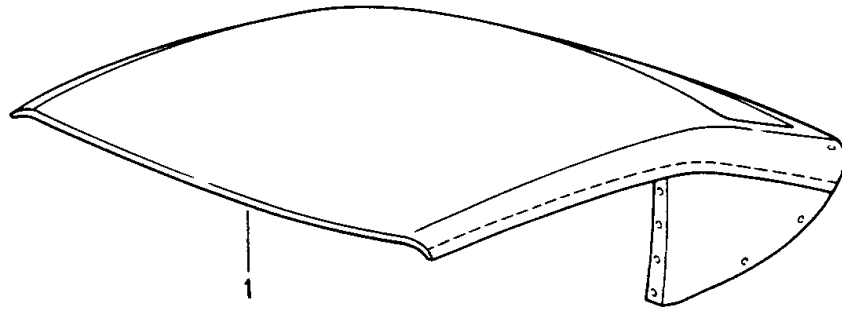


Model: 911 94 Model life 1994>>1998

Pos	Part Number	Description	Remark	Qty	Model
		Windscreen frame			CABRIO
		Accessories			
1	993 555 059 00	Lining		1	
	993 555 059 00 702	Black			
2	911 561 499 00	Piping		1	
	911 561 499 00 70B	Black			
2	911 561 499 01	Piping		1	
	911 561 499 01 70B	Black			
4	964 555 563 00	Desk pad	/L	1	
		5 X 35 X 400			
5	911 555 419 00	Filler piece	/L	1	
(5)	911 555 420 00	Filler piece	/R	1	
6	964 555 507 40	Cover	/L	1	
	964 555 507 40 702	Black			
(6)	964 555 508 40	Cover	/R	1	
	964 555 508 40 702	Black			
7	993 504 095 01	Gasket		1	
		See group			
		8/04/05			
(8)	911 555 519 60	Guide rose	/L	1	
	911 555 519 60 70B	Black			
(9)	911 555 520 60	Guide rose	/R	1	
	911 555 520 60 70B	Black			
10	900 143 084 07	Oval-head sheetmetal screw		4	
		B 3,5 X 16			
(11)	911 561 739 03	Gate guide	/L	1	
	911 561 739 03 03C	Black			
(12)	911 561 740 03	Gate guide	/R	1	
	911 561 740 03 03C	Black			
13	999 119 013 07	Pan-head screw		4	
		M 6 X 12			

Model: 911 94

Model life 1994>>1998

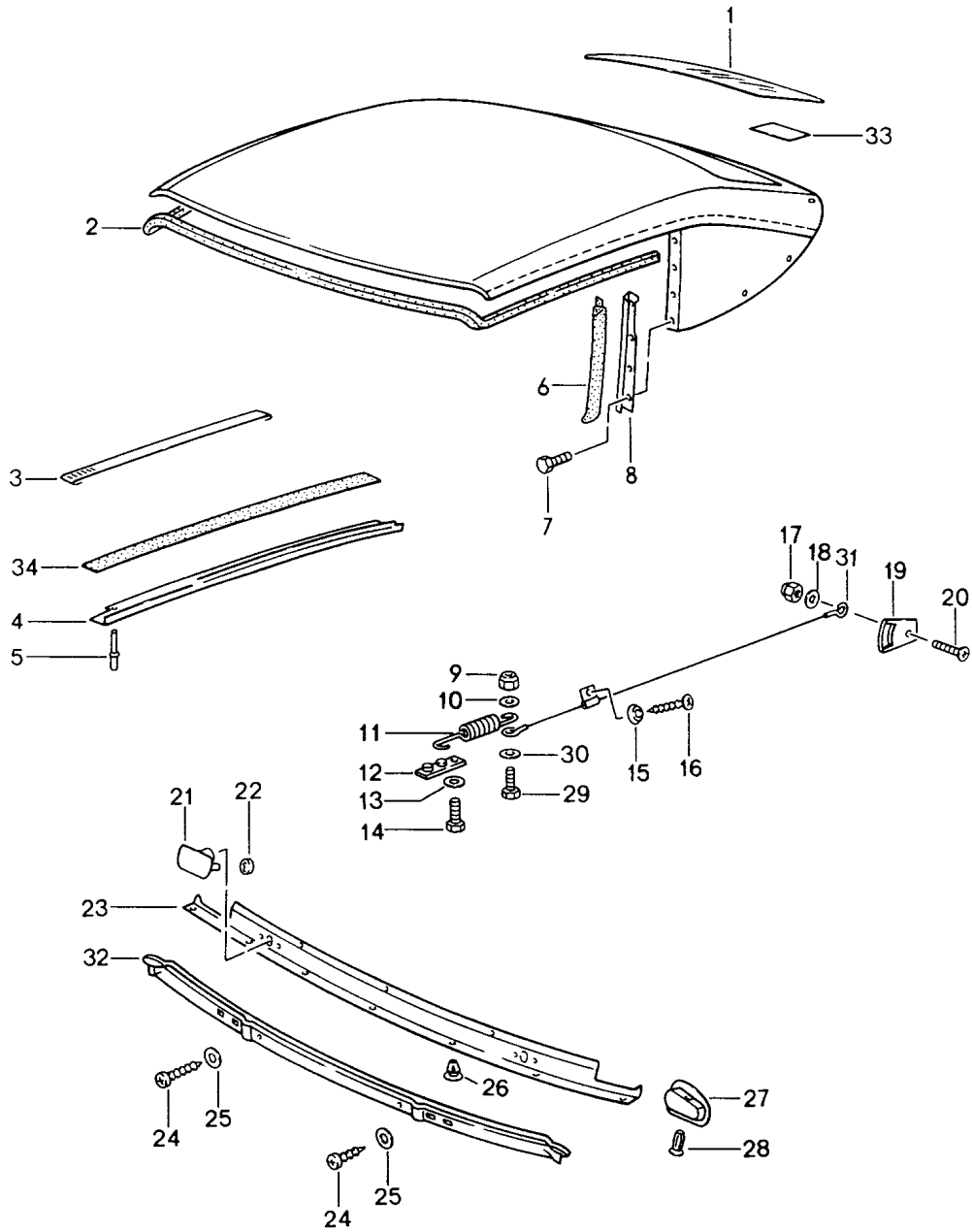


Model: 911 94 Model life 1994>>1998

Pos	Part Number	Description	Remark	Qty	Model
1	993 561 900 00	Convertible top covering Convertible top frame Roofliner Convertible top covering without Rear window with Clamp		1	
	993 561 900 00 2XW	Black			V 9
	993 561 900 00 7JW	Blue/black			V 8
	993 561 900 00 8PZ	Chestnut brown			V 5
	993 561 900 00 5XF	Classic grey			V 1
	993 561 900 00 B39	Florentine grey			V 7
2	993 561 011 00	Convertible top frame		1	
	993 561 011 00 70C	Black			
3	993 561 049 00	Roofliner		1	
	993 561 049 00 DEY	Black			
3	999 911 557 4A	Adhesive tape		1	
-	999 591 587 40	Expansion rivet		4	

Model: 911 94

Model life 1994>>1998



Model: 911 94 Model life 1994>>1998

Pos	Part Number	Description	Remark	Qty	Model
		Rear window Seal Single parts			CABRIO
1	993 561 059 00	Rear window		1	
2	993 561 189 00	Roof frame seal		1	
3	993 561 335 01	Restraining strap		2	
	993 561 335 01 70A	Black			
3	993 561 335 02	Restraining strap		2	
4	993 561 301 00	Rain channel	/L	1	
	993 561 301 00 70K	Black			
(4)	993 561 302 00	Rain channel	/R	1	
	993 561 302 00 70K	Black			
5	999 190 162 37	Blind rivet B 3,2X12,6		12	
5	PCG 190 162 37	Blind rivet B 3,2X12,6		12	
6	993 561 321 00	Gasket	/L	1	
	993 561 321 00 8VB	Black			
6	993 561 322 00	Gasket	/R	1	
	993 561 322 00 8VB	Black			
7	999 146 005 02	Round head screw		8	
8	993 561 325 00	Rail	/L	1	
	993 561 325 00 70B	Black			
8	993 561 326 00	Rail	/R	1	
	993 561 326 00 70B	Black			
9	900 910 006 02	Lock nut		4	
9	900 084 020 01	Lock nut		4	
10	900 025 002 02	Washer		4	
10	900 025 002 03	Washer		4	
11	911 561 403 01	Tension spring		2	
12	911 561 407 00	Support		2	
13	N 011 524 7	Washer A 6,4		2	
13	N 011 524 27	Washer A 6,4		2	
14	N 010 211 4	Hexagon-head bolt M 6X12		2 1	
15	999 591 102 17	Washer		1	
15	999 591 102 1H	Washer		1	
16	900 144 028 07	Tapping screw B 3,5X13		2	
17	900 910 006 02	Lock nut M 4		2	
17	900 084 020 01	Lock nut		2	
18	900 025 002 02	Washer A 4,3		2 1	
18	900 025 002 03	Washer A 4,3		2 1	
19	993 561 411 02	Trim cover	/L	1	
	993 561 411 02 01C	Black			
(19)	993 561 412 02	Trim cover	/R	1	
	993 561 412 02 01C	Black			
20	900 269 066 07	Countersunk-head screw M 4 X 12		8	
21	911 561 781 65	Guide rose for emergency control		2	
22	999 591 676 02	Clamping washer \$ 7,0		4	
22	999 591 676 01	Clamping washer \$ 7,0		4	
23	993 561 197 00	Padded cover		1	
	993 561 197 00 700	Black			

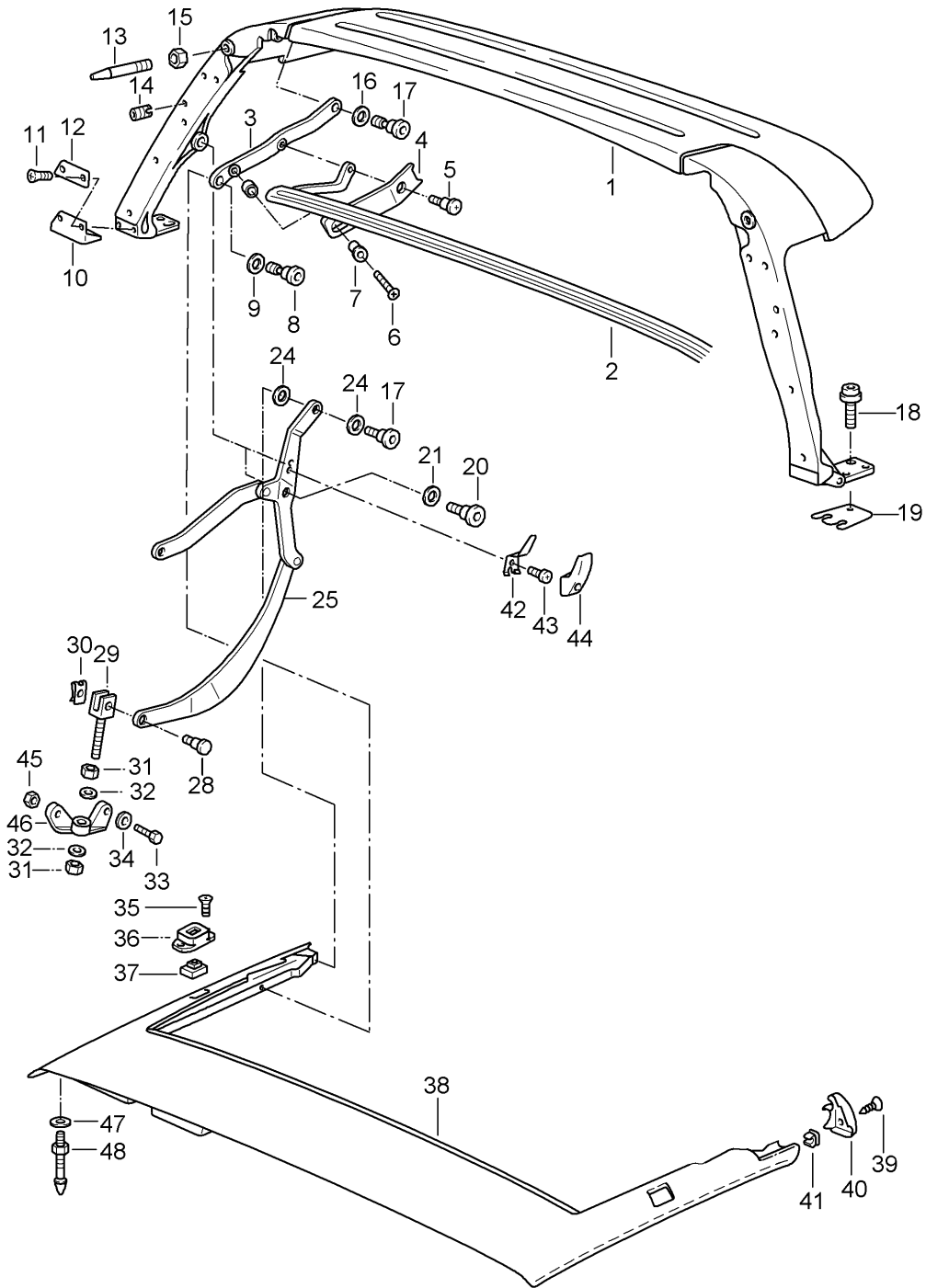
Model: 911 94

Model life 1994>>1998

Pos	Part Number	Description	Remark	Qty	Model
24	900 143 124 07	Tapping screw BZ 3,5X13		2	
25	900 025 013 07	Washer A 3,7		2	
26	999 507 380 40	Clip 8,0 X 0,88		8	
27	911 565 271 65	Handle	/L	1	
	911 565 271 65 70B	Black			
27	911 565 272 65	Handle	/R	1	
	911 565 272 65 70B	Black			
28	999 591 587 40	Expansion rivet		2	
29	900 075 100 02	Hexagon-head bolt M 4X 12		2	
29	900 075 100 03	Hexagon-head bolt M 4X 12		2	
30	900 025 002 02	Washer A 4,3		4	
30	900 025 002 03	Washer A 4,3		4	
31	993 561 239 00	Tension rope	/L	1	
31	993 561 240 00	Tension rope	/R	1	
32	993 561 295 00	Cover		1	
	993 561 295 00 70B	Black			
33	993 561 445 00	Insulating piece		1	
34	000 043 203 29	Sealing strap		2	
-	993 561 503 00	Foam part	/L	1	
-	993 561 504 00	Foam part	/R	1	

Model: 911 94

Model life 1994>>1998



Model: 911 94 Model life 1994>>1998

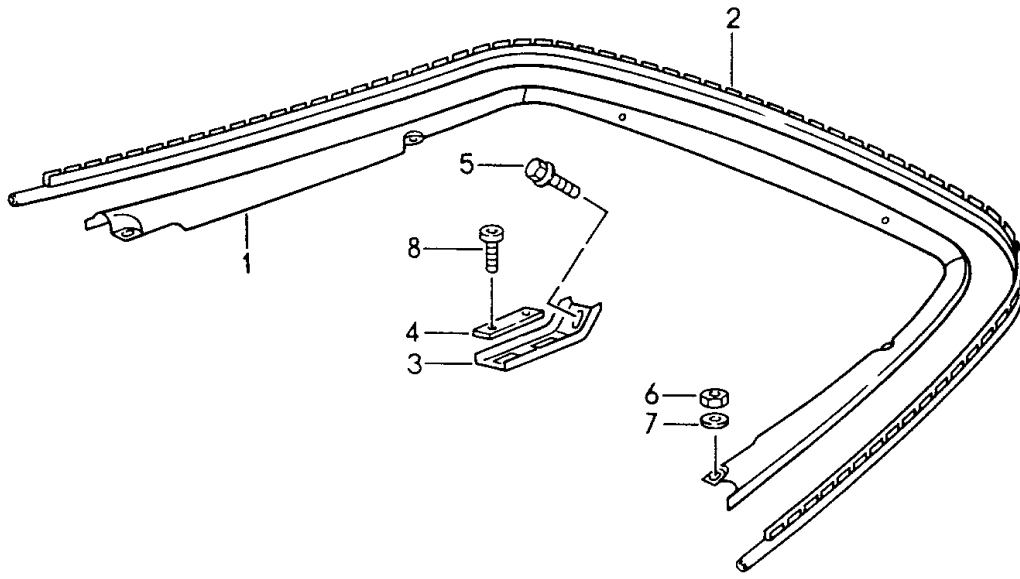
Pos	Part Number	Description	Remark	Qty	Model
		Convertible top frame			CABRIO
		Single parts			
1	993 561 015 02	Main folding top bow		1	
	993 561 015 02 70B	Black			
-	993 561 565 00	Retaining bar		2	
		Restraining strap			
-	900 269 052 07	Countersunk-head screw		4	
		M 4X10			
2	993 561 029 00	Intermed. folding top bow		1	
	993 561 029 00 70B	Black			
3	911 561 179 00	Steering arm	/L	1	
	911 561 179 00 70B	Black			
(3)	911 561 180 00	Steering arm	/R	1	
	911 561 180 00 70B	Black			
4	993 561 431 00	Protection cover	/L	1	
	993 561 431 00 01C	Black			
(4)	993 561 432 00	Protection cover	/R	1	
	993 561 432 00 01C	Black			
5	911 561 426 00	Screw		10	
		M 5 X 12			
6	900 269 103 07	Countersunk-head screw		2	
		M 4 X 22			
7	993 561 402 00	Eccentric washer		2	
8	911 561 461 00	Screw		2	
9	911 561 428 00	Washer		2	
10	993 561 471 00	Gasket	/L	2	
(10)	993 561 472 00	Gasket	/R	2	
11	900 269 056 07	Countersunk-head screw		4	
		M 4 X 10			
12	911 561 475 00	Plate		2	
13	911 561 449 65	Retaining pivot		2	
14	999 504 069 02	Threaded insert		4	
15	900 076 062 07	Hexagon nut		2	
		M 8			
16	911 561 428 00	Washer		2	
17	911 561 461 00	Screw		2	
18	900 067 271 09	Combination screw		6	
		M 8 X 20			
19	911 561 423 00	Plate		X	
		2 MM			
19	911 561 423 01	Plate		X	
		1 MM			
20	911 561 420 00	Screw		2	
21	911 561 430 00	Washer		2	
24	993 561 827 00	Washer		4	
25	993 561 069 00	Steering arm	/L	1	
	993 561 069 00 70B	Black			
25	993 561 069 01	Steering arm	/L	1	
	993 561 069 01 70B	Black			
(25)	993 561 070 00	Steering arm	/R	1	
	993 561 070 00 70B	Black			
(25)	993 561 070 01	Steering arm	/R	1	
	993 561 070 01 70B	Black			
28	911 561 761 65	Bolt		2	
29	911 561 595 65	Joint fork		2	
29	911 561 595 66	Joint fork		2	
30	999 166 034 02	Sl-lock		2	
31	N 011 010 13	Hexagon nut		4	
		M 10			
32	900 025 008 09	Washer		2	
		A 10,5			
32	900 025 008 04	Washer		2	
		A 10,5			

Model: 911 94 Model life 1994>>1998

Pos	Part Number	Description	Remark	Qty	Model
33	900 075 078 02	Hexagon-head bolt M 5 X 15		4	
33	900 075 078 03	Hexagon-head bolt M 5 X 15		4	
34	900 223 001 02	Washer A 8,4		4	
35	900 269 052 07	Countersunk-head screw M 4 X 10		4	
36	911 561 451 00	Housing		2	
	911 561 451 00 70B	Black			
37	911 561 453 00	Buffer		2	
38	993 561 027 00	Roof frame		1	
	993 561 027 00 70B	Black			
39	N 014 086 12	Tapping screw 3,5 X 13		2	
39	N 014 086 1C	Tapping screw 3,5 X 13		2	
40	911 561 139 65	End piece	/L	1	
(40)	911 561 140 65	End piece	/R	1	
41	999 591 762 40	Special nut B 3,5		2	
42	901 552 872 20	Coat hook		2	
43	900 250 006 02	Tapping screw		2	
44	901 552 871 40	Cover		2	
45	900 910 003 02	Lock nut M 8		4	
45	900 910 003 04	Lock nut M 8		4	
46	964 561 431 00	Bearing bracket		2	
47	N 011 525 15	Washer A 8,4 X 16 X 1,6		2	
48	911 565 214 60	Locating peg Long		2	

Model: 911 94

Model life 1994>>1998

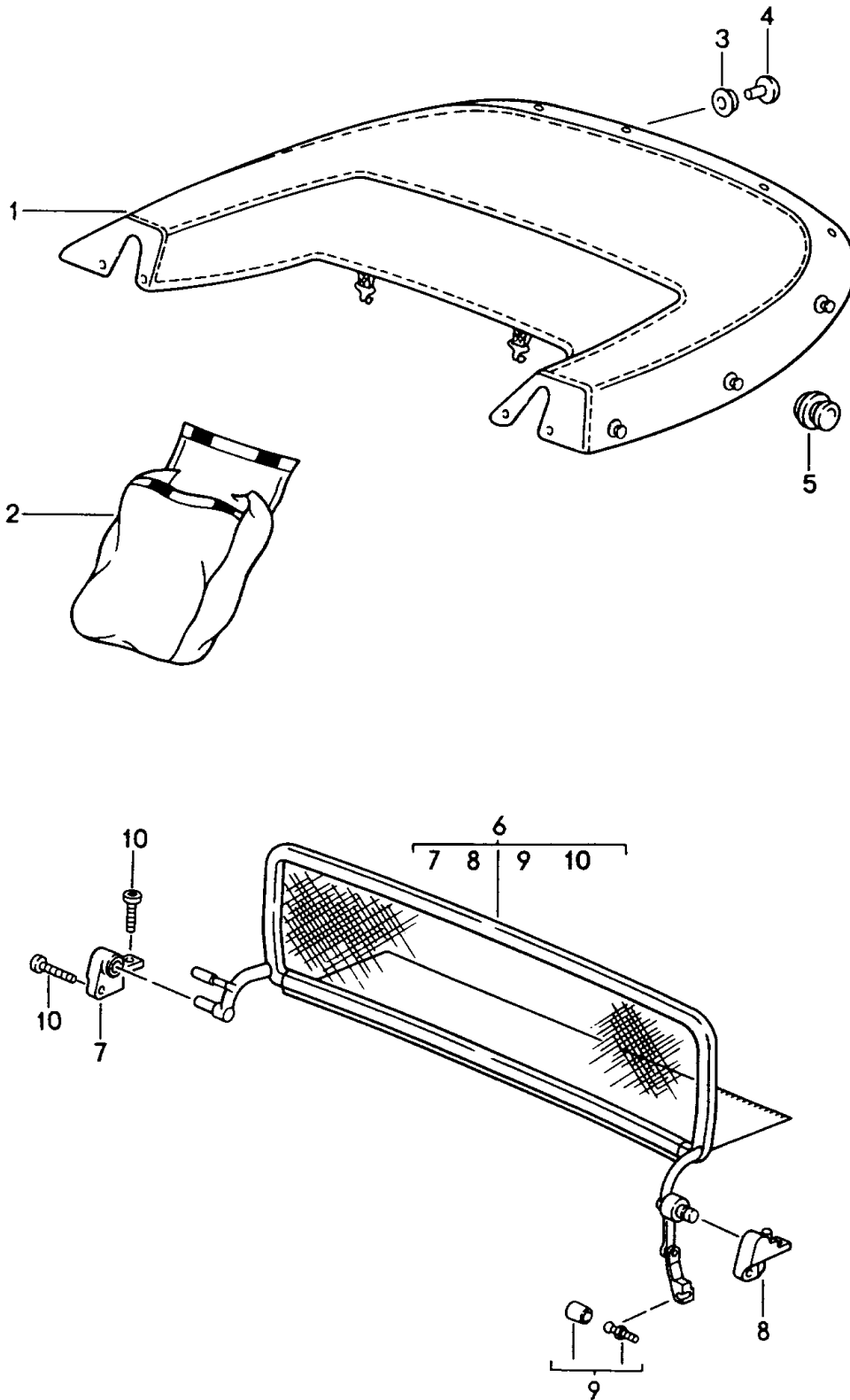


Model: 911 94 Model life 1994>>1998

Pos	Part Number	Description	Remark	Qty	Model
		Mounting parts			CABRIO
		Clamp			
		Sealing strip			
1	993 561 063 00	Clamp		1	
	993 561 063 00 GRV	Prime coated			
1	993 561 063 00	Clamp		1	
	993 561 063 00 70B	Black			
2	993 561 371 00	Rubber seal		1	
3	993 561 379 00	Support		3	
4	911 561 387 00	Desk pad		3	
	911 561 387 00 GRV	Prime coated			
5	N 014 761 2	Pan-head screw		3	
		M 6 X 12			
5	900 119 129 01	Pan-head screw		3	
		M 6 X 12			
6	900 076 010 02	Nut		4	
		M 6			
6	900 076 010 0B	Nut		4	
		M 6			
7	N 011 524 7	Washer		4	
		A 6,4			
		Pan-head screw			
7	N 011 524 27	Washer		4	
		A 6,4			
		Pan-head screw			

Model: 911 94

Model life 1994>>1998



Model: 911 94 Model life 1994>>1998

Pos	Part Number	Description	Remark	Qty	Model
		Convertible top cover			CABRIO
		Wind deflector			
1	993 561 123 00	Convertible top cover		1	
	993 561 123 00 2XW	Black			
	993 561 123 00 7JW	Blue/black			
	993 561 123 00 5XF	Classic grey			
	993 561 123 00 8PZ	Chestnut brown			
	993 561 123 00 B39	Florentine grey			
1	993 561 123 01	Convertible top cover		1	M335
	993 561 123 01 2XW	Black			
	993 561 123 01 7JW	Blue/black			
	993 561 123 01 5XF	Classic grey			
	993 561 123 01 8PZ	Chestnut brown			
	993 561 123 01 B39	Florentine grey			
2	911 561 087 00	Bag		1	
3	999 507 485 00	Push button		X	
		Lower part			
4	999 591 838 17	Push button		X	
5	999 591 983 12	Tenax upper part		X	
-	999 591 598 02	Tenax lower part		X	
6	993 561 979 00	Wind deflector	-95	1	
	993 561 979 00 DEZ	Black			
6	993 561 979 02	Wind deflector	96-	1	
	993 561 979 02 DEZ	Black			
6	993 561 979 01	Wind deflector	-95	1	M335
	993 561 979 01 DEZ	Black			
6	993 561 979 03	Wind deflector	96-	1	M335
	993 561 979 03 DEZ	Black			
7	993 561 901 00	Parts kit	/R -95	1	
7		Parts kit	/R 96-	1	
8	993 561 715 00	Bearing bracket	/L	1	
9	993 561 721 00	Ball head		1	
10	900 119 107 07	Pan-head screw		4	
11	993 561 919 01	Valve lever		1	
	993 561 919 01 70K	Black			
-	999 703 410 40	Stopper		2	

Model: 911 94 Model life 1994>>1998

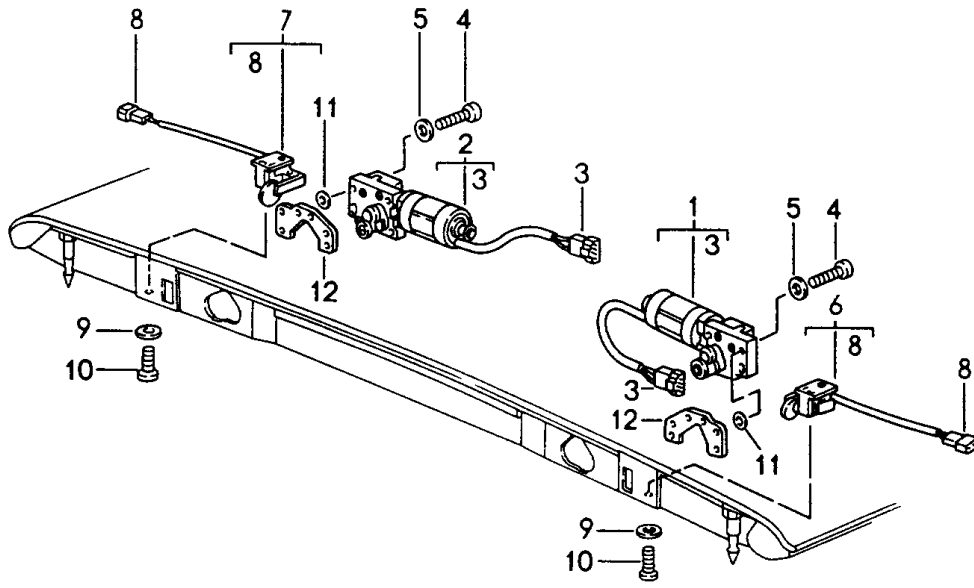
Pos	Part Number	Description	Remark	Qty	Model
		Convertible top			CABRIO
		Driving mechanism			
1	993 561 045 00	Transmission	/L -95	1	
	993 561 045 00 70B	Black			
1	993 561 046 00	Transmission	/R -95	1	
	993 561 046 00 70B	Black			
1	993 561 045 03	Transmission	/L 96-	1	
	993 561 045 03 70B	Black			
1	993 561 046 03	Transmission	/R 96-	1	
	993 561 046 03 70B	Black			
(2)	993 561 103 00	Planetary transmission	/L -96	1	
(2)	993 561 103 02	Planetary transmission	/L 97-	1	
2	993 561 104 00	Planetary transmission	/R -96	1	
2	993 561 104 02	Planetary transmission	/R 97-	1	
3	900 146 025 02	Half-round screw		4	
		M 4 X 18			
4	900 025 002 02	Washer		6	
		A 4,3			
4	900 025 002 03	Washer		6	
		A 4,3			
5	900 234 003 02	Shim		2	
		8 X 14 X 1,0			
5	900 234 003 01	Shim		2	
		8 X 14 X 1,0			
6	999 025 254 10	Washer		2	
		30 X 50 X 1,5			
7	900 234 143 02	Shim		X	
		30 X 42 X 0,1			
8	999 217 095 02	Hexagon-head bolt		2	
8	900 378 288 01	Hexagon-head bolt		2	
		Micro-self-locking			
		M 12 X 30			
9	N 011 004 6	Hexagon nut		2	
		M 4			
9	N 011 004 G	Nut		2	
		M 4			
10	N 040 257 1	Hexagon-head bolt		2	
		M 4 X 22			
11	993 561 921 03	Shaft	/L -95	1	
		F>>996TS 341000			
(11)	993 561 921 02	Pliable shaft	/L 96-	1	
		with			
		Pinion			
		F996TS341001>>			
11A	993 561 922 03	Shaft	/R -95	1	
		F>>996TS 341000			
(11A)	993 561 922 02	Pliable shaft	/R 96-	1	
		with		1	
		Pinion			
		F996TS341001>>			
12	911 613 037 00	Microswitch		1	
		with			
		Plate			
12	911 613 037 01	Microswitch		1	
		with			
		Plate			
		It is necessary to rework			
		Use also:			
		Tie-wrap			
		1 x 999.513.049.40			
13	N 014 122 8	Oval-head screw		2	
		M 4 X 8			
13	N 014 122 17	Oval-head screw		2	

Model: 911 94 Model life 1994>>1998

Pos	Part Number	Description	Remark	Qty	Model
		M4 X 8			
14	911 561 643 65	Spring clamp		2	
14	987 561 643 00	Spring clamp		2	
15	911 561 746 65	Spacer sleeve		4	
15	999 209 038 30	Spacer sleeve 8,0 X 6,0 X 15		4	
16	911 561 745 65	Spacer sleeve		2	
16	999 209 039 30	Spacer sleeve 8,0 X 6,0 X 30		2	
17	N 010 347 5	Hexagon-head bolt		4	
17	900 378 067 02	Hexagon-head bolt M 6 X 35		4	
17	N 010 347 5	Hexagon-head bolt M 6 X 35		4	
18	N 040 303 1	Hexagon-head bolt		2	
18	900 378 032 02	Hexagon-head bolt M 6 X 50		2	
19	N 015 404 1	Washer A 6,4		6	
19	900 223 030 02	Washer A 6,4		6	
19	900 223 003 02	Washer A 6,4		6	
19	900 223 001 02	Washer 8,4		6	
20	911 561 169 65	Push rod	/L	1	
	911 561 169 65 70B	Black			
(20)	911 561 170 65	Push rod	/R	1	
	911 561 170 65 70B	Black			
21	911 561 418 00	Screw M 8 X 20		2	
22	911 561 428 00	Washer 10,5		2	
23	999 084 078 02	Hexagon nut M 5		2	
24	911 624 117 00	Electric motor F>>996TS 341000	-95	2	
24	993 624 117 00	Electric motor F996TS341001>>	96-	1	
25	911 624 269 01	Washer \$=50		1	
26	911 624 171 01	Washer		1	
27	911 624 273 00	Connecting piece		1	
28	900 025 003 02	Washer A 5,3		4	
29	900 377 009 01	Hexagon nut M 5		4	
30	964 624 185 65	Support F>>996TS 341000	-95	1	
(30)	993 624 185 00	Support F996TS341001>>	/L 96-	1	
(30)	993 624 186 00	Support F996TS341001>>	/R 96-	1	
31	999 703 308 00	Bonded rubber mounting 15 X 8 / M5		4	
31	999 703 308 0A	Bonded rubber mounting 15 X 8 / M5		4	
32	999 919 045 02	Countersunk-head screw M 5 X 16		4	
33	999 919 046 02	Hexagon-head bolt M 5 X 16		4	

Model: 911 94

Model life 1994>>1998



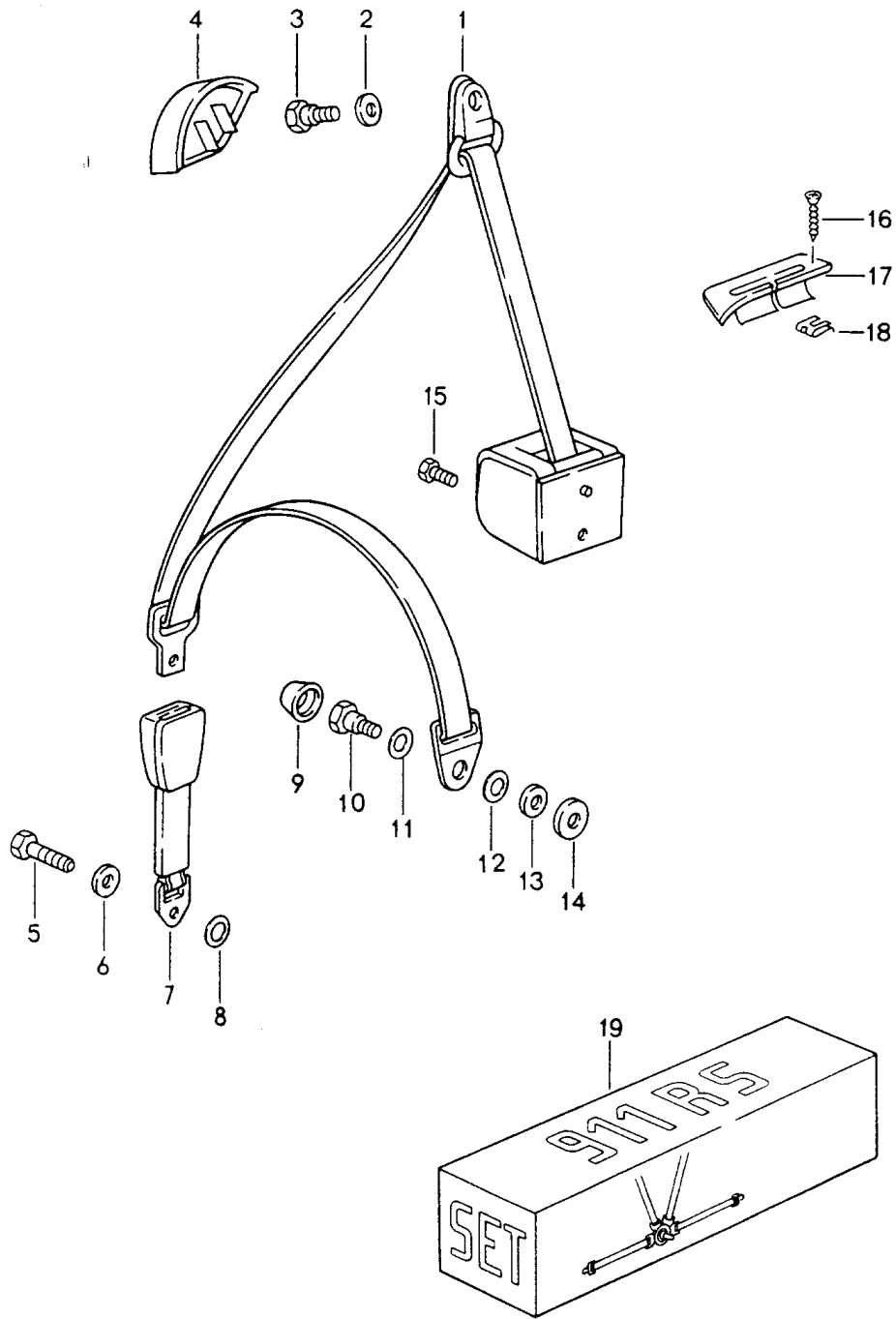
Model: 911 94

Model life 1994>>1998

Pos	Part Number	Description	Remark	Qty	Model
		Convertible top Catch			CABRIO
1	911 624 055 03	Electric motor	/L	1	
1	911 624 055 CX	Electric motor	/L	1	
2	911 624 056 03	Electric motor	/R	1	
2	911 624 056 CX	Electric motor	/R	1	
3	171 971 998 C	Connector housing		2	
4	N 014 743 2	Pan-head screw M 6 X 30		8	
4	900 067 012 03	Pan-head screw M 6 X 30		8	
5	N 011 524 7	Washer A 6,4		8	
5	N 011 524 27	Washer A 6,4		8	
6	911 613 015 00	Microswitch	/L	1	
7	911 613 016 00	Microswitch	/R	1	
8	171 971 998 A	Connector housing		2	
9	900 151 028 02	Washer B 4,3		4	
9	900 151 028 01	Washer B 4,3		4	
10	900 146 011 02	Oval-head screw M 4 X 10		4	
11	N 027 401 1	Shim 6 X 12 X 1,0		8	
12	911 561 547 01	Threaded plate		2	

Model: 911 94

Model life 1994>>1998



Model: 911 94

Model life 1994>>1998

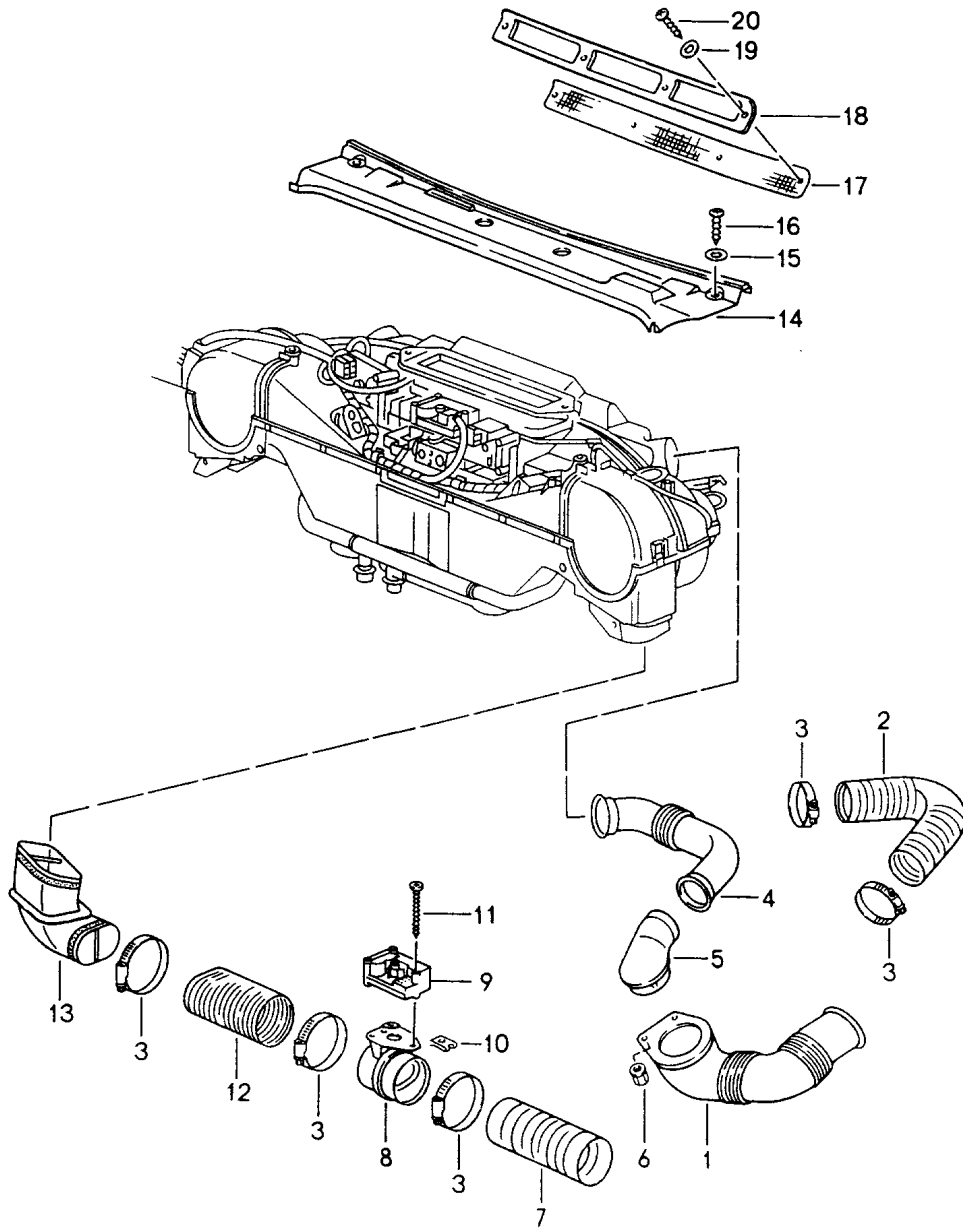
Pos	Part Number	Description	Remark	Qty	Model
		Seat belt Front			
1	964 803 033 03	Seat belt		2	
	964 803 033 03 70B	Black			
1	964 803 033 04	Seat belt		2	CARRERA RS
	964 803 033 04 N13	Guards red			
	964 803 033 04 V02	Speed yellow			
	964 803 033 04 H04	Riviera blue			
2	999 025 113 02	Washer		2	
3	111 857 793 E	Hexagon-head bolt		2	
4	944 803 141 00	Cover		2	
	944 803 141 00 70B	Black			
5	959 803 701 00	Hexagon-head bolt		2	
5	959 803 701 01	Hexagon-head bolt		2	
6	N 011 655 2	Washer		2	
7	964 803 183 00	Seat-belt buckle		1	
	964 803 183 00 70B	Passenger's side			
(7)	964 803 183 01	Seat-belt buckle		1	
	964 803 183 01 70B	Black Driver's side			
9	811 857 845	Cap		2	
10	111 857 793 E	Hexagon-head bolt		2	
11	211 857 771	Washer		4	
12		Washer		4	
13	999 924 063 02	Spacer sleeve		2	
14	111 857 707 A	Spacer		2	
14	WHT 001 373	Spacer		2	
15	911 803 150 00	Screw		2	
16	N 014 093 3	Oval-head sheetmetal screw		4	
17	911 803 615 00	Rosette	/L	1	COUPE
	911 803 615 00 01C	Black			
17	911 803 616 00	Rosette	/R	1	COUPE
	911 803 616 00 01C	Black			
18	999 507 020 02	Speed nut		4	COUPE
18	999 507 020 01	Speed nut		4	COUPE
19	993 803 035 00	Seat belt	/L	1	CARRERA RS M003
		Red Installation set			
19	993 803 036 00	Seat belt	/R	1	CARRERA RS M003
		Red Installation set			

Model: 911 94 Model life 1994>>1998

Pos	Part Number	Description	Remark	Qty	Model
(1)	993 803 021 00	Seat belt Rear		2	
(1)	993 803 021 00 70B	Black			
(1)	993 803 901 00	Seat belt Black		2	
		200 mm laenger Child car seat Automatic			
(1)	993 803 021 02	Seat belt	/L	1	CABRIO M335/553
	993 803 021 02 70B	Black Automatic			
(1)	993 803 022 02	Seat belt	/R	1	CABRIO M335/553
	993 803 022 02 70B	Black Automatic			
2	477 857 795	Seat belt		2	CABRIO M185
	477 857 795 70B	Black			
3	964 803 015 00	Manually Seat belt		2	CABRIO M186
	964 803 015 00 70B	Black Manually			
4	477 857 750 B	Cap		2	CABRIO
5	477 857 739 A	Seat-belt buckle		2	
5	477 857 739 B	Seat-belt buckle		2	
	477 857 739 B 70B	Black			
6	993 803 751 00	Fastening screw		2	
7	211 857 771	Washer		2	
8	999 924 064 02	Spacer sleeve		2	
8	999 924 064 01	Spacer sleeve		2	
9	111 857 799	Hexagon-head bolt		2	COUPE
10	999 025 113 02	Washer 11,5 X 21 X 2		2	COUPE
11	911 803 259 01	Cap		2	
	911 803 259 01 70B	Black			
12	911 803 479 00	Relay lever		2	COUPE
13	928 803 151 02	Clip		2	COUPE
		Upper part			
14	928 803 153 02	Clip		2	COUPE
		Lower part			
15	477 885 699 C	Plug		2	COUPE
16	999 924 064 02	Spacer sleeve 12 X 18 X 14		2	COUPE CABRIO M186
16	999 924 064 01	Spacer sleeve 12 X 18 X 14		2	COUPE CABRIO M186
17	964 803 141 00	Cap		2	COUPE CABRIO M186
18	803 019 811 B	Hexagon-head bolt		2	COUPE CABRIO M186

Model: 911 94

Model life 1994>>1998

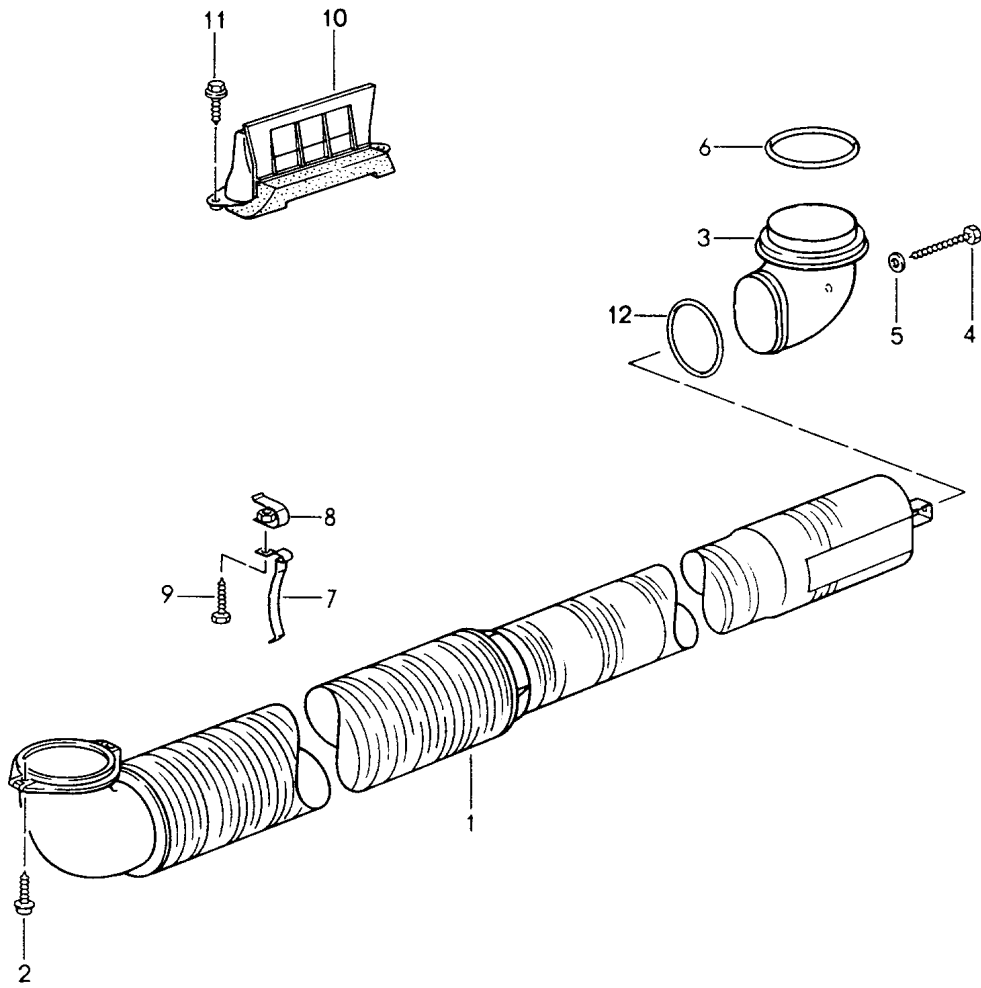


Model: 911 94 Model life 1994>>1998

Pos	Part Number	Description	Remark	Qty	Model
		Ventilation			
		Heating system 1			
1	964 572 251 01	Air guide	/L	1	
(1)	964 572 252 01	Air guide	/R	1	
		Side vent			
2	964 572 045 00	Connection piece	/L	1	
2	964 572 046 00	Connection piece	/R	1	
3	999 512 351 02	Hose clamp 70-90/9		4	
4	993 572 419 00	Air guide	/LL /L	1	
(4)	964 572 430 00	Air guide	/LL /R	1	
5	964 572 241 00	Air guide		2	
6	999 591 839 40	Plastic nut T 5		1	
7	993 572 527 00	Hose	/LL/L/R	2	
8	993 572 167 00	Flap control box		2	
9	993 624 325 00	Electric motor		1	
10	999 591 713 02	Speed nut		3	
10	999 591 713 03	Speed nut		3	
11	900 143 131 02	Tapping screw	/R	3	
12	993 572 527 01	Hose	/LL /L	1	
12	993 572 528 01	Hose	/LL /R	1	
13	964 572 083 00	Footwell outlet vent	/L	1	
13	964 572 084 01	Footwell outlet vent	/R	1	
14	993 572 403 00	Cover		1	
15	999 025 188 07	Washer 5,3X17X1		2	
16	900 143 124 07	Tapping screw		2	
17	993 559 411 00	Grille		1	
18	993 559 401 00	Grille frame		1	
	993 559 401 00 70K	Black			
19	901 559 491 20	Spacer		4	
20	N 014 086 12	Tapping screw		4	
20	N 014 086 1C	Tapping screw		4	

Model: 911 94

Model life 1994>>1998



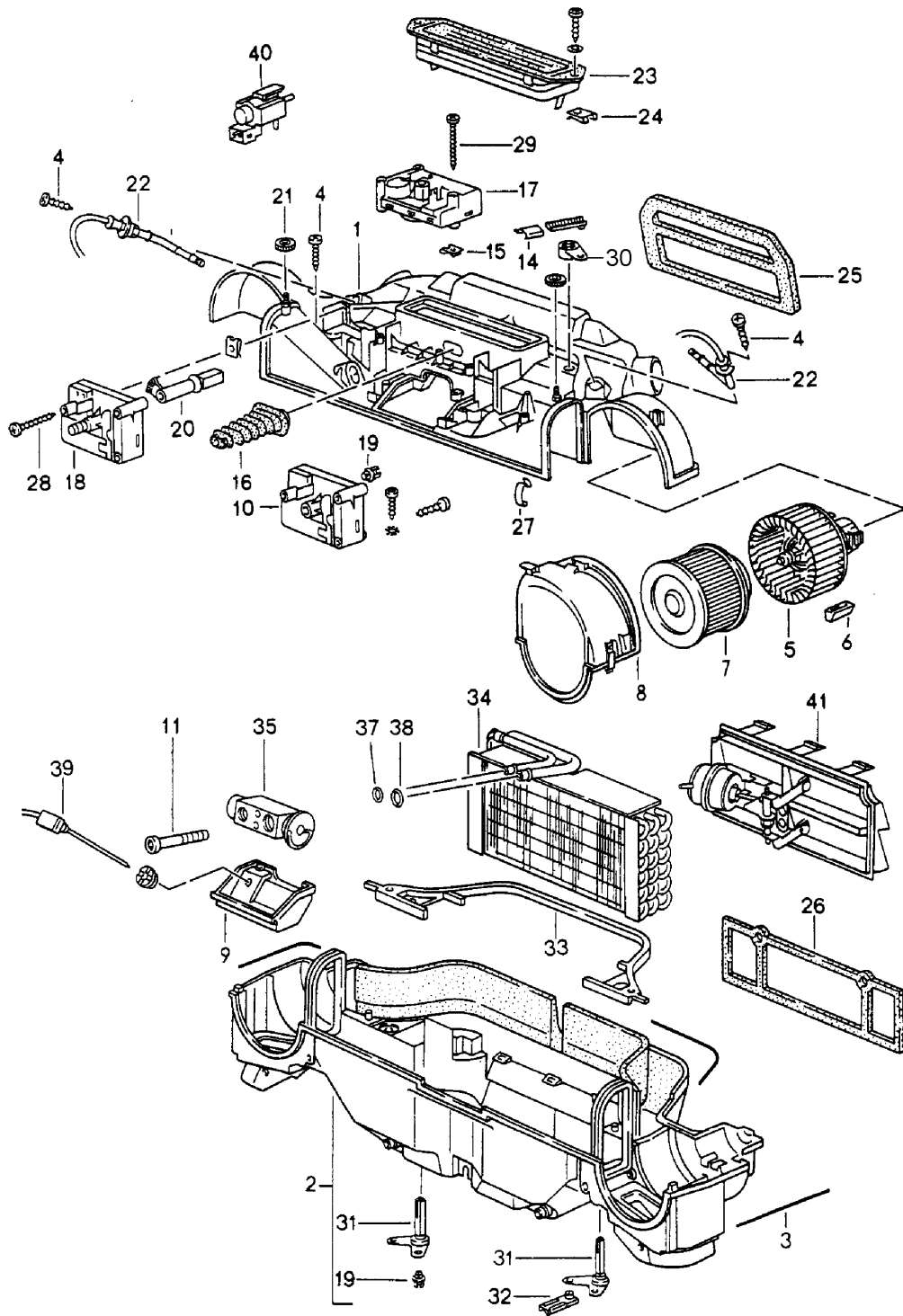
Model: 911 94

Model life 1994>>1998

Pos	Part Number	Description	Remark	Qty	Model
		Ventilation			
		Heating system 2			
(1)	993 572 041 00	Muffler		2	
(1)	993 572 041 01	Muffler	002	2	CARRERA RS M
2	900 143 102 02	Combination screw B 4,2 X 19		4	
2	900 143 093 01	Combination screw B 4,2 X 19		4	
3	964 572 185 00	Elbow		2	
4	900 187 033 02	Tapping screw B 4,8 X 50		2	
5	900 025 003 02	Washer		2	
6	999 707 207 40	O-ring		2	
6	999 707 176 40	O-ring 75 X 5,3		2	
7	964 572 438 01	Clip		4	
8	999 591 614 02	Prestole cage B 4,2		4	
9	900 143 007 02	Oval-head sheetmetal screw B 4,2 X 13		4	
9	900 073 507 01	Oval-head sheetmetal screw B 4,2 X 13		4	
10	964 572 043 01	Insert Bleeding		2	
11	900 187 125 02	Combination screw B 3,5 X 13		4	
11	900 187 132 02	Combination screw B 3,5 X 13		4	
12	999 707 126 40	O-ring 66 X 3,0		2	

Model: 911 94

Model life 1994>>1998



Model: 911 94

Model life 1994>>1998

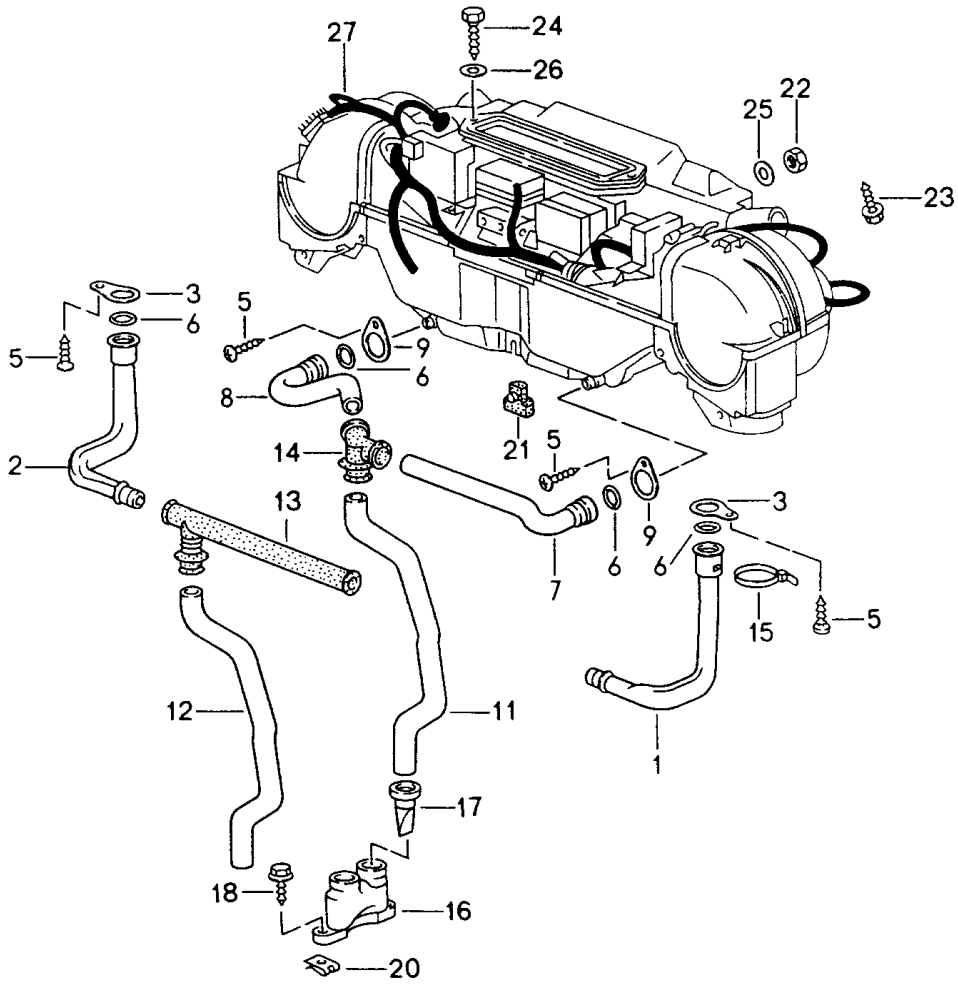
Pos	Part Number	Description	Remark	Qty	Model
1	993 572 901 00	Heater Air conditioner Single parts Housing		1	
2	993 572 902 00	Upper part Housing		1	
3	000 043 204 72	Lower part Sealing cord 2,10 M		1	
4	999 919 049 02	Oval-head screw 3 X 10		36	
5	964 572 015 01	Blower	/L	1	
(5)	964 572 016 01	Blower	/R	1	
6	964 572 433 01	Rubber mounting		8	
7	993 572 479 00	Particle filter		2	
8	993 572 903 00	Housing cover	/L	1	
(8)	993 572 904 00	Housing cover	/R	1	
(9)	964 572 361 00	Lid		1	
9	964 573 361 00	Lid		1	M573
10	993 572 905 00	Electric motor Temperature mixing flap Centre		2	
11	000 043 300 11	Pan-head screw M 5X35		2	
14	928 570 423 00	Tensioning spring		X	
15	999 591 571 02	Speed nut		2	
16	964 572 507 01	Bellows		3	
17	964 624 901 00	Electric motor Fresh-air flap with Lever		1	
18	964 624 902 00	Electric motor Defroster flap with Segment	/R	1	
19	999 596 002 40	Linkage clip		4	
20	964 572 663 00	Joint		1	
21	900 241 003 02	Knurled nut		2	
22	964 659 901 00	Temperature sensor Mixing chamber Repair kit		2	
23	964 572 415 00	Bellows Upper		1	
24	999 591 571 02	Speed nut B 6,3		2	
25	964 572 437 02	Gasket Centre nozzle		1	
26	964 572 449 00	Gasket Lower		1	
27	928 570 423 00	Tensioning spring		32	
28	999 919 097 02	Oval-head screw 5 X 14		7	
29	900 143 135 07	Tapping screw B 4,2 X 45		4	
30	964 572 343 00	Lever Upper		1	
31	964 572 345 00	Connecting lever Lower		2	
32	964 572 651 00	Special nut		1	
33	964 572 551 00	Gasket		1	
34	964 573 901 00	Evaporator		1	M573
35	928 573 123 05	Expansion valve		1	M573
-	000 043 300 11	Pan-head screw		2	

Model: 911 94 Model life 1994>>1998

Pos	Part Number	Description	Remark	Qty	Model
37	999 707 250 40	M 5X35 O-ring 10,6 X 2		1	M573
37	999 707 434 41	O-ring 10,6 X 2		1	M573
38	999 707 251 40	O-ring 14 X 2		1	M573
39	964 618 943 00	Temperature sensor		1	
40	996 605 123 01	Change-over valve		1	
40	7PP 906 270	Change-over valve		1	
41	993 572 077 00	Flap	/LL	1	

Model: 911 94

Model life 1994>>1998



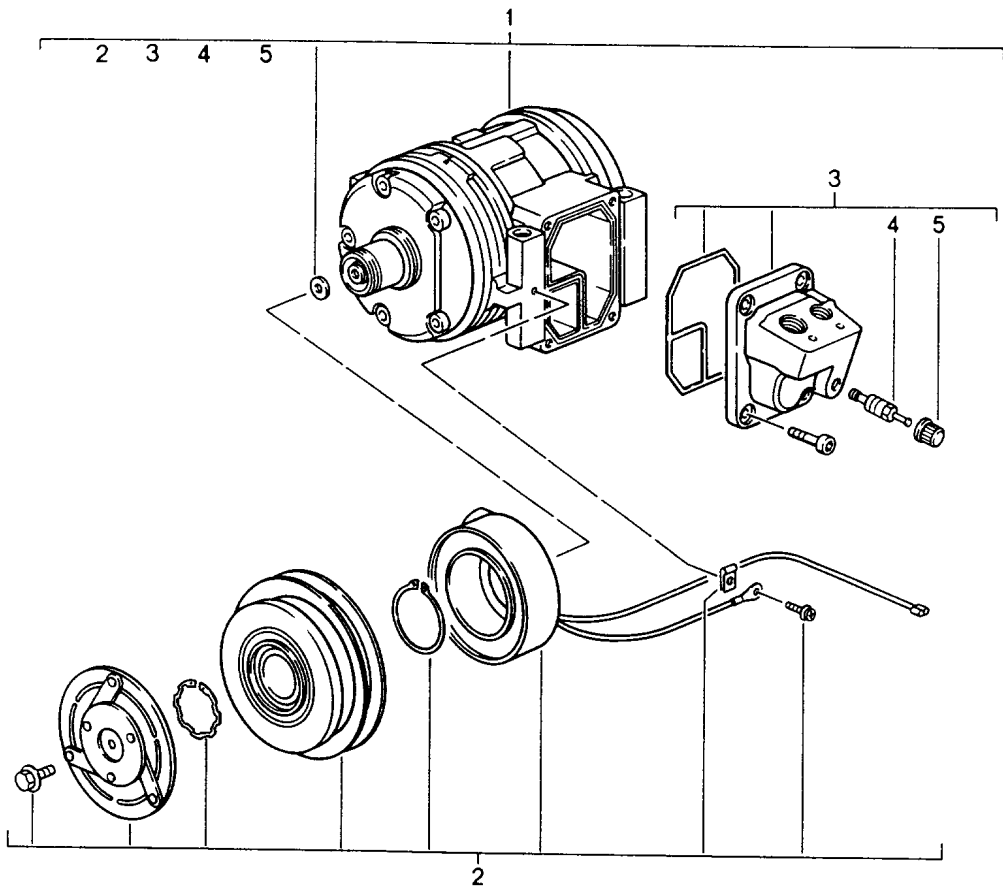
Model: 911 94

Model life 1994>>1998

Pos	Part Number	Description	Remark	Qty	Model
		Water drain tube Mount Wiring harness Heater Air conditioner			
1	964 572 517 01	Water drain tube	/L	1	
2	964 572 518 01	Water drain tube	/R	1	
		Upper			
3	964 572 537 00	Flange		2	
5	999 919 049 02	Oval-head screw 3 X 10		4	
6	999 707 143 40	O-ring 18 X 2,5		4	
7	993 572 511 00	Water drain tube		1	
8	993 572 512 00	Water drain tube		1	
9	993 572 571 00	Flange		2	
11	993 572 561 00	Water drain tube		1	
12	964 572 567 00	Water drain tube		1	
13	964 572 897 00	Water drain tube		1	
14	993 572 898 00	Grommet		1	
15	999 513 003 40	Tie-wrap		4	
16	993 572 393 00	Guide piece for Water drain tube		1	
17	993 572 563 00	Check valve		1	
18	900 187 104 02	Tapping screw B 4,8 X 13		1	
20	999 507 023 02	Speed nut B 4,8		1	
20	999 507 023 01	Speed nut B 4,8		1	
21	964 572 659 00	Spacer rubber		1	
22	900 076 010 02	Nut M 6		2	
22	900 076 010 0B	Nut M 6		2	
23	N 090 183 1	Combination screw B 6,3 X 16		1	
24	900 187 010 02	Hexagon-head tapping screw B 6,3 X 19		2	
24	900 187 010 03	Hexagon-head tapping screw B 6,3 X 19		2	
25	900 151 003 02	Washer A 6,4		2	
25	900 151 006 03	Washer A 6,4		2	
26	803 955 637	Sealing washer		2	
27	993 612 180 01	Wiring harness	-94	1	M573
27	993 612 180 03	Wiring harness	95-	1	M573
27	993 612 180 00	Wiring harness	-94	1	
27	993 612 180 02	Wiring harness	95-	1	

Model: 911 94

Model life 1994>>1998



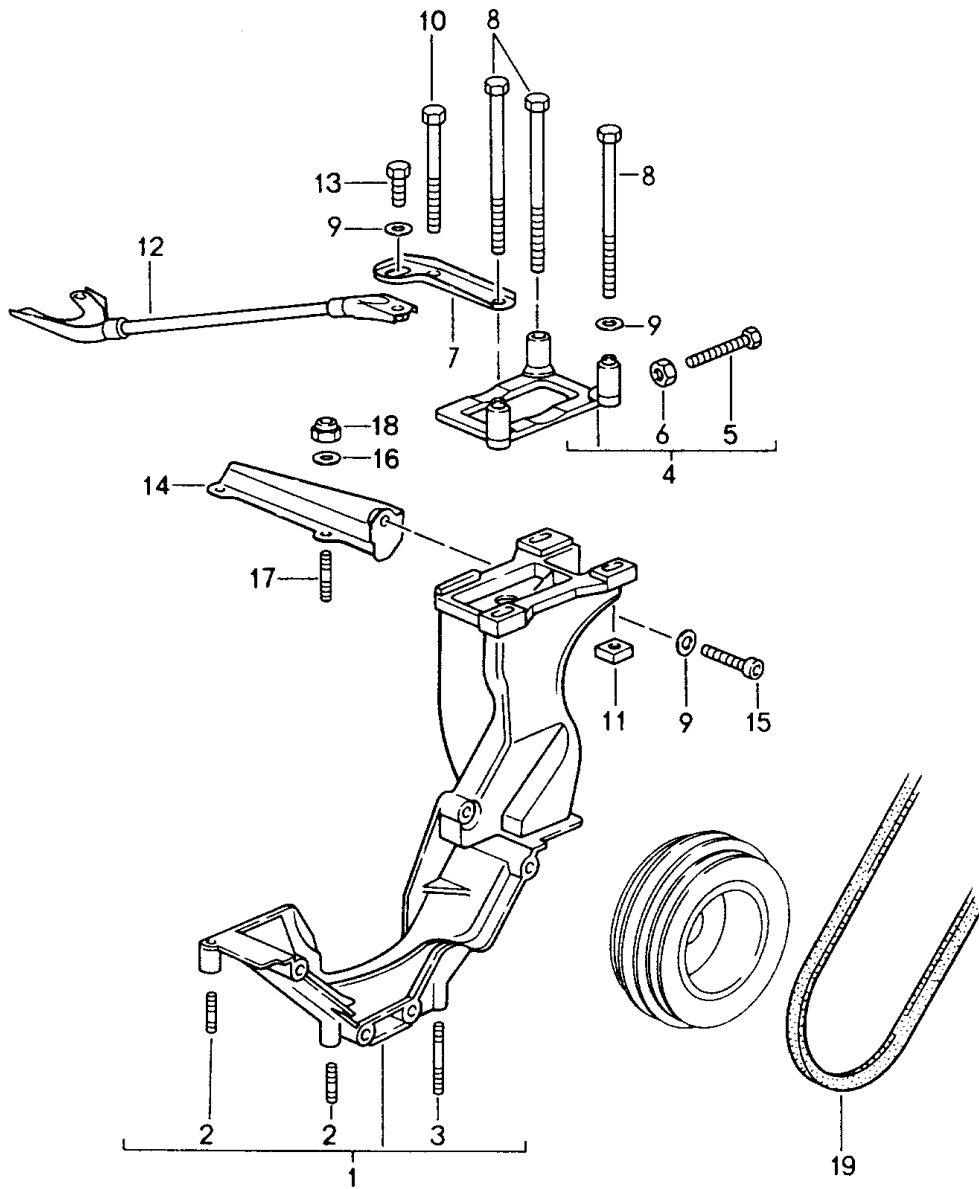
Model: 911 94

Model life 1994>>1998

Pos	Part Number	Description	Remark	Qty	Model
(1)	964 126 121 02	Compressor		1	
(2)	964 126 901 01	Compressor Repair kit		1	
		Magnetic clutch			
3	964 126 902 01	Suction + press. connect.		1	
		Suction + press. connect.			
4	928 126 902 01	Valve insert with Cap		2	

Model: 911 94

Model life 1994>>1998

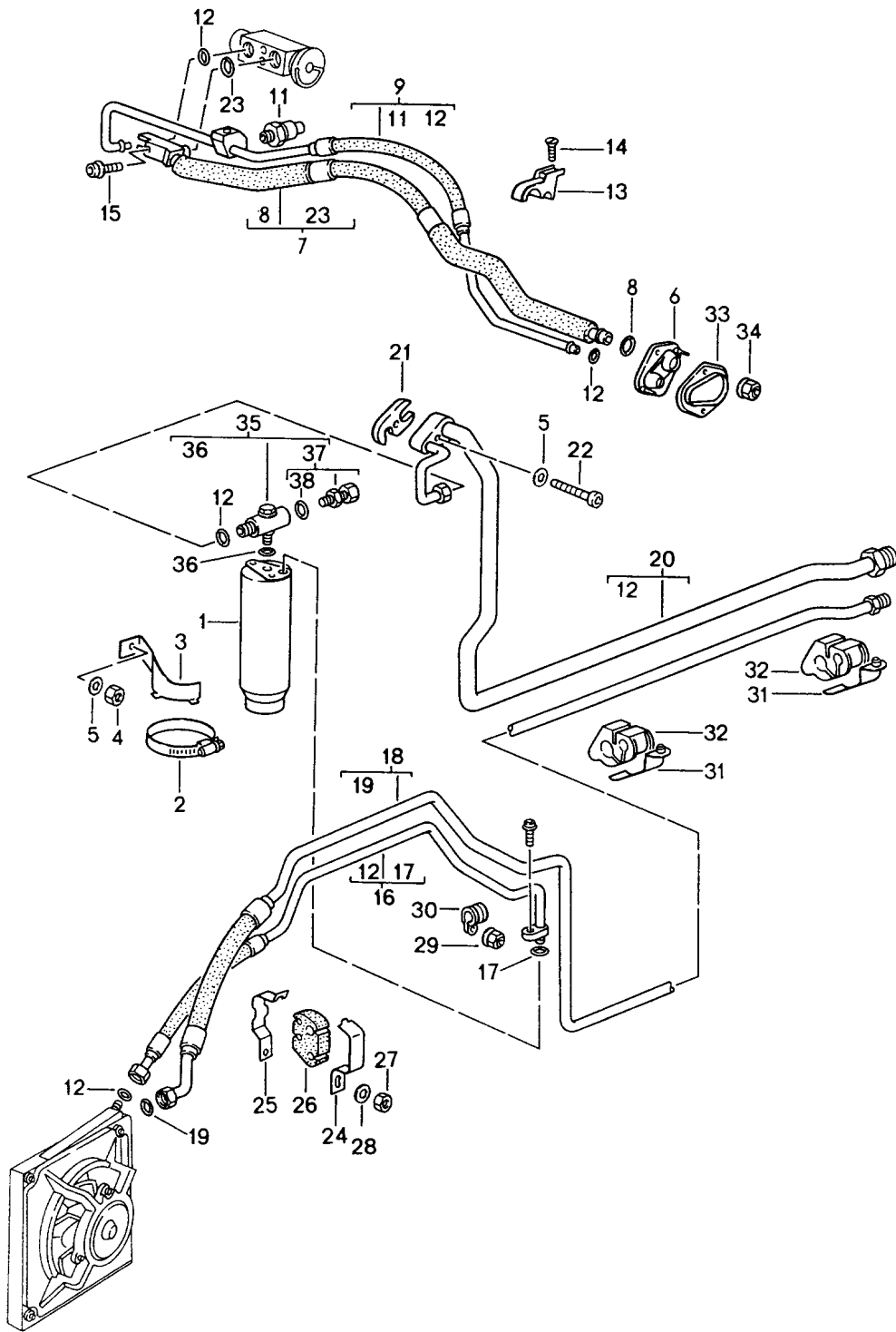


Model: 911 94 Model life 1994>>1998

Pos	Part Number	Description	Remark	Qty	Model
		Compressor			M64.05/06/07
		Mounting			M64.08
		Driving mechanism			M64.60
1	964 126 026 00	Bracket		1	
(1)	993 107 005 52	Bracket		1	M.64.60
		with			
		Oil pump			
(1)	993 107 005 53	Bracket		1	M.64.60
		with			
		Oil pump			
2	999 062 002 02	Stud		3	
		BM 6 X 15			
3	999 062 096 02	Stud		1	
		BM 6 X 40			
4	993 126 123 01	Compressor plate	-95	1	
4		Compressor plate	96-	1	
5	N 040 237 1	Hexagon-head bolt		1	
		M 8 X 55			
6	900 076 025 02	Hexagon nut		1	
		M 8			
6	900 076 064 02	Hexagon nut		1	
		M 8			
7	964 126 124 00	Support		1	
8	900 074 051 02	Hexagon-head bolt		3	
		M 8 X 125			
9	999 025 125 09	Washer		4	
		8,4 X 17 X 3,1			
9	999 025 125 01	Washer		4	
		8,4 X 17 X 3,1			
10	N 010 385 3	Hexagon-head bolt		1	
		M 8 X 85			
11	964 126 311 00	Nut		4	
		M 8			
12	993 126 128 00	Strut		1	
13	900 075 323 02	Hexagon-head bolt		1	
		M 8 X 14			
14	993 126 114 00	Fastening angle		1	
15	999 218 009 02	Pan-head screw		1	
		Micro-self-locking			
		M 8 X 40			
16	N 011 666 7	Washer		2	
		6,4			
17	999 062 085 02	Stud		2	
		BM 6 X 20			
18	999 084 094 02	Lock nut		2	
		M 6			
(19)	999 192 363 50	V-belt		1	
		12.5 X 1085			
		V-belt pulley		1	
		See group			
		1/02/00			

Model: 911 94

Model life 1994>>1998



Model: 911 94

Model life 1994>>1998

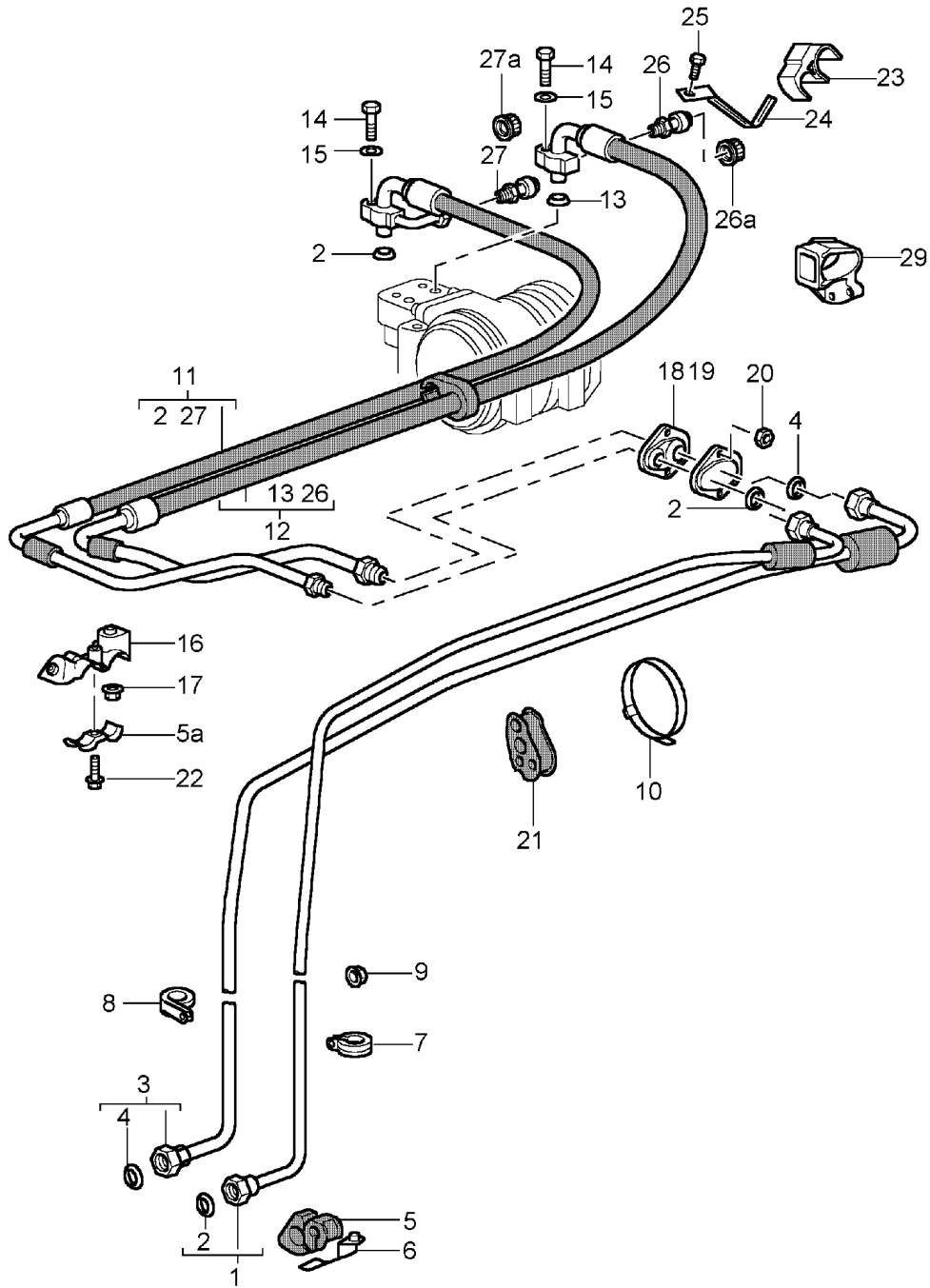
Pos	Part Number	Description	Remark	Qty	Model
		Refrigerant circuit			
		Front			
1	944 573 143 01	Desiccator		1	
2	999 512 390 00	Hose clamp		1	
		60-80 MM			
3	964 573 451 01	Support		1	
4	900 910 012 02	Lock nut		1	
		M 6			
4	900 910 047 09	Lock nut		1	
		M 6			
5	N 011 524 7	Washer		1	
		A 6,4			
5	N 011 524 27	Washer		1	
		A 6,4			
6	964 573 553 00	Rubber boot		2	
		for			
7	993 573 091 01	Intake pipe	-94	1	
		Expansion valve			
		Wheel housing			
7		Intake pipe	95-	1	
		Expansion valve			
		Wheel housing			
8	999 707 252 40	O-ring		1	
		17 X 2			
9	993 573 103 00	Pressure line		1	
		NW 8			
		Wheel housing			
		Expansion valve			
11	964 613 137 01	Pressure switch		1	
12	999 707 247 40	O-ring		4	
		7,5 X 2			
13	993 573 467 00	Retaining clip		1	
14	900 143 151 02	Combination tapping screw		1	
		4,2X16			
15	900 075 347 02	Combination screw		1	
		M 6 X 30			
16	993 573 093 00	Pressure line		1	
		Desiccator			
		Wheel housing			
17	999 707 262 40	O-ring		1	
		6,7 X 1,8			
18	993 573 107 02	Refrigerant line		1	
		Door sill			
		Condenser			
18	993 573 107 03	Refrigerant line		1	
		Door sill			
		Condenser			
19	999 707 250 40	O-ring		1	
		10,6 X 2			
19	999 707 434 41	O-ring		1	
		10,6 X 2			
20	993 573 092 02	Refrigerant line		1	
		Wheel housing			
		Door sill			
21	964 573 731 00	Flange		1	
22	900 067 013 02	Pan-head screw		1	
		M 6 X 35			
23	999 707 251 40	O-ring		1	
		14 X 2			
24	964 573 463 00	Support		1	
		Upper part			
25	964 573 453 00	Support		1	
		Lower part			

Model: 911 94 Model life 1994>>1998

Pos	Part Number	Description	Remark	Qty	Model
26	964 573 455 00	Spacer rubber		1	
27	900 076 025 02	Hexagon nut M 8		1	
27	900 076 064 02	Hexagon nut M 8		1	
28	900 025 007 02	Washer A 8,4 X 16 X 1,6		1	
28	900 025 007 03	Washer A 8,4 X 16 X 1,6		1	
29	999 501 074 40	Plastic nut T 5 POM		1	
30	N 020 620 1	Clamp B 13 X 15		1	
31	993 207 303 00	Clamp		2	
32	993 573 463 02	Rubber mounting	-95	2	
32		Rubber mounting	96-	2	
33	964 573 565 00	Lid		1	
34	999 501 074 40	Plastic nut T 5 POM		2	
35	993 573 243 00	Distributing piece		1	
36	999 707 262 40	O-ring 6,7 X 1,8		1	
37	928 573 311 00	Relief valve		1	
38	999 707 261 40	O-ring 9 X 1,8		1	

Model: 911 94

Model life 1994>>1998



Model: 911 94 Model life 1994>>1998

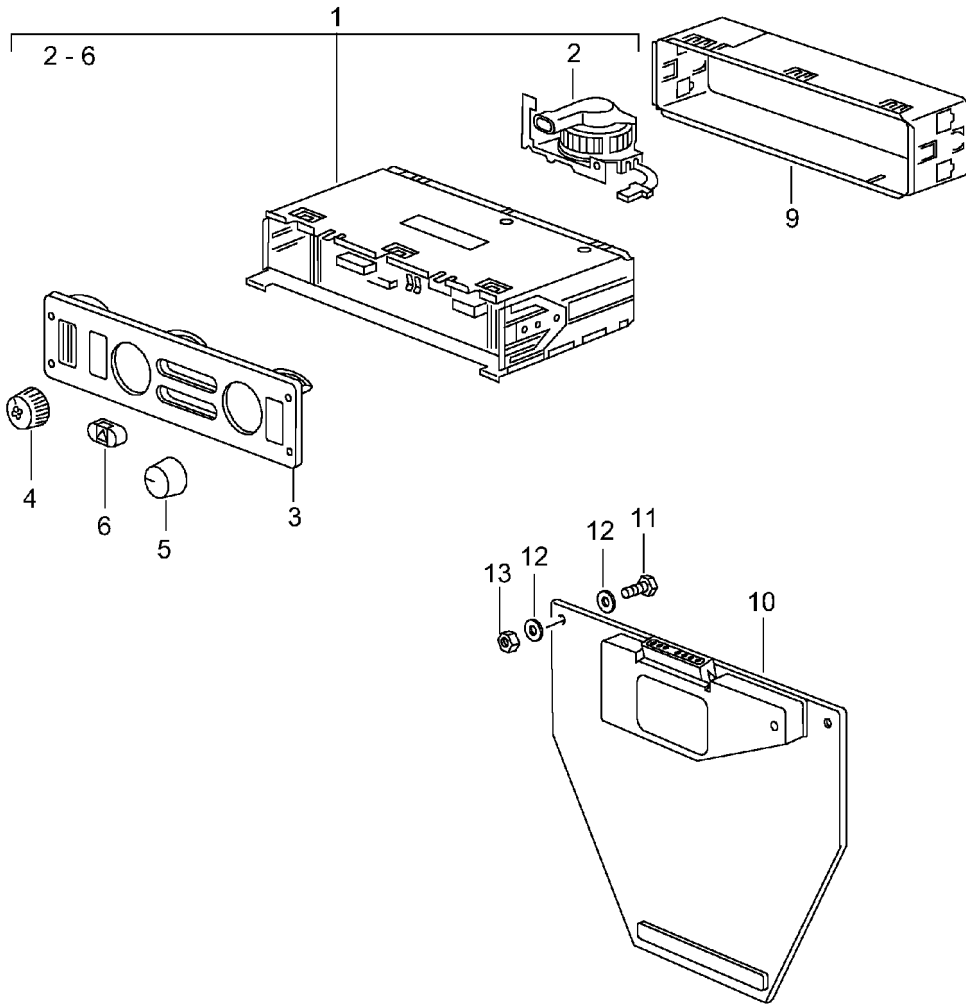
Pos	Part Number	Description	Remark	Qty	Model
1	993 573 105 00	Refrigerant circuit Rear Refrigerant line Wheel housing Door sill		1	
2	999 707 250 40	O-ring 10,6 X 2		3	
2	999 707 434 41	O-ring 10,6 X 2		3	
3	993 573 098 00	Intake pipe Door sill Wheel housing		1	
4	999 707 252 40	O-ring 17 X 2		2	
5	993 573 463 02	Rubber mounting		2	
5A	964 207 303 00	Support		1	
6	993 207 303 00	Clamp		2	
7	999 511 118 02	Pipe clamp 15 X 15		1	
7	999 511 118 01	Pipe clamp 15 X 15		1	
8	999 511 066 02	Clamp 18 X 15		1	
9	999 049 001 40	Plastic nut T 5		1	
10	999 513 010 40	Tie-wrap 9 X 250		1	
(10)	999 513 054 40	Tie-wrap 1,6-45		X	
11	993 573 097 00	Refrigerant line Compressor Wheel housing	-95	1	C.2/C.4
11	993 573 097 07	Refrigerant line Compressor Wheel housing		1	C.2/C.4
11	993 573 097 03	Refrigerant line Compressor Wheel housing	96-	1	C.2/C.4
11	993 573 097 02	Refrigerant line Compressor Wheel housing		1	TURBO
12	993 573 099 00	Intake pipe Wheel housing Compressor	-95	1	C.2/C.4
12	993 573 099 07	Intake pipe Wheel housing Compressor		1	C.2/C.4
12	993 573 099 03	Refrigerant line	96-	1	C.2/C.4
12	993 573 099 09	Refrigerant line	96-	1	C.2/C.4
12	993 573 099 06	Refrigerant line		1	TURBO
13	999 707 251 40	O-ring 14 X 2		1	
14	999 067 028 02	Hexagon-head bolt Micro-self-locking M 8 X 32		2	
15	900 025 007 02	Washer A 8,4		2	
15	900 025 007 03	Washer A 8,4		2	
16	999 507 354 40	Cable holder 2 X 28/40		1	
17	999 049 022 40	Plastic nut T 5		2	

Model: 911 94 Model life 1994>>1998

Pos	Part Number	Description	Remark	Qty	Model
18	964 573 553 00	Rubber boot		1	
(18)	993 572 565 01	Grommet	95	1	
(18)		Grommet	96-	1	
19	964 573 565 00	Lid		1	
20	999 501 074 40	Plastic nut T 5 POM		2	
21	964 201 615 00	Rubber mounting		1	
22	999 919 085 02	Combination screw 6 X 22		1	
23	964 573 471 01	Support		1	
24	993 573 473 00	Mounting for Support	94	1	
24	993 573 473 01	Mounting for Support	95-	1	
25	N 010 210 7	Hexagon-head bolt M 6 X 10		1	
25	N 010 210 13	Hexagon-head bolt M 6 X 10		1	
26	993 573 445 00	Valve		1	
26A	944 573 663 01	Cap		1	
27	993 573 446 00	Valve		1	
27	928 573 466 00	Valve		1	
27A	944 573 663 02	Cap		1	
28	999 513 054 40	Tie-wrap 1,6-45		1	
29	964 126 011 02	Support		1	

Model: 911 94

Model life 1994>>1998

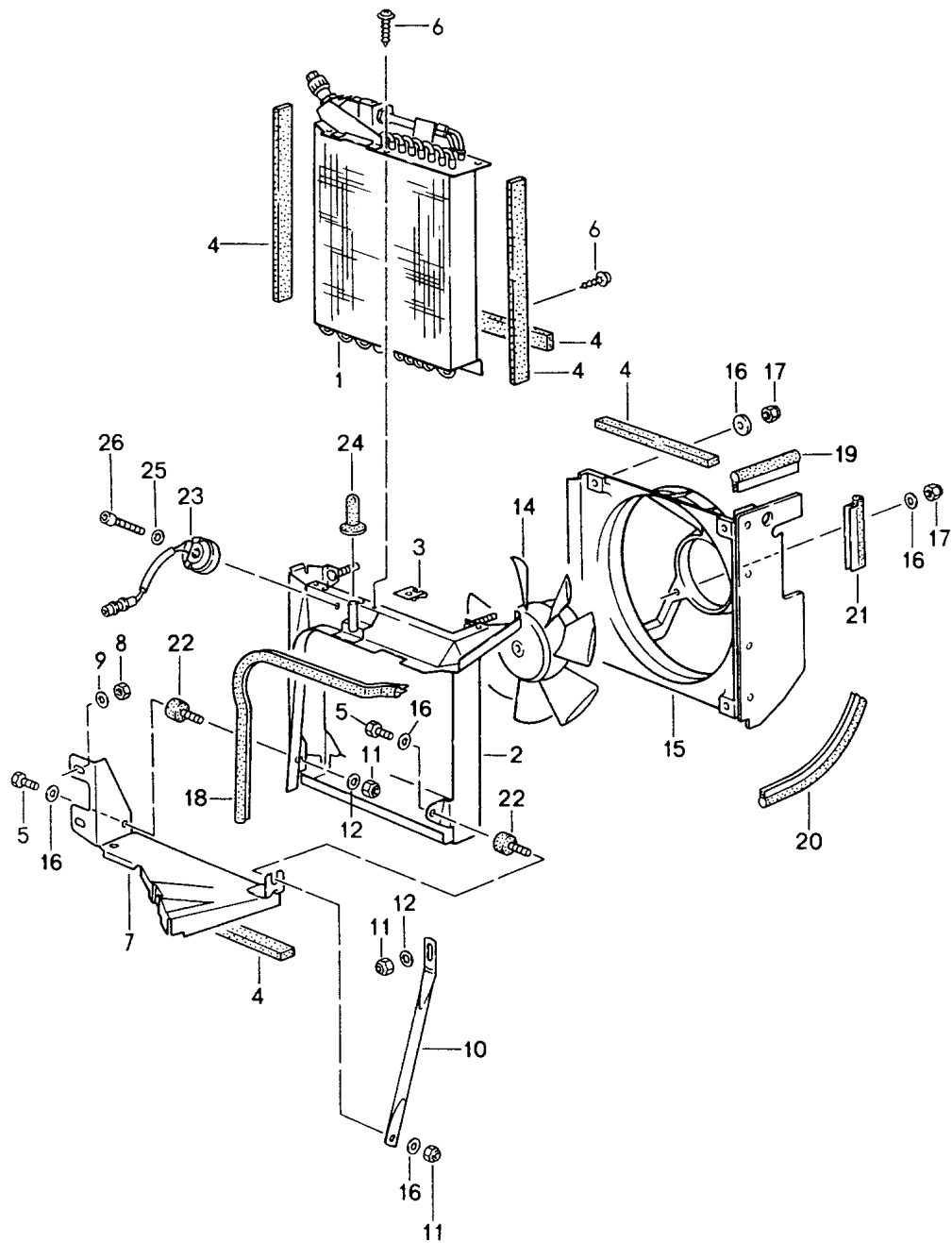


Model: 911 94 Model life 1994>>1998

Pos	Part Number	Description	Remark	Qty	Model
		Control switch Driver			
(1)	993 659 047 00	Control switch	-94	1	
	993 659 047 00 CJH	Black			
(1)	993 659 047 01	Control switch	95-	1	
	993 659 047 01 CJH	Black			
2	964 659 148 00	Blower Interior sensor		1	
3	964 659 945 00	Cover	-95	1	
3	993 659 147 00	Cover	96-	1	
	993 659 147 00 1DB	Black			
4	993 659 146 00	Knob		1	
	993 659 146 00 01C	Black			
5	993 659 145 00	Knob		1	
	993 659 145 00 01C	Black			
6	944 653 205 00	Knob		2	
	944 653 205 00 01C	Black			
9	964 659 103 00	Retaining frame		1	
10	964 624 010 02	Driver for Blower		1	
11	N 010 207 6	Hexagon-head bolt M 5 X 12		2	
11	N 010 207 17	Hexagon-head bolt M 5 X 12		2	
12	900 025 003 02	Washer A 5,3		4	
13	N 011 005 14	Hexagon nut M 5		2	
13	900 076 091 01	Hexagon nut M 5		2	
-	N 903 353 03	Contact spring \$ 2,5 - 3,5		X	
-	N 017 181 3	Contact spring \$ 0,5 - 1,0		X	

Model: 911 94

Model life 1994>>1998



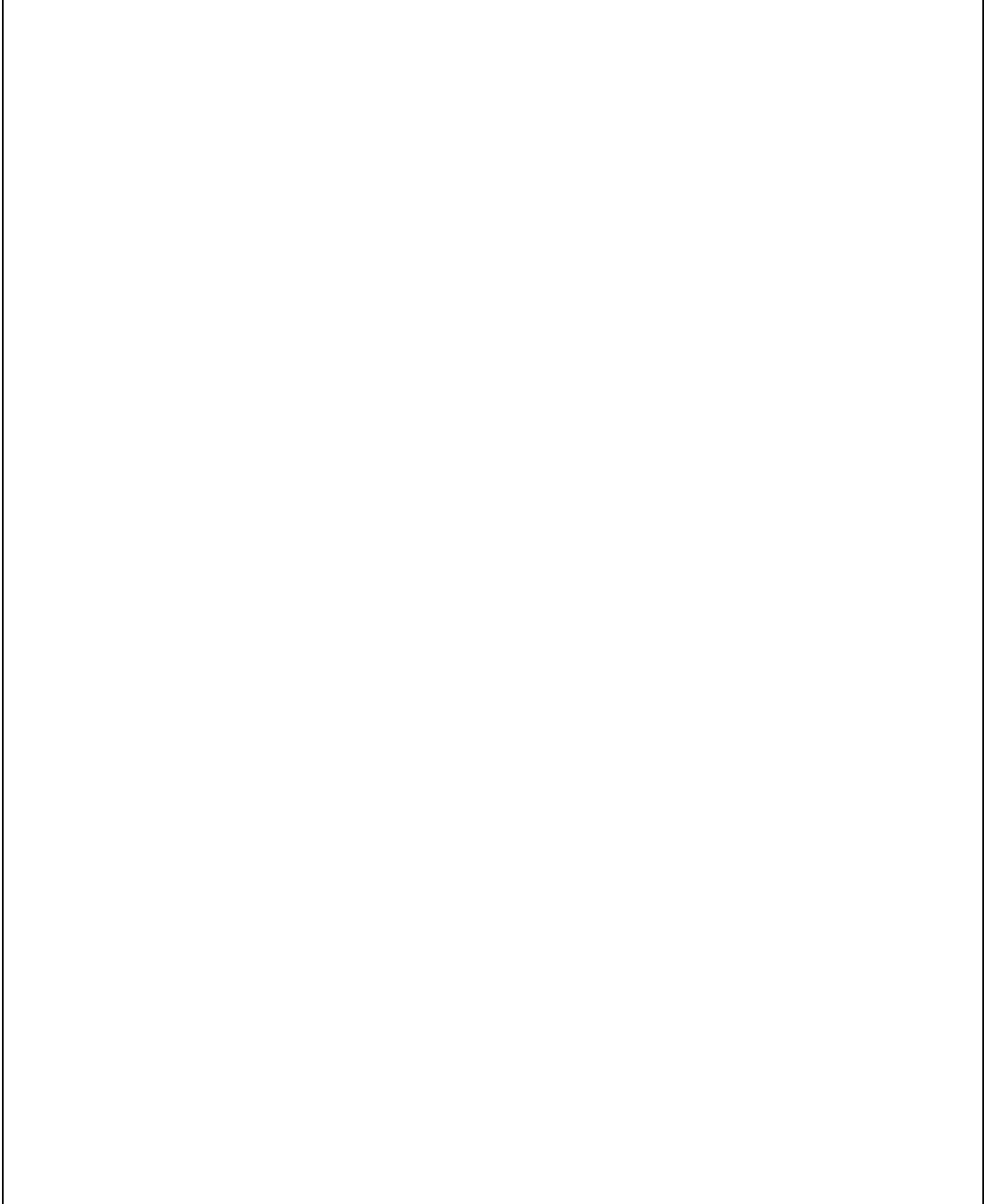
Model: 911 94

Model life 1994>>1998

Pos	Part Number	Description	Remark	Qty	Model
		Condenser Blower Front			
(1)	993 573 011 01	Condenser		1	
(1)	993 573 011 02	Condenser		1	
2	993 573 241 00	Retaining frame		1	
3	999 591 713 02	Speed nut B 4,2		3	
3	999 591 713 03	Speed nut B 4,2		3	
-	000 043 204 88	Sealing strap Roll with 10 meters 9 X 3 280 MM		*	
5	N 010 208 5	Hexagon-head bolt M 6 X 8		2	
6	900 143 117 02	Combination tapping screw B 4,2 X 9,5		4	
7	964 573 301 00	Bracket Condenser		1	
8	900 910 022 02	Lock nut V M 8		3	
9	900 151 008 02	Washer B 8,4		3	
10	993 504 139 00	Tension strut		1	
11	900 910 010 09	Lock nut M 6		2	
12	N 011 666 7	Washer B 6,4		2	
14	964 624 035 01	Blower		1	
15	993 624 031 00	Air-guide cowl		1	
16	N 011 524 7	Washer A 6,4		3	
16	N 011 524 27	Washer A 6,4		3	
17	900 076 010 02	Nut M 6		3	
17	900 076 010 0B	Nut M 6		3	
-	999 911 398 40	Edge protection 557 MM		*	
18		180 MM		1	
19		425 MM		1	
20		90 MM		1	
21		90 MM		1	
22	999 703 365 00	Bonded rubber buffer 25 X 15		2	
23	964 616 521 01	Ballast resistor	-94	1	
23	993 616 521 01	Series resistor	95-	1	
23		Series resistor	95-	1	
24	944 573 457 00	Rubber sleeve		1	
25	N 011 556 2	Washer 5,3		1	
26	N 044 728 1	Pan-head screw M 5 X 20		1	
26	900 067 125 01	Pan-head screw M 5 X 20		1	

Model: 911 94

Model life 1994>>1998



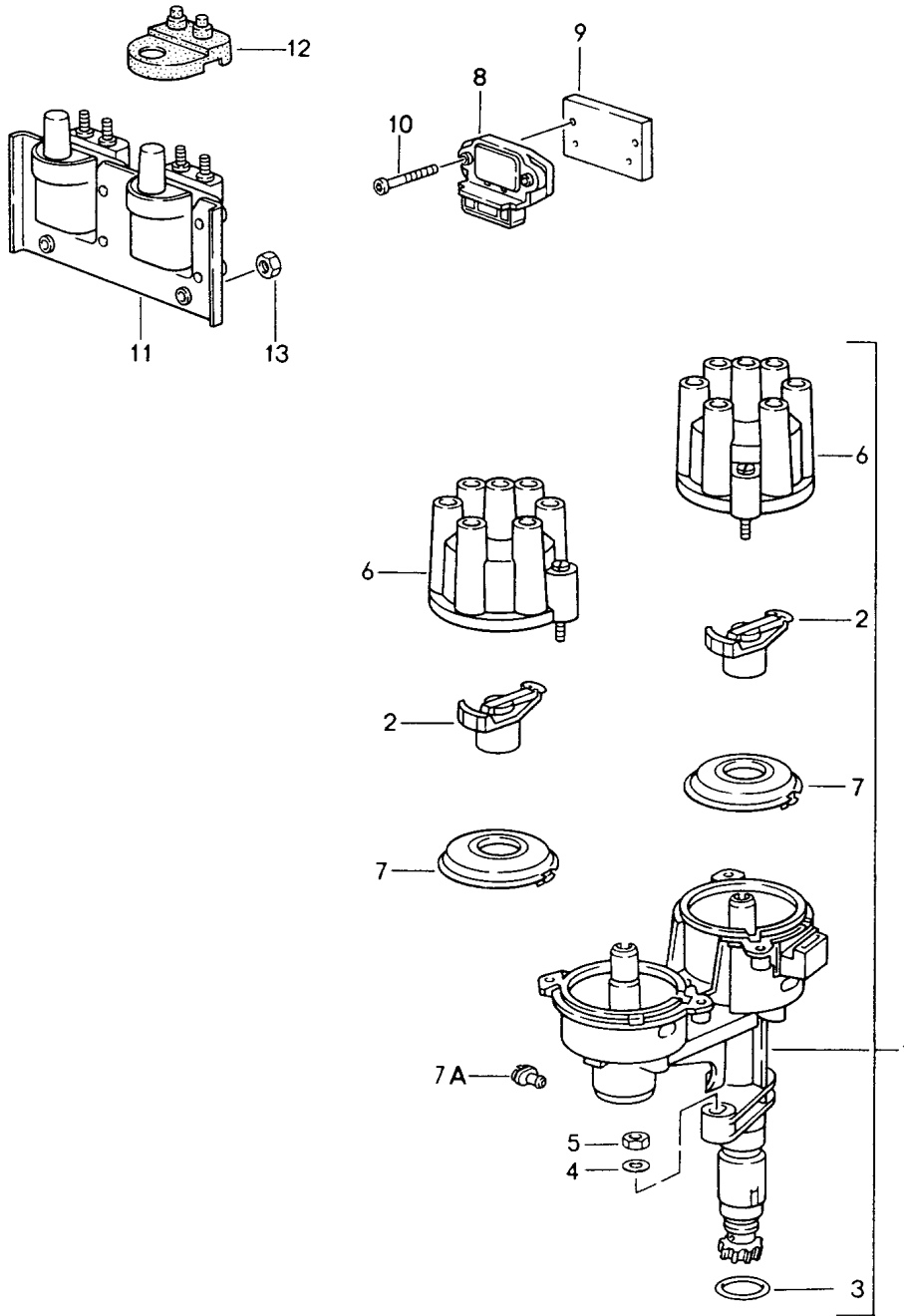
Model: 911 94

Model life 1994>>1998

Pos	Part Number	Description	Remark	Qty	Model
>>	993 538 001 03	Repair kits			
>>	993 538 001 03	Set of locks	-94	1	
>>	993 538 001 09	Set of locks	95-	1	
		Comprising:			
		Steering lock		1	
		Lock cylinder	/L	1	
		Lock cylinder	/R	1	
		Glove compartment lock		1	
		Lock		1	
		Key tag		1	
		Replacement key		3	
		Order also:			
-	944 538 041 00	Key lamp		2	
-	944 538 041 01	Key lamp		2	

Model: 911 94

Model life 1994>>1998

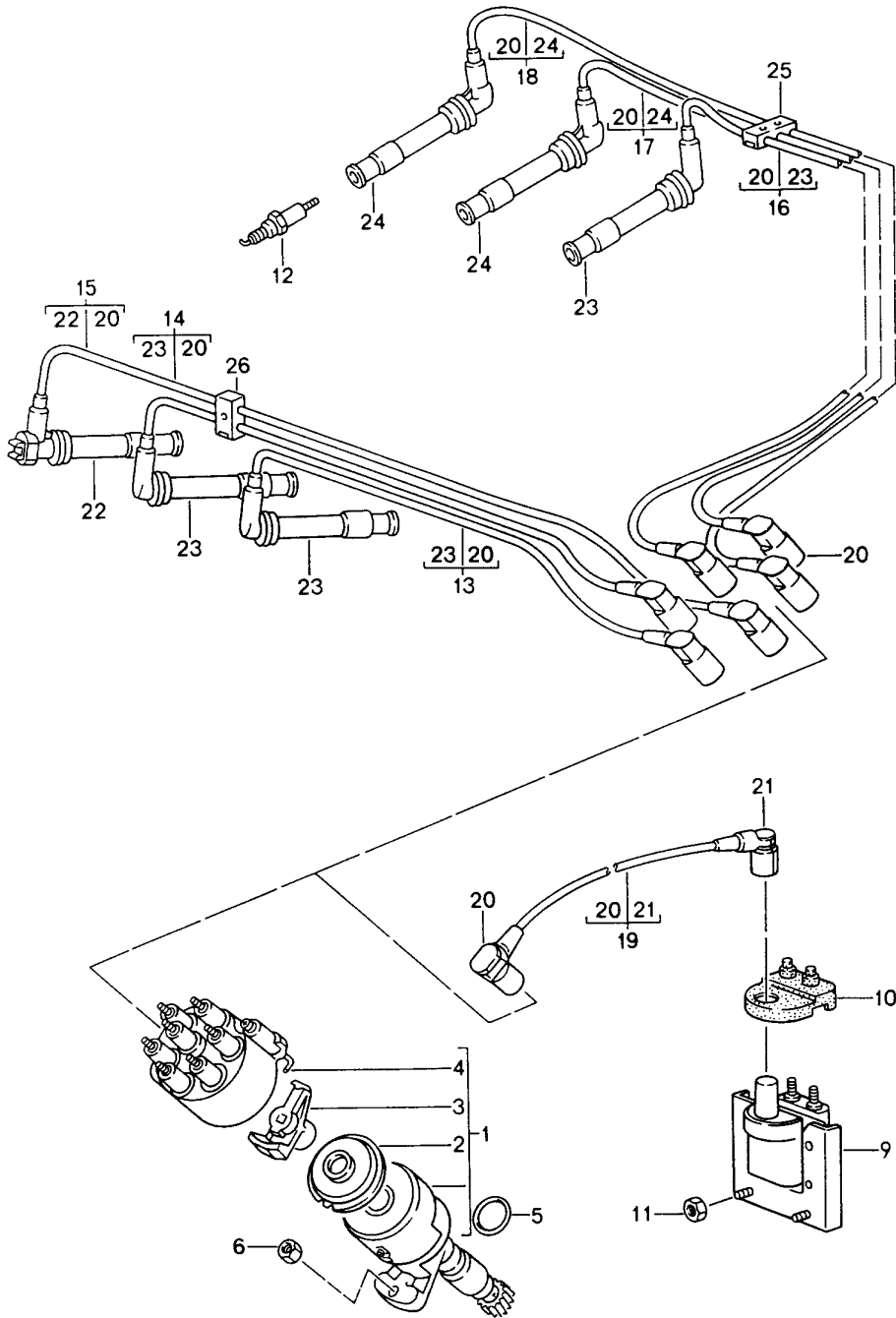


Model: 911 94 Model life 1994>>1998

Pos	Part Number	Description	Remark	Qty	Model
		Engine electrics 1			M64.07/08 M64.23/24
1	930 602 015 01	Distributor		1	
1	930 602 015 AX	Distributor without POS. 2, 6, 7		1	
2	930 602 902 02	Rotor		2	
3	911 602 102 01	Sealing ring		1	
4	900 025 007 02	Washer B 8,4		1	
4	900 025 007 03	Washer B 8,4		1	
5	999 084 095 02	Lock nut M 8		1	
6	930 602 919 01	Distributor cap		2	
7	930 602 909 00	Dust cover		2	
7A	993 602 121 00	Breather pipe		1	
8	993 602 706 00	Ignition switch unit	-95	1	M64.07/08
8	993 602 706 01	Ignition switch unit		1	M64.07/08
9	993 602 377 00	Heat dissipator	-95	1	M64.07/08
10	900 067 002 02	Pan-head screw M 4 X 30	-95	2	M64.07/08
10	900 067 002 03	Pan-head screw M 4 X 30		2	M64.07/08
11	993 602 071 01	Ignition coil		1	
12	993 602 801 00	Protection cap		2	
13	999 084 613 02	Lock nut M 6		2	

Model: 911 94

Model life 1994>>1998



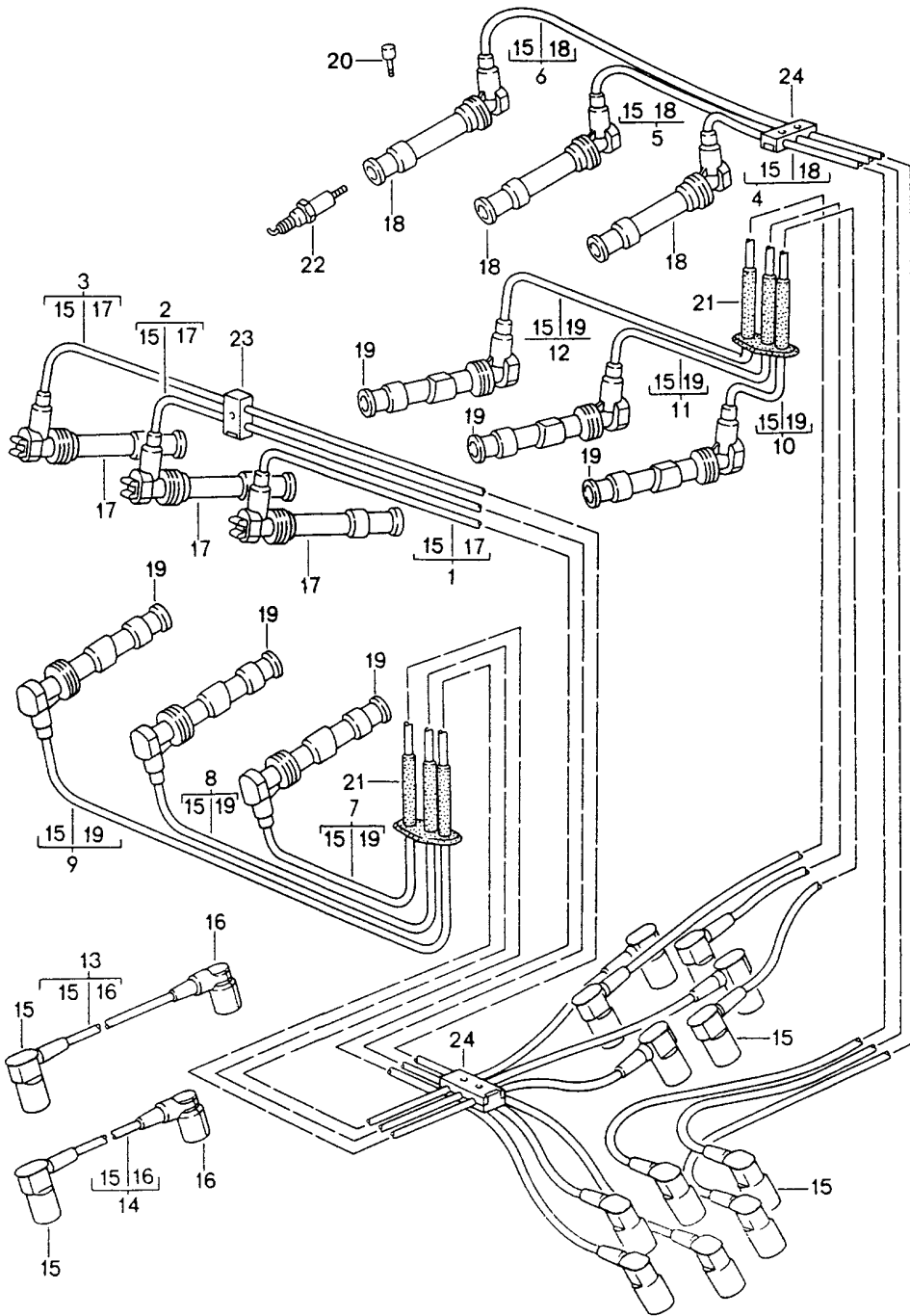
Model: 911 94

Model life 1994>>1998

Pos	Part Number	Description	Remark	Qty	Model
		Engine electrics			M64.60
1	993 602 016 00	Distributor		1	
2	930 602 918 00	Dust cover		1	
3	930 602 902 02	Rotor		1	
4	930 602 919 00	Distributor cap		1	
5	911 602 102 01	Sealing ring		1	
6	900 380 005 09	Hexagon nut VM 8		1	
9	993 602 073 00	Ignition coil		1	
10	993 602 801 00	Protection cap		1	
11	900 076 010 02	Nut M 6		2	
11	900 076 010 0B	Nut M 6		2	
		Spark plug Use also: 547 09222 for		X	
-	547 09 222	Spark plug Nut for		X	
12	999 170 195 90	Spark plug Spark plug 14FR 6LDU		6	
13	993 602 060 21	Ignition lead Cylinder 1		1	
14	993 602 060 28	Ignition lead Cylinder 2		1	
15	993 602 060 23	Ignition lead Cylinder 3		1	
16	993 602 060 29	Ignition lead Cylinder 4		1	
17	993 602 060 25	Ignition lead Cylinder 5		1	
18	993 602 060 26	Ignition lead Cylinder 6		1	
19	993 602 060 27	Ignition lead		1	
20	993 602 557 00	Suppression connector		7	
21	928 602 557 00	Distributor plug		1	
22	911 602 314 00	Spark plug connector		1	
23	993 602 314 00	Spark plug connector		3	
24	911 602 313 00	Spark plug connector		2	
25	928 602 323 00	Cable holder Single parts Complete in pairs Order		8	
26	928 602 322 00	Cable holder Single parts Complete in pairs Order		2	
-	993 602 092 00	Support Ignition lead Left		1	
-	911 602 091 00	Support Ignition lead Right		1	

Model: 911 94

Model life 1994>>1998



Model: 911 94 Model life 1994>>1998

Pos	Part Number	Description	Remark	Qty	Model
		Engine electrics 2			M64.07/08 M64.23/24
1	993 602 060 01	Ignition lead Cylinder 1		1	
2	993 602 060 02	Ignition lead Cylinder 2		1	
3	993 602 060 03	Ignition lead Cylinder 3		1	
4	993 602 060 04	Ignition lead Cylinder 4		1	
5	993 602 060 05	Ignition lead Cylinder 5		1	
6	993 602 060 06	Ignition lead Cylinder 6		1	
7	993 602 060 11	Ignition lead Cylinder 1		1	
8	993 602 060 12	Ignition lead Cylinder 2		1	
9	993 602 060 13	Ignition lead Cylinder 3		1	
10	993 602 060 14	Ignition lead Cylinder 4		1	
11	993 602 060 15	Ignition lead Cylinder 5		1	
12	993 602 060 16	Ignition lead Cylinder 6		1	
13	993 602 060 07	Ignition lead		1	
14	993 602 060 08	Ignition lead		1	
15	993 602 557 00	Suppression connector		14	
16	928 602 557 00	Distributor plug		2	
17	911 602 314 00	Spark plug connector		3	
18	911 602 313 00	Spark plug connector		3	
19	993 602 313 00	Spark plug connector		6	
20	911 609 310 00	Cable screw		X	
21	993 602 403 00	Rubber sleeve Spark plug Use also: 547 09222 for Spark plug		2	
-	547 09 222	Nut for Spark plug		X	
22	999 170 183 90	Spark plug		12	
22	999 170 195 90	Spark plug 14FR 6LDU		12	WW
23	928 602 322 00	Cable holder Single parts Complete in pairs Order		1	
24	928 602 323 00	Cable holder Single parts Complete in pairs Order		10	
-	993 602 091 00	Support		1	
-	900 075 121 02	Ignition lead Hexagon-head bolt M 5 X 35		1	
-	900 025 003 02	Washer A 5,3		1	

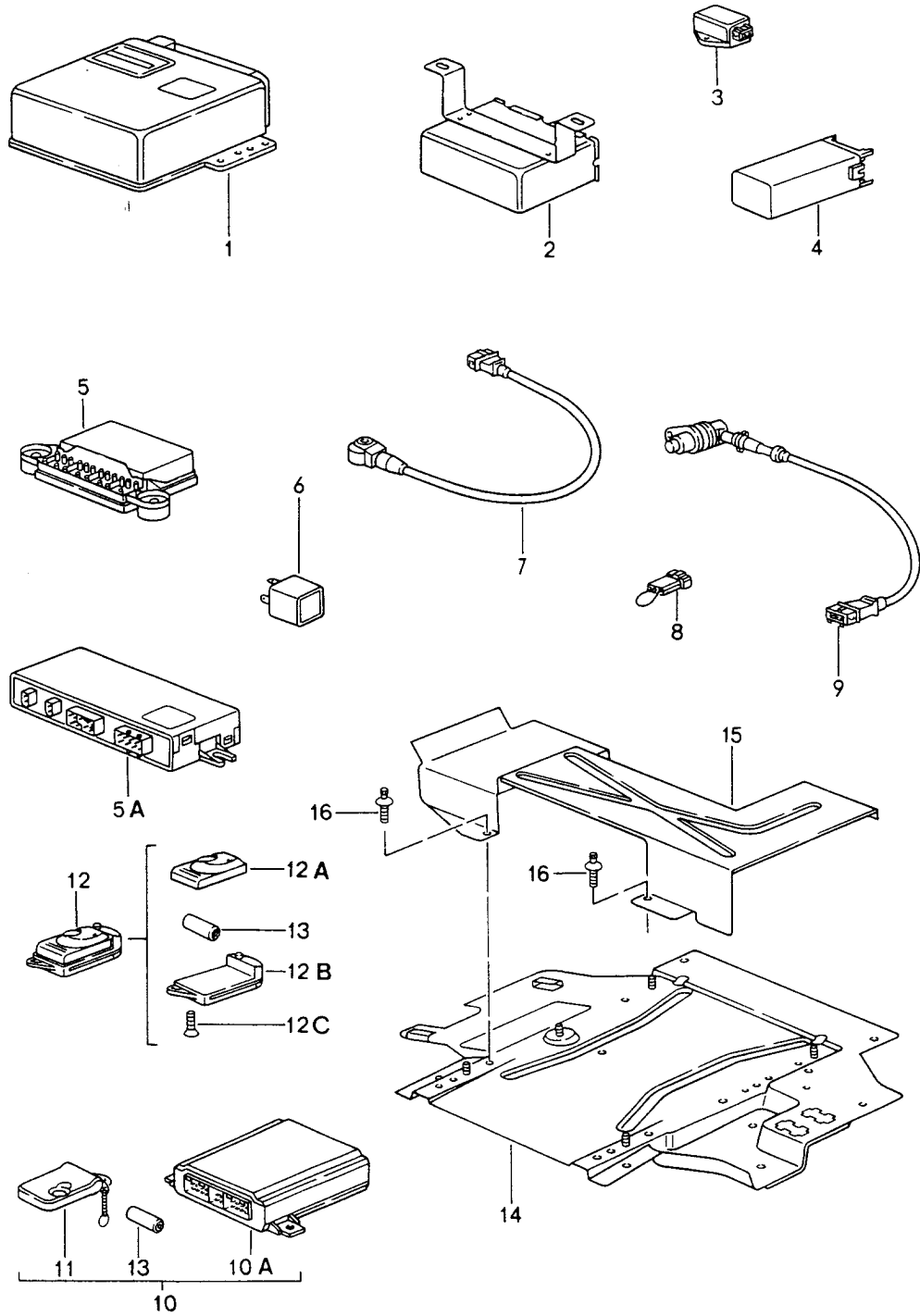
Model: 911 94

Model life 1994>>1998

Pos	Part Number	Description	Remark	Qty	Model
-	900 143 184 02	Tapping screw 4,2 X 38		6	
-	900 143 184 0C	Tapping screw 4,2 X 38		6	
-	900 143 185 02	Tapping screw 4,2 X 50		2	

Model: 911 94

Model life 1994>>1998



Model: 911 94

Model life 1994>>1998

Pos	Part Number	Description	Remark	Qty	Model
		Control units See technical information GR.9, NR. 3/94 See TPI GR.9 , NR.11 , 09/94			
1	993 618 123 06	Control unit - dme - for cars without Immobiliser	-95 94	1	M64.05/06 07/08
1	993 618 123 GX	Control unit - dme - for cars without Immobiliser	-95 94	1	M64.05/06 07/08
1	993 618 124 06	Control unit - dme -	95	1	M64.05/06 07/08 M530
1	993 618 124 GX	Control unit - dme -	95	1	M64.05/06 07/08 M530
1	993 618 604 10	Control unit - dme - for cars with Immobiliser	-97	1	M64.23/24
1	993 618 604 JX	Control unit - dme - for cars with Immobiliser		1	M64.23/24
1	993 618 604 11	Control unit - dme - for cars with Immobiliser Note coding See technical information	98	1	M64.23/24
1	993 618 604 KX	GR.2, NR. 1/96 Control unit - dme - for cars with Immobiliser Note coding See technical information	98-	1	M64.23/24
1	993 618 665 10	GR.2, NR. 1/96 Control unit - dme -	96-	1	M64.60
1	993 618 665 AX	Control unit - dme -	96-	1	M64.60
1	993 618 666 10	Control unit - dme - for cars with Immobiliser	96-	1	M64.60
1	993 618 666 AX	Control unit - dme - for cars with Immobiliser	96-	1	M64.60
(1)	993 618 115 00	Control unit Tiptronic	-95	1	M249
(1)	993 618 120 02	Control unit Tiptronic Note coding See technical information	96-	1	M249
2	993 641 330 00	GR.3, NR. 1/96 Central indicator		1	
2	993 641 340 00	Central indicator		1	TURBO
(2)	993 641 340 X	Central indicator		1	TURBO

Model: 911 94 Model life 1994>>1998

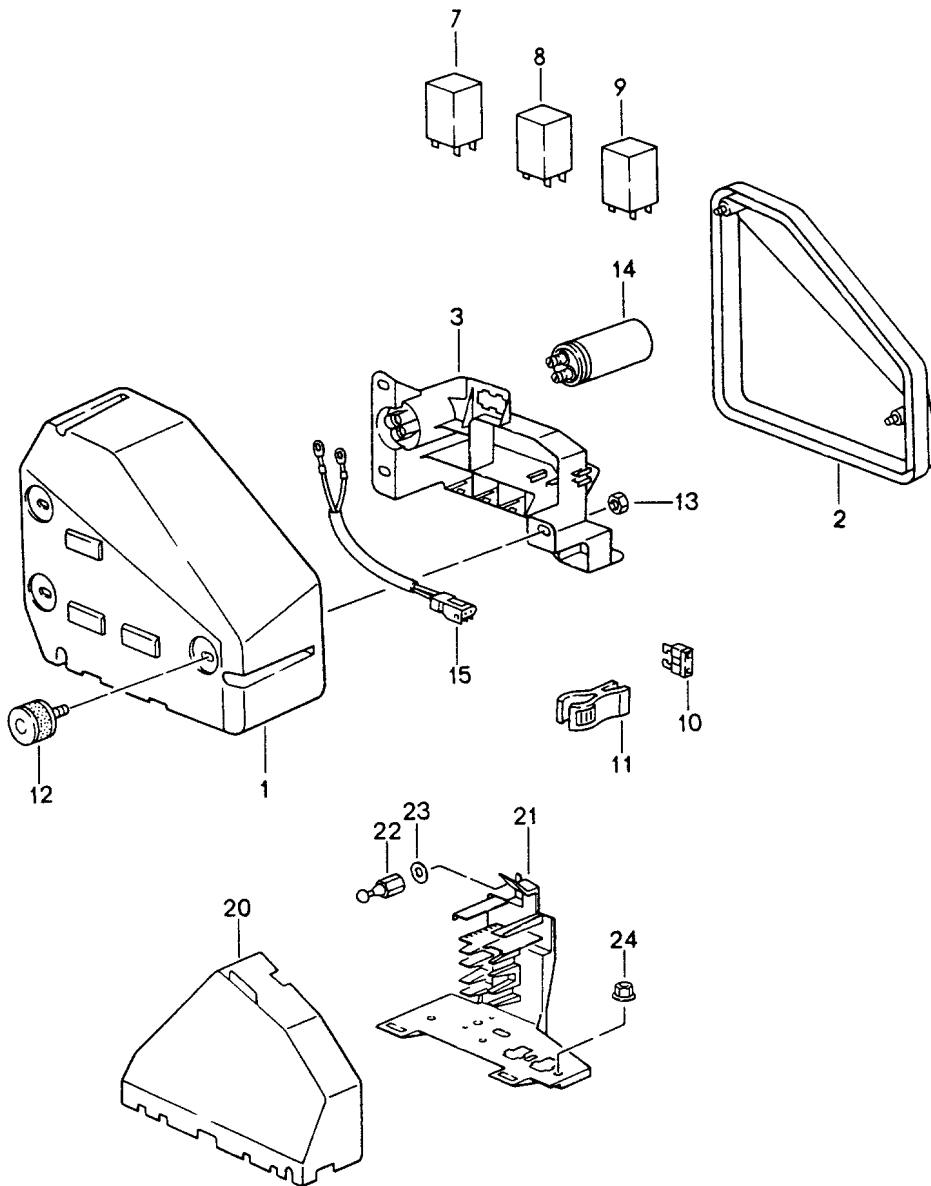
Pos	Part Number	Description	Remark	Qty	Model
(2)	928 618 260 03	Control unit Alarm system Central locking system		1	M534
-	443 972 977 C	Plug socket		1	
-	N 903 012 01	Contact bush		X	
3	993 606 153 00	Lateral accelerat. sensor	-95	1	M249
3	993 606 153 01	Lateral accelerat. sensor		1	M249
4	964 618 212 00	Control unit Rear spoiler		1	
4	964 618 212 X	Control unit Rear spoiler		1	
-	964 618 121 00	Support	/LL	1	
5	993 618 313 00	Control unit Convertible top control		1	CABRIO
-	964 618 105 00	Plastic nut for Control unit Convertible top control		2	CABRIO
5A	993 618 118 00	Control unit Driving mechanism Glass roof		1	TARGA
-	993 618 208 00	Support for Control unit Glass roof		1	TARGA
6	1H0 953 227	Flasher relay		1	
6	928 618 102 03	Warning time relay		1	
6	928 618 104 00	Relay Rear window wiper		1	
6	964 618 103 00	Control unit Brightness control	-95	1	
7	993 606 141 00	Knock sensor		2	
-	999 217 082 02	Use also: Hexagon-head bolt Micro-self-locking M 8 X 30 See workshop manual 993 KD-NR 97 50 41		2	
-	900 075 518 01	When required order also: Hexagon-head bolt Micro-self-locking M 8 X 30 See workshop manual 993 KD-NR 97 50 41		2	
-	999 650 156 40	When required order also: Plug socket		1	
-	999 652 871 22	Connector		3	
-	999 704 161 40	Gasket		3	
8	928 607 422 00	Coding plug	-95	1	M249
9	996 606 105 00	Pulse sender See workshop manual 993 KD-NR. 97 50 41		1	
-	999 652 916 40	When required order also: Plug socket		1	
-	999 652 871 22	Connector		3	
-	999 704 161 40	Gasket		3	
10A	993 618 159 02	Control unit Immobiliser 315 MHZ When required order also: POS.11 Or POS.12	-96 97-	1	M530 M529

Model: 911 94 Model life 1994>>1998

Pos	Part Number	Description	Remark	Qty	Model
10A	993 618 159 CX	Control unit Immobiliser 315 MHZ When required order also: POS.11 Or POS.12	-96 97	1	M530 M529
-	999 652 890 40	Plug socket		1	M529/530
-	999 652 889 12	Contact bush 1,4 - 2		X	M529/530
11	993 618 259 02	Handheld transmitter Unit 315 MHZ	95	1	M530
(11)	993 618 959 12	Handheld transmitter Housing Repair kit without electrical components Battery	95-	1	
12	993 637 049 02	Handheld transmitter 315 MHZ Tech. information memo 35/96	96 97	1	M530 M529
12A	993 637 249 00	Lid	96- 97	1	M530 M529
12B	993 637 149 02	Housing 315 MHZ	96 97	1	M530 M529
12C	900 146 155 07	Cross-recess screw M 2 X 12	96-	1	M529/530
13	999 611 105 00	Battery		1	
14	993 618 024 04	Support for Control units	/L -95	1	
14		Support for Control units	/L 96-	1	
(14)	993 618 204 01	Support for Control units	/R	1	
-	900 143 082 01	Tapping screw 6,3 X 13 for POS. 14		4	
-	999 513 057 40	Support for Tie-wrap		X	
-	999 513 054 40	Tie-wrap		X	
15	993 618 459 00	Cover plate	95-	1	M530
16	999 074 051 02	Shear bolt M 6 X 13	95-	4	M530

Model: 911 94

Model life 1994>>1998

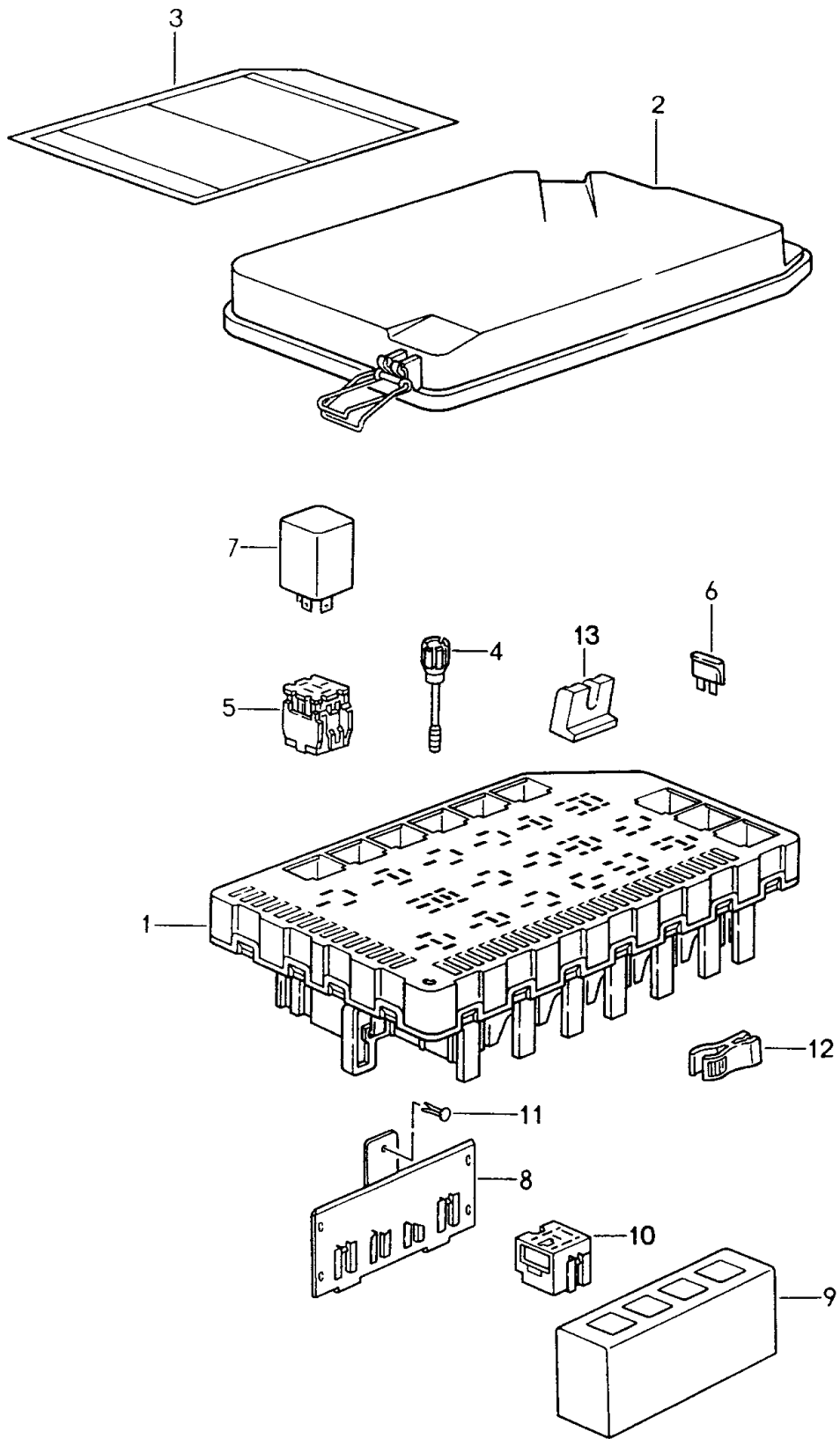


Model: 911 94 Model life 1994>>1998

Pos	Part Number	Description	Remark	Qty	Model
		Central electrical system			
		Engine compartment			
1	964 610 131 00	Housing		1	
2	993 610 022 00	Lid		1	
	993 610 022 00 01C	Black			
3	993 610 281 00	Mounting plate		1	
7	993 618 116 00	Control unit	-94	1	
		Rear window heating			
7	993 618 117 00	Control unit	95-	1	
		Rear window heating			
8	964 615 215 00	Relay		1	M573
8	999 657 018 90	Relay		1	M573
9	811 951 253	Double relay		1	
		Blower			
(9)	993 615 115 00	Relay		1	
		Secondary pump			
(9)	993 615 115 01	Relay		1	
		Secondary pump			
10	999 607 083 00	Lock		1	
		7,5 A			
10	999 607 087 00	Lock		1	
		25 A			
10	999 607 088 00	Lock		1	
		30 A			
10	999 607 073 00	Lock		1	
		40 A			
11	443 941 802	Tool		1	
12	999 703 384 00	Megulastik pivot bearing		3	
12	999 703 384 01	Megulastik pivot bearing		3	
13	900 377 010 01	Hexagon nut		3	
		M 6			
14	964 645 501 00	Suppressor condenser		1	
15	993 610 183 00	Wiring harness		1	
20	993 610 284 00	Lid		1	
21	993 610 028 00	Mounting plate		1	
22	999 167 047 02	Ball pin		1	
23	N 011 524 7	Washer		1	
		A 6,4			
23	N 011 524 27	Washer		1	
		A 6,4			
24	999 049 008 40	Plastic nut		1	

Model: 911 94

Model life 1994>>1998



Model: 911 94 Model life 1994>>1998

Pos	Part Number	Description	Remark	Qty	Model
		Central electrical system See TPI GR.9 , NR.9 , 07/94			
1	964 610 011 00	Central electrical system	94	1	
1	993 610 011 00	Central electrical system	95-	1	
2	964 610 076 00	Lid		1	
2	964 610 076 01	Lid		1	
3	993 610 209 00	Assignment sticker	94	1	
3	993 610 209 01	Assignment sticker	95	1	
3	993 610 209 02	Assignment sticker	96	1	
		F >>99TS3 21062			COUPE
		F >>99TS3 40804			CABRIO
		F >>99TS3 85234			TARGA
		F >>99TS3 75830			TURBO
3	993 610 209 04	Assignment sticker	96	1	
		F 99TS3 21063>>			COUPE
		F 99TS3 40805>>			CABRIO
		F 99TS3 85235>>			TARGA
		F 99TS3 75831>>			TURBO
3	993 610 209 05	Assignment sticker	97-	1	
-	964 610 033 00	Lid Small for Central electrical system		1	
4	944 610 611 00	Screw		1	
5	928 610 511 00	Relay carrier		X	
6	999 607 083 00	Lock 7,5 A		X	
6	999 607 085 00	Lock 15 A		X	
6	999 607 087 00	Lock 25 A		X	
6	999 607 010 00	Lock 30 A		X	
6	999 607 088 00	Lock 30 A		X	
6	999 607 013 00	Lock 60 A		X	
7	-	Relay			
(7)	141 951 253 B	Relay KL. X(II)		1	
(7)	811 951 253	Relay socket/code: Double relay	R01	1	
		Oil cooler Blower			
(7)	141 951 253 B	Relay socket/code: Relay	R04	1	
		KL. 15 E			
(7)	964 610 183 02	Relay socket/code: Bridge adapter	R11	1	
(7)	964 610 183 06	Relay socket/code: Bridge adapter	R12	1	
(7)	811 951 253	Relay socket/code: Double relay	R12	1	
		Air conditioner			
(7)	964 610 184 00	Relay socket/code: Bridge adapter	R14	1	CABRIO TARGA
(7)	141 951 253 B	Relay socket/code: Relay	R21	1	
		Sunroof			
(7)		Relay socket/code: Relay	R21	1	

Model: 911 94 Model life 1994>>1998

Pos	Part Number	Description	Remark	Qty	Model
(7)		Power windows Relay socket/code: Relay	R22	1	
(7)	964 618 145 00	Fanfare Relay socket/code: Control unit	R23 -95	1	M249
(7)	964 618 103 00	Selector lever lock Relay socket/code: Control unit	R24 96-	1	
(7)	141 951 253 B	Brightness control Relay socket/code: Relay	R24	1	
(7)	431 951 253 D	Fog headlamp Relay socket/code: Relay	R31 (CDN) 96-	1	
(7)	999 657 016 90	Relay socket/code: Relay	R32 (CDN) 96-	1	
(7)	191 937 503	Relay socket/code: Relay	R32	1	
(7)	141 951 253 B	KL. X (I) Relay socket/code: Relay	R33	1	
(7)	993 615 101 00	Fog headlamp Relay socket/code: Switch unit	R34	1	
(7)	993 615 101 01	Relay socket/code: Switch unit	R42	1	
(7)	993 618 111 00	Relay socket/code: Control unit	R42	1	
(7)	141 951 253 B	Headlight washer system Relay socket/code: Relay	R43	1	M249
(7)	993 615 227 00	Back-up light Relay socket/code: Relay	R51	1	
(7)	993 615 227 01	- dme - Relay socket/code: Relay	R53	1	
(7)	141 951 253 B	- dme - Relay socket/code: Relay	R53	1	M249
(7)	431 951 253 G	Relay socket/code: Relay	R61	1	M480/530
(7)	141 951 253 B	Relay socket/code: Relay	R61 (CDN) -95	1	
(7)	993 615 130 00	Relay socket/code: Relay	R63 (CDN) 96-	1	
(7)	993 615 136 00	Anti-lock brake system Relay socket/code: Relay	R63 94	1	
(7)	999 657 008 90	Anti-lock brake system Relay socket/code: Relay	R65 95-	1	
(7)	999 657 017 90	Pump Brake booster Relay socket/code: Relay	R65 95-	1	
(7)	993 615 130 00	Pump Brake booster Relay socket/code: Relay	R66 94	1	

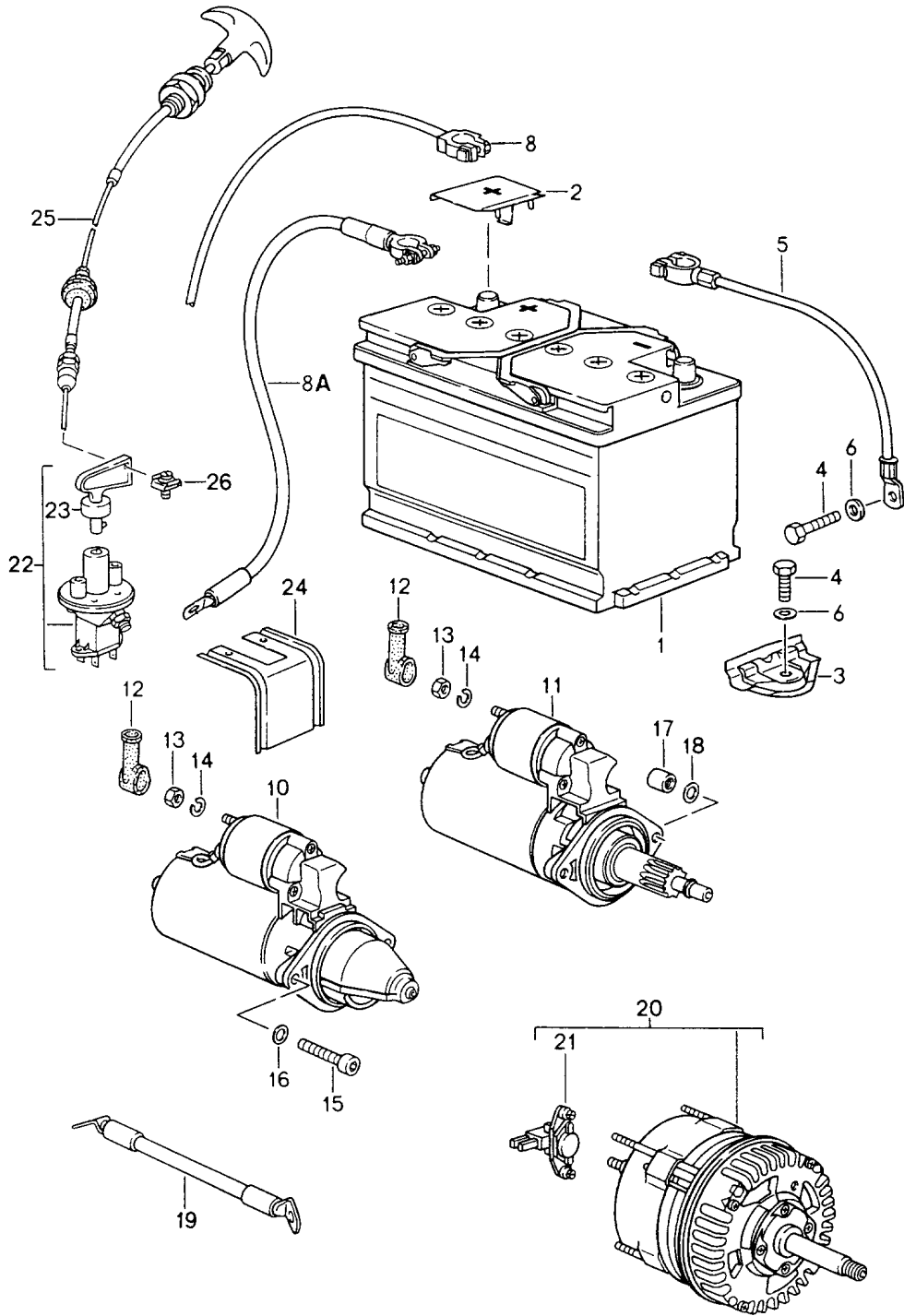
Model: 911 94

Model life 1994>>1998

Pos	Part Number	Description	Remark	Qty	Model
(7)	993 615 136 00	Anti-lock brake system Relay socket/code: Relay	R68 95-	1	
8	993 615 133 00	Support	R68	1	
9	993 615 134 00	Cover		1	
10	999 652 793 40	Relay carrier	94	X	
10	999 652 847 40	Relay carrier	95-	X	
11	999 591 765 40	Expansion rivet		1	
12	443 941 802	Tool		1	
13	964 610 232 00	Spacer		1	
-	999 652 794 40	Fuse box for 60 A Lock		1	
-	999 652 825 40	Anti-lock brake system Luggage compartment Cap for 999.652.794.40		1	

Model: 911 94

Model life 1994>>1998



Model: 911 94

Model life 1994>>1998

Pos	Part Number	Description	Remark	Qty	Model
1	999 611 070 20	Battery Wiring harnesses Starter Generator Battery 12 V 75 AH Tech. information memo 02/97		1	
1	999 611 070 21	Battery 12 V 75 AH Tech. information memo 02/97		1	
2	999 611 104 00	Pole covering		1	
3	964 611 209 01	Bracket		1	
4	900 075 078 02	Hexagon-head bolt M 8 X 15		2	
4	900 075 078 03	Hexagon-head bolt M 8 X 15		2	
5	993 611 799 00	Ground cable		1	
6	900 025 025 02	Washer 8,4		2	
8	993 612 022 00	Wiring harness NR. 22	/LL	1	CARRERA
8	993 612 022 02	Wiring harness NR. 22	/LL 95- /LL	1	CARRERA 4 TURBO
-	993 612 414 00	Cable cover Lower part		1	
-	993 612 415 00	Cable cover Upper part		1	
-	999 591 839 40	Plastic nut T 5		2	
10	911 604 102 01	Starter		1	M64.06/08 M64.22/24
10	911 604 102 AX	Starter		1	M64.06/08 M64.22/24
11	965 604 104 00	Starter		1	M64.05/07
11	964 604 104 00	Starter		1	M64.05/07 M64.60 M64.21/23
11	996 604 107 00	Starter		1	M64.05/07 M64.60 M64.21/23
11	996 604 107 02	Starter		1	M64.05/07 M64.60 M64.21/23
(12)	999 703 231 40	Protection cap		1	
13	900 377 010 01	Hexagon nut M 6		1	
13	900 380 005 09	Hexagon nut M 8		1	
14	N 011 524 7	Washer A 6,4		1	
14	N 011 524 27	Washer A 6,4		1	
14	900 025 007 02	Washer A 8,4		1	
14	900 025 007 03	Washer A 8,4		1	
15	900 067 124 02	Pan-head screw M 10X35		2	
16	900 025 008 09	Washer A 10,5		2	
16	900 025 008 04	Washer		2	

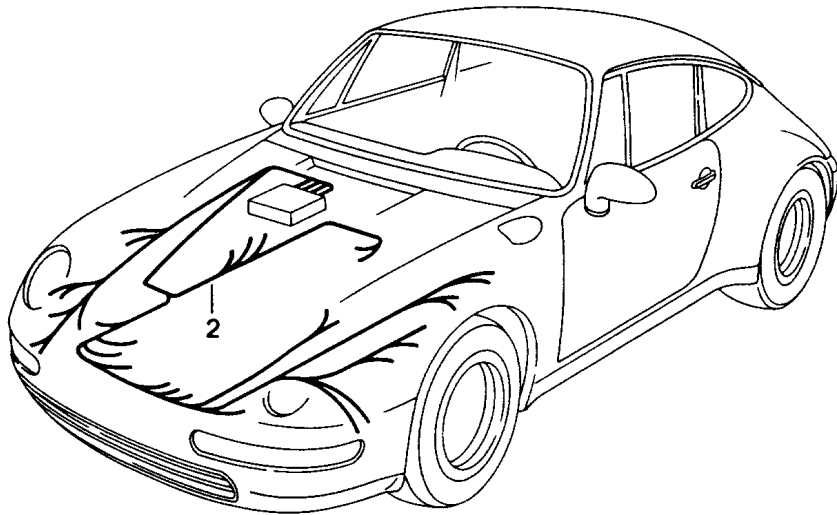
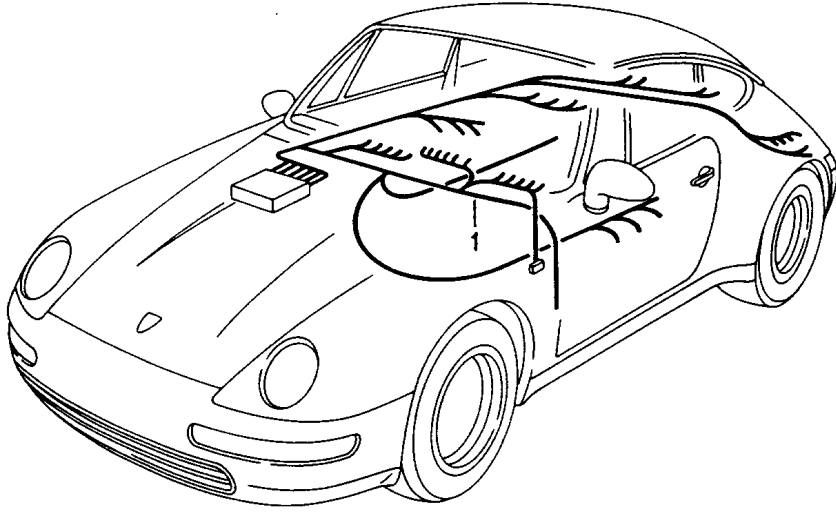
Model: 911 94

Model life 1994>>1998

Pos	Part Number	Description	Remark	Qty	Model
		A 10,5			
17	901 104 382 02	Nut		2	
17	901 104 382 03	Nut		2	
18	900 031 005 02	Washer 10,5		2	
18	900 031 005 03	Washer 10,5		2	
19	993 612 609 02	Ground cable		1	
20	964 603 156 01	Generator		1	
20	964 603 156 AX	Generator		1	
20	964 603 156 BX	Generator		1	
21	928 603 142 00	Regulator		1	

Model: 911 94

Model life 1994>>1998



Model: 911 94 Model life 1994>>1998

Pos	Part Number	Description	Remark	Qty	Model
1	993 612 011 01	Wiring harnesses Passenger compartment FRONT luggage compartment See workshop manual Wiring harness	/LL 94	1	COUPE M480
1	993 612 011 02	Passenger compartment Wiring harness	/LL 95	1	COUPE M480
1	993 612 016 03	Passenger compartment Wiring harness	96	1	COUPE/TARGA M480
1	993 612 016 05	Passenger compartment Wiring harness	97	1	COUPE/TARGA M480
1		Passenger compartment Wiring harness	98	1	COUPE/TARGA M480
1	993 612 013 01	Passenger compartment Wiring harness	/LL 94	1	COUPE M249
1	993 612 013 02	Passenger compartment Wiring harness	/LL 95	1	COUPE M249
1	993 612 018 03	Passenger compartment Wiring harness	96	1	COUPE/TARGA M249
1	993 612 018 05	Passenger compartment Wiring harness	97	1	COUPE/TARGA M249
1		Passenger compartment Wiring harness	98	1	COUPE/TARGA M249
1	993 612 012 01	Passenger compartment Wiring harness	/LL 94	1	CABRIO M480
1	993 612 012 02	Passenger compartment Wiring harness	/LL 95	1	CABRIO M480
1	993 612 017 03	Passenger compartment Wiring harness	96	1	CABRIO M480
1	993 612 017 05	Passenger compartment Wiring harness	97	1	CABRIO M480
1		Passenger compartment Wiring harness	98	1	CABRIO M480
1	993 612 014 01	Passenger compartment Wiring harness	/LL 94	1	CABRIO M249
1	993 612 014 02	Passenger compartment Wiring harness	/LL 95	1	CABRIO M249
1	993 612 019 03	Passenger compartment Wiring harness	96	1	CABRIO M249
1	993 612 019 05	Passenger compartment Wiring harness	97	1	CABRIO M249
1		Passenger compartment Wiring harness	98	1	CABRIO M249
1	993 612 016 02	Passenger compartment Wiring harness	/LL	1	TURBO
1	993 612 016 03	Passenger compartment F >>99TS3 75544 Wiring harness	/LL	1	TURBO
		Passenger compartment			

Model: 911 94 Model life 1994>>1998

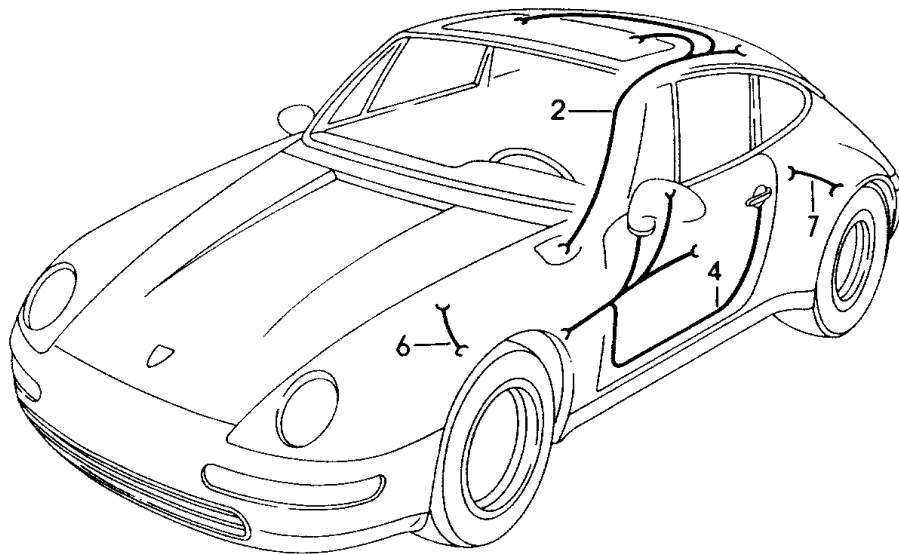
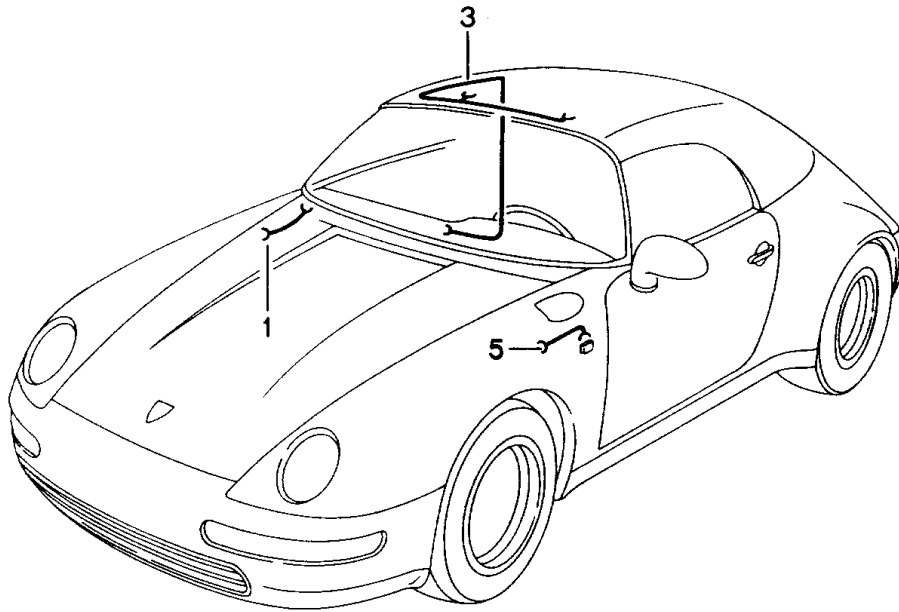
Pos	Part Number	Description	Remark	Qty	Model
1	993 612 016 05	F 99TS3 75545>> Wiring harness Passenger compartment	/LL 97	1	TURBO
1		Wiring harness Passenger compartment	/LL 98	1	TURBO
-	993 612 903 03	Wiring harness Repair kit Tiptronic for Wiring harness Passenger compartment	94-	1	
-	964 612 501 00	Joint flange for Wiring harness Passenger compartment Wiring harnesses FRONT luggage compartment See technical information GR.9, NR. 4/95	96	1	
2	993 612 035 00	Wiring harness FRONT luggage compartment	94	1	CARRERA 2
2	993 612 035 01	Wiring harness FRONT luggage compartment	95	1	CARRERA 2
2	993 612 035 03	Wiring harness FRONT luggage compartment	96	1	CARRERA 2
2	993 612 035 06	Wiring harness FRONT luggage compartment	97-	1	CARRERA 2
2	993 612 055 04	Wiring harness FRONT luggage compartment	96	1	CARRERA 2 M601
2	993 612 055 06	Wiring harness FRONT luggage compartment	97-	1	CARRERA 2 M601
2	993 612 032 00	Wiring harness FRONT luggage compartment	94	1	CARRERA 2 M224
2	993 612 032 01	Wiring harness FRONT luggage compartment	95	1	CARRERA 2 M224
2	993 612 032 03	Wiring harness FRONT luggage compartment	96	1	CARRERA 2 M224
2	993 612 032 06	Wiring harness FRONT luggage compartment	97-	1	CARRERA 2 M224
2	993 612 052 04	Wiring harness FRONT luggage compartment	96	1	CARRERA 2 M224/601
2	993 612 052 06	Wiring harness FRONT luggage compartment	97-	1	CARRERA 2 M224/601
2	993 612 038 01	Wiring harness FRONT luggage compartment	95	1	CARRERA 4
2	993 612 038 03	Wiring harness FRONT luggage compartment	96	1	CARRERA 4
2	993 612 038 06	Wiring harness FRONT luggage compartment	97-	1	CARRERA 4
2	993 612 058 04	Wiring harness FRONT luggage compartment	96	1	CARRERA 4 M601
2	993 612 058 06	Wiring harness FRONT luggage compartment	97-	1	CARRERA 4 M601
2	993 612 038 01	Wiring harness FRONT luggage compartment F >>99TS3 75544		1	TURBO
2	993 612 038 03	Wiring harness FRONT luggage compartment F 99TS3 75545>>	-96	1	TURBO
2	993 612 038 06	Wiring harness FRONT luggage compartment	97-	1	TURBO
2	993 612 058 01	Wiring harness		1	TURBO M601

Model: 911 94 Model life 1994>>1998

Pos	Part Number	Description	Remark	Qty	Model
2	993 612 058 04	FRONT luggage compartment F >>99TS3 75544 Wiring harness	-96	1	TURBO M601
2	993 612 058 06	FRONT luggage compartment F 99TS3 75545>> Wiring harness	97-	1	TURBO M601
-	999 513 045 40	FRONT luggage compartment Tie-wrap for Wiring harness		X	
-	999 513 049 40	FRONT luggage compartment Tie-wrap for Wiring harness FRONT luggage compartment		X	

Model: 911 94

Model life 1994>>1998

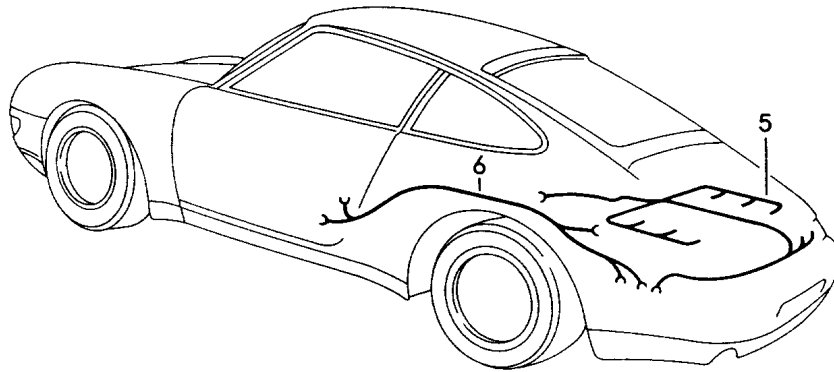
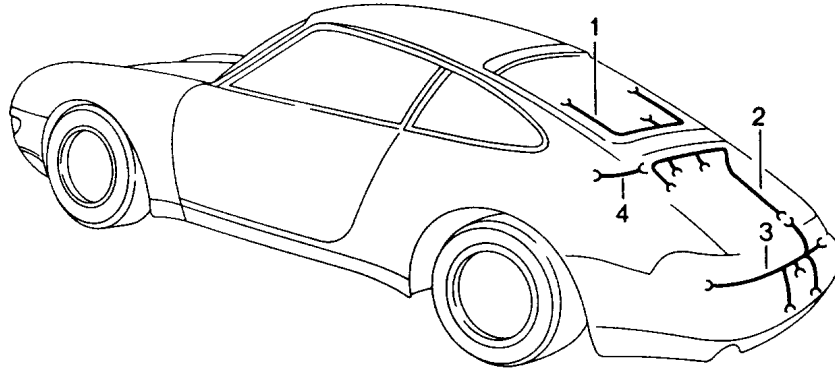


Model: 911 94 Model life 1994>>1998

Pos	Part Number	Description	Remark	Qty	Model
		Wiring harnesses Luggage compartment lamp Sunroof Convertible top control Driver's door Passenger's door Direction indicator light Anti-lock brake system			
1	993 612 044 00	Wiring harness Luggage compartment lamp		1	
2	964 612 034 00	Wiring harness NR.34 Sunroof Interior light F >>99TS3 75544	-95	1	M650
(2)	993 612 071 03	Wiring harness NR.71 Roof F 99TS3 75545>> Use also:	96-	1	TURBO M520/650 TURBO
-	999 652 949 40	Pin connector socket		1	
3	993 612 563 00	Wiring harness NR.563 Convertible top control		1	
4	993 612 665 00	Wiring harness Driver's door	/LL 94	1	
4	993 612 665 04	Wiring harness Driver's door	/LL 95-	1	
4	993 612 665 02	Wiring harness Driver's door	/RL 94	1	
4	993 612 665 06	Wiring harness Driver's door	/RL 95-	1	
4	993 612 665 01	Wiring harness Driver's door	/LL 94	1	M490
4	993 612 665 05	Wiring harness Driver's door	/LL 95-	1	M490
4	993 612 665 03	Wiring harness Driver's door	/RL 94	1	M490
4	993 612 665 07	Wiring harness Driver's door	/RL 95-	1	M490
-	964 612 334 00	Grommet		1	
(4)	993 612 666 00	Wiring harness Passenger's door	94	1	
(4)	993 612 666 02	Wiring harness Passenger's door	95-	1	
(4)	993 612 666 01	Wiring harness Passenger's door	94	1	M490
(4)	993 612 666 03	Wiring harness Passenger's door	95-	1	M490
-	964 612 334 00	Grommet		1	
5	911 612 177 02	Wiring harness Direction indicator light	-96	2	
6	964 612 184 01	Wiring harness Anti-lock brake system Brake pad wear indicator	/V	2	
7	993 612 185 00	Wiring harness Anti-lock brake system Brake pad wear indicator Use also:	/H	2	
-	964 612 984 00	Assembly kit Anti-lock brake system Brake pad wear indicator		1	

Model: 911 94

Model life 1994>>1998

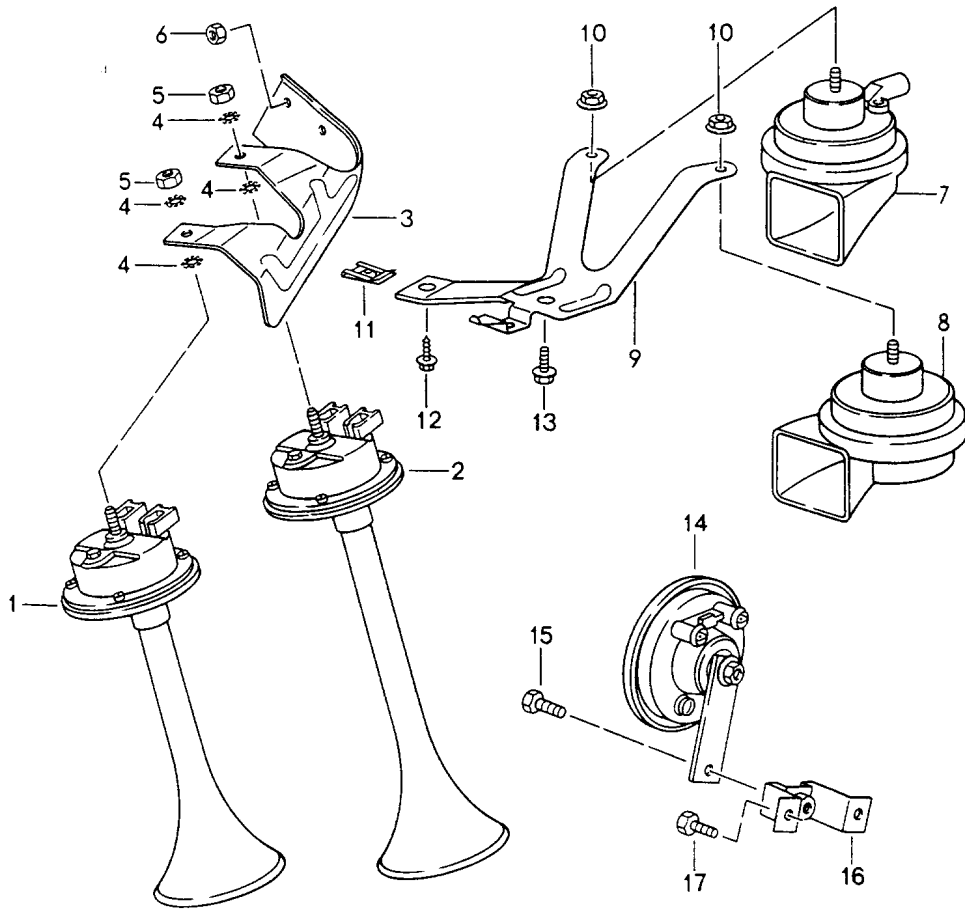


Model: 911 94 Model life 1994>>1998

Pos	Part Number	Description	Remark	Qty	Model
		Wiring harnesses Rear end Engine - dme -			
1	993 612 082 01	Wiring harness NR.82	94	1	
		Rear window heating			
2	993 612 049 02	Wiring harness NR.49		1	
		Rear lid			
-	993 612 803 01	Cable holder Hinge		X	
		Rear lid			
3	993 612 045 01	Wiring harness		1	
		Rear light			
-	964 612 620 00	Cap		2	
		License plate light			
4	964 612 110 01	Ground strap		1	
		Rear lid			
5	993 607 016 01	Wiring harness NR.16	94	1	M64.07/08
		Engine			
5	993 607 016 05	Wiring harness NR.16	95	1	M64.07/08
		Engine			
5	993 607 016 15	Wiring harness NR. 16	96-	1	M64.23/24
		Engine			
5	993 607 016 10	Wiring harness NR.16		1	M64.60
		Engine			
5	993 607 016 12	M >> 61T 02071 Wiring harness NR. 16		1	M64.60
		Engine			
6	993 612 173 14	M 61T 02072 >> Wiring harness NR.173	94	1	
		- dme -			
6	993 612 173 27	Wiring harness NR.173	95	1	
		- dme -			
6	993 612 173 33	Wiring harness NR. 173	-97	1	
		- dme -			
6	993 612 173 35	Wiring harness NR. 173	98	1	
		- dme -			
6	993 612 173 17	Wiring harness NR.173		1	TURBO
		- dme -			
6	993 612 173 19	F >>99TS3 75544 Wiring harness NR.173		1	TURBO
		- dme -			
-	928 612 567 00	F 99TS3 75545>> Plug socket		1	
		Connection point			
		X 60			
-	999 652 654 22	Contact pin		X	
		Connection point			
		X 60			

Model: 911 94

Model life 1994>>1998

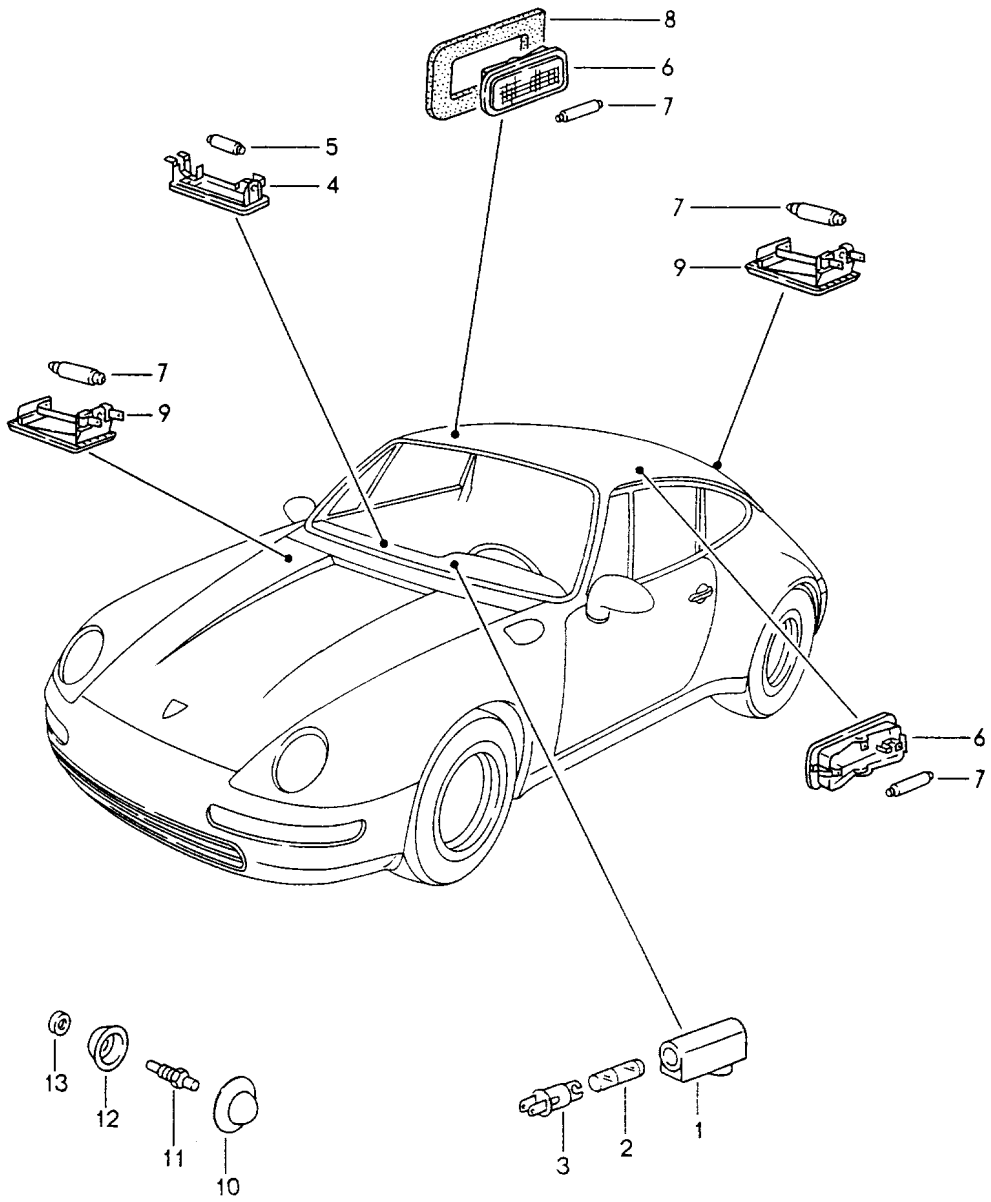


Model: 911 94 Model life 1994>>1998

Pos	Part Number	Description	Remark	Qty	Model
1	911 635 101 20	Fanfare Horn Fanfare		1	
2	911 635 102 20	High-pitched Fanfare		1	
3	993 635 103 00	Low-pitched Support		1	
4	N 042 121 3	Shake-proof washer A 6,4		4	
5	900 076 010 02	Nut M 6		2	
5	900 076 010 0B	Nut M 6		2	
6	900 377 010 01	Hexagon nut M 6		4	
7	993 635 206 00	Fanfare High-pitched	96-	1	
8	993 635 205 00	Fanfare Low-pitched	96-	1	
-	999 650 490 40	Plug socket	96-	2	
-	999 650 126 40	Gasket for 999.652.912.40	96-	4	
-	999 650 135 22	Connector for 999.652.912.40	96-	4	
9	993 635 150 00	Support	96-	1	
10	900 380 015 01	Hexagon nut M 6	96-	2	
11	999 507 034 02	Speed nut B 6,3	96-	1	
12	900 187 111 02	Combination screw BZ 6,3 X 12	96-	1	
12	900 187 111 01	Combination screw BZ 6,3 X 12	96-	1	
13	900 075 364 02	Combination screw M 8 X 16	96-	1	
14	964 637 117 00	Horn for Alarm system		1	
15	900 075 078 02	Hexagon-head bolt M 8 X 15		1	
15	900 075 078 03	Hexagon-head bolt M 8 X 15		1	
16	993 637 101 00	Support		1	
17	900 075 393 02	Combination screw M 6 X 12 Z1 SB		2	
17	900 075 393 0C	Combination screw M 6 X 12 Z1 SB		2	

Model: 911 94

Model life 1994>>1998

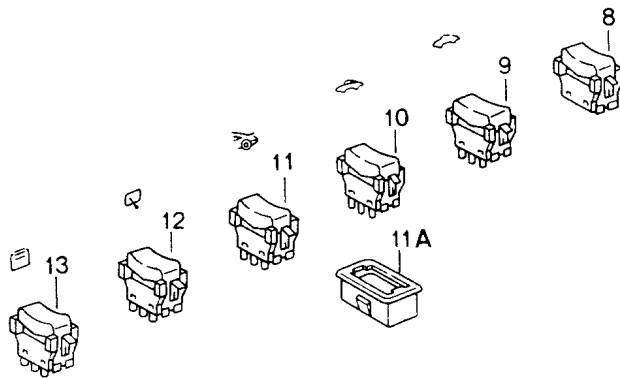
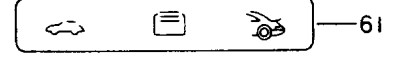
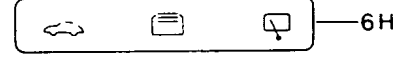
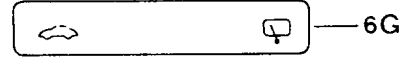
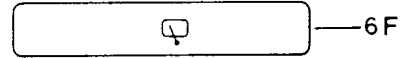
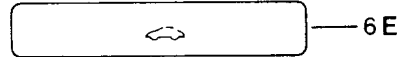
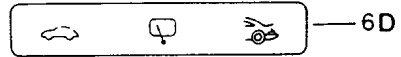
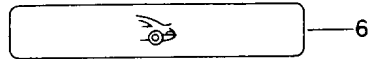
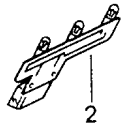
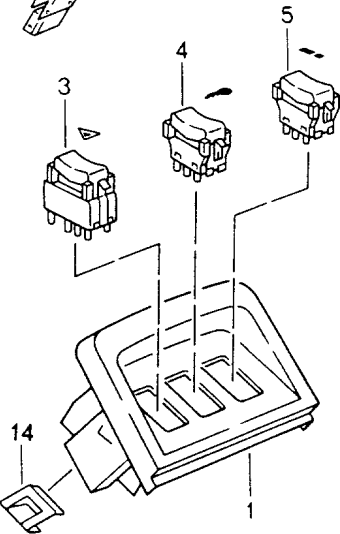
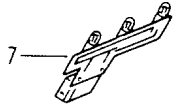
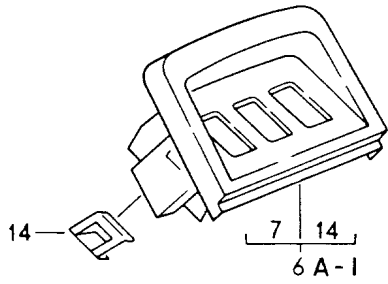


Model: 911 94 Model life 1994>>1998

Pos	Part Number	Description	Remark	Qty	Model
1	964 632 113 01	Interior lights Luggage compartment lamp Engine compartment lamp Ashtray light Illumination Ashtray Ignition starter lock		1	
2	900 631 132 90	Bulb 1,2 W		1	
3	999 632 014 00	Bulb socket 2-pole		1	
4	928 632 101 00	Glove compartment light		1	
5	999 631 018 90	Bulb 3 W		1	
6	911 632 102 00	Light		1	CABRIO/TARGA
	911 632 102 00 70A	Black			
6	901 632 101 28	Interior light		2	COUPE
(6)	993 618 270 00	Control unit	96-	1	M520
	993 618 270 00 01C	Satin black with Interior light			
-	999 631 132 90	Bulb	96-	1	M520
7	900 631 106 90	Linolite lamp 10 W		X	
8	964 555 153 00	Desk pad		2	COUPE
9	997 632 201 00	Light		2	
10	901 615 616 20	Rubber cap		2	
11	964 613 601 00	Door contact switch		2	
11	993 613 601 00	Door contact switch Use also:		2	
10	993 613 602 00	Rubber cap		2	
(11)	964 613 602 00	Contact switch Glove compartment light Rear luggage dump		X 1 2	
(11)	964 613 431 00	Microswitch Luggage compartment lamp Engine compartment lamp		X 1 1	
(11)	964 613 431 01	Microswitch Luggage compartment lamp Engine compartment lamp		X 1 1	
12	901 615 615 20	Concave washer		2	
13	900 031 001 60	Washer 8,4		2	

Model: 911 94

Model life 1994>>1998



Model: 911 94 Model life 1994>>1998

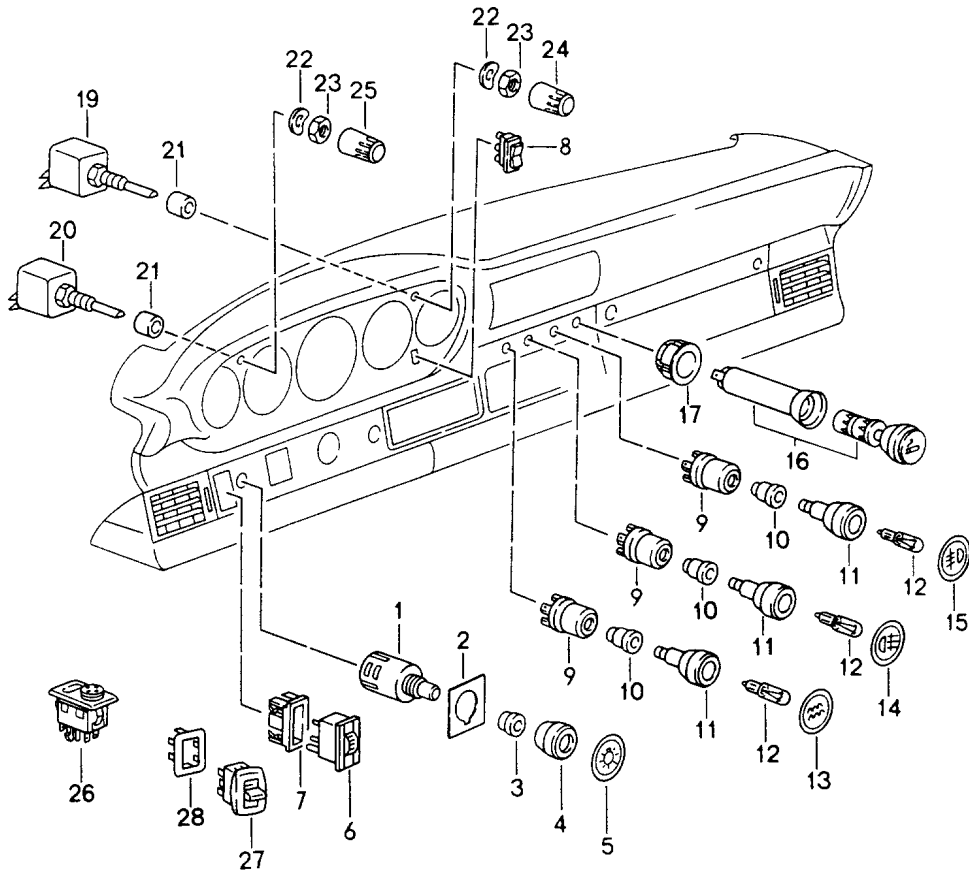
Pos	Part Number	Description	Remark	Qty	Model
1	964 552 135 01 964 552 135 01 1DB	Cover Switch Centre console Cover Black without LEUCHTENEINHEITEN When required order also: POS 2		1	
2	964 632 130 01	Combined lights		1	
3	944 613 235 01 944 613 235 01 N05	Hazard warning light sw. Red		1	
4	951 613 147 00 951 613 147 00 01C	Switch Satin black Door latch		1	
5	964 613 202 00 964 613 202 00 01C	Rocker switch Satin black Central indicator		1	
6	993 632 071 10	Cover without Combined lights When required order also:		1	
-	993 632 062 00	Combined lights		1	
6A	993 632 071 11	Cover without Combined lights When required order also:		1	M650
-	993 632 062 04	Combined lights		1	
6B	993 632 071 12	Cover without Combined lights When required order also:		1	M439
-	993 632 062 04	Combined lights		1	
6C	993 632 071 13	Cover		1	M425
6D	993 632 071 14	Cover without Combined lights When required order also:		1	M425/650
-	993 632 062 03	Combined lights		1	
6E	993 632 071 15	Cover		1	TURBO M650
6F	993 632 071 17	Cover		1	TURBO M425
6G	993 632 071 18	Cover		1	TURBO M425/650
6H	993 632 071 19	Cover		1	TARGA M425
6I	993 632 071 20	Cover		1	TARGA
7	993 632 062 03	Combined lights		1	
8	993 613 523 00	Switch Display specimen		X	
9	993 613 523 00 01C 993 613 120 00 993 613 120 00 01C	Satin black Switch Satin black Sunroof		1	M650 TARGA
10	993 613 121 00 993 613 121 00 01C	Switch Satin black Convertible top control		1	M439
11	993 613 203 00 993 613 203 00 01C	Switch Satin black		1	
11A	911 613 615 01	Rear spoiler Retaining frame		1	TARGA M425

Model: 911 94 Model life 1994>>1998

Pos	Part Number	Description	Remark	Qty	Model
	911 613 615 01 1DB	Black			
	911 613 615 01 01C	Satin black Cover			TARGA M425
		Parking-brake lever See group 8/09/15 POS.9			
12	993 613 129 01	Switch		1	M425
	993 613 129 01 01C	Satin black Rear window wiper			
13	993 613 204 00	Switch		1	TARGA
	993 613 204 00 01C	Satin black Shade			
14	944 552 557 00	Spring clamp		4	

Model: 911 94

Model life 1994>>1998

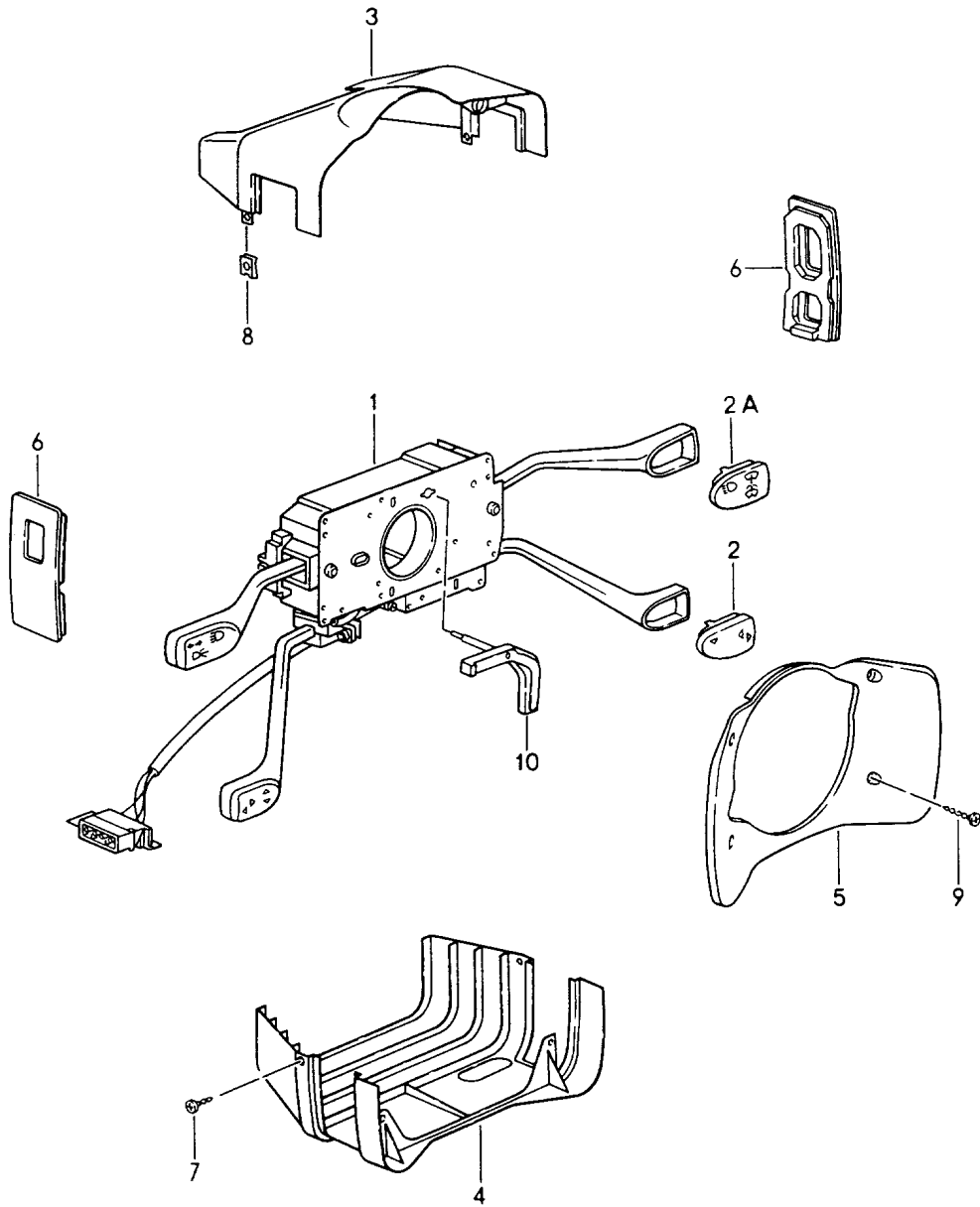


Model: 911 94 Model life 1994>>1998

Pos	Part Number	Description	Remark	Qty	Model
1	993 613 531 00	Switch Light switch		1	
2	964 613 145 00	Washer		1	
3	964 613 535 00	Rosette		1	
	964 613 535 00 01C	Satin black			
4	993 613 055 00	Knob		1	
	993 613 055 00 01C	Satin black			
5	993 613 250 00	Cap with symbol Light switch		1	
8	993 613 325 01	Tip switch		1	
	993 613 325 01 01C	Satin black for Clock			
9	964 613 149 00	Switch	94	3	
9		Switch	95-	3	CABRIO
9		Switch	95-	2	COUPE
-	PCG 612 849 00	Clutch with Contact bush		1	
9	993 613 149 00	Tip switch Rear window heating	95-	6 1	COUPE
10	911 613 213 03	Rosette		3	
11	911 613 028 10	Knob		3	
	911 613 028 10 01C	Satin black			
12	900 631 132 90	Bulb 1,2 W		3	
13	993 613 253 00	Cap with symbol Rear window heating		1	
(13)	993 613 254 00	Cap with symbol Door mirror Heatable		1	CABRIO
14	993 613 251 00	Cap with symbol Fog headlamp		1	
15	993 613 252 00	Cap with symbol Rear fog light		1	
16	993 652 307 00	Cigarette lighter		1	
	993 652 307 00 01C	Satin black			
17	964 652 103 00	Retaining ring		1	
	964 652 103 00 01C	Satin black			
19	964 618 147 00	Potentiometer Wipe interval		1	
20	964 618 104 00	Potentiometer Instruments Illumination		1	
21	911 618 207 00	Spacer sleeve		2	
22	900 028 019 01	Spring washer		2	
23	911 618 209 00	Hexagon nut M 7 X 0,75		2	
24	964 618 014 00	Knob		1	
	964 618 014 00 01C	Satin black			
25	964 618 012 00	Knob		1	
	964 618 012 00 01C	Satin black			
26	993 613 241 00	Mirror changeover switch		1	
	993 613 241 00 01C	Satin black for Door mirror			
27	964 613 621 00	Switch		3	
	964 613 621 00 01C	Satin black for window opener			
28	911 613 635 20	Assembly frame		3	

Model: 911 94

Model life 1994>>1998

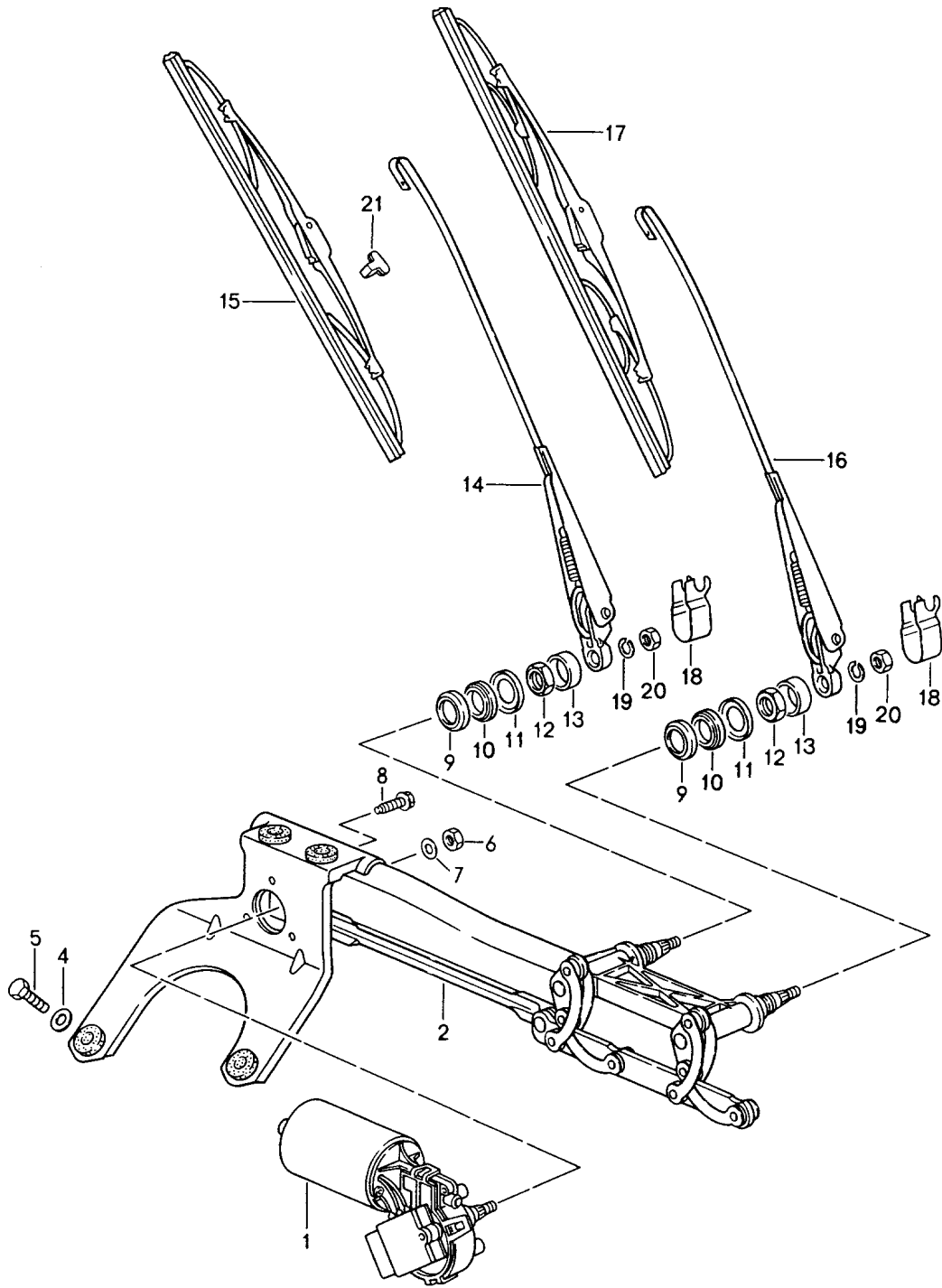


Model: 911 94 Model life 1994>>1998

Pos	Part Number	Description	Remark	Qty	Model
1	993 613 354 00	Steering column switch		1	M288/454/659
	993 613 354 00 01C	Satin black			
1	993 613 353 00	Steering column switch		1	M288/454
	993 613 353 00 01C	Satin black			
1	993 613 352 00	Steering column switch		1	M288/659
	993 613 352 00 01C	Satin black			
1	993 613 351 00	Steering column switch		1	M288
	993 613 351 00 01C	Satin black			
		When required order also:			
2	993 613 504 00	Cap with symbol		1	M454
	993 613 504 00 01C	Satin black			
		German			
2	993 613 505 00	Cap with symbol		1	M454
	993 613 505 00 01C	Satin black			
		English			
2	993 613 506 00	Cap with symbol		1	M454
	993 613 506 00 01C	Satin black			
		French			
		When required order also:			
2A	993 613 507 00	Cap with symbol		1	
	993 613 507 00 01C	Satin black			
		for cars with			
		Headlight washer system			
(2A)	993 613 508 00	Cap with symbol		1	
	993 613 508 00 01C	Satin black			
		for cars without			
		Headlight washer system			
3	993 552 273 00	Switch housing		1	
	993 552 273 00 01C	Satin black			
4	993 552 275 00	Switch housing		1	
	993 552 275 00 01C	Satin black			
5	993 552 277 00	Cover		1	
	993 552 277 00 01C	Satin black			
6	993 552 573 00	Cover		X	M454
	993 552 573 00 01C	Satin black			
				1	M659
(6)	993 552 573 01	Cover		X	
	993 552 573 01 01C	Satin black			
					M454/659
					M454
					M659
7	900 143 002 07	Tapping screw		2	
		B 2,9 X 9,5			
8	999 591 888 02	Speed nut		2	
		B 2,9			
9	900 143 072 02	Oval-head sheetmetal screw		4	
		B 3,5 X 19			

Model: 911 94

Model life 1994>>1998

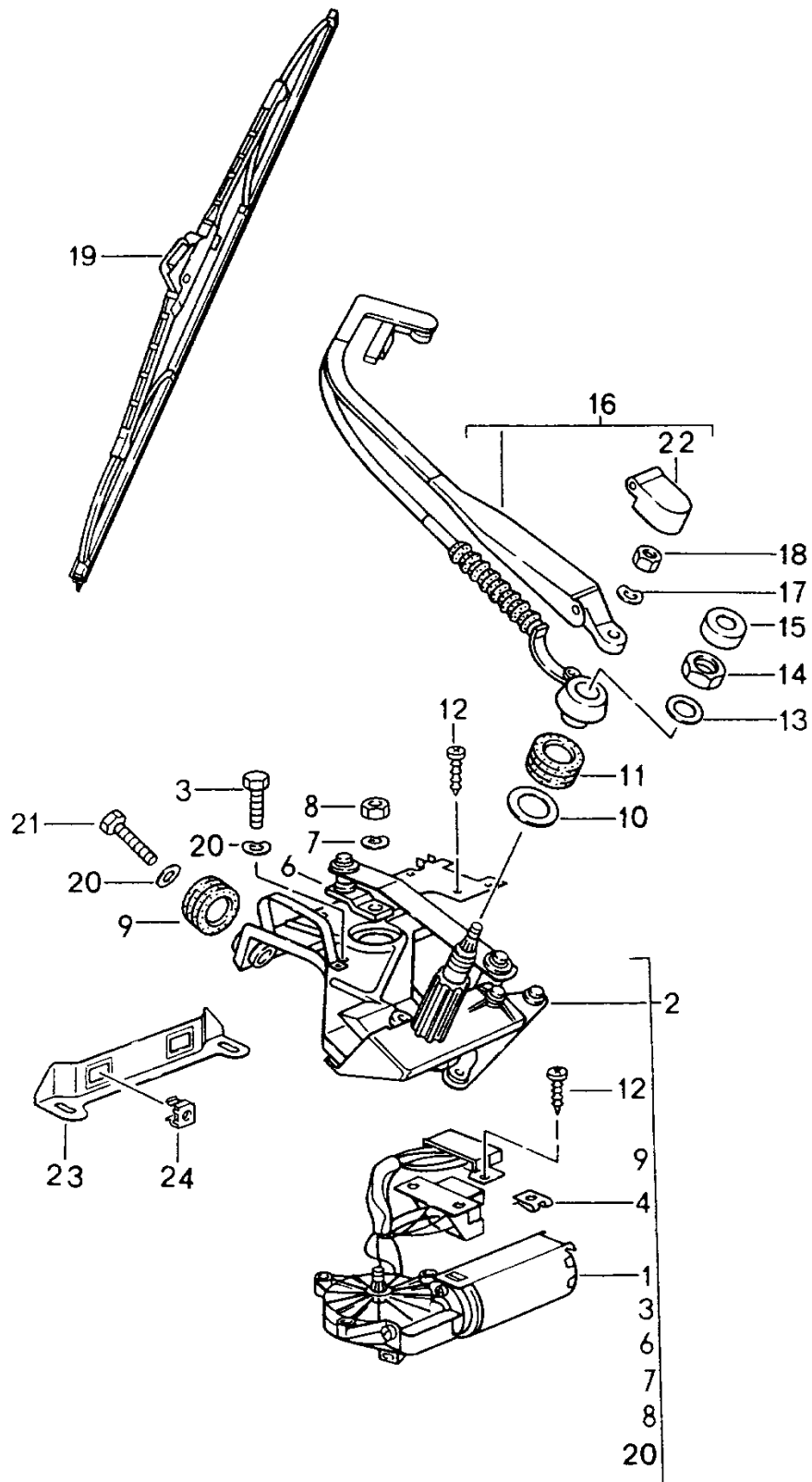


Model: 911 94 Model life 1994>>1998

Pos	Part Number	Description	Remark	Qty	Model
		Windscreen wiper system Inst. & Conv. Instructions 911 CARRERA (993) Group 9 9215 (85/12) Attention	/LL /RL		
1	993 624 105 00	Wiper motor	/LL	1	
(1)	997 624 106 01	Wiper motor	/LL	1	
		Use also: PCG62410500		1	
-	PCG 624 105 00	Repair kit for Wiper motor 99762410601	/LL	1	
2	993 628 935 00	Crank drive	/LL	1	
4	900 151 006 09	Washer A 6,4		3	
5	900 075 425 02	Hexagon-head bolt M 6 X 22		3	
6	900 076 025 02	Hexagon nut		1	
6	900 076 064 02	Hexagon nut		1	
7	803 955 437	Spring washer		1	
8	999 217 164 02	Hexagon-head bolt M 6 X 15		3	
9	944 628 129 00	Rubber bush		2	
-	PCG 628 129 00	Bush Satz bestehend aus 2 x 94462812800 2 x 94462812900		4	
10	944 628 128 00	Bush		2	
10	PCG 628 129 00	Bush		2	
11	993 628 125 00	Flange washer		2	
12	999 034 029 07	Hexagon nut M 18 X 1		2	
12	PCG 034 029 07	Hexagon nut M 18 X 1		2	
13	993 628 339 00	Cap		2	
14	993 628 028 01	Wiper arm	/LL /L	1	
15	993 628 038 00	Wiper blade	/LL /L	1	
(15)	993 628 901 00	Wiper blade Set Driver's side Passenger's side		1	
16	993 628 028 02	Wiper arm	/LL /R	1	
17	993 628 038 01	Wiper blade	/LL /R	1	
(17)	993 628 901 00	Wiper blade Set Driver's side Passenger's side		1	
18	993 628 305 00	Cap		2	
19	803 955 437	Spring washer		2	
20	900 076 025 02	Hexagon nut M 8		2	
20	900 076 064 02	Hexagon nut M 8		2	
21	993 628 239 01	Rubber buffer		1	

Model: 911 94

Model life 1994>>1998

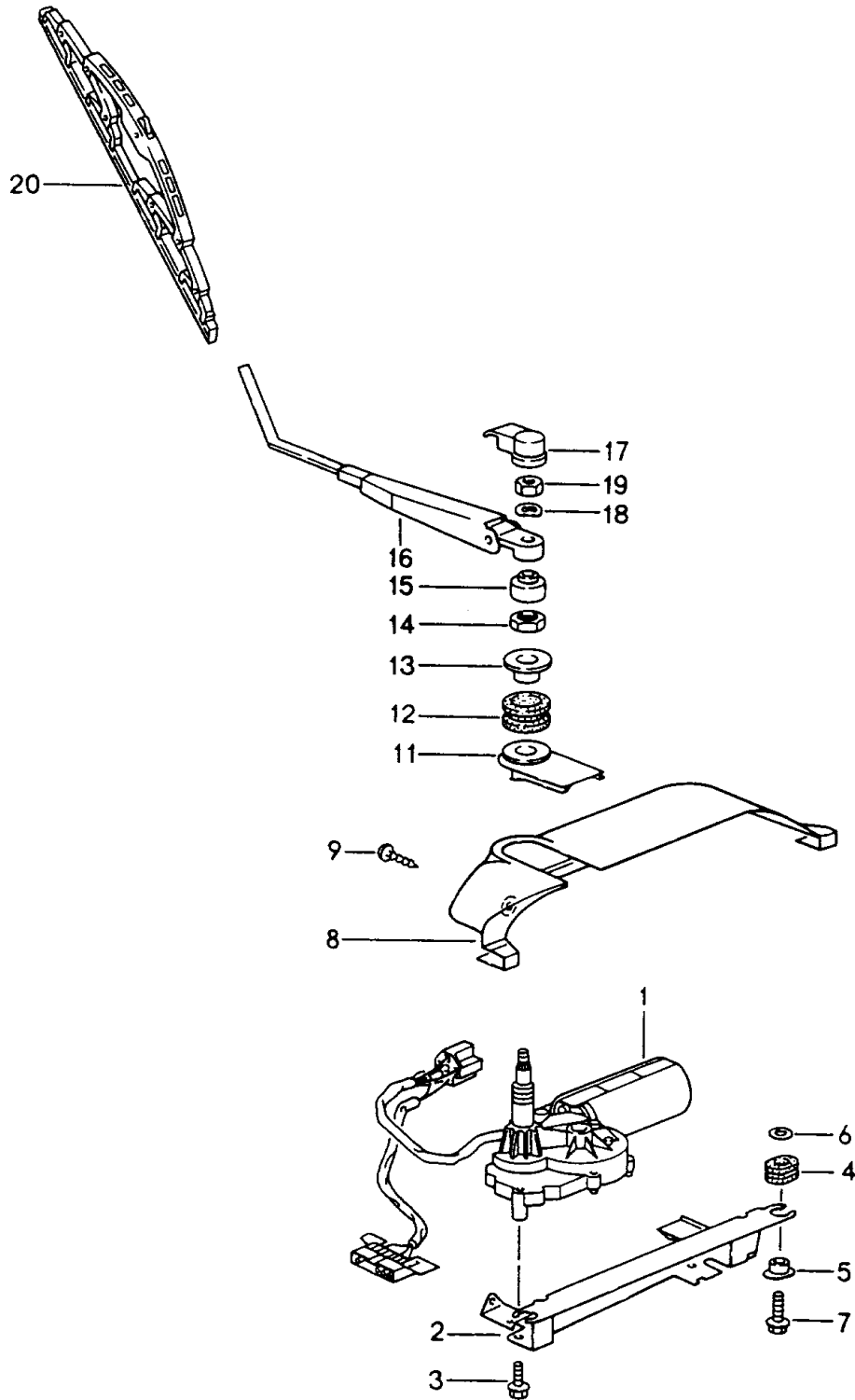


Model: 911 94 Model life 1994>>1998

Pos	Part Number	Description	Remark	Qty	Model
		Rear window wiper			COUPE
1	964 628 120 00	Wiper motor		1	
2	964 628 087 00	Assembly frame with Engine		1	
3	999 217 164 02	Hexagon-head bolt M 6 X 15		3	
4	477 807 191	Speed nut B 4,2		2	
4	999 591 772 01	Speed nut		2	
5	900 143 031 02	Oval-head sheetmetal screw		3	
6	964 628 160 00	Lever		1	
7	N 012 226 5	Spring washer		1	
8	900 076 010 02	Nut M 6		2	
8	900 076 010 0B	Nut M 6		2	
9	964 628 273 00	Rubber bush		2	
10	964 628 337 01	Washer		1	
11	964 628 270 01	Rubber bush		1	
11	964 628 270 02	Rubber bush		1	
12	900 143 031 02	Oval-head sheetmetal screw		3	
13	964 628 336 00	Washer		1	
14	911 628 825 00	Hexagon nut		1	
15	964 628 339 00	Cap		1	
16	993 628 032 00	Wiper arm		1	
17	803 955 437	Spring washer		1	
18	N 011 118 11	Hexagon nut		1	
18	900 034 001 05	Hexagon nut		1	
19	993 628 039 01	Wiper blade		1	
20	N 011 666 7	Washer A 6,4		2	
21	900 075 017 02	Hexagon-head bolt M 6 X 25		2	
21	900 075 017 03	Hexagon-head bolt M 6 X 25		2	
22	928 628 623 01	Cap		1	
23	964 628 328 01	Retaining bracket		1	
24	999 507 332 02	Captive nut		2	
-	944 612 552 00	Connector housing 6-pole Wiring harness		1	
-	999 652 762 22	Contact bush		6	
-	944 612 551 00	Connector housing 6-pole Wiper motor		1	
-	944 612 546 00	Contact pin		6	

Model: 911 94

Model life 1994>>1998

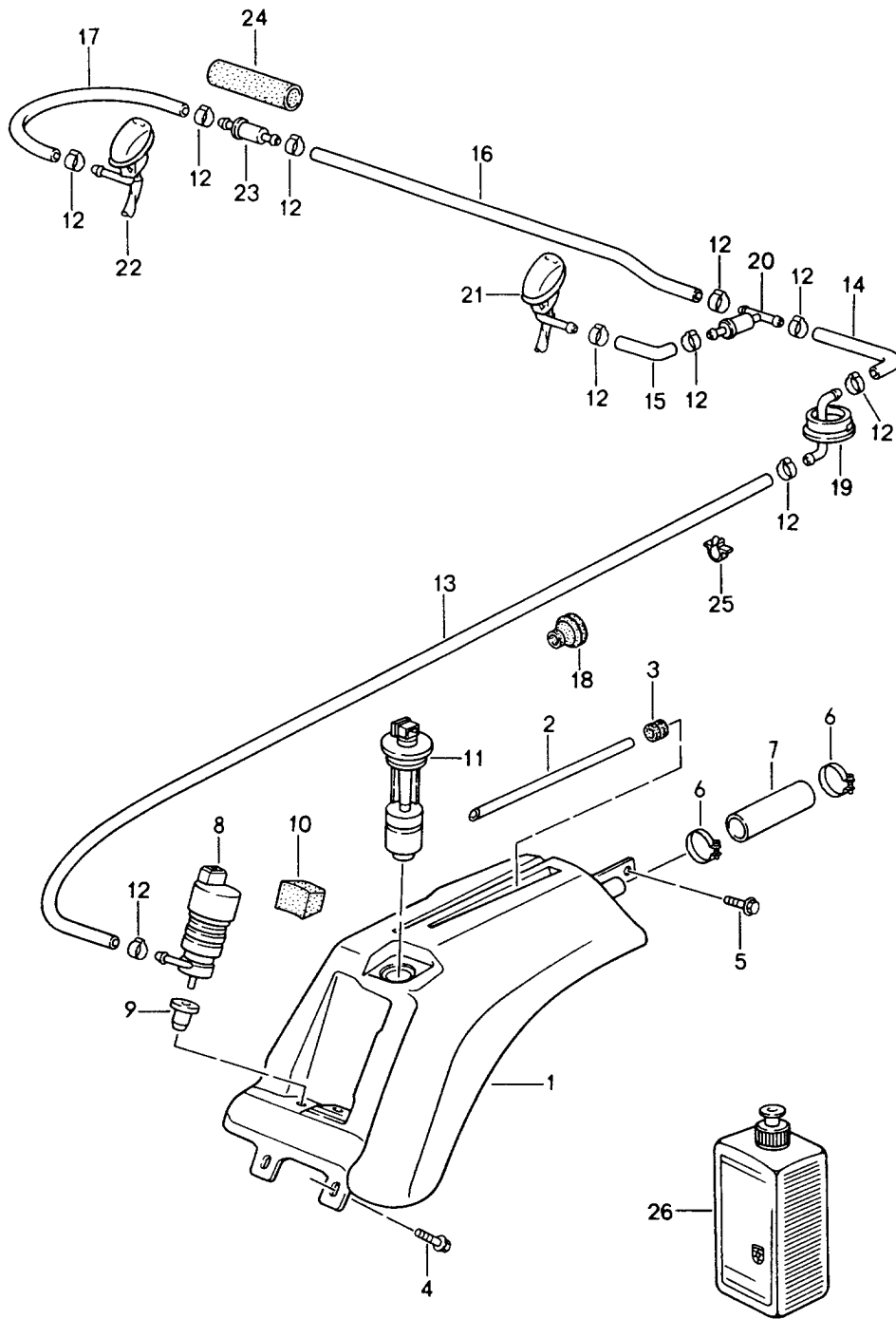


Model: 911 94 Model life 1994>>1998

Pos	Part Number	Description	Remark	Qty	Model
		Rear window wiper			TARGA
1	993 628 120 00	Wiper motor		1	
2	993 628 280 00	Retaining frame		1	
		Wiper motor			
3	999 217 164 02	Hexagon-head bolt M 6 X 15		2	
4	964 628 273 00	Rubber bush		2	
5	964 628 253 00	Bush		2	
6	900 151 006 09	Washer A 6,4		2	
7	900 075 333 02	Combination screw M 6 X 25 Z2		2	
7	900 075 333 01	Combination screw M 6 X 25 Z2		2	
8	993 628 137 00	Cover		1	
	993 628 137 00 01C	Satin black			
9	N 013 965 9	Oval-head sheetmetal screw 4,2 X 9,5		2	
11	993 628 127 00	Bush	96	1	
	993 628 127 00 01C	Satin black Lower			
11	993 628 127 01	Bush	97	1	
	993 628 127 01 01C	Satin black Lower			
12	964 628 270 01	Rubber bush		1	
12	964 628 270 02	Rubber bush		1	
13	993 628 408 00	Bush	96	1	
13	993 628 408 01	Bush Upper	97	1	
14	911 628 825 00	Hexagon nut		1	
15	993 628 339 01	Cap		1	
16	993 628 029 00	Wiper arm		1	
17	993 628 305 00	Cap		1	
18	803 955 437	Spring washer		1	
19	900 076 025 02	Hexagon nut		1	
19	900 076 064 02	Hexagon nut		1	
20	996 628 041 00	Wiper blade		1	

Model: 911 94

Model life 1994>>1998

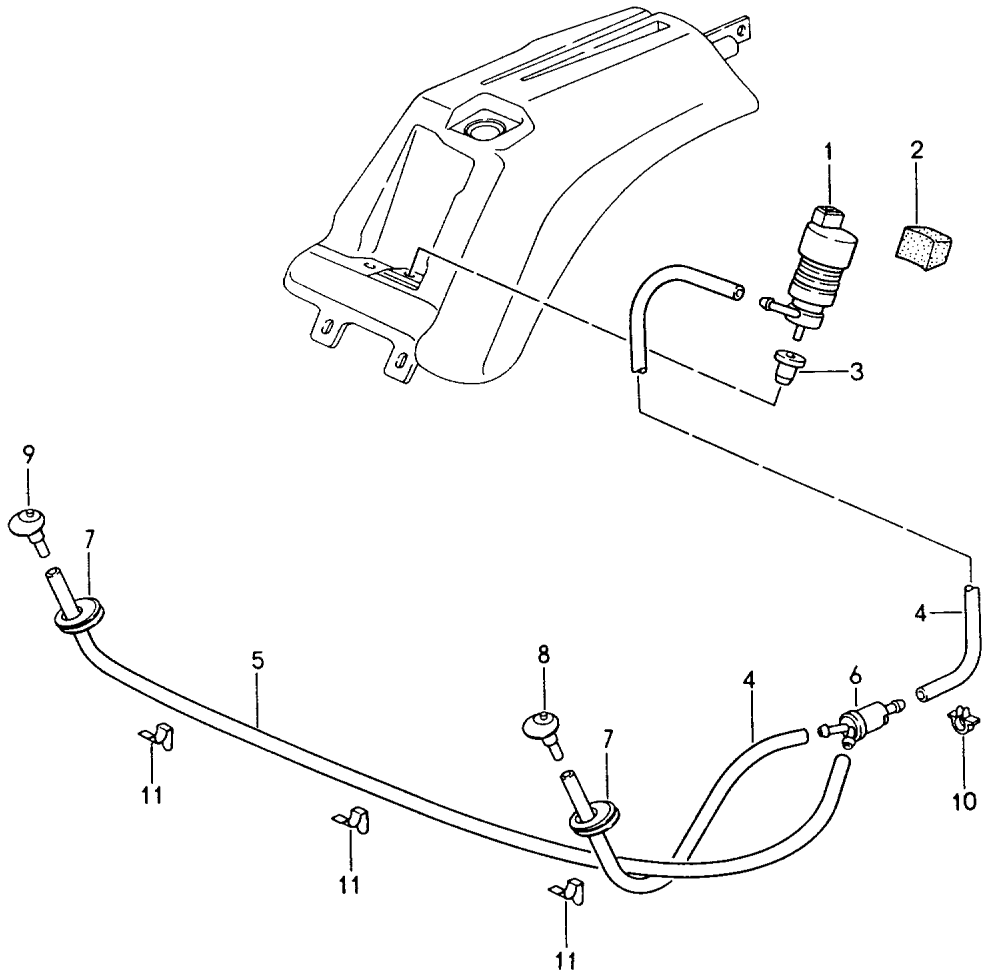


Model: 911 94 Model life 1994>>1998

Pos	Part Number	Description	Remark	Qty	Model
		Windscreen washer system			
1	993 528 175 01	Water reservoir		1	
2	964 528 575 00	Vent hose		1	
3	999 702 173 50	Rubber sleeve		1	
4	999 450 007 02	Combination screw M 6 X 19		2	
5	900 075 413 09	Combination screw M 6 X 16		1	
6	N 024 147 1	Hose clamp		2	
7	900 922 007 40	Hose		1	
8	993 624 372 00	Pump	-96	1	
8	996 628 172 00	Pump	97-	1	
-	999 650 190 40	Plug socket	97-	1	
-	999 652 871 22	Connector	97-	2	
-	999 704 161 40	Gasket	97-	2	
9	431 955 465 B	Sealing ring		1	
10	993 628 213 00	Spacer		1	
11	964 628 185 00	Tank gauge switch		1	
12	N 100 020 01	Clip		10	
12	999 512 527 00	Clamp		10	
-	999 181 722 40	Hose 4,6 X 1,8		*	
13		1650 MM		1	
14		60 MM		1	
15		140 MM		1	
16		660 MM		1	
17		190 MM		1	
18	911 612 413 00	Rubber sleeve		1	
19	928 628 073 00	Hose elbow		1	
20	914 628 433 00	Valve		1	
21	993 628 077 00	Nozzle	/L	1	
22	993 628 077 00 01C	Black			
22	993 628 077 01	Nozzle	/R	1	
22	993 628 077 01 01C	Black			
23	914 628 215 00	Valve		1	
24	928 612 636 01	Protective tube		1	
25	113 142 261 A	Clip		2	
26	999 901 017 41	Window cleaner 250 ML Summer		X	
26	999 901 017 42	Window cleaner 250 ML Summer		X	
26	000 044 000 87	Window cleaner 250 ML Summer		X	
26	999 901 033 40	Window cleaner 1000 ML Winter		X	

Model: 911 94

Model life 1994>>1998



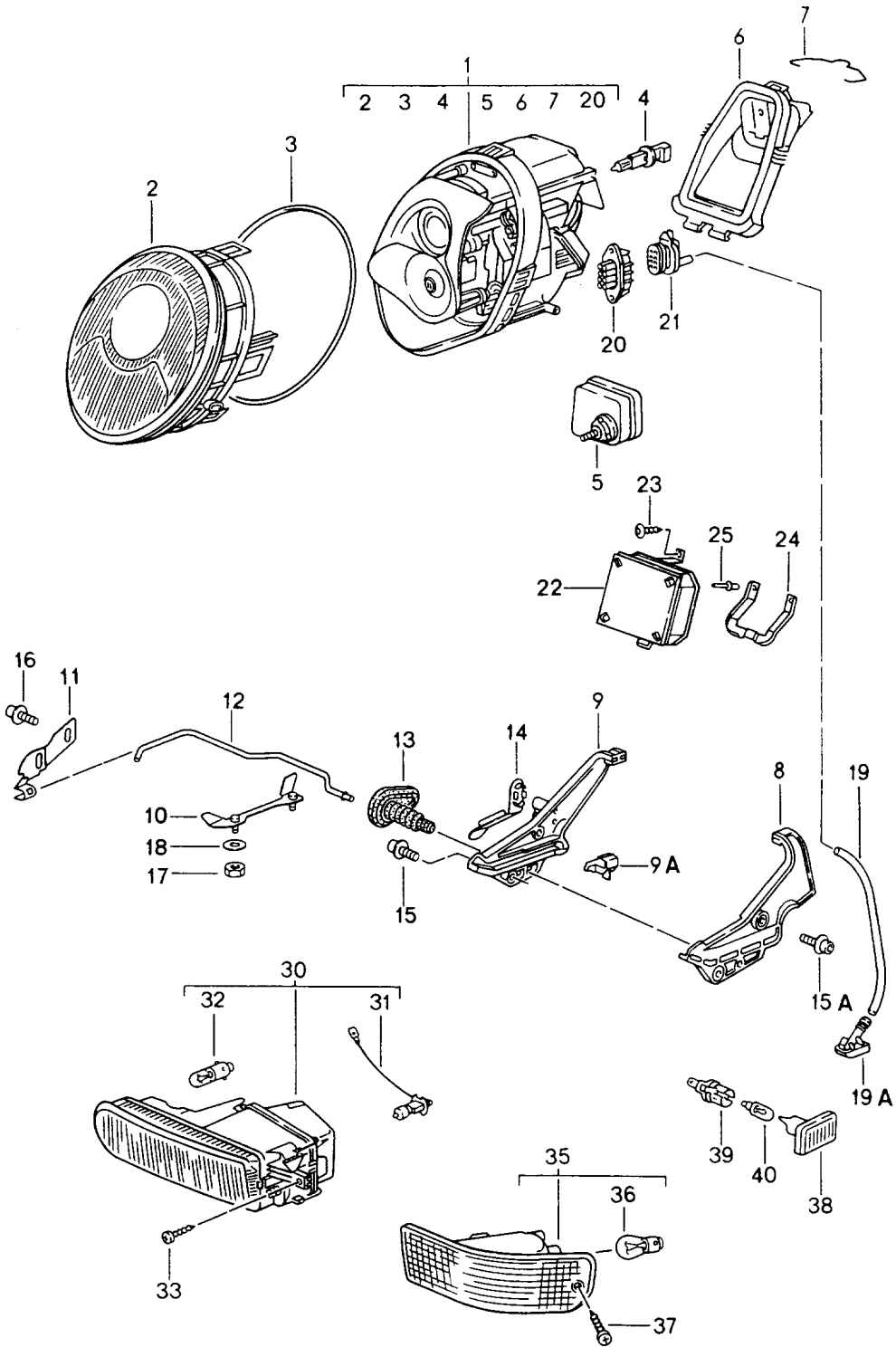
Model: 911 94

Model life 1994>>1998

Pos	Part Number	Description	Remark	Qty	Model
		Headlight washer system			M288
1	993 624 502 00	Pump		1	
2	993 628 213 00	Spacer		1	
3	928 628 193 00	Gasket		1	
-	000 043 204 79	Hose		*	
		8 X 3			
4		310 MM		2	
5		1420 MM		1	
6	993 628 073 00	Valve		1	
7	999 702 201 50	Grommet		2	
8	993 628 072 00	Nozzle	/L	1	
	993 628 072 00 01C	Black			
9	993 628 071 00	Nozzle	/R	1	
	993 628 071 00 01C	Black			
10	321 971 847 B	Clip		1	
11	999 651 230 02	Hose holder		3	

Model: 911 94

Model life 1994>>1998



Model: 911 94 Model life 1994>>1998

Pos	Part Number	Description	Remark	Qty	Model
		Headlamp Fog headlamp Direction indicator light See technical information GR.9, NR. 1/99			
1	993 631 051 00	Headlamp	/L	1	
(1)	993 631 951 01	Headlamp LITRONIC 2.0 without Ignition control unit See technical information GR.9 , NR.1/04	/L 96	1	M601
1	993 631 051 02	Headlamp LITRONIC 2.1	/L 97-	1	M601
1	993 631 052 00	Headlamp	/R	1	
(1)	993 631 952 01	Headlamp LITRONIC 2.0 without Ignition control unit See technical information GR.9 , NR.1/04	/R 96	1	M601
1	993 631 052 02	Headlamp LITRONIC 2.1	/R 97-	1	M601
2	993 631 903 00	Lens	/L	1	
2	993 631 904 00	Lens	/R	1	
3	993 631 907 00	Gasket		2	
4	900 631 125 90	Halogen bulb H 1		4	
4		Halogen bulb H 1		2	M601
(4)	999 631 035 90	Bulb - OSRAM -		2	M601
(4)	999 631 036 90	Bulb - PHILIPS -		2	M601
-	000 043 204 37	Repair kit Ignition control unit Headlamp LITRONIC 2.0 See technical information GR.9 , NR.1/04	96	2	M601
-	000 043 205 98	Wiring harness Headlamp See technical information GR.9 , NR.1/04	96	1	M601
-	993 631 925 00	Ignition control unit Headlamp LITRONIC 2.1	97-	2	M601
6	993 631 911 00	Cap		2	
7	993 631 915 00	Retaining bar		2	
8	993 631 023 00	Mounting piece	/L	1	
(8)	993 631 024 00	Mounting piece	/R	1	
9	993 631 033 00	Mounting piece	/L	1	
(9)	993 631 034 00	Mounting piece	/R	1	
9A	993 631 131 00	Securing clip		2	
10	993 631 063 00	Guide		2	
11	993 631 121 01	Securing clip	/L	1	
(11)	993 631 122 01	Securing clip	/R	1	
12	993 631 183 00	Locking device		2	
13	993 631 180 01	Rubber sleeve		2	
14	993 631 170 03	Stopper		2	
15	900 067 321 02	Combination screw M 6 X 16 Z2		4	
15A		Combination screw		4	

Model: 911 94 Model life 1994>>1998

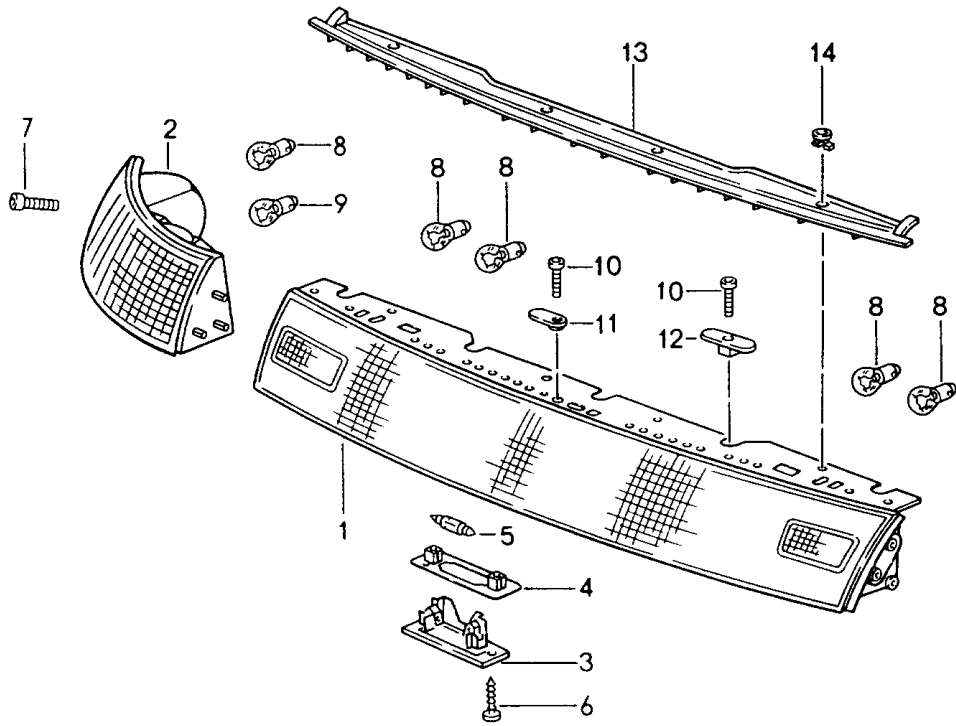
Pos	Part Number	Description	Remark	Qty	Model
16	900 075 374 02	M 6 X 16 Z2 Combination screw		4	
16	900 075 374 01	M 6 X 14 Z2 Combination screw		4	
17	900 377 010 01	M 6 X 14 Z2 Hexagon nut		4	
18	N 011 524 7	M 6 Washer		4	
18	N 011 524 27	A 6,4 Washer		4	
-	000 043 204 78	A 6,4 Hose		*	
19		6,0 X 2,0 750 MM		2	
-	999 651 278 07	Fixing clip for Hose		X	
19A	993 631 141 01	Breather adapter		2	
20	999 652 832 40	Connector housing Headlamp		2	
21	999 650 150 40	Connector housing Wiring harness		2	
-	999 652 871 22	Connector 0,5 - 1,0		X	
-	999 652 744 20	Connector 1,5 - 2,5 for POS.21		X	
22	993 631 093 00	Control unit LITRONIC 2.0	96	2	M601
-	000 043 204 37	Repair kit Ignition control unit Headlamp LITRONIC 2.1 See technical information GR.9 , NR.1/04	96	2	M601
-	999 652 896 40	Connector housing	96	1	M601
-	999 652 744 20	Connector for 999.652.896.40		X	
-	999 704 161 40	Gasket for 999.652.896.40		X	
22	993 631 093 02	Control unit LITRONIC 2.1	97-	2	M601
23	900 075 355 02	Combination screw M 6 X 16 Z1		2	M601
23	900 075 355 01	Hexagon-head bolt M 6 X 16 Z1		2	M601
24	993 631 196 00	Support		2	M601
25	999 190 119 30	Blind rivet A 4,0 X 6,8		4	M601
30	993 631 081 00	Fog headlamp	/L	1	
(30)	993 631 082 00	Fog headlamp	/R	1	
		When required order also: See group 8/02/00 POS. 52,53,54			
31	900 631 126 90	Halogen bulb H 3		2	
32	900 631 103 90	Bulb 12V 4W		2	

Model: 911 94 Model life 1994>>1998

Pos	Part Number	Description	Remark	Qty	Model
33	900 143 151 02	Combination tapping screw 4,2 X 16		2	
-	PCG 631 103 90	Bulb socket for POS. 32		1	
-	813 971 955	Connector housing for POS. 30 Fog headlamp		2	
-	893 972 921 A	Gasket for 813.971.955		2	
-	443 972 614	Locking device for 813.971.955		2	
-	999 652 784 40	Terminal sleeve housing for POS.30 Position light		2	
-	999 652 694 12	Contact bush for 999.652.784.40		4	
-	999 652 723 40	Gasket for 999.652.784.40		4	
(35)	993 631 071 00	Direction indicator light	/L	1	
(35)	993 631 072 00	Direction indicator light	/R	1	
-	993 631 126 00	Bulb socket		2	
36	900 631 128 90	Bulb 12V 21/5W		2	
37	900 143 087 00	Tapping screw 4,8 X 25		2	

Model: 911 94

Model life 1994>>1998

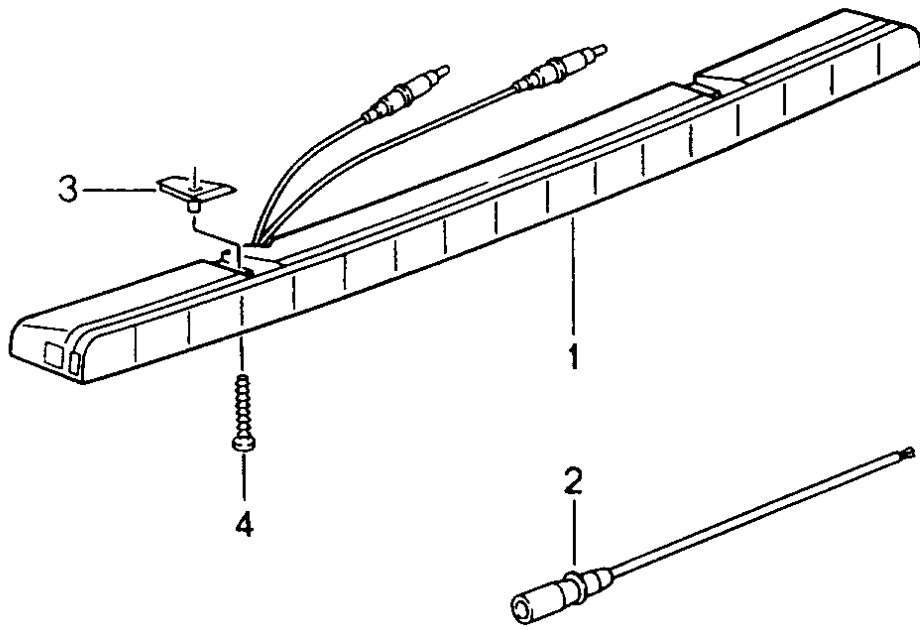


Model: 911 94 Model life 1994>>1998

Pos	Part Number	Description	Remark	Qty	Model
		Combined lights Rear			
1	993 631 140 00	Covering		1	
2	993 631 413 00	Combined lights	/L	1	
(2)	993 631 414 00	Combined lights	/R	1	
3	964 631 620 00	License plate light		2	
	964 631 620 00 01C	Black			
4	993 631 166 00	Desk pad		2	
5	900 631 105 90	Bulb 12V 5W		2	
6	900 143 085 07	Tapping screw 4,2 X 16		4	
7	900 143 153 07	Tapping screw 4,2 X 32		2	
-	999 507 018 02	Speed nut 4,2 for POS. 7		2	
-	999 507 018 01	Speed nut 4,2 for POS. 7		2	
8	900 631 127 90	Bulb 12V 21W		4	
-	999 631 032 90	Bulb Side marker light 12V 5W		2	
9	900 631 128 90	Bulb 12V 21/5W		2	
10	900 119 114 07	Pan-head screw		3	
11	993 631 127 00	Support		1	
12	993 631 128 00	Support		2	
13	993 559 621 00	Cover		1	
	993 559 621 00 01C	Black			
14	999 590 036 40	Cap nut		4	
	999 590 036 40 01C	Black			

Model: 911 94

Model life 1994>>1998



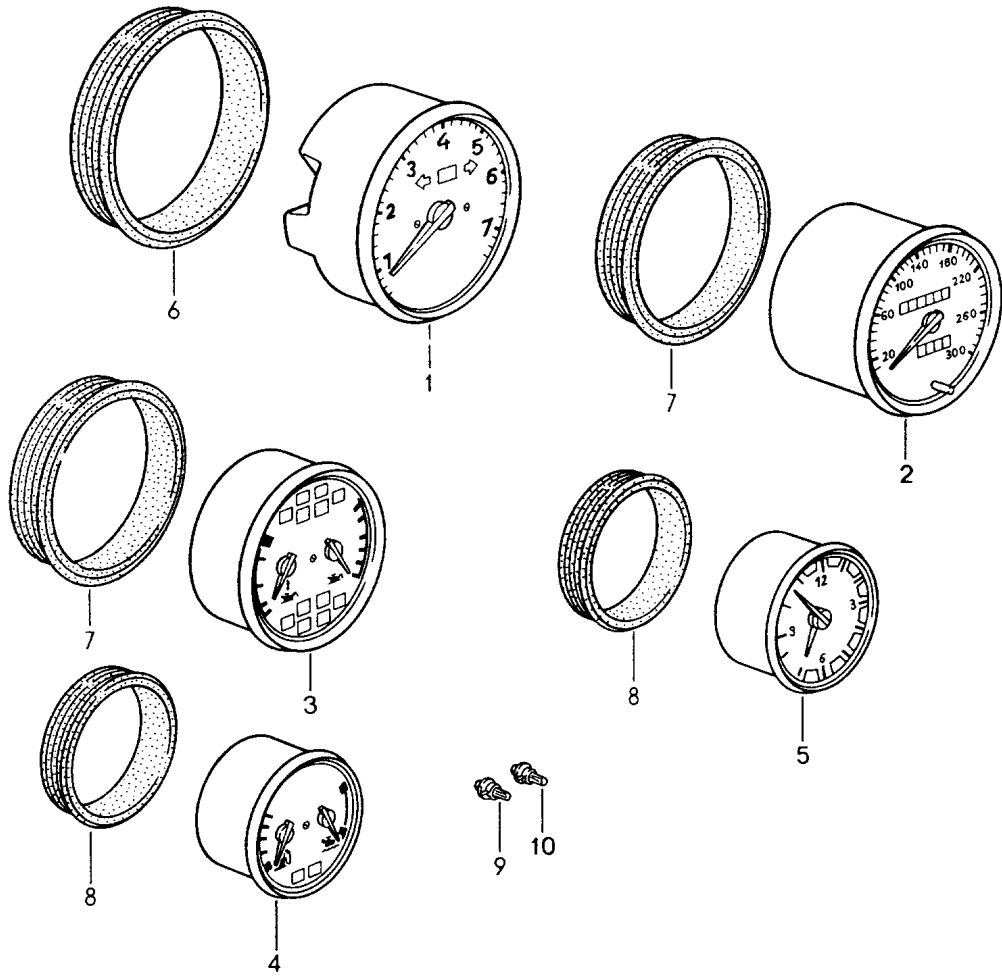
Model: 911 94

Model life 1994>>1998

Pos	Part Number	Description	Remark	Qty	Model
		Additional brake light See technical information GR.9, NR. 2/96			M602
1	993 631 060 00	Additional brake light		1	COUPE/CABRIO
-	999 631 135 90	Bulb 12V 1,4W		24	
2	993 612 091 00	Single line Brown		1	COUPE
(2)	993 612 091 01	Single line Black		1	COUPE
3	993 631 160 00	Fastening part		2	
4	999 919 117 09	Oval-head sheetmetal screw 3,5 X 20		2	

Model: 911 94

Model life 1994>>1998



Model: 911 94 Model life 1994>>1998

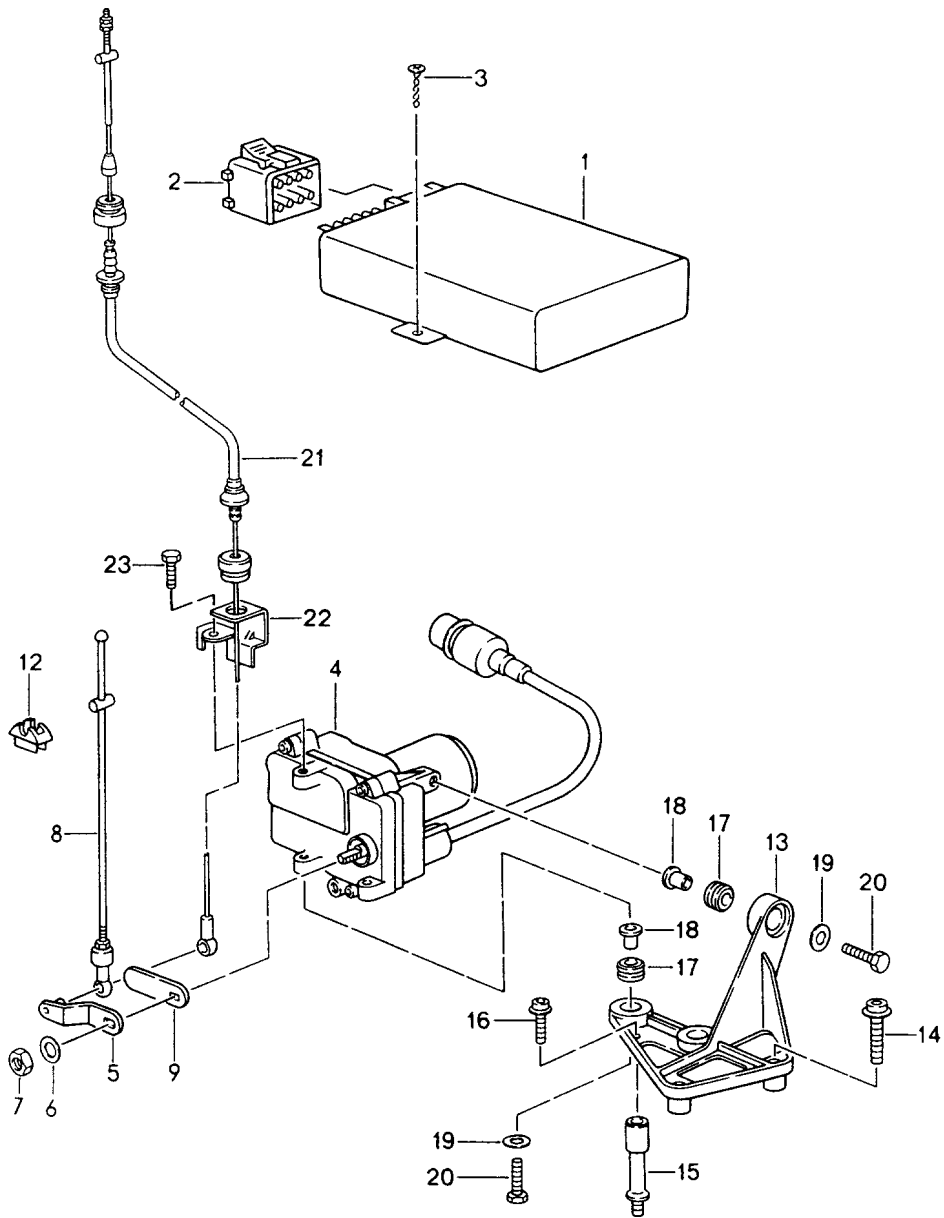
Pos	Part Number	Description	Remark	Qty	Model
		Instruments See technical information GR.9, NR. 2/95 Tech. information memo GR.9, NR. 5/98			
1	964 641 301 00	Tachometer		1	M480
1	964 641 301 X	Tachometer		1	M480
1	964 641 981 69	Tachometer 6-GANG Manual transmission Dial Aluminium Inner ring Chrome Matte		1	(USA/CDN)
1	993 641 302 00	Tachometer		1	M480/495
	993 641 302 00 61W	Steel grey			
1	993 641 312 01	Tachometer	(USA)	1	M659
1	993 641 312 AX	Tachometer	(USA)	1	M659
1	993 641 332 01	Tachometer	(USA)	1	M495 M659
	993 641 332 01 61W	Steel grey			
1	993 641 332 AX	Tachometer	(USA)	1	M495 M659
	993 641 332 AX 61W	Steel grey			
1	993 641 311 00	Tachometer	(CDN)	1	M659
1	993 641 311 01	Tachometer	(CDN)	1	M659
1	993 641 311 AX	Tachometer	(CDN)	1	M659
1	993 641 331 00	Tachometer	(CDN)	1	M495 M659
	993 641 331 00 61W	Steel grey			
1	993 641 981 71	Tachometer On-board computer 75 LITER Dial Aluminium Inner ring Chrome Matte	(USA)	1	TURBO
1	993 641 322 01	Tachometer	(USA)	1	TURBO
1	993 641 322 AX	Tachometer	(USA)	1	TURBO
1	993 641 321 01	Tachometer	(CDN)	1	TURBO
1	993 641 321 AX	Tachometer	(CDN)	1	TURBO
2	964 641 516 00	Speedometer	(CDN)	1	M480
2	964 641 516 X	Speedometer	(CDN)	1	M480
2	993 641 541 00	Speedometer	(CDN)	1	M480 M495
	993 641 541 00 61W	Steel grey			
2	993 641 517 00	Speedometer	(USA)	1	M480
2	993 641 517 X	Speedometer	(USA)	1	M480
2	993 641 542 00	Speedometer	(USA)	1	M480 M495
	993 641 542 00 61W	Steel grey			
2	964 641 526 00	Speedometer	(CDN)	1	M249 M659
2	964 641 526 X	Speedometer	(CDN)	1	M249 M659
2	993 641 561 00	Speedometer	(CDN)	1	M249
	993 641 561 00 61W	Steel grey			
2	993 641 527 00	Speedometer	(USA)	1	M249 M659
2	993 641 562 00	Speedometer	(USA)	1	M249 M495/659

Model: 911 94 Model life 1994>>1998

Pos	Part Number	Description	Remark	Qty	Model
2	993 641 562 00 61W 964 641 536 00	Steel grey Speedometer	(CDN)	1	M480 M659
2	964 641 536 X	Speedometer	(CDN)	1	M480 M659
2	993 641 551 00	Speedometer	(CDN)	1	M480 M495/659
2	993 641 551 00 61W 993 641 537 00	Steel grey Speedometer	(USA)	1	M480 M659
2	993 641 552 00	Speedometer	(USA)	1	M480 M495/659
2	993 641 552 00 61W 993 641 546 00	Steel grey Speedometer	(CDN)	1	TURBO M659
2	993 641 546 X	Speedometer	(CDN)	1	TURBO M659
2	993 641 547 00	Speedometer	(USA)	1	TURBO M659
3	993 641 103 00	Instrument cluster	(CDN)	1	
3	993 641 103 X	Instrument cluster	(CDN)	1	
3	993 641 106 00	Instrument cluster	(CDN)	1	M495
3	993 641 106 00 61W	Steel grey			
3	993 641 106 X	Instrument cluster	(CDN)	1	M495
3	993 641 106 X 61W	Steel grey			
3	993 641 103 02	Instrument cluster	(USA)	1	
3	993 641 103 BX	Instrument cluster	(USA)	1	
3	993 641 106 02	Instrument cluster	(USA)	1	M495
4	993 641 106 02 61W	Steel grey			
4	964 641 202 00	Instrument cluster		1	
4	964 641 202 X	Instrument cluster		1	
4	993 641 203 00	Instrument cluster		1	M495
5	993 641 203 00 61W	Steel grey			
5	993 641 701 00	Clock		1	
5	993 641 703 00	Clock		1	M495
6	993 641 703 00 61W	Steel grey			
6	911 641 903 01	Rubber ring		1	
7	911 641 902 01	Rubber ring		2	
8	911 641 901 01	Rubber ring		2	
9	964 641 920 00	Glass-base bulb 12 V 0,9 W		X	
10	999 631 027 90	Glass-base bulb 12 V 1,5 W		X	

Model: 911 94

Model life 1994>>1998

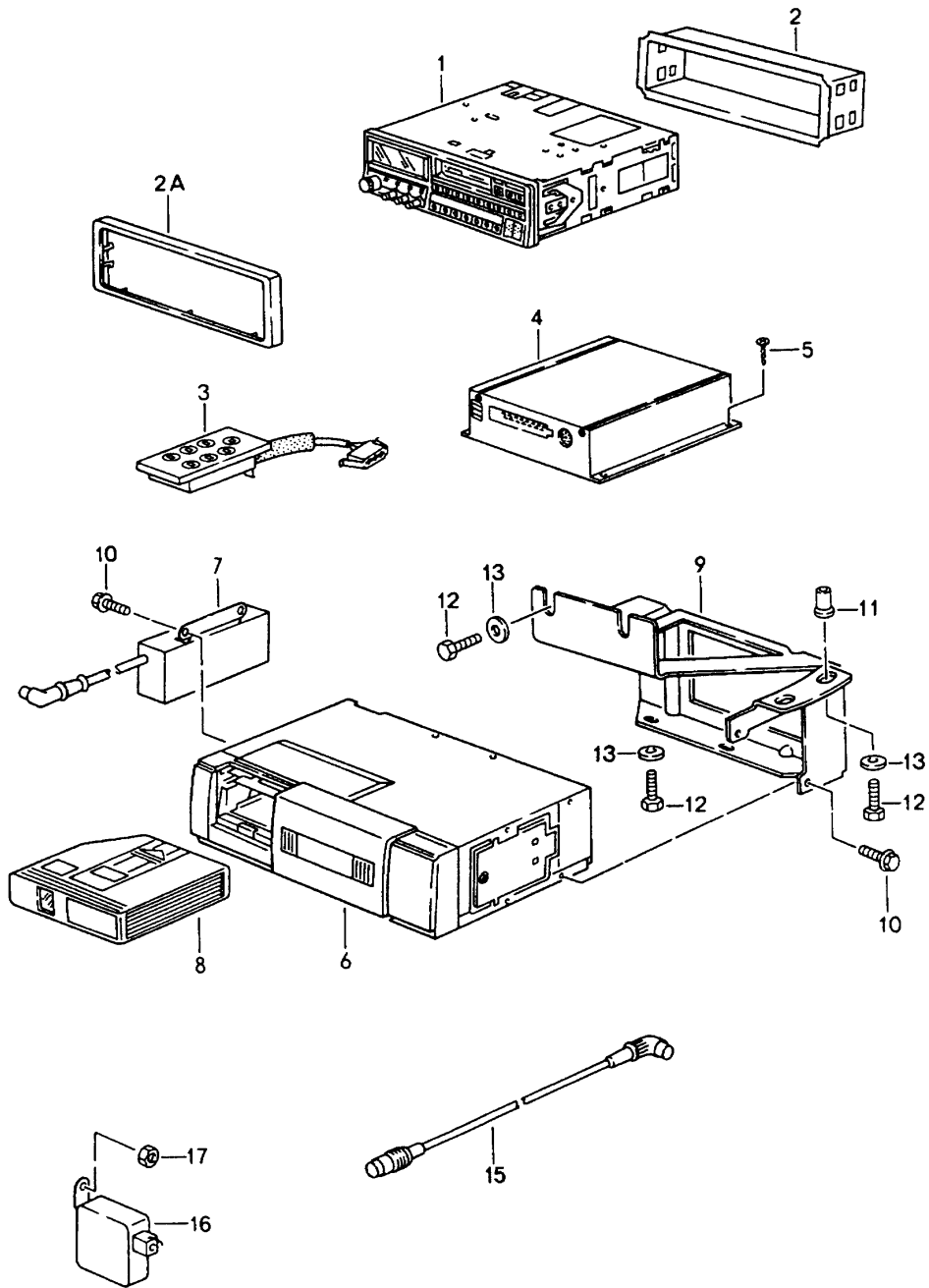


Model: 911 94 Model life 1994>>1998

Pos	Part Number	Description	Remark	Qty	Model
		Cruise control			M454
1	911 617 227 00	Control unit		1	
1	911 617 227 X	Control unit		1	
2	911 617 427 00	Coding plug		1	
3	900 143 031 02	Oval-head sheetmetal screw 4,2 X 9,5		1	
4	944 617 121 00	Drive link		1	
-	944 612 450 00	Fixing clip for Connector housing Connection point Lever		1	
5	993 110 129 00	Lever		1	M64.05/06 07/08/60
5	993 110 129 01	Lever		1	M64.21/22 23/24
6	900 025 007 02	Washer A 8		1	
6	900 025 007 03	Washer A 8		1	
7	N 011 018 4	Hexagon nut M 8 X 1		1	
8	993 110 013 03	Pull rod	-95	1	
8	993 110 013 04	Pull rod	96-	1	
9	993 110 229 02	Tab washer		1	M64.05/06 07/08/60
9	993 110 229 03	Tab washer		1	M64.21/22 23/24
12	964 423 435 00	Clip		1	
13	993 110 198 01	Bracket		1	M64.05/06 07/08/60
13	993 110 498 01	Bracket		1	M64.21/22 23/24
14	900 067 247 02	Combination screw M 8 X 30		2	
14	900 067 247 01	Combination screw M 8 X 30		2	
15	993 110 319 02	Threaded bolt		1	
16	900 067 207 02	Combination screw M 6 X 20		1	
17	993 110 311 01	Guide bush		3	
18	999 702 200 50	Rubber mounting		3	
19	900 151 003 02	Washer B 6,4		3	
19	900 151 006 03	Washer B 6,4		3	
20	900 075 016 02	Hexagon-head bolt M 6 X 22		3	
20	900 075 016 03	Hexagon-head bolt M 6 X 22		3	
21	993 110 025 52	Accelerator cable		1	TURBO
21	993 110 025 53	Accelerator cable		1	TURBO
22	993 110 220 50	Support		1	TURBO
23	999 072 005 09	Hexagon nut M 6 X 12		1	TURBO
23	999 072 005 01	Hexagon nut M 6 X 12		1	TURBO

Model: 911 94

Model life 1994>>1998

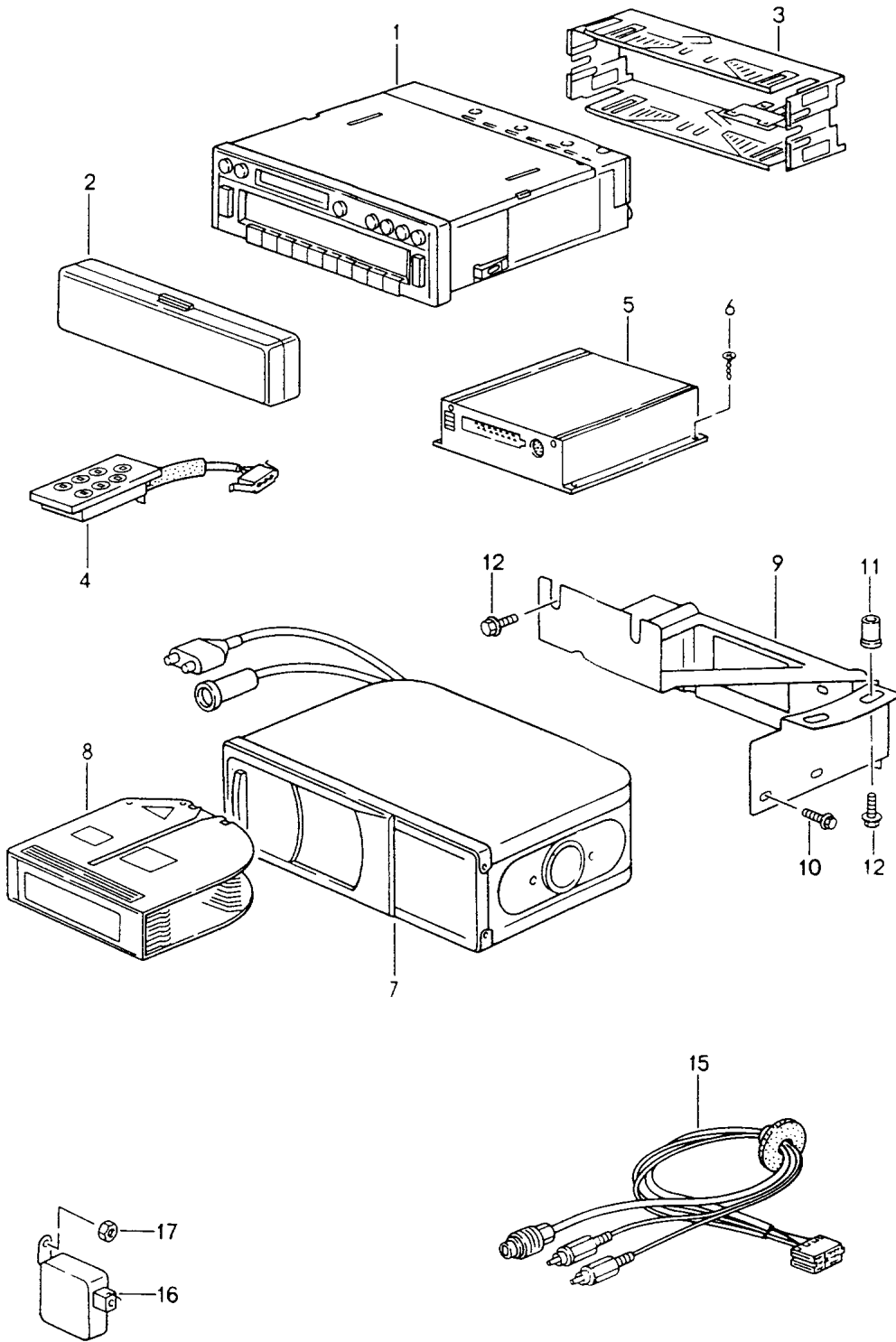


Model: 911 94 Model life 1994>>1998

Pos	Part Number	Description	Remark	Qty	Model
		Radio Booster F >>99TS3 75544	-95		TURBO
(1)	993 645 104 00	Radio CR-1	-95	1	
(1)	993 645 102 00	Radio 7807	95	1	
(2)	928 645 072 01	Retaining frame for CR-1	-95	1	
2A	928 645 071 00	Frame	-95	1	
	928 645 071 00 01C	Black for CR-1			
3	993 645 201 00	Control part		1	M680
3	993 645 201 X	Control part		1	M680
4	993 645 301 00	Booster		1	COUPE M490
4	993 645 303 00	Booster		1	CABRIO M490
(4)	993 645 302 00	Booster		1	COUPE M680
(4)	993 645 304 00	Booster		1	CABRIO M680
5	900 143 031 02	Oval-head sheetmetal screw 4,2 X 9,5		4	
6	964 645 111 00	CD changer CDC-2	-95	1	M692
8	964 645 113 00	Magazine for CD changer CDC-1/CDC-2	-95	1	
9	964 645 221 00	Support	-95	1	
10	999 075 067 09	Combination screw M 4 X 8Z1		X	
11	999 500 044 02	Nut		4	
12	900 075 057 02	Hexagon-head bolt M 6X16		4	
12	900 075 057 03	Hexagon-head bolt M 6X16		4	
13	900 151 006 09	Washer B 6,4		4	
15	993 645 409 00	Connecting cable Radio Booster	/LL -95	1	M490
15	964 645 450 00	Connecting cable CD changer	/LL -95	1	M692
16	964 645 173 00	Antenna booster		1	
16	964 645 173 01	Antenna booster		1	
17	900 377 010 01	Hexagon nut M 6		1	

Model: 911 94

Model life 1994>>1998



Model: 911 94 Model life 1994>>1998

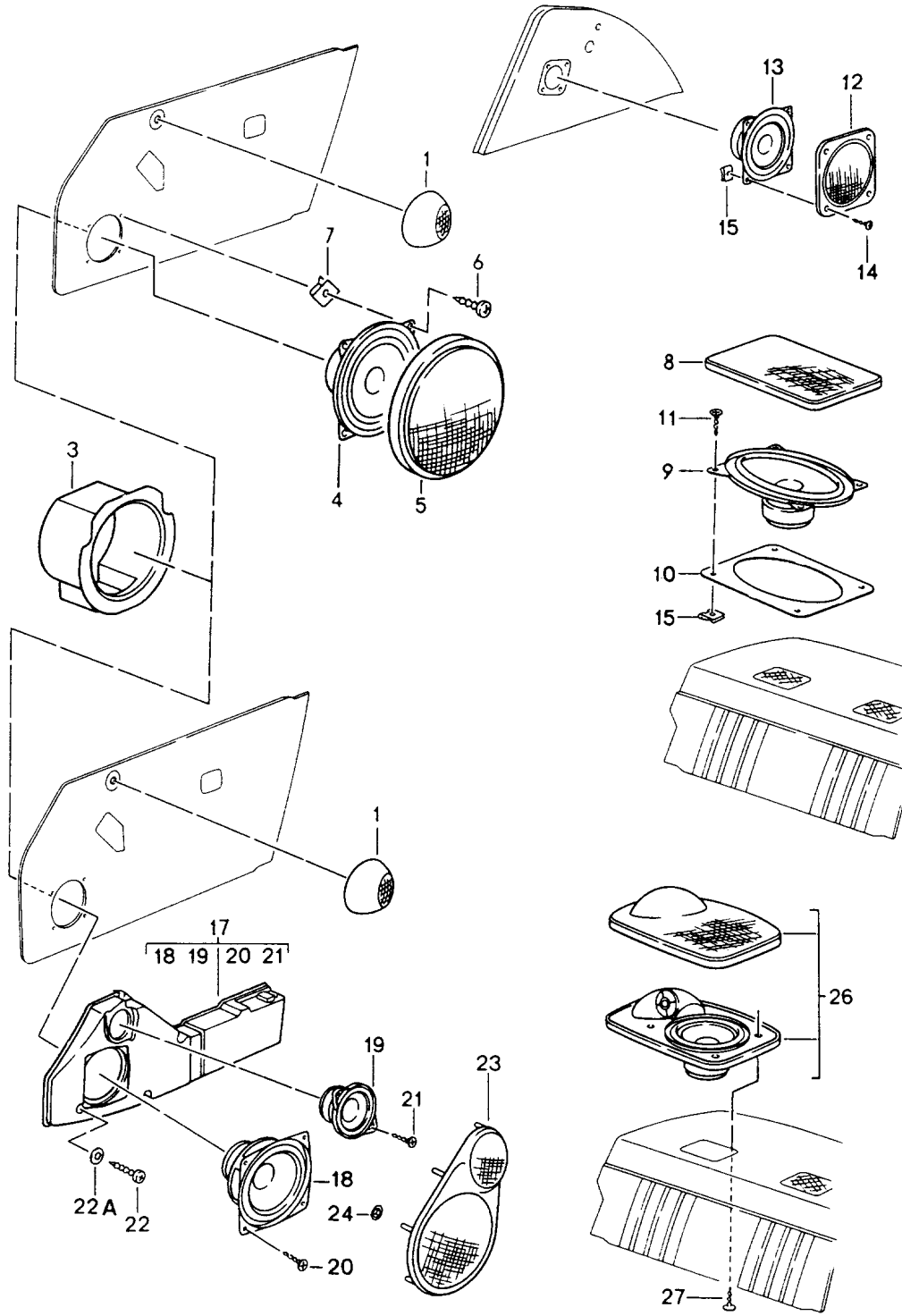
Pos	Part Number	Description	Remark	Qty	Model
		Radio Booster F 99TS3 75545>> See technical information GR.9, NR.1/97 See technical information GR.9 , NR.6/01	96-		TURBO
1	993 645 117 00	Radio CR - 210	96	1	M329
1	993 645 117 01	Radio CR - 210	97-	1	M329
1	993 645 120 00	Radio CDR - 210	96	1	M688
1	993 645 120 01	Radio CDR - 210 Plug socket for POS. 1	97-	1	M688
-	357 035 447	Connector housing 8-pole Black		1	
-	N 903 353 04	Flat plug 2,5		X	
-	N 903 352 04	Connector 1,0		X	
-	357 035 447 A	Connector housing 8-pole Brown		X	
-	N 903 353 04	Flat plug 2,5		X	
2	993 645 190 00	Case for Control part Radio		1	
3	993 645 173 00	Retaining frame		1	
4	993 645 201 00	Control part F >>99TS3 22942 F >>99TS3 41853 F >>99TS3 85439 F >>99TS3 76151		1	M680 COUPE CABRIO TARGA TURBO
4	993 645 201 X	Control part F >>99TS3 22942 F >>99TS3 41853 F >>99TS3 85439 F >>99TS3 76151		1	M680 COUPE CABRIO TARGA TURBO
4	993 645 201 01	Control part F 99TS3 22943>> F 99TS3 41854>> F 99TS3 85440>> F 99TS3 76152>>		1	M680 COUPE CABRIO TARGA TURBO
5	993 645 301 02	Booster	96-	1	COUPE M490
5	993 645 303 02	Booster	96-	1	CABRIO/TARGA M490
(5)	993 645 302 00	Booster F >>99TS3 22942 F >>99TS3 76151		1	COUPE M680 COUPE TURBO
(5)	993 645 302 01	Booster F 99TS3 22943>> F 99TS3 76152>>		1	COUPE M680 COUPE TURBO
(5)	993 645 304 00	Booster		1	CABRIO/TARGA

Model: 911 94 Model life 1994>>1998

Pos	Part Number	Description	Remark	Qty	Model
(5)	993 645 304 01	F >>99TS3 41853 F >>99TS3 85439 Booster		1	M680 CABRIO TARGA CABRIO/TARGA M680 CABRIO TARGA
6	900 143 031 02	F 99TS3 41854>> F 99TS3 85440>> Oval-head sheetmetal screw 4,2 X 9,5		4	
7	993 645 130 00	CD changer CDC - 3		1	M692
8	993 645 113 00	Magazine for CD changer		1	
9	993 645 221 00	Support		1	
10	999 075 067 09	Combination screw M 4 X 8Z1		6	
11	999 500 044 02	Nut		4	
12	900 075 413 09	Combination screw M 6 X 16Z2		4	
(15)	993 645 413 00	Connecting cable Radio Booster	/LL	1	M490
15	993 645 453 00	Connecting cable CD changer	/LL	1	M692
16	964 645 173 00	Antenna booster		1	
16	964 645 173 01	Antenna booster		1	
17	900 377 010 01	Hexagon nut M 6		1	

Model: 911 94

Model life 1994>>1998



Model: 911 94 Model life 1994>>1998

Pos	Part Number	Description	Remark	Qty	Model
1	993 645 502 00	Loudspeaker Tweeter		2	
	993 645 502 00 01C	Satin black			
1	993 645 502 01	Tweeter		2	
	993 645 502 01 01C	Satin black			
2	964 555 377 00	Base		2	
3	911 555 217 00	Housing		2	
3	993 555 217 00	Housing		2	
		When required order also:			
-	000 043 101 00	Sealing cord		1	
4	993 645 506 00	Woofers		2	
5	911 555 451 00	Loudspeaker grille		2	
	911 555 451 00 01C	Satin black			
5	911 555 451 01	Loudspeaker grille	88-	2	
	911 555 451 01 01C	Black			
		Woofers			
6	900 143 151 02	Combination tapping screw 4,2 X 16		8	
7	999 591 331 02	Speed nut B 4,2		8	
7	999 591 925 02	Speed nut B 4,2		8	
8	944 555 149 00	Loudspeaker grille		2	COUPE/TARGA
	944 555 149 00 01C	Satin black			
8	944 555 149 01	Loudspeaker grille	87-	2	
		Satin black			
9	993 645 505 00	Loudspeaker		2	COUPE/TARGA
10	993 555 769 00	Frame		2	COUPE/TARGA
11	900 143 037 02	Tapping screw 3,9 X 22		8	COUPE/TARGA
12	928 645 423 00	Loudspeaker grille		2	CABRIO
13	964 645 504 00	Loudspeaker		2	CABRIO
14	900 143 132 07	Tapping screw 3,9 X 16		8	CABRIO
15	999 507 071 00	Speed nut B 3,9		8	
(17)	993 645 011 00	Loudspeaker	/L	1	M490
17	993 645 012 00	Loudspeaker	/R	1	M490
18	993 645 501 00	Woofers		2	M490
19	993 645 503 00	Mid-range loudspeaker		2	M490
20	999 919 050 02	Oval-head screw 4,0 X 12		8	M490
21		Oval-head screw 4,0 X 12		4	M490
22	900 143 177 02	Combination tapping screw B 4,2 X 13		8	M490
22	999 919 122 02	Oval-head sheetmetal screw B 4,5 X 35		8	M490
22A	900 151 006 09	Washer B 6,4		8	M490
23	993 555 777 00	Loudspeaker grille		2	M490
	993 555 777 00 01C	Satin black			
24	999 591 946 02	Clamping washer		12	M490
24	999 591 946 03	Clamping washer		12	M490
(25)	993 645 573 00	Loudspeaker grille	/L	1	COUPE M490
	993 645 573 00 03C	Rally black			
25	993 645 574 00	Loudspeaker grille	/R	1	COUPE M490
	993 645 574 00 03C	Rally black			
(26)	993 645 013 01	Loudspeaker	/L	1	COUPE M490
	993 645 013 01 01C	Satin black			

Model: 911 94 Model life 1994>>1998

Pos	Part Number	Description	Remark	Qty	Model
26	993 645 014 01	Loudspeaker	/R	1	COUPE M490
	993 645 014 01 01C	Satin black			
27	900 143 178 07	Oval-head sheetmetal screw		8	COUPE M490
		B 3,9 X 22			
27	999 919 086 02	Oval-head screw		8	
		4,0 X 14			
27	999 919 086 03	Oval-head screw		8	
		4,0 X 14			
28	999 507 071 00	Speed nut		8	COUPE M490
		B 3,9			