

**Model: 911 84****Model life 1984>>1986**

## ORDER-INFO

THIS PARTS CATALOGUE CONTAINS ALL ORDER INFORMATION OF  
TYPE 911 FROM MODEL YEAR 1984 TO MODEL YEAR 1986

IT IS AVAILABLE IN TWO EDITIONS IN THE FOLLOWING LANGUAGES:

EDITION

USA, CANADA

- \*

EDITION

ALL OTHER COUNTRIES

- GERMAN

\* - ENGLISH

- FRENCH

- ITALIAN

- SPANISH

UPDATING IS BEING PERFORMED BY CHANGING OF UPDATE.

THE EDITION CAN BE RECOGNIZED BY THE CURRENT NO.  
YEAR IN THE BOTTOM LINE OF SUBJECT UPDATE.

THE PREVIOUS UPDATE SHOULD NO LONGER BE USED.

ALL ILLUSTRATIONS ARE SUBJECT TO CHANGE WITHOUT OBLIGATION.

**Model: 911 84****Model life 1984>>1986**

ALL ILLUSTRATIONS ARE SUBJECT TO  
CHANGE WITHOUT OBLIGATION.

Model: 911 84

Model life 1984>>1986

EXPLANAT.- VIN

EXPLANATION OF THE ABRIDGED VERSION OF THE VEHICLE IDENT. NUMBERS (VIN)  
 =====  
 USED IN THE CATALOGUE  
 =====

|        |  |   |   |   |   |   |   |   |   |   |    |    |    |    |    |    |    |    |
|--------|--|---|---|---|---|---|---|---|---|---|----|----|----|----|----|----|----|----|
| DIGIT: |  | 1 | 2 | 3 | 4 | 5 | 6 | 7 | 8 | 9 | 10 | 11 | 12 | 13 | 14 | 15 | 16 | 17 |
|--------|--|---|---|---|---|---|---|---|---|---|----|----|----|----|----|----|----|----|

|          |  |   |   |   |   |   |   |   |   |   |   |   |   |   |   |   |   |   |
|----------|--|---|---|---|---|---|---|---|---|---|---|---|---|---|---|---|---|---|
| EXAMPLE: |  | W | P | O | Z | Z | Z | 9 | 1 | Z | G | S | 1 | 0 | 0 | 1 | 2 | 5 |
|----------|--|---|---|---|---|---|---|---|---|---|---|---|---|---|---|---|---|---|

|  |  |  |  |  |     |  |  |   |  |   |  |   |  |       |  |  |  |  |
|--|--|--|--|--|-----|--|--|---|--|---|--|---|--|-------|--|--|--|--|
|  |  |  |  |  | === |  |  | = |  | = |  | = |  | ===== |  |  |  |  |
|--|--|--|--|--|-----|--|--|---|--|---|--|---|--|-------|--|--|--|--|

|  |  |  |  |  |   |  |  |   |  |   |  |   |  |  |  |  |   |  |
|--|--|--|--|--|---|--|--|---|--|---|--|---|--|--|--|--|---|--|
|  |  |  |  |  | ! |  |  | ! |  | ! |  | ! |  |  |  |  | ! |  |
|--|--|--|--|--|---|--|--|---|--|---|--|---|--|--|--|--|---|--|

|                                  |  |  |  |  |  |  |  |   |  |   |  |   |  |  |  |  |   |  |
|----------------------------------|--|--|--|--|--|--|--|---|--|---|--|---|--|--|--|--|---|--|
| VEHICLE TYPE 1ST+2ND DIGIT-----+ |  |  |  |  |  |  |  | ! |  | ! |  | ! |  |  |  |  | ! |  |
|----------------------------------|--|--|--|--|--|--|--|---|--|---|--|---|--|--|--|--|---|--|

|  |  |  |  |  |  |  |  |   |  |   |  |   |  |  |  |  |   |  |
|--|--|--|--|--|--|--|--|---|--|---|--|---|--|--|--|--|---|--|
|  |  |  |  |  |  |  |  | ! |  | ! |  | ! |  |  |  |  | ! |  |
|--|--|--|--|--|--|--|--|---|--|---|--|---|--|--|--|--|---|--|

|                  |  |  |  |  |  |  |  |  |  |   |  |   |  |  |  |  |   |  |
|------------------|--|--|--|--|--|--|--|--|--|---|--|---|--|--|--|--|---|--|
| MODEL YEAR-----+ |  |  |  |  |  |  |  |  |  | ! |  | ! |  |  |  |  | ! |  |
|------------------|--|--|--|--|--|--|--|--|--|---|--|---|--|--|--|--|---|--|

|  |  |  |  |  |  |  |  |  |  |   |  |   |  |  |  |  |   |  |
|--|--|--|--|--|--|--|--|--|--|---|--|---|--|--|--|--|---|--|
|  |  |  |  |  |  |  |  |  |  | ! |  | ! |  |  |  |  | ! |  |
|--|--|--|--|--|--|--|--|--|--|---|--|---|--|--|--|--|---|--|

|                              |  |  |  |  |  |  |  |  |  |  |  |   |  |  |  |  |   |  |
|------------------------------|--|--|--|--|--|--|--|--|--|--|--|---|--|--|--|--|---|--|
| MANUFACTURING LOCATION-----+ |  |  |  |  |  |  |  |  |  |  |  | ! |  |  |  |  | ! |  |
|------------------------------|--|--|--|--|--|--|--|--|--|--|--|---|--|--|--|--|---|--|

|  |  |  |  |  |  |  |  |  |  |  |  |   |  |  |  |  |   |  |
|--|--|--|--|--|--|--|--|--|--|--|--|---|--|--|--|--|---|--|
|  |  |  |  |  |  |  |  |  |  |  |  | ! |  |  |  |  | ! |  |
|--|--|--|--|--|--|--|--|--|--|--|--|---|--|--|--|--|---|--|

|                              |  |  |  |  |  |  |  |  |  |  |  |  |  |  |  |  |   |  |
|------------------------------|--|--|--|--|--|--|--|--|--|--|--|--|--|--|--|--|---|--|
| VEHICLE TYPE 3RD DIGIT-----+ |  |  |  |  |  |  |  |  |  |  |  |  |  |  |  |  | ! |  |
|------------------------------|--|--|--|--|--|--|--|--|--|--|--|--|--|--|--|--|---|--|

|  |  |  |  |  |  |  |  |  |  |  |  |  |  |  |  |  |   |  |
|--|--|--|--|--|--|--|--|--|--|--|--|--|--|--|--|--|---|--|
|  |  |  |  |  |  |  |  |  |  |  |  |  |  |  |  |  | ! |  |
|--|--|--|--|--|--|--|--|--|--|--|--|--|--|--|--|--|---|--|

|                     |  |  |  |  |  |  |  |  |  |  |  |  |  |  |  |  |   |  |
|---------------------|--|--|--|--|--|--|--|--|--|--|--|--|--|--|--|--|---|--|
| SERIAL NUMBER-----+ |  |  |  |  |  |  |  |  |  |  |  |  |  |  |  |  | ! |  |
|---------------------|--|--|--|--|--|--|--|--|--|--|--|--|--|--|--|--|---|--|

Model: 911 84

Model life 1984&gt;&gt;1986

## SUMMARY TYPES

| VEHICLE TYPE                               | MY   | VEHICLE IDENT.NR. | ENGINE | TYPE   |
|--|------|-------------------|--------|--------|
| 911 CARRERA COUPE/TURBO-LOOK               | 84 E | 91ES1 00001>05000 | 930.20 | 170 KW |
| 911 CARRERA TARGA                          | 84 E | 91ES1 40001>45000 | 930.20 | 170 KW |
| 911 CARRERA CABRIO                         | 84 E | 91ES1 50001>55000 | 930.20 | 170 KW |
| 911 CARRERA COUPE/TURBO-LOOK<br>(J)        | 84 E | 91ES1 09501>09999 | 930.21 | 152 KW |
| 911 CARRERA TARGA (J)                      | 84 E | 91ES1 49501>49999 | 930.21 | 152 KW |
| 911 CARRERA CABRIO (J)                     | 84 E | 91ES1 59501>59999 | 930.21 | 152 KW |
| 911 CARRERA COUPE/TURBO-LOOK<br>(USA)(CDN) | 84 E | 91ES1 20001>25000 | 930.21 | 152 KW |
| 911 CARRERA TARGA (USA)(CDN)               | 84 E | 91ES1 60001>65000 | 930.21 | 152 KW |
| 911 CARRERA CABRIO (USA)(CDN)              | 84 E | 91ES1 70001>75000 | 930.21 | 152 KW |
| 911 TURBO COUPE                            | 84 E | 93ES0 00001>01000 | 930.66 | 221 KW |
| 911 TURBO COUPE (CDN)                      | 84 E | 93ES0 50001>52000 | 930.66 | 221 KW |
| 911 CARRERA COUPE                          | 85 F | 91FS1 00001>05000 | 930.20 | 170 KW |
| 911 CARRERA TARGA                          | 85 F | 91FS1 40001>45000 | 930.20 | 170 KW |
| 911 CARRERA CABRIO                         | 85 F | 91FS1 50001>55000 | 930.20 | 170 KW |
| 911 CARRERA COUPE M298                     | 85 F | 91FS1 00001>05000 | 930.21 | 152 KW |
| 911 CARRERA TARGA M298                     | 85 F | 91FS1 40001>45000 | 930.21 | 152 KW |
| 911 CARRERA CABRIO M298                    | 85 F | 91FS1 50001>55000 | 930.21 | 152 KW |
| 911 CARRERA COUPE (AUS)(S)(CH)             | 85 F | 91FS1 00001>05000 | 930.26 | 170 KW |
| 911 CARRERA TARGA (AUS)(S)(CH)             | 85 F | 91FS1 40001>45000 | 930.26 | 170 KW |
| 911 CARRERA CABRIO (AUS)(S)<br>(CH)        | 85 F | 91FS1 50001>55000 | 930.26 | 170 KW |
| 911 CARRERA COUPE (J)                      | 85 F | 91FS1 09501>09999 | 930.21 | 152 KW |
| 911 CARRERA TARGA (J)                      | 85 F | 91FS1 49501>49999 | 930.21 | 152 KW |
| 911 CARRERA CABRIO (J)                     | 85 F | 91FS1 59501>59999 | 930.21 | 152 KW |
| 911 CARRERA COUPE (USA)(CDN)               | 85 F | 91FS1 20001>25000 | 930.21 | 152 KW |
| 911 CARRERA TARGA (USA)(CDN)               | 85 F | 91FS1 60001>65000 | 930.21 | 152 KW |
| 911 CARRERA CABRIO (USA)(CDN)              | 85 F | 91FS1 70001>75000 | 930.21 | 152 KW |
| 911 TURBO COUPE                            | 85 F | 93FS0 00001>02000 | 930.66 | 221 KW |
| 911 TURBO COUPE (CDN)                      | 85 F | 93FS0 50001>52000 | 930.66 | 221 KW |
| 911 CARRERA COUPE                          | 86 G | 91GS1 00001>05000 | 930.20 | 170 KW |
| 911 CARRERA TARGA                          | 86 G | 91GS1 40001>45000 | 930.20 | 170 KW |
| 911 CARRERA CABRIO                         | 86 G | 91GS1 50001>55000 | 930.20 | 170 KW |
| 911 CARRERA COUPE M298                     | 86 G | 91GS1 00001>05000 | 930.21 | 152 KW |
| 911 CARRERA TARGA M298                     | 86 G | 91GS1 40001>45000 | 930.21 | 152 KW |
| 911 CARRERA CABRIO M298                    | 86 G | 91GS1 50001>55000 | 930.21 | 152 KW |
| 911 CARRERA COUPE (S)(CH)                  | 86 G | 91GS1 00001>05000 | 930.26 | 170 KW |
| 911 CARRERA TARGA (S)(CH)                  | 86 G | 91GS1 40001>45000 | 930.26 | 170 KW |
| 911 CARRERA CABRIO (S)(CH)                 | 86 G | 91GS1 50001>55000 | 930.26 | 170 KW |
| 911 CARRERA COUPE (J)                      | 86 G | 91GS1 09501>09999 | 930.21 | 152 KW |
| 911 CARRERA TARGA (J)                      | 86 G | 91GS1 49501>49999 | 930.21 | 152 KW |
| 911 CARRERA CABRIO (J)                     | 86 G | 91GS1 59501>59999 | 930.21 | 152 KW |
| 911 CARRERA COUPE (USA)(CDN)               | 86 G | 91GS1 20001>25000 | 930.21 | 152 KW |
| 911 CARRERA TARGA (USA)(CDN)               | 86 G | 91GS1 60001>65000 | 930.21 | 152 KW |
| 911 CARRERA CABRIO (USA)(CDN)              | 86 G | 91GS1 70001>75000 | 930.21 | 152 KW |
| 911 TURBO COUPE                            | 86 G | 93GS0 00001>02000 | 930.66 | 221 KW |

**Model: 911 84****Model life 1984>>1986**

|                       |                        |        |        |
|-----------------------|------------------------|--------|--------|
| 911 TURBO COUPE (CDN) | 86 G 93GS0 55001>57000 | 930.66 | 221 KW |
| 911 TURBO COUPE (USA) | 86 G 93GS0 50001>52000 | 930.68 | 209 KW |

Model: 911 84

Model life 1984>>1986

EXPL. ENGINE-NO.

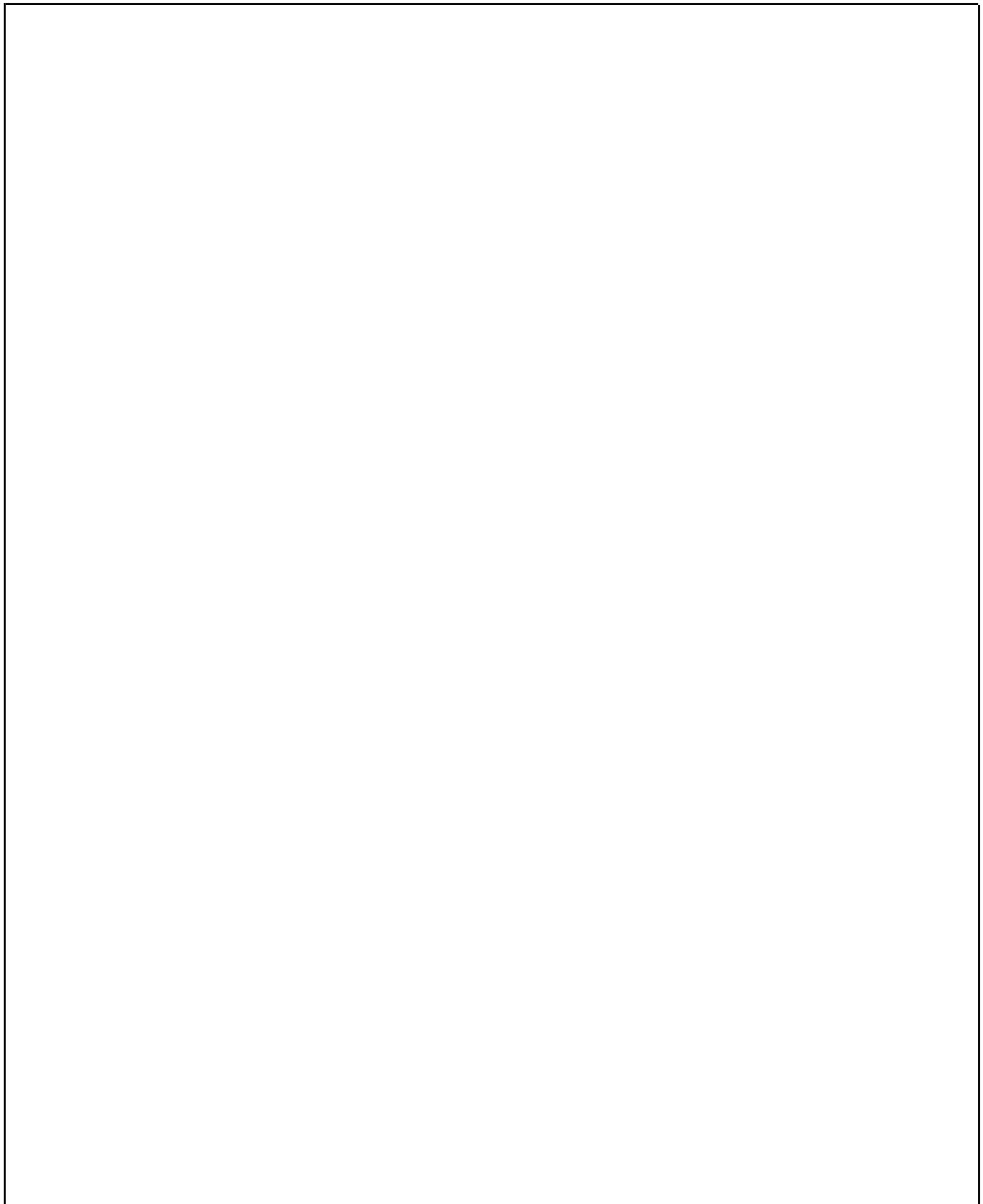
EXPLANATION OF THE MOTOR-NUMBERS USED IN THE CATALOGUE

=====

|                                 |        |   |   |   |  |   |   |   |   |   |
|---------------------------------|--------|---|---|---|--|---|---|---|---|---|
| DIGIT:                          |        | 1 | 2 | 3 |  | 4 | 5 | 6 | 7 | 8 |
| EXAMPLE:                        |        | 6 | 4 | G |  | 0 | 0 | 1 | 3 | 6 |
|                                 |        | = | = | = |  | = | = | = | = | = |
|                                 |        | ! | ! | ! |  | ! |   |   |   |   |
| ENGINE TYPE (6 = 6-CYL.-ENGINE) | -----+ | ! | ! |   |  | ! |   |   |   |   |
|                                 |        | ! | ! |   |  | ! |   |   |   |   |
| ENGINE VERSION                  | -----+ | ! |   |   |  | ! |   |   |   |   |
|                                 |        | ! |   |   |  | ! |   |   |   |   |
| MODEL YEAR                      | -----+ |   |   |   |  | ! |   |   |   |   |
|                                 |        |   |   |   |  | ! |   |   |   |   |
| SERIAL NUMBER                   | -----+ |   |   |   |  |   |   |   |   | ! |

Model: 911 84

Model life 1984>>1986



Model: 911 84

Model life 1984>>1986

SUMMARY ENGINE

| VEHICLE TYPE                           | ENGINE |      | ENGINE NO.      | TECHNICAL DATA    |
|--|--------|------|-----------------|-------------------|
|  | TYPE   | MY   |                 |                   |
| 911 CARRERA                            | 930.20 | 84 E | 63E 00001>10000 | 6ZYL/3,2L/170 KW  |
| 911 CARRERA (USA)(CDN)(J)              | 930.21 | 84 E | 64E 00001>10000 | 6ZYL/3,2L/152 KW  |
| 911 TURBO                              | 930.66 | 84 E | 67E 00001>01000 | 6ZYL/3,3L/221 KW^ |
| 911 CARRERA                            | 930.20 | 85 F | 63F 00001>10000 | 6ZYL/3,2L/170 KW  |
| 911 CARRERA (USA)(CDN)(J)/M298         | 930.21 | 85 F | 64F 00001>10000 | 6ZYL/3,2L/152 KW  |
| 911 CARRERA (AUS)(S)(CH)               | 930.26 | 85 F | 63F 10001>11000 | 6ZYL/3,2L/170 KW  |
| 911 TURBO                              | 930.66 | 85 F | 67F 00001>01000 | 6ZYL/3,3L/221 KW  |
| 911 CARRERA                            | 930.20 | 86 G | 63G 00001>10000 | 6ZYL/3,2L/170 KW  |
| 911 CARRERA(USA)(CDN)(J)(AUS)<br>/M298 | 930.21 | 86 G | 64G 00001>10000 | 6ZYL/3,2L/152 KW  |
| 911 CARRERA (S)(CH)                    | 930.26 | 86 G | 63G 10001>11000 | 6ZYL/3,2L/170 KW  |
| 911 TURBO                              | 930.66 | 86 G | 67G 00001>02000 | 6ZYL/3,3L/221 KW  |
| 911 TURBO (USA)                        | 930.68 | 86 G | 68G 00001>02000 | 6ZYL/3,3L/209 KW  |



Model: 911 84

Model life 1984>>1986

EXPL. TRANSM. NO.

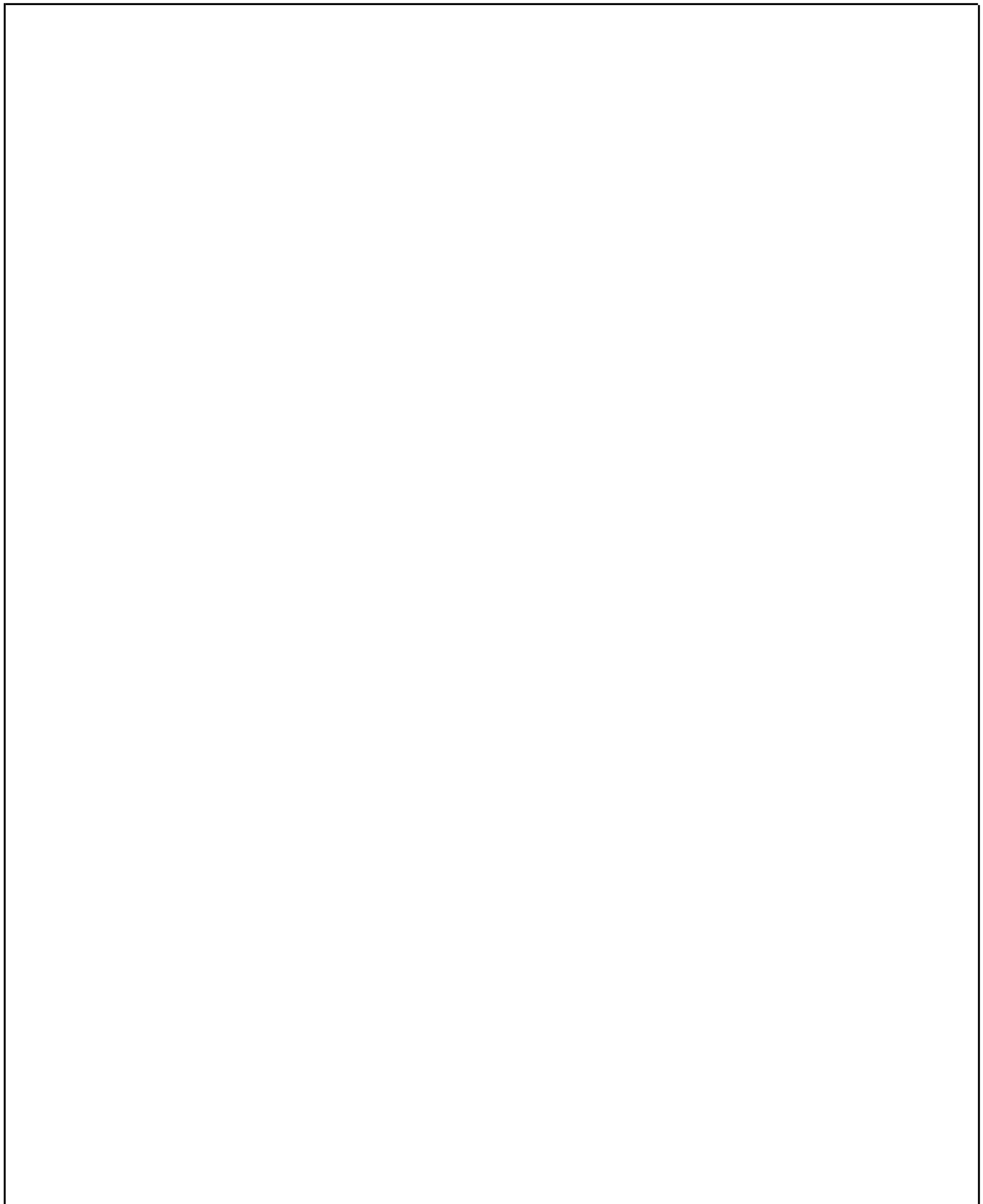
EXPLANATION OF THE TRANSMISSION-NUMBERS USED IN THE CATALOGUE

```

=====
DIGIT::                                1 2 3   4 5 6 7 8
EXAMPLE:                               7 4 G   0 0 1 4 3
                                         = = =   =====
                                         ! ! !   !
TRANSMISSION TYPE-----+ ! !   !
                                         ! !   !
TRANSMISSION VERSION-----+ !   !
                                         !   !
MODEL YEAR-----+   !   !
                                         !
SERIAL NUMBER-----+
    
```

Model: 911 84

Model life 1984>>1986



Model: 911 84

Model life 1984&gt;&gt;1986

## SUMM. TRANSMISS

| VEHICLE TYPE                            | TRANSM. |      |     | TRANSMISSION NO. | TECHNICAL DATA |
|---|---------|------|-----|------------------|----------------|
|   | TYPE    | MY   |     |                  |                |
| 911 CARRERA                             | 915.67  | 84 E | 73E | 00001>10000      | 5-SPEED        |
| 911 CARRERA TURBO-LOOK                  | 915.69  | 84 E | 73E | 10001>11000      | 5-SPEED        |
| 911 CARRERA (USA)(CDN)(J)               | 915.68  | 84 E | 74E | 00001>10000      | 5-SPEED        |
| 911 CARRERA TURBO-LOOK<br>(USA)(CDN)(J) | 915.70  | 84 E | 74E | 10001>11000      | 5-SPEED        |
| 911 TURBO                               | 930.34  | 84 E | 77E | 00001>02000      | 4-SPEED        |
| 911 CARRERA                             | 915.72  | 85 F | 73F | 00001>10000      | 5-SPEED        |
| 911 CARRERA (USA)(CDN)(J)               | 915.68  | 85 F | 74F | 00001>10000      | 5-SPEED        |
| 911 CARRERA (USA)(CDN)(J)<br>/M298      | 915.73  | 85 F | 74F | 00001>10000      | 5-SPEED        |
| 911 TURBO                               | 930.36  | 85 F | 77F | 00001>02000      | 4-SPEED        |
| 911 TURBO (CH)                          | 930.67  | 85 F | 77F | 00001>02000      | 4-SPEED        |
| 911 CARRERA                             | 915.72  | 86 G | 73G | 00001>10000      | 5-SPEED        |
| 911 CARRERA (USA)(CDN)(J)<br>(AUS)/M298 | 915.73  | 86 G | 74G | 00001>10000      | 5-SPEED        |
| 911 TURBO                               | 930.36  | 86 G | 77G | 00001>02000      | 4-SPEED        |
| 911 TURBO (CH)                          | 930.37  | 86 G | 77G | 00001>02000      | 4-SPEED        |

Model: 911 84

Model life 1984>>1986

LEGENDS/NOTICES

LEGENDS AND NOTICES

=====

IN COLUMN -S- STATUS

-----

- N NEW ADDITION
- P PART ALREADY IN PROGRAMME, BUT NEW AT THIS APPLICATION
- W DELETED AT THIS APPLICATION, BUT CONTINUED TO BE CARRIED
- A STOCK TO BE USED UP
- U DELETED WITHOUT REPLACEMENT
- \* PART ALSO OR ONLY AVAILABLE IN REPAIR KIT
- > ALSO AVAILABLE IN EXCHANGE

IN COLUMN - ILL. -

-----

- 1 IDENTIFICATION NO. IN ILLUSTRATION
- (1) PART ONLY SIMILAR AS ILLUSTRATED
- PART IS NOT ILLUSTRATED

FIG.-NUMBERS FOR WHICH THERE IS SHOWN NO TEXT ARE NOT VALID FOR THIS EDITION OF CATALOGUE

IN COLUMN -PART NUMBER/CODE-

-----

000 000 000 00 PART NUMBER EQUALS ORDERING NO., IF A CODE IS SHOWN, IT WILL HAVE TO BE PART OF ORDERING NUMBER

AC3 COLOUR CODE

IN COLUMN -TEXT

-----

INSTALLATION WIRH ENGINE OR CHASSIS NUMBER-RANGE

EXAMPLE:

M 65H 00134 >> FROM ENGINE NO.

**Model: 911 84****Model life 1984>>1986**

F &gt;&gt; 95 HS90 00143 UP TO VIN

Model: 911 84

Model life 1984>>1986

LEGENDS/NOTICES

IN COLUMN - A -  
-----

IDENTIFICATION LETTER FOR PERIOD OF INSTALLATION  
THAT IS REPEATED SEVERAL TIMES IN THE CATALOG GROUP.

EXPLANATION PLEASE FIND IN TEXT COLUMN OF THE CATALOG GROUP

IN COLUMN - QU - = NO. OF PIECES  
-----

1 NUMBER PER APPLICATION

X NUMBER AS NEEDED

\* AVAILABLE ONLY IN RUNNING LENGTHS 1 = 1 METRE

IN COLUMN - MODEL/SYMBOL -  
-----

M650 OPTIONAL EQUIPMENT - SEE M-NO. LIST

-88 LIMITATION OF MODEL YEAR FOR INSTANCE: VALID UP TO  
END OF MODEL YEAR 1988

/LL LHD

/RL RHD

/V FRONT I  
I

/H REAR I

/L LEFT I I----> APPLIES TO  
DIRECTION OF TRAVEL

/R RIGHT I

-----+

AUT. AUTOMATIC

WW THE PART CAN BE USED INSTEAD OF THE  
PRECEDING ONE

Model: 911 84

Model life 1984&gt;&gt;1986

COUNTRY-EQIPM.

## EQUIPMENT BY COUNTRY REGULATIONS

=====

|       |                             |
|-------|-----------------------------|
| (A)   | AUSTRIA                     |
| (AG)  | THE GULF STATES             |
| (AUS) | AUSTRALIA                   |
| (B)   | BELGIUM                     |
| (CDN) | CANADA                      |
| (CH)  | SWITZERLAND                 |
| (D)   | FEDERAL REPUBLIC OF GERMANY |
| (DK)  | DENMARK                     |
| (E)   | SPAIN                       |
| (F)   | FRANCE                      |
| (GB)  | GREAT BRITAIN               |
| (GR)  | GREECE                      |
| (HK)  | HONGKONG                    |
| (I)   | ITALY                       |
| (J)   | JAPAN                       |
| (L)   | LUXEMBURG                   |
| (N)   | NORWAY                      |
| (NL)  | NETHERLANDS                 |
| (NS)  | NEW ZEALAND                 |
| (P)   | PORTUGAL                    |
| (RC)  | TAIWAN                      |
| (S)   | SWEDEN                      |
| (SA)  | SAUDI ARABIA                |
| (SF)  | FINLAND                     |
| (USA) | UNITED STATES OF AMERICA    |

Model: 911 84

Model life 1984&gt;&gt;1986

| NR   | Description  |
|------|--|
| M000 | +-----+<br>! Summary of optional extras "M"!<br>+-----+  |
| M018 | Sports steering wheel<br>with elevated hub 30 mm   |
| M020 | Speedometer with two scales mph-km/h   |
| M026 | With activated charcoal canister   |
| M027 | Version for California   |
| M058 | Impact absorbers, front and rear   |
| M062 | Version for Sweden   |
| M070 | Tarpaulin  |
| M113 | Version for Canada   |
| M124 | Version for France   |
| M139 | Seat heating system, left seat   |
| M154 | Engine control unit for<br>improved emission results   |
| M157 | Three-way catalytic converter, oxygen sensor and digital<br>engine electronics (DME)           |
| M185 | Three-point belt, belt-lock with<br>cables, for driver's seat only and<br>two-point belt, rear |
| M186 | 2-point seat belts, rear<br>manual   |
| M187 | Headlamps with sealed-beam<br>insert "asymmetric"  |
| M190 | Increased side door strength   |
| M193 | Version for Japan  |
| M197 | Stronger battery   |
| M215 | Version for Saudi Arabia   |
| M220 | Locking differential 40 %  |
| M240 | Version for countries having<br>inferior fuel qualities  |
| M241 | Short shifter  |
| M261 | Door mirror - flat - passenger's side,<br>electrically adjustable and heatable                 |
| M277 | Version for Switzerland  |
| M298 | Preparation for unleaded<br>fuel<br>manual transmission  |
| M335 | Automatic seat belt, 3-point,<br>rear  |
| M340 | Seat heating system, right seat  |
| M341 | Central locking system   |
| M348 | Forged wheels, lacquered - Grand Prix White -  |
| M383 | Sports seat, left, electrically<br>vertically adjustable                                       |
| M387 | Sports seat, right, electrically   |

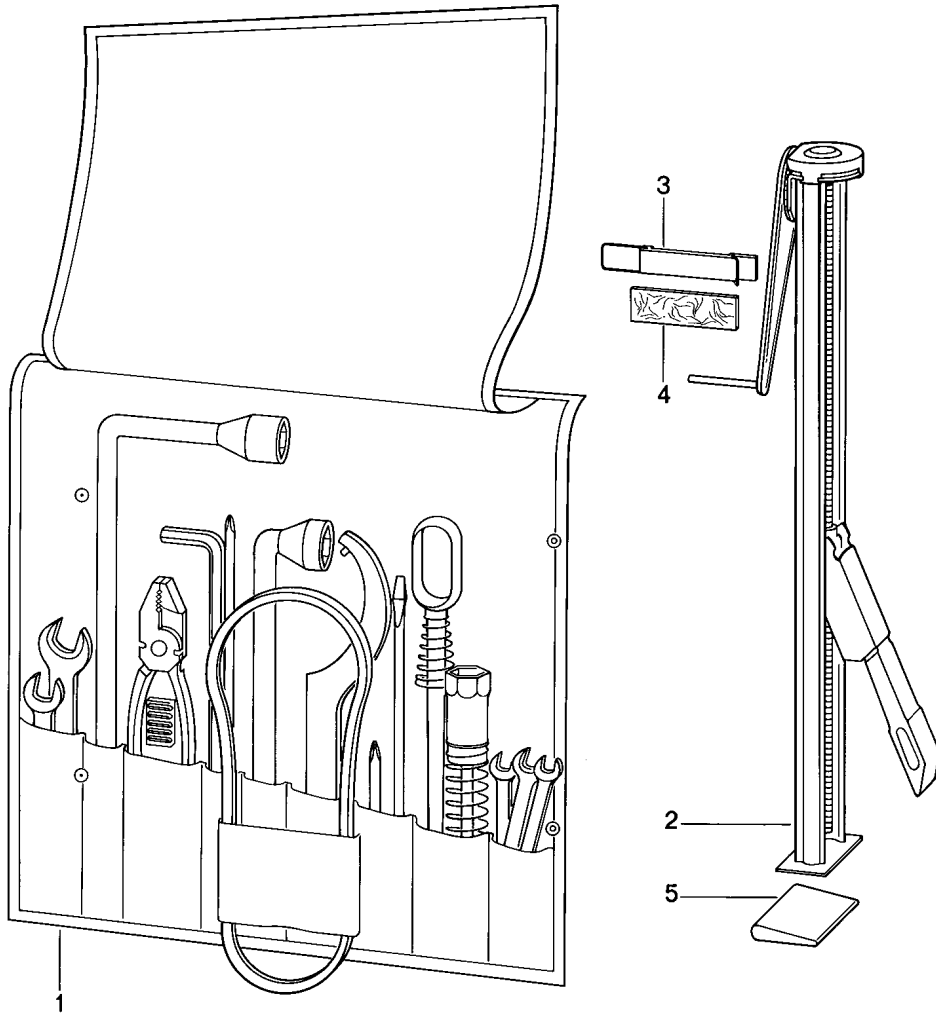


Model: 911 84 Model life 1984>>1986

| NR   | Description   |
|------|---|
|      | vertically adjustable   |
| M395 | Light-alloy rims,<br>forged, 16-inch  |
| M401 | Light-alloy rims, forged<br>15-inch   |
| M409 | Sports seats  |
| M419 | Rear luggage dump   |
| M424 | Automatic heating control   |
| M425 | Rear window wiper   |
| M437 | Comfort seat, left,<br>electrically adjustable  |
| M438 | Comfort seat, right,<br>electrically adjustable   |
| M439 | Electrical<br>hood operation  |
| M441 | Radio preparation   |
| M443 | Tinted windscreen glass and tinted<br>side-window glass with electrically<br>heatable windscreen, 1-stage |
| M444 | Cabrio  |
| M454 | Automatic speed control   |
| M462 | "Securiflex" windscreen   |
| M463 | Clear windscreen  |
| M467 | Door mirror for driver's side, convex,<br>electrically heatable and adjustable                            |
| M468 | Side windows green and windscreen green -<br>upper part darker colored                                    |
| M470 | Without front spoiler<br>and rear spoiler   |
| M473 | With front spoiler and rear spoiler   |
| M474 | Shock absorber (sporting), front and rear   |
| M479 | Version for Australia   |
| M484 | Version for USA   |
| M491 | Turbo Look  |
| M492 | Headlamps for left-hand traffic   |
| M525 | Anti-theft device with continuous sound   |
| M526 | Door panels (cloth)   |
| M528 | Door mirror for passenger's side<br>- convex - electrically heatable and adjustable                       |
| M533 | Anti-theft device   |
| M553 | Version for USA, Canada   |
| M559 | Air conditioner   |
| M573 | Air conditioner with heavy<br>duty blower   |
| M650 | Electrical sliding roof   |
| M981 | Leather equipment   |
| M986 | Partial leather equipment   |

Model: 911 84

Model life 1984>>1986



Model: 911 84

Model life 1984&gt;&gt;1986

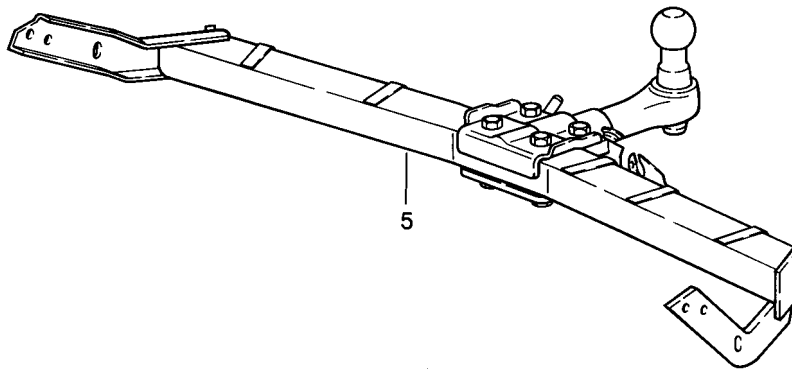
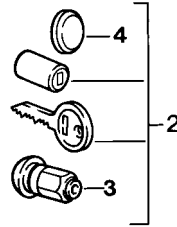
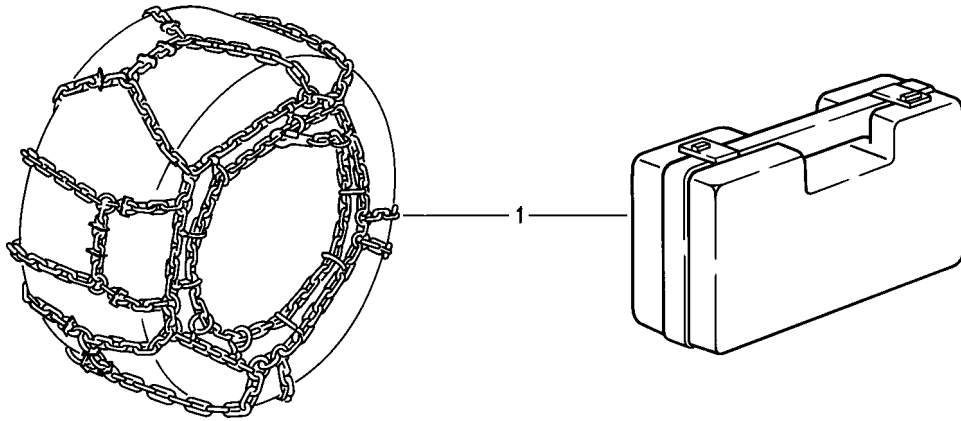
| Pos | Part Number    | Description           | Remark | Qty | Model |
|-----|----------------|-----------------------|--------|-----|-------|
|     |                | Tool                  |        |     |       |
|     |                | Jack                  |        |     |       |
|     |                | Stickers              |        |     |       |
| 1   | 911 721 002 11 | Tool bag              |        | 1   |       |
| -   | 477 012 203 A  | Spark plug wrench     |        | 1   |       |
| -   | 477 012 227    | Angular screw driver  |        | 1   |       |
| -   | 999 571 045 02 | Rim wrench            |        | 1   |       |
|     |                | SW 19                 |        |     |       |
| -   | 999 195 011 02 | Double-end spanner    |        | 1   |       |
|     |                | 8 X 9                 |        |     |       |
| -   | 999 195 012 02 | Double-end spanner    |        | 1   |       |
|     |                | 10 X 11               |        |     |       |
| -   | 999 195 013 02 | Double-end spanner    |        | 1   |       |
|     |                | 12 X 13               |        |     |       |
| -   | 999 195 015 02 | Double-end spanner    |        | 1   |       |
|     |                | 17 X 19               |        |     |       |
| -   | 999 195 014 02 | Double-end spanner    |        | 1   |       |
|     |                | 14 X 15               |        |     |       |
| -   | 999 571 046 02 | Tool                  |        | 1   |       |
|     |                | SW 24                 |        |     |       |
| -   | 911 721 107 02 | Screwdriver           |        | 1   |       |
|     |                | Set                   |        |     |       |
| -   | 999 107 005 02 | Tool                  |        | 1   |       |
| -   | 999 192 176 50 | Narrow v-belt         |        | 1   |       |
|     |                | 9,5 X 710             |        |     |       |
| -   | 999 192 176 5A | Narrow v-belt         |        | 1   |       |
|     |                | 9,5 X 710             |        |     |       |
| -   | 999 192 313 5A | Narrow v-belt         |        | 1   |       |
|     |                | 9,5 X 695             |        |     |       |
| -   | 911 721 013 00 | Bag                   |        | 1   |       |
|     |                | with                  |        |     |       |
|     |                | Safety fuse           |        | 5   |       |
| -   | 911 721 231 00 | Angular screw driver  |        | 1   |       |
| -   | 911 721 235 00 | Extension rod         |        | 1   |       |
| -   | 999 571 047 02 | Tool                  |        | 1   |       |
|     |                | Pulley                |        |     |       |
| -   | 999 571 043 02 | Double socket wrench  |        | 1   |       |
|     |                | 10 X 13               |        |     |       |
| -   | 928 521 907 02 | Crank                 |        | 1   |       |
|     |                | for emergency control |        |     |       |
|     |                | Front seat            |        |     |       |
| -   | 911 721 237 00 | Intermediate piece    |        | 1   |       |
|     |                | for emergency control |        |     |       |
|     |                | Power windows         |        |     |       |
| 2   | 911 721 011 04 | Jack                  |        | 1   |       |
| 3   | 911 722 021 01 | Bracket               |        | 1   |       |
|     |                | for jack              |        |     |       |
| 4   | 911 556 208 02 | Felt strip            |        | 1   |       |
|     |                | 50 X 30 X 3           |        |     |       |
| 5   | 911 721 131 00 | Clamping piece        |        | 1   |       |
| 5   | 911 721 131 01 | Clamping piece        |        | 1   |       |
|     |                | without               |        |     |       |
|     |                | Adhesive film         |        |     |       |
|     |                | Stickers              |        |     |       |
| -   | 911 701 171 00 | Sticker               |        | 1   |       |
|     |                | Control part          |        |     |       |
|     |                | Heating               |        |     |       |
|     |                | Ventilation           |        |     |       |
| -   | 930 006 509 01 | Sticker               |        | 1   |       |
|     |                | Firing order          |        |     |       |
| -   | 901 006 503 00 | Sticker               |        | 1   |       |
|     |                | Valve clearance       |        |     |       |
| -   | 930 006 504 02 | Sticker               |        | 1   |       |

Model: 911 84 Model life 1984>>1986

| Pos | Part Number    | Description   | Remark         | Qty | Model         |
|-----|----------------|---|----------------|-----|---------------|
| -   | 930 006 505 01 | Engine oil level<br>Sticker                                       |                | 1   | TURBO<br>M491 |
| -   | 911 006 512 15 | Tyre pressure<br>Sticker  |                | 1   | CARRERA       |
| -   | 911 701 137 02 | Tyre pressure<br>Sticker  |                | 1   |               |
| -   | 911 701 137 04 | Emergency wheel<br>Sticker  |                | 1   |               |
| -   | 911 006 512 13 | Emergency wheel<br>Sticker  |                | 1   | CARRERA       |
| -   | 928 006 102 06 | Tyre pressure<br>6 J X 16<br>7 J X 16<br>Sticker                  | -84            | 1   | (CAL)         |
| -   | 928 006 102 07 | Engine specifications<br>Adjustment<br>Sticker                    | 85-            | 1   | (CAL)         |
| -   | 930 006 513 14 | Engine specifications<br>Adjustment<br>Sticker                    |                | 1   | CARRERA       |
| -   | 930 006 513 25 | Catalytic converter<br>Adjustment<br>Sticker                      | (USA) -84      | 1   |               |
| -   | 930 006 513 30 | Catalytic converter<br>Adjustment<br>Sticker                      | (USA) 85-      | 1   |               |
| -   | 930 006 513 26 | Catalytic converter<br>Adjustment<br>Sticker                      | -84            | 1   | (CAL)         |
| -   | 930 006 513 29 | Catalytic converter<br>Adjustment<br>Sticker                      | 85-            | 1   | (CAL)         |
| -   | 930 006 513 08 | Catalytic converter<br>Adjustment<br>Sticker                      | (CDN) (USA)    | 1   | CARRERA       |
| -   | 477 000 267    | Catalytic converter<br>Adjustment<br>Sticker                      | (USA)<br>(CDN) | 1   | (CAL)         |
| -   | 911 701 139 00 | for cars with<br>Catalytic converter<br>Indication sticker<br>for |                | 1   |               |
| -   | 928 006 901 00 | Actuating lever<br>Cruise control<br>Sticker                      |                | 1   |               |
| -   | 911 701 251 00 | Trailer coupling<br>Drawbar load<br>Indication sticker            |                | 1   |               |
| -   | 911 701 251 01 | Unleaded fuel only<br>White<br>Sticker                            |                | 1   |               |
| -   | 911 701 253 00 | Unleaded fuel only<br>Black<br>Sticker                            | (CDN)          | 1   |               |
| -   |                | Unleaded fuel only  |                |     |               |

Model: 911 84

Model life 1984>>1986

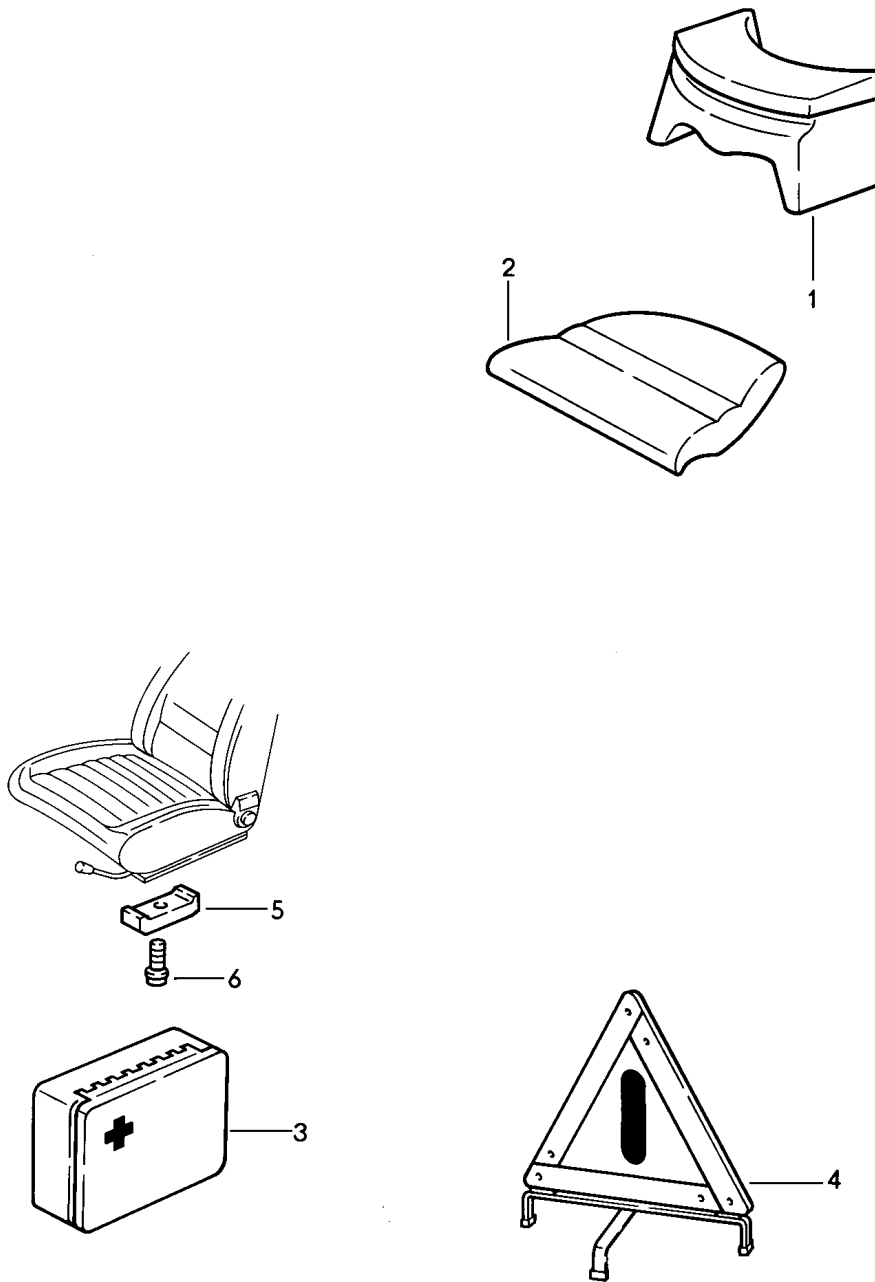


Model: 911 84 Model life 1984>>1986

| Pos | Part Number    | Description   | Remark | Qty | Model |
|-----|----------------|---|--------|-----|-------|
| (1) | 911 361 909 00 | Accessories<br>Snow chains<br>Wheel nut<br>Trailer coupling<br>Snow chains<br>RINGMATIC<br>1 set<br>for<br>Tyre<br>185/70 R 15<br>205/55 R 16 |        | 1   |       |
| (1) |                | Snow chains<br>RINGMATIC<br>1 set<br>for<br>Tyre<br>225/50 R 16   |        | 1   |       |
| 2   | 928 361 047 03 | Wheel nut<br>1 set  |        | 1   |       |
| 2   | 965 361 955 00 | Wheel nut<br>1 set  |        | 1   |       |
| 2   | 968 361 955 00 | Wheel nut<br>1 set  |        | 1   |       |
| 2   | 993 361 057 00 | Wheel nut<br>1 set  |        | 1   |       |
| 3   | 928 361 306 03 | Wheel nut<br>Lockable without lock<br>Set   |        | 1   |       |
| 4   | 965 361 167 00 | Cap   |        | 4   |       |

Model: 911 84

Model life 1984>>1986



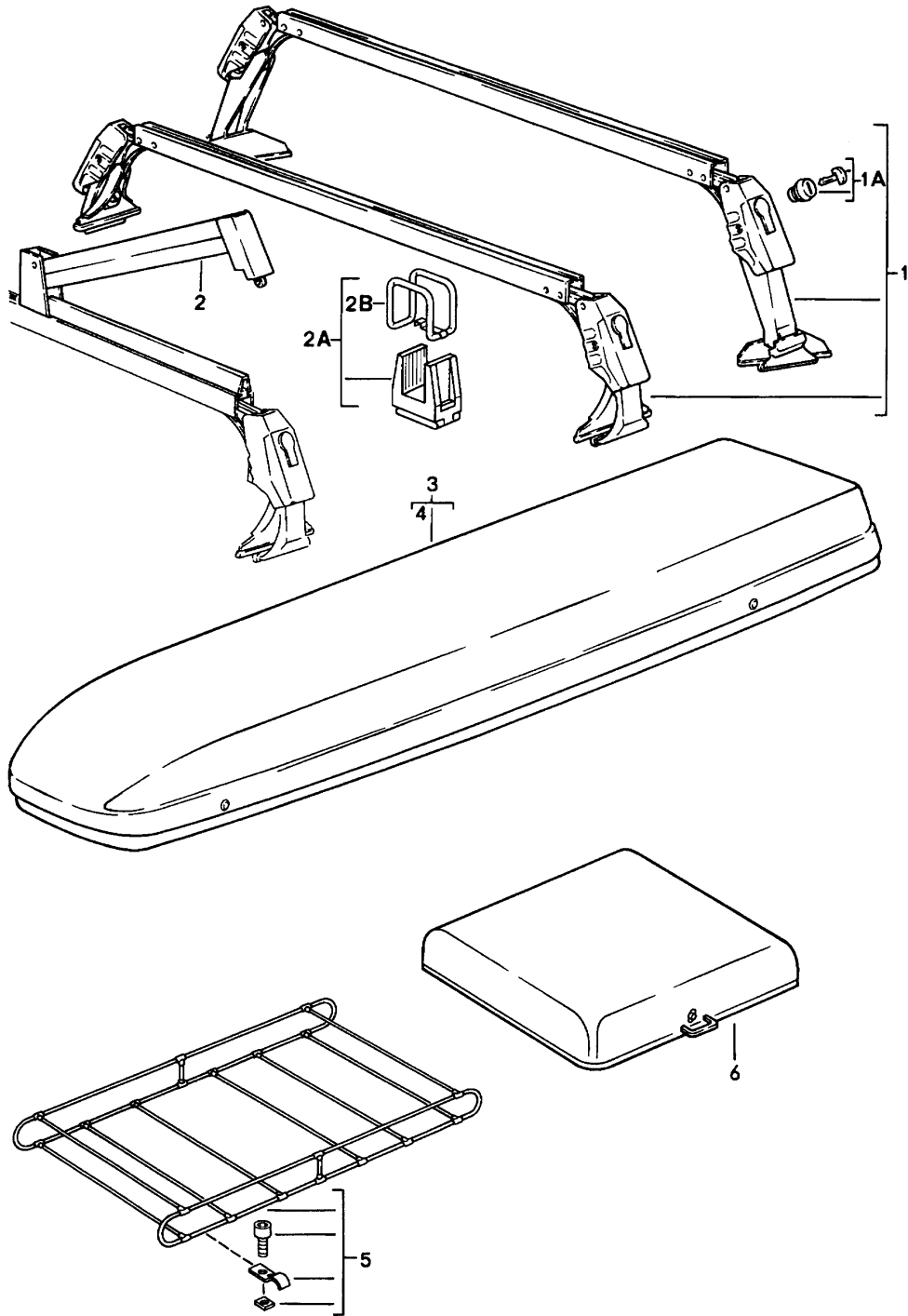
Model: 911 84 Model life 1984>>1986

| Pos | Part Number                          | Description  | Remark | Qty | Model |
|-----|--------------------------------------|--|--------|-----|-------|
| (2) | 911 522 072 00<br>911 522 072 00 4CR | Accessories<br>Child car seat<br>Vehicle cover<br>Child car seat cushion<br>Black<br>with<br>Porsche lettering cloth | /R     | 1   |       |
| 3   | 928 722 041 02                       | Accessories<br>First-aid kit<br>Vertical seat adjustment   | -84    | 1   |       |
| 5   | 911 521 493 00                       | Spacer<br>13 MM  |        | X   |       |
| 6   | 900 067 089 02                       | Pan-head screw<br>M 6 X 25<br>for<br>Spacer<br>13 MM   |        | X   |       |
| 6   | 900 067 089 01                       | Pan-head screw<br>M 6 X 25<br>for<br>Spacer<br>13 MM   |        | X   |       |
| (6) | N 014 749 2                          | Pan-head screw<br>M 6 X 40<br>for<br>Spacer<br>26 MM   |        | X   |       |
| -   | PCG 043 203 01                       | Cover<br>Porsche crest<br>Ohne Spoiler<br>Aussenspiegel<br>Left  |        | 1   | 911   |
| -   | PCG 043 202 01                       | Cover<br>Porsche crest<br>Ohne Spoiler<br>Aussenspiegel<br>Left<br>Right   |        | 1   | 911   |
| -   | 000 043 202 01                       | Cover<br>Porsche crest<br>Ohne Spoiler<br>Aussenspiegel<br>Left<br>Right   |        | 1   | 911   |
| -   | PCG 043 202 02                       | Cover<br>Porsche crest<br>with spoiler<br>Aussenspiegel<br>Left<br>Right   |        | 1   | 911   |
| -   | 000 043 202 02                       | Cover<br>Porsche crest<br>with spoiler<br>Aussenspiegel<br>Left<br>Right   |        | 1   | 911   |



Model: 911 84

Model life 1984>>1986

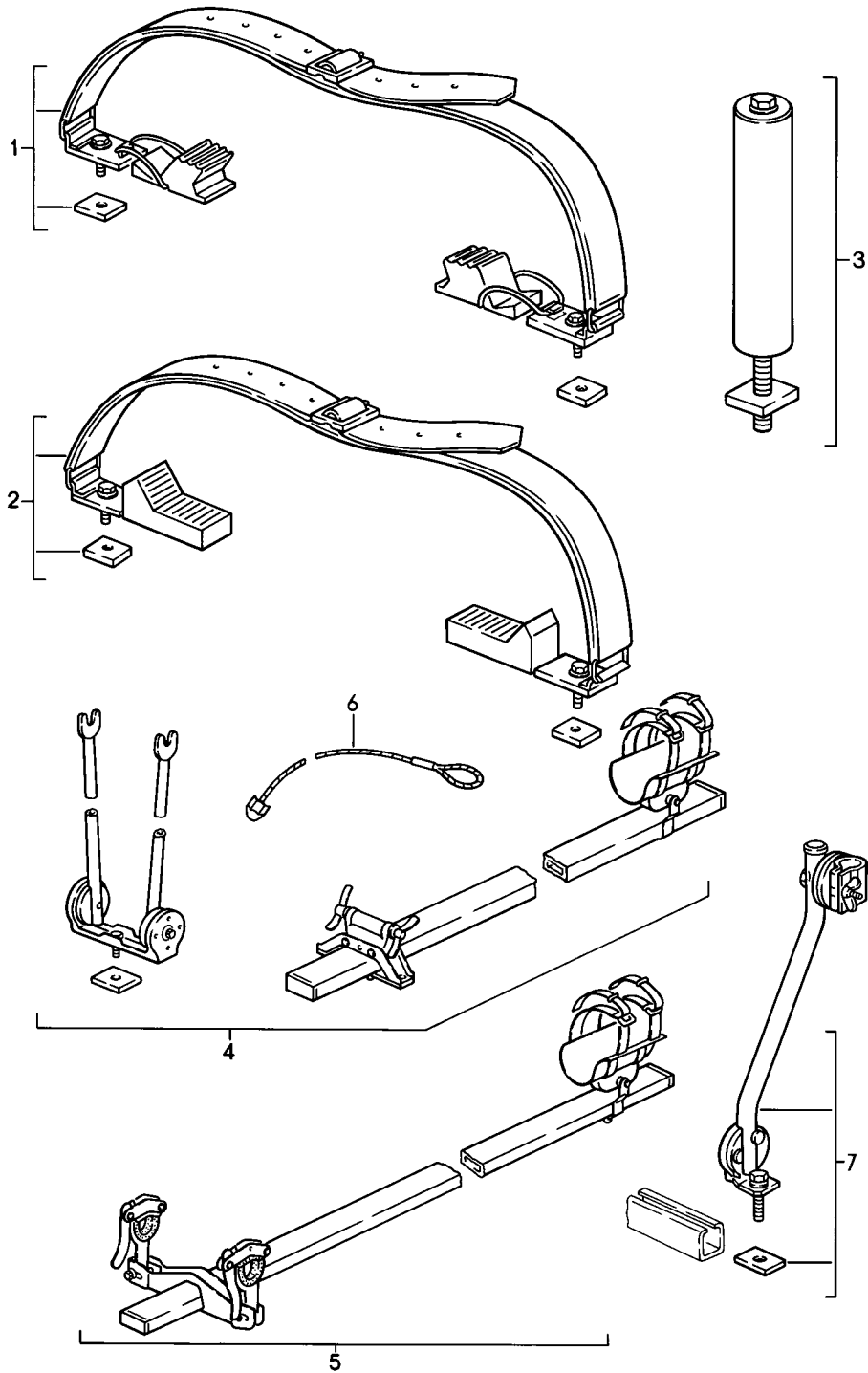


Model: 911 84 Model life 1984>>1986

| Pos | Part Number    | Description             | Remark | Qty | Model        |
|-----|----------------|-------------------------|--------|-----|--------------|
| 1   | 911 801 055 00 | Roof transport system   |        | 1   | COUPE        |
| (1) | 911 801 055 60 | Set of main supports    |        | 1   | TARGA/CABRIO |
|     |                | MAX. 35KG               |        |     |              |
| 1A  | 928 801 011 02 | Cylinder lock           |        | 1   |              |
|     |                | with keys               |        |     |              |
|     |                | State lock number       |        |     |              |
| 2   | 928 801 061 02 | Clamping bow            |        | 1   |              |
|     |                | 1 set                   |        |     |              |
|     |                | 4                       |        |     |              |
|     |                | Pieces                  |        |     |              |
| 2A  | 928 801 903 02 | Rubber support for skis |        | 2   |              |
| 2B  | 928 801 193 02 | Retaining strap         |        | 2   |              |
| 3   | 928 801 063 02 | Ski box                 | /L     | 1   | COUPE        |
| (3) | 928 801 064 02 | Ski box                 | /R     | 1   | COUPE        |
| 5   | 928 801 081 02 | Roof luggage rack set   |        | 1   |              |
|     |                | Set                     |        |     |              |
| 6   | 928 801 073 02 | Box for suitcase        |        | 1   | COUPE        |

Model: 911 84

Model life 1984>>1986



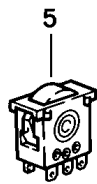
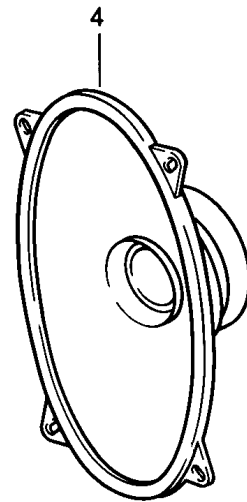
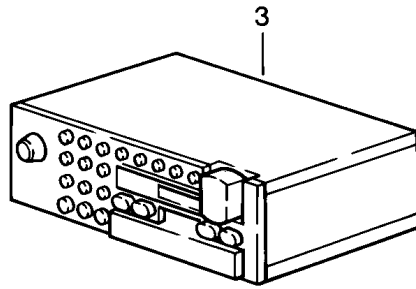
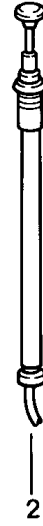
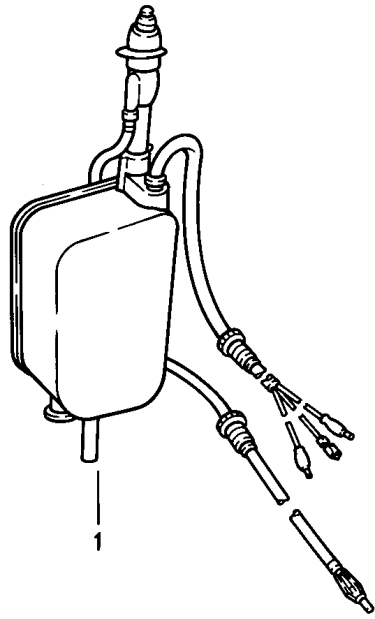
Model: 911 84

Model life 1984>>1986

| Pos | Part Number    | Description                | Remark | Qty | Model |
|-----|----------------|----------------------------|--------|-----|-------|
| 1   | 928 801 019 02 | Roof transport system      |        | 1   | COUPE |
| 2   | 928 801 017 02 | Set of surf board supports |        | 1   |       |
| 3   | 928 801 085 02 | Set - canoe carrier        |        | 1   |       |
| 4   | 928 801 093 02 | Ladder support mandrel     |        | X   |       |
|     |                | Set                        |        |     |       |
| 5   | 928 801 095 02 | Set - bike carrier         |        | 1   |       |
|     |                | for<br>Racing bike         |        |     |       |
| 6   | 928 801 079 02 | Set - bike carrier         |        | 1   |       |
|     |                | for<br>Standard bike       |        |     |       |
| 7   | 928 801 097 02 | Safety rope                |        | 1   |       |
|     |                | Support for bicycle        |        | 1   |       |

Model: 911 84

Model life 1984>>1986



Model: 911 84 Model life 1984>>1986

| Pos | Part Number    | Description   | Remark | Qty | Model  |
|-----|----------------|---|--------|-----|--------|
| 1   | 911 645 033 04 | Radio<br>Installation parts<br>Automatic antenna          |        | 1   |        |
| 2   | 477 035 513    | Antenna rod<br>for<br>Automatic antenna<br>911.645.033.04 |        | 1   |        |
| (1) | 911 645 033 05 | Automatic antenna   |        | 1   |        |
| (2) | 944 645 913 00 | Antenna rod<br>for<br>Automatic antenna<br>911.645.033.05 |        | 1   |        |
| 3   | 911 645 107 01 | Radio<br>MONTEREY SQR                                     |        | 1   |        |
| -   | 928 645 173 02 | Antenna booster   |        | 1   |        |
| -   | 964 645 173 01 | Antenna booster   |        | 1   |        |
| -   | 911 645 145 02 | Installation set<br>Accessories<br>for<br>Radio           |        | 1   |        |
| 4   | 911 645 409 00 | Door speaker  |        | 2   |        |
| (4) | 911 645 435 00 | Rear loudspeaker  |        | 2   |        |
| (4) | 928 645 413 00 | Mid-range loudspeaker<br>for<br>Side trim panel           |        | 2   | CABRIO |
| 5   | 911 645 605 00 | Fader   | -85    | 1   |        |
| (5) | 911 645 605 01 | Fader   |        | 1   |        |

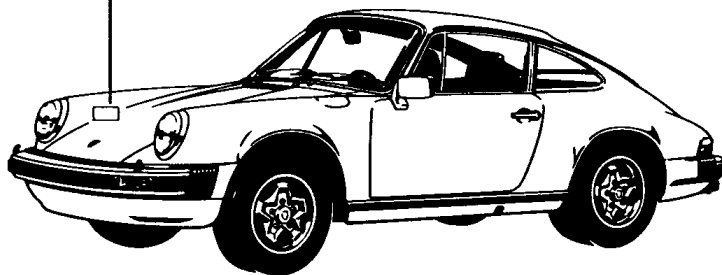
Model: 911 84

Model life 1984>>1986

FARBNUMMER  
COLOUR NUMBER  
NUMERO DE COULEUR  
NUMERO COLORE  
NUMERO DE COLOR

80K19 2  
GUARDS RED  
INDISCHROT  
G1

FARB BENENNUNG  
COLOUR  
COULEUR  
COLORE  
COLOR



Model: 911 84 Model life 1984>>1986

| Pos | Part Number        | Description   | Remark | Qty | Model |
|-----|--------------------|---|--------|-----|-------|
| -   | 911 096 050 00     | Lacquers<br>Basic materials<br>Polyester filler<br>1 KG<br>GLASSIT-NON-FERRO 839-10 |        | X   |       |
| -   | 911 096 051 00     | Hardener<br>30 GR<br>GLASSIT 948-36<br>Red  |        | X   |       |
| -   | 911 096 052 00     | Primer filler<br>1 LTR<br>GLASSOFIX 238-150   |        | X   |       |
| -   | 911 096 053 00     | Hardener<br>500 ML<br>GLASSOFIX 352-228   |        | X   |       |
| -   | 911 096 054 00     | Primer filler<br>1 LTR<br>GLASSODUR 285-100<br>White                                |        | X   |       |
| -   | 911 096 055 00     | Hardener<br>500 ML<br>GLASSODUR 929-28/1  |        | X   |       |
| -   | 911 096 056 00     | Wash primer<br>2 LTR<br>GLASSOFIX 2K 934-200  |        | X   |       |
| -   | 911 096 057 00     | Hardener<br>1LTR<br>GLASSOFIX 934-100   |        | X   |       |
| -   | 911 096 058 00     | Polyurethane plastic putty<br>1 KG<br>GLASSODUR 995-20                              |        | X   |       |
| -   | 911 096 059 00     | Hardener<br>1KG<br>GLASSODUR 929-13   |        | X   |       |
| -   | 911 096 060 00     | Thinner<br>1 LTR<br>GLASSODUR 352-91  |        | X   |       |
| -   | 911 096 061 00     | Hardener<br>500 ML<br>GLASSODUR 929-73  |        | X   |       |
| -   | 911 096 062 00     | Additional lacquer<br>1 LTR<br>GLASSODUR 521-111                                    |        | X   |       |
| -   | 911 096 063 00     | Underbody protection<br>1 KG<br>GLASSOHDYD 1109-                                    |        | X   |       |
| -   | 000 043 001 00     | Tin<br>SN 90%<br>200 GR   |        | X   |       |
| -   | 911 095 903 80     | Synthetic resin prime coat<br>Metallic<br>1 LTR                                     |        | X   |       |
|     | 911 095 903 80 966 | Light bronze metallic   |        |     | 966   |
|     | 911 095 903 80 956 | Zinc metallic   |        |     | 956   |
|     | 911 095 903 80 655 | Platinum-metallic   |        |     | 655   |
|     | 911 095 903 80 661 | Slate grey metallic   |        |     | 661   |
|     | 911 095 903 80 662 | Smoked quartz   |        |     | 662   |
|     | 911 095 903 80 810 | Ruby red metallic   |        |     | 810   |
|     | 911 095 903 80 811 | Brick red   |        |     | 811   |
|     | 911 095 903 80 33P | Iris blue metallic  |        |     | 33P   |
|     | 911 095 903 80 20C | Moss green metallic   |        |     | 20C   |
|     | 911 095 903 80 492 | Nutmeg brown metallic   |        |     | 492   |
|     | 911 095 903 80 822 | Garnet red metallic   |        |     | 822   |



Model: 911 84 Model life 1984>>1986

| Pos | Part Number        | Description  | Remark | Qty | Model |
|-----|--------------------|--|--------|-----|-------|
|     | 911 095 903 80 33N | Crystal green metallic   |        |     | 33N   |
|     | 911 095 903 80 33X | Prussian blue metallic   |        |     | 33X   |
|     | 911 095 903 80 539 | White gold metallic  |        |     | 539   |
|     | 911 095 903 80 936 | Silver metallic  |        |     | 936   |
|     | 911 095 903 80 961 | Meteor metallic  |        |     | 961   |
| -   | 911 096 064 00     | Clear lacquer<br>1 LTR<br>GLASSODUR-MS 923-85                              |        | X   |       |
| -   | 911 095 902 60     | Top-coat paint<br>2 K<br>1 LTR   |        | X   |       |
|     | 911 095 902 60 027 | Guards red   |        |     | 027   |
|     | 911 095 902 60 700 | Black  |        |     | 700   |
|     | 911 095 902 60 908 | Grand prix white   |        |     | 908   |
|     | 911 095 902 60 182 | White  |        |     | 182   |
|     | 911 095 902 60 347 | Dark blue  |        |     | 347   |
|     | 911 095 902 60 673 | Marble grey  |        |     | 673   |
|     | 911 095 902 60 536 | Pastel beige   |        |     | 536   |
|     | 911 095 902 60 32Z | Glacier blue metallic  |        |     | 32Z   |
| -   | 911 095 932 20     | Paint touch-up applicator  |        | X   |       |
|     | 911 095 932 20 027 | Guards red   |        |     | 027   |
|     | 911 095 932 20 700 | Black  |        |     | 700   |
|     | 911 095 932 20 908 | Grand prix white   |        |     | 908   |
|     | 911 095 932 20 182 | White  |        |     | 182   |
|     | 911 095 932 20 536 | Pastel beige   |        |     | 536   |
|     | 911 095 932 20 673 | Marble grey  |        |     | 673   |
|     | 911 095 932 20 347 | Dark blue  |        |     | 347   |
| -   | 911 095 933 20     | Paint touch-up applicator<br>Set<br>Comprising:<br>Primer<br>Clear lacquer |        | X   |       |
|     | 911 095 933 20 20C | Moss green metallic  |        |     | 20C   |
|     | 911 095 933 20 966 | Light bronze metallic  |        |     | 966   |
|     | 911 095 933 20 655 | Platinum-metallic  |        |     | 655   |
|     | 911 095 933 20 956 | Zinc metallic  |        |     | 956   |
|     | 911 095 933 20 661 | Slate grey metallic  |        |     | 661   |
|     | 911 095 933 20 662 | Smoked quartz  |        |     | 662   |
|     | 911 095 933 20 810 | Ruby red metallic  |        |     | 810   |
|     | 911 095 933 20 811 | Brick red  |        |     | 811   |
|     | 911 095 933 20 936 | Silver metallic  |        |     | 936   |
|     | 911 095 933 20 539 | White gold metallic  |        |     | 539   |
|     | 911 095 933 20 492 | Nutmeg brown metallic  |        |     | 492   |
|     | 911 095 933 20 822 | Garnet red metallic  |        |     | 822   |
|     | 911 095 933 20 33P | Iris blue metallic   |        |     | 33P   |
|     | 911 095 933 20 33X | Prussian blue metallic   |        |     | 33X   |
|     | 911 095 933 20 33N | Crystal green metallic   |        |     | 33N   |
|     | 911 095 933 20 961 | Meteor metallic  |        |     | 961   |

Model: 911 84

Model life 1984>>1986



Model: 911 84

Model life 1984&gt;&gt;1986

| Pos | Part Number    | Description  | Remark | Qty | Model |
|-----|----------------|--|--------|-----|-------|
| -   | 928 101 921 00 | Securing liquid<br>Sealing compound<br>Preservative agent<br>Securing liquid<br>Loctite<br>-270-<br>10 CCM<br>High strength                      |        | X   |       |
| -   | 000 043 012 00 | Loctite<br>-221-<br>10 CCM<br>Low strength   |        | X   |       |
| -   | 000 043 306 48 | Loctite<br>-221-<br>10 CCM<br>Low strength<br>Sealing compound   |        | X   |       |
| -   | 000 043 010 00 | Loctite<br>-574-<br>50 CCM   |        | X   |       |
| -   | 000 043 011 00 | Loctite<br>-638-<br>10 CCM<br>for<br>Balance shaft   |        | X   |       |
| -   | 000 043 013 00 | Loctite<br>Adhesive remover<br>-80646-<br>Spraying can   |        | X   |       |
| -   | AMV 176 000 05 | Adhesive sealing compound<br>310 CCM<br>Loctite<br>for pasting<br>Metal<br>Glass<br>Ceramics<br>Thermoset plastic<br>Adhesive set<br>Comprising: |        | 1   |       |
| -   | 000 043 051 00 | Loctite<br>Loctite<br>-317-<br>50 CCM  |        | X   |       |
| -   | 000 043 202 65 | Loctite<br>AKTIVATOR NF 736<br>180 CCM   |        | X   |       |
| -   | 000 043 019 01 | Sealing compound<br>SILASTIK 730 RTV<br>90 CCM   |        | X   |       |
| -   | PCG 043 019 01 | Sealing compound<br>SILASTIK 730 RTV<br>90 CCM   |        | X   |       |
| -   | 000 043 004 00 | Mounting paste<br>Optimoly ht<br>1 90-gramme tube  |        | X   |       |
| -   | 000 043 020 00 | Optimoly<br>Mounting paste<br>OPTIMOLY - TA<br>1 100-gramme tube   |        | X   |       |
| -   | 000 043 110 01 | Silver<br>Grease<br>OPTITEMP PU35<br>1 100-gramme tube   |        | X   |       |

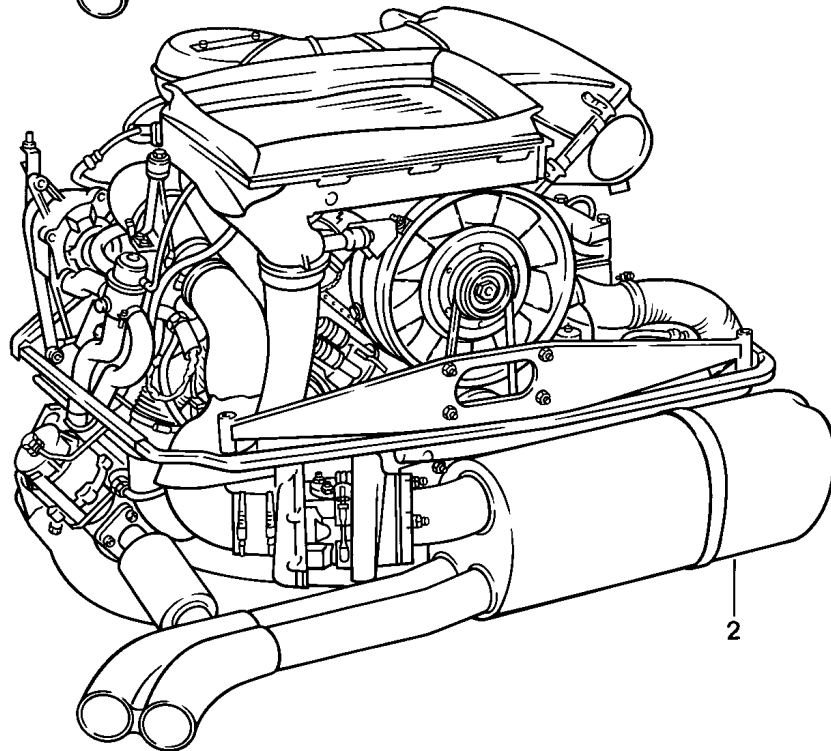
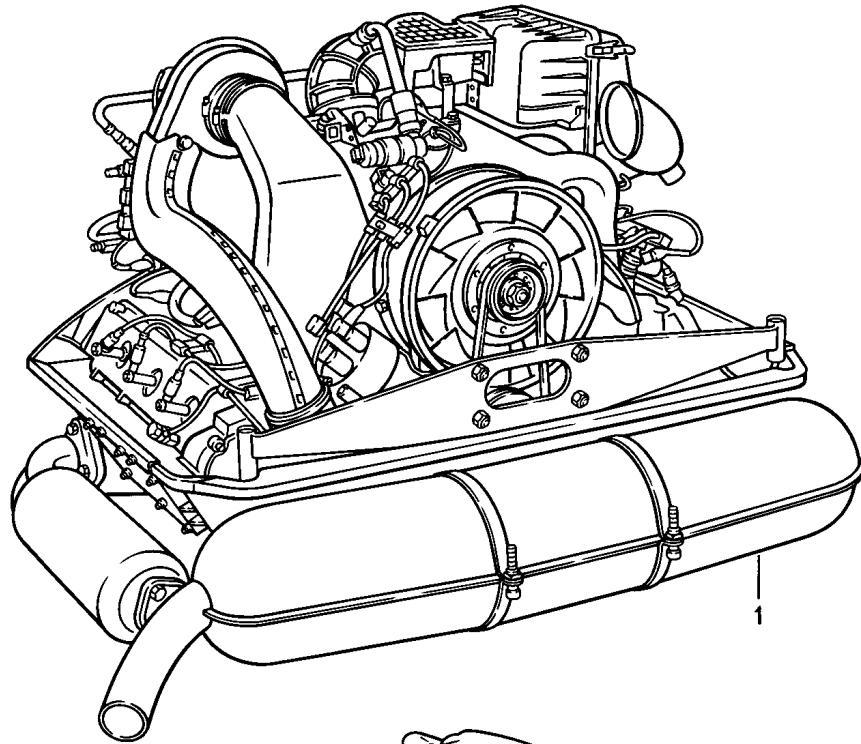
Model: 911 84

Model life 1984>>1986

| Pos | Part Number    | Description   | Remark | Qty | Model |
|-----|----------------|---|--------|-----|-------|
| -   | 000 043 204 21 | Grease<br>for lock cylinder<br>Spraying can                       |        | X   |       |
| -   | G 052 778 A2   | Grease<br>for lock cylinder<br>Spraying can<br>Preservative agent |        | X   |       |
| -   | 999 571 062 00 | Care kit<br>Comprising:<br>Suitcase                               |        | 1   |       |
| -   | 999 901 013 40 | Liquid preservative   |        | 1   |       |
| -   | 999 901 014 41 | Car shampoo   |        | 1   |       |
| -   | 999 901 015 40 | Polisher  |        | 1   |       |
| -   | 999 901 016 40 | Tar remover   |        | 1   |       |
| -   | 999 901 017 40 | Dashboard cleaner   |        | 1   |       |
| -   | 999 901 018 40 | Paint polish  |        | 1   |       |
| -   | 999 901 019 41 | Insect remover  |        | 1   |       |
| -   | 999 901 020 40 | Spot remover  |        | 1   |       |
| -   | 999 901 021 40 | Polishing cotton  |        | 1   |       |
| -   | 999 901 022 40 | Polishing cloth   |        | 1   |       |
| -   | 000 044 000 02 | Leather care<br>250 ML  |        | X   |       |
| -   | 999 901 017 41 | Window cleaner<br>Summer<br>250 ML                                |        | X   |       |
| -   | 999 901 017 42 | Window cleaner<br>Summer<br>250 ML                                |        | X   |       |
| -   | 000 044 000 87 | Window cleaner<br>Summer<br>250 ML                                |        | X   |       |
| -   | 999 901 033 40 | Window cleaner<br>Winter<br>1000 ML                               |        | X   |       |
| -   | 999 901 036 40 | Car shampoo<br>Refilling bottle<br>1000 ML                        |        | X   |       |
| -   | 999 917 803 00 | Window cleaner<br>Spray bottle<br>250 ML                          |        | X   |       |
| -   | 928 628 931 00 | Silicone remover<br>1000 ML                                       |        | X   |       |
| -   | 000 044 000 93 | Silicone remover<br>1000 ML                                       |        | X   |       |
| -   | 999 901 030 40 | Rim cleaner<br>Spray bottle<br>500 ML                             |        | X   |       |
| -   | 999 901 031 40 | Rim cleaner<br>Refilling bottle<br>1000 ML                        |        | X   |       |

Model: 911 84

Model life 1984>>1986



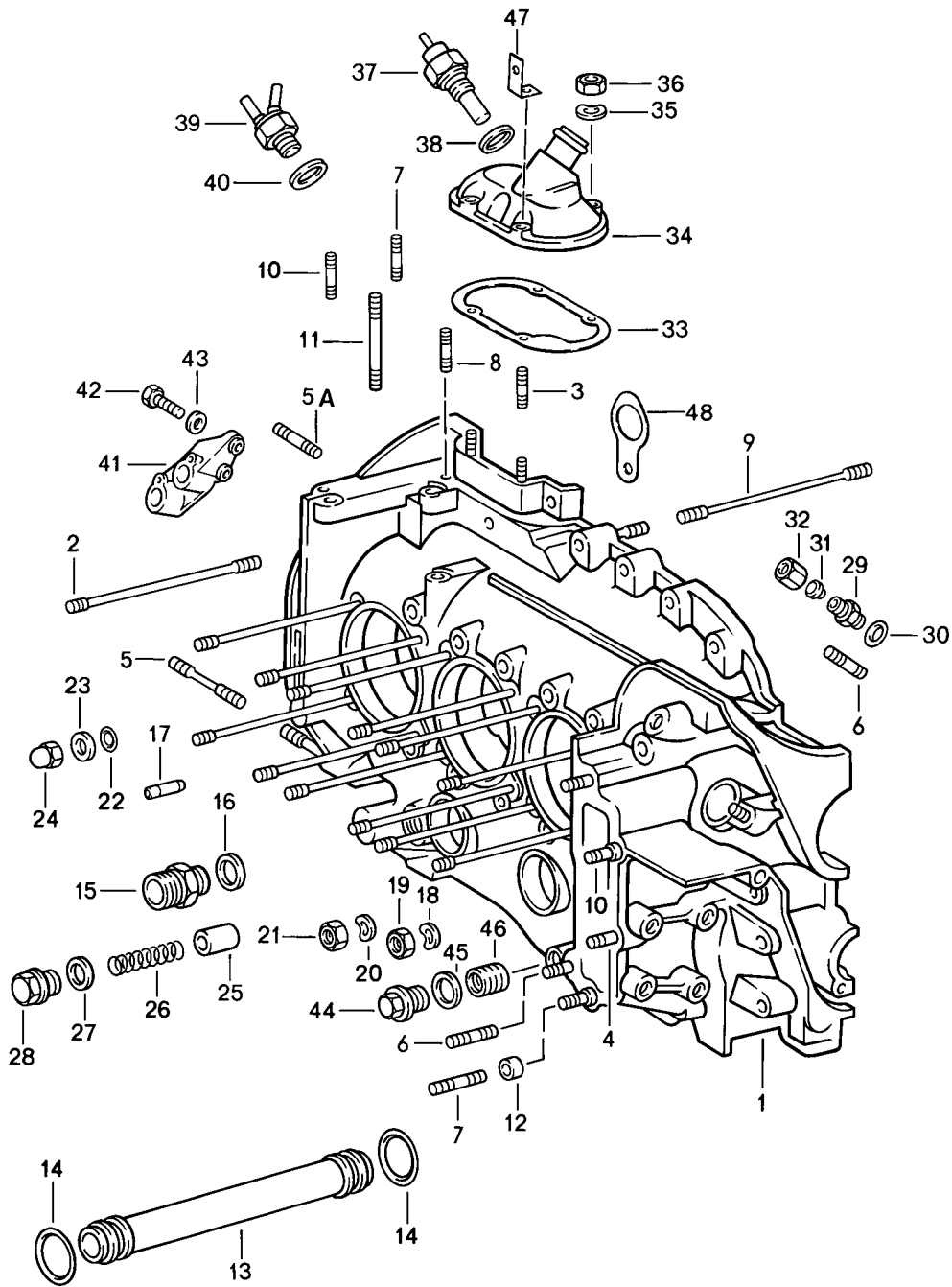
Model: 911 84

Model life 1984&gt;&gt;1986

| Pos | Part Number    | Description  | Remark | Qty | Model                 |
|-----|----------------|--|--------|-----|-----------------------|
| 1   | 930 100 221 00 | Replacement engine<br>Ready for installation<br>Engine |        | 1   | 930.21<br>COUPE/TARGA |
| 1   | 930 100 221 01 | Engine   |        | 1   | 930.21<br>CABRIO      |
| 2   | 930 100 266 04 | Engine   |        | 1   | 930.66                |
| 2   | 930 100 268 04 | Engine   |        | 1   | 930.68                |

Model: 911 84

Model life 1984>>1986



Model: 911 84 Model life 1984>>1986

| Pos  | Part Number    | Description             | Remark | Qty | Model        |
|------|----------------|-------------------------|--------|-----|--------------|
| 1    | 930 101 917 00 | Crankcase<br>Left       |        | 1   | 930.20/21/26 |
| -    | 911 101 183 00 | Crankcase<br>with studs |        | X   |              |
|      |                | Stopper                 |        |     |              |
|      |                | 16 x 11                 |        |     |              |
| 1    | 930 101 918 00 | Crankcase<br>with studs |        | 1   | 930.66       |
| 2    | 911 101 172 00 | Stud                    |        | 12  | 930.20/21/26 |
|      |                | Upper                   |        |     |              |
| 2    | 993 101 170 51 | Stud                    |        | 12  | 930.20/21/26 |
| 2    |                | Stud                    |        | 24  | 930.66/68    |
| 3    | 999 062 085 02 | Stud                    |        | 4   |              |
|      |                | M 6 X 20                |        |     |              |
| 4    | 999 062 006 02 | Stud                    |        | 2   |              |
|      |                | M 8 X 20                |        |     |              |
| 5    | 999 061 034 02 | Stud                    |        | 1   | 930.20/21/26 |
|      |                | M 10 X 69               |        |     |              |
| 5    | 999 062 192 02 | Stud                    |        | 1   | 930.66/68    |
|      |                | M 10 X 102              |        |     |              |
| 5A   | 999 061 034 02 | Stud                    |        | 1   | 930.20/21/26 |
|      |                | M 10 X 69               |        |     |              |
| 5A   | 999 062 099 02 | Stud                    |        | 1   | 930.66/68    |
|      |                | M 10 X 105              |        |     |              |
| 5A   | 900 060 096 01 | Stud                    |        | 1   | 930.66/68    |
|      |                | M 10 X 105              |        |     |              |
| 6    | 999 062 007 02 | Stud                    |        | 5   |              |
|      |                | M 8 X 22                |        |     |              |
| 6    | 900 060 106 01 | Stud                    |        | 5   |              |
|      |                | M 8 X 22                |        |     |              |
| 7    | 999 062 009 02 | Stud                    |        | 3   |              |
|      |                | M 8 X 28                |        |     |              |
| 7    | 900 060 105 01 | Stud                    |        | 3   |              |
|      |                | M 8 X 28                |        |     |              |
| 8    | 999 062 055 02 | Stud                    |        | 1   |              |
|      |                | M 6 X 12                |        |     |              |
| 9    | 930 101 174 01 | Stud                    |        | 2   |              |
| 10   | 999 062 008 02 | Stud                    |        | 3   |              |
|      |                | M 8 X 25                |        |     |              |
| 11   | 999 062 147 02 | Stud                    |        | 1   |              |
|      |                | M 8 X 62                |        |     |              |
| 12   | 901 101 145 00 | Dowel sleeve            |        | 2   |              |
| 13   | 901 107 351 01 | Oil tube                |        | 4   |              |
| (13) | 930 107 040 00 | Oil tube                |        | X   |              |
|      |                | Set                     |        |     |              |
|      |                | Divided                 |        |     |              |
|      |                | Comprising:             |        |     |              |
|      |                | Oil tube                |        |     |              |
|      |                | I                       |        |     |              |
|      |                | Oil tube                |        |     |              |
|      |                | II                      |        |     |              |
| (13) | 930 107 040 01 | Set                     |        | X   |              |
|      |                | Set                     |        |     |              |
|      |                | Divided                 |        |     |              |
|      |                | Comprising:             |        |     |              |
|      |                | Oil tube                |        |     |              |
|      |                | I                       |        |     |              |
|      |                | Oil tube                |        |     |              |
|      |                | II                      |        |     |              |
| -    | 900 041 013 01 | Circlip                 |        | 1   |              |
| -    | 999 707 113 40 | Round seal              |        | 2   |              |
| -    | 999 707 113 41 | O-ring                  |        | 2   |              |
| -    | 999 707 112 40 | Round seal              |        | 2   |              |



Model: 911 84 Model life 1984>>1986

| Pos  | Part Number    | Description                   | Remark | Qty | Model        |
|------|----------------|-------------------------------|--------|-----|--------------|
| -    | 999 707 112 4A | Round seal                    |        | 2   |              |
| 14   | 999 707 112 40 | Round seal                    |        | 8   |              |
| 14   | 999 707 112 4A | Round seal                    |        | 8   |              |
| 15   | 999 136 008 09 | Connection piece              |        | 1   |              |
| 15   | 999 136 008 01 | Connection piece              |        | 1   |              |
| 16   | 900 123 011 30 | Sealing ring<br>A 22 X 27     |        | 1   |              |
| 17   | 911 101 011 01 | Spray jet                     |        | 3   | 930.20/21/26 |
| 17   | 930 101 015 00 | Spray jet                     |        | 3   | 930.66       |
| 18   | 900 031 014 30 | Washer<br>8,4                 |        | 24  |              |
| 19   | 900 910 022 02 | Lock nut<br>M 8               |        | 24  |              |
| 20   | N 012 242 3    | Spring washer<br>B 10 X 18    |        | 1   |              |
| 21   | 900 076 052 02 | Hexagon nut<br>M 10 X 1       |        | 1   |              |
| 22   | 999 701 006 40 | O-ring                        |        | 12  |              |
| 23   | 901 101 161 01 | Washer                        |        | 12  |              |
| (23) | 901 101 161 02 | Washer                        |        | 12  |              |
| 24   | 930 101 172 01 | Cap nut<br>M10 X 1            |        | 13  |              |
| 25   | 911 107 512 00 | Piston                        |        | 1   |              |
| 26   | 901 107 531 00 | Compression spring            |        | 1   |              |
| 27   | 900 123 106 30 | Sealing ring<br>A 18 X 24     |        | 1   |              |
| 28   | 999 064 026 02 | Screw plug                    |        | 1   |              |
| 28   | 999 064 026 01 | Screw plug                    |        | 1   |              |
| 29   | 901 107 375 00 | Screw socket                  |        | 1   |              |
| 30   | 900 123 101 30 | Sealing ring<br>A 12 X 18     |        | 1   |              |
| 31   | N 020 825 1    | Cutting ring<br>LL 8          |        | 1   |              |
| 32   | 900 104 003 02 | Union nut<br>A LL 8           |        | 1   |              |
| 32   | 900 104 003 03 | Union nut<br>A LL 8           |        | 1   |              |
| 33   | 930 107 791 00 | Gasket                        |        | 1   |              |
| 34   | 930 107 073 00 | Lid                           |        | 1   |              |
| 34   | 930 107 073 02 | Lid                           |        | 1   | 930.68       |
| 35   | N 012 226 5    | Spring washer<br>B 6          |        | 4   |              |
| 36   | 900 076 010 02 | Nut<br>M 6                    |        | 4   |              |
| 36   | 900 076 010 0B | Nut<br>M 6                    |        | 4   |              |
| 37   | 930 606 118 00 | Temperature switch            |        | 1   | 930.20/21/26 |
| 37   | 930 606 117 03 | Temperature switch            |        | 1   | 930.68       |
| 38   | 900 123 007 30 | Sealing ring<br>A 14 X 18     |        | 1   | 930.20/21/26 |
| 39   | 930 110 401 01 | Thermo valve                  |        | 1   | 930.66/68    |
| 40   | 900 123 007 30 | Sealing ring<br>A 14 X 18     |        | 1   | 930.66/68    |
| 41   | 930 101 089 01 | Support                       |        | 1   | 930.20/21/26 |
| 42   | N 010 217 9    | Hexagon-head bolt<br>M 6 X 20 |        | 2   | 930.20/21/26 |
| 43   | N 011 524 7    | Washer<br>A 6,4               |        | 2   | 930.20/21/26 |
| 43   | N 011 524 27   | Washer<br>A 6,4               |        | 2   | 930.20/21/26 |
| 44   | 944 107 197 01 | Screw plug                    |        | 1   |              |
| 45   | 900 123 118 30 | Sealing ring<br>A 22 X 27     |        | 1   |              |

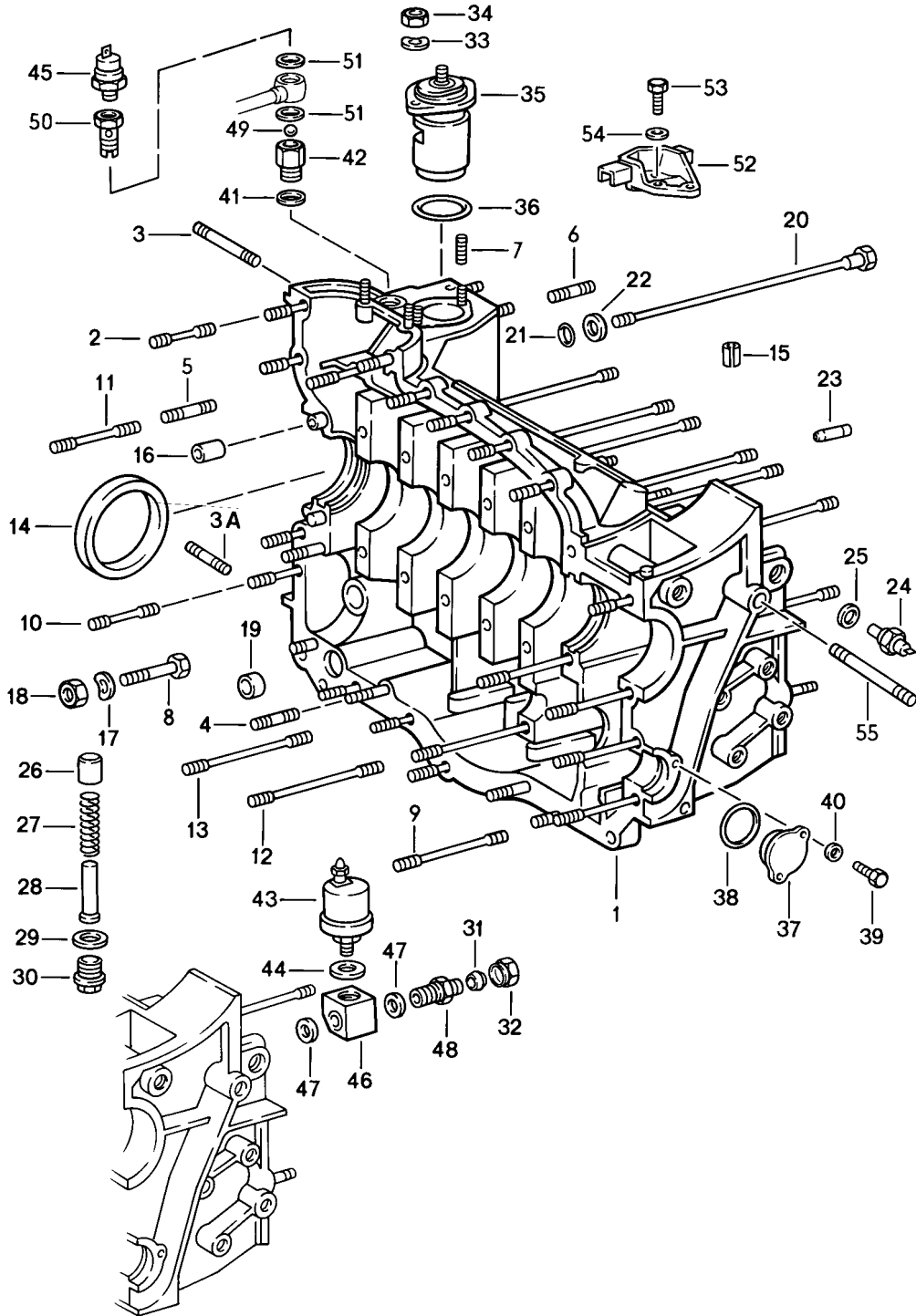
Model: 911 84

Model life 1984&gt;&gt;1986

| Pos | Part Number    | Description                   | Remark | Qty | Model  |
|-----|----------------|-------------------------------|--------|-----|--------|
| 46  | 999 504 127 00 | Threaded insert<br>M 20 X 1,5 |        | 1   |        |
| 47  | 911 602 281 00 | Support                       |        | 1   | 930.68 |
| 48  | 901 101 151 00 | Clip                          |        | 1   |        |

Model: 911 84

Model life 1984>>1986



Model: 911 84

Model life 1984&gt;&gt;1986

| Pos | Part Number    | Description                                   | Remark | Qty | Model        |
|-----|----------------|---|--------|-----|--------------|
| 1   | 930 101 917 00 | Crankcase<br>Right                            |        | 1   | 930.20/21/26 |
| -   | 911 101 183 00 | Crankcase<br>with studs<br>Stopper<br>16 x 11 |        | X   |              |
| 1   | 930 101 918 00 | Crankcase<br>with studs                       |        | 1   | 930.66/68    |
| 2   | 999 062 115 02 | Stud<br>M 8 X 32                              |        | 15  |              |
| 3   | 999 062 192 02 | Stud<br>M 10 X 102                            |        | 1   | 930.20/21/26 |
| 3   | 999 062 225 02 | Stud<br>M 10 X 140                            |        | 1   | 930.66/68    |
| 3   | 900 060 095 01 | Stud<br>M 10 X 140                            |        | 1   | 930.66/68    |
| 3A  | 999 061 034 02 | Stud<br>M 10 X 69                             |        | 1   | 930.20/21/26 |
| 3A  | 999 062 099 02 | Stud<br>M 10 X 105                            |        | 1   | 930.66/68    |
| 3A  | 900 060 096 01 | Stud<br>M 10 X 105                            |        | 1   | 930.66/68    |
| 4   | 999 062 006 02 | Stud<br>M 8 X 20                              |        | 3   |              |
| 5   | 999 062 009 02 | Stud<br>M 8 X 28                              |        | 1   |              |
| 5   | 900 060 105 01 | Stud<br>M 8 X 28                              |        | 1   |              |
| 6   | 999 062 073 02 | Stud<br>M 8 X 15                              |        | 4   |              |
| 7   | 999 062 055 02 | Stud<br>M 6 X 12                              |        | 3   |              |
| 8   | 900 074 139 02 | Hexagon-head bolt<br>M 8 X 55                 |        | 1   |              |
| 8   | 900 074 139 03 | Hexagon-head bolt<br>M 8 X 55                 |        | 1   |              |
| 9   | 900 060 101 01 | Stud<br>M 8 X 78                              |        | 3   |              |
| 10  | 999 062 075 02 | Stud<br>M 8 X 48                              |        | 2   |              |
| 11  | 999 062 138 02 | Stud<br>M 8 X 52                              |        | 1   |              |
| 11  | 900 060 102 01 | Stud<br>M 8 X 52                              |        | 1   |              |
| 12  | 999 062 051 02 | Stud<br>M 8 X 108                             |        | 1   |              |
| 13  | 930 101 175 00 | Stud  |        | 1   |              |
| 14  | 999 113 264 40 | Radial sealing ring<br>90 X 110 X 12          |        | 1   |              |
| 14  | 999 113 461 40 | Radial sealing ring<br>90 X 110 X 12          |        | 1   |              |
| 14  | 999 113 426 40 | Radial sealing ring<br>90 X 110 X 12          |        | 1   |              |
| 14  | 999 113 426 41 | Radial sealing ring<br>90 X 110 X 12          |        | 1   |              |
| 15  | 900 095 025 01 | Roll pin<br>8 X 16                            |        | 1   |              |
| 16  | 901 101 195 00 | Dowel sleeve                                  |        | 2   |              |
| 17  | 900 031 014 30 | Washer<br>8,4                                 |        | 1   |              |
| 18  | 900 910 022 02 | Lock nut<br>M 8                               |        | 1   |              |
| 19  | 999 704 172 50 | Sealing ring                                  |        | 1   |              |

Model: 911 84

Model life 1984&gt;&gt;1986

| Pos  | Part Number    | Description                    | Remark | Qty | Model        |
|------|----------------|--------------------------------|--------|-----|--------------|
| 20   | 930 101 173 02 | Screw                          |        | 11  |              |
| 21   | 999 701 006 40 | O-ring                         |        | 12  |              |
| 22   | 901 101 161 01 | Washer                         |        | 12  |              |
| (22) | 901 101 161 02 | Washer                         |        | 12  |              |
| 23   | 911 101 011 01 | Spray jet                      |        | 3   | 930.20/21/26 |
| 23   | 930 101 015 00 | Spray jet                      |        | 3   | 930.66/68    |
| 24   | 911 606 112 00 | Remote temperature sensor      |        | 1   |              |
| 25   | 900 123 007 30 | Sealing ring<br>A 14 X 18      |        | 1   |              |
| 26   | 911 107 512 00 | Piston                         |        | 1   |              |
| 27   | 930 107 531 01 | Compression spring             |        | 1   |              |
| 28   | 930 107 533 00 | Guide sleeve                   |        | 1   |              |
| 28   | 930 107 533 01 | Guide sleeve                   |        | 1   |              |
| 29   | 900 123 106 30 | Sealing ring<br>A 18 X 24      |        | 1   |              |
| 30   | 999 064 026 02 | Screw plug                     |        | 1   |              |
| 30   | 999 064 026 01 | Screw plug                     |        | 1   |              |
| 31   | N 020 825 1    | Cutting ring<br>LL 8           |        | 1   |              |
| 32   | 900 104 003 02 | Union nut<br>A LL 8            |        | 1   |              |
| 32   | 900 104 003 03 | Union nut<br>A LL 8            |        | 1   |              |
| 33   | N 012 226 5    | Spring washer<br>B 6           |        | 2   |              |
| 34   | 900 076 010 02 | Nut<br>M 6                     |        | 2   |              |
| 34   | 900 076 010 0B | Nut<br>M 6                     |        | 2   |              |
| 35   | 930 107 765 00 | Oil thermostat                 |        | 1   |              |
| 36   | 999 701 053 40 | O-ring<br>39,2 X 3             |        | 1   |              |
| 37   | 930 105 165 00 | Cover                          |        | 1   |              |
| 38   | 999 701 658 40 | Round seal<br>33,3 X 2,4       |        | 1   |              |
| 39   | 900 075 057 02 | Hexagon-head bolt<br>M 6 X 16  |        | 2   |              |
| 39   | 900 075 057 03 | Hexagon-head bolt<br>M 6 X 16  |        | 2   |              |
| 40   | N 011 524 7    | Washer<br>6,4                  |        | 2   |              |
| 40   | N 011 524 27   | Washer<br>6,4                  |        | 2   |              |
| 41   | 900 123 140 30 | Sealing ring<br>A 18 X 22      |        | 1   |              |
| 42   | 901 101 175 01 | Reducing socket                |        | 1   | 930.20/21/26 |
| 42   | 930 107 705 00 | Reducing socket                |        | 1   | 930.66/68    |
| 43   | 911 606 135 00 | Pressure transmitter           |        | 1   |              |
| 44   | 900 123 009 20 | Sealing ring                   |        | 1   |              |
| 45   | 911 606 230 00 | Oil pressure switch            |        | 1   |              |
| 46   | 911 107 704 00 | Connection piece               |        | 1   |              |
| 47   | 900 123 101 30 | Sealing ring<br>A 12 X 18      |        | 2   |              |
| 48   | 911 107 709 01 | Screw socket                   |        | 1   |              |
| 49   | 900 108 022 00 | Ball<br>\$ 9 MM                |        | 1   | 930.66/68    |
| 50   | 930 107 706 00 | Banjo bolt                     |        | 1   | 930.66/68    |
| 51   | 900 123 007 30 | Sealing ring<br>A 14 X 18      |        | 2   | 930.66/68    |
| 52   | 930 101 191 02 | Support<br>for<br>Pulse sender |        | 1   |              |
| 53   | N 010 217 9    | Hexagon-head bolt              |        | 2   | M30.20/21/26 |

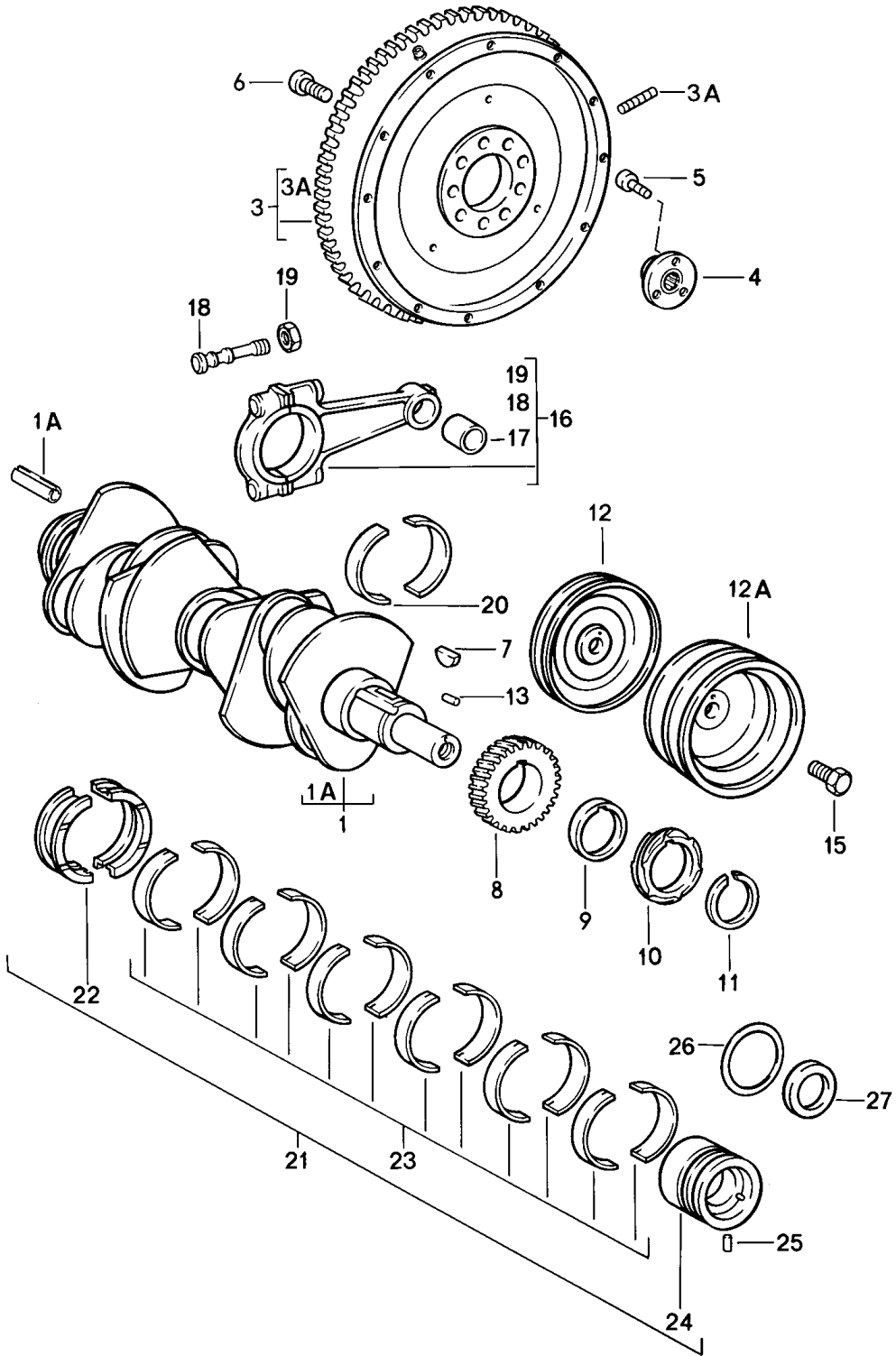
Model: 911 84

Model life 1984&gt;&gt;1986

| Pos | Part Number    | Description                 | Remark | Qty | Model        |
|-----|----------------|-----------------------------|--------|-----|--------------|
| 54  | N 011 524 7    | M 6 X 20<br>Washer<br>A 6,4 |        | 2   | M30.20/21/26 |
| 54  | N 011 524 27   | Washer<br>A 6,4             |        | 2   | M30.20/21/26 |
| 55  | 999 061 056 02 | Stud<br>M 10 X 15           |        | 1   |              |

Model: 911 84

Model life 1984>>1986



Model: 911 84

Model life 1984&gt;&gt;1986

| Pos | Part Number    | Description  | Remark | Qty | Model                |
|-----|----------------|--|--------|-----|----------------------|
| 1   | 930 102 014 09 | Crankshaft   |        | 1   | 930.20/21/26         |
| 1   | 930 102 014 10 | Crankshaft   |        | 1   | 930.66/68            |
| 1   | 930 102 014 11 | Crankshaft   |        | 1   | 930.66/68            |
| 1A  | 900 095 031 00 | Tensioning sleeve<br>6 X 16                        |        | 1   | 930.20/21/26         |
| 3   | 930 102 033 01 | Flywheel   |        | 1   | 930.20/21/26         |
| (3) | 930 102 213 00 | Flywheel   |        | 1   | 930.66/68            |
| 3A  | 930 102 221 00 | Threaded pin                                       |        | 1   | 930.20/21/26         |
| 4   | 930 102 042 00 | Bush   |        | 1   |                      |
| 5   | 900 067 008 02 | Pan-head screw<br>M 6 X 12                         |        | 3   |                      |
| 5   | 900 067 008 03 | Pan-head screw<br>M 6 X 12                         |        | 3   |                      |
| 6   | 930 102 206 00 | Pan-head screw                                     |        | 9   |                      |
| 7   | 901 102 147 00 | Woodruff key                                       |        | 1   |                      |
| 8   | 901 102 111 00 | Timing gear<br>Number 0                            |        | 1   |                      |
| 8   | 901 102 111 10 | Timing gear<br>Number 1                            |        | 1   |                      |
| 8   | 901 102 111 20 | Timing gear<br>Number 1                            |        | 1   |                      |
| 9   | 901 102 145 00 | Intermediate ring                                  |        | 1   |                      |
| 10  | 930 102 112 00 | Drive wheel  |        | 1   | 930.20/21/26         |
| 10  | 930 102 112 01 | Drive wheel  |        | 1   | 930.20/21/26         |
| 10  | 930 102 115 01 | Drive wheel  |        | 1   | 930.66/68            |
| 10  | 930 102 115 02 | Drive wheel  |        | 1   | 930.66/68            |
| 11  | 901 102 148 00 | Circlip<br>Number 0                                |        | 1   |                      |
| 11  | 901 102 148 01 | Circlip<br>Number 1                                |        | 1   |                      |
| 11  | 901 102 148 02 | Circlip<br>Number 2                                |        | 1   |                      |
| 11  | 901 102 148 03 | Circlip<br>Number 3                                |        | 1   |                      |
| 12  | 930 102 028 08 | Pulley   |        | 1   | 930.20/21/26         |
| 12  | 930 102 126 02 | Pulley   |        | 1   | 930.66               |
| 12A | 930 102 024 03 | Pulley   |        | 1   | 930.20/21/26<br>M559 |
| 12A | 930 102 024 02 | Pulley   |        | 1   | 930.66<br>M559/573   |
| 12A | 930 102 024 04 | Pulley   |        | 1   | 930.68               |
| 13  | N 101 090 01   | Straight pin<br>5 M 6 X 14                         |        | 1   |                      |
| 13  | N 101 090 0A   | Straight pin<br>5 M 6 X 14                         |        | 1   |                      |
| 15  | 999 093 005 02 | Hexagon-head bolt<br>M12 X 1,5 X 22                |        | 1   |                      |
| 16  | 930 103 020 73 | Connecting rod<br>Weight group:<br>3 = 615 - 624 G |        | 6   |                      |
| 16  | 930 103 975 00 | Connecting rod<br>Weight group:<br>3 = 615 - 624 G |        | 6   |                      |
| 16  | 930 103 020 74 | Connecting rod<br>Weight group:<br>4 = 624 - 633 G |        | 6   |                      |
| 16  | 930 103 020 75 | Connecting rod<br>Weight group:<br>5 = 633 - 642 G |        | 6   |                      |
| 16  | 930 103 020 76 | Connecting rod<br>Weight group:<br>6 = 642 - 651 G |        | 6   |                      |



Model: 911 84 Model life 1984>>1986

| Pos | Part Number    | Description   | Remark | Qty | Model |
|-----|----------------|---|--------|-----|-------|
| 16  | 930 103 020 77 | Connecting rod<br>Weight group:<br>7 = 651 - 660 G                        |        | 6   |       |
| 16  | 930 103 020 78 | Connecting rod<br>Weight group:<br>8 = 660 - 669 G                        |        | 6   |       |
| 16  | 930 103 020 79 | Connecting rod<br>Weight group:<br>9 = 669 - 678 G                        |        | 6   |       |
| 16  | 930 103 020 80 | Connecting rod<br>Weight group:<br>10 = 678 - 687 G                       |        | 6   |       |
| 16  | 930 103 020 81 | Connecting rod<br>Weight group:<br>11 = 687 - 696 G                       |        | 6   |       |
| -   | 930 103 975 00 | Connecting rod<br>1 set<br>Comprising:<br>Connecting rods                 |        | 1   |       |
| 17  | 930 103 134 01 | Connecting rod bush   |        | 6   |       |
| 18  | 964 103 176 00 | Connecting rod bolt   |        | 12  |       |
| 19  | 930 103 174 00 | Connecting rod nut  |        | 12  |       |
| 20  | 930 103 147 15 | Connecting-rod bearing<br>Set   |        | 6   |       |
| 20  | 930 103 147 50 | Connecting-rod bearing<br>Oversize<br>0,25 MM                             |        | 12  |       |
| 20  | 930 103 147 81 | Connecting-rod bearing<br>Oversize<br>0,25 MM                             |        | 12  |       |
| 20  |                | Connecting-rod bearing<br>Connecting-rod bearing<br>Oversize<br>0,25 MM   |        | 12  |       |
| 20  | 930 103 147 60 | Connecting-rod bearing<br>Oversize<br>0,50 MM                             |        | 12  |       |
| 20  | 930 103 147 70 | Connecting-rod bearing<br>Oversize<br>0,75 MM                             |        | 12  |       |
| 20  | 930 103 147 80 | Connecting-rod bearing<br>Oversize<br>1,00 MM                             |        | 12  |       |
| 21  | 930 101 901 00 | Set of crankshaft bearings<br>Comprising:                                 |        | 1   |       |
| 22  | 930 101 131 15 | Bearing shell<br>Set<br>I   |        | 1   |       |
| 23  | 930 101 132 15 | Bearing shell<br>II - VII   |        | 12  |       |
| 24  | 964 101 138 01 | Bearing sleeve<br>VIII  |        | 1   |       |
| 21  | 930 101 901 51 | Set of crankshaft bearings<br>Oversize<br>Inner<br>0,25 MM<br>Comprising: |        | 1   |       |
| 22  | 930 101 131 51 | Bearing shell<br>I  |        | 2   |       |
| 23  | 930 101 132 51 | Bearing shell<br>II - VII   |        | 12  |       |
| 23  | 930 101 132 92 | Bearing shell<br>II - VII   |        | 12  |       |

Model: 911 84 Model life 1984>>1986

| Pos | Part Number    | Description   | Remark | Qty | Model |
|-----|----------------|---|--------|-----|-------|
| 23  |                | Bearing shell<br>Bearing shell<br>II-VII  |        | 12  |       |
| 24  | 964 101 138 54 | Bearing sleeve<br>VIII  |        | 1   |       |
| 21  | 930 101 901 56 | Set of crankshaft bearings<br>Oversize<br>Inner<br>0,50 MM<br>Comprising:                     |        | 1   |       |
| 22  | 930 101 131 56 | Bearing shell<br>I  |        | 2   |       |
| 23  | 930 101 132 56 | Bearing shell<br>II-VII   |        | 12  |       |
| 24  | 964 101 138 55 | Bearing sleeve<br>VIII  |        | 1   |       |
| 21  | 930 101 901 66 | Set of crankshaft bearings<br>Oversize<br>Inner<br>0,75 MM<br>Comprising:                     |        | 1   |       |
| 22  | 930 101 131 66 | Bearing shell<br>I  |        | 2   |       |
| 23  | 930 101 132 66 | Bearing shell<br>II - VII   |        | 12  |       |
| 24  | 930 101 138 68 | Bearing sleeve<br>VIII  |        | 1   |       |
| 21  | 930 101 901 70 | Set of crankshaft bearings<br>Oversize<br>Inner<br>1,00 MM<br>Comprising:                     |        | 1   |       |
| 22  | 930 101 131 70 | Bearing shell<br>I  |        | 2   |       |
| 23  | 930 101 132 70 | Bearing shell<br>II - VII   |        | 12  |       |
| 24  | 930 101 138 69 | Bearing sleeve<br>VIII  |        | 1   |       |
| 21  | 930 101 901 61 | Set of crankshaft bearings<br>Oversize<br>Outer<br>0,25 MM<br>Comprising:                     |        | 1   |       |
| 22  | 930 101 131 61 | Bearing shell<br>I  |        | 2   |       |
| 23  | 930 101 132 61 | Bearing shell<br>II - VII   |        | 12  |       |
| 24  | 964 101 138 65 | Bearing sleeve<br>VIII  |        | 1   |       |
| 21  | 930 101 901 71 | Set of crankshaft bearings<br>Oversize<br>Inner<br>0,25 MM<br>Outer<br>0,25 MM<br>Comprising: |        | 1   |       |
| 22  | 930 101 131 71 | Bearing shell<br>I  |        | 2   |       |
| 23  | 930 101 132 71 | Bearing shell<br>II - VII   |        | 12  |       |
| 23  | 930 101 132 72 | Bearing shell<br>II - VII   |        | 12  |       |
| 23  |                | Bearing shell   |        | 12  |       |

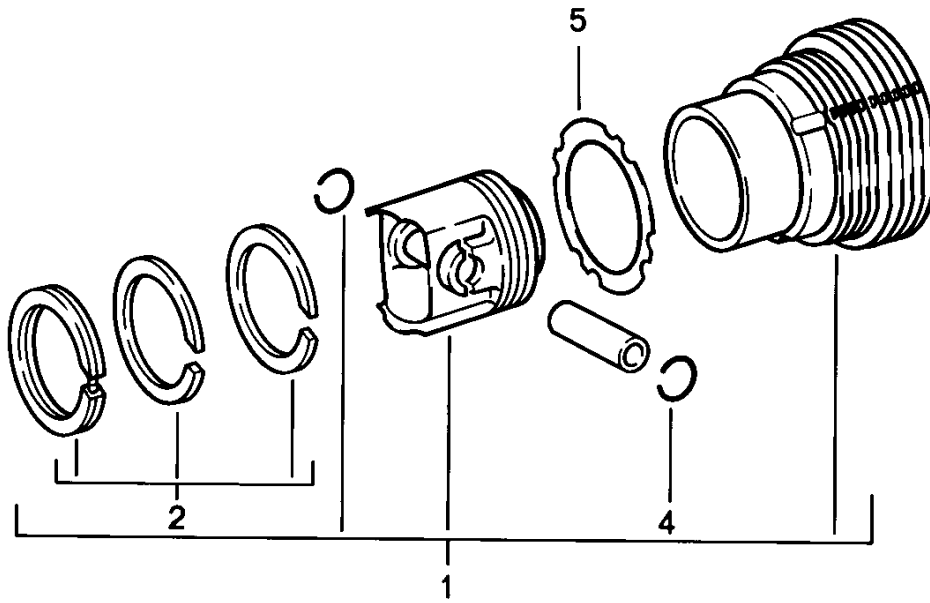
Model: 911 84

Model life 1984&gt;&gt;1986

| Pos | Part Number    | Description   | Remark | Qty | Model |
|-----|----------------|---|--------|-----|-------|
| 24  | 964 101 138 66 | Bearing shell<br>II - VII   |        | 1   |       |
| 21  | 930 101 901 76 | Bearing sleeve<br>VIII<br>Set of crankshaft bearings<br>Oversize<br>Inner<br>0,50 MM<br>Outer<br>0,25 MM<br>Comprising: |        | 1   |       |
| 22  | 930 101 131 76 | Bearing shell<br>I  |        | 2   |       |
| 23  | 930 101 132 76 | Bearing shell<br>II - VII   |        | 12  |       |
| 24  | 964 101 138 67 | Bearing sleeve<br>VIII  |        | 1   |       |
| 21  | 930 101 901 86 | Set of crankshaft bearings<br>Oversize<br>Inner<br>0,75 MM<br>Outer<br>0,25 MM<br>Comprising:                           |        | 1   |       |
| 22  | 930 101 131 86 | Bearing shell<br>I  |        | 2   |       |
| 23  | 930 101 132 86 | Bearing shell<br>II - VII   |        | 12  |       |
| 24  | 930 101 138 88 | Bearing sleeve<br>VIII  |        | 1   |       |
| 21  | 930 101 901 90 | Set of crankshaft bearings<br>Oversize<br>Inner<br>1,00 MM<br>Outer<br>0,25 MM<br>Comprising:                           |        | 1   |       |
| 22  | 930 101 131 90 | Bearing shell<br>I  |        | 2   |       |
| 23  | 930 101 132 90 | Bearing shell<br>II - VII   |        | 12  |       |
| 24  | 930 101 138 89 | Bearing sleeve<br>VIII  |        | 1   |       |
| 25  | 900 012 061 00 | Straight pin<br>5 H 8 X 10  |        | 1   |       |
| 26  | 999 707 285 40 | O-ring<br>51 X 4,5  |        | 1   |       |
| 27  | 999 113 290 41 | Radial sealing ring<br>30 X 50 X 10   |        | 1   |       |

Model: 911 84

Model life 1984>>1986



Model: 911 84

Model life 1984&gt;&gt;1986

| Pos | Part Number    | Description   | Remark | Qty | Model        |
|-----|----------------|---|--------|-----|--------------|
| 1   | PCG 503 569 2  | Cylinder with piston<br>Group 5<br>- mahle -<br>Cylinder with piston<br>Complete<br>FA. MAHLE<br>Only by sets | 84     | 6   | 930.20/21/26 |
| (1) | 930 103 981 03 | Cylinder with piston<br>Identification<br>-- / -<br>613-621 G   | -85    | 6   | 930.20/21/26 |
| 1   | 930 103 990 01 | Cylinder with piston<br>Identification<br>-- / -<br>613-621 G   | 86-    | 6   | 930.20/21/26 |
| 1   | 930 103 981 04 | Cylinder with piston<br>Identification<br>+ / ++<br>621-629 G   | -85    | 6   | 930.20/21/26 |
| 1   | 930 103 990 02 | Cylinder with piston<br>Identification<br>+ / ++<br>621-629 G   | 86-    | 6   | 930.20/21/26 |
| 1   | 930 103 990 91 | Cylinder with piston<br>Identification<br>+ / ++<br>621-629 G   | 86-    | 6   | 930.20/21/26 |
| 1   | PCG 503 989 0  | Cylinder with piston<br>Complete<br>Fa. Mahle<br>Only by sets   |        | 6   | 930.66/68    |
| 1   | 930 103 969 03 | Cylinder with piston<br>Identification<br>-- / -<br>616-624G  |        | 6   | 930.66/68    |
| 1   | 930 103 969 04 | Cylinder with piston<br>Identification<br>+ / ++<br>624-632 G<br>Group 6<br>- mahle -                         |        | 6   | 930.66/68    |
| 1   | 930 103 981 05 | Cylinder with piston<br>Identification<br>-- / -<br>613-621 G   | -85    | 6   | 930.20/21/26 |
| 1   | 930 103 990 03 | Cylinder with piston<br>Identification<br>-- / -<br>613-621 G   | 86-    | 6   | 930.20/21/26 |
| 1   | 930 103 981 06 | Cylinder with piston<br>Identification<br>+ / ++<br>621-629 G   | -85    | 6   | 930.20/21/26 |
| 1   | 930 103 990 04 | Cylinder with piston<br>Identification<br>+ / ++<br>621-629 G   | 86-    | 6   | 930.20/21/26 |
| 1   | 930 103 969 05 | Cylinder with piston<br>Identification<br>-- / -<br>616-624 G   |        | 6   | 930.66/68    |
| 1   | 930 103 969 04 | Cylinder with piston<br>Identification  |        | 6   | 930.66/68    |

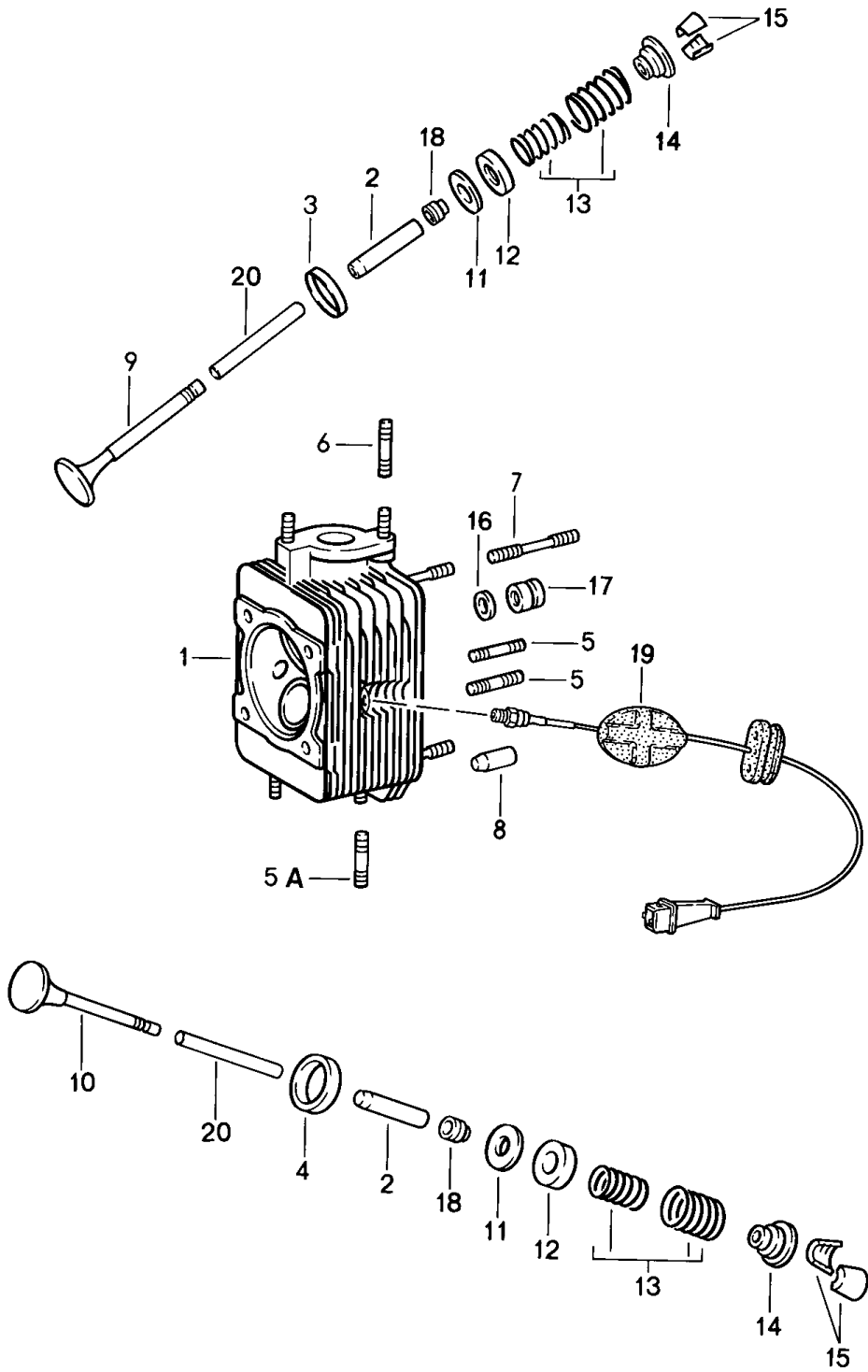
Model: 911 84

Model life 1984&gt;&gt;1986

| Pos | Part Number    | Description   | Remark | Qty | Model        |
|-----|----------------|---|--------|-----|--------------|
| 1   | 930 103 969 06 | -- / -<br>616-624 G<br>Cylinder with piston<br>Identification<br>+ / ++<br>624-632 G<br>Piston rings<br>- mahle - |        | 6   | 930.66/68    |
| 2   | 930 103 986 00 | Set of piston rings   |        | 6   | M30.20/21/26 |
| 2   | 930 103 968 00 | Set of piston rings   |        | 6   | M30.66/68    |
| 4   | N 012 278 1    | Circlip<br>C 22   |        | 12  | M30.20/21/26 |
| 4   | 900 908 019 00 | Ring<br>C 23  |        | 12  | M30.66/68    |
| 5   | 930 104 194 02 | Cylinder base gasket<br>0,25 MM   |        | 6   |              |
| 5   | 930 104 194 01 | Cylinder base gasket<br>Oversize 0.50 mm<br>See technical information<br>GR.1 NR.18                               |        | 6   |              |

Model: 911 84

Model life 1984>>1986



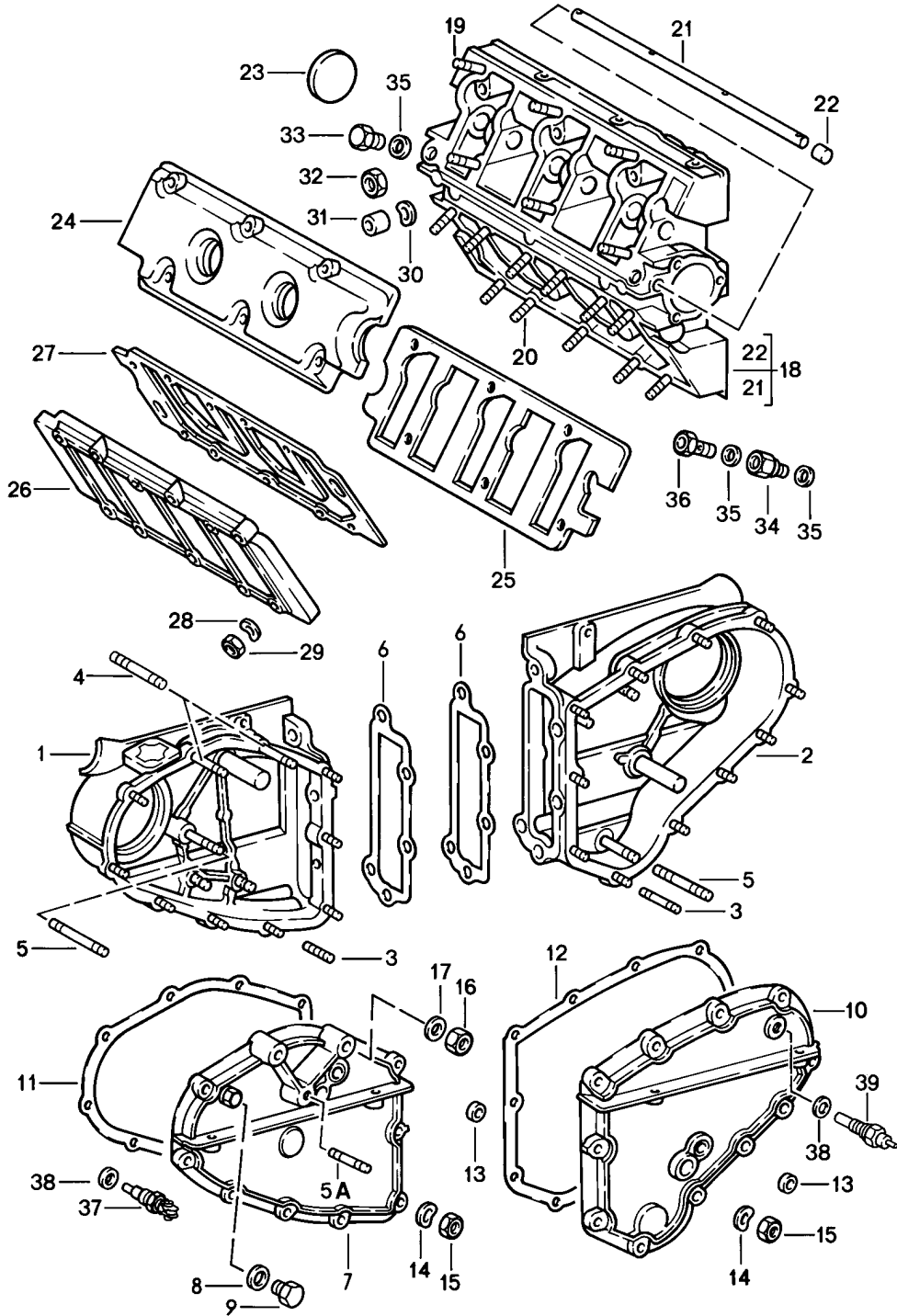
Model: 911 84 Model life 1984>>1986

| Pos  | Part Number    | Description  | Remark | Qty | Model        |
|------|----------------|--|--------|-----|--------------|
| 1    | 930 104 033 06 | Cylinder head<br>Cylinder head<br>without valves       |        | 6   | 930.20/21    |
| 1    | 930 104 043 09 | Cylinder head<br>without valves                        |        | 6   | 930.66/68    |
| (1)  | 930 104 011 02 | Cylinder head<br>with valves<br>Ready for installation |        | 6   | 930.20/21    |
| (1)  | 930 104 023 09 | Cylinder head<br>with valves<br>Ready for installation |        | 6   | 930.66/68    |
| (1)  | 930 104 023 GX | Cylinder head<br>with valves<br>Ready for installation |        | 6   | 930.66/68    |
| 2    | 930 104 321 50 | Valve guide<br>1st oversize                            |        | 12  |              |
| 3    | 930 104 331 50 | Valve seat ring<br>Intake<br>Oversize                  |        | 6   |              |
| 4    | 930 104 335 56 | Valve seat ring<br>Exhaust<br>Oversize                 |        | 6   |              |
| 5    | 999 062 006 02 | Stud<br>BM 8 X 20                                      |        | 12  |              |
| 5A   | 999 062 239 02 | Stud<br>BM 8 X 30                                      |        | 12  |              |
| 6    | 999 062 010 02 | Stud<br>BM 8 X 35                                      |        | 12  | 930.20/21/26 |
| 6    | 999 062 178 02 | Stud<br>BM 8 X 120                                     |        | 12  | 930.66/68    |
| 7    | 999 062 041 02 | Stud<br>BM 8 X 50                                      |        | 24  |              |
| 8    | 999 012 006 00 | Straight pin   |        | 12  |              |
| 9    | 930 105 409 13 | Intake valve   |        | 6   | 930.20/21/26 |
| 9    | 930 105 409 01 | Intake valve   |        | 6   | 930.20/21/26 |
| 9    | 964 105 409 06 | Intake valve   |        | 6   | 930.66/68    |
| 9    | 964 105 409 08 | Intake valve   |        | 6   | 930.66/68    |
| 10   | 930 105 419 51 | Exhaust valve  |        | 6   | 930.20/21/26 |
| 10   | 930 105 419 50 | Exhaust valve  |        | 6   | 930.66/68    |
| 11   | 930 105 461 00 | Washer   |        | X   |              |
| 12   | 901 105 463 00 | Ring   |        | 12  |              |
| 13   | 901 105 901 50 | Set of valve springs                                   |        | 12  |              |
| 13   | 901 105 901 51 | Set of valve springs                                   |        | 12  |              |
| 14   | 901 105 421 03 | Concave washer   |        | 12  |              |
| 15   | 901 105 417 00 | Collet   |        | 24  |              |
| 16   | 999 031 091 01 | Washer   |        | 24  |              |
| 17   | 901 104 382 02 | Nut  |        | 24  |              |
| 17   | 901 104 382 03 | Nut  |        | 24  |              |
| 18   | 928 104 193 12 | Valve stem seal  |        | 12  |              |
| (18) | 928 104 193 13 | Valve stem seal  |        | 12  |              |
| (18) | 964 104 111 07 | Valve stem seal  |        | 12  |              |
| 19   | 930 606 915 00 | Temperature sensor                                     |        | 1   | 930.20/21/26 |
| 20   | 000 043 204 48 | Sleeve<br>for<br>Valve stem seal                       |        | X   |              |



Model: 911 84

Model life 1984>>1986



Model: 911 84 Model life 1984>>1986

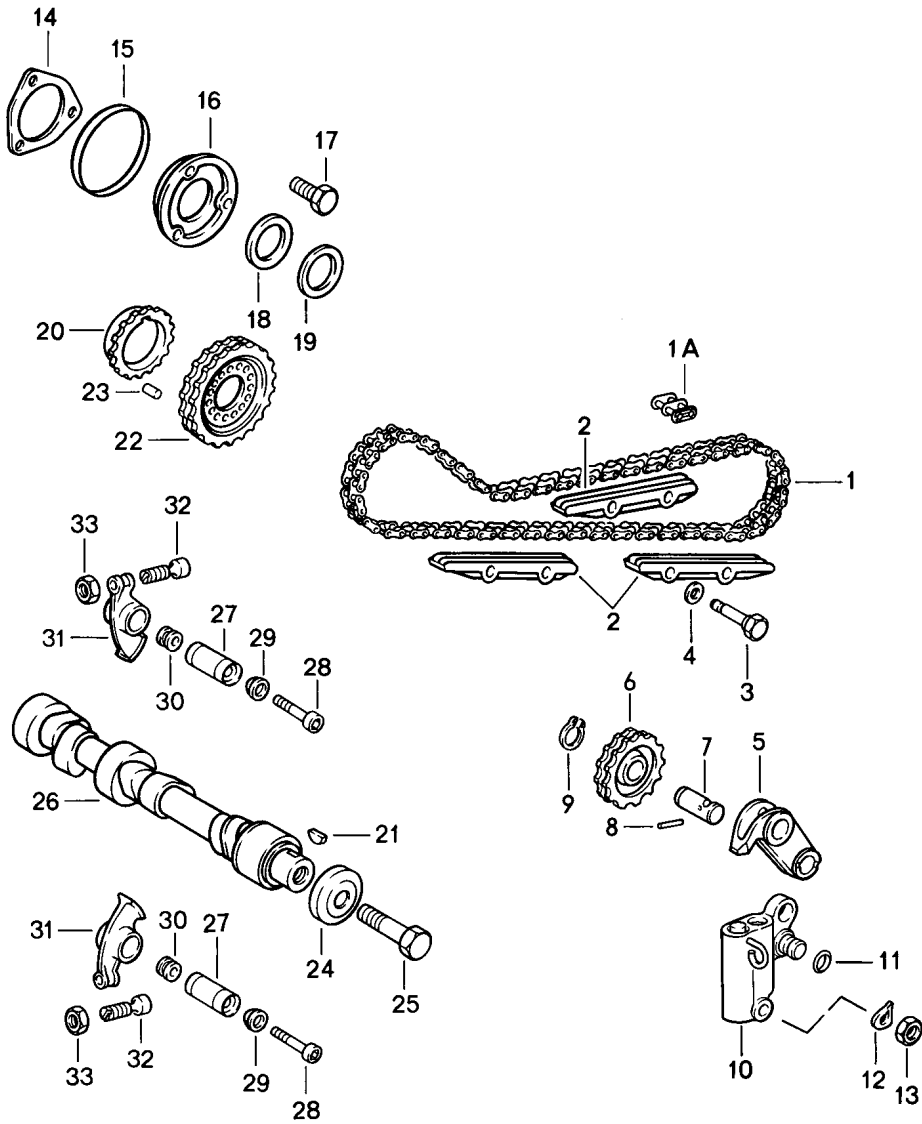
| Pos | Part Number    | Description      | Remark | Qty | Model        |
|-----|----------------|------------------|--------|-----|--------------|
|     |                | Camshaft housing |        |     |              |
|     |                | Chain case       |        |     |              |
| 1   | 930 105 061 02 | Chain case       | /L     | 1   |              |
| 2   | 930 105 062 01 | Chain case       | /R     | 1   |              |
| 3   | 999 062 102 02 | Stud             |        | 19  |              |
|     |                | BM 6 X 22        |        |     |              |
| 4   | 999 062 052 02 | Stud             |        | 2   |              |
|     |                | BM 8 X 42        |        |     |              |
| 5   | 999 062 255 02 | Stud             | /L     | 1   |              |
|     |                | M 8 X 60         |        |     |              |
| 5   | 999 062 041 02 | Stud             | /R     | 1   |              |
|     |                | M 8 X 50         |        |     |              |
| 6   | 930 105 193 00 | Gasket           |        | 2   |              |
| 6   | 930 105 193 05 | Gasket           |        | 2   |              |
| 7   | 930 105 063 08 | Lid              | /L     | 1   |              |
| 8   | 900 123 007 30 | Sealing ring     |        | 1   |              |
|     |                | A 14 X 18        |        |     |              |
| 9   | N 016 155 3    | Screw plug       |        | 1   | 930.20/21/26 |
|     |                | M 14 X 1,5       |        |     |              |
| 9   | N 016 155 4    | Screw plug       |        | 1   | 930.20/21/26 |
|     |                | M 14 X 1,5       |        |     |              |
| 10  | 930 105 064 10 | Lid              | /R     | 1   |              |
| 10  |                | Lid              | /R     | 1   |              |
| 10  |                | Lid              | /R     | 1   | 930.68       |
| 11  | 930 105 191 03 | Gasket           | /L     | 1   |              |
| 12  | 930 105 192 01 | Gasket           | /R     | 1   |              |
| 12  | 930 105 192 03 | Gasket           | /R     | 1   |              |
| 12  | 930 105 192 04 | Gasket           | /R     | 1   |              |
| 13  | 900 036 008 02 | Lid              |        | 2   |              |
| 14  | 900 031 011 30 | Washer           |        | 19  |              |
|     |                | 6,4              |        |     |              |
| 15  | 900 910 012 02 | Lock nut         |        | 19  |              |
|     |                | M 6              |        |     |              |
| 15  | 900 910 047 09 | Lock nut         |        | 19  |              |
|     |                | M 6              |        |     |              |
| 16  | 900 076 025 02 | Hexagon nut      |        | 4   |              |
|     |                | M 8              |        |     |              |
| 16  | 900 076 064 02 | Hexagon nut      |        | 4   |              |
|     |                | M 8              |        |     |              |
| 17  | N 012 241 8    | Spring washer    |        | 4   |              |
|     |                | B 8              |        |     |              |
| 18  | 930 105 021 00 | Camshaft housing |        | 2   |              |
| 19  | 999 062 009 02 | Stud             |        | 12  |              |
|     |                | BM 8 X 28        |        |     |              |
| 19  | 900 060 105 01 | Stud             |        | 12  |              |
|     |                | BM 8 X 28        |        |     |              |
| 20  | 999 062 010 02 | Stud             |        | 22  |              |
|     |                | BM 8 X 35        |        |     |              |
| 21  | 930 105 362 00 | Oil splash tube  |        | 2   |              |
| 22  | 901 105 379 00 | Stopper          |        | 4   |              |
| 23  | 930 105 161 00 | Lid              |        | 2   |              |
| 24  | 901 105 115 03 | Lid              |        | 2   |              |
| 25  | 930 105 194 00 | Gasket           |        | 2   |              |
| 25  | 930 105 194 02 | Gasket           |        | 2   |              |
| 25  | 930 105 194 04 | Gasket           |        | 2   |              |
| 26  | 930 105 116 00 | Lid              |        | 2   | /25          |
|     |                |                  |        |     | 930.20/21    |
| 26  | 930 105 116 05 | Lid              |        | 2   | /25          |
|     |                |                  |        |     | 930.20/21    |
| 26  | 930 105 116 00 | Lid              | /R     | 1   | 930.66/68    |
| 26  | 930 105 116 05 | Lid              | /R     | 1   | 930.66/68    |
| 26  | 930 105 116 01 | Lid              | /L     | 1   | 930.66/68    |
| 27  | 930 105 195 02 | Gasket           | -84    | 2   |              |

Model: 911 84 Model life 1984>>1986

| Pos | Part Number    | Description                      | Remark | Qty | Model     |
|-----|----------------|----------------------------------|--------|-----|-----------|
| 27  | 930 105 195 05 | Gasket                           | 85-    | 2   |           |
| 27  | 930 105 195 06 | Gasket                           | 85-    | 2   |           |
| 27  | 930 105 195 07 | Gasket                           | 85-    | 2   |           |
| 28  | 900 031 014 30 | Washer<br>8,4                    |        | 40  |           |
| 29  | 900 084 004 03 | Hexagon nut<br>M 8               |        | 40  |           |
| 29  | 900 084 004 02 | Hexagon nut<br>M 8               |        | 40  |           |
| 30  | N 012 241 8    | Spring washer<br>B 8 X 15        |        | 40  |           |
| 31  | 901 111 271 00 | Nut                              |        | 6   |           |
| 32  | 900 076 025 02 | Hexagon nut<br>M 8               |        | 34  |           |
| 32  | 900 076 064 02 | Hexagon nut<br>M 8               |        | 34  |           |
| 33  | 901 105 374 00 | Screw plug                       |        | 2   |           |
| 34  | 901 105 361 01 | Intermediate piece               |        | 2   |           |
| 34  | 901 105 361 02 | Intermediate piece               |        | 2   |           |
| 35  | 900 123 005 00 | Sealing ring<br>A 12 X 16        |        | 4   |           |
| 36  | 999 134 018 02 | Banjo bolt<br>A 6                |        | 2   |           |
| 37  | 911 617 117 00 | Temperature switch               |        | 1   | 930.66    |
| 37  | 930 617 118 00 | Temperature switch               |        | 1   | 930.68    |
| 38  | 900 123 007 70 | Sealing ring<br>A 14 X 18        |        | 1   | 930.66/68 |
| 39  | 930 606 117 00 | Temperature switch               |        | 1   | 930.68    |
| -   | 930 105 902 00 | Gasket set<br>for<br>Valve cover |        | 1   |           |
| -   | 930 105 902 01 | Gasket set<br>for<br>Valve cover |        | 1   |           |
| -   | 930 105 194 01 | Gasket                           |        | 2   |           |
| -   | 930 105 195 05 | Gasket                           |        | 2   |           |
| -   | 930 105 195 06 | Gasket                           |        | 2   |           |
| -   | 930 105 195 07 | Gasket                           |        | 2   |           |
| -   | 900 031 014 30 | Washer                           |        | 34  |           |
| -   | 900 084 004 03 | Hexagon nut                      |        | 34  |           |
| -   | 900 084 004 02 | Hexagon nut                      |        | 34  |           |

Model: 911 84

Model life 1984>>1986



Model: 911 84 Model life 1984>>1986

| Pos | Part Number    | Description   | Remark | Qty | Model        |
|-----|----------------|---|--------|-----|--------------|
| 1   | 993 105 529 00 | Valve control<br>Left<br>Timing chain<br>Closed         |        | 1   |              |
| 1   | 911 105 529 50 | Timing chain<br>Divided<br>with<br>Lock                 |        | 1   |              |
| 1   | 911 105 529 51 | Timing chain<br>Divided<br>with<br>Lock                 |        | 1   |              |
| 1A  | 901 105 530 00 | Connecting link<br>Only together with<br>911.105.529.50 |        | 1   |              |
| 2   | 911 105 222 06 | Guide rail  |        | 3   |              |
| 3   | 901 105 226 03 | Bolt  |        | 4   |              |
| 4   | 900 123 066 30 | Sealing ring<br>A 10 X 16                               |        | 4   |              |
| 5   | 930 105 509 00 | Chain wheel support                                     |        | 1   |              |
| 6   | 901 105 055 00 | Sprocket  |        | 1   |              |
| 7   | 901 105 056 01 | Bolt  |        | 1   |              |
| 7   | 901 105 056 02 | Bolt  |        | 1   |              |
| 8   | 900 197 010 00 | Tensioning sleeve<br>3 X 22                             |        | 1   |              |
| 9   | N 012 415 1    | Circlip<br>15 X 1                                       |        | 1   |              |
| 10  | 930 105 058 03 | Chain adjuster  |        | 1   |              |
| 11  | 999 701 690 40 | Round seal<br>12 X 1,78                                 |        | 1   |              |
| 12  | N 012 241 8    | Spring washer<br>B 8 X 15                               |        | 1   |              |
| 13  | 900 076 025 02 | Hexagon nut<br>M 8                                      |        | 1   |              |
| 13  | 900 076 064 02 | Hexagon nut<br>M 8                                      |        | 1   |              |
| 14  | 930 105 197 03 | Gasket  |        | 1   |              |
| 15  | 999 701 468 40 | Round seal<br>67,5 X 75,4 X 4                           |        | 1   |              |
| 16  | 930 105 196 00 | Cover   |        | 1   |              |
| 17  | 900 075 341 02 | Combination screw<br>M 6 X 25                           |        | 3   |              |
| 17  | 900 075 341 01 | Combination screw<br>M 6 X 25                           |        | 3   |              |
| 18  | 901 105 562 00 | Thrust washer   |        | 1   |              |
| 18  | 901 105 562 02 | Thrust washer   |        | 1   |              |
| 19  | 901 105 561 00 | Shim  |        | X   |              |
| 20  | 901 105 583 01 | Flange  |        | 1   |              |
| 21  | 900 118 005 00 | Woodruff key  |        | 1   |              |
| 21  | N 012 708 2    | Woodruff key<br>4 X 5                                   |        | 1   |              |
| 22  | 901 105 546 02 | Sprocket<br>II  |        | 1   |              |
| 22  | 901 105 546 04 | Sprocket<br>II  |        | 1   |              |
| 23  | 900 243 001 00 | Straight pin<br>6 H 8 X 14                              |        | 1   |              |
| 24  | 993 105 163 50 | Washer  |        | 1   |              |
| 25  | 900 082 072 01 | Hexagon-head bolt<br>M 12 X 1,5 X 50                    |        | 1   |              |
| 26  | 930 105 147 10 | Camshaft  |        | 1   | 930.20/21/26 |
| 26  | 930 105 147 16 | Camshaft  |        | 1   | 930.20/21/26 |
| 26  | 930 105 147 17 | Camshaft  |        | 1   | 930.20/21/26 |

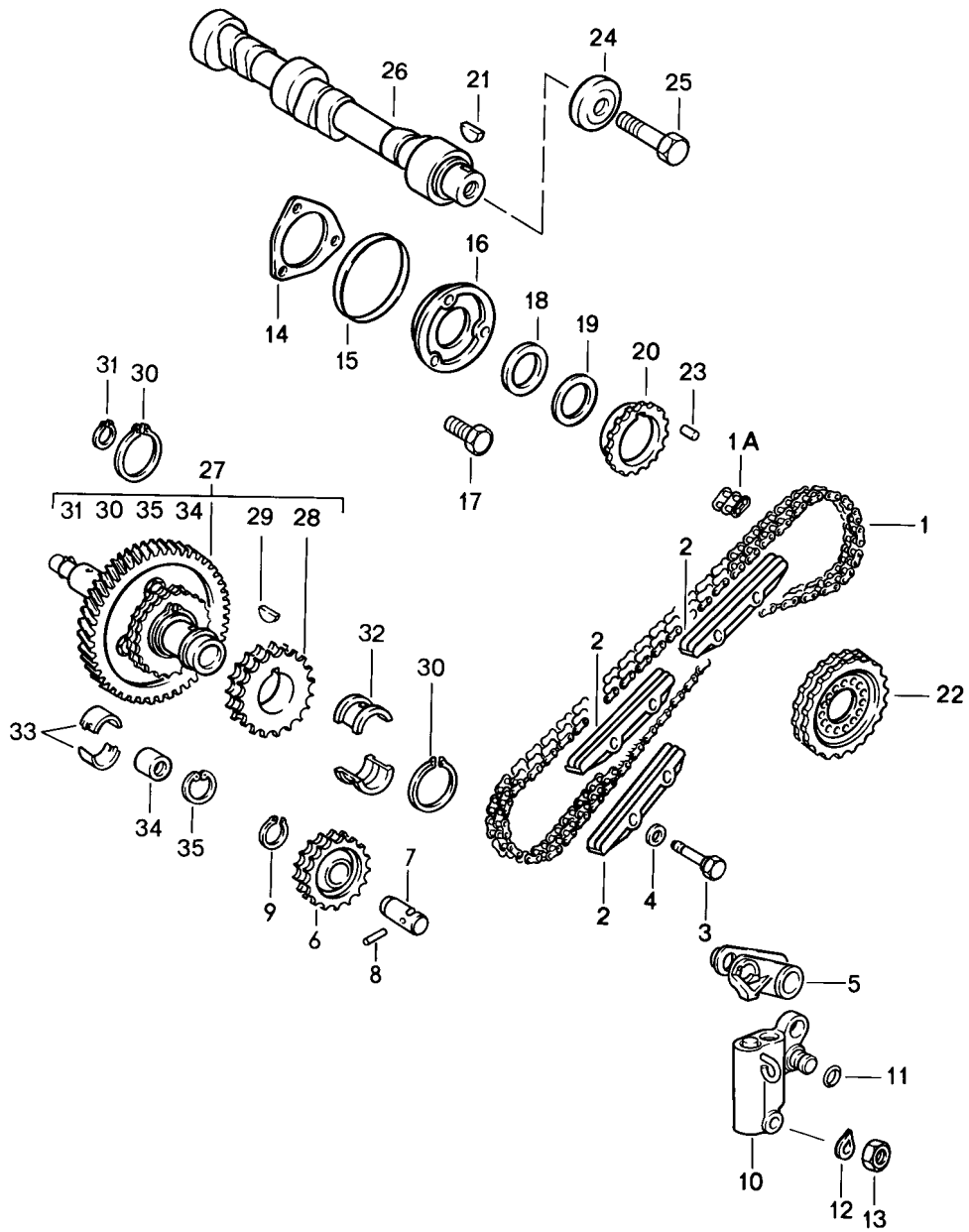
Model: 911 84

Model life 1984&gt;&gt;1986

| Pos | Part Number    | Description     | Remark | Qty | Model     |
|-----|----------------|-----------------|--------|-----|-----------|
| 26  | 930 105 143 03 | Camshaft        |        | 1   | 930.66/68 |
| 27  | 901 105 342 04 | Rocker shaft    |        | 12  |           |
| 28  | 999 067 008 00 | Pan-head screw  |        | 12  |           |
| 29  | 901 105 344 02 | Bush            |        | 12  |           |
| 29  | 901 105 344 03 | Bush            |        | 12  |           |
| 30  | 901 105 376 02 | Nut             |        | 12  |           |
| 31  | 930 105 043 00 | Rocker arm      |        | 12  |           |
| 31  | 930 105 043 02 | Rocker arm      |        | 12  |           |
| 32  | 901 105 370 02 | Adjusting screw |        | 12  |           |
| 33  | 999 034 005 00 | Nut             |        | 12  |           |

Model: 911 84

Model life 1984>>1986



Model: 911 84 Model life 1984>>1986

| Pos | Part Number    | Description   | Remark | Qty | Model        |
|-----|----------------|---|--------|-----|--------------|
| 1   | 993 105 529 00 | Valve control<br>Right<br>Timing chain<br>Closed        |        | 1   |              |
| 1   | 911 105 529 50 | Timing chain<br>Divided<br>with<br>Lock                 |        | 1   |              |
| 1   | 911 105 529 51 | Timing chain<br>Divided<br>with<br>Lock                 |        | 1   |              |
| 1A  | 901 105 530 00 | Connecting link<br>Only together with<br>911.105.529.50 |        | 1   |              |
| 2   | 911 105 222 05 | Guide rail  |        | 1   |              |
| 2   | 911 105 222 06 | Guide rail  |        | 2   |              |
| 3   | 901 105 226 03 | Bolt  |        | 4   |              |
| 4   | 900 123 066 30 | Sealing ring<br>A 10 X 16                               |        | 4   |              |
| 5   | 930 105 510 00 | Chain wheel support                                     |        | 1   |              |
| 6   | 901 105 055 00 | Sprocket  |        | 1   |              |
| 7   | 901 105 056 01 | Bolt  |        | 1   |              |
| 7   | 901 105 056 02 | Bolt  |        | 1   |              |
| 8   | 900 197 010 00 | Tensioning sleeve<br>3 X 22                             |        | 1   |              |
| 9   | N 012 415 1    | Circlip<br>15 X 1                                       |        | 1   |              |
| 10  | 930 105 058 03 | Chain adjuster  |        | 1   |              |
| 11  | 999 701 690 40 | Round seal<br>12 X 1,78                                 |        | 1   |              |
| 12  | N 012 241 8    | Spring washer<br>B 8 X 15                               |        | 1   |              |
| 13  | 900 076 025 02 | Hexagon nut<br>M 8                                      |        | 1   |              |
| 13  | 900 076 064 02 | Hexagon nut<br>M 8                                      |        | 1   |              |
| 14  | 930 105 197 03 | Gasket  |        | 1   |              |
| 15  | 999 701 468 40 | Round seal<br>67,5 X 75,4 X 4                           |        | 1   |              |
| 16  | 930 105 196 00 | Cover   |        | 1   |              |
| 17  | 900 075 341 02 | Combination screw<br>M 6 X 25                           |        | 3   |              |
| 17  | 900 075 341 01 | Combination screw<br>M 6 X 25                           |        | 3   |              |
| 18  | 901 105 562 00 | Thrust washer   |        | 1   |              |
| 18  | 901 105 562 02 | Thrust washer   |        | 1   |              |
| 19  | 901 105 561 00 | Shim  |        | X   |              |
| 20  | 901 105 583 01 | Flange  |        | 1   |              |
| 21  | N 012 708 2    | Woodruff key<br>4 X 5                                   |        | 1   |              |
| 22  | 901 105 546 02 | Sprocket<br>II  |        | 1   |              |
| 22  | 901 105 546 04 | Sprocket<br>II  |        | 1   |              |
| 23  | 900 243 001 00 | Straight pin<br>6 H 8 X 14                              |        | 1   |              |
| 24  | 993 105 163 50 | Washer  |        | 1   |              |
| 25  | 900 082 072 01 | Hexagon-head bolt<br>M 12 X 1,5 X 50                    |        | 1   |              |
| 26  | 930 105 148 10 | Camshaft  |        | 1   | 930.20/21/26 |
| 26  | 930 105 148 16 | Camshaft  |        | 1   | 930.20/21/26 |
| 26  | 930 105 148 17 | Camshaft  |        | 1   | 930.20/21/26 |

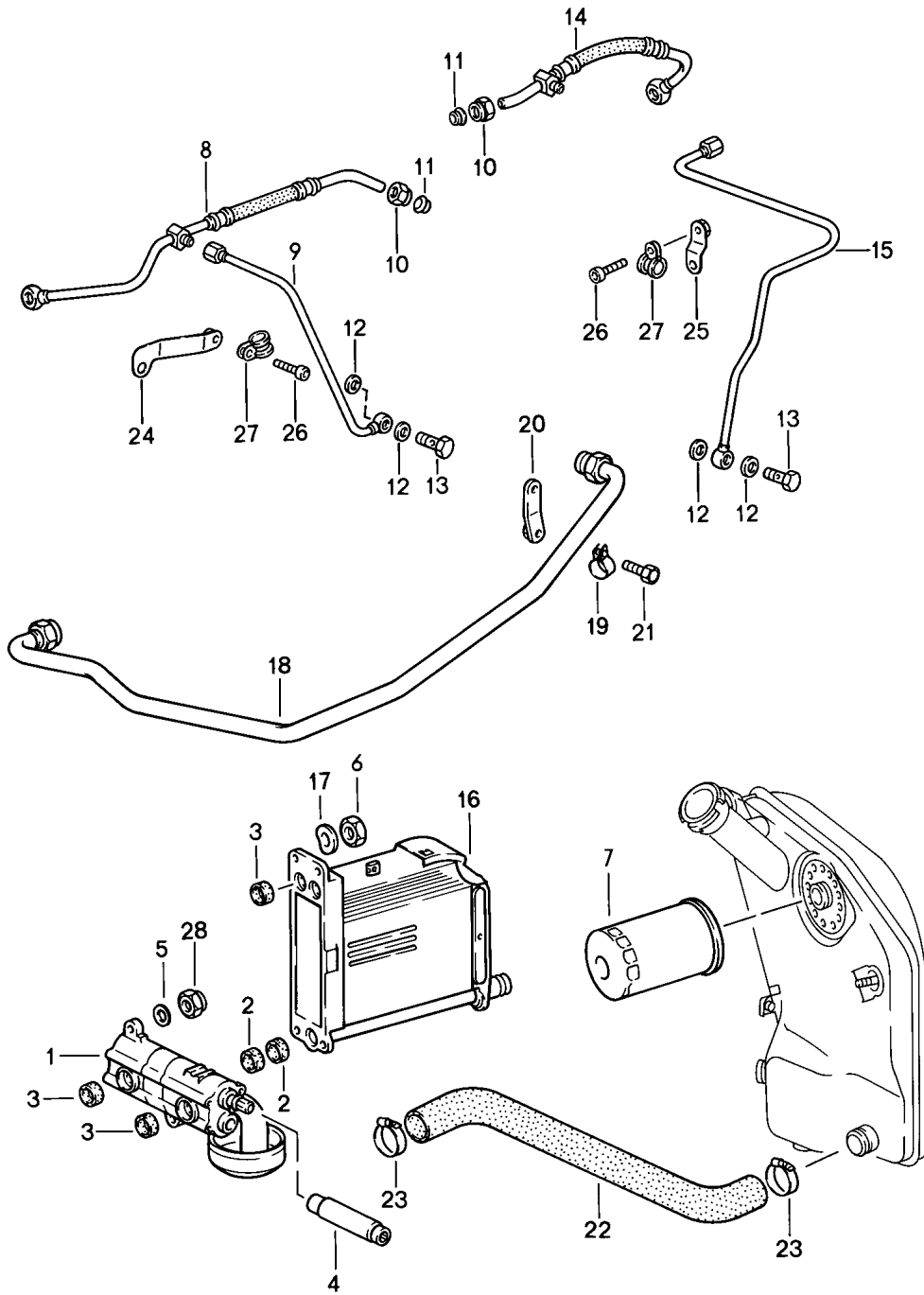


Model: 911 84 Model life 1984>>1986

| Pos | Part Number    | Description                  | Remark | Qty | Model     |
|-----|----------------|------------------------------|--------|-----|-----------|
| 26  | 930 105 142 03 | Camshaft                     |        | 1   | 930.66/68 |
| 26  | 930 105 142 04 | Camshaft                     |        | 1   | 930.66/68 |
| 26  | 930 105 142 05 | Camshaft                     |        | 1   | 930.66/68 |
| 27  | 930 105 013 01 | Intermediate shaft<br>Size 0 |        | 1   |           |
| 27  | 930 105 013 04 | Intermediate shaft<br>Size 0 |        | 1   |           |
| 27  | 930 105 013 11 | Intermediate shaft<br>Size 1 |        | 1   |           |
| 28  | 901 105 125 04 | Sprocket                     |        | 2   |           |
| 29  | 900 118 010 00 | Woodruff key                 |        | 2   |           |
| 30  | 900 041 025 01 | Circlip<br>36 X 1,75         |        | 2   |           |
| 31  | 900 041 026 01 | Circlip<br>13 X 1            |        | 1   |           |
| 32  | 916 101 137 00 | Thrust bearing               |        | 2   |           |
| 32  | 993 101 137 00 | Thrust bearing               |        | 2   |           |
| 32  | 993 101 137 01 | Thrust bearing               |        | 2   |           |
| 33  | 901 101 135 00 | Bearing                      |        | 2   |           |
| 34  | 901 105 275 00 | Stopper                      |        | 1   |           |
| 35  | N 012 296 1    | Circlip<br>16 X 1            |        | 1   |           |

Model: 911 84

Model life 1984>>1986



Model: 911 84

Model life 1984&gt;&gt;1986

| Pos | Part Number    | Description               | Remark | Qty | Model        |
|-----|----------------|---------------------------|--------|-----|--------------|
|     |                | Engine lubrication        |        |     |              |
|     |                | Oil pump                  |        |     |              |
|     |                | Lines                     |        |     |              |
|     |                | See technical information |        |     |              |
|     |                | GR.1 NR.1/1A-85           |        |     |              |
| 1   | 911 107 008 05 | Oil pump                  |        | 1   | 930.20/21/26 |
| 1   |                | Oil pump                  |        | 1   | 930.20/21/26 |
| 1   | 996 107 008 70 | Oil pump                  |        | 1   | 930.66/68    |
| 2   | 999 704 173 50 | Sealing ring              |        | 2   |              |
| 3   | 999 704 172 50 | Sealing ring              |        | 4   |              |
| 4   | 901 107 121 00 | Connecting shaft          |        | 1   | 930.20/21/26 |
| 4   | 930 107 143 00 | Connecting shaft          |        | 1   | 930.66/68    |
| 5   | 999 039 001 00 | Tab washer                |        | 3   |              |
| 5   | 900 025 007 02 | Washer                    |        | 3   |              |
|     |                | A 8,4                     |        |     |              |
| 5   | 900 025 007 03 | Washer                    |        | 3   |              |
|     |                | A 8,4                     |        |     |              |
| 6   | 900 076 025 02 | Hexagon nut               |        | 4   |              |
|     |                | M 8                       |        |     |              |
| 6   | 900 076 064 02 | Hexagon nut               |        | 4   |              |
|     |                | M 8                       |        |     |              |
| 7   | 930 107 764 01 | Oil filter                |        | 1   |              |
| 7   | 930 107 764 03 | Oil filter                | -(IND) | 1   |              |
|     |                | Red                       |        |     |              |
| 8   | 930 107 347 03 | Oil hose                  |        | 1   |              |
| 8   | 930 107 347 04 | Oil hose                  |        | 1   |              |
| 9   | 930 107 347 02 | Oil pipe                  |        | 1   |              |
| 10  | 900 104 003 02 | Union nut                 |        | 2   |              |
|     |                | ALL 8                     |        |     |              |
| 10  | 900 104 003 03 | Union nut                 |        | 2   |              |
|     |                | ALL 8                     |        |     |              |
| 11  | N 020 825 1    | Cutting ring              |        | 2   |              |
|     |                | LL 8                      |        |     |              |
| 12  | 900 123 115 30 | Sealing ring              |        | 4   |              |
|     |                | A 8 X 11,5                |        |     |              |
| 13  | N 021 073 1    | Banjo bolt                |        | 2   |              |
|     |                | LL 3-5                    |        |     |              |
| 14  | 930 107 348 11 | Oil hose                  |        | 1   |              |
| 14  | 930 107 348 12 | Oil hose                  |        | 1   |              |
| 15  | 930 107 348 08 | Oil pipe                  |        | 1   |              |
| 15  | 930 107 348 09 | Oil pipe                  |        | 1   |              |
| 15  | 930 107 348 14 | Oil pipe                  |        | 1   |              |
| 15  | 930 107 348 09 | Oil pipe                  |        | 1   |              |
| 16  | 911 107 041 00 | Oil cooler                |        | 1   |              |
| 16  | 911 107 041 02 | Oil cooler                |        | 1   |              |
| 17  | N 012 241 8    | Spring washer             |        | 4   |              |
|     |                | B 8                       |        |     |              |
| 18  | 911 107 741 14 | Oil pipe                  | -84    | 1   | CARRERA      |
| 18  | 911 107 741 15 | Oil pipe                  | 85-    | 1   | CARRERA      |
| 18  | 930 107 741 11 | Oil pipe                  |        | 1   | TURBO        |
| 19  | 930 107 407 03 | Pipe clamp                |        | 1   |              |
| 20  | 930 107 417 01 | Retaining bracket         |        | 1   | CARRERA      |
| 21  | 999 072 005 09 | Hexagon nut               |        | 1   | CARRERA      |
|     |                | M 6 X 12                  |        |     |              |
| 21  | 999 072 005 01 | Hexagon nut               |        | 1   | CARRERA      |
|     |                | M 6 X 12                  |        |     |              |
| 22  | 911 107 233 00 | Suction hose              |        | 1   | CARRERA      |
| 22  | 930 107 233 02 | Suction hose              |        | 1   | TURBO        |
| 22  |                | Suction hose              |        | 1   | TURBO        |
| 23  | 999 512 091 00 | Hose clamp                |        | 2   |              |
|     |                | S 40/15                   |        |     |              |
| 24  | 930 107 341 00 | Support                   | /L     | 1   |              |
| 25  | 930 107 342 01 | Support                   | /R     | 1   |              |

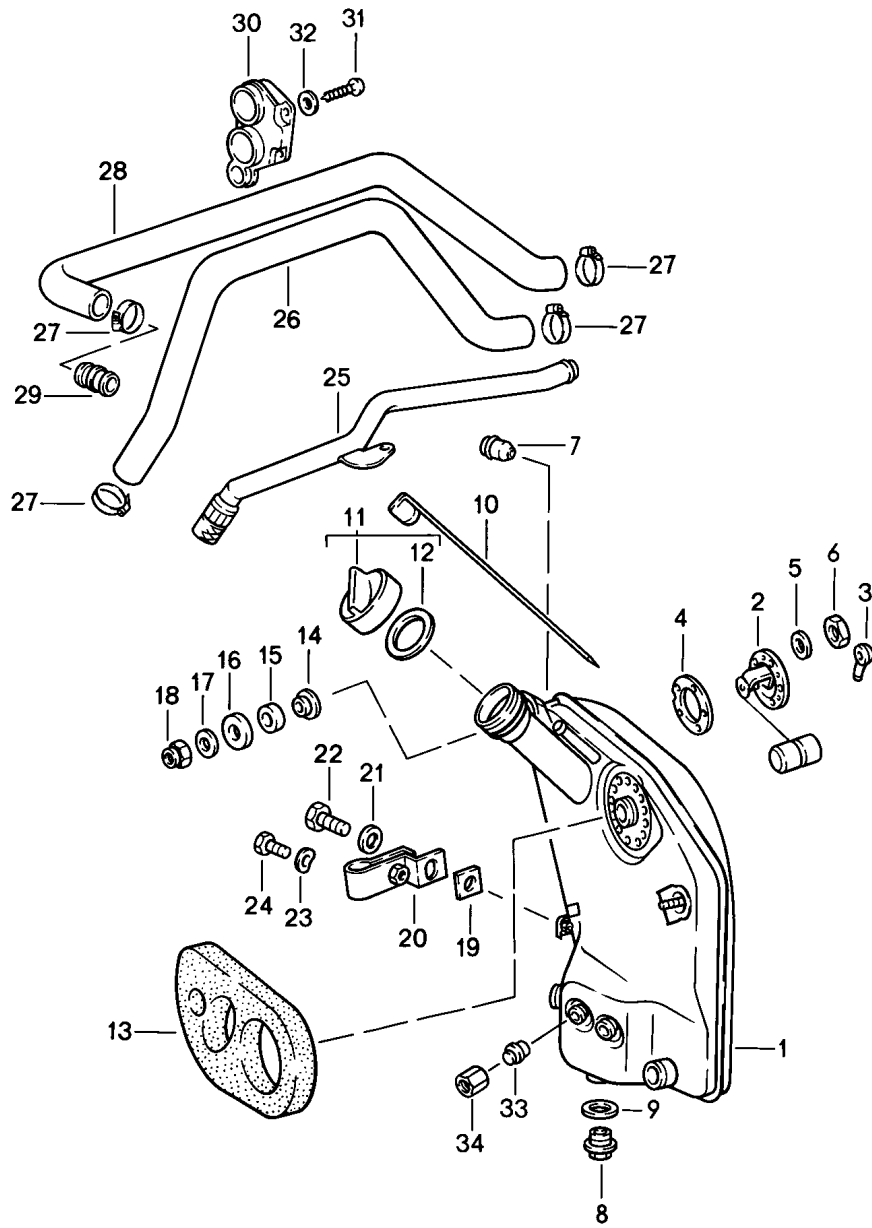
Model: 911 84

Model life 1984&gt;&gt;1986

| Pos | Part Number    | Description                | Remark | Qty | Model |
|-----|----------------|----------------------------|--------|-----|-------|
| 26  | 900 119 059 02 | Pan-head screw<br>M 4 X 10 |        | 2   |       |
| 26  | 900 119 088 01 | Pan-head screw<br>M 4 X 10 |        | 2   |       |
| 27  | 999 511 174 02 | Pipe clamp<br>4/9          |        | 2   |       |
| 27  | PCG 511 174 02 | Pipe clamp<br>4/9          |        | 2   |       |
| 28  | 999 084 095 02 | Lock nut<br>M 8            |        | 3   |       |

Model: 911 84

Model life 1984>>1986



Model: 911 84

Model life 1984&gt;&gt;1986

| Pos  | Part Number    | Description   | Remark | Qty | Model        |
|------|----------------|---|--------|-----|--------------|
| (1)  | 911 107 006 22 | Engine lubrication<br>Oil tank<br>Lines<br>Oil tank<br>with<br>Screw plug |        | 1   | 930.20/21/26 |
| (1)  | 911 107 006 24 | Oil tank<br>Use also:   |        | 1   | 930.20/21/26 |
| (1)  | 911 107 006 26 | Oil tank<br>Use also:   |        | 1   | 930.20/21/26 |
| (1)  | 911 107 006 31 | Oil tank<br>Use also:   |        | 1   | 930.20/21/26 |
| 1    | 930 107 006 00 | Oil tank  |        | 1   | 930.66/68    |
| 1    | 930 107 006 03 | Oil tank<br>Use also:   |        | 1   | 930.66/68    |
| 1    | 930 107 006 04 | Oil tank<br>Use also:   |        | 1   | 930.66/68    |
| 1    | 930 107 006 07 | Oil tank<br>Use also:   |        | 1   | 930.66/68    |
| -    | 944 107 091 01 | Oil filler cover  |        | 1   |              |
| -    | 930 107 601 02 | Adapter   |        | 1   |              |
| -    | 900 104 013 02 | Union nut   |        | 1   |              |
| 2    | 911 641 541 02 | Tank gauge<br>for<br>Oil level  |        | 1   |              |
| 3    | 999 659 011 50 | Water protection cap  |        | 1   |              |
| 4    | 914 201 891 00 | Gasket  |        | 1   |              |
| 5    | 900 025 003 30 | Washer<br>5,3   |        | 5   |              |
| 6    | N 011 005 14   | Hexagon nut<br>M 5  |        | 5   |              |
| 6    | 900 076 091 01 | Hexagon nut<br>M 5  |        | 5   |              |
| 7    | 930 107 289 00 | Restrictor  |        | 1   |              |
| 8    | 911 107 176 03 | Screw plug  |        | 1   |              |
| 9    | 900 123 011 20 | Sealing ring<br>A22X27  |        | 1   |              |
| 10   | 930 107 731 01 | Oil level dipstick  |        | 1   |              |
| (11) | 911 107 072 02 | Fuel tank cap<br>with<br>Bayonet lock                                     |        | 1   |              |
| 11   | 944 107 091 01 | Oil filler cover<br>with<br>Screw cap                                     |        | 1   |              |
| 12   | 930 107 272 01 | Sealing ring<br>for<br>Bayonet lock                                       |        | 1   |              |
| 12   | 999 701 846 40 | O-ring<br>for<br>Screw cap  |        | 1   |              |
| 13   | 911 107 192 03 | Gasket  |        | 1   |              |
| 14   | 901 107 692 00 | Washer  |        | 2   |              |
| 15   | 901 107 693 01 | Washer  |        | 2   |              |
| 16   | 901 107 661 00 | Washer  |        | 2   |              |
| 17   | 900 151 008 02 | Washer<br>B8,4  |        | 2   |              |
| 18   | 999 090 004 02 | Hexagon nut<br>M8   |        | 2   |              |
| 18   | 900 084 004 02 | Hexagon nut<br>M8   |        | 2   |              |
| 19   | 901 501 909 20 | Intermediate layer  |        | 1   |              |
| 20   | 901 501 930 22 | Support   |        | 1   |              |
| 21   | N 011 524 7    | Washer  |        | 1   |              |

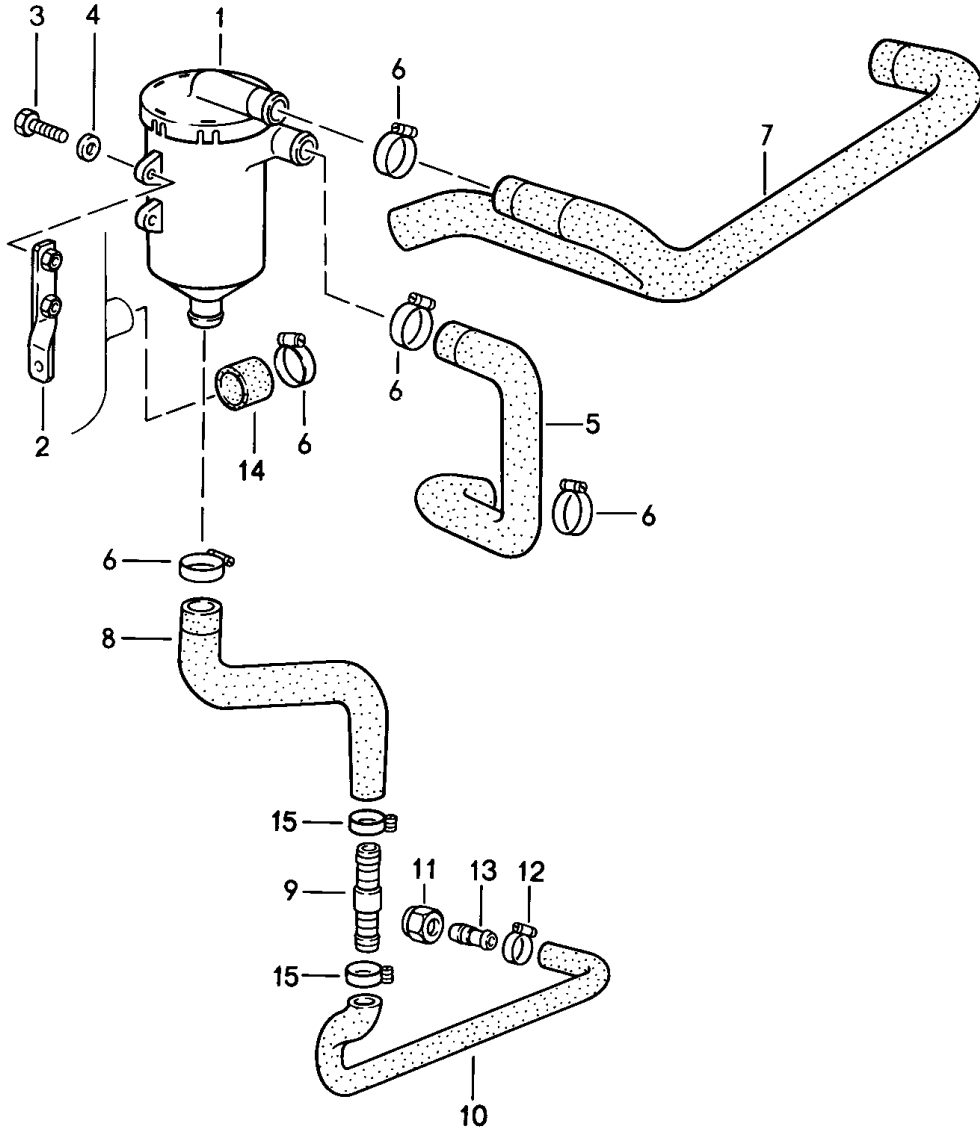
Model: 911 84

Model life 1984&gt;&gt;1986

| Pos | Part Number    | Description                             | Remark | Qty | Model        |
|-----|----------------|---|--------|-----|--------------|
| 21  | N 011 524 27   | A6,4<br>Washer                          |        | 1   |              |
| 22  | N 010 217 9    | A6,4<br>Hexagon-head bolt<br>M6X20      |        | 1   |              |
| 23  | 900 028 003 01 | Lock ring<br>A6                         |        | 1   |              |
| 24  | N 012 226 5    | Spring washer<br>M6X16                  |        | 1   |              |
| 25  | 930 107 397 01 | Line<br>Crankcase<br>Bleeding           |        | 1   | 930.66/68    |
| 26  | 930 207 386 01 | Connecting hose                         |        | 1   | 930.20/21/26 |
| 27  | 999 512 252 02 | Hose clamp<br>LA 23-35                  |        | 5   |              |
| 28  | 930 207 385 01 | Connecting hose                         |        | 1   | 930.20/21/26 |
| 29  | 930 110 267 04 | Connecting piece                        |        | 1   | 930.20/21/26 |
| 30  | 930 207 356 05 | Retaining bracket                       |        | 1   | 930.20/21/26 |
| 31  | N 013 969 8    | Oval-head sheetmetal screw<br>BZ 4,8X16 |        | 2   |              |
| 32  | 900 025 003 02 | Washer<br>A5,3                          |        | 2   | 930.20/21/26 |
| 33  | 930 107 601 00 | Round socket                            |        | 1   | 930.66       |
| 34  | 900 104 015 02 | Union nut<br>M 16 X 1,5                 |        | 1   | 930.66       |

Model: 911 84

Model life 1984>>1986





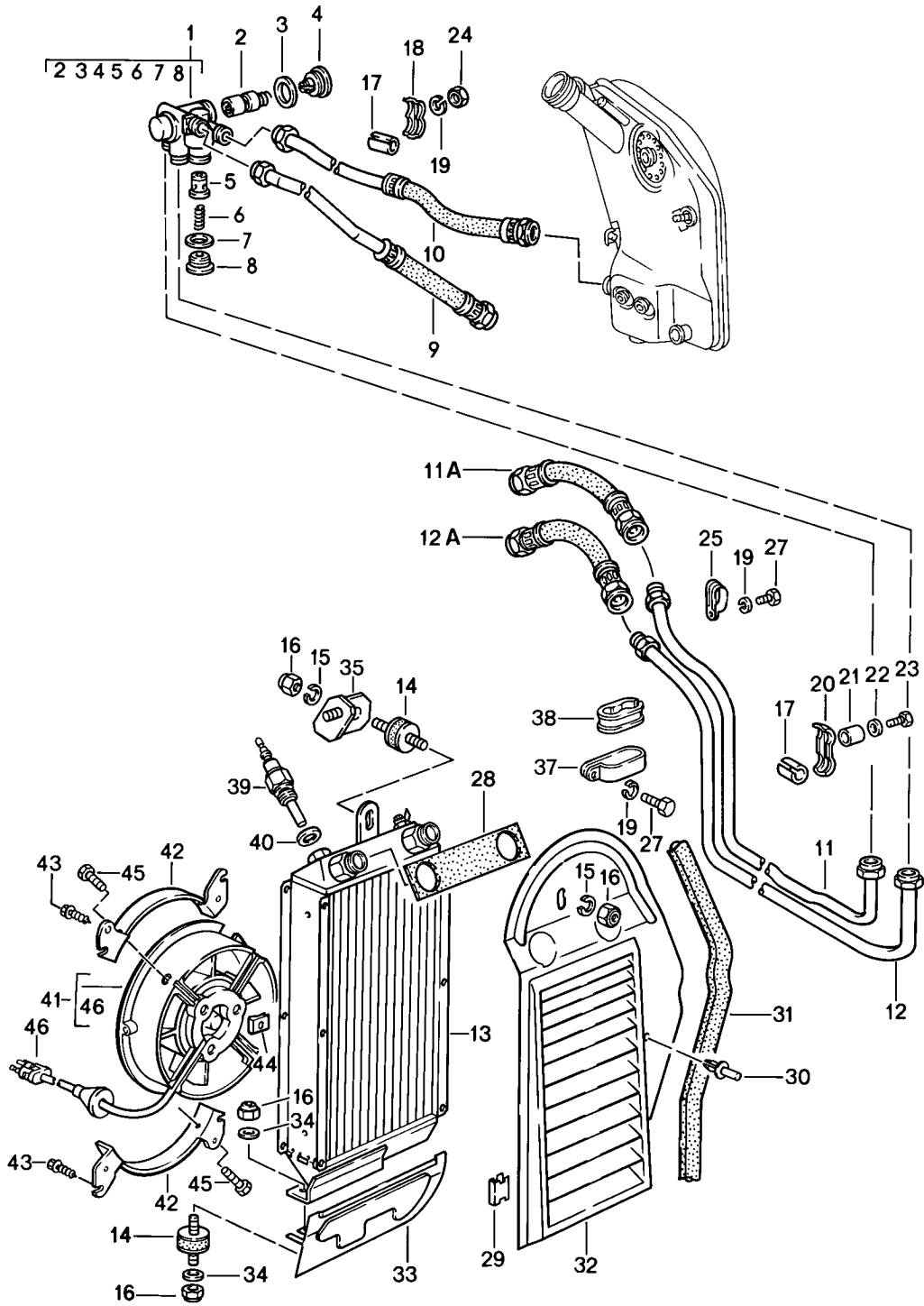
Model: 911 84

Model life 1984&gt;&gt;1986

| Pos | Part Number    | Description                 | Remark | Qty | Model     |
|-----|----------------|-----------------------------|--------|-----|-----------|
|     |                | Oil separator               |        |     | 930.66/68 |
| 1   | 930 107 321 01 | Oil separator               |        | 1   |           |
| 2   | 930 107 323 00 | Support                     |        | 1   |           |
| 3   | N 010 217 9    | Hexagon-head bolt<br>M 6X20 |        | 2   |           |
| 4   | 900 223 003 02 | Washer<br>6,4               |        | 2   |           |
| 5   | 930 107 391 00 | Hose                        |        | 1   |           |
| 6   | 999 512 252 02 | Hose clamp                  |        | 6   |           |
| 7   | 930 107 395 04 | Hose                        |        | 1   |           |
| 7   | 930 107 995 00 | Hose                        |        | 1   |           |
| 8   | 930 107 389 02 | Hose                        |        | 1   |           |
| 9   | 930 110 267 00 | Hose connection             |        | 1   |           |
| 10  | 930 107 389 03 | Hose                        |        | 1   |           |
| 11  | 900 104 015 02 | Union nut<br>M 16 X 1,5     |        | 1   |           |
| 12  | 900 272 003 02 | Hose clamp                  |        | 1   |           |
| 12  | 999 512 554 00 | Hose clamp                  |        | 1   |           |
| 13  | 999 230 068 02 | Hose connection             |        | 1   |           |
| 14  | 930 107 711 00 | Cap                         |        | 1   |           |
| 15  | 999 512 346 00 | Hose clamp                  |        | 2   |           |

Model: 911 84

Model life 1984>>1986



Model: 911 84 Model life 1984>>1986

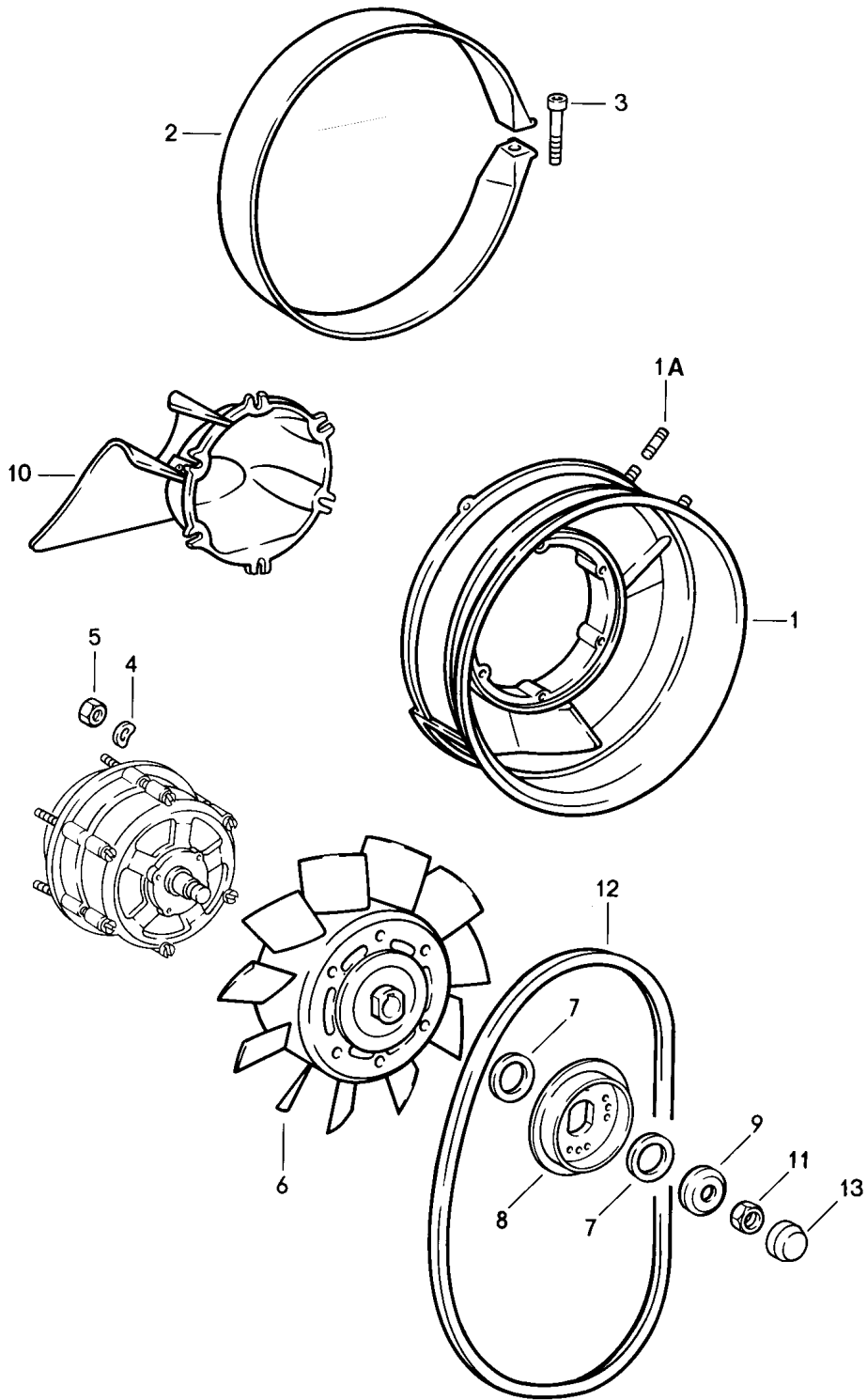
| Pos   | Part Number    | Description          | Remark | Qty | Model        |
|-------|----------------|----------------------|--------|-----|--------------|
|       |                | Engine lubrication   |        |     |              |
|       |                | Oil cooler           |        |     |              |
| 1     | 930 107 017 00 | Regulator housing    |        | 1   |              |
| 2     | 930 107 155 00 | Regulator insert     |        | 1   |              |
| 3     | 900 123 136 30 | Sealing ring         |        | 1   |              |
|       |                | A 42X49              |        |     |              |
| 4     | 911 107 155 00 | Screw plug           |        | 1   |              |
| 5     | 930 107 076 00 | Piston               |        | 1   |              |
| 6     | 900 280 008 00 | Compression spring   |        | 1   |              |
| 7     | 900 123 075 30 | Sealing ring         |        | 1   |              |
|       |                | A 32X38              |        |     |              |
| 8     | 916 107 276 00 | Screw plug           |        | 1   |              |
| 9     | 930 107 743 12 | Oil pipe             |        | 1   | 930.20/21/26 |
| 9     | 930 107 743 15 | Oil pipe             |        | 1   | 930.20/21/26 |
| 9     | 930 107 743 10 | Oil pipe             |        | 1   | 930.66/68    |
| 10    | 911 107 730 11 | Oil pipe             |        | 1   |              |
| 11    | 930 207 046 01 | Return pipe          | -85    | 1   |              |
| 11    | 930 207 046 02 | Return pipe          |        | 1   |              |
| (11)  | 930 207 046 01 | Return pipe          | 86-    | 1   |              |
| (11)  | 930 207 046 02 | Return pipe          | 86-    | 1   |              |
| 11A   | 930 207 113 00 | Oil pipe             |        | 1   |              |
| 11A   | 930 207 113 04 | Oil pipe             |        | 1   |              |
| 11A   | 930 207 113 05 | Oil pipe             |        | 1   |              |
| 12    | 930 207 045 01 | Intake tube          | -85    | 1   |              |
| 12    | 930 207 045 03 | Intake tube          | -86    | 1   |              |
| 12A   | 930 207 111 00 | Oil pipe             |        | 1   |              |
| (12A) | 930 207 111 05 | Oil pipe             |        | 1   |              |
| (12A) | 930 207 111 06 | Oil pipe             |        | 1   |              |
| 13    | 930 207 053 00 | Oil cooler           |        | 1   |              |
| 14    | 930 110 194 00 | Bonded rubber buffer |        | 3   |              |
| 14    | 999 703 263 00 | Bonded rubber buffer |        | 3   |              |
| 14A   | 930 207 239 01 | Bonded rubber buffer |        | 3   |              |
| 14A   | 930 207 239 02 | Bonded rubber buffer |        | 3   |              |
| 15    | 900 151 008 02 | Washer               |        | 6   |              |
|       |                | B 8,4                |        |     |              |
| 16    | 900 910 022 02 | Lock nut             |        | 6   |              |
|       |                | M8                   |        |     |              |
| 17    | 911 207 302 00 | Hose                 |        | 6   |              |
| 18    | 911 207 237 00 | Support              |        | 1   |              |
| 19    | N 012 006 4    | Lock ring            |        | 4   |              |
|       |                | B6                   |        |     |              |
| 20    | 911 207 303 00 | Support              |        | 3   |              |
| 21    | 911 559 145 00 | Spacer sleeve        |        | 3   |              |
|       |                | 11,8 MM              |        |     |              |
| 21    | 911 559 145 01 | Spacer sleeve        |        | 3   |              |
|       |                | 5 MM                 |        |     |              |
| 22    | 900 151 007 02 | Washer               |        | 3   |              |
|       |                | B7,4                 |        |     |              |
| 22    | 900 151 007 03 | Washer               |        | 3   |              |
|       |                | B7,4                 |        |     |              |
| 23    | 900 187 032 02 | Tapping screw        |        | 3   |              |
|       |                | BZ 6,3 X 32          |        |     |              |
| 24    | 900 076 010 02 | Nut                  |        | 1   |              |
|       |                | M 6                  |        |     |              |
| 24    | 900 076 010 0B | Nut                  |        | 1   |              |
|       |                | M 6                  |        |     |              |
| 25    | 999 511 084 02 | Pipe clamp           |        | 1   |              |
|       |                | 1100 2 X 22/15       |        |     |              |
| 27    | N 010 217 9    | Hexagon-head bolt    |        | 3   |              |
|       |                | M 6 X 20             |        |     |              |
| 28    | 930 207 361 00 | Gasket               |        | 1   |              |
| 29    | 999 920 005 02 | U-clamp              |        | 5   |              |
| 29    | 999 920 005 01 | U-clamp              |        | 5   |              |

Model: 911 84 Model life 1984>>1986

| Pos  | Part Number    | Description  | Remark | Qty | Model             |
|------|----------------|--|--------|-----|-------------------|
| 30   | 999 591 429 40 | Expansion rivet  |        | 2   |                   |
| 31   | 930 207 353 00 | Gasket   |        | 1   |                   |
| 32   | 930 207 319 13 | Cover plate  | (CDN)  | 1   | 930.66/68<br>(SA) |
| 32   | 930 207 319 14 | Cover plate  | (USA)  | 1   | 930.20/21<br>(SA) |
| 33   | 930 207 121 00 | Cover plate  |        | 1   |                   |
| 34   | 900 025 007 02 | Washer<br>A 8,4  |        | 4   |                   |
| 34   | 900 025 007 03 | Washer<br>A 8,4  |        | 4   |                   |
| 35   | 930 207 927 00 | Support  |        | 1   |                   |
| 36   | 930 207 921 00 | Support  |        | 1   |                   |
| 37   | 999 511 162 02 | Pipe clamp   |        | 1   |                   |
| 38   | 930 207 265 00 | Rubber mounting  |        | 1   |                   |
| 38   | 930 207 265 01 | Rubber mounting  |        | 1   |                   |
| 39   | 930 606 118 00 | Temperature switch   |        | 1   |                   |
| 40   | 900 123 007 30 | Sealing ring<br>a 14 x 18  |        | 1   |                   |
| 41   | 911 624 121 00 | Blower   |        | 1   |                   |
| (41) | 911 624 121 01 | Blower<br>Only together with<br>Position (42)<br>PCG.624.104.00            |        | 1   |                   |
| 42   | 911 624 104 00 | Retaining bracket  |        | 2   |                   |
| (42) | PCG 624 104 00 | Retaining bracket<br>Only together with<br>Position (41)<br>911.624.121.01 |        | 2   |                   |
| 43   | 999 450 006 02 | Tapping screw<br>b 4,2 x 13  |        | 4   |                   |
| 44   | 999 507 229 02 | Speed nut  |        | 4   |                   |
| 45   | 900 075 363 02 | Combination screw<br>m 6 x 10  |        | 4   |                   |
| 46   | 999 652 381 00 | Connector housing  |        | 1   |                   |

Model: 911 84

Model life 1984>>1986

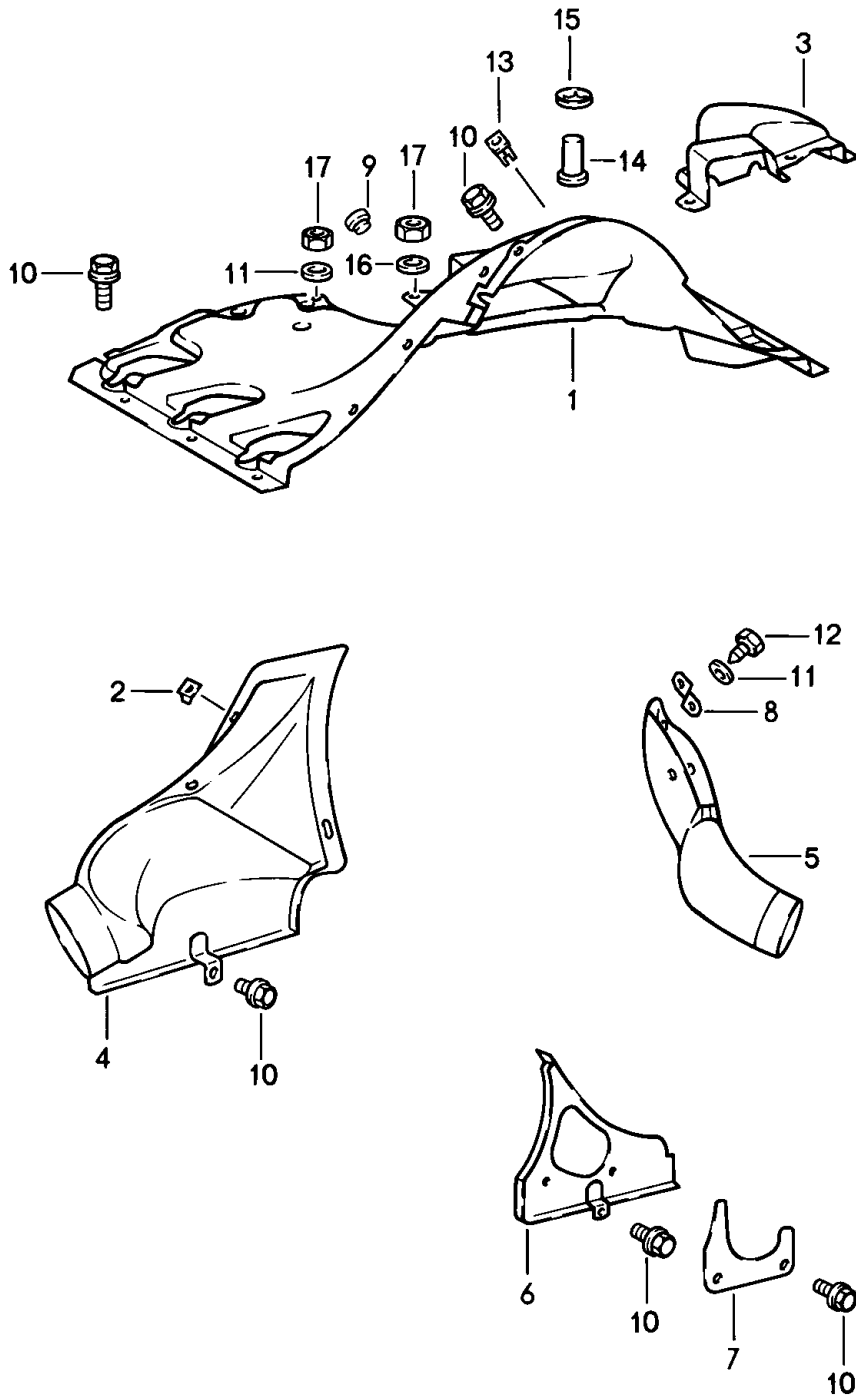


Model: 911 84 Model life 1984>>1986

| Pos | Part Number    | Description                          | Remark | Qty | Model     |
|-----|----------------|--------------------------------------|--------|-----|-----------|
| 1   | 930 106 006 07 | Air cooling<br>Fan housing           |        | 1   | 930.20/21 |
| 1   | 930 106 006 06 | Fan housing                          |        | 1   | 930.66/68 |
| 1A  | 999 062 006 02 | Stud<br>BM 8 X 20                    |        | 1   |           |
| 1A  | 999 062 073 02 | Stud<br>BM 8 X 16                    |        | 1   |           |
| 2   | 964 106 251 20 | Clip                                 |        | 1   |           |
| 3   | N 014 715 3    | Pan-head screw<br>M 8 X 45           |        | 1   |           |
| 3   | 900 067 103 01 | Pan-head screw<br>M 8 X 45           |        | 1   |           |
| 3   | 900 067 020 02 | Pan-head screw<br>M 8 X 50           |        | 1   |           |
| 3   | 900 067 362 01 | Pan-head screw<br>M 8 X 50           |        | 1   |           |
| 4   | N 011 523 9    | Washer                               |        | 6   |           |
| 4   | 900 025 003 02 | Washer<br>A 5,3                      |        | 6   |           |
| 5   | 900 910 008 02 | Lock nut<br>M 5                      |        | 6   |           |
| 6   | 930 106 012 00 | Impeller                             |        | 1   |           |
| 6   | 930 106 012 01 | Impeller                             |        | 1   |           |
| -   | 999 118 008 00 | Woodruff key                         |        | 1   |           |
| 7   | 930 106 564 00 | Shim                                 |        | X   |           |
| 8   | 930 106 209 02 | Pulley half                          |        | 1   |           |
| 9   | 911 603 428 01 | Tensioning cap                       |        | 1   |           |
| 10  | 911 106 055 01 | Hub extension                        |        | 1   |           |
| 11  | 928 603 904 00 | Set of fastening parts               |        | 1   |           |
| -   |                | Set of fastening parts<br>M 17 X 1,5 |        | 1   |           |
| 12  | 999 192 176 50 | Narrow v-belt<br>9,5 X 710           |        | 1   |           |
| 12  | 999 192 176 5A | Narrow v-belt<br>9,5 X 710           |        | 1   |           |
| 12  | 999 192 313 5A | Narrow v-belt<br>9,5 X 695           |        | 1   |           |
| 13  | 911 603 127 00 | Protection cap                       |        | 1   |           |
| 13  | 911 603 127 01 | Protection cap                       |        | 1   |           |

Model: 911 84

Model life 1984>>1986



Model: 911 84

Model life 1984&gt;&gt;1986

| Pos | Part Number    | Description                               | Remark | Qty | Model            |
|-----|----------------|---|--------|-----|------------------|
| 1   | 930 106 041 08 | Air guide<br>Air guide<br>Black           | -84    | 1   | 930.20/21/26     |
| 1   | 930 106 041 09 | Air guide<br>Black                        | 85-    | 1   | 930.20/21/26     |
| 1   | 930 106 041 13 | Air guide<br>Black                        |        | 1   | 930.66/68        |
| 2   | 999 507 003 02 | Speed nut<br>B 6,3                        |        | 4   |                  |
| 2   | 999 507 003 01 | Speed nut<br>B 6,3                        |        | 4   |                  |
| 3   | 911 106 406 00 | Air guide                                 |        | 1   |                  |
| 4   | 930 106 321 01 | Hot air socket                            |        | 1   | 930.66/68        |
| 4   | 930 106 021 50 | Hot air socket                            |        | 1   | 930.66/68        |
| 5   | 911 106 327 00 | Hot air socket                            |        | 1   | 930.66/68        |
| 6   | 911 106 036 01 | Cover plate                               |        | 1   | 930.20/21/26     |
| (6) | 911 106 036 00 | Cover plate                               |        | 1   | 930.66/68        |
| 7   | 911 106 827 00 | Closing plate                             |        | 1   | 930.66/68        |
| 8   | 911 106 331 00 | Support                                   |        | 1   | 930.66/68        |
| 9   | 999 703 092 40 | Stopper<br>9 X 18,5/14                    |        | 1   | 930.66/68        |
| 10  | 999 075 039 02 | Combination screw<br>M 6 X 12             |        | 3   |                  |
| 10  | 999 075 039 0C | Combination screw<br>M 6 X 12             |        | 3   |                  |
| 10  | 999 143 004 08 | Combination screw                         |        | 8   |                  |
| 10  | 999 143 004 01 | Combination screw                         |        | 8   |                  |
| 10  | 999 075 039 0C | Combination screw                         |        | 8   |                  |
| 10  | 999 143 004 08 | Combination screw<br>M 6 X 12             |        | 8   |                  |
| 10  | 999 143 004 01 | Combination screw<br>M 6 X 12             |        | 8   |                  |
| 10  | 999 075 039 0C | Combination screw<br>M 6 X 12             |        | 8   |                  |
| 10  | 900 075 057 02 | Hexagon-head bolt<br>M 6 X 16             |        | 2   |                  |
| 10  | 900 075 057 03 | Hexagon-head bolt<br>M 6 X 16             |        | 2   |                  |
| 10  | 900 075 014 02 | Hexagon-head bolt<br>M 6 X 18             |        | 2   |                  |
| 10  | 900 075 014 03 | Hexagon-head bolt<br>M 6 X 18             |        | 2   |                  |
| 11  | N 011 524 7    | Washer<br>A 6,4                           |        | 5   |                  |
| 11  | N 011 524 27   | Washer<br>A 6,4                           |        | 5   |                  |
| 11  | 999 025 108 02 | Washer<br>6,4 X 14                        |        | 4   |                  |
| 12  | 900 187 015 02 | Hexagon-head tapping screw<br>B 6,3 X 16  |        | 2   |                  |
| 12  | 900 187 027 02 | Hexagon-head tapping screw<br>BZ 6,3 X 23 |        | 1   | 930.66/68        |
| 13  | 999 591 592 40 | Special nut                               |        | 4   | /25<br>930.20/21 |
| 14  | 911 106 415 01 | Pipe<br>with<br>Strainer                  |        | 1   | 930.66/68        |
| 15  | 999 591 369 02 | Locking washer                            |        | 1   | 930.66/68        |
| 15  | 999 591 369 0B | Locking washer                            |        | 1   | 930.66/68        |
| 16  | N 011 524 7    | Washer<br>A 6,4                           |        | 2   |                  |
| 16  | N 011 524 27   | Washer<br>A 6,4                           |        | 2   |                  |



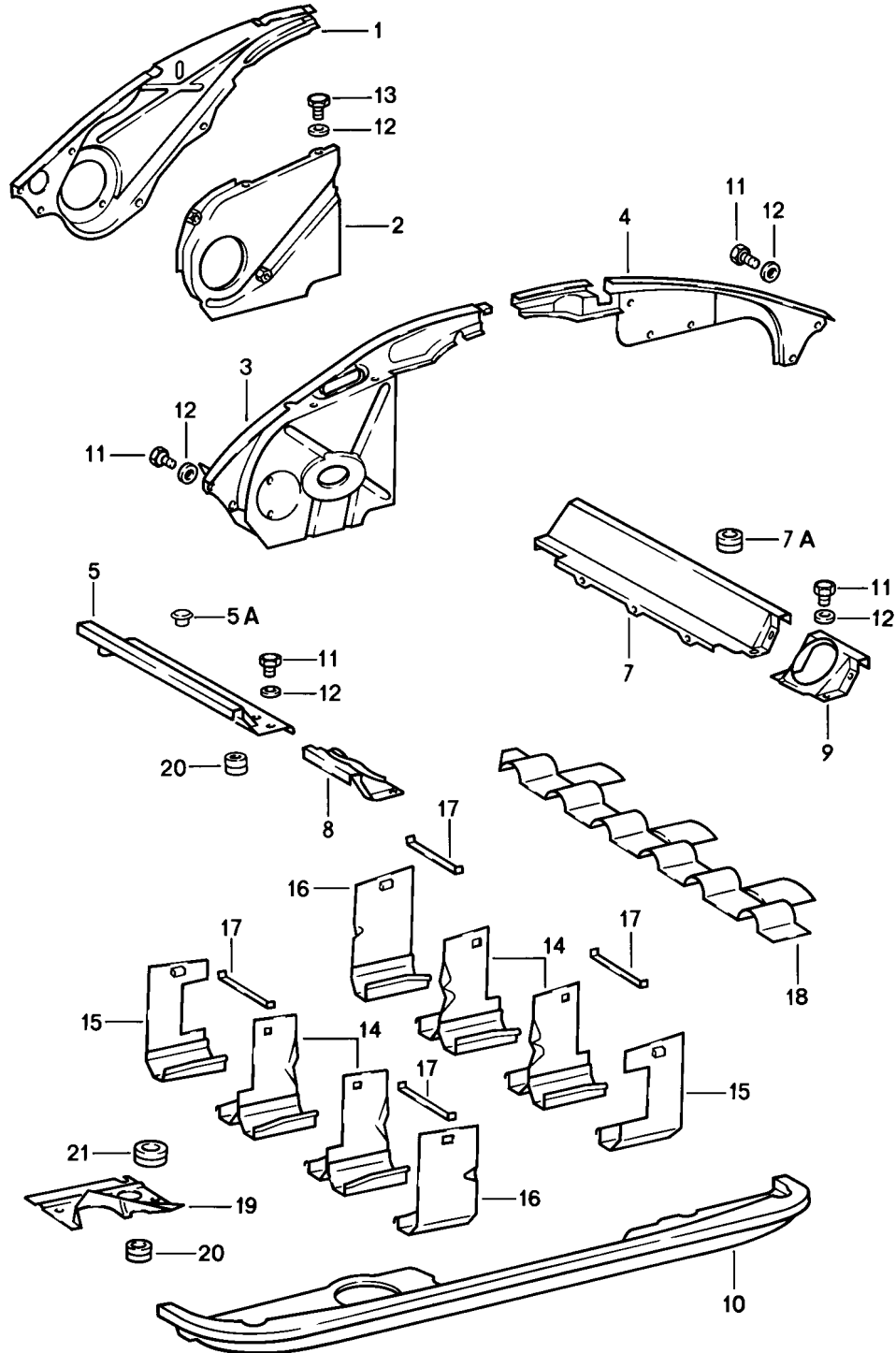
Model: 911 84

Model life 1984>>1986

| Pos | Part Number    | Description | Remark | Qty | Model |
|-----|----------------|-------------|--------|-----|-------|
| 17  | 900 076 010 02 | Nut<br>M 6  |        | 2   |       |
| 17  | 900 076 010 0B | Nut<br>M 6  |        | 2   |       |

Model: 911 84

Model life 1984>>1986



Model: 911 84 Model life 1984>>1986

| Pos  | Part Number    | Description       | Remark | Qty | Model        |
|------|----------------|-------------------|--------|-----|--------------|
|      |                | Air guide         |        |     |              |
|      |                | Engine cover      |        |     |              |
| 1    | 930 106 705 01 | Engine cover      |        | 1   | 930.66/68    |
| 2    | 930 106 707 01 | Engine cover      |        | 1   | 930.66/68    |
| 3    | 930 106 089 01 | Engine cover      |        | 1   | 930.20/21/26 |
| 4    | 911 106 802 03 | Engine cover      |        | 1   | 930.20/21/26 |
| 4    | 911 106 802 05 | Engine cover      |        | 1   | 930.20/21/26 |
| 4    | 930 106 805 00 | Engine cover      |        | 1   | 930.66/68    |
| 5    | 930 106 861 01 | Engine cover      |        | 1   | 930.21       |
| 5    | 930 106 861 03 | Engine cover      |        | 1   | 930.21       |
|      |                | Use also:         |        |     |              |
| -    | 999 143 004 08 | Combination screw |        | 2   |              |
| -    | 999 143 004 01 | Combination screw |        | 2   |              |
| -    | 999 075 039 0C | Combination screw |        | 2   |              |
| (5)  | 930 106 703 01 | Engine cover      |        | 1   | 930.66       |
| (5)  | 930 106 703 02 | Engine cover      |        | 1   | 930.68       |
| 5A   | 999 703 224 40 | Cap               |        | 1   | 930.20/21/26 |
|      |                | 20,5 MM \$        |        |     |              |
| 7    | 930 106 862 00 | Engine cover      |        | 1   | 930.20/21/26 |
| 7    | 930 106 862 01 | Engine cover      |        | 1   | 930.20/21/26 |
|      |                | Use also:         |        |     |              |
| -    | 999 143 004 08 | Combination screw |        | 2   |              |
| -    | 999 143 004 01 | Combination screw |        | 2   |              |
| -    | 999 075 039 0C | Combination screw |        | 2   |              |
| 7    | 930 106 084 03 | Engine cover      |        | 1   | 930.66       |
| 7    |                | Engine cover      |        | 1   | 930.66       |
| 7    | 930 106 084 02 | Engine cover      |        | 1   | 930.68       |
| 7A   | 999 702 114 50 | Grommet           |        | 1   | 930.66/68    |
|      |                | 18 MM \$          |        |     |              |
| 7A   | 999 702 042 50 | Grommet           |        | 1   | 930.66/68    |
|      |                | 25 MM \$          |        |     |              |
| 8    | 901 106 825 00 | Cover             |        | 1   | 930.66/68    |
| 9    | 930 106 826 01 | Cover             |        | 1   | 930.66/68    |
| 10   | 930 106 085 11 | Engine cover      |        | 1   | 930.20/21    |
| 10   | 930 106 085 12 | Engine cover      |        | 1   | 930.20/21    |
|      |                |                   |        |     | M559         |
| 10   | 930 106 085 17 | Engine cover      |        | 1   | 930.20/21/26 |
|      |                | Use also:         |        |     | M559         |
| -    | 999 143 004 08 | Combination screw |        | 2   |              |
| -    | 999 143 004 01 | Combination screw |        | 2   |              |
| -    | 999 075 039 0C | Combination screw |        | 2   |              |
| 10   | 930 106 081 11 | Engine cover      |        | 1   | 930.66/68    |
| 10   | 930 106 081 12 | Engine cover      |        | 1   | 930.66/68    |
|      |                |                   |        |     | M559/573     |
| 10   | 930 106 081 17 | Engine cover      |        | 1   | 930.66/68    |
|      |                |                   |        |     | M559/573     |
| 11   | 999 075 039 02 | Combination screw |        | 16  |              |
|      |                | M 6 X 12          |        |     |              |
| 11   | 999 075 039 0C | Combination screw |        | 16  |              |
|      |                | M 6 X 12          |        |     |              |
| (11) | 999 143 004 08 | Combination screw |        | 13  |              |
| (11) | 999 143 004 01 | Combination screw |        | 13  |              |
| (11) | 999 075 039 0C | Combination screw |        | 13  |              |
| (11) | 999 143 004 08 | Combination screw |        | 13  |              |
|      |                | M 6 X 12          |        |     |              |
| (11) | 999 143 004 01 | Combination screw |        | 13  |              |
|      |                | M 6 X 12          |        |     |              |
| (11) | 999 075 039 0C | Combination screw |        | 13  |              |
|      |                | M 6 X 12          |        |     |              |
| 12   | N 011 524 7    | Washer            |        | 8   |              |
|      |                | 6,4               |        |     |              |
| 12   | N 011 524 27   | Washer            |        | 8   |              |
|      |                | 6,4               |        |     |              |

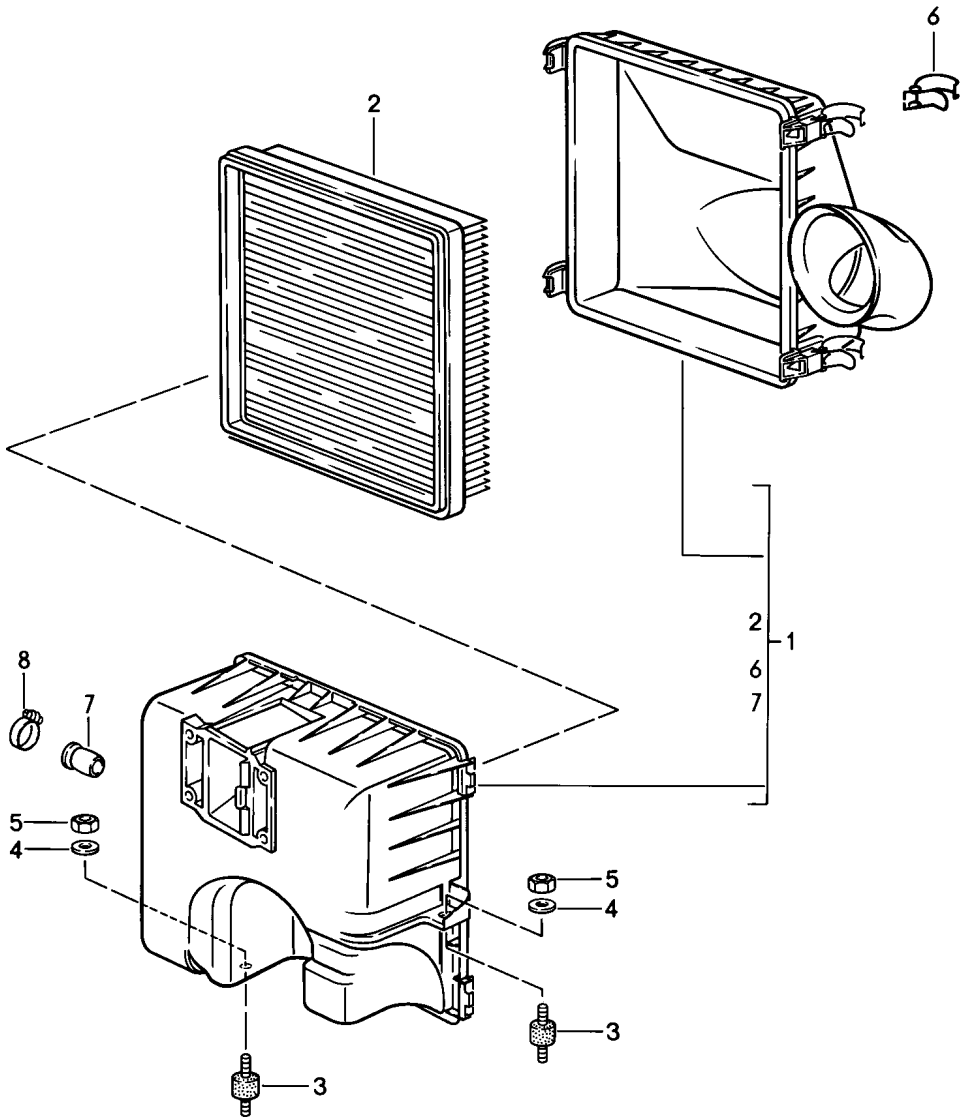
Model: 911 84

Model life 1984&gt;&gt;1986

| Pos | Part Number    | Description                  | Remark | Qty | Model        |
|-----|----------------|------------------------------|--------|-----|--------------|
| 13  | N 010 208 5    | Hexagon-head bolt<br>M 6 X 8 |        | 2   | 930.66/68    |
| 14  | 930 106 023 00 | Baffle plate                 |        | 4   | 930.20/21/26 |
| 14  | 930 106 023 01 | Baffle plate                 |        | 4   | 930.66/68    |
| 15  | 930 106 221 00 | Baffle plate                 |        | 2   | 930.20/21/26 |
| 15  | 930 106 221 01 | Baffle plate                 |        | 2   | 930.66/68    |
| 16  | 930 106 222 00 | Baffle plate                 |        | 2   | 930.20/21/26 |
| 16  | 930 106 222 01 | Baffle plate                 |        | 2   | 930.66/68    |
| 17  | 930 106 228 00 | Leaf spring                  |        | 6   |              |
| 18  | 930 106 301 00 | Cover plate                  |        | 2   | 930.20/21/26 |
| 19  | 930 106 852 01 | Cover                        |        | 1   | 930.66/68    |
| 20  | 930 106 175 00 | Rubber sleeve<br>21,5 \$     |        | 3   | 930.66/68    |
| 21  | 930 106 176 00 | Rubber sleeve<br>34 \$       |        | 1   | 930.66/68    |

Model: 911 84

Model life 1984>>1986



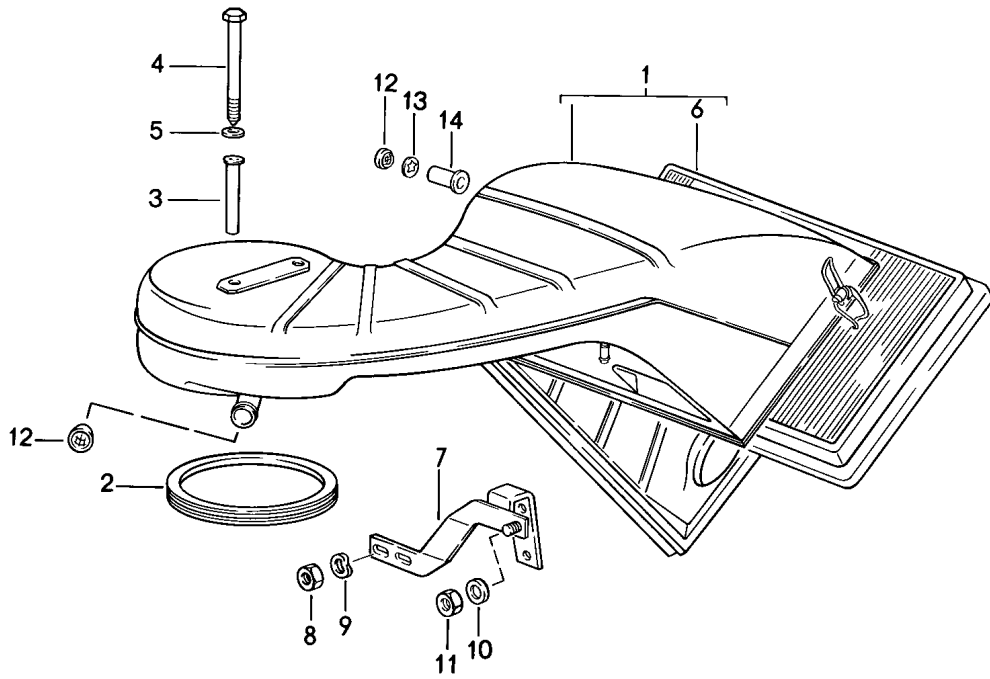
Model: 911 84

Model life 1984>>1986

| Pos | Part Number    | Description   | Remark | Qty | Model                            |
|-----|----------------|---|--------|-----|----------------------------------|
| 1   | 930 110 343 01 | Air cleaner<br>Air cleaner<br>Information available |        | 1   | 930.20/21/26<br>930.21<br>930.21 |
| 2   | 930 110 393 00 | Filter element                                      |        | 1   |                                  |
| 3   | 930 110 579 01 | Bonded rubber buffer                                |        | 2   |                                  |
| 3   | 999 703 265 00 | Bonded rubber buffer                                |        | 2   |                                  |
| 4   | N 011 666 7    | Washer<br>B6,4                                      |        | 2   |                                  |
| 5   | 900 910 012 02 | Lock nut  |        | 2   |                                  |
| 5   | 900 910 047 09 | Lock nut  |        | 2   |                                  |
| 5   | 999 084 074 02 | Lock nut<br>M6                                      |        | 2   |                                  |
| 6   | 930 110 902 00 | Clamp   |        | 4   |                                  |
| 7   | 930 110 256 00 | Stopper   |        | 1   |                                  |
| 8   | 999 512 554 00 | Hose clamp<br>9 X 18                                |        | 1   |                                  |

Model: 911 84

Model life 1984>>1986



Model: 911 84

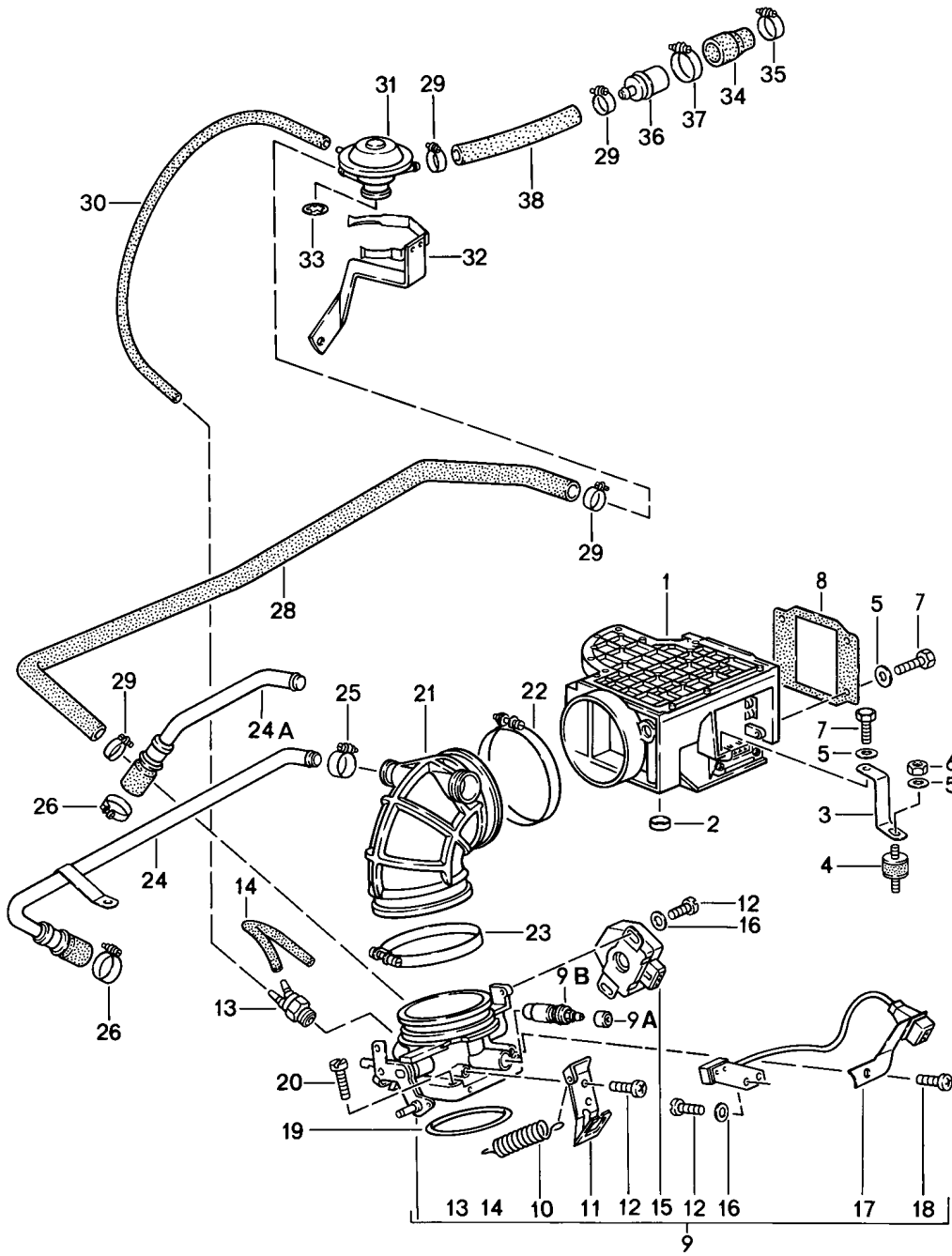
Model life 1984>>1986

| Pos | Part Number    | Description           | Remark | Qty | Model     |
|-----|----------------|-----------------------|--------|-----|-----------|
|     |                | Air cleaner           |        |     | 930.66/68 |
| 1   | 930 110 020 01 | Air cleaner           |        | 1   |           |
| 2   | 930 110 122 00 | Sealing ring          |        | 1   |           |
| -   | 930 110 121 02 | Support ring          |        | 1   |           |
| 3   | 930 110 436 01 | Spacer sleeve         |        | 2   |           |
| 4   | 900 074 023 02 | Hexagon-head bolt     |        | 2   |           |
| 5   | N 011 524 7    | Washer                |        | 2   |           |
| 5   | N 011 524 27   | Washer                |        | 2   |           |
| 5   | N 011 524 7    | Washer                |        | 2   |           |
|     |                | 6,4                   |        |     |           |
| 5   | N 011 524 27   | Washer                |        | 2   |           |
|     |                | 6,4                   |        |     |           |
| 6   | 930 110 185 02 | Air cleaner cartridge |        | 1   |           |
| 7   | 930 110 331 03 | Support               |        | 1   |           |
| 8   | 999 084 423 02 | Lock nut              |        | 1   |           |
| 9   | 900 025 007 02 | Washer                |        | 2   |           |
|     |                | 8,4                   |        |     |           |
| 9   | 900 025 007 03 | Washer                |        | 2   |           |
|     |                | 8,4                   |        |     |           |
| 10  | N 012 241 8    | Spring washer         |        | 2   |           |
| 10  |                | Spring washer         |        | 2   |           |
|     |                | B 8                   |        |     |           |
| 11  | 900 076 025 02 | Hexagon nut           |        | 2   |           |
|     |                | M 8                   |        |     |           |
| 11  | 900 076 064 02 | Hexagon nut           |        | 2   |           |
|     |                | M 8                   |        |     |           |
| 12  | 930 110 422 01 | Strainer              |        | 1   |           |
|     |                | see                   |        |     |           |
|     |                | POS 14                |        |     |           |
| 13  | 999 591 369 02 | Locking washer        |        | 1   |           |
| 13  | 999 591 369 0B | Locking washer        |        | 1   |           |
| 14  | 911 106 415 01 | Pipe                  |        | 1   |           |
|     |                | with                  |        |     |           |
|     |                | Strainer              |        |     |           |
|     |                | POS 12                |        |     |           |



Model: 911 84

Model life 1984>>1986



Model: 911 84 Model life 1984>>1986

| Pos | Part Number    | Description           | Remark | Qty | Model        |
|-----|----------------|-----------------------|--------|-----|--------------|
|     |                | for                   |        |     | 930.20/21/26 |
|     |                | L-JETRONIC I          |        |     | 930.20/21/26 |
| 1   | 930 606 123 00 | Mass air flow meter   |        | 1   |              |
| 2   | 928 606 221 00 | Stopper               |        | 1   |              |
| 3   | 930 110 524 00 | Support               |        | 1   |              |
| 4   | 930 110 579 01 | Bonded rubber buffer  |        | 1   |              |
| 4   | 999 703 265 00 | Bonded rubber buffer  |        | 1   |              |
| 5   | N 011 524 7    | Washer                |        | 10  |              |
|     |                | A6,4                  |        |     |              |
| 5   | N 011 524 27   | Washer                |        | 10  |              |
|     |                | A6,4                  |        |     |              |
| 6   | 900 910 012 02 | Lock nut              |        | 1   |              |
| 6   | 900 910 047 09 | Lock nut              |        | 1   |              |
| 6   | 999 084 074 02 | Lock nut              |        | 1   |              |
|     |                | M6                    |        |     |              |
| 7   | 900 075 355 02 | Combination screw     |        | 5   |              |
|     |                | M 6 X 16              |        |     |              |
| 7   | 900 075 355 01 | Hexagon-head bolt     |        | 5   |              |
|     |                | M 6 X 16              |        |     |              |
| 8   | 928 110 201 01 | Sealing frame         |        | 1   |              |
| 9   | 930 110 519 03 | Flap-Nozzle           |        | 1   |              |
| 9A  | 930 110 520 00 | Cap                   |        | 1   |              |
| 9B  | 930 110 919 00 | Throttle screw        |        | 1   |              |
| 10  | 930 110 497 00 | Tension spring        |        | 1   |              |
| 11  | 911 110 918 04 | Support               |        | 1   |              |
| 12  | 900 146 011 02 | Oval-head screw       |        | 6   |              |
|     |                | M4X10                 |        |     |              |
| 13  | 930 207 231 00 | Thermo valve          |        | 1   |              |
| 14  | 911 110 953 00 | Hose                  |        | 1   |              |
| 15  | 944 606 113 01 | Throttle-valve switch | -85    | 1   |              |
| 15  |                | Throttle-valve switch | 86-    | 1   |              |
| 16  | N 012 224 3    | Spring washer         |        | 4   |              |
|     |                | B4                    |        |     |              |
| 17  | 911 606 013 00 | Microswitch           |        | 1   |              |
| 17  | 911 606 013 03 | Microswitch           |        | 1   |              |
| 18  | N 014 138 7    | Oval-head screw       |        | 1   |              |
|     |                | M6X10                 |        |     |              |
| 19  | 999 701 124 40 | O-ring                |        | 1   |              |
|     |                | 67,5X4                |        |     |              |
| 20  | 900 067 089 02 | Pan-head screw        |        | 4   |              |
|     |                | M6X25                 |        |     |              |
| 20  | 900 067 089 01 | Pan-head screw        |        | 4   |              |
|     |                | M6X25                 |        |     |              |
| 21  | 930 110 356 02 | Air guide             |        | 1   |              |
| 22  | 999 512 302 02 | Hose clamp            |        | 1   |              |
|     |                | S85/9                 |        |     |              |
| 22  | PCG 512 302 02 | Hose clamp            |        | 1   |              |
|     |                | S85/9                 |        |     |              |
| 23  | 999 512 359 02 | Hose clamp            |        | 1   |              |
|     |                | S89/12ZY              |        |     |              |
| 23  | PCG 512 359 02 | Hose clamp            |        | 1   |              |
|     |                | S89/12ZY              |        |     |              |
| 24  | 930 110 328 03 | Pipeline              | -85    | 1   |              |
| 24A | 930 110 328 05 | Pipeline              | -85    | 1   | M491         |
| 24A |                | Pipeline              | 86-    | 1   |              |
| 25  | 999 512 554 00 | Hose clamp            |        | 1   |              |
|     |                | A9X18ZY               |        |     |              |
| 26  | N 023 565 3    | Hose clamp            |        | 1   |              |
|     |                | A9X21ZY               |        |     |              |
| 28  | 930 207 236 00 | Hose                  |        | 1   |              |
| 29  | N 023 569 2    | Hose clamp            |        | 4   |              |
|     |                | S16/9ZY               |        |     |              |
| 29  | PCG 023 569 2  | Hose clamp            |        | 4   |              |

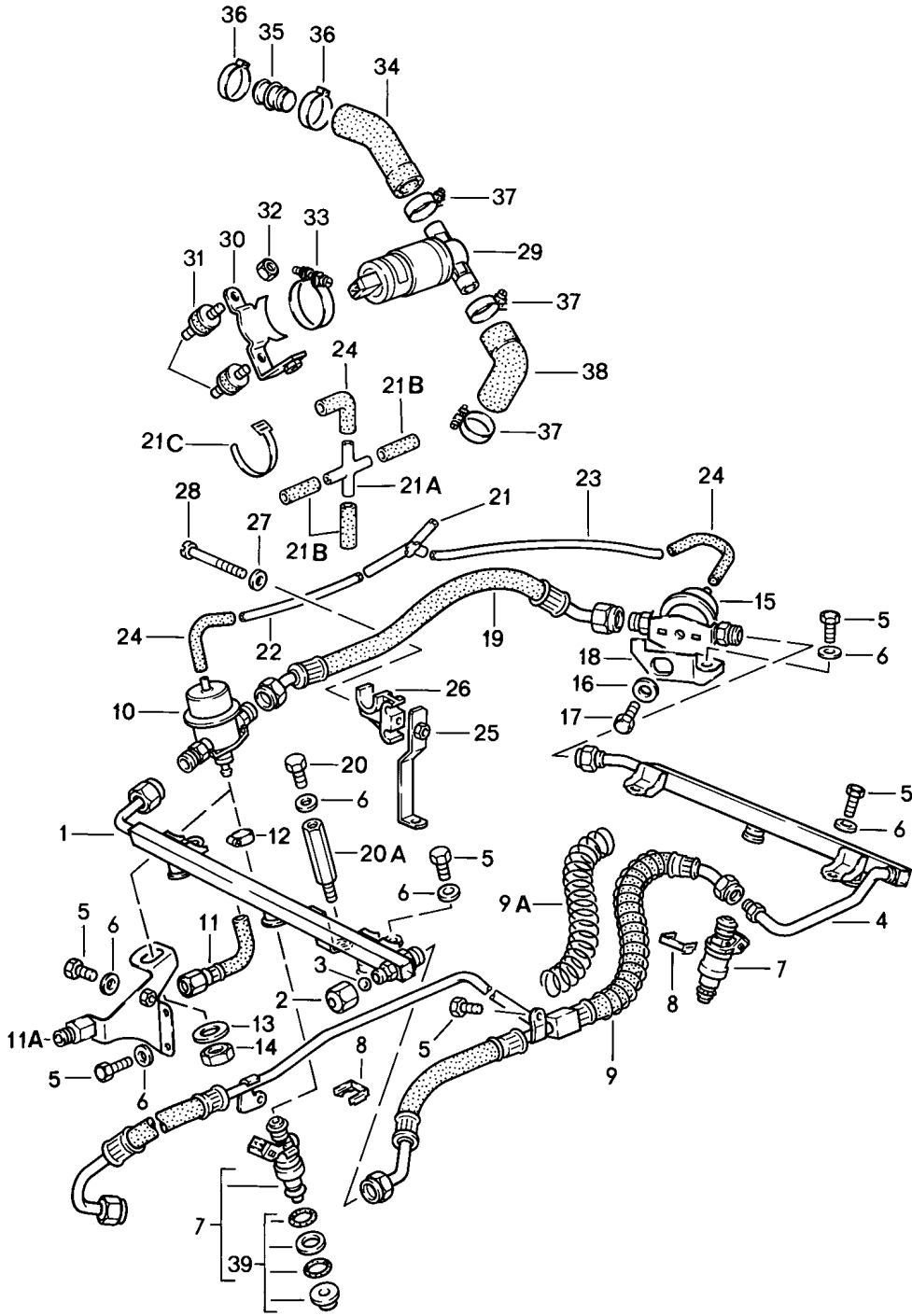
Model: 911 84

Model life 1984>>1986

| Pos  | Part Number    | Description                      | Remark | Qty | Model |
|------|----------------|----------------------------------|--------|-----|-------|
|      | N 023 569 2    | S16/9ZY<br>Hose clamp            |        | 4   |       |
| -    | PCG 023 569 2  | Hose clamp                       |        | 4   |       |
| -    | 999 239 010 40 | Hose<br>4 X 9                    |        | *   |       |
| 30   |                | 830MM                            |        | 1   |       |
| (31) | 930 207 227 00 | Recirculating air valve          |        | 1   |       |
| -    | 930 207 235 02 | Hose                             |        | 1   |       |
| (32) | 930 207 237 00 | Support                          |        | 1   |       |
| 33   | 999 507 337 08 | Clamping washer<br>12 X 25 X 2,3 |        | 1   |       |
| 34   | 930 207 243 01 | Rubber sleeve                    |        | 1   |       |
| 34   |                | Rubber sleeve                    |        | 1   |       |
| 35   | 999 512 554 00 | Hose clamp<br>A9X18              |        | 1   |       |
| 36   | 930 207 229 00 | Valve                            |        | 1   |       |
| 37   | 999 512 552 00 | Hose clamp<br>S25/9ZY            |        | 1   |       |
| 37   | 999 512 552 01 | Hose clamp<br>S25/9ZY            |        | 1   |       |
| 38   | 930 207 235 00 | Hose                             |        | 1   |       |
| 38   | 930 207 235 02 | Hose                             |        | 1   |       |

Model: 911 84

Model life 1984>>1986



Model: 911 84

Model life 1984&gt;&gt;1986

| Pos | Part Number    | Description          | Remark | Qty | Model        |
|-----|----------------|----------------------|--------|-----|--------------|
|     |                | for                  |        |     | 930.20/21/26 |
|     |                | L-JETRONIC II        |        |     | 930.20/21/26 |
| 1   | 930 110 307 04 | Fuel collection pipe |        | 1   |              |
| 2   | 928 110 475 01 | Cap nut              |        | 1   |              |
| 2   | 928 110 475 03 | Cap nut              |        | 1   |              |
| 2   | 928 110 475 04 | Cap nut              |        | 1   |              |
| 3   | 900 108 022 00 | Ball                 |        | 1   |              |
|     |                | 9MM                  |        |     |              |
| 4   | 930 110 308 04 | Fuel collection pipe |        | 1   |              |
| 5   | 900 075 355 02 | Combination screw    |        | 10  |              |
|     |                | M6X16                |        |     |              |
| 5   | 900 075 355 01 | Hexagon-head bolt    |        | 10  |              |
|     |                | M6X16                |        |     |              |
| 6   | N 011 524 7    | Washer               |        | 13  |              |
|     |                | 6,4                  |        |     |              |
| 6   | N 011 524 27   | Washer               |        | 13  |              |
|     |                | 6,4                  |        |     |              |
| 7   | 930 606 120 00 | Injector valve       |        | 6   |              |
| 8   | 930 110 388 00 | Retaining clip       |        | 6   |              |
| 8   | 930 110 388 01 | Retaining clip       |        | 6   |              |
| 9   | 930 110 595 03 | Fuel line            |        | 1   |              |
| 9   | 930 110 595 05 | Fuel line            |        | 1   |              |
| -   | 999 521 039 40 | Spiral               |        | X   |              |
|     |                | 18 X 3               |        |     |              |
| 9A  |                | 345 MM               |        | 1   |              |
| 10  | 928 110 198 01 | Pressure regulator   |        | 1   |              |
| 11  | 930 110 509 01 | Fuel line            |        | 1   |              |
| 11A | 930 110 569 00 | Retaining bracket    |        | 1   |              |
| 12  | 999 512 160 02 | Hose clamp           |        | 1   |              |
|     |                | S13/9ZY              |        |     |              |
| 12  | PCG 512 160 02 | Hose clamp           |        | 1   |              |
|     |                | S13/9ZY              |        |     |              |
| 13  | 900 031 013 02 | Washer               |        | 1   |              |
|     |                | 17                   |        |     |              |
| 14  | 900 034 013 02 | Hexagon nut          |        | 1   |              |
|     |                | BM16X1,5             |        |     |              |
| 14  | 900 034 013 01 | Hexagon nut          |        | 1   |              |
|     |                | BM16X1,5             |        |     |              |
| 15  | 930 110 602 00 | Diaphragm damper     |        | 1   |              |
| 16  | 944 110 312 00 | Washer               |        | 1   |              |
| 17  | N 010 235 3    | Hexagon-head bolt    |        | 1   |              |
|     |                | 8 X 10               |        |     |              |
| 18  | 930 110 594 00 | Retaining bracket    |        | 1   |              |
| 19  | 930 110 411 00 | Connecting hose      |        | 1   |              |
| 19  | 930 110 411 03 | Connecting hose      |        | 1   |              |
| 20  | 999 072 005 09 | Hexagon nut          |        | 1   |              |
|     |                | M6X12                |        |     |              |
| 20  | 999 072 005 01 | Hexagon nut          |        | 1   |              |
|     |                | M6X12                |        |     |              |
| 21  | 928 573 727 02 | Distributing piece   |        | 1   |              |
| -   | N 020 139 11   | Pipe                 |        | *   |              |
|     |                | 4 X 1                |        |     |              |
| 22  |                | 210MM                |        | 1   |              |
| 23  |                | 380 MM               |        | 1   |              |
| 24  | 928 574 717 02 | Moulded hose         |        | 3   |              |
| 25  | 930 110 673 00 | Strut                |        | 1   |              |
| 26  | 930 110 671 00 | Support              |        | 1   |              |
| 27  | 900 025 003 02 | Washer               |        | 1   |              |
|     |                | 5,3                  |        |     |              |
| 28  | N 100 467 01   | Pan-head screw       |        | 1   |              |
|     |                | M5X55                |        |     |              |
| 29  | 930 606 161 00 | Idle-speed adjuster  |        | 1   |              |
| 30  | 930 110 597 02 | Retaining bracket    |        | 1   |              |

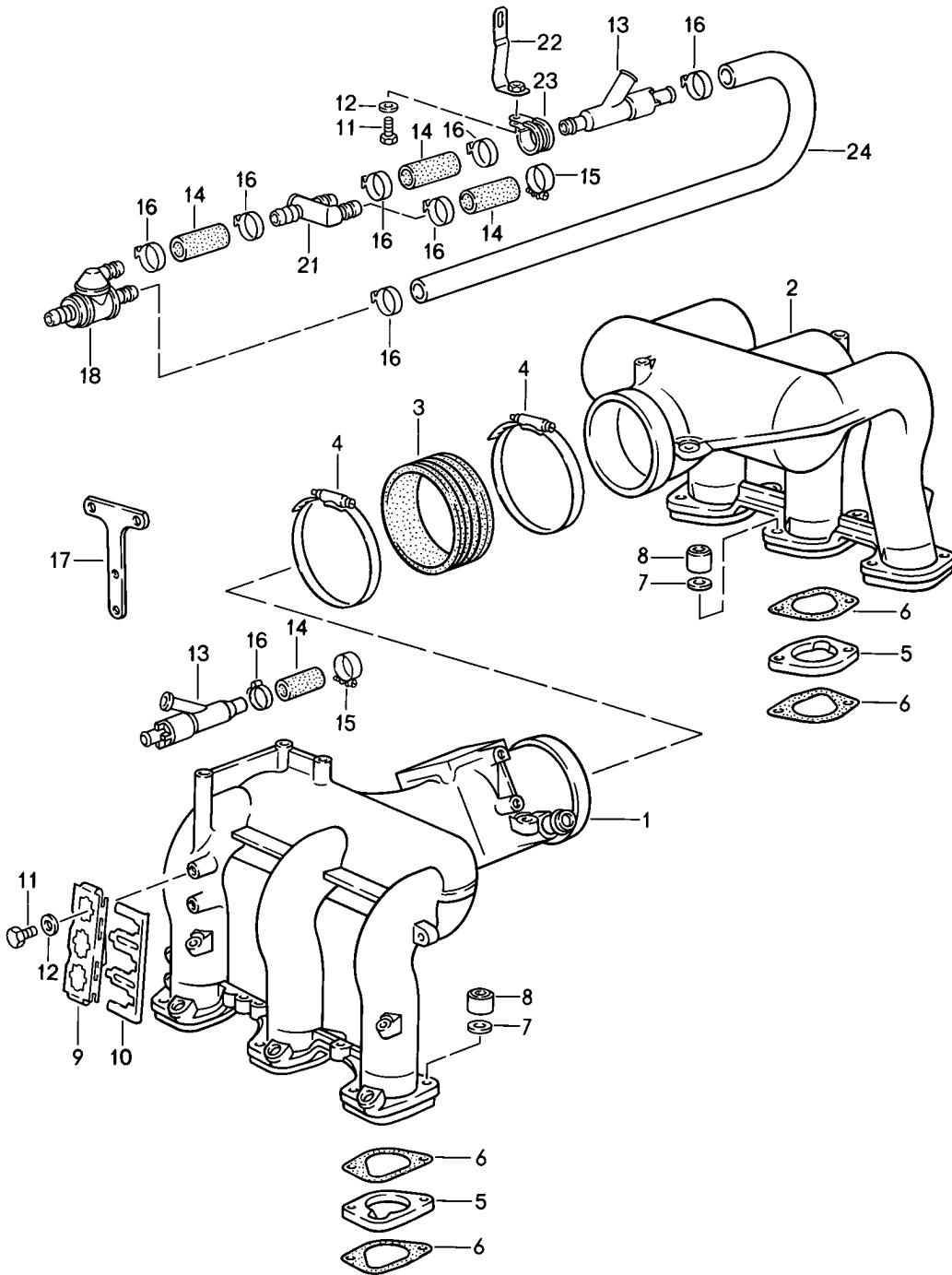
Model: 911 84

Model life 1984&gt;&gt;1986

| Pos | Part Number    | Description                     | Remark | Qty | Model |
|-----|----------------|---------------------------------|--------|-----|-------|
| 31  | 930 110 579 01 | Bonded rubber buffer            |        | 2   |       |
| 31  | 999 703 265 00 | Bonded rubber buffer            |        | 2   |       |
| 32  | 999 084 074 02 | Lock nut<br>M6                  |        | 2   |       |
| 33  | 999 512 369 02 | Clamp<br>SP43/9ZY               |        | 1   |       |
| 33  | 999 512 369 0B | Clamp<br>SP43/9ZY               |        | 1   |       |
| 34  | 930 110 665 00 | Pipeline                        |        | 1   |       |
| 35  | 930 110 267 01 | Hose connection                 |        | 1   |       |
| 36  | 999 512 380 02 | Hose clamp                      |        | 2   |       |
| 36  | 999 512 380 0B | Hose clamp                      |        | 2   |       |
| 37  | PCG 512 237 02 | Hose clamp<br>S26/9ZY           |        | 3   |       |
| 38  | 930 110 589 02 | Hose                            |        | 1   |       |
| 39  | 944 110 901 00 | Gasket<br>for<br>Injector valve |        | 1   |       |

Model: 911 84

Model life 1984>>1986



Model: 911 84

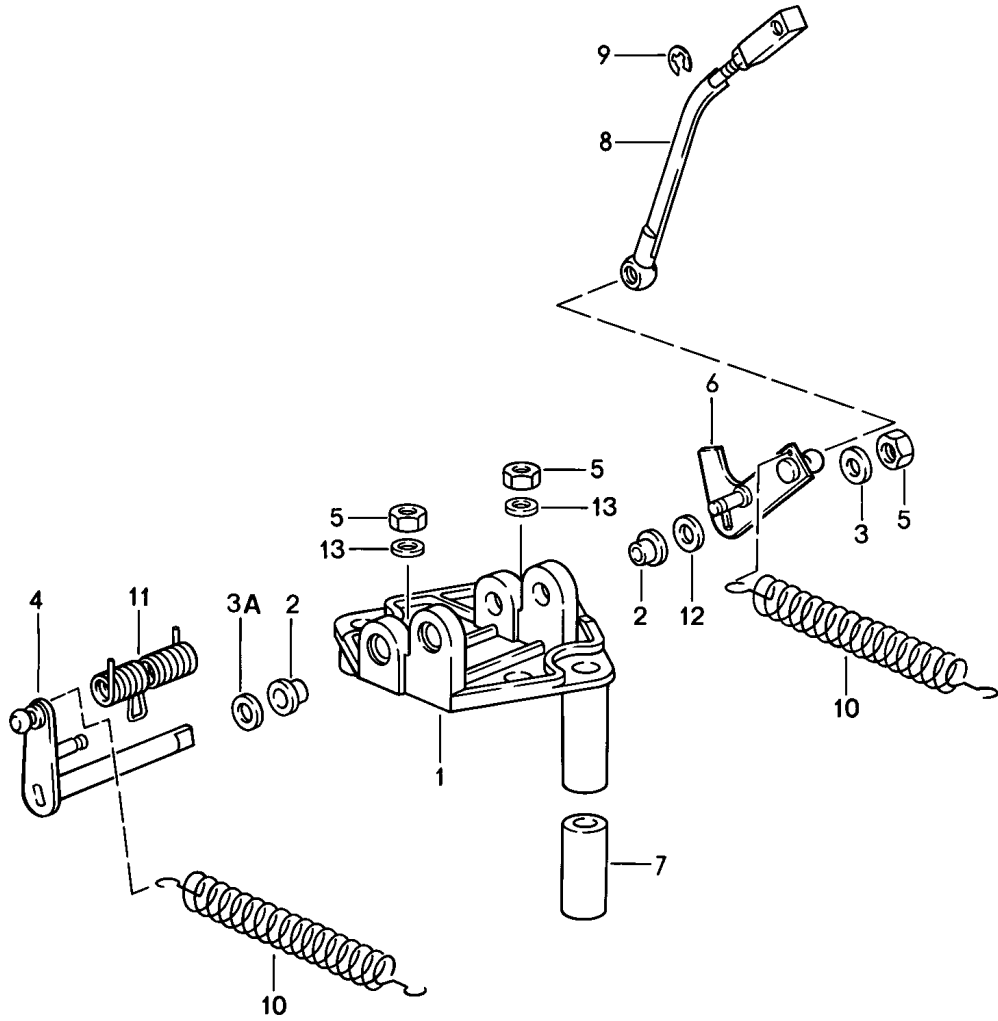
Model life 1984>>1986

| Pos | Part Number    | Description                | Remark | Qty | Model        |
|-----|----------------|----------------------------|--------|-----|--------------|
|     |                | for                        |        |     | 930.20/21/26 |
|     |                | L-JETRONIC III             |        |     | 930.20/21/26 |
| 1   | 930 110 036 01 | Intake distributor         | -84    | 1   |              |
| 1   | 930 110 036 03 | Intake distributor         | 85-    | 1   |              |
| 1   |                | Intake distributor         |        | 1   |              |
| 2   | 930 110 338 03 | Intake distributor         |        | 1   |              |
| 3   | 930 110 573 01 | Rubber sleeve              |        | 1   |              |
| 4   | 999 512 367 02 | Hose clamp                 |        | 2   |              |
|     |                | S99/9ZY                    |        |     |              |
| 5   | 930 110 459 00 | Intermediate flange        |        | 6   |              |
| 6   | 930 110 197 07 | Gasket                     | -84    | 12  |              |
| 6   | 930 110 197 08 | Gasket                     | 85-    | 12  |              |
| 6   | 930 110 197 11 | Gasket                     | 85-    | 12  |              |
| 6   | 930 110 197 14 | Gasket                     | 85-    | 12  |              |
| 7   | 999 025 152 02 | Washer                     |        | 12  |              |
|     |                | 8,1X15X3                   |        |     |              |
| 7   | 999 025 152 0C | Washer                     |        | 12  |              |
|     |                | 8,1X15X3                   |        |     |              |
| 8   | 901 111 271 00 | Nut                        |        | 12  |              |
| 9   | 911 606 125 00 | Support                    |        | 1   |              |
| 9   | 911 606 125 01 | Support                    |        | 1   |              |
|     |                | Use also:                  |        |     |              |
| -   | 911 606 127 01 | Support                    |        | 1   |              |
| -   | N 013 953 2    | Oval-head sheetmetal screw |        | 1   |              |
| 10  | 911 606 127 00 | Support                    |        | 1   |              |
| 10  | 911 606 127 01 | Support                    |        | 1   |              |
|     |                | Use also:                  |        |     |              |
| -   | 911 606 125 01 | Support                    |        | 1   |              |
| -   | N 013 953 2    | Oval-head sheetmetal screw |        | 1   |              |
| 11  | 999 072 005 09 | Hexagon nut                |        | 3   |              |
|     |                | M 6 X 12                   |        |     |              |
| 11  | 999 072 005 01 | Hexagon nut                |        | 3   |              |
|     |                | M 6 X 12                   |        |     |              |
| 12  | N 011 524 7    | Washer                     |        | 3   |              |
|     |                | A 6,4                      |        |     |              |
| 12  | N 011 524 27   | Washer                     |        | 3   |              |
|     |                | A 6,4                      |        |     |              |
| 13  | 067 133 753 A  | Venturi tube               |        | 1   |              |
| 13  | 067 133 753 B  | Venturi tube               |        | 1   |              |
| -   | 999 181 022 51 | Hose                       |        | *   |              |
|     |                | 11,8 X 19                  |        |     |              |
| 14  |                | 45 MM                      |        | 4   |              |
| 15  | 999 512 554 00 | Hose clamp                 |        | 3   |              |
|     |                | A 9 X 18                   |        |     |              |
| 16  | 999 512 381 02 | Clamp                      |        | 9   |              |
| 16  | 999 512 497 02 | Clamp                      |        | 9   |              |
|     |                | 18,8 - 21,1                |        |     |              |
| 18  | 930 110 667 01 | Check valve                |        | 1   |              |
| 21  | 930 110 691 01 | Connection piece           |        | 1   |              |
| 22  | 930 110 689 00 | Retaining bracket          |        | 1   |              |
| 23  | 999 512 428 02 | Clamp                      |        | 1   |              |
| 24  | 999 181 068 41 | Hose                       |        | 1   |              |



Model: 911 84

Model life 1984>>1986

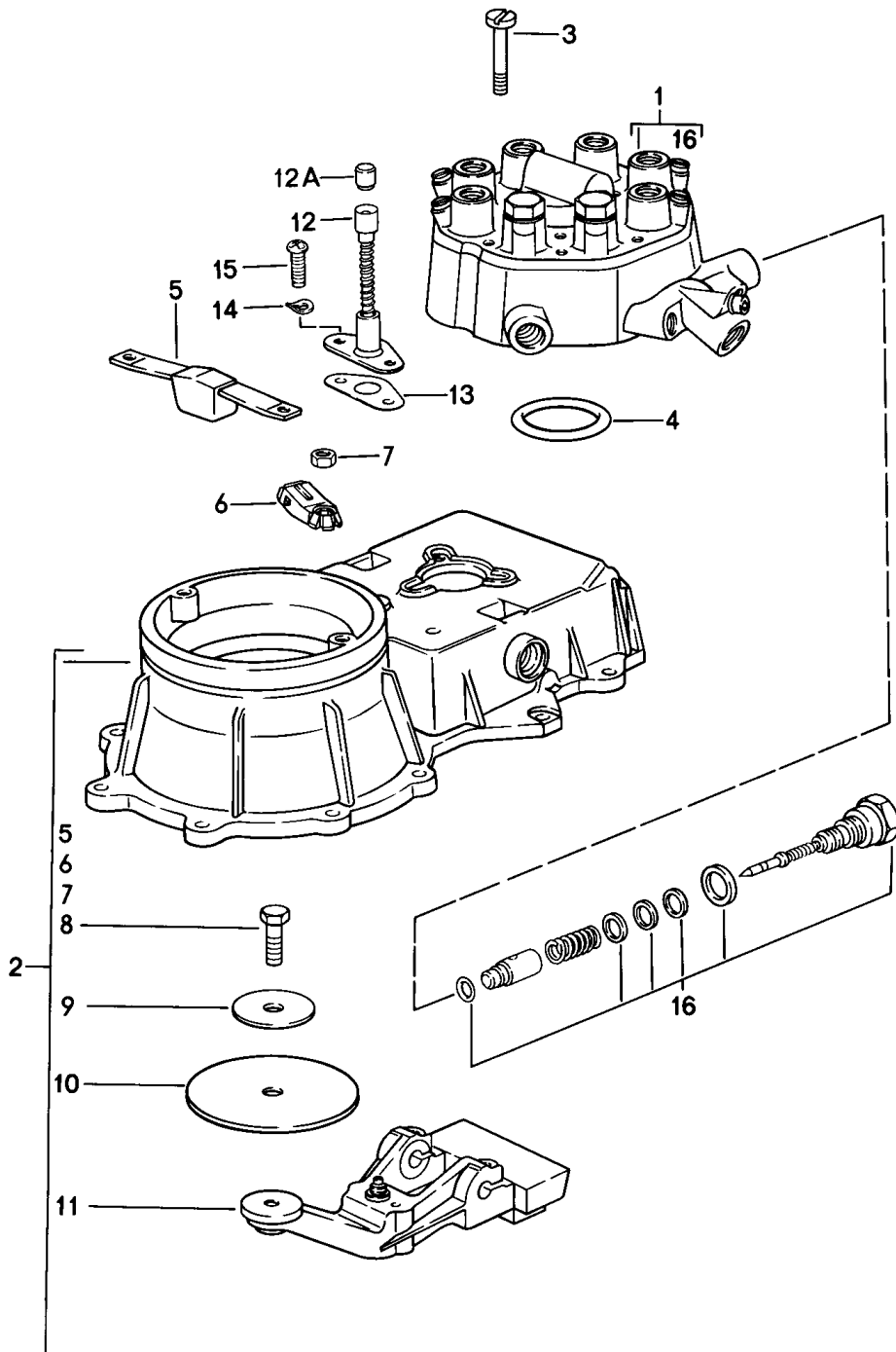


Model: 911 84 Model life 1984>>1986

| Pos  | Part Number    | Description             | Remark | Qty | Model        |
|------|----------------|-------------------------|--------|-----|--------------|
|      |                | Throttle linkage        |        |     |              |
|      |                | Bracket                 |        |     |              |
| (1)  | 911 110 091 07 | Bracket                 |        | 1   | 930.20/21/26 |
| (1)  |                | Bracket                 |        | 1   | 930.66/68    |
| 1    |                | Bracket                 |        | 1   |              |
| 2    | 999 924 069 00 | Bearing sleeve          |        | 2   |              |
| 3    | 900 025 007 02 | Washer                  |        | 2   |              |
|      |                | A 8,4                   |        |     |              |
| 3    | 900 025 007 03 | Washer                  |        | 2   |              |
|      |                | A 8,4                   |        |     |              |
| 3A   | 930 110 572 00 | Washer                  |        | 2   |              |
| (4)  | 911 110 060 03 | Lever                   |        | 1   | 930.20/21/26 |
| (4)  | 930 110 060 03 | Lever                   | -85    | 1   | 930.66/68    |
| 4    | 930 110 060 06 | Lever                   | 86-    | 1   | 930.66/68    |
| 4    |                | Lever                   | 86-    | 1   | 930.66/68    |
| 5    | 900 076 025 02 | Hexagon nut             |        | 4   |              |
|      |                | M 8                     |        |     |              |
| 5    | 900 076 064 02 | Hexagon nut             |        | 4   |              |
|      |                | M 8                     |        |     |              |
| 6    | 911 110 110 06 | Lever                   | -85    | 1   | 930.20/21/26 |
| (6)  |                | Lever                   | 86-    | 1   | 930.20/21/26 |
| (6)  | 930 110 110 03 | Lever                   | -85    | 1   | 930.66/68    |
| 6    | 930 110 110 06 | Lever                   | 86-    | 1   | 930.66/68    |
| 6    |                | Lever                   | 86-    | 1   | 930.66/68    |
| 7    | 901 110 236 00 | Spacer tube             |        | 1   |              |
| 8    | 930 110 098 03 | Pull rod                |        | 1   | 930.20/21/26 |
| 8    | 930 110 098 04 | Pull rod                |        | 1   | 930.20/21/26 |
| (8)  | 930 110 079 04 | Pull rod                | -84    | 1   | 930.66/68    |
| (8)  | 930 110 079 05 | Pull rod                | 85-    | 1   | 930.66/68    |
| 9    | N 012 325 1    | Lock washer             |        | 1   |              |
| 9    |                | Lock washer             |        | 1   |              |
| 10   | 911 110 165 08 | Tension spring          | -85    | 1   | 930.20/21/26 |
| 10   |                | Tension spring          | 86-    | 2   | 930.20/21/26 |
| (11) | 930 110 148 01 | Steering knuckle spring | -85    | 1   | 930.66/68    |
| 11   | 930 110 148 05 | Steering knuckle spring | 86-    | 1   | 930.66/68    |
| 12   | 930 110 571 00 | Washer                  |        | 1   | 930.20/21/26 |
| 12   | 930 110 571 02 | Washer                  |        | 1   | 930.20/21/26 |
| 12   | 930 110 571 01 | Washer                  |        | 1   | 930.66/68    |
| 13   | 900 031 001 02 | Washer                  |        | 1   | 930.66/68    |
| 13   | 900 031 105 01 | Washer                  |        | 1   | 930.66/68    |
| 13   | 900 025 007 02 | Washer                  |        | 1   | 930.66/68    |
|      |                | 8,4                     |        |     |              |
| 13   | 900 025 007 03 | Washer                  |        | 1   | 930.66/68    |
|      |                | 8,4                     |        |     |              |

Model: 911 84

Model life 1984>>1986



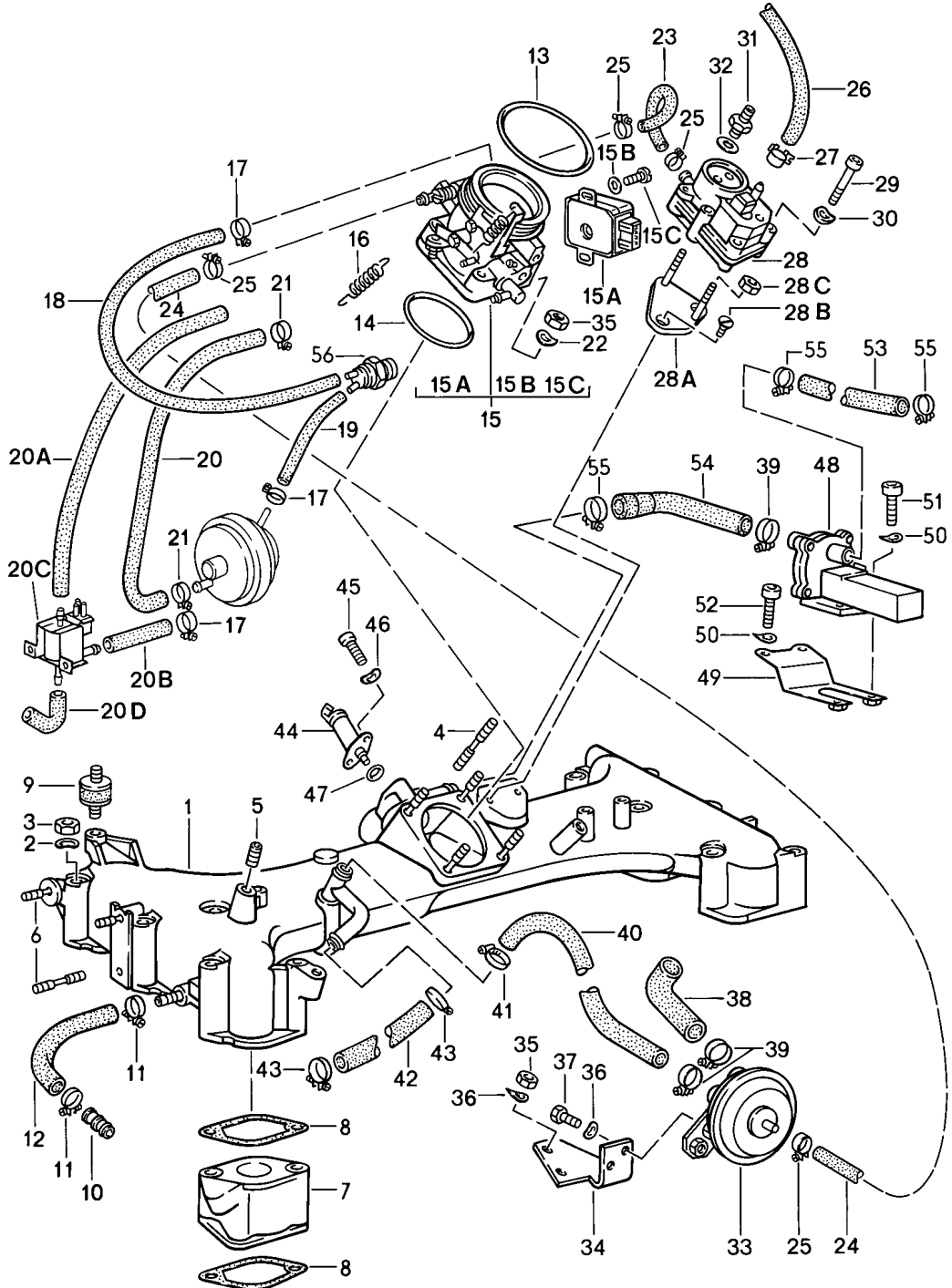
Model: 911 84

Model life 1984&gt;&gt;1986

| Pos | Part Number    | Description   | Remark | Qty | Model     |
|-----|----------------|---|--------|-----|-----------|
|     |                | Mixture control unit  |        |     | 930.66/68 |
| 1   | 930 110 909 00 | Fuel distributor  |        | 1   | 930.66    |
| 1   | 930 110 923 00 | Fuel distributor  |        | 1   | 930.68    |
| 2   | 930 110 907 00 | Mass air flow meter   |        | 1   | 930.66    |
| 2   | 930 110 924 00 | Mass air flow meter   |        | 1   | 930.68    |
| 3   | 900 146 045 02 | Oval-head screw<br>AM 5 X 45  |        | 3   |           |
| 4   | 911 110 936 01 | Gasket  |        | 1   |           |
| 5   | 911 110 961 00 | Stop  |        | 1   |           |
| 6   | 911 110 929 00 | Safety contact  |        | 1   |           |
| 7   | 911 110 945 00 | Lock nut  |        | 1   |           |
| 8   | 911 110 944 01 | Hexagon-head bolt   |        | 1   |           |
| 9   | 911 110 960 00 | Support washer  |        | 1   |           |
| 10  | 911 110 943 01 | Air flow sensor plate   |        | 1   |           |
| 10  | 911 110 943 03 | Air flow sensor plate   |        | 1   |           |
| 11  | 911 110 959 00 | Control lever   |        | 1   |           |
| 12  | 930 110 910 00 | Adjusting key   |        | 1   | 930.66    |
| 12  | 930 110 910 02 | Adjusting key   |        | 1   | 930.68    |
| 12A | 930 110 921 00 | Stopper   |        | 1   | 930.68    |
| 13  | 930 110 911 00 | Gasket  |        | 1   |           |
| 14  | N 012 005 3    | Lock ring<br>B 5  |        | 2   |           |
| 15  | N 014 128 13   | Oval-head screw<br>AM 5 X 8   |        | 2   |           |
| 16  | 928 110 920 01 | Parts kit<br>Pressure regulator<br>See workshop manual<br>KD-NR. 256155 |        | 1   |           |

Model: 911 84

Model life 1984>>1986



Model: 911 84

Model life 1984&gt;&gt;1986

| Pos | Part Number    | Description           | Remark | Qty | Model     |
|-----|----------------|-----------------------|--------|-----|-----------|
|     |                | for                   |        |     | 930.66/68 |
|     |                | K-JETRONIC I          |        |     | 930.66/68 |
| 1   | 930 110 034 00 | Intake manifold       |        | 1   | 930.66    |
| (1) | 930 110 034 02 | Intake manifold       |        | 1   | 930.68    |
| 2   | N 012 241 8    | Spring washer         |        | 12  |           |
|     |                | B 8                   |        |     |           |
| 3   | 900 076 025 02 | Hexagon nut           |        | 12  |           |
|     |                | M 8                   |        |     |           |
| 3   | 900 076 064 02 | Hexagon nut           |        | 12  |           |
|     |                | M 8                   |        |     |           |
| 4   | 999 062 093 02 | Stud                  |        | 4   |           |
|     |                | BM 6 X 35             |        |     |           |
| 5   | 999 504 004 00 | Threaded insert       |        | 3   |           |
|     |                | M 8                   |        |     |           |
| 6   | 999 062 009 02 | Stud                  |        | 3   |           |
|     |                | BM 8 X 28             |        |     |           |
| 6   | 900 060 105 01 | Stud                  |        | 3   |           |
|     |                | BM 8 X 28             |        |     |           |
| 7   | 930 110 141 03 | Flange                |        | 6   |           |
| 8   | 930 110 197 10 | Gasket                |        | 12  |           |
| 9   | 930 110 194 00 | Bonded rubber buffer  |        | 3   |           |
| 9   | 999 703 263 00 | Bonded rubber buffer  |        | 3   |           |
| 10  | 930 110 267 00 | Hose connection       |        | 1   |           |
| 11  | 999 512 554 00 | Hose clamp            |        | 2   |           |
| -   | 999 239 011 40 | Hose                  |        | *   |           |
|     |                | 12 X 19               |        |     |           |
| 12  |                | 270 MM                |        | 1   |           |
| 13  | 999 701 477 40 | Round seal            |        | 1   |           |
| 14  | 999 701 468 40 | Round seal            |        | 1   |           |
|     |                | 67,5 X 75,4 X 4       |        |     |           |
| 15  | 930 110 250 08 | Flap-Nozzle           |        | 1   | 930.66    |
| 15  | 930 110 250 09 | Flap-Nozzle           |        | 1   | 930.68    |
| 15A | 931 606 119 01 | Throttle-valve switch |        | 1   | 930.68    |
| 15B | N 012 224 3    | Spring washer         |        | 2   | 930.68    |
|     |                | B4                    |        |     |           |
| 15C | 900 146 011 02 | Oval-head screw       |        | 2   | 930.68    |
|     |                | M 4 X 10              |        |     |           |
| 16  | 930 110 497 00 | Tension spring        |        | 1   |           |
| 17  | 999 512 361 02 | Hose clamp            |        | 6   |           |
|     |                | S6/7ZY                |        |     |           |
| -   | 999 239 020 40 | Hose                  |        | *   |           |
|     |                | Red                   |        |     |           |
|     |                | 3,2 X 7               |        |     |           |
| 18  |                | 390 MM                |        | 1   |           |
| 19  |                | 1000 MM               |        | 1   |           |
| -   | 999 239 022 40 | Hose                  |        | *   |           |
|     |                | Blue                  |        |     |           |
|     |                | 4 X 10                |        |     |           |
| 20  |                | 575 MM                |        | 1   | 930.66    |
| -   | 999 239 021 40 | Hose                  |        | *   |           |
|     |                | Blue                  |        |     |           |
|     |                | 3,2 X 7               |        |     |           |
| 20A |                | 545 MM                |        | 1   | 930.68    |
| 20B |                | 480 MM                |        | 1   | 930.68    |
| 20C | 911 618 123 00 | Change-over valve     |        | 1   | 930.68    |
|     |                | Electric              |        |     |           |
| 20D | 928 574 717 02 | Moulded hose          |        | 1   | 930.68    |
| 21  | 999 512 159 02 | Hose clamp            |        | 2   | 930.66    |
|     |                | S9/9ZY                |        |     |           |
| -   | 999 512 082 02 | Hose clamp            |        | 2   | 930.66    |
| -   | 999 512 082 01 | Hose clamp            |        | 2   | 930.66    |
| 22  | N 012 226 5    | Spring washer         |        | 4   |           |
| -   | 999 239 013 40 | Hose                  |        | *   |           |

Model: 911 84

Model life 1984&gt;&gt;1986

| Pos | Part Number    | Description                 | Remark | Qty | Model  |
|-----|----------------|-----------------------------|--------|-----|--------|
| -   | 999 239 013 4A | Black<br>5 X 11<br>Hose     |        | *   |        |
| 23  |                | Black<br>5 X 11<br>150 MM   |        | 1   | 930.66 |
| 23  |                | 55 MM                       |        | 1   | 930.68 |
| 24  |                | 405 MM                      |        | 1   |        |
| 25  | 999 512 082 02 | Hose clamp                  |        | 4   |        |
| 25  | 999 512 082 01 | Hose clamp                  |        | 4   |        |
| -   | 999 239 006 40 | Hose                        |        | *   |        |
| -   | 999 239 034 40 | Black<br>8 X 14<br>Hose     |        | *   |        |
| 26  |                | Black<br>7,3 X 3<br>120 MM  |        | 1   |        |
| 27  | 999 512 160 02 | Hose clamp                  |        | 4   |        |
| 27  | PCG 512 160 02 | Hose clamp                  |        | 4   |        |
| 28  | 930 606 105 05 | Warm-up valve               |        | 1   | 930.66 |
| 28  | 930 606 105 EX | Warm-up valve               |        | 1   | 930.66 |
| 28  | 930 606 105 06 | Warm-up valve               |        | 1   | 930.68 |
| 28  | 930 606 105 FX | Warm-up valve               |        | 1   | 930.68 |
| 28A | 930 110 310 00 | Support                     |        | 1   | 930.68 |
| 28B | 999 147 005 02 | Lens-head screw<br>M 6 X 16 |        | 2   | 930.68 |
| 28C | 900 910 012 02 | Lock nut                    |        | 2   | 930.68 |
| 28C | 900 910 047 09 | Lock nut                    |        | 2   | 930.68 |
| 28C | 999 084 074 02 | Lock nut<br>M 6             |        | 2   | 930.68 |
| 29  | N 044 703 3    | Pan-head screw              |        | 2   |        |
| 29  |                | Pan-head screw<br>M 6 X 45  |        | 2   |        |
| 29  | 900 119 055 02 | Pan-head screw<br>M 6 X 60  |        | 2   |        |
| 30  | N 012 226 5    | Spring washer<br>A 6        |        | 2   |        |
| 31  | 900 915 004 02 | Connection piece            |        | 1   |        |
| 32  | 900 123 144 30 | Sealing ring<br>A 10 X 13,5 |        | 1   |        |
| 33  | 930 110 173 00 | Vacuum limiter              |        | 1   |        |
| 34  | 930 110 167 00 | Retaining bracket           |        | 1   |        |
| 35  | 900 076 010 02 | Nut<br>M 6                  |        | 6   |        |
| 35  | 900 076 010 0B | Nut<br>M 6                  |        | 6   |        |
| 36  | N 012 226 5    | Spring washer<br>B 6        |        | 4   |        |
| 37  | 999 072 005 09 | Hexagon nut<br>M 6 X 12     |        | 2   |        |
| 37  | 999 072 005 01 | Hexagon nut<br>M 6 X 12     |        | 2   |        |
| 38  | 930 110 171 01 | Hose                        |        | 1   |        |
| 39  | PCG 512 237 02 | Hose clamp                  |        | 2   |        |
| -   | 999 239 007 40 | Hose<br>15 X 24             |        | *   |        |
| 40  |                | 90 MM                       |        | 1   |        |
| 41  | N 024 115 1    | Hose clamp                  |        | 2   |        |
| -   | 999 181 284 50 | Hose<br>15 X 3,5            |        | *   |        |
| 42  |                | 300 MM                      |        | 1   |        |
| 43  | 999 512 045 02 | Hose clamp                  |        | 2   |        |
| 44  | 930 606 107 01 | Electric starting valve     |        | 1   |        |

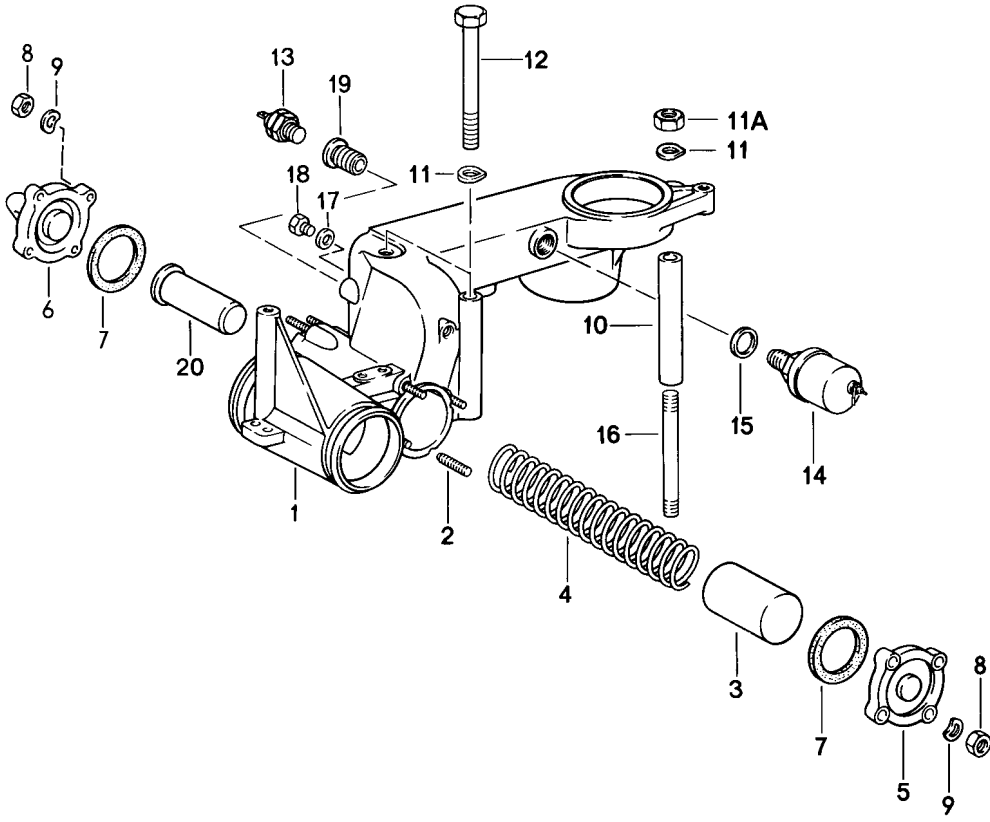
Model: 911 84 Model life 1984>>1986

| Pos | Part Number    | Description                | Remark | Qty | Model  |
|-----|----------------|----------------------------|--------|-----|--------|
| 45  | N 014 740 2    | Pan-head screw<br>M 6 X 16 |        | 2   |        |
| 45  | N 014 740 11   | Pan-head screw<br>M 6 X 16 |        | 2   |        |
| 46  | N 012 226 5    | Spring washer<br>A 6       |        | 2   |        |
| 47  | 999 701 395 50 | O-ring                     |        | 1   |        |
| 48  | 930 606 102 00 | Auxiliary air regulator    |        | 1   |        |
| 48  | 930 606 102 X  | Auxiliary air regulator    |        | 1   |        |
| 49  | 930 110 229 01 | Support                    |        | 1   | 930.66 |
| 49  | 930 110 229 02 | Support                    |        | 1   | 930.68 |
| 50  | N 012 226 5    | Spring washer<br>B 6       |        | 4   |        |
| 51  | 900 067 009 02 | Pan-head screw<br>M 6 X 15 |        | 2   |        |
| 51  | 900 067 429 01 | Pan-head screw<br>M 6 X 15 |        | 2   |        |
| 52  | 900 067 008 02 | Pan-head screw<br>M 6 X 12 |        | 2   |        |
| 52  | 900 067 008 03 | Pan-head screw<br>M 6 X 12 |        | 2   |        |
| 53  | 999 239 009 40 | Hose                       |        | *   | 930.66 |
| 53  | 930 110 334 03 | Hose                       |        | 1   | 930.68 |
| 54  | 930 110 335 00 | Air hose                   |        | 1   | 930.66 |
| 54  | 930 110 335 08 | Air hose                   |        | 1   | 930.66 |
| 54  | 930 110 335 03 | Air hose                   |        | 1   | 930.68 |
| 55  | N 024 141 2    | Hose clamp<br>9 X 31 ZY    |        | 2   |        |



Model: 911 84

Model life 1984>>1986



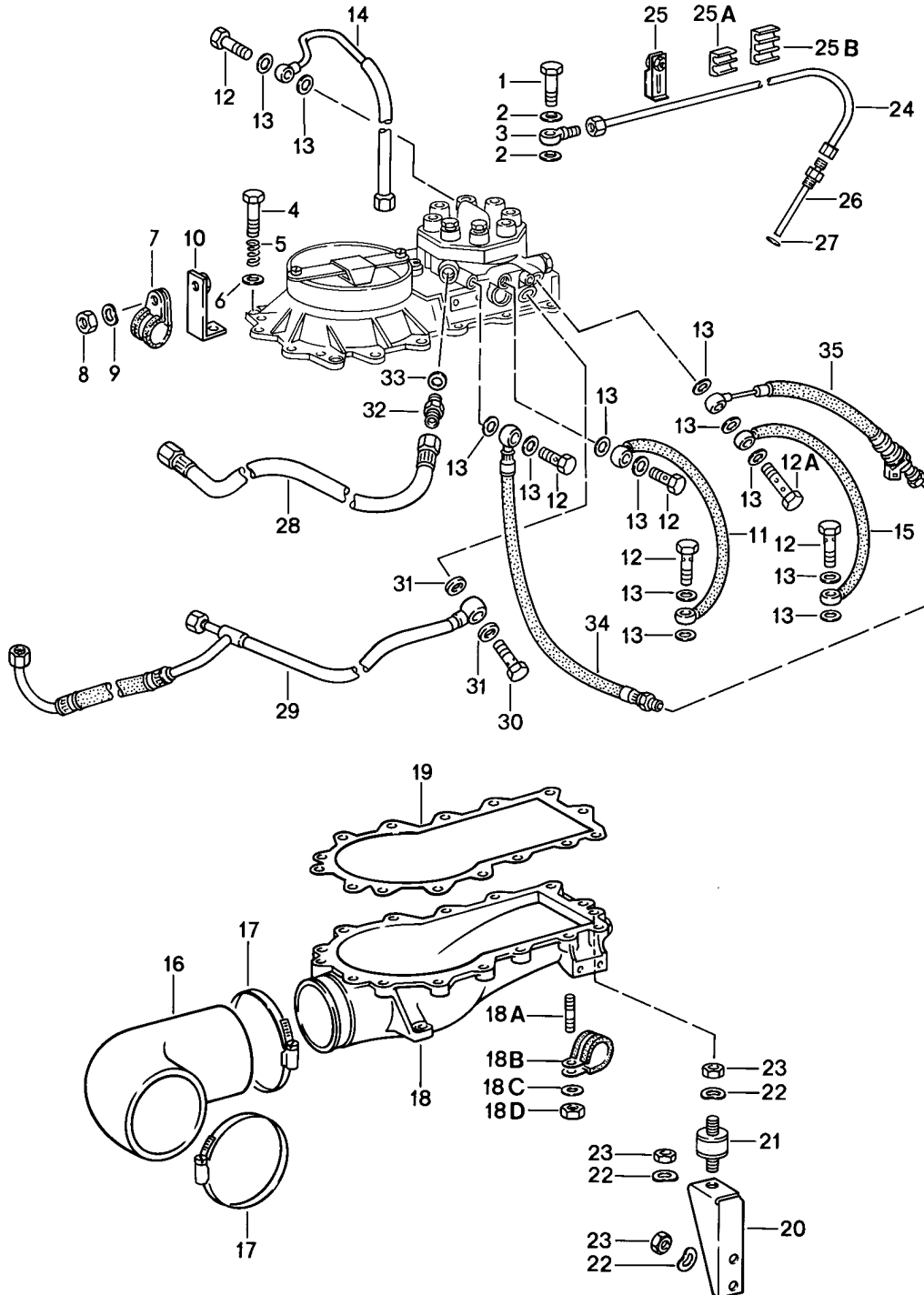
Model: 911 84

Model life 1984&gt;&gt;1986

| Pos | Part Number    | Description          | Remark | Qty | Model     |
|-----|----------------|----------------------|--------|-----|-----------|
|     |                | for                  |        |     | 930.66/68 |
|     |                | K-JETRONIC II        |        |     | 930.66/68 |
| 1   | 930 110 018 03 | Valve housing        |        | 1   | 930.66    |
| 2   | 999 062 127 02 | Stud                 |        | 8   |           |
|     |                | M 6 X 25             |        |     |           |
| -   | 999 072 005 01 | Hexagon nut          |        | 2   |           |
|     |                | AM 6 X 12            |        |     |           |
| -   | 999 504 004 00 | Threaded insert      |        | 2   |           |
|     |                | M 8 X 2 D            |        |     |           |
| -   | 999 504 116 00 | Threaded insert      |        | 1   |           |
|     |                | M 10 X 1 X 1 D       |        |     |           |
| -   | 999 504 117 00 | Threaded insert      |        | 1   |           |
|     |                | M 18 X 1,5 X 0,50    |        |     |           |
| 3   | 930 110 151 00 | Piston               |        | 1   |           |
| 4   | 930 110 157 00 | Compression spring   |        | 1   |           |
| 5   | 930 110 156 06 | Lid                  |        | 1   |           |
| 5   | 930 110 156 09 | Lid                  |        | 1   |           |
| 6   | 930 110 056 02 | Lid                  |        | 1   |           |
| 7   | 930 110 149 00 | Gasket               |        | 2   |           |
| 8   | 900 076 010 02 | Nut                  |        | 8   |           |
|     |                | M 6                  |        |     |           |
| 8   | 900 076 010 0B | Nut                  |        | 8   |           |
|     |                | M 6                  |        |     |           |
| 9   | N 012 226 5    | Spring washer        |        | 8   |           |
|     |                | B 6                  |        |     |           |
| 9   | N 011 524 7    | Washer               |        | 1   |           |
|     |                | A 6,4                |        |     |           |
| 9   | N 011 524 27   | Washer               |        | 1   |           |
|     |                | A 6,4                |        |     |           |
| 10  | 930 110 332 00 | Spacer tube          |        | 1   |           |
| 11  | N 012 241 8    | Spring washer        |        | 3   |           |
|     |                | B 8                  |        |     |           |
| 11A | 900 076 025 02 | Hexagon nut          |        | 1   |           |
|     |                | M 8                  |        |     |           |
| 11A | 900 076 064 02 | Hexagon nut          |        | 1   |           |
|     |                | M 8                  |        |     |           |
| 12  | 900 074 264 02 | Hexagon-head bolt    |        | 2   |           |
|     |                | M 8 X 135            |        |     |           |
| 13  | 930 606 101 00 | Switch               |        | 1   |           |
|     |                | Boost pressure       |        |     |           |
| 14  | 993 606 103 00 | Pressure transmitter |        | 1   |           |
|     |                | Boost pressure       |        |     |           |
| 14  | 993 606 103 01 | Pressure transmitter |        | 1   |           |
|     |                | Boost pressure       |        |     |           |
| 15  | 900 123 009 30 | Sealing ring         |        | 1   |           |
| 15  | 900 123 106 30 | Sealing ring         |        | 1   |           |
|     |                | A 18 X 24            |        |     |           |
| 16  | 999 062 234 02 | Stud                 |        | 1   |           |
|     |                | BM 8 X 135           |        |     |           |
| 17  | 900 123 144 30 | Sealing ring         |        | 1   | 930.68    |
|     |                | A 10 X 13,5          |        |     |           |
| 18  | 900 124 023 0A | Screw plug           |        | 1   | 930.68    |
|     |                | CM 10 X 1            |        |     |           |
| 19  | 930 110 367 01 | Threaded insert      |        | 1   |           |
|     |                | M 10 X 1 X 1D        |        |     |           |
| 20  | 930 110 160 00 | Spring guide         |        | 1   |           |

Model: 911 84

Model life 1984>>1986



Model: 911 84 Model life 1984>>1986

| Pos | Part Number    | Description        | Remark | Qty | Model     |
|-----|----------------|--------------------|--------|-----|-----------|
|     |                | for                |        |     | 930.66/68 |
|     |                | K-JETRONIC III     |        |     | 930.66/68 |
| 1   | 930 110 547 00 | Banjo bolt         |        | 6   |           |
| 1   | 930 110 547 01 | Banjo bolt         |        | 6   |           |
| 2   | 900 123 144 30 | Sealing ring       |        | 12  |           |
|     |                | A 10 X 13,5        |        |     |           |
| 3   | 999 215 002 02 | Ring piece         |        | 6   |           |
| 4   | 900 067 011 02 | Pan-head screw     |        | 4   |           |
|     |                | M 6 X 20           |        |     |           |
| 4   | 900 067 011 03 | Pan-head screw     |        | 4   |           |
|     |                | M 6 X 20           |        |     |           |
| 4   | 900 067 089 02 | Pan-head screw     |        | 10  |           |
|     |                | M 6 X 25           |        |     |           |
| 4   | 900 067 089 01 | Pan-head screw     |        | 10  |           |
|     |                | M 6 X 25           |        |     |           |
| 4   | 900 075 017 02 | Hexagon-head bolt  |        | 1   |           |
| 4   | 900 075 017 03 | Hexagon-head bolt  |        | 1   |           |
| 4   | 900 075 341 02 | Combination screw  |        | 1   |           |
|     |                | M 6 X 25           |        |     |           |
| 4   | 900 075 341 01 | Combination screw  |        | 1   |           |
|     |                | M 6 X 25           |        |     |           |
| 5   | 911 110 364 00 | Compression spring |        | 11  |           |
| 6   | N 012 226 5    | Spring washer      |        | 15  |           |
|     |                | B 6                |        |     |           |
| 7   | 999 511 085 02 | Clamp              |        | 1   |           |
| 8   | 900 075 057 02 | Hexagon-head bolt  |        | 1   |           |
|     |                | M 6 X 16           |        |     |           |
| 8   | 900 075 057 03 | Hexagon-head bolt  |        | 1   |           |
|     |                | M 6 X 16           |        |     |           |
| 9   | N 012 226 5    | Spring washer      |        | 1   |           |
|     |                | B 6                |        |     |           |
| 10  | 930 110 434 01 | Clip               |        | 1   |           |
| 11  | 930 110 303 01 | Fuel line          |        | 1   |           |
|     |                | Intake             |        |     |           |
|     |                | Start valve        |        |     |           |
| 11  | 930 110 303 02 | Fuel line          |        | 1   |           |
|     |                | Intake             |        |     |           |
|     |                | Start valve        |        |     |           |
| 12  | 911 110 899 00 | Banjo bolt         |        | 6   |           |
|     |                | A 2/3              |        |     |           |
| 12A | N 900 887 01   | Banjo bolt         |        | 1   | 930.68    |
|     |                | LL 3               |        |     |           |
| 13  | 900 123 115 30 | Sealing ring       |        | 13  |           |
|     |                | A 8 X 11,5         |        |     |           |
| 14  | 930 110 302 01 | Fuel line          |        | 1   |           |
|     |                | Intake             |        |     |           |
|     |                | Warm-up valve      |        |     |           |
| 15  | 930 110 305 02 | Fuel line          |        | 1   |           |
|     |                | Return line        |        |     |           |
|     |                | Warm-up valve      |        |     |           |
| 15  | 930 110 305 03 | Fuel line          |        | 1   |           |
|     |                | Return line        |        |     |           |
|     |                | Warm-up valve      |        |     |           |
| 16  | 930 110 137 02 | Hose elbow         |        | 1   |           |
| 17  | 999 512 350 02 | Hose clamp         |        | 2   |           |
| 18  | 930 110 035 04 | Lower part         |        | 1   | 930.66    |
| 18  |                | Lower part         |        | 1   | 930.68    |
| 18A | 999 062 002 02 | Stud               |        | 1   | 930.68    |
|     |                | BM 6 X 15          |        |     |           |
| 18B | N 020 647 1    | Clamp              |        | 1   | 930.68    |
| 18C | N 011 524 7    | Washer             |        | 1   | 930.68    |
|     |                | A 6,4              |        |     |           |
| 18C | N 011 524 27   | Washer             |        | 1   | 930.68    |

Model: 911 84

Model life 1984&gt;&gt;1986

| Pos  | Part Number    | Description   | Remark | Qty | Model     |
|------|----------------|---|--------|-----|-----------|
| 18D  | 999 084 074 02 | A 6,4<br>Lock nut   |        | 1   | 930.68    |
| -    | 999 062 022 02 | M 6<br>Stud   |        | 2   |           |
|      |                | M 8 X 12  |        |     |           |
| 19   | 930 110 394 00 | Gasket  |        | 1   |           |
| 20   | 930 110 133 00 | Retaining bracket   |        | 1   |           |
| 21   | 930 110 194 00 | Bonded rubber buffer  |        | 3   |           |
| 21   | 999 703 263 00 | Bonded rubber buffer  |        | 3   |           |
| 22   | N 012 241 8    | Spring washer   |        | 7   |           |
|      |                | B 8   |        |     |           |
| 23   | 900 076 025 02 | Hexagon nut   |        | 7   |           |
|      |                | M 8   |        |     |           |
| 23   | 900 076 064 02 | Hexagon nut   |        | 7   |           |
|      |                | M 8   |        |     |           |
| 24   | 930 110 041 02 | Injection line<br>Cylinder 1  |        | 1   | 930.66    |
| 24   | 930 110 041 03 | Injection line<br>Cylinder 1  |        | 1   | 930.68    |
| 24   | 930 110 042 02 | Injection line<br>Cylinder 2  |        | 1   | 930.66    |
| 24   | 930 110 042 03 | Injection line<br>Cylinder 2  |        | 1   | 930.68    |
| 24   | 930 110 043 02 | Injection line<br>Cylinder 3  |        | 1   | 930.66    |
| 24   | 930 110 043 03 | Injection line<br>Cylinder 3  |        | 1   | 930.68    |
| 24   | 930 110 044 01 | Injection line<br>Cylinder 4  |        | 1   | 930.66    |
| 24   | 930 110 044 02 | Injection line<br>Cylinder 4  |        | 1   | 930.68    |
| 24   | 930 110 045 02 | Injection line<br>Cylinder 5  |        | 1   | 930.66    |
| 24   | 930 110 045 03 | Injection line<br>Cylinder 5  |        | 1   | 930.68    |
| 24   | 930 110 046 02 | Injection line<br>Cylinder 6  |        | 1   | 930.66    |
| 24   | 930 110 046 03 | Injection line<br>Cylinder 6  |        | 1   | 930.68    |
| 25   | 930 110 432 02 | Pipe clamp<br>for<br>2<br>Lines                                       |        | 1   | 930.66    |
| 25   | 930 110 606 00 | Pipe clamp<br>for<br>2<br>Lines                                       |        | 1   | 930.66    |
| 25   | 930 110 606 01 | Pipe clamp<br>for<br>2<br>Lines                                       |        | 1   | 930.66    |
| (25) | PCG 110 606 01 | Rubber ply<br>for<br>Pipe clamp<br>Lines<br>It is necessary to rework |        | 1   | 930.66/68 |
| 25A  | 928 110 150 00 | Terminal  |        | 1   | 930.68    |
| 25   | 930 110 432 03 | Pipe clamp<br>for<br>3<br>Lines                                       |        | 3   | 930.68    |
| 25   | 930 110 607 00 | Pipe clamp<br>for   |        | 3   | 930.68    |

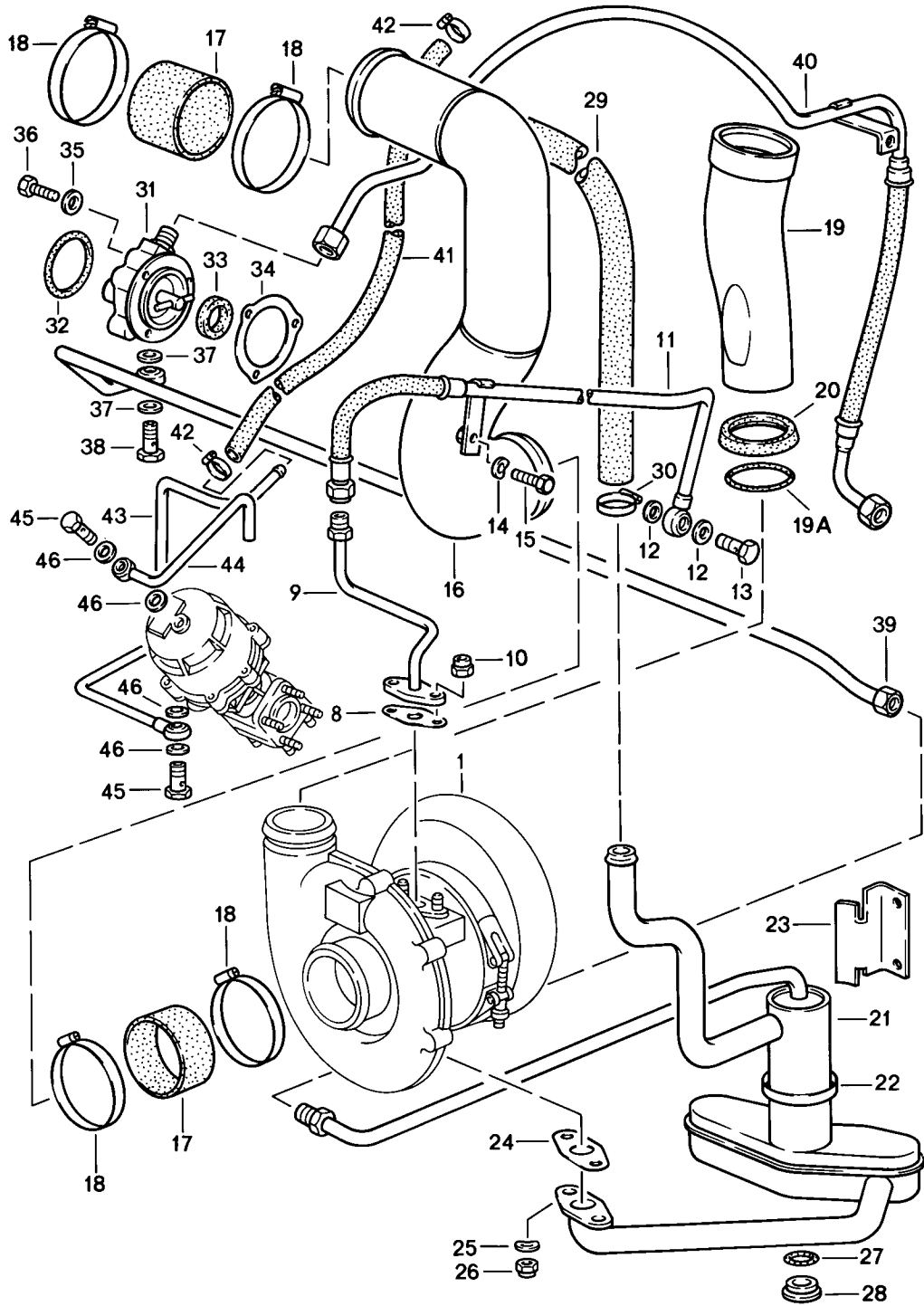
Model: 911 84

Model life 1984>>1986

| Pos  | Part Number    | Description   | Remark | Qty | Model     |
|------|----------------|---|--------|-----|-----------|
| 25   | 930 110 607 01 | 3<br>Lines<br>Pipe clamp<br>for   |        | 3   | 930.68    |
| (25) | PCG 110 606 01 | 3<br>Lines<br>Rubber ply<br>for<br>Pipe clamp<br>Lines<br>It is necessary to rework |        | 3   | 930.66/68 |
| 25B  | 928 110 150 01 | Terminal  |        | 2   | 930.68    |
| 26   | 930 110 225 02 | Injector valve  |        | 6   | 930.66    |
| 26   | 931 110 225 00 | Injector valve  |        | 6   | 930.68    |
| 27   | 900 123 144 30 | Sealing ring<br>A 10 X 13,5   |        | 6   |           |
| 28   | 930 110 301 05 | Fuel line<br>Intake   |        | 1   |           |
| 29   | 930 110 304 03 | Fuel line<br>Return line  |        | 1   |           |
| 30   | N 021 071 2    | Banjo bolt  |        | 1   |           |
| 31   | 900 123 101 30 | Sealing ring<br>A 12 X 18   |        | 2   |           |
| 32   | N 020 704 2    | Connection piece  |        | 1   |           |
| 33   | 900 123 116 30 | Sealing ring<br>A 12 X 15,5   |        | 1   |           |
| 34   | 930 110 364 00 | Fuel line   |        | 1   | 930.68    |
| 35   | 477 133 071 A  | Cycle valve   |        | 1   | 930.68    |

Model: 911 84

Model life 1984>>1986



Model: 911 84

Model life 1984&gt;&gt;1986

| Pos | Part Number    | Description  | Remark | Qty | Model |
|-----|----------------|--|--------|-----|-------|
| 1   |                | Turbocharging<br>Turbocharger<br>See group<br>2/02/16  |        |     |       |
| 8   | 930 107 123 01 | Gasket   |        | 1   |       |
| 9   | 930 107 124 01 | Oil pipe   |        | 1   |       |
| 9   | 930 107 124 03 | Oil pipe   |        | 1   |       |
| 10  | 999 084 052 02 | Lock nut<br>M 8  |        | 2   |       |
| 11  | 930 107 125 03 | Oil pipe   |        | 1   |       |
| 11  | 930 107 125 07 | Oil pipe   |        | 1   |       |
| 12  | 900 123 007 30 | It is necessary to rework<br>Sealing ring<br>A 14 X 18 |        | 2   |       |
| 13  | 930 107 706 00 | Banjo bolt   |        | 1   |       |
| 14  | N 012 226 5    | Spring washer<br>B 6                                   |        | 1   |       |
| 15  | 999 072 005 09 | Hexagon nut<br>M 6 X 12                                |        | 1   |       |
| 15  | 999 072 005 01 | Hexagon nut<br>M 6 X 12                                |        | 1   |       |
| 16  | 930 110 165 02 | Intake pipe  |        | 1   |       |
| 17  | 930 110 158 01 | Rubber sleeve<br>70x5x54                               |        | 2   |       |
| 18  | 999 512 351 02 | Hose clamp   |        | 4   |       |
| 19  | 930 110 192 01 | Pressure line  |        | 1   |       |
| 19A | 999 701 473 40 | Round seal   |        | 1   |       |
| 20  | 930 110 230 00 | Sealing ring   |        | 1   |       |
| 21  | 930 107 001 07 | Oil collection container                               |        | 1   |       |
| 22  | 999 512 341 02 | Clamp  |        | 2   |       |
| 22  |                | Clamp  |        | 2   |       |
| 23  | 930 107 113 01 | Retaining bracket                                      |        | 1   |       |
| 24  | 930 107 116 01 | Gasket   |        | 1   |       |
| 25  | N 012 241 8    | Spring washer<br>B 8                                   |        | 2   |       |
| 26  | 999 084 052 02 | Lock nut<br>M 8  |        | 2   |       |
| 27  | 900 123 055 30 | Sealing ring<br>A 12 X 17                              |        | 1   |       |
| 28  | 900 219 006 02 | Screw plug<br>M 12 X 1,5                               |        | 1   |       |
| 28  | 900 219 006 01 | Screw plug<br>M 12 X 1,5                               |        | 1   |       |
| 29  | 930 107 394 02 | Connecting hose  |        | 1   |       |
| 30  | 999 512 252 02 | Hose clamp   |        | 2   |       |
| 31  | 964 107 005 21 | Oil pump   |        | 1   |       |
| 32  | 999 707 289 40 | Round seal<br>47 X 2                                   |        | 1   |       |
| 33  | 999 113 246 40 | Radial sealing ring                                    |        | 1   |       |
| 34  | 930 105 197 05 | Gasket   |        | 1   |       |
| 35  | N 012 226 5    | Spring washer<br>B 6                                   |        | 3   |       |
| 36  | 900 074 111 02 | Hexagon-head bolt<br>M 6 X 50                          |        | 3   |       |
| 37  | 900 123 018 30 | Sealing ring<br>A 16 X 20                              |        | 2   |       |
| 38  | 900 175 005 02 | Banjo bolt   |        | 1   |       |
| 39  | 930 107 338 00 | Oil pipe   |        | 1   |       |
| 40  | 930 107 336 03 | Oil pipe   |        | 1   |       |
| -   | 999 239 006 40 | Hose<br>8 X 14   |        | *   |       |
| -   | 999 239 034 40 | Hose<br>7,3 X 3  |        | *   |       |



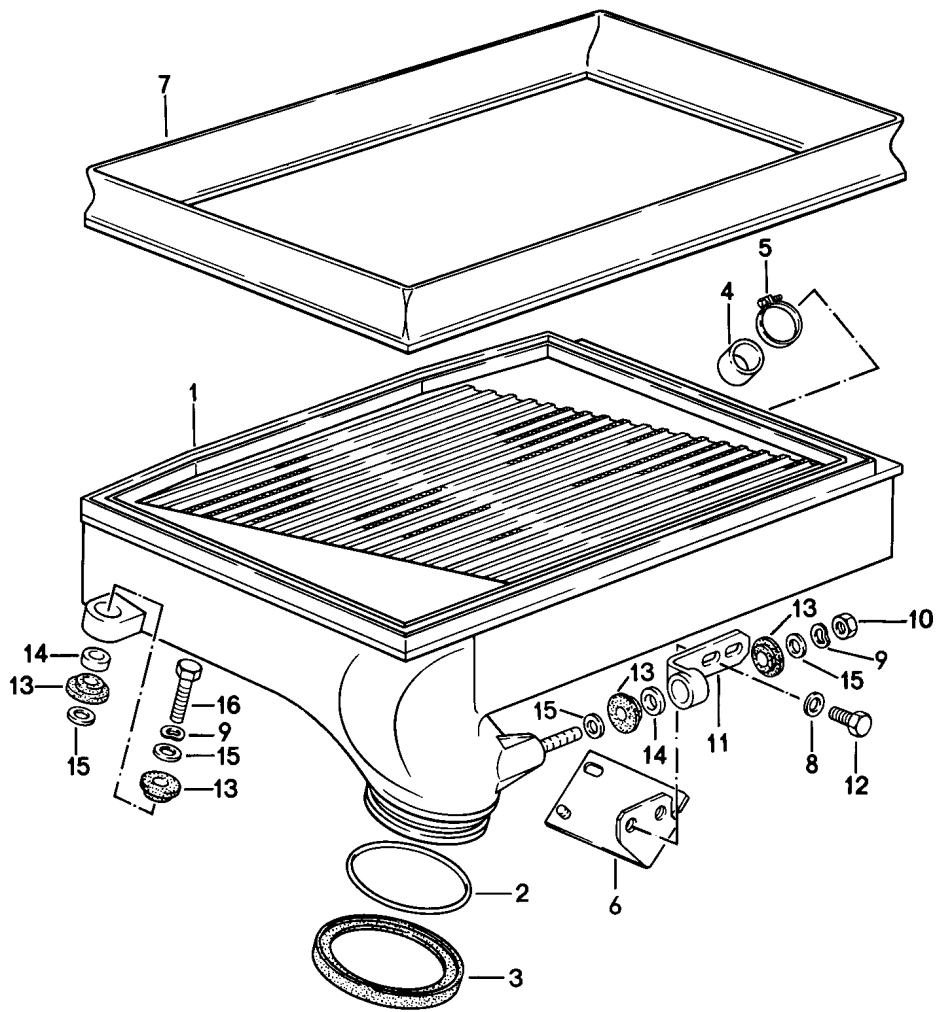
Model: 911 84

Model life 1984&gt;&gt;1986

| Pos | Part Number    | Description                 | Remark | Qty | Model |
|-----|----------------|-----------------------------|--------|-----|-------|
| 41  |                | 380 MM                      |        | 1   |       |
| 42  | 999 512 160 02 | Hose clamp                  |        | 2   |       |
| 42  | PCG 512 160 02 | Hose clamp                  |        | 2   |       |
| 43  | 930 123 053 01 | Control line                |        | 1   |       |
| 44  | 930 123 043 04 | Vent line                   |        | 1   |       |
| 45  | 900 175 020 02 | Banjo bolt                  |        | 2   |       |
| 45  | 900 175 020 01 | Banjo bolt                  |        | 2   |       |
| 46  | 900 123 043 30 | Sealing ring<br>A 12 X 15,5 |        | 4   |       |

Model: 911 84

Model life 1984>>1986



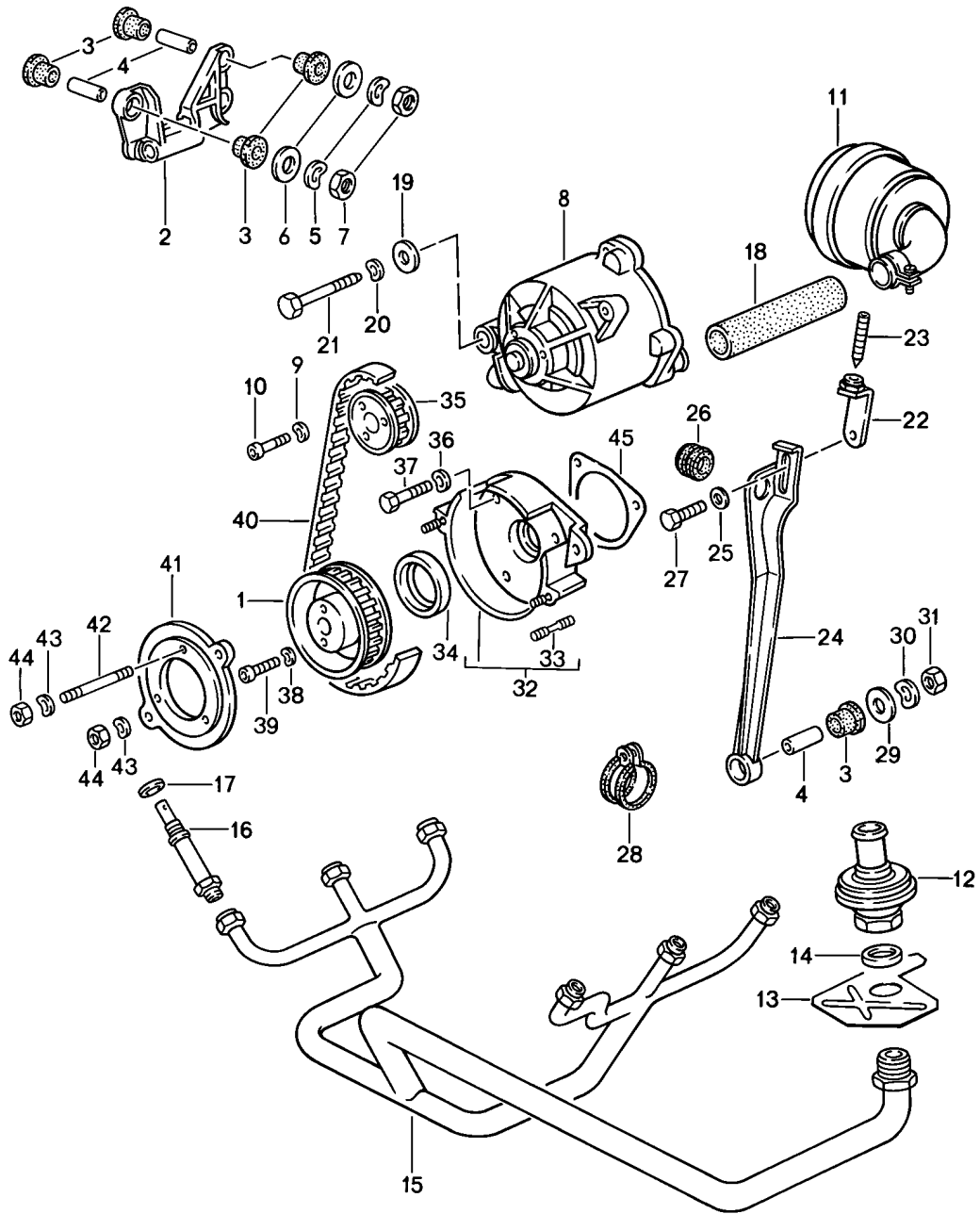
Model: 911 84

Model life 1984&gt;&gt;1986

| Pos | Part Number    | Description       | Remark | Qty | Model |
|-----|----------------|-------------------|--------|-----|-------|
| 1   | 930 110 233 07 | Charge air cooler |        | 1   |       |
| 2   | 999 701 469 40 | Charge air cooler |        | 3   |       |
| 3   | 930 110 379 00 | Round seal        |        | 1   |       |
| 4   | 930 110 256 01 | Sealing ring      |        | 1   |       |
| 5   | 999 512 045 02 | Cap               |        | 1   |       |
| 6   | 999 512 045 02 | Hose clamp        |        | 1   |       |
| 6   | 930 110 224 01 | Mounting plate    |        | 1   |       |
| 7   | 930 110 285 01 | Gasket            |        | 1   |       |
| 7   | 930 110 285 03 | Gasket            |        | 1   |       |
| 8   | 900 025 007 02 | Washer            |        | 4   |       |
|     |                | B 8,4             |        |     |       |
| 8   | 900 025 007 03 | Washer            |        | 4   |       |
|     |                | B 8,4             |        |     |       |
| 9   | N 012 241 8    | Spring washer     |        | 7   |       |
|     |                | B 8               |        |     |       |
| 10  | 900 076 025 02 | Hexagon nut       |        | 3   |       |
|     |                | M 8               |        |     |       |
| 10  | 900 076 064 02 | Hexagon nut       |        | 3   |       |
|     |                | M 8               |        |     |       |
| 11  | 930 110 223 02 | Support           |        | 1   |       |
| 12  | 900 075 087 02 | Hexagon-head bolt |        | 2   |       |
|     |                | M 8 X 16          |        |     |       |
| 12  | 900 075 087 03 | Hexagon-head bolt |        | 2   |       |
|     |                | M 8 X 16          |        |     |       |
| 13  | 930 113 430 00 | Rubber mounting   |        | 6   |       |
| 14  | 930 110 232 00 | Spacer sleeve     |        | 3   |       |
| 15  | 900 151 008 02 | Washer            |        | 6   |       |
|     |                | 8,4               |        |     |       |
| 16  | 900 074 134 02 | Hexagon-head bolt |        | 2   |       |
|     |                | M 8 X 45          |        |     |       |

Model: 911 84

Model life 1984>>1986



Model: 911 84

Model life 1984&gt;&gt;1986

| Pos | Part Number    | Description                     | Remark | Qty | Model     |
|-----|----------------|---------------------------------|--------|-----|-----------|
|     |                | Air injection                   |        |     | 930.66/68 |
| 1   | 930 113 025 02 | Pulley                          |        | 1   |           |
| 2   | 930 113 159 02 | Bracket                         |        | 1   |           |
| 2   | 930 113 159 03 | Bracket                         |        | 1   |           |
| 3   | 930 113 161 00 | Rubber mounting                 |        | 8   |           |
| 4   | 930 113 163 00 | Spacer sleeve                   |        | 4   |           |
| 5   | 900 025 007 02 | Washer<br>B 8                   |        | 3   |           |
| 5   | 900 025 007 03 | Washer<br>B 8                   |        | 3   |           |
| 6   | 900 151 008 02 | Washer<br>B 8,4                 |        | 3   |           |
| 7   | 900 076 025 02 | Hexagon nut<br>M 8              |        | 3   |           |
| 7   | 900 076 064 02 | Hexagon nut<br>M 8              |        | 3   |           |
| 8   | 930 113 114 01 | Air pump                        |        | 1   |           |
| 9   | N 011 524 7    | Washer<br>A 6,4                 |        | 3   |           |
| 9   | N 011 524 27   | Washer<br>A 6,4                 |        | 3   |           |
| 10  | 900 067 089 02 | Pan-head screw<br>M 6 X 25      |        | 3   |           |
| 10  | 900 067 089 01 | Pan-head screw<br>M 6 X 25      |        | 3   |           |
| 11  | 930 113 120 01 | Air cleaner                     |        | 1   |           |
| -   | 930 113 401 00 | Filter cartridge                |        | 1   |           |
| 12  | 911 113 115 01 | Check valve                     |        | 1   |           |
| 13  | 930 113 135 01 | Heat shield                     |        | 1   |           |
| 14  | 900 123 060 30 | Sealing ring<br>A 24 X 29       |        | 2   |           |
| 15  | 930 113 043 02 | Air tube                        |        | 1   |           |
| 16  | 911 113 145 02 | Union                           |        | 6   |           |
| 16  | 911 113 145 04 | Union                           |        | 6   |           |
| 17  | 900 123 033 20 | Sealing ring<br>A 10 X 13,5 C 4 |        | 6   |           |
| 18  | 999 239 004 40 | Breather hose                   |        | 1   |           |
| 19  | 900 025 007 02 | Washer<br>B 8,4                 |        | 2   |           |
| 19  | 900 025 007 03 | Washer<br>B 8,4                 |        | 2   |           |
| 20  | N 012 241 8    | Spring washer<br>B 8            |        | 1   |           |
| 21  | N 010 391 4    | Hexagon-head bolt<br>M 8 X 100  |        | 1   |           |
| 22  | 930 113 187 01 | Clamping bracket                |        | 1   |           |
| 23  | 900 068 004 02 | Threaded pin<br>M 8 X 45        |        | 1   |           |
| 24  | 930 113 171 00 | Support                         |        | 1   |           |
| 25  | 900 025 007 02 | Washer<br>B 8,4                 |        | 1   |           |
| 25  | 900 025 007 03 | Washer<br>B 8,4                 |        | 1   |           |
| 26  | N 012 241 8    | Spring washer                   |        | 1   |           |
| 27  | N 010 247 7    | Hexagon-head bolt<br>M 8 X 35   |        | 1   |           |
| 27  | N 010 247 18   | Hexagon-head bolt<br>M 8 X 35   |        | 1   |           |
| 28  | N 020 607 1    | Clamp<br>20/20                  |        | 1   |           |
| 29  | 900 151 008 02 | Washer<br>B 8,4                 |        | 1   |           |
| 30  | N 012 241 8    | Spring washer                   |        | 1   |           |

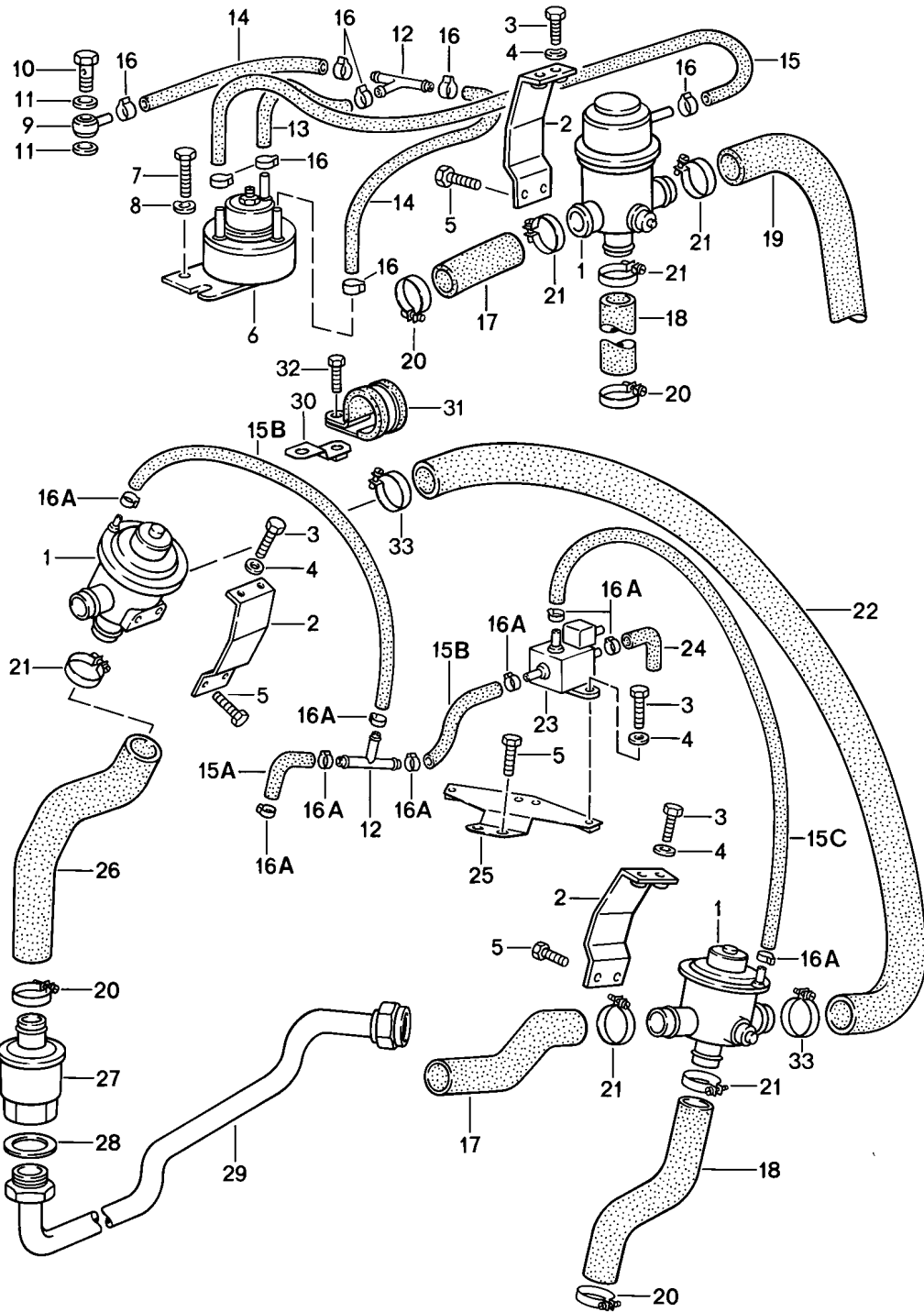
Model: 911 84

Model life 1984&gt;&gt;1986

| Pos | Part Number    | Description                   | Remark | Qty | Model |
|-----|----------------|-------------------------------|--------|-----|-------|
| 31  | 900 076 025 02 | B 8<br>Hexagon nut            |        | 1   |       |
| 31  | 900 076 064 02 | M 8<br>Hexagon nut            |        | 1   |       |
| 32  | 930 113 031 04 | M 8<br>Intermediate flange    |        | 1   |       |
| 33  | 999 062 055 02 | Stud                          |        | 2   |       |
| 33  | 999 062 009 02 | BM 6 X 12<br>Stud             |        | 1   |       |
| 33  | 900 060 105 01 | BM 8 X 28<br>Stud             |        | 1   |       |
| 34  | 999 113 464 40 | BM 8 X 28<br>Sealing ring     |        | 1   |       |
| 35  | 930 113 017 06 | Gear wheel                    |        | 1   |       |
| 36  | N 012 226 5    | Spring washer                 |        | 3   |       |
| 37  | 900 075 057 02 | B 6<br>Hexagon-head bolt      |        | 3   |       |
| 37  | 900 075 057 03 | M 6 X 16<br>Hexagon-head bolt |        | 3   |       |
| 38  | N 012 226 5    | M 6 X 16<br>Spring washer     |        | 2   |       |
| 39  | 900 067 013 02 | A 6,4<br>Pan-head screw       |        | 2   |       |
| 40  | 999 192 131 50 | M 6 X 35<br>Toothed belt      |        | 1   |       |
| 41  | 930 113 033 02 | Lid                           |        | 1   |       |
| 42  | 999 062 123 02 | Stud                          |        | 3   |       |
| 43  | N 012 226 5    | BM 6 X 45<br>Spring washer    |        | 5   |       |
| 44  | 900 076 010 02 | B 6<br>Nut                    |        | 5   |       |
| 44  | 900 076 010 0B | M 6<br>Nut                    |        | 5   |       |
| 45  | 930 105 197 03 | M 6<br>Gasket                 |        | 1   |       |

Model: 911 84

Model life 1984>>1986



Model: 911 84

Model life 1984&gt;&gt;1986

| Pos | Part Number    | Description                     | Remark | Qty | Model     |
|-----|----------------|---------------------------------|--------|-----|-----------|
| 1   | 930 113 127 00 | Air injection<br>Diverter valve |        | 1   | 930.66/68 |
| 1   | 930 113 147 01 | Diverter valve                  |        | 2   | 930.66    |
| 2   | 930 113 112 00 | Retaining bracket               |        | 2   | 930.68    |
| 3   | N 010 217 9    | Hexagon-head bolt<br>M 6 X 20   |        | 6   |           |
| 4   | N 011 524 7    | Washer<br>A 6,4                 |        | 6   |           |
| 4   | N 011 524 27   | Washer<br>A 6,4                 |        | 6   |           |
| 5   | 999 075 039 02 | Combination screw<br>M 6 X 12   |        | 6   |           |
| 5   | 999 075 039 0C | Combination screw<br>M 6 X 12   |        | 6   |           |
| 6   | 930 113 126 02 | Control valve                   |        | 1   | 930.66    |
| 7   | 999 072 005 09 | Hexagon nut<br>M 6 X 12         |        | 2   | 930.66    |
| 7   | 999 072 005 01 | Hexagon nut<br>M 6 X 12         |        | 2   | 930.66    |
| 8   | N 012 226 5    | Spring washer<br>B 6            |        | 2   | 930.66    |
| 9   | 911 110 382 00 | Ring piece                      |        | 1   | 930.66    |
| 10  | N 021 053 2    | Banjo bolt                      |        | 1   | 930.66    |
| 11  | 900 123 144 30 | Sealing ring<br>A 10 X 35       |        | 2   | 930.66    |
| 12  | 999 137 004 40 | T-piece                         |        | 1   |           |
| 13  | 999 239 014 40 | Hose<br>3,5 X 8,5               |        | *   |           |
| 13  |                | 60 MM                           |        | 1   | 930.66    |
| 14  |                | 75 MM                           |        | 2   |           |
| 15  |                | 270 MM                          |        | 2   |           |
| -   | 999 239 013 40 | Hose<br>Black<br>5 X 11         |        | *   | 930.68    |
| 15A |                | 75 MM                           |        | 1   |           |
| -   | 999 239 013 4A | Hose<br>Black<br>5 X 11         |        | *   | 930.68    |
| 15A |                | 75 MM                           |        | 1   |           |
| -   | 999 239 015 20 | Hose<br>Green<br>3,5 X 8,5      |        | *   | 930.68    |
| 15B |                | 370 MM                          |        | 2   |           |
| 15C |                | 270 MM                          |        | 1   |           |
| 16  | 311 133 343 A  | Hose clamp                      |        | 8   |           |
| 16A | 999 512 069 02 | Hose clamp                      |        | 9   |           |
| 16A | PCG 512 069 02 | Hose clamp                      |        | 9   |           |
| 17  | 930 113 118 01 | Hose                            |        | 1   |           |
| 18  | 930 113 181 00 | Hose                            |        | 1   |           |
| 19  | 930 113 182 00 | Air hose                        |        | 1   | 930.66    |
| 20  | 999 512 038 02 | Hose clamp<br>S 28/9 ZY         |        | 2   |           |
| 20  | PCG 512 038 02 | Hose clamp<br>S 28/9 ZY         |        | 2   |           |
| 21  | PCG 512 237 02 | Hose clamp<br>S 26/9            |        | 5   |           |
| 22  | 999 239 009 40 | Hose<br>18 X 27<br>1200 MM      |        | *   | 930.68    |
| 23  | 911 618 123 00 | Change-over valve<br>Electric   |        | 1   | 930.68    |
| 24  | 928 574 717 02 | Moulded hose                    |        | 1   | 930.68    |
| 25  | 930 618 125 00 | Retaining bracket               |        | 1   | 930.68    |



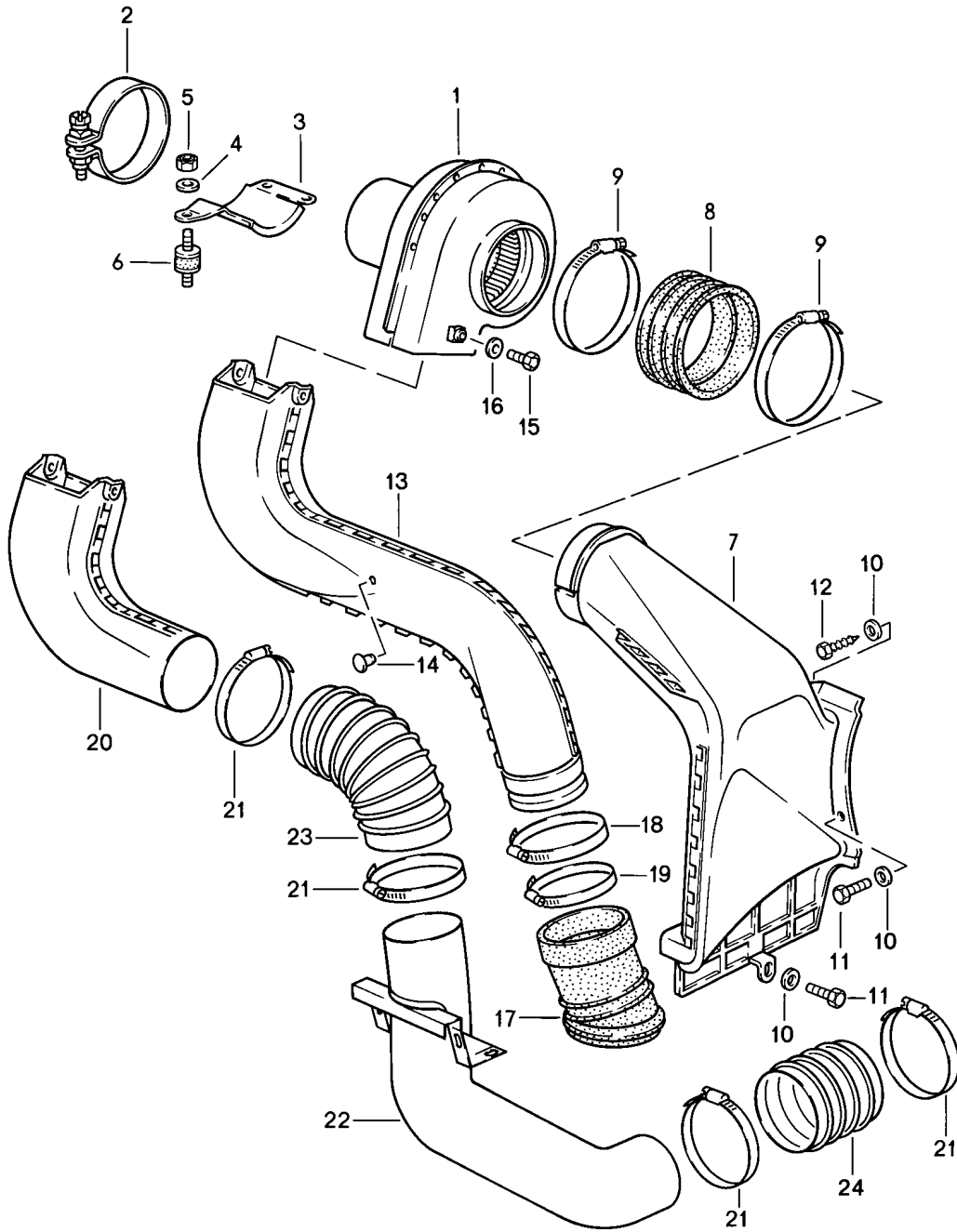
Model: 911 84

Model life 1984&gt;&gt;1986

| Pos | Part Number    | Description                   | Remark | Qty | Model  |
|-----|----------------|-------------------------------|--------|-----|--------|
| 26  | 930 113 181 01 | Hose                          |        | 1   | 930.68 |
| 26  | 930 113 181 05 | Hose                          |        | 1   | 930.68 |
| 27  | 911 113 115 01 | Check valve                   |        | 1   | 930.68 |
| 28  | 900 123 060 30 | Sealing ring<br>A 24 X 29     |        | 1   | 930.68 |
| 29  | 930 113 043 04 | Air tube                      |        | 1   | 930.68 |
| 29  |                | Air tube                      |        | 1   | 930.68 |
| 30  | 911 106 331 02 | Retaining bracket             |        | 1   | 930.68 |
| 30  |                | Retaining bracket             |        | 1   | 930.68 |
| 31  | 999 511 077 02 | Clamp<br>30/20                |        | 1   | 930.68 |
| 32  | 900 075 355 02 | Combination screw<br>M 6 X 16 |        | 1   | 930.68 |
| 32  | 900 075 355 01 | Hexagon-head bolt<br>M 6 X 16 |        | 1   | 930.68 |
| 33  | 999 512 374 02 | Hose clamp<br>20-32/9         |        | 2   | 930.68 |

Model: 911 84

Model life 1984>>1986



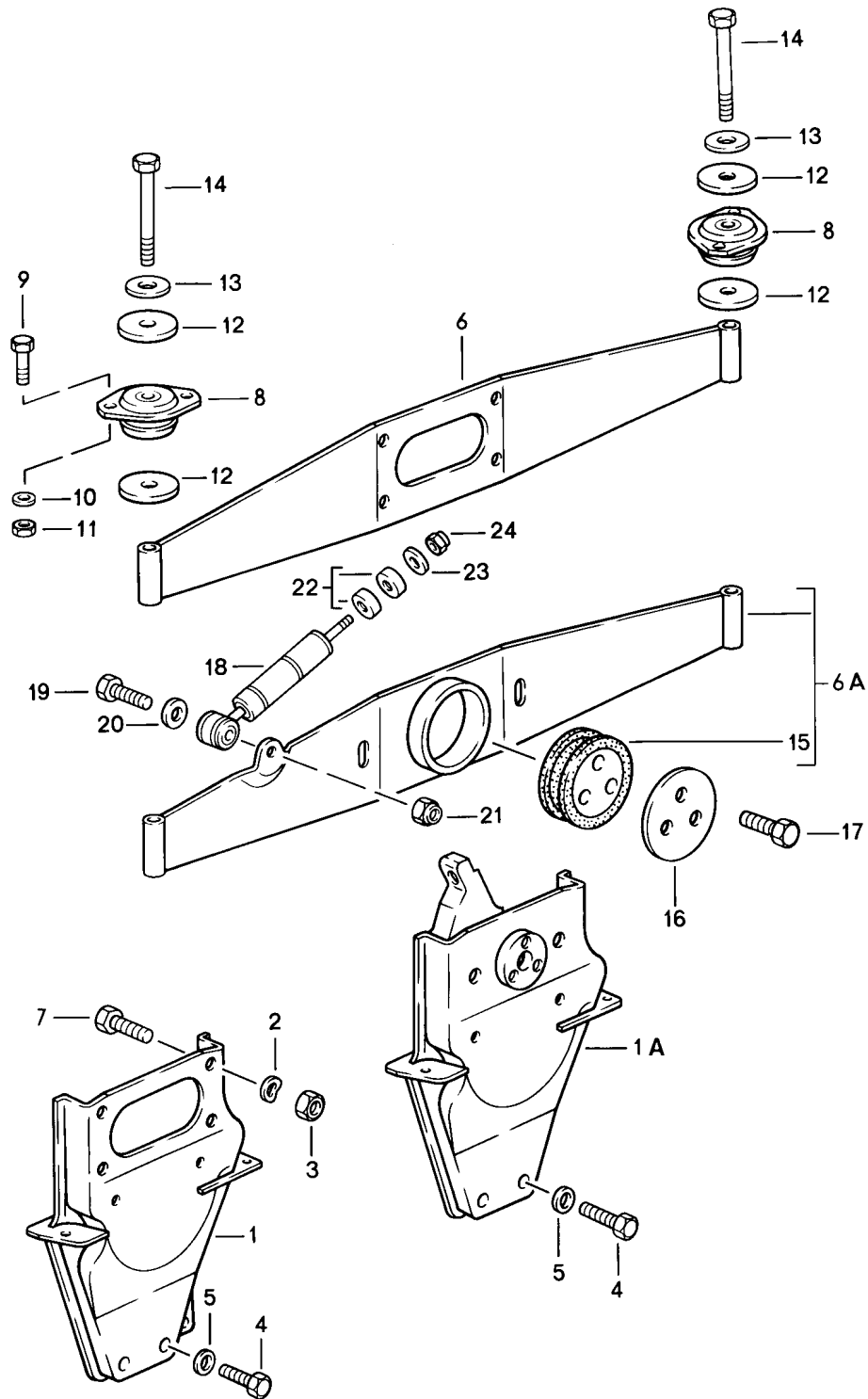
Model: 911 84

Model life 1984&gt;&gt;1986

| Pos | Part Number    | Description                              | Remark | Qty | Model        |
|-----|----------------|--|--------|-----|--------------|
|     |                | Additional blower                        |        |     | 930.20/21/26 |
| 1   | 965 624 151 00 | Blower                                   |        | 1   |              |
| 2   | 999 512 244 02 | Clamp<br>SP 77/20                        |        | 1   |              |
| 3   | 930 211 139 00 | Support                                  |        | 1   |              |
| 4   | N 011 524 7    | Washer<br>6,4                            |        | 3   |              |
| 4   | N 011 524 27   | Washer<br>6,4                            |        | 3   |              |
| 5   | 900 910 096 02 | Lock nut<br>M 6                          |        | 3   |              |
| 6   | 930 110 579 01 | Bonded rubber buffer                     |        | 3   |              |
| 6   | 999 703 265 00 | Bonded rubber buffer                     |        | 3   |              |
| 7   | 930 211 323 01 | Hot air socket                           |        | 1   | 930.20/21    |
| 8   | 930 211 581 00 | Rubber sleeve                            |        | 1   |              |
| 9   | 999 512 087 02 | Hose clamp<br>S94/9ZY                    |        | 2   |              |
| 9   | PCG 512 087 02 | Hose clamp<br>S94/9ZY                    |        | 2   |              |
| 10  | 999 025 108 02 | Washer                                   |        | 4   |              |
| 11  | 999 072 005 09 | Hexagon nut<br>M6 X 12                   |        | 2   |              |
| 11  | 999 072 005 01 | Hexagon nut<br>M6 X 12                   |        | 2   |              |
| 12  | 900 187 015 02 | Hexagon-head tapping screw<br>B 6,3 X 16 |        | 2   |              |
| 13  | 930 211 341 03 | Hot-air manifold                         |        | 1   |              |
| 14  | 999 703 077 40 | Cap<br>10,5 X 6,3                        |        | 1   |              |
| 15  | N 010 205 6    | Hexagon-head bolt<br>M 5 X 10            |        | 2   |              |
| 15  | 900 075 105 02 | Screw<br>M 5 X 10                        |        | 2   |              |
| 16  | 900 025 003 02 | Washer<br>5,3                            |        | 2   |              |
| 17  | 930 211 337 00 | Boot                                     |        | 1   |              |
| 17  | 930 211 337 01 | Boot                                     |        | 1   |              |
| 18  | 999 512 200 02 | Hose clamp<br>S81/9ZY                    |        | 1   |              |
| 19  | 999 512 235 02 | Hose clamp<br>S77/9ZY                    |        | 1   |              |

Model: 911 84

Model life 1984>>1986



Model: 911 84

Model life 1984&gt;&gt;1986

| Pos | Part Number    | Description                          | Remark | Qty | Model        |
|-----|----------------|--------------------------------------|--------|-----|--------------|
| 1   | 930 115 017 02 | Engine suspension                    |        | 1   |              |
| 1A  | 930 115 017 09 | Engine bracket                       |        | 1   | CABRIO       |
| 2   | N 012 242 3    | Spring washer                        |        | 4   |              |
| 3   | 900 157 002 02 | Hexagon nut<br>M 10                  |        | 4   |              |
| 3   | 900 157 002 03 | Hexagon nut<br>M 10                  |        | 4   |              |
| 4   | N 010 450 5    | Hexagon-head bolt<br>M10X50          |        | 2   |              |
| 4   | 900 074 373 02 | Hexagon-head bolt<br>M10X50          |        | 2   |              |
| 4   | N 010 253 7    | Hexagon-head bolt<br>M10X22          |        | 1   |              |
| 4   | 900 074 064 02 | Hexagon-head bolt<br>M10X60          |        | 1   | 930.20/21/26 |
| 4   | 900 074 377 01 | Hexagon-head bolt<br>M10X60          |        | 1   | 930.20/21/26 |
| 4   | N 010 472 4    | Hexagon-head bolt                    |        | 1   | 930.66/68    |
| 4   | 900 074 375 01 | Hexagon-head bolt                    |        | 1   | 930.66/68    |
| 4   | N 010 472 4    | Hexagon-head bolt<br>M10X85          |        | 1   | 930.66/68    |
| 4   | 900 074 375 01 | Hexagon-head bolt<br>M10X85          |        | 1   | 930.66/68    |
| 5   | 900 025 008 09 | Washer<br>A10,5                      |        | 4   |              |
| 5   | 900 025 008 04 | Washer<br>A10,5                      |        | 4   |              |
| 6   | 930 375 011 01 | Bracket                              |        | 1   |              |
| 6A  | 911 375 011 06 | Bracket                              |        | 1   | CABRIO       |
| 7   | 900 156 006 02 | Hexagon-head bolt<br>M 10 X 18       |        | 4   |              |
| 8   | 911 375 043 00 | Bearing                              |        | 2   |              |
| 8   | 911 375 043 07 | Bearing                              |        | 2   | CABRIO       |
| 9   | N 010 335 5    | Hexagon-head bolt<br>M 8 X 35        |        | 4   |              |
| 9   | 900 075 032 03 | Hexagon-head bolt<br>M 8 X 35        |        | 4   |              |
| 10  | 900 027 015 02 | Lock ring<br>B 8                     |        | 4   |              |
| 10  | 900 027 015 03 | Lock ring<br>B 8                     |        | 4   |              |
| 11  | 900 076 025 02 | Hexagon nut<br>M 8                   |        | 4   |              |
| 11  | 900 076 064 02 | Hexagon nut<br>M 8                   |        | 4   |              |
| 12  | 901 305 311 00 | Seat                                 |        | 4   |              |
| 13  | 803 199 347    | Spring washer                        |        | 2   |              |
| 13  | 803 199 34H    | Washer                               |        | 2   |              |
| 14  | N 010 191 2    | Hexagon-head bolt<br>M 12 X 1,5 X 95 |        | 2   |              |
| 14  | 900 082 142 01 | Hexagon-head bolt<br>M 12 X 1,5 X 95 |        | 2   |              |
| 15  | 911 375 043 05 | Torsion bearing                      |        | 1   | CABRIO       |
| 16  | 911 375 313 00 | End plate                            |        | 1   | CABRIO       |
| 17  | N 010 275 3    | Hexagon-head bolt<br>M 10X35         |        | 3   | CABRIO       |
| 17  | 900 075 460 01 | Hexagon-head bolt<br>M 10X35         |        | 3   | CABRIO       |
| 18  | 911 375 175 00 | Vibration damper                     |        | 1   | CABRIO       |
| 18  | 911 375 175 01 | Vibration damper                     |        | 1   | CABRIO       |
| 19  | N 010 445 2    | Hexagon-head bolt<br>M 10X45         |        | 1   | CABRIO       |

Model: 911 84

Model life 1984&gt;&gt;1986

| Pos | Part Number    | Description                  | Remark | Qty | Model  |
|-----|----------------|------------------------------|--------|-----|--------|
| 19  | 900 074 372 01 | Hexagon-head bolt<br>M 10X45 |        | 1   | CABRIO |
| 20  | 900 025 008 09 | Washer<br>A 10,5             |        | 1   | CABRIO |
| 20  | 900 025 008 04 | Washer<br>A 10,5             |        | 1   | CABRIO |
| 21  | N 900 876 01   | Lock nut                     |        | 1   | CABRIO |
| 21  |                | Lock nut<br>VM 10            |        | 1   | CABRIO |
| 22  | 911 375 181 00 | Spacer ring                  |        | 2   | CABRIO |
| 23  | N 900 662 01   | Washer<br>6,4 X 21,5         |        | 1   | CABRIO |
| 24  | 900 910 010 09 | Lock nut<br>VM 6             |        | 1   | CABRIO |

Model: 911 84

Model life 1984>>1986



Model: 911 84 Model life 1984>>1986

| Pos | Part Number    | Description   | Remark | Qty | Model        |
|-----|----------------|---|--------|-----|--------------|
| >>  | 930 100 907 04 | Gasket set<br>Repair kit<br>Maintenance set<br>Gasket set<br>Engine<br>Cylinder<br>Cylinder head<br>Comprising: |        | 1   | 930.20/21/26 |
| -   | 999 704 172 50 | Sealing ring  |        | 2   |              |
| -   | 930 104 194 02 | Cylinder base gasket  |        | 6   |              |
| -   | 928 104 193 12 | Valve stem seal   |        | 12  |              |
| -   | 928 104 193 13 | Valve stem seal   |        | 12  |              |
| -   | 964 104 111 07 | Valve stem seal   |        | 12  |              |
| -   | 930 105 193 00 | Gasket  |        | 2   |              |
| -   | 930 105 193 05 | Gasket  |        | 2   |              |
| -   | 900 031 014 30 | Washer<br>8,4   |        | 40  |              |
| -   | 999 701 596 40 | O-ring<br>8,3-2,4   |        | 2   |              |
| -   | 999 701 598 40 | O-ring<br>20,3-2,4  |        | 2   |              |
| -   | 999 701 298 40 | O-ring<br>10-1,3  |        | 2   |              |
| -   | N 013 804 2    | Sealing ring<br>A 6 X 10  |        | 2   |              |
| -   | 930 105 197 03 | Gasket  |        | 2   |              |
| -   | 999 701 124 40 | O-ring<br>67,5 X 4  |        | 1   |              |
| -   | 930 105 191 03 | Gasket  |        | 1   |              |
| -   | 930 105 192 01 | Gasket  |        | 1   |              |
| -   | 930 105 192 03 | Gasket  |        | 1   |              |
| -   | 930 105 192 04 | Gasket  |        | 1   |              |
| -   | 900 031 011 30 | Washer<br>6,4   |        | 19  |              |
| -   | 930 105 194 00 | Gasket  |        | 2   |              |
| -   | 930 105 194 02 | Gasket  |        | 2   |              |
| -   | 930 105 194 04 | Gasket  |        | 2   |              |
| -   | 930 105 195 05 | Gasket  |        | 2   |              |
| -   | 930 105 195 06 | Gasket  |        | 2   |              |
| -   | 930 105 195 07 | Gasket  |        | 2   |              |
| -   | 999 704 173 50 | Sealing ring  |        | 1   |              |
| -   | 900 123 005 30 | Sealing ring<br>A 12 X 16   |        | 7   |              |
| -   | 999 707 112 40 | Round seal  |        | 8   |              |
| -   | 999 707 112 4A | Round seal  |        | 8   |              |
| -   | 930 110 197 08 | Gasket  |        | 12  |              |
| -   | 930 110 197 11 | Gasket  |        | 12  |              |
| -   | 930 110 197 14 | Gasket  |        | 12  |              |
| -   | 999 701 423 40 | O-ring<br>6 X 5   |        | 6   |              |
| -   | 900 123 050 30 | Sealing ring<br>A 8 X 11,5  |        | 17  |              |
| -   | 900 123 144 30 | Sealing ring<br>10 X 13,5   |        | 1   |              |
| -   | 999 701 395 50 | O-ring<br>7-2B  |        | 1   |              |
| -   | 999 701 210 40 | O-ring<br>20-2,5  |        | 1   |              |
| -   | 999 701 210 4A | O-ring<br>20-2,5  |        | 1   |              |
| -   | 911 111 191 01 | Gasket  |        | 1   |              |
| -   | 911 111 191 02 | Gasket  |        | 1   |              |
| -   | 930 111 192 01 | Gasket  |        | 2   |              |



Model: 911 84 Model life 1984>>1986

| Pos | Part Number    | Description  | Remark | Qty | Model     |
|-----|----------------|--|--------|-----|-----------|
| -   | 930 111 193 01 | Gasket   |        | 1   |           |
| -   | 930 111 193 04 | Gasket   |        | 1   |           |
| -   | 930 111 193 05 | Gasket   |        | 1   |           |
| -   | 930 111 193 07 | Gasket   |        | 1   |           |
| -   | 911 111 188 02 | Support washer   |        | 1   |           |
| -   | 911 111 189 03 | Gasket   |        | 6   |           |
| -   | 900 123 033 20 | Sealing ring<br>A 10 X 13,5                                      |        | 6   |           |
| -   | 900 123 060 30 | Sealing ring<br>A 24 X 29  |        | 1   |           |
| -   | 900 123 008 30 | Sealing ring<br>A 14 X 20  |        | 1   |           |
| -   | 900 123 116 30 | Sealing ring<br>A 12 X 15,5                                      |        | 3   |           |
| -   | 999 701 135 50 | O-ring<br>15 X 2,5   |        | 1   |           |
| -   | 900 123 006 30 | Sealing ring<br>A 14 X 18  |        | 2   |           |
| -   | 930 111 191 06 | Gasket   |        | 6   |           |
| -   | 930 111 191 11 | Gasket   |        | 6   |           |
| -   | 930 111 191 12 | Gasket   |        | 6   |           |
| -   | 900 123 007 70 | Sealing ring<br>A 14 X 18  |        | 2   |           |
| -   | 999 701 468 40 | Round seal   |        | 2   |           |
| -   | 911 113 146 00 | Gasket   |        | 1   |           |
| -   | 999 701 446 40 | O-ring   |        | 6   |           |
| -   | 900 123 007 30 | Sealing ring   |        | 1   |           |
| -   | 900 123 005 00 | Sealing ring<br>A 12 X 16  |        | 8   |           |
| -   | 900 123 115 30 | Sealing ring<br>A 8 X 11,5                                       |        | 4   |           |
| -   | 999 701 690 40 | Round seal<br>12 X 1,78  |        | 2   |           |
| >>  | 930 100 908 02 | Gasket set<br>Engine<br>Cylinder<br>Cylinder head<br>Comprising: |        | 1   | 930.66/68 |
| -   | 999 704 172 50 | Sealing ring   |        | 6   |           |
| -   | 930 104 194 02 | Cylinder base gasket   |        | 6   |           |
| -   | 928 104 193 12 | Valve stem seal  |        | 12  |           |
| -   | 928 104 193 13 | Valve stem seal  |        | 12  |           |
| -   | 964 104 111 07 | Valve stem seal  |        | 12  |           |
| -   | 930 105 193 00 | Gasket   |        | 2   |           |
| -   | 930 105 193 05 | Gasket   |        | 2   |           |
| -   | 999 701 596 40 | O-ring<br>8,3 - 2,4  |        | 2   |           |
| -   | 999 701 598 40 | O-ring<br>20,3 - 2,4   |        | 2   |           |
| -   | 999 701 298 40 | O-ring<br>10 - 1,3   |        | 2   |           |
| -   | N 013 804 2    | Sealing ring<br>A 6 X 10   |        | 2   |           |
| -   | 930 105 197 03 | Gasket   |        | 2   |           |
| -   | 930 105 197 05 | Gasket   |        | 1   |           |
| -   | 930 105 191 03 | Gasket   |        | 1   |           |
| -   | 930 105 192 01 | Gasket   |        | 1   |           |
| -   | 930 105 192 03 | Gasket   |        | 1   |           |
| -   | 930 105 192 04 | Gasket   |        | 1   |           |
| -   | 900 031 011 30 | Washer<br>6,4  |        | 19  |           |
| -   | 930 105 194 00 | Gasket   |        | 2   |           |
| -   | 930 105 194 02 | Gasket   |        | 2   |           |

Model: 911 84 Model life 1984>>1986

| Pos | Part Number    | Description                 | Remark | Qty | Model |
|-----|----------------|-----------------------------|--------|-----|-------|
| -   | 930 105 194 04 | Gasket                      |        | 2   |       |
| -   | 930 105 195 05 | Gasket                      |        | 2   |       |
| -   | 930 105 195 06 | Gasket                      |        | 2   |       |
| -   | 930 105 195 07 | Gasket                      |        | 2   |       |
| -   | 900 031 014 30 | Washer<br>8,4               |        | 42  |       |
| -   | 999 704 173 50 | Sealing ring                |        | 1   |       |
| -   | 900 123 005 30 | Sealing ring<br>A 12 X 16   |        | 7   |       |
| -   | 999 707 112 40 | Round seal                  |        | 8   |       |
| -   | 999 707 112 4A | Round seal                  |        | 8   |       |
| -   | 999 707 289 40 | Round seal<br>47 X 2        |        | 1   |       |
| -   | 900 123 007 30 | Sealing ring<br>A 14 X 18   |        | 2   |       |
| -   | 999 113 246 40 | Radial sealing ring         |        | 1   |       |
| -   | 900 123 055 30 | Sealing ring<br>A 12 X 17   |        | 1   |       |
| -   | 930 107 116 01 | Gasket                      |        | 1   |       |
| -   | 900 123 018 30 | Sealing ring<br>A 16 X 20   |        | 2   |       |
| -   | 930 107 123 01 | Gasket                      |        | 1   |       |
| -   | 900 123 033 20 | Sealing ring<br>A 10 X 13,5 |        | 26  |       |
| -   | 930 110 197 10 | Gasket                      |        | 12  |       |
| -   | 930 110 149 00 | Gasket                      |        | 2   |       |
| -   | 930 110 122 00 | Sealing ring                |        | 1   |       |
| -   | 900 123 101 30 | Sealing ring<br>A 12 X 18   |        | 1   |       |
| -   | 900 123 144 30 | Sealing ring<br>A 10 X 13,5 |        | 1   |       |
| -   | 930 110 394 00 | Gasket                      |        | 1   |       |
| -   | 900 123 050 30 | Sealing ring<br>A 8 X 11,5  |        | 10  |       |
| -   | 999 701 395 50 | O-ring<br>7-2               |        | 1   |       |
| -   | 930 111 192 03 | Gasket                      |        | 2   |       |
| -   | 930 111 192 04 | Gasket                      |        | 2   |       |
| -   | 930 111 192 06 | Gasket                      |        | 2   |       |
| -   | 999 701 468 40 | Round seal                  |        | 3   |       |
| -   | 930 110 230 00 | Sealing ring                |        | 1   |       |
| -   | 930 110 379 00 | Sealing ring                |        | 1   |       |
| -   | 930 111 160 01 | Gasket                      |        | 2   |       |
| -   | 930 111 162 01 | Gasket                      |        | 2   |       |
| -   | 911 111 189 03 | Gasket                      |        | 1   |       |
| -   | 930 111 191 01 | Gasket                      |        | 6   |       |
| -   | 930 111 193 01 | Gasket                      |        | 1   |       |
| -   | 930 111 193 04 | Gasket                      |        | 1   |       |
| -   | 930 111 193 05 | Gasket                      |        | 1   |       |
| -   | 930 111 193 07 | Gasket                      |        | 1   |       |
| -   | 930 123 191 01 | Gasket                      |        | 2   |       |
| -   | 999 701 473 40 | Round seal                  |        | 1   |       |
| -   | 930 123 192 01 | Gasket                      |        | 1   |       |
| -   | 930 123 194 01 | Gasket                      |        | 2   |       |
| -   | 999 701 469 40 | Round seal                  |        | 3   |       |
| -   | 999 701 477 40 | Round seal                  |        | 1   |       |
| -   | 911 113 179 02 | Gasket                      |        | 1   |       |
| -   | 911 113 190 01 | Gasket                      |        | 6   |       |
| -   | 900 123 009 30 | Sealing ring                |        | 1   |       |
| -   | 900 123 116 30 | Sealing ring                |        | 4   |       |
| -   | 900 123 060 30 | Sealing ring                |        | 2   |       |
| -   | 930 123 134 04 | Gasket                      |        | 1   |       |
| -   | 999 113 464 40 | Sealing ring                |        | 1   |       |

Model: 911 84 Model life 1984>>1986

| Pos | Part Number    | Description  | Remark | Qty | Model        |
|-----|----------------|--|--------|-----|--------------|
| -   | 900 123 005 00 | Sealing ring<br>A 12 X 16  |        | 8   |              |
| -   | 930 111 156 01 | Support washer   |        | 1   |              |
| -   | 930 123 132 02 | Support washer   |        | 1   |              |
| >>  | 930 100 901 04 | Gasket set<br>Engine<br>Crankcase<br>Comprising:                       |        | 1   |              |
| -   | 999 704 172 50 | Sealing ring   |        | 3   |              |
| -   | 999 701 006 40 | O-ring   |        | 26  |              |
| -   | 999 113 215 40 | Sealing ring<br>90 X 110 X 12  |        | 1   |              |
| -   | 930 101 391 01 | Gasket   |        | 2   |              |
| -   | 900 123 118 30 | Sealing ring<br>A 22 X 27  |        | 1   |              |
| -   | 999 113 049 50 | Oil scraper ring<br>30 X 50 X 10                                       |        | 1   |              |
| -   | 999 707 285 40 | O-ring<br>51 X 4,5   |        | 1   |              |
| -   | 900 123 044 30 | Sealing ring<br>A 18 X 22  |        | 1   |              |
| -   | 900 123 066 30 | Sealing ring<br>A 10 X 16  |        | 8   |              |
| -   | 900 031 011 30 | Washer<br>6,4  |        | 3   |              |
| -   | 900 123 005 00 | Sealing ring<br>A 12 X 16  |        | 4   |              |
| -   | 900 031 014 30 | Washer<br>8,4  |        | 24  |              |
| -   | 930 105 198 01 | Gasket   |        | 1   |              |
| -   | 999 704 173 50 | Sealing ring   |        | 1   |              |
| -   | 900 123 011 30 | Sealing ring<br>A 22 X 27  |        | 1   |              |
| -   | 999 701 053 50 | Sealing ring<br>39,2 X 3   |        | 1   |              |
| -   | 900 123 106 30 | Sealing ring<br>A 18 X 24  |        | 2   |              |
| -   | 930 107 791 00 | Gasket   |        | 1   |              |
| -   | 911 602 102 01 | Sealing ring   |        | 1   |              |
| -   | 900 123 009 20 | Sealing ring<br>A 18 X 24  |        | 1   |              |
| -   | 900 123 007 30 | Sealing ring<br>A 14 X 18  |        | 2   |              |
| -   | 901 102 191 00 | Sealing ring   |        | 1   |              |
| -   | 999 701 658 40 | Round seal<br>33,3 X 2,4<br>Piston rings<br>MAHLE                      |        | 1   |              |
| >>  | 930 103 986 00 | Set of piston rings  |        | 1   | 930.20/21/26 |
| >>  | 930 103 968 00 | Set of piston rings  |        | 1   | 930.66/68    |
| >>  | 911 100 956 05 | Maintenance set<br>for<br>Periodic maintenance<br>1 set<br>Comprising: |        | 1   | 930.21       |
| -   | 930 107 764 01 | Oil filter   |        | 1   |              |
| -   | 930 107 764 03 | Oil filter<br>Red  |        | 1   |              |
| -   | 928 110 253 06 | Fuel filter  |        | 1   |              |
| -   | 930 105 194 00 | Gasket   |        | 2   |              |
| -   | 930 105 194 02 | Gasket   |        | 2   |              |
| -   | 930 105 194 04 | Gasket   |        | 2   |              |
| -   | 930 105 195 05 | Gasket   |        | 2   |              |

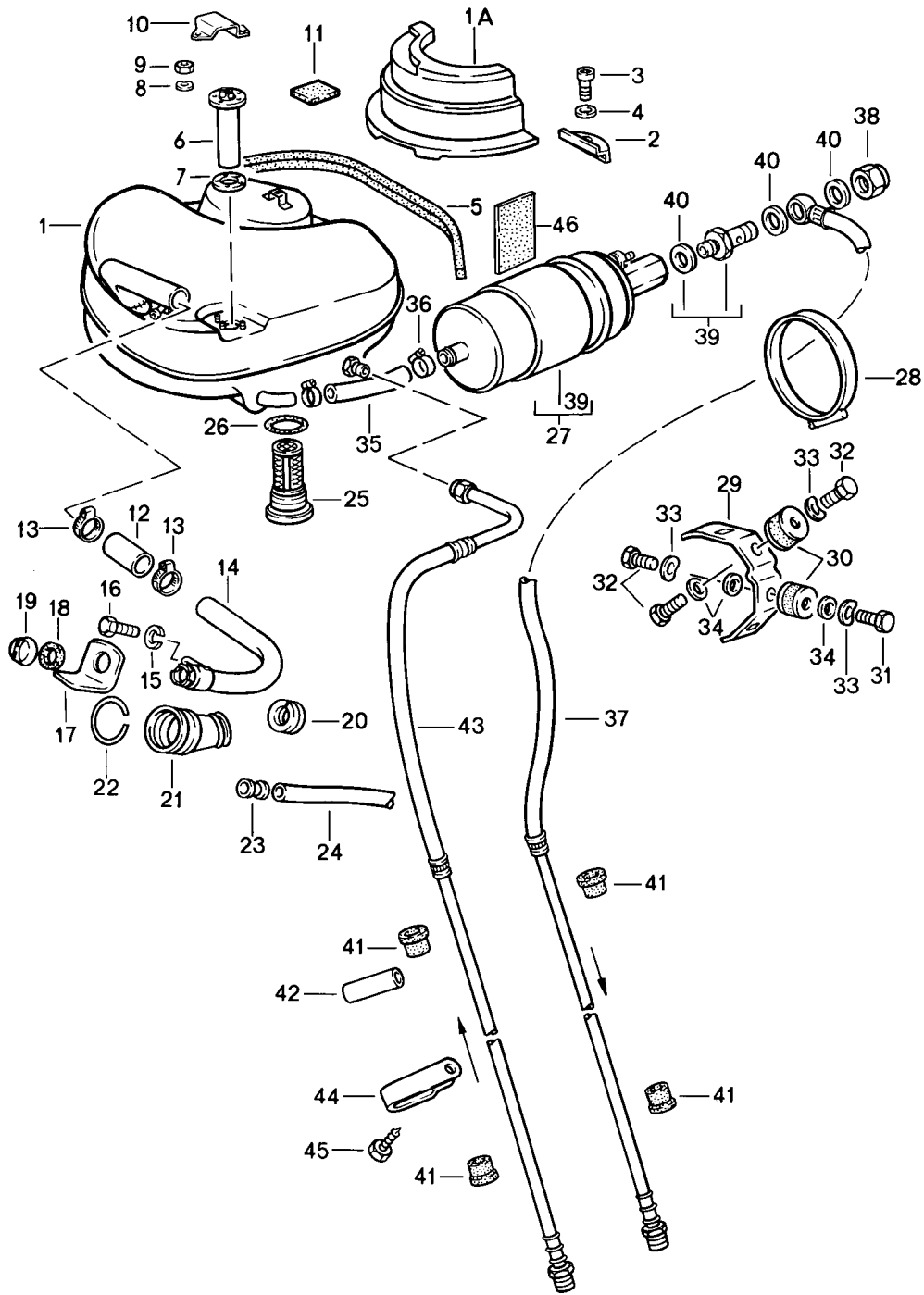
Model: 911 84

Model life 1984>>1986

| Pos | Part Number    | Description  | Remark | Qty | Model  |
|-----|----------------|--|--------|-----|--------|
| -   | 930 105 195 06 | Gasket   |        | 2   |        |
| -   | 930 105 195 07 | Gasket   |        | 2   |        |
| -   | 900 084 004 03 | Hexagon nut  |        | 34  |        |
| -   | 900 084 004 02 | Hexagon nut  |        | 34  |        |
| -   | 900 031 014 30 | Washer   |        | 34  |        |
| -   | 930 110 393 00 | Filter element   |        | 1   |        |
| -   | 900 123 118 30 | Sealing ring   |        | 2   |        |
| -   | 999 170 156 90 | Spark plug   |        | 6   |        |
| >>  | 911 100 988 01 | Maintenance set<br>for<br>Periodic maintenance<br>1 set<br>Comprising: | 86-    | 1   | 930.68 |
| -   | 930 107 764 01 | Oil filter   |        | 1   |        |
| -   | 930 107 764 03 | Oil filter<br>Red  | -(IND) | 1   |        |
| -   | 928 110 147 05 | Fuel filter  |        | 1   |        |
| -   | 930 105 194 00 | Gasket   |        | 2   |        |
| -   | 930 105 194 02 | Gasket   |        | 2   |        |
| -   | 930 105 194 04 | Gasket   |        | 2   |        |
| -   | 930 105 195 05 | Gasket   |        | 2   |        |
| -   | 930 105 195 06 | Gasket   |        | 2   |        |
| -   | 930 105 195 07 | Gasket   |        | 2   |        |
| -   | 900 031 014 30 | Washer   |        | 34  |        |
| -   | 900 084 004 03 | Hexagon nut  |        | 34  |        |
| -   | 900 084 004 02 | Hexagon nut  |        | 34  |        |
| -   | 930 110 185 02 | Air cleaner cartridge  |        | 1   |        |
| -   | 930 113 401 00 | Filter cartridge   |        | 1   |        |
| -   | 900 123 118 30 | Sealing ring   |        | 2   |        |
| -   | 999 170 128 90 | Spark plug   |        | 6   |        |
| -   | 900 123 055 30 | Sealing ring   |        | 1   |        |
| >>  | 930 105 902 00 | Gasket set<br>for<br>Valve cover<br>Comprising:                        |        | 1   |        |
| >>  | 930 105 902 01 | Gasket set<br>for<br>Valve cover<br>Comprising:                        |        | 1   |        |
| -   | 930 105 194 01 | Gasket   |        | 2   |        |
| -   | 930 105 195 05 | Gasket   |        | 2   |        |
| -   | 930 105 195 06 | Gasket   |        | 2   |        |
| -   | 930 105 195 07 | Gasket   |        | 2   |        |
| -   | 900 031 014 30 | Washer   |        | 34  |        |
| -   | 900 084 004 03 | Hexagon nut  |        | 34  |        |
| -   | 900 084 004 02 | Hexagon nut  |        | 34  |        |

Model: 911 84

Model life 1984>>1986



Model: 911 84 Model life 1984>>1986

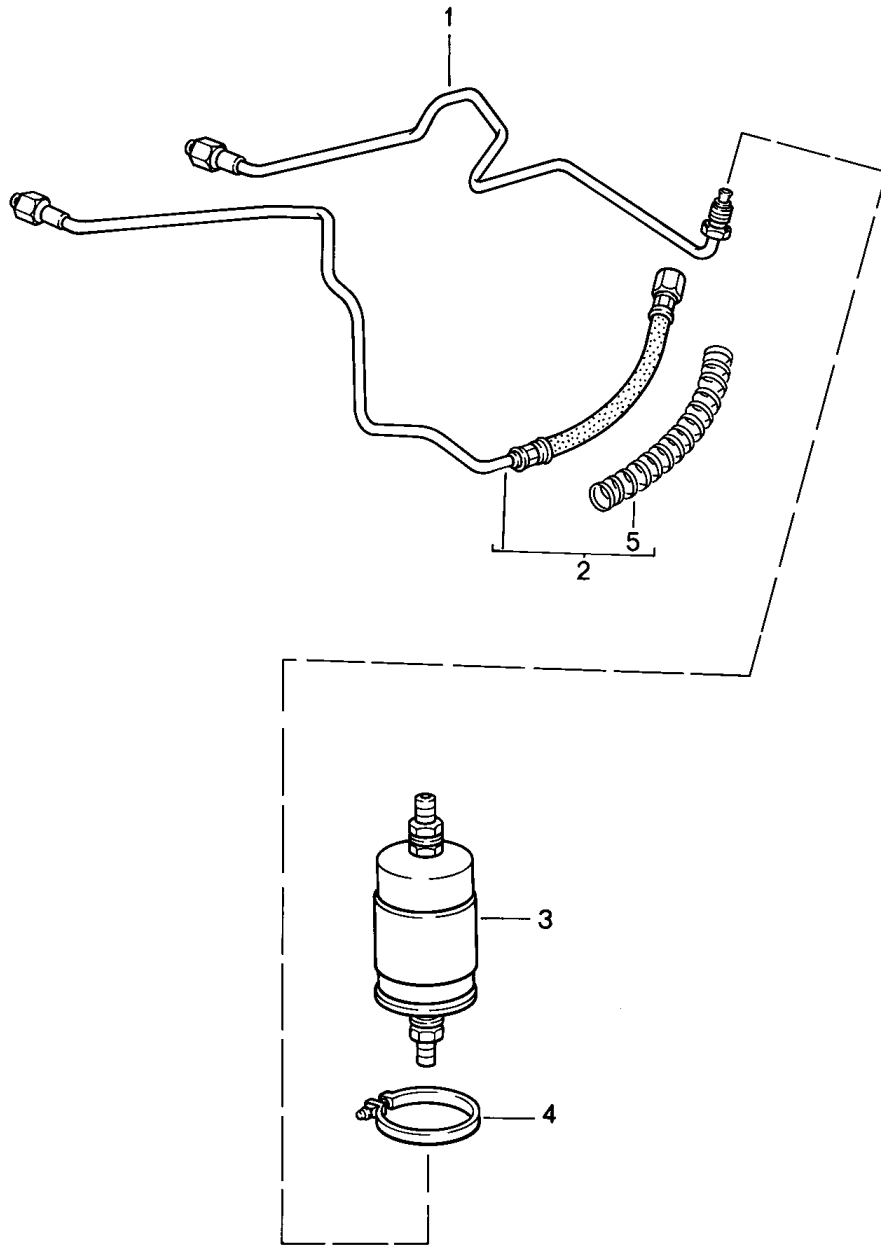
| Pos  | Part Number    | Description             | Remark | Qty | Model   |
|------|----------------|-------------------------|--------|-----|---------|
|      |                | Fuel system             |        |     |         |
|      |                | Front                   |        |     |         |
| 1    | 930 201 010 03 | Fuel tank               |        | 1   |         |
| 1    | 930 201 010 02 | Fuel tank               |        | 1   |         |
|      |                | 80 Liter                |        |     |         |
| 1    | 930 201 010 04 | Fuel tank               |        | 1   |         |
|      |                | 80 Liter                |        |     |         |
| 1    | 930 201 010 05 | Fuel tank               |        | 1   |         |
|      |                | 80 Liter                |        |     |         |
| 1A   | 911 201 291 00 | Support for spare wheel | -84    | 1   |         |
| 1A   | 911 201 291 01 | Support for spare wheel | 85-    | 1   |         |
| 2    | 901 201 311 00 | Bracket                 |        | 3   |         |
| 3    | 900 067 151 02 | Pan-head screw          |        | 3   |         |
|      |                | M 8 X 25                |        |     |         |
| 3    | 900 067 151 0C | Pan-head screw          |        | 3   |         |
|      |                | M 8 X 25                |        |     |         |
| 4    | 900 031 001 02 | Washer                  |        | 3   |         |
|      |                | 8,4                     |        |     |         |
| 4    | 900 031 105 01 | Washer                  |        | 3   |         |
|      |                | 8,4                     |        |     |         |
| 5    | 901 504 932 20 | Sealing strap           |        | 1   |         |
| 6    | 901 741 801 00 | Sender                  |        | 1   |         |
| 7    | 477 919 133    | Sealing ring            |        | 1   |         |
| 8    | N 012 222 4    | Spring washer           |        | 5   |         |
|      |                | B 5                     |        |     |         |
| 9    | N 011 005 14   | Hexagon nut             |        | 5   |         |
|      |                | M 5                     |        |     |         |
| 9    | 900 076 091 01 | Hexagon nut             |        | 5   |         |
|      |                | M 5                     |        |     |         |
| 10   | 901 201 275 30 | Cap                     |        | 1   |         |
|      |                | for                     |        |     |         |
|      |                | Sender                  |        |     |         |
|      |                | Yellow                  |        |     |         |
|      |                | Anodised                |        |     |         |
| (10) | 901 201 275 31 | Cap                     |        | 1   |         |
|      |                | for                     |        |     |         |
|      |                | Sender                  |        |     |         |
|      |                | Black                   |        |     |         |
| 11   | 911 201 259 00 | Desk pad                | -84    | 2   |         |
|      |                | 6 MM                    |        |     |         |
| 11   | 911 201 259 02 | Desk pad                | 85-    | 2   |         |
|      |                | 10 MM                   |        |     |         |
| 11   | 911 201 259 01 | Desk pad                | -84    | 1   |         |
|      |                | 15 MM                   |        |     |         |
| 11   | 911 201 259 03 | Desk pad                | 85-    | 1   |         |
|      |                | 19 MM                   |        |     |         |
| 12   | 911 201 515 00 | Hose                    |        | 1   |         |
| 13   | 999 512 348 02 | Hose clamp              |        | 2   |         |
|      |                | 40-60/9                 |        |     |         |
| 14   | 911 201 049 04 | Filler neck             |        | 1   |         |
| 14   | 911 201 049 05 | Filler neck             |        | 1   | CARRERA |
|      |                |                         | (USA)  |     | TURBO   |
| 15   | N 012 006 4    | Lock ring               |        | 2   |         |
|      |                | B 6                     |        |     |         |
| 16   | 900 075 310 02 | Hexagon-head bolt       |        | 2   |         |
|      |                | M 6 X 12                |        |     |         |
| 17   | 911 201 279 01 | Protective flap         |        | 1   |         |
| 18   | 944 201 553 00 | Gasket                  |        | 1   |         |
| 19   | 911 201 272 02 | Fuel tank cap           |        | 1   |         |
| 19   | 911 201 272 00 | Fuel tank cap           |        | 1   |         |
| 19   | 993 201 271 00 | Fuel tank cap           |        | 1   |         |
| 20   | 911 201 095 00 | Gasket                  |        | 1   |         |

Model: 911 84 Model life 1984>>1986

| Pos  | Part Number    | Description                  | Remark | Qty | Model   |
|------|----------------|------------------------------|--------|-----|---------|
| 21   | 901 201 591 20 | Sleeve                       |        | 1   |         |
| 21   | 901 201 591 21 | Sleeve                       |        | 1   |         |
| 22   | 999 152 004 00 | Circlip                      |        | 1   |         |
| 23   | 911 201 593 00 | Overflow socket              |        | 1   |         |
| 24   | 911 201 731 00 | Overflow hose                |        | 1   |         |
| 25   | 911 201 141 00 | Fuel filter                  |        | 1   |         |
| 26   | 911 201 143 00 | Sealing ring                 |        | 1   |         |
| 27   | 911 608 102 02 | Fuel pump                    |        | 1   | TURBO   |
| 27   | 944 608 102 04 | Fuel pump                    |        | 1   | CARRERA |
| 28   | 999 512 394 00 | Hose clamp<br>40-60/13       | -84    | 1   |         |
| 28   |                | Hose clamp<br>40-60/13       | 85-    | 1   |         |
| 29   | 911 608 105 01 | Support                      |        | 1   |         |
| 30   | 911 608 206 00 | Bonded rubber buffer         |        | 2   |         |
| 31   | 999 072 005 09 | Hexagon nut<br>M 6 X 12      |        | 1   |         |
| 31   | 999 072 005 01 | Hexagon nut<br>M 6 X 12      |        | 1   |         |
| 32   | N 010 208 5    | Hexagon-head bolt<br>M 6 X 8 |        | 3   |         |
| 33   | N 012 226 5    | Spring washer<br>B 6         |        | 4   |         |
| 34   | N 011 524 7    | Washer<br>A 6,4              |        | 4   |         |
| 34   | N 011 524 27   | Washer<br>A 6,4              |        | 4   |         |
| -    | 999 181 168 50 | Hose<br>12 X 18,5<br>90 MM   |        | *   |         |
| 35   |                |                              |        | 1   |         |
| 36   | 999 512 554 00 | Hose clamp                   |        | 2   |         |
| 37   | 911 356 066 07 | Pressure line                |        | 1   | TURBO   |
| 37   | 911 356 066 08 | Pressure line                |        | 1   | CARRERA |
| 38   | 928 110 475 01 | Cap nut<br>M 12 X 15,5       |        | 1   |         |
| 38   | 928 110 475 03 | Cap nut<br>M 12 X 15,5       |        | 1   |         |
| 38   | 928 110 475 04 | Cap nut<br>M 12 X 15,5       |        | 1   |         |
| (39) | 893 906 093    | Check valve                  |        | 1   | TURBO   |
| 39   | 944 608 951 01 | Check valve                  |        | 1   | CARRERA |
| 40   | N 013 812 2    | Sealing ring<br>A 12 X 15,5  |        | 2   | CARRERA |
| 40   | 900 123 005 20 | Sealing ring<br>A 12 X 16    |        | 2   | TURBO   |
| 41   | 911 356 202 03 | Rubber sleeve                |        | 4   |         |
| 42   | 999 613 017 40 | Covering                     |        | *   |         |
| 43   | 911 356 062 07 | Return line                  |        | 1   | TURBO   |
| 43   | 911 356 062 08 | Return line                  |        | 1   | CARRERA |
| 44   | 999 511 093 02 | Pipe clamp                   |        | 1   |         |
| 45   | 900 187 104 02 | Tapping screw<br>B 4,8 X 13  |        | 1   |         |
| 46   | 928 612 494 00 | Foam part                    |        | 1   |         |

Model: 911 84

Model life 1984>>1986





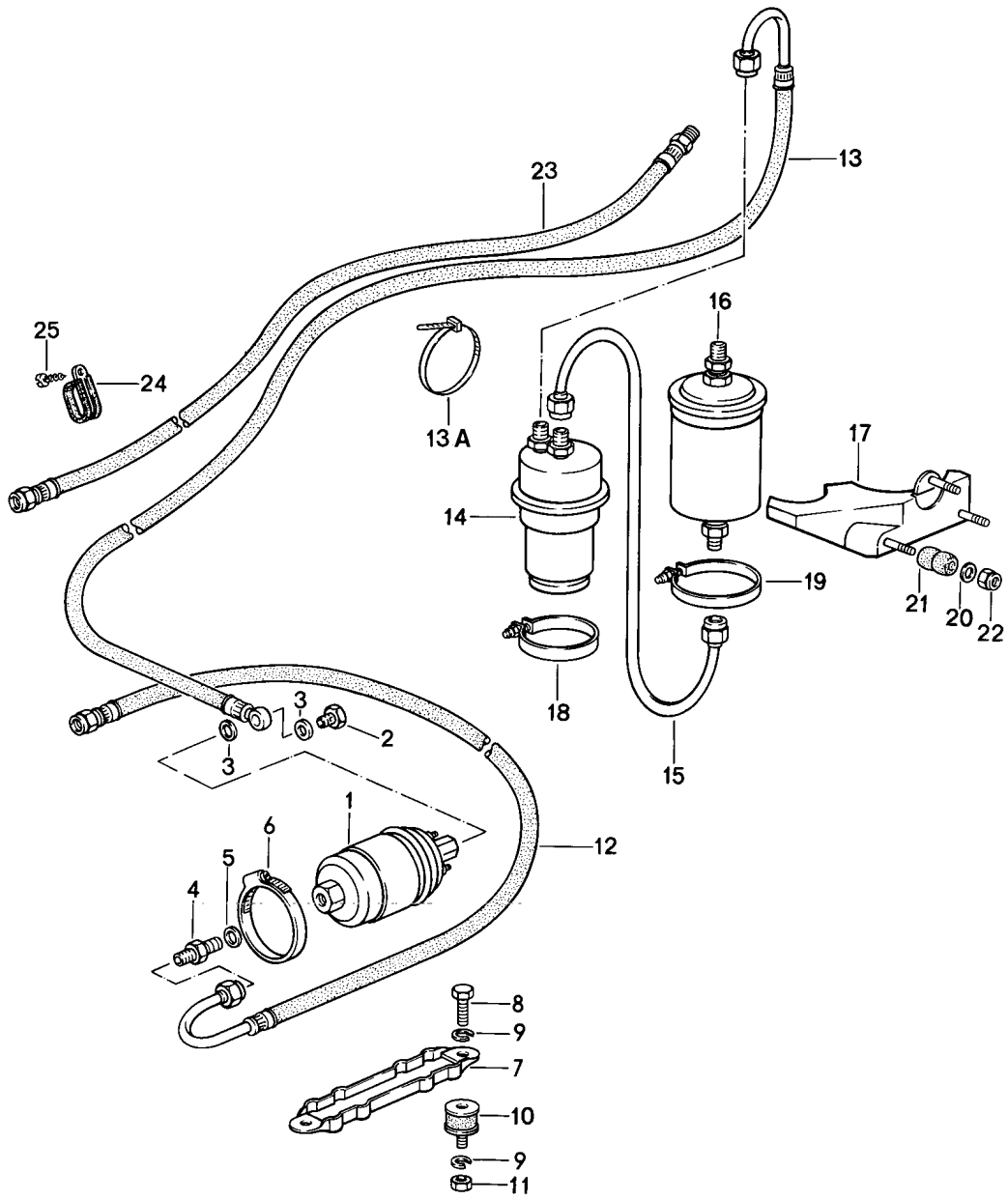
Model: 911 84

Model life 1984&gt;&gt;1986

| Pos | Part Number    | Description         | Remark | Qty | Model   |
|-----|----------------|---------------------|--------|-----|---------|
|     |                | Fuel system<br>Rear |        |     | CARRERA |
| 1   | 911 356 083 01 | Pressure line       |        | 1   |         |
| 2   | 911 356 085 05 | Return line         |        | 1   |         |
| 3   | 928 110 253 06 | Fuel filter         |        | 1   |         |
| 4   | 999 512 235 02 | Hose clamp          |        | 1   |         |
| 5   | 928 355 517 01 | Spiral              |        | 1   |         |

Model: 911 84

Model life 1984>>1986

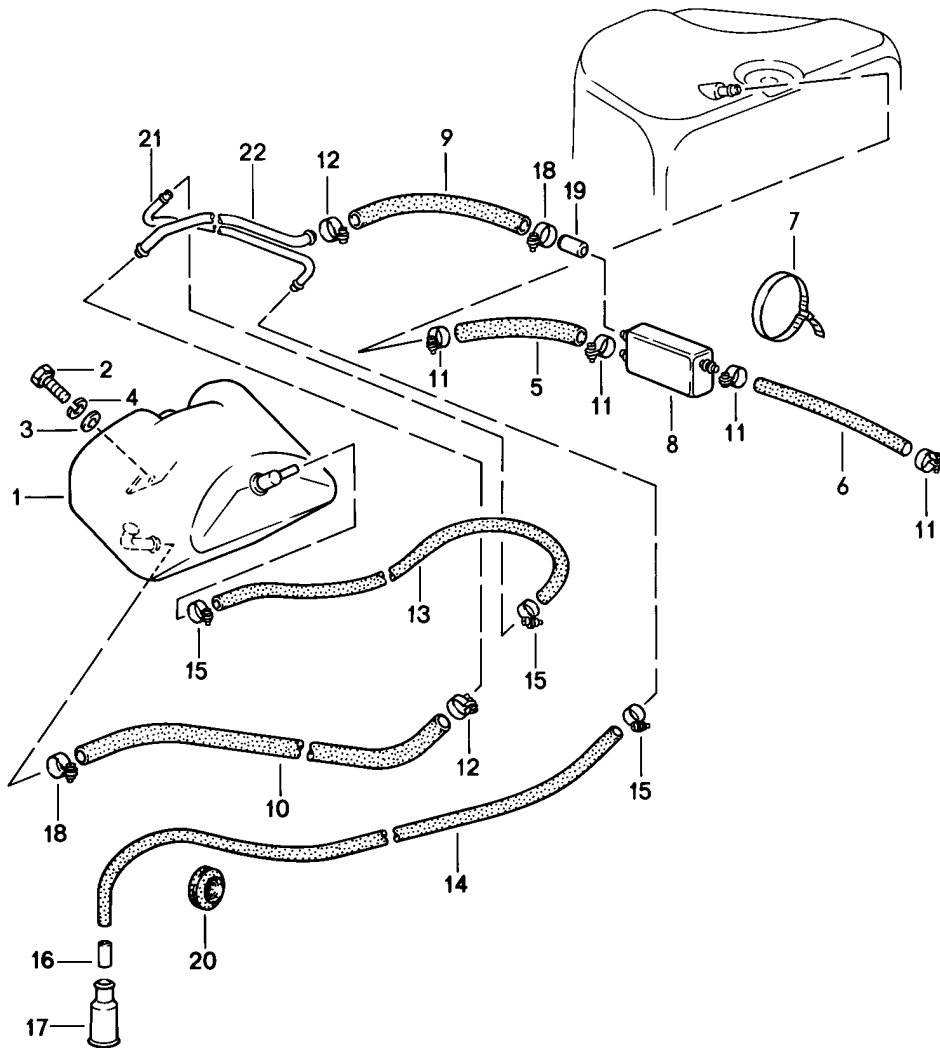


Model: 911 84 Model life 1984>>1986

| Pos | Part Number    | Description                  | Remark | Qty | Model |
|-----|----------------|------------------------------|--------|-----|-------|
|     |                | Fuel system<br>Rear          |        |     | TURBO |
| 1   | 930 608 113 00 | Fuel pump                    |        | 1   |       |
| 2   | 999 134 018 02 | Banjo bolt<br>M 12 X 1,5     |        | 1   |       |
| 3   | 900 123 005 20 | Sealing ring<br>A 12 X 16    |        | 2   |       |
| 4   | N 020 702 1    | Screw socket                 |        | 1   |       |
| 5   | N 013 849 2    | Sealing ring<br>A 14 X 20    |        | 1   |       |
| 6   | 999 512 394 00 | Hose clamp<br>40-60/13       | -84    | 1   |       |
| 6   |                | Hose clamp<br>40-60/13       | 85-    | 1   |       |
| 7   | 911 608 105 00 | Support                      |        | 1   |       |
| 8   | N 010 208 5    | Hexagon-head bolt<br>M 6 X 8 |        | 2   |       |
| 9   | N 012 007 2    | Lock ring<br>A 6             |        | 4   |       |
| 9   | 900 027 004 03 | Lock ring<br>A 6             |        | 4   |       |
| 10  | 999 703 384 00 | Megulastik pivot bearing     |        | 2   |       |
| 10  | 999 703 384 01 | Megulastik pivot bearing     |        | 2   |       |
| 11  | 900 076 010 02 | Nut<br>M 6                   |        | 2   |       |
| 11  | 900 076 010 0B | Nut<br>M 6                   |        | 2   |       |
| 12  | 930 356 068 02 | Fuel line                    |        | 1   |       |
| 13  | 930 356 081 04 | Fuel line                    |        | 1   |       |
| 13  | 930 356 081 06 | Fuel line                    |        | 1   |       |
| 13A | 999 513 010 40 | Tie-wrap<br>140 MM           |        | 1   |       |
| 14  | 911 110 197 02 | Fuel accumulator             |        | 1   |       |
| 15  | 911 356 091 02 | Fuel line                    | -85    | 1   |       |
| 15  |                | Fuel line                    | 86-    | 1   |       |
| 16  | 928 110 147 05 | Fuel filter                  |        | 1   |       |
| 17  | 930 356 041 01 | Bracket                      |        | 1   |       |
| 18  | 999 512 199 02 | Clamp                        |        | 1   |       |
| 19  | 999 512 235 02 | Hose clamp                   |        | 1   |       |
| 20  | 999 025 108 02 | Washer<br>6,4                |        | 3   |       |
| 21  | 901 504 859 20 | Hose piece                   |        | 3   |       |
| 22  | 900 910 012 02 | Lock nut<br>M 6              |        | 3   |       |
| 22  | 900 910 047 09 | Lock nut<br>M 6              |        | 3   |       |
| 23  | 930 356 062 01 | Return line                  |        | 1   |       |
| 24  | 999 511 093 02 | Pipe clamp                   |        | 1   |       |
| 25  | 900 187 104 02 | Tapping screw<br>B 4,8 X 13  |        | 1   |       |

Model: 911 84

Model life 1984>>1986

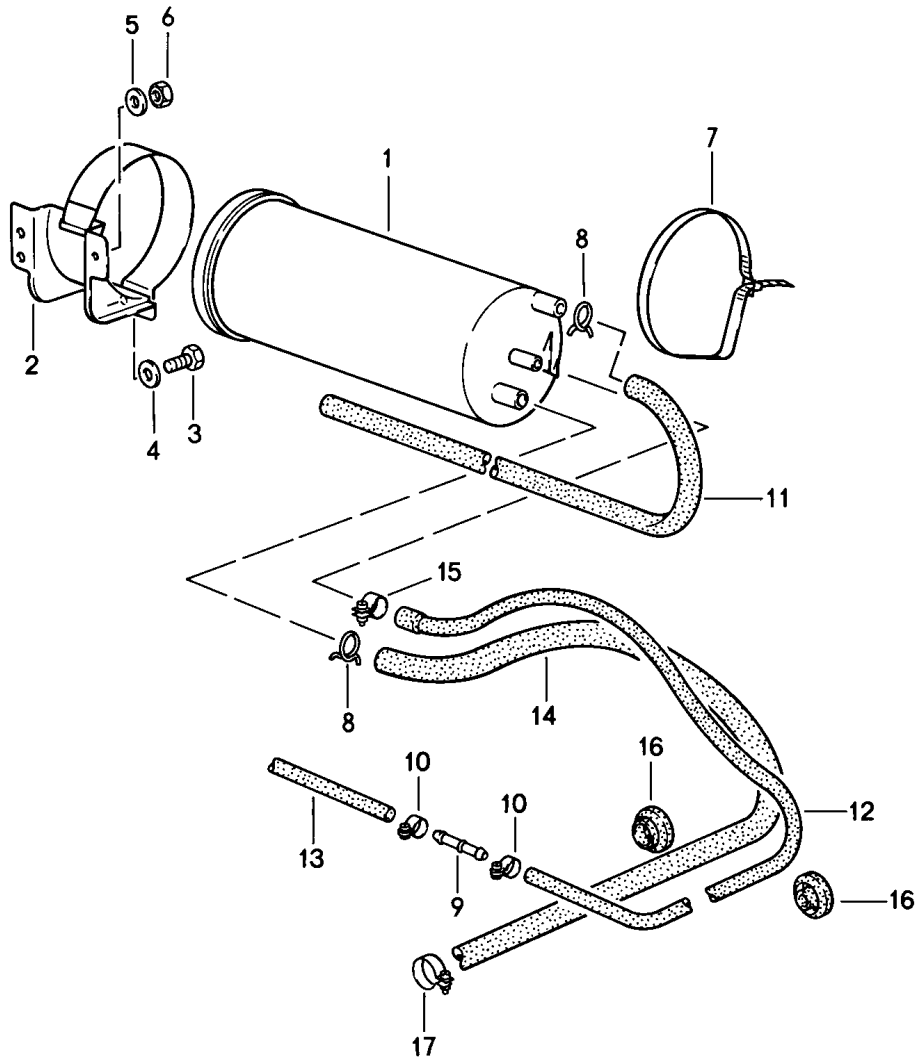


Model: 911 84 Model life 1984>>1986

| Pos | Part Number        | Description                           | Remark | Qty | Model |
|-----|--------------------|---------------------------------------|--------|-----|-------|
| 1   | 911 201 077 02     | Tank ventilation<br>Expansion tank    |        | 1   |       |
| 1   |                    | Expansion tank                        |        | 1   |       |
| 2   | 900 075 057 02     | Hexagon-head bolt<br>M 6 X 16         |        | 1   |       |
| 2   | 900 075 057 03     | Hexagon-head bolt<br>M 6 X 16         |        | 1   |       |
| 3   | N 011 524 7        | Washer<br>A 6,4                       |        | 1   |       |
| 3   | N 011 524 27       | Washer<br>A 6,4                       |        | 1   |       |
| 4   | N 012 007 02       | Lock ring<br>A 6                      |        | 1   |       |
| -   | 999 181 189 50     | Hose<br>14 X 2,5                      |        | *   |       |
| -   | 999 181 189 5A     | Hose<br>14 X 4 X 22                   |        | *   |       |
| 5   |                    | 140 MM                                | -84    | 1   |       |
| 5   |                    | 180 MM                                | 85-    | 1   |       |
| 6   | 911 201 287 01     | Hose                                  |        | 1   |       |
| 7   | 999 513 003 40     | Tie-wrap                              |        | 1   |       |
| 8   | 911 201 381 00     | Expansion tank                        |        | 1   |       |
| -   | N 020 359 1        | Hose<br>9 X 2,5                       |        | *   |       |
| 9   |                    | 250 MM                                | -84    | 1   |       |
| 9   |                    | 350 MM                                | 85-    |     |       |
| 10  |                    | 390 MM                                |        | 1   |       |
| 11  | 999 512 346 00     | Hose clamp<br>S 20/9 ZY               |        | 4   |       |
| 12  | 999 512 160 02     | Hose clamp<br>S13/9ZY                 |        | 2   |       |
| 12  | PCG 512 160 02     | Hose clamp<br>S13/9ZY                 |        | 2   |       |
| -   | N 020 361 2        | Hose<br>4 X 1,5                       |        | X   |       |
| 13  |                    | 370 MM                                |        | 1   |       |
| 14  |                    | 1020 MM                               | /LL    | 1   |       |
| 14  |                    | 1170 MM                               | /RL    | 1   |       |
| 15  | 999 512 069 02     | Hose clamp<br>S8/7ZY                  |        | 3   |       |
| 15  | PCG 512 069 02     | Hose clamp<br>S8/7ZY                  |        | 3   |       |
| 16  | 911 201 157 01     | Sleeve                                |        | 1   |       |
| 17  | 999 659 015 40     | Protection cap                        |        | 1   |       |
| 18  | N 023 570 2        | Hose clamp<br>S15/9ZY                 |        | 2   |       |
| 19  | 911 201 263 02     | Restrictor                            | -84    | 1   |       |
| 19  |                    | Restrictor                            |        | 1   |       |
| 20  | 111 971 911 A      | Grommet                               |        | 1   |       |
| 21  | 911 501 657 02     | Breather pipe<br>D=5                  | -85    | 1   |       |
| 22  | 911 501 659 01     | Breather pipe<br>D=10                 | -85    | 1   |       |
| 22  | 911 501 659 01 GRV | Breather pipe<br>Prime coated<br>D=10 |        | 1   |       |

Model: 911 84

Model life 1984>>1986

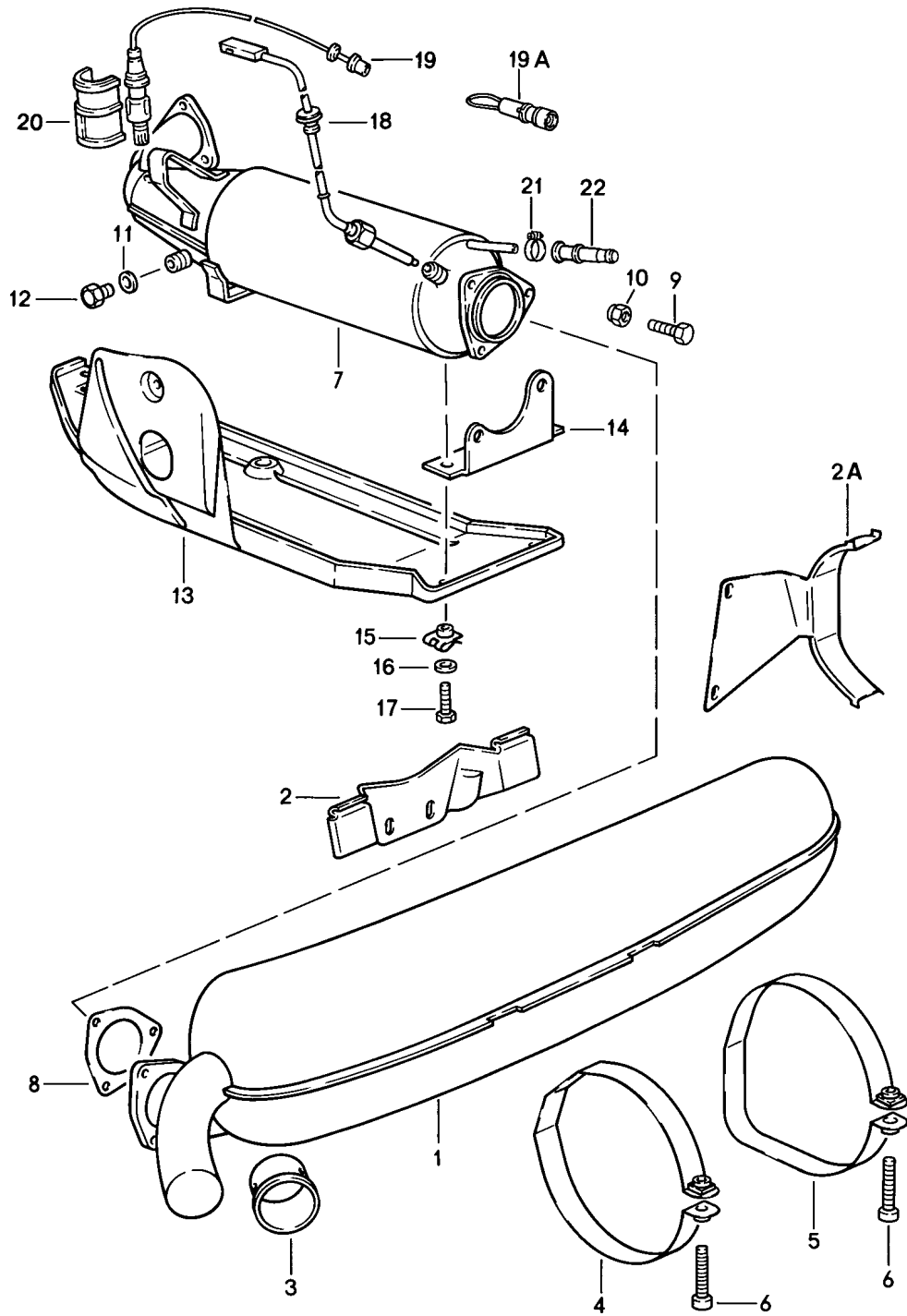


Model: 911 84 Model life 1984>>1986

| Pos | Part Number    | Description                   | Remark | Qty | Model   |
|-----|----------------|-------------------------------|--------|-----|---------|
| 1   | 993 201 221 01 | Carbon canister               |        | 1   |         |
| 1   | 993 201 221 03 | Carbon canister               |        | 1   |         |
| 2   | 928 201 015 02 | Bracket                       |        | 1   |         |
| 3   | 900 075 014 02 | Hexagon-head bolt<br>M 6 X 25 |        | 1   |         |
| 3   | 900 075 014 03 | Hexagon-head bolt<br>M 6 X 25 |        | 1   |         |
| 4   | 803 817 121    | Washer                        |        | 1   |         |
| 5   | N 011 524 7    | Washer<br>A 6,4               |        | 2   |         |
| 5   | N 011 524 27   | Washer<br>A 6,4               |        | 2   |         |
| 6   | 900 910 010 09 | Lock nut<br>VM 6              |        | 2   |         |
| 7   | N 020 906 3    | Tie-wrap                      |        | 1   |         |
| 8   | 999 512 265 02 | Hose clamp<br>17              |        | 1   |         |
| 9   | 911 201 415 00 | Connecting piece              |        | 1   |         |
| 10  | 900 272 001 02 | Hose clamp<br>LA8-12          |        | 2   |         |
| 11  | 477 201 747 B  | Hose<br>15 x 12               |        | 1   |         |
| -   | N 020 361 2    | Hose<br>4 X 1,5               |        | X   |         |
| 12  |                | 1080 MM                       |        | 1   |         |
| 13  |                | 1980 MM                       |        | 1   |         |
| -   | N 020 362 1    | Hose<br>12 X 2,5              |        | *   |         |
| 14  |                | 1750 MM                       |        | 1   | CARRERA |
| 14  |                | 750 MM                        |        | 1   | TURBO   |
| 15  | N 023 577 2    | Hose clamp<br>A 9 X 14ZY      |        | 1   |         |
| 15  | PCG 023 577 2  | Hose clamp<br>A9 x 14         |        | 1   |         |
| 16  | 999 702 126 50 | Grommet                       |        | 2   |         |
| 17  | 999 512 069 02 | Hose clamp<br>S8/7ZY          |        | 1   |         |
| 17  | PCG 512 069 02 | Hose clamp<br>S8/7ZY          |        | 1   |         |

Model: 911 84

Model life 1984>>1986



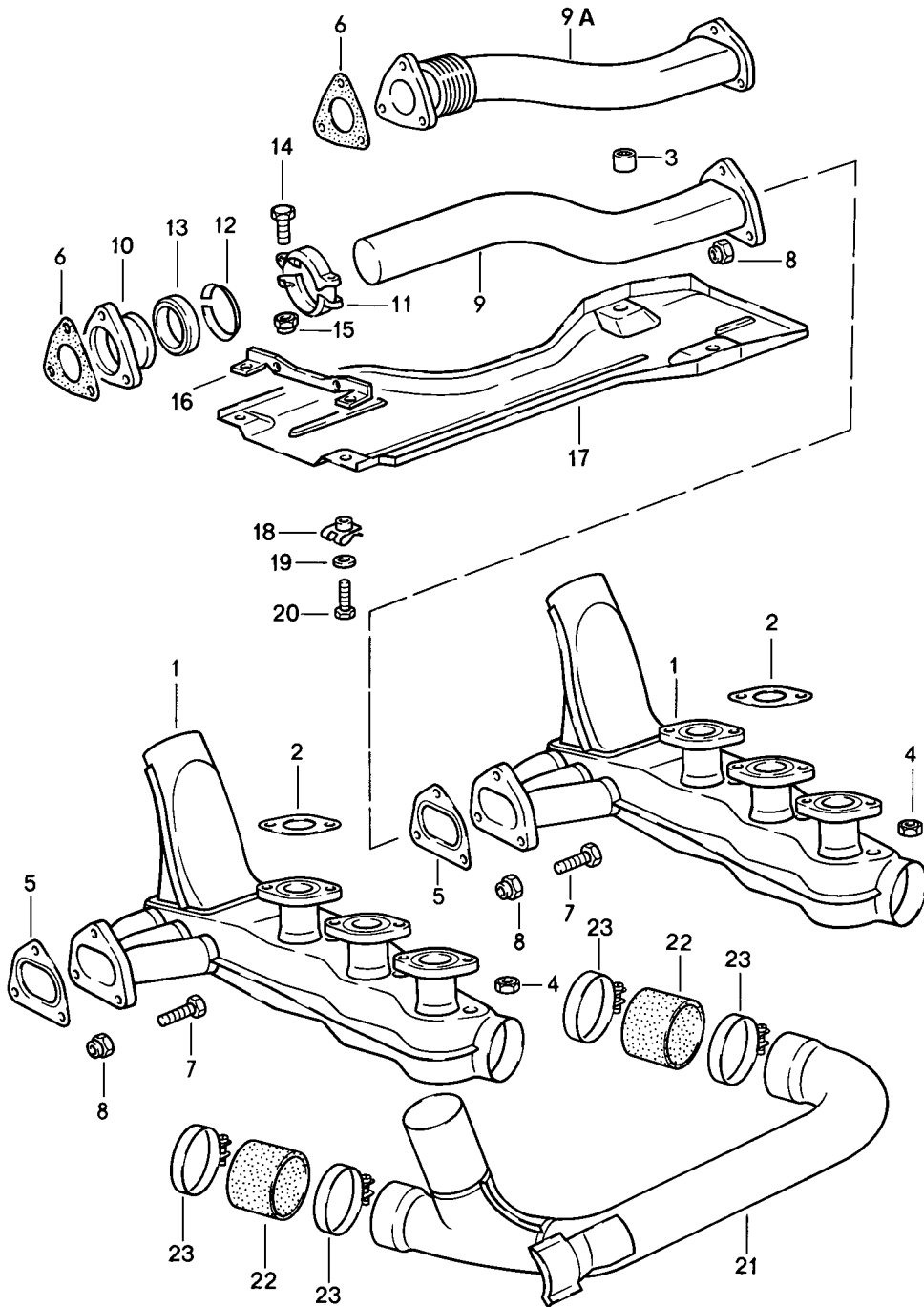


Model: 911 84 Model life 1984>>1986

| Pos  | Part Number    | Description                       | Remark | Qty | Model    |
|------|----------------|-----------------------------------|--------|-----|----------|
|      |                | Exhaust system                    |        |     | CARRERA  |
| 1    | 930 111 043 00 | Exhaust silencer                  |        | 1   |          |
| 2    | 930 111 151 01 | Bracket                           |        | 1   |          |
| 2A   | 930 111 154 06 | Bracket                           |        | 1   | M559/573 |
| 3    | 911 111 245 00 | Ornamental exhaust pipe           |        | 1   |          |
| 3    | 911 111 245 02 | Ornamental exhaust pipe<br>Black  |        | 1   |          |
| 3    | 911 111 245 03 | Ornamental exhaust pipe<br>Chrome |        | 1   |          |
| 4    | 930 111 159 00 | Clamp                             |        | 1   |          |
| 5    | 930 111 175 00 | Clamp                             |        | 1   |          |
| 6    | 900 067 161 02 | Pan-head screw<br>AM10X50         |        | 2   |          |
| 7    | 930 113 230 09 | Catalytic converter               | -84    | 1   |          |
| 7    | 930 113 230 15 | Catalytic converter               |        | 1   |          |
| 7    | 930 113 230 25 | Catalytic converter               |        | 1   |          |
| 7    | 930 113 230 28 | Catalytic converter               |        | 1   |          |
| 8    | 911 111 191 01 | Gasket                            |        | 1   |          |
| 8    | 911 111 191 02 | Gasket                            |        | 1   |          |
| 9    | 900 074 282 02 | Screw<br>M8X40                    |        | 3   |          |
| 10   | 900 910 097 02 | Lock nut                          |        | 3   |          |
| 11   | 900 123 050 20 | Sealing ring<br>A8X11,5           |        | 1   |          |
| 12   | 900 083 080 00 | Hexagon-head bolt                 |        | 1   |          |
| 13   | 930 113 208 07 | Catalytic converter cover         |        | 1   |          |
| 14   | 930 113 196 00 | Retaining bracket                 |        | 1   |          |
| 15   | 999 507 326 02 | Captive nut                       |        | 4   |          |
| 16   | N 011 666 7    | Washer                            |        | 4   |          |
| 17   | 900 075 057 02 | Hexagon-head bolt<br>M6X16        |        | 4   |          |
| 17   | 900 075 057 03 | Hexagon-head bolt<br>M6X16        |        | 4   |          |
| 19   | 928 606 124 00 | Oxygen sensor                     | -85    | 1   |          |
| (19) | 930 606 124 00 | Oxygen sensor                     | 86-    | 1   |          |
| 20   | 911 606 133 00 | Protection plate                  |        | 1   |          |

Model: 911 84

Model life 1984>>1986



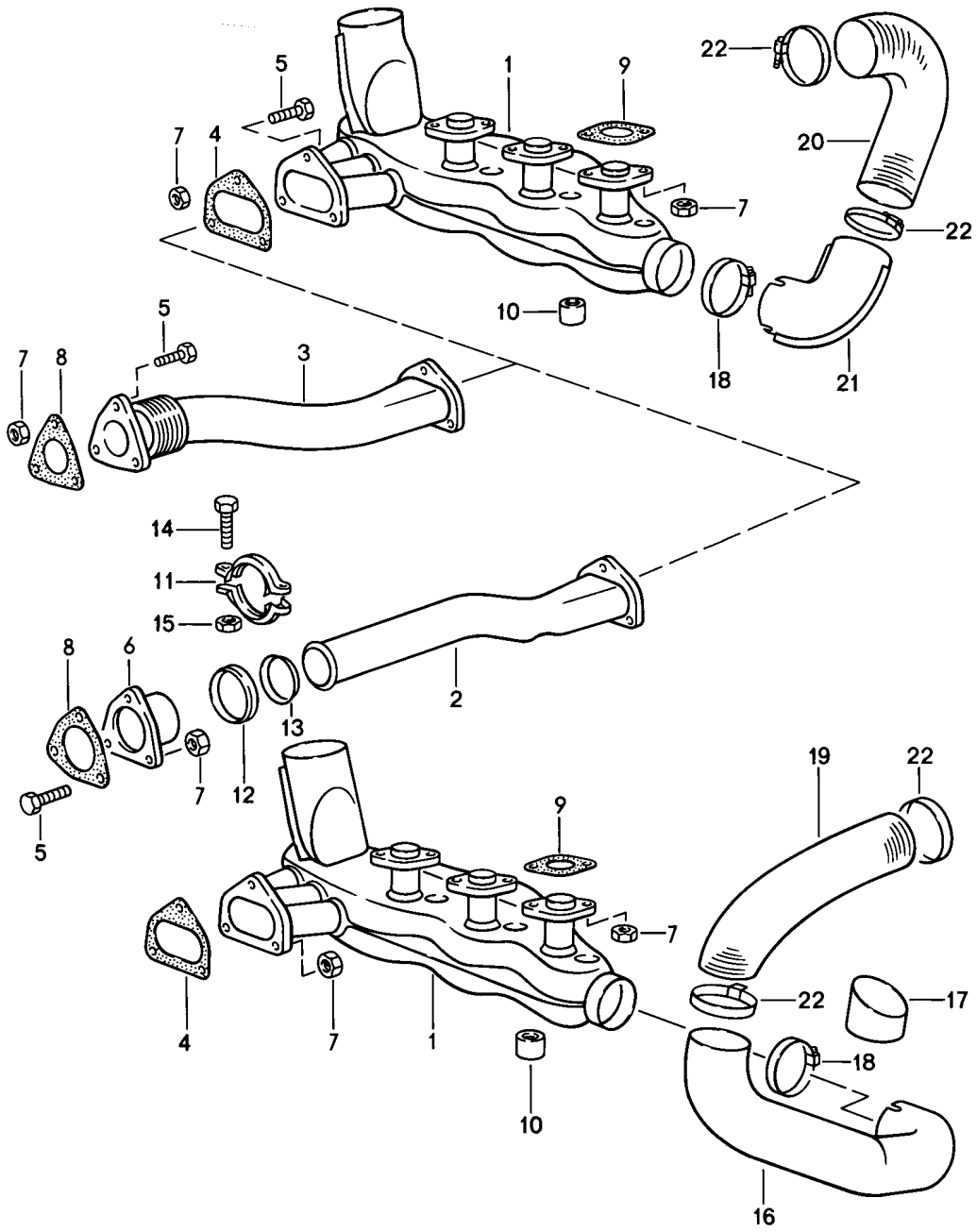
Model: 911 84

Model life 1984>>1986

| Pos | Part Number    | Description                   | Remark    | Qty | Model     |
|-----|----------------|-------------------------------|-----------|-----|-----------|
|     |                | Exhaust system                |           |     | CARRERA   |
| 1   | 930 211 029 01 | Heat exchanger                |           | 2   |           |
| 2   | 930 111 191 06 | Gasket                        |           | 6   |           |
| (2) | 930 111 191 11 | Gasket                        |           | 6   |           |
| (2) | 930 111 191 12 | Gasket                        |           | 6   |           |
| 3   | 999 085 001 02 | Socket head nut<br>M 8        |           | 6   |           |
| 4   | 900 076 025 02 | Hexagon nut<br>M 8            |           | 6   |           |
| 4   | 900 076 064 02 | Hexagon nut<br>M 8            |           | 6   |           |
| 5   | 930 111 192 03 | Gasket                        |           | 2   |           |
| 5   | 930 111 192 04 | Gasket                        |           | 2   |           |
| 5   | 930 111 192 06 | Gasket                        |           | 2   |           |
| 6   | 930 111 193 01 | Gasket                        |           | 1   |           |
| 6   | 930 111 193 04 | Gasket                        |           | 1   |           |
| 6   | 930 111 193 05 | Gasket                        |           | 1   |           |
| 6   | 930 111 193 07 | Gasket                        |           | 1   |           |
| 7   | 900 074 282 02 | Screw<br>M 8 X 40             |           | 6   |           |
| 8   | 900 910 097 02 | Lock nut                      |           | 6   |           |
| 9A  | 930 111 169 05 | Exhaust line                  |           | 1   |           |
| 16  | 930 111 197 03 | Retaining bracket             | (J) (USA) | 1   |           |
| 17  | 930 111 182 02 | Cross tube covering           | (J) (USA) | 1   |           |
| 18  | 999 507 326 02 | Captive nut                   | (J) (USA) | 4   |           |
| 19  | N 011 666 7    | Washer                        | (J) (USA) | 4   |           |
| 20  | 900 075 057 02 | Hexagon-head bolt<br>M 6 X 16 | (J) (USA) | 4   |           |
| 20  | 900 075 057 03 | Hexagon-head bolt<br>M 6 X 16 | (J) (USA) | 4   |           |
| 21  | 930 211 335 00 | Air distributor tube          |           | 1   | 930.20/21 |
| 22  | 930 211 339 01 | Rubber sleeve                 |           | 2   |           |
| 23  | N 100 478 01   | Hose clamp<br>A 9 X 71        |           | 4   |           |

Model: 911 84

Model life 1984>>1986



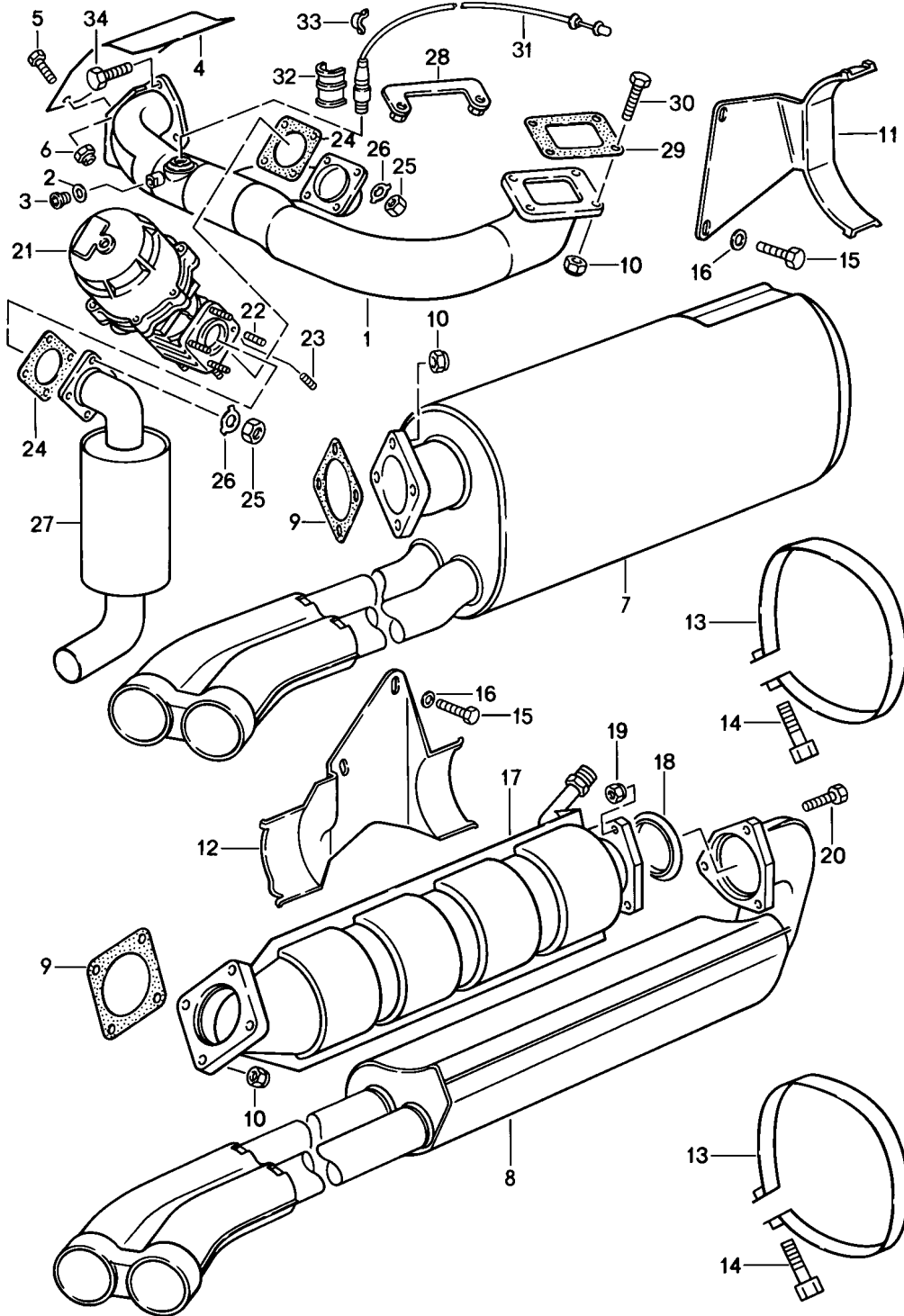
Model: 911 84

Model life 1984>>1986

| Pos | Part Number    | Description            | Remark | Qty | Model  |
|-----|----------------|------------------------|--------|-----|--------|
|     |                | Exhaust system         |        |     | TURBO  |
| 1   | 930 211 033 01 | Heat exchanger         |        | 2   |        |
| 2   | 930 111 163 04 | Exhaust line           |        | 1   | 930.66 |
| 3   | 930 111 169 05 | Exhaust line           |        | 1   | 930.68 |
| 4   | 930 111 192 01 | Gasket                 | -84    | 2   |        |
| 4   | 930 111 192 03 | Gasket                 | 85-    | 2   |        |
| 4   | 930 111 192 04 | Gasket                 | 85-    | 2   |        |
| 4   | 930 111 192 06 | Gasket                 | 85-    | 2   |        |
| 5   | 900 074 282 02 | Screw<br>M 8 X 37      |        | 9   |        |
| 6   | 930 111 157 00 | Compensating socket    |        | 1   | 930.66 |
| 7   | 900 910 097 02 | Lock nut<br>M 8        |        | 21  |        |
| 8   | 930 111 193 01 | Gasket                 |        | 1   |        |
| 8   | 930 111 193 04 | Gasket                 |        | 1   |        |
| 8   | 930 111 193 05 | Gasket                 |        | 1   |        |
| 8   | 930 111 193 07 | Gasket                 |        | 1   |        |
| 9   | 930 111 191 01 | Gasket                 |        | 6   |        |
| 10  | 999 085 001 02 | Socket head nut<br>M 8 |        | 6   |        |
| 11  | 930 111 187 00 | Clamp                  |        | 2   | 930.66 |
| 12  | 911 111 189 03 | Gasket                 |        | 1   | 930.66 |
| 13  | 930 111 156 01 | Support washer         |        | 1   | 930.66 |
| 14  | 900 074 283 02 | Screw<br>M 8 X 45      |        | 2   | 930.66 |
| 15  | 900 910 097 02 | Lock nut<br>M 8        |        | 2   | 930.66 |
| 16  | 930 211 123 00 | Hot air line           |        | 1   |        |
| 17  | 930 211 197 00 | Hose                   |        | 1   |        |
| 18  | 999 512 246 02 | Clamp                  |        | 2   |        |
| 18  | 999 512 246 0C | Clamp                  |        | 2   |        |
| 19  | 930 211 196 00 | Heater hose            | /L     | 1   |        |
| 19  | 930 211 196 01 | Heater hose            | /L     | 1   |        |
| 20  | 901 211 194 00 | Heater hose            | /R     | 1   |        |
| 20  | 901 211 194 01 | Heater hose            | /R     | 1   |        |
| 21  | 911 211 131 00 | Adapter                |        | 1   |        |
| 22  | 999 512 349 02 | Hose clamp             |        | 4   |        |
| 22  | 999 512 349 01 | Hose clamp             |        | 4   |        |
| 22  | 999 512 349 0B | Hose clamp             |        | 4   |        |

Model: 911 84

Model life 1984>>1986



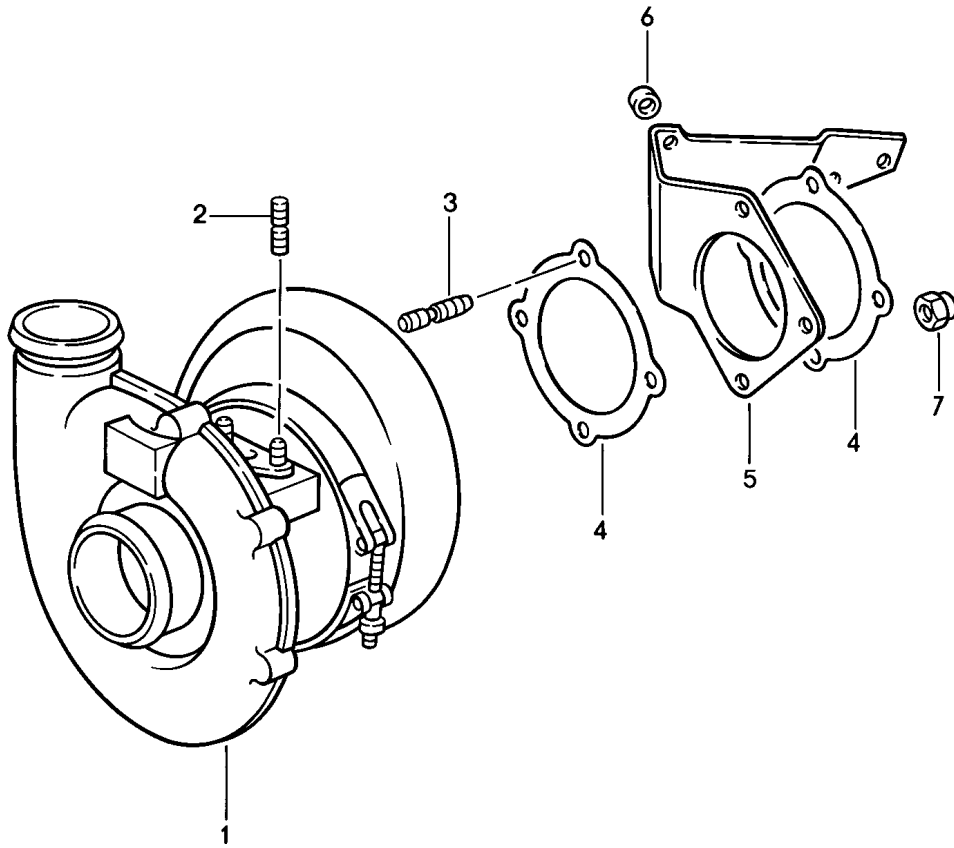
Model: 911 84

Model life 1984&gt;&gt;1986

| Pos | Part Number    | Description                    | Remark | Qty | Model    |
|-----|----------------|--------------------------------|--------|-----|----------|
|     |                | Exhaust system                 |        |     | TURBO    |
| 1   | 930 111 003 04 | Exhaust line                   |        | 1   | 930.66   |
| 1   | 930 111 003 05 | Exhaust line                   |        | 1   | 930.68   |
| 2   | N 043 813 3    | Sealing ring<br>8 X 11,5       |        | 1   | 930.68   |
| 3   | 900 083 080 00 | Hexagon-head bolt<br>M 8 X 1   |        | 1   | 930.68   |
| 4   | 930 111 128 03 | Heat shield                    |        | 1   |          |
| 5   | 900 075 312 02 | Hexagon-head bolt<br>M 6 X 16  |        | 2   |          |
| 6   | 900 910 096 02 | Lock nut<br>M 6                |        | 2   |          |
| 7   | 930 111 038 06 | Exhaust silencer               |        | 1   | 930.66   |
| 8   | 930 111 038 05 | Exhaust silencer               |        | 1   | 930.68   |
| 9   | 930 123 191 01 | Gasket                         |        | 1   |          |
| 10  | 900 910 099 02 | Lock nut<br>M 10               |        | 6   |          |
| 11  | 930 111 154 05 | Bracket                        | -84    | 1   | 930.66   |
| 11  | 930 111 154 06 | Bracket                        | -84    | 1   | 930.66   |
| 11  |                | Bracket                        | 85-    | 1   | M559/573 |
| 12  | 930 111 154 08 | Bracket                        |        | 1   | 930.68   |
| 12  |                | Bracket                        |        | 1   | 930.68   |
| 13  | 930 111 155 00 | Clamp                          |        | 1   | 930.66   |
| 13  | 930 111 155 01 | Clamp                          |        | 1   | 930.68   |
| 14  | 900 067 161 02 | Pan-head screw<br>AM 10 X 50   |        | 2   |          |
| 15  | 900 075 085 02 | Hexagon-head bolt<br>M 8 X 20  |        | 2   |          |
| 16  | 900 151 008 02 | Washer<br>A 8,4                |        | 2   |          |
| 17  | 930 113 235 01 | Catalytic converter            |        | 1   | 930.68   |
| 18  | 930 111 180 00 | Sealing ring                   |        | 1   | 930.68   |
| 19  | 900 910 097 02 | Lock nut<br>M 8                |        | 3   | 930.68   |
| 20  | 900 074 268 02 | Hexagon-head bolt<br>BM 8 X 40 |        | 3   | 930.68   |
| 21  | 930 123 060 12 | Wastegate                      |        | 1   |          |
| 22  | 900 081 048 02 | Stud<br>M 8 X 25               |        | 4   |          |
| 23  | 900 081 049 02 | Stud<br>M 8 X 32               |        | 4   |          |
| 24  | 930 123 194 01 | Gasket                         |        | 1   |          |
| 25  | 900 910 097 02 | Lock nut<br>M 8                |        | 8   |          |
| 26  | 999 039 001 00 | Tab washer                     |        | 8   |          |
| 27  | 930 123 063 01 | Muffler                        |        | 1   |          |
| 28  | 930 123 114 02 | Supporting plate               |        | 1   |          |
| 29  | 930 123 192 01 | Gasket                         |        | 1   |          |
| 30  | 900 074 284 02 | Screw<br>M 10 X 40             |        | 4   |          |
| 31  | 930 606 124 00 | Oxygen sensor                  |        | 1   |          |
| 32  | 911 606 133 00 | Protection plate               |        | 1   |          |
| 33  | 477 971 851    | Cable clip                     |        | 1   |          |
| 34  | 900 074 282 02 | Screw<br>M 8 X 37              |        | 3   |          |

Model: 911 84

Model life 1984>>1986





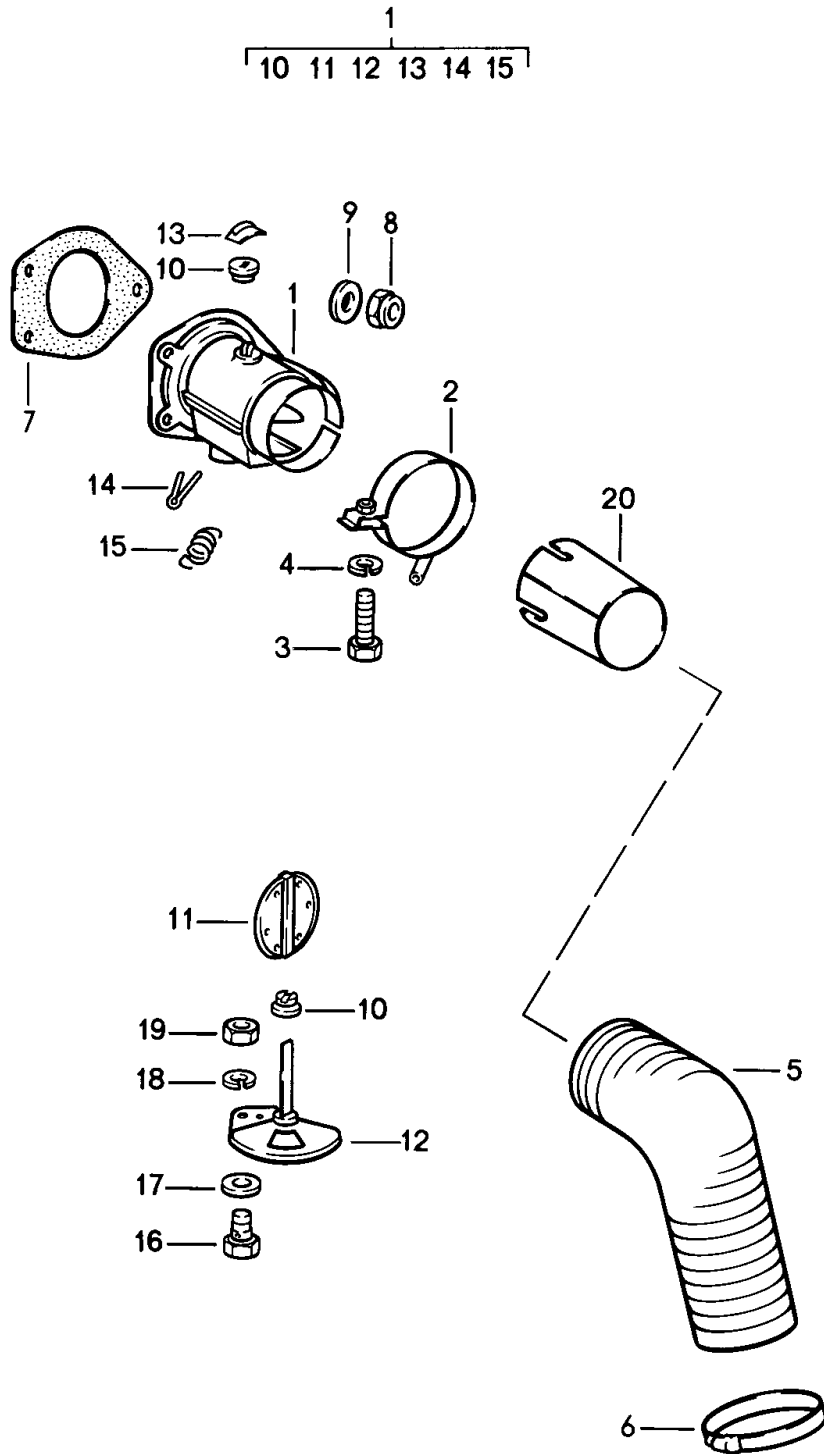
Model: 911 84

Model life 1984&gt;&gt;1986

| Pos | Part Number    | Description  | Remark | Qty | Model |
|-----|----------------|--------------|--------|-----|-------|
| 1   | 930 123 003 01 | Turbocharger |        | 1   | TURBO |
| 2   | 900 081 004 02 | Turbocharger |        | 4   |       |
|     |                | Stud         |        |     |       |
|     |                | M 8 X 20     |        |     |       |
| 3   | 900 081 051 02 | Stud         |        | 4   |       |
|     |                | M 10 X 35    |        |     |       |
| 4   | 930 123 191 01 | Gasket       |        | 2   |       |
| 5   | 930 123 121 05 | Bracket      |        | 1   |       |
| 5   |                | Bracket      |        | 1   |       |
| 6   | 930 123 123 00 | Spacer tube  |        | 1   |       |
| 7   | 900 910 099 02 | Lock nut     |        | 4   |       |
|     |                | M 10         |        |     |       |

Model: 911 84

Model life 1984>>1986



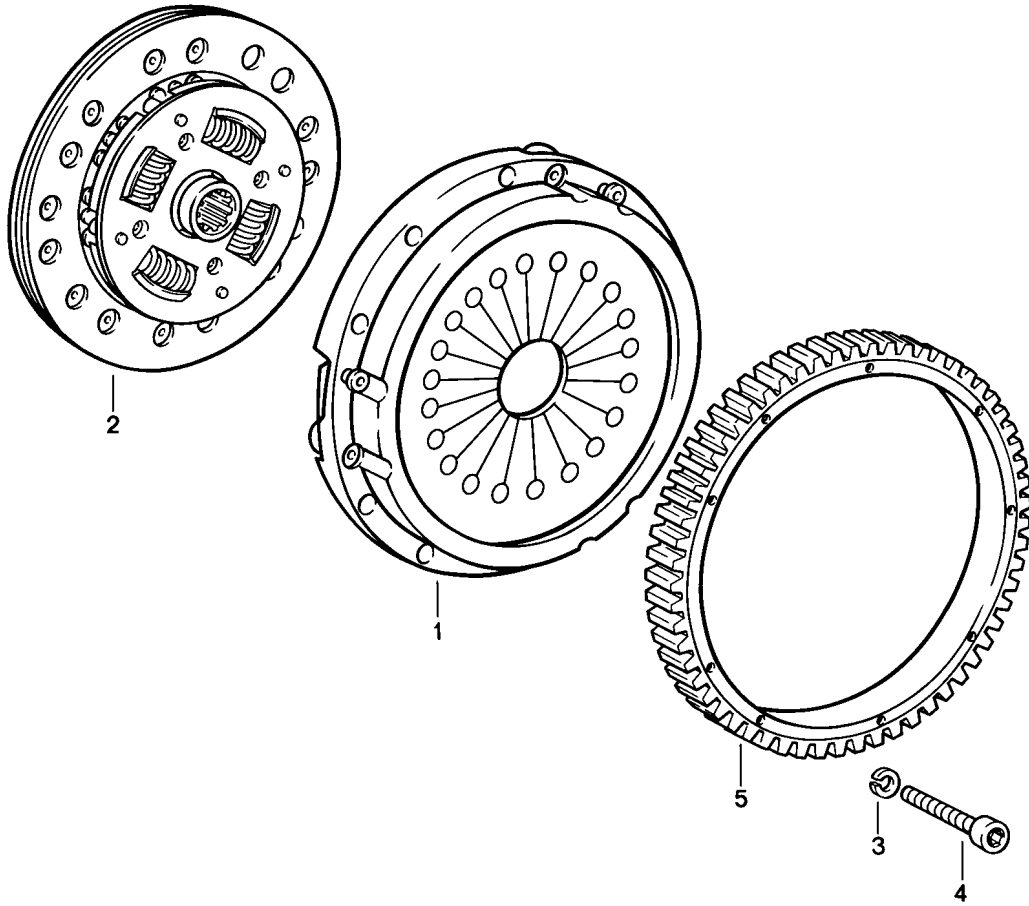
Model: 911 84

Model life 1984&gt;&gt;1986

| Pos  | Part Number    | Description                                     | Remark | Qty | Model |
|------|----------------|---|--------|-----|-------|
| 1    | 901 211 007 22 | Heating air supply<br>Heat control box<br>Black | /L     | 1   |       |
| 1    | 901 211 007 23 | Heat control box<br>Red                         | /L     | 1   |       |
| (1)  | 901 211 008 22 | Heat control box<br>Black                       | /R     | 1   |       |
| (1)  | 901 211 008 23 | Heat control box<br>Red                         | /R     | 1   |       |
| 2    | 901 211 051 21 | Pipe clamp                                      | /L     | 1   |       |
| 2    | 901 211 051 22 | Pipe clamp                                      | /L     | 1   |       |
| (2)  | 901 211 052 21 | Pipe clamp                                      | /R     | 1   |       |
| (2)  | 901 211 052 22 | Pipe clamp                                      | /R     | 1   |       |
| 3    | N 010 217 9    | Hexagon-head bolt<br>M 6 X 20                   |        | 2   |       |
| 4    | N 012 006 4    | Lock ring<br>B 6                                |        | 2   |       |
| 5    | 930 211 622 01 | Connecting hose<br>300 MM                       |        | 2   |       |
| 5    |                | Connecting hose<br>330 MM                       |        | 1   |       |
| 6    | 999 512 349 02 | Hose clamp                                      |        | 2   |       |
| 6    | 999 512 349 01 | Hose clamp                                      |        | 2   |       |
| 6    | 999 512 349 0B | Hose clamp                                      |        | 2   |       |
| 7    | 911 211 297 00 | Gasket  |        | 2   |       |
| 8    | 900 076 010 02 | Nut<br>M 6                                      |        | 6   |       |
| 8    | 900 076 010 0B | Nut<br>M 6                                      |        | 6   |       |
| 9    | N 012 226 5    | Spring washer<br>B 6                            |        | 6   |       |
| 10   | 901 211 255 21 | Bearing   |        | 4   |       |
| 11   | 901 211 028 22 | Air flap  |        | 2   |       |
| 12   | 901 211 035 21 | Rotary slide                                    | /L     | 1   |       |
| (12) | 901 211 036 21 | Rotary slide                                    | /R     | 1   |       |
| 13   | 999 507 222 02 | Mecano-speed-fix                                |        | 2   |       |
| 14   | N 012 530 1    | Cotter pin<br>3 X 15                            |        | 2   |       |
| 15   | 999 522 013 01 | Spring  |        | 2   |       |
| 16   | 901 211 683 00 | Clamping screw                                  |        | 2   |       |
| 17   | N 011 522 14   | Washer  |        | 4   |       |
| 18   | 900 027 011 01 | Lock ring<br>B 4                                |        | 2   |       |
| 19   | N 011 004 6    | Hexagon nut<br>M 4                              |        | 2   |       |
| 19   | N 011 004 G    | Nut<br>M 4                                      |        | 2   |       |
| 20   | 911 659 119 00 | Connecting piece<br>for<br>Caloric feeler       |        | 1   | M424  |

Model: 911 84

Model life 1984>>1986



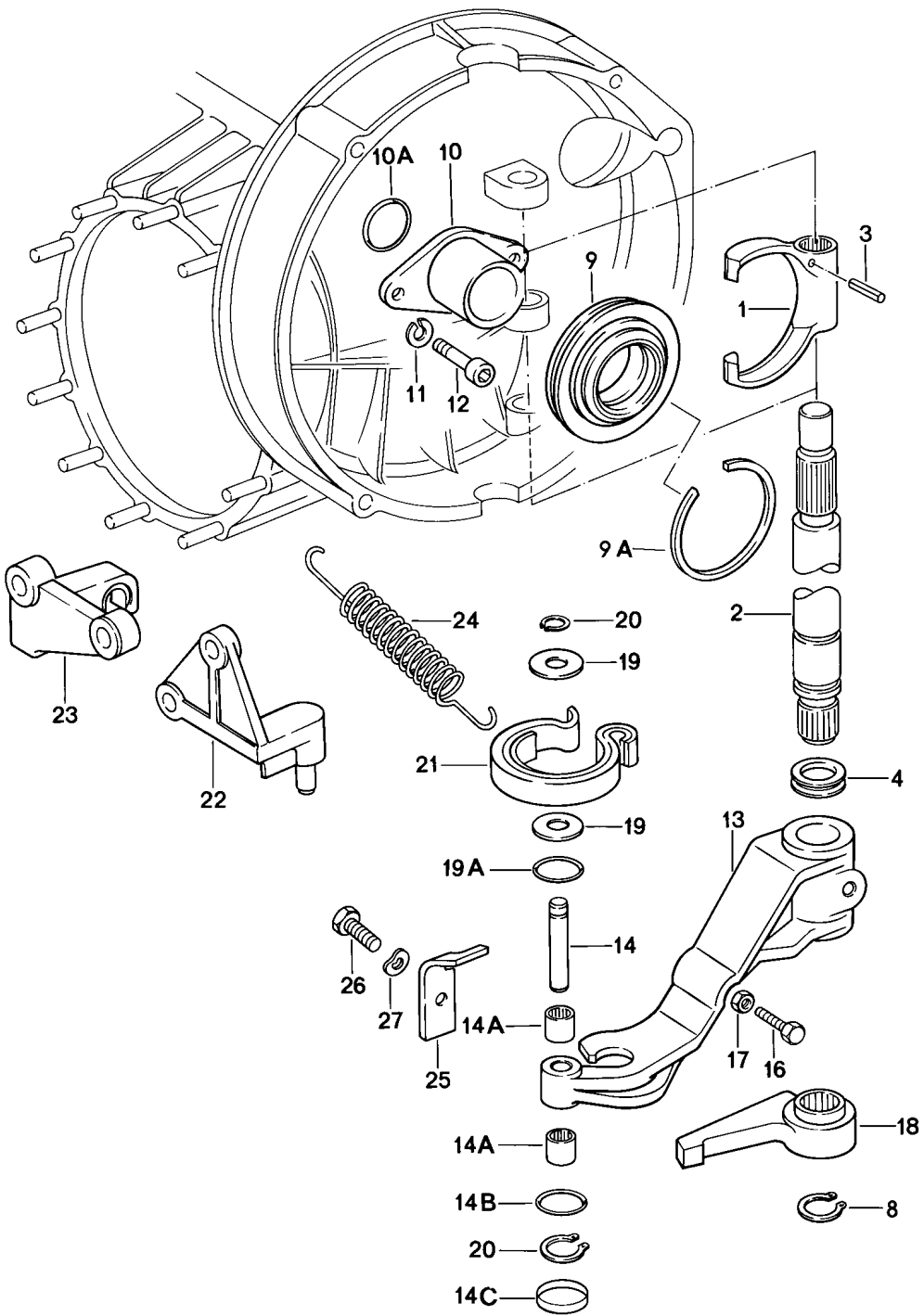
Model: 911 84

Model life 1984&gt;&gt;1986

| Pos | Part Number    | Description  | Remark | Qty | Model   |
|-----|----------------|--|--------|-----|---------|
| 1   | 915 116 001 27 | Clutch<br>Pressure plate   |        | 1   | CARRERA |
| 1   | 930 116 021 03 | Pressure plate   |        | 1   | TURBO   |
| 2   | 915 116 011 22 | Clutch plate   |        | 1   | CARRERA |
| 2   | 930 116 049 14 | Clutch plate   |        | 1   | TURBO   |
| 2   | 950 116 012 51 | Clutch plate   |        | 1   | TURBO   |
| 2   | 950 116 012 53 | Drive plate  |        | 1   | TURBO   |
| 2   | 950 116 012 54 | Drive plate  |        | 1   | TURBO   |
| 3   | 900 027 015 02 | Lock ring<br>B 8   |        | 9   | CARRERA |
| 3   | 900 027 015 03 | Lock ring<br>B 8   |        | 9   | CARRERA |
| 3   | N 012 241 8    | Spring washer<br>B 8   |        | 9   | TURBO   |
| 4   | 900 067 090 02 | Pan-head screw<br>M 8 X 42   |        | 9   | CARRERA |
| 4   | 900 074 136 02 | Hexagon-head bolt<br>M 8 X 80  |        | 9   | TURBO   |
| 4   | 900 074 136 03 | Hexagon-head bolt<br>M 8 X 80  |        | 9   | TURBO   |
| 5   | 911 116 239 00 | Starter ring   |        | 1   | CARRERA |
| 5   | 911 116 239 04 | Starter ring   |        | 1   | CARRERA |
| 5   | 930 116 230 02 | Starter ring   |        | 1   | TURBO   |
| 5   | 930 116 230 03 | Starter ring   |        | 1   | TURBO   |
| -   | 915 116 911 00 | Repair kit<br>for<br>Clutch<br>Comprising:<br>Pressure plate<br>Clutch plate<br>Clutch release bearing |        | 1   | CARRERA |
| -   | 930 116 911 00 | Repair kit<br>for<br>Clutch<br>Comprising:<br>Pressure plate<br>Clutch plate<br>Clutch release bearing |        | 1   | TURBO   |
| -   | 930 116 911 01 | Repair kit<br>for<br>Clutch<br>Comprising:<br>Pressure plate<br>Clutch plate<br>Clutch release bearing |        | 1   | TURBO   |

Model: 911 84

Model life 1984>>1986



Model: 911 84

Model life 1984&gt;&gt;1986

| Pos | Part Number    | Description                            | Remark | Qty | Model   |
|-----|----------------|--|--------|-----|---------|
| 1   | 915 116 712 01 | Clutch release<br>Release fork         |        | 1   | CARRERA |
| 1   | 915 116 712 03 | Release fork                           |        | 1   | CARRERA |
| 1   | 930 116 712 02 | Release fork                           |        | 1   | TURBO   |
| 2   | 915 116 133 05 | Bellcrank                              |        | 1   | CARRERA |
| 2   | 930 116 133 04 | Bellcrank                              |        | 1   | TURBO   |
| 3   | 900 095 050 00 | Roll pin                               |        | 1   |         |
| 4   | 915 301 139 00 | Sealing ring                           |        | 3   | CARRERA |
| 4   | 930 301 139 00 | Sealing ring                           |        | 2   | TURBO   |
| 4   | 930 301 140 00 | Sealing ring                           |        | 2   | TURBO   |
| 8   | N 012 418 1    | Circlip<br>18 X 1,2                    |        | 1   |         |
| 9   | 915 116 082 80 | Clutch release bearing                 |        | 1   | CARRERA |
| 9   | 930 116 081 11 | Clutch release bearing                 |        | 1   | TURBO   |
| 9A  | 999 152 073 01 | Circlip<br>SW 50                       |        | 1   | CARRERA |
| 10  | 930 116 813 00 | Guide tube                             |        | 1   | TURBO   |
| 10  | 915 116 087 04 | Guide tube                             |        | 1   | CARRERA |
| 10  | 915 116 087 05 | Guide tube                             |        | 1   | CARRERA |
| 10A | 999 701 359 40 | O-ring<br>40 X 1,5                     |        | 1   | CARRERA |
| 11  | N 012 006 4    | Lock ring<br>B 6                       |        | 2   | TURBO   |
| 12  | 900 119 091 02 | Pan-head screw<br>M 6 X 15             |        | 2   | TURBO   |
| 12  | 900 270 055 02 | Rais. counters. h. tap. s.<br>M 6 X 14 |        | 2   | CARRERA |
| 12  | 999 270 070 01 | Oval-head screw<br>M 6 X 14            |        | 2   | CARRERA |
| 13  | 930 116 713 06 | Clutch release lever                   |        | 1   | TURBO   |
| 13  | 915 116 713 06 | Clutch release lever                   |        | 1   | CARRERA |
| 13  | 915 116 713 08 | Clutch release lever                   |        | 1   | CARRERA |
| 14  | 915 116 624 00 | Bolt                                   |        | 1   | CARRERA |
| 14A | 999 201 212 00 | Needle sleeve                          |        | 2   | CARRERA |
| 14B | 900 234 502 01 | Support washer                         |        | 1   | CARRERA |
| 14C | 900 036 016 02 | Lid                                    |        | 1   | CARRERA |
| 16  | 930 116 701 00 | Adjusting screw                        |        | 1   | CARRERA |
| 16  | 900 075 033 02 | Stud<br>M 8 X 40                       |        | 1   | TURBO   |
| 16  | 900 075 033 03 | Stud<br>M 8 X 40                       |        | 1   | TURBO   |
| 17  | N 011 118 11   | Hexagon nut<br>M 8                     |        | 1   |         |
| 17  | 900 034 001 05 | Hexagon nut<br>M 8                     |        | 1   |         |
| 18  | 915 116 717 00 | Change lever                           |        | 1   | CARRERA |
| 18  | 930 116 717 02 | Change lever                           |        | 1   | TURBO   |
| 19  | 930 116 617 00 | Washer                                 |        | 1   | CARRERA |
| 19A | 999 701 209 40 | O-ring                                 |        | 1   | CARRERA |
| 20  | N 012 408 2    | Circlip<br>8 X 0,8                     |        | 2   | CARRERA |
| 21  | 915 116 064 01 | Spring                                 |        | 1   | CARRERA |
| 21  | 930 116 064 09 | Spring                                 |        | 1   | TURBO   |
| 21  | 930 116 064 11 | Spring                                 |        | 1   | TURBO   |
| 22  | 915 116 070 00 | Bearing bracket                        |        | 1   | CARRERA |
| 22  | 915 116 070 02 | Bearing bracket                        |        | 1   | CARRERA |
| 22  | 930 116 611 06 | Bearing bracket                        |        | 1   | TURBO   |
| 23  | 915 116 613 01 | Support                                |        | 1   | CARRERA |
| 24  | 915 116 614 02 | Tension spring                         |        | 1   |         |
| 25  | 930 116 714 06 | Spring hanger                          |        | 1   | TURBO   |
| 26  | 900 075 087 02 | Hexagon-head bolt<br>M 8 X 16          |        | 1   | TURBO   |
| 26  | 900 075 087 03 | Hexagon-head bolt                      |        | 1   | TURBO   |

Model: 911 84

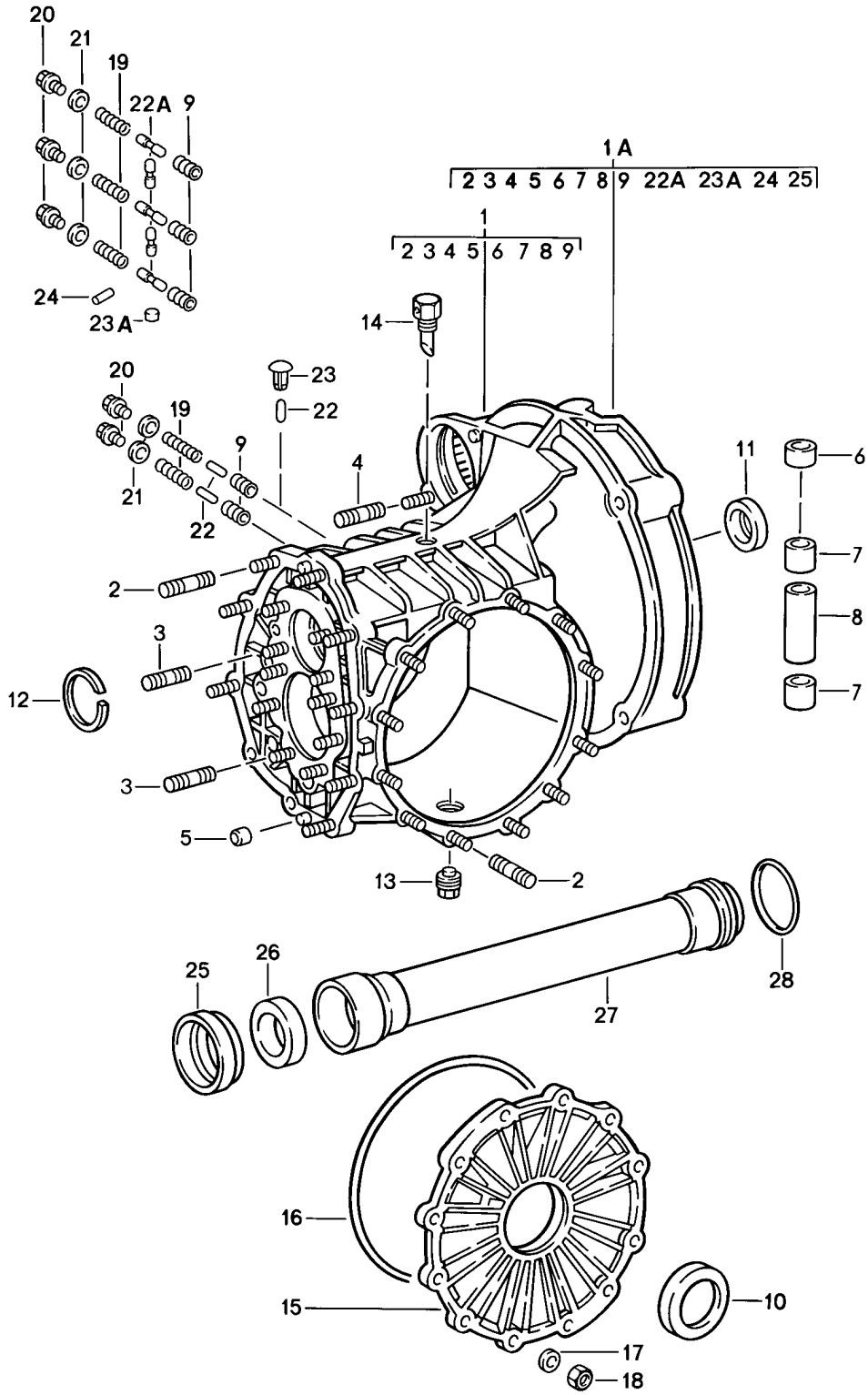
Model life 1984&gt;&gt;1986

| Pos | Part Number    | Description               | Remark | Qty | Model |
|-----|----------------|---------------------------|--------|-----|-------|
| 27  | N 012 241 8    | M 8 X 16<br>Spring washer |        | 1   | TURBO |
| -   | 999 701 482 40 | B 8<br>O-ring             |        | 2   | TURBO |



Model: 911 84

Model life 1984>>1986



Model: 911 84

Model life 1984&gt;&gt;1986

| Pos | Part Number    | Description   | Remark | Qty | Model     |
|-----|----------------|---|--------|-----|-----------|
| -   | 930 300 010 34 | Replacement transmission<br>Transmission case<br>Manual transmission<br>4-speed<br>Ready for installation |        | 1   | 930/34    |
| -   | 930 300 911 34 | Manual transmission<br>4-speed<br>Ready for installation<br>Limited-slip differential                     |        | 1   | 930/34.12 |
| -   | 930 300 010 36 | Manual transmission<br>4-speed<br>Ready for installation  |        | 1   | 930/36    |
| -   | 930 300 020 36 | Manual transmission<br>4-speed<br>Ready for installation<br>Limited-slip differential                     |        | 1   | 930/36.12 |
| -   | 915 300 010 68 | Manual transmission<br>5-speed<br>Ready for installation  |        | 1   | 915/68    |
| -   | 915 300 020 68 | Manual transmission<br>5-speed<br>Ready for installation<br>Limited-slip differential                     |        | 1   | 915/68.12 |
| -   | 915 300 010 70 | Manual transmission<br>5-speed<br>Ready for installation  |        | 1   | 915/70    |
| -   | 915 300 020 70 | Manual transmission<br>5-speed<br>Ready for installation<br>Limited-slip differential                     |        | 1   | 915/70.12 |
| -   | 915 300 010 73 | Manual transmission<br>5-speed<br>Ready for installation  |        | 1   | 915/73    |
| -   | 915 300 020 73 | Manual transmission<br>5-speed<br>Ready for installation<br>Limited-slip differential                     |        | 1   | 915/73.12 |
| 1   | 915 301 901 06 | Transmission case   |        | 1   | CARRERA   |
| 1A  | 930 301 901 02 | Transmission case   |        | 1   | TURBO     |
| 2   | 999 062 139 02 | Stud<br>M 8 X 26  |        | 16  |           |
| 2   | 999 062 009 02 | Stud<br>M 8 X 28  |        | 8   | TURBO     |
| 2   | 900 060 105 01 | Stud<br>M 8 X 28  |        | 8   | TURBO     |
| 2   | 999 062 098 02 | Stud<br>M 8 X 38  |        | 4   | CARRERA   |
| 3   | 999 062 006 02 | Stud<br>M 8 X 20  |        | 6   | TURBO     |
| 3   | 999 062 008 02 | Stud<br>M 8 X 25  |        | 4   | TURBO     |
| 3   | 999 062 073 02 | Stud<br>BM 8 X 15   |        | 10  | CARRERA   |
| -   | 930 301 141 00 | Bolt  |        | 1   | TURBO     |
| -   | 900 061 057 02 | Stud<br>BM 8 X 15   |        | 1   | TURBO     |
| -   | 999 062 057 02 | Stud<br>BM 8 X 15   |        | 1   | TURBO     |
| -   | 999 062 073 02 | Stud<br>BM 8 X 15   |        | 1   | TURBO     |
| 4   | 999 062 182 02 | Stud<br>M 10 X 25   |        | 1   |           |
| 5   | 900 012 110 00 | Straight pin  |        | 2   |           |

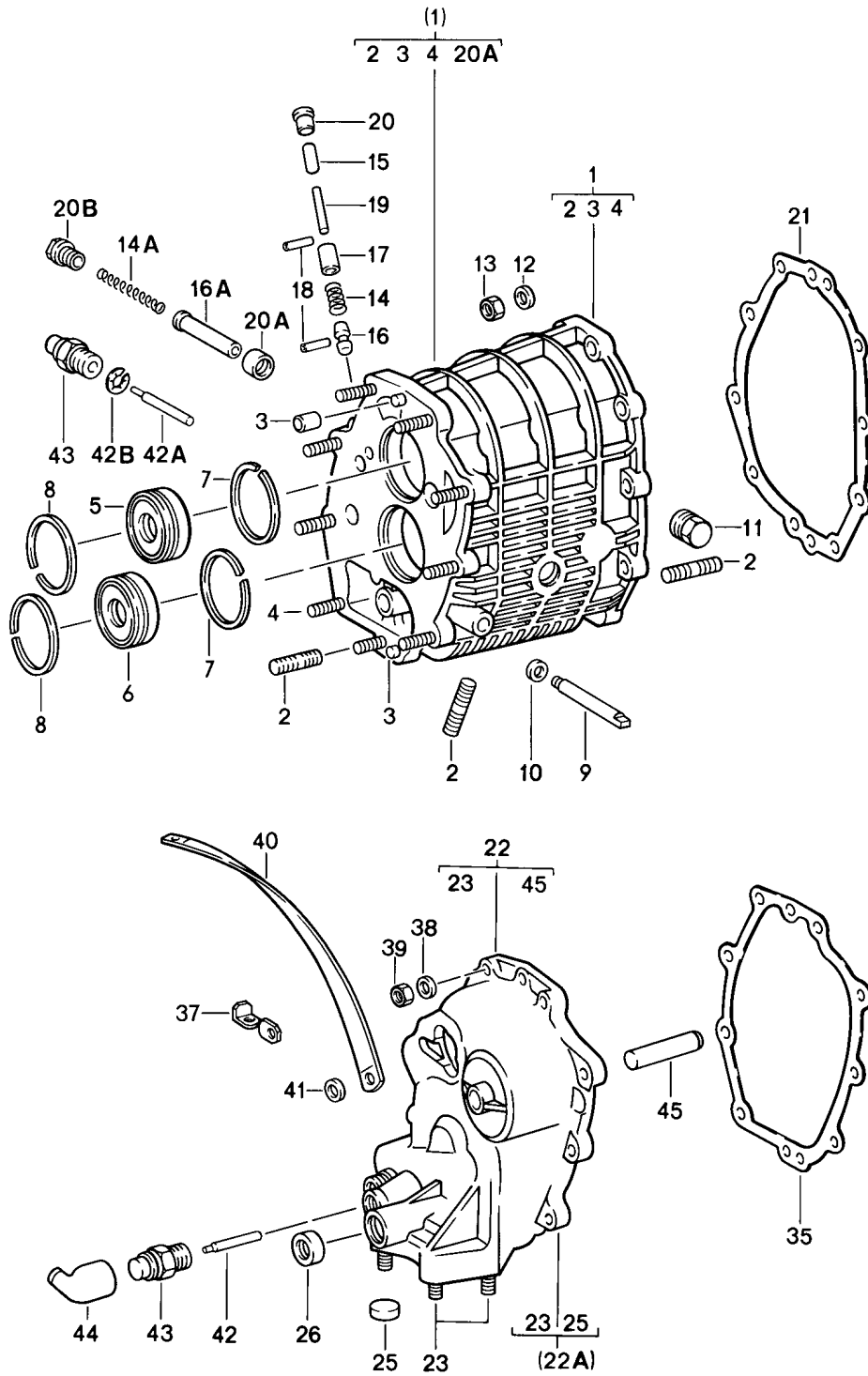
Model: 911 84

Model life 1984&gt;&gt;1986

| Pos | Part Number    | Description                                      | Remark | Qty | Model              |
|-----|----------------|--|--------|-----|--------------------|
| 6   | 915 301 119 00 | 10 M 6 X 14<br>Bearing sleeve<br>with<br>Bearing |        | 1   |                    |
| 7   | 915 301 129 00 | Bush   |        | 2   | CARRERA            |
| 7   | 915 301 129 01 | Bush   |        | 2   | CARRERA            |
| 7   | 999 531 010 00 | Bush   |        | 2   | TURBO              |
| 8   | 915 301 133 00 | Pipe   |        | 1   | CARRERA            |
| 9   | 999 504 047 00 | Threaded insert                                  |        | 3   |                    |
| 10  | 999 113 183 40 | Radial shaft seal                                |        | 2   |                    |
| 11  | 999 113 327 40 | Shaft sealing ring                               |        | 1   | CARRERA            |
| 12  | 999 152 055 01 | Circlip<br>SB 55                                 |        | 1   | CARRERA            |
| 13  | 999 064 020 02 | Screw plug<br>with magnet<br>M 24 X 1,5          |        | 1   |                    |
| 14  | 904 301 071 00 | Bleeder  |        | 1   |                    |
| 15  | 915 301 311 06 | Transmission cover<br>Lateral                    |        | 1   | 915/68/70/73       |
| 15  | 930 301 311 02 | Transmission cover<br>Lateral                    |        | 1   | 930/34/35<br>36/37 |
| 16  | 999 701 392 40 | O-ring   |        | 1   | CARRERA            |
| 16  | 999 701 437 40 | O-ring   |        | 1   | TURBO              |
| 17  | N 012 241 8    | Spring washer<br>B 8                             |        | 12  |                    |
| 18  | 900 076 025 02 | Hexagon nut<br>M 8                               |        | 12  |                    |
| 18  | 900 076 064 02 | Hexagon nut<br>M 8                               |        | 12  |                    |
| 19  | 915 303 232 00 | Spring   |        | 2   |                    |
| 20  | 900 075 352 02 | Hexagon-head bolt<br>M 10 X 8                    |        | 2   |                    |
| 21  | 900 123 066 30 | Sealing ring<br>A 10 X 16                        |        | 2   | CARRERA            |
| 22  | 915 303 131 00 | Detent   |        | 4   |                    |
| 22A | 930 303 131 00 | Detent   |        | 2   |                    |
| 23  | 915 301 126 00 | Locking bolt                                     |        | 1   | CARRERA            |
| 23A | 999 501 028 30 | Stopper  |        | 1   | TURBO              |
| 24  | 900 308 026 00 | Roll pin<br>3,5 X 22                             |        | 2   | TURBO              |
| 25  | 930 301 133 00 | Guide ring                                       |        | 1   | TURBO              |
| 26  | 930 302 332 00 | Shaft sealing ring                               |        | 1   | TURBO              |
| 27  | 930 302 053 00 | Pipe   |        | 1   | TURBO              |
| 28  | 999 701 440 40 | O-ring   |        | 1   | TURBO              |

Model: 911 84

Model life 1984>>1986



Model: 911 84

Model life 1984&gt;&gt;1986

| Pos | Part Number    | Description  | Remark | Qty | Model                   |
|-----|----------------|--|--------|-----|-------------------------|
| 1   | 915 301 902 00 | Gear housing<br>Transmission cover<br>Gear housing |        | 1   | CARRERA<br>915/68/70/73 |
| 1   | 930 301 911 00 | Gear housing                                       |        | 1   | TURBO                   |
| 2   | 999 062 139 02 | Stud<br>M 8 X 26                                   |        | 14  |                         |
| 2   | 999 062 007 02 | Stud<br>M 8 X 22                                   |        | 1   | TURBO                   |
| 2   | 900 060 106 01 | Stud<br>M 8 X 22                                   |        | 1   | TURBO                   |
| 2   | 999 062 052 02 | Stud<br>M 8 X 42                                   |        | 1   | TURBO                   |
| 2   | 999 062 010 02 | Stud<br>M 8 X 35                                   |        | 3   | TURBO                   |
| 3   | 900 012 110 00 | Straight pin<br>10M 6 X 14                         |        | 2   |                         |
| 4   | 999 062 044 02 | Stud<br>M 8 X 30                                   |        | 1   | CARRERA                 |
| 4   | 999 062 009 02 | Stud<br>M 8 X 28                                   |        | 1   | TURBO                   |
| 4   | 900 060 105 01 | Stud<br>M 8 X 28                                   |        | 1   | TURBO                   |
| 5   | 999 110 025 00 | Cylindrical-roller bearing                         |        | 1   |                         |
| 6   | 915 302 399 05 | Cylindrical-roller bearing                         |        | 1   | CARRERA                 |
| 6   | 915 302 399 06 | Cylindrical-roller bearing                         |        | 1   | CARRERA                 |
| 6   | 999 110 076 00 | Cylindrical-roller bearing                         |        | 1   | TURBO                   |
| 6   | 999 110 181 02 | Cylindrical-roller bearing                         |        | 1   | TURBO                   |
| 7   | 900 111 001 00 | Circlip<br>SP 62                                   |        | 2   |                         |
| 8   | 999 152 031 01 | Circlip<br>SB 68                                   |        | 2   |                         |
| 9   | 914 301 307 00 | Bolt<br>for<br>Reverse lever                       |        | 1   |                         |
| 10  | 900 025 007 02 | Washer<br>8,4                                      |        | 1   |                         |
| 10  | 900 025 007 03 | Washer<br>8,4                                      |        | 1   |                         |
| 11  | 999 064 019 02 | Screw plug   |        | 1   | CARRERA                 |
| 11  | 999 064 019 0C | Screw plug   |        | 1   | CARRERA                 |
| 11  | 900 064 009 02 | Screw plug   |        | 1   | TURBO                   |
| 12  | N 012 241 8    | Spring washer<br>B 8                               |        | 10  | CARRERA                 |
| 13  | 900 076 025 02 | Hexagon nut<br>M 8                                 |        | 10  | CARRERA                 |
| 13  | 900 076 064 02 | Hexagon nut<br>M 8                                 |        | 10  | CARRERA                 |
| 14  | 915 303 232 00 | Spring   |        | 1   | CARRERA                 |
| 14A | 930 303 230 08 | Spring   |        | 1   | TURBO                   |
| 15  | 915 303 131 00 | Detent   |        | 1   | CARRERA                 |
| 16  | 915 303 130 00 | Detent   |        | 1   | CARRERA                 |
| 16A | 930 303 135 01 | Detent   |        | 1   | TURBO                   |
| 17  | 915 303 135 00 | Sleeve   |        | 1   | CARRERA                 |
| 18  | 900 308 009 00 | Spiral clamping pin<br>3,5 X 18                    |        | 2   | CARRERA                 |
| 19  | 915 303 271 00 | Pin  |        | 1   | CARRERA                 |
| 20  | 915 301 126 00 | Locking bolt                                       |        | 1   | CARRERA                 |
| 20A | 999 504 107 00 | Threaded insert                                    |        | 1   | TURBO                   |
| 20B | 930 303 253 01 | Screw plug   |        | 1   | TURBO                   |
| 21  | 915 301 191 00 | Gasket   |        | 1   | CARRERA                 |
| 21  | 930 301 191 00 | Gasket   |        | 1   | TURBO                   |
| 22  | 930 301 903 00 | Transmission cover                                 |        | 1   | TURBO                   |

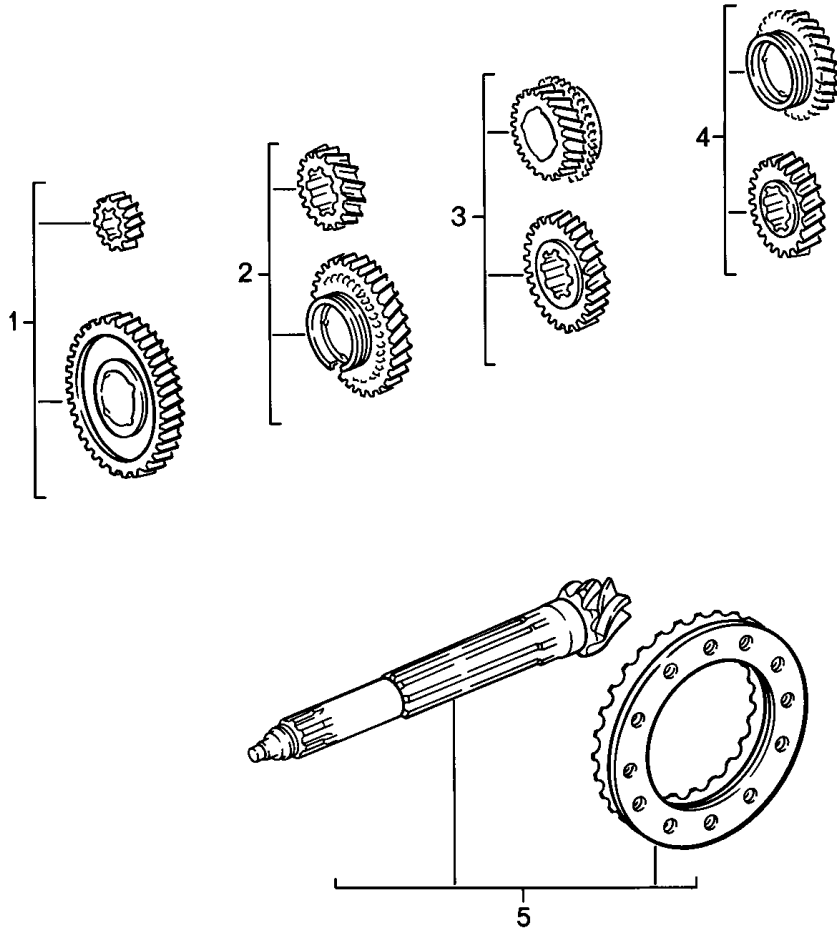
Model: 911 84

Model life 1984&gt;&gt;1986

| Pos | Part Number    | Description            | Remark | Qty | Model   |
|-----|----------------|------------------------|--------|-----|---------|
| 22A | 915 301 903 03 | Transmission cover     |        | 1   | CARRERA |
| 23  | 999 062 005 02 | Stud<br>M 8 X 20       |        | 4   | CARRERA |
| 23  | 999 062 007 02 | Stud<br>M 8 X 22       |        | 4   | TURBO   |
| 23  | 900 060 106 01 | Stud<br>M 8 X 22       |        | 4   | TURBO   |
| 25  | 999 703 385 40 | Stopper                |        | 1   | CARRERA |
| 26  | 999 113 185 40 | Shaft sealing ring     |        | 1   |         |
| 35  | 915 301 351 00 | Gasket                 |        | 1   | CARRERA |
| 35  | 930 301 351 00 | Gasket                 |        | 1   | TURBO   |
| 37  | 915 301 369 00 | Clip                   |        | 1   |         |
| 38  | N 012 241 8    | Spring washer<br>B 8   |        | 10  |         |
| 39  | 900 076 025 02 | Hexagon nut<br>M 8     |        | 10  |         |
| 39  | 900 076 064 02 | Hexagon nut<br>M 8     |        | 10  |         |
| 40  | 999 611 920 20 | Ground strap           |        | 1   |         |
| 41  | 999 151 022 02 | Washer<br>20 X 8,4 X 2 |        | 2   |         |
| 42  | 915 303 145 00 | Cam follower           |        | 1   | CARRERA |
| 42  | 915 303 145 01 | Cam follower           |        | 1   | CARRERA |
| 42A | 930 303 175 01 | Pin                    |        | 1   | TURBO   |
| 42B | 999 041 503 01 | Locking ring           |        | 1   | TURBO   |
| 43  | 914 613 541 02 | Back-up light switch   |        | 1   |         |
| 44  | 914 613 491 00 | Protection cap         |        | 1   | CARRERA |
| 45  | 930 302 228 00 | Bolt                   |        | 1   | TURBO   |

Model: 911 84

Model life 1984>>1986



Model: 911 84

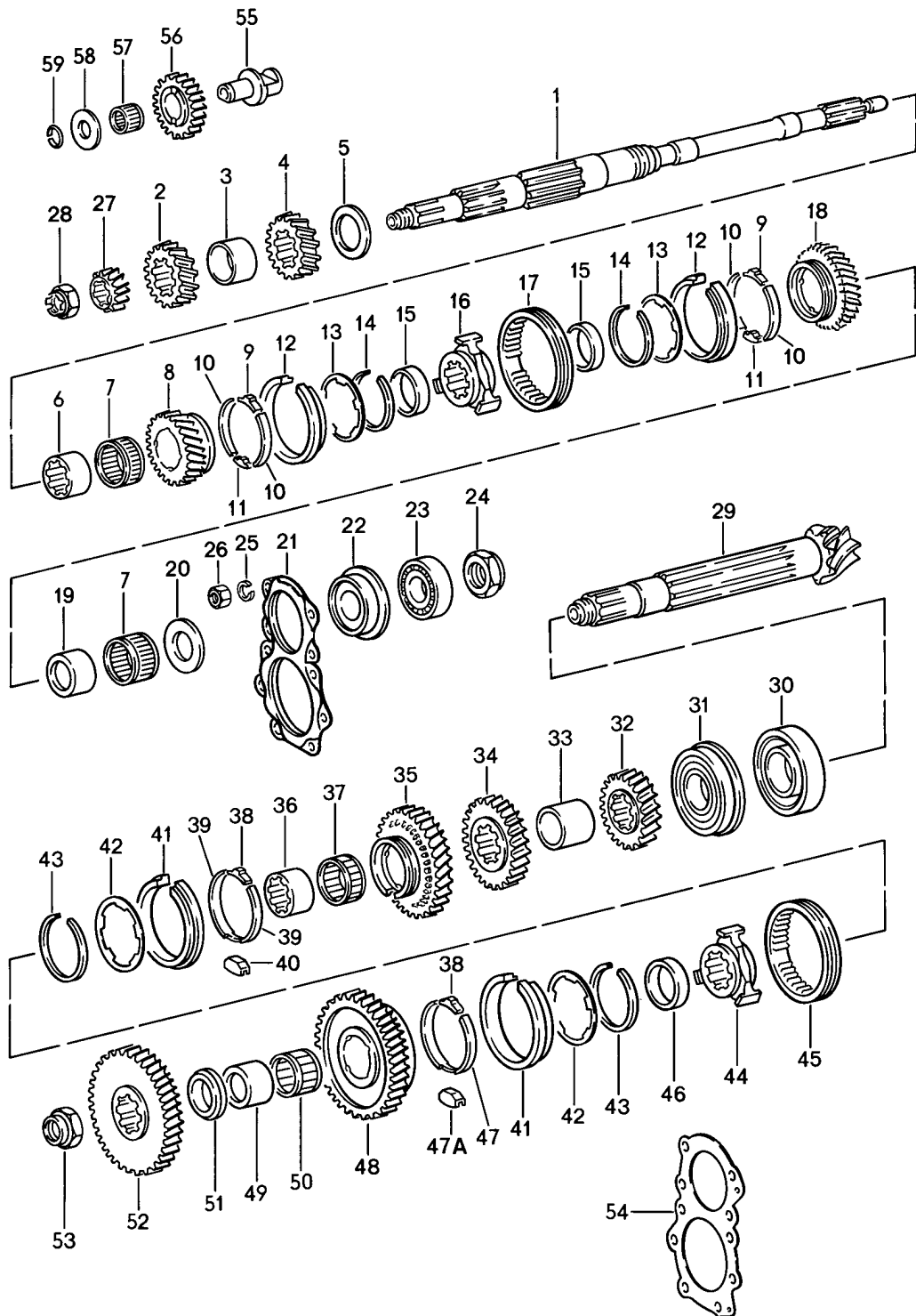
Model life 1984&gt;&gt;1986

| Pos | Part Number    | Description  | Remark | Qty | Model     |
|-----|----------------|--|--------|-----|-----------|
| 1   | 930 302 901 06 | Gear wheel sets<br>4-speed<br>Gear set<br>1st gear<br>Z = 16:36 (FA) |        | 1   |           |
| 2   | 930 302 902 04 | Gear set<br>2nd gear<br>Z = 23:30 (NU)                               |        | 1   | 930/34/36 |
| 2   | 930 302 902 06 | Gear set<br>2nd gear<br>Z = 23:30 (NU)                               |        | 1   | 930/34/36 |
| 3   | 930 302 903 02 | Gear set<br>3rd gear<br>Z = 28:25 (SP)                               |        | 1   |           |
| 3   | 930 302 903 04 | Gear set<br>3rd gear<br>Z = 28:25 (SP)                               |        | 1   |           |
| 4   | 930 302 904 03 | Gear set<br>4th speed<br>Z = 32:20 (WK)                              |        | 1   |           |
| 5   | 930 302 911 01 | Ring gear and pinion shaft<br>9:38                                   |        | 1   |           |
| 5   | 930 302 911 03 | Ring gear and pinion shaft<br>9:38                                   |        | 1   |           |



Model: 911 84

Model life 1984>>1986



Model: 911 84

Model life 1984&gt;&gt;1986

| Pos | Part Number    | Description  | Remark | Qty | Model |
|-----|----------------|--|--------|-----|-------|
|     |                | Gears and shafts<br>4-speed<br>Gear wheel sets<br>See group<br>3/03/00 |        |     |       |
| 1   | 930 302 101 01 | Drive shaft  |        | 1   |       |
| 2   |                | Fixed gear wheel<br>1st gear   |        | 1   |       |
| 3   | 930 302 265 00 | Spacer sleeve  |        | 1   |       |
| 4   |                | Fixed gear wheel<br>2nd gear   |        | 1   |       |
| 5   | 930 302 293 00 | Thrust washer  |        | 1   |       |
| 6   | 930 302 263 00 | Bush   |        | 1   |       |
| 7   | 999 201 470 00 | 3rd gear<br>Needle cage  |        | 2   |       |
| 8   |                | Loose gear wheel<br>3rd gear   |        | 1   |       |
| 9   | 930 302 325 00 | Stone<br>3rd/4th gear  |        | 2   |       |
| 9   | 930 302 325 11 | Stone<br>3rd/4th gear  |        | 2   |       |
| 10  | 911 302 316 00 | Spring   |        | 4   |       |
| 10  | 911 302 316 08 | Brake band<br>3rd/4th gear   |        | 4   |       |
| 11  | 911 302 317 01 | Stop<br>3rd/4th gear   |        | 2   |       |
| 12  | 930 302 303 00 | Synchroniser ring<br>3rd/4th gear                                      |        | 2   |       |
| 13  | 930 302 311 00 | Lock washer  |        | 2   |       |
| 14  | 930 302 313 01 | Circlip  |        | 2   |       |
| 15  | 930 302 274 00 | Spacer ring  |        | 2   |       |
| 16  | 930 302 402 00 | Guide sleeve   |        | 1   |       |
| 16  | 930 302 402 61 | Guide sleeve   |        | 1   |       |
| 17  | 911 302 411 20 | Shift sleeve   |        | 1   |       |
| 17  | 911 302 411 26 | Shift sleeve   |        | 1   |       |
| 17  | 911 302 411 27 | Shift sleeve   |        | 1   |       |
| 18  |                | Loose gear wheel<br>4th speed  |        | 1   |       |
| 19  | 930 302 264 00 | Bush<br>4th speed  |        | 1   |       |
| 20  | 930 302 291 00 | Thrust washer  |        | 1   |       |
| 21  | 930 302 121 00 | Tensioning plate   |        | 1   |       |
| 22  | 999 052 030 00 | Four-point bearing   |        | 1   |       |
| 23  | 930 302 391 00 | Cylindrical-roller bearing   |        | 1   |       |
| 23  | 930 302 391 01 | Cylindrical-roller bearing   |        | 1   |       |
| 24  | 930 302 281 00 | Collar nut   |        | 1   |       |
| 25  | 900 027 015 02 | Lock ring  |        | 10  |       |
| 25  | 900 027 015 03 | Lock ring  |        | 10  |       |
| 26  | 900 076 025 02 | Hexagon nut<br>M 8   |        | 10  |       |
| 26  | 900 076 064 02 | Hexagon nut<br>M 8   |        | 10  |       |
| 27  | 930 302 221 00 | Reverse gear wheel   |        | 1   |       |
| 27  | 930 302 221 01 | Reverse gear wheel   |        | 1   |       |
| 28  | 930 302 451 00 | Collar nut   |        | 1   |       |
| 29  |                | Drive shaft  |        | 1   |       |
| 30  | 999 110 146 00 | Cylindrical-roller bearing   |        | 1   |       |
| 30  | 999 110 146 01 | Cylindrical-roller bearing   |        | 1   |       |
| 31  | 917 301 391 00 | Four-point bearing   |        | 1   |       |
| 32  |                | Fixed gear wheel<br>4th speed  |        | 1   |       |
| 33  | 930 302 266 02 | Spacer ring  |        | 1   |       |
| 34  |                | Fixed gear wheel   |        | 1   |       |

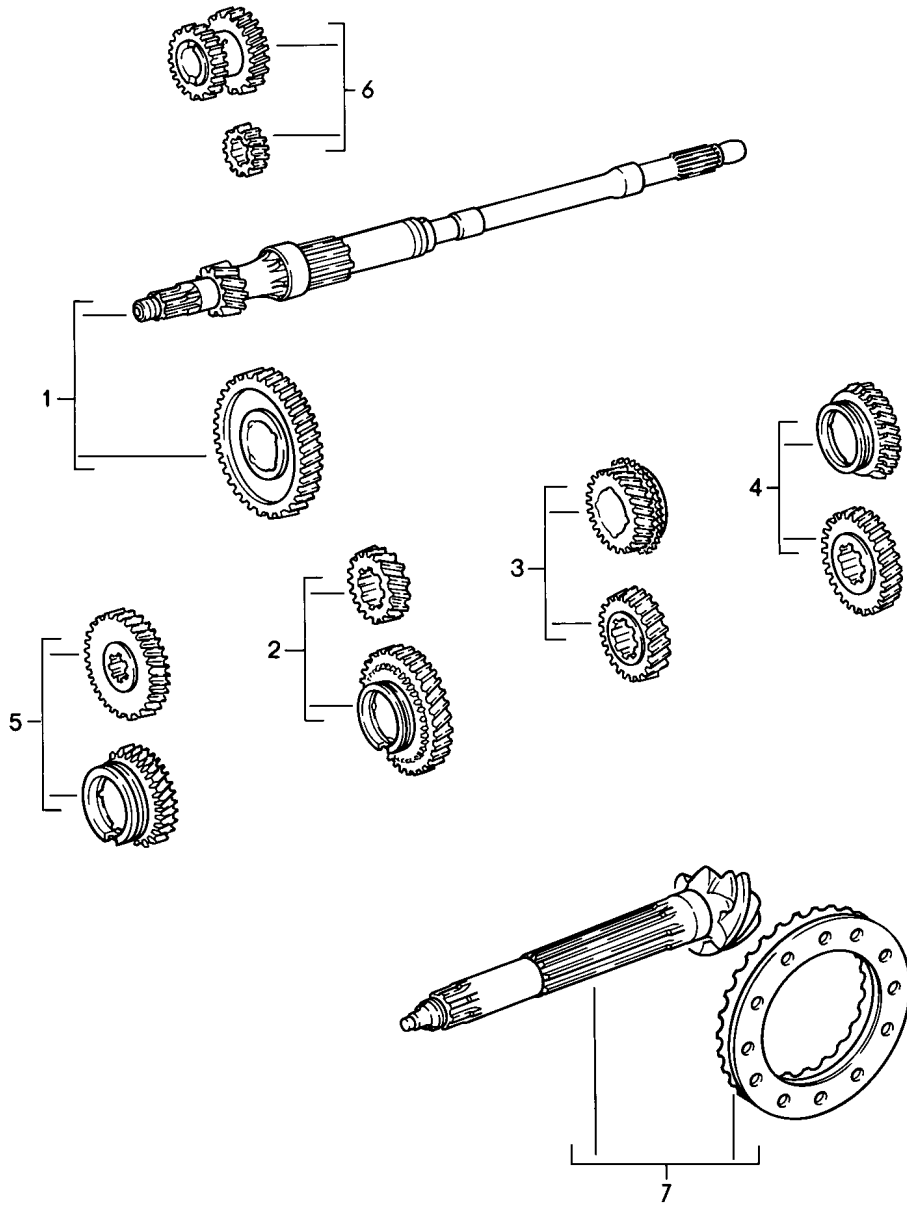
Model: 911 84

Model life 1984&gt;&gt;1986

| Pos | Part Number    | Description                          | Remark | Qty | Model |
|-----|----------------|--------------------------------------|--------|-----|-------|
| 35  |                | 3rd gear<br>Loose gear wheel         |        | 1   |       |
| 36  | 930 302 262 00 | 2nd gear<br>Bush                     |        | 1   |       |
| 37  | 999 201 047 00 | 2nd gear<br>Needle cage              |        | 2   |       |
| 38  | 930 302 315 00 | Stone                                |        | 1   |       |
| 38  | 930 302 316 00 | 2nd gear<br>Stone                    |        | 1   |       |
| 39  | 928 302 318 02 | 1st gear<br>Double barricade tape    |        | 2   |       |
| 40  | 928 302 322 00 | 2nd gear<br>Stop                     |        | 1   |       |
| 41  | 930 302 301 00 | 2nd gear<br>Synchroniser ring        |        | 2   |       |
| 42  | 930 302 331 00 | 1st / 2nd gear<br>Lock washer        |        | 2   |       |
| 43  | 930 302 333 01 | Lock washer<br>Circlip               |        | 2   |       |
| 44  | 930 302 401 00 | Circlip<br>Guide sleeve              |        | 1   |       |
| 45  | 930 302 411 01 | Guide sleeve<br>Shift sleeve         |        | 1   |       |
| 45  | 930 302 411 02 | Shift sleeve<br>Shift sleeve         |        | 1   |       |
| 45  | 930 302 411 03 | Shift sleeve<br>Shift sleeve         |        | 1   |       |
| 46  | 930 302 271 00 | Shift sleeve<br>Spacer ring          |        | 1   |       |
| 47  | 928 302 319 08 | Spacer ring<br>Double barricade tape |        | 1   |       |
| 47A | 928 302 320 01 | 1st gear<br>Stop                     |        | 1   |       |
| 48  |                | 1st gear<br>Loose gear wheel         |        | 1   |       |
| 49  | 930 302 261 00 | 1st gear<br>Inner ring               |        | 1   |       |
| 50  | 999 201 156 00 | Inner ring<br>Needle cage            |        | 1   |       |
| 51  | 930 302 292 00 | Needle cage<br>Thrust washer         |        | 1   |       |
| 52  | 930 302 223 00 | Thrust washer<br>Reverse gear wheel  |        | 1   |       |
| 53  | 930 302 453 00 | Reverse gear wheel<br>Collar nut     |        | 1   |       |
| 54  | 915 302 268 03 | Collar nut<br>Adjusting shim         |        | X   |       |
| 54  | 915 302 268 04 | Adjusting shim<br>0,10 MM            |        | X   |       |
| 54  | 915 302 268 05 | Adjusting shim<br>0,15 MM            |        | X   |       |
| 55  | 930 302 269 01 | Adjusting shim<br>0,20 MM            |        | X   |       |
| 56  | 930 302 222 00 | Sleeve                               |        | 1   |       |
| 56  | 930 302 222 02 | Reverse gear wheel                   |        | 1   |       |
| 57  | 999 201 115 00 | Reverse gear wheel<br>Needle cage    |        | 1   |       |
| 58  | 930 302 229 00 | Needle cage<br>Washer                |        | 1   |       |
| 59  | 999 152 053 01 | Washer<br>Circlip                    |        | 1   |       |

Model: 911 84

Model life 1984>>1986



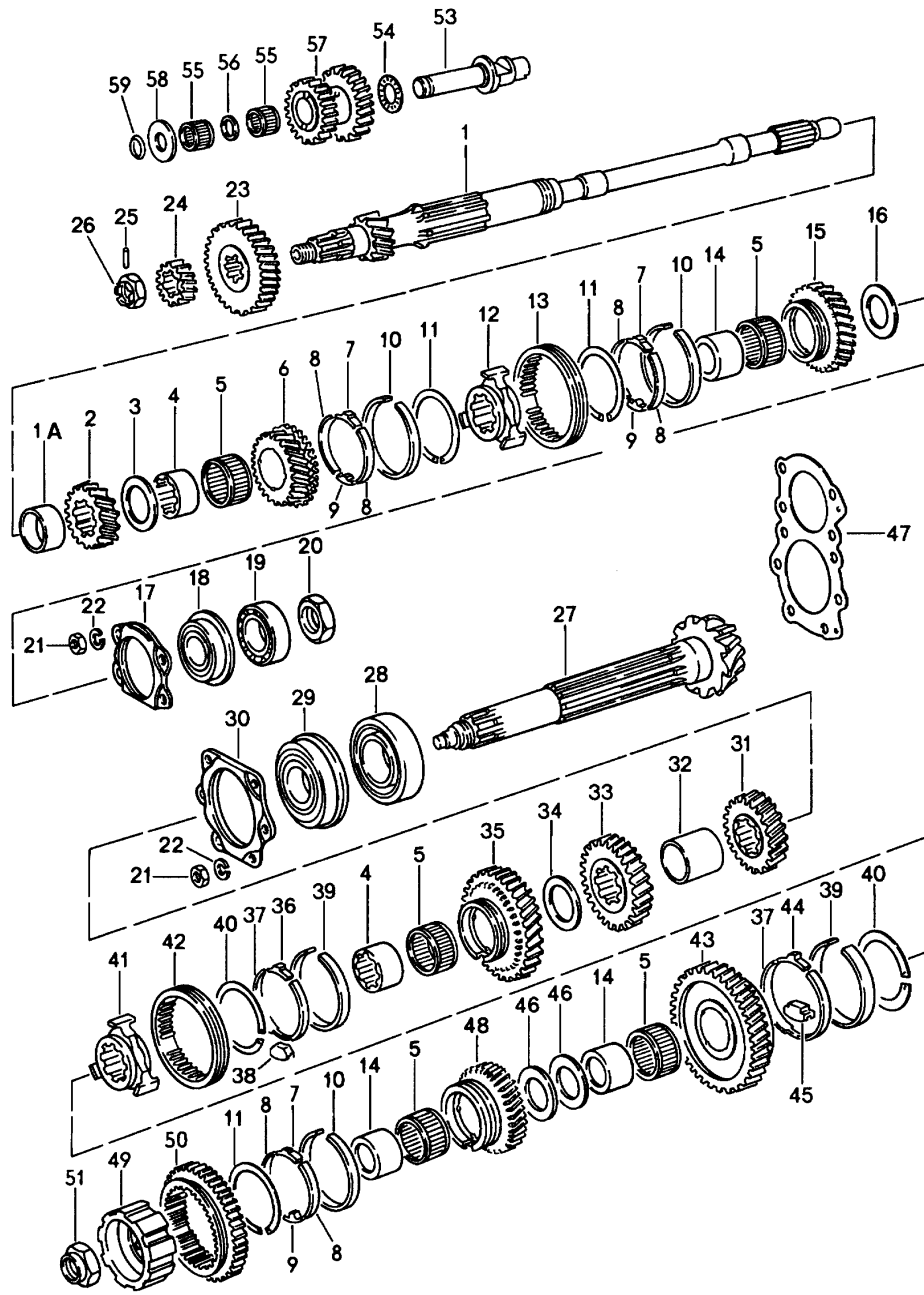
Model: 911 84

Model life 1984&gt;&gt;1986

| Pos | Part Number    | Description  | Remark | Qty | Model |
|-----|----------------|--|--------|-----|-------|
| 1   | 915 302 921 14 | Gear wheel sets<br>5-speed<br>Gear set<br>Transmission<br>915.68/70/73 |        | 1   |       |
| 1   | 915 302 921 15 | Gear set<br>Transmission<br>915.68/70/73                               |        | 1   |       |
| 1   | 915 302 921 16 | Gear set<br>Transmission<br>915.68/70/73<br>1st gear<br>Z=11:35 (AZ)   |        | 1   |       |
| 2   | 915 302 902 24 | Gear wheel pair<br>2nd gear<br>Z = 18:32 (HX)                          |        | 1   |       |
| 3   | 923 302 903 23 | Gear wheel pair<br>3rd gear<br>Z = 23:29 (NT)                          |        | 1   |       |
| 4   | 923 302 904 28 | Gear wheel pair<br>4th speed<br>Z = 26:26 (QQ)                         |        | 1   |       |
| 5   | 915 302 905 79 | Gear wheel pair<br>5th gear<br>Z = 38:30                               |        | 1   |       |
| 6   | 915 302 912 04 | Gear wheel pair<br>Reverse gear  |        | 1   |       |
| 6   | 915 302 912 05 | Gear wheel pair<br>Reverse gear  |        | 1   |       |
| 7   | 915 302 911 17 | Ring gear and pinion shaft<br>8:31                                     |        | 1   |       |

Model: 911 84

Model life 1984>>1986



Model: 911 84

Model life 1984&gt;&gt;1986

| Pos | Part Number    | Description  | Remark | Qty | Model |
|-----|----------------|--|--------|-----|-------|
|     |                | Gears and shafts<br>5-speed<br>Gear wheel sets<br>See group<br>3/03/10 |        |     |       |
| 1   |                | Drive shaft  |        | 1   |       |
| 1A  | 915 302 267 00 | Spacer sleeve  |        | 1   |       |
| 2   |                | Fixed gear wheel<br>2nd gear   |        | 1   |       |
| 3   | 915 302 292 00 | Thrust washer  |        | 1   |       |
| 4   | 915 302 262 00 | Bush   |        | 5   |       |
| 5   | 999 201 470 00 | Needle cage  |        | 1   |       |
| 6   |                | Loose gear wheel<br>3rd gear   |        | 1   |       |
| 7   | 911 302 315 00 | Detent<br>3rd/5th gear   |        | 3   |       |
| 8   | 911 302 316 08 | Brake band<br>3rd/5th gear   |        | 6   |       |
| 9   | 911 302 317 01 | Stop<br>3rd/5th gear   |        | 3   |       |
| 10  | 911 302 301 06 | Synchroniser ring<br>3rd/5th gear                                      |        | 3   |       |
| 10  | 911 302 301 13 | Synchroniser ring<br>3rd/5th gear                                      |        | 3   |       |
| 11  | 911 302 311 01 | Circlip  |        | 3   |       |
| 12  | 911 302 402 20 | Guide sleeve   |        | 1   |       |
| 13  | 911 302 411 20 | Shift sleeve   |        | 1   |       |
| 13  | 911 302 411 26 | Shift sleeve   |        | 1   |       |
| 13  | 911 302 411 27 | Shift sleeve   |        | 1   |       |
| 14  | 915 302 261 00 | Bush   |        | 3   |       |
| 14  | 915 302 261 03 | Bush   |        | 3   |       |
| 15  |                | Loose gear wheel<br>4th speed  |        | 1   |       |
| 16  | 915 302 294 01 | Thrust washer  |        | 1   |       |
| 17  | 915 302 121 03 | Tensioning plate   |        | 1   |       |
| 17  | 915 302 121 04 | Tensioning plate   |        | 1   |       |
| 18  | 999 052 030 00 | Four-point bearing   |        | 1   |       |
| 19  | 930 302 391 00 | Cylindrical-roller bearing<br>\$ 55                                    |        | 1   |       |
| 19  | 930 302 391 01 | Cylindrical-roller bearing<br>\$ 55                                    |        | 1   |       |
| 19  | 999 110 032 00 | Cylindrical-roller bearing<br>\$ 62                                    |        | 1   |       |
| 20  | 999 034 033 00 | Hexagon nut  |        | 1   |       |
| 21  | 900 076 025 02 | Hexagon nut<br>M 8   |        | 10  |       |
| 21  | 900 076 064 02 | Hexagon nut<br>M 8   |        | 10  |       |
| 22  | 900 027 015 02 | Lock ring<br>B 8   |        | 10  |       |
| 22  | 900 027 015 03 | Lock ring<br>B 8   |        | 10  |       |
| 23  |                | Fixed gear wheel<br>5th gear   |        | 1   |       |
| 24  |                | Reverse gear wheel   |        | 1   |       |
| 25  | 900 309 005 00 | Roll pin<br>4 X 26   |        | 1   |       |
| 26  | 900 079 009 00 | Castle nut<br>M 18 X 1,5   |        | 1   |       |
| 27  |                | Drive shaft  |        | 1   |       |
| 28  | 999 110 146 00 | Cylindrical-roller bearing   |        | 1   |       |
| 28  | 999 110 146 01 | Cylindrical-roller bearing   |        | 1   |       |
| 29  | 999 052 043 00 | Four-point bearing   |        | 1   |       |

Model: 911 84

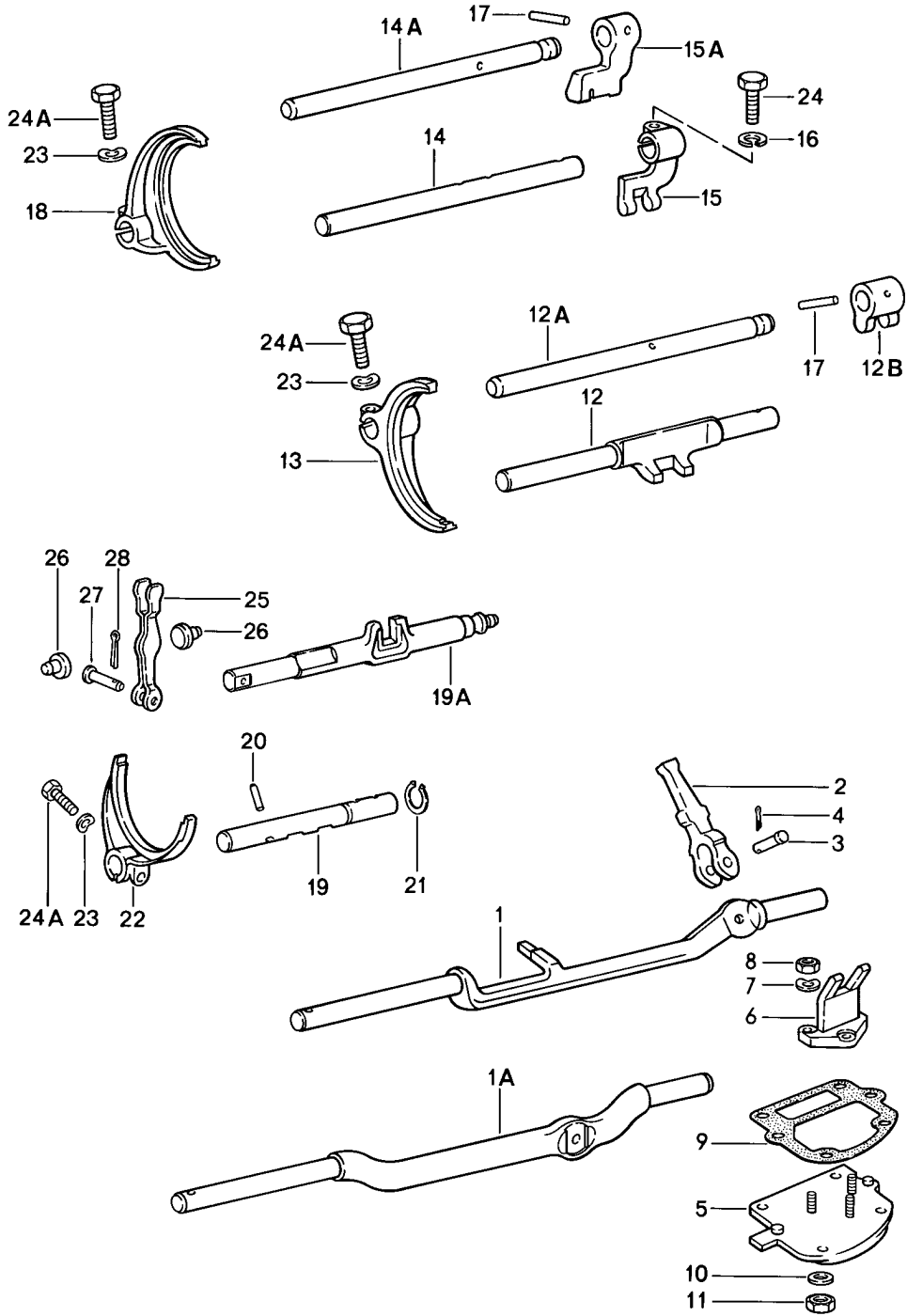
Model life 1984&gt;&gt;1986

| Pos | Part Number    | Description                       | Remark | Qty | Model |
|-----|----------------|-----------------------------------|--------|-----|-------|
| 30  | 915 302 123 03 | Tensioning plate                  |        | 1   |       |
| 30  | 915 302 123 04 | Tensioning plate                  |        | 1   |       |
| 31  |                | Fixed gear wheel<br>4th speed     |        | 1   |       |
| 32  | 915 302 265 01 | Spacer sleeve                     |        | 1   |       |
| 33  |                | Fixed gear wheel<br>3rd gear      |        | 1   |       |
| 34  | 915 302 293 00 | Thrust washer                     |        | 1   |       |
| 35  |                | Loose gear wheel<br>2nd gear      |        | 1   |       |
| 36  | 915 302 315 01 | Stone<br>2nd gear                 |        | 1   |       |
| 37  | 928 302 318 02 | Double barricade tape<br>2nd gear |        | 1   |       |
| 37  | 928 302 319 08 | Double barricade tape<br>1st gear |        | 1   |       |
| 38  | 928 302 322 00 | Stop<br>2nd gear                  |        | 1   |       |
| 39  | 915 302 301 04 | Synchroniser ring<br>2nd gear     |        | 1   |       |
| 39  | 915 302 301 06 | Synchroniser ring<br>1st gear     |        | 1   |       |
| 40  | 915 302 311 01 | Circlip                           |        | 2   |       |
| 41  | 915 302 401 02 | Guide sleeve                      |        | 1   |       |
| 42  | 930 302 411 02 | Shift sleeve                      |        | 1   |       |
| 42  | 930 302 411 03 | Shift sleeve                      |        | 1   |       |
| 43  |                | Loose gear wheel<br>1st gear      |        | 1   |       |
| 44  | 915 302 315 01 | Stone<br>1st gear                 |        | 1   |       |
| 45  | 928 302 321 00 | Stop                              |        | 1   |       |
| 46  | 915 302 291 00 | Thrust washer                     |        | 2   |       |
| 47  | 915 302 268 03 | Adjusting shim<br>0,10 MM         |        | 1   |       |
| 47  | 915 302 268 04 | Adjusting shim<br>0,15 MM         |        | X   |       |
| 47  | 915 302 268 05 | Adjusting shim<br>0,20 MM         |        | X   |       |
| 48  |                | Loose gear wheel<br>5th gear      |        | 1   |       |
| 49  | 915 302 405 01 | Guide sleeve                      |        | 1   |       |
| 50  | 915 302 227 09 | Shifting gear                     |        | 1   |       |
| 51  | 915 302 282 00 | Collar nut                        |        | 1   |       |
| 53  | 915 302 228 03 | Bolt                              |        | 1   |       |
| 54  | 999 202 001 00 | Needle cage                       |        | 1   |       |
| 55  | 999 201 107 00 | Needle cage                       |        | 2   |       |
| 56  | 915 302 231 00 | Intermediate ring                 |        | 1   |       |
| 57  |                | Reverse idler gear                |        | 1   |       |
| 58  | 915 302 229 01 | Thrust washer                     |        | 1   |       |
| 59  | 999 701 169 40 | O-ring                            |        | 1   |       |
| 59  |                | O-ring                            |        | 1   |       |



Model: 911 84

Model life 1984>>1986



Model: 911 84

Model life 1984&gt;&gt;1986

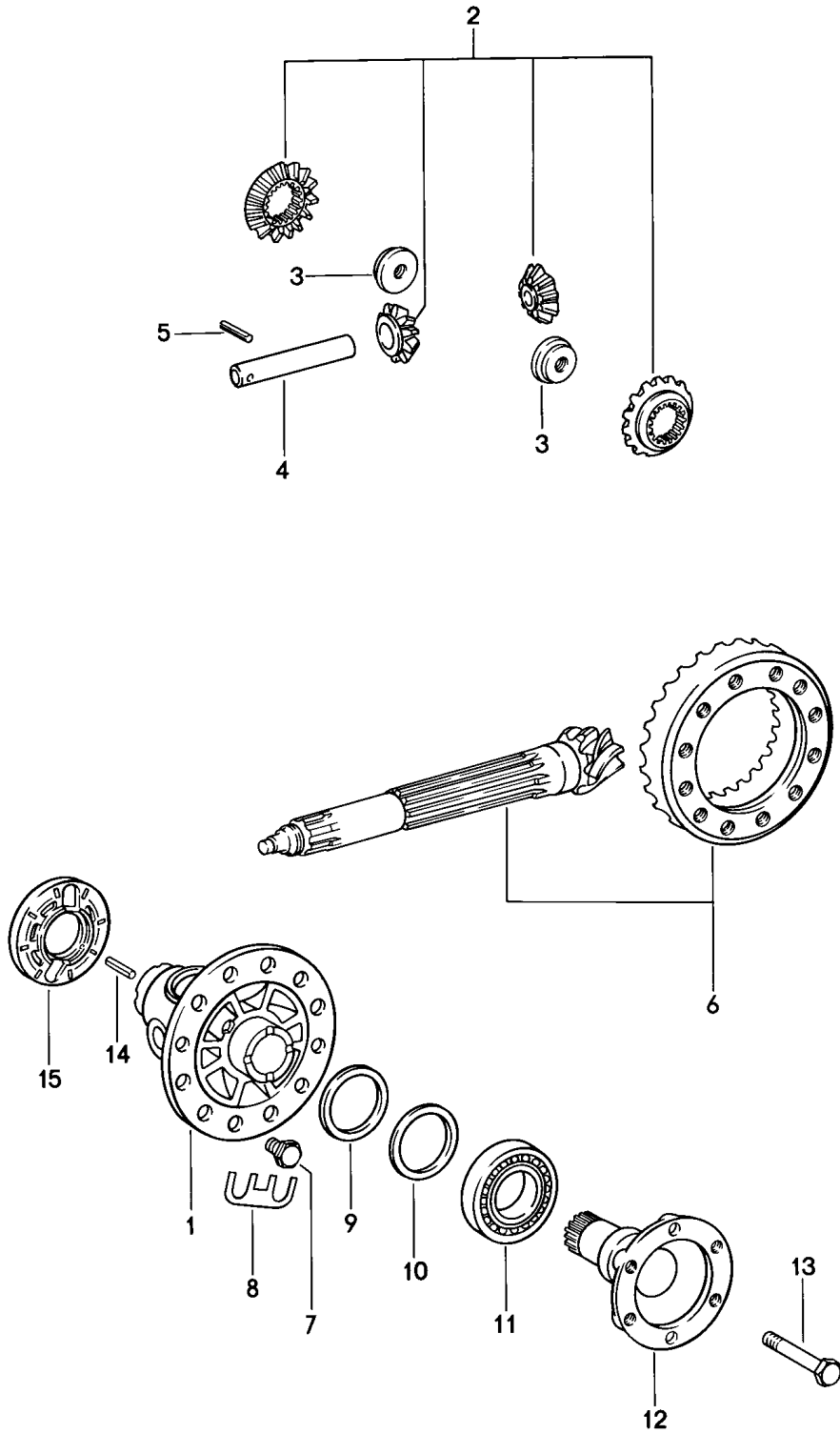
| Pos  | Part Number    | Description   | Remark | Qty | Model   |
|------|----------------|---|--------|-----|---------|
|      |                | Shift rods<br>shift forks<br>for<br>4-speed<br>And<br>5-speed |        |     |         |
| 1    | 915 303 132 00 | Gear shift rod  |        | 1   | CARRERA |
| 1A   | 930 303 132 00 | Gear shift rod  |        | 1   | TURBO   |
| 2    | 915 303 133 00 | Shift lever   |        | 1   | CARRERA |
| 2    | 930 303 133 00 | Shift lever   |        | 1   | TURBO   |
| 3    | 901 303 171 01 | Bolt  |        | 1   |         |
| 4    | N 012 512 1    | Cotter pin<br>2 X 12  |        | 1   |         |
| 5    | 915 303 023 02 | Shift cover   |        | 1   |         |
| 6    | 915 303 129 09 | Fork  |        | 1   | CARRERA |
| 6    | 930 303 129 02 | Fork  |        | 1   | TURBO   |
| 7    | N 012 006 4    | Lock ring<br>B 6  |        | 3   |         |
| 8    | 900 076 010 02 | Nut<br>M 6  |        | 3   |         |
| 8    | 900 076 010 0B | Nut<br>M 6  |        | 3   |         |
| 9    | 915 303 225 00 | Gasket  |        | 1   |         |
| 10   | N 012 241 8    | Spring washer<br>B 8  |        | 4   |         |
| 11   | 900 076 025 02 | Hexagon nut<br>M 8  |        | 4   |         |
| 11   | 900 076 064 02 | Hexagon nut<br>M 8  |        | 4   |         |
| 12   | 915 303 101 00 | Gear shift rod<br>1st / 2nd gear                              |        | 1   | CARRERA |
| 12A  | 930 303 101 01 | Gear shift rod<br>1st / 2nd gear                              |        | 1   | TURBO   |
| 12B  | 930 303 111 03 | Shift fork  |        | 1   | TURBO   |
| 13   | 915 303 111 00 | Shift fork<br>1st / 2nd gear                                  |        | 1   | CARRERA |
| 13   | 930 303 110 02 | Shift fork<br>1st / 2nd gear                                  |        | 1   | TURBO   |
| 14   | 915 303 103 50 | Gear shift rod<br>3rd/4th gear                                |        | 1   | CARRERA |
| 14A  | 930 303 103 01 | Gear shift rod<br>3rd/4th gear                                |        | 1   | TURBO   |
| 15   | 915 303 115 09 | Shift fork  |        | 1   | CARRERA |
| 15   | 915 303 115 10 | Shift fork  |        | 1   | CARRERA |
| 15A  | 930 303 115 03 | Shift fork  |        | 1   | TURBO   |
| 16   | 900 027 015 02 | Lock ring<br>B 8  |        | 1   |         |
| 16   | 900 027 015 03 | Lock ring<br>B 8  |        | 1   |         |
| 17   | 900 309 003 00 | Roll pin<br>5 X 24  |        | 2   | TURBO   |
| 18   | 915 303 112 00 | Shift fork<br>3rd/4th gear                                    |        | 1   | CARRERA |
| (18) | 930 303 112 02 | Shift fork<br>3rd/4th gear                                    |        | 1   | TURBO   |
| (18) | 930 303 112 03 | Shift fork<br>3rd/4th gear                                    |        | 1   | TURBO   |
| 19   | 915 303 105 09 | Gear shift rod<br>Reverse gear<br>5th gear                    |        | 1   | CARRERA |
| 19A  | 930 303 105 03 | Gear shift rod<br>Reverse gear                                |        | 1   | TURBO   |
| 20   | 900 309 005 00 | Roll pin  |        | 1   | CARRERA |

Model: 911 84 Model life 1984>>1986

| Pos | Part Number    | Description          | Remark | Qty | Model   |
|-----|----------------|----------------------|--------|-----|---------|
| 22  | 915 303 113 01 | 4 X 26<br>Shift fork |        | 1   | CARRERA |
|     |                | Reverse gear         |        |     |         |
|     |                | 5th gear             |        |     |         |
| 23  | N 012 228 3    | Spring washer        |        | 3   |         |
|     |                | B 8                  |        |     |         |
| 24A | 900 075 099 02 | Hexagon-head bolt    |        | 4   |         |
|     |                | M 8 X 30             |        |     |         |
| 24A | 900 075 099 03 | Hexagon-head bolt    |        | 4   |         |
|     |                | M 8 X 30             |        |     |         |
| 25  | 930 303 019 00 | Reverse lever        |        | 1   | TURBO   |
| 25  | 930 303 019 01 | Reverse lever        |        | 1   | TURBO   |
|     |                | Use also:            |        |     |         |
| 27  | 930 303 123 01 | Bolt                 |        | 1   |         |
| 26  | 930 303 121 00 | Spacer bolt          |        | 2   | TURBO   |
| 27  | 930 303 123 00 | Bolt                 |        | 1   | TURBO   |
| 27  | 930 303 123 01 | Bolt                 |        | 1   | TURBO   |
|     |                | Use also:            |        |     |         |
| 25  | 930 303 019 01 | Reverse lever        |        | 1   |         |
| 28  | N 012 502 1    | Cotter pin           |        | 1   | TURBO   |
|     |                | 1,6 X 10             |        |     |         |

Model: 911 84

Model life 1984>>1986



Model: 911 84 Model life 1984>>1986

| Pos | Part Number    | Description                          | Remark | Qty | Model                        |
|-----|----------------|--------------------------------------|--------|-----|------------------------------|
| 1   | 930 332 212 01 | Differential<br>Differential housing |        | 1   | 915.68/70/73<br>930.34/36/37 |
| 2   | 928 332 902 01 | Housing<br>Differential pinions      |        | 1   |                              |
| 2   | 928 332 902 90 | Set<br>Differential pinions          |        | 1   |                              |
| 2   | 950 332 902 90 | Set<br>Differential pinions          |        | 1   |                              |
| 3   | 928 332 279 02 | Set<br>Nut                           |        | 2   |                              |
| 4   | 928 332 207 05 | Differential bolt                    |        | 1   |                              |
| 5   | 900 309 035 00 | Roll pin                             |        | 1   |                              |
| 6   | 915 302 911 17 | Ring gear and pinion shaft<br>8 : 31 |        | 1   | CARRERA                      |
| 6   | 930 302 911 01 | Ring gear and pinion shaft<br>9 : 38 |        | 1   | TURBO                        |
| 6   | 930 302 911 03 | Ring gear and pinion shaft<br>9 : 38 |        | 1   | TURBO                        |
| 7   | 928 332 276 03 | Hexagon-head bolt                    |        | 12  |                              |
| 8   | 901 332 285 01 | Tab washer                           |        | 6   |                              |
| 9   | 915 332 265 00 | Adjusting ring<br>2,4 MM             |        | X   |                              |
| 9   | 915 332 265 01 | Adjusting ring<br>2,5 MM             |        | X   |                              |
| 9   | 915 332 265 02 | Adjusting ring<br>2,6 MM             |        | X   |                              |
| 9   | 915 332 265 03 | Adjusting ring<br>2,7 MM             |        | X   |                              |
| 9   | 915 332 265 04 | Adjusting ring<br>2,8 MM             |        | X   |                              |
| 9   | 915 332 265 05 | Adjusting ring<br>2,9 MM             |        | X   |                              |
| 9   | 915 332 265 06 | Adjusting ring<br>3,0 MM             |        | X   |                              |
| 9   | 915 332 265 07 | Adjusting ring<br>3,1 MM             |        | X   |                              |
| 9   | 915 332 265 08 | Adjusting ring<br>3,2 MM             |        | X   |                              |
| 9   | 915 332 265 09 | Adjusting ring<br>3,3 MM             |        | X   |                              |
| 9   | 915 332 265 10 | Adjusting ring<br>3,4 MM             |        | X   |                              |
| 9   | 915 332 265 11 | Adjusting ring<br>3,5 MM             |        | X   |                              |
| 9   | 915 332 265 12 | Adjusting ring<br>3,6 MM             |        | X   |                              |
| 9   | 915 332 265 13 | Adjusting ring<br>3,7 MM             |        | X   |                              |
| 10  | 915 332 263 00 | Adjusting ring<br>0,25 MM            |        | X   |                              |
| 11  | 999 059 027 00 | Taper roller bearing                 |        | 2   | CARRERA                      |
| 11  | 999 059 027 02 | Taper roller bearing                 |        | 2   | CARRERA                      |
| 11  | 999 059 064 00 | Taper roller bearing                 |        | 2   | TURBO                        |
| 12  | 930 332 209 03 | Joint flange                         |        | 2   | 930.34<br>915.69/70          |
| 12  | 915 332 209 12 | Joint flange                         |        | 2   | 915.67/68                    |
| 12  | 930 332 209 05 | Joint flange                         |        | 2   | 930.36/37<br>915.72/73       |
| 12  | 930 332 209 12 | Joint flange                         |        | 2   | 930.36/37<br>915.72/73       |
| 13  | 900 074 291 02 | Hexagon-head bolt<br>M 10 X 78       |        | 2   |                              |
| 14  | 900 095 078 00 | Tensioning sleeve                    |        | 1   |                              |

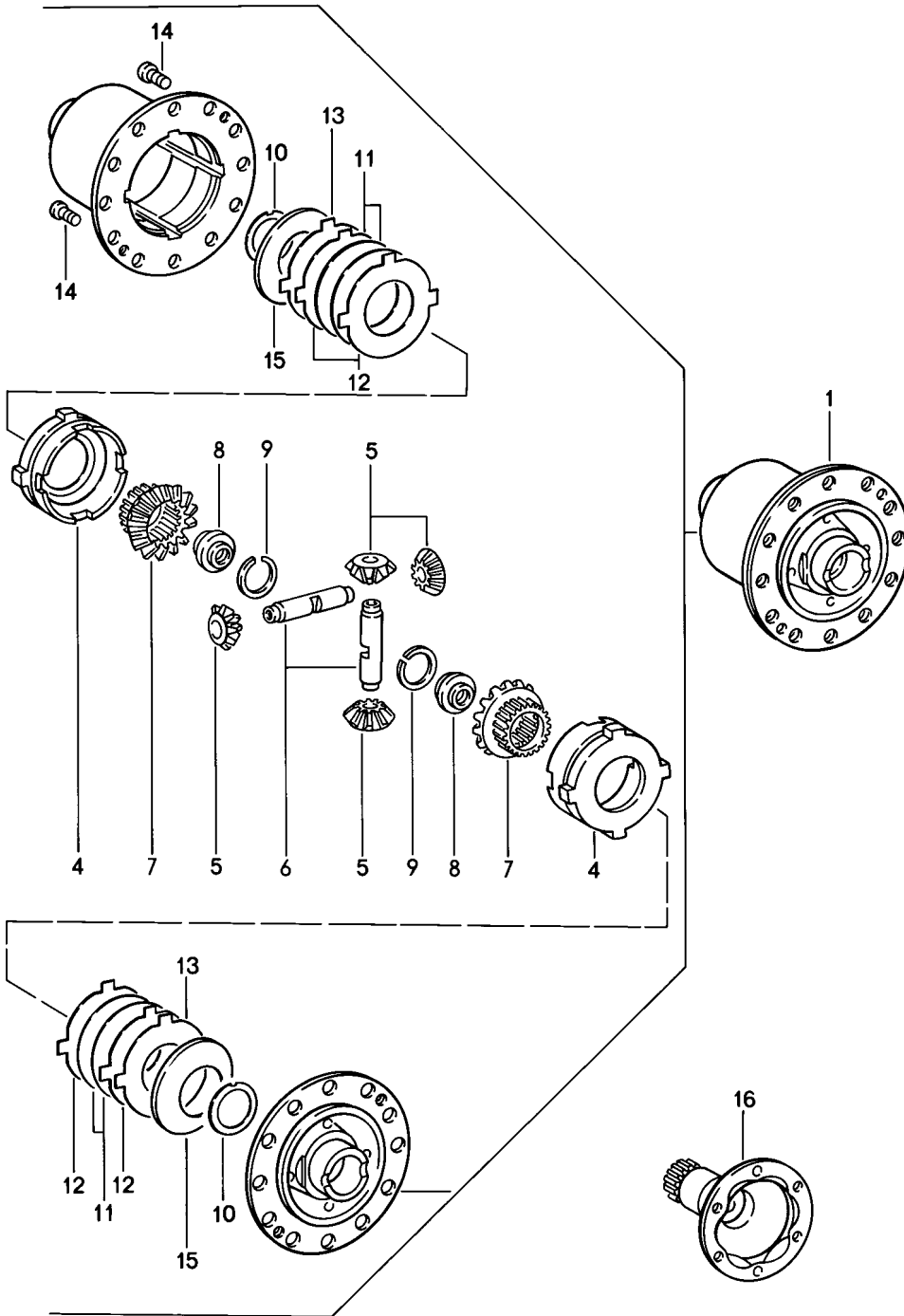
Model: 911 84

Model life 1984&gt;&gt;1986

| Pos | Part Number    | Description                   | Remark | Qty | Model |
|-----|----------------|-------------------------------|--------|-----|-------|
| 15  | 915 318 045 03 | 4 X 14<br>Magnet carrier disc |        | 1   |       |

Model: 911 84

Model life 1984>>1986



Model: 911 84

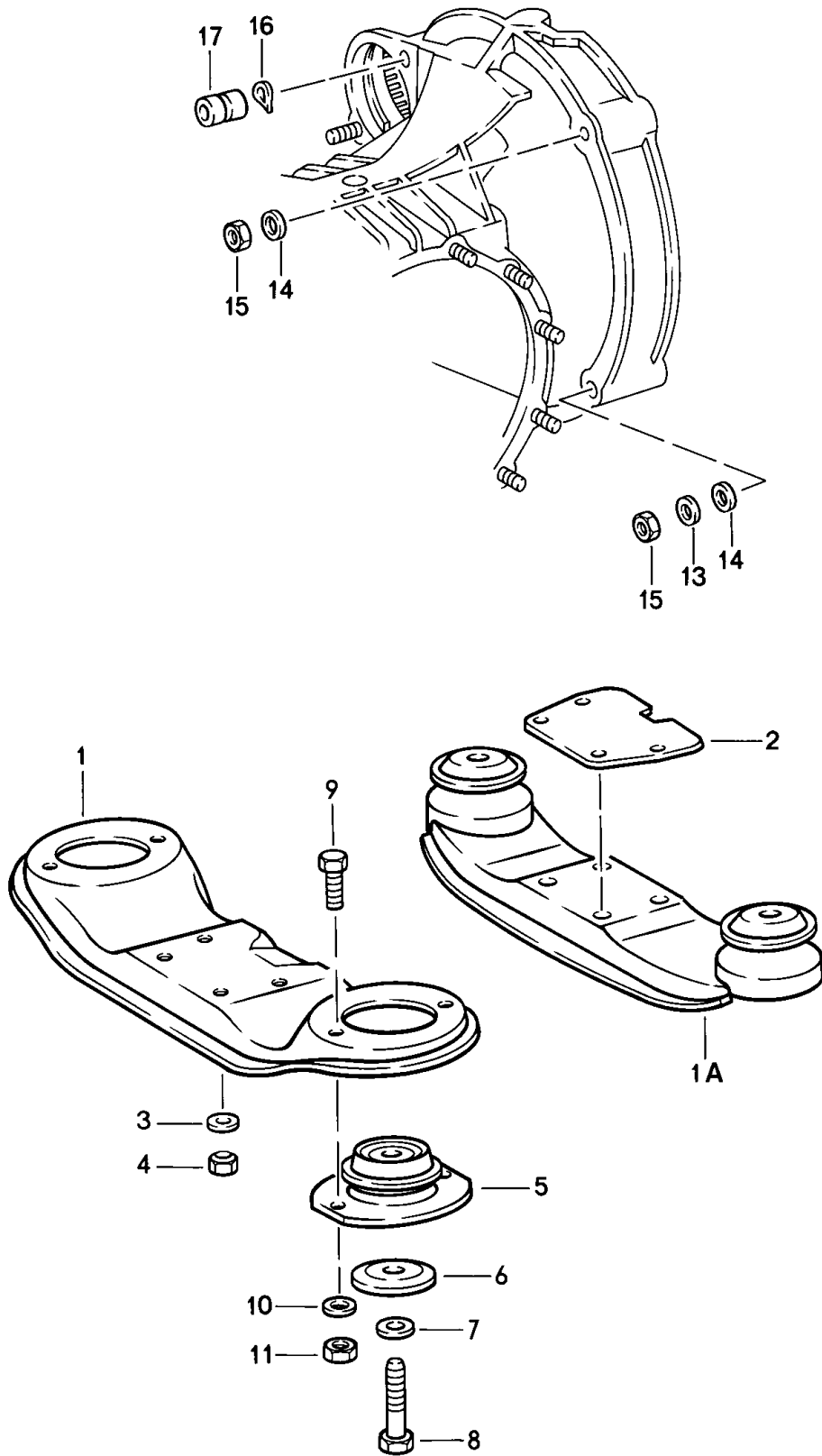
Model life 1984>>1986

| Pos | Part Number    | Description  | Remark | Qty | Model     |
|-----|----------------|--|--------|-----|-----------|
| 1   | 930 332 053 03 | Limited-slip differential<br>Limited-slip differential<br>40 % |        | 1   | TURBO     |
| 1   | 915 332 053 21 | Limited-slip differential<br>40 %                              |        | 1   | CARRERA   |
| 4   | 901 332 511 11 | Thrust ring  |        | 2   | TURBO     |
| 4   |                | Thrust ring  |        | 2   | TURBO     |
| 4   | 928 332 511 00 | Thrust ring  |        | 2   | CARRERA   |
| 5   | 915 332 531 02 | Bevel pinion   |        | 4   | TURBO     |
| 5   | 928 332 531 00 | Bevel pinion   |        | 4   | CARRERA   |
| 6   | 915 332 541 02 | Differential shaft   |        | 2   | TURBO     |
| 6   | 928 332 541 00 | Differential shaft   |        | 2   | CARRERA   |
| 7   | 930 332 535 01 | Shaft bevel gear   |        | 2   | TURBO     |
| 7   | 928 332 535 00 | Shaft bevel gear   |        | 2   | CARRERA   |
| 8   | 928 332 279 01 | Threaded disc  |        | 2   |           |
| 10  | 901 332 561 11 | Thrust washer  |        | 2   |           |
| 11  | 928 332 551 00 | Inner disc<br>2,0 MM   |        | 4   |           |
| 12  | 917 332 552 10 | Disc with external splines<br>1,9 MM                           |        | 4   |           |
| 12  | 917 332 552 11 | Disc with external splines<br>2,0 MM                           |        | 4   |           |
| 12  | 917 332 552 12 | Disc with external splines<br>2,1 MM                           |        | 4   |           |
| 14  | N 014 765 2    | Pan-head screw<br>M 6 X 10                                     |        | 2   |           |
| -   | 900 095 078 00 | Tensioning sleeve<br>4 X 14                                    |        | 1   | TURBO     |
| -   | 900 309 035 00 | Roll pin<br>5X40   |        | 1   | CARRERA   |
| 15  | 928 332 555 00 | Cup spring   |        | 2   | TURBO     |
| 15  | 928 332 555 20 | Cup spring   |        | 2   | CARRERA   |
| 16  | 915 332 209 12 | Joint flange   |        | 2   | 915/67/68 |
| 16  | 930 332 209 03 | Joint flange   |        | 2   | 930/34/35 |
|     |                |  |        |     | 915/69/70 |
| 16  | 930 332 209 05 | Joint flange   |        | 2   | 930/36/37 |
|     |                |  |        |     | 915/72/73 |
| 16  | 930 332 209 12 | Joint flange   |        | 2   | 930/36/37 |
|     |                |  |        |     | 915/72/73 |



Model: 911 84

Model life 1984>>1986

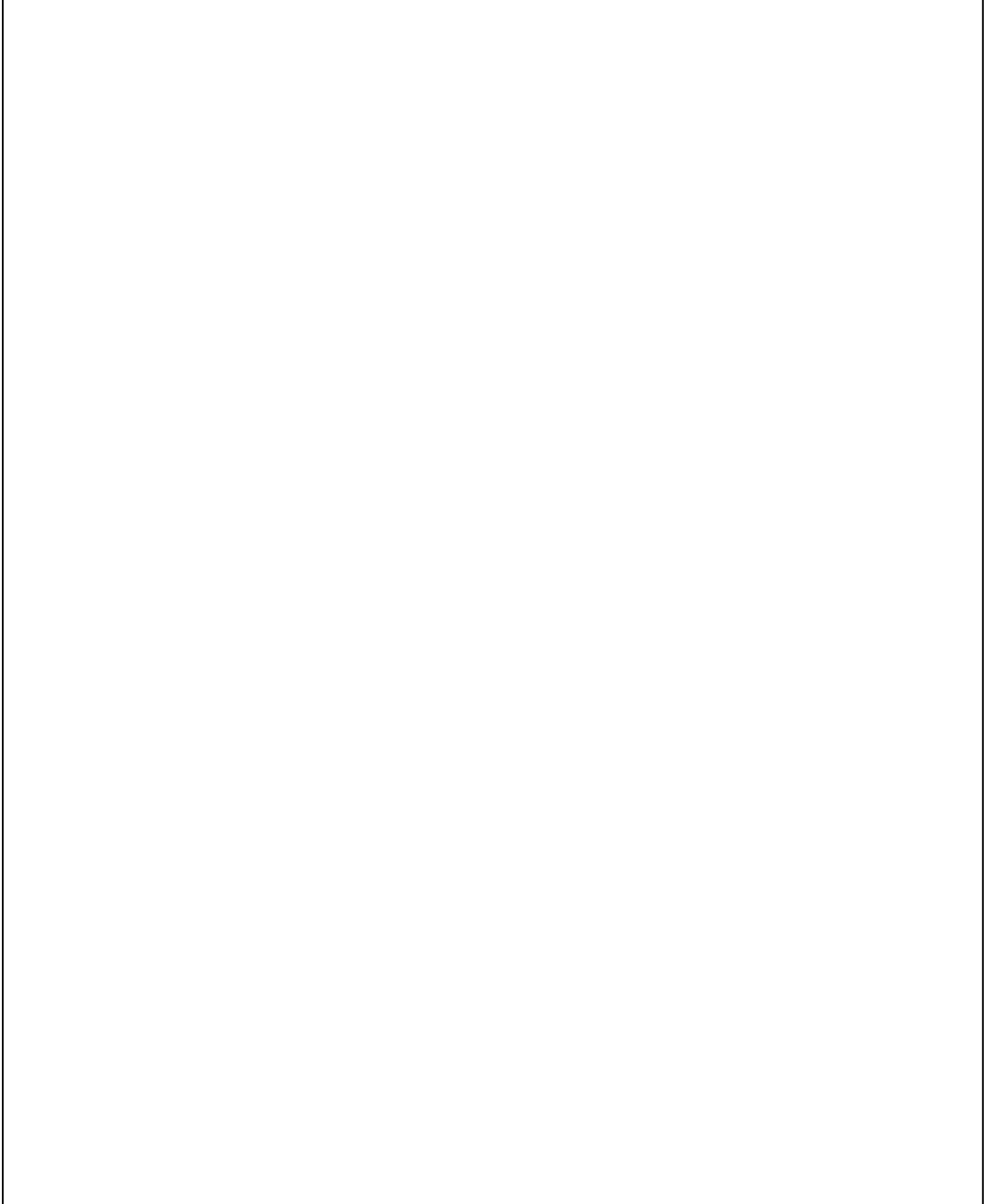


Model: 911 84 Model life 1984>>1986

| Pos | Part Number    | Description                     | Remark | Qty | Model   |
|-----|----------------|---------------------------------|--------|-----|---------|
| 1   | 911 375 033 01 | Transmission suspension         |        | 1   | CARRERA |
| 1A  | 930 375 031 00 | Transmission carrier            |        | 1   | TURBO   |
| 3   | 900 025 007 02 | Washer<br>8,4                   |        | 4   |         |
| 3   | 900 025 007 03 | Washer<br>8,4                   |        | 4   |         |
| 4   | 900 910 022 02 | Lock nut                        |        | 4   |         |
| 5   | 911 375 043 00 | Bearing                         |        | 2   | CARRERA |
| 6   | 901 305 311 00 | Seat                            |        | 4   |         |
| 7   | 900 027 017 02 | Lock ring<br>B 12               |        | 2   |         |
| 8   | 901 305 317 00 | Hexagon-head bolt               |        | 2   | CARRERA |
| 9   | 900 075 087 02 | Hexagon-head bolt<br>M 8 X 16   |        | 4   | CARRERA |
| 9   | 900 075 087 03 | Hexagon-head bolt<br>M 8 X 16   |        | 4   | CARRERA |
| 10  | 900 027 015 02 | Lock ring<br>B 8                |        | 4   | CARRERA |
| 10  | 900 027 015 03 | Lock ring<br>B 8                |        | 4   | CARRERA |
| 11  | 900 076 025 02 | Hexagon nut<br>M 8              |        | 4   | CARRERA |
| 11  | 900 076 064 02 | Hexagon nut<br>M 8              |        | 4   | CARRERA |
| 13  | 999 523 103 01 | Schnorr retainng washer<br>M 10 |        | 2   | CARRERA |
| 14  | 900 031 005 02 | Washer<br>10,5                  |        | 5   | CARRERA |
| 14  | 900 031 005 03 | Washer<br>10,5                  |        | 5   | CARRERA |
| 15  | 900 157 002 02 | Hexagon nut<br>M 10             |        | 3   |         |
| 15  | 900 157 002 03 | Hexagon nut<br>M 10             |        | 3   |         |
| 16  | N 012 242 3    | Spring washer<br>B 10 X 18      |        | 5   |         |
| 17  | 901 104 382 02 | Nut                             | -85    | 2   |         |
| 17  | 901 104 382 03 | Nut                             |        | 2   |         |
| 17  | 901 104 382 02 | Nut                             |        | 2   |         |
| 17  | 901 104 382 03 | Nut                             |        | 2   |         |

Model: 911 84

Model life 1984>>1986

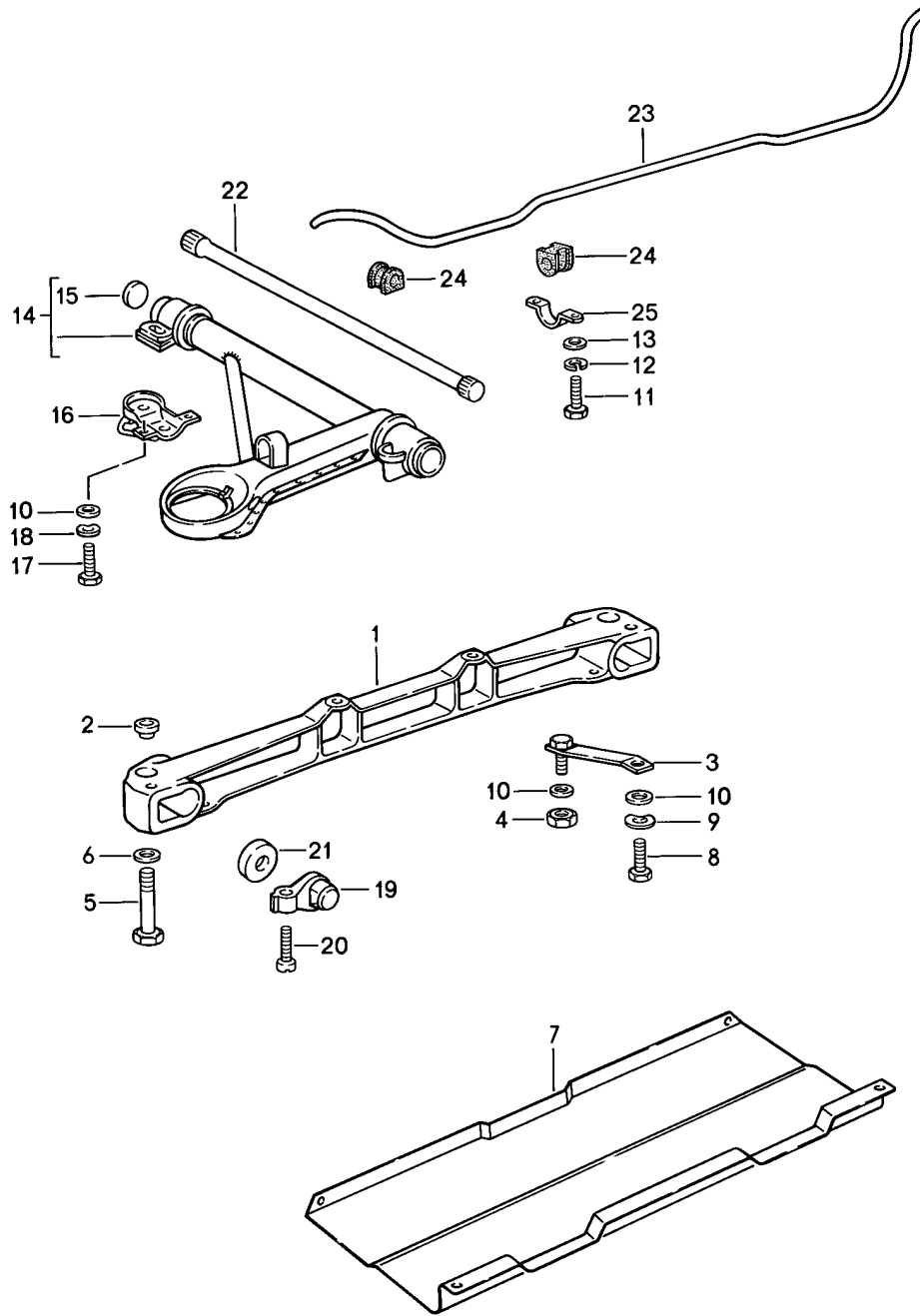


Model: 911 84 Model life 1984>>1986

| Pos | Part Number    | Description   | Remark | Qty | Model |
|-----|----------------|---|--------|-----|-------|
| >>  | 915 300 911 01 | Gasket set<br>Gasket set<br>Transmission<br>Comprising: |        | 1   | 915   |
| -   | 915 301 139 00 | Sealing ring  |        | 1   |       |
| -   | 999 113 183 40 | Radial shaft seal<br>45 X 68 X 10                       |        | 2   |       |
| -   | 999 113 182 40 | Shaft sealing ring<br>23 X 40 X 10                      |        | 1   |       |
| -   | 999 113 327 40 | Shaft sealing ring<br>23 X 35 X 8/11                    |        | 1   |       |
| -   | 999 701 392 40 | O-ring<br>OR 195 X 3,5                                  |        | 1   |       |
| -   | 915 301 191 00 | Gasket  |        | 1   |       |
| -   | 900 123 066 30 | Sealing ring<br>A 10 X 16                               |        | 2   |       |
| -   | 999 113 185 40 | Shaft sealing ring<br>15 X 24 X 7                       |        | 1   |       |
| -   | 999 701 349 40 | O-ring<br>17,5 X 2,4                                    |        | 1   |       |
| -   | 999 113 175 40 | Shaft sealing ring<br>6 X 15 X 6                        |        | 1   |       |
| -   | 915 301 351 00 | Gasket  |        | 1   |       |
| -   | 999 701 169 40 | O-ring<br>14,3 X 2,4                                    |        | 1   |       |
| -   | 915 303 225 00 | Gasket  |        | 1   |       |
| -   | 915 307 311 11 | Gasket  |        | 1   |       |
| -   | 900 174 033 40 | Round seal<br>18 X 2,5                                  |        | 2   |       |
| >>  | 930 300 911 00 | Gasket set<br>Transmission<br>Comprising:               |        | 1   | 930   |
| -   | 915 301 139 00 | Sealing ring  |        | 1   |       |
| -   | 999 113 183 40 | Radial shaft seal                                       |        | 2   |       |
| -   | 999 701 437 40 | O-ring  |        | 1   |       |
| -   | 930 302 332 00 | Shaft sealing ring                                      |        | 1   |       |
| -   | 999 701 440 40 | O-ring  |        | 1   |       |
| -   | 930 301 191 00 | Gasket  |        | 1   |       |
| -   | 999 113 185 40 | Shaft sealing ring                                      |        | 1   |       |
| -   | 930 301 351 00 | Gasket  |        | 1   |       |
| -   | 915 303 225 00 | Gasket  |        | 1   |       |

Model: 911 84

Model life 1984>>1986



Model: 911 84

Model life 1984&gt;&gt;1986

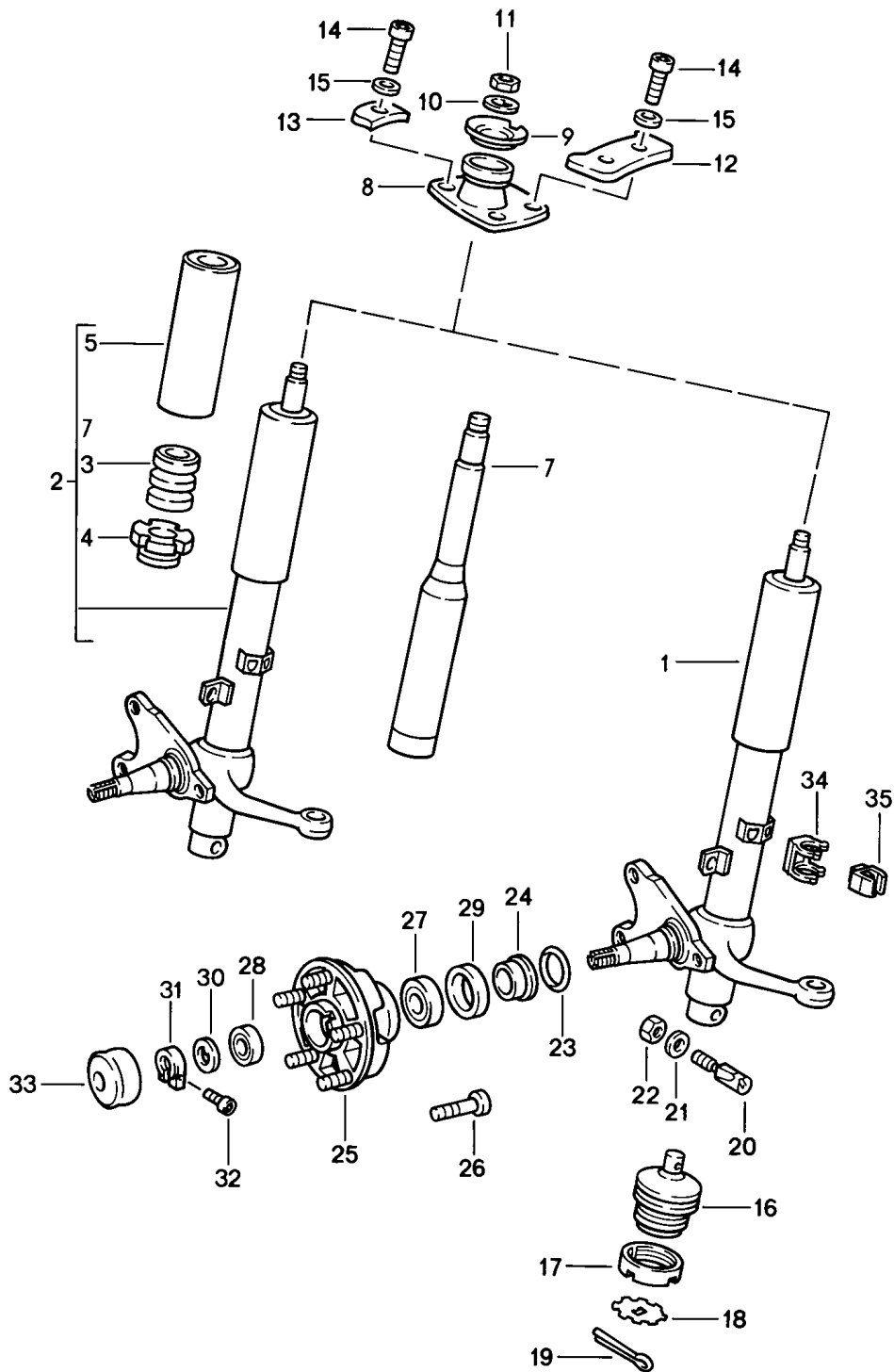
| Pos | Part Number    | Description        | Remark | Qty | Model   |
|-----|----------------|--------------------|--------|-----|---------|
|     |                | Front axle         |        |     |         |
|     |                | Stabiliser         |        |     |         |
| 1   | 911 341 013 10 | Auxiliary support  |        | 1   |         |
| 2   | 930 341 135 00 | Adapter            |        | 2   | TURBO   |
| 3   | 930 341 031 02 | Strut              |        | 2   | TURBO   |
| 3   | 911 341 031 01 | Strut              |        | 2   | CARRERA |
| 4   | 900 910 031 09 | Lock nut           |        | 2   |         |
| 4   | 900 910 031 01 | Lock nut           |        | 2   |         |
| 5   | 900 082 110 02 | Hexagon-head bolt  |        | 2   |         |
|     |                | M 12 X 1,5 X 85    |        |     |         |
| 5   |                | Hexagon-head bolt  |        | 2   |         |
|     |                | M 12 X 1,5 X 85    |        |     |         |
| 6   | 900 028 014 02 | Washer             |        | 2   |         |
|     |                | B 12               |        |     |         |
| 6   | 900 028 014 03 | Washer             |        | 2   |         |
|     |                | B 12               |        |     |         |
| 7   | 930 341 021 02 | Protective plate   |        | 1   | TURBO   |
| 7   | 911 341 161 04 | Protective plate   |        | 1   | CARRERA |
| 7   | 911 341 161 05 | Protective plate   |        | 1   | CARRERA |
| 8   | N 014 721 2    | Pan-head screw     |        | 2   |         |
|     |                | M 10 X 25          |        |     |         |
| 9   | 900 027 016 02 | Lock ring          |        | 2   |         |
|     |                | B 10               |        |     |         |
| 9   | 900 027 016 03 | Lock ring          |        | 2   |         |
|     |                | B 10               |        |     |         |
| 10  | 900 025 008 09 | Washer             |        | 8   |         |
|     |                | 10,5               |        |     |         |
| 10  | 900 025 008 04 | Washer             |        | 8   |         |
|     |                | 10,5               |        |     |         |
| 11  | 900 075 087 02 | Hexagon-head bolt  |        | 2   |         |
|     |                | M 8 X 16           |        |     |         |
| 11  | 900 075 087 03 | Hexagon-head bolt  |        | 2   |         |
|     |                | M 8 X 16           |        |     |         |
| 12  | 900 027 015 02 | Lock ring          |        | 2   |         |
|     |                | B 8                |        |     |         |
| 12  | 900 027 015 03 | Lock ring          |        | 2   |         |
|     |                | B 8                |        |     |         |
| 12  | 900 027 015 02 | Lock ring          |        | 2   |         |
|     |                | B 8                |        |     |         |
| 12  | 900 027 015 03 | Lock ring          |        | 2   |         |
|     |                | B 8                |        |     |         |
| 13  | 900 025 007 02 | Washer             |        | 2   |         |
|     |                | 8,4                |        |     |         |
| 13  | 900 025 007 03 | Washer             |        | 2   |         |
|     |                | 8,4                |        |     |         |
| 14  | 911 341 901 01 | Wishbone           | /L     | 1   | CARRERA |
| 14  | 911 341 902 01 | Wishbone           | /R     | 1   | CARRERA |
| 14  | 930 341 901 01 | Wishbone           | /L     | 1   | TURBO   |
| 14  | 930 341 902 01 | Wishbone           | /R     | 1   | TURBO   |
| 15  | 900 040 008 01 | Lid                |        | 2   |         |
| 16  | 911 341 037 02 | Protective bracket | /L     | 1   |         |
| 16  | 911 341 038 02 | Protective bracket | /R     | 1   |         |
| 17  | N 010 275 3    | Hexagon-head bolt  |        | 6   | CARRERA |
|     |                | M 10 X 35          |        |     |         |
| 17  | 900 075 460 01 | Hexagon-head bolt  |        | 6   | CARRERA |
|     |                | M 10 X 35          |        |     |         |
| 17  | N 040 281 1    | Hexagon-head bolt  |        | 6   | TURBO   |
|     |                | M 10 X 45          |        |     |         |
| 17  | 900 075 516 01 | Hexagon-head bolt  |        | 6   | TURBO   |
|     |                | M 10 X 45          |        |     |         |
| 18  | 900 027 016 02 | Lock ring          |        | 6   |         |
|     |                | B 10               |        |     |         |
| 18  | 900 027 016 03 | Lock ring          |        | 6   |         |

Model: 911 84 Model life 1984>>1986

| Pos  | Part Number    | Description                  | Remark | Qty | Model   |
|------|----------------|------------------------------|--------|-----|---------|
|      |                | B 10                         |        |     |         |
| 19   | 901 341 033 00 | Reverse lever                |        | 2   |         |
| 20   | 911 341 115 00 | Adjusting screw              |        | 2   |         |
| 21   | 901 341 475 00 | Gasket                       |        | 2   |         |
| 22   | 901 343 101 12 | Torsion bar                  | /L     | 1   |         |
| 22   | 901 343 101 14 | Torsion bar                  | /L     | 1   |         |
| 22   | 901 343 102 12 | Torsion bar                  | /R     | 1   |         |
| 22   | 901 343 102 14 | Torsion bar                  | /R     | 1   |         |
| 23   | 911 343 703 10 | Stabiliser<br>20 MM          | -85    | 1   | CARRERA |
| (23) | 911 343 703 13 | Stabiliser<br>22 MM          | 86-    | 1   | CARRERA |
| (23) | 911 343 703 10 | Stabiliser<br>20 MM          | 84     | 1   | TURBO   |
| (23) | 911 343 703 13 | Stabiliser<br>22 MM          | 85-    | 1   | TURBO   |
| 24   | 911 343 792 03 | Stabiliser mounting<br>20 MM |        | 4   |         |
| 24   | 911 343 881 00 | Stabiliser mounting<br>22 MM |        | 4   |         |
| 25   | 911 343 775 00 | Clip                         |        | 2   |         |

Model: 911 84

Model life 1984>>1986





Model: 911 84 Model life 1984>>1986

| Pos | Part Number    | Description   | Remark | Qty | Model               |
|-----|----------------|---|--------|-----|---------------------|
| -   | PCG 043 110 00 | Shock absorber strut<br>Lubricants<br>Grease<br>Bearing<br>200 GR.                            |        | 1   |                     |
| 1   | 911 341 041 33 | Shock absorber strut<br>- bilstein -  | /L     | 1   | TURBO               |
| 1   | 911 341 042 33 | Shock absorber strut<br>- bilstein -  | /R     | 1   | TURBO               |
| 1   | 911 341 041 33 | Shock absorber strut<br>- bilstein -<br>F >>91FS1 20254<br>F >>91FS1 60254<br>F >>91FS1 70165 | /L     | 1   | CARRERA<br>M474/491 |
| 1   | 911 341 042 33 | Shock absorber strut<br>- bilstein -<br>F >>91FS1 20254<br>F >>91FS1 60254<br>F >>91FS1 70165 | /R     | 1   | CARRERA<br>M474/491 |
| 2   | 911 341 041 03 | Shock absorber strut<br>- boge -  | /L -85 | 1   | CARRERA             |
| 2   | 911 341 042 03 | Shock absorber strut<br>- boge -  | /R -85 | 1   | CARRERA             |
| 2   | 911 341 041 04 | Shock absorber strut<br>- boge -  | /L 86  | 1   | CARRERA             |
| 2   | 911 341 042 04 | Shock absorber strut<br>- boge -  | /R 86  | 1   | CARRERA             |
| 2   | 911 341 041 05 | Shock absorber strut<br>- boge -<br>F 91FS1 20255>><br>F 91FS1 60255>><br>F 91FS1 70166>>     | /L     | 1   | CARRERA<br>M474/491 |
| 2   | 911 341 042 05 | Shock absorber strut<br>- boge -<br>F 91FS1 20255>><br>F 91FS1 60255>><br>F 91FS1 70166>>     | /R     | 1   | CARRERA<br>M474/491 |
| -   | 911 341 043 02 | Shock absorber strut<br>Outer part<br>- boge -  | /L -85 | 1   | CARRERA             |
| -   | 911 341 043 04 | Shock absorber strut<br>Outer part  | /L -85 | 1   | CARRERA             |
| -   | 911 341 044 02 | Shock absorber strut<br>Outer part<br>- boge -  | /R -85 | 1   | CARRERA             |
| -   | 911 341 043 03 | Shock absorber strut<br>Outer part<br>- boge -<br>for<br>911.341.041.04/05                    | /L 86- | 1   | CARRERA             |
| -   | 911 341 044 03 | Shock absorber strut<br>Outer part<br>- boge -<br>for<br>911.341.042.04/05                    | /R 86- | 1   | CARRERA             |
| -   | 911 341 044 11 | Shock absorber strut<br>Outer part<br>- boge -<br>for<br>911.341.042.04/05                    | /R 86- | 1   | CARRERA             |
| 3   | 901 343 301 00 | Rubber stop<br>- boge -<br>F 91FS1 20255>>  |        | 2   | CARRERA<br>M474/491 |

Model: 911 84 Model life 1984>>1986

| Pos | Part Number    | Description   | Remark | Qty | Model               |
|-----|----------------|---|--------|-----|---------------------|
| 4   | 911 341 804 00 | F 91FS1 60255>><br>F 91FS1 70166>><br>Screw plug<br>Inner<br>Threaded ring<br>- boge -  | -85    | 2   | CARRERA             |
| 4   | 911 341 804 01 | Screw plug<br>Inner<br>Threaded ring<br>- boge -  |        | 2   | CARRERA             |
| (4) | 911 341 806 00 | Locking ring<br>Outer<br>Threaded ring<br>- boge -  | 86-    | 1   | CARRERA             |
| (4) |                | Locking ring<br>Outer<br>Threaded ring<br>- boge -  |        | 1   | CARRERA<br>M474/491 |
| -   | 911 341 808 00 | Washer<br>for<br>Shock absorber strut<br>911.341.041/042.04/05  | 86-    | 1   | CARRERA             |
| 5   | 911 341 805 01 | Protective tube<br>- boge -<br>F 91FS1 20255>><br>F 91FS1 60255>><br>F 91FS1 70166>>  |        | 2   | CARRERA<br>M474/491 |
| 7   | 911 341 913 03 | Repair set<br>- boge -  | -85    | 2   | CARRERA             |
| 7   | 911 341 913 09 | Repair set<br>for<br>Shock absorber strut<br>in pairs<br>Use<br>Attention<br>Deleted<br>90134330100<br>POSITION 3                               | -85    | 2   | CARRERA             |
| 7   | 911 341 913 05 | Repair set<br>- boge -<br>F 91FS1 20255>><br>F 91FS1 60255>><br>F 91FS1 70166>>   |        | 2   | CARRERA<br>M474/491 |
| 7   | 911 341 913 10 | Repair set<br><br>F 91FS1 20255>><br>F 91FS1 60255>><br>F 91FS1 70166>><br>in pairs<br>Use<br>Attention<br>Deleted<br>90134330100<br>POSITION 3 |        | 2   | CARRERA<br>M474/491 |
| 7   | 911 341 913 06 | Repair set<br>- boge -  | 86-    | 2   | CARRERA             |
| 7   | 911 341 913 13 | Repair set<br>in pairs<br>Use<br>Attention<br>Deleted<br>90134330100  | 86-    | 2   | CARRERA             |

Model: 911 84

Model life 1984&gt;&gt;1986

| Pos | Part Number    | Description                | Remark | Qty | Model   |
|-----|----------------|----------------------------|--------|-----|---------|
|     |                | POSITION 3                 |        |     |         |
| 8   | 911 341 018 00 | Supporting mount           |        | 2   |         |
| 9   | 901 341 629 00 | Support washer             |        | 2   |         |
| 10  | 900 038 002 01 | Tab washer                 |        | 2   |         |
|     |                | 14                         |        |     |         |
| 11  | N 011 021 3    | Hexagon nut                |        | 2   |         |
|     |                | M 14 X 1,5                 |        |     |         |
| 12  | 911 501 933 00 | Double-bore pressure plate |        | 2   |         |
| 13  | 911 501 934 00 | One-bore pressure plate    |        | 2   |         |
| 14  | 900 067 063 02 | Pan-head screw             |        | 6   |         |
|     |                | M 10 X 20                  |        |     |         |
| 15  | 999 523 103 01 | Schnorr retainng washer    |        | 6   |         |
| 16  | 911 341 049 01 | Ball joint                 |        | 2   |         |
| 16  | 911 341 049 05 | Ball joint                 |        | 2   |         |
| 17  | 901 341 425 00 | Grooved nut                |        | 2   |         |
| 17  | 901 341 425 01 | Grooved nut                |        | 2   |         |
| 18  | 901 341 426 00 | Tab washer                 |        | 2   |         |
| 19  | N 012 521 1    | Cotter pin                 |        | 2   |         |
| 19  |                | Cotter pin                 |        | 2   |         |
| 20  | 911 341 119 06 | Threaded pin               |        | 2   |         |
| 20  | 911 341 119 07 | Threaded pin               |        | 2   |         |
| 21  | 900 089 006 02 | Washer                     |        | 2   |         |
|     |                | 8                          |        |     |         |
| 21  | 900 089 006 01 | Washer                     |        | 2   |         |
|     |                | 8                          |        |     |         |
| 22  | 999 084 019 02 | Lock nut                   |        | 2   |         |
| 23  | 999 701 084 50 | O-ring                     |        | 2   |         |
|     |                | OR 25,3 - 2,4              |        |     |         |
| 24  | 901 341 623 00 | Spacer ring                |        | 2   |         |
| 25  | 911 341 065 06 | Front wheel hub            |        | 2   | CARRERA |
| 25  | 911 341 065 10 | Front wheel hub            |        | 2   | CARRERA |
| 25  | 930 341 065 01 | Front wheel hub            |        | 2   | TURBO   |
|     |                |                            |        | 2   | CARRERA |
|     |                |                            |        |     | M491    |
| 26  | 911 331 671 00 | Wheel bolt                 |        | 10  | TURBO   |
| 26  | 904 341 671 00 | Wheel bolt                 |        | 10  | CARRERA |
| 26  | 993 331 671 02 | Wheel bolt                 |        | 10  | CARRERA |
| 26  | 901 341 671 05 | Wheel bolt                 |        | X   |         |
|     |                | Oversize                   |        |     |         |
| -   | PCG 059 065 00 | Bearing set                |        | 1   |         |
|     |                | Wheel hub                  |        |     |         |
|     |                | Front axle                 |        |     |         |
|     |                | Comprising:                |        |     |         |
| -   | 999 059 065 00 | Taper roller bearing       |        | 2   |         |
| -   | 999 059 098 00 | Taper roller bearing       |        | 2   |         |
| -   | 900 075 079 02 | Hexagon-head bolt          |        | 10  |         |
| -   | 900 076 064 02 | Hexagon nut                |        | 10  |         |
| -   | 901 341 623 00 | Spacer ring                |        | 2   |         |
| -   | 477 405 641    | Radial sealing ring        |        | 2   |         |
| -   | 999 701 084 50 | O-ring                     |        | 2   |         |
| -   | N 012 241 8    | Spring washer              |        | 10  |         |
| -   | PCG 043 110 00 | Grease                     |        | 1   |         |
|     |                | Bearing                    |        |     |         |
|     |                | 200 GR.                    |        |     |         |
| 27  | 999 059 098 00 | Taper roller bearing       |        | 2   |         |
| 28  | 999 059 065 00 | Taper roller bearing       |        | 2   |         |
| 29  | 477 405 641    | Radial sealing ring        |        | 2   |         |
| 30  | 911 341 663 00 | Thrust washer              |        | 2   |         |
| 31  | 911 341 673 00 | Clamping nut               |        | 2   |         |
| 32  | 999 119 001 01 | Pan-head screw             |        | 2   |         |
| 32  | 999 119 001 0B | Pan-head screw             |        | 2   |         |
| 33  | 911 341 684 00 | Cap                        |        | 2   | CARRERA |
| 33  | 930 341 066 01 | Cap                        |        | 2   | TURBO   |

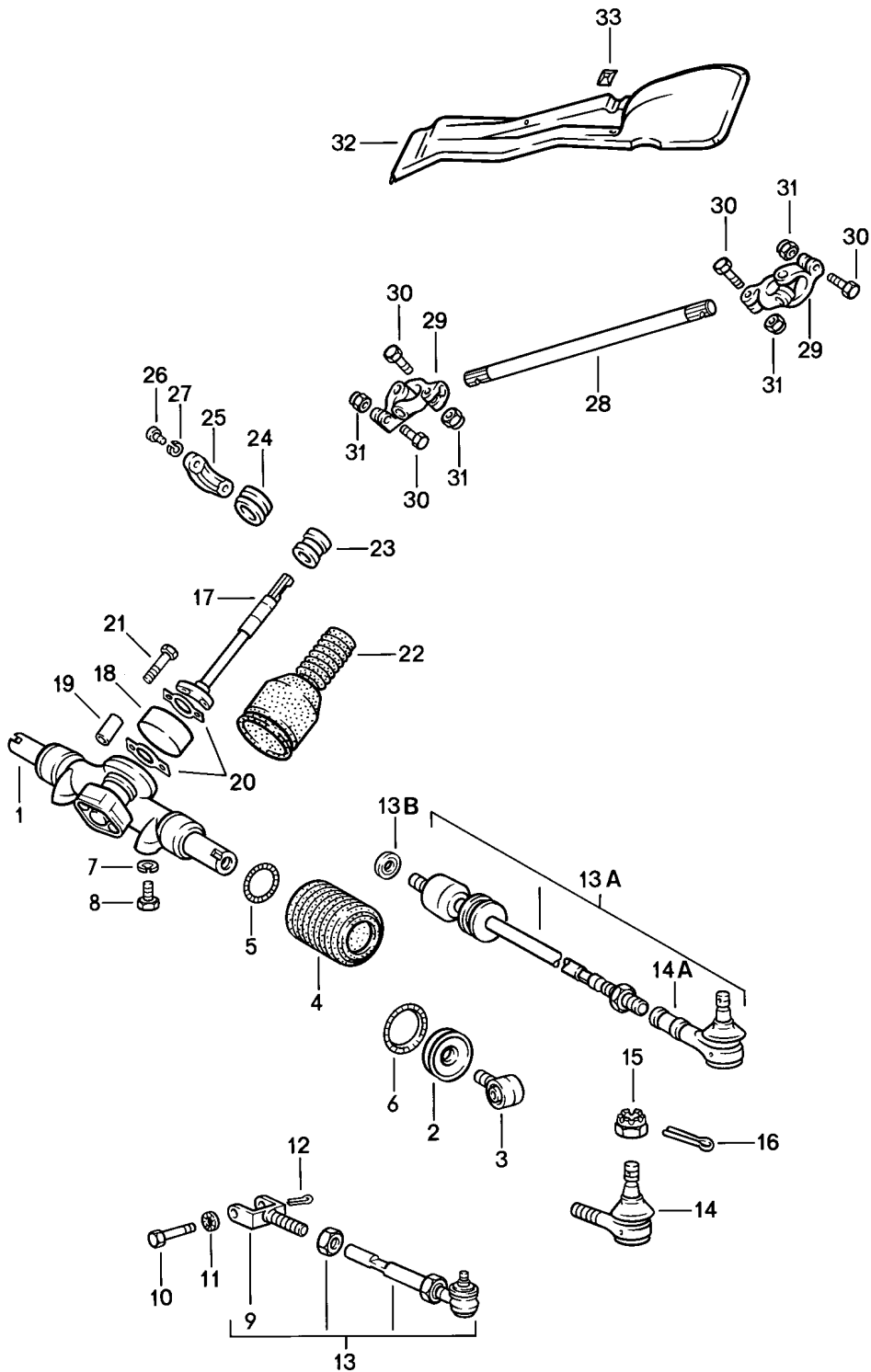
Model: 911 84

Model life 1984>>1986

| Pos | Part Number    | Description  | Remark | Qty | Model           |
|-----|----------------|--|--------|-----|-----------------|
| 33  | 930 341 066 02 | Cap  |        | 2   | CARRERA<br>M491 |
|     |                |  |        | 2   | TURBO           |
|     |                |  |        | 2   | CARRERA<br>M491 |
| 34  | 999 651 203 40 | Cable holder   |        | 2   |                 |
| 35  | 999 651 202 40 | Clip   |        | 2   |                 |
| -   | 911 341 913 07 | Repair set<br>- boge -<br>Only together with<br>911.333.051.07 | -85    | 2   | CARRERA         |

Model: 911 84

Model life 1984>>1986



Model: 911 84

Model life 1984&gt;&gt;1986

| Pos | Part Number    | Description             | Remark | Qty | Model   |
|-----|----------------|-------------------------|--------|-----|---------|
|     |                | Steering parts          |        |     |         |
|     |                | Lower                   |        |     |         |
| 1   | 914 347 010 06 | Steering gear           |        | 1   | CARRERA |
| (1) | 930 347 010 00 | Steering gear           |        | 1   | TURBO   |
| (1) | 930 347 010 X  | Steering gear           |        | 1   | TURBO   |
| (2) | 911 347 056 00 | Bellow support          |        | 2   | CARRERA |
| 3   | 914 347 057 00 | Articulated bush        |        | 2   | CARRERA |
| 4   | 901 347 191 02 | Bellows                 |        | 2   | CARRERA |
| (4) | 930 347 191 02 | Bellows                 |        | 2   | TURBO   |
| 5   | 901 347 308 00 | Retainer spring         |        | 2   | CARRERA |
| 6   | 901 347 309 00 | Retainer spring         |        | 2   | CARRERA |
| 7   | 900 027 016 02 | Lock ring               |        | 2   | CARRERA |
|     |                | B 10                    |        |     |         |
| 7   | 900 027 016 03 | Lock ring               |        | 2   | CARRERA |
|     |                | B 10                    |        |     |         |
| (7) | 900 028 032 02 | Spring washer           |        | 2   | TURBO   |
|     |                | B 10                    |        |     |         |
| (7) | 900 025 008 09 | Washer                  |        | 2   | TURBO   |
|     |                | B 10                    |        |     |         |
| (7) | 900 025 008 04 | Washer                  |        | 2   | TURBO   |
|     |                | B 10                    |        |     |         |
| 8   | 900 075 071 07 | Hexagon-head bolt       |        | 2   | CARRERA |
|     |                | M 10 X 45               |        |     |         |
| 8   | N 010 275 3    | Hexagon-head bolt       |        | 2   | TURBO   |
|     |                | M 10 X 35               |        |     |         |
| 8   | 900 075 460 01 | Hexagon-head bolt       |        | 2   | TURBO   |
|     |                | M 10 X 35               |        |     |         |
| 9   | 901 347 315 01 | Joint fork              |        | 2   | CARRERA |
| 9   | 901 347 315 03 | Joint fork              |        | 2   | SC      |
| 10  | 911 347 327 00 | Hexagon-head bolt       |        | 2   | CARRERA |
| 11  | 999 523 103 01 | Schnorr retainng washer |        | 2   | CARRERA |
|     |                | M 10                    |        |     |         |
| 12  | 900 021 008 00 | Cotter pin              |        | 2   | CARRERA |
|     |                | 2 X 15                  |        |     |         |
| 12  | 900 021 008 0A | Cotter pin              |        | 2   | CARRERA |
|     |                | 2 X 15                  |        |     |         |
| 13  | 911 347 031 00 | Tie rod                 |        | 2   | CARRERA |
| 13  | 911 347 031 01 | Tie rod                 |        | 2   | CARRERA |
| 13A | 930 347 031 01 | Tie rod                 |        | 2   | TURBO   |
| 13B | 930 347 313 01 | Washer                  |        | 2   | TURBO   |
| 13B | 930 347 313 02 | Washer                  |        | 2   | TURBO   |
| 14  | 911 347 322 04 | Ball joint              |        | 2   | CARRERA |
| 14A | 930 347 322 00 | Ball joint              |        | 2   | TURBO   |
| 15  | N 011 210 1    | Castle nut              |        | 2   |         |
|     |                | M 10 X 1                |        |     |         |
| 16  | 900 021 013 00 | Cotter pin              |        | 2   |         |
|     |                | 2 X 25                  |        |     |         |
| 17  | 901 347 210 03 | Steering shaft          |        | 1   |         |
| 17  | 901 347 210 04 | Steering shaft          |        | 1   |         |
| 18  | 901 347 201 02 | Steering coupling       |        | 1   |         |
| 19  | 901 347 215 00 | Stop bush               |        | 2   |         |
| 20  | 901 347 248 00 | Tab washer              |        | 1   |         |
| 21  | N 010 353 3    | Hexagon-head bolt       |        | 2   |         |
|     |                | M 8 X 42                |        |     |         |
| 22  | 901 347 393 01 | Sealing bellows         |        | 1   |         |
| 22  | 901 347 393 02 | Sealing bellows         |        | 1   |         |
| 23  | 911 347 041 00 | Steering shaft bearing  |        | 1   |         |
| 23  | 911 347 029 01 | Steering shaft bearing  |        | 1   |         |
|     |                | Complete                |        |     |         |
| -   | 911 347 029 00 | Needle-roller bearing   |        | 1   |         |
| -   | 911 347 029 01 | Steering shaft bearing  |        | 1   |         |
| 24  | 901 347 223 03 | Rubber mounting         |        | 1   |         |
| 25  | 901 347 221 00 | Housing                 |        | 1   |         |

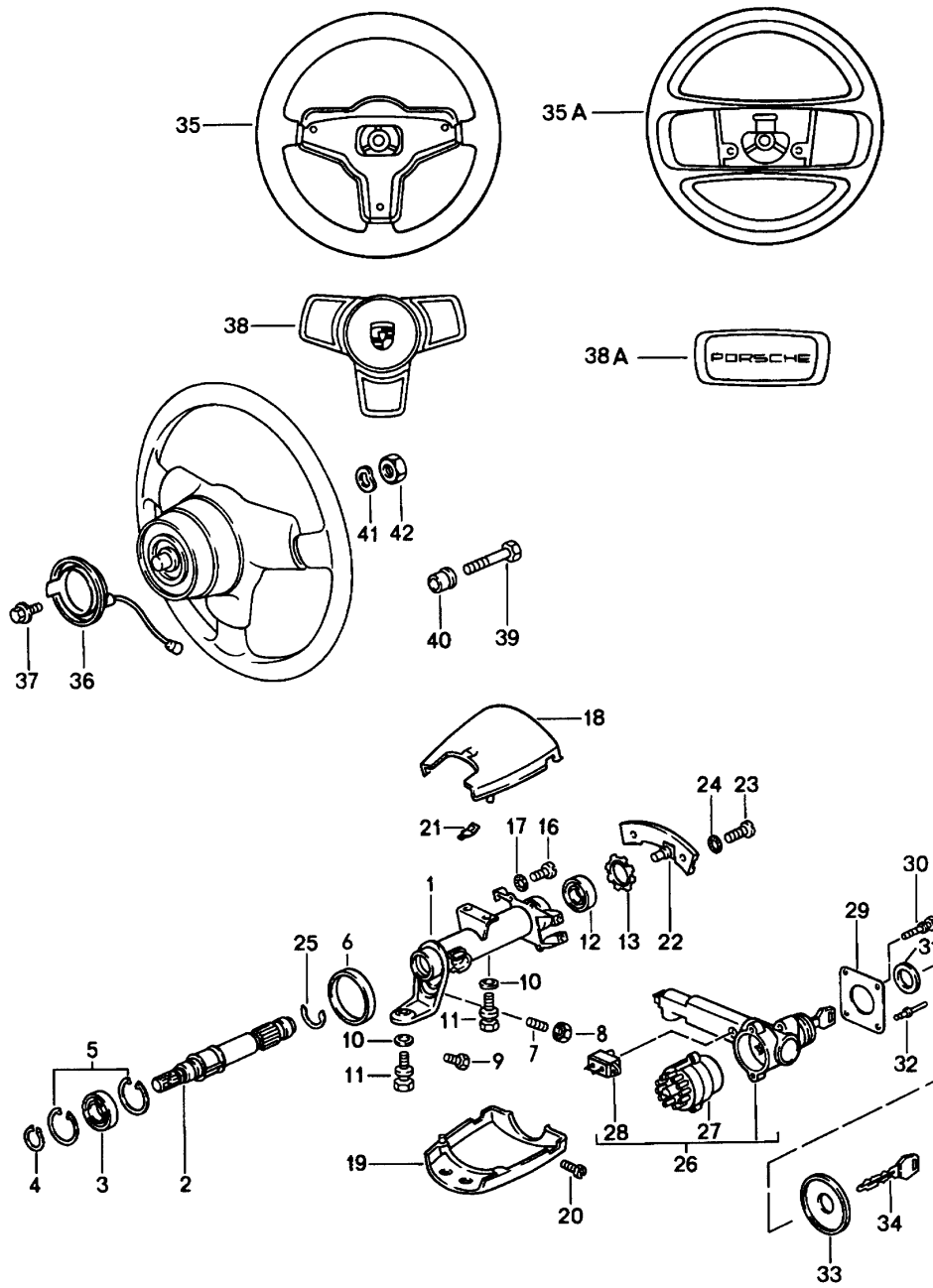
Model: 911 84

Model life 1984&gt;&gt;1986

| Pos | Part Number    | Description                   | Remark | Qty | Model |
|-----|----------------|-------------------------------|--------|-----|-------|
| 25  | 901 347 221 01 | Housing                       |        | 1   |       |
| 26  | 900 186 002 02 | Pan-head screw<br>M 8 X 15    |        | 2   |       |
| 27  | 900 142 002 01 | Lock ring<br>8                |        | 2   |       |
| 28  | 911 347 211 01 | Intermed. steering shaft      | /LL    | 1   |       |
| 29  | 930 347 025 00 | Universal joint               |        | 2   |       |
| 29  | 930 347 025 01 | Universal joint               |        | 2   |       |
| 29  | 930 347 025 02 | Universal joint               |        | 2   |       |
| 30  | N 010 335 5    | Hexagon-head bolt<br>M 8 X 35 |        | 4   |       |
| 30  | 900 075 032 03 | Hexagon-head bolt<br>M 8 X 35 |        | 4   |       |
| 31  | N 021 194 1    | Lock nut<br>M 8               |        | 4   |       |
| 32  | 901 347 067 00 | Cover                         | /LL    | 1   |       |
| 33  | 999 507 209 01 | Speed nut                     |        | 2   |       |

Model: 911 84

Model life 1984>>1986





Model: 911 84 Model life 1984>>1986

| Pos | Part Number    | Description                | Remark | Qty | Model |
|-----|----------------|----------------------------|--------|-----|-------|
|     |                | Steering parts             |        |     |       |
|     |                | Upper                      |        |     |       |
| 1   | 911 347 073 03 | Steering outer tube        | /LL    | 1   |       |
| 2   | 911 347 061 02 | Steering shaft             |        | 1   |       |
| 3   | 900 052 031 00 | Deep-groove ball bearing   |        | 1   |       |
| 4   | 900 041 008 00 | Circlip                    |        | 1   |       |
|     |                | 17 X 1                     |        |     |       |
| 5   | 900 042 008 00 | Circlip                    |        | 2   |       |
|     |                | 35 X 1,5                   |        |     |       |
| 6   | 911 347 713 00 | Gasket                     |        | 1   |       |
| 7   | 900 228 002 02 | Threaded pin               | /LL    | 1   |       |
|     |                | M 8 X 16                   |        |     |       |
| 8   | 900 076 025 02 | Hexagon nut                | /LL    | 1   |       |
|     |                | M 8                        |        |     |       |
| 8   | 900 076 064 02 | Hexagon nut                | /LL    | 1   |       |
|     |                | M 8                        |        |     |       |
| 10  | N 012 241 8    | Spring washer              |        | 3   |       |
|     |                | B 8                        |        |     |       |
| 10  |                | Spring washer              |        | 3   |       |
|     |                | B 8                        |        |     |       |
| 11  | 901 347 753 00 | Shear bolt                 |        | 3   |       |
| 12  | 911 347 771 02 | Ball bearing               |        | 1   |       |
| 13  | 999 041 102 01 | Circlip                    |        | 1   |       |
| 16  | 900 014 069 02 | Pan-head screw             |        | 8   |       |
|     |                | AM 3 X 8                   |        |     |       |
| 17  | 900 115 007 01 | Serrated lock washer       |        | 8   |       |
|     |                | A 3,2                      |        |     |       |
| 18  | 911 613 099 00 | Switch housing             |        | 1   |       |
|     |                | Upper part                 |        |     |       |
| 19  | 911 613 312 00 | Switch housing             |        | 1   |       |
|     |                | Lower part                 |        |     |       |
| 19  | 911 613 312 03 | Switch housing             |        | 1   |       |
|     |                | Lower part                 |        |     |       |
| -   | 911 613 328 00 | Switch housing             |        | 1   |       |
|     |                | Set                        |        |     |       |
|     |                | Comprising:                |        |     |       |
|     |                | Upper part/lower part      |        |     |       |
|     |                | POSITION 18 + 19           |        |     |       |
| 20  | 900 014 079 02 | Pan-head screw             |        | 2   |       |
|     |                | AM 3 X 10                  |        |     |       |
| 20  |                | Pan-head screw             |        | 2   |       |
|     |                | AM 3 X 10                  |        |     |       |
| 21  | 999 652 315 02 | Flat plug                  |        | 1   |       |
| 22  | 911 613 521 00 | Wiper contact              |        | 1   |       |
| 23  | 900 014 046 02 | Pan-head screw             |        | 2   |       |
|     |                | M 4 X 10                   |        |     |       |
| 24  | N 012 116 1    | Serrated lock washer       |        | 2   |       |
|     |                | A 4,3                      |        |     |       |
| 24  |                | Serrated lock washer       |        | 2   |       |
|     |                | A 4,3                      |        |     |       |
| 25  | 113 415 531    | Circlip                    |        | 1   |       |
| 26  | 911 613 902 01 | Steering lock              | -84    | 1   |       |
|     |                | with                       |        |     |       |
|     |                | Buzzer contact             |        |     |       |
|     |                | W/o stipulated lock number |        |     |       |
| 26  | 964 347 917 01 | Steering lock              |        | 1   |       |
|     |                | with                       |        |     |       |
|     |                | Buzzer contact             |        |     |       |
|     |                | W/o stipulated lock number |        |     |       |
| 26  | 911 613 904 00 | Steering lock              | -84    | 1   |       |
|     |                | with                       |        |     |       |
|     |                | Buzzer contact             |        |     |       |
|     |                | State lock number          |        |     |       |

Model: 911 84 Model life 1984>>1986

| Pos   | Part Number        | Description   | Remark | Qty | Model |
|-------|--------------------|---|--------|-----|-------|
| 26    | 964 347 917 00     | Steering lock<br>with<br>Buzzer contact<br>State lock number    | -84    | 1   |       |
| 26    | 911 613 904 02     | Steering lock<br>with<br>Buzzer contact<br>State lock number    |        | 1   |       |
| 26    | 964 347 917 00     | Steering lock<br>with<br>Buzzer contact<br>State lock number    |        | 1   |       |
| 27    | 911 613 017 01     | Ignition starter switch   | 84     | 1   |       |
| 27    | 964 613 012 00     | Ignition starter switch   | 85-    | 1   |       |
| 28    | 911 613 125 00     | Buzzer contact  |        | 1   |       |
| 29    | 911 347 359 01     | Tab washer  | -85    | 1   |       |
| 29    |                    | Tab washer  | 85-    | 1   |       |
| 30    | 999 219 017 02     | Shear bolt  | -85    | 1   |       |
| 30    |                    | Shear bolt  | 86     | 1   |       |
| 31    | 911 613 169 00     | Washer  |        | 1   |       |
| 31    | 911 613 169 01     | Washer  |        | 1   |       |
| 32    | 999 190 113 02     | Blind rivet   |        | 1   |       |
| 32    | 999 190 123 02     | Blind rivet<br>3,2 X 6,1  |        | 1   |       |
| 33    | 911 613 160 00     | Rosette   | -85    | 1   |       |
| (33)  | 911 613 160 01     | Rosette   | 86-    | 1   |       |
|       | 911 613 160 01 70B | Black<br>for<br>Ignition starter lock                           |        |     |       |
| 35    | 911 347 084 02     | Sports steering wheel<br>Leather                                | 84     | 1   |       |
|       | 911 347 084 02 1AJ | Black<br>\$ 380   |        |     |       |
| 35    | 911 347 084 07     | Steering wheel<br>Leather                                       | 84     | 1   |       |
|       | 911 347 084 07 1AJ | Black<br>\$ 380<br>with elevated hub<br>(30 MM)                 |        |     |       |
| 35A   | 911 347 084 08     | Sports steering wheel<br>Leather<br>\$ 380                      | 85-    | 1   |       |
|       | 911 347 084 08 1AJ | Black   |        |     |       |
|       | 911 347 084 08 4RB | Cadbury brown   |        |     |       |
|       | 911 347 084 08 30B | Blue  |        |     |       |
|       | 911 347 084 08 7LD | Burgundy  |        |     |       |
|       | 911 347 084 08 5JX | Greyish green   |        |     |       |
|       | 911 347 084 08 5VT | Silk grey   |        |     |       |
| (35A) | 911 347 084 09     | Sports steering wheel<br>Leather<br>\$ 380<br>with elevated hub | 85-    | 1   |       |
|       | 911 347 084 09 1AJ | Black   |        |     |       |
|       | 911 347 084 09 4RB | Cadbury brown   |        |     |       |
|       | 911 347 084 09 30B | Blue  |        |     |       |
|       | 911 347 084 09 7LD | Burgundy  |        |     |       |
|       | 911 347 084 09 5JX | Greyish green   |        |     |       |
| 36    | 911 347 099 05     | Slip ring   |        | 1   |       |
| 37    | 113 415 869        | Oval-head screw<br>AM 3,5 X 10                                  |        | 7   |       |
| 38    | 911 347 859 00     | Padded cap  | 84     | 1   |       |
|       | 911 347 859 00 70B | Black   |        |     |       |
| 38A   | 911 347 859 01     | Padded cap  | 85-    | 1   |       |

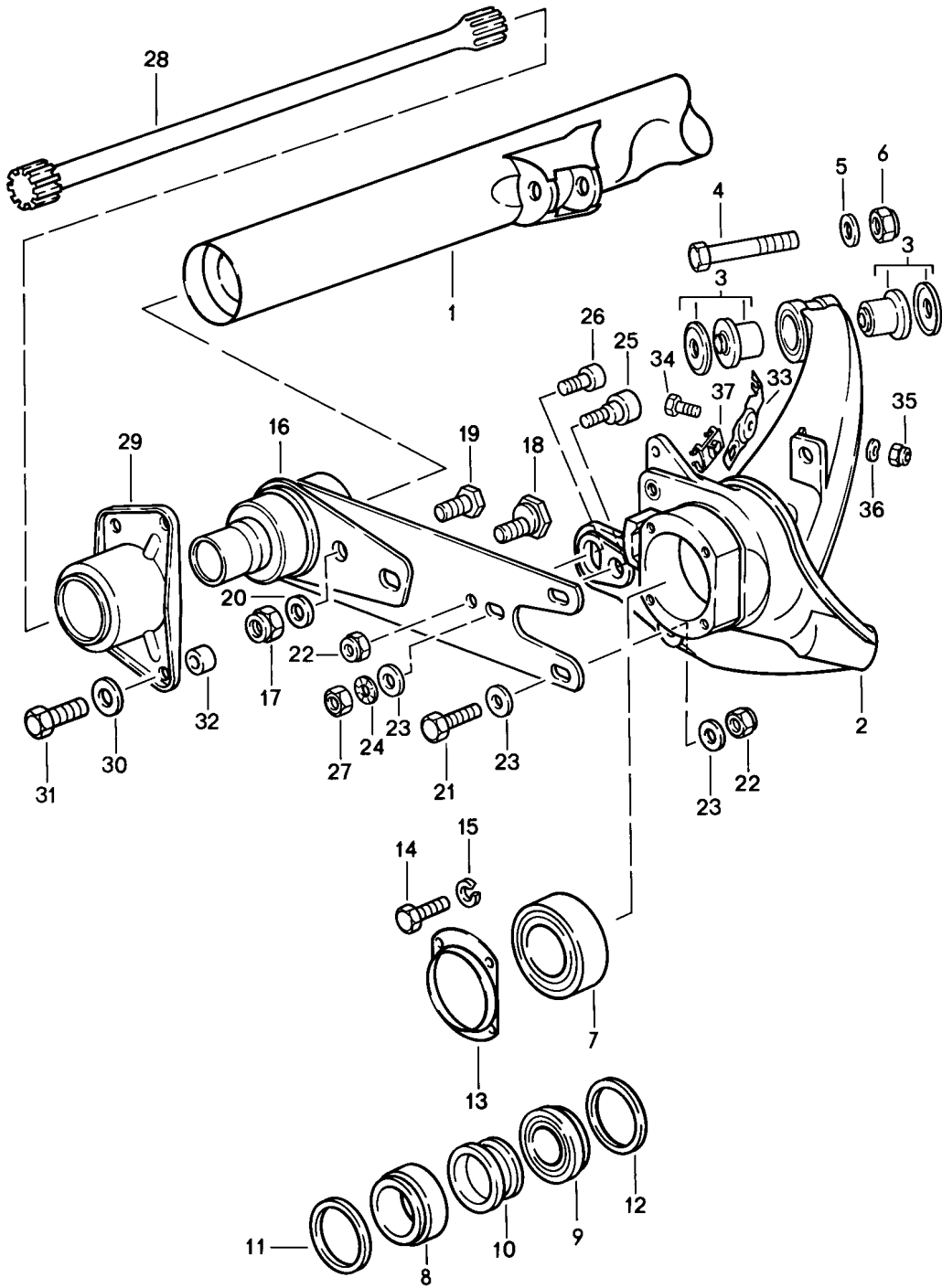
Model: 911 84

Model life 1984>>1986

| Pos  | Part Number        | Description                   | Remark | Qty | Model |
|------|--------------------|-------------------------------|--------|-----|-------|
|      | 911 347 859 01 1AJ | Black                         |        |     |       |
|      | 911 347 859 01 4RB | Cadbury brown                 |        |     |       |
|      | 911 347 859 01 30B | Blue                          |        |     |       |
|      | 911 347 859 01 7LD | Burgundy                      |        |     |       |
|      | 911 347 859 01 5JX | Greyish green                 |        |     |       |
| 39   | N 010 261 3        | Hexagon-head bolt<br>M 4 X 16 |        | X   |       |
| 39   |                    | Hexagon-head bolt<br>M 4 X 16 |        | X   |       |
| 40   | 321 419 779        | Insulating bush               | 84     | X   |       |
| (40) | 321 419 779 A      | Insulating bush               | 85-    | X   |       |
| 41   | N 012 239 1        | Spring washer<br>B 18         |        | 1   |       |
| 41   |                    | Spring washer<br>B 18         |        | 1   |       |
| 42   | 900 078 007 02     | Hexagon nut<br>M 18 X 1,5     |        | 1   |       |

Model: 911 84

Model life 1984>>1986



Model: 911 84 Model life 1984>>1986

| Pos | Part Number        | Description             | Remark | Qty | Model   |
|-----|--------------------|-------------------------|--------|-----|---------|
| 1   | 911 331 010 02     | Rear axle               |        | 1   | CARRERA |
| (1) | 930 331 010 02     | Rear-axle cross-tube    |        | 1   | TURBO   |
|     |                    | Rear-axle cross-tube    |        | 1   | CARRERA |
| (1) |                    | Rear-axle cross-tube    |        | 1   | M491    |
|     | 930 331 010 02 GRV | Prime coated            |        | 1   | TURBO   |
|     |                    |                         |        | 1   | CARRERA |
|     |                    |                         |        | 1   | M491    |
| 2   | 911 331 513 06     | Rear-axle trailing arm  | /L     | 1   | CARRERA |
| (2) | 911 331 514 06     | Rear-axle trailing arm  | /R     | 1   | CARRERA |
| (2) | 930 331 511 05     | Rear-axle trailing arm  | /L     | 1   | TURBO   |
|     |                    |                         |        | 1   | CARRERA |
|     |                    |                         |        | 1   | M491    |
| (2) | 930 331 511 06     | Rear-axle trailing arm  | /L     | 1   | TURBO   |
|     |                    |                         |        | 1   | CARRERA |
|     |                    |                         |        | 1   | M491    |
| (2) | 930 331 512 05     | Rear-axle trailing arm  | /R     | 1   | TURBO   |
|     |                    |                         |        | 1   | CARRERA |
|     |                    |                         |        | 1   | M491    |
| (2) | 930 331 512 06     | Rear-axle trailing arm  | /R     | 1   | TURBO   |
|     |                    |                         |        | 1   | CARRERA |
|     |                    |                         |        | 1   | M491    |
| 3   | 901 331 059 00     | Flange mounting         |        | 4   |         |
| 4   | 900 082 092 02     | Hexagon-head bolt       |        | 2   |         |
|     |                    | M 14 X 1,5 X 80         |        |     |         |
| 5   | N 011 534 4        | Washer                  |        | 2   |         |
|     |                    | A 15                    |        |     |         |
| 6   | 900 910 094 02     | Lock nut                |        | 2   |         |
|     |                    | M 14 X 1,5              |        |     |         |
| 6   |                    | Lock nut                |        | 2   |         |
|     |                    | M 14 X 1,5              |        |     |         |
| 7   | 999 053 020 01     | Angular-contact bearing |        | 2   | CARRERA |
|     |                    | Bearing                 |        |     |         |
| -   | PCG 930 059 00     | Set of bearings         |        | 1   | TURBO   |
|     |                    | Rear axle               |        |     | CARRERA |
|     |                    |                         |        |     | M491    |
|     |                    | Comprising:             |        |     |         |
|     |                    | POS. 8-12               |        |     |         |
| -   | 901 332 806 01     | Castle nut              |        | 1   |         |
| -   | N 012 538 1        | Cotter pin              |        | 1   |         |
| 8   | 999 059 056 00     | Taper roller bearing    |        | 2   | TURBO   |
|     |                    |                         |        | 2   | CARRERA |
|     |                    |                         |        | 2   | M491    |
| 9   | 999 059 047 00     | Taper roller bearing    |        | 2   | TURBO   |
|     |                    |                         |        | 2   | CARRERA |
|     |                    |                         |        | 2   | M491    |
| 10  | 930 331 609 00     | Spacer sleeve           |        | 2   | TURBO   |
|     |                    |                         |        | 2   | CARRERA |
|     |                    |                         |        | 2   | M491    |
| 11  | 999 113 235 40     | Shaft sealing ring      |        | 2   | TURBO   |
|     |                    | 65 X 85 X 8             |        | 2   | CARRERA |
|     |                    |                         |        | 2   | M491    |
| 12  | 999 113 218 40     | Shaft sealing ring      |        | 2   | TURBO   |
|     |                    | 58 X 81,2 X 5           |        | 2   | CARRERA |
|     |                    |                         |        | 2   | M491    |
| 13  | 911 331 561 30     | Reinforcement cover     |        | 2   | CARRERA |
| 14  | 900 075 079 02     | Hexagon-head bolt       |        | 8   | CARRERA |
|     |                    | M 8 X 22                |        |     |         |
| 15  | 900 027 015 02     | Lock ring               |        | 8   | CARRERA |
|     |                    | B 8                     |        |     |         |
| 15  | 900 027 015 03     | Lock ring               |        | 8   | CARRERA |
|     |                    | B 8                     |        |     |         |

Model: 911 84 Model life 1984&gt;&gt;1986

| Pos  | Part Number    | Description   | Remark               | Qty | Model   |
|------|----------------|---|----------------------|-----|---------|
| 15   | 900 027 015 02 | Lock ring<br>B 8  |                      | 8   | CARRERA |
| 15   | 900 027 015 03 | Lock ring<br>B 8  |                      | 8   | CARRERA |
| 16   | 911 333 009 00 | Rear axle strut   |                      | 2   |         |
| 16   | 911 333 009 05 | Rear axle strut   |                      | 2   |         |
| 17   | 900 910 092 02 | Lock nut  |                      | 4   |         |
| 17   | 900 360 007 01 | Lock nut  |                      | 4   |         |
| 18   | 911 333 303 00 | Eccentric screw   |                      | 2   |         |
| 18   | 911 333 303 01 | Eccentric screw   |                      | 2   |         |
| 19   | 911 333 305 00 | Hexagon-head bolt   |                      | 2   |         |
| 19   | 911 333 305 01 | Hexagon-head bolt   |                      | 2   |         |
| 20   | 911 333 307 00 | Washer<br>M 10 X 30   |                      | 4   |         |
| 20   | 911 333 307 02 | Washer<br>M 10 X 30   |                      | 4   |         |
| 21   | 900 083 066 08 | Hexagon-head bolt<br>M 12 X 1,5 X 40                                      |                      | 4   |         |
| 22   | N 022 141 4    | Lock nut<br>VFM 12 X 1,5  |                      | 6   |         |
| 22   |                | Lock nut<br>M 12 X 1,5  |                      | 6   |         |
| 23   | 901 333 143 01 | Washer  |                      | 10  |         |
| 24   | 999 523 109 02 | Lock washer<br>M 12   |                      | 10  |         |
| 25   | 901 333 133 04 | Eccentric   |                      | 2   |         |
| 25   | 901 333 133 06 | Eccentric   |                      | 2   |         |
| 26   | 901 333 133 05 | Eccentric   |                      | 2   |         |
| 27   | 900 078 017 02 | Hexagon nut<br>M 12 X 1,5   |                      | 2   |         |
| 28   | 911 333 101 09 | Torsion bar<br>24,1 MM  | /L -85               | 1   | CARRERA |
| 28   | 911 333 101 16 | Torsion bar<br>24,1 MM<br>New design<br>Only together with<br>91133310216 | /L -85<br><br><br>/R | 1   | CARRERA |
| (28) | 911 333 102 09 | Torsion bar<br>24,1 MM  | /R -85               | 1   | CARRERA |
| (28) | 911 333 102 16 | Torsion bar<br>24,1 MM<br>New design<br>Only together with<br>91133310116 | /R -85<br><br><br>/L | 1   | CARRERA |
| (28) | 911 333 101 11 | Torsion bar<br>29 MM  | /L -86               | 1   | CARRERA |
| (28) | 911 333 101 14 | Torsion bar<br>29 MM<br>New design<br>Only together with<br>91133310214   | /L -86<br><br><br>/R | 1   | CARRERA |
| (28) | 911 333 102 11 | Torsion bar<br>29 MM  | /R -86               | 1   | CARRERA |
| (28) | 911 333 102 14 | Torsion bar<br>29 MM<br>New design<br>Only together with<br>91133310114   | /R -86<br><br><br>/L | 1   | CARRERA |
| (28) | 911 333 101 12 | Torsion bar   | /L 86-               | 1   | CARRERA |

Model: 911 84

Model life 1984&gt;&gt;1986

| Pos  | Part Number    | Description   | Remark                       | Qty                    | Model   |
|------|----------------|---|------------------------------|------------------------|---------|
| (28) | 911 333 101 15 | 25 MM<br>Torsion bar<br>25 MM<br>New design<br>Only together with<br>91133310215<br>Use | /L 86-<br><br><br><br><br>/R | 1<br><br><br><br><br>1 | CARRERA |
| (28) | 911 333 102 12 | Torsion bar<br>25 MM  | /R 86-                       | 1                      | CARRERA |
| (28) | 911 333 102 15 | Torsion bar<br>25 MM<br>New design<br>Only together with<br>91133310115<br>Use          | /R 86-<br><br><br><br><br>/L | 1<br><br><br><br><br>1 | CARRERA |
| (28) | 911 333 101 03 | Torsion bar<br>26 MM  | /L                           | 1                      | TURBO   |
| (28) | 911 333 101 13 | Torsion bar<br>26 MM<br>New design<br>Only together with<br>91133310213<br>Use          | /L<br><br><br><br><br>/R     | 1<br><br><br><br><br>1 | TURBO   |
| (28) | 911 333 102 03 | Torsion bar<br>26 MM  | /R                           | 1                      | TURBO   |
| (28) | 911 333 102 13 | Torsion bar<br>26 MM<br>New design<br>Only together with<br>91133310113<br>Use          | /R<br><br><br><br><br>/L     | 1<br><br><br><br><br>1 | TURBO   |
| (28) | 911 333 101 11 | Torsion bar<br>29 MM  | /L                           | 1                      | TURBO   |
| (28) | 911 333 101 14 | Torsion bar<br>29 MM<br>New design<br>Only together with<br>91133310214<br>Use          | /L<br><br><br><br><br>/R     | 1<br><br><br><br><br>1 | TURBO   |
| (28) | 911 333 102 11 | Torsion bar<br>29 MM  | /R                           | 1                      | TURBO   |
| (28) | 911 333 102 14 | Torsion bar<br>29 MM<br>New design<br>Only together with<br>91133310114<br>Use          | /R<br><br><br><br><br>/L     | 1<br><br><br><br><br>1 | TURBO   |
| 29   | 901 333 153 00 | Housing   |                              | 2                      |         |
| 30   | 900 025 008 09 | Washer<br>A 10,5  |                              | 8                      |         |
| 30   | 900 025 008 04 | Washer<br>A 10,5  |                              | 8                      |         |
| 31   | N 010 275 3    | Hexagon-head bolt<br>M 10 X 35  |                              | 8                      |         |
| 31   | 900 075 460 01 | Hexagon-head bolt<br>M 10 X 35  |                              | 8                      |         |
| 32   | 911 331 107 01 | Spacer ring   |                              | 2                      |         |
| 33   | 911 331 705 00 | Cable holder  |                              | 2                      |         |
| 34   | 900 075 057 02 | Hexagon-head bolt<br>M 6 X 16   |                              | 2                      |         |
| 34   | 900 075 057 03 | Hexagon-head bolt<br>M 6 X 16   |                              | 2                      |         |
| 35   | 900 910 012 02 | Lock nut  |                              | 2                      |         |

Model: 911 84

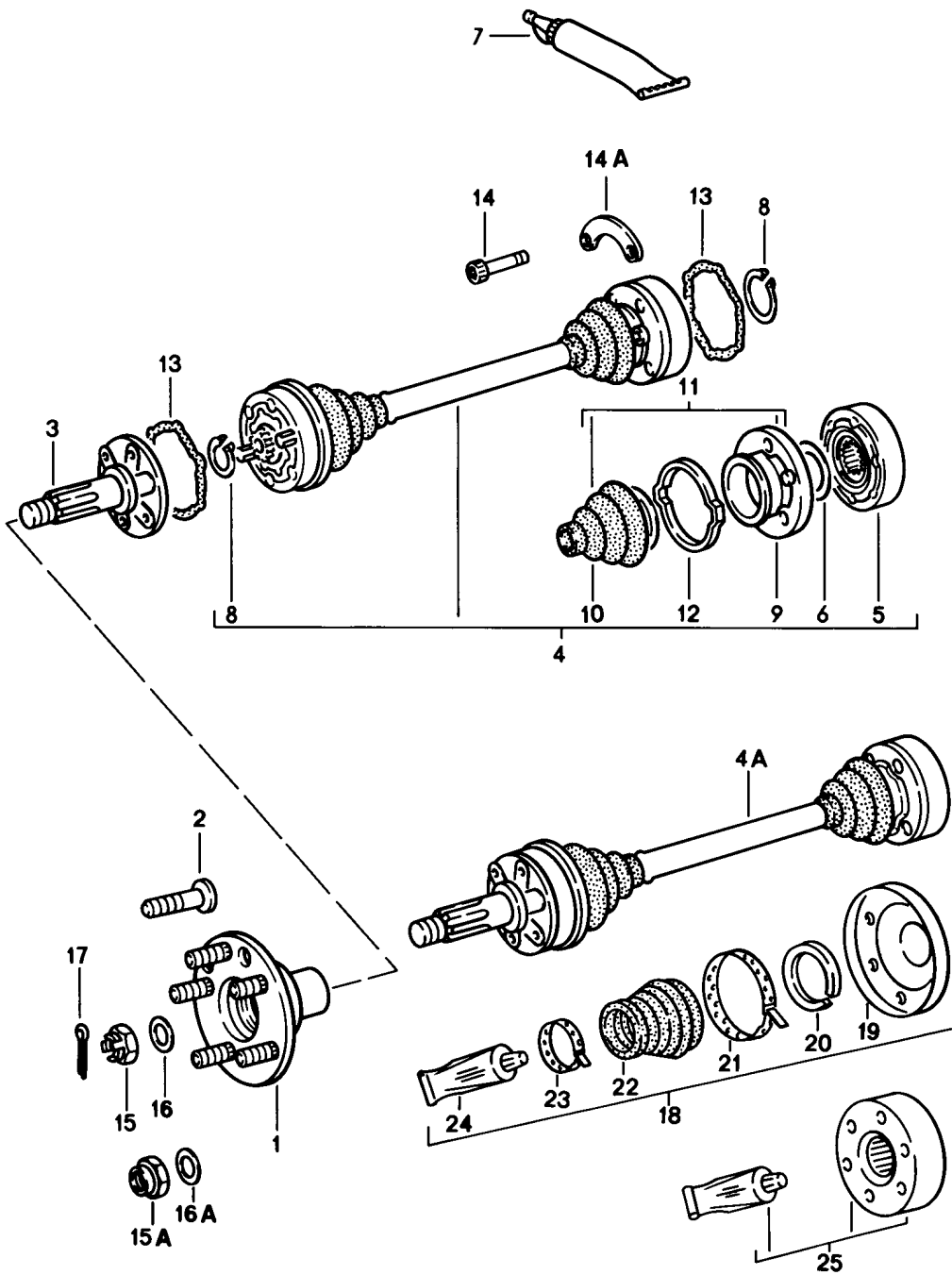
Model life 1984&gt;&gt;1986

| Pos | Part Number    | Description          | Remark | Qty | Model |
|-----|----------------|----------------------|--------|-----|-------|
| 35  | 900 910 047 09 | M 6<br>Lock nut      |        | 2   |       |
| 36  | N 012 226 5    | M 6<br>Spring washer |        | 2   |       |
| 37  | 999 651 203 40 | B 6<br>Cable holder  |        | 2   |       |



Model: 911 84

Model life 1984>>1986



Model: 911 84 Model life 1984>>1986

| Pos | Part Number    | Description    | Remark | Qty | Model     |
|-----|----------------|----------------|--------|-----|-----------|
| 1   | 911 331 065 33 | Drive shaft    |        | 2   | CARRERA   |
| 1   | 930 331 065 03 | Rear-wheel hub |        | 2   | TURBO     |
|     |                | Rear-wheel hub |        | 2   | CARRERA   |
|     |                |                |        |     | M491      |
| 2   | 904 341 671 00 | Wheel bolt     |        | 10  | CARRERA   |
| 2   | 993 331 671 02 | Wheel bolt     |        | 10  | CARRERA   |
| 2   | 901 331 671 01 | Wheel bolt     |        | 10  | TURBO     |
|     |                |                |        | 2   | CARRERA   |
|     |                |                |        |     | M491      |
| 3   | 923 332 232 01 | Drive shaft    |        | 2   | CARRERA   |
| 3   | 930 332 232 00 | Drive shaft    | 930.35 | 2   | 915.67/68 |
|     |                |                |        | 2   | TURBO     |
|     |                |                |        |     | 930.34    |
|     |                |                |        | 2   | CARRERA   |
|     |                |                |        |     | M491      |
|     |                |                |        |     | 915.69/70 |
| 3   | 930 332 232 05 | Drive shaft    |        | 2   | TURBO     |
|     |                |                |        | 2   | 930.36/37 |
|     |                |                |        | 2   | CARRERA   |
|     |                |                |        |     | M491      |
|     |                |                |        |     | 915.72/73 |
| 4   | 923 332 033 02 | Drive shaft    |        | 2   | CARRERA   |
| (4) | 930 332 037 00 | Drive shaft    |        | 2   | 915.67/68 |
|     |                |                |        | 2   | TURBO     |
|     |                |                |        |     | 930.34    |
|     |                |                |        | 2   | CARRERA   |
|     |                |                |        |     | M491      |
|     |                |                |        |     | 915.69/70 |
| (4) | 930 332 037 04 | Drive shaft    |        | 2   | TURBO     |
|     |                |                |        | 2   | 930.36/37 |
|     |                |                |        | 2   | CARRERA   |
|     |                |                |        |     | M491      |
|     |                |                |        |     | 915.72/73 |
| (4) | 930 332 037 08 | Drive shaft    |        | 2   | TURBO     |
|     |                |                |        | 2   | 930.36/37 |
|     |                |                |        | 2   | CARRERA   |
|     |                |                |        |     | M491      |
|     |                |                |        |     | 915.72/73 |
| (4) | 930 332 037 04 | Drive shaft    |        | 2   | TURBO     |
|     |                |                |        | 2   | 930.36/37 |
|     |                |                |        | 2   | CARRERA   |
|     |                |                |        |     | M491      |
|     |                |                |        |     | 915.72/73 |
| 4A  | 911 332 024 14 | Drive shaft    |        | 2   | TURBO     |
| 4A  | 911 332 024 15 | Drive shaft    |        | 2   | CARRERA   |
|     |                |                |        |     | 915.72/73 |
| 5   | 923 332 032 00 | Joint          |        | 4   | CARRERA   |
|     |                |                |        |     | 915.67/68 |
| 5   | 930 332 034 00 | Joint          |        | 4   | TURBO     |
|     |                |                |        | 4   | 930.34/36 |
|     |                |                |        | 4   | CARRERA   |
|     |                |                |        |     | M491      |
|     |                |                |        |     | 915.69/70 |
| 6   | 901 332 311 10 | Cup spring     |        | 4   | CARRERA   |
|     |                |                |        |     | 915.67/68 |
| 6   | 901 332 312 00 | Cup spring     |        | 4   | TURBO     |
|     |                |                |        |     | 930.34/36 |

Model: 911 84 Model life 1984>>1986

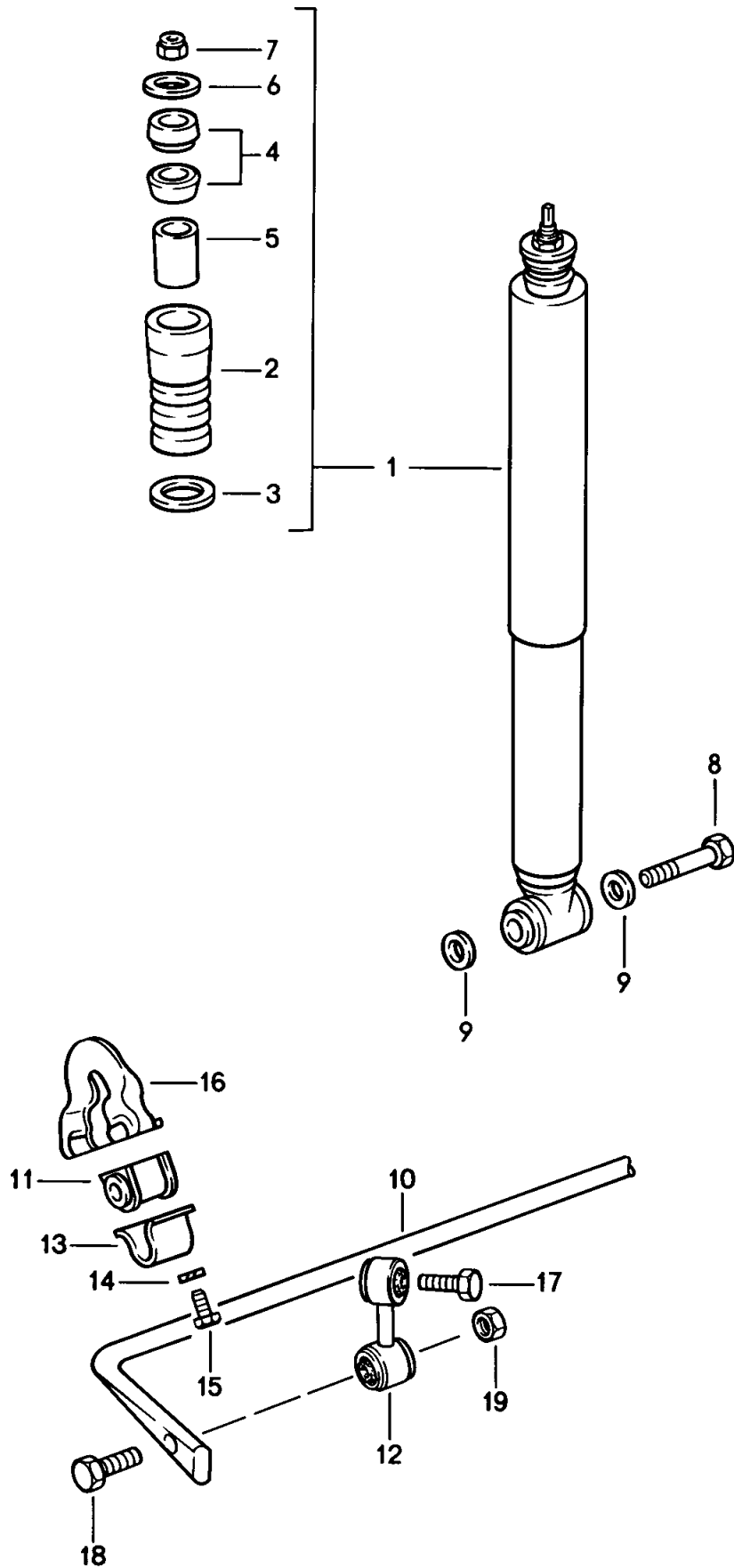
| Pos  | Part Number    | Description                    | Remark | Qty | Model                        |
|------|----------------|--------------------------------|--------|-----|------------------------------|
|      |                |                                |        | 4   | CARRERA<br>M491<br>915.69/70 |
| 7    | 000 043 005 00 | Grease<br>1 90-gramme tube     |        | X   |                              |
| 8    | 999 041 016 01 | Circlip                        |        | 4   | CARRERA<br>915.67/68         |
| 8    | 999 152 084 01 | Circlip                        |        | 4   | TURBO<br>930.34/36           |
|      |                |                                |        | 4   | CARRERA<br>M491<br>915.69/70 |
| 9    | 928 332 097 00 | Joint flange                   |        | 4   | TURBO<br>930.34              |
|      |                |                                |        | 4   | CARRERA<br>M491<br>915.69/70 |
| 9    | 928 332 097 03 | Joint flange                   |        | 4   | TURBO<br>930.34              |
|      |                |                                |        | 4   | CARRERA<br>M491<br>915.69/70 |
| 10   | 901 332 293 12 | Dust bellows                   |        | 4   | TURBO<br>930.34/36           |
|      |                |                                |        | 4   | CARRERA<br>M491<br>915.69/70 |
| 11   | 923 332 037 00 | Dust bellows<br>with<br>Flange |        | 4   | CARRERA<br>915.67/68         |
| 12   | 999 512 315 02 | Clamp                          |        | 4   |                              |
| 12   | 999 512 486 00 | Clamp                          |        | 4   |                              |
| 13   | 923 332 297 00 | Gasket                         |        | 6   | CARRERA<br>915.67/68         |
| 13   | 930 332 297 00 | Gasket                         |        | 4   | TURBO<br>930.34/36           |
|      |                |                                |        | 4   | CARRERA<br>M491<br>915.69/70 |
| 14   | 900 067 211 09 | Pan-head screw<br>M 8 X 50     |        | 24  | CARRERA<br>915.67/68         |
| 14   | 900 067 118 01 | Pan-head screw<br>M 10 X 60    |        | 24  | TURBO<br>930.34/36           |
|      |                |                                |        | 24  | CARRERA<br>M491<br>915.69/70 |
| (14) | 900 067 123 01 | Pan-head screw<br>M 10 X 50    |        | 24  | TURBO<br>930.36/37           |
|      |                |                                |        | 24  | CARRERA<br>M491<br>915.72/73 |
| (14) |                | Pan-head screw<br>M 10 X 50    |        | 12  | CARRERA<br>915.72/73         |
| 14A  | 911 332 191 00 | Plate                          |        | 4   |                              |
| 15   | 901 332 806 00 | Castle nut                     |        | 2   |                              |
| 15   | 901 332 806 01 | Castle nut                     |        | 2   |                              |
| 15A  | 900 910 093 02 | Lock nut<br>Self-locking       |        | 2   |                              |
| 16   | 999 025 046 01 | Washer                         |        | 2   | CARRERA<br>915.67/68         |
|      |                |                                |        | 2   | TURBO<br>930.34/36<br>930.37 |

Model: 911 84 Model life 1984>>1986

| Pos | Part Number    | Description                           | Remark | Qty | Model                                      |
|-----|----------------|---------------------------------------|--------|-----|--|
|     |                |                                       |        | 2   | CARRERA<br>M491<br>915.69/70/72<br>915.73  |
| 16A | 928 331 591 02 | Washer                                |        | 2   | CARRERA<br>915.72/73                       |
| 17  | N 012 538 1    | Cotter pin<br>4 X 40                  |        | 2   |  |
| 18  | 928 332 924 02 | Repair kit<br>Dust bellows            |        | X   | CARRERA<br>915.72/73<br>TURBO<br>930.36/37 |
| 18  | 000 043 301 08 | Repair kit                            |        | X   |  |
| 19  | 997 332 267 00 | Lid                                   |        | 1   |  |
| 20  | 999 152 084 01 | Circlip                               |        | 1   |  |
| 21  | 911 332 257 00 | Clip                                  |        | 1   |  |
| 22  |                | Dust bellows                          |        | 1   |  |
| 23  | 928 332 257 01 | Clip                                  |        | 1   |  |
| 24  | 000 043 005 00 | Grease<br>Optimoly                    |        | 1   |  |
| 25  | 911 332 923 00 | Repair kit<br>Constant-velocity joint |        | 1   | CARRERA<br>915.72/73<br>TURBO<br>930.36/37 |
|     |                | Comprising:<br>Joint                  |        | 1   |  |
| -   | 000 043 005 00 | Grease<br>Optimoly<br>90 GR.          |        | 1   |  |

Model: 911 84

Model life 1984>>1986



Model: 911 84 Model life 1984>>1986

| Pos  | Part Number    | Description  | Remark | Qty | Model                   |
|------|----------------|--|--------|-----|-------------------------|
| 1    | 911 333 051 05 | Vibration damper<br>Stabiliser<br>Vibration damper | -85    | 2   | CARRERA                 |
| 1    | 911 333 051 16 | Vibration damper                                   |        | 2   | CARRERA                 |
| (1)  | 911 333 051 06 | Vibration damper<br>- boge -                       | 86-    | 2   | CARRERA                 |
| (1)  | 911 333 051 17 | Vibration damper                                   | 86-    | 2   | CARRERA                 |
| (1)  | 911 333 051 07 | Vibration damper                                   |        | 2   | CARRERA<br>M491<br>M474 |
| 1    | 911 333 051 49 | Vibration damper                                   |        | 2   | TURBO                   |
| 1    | 911 333 051 60 | Vibration damper<br>- bilstein -                   |        | 2   | TURBO                   |
| 2    | 911 333 301 04 | Additional spring                                  |        | 2   |                         |
| 3    | 911 333 511 00 | Washer   |        | 2   | TURBO                   |
| 4    | 911 333 521 00 | Rubber mounting                                    |        | 4   |                         |
| 5    | 911 333 522 00 | Articulated bush                                   |        | 2   |                         |
| 6    | 911 333 523 00 | Washer   |        | 2   | TURBO                   |
| 7    | 900 084 013 02 | Lock nut<br>M 10 X 1                               |        | 2   |                         |
| 8    | 900 082 054 02 | Hexagon-head bolt<br>M 14 X 1,5 X 85               |        | 2   | CARRERA                 |
| (8)  | 900 082 051 01 | Hexagon-head bolt<br>M 14 X 1,5 X 90               |        | 2   | TURBO                   |
|      |                |  |        | 2   | CARRERA<br>M491         |
| 9    | 999 025 062 02 | Washer   |        | 2   | CARRERA                 |
| 9    |                | Washer   |        | 4   | TURBO                   |
|      |                |  |        | 4   | CARRERA<br>M491         |
| 10   | 911 333 701 07 | Stabiliser<br>18 MM                                | 85     | 1   | CARRERA                 |
| (10) | 911 333 701 10 | Stabiliser<br>21 MM                                | 86-    | 1   | CARRERA                 |
| 10   | 930 333 701 23 | Stabiliser<br>18 MM                                | 84     | 1   | TURBO                   |
| (10) | 930 333 701 25 | Stabiliser<br>20 MM                                | 85-    | 1   | TURBO                   |
| (10) | 930 333 701 29 | Stabiliser<br>20 MM                                | 85-    | 1   | TURBO                   |
| 11   | 477 411 313 B  | Stabiliser mounting<br>18 MM                       | -85    | 2   | CARRERA                 |
| 11   | 477 411 313 N  | Stabiliser mounting<br>18 MM                       |        | 2   | CARRERA                 |
| (11) | 477 411 313 D  | Stabiliser mounting<br>21 MM                       | 86-    | 2   | CARRERA                 |
| (11) | 477 411 313 M  | Stabiliser mounting<br>21 MM                       | 86-    | 2   | CARRERA                 |
| (11) | 477 411 313 B  | Stabiliser mounting<br>18 MM                       | 84     | 2   | TURBO                   |
| (11) | 477 411 313 N  | Stabiliser mounting<br>18 MM                       | 84-    | 2   | TURBO                   |
| (11) | 477 411 313 C  | Stabiliser mounting<br>20 MM                       | 85-    | 2   | TURBO                   |
| 12   | 930 333 071 00 | Stabiliser mounting                                | /L     | 1   |                         |
| 12   | 930 333 071 01 | Stabiliser mounting                                | /L     | 1   |                         |
| (12) | 930 333 072 00 | Stabiliser mounting                                | /R     | 1   |                         |
| (12) | 930 333 072 01 | Stabiliser mounting                                | /R     | 1   |                         |
| 13   | 113 411 333    | Retaining bar                                      |        | 2   |                         |
| 14   | 900 027 015 02 | Lock ring<br>B 8                                   |        | 4   |                         |
| 14   | 900 027 015 03 | Lock ring<br>B 8                                   |        | 4   |                         |

Model: 911 84

Model life 1984&gt;&gt;1986

| Pos | Part Number        | Description                          | Remark | Qty | Model |
|-----|--------------------|--------------------------------------|--------|-----|-------|
| 14  | 900 027 015 02     | Lock ring<br>B 8                     |        | 4   |       |
| 14  | 900 027 015 03     | Lock ring<br>B 8                     |        | 4   |       |
| 15  | N 010 239 11       | Hexagon-head bolt<br>M 8 X 18        |        | 4   |       |
| 15  | N 010 239 30       | Hexagon-head bolt<br>M 8 X 18        |        | 4   |       |
| 15  | N 010 239 11       | Hexagon-head bolt<br>M 8 X 18        |        | 4   |       |
| 15  | N 010 239 30       | Hexagon-head bolt<br>M 8 X 18        |        | 4   |       |
| 16  | 911 501 180 02     | Bracket                              |        | 2   |       |
| 16  | 911 501 983 00     | Bracket                              |        | 2   |       |
| 16  | 911 501 983 00 GRV | Bracket<br>Prime coated              |        | 2   |       |
| 17  | N 010 156 3        | Hexagon-head bolt<br>M 12 X 1,5 X 70 |        | 2   |       |
| 18  | 900 082 035 02     | Hexagon-head bolt<br>M 12 X 1,5 X 60 |        | 2   |       |
| 19  | 900 910 046 02     | Lock nut<br>VM 12 X 1,5              |        | 2   |       |
| 19  | 999 084 439 09     | Lock nut<br>VM 12 X 1,5              |        | 2   |       |
| 19  | 999 084 445 09     | Lock nut<br>VM 12 X 1,5              |        | 2   |       |
| 19  | 999 084 445 01     | Lock nut<br>VM 12 X 1,5              |        | 2   |       |

Model: 911 84

Model life 1984>>1986



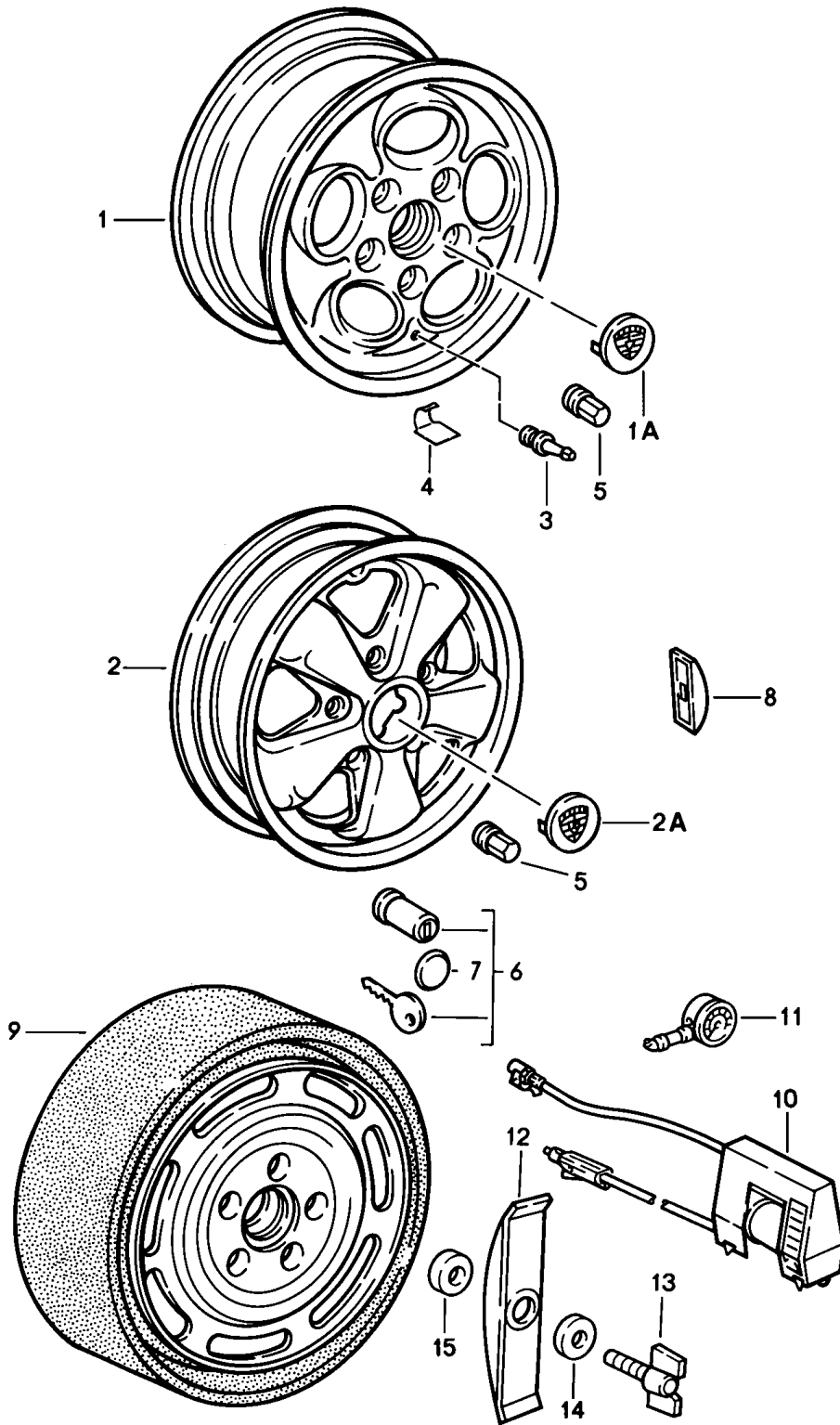


Model: 911 84 Model life 1984>>1986

| Pos | Part Number    | Description  | Remark | Qty | Model                             |
|-----|----------------|--|--------|-----|-----------------------------------|
| >>  | 928 332 924 02 | Repair kits<br>Repair kit<br>Dust bellows<br>Comprising: |        | 4   | CARRERA<br>915.72/73<br>930.36/37 |
| >>  | 000 043 301 08 | Repair kit<br>Dust bellows<br>Comprising:                |        | 4   | Carrera<br>915.72/73<br>930.36/37 |
| -   | 997 332 267 00 | Lid  |        | 1   |                                   |
| -   | 999 152 084 01 | Circlip  |        | 1   |                                   |
| -   | 911 332 257 00 | Clip<br>\$ 73 MM   |        | 1   |                                   |
| -   | 928 332 257 01 | Dust bellows<br>Clip<br>\$ 34 MM                         |        | 1   |                                   |
| -   | 000 043 005 00 | Grease<br>Optimoly<br>90 GR.                             |        | 1   |                                   |
| -   | 911 332 923 00 | Repair kit<br>Constant-velocity joint                    |        | 2   | CARRERA<br>G15.72/73              |
| >>  |                | Repair kit<br>Constant-velocity joint<br>Comprising:     |        | 4   | TURBO<br>G30.36/37<br>G15.72/73   |
| -   | 000 043 005 00 | Constant-velocity joint<br>Grease<br>Optimoly<br>90 GR.  |        | 1   |                                   |
| >>  | 911 332 923 01 | Repair kit<br>Constant-velocity joint                    |        | 2   | CARRERA<br>G15.72/73              |
| >>  |                | Repair kit<br>Constant-velocity joint<br>Comprising:     |        | 4   | TURBO<br>G30.36/37<br>G15.72/73   |
| -   | 997 332 267 00 | Constant-velocity joint<br>Lid                           |        | 1   |                                   |
| -   | 999 152 084 01 | Circlip  |        | 1   |                                   |
| -   | 911 332 257 00 | Dust bellows<br>Clip<br>\$ 73 MM                         |        | 1   |                                   |
| -   | 928 332 257 01 | Clip<br>\$ 34 MM   |        | 1   |                                   |
| -   | 000 043 005 00 | Grease<br>Optimoly<br>90 GR.                             |        | 1   |                                   |

Model: 911 84

Model life 1984>>1986



Model: 911 84 Model life 1984>>1986

| Pos  | Part Number    | Description  | Remark | Qty | Model   |
|------|----------------|--|--------|-----|---------|
| 1    | 911 361 023 46 | Wheels<br>Alloy wheel<br>6 J X 15<br>ET = 36,0<br>Cast<br>Silver metallic                            |        | 2   | CARRERA |
| 1    | 951 362 104 00 | Alloy wheel<br>7 J X 15<br>ET = 23,3<br>Cast<br>Silver metallic                                      |        | 2   | CARRERA |
| 1A   | 928 361 032 01 | Hub cap<br>Silver metallic   |        | 4   | CARRERA |
| (1A) | PCG 361 032 01 | Hub cap<br>Silver metallic<br>Porsche crest<br>Black   |        | 4   | CARRERA |
| (1A) | PCG 361 032 02 | Hub cap<br>Silver metallic<br>Porsche crest<br>Black   |        | 4   | CARRERA |
| 2    | 911 361 020 41 | Alloy wheel<br>7 J X 15<br>ET = 23,3<br>Forged aluminium alloy<br>Black star<br>Rim flange polished  |        | 2   |         |
| 2    | 911 361 020 50 | Alloy wheel<br>7 J X 15<br>ET = 23,3<br>Forged aluminium alloy<br>Black star<br>Rim flange polished  |        | 2   |         |
| 2    | 911 361 020 93 | Alloy wheel<br>7 J X 15<br>ET = 23,3<br>Forged aluminium alloy<br>Unvarnished<br>Rim flange polished |        | 2   |         |
| 2    | 911 361 020 42 | Alloy wheel<br>8 J X 15<br>ET = 10,6<br>Forged aluminium alloy<br>Black star<br>Rim flange polished  |        | 2   |         |
| 2    | 911 361 020 94 | Alloy wheel<br>8 J X 15<br>ET = 10,6<br>Forged aluminium alloy<br>Unvarnished<br>Rim flange polished |        | 2   |         |
| 2    | 911 362 113 00 | Alloy wheel<br>6 J X 16<br>Forged aluminium alloy<br>Black star<br>Rim flange polished               | -84    | 2   | CARRERA |
| (2)  |                | Alloy wheel<br>6 J X 16<br>ET = 36,0<br>Forged aluminium alloy<br>Black star<br>Rim flange polished  | 85-    | 2   | CARRERA |

Model: 911 84 Model life 1984>>1986

| Pos | Part Number    | Description   | Remark | Qty    | Model                    |
|-----|----------------|---|--------|--------|--------------------------|
| 2   | 911 361 020 97 | Perforated disc wheel<br>6 J X 16<br>Forged aluminium alloy<br>Unvarnished<br>Rim flange polished       | -84    | 2      | CARRERA                  |
| (2) | 911 362 113 90 | Alloy wheel<br>6 J X 16<br>ET = 36,0<br>Forged aluminium alloy<br>Unvarnished<br>Rim flange polished    | 85-    | 2      | CARRERA                  |
| (2) | 911 362 113 00 | Alloy wheel<br>6 J X 16<br>ET = 36,0<br>Forged aluminium alloy<br>Unvarnished<br>Rim flange polished    | 85-    | 2      | CARRERA                  |
| 2   | 911 362 115 00 | Alloy wheel<br>7 J X 16<br>Forged aluminium alloy<br>Black star<br>Rim flange polished                  | -84    | 2      |                          |
| 2   | 911 362 115 07 | Alloy wheel<br>7 J X 16<br>Forged aluminium alloy<br>Black star<br>Rim flange polished                  |        | 2      |                          |
| (2) | 911 362 115 00 | Alloy wheel<br>7 J X 16<br>ET = 23,3<br>Forged aluminium alloy<br>Black star<br>Rim flange polished     | 85-    | 2      |                          |
| (2) | 911 362 115 07 | Alloy wheel<br>7 J X 16<br>ET = 23,3<br>Forged aluminium alloy<br>Black star<br>Rim flange polished     | 85-    | 2      |                          |
| 2   | 911 362 115 90 | Alloy wheel<br>7 J X 16<br>ET = 23,3<br>Forged aluminium alloy<br>Unvarnished<br>Rim flange polished    | -84    | 2      |                          |
| (2) |                | Alloy wheel<br>7 J X 16<br>ET = 23,3<br>Forged aluminium alloy<br>Unvarnished<br>Rim flange polished    | 85-    | 2      |                          |
| 2   | 911 362 117 00 | Alloy wheel<br>8 J X 16<br><br>ET = 10,6<br>Forged aluminium alloy<br>Black star<br>Rim flange polished | -84    | 2<br>2 | TURBO<br>CARRERA<br>M491 |
| 2   | 911 362 117 03 | Alloy wheel<br>8 J X 16<br><br>ET = 10,6<br>Forged aluminium alloy                                      |        | 2<br>2 | TURBO<br>CARRERA<br>M491 |

Model: 911 84 Model life 1984>>1986

| Pos | Part Number    | Description   | Remark | Qty    | Model                    |
|-----|----------------|---|--------|--------|--------------------------|
| (2) | 911 362 117 00 | Black star<br>Rim flange polished<br>Alloy wheel<br>8 J X 16<br>ET = 10,6<br>Forged aluminium alloy             | 85-    | 2<br>2 | TURBO<br>CARRERA<br>M491 |
| (2) | 911 362 117 03 | Black star<br>Rim flange polished<br>Alloy wheel<br>8 J X 16<br>ET = 10,6<br>Forged aluminium alloy             | 85-    | 2<br>2 | TURBO<br>CARRERA<br>M491 |
| 2   | 911 361 020 99 | Black star<br>Rim flange polished<br>Perforated disc wheel<br>8 J X 16<br>Forged aluminium alloy<br>Unvarnished | -84    | 2<br>2 | TURBO<br>CARRERA<br>M491 |
| (2) | 911 362 117 90 | Rim flange polished<br>Alloy wheel<br>8 J X 16<br>Forged aluminium alloy<br>Unvarnished                         | 85     | 2<br>2 | TURBO<br>CARRERA<br>M491 |
| (2) | 911 362 117 00 | Rim flange polished<br>Alloy wheel<br>8 J X 16<br>Forged aluminium alloy<br>Unvarnished                         | 85-    | 2<br>2 | TURBO<br>CARRERA<br>M491 |
| (2) | 911 362 117 03 | Rim flange polished<br>Alloy wheel<br>8 J X 16<br>Forged aluminium alloy<br>Unvarnished                         | 85-    | 2<br>2 | TURBO<br>CARRERA<br>M491 |
| (2) | 911 362 119 90 | Rim flange polished<br>Perforated disc wheel<br>9 J X 16<br>ET = 15,0<br>Forged aluminium alloy<br>Unvarnished  | 86-    | 2<br>2 | TURBO<br>CARRERA<br>M491 |
| (2) | 911 362 119 00 | Rim flange polished<br>Alloy wheel<br>9 J X 16<br>Forged aluminium alloy  | 86-    | 2<br>2 | TURBO<br>CARRERA<br>M491 |
| (2) | 911 362 119 03 | Black star<br>Rim flange polished<br>ET = 15,0<br>Alloy wheel<br>9 J X 16<br>Forged aluminium alloy             | 86-    | 2<br>2 | TURBO<br>CARRERA<br>M491 |
| -   | 951 362 114 00 | Black star<br>Rim flange polished<br>ET = 15,0<br>Alloy wheel<br>7 J X 16<br>for winter use                     | /V     | 2<br>2 | TURBO<br>CARRERA<br>M491 |
| -   | 951 362 116 00 | Alloy wheel<br>8 J X 16<br>for winter use   | /H     | 2<br>2 | TURBO<br>CARRERA<br>M491 |
| 2A  | 911 361 032 28 | Hub cap<br>Black  |        | 4      |                          |
| 2A  | SOW 911 038 11 | Hub cap<br>Black<br>Crest   |        | 4      |                          |

Model: 911 84 Model life 1984>>1986

| Pos  | Part Number    | Description                         | Remark | Qty | Model |
|------|----------------|-------------------------------------|--------|-----|-------|
| 2A   | 911 361 032 29 | Coloured<br>Hub cap                 |        | 4   |       |
| 2A   | 911 361 032 32 | Grand prix white<br>Hub cap         |        | 4   |       |
| 2A   | 911 361 032 30 | Grand prix white<br>Hub cap         |        | 4   |       |
| (2A) | 911 361 032 31 | Platinum-metallic<br>Hub cap        |        | 4   |       |
| (2A) | 911 361 032 33 | White gold metallic<br>Hub cap      |        | 4   |       |
| 3    | 900 265 001 50 | White gold metallic<br>Rubber valve |        | 4   |       |
| 3    | 900 265 001 51 | Rubber valve                        |        | 4   |       |
| 4    | 965 361 561 00 | Valve support                       |        | 4   |       |
| 5    | 999 182 003 36 | Wheel nut                           |        | 20  |       |
| (5)  | 928 361 306 01 | Wheel nut                           | -85    | 4   |       |
| (5)  | 928 361 306 03 | Lockable without lock<br>Wheel nut  | 86     | 4   |       |
| (6)  | 928 361 047 03 | Lockable without lock<br>Wheel nut  |        | 1   |       |
| (6)  | 965 361 955 00 | Set<br>Lockable<br>Wheel nut        |        | 1   |       |
| (6)  | 968 361 955 00 | Set<br>Lockable<br>Wheel nut        |        | 1   |       |
| (6)  | 993 361 057 00 | Set<br>Lockable<br>Wheel nut        |        | 1   |       |
| 7    | 928 361 310 00 | Cap                                 | 85     | 4   |       |
| 7    | 965 361 167 00 | Cap                                 |        | 4   |       |
| 8    | 901 361 410 50 | Balance stick-on weight<br>5 GR.    |        | X   |       |
| 8    | 901 361 410 00 | Balance stick-on weight<br>10 GR.   |        | X   |       |
| 8    | 901 361 411 50 | Balance stick-on weight<br>15 GR.   |        | X   |       |
| 8    | 901 361 411 00 | Balance stick-on weight<br>20 GR.   |        | X   |       |
| 8    | 901 361 412 50 | Balance stick-on weight<br>25 GR.   |        | X   |       |
| 8    | 901 361 412 00 | Balance stick-on weight<br>30 GR.   |        | X   |       |
| 8    | 901 361 413 50 | Balance stick-on weight<br>35 GR.   |        | X   |       |
| 8    | 901 361 413 00 | Balance stick-on weight<br>40 GR.   |        | X   |       |
| 8    | 901 361 414 50 | Balance stick-on weight<br>45 GR.   |        | X   |       |
| 8    | 901 361 414 00 | Balance stick-on weight<br>50 GR.   |        | X   |       |
| 8    | 901 361 415 50 | Balance stick-on weight<br>55 GR.   |        | X   |       |
| 8    | 901 361 415 00 | Balance stick-on weight<br>60 GR.   |        | X   |       |
| 8    | 901 361 416 50 | Balance stick-on weight<br>65 GR.   |        | X   |       |
| 8    | 901 361 416 00 | Balance stick-on weight<br>70 GR.   |        | X   |       |
| 8    | 901 361 417 50 | Balance stick-on weight<br>75 GR.   |        | X   |       |

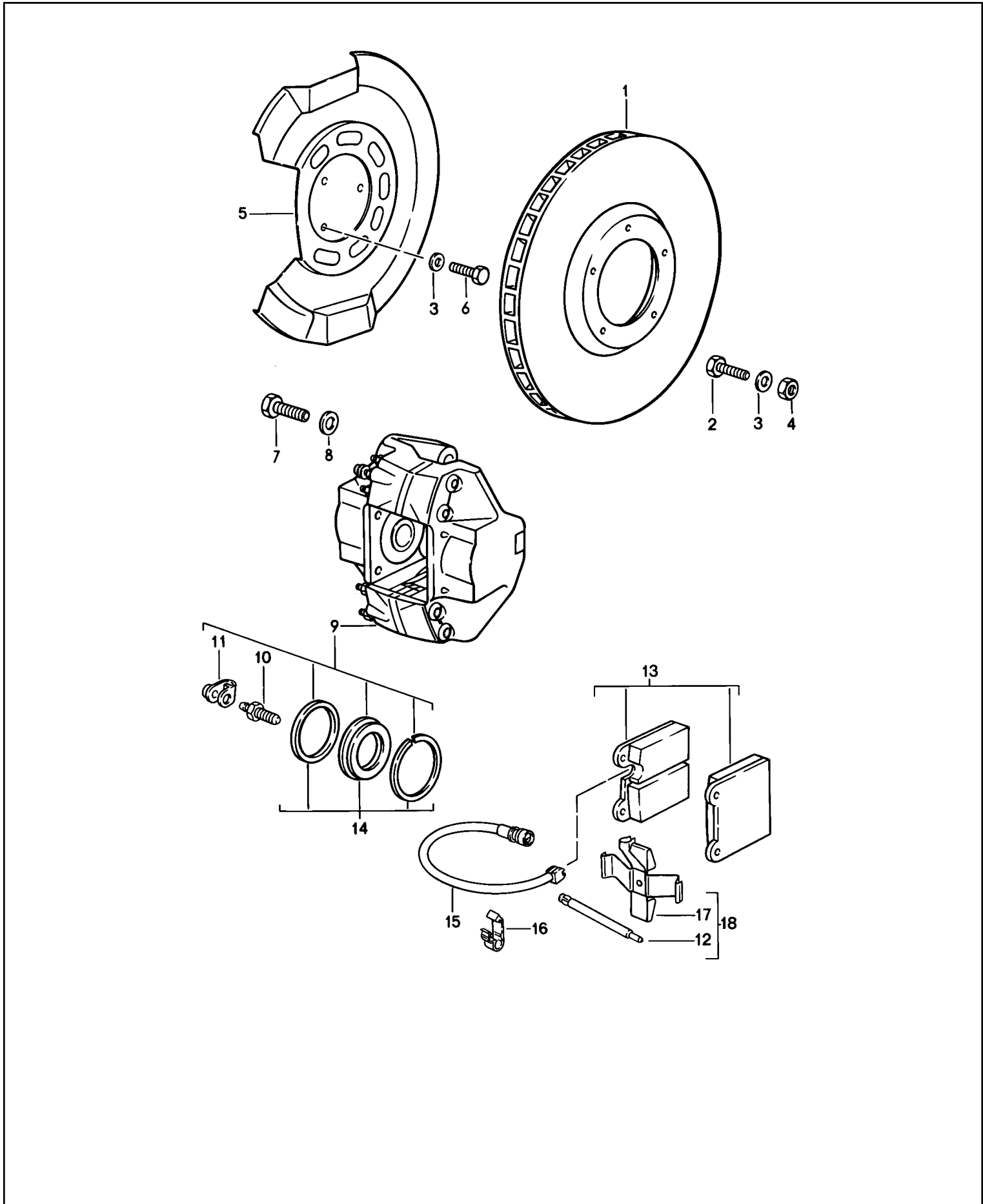
Model: 911 84

Model life 1984&gt;&gt;1986

| Pos  | Part Number    | Description   | Remark | Qty | Model |
|------|----------------|---|--------|-----|-------|
| 8    | 901 361 417 00 | Balance stick-on weight<br>80 GR.                           |        | X   |       |
| 9    | 911 361 028 12 | Emergency wheel<br>with collapsible tire                    | 84     | 1   |       |
| 9    | 928 362 030 02 | Emergency wheel<br>with collapsible tire                    |        | 1   |       |
| (10) | 911 652 052 00 | Small electric compressor                                   |        | 1   |       |
| (10) | 964 652 052 00 | Small electric compressor                                   |        | 1   |       |
| (10) | 964 652 053 00 | Compressor  |        | 1   |       |
| (10) | 993 652 053 00 | Compressor  |        | 1   |       |
| (10) | 996 652 053 00 | Compressor  |        | 1   |       |
| (10) | 997 652 051 00 | Compressor  |        | 1   |       |
| (10) | 997 652 055 00 | Compressor  |        | 1   |       |
| -    | 996 361 521 00 | Boot<br>for<br>Impeller                                     |        | 1   |       |
| 11   | 911 722 202 00 | Tyre pressure gauge<br>Porsche<br>Classic<br>mit Lederhülle |        | 1   |       |
| 12   | 911 361 633 01 | Clamping bow  |        | 1   |       |
| 13   | 999 074 106 02 | Wing screw<br>M 8 X 25                                      |        | 1   |       |
| 14   | 900 151 008 02 | Washer<br>B 8,4   |        | 1   |       |
| 15   | 803 813 583    | Washer  |        | 1   |       |

Model: 911 84

Model life 1984>>1986





Model: 911 84 Model life 1984>>1986

| Pos  | Part Number    | Description   | Remark | Qty | Model   |
|------|----------------|---|--------|-----|---------|
|      |                | Brake<br>Front axle<br>See technical information<br>GR.4, NR. 4/99        |        |     | CARRERA |
| 1    | 911 351 041 22 | Brake disc  |        | 2   |         |
| 2    | 900 075 079 02 | Hexagon-head bolt<br>M 8 X 22   |        | 10  |         |
| 3    | N 012 241 8    | Spring washer<br>B 8  |        | 10  |         |
| 4    | 900 076 025 02 | Hexagon nut<br>M 8  |        | 10  |         |
| 4    | 900 076 064 02 | Hexagon nut<br>M 8  |        | 10  |         |
| 5    | 901 351 801 17 | Protective plate  |        | 2   |         |
| 6    | N 010 235 3    | Hexagon-head bolt<br>M 8 X 10   |        | 6   |         |
| 7    | 900 083 023 02 | Hexagon-head bolt<br>M 12 X 1,5 X 35                                      |        | 4   |         |
| 7    | 900 083 023 03 | Hexagon-head bolt<br>M 12 X 1,5 X 35                                      |        | 4   |         |
| 8    | N 012 232 1    | Spring washer<br>B 12   |        | 4   |         |
| 8    | 900 028 014 02 | Washer<br>B 12  |        | 4   |         |
| 8    | 900 028 014 03 | Washer<br>B 12  |        | 4   |         |
| 9    | 911 351 425 03 | Fixed calliper<br>without pad   | /L     | 1   |         |
| 9    | 911 351 426 03 | Fixed calliper<br>without pad   | /R     | 1   |         |
| 10   | 911 351 919 02 | Ventilation valve   |        | 2   |         |
| 11   | 944 351 959 00 | Dust boot   |        | 2   |         |
| 12   | 911 351 923 00 | Retaining pin   |        | 4   |         |
| (13) | 911 351 950 00 | Brake pad repair set  |        | 1   |         |
| 13   | 911 351 950 01 | Brake pad repair set  |        | 1   |         |
| 13   | 911 351 950 06 | Brake pad repair set<br>- textar -<br>Use also:<br>993.612.965.00         |        | 2   |         |
| 13   | 911 351 950 08 | Brake pad repair set<br>- textar -<br>Use also:<br>993.612.965.02         |        | 1   |         |
| 14   | 911 351 946 00 | Gasket set  |        | 2   |         |
| 15   | 944 612 211 00 | Warning contact   |        | 1   |         |
| 15   | 944 612 211 05 | Warning contact   |        | 2   |         |
| (15) | 993 612 965 00 | Brake pad wear indicator<br>for<br>Brake pad repair set<br>911.351.950.06 |        | 2   |         |
| (15) | 993 612 965 01 | Brake pad wear indicator<br>for<br>Brake pad repair set<br>911.351.950.06 |        | 2   |         |
| (15) | 993 612 965 02 | Brake pad wear indicator<br>for<br>Brake pad repair set<br>911.351.950.08 |        | 2   |         |
| -    | 000 043 205 13 | Use also:<br>Sealing compound<br>SILASTIC 732 RTV<br>90 ML                |        | 1   |         |
| 16   | 944 612 627 00 | Line bracket  |        | 2   |         |

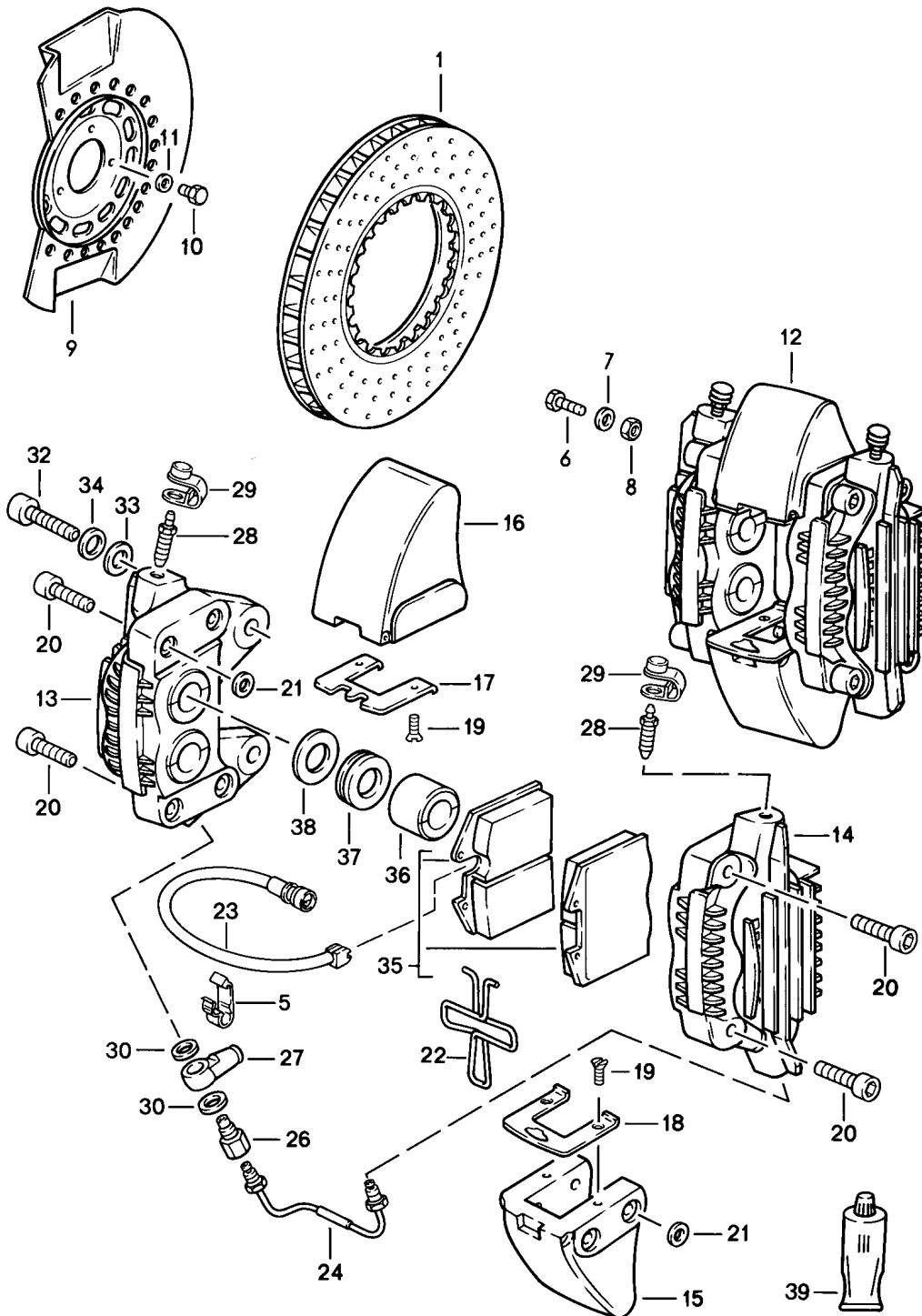
Model: 911 84

Model life 1984>>1986

| Pos | Part Number    | Description | Remark | Qty | Model |
|-----|----------------|-------------|--------|-----|-------|
| 17  | 911 351 951 01 | Parts kit   |        | 2   |       |
| 18  |                | Parts kit   |        | 1   |       |

Model: 911 84

Model life 1984>>1986



Model: 911 84

Model life 1984>>1986

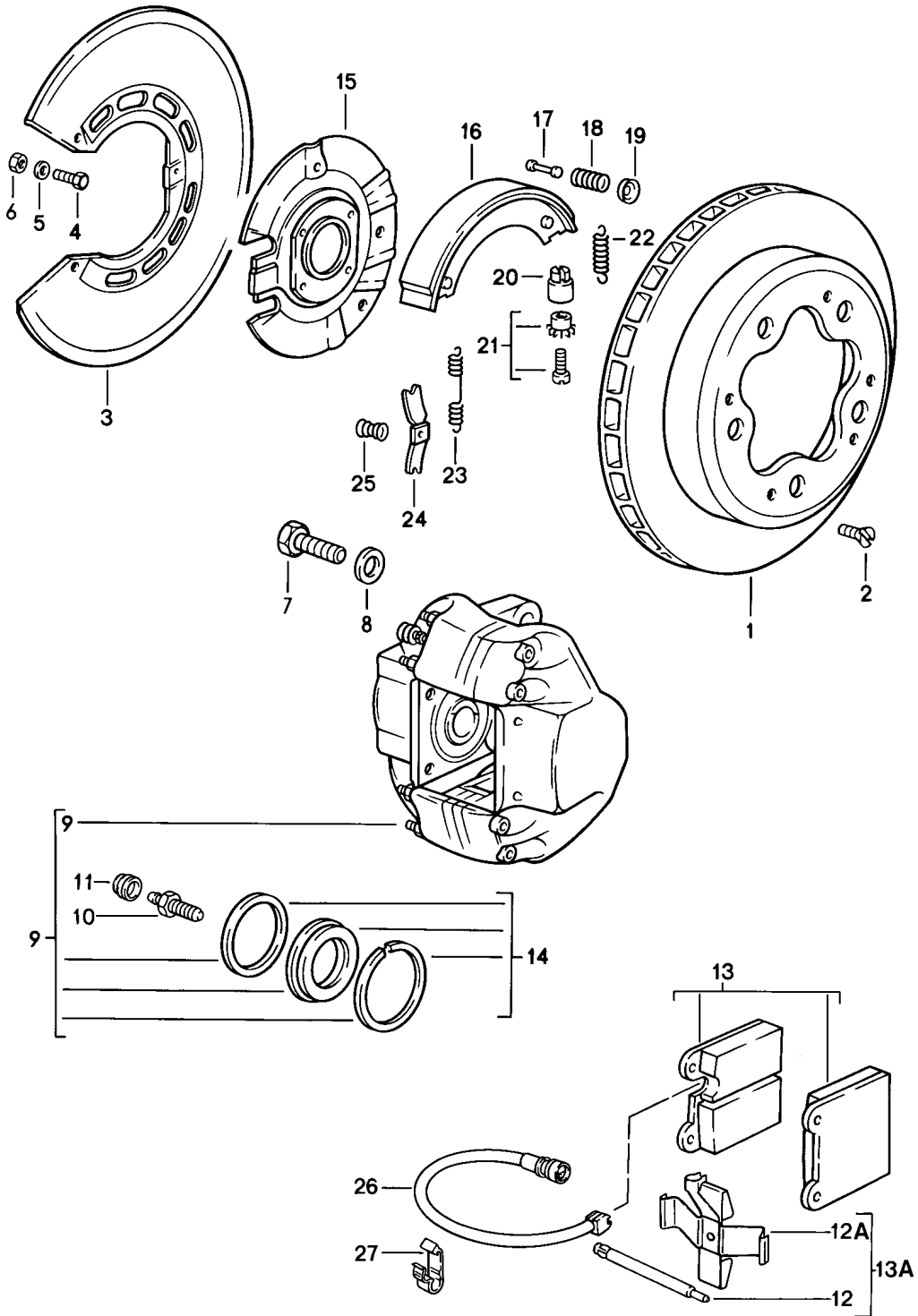
| Pos  | Part Number    | Description  | Remark | Qty | Model                    |
|------|----------------|--|--------|-----|--------------------------|
|      |                | Brake<br>Front axle                                    |        |     | TURBO<br>CARRERA<br>M491 |
| 1    | 930 351 047 01 | Brake disc   | /L     | 1   |                          |
| (1)  | 930 351 048 01 | Brake disc   | /R     | 1   |                          |
| 5    | 944 612 627 00 | Line bracket   |        | 2   |                          |
| 6    | 900 075 079 02 | Hexagon-head bolt<br>M 8 X 22                          |        | 10  |                          |
| 7    | N 012 241 8    | Spring washer<br>B 8                                   |        | 10  |                          |
| 8    | 900 076 025 02 | Hexagon nut<br>M 8                                     |        | 10  |                          |
| 8    | 900 076 064 02 | Hexagon nut<br>M 8                                     |        | 10  |                          |
| 9    | 930 351 803 01 | Protective plate                                       |        | 2   |                          |
| 10   | N 010 235 3    | Hexagon-head bolt<br>M 8 X 10                          |        | 6   |                          |
| 11   | N 012 241 8    | Spring washer<br>B 8                                   |        | 6   |                          |
| 12   | 930 351 091 03 | Brake calliper<br>without pad                          | /L     | 1   |                          |
| (12) | 930 351 092 03 | Brake calliper<br>without pad                          | /R     | 1   |                          |
| 13   | 930 351 951 01 | Fixed calliper<br>Inner part<br>Comprising:<br>Housing | /L 84  | 2   |                          |
|      |                | Inner part   |        | 1   |                          |
|      |                | Sealing ring<br>\$ 38 MM                               |        | 2   |                          |
|      |                | Scraper ring<br>\$ 38 MM                               |        | 2   |                          |
|      |                | Piston<br>\$ 38 MM                                     |        | 2   |                          |
| 13   | 930 351 952 02 | Brake calliper<br>Inner part<br>Comprising:<br>Housing | /L 84- | 2   |                          |
|      |                | Inner part   |        | 1   |                          |
|      |                | Sealing ring<br>\$ 38 MM                               |        | 2   |                          |
|      |                | Scraper ring<br>\$ 38 MM                               |        | 2   |                          |
|      |                | Piston<br>\$ 38 MM                                     |        | 2   |                          |
| 13   | 930 351 951 02 | Fixed calliper<br>Inner part<br>Comprising:<br>Housing | /L 84  | 2   |                          |
|      |                | Inner part   |        | 1   |                          |
|      |                | Sealing ring<br>\$ 38 MM                               |        | 2   |                          |
|      |                | Scraper ring<br>\$ 38 MM                               |        | 2   |                          |
|      |                | Piston<br>\$ 38 MM                                     |        | 2   |                          |
| 14   | 930 351 953 01 | Brake calliper<br>Outer part<br>Comprising:<br>Housing | /R     | 2   |                          |
|      |                | Outer part   |        | 1   |                          |
|      |                | Sealing ring<br>\$ 38 MM                               |        | 2   |                          |

Model: 911 84 Model life 1984>>1986

| Pos  | Part Number    | Description            | Remark | Qty | Model |
|------|----------------|------------------------|--------|-----|-------|
|      |                | Scraper ring           |        | 2   |       |
|      |                | \$ 38 MM               |        |     |       |
|      |                | Piston                 |        | 2   |       |
|      |                | \$ 38 MM               |        |     |       |
| 15   | 930 351 563 04 | Bridge                 |        | 2   |       |
| 16   | 930 351 564 03 | Bridge                 |        | 2   |       |
| 17   | 930 351 541 03 | Spring plate           |        | 2   |       |
| 18   | 930 351 542 03 | Spring plate           |        | 2   |       |
| 19   | 900 269 017 02 | Countersunk-head screw |        | 8   |       |
|      |                | M 5 X 12               |        |     |       |
| 20   | 900 067 170 02 | Pan-head screw         |        | 16  |       |
|      |                | M 12 X 1,5 X 40        |        |     |       |
| 21   | 930 351 580 01 | Spacer sleeve          |        | 16  |       |
| 22   | 951 352 950 00 | Expanding spring       | 84     | 2   |       |
| (22) |                | Expanding spring       | 85-    | 2   |       |
| 23   | 944 612 211 00 | Warning contact        |        | 2   |       |
| 23   | 944 612 211 05 | Warning contact        |        | 2   |       |
| 24   | 930 355 061 01 | Connecting line        | /L     | 1   |       |
| 24   | 930 355 061 04 | Connecting line        | /L     | 1   |       |
| (24) | 930 355 062 01 | Connecting line        | /R     | 1   |       |
| (24) | 930 355 062 04 | Connecting line        | /R     | 1   |       |
| 26   | 999 135 002 02 | Screw socket           | 84     | 2   |       |
| 27   | 999 215 027 02 | Ring fitting           | 84     | 2   |       |
| 27   | 999 215 027 03 | Ring fitting           | 84-    | 2   |       |
| 28   | 930 351 919 00 | Ventilation valve      |        | 4   |       |
| 29   | 930 351 927 00 | Dust boot              |        | 4   |       |
| 29   | 930 351 927 01 | Dust boot              |        | 4   |       |
| 30   | N 013 806 2    | Sealing ring           | 84     | 4   |       |
|      |                | A 10 X 14              |        |     |       |
| 32   | 900 067 170 02 | Pan-head screw         |        | 4   |       |
|      |                | M 12 X 1,5 X 40        |        |     |       |
| 33   | 930 351 553 01 | Spacer                 |        | 4   |       |
| 34   | 900 028 014 02 | Washer                 |        | 4   |       |
|      |                | B 12                   |        |     |       |
| 34   | 900 028 014 03 | Washer                 |        | 4   |       |
|      |                | B 12                   |        |     |       |
| 35   | 930 351 938 05 | Brake pad repair set   |        | 1   |       |
| 35   | 951 351 939 04 | Brake pad repair set   |        | 1   |       |
| 35   | 964 351 939 02 | Brake pad repair set   |        | 1   |       |
| 35   | 964 351 939 03 | Brake pad repair set   |        | 1   |       |
| 36   | 930 351 551 04 | Piston                 |        | 8   |       |
|      |                | \$ 38 MM               |        |     |       |
| 36   |                | Piston                 |        | 8   |       |
|      |                | \$ 38 MM               |        |     |       |
| 37   | 930 351 547 00 | Scraper ring           |        | 8   |       |
| 38   | 930 351 555 01 | Sealing ring           |        | 8   |       |
| 38   |                | Sealing ring           |        | 8   |       |
| 39   | 000 043 020 00 | Optimoly               |        | 1   |       |
|      |                | 1 100-gramme tube      |        |     |       |

Model: 911 84

Model life 1984>>1986



Model: 911 84 Model life 1984>>1986

| Pos | Part Number    | Description            | Remark | Qty | Model   |
|-----|----------------|------------------------|--------|-----|---------|
|     |                | Disc brake             |        |     | CARRERA |
|     |                | Rear axle              |        |     |         |
| 1   | 911 352 041 08 | Brake disc             |        | 2   |         |
| 2   | N 033 167 1    | Countersunk-head screw |        | 4   |         |
|     |                | AM 6 X 12              |        |     |         |
| 2   | 900 269 047 01 | Countersunk-head screw |        | 4   |         |
|     |                | AM 6 X 12              |        |     |         |
| 3   | 911 352 801 20 | Protective plate       |        | 2   |         |
| 4   | 900 075 087 02 | Hexagon-head bolt      |        | 4   |         |
|     |                | M 8 X 16               |        |     |         |
| 4   | 900 075 087 03 | Hexagon-head bolt      |        | 4   |         |
|     |                | M 8 X 16               |        |     |         |
| (4) | N 010 235 3    | Hexagon-head bolt      |        | 2   |         |
|     |                | M 8 X 10               |        |     |         |
| 5   | N 012 241 8    | Spring washer          |        | 6   |         |
|     |                | B 8                    |        |     |         |
| 6   | 900 076 025 02 | Hexagon nut            |        | 4   |         |
|     |                | M 8                    |        |     |         |
| 6   | 900 076 064 02 | Hexagon nut            |        | 4   |         |
|     |                | M 8                    |        |     |         |
| 7   | N 010 137 2    | Hexagon-head bolt      |        | 4   |         |
|     |                | M 12 X 1,5 X 35        |        |     |         |
| 7   | 900 083 073 01 | Hexagon-head bolt      |        | 4   |         |
|     |                | M 12 X 1,5 X 35        |        |     |         |
| 8   | 900 027 017 02 | Lock ring              |        | 4   |         |
|     |                | B 12                   |        |     |         |
| 8   |                | Lock ring              |        | 4   |         |
|     |                | B 12                   |        |     |         |
| 9   | 911 352 425 00 | Fixed calliper         | /L     | 1   |         |
|     |                | without pad            |        |     |         |
| (9) | 911 352 426 00 | Fixed calliper         | /R     | 1   |         |
|     |                | without pad            |        |     |         |
| 10  | 901 352 977 10 | Bleeder valve          |        | 2   |         |
| 11  | 901 351 927 10 | Dust boot              |        | 2   |         |
| 12  | 911 352 923 00 | Retaining pin          |        | 4   |         |
| 12A | 911 352 951 01 | Parts kit              |        | 1   |         |
| 13  | 911 352 950 01 | Brake pad repair set   |        | 1   |         |
| 13  | 911 352 950 04 | Brake pad repair set   |        | 1   |         |
|     |                | - textar -             |        |     |         |
| 13  | 911 352 950 06 | Brake pad repair set   |        | 1   |         |
|     |                | - textar -             |        |     |         |
| 13A | 911 352 951 01 | Parts kit              |        | 1   |         |
|     |                | for                    |        |     |         |
|     |                | Brake pad repair set   |        |     |         |
| 14  | 911 352 905 00 | Gasket set             |        | 2   |         |
|     |                | Handbrake              |        |     |         |
| -   | PCG 352 097 12 | Set of fastening parts |        | 1   |         |
|     |                | Handbrake              |        |     |         |
|     |                | Comprising:            |        |     |         |
| -   | 900 079 012 02 | Castle nut             |        | 2   |         |
| -   | 911 352 090 01 | Expanding bow          |        | 4   |         |
| -   | 911 352 098 01 | Adjusting screw        |        | 2   |         |
| -   | 901 352 932 10 | Return spring          |        | 2   |         |
| -   | 911 352 944 00 | Support bush           |        | 2   |         |
| -   | 901 352 953 12 | Compression spring     |        | 2   |         |
| -   | 901 352 954 10 | Return spring          |        | 2   |         |
| -   | 901 352 955 10 | Concave washer         |        | 4   |         |
| -   | 901 352 957 10 | Compression spring     |        | 4   |         |
| -   | 901 352 959 11 | Roll pin               |        | 4   |         |
| -   | N 012 507 1    | Cotter pin             |        | 2   |         |
| 15  | 911 352 081 30 | Brake mounting plate   |        | 2   |         |
| 16  | 911 352 097 10 | Brake shoe             |        | 4   |         |
| 17  | 901 352 959 10 | Roll pin               |        | 4   |         |

Model: 911 84

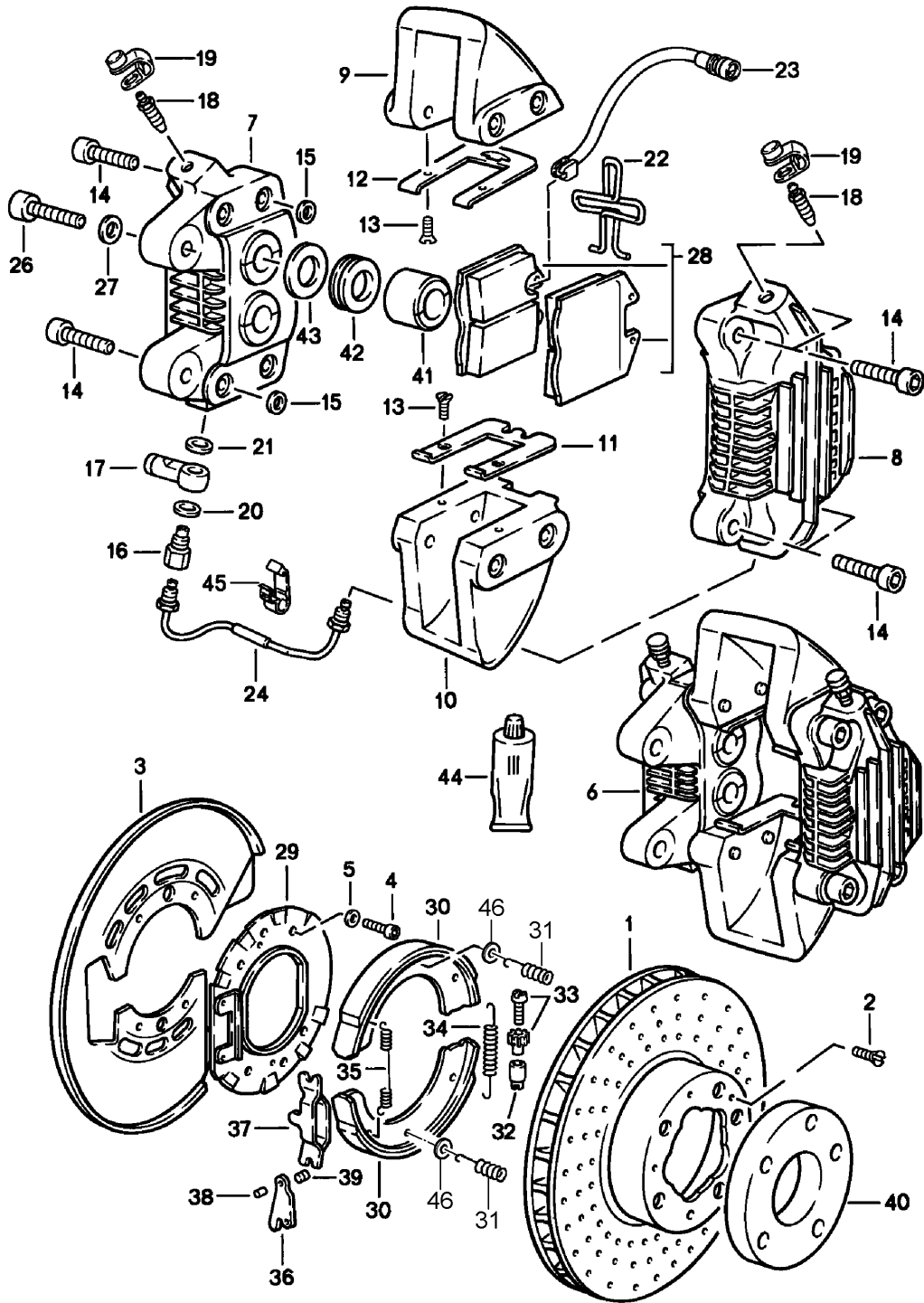
Model life 1984&gt;&gt;1986

| Pos | Part Number    | Description        | Remark | Qty | Model |
|-----|----------------|--------------------|--------|-----|-------|
| 17  | 901 352 959 11 | Roll pin           |        | 4   |       |
| 18  | 901 352 957 10 | Compression spring |        | 4   |       |
| 19  | 901 352 955 10 | Concave washer     |        | 4   |       |
| 20  | 911 352 944 00 | Support bush       |        | 2   |       |
| 21  | 911 352 098 00 | Adjusting screw    |        | 2   |       |
| 21  | 911 352 098 01 | Adjusting screw    |        | 2   |       |
| 22  | 901 352 932 10 | Return spring      |        | 2   |       |
| 23  | 901 352 954 10 | Return spring      |        | 2   |       |
| 24  | 911 352 090 00 | Expanding bow      |        | 4   |       |
| 24  | 911 352 090 01 | Expanding bow      |        | 4   |       |
| 25  | 901 352 953 10 | Compression spring |        | 2   |       |
| 25  | 901 352 953 11 | Compression spring |        | 2   |       |
| 25  | 901 352 953 12 | Compression spring |        | 2   |       |
| 26  | 944 612 211 02 | Warning contact    |        | 2   |       |
| 26  | 944 612 211 03 | Warning contact    |        | 2   |       |
| 27  | 944 612 627 00 | Line bracket       |        | 2   |       |



Model: 911 84

Model life 1984>>1986



Model: 911 84 Model life 1984>>1986

| Pos | Part Number    | Description  | Remark | Qty | Model                    |
|-----|----------------|--|--------|-----|--------------------------|
|     |                | Disc brake<br>Rear axle                                |        |     | TURBO<br>CARRERA<br>M491 |
| 1   | 930 352 045 00 | Brake disc   | /L     | 1   |                          |
| 1   | 930 352 045 01 | Brake disc   | /L     | 1   |                          |
| (1) | 930 352 046 00 | Brake disc   | /R     | 1   |                          |
| (1) | 930 352 046 01 | Brake disc   | /R     | 1   |                          |
| 2   | 900 269 047 01 | Countersunk-head screw<br>M 6 X 12                     |        | 4   |                          |
| 3   | 930 352 801 04 | Protective plate                                       |        | 2   |                          |
| 4   | 900 067 057 02 | Pan-head screw<br>M 8 X 20                             |        | 8   |                          |
| 4   | 900 067 057 03 | Pan-head screw<br>M 8 X 20                             |        | 8   |                          |
| 5   | N 012 241 8    | Spring washer<br>B 8                                   |        | 8   |                          |
| 6   | 930 352 091 03 | Brake calliper<br>without pad                          | /L     | 1   |                          |
| (6) | 930 352 092 03 | Brake calliper<br>without pad                          | /R     | 1   |                          |
| 7   | 930 352 951 01 | Brake calliper<br>Inner part<br>Comprising:<br>Housing | 84     | 2   |                          |
|     |                | Inner part   |        | 1   |                          |
|     |                | Sealing ring<br>\$ 30 MM                               |        | 2   |                          |
|     |                | Scraper ring<br>\$ 30 MM                               |        | 2   |                          |
|     |                | Piston<br>\$ 30 MM                                     |        | 2   |                          |
| (7) | 930 352 092 03 | Brake calliper<br>Comprising:<br>Housing               | /R     | 1   |                          |
|     |                | Inner part   |        | 1   |                          |
|     |                | Sealing ring<br>\$ 30 MM                               |        | 2   |                          |
|     |                | Scraper ring<br>\$ 30 MM                               |        | 2   |                          |
|     |                | Piston<br>\$ 30 MM                                     |        | 2   |                          |
| (7) | 930 352 091 03 | Brake calliper<br>Inner part<br>Comprising:<br>Housing | /L     | 1   |                          |
|     |                | Inner part   |        | 1   |                          |
|     |                | Sealing ring<br>\$ 30 MM                               |        | 2   |                          |
|     |                | Scraper ring<br>\$ 30 MM                               |        | 2   |                          |
|     |                | Piston<br>\$ 30 MM                                     |        | 2   |                          |
| 8   | 930 352 953 01 | Brake calliper<br>Outer part<br>Comprising:<br>Housing |        | 2   |                          |
|     |                | Outer  |        | 1   |                          |
|     |                | Sealing ring<br>\$ 30 MM                               |        | 2   |                          |
|     |                | Scraper ring<br>\$ 30 MM                               |        | 2   |                          |
|     |                | Piston<br>\$ 30 MM                                     |        | 2   |                          |

Model: 911 84 Model life 1984>>1986

| Pos  | Part Number    | Description  | Remark | Qty | Model |
|------|----------------|--|--------|-----|-------|
| 9    | 930 352 563 03 | Bridge   |        | 2   |       |
| 10   | 930 352 564 04 | Bridge   |        | 2   |       |
| 11   | 930 351 539 03 | Spring plate   |        | 2   |       |
| 12   | 930 351 540 03 | Spring plate   |        | 2   |       |
| 13   | 900 269 017 02 | Countersunk-head screw<br>M 5 X 12   |        | 8   |       |
| 14   | 900 067 170 02 | Pan-head screw<br>M 12 X 1,5 X 40  |        | 16  |       |
| 15   | 930 351 580 01 | Spacer sleeve  |        | 16  |       |
| 16   | 999 135 002 02 | Screw socket   | 84     | 2   |       |
| 17   | 999 215 027 02 | Ring fitting   | 84     | 2   |       |
| 17   | 999 215 027 03 | Ring fitting   | 84-    | 2   |       |
| 18   | 930 351 919 00 | Ventilation valve  |        | 4   |       |
| 19   | 930 351 927 00 | Dust boot  |        | 4   |       |
| 19   | 930 351 927 01 | Dust boot  |        | 4   |       |
| 20   | N 013 806 2    | Sealing ring<br>A 10 X 14  | 84     | 2   |       |
| 21   |                | Sealing ring<br>A 10 X 14  | 84     | 2   |       |
| 22   | 951 352 950 00 | Expanding spring   | 84     | 2   |       |
| (22) |                | Expanding spring   | 85-    | 2   |       |
| 23   | 930 612 211 00 | Warning contact  |        | 2   |       |
| 23   | 930 612 211 02 | Warning contact  |        | 2   |       |
| 24   | 930 355 061 01 | Connecting line  | /L     | 1   |       |
| 24   | 930 355 061 04 | Connecting line  | /L     | 1   |       |
| (24) | 930 355 062 01 | Connecting line  | /R     | 1   |       |
| (24) | 930 355 062 04 | Connecting line  | /R     | 1   |       |
| 26   | 900 067 170 02 | Pan-head screw<br>M 12 X 1,5 X 40  |        | 4   |       |
| 27   | 900 028 014 02 | Washer<br>B 12   |        | 4   |       |
| 27   | 900 028 014 03 | Washer<br>B 12   |        | 4   |       |
| 28   | 930 351 938 05 | Brake pad repair set   |        | 1   |       |
| 28   | 951 351 939 04 | Brake pad repair set   |        | 1   |       |
| 28   | 964 351 939 02 | Brake pad repair set   |        | 1   |       |
| 28   | 964 351 939 03 | Brake pad repair set   |        | 1   |       |
|      |                | Handbrake  |        |     |       |
| 29   | 930 352 081 03 | Brake mounting plate   |        | 2   |       |
| 30   | 928 352 097 00 | Brake shoe   |        | 4   |       |
| 30   | 997 352 993 02 | Brake shoe<br>1 set<br>Only together with<br>Washer<br>928.352.963.00<br>Adjusting screw<br>993.352.071.00 |        | 1   |       |
| 31   | 930 352 957 00 | Compression spring   |        | 4   |       |
| 32   | 911 352 944 00 | Support bush   |        | 2   |       |
| 33   | 911 352 098 00 | Adjusting screw  |        | 2   |       |
| 33   | 911 352 098 01 | Adjusting screw  |        | 2   |       |
| 34   | 901 352 932 10 | Return spring  |        | 2   |       |
| 35   | 901 352 954 10 | Return spring  |        | 2   |       |
| 36   | 993 352 073 00 | Push-button lock   |        | 2   |       |
| 37   |                | Push-button lock   |        | 2   |       |
| 38   | 993 352 737 00 | Bolt   |        | 2   |       |
| 39   | 928 352 447 00 | Articulated bolt   |        | 2   |       |
| 40   | 930 331 611 04 | Spacer ring  |        | 2   |       |
| 40   | 930 331 611 06 | Spacer ring  |        | 2   |       |
| 41   | 930 352 555 01 | Piston<br>\$ 30 MM   |        | 8   |       |
| 41   |                | Piston<br>\$ 30 MM   |        | 8   |       |

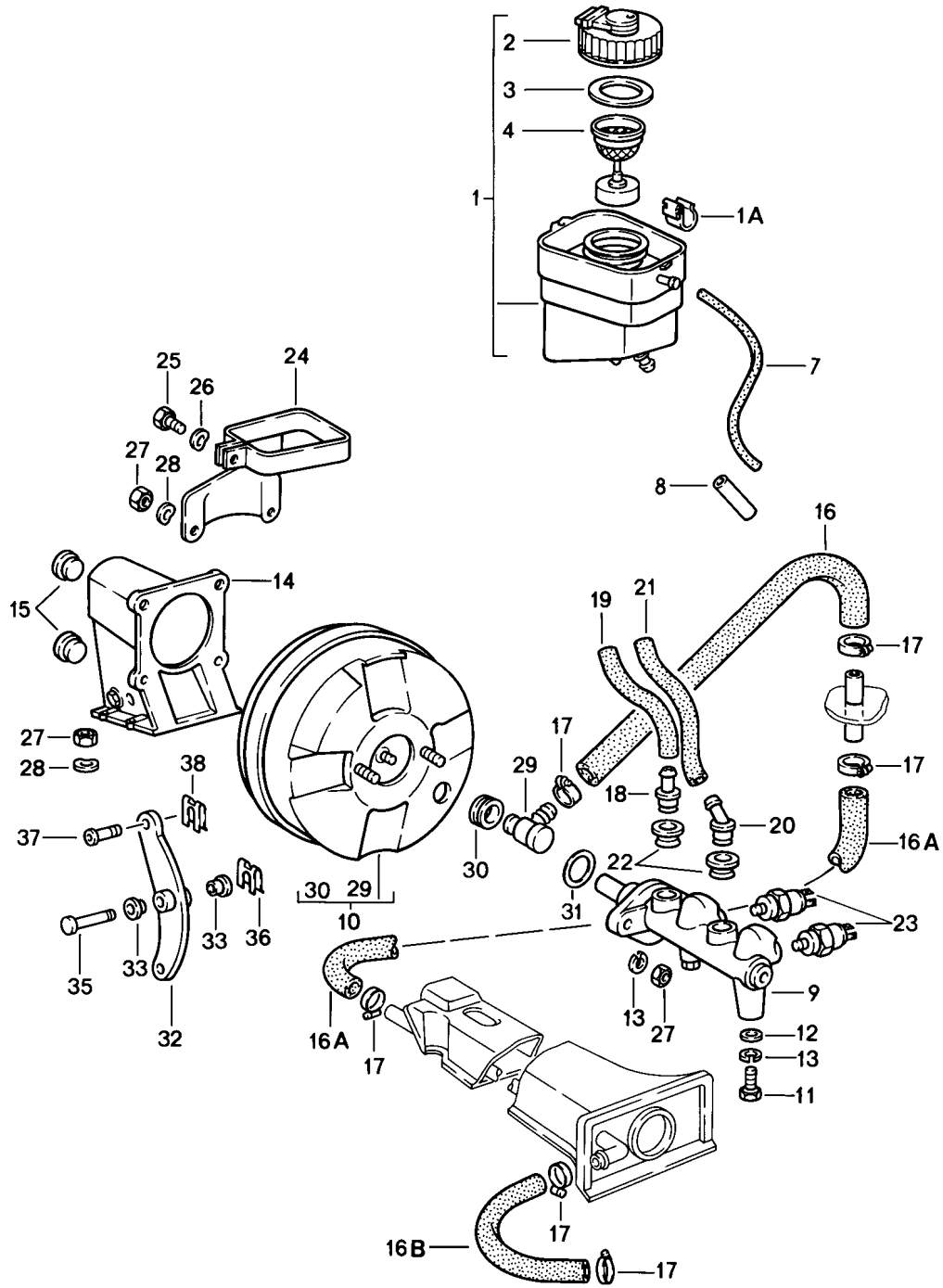
Model: 911 84

Model life 1984>>1986

| Pos | Part Number    | Description        | Remark | Qty | Model |
|-----|----------------|--------------------|--------|-----|-------|
| 42  | 930 352 554 00 | Scrapers ring      |        | 8   |       |
| 43  | 930 352 553 02 | Sealing ring       |        | 8   |       |
| 43  |                | Sealing ring       |        | 8   |       |
| 44  | 000 043 020 00 | Optimoly           |        | 1   |       |
|     |                | 1 100-gramme tube  |        |     |       |
| 45  | 944 612 627 00 | Line bracket       |        | 6   |       |
| 46  | 928 352 963 00 | Washer             |        | 4   |       |
|     |                | Only together with |        |     |       |
|     |                | Brake shoe         |        |     |       |
|     |                | 997.352.993.02     |        |     |       |

Model: 911 84

Model life 1984>>1986



Model: 911 84 Model life 1984>>1986

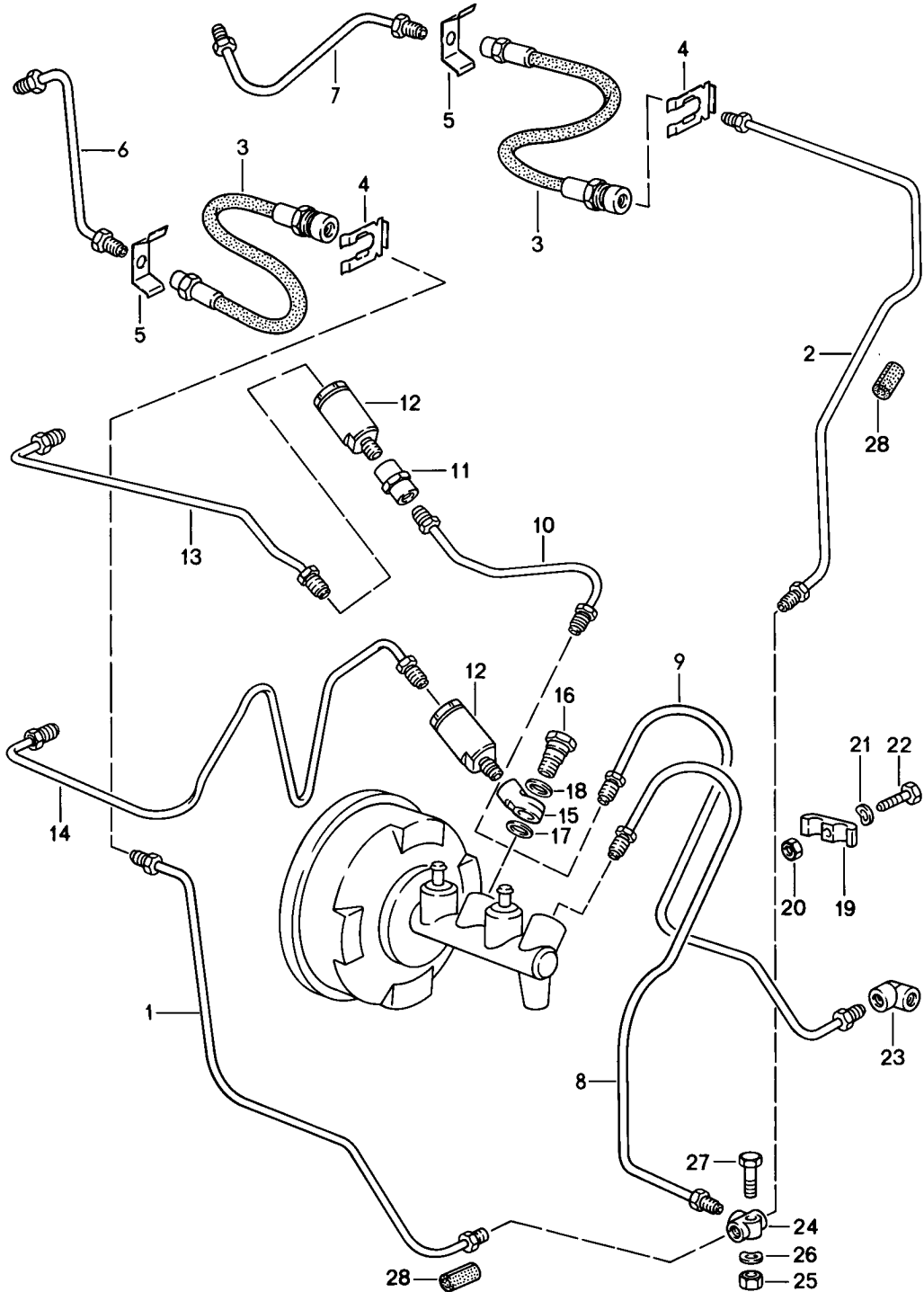
| Pos  | Part Number    | Description                   | Remark | Qty | Model           |
|------|----------------|-------------------------------|--------|-----|-----------------|
|      |                | Brake fluid reservoir         |        |     |                 |
|      |                | Brake master cylinder         |        |     |                 |
| 1    | 911 355 013 13 | Brake fluid reservoir         |        | 1   |                 |
| 1A   | 477 971 939    | Cable terminal                |        | 1   |                 |
| 1A   | PCG 971 939    | Cable terminal                |        | 1   |                 |
| 2    | 911 355 419 02 | Threaded joint                |        | 1   |                 |
| 3    | 901 355 908 00 | Gasket                        |        | 1   |                 |
| 4    | 911 355 420 01 | Float<br>with<br>Strainer     |        | 1   |                 |
| -    | N 020 361 2    | Hose                          |        | X   |                 |
| -    |                | Hose<br>4 X 1,5<br>900 MM     | /LL    | X   |                 |
| 7    |                |                               |        | 1   |                 |
| 8    | 911 355 155 00 | Pipe<br>5 X 3 X 1280          |        | 1   |                 |
| 9    | 911 355 011 12 | Brake master cylinder         |        | 1   | CARRERA         |
| (9)  | 930 355 011 03 | Brake master cylinder         |        | 1   | TURBO           |
|      |                |                               |        | 1   | CARRERA<br>M491 |
| 10   | 930 355 027 00 | Vacuum booster                |        | 1   | CARRERA         |
| 10   |                | Vacuum booster                | 84     | 1   | TURBO           |
|      |                |                               |        | 1   | CARRERA<br>M491 |
| (10) | 930 355 027 02 | Vacuum booster                | 85-    | 1   | TURBO           |
|      |                |                               |        | 1   | CARRERA<br>M491 |
| 11   | N 010 237 6    | Hexagon-head bolt<br>M 8 X 12 |        | 1   |                 |
| 11   | N 010 237 14   | Hexagon-head bolt<br>M 8 X 12 |        | 1   |                 |
| 12   | 900 151 008 02 | Washer<br>A 8,4               |        | 1   |                 |
| 13   | 900 027 015 02 | Lock ring<br>B 8              |        | 3   |                 |
| 13   | 900 027 015 03 | Lock ring<br>B 8              |        | 3   |                 |
| 13   | 900 027 015 02 | Lock ring<br>B 8              |        | 3   |                 |
| 13   | 900 027 015 03 | Lock ring<br>B 8              |        | 3   |                 |
| 14   | 911 355 381 01 | Bearing bracket               | /LL    | 1   |                 |
| 15   | 999 703 056 40 | Stopper                       |        | 2   |                 |
| 16   | 911 355 609 00 | Moulded hose                  | /LL    | 1   |                 |
| -    | 999 181 022 51 | Hose<br>11,8 X 4<br>320 MM    | /LL    | *   |                 |
| 16A  |                | Tunnel                        |        | 1   |                 |
|      |                | Boot floor plate<br>1430 MM   |        | 1   | CARRERA         |
| 16B  |                | Engine<br>Tunnel<br>1700 MM   |        | 1   | TURBO           |
|      |                | Engine<br>Tunnel              |        | 1   |                 |
| 17   | 900 272 003 02 | Hose clamp                    |        | 6   |                 |
| 17   | 999 512 554 00 | Hose clamp                    |        | 6   |                 |
| 18   | 911 355 322 00 | Intake socket                 |        | 1   |                 |
| -    | 999 181 021 50 | Hose<br>7,5 X 12,5<br>65 MM   |        | *   |                 |
| 19   |                |                               |        | 1   |                 |
| 20   | 911 355 323 00 | Intake socket                 |        | 1   |                 |
| -    | 999 181 021 50 | Hose                          |        | *   |                 |

Model: 911 84 Model life 1984>>1986

| Pos  | Part Number    | Description                   | Remark | Qty | Model |
|------|----------------|-------------------------------|--------|-----|-------|
| 21   |                | 7,5 X 12,5<br>120 MM          |        | 1   |       |
| 22   | 911 355 922 00 | Sealing plug                  |        | 2   |       |
| 23   | 113 945 515 H  | Brake light switch<br>2-pole  |        | 2   |       |
| (23) | 113 945 515 G  | Brake light switch<br>3-pole  |        | 2   |       |
| 24   | 911 355 038 01 | Retaining strap               |        | 1   |       |
| 25   | 900 075 057 02 | Hexagon-head bolt<br>M 6 X 16 |        | 1   |       |
| 25   | 900 075 057 03 | Hexagon-head bolt<br>M 6 X 16 |        | 1   |       |
| 26   | N 012 226 5    | Spring washer<br>B 6          |        | 1   |       |
| 27   | N 022 146 1    | Lock nut<br>M 8               |        | 10  |       |
| 27   | 900 910 022 09 | Lock nut<br>M 8               |        | 10  |       |
| 27   | 900 910 022 03 | Lock nut<br>M 8               |        | 10  |       |
| 28   | N 012 241 8    | Spring washer<br>B 8          |        | 8   |       |
| 29   | 191 611 933 F  | Check valve                   |        | 1   |       |
| 30   | 911 355 921 00 | Rubber seal                   |        | 1   |       |
| 30   | 955 355 921 00 | Rubber seal                   |        | 1   |       |
| 31   | 251 611 243    | Sealing ring                  |        | 1   |       |
| (32) | 911 355 083 03 | Reverse lever                 | /LL    | 1   |       |
| 33   | 928 423 542 00 | Bearing sleeve                |        | 2   |       |
| 35   | 911 355 511 01 | Bearing pin                   |        | 1   |       |
| 36   | N 012 654 1    | Lock washer                   |        | 1   |       |
| 37   | 999 166 049 02 | Bolt                          |        | 1   |       |
| 38   | 999 166 034 02 | Sl-lock                       |        | 1   |       |

Model: 911 84

Model life 1984>>1986





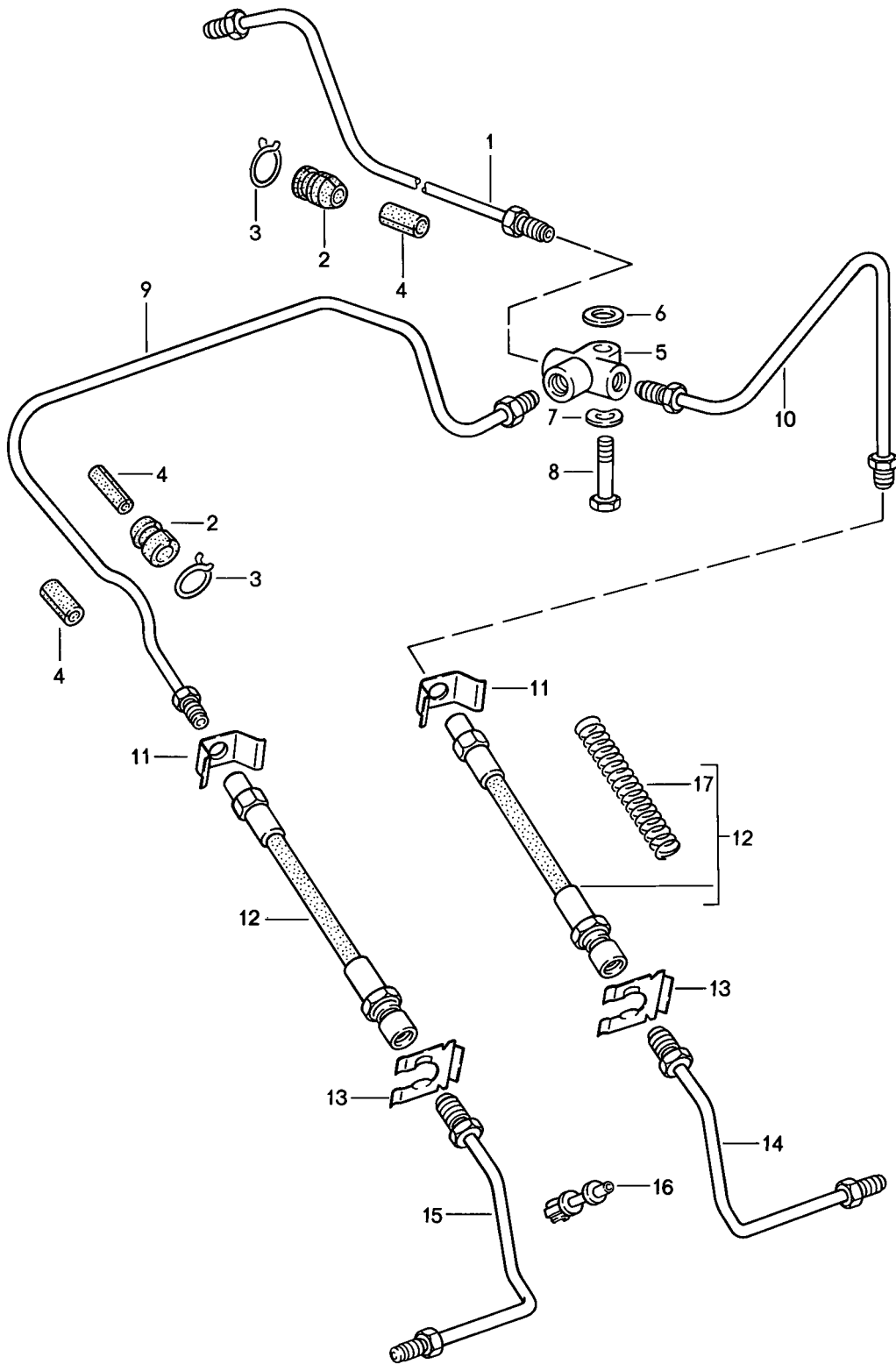
Model: 911 84

Model life 1984>>1986

| Pos | Part Number    | Description                    | Remark | Qty | Model           |
|-----|----------------|--------------------------------|--------|-----|-----------------|
|     |                | Brake line<br>Front            |        |     |                 |
| 1   | 911 355 618 01 | Brake line                     | /L     | 1   |                 |
| 2   | 911 355 617 02 | Brake line                     | /R     | 1   |                 |
| 3   | 901 355 632 01 | Brake hose                     |        | 2   |                 |
| 3   | 901 355 632 02 | Brake hose                     |        | 2   |                 |
| 4   | 113 611 715 A  | Brake hose bracket             |        | 2   |                 |
| 5   | 803 611 715    | Retainer spring                |        | 2   |                 |
| 5   |                | Retainer spring                |        | 2   |                 |
| 6   | 911 355 605 01 | Brake line                     |        | 2   | CARRERA         |
| 6   | 930 355 063 00 | Brake line                     | /L     | 1   | TURBO           |
| 7   | 930 355 064 00 | Brake line                     | /R     | 1   | TURBO           |
| 8   | 911 355 608 03 | Connecting line                | /LL    | 1   |                 |
| 8   |                | Connecting line                | /LL    | 1   |                 |
| 9   | 911 355 607 03 | Connecting line                | /LL    | 1   | TURBO           |
| 10  | 911 355 077 03 | Brake line                     | /LL    | 1   | CARRERA         |
| 11  | 914 355 661 00 | Intermediate piece<br>M 10 X 1 | /LL    | 1   | CARRERA         |
| 12  | 930 355 305 00 | Regulator                      |        | 1   | CARRERA<br>M491 |
| 12  | 928 355 305 00 | Regulator                      | 84     | 1   | CARRERA         |
| 12  | 928 355 305 02 | Regulator                      |        | 1   | CARRERA         |
| 12  |                | Regulator                      |        | 1   | CARRERA         |
| 13  | 911 355 079 00 | Brake line                     | /LL    | 1   | CARRERA         |
| 19  | 999 511 112 40 | Dual clip                      |        | 1   |                 |
| 20  | 999 084 018 02 | Lock nut<br>M 6                |        | 1   |                 |
| 21  | N 012 226 5    | Spring washer<br>A 6           |        | 1   |                 |
| 21  |                | Spring washer<br>A 6           |        | 1   |                 |
| 22  | 900 075 016 02 | Hexagon-head bolt<br>M 6 X 22  |        | 1   |                 |
| 22  | 900 075 016 03 | Hexagon-head bolt<br>M 6 X 22  |        | 1   |                 |
| 23  | 901 355 615 00 | Angled pipe                    |        | 1   |                 |
| 23  | 901 355 615 01 | Angled pipe                    |        | 1   |                 |
| 24  | 914 355 667 00 | Distributor                    |        | 1   |                 |
| 25  | 900 076 010 02 | Nut<br>M 6                     |        | 1   |                 |
| 25  | 900 076 010 0B | Nut<br>M 6                     |        | 1   |                 |
| 26  | N 011 524 7    | Washer                         |        | 1   |                 |
| 26  | N 011 524 27   | Washer                         |        | 1   |                 |
| 27  | 900 075 017 02 | Hexagon-head bolt<br>M 6 X 25  |        | 1   |                 |
| 27  | 900 075 017 03 | Hexagon-head bolt<br>M 6 X 25  |        | 1   |                 |
| 28  | 914 355 691 00 | Protective tube                |        | 3   |                 |

Model: 911 84

Model life 1984>>1986



Model: 911 84 Model life 1984>>1986

| Pos | Part Number    | Description                   | Remark | Qty | Model   |
|-----|----------------|-------------------------------|--------|-----|---------|
|     |                | Brake line<br>Rear            |        |     |         |
| 1   | 911 355 611 01 | Brake line                    | -85    | 1   |         |
| (1) | 911 355 611 03 | Brake line                    | 86-    | 1   |         |
| 2   | 914 355 651 00 | Rubber sleeve                 |        | 2   |         |
| 3   | 914 355 652 00 | Clamp                         |        | 2   |         |
| 4   | 914 355 691 00 | Protective tube               |        | 3   |         |
| 5   | 914 355 667 00 | Distributor                   |        | 1   |         |
| 6   | N 011 666 7    | Washer<br>B 6,4               |        | 1   |         |
| 7   | N 012 226 5    | Spring washer<br>B 6          |        | 1   |         |
| 8   | 900 075 017 02 | Hexagon-head bolt<br>M 6 X 25 |        | 1   |         |
| 8   | 900 075 017 03 | Hexagon-head bolt<br>M 6 X 25 |        | 1   |         |
| 9   | 911 355 627 04 | Connecting line               | /L     | 1   | CARRERA |
| 9   | 930 355 627 04 | Connecting line               | /L 84  | 1   | TURBO   |
|     |                |                               |        | 1   | CARRERA |
|     |                |                               |        | 1   | M491    |
| 9   |                | Connecting line               | /L     | 1   | TURBO   |
|     |                |                               |        | 1   | CARRERA |
|     |                |                               |        | 1   | M491    |
| 10  | 911 355 653 05 | Connecting line               | /R     | 1   | CARRERA |
| 10  | 930 355 653 03 | Connecting line               | /R 84  | 1   | TURBO   |
|     |                |                               |        | 1   | CARRERA |
|     |                |                               |        | 1   | M491    |
| 10  | 930 355 653 05 | Connecting line               | 85-    | 1   | TURBO   |
|     |                |                               |        | 1   | CARRERA |
|     |                |                               |        | 1   | M491    |
| 10  |                | Connecting line               | /R     | 1   | TURBO   |
|     |                |                               |        | 1   | CARRERA |
|     |                |                               |        | 1   | M491    |
| 11  | 803 611 715    | Retainer spring               |        | 2   |         |
| 11  |                | Retainer spring               |        | 2   |         |
| 12  | 911 355 087 00 | Brake hose                    |        | 2   |         |
| 12  | 911 355 087 01 | Brake hose                    |        | 2   |         |
| 13  | 113 611 715 A  | Brake hose bracket            |        | 2   |         |
| 14  | 911 355 622 03 | Brake line                    | /R     | 1   | CARRERA |
| 14  | 930 355 066 00 | Brake line                    | /R     | 1   | TURBO   |
|     |                |                               |        | 1   | CARRERA |
|     |                |                               |        | 1   | M491    |
| 15  | 911 355 621 03 | Brake line                    | /L     | 1   | CARRERA |
| 15  | 930 355 065 00 | Brake line                    | /L     | 1   | TURBO   |
|     |                |                               |        | 1   | CARRERA |
|     |                |                               |        | 1   | M491    |
| 16  | 999 507 235 40 | Pipe clip                     |        | 2   | TURBO   |
|     |                |                               |        | 2   | CARRERA |
|     |                |                               |        | 2   | M491    |

Model: 911 84

Model life 1984>>1986



Model: 911 84 Model life 1984>>1986

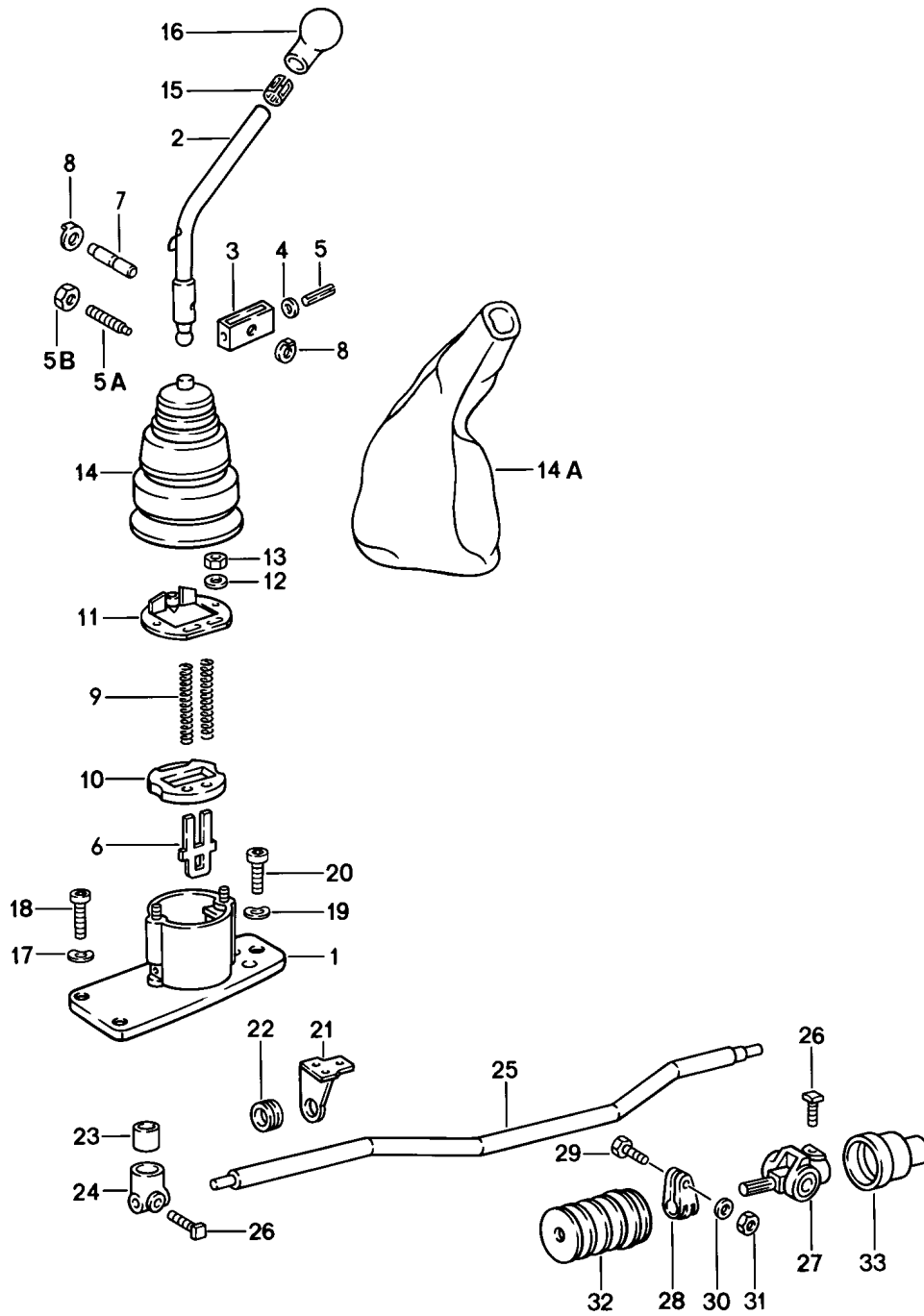
| Pos | Part Number    | Description  | Remark | Qty              | Model                    |
|-----|----------------|--|--------|------------------|--------------------------|
| >>  | 911 351 950 06 | Repair kits<br>Front axle<br>See technical information<br>GR.4, NR. 4/99<br>Brake pad repair set<br>Comprising:<br>Brake pad |        | 1<br>4           | CARRERA                  |
| >>  | 911 351 950 08 | Use also:<br>993.612.965.00<br>Brake pad repair set<br>Comprising:<br>Brake pad  |        | 2<br>1<br>4      | CARRERA                  |
| >>  | 911 351 951 01 | Use also:<br>993.612.965.00<br>Parts kit<br>Set<br>for<br>Brake pad repair set<br>Comprising:<br>Retaining pin               |        | 2<br>1<br>4      | CARRERA                  |
| >>  | 911 351 946 00 | Expanding spring<br>Gasket set<br>for<br>Fixed calliper<br>Comprising:<br>Gasket<br>Protection cap<br>Circlip                |        | 2<br>2<br>2<br>2 | CARRERA                  |
| >>  | 911 352 950 01 | Rear axle<br>Brake pad repair set<br>Comprising:<br>Brake pad  |        | 1<br>4           | CARRERA                  |
| >>  |                | Brake pad repair set<br>Comprising:<br>Brake pad   |        | 1<br>4           | CARRERA                  |
| >>  | 911 352 950 04 | Brake pad repair set<br>Comprising:<br>Brake pad   |        | 1<br>4           |                          |
| >>  | 911 352 950 06 | Brake pad repair set<br>Comprising:<br>Brake pad   |        | 1<br>4           |                          |
| >>  | 911 352 951 01 | Parts kit<br>Comprising:<br>Retaining pin<br>Expanding spring  |        | 1<br>4<br>2      | CARRERA                  |
| >>  | 911 352 905 00 | Gasket set<br>for<br>Fixed calliper<br>Comprising:<br>Gasket<br>for<br>Piston<br>Protection cap<br>Front axle<br>And         |        | 2<br>2<br>2<br>2 | CARRERA                  |
| >>  | 930 351 938 05 | Rear axle<br>Brake pad repair set<br><br>Comprising:<br>Brake pad<br>TEXTAR T 252<br>See q-information                       |        | 2<br>2<br>4      | TURBO<br>CARRERA<br>M491 |

Model: 911 84 Model life 1984>>1986

| Pos | Part Number    | Description   | Remark | Qty             | Model                    |
|-----|----------------|---|--------|-----------------|--------------------------|
| >>  | 951 351 939 04 | 10.4.85<br>Brake pad repair set<br><br>Comprising:<br>Brake pad<br>TEXTAR T 252<br>See q-information<br>10.4.85 |        | 2<br>2<br><br>4 | TURBO<br>CARRERA<br>M491 |
| >>  | 964 351 939 02 | Brake pad repair set<br><br>Comprising:<br>Brake pad<br>TEXTAR T 252<br>See q-information<br>10.4.85            |        | 2<br>2<br><br>4 | TURBO<br>CARRERA<br>M491 |
| >>  | 964 351 939 03 | Brake pad repair set<br><br>Comprising:<br>Brake pad<br>TEXTAR T 252<br>See q-information<br>10.4.85            |        | 2<br>2<br><br>4 | TURBO<br>CARRERA<br>M491 |

Model: 911 84

Model life 1984>>1986



Model: 911 84 Model life 1984>>1986

| Pos  | Part Number    | Description                 | Remark | Qty | Model           |
|------|----------------|-----------------------------|--------|-----|-----------------|
|      |                | Transmission control        |        |     |                 |
| 1    | 911 424 019 06 | Gearshift bracket           |        | 1   |                 |
| 2    | 911 424 017 07 | Gearshift lever             | 84     | 1   | CARRERA         |
| (2)  | 911 424 017 13 | Gearshift lever             | 85-    | 1   | CARRERA         |
| (2)  | 911 424 017 14 | Gearshift lever             | 85-    | 1   | CARRERA         |
| (2)  | 911 424 017 11 | Gearshift lever             |        | 1   | CARRERA<br>M241 |
| (2)  | 911 424 017 21 | Gearshift lever             |        | 1   | CARRERA<br>M241 |
| (2)  | 930 424 017 00 | Gearshift lever             | 84     | 1   | TURBO           |
| (2)  | 930 424 017 03 | Gearshift lever             | 85-    | 1   | TURBO           |
| 3    | 911 424 124 02 | Shift-lever bearing         | 84     | 1   | CARRERA         |
| (3)  | 911 424 124 03 | Shift-lever bearing         | 85-    | 1   | CARRERA         |
| (3)  | 954 424 124 00 | Shift-lever bearing         |        | 1   | CARRERA<br>M241 |
| (3)  | 930 424 071 00 | Fork                        |        | 1   | TURBO           |
| -    | 930 424 125 00 | Leaf spring                 |        | 1   | TURBO           |
| -    | 900 234 041 01 | Shim<br>10 X 16 X 1,3       |        | 1   | TURBO           |
| -    | 900 116 007 01 | Lock washer                 |        | 1   | TURBO           |
| -    | N 012 439 1    | Lock washer                 |        | 1   | TURBO           |
| -    | N 012 439 2    | Lock washer                 |        | 1   | TURBO           |
| 4    | 900 025 007 02 | Washer<br>A 8,4             |        | 1   | CARRERA         |
| 4    | 900 025 007 03 | Washer<br>A 8,4             |        | 1   | CARRERA         |
| 4    | 911 424 187 01 | Shim<br>0,2 MM              |        | 1   | TURBO           |
| 5    | 900 197 035 01 | Tensioning sleeve<br>8 X 28 |        | 1   |                 |
| 5    | 900 197 035 0B | Tensioning sleeve<br>8 X 28 |        | 1   |                 |
| 5A   | 911 424 335 00 | Threaded pin                |        | 1   |                 |
| 5B   | N 011 113 3    | Hexagon nut<br>M 14         |        | 1   |                 |
| 6    | 911 424 144 00 | Guide plate                 | 84     | 1   | CARRERA         |
| (6)  | 911 424 144 01 | Guide plate                 | 85-    | 1   | CARRERA         |
| (6)  | 954 424 144 00 | Guide plate                 |        | 1   | CARRERA<br>M241 |
| 7    | 911 424 129 06 | Bearing pin                 |        | 1   | CARRERA         |
| (7)  | 954 424 129 00 | Bearing pin                 |        | 1   | CARRERA<br>M241 |
| 8    | 999 166 027 02 | Circlip                     |        | 2   | CARRERA         |
| 9    | 911 424 131 01 | Compression spring          | 84     | 2   | CARRERA         |
| (9)  | 911 424 131 07 | Compression spring          | 85-    | 2   | CARRERA         |
| (9)  | 954 424 131 00 | Compression spring          |        | 2   | CARRERA<br>M241 |
| 10   | 911 424 147 00 | Buffer plate                |        | 1   | CARRERA         |
| (10) | 930 424 147 00 | Buffer plate                |        | 1   | TURBO           |
| (10) | 911 424 147 00 | Buffer plate                |        | 1   | CARRERA<br>M241 |
| -    | 930 424 165 01 | Retainer plate              |        | 1   | TURBO           |
| (11) | 911 424 063 04 | Pawl carrier plate          |        | 1   | CARRERA         |
| (11) |                | Pawl carrier plate          |        | 1   | CARRERA         |
| 12   | 900 027 014 01 | Lock ring<br>B 6            |        | 2   |                 |
| 12   | N 012 006 4    | Lock ring<br>B 6            |        | 2   |                 |
| 13   | 900 076 010 02 | Nut<br>M 6                  |        | 2   |                 |
| 13   | 900 076 010 0B | Nut<br>M 6                  |        | 2   |                 |
| 14   | 911 424 181 01 | Sleeve                      |        | 1   |                 |



Model: 911 84 Model life 1984>>1986

| Pos  | Part Number        | Description  | Remark | Qty | Model           |
|------|--------------------|--|--------|-----|-----------------|
| 14A  | 911 424 047 00     | Leather sleeve<br>for<br>Gearshift lever                             |        | 1   |                 |
|      | 911 424 047 00 1AJ | Black  |        |     |                 |
|      | 911 424 047 00 4RB | Brown  |        |     |                 |
|      | 911 424 047 00 30B | Blue   |        |     |                 |
|      | 911 424 047 00 7LD | Burgundy   |        |     |                 |
|      | 911 424 047 00 5JX | Greyish green  |        |     |                 |
| 15   | 999 532 003 00     | Retainer   |        | 1   |                 |
| 16   | 930 424 069 01     | Gearshift knob<br>4-speed  |        | 1   | TURBO           |
| (16) | 911 424 071 01     | Gearshift knob<br>5-speed  |        | 1   | CARRERA         |
| 17   | N 012 228 3        | Spring washer<br>B 8   |        | 3   |                 |
| 18   | 900 067 057 02     | Pan-head screw<br>M 8 X 20   |        | 3   |                 |
| 18   | 900 067 057 03     | Pan-head screw<br>M 8 X 20   |        | 3   |                 |
| 19   | N 012 226 5        | Spring washer<br>B 6   |        | 2   |                 |
| 20   | 900 067 011 02     | Pan-head screw<br>M 6 X 20   |        | 2   |                 |
| 20   | 900 067 011 03     | Pan-head screw<br>M 6 X 20   |        | 2   |                 |
| 21   | 930 424 031 00     | Bearing bracket  |        | 1   |                 |
| 21   | 930 424 031 01     | Bearing bracket  |        | 1   |                 |
| 22   | 914 424 224 00     | Friction ring  |        | 1   |                 |
| 23   | 911 424 139 00     | Ball socket  |        | 1   |                 |
| 23   | 911 424 139 01     | Ball socket  |        | 1   |                 |
| (24) | 930 424 241 00     | Head shift rod   |        | 1   |                 |
| 25   | 911 424 020 00     | Gear shift rod   |        | 1   |                 |
| -    | PCG 424 020 00     | Repair kit<br>Gear shift rod<br>Comprising:                          |        | 1   |                 |
| -    | 911 424 024 04     | Shift rod coupling   |        | 1   |                 |
| -    | 911 424 139 01     | Ball socket  |        | 1   |                 |
| -    | 914 424 224 00     | Friction ring  |        | 1   |                 |
| -    | 901 424 229 00     | Conical screw  |        | 2   |                 |
| 26   |                    | Conical screw  |        | 2   |                 |
| 27   | 911 424 024 04     | Shift rod coupling   |        | 1   |                 |
| -    | 964 424 223 00     | Bush   |        | 2   |                 |
| 28   | 914 424 214 00     | Clamp  |        | 1   |                 |
| 29   | N 010 335 5        | Hexagon-head bolt<br>M 8 X 35  |        | 1   |                 |
| 29   | 900 075 032 03     | Hexagon-head bolt<br>M 8 X 35  |        | 1   |                 |
| 30   | 999 523 102 02     | Washer   |        | 1   |                 |
| 30   | 999 523 102 0B     | Washer   |        | 1   |                 |
| 30   | 999 523 102 02     | Washer   |        | 1   |                 |
| 30   | 999 523 102 0B     | Washer   |        | 1   |                 |
| 31   | 900 076 025 02     | Hexagon nut<br>M 8   |        | 1   |                 |
| 31   | 900 076 064 02     | Hexagon nut<br>M 8   |        | 1   |                 |
| 32   | 911 424 292 00     | Sealing sleeve   |        | 1   |                 |
| 33   | 911 424 294 00     | Sealing sleeve   |        | 1   |                 |
| -    | 911 424 931 00     | Installation set<br>for<br>Shift travel<br>Shortening<br>Comprising: |        | 1   | CARRERA<br>M241 |

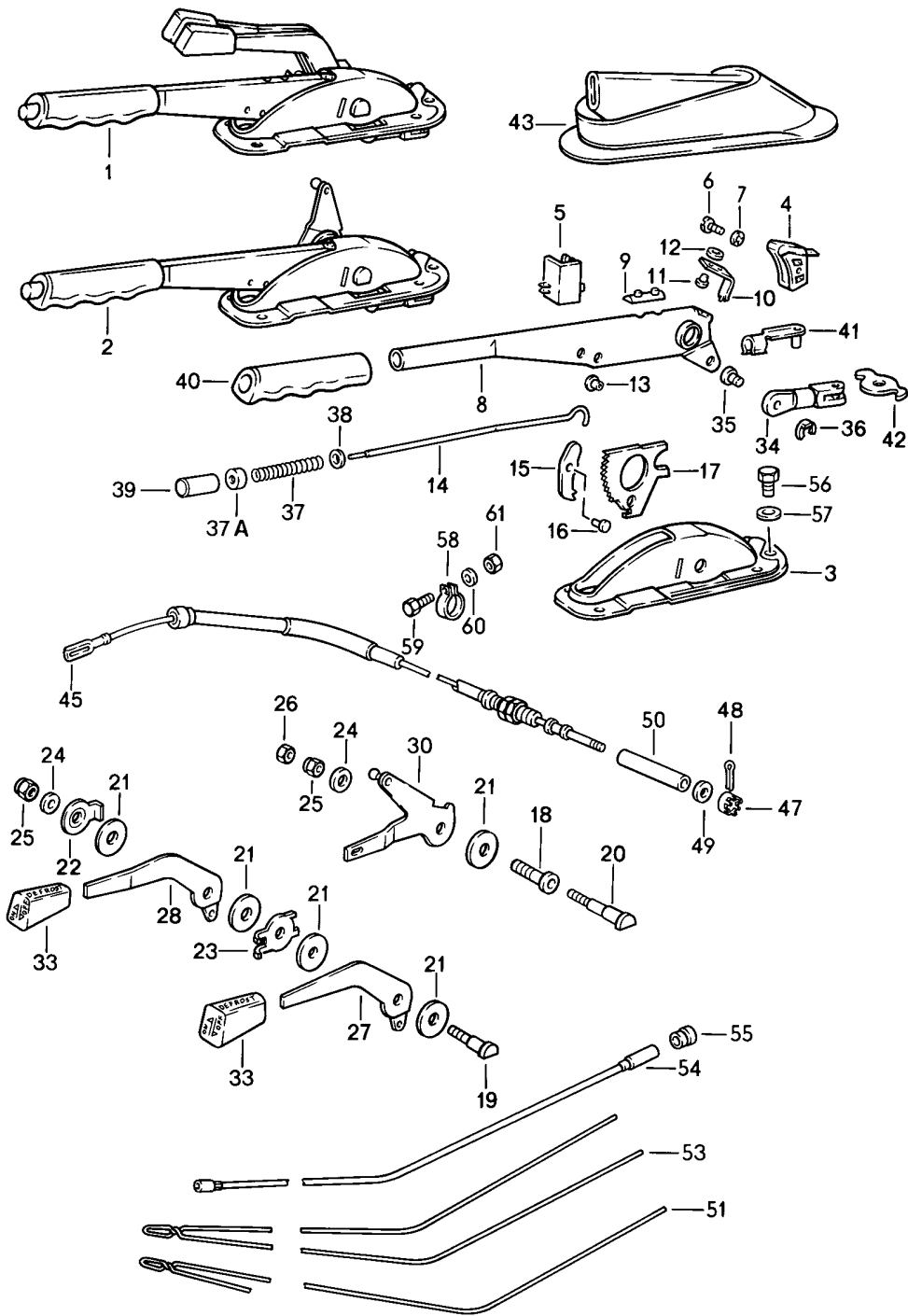
Model: 911 84

Model life 1984>>1986

| Pos | Part Number    | Description         | Remark | Qty | Model |
|-----|----------------|---------------------|--------|-----|-------|
| -   | 911 424 017 11 | Gearshift lever     |        | 1   |       |
| -   | 911 424 017 21 | Gearshift lever     |        | 1   |       |
| -   | 954 424 124 00 | Shift-lever bearing |        | 1   |       |
| -   | 954 424 144 00 | Guide plate         |        | 1   |       |
| -   | 954 424 129 00 | Bearing pin         |        | 1   |       |
| -   | 954 424 131 00 | Compression spring  |        | 2   |       |
| -   | 911 424 147 00 | Buffer plate        |        | 1   |       |
| -   | 911 424 063 04 | Pawl carrier plate  |        | 1   |       |

Model: 911 84

Model life 1984>>1986



Model: 911 84

Model life 1984&gt;&gt;1986

| Pos  | Part Number    | Description   | Remark | Qty | Model                   |
|------|----------------|---|--------|-----|-------------------------|
| 1    | 911 424 051 15 | Parking-brake lever<br>Actuating lever<br>for<br>Heating<br>Parking-brake lever<br>with bearing bracket |        | 1   | CARRERA<br>M553<br>M444 |
| 2    | 911 424 051 16 | Parking-brake lever<br>with bearing bracket   |        | 1   |                         |
| 3    | 901 424 058 02 | Bearing bracket   |        | 1   |                         |
| 4    | 901 613 521 20 | Contact switch  |        | 1   |                         |
| 5    | 911 613 525 00 | Heating lever contact   |        | 1   | CARRERA<br>M553<br>M444 |
| 6    | 900 015 025 02 | Oval-head screw<br>AM 4 X 15  |        | 1   |                         |
| 7    | 900 115 005 02 | Washer<br>A 4,3   |        | 1   |                         |
| 8    | 911 424 059 00 | Parking-brake lever   |        | 1   |                         |
| 9    | 901 424 509 01 | Stop  |        | 1   |                         |
| 10   | 901 613 523 20 | Contact bow   |        | 1   |                         |
| 11   | 900 055 001 20 | Buttonhead rivet  |        | 2   |                         |
| 12   | 900 031 012 10 | Washer<br>2,8   |        | 2   |                         |
| 13   | 900 206 003 00 | Tubular rivet<br>5 X 0,5 X 10   |        | 1   |                         |
| 14   | 901 424 567 03 | Push rod  |        | 1   |                         |
| 15   | 901 424 508 00 | Pawl  |        | 1   |                         |
| 16   | 901 424 511 00 | Bolt  |        | 1   |                         |
| 17   | 914 424 541 00 | Locking segment   |        | 1   |                         |
| 18   | 911 424 717 01 | Tensioning sleeve   |        | 1   |                         |
| 19   | 911 424 515 00 | Collar bolt   |        | 1   | CARRERA<br>M553<br>M444 |
| 20   | 911 424 519 02 | Collar bolt   |        | 1   |                         |
| 21   | 911 424 737 00 | Washer  | 85     | 4   |                         |
| 22   | 911 424 735 04 | Disc  |        | 1   | CARRERA<br>M553<br>M444 |
| 23   | 911 424 735 03 | Disc  |        | 1   | CARRERA<br>M553<br>M444 |
| 23   | 911 424 735 06 | Disc  |        | 1   | CARRERA<br>M553<br>M444 |
| 24   | 999 523 006 00 | Cup spring  |        | 2   |                         |
| 25   | 999 084 019 02 | Lock nut<br>Uni-stop nut<br>M 8   |        | 1   |                         |
| 26   | 999 084 043 02 | Hexagon nut<br>M 5  |        | 1   |                         |
| 27   | 911 424 723 00 | Actuating lever   | /L     | 1   | CARRERA<br>M553<br>M444 |
| 28   | 911 424 724 00 | Actuating lever   | /R     | 1   | CARRERA<br>M553<br>M444 |
| 30   | 911 424 075 02 | Connecting lever  | 84     | 1   |                         |
| (30) | 911 424 075 03 | Connecting lever  | 85-    | 1   |                         |
| 33   | 911 424 792 03 | Control button  |        | 2   |                         |
| 34   | 901 424 569 01 | Fork  |        | 1   |                         |
| 35   | 999 166 010 02 | Bolt<br>A 6 X 16 X 3  |        | 1   |                         |

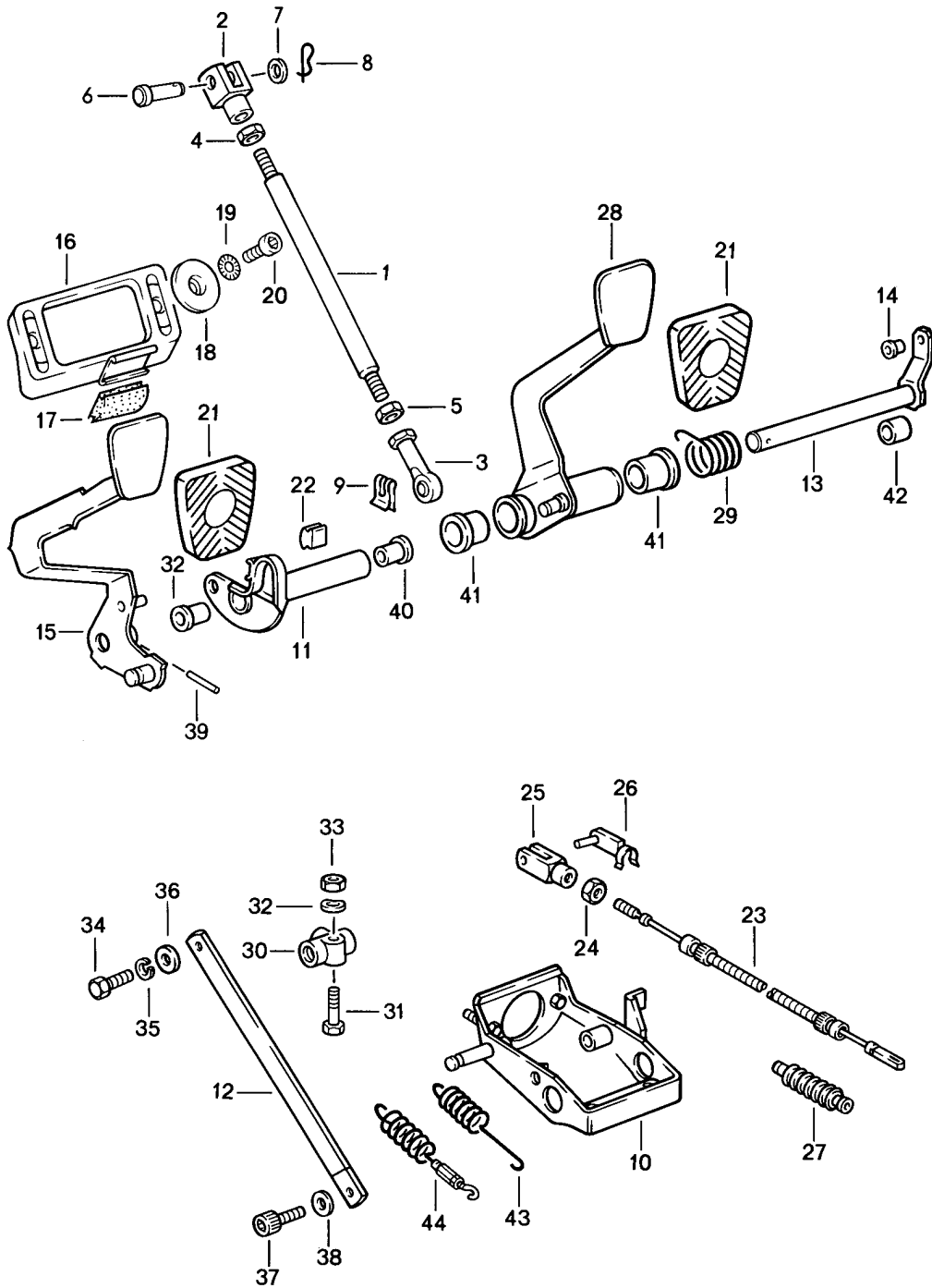
Model: 911 84

Model life 1984>>1986

| Pos | Part Number    | Description   | Remark | Qty | Model                   |
|-----|----------------|---|--------|-----|-------------------------|
| 36  | 999 166 008 02 | Safety clip   |        | 1   |                         |
| 37  | 901 424 543 00 | Compression spring  |        | 1   |                         |
| 37A | 914 424 258 00 | Guide sleeve  |        | 1   |                         |
| 38  | 901 424 593 01 | Ring  |        | 1   |                         |
| 39  | 901 424 523 01 | Push button   |        | 1   |                         |
| 40  | 901 424 521 01 | Handle  |        | 1   |                         |
| 41  | 999 166 001 02 | Bolt<br>6 X 24  |        | 1   |                         |
| 42  | 901 424 568 00 | Turnbuckle  |        | 1   |                         |
| 43  | 911 424 591 03 | Sleeve  | 84     | 1   | CARRERA                 |
| 45  | 911 424 551 02 | Parking-brake cable   |        | 2   | CARRERA                 |
| 45  | 911 424 551 03 | Parking-brake cable   |        | 2   | CARRERA                 |
| 45  | 911 424 551 04 | Parking-brake cable   |        | 2   | CARRERA                 |
| 45  | 930 424 051 02 | Parking-brake cable   |        | 2   | TURBO                   |
| 45  | 930 424 051 03 | Parking-brake cable   |        | 2   | TURBO                   |
| 47  | 900 079 012 02 | Castle nut<br>M 6   |        | 2   |                         |
| 48  | N 012 507 1    | Cotter pin<br>1,6 X 15  |        | 2   |                         |
| 49  | N 011 666 7    | Washer<br>B 6,4   |        | 4   |                         |
| 50  | 901 424 557 01 | Spacer tube   |        | 2   | CARRERA                 |
| 51  | 911 424 701 01 | Wire pull   | /R     | 1   | CARRERA<br>M553<br>M444 |
| 51  |                | for<br>Heat control box<br>Wire pull                                  |        | 2   | CARRERA<br>M553<br>M444 |
| 53  | 911 424 701 02 | for<br>Heat control box<br>Wire pull<br>Automatic<br>Heat control box |        | 1   |                         |
| 54  | 901 424 704 01 | Guide   |        | 2   |                         |
| 55  | 914 504 319 00 | Grommet   |        | 2   |                         |
| 56  | 900 075 087 02 | Hexagon-head bolt<br>M 8 X 16   |        | 3   |                         |
| 56  | 900 075 087 03 | Hexagon-head bolt<br>M 8 X 16   |        | 3   |                         |
| 57  | 900 027 015 02 | Lock ring<br>B 8  |        | 3   |                         |
| 57  | 900 027 015 03 | Lock ring<br>B 8  |        | 3   |                         |
| 58  | 999 706 009 80 | Suspension strap  |        | 1   |                         |
| 58  | 911 424 341 01 | Suspension strap  |        | 1   |                         |
| 58  | 911 424 341 03 | Suspension strap  |        | 1   |                         |
| 59  | 900 075 057 02 | Hexagon-head bolt<br>M 6 X 16   |        | 1   |                         |
| 59  | 900 075 057 03 | Hexagon-head bolt<br>M 6 X 16   |        | 1   |                         |
| 60  | N 012 226 5    | Spring washer   |        | 1   |                         |
| 61  | 900 076 010 02 | Nut<br>M 6  |        | 1   |                         |
| 61  | 900 076 010 0B | Nut<br>M 6  |        | 1   |                         |

Model: 911 84

Model life 1984>>1986



Model: 911 84

Model life 1984&gt;&gt;1986

| Pos  | Part Number    | Description                        | Remark | Qty | Model   |
|------|----------------|------------------------------------|--------|-----|---------|
|      |                | Pedals                             | /LL    |     |         |
| 1    | 911 423 523 01 | Push rod                           |        | 1   |         |
| 2    | 999 166 039 02 | Clevis                             |        | 1   |         |
| 3    | 999 593 116 02 | Swivel head                        |        | 1   |         |
| 4    | 900 157 002 02 | Hexagon nut<br>M 10                |        | 1   |         |
| 4    | 900 157 002 03 | Hexagon nut<br>M 10                |        | 1   |         |
| 5    | 900 157 003 02 | Hexagon nut<br>Left thread<br>M 10 |        | 1   |         |
| 6    | 900 087 037 02 | Bolt<br>10 H 11 X 28 X 23,5        |        | 1   |         |
| 7    | 900 031 005 02 | Washer<br>10,5                     |        | 1   |         |
| 7    | 900 031 005 03 | Washer<br>10,5                     |        | 1   |         |
| 8    | 999 021 001 07 | Connector                          |        | 1   |         |
| 9    | 999 166 034 02 | Sl-lock                            |        | 1   |         |
| 10   | 911 423 065 04 | Bearing bracket                    |        | 1   |         |
| -    | PCG 911 423 00 | Kit                                |        | 1   |         |
|      |                | Bush                               |        |     |         |
|      |                | Pedals                             |        |     |         |
|      |                | Comprising:                        |        |     |         |
| -    | 900 021 008 00 | Cotter pin                         |        | 1   |         |
| -    | 900 021 008 0A | Cotter pin                         |        | 1   |         |
| -    | 999 166 001 02 | Bolt                               |        | 1   |         |
| -    | 900 309 002 00 | Roll pin                           |        | 1   |         |
| -    | 901 423 193 00 | Rubber stop                        |        | 1   |         |
| -    | 914 423 210 00 | Rubber pad                         |        | 2   |         |
| -    | 901 423 253 00 | Bearing sleeve                     |        | 2   |         |
| -    | 911 423 341 01 | Bush                               |        | 2   |         |
| -    | 901 423 343 00 | Bush                               |        | 2   |         |
| -    | 901 423 391 00 | Rubber stop                        |        | 1   |         |
| -    | 911 423 542 00 | Bush                               |        | 2   |         |
| 11   | 911 423 062 00 | Bearing tube                       |        | 1   |         |
| 12   | 911 423 082 00 | Tension strut                      |        | 1   |         |
| 13   | 930 423 027 01 | Clutch pedal shaft                 |        | 1   | CARRERA |
| (13) | 930 423 027 04 | Clutch pedal shaft                 |        | 1   | TURBO   |
| 14   | 901 423 343 00 | Bush                               |        | 1   |         |
| 15   | 911 423 077 05 | Clutch pedal                       |        | 1   |         |
| 16   | 901 423 036 00 | Stop<br>with<br>POS. 17            |        | 1   |         |
| 17   | 901 423 391 00 | Rubber stop                        |        | 1   |         |
| 18   | 901 423 368 00 | Desk pad                           |        | 2   |         |
| 19   | N 012 130 2    | Shake-proof washer                 |        | 2   |         |
| 20   | 900 119 025 02 | Pan-head screw<br>M 5 X 15         |        | 2   |         |
| 21   | 914 423 210 00 | Rubber pad                         |        | 2   |         |
| 22   | 911 423 391 02 | Protective strip                   |        | 1   |         |
| 23   | 930 423 401 05 | Clutch cable                       |        | 1   |         |
| 23   | 930 423 401 09 | Clutch cable                       |        | 1   |         |
| 24   | 900 076 010 02 | Nut<br>M 6                         |        | 2   |         |
| 24   | 900 076 010 0B | Nut<br>M 6                         |        | 2   |         |
| 25   | 900 166 002 02 | Clevis<br>G 6 X 24                 |        | 1   |         |
| 25   | 900 166 002 01 | Clevis<br>G 6 X 24                 |        | 1   |         |
| 26   | 999 166 001 02 | Bolt<br>6 X 24                     |        | 1   |         |

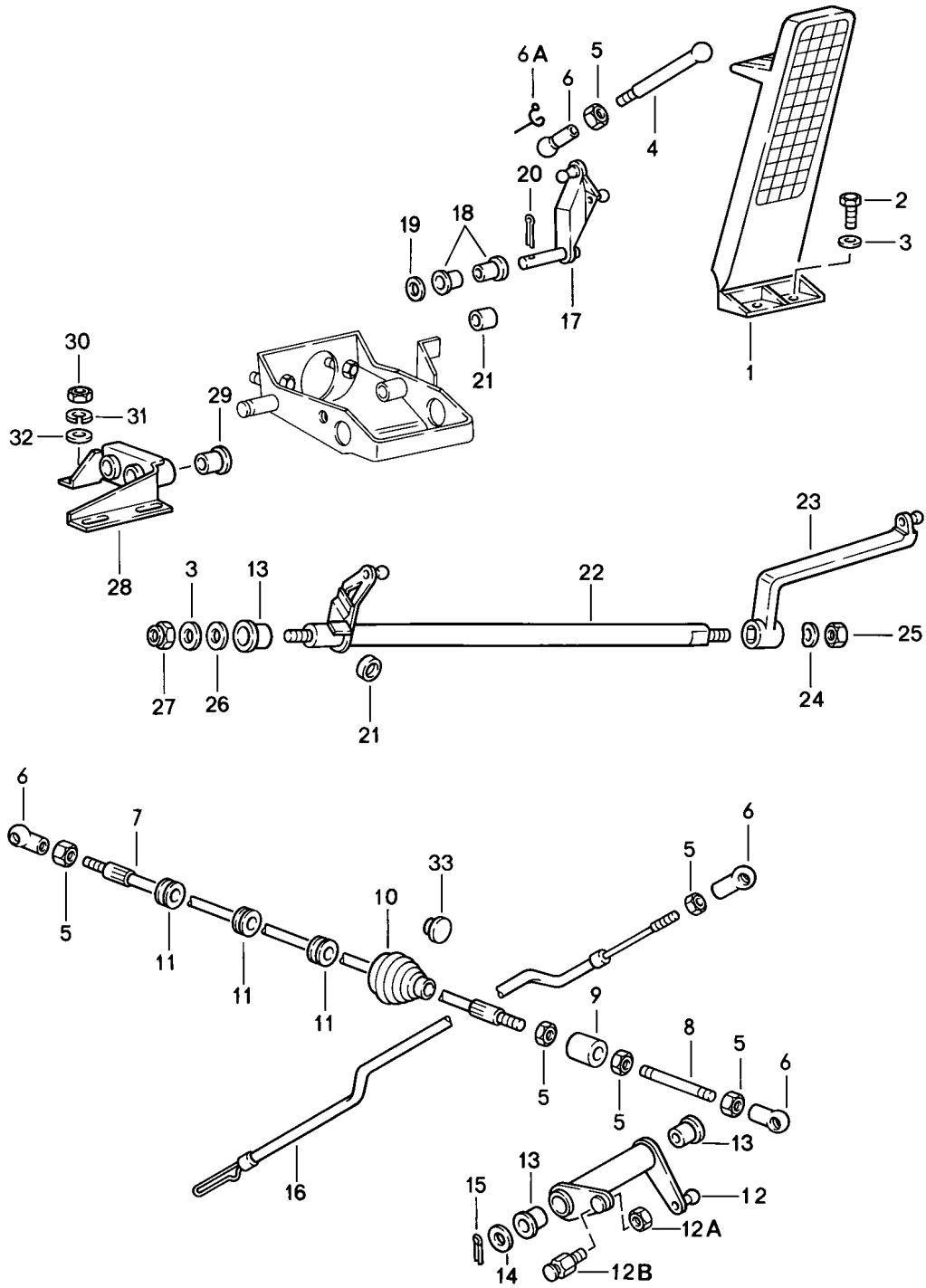
Model: 911 84 Model life 1984>>1986

| Pos | Part Number    | Description                    | Remark | Qty | Model   |
|-----|----------------|--------------------------------|--------|-----|---------|
| -   | 999 512 291 02 | Hose clamp                     |        | 1   |         |
| 27  | 311 713 269 A  | Bellows                        |        | 1   |         |
| 28  | 911 423 053 05 | Brake pedal                    |        | 1   |         |
| 29  | 911 423 531 03 | Return spring                  |        | 1   |         |
| 30  | 914 355 667 00 | Distributor                    |        | 1   |         |
| 31  | 900 075 017 02 | Hexagon-head bolt<br>M 6 X 25  |        | 1   |         |
| 31  | 900 075 017 03 | Hexagon-head bolt<br>M 6 X 25  |        | 1   |         |
| 31  | 900 075 341 02 | Combination screw<br>M 6 X 25  |        | 1   |         |
| 31  | 900 075 341 01 | Combination screw<br>M 6 X 25  |        | 1   |         |
| 32  | N 011 524 7    | Washer                         |        | 1   |         |
| 32  | N 011 524 27   | Washer                         |        | 1   |         |
| 33  | 900 076 010 02 | Nut<br>M 6                     |        | 1   |         |
| 33  | 900 076 010 0B | Nut<br>M 6                     |        | 1   |         |
| 34  | N 010 253 7    | Hexagon-head bolt<br>M 10 X 22 |        | 1   |         |
| 35  | 900 027 016 02 | Lock ring<br>B 10              |        | 1   |         |
| 35  | 900 027 016 03 | Lock ring<br>B 10              |        | 1   |         |
| 36  | 900 025 008 02 | Washer<br>A 10,5               |        | 1   |         |
| 36  | 900 025 008 09 | Washer<br>A 10,5               |        | 1   |         |
| 36  | 900 025 008 04 | Washer<br>A 10,5               |        | 1   |         |
| 37  | 900 067 063 02 | Pan-head screw<br>M 10 X 20    |        | 1   |         |
| 38  | 999 523 103 02 | Lock washer<br>10              |        | 1   |         |
| 39  | 900 309 002 00 | Roll pin<br>6 X 28             |        | 1   |         |
| 40  | 911 423 341 01 | Bush                           |        | 2   |         |
| 41  | 911 423 542 00 | Bush                           |        | 2   |         |
| 42  | 911 423 219 03 | Spacer sleeve                  |        | 1   |         |
| 43  | 911 423 305 06 | Return spring                  |        | 1   | CARRERA |
| 44  | 930 423 005 00 | Clutch spring                  |        | 1   | TURBO   |



Model: 911 84

Model life 1984>>1986



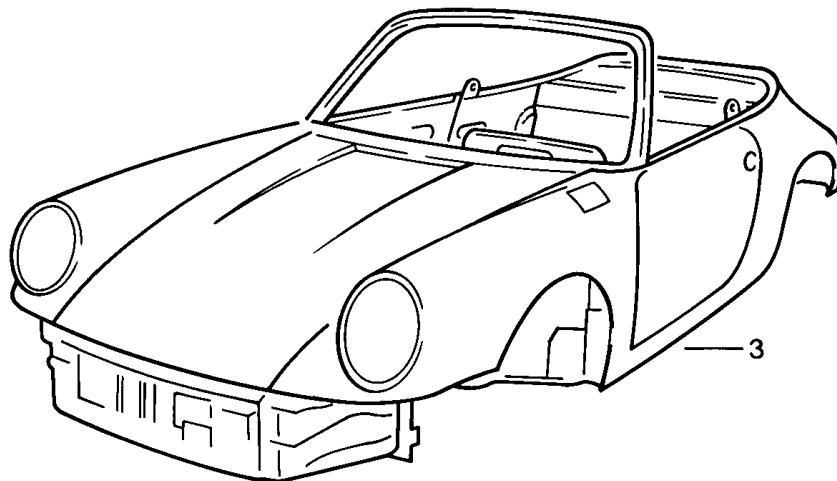
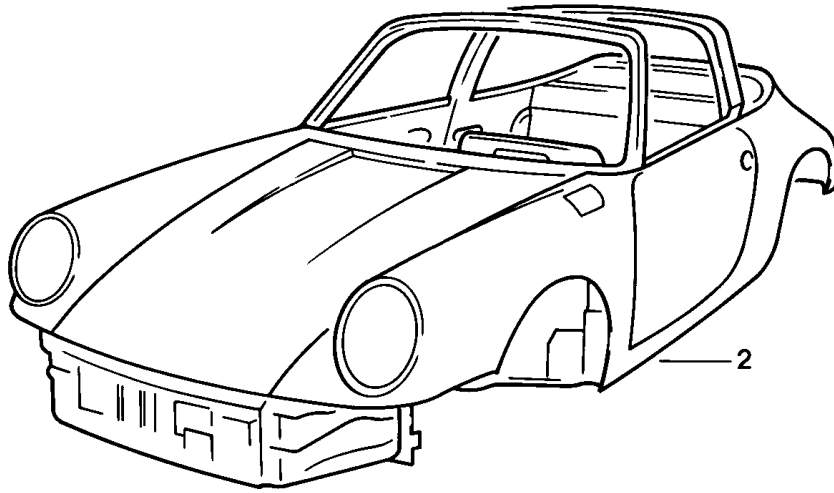
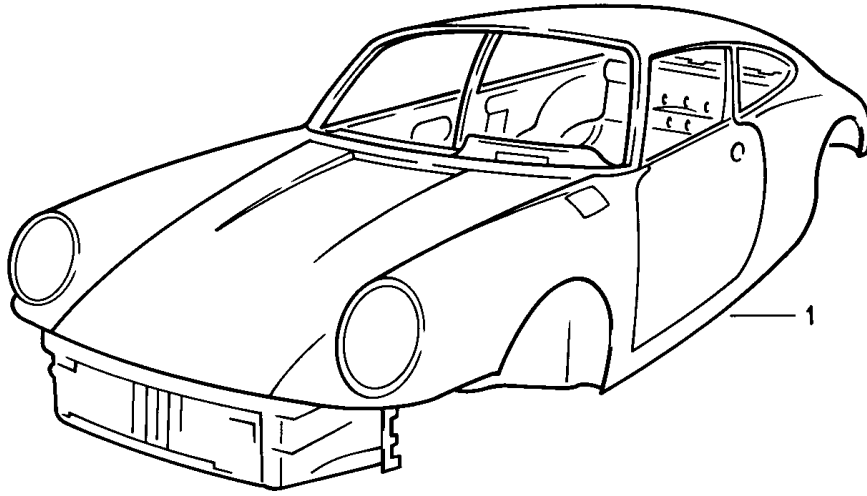
Model: 911 84

Model life 1984&gt;&gt;1986

| Pos  | Part Number    | Description         | Remark | Qty | Model   |
|------|----------------|---------------------|--------|-----|---------|
|      |                | Pedals              |        |     |         |
|      |                | Accelerator control |        |     |         |
| 1    | 911 423 111 02 | Accelerator pedal   |        | 1   |         |
| 1    | 911 423 111 03 | Accelerator pedal   |        | 1   |         |
| 2    | 900 075 260 02 | Hexagon-head bolt   |        | 2   |         |
|      |                | M 6 X 16            |        |     |         |
| 2    | N 010 215 13   | Hexagon-head bolt   |        | 2   |         |
|      |                | M 6 X 15            |        |     |         |
| 3    | N 011 666 7    | Washer              |        | 2   |         |
|      |                | B 6,4               |        |     |         |
| 4    | 914 423 227 00 | Push rod            |        | 1   |         |
| 4    | 914 423 227 01 | Push rod            |        | 1   |         |
| 5    | N 011 005 14   | Hexagon nut         |        | 6   |         |
|      |                | M 5                 |        |     |         |
| 5    | 900 076 091 01 | Hexagon nut         |        | 6   |         |
|      |                | M 5                 |        |     |         |
| 6    | 911 423 147 00 | Ball socket         |        | 4   |         |
| 6A   | 900 169 014 02 | Securing clip       |        | 1   |         |
| 6A   | 900 169 014 01 | Securing clip       |        | 1   |         |
| 7    | PCG 423 024 00 | Throttle linkage    |        | 1   |         |
| 8    | 901 423 223 01 | Extension rod       |        | 1   |         |
| 9    | 911 423 081 02 | Housing             |        | 1   |         |
| 10   | 911 423 593 01 | Sealing sleeve      | -85    | 1   |         |
| 10   |                | Sealing sleeve      |        | 1   |         |
| 11   | 901 423 227 00 | Bush                |        | 3   |         |
| 12   | 911 423 017 01 | Reverse lever       |        | 1   | CARRERA |
|      |                | Order also:         |        |     |         |
|      |                | 911.423.227.00      |        |     |         |
|      |                | 900.910.096.02      |        |     |         |
| (12) | 930 423 017 01 | Reverse lever       |        | 1   | TURBO   |
| 12A  | 900 910 010 02 | Lock nut            |        | 1   |         |
| 12A  | 900 910 096 02 | Lock nut            |        | 1   |         |
| 12B  | 911 423 227 00 | Screw bolt          |        | 1   |         |
| 13   | 914 423 211 00 | Bearing sleeve      |        | 2   |         |
| 14   | 900 025 008 09 | Washer              |        | 1   |         |
|      |                | 10,5                |        |     |         |
| 14   | 900 025 008 04 | Washer              |        | 1   |         |
|      |                | 10,5                |        |     |         |
| 15   | N 012 530 1    | Cotter pin          |        | 1   |         |
|      |                | 3,2 X 15            |        |     |         |
| 16   | 911 423 043 01 | Throttle linkage    |        | 1   | CARRERA |
| 16   | 930 423 019 02 | Throttle linkage    |        | 1   | TURBO   |
| 17   | 901 423 250 02 | Reverse lever       |        | 1   |         |
| 18   | 901 423 253 00 | Bearing sleeve      |        | 2   |         |
| 19   | 900 031 001 02 | Washer              |        | 1   |         |
|      |                | 8,4                 |        |     |         |
| 19   | 900 031 105 01 | Washer              |        | 1   |         |
|      |                | 8,4                 |        |     |         |
| 19   | 900 025 007 02 | Washer              |        | 1   |         |
|      |                | A 8,4               |        |     |         |
| 19   | 900 025 007 03 | Washer              |        | 1   |         |
|      |                | A 8,4               |        |     |         |
| 20   | 900 021 008 00 | Cotter pin          |        | 1   |         |
| 20   | 900 021 008 0A | Cotter pin          |        | 1   |         |
| 21   | 901 423 193 00 | Rubber stop         |        | 1   |         |

Model: 911 84

Model life 1984>>1986

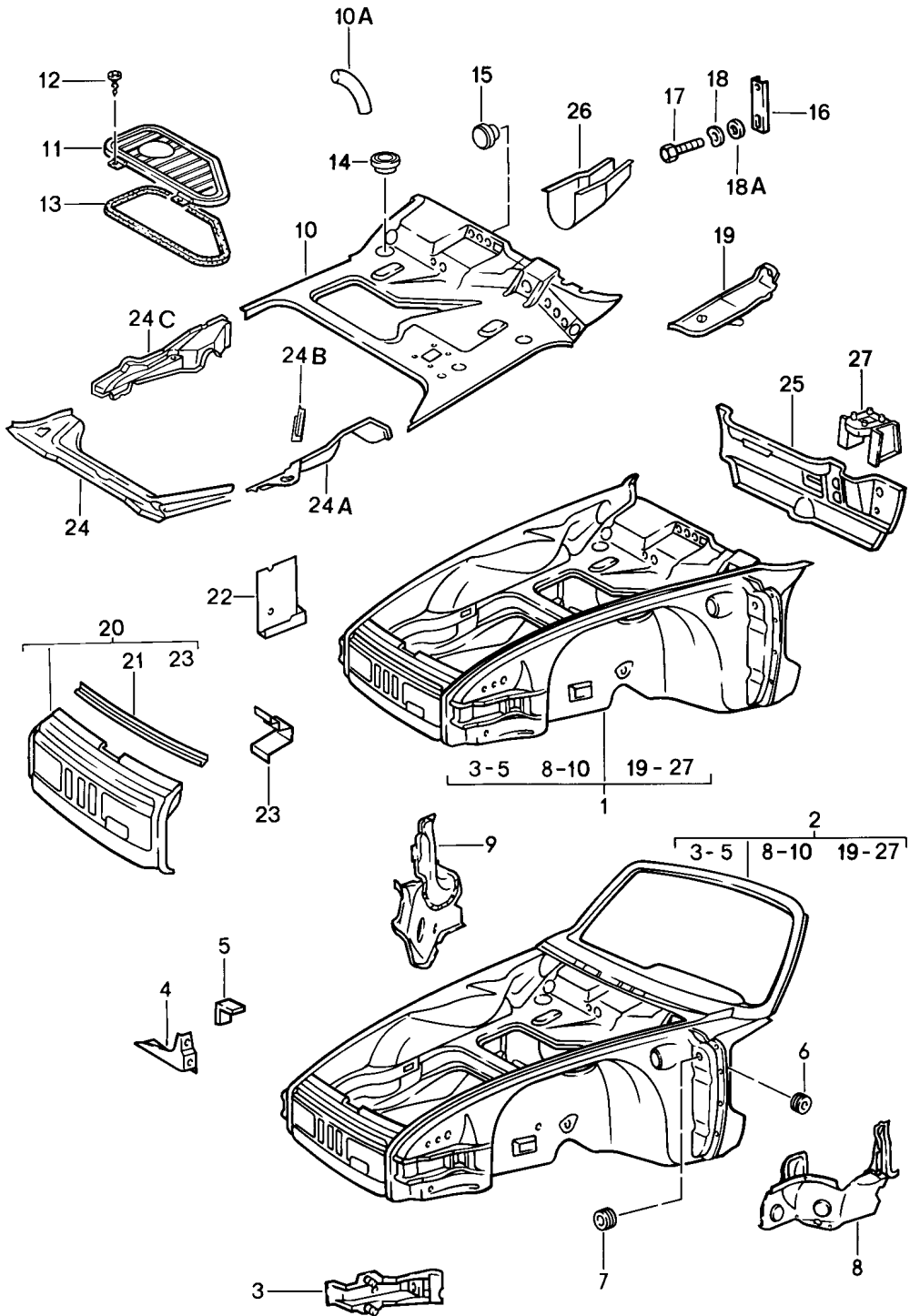


Model: 911 84 Model life 1984>>1986

| Pos | Part Number    | Description  | Remark  | Qty | Model            |
|-----|----------------|--|---------|-----|------------------|
|     |                | Body in white<br>Prime coated<br>Sealed<br>Sprayed with filler<br>with<br>Underbody protection<br>BodysHELLS can only<br>only available from current<br>Model year available |         |     |                  |
| 1   | 911 500 921 27 | Body in white  | /LL 85  | 1   | CARRERA<br>COUPE |
| 1   | 911 500 921 29 | Body in white  | /LL 86  | 1   | CARRERA<br>COUPE |
| (1) | 930 500 921 06 | Body in white  | /LL 85  | 1   | TURBO            |
| (1) | 930 500 921 08 | Body in white  | /LL 86- | 1   | TURBO            |
| 2   | 911 500 921 64 | Body in white  | /LL 85  | 1   | TARGA            |
| 2   | 911 500 921 69 | Body in white  | /LL 86  | 1   | TARGA            |
| 3   | 911 500 921 67 | Body in white  | /LL 85  | 1   | CABRIO           |
| 3   | 911 500 921 71 | Body in white  | /LL 86  | 1   | CABRIO           |

Model: 911 84

Model life 1984>>1986



Model: 911 84 Model life 1984>>1986

| Pos | Part Number                          | Description  | Remark  | Qty | Model           |
|-----|--------------------------------------|--|---------|-----|-----------------|
| 1   | 911 500 913 00                       | Frame<br>Front<br>Body front section<br>-MOD.85<br>Order also:<br>See TPI<br>NR.19 03/86 | /LL     | 1   | COUPE           |
| (1) | 930 500 913 00                       | Body front section<br>-MOD.85<br>Order also:<br>See TPI<br>NR.19 03/86                   | /LL     | 1   | TURBO           |
| (2) | 911 501 005 50                       | Body front section<br>Order also:<br>POS. 10 A   | /LL -85 | 1   | TARGA<br>CABRIO |
| 2   | 911 500 913 60                       | Body front section   | /LL 86- | 1   | TARGA<br>CABRIO |
| 3   | 911 501 149 02                       | Support<br>for<br>Impact absorber  | /L      | 1   |                 |
| 3   | 911 501 149 02 GRV                   | Support<br>Prime coated<br>for<br>Impact absorber  | /L      | 1   |                 |
| (3) | 911 501 150 02                       | Support<br>for<br>Impact absorber  | /R      | 1   |                 |
| (3) | 911 501 150 02 GRV                   | Support<br>Prime coated<br>for<br>Impact absorber  | /R      | 1   |                 |
| 4   | 911 501 490 01                       | Bracket<br>Lower<br>for<br>Oil cooler  |         | 1   |                 |
| 4   | 911 501 490 01 GRV                   | Bracket<br>Prime coated<br>Lower<br>for<br>Oil cooler                                    |         | 1   |                 |
| 5   | 911 503 492 01                       | Bracket<br>Upper<br>for<br>Oil cooler  |         | 1   |                 |
| 5   | 911 503 292 00<br>911 503 292 00 GRV | Bracket<br>Prime coated<br>Upper<br>for<br>Oil cooler                                    |         | 1   |                 |
| 6   | 111 971 911 A                        | Grommet<br>15 \$   |         | 2   |                 |
| 7   | 999 702 126 50                       | Grommet  |         | 2   | CARRERA         |
| 8   | 911 501 513 40                       | Corner reinforcement<br>with<br>Post bracket   | /LL /L  | 1   | TARGA           |
| 8   | 911 501 513 40 GRV                   | Corner reinforcement<br>with<br>Post bracket<br>Prime coated                             | /LL /L  | 1   | CABRIO<br>TARGA |
| 9   | 911 501 514 40                       | Corner reinforcement<br>with<br>Post bracket   | /LL /R  | 1   | TARGA           |
| 9   | 911 501 514 40 GRV                   | Corner reinforcement   | /LL /R  | 1   | CABRIO<br>TARGA |

Model: 911 84 Model life 1984>>1986

| Pos  | Part Number        | Description        | Remark  | Qty | Model           |
|------|--------------------|--------------------|---------|-----|-----------------|
|      |                    | with               |         |     |                 |
|      |                    | Post bracket       |         |     | CABRIO          |
|      | 911 501 514 40 GRV | Prime coated       |         |     |                 |
| (10) | 911 501 035 13     | Boot floor plate   | /LL -85 | 1   |                 |
| (10) |                    | Boot floor plate   | /LL     | 1   |                 |
|      | 911 501 035 13 GRV | Prime coated       |         |     |                 |
| 10   | 911 501 035 20     | Boot floor plate   | /LL 86  | 1   |                 |
| 10A  | 911 501 551 01     | Pipe               | -85     | 2   |                 |
| 10A  |                    | Pipe               |         | 2   |                 |
|      | 911 501 551 01 GRV | Prime coated       |         |     |                 |
| (11) | 901 504 043 02     | Cover              | /LL -85 | 1   |                 |
| 11   | 911 504 043 01     | Lid                | /LL     | 1   |                 |
| 11   |                    | Lid                | /LL     | 1   |                 |
|      | 911 504 043 01 GRV | Prime coated       |         |     |                 |
| 12   | 900 144 034 07     | Tapping screw      |         | 4   |                 |
| 12   | 900 144 034 0G     | Tapping screw      |         | 4   |                 |
| 12   | 900 144 034 07     | Tapping screw      |         | 4   |                 |
|      |                    | B 4,2 X 16         |         |     |                 |
| 12   | 900 144 034 0G     | Tapping screw      |         | 4   |                 |
|      |                    | B 4,2 X 16         |         |     |                 |
| 13   | 911 504 491 02     | Gasket             | /LL     | 1   |                 |
| 14   | 999 703 103 40     | Stopper            |         | 1   |                 |
|      |                    | 23,5 \$            |         |     |                 |
| 15   | 911 504 405 00     | Covering           |         | 1   |                 |
| 16   | 911 501 347 00     | Cowl panel support | /LL -85 | 1   |                 |
| 17   | 900 075 260 02     | Hexagon-head bolt  | -85     | 2   |                 |
|      |                    | M 6 X 16           |         |     |                 |
| 18   | N 012 006 4        | Lock ring          | -85     | 2   |                 |
|      |                    | B 6                |         |     |                 |
| 18A  | N 011 524 7        | Washer             | -85     | 2   |                 |
|      |                    | 6,4                |         |     |                 |
| 18A  | N 011 524 27       | Washer             |         | 2   |                 |
|      |                    | 6,4                |         |     |                 |
| (19) | 901 501 411 21     | Connecting piece   | /L -85  | 1   | COUPE           |
| 19   | 911 501 815 00     | Connecting piece   | /L 86-  | 1   | COUPE           |
|      |                    | Boot floor plate   |         |     |                 |
|      |                    | Wheel housing      |         |     |                 |
| 19   |                    | Connecting piece   | /L 86-  | 1   | COUPE           |
|      |                    | Boot floor plate   |         |     |                 |
|      |                    | Wheel housing      |         |     |                 |
|      | 911 501 815 00 GRV | Prime coated       |         |     |                 |
| (19) | 901 501 412 21     | Connecting piece   | /R      | 1   | COUPE           |
|      |                    | Boot floor plate   |         |     |                 |
|      |                    | Wheel housing      |         |     |                 |
| (19) | 911 501 815 40     | Connecting piece   | /L      | 1   | CABRIO          |
|      |                    | Boot floor plate   |         |     |                 |
|      |                    | Wheel housing      |         |     |                 |
| (19) |                    | Connecting piece   | /L      | 1   | CABRIO          |
|      |                    | Boot floor plate   |         |     |                 |
|      |                    | Wheel housing      |         |     |                 |
|      | 911 501 815 40 GRV | Prime coated       |         |     |                 |
| (19) | 901 501 412 41     | Connecting piece   | /R      | 1   | TARGA           |
| (19) | 911 501 412 40     | Connecting piece   | /R      | 1   | TARGA<br>CABRIO |
|      |                    | Boot floor plate   |         |     |                 |
|      |                    | Wheel housing      |         |     |                 |
| (19) |                    | Connecting piece   | /R      | 1   | TARGA<br>CABRIO |
|      |                    | Boot floor plate   |         |     |                 |
|      |                    | Wheel housing      |         |     |                 |
|      | 911 501 412 40 GRV | Prime coated       |         |     |                 |
| (20) | 911 501 099 06     | Cross panel        |         | 1   | CARRERA         |
| (20) |                    | Cross panel        |         | 1   | CARRERA         |
|      | 911 501 099 06 GRV | Prime coated       |         |     |                 |
| 20   | 911 501 099 07     | Cross panel        |         | 1   | TURBO           |

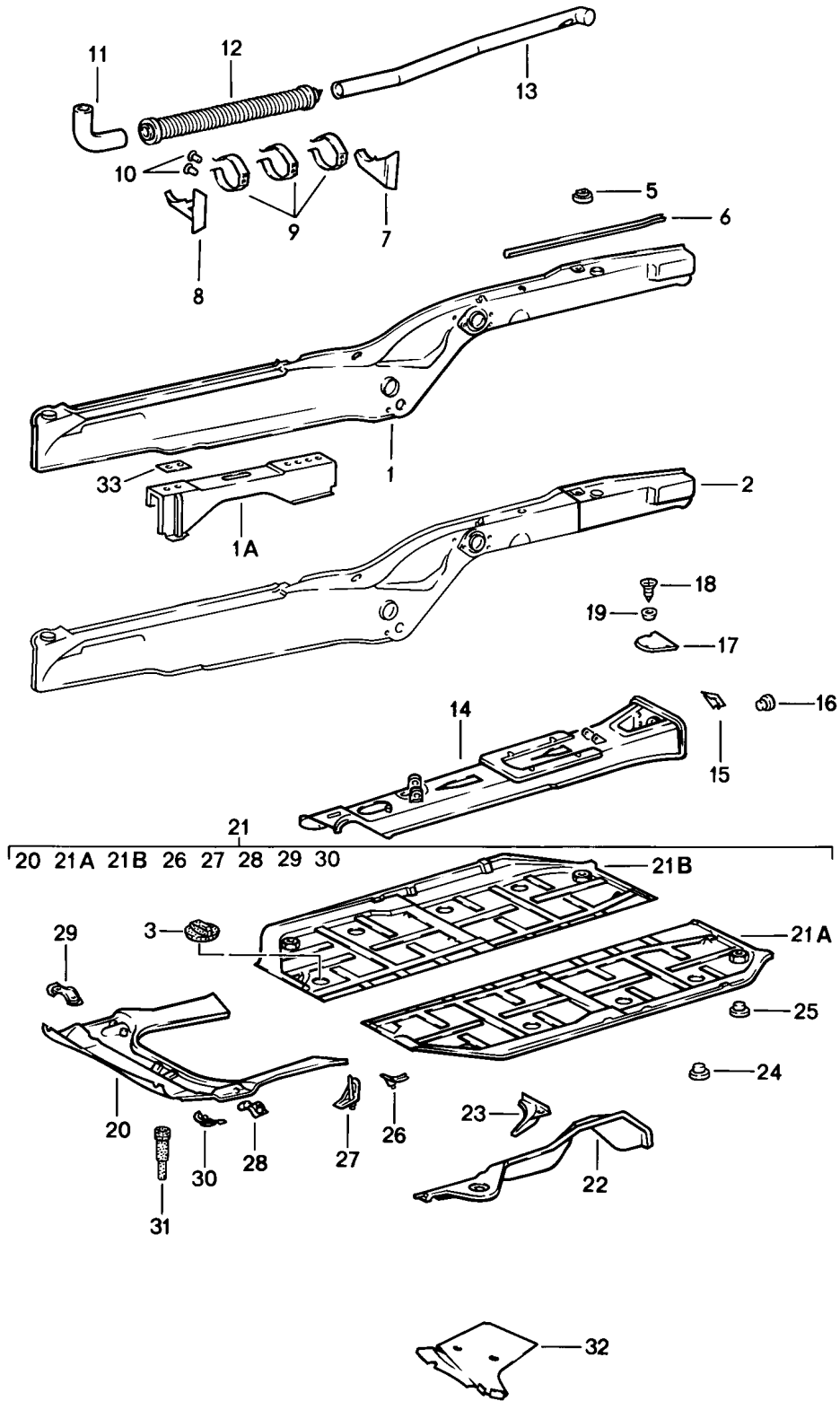
Model: 911 84 Model life 1984>>1986

| Pos | Part Number        | Description   | Remark | Qty | Model                    |
|-----|--------------------|---|--------|-----|--------------------------|
| 20  | 911 501 099 07 GRV | Cross panel<br>Prime coated                             |        | 1   | CARRERA<br>M559<br>TURBO |
| 21  | 911 501 395 00     | Sealing rail  |        | 1   | CARRERA<br>M559          |
| 21  | 911 501 395 00 GRV | Sealing rail<br>Prime coated                            |        | 1   |                          |
| 22  | 911 501 397 00     | Support<br>for jack<br>Right                            |        | 1   |                          |
| 22  | 911 501 397 00 GRV | Support<br>Prime coated<br>for jack<br>Right            |        | 1   |                          |
| 23  | 911 501 387 01     | Support<br>for jack<br>Centre                           |        | 1   |                          |
| 23  | 911 501 387 01 GRV | Support<br>Prime coated<br>for jack<br>Centre           |        | 1   |                          |
| 24  | 911 501 117 02     | Fuel tank support holder                                | /V     | 1   |                          |
| 24  | 911 501 117 02 GRV | Fuel tank support holder<br>Prime coated                | /V     | 1   |                          |
| 24A | 911 501 111 02     | Fuel tank support holder                                | /L     | 1   |                          |
| 24A | 911 501 111 02 GRV | Fuel tank support holder<br>Prime coated<br>Order also: | /L     | 1   |                          |
| 24B | 911 501 143 00     | Retaining strip<br>for<br>Battery                       |        | 1   |                          |
| 24B | 911 501 143 00 GRV | Retaining strip<br>Prime coated<br>for<br>Battery       |        | 1   |                          |
| 24C | 911 501 114 04     | Fuel tank support holder                                | /R     | 1   |                          |
| 24C | 911 501 114 04 GRV | Fuel tank support holder<br>Prime coated                | /R     | 1   |                          |
| 25  | 911 501 213 01     | Cross panel   | /LL    | 1   |                          |
| 25  | 901 501 041 35     | Cross panel   | /LL    | 1   |                          |
| 26  | 901 501 354 32     | Cup   | /LL    | 1   |                          |
| 27  | 911 501 144 00     | Reinforcement   | /LL    | 1   |                          |
| 27  | 911 501 144 00 GRV | Reinforcement<br>Prime coated                           | /LL    | 1   |                          |



Model: 911 84

Model life 1984>>1986



Model: 911 84 Model life 1984>>1986

| Pos  | Part Number                          | Description  | Remark | Qty | Model                             |
|------|--------------------------------------|--|--------|-----|-----------------------------------|
| 1    | 911 501 962 26                       | Frame<br>Centre<br>Side member   | /R -85 | 1   | COUPE                             |
| (1)  | 911 501 962 46                       | Inner<br>Side member   | /R -85 | 1   | TARGA<br>CABRIO                   |
| (1)  | 911 501 961 25                       | Inner<br>Side member   | /L -85 | 1   | COUPE                             |
| (1)  | 911 501 961 45                       | Inner<br>Side member   | /L -85 | 1   | TARGA<br>CABRIO                   |
| (1)  | 901 501 961 43                       | Inner<br>Side member   | /L     | 1   |                                   |
| 1    | 901 501 962 43                       | Inner<br>Side member   | /R     | 1   |                                   |
| (1A) | 911 501 268 01                       | Seat rail support<br>Outer<br>F >>91FS1 21806<br>F >>91FS1 61810<br>F >>91FS1 70981<br>F >>93FS0 50084                 | /R     | 1   | COUPE<br>TARGA<br>CABRIO<br>TURBO |
| (1A) | 911 501 268 02                       | Seat rail support<br>Outer   | /R     | 1   |                                   |
| (1A) | 911 501 264 01                       | Seat rail support<br>Inner<br>F >>91FS1 21806<br>F >>91FS1 61810<br>F >>91FS1 70981<br>F >>93FS0 50084                 | /R     | 1   | COUPE<br>TARGA<br>CABRIO<br>TURBO |
| (1A) | 911 501 264 02                       | Seat rail support<br>Inner<br>F 91FS1 21807>><br>F 91FS1 61811>><br>F 91FS1 70982>><br>F 93FS0 50085>>                 | /R     | 1   | COUPE<br>TARGA<br>CABRIO<br>TURBO |
| (1A) | 911 501 264 02 GRV<br>911 501 264 04 | Prime coated<br>Seat rail support<br>Inner<br>F 91FS1 21807>><br>F 91FS1 61811>><br>F 91FS1 70982>><br>F 93FS0 50085>> | /R     | 1   | COUPE<br>TARGA<br>CABRIO<br>TURBO |
| (1A) | 911 501 264 04 GRV<br>911 501 267 01 | Prime coated<br>Seat rail support<br>Outer<br>F >>91FS1 21806<br>F >>91FS1 61810<br>F >>91FS1 70981<br>F >>93FS0 50084 | /L     | 1   | COUPE<br>TARGA<br>CABRIO<br>TURBO |
| (1A) | 911 501 267 02                       | Seat rail support  | /L -85 | 1   |                                   |
| (1A) | 911 501 189 00                       | Seat rail support<br>Outer   | /L 86- | 1   |                                   |
| (1A) |                                      | Seat rail support<br>Outer   | /L 86- | 1   |                                   |
| (1A) | 911 501 189 00 GRV<br>911 501 263 01 | Prime coated<br>Seat rail support<br>Inner<br>F >>91FS1 21806<br>F >>91FS1 61810<br>F >>91FS1 70981<br>F >>93FS0 50084 | /L     | 1   | COUPE<br>TARGA<br>CABRIO<br>TURBO |
| 1A   | 911 501 263 02                       | Seat rail support<br>Inner<br>F 91FS1 21807>>  | /L     | 1   | COUPE                             |

Model: 911 84 Model life 1984>>1986

| Pos  | Part Number                          | Description   | Remark  | Qty | Model                    |
|------|--------------------------------------|---|---------|-----|--------------------------|
|      |                                      | F 91FS1 61811>><br>F 91FS1 70982>><br>F 93FS0 50085>> |         |     | TARGA<br>CABRIO<br>TURBO |
| 2    | 911 501 263 02 GRV<br>911 501 962 03 | Prime coated<br>Side member<br>Inner<br>Sub-part      | /R      | 1   |                          |
| (2)  | 911 501 961 03                       | Side member<br>Inner<br>Sub-part                      | /L -85  | 1   |                          |
| (2)  | 911 501 961 05                       | Side member<br>Inner<br>Sub-part                      | /L      | 1   |                          |
| (2)  | 911 501 961 05 GRV                   | Side member<br>Prime coated<br>Inner<br>Sub-part      | /L      | 1   |                          |
| 3    | 111 801 177                          | Rubber valve  |         | 8   |                          |
| 5    | 901 501 117 20                       | Mounting plate  |         | 2   |                          |
| 6    | 901 501 796 20                       | Profile rail  | /R      | 1   | CARRERA                  |
| 6    |                                      | Profile rail  | /R      | 1   | CARRERA                  |
| (6)  | 901 501 796 20 GRV                   | Prime coated  |         |     |                          |
| (6)  | 930 501 792 00                       | Profile rail  | /R      | 1   | TURBO                    |
| (6)  |                                      | Profile rail  | /R      | 1   | TURBO                    |
| (6)  | 930 501 792 00 GRV                   | Prime coated  |         |     |                          |
| (6)  | 901 501 795 20                       | Profile rail  | /L      | 1   | CARRERA                  |
| (6)  |                                      | Profile rail  | /L      | 1   | CARRERA                  |
| (6)  | 901 501 795 20 GRV                   | Prime coated  |         |     |                          |
| (6)  | 930 501 791 00                       | Profile rail  | /L      | 1   | TURBO                    |
| (6)  |                                      | Profile rail  | /L      | 1   | TURBO                    |
|      | 930 501 791 00 GRV                   | Prime coated  |         |     |                          |
| 7    | 901 501 263 20                       | Pipe bracket  |         | 2   |                          |
| 8    | 901 501 264 20                       | Pipe bracket  |         | 2   |                          |
| 9    | 901 501 128 20                       | Retainer spring                                       |         | 6   |                          |
| 9    |                                      | Retainer spring                                       |         | 6   |                          |
|      | 901 501 128 20 GRV                   | Prime coated  |         |     |                          |
| 10   | N 013 411 1                          | Rivet<br>3 X 6  |         | 12  |                          |
| 11   | 911 572 211 01                       | Hot air duct<br>Front                                 | -85     | 2   |                          |
| (11) |                                      | Hot air duct<br>Front                                 |         | 2   |                          |
| (12) | 911 572 025 02                       | Muffler<br>Not<br>Closed                              |         | 2   |                          |
| (13) | 911 572 222 02                       | Hot air duct<br>Rear                                  | /R      | 1   |                          |
| (13) | 911 572 221 02                       | Hot air duct<br>Rear                                  | /L      | 1   |                          |
| 14   | 911 501 061 48                       | Tunnel<br>with tubes                                  | /LL -84 | 1   |                          |
| 15   | 911 501 661 00                       | Cross tube reinforcement                              | /L      | 1   |                          |
| (15) | 911 501 662 00                       | Cross tube reinforcement                              | /R      | 1   |                          |
| 16   | 914 552 233 10                       | Filler piece  |         | 1   |                          |
|      | 914 552 233 10 01C                   | Black<br>\$ 10  |         |     |                          |
| 16   | 914 552 233 10                       | Filler piece  |         | 1   |                          |
|      | 914 552 233 10 01C                   | Black<br>\$ 10  |         |     |                          |
| 17   | 901 504 731 30                       | Lid   |         | 1   |                          |
| 18   | 900 143 019 07                       | Oval-head sheetmetal screw<br>B 4,8 X 22              |         | 4   |                          |
| 19   | 900 031 006 07                       | Washer  |         | 4   |                          |

Model: 911 84 Model life 1984>>1986

| Pos  | Part Number        | Description  | Remark | Qty | Model   |
|------|--------------------|--|--------|-----|---------|
| -    | 999 591 329 02     | 5,3<br>Prestole cage   |        | 4   |         |
| (20) | 911 501 955 00     | B 4,8<br>Tank compartment floor  |        | 1   |         |
| (20) | 911 501 955 00 GRV | Tank compartment floor<br>Prime coated                                 |        | 1   |         |
| 20   | 911 501 955 01     | Tank compartment floor   |        | 1   |         |
| 21   | 911 501 051 16     | Floorpan   | /LL    | 1   | CARRERA |
| 21   | 911 501 051 21     | Floorpan   | /LL    | 1   | CARRERA |
| 21   | 911 501 051 21 GRV | Floorpan<br>Prime coated   | /LL    | 1   | CARRERA |
| 21   | 911 501 051 18     | Floorpan   | /LL    | 1   | CARRERA |
| 21   | 930 501 051 11     | Floorpan   | /LL    | 1   | TURBO   |
| 21   | 930 501 051 12     | Floorpan   | /LL    | 1   | TURBO   |
| 21A  | 911 501 935 00     | Floorpan   | /LL /L | 1   |         |
| 21A  | 911 501 935 00 GRV | Floorpan<br>Prime coated   | /LL /L | 1   |         |
| 21B  | 911 501 936 00     | Floorpan   | /LL /R | 1   |         |
| 21B  | 911 501 936 00 GRV | Floorpan<br>Prime coated   | /LL /R | 1   |         |
| 22   | 911 501 111 02     | Fuel tank support holder   | /L     | 1   |         |
| 22   | 911 501 111 02 GRV | Order also:<br>Fuel tank support holder<br>Prime coated<br>Order also: | /L     | 1   |         |
| -    | 911 501 143 00     | Retaining strip<br>for<br>Battery                                      |        | 1   |         |
| -    | 911 501 143 00 GRV | Retaining strip<br>Prime coated<br>for<br>Battery                      |        | 1   |         |
| (22) | 911 501 114 04     | Fuel tank support holder   | /R     | 1   |         |
| (22) | 911 501 114 04 GRV | Fuel tank support holder<br>Prime coated                               | /R     | 1   |         |
| 23   | 901 501 457 20     | Bracket  | /L     | 1   |         |
| 23   | 901 501 457 20 GRV | Bracket<br>Prime coated  | /L     | 1   |         |
| (23) | 901 501 458 20     | Bracket  | /R     | 1   |         |
| (23) | 901 501 458 20 GRV | Bracket<br>Prime coated  | /R     | 1   |         |
| 24   | 999 703 121 40     | Stopper  |        | 20  |         |
| 25   | 999 703 125 40     | 8 \$<br>Stopper  |        | 4   |         |
| 26   | 901 501 063 23     | 8,9 \$<br>Bracket  |        | 2   |         |
| 27   | 901 501 359 01     | Axle mounting  | /V /L  | 1   | CARRERA |
| 27   | 901 501 359 01 GRV | Axle mounting<br>Prime coated  | /V /L  | 1   | CARRERA |
| (27) | 930 501 359 01     | Axle mounting  | /V /L  | 1   | TURBO   |
| (27) | 901 501 360 01     | Axle mounting  | /V /R  | 1   | CARRERA |
| (27) | 901 501 360 01 GRV | Axle mounting<br>Prime coated  | /V /R  | 1   | CARRERA |
| (27) | 930 501 360 01     | Axle mounting  | /V /R  | 1   | TURBO   |
| 28   | 901 501 409 23     | Reinforcement plate  | /L     | 1   |         |
| 28   | 901 501 409 23 GRV | Reinforcement plate<br>Prime coated                                    | /L     | 1   |         |
| (28) | 901 501 410 23     | Reinforcement plate  | /R     | 1   |         |
| (28) | 901 501 410 23 GRV | Reinforcement plate<br>Prime coated                                    | /R     | 1   |         |
| 29   | 901 501 427 21     | Reinforcement  |        | 2   |         |
|      | 901 501 427 21 GRV | Reinforcement<br>Prime coated<br>for                                   |        |     |         |

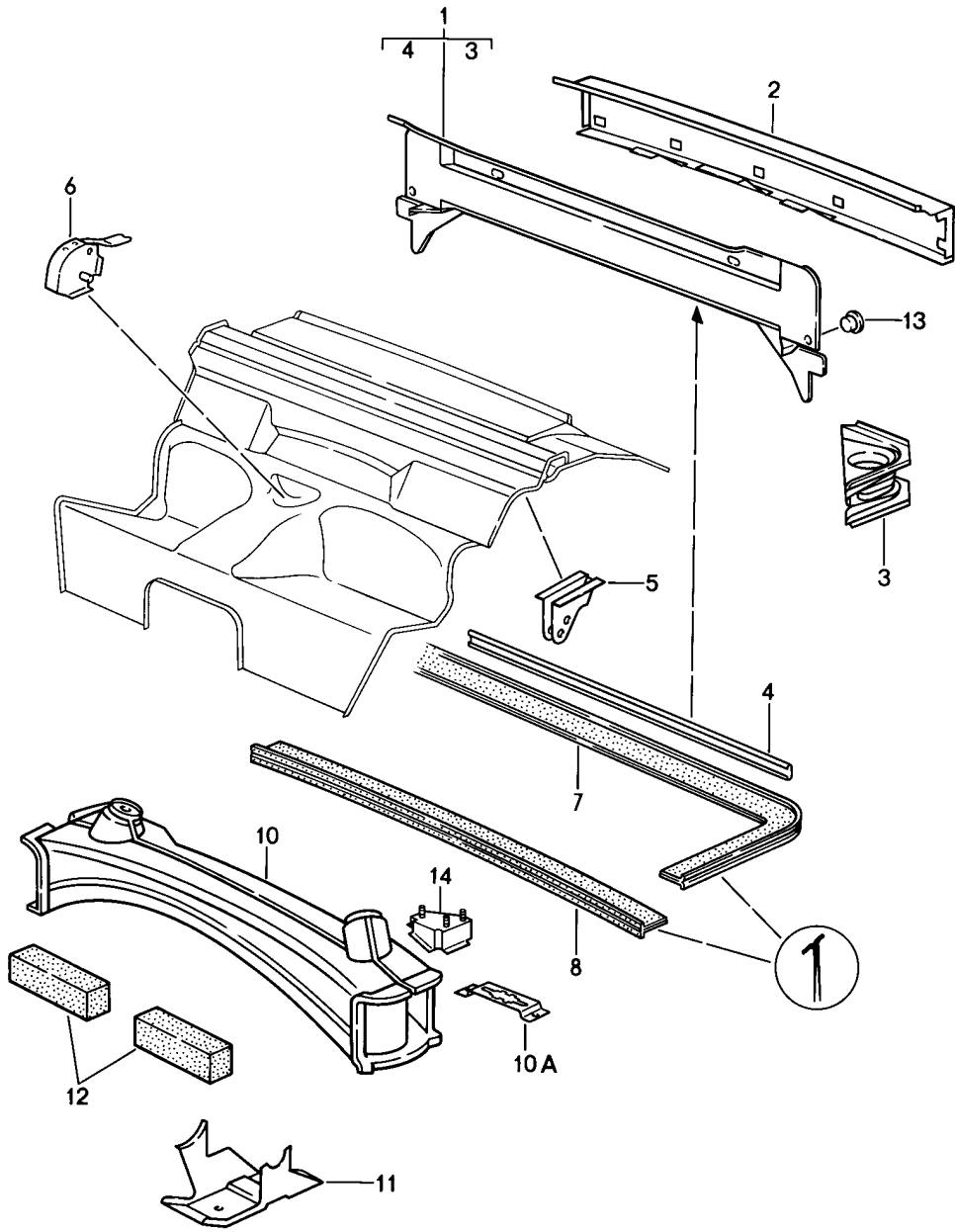
Model: 911 84

Model life 1984>>1986

| Pos  | Part Number        | Description               | Remark | Qty | Model |
|------|--------------------|---------------------------|--------|-----|-------|
| 30   | 901 501 407 22     | Axle mounting             |        |     |       |
|      |                    | Corner reinforcement      | /L     | 1   |       |
| 30   |                    | Corner reinforcement      | /L     | 1   |       |
|      | 901 501 407 22 GRV | Prime coated              |        |     |       |
| (30) | 901 501 408 22     | Corner reinforcement      | /R     | 1   |       |
| (30) |                    | Corner reinforcement      | /R     | 1   |       |
|      | 901 501 408 22 GRV | Prime coated              |        |     |       |
| 31   | 911 025 612 00     | Grommet                   |        | 2   |       |
| 32   | 911 501 285 00     | Carrier plate for battery |        | 1   |       |
| 32   |                    | Carrier plate for battery |        | 1   |       |
|      | 911 501 285 00 GRV | Prime coated              |        |     |       |
| 33   | 911 501 642 01     | Compensating plate        | 86-    | X   |       |

Model: 911 84

Model life 1984>>1986

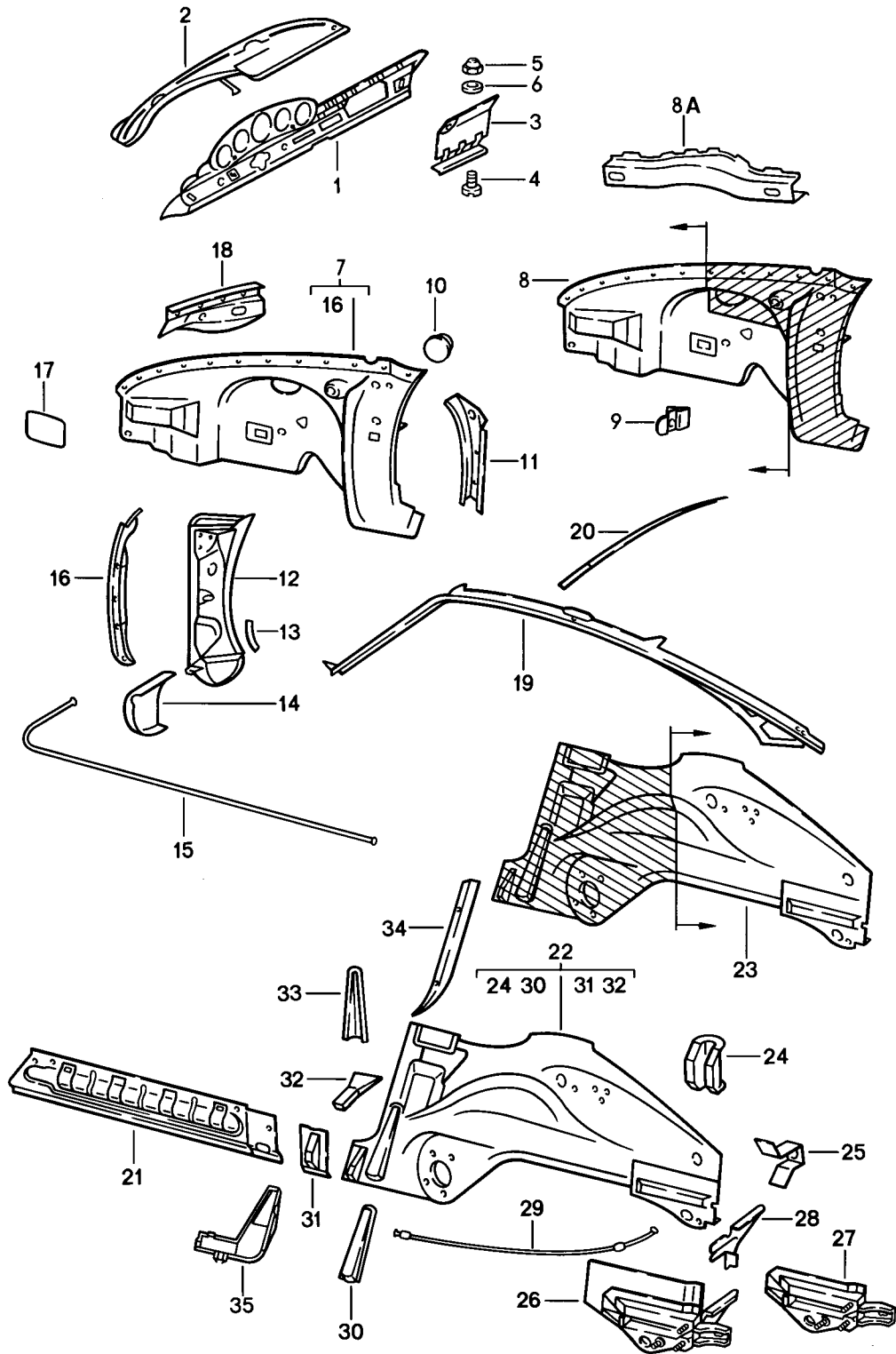


Model: 911 84 Model life 1984>>1986

| Pos  | Part Number        | Description               | Remark | Qty | Model       |
|------|--------------------|---------------------------|--------|-----|-------------|
|      |                    | Frame                     |        |     |             |
|      |                    | Rear                      |        |     |             |
| 1    | 911 507 080 00     | Cross member              |        | 1   | CARRERA     |
| 1    | 911 507 080 01     | Cross member              |        | 1   | CARRERA     |
| 1    |                    | Cross member              |        | 1   | CARRERA     |
|      | 911 507 080 01 GRV | Prime coated              |        |     |             |
| 1    | 930 501 080 00     | Cross member              |        | 1   | TURBO       |
| 2    | 911 503 151 00     | End plate                 | -86    | 1   |             |
| 2    |                    | End plate                 |        | 1   |             |
|      | 911 503 151 00 GRV | Prime coated              |        |     |             |
| 3    | 901 501 083 21     | Engine mounting           |        | 2   |             |
| 3    |                    | Engine mounting           |        | 2   |             |
|      | 901 501 083 21 GRV | Prime coated              |        |     |             |
| 4    | 901 501 797 20     | Profile rail              |        | 1   |             |
|      |                    | It is necessary to rework |        |     | TURBO       |
| 5    | 911 501 729 01     | Pneumatic spring mount    |        | 2   |             |
|      |                    | Gas-pressure spring       |        |     |             |
| 5    |                    | Pneumatic spring mount    |        | 2   |             |
|      | 911 501 729 01 GRV | Prime coated              |        |     |             |
| (6)  | 911 501 041 00     | Bearing                   | -85    | 1   | COUPE/TARGA |
| 6    | 911 501 041 01     | Bearing                   | 86-    | 1   | COUPE/TARGA |
| (6)  | 911 501 041 60     | Bearing                   |        | 1   | CABRIO      |
| 7    | 911 504 111 02     | Engine compartment seal   |        | 1   | CARRERA     |
| (7)  | 930 504 170 01     | Engine compartment seal   |        | 1   | TURBO       |
| 8    | 911 504 113 02     | Engine compartment seal   |        | 1   | CARRERA     |
| (8)  | 911 504 115 02     | Engine compartment seal   |        | 1   | TURBO       |
| 10   | 911 501 075 06     | Cross member              | -85    | 1   |             |
| 10   | 911 501 075 07     | Cross member              |        | 1   |             |
| 10   |                    | Cross member              |        | 1   |             |
|      |                    | Rear                      |        |     |             |
|      |                    | for                       |        |     |             |
|      |                    | Suspension strut mounting |        |     |             |
|      | 911 501 075 07 GRV | Prime coated              |        |     |             |
| 10A  | 911 501 485 01     | Support                   |        | 1   |             |
| 10A  |                    | Support                   |        | 1   |             |
|      | 911 501 485 01 GRV |                           |        |     |             |
| 10A  | 911 501 485 02     | Support                   |        | 1   |             |
|      | 911 501 485 02 GRV |                           |        |     |             |
| 11   | 911 501 023 02     | Bracket                   |        | 1   | TURBO       |
|      |                    | for                       |        |     |             |
|      |                    | Fuel pump                 |        |     |             |
| 11   |                    | Bracket                   |        | 1   | TURBO       |
|      | 911 501 023 02 GRV | Prime coated              |        |     |             |
|      |                    | for                       |        |     |             |
|      |                    | Fuel pump                 |        |     |             |
| 12   | 911 504 930 00     | Strap                     |        | 2   |             |
| 13   | 999 703 098 40     | Stopper                   |        | 2   |             |
|      |                    | 19 \$                     |        |     |             |
| (13) | 999 703 065 50     | Stopper                   | 85-    | 1   |             |
|      |                    | 16 X 6                    |        |     |             |

Model: 911 84

Model life 1984>>1986





Model: 911 84 Model life 1984>>1986

| Pos | Part Number        | Description  | Remark  | Qty | Model |
|-----|--------------------|--|---------|-----|-------|
| 1   | 911 502 021 02     | Interior panelling<br>Dashboard  | /LL -85 | 1   |       |
| (1) | 911 502 021 15     | Lower part<br>Dashboard  | /LL 86  | 1   |       |
| (1) | 911 502 021 17     | Lower part<br>Dashboard  | /LL 86- | 1   |       |
| (1) |                    | Lower part<br>Dashboard  | /LL 86- | 1   |       |
|     | 911 502 021 17 GRV | Lower part<br>Prime coated   |         |     |       |
| 2   | 901 502 023 44     | Dashboard  | /LL -85 | 1   |       |
| (2) | 911 502 025 42     | Upper part<br>Dashboard  | /LL 86- | 1   |       |
| (2) |                    | Upper part<br>Dashboard  | /LL 86- | 1   |       |
|     | 911 502 025 42 GRV | Upper part<br>Prime coated   |         |     |       |
| 3   | 911 552 010 02     | Glove compartment cover  | -85     | 1   |       |
| (3) | 911 552 010 04     | Glove compartment cover  | -85     | 1   |       |
| (3) | 911 552 010 05     | Glove compartment cover  | 86-     | 1   |       |
| (3) |                    | Glove compartment cover  | 86-     | 1   |       |
|     | 911 552 010 05 GRV | Prime coated   |         |     |       |
| 4   | 900 146 003 02     | Oval-head screw  | -85     | 2   |       |
|     |                    | AM 5 X 10  |         |     |       |
| 4   | 999 217 008 02     | Hexagon-head bolt  |         | 2   |       |
|     |                    | M 5 X 10   |         |     |       |
| 5   | N 021 196 1        | Lock nut   |         | 4   |       |
|     |                    | M 5  |         |     |       |
| 5   | N 021 196 3        | Hexagon nut  |         | 4   |       |
|     |                    | M 5  |         |     |       |
| 6   | 900 025 003 02     | Washer   |         | 4   |       |
|     |                    | 5,3  |         |     |       |
| (7) | 911 501 967 02     | Wheel housing  | /L -85  | 1   |       |
| (7) |                    | Wheel housing  | /L      | 1   |       |
|     | 911 501 967 02 GRV | Prime coated   |         |     |       |
| (7) | 911 501 968 02     | Wheel housing  | /R -85  | 1   |       |
|     |                    | -MOD.85<br>without<br>7A,12,16,18<br>See group<br>8/01/05 POS.19                 |         |     |       |
| (7) |                    | Wheel housing  | /R      | 1   |       |
|     | 911 501 968 02 GRV | Prime coated<br>-MOD.85<br>without<br>7A,12,16,18<br>See group<br>8/01/05 POS.19 |         |     |       |
| 7   | 911 501 967 00     | Wheel housing  | /L 86-  | 1   |       |
| (7) | 911 501 968 00     | Wheel housing  | /R 86-  | 1   |       |
| -   | 911 507 535 00     | Bracket  | /L 86-  | 1   |       |
|     |                    | for<br>Jacking point   |         |     |       |
| -   | 911 507 535 01     | Bracket  | /L 86-  | 1   |       |
|     |                    | for<br>Jacking point   |         |     |       |
| -   | 911 501 836 00     | Bracket  | /R 86-  | 1   |       |
|     |                    | for<br>Jacking point   |         |     |       |
| -   |                    | Bracket  | /R 86-  | 1   |       |
|     |                    | Right<br>for<br>Jacking point  |         |     |       |

Model: 911 84 Model life 1984>>1986

| Pos  | Part Number        | Description                                 | Remark | Qty | Model |
|------|--------------------|---|--------|-----|-------|
|      | 911 501 836 00 GRV | Prime coated                                |        |     |       |
| 8    | 911 501 995 02     | Wheel housing                               | /L -85 | 1   |       |
| (8)  | 911 501 996 02     | Wheel housing                               | /R -85 | 1   |       |
| 8A   | 911 501 675 00     | Reinforcing support                         |        | 1   |       |
| 8A   | 911 501 675 00 GRV | Reinforcing support                         |        | 1   |       |
|      | 911 501 675 00 GRV | Prime coated                                |        |     |       |
| 9    | 901 501 419 00     | Tab<br>for<br>Brake hose                    |        | 2   |       |
| 10   | 999 703 031 40     | Stopper                                     |        | 2   |       |
| 10   | 999 703 031 4A     | Stopper<br>30 \$                            |        | 2   |       |
| (10) | 999 703 224 40     | Cap<br>20 X 25 X 6<br>for<br>POS.22,23      | 85-    | 2   |       |
| 11   | 901 501 217 21     | Post bracket                                | /L     | 1   | COUPE |
| (11) | 901 501 218 21     | Post bracket                                | /R     | 1   | COUPE |
| 12   | 911 501 039 02     | Hinge pillar                                | /L     | 1   |       |
| (12) | 911 501 040 02     | Hinge pillar                                | /R     | 1   |       |
| 13   | 901 501 305 20     | Angular bracket                             | /L     | 1   |       |
| 13   | 901 501 305 20 GRV | Angular bracket                             | /L     | 1   |       |
|      | 901 501 305 20 GRV | Prime coated                                |        |     |       |
| (13) | 901 501 306 20     | Angular bracket                             | /R     | 1   |       |
| (13) | 901 501 306 20 GRV | Angular bracket                             | /R     | 1   |       |
|      | 901 501 306 20 GRV | Prime coated                                |        |     |       |
| 14   | 911 501 439 00     | Filler plate                                | /L     | 1   |       |
| 14   | 911 501 439 00 GRV | Filler plate                                | /L     | 1   |       |
|      | 911 501 439 00 GRV | Prime coated                                |        |     |       |
| (14) | 911 501 440 00     | Filler plate                                | /R     | 1   |       |
| (14) | 911 501 440 00 GRV | Filler plate                                | /R     | 1   |       |
|      | 911 501 440 00 GRV | Prime coated                                |        |     |       |
| 15   | 911 502 181 40     | Guide tube                                  | -85    | 1   |       |
| 15   | 911 502 181 40 GRV | Lid-release cable<br>Guide tube             |        | 1   |       |
|      | 911 502 181 40 GRV | Prime coated                                |        |     |       |
| 16   | 911 501 053 00     | Lid-release cable                           |        | 1   |       |
| 16   | 911 501 053 00     | Wing joining plate                          | /L     | 1   |       |
| 16   | 911 501 053 00 GRV | Wing joining plate                          | /L     | 1   |       |
| 16   | 911 501 053 01     | Prime coated                                |        | 1   |       |
|      | 911 501 053 01 GRV | Prime coated                                |        |     |       |
| (16) | 911 501 054 00     | Wing joining plate                          | /R     | 1   |       |
| (16) | 911 501 054 00 GRV | Wing joining plate                          | /R     | 1   |       |
|      | 911 501 054 00 GRV | Prime coated                                |        |     |       |
| 17   | 911 504 101 00     | Cover plate                                 |        | 2   |       |
| 18   | 911 501 223 02     | Reinforcement bracket                       | /L     | 1   |       |
| 18   | 911 501 223 02 GRV | Reinforcement bracket                       | /L     | 1   |       |
|      | 911 501 223 02 GRV | Prime coated                                |        |     |       |
| (18) | 911 501 226 01     | Reinforcing support                         | /R     | 1   |       |
| (18) | 911 501 226 00     | Reinforcing support                         | /R     | 1   |       |
| (18) | 911 501 226 00 GRV | Reinforcing support                         | /R     | 1   |       |
|      | 911 501 226 00 GRV | Prime coated                                |        |     |       |
| 19   | 911 502 029 00     | Roof frame<br>with<br>Windscreen frame part | /L     | 1   | COUPE |
| (19) | 911 502 030 00     | Roof frame<br>with<br>Windscreen frame part | /R     | 1   | COUPE |
| 20   | 911 502 220 00     | Cross piece for windscreen                  |        | 1   |       |
| 20   | 911 502 220 00 GRV | Cross piece for windscreen                  |        | 1   |       |
|      | 911 502 220 00 GRV | Prime coated                                |        |     |       |

Model: 911 84 Model life 1984>>1986

| Pos  | Part Number        | Description          | Remark | Qty | Model |
|------|--------------------|----------------------|--------|-----|-------|
| 21   | 911 501 123 03     | Side member          | /L     | 1   |       |
| (21) | 911 501 124 03     | Side member          | /R     | 1   |       |
| (21) | 911 501 124 04     | Side member          | /R     | 1   |       |
| (21) | 964 501 136 00     | Side member          | /R     | 1   |       |
| (21) | 964 501 136 00 GRV | Side member          | /R     | 1   |       |
|      | 964 501 136 00 GRV | Prime coated         |        |     |       |
| 22   | 911 501 017 21     | Side member          | /L -84 | 1   | COUPE |
|      |                    | Wheel housing        |        |     |       |
| (22) | 911 501 017 81     | Side member          | /L 85- | 1   | COUPE |
|      |                    | Wheel housing        |        |     |       |
| (22) |                    | Side member          | /L 85- | 1   | COUPE |
|      |                    | Wheel housing        |        |     |       |
|      | 911 501 017 81 GRV | Prime coated         |        |     |       |
| 23   | 911 501 997 03     | Side member          | /L     | 1   | COUPE |
|      |                    | Wheel housing        |        |     |       |
| (22) | 911 501 018 30     | Side member          | /R -84 | 1   | COUPE |
|      |                    | Wheel housing        |        |     |       |
| (22) | 911 501 018 33     | Side member          | /R 85- | 1   | COUPE |
|      |                    | Wheel housing        |        |     |       |
| (22) |                    | Side member          | /R 85- | 1   | COUPE |
|      | 911 501 018 33 GRV | Prime coated         |        |     |       |
|      |                    | Wheel housing        |        |     |       |
| (23) | 911 501 998 02     | Side member          | /R     | 1   | COUPE |
|      |                    | Wheel housing        |        |     |       |
| 24   | 911 501 115 00     | Reinforcement        |        | 2   |       |
|      |                    | Side section         |        |     |       |
|      |                    | Bracket              |        |     |       |
| 24   |                    | Reinforcement        |        | 2   |       |
|      | 911 501 115 00 GRV | Prime coated         |        |     |       |
|      |                    | Side section         |        |     |       |
|      |                    | Bracket              |        |     |       |
| 25   | 911 501 125 00     | Threaded support     |        | 6   |       |
| 25   |                    | Threaded support     |        | 6   |       |
|      | 911 501 125 00 GRV | Prime coated         |        |     |       |
| 26   | 911 501 921 01     | Mounting             | /L -85 | 1   |       |
| (26) | 911 501 922 00     | Mounting             | /R -85 | 1   |       |
| 27   | 911 501 167 03     | Mounting             | /L     | 1   |       |
| 27   |                    | Mounting             | /L     | 1   |       |
|      | 911 501 167 03 GRV | Prime coated         |        |     |       |
| (27) | 911 501 168 00     | Mounting             | /R     | 1   |       |
| (27) |                    | Mounting             | /R     | 1   |       |
|      | 911 501 168 00 GRV | Prime coated         |        |     |       |
| 28   | 911 501 313 00     | Corner reinforcement | /L     | 1   |       |
| (28) | 911 501 314 00     | Corner reinforcement | /R     | 1   |       |
| (28) |                    | Corner reinforcement | /R     | 1   |       |
|      | 911 501 314 00 GRV | Prime coated         |        |     |       |
| 29   | 911 502 483 00     | Guide tube           |        | 1   |       |
|      |                    | Lid-release cable    |        |     |       |
| 30   | 901 501 145 23     | Bracket              | /L -84 | 1   |       |
| 30   |                    | Bracket              | /L     | 1   |       |
|      | 901 501 145 23 GRV | Prime coated         |        |     |       |
| (30) | 901 501 146 23     | Bracket              | /R -84 | 1   |       |
| (30) |                    | Bracket              | /R     | 1   |       |
|      | 901 501 146 23 GRV | Prime coated         |        |     |       |
| 31   | 901 501 151 22     | Mounting             | -84    | 1   |       |
| 31   |                    | Mounting             |        | 1   |       |
|      | 901 501 151 22 GRV | Prime coated         |        |     |       |
| 32   | 911 501 195 00     | Jacking point        |        | 1   |       |
| 33   | 911 501 823 00     | Bracket              | /L     | 1   | COUPE |
| 33   |                    | Bracket              | /L     | 1   | COUPE |
|      | 911 501 823 00 GRV | Prime coated         |        |     |       |
| (33) | 901 501 142 21     | Bracket              | /R -85 | 1   | COUPE |
| (33) | 911 501 824 00     | Bracket              | /R     | 1   | COUPE |

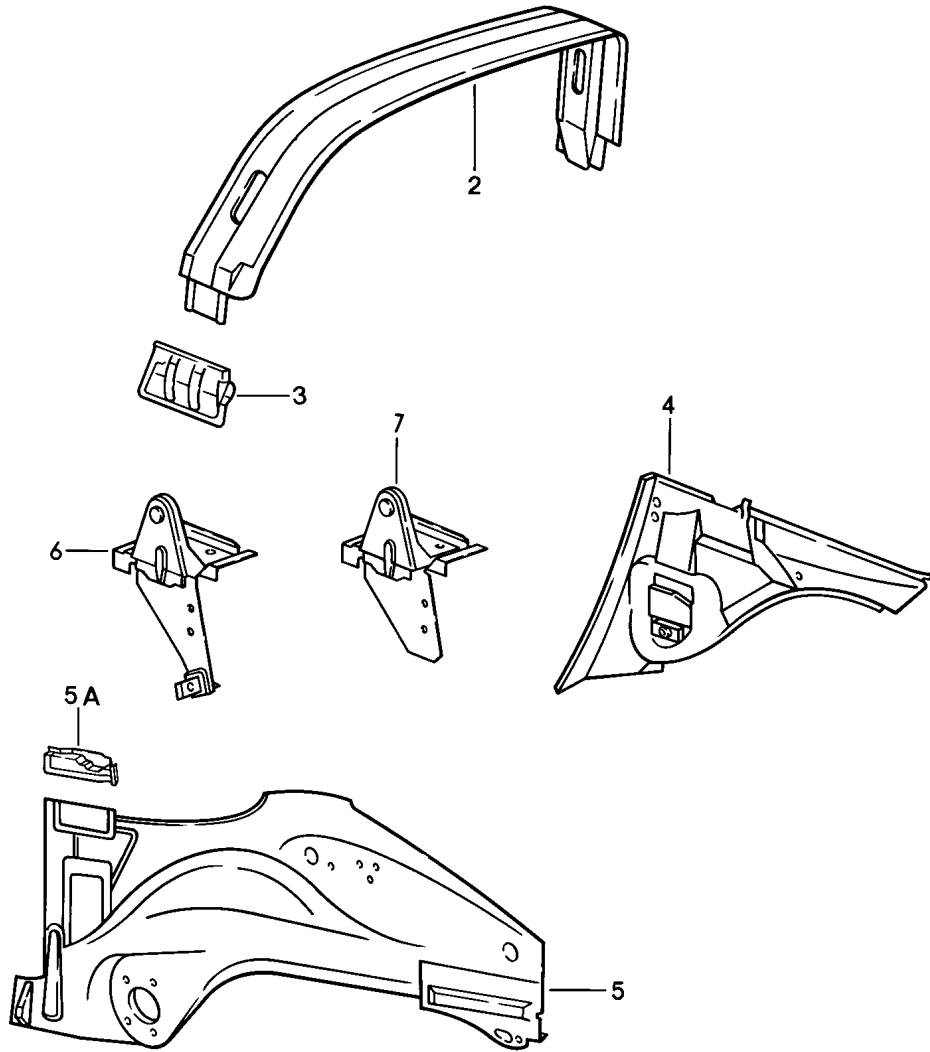
Model: 911 84

Model life 1984>>1986

| Pos  | Part Number        | Description             | Remark | Qty | Model           |
|------|--------------------|-------------------------|--------|-----|-----------------|
| (33) | 911 501 824 00 GRV | Bracket<br>Prime coated | /R     | 1   | COUPE           |
| 34   | 901 502 245 00     | Profile                 | /L     | 1   | COUPE           |
| (34) | 901 502 246 00     | Profile                 | /R     | 1   | COUPE           |
| 35   | 911 501 577 00     | Gusset plate            | /L 85- | 1   | COUPE           |
| 35   | 911 501 577 40     | Gusset plate            | /L 85- | 1   | TARGA<br>CABRIO |
| (35) | 911 501 578 00     | Gusset plate            | /R 85- | 1   | COUPE           |
| (35) | 911 501 578 40     | Gusset plate            | /R 85- | 1   | TARGA<br>CABRIO |

Model: 911 84

Model life 1984>>1986



Model: 911 84 Model life 1984>>1986

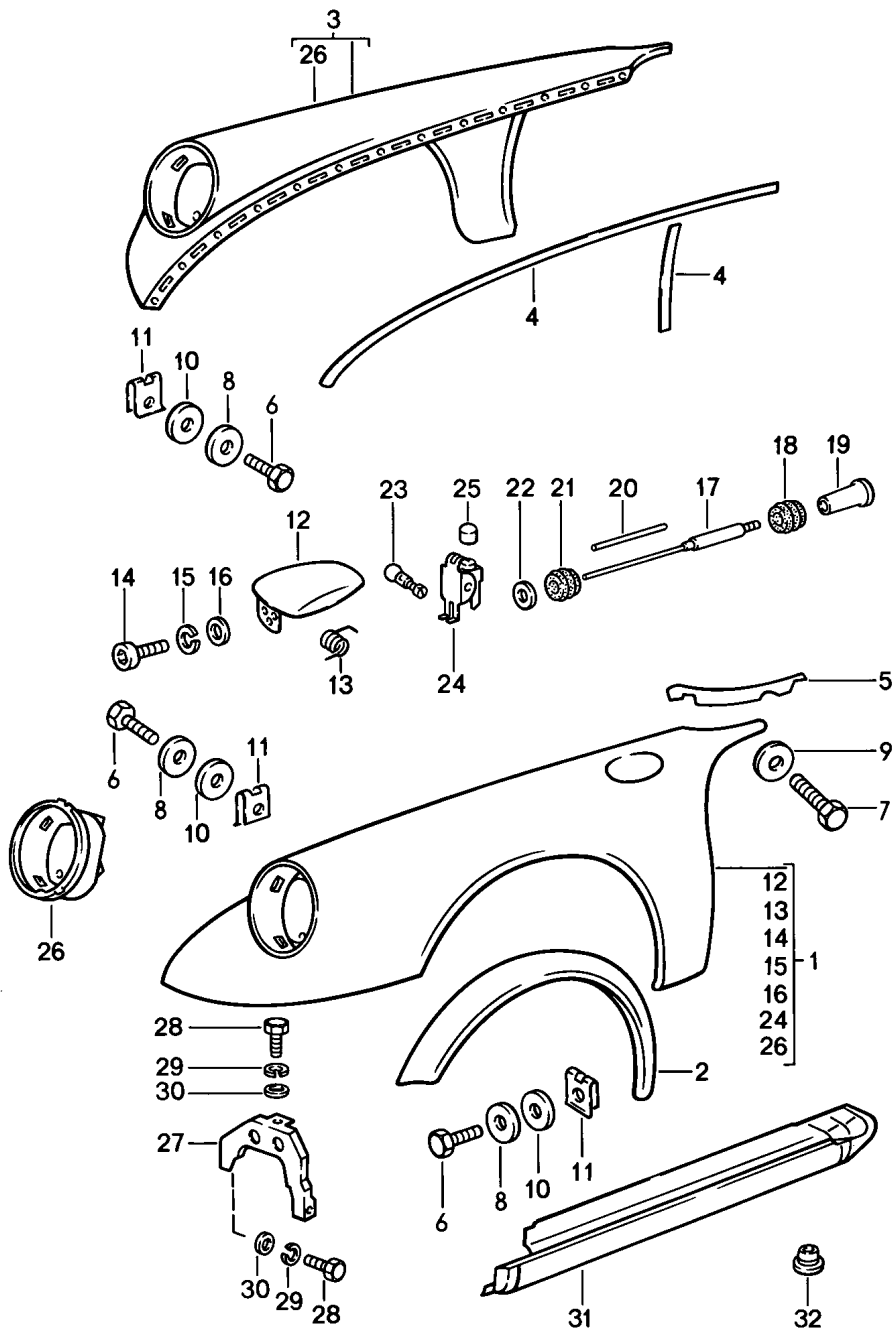
| Pos | Part Number        | Description        | Remark | Qty | Model                  |
|-----|--------------------|--------------------|--------|-----|------------------------|
|     |                    | Interior panelling |        |     | TARGA/CABRIO           |
| 2   | 911 565 001 40     | Roll bar           |        | 1   | TARGA                  |
| 3   | 911 501 203 40     | Filler plate       | /L     | 1   | TARGA                  |
| 3   |                    | Filler plate       | /L     | 1   | TARGA                  |
|     | 911 501 203 40 GRV | Prime coated       |        |     |                        |
| (3) | 911 501 204 40     | Filler plate       | /R     | 1   | TARGA                  |
| (3) |                    | Filler plate       | /R     | 1   | TARGA                  |
|     | 911 501 204 40 GRV | Prime coated       |        |     |                        |
| 4   | 911 501 205 41     | Rear bulkhead      | /L -85 | 1   | TARGA                  |
| 4   |                    | Rear bulkhead      | /L     | 1   | TARGA                  |
|     | 911 501 205 41 GRV | Prime coated       |        |     |                        |
| (4) | 911 501 205 43     | Rear bulkhead      | /L 86- | 1   | TARGA                  |
| (4) |                    | Rear bulkhead      | /L 86- | 1   | TARGA                  |
|     | 911 501 205 43 GRV | Prime coated       |        |     |                        |
| (4) | 911 501 205 60     | Rear bulkhead      | /L -85 | 1   | CABRIO                 |
| (4) |                    | Rear bulkhead      | /L     | 1   | CABRIO                 |
|     | 911 501 205 60 GRV | Prime coated       |        |     |                        |
| (4) | 911 501 205 61     | Rear bulkhead      | /L 86- | 1   | CABRIO                 |
| (4) | 911 501 205 65     | Rear bulkhead      | /L 86- | 1   | CABRIO                 |
| (4) |                    | Rear bulkhead      | /L 86- | 1   | M439<br>CABRIO<br>M439 |
|     |                    | Left               |        |     |                        |
|     | 911 501 205 65 GRV | Prime coated       |        |     |                        |
| (4) | 911 501 206 41     | Rear bulkhead      | /R -85 | 1   | TARGA                  |
| (4) |                    | Rear bulkhead      | /R     | 1   | TARGA                  |
|     | 911 501 206 41 GRV | Prime coated       |        |     |                        |
| (4) | 911 501 206 43     | Rear bulkhead      | /R 86- | 1   | TARGA                  |
| (4) |                    | Rear bulkhead      | /R 86- | 1   | TARGA                  |
|     | 911 501 206 43 GRV | Prime coated       |        |     |                        |
| (4) | 911 501 206 60     | Rear bulkhead      | /R -85 | 1   | CABRIO                 |
| (4) |                    | Rear bulkhead      | /R     | 1   | CABRIO                 |
|     | 911 501 206 60 GRV | Prime coated       |        |     |                        |
| (4) | 911 501 206 61     | Rear bulkhead      | /R 86- | 1   | CABRIO                 |
| (4) | 911 501 206 65     | Rear bulkhead      | /R 86- | 1   | CABRIO                 |
| (4) |                    | Rear bulkhead      | /R 86- | 1   | CABRIO                 |
|     |                    | Right              |        |     |                        |
|     | 911 501 206 65 GRV | Prime coated       |        |     |                        |
| 5   | 911 501 017 57     | Side member        | /L -84 | 1   | TARGA                  |
|     |                    | Wheel housing      |        |     |                        |
| (5) | 911 501 017 73     | Side member        | /L 85- | 1   | TARGA                  |
|     |                    | Wheel housing      |        |     |                        |
| (5) | 911 501 997 40     | Side member        | /L 85- | 1   | TARGA                  |
|     |                    | Wheel housing      |        |     |                        |
| (5) | 911 501 017 61     | Side member        | /L -84 | 1   | CABRIO                 |
|     |                    | Wheel housing      |        |     |                        |
| (5) | 911 501 017 68     | Side member        | /L 85- | 1   | CABRIO                 |
|     |                    | Wheel housing      |        |     |                        |
| (5) |                    | Side member        | /L 85- | 1   | CABRIO                 |
|     |                    | Wheel housing      |        |     |                        |
|     |                    | Rear               |        |     |                        |
|     | 911 501 017 68 GRV | Prime coated       |        |     |                        |
| 5A  | 911 501 465 60     | Insert             | /L     | 1   | CABRIO                 |
| 5A  |                    | Insert             | /L     | 1   | CABRIO                 |
|     | 911 501 465 60 GRV | Prime coated       |        |     |                        |
| (5) | 911 501 018 70     | Side member        | /R -84 | 1   | TARGA                  |
|     |                    | Wheel housing      |        |     |                        |
| (5) | 911 501 018 73     | Side member        | /R 85- | 1   | TARGA                  |
|     |                    | Wheel housing      |        |     |                        |
| (5) |                    | Side member        | /R 85- | 1   | TARGA                  |
|     |                    | Wheel housing      |        |     |                        |
|     |                    | Rear               |        |     |                        |
|     | 911 501 018 73 GRV | Prime coated       |        |     |                        |

Model: 911 84 Model life 1984>>1986

| Pos | Part Number        | Description                          | Remark | Qty | Model  |
|-----|--------------------|--------------------------------------|--------|-----|--------|
| (5) | 911 501 998 40     | Side member<br>Wheel housing         | /R 85- | 1   | TARGA  |
| (5) | 911 501 018 60     | Side member<br>Wheel housing         | /R -84 | 1   | CABRIO |
| (5) | 911 501 018 68     | Side member<br>Wheel housing         | /R 85- | 1   | CABRIO |
| (5) |                    | Side member<br>Wheel housing<br>Rear | /R 85- | 1   | CABRIO |
|     | 911 501 018 68 GRV | Prime coated                         |        |     |        |
| 5A  | 911 501 466 60     | Insert                               | /R     | 1   | CABRIO |
| 5A  |                    | Insert                               | /R     | 1   | CABRIO |
|     | 911 501 466 60 GRV | Prime coated                         |        |     |        |
| 6   | 911 501 431 60     | Convertible top support              | /L -85 | 1   | CABRIO |
| 6   |                    | Convertible top support              | /L     | 1   | CABRIO |
|     | 911 501 431 60 GRV | Prime coated                         |        |     |        |
| (6) | 911 501 432 60     | Convertible top support              | /R -85 | 1   | CABRIO |
| 7   | 911 501 431 61     | Convertible top support              | /L 86- | 1   | CABRIO |
| 7   |                    | Convertible top support              | /L 86- | 1   | CABRIO |
|     | 911 501 431 61 GRV | Prime coated                         |        |     |        |
| (7) | 911 501 432 61     | Convertible top support              | /R 86- | 1   | CABRIO |
| (7) |                    | Convertible top support              | /R 86- | 1   | CABRIO |
|     | 911 501 432 61 GRV | Prime coated                         |        |     |        |

Model: 911 84

Model life 1984>>1986





Model: 911 84

Model life 1984&gt;&gt;1986

| Pos | Part Number    | Description  | Remark | Qty | Model                    |
|-----|----------------|--|--------|-----|--------------------------|
|     |                | Exterior panelling<br>Front                            |        |     |                          |
| (1) | 911 503 031 07 | Wing   | /L     | 1   | CARRERA                  |
| (1) | 911 503 031 10 | Wing   | /L     | 1   | CARRERA                  |
| -   | 911 201 077 02 | Order also:<br>Expansion tank                          |        | 1   |                          |
| (1) | 930 503 031 09 | Wing<br>with   | /L -85 | 1   | TURBO<br>CARRERA<br>M491 |
| (1) | 930 503 031 11 | POS. 2<br>Wing<br>with                                 | /L     | 1   | TURBO<br>CARRERA<br>M491 |
| 2   | 930 503 307 00 | POS. 2<br>Wing joining plate                           | /L     | 1   | TURBO<br>CARRERA<br>M491 |
| (2) | 930 503 308 00 | Wing joining plate                                     | /R     | 1   | TURBO<br>CARRERA<br>M491 |
| (3) | 911 503 032 02 | Wing   | /R     | 1   | CARRERA                  |
| (3) | 911 503 032 05 | Wing   | /R     | 1   | CARRERA                  |
| (3) | 930 503 032 09 | Wing<br>with   | /R -85 | 1   | TURBO<br>CARRERA<br>M491 |
| (3) | 930 503 032 11 | POS. (2)<br>Wing<br>with                               | /R 86  | 1   | TURBO<br>CARRERA<br>M491 |
| 4   | 000 043 129 00 | POS. 2<br>Sealing strap<br>25 X 2 MM                   |        | *   |                          |
| 5   | 901 503 394 22 | Piping<br>4,3 MM                                       |        | 2   |                          |
| -   | PCG 503 394 00 | Set<br>Piping<br>Body<br>Front and rear<br>Comprising: | 77-89  | 1   | TURBO                    |
| -   | 930 503 197 00 | Piping   |        | 2   |                          |
| -   | 911 503 325 00 | Intermediate layer                                     |        | 2   |                          |
| -   | 911 503 326 00 | Intermediate layer                                     |        | 2   |                          |
| -   | 901 503 394 22 | Piping   |        | 2   |                          |
| (5) | 911 799 503 07 | Wing seal<br>6,5 MM                                    |        | X   |                          |
| -   | PCG 799 503 07 | Set<br>Piping<br>Body<br>Front and rear<br>Comprising: | 76-89  | 1   |                          |
| -   | 911 503 185 01 | Intermediate layer                                     |        | 1   |                          |
| -   | 911 503 186 01 | Intermediate layer                                     |        | 1   |                          |
| -   | 911 503 325 00 | Intermediate layer                                     |        | 2   |                          |
| -   | 911 503 326 00 | Intermediate layer                                     |        | 2   |                          |
| -   | 911 799 503 07 | Wing seal  |        | 2   |                          |
| -   | 911 559 511 00 | Gasket   |        | 2   |                          |
| 6   | 900 187 010 02 | Hexagon-head tapping screw<br>BZ 6,3 X 19              |        | 32  |                          |
| 6   | 900 187 010 03 | Hexagon-head tapping screw<br>BZ 6,3 X 19              |        | 32  |                          |
| 7   | 900 067 011 02 | Pan-head screw   |        | 4   |                          |
| 7   | 900 067 011 03 | Pan-head screw   |        | 4   |                          |
| 7   | 900 067 011 02 | Pan-head screw   |        | 4   |                          |

Model: 911 84 Model life 1984>>1986

| Pos  | Part Number        | Description                   | Remark | Qty | Model |
|------|--------------------|-------------------------------|--------|-----|-------|
| 7    | 900 067 011 03     | M 6 X 20<br>Pan-head screw    |        | 4   |       |
| 8    | N 011 666 7        | M 6 X 20<br>Washer            |        | 32  |       |
| 9    | N 011 550 1        | B 6,4<br>Washer               |        | 4   |       |
| 10   | 999 704 157 40     | B 6,5<br>Washer               |        | 32  |       |
| 11   | 999 591 327 02     | Speed nut                     |        | 32  |       |
| 11   | 999 501 327 01     | B 6,3<br>Speed nut            |        | 32  |       |
| 11   | 999 591 327 01     | B 6,3<br>Speed nut            |        | 32  |       |
| 12   | 911 504 031 00     | Lid                           |        | 1   |       |
| 12   |                    | Lid                           |        | 1   |       |
|      |                    | Tank filler neck              |        |     |       |
|      | 911 504 031 00 GRV | Prime coated                  |        |     |       |
| 13   | 911 504 331 00     | Spring                        |        | 1   |       |
| 14   | 900 067 051 02     | Pan-head screw                |        | 3   |       |
| 15   | N 012 005 3        | M 5 X 10<br>Lock ring         |        | 3   |       |
| 16   | 900 025 003 02     | B 5<br>Washer                 |        | 3   |       |
| 17   | 901 504 317 21     | A 5,3<br>Lid-release cable    |        | 1   |       |
| 18   | 911 504 385 00     | Rubber washer                 |        | 1   |       |
| 19   | 901 552 822 00     | Knob                          |        | 1   |       |
| 20   | 901 504 385 20     | Connecting tube               |        | 1   |       |
| 21   | 999 702 020 50     | Rubber sleeve                 |        | 1   |       |
| 22   | 914 504 319 00     | Grommet                       |        | 1   |       |
| 23   | 999 230 002 02     | Screw nipple                  |        | 1   |       |
| 24   | 901 504 034 20     | Bearing                       |        | 1   |       |
| 24   |                    | Bearing                       |        | 1   |       |
|      | 901 504 034 20 GRV | Prime coated                  |        |     |       |
| 25   | 911 025 679 00     | Buffer                        |        | 1   |       |
| 26   | 911 503 015 00     | Headlamp casing               | /L -86 | 1   |       |
| (26) | 911 503 016 00     | Headlamp casing               | /R -84 | 1   |       |
| (26) | 911 503 016 02     | Headlamp casing               | /R     | 1   |       |
| (26) | 911 503 016 03     | Headlamp casing               | /R     | 1   |       |
| (26) |                    | Headlamp casing               | /R     | 1   |       |
|      | 911 503 016 03 GRV | Prime coated                  |        |     |       |
| (27) | 911 503 079 01     | Wing strut                    | /L     | 1   |       |
| (27) |                    | Wing strut                    | /L     | 1   |       |
|      | 911 503 079 01 GRV | Prime coated                  |        |     |       |
| (27) | 911 503 080 00     | Bracket                       | /R -86 | 1   |       |
| -    | 911 635 107 00     | Support                       |        | 1   |       |
| -    | N 042 121 3        | Shake-proof washer            |        | 2   |       |
| -    | 900 076 010 0B     | Nut                           |        | 2   |       |
| -    | N 011 525 13       | Washer                        |        | 1   |       |
| -    | 900 076 064 02     | Hexagon nut                   |        | 1   |       |
| 28   | 900 075 087 02     | Hexagon-head bolt             |        | 4   |       |
| 28   | 900 075 087 03     | M 8 X 16<br>Hexagon-head bolt |        | 4   |       |
| 29   | 900 027 015 02     | M 8 X 16<br>Lock ring         |        | 4   |       |
| 29   | 900 027 015 03     | B 8<br>Lock ring              |        | 4   |       |
| 30   | 900 025 007 02     | B 8<br>Washer                 |        | 4   |       |
| 30   | 900 025 007 03     | A 8,4<br>Washer               |        | 4   |       |
|      |                    | A 8,4                         |        |     |       |

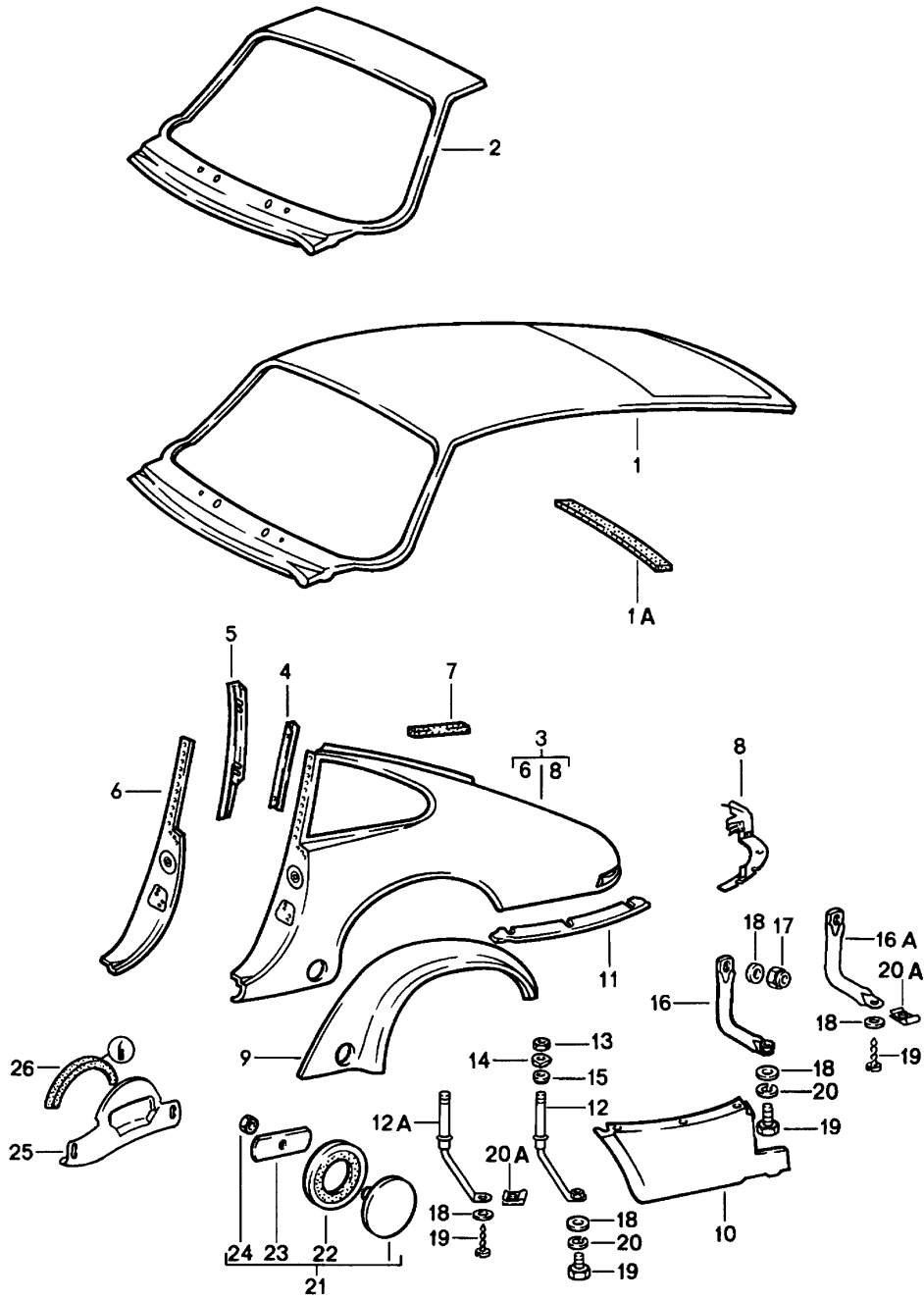
Model: 911 84

Model life 1984>>1986

| Pos  | Part Number        | Description  | Remark | Qty | Model |
|------|--------------------|--------------|--------|-----|-------|
| 31   | 911 503 401 04     | Door sill    | /L -84 | 1   |       |
| 31   | 911 503 401 05     | Door sill    | /L 85- | 1   |       |
|      | 911 503 401 05 GRV | Prime coated |        |     |       |
| 31   | 911 503 401 06     | Door sill    | /L 85- | 1   |       |
|      | 911 503 401 06 GRV | Prime coated |        |     |       |
| (31) | 911 503 402 04     | Door sill    | /R -84 | 1   |       |
| (31) | 911 503 402 05     | Door sill    | /R 85- | 1   |       |
|      | 911 503 402 05 GRV | Prime coated |        |     |       |
| (31) | 911 503 402 06     | Door sill    | /R 85- | 1   |       |
|      | 911 503 402 06 GRV | Prime coated |        |     |       |
| 32   | 411 837 111        | Cap          |        | 4   |       |

Model: 911 84

Model life 1984>>1986



Model: 911 84 Model life 1984>>1986

| Pos | Part Number        | Description                              | Remark   | Qty | Model          |
|-----|--------------------|--|----------|-----|----------------|
|     |                    | Exterior panelling<br>Rear               |          |     | COUPE          |
|     |                    | It is necessary to rework<br>Order also: |          |     |                |
| -   | 928 628 077 00     | Nozzle<br>Heatable                       | 85       | 2   |                |
| (1) | 911 503 087 08     | Outer roof panel                         |          | 1   | COUPE          |
| (1) | 911 503 087 09     | Outer roof panel                         |          | 1   | COUPE<br>M650  |
| 1A  | 911 503 507 01     | Plastic foam strip<br>Bleeding           |          | 1   | COUPE          |
| 2   | 901 503 090 21     | Windscreen frame part<br>Order also:     | -84      | 1   | COUPE          |
| -   | 928 628 077 00     | Nozzle                                   | 85       | 2   |                |
| 2   | 911 503 987 00     | Windscreen frame part                    | 85       | 1   | COUPE          |
| 2   | 911 503 987 01     | Windscreen frame part                    |          | 1   | COUPE          |
| 2   |                    | Windscreen frame part                    |          | 1   | COUPE          |
|     | 911 503 987 01 GRV | Prime coated                             |          |     |                |
| 3   | 911 503 061 10     | Side section                             | /L       | 1   | COUPE          |
|     |                    | F >>91GS1 21966                          | (USA)    |     | COUPE          |
| 3   |                    | Side section                             | /L       | 1   | COUPE          |
|     |                    | F >>91GS1 21966                          | (USA)    |     | COUPE          |
|     | 911 503 061 10 GRV | Prime coated                             |          |     |                |
| -   | 911 504 471 00     | Cap<br>Behind                            | /L<br>/L | 1   |                |
| (3) | 911 503 061 11     | Lock pillar<br>Side section              | /L       | 1   | COUPE          |
|     |                    | F 91GS1 21967>>                          | (USA)    |     | COUPE          |
| -   | 911 504 471 00     | Cap<br>Behind                            | /L<br>/L | 1   |                |
| (3) | 930 503 061 01     | Lock pillar<br>Side section              | /L       | 1   | TURBO<br>COUPE |
|     |                    | F >>91GS1 20876                          |          |     | M491           |
|     |                    | F >>93GS0 55069                          |          |     | TURBO CDN      |
|     |                    | F >>93GS0 50391                          |          |     | TURBO USA      |
| (3) |                    | Side section                             | /L       | 1   | TURBO<br>COUPE |
|     |                    | F >>91GS1 20876                          |          |     | M491           |
|     |                    | F >>93GS0 55069                          |          |     | TURBO CDN      |
|     |                    | F >>93GS0 50391                          |          |     | TURBO USA      |
|     | 930 503 061 01 GRV | Prime coated                             |          |     |                |
| -   | 911 504 471 00     | Cap<br>Behind                            | /L<br>/L | 1   |                |
|     |                    | Lock pillar<br>with                      |          |     | COUPE          |
| (3) | 930 503 061 02     | POS. 9<br>Side section                   | /L       | 1   | TURBO<br>COUPE |
|     |                    | F 91GS1 20877>>                          |          |     | M491           |
|     |                    | F 93GS0 55070>>                          |          |     | TURBO CDN      |
|     |                    | F 93GS0 50392>>                          |          |     | TURBO USA      |
|     |                    | with                                     |          |     | COUPE          |
|     |                    | POS. (9)                                 |          |     |                |
| (3) | 911 503 062 10     | Side section                             | /R       | 1   | COUPE          |
|     |                    | F >>91GS1 21966                          | (USA)    |     | COUPE          |
| (3) |                    | Side section                             | /R       | 1   | COUPE          |
|     |                    | F >>91GS1 21966                          | (USA)    |     | COUPE          |
|     | 911 503 062 10 GRV | Prime coated                             |          |     |                |
| (3) | 911 503 062 11     | Side section                             | /R       | 1   | COUPE          |
|     |                    | F 91GS1 21967>>                          | (USA)    |     | COUPE          |
| (3) | 930 503 062 01     | Side section                             | /R       | 1   | TURBO<br>COUPE |
|     |                    | F >>91GS1 20876                          |          |     |                |

Model: 911 84 Model life 1984>>1986

| Pos | Part Number        | Description   | Remark      | Qty | Model  |
|-----|--------------------|---|-------------|-----|--|
| (3) |                    | F >>93GS0 55069<br>F >>93GS0 50391<br>Side section<br>F >>91GS1 20876 | /R          | 1   | M491<br>TURBO CDN<br>TURBO USA<br>TURBO<br>COUPE<br>M491 |
|     | 930 503 062 01 GRV | F >>93GS0 55069<br>F >>93GS0 50391<br>Prime coated<br>with            |             |     | TURBO CDN<br>TURBO USA<br><br>COUPE<br>M491              |
| (3) | 930 503 062 02     | POS. 9<br>Side section<br>F 91GS1 20877>>                             | /R          | 1   | TURBO<br>COUPE<br>M491                                   |
|     |                    | F 93GS0 55070>><br>F 93GS0 50392>><br>with                            |             |     | TURBO CDN<br>TURBO USA<br>COUPE<br>M491                  |
| 4   | 911 503 193 00     | POS. (9)<br>Retaining strip<br>Sealing frame                          |             | 2   |  |
| 5   | 911 502 043 02     | Lock pillar   | /L          | 1   |  |
| (5) | 911 502 044 02     | Inner panel<br>Lock pillar<br>Inner panel                             | /R          | 1   |  |
| 6   | 911 502 041 03     | Lock pillar   | /L -86      | 1   |  |
| (6) | 964 502 041 00     | Lock pillar   | /L          | 1   |  |
| (6) |                    | F 91GS1 21967>><br>Lock pillar  | (USA)<br>/L | 1   | COUPE  |
|     | 964 502 041 00 GRV | Prime coated<br>F 91GS1 21967>>                                       | (USA)       |     | COUPE  |
| -   | 911 504 471 00     | Cap<br>Behind<br>Lock pillar  |             | 1   |  |
| (6) | 911 502 042 03     | Lock pillar   | /R -86      | 1   |  |
| 7   | 911 504 933 00     | Seal<br>Wheel housing   | /L          | 1   |  |
| (7) | 911 504 934 00     | Seal<br>Wheel housing   | /R          | 1   |  |
| 8   | 911 503 073 00     | Bar<br>Tail light housing   | /L          | 1   |  |
| 8   |                    | Bar   | /L          | 1   |  |
|     | 911 503 073 00 GRV | Prime coated<br>Tail light housing                                    |             |     |  |
| (8) | 911 503 074 00     | Bar<br>Tail light housing   | /R          | 1   |  |
| (8) |                    | Bar<br>Tail light housing   | /R          | 1   |  |
|     | 911 503 074 00 GRV | Prime coated  |             |     |  |
| 9   | 930 503 607 00     | Wing joining plate<br>F >>91GS1 20876                                 | /L          | 1   | TURBO<br>COUPE<br>M491                                   |
|     |                    | F >>93GS0 55069<br>F >>93GS0 50391                                    |             |     | TURBO CDN<br>TURBO USA                                   |
| 9   |                    | Wing joining plate<br>F >>91GS1 20876                                 | /L          | 1   | TURBO<br>COUPE<br>M491                                   |
|     |                    | F >>93GS0 55069<br>F >>93GS0 50391                                    |             |     | TURBO CDN<br>TURBO USA                                   |
|     | 930 503 607 00 GRV | Prime coated<br>for<br>Coupe  |             |     | M491   |

Model: 911 84 Model life 1984>>1986

| Pos | Part Number        | Description   | Remark | Qty | Model   |
|-----|--------------------|---|--------|-----|---|
| (9) | 930 503 608 00     | Wing joining plate<br>F >>91GS1 20876<br><br>F >>93GS0 55069<br>F >>93GS0 50391                                 | /R     | 1   | TURBO<br>COUPE<br>M491<br>TURBO CDN<br>TURBO USA                      |
| (9) | 930 503 608 00 GRV | Wing joining plate<br>F >>91GS1 20876<br><br>F >>93GS0 55069<br>F >>93GS0 50391<br>Prime coated<br>for<br>Coupe | /R     | 1   | TURBO<br>COUPE<br>M491<br>TURBO CDN<br>TURBO USA<br><br>COUPE<br>M491 |
| 9   | 930 503 607 00     | Wing joining plate  | /L     | 1   | TARGA<br>CABRIO<br>M491   |
| (9) | 930 503 607 00 GRV | Prime coated  |        |     |   |
| (9) | 930 503 608 00     | Wing joining plate<br><br>C=GUELTIG BIS:<br>F >>91GS1 60978<br>F >>91GS1 70651                                  | /R     | 1   | TARGA<br>CABRIO<br>M491<br>M491<br>TARGA<br>CABRIO                    |
| (9) | 930 503 608 00 GRV | Prime coated  |        |     |   |
| (9) | 930 503 907 00     | Wing joining plate<br><br>F 91GS1 20877>><br><br>F 93GS0 55070>><br>F 93GS0 50392>>                             | /L     | 1   | TURBO<br>COUPE<br>M491<br>COUPE<br>M491<br>TURBO CDN<br>TURBO USA     |
| (9) | 930 503 907 00 GRV | Prime coated  |        |     |   |
| (9) | 930 503 908 00     | Wing joining plate<br><br>F 91GS1 20877>><br><br>F 93GS0 55070>><br>F 93GS0 50392>>                             | /R     | 1   | TURBO<br>COUPE<br>M491<br>COUPE<br>M491<br>TURBO CDN<br>TURBO USA     |
| (9) | 930 503 908 00 GRV | Prime coated  |        |     |   |
| (9) | 930 503 907 00     | Wing joining plate<br><br>F 91GS1 20877>><br><br>F 93GS0 55070>><br>F 93GS0 50392>>                             | /L     | 1   | TARGA<br>CABRIO<br>M491<br>COUPE<br>M491<br>TURBO CDN<br>TURBO USA    |
| (9) | 930 503 908 00 GRV | Prime coated  |        |     |   |
| (9) | 930 503 907 00     | Wing joining plate  | /L     | 1   | TARGA<br>CABRIO<br>M491   |
| (9) | 930 503 907 00 GRV | Prime coated  |        |     |   |
| (9) | 930 503 908 00     | Wing joining plate  | /R     | 1   | TARGA   |

Model: 911 84 Model life 1984>>1986

| Pos  | Part Number        | Description        | Remark    | Qty | Model                                     |
|------|--------------------|--------------------|-----------|-----|---|
| (9)  |                    | Wing joining plate | /R        | 1   | CABRIO<br>M491<br>TARGA<br>CABRIO<br>M491 |
| 10   | 930 503 908 00 GRV | Prime coated       |           |     |   |
|      | 911 503 067 03     | Lower part         | /L        | 1   | CARRERA                                   |
| 10   |                    | Lower part         |           |     |   |
|      |                    | Lower part         | /L        | 1   | CARRERA                                   |
|      | 911 503 067 03 GRV | Prime coated       |           |     |   |
| (10) | 930 503 067 00     | Side section       | /L        | 1   | TURBO<br>CARRERA<br>M491                  |
|      |                    | Lower part         |           |     |   |
|      | 930 503 067 00 GRV | Prime coated       |           |     |   |
| (10) | 911 503 068 03     | Lower part         | /R        | 1   | CARRERA                                   |
|      |                    | Lower part         |           |     |   |
| (10) |                    | Lower part         | /R        | 1   | CARRERA                                   |
|      | 911 503 068 03 GRV | Prime coated       |           |     |   |
|      |                    | Lower part         |           |     |   |
| (10) | 930 503 068 00     | Side section       | /R        | 1   | TURBO<br>CARRERA<br>M491                  |
|      |                    | Lower part         |           |     |   |
|      | 930 503 068 00 GRV | Prime coated       |           |     |   |
| (10) | 930 503 068 01     | Side section       | /R        | 1   | TURBO                                     |
|      | 930 503 068 01 GRV | Prime coated       |           |     |   |
|      |                    | Lower part         |           |     | CARRERA<br>M491                           |
| 11   | 911 503 185 01     | Intermediate layer | /L        | 1   | CARRERA                                   |
| (11) | 911 503 186 01     | Intermediate layer | /R        | 1   | CARRERA                                   |
| -    | PCG 799 503 07     | Set                | 76-89     | 1   |   |
|      |                    | Piping             |           |     |   |
|      |                    | Body               |           |     |   |
|      |                    | Front and rear     |           |     |   |
|      |                    | Comprising:        |           |     |   |
| -    | 911 503 185 01     | Intermediate layer |           | 1   |   |
| -    | 911 503 186 01     | Intermediate layer |           | 1   |   |
| -    | 911 503 325 00     | Intermediate layer |           | 2   |   |
| -    | 911 503 326 00     | Intermediate layer |           | 2   |   |
| -    | 911 799 503 07     | Wing seal          |           | 2   |   |
| -    | 911 559 511 00     | Gasket             |           | 2   |   |
| (11) | 930 503 197 00     | Piping             |           | 2   | TURBO<br>M491                             |
| -    | PCG 503 394 00     | Set                | 77-89     | 1   | TURBO                                     |
|      |                    | Piping             |           |     |   |
|      |                    | Body               |           |     |   |
|      |                    | Front and rear     |           |     |   |
|      |                    | Comprising:        |           |     |   |
| -    | 930 503 197 00     | Piping             |           | 2   |   |
| -    | 911 503 325 00     | Intermediate layer |           | 2   |   |
| -    | 911 503 326 00     | Intermediate layer |           | 2   |   |
| -    | 901 503 394 22     | Piping             |           | 2   |   |
| (11) | 000 043 204 81     | Intermediate layer |           | X   | TURBO<br>CARRERA<br>M491                  |
| 12A  | 911 501 623 02     | Support tube       | /V        | 2   |   |
| 13   | 900 078 009 02     | Hexagon nut        |           | 2   |   |
|      |                    | M 20 X 1,5         |           |     |   |
| 14   | 900 025 021 02     | Washer             |           | 2   |   |
| 15   | 901 501 913 21     | Sealing ring       |           | 2   |   |
| 16   | 930 501 628 01     | Support tube       | /H /L -85 | 1   |   |
| 16   | 911 501 628 01     | Support tube       | /H /R -85 | 1   |   |
| 16A  | 930 501 628 01     | Support tube       | /H /L 86- | 1   |   |
| 16A  | 911 501 628 01     | Support tube       | /H /R     | 1   |   |



Model: 911 84 Model life 1984>>1986

| Pos  | Part Number        | Description                          | Remark      | Qty | Model                    |
|------|--------------------|--------------------------------------|-------------|-----|--------------------------|
| 17   | 900 084 003 02     | Lock nut<br>M 6                      |             | 2   |                          |
| 18   | 900 151 006 09     | Self-locking<br>Washer<br>6,4        |             | 6   |                          |
| 19   | 900 074 221 02     | Hexagon-head bolt<br>M 6 X 12        | -85         | 4   |                          |
| (19) | 900 187 108 02     | Tapping screw<br>BZ 6,3 X 16         | 86-         | 4   |                          |
| (19) | 900 187 108 01     | Tapping screw<br>BZ 6,3 X 16         | 86-         | 4   |                          |
| 20   | N 012 007 2        | Lock ring<br>A 6                     |             | 4   |                          |
| 20   | 900 027 004 03     | Lock ring<br>A 6                     |             | 4   |                          |
| 20A  | 999 507 048 03     | Speed nut<br>B 6,3                   | 86-         | 4   |                          |
| 21   | 901 504 079 00     | Spring cover                         | M 491       | 2   | TURBO/COUPE              |
| 21   |                    | Spring cover                         | M 491       | 2   | TARGA/CABRIO             |
| 21   |                    | Spring cover<br>F >>91GS1 21966      | (USA)       | 2   | CARRERA<br>COUPE         |
| 22   | 901 504 759 01     | Desk pad                             | M 491       | 2   | TURBO/COUPE              |
| 22   |                    | Desk pad                             | M 491       | 2   | TARGA/CABRIO             |
| 22   |                    | Desk pad<br>F >>91GS1 21966          | (USA)       | 2   | CARRERA<br>COUPE         |
| 23   | 901 504 755 20     | Tensioning spring                    | M 491       | 2   | TURBO/COUPE              |
| 23   |                    | Tensioning spring                    | M 491       | 2   | TARGA/CABRIO             |
| 23   |                    | Tensioning spring<br>F >>91GS1 21966 | (USA)       | 2   | CARRERA<br>COUPE         |
| 24   | N 011 005 14       | Hexagon nut<br>M 5                   | M 491       | 2   | TURBO/COUPE              |
| 24   | 900 076 091 01     | Hexagon nut<br>M 5                   | M 491       | 2   | TARGA/CABRIO             |
| 24   | 900 076 091 01     | Hexagon nut<br>M 5                   | M 491       | 2   | TURBO/COUPE              |
| 24   | N 011 005 14       | Hexagon nut<br>M 5                   | M 491       | 2   | TARGA/CABRIO             |
| 24   |                    | Hexagon nut<br>F >>91GS1 21966       | (USA)       | 2   | CARRERA<br>COUPE         |
| 24   | 900 076 091 01     | Hexagon nut<br>M 5                   |             | 2   |                          |
| 24   |                    | Hexagon nut<br>F >>91GS1 21966       | (USA)       | 2   | COUPE                    |
| 25   | 930 504 753 00     | Spring cover                         | /L          | 1   | TURBO/COUPE              |
| 25   |                    | Spring cover                         | /L          | 1   | M491<br>TARGA/CABRIO     |
| 25   |                    | Spring cover                         | /L          | 1   | M491<br>TURBO/COUPE      |
| 25   | 930 504 753 00 GRV | Prime coated                         | /L          | 1   | M491<br>TARGA/CABRIO     |
| (25) | 911 504 753 01     | Spring cover<br>F 91GS1 21967>>      | /L<br>(USA) | 1   | M491<br>CARRERA<br>COUPE |
| (25) | 930 504 754 00     | Spring cover                         | /R          | 1   | TURBO/COUPE              |
| (25) |                    | Spring cover                         | /R          | 1   | M491<br>TARGA/CABRIO     |
| (25) |                    | Spring cover                         | /R          | 1   | M491<br>TURBO/COUPE      |
| (25) | 930 504 754 00 GRV | Prime coated                         | /R          | 1   | M491<br>TARGA/CABRIO     |
| (25) | 911 504 754 01     | Spring cover<br>F 91GS1 21967>>      | /R<br>(USA) | 1   | M491<br>CARRERA<br>COUPE |
| 26   | 911 559 511 00     | Gasket                               | M 491       | 2   | TURBO/COUPE              |
| 26   |                    | Spring cover                         | M 491       | 2   | TARGA/CABRIO             |

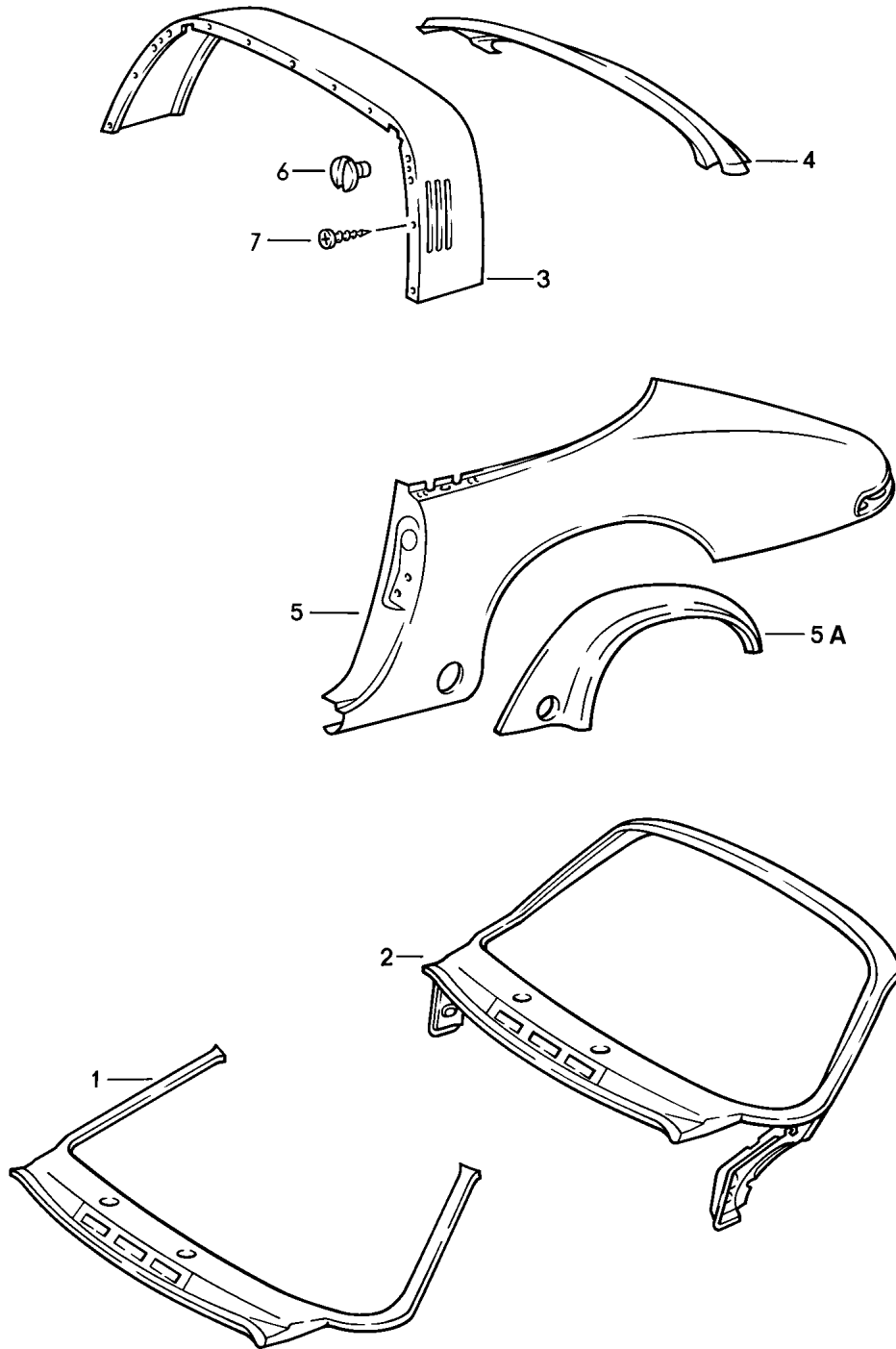
Model: 911 84

Model life 1984>>1986

| Pos | Part Number    | Description   | Remark         | Qty | Model            |
|-----|----------------|---|----------------|-----|------------------|
| -   | PCG 799 503 07 | F 91GS1 21967>><br>Set<br>Piping<br>Body<br>Front and rear<br>Comprising: | (USA)<br>76-89 | 1   | CARRERA<br>COUPE |
| -   | 911 503 185 01 | Intermediate layer  |                | 1   |                  |
| -   | 911 503 186 01 | Intermediate layer  |                | 1   |                  |
| -   | 911 503 325 00 | Intermediate layer  |                | 2   |                  |
| -   | 911 503 326 00 | Intermediate layer  |                | 2   |                  |
| -   | 911 799 503 07 | Wing seal   |                | 2   |                  |
| -   | 911 559 511 00 | Gasket  |                | 2   |                  |

Model: 911 84

Model life 1984>>1986



Model: 911 84 Model life 1984>>1986

| Pos | Part Number        | Description                                     | Remark | Qty | Model          |
|-----|--------------------|---|--------|-----|----------------|
|     |                    | Exterior panelling<br>It is necessary to rework |        |     | TARGA/CABRIO   |
| 1   | 911 503 087 40     | Scuttle   | -85    | 1   |                |
| (1) | 911 503 087 42     | Scuttle   | 86-    | 1   |                |
| (1) |                    | Scuttle   | 86-    | 1   |                |
|     | 911 503 087 42 GRV | Prime coated                                    |        |     |                |
| 2   | 911 599 503 32     | Windscreen frame                                | -85    | 1   |                |
| 2   | 911 599 503 33     | Windscreen frame                                | 86-    | 1   |                |
| 3   | 911 565 043 48     | Lining  |        | 1   | TARGA          |
| 4   | 901 503 322 40     | Rear end  |        | 1   |                |
| 5   | 911 503 061 50     | Side section                                    | /L     | 1   | TARGA          |
|     |                    | F >>91GS1 61551                                 |        |     | TARGA          |
| 5   |                    | Side section                                    | /L     | 1   | TARGA          |
|     |                    | F >>91GS1 61551                                 |        |     | TARGA          |
|     | 911 503 061 50 GRV | Prime coated                                    |        |     |                |
| (5) | 911 503 061 51     | Side section                                    | /L     | 1   | TARGA          |
|     |                    | F 91GS1 61552>>                                 |        |     | TARGA          |
| (5) |                    | Side section                                    | /L     | 1   | TARGA          |
|     |                    | F 91GS1 61552>>                                 |        |     | TARGA          |
|     | 911 503 061 51 GRV | Prime coated                                    |        |     |                |
| (5) | 930 503 061 41     | Side section                                    | /L     | 1   | TARGA<br>M491  |
|     |                    | with<br>POS. 5A<br>F >>91GS1 60978              |        |     | TARGA<br>M491  |
| (5) | 930 503 061 42     | Side section                                    | /L     | 1   | TARGA<br>M491  |
|     |                    | with<br>POS. (5A)<br>F 91GS1 60979>>            |        |     | TARGA<br>M491  |
| (5) |                    | Side section                                    | /L     | 1   | TARGA<br>M491  |
|     |                    | with<br>POS. (5A)<br>F 91GS1 60979>>            |        |     | TARGA<br>M491  |
|     | 930 503 061 42 GRV | Prime coated                                    |        |     |                |
| (5) | 911 503 061 61     | Side section                                    | /L     | 1   | CABRIO         |
|     |                    | F >>91GS1 71327                                 |        |     | CABRIO         |
| (5) |                    | Side section                                    | /L     | 1   | CABRIO         |
|     |                    | F >>91GS1 71327                                 |        |     | CABRIO         |
|     | 911 503 061 61 GRV | Prime coated                                    |        |     |                |
| (5) | 911 503 061 62     | Side section                                    | /L     | 1   | CABRIO         |
|     |                    | F 91GS1 71328>>                                 |        |     | CABRIO         |
| (5) |                    | Side section                                    | /L     | 1   | CABRIO         |
|     |                    | F 91GS1 71328>>                                 |        |     | CABRIO         |
|     | 911 503 061 62 GRV | Prime coated                                    |        |     |                |
| (5) | 930 503 061 60     | Side section                                    | /L     | 1   | CABRIO<br>M491 |
|     |                    | with<br>POS. 5A<br>F >>91GS1 70651              |        |     | CABRIO<br>M491 |
| (5) |                    | Side section                                    | /L     | 1   | CABRIO<br>M491 |
|     |                    | with<br>POS. 5A<br>F >>91GS1 70651              |        |     | CABRIO<br>M491 |
|     | 930 503 061 60 GRV | Prime coated                                    |        |     |                |
| (5) | 930 503 061 61     | Side section                                    | /L     | 1   | CABRIO         |

Model: 911 84 Model life 1984>>1986

| Pos | Part Number        | Description                          | Remark | Qty | Model                            |
|-----|--------------------|--------------------------------------|--------|-----|----------------------------------|
|     |                    | with<br>POS. (5A)<br>F 91GS1 70652>> |        |     | M491                             |
| (5) |                    | Side section                         | /L     | 1   | CABRIO<br>M491<br>CABRIO<br>M491 |
|     |                    | with<br>POS. (5A)<br>F 91GS1 70652>> |        |     | CABRIO<br>M491                   |
| (5) | 930 503 061 61 GRV | Prime coated                         |        |     |                                  |
| (5) | 911 503 062 50     | Side section                         | /R     | 1   | TARGA<br>TARGA                   |
| (5) |                    | F >>91GS1 61551                      |        |     |                                  |
| (5) |                    | Side section                         | /R     | 1   | TARGA<br>TARGA                   |
|     |                    | F >>91GS1 61551                      |        |     |                                  |
| (5) | 911 503 062 50 GRV | Prime coated                         |        |     |                                  |
| (5) | 911 503 062 51     | Side section                         | /R     | 1   | TARGA<br>TARGA                   |
| (5) |                    | F 91GS1 61552>>                      |        |     |                                  |
| (5) |                    | Side section                         | /R     | 1   | TARGA<br>TARGA                   |
|     |                    | F 91GS1 61552>>                      |        |     |                                  |
| (5) | 911 503 062 51 GRV | Prime coated                         |        |     |                                  |
| (5) | 930 503 062 41     | Side section                         | /R     | 1   | TARGA<br>M491                    |
|     |                    | with<br>POS. (5A)<br>F >>91GS1 60978 |        |     | TARGA<br>M491                    |
| (5) |                    | Side section                         | /R     | 1   | TARGA<br>M491                    |
|     |                    | with<br>POS. (5A)<br>F >>91GS1 60978 |        |     | TARGA<br>M491                    |
| (5) | 930 503 062 41 GRV | Prime coated                         |        |     |                                  |
| (5) | 930 503 062 42     | Side section                         | /R     | 1   | TARGA<br>M491                    |
|     |                    | with<br>POS. (5A)<br>F 91GS1 60979>> |        |     | TARGA<br>M491                    |
| (5) | 911 503 062 61     | Side section                         | /R     | 1   | CABRIO<br>CABRIO                 |
| (5) |                    | F >>91GS1 71327                      |        |     |                                  |
| (5) |                    | Side section                         | /R     | 1   | CABRIO                           |
|     |                    | F >>91GS1 71327                      |        |     |                                  |
| (5) | 911 503 062 61 GRV | Prime coated                         |        |     |                                  |
| (5) | 911 503 062 62     | Side section                         | /R     | 1   | CABRIO<br>CABRIO                 |
| (5) |                    | F 91GS1 71328>>                      |        |     |                                  |
| (5) |                    | Side section                         | /R     | 1   | CABRIO<br>CABRIO                 |
|     |                    | F 91GS1 71328>>                      |        |     |                                  |
| (5) | 911 503 062 62 GRV | Prime coated                         |        |     |                                  |
| (5) | 930 503 062 60     | Side section                         | /R     | 1   | CABRIO<br>M491                   |
|     |                    | with<br>POS. (5A)<br>F >>91GS1 70651 |        |     | CABRIO<br>M491                   |
| (5) |                    | Side section                         | /R     | 1   | CABRIO<br>M491                   |
|     |                    | with<br>POS. (5A)<br>F >>91GS1 70651 |        |     | CABRIO<br>M491                   |

Model: 911 84 Model life 1984>>1986

| Pos  | Part Number                          | Description   | Remark | Qty | Model  |
|------|--------------------------------------|---|--------|-----|--|
| (5)  | 930 503 062 60 GRV<br>930 503 062 61 | Prime coated<br>Side section<br><br>with<br>POS.(5A)<br>F 91GS1 70652>> | /R     | 1   | CABRIO<br>M491   |
| (5)  |                                      | Side section<br><br>with<br>POS.(5A)<br>F 91GS1 70652>>                 | /R     | 1   | CABRIO<br>M491<br>CABRIO<br>M491<br><br>CABRIO<br>M491 |
| 5A   | 930 503 062 61 GRV<br>930 503 607 00 | Prime coated<br>Wing joining plate<br>F >>91GS1 60978                   | /L     | 1   | M491<br>TARGA<br>M491                                  |
| 5A   |                                      | Wing joining plate<br>F >>91GS1 60978                                   | /L     | 1   | M491<br>TARGA<br>M491                                  |
| 5A   | 930 503 607 00 GRV<br>930 503 607 00 | Prime coated<br>Wing joining plate<br>F >>91GS1 70651                   | /L     | 1   | M491<br>CABRIO<br>M491                                 |
| 5A   |                                      | Wing joining plate<br>F >>91GS1 70651                                   | /L     | 1   | M491<br>CABRIO<br>M491                                 |
| (5A) | 930 503 607 00 GRV<br>930 503 907 00 | Prime coated<br>Wing joining plate<br>F 91GS1 60979>>                   | /L     | 1   | M491<br>TARGA<br>M491                                  |
| (5A) |                                      | Wing joining plate<br>F 91GS1 60979>>                                   | /L     | 1   | M491<br>TARGA<br>M491                                  |
| (5A) | 930 503 907 00 GRV<br>930 503 907 00 | Prime coated<br>Wing joining plate<br>F 91GS1 70652>>                   | /L     | 1   | M491<br>CABRIO<br>M491                                 |
| (5A) |                                      | Wing joining plate<br>F 91GS1 70652>>                                   | /L     | 1   | M491<br>CABRIO<br>M491                                 |
| (5A) | 930 503 907 00 GRV<br>930 503 608 00 | Prime coated<br>Wing joining plate<br>F >>91GS1 60978                   | /R     | 1   | M491<br>TARGA<br>M491                                  |
| (5A) |                                      | Wing joining plate<br>F >>91GS1 60978                                   | /R     | 1   | M491<br>TARGA<br>M491                                  |
| (5A) | 930 503 608 00 GRV<br>930 503 608 00 | Prime coated<br>Wing joining plate<br>F >>91GS1 70651                   | /R     | 1   | M491<br>CABRIO<br>M491                                 |
| (5A) |                                      | Wing joining plate<br>F >>91GS1 70651                                   | /R     | 1   | M491<br>CABRIO<br>M491                                 |
| (5A) | 930 503 608 00 GRV<br>930 503 908 00 | Prime coated<br>Wing joining plate<br>F 91GS1 60979>>                   | /R     | 1   | M491<br>TARGA<br>M491                                  |
| (5A) |                                      | Wing joining plate<br>F 91GS1 60979>>                                   | /R     | 1   | M491<br>TARGA<br>M491                                  |
|      | 930 503 908 00 GRV                   | Prime coated  |        |     |  |

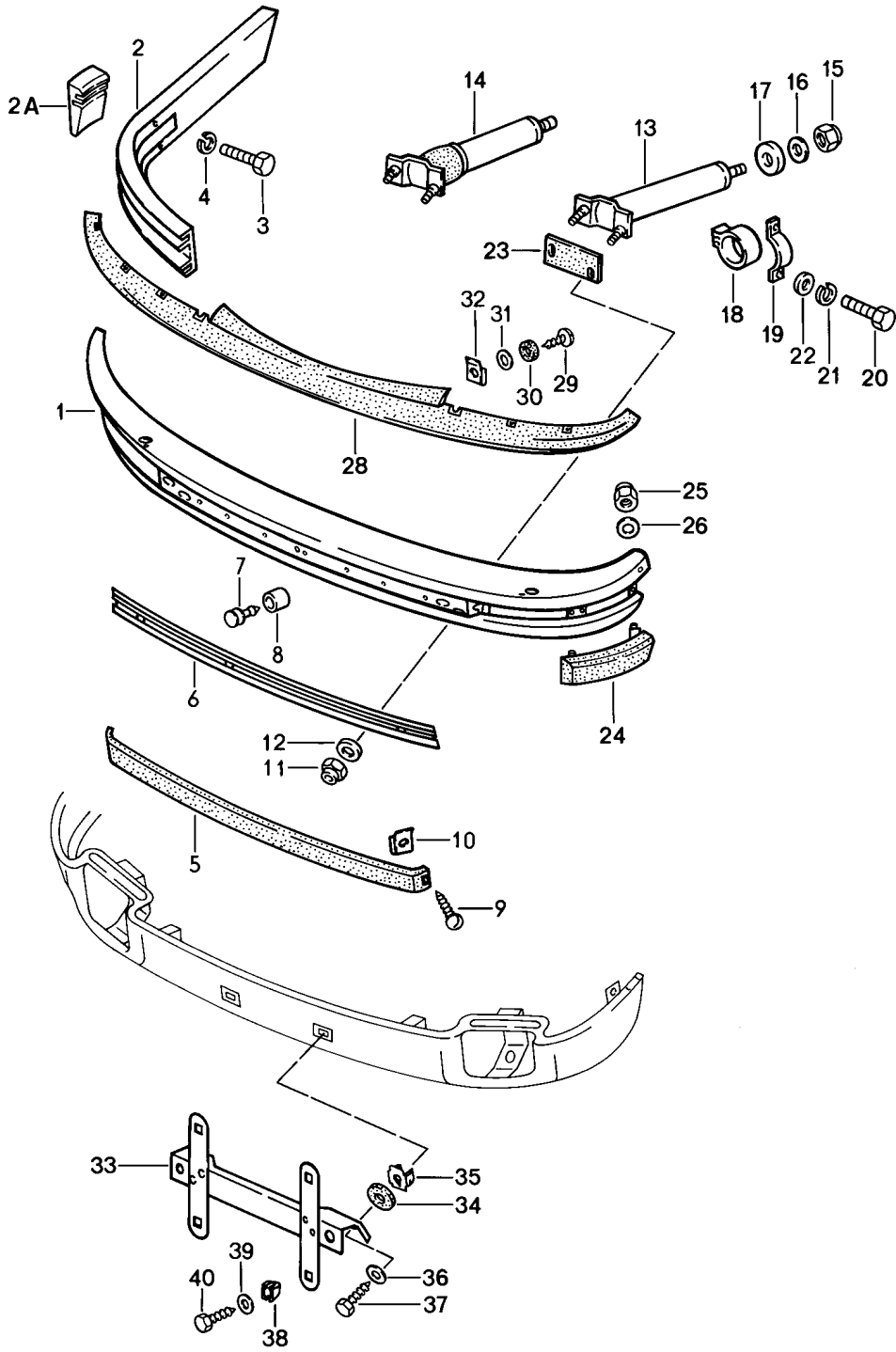
Model: 911 84

Model life 1984&gt;&gt;1986

| Pos  | Part Number        | Description                               | Remark | Qty | Model                  |
|------|--------------------|---|--------|-----|------------------------|
| (5A) | 930 503 908 00     | Wing joining plate<br>F 91GS1 70652>>     | /R     | 1   | M491<br>CABRIO         |
| (5A) |                    | Wing joining plate<br>F 91GS1 70652>>     | /R     | 1   | M491<br>CABRIO<br>M491 |
|      | 930 503 908 00 GRV | Prime coated                              |        |     |                        |
| 6    | 901 801 153 40     | Screw plug<br>Ski rack                    |        | 4   | TARGA                  |
| 6    | 999 064 037 40     | Screw plug<br>Ski rack                    |        | 4   | TARGA                  |
| 7    | N 013 957 5        | Oval-head sheetmetal screw<br>B 3,5 X 9,5 |        | 15  | TARGA                  |

Model: 911 84

Model life 1984>>1986





Model: 911 84 Model life 1984>>1986

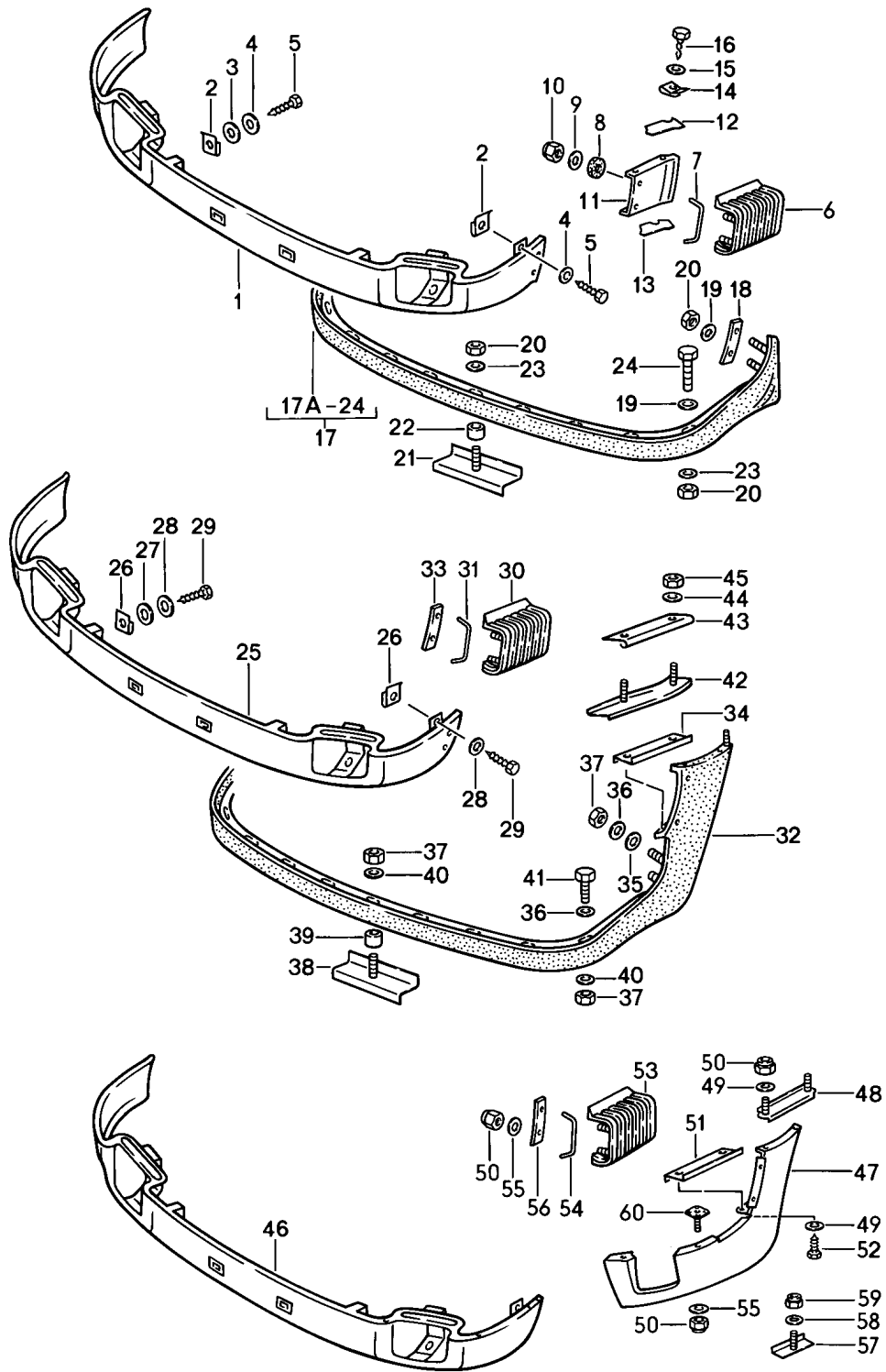
| Pos  | Part Number    | Description  | Remark | Qty | Model         |
|------|----------------|--|--------|-----|---------------|
| 1    | 930 505 011 03 | Bumper<br>Front  | -84    | 1   | TURBO<br>M491 |
| (1)  |                | Bumper   |        | 1   |               |
| 2    | 911 505 463 00 | Support for bumper   |        | 1   |               |
| 2A   | 930 207 367 00 | Sealing rubber   |        | 1   |               |
| 3    | N 010 340 6    | Hexagon-head bolt<br>M 8 X 40                                |        | 4   |               |
| 4    | 900 027 015 02 | Lock ring<br>B 8   |        | 4   |               |
| 4    | 900 027 015 03 | Lock ring<br>B 8   |        | 4   |               |
| 5    | 911 505 147 03 | Protective moulding  |        | 1   |               |
| 5    | 911 505 147 04 | Protective moulding  |        | 1   |               |
| -    | PCG 505 147 03 | Set of fastening parts<br>Protective moulding<br>Comprising: |        | 1   |               |
| -    | 900 143 085 07 | Tapping screw  |        | 2   |               |
| -    | 911 505 417 00 | Moulding plug  |        | 7   |               |
| -    | 911 505 418 00 | Grommet  |        | 7   |               |
| -    | 999 507 018 01 | Speed nut  |        | 2   |               |
| 6    | 911 505 149 02 | Insert   |        | 1   |               |
| 7    | 911 505 417 00 | Moulding plug  |        | 7   |               |
| 8    | 911 505 418 00 | Grommet  |        | 7   |               |
| 9    | 900 143 085 07 | Tapping screw<br>B 4,2 X 16                                  |        | 2   |               |
| 10   | 999 507 018 02 | Speed nut<br>B 4,2   |        | 2   |               |
| 10   | 999 507 018 01 | Speed nut<br>B 4,2   |        | 2   |               |
| 11   | N 011 185 6    | Hexagon nut<br>M 10  |        | 4   |               |
| 12   | 900 025 008 09 | Washer<br>A 10,5   |        | 4   |               |
| 12   | 900 025 008 04 | Washer<br>A 10,5   |        | 4   |               |
| 14   | 911 505 279 03 | Impact absorber  |        | 2   | M058/113      |
| (15) | 999 084 608 02 | Hexagon nut<br>M 12  |        | 2   | M058          |
| (16) | 900 025 009 02 | Washer<br>A 13   |        | 2   | M058          |
| (17) | 911 505 219 01 | Desk pad   |        | 2   | M058          |
| 18   | 911 505 221 00 | Stop   |        | 2   |               |
| 19   | 911 505 223 00 | Supporting bow   |        | 2   |               |
| 20   | 900 075 085 02 | Hexagon-head bolt<br>M 8 X 20                                |        | 4   |               |
| 21   | 900 027 015 02 | Lock ring<br>A 8   |        | 4   |               |
| 21   | 900 027 015 03 | Lock ring<br>A 8   |        | 4   |               |
| 22   | 900 025 007 02 | Washer<br>A 8,4  |        | 4   |               |
| 22   | 900 025 007 03 | Washer<br>A 8,4  |        | 4   |               |
| 23   | 911 505 311 00 | Desk pad   |        | 2   |               |
| 24   | 911 505 307 00 | Cover  | /L     | 1   |               |
| (24) | 911 505 308 00 | Cover  | /R     | 1   |               |
| 25   | N 021 196 1    | Lock nut<br>M 5  |        | 4   |               |
| 25   | N 021 196 3    | Hexagon nut<br>M 5   |        | 4   |               |
| 26   | N 011 665 3    | Washer   |        | 4   |               |

Model: 911 84 Model life 1984>>1986

| Pos  | Part Number    | Description  | Remark                             | Qty | Model                      |
|------|----------------|--|------------------------------------|-----|----------------------------|
| 26   | N 011 665 16   | A 5,3<br>Washer  |                                    | 4   |                            |
| 28   | 911 505 187 01 | A 5,3<br>Sealing strip   |                                    | 1   |                            |
| 29   | N 013 968 7    | Tapping screw<br>B 4,8 X 13  |                                    | 10  |                            |
| 29   | 900 143 097 01 | Tapping screw<br>B 4,8 X 13  |                                    | 10  |                            |
| 30   | 901 503 399 02 | Rubber washer  |                                    | 4   |                            |
| 31   | N 011 665 3    | Washer<br>A 5,3  |                                    | 10  |                            |
| 31   | N 011 665 16   | Washer<br>A 5,3  |                                    | 10  |                            |
| 32   | 999 507 041 09 | Speed nut<br>B 4,8<br>Number plate<br>Mount                                    |                                    | 10  |                            |
| -    | 911 701 057 01 | Set of fastening parts<br><br>Front and rear<br>Number plate<br>Mount<br>Front | (CDN) (USA)<br>-85<br>(A)<br>(AUS) | 1   | (J<br><br><br><br>(CAL) (D |
| (33) | 911 701 201 00 | Support  |                                    | 1   |                            |
| 33   | 911 701 053 00 | Support  |                                    | 1   | M218                       |
| (33) | 911 701 201 02 | Support  |                                    | 1   | M411                       |
| 34   | 803 955 637    | Sealing washer   |                                    | 2   |                            |
| 35   | 999 591 354 02 | Prestole cage  |                                    | 2   |                            |
| 36   | N 011 524 7    | Washer<br>A 6,4  |                                    | 2   |                            |
| 36   | N 011 524 27   | Washer<br>A 6,4  |                                    | 2   |                            |
| 37   | 900 187 115 02 | Combination screw<br>B 5,5 X 16  |                                    | 2   |                            |
| 37   | 900 187 115 01 | Combination screw<br>B 5,5 X 16  |                                    | 2   |                            |
| 38   | 999 591 498 40 | Special nut  |                                    | 2   |                            |
| 39   | N 011 522 8    | Washer<br>A 4,3  |                                    | 2   |                            |
| 40   | 900 143 134 00 | Tapping screw<br>BZ 4,2 X 9,5  |                                    | 2   |                            |

Model: 911 84

Model life 1984>>1986



Model: 911 84 Model life 1984>>1986

| Pos  | Part Number        | Description                | Remark | Qty | Model |
|------|--------------------|----------------------------|--------|-----|-------|
|      |                    | Front apron                |        |     |       |
|      |                    | Front spoiler              |        |     |       |
|      |                    | Carrera                    |        |     |       |
| 1    | 911 503 049 04     | Front apron                |        | 1   |       |
| 1    | 911 503 971 00     | Front apron                |        | 1   |       |
| 1    |                    | Front apron                |        | 1   |       |
|      | 911 503 971 00 GRV | Prime coated               |        |     |       |
| (1)  | 911 503 049 05     | Front apron                |        | 1   | M473  |
| 2    | 999 591 327 02     | Speed nut                  |        | 4   |       |
|      |                    | B 6,3                      |        |     |       |
| 2    | 999 501 327 01     | Speed nut                  |        | 4   |       |
|      |                    | B 6,3                      |        |     |       |
| 2    | 999 591 327 01     | Speed nut                  |        | 4   |       |
|      |                    | B 6,3                      |        |     |       |
| 3    | 999 704 157 40     | Washer                     |        | 2   |       |
| 4    | N 011 666 7        | Washer                     |        | 4   |       |
|      |                    | B 6,4                      |        |     |       |
| 5    | 900 187 010 02     | Hexagon-head tapping screw |        | 4   |       |
|      |                    | BZ 6,3 X 19                |        |     |       |
| 5    | 900 187 010 03     | Hexagon-head tapping screw |        | 4   |       |
|      |                    | BZ 6,3 X 19                |        |     |       |
| 6    | 911 799 505 63     | Bellows                    | /L     | 1   |       |
| 6    | 911 799 505 13     | Bellows                    | /L     | 1   |       |
| (6)  | 911 799 505 64     | Bellows                    | /R     | 1   |       |
| (6)  | 911 799 505 14     | Bellows                    | /R     | 1   |       |
| 7    | 911 505 375 00     | Clamp                      |        | 2   |       |
| 8    | 901 511 791 21     | Rubber washer              |        | 4   |       |
| 9    | 900 025 003 02     | Washer                     |        | 4   |       |
|      |                    | A 5,3                      |        |     |       |
| 10   | 900 910 009 02     | Lock nut                   |        | 4   |       |
|      |                    | NM 5                       |        |     |       |
| 10   | 900 084 026 01     | Lock nut                   |        | 4   |       |
|      |                    | NM 5                       |        |     |       |
| 11   | 911 503 315 00     | Front apron                | /L     | 1   |       |
| 11   |                    | Front apron                | /L     | 1   |       |
|      | 911 503 315 00 GRV | Prime coated               |        |     |       |
| (11) | 911 503 316 00     | Front apron                | /R     | 1   |       |
| (11) |                    | Front apron                | /R     | 1   |       |
|      | 911 503 316 00 GRV | Prime coated               |        |     |       |
| 12   | 911 503 326 00     | Intermediate layer         |        | 1   |       |
| 13   | 911 503 325 00     | Intermediate layer         |        | 1   |       |
| -    | PCG 799 503 07     | Set                        | 76-89  | 1   |       |
|      |                    | Piping                     |        |     |       |
|      |                    | Body                       |        |     |       |
|      |                    | Front and rear             |        |     |       |
|      |                    | Comprising:                |        |     |       |
| -    | 911 503 185 01     | Intermediate layer         |        | 1   |       |
| -    | 911 503 186 01     | Intermediate layer         |        | 1   |       |
| -    | 911 503 325 00     | Intermediate layer         |        | 2   |       |
| -    | 911 503 326 00     | Intermediate layer         |        | 2   |       |
| -    | 911 799 503 07     | Wing seal                  |        | 2   |       |
| -    | 911 559 511 00     | Gasket                     |        | 2   |       |
| -    | PCG 503 394 00     | Set                        | 77-89  | 1   | TURBO |
|      |                    | Piping                     |        |     |       |
|      |                    | Body                       |        |     |       |
|      |                    | Front and rear             |        |     |       |
|      |                    | Comprising:                |        |     |       |
| -    | 930 503 197 00     | Piping                     |        | 2   |       |
| -    | 911 503 325 00     | Intermediate layer         |        | 2   |       |
| -    | 911 503 326 00     | Intermediate layer         |        | 2   |       |
| -    | 901 503 394 22     | Piping                     |        | 2   |       |
| 14   | 999 507 041 09     | Speed nut                  |        | 8   |       |
|      |                    | B 4,8                      |        |     |       |

Model: 911 84

Model life 1984&gt;&gt;1986

| Pos  | Part Number        | Description  | Remark | Qty | Model |
|------|--------------------|--|--------|-----|-------|
| 15   | N 011 665 3        | Washer<br>A 5,3  |        | 8   |       |
| 15   | N 011 665 16       | Washer<br>A 5,3  |        | 8   |       |
| 16   | 900 187 018 02     | Hexagon-head tapping screw<br>B 4,8 X 16   |        | 8   |       |
| 17   | 911 503 995 00     | Installation set<br>Front spoiler<br>Comprising:<br>POS. 17A-24<br>for subsequent installation<br>Only together with |        | 1   |       |
| -    | 911 512 909 00     | Installation set<br>Or   |        | 1   |       |
| -    | 930 512 901 00     | Installation set<br>Rear spoiler<br>See group<br>8/98/00   |        | 1   |       |
| 17A  | 911 503 055 00     | Front spoiler  |        | 1   |       |
| 18   | 911 503 141 00     | Desk pad   | /L     | 1   |       |
| (18) | 911 503 142 00     | Desk pad   | /R     | 1   |       |
| 19   | N 011 666 7        | Washer<br>B 6,4  |        | 8   |       |
| 20   | 900 910 012 02     | Lock nut<br>M 6  |        | 15  |       |
| 20   | 900 910 047 09     | Lock nut<br>M 6  |        | 15  |       |
| 21   | 911 503 023 00     | Shim   |        | 7   |       |
| 22   | 911 503 349 00     | Spacer sleeve  |        | 11  |       |
| 23   | N 011 524 7        | Washer<br>A 6,4  |        | 11  |       |
| 23   | N 011 524 27       | Washer<br>A 6,4  |        | 11  |       |
| 24   | N 010 217 9        | Hexagon-head bolt<br>M 6 X 20<br>for<br>Turbo<br>Turbo-look  |        | 4   |       |
| 25   | 930 503 049 01     | Front apron  |        | 1   |       |
| 25   | 930 503 971 00     | Front apron  |        | 1   |       |
| 25   | 930 503 971 00 GRV | Front apron<br>Prime coated  |        | 1   |       |
| 26   | 999 591 327 02     | Speed nut<br>B 6,3   |        | 4   |       |
| 26   | 999 501 327 01     | Speed nut<br>B 6,3   |        | 4   |       |
| 26   | 999 591 327 01     | Speed nut<br>B 6,3   |        | 4   |       |
| 27   | 999 704 157 40     | Washer   |        | 2   |       |
| 28   | N 011 666 7        | Washer<br>B 6,4  |        | 4   |       |
| 29   | 900 187 010 02     | Hexagon-head tapping screw<br>BZ 6,3 X 19  |        | 4   |       |
| 29   | 900 187 010 03     | Hexagon-head tapping screw<br>BZ 6,3 X 19  |        | 4   |       |
| 30   | 911 799 505 63     | Bellows  | /L     | 1   |       |
| 30   | 911 799 505 13     | Bellows  | /L     | 1   |       |
| (30) | 911 799 505 64     | Bellows  | /R     | 1   |       |
| (30) | 911 799 505 14     | Bellows  | /R     | 1   |       |
| 31   | 911 505 375 00     | Clamp  |        | 2   |       |
| 32   | 930 503 055 01     | Front spoiler  |        | 1   |       |
| 33   | 930 503 329 00     | Desk pad   | /L     | 1   |       |
| (33) | 930 503 330 00     | Desk pad   | /R     | 1   |       |

Model: 911 84

Model life 1984&gt;&gt;1986

| Pos  | Part Number        | Description  | Remark | Qty | Model |
|------|--------------------|--|--------|-----|-------|
| 34   | 930 503 327 01     | Plate with pressed-in hole                             |        | 2   |       |
| 35   | 901 565 448 40     | Spacer   |        | 4   |       |
| 36   | N 011 666 7        | Washer<br>B 6,4  |        | 8   |       |
| 37   | 900 910 012 02     | Lock nut<br>M 6  |        | 15  |       |
| 37   | 900 910 047 09     | Lock nut<br>M 6  |        | 15  |       |
| 38   | 911 503 023 00     | Shim   |        | 7   |       |
| 39   | 911 503 349 00     | Spacer sleeve  |        | 11  |       |
| 40   | N 011 524 7        | Washer<br>A 6,4  |        | 11  |       |
| 40   | N 011 524 27       | Washer<br>A 6,4  |        | 11  |       |
| 41   | N 010 217 9        | Hexagon-head bolt<br>M 6 X 20                          |        | 4   |       |
| 42   | 930 503 131 00     | Plate with screw bolt                                  | /L     | 1   |       |
| (42) | 930 503 132 00     | Plate with screw bolt                                  | /R     | 1   |       |
| 43   | 930 503 197 00     | Piping   |        | 2   |       |
| -    | PCG 503 394 00     | Set<br>Piping<br>Body<br>Front and rear<br>Comprising: | 77-89  | 1   | TURBO |
| -    | 930 503 197 00     | Piping   |        | 2   |       |
| -    | 911 503 325 00     | Intermediate layer                                     |        | 2   |       |
| -    | 911 503 326 00     | Intermediate layer                                     |        | 2   |       |
| -    | 901 503 394 22     | Piping   |        | 2   |       |
| 44   | N 011 665 3        | Washer<br>B 5,3  |        | 4   |       |
| 44   | N 011 665 16       | Washer<br>B 5,3  |        | 4   |       |
| 45   | N 011 005 14       | Hexagon nut<br>M 5                                     |        | 4   |       |
| 45   | 900 076 091 01     | Hexagon nut<br>M 5<br>Turbo-lock<br>Front spoiler      |        | 4   |       |
| 46   | 930 503 049 01     | Front apron  |        | 1   |       |
| 46   | 930 503 971 00     | Front apron  |        | 1   |       |
| 46   | 930 503 971 00 GRV | Front apron<br>Prime coated                            |        | 1   |       |
| 47   | 930 503 391 00     | Front apron  | /L     | 1   |       |
| (47) | 930 503 392 00     | Front apron  | /R     | 1   |       |
| (47) | 930 503 392 01     | Front apron  | /R     | 1   |       |
| 48   | 930 503 137 00     | Plate with screw bolt                                  |        | 2   |       |
| 49   | N 011 665 3        | Washer<br>B 5,3  |        | 8   |       |
| 49   | N 011 665 16       | Washer<br>B 5,3  |        | 8   |       |
| 50   | 900 910 009 02     | Lock nut<br>M 5  |        | 16  |       |
| 50   | 900 084 026 01     | Lock nut<br>M 5  |        | 16  |       |
| 51   | 930 503 327 01     | Plate with pressed-in hole                             |        | 2   |       |
| 52   | 900 187 004 02     | Hexagon-head tapping screw<br>B 4,8 X 19               |        | 4   |       |
| 53   | 911 799 505 63     | Bellows  | /L     | 1   |       |
| 53   | 911 799 505 13     | Bellows  | /L     | 1   |       |
| (53) | 911 799 505 64     | Bellows  | /R     | 1   |       |
| (53) | 911 799 505 14     | Bellows  | /R     | 1   |       |
| 54   | 911 505 375 00     | Clamp  |        | 2   |       |
| 55   | 900 025 003 02     | Washer   |        | 12  |       |

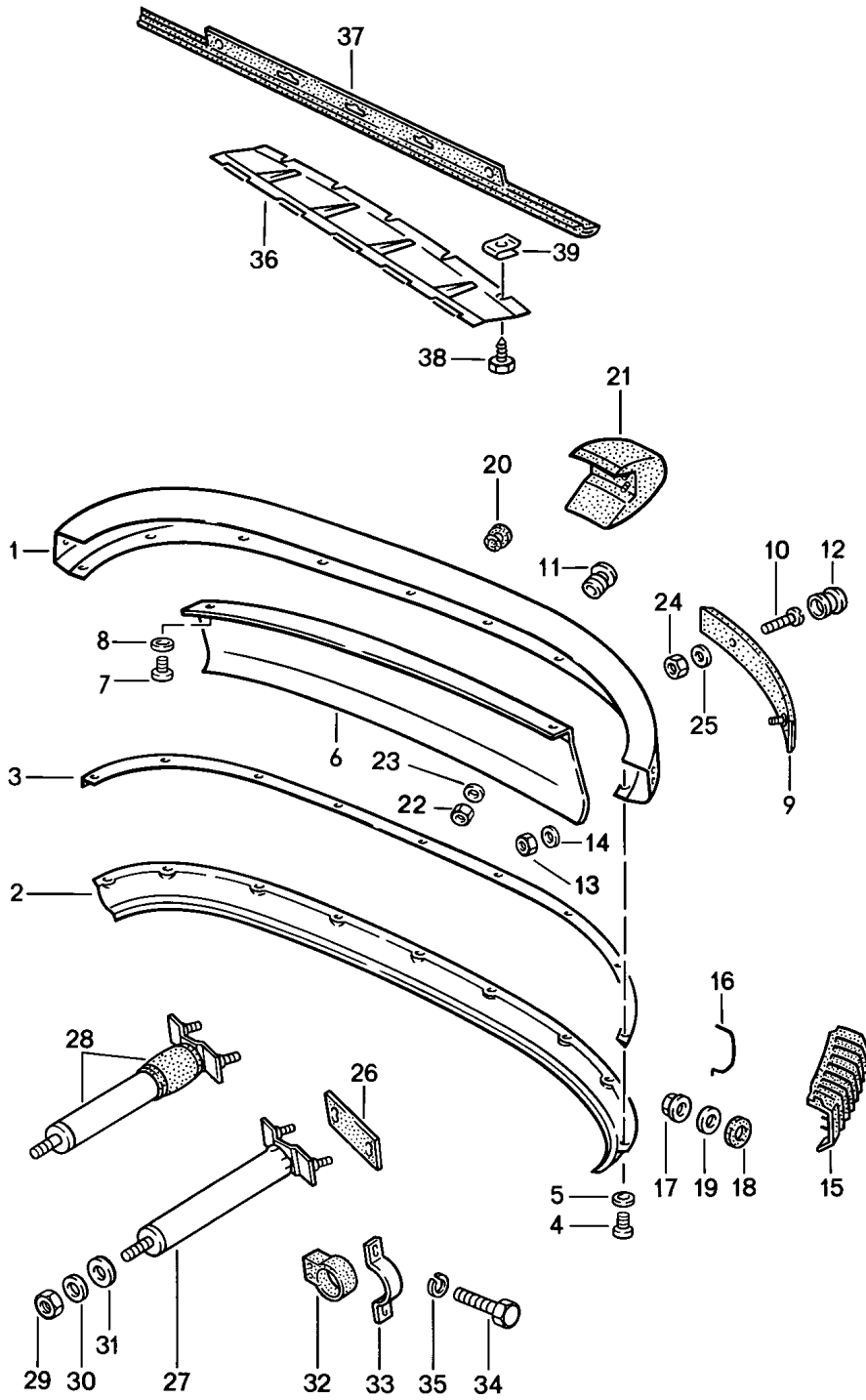
Model: 911 84

Model life 1984&gt;&gt;1986

| Pos  | Part Number    | Description         | Remark | Qty | Model |
|------|----------------|---------------------|--------|-----|-------|
| 56   | 930 503 329 00 | A 5,3<br>Desk pad   | /L     | 1   |       |
| (56) | 930 503 330 00 | Desk pad            | /R     | 1   |       |
| 57   | 911 503 173 00 | Shim                |        | 6   |       |
| 58   | N 011 524 7    | Washer<br>A 6,4     |        | 6   |       |
| 58   | N 011 524 27   | Washer<br>A 6,4     |        | 6   |       |
| 59   | 900 910 012 02 | Lock nut<br>M 6     |        | 6   |       |
| 59   | 900 910 047 09 | Lock nut<br>M 6     |        | 6   |       |
| 60   | 999 503 068 02 | Square screw<br>M 5 |        | 4   |       |

Model: 911 84

Model life 1984>>1986





Model: 911 84 Model life 1984>>1986

| Pos  | Part Number        | Description                  | Remark | Qty | Model                             |
|------|--------------------|------------------------------|--------|-----|-----------------------------------|
|      |                    | Bumper<br>Rear               |        |     |                                   |
| 1    | 930 505 112 01     | Bumper                       |        | 1   |                                   |
| 2    | 911 505 171 08     | Rear apron                   |        | 1   | CARRERA                           |
| 2    |                    | Rear apron                   |        | 1   | CARRERA                           |
|      | 911 505 171 08 GRV | Prime coated                 |        |     |                                   |
| (2)  | 930 505 077 04     | Rear apron                   |        | 1   | TURBO<br>CARRERA<br>M491          |
| (2)  |                    | Rear apron                   |        | 1   | TURBO<br>CARRERA<br>M491          |
|      | 930 505 077 04 GRV |                              |        |     |                                   |
| 3    | 911 505 345 03     | Piping                       |        | 1   |                                   |
| 4    | 900 278 024 09     | Screw<br>M 6 X 10            |        | 8   |                                   |
| 5    | N 011 524 7        | Washer<br>A 6,4              |        | 8   |                                   |
| 5    | N 011 524 27       | Washer<br>A 6,4              |        | 8   |                                   |
| 6    | 930 505 511 00     | Heat protection              |        | 1   | TURBO                             |
| 6    |                    | Heat protection              |        | 1   | TURBO                             |
|      | 930 505 511 00 GRV |                              |        |     |                                   |
| (6)  | 930 505 511 02     | Heat protection              |        | 1   | TURBO                             |
| 7    | 900 278 024 09     | Screw<br>M 6 X 10            |        | 3   | TURBO                             |
| 8    | N 011 524 7        | Washer<br>A 6,4              |        | 6   | TURBO                             |
| 8    | N 011 524 27       | Washer<br>A 6,4              |        | 6   | TURBO                             |
| (9)  | 911 505 099 04     | Protective moulding          | /L     | 1   | CARRERA                           |
| (9)  | 911 505 100 01     | Protective moulding          | /R     | 1   | CARRERA                           |
| (9)  | 911 505 099 04     | Protective moulding          | /L     | 1   | TURBO<br>CARRERA<br>M491          |
| (9)  | 911 505 100 01     | Protective moulding          | /R     | 1   | TURBO<br>CARRERA<br>M491          |
| 10   | 999 141 001 02     | Half-round screw<br>M 5 X 12 |        | 2   |                                   |
| 10   | 999 141 001 0B     | Half-round screw<br>M 5 X 12 |        | 2   |                                   |
| 12   | 914 552 233 10     | Filler piece                 |        | 2   | CARRERA<br>M058                   |
| 12   |                    | Filler piece                 |        | 2   | TURBO<br>CARRERA<br>M058          |
|      | 914 552 233 10 01C | 9 MM                         |        |     |                                   |
| (12) | 911 505 327 00     | Filler piece<br>22 MM        |        | 2   | TURBO<br>CARRERA<br>M058<br>TURBO |
| 13   | 900 910 009 02     | Lock nut<br>M 5              |        | 2   |                                   |
| 13   | 900 084 026 01     | Lock nut<br>M 5              |        | 2   |                                   |
| 13   | 900 910 011 02     | Lock nut<br>M 6              |        | 3   | TURBO                             |
| 14   | N 011 665 3        | Washer<br>A 5,3              |        | 2   |                                   |
| 14   | N 011 665 16       | Washer<br>A 5,3              |        | 2   |                                   |
| 14   | 900 151 003 02     | Washer<br>A 6,4              |        | 3   | TURBO                             |
| 14   | 900 151 006 03     | Washer                       |        | 3   | TURBO                             |

Model: 911 84 Model life 1984>>1986

| Pos  | Part Number    | Description                               | Remark      | Qty | Model    |
|------|----------------|---|-------------|-----|----------|
| 14   | 999 704 135 70 | A 6,4<br>Washer<br>7 X 17 X 1,5           |             | 3   | TURBO    |
| 15   | 911 799 505 65 | Bellows                                   | /L          | 1   |          |
| 15   | 911 799 505 15 | Bellows                                   | /L          | 1   |          |
| (15) | 911 799 505 66 | Bellows                                   | /R          | 1   |          |
| (15) | 911 799 505 16 | Bellows                                   | /R          | 1   |          |
| 16   | 911 505 376 00 | Clamp                                     |             | 2   |          |
| 17   | 900 910 009 02 | Lock nut<br>NM 5                          |             | 8   |          |
| 17   | 900 084 026 01 | Lock nut<br>NM 5                          |             | 8   |          |
| 18   | 901 511 791 21 | Rubber washer                             |             | 8   |          |
| 19   | 900 025 003 02 | Washer<br>A 5,3                           |             | 8   |          |
| 20   | 911 505 347 00 | Rubber sleeve                             |             | 2   |          |
| (21) | 930 505 031 01 | Buffer                                    | /L          | 1   |          |
| (21) | 930 505 032 01 | Buffer                                    | /R          | 1   |          |
| 22   | 900 084 004 03 | Hexagon nut<br>M 8                        | (CDN) (USA) | 6   |          |
| 22   | 900 084 004 02 | Hexagon nut<br>M 8                        | (CDN) (USA) | 6   |          |
| 23   | 900 025 007 02 | Washer<br>8,4                             |             | 6   |          |
| 23   | 900 025 007 03 | Washer<br>8,4                             |             | 6   |          |
| 24   | N 011 185 6    | Hexagon nut<br>M 10                       |             | 4   |          |
| 25   | 900 025 008 09 | Washer<br>10,5                            |             | 4   |          |
| 25   | 900 025 008 04 | Washer<br>10,5                            |             | 4   |          |
| 26   | 911 505 311 00 | Desk pad                                  |             | 2   |          |
| 28   | 911 505 280 03 | Impact absorber                           |             | 2   | M058/113 |
| (28) | 930 505 280 00 | Impact absorber                           | (USA) 86-   | 2   | TURBO    |
| 29   | 999 084 608 02 | Hexagon nut<br>M 12                       |             | 2   |          |
| 30   | 900 025 009 02 | Washer<br>13                              |             | 2   |          |
| 31   | 911 505 220 01 | Desk pad                                  |             | 2   |          |
| (31) | 911 505 219 01 | Desk pad                                  |             | 2   | M058     |
| 32   | 911 505 221 00 | Stop                                      |             | 2   |          |
| 33   | 911 505 223 00 | Supporting bow                            |             | 2   |          |
| 34   | 900 075 085 02 | Hexagon-head bolt<br>M 8 X 20             |             | 4   |          |
| 35   | 900 027 015 02 | Lock ring<br>A 8                          |             | 4   |          |
| 35   | 900 027 015 03 | Lock ring<br>A 8                          |             | 4   |          |
| 36   | 911 503 157 01 | Heat protection                           | -85         | 1   | CARRERA  |
| 36   |                | Heat protection                           |             | 1   | CARRERA  |
| (36) | 930 503 157 01 | Heat protection                           |             | 1   | TURBO    |
| 37   | 911 503 085 05 | Seal                                      | -85         | 1   |          |
| 37   |                | Seal                                      |             | 1   |          |
| 38   | N 013 970 5    | Oval-head sheetmetal screw<br>B 4,8 X 9,5 |             | 5   |          |
| 38   | N 106 568 02   | Oval-head sheetmetal screw<br>B 4,8 X 9,5 |             | 5   |          |
| 38   | 900 187 104 02 | Tapping screw<br>B 4,8 X 13               |             | 5   |          |
| 39   | 999 507 041 09 | Speed nut<br>B 4,8<br>Number plate        |             | 5   |          |

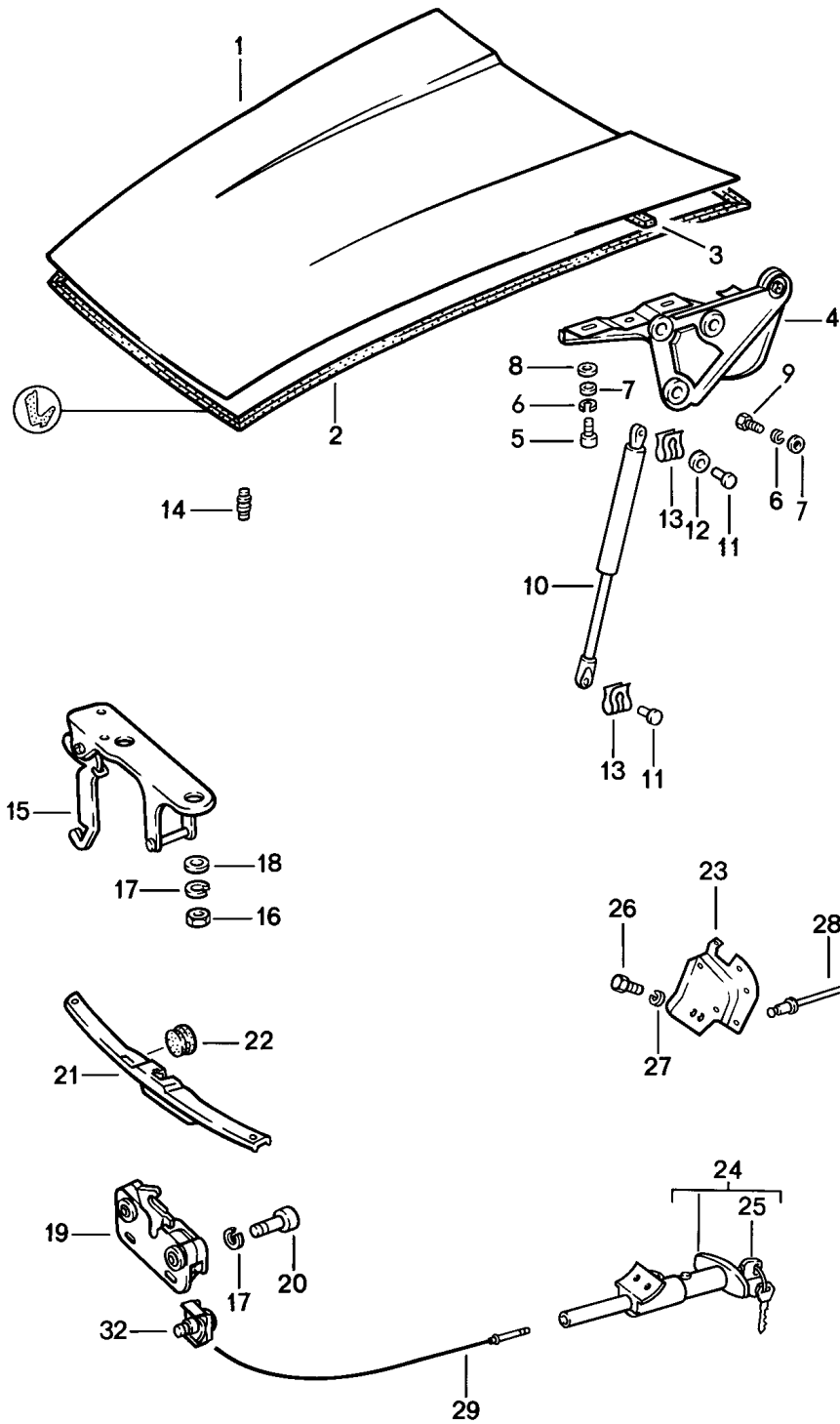
Model: 911 84

Model life 1984&gt;&gt;1986

| Pos | Part Number    | Description            | Remark | Qty | Model |
|-----|----------------|------------------------|--------|-----|-------|
|     |                | Mount                  |        |     |       |
|     |                | Rear                   |        |     |       |
| -   | 928 701 050 03 | Support                |        | 1   | M218  |
| -   | 914 571 903 10 | Sealing ring           |        | 2   |       |
| -   | 900 025 003 02 | Washer                 |        | 2   |       |
|     |                | A 5,3                  |        |     |       |
| -   | N 100 818 01   | Oval-head screw        |        | 2   |       |
|     |                | CM 5 X 16              |        |     |       |
| -   | 999 919 045 02 | Countersunk-head screw |        | 2   | M218  |
|     |                | M 5 X 15               |        |     |       |
| -   | 999 591 498 40 | Special nut            |        | 2   | M218  |
| -   | N 011 522 8    | Washer                 |        | 2   | M218  |
|     |                | A 4,3                  |        |     |       |
| -   | 900 143 134 00 | Tapping screw          |        | 2   | M218  |
|     |                | BZ 4,2 X 9,5           |        |     |       |

Model: 911 84

Model life 1984>>1986



Model: 911 84 Model life 1984>>1986

| Pos | Part Number        | Description                            | Remark | Qty | Model |
|-----|--------------------|--|--------|-----|-------|
|     |                    | Lid<br>Front                           |        |     |       |
| 1   | 911 511 010 01     | Lid                                    |        | 1   |       |
| (1) | 911 511 010 03     | Lid                                    |        | 1   |       |
|     | 911 511 010 03 GRV | Prime coated                           |        |     |       |
|     |                    | Use also:                              |        |     |       |
| -   | 997 632 201 00     | Light                                  |        | 1   |       |
| 2   | 911 511 923 02     | Sealing frame                          |        | 1   |       |
| 3   | 911 511 127 00     | Sealing frame                          |        | 1   | TARGA |
| (4) | 911 511 031 00     | Hinge                                  | /L     | 1   |       |
| (4) | 911 511 032 00     | Hinge                                  | /R     | 1   |       |
| 5   | 900 067 057 02     | Pan-head screw<br>M 8 X 20             |        | 4   |       |
| 5   | 900 067 057 03     | Pan-head screw<br>M 8 X 20             |        | 4   |       |
| 6   | 900 027 015 02     | Lock ring<br>B 8                       |        | 10  |       |
| 6   | 900 027 015 03     | Lock ring<br>B 8                       |        | 10  |       |
| 7   | 900 025 007 02     | Washer<br>8,4                          |        | 10  |       |
| 7   | 900 025 007 03     | Washer<br>8,4                          |        | 10  |       |
| 8   | 900 151 008 02     | Washer<br>8,4                          |        | X   |       |
| 9   | 900 075 085 02     | Hexagon-head bolt<br>M 8 X 20          |        | 6   |       |
| 10  | 911 511 331 01     | Gas-pressure spring                    |        | 2   |       |
| 10  | 911 511 331 00     | Gas-pressure spring                    |        | 2   |       |
| 11  | 999 166 043 02     | Bolt                                   |        | 4   |       |
| 12  | 911 511 332 00     | Spacer                                 |        | 2   |       |
| 13  | N 012 645 2        | Lock washer                            |        | 4   |       |
| 14  | 999 703 036 50     | Rubber stop                            |        | 2   |       |
| 15  | 911 511 051 02     | Lock upper part                        |        | 1   |       |
| 16  | 900 076 010 02     | Nut<br>M 6                             |        | 2   |       |
| 16  | 900 076 010 0B     | Nut<br>M 6                             |        | 2   |       |
| 17  | N 012 007 2        | Lock ring<br>A 6                       |        | 4   |       |
| 17  | 900 027 004 03     | Lock ring<br>A 6                       |        | 4   |       |
| 18  | N 011 666 7        | Washer<br>B 6,4                        |        | 2   |       |
| 19  | 911 511 052 01     | Lock lower part                        |        | 1   |       |
| 20  | N 014 743 2        | Pan-head screw<br>M 6 X 30             |        | 2   |       |
| 20  | 900 067 012 03     | Pan-head screw<br>M 6 X 30             |        | 2   |       |
| 21  | 911 555 085 00     | Cover<br>Cross panel                   |        | 1   |       |
| 22  | 999 703 119 40     | Stopper                                |        | 2   |       |
| 23  | 911 511 725 43     | Support<br>for<br>Lock                 | -85    | 1   |       |
| 23  | 911 502 725 00     | Support<br>for<br>Lock                 | 86-    | 1   |       |
| 23  | 911 502 725 00 GRV | Support<br>Prime coated<br>for<br>Lock | 86-    | 1   |       |
| 24  | 911 511 903 00     | Lock                                   | -84    | 1   |       |

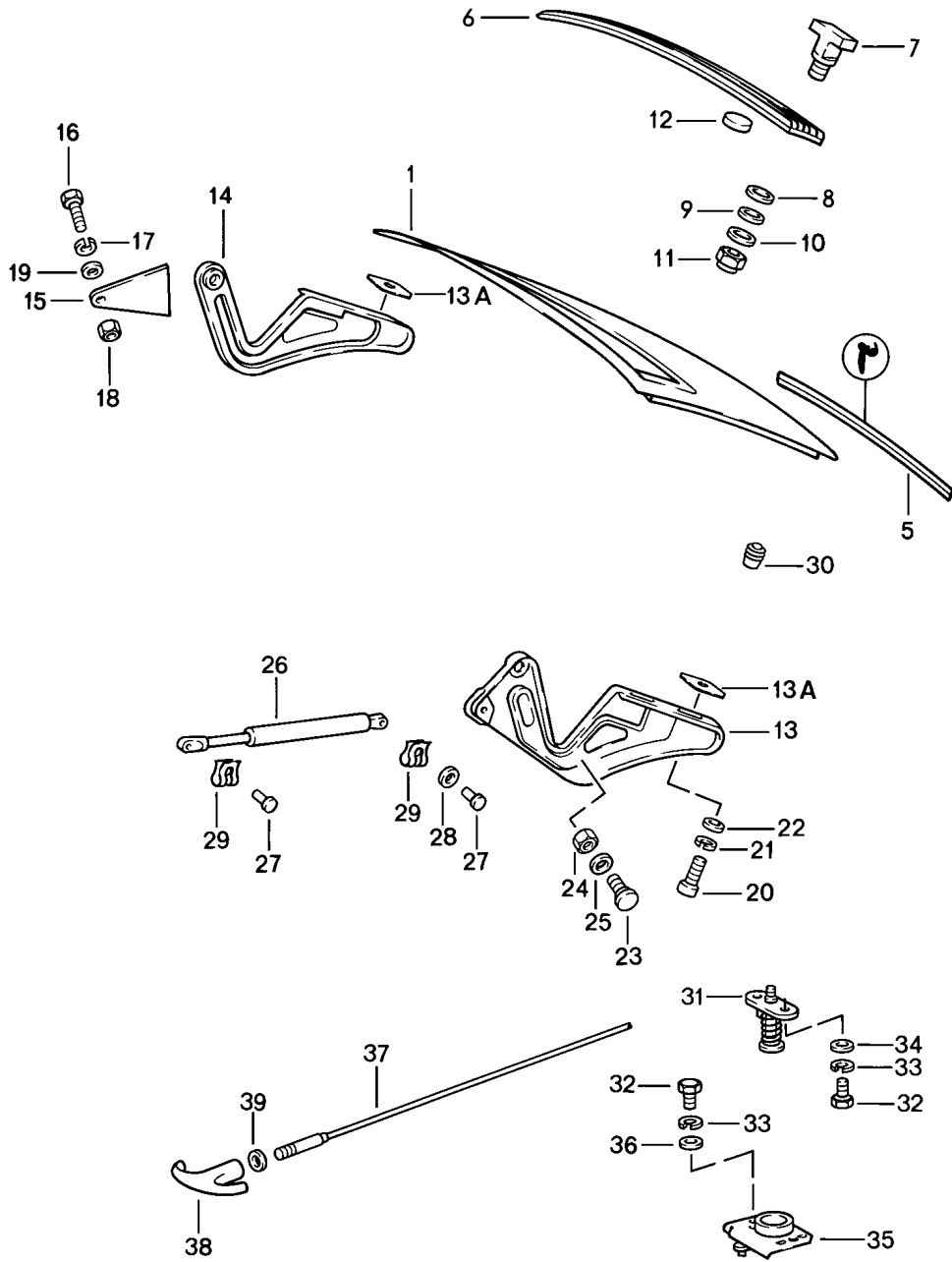
Model: 911 84

Model life 1984&gt;&gt;1986

| Pos  | Part Number    | Description   | Remark | Qty | Model |
|------|----------------|---|--------|-----|-------|
| 24   | 911 511 904 00 | with 2 secondary keys<br>W/o stipulated lock number<br>Lock | -84    | 1   |       |
| 24   | 911 511 903 00 | with 2 secondary keys<br>State lock number<br>Lock          | 85-    | 1   |       |
| 24   | 911 511 904 00 | with 2 secondary keys<br>W/o stipulated lock number<br>Lock |        | 1   |       |
| 25   |                | with 2 secondary keys<br>State lock number<br>See group     |        |     |       |
| 26   | N 010 225 4    | 8/04/00<br>Hexagon-head bolt                                |        | 2   |       |
| 26   | 900 075 001 03 | M 5 X 8<br>Hexagon-head bolt                                |        | 2   |       |
| 27   | 900 027 011 01 | M 5 X 8<br>Lock ring  | -85    | 2   |       |
| 28   | 999 190 113 02 | A 5<br>Blind rivet  | -85    | 4   |       |
| 28   | 999 190 123 02 | Blind rivet   | -85    | 2   |       |
| 29   | 911 511 071 01 | 3,2 X 7,37<br>Lid-release cable                             | -85    | 1   |       |
| (29) | 911 511 037 00 | Bowden cable  | 86-    | 1   |       |
| 32   | 911 511 067 00 | Clamp   |        | 1   |       |

Model: 911 84

Model life 1984>>1986



Model: 911 84 Model life 1984>>1986

| Pos  | Part Number        | Description                   | Remark | Qty | Model                            |
|------|--------------------|-------------------------------|--------|-----|----------------------------------|
|      |                    | Lid<br>Rear                   |        |     |                                  |
| 1    | 911 512 010 56     | Lid                           | -85    | 1   | CARRERA                          |
| 1    | 911 512 010 65     | Lid                           | 86-    | 1   | CARRERA                          |
| 1    |                    | Lid                           | 86-    | 1   | CARRERA                          |
|      | 911 512 010 65 GRV | Prime coated                  |        |     |                                  |
| (1)  | 930 512 010 09     | Lid                           |        | 1   | TURBO                            |
| 5    | 911 512 129 00     | Gasket                        | -86    | 1   |                                  |
| 6    | 911 559 411 00     | Ventilation grille            |        | 1   | CARRERA                          |
| 6    | 911 559 411 01     | Ventilation grille            |        | 1   | CARRERA                          |
| 7    | 911 559 433 00     | T-headed screw                |        | 6   | CARRERA                          |
| (7)  | 911 559 433 01     | T-headed screw                |        | 2   | M559                             |
| 8    | 911 559 435 00     | Spacer                        |        | 6   | CARRERA                          |
| 9    | 113 951 539        | Washer                        |        | 6   | CARRERA                          |
| 10   | N 011 665 3        | Washer<br>A 5,3               |        | 6   | CARRERA                          |
| 10   | N 011 665 16       | Washer<br>A 5,3               |        | 6   | CARRERA                          |
| 11   | 900 910 009 02     | Lock nut<br>NM 5              |        | 6   | CARRERA                          |
| 11   | 900 084 026 01     | Lock nut<br>NM 5              |        | 6   | CARRERA                          |
| (11) | 900 034 006 02     | Hexagon nut<br>B M 5          |        | 2   | M559                             |
| 12   | 911 559 151 01     | Base                          |        | 6   | CARRERA                          |
| 13   | 911 512 035 00     | Hinge                         | /L     | 1   |                                  |
| 13A  | 999 025 098 02     | Washer<br>D=9                 |        | X   |                                  |
| 14   | 901 512 036 20     | Hinge                         | /R     | 1   | CARRERA                          |
| 14   |                    | Hinge                         | /R     | 1   | CARRERA                          |
|      | 901 512 036 20 GRV | Prime coated                  |        |     |                                  |
| (14) | 930 512 036 00     | Lid hinge                     | /R     | 1   | TURBO<br>M473<br>CARRERA<br>M491 |
| (14) |                    | Lid hinge                     | /R     | 1   | TURBO<br>M473<br>CARRERA<br>M491 |
|      | 930 512 036 00 GRV |                               |        |     |                                  |
| 15   | 930 512 039 00     | Fastening plate               |        | 1   | TURBO<br>M473<br>CARRERA<br>M491 |
| 16   | 900 075 016 02     | Hexagon-head bolt<br>M 6 X 22 |        | 1   | CARRERA<br>M491                  |
| 16   | 900 075 016 03     | Hexagon-head bolt<br>M 6 X 22 |        | 1   | Turbo<br>M473<br>CARRERA<br>M491 |
| 17   | N 012 226 5        | Spring washer<br>B 6          |        | 1   | Turbo<br>M473<br>CARRERA<br>M491 |
| 18   | 900 076 010 02     | Nut<br>M 6                    |        | 1   | Turbo<br>M473<br>CARRERA<br>M491 |
| 18   | 900 076 010 0B     | Nut<br>M 6                    |        | 1   | Turbo<br>CARRERA<br>M491         |
| 19   | N 011 524 7        | Washer                        |        | 1   | Turbo<br>M473                    |

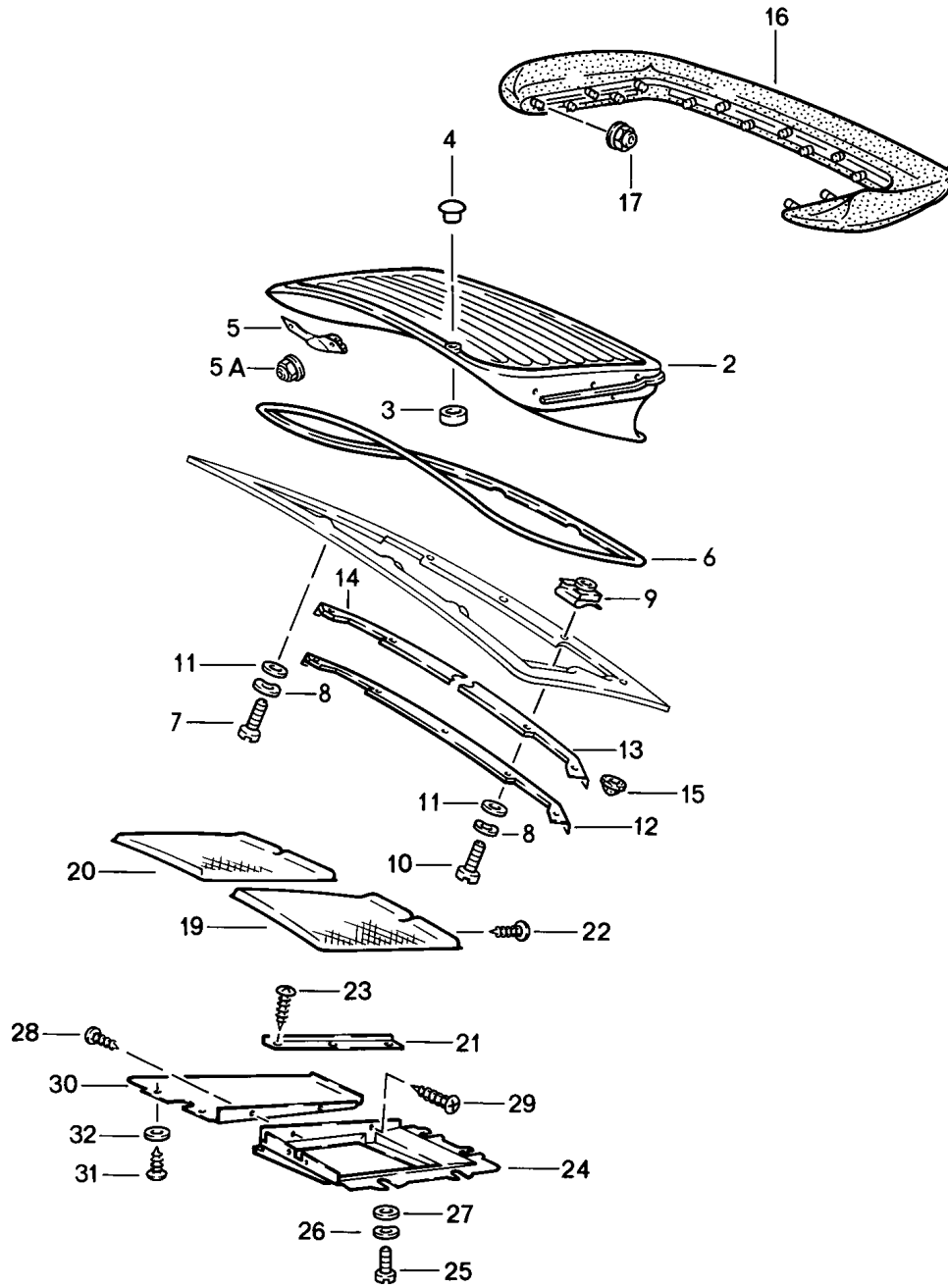


Model: 911 84 Model life 1984>>1986

| Pos  | Part Number    | Description                   | Remark | Qty | Model                              |
|------|----------------|-------------------------------|--------|-----|------------------------------------|
|      |                | 6,4                           |        |     | CARRERA                            |
| 19   | N 011 524 27   | Washer                        |        | 1   | M491<br>Turbo<br>M473              |
|      |                | 6,4                           |        |     | CARRERA<br>M491                    |
| 20   | 900 067 011 02 | Pan-head screw<br>M 6 X 20    |        | 4   |                                    |
| 20   | 900 067 011 03 | Pan-head screw<br>M 6 X 20    |        | 4   |                                    |
| 21   | N 012 006 4    | Lock ring<br>B 6              |        | 4   |                                    |
| 22   | N 011 666 7    | Washer<br>B 6,4               |        | 4   |                                    |
| 23   | 901 512 471 20 | Collar bolt                   |        | 2   |                                    |
| 24   | 900 910 023 02 | Lock nut<br>M 8               |        | 2   |                                    |
| (24) | 999 084 052 02 | Lock nut<br>M 8               |        | 2   |                                    |
| 25   | 900 025 007 02 | Washer<br>A 8,4               |        | 2   |                                    |
| 25   | 900 025 007 03 | Washer<br>A 8,4               |        | 2   |                                    |
| 26   | 911 512 331 01 | Gas-pressure spring           |        | 1   | CARRERA                            |
| 26   |                | Gas-pressure spring           |        | 1   | CARRERA                            |
| (26) | 911 512 331 02 | Gas-pressure spring           |        | 2   | /TU<br>M473/559<br>CARRERA<br>M491 |
| (26) |                | Gas-pressure spring           |        | 2   | TURBO<br>CARRERA<br>M473           |
| 27   | 999 166 043 02 | Bolt                          |        | 2   |                                    |
| 28   | 911 511 332 00 | Spacer                        |        | 1   |                                    |
| 29   | N 012 645 2    | Lock washer                   |        | 2   |                                    |
| 29   |                | Lock washer                   |        | 3   | M473                               |
| 30   | 999 703 140 40 | Rubber buffer                 |        | 2   |                                    |
| 31   | 930 512 052 00 | Lock upper part               |        | 1   | CARRERA                            |
| (31) |                | Lock upper part               |        | 1   | TURBO<br>M473<br>CARRERA<br>M491   |
| 32   | 900 075 162 02 | Hexagon-head bolt<br>M 6 X 16 |        | 2   | CARRERA                            |
| 32   | N 010 287 1    | Hexagon-head bolt<br>M 6 X 16 |        | 2   | CARRERA                            |
| 32   | 900 075 057 02 | Hexagon-head bolt<br>M 6 X 16 |        | 2   | CARRERA                            |
| (32) | N 010 217 9    | Hexagon-head bolt<br>M 6 X 20 |        | 2   | TURBO                              |
| 33   | N 012 006 4    | Lock ring<br>B 6              |        | 4   |                                    |
| 34   | N 011 666 7    | Washer<br>B 6,4               |        | 2   |                                    |
| 35   | 901 512 052 00 | Lock lower part               |        | 1   |                                    |
| 36   | 900 025 028 02 | Washer                        |        | 2   |                                    |
| 36   | N 011 666 7    | Washer<br>B 6,4               |        | 2   |                                    |
| 37   | 901 511 073 20 | Lid-release cable             |        | 1   |                                    |
| 37   | 901 511 073 21 | Lid-release cable             |        | 1   |                                    |
| 38   | 901 552 813 20 | Handle                        |        | 1   |                                    |
| 39   | 911 512 531 00 | Grommet<br>Lid-release cable  |        | 1   |                                    |

Model: 911 84

Model life 1984>>1986



Model: 911 84 Model life 1984>>1986

| Pos  | Part Number    | Description   | Remark | Qty | Model                        |
|------|----------------|---|--------|-----|------------------------------|
| -    | 911 512 909 00 | Rear spoiler<br>Installation set  |        | 1   | CARRERA                      |
| -    | 911 503 995 00 | Rear spoiler<br>for subsequent installation<br>Only together with<br>Installation set |        | 1   | CARRERA                      |
| -    | 930 512 901 00 | Front spoiler<br>Or<br>Installation set   |        | 1   | CARRERA                      |
| -    | 911 503 995 00 | Rear spoiler<br>for subsequent installation<br>Only together with<br>Installation set |        | 1   | CARRERA                      |
| 2    | 930 512 023 00 | Front spoiler<br>Rear spoiler   |        | 1   | TURBO<br>M491                |
| (2)  | 911 512 043 00 | Rear spoiler  |        | 1   | M473                         |
| 3    | 930 512 267 00 | Spacer  |        | 2   |                              |
| 4    | 999 703 169 40 | Cap   |        | 1   |                              |
| 5    | 930 512 253 01 | Fastening angle   | -85    | 3   |                              |
| 5    |                | Fastening angle   | 86-    | 3   | TURBO<br>CARRERA<br>M473/491 |
| (5)  | 930 512 257 00 | Fastening angle   | /L     | 1   |                              |
| (5)  | 930 512 258 00 | Fastening angle   | /R     | 1   |                              |
| 5A   | 999 084 076 02 | Lock nut<br>M 4   |        | 10  | M473                         |
| 5B   | N 040 226 2    | Hexagon-head bolt<br>M 4 X 15   |        | 10  | M473                         |
| 6    | 930 512 215 00 | Piping  |        | 1   | TURBO<br>M491                |
| 6    | 911 512 215 00 | Piping  |        | 1   | M473                         |
| 7    | N 014 765 2    | Pan-head screw<br>M 6 X 10  |        | 3   |                              |
| 8    | N 012 226 5    | Spring washer<br>A 6  |        | 5   |                              |
| 9    | 999 507 328 02 | Captive nut<br>M 6  |        | 5   |                              |
| 9    | 999 507 328 0B | Captive nut<br>M 6  |        | 5   |                              |
| 10   | 900 119 091 02 | Pan-head screw<br>M 6 X 15  |        | 7   |                              |
| 11   | N 011 666 7    | Washer<br>6,4   |        | 10  |                              |
| 12   | 930 512 281 00 | Base rail   |        | 1   | TURBO<br>M491                |
| 13   | 911 512 289 00 | Base rail   | /L     | 1   | M473                         |
| 14   | 911 512 290 00 | Base rail   | /R     | 1   | M473                         |
| 15   | 999 703 013 50 | Stopper   |        | 2   |                              |
| 16   | 930 512 021 00 | Polyuret. rim for spoiler   |        | 1   | TURBO<br>M491                |
| (16) | 911 512 091 00 | Polyuret. rim for spoiler   |        | 1   | M473                         |
| (17) | 999 084 074 02 | Lock nut  |        | 9   | M473                         |
| (17) | 999 084 075 02 | Lock nut  |        | 10  | M473                         |
| (17) |                | Lock nut<br>M 6   |        | 17  | M491                         |
| 19   | 930 512 031 00 | Grille  | /L     | 1   | TURBO                        |
| (19) | 911 512 231 00 | Perforated plate  | /L     | 1   | M473/491                     |
| 20   | 930 512 032 00 | Grille  | /R     | 1   | TURBO                        |
| (20) | 911 512 232 00 | Perforated plate  | /R     | 1   | M473/491                     |
| 21   | 930 512 175 00 | Angular plate   |        | 2   |                              |
| 22   | 900 143 124 07 | Tapping screw<br>3,5 X 13   |        | 2   |                              |

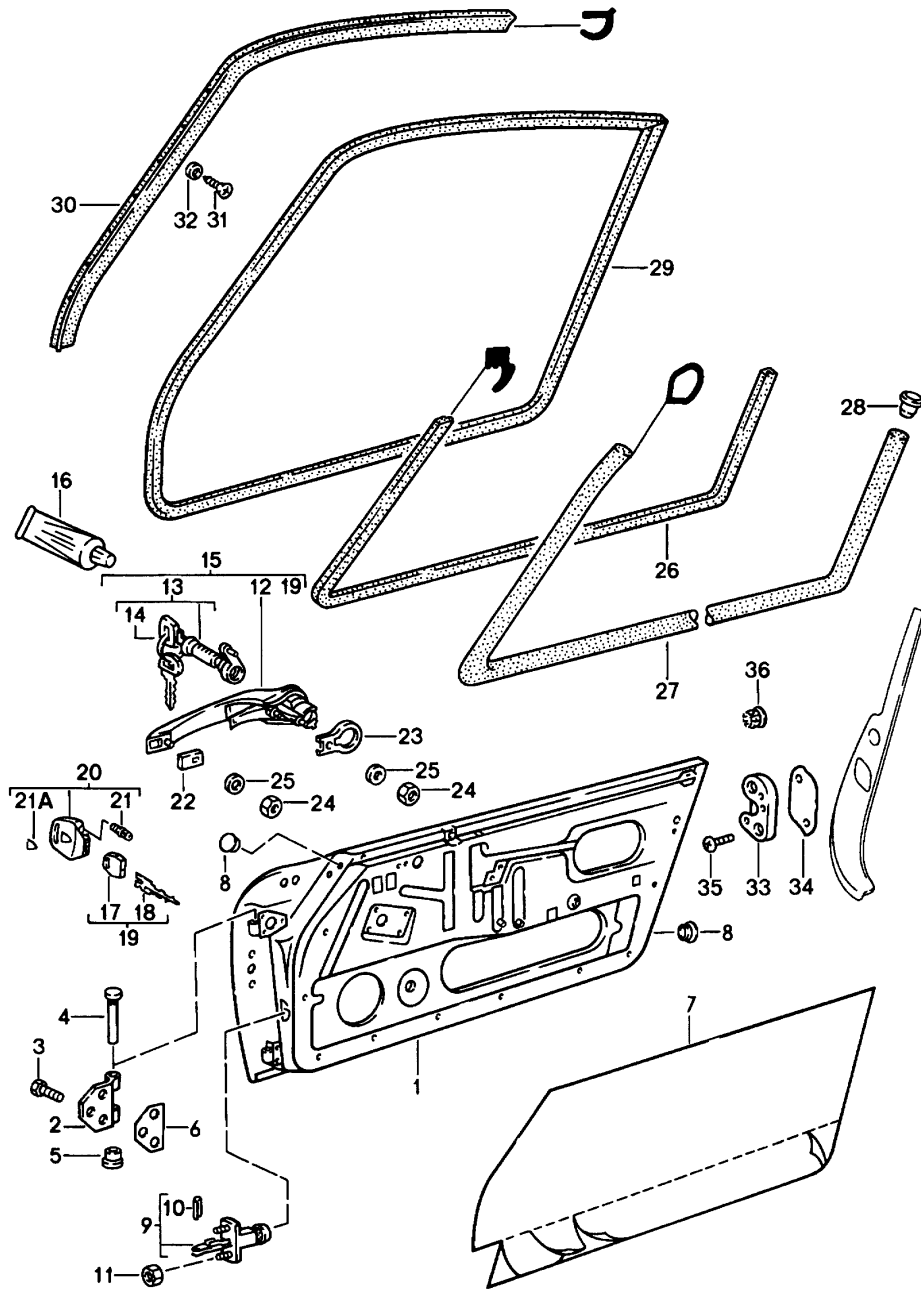
Model: 911 84

Model life 1984&gt;&gt;1986

| Pos  | Part Number    | Description                             | Remark | Qty | Model    |
|------|----------------|---|--------|-----|----------|
| 23   | 900 143 114 07 | Oval-head sheetmetal screw<br>3,5 X 9,5 |        | 6   |          |
| 24   | 930 512 241 00 | Air guide                               |        | 1   | TURBO    |
| (24) | 911 512 037 00 | Air baffle plate                        | /L     | 1   | M473/491 |
| (24) | 911 512 038 00 | Air baffle plate                        | /R     | 1   | M473/491 |
| 25   | N 014 765 2    | Pan-head screw<br>M 6 X 10              |        | 4   |          |
| 25   |                | Pan-head screw<br>M 6 X 10              |        | 4   |          |
| 26   | N 012 226 5    | Spring washer<br>A 6                    |        | 4   |          |
| 27   | N 011 666 7    | Washer<br>B 6,4                         |        | 4   |          |
| 28   | 900 143 124 07 | Tapping screw<br>3,5 X 13               |        | 2   |          |
| 29   | 900 146 053 07 | Oval-head screw<br>M 4 X 18             |        | 2   |          |
| 30   | 930 512 044 00 | Reinforcement plate                     | -84    | 1   | TURBO    |
| 31   | N 014 086 4    | Rais. counters. h. tap. s.<br>3,5 X 13  | -84    | 4   | TURBO    |
| 32   | 900 025 002 02 | Washer<br>4,3                           |        | 5   | TURBO    |
| 32   | 900 025 002 03 | Washer<br>4,3                           |        | 5   | TURBO    |

Model: 911 84

Model life 1984>>1986



Model: 911 84 Model life 1984>>1986

| Pos  | Part Number        | Description                | Remark | Qty | Model |
|------|--------------------|----------------------------|--------|-----|-------|
|      |                    | Accessories                |        |     |       |
|      |                    | Doors                      |        |     |       |
|      |                    | Order also:                |        |     |       |
|      |                    | See illustrations          |        |     |       |
|      |                    | 8/04/05                    |        |     |       |
|      |                    | POS.4-5B                   |        |     |       |
| (1)  | 911 531 005 21     | Bare door shell            |        | 1   |       |
| -    | 964 531 201 00     | Exterior panelling         | /L     | 1   |       |
|      | 964 531 201 00 GRV | Prime coated               |        |     |       |
|      |                    | It is necessary to rework  |        |     |       |
| (1)  | 911 531 006 21     | Bare door shell            |        | 1   |       |
| -    | 964 531 202 00     | Exterior panelling         | /R     | 1   |       |
|      | 964 531 202 00 GRV | Prime coated               |        |     |       |
|      |                    | It is necessary to rework  |        |     |       |
| 2    | 901 531 303 21     | Hinge arm                  |        | 4   |       |
| 3    | 999 093 010 02     | Hexagon-head bolt          |        | 12  |       |
|      |                    | M 8 X 20                   |        |     |       |
| 4    | 901 531 305 20     | Hinge bolt                 |        | 4   |       |
| 5    | 901 531 311 20     | Bush                       |        | 8   |       |
| 6    | 901 531 391 20     | Desk pad                   |        | 4   |       |
| 7    | 911 531 889 00     | Seal                       | /L     | 1   |       |
| 7    | 911 531 890 00     | Seal                       | /R     | 1   |       |
| 8    | 999 703 119 40     | Stopper                    |        | 10  |       |
| 9    | 911 531 057 02     | Door arrester              |        | 2   |       |
| (9)  | 911 531 957 00     | Door arrester              |        | 2   |       |
|      |                    | with                       |        |     |       |
|      |                    | Set of fastening parts     |        |     |       |
| 10   | 900 309 032 02     | Spiral clamping pin        |        | 2   |       |
| 11   | 900 910 012 02     | Lock nut                   |        | 4   |       |
|      |                    | M 6                        |        |     |       |
| 11   | 900 910 047 09     | Lock nut                   |        | 4   |       |
|      |                    | M 6                        |        |     |       |
| 12   | 911 531 941 28     | Outer door handle          | -84    | 2   |       |
|      |                    | Black                      |        |     |       |
|      |                    | without lock cylinder      |        |     |       |
|      |                    | Replacement                |        |     |       |
|      |                    | POS.15                     |        |     |       |
| (13) | 911 531 943 00     | Lock cylinder              | /L -84 | 1   |       |
|      |                    | with 2 secondary keys      |        |     |       |
|      |                    | W/o stipulated lock number |        |     |       |
| (13) | 911 531 947 00     | Lock cylinder              | /L -84 | 1   |       |
|      |                    | MIT 1 NEBENSCHLUESSEL      |        |     |       |
|      |                    | State lock number          |        |     |       |
| 13   | 911 531 944 00     | Lock cylinder              | /R -84 | 1   |       |
|      |                    | with 2 secondary keys      |        |     |       |
|      |                    | W/o stipulated lock number |        |     |       |
| 13   | 911 531 944 29     | Lock cylinder              | /R     | 1   |       |
|      |                    | with 2 secondary keys      |        |     |       |
|      |                    | W/o stipulated lock number |        |     |       |
| 13   | 911 531 948 00     | Lock cylinder              | /R -84 | 1   |       |
|      |                    | MIT 1 NEBENSCHLUESSEL      |        |     |       |
|      |                    | State lock number          |        |     |       |
| 14   | 911 531 945 00     | Blank key                  | -84    | 2   |       |
|      |                    | Replacement                |        |     |       |
|      |                    | POS.18,20                  |        |     |       |
| 14   | 911 531 946 00     | Main key                   | -84    | 2   |       |
|      |                    | Replacement                |        |     |       |
|      |                    | POS.19,20                  |        |     |       |
| (14) | 914 531 903 11     | Blank key                  | -84    | 2   |       |
|      |                    | Secondary key              |        |     |       |
|      |                    | Single parts               |        |     |       |
|      |                    | for                        |        |     |       |
|      |                    | Key                        | -84    |     |       |

Model: 911 84 Model life 1984>>1986

| Pos  | Part Number    | Description  | Remark | Qty | Model |
|------|----------------|--|--------|-----|-------|
| -    | 911 531 638 00 | with<br>Light<br>Cap   | -84    | 1   |       |
| -    | 928 537 627 02 | Pressure spring  | -84    | 1   |       |
| -    | 911 531 640 00 | Bulb   | -84    | 1   |       |
|      |                | with<br>Contact plate  |        | 1   |       |
| -    | 911 531 641 00 | Bridge   | -84    | 1   |       |
| -    | 911 531 642 00 | Lid  | -84    | 1   |       |
| (15) | 911 538 941 01 | Outer door handle  | /L     | 1   |       |
| (15) | 911 538 941 07 | Outer door handle  | /L     | 1   |       |
|      |                | Black<br>with lock cylinder<br>And two spare keys<br>W/o stipulated lock number  |        |     |       |
| (15) | 911 538 941 05 | Outer door handle  | /L     | 1   |       |
|      |                | Chrome<br>with lock cylinder<br>And two spare keys<br>W/o stipulated lock number |        |     |       |
| (15) | 911 538 941 00 | Outer door handle  | /L     | 1   |       |
| (15) | 911 538 941 06 | Outer door handle  | /L     | 1   |       |
|      |                | Black<br>with lock cylinder<br>And two spare keys<br>State lock number           |        |     |       |
| (15) | 911 538 941 04 | Outer door handle  | /L     | 1   |       |
|      |                | Chrome<br>with lock cylinder<br>And two spare keys<br>State lock number          |        |     |       |
| 15   | 911 538 942 01 | Outer door handle  | /R     | 1   |       |
| 15   | 911 538 942 07 | Outer door handle  | /R     | 1   |       |
|      |                | Black<br>with lock cylinder<br>And two spare keys<br>W/o stipulated lock number  |        |     |       |
| 15   | 911 538 942 05 | Outer door handle  | /R     | 1   |       |
|      |                | Chrome<br>with lock cylinder<br>And two spare keys<br>W/o stipulated lock number |        |     |       |
| 15   | 911 538 942 00 | Outer door handle  | /R     | 1   |       |
| 15   | 911 538 942 06 | Outer door handle  | /R     | 1   |       |
|      |                | Black<br>with lock cylinder<br>And two spare keys<br>State lock number           |        |     |       |
| 15   | 911 538 942 04 | Outer door handle  | /R     | 1   |       |
|      |                | Chrome<br>with lock cylinder<br>And two spare keys<br>State lock number          |        |     |       |
| 16   | 000 043 204 21 | Grease<br>for lock cylinder  |        | X   |       |
| 16   | G 052 778 A2   | Grease<br>for lock cylinder  |        | X   |       |
| 17   | 944 538 431 00 | Key cap  |        | 1   |       |
| 18   | 911 538 903 00 | Blank key  | -85    | 1   |       |
| 18   |                | Blank key  | 86-    | 1   |       |
| 19   | 911 538 902 00 | Replacement key<br>with<br>Key cap   |        | 1   |       |

Model: 911 84

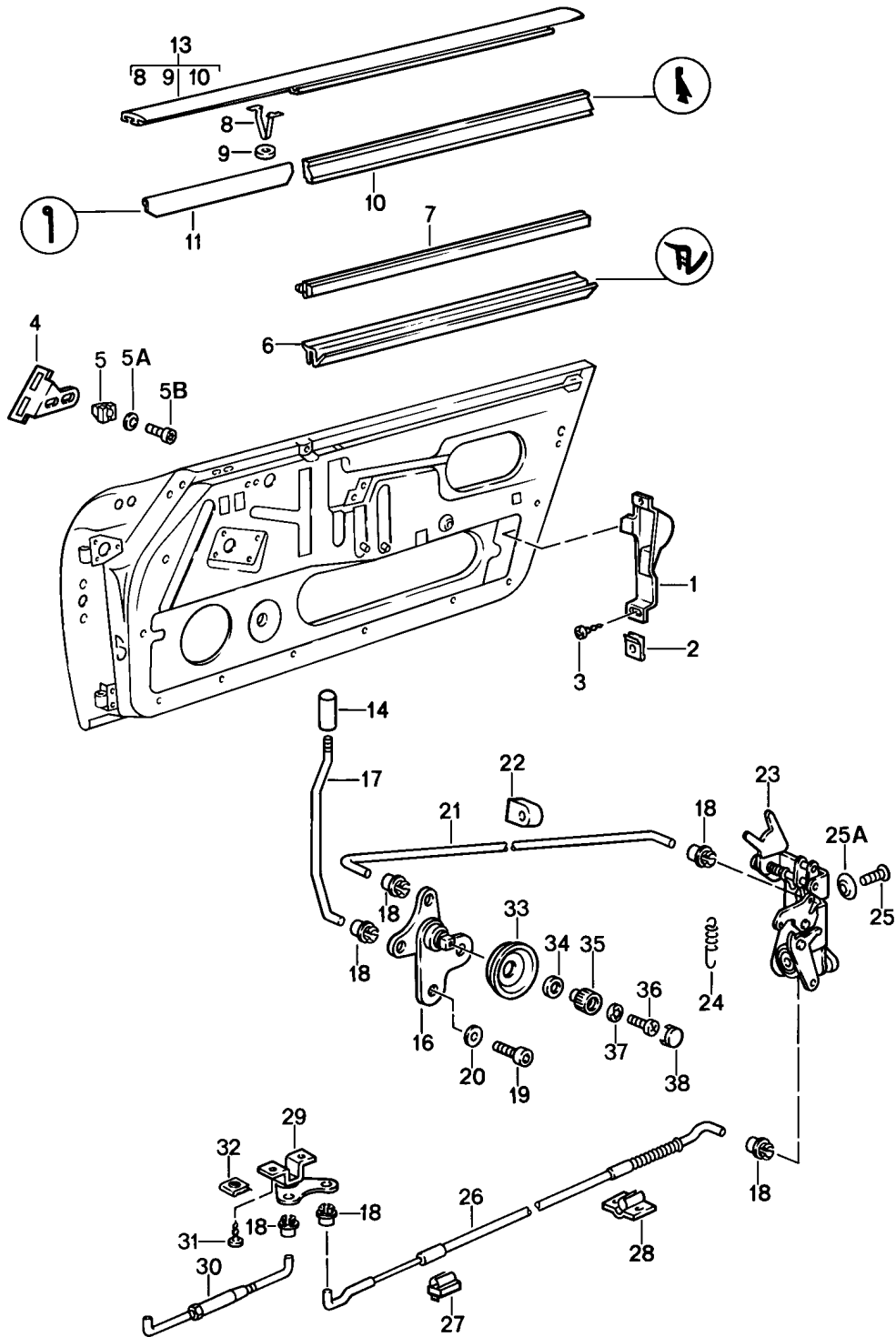
Model life 1984>>1986

| Pos  | Part Number    | Description                                 | Remark | Qty | Model           |
|------|----------------|---|--------|-----|-----------------|
|      |                | State lock number<br>Information available  |        |     |                 |
| 20   | 944 538 041 00 | Key lamp<br>Complete                        |        | 1   |                 |
| 20   | 944 538 041 01 | Key lamp<br>Complete                        |        | 1   |                 |
| 21   | 928 537 630 02 | Bulb<br>E 5,5                               |        | 1   |                 |
| 21A  | 944 538 443 00 | Crest                                       |        | 2   |                 |
| 22   | 911 531 631 00 | Desk pad                                    |        | 2   |                 |
| 23   | 911 531 632 00 | Desk pad                                    |        | 2   |                 |
| 24   | 900 910 008 02 | Lock nut<br>M 5                             |        | 4   |                 |
| 25   | 900 025 003 02 | Washer<br>A 5,3                             |        | 4   |                 |
| (26) | 911 531 095 40 | Door sealing                                | /L     | 1   | TARGA<br>CABRIO |
| (26) | 911 531 096 40 | Door seal                                   | /R     | 1   | TARGA<br>CABRIO |
| (28) | 911 531 523 65 | ENTFALLEN<br>Cap                            |        | 2   | CABRIO          |
| 29   | 911 531 095 02 | Door sealing                                |        | 2   | COUPE           |
| 29   | 911 531 095 03 | Door sealing                                |        | 2   | COUPE           |
| (30) | 911 542 403 01 | Sealing rail                                | /L -85 | 1   | COUPE           |
| 30   | 911 542 404 01 | Sealing rail                                | /R -85 | 1   | COUPE           |
| (30) | 911 542 403 03 | Sealing rail                                | /L 86- | 1   | COUPE           |
| 30   | 911 542 404 03 | Sealing rail                                | /R 86- | 1   | COUPE           |
| 31   | 900 145 081 00 | Tapping screw<br>B 2,9 X 6,5                |        | 30  | COUPE           |
| 32   | 999 591 009 12 | Protection washer<br>3,5 MS                 |        | 30  | COUPE           |
| 33   | 911 531 701 02 | Door lock striker<br>Yellow<br>Chrome       | /L     | 1   |                 |
| (33) | 911 531 702 02 | Door lock striker<br>Yellow<br>Chrome       | /R     | 1   |                 |
| 34   | 901 531 703 23 | Desk pad<br>1 MM                            |        | X   |                 |
| (34) | 901 531 703 24 | Desk pad<br>2 MM                            |        | X   |                 |
| 35   | 999 219 008 00 | Oval-head screw<br>M 8 X 40                 |        | 4   |                 |
| 36   | 911 531 243 00 | Stopper<br>for cars without<br>Alarm system | /L     | 1   |                 |



Model: 911 84

Model life 1984>>1986



Model: 911 84 Model life 1984>>1986

| Pos  | Part Number        | Description           | Remark | Qty | Model           |
|------|--------------------|-----------------------|--------|-----|-----------------|
|      |                    | Installation parts    |        |     |                 |
|      |                    | Doors                 |        |     |                 |
| (1)  | 911 537 335 00     | Cover                 | /L     | 1   | CARRERA         |
| (1)  | 911 537 355 00     | Cover                 | /L     | 1   | M341            |
| 1    | 911 537 336 00     | Cover                 | /R     | 1   | CARRERA         |
| (1)  | 911 537 356 00     | Cover                 | /R     | 1   | M341            |
|      |                    | for                   |        |     |                 |
|      |                    | Door lock             |        |     |                 |
| 2    | N 015 438 1        | Speed nut             |        | 5   |                 |
|      |                    | B 3,5                 |        |     |                 |
| 3    | 900 144 028 07     | Tapping screw         |        | 5   |                 |
|      |                    | B 3,5 X 13            |        |     |                 |
| (4)  | 911 531 955 00     | Bracket               | /L     | 1   |                 |
| (4)  | 911 531 956 00     | Bracket               | /R     | 1   |                 |
|      |                    | for                   |        |     |                 |
|      |                    | Cover strip           | -86    |     |                 |
| 5A   | N 011 524 7        | Washer                |        | 4   |                 |
|      |                    | A 6,4                 |        |     |                 |
| 5A   | N 011 524 27       | Washer                |        | 4   |                 |
|      |                    | A 6,4                 |        |     |                 |
| (5B) | 999 072 005 09     | Hexagon nut           |        | 4   |                 |
|      |                    | M 6 X 12              |        |     |                 |
| (5B) | 999 072 005 01     | Hexagon nut           |        | 4   |                 |
|      |                    | M 6 X 12              |        |     |                 |
| 6    | 911 531 951 01     | Sealing for door slot |        | 2   |                 |
| (7)  | 901 531 935 20     | Sealing for door slot | /L     | 1   | COUPE           |
| (7)  | 911 531 295 40     | Sealing for door slot | /L     | 1   | TARGA<br>CABRIO |
| 7    | 901 531 936 20     | Sealing for door slot | /R     | 1   | COUPE           |
| (7)  | 911 531 296 40     | Sealing for door slot | /R     | 1   | TARGA<br>CABRIO |
| 8    | 999 591 326 02     | Moulding clip         |        | 14  |                 |
| 8    | 999 591 326 01     | Moulding clip         |        | 14  |                 |
| 9    | 911 531 309 00     | Ring                  |        | 14  |                 |
| (10) | 911 531 931 02     | Sealing strip         | /L     | 1   | COUPE           |
| (10) | 911 531 931 42     | Sealing strip         | /L     | 1   | TARGA<br>CABRIO |
| 10   | 911 531 932 02     | Sealing strip         | /R     | 1   | COUPE           |
| (10) | 911 531 932 42     | Sealing strip         | /R     | 1   | TARGA<br>CABRIO |
| (11) | 901 531 933 20     | Sealing strip         |        | 2   |                 |
| (11) | 911 531 297 00     | Piping                |        | 2   | COUPE           |
|      | 911 531 297 00 01C | Black                 |        |     |                 |
| 11   | 911 531 297 40     | Piping                |        | 2   | TARGA/CABRIO    |
|      | 911 531 297 40 01C | Black                 |        |     |                 |
| 11   | 911 531 297 41     | Piping                |        | 2   | TARGA/CABRIO    |
|      | 911 531 297 41 01C | Black                 |        |     |                 |
| 13   | 911 531 041 30     | Moulding              | /L     | 1   | COUPE           |
|      | 911 531 041 30 70K | Black                 |        |     |                 |
| -    | 911 531 431 00     | Moulding              | /L     | 1   | COUPE           |
|      | 911 531 431 00 70K | Black                 |        |     |                 |
| 13   | 911 531 042 30     | Moulding              | /R     | 1   | COUPE           |
|      | 911 531 042 30 70K | Black                 |        |     |                 |
| -    | 911 531 432 00     | Moulding              | /R     | 1   | COUPE           |
|      | 911 531 432 00 70K | Black                 |        |     |                 |
| (13) | 911 531 431 40     | Moulding              | /L -85 | 1   | TARGA<br>CABRIO |
|      | 911 531 431 40 70K | Black                 |        |     |                 |
| (13) | 911 531 041 50     | Moulding              | /L 86- | 1   | TARGA           |
|      | 911 531 041 50 70K | Black                 |        |     |                 |
| (13) | 911 531 432 40     | Moulding              | /R -85 | 1   | CABRIO<br>TARGA |
|      | 911 531 432 40 70K | Black                 |        |     | CABRIO          |
| 13   | 911 531 042 50     | Moulding              | /R 86- | 1   | TARGA           |

Model: 911 84 Model life 1984>>1986

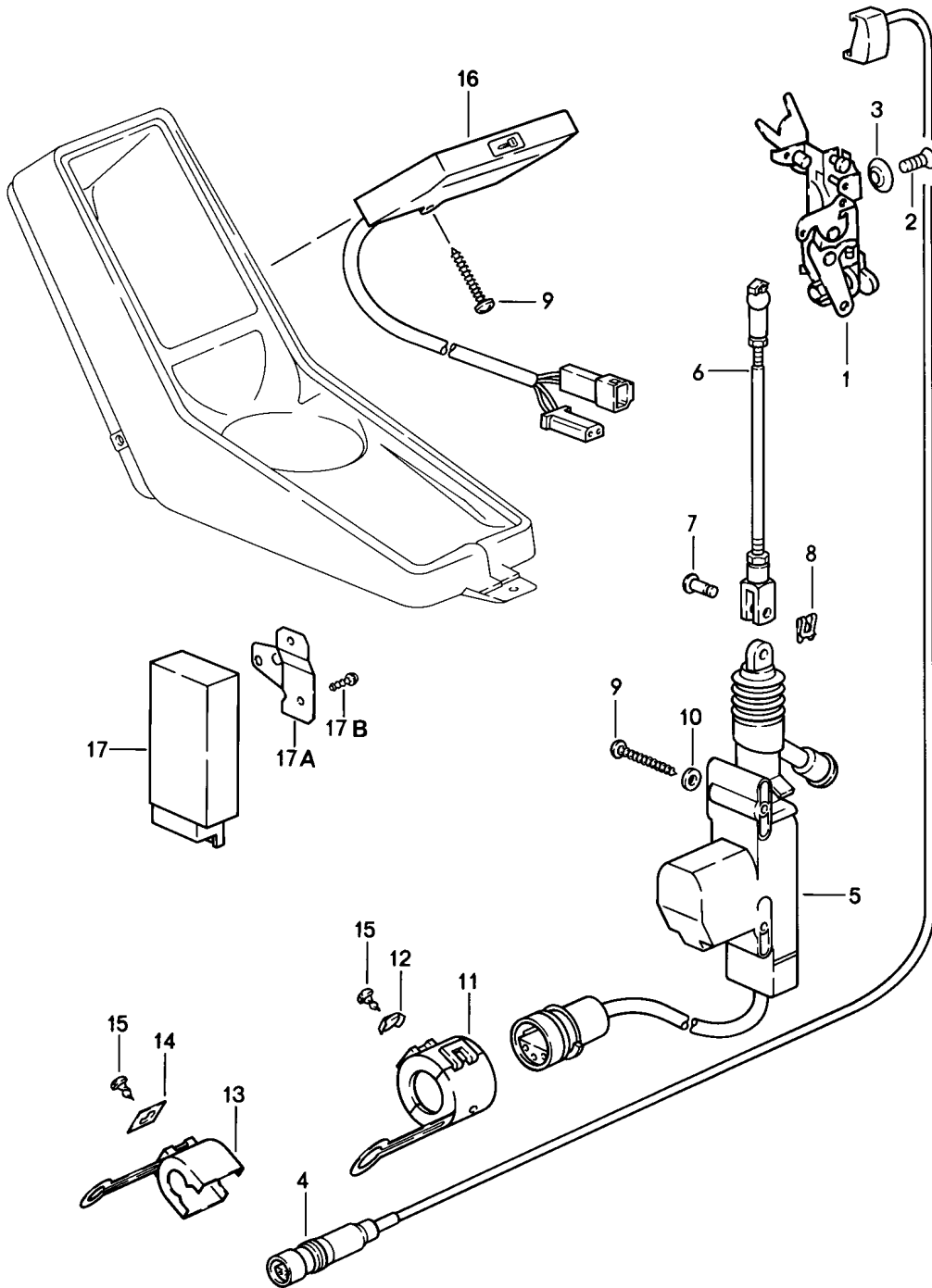
| Pos  | Part Number        | Description  | Remark              | Qty | Model                               |
|------|--------------------|--|---------------------|-----|-------------------------------------|
|      | 911 531 042 50 70K | Black  |                     |     |                                     |
| (13) | 911 531 431 60     | Moulding   | /L -85              | 1   | CABRIO<br>CABRIO<br>M070            |
|      | 911 531 431 60 70K | Black  |                     |     |                                     |
| (13) | 911 531 041 60     | Moulding   | /L                  | 1   | CABRIO<br>M070                      |
|      | 911 531 041 60 70K | Black  |                     |     |                                     |
| (13) | 911 531 432 60     | Moulding   | /R -85              | 1   | CABRIO<br>M070                      |
|      | 911 531 432 60 70K | Black  |                     |     |                                     |
| 13   | 911 531 042 60     | Moulding   | /R 86-              | 1   | CABRIO<br>M070                      |
|      | 911 531 042 60 70K | Black  |                     |     |                                     |
| 14   | 928 555 359 02     | Locking knob   |                     | 2   |                                     |
| 14   |                    | Locking knob   |                     | 2   |                                     |
|      |                    | Doors  |                     |     |                                     |
|      | 928 555 359 02 70B | Black  |                     |     |                                     |
| (14) | 928 555 565 02     | Guide sleeve   | -84                 | 2   |                                     |
| (14) | 928 555 569 02     | Guide bush   | 85-                 | 2   |                                     |
| (16) | 911 531 075 01     | Mounting for push-button   | /L -84              | 1   |                                     |
| (16) | 911 531 075 02     | Mounting for push-button   | /L 85-              | 1   |                                     |
| (16) | 911 531 075 03     | Mounting for push-button   | /L 85-              | 1   |                                     |
| (16) | 911 531 076 01     | Mounting for push-button   | /R -84              | 1   |                                     |
| 16   | 911 531 076 02     | Mounting for push-button   | /R 85-              | 1   |                                     |
| 16   | 911 531 076 03     | Mounting for push-button   | /R 85-              | 1   |                                     |
| (17) | 911 531 707 00     | Rod for push-button  | /L -84              | 1   |                                     |
| (17) | 911 531 707 01     | Rod for push-button  | /L 85-              | 1   |                                     |
| (17) | 911 531 708 00     | Rod for push-button  | /R -84              | 1   |                                     |
| 17   | 911 531 708 01     | Rod for push-button  | /R 85-              | 1   |                                     |
| 18   | 993 531 563 00     | Linkage clip   |                     | 10  |                                     |
| 19   | 900 186 147 02     | Pan-head screw<br>M 6 X 10   |                     | 4   |                                     |
| 19   | 900 976 008 01     | Pan-head screw<br>M 6 X 10   |                     | 4   |                                     |
| 20   | N 012 226 5        | Spring washer<br>B 6   |                     | 4   |                                     |
| 21   | 911 531 562 00     | Connecting rod   | -84                 | 2   |                                     |
| 21   | 911 531 562 01     | Connecting rod   | 85-                 | 2   |                                     |
| 22   | 911 531 565 00     | Rubber mounting  |                     | 4   |                                     |
| (22) | 911 531 599 00     | Rubber mounting  |                     | 4   |                                     |
| (23) | 911 531 053 06     | Door lock<br>with antishutout mechanism  | /L -84              | 1   |                                     |
| (23) |                    | Door lock<br>with antishutout mechanism  | /LL /L              | 1   |                                     |
| (23) | 964 531 053 01     | Door lock<br>with antishutout mechanism  | /LL /L              | 1   | CARRERA                             |
| 23   | 911 531 054 05     | Door lock<br>without antishutout mechanism   | /LL /R              | 1   |                                     |
| (23) | 964 531 054 00     | Door lock<br>without antishutout mechanism   | /LL /R              | 1   | CARRERA                             |
| 24   | 993 531 165 00     | Tension spring   |                     | 2   |                                     |
| 25   | 999 219 009 00     | Oval-head screw<br>Micro-self-locking<br>AM 6 X 16                                       |                     | 6   |                                     |
| 25A  | 999 591 118 02     | Washer<br>6,5 X 90 DEG   |                     | 6   |                                     |
| (26) | 911 531 509 00     | Bowden cable<br>F >>91FS1 21226<br>F >>91FS1 61175<br>F >>91FS1 70576<br>F >>93FS0 50077 | /L<br><br><br>(CDN) | 1   | CARRERA<br>TARGA<br>CABRIO<br>TURBO |
| 26   | 911 531 510 00     | Bowden cable   | /R                  | 1   |                                     |

Model: 911 84 Model life 1984>>1986

| Pos | Part Number    | Description  | Remark      | Qty | Model                               |
|-----|----------------|--|-------------|-----|-------------------------------------|
| 26  | 911 531 509 01 | F >>91FS1 21226<br>F >>91FS1 61175<br>F >>91FS1 70576<br>F >>93FS0 50077<br>Bowden cable<br>F 91FS1 21227>><br>F 91FS1 61176>><br>F 91FS1 70577>><br>F 93FS0 50078>> | (CDN)       | 2   | CARRERA<br>TARGA<br>CABRIO<br>TURBO |
| 27  | 911 531 097 00 | Support  | /V          | 2   |                                     |
| 28  | 911 531 099 00 | Support  | /H          | 2   |                                     |
| 29  | 911 531 083 00 | Relay lever<br>F >>91FS1 21226<br>F >>91FS1 61175<br>F >>91FS1 70576<br>F >>93FS0 50077  | (CDN)       | 2   | CARRERA<br>TARGA<br>CABRIO<br>TURBO |
| 29  | 993 531 083 00 | Relay lever<br>F 91FS1 21227>><br>F 91FS1 61176>><br>F 91FS1 70577>><br>F 93FS0 50078>>  | /L<br>(CDN) | 1   | CARRERA<br>TARGA<br>CABRIO<br>TURBO |
| 29  | 993 531 084 00 | Relay lever<br>F 91FS1 21227>><br>F 91FS1 61176>><br>F 91FS1 70577>><br>F 93FS0 50078>>  | /R<br>(CDN) | 1   | CARRERA<br>TARGA<br>CABRIO<br>TURBO |
| 30  | 911 531 091 00 | Pull rod<br>F >>91FS1 21226<br>F >>91FS1 61175<br>F >>91FS1 70576<br>F >>93FS0 50077   | (CDN)       | 2   | CARRERA<br>TARGA<br>CABRIO<br>TURBO |
| 30  | 911 531 091 01 | Pull rod<br>F 91FS1 21227>><br>F 91FS1 61176>><br>F 91FS1 70577>><br>F 93FS0 50078>>   | (CDN)       | 2   | CARRERA<br>TARGA<br>CABRIO<br>TURBO |
| 31  | N 014 086 4    | Rais. counters. h. tap. s.<br>B 3,5 X 13   |             | 4   |                                     |
| 32  | 999 507 009 02 | Speed nut<br>3,5 \$  |             | 4   |                                     |
| 33  | 911 531 692 00 | Covering   | -84         | 2   |                                     |
| 33  | 928 537 585 02 | Covering   | 85-         | 2   |                                     |
| 34  | 911 531 705 00 | Spacer ring  |             | 2   | TURBO                               |
| 35  | 911 531 696 00 | Rotary knob  | 84          | 2   |                                     |
| 35  | 928 537 581 03 | Rotary knob  | 85-         | 2   |                                     |
| 36  | N 014 133 8    | Oval-head screw<br>AM 5 X 12   | 84          | 2   |                                     |
| 36  | N 014 133 I    | Oval-head screw<br>AM 5 X 12   | 84-         | 2   |                                     |
| 36  | 999 218 010 02 | Oval-head screw<br>Micro-self-locking<br>M 5 X 12  | 85-         | 2   |                                     |
| 37  | 900 115 002 01 | Serrated lock washer   | 84          | 2   |                                     |
| 37  | N 012 130 2    | Shake-proof washer<br>A 5,3  | 84          | 2   |                                     |
| 37  | 900 116 005 02 | Lock washer<br>7   | 85-         | 2   |                                     |
| 38  | 911 531 703 00 | Cap  |             | 2   |                                     |

Model: 911 84

Model life 1984>>1986



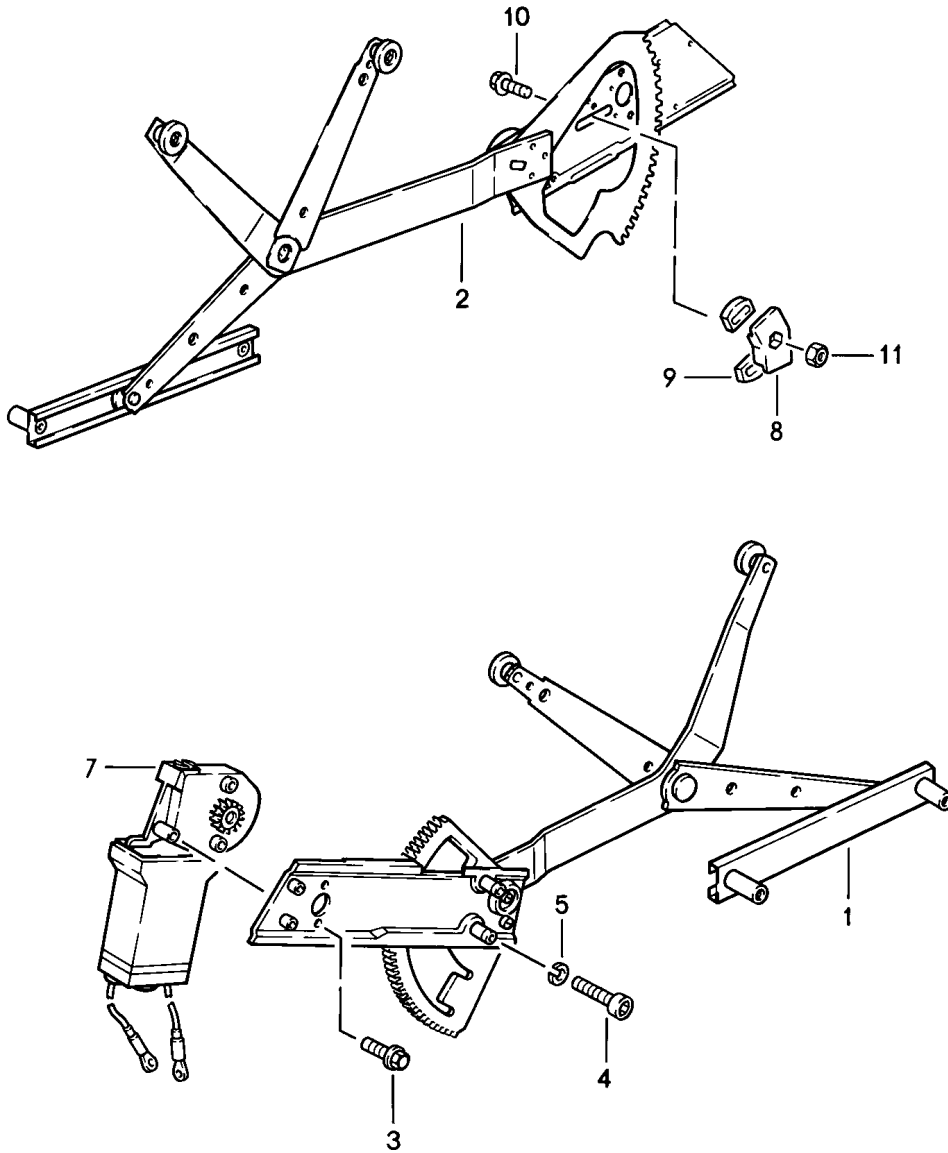
Model: 911 84

Model life 1984&gt;&gt;1986

| Pos | Part Number        | Description  | Remark | Qty | Model |
|-----|--------------------|--|--------|-----|-------|
| 1   | 930 531 053 00     | Central locking system                             |        |     |       |
|     |                    | Door lock  | /LL /L | 1   |       |
| (1) | 964 531 053 03     | Door lock<br>with antishutout mechanism            | /LL /L | 1   |       |
| 1   | 930 531 054 10     | Door lock<br>without antishutout mechanism         | /LL /R | 1   |       |
| (1) | 964 531 054 02     | Door lock<br>without antishutout mechanism         | /LL /R | 1   |       |
| 2   | 999 219 009 00     | Oval-head screw<br>Micro-self-locking<br>AM 6 X 16 |        | 6   |       |
| 3   | 999 591 118 02     | Washer<br>6,5 90 DEG                               |        | 6   |       |
| 4   | 964 613 134 00     | Microswitch  |        | 2   |       |
| -   | 911 531 621 00     | Cable holder                                       |        | 2   |       |
| -   | 900 278 001 00     | Countersunk-head screw<br>M 2,5 X 6                |        | 2   |       |
| (5) | 911 624 211 01     | Transmission element                               |        | 2   |       |
| 6   | 964 537 571 00     | Operating rod                                      |        | 2   |       |
| 7   | N 100 438 01       | Bolt   |        | 2   |       |
| 8   | N 012 644 1        | Lock   |        | 2   |       |
| 9   | 999 141 018 02     | Half-round screw                                   |        | 5   |       |
| 10  | 900 151 001 02     | Washer   |        | 4   |       |
| 11  | 944 612 450 01     | Support  |        | 2   |       |
| 12  | 999 591 711 02     | Speed nut  |        | 2   |       |
| 13  | 944 612 420 00     | Locking device                                     |        | 2   |       |
| 14  | 999 591 351 02     | Speed nut  |        | 2   |       |
| 15  | N 013 956 7        | Oval-head sheetmetal screw<br>BZ 3,5 X 6,5         |        | 4   |       |
| 16  | 911 613 609 00     | Keypad   |        | 1   |       |
| 16  | 911 613 609 01     | Keypad   |        | 1   |       |
|     | 911 613 609 01 01C | Black  |        |     |       |
| 17  | 911 618 029 00     | Control unit                                       |        | 1   |       |
| 17  | 911 618 113 00     | Control unit                                       |        | 1   |       |

Model: 911 84

Model life 1984>>1986



Model: 911 84 Model life 1984>>1986

| Pos | Part Number    | Description        | Remark | Qty | Model     |
|-----|----------------|--------------------|--------|-----|-----------|
| (1) | 911 542 935 28 | Power windows      |        |     |           |
| 1   | 911 542 936 28 | Cross-arm          | /L     | 1   | COUPE     |
|     |                | Cross-arm          | /R     | 1   | COUPE     |
|     |                | Valid up to:       |        |     |           |
|     |                | F >>91FS1 21115    |        |     | COUPE     |
|     |                | F >>93FS0 50075    | (CDN)  |     | TURBO     |
| (1) | 911 542 935 28 | Cross-arm          | /L     | 1   | COUPE     |
| (1) | 911 542 936 28 | Cross-arm          | /R     | 1   | COUPE     |
|     |                | Valid up to:       |        |     |           |
|     |                | F >>91GS1 20483    |        |     | COUPE     |
|     |                | F >>93GS0 55065    | (CDN)  |     | TURBO     |
|     |                | F >>93GS0 50202    | (USA)  |     | TURBO     |
| 2   | 911 542 935 44 | Cross-arm          | /L     | 1   | TARGA     |
|     |                |                    |        |     | CABRIO    |
| (2) | 911 542 936 44 | Cross-arm          | /R     | 1   | TARGA     |
|     |                | Valid up to:       |        |     | CABRIO    |
|     |                | F >>91GS1 70191    |        |     | CABRIO    |
|     |                | F >>91GS1 60325    |        |     | TARGA     |
| (2) | 911 542 935 44 | Cross-arm          | /L     | 1   |           |
| (2) | 911 542 936 44 | Cross-arm          | /R     | 1   |           |
|     |                | Valid from:        |        |     |           |
|     |                | F 91GS1 20484>>    |        |     | COUPE     |
|     |                | F 91GS1 60326>>    |        |     | TARGA     |
|     |                | F 91GS1 70192>>    |        |     | CABRIO    |
|     |                | F 93GS0 55066>>    |        |     | TURBO CDN |
|     |                | F 93GS0 50203>>    |        |     | TURBO USA |
| 3   | 999 217 028 02 | Hexagon-head bolt  |        | 6   |           |
|     |                | M 6 X 16           |        |     |           |
| 4   | 999 218 016 02 | Combination screw  |        | 12  |           |
|     |                | Micro-self-locking |        |     |           |
|     |                | M 6 X 16           |        |     |           |
| 4   | 999 218 016 01 | Combination screw  |        | 12  |           |
|     |                | Micro-self-locking |        |     |           |
|     |                | M 6 X 16           |        |     |           |
| (4) | N 010 210 13   | Hexagon-head bolt  |        | 4   |           |
|     |                | M 6 X 10           |        |     |           |
|     |                | F >>91GS1 20565    |        |     | COUPE     |
|     |                | F >>91GS1 60402    |        |     | TARGA     |
|     |                | F >>91GS1 70239    |        |     | CABRIO    |
|     |                | F >>93GS0 55067    | (CDN)  |     | TURBO     |
|     |                | F >>93GS0 50242    | (USA)  |     | TURBO     |
| 5   | N 012 006 4    | Lock ring          |        | 4   | TARGA     |
|     |                | B 6                |        |     | CABRIO    |
|     |                | F >>91GS1 20565    |        |     | COUPE     |
|     |                | F >>91GS1 60402    |        |     | TARGA     |
|     |                | F >>91GS1 70239    |        |     | CABRIO    |
|     |                | F >>93GS0 55067    | (CDN)  |     | TURBO     |
|     |                | F >>93GS0 50242    | (USA)  |     | TURBO     |
| (7) | 911 624 015 01 | Motor              | /L     | 1   | COUPE     |
|     |                | F >>91GS1 20565    |        |     | COUPE     |
|     |                | F >>91GS1 60402    |        |     | TARGA     |
|     |                | F >>91GS1 70239    |        |     | CABRIO    |
|     |                | F >>93GS0 55067    | (CDN)  |     | TURBO     |
|     |                | F >>93GS0 50242    | (USA)  |     | TURBO     |
| (7) | 911 624 015 41 | Motor              | /L     | 1   | TARGA     |
|     |                |                    |        |     | CABRIO    |
| 7   | 911 624 014 01 | Motor              | /R     | 1   | COUPE     |
|     |                | F >>91GS1 20565    |        |     | COUPE     |
|     |                | F >>91GS1 60402    |        |     | TARGA     |
|     |                | F >>91GS1 70239    |        |     | CABRIO    |
|     |                | F >>93GS0 55067    | (CDN)  |     | TURBO     |
|     |                | F >>93GS0 50242    | (USA)  |     | TURBO     |
| (7) | 911 624 014 41 | Motor              | /R     | 1   | TARGA     |



Model: 911 84 Model life 1984>>1986

| Pos  | Part Number    | Description   | Remark                           | Qty | Model   |
|------|----------------|---|----------------------------------|-----|---|
| (7)  |                | Motor<br>F 91GS1 20566>><br>F 91GS1 60403>><br>F 91GS1 70240>><br>F 93GS0 55068>><br>F 93GS0 50243>>  | /R<br><br><br><br>(CDN)<br>(USA) | 1   | CABRIO<br>COUPE<br>COUPE<br>TARGA<br>CABRIO<br>TURBO<br>TURBO |
| (8)  | 911 542 231 40 | Stop<br><br>F >>91GS1 20565<br>F >>91GS1 60402<br>F >>91GS1 70239<br>F >>93GS0 55067<br>F >>93GS0 50242   | /L<br><br><br><br>(CDN)<br>(USA) | 1   | TARGA<br>CABRIO<br>COUPE<br>TARGA<br>CABRIO<br>TURBO<br>TURBO |
| 8    | 911 542 232 40 | Stop<br><br>F >>91GS1 20565<br>F >>91GS1 60402<br>F >>91GS1 70239<br>F >>93GS0 55067<br>F >>93GS0 50242   | /R<br><br><br><br>(CDN)<br>(USA) | 1   | TARGA<br>CABRIO<br>COUPE<br>TARGA<br>CABRIO<br>TURBO<br>TURBO |
| 8    |                | Stop  | /R                               | 1   | COUPE   |
| (8)  | 911 542 231 40 | Stop<br>Valid from:<br>F 91GS1 20484>><br>F 93GS0 55066>><br>F 93GS0 50203>><br>Valid up to:<br>F >>91GS1 20565<br>F >>93GS0 55067<br>F >>93GS0 50242 | /L                               | 1   | COUPE<br>TURBO CDN<br>TURBO USA                               |
| (8)  | 911 542 231 41 | Stop bracket<br>M 8<br>F 91GS1 20566>><br>F 91GS1 60403>><br>F 91GS1 70240>><br>F 93GS0 55068>><br>F 93GS0 50243>>                                    | /L<br><br><br><br>(CDN)<br>(USA) | 1   | COUPE<br>TARGA<br>CABRIO<br>TURBO<br>TURBO                    |
| (8)  | 911 542 232 41 | Stop bracket<br>M 8<br>F 91GS1 20566>><br>F 91GS1 60403>><br>F 91GS1 70240>><br>F 93GS0 55068>><br>F 93GS0 50243>>                                    | /R<br><br><br><br>(CDN)<br>(USA) | 1   | COUPE<br>TARGA<br>CABRIO<br>TURBO<br>TURBO                    |
| 9    | 911 542 235 40 | Stop<br>F >>91GS1 20565<br>F >>91GS1 60402<br>F >>91GS1 70239<br>F >>93GS0 55067<br>F >>93GS0 50242   | <br><br><br><br>(CDN)<br>(USA)   | 2   | COUPE<br>TARGA<br>CABRIO<br>TURBO<br>TURBO                    |
| 10   | 999 217 004 02 | Combination screw<br>M 6 X 12<br>F >>91GS1 20565<br>F >>91GS1 60402<br>F >>91GS1 70239<br>F >>93GS0 55067<br>F >>93GS0 50242                          | <br><br><br><br>(CDN)<br>(USA)   | 2   | COUPE<br>TARGA<br>CABRIO<br>TURBO<br>TURBO                    |
| (10) | 999 217 043 08 | Hexagon-head bolt<br>M 8 X 16<br>F 91GS1 20566>><br>F 91GS1 60403>><br>F 91GS1 70240>>  | <br><br><br><br>(CDN)<br>(USA)   | 2   | COUPE<br>TARGA<br>CABRIO                                      |

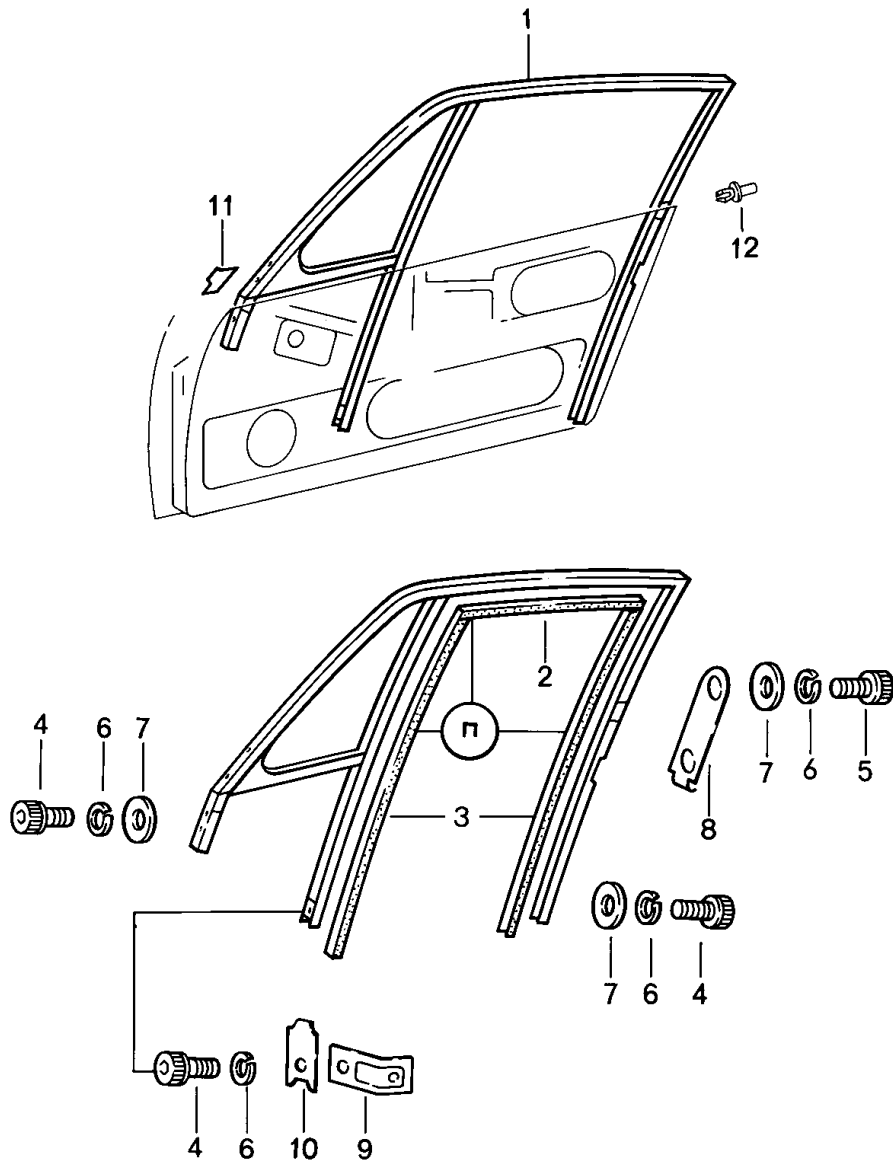
Model: 911 84

Model life 1984>>1986

| Pos  | Part Number    | Description   | Remark         | Qty | Model                                      |
|------|----------------|---|----------------|-----|--|
| 11   | 900 076 010 02 | F 93GS0 55068>><br>F 93GS0 50243>><br>Nut<br>M 6<br>F >>91GS1 20565<br>F >>91GS1 60402<br>F >>91GS1 70239<br>F >>93GS0 55067<br>F >>93GS0 50242 | (CDN)<br>(USA) | 2   | TURBO<br>TURBO                             |
| 11   | 900 076 010 0B | Nut<br>M 6<br>F >>91GS1 20565<br>F >>91GS1 60402<br>F >>91GS1 70239<br>F >>93GS0 55067<br>F >>93GS0 50242                                       | (CDN)<br>(USA) | 2   | COUPE<br>TARGA<br>CABRIO<br>TURBO<br>TURBO |
| (11) | N 011 008 20   | Hexagon nut<br>M 8<br>F 91GS1 20566>><br>F 91GS1 60403>><br>F 91GS1 70240>><br>F 93GS0 55068>><br>F 93GS0 50243>>                               | (CDN)<br>(USA) | 2   | COUPE<br>TARGA<br>CABRIO<br>TURBO<br>TURBO |

Model: 911 84

Model life 1984>>1986



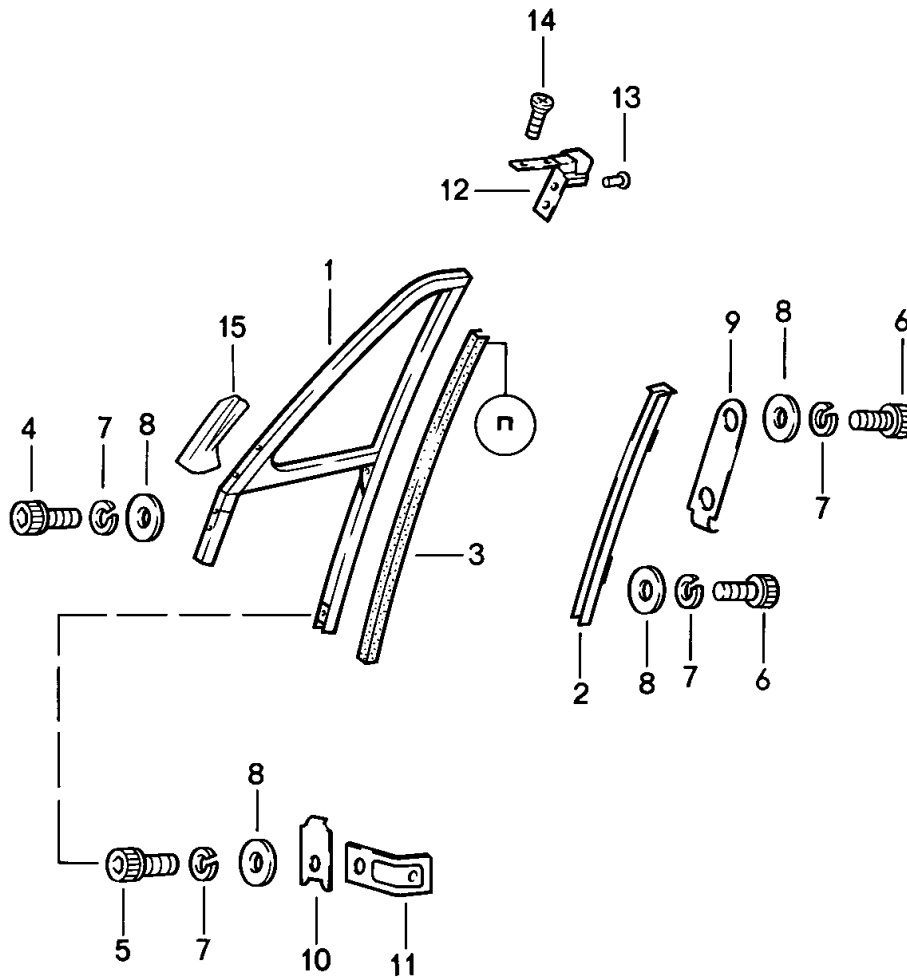
Model: 911 84

Model life 1984>>1986

| Pos  | Part Number        | Description                                 | Remark | Qty | Model |
|------|--------------------|---|--------|-----|-------|
| 1    | 911 542 029 01     | Door glass frame                            |        | 1   | COUPE |
|      | 911 542 029 01 70K | Door glass frame<br>Black                   | /L     | 1   |       |
| 1    | 911 542 030 01     | Door glass frame                            |        | 1   |       |
|      | 911 542 030 01 70K | Door glass frame<br>Black                   | /R     | 1   |       |
| 2    | 911 542 905 00     | Window guide<br>Comprising:<br>Position 2+3 |        | 2   |       |
| 4    | 900 119 052 02     | Pan-head screw<br>M 8 X 16                  |        | 8   |       |
| 5    | 999 218 008 02     | Pan-head screw<br>M 8 X 12                  |        | 2   |       |
| 5    | 900 119 018 03     | Pan-head screw<br>M 8 X 12                  |        | 2   |       |
| 6    | 900 027 015 02     | Lock ring<br>B 8                            |        | 10  |       |
| 6    | 900 027 015 03     | Lock ring<br>B 8                            |        | 10  |       |
| 7    | 900 025 007 02     | Washer<br>8,4                               |        | 8   |       |
| 7    | 900 025 007 03     | Washer<br>8,4                               |        | 8   |       |
| 8    | 901 542 299 25     | Cover plate                                 |        | 2   |       |
| 9    | 911 542 061 00     | Retaining bracket                           |        | 2   |       |
| 10   | 901 542 252 25     | Desk pad                                    |        | 2   |       |
| (11) | 911 531 711 01     | Joint rubber                                | /V /L  | 1   |       |
| 11   | 911 531 712 01     | Joint rubber                                | /V /R  | 1   |       |
| (11) | 911 531 713 01     | Joint rubber                                | /H /L  | 1   |       |
| (11) | 911 531 714 01     | Joint rubber                                | /H /R  | 1   |       |
| 12   | 999 591 429 40     | Expansion rivet                             |        | 2   |       |

Model: 911 84

Model life 1984>>1986



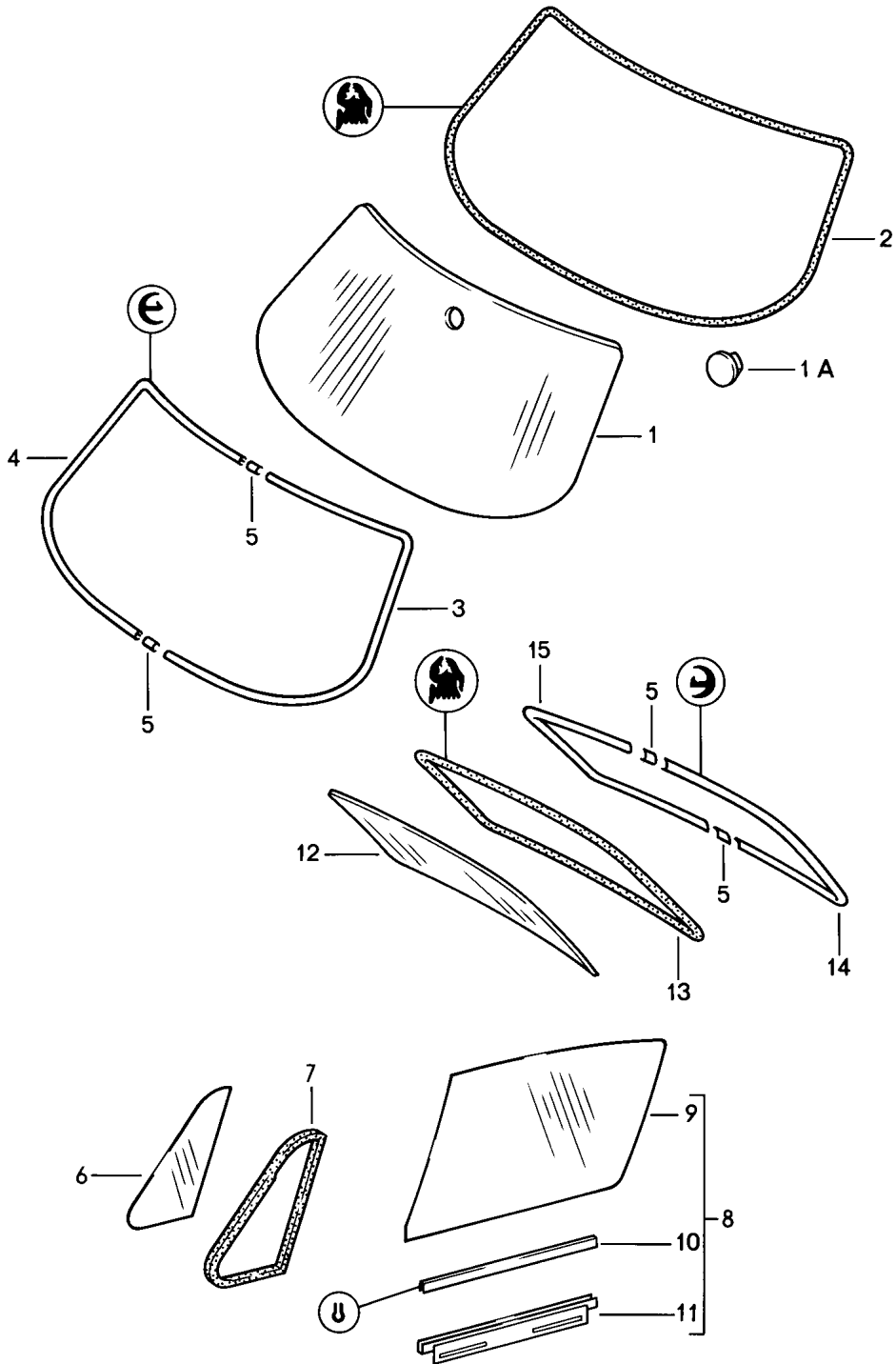
Model: 911 84

Model life 1984>>1986

| Pos  | Part Number        | Description                | Remark | Qty | Model           |
|------|--------------------|----------------------------|--------|-----|-----------------|
| (1)  | 911 542 019 43     | Door glass frame           |        |     | TARGA/CABRIO    |
|      | 911 542 019 43 70K | Door glass frame<br>Black  | /L     | 1   |                 |
| 1    | 911 542 020 43     | Door glass frame           | /R     | 1   |                 |
|      | 911 542 020 43 70K | Door glass frame<br>Black  |        |     |                 |
| (2)  | 901 542 023 40     | Window guide rail          | /L     | 1   |                 |
|      | 901 542 023 40 70K | Window guide rail<br>Black |        |     |                 |
| (2)  | 911 542 036 40     | Window guide rail          | /R     | 1   |                 |
|      | 911 542 036 40 70K | Window guide rail<br>Black |        |     |                 |
| 3    | 911 542 505 40     | Window guide               |        | 2   |                 |
| 4    | 900 119 091 02     | Pan-head screw             |        | 4   |                 |
|      |                    | M 6 X 15                   |        |     |                 |
| 5    |                    | Pan-head screw             |        | 6   |                 |
|      |                    | M 6 X 15                   |        |     |                 |
| 6    | 900 119 035 02     | Pan-head screw             |        | 6   |                 |
|      |                    | M 6 X 8                    |        |     |                 |
| 7    | N 012 006 4        | Lock ring                  |        | 14  |                 |
|      |                    | B 6                        |        |     |                 |
| 8    | N 011 524 7        | Washer                     |        | 14  |                 |
|      |                    | 6,4                        |        |     |                 |
| 8    | N 011 524 27       | Washer                     |        | 14  |                 |
|      |                    | 6,4                        |        |     |                 |
| 9    | 901 542 299 20     | Cover plate                |        | 2   |                 |
| 10   | 901 542 252 20     | Desk pad                   |        | 2   |                 |
| 10   | 901 542 252 25     | Desk pad                   |        | 2   |                 |
| 11   | 911 542 061 00     | Retaining bracket          |        | 2   |                 |
| (12) | 911 542 065 41     | Frame connection           | /L -85 | 1   |                 |
| (12) |                    | Frame connection           | /L     | 1   |                 |
| 12   | 911 542 066 41     | Frame connection           | /R -85 | 1   |                 |
| 12   |                    | Frame connection           | /R     | 1   |                 |
| 13   | 900 056 003 20     | Rivet                      |        | 4   |                 |
| 14   | 900 270 050 07     | Countersunk-head screw     |        | 4   |                 |
|      |                    | M 5 X 8                    |        |     |                 |
| (15) | 911 531 711 40     | Joint rubber               | /L     | 1   | TARGA<br>CABRIO |
| 15   | 911 531 712 40     | Joint rubber               | /R     | 1   | TARGA<br>CABRIO |

Model: 911 84

Model life 1984>>1986



Model: 911 84 Model life 1984>>1986

| Pos | Part Number    | Description   | Remark | Qty | Model |
|-----|----------------|---|--------|-----|-------|
| 1   | 911 541 011 04 | window glazing<br>Windscreen<br>Tinted                    | -84    | 1   |       |
| 1   | 911 541 011 26 | Windscreen<br>Tinted                                      | -84    | 1   |       |
| 1   | 911 541 011 05 | Windscreen<br>Tinted<br>Green top tint                    | -84    | 1   |       |
| 1   | 911 541 011 27 | Windscreen<br>Tinted<br>Green top tint                    | -84    | 1   |       |
| 1   | 930 541 011 02 | Windscreen<br>Tinted<br>Green top tint<br>Heated          | -84    | 1   |       |
| 1   | 911 541 011 26 | Windscreen<br>Tinted<br>with<br>Antenna                   | 85-    | 1   |       |
| 1   | 911 541 011 05 | Windscreen<br>Tinted<br>Green top tint<br>with<br>Antenna | 85-    | 1   |       |
| 1   | 911 541 011 27 | Windscreen<br>Tinted<br>Green top tint<br>with<br>Antenna | 85-    | 1   |       |
| 1   | 911 541 011 06 | Windscreen<br>Clear<br>with<br>Antenna                    | 85-    | 1   |       |
| 1   | 911 541 011 28 | Windscreen<br>Clear<br>with<br>Antenna                    | 85-    | 1   |       |
| 1   | 911 541 011 04 | Windscreen<br>Tinted<br>with<br>Antenna                   | 85-    | 1   |       |
| 1   | 911 541 011 26 | Windscreen<br>Tinted<br>with<br>Antenna                   | 85-    | 1   |       |
| 1   | 911 541 011 05 | Windscreen<br>Tinted<br>Green top tint<br>with<br>Antenna | 85-    | 1   |       |
| 1   | 911 541 011 27 | Windscreen<br>Tinted<br>Green top tint<br>with<br>Antenna | 85-    | 1   |       |
| 1   | 911 541 011 06 | Windscreen<br>Clear<br>with<br>Antenna                    | 85-    | 1   |       |
| 1   | 911 541 011 28 | Windscreen<br>Clear<br>with<br>Antenna                    | 85-    | 1   |       |



Model: 911 84 Model life 1984>>1986

| Pos  | Part Number        | Description   | Remark | Qty | Model     |
|------|--------------------|---|--------|-----|-----------|
| -    | 911 541 112 02     | Film for stickers<br>Self-destroying                          | -84    | X   |           |
| -    |                    | Film for stickers<br>Self-destroying                          | 85     | X   |           |
| -    |                    | Film for stickers<br>Self-destroying                          | 86-    | X   |           |
| 1A   | 477 845 043        | Retainer plate  |        | 1   |           |
| 2    | 911 799 541 18     | Windscreen sealing  | -84    | 1   |           |
| 2    | 911 541 225 00     | Windscreen sealing  |        | 1   |           |
| 2    | 911 541 225 02     | Sealing frame   |        | 1   |           |
| 2    | 911 541 225 03     | Sealing frame   |        | 1   |           |
| 2    | 911 541 225 04     | Sealing frame   |        | 1   |           |
| (3)  | 911 541 911 01     | Trim frame  | /L     | 1   |           |
|      | 911 541 911 01 70K | Black   |        |     |           |
| (3)  | 911 541 911 01     | Trim frame  | /L     | 1   |           |
|      | 911 541 911 01 70K | Black   |        |     |           |
| (4)  | 911 541 912 01     | Trim frame-half   | /R     | 1   |           |
|      | 911 541 912 01 70K | Black   |        |     |           |
| (4)  | 911 541 912 01     | Trim frame-half   | /R     | 1   |           |
|      | 911 541 912 01 70K | Black   |        |     |           |
| (5)  | 911 541 921 01     | Covering plate  |        | 4   |           |
|      | 911 541 921 01 70K | Black   |        |     |           |
| (5)  | 911 541 921 01     | Covering plate  |        | 4   |           |
|      | 911 541 921 01 70K | Black   |        |     |           |
| (6)  | 911 542 511 00     | Side window<br>Tinted   | /L     | 1   | COUPE     |
| (6)  | 911 542 512 00     | Side window<br>Tinted   | /R     | 1   | COUPE     |
| 7    | 901 542 921 21     | Sealing frame   | /L     | 1   | COUPE     |
| (7)  | 901 542 922 21     | Sealing frame   | /R     | 1   | COUPE     |
| 8    | 911 542 011 01     | Door window glass<br>Clear                                    | /L -84 | 1   | COUPE     |
| (8)  | 911 542 012 01     | Door window glass<br>Clear                                    | /R -84 | 1   | COUPE     |
| 9    | 901 542 101 25     | Side window<br>Clear  | /L -84 | 1   | COUPE     |
| (9)  | 901 542 101 35     | Side window<br>Tinted   | /L     | 1   | COUPE     |
| (9)  | 901 542 102 25     | Side window<br>Clear  | /R -84 | 1   | COUPE     |
| (9)  | 901 542 102 35     | Side window<br>Tinted   | /R     | 1   | COUPE     |
| 10   | 911 542 491 40     | Rubber ply  |        | 2   |           |
| (11) | 911 542 057 00     | Window lifter rail  | /L     | 1   | COUPE     |
| (11) | 911 542 058 00     | Window lifter rail  | /R     | 1   | COUPE     |
| 12   | 911 545 105 00     | Rear window<br>Clear<br>Single-stage heating                  | -84    | 1   | COUPE     |
| 12   | 911 545 105 02     | Rear window<br>Clear<br>Single-stage heating                  |        | 1   | COUPE     |
| (12) | 911 545 107 00     | Rear window<br>Tinted<br>Two-stage heatable                   |        | 1   | COUPE     |
| (12) | 911 545 107 07     | Rear window<br>Tinted<br>Two-stage heatable                   |        | 1   | COUPE     |
| (12) | 911 631 073 00     | Rear window<br>Two-stage heatable<br>with                     | 86     | 1   | COUPE:USA |
| (13) | 911 545 225 00     | Frame for light<br>Sealing frame<br>It is necessary to rework |        | 1   | COUPE     |

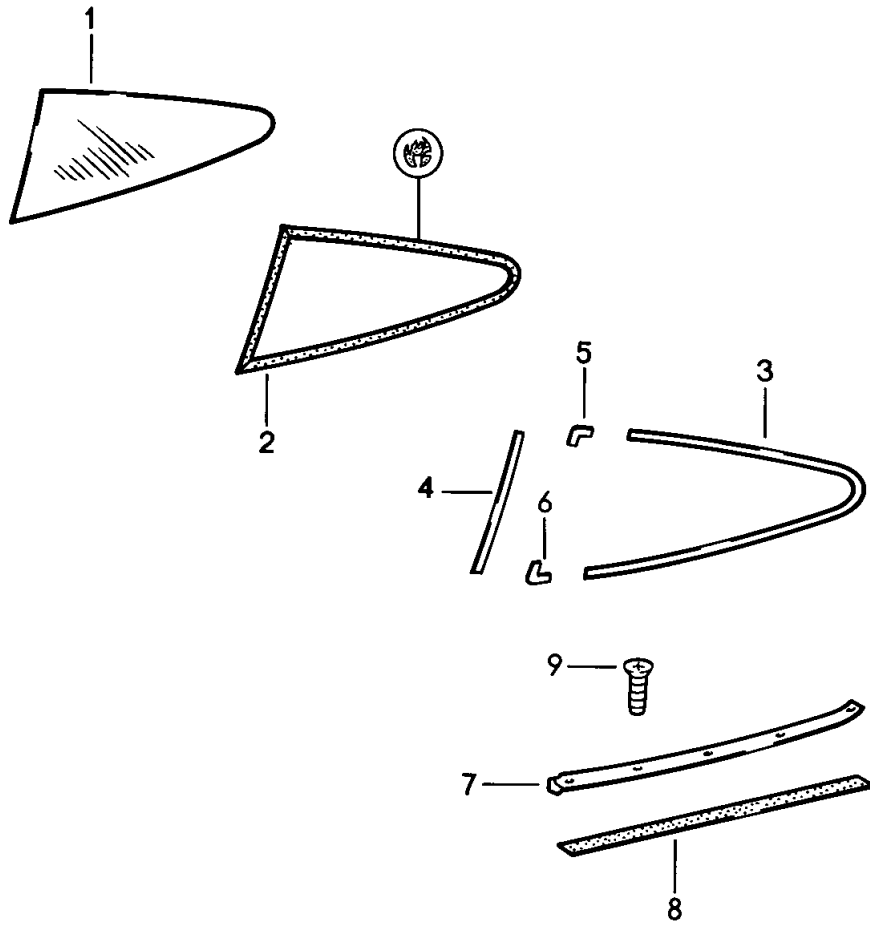
Model: 911 84

Model life 1984>>1986

| Pos  | Part Number        | Description     | Remark | Qty | Model |
|------|--------------------|-----------------|--------|-----|-------|
| (14) | 911 545 911 00     | Trim frame      | /L     | 1   | COUPE |
|      | 911 545 911 00 70K | Black           |        |     |       |
| (14) | 911 545 911 00     | Trim frame      | /L     | 1   | COUPE |
|      | 911 545 911 00 70K | Black           |        |     |       |
| (15) | 911 545 912 00     | Trim frame-half | /R     | 1   | COUPE |
|      | 911 545 912 00 70K | Black           |        |     |       |
| (15) | 911 545 912 00     | Trim frame-half | /R     | 1   | COUPE |
|      | 911 545 912 00 70K | Black           |        |     |       |

Model: 911 84

Model life 1984>>1986

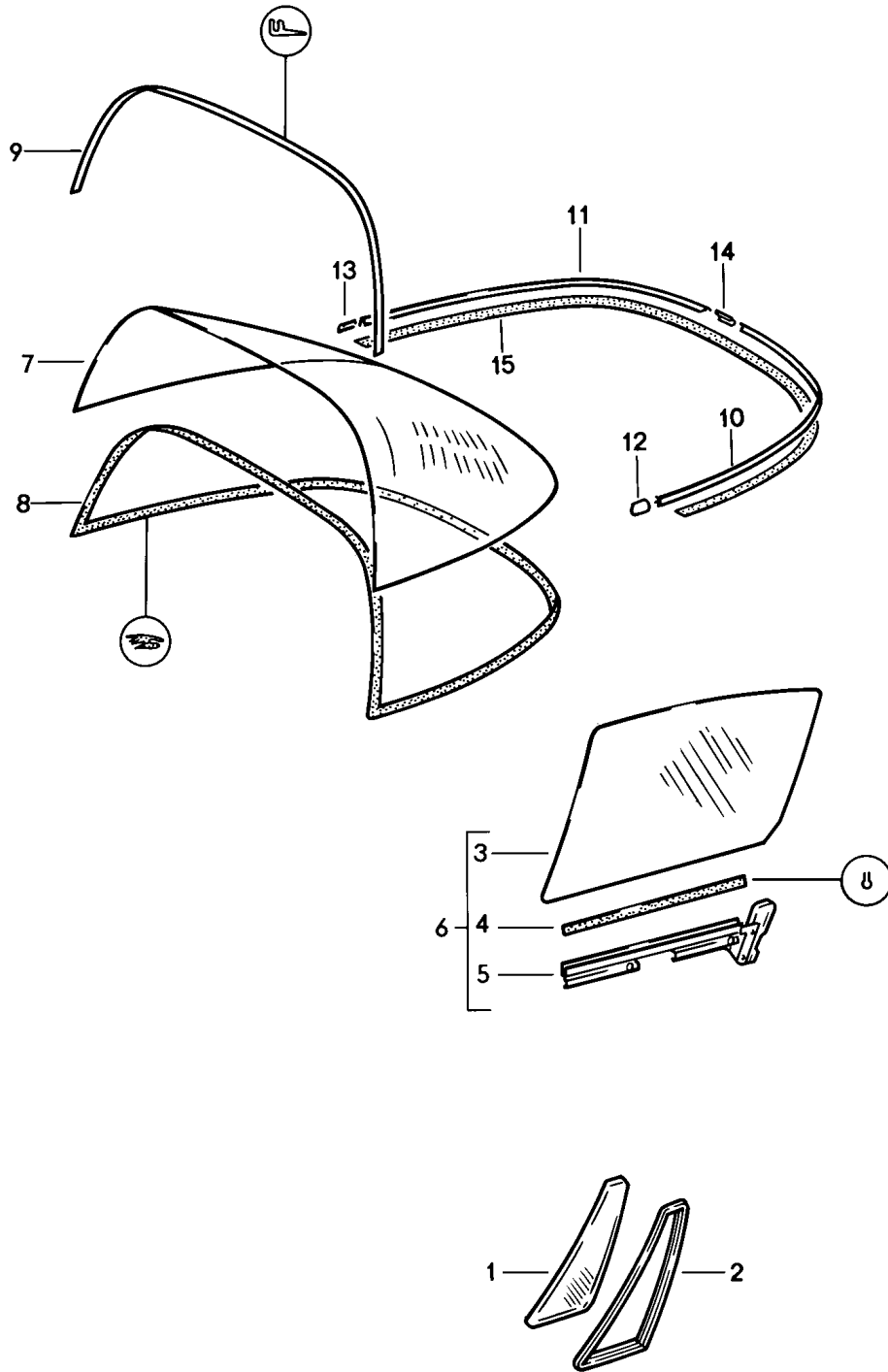


Model: 911 84 Model life 1984>>1986

| Pos | Part Number        | Description                          | Remark | Qty | Model |
|-----|--------------------|--------------------------------------|--------|-----|-------|
|     |                    | window glazing                       |        |     | COUPE |
| 1   | 911 543 101 01     | Rear window<br>Clear                 | /L -84 | 1   |       |
| (1) | 911 543 101 02     | Rear window<br>Tinted                | /L     | 1   |       |
| (1) | 911 543 102 01     | Rear window<br>Clear                 | /R -84 | 1   |       |
| (1) | 911 543 102 02     | Rear window<br>Tinted                | /R     | 1   |       |
| (1) | 911 543 102 07     | Rear window<br>Tinted                | /R     | 1   |       |
| 2   | 911 543 035 01     | Sealing frame                        | /L     | 1   |       |
| 2   | 911 543 036 01     | Sealing frame                        | /R     | 1   |       |
| 3   | 911 543 419 01     | Moulding<br>Black<br>Rear            | /L     | 1   |       |
|     | 911 543 419 01 70K | Black<br>Front                       |        |     |       |
| 3   | 911 543 419 02     | Moulding<br>Black<br>Rear            | /L     | 1   |       |
|     | 911 543 419 02 70K | Black<br>Front                       |        |     |       |
| (3) | 911 543 420 01     | Moulding<br>Black<br>Rear            | /R     | 1   |       |
|     | 911 543 420 01 70K | Black<br>Front                       |        |     |       |
| 4   | 911 543 197 02     | Moulding                             | /L     | 1   |       |
|     | 911 543 197 02 70K | Black<br>Front                       |        |     |       |
| (4) | 911 543 198 02     | Moulding                             | /R     | 1   |       |
|     | 911 543 198 02 70K | Black<br>Front                       |        |     |       |
| 5   | 911 543 187 02     | Covering plate                       |        | 2   |       |
|     | 911 543 187 02 70K | Black<br>Upper                       |        |     |       |
| 6   | 911 543 185 02     | Covering plate                       |        | 2   |       |
|     | 911 543 185 02 70K | Black<br>Lower                       |        |     |       |
| 6   | 911 543 185 02     | Covering plate                       |        | 2   |       |
|     | 911 543 185 02 70K | Black<br>Lower                       |        |     |       |
| (7) | 911 543 195 02     | Moulding                             | /L     | 1   |       |
|     | 911 543 195 02 70K | Black                                |        |     |       |
| (7) | 911 543 196 02     | Moulding                             | /R     | 1   |       |
|     | 911 543 196 02 70K | Black                                |        |     |       |
| 8   | 000 043 129 00     | Sealing strap                        |        | X   |       |
| (9) | 900 144 017 07     | Tapping screw<br>B 2,9 X 13<br>Black |        | 12  |       |

Model: 911 84

Model life 1984>>1986

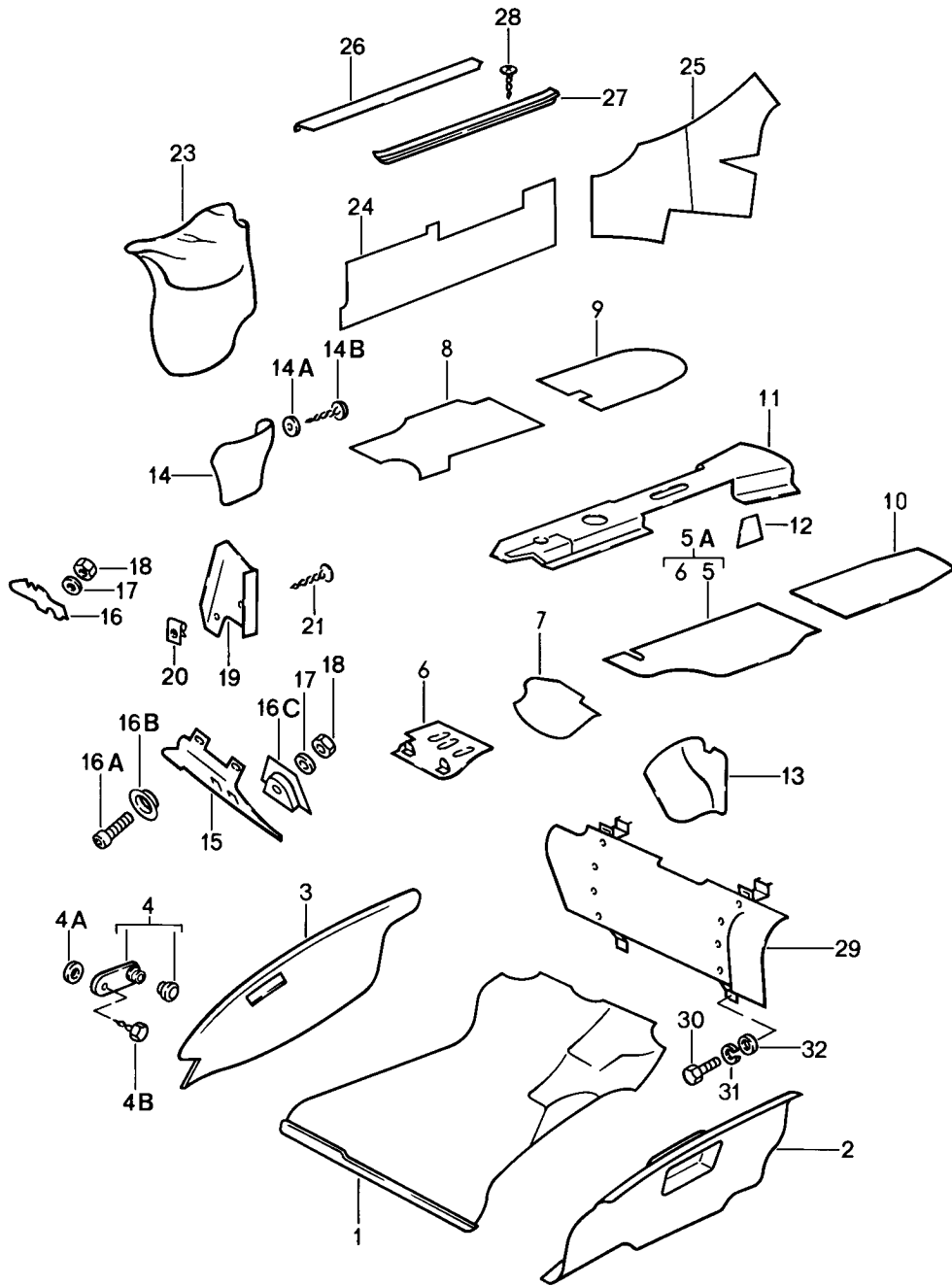


Model: 911 84 Model life 1984>>1986

| Pos  | Part Number        | Description  | Remark | Qty | Model         |
|------|--------------------|--|--------|-----|---------------|
|      |                    | window glazing<br>Windscreen<br>See group<br>8/05/00         |        |     | TARGA/CABRIO  |
| 1    | 911 542 503 40     | Side window<br>Clear   | /L -84 | 1   |               |
| (1)  | 911 542 503 41     | Side window<br>Tinted  | /L     | 1   |               |
| (1)  | 911 542 504 40     | Side window<br>Clear   | /R -84 | 1   |               |
| (1)  | 911 542 504 41     | Side window<br>Tinted  | /R     | 1   |               |
| 2    | 911 799 542 85     | Sealing frame  |        | 2   |               |
| 3    | 911 542 101 40     | Door window glass<br>Clear                                   | /L -84 | 1   |               |
| (3)  | 911 542 101 45     | Door window glass<br>Tinted                                  | /L     | 1   |               |
| (3)  | 911 542 102 40     | Door window glass<br>Clear                                   | /R -84 | 1   |               |
| (3)  | 911 542 102 45     | Door window glass<br>Tinted                                  | /R     | 1   |               |
| 4    | 911 542 491 40     | Rubber ply   |        | 2   |               |
| (5)  | 911 542 057 42     | Window lifter rail   | /L     | 1   |               |
| (5)  | 911 542 058 42     | Window lifter rail   | /R     | 1   |               |
| (6)  | 911 542 011 42     | Door window glass  | /L -84 | 1   |               |
| (6)  | 911 542 011 43     | Door window glass  | /L     | 1   |               |
| (6)  | 911 542 011 44     | Door window glass<br>Tinted                                  | /L     | 1   |               |
| (6)  | 911 542 012 42     | Door window glass  | /R -84 | 1   |               |
| (6)  | 911 542 012 43     | Door window glass  | /R     | 1   |               |
| (6)  | 911 542 012 44     | Door window glass<br>Tinted                                  | /R     | 1   |               |
| 7    | 911 565 551 03     | Rear window<br>Tinted  |        | 1   | TARGA         |
| (7)  | 911 631 074 00     | Two-stage heatable<br>Rear window                            | 86-    | 1   | TARGA         |
| (7)  | 911 565 551 05     | Two-stage heatable<br>with<br>Frame for light<br>Rear window | 86-    | 1   | TARGA<br>M530 |
| -    | 911 631 061 00     | Two-stage heatable<br>Use also:<br>Frame for light           | 86-    | 1   | TARGA<br>M530 |
| -    | 000 043 303 19     | Adhesive set   | 86-    | 1   | Targa<br>M530 |
| 8    | 911 545 051 41     | Sealing frame  |        | 1   | TARGA         |
| 9    | 901 565 930 41     | Gasket   |        | 1   | TARGA         |
| (10) | 911 565 555 41     | Moulding   | /L     | 1   | TARGA         |
| (11) | 911 565 555 41 70K | Black  |        |     |               |
| (11) | 911 565 556 41     | Moulding   | /R     | 1   | TARGA         |
| (12) | 911 565 556 41 70K | Black  |        |     |               |
| (12) | 911 565 569 40     | Moulding   | /L     | 1   | TARGA         |
| (13) | 911 565 569 40 70K | Black  |        |     |               |
| (13) | 911 565 570 40     | Moulding   | /R     | 1   | TARGA         |
| (13) | 911 565 570 40 70K | Black  |        |     |               |
| 14   | 911 541 921 01     | Covering plate   |        | 1   |               |
| 14   | 911 541 921 01 70K | Black  |        |     |               |
| 14   | 911 541 921 01     | Covering plate   |        | 1   |               |
| 15   | 911 541 921 01 70K | Black  |        |     |               |
| 15   | 000 043 129 00     | Sealing strap  |        | X   |               |

Model: 911 84

Model life 1984>>1986



Model: 911 84 Model life 1984>>1986

| Pos | Part Number        | Description                | Remark  | Qty | Model        |
|-----|--------------------|----------------------------|---------|-----|--------------|
|     |                    | Interior equipment         |         |     |              |
|     |                    | Front                      |         |     |              |
| 1   | 911 551 045 03     | Front-compartment carpet   | /LL -85 | 1   |              |
| (1) | 911 551 045 06     | Front-compartment carpet   | /LL 86  | 1   |              |
|     |                    | Carpet                     |         |     |              |
|     | 911 551 045 06 70E | Black                      |         |     |              |
|     | 911 551 045 06 30B | Blue                       |         |     |              |
|     | 911 551 045 06 40E | Brown                      |         |     |              |
|     | 911 551 045 06 80E | Burgundy                   |         |     |              |
|     | 911 551 045 06 60A | Grey                       |         |     |              |
|     | 911 551 045 06 8JK | Greyish green              |         |     |              |
|     | 911 551 045 06 2FL | Grey-beige                 |         |     |              |
| 2   | 911 551 049 02     | Front boot side wall       | /L -85  | 1   |              |
| (2) | 911 551 049 03     | Front boot side wall       | /L 86   | 1   |              |
|     |                    | Carpet                     |         |     |              |
|     | 911 551 049 03 70E | Black                      |         |     |              |
|     | 911 551 049 03 30B | Blue                       |         |     |              |
|     | 911 551 049 03 40E | Brown                      |         |     |              |
|     | 911 551 049 03 80E | Burgundy                   |         |     |              |
|     | 911 551 049 03 60A | Grey                       |         |     |              |
|     | 911 551 049 03 8JK | Greyish green              |         |     |              |
|     | 911 551 049 03 2FL | Grey-beige                 |         |     |              |
| 3   | 911 551 050 01     | Front boot side wall       | /R -85  | 1   | M479/553     |
| (3) | 911 551 050 05     | Front boot side wall       | /R 86   | 1   | M193         |
|     |                    | Carpet                     |         |     |              |
|     | 911 551 050 05 70E | Black                      |         |     |              |
|     | 911 551 050 05 30B | Blue                       |         |     |              |
|     | 911 551 050 05 40E | Brown                      |         |     |              |
|     | 911 551 050 05 80E | Burgundy                   |         |     |              |
|     | 911 551 050 05 60A | Grey                       |         |     |              |
|     | 911 551 050 05 8JK | Greyish green              |         |     |              |
|     | 911 551 050 05 2FL | Grey-beige                 |         |     |              |
| 4   | 911 503 075 00     | Desk pad                   |         | 6   |              |
| 4A  | 999 704 157 40     | Washer                     |         | 6   |              |
| 4B  | 900 187 010 02     | Hexagon-head tapping screw |         | 6   |              |
|     |                    | BZ 6,3 X 19                |         |     |              |
| 4B  | 900 187 010 03     | Hexagon-head tapping screw |         | 6   |              |
|     |                    | BZ 6,3 X 19                |         |     |              |
| 5   | 911 551 021 03     | Carpet                     | /LL /L  | 1   | COUPE        |
|     |                    | Cut pile                   |         |     |              |
|     | 911 551 021 03 70E | Black                      |         |     |              |
|     | 911 551 021 03 40E | Brown                      |         |     |              |
|     | 911 551 021 03 30B | Blue                       |         |     |              |
|     | 911 551 021 03 80E | Burgundy                   |         |     |              |
|     | 911 551 021 03 60A | Grey                       |         |     |              |
|     | 911 551 021 03 2FL | Grey-beige                 | 84, 86  |     |              |
|     | 911 551 021 03 6JD | Dark green                 |         |     |              |
|     | 911 551 021 03 80S | Can-can-red                |         |     |              |
|     | 911 551 021 03 1VD | Champagne                  |         |     |              |
|     | 911 551 021 03 8JK | Greyish green              | 85-     |     |              |
|     | 911 551 021 03 2YN | White                      | 85-     |     |              |
| (5) | 911 551 021 42     | Carpet                     | /LL /L  | 1   | TARGA/CABRIO |
|     |                    | Cut pile                   |         |     |              |
|     | 911 551 021 42 70E | Black                      |         |     |              |
|     | 911 551 021 42 40E | Brown                      |         |     |              |
|     | 911 551 021 42 30B | Blue                       |         |     |              |
|     | 911 551 021 42 80E | Burgundy                   |         |     |              |
|     | 911 551 021 42 60A | Grey                       |         |     |              |
|     | 911 551 021 42 2FL | Grey-beige                 | 84, 86  |     |              |
|     | 911 551 021 42 6JD | Dark green                 |         |     |              |
|     | 911 551 021 42 80S | Can-can-red                |         |     |              |
|     | 911 551 021 42 1VD | Champagne                  |         |     |              |



Model: 911 84 Model life 1984>>1986

| Pos                | Part Number        | Description                      | Remark | Qty | Model        |
|--------------------|--------------------|----------------------------------|--------|-----|--------------|
| (5)                | 911 551 021 42 8JK | Greyish green                    | 85-    | 1   |              |
|                    | 911 551 021 42 2YN | White                            | 85-    |     |              |
|                    | 911 551 911 00     | Floor mat<br>with<br>Logo<br>911 | /LL /L |     |              |
|                    | 911 551 911 00 4KD | Brown                            |        |     |              |
|                    | 911 551 911 00 7KD | Black                            |        |     |              |
| 6                  | 911 551 911 00 3KD | Blue                             |        | 1   | COUPE        |
|                    | 911 551 015 02     | Floorboard carpet<br>Cut pile    | /LL /L |     |              |
|                    | 911 551 015 02 70E | Black                            |        |     |              |
|                    | 911 551 015 02 40E | Brown                            |        |     |              |
|                    | 911 551 015 02 30B | Blue                             |        |     |              |
|                    | 911 551 015 02 80E | Burgundy                         |        |     |              |
|                    | 911 551 015 02 60A | Grey                             |        |     |              |
|                    | 911 551 015 02 2FL | Grey-beige                       | 84, 86 |     |              |
|                    | 911 551 015 02 6JD | Dark green                       |        |     |              |
|                    | 911 551 015 02 80S | Can-can-red                      |        |     |              |
|                    | 911 551 015 02 1VD | Champagne                        |        |     |              |
|                    | 911 551 015 02 8JK | Greyish green                    | 85-    |     |              |
|                    | 911 551 015 02 2YN | White                            | 85-    |     |              |
|                    | 911 551 015 42     | Floorboard carpet<br>Cut pile    | /LL /L |     |              |
|                    | 911 551 015 42 70E | Black                            |        |     |              |
| 911 551 015 42 40E | Brown              |                                  |        |     |              |
| 911 551 015 42 30B | Blue               |                                  |        |     |              |
| 911 551 015 42 80E | Burgundy           |                                  |        |     |              |
| 911 551 015 42 60A | Grey               |                                  |        |     |              |
| 911 551 015 42 2FL | Grey-beige         | 84, 86                           |        |     |              |
| 911 551 015 42 6JD | Dark green         |                                  |        |     |              |
| 911 551 015 42 80S | Can-can-red        |                                  |        |     |              |
| 911 551 015 42 1VD | Champagne          |                                  |        |     |              |
| 911 551 015 42 8JK | Greyish green      | 85-                              |        |     |              |
| 911 551 015 42 2YN | White              | 85-                              |        |     |              |
| 8                  | 911 551 012 17     | Carpet<br>Cut pile               | /LL /R | 1   | COUPE        |
|                    | 911 551 012 17 70E | Black                            |        |     |              |
|                    | 911 551 012 17 40E | Brown                            |        |     |              |
|                    | 911 551 012 17 30B | Blue                             |        |     |              |
|                    | 911 551 012 17 80E | Burgundy                         |        |     |              |
|                    | 911 551 012 17 60A | Grey                             |        |     |              |
|                    | 911 551 012 17 2FL | Grey-beige                       | 84,    |     |              |
|                    | 911 551 012 17 6JD | Dark green                       |        |     |              |
|                    | 911 551 012 17 80S | Can-can-red                      |        |     |              |
|                    | 911 551 012 17 1VD | Champagne                        |        |     |              |
|                    | 911 551 012 17 8JK | Greyish green                    | 85-    |     |              |
|                    | 911 551 012 17 2YN | White                            | 85-    |     |              |
|                    | 911 551 012 18     | Carpet<br>Cut pile               | /LL /R |     |              |
|                    | 911 551 012 18 70E | Black                            |        |     |              |
|                    | 911 551 012 18 40E | Brown                            |        |     |              |
| 911 551 012 18 30B | Blue               |                                  |        |     |              |
| 911 551 012 18 80E | Burgundy           |                                  |        |     |              |
| 911 551 012 18 60A | Grey               |                                  |        |     |              |
| 911 551 012 18 2FL | Grey-beige         | 84, 86                           |        |     |              |
| 911 551 012 18 6JD | Dark green         |                                  |        |     |              |
| 911 551 012 18 80S | Can-can-red        |                                  |        |     |              |
| 911 551 012 18 1VD | Champagne          |                                  |        |     |              |
| 911 551 012 18 8JK | Greyish green      |                                  |        |     |              |
| 911 551 012 18 2YN | White              |                                  |        |     |              |
| (8)                | 911 551 012 55     | Carpet<br>Cut pile               | /LL /R | 1   | TARGA/CABRIO |

Model: 911 84 Model life 1984>>1986

| Pos                | Part Number        | Description                      | Remark  | Qty   | Model        |          |
|--------------------|--------------------|----------------------------------|---|-------|--------------|----------|
| (8)                | 911 551 012 55 70E | Black                            | 84,<br><br>85-<br>85-<br>/LL /R<br><br>84, 86<br><br>/LL /R | 1     | TARGA/CABRIO |          |
|                    | 911 551 012 55 40E | Brown                            |   |       |              |          |
|                    | 911 551 012 55 30B | Blue                             |   |       |              |          |
|                    | 911 551 012 55 80E | Burgundy                         |   |       |              |          |
|                    | 911 551 012 55 60A | Grey                             |   |       |              |          |
|                    | 911 551 012 55 2FL | Grey-beige                       |   |       |              |          |
|                    | 911 551 012 55 6JD | Dark green                       |   |       |              |          |
|                    | 911 551 012 55 80S | Can-can-red                      |   |       |              |          |
|                    | 911 551 012 55 1VD | Champagne                        |   |       |              |          |
|                    | 911 551 012 55 8JK | Greyish green                    |   |       |              |          |
|                    | 911 551 012 55 2YN | White                            |   |       |              |          |
|                    | 911 551 012 56     | Carpet<br>Cut pile               |   |       |              |          |
|                    | 911 551 012 56 70E | Black                            |   |       |              |          |
|                    | 911 551 012 56 40E | Brown                            |   |       |              |          |
|                    | 911 551 012 56 30B | Blue                             |   |       |              |          |
|                    | (8)                | 911 551 012 56 80E               |   |       |              | Burgundy |
| 911 551 012 56 60A |                    | Grey                             |   |       |              |          |
| 911 551 012 56 2FL |                    | Grey-beige                       |   |       |              |          |
| 911 551 012 56 6JD |                    | Dark green                       |   |       |              |          |
| 911 551 012 56 80S |                    | Can-can-red                      |   |       |              |          |
| 911 551 012 56 1VD |                    | Champagne                        |   |       |              |          |
| 911 551 012 56 8JK |                    | Greyish green                    |   |       |              |          |
| 911 551 012 56 2YN |                    | White                            |   |       |              |          |
| 911 551 912 00     |                    | Floor mat<br>with<br>Logo<br>911 |   |       |              |          |
| 911 551 912 00 4KD |                    | Brown                            |   |       |              |          |
| 911 551 912 00 7KD |                    | Black                            |   |       |              |          |
| 911 551 912 00 3KD |                    | Blue                             |   |       |              |          |
| 9                  |                    | 911 551 014 06                   | Carpet<br>Cut pile  | /H /R | 1            |          |
| (9)                |                    | 911 551 014 06 70E               | Black   |       |              |          |
|                    |                    | 911 551 014 06 40E               | Brown   |       |              |          |
|                    |                    | 911 551 014 06 30B               | Blue  |       |              |          |
|                    | 911 551 014 06 80E | Burgundy                         |   |       |              |          |
|                    | 911 551 014 06 60A | Grey                             |   |       |              |          |
|                    | 911 551 014 06 2FL | Grey-beige                       |   |       |              |          |
|                    | 911 551 014 06 6JD | Dark green                       |   |       |              |          |
|                    | 911 551 014 06 80S | Can-can-red                      |   |       |              |          |
|                    | 911 551 014 06 1VD | Champagne                        |   |       |              |          |
|                    | 911 551 014 06 8JK | Greyish green                    |   |       |              |          |
|                    | 911 551 014 06 2YN | White                            |   |       |              |          |
|                    | 911 551 014 07     | Carpet<br>Cut pile               | /H /R   | 1     |              |          |
|                    | 911 551 014 07 70E | Black                            |   |       |              |          |
|                    | 911 551 014 07 40E | Brown                            |   |       |              |          |
|                    | 911 551 014 07 30B | Blue                             |   |       |              |          |
|                    | 911 551 014 07 80E | Burgundy                         |   |       |              |          |
| 911 551 014 07 60A | Grey               |                                  |   |       |              |          |
| 911 551 014 07 2FL | Grey-beige         |                                  |   |       |              |          |
| 911 551 014 07 6JD | Dark green         |                                  |   |       |              |          |
| 911 551 014 07 80S | Can-can-red        |                                  |   |       |              |          |
| 911 551 014 07 1VD | Champagne          |                                  |   |       |              |          |
| 911 551 014 07 8JK | Greyish green      |                                  |   |       |              |          |
| 911 551 014 07 2YN | White              |                                  |   |       |              |          |
| 10                 | 911 551 013 04     | Carpet<br>Cut pile               | /H /L   | 1     |              |          |
|                    | 911 551 013 04 70E | Black                            |   |       |              |          |
|                    | 911 551 013 04 40E | Brown                            |   |       |              |          |
|                    | 911 551 013 04 30B | Blue                             |   |       |              |          |
|                    | 911 551 013 04 80E | Burgundy                         |   |       |              |          |

Model: 911 84 Model life 1984>>1986

| Pos  | Part Number        | Description                   | Remark | Qty | Model |
|------|--------------------|-------------------------------|--------|-----|-------|
|      | 911 551 013 04 60A | Grey                          |        |     |       |
|      | 911 551 013 04 2FL | Grey-beige                    | 84,    |     |       |
|      | 911 551 013 04 6JD | Dark green                    |        |     |       |
|      | 911 551 013 04 80S | Can-can-red                   |        |     |       |
|      | 911 551 013 04 1VD | Champagne                     |        |     |       |
|      | 911 551 013 04 8JK | Greyish green                 | 85-    |     |       |
|      | 911 551 013 04 2YN | White                         | 85-    |     |       |
| (10) | 911 551 013 05     | Carpet<br>Cut pile            | /H /L  | 1   |       |
|      | 911 551 013 05 70E | Black                         |        |     |       |
|      | 911 551 013 05 40E | Brown                         |        |     |       |
|      | 911 551 013 05 30B | Blue                          |        |     |       |
|      | 911 551 013 05 80E | Burgundy                      |        |     |       |
|      | 911 551 013 05 60A | Grey                          |        |     |       |
|      | 911 551 013 05 2FL | Grey-beige                    | 84, 86 |     |       |
|      | 911 551 013 05 6JD | Dark green                    |        |     |       |
|      | 911 551 013 05 80S | Can-can-red                   |        |     |       |
|      | 911 551 013 05 1VD | Champagne                     |        |     |       |
|      | 911 551 013 05 8JK | Greyish green                 |        |     |       |
|      | 911 551 013 05 2YN | White                         |        |     |       |
| (11) | 911 551 411 41     | Carpet for tunnel<br>Cut pile |        | 1   |       |
|      | 911 551 411 41 70E | Black                         |        |     |       |
|      | 911 551 411 41 40E | Brown                         |        |     |       |
|      | 911 551 411 41 30B | Blue                          |        |     |       |
|      | 911 551 411 41 80E | Burgundy                      |        |     |       |
|      | 911 551 411 41 60A | Grey                          |        |     |       |
|      | 911 551 411 41 2FL | Grey-beige                    | 84,    |     |       |
|      | 911 551 411 41 6JD | Dark green                    |        |     |       |
|      | 911 551 411 41 80S | Can-can-red                   |        |     |       |
|      | 911 551 411 41 1VD | Champagne                     |        |     |       |
|      | 911 551 411 41 2YN | White                         | 85-    |     |       |
|      | 911 551 411 41 8JK | Greyish green                 | 85-    |     |       |
| 11   | 911 551 411 42     | Carpet for tunnel<br>Cut pile | /LL    | 1   |       |
|      | 911 551 411 42 70E | Black                         |        |     |       |
|      | 911 551 411 42 40E | Brown                         |        |     |       |
|      | 911 551 411 42 30B | Blue                          |        |     |       |
|      | 911 551 411 42 80E | Burgundy                      |        |     |       |
|      | 911 551 411 42 60A | Grey                          |        |     |       |
|      | 911 551 411 42 2FL | Grey-beige                    | 84,    |     |       |
|      | 911 551 411 42 6JD | Dark green                    |        |     |       |
|      | 911 551 411 42 80S | Can-can-red                   |        |     |       |
|      | 911 551 411 42 1VD | Champagne                     |        |     |       |
|      | 911 551 411 42 2YN | White                         | 85-    |     |       |
|      | 911 551 411 42 8JK | Greyish green                 | 85-    |     |       |
| (11) | 911 551 411 44     | Carpet for tunnel<br>Cut pile | /LL    | 1   |       |
|      | 911 551 411 44 70E | Black                         |        |     |       |
|      | 911 551 411 44 40E | Brown                         |        |     |       |
|      | 911 551 411 44 30B | Blue                          |        |     |       |
|      | 911 551 411 44 80E | Burgundy                      |        |     |       |
|      | 911 551 411 44 60A | Grey                          |        |     |       |
|      | 911 551 411 44 2FL | Grey-beige                    | 84, 86 |     |       |
|      | 911 551 411 44 6JD | Dark green                    |        |     |       |
|      | 911 551 411 44 80S | Can-can-red                   |        |     |       |
|      | 911 551 411 44 1VD | Champagne                     |        |     |       |
|      | 911 551 411 44 2YN | White                         |        |     |       |
|      | 911 551 411 44 8JK | Greyish green                 |        |     |       |
| 12   | 911 551 451 00     | Adhesive carpet<br>Cut pile   | 85     | 2   |       |
|      | 911 551 451 00 70E | Black                         |        |     |       |
|      | 911 551 451 00 30B | Blue                          |        |     |       |

Model: 911 84 Model life 1984>>1986

| Pos                | Part Number        | Description                          | Remark | Qty | Model        |
|--------------------|--------------------|--------------------------------------|--------|-----|--------------|
| 13                 | 911 551 451 00 40E | Brown                                |        |     |              |
|                    | 911 551 451 00 80E | Burgundy                             |        |     |              |
|                    | 911 551 451 00 60A | Grey                                 |        |     |              |
|                    | 911 551 451 00 8JK | Greyish green                        |        |     |              |
|                    | 911 551 451 00 6JD | Dark green                           |        |     |              |
|                    | 911 551 451 00 80S | Can-can-red                          |        |     |              |
|                    | 911 551 451 00 1VD | Champagne                            |        |     |              |
|                    | 911 551 451 00 2YN | White                                |        |     |              |
|                    | 911 555 179 00     | Lining                               | /L     | 1   | COUPE        |
|                    |                    | for<br>Additional blower<br>Cut pile |        |     |              |
|                    | 911 555 179 00 70E | Black                                |        |     |              |
|                    | 911 555 179 00 40E | Brown                                |        |     |              |
|                    | (13)               | 911 555 179 00 30B                   | Blue   |     |              |
| 911 555 179 00 80E |                    | Burgundy                             |        |     |              |
| 911 555 179 00 60A |                    | Grey                                 |        |     |              |
| 911 555 179 00 2FL |                    | Grey-beige                           | 84,    |     |              |
| 911 555 179 00 6JD |                    | Dark green                           |        |     |              |
| 911 555 179 00 80S |                    | Can-can-red                          |        |     |              |
| 911 555 179 00 1VD |                    | Champagne                            |        |     |              |
| 911 555 179 00 8JK |                    | Greyish green                        | 85-    |     |              |
| 911 555 179 00 2YN |                    | White                                | 85-    |     |              |
| 911 555 179 01     |                    | Lining                               | /L     | 1   | COUPE        |
|                    |                    | for<br>Additional blower<br>Cut pile |        |     |              |
| 911 555 179 01 70E |                    | Black                                |        |     |              |
| 911 555 179 01 40E |                    | Brown                                |        |     |              |
| (13)               | 911 555 179 01 30B | Blue                                 |        |     |              |
|                    | 911 555 179 01 80E | Burgundy                             |        |     |              |
|                    | 911 555 179 01 60A | Grey                                 |        |     |              |
|                    | 911 555 179 01 2FL | Grey-beige                           | 84, 86 |     |              |
|                    | 911 555 179 01 6JD | Dark green                           |        |     |              |
|                    | 911 555 179 01 80S | Can-can-red                          |        |     |              |
|                    | 911 555 179 01 1VD | Champagne                            |        |     |              |
|                    | 911 555 179 01 8JK | Greyish green                        |        |     |              |
|                    | 911 555 179 01 2YN | White                                |        |     |              |
|                    | 911 555 179 40     | Lining                               | /L     | 1   | TARGA/CABRIO |
|                    |                    | for<br>Additional blower<br>Cut pile |        |     |              |
|                    | 911 555 179 40 70E | Black                                |        |     |              |
|                    | 911 555 179 40 40E | Brown                                |        |     |              |
| (13)               | 911 555 179 40 30B | Blue                                 |        |     |              |
|                    | 911 555 179 40 80E | Burgundy                             |        |     |              |
|                    | 911 555 179 40 60A | Grey                                 |        |     |              |
|                    | 911 555 179 40 2FL | Grey-beige                           | 84,    |     |              |
|                    | 911 555 179 40 6JD | Dark green                           |        |     |              |
|                    | 911 555 179 40 80S | Can-can-red                          |        |     |              |
|                    | 911 555 179 40 1VD | Champagne                            |        |     |              |
|                    | 911 555 179 40 8JK | Greyish green                        | 85-    |     |              |
|                    | 911 555 179 40 2YN | White                                | 85-    |     |              |
|                    | 911 555 179 41     | Lining                               | /L     | 1   | TARGA/CABRIO |
|                    |                    | for<br>Additional blower<br>Cut pile |        |     |              |
|                    | 911 555 179 41 70E | Black                                |        |     |              |
|                    | 911 555 179 41 40E | Brown                                |        |     |              |
| 911 555 179 41 30B | Blue               |                                      |        |     |              |
| 911 555 179 41 80E | Burgundy           |                                      |        |     |              |
| 911 555 179 41 60A | Grey               |                                      |        |     |              |

Model: 911 84 Model life 1984>>1986

| Pos                | Part Number        | Description                                    | Remark | Qty | Model        |              |   |       |
|--------------------|--------------------|--|--------|-----|--------------|--------------|---|-------|
| 14                 | 911 555 179 41 2FL | Grey-beige                                     | 84, 86 |     |              |              |   |       |
|                    | 911 555 179 41 6JD | Dark green                                     |        |     |              |              |   |       |
|                    | 911 555 179 41 80S | Can-can-red                                    |        |     |              |              |   |       |
|                    | 911 555 179 41 1VD | Champagne                                      |        |     |              |              |   |       |
|                    | 911 555 179 41 8JK | Greyish green                                  |        |     |              |              |   |       |
|                    | 911 555 179 41 2YN | White  |        |     |              |              |   |       |
|                    | 911 555 180 00     | Lining<br>for<br>Additional blower<br>Cut pile |        |     |              | /R           | 1 | COUPE |
|                    | 911 555 180 00 70E | Black  |        |     |              |              |   |       |
|                    | 911 555 180 00 40E | Brown  |        |     |              |              |   |       |
|                    | 911 555 180 00 30B | Blue   |        |     |              |              |   |       |
| (14)               | 911 555 180 00 80E | Burgundy                                       | 84,    |     |              |              |   |       |
|                    | 911 555 180 00 60A | Grey   |        |     |              |              |   |       |
|                    | 911 555 180 00 2FL | Grey-beige                                     |        |     |              |              |   |       |
|                    | 911 555 180 00 6JD | Dark green                                     |        |     |              |              |   |       |
|                    | 911 555 180 00 80S | Can-can-red                                    |        |     |              |              |   |       |
|                    | 911 555 180 00 1VD | Champagne                                      |        |     |              |              |   |       |
|                    | 911 555 180 00 8JK | Greyish green                                  |        |     |              | 85-          |   |       |
|                    | 911 555 180 00 2YN | White  |        |     |              | 85-          |   |       |
|                    | 911 555 180 01     | Lining<br>for<br>Additional blower<br>Cut pile |        |     |              | /R           | 1 | COUPE |
|                    | 911 555 180 01 70E | Black  |        |     |              |              |   |       |
| (14)               | 911 555 180 01 40E | Brown  | 84, 86 |     |              |              |   |       |
|                    | 911 555 180 01 30B | Blue   |        |     |              |              |   |       |
|                    | 911 555 180 01 80E | Burgundy                                       |        |     |              |              |   |       |
|                    | 911 555 180 01 60A | Grey   |        |     |              |              |   |       |
|                    | 911 555 180 01 2FL | Grey-beige                                     |        |     |              |              |   |       |
|                    | 911 555 180 01 6JD | Dark green                                     |        |     |              |              |   |       |
|                    | 911 555 180 01 80S | Can-can-red                                    |        |     |              |              |   |       |
|                    | 911 555 180 01 1VD | Champagne                                      |        |     |              |              |   |       |
|                    | 911 555 180 01 8JK | Greyish green                                  |        |     |              |              |   |       |
|                    | 911 555 180 01 2YN | White  |        |     |              |              |   |       |
| (14)               | 911 555 180 40     | Lining<br>for<br>Additional blower<br>Cut pile | /R     | 1   | TARGA/CABRIO |              |   |       |
|                    | 911 555 180 40 70E | Black  | 84,    |     |              |              |   |       |
|                    | 911 555 180 40 40E | Brown  |        |     |              |              |   |       |
|                    | 911 555 180 40 30B | Blue   |        |     |              |              |   |       |
|                    | 911 555 180 40 80E | Burgundy                                       |        |     |              |              |   |       |
|                    | 911 555 180 40 60A | Grey   |        |     |              |              |   |       |
|                    | 911 555 180 40 2FL | Grey-beige                                     |        |     |              |              |   |       |
|                    | 911 555 180 40 6JD | Dark green                                     |        |     |              |              |   |       |
|                    | 911 555 180 40 80S | Can-can-red                                    |        |     |              |              |   |       |
|                    | 911 555 180 40 1VD | Champagne                                      |        |     |              |              |   |       |
| 911 555 180 40 8JK | Greyish green      | 85-  |        |     |              |              |   |       |
| (14)               | 911 555 180 40 2YN | White  | 85-    | /R  | 1            | TARGA/CABRIO |   |       |
|                    | 911 555 180 41     | Lining<br>for<br>Additional blower<br>Cut pile |        |     |              |              |   |       |
|                    | 911 555 180 41 70E | Black  |        |     |              |              |   |       |
|                    | 911 555 180 41 40E | Brown  |        |     |              |              |   |       |
|                    | 911 555 180 41 30B | Blue   |        |     |              |              |   |       |
|                    | 911 555 180 41 80E | Burgundy                                       |        |     |              |              |   |       |
|                    | 911 555 180 41 60A | Grey   |        |     |              |              |   |       |
|                    | 911 555 180 41 2FL | Grey-beige                                     | 84, 86 |     |              |              |   |       |
|                    | 911 555 180 41 6JD | Dark green                                     |        |     |              |              |   |       |
|                    | 911 555 180 41 80S | Can-can-red                                    |        |     |              |              |   |       |

Model: 911 84 Model life 1984>>1986

| Pos  | Part Number        | Description                                  | Remark | Qty | Model        |
|------|--------------------|--|--------|-----|--------------|
|      | 911 555 180 41 1VD | Champagne                                    |        |     |              |
|      | 911 555 180 41 8JK | Greyish green                                |        |     |              |
|      | 911 555 180 41 2YN | White  |        |     |              |
| 14A  | 999 591 102 17     | Washer<br>3,5 DEG                            |        | 6   |              |
| 14A  | 999 591 102 1H     | Washer<br>3,5 DEG                            |        | 6   |              |
| 14B  | 900 145 082 07     | Tapping screw<br>3,5 X 38                    |        | 6   |              |
| 15   | 911 551 063 04     | Pedal floor board                            | /LL /L | 1   | COUPE        |
| (15) | 911 551 063 44     | Pedal floor board                            | /LL /L | 1   | TARGA/CABRIO |
| 16   | 911 551 064 01     | Floorboard                                   | /LL /R | 1   | COUPE        |
| (16) | 901 551 064 42     | Pedal floor board                            | /LL /R | 1   | TARGA/CABRIO |
| 16A  | 900 119 025 02     | Pan-head screw<br>M 5 X 15                   |        | 2   |              |
| 16B  | 901 423 368 00     | Desk pad                                     |        | 2   |              |
| 16C  | 901 501 390 00     | Tab  |        | 1   |              |
| 17   | N 042 121 3        | Shake-proof washer<br>A 6,4                  |        | 1   |              |
| 18   | 900 076 010 02     | Nut<br>M 6                                   |        | 1   |              |
| 18   | 900 076 010 0B     | Nut<br>M 6                                   |        | 1   |              |
| (23) | 911 551 401 09     | Adhesive carpet<br>Wheel housing<br>Cut pile | /L     | 1   |              |
|      | 911 551 401 09 70E | Black  |        |     |              |
|      | 911 551 401 09 30B | Blue   |        |     |              |
|      | 911 551 401 09 40E | Brown  |        |     |              |
|      | 911 551 401 09 80E | Burgundy                                     |        |     |              |
|      | 911 551 401 09 60A | Grey   |        |     |              |
|      | 911 551 401 09 6JD | Dark green                                   |        |     |              |
|      | 911 551 401 09 80S | Can-can-red                                  |        |     |              |
|      | 911 551 401 09 1VD | Champagne                                    |        |     |              |
|      | 911 551 401 09 2FL | Grey-beige                                   | 84, 86 |     |              |
|      | 911 551 401 09 8JK | Greyish green                                | 85-    |     |              |
|      | 911 551 401 09 2YN | White  | 85-    |     |              |
| (23) | 911 551 402 09     | Adhesive carpet<br>Wheel housing<br>Cut pile | /LL /R | 1   |              |
|      | 911 551 402 09 70E | Black  |        |     |              |
|      | 911 551 402 09 30B | Blue   |        |     |              |
|      | 911 551 402 09 40E | Brown  |        |     |              |
|      | 911 551 402 09 80E | Burgundy                                     |        |     |              |
|      | 911 551 402 09 60A | Grey   |        |     |              |
|      | 911 551 402 09 6JD | Dark green                                   |        |     |              |
|      | 911 551 402 09 80S | Can-can-red                                  |        |     |              |
|      | 911 551 402 09 1VD | Champagne                                    |        |     |              |
|      | 911 551 402 09 2FL | Grey-beige                                   | 84, 86 |     |              |
|      | 911 551 402 09 8JK | Greyish green                                | 85-    |     |              |
|      | 911 551 402 09 2YN | White  | 85-    |     |              |
| 24   | 911 551 032 50     | Carpet<br>Cut pile                           | /R     | 1   |              |
|      | 911 551 032 50 70E | Black  |        |     |              |
|      | 911 551 032 50 40E | Brown  |        |     |              |
|      | 911 551 032 50 30B | Dark blue                                    |        |     |              |
|      | 911 551 032 50 80E | Burgundy                                     |        |     |              |
|      | 911 551 032 50 60A | Grey   |        |     |              |
|      | 911 551 032 50 2FL | Grey-beige                                   | 84,    |     |              |
|      | 911 551 032 50 6JD | Dark green                                   |        |     |              |
|      | 911 551 032 50 80S | Can-can-red                                  |        |     |              |
|      | 911 551 032 50 1VD | Champagne                                    |        |     |              |
|      | 911 551 032 50 8JK | Greyish green                                | 85-    |     |              |

Model: 911 84 Model life 1984>>1986

| Pos  | Part Number        | Description   | Remark | Qty | Model |
|------|--------------------|---------------|--------|-----|-------|
| (24) | 911 551 032 50 2YN | White         | 85-    | 1   |       |
|      | 911 551 031 50     | Carpet        | /L     |     |       |
|      |                    | Cut pile      |        |     |       |
|      | 911 551 031 50 70E | Black         |        |     |       |
|      | 911 551 031 50 40E | Brown         |        |     |       |
|      | 911 551 031 50 30B | Dark blue     |        |     |       |
|      | 911 551 031 50 80E | Burgundy      |        |     |       |
|      | 911 551 031 50 60A | Grey          |        |     |       |
|      | 911 551 031 50 2FL | Grey-beige    | 84,    |     |       |
|      | 911 551 031 50 6JD | Dark green    |        |     |       |
| (24) | 911 551 031 50 80S | Can-can-red   |        | 1   |       |
|      | 911 551 031 50 1VD | Champagne     |        |     |       |
|      | 911 551 031 50 8JK | Greyish green | 85-    |     |       |
|      | 911 551 031 50 2YN | White         | 85-    |     |       |
|      | 911 551 031 51     | Carpet        | /L     |     |       |
|      |                    | Cut pile      |        |     |       |
|      | 911 551 031 51 70E | Black         |        |     |       |
|      | 911 551 031 51 40E | Brown         |        |     |       |
|      | 911 551 031 51 30B | Dark blue     |        |     |       |
|      | 911 551 031 51 80E | Burgundy      |        |     |       |
| 24   | 911 551 031 51 60A | Grey          |        | 1   |       |
|      | 911 551 031 51 2FL | Grey-beige    | 84, 86 |     |       |
|      | 911 551 031 51 6JD | Dark green    |        |     |       |
|      | 911 551 031 51 80S | Can-can-red   |        |     |       |
|      | 911 551 031 51 1VD | Champagne     |        |     |       |
|      | 911 551 031 51 8JK | Greyish green |        |     |       |
|      | 911 551 031 51 2YN | White         |        |     |       |
|      | 911 551 032 51     | Carpet        | /R     |     |       |
|      |                    | Cut pile      |        |     |       |
|      | 911 551 032 51 70E | Black         |        |     |       |
| 25   | 911 551 032 51 40E | Brown         |        | 1   |       |
|      | 911 551 032 51 30B | Dark blue     |        |     |       |
|      | 911 551 032 51 80E | Burgundy      |        |     |       |
|      | 911 551 032 51 60A | Grey          |        |     |       |
|      | 911 551 032 51 2FL | Grey-beige    | 84, 86 |     |       |
|      | 911 551 032 51 6JD | Dark green    |        |     |       |
|      | 911 551 032 51 80S | Can-can-red   |        |     |       |
|      | 911 551 032 51 1VD | Champagne     |        |     |       |
|      | 911 551 032 51 8JK | Greyish green |        |     |       |
|      | 911 551 032 51 2YN | White         |        |     |       |
| (25) | 911 551 034 02     | Carpet        | /R     | 1   |       |
|      |                    | Cut pile      |        |     |       |
|      | 911 551 034 02 70E | Black         |        |     |       |
|      | 911 551 034 02 40E | Brown         |        |     |       |
|      | 911 551 034 02 30B | Dark blue     |        |     |       |
|      | 911 551 034 02 80E | Burgundy      |        |     |       |
|      | 911 551 034 02 60A | Grey          |        |     |       |
|      | 911 551 034 02 2FL | Grey-beige    | 84, 86 |     |       |
|      | 911 551 034 02 6JD | Dark green    |        |     |       |
|      | 911 551 034 02 80S | Can-can-red   |        |     |       |
| (25) | 911 551 034 02 1VD | Champagne     |        | 1   |       |
|      | 911 551 034 02 8JK | Greyish green | 85-    |     |       |
|      | 911 551 034 02 2YN | White         | 85-    |     |       |
|      | 911 551 033 02     | Carpet        | /L     |     |       |
|      |                    | Cut pile      |        |     |       |
|      | 911 551 033 02 70E | Black         |        |     |       |
|      | 911 551 033 02 40E | Brown         |        |     |       |
|      | 911 551 033 02 30B | Dark blue     |        |     |       |
|      | 911 551 033 02 80E | Burgundy      |        |     |       |
|      | 911 551 033 02 60A | Grey          |        |     |       |
| 24   | 911 551 033 02 2FL | Grey-beige    | 84, 86 | 1   |       |
|      | 911 551 033 02 6JD | Dark green    |        |     |       |
|      | 911 551 033 02 80S | Can-can-red   |        |     |       |

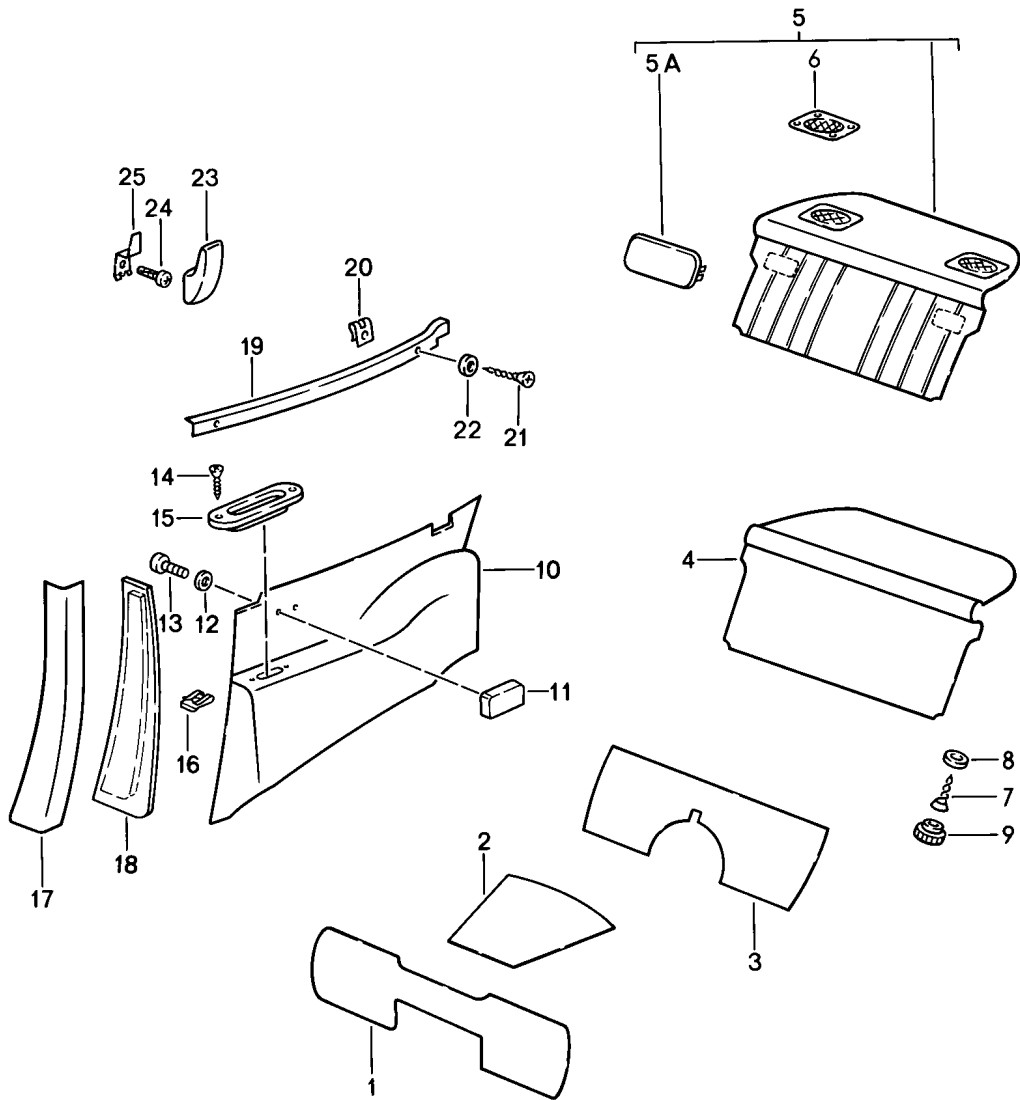
Model: 911 84 Model life 1984>>1986

| Pos  | Part Number        | Description                              | Remark | Qty | Model |
|------|--------------------|--|--------|-----|-------|
|      | 911 551 033 02 1VD | Champagne                                |        |     |       |
|      | 911 551 033 02 8JK | Greyish green                            | 85-    |     |       |
|      | 911 551 033 02 2YN | White                                    | 85-    |     |       |
| (26) | 901 551 115 20     | Scuff plate                              | /L -85 | 1   |       |
| (26) | 911 551 619 00     | Rubber pad                               | /L     | 1   |       |
| (26) |                    | Rubber pad                               | /L     | 1   |       |
| 26   | 911 551 620 00     | Rubber pad                               | /R     | 1   |       |
| 26   |                    | Rubber pad                               | /R     | 1   |       |
| 27   | 901 551 419 50     | Cover strip<br>Aluminium                 |        | 2   |       |
| 27   | 901 551 419 28     | Cover strip<br>Black                     |        | 2   |       |
| 27   |                    | Cover strip<br>for<br>Door sill<br>Inner |        | 2   |       |
|      | 901 551 419 28 70K | Black                                    |        |     |       |
| 28   | 900 145 041 00     | Rais. counters. h. tap. s.<br>B 3,5 X 16 |        | 10  |       |
| 28   | 900 145 041 07     | Tapping screw<br>Black<br>B 3,5 X 16     |        | 10  |       |
| (29) | 911 551 067 03     | Luggage compartment trim                 | /LL    | 1   |       |
| (29) | 911 551 067 05     | Luggage compartment trim                 | /LL    | 1   |       |
| 30   | 900 075 260 02     | Hexagon-head bolt<br>M 6 X 16            |        | 4   |       |
| 31   | N 012 007 2        | Lock ring<br>A 6                         |        | 4   |       |
| 31   | 900 027 004 03     | Lock ring<br>A 6                         |        | 4   |       |
| 32   | 900 151 003 02     | Washer<br>6,4                            |        | 4   |       |
| 32   | 900 151 006 03     | Washer<br>6,4                            |        | 4   |       |



Model: 911 84

Model life 1984>>1986



Model: 911 84 Model life 1984>>1986

| Pos | Part Number        | Description  | Remark | Qty | Model         |
|-----|--------------------|--|--------|-----|---------------|
| 1   | 911 551 051 04     | Interior equipment<br>Rear<br>Carpet<br>Heel plate<br>Cut pile |        | 1   | COUPE/TARGA   |
|     | 911 551 051 04 70E | Black  |        |     |               |
|     | 911 551 051 04 40E | Brown  |        |     |               |
|     | 911 551 051 04 30B | Dark blue  |        |     |               |
|     | 911 551 051 04 80E | Burgundy   |        |     |               |
|     | 911 551 051 04 60A | Grey   |        |     |               |
|     | 911 551 051 04 2FL | Grey-beige   | 84, 86 |     |               |
|     | 911 551 051 04 6JD | Dark green   |        |     |               |
|     | 911 551 051 04 80S | Can-can-red  |        |     |               |
|     | 911 551 051 04 1VD | Champagne  |        |     |               |
|     | 911 551 051 04 8JK | Greyish green  | 85-    |     |               |
|     | 911 551 051 04 2YN | White  | 85-    |     |               |
| 2   | 911 551 023 00     | Adhesive carpet<br>Seat well<br>Centre<br>Cut pile             |        | 1   |               |
|     | 911 551 023 00 70E | Black  |        |     |               |
|     | 911 551 023 00 40E | Brown  |        |     |               |
|     | 911 551 023 00 30B | Dark blue  |        |     |               |
|     | 911 551 023 00 80E | Burgundy   |        |     |               |
|     | 911 551 023 00 60A | Grey   |        |     |               |
|     | 911 551 023 00 2FL | Grey-beige   | 84, 86 |     |               |
|     | 911 551 023 00 6JD | Dark green   |        |     |               |
|     | 911 551 023 00 80S | Can-can-red  |        |     |               |
|     | 911 551 023 00 1VD | Champagne  |        |     |               |
|     | 911 551 023 00 8JK | Greyish green  | 85-    |     |               |
|     | 911 551 023 00 2YN | White  | 85-    |     |               |
| 3   | 911 551 054 03     | Carpet<br>Seat well<br>Cut pile                                |        | 1   |               |
|     | 911 551 054 03 70E | Black  |        |     |               |
|     | 911 551 054 03 40E | Brown  |        |     |               |
|     | 911 551 054 03 30B | Dark blue  |        |     |               |
|     | 911 551 054 03 80E | Burgundy   |        |     |               |
|     | 911 551 054 03 60A | Grey   |        |     |               |
|     | 911 551 054 03 2FL | Grey-beige   | 84, 86 |     |               |
|     | 911 551 054 03 6JD | Dark green   |        |     |               |
|     | 911 551 054 03 80S | Can-can-red  |        |     |               |
|     | 911 551 054 03 1VD | Champagne  |        |     |               |
|     | 911 551 054 03 8JK | Greyish green  | 85-    |     |               |
|     | 911 551 054 03 2YN | White  | 85-    |     |               |
| (4) | 911 555 075 06     | Back wall lining<br>Leatherette<br>Upper part/lower part       | -84    | 1   | COUPE         |
|     | 911 555 075 06 3MK | Burgundy/burgundy  |        |     |               |
|     | 911 555 075 06 05T | Black/black  |        |     |               |
|     | 911 555 075 06 1HH | Blue/blue  |        |     |               |
|     | 911 555 075 06 4RB | Brown/brown  |        |     |               |
|     | 911 555 075 06 4FK | Black/grey-beige   |        |     |               |
| (4) | 911 555 075 46     | Back wall lining<br>Leatherette<br>Upper part/lower part       | -84    | 1   | TARGA         |
|     | 911 555 075 46 3MK | Burgundy   |        |     |               |
|     | 911 555 075 46 05T | Black  |        |     |               |
|     | 911 555 075 46 1HH | Blue   |        |     |               |
|     | 911 555 075 46 4RB | Brown  |        |     |               |
|     | 911 555 075 46 4FK | Black/grey-beige   |        |     |               |
| 4   | 911 555 075 80     | Back wall lining   | -84    | 1   | COUPE<br>M981 |

Model: 911 84 Model life 1984>>1986

| Pos | Part Number        | Description                            | Remark | Qty | Model         |
|-----|--------------------|--|--------|-----|---------------|
|     |                    | Whole-leather<br>Upper part/lower part |        |     |               |
|     | 911 555 075 80 KZ2 | Black/black                            |        |     |               |
|     | 911 555 075 80 KZ3 | Blue                                   |        |     |               |
|     | 911 555 075 80 KZ5 | Brown                                  |        |     |               |
|     | 911 555 075 80 LG7 | Burgundy                               |        |     |               |
|     | 911 555 075 80 LG6 | Dark green                             |        |     |               |
|     | 911 555 075 80 KZ4 | Black/grey-beige                       |        |     |               |
|     | 911 555 075 80 LG8 | Black/can-can-red                      |        |     |               |
|     | 911 555 075 80 LJ7 | Black/pearl white                      |        |     |               |
|     | 911 555 075 80 LL9 | Black/champagne                        |        |     |               |
|     | 911 555 075 80 LL8 | Burgundy/pearl white                   |        |     |               |
|     | 911 555 075 80 LM1 | Brown/champagne                        |        |     |               |
|     | 911 555 075 80 LL7 | Pearl white                            |        |     |               |
|     | 911 555 075 80 LM2 | Blue/champagne                         |        |     |               |
| (4) | 911 555 075 81     | Back wall lining                       | -84    | 1   | TARGA<br>M981 |
|     |                    | Whole-leather<br>Upper part/lower part |        |     |               |
|     | 911 555 075 81 KZ2 | Black                                  |        |     |               |
|     | 911 555 075 81 KZ3 | Blue                                   |        |     |               |
|     | 911 555 075 81 KZ5 | Brown                                  |        |     |               |
|     | 911 555 075 81 LG7 | Burgundy                               |        |     |               |
|     | 911 555 075 81 LG6 | Dark green                             |        |     |               |
|     | 911 555 075 81 KZ4 | Black/grey-beige                       |        |     |               |
|     | 911 555 075 81 LG8 | Black/can-can-red                      |        |     |               |
|     | 911 555 075 81 LJ7 | Black/pearl white                      |        |     |               |
|     | 911 555 075 81 LL9 | Black/champagne                        |        |     |               |
|     | 911 555 075 81 LL8 | Burgundy/pearl white                   |        |     |               |
|     | 911 555 075 81 LM1 | Brown/champagne                        |        |     |               |
|     | 911 555 075 81 LL7 | Blue/pearl white                       |        |     |               |
|     | 911 555 075 81 LM2 | Blue/champagne                         |        |     |               |
| 5   | 911 555 111 00     | Back wall lining                       |        | 1   | COUPE         |
|     |                    | Leatherette<br>Upper part/lower part   |        |     |               |
|     | 911 555 111 00 05T | Black/black                            |        |     |               |
|     | 911 555 111 00 1HH | Blue/blue                              |        |     |               |
|     | 911 555 111 00 4RB | Brown/brown                            |        |     |               |
|     | 911 555 111 00 3MK | Burgundy/burgundy                      |        |     |               |
|     | 911 555 111 00 4FK | Black/grey-beige                       | 84, 86 |     |               |
|     | 911 555 111 00 4JX | Greyish green/grey-green               | 85-    |     |               |
| 5   | 911 555 111 40     | Back wall lining                       |        | 1   | TARGA         |
|     |                    | Leatherette<br>Upper part/lower part   |        |     |               |
|     | 911 555 111 40 05T | Black                                  |        |     |               |
|     | 911 555 111 40 1HH | Blue                                   |        |     |               |
|     | 911 555 111 40 4RB | Brown                                  |        |     |               |
|     | 911 555 111 40 3MK | Burgundy                               |        |     |               |
|     | 911 555 111 40 4FK | Black/grey-beige                       | 84, 86 |     |               |
|     | 911 555 111 40 4JX | Greyish green                          | 85-    |     |               |
| 5   | 911 555 111 01     | Back wall lining                       |        | 1   | COUPE         |
|     |                    | Whole-leather<br>Upper part/lower part |        |     |               |
|     | 911 555 111 01 KZ2 | Black                                  |        |     |               |
|     | 911 555 111 01 KZ3 | Blue                                   |        |     |               |
|     | 911 555 111 01 KZ5 | Brown                                  |        |     |               |
|     | 911 555 111 01 LG7 | Burgundy                               |        |     |               |
|     | 911 555 111 01 LG6 | Dark green                             |        |     |               |
|     | 911 555 111 01 QC2 | Greyish green                          | 85-    |     |               |
|     | 911 555 111 01 PY9 | Ocean blue                             | 85-    |     |               |
|     | 911 555 111 01 PZ1 | Wild buffalo                           | 85-    |     |               |
|     | 911 555 111 01 KZ4 | Black/grey-beige                       | 84, 86 |     |               |
|     | 911 555 111 01 LG8 | Black/can-can-red                      |        |     |               |

Model: 911 84 Model life 1984>>1986

| Pos                | Part Number               | Description  | Remark   | Qty | Model |     |   |       |
|--------------------|---------------------------|--|--|-----|-------|-----|---|-------|
| 5                  | 911 555 111 01 LJ7        | Black/pearl white  |  | 1   | TARGA |     |   |       |
|                    | 911 555 111 01 LL9        | Black/champagne  |  |     |       |     |   |       |
|                    | 911 555 111 01 LL8        | Burgundy/pearl white   |  |     |       |     |   |       |
|                    | 911 555 111 01 LM1        | Brown/champagne  |  |     |       |     |   |       |
|                    | 911 555 111 01 LL7        | Blue/pearl white   |  |     |       |     |   |       |
|                    | 911 555 111 01 LM2        | Blue/champagne   |  |     |       |     |   |       |
|                    | 911 555 111 01 QC3        | Greyish green/pearl white  | 85-  |     |       |     |   |       |
|                    | 911 555 111 42            | Back wall lining<br>Whole-leather<br>Upper part/lower part       |  |     |       |     |   |       |
|                    | 911 555 111 42 KZ2        | Black  |  |     |       |     |   |       |
|                    | 911 555 111 42 KZ3        | Blue/blue  |  |     |       |     |   |       |
|                    | 911 555 111 42 KZ5        | Brown/brown  |  |     |       |     |   |       |
|                    | 911 555 111 42 LG7        | Burgundy/burgundy  |  |     |       |     |   |       |
|                    | 911 555 111 42 LG6        | Dark green   |  |     |       |     |   |       |
|                    | 911 555 111 42 QC2        | Greyish green/grey-green   | 85-  |     |       |     |   |       |
|                    | 911 555 111 42 PY9        | Ocean blue   | 85-  |     |       |     |   |       |
|                    | 911 555 111 42 PZ1        | Wild buffalo   | 85-  |     |       |     |   |       |
|                    | 911 555 111 42 KZ4        | Black/grey-beige   | 84, 86   |     |       |     |   |       |
|                    | 911 555 111 42 LG8        | Black/can-can-red  |  |     |       |     |   |       |
|                    | 911 555 111 42 LJ7        | Black/pearl white  |  |     |       |     |   |       |
|                    | 911 555 111 42 LL9        | Black/champagne  |  |     |       |     |   |       |
| 911 555 111 42 LL8 | Burgundy/pearl white      |  |  |     |       |     |   |       |
| 911 555 111 42 LM1 | Brown/champagne           |  |  |     |       |     |   |       |
| 911 555 111 42 LL7 | Blue/pearl white          |  |  |     |       |     |   |       |
| 911 555 111 42 LM2 | Blue/champagne            |  |  |     |       |     |   |       |
| 911 555 111 42 QC3 | Greyish green/pearl white | 85-  |  |     |       |     |   |       |
| 5                  | 911 555 111 08            | Back wall lining<br>Leatherette/leather<br>Upper part/lower part | 85-  | 1   | COUPE |     |   |       |
|                    | 911 555 111 08 QX4        | Black/black  |  |     |       |     |   |       |
|                    | 911 555 111 08 QX5        | Blue/blue  |  |     |       |     |   |       |
|                    | 911 555 111 08 QX6        | Brown/brown  |  |     |       |     |   |       |
|                    | 911 555 111 08 QX7        | Burgundy/burgundy  |  |     |       |     |   |       |
|                    | 911 555 111 08 QX8        | Greyish green/grey-green   |  |     |       |     |   |       |
|                    | 911 555 111 08 QX9        | Black/can-can-red  |  |     |       |     |   |       |
|                    | 911 555 111 08 QY1        | Black/pearl white  |  |     |       |     |   |       |
|                    | 911 555 111 08 QY2        | Black/champagne  |  |     |       |     |   |       |
|                    | 911 555 111 08 QY3        | Burgundy/pearl white   |  |     |       |     |   |       |
|                    | 911 555 111 08 QY4        | Brown/champagne  |  |     |       |     |   |       |
|                    | 911 555 111 08 QY5        | Blue/pearl white   |  |     |       |     |   |       |
|                    | 911 555 111 08 QY6        | Blue/champagne   |  |     |       |     |   |       |
|                    | 911 555 111 08 QY7        | Greyish green/pearl white  |  |     |       |     |   |       |
|                    | 911 555 111 08 QY8        | Blue/<br>Ocean blue  |  |     |       |     |   |       |
|                    | 911 555 111 08 QY9        | Brown/<br>Wild buffalo   |  |     |       |     |   |       |
|                    | 911 555 111 08 RU5        | Black/grey-beige   | 86-  |     |       |     |   |       |
|                    | 5                         | 911 555 111 48   | Back wall lining<br>Leatherette/leather<br>Upper part/lower part |     |       | 85- | 1 | TARGA |
|                    |                           | 911 555 111 48 QX4   | Black/black  |     |       |     |   |       |
|                    |                           | 911 555 111 48 QX5   | Blue/blue  |     |       |     |   |       |
| 911 555 111 48 QX6 |                           | Brown/brown  |  |     |       |     |   |       |
| 911 555 111 48 QX7 |                           | Burgundy/burgundy  |  |     |       |     |   |       |
| 911 555 111 48 QX8 |                           | Greyish green/grey-green   |  |     |       |     |   |       |
| 911 555 111 48 QX9 |                           | Black/can-can-red  |  |     |       |     |   |       |
| 911 555 111 48 QY1 |                           | Black/pearl white  |  |     |       |     |   |       |
| 911 555 111 48 QY2 |                           | Black/champagne  |  |     |       |     |   |       |
| 911 555 111 48 QY3 |                           | Burgundy/pearl white   |  |     |       |     |   |       |
| 911 555 111 48 QY4 |                           | Brown/champagne  |  |     |       |     |   |       |
| 911 555 111 48 QY5 |                           | Blue/pearl white   |  |     |       |     |   |       |
| 911 555 111 48 QY6 | Blue/champagne            |  |  |     |       |     |   |       |

Model: 911 84 Model life 1984>>1986

| Pos | Part Number        | Description                                    | Remark     | Qty | Model         |
|-----|--------------------|--|------------|-----|---------------|
| (5) | 911 555 111 48 QY7 | Greyish green/pearl white                      |            | 1   | COUPE<br>M526 |
|     | 911 555 111 48 QY8 | Blue/<br>Ocean blue                            |            |     |               |
|     | 911 555 111 48 QY9 | Brown/<br>Wild buffalo                         |            |     |               |
|     | 911 555 111 48 RU5 | Black/grey-beige                               | 86-        |     |               |
|     | 911 555 111 04     | Back wall lining                               | 85-        |     |               |
|     |                    | Upper part/lower part<br>Leatherette/<br>Cloth |            |     |               |
|     |                    | Pin stripe velour                              |            |     |               |
|     | 911 555 111 04 7BN | Black/<br>Black-white                          |            |     |               |
|     | 911 555 111 04 3NN | Brown/<br>Brown-beige                          |            |     |               |
|     | 911 555 111 04 8GJ | Blue/<br>Blue-white                            |            |     |               |
| (5) | 911 555 111 04 1MJ | Burgundy/<br>Burgundy-white                    |            | 1   | TARGA<br>M526 |
|     | 911 555 111 04 3JV | Greyish green/<br>Greyish green-white          |            |     |               |
|     | 911 555 111 04 9FN | Black/<br>Grey-beige-white                     | 86-<br>86- |     |               |
|     | 911 555 111 44     | Back wall lining                               | 85-        |     |               |
|     |                    | Upper part/lower part<br>Leatherette/<br>Cloth |            |     |               |
|     |                    | Pin stripe velour                              |            |     |               |
|     | 911 555 111 44 7BN | Black/<br>Black-white                          |            |     |               |
|     | 911 555 111 44 3NN | Brown/<br>Brown-beige                          |            |     |               |
|     | 911 555 111 44 8GJ | Blue/<br>Blue-white                            |            |     |               |
|     | 911 555 111 44 1MJ | Burgundy/<br>Burgundy-white                    |            |     |               |
| (5) | 911 555 111 44 3JV | Greyish green/<br>Greyish green-white          |            | 1   | COUPE<br>M526 |
|     | 911 555 111 44 9FN | Black/<br>Grey-beige-white                     | 86-<br>86- |     |               |
|     | 911 555 111 04     | Back wall lining                               | 85-        |     |               |
|     |                    | Upper part/lower part<br>Leatherette/<br>Cloth |            |     |               |
|     |                    | Pin stripe flannel                             |            |     |               |
|     | 911 555 111 04 8BF | Black/anthracite                               |            |     |               |
|     | 911 555 111 04 2TF | Brown/brown                                    |            |     |               |
|     | 911 555 111 04 6GF | Blue/blue                                      |            |     |               |
|     | 911 555 111 04 1MF | Burgundy/burgundy                              |            |     |               |
|     | 911 555 111 04 9JF | Greyish green/grey-green                       |            |     |               |
| (5) | 911 555 111 44     | Back wall lining                               | 85-        | 1   | TARGA<br>M526 |
|     |                    | Upper part/lower part<br>Leatherette/<br>Cloth |            |     |               |
|     |                    | Pin stripe flannel                             |            |     |               |
|     | 911 555 111 44 8BF | Black/anthracite                               |            |     |               |
|     | 911 555 111 44 2TF | Brown/brown                                    |            |     |               |
|     | 911 555 111 44 1MF | Burgundy/burgundy                              |            |     |               |

Model: 911 84 Model life 1984>>1986

| Pos | Part Number                          | Description  | Remark     | Qty | Model         |
|-----|--------------------------------------|--|------------|-----|---------------|
| (5) | 911 555 111 44 9JF<br>911 555 111 04 | Greyish green/grey-green<br>Back wall lining                     | 85-        | 1   | COUPE<br>M526 |
|     |                                      | Upper part/lower part<br>Leatherette/<br>Porsche lettering cloth |            |     |               |
|     | 911 555 111 04 2CZ                   | Black/black  |            |     |               |
|     | 911 555 111 04 7NZ                   | Brown/brown  |            |     |               |
|     | 911 555 111 04 6HZ                   | Blue/blue  |            |     |               |
|     | 911 555 111 04 5LZ                   | Burgundy/burgundy  |            |     |               |
|     | 911 555 111 04 1JK                   | Greyish green/grey-green   |            |     |               |
| (5) | 911 555 111 04 5UY<br>911 555 111 44 | Black/grey-beige<br>Back wall lining                             | 86-<br>85- | 1   | TARGA<br>M526 |
|     |                                      | Upper part/lower part<br>Leatherette/<br>Porsche lettering cloth |            |     |               |
|     | 911 555 111 44 2CZ                   | Black/black  |            |     |               |
|     | 911 555 111 44 7NZ                   | Brown/brown  |            |     |               |
|     | 911 555 111 44 6HZ                   | Blue/blue  |            |     |               |
|     | 911 555 111 44 5LZ                   | Burgundy/burgundy  |            |     |               |
|     | 911 555 111 44 1JK                   | Greyish green/grey-green   |            |     |               |
|     | 911 555 111 44 5UY                   | Black/grey-beige   | 86-        |     |               |
| (5) | 911 555 111 06                       | Back wall lining   | 85-        | 1   | COUPE         |
|     |                                      | Upper part/lower part<br>Leather/<br>Cloth<br>Pin stripe velour  |            |     |               |
|     | 911 555 111 06 7BN                   | Black/<br>Black-white  |            |     |               |
|     | 911 555 111 06 3NN                   | Brown/<br>Brown-beige  |            |     |               |
|     | 911 555 111 06 8GJ                   | Blue/<br>Blue-white  |            |     |               |
|     | 911 555 111 06 1MJ                   | Burgundy/<br>Burgundy-white                                      |            |     |               |
|     | 911 555 111 06 3JV                   | Greyish green/<br>Greyish green-white                            |            |     |               |
|     | 911 555 111 06 9FN                   | Black/<br>Grey-beige-white                                       | 86-<br>86- |     |               |
| (5) | 911 555 111 46                       | Back wall lining   | 85-        | 1   | TARGA         |
|     |                                      | Upper part/lower part<br>Leather/<br>Cloth<br>Pin stripe velour  |            |     |               |
|     | 911 555 111 46 7BN                   | Black/<br>Black-white  |            |     |               |
|     | 911 555 111 46 3NN                   | Brown/<br>Brown-beige  |            |     |               |
|     | 911 555 111 46 8GJ                   | Blue/<br>Blue-white  |            |     |               |
|     | 911 555 111 46 1MJ                   | Burgundy/<br>Burgundy-white                                      |            |     |               |
|     | 911 555 111 46 3JV                   | Greyish green/<br>Greyish green-white                            |            |     |               |
|     | 911 555 111 46 9FN                   | Black/<br>Grey-beige-white                                       | 86-<br>86- |     |               |
| (5) | 911 555 111 06                       | Back wall lining   | 85-        | 1   | COUPE         |
|     |                                      | Upper part/lower part<br>Leather/<br>Cloth<br>Pin stripe flannel |            |     |               |
|     | 911 555 111 06 8BF                   | Black/anthracite   |            |     |               |

Model: 911 84 Model life 1984>>1986

| Pos  | Part Number        | Description  | Remark | Qty | Model |
|------|--------------------|--|--------|-----|-------|
| (5)  | 911 555 111 06 2TF | Brown/brown  |        |     |       |
|      | 911 555 111 06 6GF | Blue/blue  |        |     |       |
|      | 911 555 111 06 1MF | Burgundy/burgundy  |        |     |       |
|      | 911 555 111 06 9JF | Greyish green/grey-green   |        |     |       |
|      | 911 555 111 46     | Back wall lining<br>Upper part/lower part<br>Leather/<br>Cloth<br>Pin stripe flannel | 85-    | 1   | TARGA |
| (5)  | 911 555 111 46 8BF | Black/anthracite   |        |     |       |
|      | 911 555 111 46 2TF | Brown/brown  |        |     |       |
|      | 911 555 111 46 6GF | Blue/blue  |        |     |       |
|      | 911 555 111 46 1MF | Burgundy/burgundy  |        |     |       |
|      | 911 555 111 46 9JF | Greyish green/grey-green   |        |     |       |
| (5)  | 911 555 111 06     | Back wall lining<br>Upper part/lower part<br>Leather/<br>Porsche lettering cloth     | 85-    | 1   | COUPE |
|      | 911 555 111 06 2CZ | Black/black  |        |     |       |
|      | 911 555 111 06 7NZ | Brown/brown  |        |     |       |
|      | 911 555 111 06 6HZ | Blue/blue  |        |     |       |
|      | 911 555 111 06 5LZ | Burgundy/burgundy  |        |     |       |
| (5)  | 911 555 111 06 1JK | Greyish green/grey-green   |        |     |       |
|      | 911 555 111 06 5UY | Black/grey-beige   | 86-    |     |       |
|      | 911 555 111 46     | Back wall lining<br>Upper part/lower part<br>Leather/<br>Porsche lettering cloth     | 85-    | 1   | TARGA |
|      | 911 555 111 46 2CZ | Black/black  |        |     |       |
|      | 911 555 111 46 7NZ | Brown/brown  |        |     |       |
| 6    | 911 555 111 46 6HZ | Blue/blue  |        |     |       |
|      | 911 555 111 46 5LZ | Burgundy/burgundy  |        |     |       |
|      | 911 555 111 46 1JK | Greyish green/grey-green   |        |     |       |
|      | 911 555 111 46 5UY | Black/grey-beige   | 86-    |     |       |
|      | 911 555 019 00     | Loudspeaker grille   |        | 2   |       |
| 7    | 900 145 072 07     | Tapping screw<br>B 3,5 X 22  |        | 2   |       |
| 8    | 999 591 102 17     | Washer   |        | 2   |       |
| 8    | 999 591 102 1H     | Washer   |        | 2   |       |
| (10) | 911 555 071 05     | Side trim panel<br>Leatherette   | /L     | 1   | COUPE |
|      | 911 555 071 05 3MK | Burgundy   |        |     |       |
|      | 911 555 071 05 4FK | Grey-beige   | 84, 86 |     |       |
|      | 911 555 071 05 05T | Black  |        |     |       |
|      | 911 555 071 05 1HH | Blue   |        |     |       |
| (10) | 911 555 071 05 4RB | Brown  |        |     |       |
|      | 911 555 071 05 4JX | Greyish green  | 85-    |     |       |
|      | 911 555 071 47     | Side trim panel<br>Leatherette   | /L     | 1   | TARGA |
|      | 911 555 071 47 3MK | Burgundy   |        |     |       |
|      | 911 555 071 47 4FK | Grey-beige   | 84, 86 |     |       |
| 10   | 911 555 071 47 05T | Black  |        |     |       |
|      | 911 555 071 47 1HH | Blue   |        |     |       |
|      | 911 555 071 47 4RB | Brown  |        |     |       |
|      | 911 555 071 47 4JX | Greyish green  | 85-    |     |       |
|      | 911 555 072 05     | Side trim panel<br>Leatherette   | /R     | 1   | COUPE |
| 10   | 911 555 072 05 3MK | Burgundy   |        |     |       |
|      | 911 555 072 05 4FK | Grey-beige   | 84, 86 |     |       |
|      | 911 555 072 05 05T | Black  |        |     |       |
|      | 911 555 072 05 1HH | Blue   |        |     |       |
|      | 911 555 072 05 4RB | Brown  |        |     |       |
| 10   | 911 555 072 05 4JX | Greyish green  | 85-    |     |       |

Model: 911 84 Model life 1984>>1986

| Pos  | Part Number        | Description                    | Remark | Qty | Model |
|------|--------------------|--------------------------------|--------|-----|-------|
| (10) | 911 555 072 47     | Side trim panel<br>Leatherette | /R     | 1   | TARGA |
|      | 911 555 072 47 3MK | Burgundy                       |        |     |       |
|      | 911 555 072 47 4FK | Grey-beige                     | 84, 86 |     |       |
|      | 911 555 072 47 05T | Black                          |        |     |       |
|      | 911 555 072 47 1HH | Blue                           |        |     |       |
|      | 911 555 072 47 4RB | Brown                          |        |     |       |
|      | 911 555 072 47 4JX | Greyish green                  | 85-    |     |       |
| (10) | 911 555 071 74     | Side trim panel<br>Leather     | /L     | 1   | COUPE |
|      | 911 555 071 74 LG7 | Burgundy                       |        |     |       |
|      | 911 555 071 74 LG4 | Pearl white                    |        |     |       |
|      | 911 555 071 74 LG5 | Champagne                      |        |     |       |
|      | 911 555 071 74 LG6 | Dark green                     |        |     |       |
|      | 911 555 071 74 KZ2 | Black                          |        |     |       |
|      | 911 555 071 74 KZ3 | Blue                           |        |     |       |
|      | 911 555 071 74 KZ5 | Brown                          |        |     |       |
|      | 911 555 071 74 KZ4 | Grey-beige                     | 84, 86 |     |       |
|      | 911 555 071 74 KZ6 | Can-can-red                    |        |     |       |
|      | 911 555 071 74 QC2 | Greyish green                  | 85-    |     |       |
|      | 911 555 071 74 PY9 | Ocean blue                     | 85-    |     |       |
|      | 911 555 071 74 PZ1 | Wild buffalo                   | 85-    |     |       |
| 10   | 911 555 072 74     | Side trim panel<br>Leather     | /R     | 1   | COUPE |
|      | 911 555 072 74 LG7 | Burgundy                       |        |     |       |
|      | 911 555 072 74 LG4 | Pearl white                    |        |     |       |
|      | 911 555 072 74 LG5 | Champagne                      |        |     |       |
|      | 911 555 072 74 LG6 | Dark green                     |        |     |       |
|      | 911 555 072 74 KZ2 | Black                          |        |     |       |
|      | 911 555 072 74 KZ3 | Blue                           |        |     |       |
|      | 911 555 072 74 KZ5 | Brown                          |        |     |       |
|      | 911 555 072 74 KZ4 | Grey-beige                     | 84, 86 |     |       |
|      | 911 555 072 74 KZ6 | Can-can-red                    |        |     |       |
|      | 911 555 072 74 QC2 | Greyish green                  | 85-    |     |       |
|      | 911 555 072 74 PY9 | Ocean blue                     | 85-    |     |       |
|      | 911 555 072 74 PZ1 | Wild buffalo                   | 85-    |     |       |
| (10) | 911 555 071 78     | Side trim panel<br>Leather     | /L     | 1   | TARGA |
|      | 911 555 071 78 LG7 | Burgundy                       |        |     |       |
|      | 911 555 071 78 LG4 | Pearl white                    |        |     |       |
|      | 911 555 071 78 LG5 | Champagne                      |        |     |       |
|      | 911 555 071 78 LG6 | Dark green                     |        |     |       |
|      | 911 555 071 78 KZ2 | Black                          |        |     |       |
|      | 911 555 071 78 KZ3 | Blue                           |        |     |       |
|      | 911 555 071 78 KZ5 | Brown                          |        |     |       |
|      | 911 555 071 78 KZ4 | Grey-beige                     | 84, 86 |     |       |
|      | 911 555 071 78 KZ6 | Can-can-red                    |        |     |       |
|      | 911 555 071 78 QC2 | Greyish green                  | 85-    |     |       |
|      | 911 555 071 78 PY9 | Ocean blue                     | 85-    |     |       |
|      | 911 555 071 78 PZ1 | Wild buffalo                   | 85-    |     |       |
| (10) | 911 555 072 78     | Side trim panel<br>Leather     | /R     | 1   | TARGA |
|      | 911 555 072 78 LG7 | Burgundy                       |        |     |       |
|      | 911 555 072 78 LG4 | Pearl white                    |        |     |       |
|      | 911 555 072 78 LG5 | Champagne                      |        |     |       |
|      | 911 555 072 78 LG6 | Dark green                     |        |     |       |
|      | 911 555 072 78 KZ2 | Black                          |        |     |       |
|      | 911 555 072 78 KZ3 | Blue                           |        |     |       |
|      | 911 555 072 78 KZ5 | Brown                          |        |     |       |
|      | 911 555 072 78 KZ4 | Grey-beige                     | 84, 86 |     |       |
|      | 911 555 072 78 KZ6 | Can-can-red                    |        |     |       |
|      | 911 555 072 78 QC2 | Greyish green                  | 85-    |     |       |
|      | 911 555 072 78 PY9 | Ocean blue                     | 85-    |     |       |



Model: 911 84 Model life 1984>>1986

| Pos                | Part Number        | Description         | Remark          | Qty    | Model         |
|--------------------|--------------------|---------------------|-----------------|--------|---------------|
| (10)               | 911 555 072 78 PZ1 | Wild buffalo        | 85-             | 1      | COUPE<br>M526 |
|                    | 911 555 071 09     | Side trim panel     | /L 85-          |        |               |
|                    |                    | All-cloth           |                 |        |               |
|                    |                    | Pin stripe velour   |                 |        |               |
|                    | 911 555 071 09 7BN | Black-white         |                 |        |               |
|                    | 911 555 071 09 3NN | Brown-beige         |                 |        |               |
|                    | 911 555 071 09 8GJ | Blue-white          |                 |        |               |
|                    | 911 555 071 09 1MJ | Burgundy-white      |                 |        |               |
|                    | 911 555 071 09 3JV | Greyish green-white |                 |        |               |
|                    | 911 555 071 09 9FN | Grey-beige-white    | 86-             |        |               |
| (10)               | 911 555 071 50     | Side trim panel     | /L 85-          | 1      | TARGA<br>M526 |
|                    |                    | All-cloth           |                 |        |               |
|                    |                    | Pin stripe velour   |                 |        |               |
|                    | 911 555 071 50 7BN | Black-white         |                 |        |               |
|                    | 911 555 071 50 3NN | Brown-beige         |                 |        |               |
|                    | 911 555 071 50 8GJ | Blue-white          |                 |        |               |
|                    | 911 555 071 50 1MJ | Burgundy-white      |                 |        |               |
|                    | 911 555 071 50 3JV | Greyish green-white |                 |        |               |
|                    | 911 555 071 50 9FN | Grey-beige-white    | 86-             |        |               |
|                    | 10                 | 911 555 072 09      | Side trim panel |        |               |
|                    |                    | All-cloth           |                 |        |               |
|                    |                    | Pin stripe velour   |                 |        |               |
| 911 555 072 09 7BN |                    | Black-white         |                 |        |               |
| 911 555 072 09 3NN |                    | Brown-beige         |                 |        |               |
| 911 555 072 09 8GJ |                    | Blue-white          |                 |        |               |
| 911 555 072 09 1MJ |                    | Burgundy-white      |                 |        |               |
| 911 555 072 09 3JV |                    | Greyish green-white |                 |        |               |
| 911 555 072 09 9FN |                    | Grey-beige-white    | 86-             |        |               |
| (10)               |                    | 911 555 072 50      | Side trim panel | /R 85- | 1             |
|                    |                    | All-cloth           |                 |        |               |
|                    |                    | Pin stripe velour   |                 |        |               |
|                    | 911 555 072 50 7BN | Black-white         |                 |        |               |
|                    | 911 555 072 50 3NN | Brown-beige         |                 |        |               |
|                    | 911 555 072 50 8GJ | Blue-white          |                 |        |               |
|                    | 911 555 072 50 1MJ | Burgundy-white      |                 |        |               |
|                    | 911 555 072 50 3JV | Greyish green-white |                 |        |               |
|                    | 911 555 072 50 9FN | Grey-beige-white    | 86-             |        |               |
|                    | (10)               | 911 555 071 09      | Side trim panel | /L 85- |               |
|                    |                    | All-cloth           |                 |        |               |
|                    |                    | Pin stripe velour   |                 |        |               |
| 911 555 071 09 7BN |                    | Black-white         |                 |        |               |
| 911 555 071 09 3NN |                    | Brown-beige         |                 |        |               |
| 911 555 071 09 8GJ |                    | Blue-white          |                 |        |               |
| 911 555 071 09 1MJ |                    | Burgundy-white      |                 |        |               |
| 911 555 071 09 3JV |                    | Greyish green-white |                 |        |               |
| 911 555 071 09 9FN |                    | Grey-beige-white    | 86-             |        |               |
| (10)               |                    | 911 555 071 50      | Side trim panel | /L 85- | 1             |
|                    |                    | All-cloth           |                 |        |               |
|                    |                    | Pin stripe velour   |                 |        |               |
|                    | 911 555 071 50 7BN | Black-white         |                 |        |               |
|                    | 911 555 071 50 3NN | Brown-beige         |                 |        |               |
|                    | 911 555 071 50 8GJ | Blue-white          |                 |        |               |
|                    | 911 555 071 50 1MJ | Burgundy-white      |                 |        |               |
|                    | 911 555 071 50 3JV | Greyish green-white |                 |        |               |
|                    | 911 555 071 50 9FN | Grey-beige-white    | 86-             |        |               |
|                    | 10                 | 911 555 072 09      | Side trim panel | /R 85- |               |
|                    |                    | All-cloth           |                 |        |               |
|                    |                    | Pin stripe velour   |                 |        |               |
| 911 555 072 09 7BN |                    | Black-white         |                 |        |               |
| 911 555 072 09 3NN |                    | Brown-beige         |                 |        |               |
| 911 555 072 09 8GJ |                    | Blue-white          |                 |        |               |
| 911 555 072 09 1MJ |                    | Burgundy-white      |                 |        |               |
| 911 555 072 09 3JV |                    | Greyish green-white |                 |        |               |
| 911 555 072 09 9FN |                    | Grey-beige-white    | 86-             |        |               |
| (10)               |                    | 911 555 071 09      | Side trim panel | /L 85- | 1             |
|                    |                    | All-cloth           |                 |        |               |
|                    |                    | Pin stripe velour   |                 |        |               |
|                    | 911 555 071 09 7BN | Black-white         |                 |        |               |
|                    | 911 555 071 09 3NN | Brown-beige         |                 |        |               |
|                    | 911 555 071 09 8GJ | Blue-white          |                 |        |               |
|                    | 911 555 071 09 1MJ | Burgundy-white      |                 |        |               |
|                    | 911 555 071 09 3JV | Greyish green-white |                 |        |               |
|                    | 911 555 071 09 9FN | Grey-beige-white    | 86-             |        |               |
|                    | 10                 | 911 555 072 09      | Side trim panel | /R 85- |               |
|                    |                    | All-cloth           |                 |        |               |
|                    |                    | Pin stripe velour   |                 |        |               |
| 911 555 072 09 7BN |                    | Black-white         |                 |        |               |
| 911 555 072 09 3NN |                    | Brown-beige         |                 |        |               |
| 911 555 072 09 8GJ |                    | Blue-white          |                 |        |               |
| 911 555 072 09 1MJ |                    | Burgundy-white      |                 |        |               |
| 911 555 072 09 3JV |                    | Greyish green-white |                 |        |               |
| 911 555 072 09 9FN |                    | Grey-beige-white    | 86-             |        |               |
| (10)               |                    | 911 555 071 09      | Side trim panel | /L 85- | 1             |
|                    |                    | All-cloth           |                 |        |               |
|                    |                    | Pin stripe velour   |                 |        |               |
|                    | 911 555 071 09 7BN | Black-white         |                 |        |               |
|                    | 911 555 071 09 3NN | Brown-beige         |                 |        |               |
|                    | 911 555 071 09 8GJ | Blue-white          |                 |        |               |
|                    | 911 555 071 09 1MJ | Burgundy-white      |                 |        |               |
|                    | 911 555 071 09 3JV | Greyish green-white |                 |        |               |
|                    | 911 555 071 09 9FN | Grey-beige-white    | 86-             |        |               |
|                    | 10                 | 911 555 072 09      | Side trim panel | /R 85- |               |
|                    |                    | All-cloth           |                 |        |               |
|                    |                    | Pin stripe velour   |                 |        |               |
| 911 555 072 09 7BN |                    | Black-white         |                 |        |               |
| 911 555 072 09 3NN |                    | Brown-beige         |                 |        |               |
| 911 555 072 09 8GJ |                    | Blue-white          |                 |        |               |
| 911 555 072 09 1MJ |                    | Burgundy-white      |                 |        |               |
| 911 555 072 09 3JV |                    | Greyish green-white |                 |        |               |
| 911 555 072 09 9FN |                    | Grey-beige-white    | 86-             |        |               |
| (10)               |                    | 911 555 071 09      | Side trim panel | /L 85- | 1             |
|                    |                    | All-cloth           |                 |        |               |
|                    |                    | Pin stripe velour   |                 |        |               |
|                    | 911 555 071 09 7BN | Black-white         |                 |        |               |
|                    | 911 555 071 09 3NN | Brown-beige         |                 |        |               |
|                    | 911 555 071 09 8GJ | Blue-white          |                 |        |               |
|                    | 911 555 071 09 1MJ | Burgundy-white      |                 |        |               |
|                    | 911 555 071 09 3JV | Greyish green-white |                 |        |               |
|                    | 911 555 071 09 9FN | Grey-beige-white    | 86-             |        |               |
|                    | 10                 | 911 555 072 09      | Side trim panel | /R 85- |               |
|                    |                    | All-cloth           |                 |        |               |
|                    |                    | Pin stripe velour   |                 |        |               |
| 911 555 072 09 7BN |                    | Black-white         |                 |        |               |
| 911 555 072 09 3NN |                    | Brown-beige         |                 |        |               |
| 911 555 072 09 8GJ |                    | Blue-white          |                 |        |               |
| 911 555 072 09 1MJ |                    | Burgundy-white      |                 |        |               |
| 911 555 072 09 3JV |                    | Greyish green-white |                 |        |               |
| 911 555 072 09 9FN |                    | Grey-beige-white    | 86-             |        |               |
| (10)               |                    | 911 555 071 09      | Side trim panel | /L 85- | 1             |
|                    |                    | All-cloth           |                 |        |               |
|                    |                    | Pin stripe velour   |                 |        |               |
|                    | 911 555 071 09 7BN | Black-white         |                 |        |               |
|                    | 911 555 071 09 3NN | Brown-beige         |                 |        |               |
|                    | 911 555 071 09 8GJ | Blue-white          |                 |        |               |
|                    | 911 555 071 09 1MJ | Burgundy-white      |                 |        |               |
|                    | 911 555 071 09 3JV | Greyish green-white |                 |        |               |
|                    | 911 555 071 09 9FN | Grey-beige-white    | 86-             |        |               |
|                    | 10                 | 911 555 072 09      | Side trim panel | /R 85- |               |
|                    |                    | All-cloth           |                 |        |               |
|                    |                    | Pin stripe velour   |                 |        |               |
| 911 555 072 09 7BN |                    | Black-white         |                 |        |               |
| 911 555 072 09 3NN |                    | Brown-beige         |                 |        |               |
| 911 555 072 09 8GJ |                    | Blue-white          |                 |        |               |
| 911 555 072 09 1MJ |                    | Burgundy-white      |                 |        |               |
| 911 555 072 09 3JV |                    | Greyish green-white |                 |        |               |
| 911 555 072 09 9FN |                    | Grey-beige-white    | 86-             |        |               |

Model: 911 84 Model life 1984>>1986

| Pos  | Part Number        | Description             | Remark | Qty | Model         |
|------|--------------------|-------------------------|--------|-----|---------------|
| (10) | 911 555 072 09 1MF | Burgundy                |        | 1   | TARGA<br>M526 |
|      | 911 555 072 09 9JF | Greyish green           |        |     |               |
|      | 911 555 072 50     | Side trim panel         | /R 85- |     |               |
|      |                    | Pin stripe flannel      |        |     |               |
|      | 911 555 072 50 8BF | Anthracite              |        |     |               |
|      | 911 555 072 50 2TF | Brown                   |        |     |               |
| (10) | 911 555 072 50 6GF | Blue                    |        | 1   | COUPE<br>M526 |
|      | 911 555 072 50 1MF | Burgundy                |        |     |               |
|      | 911 555 072 50 9JF | Greyish green           |        |     |               |
|      | 911 555 071 09     | Side trim panel         | /L 85- |     |               |
|      |                    | Porsche lettering cloth |        |     |               |
|      | 911 555 071 09 2CZ | Black                   |        |     |               |
| (10) | 911 555 071 09 7NZ | Brown                   |        | 1   | TARGA<br>M526 |
|      | 911 555 071 09 6HZ | Blue                    |        |     |               |
|      | 911 555 071 09 5LZ | Burgundy                |        |     |               |
|      | 911 555 071 09 1JK | Greyish green           |        |     |               |
|      | 911 555 071 09 5UY | Grey-beige              | 86-    |     |               |
|      | 911 555 071 50     | Side trim panel         | /L 85- |     |               |
| 10   |                    | Porsche lettering cloth |        | 1   | COUPE<br>M526 |
|      | 911 555 071 50 2CZ | Black                   |        |     |               |
|      | 911 555 071 50 7NZ | Brown                   |        |     |               |
|      | 911 555 071 50 6HZ | Blue                    |        |     |               |
|      | 911 555 071 50 5LZ | Burgundy                |        |     |               |
|      | 911 555 071 50 1JK | Greyish green           |        |     |               |
| (10) | 911 555 071 50 5UY | Grey-beige              | 86-    | 1   | TARGA<br>M526 |
|      | 911 555 072 09     | Side trim panel         | /R 85- |     |               |
|      |                    | Porsche lettering cloth |        |     |               |
|      | 911 555 072 09 2CZ | Black                   |        |     |               |
|      | 911 555 072 09 7NZ | Brown                   |        |     |               |
|      | 911 555 072 09 6HZ | Blue                    |        |     |               |
| 14   | 911 555 072 09 5LZ | Burgundy                |        | 4   | COUPE         |
|      | 911 555 072 09 1JK | Greyish green           |        |     |               |
|      | 911 555 072 09 5UY | Grey-beige              | 86-    |     |               |
|      | 911 555 072 50     | Side trim panel         | /R 85- |     |               |
|      |                    | Porsche lettering cloth |        |     |               |
|      | 911 555 072 50 2CZ | Black                   |        |     |               |
| 15   | 911 555 615 01     | Rosette                 |        | 2   | COUPE         |
| 16   | 999 507 020 02     | Speed nut<br>4,2        |        | 4   | COUPE         |
| 16   | 999 507 020 01     | Speed nut<br>4,2        |        | 4   | Coupe         |
| (17) | 911 555 757 00     | Cover                   | /L     | 1   | COUPE         |
|      |                    | Lock pillar             |        |     |               |
|      |                    | Leatherette             |        |     |               |
|      | 911 555 757 00 3MK | Burgundy                |        |     |               |
|      | 911 555 757 00 4FK | Grey-beige              | 84, 86 |     |               |
|      | 911 555 757 00 05T | Black                   |        |     |               |
| 17   | 911 555 757 00 1HH | Blue                    |        | 1   | COUPE         |
|      | 911 555 757 00 4RB | Brown                   |        |     |               |
|      | 911 555 757 00 4JX | Greyish green           | 85-    |     |               |
|      | 911 555 758 00     | Cover                   | /R     |     |               |

Model: 911 84 Model life 1984>>1986

| Pos  | Part Number        | Description   | Remark | Qty | Model |
|------|--------------------|---------------|--------|-----|-------|
|      |                    | Lock pillar   |        |     |       |
|      |                    | Leatherette   |        |     |       |
|      | 911 555 758 00 3MK | Burgundy      |        |     |       |
|      | 911 555 758 00 4FK | Grey-beige    | 84, 86 |     |       |
|      | 911 555 758 00 05T | Black         |        |     |       |
|      | 911 555 758 00 1HH | Blue          |        |     |       |
|      | 911 555 758 00 4RB | Brown         |        |     |       |
|      | 911 555 758 00 4JX | Greyish green | 85-    |     |       |
| (17) | 911 555 757 40     | Cover         | /L     | 1   | TARGA |
|      |                    | Lock pillar   |        |     |       |
|      |                    | Leatherette   |        |     |       |
|      | 911 555 757 40 3MK | Burgundy      |        |     |       |
|      | 911 555 757 40 4FK | Grey-beige    | 84, 86 |     |       |
|      | 911 555 757 40 05T | Black         |        |     |       |
|      | 911 555 757 40 1HH | Blue          |        |     |       |
|      | 911 555 757 40 4RB | Brown         |        |     |       |
|      | 911 555 757 40 4JX | Greyish green | 85-    |     |       |
| (17) | 911 555 758 40     | Cover         | /R     | 1   | TARGA |
|      |                    | Lock pillar   |        |     |       |
|      |                    | Leatherette   |        |     |       |
|      | 911 555 758 40 3MK | Burgundy      |        |     |       |
|      | 911 555 758 40 4FK | Grey-beige    | 84, 86 |     |       |
|      | 911 555 758 40 05T | Black         |        |     |       |
|      | 911 555 758 40 1HH | Blue          |        |     |       |
|      | 911 555 758 40 4RB | Brown         |        |     |       |
|      | 911 555 758 40 4JX | Greyish green | 85-    |     |       |
| (17) | 911 555 757 70     | Cover         | /L     | 1   | COUPE |
|      |                    | Lock pillar   |        |     |       |
|      |                    | Leather       |        |     |       |
|      | 911 555 757 70 80S | Can-can-red   |        |     |       |
|      | 911 555 757 70 LG7 | Burgundy      |        |     |       |
|      | 911 555 757 70 KZ4 | Grey-beige    | 84, 86 |     |       |
|      | 911 555 757 70 8YD | Pearl white   |        |     |       |
|      | 911 555 757 70 1VD | Champagne     |        |     |       |
|      | 911 555 757 70 LG6 | Dark green    |        |     |       |
|      | 911 555 757 70 KZ2 | Black         |        |     |       |
|      | 911 555 757 70 KZ3 | Blue          |        |     |       |
|      | 911 555 757 70 KZ5 | Brown         |        |     |       |
|      | 911 555 757 70 5JX | Greyish green | 85-    |     |       |
|      | 911 555 757 70 6GX | Ocean blue    | 85-    |     |       |
|      | 911 555 757 70 5NW | Wild buffalo  | 85-    |     |       |
| 17   | 911 555 758 70     | Cover         | /R     | 1   | COUPE |
|      |                    | Lock pillar   |        |     |       |
|      |                    | Leather       |        |     |       |
|      | 911 555 758 70 80S | Can-can-red   |        |     |       |
|      | 911 555 758 70 LG7 | Burgundy      |        |     |       |
|      | 911 555 758 70 KZ4 | Grey-beige    | 84, 86 |     |       |
|      | 911 555 758 70 8YD | Pearl white   |        |     |       |
|      | 911 555 758 70 1VD | Champagne     |        |     |       |
|      | 911 555 758 70 LG6 | Dark green    |        |     |       |
|      | 911 555 758 70 KZ2 | Black         |        |     |       |
|      | 911 555 758 70 KZ3 | Blue          |        |     |       |
|      | 911 555 758 70 KZ5 | Brown         |        |     |       |
|      | 911 555 758 70 5JX | Greyish green | 85-    |     |       |
|      | 911 555 758 70 6GX | Ocean blue    | 85-    |     |       |
|      | 911 555 758 70 5NW | Wild buffalo  | 85-    |     |       |
| (17) | 911 555 757 75     | Cover         | /L     | 1   | TARGA |
|      |                    | Lock pillar   |        |     |       |
|      |                    | Leather       |        |     |       |
|      | 911 555 757 75 80S | Can-can-red   |        |     |       |
|      | 911 555 757 75 LG7 | Burgundy      |        |     |       |
|      | 911 555 757 75 KZ4 | Grey-beige    | 84, 86 |     |       |
|      | 911 555 757 75 8YD | Pearl white   |        |     |       |

Model: 911 84 Model life 1984>>1986

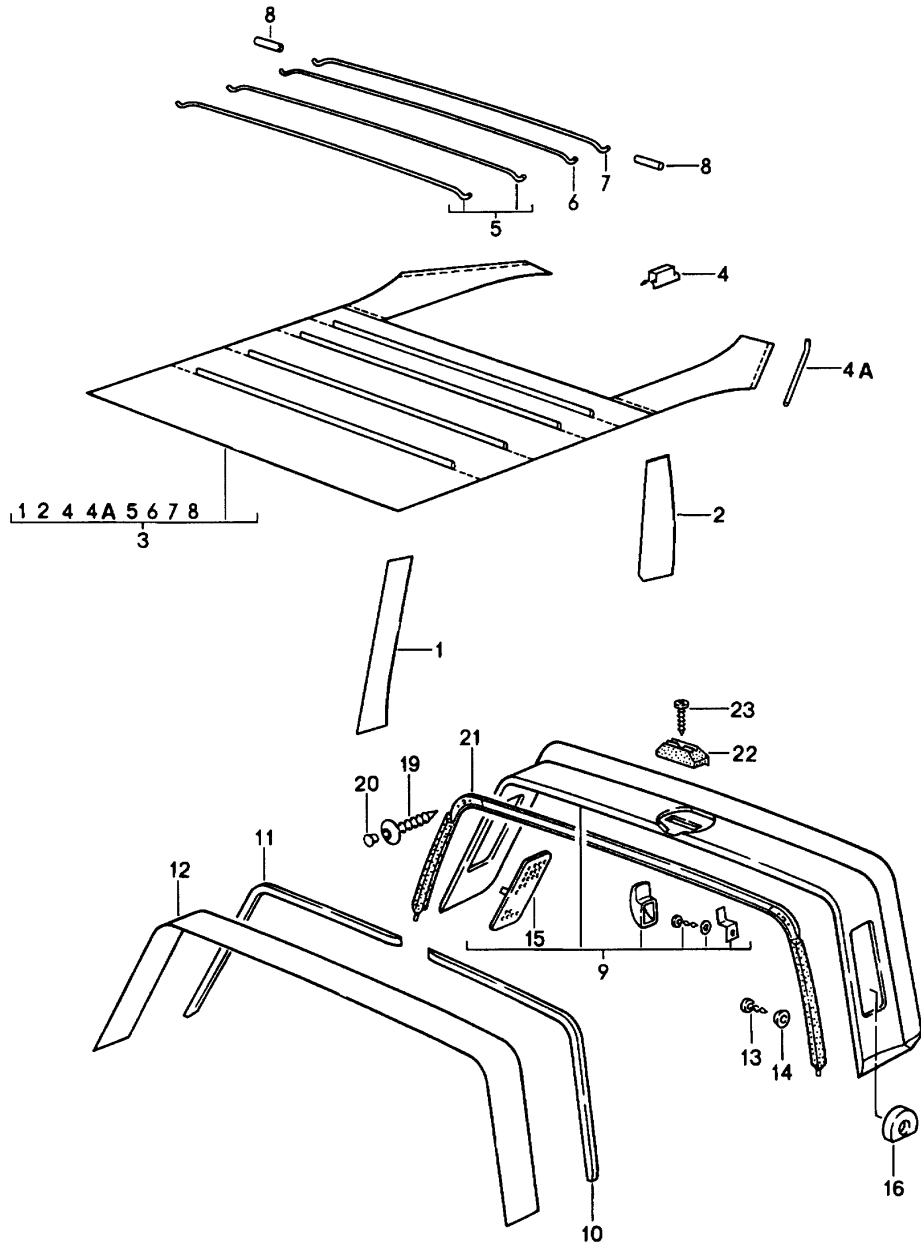
| Pos  | Part Number        | Description         | Remark | Qty | Model |
|------|--------------------|---------------------|--------|-----|-------|
|      | 911 555 757 75 1VD | Champagne           |        |     |       |
|      | 911 555 757 75 LG6 | Dark green          |        |     |       |
|      | 911 555 757 75 KZ2 | Black               |        |     |       |
|      | 911 555 757 75 KZ3 | Blue                |        |     |       |
|      | 911 555 757 75 KZ5 | Brown               |        |     |       |
|      | 911 555 757 75 5JX | Greyish green       | 85-    |     |       |
|      | 911 555 757 75 6GX | Ocean blue          | 85-    |     |       |
|      | 911 555 757 75 5NW | Wild buffalo        | 85-    |     |       |
| (17) | 911 555 758 75     | Cover               | /R     | 1   | TARGA |
|      |                    | Lock pillar         |        |     |       |
|      |                    | Leather             |        |     |       |
|      | 911 555 758 75 80S | Can-can-red         |        |     |       |
|      | 911 555 758 75 LG7 | Burgundy            |        |     |       |
|      | 911 555 758 75 KZ4 | Grey-beige          | 84, 86 |     |       |
|      | 911 555 758 75 8YD | Pearl white         |        |     |       |
|      | 911 555 758 75 1VD | Champagne           |        |     |       |
|      | 911 555 758 75 LG6 | Dark green          |        |     |       |
|      | 911 555 758 75 KZ2 | Black               |        |     |       |
|      | 911 555 758 75 KZ3 | Blue                |        |     |       |
|      | 911 555 758 75 KZ5 | Brown               |        |     |       |
|      | 911 555 758 75 5JX | Greyish green       | 85-    |     |       |
|      | 911 555 758 75 6GX | Ocean blue          | 85-    |     |       |
|      | 911 555 758 75 5NW | Wild buffalo        | 85-    |     |       |
| (18) | 901 555 023 01     | Filler piece        | /L     | 1   | TARGA |
| 18   | 901 555 024 01     | Filler piece        | /R     | 1   | TARGA |
| (19) | 911 555 091 00     | Rear cover moulding | /L     | 1   | COUPE |
|      |                    | Leatherette         |        |     |       |
|      | 911 555 091 00 3MK | Burgundy            |        |     |       |
|      | 911 555 091 00 05T | Black               |        |     |       |
|      | 911 555 091 00 1HH | Blue                |        |     |       |
|      | 911 555 091 00 4RB | Brown               |        |     |       |
|      | 911 555 091 00 4JX | Greyish green       | 85-    |     |       |
| 19   | 911 555 092 00     | Rear cover moulding | /R     | 1   | COUPE |
|      |                    | Leatherette         |        |     |       |
|      | 911 555 092 00 3MK | Burgundy            |        |     |       |
|      | 911 555 092 00 05T | Black               |        |     |       |
|      | 911 555 092 00 1HH | Blue                |        |     |       |
|      | 911 555 092 00 4RB | Brown               |        |     |       |
|      | 911 555 092 00 4JX | Greyish green       | 85-    |     |       |
| (19) | 911 555 091 40     | Rear cover moulding | /L     | 1   | TARGA |
|      |                    | Leatherette         |        |     |       |
|      | 911 555 091 40 3MK | Burgundy            |        |     |       |
|      | 911 555 091 40 05T | Black               |        |     |       |
|      | 911 555 091 40 1HH | Blue                |        |     |       |
|      | 911 555 091 40 4RB | Brown               |        |     |       |
|      | 911 555 091 40 4JX | Greyish green       | 85-    |     |       |
| (19) | 911 555 092 40     | Rear cover moulding | /R     | 1   | TARGA |
|      |                    | Leatherette         |        |     |       |
|      | 911 555 092 40 3MK | Burgundy            |        |     |       |
|      | 911 555 092 40 05T | Black               |        |     |       |
|      | 911 555 092 40 1HH | Blue                |        |     |       |
|      | 911 555 092 40 4RB | Brown               |        |     |       |
|      | 911 555 092 40 4JX | Greyish green       | 85-    |     |       |
| (19) | 911 555 091 70     | Rear cover moulding | /L     | 1   | COUPE |
|      |                    | Leather             |        |     |       |
|      | 911 555 091 70 LG7 | Burgundy            |        |     |       |
|      | 911 555 091 70 LG6 | Dark green          |        |     |       |
|      | 911 555 091 70 KZ2 | Black               |        |     |       |
|      | 911 555 091 70 KZ3 | Blue                |        |     |       |
|      | 911 555 091 70 KZ5 | Brown               |        |     |       |
|      | 911 555 091 70 QC2 | Greyish green       | 85-    |     |       |
|      | 911 555 091 70 PY9 | Ocean blue          | 85-    |     |       |
|      | 911 555 091 70 PZ1 | Wild buffalo        | 85-    |     |       |

Model: 911 84 Model life 1984>>1986

| Pos  | Part Number        | Description                    | Remark | Qty | Model |
|------|--------------------|--------------------------------|--------|-----|-------|
| 19   | 911 555 092 70     | Rear cover moulding<br>Leather | /R     | 1   | COUPE |
|      | 911 555 092 70 LG7 | Burgundy                       |        |     |       |
|      | 911 555 092 70 LG6 | Dark green                     |        |     |       |
|      | 911 555 092 70 KZ2 | Black                          |        |     |       |
|      | 911 555 092 70 KZ3 | Blue                           |        |     |       |
|      | 911 555 092 70 KZ5 | Brown                          |        |     |       |
|      | 911 555 092 70 QC2 | Greyish green                  | 85-    |     |       |
|      | 911 555 092 70 PY9 | Ocean blue                     | 85-    |     |       |
|      | 911 555 092 70 PZ1 | Wild buffalo                   | 85-    |     |       |
| (19) | 911 555 091 75     | Rear cover moulding<br>Leather | /L     | 1   | TARGA |
|      | 911 555 091 75 LG7 | Burgundy                       |        |     |       |
|      | 911 555 091 75 LG6 | Dark green                     |        |     |       |
|      | 911 555 091 75 KZ2 | Black                          |        |     |       |
|      | 911 555 091 75 KZ3 | Blue                           |        |     |       |
|      | 911 555 091 75 KZ5 | Brown                          |        |     |       |
|      | 911 555 091 75 QC2 | Greyish green                  | 85-    |     |       |
|      | 911 555 091 75 PY9 | Ocean blue                     | 85-    |     |       |
|      | 911 555 091 75 PZ1 | Wild buffalo                   | 85-    |     |       |
| (19) | 911 555 092 75     | Rear cover moulding<br>Leather | /R     | 1   | TARGA |
|      | 911 555 092 75 LG7 | Burgundy                       |        |     |       |
|      | 911 555 092 75 LG6 | Dark green                     |        |     |       |
|      | 911 555 092 75 KZ2 | Black                          |        |     |       |
|      | 911 555 092 75 KZ3 | Blue                           |        |     |       |
|      | 911 555 092 75 KZ5 | Brown                          |        |     |       |
|      | 911 555 092 75 QC2 | Greyish green                  | 85-    |     |       |
|      | 911 555 092 75 PY9 | Ocean blue                     | 85-    |     |       |
|      | 911 555 092 75 PZ1 | Wild buffalo                   | 85-    |     |       |
| 20   | 999 591 338 02     | Speed nut<br>B 3,5             |        | 4   |       |
| 20   | 999 591 460 01     | Speed nut<br>B 3,5             |        | 4   |       |
| 21   | 900 145 071 07     | Tapping screw<br>B 3,5 X 13    |        | 6   | COUPE |
| 21   |                    | Tapping screw<br>B 3,5 X 13    |        | 4   | TARGA |
| 22   | 999 591 102 17     | Washer<br>3,5                  |        | 6   | COUPE |
| 22   | 999 591 102 1H     | Washer<br>3,5                  |        | 6   | COUPE |
| 22   | 999 591 102 17     | Washer<br>3,5                  |        | 4   | TARGA |
| 22   | 999 591 102 1H     | Washer<br>3,5                  |        | 4   | TARGA |
| 23   | 901 552 871 40     | Cover                          |        | 2   |       |
| 24   | 900 250 007 02     | Tapping screw<br>AM 5 X 12     | -85    | 2   | COUPE |
| (24) | 900 025 003 02     | Washer<br>A 5,3                |        | 2   | COUPE |
| (24) | N 011 005 14       | Hexagon nut<br>M 5             |        | 2   | COUPE |
| (24) | 900 076 091 01     | Hexagon nut<br>M 5             |        | 2   | COUPE |
| 25   | 901 552 872 20     | Coat hook                      |        | 2   |       |

Model: 911 84

Model life 1984>>1986



Model: 911 84 Model life 1984>>1986

| Pos | Part Number        | Description  | Remark | Qty | Model                   |
|-----|--------------------|--|--------|-----|-------------------------|
| 1   | 901 555 507 20     | Interior equipment<br>Roof<br>Roll bar<br>Lining<br>for<br>Windscreen frame part |        | 2   | COUPE<br>TARGA<br>COUPE |
|     | 901 555 507 20 702 | Black  |        |     |                         |
|     | 901 555 507 20 1HH | Blue   |        |     |                         |
|     | 901 555 507 20 3MX | Burgundy   |        |     |                         |
|     | 901 555 507 20 5FX | Grey-beige   | -84    |     |                         |
|     | 901 555 507 20 4RB | Brown  |        |     |                         |
|     | 901 555 507 20 4JX | Greyish green  | 85-    |     |                         |
| 1   | 911 555 507 00     | Lining<br>for<br>Windscreen frame part   | /L     | 1   | COUPE                   |
|     | 911 555 507 00 702 | Black  |        |     |                         |
|     | 911 555 507 00 1HH | Blue   |        |     |                         |
|     | 911 555 507 00 3MX | Burgundy   |        |     |                         |
|     | 911 555 507 00 5FX | Grey-beige   | -84    |     |                         |
|     | 911 555 507 00 4RB | Brown  |        |     |                         |
|     | 911 555 507 00 4JX | Greyish green  | 85-    |     |                         |
| (1) | 911 555 508 00     | Lining<br>for<br>Windscreen frame part   | /R     | 1   | COUPE                   |
|     | 911 555 508 00 702 | Black  |        |     |                         |
|     | 911 555 508 00 1HH | Blue   |        |     |                         |
|     | 911 555 508 00 3MX | Burgundy   |        |     |                         |
|     | 911 555 508 00 5FX | Grey-beige   | -84    |     |                         |
|     | 911 555 508 00 4RB | Brown  |        |     |                         |
|     | 911 555 508 00 4JX | Greyish green  | 85-    |     |                         |
| 2   | 901 555 505 20     | Lining<br>Door pillar  |        | 2   | COUPE                   |
|     | 901 555 505 20 702 | Black  |        |     |                         |
|     | 901 555 505 20 1HH | Blue   |        |     |                         |
|     | 901 555 505 20 3MX | Burgundy   |        |     |                         |
|     | 901 555 505 20 5FX | Grey-beige   | -84    |     |                         |
|     | 901 555 505 20 4RB | Brown  |        |     |                         |
|     | 901 555 505 20 4JX | Greyish green  | 85-    |     |                         |
| 2   | 911 555 505 01     | Lining<br>Door pillar  | /L     | 1   | COUPE                   |
|     | 911 555 505 01 702 | Black  |        |     |                         |
|     | 911 555 505 01 1HH | Blue   |        |     |                         |
|     | 911 555 505 01 3MX | Burgundy   |        |     |                         |
|     | 911 555 505 01 5FX | Grey-beige   | -84    |     |                         |
|     | 911 555 505 01 4RB | Brown  |        |     |                         |
|     | 911 555 505 01 4JX | Greyish green  | 85-    |     |                         |
| (2) | 911 555 506 01     | Lining<br>Door pillar  | /R     | 1   | COUPE                   |
|     | 911 555 506 01 702 | Black  |        |     |                         |
|     | 911 555 506 01 1HH | Blue   |        |     |                         |
|     | 911 555 506 01 3MX | Burgundy   |        |     |                         |
|     | 911 555 506 01 5FX | Grey-beige   | -84    |     |                         |
|     | 911 555 506 01 4RB | Brown  |        |     |                         |
|     | 911 555 506 01 4JX | Greyish green  | 85-    |     |                         |
| 3   | 911 555 055 05     | Roof lining<br>for cars without<br>Sunroof                                       |        | 1   | COUPE                   |
|     | 911 555 055 05 700 | Black  |        |     |                         |
|     | 911 555 055 05 500 | Beige  | -84    |     |                         |
|     | 911 555 055 05 8LC | Burgundy   |        |     |                         |
|     | 911 555 055 05 7FC | Grey-beige   | -84    |     |                         |
|     | 911 555 055 05 1HH | Blue   |        |     |                         |
|     | 911 555 055 05 4RB | Brown  |        |     |                         |

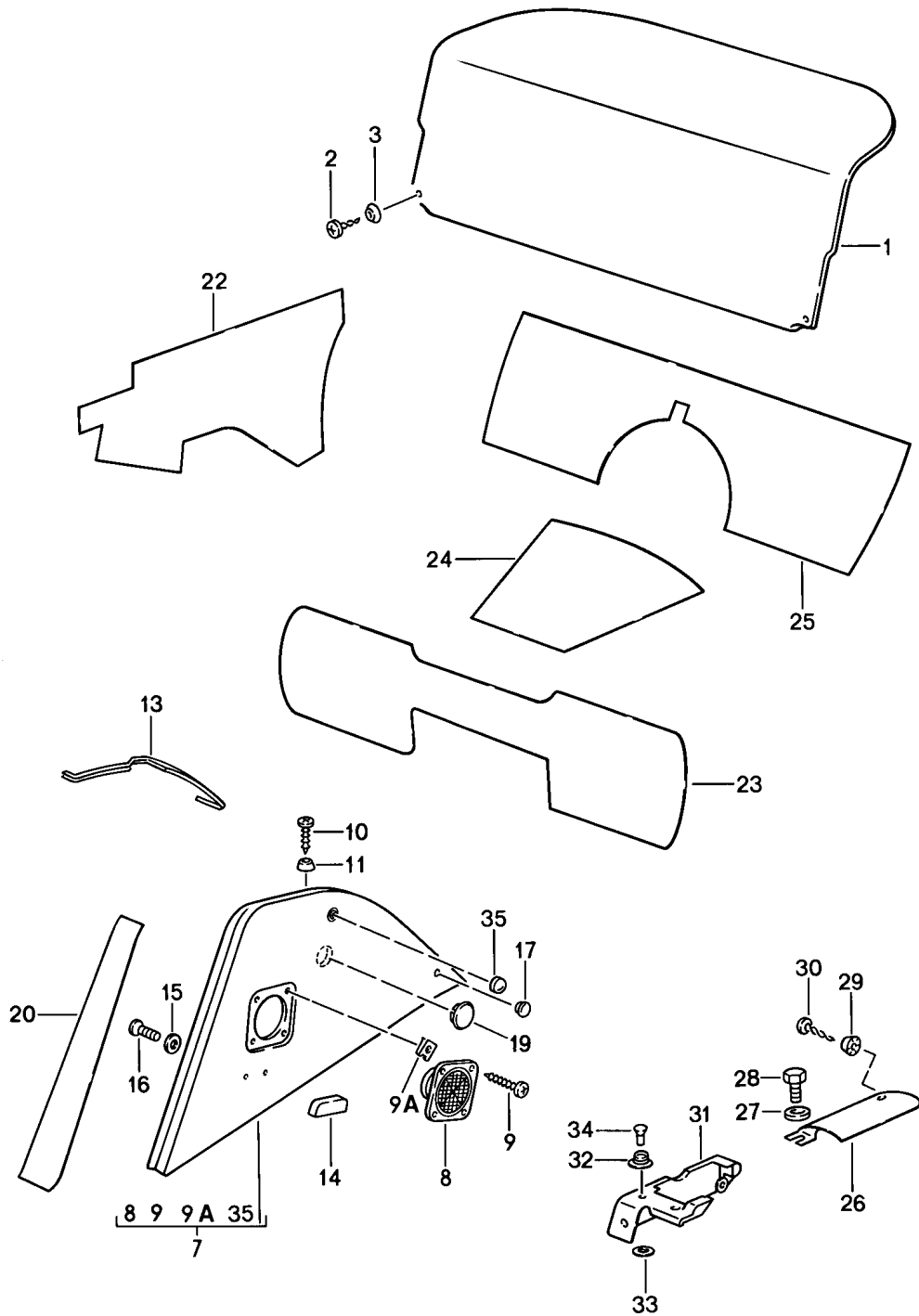
Model: 911 84 Model life 1984>>1986

| Pos  | Part Number                          | Description  | Remark | Qty | Model         |
|------|--------------------------------------|--|--------|-----|---------------|
| (3)  | 911 555 055 05 4JX<br>911 555 055 15 | Greyish green<br>Roof lining<br><br>for cars with<br>Sunroof | 85-    | 1   | COUPE<br>M650 |
|      | 911 555 055 15 700                   | Black  |        |     |               |
|      | 911 555 055 15 500                   | Beige  | -84    |     |               |
|      | 911 555 055 15 8LC                   | Burgundy   |        |     |               |
|      | 911 555 055 15 7FC                   | Grey-beige   | -84    |     |               |
|      | 911 555 055 15 1HH                   | Blue   |        |     |               |
|      | 911 555 055 15 4RB                   | Brown  |        |     |               |
|      | 911 555 055 15 4JX                   | Greyish green  | 85-    |     |               |
| 4    | 999 591 336 01                       | Fastening clamp  | /H     | 5   | COUPE         |
| (4)  | 999 591 342 02                       | Clamp  | /V     | 5   | COUPE         |
| (4)  | 999 591 342 03                       | Clamp  | /V     | 5   | COUPE         |
| 4A   | 911 555 561 00                       | Tension wire   |        | 2   | COUPE         |
| 5    | 901 555 511 20                       | Transverse strut<br>1 + 2                                    |        | 2   | COUPE         |
| 6    | 901 555 512 20                       | Transverse strut<br>3  |        | 1   | COUPE         |
| 7    | 901 555 513 20                       | Transverse strut<br>4  |        | 1   | COUPE         |
| 8    | 644 555 515 00                       | Rubber profile   |        | 8   | COUPE         |
| 9    | 911 565 019 40                       | Interior lining  |        | 1   | TARGA         |
|      | 911 565 019 40 702                   | Black  |        |     |               |
| 10   | 911 565 513 40                       | Padding  | /L     | 1   | TARGA         |
| 11   | 911 565 514 40                       | Padding  | /R     | 1   | TARGA         |
| 12   | 901 565 511 40                       | Cover<br>Padding   |        | 1   | TARGA         |
| 13   | 900 145 038 07                       | Oval-head sheetmetal screw<br>B 3,5 X 16                     |        | 4   | TARGA         |
| 14   | 999 591 102 17                       | Washer<br>3,5 90 DEG   |        | 4   | TARGA         |
| 14   | 999 591 102 1H                       | Washer<br>3,5 90 DEG   |        | 4   | TARGA         |
| (15) | 911 565 157 40                       | Bleeding   | /L     | 1   | TARGA         |
| 15   | 911 565 158 40                       | Bleeding   | /R     | 1   | TARGA         |
| 16   | 911 565 132 00                       | Filler piece   |        | 2   | TARGA         |
| 19   | 999 703 186 40                       | Plastic plug   |        | 4   |               |
| 20   | 999 591 384 40                       | Cap  |        | 4   |               |
| (21) | 911 565 091 45                       | Gasket   | -85    | 1   |               |
|      |                                      | Roll bar   |        |     |               |
| 21   | 911 565 091 46                       | Seal   | 86-    | 1   |               |
|      |                                      | Roll bar   |        |     |               |
| 21   | 911 565 091 47                       | Seal   | 86-    | 1   |               |
|      | 911 565 091 47 8VB                   | Black  |        |     |               |
|      |                                      | Roll bar   |        |     |               |
| 22   | 911 565 147 41                       | Rubber stop  | -85    | 2   |               |
| 23   | N 013 953 2                          | Oval-head sheetmetal screw<br>B 2,9 X 13                     | -85    | 2   |               |



Model: 911 84

Model life 1984>>1986



Model: 911 84 Model life 1984>>1986

| Pos | Part Number        | Description            | Remark | Qty | Model  |
|-----|--------------------|------------------------|--------|-----|--------|
|     |                    | Interior equipment     |        |     | CABRIO |
|     |                    | Rear                   |        |     |        |
| 1   | 911 555 075 60     | Back wall lining       | -85    | 1   |        |
|     |                    | Carpet                 |        |     |        |
|     | 911 555 075 60 70E | Black                  |        |     |        |
|     | 911 555 075 60 30B | Blue                   |        |     |        |
|     | 911 555 075 60 40E | Brown                  |        |     |        |
|     | 911 555 075 60 80E | Burgundy               |        |     |        |
|     | 911 555 075 60 60A | Grey                   |        |     |        |
|     | 911 555 075 60 2FL | Grey-beige             | -84    |     |        |
|     | 911 555 075 60 80S | Can-can-red            |        |     |        |
|     | 911 555 075 60 6JD | Dark green             |        |     |        |
|     | 911 555 075 60 1VD | Champagne              | 85     |     |        |
|     | 911 555 075 60 8JK | Greyish green          | 85     |     |        |
|     | 911 555 075 60 2YN | White                  | 85     |     |        |
| 1   | 911 555 075 61     | Back wall lining       | 86-    | 1   |        |
|     |                    | for manual folding top |        |     |        |
|     |                    | Carpet                 |        |     |        |
|     | 911 555 075 61 70E | Black                  |        |     |        |
|     | 911 555 075 61 30B | Blue                   |        |     |        |
|     | 911 555 075 61 40E | Brown                  |        |     |        |
|     | 911 555 075 61 80E | Burgundy               |        |     |        |
|     | 911 555 075 61 60A | Grey                   |        |     |        |
|     | 911 555 075 61 8JK | Greyish green          |        |     |        |
|     | 911 555 075 61 2FL | Grey-beige             |        |     |        |
| (1) | 911 555 075 66     | Back wall lining       | 86-    | 1   | M439   |
|     |                    | Carpet                 |        |     |        |
|     | 911 555 075 66 70E | Black                  |        |     |        |
|     | 911 555 075 66 30B | Blue                   |        |     |        |
|     | 911 555 075 66 40E | Brown                  |        |     |        |
|     | 911 555 075 66 80E | Burgundy               |        |     |        |
|     | 911 555 075 66 60A | Grey                   |        |     |        |
|     | 911 555 075 66 8JK | Greyish green          |        |     |        |
|     | 911 555 075 66 2FL | Grey-beige             |        |     |        |
| 2   | 900 145 072 07     | Tapping screw          |        | 2   |        |
|     |                    | B 3,5 X 22             |        |     |        |
| 3   | 999 591 102 17     | Washer                 |        | 2   |        |
|     |                    | 3,5 90 DEG             |        |     |        |
| 3   | 999 591 102 1H     | Washer                 |        | 2   |        |
|     |                    | 3,5 90 DEG             |        |     |        |
| (7) | 911 555 071 60     | Side trim panel        | /L -84 | 1   |        |
|     |                    | without                |        |     |        |
|     |                    | Loudspeaker            |        |     |        |
|     |                    | Carpet                 |        |     |        |
|     | 911 555 071 60 70E | Black                  |        |     |        |
|     | 911 555 071 60 30B | Blue                   |        |     |        |
|     | 911 555 071 60 40E | Brown                  |        |     |        |
|     | 911 555 071 60 80E | Burgundy               |        |     |        |
|     | 911 555 071 60 2FL | Grey-beige             | -84    |     |        |
|     | 911 555 071 60 6JD | Dark green             |        |     |        |
|     | 911 555 071 60 1VD | Champagne              |        |     |        |
|     | 911 555 071 60 80S | Can-can-red            |        |     |        |
|     | 911 555 071 60 60A | Grey                   |        |     |        |
| (7) | 911 555 072 60     | Side trim panel        | /R -84 | 1   |        |
|     |                    | without                |        |     |        |
|     |                    | Loudspeaker            |        |     |        |
|     |                    | Carpet                 |        |     |        |
|     | 911 555 072 60 70E | Black                  |        |     |        |
|     | 911 555 072 60 30B | Blue                   |        |     |        |
|     | 911 555 072 60 40E | Brown                  |        |     |        |
|     | 911 555 072 60 80E | Burgundy               |        |     |        |
|     | 911 555 072 60 2FL | Grey-beige             | -84    |     |        |
|     | 911 555 072 60 6JD | Dark green             |        |     |        |

Model: 911 84 Model life 1984>>1986

| Pos | Part Number        | Description   | Remark | Qty | Model |
|-----|--------------------|---|--------|-----|-------|
|     | 911 555 072 60 1VD | Champagne   |        |     |       |
|     | 911 555 072 60 80S | Can-can-red   |        |     |       |
|     | 911 555 072 60 60A | Grey  |        |     |       |
| (7) | 911 555 071 61     | Side trim panel<br>with loudspeaker opening<br>Carpet | /L     | 1   |       |
|     | 911 555 071 61 70E | Black   |        |     |       |
|     | 911 555 071 61 30B | Blue  |        |     |       |
|     | 911 555 071 61 40E | Brown   |        |     |       |
|     | 911 555 071 61 80E | Burgundy  |        |     |       |
|     | 911 555 071 61 2FL | Grey-beige  | 84,    |     |       |
|     | 911 555 071 61 6JD | Dark green  |        |     |       |
|     | 911 555 071 61 1VD | Champagne   |        |     |       |
|     | 911 555 071 61 80S | Can-can-red   |        |     |       |
|     | 911 555 071 61 60A | Grey  |        |     |       |
|     | 911 555 071 61 8JK | Greyish green   | 85     |     |       |
|     | 911 555 071 61 2YN | White   | 85     |     |       |
| (7) | 911 555 072 61     | Side trim panel<br>with loudspeaker opening<br>Carpet | /R     | 1   |       |
|     | 911 555 072 61 70E | Black   |        |     |       |
|     | 911 555 072 61 30B | Blue  |        |     |       |
|     | 911 555 072 61 40E | Brown   |        |     |       |
|     | 911 555 072 61 80E | Burgundy  |        |     |       |
|     | 911 555 072 61 2FL | Grey-beige  | 84,    |     |       |
|     | 911 555 072 61 6JD | Dark green  |        |     |       |
|     | 911 555 072 61 1VD | Champagne   |        |     |       |
|     | 911 555 072 61 80S | Can-can-red   |        |     |       |
|     | 911 555 072 61 60A | Grey  |        |     |       |
|     | 911 555 072 61 8JK | Greyish green   | 85     |     |       |
|     | 911 555 072 61 2YN | White   | 85     |     |       |
| (7) | 911 555 071 93     | Side trim panel<br>with loudspeaker opening<br>Carpet | /L     | 1   |       |
|     | 911 555 071 93 70E | Black   |        |     |       |
|     | 911 555 071 93 30B | Blue  |        |     |       |
|     | 911 555 071 93 40E | Brown   |        |     |       |
|     | 911 555 071 93 80E | Burgundy  |        |     |       |
|     | 911 555 071 93 2FL | Grey-beige  | 84, 86 |     |       |
|     | 911 555 071 93 6JD | Dark green  |        |     |       |
|     | 911 555 071 93 1VD | Champagne   |        |     |       |
|     | 911 555 071 93 80S | Can-can-red   |        |     |       |
|     | 911 555 071 93 60A | Grey  |        |     |       |
|     | 911 555 071 93 8JK | Greyish green   |        |     |       |
|     | 911 555 071 93 2YN | White   |        |     |       |
| 7   | 911 555 072 93     | Side trim panel<br>with loudspeaker opening<br>Carpet | /R     | 1   |       |
|     | 911 555 072 93 70E | Black   |        |     |       |
|     | 911 555 072 93 30B | Blue  |        |     |       |
|     | 911 555 072 93 40E | Brown   |        |     |       |
|     | 911 555 072 93 80E | Burgundy  |        |     |       |
|     | 911 555 072 93 2FL | Grey-beige  | 84, 86 |     |       |
|     | 911 555 072 93 6JD | Dark green  |        |     |       |
|     | 911 555 072 93 1VD | Champagne   |        |     |       |
|     | 911 555 072 93 80S | Can-can-red   |        |     |       |
|     | 911 555 072 93 60A | Grey  |        |     |       |
|     | 911 555 072 93 8JK | Greyish green   |        |     |       |
|     | 911 555 072 93 2YN | White   |        |     |       |
| (7) | 911 555 071 91     | Side trim panel<br>with loudspeaker opening<br>Carpet | /L     | 1   | M439  |
|     | 911 555 071 91 70E | Black   |        |     |       |

Model: 911 84 Model life 1984>>1986

| Pos  | Part Number        | Description   | Remark | Qty | Model |
|------|--------------------|---|--------|-----|-------|
|      | 911 555 071 91 30B | Blue  |        |     |       |
|      | 911 555 071 91 40E | Brown   |        |     |       |
|      | 911 555 071 91 80E | Burgundy  |        |     |       |
|      | 911 555 071 91 2FL | Grey-beige  | 84, 86 |     |       |
|      | 911 555 071 91 6JD | Dark green  |        |     |       |
|      | 911 555 071 91 1VD | Champagne   |        |     |       |
|      | 911 555 071 91 80S | Can-can-red   |        |     |       |
|      | 911 555 071 91 60A | Grey  |        |     |       |
|      | 911 555 071 91 8JK | Greyish green   |        |     |       |
|      | 911 555 071 91 2YN | White   |        |     |       |
| (7)  | 911 555 072 91     | Side trim panel<br>with loudspeaker opening<br>Carpet | /R     | 1   | M439  |
|      | 911 555 072 91 70E | Black   |        |     |       |
|      | 911 555 072 91 30B | Blue  |        |     |       |
|      | 911 555 072 91 40E | Brown   |        |     |       |
|      | 911 555 072 91 80E | Burgundy  |        |     |       |
|      | 911 555 072 91 2FL | Grey-beige  | 84, 86 |     |       |
|      | 911 555 072 91 6JD | Dark green  |        |     |       |
|      | 911 555 072 91 1VD | Champagne   |        |     |       |
|      | 911 555 072 91 80S | Can-can-red   |        |     |       |
|      | 911 555 072 91 60A | Grey  |        |     |       |
|      | 911 555 072 91 8JK | Greyish green   |        |     |       |
|      | 911 555 072 91 2YN | White   |        |     |       |
| 8    | 928 645 423 00     | Loudspeaker grille                                    |        | 2   |       |
| 9    | 900 143 132 07     | Tapping screw<br>B 3,9 X 16                           |        | 8   |       |
| 9A   | 999 507 071 00     | Speed nut<br>B 3,9                                    |        | 8   |       |
| 10   | N 014 093 3        | Oval-head sheetmetal screw<br>4,2 X 13                |        | 4   |       |
| 11   | 999 591 116 07     | Cone washer   |        | 4   |       |
| (13) | 911 555 417 60     | Rosette   | /L -85 | 1   |       |
| (13) | 911 555 417 00     | Rosette   | /L 86- | 1   |       |
|      | 911 555 417 00 70B | Black   |        |     |       |
| (13) | 911 555 417 66     | Rosette   | /L 86- | 1   | M439  |
|      | 911 555 417 66 70B | Black   |        |     |       |
| (13) | 911 555 418 60     | Rosette   | /R -85 | 1   |       |
| 13   | 911 555 418 00     | Rosette   | /R 86- | 1   |       |
|      | 911 555 418 00 70B | Black   |        |     |       |
| (13) | 911 555 418 66     | Rosette   | /R 86- | 1   | M439  |
|      | 911 555 418 66 70B | Black   |        |     |       |
| 14   | 477 857 375 A      | Support for seatbelt                                  |        | 2   |       |
|      | 477 857 375 A 01C  | Black   |        |     |       |
| 15   | N 011 665 3        | Washer<br>B 5,3                                       |        | 4   |       |
| 15   | N 011 665 16       | Washer<br>B 5,3                                       |        | 4   |       |
| 16   | 900 146 003 02     | Oval-head screw<br>M 5 X 10                           |        | 4   |       |
| 17   | N 900 685 01       | Push button   |        | 2   |       |
| 19   | 911 555 523 66     | Cap   | 86-    | 2   | M439  |
|      | 911 555 523 66 70B | Black<br>for emergency control                        |        |     |       |
| (20) | 911 555 757 40     | Cover<br>Lock pillar<br>Leatherette                   | /L     | 1   |       |
|      | 911 555 757 40 05T | Black   |        |     |       |
|      | 911 555 757 40 1HH | Blue  |        |     |       |
|      | 911 555 757 40 4RB | Brown   |        |     |       |
|      | 911 555 757 40 3MK | Burgundy  |        |     |       |
|      | 911 555 757 40 4FK | Grey-beige  | 84, 86 |     |       |
|      | 911 555 757 40 4JX | Greyish green   |        |     |       |

Model: 911 84 Model life 1984>>1986

| Pos  | Part Number        | Description   | Remark | Qty | Model |
|------|--------------------|---------------|--------|-----|-------|
| 20   | 911 555 758 40     | Cover         | /R     | 1   |       |
|      |                    | Lock pillar   |        |     |       |
|      |                    | Leatherette   |        |     |       |
|      | 911 555 758 40 05T | Black         |        |     |       |
|      | 911 555 758 40 1HH | Blue          |        |     |       |
|      | 911 555 758 40 4RB | Brown         |        |     |       |
|      | 911 555 758 40 3MK | Burgundy      |        |     |       |
|      | 911 555 758 40 4FK | Grey-beige    | 84, 86 |     |       |
|      | 911 555 758 40 4JX | Greyish green |        |     |       |
| (20) | 911 555 757 75     | Cover         | /L     | 1   |       |
|      |                    | Lock pillar   |        |     |       |
|      |                    | Leather       |        |     |       |
|      | 911 555 757 75 KZ2 | Black         |        |     |       |
|      | 911 555 757 75 KZ3 | Blue          |        |     |       |
|      | 911 555 757 75 KZ4 | Grey-beige    | 84, 86 |     |       |
|      | 911 555 757 75 KZ5 | Brown         |        |     |       |
|      | 911 555 757 75 LG6 | Dark green    |        |     |       |
|      | 911 555 757 75 LG7 | Burgundy      |        |     |       |
|      | 911 555 757 75 80S | Can-can-red   |        |     |       |
|      | 911 555 757 75 8YD | Pearl white   |        |     |       |
|      | 911 555 757 75 1VD | Champagne     |        |     |       |
|      | 911 555 757 75 5JX | Greyish green | 85-    |     |       |
|      | 911 555 757 75 6GX | Ocean blue    | 85-    |     |       |
|      | 911 555 757 75 5NW | Wild buffalo  | 85-    |     |       |
| 20   | 911 555 758 75     | Cover         | /R     | 1   |       |
|      |                    | Lock pillar   |        |     |       |
|      |                    | Leather       |        |     |       |
|      | 911 555 758 75 KZ2 | Black         |        |     |       |
|      | 911 555 758 75 KZ3 | Blue          |        |     |       |
|      | 911 555 758 75 KZ4 | Grey-beige    | 84, 86 |     |       |
|      | 911 555 758 75 KZ5 | Brown         |        |     |       |
|      | 911 555 758 75 LG6 | Dark green    |        |     |       |
|      | 911 555 758 75 LG7 | Burgundy      |        |     |       |
|      | 911 555 758 75 80S | Can-can-red   |        |     |       |
|      | 911 555 758 75 8YD | Pearl white   |        |     |       |
|      | 911 555 758 75 1VD | Champagne     |        |     |       |
|      | 911 555 758 75 5JX | Greyish green | 85-    |     |       |
|      | 911 555 758 75 6GX | Ocean blue    | 85-    |     |       |
|      | 911 555 758 75 5NW | Wild buffalo  | 85-    |     |       |
| (22) | 911 555 171 60     | Carpet cover  | /L     | 1   |       |
|      |                    | Rear bulkhead |        |     |       |
|      |                    | Carpet        |        |     |       |
|      | 911 555 171 60 70E | Black         |        |     |       |
|      | 911 555 171 60 30B | Blue          |        |     |       |
|      | 911 555 171 60 40E | Brown         |        |     |       |
|      | 911 555 171 60 80E | Burgundy      |        |     |       |
|      | 911 555 171 60 60A | Grey          |        |     |       |
|      | 911 555 171 60 2FL | Grey-beige    | 84,    |     |       |
|      | 911 555 171 60 6JD | Dark green    |        |     |       |
|      | 911 555 171 60 1VD | Champagne     |        |     |       |
|      | 911 555 171 60 80S | Can-can-red   |        |     |       |
|      | 911 555 171 60 8JK | Greyish green | 85-    |     |       |
|      | 911 555 171 60 2YN | White         | 85-    |     |       |
| 22   | 911 555 172 60     | Carpet cover  | /R     | 1   |       |
|      |                    | Rear bulkhead |        |     |       |
|      |                    | Carpet        |        |     |       |
|      | 911 555 172 60 70E | Black         |        |     |       |
|      | 911 555 172 60 30B | Blue          |        |     |       |
|      | 911 555 172 60 40E | Brown         |        |     |       |
|      | 911 555 172 60 80E | Burgundy      |        |     |       |
|      | 911 555 172 60 60A | Grey          |        |     |       |
|      | 911 555 172 60 2FL | Grey-beige    | 84,    |     |       |
|      | 911 555 172 60 6JD | Dark green    |        |     |       |

Model: 911 84 Model life 1984>>1986

| Pos  | Part Number        | Description   | Remark | Qty | Model |
|------|--------------------|---------------|--------|-----|-------|
|      | 911 555 172 60 1VD | Champagne     |        |     |       |
|      | 911 555 172 60 80S | Can-can-red   |        |     |       |
|      | 911 555 172 60 8JK | Greyish green | 85-    |     |       |
|      | 911 555 172 60 2YN | White         | 85-    |     |       |
| (22) | 911 555 771 61     | Carpet cover  | /L     | 1   |       |
|      |                    | Rear bulkhead |        |     |       |
|      |                    | Carpet        |        |     |       |
|      | 911 555 771 61 70E | Black         |        |     |       |
|      | 911 555 771 61 30B | Blue          |        |     |       |
|      | 911 555 771 61 40E | Brown         |        |     |       |
|      | 911 555 771 61 80E | Burgundy      |        |     |       |
|      | 911 555 771 61 60A | Grey          |        |     |       |
|      | 911 555 771 61 2FL | Grey-beige    | 84, 86 |     |       |
|      | 911 555 771 61 6JD | Dark green    |        |     |       |
|      | 911 555 771 61 1VD | Champagne     |        |     |       |
|      | 911 555 771 61 80S | Can-can-red   |        |     |       |
|      | 911 555 771 61 8JK | Greyish green |        |     |       |
|      | 911 555 771 61 2YN | White         |        |     |       |
| (22) | 911 555 772 61     | Carpet cover  | /R     | 1   |       |
|      |                    | Rear bulkhead |        |     |       |
|      |                    | Carpet        |        |     |       |
|      | 911 555 772 61 70E | Black         |        |     |       |
|      | 911 555 772 61 30B | Blue          |        |     |       |
|      | 911 555 772 61 40E | Brown         |        |     |       |
|      | 911 555 772 61 80E | Burgundy      |        |     |       |
|      | 911 555 772 61 60A | Grey          |        |     |       |
|      | 911 555 772 61 2FL | Grey-beige    | 84, 86 |     |       |
|      | 911 555 772 61 6JD | Dark green    |        |     |       |
|      | 911 555 772 61 1VD | Champagne     |        |     |       |
|      | 911 555 772 61 80S | Can-can-red   |        |     |       |
|      | 911 555 772 61 8JK | Greyish green |        |     |       |
|      | 911 555 772 61 2YN | White         |        |     |       |
| (22) | 911 555 771 65     | Carpet cover  | /L     | 1   | M439  |
|      |                    | Rear bulkhead |        |     |       |
|      |                    | Carpet        |        |     |       |
|      | 911 555 771 65 70E | Black         |        |     |       |
|      | 911 555 771 65 30B | Blue          |        |     |       |
|      | 911 555 771 65 40E | Brown         |        |     |       |
|      | 911 555 771 65 80E | Burgundy      |        |     |       |
|      | 911 555 771 65 60A | Grey          |        |     |       |
|      | 911 555 771 65 2FL | Grey-beige    | 84, 86 |     |       |
|      | 911 555 771 65 6JD | Dark green    |        |     |       |
|      | 911 555 771 65 1VD | Champagne     |        |     |       |
|      | 911 555 771 65 80S | Can-can-red   |        |     |       |
|      | 911 555 771 65 8JK | Greyish green |        |     |       |
|      | 911 555 771 65 2YN | White         |        |     |       |
| (22) | 911 555 772 65     | Carpet cover  | /R     | 1   | M439  |
|      |                    | Rear bulkhead |        |     |       |
|      |                    | Carpet        |        |     |       |
|      | 911 555 772 65 70E | Black         |        |     |       |
|      | 911 555 772 65 30B | Blue          |        |     |       |
|      | 911 555 772 65 40E | Brown         |        |     |       |
|      | 911 555 772 65 80E | Burgundy      |        |     |       |
|      | 911 555 772 65 60A | Grey          |        |     |       |
|      | 911 555 772 65 2FL | Grey-beige    | 84, 86 |     |       |
|      | 911 555 772 65 6JD | Dark green    |        |     |       |
|      | 911 555 772 65 1VD | Champagne     |        |     |       |
|      | 911 555 772 65 80S | Can-can-red   |        |     |       |
|      | 911 555 772 65 8JK | Greyish green |        |     |       |
|      | 911 555 772 65 2YN | White         |        |     |       |
| 23   | 911 551 051 04     | Carpet        |        | 1   |       |
|      |                    | Heel plate    |        |     |       |
|      |                    | Cut pile      |        |     |       |

Model: 911 84 Model life 1984>>1986

| Pos  | Part Number        | Description  | Remark | Qty | Model |
|------|--------------------|--|--------|-----|-------|
|      | 911 551 051 04 70E | Black  |        |     |       |
|      | 911 551 051 04 40E | Brown  |        |     |       |
|      | 911 551 051 04 30B | Dark blue  |        |     |       |
|      | 911 551 051 04 80E | Burgundy   |        |     |       |
|      | 911 551 051 04 60A | Grey   |        |     |       |
|      | 911 551 051 04 2FL | Grey-beige   | 84, 86 |     |       |
|      | 911 551 051 04 6JD | Dark green   |        |     |       |
|      | 911 551 051 04 80S | Can-can-red  |        |     |       |
|      | 911 551 051 04 1VD | Champagne  |        |     |       |
|      | 911 551 051 04 8JK | Greyish green                                      | 85-    |     |       |
|      | 911 551 051 04 2YN | White  | 85-    |     |       |
| 24   | 911 551 023 00     | Adhesive carpet<br>Seat well<br>Centre<br>Cut pile |        | 1   |       |
|      | 911 551 023 00 70E | Black  |        |     |       |
|      | 911 551 023 00 40E | Brown  |        |     |       |
|      | 911 551 023 00 30B | Dark blue  |        |     |       |
|      | 911 551 023 00 80E | Burgundy   |        |     |       |
|      | 911 551 023 00 60A | Grey   |        |     |       |
|      | 911 551 023 00 2FL | Grey-beige   | 84, 86 |     |       |
|      | 911 551 023 00 6JD | Dark green   |        |     |       |
|      | 911 551 023 00 80S | Can-can-red  |        |     |       |
|      | 911 551 023 00 1VD | Champagne  |        |     |       |
|      | 911 551 023 00 8JK | Greyish green                                      | 85-    |     |       |
|      | 911 551 023 00 2YN | White  | 85-    |     |       |
| 25   | 911 551 054 03     | Carpet<br>Seat well<br>Cut pile                    | /H     | 1   |       |
|      | 911 551 054 03 70E | Black  |        |     |       |
|      | 911 551 054 03 40E | Brown  |        |     |       |
|      | 911 551 054 03 30B | Dark blue  |        |     |       |
|      | 911 551 054 03 80E | Burgundy   |        |     |       |
|      | 911 551 054 03 60A | Grey   |        |     |       |
|      | 911 551 054 03 2FL | Grey-beige   | 84,86  |     |       |
|      | 911 551 054 03 6JD | Dark green   |        |     |       |
|      | 911 551 054 03 80S | Can-can-red  |        |     |       |
|      | 911 551 054 03 1VD | Champagne  |        |     |       |
|      | 911 551 054 03 8JK | Greyish green                                      | 85-    |     |       |
|      | 911 551 054 03 2YN | White  | 85-    |     |       |
| 26   | 911 555 077 60     | Rear cover moulding<br>Leatherette                 | /L     | 1   |       |
| (26) | 911 555 078 60     | Rear cover moulding<br>Leatherette                 | /R     | 1   |       |
| 27   | 900 025 007 02     | Washer<br>8,4                                      |        | 6   |       |
| 27   | 900 025 007 03     | Washer<br>8,4                                      |        | 6   |       |
| 28   | 900 075 085 02     | Hexagon-head bolt<br>M 8 X 20                      | -85    | 6   |       |
| (28) | 900 067 057 02     | Pan-head screw<br>M 8 X 20                         | 86-    | 6   |       |
| 28   | 900 067 057 03     | Pan-head screw<br>M 8 X 20                         |        | 6   |       |
| 29   | 999 591 116 07     | Cone washer  |        | 2   |       |
| 30   | N 014 093 3        | Oval-head sheetmetal screw<br>4,2 X 13             |        | 2   |       |
| (31) | 911 555 763 63     | Cover  | /L -85 | 1   |       |
| (31) | 911 555 764 63     | Cover  | /R -85 | 1   |       |
| 31   | 911 555 763 61     | Cover  | /L 86- | 1   |       |
|      | 911 555 763 61 70B | Black  |        |     |       |

Model: 911 84

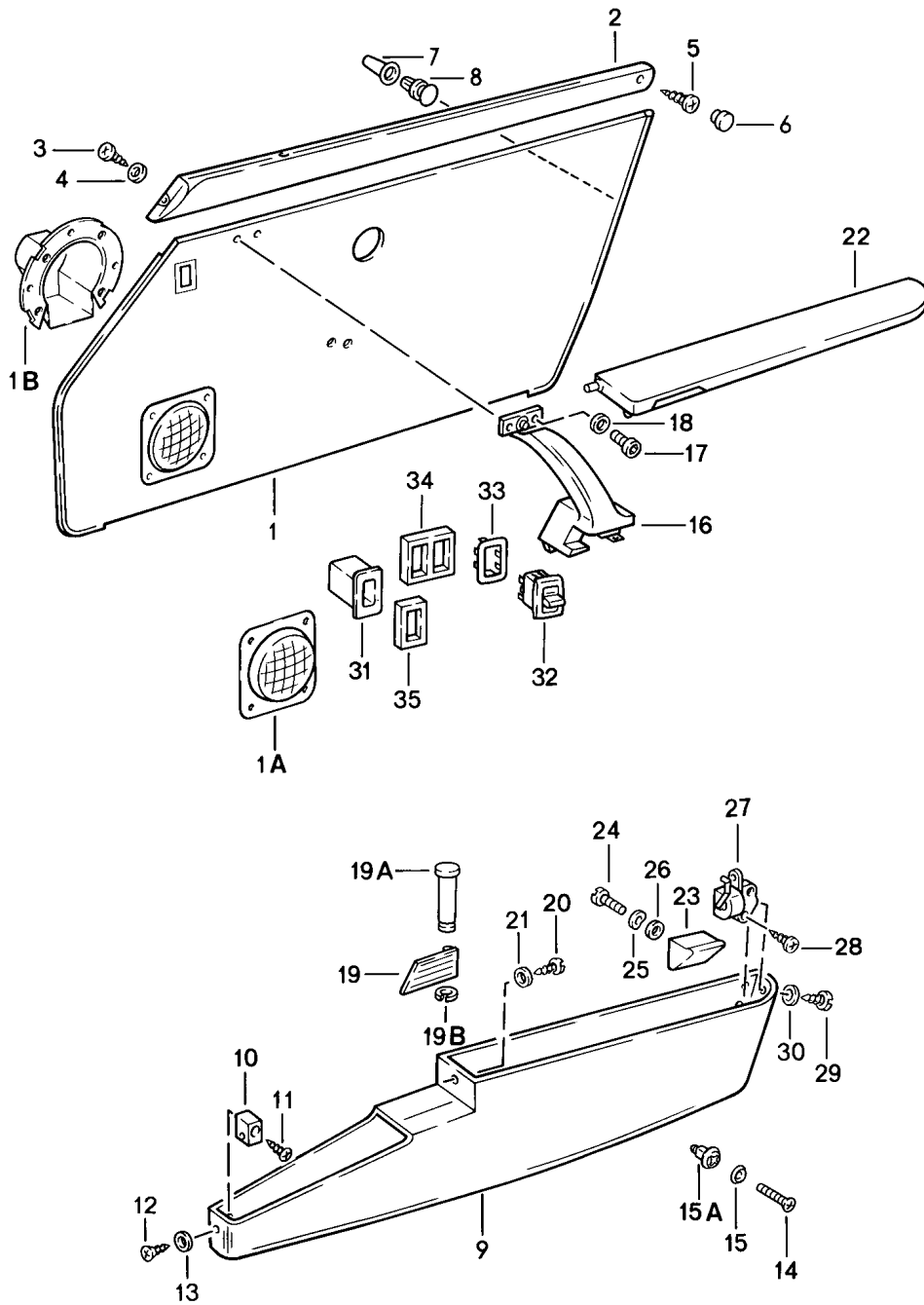
Model life 1984>>1986

| Pos  | Part Number        | Description              | Remark | Qty | Model |
|------|--------------------|--------------------------|--------|-----|-------|
| (31) | 911 555 764 61     | Cover                    | /R 86- | 1   |       |
|      | 911 555 764 61 70B | Black                    |        |     |       |
| 31   | 911 555 763 62     | Cover                    | /L 86- | 1   |       |
|      | 911 555 763 62 70B | Black                    |        |     |       |
| (31) | 911 555 764 62     | Cover                    | /R 86- | 1   |       |
|      | 911 555 764 62 70B | Black                    |        |     |       |
| 32   | 999 591 835 17     | Snap fastener lower part |        | 2   |       |
| 33   | 900 025 001 02     | Washer                   |        | 2   |       |
|      |                    | A 3,2                    |        |     |       |
| 34   | 999 190 162 37     | Blind rivet              |        | 2   |       |
| 34   | PCG 190 162 37     | Blind rivet              |        | 2   |       |
| 35   | 911 561 434 00     | Cap                      | 86-    | 2   |       |
|      | 911 561 434 00 70B | Black                    |        |     |       |



Model: 911 84

Model life 1984>>1986



Model: 911 84 Model life 1984>>1986

| Pos | Part Number        | Description                                    | Remark | Qty | Model   |
|-----|--------------------|--|--------|-----|---------|
| (1) | 911 555 931 40     | Interior equipment<br>Doors<br>Door trim panel | /L     | 1   | CARRERA |
|     | 911 555 931 40 3MK | Leatherette<br>Burgundy                        |        |     |         |
|     | 911 555 931 40 4FK | Grey-beige                                     | 84, 86 |     |         |
|     | 911 555 931 40 05T | Black  |        |     |         |
|     | 911 555 931 40 1HH | Blue   |        |     |         |
|     | 911 555 931 40 4RB | Brown  |        |     |         |
|     | 911 555 931 40 4JX | Greyish green                                  | 85-    |     |         |
| 1   | 911 555 932 40     | Door trim panel                                | /R     | 1   | CARRERA |
|     | 911 555 932 40 3MK | Leatherette<br>Burgundy                        |        |     |         |
|     | 911 555 932 40 4FK | Grey-beige                                     | 84, 86 |     |         |
|     | 911 555 932 40 05T | Black  |        |     |         |
|     | 911 555 932 40 1HH | Blue   |        |     |         |
|     | 911 555 932 40 4RB | Brown  |        |     |         |
|     | 911 555 932 40 4JX | Greyish green                                  | 85-    |     |         |
| (1) | 911 555 931 50     | Door trim panel                                | /L     | 1   |         |
|     | 911 555 931 50 LG7 | Leather<br>Burgundy                            |        |     |         |
|     | 911 555 931 50 KZ4 | Grey-beige                                     | 84, 86 |     |         |
|     | 911 555 931 50 LG6 | Dark green                                     |        |     |         |
|     | 911 555 931 50 KZ2 | Black  |        |     |         |
|     | 911 555 931 50 KZ3 | Blue   |        |     |         |
|     | 911 555 931 50 KZ5 | Brown  |        |     |         |
|     | 911 555 931 50 KZ6 | Can-can-red                                    |        |     |         |
|     | 911 555 931 50 LG4 | Pearl white                                    |        |     |         |
|     | 911 555 931 50 LG5 | Champagne                                      |        |     |         |
|     | 911 555 931 50 QC2 | Greyish green                                  | 85-    |     |         |
|     | 911 555 931 50 PY9 | Ocean blue                                     | 85-    |     |         |
|     | 911 555 931 50 PZ1 | Wild buffalo                                   | 85-    |     |         |
| (1) | 911 555 932 50     | Door trim panel                                | /R     | 1   |         |
|     | 911 555 932 50 LG7 | Leather<br>Burgundy                            |        |     |         |
|     | 911 555 932 50 KZ4 | Grey-beige                                     | 84, 86 |     |         |
|     | 911 555 932 50 LG6 | Dark green                                     |        |     |         |
|     | 911 555 932 50 KZ2 | Black  |        |     |         |
|     | 911 555 932 50 KZ3 | Blue   |        |     |         |
|     | 911 555 932 50 KZ5 | Brown  |        |     |         |
|     | 911 555 932 50 KZ6 | Can-can-red                                    |        |     |         |
|     | 911 555 932 50 LG4 | Pearl white                                    |        |     |         |
|     | 911 555 932 50 LG5 | Champagne                                      |        |     |         |
|     | 911 555 932 50 QC2 | Greyish green                                  | 85-    |     |         |
|     | 911 555 932 50 PY9 | Ocean blue                                     | 85-    |     |         |
|     | 911 555 932 50 PZ1 | Wild buffalo                                   | 85-    |     |         |
| (1) | 911 555 931 42     | Door trim panel                                | /L     | 1   | M526    |
|     | 911 555 931 42 7BN | All-cloth<br>Pin stripe velour<br>Black-white  |        |     |         |
|     | 911 555 931 42 3NN | Brown-beige                                    |        |     |         |
|     | 911 555 931 42 8GJ | Blue-white                                     |        |     |         |
|     | 911 555 931 42 1MJ | Burgundy-white                                 |        |     |         |
|     | 911 555 931 42 3JV | Greyish green-white                            |        |     |         |
|     | 911 555 931 42 9FN | Grey-beige-white                               | 86-    |     |         |
| (1) | 911 555 932 42     | Door trim panel                                | /R     | 1   | M526    |
|     | 911 555 932 42 7BN | All-cloth<br>Pin stripe velour<br>Black-white  |        |     |         |
|     | 911 555 932 42 3NN | Brown-beige                                    |        |     |         |
|     | 911 555 932 42 8GJ | Blue-white                                     |        |     |         |
|     | 911 555 932 42 1MJ | Burgundy-white                                 |        |     |         |
|     | 911 555 932 42 3JV | Greyish green-white                            |        |     |         |

Model: 911 84 Model life 1984>>1986

| Pos | Part Number        | Description             | Remark    | Qty | Model   |
|-----|--------------------|-------------------------|-----------|-----|---------|
| (1) | 911 555 932 42 9FN | Grey-beige-white        | 86-       |     |         |
|     | 911 555 931 42     | Door trim panel         | /L        | 1   | M526    |
|     |                    | All-cloth               |           |     |         |
|     |                    | Pin stripe flannel      |           |     |         |
|     | 911 555 931 42 8BF | Anthracite              |           |     |         |
|     | 911 555 931 42 2TF | Brown                   |           |     |         |
|     | 911 555 931 42 6GF | Blue                    |           |     |         |
|     | 911 555 931 42 1MF | Burgundy                |           |     |         |
|     | 911 555 931 42 9JF | Greyish green           |           |     |         |
| (1) | 911 555 932 42     | Door trim panel         | /R        | 1   | M526    |
|     |                    | All-cloth               |           |     |         |
|     |                    | Pin stripe flannel      |           |     |         |
|     | 911 555 932 42 8BF | Anthracite              |           |     |         |
|     | 911 555 932 42 2TF | Brown                   |           |     |         |
|     | 911 555 932 42 6GF | Blue                    |           |     |         |
|     | 911 555 932 42 1MF | Burgundy                |           |     |         |
|     | 911 555 932 42 9JF | Greyish green           |           |     |         |
| (1) | 911 555 931 42     | Door trim panel         | /L        | 1   | M526    |
|     |                    | All-cloth               |           |     |         |
|     |                    | Porsche lettering cloth |           |     |         |
|     | 911 555 931 42 2CZ | Black                   |           |     |         |
|     | 911 555 931 42 7NZ | Brown                   |           |     |         |
|     | 911 555 931 42 6HZ | Blue                    |           |     |         |
|     | 911 555 931 42 5LZ | Burgundy                |           |     |         |
|     | 911 555 931 42 1JK | Greyish green           |           |     |         |
|     | 911 555 931 42 5UY | Grey-beige              | 86-       |     |         |
| (1) | 911 555 932 42     | Door trim panel         | /R        | 1   | M526    |
|     |                    | All-cloth               |           |     |         |
|     |                    | Porsche lettering cloth |           |     |         |
|     | 911 555 932 42 2CZ | Black                   |           |     |         |
|     | 911 555 932 42 7NZ | Brown                   |           |     |         |
|     | 911 555 932 42 6HZ | Blue                    |           |     |         |
|     | 911 555 932 42 5LZ | Burgundy                |           |     |         |
|     | 911 555 932 42 1JK | Greyish green           |           |     |         |
|     | 911 555 932 42 5UY | Grey-beige              | 86-       |     |         |
| 1A  | 911 555 013 01     | Loudspeaker grille      |           | 2   |         |
| 1B  | 911 555 217 00     | Housing                 |           | 2   |         |
| 1C  | 999 507 226 01     | Clamping washer         |           | 6   |         |
| (2) | 911 555 083 45     | Cover strip             | /LL /L 84 | 1   | CARRERA |
|     |                    | Leatherette             |           |     |         |
|     | 911 555 083 45 7AE | Black                   |           |     |         |
|     | 911 555 083 45 30B | Blue                    |           |     |         |
|     | 911 555 083 45 3MX | Burgundy                |           |     |         |
|     | 911 555 083 45 4RB | Brown                   |           |     |         |
| 2   | 911 555 084 46     | Cover strip             | /LL /R 84 | 1   | CARRERA |
|     |                    | Leatherette             |           |     |         |
|     | 911 555 084 46 7AE | Black                   |           |     |         |
|     | 911 555 084 46 30B | Blue                    |           |     |         |
|     | 911 555 084 46 3MX | Burgundy                |           |     |         |
|     | 911 555 084 46 4RB | Brown                   |           |     |         |
| (2) | 911 555 083 47     | Cover strip             | /LL /L    | 1   |         |
|     |                    | Leatherette             |           |     |         |
|     | 911 555 083 47 7AE | Black                   |           |     |         |
|     | 911 555 083 47 30B | Dark blue               |           |     |         |
|     | 911 555 083 47 3MX | Burgundy                |           |     |         |
|     | 911 555 083 47 4RB | Brown                   |           |     |         |
|     | 911 555 083 47 4JX | Greyish green           | 85-       |     |         |
| 2   | 911 555 084 48     | Cover strip             | /LL /R    | 1   |         |
|     |                    | Leatherette             |           |     |         |
|     | 911 555 084 48 7AE | Black                   |           |     |         |
|     | 911 555 084 48 30B | Dark blue               |           |     |         |
|     | 911 555 084 48 3MX | Burgundy                |           |     |         |
|     | 911 555 084 48 4RB | Brown                   |           |     |         |

Model: 911 84 Model life 1984>>1986

| Pos                | Part Number        | Description   | Remark | Qty | Model   |        |
|--------------------|--------------------|---|--------|-----|---------|--------|
| (2)                | 911 555 084 48 4JX | Greyish green   | 85-    | 1   |         |        |
|                    | 911 555 083 81     | Cover strip<br>Leather  | /LL /L |     |         |        |
| 2                  | 911 555 083 81 KZ2 | Black/  | 85-    | 1   |         |        |
|                    | 911 555 083 81 KZ3 | Blue  |        |     |         |        |
|                    | 911 555 083 81 KZ5 | Brown   |        |     |         |        |
|                    | 911 555 083 81 LG7 | Burgundy  |        |     |         |        |
|                    | 911 555 083 81 QC2 | Greyish green   |        |     |         |        |
|                    | 911 555 083 81 LG6 | Dark green  |        |     |         |        |
|                    | 911 555 083 81 PY9 | Ocean blue  |        |     |         |        |
|                    | 911 555 083 81 PZ1 | Wild buffalo  |        |     |         |        |
|                    | 911 555 084 82     | Cover strip<br>Leather  |        |     |         | /LL /R |
|                    | 911 555 084 82 KZ2 | Black   |        |     |         |        |
|                    | 911 555 084 82 KZ3 | Blue  |        |     |         |        |
|                    | 911 555 084 82 KZ5 | Brown   |        |     |         |        |
|                    | 911 555 084 82 LG7 | Burgundy  |        |     |         |        |
|                    | 911 555 084 82 QC2 | Greyish green   |        |     |         |        |
|                    | 911 555 084 82 LG6 | Dark green  |        |     |         |        |
|                    | 911 555 084 82 PY9 | Ocean blue  |        |     |         |        |
| 911 555 084 82 PZ1 | Wild buffalo       |   |        |     |         |        |
| (2)                | 911 555 083 79     | Cover strip<br>Leather  | /LL /L | 1   |         |        |
|                    | 911 555 083 79 KZ2 | Black   |        |     |         |        |
|                    | 911 555 083 79 KZ3 | Blue  |        |     |         |        |
|                    | 911 555 083 79 KZ5 | Brown   |        |     |         |        |
|                    | 911 555 083 79 LG7 | Burgundy  |        |     |         |        |
|                    | 911 555 083 79 QC2 | Greyish green   |        |     |         |        |
|                    | 911 555 083 79 LG6 | Dark green  |        |     |         |        |
|                    | 911 555 083 79 PY9 | Ocean blue  |        |     |         |        |
|                    | 911 555 083 79 PZ1 | Wild buffalo  |        |     |         |        |
|                    | 911 555 084 80     | Cover strip<br>Leather  | /LL /R |     |         |        |
|                    | 911 555 084 80 KZ2 | Black   |        |     |         |        |
|                    | 911 555 084 80 KZ3 | Blue  |        |     |         |        |
|                    | 911 555 084 80 KZ5 | Brown   |        |     |         |        |
|                    | 911 555 084 80 LG7 | Burgundy  |        |     |         |        |
|                    | 911 555 084 80 QC2 | Greyish green   |        |     |         |        |
|                    | 911 555 084 80 LG6 | Dark green  |        |     |         |        |
| 911 555 084 80 PY9 | Ocean blue         |   |        |     |         |        |
| 911 555 084 80 PZ1 | Wild buffalo       |   |        |     |         |        |
| 3                  | 900 145 071 07     | Tapping screw<br>B 3,5 X 13   |        | 2   |         |        |
| 4                  | 999 591 116 07     | Cone washer<br>4,5 90 DEG   |        | 2   |         |        |
| 5                  | N 013 958 7        | Oval-head sheetmetal screw<br>B 3,5 X 13                            |        | 2   |         |        |
| 6                  | 999 703 077 40     | Cap   |        | 2   |         |        |
| 7                  | 999 591 311 40     | Bush  |        | 6   |         |        |
| 8                  | 823 867 299        | Clip  |        | 6   |         |        |
| (9)                | 911 555 037 04     | Package box<br>Cut pile<br>Carpet/<br>Wrapping strap<br>Leatherette | /L     | 1   | CARRERA |        |
|                    | 911 555 037 04 70E | Black/black   |        |     |         |        |
|                    | 911 555 037 04 40E | Brown/brown   |        |     |         |        |
|                    | 911 555 037 04 30B | Blue/blue   |        |     |         |        |
|                    | 911 555 037 04 80E | Burgundy/burgundy   |        |     |         |        |
|                    | 911 555 037 04 2FL | Grey-beige/grey-beige   | 84, 86 |     |         |        |
|                    | 911 555 037 04 60A | Light grey/black  |        |     |         |        |
|                    | 911 555 037 04 4JX | Greyish green/grey-green  | 85-    |     |         |        |
|                    | 911 555 038 04     | Package box   | /R     | 1   | CARRERA |        |

Model: 911 84 Model life 1984>>1986

| Pos  | Part Number        | Description                | Remark | Qty | Model |
|------|--------------------|----------------------------|--------|-----|-------|
|      |                    | Cut pile                   |        |     |       |
|      |                    | Carpet/                    |        |     |       |
|      |                    | Wrapping strap             |        |     |       |
|      |                    | Leatherette                |        |     |       |
|      | 911 555 038 04 70E | Black/black                |        |     |       |
|      | 911 555 038 04 40E | Brown/brown                |        |     |       |
|      | 911 555 038 04 30B | Blue/blue                  |        |     |       |
|      | 911 555 038 04 80E | Burgundy/burgundy          |        |     |       |
|      | 911 555 038 04 2FL | Grey-beige/grey-beige      | 84, 86 |     |       |
|      | 911 555 038 04 60A | Light grey/black           |        |     |       |
|      | 911 555 038 04 4JX | Greyish green/grey-green   | 85-    |     |       |
| (9)  | 930 555 037 03     | Package box                | /L     | 1   |       |
|      |                    | Cut pile                   |        |     |       |
|      |                    | Carpet/                    |        |     |       |
|      |                    | Wrapping strap             |        |     |       |
|      |                    | Leather                    |        |     |       |
|      | 930 555 037 03 70E | Black/black                |        |     |       |
|      | 930 555 037 03 30B | Blue/blue                  |        |     |       |
|      | 930 555 037 03 40E | Brown/brown                |        |     |       |
|      | 930 555 037 03 80E | Burgundy/burgundy          |        |     |       |
|      | 930 555 037 03 60A | Light grey/black           |        |     |       |
|      | 930 555 037 03 1VD | Champagne/champagne        |        |     |       |
|      | 930 555 037 03 80S | Can-can-red/can-can-red    |        |     |       |
|      | 930 555 037 03 6JD | Dark green/dark green      |        |     |       |
|      | 930 555 037 03 2FL | Grey-beige/grey-beige      | 84, 86 |     |       |
|      | 930 555 037 03 5JX | Greyish green/grey-green   | 85-    |     |       |
|      | 930 555 037 03 2YN | White/pearl white          | 85-    |     |       |
|      | 930 555 037 03 6GX | Blue/ocean blue            | 85-    |     |       |
|      | 930 555 037 03 5NW | Brown/wild buffalo         | 85-    |     |       |
| 9    | 930 555 038 03     | Package box                | /R     | 1   |       |
|      |                    | Cut pile                   |        |     |       |
|      |                    | Carpet/                    |        |     |       |
|      |                    | Wrapping strap             |        |     |       |
|      |                    | Leather                    |        |     |       |
|      | 930 555 038 03 70E | Black/black                |        |     |       |
|      | 930 555 038 03 30B | Blue/blue                  |        |     |       |
|      | 930 555 038 03 40E | Brown/brown                |        |     |       |
|      | 930 555 038 03 80E | Burgundy/burgundy          |        |     |       |
|      | 930 555 038 03 60A | Light grey/black           |        |     |       |
|      | 930 555 038 03 1VD | Champagne/champagne        |        |     |       |
|      | 930 555 038 03 80S | Can-can-red/can-can-red    |        |     |       |
|      | 930 555 038 03 6JD | Dark green/dark green      |        |     |       |
|      | 930 555 038 03 2FL | Grey-beige/grey-beige      | 84, 86 |     |       |
|      | 930 555 038 03 5JX | Greyish green/grey-green   | 85-    |     |       |
|      | 930 555 038 03 2YN | White/pearl white          | 85-    |     |       |
|      | 930 555 038 03 6GX | Blue/ocean blue            | 85-    |     |       |
|      | 930 555 038 03 5NW | Brown/wild buffalo         | 85-    |     |       |
| 10   | 911 555 391 00     | Mounting                   |        | 2   |       |
| 11   | 900 143 046 07     | Tapping screw              |        | 2   |       |
|      |                    | B 4,8 X 16                 |        |     |       |
| 12   | 900 145 079 07     | Oval-head sheetmetal screw |        | 2   |       |
|      |                    | B 4,8 X 19                 |        |     |       |
| 13   | 999 704 605 07     | Cone washer                |        | 2   |       |
| 14   | 900 269 058 07     | Countersunk-head screw     | -84    | 6   |       |
|      |                    | M 4 X 25                   |        |     |       |
| (14) | 900 145 026 07     | Tapping screw              | 85-    | 8   |       |
|      |                    | B 4,2 X 22                 |        |     |       |
| 15   | 999 591 103 17     | Protection washer          | -84    | 6   |       |
| 15   | PCG 591 103 17     | Protection washer          | -84    | 6   |       |
| 15   | 999 591 103 17     | Protection washer          | 85-    | 8   |       |
| 15   | PCG 591 103 17     | Protection washer          | 85-    | 8   |       |
| 15A  | 999 591 717 40     | Expander nut               | 85-    | 8   |       |
|      |                    | B 4,2                      |        |     |       |

Model: 911 84 Model life 1984>>1986

| Pos  | Part Number        | Description                | Remark | Qty | Model |
|------|--------------------|----------------------------|--------|-----|-------|
| (16) | 911 555 097 00     | Grab handle<br>Leatherette | /L     | 1   |       |
|      | 911 555 097 00 041 | Black                      |        |     |       |
|      | 911 555 097 00 1HH | Blue                       |        |     |       |
|      | 911 555 097 00 4RB | Brown                      |        |     |       |
|      | 911 555 097 00 3MK | Burgundy                   |        |     |       |
|      | 911 555 097 00 5FX | Grey-beige                 | 84, 86 |     |       |
|      | 911 555 097 00 9JN | Greyish green              | 85-    |     |       |
| 16   | 911 555 098 00     | Grab handle<br>Leatherette | /R     | 1   |       |
|      | 911 555 098 00 041 | Black                      |        |     |       |
|      | 911 555 098 00 1HH | Blue                       |        |     |       |
|      | 911 555 098 00 4RB | Brown                      |        |     |       |
|      | 911 555 098 00 3MK | Burgundy                   |        |     |       |
|      | 911 555 098 00 5FX | Grey-beige                 | 84, 86 |     |       |
|      | 911 555 098 00 9JN | Greyish green              | 85-    |     |       |
| (16) | 911 555 097 51     | Grab handle<br>Leather     | /L 85- | 1   |       |
|      | 911 555 097 51 1AJ | Black                      |        |     |       |
|      | 911 555 097 51 30B | Blue                       |        |     |       |
|      | 911 555 097 51 4RB | Brown                      |        |     |       |
|      | 911 555 097 51 7LD | Burgundy                   |        |     |       |
|      | 911 555 097 51 5JX | Greyish green              |        |     |       |
|      | 911 555 097 51 1VD | Champagne                  |        |     |       |
|      | 911 555 097 51 80S | Can-can-red                |        |     |       |
|      | 911 555 097 51 6JD | Dark green                 |        |     |       |
|      | 911 555 097 51 8YD | Pearl white                |        |     |       |
|      | 911 555 097 51 6GX | Ocean blue                 |        |     |       |
|      | 911 555 097 51 5NW | Wild buffalo               |        |     |       |
|      | 911 555 097 51 6FL | Grey-beige                 | 86-    |     |       |
| 16   | 911 555 098 51     | Grab handle<br>Leather     | /R     | 1   |       |
|      | 911 555 098 51 1AJ | Black                      |        |     |       |
|      | 911 555 098 51 30B | Blue                       |        |     |       |
|      | 911 555 098 51 4RB | Brown                      |        |     |       |
|      | 911 555 098 51 7LD | Burgundy                   |        |     |       |
|      | 911 555 098 51 5JX | Greyish green              |        |     |       |
|      | 911 555 098 51 1VD | Champagne                  |        |     |       |
|      | 911 555 098 51 80S | Can-can-red                |        |     |       |
|      | 911 555 098 51 6JD | Dark green                 |        |     |       |
|      | 911 555 098 51 8YD | Pearl white                |        |     |       |
|      | 911 555 098 51 6GX | Ocean blue                 |        |     |       |
|      | 911 555 098 51 5NW | Wild buffalo               |        |     |       |
|      | 911 555 098 51 6FL | Grey-beige                 | 86-    |     |       |
| 16   | 911 555 098 50     | Grab handle<br>Leather     | /R     | 1   |       |
|      | 911 555 098 50 1AJ | Black                      |        |     |       |
|      | 911 555 098 50 30B | Blue                       |        |     |       |
|      | 911 555 098 50 4RB | Brown                      |        |     |       |
|      | 911 555 098 50 7LD | Burgundy                   |        |     |       |
|      | 911 555 098 50 5JX | Greyish green              |        |     |       |
|      | 911 555 098 50 1VD | Champagne                  |        |     |       |
|      | 911 555 098 50 80S | Can-can-red                |        |     |       |
|      | 911 555 098 50 6JD | Dark green                 |        |     |       |
|      | 911 555 098 50 8YD | Pearl white                |        |     |       |
|      | 911 555 098 50 6GX | Ocean blue                 |        |     |       |
|      | 911 555 098 50 5NW | Wild buffalo               |        |     |       |
|      | 911 555 098 50 6FL | Grey-beige                 | 86-    |     |       |
| 17   | N 014 761 2        | Pan-head screw<br>M 6 X 12 |        | 4   |       |
| 17   | 900 119 129 01     | Pan-head screw<br>M 6 X 12 |        | 4   |       |
| 18   | N 012 226 5        | Spring washer              |        | 4   |       |

Model: 911 84 Model life 1984>>1986

| Pos  | Part Number        | Description        | Remark | Qty | Model |
|------|--------------------|--------------------|--------|-----|-------|
| (19) | 911 531 251 00     | B 6<br>Door opener | /L     | 1   |       |
|      | 911 531 251 00 70B | Black              |        |     |       |
| 19   | 911 531 252 00     | Door opener        | /R     | 1   |       |
|      | 911 531 252 00 70B | Black              |        |     |       |
| 19A  | 911 555 583 00     | Bolt               |        | 2   |       |
| 19A  | 911 555 583 01     | Bolt               |        | 2   |       |
| 19B  | 900 116 002 01     | Lock washer        |        | 2   |       |
| 20   | 900 145 075 07     | Tapping screw      |        | 2   |       |
|      |                    | B 4,2 X 16         |        |     |       |
| (22) | 911 555 039 00     | Lid                | /L     | 1   |       |
|      |                    | Lacquered          |        |     |       |
|      | 911 555 039 00 041 | Black              |        |     |       |
| (22) | 911 555 039 03     | Lid                | /L     | 1   |       |
|      |                    | Lacquered          |        |     |       |
|      | 911 555 039 03 041 | Black              |        |     |       |
| (22) | 911 555 040 00     | Lid                | /R     | 1   |       |
|      |                    | Lacquered          |        |     |       |
|      | 911 555 040 00 041 | Black              |        |     |       |
| (22) | 911 555 040 03     | Lid                | /R     | 1   |       |
|      |                    | Lacquered          |        |     |       |
|      | 911 555 040 03 041 | Black              |        |     |       |
| (22) | 911 555 039 01     | Lid                | /L     | 1   |       |
|      |                    | Lacquered          |        |     |       |
|      | 911 555 039 01 1HH | Blue               |        |     |       |
|      | 911 555 039 01 4RB | Brown              |        |     |       |
|      | 911 555 039 01 3MK | Burgundy           |        |     |       |
|      | 911 555 039 01 5FX | Grey-beige         | 84, 86 |     |       |
|      | 911 555 039 01 9JN | Greyish green      | 85-    |     |       |
| (22) | 911 555 039 03     | Lid                | /L     | 1   |       |
|      |                    | Lacquered          |        |     |       |
|      | 911 555 039 03 1HH | Blue               |        |     |       |
|      | 911 555 039 03 4RB | Brown              |        |     |       |
|      | 911 555 039 03 3MK | Burgundy           |        |     |       |
|      | 911 555 039 03 5FX | Grey-beige         | 84, 86 |     |       |
|      | 911 555 039 03 9JN | Greyish green      | 85-    |     |       |
| 22   | 911 555 040 01     | Lid                | /R     | 1   |       |
|      |                    | Lacquered          |        |     |       |
|      | 911 555 040 01 1HH | Blue               |        |     |       |
|      | 911 555 040 01 4RB | Brown              |        |     |       |
|      | 911 555 040 01 3MK | Burgundy           |        |     |       |
|      | 911 555 040 01 5FX | Grey-beige         | 84, 86 |     |       |
|      | 911 555 040 01 9JN | Greyish green      | 85-    |     |       |
| 22   | 911 555 040 03     | Lid                | /R     | 1   |       |
|      |                    | Lacquered          |        |     |       |
|      | 911 555 040 03 1HH | Blue               |        |     |       |
|      | 911 555 040 03 4RB | Brown              |        |     |       |
|      | 911 555 040 03 3MK | Burgundy           |        |     |       |
|      | 911 555 040 03 5FX | Grey-beige         | 84, 86 |     |       |
|      | 911 555 040 03 9JN | Greyish green      | 85-    |     |       |
| (22) | 911 555 039 52     | Lid                | /L 85- | 1   |       |
|      |                    | Leather            |        |     |       |
|      | 911 555 039 52 1AJ | Black              |        |     |       |
|      | 911 555 039 52 30B | Blue               |        |     |       |
|      | 911 555 039 52 4RB | Brown              |        |     |       |
|      | 911 555 039 52 7LD | Burgundy           |        |     |       |
|      | 911 555 039 52 5JX | Greyish green      |        |     |       |
|      | 911 555 039 52 1VD | Champagne          |        |     |       |
|      | 911 555 039 52 80S | Can-can-red        |        |     |       |
|      | 911 555 039 52 6JD | Dark green         |        |     |       |
|      | 911 555 039 52 8YD | Pearl white        |        |     |       |
|      | 911 555 039 52 6GX | Ocean blue         |        |     |       |
|      | 911 555 039 52 5NW | Wild buffalo       |        |     |       |

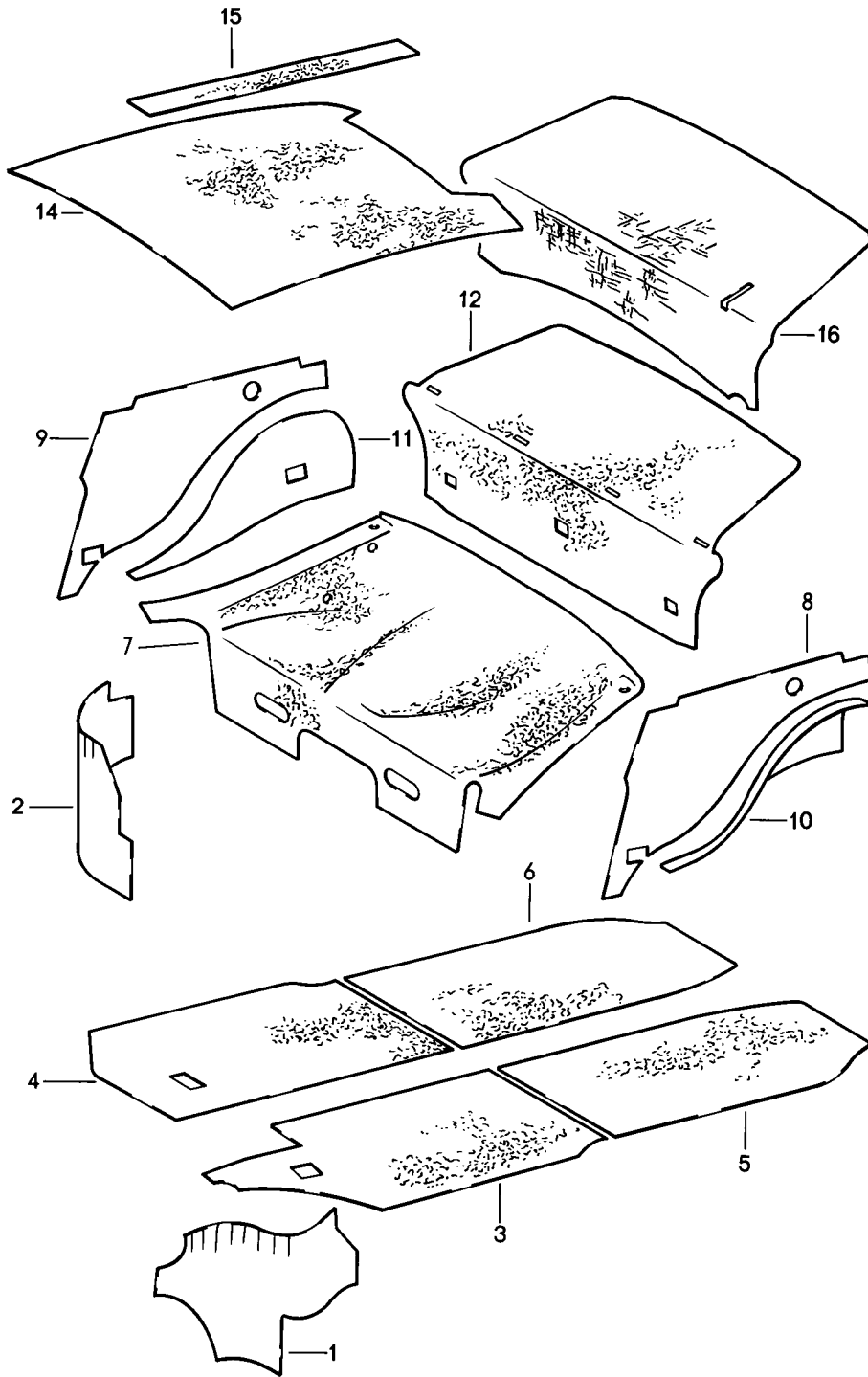
Model: 911 84 Model life 1984>>1986

| Pos                | Part Number        | Description                  | Remark     | Qty | Model |
|--------------------|--------------------|------------------------------|------------|-----|-------|
| 22                 | 911 555 039 52 6FL | Grey-beige                   | 86-        | 1   |       |
|                    | 911 555 040 52     | Lid                          | /R 85-     |     |       |
|                    |                    | Leather                      |            |     |       |
|                    | 911 555 040 52 1AJ | Black                        |            |     |       |
|                    | 911 555 040 52 30B | Blue                         |            |     |       |
|                    | 911 555 040 52 4RB | Brown                        |            |     |       |
|                    | 911 555 040 52 7LD | Burgundy                     |            |     |       |
|                    | 911 555 040 52 5JX | Greyish green                |            |     |       |
|                    | 911 555 040 52 1VD | Champagne                    |            |     |       |
|                    | 911 555 040 52 80S | Can-can-red                  |            |     |       |
|                    | 911 555 040 52 6JD | Dark green                   |            |     |       |
|                    | 911 555 040 52 8YD | Pearl white                  |            |     |       |
|                    | 23                 | 911 555 040 52 6GX           | Ocean blue |     |       |
| 911 555 040 52 5NW |                    | Wild buffalo                 |            |     |       |
| 24                 | 911 555 040 52 6FL | Grey-beige                   |            | 2   |       |
| 24                 | 914 555 059 10     | Support                      |            | 2   |       |
|                    | 900 146 011 02     | Oval-head screw<br>AM 4 X 10 |            |     |       |
| 25                 | N 012 224 3        | Spring washer                |            | 2   |       |
|                    |                    | B 4                          |            |     |       |
| 26                 | 900 151 028 02     | Washer                       |            | 2   |       |
|                    |                    | B 4,3                        |            |     |       |
| 26                 | 900 151 028 01     | Washer                       |            | 2   |       |
|                    |                    | B 4,3                        |            |     |       |
| (27)               | 911 555 045 03     | Bearing                      | /L -85     | 1   |       |
| (27)               |                    | Bearing                      | /L         | 1   |       |
| (27)               | 911 555 046 03     | Bearing                      | /R -85     | 1   |       |
| (27)               |                    | Bearing                      | /R         | 1   |       |
| 28                 | 900 143 046 07     | Tapping screw                |            | 4   |       |
|                    |                    | B 4,8 X 16                   |            |     |       |
| 29                 | 900 145 079 07     | Oval-head sheetmetal screw   |            | 2   |       |
|                    |                    | B 4,8 X 19                   |            |     |       |
| 30                 | 999 704 605 07     | Cone washer                  |            | 2   |       |
| 31                 | 911 613 623 01     | Grommet                      |            | 3   |       |
| 32                 | 911 613 621 03     | Switch                       |            | 3   |       |
| 33                 | 911 613 635 20     | Assembly frame               |            | 3   |       |



Model: 911 84

Model life 1984>>1986

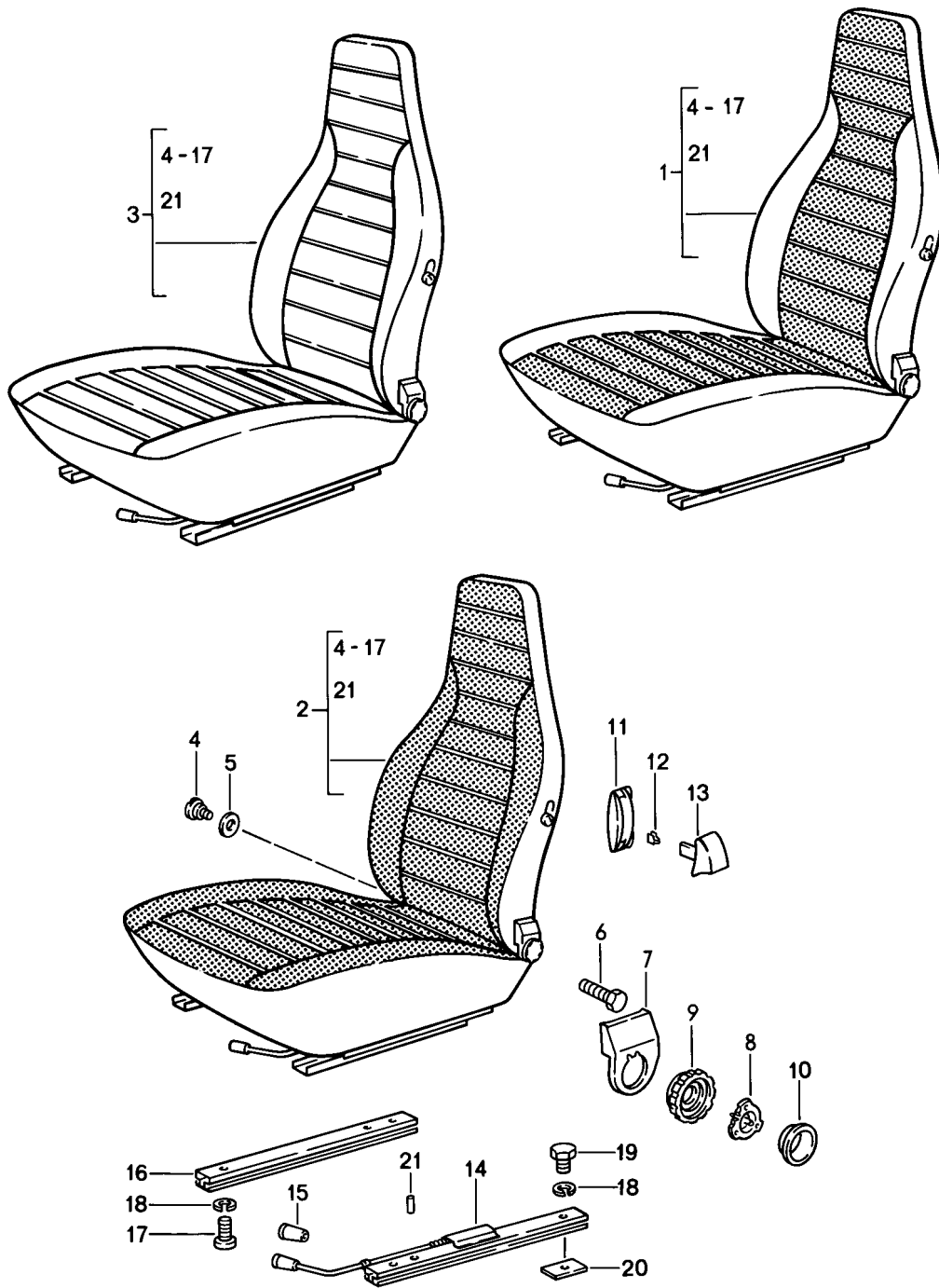


Model: 911 84 Model life 1984>>1986

| Pos   | Part Number    | Description               | Remark | Qty | Model        |
|-------|----------------|---------------------------|--------|-----|--------------|
|       |                | Body                      |        |     |              |
| (1)   | 911 556 902 00 | Sound proofing 1          |        |     |              |
| 1     |                | Damping mat               | /L     | 1   | TARGA/CABRIO |
|       |                | Damping mat               | /L     | 1   | COUPE        |
| (2)   |                | Wheel housing             |        |     |              |
| 2     |                | Damping mat               | /R     | 1   | COUPE        |
|       |                | Damping mat               | /R     | 1   | TARGA/CABRIO |
|       |                | Wheel housing             |        |     |              |
| (1-6) |                | Damping mat               |        | *   |              |
|       |                | 1000 X 500                |        |     |              |
| 3     |                | Damping mat               | /LL /L | 1   | COUPE        |
| (3)   |                | Damping mat               | /LL /L | 1   | TARGA/CABRIO |
| 4     |                | Damping mat               | /LL /R | 1   | COUPE        |
| (4)   |                | Damping mat               | /LL /R | 1   | TARGA/CABRIO |
| 5     |                | Damping mat               | /L     | 1   |              |
|       |                | Floor                     |        |     |              |
| 6     |                | Damping mat               | /R     | 1   |              |
|       |                | Floor                     |        |     |              |
| (7)   | 930 556 233 02 | Damping mat               |        | 1   |              |
|       |                | Seat well                 |        |     |              |
| 8-11  | 999 913 006 00 | Sound absorber            |        | *   |              |
| 8     |                | Sound absorber            | /L     | *   | COUPE        |
| (8)   |                | Sound absorber            | /L     | *   | TARGA/CABRIO |
|       |                | Wheel housing panel       |        |     |              |
|       |                | Upper                     |        |     |              |
| 9     |                | Sound absorber            | /R     | *   | COUPE        |
| (9)   |                | Sound absorber            | /R     | *   | TARGA/CABRIO |
|       |                | Wheel housing panel       |        |     |              |
|       |                | Upper                     |        |     |              |
| 10    |                | Sound absorber            | /L     | *   | COUPE        |
| (10)  |                | Sound absorber            | /L     | *   | TARGA/CABRIO |
|       |                | Wheel housing panel       |        |     |              |
|       |                | Lower                     |        |     |              |
| 11    |                | Sound absorber            | /R     | *   | COUPE        |
| (11)  |                | Sound absorber            | /R     | *   | TARGA/CABRIO |
|       |                | Wheel housing panel       |        |     |              |
|       |                | Lower                     |        |     |              |
| 12    | 911 556 239 06 | Damping mat               |        | 1   | COUPE/TARGA  |
| 12    | 911 556 239 61 | Damping mat               |        | 1   | CABRIO       |
|       |                | for rear panel            |        |     |              |
| 14    | 911 556 023 01 | Damping mat               |        | 1   |              |
|       |                | Roof                      |        |     |              |
| 14    | 911 556 023 02 | Damping mat               |        | 1   |              |
|       |                | Roof                      |        |     |              |
|       |                | 100 X 90                  |        |     |              |
|       |                | It is necessary to rework |        |     |              |
| 15    | 911 556 248 00 | Damping strip             |        | 4   |              |
| (16)  | 911 556 891 01 | Damping mat               |        | 1   | CARRERA      |
| (16)  | 930 556 891 02 | Damping mat               | -85    | 1   | TURBO        |
| (16)  |                | Damping mat               |        | 1   | TURBO        |
|       |                | for engine compartment    |        |     |              |

Model: 911 84

Model life 1984>>1986



Model: 911 84 Model life 1984>>1986

| Pos | Part Number        | Description   | Remark | Qty | Model   |
|-----|--------------------|---|--------|-----|---------|
|     |                    | Front seat<br>Complete  | -84    |     |         |
| 1   | 911 521 001 82     | Front seat<br>Leatherette/<br>Centre part<br>Checker board velour | /L     | 1   | CARRERA |
|     | 911 521 001 82 LD5 | Black/<br>Light grey/black  |        |     |         |
|     | 911 521 001 82 LJ8 | Blue/<br>Blue-grey  |        |     |         |
|     | 911 521 001 82 LD6 | Brown/<br>Brown-grey  |        |     |         |
|     | 911 521 001 82 LJ9 | Burgundy/<br>Burgundy-grey  |        |     |         |
|     | 911 521 001 82 LK1 | Grey-beige/<br>Light grey/black                                   |        |     |         |
| (1) | 911 521 002 82     | Front seat<br>Leatherette/<br>Centre part<br>Checker board velour | /R     | 1   | CARRERA |
|     | 911 521 002 82 LD5 | Black/<br>Light grey/black  |        |     |         |
|     | 911 521 002 82 LJ8 | Blue/<br>Blue-grey  |        |     |         |
|     | 911 521 002 82 LD6 | Brown/<br>Brown-grey  |        |     |         |
|     | 911 521 002 82 LJ9 | Burgundy/<br>Burgundy-grey  |        |     |         |
|     | 911 521 002 82 LK1 | Grey-beige/<br>Light grey/black                                   |        |     |         |
| 1   | 911 521 001 82     | Front seat<br>Leatherette/<br>Centre part<br>Uni-coloured cloth   | /L     | 1   | CARRERA |
|     | 911 521 001 82 LK3 | Brown-brown   |        |     |         |
|     | 911 521 001 82 LK5 | Burgundy-burgundy   |        |     |         |
|     | 911 521 001 82 LK6 | Grey-beige/grey-beige   |        |     |         |
|     | 911 521 001 82 JM2 | Black-black   |        |     |         |
|     | 911 521 001 82 JM5 | Blue/blue   |        |     |         |
| (1) | 911 521 002 82     | Front seat<br>Leatherette/<br>Centre part<br>Uni-coloured cloth   | /R     | 1   | CARRERA |
|     | 911 521 002 82 LK3 | Brown-brown   |        |     |         |
|     | 911 521 002 82 LK5 | Burgundy-burgundy   |        |     |         |
|     | 911 521 002 82 LK6 | Grey-beige/grey-beige   |        |     |         |
|     | 911 521 002 82 JM2 | Black-black   |        |     |         |
|     | 911 521 002 82 JM5 | Blue/blue   |        |     |         |
| 1   | 911 521 001 82     | Front seat<br>Leatherette/<br>Centre part<br>Pin stripe velour    | /L     | 1   | CARRERA |
|     | 911 521 001 82 JN1 | Black/<br>Black-white   |        |     |         |
|     | 911 521 001 82 LT1 | Blue/<br>Blue-white   |        |     |         |
|     | 911 521 001 82 JN2 | Brown/<br>Brown-beige   |        |     |         |
|     | 911 521 001 82 LT2 | Burgundy/<br>Burgundy-white                                       |        |     |         |
|     | 911 521 001 82 LD4 | Grey-beige/<br>Grey-beige-white                                   |        |     |         |
| (1) | 911 521 002 82     | Front seat  | /R     | 1   | CARRERA |

Model: 911 84 Model life 1984>>1986

| Pos | Part Number        | Description   | Remark | Qty | Model   |
|-----|--------------------|---|--------|-----|---------|
|     | 911 521 002 82 JN1 | Leatherette/<br>Centre part<br>Pin stripe velour<br>Black/<br>Black-white |        |     |         |
|     | 911 521 002 82 LT1 | Blue/<br>Blue-white   |        |     |         |
|     | 911 521 002 82 JN2 | Brown/<br>Brown-beige   |        |     |         |
|     | 911 521 002 82 LT2 | Burgundy/<br>Burgundy-white   |        |     |         |
|     | 911 521 002 82 LD4 | Grey-beige/<br>Grey-beige-white   |        |     |         |
| 1   | 911 521 001 82     | Front seat<br>Leatherette/<br>Centre part<br>Porsche lettering cloth      | /L     | 1   | CARRERA |
|     | 911 521 001 82 LR6 | Black/black   |        |     |         |
|     | 911 521 001 82 LR7 | Brown/brown   |        |     |         |
|     | 911 521 001 82 MN1 | Blue/blue   |        |     |         |
|     | 911 521 001 82 MN2 | Burgundy/burgundy   |        |     |         |
|     | 911 521 001 82 LR8 | Grey-beige/grey-beige   |        |     |         |
| -   | PCG 043 204 90     | Cloth   |        | 1   |         |
|     | PCG 043 204 90 2CZ | PORSCHE logo<br>Black<br>Pieces<br>2000 MM X 1590 MM                      |        |     |         |
| (1) | 911 521 002 82     | Front seat<br>Leatherette/<br>Centre part<br>Porsche lettering cloth      | /R     | 1   | CARRERA |
|     | 911 521 002 82 LR6 | Black/black   |        |     |         |
|     | 911 521 002 82 LR7 | Brown/brown   |        |     |         |
|     | 911 521 002 82 MN1 | Blue/blue   |        |     |         |
|     | 911 521 002 82 MN2 | Burgundy/burgundy   |        |     |         |
|     | 911 521 002 82 LR8 | Grey-beige/grey-beige   |        |     |         |
| -   | PCG 043 204 90     | Cloth   |        | 1   |         |
|     | PCG 043 204 90 2CZ | PORSCHE logo<br>Black<br>Pieces<br>2000 MM X 1590 MM                      |        |     |         |
| 1   | 911 521 001 85     | Front seat<br>Leather/<br>Centre part<br>Checker board velour             | /L     | 1   |         |
|     | 911 521 001 85 LH1 | Black/<br>Light grey/black  |        |     |         |
|     | 911 521 001 85 LH3 | Blue/<br>Blue-grey  |        |     |         |
|     | 911 521 001 85 LH2 | Brown/<br>Brown-grey  |        |     |         |
|     | 911 521 001 85 LH4 | Burgundy/<br>Burgundy-grey  |        |     |         |
|     | 911 521 001 85 LH6 | Grey-beige/<br>Light grey/black   |        |     |         |
| (1) | 911 521 002 85     | Front seat<br>Leather/<br>Centre part<br>Checker board velour             | /R     | 1   |         |
|     | 911 521 002 85 LH1 | Black/<br>Light grey/black  |        |     |         |
|     | 911 521 002 85 LH3 | Blue/<br>Blue-grey  |        |     |         |

Model: 911 84 Model life 1984>>1986

| Pos | Part Number        | Description  | Remark | Qty | Model |
|-----|--------------------|--|--------|-----|-------|
|     | 911 521 002 85 LH2 | Brown/<br>Brown-grey   |        |     |       |
|     | 911 521 002 85 LH4 | Burgundy/<br>Burgundy-grey                                       |        |     |       |
|     | 911 521 002 85 LH6 | Grey-beige/<br>Light grey/black                                  |        |     |       |
| 1   | 911 521 001 85     | Front seat<br>Leather/<br>Centre part<br>Uni-coloured cloth      | /L     | 1   |       |
|     | 911 521 001 85 LJ1 | Brown-brown  |        |     |       |
|     | 911 521 001 85 LJ2 | Burgundy-burgundy  |        |     |       |
|     | 911 521 001 85 LJ3 | Grey-beige/grey-beige  |        |     |       |
|     | 911 521 001 85 JN6 | Black-black  |        |     |       |
|     | 911 521 001 85 JT4 | Blue/blue  |        |     |       |
| (1) | 911 521 002 85     | Front seat<br>Leather/<br>Centre part<br>Uni-coloured cloth      | /R     | 1   |       |
|     | 911 521 002 85 LJ1 | Brown-brown  |        |     |       |
|     | 911 521 002 85 LJ2 | Burgundy-burgundy  |        |     |       |
|     | 911 521 002 85 LJ3 | Grey-beige/grey-beige  |        |     |       |
|     | 911 521 002 85 JN6 | Black-black  |        |     |       |
|     | 911 521 002 85 JT4 | Blue/blue  |        |     |       |
| 1   | 911 521 001 85     | Front seat<br>Leather/<br>Centre part<br>Pin stripe velour       | /L     | 1   |       |
|     | 911 521 001 85 LS5 | Black/<br>Black-white  |        |     |       |
|     | 911 521 001 85 LS8 | Blue/<br>Blue-white  |        |     |       |
|     | 911 521 001 85 LS6 | Brown/<br>Brown-beige  |        |     |       |
|     | 911 521 001 85 LS9 | Burgundy/<br>Burgundy-white                                      |        |     |       |
|     | 911 521 001 85 LS7 | Grey-beige/<br>Grey-beige-white                                  |        |     |       |
| (1) | 911 521 002 85     | Front seat<br>Leather/<br>Centre part<br>Pin stripe velour       | /R     | 1   |       |
|     | 911 521 002 85 LS5 | Black/<br>Black-white  |        |     |       |
|     | 911 521 002 85 LS8 | Blue/<br>Blue-white  |        |     |       |
|     | 911 521 002 85 LS6 | Brown/<br>Brown-beige  |        |     |       |
|     | 911 521 002 85 LS9 | Burgundy/<br>Burgundy-white                                      |        |     |       |
|     | 911 521 002 85 LS7 | Grey-beige/<br>Grey-beige-white                                  |        |     |       |
| 1   | 911 521 001 85     | Front seat<br>Leather/<br>Centre part<br>Porsche lettering cloth | /L     | 1   |       |
|     | 911 521 001 85 MN3 | Black/black  |        |     |       |
|     | 911 521 001 85 MN4 | Brown/brown  |        |     |       |
|     | 911 521 001 85 MN6 | Blue/blue  |        |     |       |
|     | 911 521 001 85 MN7 | Burgundy/burgundy  |        |     |       |
|     | 911 521 001 85 MN5 | Grey-beige/grey-beige  |        |     |       |
| (1) | 911 521 002 85     | Front seat<br>Leather/   | /R     | 1   |       |

Model: 911 84 Model life 1984>>1986

| Pos | Part Number        | Description  | Remark | Qty | Model |
|-----|--------------------|--|--------|-----|-------|
|     |                    | Centre part<br>Porsche lettering cloth   |        |     |       |
|     | 911 521 002 85 MN3 | Black/black  |        |     |       |
|     | 911 521 002 85 MN4 | Brown/brown  |        |     |       |
|     | 911 521 002 85 MN6 | Blue/blue  |        |     |       |
|     | 911 521 002 85 MN7 | Burgundy/burgundy  |        |     |       |
|     | 911 521 002 85 MN5 | Grey-beige/grey-beige  |        |     |       |
| 2   | 911 521 001 83     | Front seat<br>Leatherette/<br>Seat and backrest surface<br>Porsche lettering cloth | /L     | 1   |       |
|     | 911 521 001 83 LR1 | Black/black  |        |     |       |
|     | 911 521 001 83 LR4 | Blue/blue  |        |     |       |
|     | 911 521 001 83 LR2 | Brown/brown  |        |     |       |
|     | 911 521 001 83 LR5 | Burgundy/burgundy  |        |     |       |
|     | 911 521 001 83 LR3 | Grey-beige/grey-beige  |        |     |       |
| (2) | 911 521 002 83     | Front seat<br>Leatherette/<br>Seat and backrest surface<br>Porsche lettering cloth | /R     | 1   |       |
|     | 911 521 002 83 LR1 | Black/black  |        |     |       |
|     | 911 521 002 83 LR4 | Blue/blue  |        |     |       |
|     | 911 521 002 83 LR2 | Brown/brown  |        |     |       |
|     | 911 521 002 83 LR5 | Burgundy/burgundy  |        |     |       |
|     | 911 521 002 83 LR3 | Grey-beige/grey-beige  |        |     |       |
| 2   | 930 521 001 20     | Front seat<br>Leather/<br>Seat and backrest surface<br>Porsche lettering cloth     | /L     | 1   |       |
|     | 930 521 001 20 LR9 | Black/black  |        |     |       |
|     | 930 521 001 20 LS3 | Blue/blue  |        |     |       |
|     | 930 521 001 20 LS1 | Brown/brown  |        |     |       |
|     | 930 521 001 20 LS4 | Burgundy/burgundy  |        |     |       |
|     | 930 521 001 20 LS2 | Grey-beige/grey-beige  |        |     |       |
| (2) | 930 521 002 20     | Front seat<br>Leather/<br>Seat and backrest surface<br>Porsche lettering cloth     | /R     | 1   |       |
|     | 930 521 002 20 LR9 | Black/black  |        |     |       |
|     | 930 521 002 20 LS3 | Blue/blue  |        |     |       |
|     | 930 521 002 20 LS1 | Brown/brown  |        |     |       |
|     | 930 521 002 20 LS4 | Burgundy/burgundy  |        |     |       |
|     | 930 521 002 20 LS2 | Grey-beige/grey-beige  |        |     |       |
| 3   | 911 521 001 84     | Front seat<br>Whole-leather  | /L     | 1   |       |
|     | 911 521 001 84 LG7 | Burgundy   |        |     |       |
|     | 911 521 001 84 LG4 | Pearl white  |        |     |       |
|     | 911 521 001 84 LG5 | Champagne  |        |     |       |
|     | 911 521 001 84 LG6 | Dark green   |        |     |       |
|     | 911 521 001 84 KZ2 | Black  |        |     |       |
|     | 911 521 001 84 KZ3 | Blue   |        |     |       |
|     | 911 521 001 84 KZ4 | Grey-beige   |        |     |       |
|     | 911 521 001 84 KZ5 | Brown  |        |     |       |
|     | 911 521 001 84 KZ6 | Can-can-red  |        |     |       |
| (3) | 911 521 002 84     | Front seat<br>Whole-leather  | /R     | 1   |       |
|     | 911 521 002 84 LG7 | Burgundy   |        |     |       |
|     | 911 521 002 84 LG4 | Pearl white  |        |     |       |
|     | 911 521 002 84 LG5 | Champagne  |        |     |       |
|     | 911 521 002 84 LG6 | Dark green   |        |     |       |
|     | 911 521 002 84 KZ2 | Black  |        |     |       |
|     | 911 521 002 84 KZ3 | Blue   |        |     |       |
|     | 911 521 002 84 KZ4 | Grey-beige   |        |     |       |

Model: 911 84

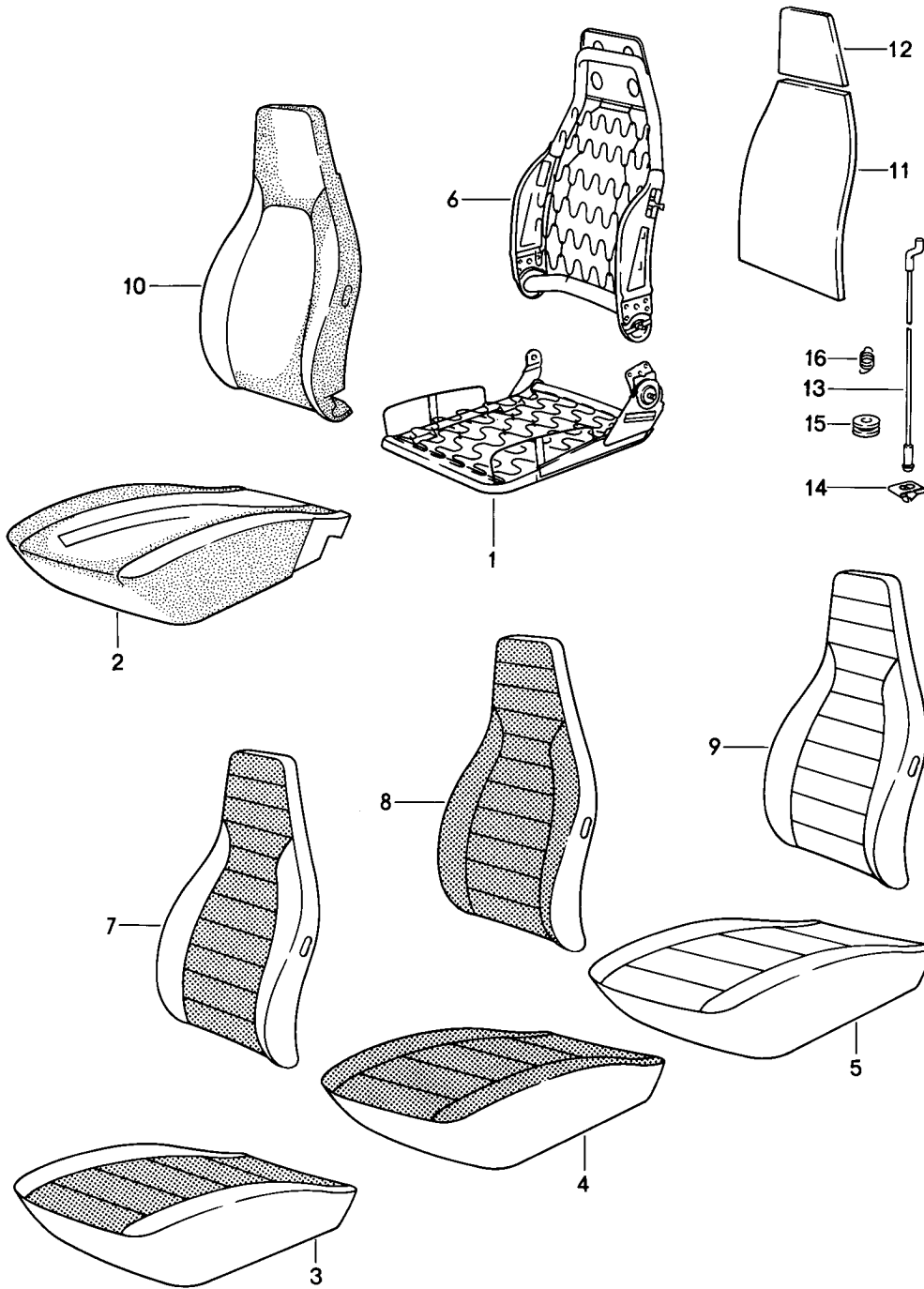
Model life 1984&gt;&gt;1986

| Pos  | Part Number        | Description                 | Remark | Qty | Model |
|------|--------------------|-----------------------------|--------|-----|-------|
|      | 911 521 002 84 KZ5 | Brown                       |        |     |       |
|      | 911 521 002 84 KZ6 | Can-can-red                 |        |     |       |
| 4    | 911 521 371 00     | Screw                       |        | 2   |       |
| 5    | 999 025 117 40     | Washer                      |        | X   |       |
|      |                    | 12,5 X 32 X 1               |        |     |       |
| 6    | 911 521 547 00     | Screw                       |        | 4   |       |
|      |                    | M 10 X 20                   |        |     |       |
| 7    | 911 521 359 02     | Cover                       | /L     | 1   |       |
| (7)  | 911 521 360 02     | Cover                       | /R     | 1   |       |
| 8    | 911 521 571 00     | Tensioning spring           |        | 2   |       |
| (9)  | 911 521 381 02     | Cover                       |        | 2   |       |
|      |                    | for backrest adjustment     |        |     |       |
|      |                    | Comprising:                 |        |     |       |
|      |                    | POS. 9                      |        |     |       |
|      |                    | Shifting wheel              |        |     |       |
|      |                    | POS. 10                     |        |     |       |
|      |                    | Cover                       |        |     |       |
| 9    | 911 521 381 00     | Shifting wheel              |        | 2   |       |
| 10   | 911 521 383 00     | Cover                       |        | 2   |       |
| 10   | 911 521 381 02     | Cover                       |        | 2   |       |
| 11   | 311 881 607 A      | Cover                       |        | 2   |       |
|      |                    | Actuating lever             |        |     |       |
| 12   | 311 881 247        | Clip                        |        | 2   |       |
| 13   | 911 521 817 00     | Control button              |        | 2   |       |
|      | 911 521 817 00 01C | Satin black                 |        |     |       |
| 14   | 911 521 501 00     | Seat rail                   | /L     | 1   |       |
| 14   | 928 521 489 02     | Seat rail                   | /L     | 1   |       |
|      |                    | with locking device         |        |     |       |
| (14) | 911 521 502 00     | Seat rail                   | /R     | 1   |       |
| (14) | 928 521 490 02     | Seat rail                   | /R     | 1   |       |
|      |                    | with locking device         |        |     |       |
| (15) | 911 521 533 01     | Handle                      |        | 2   |       |
|      |                    | for longitudinal adjustment |        |     |       |
|      | 911 521 533 01 01C | Satin black                 |        |     |       |
| 16   | 944 521 491 00     | Seat rail                   |        | 2   |       |
| 16   |                    | Seat rail                   |        | 2   |       |
|      |                    | without locking device      |        |     |       |
|      |                    | See TPI                     |        |     |       |
|      |                    | GR.8 NR.34                  |        |     |       |
| 17   | N 014 761 2        | Pan-head screw              |        | 8   |       |
|      |                    | M 6 X 12                    |        |     |       |
| 17   | 900 119 129 01     | Pan-head screw              |        | 8   |       |
|      |                    | M 6 X 12                    |        |     |       |
| 18   | N 012 006 4        | Lock ring                   |        | 16  |       |
|      |                    | B 6                         |        |     |       |
| 19   | 900 075 057 02     | Hexagon-head bolt           |        | 8   |       |
|      |                    | M 6 X 16                    |        |     |       |
| 19   | 900 075 057 03     | Hexagon-head bolt           |        | 8   |       |
|      |                    | M 6 X 16                    |        |     |       |
| 20   | 928 521 101 04     | Threaded plate              |        | 8   |       |
|      |                    | M 6                         |        |     |       |
| 21   | 900 012 123 00     | Pin                         |        | 2   |       |
|      |                    | A 2,5 X 12                  |        |     |       |



Model: 911 84

Model life 1984>>1986



Model: 911 84 Model life 1984>>1986

| Pos | Part Number        | Description  | Remark | Qty | Model   |
|-----|--------------------|--|--------|-----|---------|
|     |                    | Front seat<br>Single parts<br>Cloth                                      | -84    |     |         |
| 1   | 911 521 069 56     | Seat frame   | /L     | 1   |         |
| (1) | 911 521 070 56     | Seat frame   | /R     | 1   |         |
| 2   | 911 521 385 02     | Foam part<br>Seat cushion  | /L     | 1   |         |
| (2) | 911 521 386 02     | Foam part<br>Seat cushion  | /R     | 1   |         |
| 3   | 911 521 037 11     | Cover for cushion<br>Leatherette/<br>Centre part<br>Checker board velour | /L     | 1   | CARRERA |
|     | 911 521 037 11 LD5 | Black/<br>Light grey/black   |        |     |         |
|     | 911 521 037 11 LJ8 | Blue/<br>Blue-grey   |        |     |         |
|     | 911 521 037 11 LD6 | Brown/<br>Brown-grey   |        |     |         |
|     | 911 521 037 11 LJ9 | Burgundy/<br>Burgundy-grey   |        |     |         |
|     | 911 521 037 11 LK1 | Grey-beige/<br>Light grey/black  |        |     |         |
| (3) | 911 521 038 11     | Cover for cushion<br>Leatherette/<br>Centre part<br>Checker board velour | /R     | 1   | CARRERA |
|     | 911 521 038 11 LD5 | Black/<br>Light grey/black   |        |     |         |
|     | 911 521 038 11 LJ8 | Blue/<br>Blue-grey   |        |     |         |
|     | 911 521 038 11 LD6 | Brown/<br>Brown-grey   |        |     |         |
|     | 911 521 038 11 LJ9 | Burgundy/<br>Burgundy-grey   |        |     |         |
|     | 911 521 038 11 LK1 | Grey-beige/<br>Light grey/black  |        |     |         |
| 3   | 911 521 037 11     | Cover for cushion<br>Leatherette/<br>Centre part<br>Uni-coloured cloth   | /L     | 1   | CARRERA |
|     | 911 521 037 11 LK3 | Brown-brown  |        |     |         |
|     | 911 521 037 11 LK5 | Burgundy-burgundy  |        |     |         |
|     | 911 521 037 11 LK6 | Grey-beige/grey-beige  |        |     |         |
|     | 911 521 037 11 JM2 | Black-black  |        |     |         |
|     | 911 521 037 11 JM5 | Blue/blue  |        |     |         |
| (3) | 911 521 038 11     | Cover for cushion<br>Leatherette/<br>Centre part<br>Uni-coloured cloth   | /R     | 1   | CARRERA |
|     | 911 521 038 11 LK3 | Brown-brown  |        |     |         |
|     | 911 521 038 11 LK5 | Burgundy-burgundy  |        |     |         |
|     | 911 521 038 11 LK6 | Grey-beige/grey-beige  |        |     |         |
|     | 911 521 038 11 JM2 | Black-black  |        |     |         |
|     | 911 521 038 11 JM5 | Blue/blue  |        |     |         |
| 3   | 911 521 037 11     | Cover for cushion<br>Leatherette/<br>Centre part<br>Pin stripe velour    | /L     | 1   | CARRERA |
|     | 911 521 037 11 JN1 | Black/<br>Black-white  |        |     |         |
|     | 911 521 037 11 LT1 | Blue/<br>Blue-white  |        |     |         |

Model: 911 84 Model life 1984>>1986

| Pos | Part Number        | Description   | Remark | Qty | Model   |
|-----|--------------------|---|--------|-----|---------|
|     | 911 521 037 11 JN2 | Brown/<br>Brown-beige   |        |     |         |
|     | 911 521 037 11 LT2 | Burgundy/<br>Burgundy-white   |        |     |         |
|     | 911 521 037 11 LD4 | Grey-beige/<br>Grey-beige-white   |        |     |         |
| (3) | 911 521 038 11     | Cover for cushion<br>Leatherette/<br>Centre part<br>Pin stripe velour       | /R     | 1   | CARRERA |
|     | 911 521 038 11 JN1 | Black/<br>Black-white   |        |     |         |
|     | 911 521 038 11 LT1 | Blue/<br>Blue-white   |        |     |         |
|     | 911 521 038 11 JN2 | Brown/<br>Brown-beige   |        |     |         |
|     | 911 521 038 11 LT2 | Burgundy/<br>Burgundy-white   |        |     |         |
|     | 911 521 038 11 LD4 | Grey-beige/<br>Grey-beige-white   |        |     |         |
| 3   | 911 521 037 11     | Cover for cushion<br>Leatherette/<br>Centre part<br>Porsche lettering cloth | /L     | 1   | CARRERA |
|     | 911 521 037 11 LR6 | Black/black   |        |     |         |
|     | 911 521 037 11 LR7 | Brown/brown   |        |     |         |
|     | 911 521 037 11 MN1 | Blue/blue   |        |     |         |
|     | 911 521 037 11 MN2 | Burgundy/burgundy   |        |     |         |
| -   | PCG 043 204 90     | Cloth   |        | 1   |         |
|     | PCG 043 204 90 2CZ | PORSCHE logo<br>Black<br>Pieces<br>2000 MM X 1590 MM                        |        |     |         |
| (3) | 911 521 038 11     | Cover for cushion<br>Leatherette/<br>Centre part<br>Porsche lettering cloth | /R     | 1   | CARRERA |
|     | 911 521 038 11 LR6 | Black/black   |        |     |         |
|     | 911 521 038 11 LR7 | Brown/brown   |        |     |         |
|     | 911 521 038 11 MN1 | Blue/blue   |        |     |         |
|     | 911 521 038 11 MN2 | Burgundy/burgundy   |        |     |         |
|     | 911 521 038 11 LR8 | Grey-beige/grey-beige   |        |     |         |
| -   | PCG 043 204 90     | Cloth   |        | 1   |         |
|     | PCG 043 204 90 2CZ | PORSCHE logo<br>Black<br>Pieces<br>2000 MM X 1590 MM                        |        |     |         |
| 3   | 911 521 037 14     | Cover for cushion<br>Leather/<br>Centre part<br>Checker board velour        | /L     | 1   |         |
|     | 911 521 037 14 LH1 | Black/<br>Light grey/black  |        |     |         |
|     | 911 521 037 14 LH3 | Blue/<br>Blue-grey  |        |     |         |
|     | 911 521 037 14 LH2 | Brown/<br>Brown-grey  |        |     |         |
|     | 911 521 037 14 LH4 | Burgundy/<br>Burgundy-grey  |        |     |         |
|     | 911 521 037 14 LH6 | Grey-beige/<br>Light grey/black   |        |     |         |
| (3) | 911 521 038 14     | Cover for cushion   | /R     | 1   |         |

Model: 911 84 Model life 1984>>1986

| Pos | Part Number        | Description   | Remark | Qty | Model |
|-----|--------------------|---|--------|-----|-------|
|     | 911 521 038 14 LH1 | Leather/<br>Centre part<br>Checker board velour<br>Black/<br>Light grey/black |        |     |       |
|     | 911 521 038 14 LH3 | Blue/<br>Blue-grey  |        |     |       |
|     | 911 521 038 14 LH2 | Brown/<br>Brown-grey  |        |     |       |
|     | 911 521 038 14 LH4 | Burgundy/<br>Burgundy-grey  |        |     |       |
|     | 911 521 038 14 LH6 | Grey-beige/<br>Light grey/black   |        |     |       |
| 3   | 911 521 037 14     | Cover for cushion<br>Leather/<br>Centre part<br>Uni-coloured cloth            | /L     | 1   |       |
|     | 911 521 037 14 LJ1 | Brown-brown   |        |     |       |
|     | 911 521 037 14 LJ2 | Burgundy-burgundy   |        |     |       |
|     | 911 521 037 14 LJ3 | Grey-beige/grey-beige   |        |     |       |
|     | 911 521 037 14 JN6 | Black-black   |        |     |       |
|     | 911 521 037 14 JT4 | Blue/blue   |        |     |       |
| (3) | 911 521 038 14     | Cover for cushion<br>Leather/<br>Centre part<br>Uni-coloured cloth            | /R     | 1   |       |
|     | 911 521 038 14 LJ1 | Brown-brown   |        |     |       |
|     | 911 521 038 14 LJ2 | Burgundy-burgundy   |        |     |       |
|     | 911 521 038 14 LJ3 | Grey-beige/grey-beige   |        |     |       |
|     | 911 521 038 14 JN6 | Black-black   |        |     |       |
|     | 911 521 038 14 JT4 | Blue/blue   |        |     |       |
| 3   | 911 521 037 14     | Cover for cushion<br>Leather/<br>Centre part<br>Pin stripe velour             | /L     | 1   |       |
|     | 911 521 037 14 LS5 | Black/<br>Black-white   |        |     |       |
|     | 911 521 037 14 LS8 | Blue/<br>Blue-white   |        |     |       |
|     | 911 521 037 14 LS6 | Brown/<br>Brown-beige   |        |     |       |
|     | 911 521 037 14 LS9 | Burgundy/<br>Burgundy-white   |        |     |       |
|     | 911 521 037 14 LS7 | Grey-beige/<br>Grey-beige-white   |        |     |       |
| (3) | 911 521 038 14     | Cover for cushion<br>Leather/<br>Centre part<br>Pin stripe velour             | /R     | 1   |       |
|     | 911 521 038 14 LS5 | Black/<br>Black-white   |        |     |       |
|     | 911 521 038 14 LS8 | Blue/<br>Blue-white   |        |     |       |
|     | 911 521 038 14 LS6 | Brown/<br>Brown-beige   |        |     |       |
|     | 911 521 038 14 LS9 | Burgundy/<br>Burgundy-white   |        |     |       |
|     | 911 521 038 14 LS7 | Grey-beige/<br>Grey-beige-white   |        |     |       |
| 3   | 911 521 037 14     | Cover for cushion<br>Leather/<br>Centre part<br>Porsche lettering cloth       | /L     | 1   |       |

Model: 911 84 Model life 1984>>1986

| Pos | Part Number        | Description             | Remark | Qty | Model   |
|-----|--------------------|-------------------------|--------|-----|---------|
|     | 911 521 037 14 MN3 | Black/black             |        |     |         |
|     | 911 521 037 14 MN4 | Brown/brown             |        |     |         |
|     | 911 521 037 14 MN6 | Blue/blue               |        |     |         |
|     | 911 521 037 14 MN7 | Burgundy/burgundy       |        |     |         |
|     | 911 521 037 14 MN5 | Grey-beige/grey-beige   |        |     |         |
| -   | PCG 043 204 90     | Cloth                   |        | 1   |         |
|     | PCG 043 204 90 2CZ | PORSCHE logo            |        |     |         |
|     |                    | Black Pieces            |        |     |         |
|     |                    | 2000 MM X 1590 MM       |        |     |         |
| (3) | 911 521 038 14     | Cover for cushion       | /R     | 1   |         |
|     |                    | Leather/                |        |     |         |
|     |                    | Centre part             |        |     |         |
|     |                    | Porsche lettering cloth |        |     |         |
|     | 911 521 038 14 MN3 | Black/black             |        |     |         |
|     | 911 521 038 14 MN4 | Brown/brown             |        |     |         |
|     | 911 521 038 14 MN6 | Blue/blue               |        |     |         |
|     | 911 521 038 14 MN7 | Burgundy/burgundy       |        |     |         |
|     | 911 521 038 14 MN5 | Grey-beige/grey-beige   |        |     |         |
| -   | PCG 043 204 90     | Cloth                   |        | 1   |         |
|     | PCG 043 204 90 2CZ | PORSCHE logo            |        |     |         |
|     |                    | Black Pieces            |        |     |         |
|     |                    | 2000 MM X 1590 MM       |        |     |         |
| 4   | 911 521 037 12     | Cover for cushion       | /L     | 1   | CARRERA |
|     |                    | Leatherette/            |        |     |         |
|     |                    | Seat surface            |        |     |         |
|     |                    | Porsche lettering cloth |        |     |         |
|     | 911 521 037 12 LR1 | Black/black             |        |     |         |
|     | 911 521 037 12 LR4 | Blue/blue               |        |     |         |
|     | 911 521 037 12 LR2 | Brown/brown             |        |     |         |
|     | 911 521 037 12 LR5 | Burgundy/burgundy       |        |     |         |
|     | 911 521 037 12 LR3 | Grey-beige/grey-beige   |        |     |         |
| -   | PCG 043 204 90     | Cloth                   |        | 1   |         |
|     | PCG 043 204 90 2CZ | PORSCHE logo            |        |     |         |
|     |                    | Black Pieces            |        |     |         |
|     |                    | 2000 MM X 1590 MM       |        |     |         |
| (4) | 911 521 038 12     | Cover for cushion       | /R     | 1   | CARRERA |
|     |                    | Leatherette/            |        |     |         |
|     |                    | Seat surface            |        |     |         |
|     |                    | Porsche lettering cloth |        |     |         |
|     | 911 521 038 12 LR1 | Black/black             |        |     |         |
|     | 911 521 038 12 LR4 | Blue/blue               |        |     |         |
|     | 911 521 038 12 LR2 | Brown/brown             |        |     |         |
|     | 911 521 038 12 LR5 | Burgundy/burgundy       |        |     |         |
|     | 911 521 038 12 LR3 | Grey-beige/grey-beige   |        |     |         |
| -   | PCG 043 204 90     | Cloth                   |        | 1   |         |
|     | PCG 043 204 90 2CZ | PORSCHE logo            |        |     |         |
|     |                    | Black Pieces            |        |     |         |
|     |                    | 2000 MM X 1590 MM       |        |     |         |
| 4   | 930 521 037 10     | Cover for cushion       | /L     | 1   |         |
|     |                    | Leather/                |        |     |         |
|     |                    | Seat surface            |        |     |         |
|     |                    | Porsche lettering cloth |        |     |         |
|     | 930 521 037 10 LR9 | Black/black             |        |     |         |
|     | 930 521 037 10 LS3 | Blue/blue               |        |     |         |
|     | 930 521 037 10 LS1 | Brown/brown             |        |     |         |
|     | 930 521 037 10 LS4 | Burgundy/burgundy       |        |     |         |
|     | 930 521 037 10 LS2 | Grey-beige/grey-beige   |        |     |         |
| -   | PCG 043 204 90     | Cloth                   |        | 1   |         |
|     | PCG 043 204 90 2CZ | PORSCHE logo            |        |     |         |

Model: 911 84 Model life 1984>>1986

| Pos | Part Number        | Description  | Remark | Qty | Model   |
|-----|--------------------|--|--------|-----|---------|
| (4) | 930 521 038 10     | Black<br>Pieces<br>2000 MM X 1590 MM<br>Cover for cushion<br>Leather/<br>Seat surface<br>Porsche lettering cloth | /R     | 1   |         |
|     | 930 521 038 10 LR9 | Black/black  |        |     |         |
|     | 930 521 038 10 LS3 | Blue/blue  |        |     |         |
|     | 930 521 038 10 LS1 | Brown/brown  |        |     |         |
|     | 930 521 038 10 LS4 | Burgundy/burgundy  |        |     |         |
|     | 930 521 038 10 LS2 | Grey-beige/grey-beige  |        |     |         |
| -   | PCG 043 204 90     | Cloth  |        | 1   |         |
|     | PCG 043 204 90 2CZ | PORSCHE logo   |        |     |         |
| 5   | 911 521 037 13     | Black<br>Pieces<br>2000 MM X 1590 MM<br>Cover for cushion<br>Whole-leather                                       | /L     | 1   |         |
|     | 911 521 037 13 LG7 | Burgundy   |        |     |         |
|     | 911 521 037 13 LG4 | Pearl white  |        |     |         |
|     | 911 521 037 13 LG5 | Champagne  |        |     |         |
|     | 911 521 037 13 LG6 | Dark green   |        |     |         |
|     | 911 521 037 13 KZ2 | Black  |        |     |         |
|     | 911 521 037 13 KZ3 | Blue   |        |     |         |
|     | 911 521 037 13 KZ4 | Grey-beige   |        |     |         |
|     | 911 521 037 13 KZ5 | Brown  |        |     |         |
|     | 911 521 037 13 KZ6 | Can-can-red  |        |     |         |
| (5) | 911 521 038 13     | Cover for cushion<br>Whole-leather   | /R     | 1   |         |
|     | 911 521 038 13 LG7 | Burgundy   |        |     |         |
|     | 911 521 038 13 LG4 | Pearl white  |        |     |         |
|     | 911 521 038 13 LG5 | Champagne  |        |     |         |
|     | 911 521 038 13 LG6 | Dark green   |        |     |         |
|     | 911 521 038 13 KZ2 | Black  |        |     |         |
|     | 911 521 038 13 KZ3 | Blue   |        |     |         |
|     | 911 521 038 13 KZ4 | Grey-beige   |        |     |         |
|     | 911 521 038 13 KZ5 | Brown  |        |     |         |
|     | 911 521 038 13 KZ6 | Can-can-red  |        |     |         |
| 6   | 911 521 027 58     | Backrest frame   | /L     | 1   |         |
| (6) | 911 521 028 58     | Backrest frame   | /R     | 1   |         |
| 7   | 911 521 072 21     | Backrest cover<br>Leatherette/<br>Centre part<br>Checker board velour  |        | 2   | CARRERA |
|     | 911 521 072 21 LD5 | Black/<br>Light grey/black   |        |     |         |
|     | 911 521 072 21 LJ8 | Blue/<br>Blue-grey   |        |     |         |
|     | 911 521 072 21 LD6 | Brown/<br>Brown-grey   |        |     |         |
|     | 911 521 072 21 LJ9 | Burgundy/<br>Burgundy-grey   |        |     |         |
|     | 911 521 072 21 LK1 | Grey-beige/<br>Light grey/black  |        |     |         |
| 7   | 911 521 072 21     | Backrest cover<br>Leatherette/<br>Centre part<br>Uni-coloured cloth  |        | 2   | CARRERA |
|     | 911 521 072 21 LK3 | Brown-brown  |        |     |         |
|     | 911 521 072 21 LK5 | Burgundy-burgundy  |        |     |         |
|     | 911 521 072 21 LK6 | Grey-beige/grey-beige  |        |     |         |
|     | 911 521 072 21 JM2 | Black-black  |        |     |         |

Model: 911 84 Model life 1984&gt;&gt;1986

| Pos | Part Number                          | Description   | Remark | Qty | Model   |
|-----|--------------------------------------|---|--------|-----|---------|
| 7   | 911 521 072 21 JM5<br>911 521 072 21 | Blue/blue<br>Backrest cover<br>Leatherette/<br>Centre part<br>Pin stripe velour |        | 2   | CARRERA |
|     | 911 521 072 21 JN1                   | Black/<br>Black-white   |        |     |         |
|     | 911 521 072 21 LT1                   | Blue/<br>Blue-white   |        |     |         |
|     | 911 521 072 21 JN2                   | Brown/<br>Brown-beige   |        |     |         |
|     | 911 521 072 21 LT2                   | Burgundy/<br>Burgundy-white   |        |     |         |
|     | 911 521 072 21 LD4                   | Grey-beige/<br>Grey-beige-white   |        |     |         |
| 7   | 911 521 072 21                       | Backrest cover<br>Leatherette/<br>Centre part<br>Porsche lettering cloth        |        | 2   | CARRERA |
|     | 911 521 072 21 LR6                   | Black/black   |        |     |         |
|     | 911 521 072 21 LR7                   | Brown/brown   |        |     |         |
|     | 911 521 072 21 MN1                   | Blue/blue   |        |     |         |
|     | 911 521 072 21 MN2                   | Burgundy/burgundy   |        |     |         |
|     | 911 521 072 21 LR8                   | Grey-beige/grey-beige   |        |     |         |
| 7   | 911 521 072 24                       | Backrest cover<br>Leather/<br>Centre part<br>Checker board velour               |        | 2   |         |
|     | 911 521 072 24 LH1                   | Black/<br>Light grey/black  |        |     |         |
|     | 911 521 072 24 LH3                   | Blue/<br>Blue-grey  |        |     |         |
|     | 911 521 072 24 LH2                   | Brown/<br>Brown-grey  |        |     |         |
|     | 911 521 072 24 LH4                   | Burgundy/<br>Burgundy-grey  |        |     |         |
|     | 911 521 072 24 LH6                   | Grey-beige/<br>Light grey/black   |        |     |         |
| 7   | 911 521 072 24                       | Backrest cover<br>Leather/<br>Centre part<br>Uni-coloured cloth                 |        | 2   |         |
|     | 911 521 072 24 LJ1                   | Brown-brown   |        |     |         |
|     | 911 521 072 24 LJ2                   | Burgundy-burgundy   |        |     |         |
|     | 911 521 072 24 LJ3                   | Grey-beige/grey-beige   |        |     |         |
|     | 911 521 072 24 JN6                   | Black-black   |        |     |         |
|     | 911 521 072 24 JT4                   | Blue/blue   |        |     |         |
| 7   | 911 521 072 24                       | Backrest cover<br>Leather/<br>Centre part<br>Pin stripe velour                  |        | 2   |         |
|     | 911 521 072 24 LS5                   | Black/<br>Black-white   |        |     |         |
|     | 911 521 072 24 LS8                   | Blue/<br>Blue-white   |        |     |         |
|     | 911 521 072 24 LS6                   | Brown/<br>Brown-beige   |        |     |         |
|     | 911 521 072 24 LS9                   | Burgundy/<br>Burgundy-white   |        |     |         |
|     | 911 521 072 24 LS7                   | Grey-beige/<br>Grey-beige-white   |        |     |         |
| 7   | 911 521 072 24                       | Backrest cover<br>Leather/  |        | 2   |         |

Model: 911 84

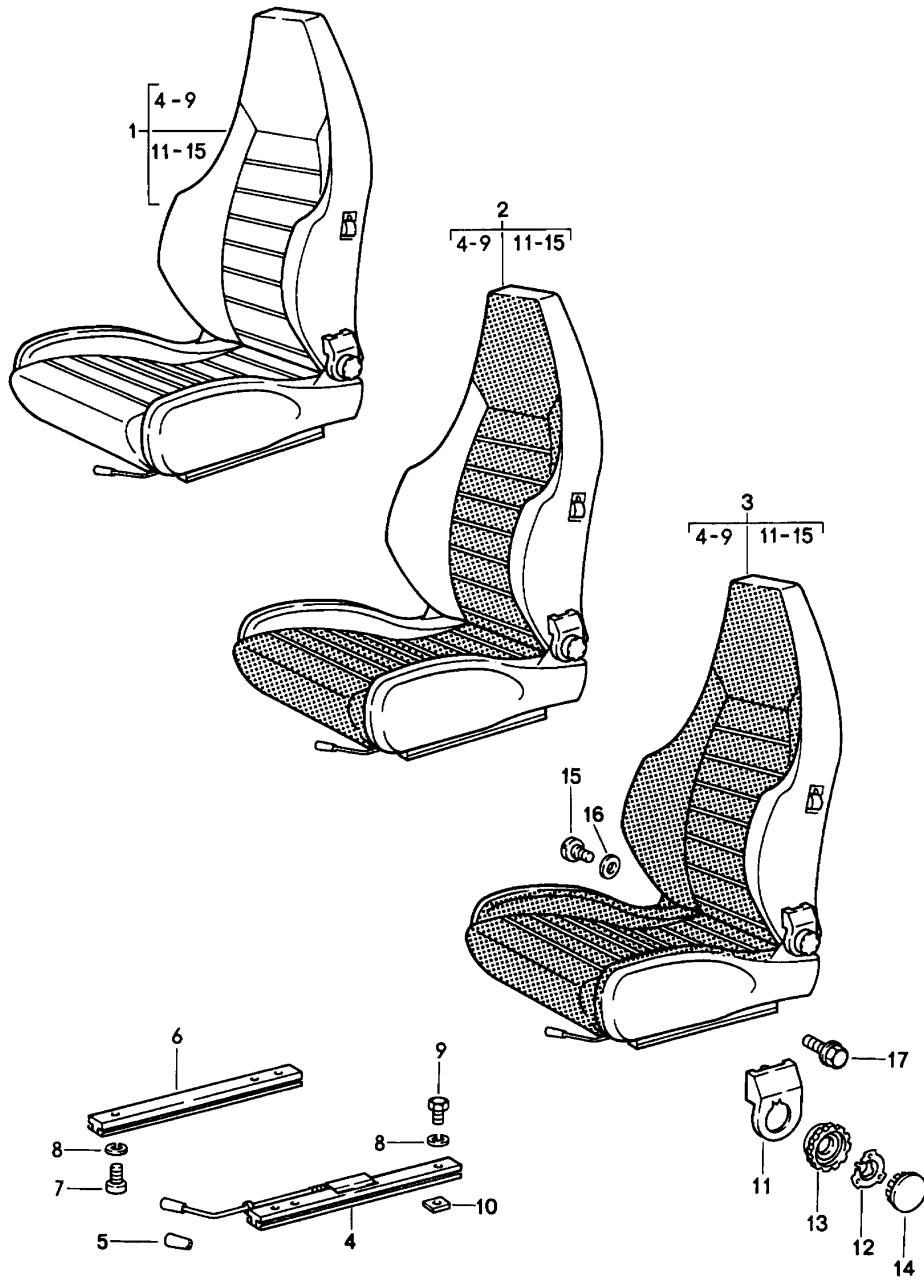
Model life 1984>>1986

| Pos | Part Number        | Description               | Remark | Qty | Model   |
|-----|--------------------|---------------------------|--------|-----|---------|
|     |                    | Centre part               |        |     |         |
|     |                    | Porsche lettering cloth   |        |     |         |
|     | 911 521 072 24 MN3 | Black/black               |        |     |         |
|     | 911 521 072 24 MN4 | Brown/brown               |        |     |         |
|     | 911 521 072 24 MN6 | Blue/blue                 |        |     |         |
|     | 911 521 072 24 MN7 | Burgundy/burgundy         |        |     |         |
|     | 911 521 072 24 MN5 | Grey-beige/grey-beige     |        |     |         |
| 8   | 911 521 072 22     | Backrest cover            |        | 2   | CARRERA |
|     |                    | Leatherette/              |        |     |         |
|     |                    | Backrest surface in cloth |        |     |         |
|     |                    | Porsche lettering cloth   |        |     |         |
|     | 911 521 072 22 LR1 | Black/black               |        |     |         |
|     | 911 521 072 22 LR4 | Blue/blue                 |        |     |         |
|     | 911 521 072 22 LR2 | Brown/brown               |        |     |         |
|     | 911 521 072 22 LR5 | Burgundy/burgundy         |        |     |         |
|     | 911 521 072 22 LR3 | Grey-beige/grey-beige     |        |     |         |
| 8   | 930 521 072 20     | Backrest cover            |        | 2   |         |
|     |                    | Leather/                  |        |     |         |
|     |                    | Backrest surface          |        |     |         |
|     |                    | Porsche lettering cloth   |        |     |         |
|     | 930 521 072 20 LR9 | Black/black               |        |     |         |
|     | 930 521 072 20 LS3 | Blue/blue                 |        |     |         |
|     | 930 521 072 20 LS1 | Brown/brown               |        |     |         |
|     | 930 521 072 20 LS4 | Burgundy/burgundy         |        |     |         |
|     | 930 521 072 20 LS2 | Grey-beige/grey-beige     |        |     |         |
| 9   | 911 521 072 23     | Backrest cover            |        | 2   |         |
|     |                    | Whole-leather             |        |     |         |
|     | 911 521 072 23 LG7 | Burgundy                  |        |     |         |
|     | 911 521 072 23 LG4 | Pearl white               |        |     |         |
|     | 911 521 072 23 LG5 | Champagne                 |        |     |         |
|     | 911 521 072 23 LG6 | Dark green                |        |     |         |
|     | 911 521 072 23 KZ2 | Black                     |        |     |         |
|     | 911 521 072 23 KZ3 | Blue                      |        |     |         |
|     | 911 521 072 23 KZ4 | Grey-beige                |        |     |         |
|     | 911 521 072 23 KZ5 | Brown                     |        |     |         |
|     | 911 521 072 23 KZ6 | Can-can-red               |        |     |         |
| 10  | 911 521 393 02     | Foam part                 |        | 2   |         |
|     |                    | Backrest                  |        |     |         |
| 11  | 911 521 575 00     | Filler piece              |        | 2   |         |
|     |                    | Backrest frame            |        |     |         |
| 12  | 911 521 435 00     | Filler piece              |        | 2   |         |
| 13  | 911 521 361 00     | Wire pull                 |        | 2   |         |
| 13  | 911 521 361 02     | Wire pull                 |        | 2   |         |
| 14  | 911 521 369 00     | Terminal                  |        | 2   |         |
| 15  | 911 521 343 00     | Guide bush                |        | 2   |         |
| 16  | 311 881 287 A      | Tension spring            |        | 2   |         |
|     |                    | for                       |        |     |         |
|     |                    | Actuating lever           |        |     |         |



Model: 911 84

Model life 1984>>1986



Model: 911 84 Model life 1984>>1986

| Pos | Part Number        | Description   | Remark | Qty | Model |
|-----|--------------------|---|--------|-----|-------|
|     |                    | Sports seat<br>Complete                                       | -84    |     |       |
| 1   | 911 521 007 61     | Sports seat<br>Whole-leather                                  | /L     | 1   |       |
|     | 911 521 007 61 KZ6 | Can-can-red   |        |     |       |
|     | 911 521 007 61 LG7 | Burgundy  |        |     |       |
|     | 911 521 007 61 KZ4 | Grey-beige  |        |     |       |
|     | 911 521 007 61 KZ2 | Black   |        |     |       |
|     | 911 521 007 61 KZ3 | Blue  |        |     |       |
|     | 911 521 007 61 KZ5 | Brown   |        |     |       |
|     | 911 521 007 61 LG4 | Pearl white   |        |     |       |
|     | 911 521 007 61 LG5 | Champagne   |        |     |       |
|     | 911 521 007 61 LG6 | Dark green  |        |     |       |
| (1) | 911 521 008 61     | Sports seat<br>Whole-leather                                  | /R     | 1   |       |
|     | 911 521 008 61 KZ6 | Can-can-red   |        |     |       |
|     | 911 521 008 61 LG7 | Burgundy  |        |     |       |
|     | 911 521 008 61 KZ4 | Grey-beige  |        |     |       |
|     | 911 521 008 61 KZ2 | Black   |        |     |       |
|     | 911 521 008 61 KZ3 | Blue  |        |     |       |
|     | 911 521 008 61 KZ5 | Brown   |        |     |       |
|     | 911 521 008 61 LG4 | Pearl white   |        |     |       |
|     | 911 521 008 61 LG5 | Champagne   |        |     |       |
|     | 911 521 008 61 LG6 | Dark green  |        |     |       |
| 2   | 911 521 007 62     | Sports seat<br>Leather<br>Centre part<br>Checker board velour | /L     | 1   |       |
|     | 911 521 007 62 LH1 | Black/<br>Light grey/black                                    |        |     |       |
|     | 911 521 007 62 LH2 | Brown/<br>Brown-grey  |        |     |       |
|     | 911 521 007 62 LH3 | Blue/<br>Blue-grey  |        |     |       |
|     | 911 521 007 62 LH4 | Burgundy/<br>Burgundy-grey                                    |        |     |       |
|     | 911 521 007 62 LH6 | Grey-beige/<br>Light grey/black                               |        |     |       |
| (2) | 911 521 008 62     | Sports seat<br>Leather<br>Centre part<br>Checker board velour | /R     | 1   |       |
|     | 911 521 008 62 LH1 | Black/<br>Light grey/black                                    |        |     |       |
|     | 911 521 008 62 LH2 | Brown/<br>Brown-grey  |        |     |       |
|     | 911 521 008 62 LH3 | Blue/<br>Blue-grey  |        |     |       |
|     | 911 521 008 62 LH4 | Burgundy/<br>Burgundy-grey                                    |        |     |       |
|     | 911 521 008 62 LH6 | Grey-beige/<br>Light grey/black                               |        |     |       |
| 2   | 911 521 007 62     | Sports seat<br>Leather/<br>Centre part<br>Uni-coloured cloth  | /L     | 1   |       |
|     | 911 521 007 62 JN6 | Black/black   |        |     |       |
|     | 911 521 007 62 LJ1 | Brown/brown   |        |     |       |
|     | 911 521 007 62 JT4 | Blue/blue   |        |     |       |
|     | 911 521 007 62 LJ2 | Burgundy/burgundy   |        |     |       |
|     | 911 521 007 62 LJ3 | Grey-beige/grey-beige   |        |     |       |
| (2) | 911 521 008 62     | Sports seat<br>Leather/                                       | /R     | 1   |       |

Model: 911 84

Model life 1984&gt;&gt;1986

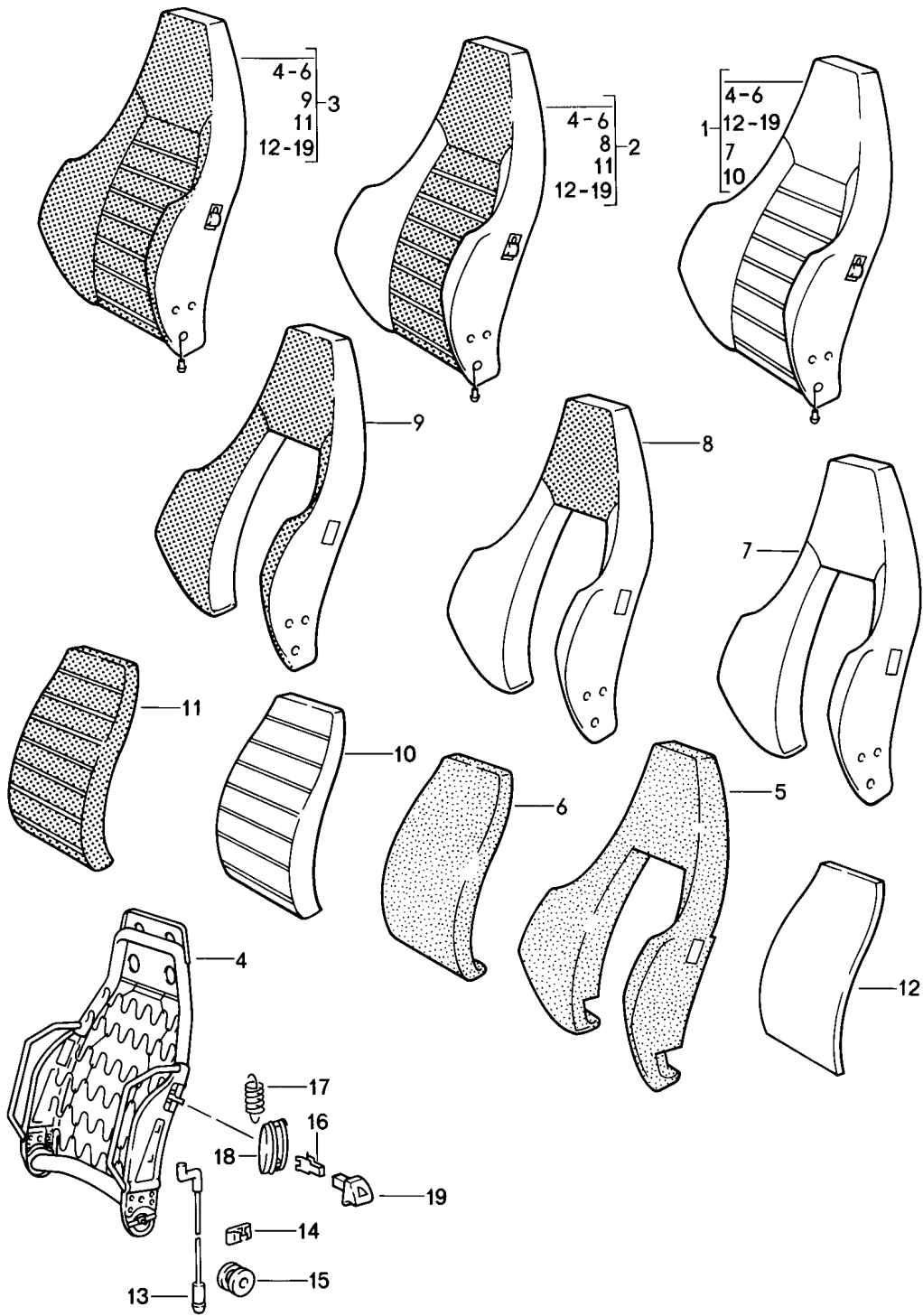
| Pos | Part Number        | Description  | Remark | Qty | Model |
|-----|--------------------|--|--------|-----|-------|
|     |                    | Centre part<br>Uni-coloured cloth  |        |     |       |
|     | 911 521 008 62 JN6 | Black/black  |        |     |       |
|     | 911 521 008 62 LJ1 | Brown/brown  |        |     |       |
|     | 911 521 008 62 JT4 | Blue/blue  |        |     |       |
|     | 911 521 008 62 LJ2 | Burgundy/burgundy  |        |     |       |
|     | 911 521 008 62 LJ3 | Grey-beige/grey-beige  |        |     |       |
| 2   | 911 521 007 62     | Sports seat<br>Leather/<br>Centre part<br>Pin stripe velour                    | /L     | 1   |       |
|     | 911 521 007 62 LS5 | Black/<br>Black-white  |        |     |       |
|     | 911 521 007 62 LS6 | Brown/<br>Brown-beige  |        |     |       |
|     | 911 521 007 62 LS8 | Blue/<br>Blue-white  |        |     |       |
|     | 911 521 007 62 LS9 | Burgundy/<br>Burgundy-white  |        |     |       |
|     | 911 521 007 62 LS7 | Grey-beige/<br>Grey-beige-white  |        |     |       |
| (2) | 911 521 008 62     | Sports seat<br>Leather/<br>Centre part<br>Pin stripe velour                    | /R     | 1   |       |
|     | 911 521 008 62 LS5 | Black/<br>Black-white  |        |     |       |
|     | 911 521 008 62 LS6 | Brown/<br>Brown-beige  |        |     |       |
|     | 911 521 008 62 LS8 | Blue/<br>Blue-white  |        |     |       |
|     | 911 521 008 62 LS9 | Burgundy/<br>Burgundy-white  |        |     |       |
|     | 911 521 008 62 LS7 | Grey-beige/<br>Grey-beige-white  |        |     |       |
| 2   | 911 521 007 62     | Sports seat<br>Leather/<br>Centre part<br>Porsche lettering cloth              | /L     | 1   |       |
|     | 911 521 007 62 MN3 | Black/black  |        |     |       |
|     | 911 521 007 62 MN4 | Brown/brown  |        |     |       |
|     | 911 521 007 62 MN6 | Blue/blue  |        |     |       |
|     | 911 521 007 62 MN7 | Burgundy/burgundy  |        |     |       |
|     | 911 521 007 62 MN5 | Grey-beige/grey-beige  |        |     |       |
| (2) | 911 521 008 62     | Sports seat<br>Leather/<br>Centre part<br>Porsche lettering cloth              | /R     | 1   |       |
|     | 911 521 008 62 MN3 | Black/black  |        |     |       |
|     | 911 521 008 62 MN4 | Brown/brown  |        |     |       |
|     | 911 521 008 62 MN6 | Blue/blue  |        |     |       |
|     | 911 521 008 62 MN7 | Burgundy/burgundy  |        |     |       |
|     | 911 521 008 62 MN5 | Grey-beige/grey-beige  |        |     |       |
| 3   | 911 521 007 63     | Sports seat<br>Leather<br>Seat and backrest surface<br>Porsche lettering cloth | /L     | 1   |       |
|     | 911 521 007 63 LR9 | Black/black  |        |     |       |
|     | 911 521 007 63 LS1 | Brown/brown  |        |     |       |
|     | 911 521 007 63 LS3 | Blue/blue  |        |     |       |
|     | 911 521 007 63 LS4 | Burgundy/burgundy  |        |     |       |
|     | 911 521 007 63 LS2 | Grey-beige/grey-beige  |        |     |       |
| (3) | 911 521 008 63     | Sports seat  | /R     | 1   |       |

Model: 911 84 Model life 1984>>1986

| Pos  | Part Number        | Description  | Remark | Qty | Model |
|------|--------------------|--|--------|-----|-------|
|      |                    | Leather<br>Seat and backrest surface<br>Porsche lettering cloth                                  |        |     |       |
|      | 911 521 008 63 LR9 | Black/black  |        |     |       |
|      | 911 521 008 63 LS1 | Brown/brown  |        |     |       |
|      | 911 521 008 63 LS3 | Blue/blue  |        |     |       |
|      | 911 521 008 63 LS4 | Burgundy/burgundy  |        |     |       |
|      | 911 521 008 63 LS2 | Grey-beige/grey-beige  |        |     |       |
| 4    | 928 521 489 02     | Seat rail<br>with locking device   | /L     | 1   |       |
| (4)  | 928 521 490 02     | Seat rail<br>with locking device   | /R     | 1   |       |
| 5    | 911 521 533 00     | Handle knob  |        | 2   |       |
| (5)  | 911 521 533 01     | Handle<br>for longitudinal adjustment  |        | 2   |       |
|      | 911 521 533 01 01C | Satin black  |        |     |       |
| 6    | 944 521 491 00     | Seat rail  |        | 2   |       |
| 6    |                    | Seat rail<br>without locking device<br>See TPI<br>GR.8 NR.34                                     |        | 2   |       |
| 7    | N 014 761 2        | Pan-head screw<br>M 6 X 12   |        | 8   |       |
| 7    | 900 119 129 01     | Pan-head screw<br>M 6 X 12   |        | 8   |       |
| 8    | N 012 006 4        | Lock ring<br>B 6   |        | 16  |       |
| 9    | 900 075 057 02     | Hexagon-head bolt  |        | 8   |       |
| 9    | 900 075 057 03     | Hexagon-head bolt  |        | 8   |       |
| 10   | 928 521 101 04     | Threaded plate<br>M 6  |        | 8   |       |
| 11   | 911 521 359 02     | Cover  | /L     | 1   |       |
| (11) | 911 521 360 02     | Cover  | /R     | 1   |       |
| 12   | 911 521 571 00     | Tensioning spring  |        | 2   |       |
| (13) | 911 521 381 02     | Cover<br>for backrest adjustment<br>Comprising:<br>POS. 13<br>Shifting wheel<br>POS. 14<br>Cover |        | 2   |       |
| 13   | 911 521 381 00     | Shifting wheel   |        | 2   |       |
| 14   | 911 521 383 00     | Cover  |        | 2   |       |
| 14   | 911 521 381 02     | Cover  |        | 2   |       |
| 15   | 911 521 371 00     | Screw  |        | 2   |       |
| 16   | 999 025 117 40     | Washer<br>12,5 X 32 X 1  |        | X   |       |
| 17   | 911 521 547 00     | Screw<br>M 10 X 20   |        | 4   |       |

Model: 911 84

Model life 1984>>1986



Model: 911 84 Model life 1984>>1986

| Pos | Part Number        | Description           | Remark | Qty | Model |
|-----|--------------------|-----------------------|--------|-----|-------|
|     |                    | Sports seat           | -84    |     |       |
|     |                    | Backrest              |        |     |       |
|     |                    | Single parts          |        |     |       |
| 1   | 911 521 603 50     | Backrest              | /L     | 1   |       |
|     |                    | Leather               |        |     |       |
|     | 911 521 603 50 KZ6 | Can-can-red           |        |     |       |
|     | 911 521 603 50 LG7 | Burgundy              |        |     |       |
|     | 911 521 603 50 KZ4 | Grey-beige            |        |     |       |
|     | 911 521 603 50 KZ2 | Black                 |        |     |       |
|     | 911 521 603 50 KZ3 | Blue                  |        |     |       |
|     | 911 521 603 50 KZ5 | Brown                 |        |     |       |
|     | 911 521 603 50 LG4 | Pearl white           |        |     |       |
|     | 911 521 603 50 LG5 | Champagne             |        |     |       |
|     | 911 521 603 50 LG6 | Dark green            |        |     |       |
| (1) | 911 521 604 50     | Backrest              | /R     | 1   |       |
|     |                    | Leather               |        |     |       |
|     | 911 521 604 50 KZ6 | Can-can-red           |        |     |       |
|     | 911 521 604 50 LG7 | Burgundy              |        |     |       |
|     | 911 521 604 50 KZ4 | Grey-beige            |        |     |       |
|     | 911 521 604 50 KZ2 | Black                 |        |     |       |
|     | 911 521 604 50 KZ3 | Blue                  |        |     |       |
|     | 911 521 604 50 KZ5 | Brown                 |        |     |       |
|     | 911 521 604 50 LG4 | Pearl white           |        |     |       |
|     | 911 521 604 50 LG5 | Champagne             |        |     |       |
|     | 911 521 604 50 LG6 | Dark green            |        |     |       |
| 2   | 911 521 603 51     | Backrest              | /L     | 1   |       |
|     |                    | Leather/              |        |     |       |
|     |                    | Centre part           |        |     |       |
|     |                    | Checker board velour  |        |     |       |
|     | 911 521 603 51 LH1 | Black/                |        |     |       |
|     |                    | Light grey/black      |        |     |       |
|     | 911 521 603 51 LH2 | Brown/                |        |     |       |
|     |                    | Brown-grey            |        |     |       |
|     | 911 521 603 51 LH3 | Blue/                 |        |     |       |
|     |                    | Blue-grey             |        |     |       |
|     | 911 521 603 51 LH4 | Burgundy/             |        |     |       |
|     |                    | Burgundy-grey         |        |     |       |
|     | 911 521 603 51 LH6 | Grey-beige/           |        |     |       |
|     |                    | Black/grey-beige      |        |     |       |
| (2) | 911 521 604 51     | Backrest              | /R     | 1   |       |
|     |                    | Leather/              |        |     |       |
|     |                    | Centre part           |        |     |       |
|     |                    | Checker board velour  |        |     |       |
|     | 911 521 604 51 LH1 | Black/                |        |     |       |
|     |                    | Light grey/black      |        |     |       |
|     | 911 521 604 51 LH2 | Brown/                |        |     |       |
|     |                    | Brown-grey            |        |     |       |
|     | 911 521 604 51 LH3 | Blue/                 |        |     |       |
|     |                    | Blue-grey             |        |     |       |
|     | 911 521 604 51 LH4 | Burgundy/             |        |     |       |
|     |                    | Burgundy-grey         |        |     |       |
|     | 911 521 604 51 LH6 | Grey-beige/           |        |     |       |
|     |                    | Black/grey-beige      |        |     |       |
| 2   | 911 521 603 51     | Backrest              | /L     | 1   |       |
|     |                    | Leather/              |        |     |       |
|     |                    | Centre part           |        |     |       |
|     |                    | Uni-coloured cloth    |        |     |       |
|     | 911 521 603 51 JN6 | Black/black           |        |     |       |
|     | 911 521 603 51 LJ1 | Brown/brown           |        |     |       |
|     | 911 521 603 51 JT4 | Blue/blue             |        |     |       |
|     | 911 521 603 51 LJ2 | Burgundy/burgundy     |        |     |       |
|     | 911 521 603 51 LJ3 | Grey-beige/grey-beige |        |     |       |
| (2) | 911 521 604 51     | Backrest              | /R     | 1   |       |

Model: 911 84 Model life 1984>>1986

| Pos | Part Number        | Description  | Remark | Qty | Model |
|-----|--------------------|--|--------|-----|-------|
|     |                    | Leather/<br>Centre part<br>Uni-coloured cloth                      |        |     |       |
|     | 911 521 604 51 JN6 | Black/black  |        |     |       |
|     | 911 521 604 51 LJ1 | Brown/brown  |        |     |       |
|     | 911 521 604 51 JT4 | Blue/blue  |        |     |       |
|     | 911 521 604 51 LJ2 | Burgundy/burgundy  |        |     |       |
|     | 911 521 604 51 LJ3 | Grey-beige/grey-beige  |        |     |       |
| 2   | 911 521 603 51     | Backrest<br>Leather/<br>Centre part<br>Pin stripe velour           | /L     | 1   |       |
|     | 911 521 603 51 LS5 | Black/<br>Black-white  |        |     |       |
|     | 911 521 603 51 LS6 | Brown/<br>Brown-beige  |        |     |       |
|     | 911 521 603 51 LS8 | Blue/<br>Blue-white  |        |     |       |
|     | 911 521 603 51 LS9 | Burgundy/<br>Burgundy-white  |        |     |       |
|     | 911 521 603 51 LS7 | Grey-beige/<br>Grey-beige-white                                    |        |     |       |
| (2) | 911 521 604 51     | Backrest<br>Leather/<br>Centre part<br>Pin stripe velour           | /R     | 1   |       |
|     | 911 521 604 51 LS5 | Black/<br>Black-white  |        |     |       |
|     | 911 521 604 51 LS6 | Brown/<br>Brown-beige  |        |     |       |
|     | 911 521 604 51 LS8 | Blue/<br>Blue-white  |        |     |       |
|     | 911 521 604 51 LS9 | Burgundy/<br>Burgundy-white  |        |     |       |
|     | 911 521 604 51 LS7 | Grey-beige/<br>Grey-beige-white                                    |        |     |       |
| 2   | 911 521 603 51     | Backrest<br>Leather/<br>Centre part<br>Porsche lettering cloth     | /L     | 1   |       |
|     | 911 521 603 51 MN3 | Black/black  |        |     |       |
|     | 911 521 603 51 MN4 | Brown/brown  |        |     |       |
|     | 911 521 603 51 MN6 | Blue/blue  |        |     |       |
|     | 911 521 603 51 MN7 | Burgundy/burgundy  |        |     |       |
|     | 911 521 603 51 MN5 | Grey-beige/grey-beige  |        |     |       |
| (2) | 911 521 604 51     | Backrest<br>Leather/<br>Centre part<br>Porsche lettering cloth     | /R     | 1   |       |
|     | 911 521 604 51 MN3 | Black/black  |        |     |       |
|     | 911 521 604 51 MN4 | Brown/brown  |        |     |       |
|     | 911 521 604 51 MN6 | Blue/blue  |        |     |       |
|     | 911 521 604 51 MN7 | Burgundy/burgundy  |        |     |       |
|     | 911 521 604 51 MN5 | Grey-beige/grey-beige  |        |     |       |
| 3   | 911 521 603 52     | Backrest<br>Leather<br>Backrest surface<br>Porsche lettering cloth | /L     | 1   |       |
|     | 911 521 603 52 LR9 | Black/black  |        |     |       |
|     | 911 521 603 52 LS1 | Brown/brown  |        |     |       |
|     | 911 521 603 52 LS3 | Blue/blue  |        |     |       |
|     | 911 521 603 52 LS4 | Burgundy/burgundy  |        |     |       |
|     | 911 521 603 52 LS2 | Grey-beige/grey-beige  |        |     |       |

Model: 911 84 Model life 1984>>1986

| Pos | Part Number        | Description   | Remark | Qty | Model |
|-----|--------------------|---|--------|-----|-------|
| (3) | 911 521 604 52     | Backrest<br>Leather<br>Backrest surface<br>Porsche lettering cloth            | /R     | 1   |       |
|     | 911 521 604 52 LR9 | Black/black   |        |     |       |
|     | 911 521 604 52 LS1 | Brown/brown   |        |     |       |
|     | 911 521 604 52 LS3 | Blue/blue   |        |     |       |
|     | 911 521 604 52 LS4 | Burgundy/burgundy   |        |     |       |
|     | 911 521 604 52 LS2 | Grey-beige/grey-beige   |        |     |       |
| 4   | 911 521 613 02     | Backrest frame  | /L     | 1   |       |
| 4   |                    | Backrest frame  | /L     | 1   |       |
| (4) | 911 521 614 02     | Backrest frame  | /R     | 1   |       |
| (4) |                    | Backrest frame  | /R     | 1   |       |
| 5   | 911 521 751 02     | Foam part<br>Backrest cushion   |        | 2   |       |
| 6   | 911 521 104 02     | Foam part<br>Backrest side bolster cover                                      |        | 2   |       |
| 7   | 911 521 072 70     | Backrest side bolster cover<br>Leather  |        | 2   |       |
|     | 911 521 072 70 LG7 | Burgundy  |        |     |       |
|     | 911 521 072 70 KZ4 | Grey-beige  |        |     |       |
|     | 911 521 072 70 KZ2 | Black   |        |     |       |
|     | 911 521 072 70 KZ3 | Blue  |        |     |       |
|     | 911 521 072 70 KZ5 | Brown   |        |     |       |
|     | 911 521 072 70 LG4 | Pearl white   |        |     |       |
|     | 911 521 072 70 LG5 | Champagne   |        |     |       |
|     | 911 521 072 70 LG6 | Dark green  |        |     |       |
| 8   | 911 521 072 71     | Backrest side bolster cover<br>Leather<br>Centre part<br>Checker board velour |        | 2   |       |
|     | 911 521 072 71 LH1 | Black/<br>Light grey/black  |        |     |       |
|     | 911 521 072 71 LH2 | Brown/<br>Brown-grey  |        |     |       |
|     | 911 521 072 71 LH3 | Blue/<br>Blue-grey  |        |     |       |
|     | 911 521 072 71 LH4 | Burgundy/<br>Burgundy-grey  |        |     |       |
|     | 911 521 072 71 LH6 | Grey-beige/<br>Black/grey-beige   |        |     |       |
| 8   | 911 521 072 71     | Backrest side bolster cover<br>Leather/<br>Centre part<br>Uni-coloured cloth  |        | 2   |       |
|     | 911 521 072 71 JN6 | Black/black   |        |     |       |
|     | 911 521 072 71 LJ1 | Brown/brown   |        |     |       |
|     | 911 521 072 71 JT4 | Blue/blue   |        |     |       |
|     | 911 521 072 71 LJ2 | Burgundy/burgundy   |        |     |       |
|     | 911 521 072 71 LJ3 | Grey-beige/grey-beige   |        |     |       |
| 8   | 911 521 072 71     | Backrest side bolster cover<br>Leather/<br>Centre part<br>Pin stripe velour   |        | 2   |       |
|     | 911 521 072 71 LS5 | Black/<br>Black-white   |        |     |       |
|     | 911 521 072 71 LS6 | Brown/<br>Brown-beige   |        |     |       |
|     | 911 521 072 71 LS8 | Blue/<br>Blue-white   |        |     |       |
|     | 911 521 072 71 LS9 | Burgundy/<br>Burgundy-white   |        |     |       |
|     | 911 521 072 71 LS7 | Grey-beige/   |        |     |       |



Model: 911 84 Model life 1984>>1986

| Pos | Part Number        | Description   | Remark | Qty | Model |
|-----|--------------------|---|--------|-----|-------|
| 8   | 911 521 072 71     | Grey-beige-white<br>Backrest side bolster cover<br>Leather/<br>Centre part<br>Porsche lettering cloth |        | 2   |       |
|     | 911 521 072 71 MN3 | Black/black   |        |     |       |
|     | 911 521 072 71 MN4 | Brown/brown   |        |     |       |
|     | 911 521 072 71 MN6 | Blue/blue   |        |     |       |
|     | 911 521 072 71 MN7 | Burgundy/burgundy   |        |     |       |
|     | 911 521 072 71 MN5 | Grey-beige/grey-beige   |        |     |       |
| 9   | 911 521 072 72     | Backrest side bolster cover<br>Leather/<br>Backrest surface<br>Porsche lettering cloth                |        | 2   |       |
|     | 911 521 072 72 LR9 | Black/black   |        |     |       |
|     | 911 521 072 72 LS1 | Brown/brown   |        |     |       |
|     | 911 521 072 72 LS3 | Blue/blue   |        |     |       |
|     | 911 521 072 72 LS4 | Burgundy/burgundy   |        |     |       |
|     | 911 521 072 72 LS2 | Grey-beige/grey-beige   |        |     |       |
| 10  | 911 521 403 50     | Backrest cushion cover<br>Leather   |        | 2   |       |
|     | 911 521 403 50 KZ6 | Can-can-red   |        |     |       |
|     | 911 521 403 50 LG7 | Burgundy  |        |     |       |
|     | 911 521 403 50 KZ4 | Grey-beige  |        |     |       |
|     | 911 521 403 50 KZ2 | Black   |        |     |       |
|     | 911 521 403 50 KZ3 | Blue  |        |     |       |
|     | 911 521 403 50 KZ5 | Brown   |        |     |       |
|     | 911 521 403 50 LG4 | Pearl white   |        |     |       |
|     | 911 521 403 50 LG5 | Champagne   |        |     |       |
|     | 911 521 403 50 LG6 | Dark green  |        |     |       |
| 11  | 911 521 403 06     | Backrest cushion cover<br>Checker board velour  |        | 2   |       |
|     | 911 521 403 06 4FH | Light grey/black  |        |     |       |
|     | 911 521 403 06 5RH | Brown-grey  |        |     |       |
|     | 911 521 403 06 7GH | Blue-grey   |        |     |       |
|     | 911 521 403 06 9LH | Burgundy-grey   |        |     |       |
| 11  | 911 521 403 06     | Backrest cushion cover<br>Uni-coloured cloth  |        | 2   |       |
|     | 911 521 403 06 70F | Black   |        |     |       |
|     | 911 521 403 06 7NU | Brown   |        |     |       |
|     | 911 521 403 06 30C | Blue  |        |     |       |
|     | 911 521 403 06 5MU | Burgundy  |        |     |       |
|     | 911 521 403 06 8FU | Grey-beige  |        |     |       |
| 11  | 911 521 403 06     | Backrest cushion cover<br>Pin stripe velour   |        | 2   |       |
|     | 911 521 403 06 7BN | Black-white   |        |     |       |
|     | 911 521 403 06 3NN | Beige/brown   |        |     |       |
|     | 911 521 403 06 8GJ | Blue-white  |        |     |       |
|     | 911 521 403 06 1MJ | Burgundy-white  |        |     |       |
|     | 911 521 403 06 9FN | Grey-beige-white  |        |     |       |
| 11  | 911 521 403 06     | Backrest cushion cover<br>Porsche lettering cloth   |        | 2   |       |
|     | 911 521 403 06 4CR | Black   |        |     |       |
|     | 911 521 403 06 6TR | Brown   |        |     |       |
|     | 911 521 403 06 5HR | Blue  |        |     |       |
|     | 911 521 403 06 2LR | Burgundy  |        |     |       |
|     | 911 521 403 06 8RR | Grey-beige  |        |     |       |
| 12  | 911 521 575 00     | Filler piece  |        | 2   |       |
| 13  | 911 521 361 00     | Wire pull   |        | 2   |       |
| 13  | 911 521 361 02     | Wire pull   |        | 2   |       |
| 14  | 911 521 369 00     | Terminal  |        | 2   |       |
| 15  | 911 521 343 00     | Guide bush  |        | 2   |       |
| 16  | 311 881 247        | Clip  |        | 1   |       |

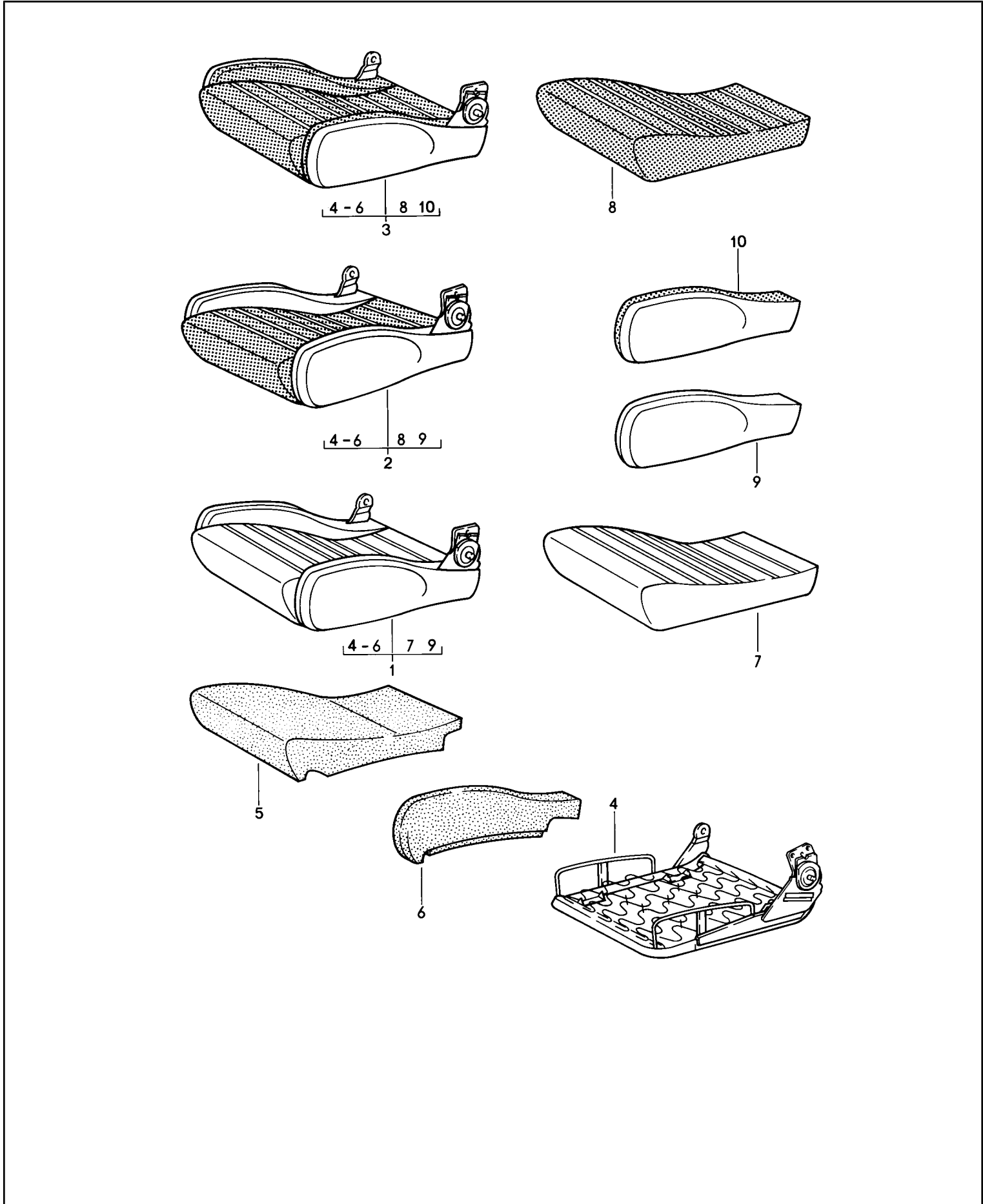
Model: 911 84

Model life 1984&gt;&gt;1986

| Pos | Part Number        | Description    | Remark | Qty | Model |
|-----|--------------------|----------------|--------|-----|-------|
| 17  | 311 881 287 A      | Tension spring |        | 2   |       |
| 18  | 911 521 815 00     | Rosette        |        | 2   |       |
|     | 911 521 815 00 01C | Satin black    |        |     |       |
| 19  | 911 521 817 00     | Control button |        | 2   |       |
|     | 911 521 817 00 01C | Satin black    |        |     |       |

Model: 911 84

Model life 1984>>1986



Model: 911 84 Model life 1984>>1986

| Pos | Part Number        | Description           | Remark | Qty | Model |
|-----|--------------------|-----------------------|--------|-----|-------|
|     |                    | Sports seat           | -84    |     |       |
|     |                    | Cushion               |        |     |       |
|     |                    | Single parts          |        |     |       |
| 1   | 911 521 605 50     | Seat cushion          | /L     | 1   |       |
|     |                    | Leather               |        |     |       |
|     | 911 521 605 50 KZ6 | Can-can-red           |        |     |       |
|     | 911 521 605 50 LG7 | Burgundy              |        |     |       |
|     | 911 521 605 50 KZ4 | Grey-beige            |        |     |       |
|     | 911 521 605 50 KZ2 | Black                 |        |     |       |
|     | 911 521 605 50 KZ3 | Blue                  |        |     |       |
|     | 911 521 605 50 KZ5 | Brown                 |        |     |       |
|     | 911 521 605 50 LG4 | Pearl white           |        |     |       |
|     | 911 521 605 50 LG5 | Champagne             |        |     |       |
|     | 911 521 605 50 LG6 | Dark green            |        |     |       |
| (1) | 911 521 606 50     | Seat cushion          | /R     | 1   |       |
|     |                    | Leather               |        |     |       |
|     | 911 521 606 50 KZ6 | Can-can-red           |        |     |       |
|     | 911 521 606 50 LG7 | Burgundy              |        |     |       |
|     | 911 521 606 50 KZ4 | Grey-beige            |        |     |       |
|     | 911 521 606 50 KZ2 | Black                 |        |     |       |
|     | 911 521 606 50 KZ3 | Blue                  |        |     |       |
|     | 911 521 606 50 KZ5 | Brown                 |        |     |       |
|     | 911 521 606 50 LG4 | Pearl white           |        |     |       |
|     | 911 521 606 50 LG5 | Champagne             |        |     |       |
|     | 911 521 606 50 LG6 | Dark green            |        |     |       |
| 2   | 911 521 605 51     | Seat cushion          | /L     | 1   |       |
|     |                    | Leather/              |        |     |       |
|     |                    | Centre part           |        |     |       |
|     |                    | Checker board velour  |        |     |       |
|     | 911 521 605 51 LH1 | Black/                |        |     |       |
|     |                    | Light grey/black      |        |     |       |
|     | 911 521 605 51 LH2 | Brown/                |        |     |       |
|     |                    | Brown-grey            |        |     |       |
|     | 911 521 605 51 LH3 | Blue/                 |        |     |       |
|     |                    | Blue-grey             |        |     |       |
|     | 911 521 605 51 LH4 | Burgundy/             |        |     |       |
|     |                    | Burgundy-grey         |        |     |       |
|     | 911 521 605 51 LH6 | Grey-beige/           |        |     |       |
|     |                    | Black/grey-beige      |        |     |       |
| (2) | 911 521 606 51     | Seat cushion          | /R     | 1   |       |
|     |                    | Leather/              |        |     |       |
|     |                    | Centre part           |        |     |       |
|     |                    | Checker board velour  |        |     |       |
|     | 911 521 606 51 LH1 | Black/                |        |     |       |
|     |                    | Light grey/black      |        |     |       |
|     | 911 521 606 51 LH2 | Brown/                |        |     |       |
|     |                    | Brown-grey            |        |     |       |
|     | 911 521 606 51 LH3 | Blue/                 |        |     |       |
|     |                    | Blue-grey             |        |     |       |
|     | 911 521 606 51 LH4 | Burgundy/             |        |     |       |
|     |                    | Burgundy-grey         |        |     |       |
|     | 911 521 606 51 LH6 | Grey-beige/           |        |     |       |
|     |                    | Black/grey-beige      |        |     |       |
| 2   | 911 521 605 51     | Seat cushion          | /L     | 1   |       |
|     |                    | Leather/              |        |     |       |
|     |                    | Centre part           |        |     |       |
|     |                    | Uni-coloured cloth    |        |     |       |
|     | 911 521 605 51 JN6 | Black/black           |        |     |       |
|     | 911 521 605 51 LJ1 | Brown/brown           |        |     |       |
|     | 911 521 605 51 JT4 | Blue/blue             |        |     |       |
|     | 911 521 605 51 LJ2 | Burgundy/burgundy     |        |     |       |
|     | 911 521 605 51 LJ3 | Grey-beige/grey-beige |        |     |       |
| (2) | 911 521 606 51     | Seat cushion          | /R     | 1   |       |

Model: 911 84 Model life 1984>>1986

| Pos | Part Number        | Description   | Remark | Qty | Model |
|-----|--------------------|---|--------|-----|-------|
|     |                    | Leather/<br>Centre part<br>Uni-coloured cloth                       |        |     |       |
|     | 911 521 606 51 JN6 | Black/black   |        |     |       |
|     | 911 521 606 51 LJ1 | Brown/brown   |        |     |       |
|     | 911 521 606 51 JT4 | Blue/blue   |        |     |       |
|     | 911 521 606 51 LJ2 | Burgundy/burgundy   |        |     |       |
|     | 911 521 606 51 LJ3 | Grey-beige/grey-beige   |        |     |       |
| 2   | 911 521 605 51     | Seat cushion<br>Leather/<br>Centre part<br>Pin stripe velour        | /L     | 1   |       |
|     | 911 521 605 51 LS5 | Black/<br>Black-white   |        |     |       |
|     | 911 521 605 51 LS6 | Brown/<br>Brown-beige   |        |     |       |
|     | 911 521 605 51 LS8 | Blue/<br>Blue-white   |        |     |       |
|     | 911 521 605 51 LS9 | Burgundy/<br>Burgundy-white   |        |     |       |
|     | 911 521 605 51 LS7 | Grey-beige/<br>Grey-beige-white                                     |        |     |       |
| (2) | 911 521 606 51     | Seat cushion<br>Leather/<br>Centre part<br>Pin stripe velour        | /R     | 1   |       |
|     | 911 521 606 51 LS5 | Black/<br>Black-white   |        |     |       |
|     | 911 521 606 51 LS6 | Brown/<br>Brown-beige   |        |     |       |
|     | 911 521 606 51 LS8 | Blue/<br>Blue-white   |        |     |       |
|     | 911 521 606 51 LS9 | Burgundy/<br>Burgundy-white   |        |     |       |
|     | 911 521 606 51 LS7 | Grey-beige/<br>Grey-beige-white                                     |        |     |       |
| 2   | 911 521 605 51     | Seat cushion<br>Leather/<br>Centre part<br>Porsche lettering cloth  | /L     | 1   |       |
|     | 911 521 605 51 MN3 | Black/black   |        |     |       |
|     | 911 521 605 51 MN4 | Brown/brown   |        |     |       |
|     | 911 521 605 51 MN6 | Blue/blue   |        |     |       |
|     | 911 521 605 51 MN7 | Burgundy/burgundy   |        |     |       |
|     | 911 521 605 51 MN5 | Grey-beige/grey-beige   |        |     |       |
| (2) | 911 521 606 51     | Seat cushion<br>Leather/<br>Centre part<br>Porsche lettering cloth  | /R     | 1   |       |
|     | 911 521 606 51 MN3 | Black/black   |        |     |       |
|     | 911 521 606 51 MN4 | Brown/brown   |        |     |       |
|     | 911 521 606 51 MN6 | Blue/blue   |        |     |       |
|     | 911 521 606 51 MN7 | Burgundy/burgundy   |        |     |       |
|     | 911 521 606 51 MN5 | Grey-beige/grey-beige   |        |     |       |
| 3   | 911 521 605 52     | Seat cushion<br>Leather/<br>Seat surface<br>Porsche lettering cloth | /L     | 1   |       |
|     | 911 521 605 52 LR9 | Black/black   |        |     |       |
|     | 911 521 605 52 LS1 | Brown/brown   |        |     |       |
|     | 911 521 605 52 LS3 | Blue/blue   |        |     |       |
|     | 911 521 605 52 LS4 | Burgundy/burgundy   |        |     |       |
|     | 911 521 605 52 LS2 | Grey-beige/grey-beige   |        |     |       |

Model: 911 84 Model life 1984>>1986

| Pos | Part Number        | Description   | Remark | Qty | Model |
|-----|--------------------|---|--------|-----|-------|
| (3) | 911 521 606 52     | Seat cushion<br>Leather/<br>Seat surface<br>Porsche lettering cloth | /R     | 1   |       |
|     | 911 521 606 52 LR9 | Black/black   |        |     |       |
|     | 911 521 606 52 LS1 | Brown/brown   |        |     |       |
|     | 911 521 606 52 LS3 | Blue/blue   |        |     |       |
|     | 911 521 606 52 LS4 | Burgundy/burgundy   |        |     |       |
|     | 911 521 606 52 LS2 | Grey-beige/grey-beige   |        |     |       |
| 4   | 911 521 621 01     | Seat frame  | /L     | 1   |       |
| (4) | 911 521 622 01     | Seat frame  | /R     | 1   |       |
| 5   | 911 521 697 02     | Foam part<br>Seat cushion   |        | 2   |       |
| 6   | 911 521 683 02     | Foam part<br>Seat side bolster<br>Left seat                         | /L     | 1   |       |
| (6) | 911 521 654 02     | Foam part<br>Seat side bolster<br>Left seat                         | /R     | 1   |       |
| (6) | 911 521 653 02     | Foam part<br>Seat side bolster<br>Right seat                        | /L     | 1   |       |
| (6) | 911 521 684 02     | Foam part<br>Seat side bolster<br>Right seat                        | /R     | 1   |       |
| 7   | 911 521 439 50     | Cover for cushion<br>Leather  |        | 2   |       |
|     | 911 521 439 50 KZ6 | Can-can-red   |        |     |       |
|     | 911 521 439 50 LG7 | Burgundy  |        |     |       |
|     | 911 521 439 50 KZ4 | Grey-beige  |        |     |       |
|     | 911 521 439 50 KZ2 | Black   |        |     |       |
|     | 911 521 439 50 KZ3 | Blue  |        |     |       |
|     | 911 521 439 50 KZ5 | Brown   |        |     |       |
|     | 911 521 439 50 LG4 | Pearl white   |        |     |       |
|     | 911 521 439 50 LG5 | Champagne   |        |     |       |
|     | 911 521 439 50 LG6 | Dark green  |        |     |       |
| 8   | 911 521 439 06     | Cover for cushion<br>Checker board velour                           |        | 2   |       |
|     | 911 521 439 06 4FH | Light grey/black  |        |     |       |
|     | 911 521 439 06 5RH | Brown-grey  |        |     |       |
|     | 911 521 439 06 7GH | Blue-grey   |        |     |       |
|     | 911 521 439 06 9LH | Burgundy-grey   |        |     |       |
| 8   | 911 521 439 06     | Cover for cushion<br>Uni-coloured cloth                             |        | 2   |       |
|     | 911 521 439 06 70F | Black   |        |     |       |
|     | 911 521 439 06 7NU | Brown   |        |     |       |
|     | 911 521 439 06 30C | Blue  |        |     |       |
|     | 911 521 439 06 5MU | Burgundy  |        |     |       |
|     | 911 521 439 06 8FU | Grey-beige  |        |     |       |
| 8   | 911 521 439 06     | Cover for cushion<br>Pin stripe velour                              |        | 2   |       |
|     | 911 521 439 06 7BN | Black-white   |        |     |       |
|     | 911 521 439 06 3NN | Brown-beige   |        |     |       |
|     | 911 521 439 06 8GJ | Blue-white  |        |     |       |
|     | 911 521 439 06 1MJ | Burgundy-white  |        |     |       |
|     | 911 521 439 06 9FN | Grey-beige-white  |        |     |       |
| 8   | 911 521 439 06     | Cover for cushion<br>Porsche lettering cloth                        |        | 2   |       |
|     | 911 521 439 06 4CR | Black   |        |     |       |
|     | 911 521 439 06 6TR | Brown   |        |     |       |
|     | 911 521 439 06 5HR | Blue  |        |     |       |
|     | 911 521 439 06 2LR | Burgundy  |        |     |       |
|     | 911 521 439 06 8RR | Grey-beige  |        |     |       |

Model: 911 84 Model life 1984>>1986

| Pos  | Part Number        | Description   | Remark | Qty | Model |
|------|--------------------|---|--------|-----|-------|
| 9    | 911 521 631 50     | Seat side bolster cover<br>Left seat<br>Leather   | /L     | 1   |       |
|      | 911 521 631 50 KZ6 | Can-can-red   |        |     |       |
|      | 911 521 631 50 LG7 | Burgundy  |        |     |       |
|      | 911 521 631 50 KZ4 | Grey-beige  |        |     |       |
|      | 911 521 631 50 KZ2 | Black   |        |     |       |
|      | 911 521 631 50 KZ3 | Blue  |        |     |       |
|      | 911 521 631 50 KZ5 | Brown   |        |     |       |
|      | 911 521 631 50 LG4 | Pearl white   |        |     |       |
|      | 911 521 631 50 LG5 | Champagne   |        |     |       |
|      | 911 521 631 50 LG6 | Dark green  |        |     |       |
| (9)  | 911 521 632 50     | Seat side bolster cover<br>Left seat<br>Leather   | /R     | 1   |       |
|      | 911 521 632 50 KZ6 | Can-can-red   |        |     |       |
|      | 911 521 632 50 LG7 | Burgundy  |        |     |       |
|      | 911 521 632 50 KZ4 | Grey-beige  |        |     |       |
|      | 911 521 632 50 KZ2 | Black   |        |     |       |
|      | 911 521 632 50 KZ3 | Blue  |        |     |       |
|      | 911 521 632 50 KZ5 | Brown   |        |     |       |
|      | 911 521 632 50 LG4 | Pearl white   |        |     |       |
|      | 911 521 632 50 LG5 | Champagne   |        |     |       |
|      | 911 521 632 50 LG6 | Dark green  |        |     |       |
| (9)  | 911 521 633 50     | Seat side bolster cover<br>Right seat<br>Leather  | /L     | 1   |       |
|      | 911 521 633 50 KZ6 | Can-can-red   |        |     |       |
|      | 911 521 633 50 LG7 | Burgundy  |        |     |       |
|      | 911 521 633 50 KZ4 | Grey-beige  |        |     |       |
|      | 911 521 633 50 KZ2 | Black   |        |     |       |
|      | 911 521 633 50 KZ3 | Blue  |        |     |       |
|      | 911 521 633 50 KZ5 | Brown   |        |     |       |
|      | 911 521 633 50 LG4 | Pearl white   |        |     |       |
|      | 911 521 633 50 LG5 | Champagne   |        |     |       |
|      | 911 521 633 50 LG6 | Dark green  |        |     |       |
| (9)  | 911 521 634 50     | Seat side bolster cover<br>Right seat<br>Leather  | /R     | 1   |       |
|      | 911 521 634 50 KZ6 | Can-can-red   |        |     |       |
|      | 911 521 634 50 LG7 | Burgundy  |        |     |       |
|      | 911 521 634 50 KZ4 | Grey-beige  |        |     |       |
|      | 911 521 634 50 KZ2 | Black   |        |     |       |
|      | 911 521 634 50 KZ3 | Blue  |        |     |       |
|      | 911 521 634 50 KZ5 | Brown   |        |     |       |
|      | 911 521 634 50 LG4 | Pearl white   |        |     |       |
|      | 911 521 634 50 LG5 | Champagne   |        |     |       |
|      | 911 521 634 50 LG6 | Dark green  |        |     |       |
| 10   | 911 521 631 51     | Seat side bolster cover<br>Left seat<br>Leather/<br>Seat surface<br>Porsche lettering cloth | /L     | 1   |       |
|      | 911 521 631 51 LR9 | Black/black   |        |     |       |
|      | 911 521 631 51 LS1 | Brown/brown   |        |     |       |
|      | 911 521 631 51 LS3 | Blue/blue   |        |     |       |
|      | 911 521 631 51 LS4 | Burgundy/burgundy   |        |     |       |
|      | 911 521 631 51 LS2 | Grey-beige/grey-beige   |        |     |       |
| (10) | 911 521 632 51     | Seat side bolster cover<br>Left seat<br>Leather/<br>Seat surface<br>Porsche lettering cloth | /R     | 1   |       |

Model: 911 84

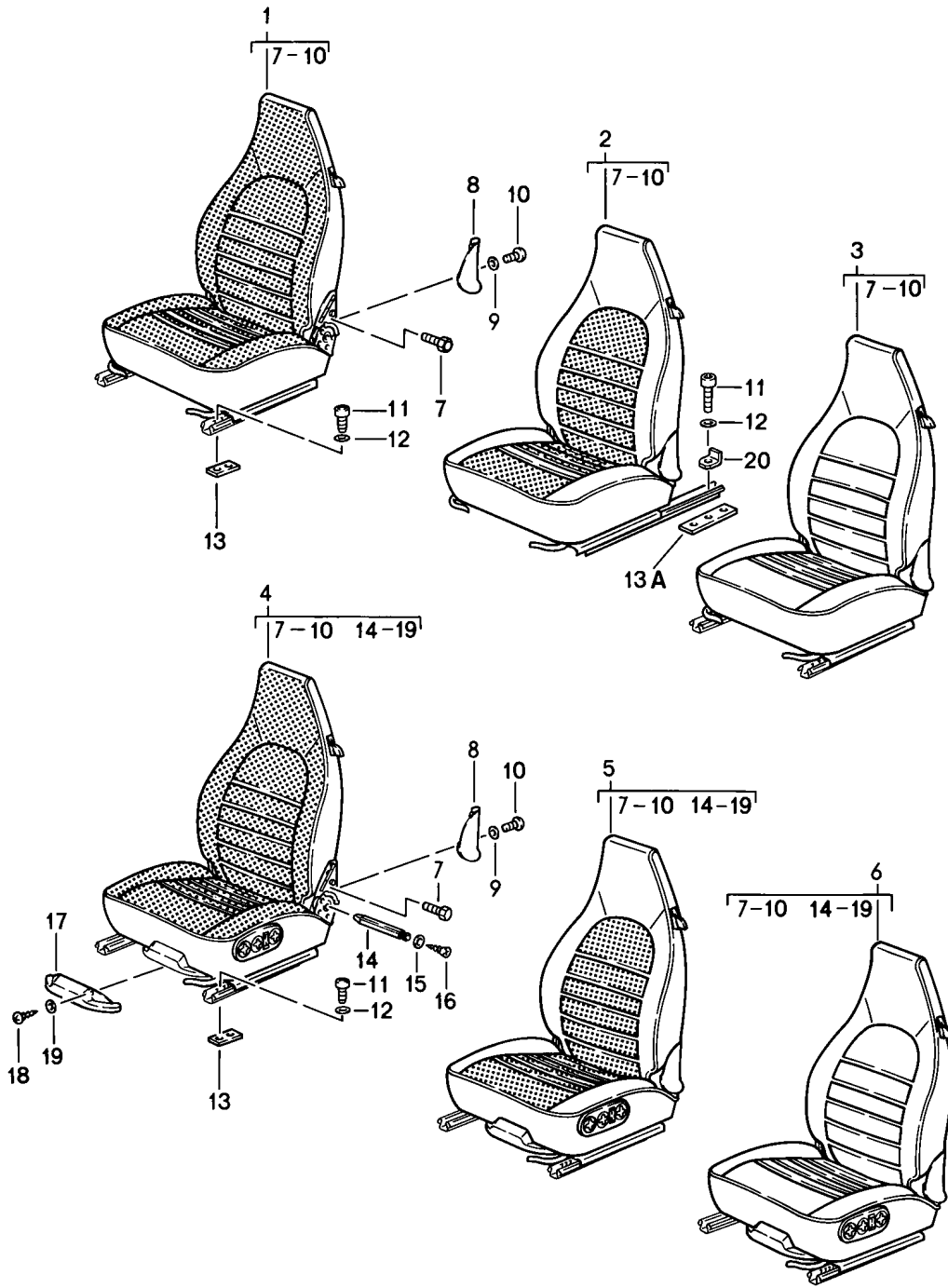
Model life 1984>>1986

| Pos  | Part Number        | Description  | Remark | Qty | Model |
|------|--------------------|--|--------|-----|-------|
| (10) | 911 521 632 51 LR9 | Black/black  |        |     |       |
|      | 911 521 632 51 LS1 | Brown/brown  |        |     |       |
|      | 911 521 632 51 LS3 | Blue/blue  |        |     |       |
|      | 911 521 632 51 LS4 | Burgundy/burgundy  |        |     |       |
|      | 911 521 632 51 LS2 | Grey-beige/grey-beige  |        |     |       |
|      | 911 521 633 51     | Seat side bolster cover<br>Right seat<br>Leather/<br>Seat surface<br>Porsche lettering cloth | /L     | 1   |       |
|      | 911 521 633 51 LR9 | Black/black  |        |     |       |
|      | 911 521 633 51 LS1 | Brown/brown  |        |     |       |
|      | 911 521 633 51 LS3 | Blue/blue  |        |     |       |
|      | 911 521 633 51 LS4 | Burgundy/burgundy  |        |     |       |
| (10) | 911 521 633 51 LS2 | Grey-beige/grey-beige  |        |     |       |
|      | 911 521 634 51     | Seat side bolster cover<br>Right seat<br>Leather/<br>Seat surface<br>Porsche lettering cloth | /R     | 1   |       |
|      | 911 521 634 51 LR9 | Black/black  |        |     |       |
|      | 911 521 634 51 LS1 | Brown/brown  |        |     |       |
|      | 911 521 634 51 LS3 | Blue/blue  |        |     |       |
|      | 911 521 634 51 LS4 | Burgundy/burgundy  |        |     |       |
|      | 911 521 634 51 LS2 | Grey-beige/grey-beige  |        |     |       |



Model: 911 84

Model life 1984>>1986



Model: 911 84 Model life 1984>>1986

| Pos | Part Number        | Description   | Remark        | Qty | Model   |
|-----|--------------------|---|---------------|-----|---------|
| (1) | 928 521 002 11     | Front seat<br>Front seat<br>Manually adjustable<br>Leatherette/<br>Seat and backrest surface<br>Pin stripe velour | 85-<br>/LL /R | 1   | CARRERA |
|     | 928 521 002 11 NY5 | Black/<br>Black-white   |               |     |         |
|     | 928 521 002 11 NY7 | Brown/<br>Brown-beige   |               |     |         |
|     | 928 521 002 11 QA3 | Blue/<br>Blue-white   |               |     |         |
|     | 928 521 002 11 NY8 | Burgundy/<br>Burgundy-white   |               |     |         |
|     | 928 521 002 11 QA4 | Greyish green/<br>Greyish green-white   |               |     |         |
|     | 928 521 002 11 RU3 | Grey-beige/<br>Grey-beige-white   | 86-<br>86-    |     |         |
| (1) | 928 521 002 11     | Front seat<br>Manually adjustable<br>Leatherette/<br>Seat and backrest surface<br>Pin stripe flannel              | /LL /R        | 1   | CARRERA |
|     | 928 521 002 11 NY9 | Black/anthracite  |               |     |         |
|     | 928 521 002 11 NZ6 | Brown/brown   |               |     |         |
|     | 928 521 002 11 QA6 | Blue/blue   |               |     |         |
|     | 928 521 002 11 NZ5 | Burgundy/burgundy   |               |     |         |
|     | 928 521 002 11 QA5 | Greyish green/grey-green  |               |     |         |
| (1) | 928 521 002 11     | Front seat<br>Manually adjustable<br>Leatherette/<br>Seat and backrest surface<br>Porsche lettering cloth         | /LL /R        | 1   | CARRERA |
|     | 928 521 002 11 PX2 | Black/black   |               |     |         |
|     | 928 521 002 11 PX4 | Brown/brown   |               |     |         |
|     | 928 521 002 11 PX7 | Blue/blue   |               |     |         |
|     | 928 521 002 11 PX6 | Burgundy/burgundy   |               |     |         |
|     | 928 521 002 11 PX8 | Greyish green/grey-green  |               |     |         |
|     | 928 521 002 11 QD9 | Grey-beige/grey-beige   | 86-           |     |         |
| (2) | 928 521 002 62     | Front seat<br>Manually adjustable<br>Leatherette/leather<br>Centre part<br>Pin stripe velour                      | /LL /R        | 1   | CARRERA |
|     | 928 521 002 62 PY1 | Black/<br>Black-white   |               |     |         |
|     | 928 521 002 62 PY2 | Brown/<br>Brown-beige   |               |     |         |
|     | 928 521 002 62 PY3 | Blue/<br>Blue-white   |               |     |         |
|     | 928 521 002 62 PY4 | Burgundy/<br>Burgundy-white   |               |     |         |
|     | 928 521 002 62 PY5 | Greyish green/<br>Greyish green-white   |               |     |         |
|     | 928 521 002 62 RU4 | Grey-beige/<br>Grey-beige-white   | 86-<br>86-    |     |         |
| (2) | 928 521 002 62     | Front seat<br>Manually adjustable<br>Leatherette/leather<br>Centre part<br>Pin stripe flannel                     | /LL /R        | 1   | CARRERA |
|     | 928 521 002 62 PZ2 | Black/anthracite  |               |     |         |
|     | 928 521 002 62 PZ3 | Brown/brown   |               |     |         |

Model: 911 84 Model life 1984>>1986

| Pos                | Part Number        | Description               | Remark | Qty | Model   |
|--------------------|--------------------|---------------------------|--------|-----|---------|
| (2)                | 928 521 002 62 PZ4 | Blue/blue                 |        | 1   | CARRERA |
|                    | 928 521 002 62 PZ5 | Burgundy/burgundy         |        |     |         |
|                    | 928 521 002 62 PZ6 | Greyish green/grey-green  |        |     |         |
|                    | 928 521 002 62     | Front seat                | /LL /R |     |         |
|                    |                    | Manually adjustable       |        |     |         |
|                    |                    | Leatherette/leather       |        |     |         |
|                    |                    | Centre part               |        |     |         |
|                    |                    | Porsche lettering cloth   |        |     |         |
|                    | 928 521 002 62 PZ7 | Black/black               |        |     |         |
| (2)                | 928 521 002 62 PZ8 | Brown/brown               |        | 1   | CARRERA |
|                    | 928 521 002 62 PZ9 | Blue/blue                 |        |     |         |
|                    | 928 521 002 62 QA1 | Burgundy/burgundy         |        |     |         |
|                    | 928 521 002 62 QA2 | Greyish green/grey-green  |        |     |         |
|                    | 928 521 002 62 RU2 | Grey-beige/grey-beige     | 86-    |     |         |
|                    | 928 521 002 66     | Front seat                | /LL /R |     |         |
|                    |                    | Manually adjustable       |        |     |         |
|                    |                    | Leather/                  |        |     |         |
|                    |                    | Centre part               |        |     |         |
|                    |                    | Pin stripe velour         |        |     |         |
| (2)                | 928 521 002 66 LS5 | Black/                    |        | 1   | CARRERA |
|                    |                    | Black-white               |        |     |         |
|                    | 928 521 002 66 LS6 | Brown/                    |        |     |         |
|                    |                    | Brown-beige               |        |     |         |
|                    | 928 521 002 66 LS8 | Blue/                     |        |     |         |
|                    |                    | Blue-white                |        |     |         |
|                    | 928 521 002 66 LS9 | Burgundy/                 |        |     |         |
|                    |                    | Burgundy-white            |        |     |         |
|                    | 928 521 002 66 QA7 | Greyish green/            |        |     |         |
|                    |                    | Greyish green-white       |        |     |         |
| (2)                | 928 521 002 66 LS7 | Grey-beige/               | 86-    | 1   | CARRERA |
|                    |                    | Grey-beige-white          | 86-    |     |         |
|                    | 928 521 002 66     | Front seat                | /LL /R |     |         |
|                    |                    | Manually adjustable       |        |     |         |
|                    |                    | Leather/                  |        |     |         |
|                    |                    | Centre part               |        |     |         |
|                    |                    | Pin stripe flannel        |        |     |         |
|                    | 928 521 002 66 QB1 | Black/anthracite          |        |     |         |
|                    | 928 521 002 66 QB3 | Brown/brown               |        |     |         |
|                    | 928 521 002 66 QB5 | Blue/blue                 |        |     |         |
| (2)                | 928 521 002 66 QB7 | Burgundy/burgundy         |        | 1   | CARRERA |
|                    | 928 521 002 66 QA8 | Greyish green/grey-green  |        |     |         |
|                    | 928 521 002 66     | Front seat                | /LL /R |     |         |
|                    |                    | Manually adjustable       |        |     |         |
|                    |                    | Leather/                  |        |     |         |
|                    |                    | Centre part               |        |     |         |
|                    |                    | Porsche lettering cloth   |        |     |         |
|                    | 928 521 002 66 QB2 | Black/black               |        |     |         |
|                    | 928 521 002 66 QB4 | Brown/brown               |        |     |         |
|                    | 928 521 002 66 QB6 | Blue/blue                 |        |     |         |
| (3)                | 928 521 002 66 QB8 | Burgundy/burgundy         |        | 1   | CARRERA |
|                    | 928 521 002 66 QA9 | Greyish green/grey-green  |        |     |         |
|                    | 928 521 002 66 RU1 | Grey-beige/grey-beige     | 86-    |     |         |
|                    | 928 521 002 63     | Front seat                | /LL /R |     |         |
|                    |                    | Manually adjustable       |        |     |         |
|                    |                    | Leatherette/              |        |     |         |
|                    |                    | Seat and backrest surface |        |     |         |
|                    |                    | Leather                   |        |     |         |
|                    | 928 521 002 63 JN3 | Black/black               |        |     |         |
|                    | 928 521 002 63 JN4 | Cadbury brown             |        |     |         |
| 928 521 002 63 QC1 | Blue               |                           |        |     |         |
| 928 521 002 63 NZ8 | Burgundy           |                           |        |     |         |
| 928 521 002 63 PX9 | Greyish green      |                           |        |     |         |
| 928 521 002 63 JN5 | Grey-beige         | 86-                       |        |     |         |

Model: 911 84 Model life 1984>>1986

| Pos | Part Number        | Description   | Remark     | Qty | Model   |
|-----|--------------------|---|------------|-----|---------|
| (3) | 928 521 002 64     | Front seat<br>Manually adjustable<br>Whole-leather  | /LL /R     | 1   | CARRERA |
|     | 928 521 002 64 KZ2 | Black   |            |     |         |
|     | 928 521 002 64 KZ5 | Cadbury brown   |            |     |         |
|     | 928 521 002 64 KZ3 | Blue  |            |     |         |
|     | 928 521 002 64 LG7 | Burgundy  |            |     |         |
|     | 928 521 002 64 QC2 | Greyish green   |            |     |         |
|     | 928 521 002 64 KZ6 | Can-can-red   |            |     |         |
|     | 928 521 002 64 LG4 | Pearl white   |            |     |         |
|     | 928 521 002 64 LG5 | Champagne   |            |     |         |
|     | 928 521 002 64 LG6 | Dark green  |            |     |         |
|     | 928 521 002 64 PY9 | Ocean blue  |            |     |         |
|     | 928 521 002 64 PZ1 | Wild buffalo  |            |     |         |
|     | 928 521 002 64 KZ4 | Grey-beige  | 86-        |     |         |
| (4) | 928 521 003 20     | Front seat<br>without heating<br>Manual longitudinal adjustment<br>Elect. vertical adjustment<br>Elect. backrest adjustment<br>Leatherette/<br>Seat and backrest surface<br>Pin stripe velour | /L         | 1   |         |
|     | 928 521 003 20 NY5 | Black/<br>Black-white   |            |     |         |
|     | 928 521 003 20 NY7 | Brown/<br>Brown-beige   |            |     |         |
|     | 928 521 003 20 QA3 | Blue/<br>Blue-white   |            |     |         |
|     | 928 521 003 20 NY8 | Burgundy/<br>Burgundy-white   |            |     |         |
|     | 928 521 003 20 QA4 | Greyish green/<br>Greyish green-white   |            |     |         |
|     | 928 521 003 20 RU3 | Grey-beige/<br>Grey-beige-white   | 86-<br>86- |     |         |
| (4) | 928 521 004 20     | Front seat<br>without heating<br>Manual longitudinal adjustment<br>Elect. vertical adjustment<br>Elect. backrest adjustment<br>Leatherette/<br>Seat and backrest surface<br>Pin stripe velour | /R         | 1   |         |
|     | 928 521 004 20 NY5 | Black/<br>Black-white   |            |     |         |
|     | 928 521 004 20 NY7 | Brown/<br>Brown-beige   |            |     |         |
|     | 928 521 004 20 QA3 | Blue/<br>Blue-white   |            |     |         |
|     | 928 521 004 20 NY8 | Burgundy/<br>Burgundy-white   |            |     |         |
|     | 928 521 004 20 QA4 | Greyish green/<br>Greyish green-white   |            |     |         |
|     | 928 521 004 20 RU3 | Grey-beige/<br>Grey-beige-white   | 86-<br>86- |     |         |
| 4   | 928 521 003 01     | Comfort seat<br>All-electric<br>Leatherette/<br>Seat and backrest surface<br>Pin stripe velour  | /L         | 1   |         |
|     | 928 521 003 01 NY5 | Black/<br>Black-white   |            |     |         |
|     | 928 521 003 01 NY7 | Brown/  |            |     |         |

Model: 911 84 Model life 1984>>1986

| Pos | Part Number        | Description  | Remark     | Qty | Model |
|-----|--------------------|--|------------|-----|-------|
|     | 928 521 003 01 QA3 | Brown-beige<br>Blue/<br>Blue-white   |            |     |       |
|     | 928 521 003 01 NY8 | Burgundy/<br>Burgundy-white  |            |     |       |
|     | 928 521 003 01 QA4 | Greyish green/<br>Greyish green-white  |            |     |       |
|     | 928 521 003 01 RU3 | Grey-beige/<br>Grey-beige-white  | 86-<br>86- |     |       |
| (4) | 928 521 004 01     | Comfort seat<br>All-electric<br>Leatherette/<br>Seat and backrest surface<br>Pin stripe velour   | /R         | 1   |       |
|     | 928 521 004 01 NY5 | Black/<br>Black-white  |            |     |       |
|     | 928 521 004 01 NY7 | Brown/<br>Brown-beige  |            |     |       |
|     | 928 521 004 01 QA3 | Blue/<br>Blue-white  |            |     |       |
|     | 928 521 004 01 NY8 | Burgundy/<br>Burgundy-white  |            |     |       |
|     | 928 521 004 01 QA4 | Greyish green/<br>Greyish green-white  |            |     |       |
|     | 928 521 004 01 RU3 | Grey-beige/grey-beige<br>Grey-beige-white  | 86-<br>86- |     |       |
| (4) | 928 521 003 25     | Front seat<br>with heating<br>Manual longitudinal adjustment<br>Elect. vertical adjustment<br>Elect. backrest adjustment<br>Leatherette/<br>Seat and backrest surface<br>Pin stripe velour | /L         | 1   |       |
|     | 928 521 003 25 NY5 | Black/<br>Black-white  |            |     |       |
|     | 928 521 003 25 NY7 | Brown/<br>Brown-beige  |            |     |       |
|     | 928 521 003 25 QA3 | Blue/<br>Blue-white  |            |     |       |
|     | 928 521 003 25 NY8 | Burgundy/<br>Burgundy-white  |            |     |       |
|     | 928 521 003 25 QA4 | Greyish green/<br>Greyish green-white  |            |     |       |
|     | 928 521 003 25 RU3 | Grey-beige/<br>Grey-beige-white  | 86-<br>86- |     |       |
| (4) | 928 521 004 25     | Front seat<br>with heating<br>Manual longitudinal adjustment<br>Elect. vertical adjustment<br>Elect. backrest adjustment<br>Leatherette/<br>Seat and backrest surface<br>Pin stripe velour | /R         | 1   |       |
|     | 928 521 004 25 NY5 | Black/<br>Black-white  |            |     |       |
|     | 928 521 004 25 NY7 | Brown/<br>Brown-beige  |            |     |       |
|     | 928 521 004 25 QA3 | Blue/<br>Blue-white  |            |     |       |
|     | 928 521 004 25 NY8 | Burgundy/<br>Burgundy-white  |            |     |       |
|     | 928 521 004 25 QA4 | Greyish green/<br>Greyish green-white  |            |     |       |

Model: 911 84 Model life 1984>>1986

| Pos                | Part Number        | Description   | Remark   | Qty | Model |    |   |  |
|--------------------|--------------------|---|--|-----|-------|----|---|--|
| 4                  | 928 521 004 25 RU3 | Greyish green-white<br>Grey-beige/<br>Grey-beige-white  | 86-<br>86-   | 1   |       |    |   |  |
|                    | 928 521 003 03     | Comfort seat<br>All-electric<br>with seat heating<br>Leatherette/<br>Seat and backrest surface<br>Pin stripe velour | /L   |     |       |    |   |  |
|                    | 928 521 003 03 NY5 | Black/<br>Black-white   |  |     |       |    |   |  |
|                    | 928 521 003 03 NY7 | Brown/<br>Brown-beige   |  |     |       |    |   |  |
|                    | 928 521 003 03 QA3 | Blue/<br>Blue-white   |  |     |       |    |   |  |
|                    | 928 521 003 03 NY8 | Burgundy/<br>Burgundy-white   |  |     |       |    |   |  |
|                    | 928 521 003 03 QA4 | Greyish green/<br>Greyish green-white   |  |     |       |    |   |  |
|                    | 928 521 003 03 RU3 | Grey-beige/grey-beige<br>Grey-beige-white   | 86-<br>86-   |     |       |    |   |  |
|                    | (4)                | 928 521 004 03  | Comfort seat<br>All-electric<br>with seat heating<br>Leatherette/<br>Seat and backrest surface<br>Pin stripe velour  |     |       | /R | 1 |  |
|                    |                    | 928 521 004 03 NY5  | Black/<br>Black-white  |     |       |    |   |  |
| 928 521 004 03 NY7 |                    | Brown/<br>Brown-beige   |  |     |       |    |   |  |
| 928 521 004 03 QA3 |                    | Blue/<br>Blue-white   |  |     |       |    |   |  |
| 928 521 004 03 NY8 |                    | Burgundy/<br>Burgundy-white   |  |     |       |    |   |  |
| 928 521 004 03 QA4 |                    | Greyish green/<br>Greyish green-white   |  |     |       |    |   |  |
| 928 521 004 03 RU3 |                    | Grey-beige/grey-beige<br>Grey-beige-white   | 86-<br>86-   |     |       |    |   |  |
| (4)                |                    | 928 521 003 20  | Front seat<br>without heating<br>Manual longitudinal adjustment<br>Elect. vertical adjustment<br>Elect. backrest adjustment<br>Leatherette/<br>Seat and backrest surface<br>Pin stripe flannel | /L  | 1     |    |   |  |
|                    |                    | 928 521 003 20 NY9  | Black/anthracite   |     |       |    |   |  |
|                    |                    | 928 521 003 20 NZ6  | Brown/brown  |     |       |    |   |  |
|                    | 928 521 003 20 QA6 | Blue/blue   |  |     |       |    |   |  |
|                    | 928 521 003 20 NZ5 | Burgundy/burgundy   |  |     |       |    |   |  |
|                    | 928 521 003 20 QA5 | Greyish green/grey-green  |  |     |       |    |   |  |
|                    | (4)                | 928 521 004 20  | Front seat<br>without heating<br>Manual longitudinal adjustment<br>Elect. vertical adjustment<br>Elect. backrest adjustment<br>Leatherette/<br>Seat and backrest surface<br>Pin stripe flannel | /R  |       |    | 1 |  |
|                    |                    | 928 521 004 20 NY9  | Black/anthracite   |     |       |    |   |  |
|                    |                    | 928 521 004 20 NZ6  | Brown/brown  |     |       |    |   |  |
|                    |                    | 928 521 004 20 QA6  | Blue/blue  |     |       |    |   |  |

Model: 911 84 Model life 1984>>1986

| Pos | Part Number                               | Description                               | Remark | Qty | Model |
|-----|---|---|--------|-----|-------|
| 4   | 928 521 004 20 NZ5                        | Burgundy/burgundy                         | /L     | 1   |       |
|     | 928 521 004 20 QA5                        | Greyish green/grey-green                  |        |     |       |
|     | 928 521 003 01                            | Comfort seat                              |        |     |       |
|     |   | All-electric                              |        |     |       |
|     |   | Leatherette/<br>Seat and backrest surface |        |     |       |
|     |   | Pin stripe flannel                        |        |     |       |
| (4) | 928 521 003 01 NY9                        | Black/anthracite                          | /R     | 1   |       |
|     | 928 521 003 01 NZ6                        | Brown/brown                               |        |     |       |
|     | 928 521 003 01 QA6                        | Blue/blue                                 |        |     |       |
|     | 928 521 003 01 NZ5                        | Burgundy/burgundy                         |        |     |       |
|     | 928 521 003 01 QA5                        | Greyish green/grey-green                  |        |     |       |
|     | 928 521 004 01                            | Comfort seat                              |        |     |       |
| (4) | 928 521 004 01 NY9                        | Black/anthracite                          | /L     | 1   |       |
|     | 928 521 004 01 NZ6                        | Brown/brown                               |        |     |       |
|     | 928 521 004 01 QA6                        | Blue/blue                                 |        |     |       |
|     | 928 521 004 01 NZ5                        | Burgundy/burgundy                         |        |     |       |
|     | 928 521 004 01 QA5                        | Greyish green/grey-green                  |        |     |       |
|     | 928 521 003 25                            | Front seat                                |        |     |       |
| (4) | 928 521 003 25 NY9                        | Black/anthracite                          | /L     | 1   |       |
|     | 928 521 003 25 NZ6                        | Brown/brown                               |        |     |       |
|     | 928 521 003 25 QA6                        | Blue/blue                                 |        |     |       |
|     | 928 521 003 25 NZ5                        | Burgundy/burgundy                         |        |     |       |
|     | 928 521 003 25 QA5                        | Greyish green/grey-green                  |        |     |       |
|     | 928 521 004 25                            | Front seat                                |        |     |       |
| (4) | 928 521 004 25 NY9                        | Black/anthracite                          | /R     | 1   |       |
|     | 928 521 004 25 NZ6                        | Brown/brown                               |        |     |       |
|     | 928 521 004 25 QA6                        | Blue/blue                                 |        |     |       |
|     | 928 521 004 25 NZ5                        | Burgundy/burgundy                         |        |     |       |
|     | 928 521 004 25 QA5                        | Greyish green/grey-green                  |        |     |       |
|     | 928 521 003 03                            | Comfort seat                              |        |     |       |
| 4   | 928 521 003 03 NY9                        | Black/anthracite                          | /L     | 1   |       |
|     | 928 521 003 03 NZ6                        | Brown/brown                               |        |     |       |
|     | 928 521 003 03 QA6                        | Blue/blue                                 |        |     |       |
|     | 928 521 003 03 NZ5                        | Burgundy/burgundy                         |        |     |       |
|     | 928 521 003 03 QA5                        | Greyish green/grey-green                  |        |     |       |
|     | 928 521 004 03                            | Comfort seat                              |        |     |       |
| (4) | 928 521 004 03 NY9                        | Black/anthracite                          | /R     | 1   |       |
|     | 928 521 004 03 NZ6                        | Brown/brown                               |        |     |       |
|     | 928 521 004 03 QA6                        | Blue/blue                                 |        |     |       |
|     | 928 521 004 03 NZ5                        | Burgundy/burgundy                         |        |     |       |
|     | 928 521 004 03 QA5                        | Greyish green/grey-green                  |        |     |       |
|     | 928 521 004 03                            | Comfort seat                              |        |     |       |
|     | All-electric                              |   |        |     |       |
|     | with seat heating                         |   |        |     |       |
|     | Leatherette/<br>Seat and backrest surface |   |        |     |       |
|     | Pin stripe flannel                        |   |        |     |       |
|     | Black/anthracite                          |   |        |     |       |
|     | Brown/brown                               |   |        |     |       |
|     | Blue/blue                                 |   |        |     |       |
|     | Burgundy/burgundy                         |   |        |     |       |
|     | Greyish green/grey-green                  |   |        |     |       |
|     | Comfort seat                              |   |        |     |       |
|     | All-electric                              |   |        |     |       |
|     | with seat heating                         |   |        |     |       |
|     | Leatherette/                              |   |        |     |       |

Model: 911 84 Model life 1984>>1986

| Pos | Part Number        | Description   | Remark | Qty | Model |
|-----|--------------------|---|--------|-----|-------|
|     |                    | Seat and backrest surface<br>Pin stripe flannel   |        |     |       |
|     | 928 521 004 03 NY9 | Black/anthracite  |        |     |       |
|     | 928 521 004 03 NZ6 | Brown/brown   |        |     |       |
|     | 928 521 004 03 QA6 | Blue/blue   |        |     |       |
|     | 928 521 004 03 NZ5 | Burgundy/burgundy   |        |     |       |
|     | 928 521 004 03 QA5 | Greyish green/grey-green  |        |     |       |
| (4) | 928 521 003 20     | Front seat<br>without heating<br>Manual longitudinal adjustment<br>Elect. vertical adjustment<br>Elect. backrest adjustment<br>Leatherette/<br>Seat and backrest surface<br>Porsche lettering cloth | /L     | 1   |       |
|     | 928 521 003 20 PX2 | Black/black   |        |     |       |
|     | 928 521 003 20 PX4 | Brown/brown   |        |     |       |
|     | 928 521 003 20 PX7 | Blue/blue   |        |     |       |
|     | 928 521 003 20 PX6 | Burgundy/burgundy   |        |     |       |
|     | 928 521 003 20 PX8 | Greyish green/grey-green  |        |     |       |
|     | 928 521 003 20 QD9 | Grey-beige/grey-beige   | 86-    |     |       |
| (4) | 928 521 004 20     | Front seat<br>without heating<br>Manual longitudinal adjustment<br>Elect. vertical adjustment<br>Elect. backrest adjustment<br>Leatherette/<br>Seat and backrest surface<br>Porsche lettering cloth | /R     | 1   |       |
|     | 928 521 004 20 PX2 | Black/black   |        |     |       |
|     | 928 521 004 20 PX4 | Brown/brown   |        |     |       |
|     | 928 521 004 20 PX7 | Blue/blue   |        |     |       |
|     | 928 521 004 20 PX6 | Burgundy/burgundy   |        |     |       |
|     | 928 521 004 20 PX8 | Greyish green/grey-green  |        |     |       |
|     | 928 521 004 20 QD9 | Grey-beige/grey-beige   | 86-    |     |       |
| 4   | 928 521 003 01     | Comfort seat<br>All-electric<br>Leatherette/<br>Seat and backrest surface<br>Porsche lettering cloth  | /L     | 1   |       |
|     | 928 521 003 01 PX2 | Black/black   |        |     |       |
|     | 928 521 003 01 PX4 | Brown/brown   |        |     |       |
|     | 928 521 003 01 PX7 | Blue/blue   |        |     |       |
|     | 928 521 003 01 PX6 | Burgundy/burgundy   |        |     |       |
|     | 928 521 003 01 PX8 | Greyish green/grey-green  |        |     |       |
|     | 928 521 003 01 QD9 | Grey-beige/grey-beige   | 86-    |     |       |
| (4) | 928 521 004 01     | Comfort seat<br>All-electric<br>Leatherette/<br>Seat and backrest surface<br>Porsche lettering cloth  | /R     | 1   |       |
|     | 928 521 004 01 PX2 | Black/black   |        |     |       |
|     | 928 521 004 01 PX4 | Brown/brown   |        |     |       |
|     | 928 521 004 01 PX7 | Blue/blue   |        |     |       |
|     | 928 521 004 01 PX6 | Burgundy/burgundy   |        |     |       |
|     | 928 521 004 01 PX8 | Greyish green/grey-green  |        |     |       |
|     | 928 521 004 01 QD9 | Grey-beige/grey-beige   | 86-    |     |       |
| (4) | 928 521 003 25     | Front seat<br>with heating<br>Manual longitudinal adjustment<br>Elect. vertical adjustment<br>Elect. backrest adjustment<br>Leatherette/  | /L     | 1   |       |



Model: 911 84 Model life 1984>>1986

| Pos                | Part Number        | Description  | Remark    | Qty | Model |  |           |   |  |
|--------------------|--------------------|--|-----------|-----|-------|--|-----------|---|--|
| (4)                | 928 521 003 25 PX2 | Seat and backrest surface<br>Porsche lettering cloth<br>Black/black  | 86-<br>/R | 1   |       |  |           |   |  |
|                    | 928 521 003 25 PX4 | Brown/brown  |           |     |       |  |           |   |  |
|                    | 928 521 003 25 PX7 | Blue/blue  |           |     |       |  |           |   |  |
|                    | 928 521 003 25 PX6 | Burgundy/burgundy  |           |     |       |  |           |   |  |
|                    | 928 521 003 25 PX8 | Greyish green/grey-green   |           |     |       |  |           |   |  |
|                    | 928 521 003 25 QD9 | Grey-beige/grey-beige  |           |     |       |  |           |   |  |
|                    | 928 521 004 25     | Front seat<br>with heating<br>Manual longitudinal adjustment<br>Elect. vertical adjustment<br>Elect. backrest adjustment<br>Leatherette/<br>Seat and backrest surface<br>Porsche lettering cloth |           |     |       |  |           |   |  |
|                    | 928 521 004 25 PX2 | Black/black  |           |     |       |  |           |   |  |
|                    | 928 521 004 25 PX4 | Brown/brown  |           |     |       |  |           |   |  |
|                    | 928 521 004 25 PX7 | Blue/blue  |           |     |       |  |           |   |  |
| 4                  | 928 521 004 25 PX6 | Burgundy/burgundy  | 86-<br>/L | 1   |       |  |           |   |  |
|                    | 928 521 004 25 PX8 | Greyish green/grey-green   |           |     |       |  |           |   |  |
|                    | 928 521 004 25 QD9 | Grey-beige/grey-beige  |           |     |       |  |           |   |  |
|                    | 928 521 003 03     | Comfort seat<br>All-electric<br>with seat heating<br>Leatherette/<br>Seat and backrest surface<br>Porsche lettering cloth  |           |     |       |  |           |   |  |
|                    | 928 521 003 03 PX2 | Black/black  |           |     |       |  |           |   |  |
|                    | 928 521 003 03 PX4 | Brown/brown  |           |     |       |  |           |   |  |
|                    | 928 521 003 03 PX7 | Blue/blue  |           |     |       |  |           |   |  |
|                    | 928 521 003 03 PX6 | Burgundy/burgundy  |           |     |       |  |           |   |  |
|                    | 928 521 003 03 PX8 | Greyish green/grey-green   |           |     |       |  |           |   |  |
|                    | 928 521 003 03 QD9 | Grey-beige/grey-beige  |           |     |       |  |           |   |  |
| (4)                | 928 521 004 03     | Comfort seat<br>All-electric<br>with seat heating<br>Leatherette/<br>Seat and backrest surface<br>Porsche lettering cloth  | 86-<br>/R | 1   |       |  |           |   |  |
|                    | 928 521 004 03 PX2 | Black/black  |           |     |       |  |           |   |  |
|                    | 928 521 004 03 PX4 | Brown/brown  |           |     |       |  |           |   |  |
|                    | 928 521 004 03 PX7 | Blue/blue  |           |     |       |  |           |   |  |
|                    | 928 521 004 03 PX6 | Burgundy/burgundy  |           |     |       |  |           |   |  |
|                    | 928 521 004 03 PX8 | Greyish green/grey-green   |           |     |       |  |           |   |  |
|                    | 928 521 004 03 QD9 | Grey-beige/grey-beige  |           |     |       |  |           |   |  |
|                    | (5)                | 928 521 003 21   |           |     |       | Front seat<br>without heating<br>Manual longitudinal adjustment<br>Elect. vertical adjustment<br>Elect. backrest adjustment<br>Leatherette/leather<br>Centre part<br>Pin stripe velour | 86-<br>/L | 1 |  |
|                    |                    | 928 521 003 21 PY1   |           |     |       | Black/<br>Black-white  |           |   |  |
|                    |                    | 928 521 003 21 PY2   |           |     |       | Brown/<br>Brown-beige  |           |   |  |
| 928 521 003 21 PY3 |                    | Blue/<br>Blue-white  |           |     |       |  |           |   |  |
| 928 521 003 21 PY4 |                    | Burgundy/<br>Burgundy-white  |           |     |       |  |           |   |  |
| 928 521 003 21 PY5 |                    | Greyish green/   |           |     |       |  |           |   |  |

Model: 911 84 Model life 1984>>1986

| Pos | Part Number        | Description   | Remark           | Qty | Model |
|-----|--------------------|---|------------------|-----|-------|
|     | 928 521 003 21 RU4 | Greyish green-white   |                  |     |       |
| (5) | 928 521 004 21     | Grey-beige/<br>Grey-beige-white<br>Front seat<br>without heating<br>Manual longitudinal adjustment<br>Elect. vertical adjustment<br>Elect. backrest adjustment<br>Leatherette/leather<br>Centre part<br>Pin stripe velour | 86-<br>86-<br>/R | 1   |       |
|     | 928 521 004 21 PY1 | Black/<br>Black-white   |                  |     |       |
|     | 928 521 004 21 PY2 | Brown/<br>Brown-beige   |                  |     |       |
|     | 928 521 004 21 PY3 | Blue/<br>Blue-white   |                  |     |       |
|     | 928 521 004 21 PY4 | Burgundy/<br>Burgundy-white   |                  |     |       |
|     | 928 521 004 21 PY5 | Greyish green/<br>Greyish green-white   |                  |     |       |
| 5   | 928 521 003 50     | Grey-beige/<br>Grey-beige-white<br>Comfort seat<br>All-electric<br>Leatherette/leather<br>Centre part<br>Pin stripe velour  | 86-<br>86-<br>/L | 1   |       |
|     | 928 521 003 50 PY1 | Black/<br>Black-white   |                  |     |       |
|     | 928 521 003 50 PY2 | Brown/<br>Brown-beige   |                  |     |       |
|     | 928 521 003 50 PY3 | Blue/<br>Blue-white   |                  |     |       |
|     | 928 521 003 50 PY4 | Burgundy/<br>Burgundy-white   |                  |     |       |
|     | 928 521 003 50 PY5 | Greyish green/<br>Greyish green-white   |                  |     |       |
| (5) | 928 521 003 50 RU4 | Grey-beige/<br>Grey-beige-white<br>Comfort seat<br>All-electric<br>Leatherette/leather<br>Centre part<br>Pin stripe velour  | 86-<br>86-<br>/R | 1   |       |
|     | 928 521 004 50 PY1 | Black/<br>Black-white   |                  |     |       |
|     | 928 521 004 50 PY2 | Brown/<br>Brown-beige   |                  |     |       |
|     | 928 521 004 50 PY3 | Blue/<br>Blue-white   |                  |     |       |
|     | 928 521 004 50 PY4 | Burgundy/<br>Burgundy-white   |                  |     |       |
|     | 928 521 004 50 PY5 | Greyish green/<br>Greyish green-white   |                  |     |       |
| (5) | 928 521 004 50 RU4 | Grey-beige/<br>Grey-beige-white<br>Front seat<br>with heating<br>Manual longitudinal adjustment<br>Elect. vertical adjustment<br>Elect. backrest adjustment<br>Leatherette/leather  | 86-<br>86-<br>/L | 1   |       |

Model: 911 84 Model life 1984>>1986

| Pos | Part Number        | Description   | Remark     | Qty | Model |
|-----|--------------------|---|------------|-----|-------|
|     |                    | Centre part   |            |     |       |
|     |                    | Pin stripe velour   |            |     |       |
|     | 928 521 003 26 PY1 | Black/<br>Black-white   |            |     |       |
|     | 928 521 003 26 PY2 | Brown/<br>Brown-beige   |            |     |       |
|     | 928 521 003 26 PY3 | Blue/<br>Blue-white   |            |     |       |
|     | 928 521 003 26 PY4 | Burgundy/<br>Burgundy-white   |            |     |       |
|     | 928 521 003 26 PY5 | Greyish green/<br>Greyish green-white   |            |     |       |
|     | 928 521 003 26 RU4 | Grey-beige/<br>Grey-beige-white   | 86-<br>86- |     |       |
| (5) | 928 521 004 26     | Front seat<br>with heating<br>Manual longitudinal adjustment<br>Elect. vertical adjustment<br>Elect. backrest adjustment<br>Leatherette/leather<br>Centre part<br>Pin stripe velour | /R         | 1   |       |
|     | 928 521 004 26 PY1 | Black/<br>Black-white   |            |     |       |
|     | 928 521 004 26 PY2 | Brown/<br>Brown-beige   |            |     |       |
|     | 928 521 004 26 PY3 | Blue/<br>Blue-white   |            |     |       |
|     | 928 521 004 26 PY4 | Burgundy/<br>Burgundy-white   |            |     |       |
|     | 928 521 004 26 PY5 | Greyish green/<br>Greyish green-white   |            |     |       |
|     | 928 521 004 26 RU4 | Grey-beige/<br>Grey-beige-white   | 86-<br>86- |     |       |
| 5   | 928 521 003 55     | Comfort seat<br>All-electric<br>Leatherette/leather<br>Centre part<br>Pin stripe velour   | /L         | 1   | M139  |
|     | 928 521 003 55 PY1 | Black/<br>Black-white   |            |     |       |
|     | 928 521 003 55 PY2 | Brown/<br>Brown-beige   |            |     |       |
|     | 928 521 003 55 PY3 | Blue/<br>Blue-white   |            |     |       |
|     | 928 521 003 55 PY4 | Burgundy/<br>Burgundy-white   |            |     |       |
|     | 928 521 003 55 PY5 | Greyish green/<br>Greyish green-white   |            |     |       |
|     | 928 521 003 55 RU4 | Grey-beige/<br>Grey-beige-white   | 86-<br>86- |     |       |
| (5) | 928 521 004 55     | Comfort seat<br>All-electric<br>Leatherette/leather<br>Centre part<br>Pin stripe velour   | /R         | 1   | M340  |
|     | 928 521 004 55 PY1 | Black/<br>Black-white   |            |     |       |
|     | 928 521 004 55 PY2 | Brown/<br>Brown-beige   |            |     |       |
|     | 928 521 004 55 PY3 | Blue/<br>Blue-white   |            |     |       |
|     | 928 521 004 55 PY4 | Burgundy/   |            |     |       |

Model: 911 84 Model life 1984>>1986

| Pos | Part Number        | Description   | Remark     | Qty | Model |
|-----|--------------------|---|------------|-----|-------|
|     | 928 521 004 55 PY5 | Burgundy-white<br>Greyish green/<br>Greyish green-white   |            |     |       |
|     | 928 521 004 55 RU4 | Grey-beige/<br>Grey-beige-white   | 86-<br>86- |     |       |
| (5) | 928 521 003 21     | Front seat<br>without heating<br>Manual longitudinal adjustment<br>Elect. vertical adjustment<br>Elect. backrest adjustment<br>Leatherette/leather<br>Centre part<br>Pin stripe flannel | /L         | 1   |       |
|     | 928 521 003 21 PZ2 | Black/anthracite  |            |     |       |
|     | 928 521 003 21 PZ3 | Brown/brown   |            |     |       |
|     | 928 521 003 21 PZ4 | Blue/blue   |            |     |       |
|     | 928 521 003 21 PZ5 | Burgundy/burgundy   |            |     |       |
|     | 928 521 003 21 PZ6 | Greyish green/grey-green  |            |     |       |
| (5) | 928 521 004 21     | Front seat<br>without heating<br>Manual longitudinal adjustment<br>Elect. vertical adjustment<br>Elect. backrest adjustment<br>Leatherette/leather<br>Centre part<br>Pin stripe flannel | /R         | 1   |       |
|     | 928 521 004 21 PZ2 | Black/anthracite  |            |     |       |
|     | 928 521 004 21 PZ3 | Brown/brown   |            |     |       |
|     | 928 521 004 21 PZ4 | Blue/blue   |            |     |       |
|     | 928 521 004 21 PZ5 | Burgundy/burgundy   |            |     |       |
|     | 928 521 004 21 PZ6 | Greyish green/grey-green  |            |     |       |
| 5   | 928 521 003 50     | Comfort seat<br>All-electric<br>Leatherette/leather<br>Centre part<br>Pin stripe flannel  | /L         | 1   |       |
|     | 928 521 003 50 PZ2 | Black/anthracite  |            |     |       |
|     | 928 521 003 50 PZ3 | Brown/brown   |            |     |       |
|     | 928 521 003 50 PZ4 | Blue/blue   |            |     |       |
|     | 928 521 003 50 PZ5 | Burgundy/burgundy   |            |     |       |
|     | 928 521 003 50 PZ6 | Greyish green/grey-green  |            |     |       |
| (5) | 928 521 004 50     | Comfort seat<br>All-electric<br>Leatherette/leather<br>Centre part<br>Pin stripe flannel  | /R         | 1   |       |
|     | 928 521 004 50 PZ2 | Black/anthracite  |            |     |       |
|     | 928 521 004 50 PZ3 | Brown/brown   |            |     |       |
|     | 928 521 004 50 PZ4 | Blue/blue   |            |     |       |
|     | 928 521 004 50 PZ5 | Burgundy/burgundy   |            |     |       |
|     | 928 521 004 50 PZ6 | Greyish green/grey-green  |            |     |       |
| (5) | 928 521 003 26     | Front seat<br>with heating<br>Manual longitudinal adjustment<br>Elect. vertical adjustment<br>Elect. backrest adjustment<br>Leatherette/leather<br>Centre part<br>Pin stripe flannel    | /L         | 1   |       |
|     | 928 521 003 26 PZ2 | Black/anthracite  |            |     |       |
|     | 928 521 003 26 PZ3 | Brown/brown   |            |     |       |
|     | 928 521 003 26 PZ4 | Blue/blue   |            |     |       |
|     | 928 521 003 26 PZ5 | Burgundy/burgundy   |            |     |       |

Model: 911 84 Model life 1984>>1986

| Pos | Part Number  | Description   | Remark    | Qty | Model |
|-----|--|---|-----------|-----|-------|
| (5) | 928 521 003 26 PZ6<br>928 521 004 26   | Greyish green/grey-green<br>Front seat<br>with heating<br>Manual longitudinal adjustment<br>Elect. vertical adjustment<br>Elect. backrest adjustment<br>Leatherette/leather<br>Centre part<br>Pin stripe flannel  | /R        | 1   |       |
| 5   | 928 521 004 26 PZ2<br>928 521 004 26 PZ3<br>928 521 004 26 PZ4<br>928 521 004 26 PZ5<br>928 521 004 26 PZ6<br>928 521 003 55                       | Black/anthracite<br>Brown/brown<br>Blue/blue<br>Burgundy/burgundy<br>Greyish green/grey-green<br>Comfort seat<br>All-electric<br>Leatherette/leather<br>Centre part<br>Pin stripe flannel   | /L        | 1   | M139  |
| (5) | 928 521 003 55 PZ2<br>928 521 003 55 PZ3<br>928 521 003 55 PZ4<br>928 521 003 55 PZ5<br>928 521 003 55 PZ6<br>928 521 004 55                       | Black/anthracite<br>Brown/brown<br>Blue/blue<br>Burgundy/burgundy<br>Greyish green/grey-green<br>Comfort seat<br>All-electric<br>Leatherette/leather<br>Centre part<br>Pin stripe flannel   | /R        | 1   | M340  |
| (5) | 928 521 004 55 PZ2<br>928 521 004 55 PZ3<br>928 521 004 55 PZ4<br>928 521 004 55 PZ5<br>928 521 004 55 PZ6<br>928 521 003 21                       | Black/anthracite<br>Brown/brown<br>Blue/blue<br>Burgundy/burgundy<br>Greyish green/grey-green<br>Front seat<br>without heating<br>Manual longitudinal adjustment<br>Elect. vertical adjustment<br>Elect. backrest adjustment<br>Leatherette/leather<br>Centre part<br>Porsche lettering cloth                     | /L        | 1   |       |
| (5) | 928 521 003 21 PZ7<br>928 521 003 21 PZ8<br>928 521 003 21 PZ9<br>928 521 003 21 QA1<br>928 521 003 21 QA2<br>928 521 003 21 RU2<br>928 521 004 21 | Black/black<br>Brown/brown<br>Blue/blue<br>Burgundy/burgundy<br>Greyish green/grey-green<br>Grey-beige/grey-beige<br>Front seat<br>without heating<br>Manual longitudinal adjustment<br>Elect. vertical adjustment<br>Elect. backrest adjustment<br>Leatherette/leather<br>Centre part<br>Porsche lettering cloth | 86-<br>/R | 1   |       |
| 5   | 928 521 004 21 PZ7<br>928 521 004 21 PZ8<br>928 521 004 21 PZ9<br>928 521 004 21 QA1<br>928 521 004 21 QA2<br>928 521 004 21 RU2<br>928 521 003 50 | Black/black<br>Brown/brown<br>Blue/blue<br>Burgundy/burgundy<br>Greyish green/grey-green<br>Grey-beige/grey-beige<br>Comfort seat   | 86-<br>/L | 1   |       |

Model: 911 84 Model life 1984>>1986

| Pos | Part Number        | Description   | Remark | Qty | Model |
|-----|--------------------|---|--------|-----|-------|
|     |                    | All-electric<br>Leatherette/leather<br>Centre part<br>Porsche lettering cloth   |        |     |       |
|     | 928 521 003 50 PZ7 | Black/black   |        |     |       |
|     | 928 521 003 50 PZ8 | Brown/brown   |        |     |       |
|     | 928 521 003 50 PZ9 | Blue/blue   |        |     |       |
|     | 928 521 003 50 QA1 | Burgundy/burgundy   |        |     |       |
|     | 928 521 003 50 QA2 | Greyish green/grey-green  |        |     |       |
|     | 928 521 003 50 RU2 | Grey-beige/grey-beige   | 86-    |     |       |
| (5) | 928 521 004 50     | Comfort seat<br>All-electric<br>Leatherette/leather<br>Centre part<br>Porsche lettering cloth   | /R     | 1   |       |
|     | 928 521 004 50 PZ7 | Black/black   |        |     |       |
|     | 928 521 004 50 PZ8 | Brown/brown   |        |     |       |
|     | 928 521 004 50 PZ9 | Blue/blue   |        |     |       |
|     | 928 521 004 50 QA1 | Burgundy/burgundy   |        |     |       |
|     | 928 521 004 50 QA2 | Greyish green/grey-green  |        |     |       |
|     | 928 521 004 50 RU2 | Grey-beige/grey-beige   | 86-    |     |       |
| (5) | 928 521 003 26     | Front seat<br>with heating<br>Manual longitudinal adjustment<br>Elect. vertical adjustment<br>Elect. backrest adjustment<br>Leatherette/leather<br>Centre part<br>Porsche lettering cloth | /L     | 1   |       |
|     | 928 521 003 26 PZ7 | Black/black   |        |     |       |
|     | 928 521 003 26 PZ8 | Brown/brown   |        |     |       |
|     | 928 521 003 26 PZ9 | Blue/blue   |        |     |       |
|     | 928 521 003 26 QA1 | Burgundy/burgundy   |        |     |       |
|     | 928 521 003 26 QA2 | Greyish green/grey-green  |        |     |       |
|     | 928 521 003 26 RU2 | Grey-beige/grey-beige   | 86-    |     |       |
| (5) | 928 521 004 26     | Front seat<br>with heating<br>Manual longitudinal adjustment<br>Elect. vertical adjustment<br>Elect. backrest adjustment<br>Leatherette/leather<br>Centre part<br>Porsche lettering cloth | /R     | 1   |       |
|     | 928 521 004 26 PZ7 | Black/black   |        |     |       |
|     | 928 521 004 26 PZ8 | Brown/brown   |        |     |       |
|     | 928 521 004 26 PZ9 | Blue/blue   |        |     |       |
|     | 928 521 004 26 QA1 | Burgundy/burgundy   |        |     |       |
|     | 928 521 004 26 QA2 | Greyish green/grey-green  |        |     |       |
|     | 928 521 004 26 RU2 | Grey-beige/grey-beige   | 86-    |     |       |
| 5   | 928 521 003 55     | Comfort seat<br>All-electric<br>Leatherette/leather<br>Centre part<br>Porsche lettering cloth   | /L     | 1   | M139  |
|     | 928 521 003 55 PZ7 | Black/black   |        |     |       |
|     | 928 521 003 55 PZ8 | Brown/brown   |        |     |       |
|     | 928 521 003 55 PZ9 | Blue/blue   |        |     |       |
|     | 928 521 003 55 QA1 | Burgundy/burgundy   |        |     |       |
|     | 928 521 003 55 QA2 | Greyish green/grey-green  |        |     |       |
|     | 928 521 003 55 RU2 | Grey-beige/grey-beige   | 86-    |     |       |
| (5) | 928 521 004 55     | Comfort seat<br>All-electric<br>Leatherette/leather   | /R     | 1   | M340  |

Model: 911 84 Model life 1984>>1986

| Pos | Part Number        | Description   | Remark     | Qty | Model |
|-----|--------------------|---|------------|-----|-------|
|     |                    | Centre part<br>Porsche lettering cloth  |            |     |       |
|     | 928 521 004 55 PZ7 | Black/black   |            |     |       |
|     | 928 521 004 55 PZ8 | Brown/brown   |            |     |       |
|     | 928 521 004 55 PZ9 | Blue/blue   |            |     |       |
|     | 928 521 004 55 QA1 | Burgundy/burgundy   |            |     |       |
|     | 928 521 004 55 QA2 | Greyish green/grey-green  |            |     |       |
|     | 928 521 004 55 RU2 | Grey-beige/grey-beige   | 86-        |     |       |
| (5) | 928 521 003 24     | Front seat<br>without heating<br>Manual longitudinal adjustment<br>Elect. vertical adjustment<br>Elect. backrest adjustment<br>Leather/<br>Centre part<br>Pin stripe velour | /L         | 1   |       |
|     | 928 521 003 24 LS5 | Black/<br>Black-white   |            |     |       |
|     | 928 521 003 24 LS6 | Brown/<br>Brown-beige   |            |     |       |
|     | 928 521 003 24 LS8 | Blue/<br>Blue-white   |            |     |       |
|     | 928 521 003 24 LS9 | Burgundy/<br>Burgundy-white   |            |     |       |
|     | 928 521 003 24 QA7 | Greyish green/<br>Greyish green-white   |            |     |       |
|     | 928 521 003 24 LS7 | Grey-beige/<br>Grey-beige-white   | 86-<br>86- |     |       |
| (5) | 928 521 004 24     | Front seat<br>without heating<br>Manual longitudinal adjustment<br>Elect. vertical adjustment<br>Elect. backrest adjustment<br>Leather/<br>Centre part<br>Pin stripe velour | /R         | 1   |       |
|     | 928 521 004 24 LS5 | Black/<br>Black-white   |            |     |       |
|     | 928 521 004 24 LS6 | Brown/<br>Brown-beige   |            |     |       |
|     | 928 521 004 24 LS8 | Blue/<br>Blue-white   |            |     |       |
|     | 928 521 004 24 LS9 | Burgundy/<br>Burgundy-white   |            |     |       |
|     | 928 521 004 24 QA7 | Greyish green/<br>Greyish green-white   |            |     |       |
|     | 928 521 004 24 LS7 | Grey-beige/<br>Grey-beige-white   | 86-<br>86- |     |       |
| 5   | 928 521 003 54     | Comfort seat<br>All-electric<br>Leather/<br>Centre part<br>Pin stripe velour  | /L         | 1   |       |
|     | 928 521 003 54 LS5 | Black/<br>Black-white   |            |     |       |
|     | 928 521 003 54 LS6 | Brown/<br>Brown-beige   |            |     |       |
|     | 928 521 003 54 LS8 | Blue/<br>Blue-white   |            |     |       |
|     | 928 521 003 54 LS9 | Burgundy/<br>Burgundy-white   |            |     |       |
|     | 928 521 003 54 QA7 | Greyish green/<br>Greyish green-white   |            |     |       |

Model: 911 84 Model life 1984>>1986

| Pos | Part Number        | Description  | Remark     | Qty | Model |
|-----|--------------------|--|------------|-----|-------|
| (5) | 928 521 003 54 LS7 | Grey-beige/<br>Grey-beige-white  | 86-<br>86- | 1   |       |
|     | 928 521 004 54     | Comfort seat<br>All-electric<br>Leather/<br>Centre part<br>Pin stripe velour   | /R         |     |       |
|     | 928 521 004 54 LS5 | Black/<br>Black-white  |            |     |       |
|     | 928 521 004 54 LS6 | Brown/<br>Brown-beige  |            |     |       |
|     | 928 521 004 54 LS8 | Blue/<br>Blue-white  |            |     |       |
|     | 928 521 004 54 LS9 | Burgundy/<br>Burgundy-white  |            |     |       |
|     | 928 521 004 54 QA7 | Greyish green/<br>Greyish green-white  |            |     |       |
|     | 928 521 004 54 LS7 | Grey-beige/<br>Grey-beige-white  | 86-<br>86- |     |       |
|     | 928 521 003 29     | Front seat<br>with heating<br>Manual longitudinal adjustment<br>Elect. vertical adjustment<br>Elect. backrest adjustment<br>Leather/<br>Centre part<br>Pin stripe velour | /L         |     |       |
| (5) | 928 521 003 29 LS5 | Black/<br>Black-white  |            | 1   |       |
|     | 928 521 003 29 LS6 | Brown/<br>Brown-beige  |            |     |       |
|     | 928 521 003 29 LS8 | Blue/<br>Blue-white  |            |     |       |
|     | 928 521 003 29 LS9 | Burgundy/<br>Burgundy-white  |            |     |       |
|     | 928 521 003 29 QA7 | Greyish green/<br>Greyish green-white  |            |     |       |
|     | 928 521 003 29 LS7 | Grey-beige/<br>Grey-beige-white  | 86-<br>86- |     |       |
|     | 928 521 004 29     | Front seat<br>with heating<br>Manual longitudinal adjustment<br>Elect. vertical adjustment<br>Elect. backrest adjustment<br>Leather/<br>Centre part<br>Pin stripe velour | /R         |     |       |
|     | 928 521 004 29 LS5 | Black/<br>Black-white  |            |     |       |
|     | 928 521 004 29 LS6 | Brown/<br>Brown-beige  |            |     |       |
| 5   | 928 521 004 29 LS8 | Blue/<br>Blue-white  |            | 1   | M139  |
|     | 928 521 004 29 LS9 | Burgundy/<br>Burgundy-white  |            |     |       |
|     | 928 521 004 29 QA7 | Greyish green/<br>Greyish green-white  |            |     |       |
|     | 928 521 004 29 LS7 | Grey-beige/<br>Grey-beige-white  | 86-<br>86- |     |       |
|     | 928 521 003 59     | Comfort seat<br>All-electric<br>Leather/<br>Centre part  | /L         |     |       |



Model: 911 84 Model life 1984>>1986

| Pos | Part Number        | Description  | Remark     | Qty | Model |
|-----|--------------------|--|------------|-----|-------|
|     | 928 521 003 59 LS5 | Pin stripe velour<br>Black/<br>Black-white   |            |     |       |
|     | 928 521 003 59 LS6 | Brown/<br>Brown-beige  |            |     |       |
|     | 928 521 003 59 LS8 | Blue/<br>Blue-white  |            |     |       |
|     | 928 521 003 59 LS9 | Burgundy/<br>Burgundy-white  |            |     |       |
|     | 928 521 003 59 QA7 | Greyish green/<br>Greyish green-white  |            |     |       |
|     | 928 521 003 59 LS7 | Grey-beige/<br>Grey-beige-white  | 86-<br>86- |     |       |
| (5) | 928 521 004 59     | Comfort seat<br>All-electric<br>Leather/<br>Centre part<br>Pin stripe velour   | /R         | 1   | M340  |
|     | 928 521 004 59 LS5 | Black/<br>Black-white  |            |     |       |
|     | 928 521 004 59 LS6 | Brown/<br>Brown-beige  |            |     |       |
|     | 928 521 004 59 LS8 | Blue/<br>Blue-white  |            |     |       |
|     | 928 521 004 59 LS9 | Burgundy/<br>Burgundy-white  |            |     |       |
|     | 928 521 004 59 QA7 | Greyish green/<br>Greyish green-white  |            |     |       |
|     | 928 521 004 59 LS7 | Grey-beige/<br>Grey-beige-white  | 86-<br>86- |     |       |
| (5) | 928 521 003 24     | Front seat<br>without heating<br>Manual longitudinal adjustment<br>Elect. vertical adjustment<br>Elect. backrest adjustment<br>Leather/<br>Centre part<br>Pin stripe flannel | /L         | 1   |       |
|     | 928 521 003 24 QB1 | Black/anthracite   |            |     |       |
|     | 928 521 003 24 QB3 | Brown/brown  |            |     |       |
|     | 928 521 003 24 QB5 | Blue/blue  |            |     |       |
|     | 928 521 003 24 QB7 | Burgundy/burgundy  |            |     |       |
|     | 928 521 003 24 QA8 | Greyish green/grey-green   |            |     |       |
| (5) | 928 521 004 24     | Front seat<br>without heating<br>Manual longitudinal adjustment<br>Elect. vertical adjustment<br>Elect. backrest adjustment<br>Leather/<br>Centre part<br>Pin stripe flannel | /R         | 1   |       |
|     | 928 521 004 24 QB1 | Black/anthracite   |            |     |       |
|     | 928 521 004 24 QB3 | Brown/brown  |            |     |       |
|     | 928 521 004 24 QB5 | Blue/blue  |            |     |       |
|     | 928 521 004 24 QB7 | Burgundy/burgundy  |            |     |       |
|     | 928 521 004 24 QA8 | Greyish green/grey-green   |            |     |       |
| 5   | 928 521 003 54     | Comfort seat<br>All-electric<br>Leather/<br>Centre part<br>Pin stripe flannel  | /L         | 1   |       |
|     | 928 521 003 54 QB1 | Black/anthracite   |            |     |       |
|     | 928 521 003 54 QB3 | Brown/brown  |            |     |       |

Model: 911 84 Model life 1984>>1986

| Pos | Part Number                | Description                    | Remark | Qty | Model |
|-----|----------------------------|--------------------------------|--------|-----|-------|
| (5) | 928 521 003 54 QB5         | Blue/blue                      | /R     | 1   |       |
|     | 928 521 003 54 QB7         | Burgundy/burgundy              |        |     |       |
|     | 928 521 003 54 QA8         | Greyish green/grey-green       |        |     |       |
|     | 928 521 004 54             | Comfort seat                   |        |     |       |
|     |                            | All-electric                   |        |     |       |
|     |                            | Leather/                       |        |     |       |
|     |                            | Centre part                    |        |     |       |
|     |                            | Pin stripe flannel             |        |     |       |
| (5) | 928 521 004 54 QB1         | Black/anthracite               | /L     | 1   |       |
|     | 928 521 004 54 QB3         | Brown/brown                    |        |     |       |
|     | 928 521 004 54 QB5         | Blue/blue                      |        |     |       |
|     | 928 521 004 54 QB7         | Burgundy/burgundy              |        |     |       |
|     | 928 521 004 54 QA8         | Greyish green/grey-green       |        |     |       |
|     | 928 521 003 29             | Front seat                     |        |     |       |
|     |                            | with heating                   |        |     |       |
|     |                            | Manual longitudinal adjustment |        |     |       |
| (5) | 928 521 003 29 QB1         | Black/anthracite               | /R     | 1   |       |
|     | 928 521 003 29 QB3         | Brown/brown                    |        |     |       |
|     | 928 521 003 29 QB5         | Blue/blue                      |        |     |       |
|     | 928 521 003 29 QB7         | Burgundy/burgundy              |        |     |       |
|     | 928 521 003 29 QA8         | Greyish green/grey-green       |        |     |       |
|     | 928 521 004 29             | Front seat                     |        |     |       |
|     |                            | with heating                   |        |     |       |
|     |                            | Manual longitudinal adjustment |        |     |       |
| 5   | 928 521 004 29 QB1         | Black/anthracite               | /L     | 1   | M139  |
|     | 928 521 004 29 QB3         | Brown/brown                    |        |     |       |
|     | 928 521 004 29 QB5         | Blue/blue                      |        |     |       |
|     | 928 521 004 29 QB7         | Burgundy/burgundy              |        |     |       |
|     | 928 521 004 29 QA8         | Greyish green/grey-green       |        |     |       |
|     | 928 521 003 59             | Comfort seat                   |        |     |       |
|     |                            | All-electric                   |        |     |       |
|     |                            | Leather/                       |        |     |       |
| (5) | 928 521 003 59 QB1         | Black/anthracite               | /R     | 1   | M340  |
|     | 928 521 003 59 QB3         | Brown/brown                    |        |     |       |
|     | 928 521 003 59 QB5         | Blue/blue                      |        |     |       |
|     | 928 521 003 59 QB7         | Burgundy/burgundy              |        |     |       |
|     | 928 521 003 59 QA8         | Greyish green/grey-green       |        |     |       |
|     | 928 521 004 59             | Comfort seat                   |        |     |       |
|     |                            | All-electric                   |        |     |       |
|     |                            | Leather/                       |        |     |       |
| (5) | 928 521 004 59 QB1         | Black/anthracite               | /L     | 1   |       |
|     | 928 521 004 59 QB3         | Brown/brown                    |        |     |       |
|     | 928 521 004 59 QB5         | Blue/blue                      |        |     |       |
|     | 928 521 004 59 QB7         | Burgundy/burgundy              |        |     |       |
|     | 928 521 004 59 QA8         | Greyish green/grey-green       |        |     |       |
|     | 928 521 003 24             | Front seat                     |        |     |       |
|     |                            | without heating                |        |     |       |
|     |                            | Manual longitudinal adjustment |        |     |       |
|     | Elect. vertical adjustment |                                |        |     |       |

Model: 911 84 Model life 1984>>1986

| Pos | Part Number        | Description   | Remark | Qty | Model |
|-----|--------------------|---|--------|-----|-------|
|     |                    | Elect. backrest adjustment<br>Leather/<br>Centre part<br>Porsche lettering cloth  |        |     |       |
|     | 928 521 003 24 QB2 | Black/black   |        |     |       |
|     | 928 521 003 24 QB4 | Brown/brown   |        |     |       |
|     | 928 521 003 24 QB6 | Blue/blue   |        |     |       |
|     | 928 521 003 24 QB8 | Burgundy/burgundy   |        |     |       |
|     | 928 521 003 24 QA9 | Greyish green/grey-green  |        |     |       |
|     | 928 521 003 24 RU1 | Grey-beige/grey-beige   | 86-    |     |       |
| (5) | 928 521 004 24     | Front seat<br>without heating<br>Manual longitudinal adjustment<br>Elect. vertical adjustment<br>Elect. backrest adjustment<br>Leather/<br>Centre part<br>Porsche lettering cloth | /R     | 1   |       |
|     | 928 521 004 24 QB2 | Black/black   |        |     |       |
|     | 928 521 004 24 QB4 | Brown/brown   |        |     |       |
|     | 928 521 004 24 QB6 | Blue/blue   |        |     |       |
|     | 928 521 004 24 QB8 | Burgundy/burgundy   |        |     |       |
|     | 928 521 004 24 QA9 | Greyish green/grey-green  |        |     |       |
|     | 928 521 004 24 RU1 | Grey-beige/grey-beige   | 86-    |     |       |
| 5   | 928 521 003 54     | Comfort seat<br>All-electric<br>Leather/<br>Centre part<br>Porsche lettering cloth  | /L     | 1   |       |
|     | 928 521 003 54 QB2 | Black/black   |        |     |       |
|     | 928 521 003 54 QB4 | Brown/brown   |        |     |       |
|     | 928 521 003 54 QB6 | Blue/blue   |        |     |       |
|     | 928 521 003 54 QB8 | Burgundy/burgundy   |        |     |       |
|     | 928 521 003 54 QA9 | Greyish green/grey-green  |        |     |       |
|     | 928 521 003 54 RU1 | Grey-beige/grey-beige   | 86-    |     |       |
| (5) | 928 521 004 54     | Comfort seat<br>All-electric<br>Leather/<br>Centre part<br>Porsche lettering cloth  | /R     | 1   |       |
|     | 928 521 004 54 QB2 | Black/black   |        |     |       |
|     | 928 521 004 54 QB4 | Brown/brown   |        |     |       |
|     | 928 521 004 54 QB6 | Blue/blue   |        |     |       |
|     | 928 521 004 54 QB8 | Burgundy/burgundy   |        |     |       |
|     | 928 521 004 54 QA9 | Greyish green/grey-green  |        |     |       |
|     | 928 521 004 54 RU1 | Grey-beige/grey-beige   | 86-    |     |       |
| (5) | 928 521 003 29     | Front seat<br>with heating<br>Manual longitudinal adjustment<br>Elect. vertical adjustment<br>Elect. backrest adjustment<br>Leather/<br>Centre part<br>Porsche lettering cloth    | /L     | 1   |       |
|     | 928 521 003 29 QB2 | Black/black   |        |     |       |
|     | 928 521 003 29 QB4 | Brown/brown   |        |     |       |
|     | 928 521 003 29 QB6 | Blue/blue   |        |     |       |
|     | 928 521 003 29 QB8 | Burgundy/burgundy   |        |     |       |
|     | 928 521 003 29 QA9 | Greyish green/grey-green  |        |     |       |
|     | 928 521 003 29 RU1 | Grey-beige/grey-beige   | 86-    |     |       |
| (5) | 928 521 004 29     | Front seat<br>with heating<br>Manual longitudinal adjustment  | /R     | 1   |       |

Model: 911 84 Model life 1984>>1986

| Pos                | Part Number                  | Description   | Remark    | Qty | Model |
|--------------------|------------------------------|---|-----------|-----|-------|
| 5                  |                              | Elect. vertical adjustment<br>Elect. backrest adjustment<br>Leather/<br>Centre part<br>Porsche lettering cloth  |           |     |       |
|                    | 928 521 004 29 QB2           | Black/black   |           |     |       |
|                    | 928 521 004 29 QB4           | Brown/brown   |           |     |       |
|                    | 928 521 004 29 QB6           | Blue/blue   |           |     |       |
|                    | 928 521 004 29 QB8           | Burgundy/burgundy   |           |     |       |
|                    | 928 521 004 29 QA9           | Greyish green/grey-green  |           |     |       |
|                    | 928 521 004 29 RU1           | Grey-beige/grey-beige   | 86-       |     |       |
|                    | 928 521 003 59               | Comfort seat<br>All-electric<br>Leather/<br>Centre part<br>Porsche lettering cloth  | /L        | 1   | M139  |
|                    | 928 521 003 59 QB2           | Black/black   |           |     |       |
|                    | 928 521 003 59 QB4           | Brown/brown   |           |     |       |
|                    | 928 521 003 59 QB6           | Blue/blue   |           |     |       |
|                    | 928 521 003 59 QB8           | Burgundy/burgundy   |           |     |       |
|                    | 928 521 003 59 QA9           | Greyish green/grey-green  |           |     |       |
|                    | (5) 928 521 004 59           | Grey-beige/grey-beige<br>Comfort seat<br>All-electric<br>Leather/<br>Centre part<br>Porsche lettering cloth   | 86-<br>/R | 1   | M340  |
| (6)                | 928 521 004 59 QB2           | Black/black   |           |     |       |
|                    | 928 521 004 59 QB4           | Brown/brown   |           |     |       |
|                    | 928 521 004 59 QB6           | Blue/blue   |           |     |       |
|                    | 928 521 004 59 QB8           | Burgundy/burgundy   |           |     |       |
|                    | 928 521 004 59 QA9           | Greyish green/grey-green  |           |     |       |
|                    | 928 521 004 59 RU1           | Grey-beige/grey-beige   | 86-       |     |       |
|                    | (6) 928 521 003 22           | Front seat<br>without heating<br>Manual longitudinal adjustment<br>Elect. vertical adjustment<br>Elect. backrest adjustment<br>Leatherette/<br>Seat and backrest surface<br>Leather | /L        | 1   |       |
|                    | 928 521 003 22 JN3           | Black/black   |           |     |       |
|                    | 928 521 003 22 JN4           | Brown/brown   |           |     |       |
|                    | 928 521 003 22 QC1           | Blue/blue   |           |     |       |
|                    | 928 521 003 22 NZ8           | Burgundy/burgundy   |           |     |       |
|                    | 928 521 003 22 PX9           | Greyish green/grey-green  |           |     |       |
|                    | 928 521 003 22 JN5           | Grey-beige/grey-beige   | 86-       |     |       |
|                    | (6) 928 521 004 22           | Front seat<br>without heating<br>Manual longitudinal adjustment<br>Elect. vertical adjustment<br>Elect. backrest adjustment<br>Leatherette/<br>Seat and backrest surface<br>Leather | /R        | 1   |       |
| 928 521 004 22 JN3 | Black/black                  |   |           |     |       |
| 928 521 004 22 JN4 | Brown/brown                  |   |           |     |       |
| 928 521 004 22 QC1 | Blue/blue                    |   |           |     |       |
| 928 521 004 22 NZ8 | Burgundy/burgundy            |   |           |     |       |
| 928 521 004 22 PX9 | Greyish green/grey-green     |   |           |     |       |
| 928 521 004 22 JN5 | Grey-beige/grey-beige        | 86-   |           |     |       |
| 6 928 521 003 51   | Comfort seat<br>All-electric | /L  | 1         |     |       |

Model: 911 84 Model life 1984>>1986

| Pos | Part Number        | Description  | Remark | Qty | Model |
|-----|--------------------|--|--------|-----|-------|
|     |                    | Leatherette/<br>Seat and backrest surface<br>Leather   |        |     |       |
|     | 928 521 003 51 JN3 | Black/black  |        |     |       |
|     | 928 521 003 51 JN4 | Cadbury brown  |        |     |       |
|     | 928 521 003 51 QC1 | Blue   |        |     |       |
|     | 928 521 003 51 NZ8 | Burgundy/burgundy  |        |     |       |
|     | 928 521 003 51 PX9 | Greyish green/grey-green   |        |     |       |
|     | 928 521 003 51 JN5 | Grey-beige/grey-beige  | 86-    |     |       |
| (6) | 928 521 004 51     | Comfort seat<br>All-electric<br>Leatherette/<br>Seat and backrest surface<br>Leather   | /R     | 1   |       |
|     | 928 521 004 51 JN3 | Black/black  |        |     |       |
|     | 928 521 004 51 JN4 | Cadbury brown  |        |     |       |
|     | 928 521 004 51 QC1 | Blue   |        |     |       |
|     | 928 521 004 51 NZ8 | Burgundy/burgundy  |        |     |       |
|     | 928 521 004 51 PX9 | Greyish green/grey-green   |        |     |       |
|     | 928 521 004 51 JN5 | Grey-beige/grey-beige  | 86-    |     |       |
| (6) | 928 521 003 27     | Front seat<br>with heating<br>Manual longitudinal adjustment<br>Elect. vertical adjustment<br>Elect. backrest adjustment<br>Leatherette/<br>Seat and backrest surface<br>Leather | /L     | 1   |       |
|     | 928 521 003 27 JN3 | Black/black  |        |     |       |
|     | 928 521 003 27 JN4 | Brown/brown  |        |     |       |
|     | 928 521 003 27 QC1 | Blue/blue  |        |     |       |
|     | 928 521 003 27 NZ8 | Burgundy/burgundy  |        |     |       |
|     | 928 521 003 27 PX9 | Greyish green/grey-green   |        |     |       |
|     | 928 521 003 27 JN5 | Grey-beige/grey-beige  | 86-    |     |       |
| (6) | 928 521 004 27     | Front seat<br>with heating<br>Manual longitudinal adjustment<br>Elect. vertical adjustment<br>Elect. backrest adjustment<br>Leatherette/<br>Seat and backrest surface<br>Leather | /R     | 1   |       |
|     | 928 521 004 27 JN3 | Black/black  |        |     |       |
|     | 928 521 004 27 JN4 | Brown/brown  |        |     |       |
|     | 928 521 004 27 QC1 | Blue/blue  |        |     |       |
|     | 928 521 004 27 NZ8 | Burgundy/burgundy  |        |     |       |
|     | 928 521 004 27 PX9 | Greyish green/grey-green   |        |     |       |
|     | 928 521 004 27 JN5 | Grey-beige/grey-beige  | 86-    |     |       |
| 6   | 928 521 003 56     | Comfort seat<br>All-electric<br>Leatherette/<br>Seat and backrest surface<br>Leather   | /L     | 1   | M139  |
|     | 928 521 003 56 JN3 | Black/black  |        |     |       |
|     | 928 521 003 56 JN4 | Brown/brown  |        |     |       |
|     | 928 521 003 56 QC1 | Blue/blue  |        |     |       |
|     | 928 521 003 56 NZ8 | Burgundy/burgundy  |        |     |       |
|     | 928 521 003 56 PX9 | Greyish green/grey-green   |        |     |       |
|     | 928 521 003 56 JN5 | Grey-beige/grey-beige  | 86-    |     |       |
| (6) | 928 521 004 56     | Comfort seat<br>All-electric<br>Leatherette/<br>Seat and backrest surface  | /R     | 1   | M340  |

Model: 911 84 Model life 1984>>1986

| Pos | Part Number        | Description  | Remark | Qty | Model |
|-----|--------------------|--|--------|-----|-------|
|     |                    | Leather  |        |     |       |
|     | 928 521 004 56 JN3 | Black/black  |        |     |       |
|     | 928 521 004 56 JN4 | Brown/brown  |        |     |       |
|     | 928 521 004 56 QC1 | Blue/blue  |        |     |       |
|     | 928 521 004 56 NZ8 | Burgundy/burgundy  |        |     |       |
|     | 928 521 004 56 PX9 | Greyish green/grey-green   |        |     |       |
|     | 928 521 004 56 JN5 | Grey-beige/grey-beige  | 86-    |     |       |
| (6) | 928 521 003 23     | Front seat<br>without heating<br>Manual longitudinal adjustment<br>Elect. vertical adjustment<br>Elect. backrest adjustment<br>Whole-leather | /L     | 1   |       |
|     | 928 521 003 23 KZ2 | Black  |        |     |       |
|     | 928 521 003 23 KZ5 | Brown  |        |     |       |
|     | 928 521 003 23 KZ3 | Blue   |        |     |       |
|     | 928 521 003 23 LG7 | Burgundy   |        |     |       |
|     | 928 521 003 23 QC2 | Greyish green  |        |     |       |
|     | 928 521 003 23 KZ6 | Can-can-red  |        |     |       |
|     | 928 521 003 23 LG4 | Pearl white  |        |     |       |
|     | 928 521 003 23 LG5 | Champagne  |        |     |       |
|     | 928 521 003 23 LG6 | Dark green   |        |     |       |
|     | 928 521 003 23 PY9 | Ocean blue   |        |     |       |
|     | 928 521 003 23 PZ1 | Wild buffalo   |        |     |       |
|     | 928 521 003 23 KZ4 | Grey-beige   | 86-    |     |       |
| (6) | 928 521 004 23     | Front seat<br>without heating<br>Manual longitudinal adjustment<br>Elect. vertical adjustment<br>Elect. backrest adjustment<br>Whole-leather | /R     | 1   |       |
|     | 928 521 004 23 KZ2 | Black  |        |     |       |
|     | 928 521 004 23 KZ5 | Brown  |        |     |       |
|     | 928 521 004 23 KZ3 | Blue   |        |     |       |
|     | 928 521 004 23 LG7 | Burgundy   |        |     |       |
|     | 928 521 004 23 QC2 | Greyish green  |        |     |       |
|     | 928 521 004 23 KZ6 | Can-can-red  |        |     |       |
|     | 928 521 004 23 LG4 | Pearl white  |        |     |       |
|     | 928 521 004 23 LG5 | Champagne  |        |     |       |
|     | 928 521 004 23 LG6 | Dark green   |        |     |       |
|     | 928 521 004 23 PY9 | Ocean blue   |        |     |       |
|     | 928 521 004 23 PZ1 | Wild buffalo   |        |     |       |
|     | 928 521 004 23 KZ4 | Grey-beige   | 86-    |     |       |
| 6   | 928 521 003 52     | Comfort seat<br>All-electric<br>Whole-leather  | /L     | 1   |       |
|     | 928 521 003 52 KZ2 | Black  |        |     |       |
|     | 928 521 003 52 KZ5 | Cadbury brown  |        |     |       |
|     | 928 521 003 52 KZ3 | Blue   |        |     |       |
|     | 928 521 003 52 LG7 | Burgundy   |        |     |       |
|     | 928 521 003 52 QC2 | Greyish green  |        |     |       |
|     | 928 521 003 52 KZ6 | Can-can-red  |        |     |       |
|     | 928 521 003 52 LG4 | Pearl white  |        |     |       |
|     | 928 521 003 52 LG5 | Champagne  |        |     |       |
|     | 928 521 003 52 LG6 | Dark green   |        |     |       |
|     | 928 521 003 52 PY9 | Ocean blue   |        |     |       |
|     | 928 521 003 52 PZ1 | Wild buffalo   |        |     |       |
|     | 928 521 003 52 KZ4 | Grey-beige   | 86-    |     |       |
| (6) | 928 521 004 52     | Comfort seat<br>All-electric<br>Whole-leather  | /R     | 1   |       |
|     | 928 521 004 52 KZ2 | Black  |        |     |       |
|     | 928 521 004 52 KZ5 | Cadbury brown  |        |     |       |

Model: 911 84 Model life 1984>>1986

| Pos | Part Number        | Description   | Remark | Qty | Model |
|-----|--------------------|---|--------|-----|-------|
|     | 928 521 004 52 KZ3 | Blue  |        |     |       |
|     | 928 521 004 52 LG7 | Burgundy  |        |     |       |
|     | 928 521 004 52 QC2 | Greyish green   |        |     |       |
|     | 928 521 004 52 KZ6 | Can-can-red   |        |     |       |
|     | 928 521 004 52 LG4 | Pearl white   |        |     |       |
|     | 928 521 004 52 LG5 | Champagne   |        |     |       |
|     | 928 521 004 52 LG6 | Dark green  |        |     |       |
|     | 928 521 004 52 PY9 | Ocean blue  |        |     |       |
|     | 928 521 004 52 PZ1 | Wild buffalo  |        |     |       |
|     | 928 521 004 52 KZ4 | Grey-beige  | 86-    |     |       |
| (6) | 928 521 003 28     | Front seat<br>with heating<br>Manual longitudinal adjustment<br>Elect. vertical adjustment<br>Elect. backrest adjustment<br>Whole-leather | /L     | 1   |       |
|     | 928 521 003 28 KZ2 | Black   |        |     |       |
|     | 928 521 003 28 KZ5 | Brown   |        |     |       |
|     | 928 521 003 28 KZ3 | Blue  |        |     |       |
|     | 928 521 003 28 LG7 | Burgundy  |        |     |       |
|     | 928 521 003 28 QC2 | Greyish green   |        |     |       |
|     | 928 521 003 28 KZ6 | Can-can-red   |        |     |       |
|     | 928 521 003 28 LG4 | Pearl white   |        |     |       |
|     | 928 521 003 28 LG5 | Champagne   |        |     |       |
|     | 928 521 003 28 LG6 | Dark green  |        |     |       |
|     | 928 521 003 28 PY9 | Ocean blue  |        |     |       |
|     | 928 521 003 28 PZ1 | Wild buffalo  |        |     |       |
|     | 928 521 003 28 KZ4 | Grey-beige  | 86-    |     |       |
| (6) | 928 521 004 28     | Front seat<br>with heating<br>Manual longitudinal adjustment<br>Elect. vertical adjustment<br>Elect. backrest adjustment<br>Whole-leather | /R     | 1   |       |
|     | 928 521 004 28 KZ2 | Black   |        |     |       |
|     | 928 521 004 28 KZ5 | Brown   |        |     |       |
|     | 928 521 004 28 KZ3 | Blue  |        |     |       |
|     | 928 521 004 28 LG7 | Burgundy  |        |     |       |
|     | 928 521 004 28 QC2 | Greyish green   |        |     |       |
|     | 928 521 004 28 KZ6 | Can-can-red   |        |     |       |
|     | 928 521 004 28 LG4 | Pearl white   |        |     |       |
|     | 928 521 004 28 LG5 | Champagne   |        |     |       |
|     | 928 521 004 28 LG6 | Dark green  |        |     |       |
|     | 928 521 004 28 PY9 | Ocean blue  |        |     |       |
|     | 928 521 004 28 PZ1 | Wild buffalo  |        |     |       |
|     | 928 521 004 28 KZ4 | Grey-beige  | 86-    |     |       |
| 6   | 928 521 003 57     | Comfort seat<br>All-electric<br>Whole-leather   | /L     | 1   | M139  |
|     | 928 521 003 57 KZ2 | Black   |        |     |       |
|     | 928 521 003 57 KZ5 | Brown   |        |     |       |
|     | 928 521 003 57 KZ3 | Blue  |        |     |       |
|     | 928 521 003 57 LG7 | Burgundy  |        |     |       |
|     | 928 521 003 57 QC2 | Greyish green   |        |     |       |
|     | 928 521 003 57 KZ6 | Can-can-red   |        |     |       |
|     | 928 521 003 57 LG4 | Pearl white   |        |     |       |
|     | 928 521 003 57 LG5 | Champagne   |        |     |       |
|     | 928 521 003 57 LG6 | Dark green  |        |     |       |
|     | 928 521 003 57 PY9 | Ocean blue  |        |     |       |
|     | 928 521 003 57 PZ1 | Wild buffalo  |        |     |       |
|     | 928 521 003 57 KZ4 | Grey-beige  | 86-    |     |       |
| (6) | 928 521 004 57     | Comfort seat<br>All-electric  | /R     | 1   | M340  |

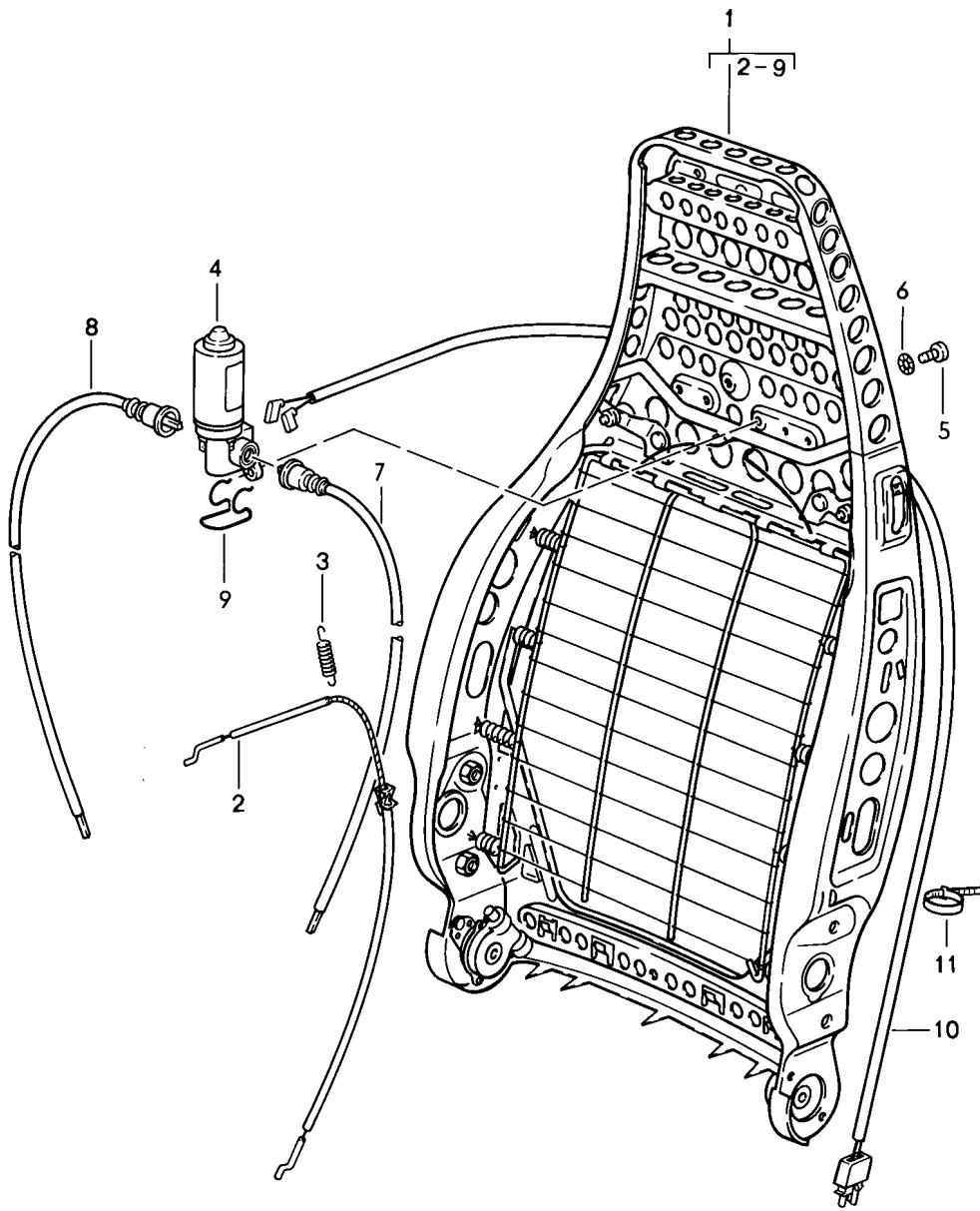
Model: 911 84 Model life 1984>>1986

| Pos  | Part Number        | Description  | Remark | Qty | Model |
|------|--------------------|--|--------|-----|-------|
|      |                    | Whole-leather  |        |     |       |
|      | 928 521 004 57 KZ2 | Black  |        |     |       |
|      | 928 521 004 57 KZ5 | Brown  |        |     |       |
|      | 928 521 004 57 KZ3 | Blue   |        |     |       |
|      | 928 521 004 57 LG7 | Burgundy   |        |     |       |
|      | 928 521 004 57 QC2 | Greyish green  |        |     |       |
|      | 928 521 004 57 KZ6 | Can-can-red  |        |     |       |
|      | 928 521 004 57 LG4 | Pearl white  |        |     |       |
|      | 928 521 004 57 LG5 | Champagne  |        |     |       |
|      | 928 521 004 57 LG6 | Dark green   |        |     |       |
|      | 928 521 004 57 PY9 | Ocean blue   |        |     |       |
|      | 928 521 004 57 PZ1 | Wild buffalo   |        |     |       |
|      | 928 521 004 57 KZ4 | Grey-beige   | 86-    |     |       |
| 7    | 911 521 547 00     | Screw<br>M 10 X 20   |        | 8   |       |
| 8    | 928 521 147 02     | Cover  | /L     | 2   |       |
|      | 928 521 147 02 01C | Black  |        |     |       |
|      | 928 521 147 02 4RB | Brown  |        |     |       |
|      | 928 521 147 02 5HJ | Blue   |        |     |       |
|      | 928 521 147 02 9MM | Burgundy   |        |     |       |
|      | 928 521 147 02 1DJ | Greyish green  |        |     |       |
|      | 928 521 147 02 3UC | Grey-beige   | 86-    |     |       |
| (8)  | 928 521 148 02     | Cover  | /R     | 2   |       |
|      | 928 521 148 02 01C | Black  |        |     |       |
|      | 928 521 148 02 4RB | Brown  |        |     |       |
|      | 928 521 148 02 5HJ | Blue   |        |     |       |
|      | 928 521 148 02 9MM | Burgundy   |        |     |       |
|      | 928 521 148 02 1DJ | Greyish green  |        |     |       |
|      | 928 521 148 02 3UC | Grey-beige   | 86-    |     |       |
| 9    | 900 025 044 07     | Washer<br>A 4,3  |        | 8   |       |
| 10   | 900 143 113 07     | Oval-head screw<br>B 4,2 X 13                                |        | 8   |       |
| 10   | 900 143 113 0G     | Oval-head screw<br>B 4,2 X 13                                |        | 8   |       |
| 11   | 900 119 030 02     | Pan-head screw<br>M 8 X 20                                   | 85-    | 12  |       |
| 12   | 900 089 006 02     | Washer<br>8  | 85-    | 12  |       |
| 12   | 900 089 006 01     | Washer<br>8  | 85-    | 12  |       |
| 13   | 928 521 101 05     | Threaded plate   |        | X   |       |
| 13A  | 928 521 101 08     | Threaded plate   |        | X   |       |
| 14   | 928 521 717 02     | Square rod<br>for backrest adjustment                        |        | 4   |       |
| 15   | 928 521 716 02     | Lock washer<br>for backrest adjustment                       |        | 4   |       |
| 15   | 928 521 716 03     | Lock washer<br>for backrest adjustment                       |        | 4   |       |
| 16   | 900 249 004 02     | Countersunk-head screw<br>M 4 X 8<br>for backrest adjustment |        | 4   |       |
| (17) | 928 521 760 03     | Cover<br>for partially electrical seat                       | 85-    | 2   |       |
| 18   | N 013 959 3        | Oval-head sheetmetal screw<br>B 3,5 X 16                     |        | 4   |       |
| 18   | 900 143 016 01     | Oval-head sheetmetal screw<br>B 3,5 X 16                     |        | 4   |       |
| 19   | 900 025 013 07     | Washer<br>A 3,7  |        | 4   |       |
| 20   | 911 521 347 00     | Stop   |        | 2   |       |



Model: 911 84

Model life 1984>>1986



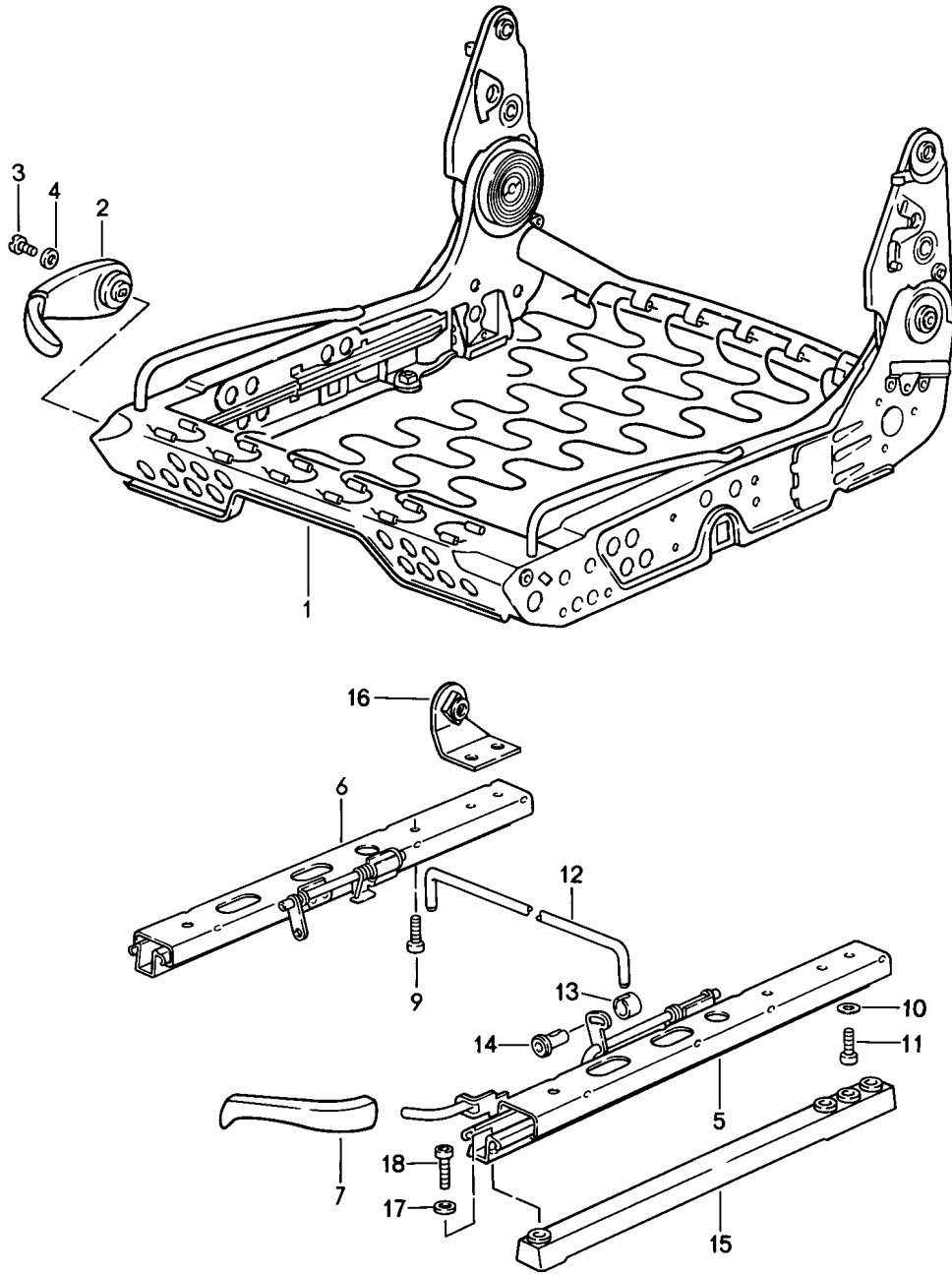
Model: 911 84

Model life 1984&gt;&gt;1986

| Pos | Part Number    | Description                | Remark | Qty | Model   |
|-----|----------------|----------------------------|--------|-----|---------|
| (1) | 928 521 027 08 | Backrest frame             |        | 1   | CARRERA |
|     |                | Backrest frame             | /LL /R |     |         |
|     |                | Manually adjustable        | /RL /L |     | CARRERA |
| 1   | 928 521 027 10 | Backrest frame             |        | 2   | TURBO   |
|     |                | Electrically adjustable    | /LL /L |     | CARRERA |
| 1   |                | Backrest frame             |        | 2   | TURBO   |
|     |                | Electrically adjustable    | /LL /L |     | CARRERA |
|     |                |                            | /LL /R |     | M438    |
| 2   | 928 521 093 02 | Bowden cable               |        | 4   |         |
| 3   | 311 881 287 A  | Tension spring             |        | 4   |         |
|     |                | Actuating lever            |        |     |         |
| 4   | 928 624 126 01 | Geared motor               |        | 2   |         |
| 4   |                | Geared motor               |        | 2   |         |
|     |                | Elect. backrest adjustment |        |     |         |
| 5   | N 014 128 4    | Oval-head screw            |        | 4   |         |
|     |                | M 5 X 8                    |        |     |         |
| 6   | N 012 130 2    | Shake-proof washer         |        | 4   |         |
|     |                | A 5,3                      |        |     |         |
| 7   | 928 521 617 02 | Shaft                      | /L     | 2   |         |
|     |                | Elect. backrest adjustment |        |     |         |
| 8   | 928 521 618 02 | Shaft                      | /R     | 2   |         |
|     |                | Elect. backrest adjustment |        |     |         |
| 9   | 928 521 675 02 | Moulded spring             |        | 2   |         |
| 10  | 928 612 343 00 | Connecting line            |        | 2   |         |
|     |                | for backrest adjustment    |        |     |         |
| 11  | N 020 904 4    | Tie-wrap                   |        | 10  | TURBO   |
| 11  |                | Tie-wrap                   |        | 5   | CARRERA |
|     |                | 6,5 X 120                  |        |     |         |

Model: 911 84

Model life 1984>>1986

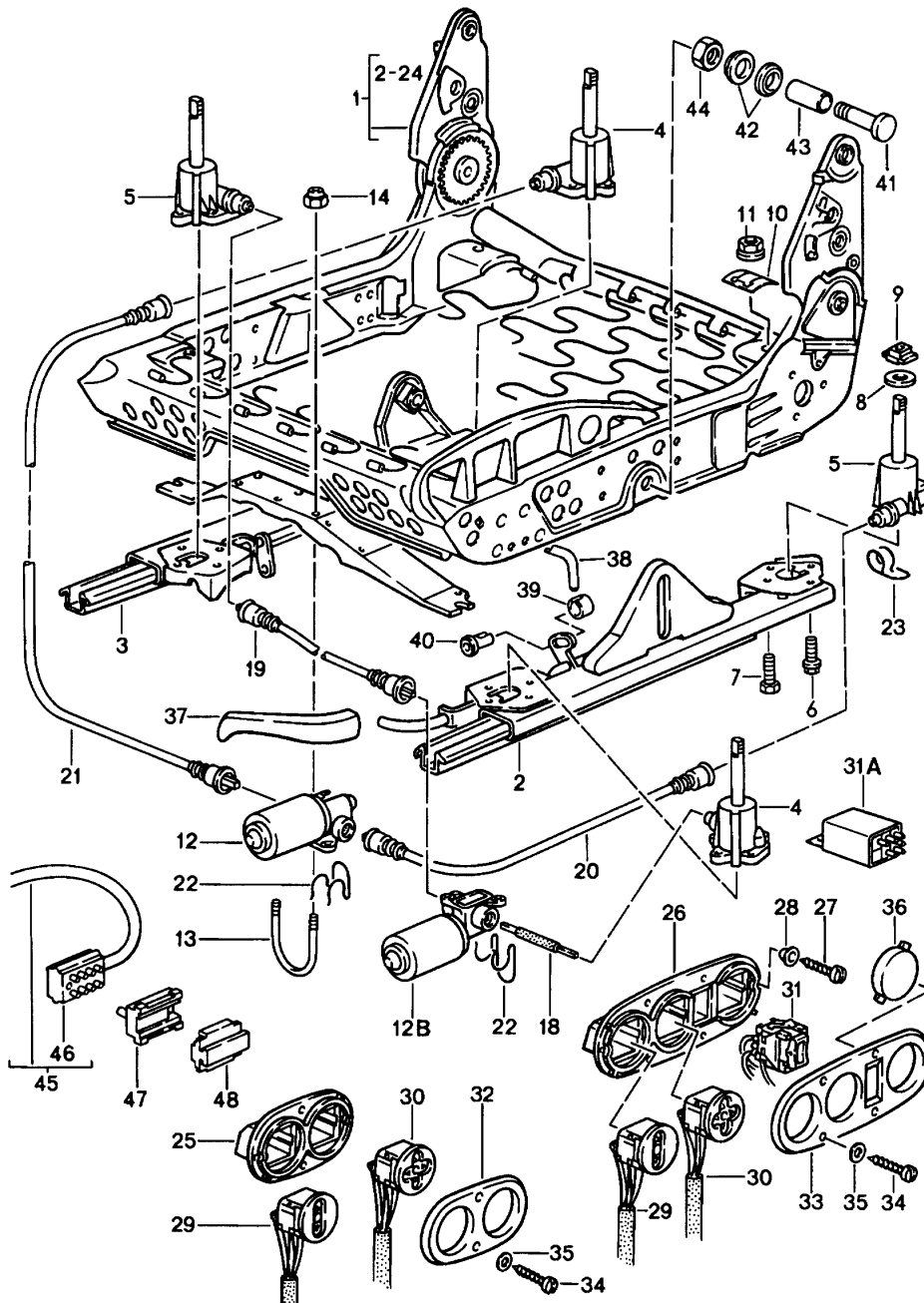


Model: 911 84 Model life 1984>>1986

| Pos  | Part Number        | Description                                    | Remark | Qty | Model   |
|------|--------------------|--|--------|-----|---------|
|      |                    | Seat frame                                     | 85-    |     | CARRERA |
| 1    | 993 521 069 00     | Manually adjustable<br>Seat frame              | /L     | 1   |         |
| (1)  | 928 521 070 04     | Manually adjustable<br>Seat frame              | /LL /R | 1   |         |
| (1)  | 928 521 070 16     | Manually adjustable<br>Seat frame              | /LL /R | 1   |         |
| (1)  | 993 521 070 00     | Manually adjustable<br>Seat frame              | /R     | 1   |         |
| 2    | 928 521 073 04     | Lever  |        | 2   |         |
| 2    | 964 521 073 00     | Lever<br>for backrest adjustment               |        | 2   |         |
| 2    | 964 521 073 00 01C | Satin black                                    |        |     |         |
| 2    | 964 521 073 01     | Lever<br>for backrest adjustment               |        | 2   |         |
|      | 964 521 073 01 01C | Black  |        |     |         |
| 3    | 900 119 011 07     | Pan-head screw<br>M 5 X 10                     |        | 1   |         |
| 4    | 900 031 006 07     | Washer<br>5,3 X 9,5 X 1                        |        | 1   |         |
| (6)  | 928 521 491 08     | Seat rail<br>Inner                             | /LL    | 1   |         |
| (5)  | 928 521 490 10     | Left seat<br>Seat rail                         | /LL /R | 1   |         |
| (7)  | 911 521 533 00     | Right seat<br>Handle knob                      | /R     | 1   |         |
| (7)  | 911 521 533 01     | for longitudinal adjustment<br>Handle          |        | 2   |         |
|      | 911 521 533 01 01C | for longitudinal adjustment<br>Satin black     |        |     |         |
| 9    | 900 119 091 02     | Pan-head screw<br>M 6 X 16                     |        | 1   |         |
| 10   | 900 025 007 02     | Washer<br>A 8,4                                |        | 6   |         |
| 10   | 900 025 007 03     | Washer<br>A 8,4                                |        | 6   |         |
| 11   | 900 119 052 02     | Pan-head screw<br>M 8 X 16                     |        | 6   |         |
| 12   | 928 521 525 03     | Connecting rod<br>for longitudinal adjustment  |        | 1   |         |
| 13   | N 902 514 01       | Clamping sleeve<br>for longitudinal adjustment |        | 2   |         |
| 14   | N 902 515 01       | Guide bush<br>for longitudinal adjustment      |        | 2   |         |
| 15   | 911 521 493 02     | Spacer   | /LL /R | 2   |         |
| 15   | 911 521 493 04     | Spacer   | /LL /R | 2   |         |
| (16) | 928 521 065 02     | Support  | /LL /R | 1   |         |
| 17   | 900 089 006 02     | Washer<br>A 8,4                                |        | 6   |         |
| 17   | 900 089 006 01     | Washer<br>A 8,4                                |        | 6   |         |
| 18   | 900 119 081 02     | Pan-head screw<br>M 8 X 35                     |        | 6   |         |

Model: 911 84

Model life 1984>>1986



Model: 911 84 Model life 1984>>1986

| Pos | Part Number    | Description  | Remark | Qty | Model |
|-----|----------------|--|--------|-----|-------|
| 1   | 928 521 069 12 | Seat frame<br>Electric<br>Seat frame<br>Elect. vertical adjustment<br>Elect. backrest adjustment<br>Manual longitudinal adjustment | /L     | 1   |       |
| (1) | 993 521 069 03 | Seat frame<br>All-electric   | /L     | 1   |       |
| (1) | 928 521 070 12 | Seat frame<br>Elect. vertical adjustment<br>Elect. backrest adjustment<br>Manual longitudinal adjustment                           | /R     | 1   |       |
| (1) | 993 521 070 03 | Seat frame<br>All-electric   | /R     | 1   |       |
| 2   | 928 521 489 11 | Seat rail  |        | 1   |       |
| 2   |                | Seat rail<br>Left seat<br>Outer<br>Elect. vertical adjustment<br>Manual longitudinal adjustment                                    |        | 1   |       |
| (2) | 928 521 490 11 | Seat rail  |        | 1   |       |
| (2) |                | Seat rail<br>Right seat<br>Outer<br>Elect. vertical adjustment<br>Manual longitudinal adjustment                                   |        | 1   |       |
| 3   | 964 521 492 00 | Seat rail  |        | 1   |       |
| 3   |                | Seat rail<br>Left seat<br>Inner<br>Elect. vertical adjustment<br>Manual longitudinal adjustment                                    |        | 1   |       |
| (3) | 964 521 491 00 | Seat rail  |        | 1   |       |
| (3) |                | Seat rail<br>Right seat<br>Inner<br>Elect. vertical adjustment<br>Manual longitudinal adjustment                                   |        | 1   |       |
| (2) | 928 521 489 08 | Seat rail  |        | 1   |       |
| (2) |                | Seat rail<br>Left seat<br>Outer<br>All-electric  |        | 1   |       |
| (2) | 928 521 490 08 | Seat rail  |        | 1   |       |
| (2) |                | Seat rail<br>Right seat<br>Outer<br>All-electric   |        | 1   |       |
| (3) | 928 521 492 11 | Seat rail  |        | 1   |       |
| (3) |                | Seat rail<br>Left seat<br>Inner<br>All-electric  |        | 1   |       |
| (3) | 928 521 491 11 | Seat rail  |        | 1   |       |
| (3) |                | Seat rail<br>Right seat<br>Inner<br>All-electric   |        | 1   |       |
| 4   | 928 521 721 03 | Lifting gear   |        | 2   |       |
| 4   |                | Lifting gear<br>Left front, right rear   |        | 2   |       |
| 5   | 928 521 722 03 | Lifting gear   |        | 2   |       |
| 5   |                | Lifting gear   |        | 2   |       |

Model: 911 84

Model life 1984&gt;&gt;1986

| Pos  | Part Number        | Description   | Remark | Qty | Model    |
|------|--------------------|---|--------|-----|----------|
| 6    | 999 217 033 01     | Right front, left rear<br>Locking screw<br>M 6 X 16           |        | 20  |          |
| 7    | 900 186 032 02     | Pan-head screw<br>M 6 X 16                                    |        | 8   |          |
| 8    | 999 025 129 40     | Washer<br>10,2 X 30 X 1,5                                     |        | 8   |          |
| 9    | 928 521 727 02     | Slide   |        | 8   |          |
| 10   | 928 521 723 02     | Guide spring  |        | 8   |          |
| 11   | 928 521 730 02     | Nut   |        | 8   |          |
| 12   | 928 624 126 01     | Geared motor  |        | 2   |          |
| 12   |                    | Geared motor  |        | 2   |          |
| 12B  |                    | Rear vertical adjustment                                      |        |     |          |
| 12B  |                    | Geared motor  |        | 2   |          |
| 12B  |                    | Geared motor  |        | 2   |          |
| 12B  |                    | Front vertical adjustment                                     |        |     |          |
| 13   | 999 222 001 02     | Stirrup bolt<br>M 4   |        | 6   |          |
| 14   | 900 910 006 02     | Lock nut<br>M 4   |        | 12  |          |
| 14   | 900 084 020 01     | Lock nut<br>M 4   |        | 4   |          |
| 18   | 928 521 671 03     | Shaft   | /L     | 2   |          |
| 18   |                    | Shaft   | /L     | 2   |          |
| 18   |                    | Front vertical adjustment                                     |        |     |          |
| 19   | 928 521 672 02     | Pliable shaft   | /R     | 2   |          |
| 19   |                    | Front vertical adjustment                                     |        |     |          |
| 20   | 928 521 673 05     | Flexible shaft  | /L     | 2   |          |
| 20   |                    | Flexible shaft  | /L     | 2   |          |
| 20   |                    | Rear vertical adjustment                                      |        |     |          |
| 21   | 928 521 674 02     | Pliable shaft   | /R     | 2   |          |
| 21   |                    | Rear vertical adjustment                                      |        |     |          |
| 22   | 928 521 675 02     | Moulded spring<br>for engine                                  |        | 6   |          |
| 23   | 928 521 699 00     | Moulded spring  |        | 6   |          |
| 25   | 928 521 559 04     | Switch insert   |        | 2   |          |
| 26   | 928 521 559 02     | Switch insert   | /L     | 1   | M139     |
| (26) | 928 521 560 02     | Switch insert   | /R     | 1   | M340     |
| 27   | N 013 988 1        | Counters. head tapp. screw<br>B 3,5 X 16                      |        | 2   |          |
| 28   | 999 591 849 07     | Washer<br>B 3,5   |        | 2   |          |
| 29   | 928 613 181 00     | Switch<br>Front vertical adjustment                           |        | 1   |          |
| 30   | 928 613 183 00     | Switch<br>for backrest adjustment<br>Rear vertical adjustment |        | 2   |          |
| 31   | 928 613 187 01     | Switch  | /L     | 1   | M139     |
| 31   | 928 613 188 01     | Switch  | /R     | 1   | M340     |
| 31A  | 928 618 521 00     | Seat heater<br>Relay<br>Seat heater                           |        | 1   | M139/340 |
| 32   | 928 521 561 04     | Trim for switch   |        | 2   |          |
| 32   | 928 521 561 04 01C | Satin black   |        |     |          |
| 33   | 928 521 561 03     | Trim for switch   |        | 1   | M139/340 |
| 33   | 928 521 561 03 01C | Satin black   |        |     |          |
| 34   | N 013 959 3        | Oval-head sheetmetal screw<br>B 3,5 X 16                      |        | 4   |          |
| 34   | 900 143 016 01     | Oval-head sheetmetal screw<br>B 3,5 X 16                      |        | 4   |          |
| 35   | 900 025 013 07     | Washer<br>A 3,7   |        | 4   |          |
| 36   | 928 613 425 00     | Cover   |        | 1   | M139/340 |

Model: 911 84

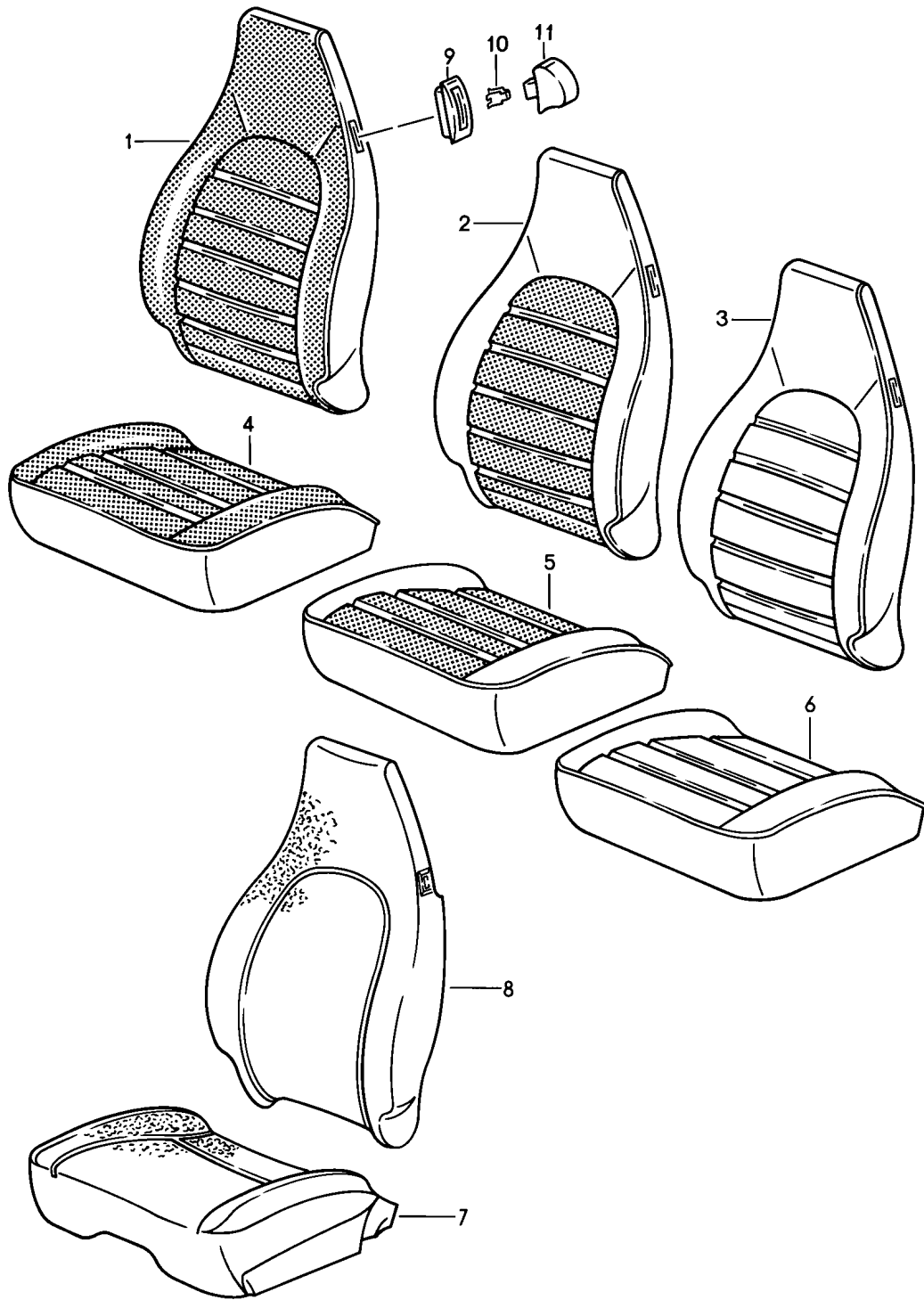
Model life 1984>>1986

| Pos  | Part Number        | Description                                | Remark | Qty | Model |
|------|--------------------|--|--------|-----|-------|
| 37   | 911 521 533 00     | Handle knob                                | /L     | 1   |       |
| (37) |                    | Handle knob                                | /R     | 1   |       |
| (37) | 911 521 533 01     | for longitudinal adjustment<br>Handle      |        | 2   |       |
|      | 911 521 533 01 01C | for longitudinal adjustment<br>Satin black |        |     |       |
| 38   | 928 521 525 03     | Connecting rod                             |        | 2   |       |
|      |                    | for longitudinal adjustment                |        |     |       |
| 39   | N 902 514 01       | Clamping sleeve                            |        | 4   |       |
|      |                    | for longitudinal adjustment                |        |     |       |
| 40   | N 902 515 01       | Guide bush                                 |        | 4   |       |
|      |                    | for longitudinal adjustment                |        |     |       |
| 41   | 928 521 681 02     | Bolt                                       |        | 4   |       |
| 42   | 928 521 683 02     | Washer                                     |        | 8   |       |
|      |                    | 1,5 PA 6                                   |        |     |       |
| 43   | 928 521 685 02     | Bush                                       |        | 4   |       |
| 44   | 900 034 003 02     | Hexagon nut                                |        | 4   |       |
|      |                    | M 10                                       |        |     |       |
|      |                    | Wiring harness                             |        |     |       |
|      |                    | Single parts                               |        |     |       |
| 45   | 911 612 521 01     | Wiring harness                             |        | 1   |       |
|      |                    | for electric seat equipment                |        |     |       |
| 46   | 944 612 117 00     | Connector housing                          |        | 2   |       |
|      |                    | 8-pole                                     |        |     |       |
| 47   | 999 652 395 40     | Connector housing                          |        | 2   |       |
|      |                    | 8-pole                                     |        |     |       |
| 48   | 999 652 396 40     | Clip                                       |        | 2   |       |
|      |                    | 8-pole                                     |        |     |       |
| -    | N 020 904 4        | Tie-wrap                                   |        | 5   |       |
|      |                    | 6,5 X 120                                  |        |     |       |



Model: 911 84

Model life 1984>>1986



Model: 911 84 Model life 1984>>1986

| Pos | Part Number        | Description                          | Remark     | Qty | Model    |
|-----|--------------------|--------------------------------------|------------|-----|----------|
| 1   | 928 521 071 22     | Front seat<br>Cover                  | 85-        | 2   |          |
|     |                    | Backrest cover<br>without heating    |            |     |          |
|     |                    | Leatherette/<br>Backrest surface     |            |     |          |
|     |                    | Pin stripe velour                    |            |     |          |
|     | 928 521 071 22 NY5 | Black/<br>Black-white                |            |     |          |
|     | 928 521 071 22 NY7 | Brown<br>Brown-beige                 |            |     |          |
|     | 928 521 071 22 QA3 | Blue/<br>Blue-white                  |            |     |          |
|     | 928 521 071 22 NY8 | Burgundy/<br>Burgundy-white          |            |     |          |
|     | 928 521 071 22 QA4 | Greyish green<br>Greyish green-white |            |     |          |
|     | 928 521 071 22 RU3 | Grey-beige/<br>Grey-beige-white      | 86-<br>86- |     |          |
| (1) | 928 521 071 63     | Backrest cover<br>with heating       |            | 2   | M139/340 |
|     |                    | Leatherette/<br>Backrest surface     |            |     |          |
|     |                    | Pin stripe velour                    |            |     |          |
|     | 928 521 071 63 NY5 | Black/<br>Black-white                |            |     |          |
|     | 928 521 071 63 NY7 | Brown<br>Brown-beige                 |            |     |          |
|     | 928 521 071 63 QA3 | Blue/<br>Blue-white                  |            |     |          |
|     | 928 521 071 63 NY8 | Burgundy/<br>Burgundy-white          |            |     |          |
|     | 928 521 071 63 QA4 | Greyish green<br>Greyish green-white |            |     |          |
|     | 928 521 071 63 RU3 | Grey-beige/<br>Grey-beige-white      | 86-<br>86- |     |          |
| 1   | 928 521 071 22     | Backrest cover<br>without heating    |            | 2   |          |
|     |                    | Leatherette/<br>Backrest surface     |            |     |          |
|     |                    | Pin stripe flannel                   |            |     |          |
|     | 928 521 071 22 NY9 | Black/anthracite                     |            |     |          |
|     | 928 521 071 22 NZ6 | Brown/brown                          |            |     |          |
|     | 928 521 071 22 QA6 | Blue/blue                            |            |     |          |
|     | 928 521 071 22 NZ5 | Burgundy/burgundy                    |            |     |          |
|     | 928 521 071 22 QA5 | Greyish green/grey-green             |            |     |          |
| (1) | 928 521 071 63     | Backrest cover<br>with heating       |            | 2   | M139/340 |
|     |                    | Leatherette/<br>Backrest surface     |            |     |          |
|     |                    | Pin stripe flannel                   |            |     |          |
|     | 928 521 071 63 NY9 | Black/anthracite                     |            |     |          |
|     | 928 521 071 63 NZ6 | Brown/brown                          |            |     |          |
|     | 928 521 071 63 QA6 | Blue/blue                            |            |     |          |
|     | 928 521 071 63 NZ5 | Burgundy/burgundy                    |            |     |          |
|     | 928 521 071 63 QA5 | Greyish green/grey-green             |            |     |          |
| 1   | 928 521 071 22     | Backrest cover<br>without heating    |            | 2   |          |
|     |                    | Leatherette/<br>Backrest surface     |            |     |          |
|     |                    | Porsche lettering cloth              |            |     |          |
|     | 928 521 071 22 PX2 | Black/black                          |            |     |          |
|     | 928 521 071 22 PX4 | Brown/brown                          |            |     |          |

Model: 911 84 Model life 1984&gt;&gt;1986

| Pos                | Part Number        | Description   | Remark  | Qty        | Model    |  |            |   |          |
|--------------------|--------------------|---|---|------------|----------|--|------------|---|----------|
| (1)                | 928 521 071 22 PX7 | Blue/blue   | 86-   | 2          | M139/340 |  |            |   |          |
|                    | 928 521 071 22 PX6 | Burgundy/burgundy   |   |            |          |  |            |   |          |
|                    | 928 521 071 22 PX8 | Greyish green/grey-green  |   |            |          |  |            |   |          |
|                    | 928 521 071 22 QD9 | Grey-beige/grey-beige   |   |            |          |  |            |   |          |
|                    | 928 521 071 63     | Backrest cover<br>with heating<br>Leatherette/<br>Backrest surface<br>Porsche lettering cloth |   |            |          |  |            |   |          |
|                    | 928 521 071 63 PX2 | Black/black   |   |            |          |  |            |   |          |
|                    | 928 521 071 63 PX4 | Brown/brown   |   |            |          |  |            |   |          |
|                    | 928 521 071 63 PX7 | Blue/blue   |   |            |          |  |            |   |          |
|                    | 928 521 071 63 PX6 | Burgundy/burgundy   |   |            |          |  |            |   |          |
|                    | 928 521 071 63 PX8 | Greyish green/grey-green  |   |            |          |  |            |   |          |
| 2                  | 928 521 071 63 QD9 | Grey-beige/grey-beige   | 86-   | 2          | M139/340 |  |            |   |          |
|                    | 928 521 071 50     | Backrest cover<br>without heating<br>Leatherette/<br>Centre part<br>Pin stripe velour         |   |            |          |  |            |   |          |
|                    | 928 521 071 50 PY1 | Black/black<br>Black-white  |   |            |          |  |            |   |          |
|                    | 928 521 071 50 PY2 | Brown<br>Brown-beige  |   |            |          |  |            |   |          |
|                    | 928 521 071 50 PY3 | Blue/<br>Blue-white   |   |            |          |  |            |   |          |
|                    | 928 521 071 50 PY4 | Burgundy/burgundy<br>Burgundy-white   |   |            |          |  |            |   |          |
|                    | 928 521 071 50 PY5 | Greyish green<br>Greyish green-white  |   |            |          |  |            |   |          |
|                    | 928 521 071 50 RU4 | Grey-beige/<br>Grey-beige-white   |   |            |          |  |            |   |          |
|                    | (2)                | 928 521 071 52  |   |            |          | Backrest cover<br>with heating<br>Leatherette/<br>Centre part<br>Pin stripe velour | 86-<br>86- | 2 | M139/340 |
|                    |                    | 928 521 071 52 PY1  |   |            |          | Black/<br>Black-white  |            |   |          |
| 928 521 071 52 PY2 |                    | Brown<br>Brown-beige  |   |            |          |  |            |   |          |
| 928 521 071 52 PY3 |                    | Blue/<br>Blue-white   |   |            |          |  |            |   |          |
| 928 521 071 52 PY4 |                    | Burgundy/<br>Burgundy-white   |   |            |          |  |            |   |          |
| 928 521 071 52 PY5 |                    | Greyish green<br>Greyish green-white  |   |            |          |  |            |   |          |
| 928 521 071 52 RU4 |                    | Grey-beige/<br>Grey-beige-white   |   |            |          |  |            |   |          |
| 2                  |                    | 928 521 071 50  | Backrest cover<br>without heating<br>Leatherette/leather<br>Centre part<br>Pin stripe flannel | 86-<br>86- | 2        | M139/340   |            |   |          |
|                    |                    | 928 521 071 50 PZ2  | Black/anthracite  |            |          |  |            |   |          |
|                    |                    | 928 521 071 50 PZ3  | Brown/brown   |            |          |  |            |   |          |
|                    | 928 521 071 50 PZ4 | Blue/blue   |   |            |          |  |            |   |          |
|                    | 928 521 071 50 PZ5 | Burgundy/burgundy   |   |            |          |  |            |   |          |
|                    | 928 521 071 50 PZ6 | Greyish green/grey-green  |   |            |          |  |            |   |          |
|                    | (2)                | 928 521 071 52  | Backrest cover<br>with heating<br>Leatherette/leather<br>Centre part                          |            |          |  | 86-        | 2 | M139/340 |

Model: 911 84 Model life 1984>>1986

| Pos | Part Number        | Description  | Remark     | Qty | Model    |
|-----|--------------------|--|------------|-----|----------|
|     | 928 521 071 52 PZ2 | Pin stripe flannel<br>Black/anthracite   |            |     |          |
|     | 928 521 071 52 PZ3 | Brown/brown  |            |     |          |
|     | 928 521 071 52 PZ4 | Blue/blue  |            |     |          |
|     | 928 521 071 52 PZ5 | Burgundy/burgundy  |            |     |          |
|     | 928 521 071 52 PZ6 | Greyish green/grey-green   |            |     |          |
| 2   | 928 521 071 50     | Backrest cover<br>without heating<br>Leatherette/leather<br>Centre part<br>Porsche lettering cloth |            | 2   |          |
|     | 928 521 071 50 PZ7 | Black/black  |            |     |          |
|     | 928 521 071 50 PZ8 | Brown/brown  |            |     |          |
|     | 928 521 071 50 PZ9 | Blue/blue  |            |     |          |
|     | 928 521 071 50 QA1 | Burgundy/burgundy  |            |     |          |
|     | 928 521 071 50 QA2 | Greyish green/grey-green   |            |     |          |
| (2) | 928 521 071 50 RU2 | Grey-beige/grey-beige  | 86-        | 2   | M139/340 |
|     | 928 521 071 52     | Backrest cover<br>with heating<br>Leatherette/leather<br>Centre part<br>Porsche lettering cloth    |            |     |          |
|     | 928 521 071 52 PZ7 | Black/black  |            |     |          |
|     | 928 521 071 52 PZ8 | Brown/brown  |            |     |          |
|     | 928 521 071 52 PZ9 | Blue/blue  |            |     |          |
|     | 928 521 071 52 QA1 | Burgundy/burgundy  |            |     |          |
|     | 928 521 071 52 QA2 | Greyish green/grey-green   |            |     |          |
|     | 928 521 071 52 RU2 | Grey-beige/grey-beige  | 86-        |     |          |
| 2   | 928 521 071 66     | Backrest cover<br>without heating<br>Leather/<br>Centre part<br>Pin stripe velour                  |            | 2   |          |
|     | 928 521 071 66 LS5 | Black/<br>Black-white  |            |     |          |
|     | 928 521 071 66 LS6 | Brown<br>Brown-beige   |            |     |          |
|     | 928 521 071 66 LS8 | Blue/<br>Blue-white  |            |     |          |
|     | 928 521 071 66 LS9 | Burgundy/<br>Burgundy-white  |            |     |          |
|     | 928 521 071 66 QA7 | Greyish green<br>Greyish green-white   |            |     |          |
|     | 928 521 071 66 LS7 | Grey-beige/<br>Grey-beige-white  | 86-<br>86- |     |          |
| 2   | 928 521 071 67     | Backrest cover<br>with heating<br>Leather/<br>Centre part<br>Pin stripe velour                     |            | 2   | M139/340 |
|     | 928 521 071 67 LS5 | Black/<br>Black-white  |            |     |          |
|     | 928 521 071 67 LS6 | Brown<br>Brown-beige   |            |     |          |
|     | 928 521 071 67 LS8 | Blue/<br>Blue-white  |            |     |          |
|     | 928 521 071 67 LS9 | Burgundy/<br>Burgundy-white  |            |     |          |
|     | 928 521 071 67 QA7 | Greyish green<br>Greyish green-white   |            |     |          |
|     | 928 521 071 67 LS7 | Grey-beige/<br>Grey-beige-white  | 86-<br>86- |     |          |
| 2   | 928 521 071 66     | Backrest cover   |            | 2   |          |

Model: 911 84 Model life 1984>>1986

| Pos | Part Number        | Description   | Remark | Qty | Model    |
|-----|--------------------|---|--------|-----|----------|
|     |                    | without heating<br>Leather/<br>Centre part<br>Pin stripe flannel                        |        |     |          |
|     | 928 521 071 66 QB1 | Black/anthracite  |        |     |          |
|     | 928 521 071 66 QB3 | Brown/brown   |        |     |          |
|     | 928 521 071 66 QB5 | Blue/blue   |        |     |          |
|     | 928 521 071 66 QB7 | Burgundy/burgundy   |        |     |          |
|     | 928 521 071 66 QA8 | Greyish green/grey-green  |        |     |          |
| 2   | 928 521 071 67     | Backrest cover<br>with heating<br>Leather/<br>Centre part<br>Pin stripe flannel         |        | 2   | M139/340 |
|     | 928 521 071 67 QB1 | Black/anthracite  |        |     |          |
|     | 928 521 071 67 QB3 | Brown/brown   |        |     |          |
|     | 928 521 071 67 QB5 | Blue/blue   |        |     |          |
|     | 928 521 071 67 QB7 | Burgundy/burgundy   |        |     |          |
|     | 928 521 071 67 QA8 | Greyish green/grey-green  |        |     |          |
| 2   | 928 521 071 66     | Backrest cover<br>without heating<br>Leather/<br>Centre part<br>Porsche lettering cloth |        | 2   |          |
|     | 928 521 071 66 QB2 | Black/black   |        |     |          |
|     | 928 521 071 66 QB4 | Brown/brown   |        |     |          |
|     | 928 521 071 66 QB6 | Blue/blue   |        |     |          |
|     | 928 521 071 66 QB8 | Burgundy/burgundy   |        |     |          |
|     | 928 521 071 66 QA9 | Greyish green/grey-green  |        |     |          |
|     | 928 521 071 66 RU1 | Grey-beige/grey-beige   | 86-    |     |          |
| 2   | 928 521 071 67     | Backrest cover<br>with heating<br>Leather/<br>Centre part<br>Porsche lettering cloth    |        | 2   | M139/340 |
|     | 928 521 071 67 QB2 | Black/black   |        |     |          |
|     | 928 521 071 67 QB4 | Brown/brown   |        |     |          |
|     | 928 521 071 67 QB6 | Blue/blue   |        |     |          |
|     | 928 521 071 67 QB8 | Burgundy/burgundy   |        |     |          |
|     | 928 521 071 67 QA9 | Greyish green/grey-green  |        |     |          |
|     | 928 521 071 67 RU1 | Grey-beige/grey-beige   | 86-    |     |          |
| 3   | 928 521 071 51     | Backrest cover<br>without heating<br>Leatherette/<br>Backrest surface<br>Leather        |        | 2   |          |
|     | 928 521 071 51 JN3 | Black   |        |     |          |
|     | 928 521 071 51 JN4 | Brown   |        |     |          |
|     | 928 521 071 51 QC1 | Blue  |        |     |          |
|     | 928 521 071 51 NZ8 | Burgundy  |        |     |          |
|     | 928 521 071 51 PX9 | Greyish green   |        |     |          |
|     | 928 521 071 51 JN5 | Grey-beige  | 86-    |     |          |
| (3) | 928 521 071 62     | Backrest cover<br>with heating<br>Leatherette/<br>Backrest surface<br>Leather           |        | 2   | M139/340 |
|     | 928 521 071 62 JN3 | Black   |        |     |          |
|     | 928 521 071 62 JN4 | Brown   |        |     |          |
|     | 928 521 071 62 QC1 | Blue  |        |     |          |
|     | 928 521 071 62 NZ8 | Burgundy  |        |     |          |
|     | 928 521 071 62 PX9 | Greyish green   |        |     |          |
|     | 928 521 071 62 JN5 | Grey-beige  | 86-    |     |          |

Model: 911 84 Model life 1984>>1986

| Pos | Part Number        | Description  | Remark           | Qty | Model    |
|-----|--------------------|--|------------------|-----|----------|
| 3   | 928 521 071 65     | Backrest cover<br>without heating<br>Leather   |                  | 2   |          |
|     | 928 521 071 65 KZ2 | Black  |                  |     |          |
|     | 928 521 071 65 KZ5 | Brown  |                  |     |          |
|     | 928 521 071 65 KZ3 | Blue   |                  |     |          |
|     | 928 521 071 65 LG7 | Burgundy   |                  |     |          |
|     | 928 521 071 65 QC2 | Greyish green  |                  |     |          |
|     | 928 521 071 65 KZ6 | Can-can-red  |                  |     |          |
|     | 928 521 071 65 LG4 | Pearl white  |                  |     |          |
|     | 928 521 071 65 LG5 | Champagne  |                  |     |          |
|     | 928 521 071 65 LG6 | Dark grey  |                  |     |          |
|     | 928 521 071 65 PY9 | Ocean blue   |                  |     |          |
|     | 928 521 071 65 PZ1 | Wild buffalo   |                  |     |          |
|     | 928 521 071 65 KZ4 | Grey-beige   | 86-              |     |          |
| (3) | 928 521 071 64     | Backrest cover<br>with heating<br>Leather  |                  | 2   | M139/340 |
|     | 928 521 071 64 KZ2 | Black  |                  |     |          |
|     | 928 521 071 64 KZ5 | Brown  |                  |     |          |
|     | 928 521 071 64 KZ3 | Blue   |                  |     |          |
|     | 928 521 071 64 LG7 | Burgundy   |                  |     |          |
|     | 928 521 071 64 QC2 | Greyish green  |                  |     |          |
|     | 928 521 071 64 KZ6 | Can-can-red  |                  |     |          |
|     | 928 521 071 64 LG4 | Pearl white  |                  |     |          |
|     | 928 521 071 64 LG5 | Champagne  |                  |     |          |
|     | 928 521 071 64 LG6 | Dark grey  |                  |     |          |
|     | 928 521 071 64 PY9 | Ocean blue   |                  |     |          |
|     | 928 521 071 64 PZ1 | Wild buffalo   |                  |     |          |
|     | 928 521 071 64 KZ4 | Grey-beige   | 86-              |     |          |
| 4   | 944 521 037 11     | Cover for cushion<br>for manual adjustment<br>Leatherette/<br>Seat surface<br>Pin stripe velour                              | /LL /R<br>/RL /L | 1   | CARRERA  |
|     | 944 521 037 11 NY5 | Black/<br>Black-white  |                  |     |          |
|     | 944 521 037 11 NY7 | Brown<br>Brown-beige   |                  |     |          |
|     | 944 521 037 11 QA3 | Blue/<br>Blue-white  |                  |     |          |
|     | 944 521 037 11 NY8 | Burgundy/<br>Burgundy-white  |                  |     |          |
|     | 944 521 037 11 QA4 | Greyish green<br>Greyish green-white   |                  |     |          |
|     | 944 521 037 11 RU3 | Grey-beige/<br>Grey-beige-white  | 86-<br>86-       |     |          |
| (4) | 944 521 037 14     | Cover for cushion<br>Seat<br>Electrically adjustable<br>without heating<br>Leatherette/<br>Seat surface<br>Pin stripe velour |                  | 2   |          |
|     | 944 521 037 14 NY5 | Black/<br>Black-white  |                  |     |          |
|     | 944 521 037 14 NY7 | Brown<br>Brown-beige   |                  |     |          |
|     | 944 521 037 14 QA3 | Blue/<br>Blue-white  |                  |     |          |
|     | 944 521 037 14 NY8 | Burgundy/<br>Burgundy-white  |                  |     |          |
|     | 944 521 037 14 QA4 | Greyish green  |                  |     |          |

Model: 911 84 Model life 1984>>1986

| Pos | Part Number        | Description  | Remark                         | Qty | Model    |
|-----|--------------------|--|--------------------------------|-----|----------|
|     | 944 521 037 14 RU3 | Greyish green-white  |                                |     |          |
| (4) | 944 521 037 89     | Grey-beige/<br>Grey-beige-white<br>Cover for cushion<br>Seat<br>Electrically adjustable<br>with heating<br>Leatherette/<br>Seat surface<br>Pin stripe velour | 86-<br>86-                     | 2   | M139/340 |
|     | 944 521 037 89 NY5 | Black/<br>Black-white  |                                |     |          |
|     | 944 521 037 89 NY7 | Brown/<br>Brown-beige  |                                |     |          |
|     | 944 521 037 89 QA3 | Blue/<br>Blue-white  |                                |     |          |
|     | 944 521 037 89 NY8 | Burgundy/<br>Burgundy-white  |                                |     |          |
|     | 944 521 037 89 QA4 | Greyish green/<br>Greyish green-white  |                                |     |          |
| 4   | 944 521 037 89 RU3 | Grey-beige/<br>Grey-beige-white<br>Cover for cushion<br>for manual adjustment<br>Leatherette/<br>Seat surface<br>Pin stripe flannel                          | 86-<br>86-<br>/LL /R<br>/RL /L | 1   | CARRERA  |
|     | 944 521 037 11 NY9 | Black/anthracite   |                                |     |          |
|     | 944 521 037 11 NZ6 | Brown/brown  |                                |     |          |
|     | 944 521 037 11 QA6 | Blue/blue  |                                |     |          |
|     | 944 521 037 11 NZ5 | Burgundy/burgundy  |                                |     |          |
| (4) | 944 521 037 11 QA5 | Greyish green/grey-green   |                                |     |          |
|     | 944 521 037 14     | Cover for cushion<br>Seat<br>Electrically adjustable<br>without heating<br>Leatherette/<br>Seat surface<br>Pin stripe flannel                                |                                | 2   |          |
|     | 944 521 037 14 NY9 | Black/anthracite   |                                |     |          |
|     | 944 521 037 14 NZ6 | Brown/brown  |                                |     |          |
|     | 944 521 037 14 QA6 | Blue/blue  |                                |     |          |
|     | 944 521 037 14 NZ5 | Burgundy/burgundy  |                                |     |          |
| (4) | 944 521 037 14 QA5 | Greyish green/grey-green   |                                |     |          |
|     | 944 521 037 89     | Cover for cushion<br>Seat<br>Electrically adjustable<br>with heating<br>Leatherette/<br>Seat surface<br>Pin stripe flannel                                   |                                | 2   | M139/340 |
|     | 944 521 037 89 NY9 | Black/anthracite   |                                |     |          |
|     | 944 521 037 89 NZ6 | Brown/brown  |                                |     |          |
|     | 944 521 037 89 QA6 | Blue/blue  |                                |     |          |
|     | 944 521 037 89 NZ5 | Burgundy/burgundy  |                                |     |          |
| 4   | 944 521 037 89 QA5 | Greyish green/grey-green   |                                |     |          |
|     | 944 521 037 11     | Cover for cushion<br>for manual adjustment<br>Leatherette/<br>Seat surface<br>Porsche lettering cloth  | /LL /R<br>/RL /L               | 1   | CARRERA  |
|     | 944 521 037 11 PX2 | Black/black  |                                |     |          |
|     | 944 521 037 11 PX4 | Brown/brown  |                                |     |          |

Model: 911 84 Model life 1984>>1986

| Pos                | Part Number        | Description  | Remark   | Qty        | Model    |   |                         |   |         |
|--------------------|--------------------|--|--|------------|----------|---|-------------------------|---|---------|
| (4)                | 944 521 037 11 PX7 | Blue/blue  | 86-  | 2          |          |   |                         |   |         |
|                    | 944 521 037 11 PX6 | Burgundy/burgundy  |  |            |          |   |                         |   |         |
|                    | 944 521 037 11 PX8 | Greyish green/grey-green   |  |            |          |   |                         |   |         |
|                    | 944 521 037 11 QD9 | Grey-beige/grey-beige  |  |            |          |   |                         |   |         |
|                    | 944 521 037 14     | Cover for cushion<br>Seat<br>Electrically adjustable<br>without heating<br>Leatherette/<br>Seat surface<br>Porsche lettering cloth |  |            |          |   |                         |   |         |
|                    | 944 521 037 14 PX2 | Black/black  |  |            |          |   |                         |   |         |
|                    | 944 521 037 14 PX4 | Brown/brown  |  |            |          |   |                         |   |         |
|                    | 944 521 037 14 PX7 | Blue/blue  |  |            |          |   |                         |   |         |
|                    | 944 521 037 14 PX6 | Burgundy/burgundy  |  |            |          |   |                         |   |         |
|                    | 944 521 037 14 PX8 | Greyish green/grey-green   |  |            |          |   |                         |   |         |
| (4)                | 944 521 037 14 QD9 | Grey-beige/grey-beige  | 86-  | 2          | M139/340 |   |                         |   |         |
|                    | 944 521 037 89     | Cover for cushion<br>Seat<br>Electrically adjustable<br>with heating<br>Leatherette/<br>Seat surface<br>Porsche lettering cloth    |  |            |          |   |                         |   |         |
|                    | 944 521 037 89 PX2 | Black/black  |  |            |          |   |                         |   |         |
|                    | 944 521 037 89 PX4 | Brown/brown  |  |            |          |   |                         |   |         |
|                    | 944 521 037 89 PX7 | Blue/blue  |  |            |          |   |                         |   |         |
|                    | 944 521 037 89 PX6 | Burgundy/burgundy  |  |            |          |   |                         |   |         |
|                    | 944 521 037 89 PX8 | Greyish green/grey-green   |  |            |          |   |                         |   |         |
|                    | 944 521 037 89 QD9 | Grey-beige/grey-beige  |  |            |          |   |                         |   |         |
|                    | 5                  | 944 521 037 75   |  |            |          | Cover for cushion<br>for manual adjustment<br>Leatherette/leather<br>Centre part<br>Pin stripe velour | 86-<br>/LL /R<br>/RL /L | 2 | CARRERA |
|                    |                    | 944 521 037 75 PY1   |  |            |          | Black/black<br>Black-white  |                         |   |         |
| 944 521 037 75 PY2 |                    | Brown<br>Brown-beige   |  |            |          |   |                         |   |         |
| 944 521 037 75 PY3 |                    | Blue/<br>Blue-white  |  |            |          |   |                         |   |         |
| 944 521 037 75 PY4 |                    | Burgundy/burgundy<br>Burgundy-white  |  |            |          |   |                         |   |         |
| 944 521 037 75 PY5 |                    | Greyish green<br>Greyish green-white   |  |            |          |   |                         |   |         |
| 944 521 037 75 RU4 |                    | Grey-beige/<br>Grey-beige-white  |  |            |          |   |                         |   |         |
| (5)                |                    | 944 521 037 79   | Cover for cushion<br>Seat<br>Electrically adjustable<br>without heating<br>Leatherette/leather<br>Centre part<br>Pin stripe velour | 86-<br>86- | 2        |   |                         |   |         |
|                    |                    | 944 521 037 79 PY1   | Black/black<br>Black-white   |            |          |   |                         |   |         |
|                    |                    | 944 521 037 79 PY2   | Brown<br>Brown-beige   |            |          |   |                         |   |         |
|                    | 944 521 037 79 PY3 | Blue/<br>Blue-white  |  |            |          |   |                         |   |         |
|                    | 944 521 037 79 PY4 | Burgundy/burgundy<br>Burgundy-white  |  |            |          |   |                         |   |         |
|                    | 944 521 037 79 PY5 | Greyish green  |  |            |          |   |                         |   |         |



Model: 911 84 Model life 1984>>1986

| Pos | Part Number        | Description  | Remark                         | Qty | Model    |
|-----|--------------------|--|--------------------------------|-----|----------|
|     | 944 521 037 79 RU4 | Greyish green-white  |                                |     |          |
| (5) | 944 521 037 87     | Grey-beige/<br>Grey-beige-white<br>Cover for cushion<br>Seat<br>Electrically adjustable<br>with heating<br>Leatherette/leather<br>Centre part<br>Pin stripe velour | 86-<br>86-                     | 2   | M139/340 |
|     | 944 521 037 87 PY1 | Black/<br>Black-white  |                                |     |          |
|     | 944 521 037 87 PY2 | Brown/<br>Brown-beige  |                                |     |          |
|     | 944 521 037 87 PY3 | Blue/<br>Blue-white  |                                |     |          |
|     | 944 521 037 87 PY4 | Burgundy/<br>Burgundy-white  |                                |     |          |
|     | 944 521 037 87 PY5 | Greyish green/<br>Greyish green-white  |                                |     |          |
| 5   | 944 521 037 75     | 944 521 037 87 RU4<br>Grey-beige/<br>Grey-beige-white<br>Cover for cushion<br>for manual adjustment<br>Leatherette/leather<br>Centre part<br>Pin stripe flannel    | 86-<br>86-<br>/LL /R<br>/RL /L | 2   | CARRERA  |
|     | 944 521 037 75 PZ2 | Black/anthracite   |                                |     |          |
|     | 944 521 037 75 PZ3 | Brown/brown  |                                |     |          |
|     | 944 521 037 75 PZ4 | Blue/blue  |                                |     |          |
|     | 944 521 037 75 PZ5 | Burgundy/burgundy  |                                |     |          |
|     | 944 521 037 75 PZ6 | Greyish green/grey-green   |                                |     |          |
| (5) | 944 521 037 79     | Cover for cushion<br>Seat<br>Electrically adjustable<br>without heating<br>Leatherette/leather<br>Centre part<br>Pin stripe flannel                                |                                | 2   |          |
|     | 944 521 037 79 PZ2 | Black/anthracite   |                                |     |          |
|     | 944 521 037 79 PZ3 | Brown/brown  |                                |     |          |
|     | 944 521 037 79 PZ4 | Blue/blue  |                                |     |          |
|     | 944 521 037 79 PZ5 | Burgundy/burgundy  |                                |     |          |
|     | 944 521 037 79 PZ6 | Greyish green/grey-green   |                                |     |          |
| (5) | 944 521 037 87     | Cover for cushion<br>Seat<br>Electrically adjustable<br>with heating<br>Leatherette/leather<br>Centre part<br>Pin stripe flannel                                   |                                | 2   | M139/340 |
|     | 944 521 037 87 PZ2 | Black/anthracite   |                                |     |          |
|     | 944 521 037 87 PZ3 | Brown/brown  |                                |     |          |
|     | 944 521 037 87 PZ4 | Blue/blue  |                                |     |          |
|     | 944 521 037 87 PZ5 | Burgundy/burgundy  |                                |     |          |
|     | 944 521 037 87 PZ6 | Greyish green/grey-green   |                                |     |          |
| 5   | 944 521 037 75     | Cover for cushion<br>for manual adjustment<br>Leatherette/leather<br>Centre part<br>Porsche lettering cloth  | /LL /R<br>/RL /L               | 2   | CARRERA  |
|     | 944 521 037 75 PZ7 | Black/black  |                                |     |          |
|     | 944 521 037 75 PZ8 | Brown/brown  |                                |     |          |

Model: 911 84 Model life 1984>>1986

| Pos | Part Number        | Description                             | Remark                  | Qty | Model    |
|-----|--------------------|---|-------------------------|-----|----------|
| (5) | 944 521 037 75 PZ9 | Blue/blue                               | 86-                     | 2   |          |
|     | 944 521 037 75 QA1 | Burgundy/burgundy                       |                         |     |          |
|     | 944 521 037 75 QA2 | Greyish green/grey-green                |                         |     |          |
|     | 944 521 037 75 RU2 | Grey-beige/grey-beige                   |                         |     |          |
|     | 944 521 037 79     | Cover for cushion                       |                         |     |          |
|     |                    | Seat                                    |                         |     |          |
|     |                    | Electrically adjustable without heating |                         |     |          |
|     |                    | Leatherette/leather                     |                         |     |          |
|     |                    | Centre part                             |                         |     |          |
|     |                    | Porsche lettering cloth                 |                         |     |          |
| (5) | 944 521 037 79 PZ7 | Black/black                             | 86-                     | 2   | M139/340 |
|     | 944 521 037 79 PZ8 | Brown/brown                             |                         |     |          |
|     | 944 521 037 79 PZ9 | Blue/blue                               |                         |     |          |
|     | 944 521 037 79 QA1 | Burgundy/burgundy                       |                         |     |          |
|     | 944 521 037 79 QA2 | Greyish green/grey-green                |                         |     |          |
|     | 944 521 037 79 RU2 | Grey-beige/grey-beige                   |                         |     |          |
|     | 944 521 037 87     | Cover for cushion                       |                         |     |          |
|     |                    | Seat                                    |                         |     |          |
|     |                    | Electrically adjustable with heating    |                         |     |          |
|     |                    | Leatherette/leather                     |                         |     |          |
| 5   | 944 521 037 87 PZ7 | Black/black                             | 86-<br>/LL /R<br>/RL /L | 1   | CARRERA  |
|     | 944 521 037 87 PZ8 | Brown/brown                             |                         |     |          |
|     | 944 521 037 87 PZ9 | Blue/blue                               |                         |     |          |
|     | 944 521 037 87 QA1 | Burgundy/burgundy                       |                         |     |          |
|     | 944 521 037 87 QA2 | Greyish green/grey-green                |                         |     |          |
|     | 944 521 037 87 RU2 | Grey-beige/grey-beige                   |                         |     |          |
|     | 944 521 037 78     | Cover for cushion for manual adjustment |                         |     |          |
|     |                    | Leather/                                |                         |     |          |
|     |                    | Centre part                             |                         |     |          |
|     |                    | Pin stripe velour                       |                         |     |          |
| (5) | 944 521 037 78 LS5 | Black/<br>Black-white                   | 86-<br>86-              | 2   |          |
|     | 944 521 037 78 LS6 | Brown<br>Brown-beige                    |                         |     |          |
|     | 944 521 037 78 LS8 | Blue/<br>Blue-white                     |                         |     |          |
|     | 944 521 037 78 LS9 | Burgundy/<br>Burgundy-white             |                         |     |          |
|     | 944 521 037 78 QA7 | Greyish green<br>Greyish green-white    |                         |     |          |
|     | 944 521 037 78 LS7 | Grey-beige/<br>Grey-beige-white         |                         |     |          |
|     | 944 521 037 82     | Cover for cushion                       |                         |     |          |
|     |                    | Seat                                    |                         |     |          |
|     |                    | Electrically adjustable without heating |                         |     |          |
|     |                    | Leather/                                |                         |     |          |
|     | Centre part        |   |                         |     |          |
|     | Pin stripe velour  |   |                         |     |          |
| 5   | 944 521 037 82 LS5 | Black/<br>Black-white                   | 86-<br>86-              | 2   |          |
|     | 944 521 037 82 LS6 | Brown<br>Brown-beige                    |                         |     |          |
|     | 944 521 037 82 LS8 | Blue/<br>Blue-white                     |                         |     |          |
|     | 944 521 037 82 LS9 | Burgundy/<br>Burgundy-white             |                         |     |          |
|     | 944 521 037 82 QA7 | Greyish green                           |                         |     |          |

Model: 911 84 Model life 1984>>1986

| Pos | Part Number        | Description   | Remark                         | Qty | Model    |
|-----|--------------------|---|--------------------------------|-----|----------|
|     | 944 521 037 82 LS7 | Greyish green-white   |                                |     |          |
| (5) | 944 521 037 91     | Grey-beige/<br>Grey-beige-white<br>Cover for cushion<br>Seat<br>Electrically adjustable<br>with heating<br>Leather/<br>Centre part<br>Pin stripe velour | 86-<br>86-                     | 2   | M139/340 |
|     | 944 521 037 91 LS5 | Black/<br>Black-white   |                                |     |          |
|     | 944 521 037 91 LS6 | Brown/<br>Brown-beige   |                                |     |          |
|     | 944 521 037 91 LS8 | Blue/<br>Blue-white   |                                |     |          |
|     | 944 521 037 91 LS9 | Burgundy/<br>Burgundy-white   |                                |     |          |
|     | 944 521 037 91 QA7 | Greyish green/<br>Greyish green-white   |                                |     |          |
| 5   | 944 521 037 78     | 944 521 037 91 LS7<br>Grey-beige/<br>Grey-beige-white<br>Cover for cushion<br>for manual adjustment<br>Leather/<br>Centre part<br>Pin stripe flannel    | 86-<br>86-<br>/LL /R<br>/RL /L | 1   | CARRERA  |
|     | 944 521 037 78 QB1 | Black/anthracite  |                                |     |          |
|     | 944 521 037 78 QB3 | Brown/brown   |                                |     |          |
|     | 944 521 037 78 QB5 | Blue/blue   |                                |     |          |
|     | 944 521 037 78 QB7 | Burgundy/burgundy   |                                |     |          |
| (5) | 944 521 037 78 QA8 | Greyish green/grey-green  |                                | 2   |          |
|     | 944 521 037 82     | Cover for cushion<br>Seat<br>Electrically adjustable<br>without heating<br>Leather/<br>Centre part<br>Pin stripe flannel                                |                                |     |          |
|     | 944 521 037 82 QB1 | Black/anthracite  |                                |     |          |
|     | 944 521 037 82 QB3 | Brown/brown   |                                |     |          |
|     | 944 521 037 82 QB5 | Blue/blue   |                                |     |          |
|     | 944 521 037 82 QB7 | Burgundy/burgundy   |                                |     |          |
|     | 944 521 037 82 QA8 | Greyish green/grey-green  |                                |     |          |
| (5) | 944 521 037 91     | Cover for cushion<br>Seat<br>Electrically adjustable<br>with heating<br>Leather/<br>Centre part<br>Pin stripe flannel                                   |                                | 2   | M139/340 |
|     | 944 521 037 91 QB1 | Black/anthracite  |                                |     |          |
|     | 944 521 037 91 QB3 | Brown/brown   |                                |     |          |
|     | 944 521 037 91 QB5 | Blue/blue   |                                |     |          |
|     | 944 521 037 91 QB7 | Burgundy/burgundy   |                                |     |          |
|     | 944 521 037 91 QA8 | Greyish green/grey-green  |                                |     |          |
| 5   | 944 521 037 78     | Cover for cushion<br>for manual adjustment<br>Leather/<br>Centre part<br>Porsche lettering cloth  | /LL /R<br>/RL /L               | 1   | CARRERA  |
|     | 944 521 037 78 QB2 | Black/black   |                                |     |          |
|     | 944 521 037 78 QB4 | Brown/brown   |                                |     |          |

Model: 911 84 Model life 1984>>1986

| Pos                | Part Number        | Description   | Remark   | Qty | Model    |   |                         |   |          |
|--------------------|--------------------|---|--|-----|----------|---|-------------------------|---|----------|
| (5)                | 944 521 037 78 QB6 | Blue/blue   | 86-  | 2   |          |   |                         |   |          |
|                    | 944 521 037 78 QB8 | Burgundy/burgundy   |  |     |          |   |                         |   |          |
|                    | 944 521 037 78 QA9 | Greyish green/grey-green  |  |     |          |   |                         |   |          |
|                    | 944 521 037 78 RU1 | Grey-beige/grey-beige   |  |     |          |   |                         |   |          |
|                    | 944 521 037 82     | Cover for cushion<br>Seat<br>Electrically adjustable<br>without heating<br>Leather/<br>Centre part<br>Porsche lettering cloth |  |     |          |   |                         |   |          |
|                    | 944 521 037 82 QB2 | Black/black   |  |     |          |   |                         |   |          |
|                    | 944 521 037 82 QB4 | Brown/brown   |  |     |          |   |                         |   |          |
|                    | 944 521 037 82 QB6 | Blue/blue   |  |     |          |   |                         |   |          |
|                    | 944 521 037 82 QB8 | Burgundy/burgundy   |  |     |          |   |                         |   |          |
|                    | 944 521 037 82 QA9 | Greyish green/grey-green  |  |     |          |   |                         |   |          |
| (5)                | 944 521 037 82 RU1 | Grey-beige/grey-beige   | 86-  | 2   | M139/340 |   |                         |   |          |
|                    | 944 521 037 91     | Cover for cushion<br>Seat<br>Electrically adjustable<br>with heating<br>Leather/<br>Centre part<br>Porsche lettering cloth    |  |     |          |   |                         |   |          |
|                    | 944 521 037 91 QB2 | Black/black   |  |     |          |   |                         |   |          |
|                    | 944 521 037 91 QB4 | Brown/brown   |  |     |          |   |                         |   |          |
|                    | 944 521 037 91 QB6 | Blue/blue   |  |     |          |   |                         |   |          |
|                    | 944 521 037 91 QB8 | Burgundy/burgundy   |  |     |          |   |                         |   |          |
|                    | 944 521 037 91 QA9 | Greyish green/grey-green  |  |     |          |   |                         |   |          |
|                    | 944 521 037 91 RU1 | Grey-beige/grey-beige   |  |     |          |   |                         |   |          |
|                    | 6                  | 944 521 037 76  |  |     |          | Cover for cushion<br>for manual adjustment<br>Leatherette/<br>Seat surface<br>Leather | 86-<br>/LL /R<br>/RL /L | 2 | CARRERA  |
|                    |                    | 944 521 037 76 JN3  |  |     |          | Black/black   |                         |   |          |
| 944 521 037 76 JN4 |                    | Brown/brown   |  |     |          |   |                         |   |          |
| 944 521 037 76 QC1 |                    | Blue/blue   |  |     |          |   |                         |   |          |
| 944 521 037 76 NZ8 |                    | Burgundy/burgundy   |  |     |          |   |                         |   |          |
| 944 521 037 76 PX9 |                    | Greyish green/grey-green  |  |     |          |   |                         |   |          |
| 944 521 037 76 JN5 |                    | Grey-beige  |  |     |          |   |                         |   |          |
| (6)                |                    | 944 521 037 80  | Cover for cushion<br>Seat<br>Electrically adjustable<br>without heating<br>Leatherette/<br>Seat surface<br>Leather | 86- | 2        | M139/340  |                         |   |          |
|                    |                    | 944 521 037 80 JN3  | Black/black  |     |          |   |                         |   |          |
|                    |                    | 944 521 037 80 JN4  | Brown/brown  |     |          |   |                         |   |          |
|                    | 944 521 037 80 QC1 | Blue/blue   |  |     |          |   |                         |   |          |
|                    | 944 521 037 80 NZ8 | Burgundy/burgundy   |  |     |          |   |                         |   |          |
|                    | 944 521 037 80 PX9 | Greyish green/grey-green  |  |     |          |   |                         |   |          |
|                    | 944 521 037 80 JN5 | Grey-beige  |  |     |          |   |                         |   |          |
|                    | (6)                | 944 521 037 88  | Cover for cushion<br>Seat<br>Electrically adjustable<br>with heating<br>Leatherette/<br>Seat surface<br>Leather    |     |          |   | 86-                     | 2 | M139/340 |
|                    |                    | 944 521 037 88 JN3  | Black/black  |     |          |   |                         |   |          |
|                    |                    | 944 521 037 88 JN4  | Brown/brown  |     |          |   |                         |   |          |

Model: 911 84 Model life 1984>>1986

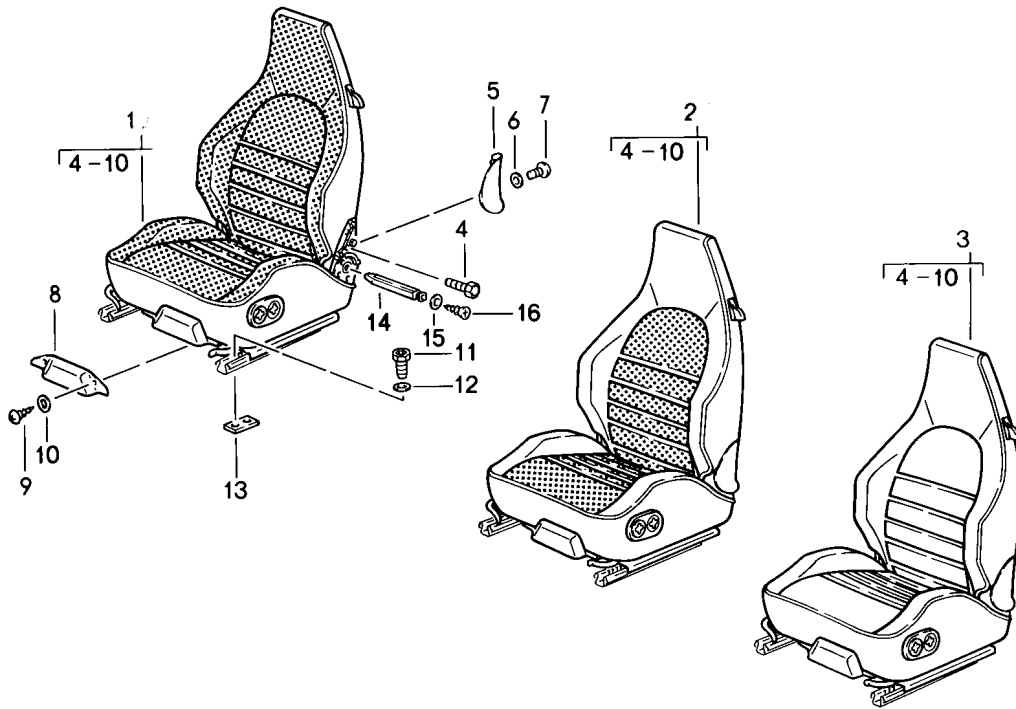
| Pos                | Part Number        | Description  | Remark  | Qty              | Model   |          |
|--------------------|--------------------|--|---|------------------|---------|----------|
| 6                  | 944 521 037 88 QC1 | Blue/blue  |   |                  |         |          |
|                    | 944 521 037 88 NZ8 | Burgundy/burgundy  |   |                  |         |          |
|                    | 944 521 037 88 PX9 | Greyish green/grey-green   |   |                  |         |          |
|                    | 944 521 037 88 JN5 | Grey-beige   | 86-   |                  |         |          |
|                    | 944 521 037 77     | Cover for cushion<br>for manual adjustment<br>Leather                              | /LL /R<br>/RL /L  | 1                | CARRERA |          |
|                    | 944 521 037 77 KZ2 | Black  |   |                  |         |          |
|                    | 944 521 037 77 KZ5 | Brown  |   |                  |         |          |
|                    | 944 521 037 77 KZ3 | Blue   |   |                  |         |          |
|                    | 944 521 037 77 LG7 | Burgundy   |   |                  |         |          |
|                    | 944 521 037 77 QC2 | Greyish green  |   |                  |         |          |
|                    | 944 521 037 77 KZ6 | Can-can-red  |   |                  |         |          |
|                    | 944 521 037 77 LG4 | Pearl white  |   |                  |         |          |
|                    | 944 521 037 77 LG5 | Champagne  |   |                  |         |          |
|                    | 944 521 037 77 LG6 | Dark green   |   |                  |         |          |
|                    | 944 521 037 77 PY9 | Ocean blue   |   |                  |         |          |
| 944 521 037 77 PZ1 | Wild buffalo       |  |   |                  |         |          |
| 944 521 037 77 KZ4 | Grey-beige         | 86-  |   |                  |         |          |
| (6)                | 944 521 037 81     | Cover for cushion<br>Seat<br>Electrically adjustable<br>without heating<br>Leather |   | 2                |         |          |
| (6)                | 944 521 037 81 KZ2 | Black  |   |                  |         |          |
|                    | 944 521 037 81 KZ5 | Brown  |   |                  |         |          |
|                    | 944 521 037 81 KZ3 | Blue   |   |                  |         |          |
|                    | 944 521 037 81 LG7 | Burgundy   |   |                  |         |          |
|                    | 944 521 037 81 QC2 | Greyish green  |   |                  |         |          |
|                    | 944 521 037 81 KZ6 | Can-can-red  |   |                  |         |          |
|                    | 944 521 037 81 LG4 | Pearl white  |   |                  |         |          |
|                    | 944 521 037 81 LG5 | Champagne  |   |                  |         |          |
|                    | 944 521 037 81 LG6 | Dark green   |   |                  |         |          |
|                    | 944 521 037 81 PY9 | Ocean blue   |   |                  |         |          |
|                    | 944 521 037 81 PZ1 | Wild buffalo   |   |                  |         |          |
|                    | 944 521 037 81 KZ4 | Grey-beige   | 86-   |                  |         |          |
|                    | (6)                | 944 521 037 90   | Cover for cushion<br>Seat<br>Electrically adjustable<br>with heating<br>Leather |                  | 2       | M139/340 |
|                    | 7                  | 944 521 037 90 KZ2   | Black   |                  |         |          |
|                    |                    | 944 521 037 90 KZ5   | Brown   |                  |         |          |
| 944 521 037 90 KZ3 |                    | Blue   |   |                  |         |          |
| 944 521 037 90 LG7 |                    | Burgundy   |   |                  |         |          |
| 944 521 037 90 QC2 |                    | Greyish green  |   |                  |         |          |
| 944 521 037 90 KZ6 |                    | Can-can-red  |   |                  |         |          |
| 944 521 037 90 LG4 |                    | Pearl white  |   |                  |         |          |
| 944 521 037 90 LG5 |                    | Champagne  |   |                  |         |          |
| 944 521 037 90 LG6 |                    | Dark green   |   |                  |         |          |
| 944 521 037 90 PY9 |                    | Ocean blue   |   |                  |         |          |
| 944 521 037 90 PZ1 |                    | Wild buffalo   |   |                  |         |          |
| 944 521 037 90 KZ4 |                    | Grey-beige   | 86-   |                  |         |          |
| 7                  |                    | 928 521 385 22   | Foam part<br>for manual adjustment  | /LL /R<br>/RL /L | 1       |          |
| (7)                |                    | 928 521 385 23   | Foam part<br>for electric adjustment  | /L               | 1       |          |
| (7)                |                    | 928 521 386 23   | Foam part<br>for electric adjustment  | /R               | 1       |          |
| (7)                | 928 521 385 24     | Foam part<br>for electric adjustment   | /L  | 1                | M139    |          |
| (7)                | 928 521 386 24     | Foam part<br>for electric adjustment   | /R  | 1                | M340    |          |

Model: 911 84 Model life 1984>>1986

| Pos | Part Number        | Description   | Remark           | Qty | Model   |
|-----|--------------------|---|------------------|-----|---------|
| 8   | 928 521 393 13     | Foam part<br>for manual adjustment  | /LL /R<br>/RL /L | 2   | CARRERA |
| (8) | 993 521 393 06     | Foam part<br>for electric adjustment<br>See technical information<br>6 ZYL. GR.7D NR.1/94 |                  | 2   |         |
| (8) |                    | Foam part<br>for electric adjustment<br>See technical information<br>6 ZYL. GR.7D NR.1/94 |                  | 2   |         |
| 9   | 911 521 815 00     | Rosette   |                  | 4   |         |
|     | 911 521 815 00 01C | Satin black   |                  |     |         |
| 10  | 311 881 247        | Clip  |                  | 4   |         |
| 11  | 911 521 817 00     | Control button  |                  | 4   |         |
|     | 911 521 817 00 01C | Satin black   |                  |     |         |

Model: 911 84

Model life 1984>>1986



Model: 911 84 Model life 1984>>1986

| Pos | Part Number        | Description                           | Remark     | Qty | Model |
|-----|--------------------|---------------------------------------|------------|-----|-------|
| 1   | 944 521 001 01     | Sports seat<br>Complete               | 85-        | 1   |       |
|     | 944 521 001 01 NY5 | Black/<br>Black-white                 | /L         |     |       |
|     | 944 521 001 01 NY7 | Brown/<br>Brown-beige                 |            |     |       |
|     | 944 521 001 01 QA3 | Blue/<br>Blue-white                   |            |     |       |
|     | 944 521 001 01 NY8 | Burgundy/<br>Burgundy-white           |            |     |       |
|     | 944 521 001 01 QA4 | Greyish green/<br>Greyish green-white |            |     |       |
|     | 944 521 001 01 RU3 | Grey-beige/<br>Grey-beige-white       | 86-<br>86- |     |       |
| (1) | 944 521 002 01     | Sports seat<br>without heating        | /R         | 1   |       |
|     | 944 521 002 01 NY5 | Black/<br>Black-white                 |            |     |       |
|     | 944 521 002 01 NY7 | Brown/<br>Brown-beige                 |            |     |       |
|     | 944 521 002 01 QA3 | Blue/<br>Blue-white                   |            |     |       |
|     | 944 521 002 01 NY8 | Burgundy/<br>Burgundy-white           |            |     |       |
|     | 944 521 002 01 QA4 | Greyish green/<br>Greyish green-white |            |     |       |
|     | 944 521 002 01 RU3 | Grey-beige/<br>Grey-beige-white       | 86-<br>86- |     |       |
| (1) | 944 521 001 03     | Sports seat<br>with heating           | /L         | 1   |       |
|     | 944 521 001 03 NY5 | Black/<br>Black-white                 |            |     |       |
|     | 944 521 001 03 NY7 | Brown/<br>Brown-beige                 |            |     |       |
|     | 944 521 001 03 QA3 | Blue/<br>Blue-white                   |            |     |       |
|     | 944 521 001 03 NY8 | Burgundy/<br>Burgundy-white           |            |     |       |
|     | 944 521 001 03 QA4 | Greyish green/<br>Greyish green-white |            |     |       |
|     | 944 521 001 03 RU3 | Grey-beige/<br>Grey-beige-white       | 86-<br>86- |     |       |
| (1) | 944 521 002 03     | Sports seat<br>with heating           | /R         | 1   |       |
|     | 944 521 002 03 NY5 | Black/<br>Black-white                 |            |     |       |
|     | 944 521 002 03 NY7 | Brown/<br>Brown-beige                 |            |     |       |
|     | 944 521 002 03 QA3 | Blue/<br>Blue-white                   |            |     |       |



Model: 911 84 Model life 1984>>1986

| Pos | Part Number        | Description  | Remark     | Qty | Model |
|-----|--------------------|--|------------|-----|-------|
|     | 944 521 002 03 NY8 | Blue-white<br>Burgundy/<br>Burgundy-white  |            |     |       |
|     | 944 521 002 03 QA4 | Greyish green/<br>Greyish green-white  |            |     |       |
|     | 944 521 002 03 RU3 | Grey-beige/<br>Grey-beige-white  | 86-<br>86- |     |       |
| 1   | 944 521 001 01     | Sports seat<br>without heating<br>Leatherette/<br>Seat and backrest surface<br>Pin stripe flannel      | /L         | 1   |       |
|     | 944 521 001 01 NY9 | Black/anthracite   |            |     |       |
|     | 944 521 001 01 NZ6 | Brown/brown  |            |     |       |
|     | 944 521 001 01 QA6 | Blue/blue  |            |     |       |
|     | 944 521 001 01 NZ5 | Burgundy/burgundy  |            |     |       |
| (1) | 944 521 001 01 QA5 | Greyish green/grey-green   |            |     |       |
|     | 944 521 002 01     | Sports seat<br>without heating<br>Leatherette/<br>Seat and backrest surface<br>Pin stripe flannel      | /R         | 1   |       |
|     | 944 521 002 01 NY9 | Black/anthracite   |            |     |       |
|     | 944 521 002 01 NZ6 | Brown/brown  |            |     |       |
|     | 944 521 002 01 QA6 | Blue/blue  |            |     |       |
|     | 944 521 002 01 NZ5 | Burgundy/burgundy  |            |     |       |
| (1) | 944 521 002 01 QA5 | Greyish green/grey-green   |            |     |       |
|     | 944 521 001 03     | Sports seat<br>with heating<br>Leatherette/<br>Seat and backrest surface<br>Pin stripe flannel         | /L         | 1   |       |
|     | 944 521 001 03 NY9 | Black/anthracite   |            |     |       |
|     | 944 521 001 03 NZ6 | Brown/brown  |            |     |       |
|     | 944 521 001 03 QA6 | Blue/blue  |            |     |       |
|     | 944 521 001 03 NZ5 | Burgundy/burgundy  |            |     |       |
| (1) | 944 521 001 03 QA5 | Greyish green/grey-green   |            |     |       |
|     | 944 521 002 03     | Sports seat<br>with heating<br>Leatherette/<br>Seat and backrest surface<br>Pin stripe flannel         | /R         | 1   |       |
|     | 944 521 002 03 NY9 | Black/anthracite   |            |     |       |
|     | 944 521 002 03 NZ6 | Brown/brown  |            |     |       |
|     | 944 521 002 03 QA6 | Blue/blue  |            |     |       |
|     | 944 521 002 03 NZ5 | Burgundy/burgundy  |            |     |       |
| (1) | 944 521 002 03 QA5 | Greyish green/grey-green   |            |     |       |
|     | 944 521 001 01     | Sports seat<br>without heating<br>Leatherette/<br>Seat and backrest surface<br>Porsche lettering cloth | /L         | 1   |       |
|     | 944 521 001 01 PX2 | Black/black  |            |     |       |
|     | 944 521 001 01 PX4 | Brown/brown  |            |     |       |
|     | 944 521 001 01 PX7 | Blue/blue  |            |     |       |
|     | 944 521 001 01 PX6 | Burgundy/burgundy  |            |     |       |
|     | 944 521 001 01 PX8 | Greyish green/grey-green   |            |     |       |
| (1) | 944 521 001 01 QD9 | Grey-beige/grey-beige  | 86-<br>/R  | 1   |       |
|     | 944 521 002 01     | Sports seat<br>without heating<br>Leatherette/<br>Seat and backrest surface<br>Porsche lettering cloth |            |     |       |

Model: 911 84 Model life 1984>>1986

| Pos                | Part Number                     | Description   | Remark     | Qty | Model |
|--------------------|---------------------------------|---|------------|-----|-------|
| (1)                | 944 521 002 01 PX2              | Black/black   |            |     |       |
|                    | 944 521 002 01 PX4              | Brown/brown   |            |     |       |
|                    | 944 521 002 01 PX7              | Blue/blue   |            |     |       |
|                    | 944 521 002 01 PX6              | Burgundy/burgundy   |            |     |       |
|                    | 944 521 002 01 PX8              | Greyish green/grey-green  |            |     |       |
|                    | 944 521 002 01 QD9              | Grey-beige/grey-beige   | 86-        |     |       |
|                    | 944 521 001 03                  | Sports seat<br>with heating<br>Leatherette/<br>Seat and backrest surface<br>Porsche lettering cloth | /L         | 1   |       |
|                    | 944 521 001 03 PX2              | Black/black   |            |     |       |
|                    | 944 521 001 03 PX4              | Brown/brown   |            |     |       |
| (1)                | 944 521 001 03 PX7              | Blue/blue   |            |     |       |
|                    | 944 521 001 03 PX6              | Burgundy/burgundy   |            |     |       |
|                    | 944 521 001 03 PX8              | Greyish green/grey-green  |            |     |       |
|                    | 944 521 001 03 QD9              | Grey-beige/grey-beige   | 86-        |     |       |
|                    | 944 521 002 03                  | Sports seat<br>with heating<br>Leatherette/<br>Seat and backrest surface<br>Porsche lettering cloth | /R         | 1   |       |
|                    | 944 521 002 03 PX2              | Black/black   |            |     |       |
|                    | 944 521 002 03 PX4              | Brown/brown   |            |     |       |
|                    | 944 521 002 03 PX7              | Blue/blue   |            |     |       |
|                    | 944 521 002 03 PX6              | Burgundy/burgundy   |            |     |       |
| 2                  | 944 521 002 03 PX8              | Greyish green/grey-green  |            |     |       |
|                    | 944 521 002 03 QD9              | Grey-beige/grey-beige   | 86-        |     |       |
|                    | 944 521 001 50                  | Sports seat<br>without heating<br>Leatherette/leather<br>Centre part<br>Pin stripe velour           | /L         | 1   |       |
|                    | 944 521 001 50 PY1              | Black/<br>Black-white   |            |     |       |
|                    | 944 521 001 50 PY2              | Brown/<br>Brown-beige   |            |     |       |
|                    | 944 521 001 50 PY3              | Blue/<br>Blue-white   |            |     |       |
|                    | 944 521 001 50 PY4              | Burgundy/<br>Burgundy-white   |            |     |       |
|                    | 944 521 001 50 PY5              | Greyish green/<br>Greyish green-white   |            |     |       |
|                    | 944 521 001 50 RU4              | Grey-beige/<br>Grey-beige-white   | 86-<br>86- |     |       |
|                    | (2) 944 521 002 50              | Sports seat<br>without heating<br>Leatherette/leather<br>Centre part<br>Pin stripe velour           | /R         | 1   |       |
|                    | 944 521 002 50 PY1              | Black/<br>Black-white   |            |     |       |
|                    | 944 521 002 50 PY2              | Brown/<br>Brown-beige   |            |     |       |
|                    | 944 521 002 50 PY3              | Blue/<br>Blue-white   |            |     |       |
|                    | 944 521 002 50 PY4              | Burgundy/<br>Burgundy-white   |            |     |       |
|                    | 944 521 002 50 PY5              | Greyish green/<br>Greyish green-white   |            |     |       |
| 944 521 002 50 RU4 | Grey-beige/<br>Grey-beige-white | 86-<br>86-  |            |     |       |
| (2) 944 521 001 55 | Sports seat                     | /L  | 1          |     |       |

Model: 911 84 Model life 1984>>1986

| Pos | Part Number        | Description  | Remark     | Qty | Model |
|-----|--------------------|--|------------|-----|-------|
|     |                    | with heating<br>Leatherette/leather<br>Centre part<br>Pin stripe velour                    |            |     |       |
|     | 944 521 001 55 PY1 | Black/<br>Black-white  |            |     |       |
|     | 944 521 001 55 PY2 | Brown/<br>Brown-beige  |            |     |       |
|     | 944 521 001 55 PY3 | Blue/<br>Blue-white  |            |     |       |
|     | 944 521 001 55 PY4 | Burgundy/<br>Burgundy-white  |            |     |       |
|     | 944 521 001 55 PY5 | Greyish green/<br>Greyish green-white  |            |     |       |
|     | 944 521 001 55 RU4 | Grey-beige/<br>Grey-beige-white  | 86-<br>86- |     |       |
| (2) | 944 521 002 55     | Sports seat<br>with heating<br>Leatherette/leather<br>Centre part<br>Pin stripe velour     | /R         | 1   |       |
|     | 944 521 002 55 PY1 | Black/<br>Black-white  |            |     |       |
|     | 944 521 002 55 PY2 | Brown/<br>Brown-beige  |            |     |       |
|     | 944 521 002 55 PY3 | Blue/<br>Blue-white  |            |     |       |
|     | 944 521 002 55 PY4 | Burgundy/<br>Burgundy-white  |            |     |       |
|     | 944 521 002 55 PY5 | Greyish green/<br>Greyish green-white  |            |     |       |
|     | 944 521 002 55 RU4 | Grey-beige/<br>Grey-beige-white  | 86-<br>86- |     |       |
| 2   | 944 521 001 50     | Sports seat<br>without heating<br>Leatherette/leather<br>Centre part<br>Pin stripe flannel | /L         | 1   |       |
|     | 944 521 001 50 PZ2 | Black/anthracite   |            |     |       |
|     | 944 521 001 50 PZ3 | Brown/brown  |            |     |       |
|     | 944 521 001 50 PZ4 | Blue/blue  |            |     |       |
|     | 944 521 001 50 PZ5 | Burgundy/burgundy  |            |     |       |
|     | 944 521 001 50 PZ6 | Greyish green/grey-green   |            |     |       |
| (2) | 944 521 002 50     | Sports seat<br>without heating<br>Leatherette/leather<br>Centre part<br>Pin stripe flannel | /R         | 1   |       |
|     | 944 521 002 50 PZ2 | Black/anthracite   |            |     |       |
|     | 944 521 002 50 PZ3 | Brown/brown  |            |     |       |
|     | 944 521 002 50 PZ4 | Blue/blue  |            |     |       |
|     | 944 521 002 50 PZ5 | Burgundy/burgundy  |            |     |       |
|     | 944 521 002 50 PZ6 | Greyish green/grey-green   |            |     |       |
| (2) | 944 521 001 55     | Sports seat<br>with heating<br>Leatherette/leather<br>Centre part<br>Pin stripe flannel    | /L         | 1   |       |
|     | 944 521 001 55 PZ2 | Black/anthracite   |            |     |       |
|     | 944 521 001 55 PZ3 | Brown/brown  |            |     |       |
|     | 944 521 001 55 PZ4 | Blue/blue  |            |     |       |
|     | 944 521 001 55 PZ5 | Burgundy/burgundy  |            |     |       |
|     | 944 521 001 55 PZ6 | Greyish green/grey-green   |            |     |       |

Model: 911 84 Model life 1984>>1986

| Pos | Part Number        | Description   | Remark | Qty | Model |
|-----|--------------------|---|--------|-----|-------|
| (2) | 944 521 002 55     | Sports seat<br>with heating<br>Leatherette/leather<br>Centre part<br>Pin stripe flannel         | /R     | 1   |       |
|     | 944 521 002 55 PZ2 | Black/anthracite  |        |     |       |
|     | 944 521 002 55 PZ3 | Brown/brown   |        |     |       |
|     | 944 521 002 55 PZ4 | Blue/blue   |        |     |       |
|     | 944 521 002 55 PZ5 | Burgundy/burgundy   |        |     |       |
|     | 944 521 002 55 PZ6 | Greyish green/grey-green  |        |     |       |
| 2   | 944 521 001 50     | Sports seat<br>without heating<br>Leatherette/leather<br>Centre part<br>Porsche lettering cloth | /L     | 1   |       |
|     | 944 521 001 50 PZ7 | Black/black   |        |     |       |
|     | 944 521 001 50 PZ8 | Brown/brown   |        |     |       |
|     | 944 521 001 50 PZ9 | Blue/blue   |        |     |       |
|     | 944 521 001 50 QA1 | Burgundy/burgundy   |        |     |       |
|     | 944 521 001 50 QA2 | Greyish green/grey-green  |        |     |       |
|     | 944 521 001 50 RU2 | Grey-beige/grey-beige   | 86-    |     |       |
| (2) | 944 521 002 50     | Sports seat<br>without heating<br>Leatherette/leather<br>Centre part<br>Porsche lettering cloth | /R     | 1   |       |
|     | 944 521 002 50 PZ7 | Black/black   |        |     |       |
|     | 944 521 002 50 PZ8 | Brown/brown   |        |     |       |
|     | 944 521 002 50 PZ9 | Blue/blue   |        |     |       |
|     | 944 521 002 50 QA1 | Burgundy/burgundy   |        |     |       |
|     | 944 521 002 50 QA2 | Greyish green/grey-green  |        |     |       |
|     | 944 521 002 50 RU2 | Grey-beige/grey-beige   | 86-    |     |       |
| (2) | 944 521 001 55     | Sports seat<br>with heating<br>Leatherette/leather<br>Centre part<br>Porsche lettering cloth    | /L     | 1   |       |
|     | 944 521 001 55 PZ7 | Black/black   |        |     |       |
|     | 944 521 001 55 PZ8 | Brown/brown   |        |     |       |
|     | 944 521 001 55 PZ9 | Blue/blue   |        |     |       |
|     | 944 521 001 55 QA1 | Burgundy/burgundy   |        |     |       |
|     | 944 521 001 55 QA2 | Greyish green/grey-green  |        |     |       |
|     | 944 521 001 55 RU2 | Grey-beige/grey-beige   | 86-    |     |       |
| (2) | 944 521 002 55     | Sports seat<br>with heating<br>Leatherette/leather<br>Centre part<br>Porsche lettering cloth    | /R     | 1   |       |
|     | 944 521 002 55 PZ7 | Black/black   |        |     |       |
|     | 944 521 002 55 PZ8 | Brown/brown   |        |     |       |
|     | 944 521 002 55 PZ9 | Blue/blue   |        |     |       |
|     | 944 521 002 55 QA1 | Burgundy/burgundy   |        |     |       |
|     | 944 521 002 55 QA2 | Greyish green/grey-green  |        |     |       |
|     | 944 521 002 55 RU2 | Grey-beige/grey-beige   | 86-    |     |       |
| 2   | 944 521 001 54     | Sports seat<br>without heating<br>Leather/<br>Centre part<br>Pin stripe velour                  | /L     | 1   |       |
|     | 944 521 001 54 LS5 | Black/<br>Black-white   |        |     |       |
|     | 944 521 001 54 LS6 | Brown/<br>Brown-beige   |        |     |       |

Model: 911 84 Model life 1984>>1986

| Pos | Part Number        | Description  | Remark     | Qty | Model |
|-----|--------------------|--|------------|-----|-------|
|     | 944 521 001 54 LS8 | Blue/<br>Blue-white  |            |     |       |
|     | 944 521 001 54 LS9 | Burgundy/<br>Burgundy-white  |            |     |       |
|     | 944 521 001 54 QA7 | Greyish green/<br>Greyish green-white  |            |     |       |
|     | 944 521 001 54 LS7 | Grey-beige/<br>Grey-beige-white  | 86-<br>86- |     |       |
| (2) | 944 521 002 54     | Sports seat<br>without heating<br>Leather/<br>Centre part<br>Pin stripe velour | /R         | 1   |       |
|     | 944 521 002 54 LS5 | Black/<br>Black-white  |            |     |       |
|     | 944 521 002 54 LS6 | Brown/<br>Brown-beige  |            |     |       |
|     | 944 521 002 54 LS8 | Blue/<br>Blue-white  |            |     |       |
|     | 944 521 002 54 LS9 | Burgundy/<br>Burgundy-white  |            |     |       |
|     | 944 521 002 54 QA7 | Greyish green/<br>Greyish green-white  |            |     |       |
|     | 944 521 002 54 LS7 | Grey-beige/<br>Grey-beige-white  | 86-<br>86- |     |       |
| (2) | 944 521 001 59     | Sports seat<br>with heating<br>Leather/<br>Centre part<br>Pin stripe velour    | /L         | 1   |       |
|     | 944 521 001 59 LS5 | Black/<br>Black-white  |            |     |       |
|     | 944 521 001 59 LS6 | Brown/<br>Brown-beige  |            |     |       |
|     | 944 521 001 59 LS8 | Blue/<br>Blue-white  |            |     |       |
|     | 944 521 001 59 LS9 | Burgundy/<br>Burgundy-white  |            |     |       |
|     | 944 521 001 59 QA7 | Greyish green/<br>Greyish green-white  |            |     |       |
|     | 944 521 001 59 LS7 | Grey-beige/<br>Grey-beige-white  | 86-<br>86- |     |       |
| (2) | 944 521 002 59     | Sports seat<br>with heating<br>Leather/<br>Centre part<br>Pin stripe velour    | /R         | 1   |       |
|     | 944 521 002 59 LS5 | Black/<br>Black-white  |            |     |       |
|     | 944 521 002 59 LS6 | Brown/<br>Brown-beige  |            |     |       |
|     | 944 521 002 59 LS8 | Blue/<br>Blue-white  |            |     |       |
|     | 944 521 002 59 LS9 | Burgundy/<br>Burgundy-white  |            |     |       |
|     | 944 521 002 59 QA7 | Greyish green/<br>Greyish green-white  |            |     |       |
|     | 944 521 002 59 LS7 | Grey-beige/<br>Grey-beige-white  | 86-<br>86- |     |       |
| 2   | 944 521 001 54     | Sports seat<br>without heating<br>Leather/<br>Centre part                      | /L         | 1   |       |

Model: 911 84 Model life 1984>>1986

| Pos | Part Number        | Description  | Remark | Qty | Model |
|-----|--------------------|--|--------|-----|-------|
|     |                    | Pin stripe flannel   |        |     |       |
|     | 944 521 001 54 QB1 | Black/anthracite   |        |     |       |
|     | 944 521 001 54 QB3 | Brown/brown  |        |     |       |
|     | 944 521 001 54 QB5 | Blue/blue  |        |     |       |
|     | 944 521 001 54 QB7 | Burgundy/burgundy  |        |     |       |
|     | 944 521 001 54 QA8 | Greyish green/grey-green   |        |     |       |
| (2) | 944 521 002 54     | Sports seat<br>without heating<br>Leather/<br>Centre part<br>Pin stripe flannel      | /R     | 1   |       |
|     | 944 521 002 54 QB1 | Black/anthracite   |        |     |       |
|     | 944 521 002 54 QB3 | Brown/brown  |        |     |       |
|     | 944 521 002 54 QB5 | Blue/blue  |        |     |       |
|     | 944 521 002 54 QB7 | Burgundy/burgundy  |        |     |       |
|     | 944 521 002 54 QA8 | Greyish green/grey-green   |        |     |       |
| (2) | 944 521 001 59     | Sports seat<br>with heating<br>Leather/<br>Centre part<br>Pin stripe flannel         | /L     | 1   |       |
|     | 944 521 001 59 QB1 | Black/anthracite   |        |     |       |
|     | 944 521 001 59 QB3 | Brown/brown  |        |     |       |
|     | 944 521 001 59 QB5 | Blue/blue  |        |     |       |
|     | 944 521 001 59 QB7 | Burgundy/burgundy  |        |     |       |
|     | 944 521 001 59 QA8 | Greyish green/grey-green   |        |     |       |
| (2) | 944 521 002 59     | Sports seat<br>with heating<br>Leather/<br>Centre part<br>Pin stripe flannel         | /R     | 1   |       |
|     | 944 521 002 59 QB1 | Black/anthracite   |        |     |       |
|     | 944 521 002 59 QB3 | Brown/brown  |        |     |       |
|     | 944 521 002 59 QB5 | Blue/blue  |        |     |       |
|     | 944 521 002 59 QB7 | Burgundy/burgundy  |        |     |       |
|     | 944 521 002 59 QA8 | Greyish green/grey-green   |        |     |       |
| 2   | 944 521 001 54     | Sports seat<br>without heating<br>Leather/<br>Centre part<br>Porsche lettering cloth | /L     | 1   |       |
|     | 944 521 001 54 QB2 | Black/black  |        |     |       |
|     | 944 521 001 54 QB4 | Brown/brown  |        |     |       |
|     | 944 521 001 54 QB6 | Blue/blue  |        |     |       |
|     | 944 521 001 54 QB8 | Burgundy/burgundy  |        |     |       |
|     | 944 521 001 54 QA9 | Greyish green/grey-green   |        |     |       |
|     | 944 521 001 54 RU1 | Grey-beige/grey-beige  | 86-    |     |       |
| (2) | 944 521 002 54     | Sports seat<br>without heating<br>Leather/<br>Centre part<br>Porsche lettering cloth | /R     | 1   |       |
|     | 944 521 002 54 QB2 | Black/black  |        |     |       |
|     | 944 521 002 54 QB4 | Brown/brown  |        |     |       |
|     | 944 521 002 54 QB6 | Blue/blue  |        |     |       |
|     | 944 521 002 54 QB8 | Burgundy/burgundy  |        |     |       |
|     | 944 521 002 54 QA9 | Greyish green/grey-green   |        |     |       |
|     | 944 521 002 54 RU1 | Grey-beige/grey-beige  | 86-    |     |       |
| (2) | 944 521 001 59     | Sports seat<br>with heating<br>Leather/<br>Centre part<br>Porsche lettering cloth    | /L     | 1   |       |

Model: 911 84 Model life 1984>>1986

| Pos | Part Number        | Description  | Remark | Qty | Model |
|-----|--------------------|--|--------|-----|-------|
| (2) | 944 521 001 59 QB2 | Black/black  |        |     |       |
|     | 944 521 001 59 QB4 | Brown/brown  |        |     |       |
|     | 944 521 001 59 QB6 | Blue/blue  |        |     |       |
|     | 944 521 001 59 QB8 | Burgundy/burgundy  |        |     |       |
|     | 944 521 001 59 QA9 | Greyish green/grey-green   |        |     |       |
|     | 944 521 001 59 RU1 | Grey-beige/grey-beige  | 86-    |     |       |
|     | 944 521 002 59     | Sports seat<br>with heating<br>Leather/<br>Centre part<br>Porsche lettering cloth      | /R     | 1   |       |
|     | 944 521 002 59 QB2 | Black/black  |        |     |       |
|     | 944 521 002 59 QB4 | Brown/brown  |        |     |       |
|     | 944 521 002 59 QB6 | Blue/blue  |        |     |       |
| 3   | 944 521 002 59 QB8 | Burgundy/burgundy  |        |     |       |
|     | 944 521 002 59 QA9 | Greyish green/grey-green   |        |     |       |
|     | 944 521 002 59 RU1 | Grey-beige/grey-beige  | 86-    |     |       |
|     | 944 521 001 51     | Sports seat<br>without heating<br>Leatherette/<br>Seat and backrest surface<br>Leather | /L     | 1   |       |
|     | 944 521 001 51 JN3 | Black/black  |        |     |       |
|     | 944 521 001 51 JN4 | Brown/brown  |        |     |       |
|     | 944 521 001 51 QC1 | Blue/blue  |        |     |       |
|     | 944 521 001 51 NZ8 | Burgundy/burgundy  |        |     |       |
|     | 944 521 001 51 PX9 | Greyish green/grey-green   |        |     |       |
|     | 944 521 001 51 JN5 | Grey-beige/grey-beige  | 86-    |     |       |
| (3) | 944 521 002 51     | Sports seat<br>without heating<br>Leatherette/<br>Seat and backrest surface<br>Leather | /R     | 1   |       |
|     | 944 521 002 51 JN3 | Black/black  |        |     |       |
|     | 944 521 002 51 JN4 | Brown/brown  |        |     |       |
|     | 944 521 002 51 QC1 | Blue/blue  |        |     |       |
|     | 944 521 002 51 NZ8 | Burgundy/burgundy  |        |     |       |
|     | 944 521 002 51 PX9 | Greyish green/grey-green   |        |     |       |
|     | 944 521 002 51 JN5 | Grey-beige/grey-beige  | 86-    |     |       |
|     | 944 521 001 56     | Sports seat<br>with heating<br>Leatherette/<br>Seat and backrest surface<br>Leather    | /L     | 1   |       |
|     | 944 521 001 56 JN3 | Black/black  |        |     |       |
|     | 944 521 001 56 JN4 | Brown/brown  |        |     |       |
| (3) | 944 521 001 56 QC1 | Blue/blue  |        |     |       |
|     | 944 521 001 56 NZ8 | Burgundy/burgundy  |        |     |       |
|     | 944 521 001 56 PX9 | Greyish green/grey-green   |        |     |       |
|     | 944 521 001 56 JN5 | Grey-beige/grey-beige  | 86-    |     |       |
|     | 944 521 002 56     | Sports seat<br>with heating<br>Leatherette/<br>Seat and backrest surface<br>Leather    | /R     | 1   |       |
|     | 944 521 002 56 JN3 | Black/black  |        |     |       |
|     | 944 521 002 56 JN4 | Brown/brown  |        |     |       |
|     | 944 521 002 56 QC1 | Blue/blue  |        |     |       |
|     | 944 521 002 56 NZ8 | Burgundy/burgundy  |        |     |       |
|     | 944 521 002 56 PX9 | Greyish green/grey-green   |        |     |       |
| 3   | 944 521 002 56 JN5 | Grey-beige/grey-beige  | 86-    |     |       |
|     | 944 521 001 52     | Sports seat<br>without heating   | /L     | 1   |       |

Model: 911 84 Model life 1984>>1986

| Pos | Part Number        | Description                               | Remark | Qty | Model |
|-----|--------------------|---|--------|-----|-------|
|     |                    | Leather                                   |        |     |       |
|     | 944 521 001 52 KZ2 | Black                                     |        |     |       |
|     | 944 521 001 52 KZ5 | Brown                                     |        |     |       |
|     | 944 521 001 52 KZ3 | Blue                                      |        |     |       |
|     | 944 521 001 52 LG7 | Burgundy                                  |        |     |       |
|     | 944 521 001 52 QC2 | Greyish green                             |        |     |       |
|     | 944 521 001 52 KZ6 | Can-can-red                               |        |     |       |
|     | 944 521 001 52 LG4 | Pearl white                               |        |     |       |
|     | 944 521 001 52 LG5 | Champagne                                 |        |     |       |
|     | 944 521 001 52 LG6 | Dark green                                |        |     |       |
|     | 944 521 001 52 PY9 | Ocean blue                                |        |     |       |
|     | 944 521 001 52 PZ1 | Wild buffalo                              |        |     |       |
|     | 944 521 001 52 KZ4 | Grey-beige                                | 86-    |     |       |
| (3) | 944 521 002 52     | Sports seat<br>without heating<br>Leather | /R     | 1   |       |
|     | 944 521 002 52 KZ2 | Black                                     |        |     |       |
|     | 944 521 002 52 KZ5 | Brown                                     |        |     |       |
|     | 944 521 002 52 KZ3 | Blue                                      |        |     |       |
|     | 944 521 002 52 LG7 | Burgundy                                  |        |     |       |
|     | 944 521 002 52 QC2 | Greyish green                             |        |     |       |
|     | 944 521 002 52 KZ6 | Can-can-red                               |        |     |       |
|     | 944 521 002 52 LG4 | Pearl white                               |        |     |       |
|     | 944 521 002 52 LG5 | Champagne                                 |        |     |       |
|     | 944 521 002 52 LG6 | Dark green                                |        |     |       |
|     | 944 521 002 52 PY9 | Ocean blue                                |        |     |       |
|     | 944 521 002 52 PZ1 | Wild buffalo                              |        |     |       |
|     | 944 521 002 52 KZ4 | Grey-beige                                | 86-    |     |       |
| (3) | 944 521 001 57     | Sports seat<br>with heating<br>Leather    | /L     | 1   |       |
|     | 944 521 001 57 KZ2 | Black                                     |        |     |       |
|     | 944 521 001 57 KZ5 | Brown                                     |        |     |       |
|     | 944 521 001 57 KZ3 | Blue                                      |        |     |       |
|     | 944 521 001 57 LG7 | Burgundy                                  |        |     |       |
|     | 944 521 001 57 QC2 | Greyish green                             |        |     |       |
|     | 944 521 001 57 KZ6 | Can-can-red                               |        |     |       |
|     | 944 521 001 57 LG4 | Pearl white                               |        |     |       |
|     | 944 521 001 57 LG5 | Champagne                                 |        |     |       |
|     | 944 521 001 57 LG6 | Dark green                                |        |     |       |
|     | 944 521 001 57 PY9 | Ocean blue                                |        |     |       |
|     | 944 521 001 57 PZ1 | Wild buffalo                              |        |     |       |
|     | 944 521 001 57 KZ4 | Grey-beige                                | 86-    |     |       |
| (3) | 944 521 002 57     | Sports seat<br>with heating<br>Leather    | /R     | 1   |       |
|     | 944 521 002 57 KZ2 | Black                                     |        |     |       |
|     | 944 521 002 57 KZ5 | Brown                                     |        |     |       |
|     | 944 521 002 57 KZ3 | Blue                                      |        |     |       |
|     | 944 521 002 57 LG7 | Burgundy                                  |        |     |       |
|     | 944 521 002 57 QC2 | Greyish green                             |        |     |       |
|     | 944 521 002 57 KZ6 | Can-can-red                               |        |     |       |
|     | 944 521 002 57 LG4 | Pearl white                               |        |     |       |
|     | 944 521 002 57 LG5 | Champagne                                 |        |     |       |
|     | 944 521 002 57 LG6 | Dark green                                |        |     |       |
|     | 944 521 002 57 PY9 | Ocean blue                                |        |     |       |
|     | 944 521 002 57 PZ1 | Wild buffalo                              |        |     |       |
|     | 944 521 002 57 KZ4 | Grey-beige                                | 86-    |     |       |
| 4   | 911 521 547 00     | Screw<br>M 10 X 20                        |        | 8   |       |
| 5   | 928 521 147 02     | Cover                                     | /L     | 2   |       |
|     | 928 521 147 02 01C | Black                                     |        |     |       |
|     | 928 521 147 02 4RB | Brown                                     |        |     |       |

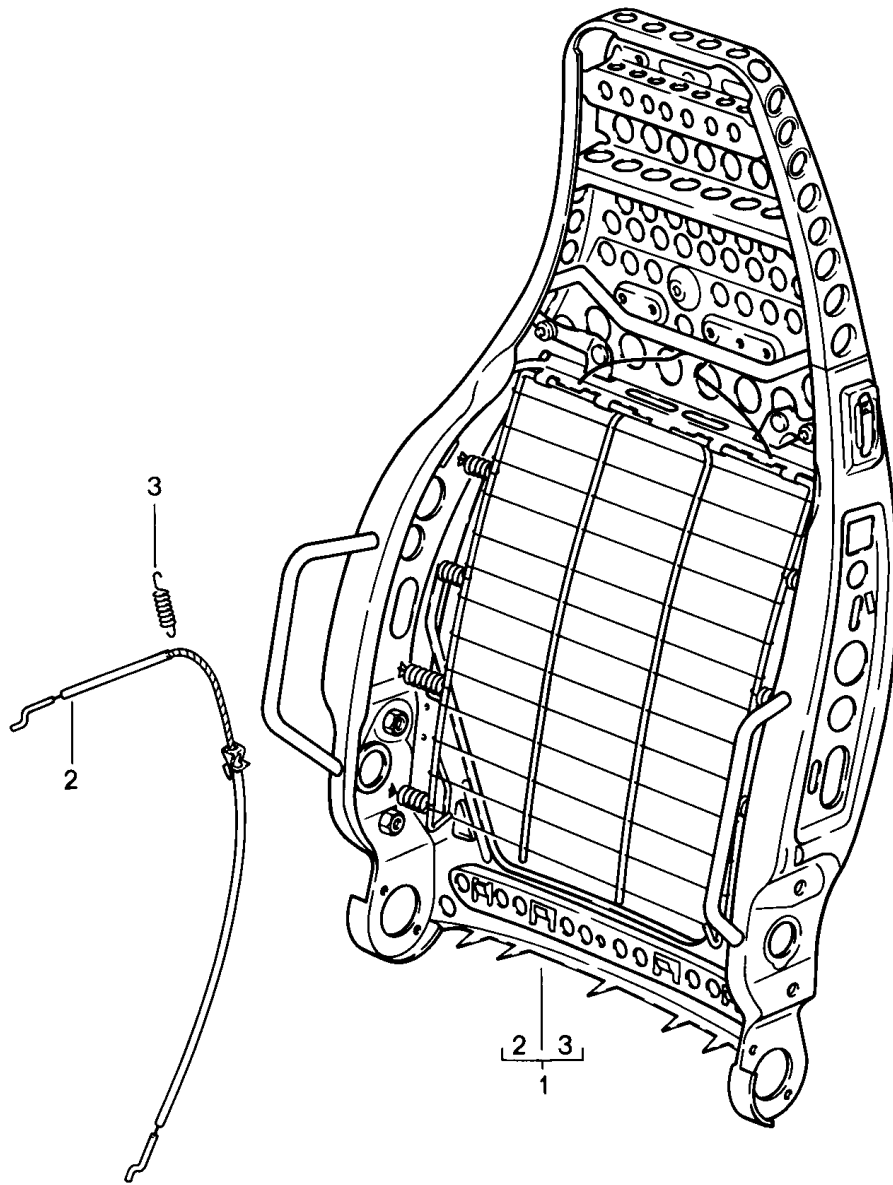


Model: 911 84 Model life 1984>>1986

| Pos  | Part Number        | Description                              | Remark | Qty | Model |
|------|--------------------|--|--------|-----|-------|
|      | 928 521 147 02 5HJ | Blue                                     |        |     |       |
|      | 928 521 147 02 9MM | Burgundy                                 |        |     |       |
|      | 928 521 147 02 1DJ | Greyish green                            |        |     |       |
|      | 928 521 147 02 3UC | Grey-beige                               | 86-    |     |       |
| (5)  | 928 521 148 02     | Cover                                    | /R     | 2   |       |
|      | 928 521 148 02 01C | Black                                    |        |     |       |
|      | 928 521 148 02 4RB | Brown                                    |        |     |       |
|      | 928 521 148 02 5HJ | Blue                                     |        |     |       |
|      | 928 521 148 02 9MM | Burgundy                                 |        |     |       |
|      | 928 521 148 02 1DJ | Greyish green                            |        |     |       |
|      | 928 521 148 02 3UC | Grey-beige                               | 86-    |     |       |
| 6    | 900 025 044 07     | Washer<br>A 4,3                          |        | 8   |       |
| 7    | 900 143 113 07     | Oval-head screw<br>B 4,2 X 13            |        | 8   |       |
| 7    | 900 143 113 0G     | Oval-head screw<br>B 4,2 X 13            |        | 8   |       |
| 8    | 928 521 760 03     | Cover                                    |        | 2   |       |
| 9    | N 013 959 3        | Oval-head sheetmetal screw<br>B 3,5 X 16 |        | 4   |       |
| 9    | 900 143 016 01     | Oval-head sheetmetal screw<br>B 3,5 X 16 |        | 4   |       |
| 10   | 900 025 013 07     | Washer<br>A 3,7                          |        | 4   |       |
| 11   | 900 119 030 02     | Pan-head screw<br>M 8 X 20               |        | 12  |       |
| 12   | 900 089 006 02     | Washer<br>8                              |        | 12  |       |
| 12   | 900 089 006 01     | Washer<br>8                              |        | 12  |       |
| 13   | 928 521 101 05     | Threaded plate<br>Front                  |        | X   |       |
| (13) | 928 521 101 08     | Threaded plate<br>Rear                   |        | X   |       |

Model: 911 84

Model life 1984>>1986



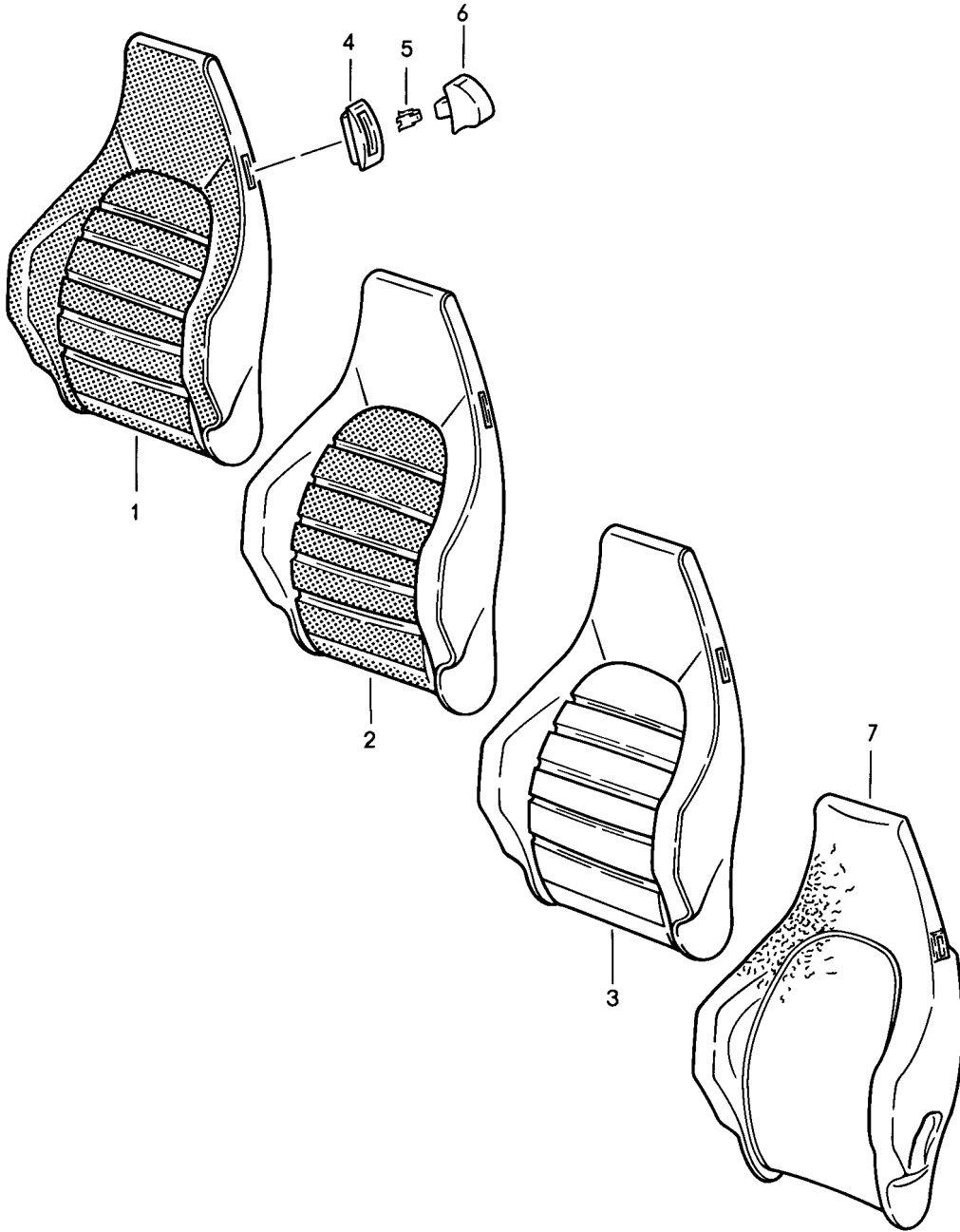
Model: 911 84

Model life 1984>>1986

| Pos | Part Number    | Description     | Remark | Qty | Model |
|-----|----------------|-----------------|--------|-----|-------|
|     |                | Sports seat     |        |     |       |
|     |                | Backrest frame  |        |     |       |
| 1   | 944 521 027 01 | Backrest frame  |        | 2   |       |
| 1   |                | Backrest frame  |        | 2   |       |
| 2   | 928 521 093 02 | Bowden cable    |        | 2   |       |
| 3   | 311 881 287 A  | Tension spring  |        | 2   |       |
|     |                | Actuating lever |        |     |       |

Model: 911 84

Model life 1984>>1986



Model: 911 84 Model life 1984>>1986

| Pos | Part Number        | Description   | Remark | Qty | Model |
|-----|--------------------|---|--------|-----|-------|
| 1   | 944 521 071 05     | Sports seat<br>Backrest cover<br>Backrest cover<br>without heating<br>Leatherette/<br>Backrest surface<br>Pin stripe velour | 85-    | 2   |       |
|     | 944 521 071 05 NY5 | Black/<br>Black-white   |        |     |       |
|     | 944 521 071 05 NY7 | Brown/<br>Brown-beige   |        |     |       |
|     | 944 521 071 05 QA3 | Blue/<br>Blue-white   |        |     |       |
|     | 944 521 071 05 NY8 | Burgundy<br>Burgundy-white  |        |     |       |
|     | 944 521 071 05 QA4 | Greyish green<br>Greyish green-white  |        |     |       |
|     | 944 521 071 05 RU3 | Grey-beige/<br>Grey-beige-white   | 86-    |     |       |
| (1) | 944 521 071 72     | Backrest cover<br>with heating<br>Leatherette/<br>Backrest surface<br>Pin stripe velour                                     |        | 2   |       |
|     | 944 521 071 72 NY5 | Black/<br>Black-white   |        |     |       |
|     | 944 521 071 72 NY7 | Brown/<br>Brown-beige   |        |     |       |
|     | 944 521 071 72 QA3 | Blue/<br>Blue-white   |        |     |       |
|     | 944 521 071 72 NY8 | Burgundy<br>Burgundy-white  |        |     |       |
|     | 944 521 071 72 QA4 | Greyish green<br>Greyish green-white  |        |     |       |
|     | 944 521 071 72 RU3 | Grey-beige/<br>Grey-beige-white   | 86-    |     |       |
| 1   | 944 521 071 05     | Backrest cover<br>without heating<br>Leatherette/<br>Backrest surface<br>Pin stripe flannel                                 |        | 2   |       |
|     | 944 521 071 05 NY9 | Black/anthracite  |        |     |       |
|     | 944 521 071 05 NZ6 | Brown/brown   |        |     |       |
|     | 944 521 071 05 QA6 | Blue/blue   |        |     |       |
|     | 944 521 071 05 NZ5 | Burgundy/burgundy   |        |     |       |
|     | 944 521 071 05 QA5 | Greyish green/grey-green  |        |     |       |
| (1) | 944 521 071 72     | Backrest cover<br>with heating<br>Leatherette/<br>Backrest surface<br>Pin stripe flannel                                    |        | 2   |       |
|     | 944 521 071 72 NY9 | Black/anthracite  |        |     |       |
|     | 944 521 071 72 NZ6 | Brown/brown   |        |     |       |
|     | 944 521 071 72 QA6 | Blue/blue   |        |     |       |
|     | 944 521 071 72 NZ5 | Burgundy/burgundy   |        |     |       |
|     | 944 521 071 72 QA5 | Greyish green/grey-green  |        |     |       |
| 1   | 944 521 071 05     | Backrest cover<br>without heating<br>Leatherette/<br>Backrest surface<br>Porsche lettering cloth                            |        | 2   |       |
|     | 944 521 071 05 PX2 | Black/black   |        |     |       |
|     | 944 521 071 05 PX4 | Brown/brown   |        |     |       |

Model: 911 84 Model life 1984>>1986

| Pos                | Part Number        | Description   | Remark  | Qty | Model |   |     |   |  |
|--------------------|--------------------|---|---|-----|-------|---|-----|---|--|
| (1)                | 944 521 071 05 PX7 | Blue/blue   | 86-   | 2   |       |   |     |   |  |
|                    | 944 521 071 05 PX6 | Burgundy/burgundy   |   |     |       |   |     |   |  |
|                    | 944 521 071 05 PX8 | Greyish green/grey-green  |   |     |       |   |     |   |  |
|                    | 944 521 071 05 QD9 | Grey-beige/grey-beige   |   |     |       |   |     |   |  |
|                    | 944 521 071 72     | Backrest cover<br>with heating<br>Leatherette/<br>Backrest surface<br>Porsche lettering cloth |   |     |       |   |     |   |  |
|                    | 944 521 071 72 PX2 | Black/black   |   |     |       |   |     |   |  |
|                    | 944 521 071 72 PX4 | Brown/brown   |   |     |       |   |     |   |  |
|                    | 944 521 071 72 PX7 | Blue/blue   |   |     |       |   |     |   |  |
|                    | 944 521 071 72 PX6 | Burgundy/burgundy   |   |     |       |   |     |   |  |
|                    | 944 521 071 72 PX8 | Greyish green/grey-green  |   |     |       |   |     |   |  |
| 2                  | 944 521 071 72 QD9 | Grey-beige/grey-beige   | 86-   | 2   |       |   |     |   |  |
|                    | 944 521 071 60     | Backrest cover<br>without heating<br>Leatherette/leather<br>Centre part<br>Pin stripe velour  |   |     |       |   |     |   |  |
|                    | 944 521 071 60 PY1 | Black/black<br>Black-white  |   |     |       |   |     |   |  |
|                    | 944 521 071 60 PY2 | Brown/<br>Brown-beige   |   |     |       |   |     |   |  |
|                    | 944 521 071 60 PY3 | Blue/<br>Blue-white   |   |     |       |   |     |   |  |
|                    | 944 521 071 60 PY4 | Burgundy/burgundy<br>Burgundy-white   |   |     |       |   |     |   |  |
|                    | 944 521 071 60 PY5 | Greyish green<br>Greyish green-white  |   |     |       |   |     |   |  |
|                    | 944 521 071 60 RU4 | Grey-beige/<br>Grey-beige-white   |   |     |       |   |     |   |  |
|                    | (2)                | 944 521 071 70  |   |     |       | Backrest cover<br>with heating<br>Leatherette/leather<br>Centre part<br>Pin stripe velour | 86- | 2 |  |
|                    |                    | 944 521 071 70 PY1  |   |     |       | Black/<br>Black-white   |     |   |  |
| 944 521 071 70 PY2 |                    | Brown/<br>Brown-beige   |   |     |       |   |     |   |  |
| 944 521 071 70 PY3 |                    | Blue/<br>Blue-white   |   |     |       |   |     |   |  |
| 944 521 071 70 PY4 |                    | Burgundy<br>Burgundy-white  |   |     |       |   |     |   |  |
| 944 521 071 70 PY5 |                    | Greyish green<br>Greyish green-white  |   |     |       |   |     |   |  |
| 944 521 071 70 RU4 |                    | Grey-beige/<br>Grey-beige-white   |   |     |       |   |     |   |  |
| 2                  |                    | 944 521 071 60  | Backrest cover<br>without heating<br>Leatherette/leather<br>Centre part<br>Pin stripe flannel | 86- | 2     |   |     |   |  |
|                    |                    | 944 521 071 60 PZ2  | Black/anthracite  |     |       |   |     |   |  |
|                    |                    | 944 521 071 60 PZ3  | Brown/brown   |     |       |   |     |   |  |
|                    | 944 521 071 60 PZ4 | Blue/blue   |   |     |       |   |     |   |  |
|                    | 944 521 071 60 PZ5 | Burgundy/burgundy   |   |     |       |   |     |   |  |
|                    | 944 521 071 60 PZ6 | Grey-beige/grey-beige   |   |     |       |   |     |   |  |
|                    | (2)                | 944 521 071 70  | Backrest cover<br>with heating<br>Leatherette/leather<br>Centre part                          |     |       |   | 86- | 2 |  |
|                    |                    |   |   |     |       |   |     |   |  |

Model: 911 84 Model life 1984>>1986

| Pos | Part Number        | Description  | Remark | Qty | Model |
|-----|--------------------|--|--------|-----|-------|
|     | 944 521 071 70 PZ2 | Pin stripe flannel<br>Black/anthracite   |        |     |       |
|     | 944 521 071 70 PZ3 | Brown/brown  |        |     |       |
|     | 944 521 071 70 PZ4 | Blue/blue  |        |     |       |
|     | 944 521 071 70 PZ5 | Burgundy/burgundy  |        |     |       |
|     | 944 521 071 70 PZ6 | Grey-beige/grey-beige  |        |     |       |
| 2   | 944 521 071 60     | Backrest cover<br>without heating<br>Leatherette/leather<br>Centre part<br>Porsche lettering cloth |        | 2   |       |
|     | 944 521 071 60 PZ7 | Black/black  |        |     |       |
|     | 944 521 071 60 PZ8 | Brown/brown  |        |     |       |
|     | 944 521 071 60 PZ9 | Blue/blue  |        |     |       |
|     | 944 521 071 60 QA1 | Burgundy/burgundy  |        |     |       |
|     | 944 521 071 60 QA2 | Greyish green/grey-green   |        |     |       |
| (2) | 944 521 071 60 RU2 | Grey-beige/grey-beige  | 86-    | 2   |       |
|     | 944 521 071 70     | Backrest cover<br>with heating<br>Leatherette/leather<br>Centre part<br>Porsche lettering cloth    |        |     |       |
|     | 944 521 071 70 PZ7 | Black/black  |        |     |       |
|     | 944 521 071 70 PZ8 | Brown/brown  |        |     |       |
|     | 944 521 071 70 PZ9 | Blue/blue  |        |     |       |
|     | 944 521 071 70 QA1 | Burgundy/burgundy  |        |     |       |
|     | 944 521 071 70 QA2 | Greyish green/grey-green   |        |     |       |
| 2   | 944 521 071 70 RU2 | Grey-beige/grey-beige  | 86-    | 2   |       |
|     | 944 521 071 63     | Backrest cover<br>without heating<br>Leather/<br>Centre part<br>Pin stripe velour                  |        |     |       |
|     | 944 521 071 63 LS5 | Black/<br>Black-white  |        |     |       |
|     | 944 521 071 63 LS6 | Brown/<br>Brown-beige  |        |     |       |
|     | 944 521 071 63 LS8 | Blue/<br>Blue-white  |        |     |       |
|     | 944 521 071 63 LS9 | Burgundy/<br>Burgundy-white  |        |     |       |
|     | 944 521 071 63 QA7 | Greyish green/<br>Greyish green-white  |        |     |       |
| (2) | 944 521 071 63 LS7 | Grey-beige/<br>Grey-beige-white  | 86-    | 2   |       |
|     | 944 521 071 74     | Backrest cover<br>with heating<br>Leather/<br>Centre part<br>Pin stripe velour                     |        |     |       |
|     | 944 521 071 74 LS5 | Black/<br>Black-white  |        |     |       |
|     | 944 521 071 74 LS6 | Brown/<br>Brown-beige  |        |     |       |
|     | 944 521 071 74 LS8 | Blue/<br>Blue-white  |        |     |       |
|     | 944 521 071 74 LS9 | Burgundy/<br>Burgundy-white  |        |     |       |
|     | 944 521 071 74 QA7 | Greyish green/<br>Greyish green-white  |        |     |       |
|     | 944 521 071 74 LS7 | Grey-beige/<br>Grey-beige-white  | 86-    |     |       |
| 2   | 944 521 071 63     | Backrest cover   |        | 2   |       |

Model: 911 84 Model life 1984>>1986

| Pos | Part Number        | Description   | Remark | Qty | Model |
|-----|--------------------|---|--------|-----|-------|
|     |                    | without heating<br>Leather/<br>Centre part<br>Pin stripe flannel                        |        |     |       |
|     | 944 521 071 63 QB1 | Black/anthracite  |        |     |       |
|     | 944 521 071 63 QB3 | Brown/brown   |        |     |       |
|     | 944 521 071 63 QB5 | Blue/blue   |        |     |       |
|     | 944 521 071 63 QB7 | Burgundy/burgundy   |        |     |       |
|     | 944 521 071 63 QA8 | Greyish green/grey-green  |        |     |       |
| (2) | 944 521 071 74     | Backrest cover<br>with heating<br>Leather/<br>Centre part<br>Pin stripe flannel         |        | 2   |       |
|     | 944 521 071 74 QB1 | Black/anthracite  |        |     |       |
|     | 944 521 071 74 QB3 | Brown/brown   |        |     |       |
|     | 944 521 071 74 QB5 | Blue/blue   |        |     |       |
|     | 944 521 071 74 QB7 | Burgundy/burgundy   |        |     |       |
|     | 944 521 071 74 QA8 | Greyish green/grey-green  |        |     |       |
| 2   | 944 521 071 63     | Backrest cover<br>without heating<br>Leather/<br>Centre part<br>Porsche lettering cloth |        | 2   |       |
|     | 944 521 071 63 QB2 | Black/black   |        |     |       |
|     | 944 521 071 63 QB4 | Brown/brown   |        |     |       |
|     | 944 521 071 63 QB6 | Blue/blue   |        |     |       |
|     | 944 521 071 63 QB8 | Burgundy/burgundy   |        |     |       |
|     | 944 521 071 63 QA9 | Greyish green/grey-green  |        |     |       |
| (2) | 944 521 071 63 RU1 | Grey-beige/grey-beige   | 86-    | 2   |       |
|     | 944 521 071 74     | Backrest cover<br>with heating<br>Leather/<br>Centre part<br>Porsche lettering cloth    |        |     |       |
|     | 944 521 071 74 QB2 | Black/anthracite  |        |     |       |
|     | 944 521 071 74 QB4 | Brown/brown   |        |     |       |
|     | 944 521 071 74 QB6 | Blue/blue   |        |     |       |
|     | 944 521 071 74 QB8 | Burgundy/burgundy   |        |     |       |
|     | 944 521 071 74 QA9 | Greyish green/grey-green  |        |     |       |
|     | 944 521 071 74 RU1 | Grey-beige/grey-beige   | 86-    |     |       |
| 3   | 944 521 071 61     | Backrest cover<br>without heating<br>Leatherette/<br>Backrest surface<br>Leather        |        | 2   |       |
|     | 944 521 071 61 JN3 | Black   |        |     |       |
|     | 944 521 071 61 JN4 | Brown   |        |     |       |
|     | 944 521 071 61 QC1 | Blue  |        |     |       |
|     | 944 521 071 61 NZ8 | Burgundy  |        |     |       |
|     | 944 521 071 61 PX9 | Greyish green   |        |     |       |
|     | 944 521 071 61 JN5 | Grey-beige  | 86-    |     |       |
| (3) | 944 521 071 71     | Backrest cover<br>with heating<br>Leatherette/<br>Backrest surface<br>Leather           |        | 2   |       |
|     | 944 521 071 71 JN3 | Black   |        |     |       |
|     | 944 521 071 71 JN4 | Brown   |        |     |       |
|     | 944 521 071 71 QC1 | Blue  |        |     |       |
|     | 944 521 071 71 NZ8 | Burgundy  |        |     |       |
|     | 944 521 071 71 PX9 | Greyish green   |        |     |       |
|     | 944 521 071 71 JN5 | Grey-beige  | 86-    |     |       |

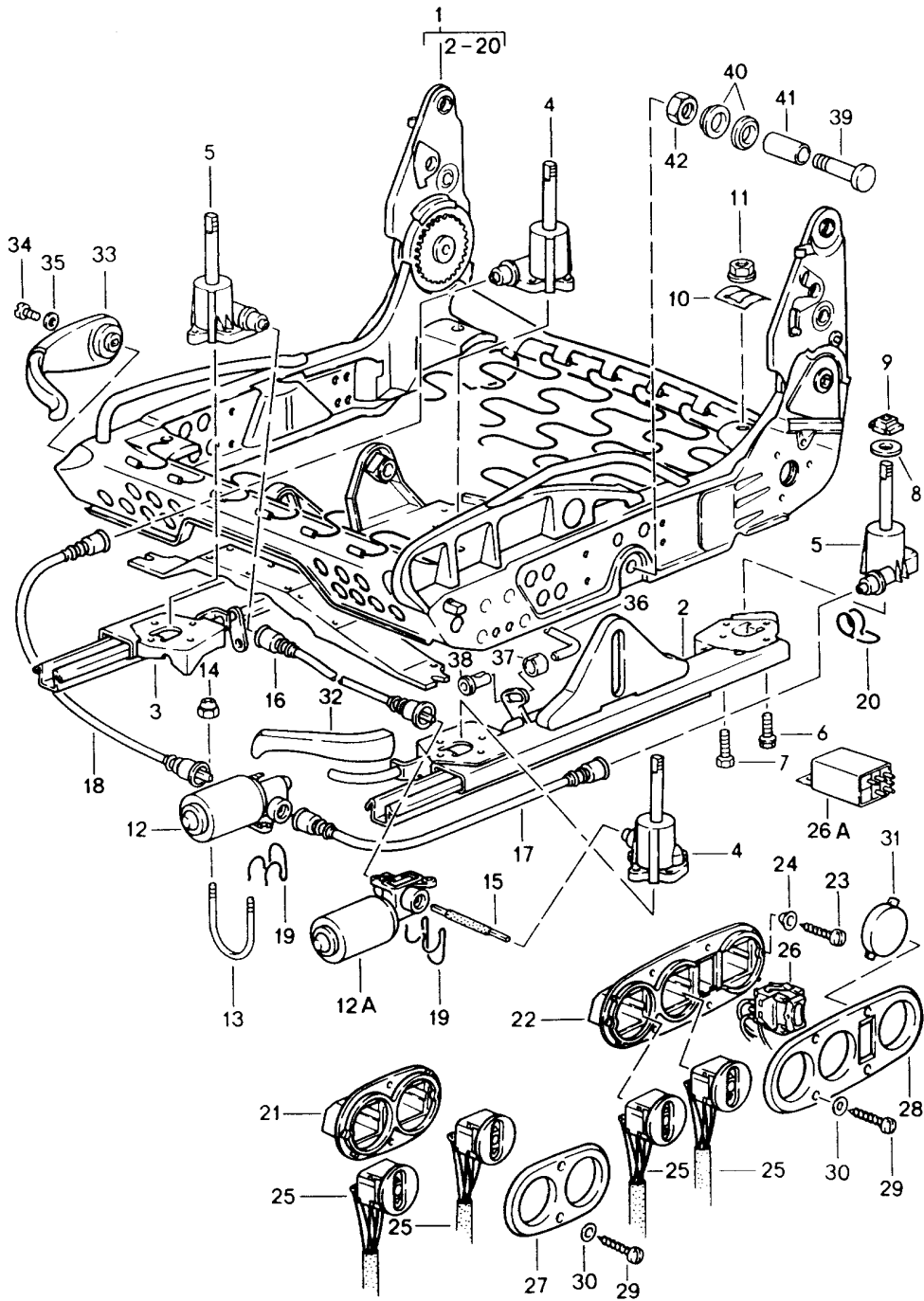


Model: 911 84 Model life 1984>>1986

| Pos | Part Number        | Description                                  | Remark | Qty | Model |
|-----|--------------------|--|--------|-----|-------|
| 3   | 944 521 071 62     | Backrest cover<br>without heating<br>Leather |        | 2   |       |
|     | 944 521 071 62 KZ2 | Black  |        |     |       |
|     | 944 521 071 62 KZ5 | Brown  |        |     |       |
|     | 944 521 071 62 KZ3 | Blue   |        |     |       |
|     | 944 521 071 62 LG7 | Burgundy                                     |        |     |       |
|     | 944 521 071 62 QC2 | Greyish green                                |        |     |       |
|     | 944 521 071 62 KZ6 | Can-can-red                                  |        |     |       |
|     | 944 521 071 62 LG4 | Pearl white                                  |        |     |       |
|     | 944 521 071 62 LG5 | Champagne                                    |        |     |       |
|     | 944 521 071 62 LG6 | Dark green                                   |        |     |       |
|     | 944 521 071 62 PY9 | Ocean blue                                   |        |     |       |
|     | 944 521 071 62 PZ1 | Wild buffalo                                 |        |     |       |
|     | 944 521 071 62 KZ4 | Grey-beige                                   | 86-    |     |       |
| (3) | 944 521 071 73     | Backrest cover<br>with heating<br>Leather    |        | 2   |       |
|     | 944 521 071 73 KZ2 | Black  |        |     |       |
|     | 944 521 071 73 KZ5 | Brown  |        |     |       |
|     | 944 521 071 73 KZ3 | Blue   |        |     |       |
|     | 944 521 071 73 LG7 | Burgundy                                     |        |     |       |
|     | 944 521 071 73 QC2 | Greyish green                                |        |     |       |
|     | 944 521 071 73 KZ6 | Can-can-red                                  |        |     |       |
|     | 944 521 071 73 LG4 | Pearl white                                  |        |     |       |
|     | 944 521 071 73 LG5 | Champagne                                    |        |     |       |
|     | 944 521 071 73 LG6 | Dark green                                   |        |     |       |
|     | 944 521 071 73 PY9 | Ocean blue                                   |        |     |       |
|     | 944 521 071 73 PZ1 | Wild buffalo                                 |        |     |       |
|     | 944 521 071 73 KZ4 | Grey-beige                                   | 86-    |     |       |
| 4   | 911 521 815 00     | Rosette                                      |        | 4   |       |
|     | 911 521 815 00 01C | Satin black                                  |        |     |       |
| 5   | 311 881 247        | Clip   |        | 4   |       |
| 6   | 911 521 817 00     | Control button                               |        | 4   |       |
|     | 911 521 817 00 01C | Satin black                                  |        |     |       |
| 7   | 928 521 393 15     | Foam part                                    |        | 2   |       |

Model: 911 84

Model life 1984>>1986



Model: 911 84 Model life 1984>>1986

| Pos | Part Number    | Description               | Remark | Qty | Model |
|-----|----------------|---------------------------|--------|-----|-------|
|     |                | Sports seat               |        |     |       |
|     |                | Seat frame                |        |     |       |
| 1   | 944 521 069 05 | Seat frame                | /L     | 1   |       |
| 1   | 993 521 069 02 | Seat frame                | /L     | 1   |       |
| (1) | 944 521 070 05 | Seat frame                | /R     | 1   |       |
| (1) | 993 521 070 02 | Seat frame                | /R     | 1   |       |
| 2   | 928 521 489 11 | Seat rail                 | /L     | 1   | M383  |
| 2   |                | Seat rail                 | /L     | 1   |       |
| (2) | 928 521 491 04 | Seat rail                 | /L     | 1   | M387  |
| (2) | 964 521 491 00 | Seat rail                 | /L     | 1   |       |
| 3   | 928 521 492 04 | Seat rail                 | /R     | 1   | M383  |
| 3   | 964 521 492 00 | Seat rail                 | /R     | 1   |       |
| (3) | 928 521 490 11 | Seat rail                 | /R     | 1   | M387  |
| (3) |                | Seat rail                 | /R     | 1   |       |
| 4   | 928 521 721 03 | Lifting gear              |        | 2   |       |
|     |                | Left front, right rear    |        |     |       |
| 4   |                | Lifting gear              |        | 2   |       |
|     |                | Left front, right rear    |        |     |       |
| 5   | 928 521 722 03 | Lifting gear              |        | 2   |       |
|     |                | Right front, left rear    |        |     |       |
| 5   |                | Lifting gear              |        | 2   |       |
|     |                | Right front, left rear    |        |     |       |
| 6   | 999 217 033 01 | Locking screw             |        | 10  |       |
|     |                | M 6 X 16                  |        |     |       |
| 7   | 900 186 032 02 | Pan-head screw            |        | 4   |       |
|     |                | M 6 X 16                  |        |     |       |
| 8   | 999 025 129 40 | Washer                    |        | 4   |       |
|     |                | 10,2 X 30 X 1,5           |        |     |       |
| 9   | 928 521 727 02 | Slide                     |        | 4   |       |
| 10  | 928 521 723 02 | Guide spring              |        | 4   |       |
| 11  | 928 521 730 02 | Nut                       |        | 4   |       |
| 12  | 928 624 126 01 | Geared motor              |        | 1   |       |
|     |                | Rear vertical adjustment  |        |     |       |
| 12  |                | Geared motor              |        | 1   |       |
|     |                | Rear vertical adjustment  |        |     |       |
| 12A |                | Geared motor              |        | 1   |       |
|     |                | Front vertical adjustment |        |     |       |
| 12A |                | Geared motor              |        | 1   |       |
|     |                | Front vertical adjustment |        |     |       |
| 13  | 999 222 001 02 | Stirrup bolt              |        | 2   |       |
|     |                | M 4                       |        |     |       |
| 14  | 900 910 006 02 | Lock nut                  |        | 4   |       |
|     |                | M 4                       |        |     |       |
| 14  | 900 084 020 01 | Lock nut                  |        | 4   |       |
|     |                | M 4                       |        |     |       |
| 15  | 928 521 671 03 | Shaft                     | /L     | 1   |       |
|     |                | Front vertical adjustment |        |     |       |
| 15  |                | Shaft                     | /L     | 1   |       |
|     |                | Front vertical adjustment |        |     |       |
| 16  | 928 521 672 02 | Pliable shaft             | /R     | 1   |       |
|     |                | Front vertical adjustment |        |     |       |
| 17  | 928 521 673 05 | Flexible shaft            | /L     | 1   |       |
|     |                | Rear vertical adjustment  |        |     |       |
| 17  |                | Flexible shaft            | /L     | 1   |       |
|     |                | Rear vertical adjustment  |        |     |       |
| 18  | 928 521 674 02 | Pliable shaft             | /R     | 1   |       |
|     |                | Rear vertical adjustment  |        |     |       |
| 19  | 928 521 675 02 | Moulded spring            |        | 2   |       |
|     |                | for engine                |        |     |       |
| 20  | 928 521 699 00 | Moulded spring            |        | 3   |       |
|     |                | Transmission              |        |     |       |
| 21  | 928 521 559 04 | Switch insert             |        | 1   |       |
| 22  | 928 521 559 02 | Switch insert             | /L     | 1   | M139  |

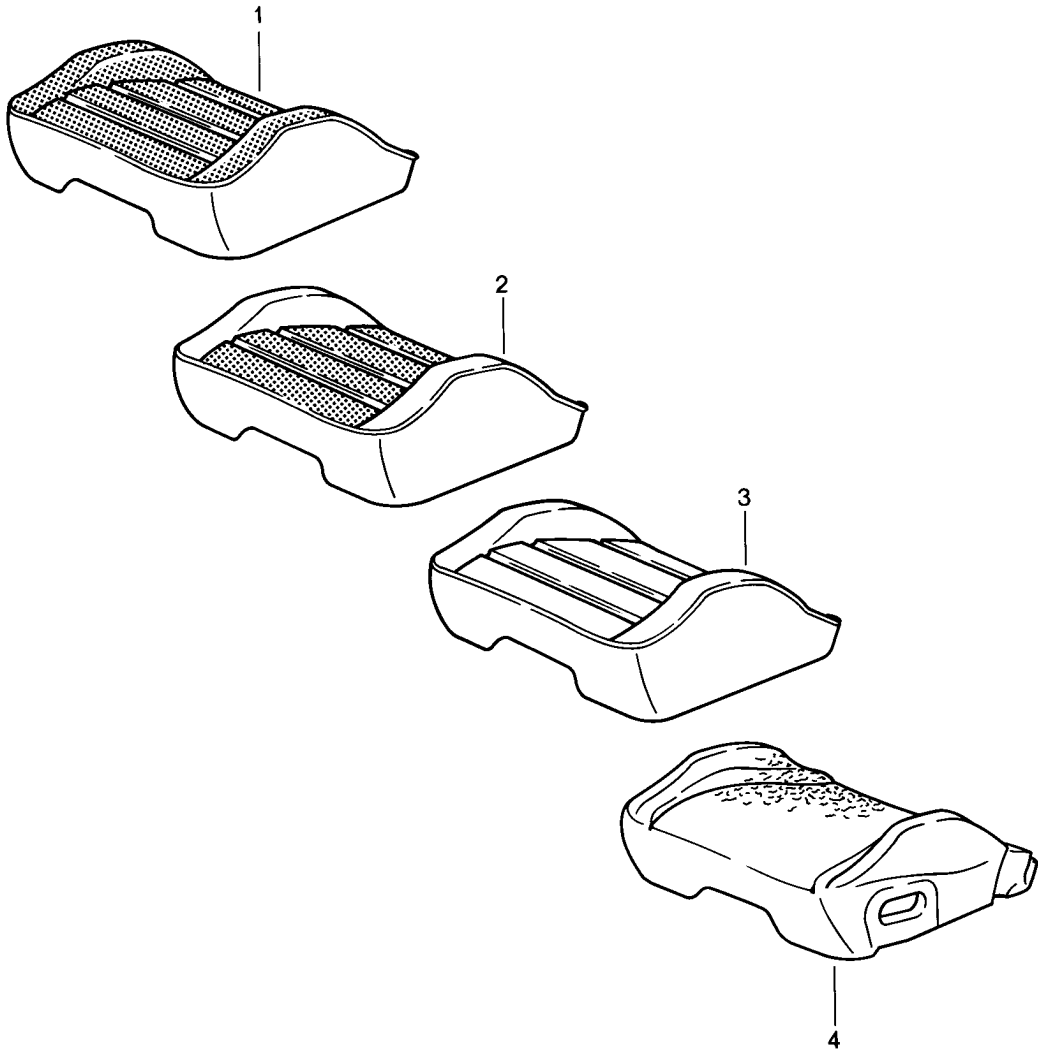
Model: 911 84

Model life 1984&gt;&gt;1986

| Pos  | Part Number        | Description                                | Remark | Qty | Model    |
|------|--------------------|--|--------|-----|----------|
| (22) | 928 521 560 02     | Switch insert                              | /R     | 1   | M340     |
| 23   | N 013 988 1        | Counters. head tapp. screw<br>B 3,5 X 16   |        | 1   |          |
| 24   | 999 591 849 07     | Washer<br>B 3,5                            |        | 1   |          |
| 25   | 928 613 181 00     | Switch<br>Height adjustment                |        | 2   |          |
| 26   | 928 613 187 01     | Switch                                     | /L     | 1   | M139     |
| (26) | 928 613 188 01     | Switch                                     | /R     | 1   | M340     |
|      |                    | Seat heater                                |        |     |          |
| 26A  | 928 618 521 00     | Relay<br>Seat heater                       |        | 1   |          |
| 27   | 928 521 561 04     | Trim for switch                            |        | 1   |          |
|      | 928 521 561 04 01C | Satin black                                |        |     |          |
| 28   | 928 521 561 03     | Trim for switch                            |        | 1   | M139/340 |
|      | 928 521 561 03 01C | Satin black                                |        |     |          |
| 29   | N 013 959 3        | Oval-head sheetmetal screw<br>B 3,5 X 16   |        | 2   |          |
| 29   | 900 143 016 01     | Oval-head sheetmetal screw<br>B 3,5 X 16   |        | 2   |          |
| 30   | 900 025 013 07     | Washer<br>A 3,7                            |        | 2   |          |
| 31   | 928 613 425 00     | Cover                                      |        | 1   | M139/340 |
| 32   | 911 521 533 00     | Handle knob                                |        | 1   | M383     |
| (32) |                    | Handle knob                                |        | 1   | M387     |
| (32) | 911 521 533 01     | Handle<br>for longitudinal adjustment      |        | 2   |          |
|      | 911 521 533 01 01C | Satin black                                |        |     |          |
| (33) | 928 521 073 04     | Lever<br>for backrest adjustment           |        | 1   | M383/387 |
| (33) | 964 521 073 00     | Lever<br>for backrest adjustment           |        | 2   |          |
|      | 964 521 073 00 01C | Satin black                                |        |     |          |
| 33   | 964 521 073 01     | Lever<br>for backrest adjustment           |        | 2   |          |
|      | 964 521 073 01 01C | Black                                      |        |     |          |
| 34   | 900 119 011 07     | Pan-head screw<br>M 5 X 10                 |        | 1   |          |
| 35   | 900 031 006 07     | Washer<br>5,3 X 9,5 X 1                    |        | 1   |          |
| 36   | 928 521 525 03     | Connecting rod<br>for backrest adjustment  |        | 2   |          |
| 37   | N 902 514 01       | Clamping sleeve<br>for backrest adjustment |        | 4   |          |
| 38   | N 902 515 01       | Guide bush<br>for backrest adjustment      |        | 4   |          |
| 39   | 928 521 681 02     | Bolt                                       |        | 4   |          |
| 40   | 928 521 683 02     | Washer<br>1,5 PA 6                         |        | 8   |          |
| 41   | 928 521 685 02     | Bush                                       |        | 4   |          |
| 42   | 900 034 003 02     | Hexagon nut<br>M 10                        |        | 4   |          |

Model: 911 84

Model life 1984>>1986



Model: 911 84 Model life 1984>>1986

| Pos | Part Number        | Description   | Remark | Qty | Model |
|-----|--------------------|---|--------|-----|-------|
| 1   | 944 521 037 16     | Sports seat<br>Cover<br>Cover for cushion<br>without heating<br>Leatherette/<br>Seat surface<br>Pin stripe velour | 85-    | 2   |       |
|     | 944 521 037 16 NY5 | Black/<br>Black-white   |        |     |       |
|     | 944 521 037 16 NY7 | Brown/<br>Brown-beige   |        |     |       |
|     | 944 521 037 16 QA3 | Blue/<br>Blue-white   |        |     |       |
|     | 944 521 037 16 NY8 | Burgundy<br>Burgundy-white  |        |     |       |
|     | 944 521 037 16 QA4 | Greyish green<br>Greyish green-white  |        |     |       |
|     | 944 521 037 16 RU3 | Grey-beige/<br>Grey-beige-white   | 86-    |     |       |
| (1) | 944 521 037 94     | Cover for cushion<br>with heating<br>Leatherette/<br>Seat surface<br>Pin stripe velour                            |        | 2   |       |
|     | 944 521 037 94 NY5 | Black/<br>Black-white   |        |     |       |
|     | 944 521 037 94 NY7 | Brown/<br>Brown-beige   |        |     |       |
|     | 944 521 037 94 QA3 | Blue/<br>Blue-white   |        |     |       |
|     | 944 521 037 94 NY8 | Burgundy/<br>Burgundy-white   |        |     |       |
|     | 944 521 037 94 QA4 | Greyish green/<br>Greyish green-white   |        |     |       |
|     | 944 521 037 94 RU3 | Grey-beige/<br>Grey-beige-white   | 86-    |     |       |
| 1   | 944 521 037 16     | Cover for cushion<br>without heating<br>Leatherette/<br>Seat surface<br>Pin stripe flannel                        |        | 2   |       |
|     | 944 521 037 16 NY9 | Black/anthracite  |        |     |       |
|     | 944 521 037 16 NZ6 | Brown/brown   |        |     |       |
|     | 944 521 037 16 QA6 | Blue/blue   |        |     |       |
|     | 944 521 037 16 NZ5 | Burgundy/burgundy   |        |     |       |
|     | 944 521 037 16 QA5 | Greyish green/grey-green  |        |     |       |
| (1) | 944 521 037 94     | Cover for cushion<br>with heating<br>Leatherette/<br>Seat surface<br>Pin stripe flannel                           |        | 2   |       |
|     | 944 521 037 94 NY9 | Black/anthracite  |        |     |       |
|     | 944 521 037 94 NZ6 | Brown/brown   |        |     |       |
|     | 944 521 037 94 QA6 | Blue/blue   |        |     |       |
|     | 944 521 037 94 NZ5 | Burgundy/burgundy   |        |     |       |
|     | 944 521 037 94 QA5 | Greyish green/grey-green  |        |     |       |
| 1   | 944 521 037 16     | Cover for cushion<br>without heating<br>Leatherette/<br>Seat surface<br>Porsche lettering cloth                   |        | 2   |       |
|     | 944 521 037 16 PX2 | Black/black   |        |     |       |
|     | 944 521 037 16 PX4 | Brown/brown   |        |     |       |

Model: 911 84 Model life 1984>>1986

| Pos                | Part Number        | Description   | Remark   | Qty | Model |  |     |   |  |
|--------------------|--------------------|---|--|-----|-------|--|-----|---|--|
| (1)                | 944 521 037 16 PX7 | Blue/blue   | 86-  | 2   |       |  |     |   |  |
|                    | 944 521 037 16 PX6 | Burgundy/burgundy   |  |     |       |  |     |   |  |
|                    | 944 521 037 16 PX8 | Greyish green/grey-green  |  |     |       |  |     |   |  |
|                    | 944 521 037 16 QD9 | Grey-beige/grey-beige   |  |     |       |  |     |   |  |
|                    | 944 521 037 94     | Cover for cushion<br>with heating<br>Leatherette/<br>Seat surface<br>Porsche lettering cloth    |  |     |       |  |     |   |  |
|                    | 944 521 037 94 PX2 | Black/black   |  |     |       |  |     |   |  |
|                    | 944 521 037 94 PX4 | Brown/brown   |  |     |       |  |     |   |  |
|                    | 944 521 037 94 PX7 | Blue/blue   |  |     |       |  |     |   |  |
|                    | 944 521 037 94 PX6 | Burgundy/burgundy   |  |     |       |  |     |   |  |
|                    | 944 521 037 94 PX8 | Greyish green/grey-green  |  |     |       |  |     |   |  |
| 2                  | 944 521 037 94 QD9 | Grey-beige/grey-beige   | 86-  | 2   |       |  |     |   |  |
|                    | 944 521 037 83     | Cover for cushion<br>without heating<br>Leatherette/leather<br>Centre part<br>Pin stripe velour |  |     |       |  |     |   |  |
|                    | 944 521 037 83 PY1 | Black/black<br>Black-white  |  |     |       |  |     |   |  |
|                    | 944 521 037 83 PY2 | Brown/<br>Brown-beige   |  |     |       |  |     |   |  |
|                    | 944 521 037 83 PY3 | Blue/<br>Blue-white   |  |     |       |  |     |   |  |
|                    | 944 521 037 83 PY4 | Burgundy/burgundy<br>Burgundy-white   |  |     |       |  |     |   |  |
|                    | 944 521 037 83 PY5 | Greyish green/<br>Greyish green-white   |  |     |       |  |     |   |  |
|                    | 944 521 037 83 RU4 | Grey-beige/<br>Grey-beige-white   |  |     |       |  |     |   |  |
|                    | (2)                | 944 521 037 92  |  |     |       | Cover for cushion<br>with heating<br>Leatherette/leather<br>Centre part<br>Pin stripe velour | 86- | 2 |  |
|                    |                    | 944 521 037 92 PY1  |  |     |       | Black/<br>Black-white  |     |   |  |
| 944 521 037 92 PY2 |                    | Brown/<br>Brown-beige   |  |     |       |  |     |   |  |
| 944 521 037 92 PY3 |                    | Blue/<br>Blue-white   |  |     |       |  |     |   |  |
| 944 521 037 92 PY4 |                    | Burgundy/burgundy<br>Burgundy-white   |  |     |       |  |     |   |  |
| 944 521 037 92 PY5 |                    | Greyish green/<br>Greyish green-white   |  |     |       |  |     |   |  |
| 944 521 037 92 RU4 |                    | Grey-beige/<br>Grey-beige-white   |  |     |       |  |     |   |  |
| 2                  |                    | 944 521 037 83  | Cover for cushion<br>without heating<br>Leatherette/leather<br>Centre part<br>Pin stripe flannel | 86- | 2     |  |     |   |  |
|                    |                    | 944 521 037 83 PZ2  | Black/anthracite   |     |       |  |     |   |  |
|                    |                    | 944 521 037 83 PZ3  | Brown/brown  |     |       |  |     |   |  |
|                    | 944 521 037 83 PZ4 | Blue/blue   |  |     |       |  |     |   |  |
|                    | 944 521 037 83 PZ5 | Burgundy/burgundy   |  |     |       |  |     |   |  |
|                    | 944 521 037 83 PZ6 | Greyish green/grey-green  |  |     |       |  |     |   |  |
|                    | (2)                | 944 521 037 92  | Cover for cushion<br>with heating<br>Leatherette/leather<br>Centre part                          |     |       |  | 86- | 2 |  |
|                    |                    |   |  |     |       |  |     |   |  |

Model: 911 84 Model life 1984>>1986

| Pos | Part Number        | Description   | Remark | Qty | Model |
|-----|--------------------|---|--------|-----|-------|
|     | 944 521 037 92 PZ2 | Pin stripe flannel<br>Black/anthracite  |        |     |       |
|     | 944 521 037 92 PZ3 | Brown/brown   |        |     |       |
|     | 944 521 037 92 PZ4 | Blue/blue   |        |     |       |
|     | 944 521 037 92 PZ5 | Burgundy/burgundy   |        |     |       |
|     | 944 521 037 92 PZ6 | Greyish green/grey-green  |        |     |       |
| 2   | 944 521 037 83     | Cover for cushion<br>without heating<br>Leatherette/leather<br>Centre part<br>Porsche lettering cloth |        | 2   |       |
|     | 944 521 037 83 PZ7 | Black/black   |        |     |       |
|     | 944 521 037 83 PZ8 | Brown/brown   |        |     |       |
|     | 944 521 037 83 PZ9 | Blue/blue   |        |     |       |
|     | 944 521 037 83 QA1 | Burgundy/burgundy   |        |     |       |
|     | 944 521 037 83 QA2 | Greyish green/grey-green  |        |     |       |
|     | 944 521 037 83 RU2 | Grey-beige/grey-beige   | 86-    |     |       |
| (2) | 944 521 037 92     | Cover for cushion<br>with heating<br>Leatherette/leather<br>Centre part<br>Porsche lettering cloth    |        | 2   |       |
|     | 944 521 037 92 PZ7 | Black/black   |        |     |       |
|     | 944 521 037 92 PZ8 | Brown/brown   |        |     |       |
|     | 944 521 037 92 PZ9 | Blue/blue   |        |     |       |
|     | 944 521 037 92 QA1 | Burgundy/burgundy   |        |     |       |
|     | 944 521 037 92 QA2 | Greyish green/grey-green  |        |     |       |
|     | 944 521 037 92 RU2 | Grey-beige/grey-beige   | 86-    |     |       |
| 2   | 944 521 037 86     | Cover for cushion<br>without heating<br>Leather/<br>Centre part<br>Pin stripe velour                  |        | 2   |       |
|     | 944 521 037 86 LS5 | Black/<br>Black-white   |        |     |       |
|     | 944 521 037 86 LS6 | Brown/<br>Brown-beige   |        |     |       |
|     | 944 521 037 86 LS8 | Blue/<br>Blue-white   |        |     |       |
|     | 944 521 037 86 LS9 | Burgundy/<br>Burgundy-white   |        |     |       |
|     | 944 521 037 86 QA7 | Greyish green/<br>Greyish green-white   |        |     |       |
|     | 944 521 037 86 LS7 | Grey-beige/<br>Grey-beige-white   | 86-    |     |       |
| (2) | 944 521 037 96     | Cover for cushion<br>with heating<br>Leather/<br>Centre part<br>Pin stripe velour                     |        | 2   |       |
|     | 944 521 037 96 LS5 | Black/<br>Black-white   |        |     |       |
|     | 944 521 037 96 LS6 | Brown/<br>Brown-beige   |        |     |       |
|     | 944 521 037 96 LS8 | Blue/<br>Blue-white   |        |     |       |
|     | 944 521 037 96 LS9 | Burgundy/<br>Burgundy-white   |        |     |       |
|     | 944 521 037 96 QA7 | Greyish green/<br>Greyish green-white   |        |     |       |
|     | 944 521 037 96 LS7 | Grey-beige/<br>Grey-beige-white   | 86-    |     |       |
| 2   | 944 521 037 86     | Cover for cushion   |        | 2   |       |



Model: 911 84 Model life 1984>>1986

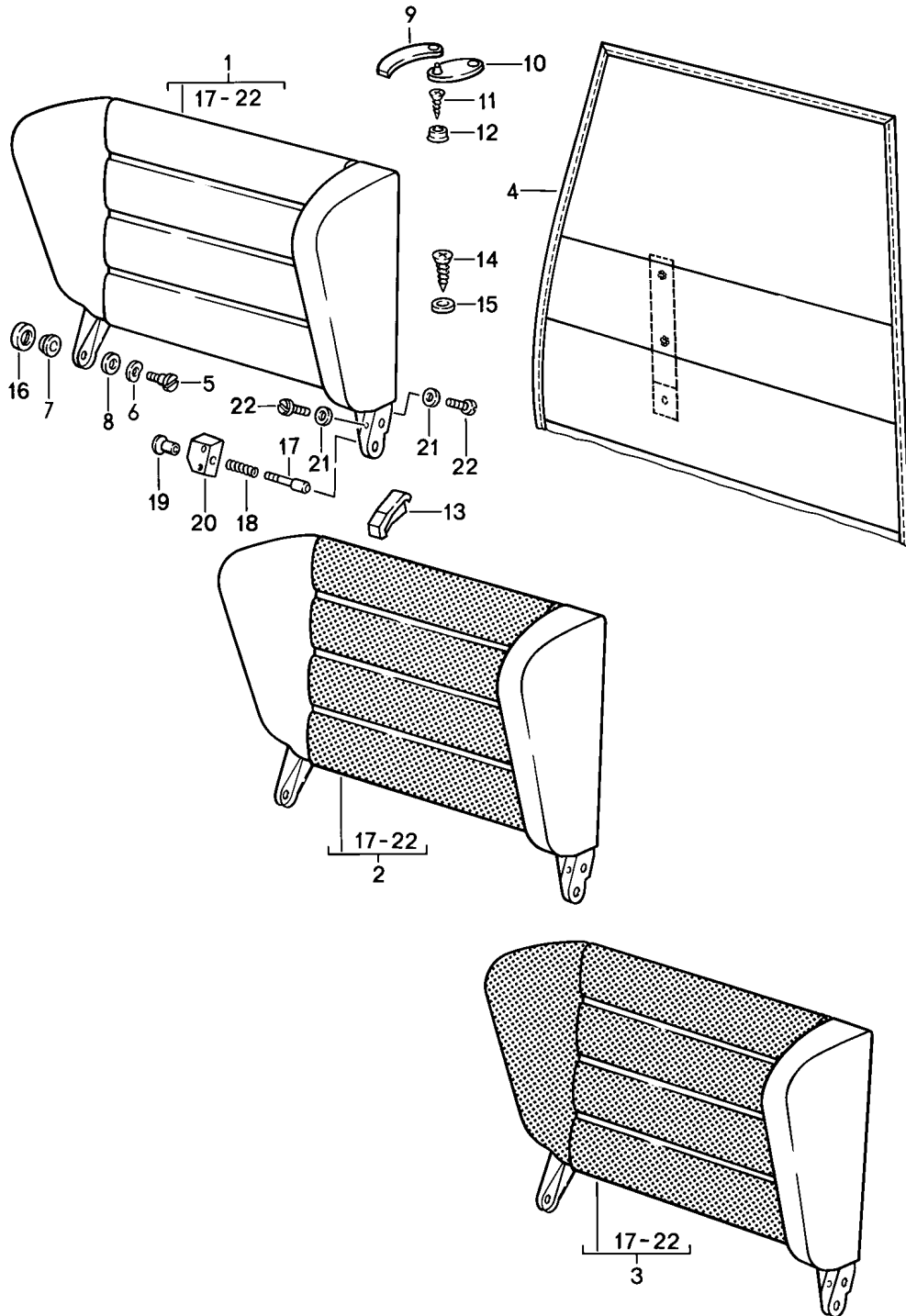
| Pos | Part Number        | Description  | Remark | Qty | Model |
|-----|--------------------|--|--------|-----|-------|
|     |                    | without heating<br>Leather/<br>Centre part<br>Pin stripe flannel   |        |     |       |
|     | 944 521 037 86 QB1 | Black/anthracite   |        |     |       |
|     | 944 521 037 86 QB3 | Brown/brown  |        |     |       |
|     | 944 521 037 86 QB5 | Blue/blue  |        |     |       |
|     | 944 521 037 86 QB7 | Burgundy/burgundy  |        |     |       |
|     | 944 521 037 86 QA8 | Greyish green/grey-green   |        |     |       |
| (2) | 944 521 037 96     | Cover for cushion<br>with heating<br>Leather/<br>Centre part<br>Pin stripe flannel                               |        | 2   |       |
|     | 944 521 037 96 QB1 | Black/anthracite   |        |     |       |
|     | 944 521 037 96 QB3 | Brown/brown  |        |     |       |
|     | 944 521 037 96 QB5 | Blue/blue  |        |     |       |
|     | 944 521 037 96 QB7 | Burgundy/burgundy  |        |     |       |
|     | 944 521 037 96 QA8 | Greyish green/grey-green   |        |     |       |
| 2   | 944 521 037 86     | Cover for cushion<br>without heating<br>Leather/<br>Centre part<br>Porsche lettering cloth                       |        | 2   |       |
|     | 944 521 037 86 QB2 | Black/black  |        |     |       |
|     | 944 521 037 86 QB4 | Brown/brown  |        |     |       |
|     | 944 521 037 86 QB6 | Blue/blue  |        |     |       |
|     | 944 521 037 86 QB8 | Burgundy/burgundy  |        |     |       |
|     | 944 521 037 86 QA9 | Greyish green/grey-green   |        |     |       |
| (2) | 944 521 037 86 RU1 | Grey-beige/grey-beige<br>Cover for cushion<br>with heating<br>Leather/<br>Centre part<br>Porsche lettering cloth | 86-    | 2   |       |
|     | 944 521 037 96 QB2 | Black/black  |        |     |       |
|     | 944 521 037 96 QB4 | Brown/brown  |        |     |       |
|     | 944 521 037 96 QB6 | Blue/blue  |        |     |       |
|     | 944 521 037 96 QB8 | Burgundy/burgundy  |        |     |       |
|     | 944 521 037 96 QA9 | Greyish green/grey-green   |        |     |       |
|     | 944 521 037 96 RU1 | Grey-beige/grey-beige  |        |     |       |
| 3   | 944 521 037 84     | Cover for cushion<br>without heating<br>Leatherette/<br>Seat surface<br>Leather                                  |        | 2   |       |
|     | 944 521 037 84 JN3 | Black/black  |        |     |       |
|     | 944 521 037 84 JN4 | Brown/brown  |        |     |       |
|     | 944 521 037 84 QC1 | Blue/blue  |        |     |       |
|     | 944 521 037 84 NZ8 | Burgundy/burgundy  |        |     |       |
|     | 944 521 037 84 PX9 | Greyish green/grey-green   |        |     |       |
|     | 944 521 037 84 JN5 | Grey-beige/grey-beige  |        |     |       |
| (3) | 944 521 037 93     | Cover for cushion<br>with heating<br>Leatherette/<br>Seat surface<br>Leather                                     | 86-    | 2   |       |
|     | 944 521 037 93 JN3 | Black/black  |        |     |       |
|     | 944 521 037 93 JN4 | Brown/brown  |        |     |       |
|     | 944 521 037 93 QC1 | Blue/blue  |        |     |       |
|     | 944 521 037 93 NZ8 | Burgundy/burgundy  |        |     |       |
|     | 944 521 037 93 PX9 | Greyish green/grey-green   |        |     |       |
|     | 944 521 037 93 JN5 | Grey-beige/grey-beige  | 86-    |     |       |

Model: 911 84 Model life 1984>>1986

| Pos | Part Number        | Description                                     | Remark | Qty | Model |
|-----|--------------------|---|--------|-----|-------|
| 3   | 944 521 037 85     | Cover for cushion<br>without heating<br>Leather |        | 2   |       |
|     | 944 521 037 85 KZ2 | Black   |        |     |       |
|     | 944 521 037 85 KZ5 | Brown   |        |     |       |
|     | 944 521 037 85 KZ3 | Blue  |        |     |       |
|     | 944 521 037 85 LG7 | Burgundy  |        |     |       |
|     | 944 521 037 85 QC2 | Greyish green                                   |        |     |       |
|     | 944 521 037 85 KZ6 | Can-can-red                                     |        |     |       |
|     | 944 521 037 85 LG4 | Pearl white                                     |        |     |       |
|     | 944 521 037 85 LG5 | Champagne                                       |        |     |       |
|     | 944 521 037 85 LG6 | Dark green                                      |        |     |       |
|     | 944 521 037 85 PY9 | Ocean blue                                      |        |     |       |
|     | 944 521 037 85 PZ1 | Wild buffalo                                    |        |     |       |
|     | 944 521 037 85 KZ4 | Grey-beige                                      | 86-    |     |       |
| (3) | 944 521 037 95     | Cover for cushion<br>with heating<br>Leather    |        | 2   |       |
|     | 944 521 037 95 KZ2 | Black   |        |     |       |
|     | 944 521 037 95 KZ5 | Brown   |        |     |       |
|     | 944 521 037 95 KZ3 | Blue  |        |     |       |
|     | 944 521 037 95 LG7 | Burgundy  |        |     |       |
|     | 944 521 037 95 QC2 | Greyish green                                   |        |     |       |
|     | 944 521 037 95 KZ6 | Can-can-red                                     |        |     |       |
|     | 944 521 037 95 LG4 | Pearl white                                     |        |     |       |
|     | 944 521 037 95 LG5 | Champagne                                       |        |     |       |
|     | 944 521 037 95 LG6 | Dark green                                      |        |     |       |
|     | 944 521 037 95 PY9 | Ocean blue                                      |        |     |       |
|     | 944 521 037 95 PZ1 | Wild buffalo                                    |        |     |       |
|     | 944 521 037 95 KZ4 | Grey-beige                                      | 86-    |     |       |
| 4   | 928 521 385 27     | Foam part                                       | /L     | 1   |       |
| (4) | 928 521 385 28     | Foam part                                       | /L     | 1   | M139  |
| (4) | 928 521 386 27     | Foam part                                       | /R     | 1   |       |
| (4) | 928 521 386 28     | Foam part                                       | /R     | 1   | M340  |

Model: 911 84

Model life 1984>>1986



Model: 911 84 Model life 1984>>1986

| Pos | Part Number        | Description  | Remark   | Qty | Model       |
|-----|--------------------|--|----------|-----|-------------|
|     |                    | Back seat<br>Backrest<br>for cars with<br>POS. 9 - 13<br>It is necessary to rework |          |     | COUPE/TARGA |
| (1) | 911 522 017 00     | Back seat backrest<br>Leatherette  | /L       | 1   |             |
|     | 911 522 017 00 3MK | Burgundy   |          |     |             |
|     | 911 522 017 00 4FK | Grey-beige   | -84, -86 |     |             |
|     | 911 522 017 00 43S | Black  |          |     |             |
|     | 911 522 017 00 1HH | Blue   |          |     |             |
|     | 911 522 017 00 4RB | Brown  |          |     |             |
|     | 911 522 017 00 4JX | Greyish green  | 85-      |     |             |
| (1) | 911 522 018 00     | Back seat backrest<br>Leatherette  | /R       | 1   |             |
|     | 911 522 018 00 3MK | Burgundy   |          |     |             |
|     | 911 522 018 00 4FK | Grey-beige   | -84, -86 |     |             |
|     | 911 522 018 00 43S | Black  |          |     |             |
|     | 911 522 018 00 1HH | Blue   |          |     |             |
|     | 911 522 018 00 4RB | Brown  |          |     |             |
|     | 911 522 018 00 4JX | Greyish green  | 85-      |     |             |
| (1) | 911 522 017 03     | Back seat backrest<br>Whole-leather  | /L       | 1   |             |
|     | 911 522 017 03 KZ2 | Black  |          |     |             |
|     | 911 522 017 03 KZ3 | Blue   |          |     |             |
|     | 911 522 017 03 KZ4 | Grey-beige   | -84, -86 |     |             |
|     | 911 522 017 03 KZ5 | Brown  |          |     |             |
|     | 911 522 017 03 KZ6 | Can-can-red  |          |     |             |
|     | 911 522 017 03 LG4 | Pearl white  |          |     |             |
|     | 911 522 017 03 LG5 | Champagne  |          |     |             |
|     | 911 522 017 03 LG6 | Dark green   |          |     |             |
|     | 911 522 017 03 LG7 | Burgundy   |          |     |             |
|     | 911 522 017 03 QC2 | Greyish green  | 85-86    |     |             |
|     | 911 522 017 03 PY9 | Ocean blue   | 85-86    |     |             |
|     | 911 522 017 03 PZ1 | Wild buffalo   | 85-86    |     |             |
| 1   | 911 522 018 03     | Back seat backrest<br>Whole-leather  | /R       | 1   |             |
|     | 911 522 018 03 KZ2 | Black  |          |     |             |
|     | 911 522 018 03 KZ3 | Blue   |          |     |             |
|     | 911 522 018 03 KZ4 | Grey-beige   | -84, -86 |     |             |
|     | 911 522 018 03 KZ5 | Brown  |          |     |             |
|     | 911 522 018 03 KZ6 | Can-can-red  |          |     |             |
|     | 911 522 018 03 LG4 | Pearl white  |          |     |             |
|     | 911 522 018 03 LG5 | Champagne  |          |     |             |
|     | 911 522 018 03 LG6 | Dark green   |          |     |             |
|     | 911 522 018 03 LG7 | Burgundy   |          |     |             |
|     | 911 522 018 03 QC2 | Greyish green  | 85-86    |     |             |
|     | 911 522 018 03 PY9 | Ocean blue   | 85-86    |     |             |
|     | 911 522 018 03 PZ1 | Wild buffalo   | 85-86    |     |             |
| (2) | 911 522 017 01     | Back seat backrest<br>Leatherette/<br>Centre part in cloth<br>Checker board velour | /L       | 1   |             |
|     | 911 522 017 01 LD5 | Black  | -84      |     |             |
|     |                    | Light grey/black   |          |     |             |
|     | 911 522 017 01 LJ8 | Blue   |          |     |             |
|     |                    | Blue-grey  |          |     |             |
|     | 911 522 017 01 LD6 | Brown  |          |     |             |
|     |                    | Brown-grey   |          |     |             |
|     | 911 522 017 01 LJ9 | Burgundy   |          |     |             |
|     |                    | Burgundy-grey  |          |     |             |
|     | 911 522 017 01 LK1 | Grey-beige   |          |     |             |
|     |                    | Light grey/black   |          |     |             |

Model: 911 84 Model life 1984>>1986

| Pos | Part Number        | Description  | Remark          | Qty | Model |
|-----|--------------------|--|-----------------|-----|-------|
| 2   | 911 522 018 01     | Back seat backrest<br>Leatherette/<br>Centre part in cloth<br>Checker board velour | /R<br><br>-84   | 1   |       |
|     | 911 522 018 01 LD5 | Black<br>Light grey/black  |                 |     |       |
|     | 911 522 018 01 LJ8 | Blue<br>Blue-grey  |                 |     |       |
|     | 911 522 018 01 LD6 | Brown<br>Brown-grey  |                 |     |       |
|     | 911 522 018 01 LJ9 | Burgundy<br>Burgundy-grey  |                 |     |       |
|     | 911 522 018 01 LK1 | Grey-beige<br>Light grey/black   |                 |     |       |
| (2) | 911 522 017 01     | Back seat backrest<br>Leatherette/<br>Centre part<br>Uni-coloured cloth            | /L<br><br>-84   | 1   |       |
|     | 911 522 017 01 LK3 | Brown  |                 |     |       |
|     | 911 522 017 01 LK5 | Burgundy   |                 |     |       |
|     | 911 522 017 01 LK6 | Grey-beige   |                 |     |       |
|     | 911 522 017 01 JM2 | Black  |                 |     |       |
|     | 911 522 017 01 JM5 | Blue   |                 |     |       |
| 2   | 911 522 018 01     | Back seat backrest<br>Leatherette/<br>Centre part<br>Uni-coloured cloth            | /R<br><br>-84   | 1   |       |
|     | 911 522 018 01 LK3 | Brown  |                 |     |       |
|     | 911 522 018 01 LK5 | Burgundy   |                 |     |       |
|     | 911 522 018 01 LK6 | Grey-beige   |                 |     |       |
|     | 911 522 018 01 JM2 | Black  |                 |     |       |
|     | 911 522 018 01 JM5 | Blue   |                 |     |       |
| (2) | 911 522 017 01     | Back seat backrest<br>Leatherette/<br>Centre part<br>Pin stripe velour             | /L              | 1   |       |
|     | 911 522 017 01 JN1 | Black/<br>Black-white  |                 |     |       |
|     | 911 522 017 01 LT1 | Blue<br>Blue-white   |                 |     |       |
|     | 911 522 017 01 JN2 | Brown<br>Brown-beige   |                 |     |       |
|     | 911 522 017 01 LT2 | Burgundy/<br>Burgundy-white  |                 |     |       |
|     | 911 522 017 01 LD4 | Grey-beige<br>Grey-beige-white   | -84, -86<br>-86 |     |       |
|     | 911 522 017 01 PY5 | Greyish green/<br>Greyish green-white  | 85-<br>85-      |     |       |
| 2   | 911 522 018 01     | Back seat backrest<br>Leatherette/<br>Centre part<br>Pin stripe velour             | /R              | 1   |       |
|     | 911 522 018 01 JN1 | Black/<br>Black-white  |                 |     |       |
|     | 911 522 018 01 LT1 | Blue<br>Blue-white   |                 |     |       |
|     | 911 522 018 01 JN2 | Brown<br>Brown-beige   |                 |     |       |
|     | 911 522 018 01 LT2 | Burgundy/<br>Burgundy-white  |                 |     |       |
|     | 911 522 018 01 LD4 | Grey-beige<br>Grey-beige-white   | -84, -86<br>-86 |     |       |
|     | 911 522 018 01 PY5 | Greyish green/   | 85-             |     |       |

Model: 911 84 Model life 1984>>1986

| Pos | Part Number        | Description   | Remark               | Qty | Model |
|-----|--------------------|---|----------------------|-----|-------|
| (2) | 911 522 017 01     | Greyish green-white<br>Back seat backrest<br>Leatherette/<br>Centre part<br>Porsche lettering cloth | 85-<br>/L<br><br>-84 | 1   |       |
|     | 911 522 017 01 LR6 | Black   |                      |     |       |
|     | 911 522 017 01 MN1 | Blue  |                      |     |       |
|     | 911 522 017 01 LR7 | Brown   |                      |     |       |
|     | 911 522 017 01 MN2 | Burgundy  |                      |     |       |
|     | 911 522 017 01 LR8 | Grey-beige  |                      |     |       |
| 2   | 911 522 018 01     | Back seat backrest<br>Leatherette/<br>Centre part<br>Porsche lettering cloth                        | /R<br><br>-84        | 1   |       |
|     | 911 522 018 01 LR6 | Black   |                      |     |       |
|     | 911 522 018 01 MN1 | Blue  |                      |     |       |
|     | 911 522 018 01 LR7 | Brown   |                      |     |       |
|     | 911 522 018 01 MN2 | Burgundy  |                      |     |       |
|     | 911 522 018 01 LR8 | Grey-beige  |                      |     |       |
| (2) | 911 522 017 01     | Back seat backrest<br>Leatherette/<br>Centre part<br>Porsche lettering cloth                        | /L<br><br>85-        | 1   |       |
|     | 911 522 017 01 PZ7 | Black/black   |                      |     |       |
|     | 911 522 017 01 PZ9 | Blue  |                      |     |       |
|     | 911 522 017 01 PZ8 | Brown   |                      |     |       |
|     | 911 522 017 01 QA1 | Burgundy/burgundy   |                      |     |       |
|     | 911 522 017 01 QA2 | Greyish green/grey-green  |                      |     |       |
|     | 911 522 017 01 QD8 | Grey-beige  | 86-                  |     |       |
| 2   | 911 522 018 01     | Back seat backrest<br>Leatherette/<br>Centre part<br>Porsche lettering cloth                        | /R<br><br>85-        | 1   |       |
|     | 911 522 018 01 PZ7 | Black/black   |                      |     |       |
|     | 911 522 018 01 PZ9 | Blue  |                      |     |       |
|     | 911 522 018 01 PZ8 | Brown   |                      |     |       |
|     | 911 522 018 01 QA1 | Burgundy/burgundy   |                      |     |       |
|     | 911 522 018 01 QA2 | Greyish green/grey-green  |                      |     |       |
|     | 911 522 018 01 QD8 | Grey-beige  | 86-                  |     |       |
| (2) | 911 522 017 01     | Back seat backrest<br>Leatherette/<br>Centre part<br>Pin stripe flannel                             | /L<br><br>85-        | 1   |       |
|     | 911 522 017 01 PZ2 | Black/antracite   |                      |     |       |
|     | 911 522 017 01 PZ4 | Brown   |                      |     |       |
|     | 911 522 017 01 PZ3 | Brown   |                      |     |       |
|     | 911 522 017 01 PZ5 | Burgundy/burgundy   |                      |     |       |
|     | 911 522 017 01 PZ6 | Greyish green/grey-green  |                      |     |       |
| 2   | 911 522 018 01     | Back seat backrest<br>Leatherette/<br>Centre part<br>Pin stripe flannel                             | /R<br><br>85-        | 1   |       |
|     | 911 522 018 01 PZ2 | Black/antracite   |                      |     |       |
|     | 911 522 018 01 PZ4 | Blue  |                      |     |       |
|     | 911 522 018 01 PZ3 | Brown   |                      |     |       |
|     | 911 522 018 01 PZ5 | Burgundy/burgundy   |                      |     |       |
|     | 911 522 018 01 PZ6 | Greyish green/grey-green  |                      |     |       |
| (2) | 911 522 017 04     | Back seat backrest<br>Leather/<br>Centre part<br>Checker board velour                               | /L<br><br>-84        | 1   |       |
|     | 911 522 017 04 LH1 | Black<br>Light grey/black   |                      |     |       |

Model: 911 84 Model life 1984>>1986

| Pos | Part Number        | Description           | Remark   | Qty | Model |
|-----|--------------------|-----------------------|----------|-----|-------|
|     | 911 522 017 04 LH3 | Blue                  |          |     |       |
|     |                    | Blue-grey             |          |     |       |
|     | 911 522 017 04 LH2 | Brown                 |          |     |       |
|     |                    | Brown-grey            |          |     |       |
|     | 911 522 017 04 LH4 | Burgundy              |          |     |       |
|     |                    | Burgundy-grey         |          |     |       |
|     | 911 522 017 04 LH6 | Grey-beige            |          |     |       |
|     |                    | Light grey/black      |          |     |       |
| 2   | 911 522 018 04     | Back seat backrest    | /R       | 1   |       |
|     |                    | Leather/              |          |     |       |
|     |                    | Centre part           |          |     |       |
|     |                    | Checker board velour  | -84      |     |       |
|     | 911 522 018 04 LH1 | Black/                |          |     |       |
|     |                    | Light grey/black      |          |     |       |
|     | 911 522 018 04 LH3 | Blue/                 |          |     |       |
|     |                    | Blue-grey             |          |     |       |
|     | 911 522 018 04 LH2 | Brown/                |          |     |       |
|     |                    | Brown-grey            |          |     |       |
|     | 911 522 018 04 LH4 | Burgundy/             |          |     |       |
|     |                    | Burgundy-grey         |          |     |       |
|     | 911 522 018 04 LH6 | Grey-beige/           |          |     |       |
|     |                    | Light grey/black      |          |     |       |
| (2) | 911 522 017 04     | Back seat backrest    | /L       | 1   |       |
|     |                    | Leather/              |          |     |       |
|     |                    | Centre part           |          |     |       |
|     |                    | Uni-coloured cloth    | -84      |     |       |
|     | 911 522 017 04 LJ1 | Brown/brown           |          |     |       |
|     | 911 522 017 04 LJ2 | Burgundy              |          |     |       |
|     | 911 522 017 04 LJ3 | Grey-beige/grey-beige |          |     |       |
|     | 911 522 017 04 JN6 | Black/black           |          |     |       |
|     | 911 522 017 04 JT4 | Blue/blue             |          |     |       |
| 2   | 911 522 018 04     | Back seat backrest    | /R       | 1   |       |
|     |                    | Leather/              |          |     |       |
|     |                    | Centre part           |          |     |       |
|     |                    | Uni-coloured cloth    | -84      |     |       |
|     | 911 522 018 04 LJ1 | Brown/brown           |          |     |       |
|     | 911 522 018 04 LJ2 | Burgundy/burgundy     |          |     |       |
|     | 911 522 018 04 LJ3 | Grey-beige/grey-beige |          |     |       |
|     | 911 522 018 04 JN6 | Black/black           |          |     |       |
|     | 911 522 018 04 JT4 | Blue/blue             |          |     |       |
| (2) | 911 522 017 04     | Back seat backrest    | /L       | 1   |       |
|     |                    | Leather/              |          |     |       |
|     |                    | Centre part           |          |     |       |
|     |                    | Pin stripe velour     |          |     |       |
|     | 911 522 017 04 LS5 | Black/                |          |     |       |
|     |                    | Black-white           |          |     |       |
|     | 911 522 017 04 LS8 | Blue/                 |          |     |       |
|     |                    | Blue-white            |          |     |       |
|     | 911 522 017 04 LS6 | Brown/                |          |     |       |
|     |                    | Brown-beige           |          |     |       |
|     | 911 522 017 04 LS9 | Burgundy/             |          |     |       |
|     |                    | Burgundy-white        |          |     |       |
|     | 911 522 017 04 LS7 | Grey-beige/           | -84, -86 |     |       |
|     |                    | Grey-beige-white      | -86      |     |       |
|     | 911 522 017 04 QA7 | Greyish green/        | 85-      |     |       |
|     |                    | Greyish green-white   | 85-      |     |       |
| 2   | 911 522 018 04     | Back seat backrest    | /R       | 1   |       |
|     |                    | Leather/              |          |     |       |
|     |                    | Centre part           |          |     |       |
|     |                    | Pin stripe velour     |          |     |       |
|     | 911 522 018 04 LS5 | Black/                |          |     |       |
|     |                    | Black-white           |          |     |       |
|     | 911 522 018 04 LS8 | Blue/                 |          |     |       |

Model: 911 84 Model life 1984>>1986

| Pos | Part Number        | Description   | Remark          | Qty | Model |
|-----|--------------------|---|-----------------|-----|-------|
|     | 911 522 018 04 LS6 | Blue-white<br>Brown/<br>Brown-beige   |                 |     |       |
|     | 911 522 018 04 LS9 | Burgundy/<br>Burgundy-white   |                 |     |       |
|     | 911 522 018 04 LS7 | Grey-beige/<br>Grey-beige-white   | -84, -86<br>-86 |     |       |
|     | 911 522 018 04 QA7 | Greyish green/<br>Greyish green-white   | 85-<br>85-      |     |       |
| (2) | 911 522 017 04     | Back seat backrest<br>Leather/<br>Centre part<br>Porsche lettering cloth          | /L              | 1   |       |
|     | 911 522 017 04 QB2 | Black/black   |                 |     |       |
|     | 911 522 017 04 QB6 | Blue/blue   |                 |     |       |
|     | 911 522 017 04 QB4 | Brown/brown   |                 |     |       |
|     | 911 522 017 04 QB8 | Burgundy/burgundy   |                 |     |       |
|     | 911 522 017 04 QA9 | Greyish green/grey-green  |                 |     |       |
|     | 911 522 017 04 RU1 | Grey-beige/grey-beige   | 86-             |     |       |
| 2   | 911 522 018 04     | Back seat backrest<br>Leather/<br>Centre part<br>Porsche lettering cloth          | /R              | 1   |       |
|     | 911 522 018 04 QB2 | Black/black   |                 |     |       |
|     | 911 522 018 04 QB6 | Blue/blue   |                 |     |       |
|     | 911 522 018 04 QB4 | Brown/brown   |                 |     |       |
|     | 911 522 018 04 QB8 | Burgundy/burgundy   |                 |     |       |
|     | 911 522 018 04 QA9 | Greyish green/grey-green  |                 |     |       |
|     | 911 522 018 04 RU1 | Grey-beige/grey-beige   | 86-             |     |       |
| (2) | 911 522 017 04     | Back seat backrest<br>Leather/<br>Centre part<br>Pin stripe flannel               | /L              | 1   |       |
|     | 911 522 017 04 QB1 | Black/anthracite  | 85-             |     |       |
|     | 911 522 017 04 QB5 | Blue/blue   |                 |     |       |
|     | 911 522 017 04 QB3 | Brown/brown   |                 |     |       |
|     | 911 522 017 04 QB7 | Burgundy/burgundy   |                 |     |       |
|     | 911 522 017 04 QA8 | Greyish green/grey-green  |                 |     |       |
| 2   | 911 522 018 04     | Back seat backrest<br>Leather/<br>Centre part<br>Pin stripe flannel               | /R              | 1   |       |
|     | 911 522 018 04 QB1 | Black/anthracite  | 85-             |     |       |
|     | 911 522 018 04 QB5 | Blue/blue   |                 |     |       |
|     | 911 522 018 04 QB3 | Brown/brown   |                 |     |       |
|     | 911 522 018 04 QB7 | Burgundy/burgundy   |                 |     |       |
|     | 911 522 018 04 QA8 | Greyish green/grey-green  |                 |     |       |
| (3) | 911 522 017 02     | Back seat backrest<br>Leatherette/<br>Backrest surface<br>Porsche lettering cloth | /L              | 1   |       |
|     | 911 522 017 02 LR1 | Black/black   | -84             |     |       |
|     | 911 522 017 02 LR4 | Blue/blue   |                 |     |       |
|     | 911 522 017 02 LR2 | Brown/brown   |                 |     |       |
|     | 911 522 017 02 LR5 | Burgundy/burgundy   |                 |     |       |
|     | 911 522 017 02 LR3 | Grey-beige/grey-beige   |                 |     |       |
| 3   | 911 522 018 02     | Back seat backrest<br>Leatherette/<br>Backrest surface<br>Porsche lettering cloth | /R              | 1   |       |
|     | 911 522 018 02 LR1 | Black/black   | -84             |     |       |
|     | 911 522 018 02 LR4 | Blue/blue   |                 |     |       |
|     | 911 522 018 02 LR2 | Brown/brown   |                 |     |       |



Model: 911 84 Model life 1984>>1986

| Pos                | Part Number        | Description                               | Remark             | Qty | Model |
|--------------------|--------------------|---|--------------------|-----|-------|
| (3)                | 911 522 018 02 LR5 | Burgundy/burgundy                         |                    | 1   |       |
|                    | 911 522 018 02 LR3 | Grey-beige/grey-beige                     |                    |     |       |
|                    | 911 522 017 02     | Back seat backrest                        | /L                 |     |       |
|                    |                    | Leatherette/<br>Backrest surface          |                    |     |       |
|                    |                    | Porsche lettering cloth                   | 85-                |     |       |
|                    | 911 522 017 02 PX2 | Black/black                               |                    |     |       |
|                    | 911 522 017 02 PX7 | Blue/blue                                 |                    |     |       |
|                    | 911 522 017 02 PX4 | Brown/brown                               |                    |     |       |
|                    | 911 522 017 02 PX6 | Burgundy/burgundy                         |                    |     |       |
|                    | 911 522 017 02 PX8 | Greyish green/grey-green                  |                    |     |       |
| 3                  | 911 522 017 02 QD9 | Grey-beige/grey-beige                     | 86-                | 1   |       |
|                    | 911 522 018 02     | Back seat backrest                        | /R                 |     |       |
|                    |                    | Leatherette/<br>Backrest surface          |                    |     |       |
|                    |                    | Porsche lettering cloth                   | 85-                |     |       |
|                    | 911 522 018 02 PX2 | Black/black                               |                    |     |       |
|                    | 911 522 018 02 PX7 | Blue/blue                                 |                    |     |       |
|                    | 911 522 018 02 PX4 | Brown/brown                               |                    |     |       |
|                    | 911 522 018 02 PX6 | Burgundy/burgundy                         |                    |     |       |
|                    | 911 522 018 02 PX8 | Greyish green/grey-green                  |                    |     |       |
|                    | 911 522 018 02 QD9 | Grey-beige/grey-beige                     | 86-                |     |       |
| (3)                | 911 522 017 02     | Back seat backrest                        | /L                 | 1   |       |
|                    |                    | Leatherette/<br>Backrest surface          |                    |     |       |
|                    |                    | Pin stripe velour                         | 85-                |     |       |
|                    | 911 522 017 02 NY5 | Black/<br>Black-white                     |                    |     |       |
|                    | 911 522 017 02 QA3 | Blue/blue<br>Blue-white                   |                    |     |       |
|                    | 911 522 017 02 NY7 | Brown/brown<br>Brown-beige                |                    |     |       |
|                    | 911 522 017 02 NY8 | Burgundy/<br>Burgundy-white               |                    |     |       |
|                    | 911 522 017 02 QA4 | Greyish green/<br>Greyish green-white     |                    |     |       |
|                    | 911 522 017 02 RU3 | Grey-beige/grey-beige<br>Grey-beige-white | 86-<br>86-         |     |       |
|                    | 3                  | 911 522 018 02                            | Back seat backrest |     |       |
|                    |                    | Leatherette/<br>Backrest surface          |                    |     |       |
|                    |                    | Pin stripe velour                         | 85-                |     |       |
| 911 522 018 02 NY5 |                    | Black/<br>Black-white                     |                    |     |       |
| 911 522 018 02 QA3 |                    | Blue/blue<br>Blue-white                   |                    |     |       |
| 911 522 018 02 NY7 |                    | Brown/brown<br>Brown-beige                |                    |     |       |
| 911 522 018 02 NY8 |                    | Burgundy/<br>Burgundy-white               |                    |     |       |
| 911 522 018 02 QA4 |                    | Greyish green/<br>Greyish green-white     |                    |     |       |
| 911 522 018 02 RU3 |                    | Grey-beige/grey-beige<br>Grey-beige-white | 86-<br>86-         |     |       |
| (3)                |                    | 911 522 017 02                            | Back seat backrest | /L  | 1     |
|                    |                    | Leatherette/<br>Backrest surface          |                    |     |       |
|                    |                    | Pin stripe flannel                        | 85-                |     |       |
|                    | 911 522 017 02 NY9 | Black/anthracite                          |                    |     |       |
|                    | 911 522 017 02 QA6 | Blue/blue                                 |                    |     |       |
|                    | 911 522 017 02 NZ6 | Brown/brown                               |                    |     |       |
|                    | 911 522 017 02 NZ5 | Burgundy/burgundy                         |                    |     |       |
|                    | 911 522 017 02 QA5 | Greyish green/grey-green                  |                    |     |       |

Model: 911 84 Model life 1984>>1986

| Pos | Part Number        | Description   | Remark           | Qty | Model       |
|-----|--------------------|---|------------------|-----|-------------|
| 3   | 911 522 018 02     | Back seat backrest<br>Leatherette/<br>Backrest surface<br>Pin stripe flannel  | /R<br><br>85-    | 1   |             |
|     | 911 522 018 02 NY9 | Black/anthracite  |                  |     |             |
|     | 911 522 018 02 QA6 | Blue/blue   |                  |     |             |
|     | 911 522 018 02 NZ6 | Brown/brown   |                  |     |             |
|     | 911 522 018 02 NZ5 | Burgundy/burgundy   |                  |     |             |
|     | 911 522 018 02 QA5 | Greyish green/grey-green  |                  |     |             |
| (3) | 911 522 005 85     | Back seat backrest<br>Leather/<br>Backrest surface<br>Porsche lettering cloth | /L -84<br><br>84 | 1   |             |
|     | 911 522 005 85 LR9 | Black/black   |                  |     |             |
|     | 911 522 005 85 LS3 | Blue/blue   |                  |     |             |
|     | 911 522 005 85 LS1 | Brown/brown   |                  |     |             |
|     | 911 522 005 85 LS4 | Burgundy/burgundy   |                  |     |             |
|     | 911 522 005 85 LS2 | Grey-beige/grey-beige   |                  |     |             |
| (3) | 911 522 006 85     | Back seat backrest<br>Leather/<br>Backrest surface<br>Porsche lettering cloth | /R -84<br><br>84 | 1   |             |
|     | 911 522 006 85 LR9 | Black/black   |                  |     |             |
|     | 911 522 006 85 LS3 | Blue/blue   |                  |     |             |
|     | 911 522 006 85 LS1 | Brown/brown   |                  |     |             |
|     | 911 522 006 85 LS4 | Burgundy/burgundy   |                  |     |             |
|     | 911 522 006 85 LS2 | Grey-beige/grey-beige   |                  |     |             |
| 4   | 911 522 062 03     | Carpet<br>Cut pile  | /R               | 1   |             |
|     | 911 522 062 03 70E | Black   |                  |     |             |
|     | 911 522 062 03 30B | Blue  |                  |     |             |
|     | 911 522 062 03 40E | Brown   |                  |     |             |
|     | 911 522 062 03 80E | Burgundy  |                  |     |             |
|     | 911 522 062 03 6JD | Dark green  |                  |     |             |
|     | 911 522 062 03 1VD | Champagne   |                  |     |             |
|     | 911 522 062 03 80S | Can-can-red   |                  |     |             |
|     | 911 522 062 03 60A | Grey  |                  |     |             |
|     | 911 522 062 03 2FL | Grey-beige  | -84, -86         |     |             |
|     | 911 522 062 03 8JK | Greyish green   | 85-              |     |             |
|     | 911 522 062 03 2YN | White   | 85-              |     |             |
| (4) | 911 522 061 03     | Carpet<br>Cut pile  | /L               | 1   | COUPE/TARGA |
|     | 911 522 061 03 70E | Black   |                  |     |             |
|     | 911 522 061 03 30B | Blue  |                  |     |             |
|     | 911 522 061 03 40E | Brown   |                  |     |             |
|     | 911 522 061 03 80E | Burgundy  |                  |     |             |
|     | 911 522 061 03 6JD | Dark green  |                  |     |             |
|     | 911 522 061 03 1VD | Champagne   |                  |     |             |
|     | 911 522 061 03 80S | Can-can-red   |                  |     |             |
|     | 911 522 061 03 60A | Grey  |                  |     |             |
|     | 911 522 061 03 2FL | Grey-beige  | -84, -86         |     |             |
|     | 911 522 061 03 8JK | Greyish green   | 85-              |     |             |
|     | 911 522 061 03 2YN | White   | 85-              |     |             |
| (4) | 930 522 061 01     | Carpet<br>with<br>Logo<br>Cut pile  | /L               | 1   | TURBO       |
|     | 930 522 061 01 70E | Black   |                  |     |             |
|     | 930 522 061 01 30B | Blue  |                  |     |             |
|     | 930 522 061 01 40E | Brown   |                  |     |             |
|     | 930 522 061 01 80E | Burgundy  |                  |     |             |
|     | 930 522 061 01 6JD | Dark green  |                  |     |             |
|     | 930 522 061 01 1VD | Champagne   |                  |     |             |

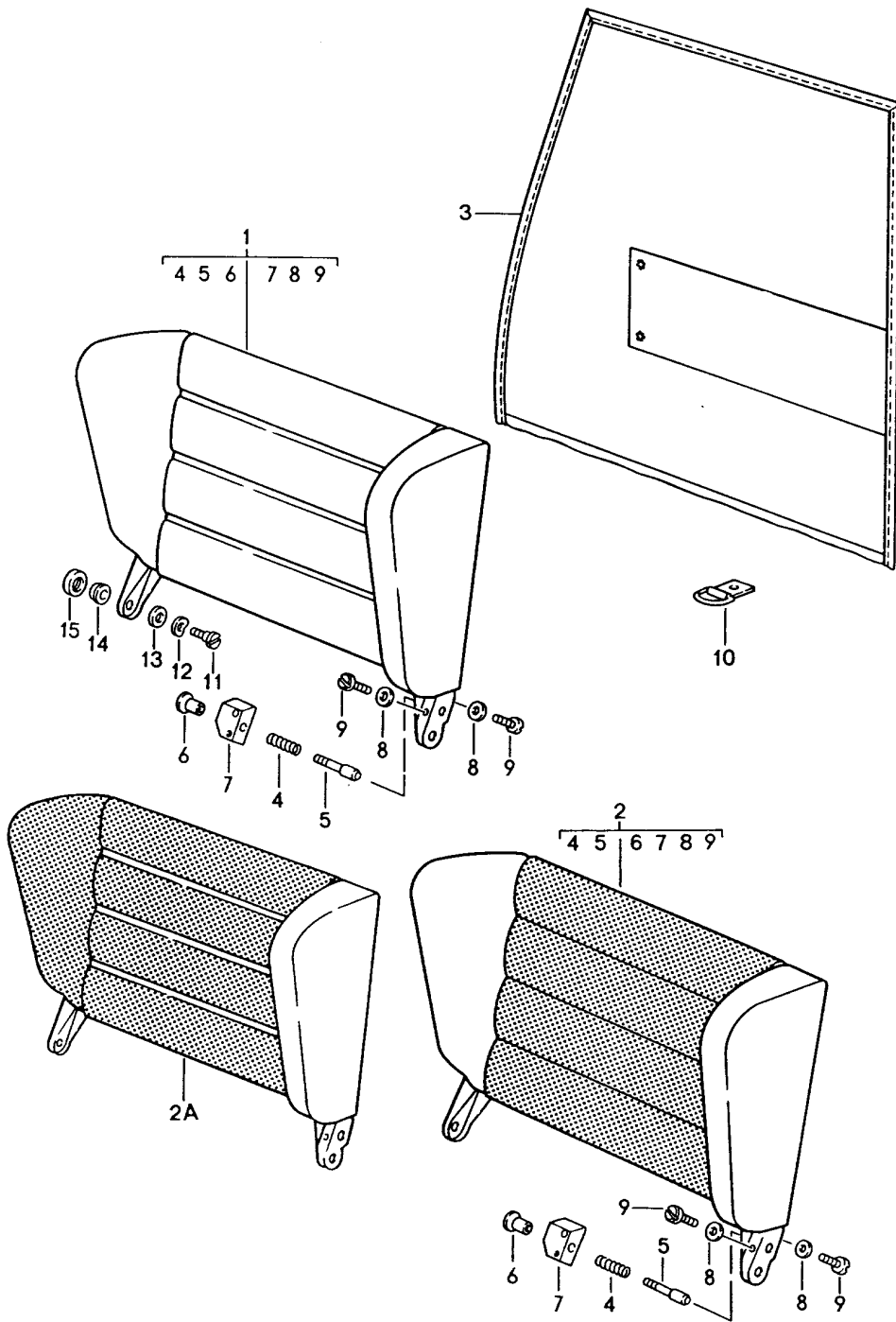
Model: 911 84

Model life 1984>>1986

| Pos  | Part Number        | Description   | Remark   | Qty | Model |
|------|--------------------|---|----------|-----|-------|
|      | 930 522 061 01 80S | Can-can-red   |          |     |       |
|      | 930 522 061 01 60A | Grey  |          |     |       |
|      | 930 522 061 01 2FL | Grey-beige  | -84, -86 |     |       |
|      | 930 522 061 01 8JK | Greyish green   | 85-      |     |       |
|      | 930 522 061 01 2YN | White   | 85-      |     |       |
| 5    | 900 236 001 07     | Oval-head screw<br>M 8 X 10   |          | 2   |       |
| 5    | 900 236 001 03     | Oval-head screw<br>M 8 X 10   |          | 2   |       |
| 6    | N 012 230 1        | Spring washer<br>B 10   |          | 2   |       |
| 7    | 901 522 509 20     | Bearing sleeve  |          | 2   |       |
| 8    | 911 559 435 00     | Spacer  |          | 4   |       |
| 9    | 911 645 039 00     | Retaining belt  |          | 2   |       |
| 10   | 911 645 037 00     | Stereo rear loudspeaker<br>Retaining belt<br>Extension<br>Stereo rear loudspeaker |          | 2   |       |
| -    | 999 591 802 17     | Cap<br>Push button  |          | 2   |       |
| 11   | 900 143 004 00     | Cross-recess screw<br>B 3,5 X 19  |          | 2   |       |
| 12   | 999 591 805 12     | Push button   |          | 2   |       |
| 13   | 911 522 561 60     | Intermediate piece  |          | 1   |       |
| 14   | 900 145 041 07     | Tapping screw<br>3,5 X 16   |          | 4   |       |
| 15   | 999 591 102 17     | Washer<br>3,5   |          | 4   |       |
| 15   | 999 591 102 1H     | Washer<br>3,5   |          | 4   |       |
| 16   | 901 522 365 20     | Cap   |          | 2   |       |
| 17   | 911 522 229 00     | Bolt<br>for<br>Locking device   |          | 1   |       |
| 18   | 911 522 233 00     | Spring<br>Release   |          | 1   |       |
| 19   | 911 522 231 00     | Knob<br>Release   |          | 1   |       |
| (20) | 911 522 227 01     | Bearing   | /L       | 1   |       |
| (20) | 911 522 228 01     | Bearing   | /L       | 1   |       |
| 20   | 911 522 228 01     | Bearing   | /R       | 1   |       |
| 20   | 911 522 228 01     | Bearing   | /R       | 1   |       |
| 21   | 999 523 106 02     | Lock washer<br>B 5  |          | 4   |       |
| 22   | N 014 133 I        | Oval-head screw   |          | 4   |       |
| 22   | N 014 133 8        | Oval-head screw<br>M 5 X 12   |          | 4   |       |
| 22   | N 014 133 I        | Oval-head screw<br>M 5 X 12   |          | 4   |       |

Model: 911 84

Model life 1984>>1986



Model: 911 84 Model life 1984>>1986

| Pos | Part Number        | Description  | Remark   | Qty | Model  |
|-----|--------------------|--|----------|-----|--------|
|     |                    | Back seat<br>Backrest  |          |     | CABRIO |
| (1) | 911 522 017 60     | Back seat backrest<br>Leatherette  | /L       | 1   |        |
|     | 911 522 017 60 43S | Black  |          |     |        |
|     | 911 522 017 60 1HH | Blue   |          |     |        |
|     | 911 522 017 60 4RB | Brown  |          |     |        |
|     | 911 522 017 60 3MK | Burgundy   |          |     |        |
|     | 911 522 017 60 4FK | Grey-beige   | -84, -86 |     |        |
|     | 911 522 017 60 4JX | Greyish green  | 85-      |     |        |
| 1   | 911 522 018 60     | Back seat backrest<br>Leatherette  | /R       | 1   |        |
|     | 911 522 018 60 43S | Black  |          |     |        |
|     | 911 522 018 60 1HH | Blue   |          |     |        |
|     | 911 522 018 60 4RB | Brown  |          |     |        |
|     | 911 522 018 60 3MK | Burgundy   |          |     |        |
|     | 911 522 018 60 4FK | Grey-beige   | -84, -86 |     |        |
|     | 911 522 018 60 4JX | Greyish green  | 85-      |     |        |
| (1) | 911 522 017 62     | Back seat backrest<br>Leather  | /L       | 1   |        |
|     | 911 522 017 62 KZ2 | Black  |          |     |        |
|     | 911 522 017 62 KZ3 | Blue   |          |     |        |
|     | 911 522 017 62 KZ5 | Brown  |          |     |        |
|     | 911 522 017 62 KZ4 | Grey-beige   | -84, -86 |     |        |
|     | 911 522 017 62 KZ6 | Can-can-red  |          |     |        |
|     | 911 522 017 62 LG4 | Pearl white  |          |     |        |
|     | 911 522 017 62 LG5 | Champagne  |          |     |        |
|     | 911 522 017 62 LG6 | Dark green   |          |     |        |
|     | 911 522 017 62 LG7 | Burgundy   |          |     |        |
|     | 911 522 017 62 QC2 | Greyish green  | 85-      |     |        |
|     | 911 522 017 62 PY9 | Ocean blue   | 85-      |     |        |
|     | 911 522 017 62 PZ1 | Wild buffalo   | 85-      |     |        |
| 1   | 911 522 018 62     | Back seat backrest<br>Leather  | /R       | 1   |        |
|     | 911 522 018 62 KZ2 | Black  |          |     |        |
|     | 911 522 018 62 KZ3 | Blue   |          |     |        |
|     | 911 522 018 62 KZ5 | Brown  |          |     |        |
|     | 911 522 018 62 KZ4 | Grey-beige   | -84, -86 |     |        |
|     | 911 522 018 62 KZ6 | Can-can-red  |          |     |        |
|     | 911 522 018 62 LG4 | Pearl white  |          |     |        |
|     | 911 522 018 62 LG5 | Champagne  |          |     |        |
|     | 911 522 018 62 LG6 | Dark green   |          |     |        |
|     | 911 522 018 62 LG7 | Burgundy   |          |     |        |
|     | 911 522 018 62 QC2 | Greyish green  | 85-      |     |        |
|     | 911 522 018 62 PY9 | Ocean blue   | 85-      |     |        |
|     | 911 522 018 62 PZ1 | Wild buffalo   | 85-      |     |        |
| (2) | 911 522 017 61     | Back seat backrest<br>Leatherette/<br>Centre part<br>Porsche lettering cloth | /L 85-   | 1   |        |
|     | 911 522 017 61 PZ7 | Black/black  |          |     |        |
|     | 911 522 017 61 PZ9 | Blue/blue  |          |     |        |
|     | 911 522 017 61 PZ8 | Brown/brown  |          |     |        |
|     | 911 522 017 61 QA1 | Burgundy/burgundy  |          |     |        |
|     | 911 522 017 61 QA2 | Greyish green/grey-green   |          |     |        |
|     | 911 522 017 61 QD8 | Grey-beige/grey-beige  | 86-      |     |        |
| 2   | 911 522 018 61     | Back seat backrest<br>Leatherette/<br>Centre part<br>Porsche lettering cloth | /R 85-   | 1   |        |
|     | 911 522 018 61 PZ7 | Black/black  |          |     |        |
|     | 911 522 018 61 PZ9 | Blue/blue  |          |     |        |
|     | 911 522 018 61 PZ8 | Brown/brown  |          |     |        |

Model: 911 84 Model life 1984>>1986

| Pos                | Part Number        | Description   | Remark  | Qty    | Model |      |
|--------------------|--------------------|---|---|--------|-------|------|
| (2)                | 911 522 018 61 QA1 | Burgundy/burgundy   |   |        |       |      |
|                    | 911 522 018 61 QA2 | Greyish green/grey-green  |   |        |       |      |
|                    | 911 522 018 61 QD8 | Grey-beige/grey-beige   | 86-   |        |       |      |
|                    | 911 522 017 61     | Back seat backrest<br>Leatherette/<br>Centre part<br>Pin stripe velour  | /L 85-  | 1      |       |      |
|                    | 911 522 017 61 JN1 | Black/<br>Black-white   |   |        |       |      |
|                    | 911 522 017 61 JN2 | Brown/<br>Brown-beige   |   |        |       |      |
|                    | 911 522 017 61 LT1 | Blue/<br>Blue-white   |   |        |       |      |
|                    | 911 522 017 61 LT2 | Burgundy/<br>Burgundy-white   |   |        |       |      |
|                    | 911 522 017 61 PY5 | Greyish green/<br>Greyish green-white                                   |   |        |       |      |
|                    | 911 522 017 61 LD4 | Grey-beige/<br>Grey-beige-white   | 86-<br>86-  |        |       |      |
| 2                  | 911 522 018 61     | Back seat backrest<br>Leatherette/<br>Centre part<br>Pin stripe velour  | /R 85-  | 1      |       |      |
|                    | 911 522 018 61 JN1 | Black/<br>Black-white   |   |        |       |      |
|                    | 911 522 018 61 JN2 | Brown/<br>Brown-beige   |   |        |       |      |
|                    | 911 522 018 61 LT1 | Blue/<br>Blue-white   |   |        |       |      |
|                    | 911 522 018 61 LT2 | Burgundy/<br>Burgundy-white   |   |        |       |      |
|                    | 911 522 018 61 PY5 | Greyish green/<br>Greyish green-white                                   |   |        |       |      |
|                    | 911 522 018 61 LD4 | Grey-beige/<br>Grey-beige-white   | 86-<br>86-  |        |       |      |
|                    | (2)                | 911 522 017 61  | Back seat backrest<br>Leatherette/<br>Centre part<br>Pin stripe flannel | /L 85- | 1     |      |
|                    |                    | 911 522 017 61 PZ2  | Black/anthracite  |        |       |      |
|                    |                    | 911 522 017 61 PZ3  | Brown/brown   |        |       |      |
| 911 522 017 61 PZ4 |                    | Blue/blue   |   |        |       |      |
| 911 522 017 61 PZ5 |                    | Burgundy/burgundy   |   |        |       |      |
| 911 522 017 61 PZ6 |                    | Greyish green/grey-green  |   |        |       |      |
| 2                  | 911 522 018 61     | Back seat backrest<br>Leatherette/<br>Centre part<br>Pin stripe flannel | /R 85-  | 1      |       |      |
|                    | 911 522 018 61 PZ2 | Black/anthracite  |   |        |       |      |
|                    | 911 522 018 61 PZ3 | Brown/brown   |   |        |       |      |
|                    | 911 522 018 61 PZ4 | Blue/blue   |   |        |       |      |
|                    | 911 522 018 61 PZ5 | Burgundy/burgundy   |   |        |       |      |
|                    | 911 522 018 61 PZ6 | Greyish green/grey-green  |   |        |       |      |
|                    | (2)                | 911 522 017 63  | Back seat backrest<br>Leather/<br>Centre part<br>Pin stripe velour      | /L 85- | 1     | M983 |
|                    |                    | 911 522 017 63 LS5  | Black/<br>Black-white   |        |       |      |
|                    |                    | 911 522 017 63 LS6  | Brown/<br>Brown-beige   |        |       |      |

Model: 911 84 Model life 1984>>1986

| Pos | Part Number        | Description  | Remark     | Qty | Model |
|-----|--------------------|--|------------|-----|-------|
|     | 911 522 017 63 LS8 | Blue/<br>Blue-white  |            |     |       |
|     | 911 522 017 63 LS9 | Burgundy/<br>Burgundy-white  |            |     |       |
|     | 911 522 017 63 QA7 | Greyish green/<br>Greyish green-white                                    |            |     |       |
|     | 911 522 017 63 LS7 | Grey-beige/<br>Grey-beige-white  | 86-<br>86- |     |       |
| 2   | 911 522 018 63     | Back seat backrest<br>Leather/<br>Centre part<br>Pin stripe velour       | /R 85-     | 1   | M983  |
|     | 911 522 018 63 LS5 | Black/<br>Black-white  |            |     |       |
|     | 911 522 018 63 LS6 | Brown/<br>Brown-beige  |            |     |       |
|     | 911 522 018 63 LS8 | Blue/<br>Blue-white  |            |     |       |
|     | 911 522 018 63 LS9 | Burgundy/<br>Burgundy-white  |            |     |       |
|     | 911 522 018 63 QA7 | Greyish green/<br>Greyish green-white                                    |            |     |       |
|     | 911 522 018 63 LS7 | Grey-beige/<br>Grey-beige-white  | 86-<br>86- |     |       |
| (2) | 911 522 017 63     | Back seat backrest<br>Leather/<br>Centre part<br>Pin stripe flannel      | /L 85-     | 1   | M983  |
|     | 911 522 017 63 QB1 | Black/anthracite   |            |     |       |
|     | 911 522 017 63 QB3 | Brown-brown  |            |     |       |
|     | 911 522 017 63 QB5 | Blue/blue  |            |     |       |
|     | 911 522 017 63 QB7 | Burgundy/burgundy  |            |     |       |
|     | 911 522 017 63 QA8 | Greyish green/grey-green   |            |     |       |
| 2   | 911 522 018 63     | Back seat backrest<br>Leather/<br>Centre part<br>Pin stripe flannel      | /R 85-     | 1   | M983  |
|     | 911 522 018 63 QB1 | Black/anthracite   |            |     |       |
|     | 911 522 018 63 QB3 | Brown/brown  |            |     |       |
|     | 911 522 018 63 QB5 | Blue/blue  |            |     |       |
|     | 911 522 018 63 QB7 | Burgundy/burgundy  |            |     |       |
|     | 911 522 018 63 QA8 | Greyish green/grey-green   |            |     |       |
| (2) | 911 522 017 63     | Back seat backrest<br>Leather/<br>Centre part<br>Porsche lettering cloth | /L 85-     | 1   | M983  |
|     | 911 522 017 63 QB2 | Black/black  |            |     |       |
|     | 911 522 017 63 QB4 | Brown/brown  |            |     |       |
|     | 911 522 017 63 QB6 | Blue/blue  |            |     |       |
|     | 911 522 017 63 QB8 | Burgundy/burgundy  |            |     |       |
|     | 911 522 017 63 QA9 | Greyish green/grey-green   |            |     |       |
|     | 911 522 017 63 RU1 | Grey-beige/grey-beige  | 86-        |     |       |
| 2   | 911 522 018 63     | Back seat backrest<br>Leather/<br>Centre part<br>Porsche lettering cloth | /R 85-     | 1   | M983  |
|     | 911 522 018 63 QB2 | Black/black  |            |     |       |
|     | 911 522 018 63 QB4 | Brown/brown  |            |     |       |
|     | 911 522 018 63 QB6 | Blue/blue  |            |     |       |
|     | 911 522 018 63 QB8 | Burgundy/burgundy  |            |     |       |
|     | 911 522 018 63 QA9 | Greyish green/grey-green   |            |     |       |
|     | 911 522 018 63 RU1 | Grey-beige/grey-beige  | 86-        |     |       |
| (3) | 911 522 061 60     | Carpet   | /L         | 1   |       |

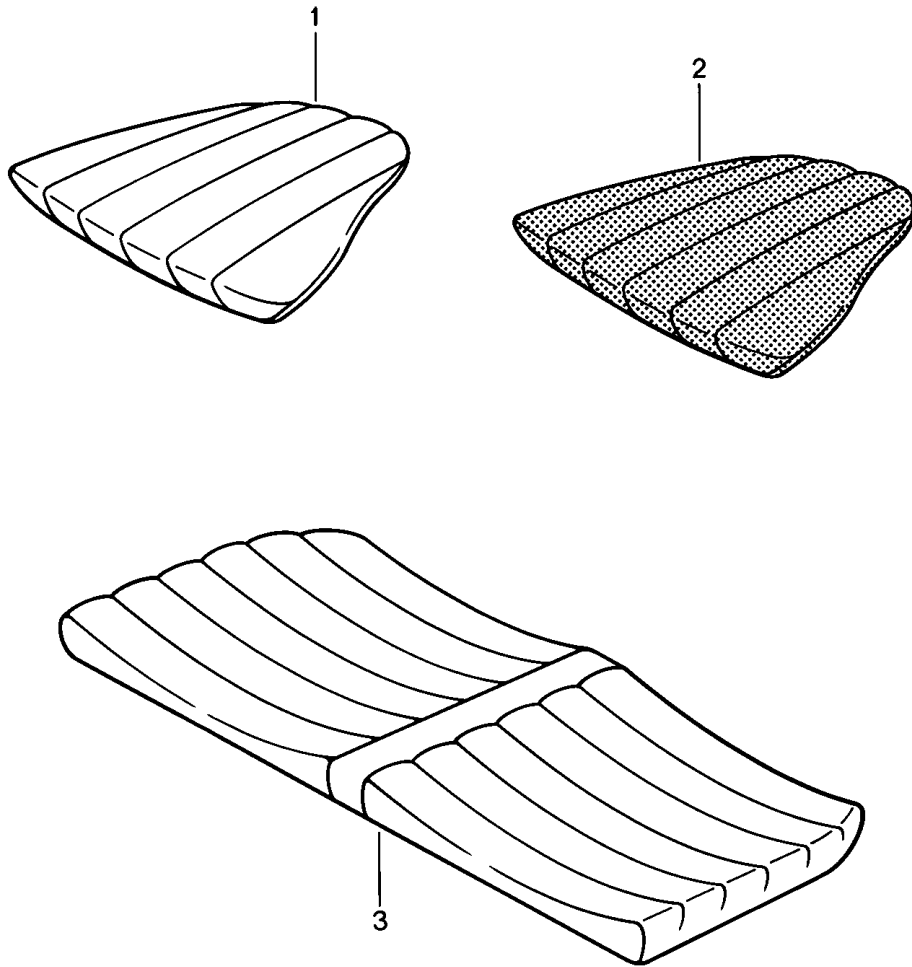
Model: 911 84 Model life 1984>>1986

| Pos | Part Number        | Description                 | Remark   | Qty | Model |
|-----|--------------------|-----------------------------|----------|-----|-------|
|     | 911 522 061 60 70E | Black                       |          |     |       |
|     | 911 522 061 60 30B | Blue                        |          |     |       |
|     | 911 522 061 60 40E | Brown                       |          |     |       |
|     | 911 522 061 60 80E | Burgundy                    |          |     |       |
|     | 911 522 061 60 60A | Grey                        |          |     |       |
|     | 911 522 061 60 8JK | Greyish green               | 85-      |     |       |
|     | 911 522 061 60 2FL | Grey-beige                  | -84, -86 |     |       |
|     | 911 522 061 60 2YN | White                       | 85-      |     |       |
|     | 911 522 061 60 1VD | Champagne                   |          |     |       |
|     | 911 522 061 60 6JD | Dark green                  |          |     |       |
|     | 911 522 061 60 80S | Can-can-red                 |          |     |       |
| 3   | 911 522 062 60     | Carpet                      | /R       | 1   |       |
|     | 911 522 062 60 70E | Black                       |          |     |       |
|     | 911 522 062 60 30B | Blue                        |          |     |       |
|     | 911 522 062 60 40E | Brown                       |          |     |       |
|     | 911 522 062 60 80E | Burgundy                    |          |     |       |
|     | 911 522 062 60 60A | Grey                        |          |     |       |
|     | 911 522 062 60 8JK | Greyish green               | 85-      |     |       |
|     | 911 522 062 60 2FL | Grey-beige                  | -84, -86 |     |       |
|     | 911 522 062 60 2YN | White                       | 85-      |     |       |
|     | 911 522 062 60 1VD | Champagne                   |          |     |       |
|     | 911 522 062 60 6JD | Dark green                  |          |     |       |
|     | 911 522 062 60 80S | Can-can-red                 |          |     |       |
| 4   | 911 522 233 00     | Spring                      |          | 2   |       |
| 5   | 911 522 229 00     | Bolt                        |          | 2   |       |
| 6   | 911 522 231 00     | Knob                        |          | 2   |       |
| (7) | 911 522 227 01     | Bearing                     | /L       | 1   |       |
| (7) |                    | Bearing                     | /L       | 1   |       |
| 7   | 911 522 228 01     | Bearing                     | /R       | 1   |       |
| 7   |                    | Bearing                     | /R       | 1   |       |
| 8   | 999 523 106 02     | Lock washer<br>B 5          |          | 4   |       |
| 9   | N 014 133 I        | Oval-head screw             |          | 4   |       |
| 9   | N 014 133 8        | Oval-head screw<br>M 5 X 12 |          | 4   |       |
| 9   | N 014 133 I        | Oval-head screw<br>M 5 X 12 |          | 4   |       |
| 10  | 911 561 493 00     | Leather loop                |          | 2   |       |
| 11  | 900 236 001 07     | Oval-head screw<br>M 8 X 10 |          | 2   |       |
| 11  | 900 236 001 03     | Oval-head screw<br>M 8 X 10 |          | 2   |       |
| 12  | N 012 230 1        | Spring washer               |          | 2   |       |
| 13  | 911 559 435 00     | Spacer                      |          | 4   |       |
| 14  | 901 522 509 20     | Bearing sleeve              |          | 2   |       |
| 15  | 901 522 365 20     | Cap                         |          | 2   |       |



Model: 911 84

Model life 1984>>1986



Model: 911 84 Model life 1984>>1986

| Pos | Part Number        | Description   | Remark   | Qty | Model |
|-----|--------------------|---|----------|-----|-------|
| 1   | 911 522 051 06     | Back seat cushion<br>Back seat cushion<br>Leatherette | /L       | 1   |       |
|     | 911 522 051 06 3MK | Burgundy  |          |     |       |
|     | 911 522 051 06 4FK | Grey-beige  | -84, -86 |     |       |
|     | 911 522 051 06 43S | Black   |          |     |       |
|     | 911 522 051 06 1HH | Blue  |          |     |       |
|     | 911 522 051 06 4RB | Brown   |          |     |       |
|     | 911 522 051 06 4JX | Greyish green   | 85-      |     |       |
| (1) | 911 522 052 06     | Back seat cushion<br>Leatherette                      | /R       | 1   |       |
|     | 911 522 052 06 3MK | Burgundy  |          |     |       |
|     | 911 522 052 06 4FK | Grey-beige  | -84, -86 |     |       |
|     | 911 522 052 06 43S | Black   |          |     |       |
|     | 911 522 052 06 1HH | Blue  |          |     |       |
|     | 911 522 052 06 4RB | Brown   |          |     |       |
|     | 911 522 052 06 4JX | Greyish green   | 85-      |     |       |
| 1   | 930 522 051 74     | Back seat cushion<br>Leather                          | /L       | 1   |       |
|     | 930 522 051 74 KZ2 | Black   |          |     |       |
|     | 930 522 051 74 KZ3 | Blue  |          |     |       |
|     | 930 522 051 74 KZ5 | Cadbury brown   |          |     |       |
|     | 930 522 051 74 LG7 | Burgundy  |          |     |       |
|     | 930 522 051 74 KZ4 | Grey-beige  | -84, -86 |     |       |
|     | 930 522 051 74 KZ6 | Can-can-red   |          |     |       |
|     | 930 522 051 74 LG4 | Pearl white   |          |     |       |
|     | 930 522 051 74 LG5 | Champagne   |          |     |       |
|     | 930 522 051 74 LG6 | Dark green  |          |     |       |
|     | 930 522 051 74 QC2 | Greyish green   | 85-      |     |       |
|     | 930 522 051 74 PY9 | Ocean blue  | 85-      |     |       |
|     | 930 522 051 74 PZ1 | Wild buffalo  | 85-      |     |       |
| (1) | 930 522 052 74     | Back seat cushion<br>Leather                          | /R       | 1   |       |
|     | 930 522 052 74 KZ2 | Black   |          |     |       |
|     | 930 522 052 74 KZ3 | Blue  |          |     |       |
|     | 930 522 052 74 KZ5 | Cadbury brown   |          |     |       |
|     | 930 522 052 74 LG7 | Burgundy  |          |     |       |
|     | 930 522 052 74 KZ4 | Grey-beige  | -84, -86 |     |       |
|     | 930 522 052 74 KZ6 | Can-can-red   |          |     |       |
|     | 930 522 052 74 LG4 | Pearl white   |          |     |       |
|     | 930 522 052 74 LG5 | Champagne   |          |     |       |
|     | 930 522 052 74 LG6 | Dark green  |          |     |       |
|     | 930 522 052 74 QC2 | Greyish green   | 85-      |     |       |
|     | 930 522 052 74 PY9 | Ocean blue  | 85-      |     |       |
|     | 930 522 052 74 PZ1 | Wild buffalo  | 85-      |     |       |
| 2   | 930 522 051 01     | Back seat cushion<br>Cloth                            | /L       | 1   |       |
|     |                    | Checker board velour                                  | -84      |     |       |
|     | 930 522 051 01 LD5 | Light grey/black                                      |          |     |       |
|     | 930 522 051 01 LJ8 | Blue-grey   |          |     |       |
|     | 930 522 051 01 LD6 | Brown-grey  |          |     |       |
|     | 930 522 051 01 LJ9 | Burgundy-grey   |          |     |       |
| (2) | 930 522 052 01     | Back seat cushion<br>Cloth                            | /R       | 1   |       |
|     |                    | Checker board velour                                  | -84      |     |       |
|     | 930 522 052 01 LD5 | Light grey/black                                      |          |     |       |
|     | 930 522 052 01 LJ8 | Blue-grey   |          |     |       |
|     | 930 522 052 01 LD6 | Brown-grey  |          |     |       |
|     | 930 522 052 01 LJ9 | Burgundy-grey   |          |     |       |
| 2   | 930 522 051 01     | Back seat cushion<br>Uni-coloured cloth               | /L       | 1   |       |
|     |                    |   | -84      |     |       |
|     | 930 522 051 01 LK3 | Brown   |          |     |       |
|     | 930 522 051 01 LK5 | Burgundy  |          |     |       |

Model: 911 84 Model life 1984>>1986

| Pos | Part Number        | Description                                      | Remark    | Qty | Model |
|-----|--------------------|--|-----------|-----|-------|
|     | 930 522 051 01 LK6 | Grey-beige                                       |           |     |       |
|     | 930 522 051 01 JM2 | Black  |           |     |       |
|     | 930 522 051 01 JM5 | Blue   |           |     |       |
| (2) | 930 522 052 01     | Back seat cushion<br>Uni-coloured cloth          | /R<br>-84 | 1   |       |
|     | 930 522 052 01 LK3 | Brown  |           |     |       |
|     | 930 522 052 01 LK5 | Burgundy   |           |     |       |
|     | 930 522 052 01 LK6 | Grey-beige                                       |           |     |       |
|     | 930 522 052 01 JM2 | Black  |           |     |       |
|     | 930 522 052 01 JM5 | Blue   |           |     |       |
| 2   | 930 522 051 01     | Back seat cushion<br>Cloth<br>Pin stripe velour  | /L        | 1   |       |
|     | 930 522 051 01 JN1 | Black-white                                      |           |     |       |
|     | 930 522 051 01 LT1 | Blue-white                                       |           |     |       |
|     | 930 522 051 01 JN2 | Brown-beige                                      |           |     |       |
|     | 930 522 051 01 LT2 | Burgundy-white                                   |           |     |       |
|     | 930 522 051 01 LD4 | Grey-beige-white                                 | -84, -86  |     |       |
|     | 930 522 051 01 PY5 | Greyish green-white                              | 85-       |     |       |
| (2) | 930 522 052 01     | Back seat cushion<br>Cloth<br>Pin stripe velour  | /R        | 1   |       |
|     | 930 522 052 01 JN1 | Black-white                                      |           |     |       |
|     | 930 522 052 01 LT1 | Blue-white                                       |           |     |       |
|     | 930 522 052 01 JN2 | Brown-beige                                      |           |     |       |
|     | 930 522 052 01 LT2 | Burgundy-white                                   |           |     |       |
|     | 930 522 052 01 LD4 | Grey-beige-white                                 | -84, -86  |     |       |
|     | 930 522 052 01 PY5 | Greyish green-white                              | 85-       |     |       |
| 2   | 930 522 051 01     | Back seat cushion<br>Cloth<br>Pin stripe flannel | /L<br>85- | 1   |       |
|     | 930 522 051 01 PZ2 | Anthracite                                       |           |     |       |
|     | 930 522 051 01 PZ3 | Brown  |           |     |       |
|     | 930 522 051 01 PZ4 | Blue   |           |     |       |
|     | 930 522 051 01 PZ5 | Burgundy   |           |     |       |
|     | 930 522 051 01 PZ6 | Greyish green                                    |           |     |       |
| (2) | 930 522 052 01     | Back seat cushion<br>Cloth<br>Pin stripe flannel | /R<br>85- | 1   |       |
|     | 930 522 052 01 PZ2 | Anthracite                                       |           |     |       |
|     | 930 522 052 01 PZ3 | Brown  |           |     |       |
|     | 930 522 052 01 PZ4 | Blue   |           |     |       |
|     | 930 522 052 01 PZ5 | Burgundy   |           |     |       |
|     | 930 522 052 01 PZ6 | Greyish green                                    |           |     |       |
| 2   | 930 522 051 01     | Back seat cushion<br>Porsche lettering cloth     | /L<br>-84 | 1   |       |
|     | 930 522 051 01 LR1 | Black  |           |     |       |
|     | 930 522 051 01 LR4 | Blue   |           |     |       |
|     | 930 522 051 01 LR2 | Brown  |           |     |       |
|     | 930 522 051 01 LR5 | Burgundy   |           |     |       |
|     | 930 522 051 01 LR3 | Grey-beige                                       |           |     |       |
| (2) | 930 522 052 01     | Back seat cushion<br>Porsche lettering cloth     | /R<br>-84 | 1   |       |
|     | 930 522 052 01 LR1 | Black  |           |     |       |
|     | 930 522 052 01 LR4 | Blue   |           |     |       |
|     | 930 522 052 01 LR2 | Brown  |           |     |       |
|     | 930 522 052 01 LR5 | Burgundy   |           |     |       |
|     | 930 522 052 01 LR3 | Grey-beige                                       |           |     |       |
| 2   | 930 522 051 01     | Back seat cushion<br>Porsche lettering cloth     | /L<br>85- | 1   |       |
|     | 930 522 051 01 PZ7 | Black  |           |     |       |
|     | 930 522 051 01 PZ8 | Brown  |           |     |       |
|     | 930 522 051 01 PZ9 | Blue   |           |     |       |

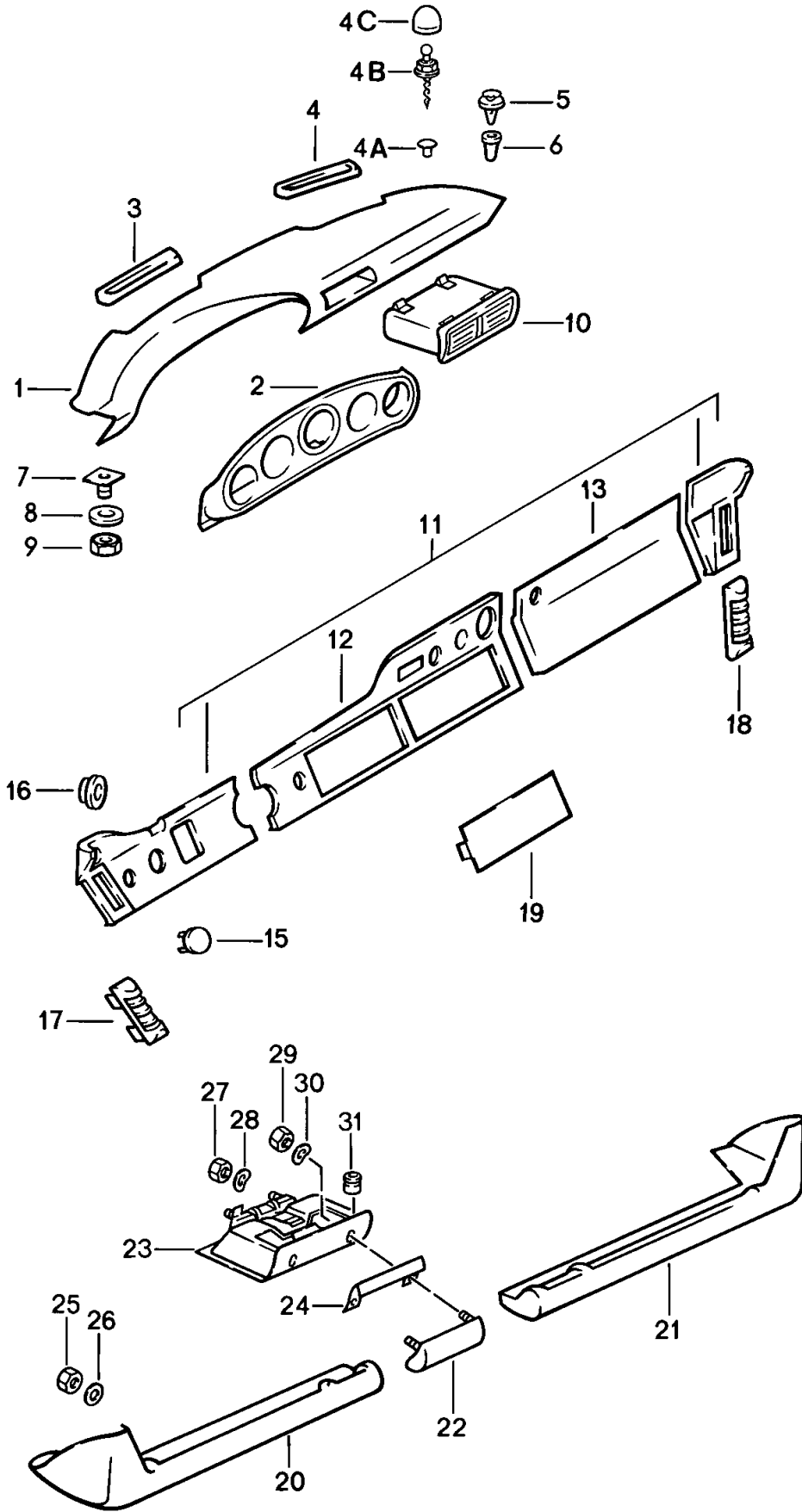
Model: 911 84

Model life 1984>>1986

| Pos                | Part Number        | Description             | Remark | Qty | Model |
|--------------------|--------------------|-------------------------|--------|-----|-------|
| (2)                | 930 522 051 01 QA1 | Burgundy                |        |     |       |
|                    | 930 522 051 01 QA2 | Greyish green           |        |     |       |
|                    | 930 522 051 01 QD8 | Grey-beige              | 86-    |     |       |
|                    | 930 522 052 01     | Back seat cushion       | /R     | 1   |       |
|                    |                    | Porsche lettering cloth | 85-    |     |       |
|                    | 930 522 052 01 PZ7 | Black                   |        |     |       |
|                    | 930 522 052 01 PZ8 | Brown                   |        |     |       |
|                    | 930 522 052 01 PZ9 | Blue                    |        |     |       |
|                    | 930 522 052 01 QA1 | Burgundy                |        |     |       |
|                    | 930 522 052 01 QA2 | Greyish green           |        |     |       |
| 930 522 052 01 QD8 | Grey-beige         | 86-                     |        |     |       |

Model: 911 84

Model life 1984>>1986



Model: 911 84 Model life 1984>>1986

| Pos  | Part Number        | Description                             | Remark  | Qty | Model  |
|------|--------------------|---|---------|-----|--------|
|      |                    | Dash-board trim with Installation parts | -85     |     |        |
| 1    | 911 552 055 04     | Dash-board trim Leatherette             | /LL     | 1   |        |
|      | 911 552 055 04 7AE | Black                                   |         |     |        |
|      | 911 552 055 04 30B | Blue                                    |         |     |        |
|      | 911 552 055 04 3MX | Burgundy                                |         |     |        |
|      | 911 552 055 04 4RB | Brown                                   |         |     |        |
|      | 911 552 055 04 4JX | Greyish green                           | 85      |     |        |
| 1    | 911 552 055 06     | Dash-board trim Leatherette             | /LL 85  | 1   |        |
|      | 911 552 055 06 7AE | Black                                   |         |     |        |
| 1    | 911 552 055 07     | Dash-board trim Leatherette             | /LL 85  | 1   | SC     |
|      | 911 552 055 07 7AE | Black                                   |         |     |        |
| 1    | 911 552 055 72     | Dash-board trim Leather                 | /LL -85 | 1   |        |
|      | 911 552 055 72 LG7 | Burgundy                                |         |     |        |
|      | 911 552 055 72 LG6 | Dark green                              |         |     |        |
|      | 911 552 055 72 KZ2 | Black                                   |         |     |        |
|      | 911 552 055 72 KZ3 | Blue                                    |         |     |        |
|      | 911 552 055 72 KZ5 | Brown                                   |         |     |        |
|      | 911 552 055 72 QC2 | Greyish green                           | 85      |     |        |
|      | 911 552 055 72 PY9 | Ocean blue                              | 85      |     |        |
|      | 911 552 055 72 PZ1 | Wild buffalo                            | 85      |     |        |
| 2    | 911 552 549 00     | Cover                                   | /LL     | 1   |        |
|      | 911 552 549 00 700 | Black Dash-board trim                   |         |     |        |
| 3    | 911 552 409 00     | Cover                                   | /L      | 1   |        |
| 4    | 911 552 410 00     | Cover                                   | /R      | 1   |        |
|      |                    | Heating nozzle                          |         |     |        |
| 4A   | 999 703 182 40     | Stopper                                 |         | 3   | CABRIO |
| 4B   | 999 591 608 17     | Tenax lower part                        |         | 3   | CABRIO |
|      |                    | B 4,2 X 22                              |         |     | M070   |
| 4C   | 911 561 529 00     | Cap                                     |         | 3   | CABRIO |
|      |                    |   |         |     | M070   |
| 5    | 999 591 310 40     | Fixing clip                             |         | 7   |        |
| 6    | 999 591 311 40     | Bush                                    |         | 7   |        |
| 7    | 999 591 344 02     | Latch                                   |         | 2   |        |
| 8    | N 011 666 7        | Washer                                  |         | 7   |        |
|      |                    | B 6,4                                   |         |     |        |
| 9    | 999 090 003 02     | Lock nut                                |         | 7   |        |
|      |                    | M 6                                     |         |     |        |
| (10) | 911 571 067 02     | Centre nozzle                           |         | 1   |        |
| (10) | 911 571 067 03     | Centre nozzle                           |         | 1   | M559   |
| -    | 911 571 181 01     | Gasket                                  |         | 2   | M559   |
|      |                    | Centre nozzle                           |         |     |        |
| 11   | 911 552 041 10     | Cover                                   | /LL     | 1   |        |
| 12   | 911 552 479 09     | Cover                                   | /LL     | 1   |        |
|      | 911 552 479 09 7AE | Black                                   |         |     |        |
|      |                    | Centre                                  |         |     |        |
| 12   | 911 552 479 60     | Cover                                   | /LL     | 1   |        |
|      | 911 552 479 60 7AE | Black                                   |         |     |        |
|      |                    | Centre                                  |         |     |        |
| 13   | 911 552 488 04     | Cover                                   |         | 1   |        |
|      | 911 552 488 04 7AE | Black                                   |         |     |        |
|      |                    | Glove compartment cover                 |         |     |        |
| 16   | 911 552 217 00     | Rosette                                 |         | 1   |        |
|      | 911 552 217 00 70B | Black                                   |         |     |        |
|      |                    | Lid-release cable                       |         |     |        |

Model: 911 84

Model life 1984&gt;&gt;1986

| Pos | Part Number        | Description           | Remark | Qty | Model |
|-----|--------------------|-----------------------|--------|-----|-------|
| 17  | 911 552 071 00     | Side vent             | /L     | 1   |       |
| 18  | 911 552 072 00     | Side vent             | /R     | 1   |       |
| 19  | 911 552 463 02     | Trim cover            |        | 1   |       |
|     | 911 552 463 02 70B | Black                 |        |     |       |
| 20  | 901 552 035 27     | Knee protection strip | /L     | 1   |       |
|     |                    | Leatherette           |        |     |       |
|     | 901 552 035 27 7AE | Black                 |        |     |       |
|     | 901 552 035 27 3MX | Burgundy              |        |     |       |
|     | 901 552 035 27 4RB | Brown                 |        |     |       |
|     | 901 552 035 27 30B | Dark blue             |        |     |       |
|     | 901 552 035 27 4JX | Greyish green         | 85     |     |       |
| 20  | 901 552 035 70     | Knee protection strip | /L     | 1   |       |
|     |                    | Leather               |        |     |       |
|     | 901 552 035 70 LG7 | Burgundy              |        |     |       |
|     | 901 552 035 70 LG6 | Dark green            |        |     |       |
|     | 901 552 035 70 KZ2 | Black                 |        |     |       |
|     | 901 552 035 70 KZ3 | Blue                  |        |     |       |
|     | 901 552 035 70 KZ5 | Brown                 |        |     |       |
|     | 901 552 035 70 QC2 | Greyish green         | 85     |     |       |
|     | 901 552 035 70 PY9 | Ocean blue            | 85     |     |       |
|     | 901 552 035 70 PZ1 | Wild buffalo          | 85     |     |       |
| 21  | 901 552 036 27     | Knee protection strip | /R     | 1   |       |
|     |                    | Leatherette           |        |     |       |
|     | 901 552 036 27 7AE | Black                 |        |     |       |
|     | 901 552 036 27 3MX | Burgundy              |        |     |       |
|     | 901 552 036 27 4RB | Brown                 |        |     |       |
|     | 901 552 036 27 30B | Blue                  |        |     |       |
|     | 901 552 036 27 4JX | Greyish green         | 85     |     |       |
| 21  | 901 552 036 70     | Knee protection strip | /R     | 1   |       |
|     |                    | Leather               |        |     |       |
|     | 901 552 036 70 LG7 | Burgundy              |        |     |       |
|     | 901 552 036 70 LG6 | Dark green            |        |     |       |
|     | 901 552 036 70 KZ2 | Black                 |        |     |       |
|     | 901 552 036 70 KZ3 | Blue                  |        |     |       |
|     | 901 552 036 70 KZ5 | Brown                 |        |     |       |
|     | 901 552 036 70 QC2 | Greyish green         | 85     |     |       |
|     | 901 552 036 70 PY9 | Ocean blue            | 85     |     |       |
|     | 901 552 036 70 PZ1 | Wild buffalo          | 85     |     |       |
| 22  | 901 552 050 25     | Ashtray handle        |        | 1   |       |
|     |                    | Leatherette           |        |     |       |
|     | 901 552 050 25 7AE | Black                 |        |     |       |
|     | 901 552 050 25 30B | Dark blue             |        |     |       |
|     | 901 552 050 25 3MX | Burgundy              |        |     |       |
|     | 901 552 050 25 4RB | Brown                 |        |     |       |
|     | 901 552 050 25 4JX | Greyish green         | 85     |     |       |
| 22  | 911 552 050 70     | Ashtray handle        |        | 1   |       |
|     |                    | Leather               |        |     |       |
|     | 911 552 050 70 LG7 | Burgundy              |        |     |       |
|     | 911 552 050 70 LG6 | Dark green            |        |     |       |
|     | 911 552 050 70 KZ2 | Black                 |        |     |       |
|     | 911 552 050 70 KZ3 | Blue                  |        |     |       |
|     | 911 552 050 70 KZ5 | Brown                 |        |     |       |
|     | 911 552 050 70 QC2 | Greyish green         | 85     |     |       |
|     | 911 552 050 70 PY9 | Ocean blue            | 85     |     |       |
|     | 911 552 050 70 PZ1 | Wild buffalo          | 85     |     |       |
| 23  | 901 552 061 25     | Ashtray               |        | 1   |       |
| 24  | 901 552 607 00     | Fireproof plate       |        | 1   |       |
| 25  | N 011 005 14       | Hexagon nut           |        | 4   |       |
|     |                    | M 5                   |        |     |       |
| 25  | 900 076 091 01     | Hexagon nut           |        | 4   |       |
|     |                    | M 5                   |        |     |       |
| 26  | N 011 665 3        | Washer                |        | 4   |       |
|     |                    | A 5,3                 |        |     |       |

Model: 911 84

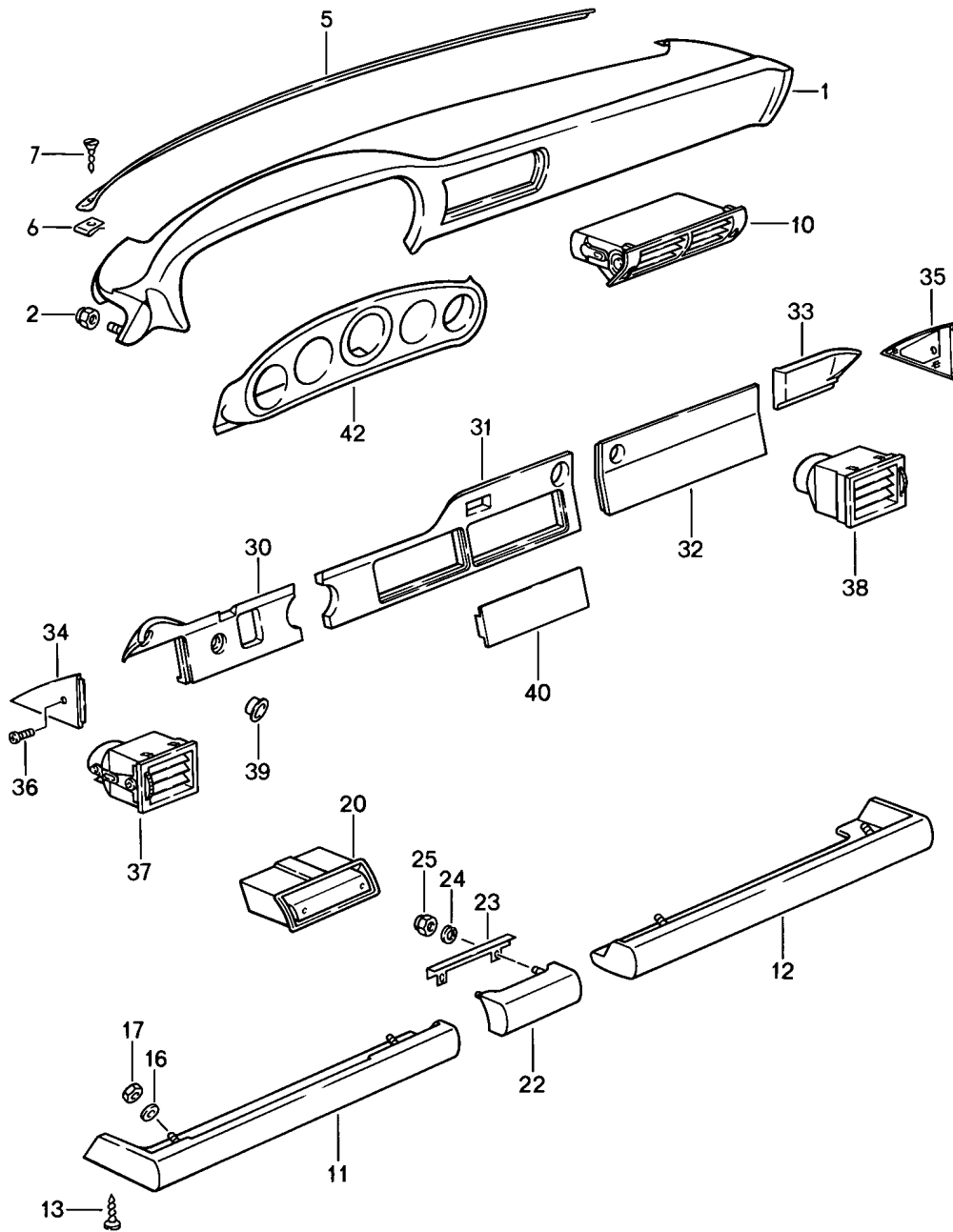
Model life 1984&gt;&gt;1986

| Pos | Part Number    | Description          | Remark | Qty | Model |
|-----|----------------|----------------------|--------|-----|-------|
| 26  | N 011 665 16   | Washer<br>A 5,3      |        | 4   |       |
| 27  | N 011 005 14   | Hexagon nut<br>M 5   |        | 2   |       |
| 27  | 900 076 091 01 | Hexagon nut<br>M 5   |        | 2   |       |
| 28  | N 011 665 3    | Washer<br>A 5,3      |        | 2   |       |
| 28  | N 011 665 16   | Washer<br>A 5,3      |        | 2   |       |
| 29  | 900 070 001 02 | Cap nut<br>M 4       |        | 2   |       |
| 30  | N 012 224 3    | Spring washer<br>B 4 |        | 2   |       |
| 31  | 999 591 903 40 | Rubber stop          |        | 2   |       |



Model: 911 84

Model life 1984>>1986



Model: 911 84 Model life 1984>>1986

| Pos | Part Number        | Description   | Remark         | Qty | Model |
|-----|--------------------|---|----------------|-----|-------|
| 1   | 911 552 055 05     | Dashbord trim<br>with<br>Installation parts<br>Dashbord trim<br>Leatherette | 86-<br><br>/LL | 1   |       |
|     | 911 552 055 05 7AE | Black   |                |     |       |
|     | 911 552 055 05 30B | Blue  |                |     |       |
|     | 911 552 055 05 4RB | Brown   |                |     |       |
|     | 911 552 055 05 3MX | Burgundy  |                |     |       |
|     | 911 552 055 05 4JX | Greyish green   |                |     |       |
| 1   | 911 552 055 73     | Dashbord trim<br>Leather  | /LL            | 1   |       |
|     | 911 552 055 73 KZ2 | Black   |                |     |       |
|     | 911 552 055 73 KZ3 | Blue  |                |     |       |
|     | 911 552 055 73 KZ5 | Brown   |                |     |       |
|     | 911 552 055 73 LG7 | Burgundy  |                |     |       |
|     | 911 552 055 73 QC2 | Greyish green   |                |     |       |
|     | 911 552 055 73 LG6 | Dark green  |                |     |       |
|     | 911 552 055 73 PY9 | Ocean blue  |                |     |       |
|     | 911 552 055 73 PZ1 | Wild buffalo  |                |     |       |
| 2   | 999 090 003 02     | Lock nut<br>M 6   |                | 7   |       |
| 5   | 911 552 411 00     | Defroster vent  |                | 1   |       |
|     | 911 552 411 00 1DB | Black   |                |     |       |
|     | 911 552 411 00 8HL | Blue  |                |     |       |
|     | 911 552 411 00 4RB | Brown   |                |     |       |
|     | 911 552 411 00 3MC | Burgundy  |                |     |       |
|     | 911 552 411 00 2DL | Greyish green   |                |     |       |
| 5   | 911 552 241 01     | Defroster vent  |                | 1   |       |
|     | 911 552 241 01 1DB | Black   |                |     |       |
|     | 911 552 241 01 8HL | Blue  |                |     |       |
|     | 911 552 241 01 4RB | Brown   |                |     |       |
|     | 911 552 241 01 3MC | Burgundy  |                |     |       |
|     | 911 552 241 01 2DL | Greyish green   |                |     |       |
| 6   | 999 591 713 02     | Speed nut<br>B 4,2  |                | 5   |       |
| 6   | 999 591 713 03     | Speed nut<br>B 4,2  |                | 5   |       |
| 7   | 900 145 084 07     | Tapping screw<br>B 4,2 X 19   |                | 5   |       |
| 10  | 911 572 051 01     | Centre nozzle   | /LL            | 1   |       |
|     | 911 572 051 01 01C | Black   |                |     |       |
| 11  | 911 552 069 00     | Knee protection strip<br>Leatherette  | /LL /L         | 1   |       |
|     | 911 552 069 00 7AE | Black   |                |     |       |
|     | 911 552 069 00 30B | Blue  |                |     |       |
|     | 911 552 069 00 4RB | Brown   |                |     |       |
|     | 911 552 069 00 3MX | Burgundy  |                |     |       |
|     | 911 552 069 00 4JX | Greyish green   |                |     |       |
| 11  | 911 552 151 50     | Knee protection strip<br>Leather  | /LL /L         | 1   |       |
|     | 911 552 151 50 KZ2 | Black   |                |     |       |
|     | 911 552 151 50 KZ3 | Blue  |                |     |       |
|     | 911 552 151 50 KZ5 | Brown   |                |     |       |
|     | 911 552 151 50 LG7 | Burgundy  |                |     |       |
|     | 911 552 151 50 QC2 | Greyish green   |                |     |       |
|     | 911 552 151 50 LG6 | Dark green  |                |     |       |
|     | 911 552 151 50 PY9 | Ocean blue  |                |     |       |
|     | 911 552 151 50 PZ1 | Wild buffalo  |                |     |       |
| 12  | 911 552 070 00     | Knee protection strip<br>Leatherette  | /LL /R         | 1   |       |
|     | 911 552 070 00 7AE | Black   |                |     |       |
|     | 911 552 070 00 30B | Blue  |                |     |       |

Model: 911 84 Model life 1984>>1986

| Pos | Part Number         | Description           | Remark      | Qty | Model |  |
|-----|---------------------|-----------------------|-------------|-----|-------|--|
| 12  | 911 552 070 00 4RB  | Brown                 |             |     |       |  |
|     | 911 552 070 00 3MX  | Burgundy              |             |     |       |  |
|     | 911 552 070 00 4JX  | Greyish green         |             |     |       |  |
|     | 911 552 152 50      | Knee protection strip | /LL /R      | 1   |       |  |
|     |                     | Leather               |             |     |       |  |
|     | 911 552 152 50 KZ2  | Black                 |             |     |       |  |
|     | 911 552 152 50 KZ3  | Blue                  |             |     |       |  |
|     | 911 552 152 50 KZ5  | Brown                 |             |     |       |  |
|     | 911 552 152 50 LG7  | Burgundy              |             |     |       |  |
|     | 911 552 152 50 QC2  | Greyish green         |             |     |       |  |
| 13  | 911 552 152 50 LG6  | Dark green            |             |     |       |  |
|     | 911 552 152 50 PY9  | Ocean blue            |             |     |       |  |
|     | 911 552 152 50 PZ1  | Wild buffalo          |             |     |       |  |
|     | 999 073 062 02      | Tapping screw         |             | 2   |       |  |
|     |                     | B 4,8 X 19            |             |     |       |  |
|     | 16                  | N 011 665 3           | Washer      |     | 4     |  |
|     |                     |                       | B 5,3       |     |       |  |
|     | 16                  | N 011 665 16          | Washer      |     | 4     |  |
|     |                     |                       | B 5,3       |     |       |  |
|     | 17                  | N 011 005 14          | Hexagon nut |     | 4     |  |
|     |                     | M 5                   |             |     |       |  |
| 17  | 900 076 091 01      | Hexagon nut           |             | 4   |       |  |
|     |                     | M 5                   |             |     |       |  |
| 20  | 911 552 101 00      | Ashtray               |             | 1   |       |  |
| 22  | 911 552 050 01      | Ashtray handle        |             | 1   |       |  |
|     |                     | Leatherette           |             |     |       |  |
|     | 911 552 050 01 7AE  | Black                 |             |     |       |  |
|     | 911 552 050 01 30B  | Blue                  |             |     |       |  |
|     | 911 552 050 01 4RB  | Brown                 |             |     |       |  |
|     | 911 552 050 01 3MX  | Burgundy              |             |     |       |  |
|     | 911 552 050 01 4JX  | Greyish green         |             |     |       |  |
|     | 911 552 049 50      | Ashtray handle        |             | 1   |       |  |
|     |                     | Leather               |             |     |       |  |
|     |                     | 911 552 049 50 KZ2    | Black       |     |       |  |
| 23  | 911 552 049 50 KZ3  | Blue                  |             |     |       |  |
|     | 911 552 049 50 KZ5  | Brown                 |             |     |       |  |
|     | 911 552 049 50 LG7  | Burgundy              |             |     |       |  |
|     | 911 552 049 50 QC2  | Greyish green         |             |     |       |  |
|     | 911 552 049 50 LG6  | Dark green            |             |     |       |  |
|     | 911 552 049 50 PY9  | Ocean blue            |             |     |       |  |
|     | 911 552 049 50 PZ1  | Wild buffalo          |             |     |       |  |
|     | 911 552 607 00      | Fireproof plate       |             | 1   |       |  |
|     | 911 552 607 00 70B  | Black                 |             |     |       |  |
|     | (23) 911 552 607 50 | Fireproof plate       |             | 1   | M981  |  |
| 24  | 911 552 607 50 70B  | Black                 |             |     |       |  |
|     | N 012 224 3         | Spring washer         |             | 2   |       |  |
| 25  |                     | B 4                   |             |     |       |  |
|     | 900 070 001 02      | Cap nut               |             | 2   |       |  |
| 30  |                     | M 4                   |             |     |       |  |
|     | 911 552 477 09      | Cover                 | /LL /L      | 1   |       |  |
| 31  | 911 552 477 09 7AE  | Black                 |             |     |       |  |
|     | 911 552 479 09      | Cover                 | /LL         | 1   |       |  |
| 31  | 911 552 479 09 7AE  | Black                 |             |     |       |  |
|     | 911 552 479 60      | Cover                 | /LL         | 1   |       |  |
| 32  | 911 552 479 60 7AE  | Black                 |             |     |       |  |
|     | 911 552 488 04      | Cover                 |             | 1   |       |  |
| 33  | 911 552 488 04 7AE  | Black                 |             |     |       |  |
|     | 911 552 594 06      | Cover                 | /LL /R      | 1   |       |  |
| 34  | 911 552 594 06 7AE  | Black                 |             |     |       |  |
|     | 911 552 113 00      | Cover                 | /L          | 1   |       |  |
| 35  | 911 552 113 00 01C  | Black                 |             |     |       |  |
|     | 911 552 114 00      | Cover                 | /R          | 1   |       |  |
|     | 911 552 114 00 01C  | Black                 |             |     |       |  |

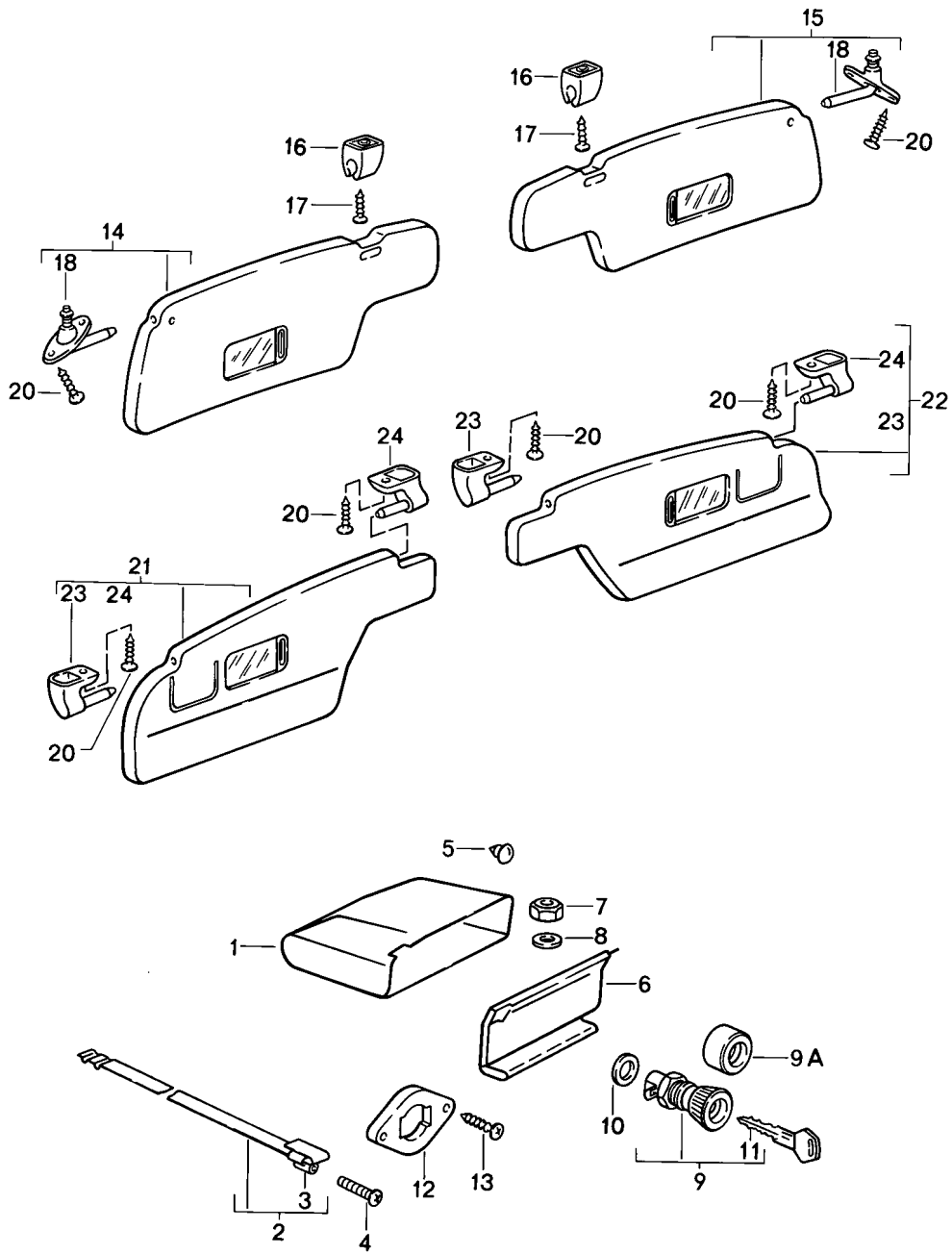
Model: 911 84

Model life 1984>>1986

| Pos | Part Number        | Description                   | Remark | Qty | Model |
|-----|--------------------|-------------------------------|--------|-----|-------|
| 36  | 900 145 003 07     | Tapping screw<br>BZ 3,5 X 9,5 |        | 2   |       |
| 37  | 911 572 041 00     | Side vent                     | /LL /L | 1   |       |
|     | 911 572 041 00 01C | Black                         |        |     |       |
| 38  | 911 572 042 00     | Side vent                     | /LL /R | 1   |       |
|     | 911 572 042 00 01C | Black                         |        |     |       |
| 39  | 911 552 217 00     | Rosette                       |        | 1   |       |
|     | 911 552 217 00 70B | Black<br>Lid-release cable    |        |     |       |
| 40  | 911 552 463 02     | Trim cover                    |        | 1   |       |
|     | 911 552 463 02 70B | Black                         |        |     |       |
| 42  | 911 552 549 00     | Cover                         | /LL    | 1   |       |
|     | 911 552 549 00 700 | Black<br>Dashboard trim       |        |     |       |

Model: 911 84

Model life 1984>>1986



Model: 911 84 Model life 1984>>1986

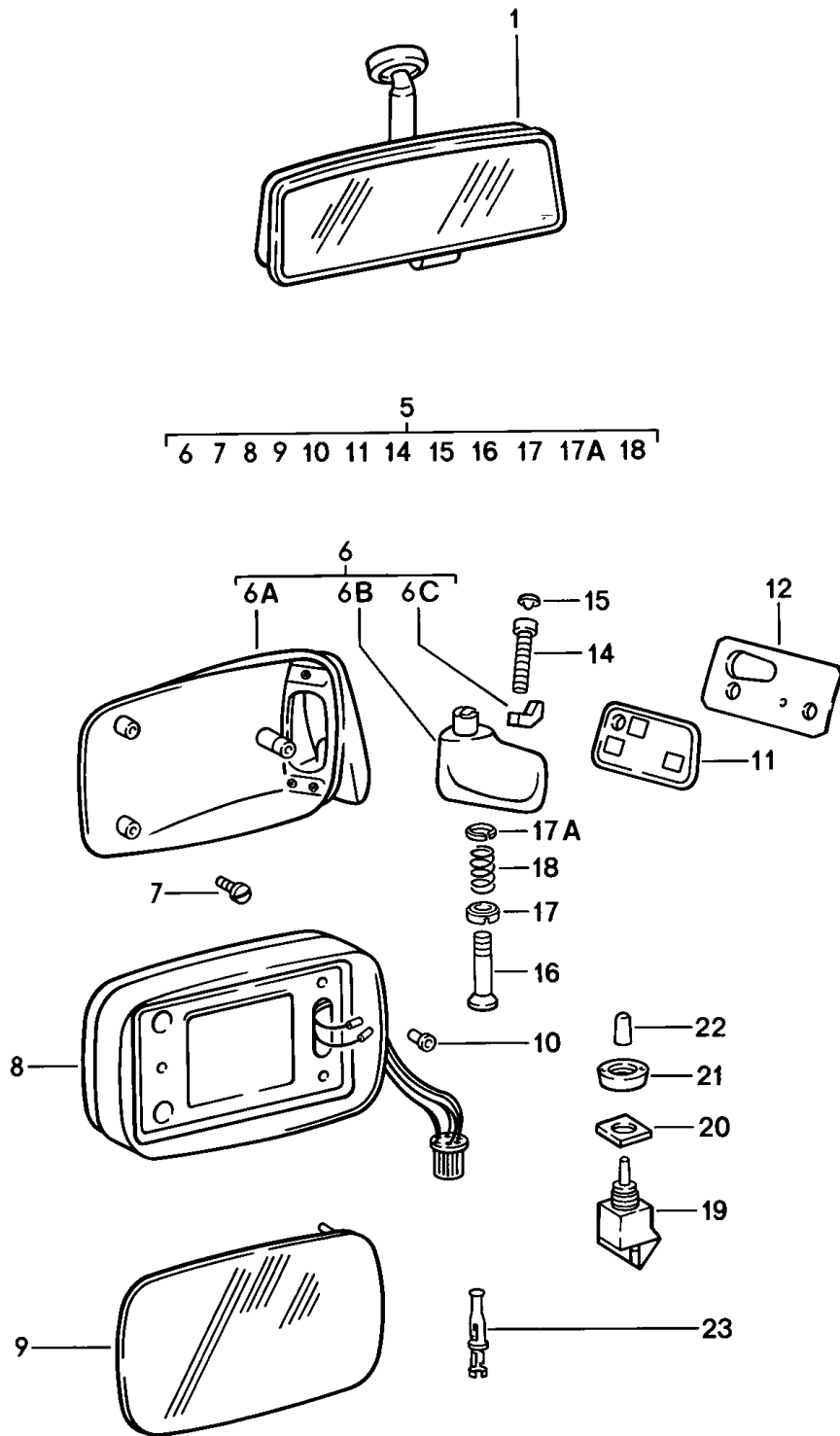
| Pos  | Part Number        | Description   | Remark | Qty | Model |
|------|--------------------|---|--------|-----|-------|
|      |                    | Glove compartment   |        |     |       |
|      |                    | Sun visors  |        |     |       |
| 1    | 911 552 501 00     | Glove compartment   |        | 1   |       |
| (2)  | 901 552 531 20     | Restraining strap   | -85    | 1   |       |
| 2    | 911 552 176 01     | Restraining strap   | /LL    | 1   |       |
| 4    | 900 146 010 02     | Oval-head screw<br>AM 5 X 30                                  |        | 1   |       |
| 5    | 999 703 064 50     | Buffer<br>14 X 12   |        | 1   |       |
| (5)  | 999 703 330 50     | Buffer<br>14 X 17,5   |        | 1   |       |
| 6    | 911 552 010 04     | Glove compartment cover                                       | -85    | 1   |       |
| 6    | 911 552 010 05     | Glove compartment cover                                       | 86-    | 1   |       |
| 6    | 911 552 010 05 GRV | Glove compartment cover<br>Prime coated                       | 86-    | 1   |       |
| 7    | N 021 196 1        | Lock nut<br>M 5   |        | 4   |       |
| 7    | N 021 196 3        | Hexagon nut<br>M 5  |        | 4   |       |
| 8    | 900 025 003 02     | Washer<br>5,3   |        | 4   |       |
| (9)  | 911 552 902 07     | Glove compartment lock  | -84    | 1   |       |
| (9)  |                    | Glove compartment lock<br>W/o stipulated lock number          |        | 1   |       |
| 9    | 911 552 902 08     | Glove compartment lock<br>State lock number                   |        | 1   |       |
| (9A) | 911 538 961 00     | Knob  | -85    | 1   |       |
| 9A   | 911 538 561 00     | Knob  | 86-    | 1   |       |
| 10   | 911 552 103 01     | Washer  |        | 1   |       |
| (11) | 911 538 903 00     | Blank key   |        | 2   |       |
| (11) |                    | Blank key   |        | 2   |       |
| (11) | 944 538 041 00     | Key lamp  |        | 2   |       |
| (11) | 944 538 041 01     | Key lamp  |        | 2   |       |
| 11   | 911 538 902 00     | Replacement key<br>State lock number<br>Information available |        | 2   |       |
| 12   | 911 552 513 02     | Door lock striker   |        | 1   |       |
| 13   | 900 143 065 07     | Tapping screw<br>2,9 X 9,5                                    |        | 2   |       |
| 13   | 900 073 003 01     | Tapping screw<br>2,9 X 9,5                                    |        | 2   |       |
| (14) | 911 731 031 18     | Sun visor<br>with mirror                                      | /L -85 | 1   | COUPE |
|      | 911 731 031 18 JQ5 | Burgundy  |        |     |       |
|      | 911 731 031 18 CC4 | White/black   | -84    |     |       |
|      | 911 731 031 18 CC1 | Blue  |        |     |       |
|      | 911 731 031 18 LA7 | Brown   |        |     |       |
|      | 911 731 031 18 CA9 | Black   |        |     |       |
|      | 911 731 031 18 NY2 | Greyish green   | 85     |     |       |
| (14) | 964 731 031 01     | Sun visor   | /L     | 1   | COUPE |
|      | 964 731 031 01 CA9 | with mirror<br>Black  |        |     |       |
| (14) | 964 731 031 00     | Sun visor   | /LL /L | 1   | COUPE |
|      | 964 731 031 00 CA9 | with mirror<br>Black  |        |     |       |
| 14   | 911 731 031 35     | Sun visor<br>with mirror                                      | /L 86- | 1   | COUPE |
|      | 911 731 031 35 CA9 | Black   |        |     |       |
|      | 911 731 031 35 CC1 | Blue  |        |     |       |
|      | 911 731 031 35 LA7 | Brown   |        |     |       |
|      | 911 731 031 35 JQ5 | Burgundy  |        |     |       |
|      | 911 731 031 35 NY2 | Greyish green   |        |     |       |
| (15) | 911 731 032 17     | Sun visor   | /R -85 | 1   | COUPE |

Model: 911 84 Model life 1984>>1986

| Pos  | Part Number        | Description                              | Remark | Qty | Model        |
|------|--------------------|--|--------|-----|--------------|
|      | 911 731 032 17 JQ5 | with mirror<br>Burgundy                  |        |     |              |
|      | 911 731 032 17 CC4 | White/black                              | -84    |     |              |
|      | 911 731 032 17 CC1 | Blue                                     |        |     |              |
|      | 911 731 032 17 LA7 | Brown                                    |        |     |              |
|      | 911 731 032 17 CA9 | Black                                    |        |     |              |
|      | 911 731 032 17 NY2 | Greyish green                            | 85     |     |              |
| 15   | 964 731 032 00     | Sun visor                                | /LL /R | 1   | COUPE        |
|      | 964 731 032 00 CA9 | with mirror<br>Black                     |        |     |              |
| 15   | 911 731 032 35     | Sun visor                                | /R 86- | 1   | COUPE        |
|      |                    | with mirror<br>Black                     |        |     |              |
|      | 911 731 032 35 CA9 | Black                                    |        |     |              |
|      | 911 731 032 35 CC1 | Blue                                     |        |     |              |
|      | 911 731 032 35 LA7 | Brown                                    |        |     |              |
|      | 911 731 032 35 JQ5 | Burgundy                                 |        |     |              |
|      | 911 731 032 35 NY2 | Greyish green                            |        |     |              |
| (16) | 911 731 331 00     | Support                                  |        | 2   | COUPE        |
| 17   | 900 143 111 07     | Oval-head sheetmetal screw<br>B 3,9 X 13 |        | 2   | COUPE        |
| 18   | 964 731 319 00     | Bearing                                  | /L     | 1   | COUPE        |
| 18   | 964 731 320 00     | Bearing                                  | /R     | 1   | COUPE        |
| 20   | 900 145 075 07     | Tapping screw<br>B 4,2 X 16              |        | 4   |              |
| (21) | 911 731 031 61     | Sun visor                                | /L -85 | 1   | TARGA/CABRIO |
|      |                    | with mirror                              |        |     |              |
| 21   | 911 731 031 63     | Sun visor                                | /L     | 1   | TARGA/CABRIO |
|      |                    | with mirror<br>Black                     |        |     |              |
| (22) | 911 731 031 63 CA9 | Black                                    |        |     |              |
| (22) | 911 731 032 60     | Sun visor                                | /R -85 | 1   | TARGA/CABRIO |
|      |                    | with mirror                              |        |     |              |
| 22   | 911 731 032 63     | Sun visor                                | /R 86- | 1   | TARGA/CABRIO |
|      |                    | with mirror<br>Black                     |        |     |              |
| (23) | 911 731 032 63 CA9 | Black                                    |        |     |              |
| 23   | 964 731 319 40     | Bearing bracket                          | /L     | 2   | TARGA/CABRIO |
| 24   | 964 731 320 40     | Bearing bracket                          | /R     | 2   | TARGA/CABRIO |

Model: 911 84

Model life 1984>>1986





Model: 911 84 Model life 1984>>1986

| Pos  | Part Number        | Description                 | Remark | Qty | Model |
|------|--------------------|-----------------------------|--------|-----|-------|
| 1    | 477 857 511 A      | Interior mirror             |        | 1   |       |
|      | 477 857 511 A 01C  | Door mirror                 |        |     |       |
|      |                    | Interior mirror             |        |     |       |
| 1    | 477 857 511 B      | Satin black                 |        | 1   |       |
|      | 477 857 511 B 01C  | Interior mirror             |        |     |       |
|      |                    | Satin black                 |        |     |       |
| -    | 911 731 901 01     | Installation set            | /LL /R | 1   |       |
|      |                    | for subsequent installation | -84    |     |       |
|      |                    | See TPI                     |        |     |       |
|      |                    | NR.22                       |        |     |       |
|      |                    | Order also:                 |        |     |       |
| -    | 911 612 165 01     | Wiring harness              |        | 1   |       |
|      |                    | Driver's door               |        |     |       |
| -    | 911 612 164 03     | Wiring harness              | /LL    | 1   |       |
|      |                    | FRONT luggage compartment   |        |     |       |
| -    | 911 731 035 08     | Mirror glass                |        | 1   |       |
|      |                    | Plane                       |        |     |       |
| (5)  | 911 731 927 01     | Repair kit                  | /LL /L | 1   |       |
| (5)  | 911 731 928 01     | Repair kit                  | /LL /R | 1   |       |
| 6A   | 911 731 043 03     | Mirror housing              | /L     | 1   |       |
| (6A) | 911 731 044 03     | Mirror housing              | /R     | 1   |       |
| 6B   | 911 731 241 02     | Mirror base                 | /LL /L | 1   |       |
| (6B) | 911 731 288 02     | Mirror base                 | /LL /R | 1   |       |
| 6AB  | 944 731 021 01     | Mirror housing              | /L     | 1   |       |
|      | 944 731 021 01 G3M | with                        |        |     |       |
|      |                    | Mirror base                 |        |     |       |
|      |                    | Grey                        |        |     |       |
|      |                    | Prime coated                |        |     |       |
| 6C   | 911 731 263 00     | Mounting piece              |        | 2   |       |
| 7    | 999 143 003 02     | Hexagon-head bolt           | -84    | 3   |       |
| 7    |                    | Hexagon-head bolt           |        | 3   |       |
|      |                    | M 5 X 10                    |        |     |       |
| 8    | 911 731 027 06     | Covering frame              | /L     | 1   |       |
| (8)  | 911 731 028 06     | Covering frame              | /R     | 1   |       |
|      |                    | Repair kit                  |        |     |       |
|      |                    | for                         |        |     |       |
|      |                    | Covering frame              |        |     |       |
|      |                    | Bayonet lock                |        |     |       |
|      |                    | Comprising:                 |        |     |       |
| -    | PCG 731 028 06     | Electronic unit             | /R /L  | 1   |       |
|      |                    | Engine                      |        |     |       |
|      |                    | Door mirror                 |        |     |       |
| -    | 944 731 027 01     | Covering frame              | /R /L  | 1   |       |
|      |                    | Use also:                   |        |     |       |
| 9    | 944 731 035 02     | Mirror glass                | /L     | 1   |       |
|      |                    | Plane                       |        |     |       |
|      |                    | Bayonet lock                |        |     |       |
| 9    | 944 731 035 06     | Mirror glass                | /R     | 1   |       |
|      |                    | Convex                      |        |     |       |
|      |                    | Bayonet lock                |        |     |       |
| 9    | 911 731 035 08     | Mirror glass                |        | 1   |       |
|      |                    | Plane                       |        |     |       |
| 10   | 999 703 128 40     | Grommet                     |        | 3   |       |
| 11   | 911 731 247 00     | Desk pad                    | /L     | 1   |       |
| (11) | 911 731 248 00     | Desk pad                    | /R     | 1   |       |
| 12   | 911 531 197 00     | Reinforcement               | /L     | 1   |       |
| (12) | 911 531 198 00     | Reinforcement               | /R     | 1   |       |
| 13   | 999 190 123 02     | Blind rivet                 |        | 2   |       |
|      |                    | 3,2 X 7,37                  |        |     |       |
| 14   | 999 218 021 02     | Pan-head screw              |        | 1   |       |
|      |                    | Micro-self-locking          |        |     |       |
|      |                    | AM 5 X 35                   |        |     |       |
| 14   | 999 218 021 0C     | Pan-head screw              |        | 1   |       |

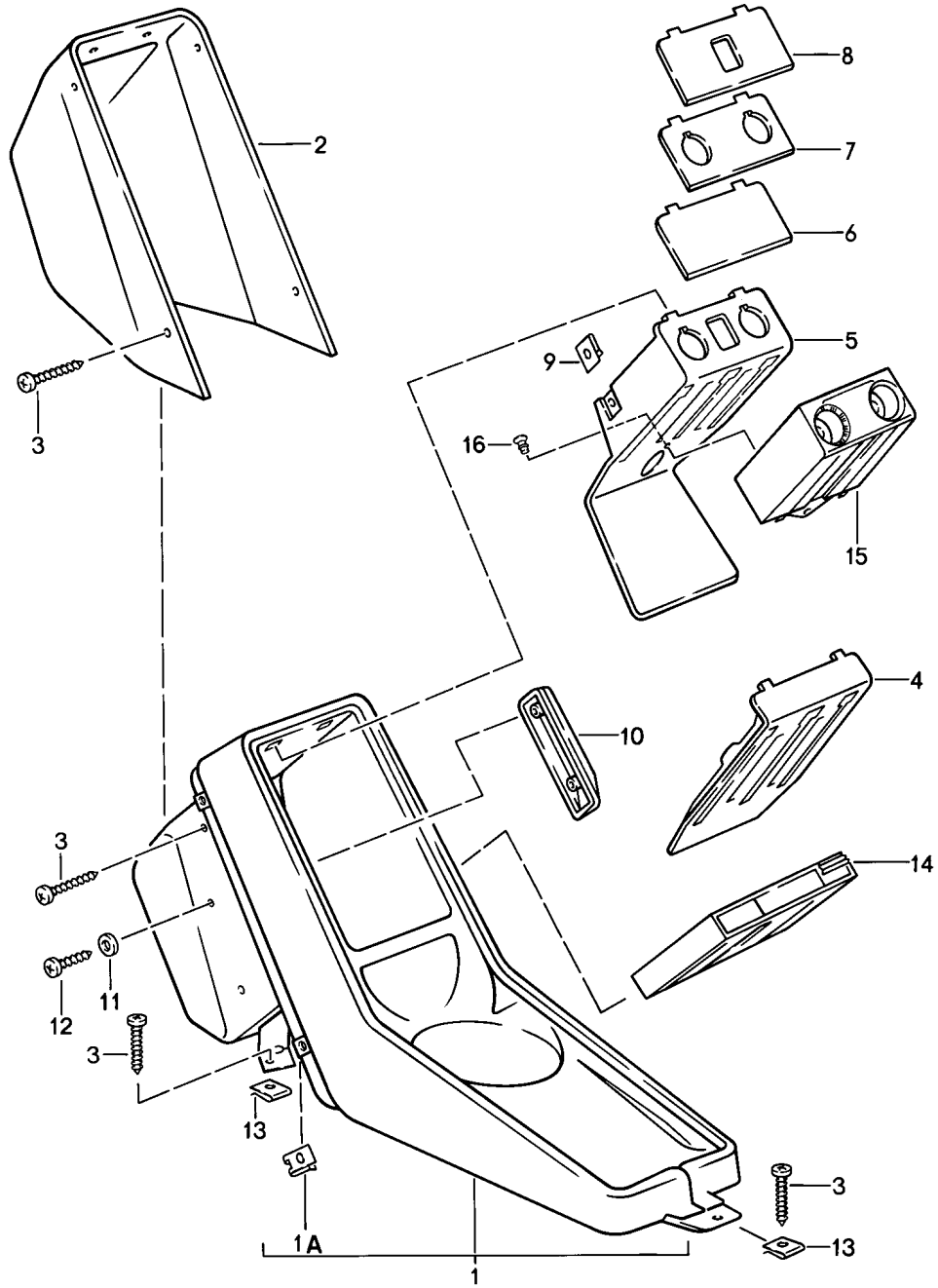
Model: 911 84

Model life 1984>>1986

| Pos | Part Number    | Description                      | Remark | Qty | Model |
|-----|----------------|----------------------------------|--------|-----|-------|
|     |                | Micro-self-locking<br>AM 5 X 35  |        |     |       |
| 15  | 999 703 137 40 | Cap                              |        | 1   |       |
| 16  | 911 731 257 02 | Guide tube                       |        | 1   |       |
| 16  | 911 731 257 03 | Guide tube                       |        | 1   |       |
| 16  | 911 731 257 02 | Guide tube                       |        | 1   |       |
| 16  | 911 731 257 03 | Guide tube                       |        | 1   |       |
| 16  | 911 731 257 02 | Guide tube                       |        | 1   |       |
| 16  | 911 731 257 03 | Guide tube                       |        | 1   |       |
| 17  | 911 731 345 02 | Centring washer<br>Lower         |        | 1   |       |
| 17A | 911 731 347 00 | Centring washer<br>Upper         |        | 1   |       |
| 18  | 911 731 029 01 | Compression spring               |        | 1   |       |
| 19  | 911 613 115 00 | Switch                           |        | 1   |       |
| 20  | 911 731 343 03 | Gasket                           |        | 1   |       |
| 21  | 911 731 251 00 | Round nut                        |        | 1   |       |
| 22  | 911 613 633 01 | Protection cap                   |        | 1   |       |
| -   | 477 957 861    | Rubber sleeve                    |        | 1   |       |
| -   | 803 971 979    | Plug socket<br>7-pole            |        | 1   |       |
| 23  | N 017 562 4    | Cylindrical socket<br>1,6 X 0,75 |        | X   |       |
| -   | 111 971 958    | Flat receptacle<br>2,8 X 8       |        | 6   |       |

Model: 911 84

Model life 1984>>1986



Model: 911 84 Model life 1984>>1986

| Pos  | Part Number        | Description                                     | Remark | Qty | Model |
|------|--------------------|---|--------|-----|-------|
| 1    | 911 552 030 01     | Centre console<br>Centre console<br>Leatherette |        | 1   |       |
|      | 911 552 030 01 05T | Black   |        |     |       |
|      | 911 552 030 01 4RB | Brown   |        |     |       |
|      | 911 552 030 01 1HH | Blue  |        |     |       |
|      | 911 552 030 01 3MK | Burgundy  |        |     |       |
|      | 911 552 030 01 4JX | Greyish green                                   | 85-    |     |       |
|      | 911 552 030 01 5FX | Grey-beige                                      | 84, 86 |     |       |
| 1    | 911 552 030 03     | Centre console<br>Leatherette                   |        | 1   |       |
|      | 911 552 030 03 05T | Black   |        |     |       |
|      | 911 552 030 03 4RB | Brown   |        |     |       |
|      | 911 552 030 03 1HH | Blue  |        |     |       |
|      | 911 552 030 03 3MK | Burgundy  |        |     |       |
|      | 911 552 030 03 4JX | Greyish green                                   | 85-    |     |       |
|      | 911 552 030 03 5FX | Grey-beige                                      | 84, 86 |     |       |
| 1    | 911 552 030 50     | Centre console<br>Leather                       |        | 1   |       |
|      | 911 552 030 50 KZ2 | Black   |        |     |       |
|      | 911 552 030 50 KZ3 | Blue  |        |     |       |
|      | 911 552 030 50 KZ4 | Grey-beige                                      | 84, 86 |     |       |
|      | 911 552 030 50 KZ5 | Brown   |        |     |       |
|      | 911 552 030 50 KZ6 | Can-can-red                                     | 85-    |     |       |
|      | 911 552 030 50 LG4 | Pearl white                                     | 85-    |     |       |
|      | 911 552 030 50 LG5 | Champagne                                       | 85-    |     |       |
|      | 911 552 030 50 LG6 | Dark green                                      |        |     |       |
|      | 911 552 030 50 LG7 | Burgundy  |        |     |       |
|      | 911 552 030 50 QC2 | Greyish green                                   | 85-    |     |       |
|      | 911 552 030 50 PZ1 | Wild buffalo                                    | 85-    |     |       |
|      | 911 552 030 50 PY9 | Ocean blue                                      | 85-    |     |       |
| 1A   | 999 507 018 02     | Speed nut<br>B 4,2                              |        | 4   |       |
| 1A   | 999 507 018 01     | Speed nut<br>B 4,2                              |        | 4   |       |
| 2    | 911 552 231 00     | Cap   |        | 1   |       |
| 3    | 900 143 121 07     | Tapping screw<br>B 4,2 X 16                     |        | 4   |       |
| 3    | 900 143 121 0H     | Tapping screw<br>B 4,2 X 16                     |        | 4   |       |
| 4    | 911 552 259 01     | Cover   | -84    | 1   |       |
| (5)  | 911 552 169 00     | Cassette carrier                                | -85    | 1   |       |
| 5    | 911 613 069 00     | Cassette carrier                                | 86-    | 1   |       |
|      | 911 613 069 00 70B | Black<br>for cars with<br>Fader                 |        |     |       |
| (5)  | 911 613 069 01     | Centre console<br>Cassette carrier              | 86-    | 1   |       |
|      | 911 613 069 01 70B | Black<br>for cars with<br>Fader                 |        |     |       |
| (6)  | 911 552 273 00     | Radio<br>Adhesive film                          |        | 1   |       |
| 7    | 911 552 269 00     | Cover<br>Air-conditioning switch                | -84    | 1   |       |
| 8    | 911 552 271 00     | Cover<br>Fader                                  | -84    | 1   |       |
| 9    | 999 507 018 02     | Speed nut<br>B 4,2                              |        | 2   |       |
| 9    | 999 507 018 01     | Speed nut<br>B 4,2                              |        | 2   |       |
| 10   | 911 552 177 01     | Stop  |        | 1   |       |
| (10) | 911 552 519 00     | Stop  | 86-    | 1   | TURBO |

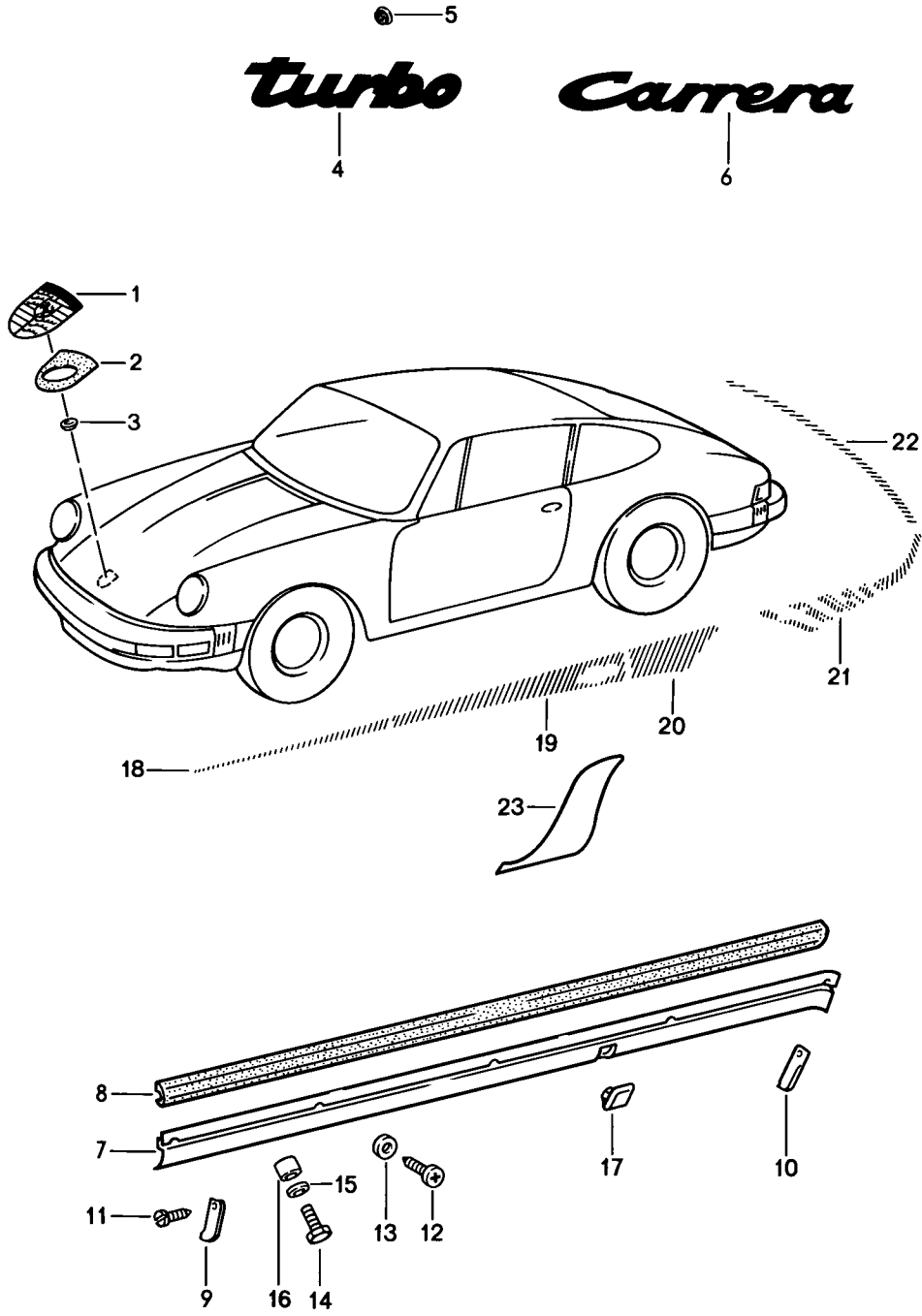
Model: 911 84

Model life 1984>>1986

| Pos | Part Number        | Description                              | Remark | Qty | Model                    |
|-----|--------------------|--|--------|-----|--------------------------|
| 11  | 900 025 003 02     | Washer<br>A 5,3                          |        | 2   | CARRERA<br>M559          |
| 12  | N 013 961 2        | Oval-head sheetmetal screw<br>B 3,9 X 13 |        | 2   |                          |
| 12  | N 013 961 11       | Oval-head sheetmetal screw<br>B 3,9 X 13 |        | 2   |                          |
| 13  | 999 507 240 00     | Speed nut<br>B 4,2                       |        | 3   |                          |
| 14  | 911 645 226 00     | Cassette box                             |        | X   |                          |
| 14  | 964 552 753 00     | Cassette box                             |        | X   |                          |
|     | 964 552 753 00 01C | Black                                    |        |     |                          |
| 15  | 911 613 611 01     | Switch housing                           | 86-    | 1   | TURBO<br>CARRERA<br>M559 |
|     | 911 613 611 01 01C | Black                                    |        |     |                          |
| 16  | 999 190 363 40     | Stopper<br>4,1 X 8                       | 86-    | 1   | TURBO<br>CARRERA<br>M559 |

Model: 911 84

Model life 1984>>1986



Model: 911 84 Model life 1984>>1986

| Pos | Part Number        | Description                | Remark  | Qty | Model                    |
|-----|--------------------|----------------------------|---------|-----|--------------------------|
|     |                    | Decorative fittings        |         |     |                          |
| 1   | 901 559 210 20     | Lid emblem                 |         | 1   |                          |
| 1   | 901 559 210 26     | Lid emblem                 |         | 1   |                          |
| 2   | 901 559 215 20     | Desk pad                   |         | 1   |                          |
| 2   | 7L5 853 611 B      | Desk pad                   |         | 1   |                          |
| 3   | 999 591 423 03     | Tapping nut                |         | 2   |                          |
| 4   | 930 559 317 00     | Logo                       |         | 1   | TURBO                    |
| 4   | 930 559 317 03     | Logo                       |         | 1   | TURBO                    |
| 5   | 999 591 423 03     | Tapping nut                |         | 2   |                          |
| 6   | 911 559 037 00     | Logo                       |         | 1   | CARRERA                  |
| 6   |                    | Logo                       |         | 1   | CARRERA                  |
|     | 911 559 037 00 70C | Black                      |         |     |                          |
| (7) | 911 559 047 01     | Trim cover                 | /L      | 1   | CARRERA                  |
| (7) |                    | Trim cover                 | /L      | 1   | CARRERA                  |
|     | 911 559 047 01 GRV | Prime coated               |         |     |                          |
| (7) | 930 559 047 01     | Trim cover                 | /L      | 1   | TURBO<br>CARRERA<br>M491 |
| (7) |                    | Trim cover                 | /L      | 1   | TURBO<br>CARRERA<br>M491 |
|     | 930 559 047 01 GRV | Prime coated               |         |     |                          |
| (7) | 911 559 048 01     | Trim cover                 | /R      | 1   | CARRERA                  |
| (7) |                    | Trim cover                 | /R      | 1   | CARRERA                  |
|     | 911 559 048 01 GRV | Prime coated               |         |     |                          |
| (7) | 930 559 048 01     | Trim cover                 | /R      | 1   | TURBO<br>CARRERA<br>M491 |
| (7) |                    | Trim cover                 | /R      | 1   | TURBO<br>CARRERA<br>M491 |
|     | 930 559 048 01 GRV | Prime coated               |         |     |                          |
| 8   | 930 559 103 01     | Rubber moulding            |         | 2   | CARRERA                  |
| (8) |                    | Rubber moulding            |         | 2   | TURBO                    |
| 9   | PCG 559 941 04     | End piece                  | /LV /LH | 1   |                          |
|     |                    | Set                        |         |     |                          |
|     |                    | Comprising:                |         |     |                          |
|     |                    | POS 9 + 10                 |         |     |                          |
|     |                    | Black                      |         |     |                          |
|     |                    | Coated                     |         |     |                          |
| 10  |                    | End piece                  | /RV/RH  | 1   |                          |
|     |                    | Set                        |         |     |                          |
|     |                    | Comprising:                |         |     |                          |
|     |                    | POS 9 + 10                 |         |     |                          |
|     |                    | Black                      |         |     |                          |
|     |                    | Coated                     |         |     |                          |
| 11  | 900 143 049 07     | Tapping screw              |         | 8   |                          |
|     |                    | BZ 3,5 X 9,5               |         |     |                          |
| 12  | 900 143 031 02     | Oval-head sheetmetal screw |         | 10  |                          |
|     |                    | B 4,2 X 9,5                |         |     |                          |
| 13  | 900 025 002 02     | Washer                     |         | 10  |                          |
|     |                    | 4,3                        |         |     |                          |
| 13  | 900 025 002 03     | Washer                     |         | 10  |                          |
|     |                    | 4,3                        |         |     |                          |
| 14  | 900 187 032 02     | Tapping screw              |         | 3   |                          |
|     |                    | B 6,3 X 32                 |         |     |                          |
| 14  | 900 187 129 02     | Tapping screw              |         | 3   |                          |
|     |                    | B 6,3 X 38                 |         |     |                          |
| 15  | 900 151 007 02     | Washer                     |         | 6   |                          |
|     |                    | B 7,4                      |         |     |                          |
| 15  | 900 151 007 03     | Washer                     |         | 6   |                          |
|     |                    | B 7,4                      |         |     |                          |
| 16  | 911 559 145 01     | Spacer sleeve              |         | X   |                          |
|     |                    | 5 MM                       |         |     |                          |
| 16  | 911 559 145 00     | Spacer sleeve              |         | X   |                          |

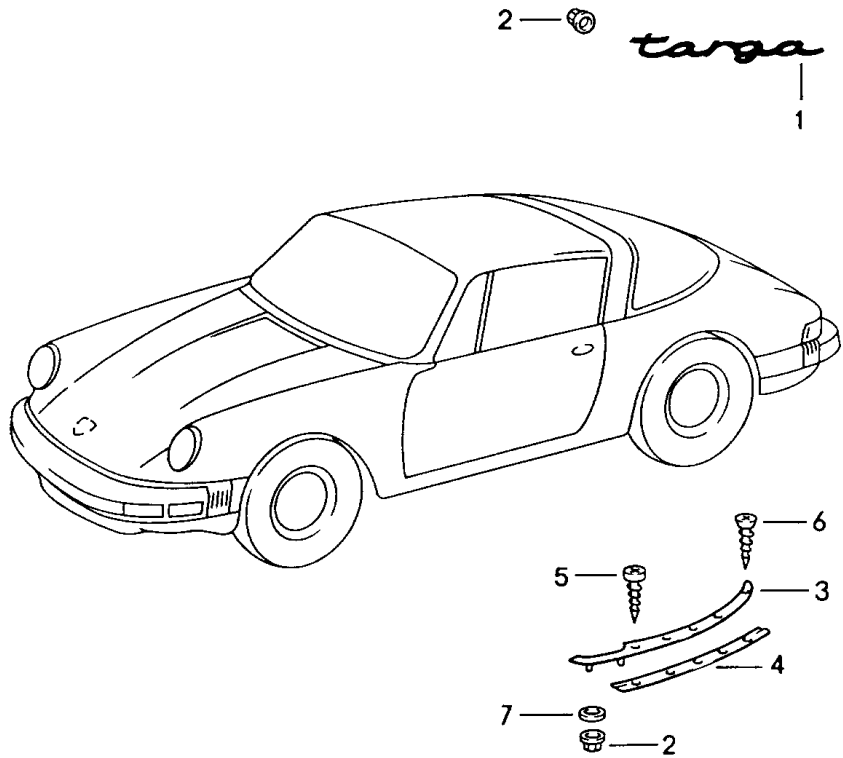
Model: 911 84 Model life 1984>>1986

| Pos  | Part Number    | Description   | Remark | Qty | Model |
|------|----------------|---|--------|-----|-------|
| 17   | 911 559 149 01 | 11,8 MM<br>Stopper<br>Adhesive film<br>Black<br>Hatched |        | 2   |       |
| 18   | 930 559 301 00 | Adhesive film   | /L     | 1   |       |
| (18) | 930 559 302 00 | Adhesive film   | /R     | 1   |       |
| 19   | 930 559 303 00 | Adhesive film   | /L     | 1   |       |
| (19) | 930 559 304 00 | Adhesive film   | /R     | 1   |       |
| 20   | 930 559 305 00 | Adhesive film   | /L     | 1   |       |
| (20) | 930 559 306 00 | Adhesive film   | /R     | 1   |       |
| 21   | 930 559 307 00 | Adhesive film   | /L     | 1   |       |
| (21) | 930 559 308 00 | Adhesive film   | /R     | 1   |       |
| 22   | 930 559 309 00 | Adhesive film<br>Adhesive film<br>White<br>Hatched      | /H     | 1   |       |
| (18) | 930 559 301 01 | Adhesive film   | /L     | 1   |       |
| (18) | 930 559 302 01 | Adhesive film   | /R     | 1   |       |
| (19) | 930 559 303 01 | Adhesive film   | /L     | 1   |       |
| (19) | 930 559 304 01 | Adhesive film   | /R     | 1   |       |
| (20) | 930 559 305 01 | Adhesive film   | /L     | 1   |       |
| (20) | 930 559 306 01 | Adhesive film   | /R     | 1   |       |
| (21) | 930 559 307 01 | Adhesive film   | /L     | 1   |       |
| (21) | 930 559 308 01 | Adhesive film   | /R     | 1   |       |
| (22) | 930 559 309 01 | Adhesive film   | /H     | 1   |       |
| 23   | 930 559 321 00 | Stone guard film  | /L     | 1   | TURBO |
| (23) | 930 559 322 00 | Stone guard film  | /R     | 1   | TURBO |



Model: 911 84

Model life 1984>>1986



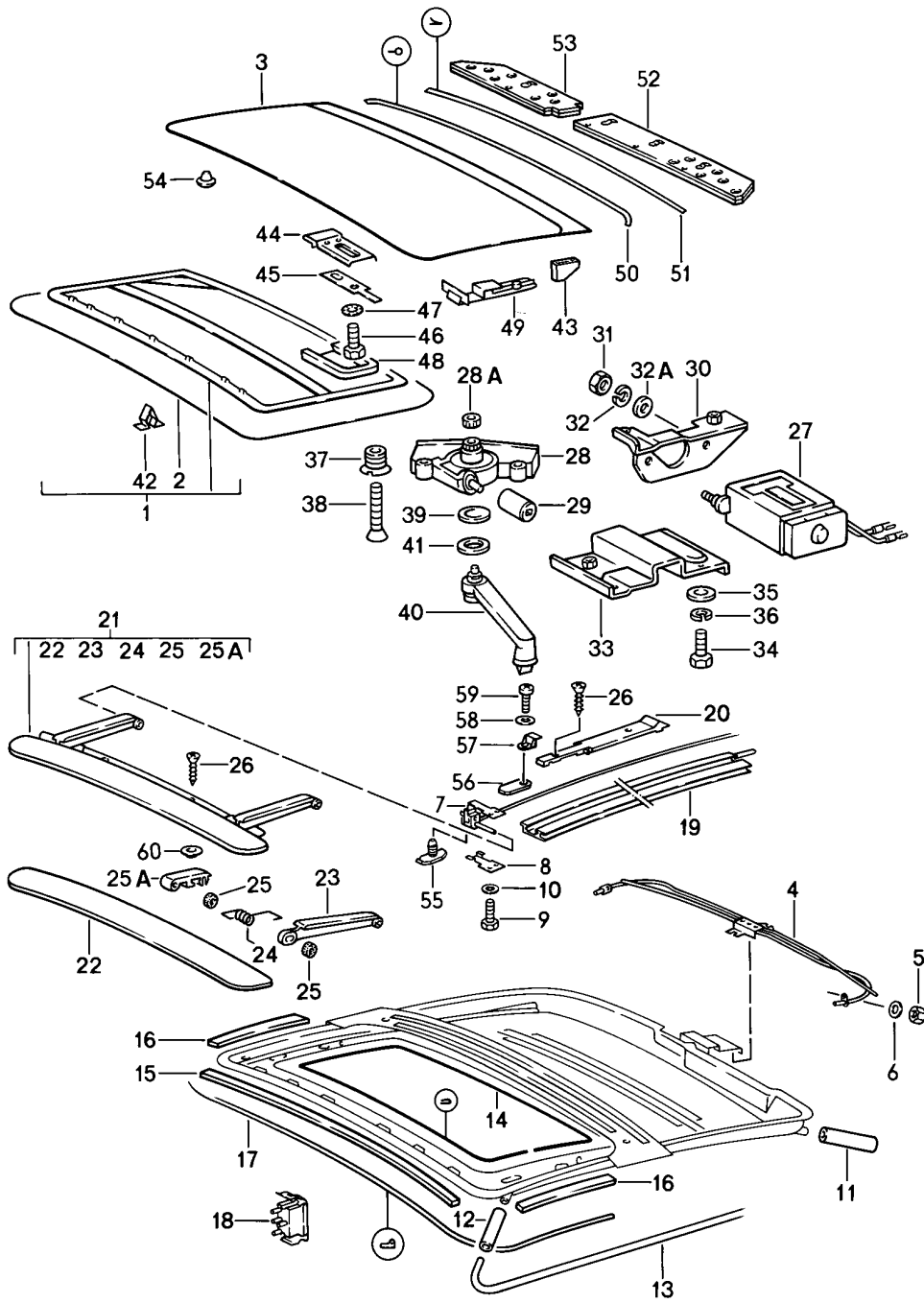
Model: 911 84

Model life 1984&gt;&gt;1986

| Pos | Part Number        | Description                               | Remark | Qty | Model |
|-----|--------------------|---|--------|-----|-------|
|     |                    | Decorative fittings                       |        |     | TARGA |
| 1   | 911 559 307 41     | Logo                                      |        | 2   |       |
| 1   | 911 559 307 42     | Logo                                      |        | 2   |       |
| 2   | 999 591 423 03     | Tapping nut<br>\$=3                       |        | 6   |       |
| (3) | 911 565 049 40     | Moulding                                  | /L     | 1   |       |
|     | 911 565 049 40 70K | Black                                     |        |     |       |
| (3) | 911 565 050 40     | Moulding                                  | /R     | 1   |       |
|     | 911 565 050 40 70K | Black                                     |        |     |       |
| 4   | 901 565 557 40     | Piping                                    |        | 2   |       |
| 5   | N 013 957 5        | Oval-head sheetmetal screw<br>B 3,5 X 9,5 |        | 8   |       |
| 6   | 900 144 009 00     | Counters. head tapp. screw<br>2,9 X 13    |        | 2   |       |
| 7   | 900 151 006 40     | Washer<br>B 6,4                           |        | 4   |       |

Model: 911 84

Model life 1984>>1986



Model: 911 84 Model life 1984>>1986

| Pos  | Part Number        | Description               | Remark | Qty | Model |
|------|--------------------|---------------------------|--------|-----|-------|
|      |                    | Sunroof                   |        |     | M650  |
| 1    | 901 564 020 07     | Roofliner frame           |        | 1   |       |
|      | 901 564 020 07 700 | Black                     |        |     |       |
|      | 901 564 020 07 1HH | Blue                      |        |     |       |
|      | 901 564 020 07 4RB | Brown                     |        |     |       |
|      | 901 564 020 07 7FC | Grey-beige                | 84     |     |       |
|      | 901 564 020 07 8LC | Burgundy                  |        |     |       |
|      | 901 564 020 07 4JX | Greyish green             |        |     |       |
| (1)  | 911 564 020 00     | Roofliner frame           |        | 1   |       |
|      | 911 564 020 00 700 | Black                     |        |     |       |
|      | 911 564 020 00 1HH | Blue                      |        |     |       |
|      | 911 564 020 00 4RB | Brown                     |        |     |       |
|      | 911 564 020 00 7FC | Grey-beige                | 84     |     |       |
|      | 911 564 020 00 8LC | Burgundy                  |        |     |       |
|      | 911 564 020 00 4JX | Greyish green             |        |     |       |
| 2    | 901 564 291 07     | Roofliner frame           |        | 1   |       |
|      | 901 564 291 07 700 | Black                     |        |     |       |
|      | 901 564 291 07 8LC | Burgundy                  |        |     |       |
|      | 901 564 291 07 7FC | Grey-beige                | -84    |     |       |
|      | 901 564 291 07 1HH | Blue                      |        |     |       |
|      | 901 564 291 07 4RB | Brown                     |        |     |       |
|      | 901 564 291 07 4JX | Greyish green             | 85-    |     |       |
| 2    | 911 564 201 00     | Cover                     |        | 1   |       |
|      | 911 564 201 00 700 | Black                     |        |     |       |
|      | 911 564 201 00 8LC | Burgundy                  |        |     |       |
|      | 911 564 201 00 7FC | Grey-beige                | -84    |     |       |
|      | 911 564 201 00 1HH | Blue                      |        |     |       |
|      | 911 564 201 00 4RB | Brown                     |        |     |       |
|      | 911 564 201 00 4JX | Greyish green             | 85-    |     |       |
| 3    | 930 564 051 01     | Lid                       |        | 1   |       |
| 3A   | 911 564 417 00     | Leaf spring               |        | 2   |       |
| 3B   | 911 564 420 00     | Knurled nut               |        | 4   |       |
| (4)  | 964 564 231 00     | Pipeline                  |        | 1   |       |
| 5    | N 011 005 14       | Hexagon nut               |        | 2   |       |
|      |                    | M 5                       |        |     |       |
| 5    | 900 076 091 01     | Hexagon nut               |        | 2   |       |
|      |                    | M 5                       |        |     |       |
| 6    | 900 025 003 02     | Washer                    |        | 2   |       |
|      |                    | A 5,3                     |        |     |       |
| (7)  | 911 564 043 01     | Guide                     | /L     | 1   |       |
|      |                    | It is necessary to rework |        |     |       |
| 7    | 911 564 044 01     | Guide                     | /R     | 1   |       |
|      |                    | It is necessary to rework |        |     |       |
| 8    | 901 564 451 05     | Reinforcement             |        | 2   |       |
| 9    | 900 075 106 02     | Hexagon-head bolt         |        | 4   |       |
|      |                    | M 4 X 6                   |        |     |       |
| 10   | N 012 116 1        | Serrated lock washer      |        | 4   |       |
|      |                    | A 4,3                     |        |     |       |
| 11   | 911 564 825 00     | Water drain hose          | /H     | 2   |       |
| 12   | 911 564 821 01     | Water drain hose          | /V     | 2   |       |
| 13   | 911 503 581 01     | Water drain tube          | /L     | 1   |       |
| 13   | 911 503 581 02     | Water drain tube          | /L     | 1   |       |
| 13   |                    | Water drain tube          | /L     | 1   |       |
|      | 911 503 581 02 GRV | Prime coated              |        |     |       |
| (13) | 911 503 582 01     | Water drain tube          | /R     | 1   |       |
| (13) | 911 503 582 02     | Water drain tube          | /R     | 1   |       |
| (13) |                    | Water drain tube          | /R     | 1   |       |
|      | 911 503 582 02 GRV | Prime coated              |        |     |       |
| (14) | 911 564 465 00     | Beading                   |        | 1   |       |
| 15   | 911 564 409 00     | Sealing strip             |        | 1   |       |
| 16   | 911 564 409 01     | Sealing strip             |        | 2   |       |
|      |                    | Lateral                   |        |     |       |
| 17   | 911 564 191 00     | Velvet strip              |        | 1   |       |

Model: 911 84

Model life 1984&gt;&gt;1986

| Pos  | Part Number    | Description                              | Remark | Qty | Model |
|------|----------------|--|--------|-----|-------|
| 18   | 911 613 622 00 | Tip switch<br>for electric adjustment    |        | 1   |       |
| 18   | 911 613 622 01 | Tip switch<br>for electric adjustment    |        | 1   |       |
| 19   | 911 564 041 01 | Guide rail                               | /L     | 1   |       |
| 19   | 911 564 042 01 | Guide rail                               | /R     | 1   |       |
| 20   | 911 564 047 00 | Intermediate piece                       |        | 2   |       |
| 21   | 911 564 005 01 | Air deflector<br>OHNE<br>Spoiler         |        | 1   |       |
| 21   | 911 564 005 02 | Air deflector<br>OHNE<br>Spoiler         |        | 1   |       |
| 22   | 911 564 015 00 | Wind deflector plate                     |        | 1   |       |
| 23   | 911 564 127 00 | Hinge                                    |        | 2   |       |
| 24   | 911 564 125 00 | Spring                                   | /L     | 1   |       |
| (24) | 911 564 126 00 | Spring                                   | /R     | 1   |       |
| 25   | 911 564 423 00 | Rubber stop                              |        | 4   |       |
| 25A  | 911 564 123 00 | Bearing clip                             |        | 2   |       |
| 26   | 900 145 009 02 | Tapping screw<br>B 3,9 X 9,5             |        | 2   |       |
| (26) | 900 145 028 02 | Rais. counters. h. tap. s.<br>B 3,9 X 13 |        | 2   |       |
| 27   | 911 624 016 03 | Motor                                    |        | 1   |       |
| 28   | 911 564 601 01 | Transmission                             |        | 1   |       |
| 28A  | 928 564 125 02 | Drive pinion                             |        | 1   |       |
| 29   | 911 624 103 00 | Clutch                                   |        | 1   |       |
| 29   | 911 624 103 01 | Clutch                                   |        | 1   |       |
| 30   | 911 624 007 01 | Engine support                           |        | 1   |       |
| 31   | N 011 005 14   | Hexagon nut<br>M 5                       |        | 2   |       |
| 31   | 900 076 091 01 | Hexagon nut<br>M 5                       |        | 2   |       |
| 32   | N 012 005 3    | Lock ring<br>B 5                         |        | 2   |       |
| 32A  | 900 025 003 02 | Washer<br>A 5,3                          |        | 2   |       |
| 33   | 964 564 035 00 | Gear support                             |        | 1   |       |
| 34   | N 010 225 4    | Hexagon-head bolt<br>M 5 X 8             |        | 1   |       |
| 34   | 900 075 001 03 | Hexagon-head bolt<br>M 5 X 8             |        | 1   |       |
| 35   | 900 025 003 02 | Washer<br>A 5,3                          |        | 2   |       |
| 36   | N 012 005 3    | Lock ring<br>B 5                         |        | 2   |       |
| 37   | 901 564 661 05 | Screw                                    |        | 2   |       |
| 38   | 900 269 012 02 | Countersunk-head screw<br>M 4 X 25       |        | 2   |       |
| 39   | 901 564 663 05 | Cap                                      |        | 1   |       |
| 40   | 901 564 085 05 | Crank                                    |        | 1   |       |
| 41   | 911 564 643 00 | Washer                                   |        | 3   |       |
| 42   | 901 564 299 05 | Duct clamp                               |        | 7   |       |
| 42   | 901 564 299 0F | Duct clamp                               |        | 7   |       |
| 43   | 901 564 431 05 | Guide shoe                               |        | 2   |       |
| 44   | 911 564 045 00 | Guide                                    |        | 2   |       |
| 45   | 911 564 451 00 | Tab washer                               |        | 2   |       |
| 46   | 911 564 459 00 | Wedge screw<br>AM 5 X 12                 |        | 4   |       |
| 47   | 900 025 003 02 | Washer<br>A 5,3                          |        | 4   |       |
| 48   | 911 564 401 00 | Cap/protective strip                     |        | 2   |       |
| 49   | 911 564 433 00 | Support                                  |        | 4   |       |

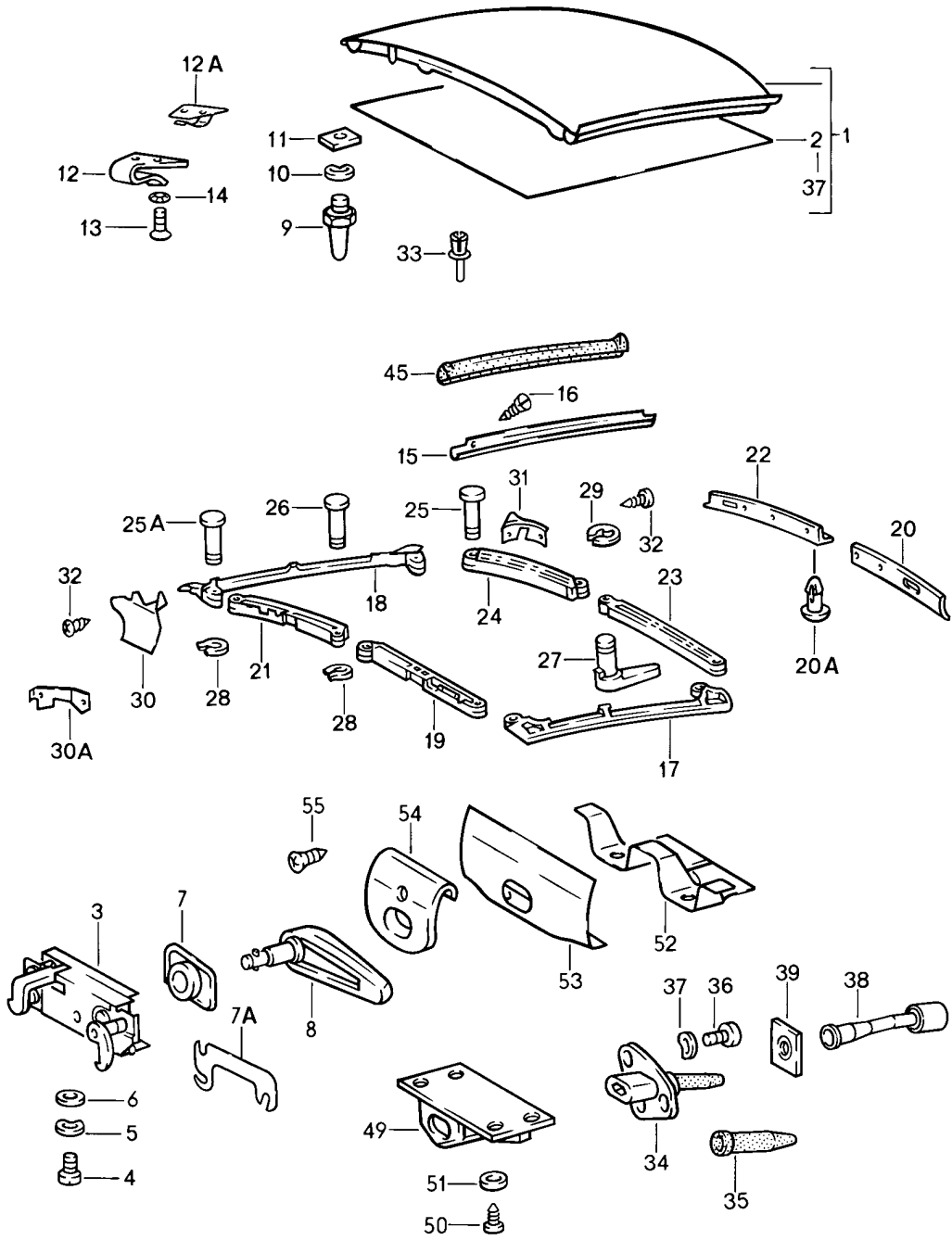
Model: 911 84

Model life 1984>>1986

| Pos  | Part Number    | Description            | Remark | Qty | Model |
|------|----------------|------------------------|--------|-----|-------|
| 50   | 911 564 193 00 | Velvet strip           |        | 1   |       |
| 51   | 901 564 905 05 | Sealing rubber<br>Rear |        | 1   |       |
| 52   | 911 564 025 01 | Cover                  | /L -85 | 1   |       |
| (52) |                | Cover                  | /L 86- | 1   |       |
| 53   | 911 564 026 00 | Cover                  | /R     | 1   |       |
| 54   | 999 703 013 50 | Stopper                |        | 2   |       |
| 55   | 999 591 774 40 | Stopper                |        | 2   |       |
| 60   | 911 564 521 00 | Protection cap         | 86-    | 2   |       |

Model: 911 84

Model life 1984>>1986



Model: 911 84 Model life 1984>>1986

| Pos  | Part Number        | Description                | Remark | Qty | Model |
|------|--------------------|----------------------------|--------|-----|-------|
|      |                    | Soft top                   |        |     | TARGA |
| 1    | 911 565 002 40     | Soft top                   | -85    | 1   |       |
| (1)  | 911 565 002 46     | Soft top                   | 86-    | 1   |       |
| (1)  | 911 565 002 47     | Soft top                   | 86-    | 1   |       |
| (1)  | 964 565 002 00     | Soft top                   | 86-    | 1   |       |
|      | 964 565 002 00 707 | Black mat                  |        |     |       |
| (1)  | 964 565 002 01     | Soft top                   | 86-    | 1   |       |
|      | 964 565 002 01 707 |                            |        |     |       |
| (1)  | PCG 565 002 01     | Soft top                   | 86-    | 1   |       |
|      | PCG 565 002 01 707 |                            |        |     |       |
| -    | 901 565 035 41     | Outer lining               |        | 1   |       |
|      |                    | Soft top                   |        |     |       |
| 2    | 901 565 036 43     | Roofliner                  |        | 1   |       |
| 3    | 911 565 031 41     | Catch                      | -85    | 2   |       |
| (3)  | 911 565 031 63     | Catch                      | /L 86- | 1   |       |
| (3)  | 911 565 032 63     | Catch                      | /R 86- | 1   |       |
| 4    | 999 509 006 02     | Pan-head screw             | -85    | 4   |       |
|      |                    | M 6 X 15                   |        |     |       |
| 4    | N 014 740 2        | Pan-head screw             | 86-    | 6   |       |
|      |                    | M 6 X 16                   |        |     |       |
| 4    | N 014 740 11       | Pan-head screw             | 86-    | 6   |       |
|      |                    | M 6 X 16                   |        |     |       |
| 5    | N 012 226 5        | Spring washer              |        | 4   |       |
|      |                    | B 6                        |        |     |       |
| 6    | N 011 524 7        | Washer                     | -85    | 4   |       |
| 6    | N 011 524 27       | Washer                     |        | 4   |       |
| 6    | N 011 524 7        | Washer                     | 86-    | 6   |       |
|      |                    | A 6,4                      |        |     |       |
| 6    | N 011 524 27       | Washer                     | 86-    | 6   |       |
|      |                    | A 6,4                      |        |     |       |
| 7    | 901 565 299 45     | Rosette                    | -85    | 2   |       |
| 7    | 901 565 299 46     | Rosette                    |        | 2   |       |
| 7A   | 911 565 707 01     | Shim                       | 86-    | X   |       |
| 8    | 911 565 075 41     | Handle                     | -85    | 2   |       |
| (8)  | 911 565 075 61     | Handle                     | 86-    | 2   |       |
|      | 911 565 075 61 70B | Black                      |        |     |       |
| 9    | 911 565 074 40     | Locating peg               |        | 2   |       |
| 10   | N 012 241 1        | Spring washer              |        | 2   |       |
| 11   | 901 565 203 40     | Threaded plate             |        | 2   |       |
| 12   | 964 565 265 00     | Latch                      |        | 8   |       |
| 12   | 964 565 265 01     | Latch                      |        | 8   |       |
| 12A  | 911 565 263 00     | Clamp                      |        | 4   |       |
| 12A  | 911 565 263 01     | Clamp                      |        | 4   |       |
| 13   | 999 219 006 02     | Countersunk-head screw     |        | 16  |       |
|      |                    | M 4 X 8                    |        |     |       |
| 15   | 901 565 303 45     | Rain channel               | /L     | 1   |       |
| (15) | 901 565 304 45     | Rain channel               | /R     | 1   |       |
| 16   | N 013 957 5        | Oval-head sheetmetal screw |        | 18  |       |
|      |                    | B 3,5 X 9,5                |        |     |       |
| 17   | 901 565 201 45     | Roof frame                 | /L -85 | 1   |       |
|      |                    | Lateral                    |        |     |       |
| (17) | 911 565 029 45     | Roof frame                 | /L 86- | 1   |       |
|      |                    | Lateral                    |        |     |       |
| 18   | 901 565 202 45     | Roof frame                 | /R -85 | 1   |       |
|      |                    | Lateral                    |        |     |       |
| (18) | 911 565 030 45     | Roof frame                 | /R 86- | 1   |       |
|      |                    | Lateral                    |        |     |       |
| 19   | 911 565 207 40     | Roof frame                 | /L -85 | 1   |       |
|      |                    | Front                      |        |     |       |
| (19) | 911 565 207 46     | Roof frame                 | /L 86- | 1   |       |
|      |                    | Front                      |        |     |       |
| 20   | 901 565 093 46     | Padded cover               | /L     | 1   |       |
| 20A  | 999 703 114 40     | Stopper                    |        | 10  |       |



Model: 911 84 Model life 1984>>1986

| Pos   | Part Number                          | Description                               | Remark    | Qty | Model |
|-------|--------------------------------------|---|-----------|-----|-------|
| 21    | 911 565 208 40                       | Roof frame<br>Front                       | /R -85    | 1   |       |
| (21)  | 911 565 208 46                       | Roof frame<br>Front                       | /R 86-    | 1   |       |
| 22    | 901 565 094 46                       | Padded cover                              | /R        | 1   |       |
| 23    | 901 565 211 45                       | Roof frame<br>Rear                        | /L -85    | 1   |       |
| 23    |                                      | Roof frame<br>Rear<br>Left                | /L        | 1   |       |
| (23)  | 901 565 211 45 70B<br>911 565 211 45 | Black<br>Roof frame<br>Rear               | /L 86-    | 1   |       |
| 24    | 911 565 212 40                       | Roof frame<br>Rear                        | /R -85    | 1   |       |
| (24)  | 911 565 212 45                       | Roof frame<br>Rear                        | /R 86-    | 1   |       |
| 25    | 901 565 328 45                       | Bolt                                      | -85       | 4   |       |
| 25    |                                      | Bolt                                      | 86-       | 2   |       |
| 25A   | 911 565 328 45                       | Bolt                                      | 86-       | 2   |       |
| 26    | 901 565 209 40                       | Bolt                                      |           | 1   |       |
| 27    | 964 565 145 00                       | Locking bolt                              |           | 1   |       |
| 28    | 900 041 004 01                       | Circlip                                   |           | 5   |       |
| 29    | 900 116 007 01                       | Lock washer                               |           | 1   |       |
| 29    | N 012 439 1                          | Lock washer                               |           | 1   |       |
| 29    | N 012 439 2                          | Lock washer                               |           | 1   |       |
| (30)  | 901 565 097 46                       | Lining                                    | /V /L -85 | 1   |       |
| 30    | 901 565 098 46                       | Lining                                    | /V /R -85 | 1   |       |
| (30A) | 911 565 283 00                       | Cover                                     | /V /L 86- | 1   |       |
| 30A   | 911 565 284 00                       | Cover                                     | /V /R 86- | 1   |       |
| (31)  | 901 565 273 45                       | Cover                                     | /H /L     | 1   |       |
| 31    | 901 565 274 45                       | Cover                                     | /H /R     | 1   |       |
| 32    | N 013 953 2                          | Oval-head sheetmetal screw<br>B 2,9 X 9,5 |           | 12  |       |
| 33    | 999 591 519 40                       | Expansion rivet                           |           | 3   |       |
| 34    | 911 565 037 42                       | Silentbloc bearing                        | /L        | 1   |       |
| (34)  | 911 565 038 42                       | Silentbloc bearing                        | /R        | 1   |       |
| 35    | 911 565 217 40                       | Covering                                  |           | 2   |       |
| 36    | N 014 765 2                          | Pan-head screw<br>M 6 X 10                |           | 6   |       |
| 37    | N 012 226 5                          | Spring washer<br>B 6                      |           | 6   |       |
| 38    | 911 565 220 41                       | Silentbloc bearing                        |           | 2   |       |
| 38    | 911 565 220 42                       | Silentbloc bearing                        |           | 2   |       |
| 39    | 901 565 361 40                       | Seal                                      |           | 2   |       |
| 45    | 911 565 259 40                       | Roof frame seal                           | /L        | 1   |       |
| (45)  | 911 565 260 40                       | Roof frame seal<br>Roof frame             | /R        | 1   |       |
| 49    | 911 565 187 40                       | Mounting<br>Locking bolt                  |           | 1   |       |
| 50    | N 013 957 5                          | Oval-head sheetmetal screw<br>B 3,5 X 9,5 |           | 4   |       |
| 51    | 900 025 002 02                       | Washer<br>4,3                             |           | 4   |       |
| 51    | 900 025 002 03                       | Washer<br>4,3                             |           | 4   |       |
| 52    | 911 565 133 40                       | Supporting plate                          |           | 1   |       |
| 52    |                                      | Supporting plate                          |           | 1   |       |
|       | 911 565 133 40 GRV                   | Prime coated                              |           |     |       |
| 53    | 911 565 135 40                       | Cover plate                               |           | 1   |       |
| 54    | 911 565 189 41                       | Cover plate                               |           | 1   |       |
| 55    | 900 145 003 07                       | Tapping screw                             |           | 1   |       |

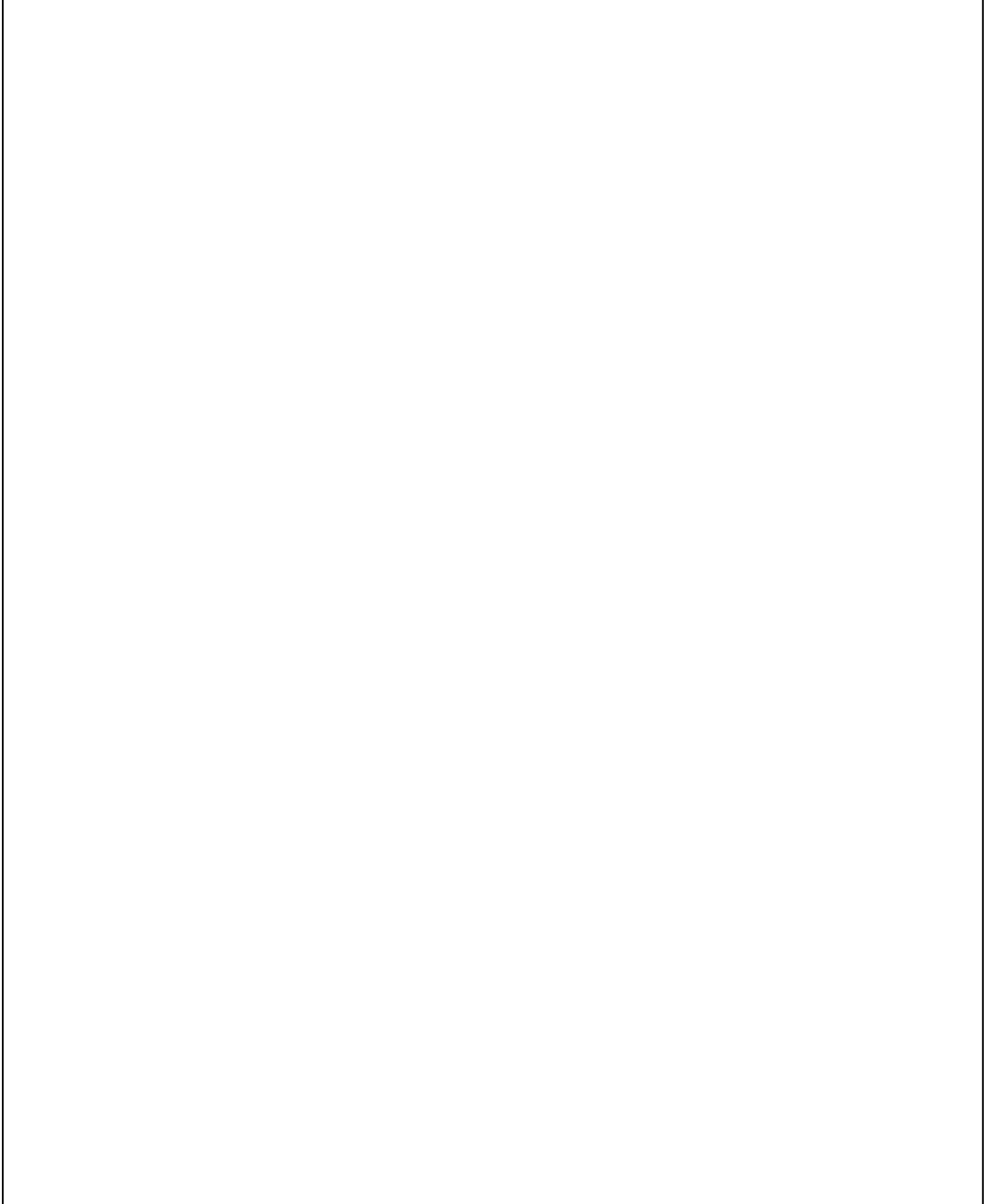
Model: 911 84

Model life 1984>>1986

| Pos | Part Number | Description | Remark | Qty | Model |
|-----|-------------|-------------|--------|-----|-------|
|     |             | B 3,5 X 9,5 |        |     |       |

Model: 911 84

Model life 1984>>1986



Model: 911 84 Model life 1984>>1986

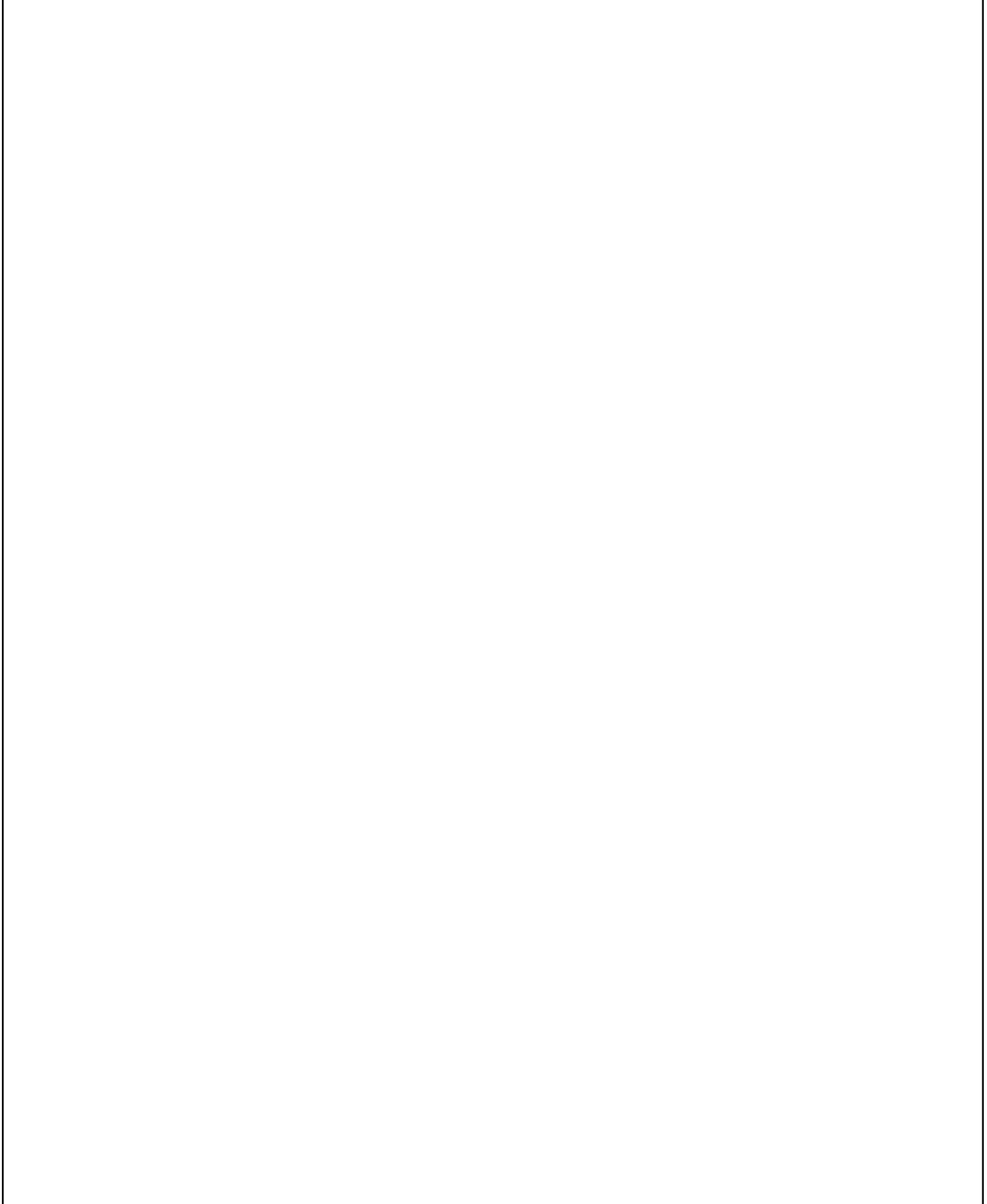
| Pos  | Part Number        | Description                | Remark | Qty | Model          |
|------|--------------------|----------------------------|--------|-----|----------------|
|      |                    | Windscreen frame           |        |     | TARGA/CABRI    |
|      |                    | Accessories                |        |     |                |
| 1    | 901 555 901 40     | Lining                     | -85    | 1   |                |
| 2    | 911 555 059 41     | Lining                     | 86-    | 1   | TARGA          |
|      | 911 555 059 41 702 | Black                      |        |     |                |
| (2)  | 911 555 059 61     | Lining                     | 86-    | 1   | CABRIO         |
|      | 911 555 059 61 702 | Black                      |        |     |                |
| 3    | 911 561 499 00     | Piping                     | 86-    | 1   |                |
|      | 911 561 499 00 70B | Black                      |        |     |                |
| 3    | 911 561 499 01     | Piping                     | 86-    | 1   |                |
|      | 911 561 499 01 70B | Black                      |        |     |                |
| (3)  | 911 799 565 25     | Piping                     | 86-    | 1   | TARGA          |
| 4    | 911 555 563 40     | Felt strip                 | 86-    | 2   |                |
| 5    | 911 555 419 00     | Filler piece               | /L 86- | 1   |                |
| (5)  | 911 555 420 00     | Filler piece               | /R 86- | 1   |                |
| 6    | 911 555 553 00     | Cover                      | /L 86- | 1   |                |
|      | 911 555 553 00 702 | Black                      |        |     |                |
| (6)  | 911 555 554 00     | Cover                      | /R 86- | 1   |                |
|      | 911 555 554 00 702 | Black                      |        |     |                |
| 7    | 911 799 565 80     | Gasket                     |        | 1   |                |
|      |                    | for cars with              |        |     |                |
|      |                    | POS.20+21                  |        |     |                |
|      |                    | NACHARBEIT ERFORDERLICH    |        |     |                |
| 8    | 911 565 090 47     | Gasket                     |        | 1   |                |
|      |                    | for cars without           |        |     |                |
|      |                    | POS.20+21                  |        |     |                |
|      |                    | It is necessary to rework  |        |     |                |
| 9    | 911 555 559 60     | Border strip               | /L -85 | 1   |                |
|      |                    | Black                      |        |     |                |
| 10   | 911 555 560 60     | Border strip               | /R -85 | 1   |                |
|      |                    | Black                      |        |     |                |
| 11   | 900 145 071 07     | Tapping screw              | -85    | 5   |                |
| (12) | 911 555 491 40     | Guide rose                 | /L -85 | 1   |                |
| 12   | 911 555 519 42     | Guide rose                 | /L 86- | 1   | TARGA          |
|      | 911 555 519 42 70B | Black                      |        |     |                |
| (12) | 911 555 519 60     | Guide rose                 | /L 86- | 1   | CABRIO         |
|      | 911 555 519 60 70B | Black                      |        |     |                |
| (13) | 911 555 492 40     | Guide rose                 | /R -85 | 1   |                |
| 13   | 911 555 520 42     | Guide rose                 | /R 86- | 1   | TARGA          |
|      | 911 555 520 42 70B | Black                      |        |     |                |
| (13) | 911 555 520 60     | Guide rose                 | /R 86- | 1   | CABRIO         |
|      | 911 555 520 60 70B | Black                      |        |     |                |
| 14   | 900 143 084 07     | Oval-head sheetmetal screw | -85    | 4   |                |
| 14   |                    | Oval-head sheetmetal screw | -85    | 4   |                |
|      |                    | B 3,5 X 16                 |        |     |                |
| 14   | 900 143 136 07     | Oval-head sheetmetal screw | 86-    | 4   |                |
| 14   | N 013 957 5        | Oval-head sheetmetal screw |        | 4   |                |
|      |                    | B 3,5 X 9,5                |        |     |                |
| 15   | 911 561 729 03     | Gate guide                 | /L 86- | 1   |                |
| (15) | 911 561 739 03     | Gate guide                 | /L 86- | 1   | CABRIO<br>M439 |
| 16   | 911 561 730 03     | Gate guide                 | /R 86- | 1   |                |
| (16) | 911 561 740 03     | Gate guide                 | /R 86- | 1   | CABRIO<br>M439 |
| 17   | 900 025 047 07     | Washer                     | 86-    | 4   |                |
|      |                    | A 6,4                      |        |     |                |
| 18   | 999 119 013 07     | Pan-head screw             | 86-    | 4   |                |
|      |                    | M 6 X 12                   |        |     |                |
| 19   | 911 551 157 51     | Lining strap               | /L 86- | 1   |                |
|      |                    | Leather                    |        |     |                |
|      | 911 551 157 51 1AJ | Black                      |        |     |                |
|      | 911 551 157 51 30B | Blue                       |        |     |                |
|      | 911 551 157 51 4RB | Brown                      |        |     |                |

Model: 911 84 Model life 1984>>1986

| Pos  | Part Number        | Description             | Remark | Qty | Model |
|------|--------------------|-------------------------|--------|-----|-------|
|      | 911 551 157 51 7LD | Burgundy                |        |     |       |
|      | 911 551 157 51 5JX | Greyish green           |        |     |       |
|      | 911 551 157 51 6JD | Dark green              |        |     |       |
|      | 911 551 157 51 6GX | Ocean blue              |        |     |       |
|      | 911 551 157 51 5NW | Wild buffalo            |        |     |       |
|      | 911 551 157 51 8YD | Pearl white             |        |     |       |
|      | 911 551 157 51 1VD | Champagne               |        |     |       |
|      | 911 551 157 51 80S | Can-can-red             |        |     |       |
|      | 911 551 157 51 6FL | Grey-beige              |        |     |       |
| (19) | 911 551 158 51     | Lining strap<br>Leather | /R 86- | 1   |       |
|      | 911 551 158 51 1AJ | Black                   |        |     |       |
|      | 911 551 158 51 30B | Blue                    |        |     |       |
|      | 911 551 158 51 4RB | Brown                   |        |     |       |
|      | 911 551 158 51 7LD | Burgundy                |        |     |       |
|      | 911 551 158 51 5JX | Greyish green           |        |     |       |
|      | 911 551 158 51 6JD | Dark green              |        |     |       |
|      | 911 551 158 51 6GX | Ocean blue              |        |     |       |
|      | 911 551 158 51 5NW | Wild buffalo            |        |     |       |
|      | 911 551 158 51 8YD | Pearl white             |        |     |       |
|      | 911 551 158 51 1VD | Champagne               |        |     |       |
|      | 911 551 158 51 80S | Can-can-red             |        |     |       |
|      | 911 551 158 51 6FL | Grey-beige              |        |     |       |
| 20   | 911 531 711 40     | Joint rubber            | /L     | 1   |       |
| (20) | 911 531 712 40     | Joint rubber            | /R     | 1   |       |
| 21   | 999 703 366 40     | Fastening plug          |        | 2   |       |

Model: 911 84

Model life 1984>>1986

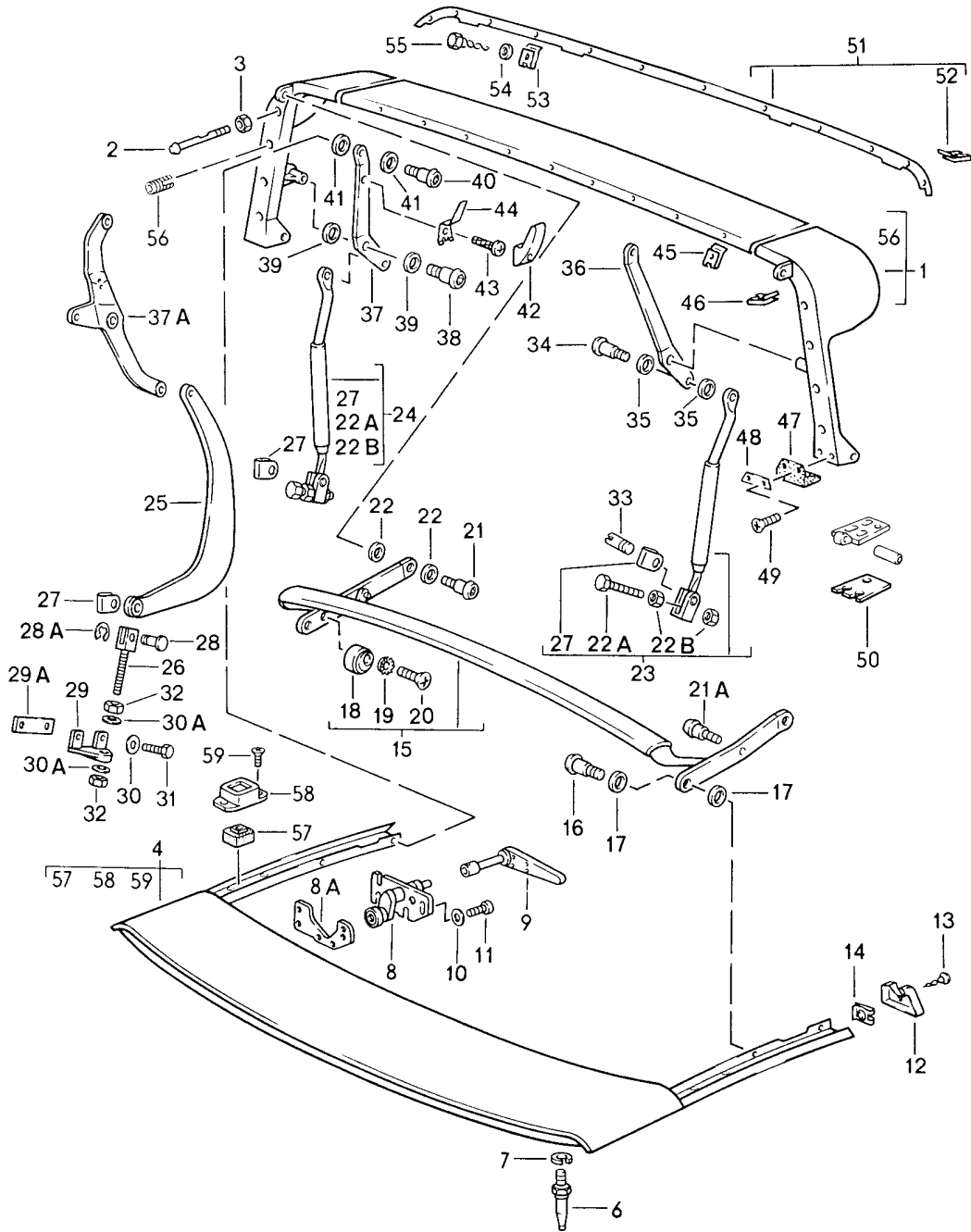


Model: 911 84 Model life 1984>>1986

| Pos | Part Number        | Description           | Remark | Qty | Model |
|-----|--------------------|-----------------------|--------|-----|-------|
|     |                    | Convertible top       |        |     |       |
|     |                    | Convertible top frame |        |     |       |
|     |                    | Manually              |        |     |       |
| 1   | 911 561 005 00     | Convertible top       | -85    | 1   |       |
|     | 911 561 005 00 3AV | Black                 |        |     |       |
|     | 911 561 005 00 6HA | Dark blue             | 84-    |     |       |
|     | 911 561 005 00 9RA | Dark brown            |        |     |       |
|     | 911 561 005 00 4JK | Greyish green         | 85     |     |       |
|     | 911 561 005 00 7MK | Burgundy              | 85     |     |       |
| (1) | 911 561 005 05     | Convertible top       | 86-    | 1   |       |
|     | 911 561 005 05 3AV | Black                 |        |     |       |
|     | 911 561 005 05 6HA | Dark blue             |        |     |       |
|     | 911 561 005 05 9RA | Dark brown            |        |     |       |
|     | 911 561 005 05 4JK | Greyish green         |        |     |       |
|     | 911 561 005 05 7MK | Burgundy              |        |     |       |
| 2   | 911 561 011 00     | Convertible top frame | -85    | 1   |       |
| (2) | 911 561 011 05     | Convertible top frame | 86-    | 1   |       |
|     | 911 561 011 05 70B | Black                 |        |     |       |

Model: 911 84

Model life 1984>>1986





Model: 911 84 Model life 1984>>1986

| Pos  | Part Number        | Description               | Remark | Qty | Model |
|------|--------------------|---------------------------|--------|-----|-------|
|      |                    | Main folding top bow      |        |     |       |
|      |                    | Roof frame                |        |     |       |
|      |                    | Single parts              |        |     |       |
| 1    | 911 561 015 00     | Main folding top bow      | -85    | 1   |       |
| (1)  | 911 561 015 65     | Main folding top bow      | 86-    | 1   |       |
|      | 911 561 015 65 70B | Black                     |        |     |       |
| 2    | 911 561 449 01     | Retaining pivot           | -85    | 2   |       |
| (2)  | 911 561 449 65     | Retaining pivot           | 86-    | 2   |       |
| 3    | 900 076 062 07     | Hexagon nut               |        | 2   |       |
|      |                    | M 8                       |        |     |       |
| 4    | 911 561 027 00     | Roof frame                | -85    | 1   |       |
| (4)  | 911 561 027 01     | Roof frame                | 86-    | 1   |       |
|      | 911 561 027 01 700 | Black                     |        |     |       |
| 6    | 911 565 074 40     | Locating peg              | -85    | 2   |       |
| (6)  | 911 565 214 60     | Locating peg              | 86-    | 2   |       |
| 7    | N 012 228 3        | Spring washer             |        | 2   |       |
|      |                    | B 8                       |        |     |       |
| (8)  | 911 565 031 41     | Catch                     | -85    | 2   |       |
| (8)  | 911 565 031 63     | Catch                     | /L 86- | 1   |       |
| 8    | 911 565 032 63     | Catch                     | /R 86- | 1   |       |
| 8A   | 911 561 547 01     | Threaded plate            | 86-    | 1   |       |
| 9    | 911 565 075 41     | Handle                    | -85    | 2   |       |
| (9)  | 911 565 075 61     | Handle                    | 86-    | 2   |       |
|      | 911 565 075 61 70B | Black                     |        |     |       |
| 10   | N 011 524 7        | Washer                    | -85    | 4   |       |
|      |                    | A 6,4                     |        |     |       |
| 10   | N 011 524 27       | Washer                    |        | 4   |       |
|      |                    | A 6,4                     |        |     |       |
| 10   | N 011 524 7        | Washer                    | 86-    | 6   |       |
|      |                    | A 6,4                     |        |     |       |
| 10   | N 011 524 27       | Washer                    | 86-    | 6   |       |
|      |                    | A 6,4                     |        |     |       |
| 11   | 999 218 015 02     | Pan-head screw            | -85    | 4   |       |
|      |                    | M 6 X 12                  |        |     |       |
| 11   | 999 218 015 01     | Pan-head screw            |        | 4   |       |
|      |                    | M 6 X 12                  |        |     |       |
| 11   | N 014 740 2        | Pan-head screw            | 86-    | 6   |       |
|      |                    | M 6 X 16                  |        |     |       |
| 11   | N 014 740 11       | Pan-head screw            | 86-    | 6   |       |
|      |                    | M 6 X 16                  |        |     |       |
| 12   | 911 561 139 00     | End piece                 | /L -85 | 1   |       |
| 12   | 911 561 139 65     | End piece                 | /L 86- | 1   |       |
| (12) | 911 561 140 00     | End piece                 | /R -85 | 1   |       |
| (12) | 911 561 140 65     | End piece                 | /R 86- | 1   |       |
| 13   | N 014 086 12       | Tapping screw             | -85    | 2   |       |
|      |                    | 3,5 X 13                  |        |     |       |
| 13   | N 014 086 1C       | Tapping screw             |        | 2   |       |
|      |                    | 3,5 X 13                  |        |     |       |
| 13   | 900 145 041 07     | Tapping screw             | 86-    | 2   |       |
|      |                    | 3,5 X 16                  |        |     |       |
| 14   | 999 591 349 02     | Speed nut                 | -85    | 2   |       |
|      |                    | B 3,5                     |        |     |       |
| (14) | 999 591 762 40     | Special nut               | 86-    | 2   |       |
|      |                    | B 3,5                     |        |     |       |
| 15   | 911 561 019 00     | Intermed. folding top bow | -85    | 1   |       |
| 15   |                    | Intermed. folding top bow |        | 1   |       |
|      | 911 561 019 00 70B | Black                     |        |     |       |
| (15) | 911 561 019 65     | Intermed. folding top bow | 86-    | 1   |       |
|      | 911 561 019 65 70B | Black                     |        |     |       |
| 16   | 911 561 461 00     | Screw                     |        | 2   |       |
|      |                    | M 8 X 20                  |        |     |       |
| 17   | 911 561 428 00     | Washer                    |        | 4   |       |
|      |                    | 10,5                      |        |     |       |

Model: 911 84 Model life 1984>>1986

| Pos   | Part Number        | Description            | Remark | Qty | Model |
|-------|--------------------|------------------------|--------|-----|-------|
| 18    | 911 561 402 00     | Eccentric washer       |        | 2   |       |
| 19    | N 012 140 1        | Shake-proof washer     |        | 2   |       |
| 20    | N 033 185 1        | Countersunk-head screw |        | 2   |       |
|       |                    | M 4 X 16               |        |     |       |
| 21    | 911 561 421 00     | Screw                  |        | 2   |       |
|       |                    | M 8 X 24               |        |     |       |
| 21A   | 911 561 426 00     | Screw                  |        | 2   |       |
|       |                    | M5 x 12                |        |     |       |
| 22    | 911 561 428 00     | Washer                 |        | 4   |       |
|       |                    | 10,5                   |        |     |       |
| 22A   | N 040 241 1        | Hexagon-head bolt      |        | 2   |       |
|       |                    | M 10 X 60              |        |     |       |
| 22A   | 900 075 513 01     | Hexagon-head bolt      |        | 2   |       |
|       |                    | M 10 X 60              |        |     |       |
| 22B   | N 011 010 13       | Hexagon nut            |        | 4   |       |
|       |                    | M 10                   |        |     |       |
| 23    | 911 561 041 00     | Steering arm           | /L -85 | 1   |       |
| 24    | 911 561 042 00     | Steering arm           | /R -85 | 1   |       |
| (25)  | 911 561 157 00     | Steering arm           | /L 86- | 1   |       |
|       | 911 561 157 00 70B | Black                  |        |     |       |
| (25)  | 911 561 158 00     | Steering arm           | /R 86- | 1   |       |
|       | 911 561 158 00 70B | Black                  |        |     |       |
| 26    | 911 561 595 65     | Joint fork             | 86-    | 2   |       |
| 26    | 911 561 595 66     | Joint fork             | 86-    | 2   |       |
| 27    | 911 561 429 00     | Slide                  | -85    | 2   |       |
| 28    | 911 561 761 65     | Bolt                   | 86-    | 2   |       |
| 28A   | 999 166 034 02     | Sl-lock                | 86-    | 2   |       |
|       |                    | 8                      |        |     |       |
| 29    | 911 561 431 65     | Bearing bracket        | 86-    | 2   |       |
| 29A   | 911 561 585 65     | Threaded plate         | 86-    | 2   |       |
| 30    | 900 025 007 02     | Washer                 | 86-    | 4   |       |
|       |                    | A 8,4                  |        |     |       |
| 30    | 900 025 007 03     | Washer                 | 86-    | 4   |       |
|       |                    | A 8,4                  |        |     |       |
| 30A   | 900 025 008 09     | Washer                 | 86-    | 4   |       |
|       |                    | A 10,5                 |        |     |       |
| 30A   | 900 025 008 04     | Washer                 | 86-    | 4   |       |
|       |                    | A 10,5                 |        |     |       |
| 31    | 900 075 087 02     | Hexagon-head bolt      | 86-    | 4   |       |
|       |                    | M 8 X 16               |        |     |       |
| 31    | 900 075 087 03     | Hexagon-head bolt      | 86-    | 4   |       |
|       |                    | M 8 X 16               |        |     |       |
| 32    | N 011 010 13       | Hexagon nut            | 86-    | 4   |       |
|       |                    | M 10                   |        |     |       |
| 33    | 911 561 425 00     | Screw                  |        | 2   |       |
| 33    | 911 561 425 01     | Screw                  |        | 2   |       |
| 34    | 911 561 418 00     | Screw                  |        | 2   |       |
|       |                    | M 8 X 20               |        |     |       |
| 35    | 911 561 428 00     | Washer                 |        | 4   |       |
|       |                    | 10,5                   |        |     |       |
| 36    | 911 561 171 00     | Steering arm           | /L -85 | 1   |       |
| (36)  | 911 561 119 00     | Steering arm           | /L 86  | 1   |       |
|       | 911 561 119 00 70B | Black                  |        |     |       |
| 37    | 911 561 172 00     | Steering arm           | /R -85 | 1   |       |
| (37)  | 911 561 120 00     | Steering arm           | /R 86  | 1   |       |
|       | 911 561 120 00 70B | Black                  |        |     |       |
| (37A) | 911 561 119 65     | Steering arm           | /L 86- | 1   | M439  |
|       | 911 561 119 65 70B | Black                  |        |     |       |
| (37A) | 911 561 120 65     | Steering arm           | /R 86- | 1   | M439  |
|       | 911 561 120 65 70B | Black                  |        |     |       |
| 38    | 911 561 420 00     | Screw                  |        | 2   |       |
|       |                    | M 10 X 28              |        |     |       |
| 39    | 911 561 430 00     | Washer                 |        | 4   |       |

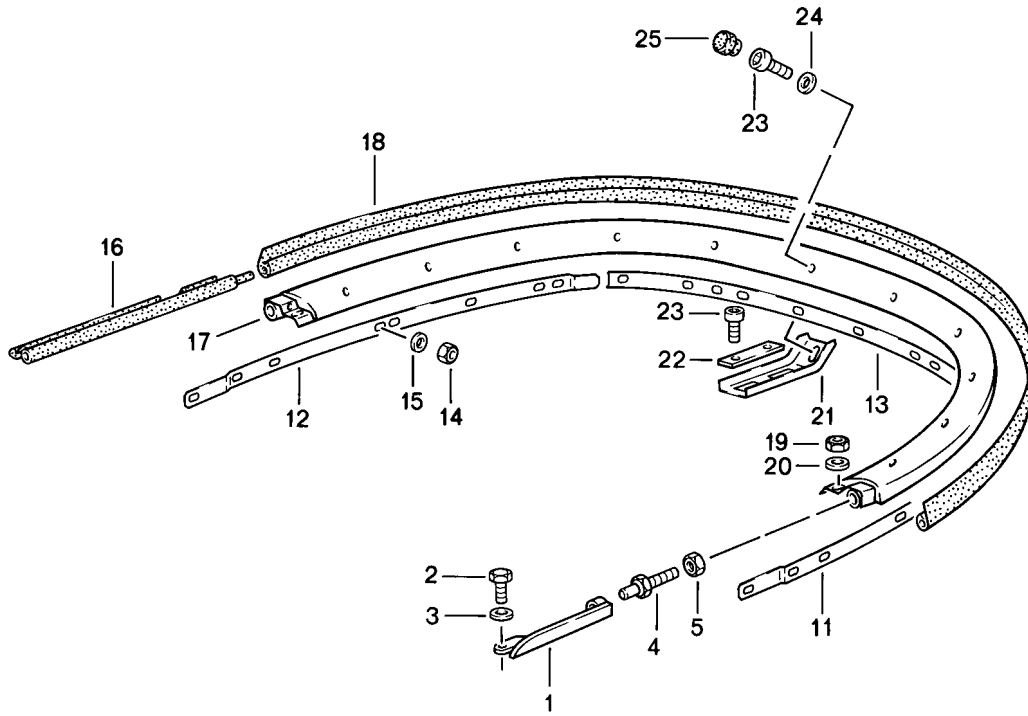
Model: 911 84

Model life 1984>>1986

| Pos | Part Number        | Description                         | Remark | Qty | Model |
|-----|--------------------|-------------------------------------|--------|-----|-------|
| 40  | 911 561 461 00     | 13,5<br>Screw                       |        | 2   |       |
| 41  | 911 561 428 00     | M 8 X 20<br>Washer                  |        | 4   |       |
| 42  | 901 552 871 40     | 10,5<br>Cover                       |        | 2   |       |
| 43  | 900 250 006 02     | Tapping screw                       |        | 2   |       |
| 44  | 901 552 872 20     | AM 5 X 10<br>Coat hook              |        | 2   |       |
| 45  | 999 507 020 02     | Speed nut                           |        | 7   |       |
| 45  | 999 507 020 01     | 4,2<br>Speed nut                    |        | 7   |       |
| 46  | 999 507 018 02     | 4,2<br>Speed nut                    |        | 2   |       |
| 46  | 999 507 018 01     | 4,2<br>Speed nut                    |        | 2   |       |
| 47  | 911 561 471 00     | Gasket                              |        | 2   |       |
| 48  | 911 561 475 00     | Plate                               |        | 2   |       |
| 49  | 900 269 056 07     | Countersunk-head screw              |        | 4   |       |
| 50  | 911 561 423 00     | M 4 X 10<br>Plate                   |        | X   |       |
| 50  | 911 561 423 01     | 2 MM<br>Plate                       |        | X   |       |
| 51  | 911 561 035 00     | 1 MM<br>Rail                        |        | 1   |       |
| 52  | 999 591 582 02     | Speed nut                           |        | 4   |       |
| 53  | 999 507 018 02     | 4,2<br>Speed nut                    |        | 11  |       |
| 53  | 999 507 018 01     | 4,2<br>Speed nut                    |        | 11  |       |
| 54  | 900 151 001 02     | 4,2<br>Washer                       |        | 11  |       |
| 54  | 900 151 028 02     | Washer                              |        | 11  |       |
| 54  | 900 151 028 01     | B 4,3<br>Washer                     |        | 11  |       |
| 55  | 900 187 037 07     | B 4,3<br>Hexagon-head tapping screw |        | 11  |       |
| 56  | 999 504 069 02     | 4,2 X 16<br>Threaded insert         |        | 4   |       |
| 57  | 911 561 453 00     | M 6<br>Buffer                       |        | 2   |       |
| 58  | 911 561 451 00     | Housing                             |        | 2   |       |
| 59  | 911 561 451 00 70B | Black                               |        |     |       |
| 59  | 900 269 043 02     | Countersunk-head screw              |        | 4   |       |
|     |                    | M 4 X 12                            |        |     |       |

Model: 911 84

Model life 1984>>1986



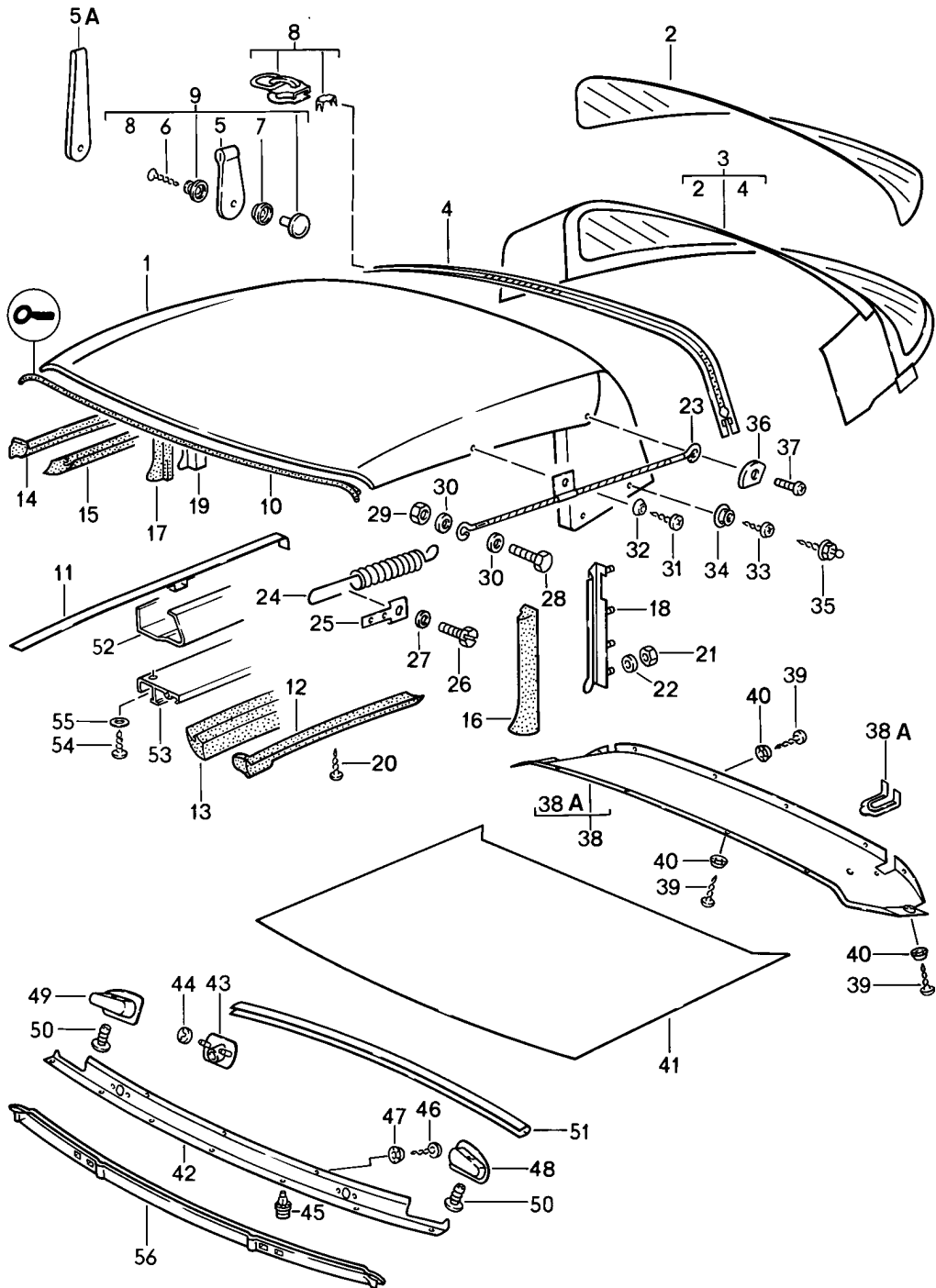
Model: 911 84

Model life 1984&gt;&gt;1986

| Pos  | Part Number    | Description       | Remark | Qty | Model |
|------|----------------|-------------------|--------|-----|-------|
|      |                | Convertible top   |        |     |       |
|      |                | Clamp             |        |     |       |
|      |                | Single parts      |        |     |       |
| 1    | 911 561 341 01 | Tensioner blade   | /L     | 1   |       |
| (1)  | 911 561 342 01 | Tensioner blade   | /R     | 1   |       |
| 2    | N 010 210 7    | Hexagon-head bolt |        | 3   |       |
| 2    | N 010 210 13   | Hexagon-head bolt |        | 3   |       |
|      |                | M 6 X 10          |        |     |       |
| 3    | 900 025 047 07 | Washer            |        | 2   |       |
|      |                | A 6,4             |        |     |       |
| 4    | 911 561 331 00 | Locating peg      |        | 2   |       |
| 5    | 900 076 062 07 | Hexagon nut       |        | 2   |       |
|      |                | M 8               |        |     |       |
| 11   | 911 561 283 00 | Rail              | /L     | 1   |       |
| 12   | 911 561 284 00 | Rail              | /R     | 1   |       |
| 13   | 911 561 281 00 | Rail              |        | 1   |       |
|      |                | Centre            |        |     |       |
| 14   | N 011 005 14   | Hexagon nut       |        | 19  |       |
|      |                | M 5               |        |     |       |
| 14   | 900 076 091 01 | Hexagon nut       |        | 19  |       |
|      |                | M 5               |        |     |       |
| 15   | 900 025 003 02 | Washer            |        | 19  |       |
|      |                | A 5,3             |        |     |       |
| (16) | 911 561 463 00 | Gasket            | /L     | 1   |       |
| (16) | 911 561 463 01 | Gasket            | /L     | 1   |       |
| 16   | 911 561 464 00 | Gasket            | /R     | 1   |       |
| 16   | 911 561 464 01 | Gasket            | /R     | 1   |       |
| 17   | 911 561 083 01 | Clamp             |        | 1   |       |
| 18   | 911 561 371 00 | Sealing rubber    |        | 1   |       |
| 19   | 900 076 010 02 | Nut               |        | 2   |       |
|      |                | M 6               |        |     |       |
| 19   | 900 076 010 0B | Nut               |        | 2   |       |
|      |                | M 6               |        |     |       |
| 20   | N 011 524 7    | Washer            |        | 2   |       |
|      |                | A 6,4             |        |     |       |
| 20   | N 011 524 27   | Washer            |        | 2   |       |
|      |                | A 6,4             |        |     |       |
| 21   | 911 561 379 00 | Support           |        | 3   |       |
| 22   | 911 561 387 00 | Desk pad          |        | 1   |       |
| 23   | N 014 761 2    | Pan-head screw    |        | 9   |       |
|      |                | M 6 X 12          |        |     |       |
| 23   | 900 119 129 01 | Pan-head screw    |        | 9   |       |
|      |                | M 6 X 12          |        |     |       |
| 24   | N 011 524 7    | Washer            |        | 3   |       |
|      |                | A 6,4             |        |     |       |
| 24   | N 011 524 27   | Washer            |        | 3   |       |
|      |                | A 6,4             |        |     |       |
| 25   | 999 703 169 40 | Cap               |        | 3   |       |

Model: 911 84

Model life 1984>>1986



Model: 911 84 Model life 1984>>1986

| Pos  | Part Number        | Description  | Remark    | Qty | Model |
|------|--------------------|--|-----------|-----|-------|
| 1    | 911 561 051 00     | Convertible top<br>Seal<br>Single parts<br>Convertible top covering<br>Roof<br>Upper | -85       | 1   |       |
|      | 911 561 051 00 3AV | Black  |           |     |       |
|      | 911 561 051 00 6HA | Dark blue  | 84-       |     |       |
|      | 911 561 051 00 9RA | Dark brown   |           |     |       |
|      | 911 561 051 00 4JK | Greyish green  | 85-       |     |       |
|      | 911 561 051 00 7MK | Burgundy   | 85-       |     |       |
| (1)  | 911 561 051 01     | Convertible top covering<br>Roof<br>Upper  |           | 1   |       |
|      | 911 561 051 01 3AV | Black  |           |     |       |
|      | 911 561 051 01 6HA | Dark blue  |           |     |       |
|      | 911 561 051 01 9RA | Dark brown   |           |     |       |
|      | 911 561 051 01 4JK | Greyish green  |           |     |       |
|      | 911 561 051 01 7MK | Burgundy   |           |     |       |
| 2    | 911 561 359 00     | Rear window  | -85       | 1   |       |
| 2    | 911 561 359 65     | Rear window  | 86-       | 1   |       |
| 3    | 911 561 053 00     | Rear window<br>with<br>Cover   | -85<br>/H | 1   |       |
|      | 911 561 053 00 3AV | Black  |           |     |       |
|      | 911 561 053 00 6HA | Dark blue  | 84-       |     |       |
|      | 911 561 053 00 7JW | Dark blue  |           |     |       |
|      | 911 561 053 00 9RA | Dark brown   |           |     |       |
|      | 911 561 053 00 4JK | Greyish green  | 85-       |     |       |
|      | 911 561 053 00 7MK | Burgundy   | 85-       |     |       |
| (3)  | 911 561 053 65     | Rear window<br>with<br>Cover   | /H        | 1   |       |
|      | 911 561 053 65 3AV | Black  |           |     |       |
|      | 911 561 053 65 6HA | Dark blue  |           |     |       |
|      | 911 561 053 65 9RA | Dark brown   |           |     |       |
|      | 911 561 053 65 4JK | Greyish green  |           |     |       |
|      | 911 561 053 65 7MK | Burgundy   |           |     |       |
| 4    | 911 561 405 01     | Zip  | -85       | 1   |       |
|      | 911 561 405 01 3AV | Black  |           |     |       |
| (4)  | 911 561 405 02     | Zip  | 86-       | 1   |       |
|      | 911 561 405 02 3AV | Black  |           |     |       |
| 5    | 911 561 523 01     | Traction noose   | -85       | 1   |       |
|      | 911 561 523 01 1AJ | Black  |           |     |       |
| 5A   | 911 561 523 02     | Traction noose   | 86-       | 1   |       |
|      | 911 561 523 02 1AJ | Black  |           |     |       |
| 6    | 900 144 028 07     | Tapping screw<br>B 3,5 X 13  |           | 1   |       |
| 7    | 911 561 485 00     | Snap fastener lower part   |           | 1   |       |
| 8    | 000 043 022 00     | Zip  |           | X   |       |
|      | 000 043 022 00 3AV | Black  |           |     |       |
| 9    | 000 043 026 00     | Repair kit<br>Zip  | -85       | X   |       |
|      | 000 043 026 00 3AV | Black  |           |     |       |
|      |                    | Repair kit   |           |     |       |
| (10) | 911 561 244 01     | Roof frame seal  |           | 1   |       |
| 11   | 911 561 153 65     | Restraining strap  | -85       | 2   |       |
| (11) |                    | Restraining strap  | 86-       | 2   |       |
| 12   | 911 561 205 00     | Seal   | /L -85    | 1   |       |
| (12) | 911 561 189 65     | Roof frame seal<br>Outer   | /L 86-    | 1   |       |
| 13   | 911 561 187 00     | Roof frame seal<br>Inner   | /L 86-    | 1   |       |

Model: 911 84 Model life 1984>>1986

| Pos   | Part Number        | Description                              | Remark | Qty | Model |
|-------|--------------------|--|--------|-----|-------|
| 14    | 911 561 206 00     | Seal                                     | /R -85 | 1   |       |
| (14)  | 911 561 190 65     | Roof frame seal<br>Outer                 | /R 86- | 1   |       |
| 15    | 911 561 188 00     | Roof frame seal<br>Inner                 | /R 86- | 1   |       |
| 16    | 911 561 221 01     | Gasket                                   | /L -85 | 1   |       |
| (16)  | 911 561 681 00     | Gasket                                   | /L 86- | 1   |       |
| 17    | 911 561 222 01     | Gasket                                   | /R -85 | 1   |       |
| (17)  | 911 561 682 00     | Gasket                                   | /R 86- | 1   |       |
| 17A   | 911 561 913 00     | Piping                                   | /L -85 | 1   |       |
| (17A) | 911 561 914 00     | Piping                                   | /R -85 | 1   |       |
| 18    | 911 561 025 00     | Rail                                     | /L -85 | 1   |       |
| (18)  | 911 561 025 04     | Rail                                     | /L 86- | 1   |       |
| 19    | 911 561 026 00     | Rail                                     | /R -85 | 1   |       |
| (19)  | 911 561 026 04     | Rail                                     | /R 86- | 1   |       |
| 20    | N 013 958 7        | Oval-head sheetmetal screw<br>B 3,5 X 13 |        | 8   |       |
| 21    | N 011 005 14       | Hexagon nut<br>M 5                       |        | 8   |       |
| 21    | 900 076 091 01     | Hexagon nut<br>M 5                       |        | 8   |       |
| 22    | N 011 665 11       | Washer<br>B 5,3                          |        | 8   |       |
| 23    | 911 561 239 00     | Tension rope                             | /L     | 1   |       |
| (23)  | 911 561 240 00     | Tension rope                             | /R     | 1   |       |
| 24    | 911 561 403 01     | Tension spring                           |        | 2   |       |
| 25    | 911 561 407 00     | Support                                  |        | 2   |       |
| 26    | N 010 211 4        | Hexagon-head bolt<br>M 6 X 12            |        | 2   |       |
| 27    | N 011 524 7        | Washer<br>6,4                            |        | 4   |       |
| 27    | N 011 524 27       | Washer<br>6,4                            |        | 4   |       |
| 28    | 900 075 100 02     | Hexagon-head bolt<br>M 4 X 12            |        | 2   |       |
| 28    | 900 075 100 03     | Hexagon-head bolt<br>M 4 X 12            |        | 2   |       |
| 29    | 900 910 006 02     | Lock nut<br>M 4                          |        | 4   |       |
| 29    | 900 084 020 01     | Lock nut<br>M 4                          |        | 4   |       |
| 30    | 900 025 002 02     | Washer<br>4,3                            |        | 4   |       |
| 30    | 900 025 002 03     | Washer<br>4,3                            |        | 4   |       |
| 31    | 900 144 031 07     | Counters. head tapp. screw<br>B 3,5 X 16 |        | 2   |       |
| 32    | 999 591 102 17     | Washer                                   |        | 2   |       |
| 32    | 999 591 102 1H     | Washer                                   |        | 2   |       |
| 32    | 999 591 102 17     | Washer<br>\$=3,5                         |        | 2   |       |
| 32    | 999 591 102 1H     | Washer<br>\$=3,5                         |        | 2   |       |
| 33    | 900 144 028 07     | Tapping screw<br>B 3,5 X 13              |        | 2   |       |
| 34    | 999 591 835 17     | Snap fastener lower part                 |        | 2   |       |
| 35    | 999 591 598 02     | Tenax lower part<br>B 4,2 X 16           |        | 2   |       |
| (35)  | 999 591 597 02     | Tenax lower part<br>B 4,2 X 10           |        | 6   |       |
| 36    | 911 561 455 00     | Corner piece                             | -85    | 2   |       |
| (36)  | 911 561 455 01     | Corner piece                             | /L 86- | 1   |       |
|       | 911 561 455 01 70B | Black                                    |        |     |       |



Model: 911 84 Model life 1984>>1986

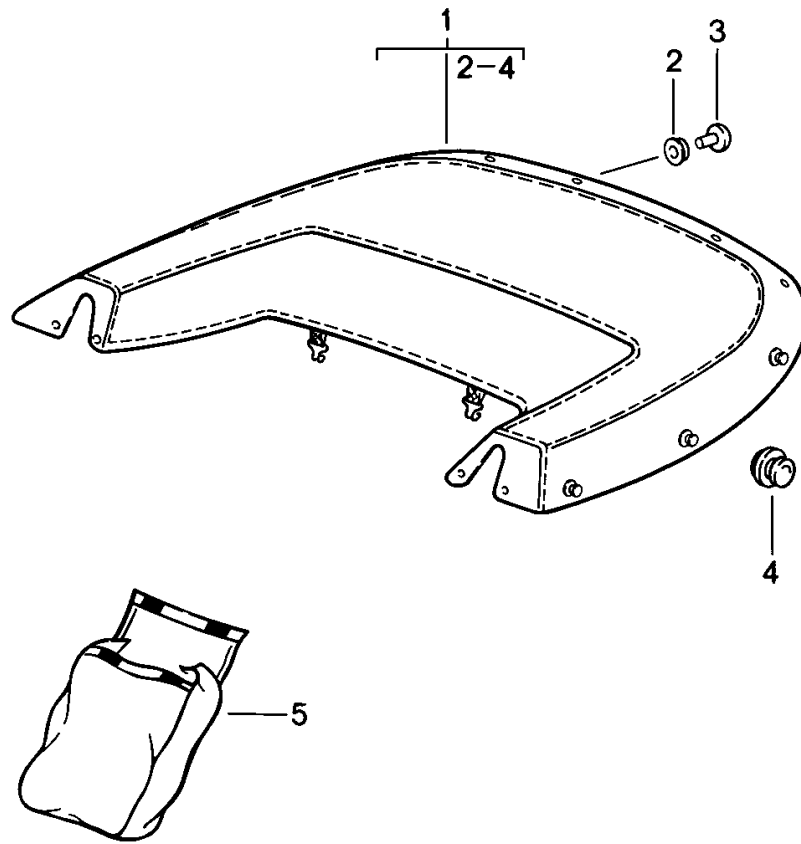
| Pos   | Part Number        | Description                | Remark | Qty | Model |
|-------|--------------------|----------------------------|--------|-----|-------|
| (36)  | 911 561 456 01     | Corner piece               | /R 86- | 1   |       |
|       | 911 561 456 01 70B | Black                      |        |     |       |
| 37    | N 033 203 2        | Countersunk-head screw     |        | 2   |       |
| 37    |                    | Countersunk-head screw     |        | 2   |       |
|       |                    | M 4 X 18                   |        |     |       |
| 38    | 911 561 059 00     | Lining                     | -85    | 1   |       |
| (38)  | 911 561 059 61     | Lining                     | 86-    | 1   |       |
|       | 911 561 059 61 700 | Black                      |        |     |       |
|       |                    | Main folding top bow       |        |     |       |
| (38)  | 911 561 059 65     | Lining                     | 86-    | 1   | M439  |
|       | 911 561 059 65 700 | Black                      |        |     |       |
|       |                    | Main folding top bow       |        |     |       |
| 38A   | 911 561 597 00     | Rosette                    | /L 86- | 1   |       |
|       | 911 561 597 00 70B | Black                      |        |     |       |
| (38A) | 911 561 598 00     | Rosette                    | /R 86- | 1   |       |
|       | 911 561 598 00 70B | Black                      |        |     |       |
| (38A) | 911 561 598 66     | Rosette                    | /R 86- | 1   | M439  |
|       | 911 561 598 66 70B | Black                      |        |     |       |
| 39    | 900 145 096 07     | Oval-head sheetmetal screw |        | 13  |       |
|       |                    | 4,2 X 16                   |        |     |       |
| 39    | 900 145 096 0G     | Oval-head sheetmetal screw |        | 13  |       |
|       |                    | 4,2 X 16                   |        |     |       |
| 40    | 999 591 116 07     | Cone washer                |        | 13  |       |
|       |                    | 4,5 90 DEG                 |        |     |       |
| 40    |                    | Cone washer                |        | 15  |       |
| 41    | 911 561 050 00     | Roofliner                  |        | 1   |       |
| 42    | 911 565 093 60     | Padded cover               | -85    | 1   |       |
| (42)  | 911 565 093 61     | Padded cover               | 86-    | 1   |       |
|       | 911 565 093 61 700 | Black                      |        |     |       |
| (42)  | 911 565 093 65     | Padded cover               | 86-    | 1   | M439  |
|       | 911 565 093 65 700 | Black                      |        |     |       |
| 43    | 911 565 279 60     | Rosette                    | -85    | 2   |       |
| (43)  | 911 565 279 61     | Rosette                    | /L 86- | 1   |       |
|       | 911 565 279 61 70B | Black                      |        |     |       |
| (43)  | 911 565 280 61     | Rosette                    | /R 86- | 1   |       |
|       | 911 565 280 61 70B | Black                      |        |     |       |
| (43)  | 911 561 781 65     | Guide rose                 | 86-    | 2   | M439  |
|       |                    | for emergency control      |        |     |       |
| 44    | 999 591 676 02     | Clamping washer            |        | 4   |       |
|       |                    | \$=7                       |        |     |       |
| 44    | 999 591 676 01     | Clamping washer            |        | 4   |       |
|       |                    | \$=7                       |        |     |       |
| 45    | 823 867 299        | Clip                       |        | 8   |       |
| 46    | N 014 093 3        | Oval-head sheetmetal screw |        | 3   |       |
|       |                    | 4,2 X 13                   |        |     |       |
| 47    | 999 591 116 07     | Cone washer                |        | 3   |       |
|       |                    | 4,5 90 DEG                 |        |     |       |
| 48    | 911 565 271 60     | Handle                     | /L -85 | 1   |       |
| (48)  | 911 565 271 65     | Handle                     | /L 86- | 1   |       |
|       | 911 565 271 65 70B | Black                      |        |     |       |
| 49    | 911 565 272 60     | Handle                     | /R -85 | 1   |       |
| (49)  | 911 565 272 65     | Handle                     | /R 86- | 1   |       |
|       | 911 565 272 65 70B | Black                      |        |     |       |
| 50    | 999 591 587 40     | Expansion rivet            |        | 2   |       |
| 51    | 911 555 593 61     | Edge protection            |        | 1   |       |
| -     | 911 565 299 60     | Moltoprene shim            |        | 2   |       |
|       |                    | Edge protection            |        |     |       |
| -     | 911 565 297 60     | Cover                      |        | 1   |       |
|       |                    | Edge protection            |        |     |       |
| 52    | 911 561 301 00     | Rain channel               | /L 86- | 1   |       |
|       | 911 561 301 00 70K | Black                      |        |     |       |
| (52)  | 911 561 302 00     | Rain channel               | /R 86- | 1   |       |
|       | 911 561 302 00 70K | Black                      |        |     |       |

Model: 911 84 Model life 1984>>1986

| Pos  | Part Number        | Description                               | Remark | Qty | Model |
|------|--------------------|---|--------|-----|-------|
| 52A  | 999 190 162 37     | Blind rivet<br>3,2 X 8,38                 |        | 12  |       |
| 52A  | PCG 190 162 37     | Blind rivet<br>3,2 X 8,38                 |        | 12  |       |
| 53   | 911 561 793 00     | Rail                                      | /L 86- | 1   |       |
| (53) | 911 561 794 00     | Rail                                      | /R 86- | 1   |       |
| 54   | N 013 957 5        | Oval-head sheetmetal screw<br>B 3,5 X 9,5 | 86-    | 8   |       |
| 55   | 900 151 028 02     | Washer<br>B 4,3                           |        | 8   |       |
| 55   | 900 151 028 01     | Washer<br>B 4,3                           |        | 8   |       |
| 56   | 911 565 269 60     | Lining<br>Roof frame                      | -85    | 1   |       |
| (56) | 911 561 295 01     | Cover                                     | 86-    | 1   |       |
|      | 911 561 295 01 700 | Black                                     |        |     |       |
| (56) | 911 561 295 00     | Cover                                     | 86-    | 1   | M439  |
|      | 911 561 295 00 700 | Black                                     |        |     |       |

Model: 911 84

Model life 1984>>1986



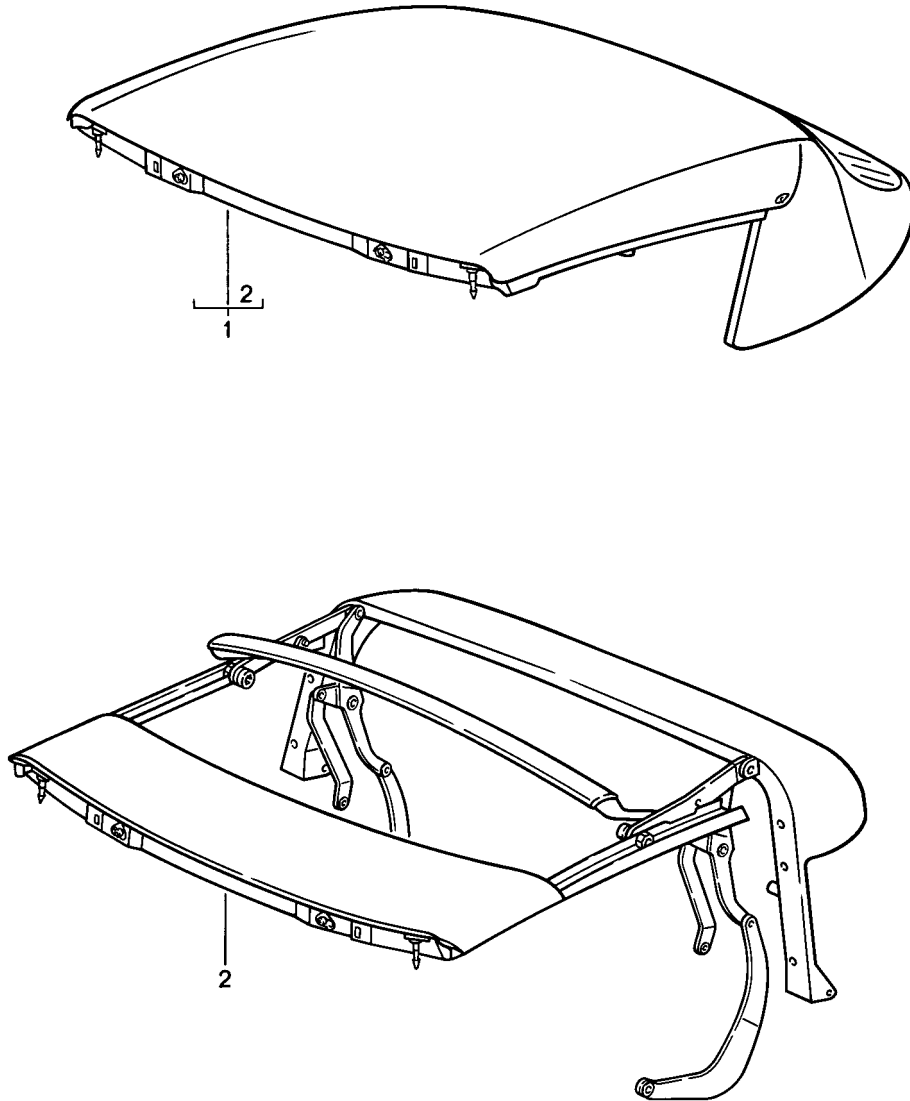
Model: 911 84

Model life 1984>>1986

| Pos | Part Number        | Description           | Remark | Qty | Model |
|-----|--------------------|-----------------------|--------|-----|-------|
| 1   | 911 561 023 00     | Convertible top cover |        |     |       |
|     | 911 561 023 00 3AV | Convertible top cover | -85    | 1   |       |
|     | 911 561 023 00 6HA | Black                 |        |     |       |
|     | 911 561 023 00 9RA | Dark blue             |        |     |       |
|     | 911 561 023 00 4JK | Dark brown            |        |     |       |
|     | 911 561 023 00 7MK | Greyish green         | 85-    |     |       |
|     |                    | Burgundy              | 85-    |     |       |
| (1) | 911 561 023 60     | Convertible top cover |        | 1   |       |
|     | 911 561 023 60 3AV | Black                 |        |     |       |
|     | 911 561 023 60 6HA | Dark blue             |        |     |       |
|     | 911 561 023 60 9RA | Dark brown            |        |     |       |
|     | 911 561 023 60 4JK | Greyish green         |        |     |       |
|     | 911 561 023 60 7MK | Burgundy              |        |     |       |
| 2   | 999 591 836 17     | Push button           |        | 6   |       |
| 3   | 999 591 838 17     | Push button           |        | 6   |       |
| 4   | 999 591 983 12     | Tenax upper part      |        | 8   |       |
| 5   | 911 561 087 00     | Bag                   |        | 1   |       |

Model: 911 84

Model life 1984>>1986



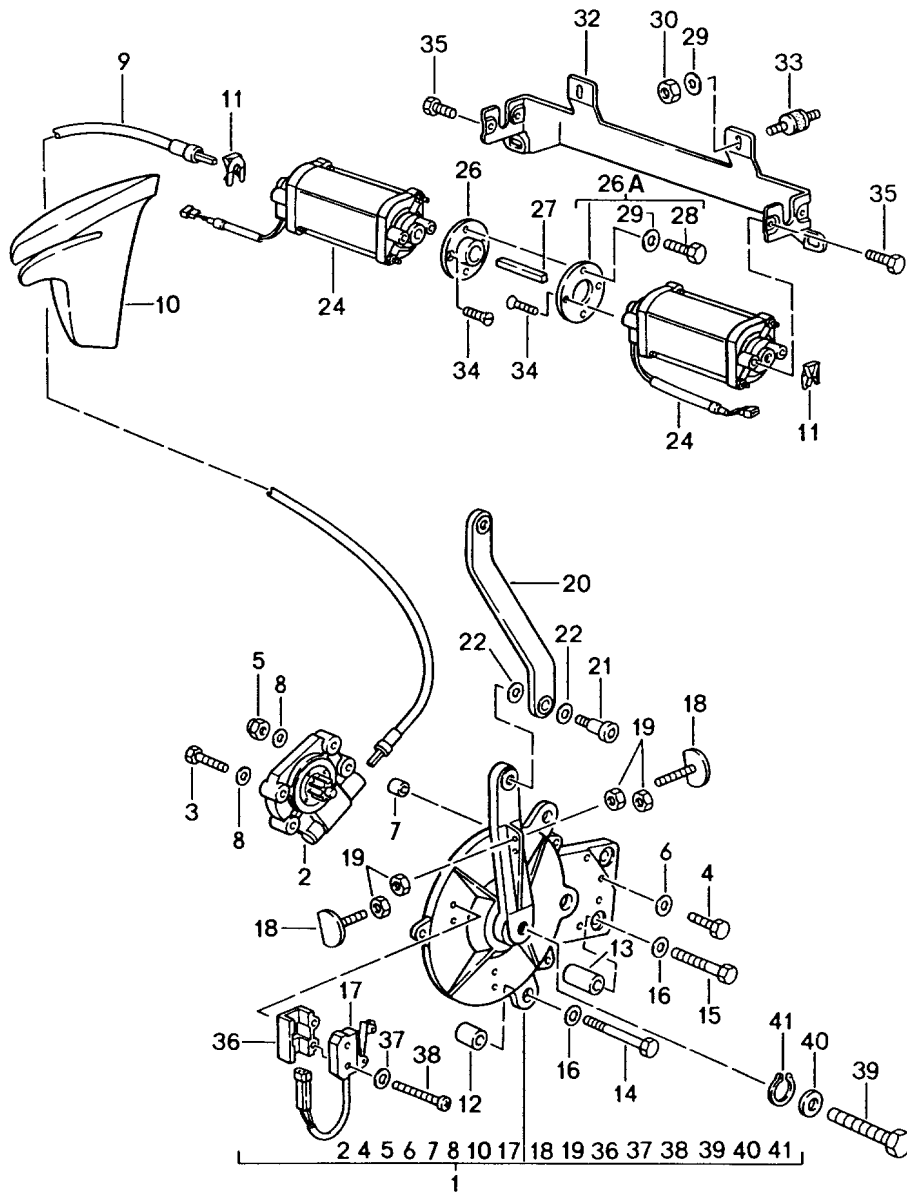
Model: 911 84

Model life 1984>>1986

| Pos      | Part Number    | Description                      | Remark | Qty | Model |
|----------|----------------|----------------------------------|--------|-----|-------|
| 1        | 911 561 005 65 | Convertible top                  | 86-    | 1   | M439  |
|          |                | Convertible top frame            |        |     |       |
|          |                | Electrically adjustable          |        |     |       |
|          |                | Folding top                      |        |     |       |
|          |                | Complete                         |        |     |       |
|          |                |                                  |        |     |       |
| 2        | 911 561 011 65 | 911 561 005 65 3AV Black         |        | 1   |       |
|          |                | 911 561 005 65 6HA Dark blue     |        |     |       |
|          |                | 911 561 005 65 9RA Dark brown    |        |     |       |
|          |                | 911 561 005 65 4JK Greyish green |        |     |       |
|          |                | 911 561 005 65 7MK Burgundy      |        |     |       |
|          |                | Convertible top frame            |        |     |       |
|          |                | 911 561 011 65 70B Black         |        |     |       |
| Complete |                |                                  |        |     |       |

Model: 911 84

Model life 1984>>1986



Model: 911 84

Model life 1984&gt;&gt;1986

| Pos  | Part Number        | Description                              | Remark | Qty | Model |
|------|--------------------|--|--------|-----|-------|
|      |                    | Convertible top                          | 86-    |     | M439  |
|      |                    | Driving mechanism                        |        |     |       |
| (1)  | 911 561 045 66     | Transmission                             | /L     | 1   |       |
|      | 911 561 045 66 70B | Black                                    |        |     |       |
| 1    | 911 561 046 66     | Transmission                             | /R     | 1   |       |
|      | 911 561 046 66 70B | Black                                    |        |     |       |
| (2)  | 911 561 103 65     | Planetary transmission                   | /L     | 1   |       |
| (2)  | 911 561 104 65     | Planetary transmission                   | /R     | 1   |       |
| 3    | N 010 262 2        | Hexagon-head bolt<br>M 4 X 20            |        | 2   |       |
| 4    | N 010 301 1        | Hexagon-head bolt<br>M 4 X 35            |        | 2   |       |
| 5    | 900 910 004 02     | Lock nut<br>M 4                          |        | 2   |       |
| 6    | N 011 522 14       | Washer<br>A 4,3                          |        | 2   |       |
| 7    | 911 561 629 65     | Spacer                                   |        | 2   |       |
| 8    | 911 561 518 00     | Spacer                                   |        | 4   |       |
| (9)  | 993 561 921 03     | Shaft                                    | /L     | 1   |       |
| 9    | 993 561 922 03     | Shaft                                    | /R     | 1   |       |
| (10) | 911 561 655 65     | Filler piece                             | /L     | 1   |       |
| 10   | 911 561 656 65     | Filler piece<br>for<br>Shaft             | /R     | 1   |       |
| 11   | 911 561 643 65     | Spring clamp                             |        | 2   |       |
| 11   | 987 561 643 00     | Spring clamp                             |        | 2   |       |
| 12   | 911 561 746 65     | Spacer sleeve                            |        | 4   |       |
| 13   | 911 561 745 65     | Spacer sleeve                            |        | 2   |       |
| 14   | N 010 347 5        | Hexagon-head bolt<br>M 6 X 35            |        | 4   |       |
| 15   | N 040 303 1        | Hexagon-head bolt<br>M 6 X 50            |        | 2   |       |
| 16   | 900 151 003 02     | Washer<br>A 6,4                          |        | 6   |       |
| 16   | 900 151 006 03     | Washer<br>A 6,4                          |        | 6   |       |
| 17   | 911 613 071 00     | Microswitch                              | /R     | 2   |       |
| 17   | 911 613 071 02     | Microswitch                              | /R     | 2   |       |
| 18   | 911 561 645 00     | Adjusting screw                          |        | 2   |       |
| 19   | N 011 002 2        | Hexagon nut<br>M 3                       |        | 4   |       |
| (20) | 911 561 169 65     | Push rod                                 | /L     | 1   |       |
|      | 911 561 169 65 70B | Black                                    |        |     |       |
| (20) | 911 561 170 65     | Push rod                                 | /R     | 1   |       |
|      | 911 561 170 65 70B | Black                                    |        |     |       |
| 21   | 911 561 418 00     | Screw<br>M 8 X 20                        |        | 4   |       |
| 22   | 911 561 428 00     | Washer<br>10,5                           |        | 8   |       |
| 24   | 911 624 117 00     | Electric motor                           |        | 2   |       |
| 25   | N 013 994 2        | Counters. head tapp. screw<br>B 4,8 X 16 |        | 6   |       |
| 26   | 911 624 269 01     | Washer<br>\$ 50                          |        | 1   |       |
| 26A  | 911 624 171 01     | Washer                                   |        | 1   |       |
| 27   | 911 624 273 00     | Connecting piece                         |        | 1   |       |
| 28   | N 010 205 6        | Hexagon-head bolt<br>M 5 X 10            |        | 4   |       |
| 28   | 900 075 105 02     | Screw<br>M 5 X 10                        |        | 4   |       |
| 29   | 900 025 003 02     | Washer<br>A 5,3                          |        | 4   |       |
| 30   | N 011 005 14       | Hexagon nut                              |        | 4   |       |



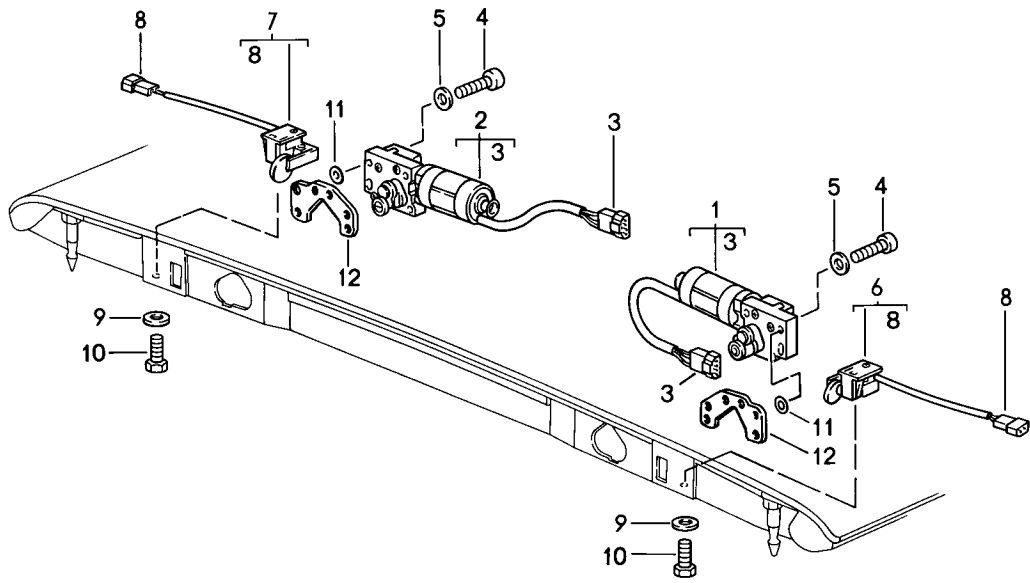
Model: 911 84

Model life 1984&gt;&gt;1986

| Pos | Part Number    | Description                        | Remark | Qty | Model |
|-----|----------------|------------------------------------|--------|-----|-------|
| 30  | 900 076 091 01 | M 5<br>Hexagon nut                 |        | 4   |       |
| 32  | 911 561 185 65 | M 5<br>Clip                        |        | 2   |       |
| 33  | 999 703 308 00 | Bonded rubber mounting             |        | 4   |       |
| 33  | 999 703 308 0A | Bonded rubber mounting             |        | 4   |       |
| 34  | 999 919 045 02 | Countersunk-head screw<br>M 5 X 16 |        | 4   |       |
| 35  | 999 919 046 02 | Hexagon-head bolt<br>M 5 X 16      |        | 4   |       |
| 36  | 911 613 413 00 | Support                            |        | 2   |       |
| 37  | 900 025 001 02 | Washer<br>A 3,2                    |        | 4   |       |
| 38  | 900 146 072 02 | Oval-head screw<br>M 3 X 25        |        | 4   |       |
| 39  | 911 561 756 66 | Screw<br>for emergency control     |        | 2   |       |
| 40  | N 011 524 7    | Washer<br>A 6,4                    |        | 2   |       |
| 40  | N 011 524 27   | Washer<br>A 6,4                    |        | 2   |       |
| 41  | N 012 406 2    | Lock washer<br>6 X 0,7             |        | 2   |       |

Model: 911 84

Model life 1984>>1986



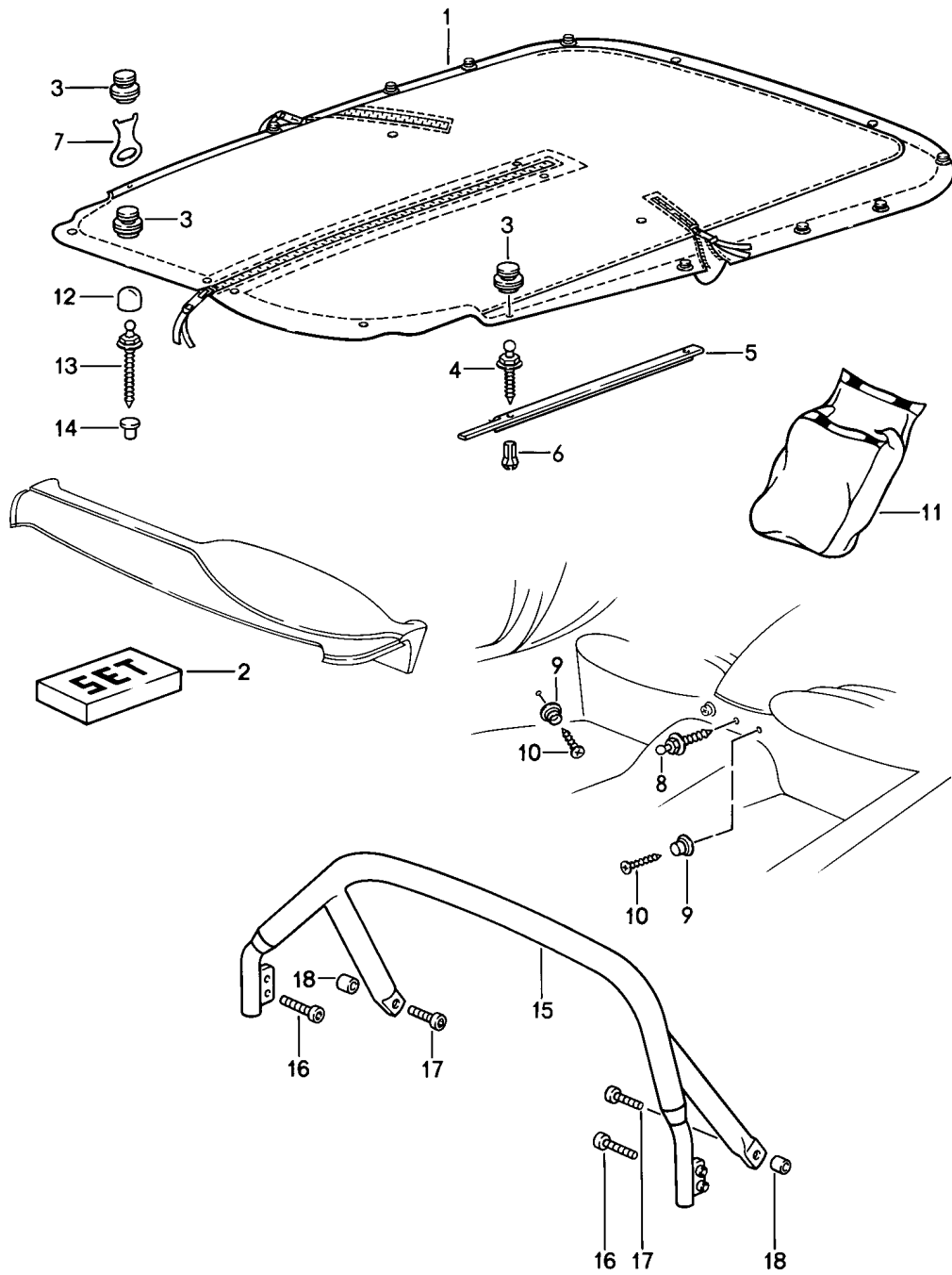
Model: 911 84

Model life 1984>>1986

| Pos  | Part Number    | Description             | Remark | Qty | Model |
|------|----------------|-------------------------|--------|-----|-------|
|      |                | Convertible top         | 86-    |     | M439  |
|      |                | Catch                   |        |     |       |
|      |                | Electrically adjustable |        |     |       |
| 1    | 911 624 055 00 | Engine                  | /L     | 1   |       |
| 2    | 911 624 056 00 | Engine                  | /R     | 1   |       |
| 3    | 171 971 998 C  | Connector housing       |        | 2   |       |
| 4    | N 014 743 2    | Pan-head screw          |        | 8   |       |
|      |                | M 6 X 30                |        |     |       |
| 4    | 900 067 012 03 | Pan-head screw          |        | 8   |       |
|      |                | M 6 X 30                |        |     |       |
| 5    | N 011 524 7    | Washer                  |        | 8   |       |
|      |                | A 6,4                   |        |     |       |
| 5    | N 011 524 27   | Washer                  |        | 8   |       |
|      |                | A 6,4                   |        |     |       |
| 6    | 911 613 015 00 | Microswitch             | /L     | 1   |       |
| 7    | 911 613 016 00 | Microswitch             | /R     | 1   |       |
| 8    | 171 971 998 A  | Connector housing       |        | 2   |       |
| 9    | 900 151 028 02 | Washer                  |        | 4   |       |
|      |                | B 4,3                   |        |     |       |
| 9    | 900 151 028 01 | Washer                  |        | 4   |       |
|      |                | B 4,3                   |        |     |       |
| (10) | 900 146 011 02 | Oval-head screw         |        | 4   |       |
|      |                | M 4 X 10                |        |     |       |
| 11   | N 027 401 1    | Shim                    |        | 8   |       |
|      |                | 6 X 12 X 1,0            |        |     |       |
| 12   | 911 561 547 01 | Threaded plate          |        | 2   |       |

Model: 911 84

Model life 1984>>1986



Model: 911 84 Model life 1984>>1986

| Pos  | Part Number        | Description              | Remark  | Qty | Model |
|------|--------------------|--------------------------|---------|-----|-------|
| 1    | 911 561 923 00     | Tonneau cover            |         | 1   |       |
|      | 911 561 923 00 3AV | Protective bracket       |         |     |       |
|      | 911 561 923 00 6HA | Tonneau cover            | /LL     |     |       |
|      | 911 561 923 00 9RA | Black                    |         |     |       |
|      | 911 561 923 00 4JK | Dark blue                |         |     |       |
|      | 911 561 923 00 7MK | Dark brown               | 85      |     |       |
|      | 911 561 923 00 1YK | Greyish green            |         |     |       |
| 1    | 911 561 089 00     | Burgundy                 |         |     |       |
|      | 911 561 089 00 3AV | Tonneau cover            | /LL -85 | 1   |       |
|      | 911 561 089 00 6HA | Tonneau cover            |         |     |       |
|      | 911 561 089 00 9RA | Black                    |         |     |       |
|      | 911 561 089 00 4JK | Dark blue                |         |     |       |
|      | 911 561 089 00 7MK | Dark brown               |         |     |       |
|      |                    | Greyish green            |         |     |       |
|      |                    | Burgundy                 |         |     |       |
|      |                    | Order also:              |         |     |       |
|      |                    | POS.3                    |         |     |       |
| (1)  | 911 561 089 60     | Tonneau cover            | /LL 86- | 1   |       |
|      | 911 561 089 60 3AV | Black                    |         |     |       |
|      | 911 561 089 60 6HA | Dark blue                |         |     |       |
|      | 911 561 089 60 9RA | Dark brown               |         |     |       |
|      | 911 561 089 60 4JK | Greyish green            |         |     |       |
|      | 911 561 089 60 7MK | Burgundy                 |         |     |       |
|      |                    | Order also:              |         |     |       |
|      |                    | POS.3                    |         |     |       |
| 2    | 911 561 921 00     | Installation set         |         | 1   |       |
|      |                    | F >>91ES1 70540          |         |     |       |
| 3    | 999 591 983 12     | Tenax upper part         |         | 9   |       |
| 4    | 999 591 598 02     | Tenax lower part         |         | 4   |       |
| 5    | 911 531 041 60     | Moulding                 | /L      | 1   |       |
|      | 911 531 041 60 70K | Black                    |         |     |       |
| (5)  | 911 531 432 60     | Moulding                 | /R      | 1   |       |
|      | 911 531 432 60 70K | Black                    |         |     |       |
| (5)  | 911 531 042 60     | Moulding                 | /R      | 1   |       |
|      | 911 531 042 60 70K | Black                    |         |     |       |
| 6    | 999 591 708 02     | Prestole cage            |         | 4   |       |
| 7    | 000 043 032 00     | Key                      |         | X   |       |
| 8    | 999 591 597 02     | Tenax lower part         |         | 1   |       |
| 9    | 999 591 835 17     | Snap fastener lower part |         | 4   |       |
| 10   | 900 144 028 07     | Tapping screw            |         | 4   |       |
|      |                    | 3,5 X 13                 |         |     |       |
| 11   | 911 561 087 00     | Bag                      |         | 1   |       |
| 12   | 911 561 529 00     | Cap                      |         | 3   |       |
| 13   | 999 591 608 17     | Tenax lower part         |         | 3   |       |
|      |                    | B 4,2 X 22               |         |     |       |
| 14   | 999 703 182 40     | Stopper                  |         | 3   |       |
|      |                    | \$=4                     |         |     |       |
| (15) | 911 565 907 61     | Protective bracket       | -85     | 1   |       |
|      |                    | Leatherette              |         |     |       |
|      |                    | Black                    |         |     |       |
| (15) | 911 565 907 62     | Protective bracket       | -85     | 1   |       |
|      |                    | Leather                  |         |     |       |
|      |                    | Black                    |         |     |       |
| 15   | 911 565 006 65     | Protective bracket       | 86-     | 1   |       |
|      |                    | Leatherette              |         |     |       |
|      |                    | Black                    |         |     |       |
| 15   | 911 565 006 66     | Protective bracket       | 86-     | 1   |       |
|      |                    | Leather                  |         |     |       |
|      |                    | Black                    |         |     |       |
| 16   | 900 119 090 07     | Pan-head screw           |         | 4   |       |
|      |                    | M 10 X 40                |         |     |       |
| 17   | 900 119 006 07     | Pan-head screw           |         | 2   |       |
|      |                    | M 10 X 35                |         |     |       |

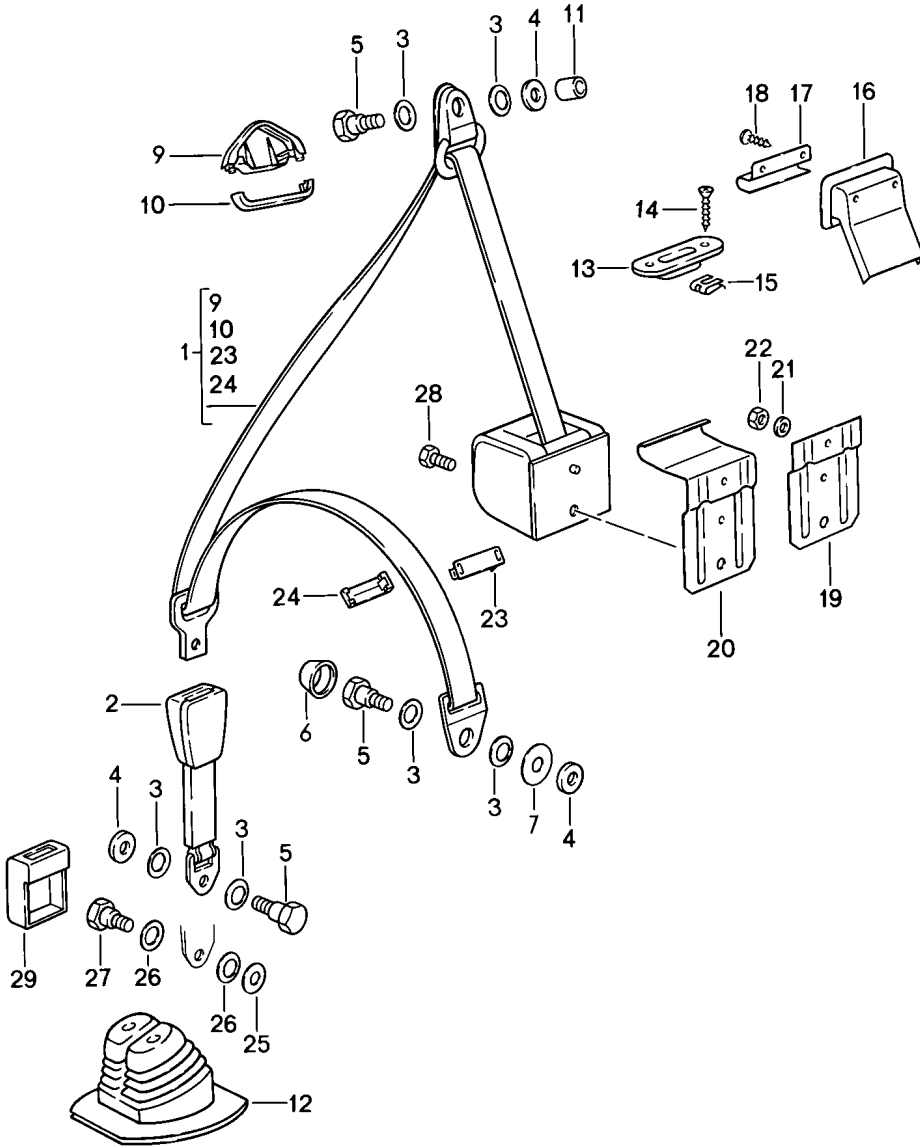
Model: 911 84

Model life 1984>>1986

| Pos  | Part Number    | Description | Remark | Qty | Model |
|------|----------------|-------------|--------|-----|-------|
| (18) | 911 565 247 60 | Bush        | -85    | 2   |       |
| 18   | 911 565 247 65 | Bush        | 86-    | 2   |       |

Model: 911 84

Model life 1984>>1986



Model: 911 84 Model life 1984>>1986

| Pos  | Part Number        | Description                | Remark                | Qty | Model        |
|------|--------------------|----------------------------|-----------------------|-----|--------------|
|      |                    | Seat belt<br>Front         |                       |     |              |
| 1    | 928 803 126 09     | Seat belt                  | 85                    | 2   |              |
| 1    |                    | Seat belt                  | -85                   | 2   |              |
|      |                    | Automatic                  |                       |     |              |
| 1    | 928 803 126 10     | Seat belt                  | 86-                   | 2   |              |
|      | 928 803 126 10 70B | Black                      |                       |     |              |
|      |                    | Automatic                  |                       |     |              |
| (2)  | 928 803 183 05     | Seat-belt buckle           | /R (CDN) (USA)<br>-84 | 1   |              |
| (2)  | 928 803 183 06     | Seat-belt buckle           | /L (CDN) (USA)<br>-84 | 1   |              |
| (2)  | 928 803 183 09     | Seat-belt buckle           | 85-                   | 1   |              |
|      | 928 803 183 09 70B | Black                      |                       |     |              |
|      |                    | Driver's side              |                       |     |              |
| (2)  | 928 803 183 08     | Seat-belt buckle           | 85-                   | 1   |              |
|      | 928 803 183 08 70B | Black                      |                       |     |              |
|      |                    | Passenger's side           |                       |     |              |
| 3    | 211 857 771        | Washer                     |                       | 8   |              |
| 4    | 999 025 113 02     | Washer                     | -85                   | 4   | TARGA        |
| 4    |                    | Washer                     | -85                   | 6   | COUPE        |
|      |                    | 11,5 X 21 X 2              |                       |     |              |
| 4    |                    | Washer                     | 86-                   | 2   | COUPE        |
|      |                    | 11,5 X 21 X 2              |                       |     |              |
| (4)  | 810 019 829        | Spacer                     | 86-                   | 2   |              |
| 5    | 111 857 793 E      | Hexagon-head bolt          |                       | 6   | COUPE        |
| 5    |                    | Hexagon-head bolt          |                       | 4   | TARGA/CABRIO |
| (5)  |                    | Hexagon-head bolt          |                       | 2   | TARGA/CABRIO |
| 6    | 811 857 845        | Cap                        |                       | 2   |              |
| 7    | 901 803 144 00     | Washer                     | -85                   | 2   |              |
| 8    | 928 803 157 02     | Washer                     | -85                   | 2   | TARGA/CABRIO |
| 9    | 928 803 141 00     | Cover                      | -85                   | 2   |              |
|      |                    | Upper part                 |                       |     |              |
| 10   | 928 803 143 00     | Cover                      | -85                   | 2   |              |
|      |                    | Lower part                 |                       |     |              |
| (10) | 944 803 141 00     | Cover                      | 86-                   | 2   |              |
|      | 944 803 141 00 70B | Black                      |                       |     |              |
| 11   | 928 803 259 02     | Spacer sleeve              |                       | 2   | TARGA/CABRIO |
| 12   | 911 555 102 01     | Bellows                    | -84                   | 1   |              |
| 13   | 911 555 615 01     | Rosette                    |                       | 2   | COUPE        |
| 14   | N 014 093 3        | Oval-head sheetmetal screw |                       | 4   | COUPE        |
|      |                    | BZ 4,2 X 13                |                       |     |              |
| 15   | 999 507 020 02     | Speed nut                  |                       | 4   | COUPE        |
|      |                    | 4,2                        |                       |     |              |
| 15   | 999 507 020 01     | Speed nut                  |                       | 4   | COUPE        |
|      |                    | 4,2                        |                       |     |              |
| 16   | 901 803 139 00     | Rosette                    |                       | 2   | TARGA        |
| 17   | 911 555 619 40     | Relay lever                |                       | 2   | TARGA        |
| (17) | 911 555 619 60     | Relay lever                | /L -85                | 1   | CABRIO       |
| (17) | 911 555 620 60     | Relay lever                | /R -85                | 1   | CABRIO       |
| 18   | 900 145 071 07     | Tapping screw              |                       | 4   | TARGA        |
|      |                    | B 3,5 X 13                 |                       |     |              |
| 19   | 911 555 625 00     | Support for seatbelt       |                       | 2   | COUPE        |
| (19) | 911 501 461 61     | Support for seatbelt       |                       | 2   | CABRIO       |
| 20   | 911 555 613 41     | Support for seatbelt       |                       | 2   | TARGA        |
| 21   | 900 031 011 02     | Washer                     |                       | 2   |              |
|      |                    | 6,4                        |                       |     |              |
| 22   | 900 076 010 02     | Nut                        |                       | 2   |              |
|      |                    | M 6                        |                       |     |              |
| 22   | 900 076 010 0B     | Nut                        |                       | 2   |              |
|      |                    | M 6                        |                       |     |              |
| 23   | 928 803 151 02     | Clip                       |                       | 2   |              |
|      |                    | Upper part                 |                       |     |              |



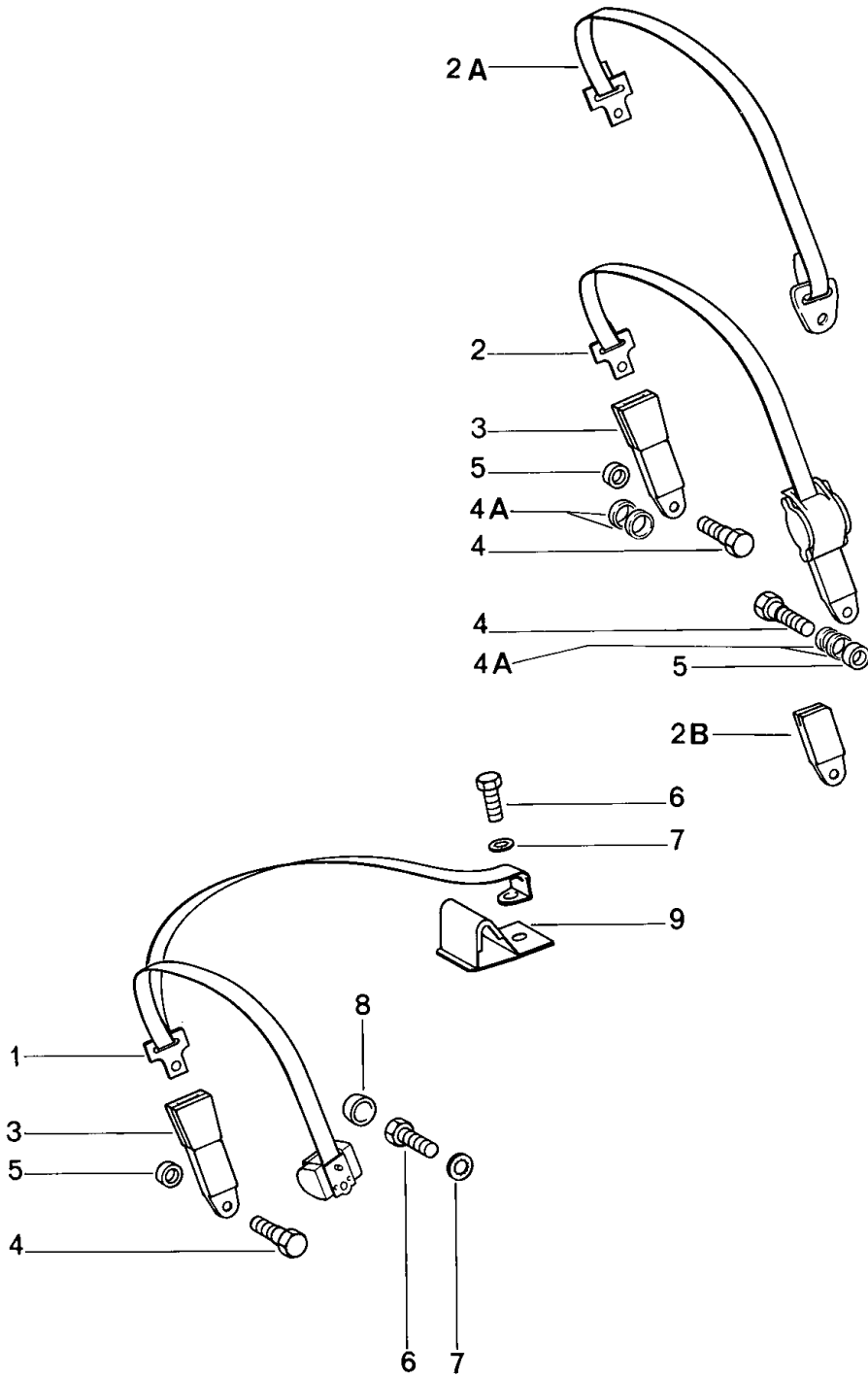
Model: 911 84

Model life 1984>>1986

| Pos | Part Number    | Description        | Remark | Qty | Model |
|-----|----------------|--------------------|--------|-----|-------|
| 24  | 928 803 153 02 | Clip<br>Lower part |        | 2   |       |
| 25  | 911 803 531 00 | Paper washer       | 85-    | 2   |       |
| 26  | 911 803 533 00 | Cup spring         | 85-    | 4   |       |
| 27  | 914 803 468 10 | Screw              | 85-    | 2   |       |
| 28  | 911 803 150 00 | Screw              |        | 2   |       |
| 29  | 911 803 453 00 | Cap                | 85-    | 2   |       |

Model: 911 84

Model life 1984>>1986



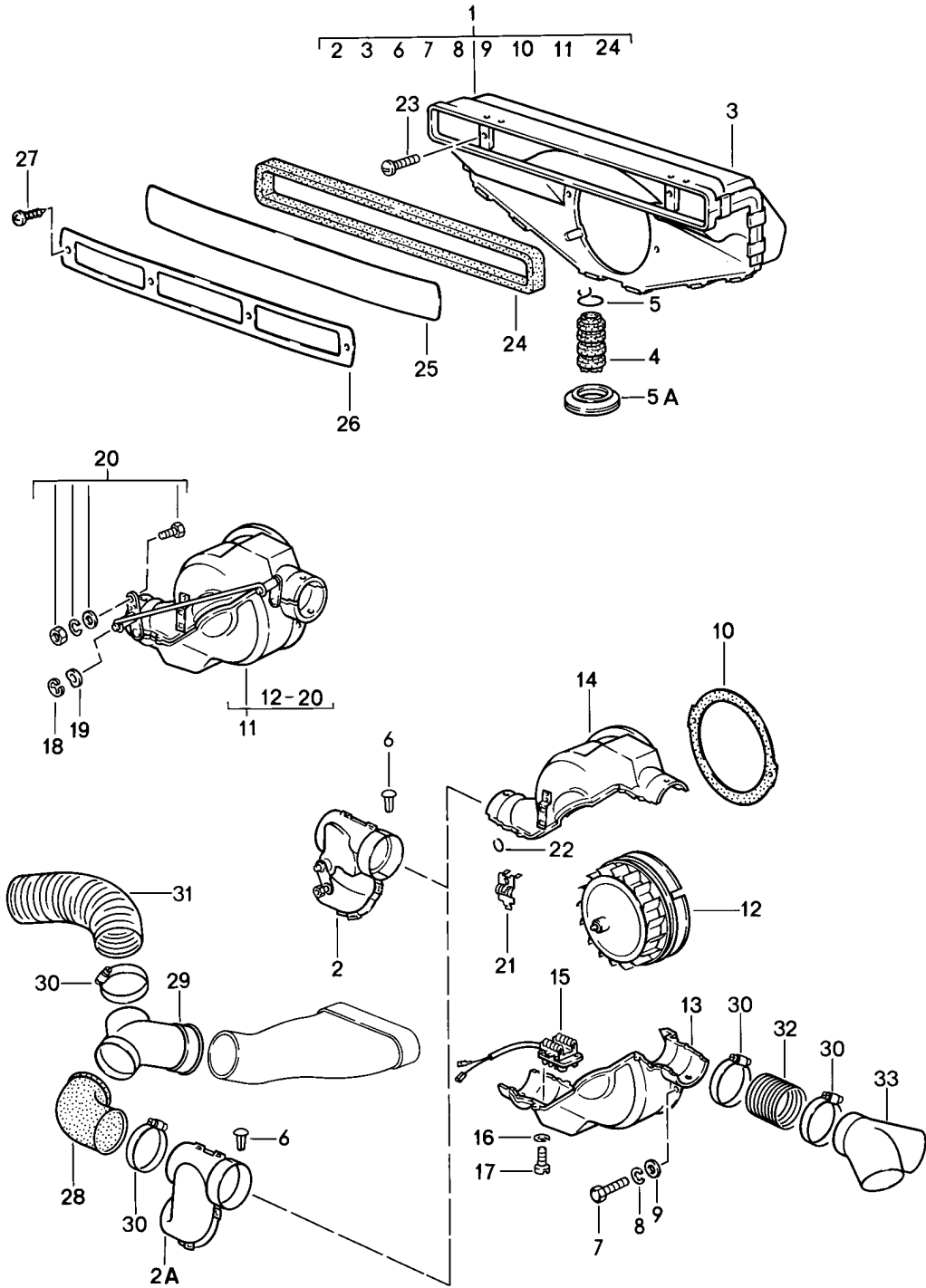
Model: 911 84

Model life 1984>>1986

| Pos  | Part Number       | Description      | Remark | Qty | Model    |
|------|-------------------|------------------|--------|-----|----------|
|      |                   | Seat belt        |        |     |          |
|      |                   | Rear             |        |     |          |
| (2)  | 477 857 787 C     | Seat belt        |        | 2   | M185/215 |
|      | 477 857 787 C 70B | Automatic        |        |     |          |
| (2B) | 477 857 750 B     | Cap              |        | 2   | M185     |
| (3)  | 477 857 739 A     | Seat-belt buckle |        | 2   |          |
| (3)  | 477 857 739 B     | Seat-belt buckle |        | 2   |          |
|      | 477 857 739 B 70B | Black            |        |     |          |
| 4    | 911 803 451 00    | Fastening screw  |        | 4   | M185/186 |
| 4A   | 211 857 771       | Washer           |        | 4   | M185/186 |
| (5)  | 901 803 116 40    | Spacer sleeve    |        | 4   | M185/186 |
| (8)  | 911 803 259 01    | Cap              |        | 4   | M185/186 |
| -    | 928 803 151 02    | Clip             |        | 2   |          |
|      |                   | Upper part       |        |     |          |
| -    | 928 803 153 02    | Clip             |        | 2   |          |
|      |                   | Lower part       |        |     |          |

Model: 911 84

Model life 1984>>1986



Model: 911 84 Model life 1984>>1986

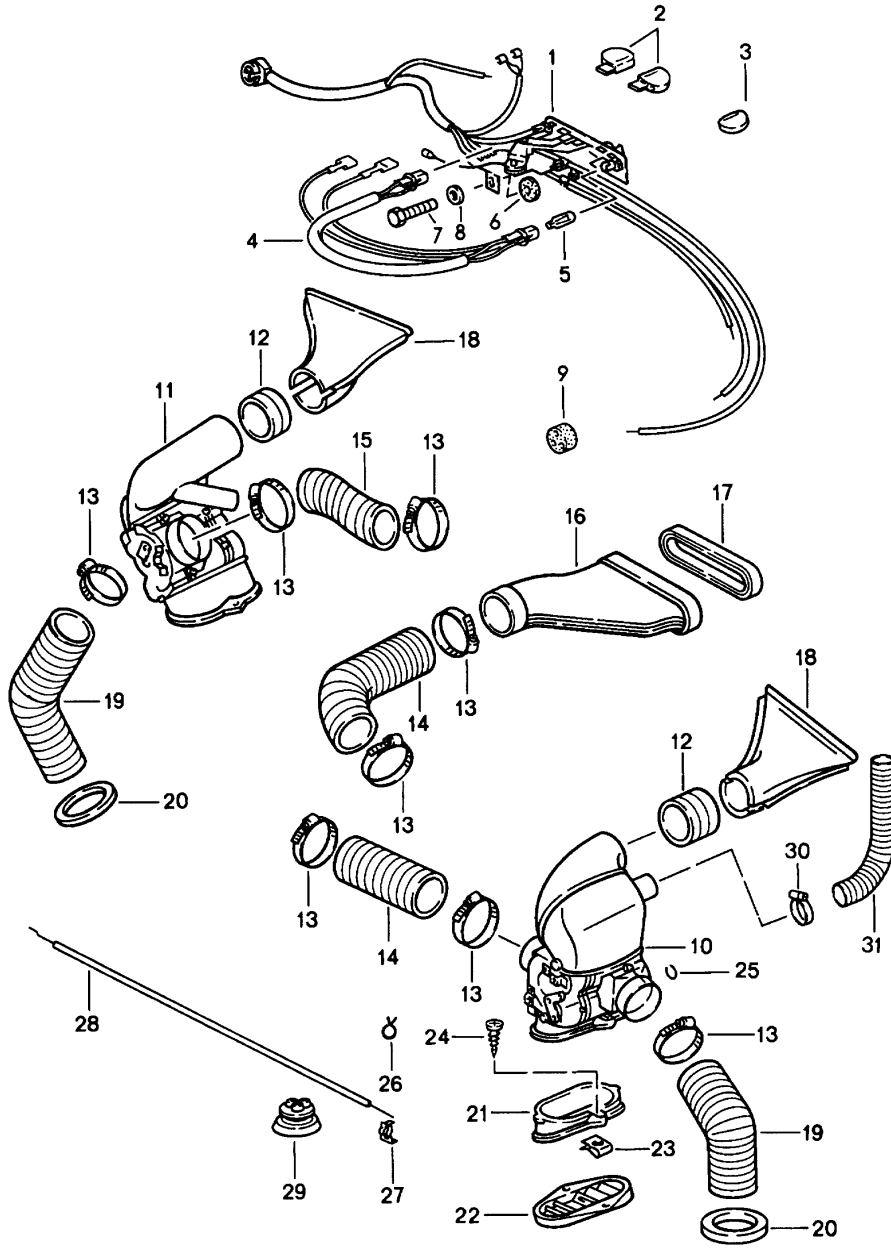
| Pos  | Part Number        | Description  | Remark  | Qty | Model    |
|------|--------------------|--|---------|-----|----------|
| (1)  | 911 571 031 01     | Ventilation<br>Heating system 1<br>Fresh air inlet box<br>Ready for installation | /LL     | 1   |          |
|      |                    | Order also:  | /LL     |     | CARRERA  |
| -    | 911 571 039 00     | Distributing piece   | -85     | 1   |          |
| -    | 911 571 039 01     | Distributing piece   | 86-     | 1   |          |
| -    | 999 591 565 40     | Clip   |         | 2   |          |
| 1    | 911 571 035 00     | Fresh air inlet box<br>Ready for installation                                    | /LL -85 | 1   | CARRERA  |
| 2    | 911 571 039 00     | Distributing piece   | /LL -85 | 1   | CARRERA  |
| 2A   | 911 571 039 01     | Distributing piece   | /LL 86- | 1   | CARRERA  |
| 3    | 911 571 041 01     | Fresh air inlet box  | /LL -85 | 1   |          |
| (3)  |                    | Fresh air inlet box  | /LL     | 1   |          |
| 4    | 911 571 224 00     | Water drain hose<br>600 MM   | /LL/RL  | 1   |          |
| 6    | 999 591 565 40     | Clip<br>6,2  |         | 2   |          |
| 7    | 900 075 145 02     | Hexagon-head bolt<br>M 5 X 15  |         | 2   |          |
| 8    | 900 027 011 01     | Lock ring<br>B 4   |         | 2   |          |
| 9    | 900 025 003 02     | Washer<br>5,3  |         | 2   |          |
| 10   | 901 571 922 00     | Sealing ring   |         | 1   |          |
| 10   | 901 571 922 01     | Sealing ring   |         | 1   |          |
| 11   | 911 571 017 00     | Blower   | -85     | 1   |          |
| (11) | 911 571 018 00     | Blower   | -85     | 1   | M559/573 |
| 11   |                    | Blower   |         | 1   |          |
| 12   | 911 571 320 32     | Blower motor   |         | 1   |          |
| 13   | 911 571 905 00     | Housing  |         | 1   |          |
| 14   | 911 571 907 00     | Housing  |         | 1   |          |
| 15   | 911 618 151 00     | Thermo bi-metal switch   | -85     | 1   |          |
| 15   | 911 618 051 00     | Thermo bi-metal switch   | 86-     | 1   |          |
| 15   | 911 618 051 01     | Thermo bi-metal switch   | 86-     | 1   |          |
| 16   | N 012 004 2        | Lock ring<br>B 4   |         | 2   |          |
| 17   | 900 014 046 02     | Pan-head screw<br>AM 4 X 10  |         | 2   |          |
| 18   | N 012 434 1        | Lock washer<br>4   |         | 2   |          |
| 19   | N 012 221 3        | Spring washer<br>A 4,3   |         | 2   |          |
| 20   | 901 211 683 00     | Clamping screw<br>M 4  |         | 1   |          |
| 21   | 901 571 919 00     | Terminal   |         | 1   |          |
| 22   | 901 571 921 00     | Retainer   |         | 6   |          |
| 23   | N 014 153 1        | Oval-head screw<br>M 5 X 40  |         | 2   |          |
| 24   | 901 571 325 32     | Sealing frame  |         | 1   |          |
| 25   | 911 559 410 00     | Grille   |         | 1   |          |
| 25   |                    | Grille   |         | 1   |          |
| 25   | 911 559 410 00 70K |  |         |     |          |
| 25   | 993 559 411 00     | Grille   |         | 1   |          |
| 26   | 911 559 401 00     | Grille frame   |         | 1   |          |
| 27   | N 014 086 12       | Tapping screw  |         | 4   |          |
| 27   | N 014 086 1C       | Tapping screw  |         | 4   |          |
| 27   | N 014 086 12       | Tapping screw<br>B 3,5 X 13  |         | 4   |          |
| 27   | N 014 086 1C       | Tapping screw<br>B 3,5 X 13  |         | 4   |          |
| -    | 901 559 491 20     | Spacer   |         | 2   |          |
| 28   | 911 572 325 00     | Heater hose  | /LL 86- | 1   | CARRERA  |

Model: 911 84 Model life 1984>>1986

| Pos  | Part Number    | Description                | Remark  | Qty | Model                    |
|------|----------------|----------------------------|---------|-----|--------------------------|
| 28   |                | Heater hose<br>LW 62 X 150 | 86-     | 1   | CARRERA                  |
| 29   | 911 573 254 00 | Branch piece               | /LL 86- | 1   |                          |
| (29) | 911 573 253 00 | Branch piece               | /LL 86- | 1   | TURBO<br>CARRERA<br>M559 |
| 30   | 999 512 349 02 | Hose clamp<br>50-70/9      | 86-     | 3   |                          |
| 30   | 999 512 349 01 | Hose clamp<br>50-70/9      | 86-     | 3   |                          |
| 30   | 999 512 349 0B | Hose clamp<br>50-70/9      | 86-     | 3   |                          |
| 31   | 911 573 115 00 | Hose<br>60 X 420           | 86-     | 2   | CARRERA                  |
| 31   |                | Hose<br>60 X 420           | 86-     | 1   | TURBO<br>CARRERA<br>M559 |
| 32   | 911 571 239 00 | Air hose                   | 86-     | 2   | CARRERA                  |
| 33   | 911 571 251 00 | Branch piece               | 86-     | 1   | CARRERA                  |

Model: 911 84

Model life 1984>>1986



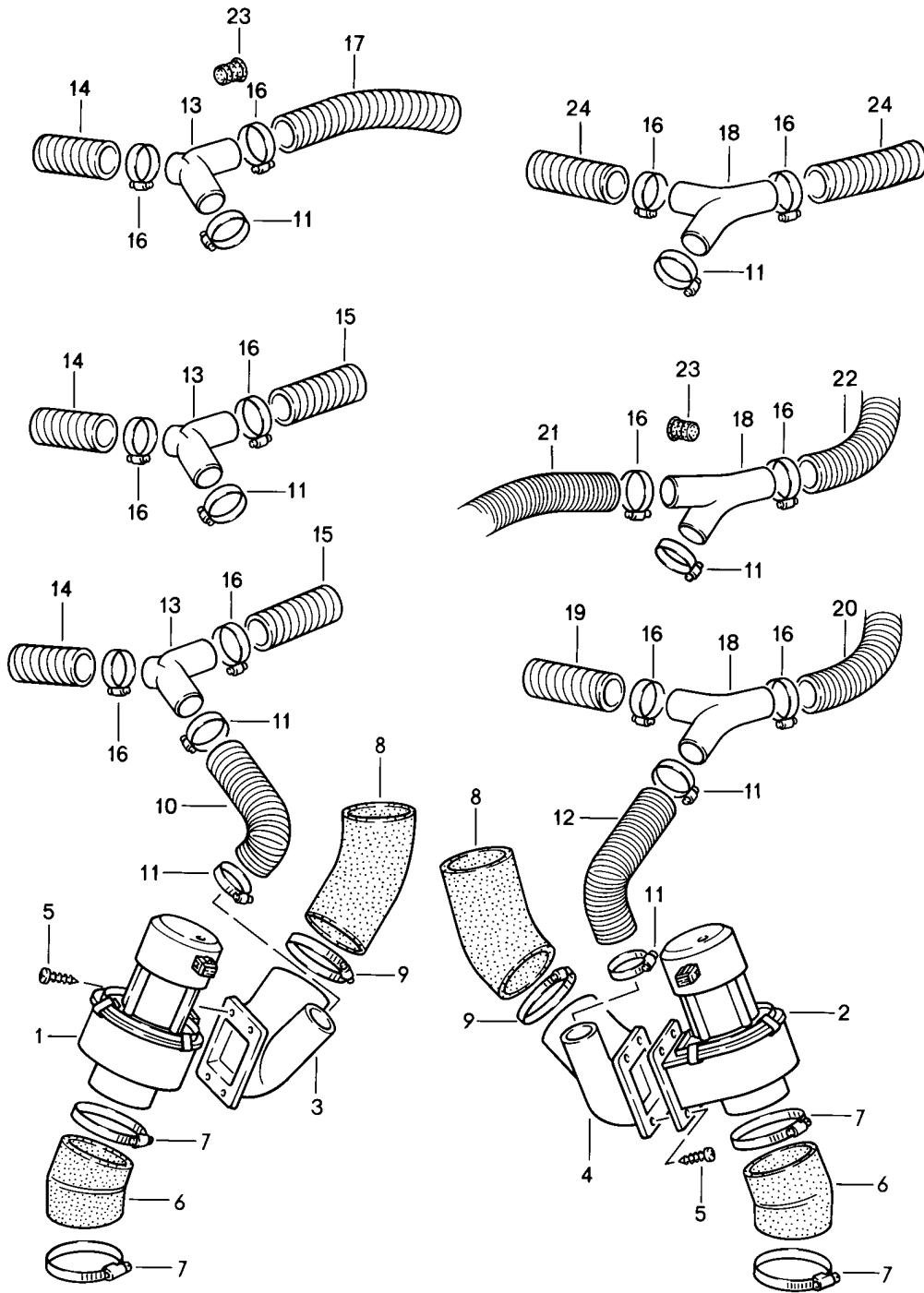
Model: 911 84 Model life 1984>>1986

| Pos  | Part Number        | Description                                       | Remark                 | Qty | Model    |
|------|--------------------|---|------------------------|-----|----------|
| 1    | 911 613 111 08     | Ventilation<br>Heating system 2<br>Control switch | /LL (CDN)<br>(USA) -85 | 1   |          |
| (1)  | 911 613 111 10     | Control switch                                    | /LL 86-                | 1   |          |
| 2    | 911 613 995 00     | Knob<br>Black                                     | -85                    | 2   |          |
| (2)  | 911 613 139 00     | Knob  | 86-                    | 2   |          |
|      | 911 613 139 00 01C | Black   |                        |     |          |
| 3    | 901 571 918 00     | Knob<br>Red                                       | -85                    | 1   |          |
| 3    | 901 571 917 00     | Knob<br>Black                                     | -85                    | 1   |          |
| (3)  | 911 613 135 00     | Knob  | 86-                    | 1   |          |
|      | 911 613 135 00 K51 | Red   |                        |     |          |
| (3)  | 911 613 135 01     | Knob  | 86-                    | 1   |          |
|      | 911 613 135 01 01C | Black   |                        |     |          |
| 4    | 911 612 172 01     | Wiring harness                                    |                        | 1   |          |
| 5    | 900 631 132 90     | Bulb<br>12V 1,2W                                  |                        | 2   |          |
| 6    | 914 571 903 10     | Sealing ring                                      |                        | 1   |          |
| 7    | N 010 217 9        | Hexagon-head bolt<br>M 6 X 20                     |                        | 1   |          |
| 8    | N 011 524 7        | Washer<br>6,4                                     |                        | 1   |          |
| 8    | N 011 524 27       | Washer<br>6,4                                     |                        | 1   |          |
| 9    | 914 571 151 10     | Rubber sleeve<br>Bowden control                   |                        | 1   |          |
| 10   | 911 571 049 07     | Control box                                       | /L -85                 | 1   | M559/573 |
| (10) |                    | Control box                                       | /L -85                 | 1   |          |
| (10) |                    | Control box                                       | /L 86-                 | 1   |          |
| 11   | 911 571 050 07     | Control box                                       | /R -85                 | 1   |          |
| (11) |                    | Control box                                       | /R -85                 | 1   | M559/573 |
| (11) |                    | Control box                                       | /R 86-                 | 1   |          |
| 12   | 901 571 345 32     | Hose piece  | -85                    | 2   |          |
| (12) |                    | Hose piece  | 86-                    | 2   |          |
| 13   | 999 512 349 02     | Hose clamp  |                        | 8   |          |
| 13   | 999 512 349 01     | Hose clamp  |                        | 8   |          |
| 13   | 999 512 349 0B     | Hose clamp  |                        | 8   |          |
| 14   | 473 261 233 A      | Air hose  |                        | 2   |          |
| 15   | 911 571 239 00     | Air hose  | -85                    | 1   |          |
| 16   | 911 571 085 00     | Air duct  | /LL -85                | 1   |          |
| (16) | 911 571 085 01     | Air duct  | /LL 86-                | 1   |          |
| 17   | 911 571 189 00     | Sealing ring                                      |                        | 1   |          |
| 18   | 901 572 045 31     | Heating nozzle                                    | -85                    | 2   |          |
| 19   | 914 572 123 10     | Air hose  |                        | 2   |          |
| 20   | 901 572 913 01     | Sealing ring                                      |                        | 2   |          |
| 21   | 911 571 051 00     | Connecting flange                                 |                        | 2   |          |
| 22   | 911 571 347 01     | Air distributor                                   | /L                     | 1   |          |
| (22) | 911 571 348 01     | Air distributor                                   | /R                     | 1   |          |
| 23   | 999 591 574 02     | Speed nut<br>B4,8                                 |                        | 4   |          |
| 24   | 900 143 039 02     | Tapping screw<br>BZ 4,8 X 19                      |                        | 4   |          |
| 25   | 901 571 921 00     | Retainer  |                        | 16  |          |
| 26   | 999 512 162 02     | Clamping spring                                   |                        | 8   |          |
| (27) | 477 819 343        | Spring clamp                                      |                        | 4   |          |
| 28   | 911 572 114 00     | Bowden control                                    |                        | 2   |          |
| 29   | 911 612 863 00     | Grommet   |                        | 1   |          |
| 29   | 914 571 151 10     | Rubber sleeve                                     |                        | 1   |          |
| 30   | 999 512 356 02     | Hose clamp  |                        | 2   |          |
| 31   | 911 571 228 00     | Air hose  | -85                    | 2   |          |



Model: 911 84

Model life 1984>>1986



Model: 911 84 Model life 1984>>1986

| Pos  | Part Number    | Description                          | Remark  | Qty | Model |
|------|----------------|--------------------------------------|---------|-----|-------|
|      |                | Additional blower                    |         |     |       |
| (1)  | 911 624 043 02 | Radial blower                        | /L      | 1   |       |
| (2)  | 911 624 044 02 | Radial blower                        | /R      | 1   |       |
| 3    | 911 571 137 00 | Double socket                        | /L      | 1   |       |
| 4    | 911 571 138 00 | Double socket                        | /R      | 1   |       |
| 5    | 999 919 018 00 | Screw<br>KA 35 X 10                  |         | 8   |       |
| 6    | 930 571 101 01 | Hot air socket                       |         | 2   |       |
| 7    | 999 512 349 02 | Hose clamp                           |         | 4   |       |
| 7    | 999 512 349 01 | Hose clamp                           |         | 4   |       |
| 7    | 999 512 349 0B | Hose clamp                           |         | 4   |       |
| 8    | 914 572 123 10 | Air hose<br>LW 60 X 165              |         | 2   |       |
| 9    | 999 512 349 02 | Hose clamp                           |         | 2   |       |
| 9    | 999 512 349 01 | Hose clamp                           |         | 2   |       |
| 9    | 999 512 349 0B | Hose clamp                           |         | 2   |       |
| 10   | 911 571 228 00 | Air hose<br>LW 36 X 180              | /LL -85 | 1   |       |
| 10   |                | Air hose                             | -85     | 1   |       |
| (10) | 911 572 223 00 | Air hose<br>LW 36 X 390              | 86-     | 1   |       |
| (10) |                | Air hose<br>LW 36 X 200              | 86-     | 1   |       |
| 11   | 999 512 356 02 | Hose clamp                           | -85     | 4   |       |
| 12   | 911 571 228 00 | Air hose<br>LW 36 X 390              | -85     | 1   |       |
| (12) | 911 572 223 00 | Air hose<br>LW 38 X 240              | 86-     | 1   |       |
| 13   | 911 571 255 00 | Air distributor                      | -85     | 1   |       |
| (13) | 911 572 259 00 | Air distributor                      | /L 86-  | 1   |       |
| 14   | 911 571 221 00 | Side vent<br>Air hose<br>LW 38 X 140 | -85     | 1   |       |
| 14   | 911 572 223 00 | Air hose<br>LW 38 X 240              | -85     | 1   |       |
| 15   | 911 573 212 00 | Air hose<br>LW 38 X 60               | -85     | 1   |       |
| 15   | 911 572 223 00 | Air hose<br>LW 38 X 240              | -85     | 1   |       |
| (15) | 911 573 115 00 | Hose<br>LW 60 X 420                  | 86-     | 1   |       |
| 16   | 999 512 356 02 | Hose clamp                           | -85     | X   |       |
| (16) | 999 512 349 02 | Hose clamp<br>50-70/9                | 86-     | X   |       |
| (16) | 999 512 349 01 | Hose clamp<br>50-70/9                | 86-     | X   |       |
| (16) | 999 512 349 0B | Hose clamp<br>50-70/9                | 86-     | X   |       |
| 18   | 911 573 235 00 | Air distributor                      | -85     | 1   |       |
| (18) | 911 572 260 00 | Air distributor                      | /R 86-  | 1   |       |
| 19   | 911 573 212 00 | Side vent<br>Air hose<br>LW 38 X 60  | -85     | 1   |       |
| 19   | 911 572 223 00 | Air hose<br>LW 38 X 240              | -85     | 1   |       |
| (19) | 911 573 115 00 | Hose<br>LW 60 X 420                  | 86-     | 1   |       |
| 20   | 911 571 246 00 | Air hose                             | /LL -85 | 1   |       |
| 20   | 911 571 228 00 | Air hose<br>LW 36 X 90               | /LL -85 | 1   |       |
| 21   | 911 573 203 00 | Air hose<br>LW 36 X 390              | /LL -85 | 1   |       |

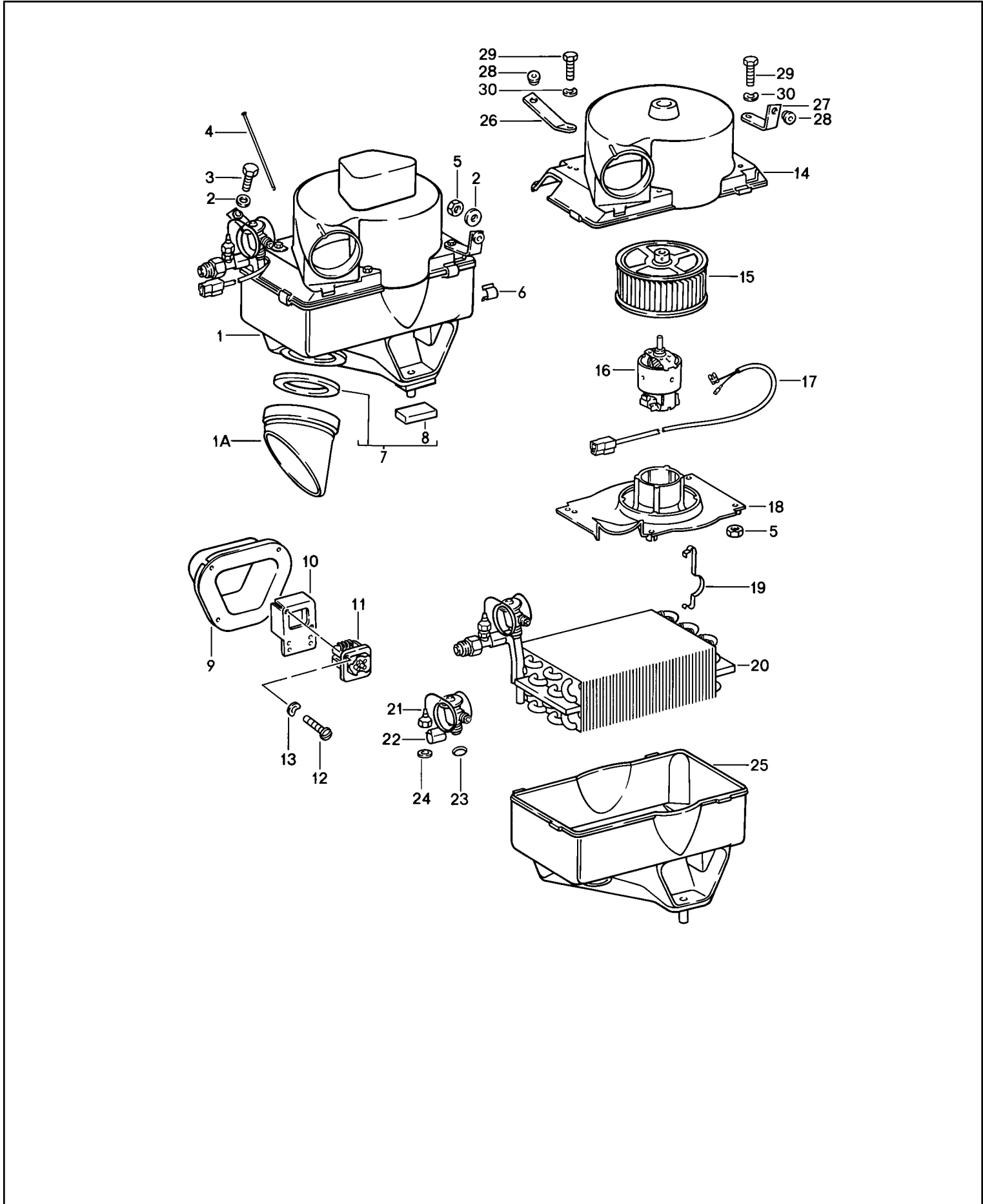
Model: 911 84

Model life 1984>>1986

| Pos  | Part Number    | Description                             | Remark  | Qty | Model |
|------|----------------|---|---------|-----|-------|
| 21   | 911 573 204 00 | LW 36 X 480<br>Air hose                 | /LL -85 | 1   |       |
| (21) | 911 573 115 00 | LW 36 X 1000<br>Hose                    | 86-     | 1   |       |
| 22   | 911 571 246 00 | LW 60 X 420<br>Air hose                 | /LL -85 | 1   |       |
| 22   | 911 571 228 00 | LW 36 X 90<br>Air hose                  | /LL -85 | 1   |       |
| 23   | 911 573 207 00 | LW 36 X 390<br>Closure for pipe adapter | -85     | 1   |       |
| 24   | 911 572 223 00 | Air hose<br>LW 38 X 240                 | -85     | 1   |       |

Model: 911 84

Model life 1984>>1986



Model: 911 84 Model life 1984>>1986

| Pos | Part Number        | Description   | Remark        | Qty | Model  |
|-----|--------------------|---|---------------|-----|--|
| -   | 911 573 915 00     | Air conditioner<br>Evaporator housing<br>Single parts<br>Conversion set<br>for subsequent installation            | /LL -85       | 1   | CARRERA  |
| -   | 930 573 915 00     | Air conditioner<br>for subsequent installation<br>for subsequent installation                                     | /LL -85<br>85 | 1   | TURBO  |
| -   | 911 624 899 00     | Electric motor  |               | 1   |  |
| -   | 911 624 903 00     | Clamp   |               | 4   |  |
| -   | 911 573 323 00     | Engine support  |               | 1   |  |
| -   | 911 573 915 04     | Air conditioner<br>for subsequent installation  | /LL 86-       | 1   | CARRERA  |
| 1   | 911 573 021 02     | Evaporator housing<br>Use also:   | /LL -85       | 1   |  |
| -   | 911 504 043 01     | Lid   |               | 1   |  |
| -   | 911 504 043 01 GRV | Lid   |               | 1   |  |
| (1) | 911 573 021 04     | Evaporator housing<br>F >>91GS1 22291<br>F >>91GS1 61743<br>F >>91GS1 71642<br>F >>93GS0 55088<br>F >>93GS0 51335 | /LL           | 1   | COUPE<br>TARGA<br>CABRIO<br>TURBO CDN<br>TURBO USA |
| (1) |                    | Evaporator housing  | /LL           | 1   |  |
| 1A  | 901 501 631 30     | Connecting piece  | /LL           | 1   |  |
| 2   | 900 151 003 02     | Washer<br>A 6,4   | -85           | 2   |  |
| 2   | 900 151 006 03     | Washer<br>A 6,4   |               | 2   |  |
| 2   | 900 151 003 02     | Washer<br>A 6,4   | /LL 86-       | 2   |  |
| 2   | 900 151 006 03     | Washer<br>A 6,4   | /LL 86-       | 2   |  |
| 3   | 900 075 057 02     | Hexagon-head bolt<br>M 6 X 16   |               | 1   |  |
| 3   | 900 075 057 03     | Hexagon-head bolt<br>M 6 X 16   |               | 1   |  |
| 4   | 901 573 903 00     | Guide tube<br>Temperature switch  |               | 1   |  |
| 5   | 900 076 010 02     | Nut<br>M 6  |               | 5   |  |
| 5   | 900 076 010 0B     | Nut<br>M 6  |               | 5   |  |
| 6   | 901 573 904 00     | Tensioning spring   |               | 4   |  |
| -   | 911 573 131 37     | Water drain sleeve<br>F >>91GS1 22291<br>F >>91GS1 61743<br>F >>91GS1 71642<br>F >>93GS0 55088<br>F >>93GS0 51335 | /RL           | 1   | COUPE<br>TARGA<br>CABRIO<br>TURBO CDN<br>TURBO USA |
| -   | 911 573 131 39     | Water drain sleeve<br>F 91GS1 22292>><br>F 91GS1 61744>><br>F 91GS1 71643>><br>F 93GS0 55089>><br>F 93GS0 51336>> | /RL           | 1   | COUPE<br>TARGA<br>CABRIO<br>TURBO CDN<br>TURBO USA |
| 7   | 901 573 901 00     | Parts kit<br>Comprising:  | /LL           | 1   |  |
| -   |                    | Sealing ring  |               | 1   |  |
| (8) |                    | Shim  |               | 2   |  |
| (9) | 911 573 073 01     | Connection piece  | /LL           | 1   |  |

Model: 911 84 Model life 1984>>1986

| Pos  | Part Number    | Description  | Remark  | Qty | Model  |
|------|----------------|--|---------|-----|--|
| 10   | 478 820 209    | Bracket  | /LL -85 | 1   |  |
| 11   | 911 618 151 00 | Thermo bi-metal switch   | /LL     | 1   |  |
| 12   | 900 146 011 02 | Oval-head screw<br>AM 4 X 10   | /LL -85 | 2   |  |
| 13   | N 012 224 3    | Spring washer<br>B 4   | /LL -85 | 2   |  |
| 14   | 911 573 023 00 | Housing cover  | -85     | 1   |  |
| (14) | 911 573 923 00 | Housing cover  | /LL 86- | 1   |  |
| 15   | 901 573 906 00 | Fan  | -85     | 1   |  |
| 15   | 901 573 906 01 | Fan  |         | 1   |  |
| (15) | 911 624 906 00 | Blower<br>with<br>POS.16   | /LL 86- | 1   |  |
| 16   | 901 624 901 00 | Electric motor   | -84     | 1   |  |
| (16) | 911 624 899 00 | Electric motor   | 85      | 1   |  |
| 17   | 901 612 084 00 | Wiring harness   | -85     | 1   |  |
| (17) | 911 612 984 00 | Wiring harness   | /LL 86- | 1   |  |
| 18   | 911 573 323 00 | Engine support   | -85     | 1   |  |
| (18) | 911 573 927 00 | Engine support   | /LL 86- | 1   |  |
| 19   | 901 624 903 00 | Clamp  | -84     | 4   |  |
| (19) | 911 624 903 00 | Clamp  | 85-     | 4   |  |
| 20   | 911 573 929 01 | Evaporator   | -85     | 1   |  |
| 20   | 911 573 929 03 | Evaporator<br>without<br>Expansion valve   |         | 1   |  |
| (20) | 911 573 929 00 | Evaporator   | /LL 86- | 1   |  |
| (20) | 911 573 929 02 | Evaporator<br>without<br>Expansion valve<br>Pos 21   | /LL 86- | 1   |  |
| 21   | 911 573 925 00 | Expansion valve  |         | 1   |  |
| 22   | 901 573 914 00 | Clip   |         | 1   |  |
| 23   | 999 707 250 40 | O-ring<br>3/4"   |         | 1   |  |
| 23   | 999 707 434 41 | O-ring<br>3/4"   |         | 1   |  |
| 24   | 901 573 916 00 | Gasket   |         | 1   |  |
| 24   | 911 573 916 00 | O-ring<br>7/16"  |         | 1   |  |
| 25   | 901 573 908 00 | Housing  | /LL     | 1   |  |
| 26   | 911 572 473 00 | Fastening angle<br>F >>91GS1 22291<br>F >>91GS1 61743<br>F >>91GS1 71642<br>F >>93GS0 55088<br>F >>93GS0 51335 | /LL     | 1   | COUPE<br>TARGA<br>CABRIO<br>TURBO CDN<br>TURBO USA |
| 26   |                | Fastening angle<br>F 91GS1 22292>><br>F 91GS1 61744>><br>F 91GS1 71643>><br>F 93GS0 55089>><br>F 93GS0 51336>> | /LL     | 1   | COUPE<br>TARGA<br>CABRIO<br>TURBO CDN<br>TURBO USA |
| 27   | 911 572 471 00 | Fastening angle<br>F >>91GS1 22291<br>F >>91GS1 61743<br>F >>91GS1 71642<br>F >>93GS0 55088<br>F >>93GS0 51335 | /LL     | 1   | COUPE<br>TARGA<br>CABRIO<br>TURBO CDN<br>TURBO USA |
| 27   |                | Fastening angle<br>F 91GS1 22292>><br>F 91GS1 61744>><br>F 91GS1 71643>><br>F 93GS0 55089>>                    | /LL     | 1   | COUPE<br>TARGA<br>CABRIO<br>TURBO CDN              |

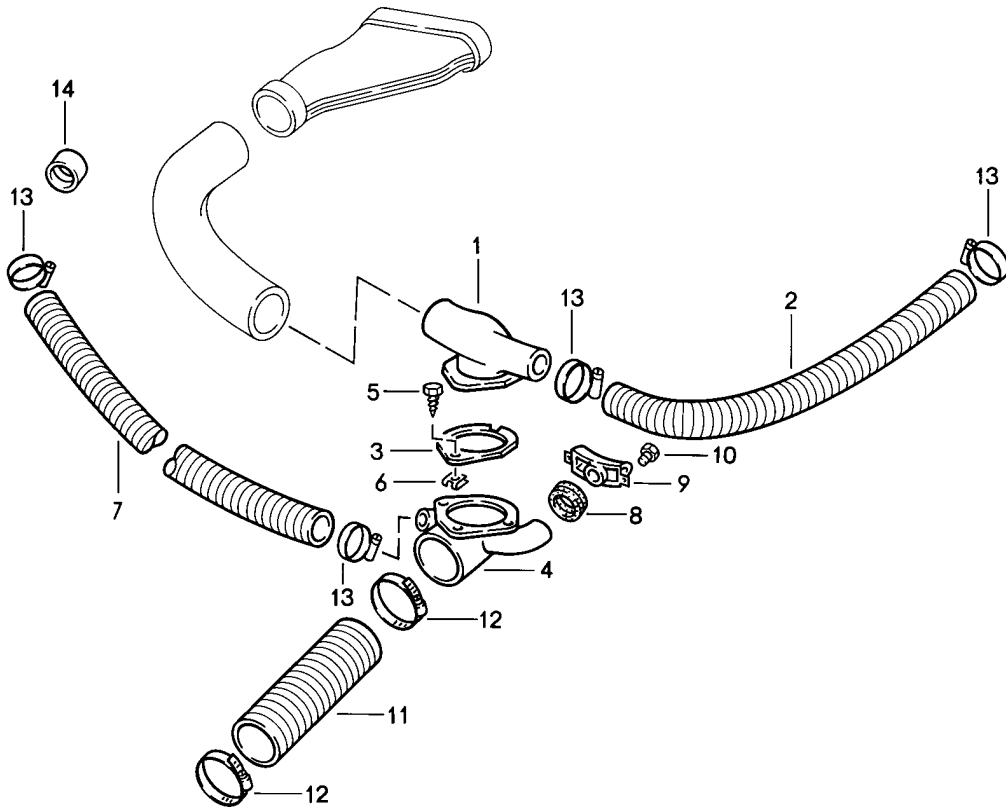
Model: 911 84

Model life 1984&gt;&gt;1986

| Pos | Part Number    | Description                      | Remark | Qty | Model     |
|-----|----------------|----------------------------------|--------|-----|-----------|
| 28  | 901 573 133 00 | F 93GS0 51336>><br>Rubber sleeve |        | 2   | TURBO USA |
| 29  | N 010 217 9    | Hexagon-head bolt<br>M 6 X 20    |        | 4   |           |
| 30  | N 012 226 5    | Spring washer<br>B 6             |        | 4   |           |

Model: 911 84

Model life 1984>>1986



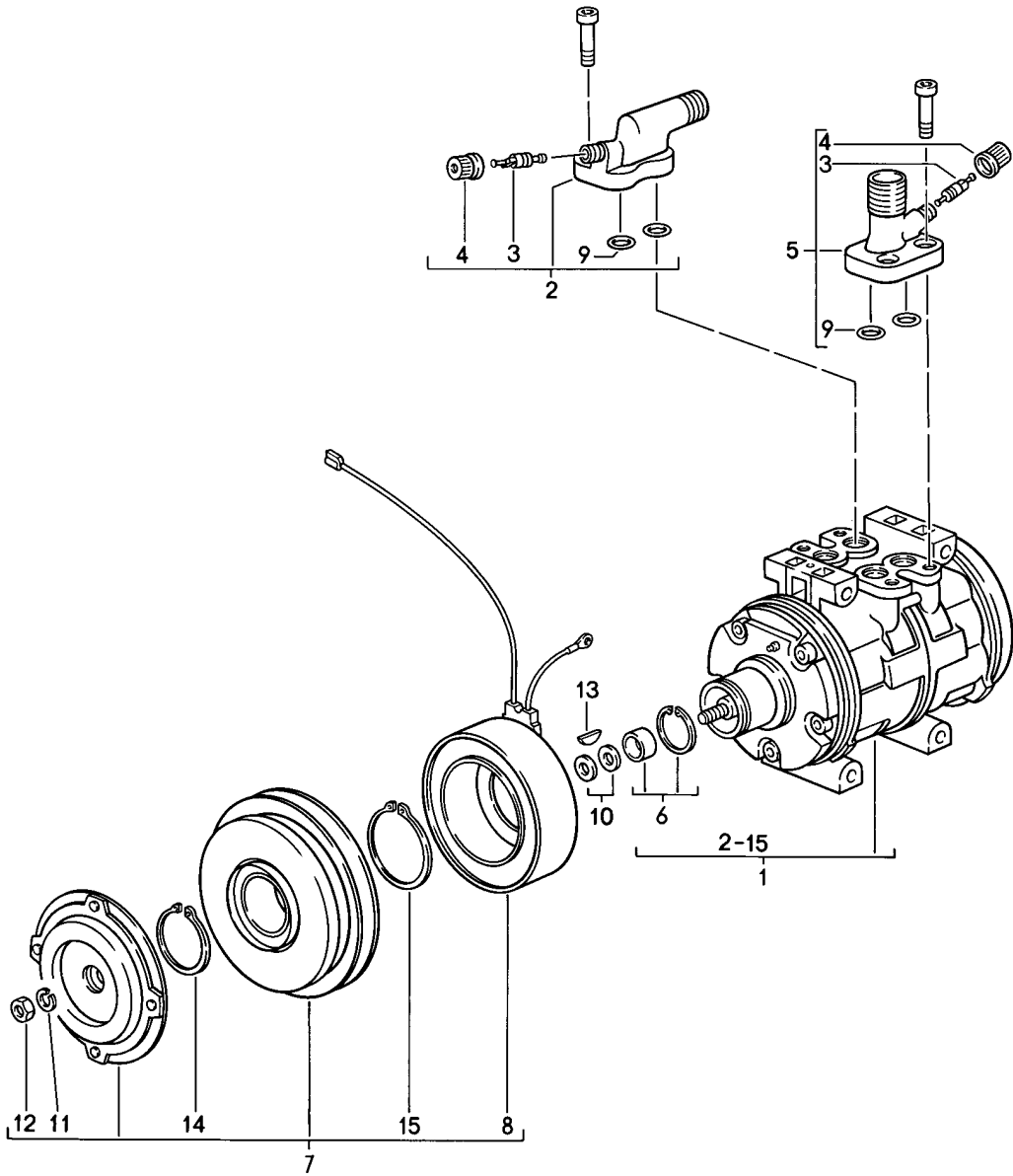


Model: 911 84 Model life 1984>>1986

| Pos  | Part Number    | Description                | Remark | Qty | Model |
|------|----------------|----------------------------|--------|-----|-------|
|      |                | Cooling air duct           |        |     |       |
|      |                | Left-hand drive            |        |     |       |
| 1    | 911 573 179 00 | Air distributor            | -85    | 1   |       |
| (1)  | 911 573 179 01 | Air distributor            | 86-    | 1   |       |
| 2    | 911 573 204 00 | Air hose                   | -85    | 1   |       |
|      |                | LW 36 X 630                |        |     |       |
| 2    |                | Air hose                   | -85    | 1   |       |
|      |                | LW 36 X 1000               |        |     |       |
| (2)  | 911 573 117 00 | Air hose                   | 86-    | 1   |       |
|      |                | 60 X 750                   |        |     |       |
| 3    | 911 573 173 00 | Gasket                     |        | 1   |       |
| 4    | 911 573 181 00 | Connecting piece           | -85    | 1   |       |
| (4)  | 911 573 181 01 | Connecting piece           | 86-    | 1   |       |
| 5    | 900 187 014 02 | Hexagon-head tapping screw | -85    | 3   |       |
|      |                | B 4,2 X 16                 |        |     |       |
| (5)  | 900 143 007 02 | Oval-head sheetmetal screw | 86-    | 2   |       |
|      |                | B 4,2 X 13                 |        |     |       |
| (5)  | 900 073 507 01 | Oval-head sheetmetal screw | 86-    | 2   |       |
|      |                | B 4,2 X 13                 |        |     |       |
| (5)  | 900 143 047 07 | Tapping screw              | 86-    | 1   |       |
|      |                | B 4,2 X 19                 |        |     |       |
| (5)  | 900 073 007 01 | Tapping screw              | 86-    | 1   |       |
|      |                | B 4,2 X 19                 |        |     |       |
| -    | 900 025 003 02 | Washer                     | 86-    | 3   |       |
|      |                | A 5,3                      |        |     |       |
| 6    | 999 591 457 02 | Speed nut                  |        | 3   |       |
|      |                | B 4,2                      |        |     |       |
| 7    | 911 571 228 00 | Air hose                   | -85    | 1   |       |
| 8    | 911 573 185 00 | Rubber sleeve              |        | 2   |       |
| 9    | 911 573 183 00 | Footwell outlet vent       |        | 1   |       |
| 10   | N 010 207 6    | Hexagon-head bolt          |        | 2   |       |
|      |                | M 5 X 12                   |        |     |       |
| 10   | N 010 207 17   | Hexagon-head bolt          |        | 2   |       |
|      |                | M 5 X 12                   |        |     |       |
| 11   | 911 571 240 01 | Air hose                   |        | 1   |       |
| 11   | 911 571 240 02 | Air hose                   |        | 1   |       |
| 12   | 999 512 351 02 | Hose clamp                 |        | 2   |       |
|      |                | 76-92 X 9                  |        |     |       |
| 13   | 999 512 356 02 | Hose clamp                 | -85    | 4   |       |
|      |                | 25-40/9                    |        |     |       |
| (13) | 999 512 349 02 | Hose clamp                 | 86-    | 2   |       |
|      |                | 50-70/9                    |        |     |       |
| (13) | 999 512 349 01 | Hose clamp                 | 86-    | 2   |       |
|      |                | 50-70/9                    |        |     |       |
| (13) | 999 512 349 0B | Hose clamp                 | 86-    | 2   |       |
|      |                | 50-70/9                    |        |     |       |
| 14   | 911 573 207 00 | Closure for pipe adapter   | -85    | 1   |       |

Model: 911 84

Model life 1984>>1986



Model: 911 84 Model life 1984>>1986

| Pos  | Part Number    | Description   | Remark | Qty | Model   |
|------|----------------|---|--------|-----|---------|
| 1    | 930 126 021 01 | Compressor<br>Compressor<br>Complete  |        | 1   |         |
| (1)  | 930 126 021 05 | Compressor<br>Complete<br>New design<br>See technical information<br>Group 8<br>NR. 95/16 |        | 1   | TURBO   |
| (1)  | 930 126 021 07 | Compressor<br>Complete<br>New design<br>See technical information<br>Group 8<br>NR. 41/17 |        | 1   | CARRERA |
| -    |                | Use also:   |        |     |         |
| -    | 999 192 247 50 | V-belt  |        | 1   | CARRERA |
| 2    | 930 126 925 00 | Pressure valve  |        | 1   |         |
| 3    | 928 573 908 03 | Valve insert  |        | 2   |         |
| 4    | 928 573 909 02 | Cap   |        | 2   |         |
| 5    | 930 126 923 00 | Suction valve   |        | 1   |         |
| 6    | 930 126 921 00 | Set of shaft seals  |        | 1   |         |
| 7    | 930 126 903 00 | Clutch<br>Complete  |        | 1   |         |
| 8    | 930 126 907 00 | Solenoid coil   |        | 1   |         |
| 9    | 944 126 935 01 | O-ring  |        | 4   |         |
| 10   | 477 298 829    | Spacer<br>0,1 MM  |        | X   |         |
| (10) | 477 298 829 A  | Spacer<br>0,2 MM  |        | X   |         |
| (10) | 477 298 829 B  | Spacer<br>0,5 MM  |        | X   |         |
| (10) | 477 298 829 C  | Spacer<br>0,8 MM  |        | X   |         |
| (10) | 477 298 829 B  | Spacer<br>1,0 MM  |        | X   |         |
| 11   | 900 027 015 02 | Lock ring<br>B 8  |        | 1   |         |
| 11   | 900 027 015 03 | Lock ring<br>B 8  |        | 1   |         |
| 12   | N 011 008 8    | Hexagon nut<br>M 8  |        | 1   |         |
| 13   | 944 126 905 00 | Spring<br>12 X 4  |        | 1   |         |
| 14   | 477 298 843    | Circlip<br>\$=37 MM   |        | 1   |         |
| 15   | 477 298 841    | Circlip<br>\$=45,8 MM   |        | 1   |         |



Model: 911 84 Model life 1984>>1986

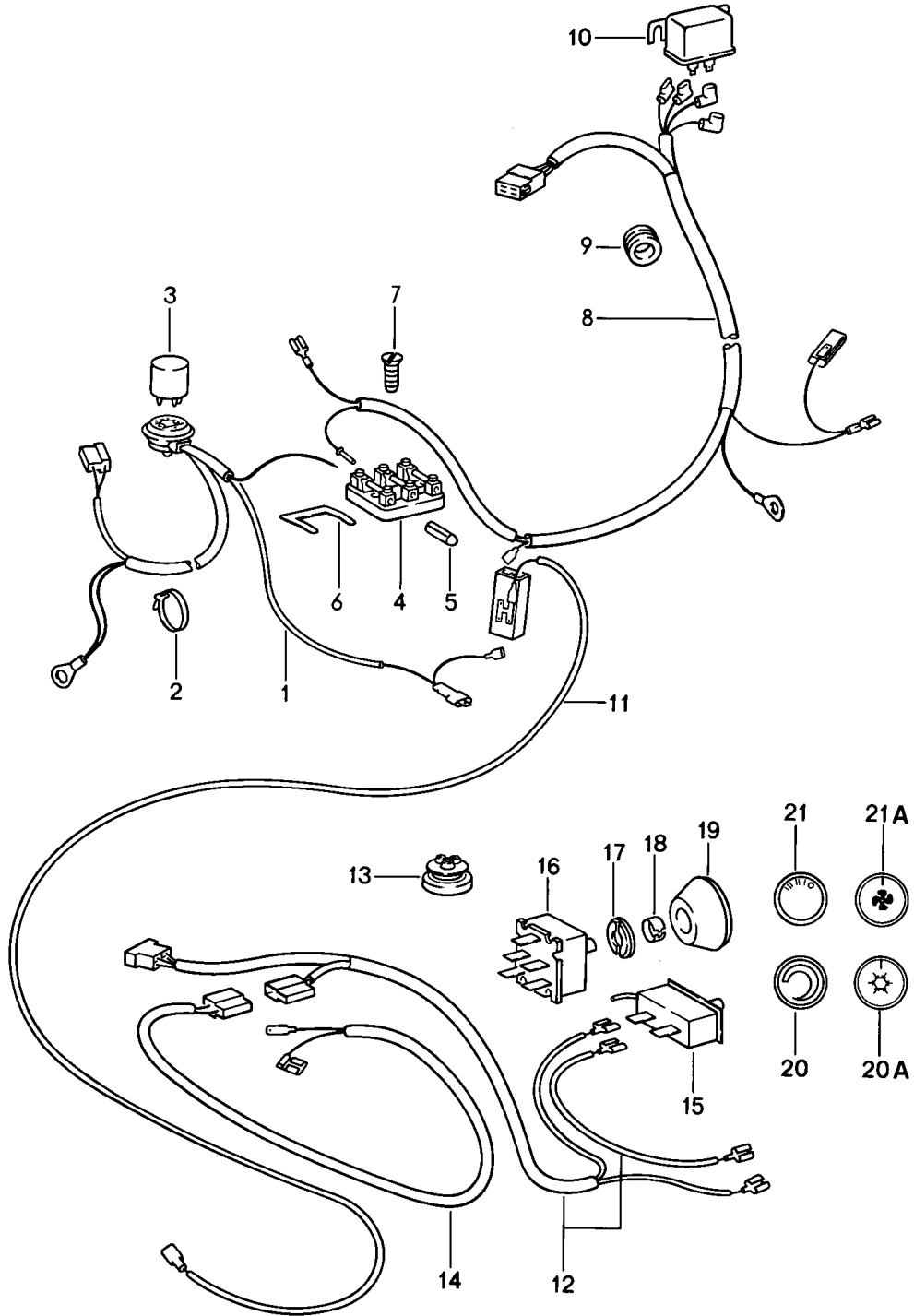
| Pos | Part Number    | Description  | Remark | Qty | Model   |
|-----|----------------|--|--------|-----|---------|
| 1   |                | Compressor<br>Mounting<br>And<br>Driving mechanism<br>See group<br>1/09/00 |        |     |         |
| 2   | 930 126 015 00 | Bracket  |        | 1   |         |
| 2A  | 999 062 073 02 | Stud   |        | 1   |         |
| 2A  |                | Stud<br>M 8 X 16   |        | 1   |         |
| 2B  | 900 081 019 02 | Stud<br>M 8 X 25   |        | 1   |         |
| 3   | N 010 289 4    | Hexagon-head bolt<br>M 10 X 32   |        | 2   |         |
| 4   | 900 025 008 09 | Washer<br>10,5   |        | 2   |         |
| 4   | 900 025 008 04 | Washer<br>10,5   |        | 2   |         |
| 4A  | 900 075 085 02 | Hexagon-head bolt<br>M 8 X 20  |        | 2   |         |
| 4B  | 900 025 007 02 | Washer<br>8,4  |        | 2   |         |
| 4B  | 900 025 007 03 | Washer<br>8,4  |        | 2   |         |
| 4C  | N 012 229 3    | Spring washer<br>A 8   |        | 2   |         |
| 4D  | 900 910 097 02 | Lock nut<br>M 8  |        | 2   |         |
| 5   | 930 126 118 01 | Compressor plate   |        | 1   | CARRERA |
| (5) | 930 126 119 00 | Compressor plate   |        | 1   | TURBO   |
| 6   | N 010 335 5    | Hexagon-head bolt<br>M 8 X 35  |        | 3   |         |
| 6   | 900 075 032 03 | Hexagon-head bolt<br>M 8 X 35  |        | 3   |         |
| 7   | 900 223 001 02 | Washer<br>8,4  |        | 4   |         |
| 8   | 900 076 025 02 | Hexagon nut<br>M 8   |        | 2   |         |
| 8   | 900 076 064 02 | Hexagon nut<br>M 8   |        | 2   |         |
| 9   | N 040 237 1    | Hexagon-head bolt<br>M 8 X 55  |        | 1   |         |
| 10  | 900 025 007 02 | Washer<br>8,4  |        | 1   |         |
| 10  | 900 025 007 03 | Washer<br>8,4  |        | 1   |         |
| 11  | N 010 388 3    | Hexagon-head bolt<br>M 8 X 90  |        | 3   |         |
| 12  | 900 025 007 02 | Washer<br>8,4  |        | 3   |         |
| 12  | 900 025 007 03 | Washer<br>8,4  |        | 3   |         |
| 13  | 911 126 124 02 | Strut  |        | 1   |         |
| 14  | 900 076 025 02 | Hexagon nut<br>M 8   |        | 1   |         |
| 14  | 900 076 064 02 | Hexagon nut<br>M 8   |        | 1   |         |
| 15  | 900 025 007 02 | Washer<br>8,4  |        | 1   |         |
| 15  | 900 025 007 03 | Washer<br>8,4  |        | 1   |         |
| 16  | 964 126 125 20 | Nut  |        | 1   |         |
| 17  | 930 126 116 02 | Fastening angle  |        | 1   |         |

Model: 911 84 Model life 1984>>1986

| Pos | Part Number    | Description                                      | Remark | Qty | Model   |
|-----|----------------|--|--------|-----|---------|
| 17  | 930 126 116 04 | Fastening angle                                  |        | 1   |         |
| 18  | 999 218 009 02 | Pan-head screw<br>Micro-self-locking<br>M 8 X 40 |        | 1   |         |
| 19  | 900 025 007 02 | Washer<br>8,4                                    |        | 1   |         |
| 19  | 900 025 007 03 | Washer<br>8,4                                    |        | 1   |         |
| 20  | 999 062 127 02 | Stud<br>BM 6 X 25                                |        | 2   |         |
| 21  | 900 910 010 02 | Lock nut<br>M 6                                  |        | 2   |         |
| 22  | N 011 666 7    | Washer<br>6,4                                    |        | 2   |         |
| 23  | 999 192 254 50 | V-belt   |        | 1   | CARRERA |
| 23  | 999 192 255 50 | V-belt   |        | 1   | TURBO   |
| 24  |                | See group<br>1/02/00                             |        |     |         |
| 25  |                | See group<br>1/02/00                             |        | 1   |         |
| 26  | 930 126 135 01 | Washer   |        | 2   |         |

Model: 911 84

Model life 1984>>1986



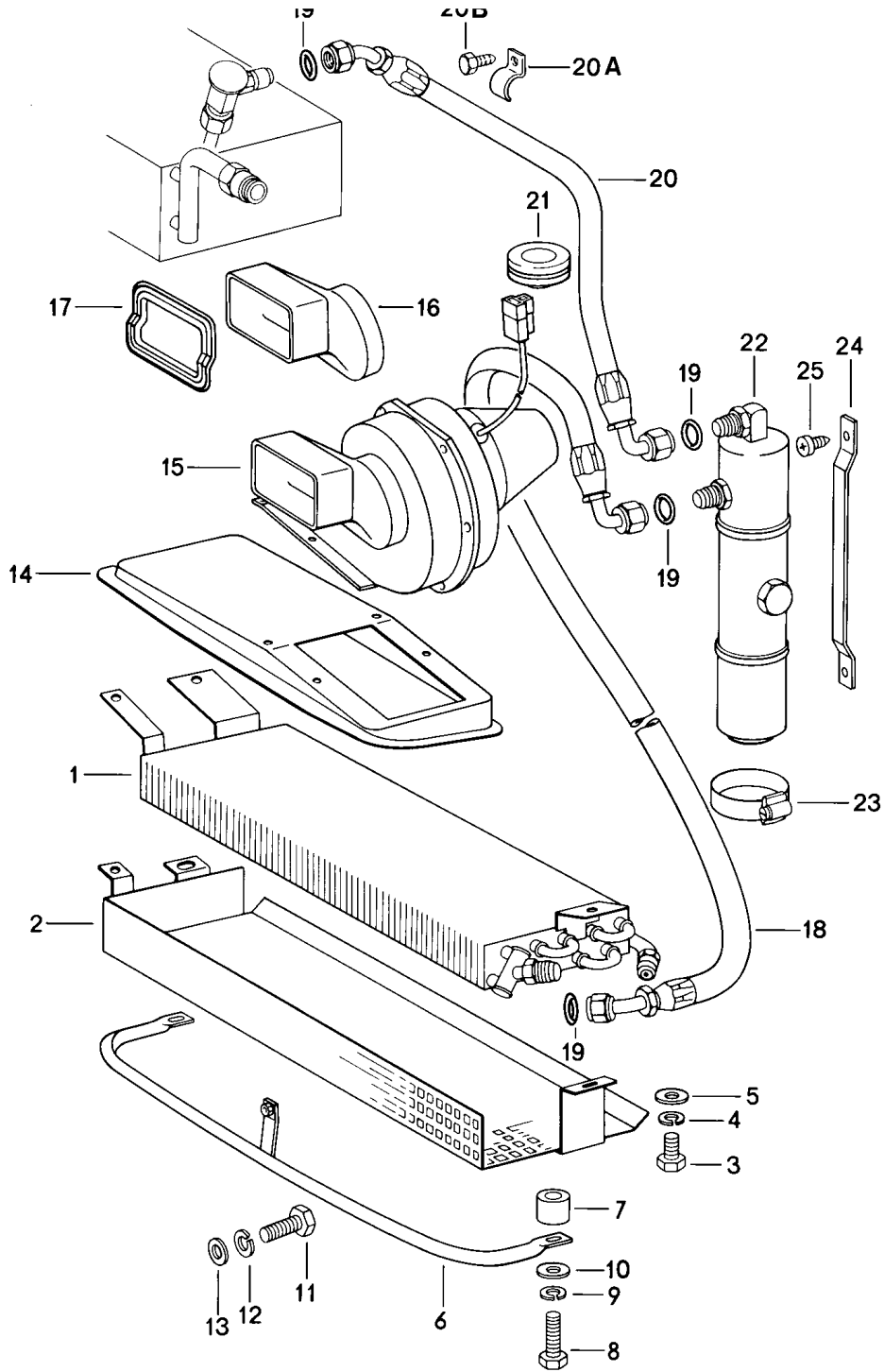
Model: 911 84 Model life 1984>>1986

| Pos  | Part Number        | Description   | Remark  | Qty | Model                    |
|------|--------------------|---|---------|-----|--------------------------|
| 1    | 911 612 080 01     | electrical components<br>for<br>Air conditioner<br>Wiring harness<br>NR. 80 | -85     | 1   | TURBO<br>CARRERA<br>M559 |
| (1)  | 911 612 080 02     | Wiring harness  | -84     | 1   | TURBO<br>M573            |
| (1)  | 911 612 080 04     | NR.80<br>Wiring harness<br>NR.80  | 86-     | 1   | TURBO<br>CARRERA<br>M559 |
| 2    | 999 513 008 40     | Tie-wrap  |         | 1   | M559                     |
| 3    | 911 615 109 01     | Standard type relay   |         | 1   | M559                     |
| 4    | 911 612 093 05     | Fuse box<br>Triple  |         | 1   |                          |
| 5    | N 017 121 5        | Lock<br>25 A  |         | 1   |                          |
| 6    | 901 612 835 01     | Connecting rail   |         | 1   |                          |
| 7    | 900 146 009 02     | Oval-head screw<br>AM 4 X 12  |         | 2   |                          |
| (8)  | 911 612 078 01     | Wiring harness<br>NR. 78  | -84     | 1   |                          |
| 8    | 911 612 078 04     | Wiring harness<br>NR.78   | 85-     | 1   |                          |
| 9    | 999 702 119 50     | Rubber sleeve   |         | 1   |                          |
| 10   | 911 615 103 01     | Relay   |         | 1   |                          |
| 11   | 911 612 079 00     | Wiring harness<br>NR. 79  |         | 1   |                          |
| 12   | 911 612 029 01     | Wiring harness<br>NR. 29  | -85     | 1   |                          |
| 12   |                    | Wiring harness<br>NR.29   | /LL 86- | 1   | TURBO<br>CARRERA<br>M559 |
| 13   | 911 612 863 00     | Grommet   |         | 1   |                          |
| 13   | 914 571 151 10     | Rubber sleeve   |         | 1   |                          |
| 14   |                    | See group<br>8/13/05  |         |     |                          |
| 15   | 911 613 121 01     | Temperature switch<br>It is necessary to rework                             |         | 1   |                          |
| 16   | 911 613 243 00     | Blower switch   |         | 1   |                          |
| 17   | 911 613 119 02     | Rosette<br>Blower switch  | -85     | 1   |                          |
| 17   | 911 613 120 01     | Rosette<br>Temperature switch   | -85     | 1   |                          |
| 18   | 999 591 619 01     | Knob holder   | -85     | 2   |                          |
| 19   | 911 613 141 00     | Knob  | -85     | 2   |                          |
| (20) | 911 613 237 02     | Cap with symbol<br>Temperature switch                                       | -85     | 1   |                          |
| (20) | 911 613 237 03     | Cap with symbol<br>Temperature switch                                       | -85     | 1   |                          |
| 20A  | 911 613 103 02     | Knob  | 86-     | 1   |                          |
|      | 911 613 103 02 70B | Black<br>Temperature switch   |         |     |                          |
| (21) | 911 613 238 02     | Cap with symbol<br>Blower switch  | -85     | 1   |                          |
| 21A  | 911 613 104 02     | Knob  | 86-     | 1   |                          |
|      | 911 613 104 02 70B | Black<br>Blower switch  |         |     |                          |



Model: 911 84

Model life 1984>>1986



Model: 911 84

Model life 1984&gt;&gt;1986

| Pos  | Part Number        | Description  | Remark | Qty | Model |
|------|--------------------|--|--------|-----|-------|
|      |                    | Condenser<br>Refrigerant line<br>Accessories and others<br>Front |        |     |       |
| 1    | 911 573 056 03     | Condenser  |        | 1   |       |
| 2    | 911 573 058 01     | Stone guard  |        | 1   |       |
| 3    | 900 075 057 02     | Hexagon-head bolt<br>M 6 X 16                                    |        | 3   |       |
| 3    | 900 075 057 03     | Hexagon-head bolt<br>M 6 X 16                                    |        | 3   |       |
| 4    | N 012 007 2        | Lock ring<br>A 6   |        | 3   |       |
| 4    | 900 027 004 03     | Lock ring<br>A 6   |        | 3   |       |
| 5    | N 011 524 7        | Washer   |        | 3   |       |
| 5    | N 011 524 27       | Washer   |        | 3   |       |
| 5    | N 011 524 7        | Washer<br>A 6,4  |        | 3   |       |
| 5    | N 011 524 27       | Washer<br>A 6,4  |        | 3   |       |
| 6    | 911 573 055 00     | Impact protection  |        | 1   |       |
| 7    | 911 573 513 01     | Spacer   |        | 2   |       |
| 8    | N 040 281 1        | Hexagon-head bolt<br>M 10 X 45                                   |        | 2   |       |
| 8    | 900 075 516 01     | Hexagon-head bolt<br>M 10 X 45                                   |        | 2   |       |
| 9    | 900 027 016 02     | Lock ring<br>B 10  |        | 2   |       |
| 9    | 900 027 016 03     | Lock ring<br>B 10  |        | 2   |       |
| 10   | 900 151 026 02     | Washer<br>B 10,5 X 30  |        | 2   |       |
| 10   | 900 151 050 01     | Washer<br>B 10,5 X 30  |        | 2   |       |
| 11   | 900 075 085 02     | Hexagon-head bolt<br>M 8 X 20                                    |        | 1   |       |
| 12   | 900 027 015 02     | Lock ring<br>B 8   |        | 1   |       |
| 12   | 900 027 015 03     | Lock ring<br>B 8   |        | 1   |       |
| 13   | 900 025 007 02     | Washer<br>A 8,4 X 16 X 1,6                                       |        | 1   |       |
| 13   | 900 025 007 03     | Washer<br>A 8,4 X 16 X 1,6                                       |        | 1   |       |
| 14   | 911 501 581 01     | Air baffle plate   |        | 1   |       |
| 14   |                    | Air baffle plate   |        | 1   |       |
|      | 911 501 581 01 GRV | Prime coated   |        |     |       |
| (15) | 911 624 013 01     | Blower   |        | 1   |       |
| 16   | 911 573 161 00     | Intake manifold  |        | 1   |       |
| 17   | 911 573 515 00     | Gasket   |        | 1   |       |
| 18   | 911 573 154 03     | Hose line<br>NW 8  |        | 1   |       |
| 18   | 911 573 154 04     | Hose line<br>NW 8  |        | 1   |       |
| 19   | 999 707 247 40     | O-ring<br>5/8"   |        | 4   |       |
| (20) | 911 573 152 03     | Refrigerant hose   | /LL    | 1   |       |
| 20A  | 999 511 061 02     | Clamp  |        | 4   |       |
| 20A  | 999 511 061 01     | Clamp  |        | 4   |       |
| 20B  | 900 187 025 02     | Hexagon-head tapping screw<br>B 5,5 X 13                         |        | 2   |       |
| 20B  | 900 075 145 02     | Hexagon-head bolt  |        | 2   |       |
| 20B  |                    | Hexagon-head bolt  |        | 2   |       |

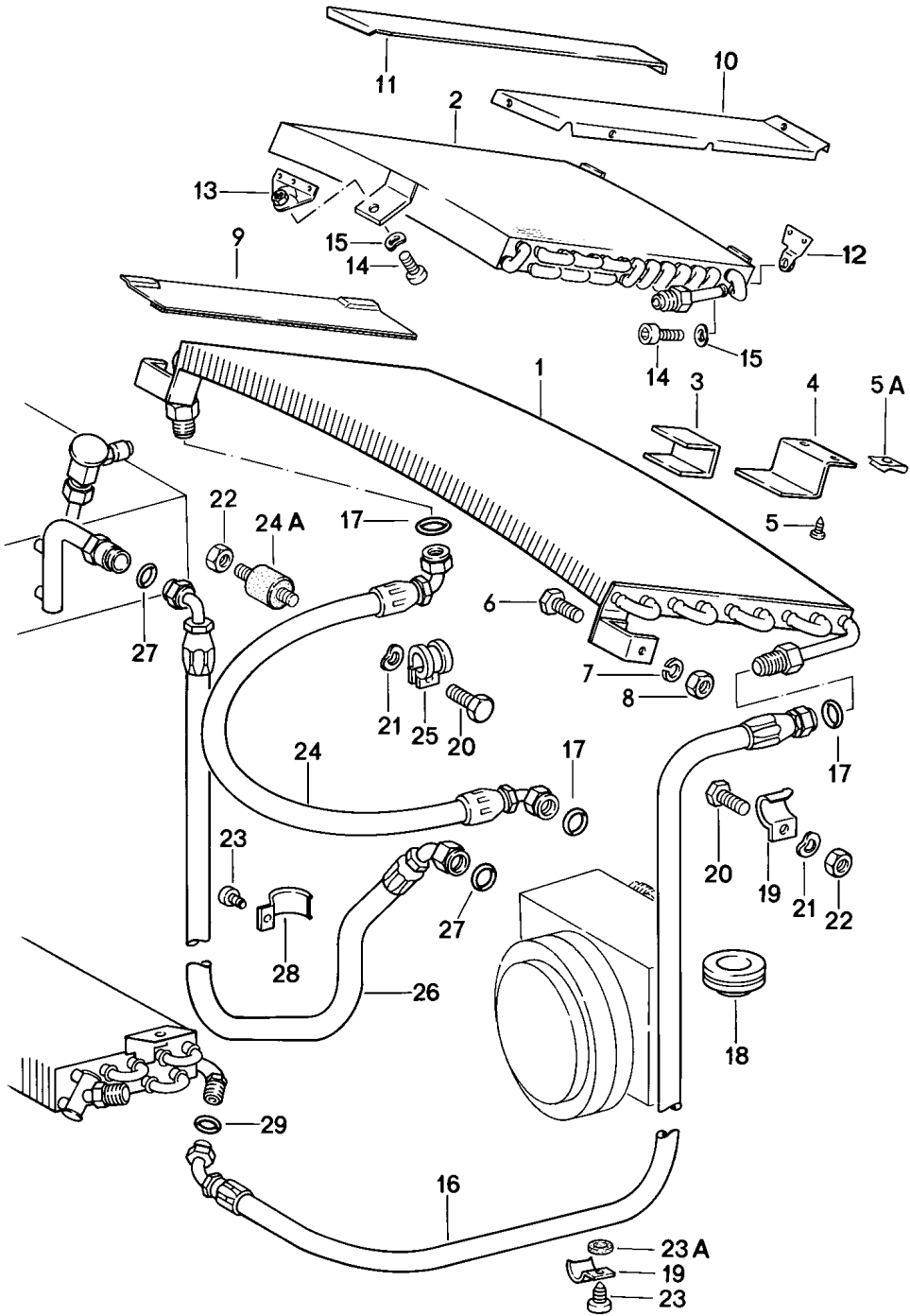
Model: 911 84

Model life 1984&gt;&gt;1986

| Pos | Part Number    | Description                              | Remark | Qty | Model |
|-----|----------------|--|--------|-----|-------|
| -   | N 011 005 14   | M 5 X 16<br>Hexagon nut                  |        | 2   |       |
| -   | 900 076 091 01 | M 5<br>Hexagon nut                       |        | 2   |       |
| 21  | 901 573 143 00 | Rubber sleeve                            |        | 1   |       |
| 22  | 911 573 939 03 | Desiccator                               |        | 1   |       |
| 23  | 901 573 141 00 | Hose clamp                               |        | 2   |       |
| 24  | 901 573 140 00 | Retaining bar                            |        | 1   |       |
| 25  | 900 143 029 02 | Oval-head sheetmetal screw<br>B 4,2 X 16 |        | 2   |       |

Model: 911 84

Model life 1984>>1986



Model: 911 84 Model life 1984>>1986

| Pos  | Part Number    | Description   | Remark | Qty | Model                    |
|------|----------------|---|--------|-----|--------------------------|
|      |                | Condenser<br>Refrigerant line<br>Accessories and others<br>Rear |        |     |                          |
| (1)  | 911 573 057 04 | Condenser<br>Use also:<br>POS.(3)                               |        | 1   | CARRERA                  |
| 2    | 930 573 053 01 | Condenser   |        | 1   | TURBO                    |
| 3    | 901 573 138 00 | Moltoprene shim<br>6 X 65 X 85                                  |        | 1   | CARRERA                  |
| (3)  | 911 573 141 00 | Moltoprene shim<br>9 X 65 X 85                                  |        | 1   | CARRERA<br>M425          |
| (4)  | 911 573 147 00 | Bracket   |        | 1   | CARRERA                  |
| (4)  | 911 573 059 00 | Retaining bar   |        | 1   |                          |
| 5    | 900 143 031 02 | Oval-head sheetmetal screw<br>B 4,2 X 9,5                       |        | 2   |                          |
| 5A   | 999 591 575 02 | Speed nut<br>B 4,2  |        | 2   | CARRERA                  |
| 5A   | 999 591 575 01 | Speed nut<br>B 4,2  |        | 2   | CARRERA                  |
| 6    | 900 075 145 02 | Hexagon-head bolt<br>M 5 X 15                                   |        | 2   |                          |
| 7    | 900 025 003 02 | Washer<br>A 5,3   |        | 2   |                          |
| 8    | 999 507 248 02 | Speed nut<br>M 5  |        | 2   |                          |
| 9    | 911 573 027 00 | Cover plate   |        | 2   |                          |
| 10   | 930 512 263 00 | Cover plate   |        | 1   | TURBO                    |
| 11   | 930 512 264 00 | Cover plate   |        | 1   | TURBO                    |
| (12) | 930 512 047 01 | Support   |        | 2   | TURBO<br>CARRERA<br>M425 |
| 13   | 930 512 258 00 | Fastening angle   |        | 1   | TURBO                    |
| 14   | 900 067 008 02 | Pan-head screw<br>M 6 X 12                                      |        | 3   | TURBO                    |
| 14   | 900 067 008 03 | Pan-head screw<br>M 6 X 12                                      |        | 3   | TURBO                    |
| 15   | N 012 226 5    | Spring washer<br>A 6  |        | 3   | TURBO                    |
| 16   | 911 573 153 05 | Hose line<br>NW 10  | -85    | 1   | CARRERA                  |
| 16   |                | Hose line   |        | 1   | CARRERA                  |
| (16) | 930 573 151 03 | Hose line<br>NW 10  |        | 1   | TURBO                    |
| 17   | 999 707 250 40 | O-ring<br>3/4"  |        | 3   |                          |
| 17   | 999 707 434 41 | O-ring<br>3/4"  |        | 3   |                          |
| 18   | 901 573 143 00 | Rubber sleeve   |        | 1   |                          |
| (19) | 911 573 144 00 | Clamp   |        | 18  |                          |
| (19) | 999 511 061 02 | Clamp   |        | 10  |                          |
| (19) | 999 511 061 01 | Clamp   |        | 10  |                          |
| 20   | N 010 207 6    | Hexagon-head bolt<br>M 5 X 12                                   |        | 2   |                          |
| 20   | N 010 207 17   | Hexagon-head bolt<br>M 5 X 12                                   |        | 2   |                          |
| 20   | N 010 209 5    | Hexagon-head bolt<br>M 5 X 25                                   |        | 1   | TURBO                    |
| -    | 911 573 517 00 | Spacer sleeve   |        | 2   | TURBO                    |
| 21   | N 012 005 3    | Lock ring<br>B 5  |        | 2   |                          |
| 22   | N 011 005 14   | Hexagon nut<br>M 5  |        | 2   |                          |

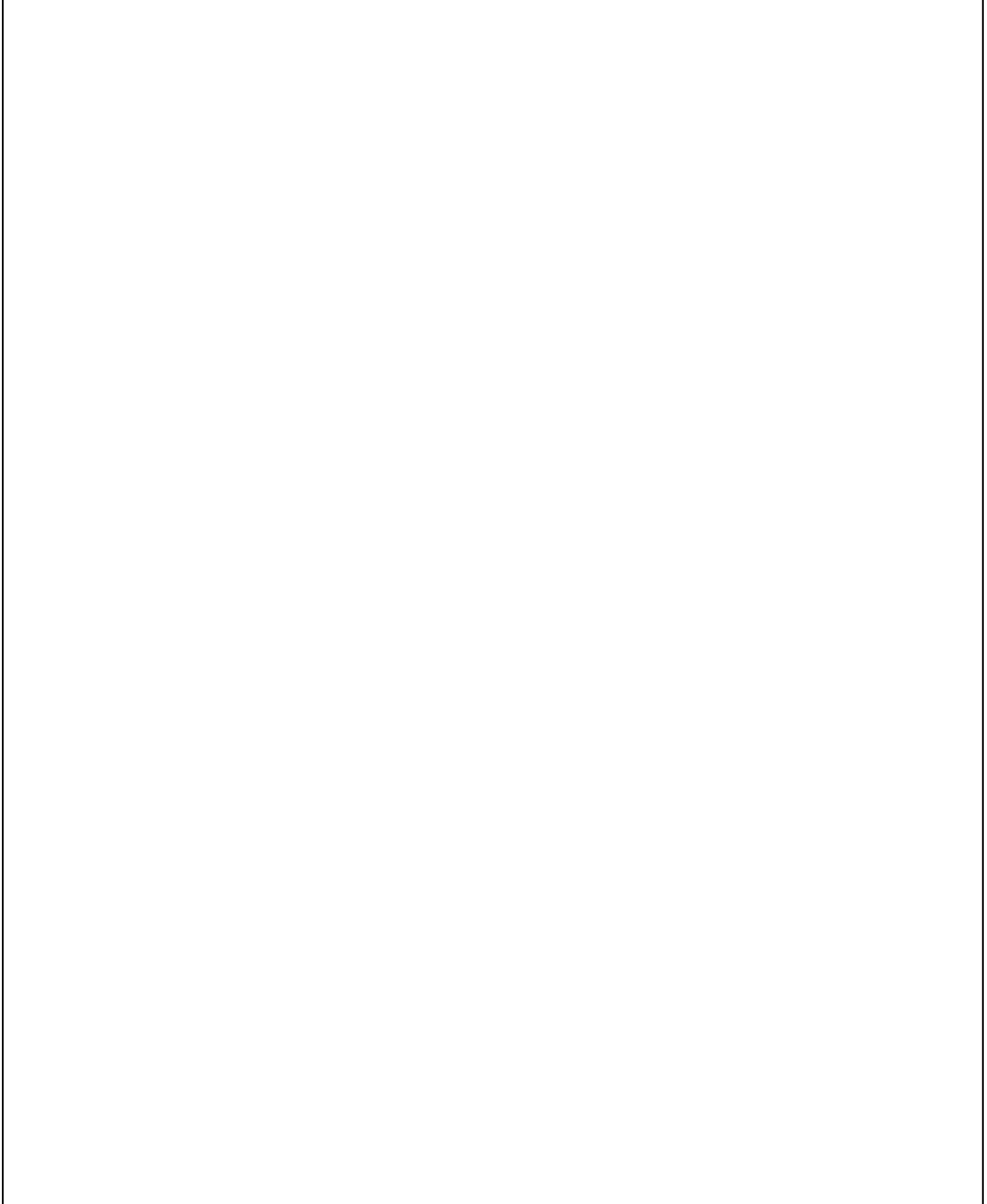
Model: 911 84

Model life 1984&gt;&gt;1986

| Pos   | Part Number    | Description                                  | Remark | Qty | Model   |
|-------|----------------|--|--------|-----|---------|
| 22    | 900 076 091 01 | Hexagon nut<br>M 5                           |        | 2   |         |
| 23    | 900 187 115 02 | Combination screw<br>B 5,5 X 16              |        | 16  |         |
| 23    | 900 187 115 01 | Combination screw<br>B 5,5 X 16              |        | 16  |         |
| (23)  | N 090 183 1    | Combination screw<br>B 6,3 X 16              |        | 3   |         |
| (23)  | 900 075 145 02 | Hexagon-head bolt                            |        | 11  |         |
| (23)  |                | Hexagon-head bolt<br>M 5 X 16                |        | 11  |         |
| -     | N 011 005 14   | Hexagon nut<br>M 5                           |        | 11  |         |
| -     | 900 076 091 01 | Hexagon nut<br>M 5                           |        | 11  |         |
| -     | N 012 005 3    | Lock ring<br>B 5                             |        | 11  |         |
| 23A   | 999 704 134 40 | Sealing washer<br>4 X 15 X 4,5               |        | 13  |         |
| (23A) | N 011 524 7    | Washer<br>A 6,4                              |        | 1   |         |
| (23A) | N 011 524 27   | Washer<br>A 6,4                              |        | 1   |         |
| -     | 901 543 423 00 | Edge protection                              |        | 1   | TURBO   |
| 24    | 911 573 150 03 | Hose line<br>NW 10                           |        | 1   | CARRERA |
| 24    | 911 573 150 05 | Hose line<br>NW 10                           |        | 1   | CARRERA |
| (24)  | 930 573 150 04 | Hose line<br>NW 10                           |        | 1   | TURBO   |
| 24A   | 999 703 312 00 | Bonded rubber buffer<br>\$=15 MM<br>M 5 X 10 |        | 1   | TURBO   |
| 24A   | 999 703 312 01 | Bonded rubber buffer<br>\$=15 MM<br>M 5 X 10 |        | 1   | TURBO   |
| 25    | 999 511 061 02 | Clamp  |        | 1   | CARRERA |
| 25    | 999 511 061 01 | Clamp  |        | 1   | CARRERA |
| 25    | 999 512 080 02 | Hose clamp                                   |        | 2   | TURBO   |
| (26)  | 911 573 149 03 | Hose line<br>NW 13                           |        | 1   |         |
| 27    | 999 707 251 40 | O-ring<br>7/8"                               |        | 2   |         |
| 28    | 911 573 145 00 | Clamp  |        | 16  |         |
| 28    | 911 573 145 01 | Clamp  |        | 16  |         |
| (28)  | 999 511 115 02 | Pipe clamp<br>22/20                          |        | 3   |         |
| (28)  | 999 511 080 02 | Clamp  |        | 2   |         |
| 29    | 999 707 247 40 | O-ring<br>5/8"                               |        | 1   |         |

Model: 911 84

Model life 1984>>1986



Model: 911 84

Model life 1984>>1986

| Pos | Part Number    | Description  | Remark | Qty | Model |
|-----|----------------|--|--------|-----|-------|
|     |                | Conversion set<br>Air conditioner<br>Refrigerant<br>R134A<br>-- TI 1/95 -- | 84-    |     |       |
| -   | 911 573 939 03 | Desiccator<br>with<br>Desiccator<br>Insert                                 |        | 1   |       |
| -   | 999 707 247 40 | O-ring<br>7,5 x 2 mm   |        | 2   |       |
| -   | 928 573 965 03 | Valve<br>Eckventil<br>90 Grad  |        | 1   |       |
| -   | 928 573 965 01 | Valve<br>TI 1/95   |        | 1   |       |
| -   | 928 573 965 02 | Valve<br>Eckventil<br>90 Grad  |        | 1   |       |
| -   | 928 573 965 00 | Valve<br>TI 1/95   |        | 1   |       |
| -   | 000 043 200 04 | Oil  |        | X   |       |
| -   |                | Oil  |        | X   |       |
| -   |                | Refrigerant<br>R 134a  |        | X   |       |
| -   | 964 701 141 02 | Sticker  |        | 2   |       |



Model: 911 84

Model life 1984>>1986





Model: 911 84 Model life 1984>>1986

| Pos | Part Number    | Description  | Remark                 | Qty            | Model   |
|-----|----------------|--|------------------------|----------------|---------|
|     |                | Pan-head screw<br>Micro-self-locking<br>Guide tube<br>Reinforcement                    | AM 5 X 3<br><br><br>/R | 1<br><br><br>1 |         |
| >>  | 911 731 927 01 | Pin connector socket<br>7-pole<br>Repair kit   | <br><br>/LL /L         | <br><br>1      |         |
| >>  | 911 731 928 01 | Door mirror<br>See TPI<br>NR.22<br>Repair kit  | <br><br><br>/LL /R     | <br><br><br>1  |         |
| >>  | 911 503 995 00 | Door mirror<br>See TPI<br>NR.22<br>Installation set                                    | <br><br><br><br>       | 1              | CARRERA |
| -   | 911 503 055 00 | Front spoiler<br>Only together with<br>Rear spoiler<br>Comprising:<br>Front spoiler    |                        | 1              |         |
| -   | 911 503 141 00 | Desk pad   | /L                     | 1              |         |
| -   | 911 503 142 00 | Desk pad   | /R                     | 1              |         |
| -   | N 011 666 7    | Washer<br>B 6,4  |                        | 8              |         |
| -   | 900 910 012 02 | Lock nut<br>M 6  |                        | 15             |         |
| -   | 900 910 047 09 | Lock nut<br>M 6  |                        | 15             |         |
| -   | 911 503 023 00 | Shim   |                        | 7              |         |
| -   | 911 503 349 00 | Spacer sleeve  |                        | 11             |         |
| -   | N 011 524 7    | Washer<br>A 6,4  |                        | 11             |         |
| -   | N 011 524 27   | Washer<br>A 6,4  |                        | 11             |         |
| -   | N 010 217 9    | Hexagon-head bolt<br>M 6 X 20  |                        | 4              |         |
| >>  | 911 512 909 00 | Installation set<br>Rear spoiler<br>Only together with<br>Front spoiler<br>Comprising: |                        | 1              | CARRERA |
| -   | 911 512 043 00 | Rear spoiler<br>without<br>Rear window wiper   |                        | 1              |         |
| -   | 911 512 091 00 | Polyuret. rim for spoiler  |                        | 1              |         |
| -   | 911 512 215 00 | Piping   |                        | 1              |         |
| -   | 911 512 289 00 | Base rail  | /L                     | 1              |         |
| -   | 911 512 290 00 | Base rail  | /R                     | 1              |         |
| -   | 911 512 231 00 | Perforated plate   | /L                     | 1              |         |
| -   | 911 512 232 00 | Perforated plate   | /R                     | 1              |         |
| -   | 911 512 037 00 | Air baffle plate   | /L                     | 1              |         |
| -   | 911 512 038 00 | Air baffle plate   | /R                     | 1              |         |
| -   | 930 512 253 01 | Fastening angle  |                        | 3              |         |
| -   | 930 512 257 00 | Fastening angle  | /L                     | 1              |         |
| -   | 930 512 258 00 | Fastening angle  | /R                     | 1              |         |
| -   | 999 703 169 40 | Cap  |                        | 1              |         |
| -   | 999 703 013 50 | Stopper  |                        | 2              |         |
| -   | 999 084 074 02 | Lock nut<br>M 6  |                        | 9              |         |
| -   | 999 084 075 02 | Lock nut<br>M 6  |                        | 10             |         |
| -   | 999 084 076 02 | Lock nut<br>M 4  |                        | 10             |         |

Model: 911 84

Model life 1984&gt;&gt;1986

| Pos | Part Number    | Description  | Remark | Qty | Model   |
|-----|----------------|--|--------|-----|---------|
| -   | N 040 226 2    | Hexagon-head bolt<br>M 4 X 15  |        | 10  |         |
| -   | 900 119 091 02 | Pan-head screw<br>M 6 X 15   |        | 7   |         |
| -   | 999 507 328 02 | Captive nut<br>M 6   |        | 5   |         |
| -   | 999 507 328 0B | Captive nut<br>M 6   |        | 5   |         |
| -   | 900 143 124 07 | Tapping screw<br>BZ 3,5 X 13   |        | 6   |         |
| -   | 900 143 114 07 | Oval-head sheetmetal screw<br>BZ 3,5 X 9,5   |        | 6   |         |
| -   | 900 269 037 07 | Countersunk-head screw<br>M 4 X 20   |        | 2   |         |
| -   | N 014 765 2    | Pan-head screw<br>M 6 X 10   |        | 7   |         |
| -   | N 011 666 7    | Washer<br>B 6,4  |        | 14  |         |
| -   | 930 512 039 00 | Fastening plate  |        | 1   |         |
| -   | 911 512 331 02 | Gas-pressure spring  |        | 2   |         |
| -   | 999 166 043 02 | Bolt   |        | 1   |         |
| -   | N 012 645 2    | Lock washer<br>5   |        | 1   |         |
| -   | 930 512 052 00 | Lock upper part  | /H     | 1   |         |
| -   | 900 075 016 02 | Hexagon-head bolt<br>M 6 X 22  |        | 1   |         |
| -   | 900 075 016 03 | Hexagon-head bolt<br>M 6 X 22  |        | 1   |         |
| -   | N 012 226 5    | Spring washer<br>B 6   |        | 15  |         |
| -   | N 011 524 7    | Washer<br>A 6,4  |        | 6   |         |
| -   | N 011 524 27   | Washer<br>A 6,4  |        | 6   |         |
| -   | 900 076 010 02 | Nut<br>M 6   |        | 1   |         |
| -   | 900 076 010 0B | Nut<br>M 6   |        | 1   |         |
| -   | 999 591 102 17 | Washer<br>3,5  |        | 6   |         |
| -   | 999 591 102 1H | Washer<br>3,5  |        | 6   |         |
| >>  | 930 512 901 00 | Installation set<br>Rear spoiler<br>Only together with<br>Front spoiler<br>Comprising: |        | 1   | CARRERA |
| -   | 930 512 023 00 | Rear spoiler   |        | 1   |         |
| -   | 930 512 021 00 | Polyuret. rim for spoiler  |        | 1   |         |
| -   | 999 084 075 02 | Lock nut<br>M 6  |        | 17  |         |
| -   | 930 512 253 01 | Fastening angle  |        | 3   |         |
| -   | 930 512 257 00 | Fastening angle  | /L     | 1   |         |
| -   | 930 512 258 00 | Fastening angle  | /R     | 1   |         |
| -   | N 040 226 2    | Hexagon-head bolt<br>M 4 X 15  |        | 10  |         |
| -   | 999 084 076 02 | Lock nut<br>M 4  |        | 10  |         |
| -   | 930 512 215 00 | Piping   |        | 1   |         |
| -   | 930 512 281 00 | Base rail  |        | 1   |         |
| -   | 999 507 328 02 | Captive nut<br>M 6   |        | 5   |         |
| -   | 999 507 328 0B | Captive nut  |        | 5   |         |

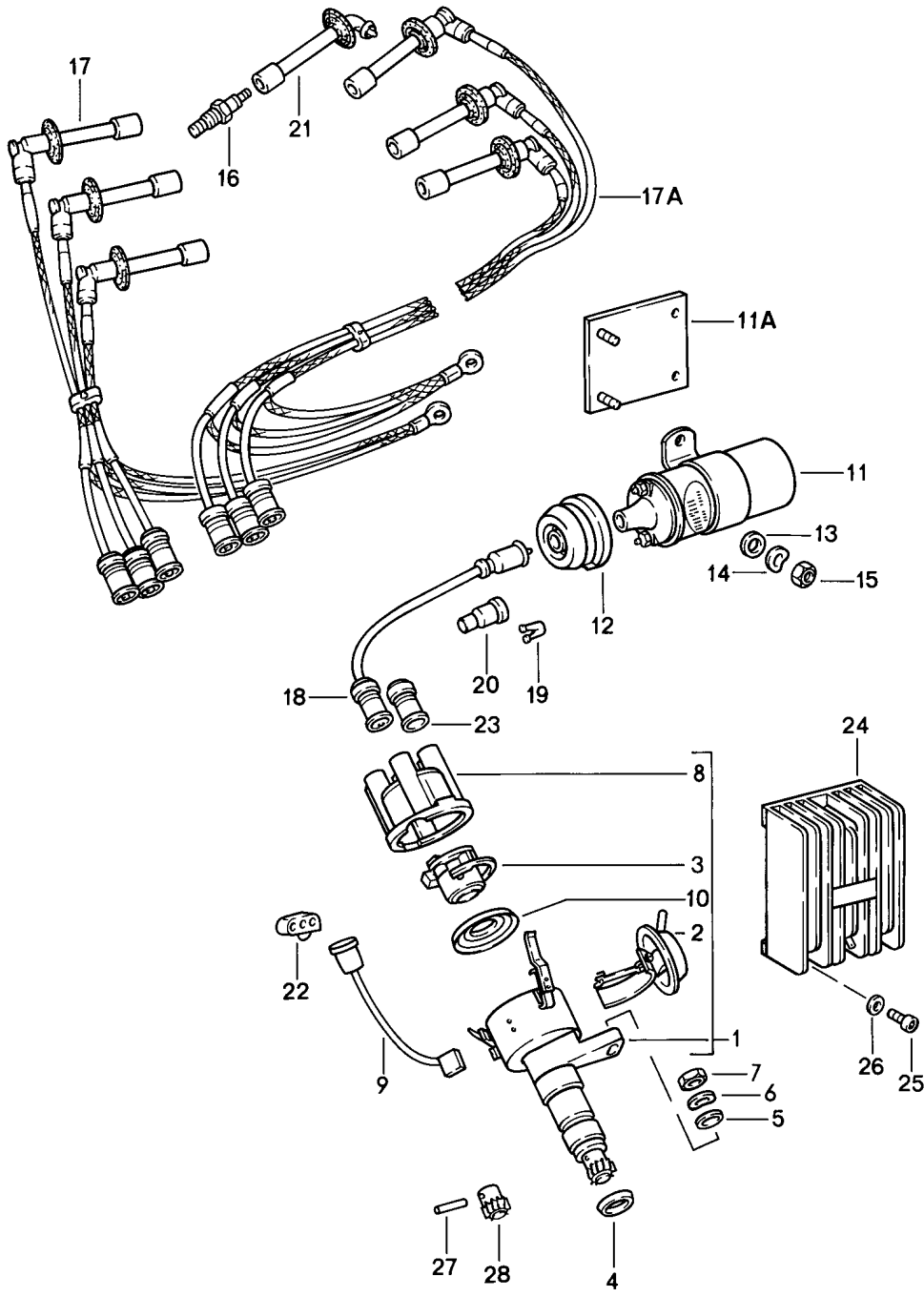
Model: 911 84

Model life 1984>>1986

| Pos | Part Number    | Description                           | Remark | Qty | Model |
|-----|----------------|---------------------------------------|--------|-----|-------|
| -   | 900 119 091 02 | M 6<br>Pan-head screw                 |        | 7   |       |
| -   | N 011 666 7    | M 6 X 15<br>Washer                    |        | 10  |       |
| -   | N 012 226 5    | B 6,4<br>Spring washer                |        | 16  |       |
| -   | N 014 765 2    | B 6<br>Pan-head screw                 |        | 7   |       |
| -   | 930 512 175 00 | M 6 X 10<br>Angular plate             |        | 2   |       |
| -   | 930 512 039 00 | Fastening plate                       |        | 1   |       |
| -   | 930 512 052 00 | Lock upper part                       | /H     | 1   |       |
| -   | 911 512 037 00 | Air baffle plate                      | /L     | 1   |       |
| -   | 911 512 038 00 | Air baffle plate                      | /R     | 1   |       |
| -   | 911 512 231 00 | Perforated plate                      | /L     | 1   |       |
| -   | 911 512 232 00 | Perforated plate                      | /R     | 1   |       |
| -   | 999 703 169 40 | Cap                                   |        | 1   |       |
| -   | 999 703 013 50 | Stopper                               |        | 2   |       |
| -   | 911 512 331 02 | Gas-pressure spring                   |        | 2   |       |
| -   | 999 166 043 02 | Bolt                                  |        | 1   |       |
| -   | N 012 645 2    | Lock washer                           |        | 1   |       |
| -   | 900 075 016 02 | 5<br>Hexagon-head bolt                |        | 1   |       |
| -   | 900 075 016 03 | M 6 X 22<br>Hexagon-head bolt         |        | 1   |       |
| -   | N 011 524 7    | M 6 X 22<br>Washer                    |        | 6   |       |
| -   | N 011 524 27   | A 6,4<br>Washer                       |        | 6   |       |
| -   | 900 076 010 02 | A 6,4<br>Nut                          |        | 1   |       |
| -   | 900 076 010 0B | M 6<br>Nut                            |        | 1   |       |
| -   | 900 143 114 07 | M 6<br>Oval-head sheetmetal screw     |        | 6   |       |
| -   | 900 143 124 07 | BZ 3,5 X 9,5<br>Tapping screw         |        | 6   |       |
| -   | 900 269 037 07 | BZ 3,5 X 13<br>Countersunk-head screw |        | 2   |       |
| -   | 999 591 102 17 | M 4 X 20<br>Washer                    |        | 6   |       |
| -   | 999 591 102 1H | 3,5<br>Washer                         |        | 6   |       |
| -   |                | 3,5                                   |        |     |       |

Model: 911 84

Model life 1984>>1986



Model: 911 84

Model life 1984&gt;&gt;1986

| Pos | Part Number    | Description                                      | Remark | Qty | Model  |
|-----|----------------|--|--------|-----|--------|
|     |                | Engine electrics 1                               |        |     | TURBO  |
| 1   | 930 602 103 00 | Distributor                                      |        | 1   | M30.66 |
| (1) | 930 602 104 00 | Distributor                                      |        | 1   | M30.68 |
| 2   | 930 602 917 00 | Vacuum unit                                      |        | 1   |        |
| 3   | 930 602 901 01 | Rotor  |        | 1   | M30.66 |
| 3   | 930 602 901 04 | Rotor  |        | 1   | M30.66 |
| 3   | 930 602 901 03 | Rotor  |        | 1   | TURBO  |
| 3   | 930 602 901 04 | Rotor  |        | 1   | TURBO  |
| 3   | 930 602 901 03 | Rotor  |        | 1   | M30.66 |
| 3   | 930 602 901 04 | Rotor  |        | 1   | M30.66 |
| (3) | 930 602 902 00 | Rotor  |        | 1   | M30.68 |
| 4   | 911 602 102 01 | Sealing ring                                     |        | 1   |        |
| 5   | 900 025 007 02 | Washer<br>A 8,4                                  |        | 1   |        |
| 5   | 900 025 007 03 | Washer<br>A 8,4                                  |        | 1   |        |
| 6   | N 012 241 8    | Spring washer<br>B 8                             |        | 1   |        |
| 7   | 900 076 025 02 | Hexagon nut<br>M 8                               |        | 1   |        |
| 7   | 900 076 064 02 | Hexagon nut<br>M 8                               |        | 1   |        |
| (8) | 930 602 904 00 | Distributor cap                                  |        | 1   |        |
| (8) | 930 602 904 01 | Distributor cap                                  |        | 1   |        |
| 9   | 930 602 907 01 | Electric line                                    |        | 1   |        |
| 10  | 930 602 909 00 | Dust cover                                       |        | 1   |        |
| 11  | 901 602 502 00 | Ignition transformer                             |        | 1   |        |
| 11A | 901 126 121 01 | Mounting plate                                   |        | 1   |        |
| 12  | 911 602 801 00 | Protection cap                                   |        | 1   |        |
| 13  | 900 025 007 02 | Washer<br>8,4                                    |        | 2   |        |
| 13  | 900 025 007 03 | Washer<br>8,4                                    |        | 2   |        |
| 14  | N 012 241 8    | Spring washer<br>B 8                             |        | 2   |        |
| 15  | 900 076 025 02 | Hexagon nut<br>M 8                               |        | 2   |        |
| 15  | 900 076 064 02 | Hexagon nut<br>M 8                               |        | 2   |        |
|     |                | Spark plug<br>Use also:<br>547 09222<br>for      |        | X   |        |
| -   | 547 09 222     | Spark plug<br>Nut<br>for                         |        | X   |        |
| 16  | 999 170 128 90 | Spark plug<br>W3DP                               |        | 6   |        |
| 17  | 911 609 011 07 | - bosch -<br>Set of ignition cables<br>geschirmt | /L     | 1   |        |
| 17A | 911 609 010 07 | Set of ignition cables<br>geschirmt              | /R     | 1   |        |
| 18  | 911 609 061 07 | Ignition lead<br>Ignition transformer            |        | 1   |        |
| 19  | 911 609 510 00 | Cable plug                                       |        | 1   |        |
| 19  | PCG 609 510 00 | Cable plug                                       |        | 1   |        |
| 20  | 999 659 001 40 | Water protection cap                             |        | 1   |        |
| 21  | 911 602 315 00 | Spark plug connector<br>Screened connector       | 84     | 6   |        |
| 21  |                | Spark plug connector                             | 85-    | 6   |        |
| 22  | 901 609 591 00 | Cable holder                                     |        | 4   |        |

Model: 911 84

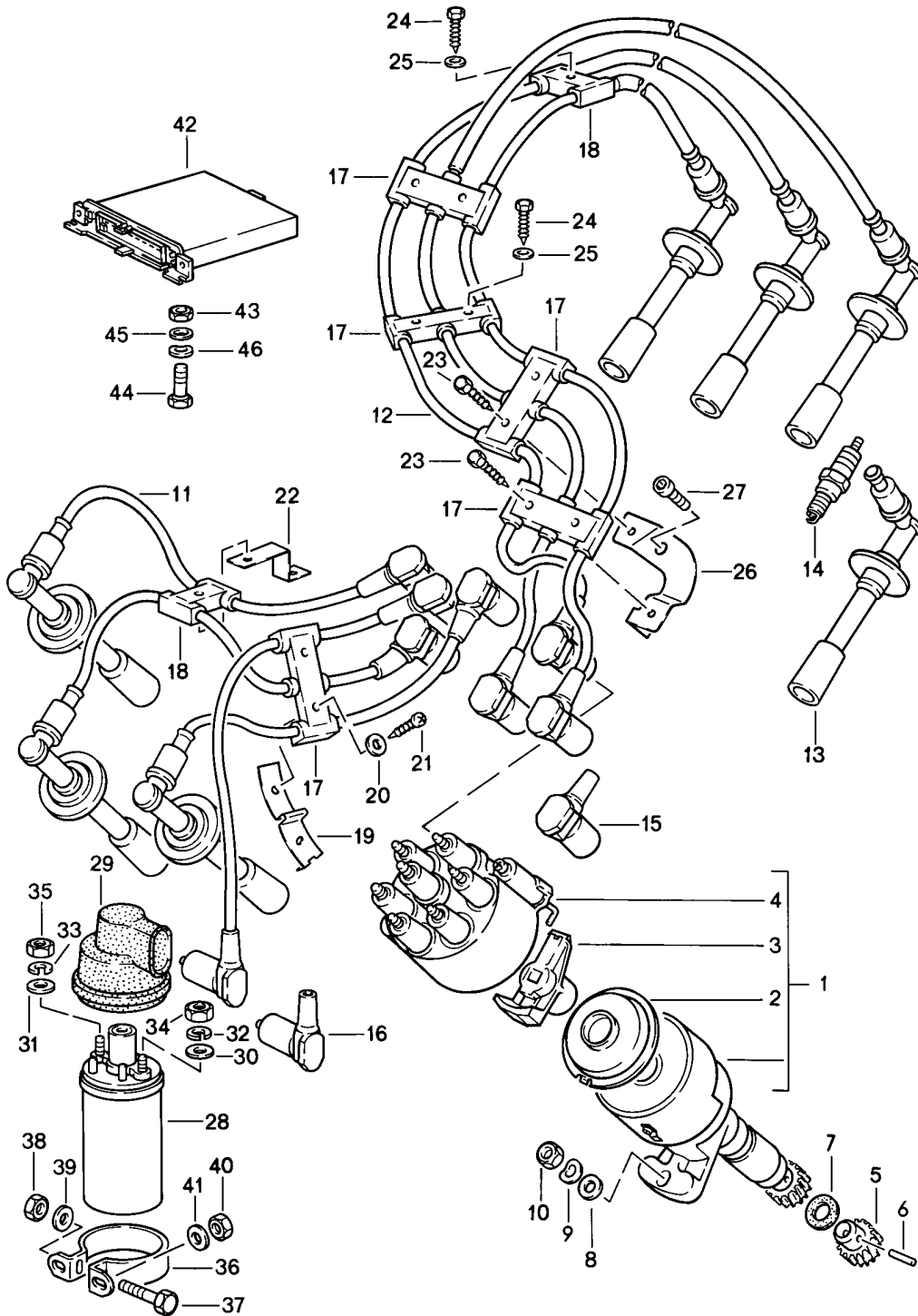
Model life 1984>>1986

| Pos  | Part Number    | Description   | Remark | Qty | Model  |
|------|----------------|---|--------|-----|--------|
| 23   | 122 035 281    | Suppression connector   |        | 7   |        |
| 24   | 930 602 702 00 | Switch unit   |        | 1   |        |
| 24   | 930 602 702 X  | Control unit  |        | 1   |        |
| 25   | N 014 703 2    | Pan-head screw<br>M 6 X 18                                    |        | 3   |        |
| 26   | 900 031 011 02 | Washer<br>6,4   |        | 3   |        |
| 27   | 930 602 922 00 | Pin   |        | 1   |        |
| 28   | 930 602 422 03 | Pinion  |        | 1   | M30.66 |
| (28) | 930 602 422 02 | Pinion<br>Only together with<br>Drive wheel<br>930.102.115.01 |        | 1   | 930.68 |



Model: 911 84

Model life 1984>>1986



Model: 911 84 Model life 1984>>1986

| Pos  | Part Number    | Description   | Remark | Qty | Model                   |
|------|----------------|---|--------|-----|-------------------------|
|      |                | Engine electrics 2  |        |     | CARRERA<br>930.20/21/26 |
| (1)  | 930 602 923 00 | Distributor<br>M >> 64E 00127   |        | 1   |                         |
| (1)  | 930 602 923 X  | Distributor<br>M >> 64E 00127   |        | 1   |                         |
| 1    | 930 602 023 00 | Distributor<br>M 64E 00128 >>   |        | 1   |                         |
| 2    | 930 602 909 00 | Dust cover  |        | 1   |                         |
| 3    | 930 602 902 01 | Rotor   |        | 1   |                         |
| 4    | 930 602 919 00 | Distributor cap   |        | 1   |                         |
| 5    | 930 602 424 00 | Pinion  |        | 1   |                         |
| 5    | 930 602 424 02 | Pinion  |        | 1   |                         |
| 6    | 930 602 922 00 | Pin   |        | 1   |                         |
| 7    | 911 602 102 01 | Sealing ring  |        | 1   |                         |
| 8    | 900 025 007 02 | Washer<br>A 8,4   |        | 1   |                         |
| 8    | 900 025 007 03 | Washer<br>A 8,4   |        | 1   |                         |
| 9    | N 012 241 8    | Spring washer<br>B 8  |        | 1   |                         |
| 10   | 900 076 025 02 | Hexagon nut<br>M 8  |        | 1   |                         |
| 10   | 900 076 064 02 | Hexagon nut<br>M 8  |        | 1   |                         |
| 11   | 911 602 011 00 | Set of ignition cables  | /L 84  | 1   |                         |
| 11   | 911 602 011 04 | Set of ignition cables  | /L     | 1   | 930.20/21               |
| (11) | 911 602 011 03 | Set of ignition cables  | /L 85- | 1   | 930.26                  |
| 12   | 911 602 012 00 | Set of ignition cables  | /R 84  | 1   |                         |
| (12) | 911 602 012 03 | Set of ignition cables  | /R 85- | 1   | 930.20/21<br>930.26     |
| 13   | 911 602 315 00 | Spark plug connector<br>Screened connector  | 84     | 6   |                         |
| (13) |                | Spark plug connector<br>Screened connector<br>Spark plug<br>Use also:<br>547 09222<br>for<br>Spark plug | 85-    | 6   |                         |
| -    | 547 09 222     | Nut<br>for<br>Spark plug  |        | X   |                         |
| 14   | 999 170 156 90 | Nut<br>for<br>Spark plug<br>Spark plug<br>WR7DC<br>- bosch -  |        | X   |                         |
| 15   | 944 609 133 00 | Distributor plug  | 84     | 7   |                         |
| (15) | 928 602 557 01 | Suppression connector   | 85-    | 7   |                         |
| 16   | 944 609 131 00 | Ignition coil plug  | 84     | 1   |                         |
| (16) | 928 602 131 00 | Ignition coil plug  | 85-    | 1   |                         |
| 17   | 911 609 591 00 | Cable holder  |        | 10  |                         |
| -    | 911 602 183 03 | Cable holder  | 85-    | 1   |                         |
| -    | 928 602 554 00 | Cable clip<br>for ignition cable  | 85-    | 1   |                         |
| 18   | 911 609 593 00 | Cable holder  |        | 4   |                         |
| 19   | 911 602 081 01 | Support   |        | 1   |                         |
| -    | 911 602 187 00 | Support   | 84     | 1   |                         |
| -    | 911 602 083 02 | Support   | 85-    | 1   |                         |
| 20   | 900 025 003 02 | Washer<br>A 5,3   |        | 2   |                         |
| -    | 113 142 261 A  | Clip  |        | 2   |                         |
| 21   | N 044 132 2    | Oval-head screw<br>M 5 X 20   |        | 2   |                         |

Model: 911 84

Model life 1984&gt;&gt;1986

| Pos | Part Number    | Description                                     | Remark | Qty | Model |
|-----|----------------|---|--------|-----|-------|
| 22  | 911 602 083 01 | Support   |        | 1   |       |
| 23  | 900 187 017 02 | Hexagon-head tapping screw<br>BZ 4,2 X 19       |        | 2   |       |
| 24  | 900 187 020 02 | Hexagon-head tapping screw<br>BZ 4,2 X 25       |        | 4   |       |
| 25  | 900 025 002 02 | Washer<br>4,3                                   |        | 4   |       |
| 25  | 900 025 002 03 | Washer<br>4,3                                   |        | 4   |       |
| 26  | 911 609 595 00 | Retaining bracket                               |        | 1   |       |
| 27  | 900 119 052 02 | Pan-head screw<br>M 8 X 15                      |        | 1   |       |
| 28  | 944 602 115 00 | Ignition coil                                   |        | 1   |       |
| 29  | 944 602 801 00 | Protection cap                                  |        | 1   |       |
| 30  | 900 025 003 02 | Washer<br>5,3                                   |        | 1   |       |
| 31  | N 011 524 7    | Washer<br>A 6,4                                 |        | 1   |       |
| 31  | N 011 524 27   | Washer<br>A 6,4                                 |        | 1   |       |
| 32  | N 012 005 3    | Lock ring<br>B 5                                |        | 1   |       |
| 33  | N 012 006 4    | Lock ring<br>B 6                                |        | 1   |       |
| 34  | N 011 005 14   | Hexagon nut<br>M 5                              |        | 1   |       |
| 34  | 900 076 091 01 | Hexagon nut<br>M 5                              |        | 1   |       |
| 35  | 900 076 010 02 | Nut<br>M 6                                      |        | 1   |       |
| 35  | 900 076 010 0B | Nut<br>M 6                                      |        | 1   |       |
| 36  | 944 602 117 00 | Clamp   |        | 1   |       |
| 37  | 900 146 045 02 | Oval-head screw<br>M 5 X 45                     |        | 1   |       |
| 38  | N 011 005 14   | Hexagon nut<br>M 5                              |        | 1   |       |
| 38  | 900 076 091 01 | Hexagon nut<br>M 5                              |        | 1   |       |
| 39  | 900 025 003 02 | Washer<br>5,3                                   |        | 1   |       |
| 40  | 900 076 025 02 | Hexagon nut<br>M 8                              |        | 2   |       |
| 40  | 900 076 064 02 | Hexagon nut<br>M 8                              |        | 2   |       |
| 41  | 900 025 007 02 | Washer<br>A 8,4                                 |        | 2   |       |
| 41  | 900 025 007 03 | Washer<br>A 8,4                                 |        | 2   |       |
| 42  | 911 617 103 00 | Electrical control unit                         | (USA)  | 1   |       |
| 42  | 911 617 103 X  | Electrical control unit<br>for<br>Oxygen sensor | (USA)  | 1   |       |
| 42  | 911 617 103 01 | Electrical control unit<br>for<br>Oxygen sensor |        | 1   | (CAL) |
| 43  | 999 507 248 02 | Speed nut<br>M 5                                |        | 3   |       |
| 44  | N 010 264 4    | Hexagon-head bolt<br>M 5 X 20                   |        | 3   |       |
| -   | 999 075 048 02 | Hexagon-head bolt<br>M 6 X 22                   |        | 2   |       |
| 45  | 900 025 003 02 | Washer  |        | 3   |       |

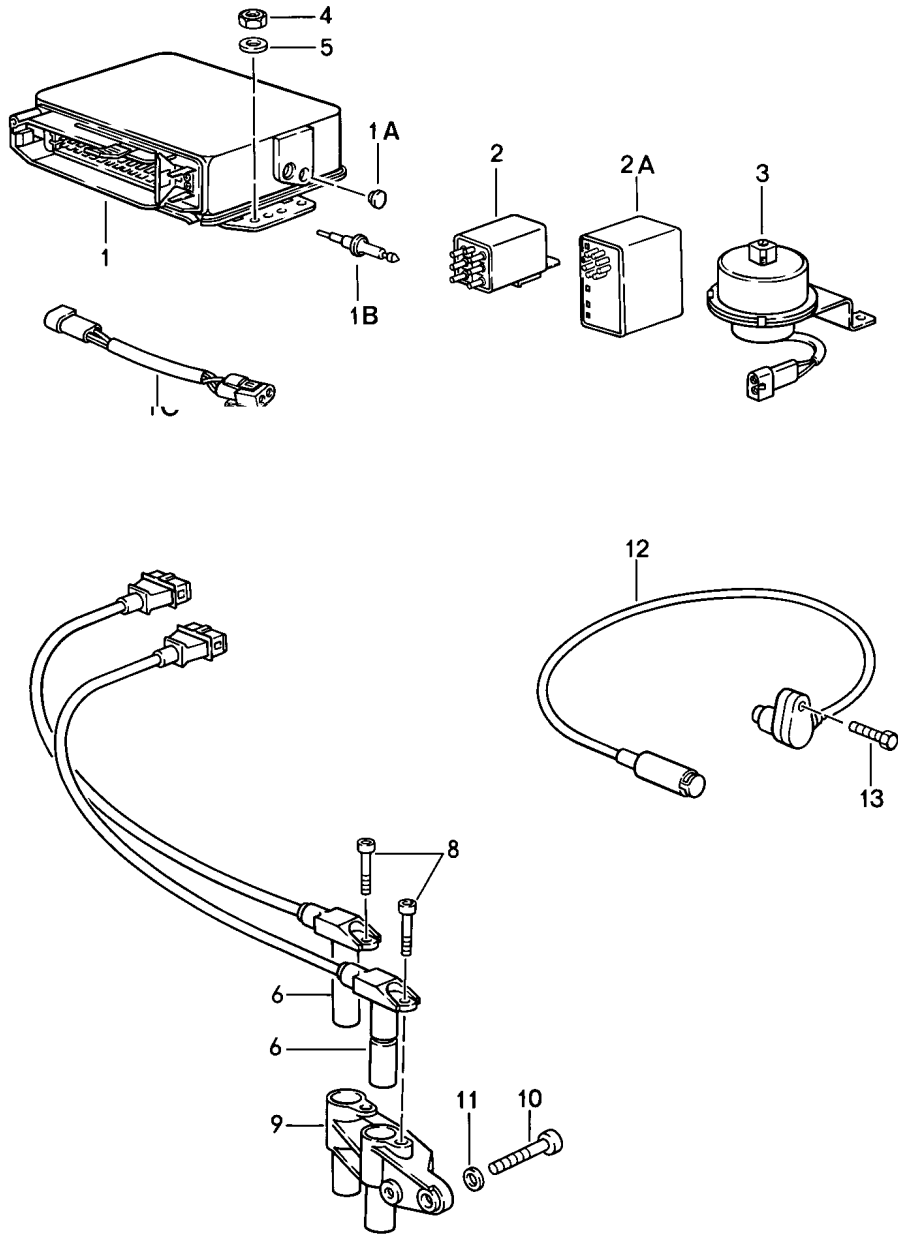
Model: 911 84

Model life 1984&gt;&gt;1986

| Pos | Part Number | Description                 | Remark | Qty | Model |
|-----|-------------|-----------------------------|--------|-----|-------|
| 46  | N 012 222 4 | 5,3<br>Spring washer<br>A 5 |        | 3   |       |

Model: 911 84

Model life 1984>>1986



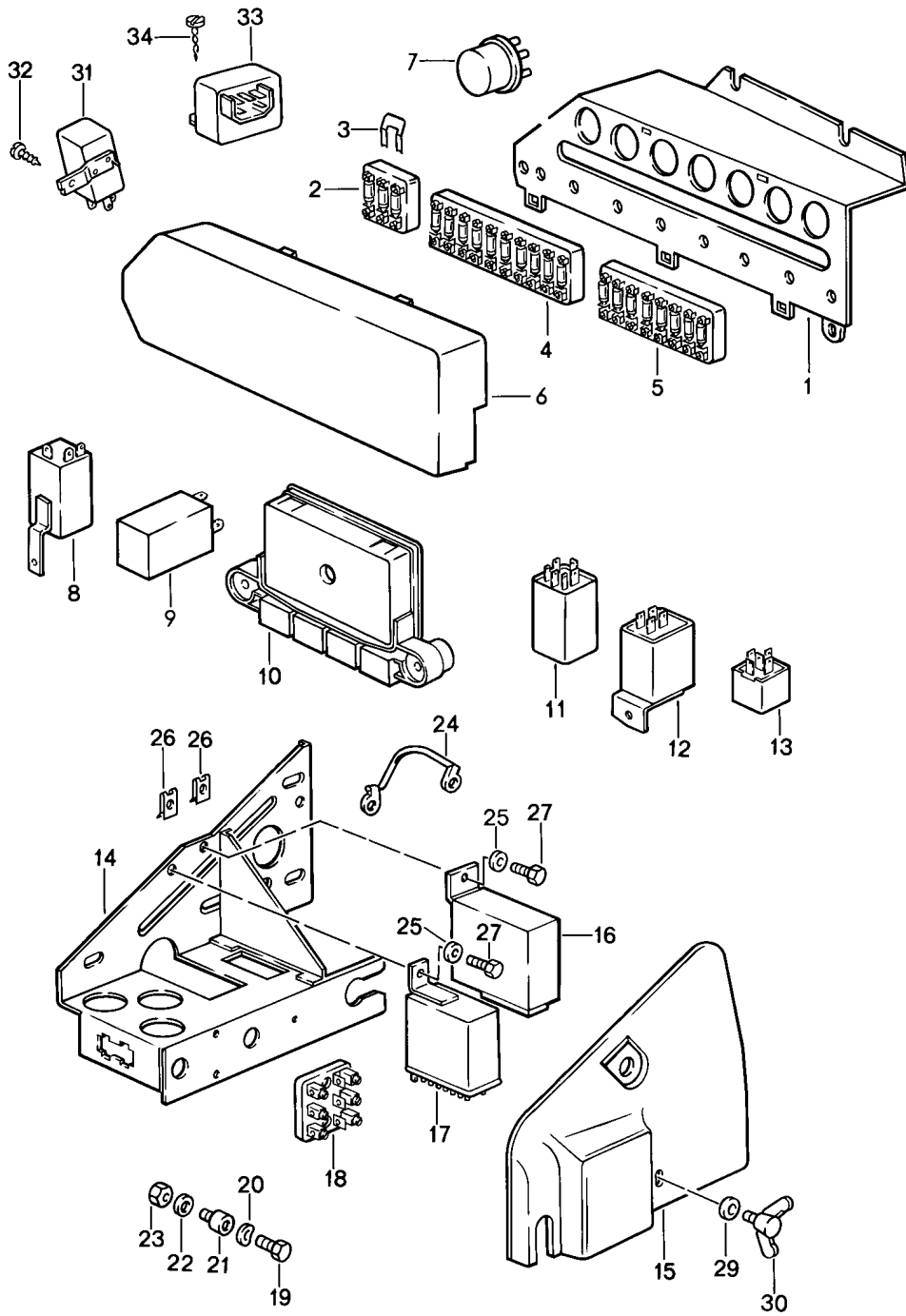
Model: 911 84

Model life 1984&gt;&gt;1986

| Pos  | Part Number    | Description   | Remark | Qty | Model                   |
|------|----------------|---|--------|-----|-------------------------|
|      |                | Engine electrics 3<br>Technical information<br>1/85 Gr. 2 |        |     | CARRERA<br>930.20/21/26 |
| 1    | 911 618 111 05 | Control unit  |        | 1   | 930.21                  |
| 1    | 911 618 111 EX | - DME -<br>Control unit                                   |        | 1   | 930.21                  |
| 1A   | 911 606 411 01 | - dme -<br>Stopper  |        | 1   |                         |
| 1B   | 944 618 940 00 | Red<br>Adjusting key                                      |        | 1   |                         |
| 1C   | 911 612 421 00 | Adapter   | 86-    | 1   |                         |
| (1C) | 911 612 422 00 | for<br>-DME-<br>Wiring harness<br>Adapter plug            | 86-    | 1   |                         |
| 2    | 911 618 154 00 | for<br>-DME-<br>Wiring harness<br>Switch unit             |        | 1   |                         |
| 2    | 911 618 154 01 | -DME-<br>Switch unit                                      |        | 1   |                         |
| 2A   | 911 617 131 01 | -DME-<br>Control unit                                     |        | 1   | 930.21                  |
| (2A) | 930 617 131 01 | for<br>Enrichment<br>Control unit                         |        | 1   | 930.68                  |
| (2A) | 930 618 123 00 | for<br>Enrichment<br>Relay                                |        | 1   | 930.68                  |
| (2A) | 930 618 123 01 | Relay   |        | 1   | 930.68                  |
| (2A) | 965 618 103 01 | Lambda control unit                                       |        | 1   |                         |
| -    | 930 618 511 00 | Retaining bracket   |        | 1   | 930.68                  |
| 3    | 944 606 051 00 | for<br>Switch unit<br>altitude capsule                    |        | 1   |                         |
| 4    | 900 076 010 02 | Nut   |        | 7   |                         |
| 4    | 900 076 010 0B | M 6<br>Nut  |        | 7   |                         |
| 5    | N 011 524 7    | M 6<br>Washer   |        | 7   |                         |
| 5    | N 011 524 27   | A 6,4<br>Washer   |        | 7   |                         |
| 6    | 911 606 215 01 | A 6,4<br>Pulse sender                                     |        | 2   |                         |
| 8    | N 014 740 2    | Pan-head screw  |        | 2   |                         |
| 8    | N 014 740 11   | M 6 X 16<br>Pan-head screw                                |        | 2   |                         |
| 9    | 930 101 089 01 | M 6 X 16<br>Support                                       |        | 1   |                         |
| 10   | N 010 217 9    | Pulse sender<br>Hexagon-head bolt                         |        | 2   |                         |
| 11   | N 011 524 7    | M 6 X 20<br>Washer  |        | 2   |                         |
| 11   | N 011 524 27   | A 6,4<br>Washer   |        | 2   |                         |
| 12   | 911 606 108 00 | A 6,4<br>Timing mark sender                               |        | 1   |                         |
| 13   | 900 067 089 02 | Pan-head screw  |        | 1   |                         |
| 13   | 900 067 089 01 | M 6 X 25<br>Pan-head screw                                |        | 1   |                         |
|      |                | M 6 X 25  |        | 1   |                         |

Model: 911 84

Model life 1984>>1986



Model: 911 84 Model life 1984>>1986

| Pos  | Part Number    | Description                 | Remark | Qty | Model   |
|------|----------------|-----------------------------|--------|-----|---------|
|      |                | Control unit                |        |     |         |
|      |                | Relay                       |        |     |         |
|      |                | Fuse box                    |        |     |         |
| 1    | 911 612 197 00 | Mounting plate              |        | 1   |         |
| 2    | 911 612 093 05 | Fuse box                    |        | 1   | CARRERA |
|      |                | Triple                      |        |     |         |
| (2)  |                | Fuse box                    |        | 1   | TURBO   |
|      |                | Triple                      |        |     |         |
| 3    | 901 612 835 01 | Connecting rail             |        | 2   |         |
| 4    | 911 612 086 01 | Fuse box                    |        | 1   |         |
|      |                | 10-fold                     |        |     |         |
| 5    | 911 612 087 01 | Fuse box                    |        | 1   |         |
|      |                | 8-fold                      |        |     |         |
| 6    | 911 612 161 05 | Lid                         | 84     | 1   | CARRERA |
| (6)  | 911 612 161 06 | Lid                         | -85    | 1   | CARRERA |
| (6)  | 930 612 161 02 | Lid                         | 84     | 1   | TURBO   |
| (6)  | 930 612 161 03 | Lid                         | -85    | 1   | TURBO   |
| (6)  | 911 612 161 08 | Lid                         | 86-    | 1   |         |
| -    | 911 612 243 00 | Assignment sticker          | 86-    | 1   | CARRERA |
| -    | 930 612 243 00 | Assignment sticker          | 86-    | 1   | TURBO   |
|      |                | Relay                       |        |     |         |
| 7    | 911 615 108 01 | Standard type relay         |        | 1   |         |
|      |                | Red                         |        |     |         |
| 7    | 911 615 109 01 | Standard type relay         |        | X   |         |
|      |                | Black                       |        |     |         |
| (7)  | 944 615 116 00 | Relay                       | 85-    | 1   |         |
|      |                | Power window                |        |     |         |
| 8    | 911 618 121 00 | Relay                       |        | 1   | 930.26  |
|      |                | Engine-speed shutoff        |        |     |         |
| (8)  | 911 615 118 00 | Relay                       |        | 1   |         |
|      |                | Mass air flow meter         |        |     |         |
|      |                | Boost pressure              |        |     |         |
| 9    | 914 618 303 11 | Flasher relay               | -84    | 1   |         |
| (9)  | 111 953 227 D  | Flasher relay               | 85-    | 1   |         |
| (9)  | 191 953 227 A  | Flasher relay               | 85-    | 1   |         |
| (9)  | 1H0 953 227    | Flasher relay               | 85-    | 1   |         |
| (9)  | 911 618 103 00 | Flasher relay               |        | 1   |         |
|      |                | for cars with               |        |     |         |
|      |                | Trailer coupling            |        |     |         |
| 10   | 911 618 313 00 | Control unit                |        | 1   |         |
|      |                | for                         |        |     |         |
|      |                | Convertible top             |        |     |         |
|      |                | See technical information   |        |     |         |
|      |                | GR.6, NR. 6/96, Typ 964     |        |     |         |
| 11   | 928 618 113 01 | Relay                       |        | 1   |         |
|      |                | Intensive windscreen washer |        |     |         |
| 11   | 928 618 113 02 | Relay                       |        | 1   |         |
|      |                | Intensive windscreen washer |        |     |         |
| 12   | 930 617 117 01 | Relay                       |        | 1   | TURBO   |
|      |                | Ignition cut-off            |        |     |         |
| 12   | 930 617 117 02 | Relay                       |        | 1   | TURBO   |
|      |                | Ignition cut-off            |        |     |         |
| 13   | 821 951 253    | Relay                       |        | 1   | CARRERA |
|      |                | for oxygen sensor           |        |     |         |
| 13   | PCG 951 253 00 | Relay                       |        | 1   | CARRERA |
|      |                | for oxygen sensor           |        |     |         |
| 14   | 911 610 013 00 | Mounting plate              | 84     | 1   | CARRERA |
| (14) | 911 610 013 01 | Mounting plate              | 85     | 1   | CARRERA |
| (14) | 911 610 103 03 | Mounting plate              | -85    | 1   | TURBO   |
| (14) | 930 610 103 01 | Mounting plate              | 86-    | 1   | TURBO   |
| 15   | 911 610 105 04 | Cover                       |        | 1   |         |
| 16   | 911 615 115 00 | Relay                       |        | 1   |         |
|      |                | Rear window heating         |        |     |         |



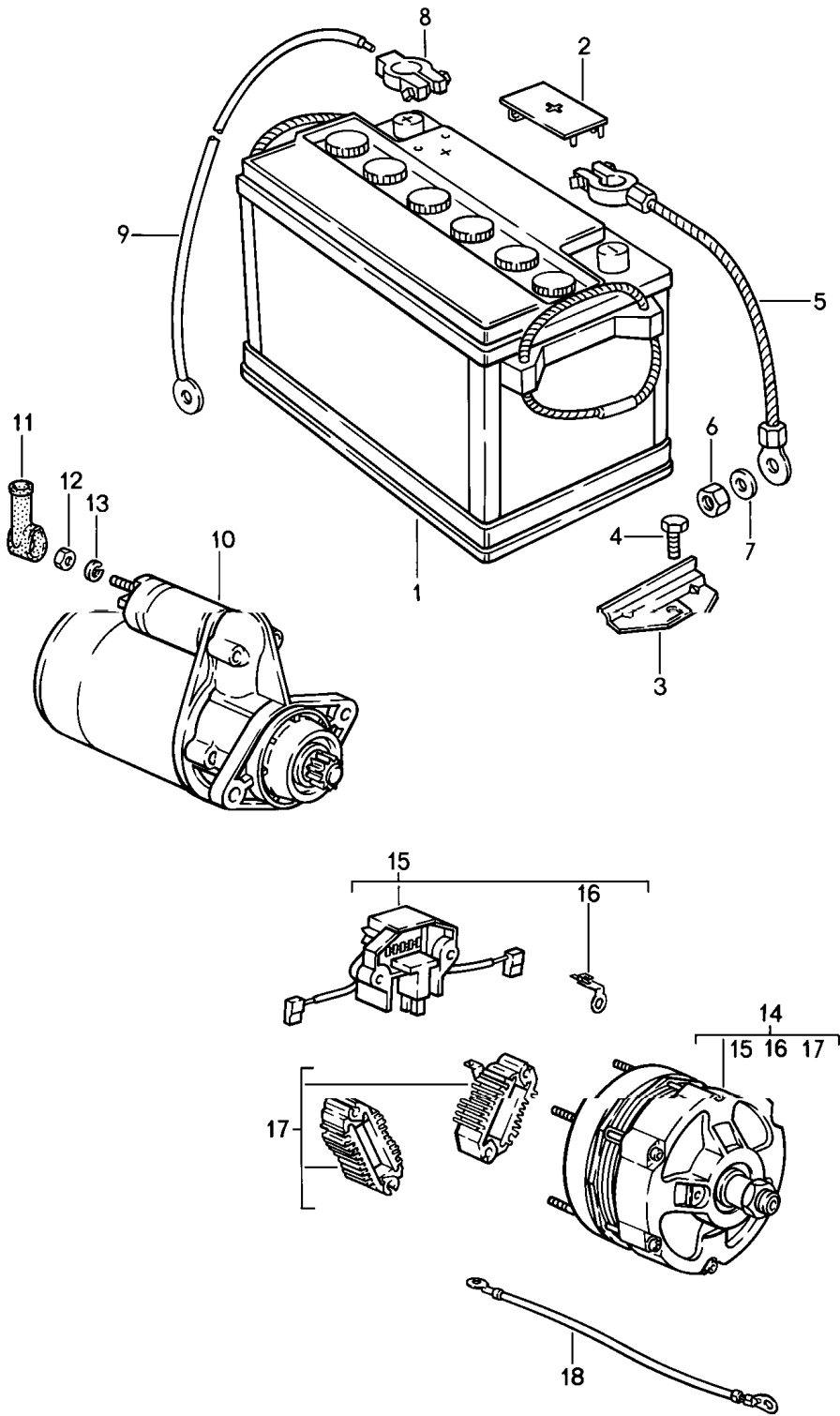
Model: 911 84

Model life 1984&gt;&gt;1986

| Pos | Part Number    | Description                               | Remark | Qty | Model   |
|-----|----------------|---|--------|-----|---------|
| 17  | 911 618 153 00 | Two-stage heatable<br>Relay               |        | 1   | CARRERA |
| 18  | 911 612 093 05 | Additional blower<br>Fuse box<br>Triple   |        | 1   |         |
| 19  | N 010 208 5    | Hexagon-head bolt<br>M 6 X 8              |        | 3   |         |
| 20  | N 012 226 5    | Spring washer<br>B 6                      |        | 3   |         |
| 21  | 999 703 384 00 | Megulastik pivot bearing                  |        | 3   |         |
| 21  | 999 703 384 01 | Megulastik pivot bearing                  |        | 3   |         |
| 22  | 900 031 011 02 | Washer<br>6,4                             |        | 3   |         |
| 23  | 900 910 096 02 | Lock nut<br>VM 6                          |        | 3   |         |
| 24  | 911 612 008 00 | Ground strap<br>for<br>Mounting plate     |        | 1   |         |
| 25  | 900 151 028 02 | Washer<br>B 4,3 X 12                      |        | 2   |         |
| 25  | 900 151 028 01 | Washer<br>B 4,3 X 12                      |        | 2   |         |
| 26  | N 015 429 2    | Speed nut<br>B 4,2                        |        | 2   |         |
| 26  | N 015 429 6    | Speed nut<br>B 4,2                        |        | 2   |         |
| 27  | 900 187 013 02 | Hexagon-head tapping screw<br>BZ 4,2 X 13 |        | 2   |         |
| 29  | 900 151 003 02 | Washer<br>A 6,4                           |        | 2   |         |
| 29  | 900 151 006 03 | Washer<br>A 6,4                           |        | 2   |         |
| 30  | 900 029 102 02 | Wing screw                                |        | 2   |         |
| -   | N 017 121 1    | Safety fuse<br>8 A                        |        | X   |         |
| -   | N 017 121 5    | Lock<br>25 A                              |        | X   |         |
| -   | N 017 121 4    | Lock<br>16 A                              |        | X   |         |
| -   | 900 173 006 90 | Safety fuse<br>5 A                        |        | X   |         |
| -   | 911 612 401 00 | Spacer                                    |        | 1   |         |
| -   | 900 143 076 02 | Oval-head sheetmetal screw<br>4,2 X 25    |        | 1   |         |
| -   | 900 146 009 02 | Oval-head screw<br>4 X 12                 |        |     |         |
| -   | 999 507 401 40 | Special nut                               |        | X   |         |

Model: 911 84

Model life 1984>>1986

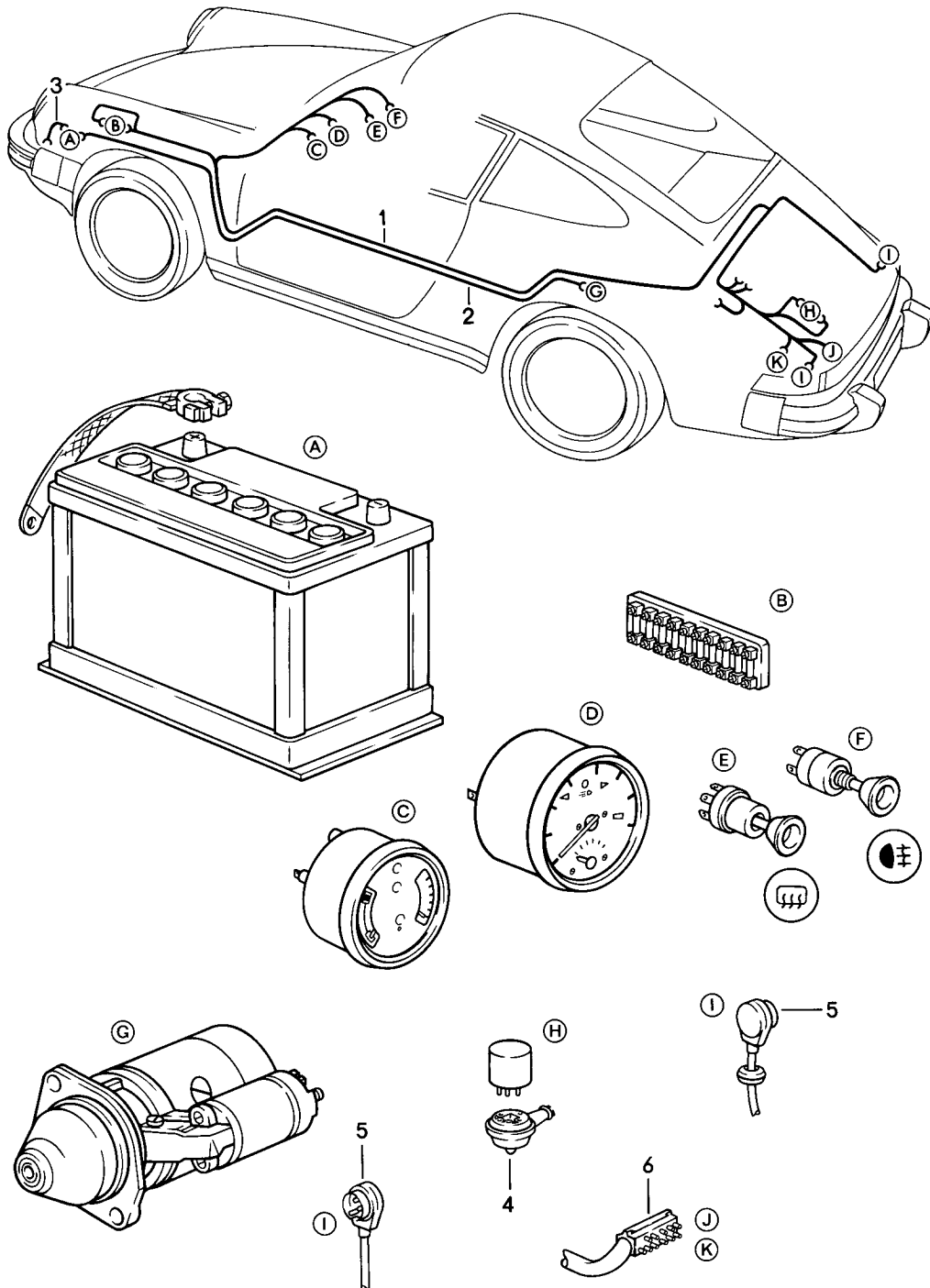


Model: 911 84 Model life 1984>>1986

| Pos  | Part Number    | Description           | Remark | Qty | Model |
|------|----------------|-----------------------|--------|-----|-------|
|      |                | Battery               |        |     |       |
|      |                | Starter               |        |     |       |
|      |                | Generator             |        |     |       |
| 1    | 928 611 101 00 | Battery               |        | 1   |       |
|      |                | 12 V 66 AH            |        |     |       |
| 1    | 928 611 101 01 | Battery               |        | 1   |       |
|      |                | 12 V 66 AH            |        |     |       |
| 1    | 928 611 175 02 | Battery               |        | 1   |       |
|      |                | 12 V 75 AH            |        |     |       |
| 1    | 999 611 070 20 | Battery               |        | 1   |       |
|      |                | 12 V 70 AH            |        |     |       |
| 1    | 999 611 070 21 | Battery               |        | 1   |       |
|      |                | 12 V 70 AH            |        |     |       |
| (1)  | 999 611 088 20 | Battery               |        | 1   |       |
|      |                | 12 V 88 AH            |        |     |       |
| 2    | 999 611 104 00 | Pole covering         |        | 1   |       |
| 3    | 911 611 209 00 | Bracket               |        | 1   |       |
| 4    | 999 075 032 02 | Hexagon-head bolt     |        | 1   |       |
|      |                | M 8 X 20              |        |     |       |
| 5    | 911 611 899 00 | Ground strap          |        | 1   |       |
|      |                | Battery               |        |     |       |
| 6    | 900 076 030 02 | Hexagon nut           |        | 1   |       |
|      |                | M 8                   |        |     |       |
| 7    | 900 025 007 02 | Washer                |        | 1   |       |
|      |                | A 8,4                 |        |     |       |
| 7    | 900 025 007 03 | Washer                |        | 1   |       |
|      |                | A 8,4                 |        |     |       |
| 8    | 911 611 898 01 | Terminal              |        | 1   |       |
| 8    | 911 611 898 04 | Terminal              |        | 1   |       |
| 9    | 911 612 022 28 | Battery-starter cable |        | 1   |       |
| 10   | 911 604 101 01 | Starter               |        | 1   |       |
| 10   | 911 604 101 AX | Starter               |        | 1   |       |
| 11   | 999 659 006 50 | Protection cap        |        | 1   |       |
| 12   | 900 076 025 02 | Hexagon nut           |        | 1   |       |
|      |                | M 8                   |        |     |       |
| 12   | 900 076 064 02 | Hexagon nut           |        | 1   |       |
|      |                | M 8                   |        |     |       |
| 13   | 900 027 015 02 | Lock ring             |        | 1   |       |
|      |                | B 8                   |        |     |       |
| 13   | 900 027 015 03 | Lock ring             |        | 1   |       |
|      |                | B 8                   |        |     |       |
| 14   | 911 603 120 05 | Generator             |        | 1   |       |
| (14) | 911 603 120 EX | Generator             |        | 1   |       |
| (14) | 911 603 120 GX | Generator             |        | 1   |       |
| (14) |                | Generator             |        | 1   |       |
| 15   | 911 603 913 01 | Electronic regulator  |        | 1   |       |
| 16   | 911 603 911 00 | Push-on connector     |        | 1   |       |
| 17   | 911 603 910 01 | Diode plate           |        | 1   |       |
| 18   | 911 612 233 00 | Ground strap          |        | 1   |       |

Model: 911 84

Model life 1984>>1986

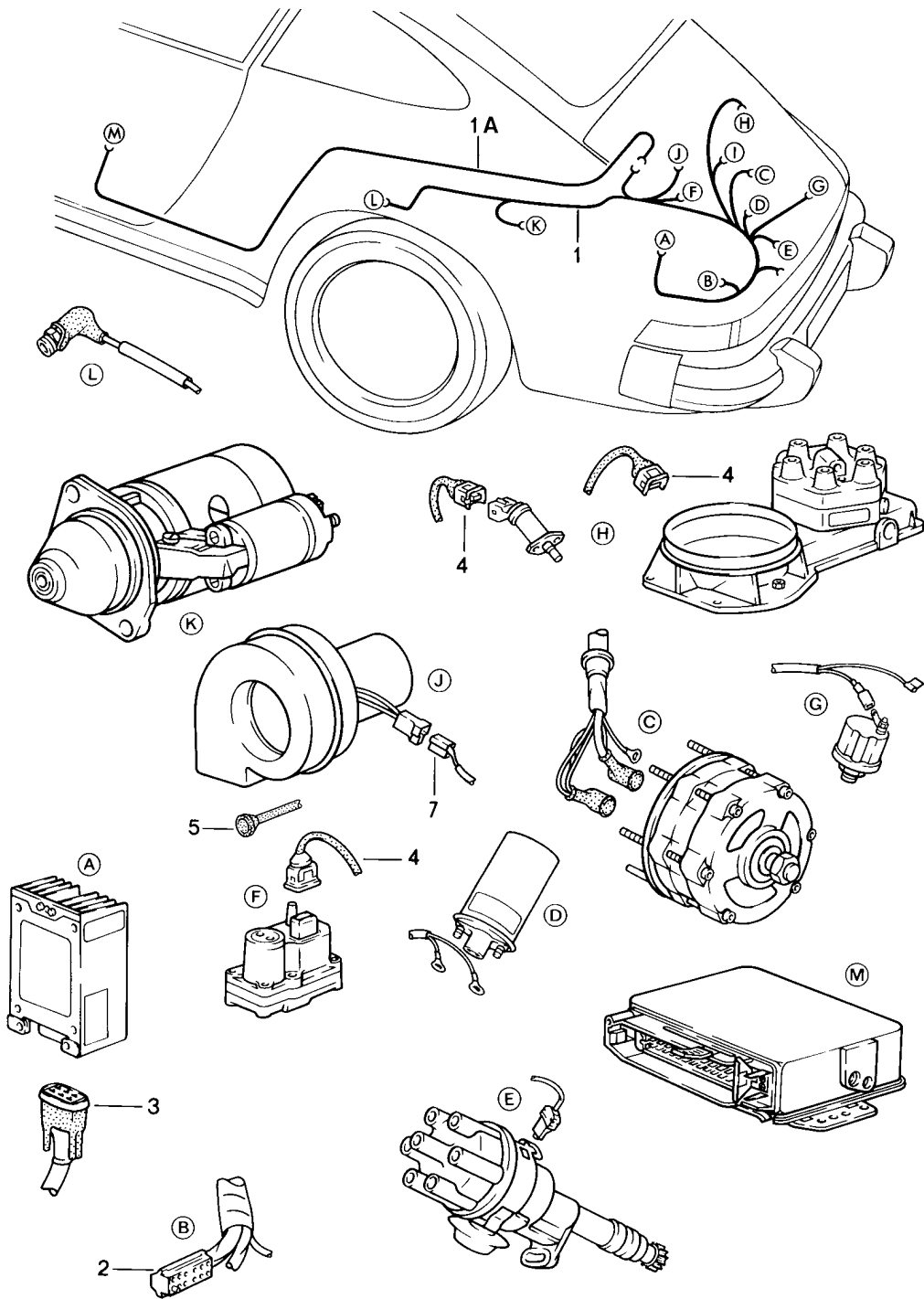


Model: 911 84 Model life 1984>>1986

| Pos | Part Number    | Description  | Remark  | Qty | Model   |
|-----|----------------|--|---------|-----|---------|
|     |                | Wiring harnesses<br>Passenger compartment<br>Battery-starter cable<br>Boot floor plate |         |     |         |
| 1   | 911 612 001 31 | Wiring harness<br>Tunnel   | /LL 84  | 1   | CARRERA |
| (1) | 911 612 001 32 | Wiring harness<br>Tunnel   | /LL 85  | 1   | CARRERA |
| (1) | 911 612 001 34 | Wiring harness<br>Tunnel   | /LL 86- | 1   | CARRERA |
| (1) | 930 612 001 07 | Wiring harness<br>Tunnel   | /LL 85  | 1   | TURBO   |
| (1) | 930 612 001 09 | Wiring harness<br>Tunnel   | /LL 86- | 1   | TURBO   |
| (1) | 911 612 061 29 | Wiring harness<br>Tunnel   | /RL 85  | 1   | CARRERA |
| (1) | 911 612 061 31 | Wiring harness<br>Tunnel   | /RL 86- | 1   | CARRERA |
| (1) | 930 612 061 09 | Wiring harness<br>Tunnel   | /RL 86- | 1   | TURBO   |
| 2   | 911 612 022 28 | Battery-starter cable  |         | 1   |         |
| -   | 901 612 107 00 | Ground strap<br>for<br>Bonnet<br>Mounting parts  |         | 2   |         |
| -   | 999 513 002 40 | Tie-wrap   |         | 1   |         |
| -   | N 020 910 4    | Tie-wrap   |         | 1   |         |
| -   | 999 513 003 40 | Tie-wrap   |         | 1   |         |
| -   | 999 702 132 50 | Rubber sleeve  |         | 1   |         |
| -   | 999 513 023 40 | Tie-wrap   |         | 5   |         |
| -   | 911 612 821 00 | Covering   |         | 1   |         |
| 3   | 911 611 899 00 | Ground strap<br>Battery  |         | 1   |         |
| -   | 999 611 920 20 | Ground strap<br>Transmission   |         | 1   |         |
| 4   | 901 612 333 00 | Plug socket<br>Relay   |         | 1   |         |
| 5   | 901 612 330 00 | Multiple plug connection<br>6-pole<br>Rear light                                       |         | 2   |         |
| 6   | 911 612 113 05 | Connector housing<br>14-pole   |         | 1   |         |
| (6) | 911 612 884 00 | Connector housing<br>12-pole   |         | 1   |         |
| -   | 901 612 334 00 | Plug socket<br>for<br>Relay  |         | 1   |         |

Model: 911 84

Model life 1984>>1986



Model: 911 84 Model life 1984>>1986

| Pos  | Part Number    | Description                                   | Remark | Qty | Model           |
|------|----------------|---|--------|-----|-----------------|
| 1    | 911 607 016 00 | Wiring harnesses<br>Engine<br>Wiring harness  |        | 1   | CARRERA         |
| (1)  | 930 607 016 02 | Engine<br>Wiring harness                      |        | 1   | TURBO           |
| (1)  | 930 607 016 01 | Engine<br>Wiring harness                      |        | 1   | TURBO<br>M30.68 |
| -    | 911 607 174 03 | Engine<br>Wiring harness                      | -85    | 1   | CARRERA         |
| -    | 911 607 174 04 | Injector valve<br>Wiring harness              | 86-    | 1   | CARRERA         |
| -    | 911 612 907 00 | Injector valve<br>Contact pin                 |        | 2   |                 |
| -    | 911 612 907 01 | for<br>Back-up light switch<br>Contact pin    |        | 2   |                 |
| (1A) | 911 612 173 09 | for<br>Back-up light switch<br>Wiring harness | 86-    | 1   |                 |
| -    | 944 612 130 00 | - dme -<br>Control unit<br>Rubber sleeve      |        | 1   |                 |
| 1A   | 911 612 173 06 | Seal<br>Body<br>Wiring harness                | -85    | 1   |                 |
| -    | 944 612 130 00 | - dme -<br>Control unit<br>Rubber sleeve      |        | 1   |                 |
| -    | 911 612 173 30 | Seal<br>Body<br>Wiring harness                |        | 1   | TURBO 930.68    |
| -    | 944 612 130 00 | Control unit<br>Rubber sleeve                 |        | 1   |                 |
| -    | 911 612 173 30 | Seal<br>Body<br>Wiring harness                |        | 1   |                 |
| -    | 944 612 130 00 | Control unit<br>Rubber sleeve                 |        | 1   |                 |
| -    | 911 612 173 30 | Seal<br>Body<br>Wiring harness                |        | 1   |                 |
| 2    | 911 612 115 03 | Control unit<br>Rubber sleeve                 |        | 1   |                 |
| 3    | 928 612 421 00 | Seal<br>Body<br>Connector housing             |        | 1   | TURBO           |
| 4    | 022 906 231 A  | without<br>Cap<br>Control unit                |        | 1   |                 |
| (4)  | 022 906 233 B  | Connector housing                             |        | 1   | TURBO           |
| (4)  | 022 906 231 B  | 3-pole<br>Terminal sleeve housing             |        | 1   |                 |
| 5    | 022 906 102    | 2-pole  |        | 1   |                 |
| 6    | 999 659 033 50 | Protection cap                                |        | 1   |                 |
| -    | 999 911 041 00 | Rubber cap                                    |        | 2   |                 |
| 7    | 999 652 167 40 | Edge protection                               |        | *   |                 |
| -    | 914 613 491 00 | Terminal sleeve housing                       |        | 1   |                 |
| -    | 911 612 233 00 | Protection cap                                |        | 1   |                 |
| -    | 911 612 233 00 | Temperature switch<br>Ground strap            |        | 1   |                 |
|      |                | Generator                                     |        |     |                 |

Model: 911 84

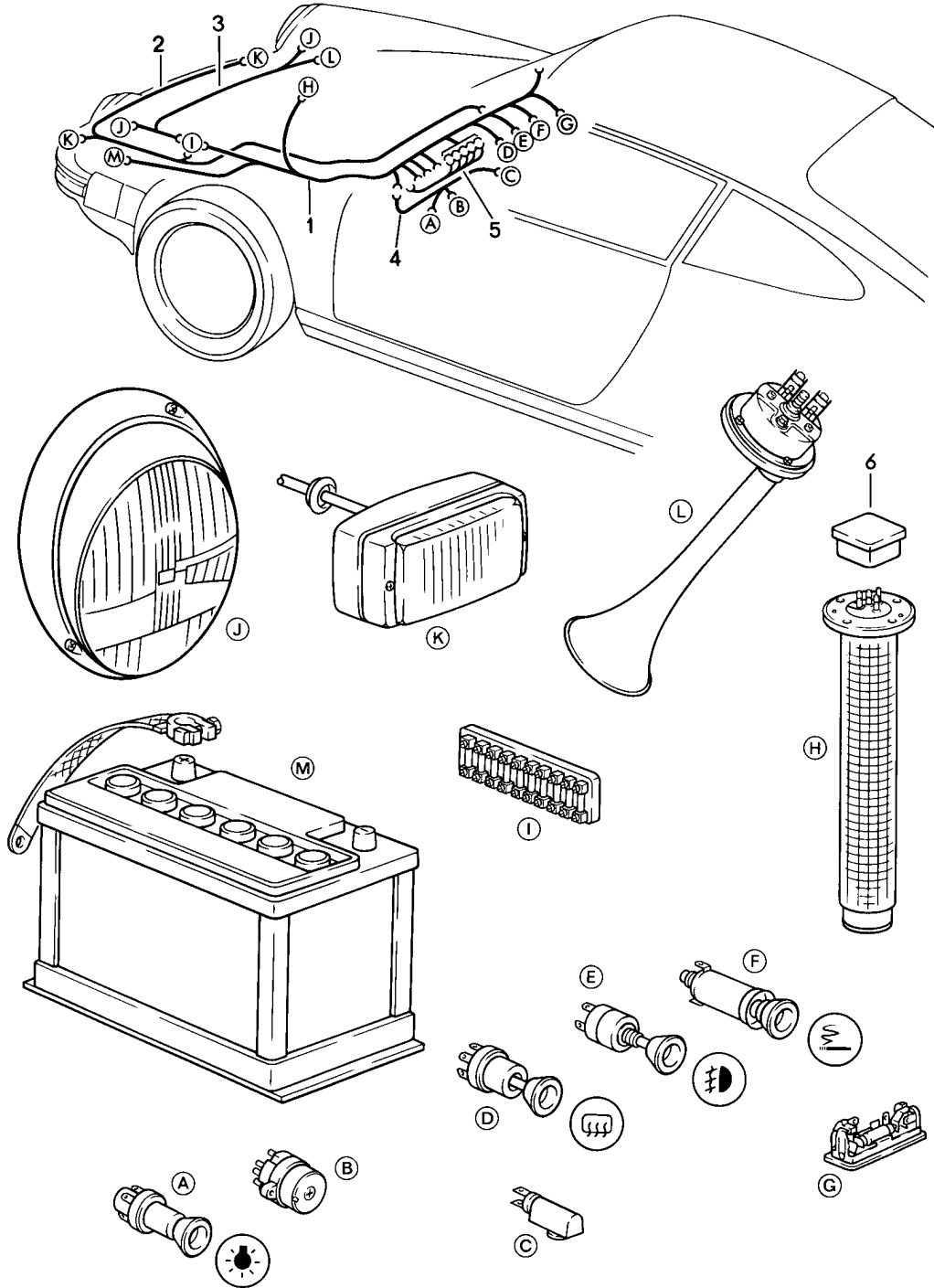
Model life 1984&gt;&gt;1986

| Pos | Part Number    | Description  | Remark | Qty | Model |
|-----|----------------|--|--------|-----|-------|
| -   | 999 511 081 02 | Engine<br>Pipe clamp<br>for<br>Wiring harness<br>POS.1 |        | 1   |       |



Model: 911 84

Model life 1984>>1986



Model: 911 84 Model life 1984>>1986

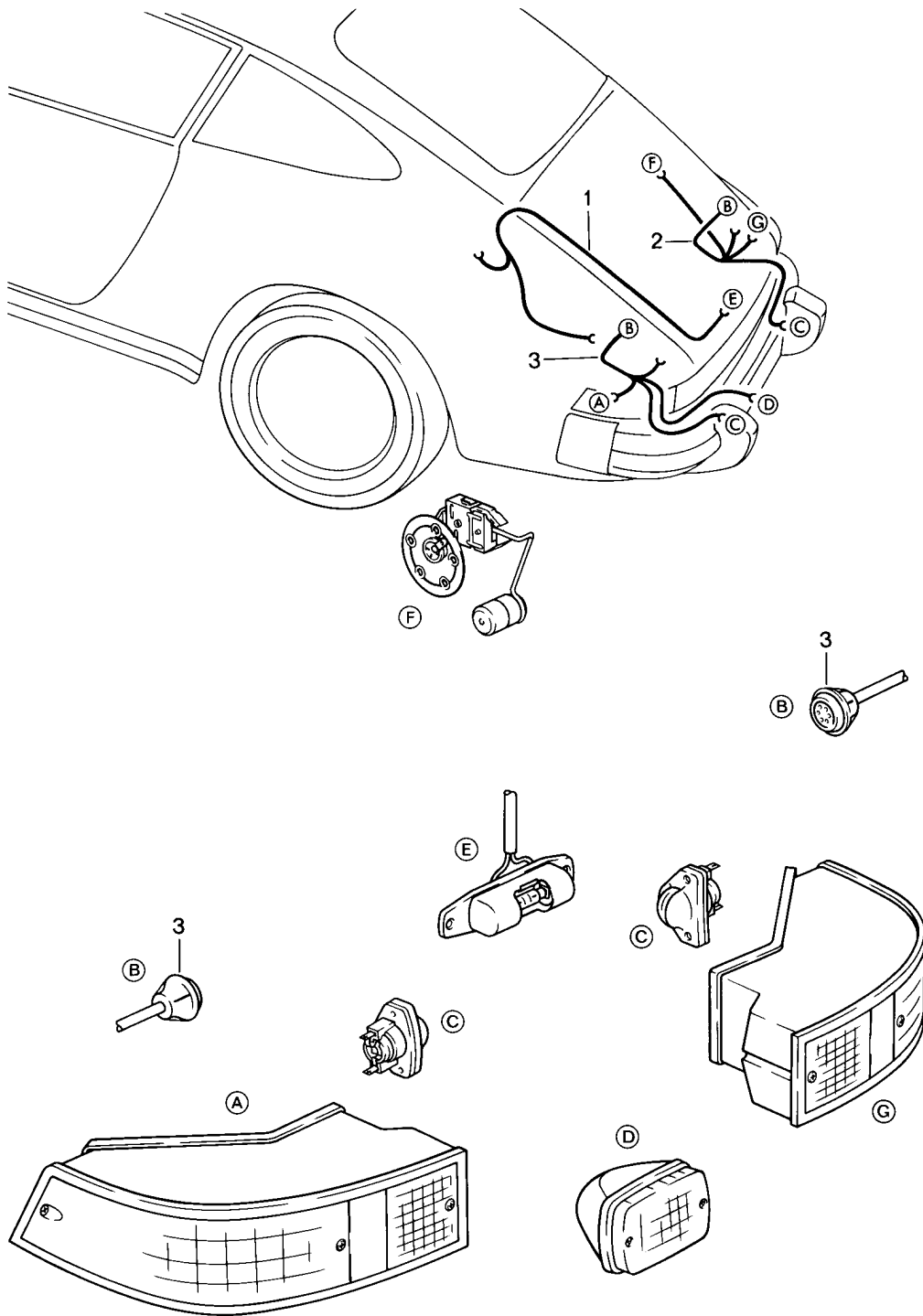
| Pos | Part Number    | Description   | Remark  | Qty | Model   |
|-----|----------------|---|---------|-----|---------|
| 1   | 911 612 002 15 | Wiring harnesses<br>FRONT luggage compartment<br>Wiring harness | /LL 84  | 1   | CARRERA |
| 1   | 911 612 002 18 | FRONT luggage compartment<br>Wiring harness                     | /LL -85 | 1   | CARRERA |
| (1) | 911 612 002 19 | FRONT luggage compartment<br>Wiring harness                     | /LL 86- | 1   | CARRERA |
| 1   | 911 612 002 14 | FRONT luggage compartment<br>Wiring harness                     | /LL 84  | 1   | TURBO   |
| (1) | 930 612 002 00 | FRONT luggage compartment<br>Wiring harness                     | /LL -85 | 1   | TURBO   |
| (1) | 930 612 002 02 | FRONT luggage compartment<br>Wiring harness                     | /LL 86- | 1   | TURBO   |
| (1) | 911 612 060 09 | FRONT luggage compartment<br>Wiring harness                     | /RL 86- | 1   | CARRERA |
| (1) | 930 612 060 02 | FRONT luggage compartment<br>Wiring harness                     | /RL 86- | 1   | TURBO   |
| 2   | 911 612 027 03 | FRONT luggage compartment<br>Additional cables                  |         | 1   |         |
| -   | 911 612 027 01 | Fog headlamp<br>Ground cable<br>Ground strap                    |         | 1   |         |
| 3   | 911 612 003 01 | Fog headlamp<br>Wiring harness<br>Fuse box<br>Headlamp<br>Horn  |         | 1   |         |
| -   | 113 941 189    | Grommet<br>Rubber   |         | X   |         |
| 4   | 911 612 011 32 | Headlamp casing<br>Wiring harness                               | -84     | 1   |         |
| (4) | 911 612 011 34 | Ignition starter switch<br>Wiring harness                       | 85-     | 1   |         |
| 5   | 911 612 047 00 | Ignition starter switch<br>Wiring harness                       |         | 1   |         |
| -   | 911 612 177 01 | Instruments<br>Wiring harness                                   | -85     | 1   |         |
| -   | 911 612 177 02 | Direction indicator light<br>Wiring harness                     | 86-     | 1   |         |
| -   | 477 953 331    | Direction indicator light<br>Grommet                            |         | 2   |         |
| -   | 911 612 010 03 | Direction indicator light<br>Wiring harness                     |         | 1   |         |
| -   | 930 612 091 00 | Light switch<br>Single line<br>Indicator light<br>Generator     |         | 1   | TURBO   |
| -   | 111 971 977    | Diode<br>Flat connector socket                                  |         | 1   | TURBO   |
| -   | 911 617 108 00 | Single line<br>Diode  |         | 1   | TURBO   |
| -   | 911 617 108 01 | Indicator light<br>Generator<br>Diode                           |         | 1   | TURBO   |
| -   | 911 612 083 00 | Indicator light<br>Generator<br>Use also:<br>825.971.990        |         | 1   |         |
| -   | 901 612 303 20 | Ground cable<br>Ashtray light<br>Ground strap                   |         | 1   |         |
| -   |                | Fuel tank<br>Connection piece                                   |         | 1   |         |

Model: 911 84 Model life 1984>>1986

| Pos | Part Number    | Description  | Remark | Qty | Model         |
|-----|----------------|--|--------|-----|---------------|
| -   | 911 612 014 30 | Wiring harness<br>Emergency light switch               | 84     | 1   |               |
| -   | 911 612 014 31 | Wiring harness<br>Emergency light switch               | 85-    | 1   |               |
| -   | 901 612 064 00 | Ground cable<br>Switch<br>Fog headlamp                 |        | 1   |               |
| 6   | 901 612 891 01 | Connector housing                                      |        | 1   |               |
| -   | 911 612 804 00 | Wiring harness<br><br>Temperature switch<br>Oil cooler |        | 1   | TURBO<br>M176 |
| -   | 911 612 805 00 | Wiring harness<br><br>Oil cooler<br>Blower             |        | 1   | TURBO<br>M176 |

Model: 911 84

Model life 1984>>1986

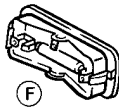
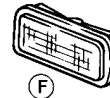
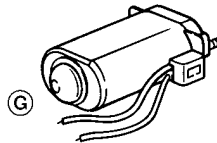
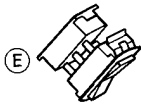
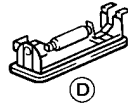
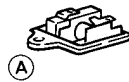
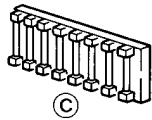
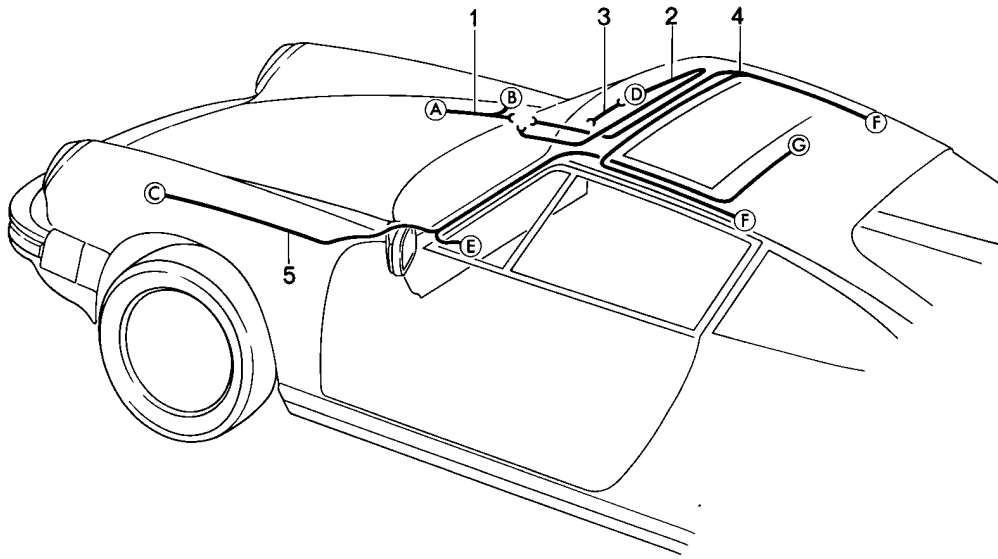


Model: 911 84 Model life 1984>>1986

| Pos | Part Number    | Description   | Remark | Qty | Model |
|-----|----------------|---|--------|-----|-------|
| 1   | 911 612 049 00 | Wiring harnesses<br>Engine compartment lamp<br>Rear light | -85    | 1   |       |
| (1) | 911 612 049 02 | Wiring harness<br>Engine compartment lamp                 | 86-    | 1   |       |
| (2) | 911 612 039 03 | Wiring harness<br>Rear light                              | /R     | 1   |       |
| 3   | 911 612 039 11 | Wiring harness<br>Rear light                              | /L     | 1   |       |
| -   | 901 612 066 02 | Wiring harness<br>Switch<br>for                           |        | 1   |       |
| -   | 901 612 064 00 | Fog headlamp<br>Ground cable<br>Switch<br>for             |        | 1   |       |
| 3   | 901 612 330 00 | Fog headlamp<br>Multiple plug connection                  |        | 1   |       |

Model: 911 84

Model life 1984>>1986



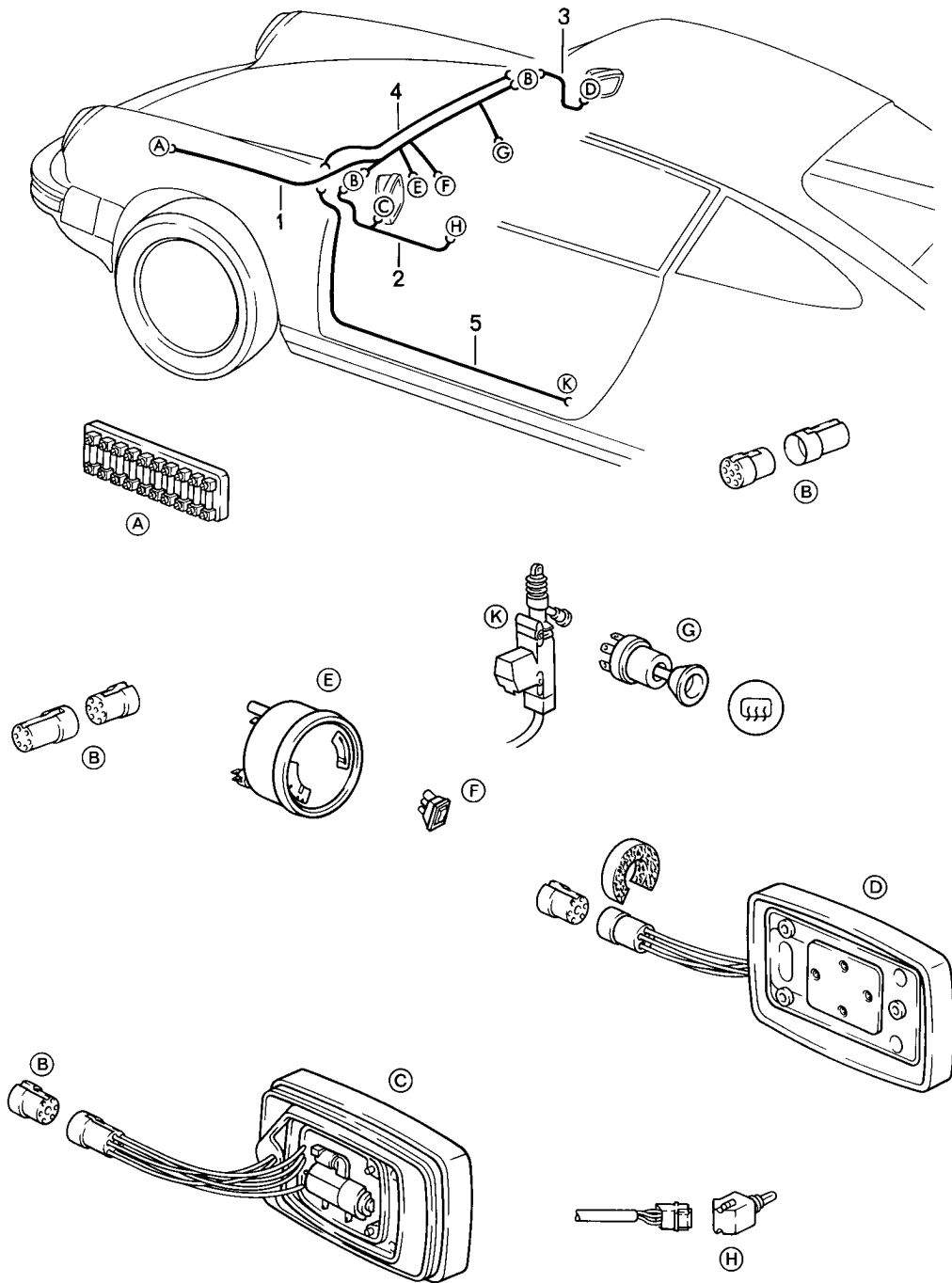
Model: 911 84

Model life 1984>>1986

| Pos | Part Number    | Description  | Remark  | Qty | Model        |
|-----|----------------|--|---------|-----|--------------|
|     |                | Wiring harnesses<br>FRONT luggage compartment<br>Interior lights<br>Sunroof<br>Convertible top control<br>Electric |         |     |              |
| 1   | 911 612 044 21 | Wiring harness   | -85     | 1   |              |
| (1) |                | Luggage compartment lamp   |         | 1   |              |
|     |                | Wiring harness   |         | 1   |              |
| 2   | 901 612 035 41 | Luggage compartment lamp   |         | 1   | TARGA        |
|     |                | Wiring harness   |         | 1   |              |
| 3   | 911 612 226 00 | Interior light   |         | 1   | TARGA, COUPE |
| (3) |                | Ground strap   |         | 1   |              |
| (3) | 911 612 042 60 | Interior light   | -85     | 1   | CABRIO       |
| (3) | 911 612 042 61 | Wiring harness   | 86-     | 1   | CABRIO       |
|     |                | Interior light   |         | 1   |              |
| 4   | 901 612 035 20 | Wiring harness   | 84      | 1   | COUPE        |
| (4) |                | Interior lights  |         | 1   |              |
| (4) | 911 612 045 01 | Wiring harness   | -85     | 1   |              |
| (4) | 911 612 045 02 | Interior lights  |         | 1   |              |
|     |                | Wiring harness   | 86-     | 1   |              |
|     |                | Interior light   |         | 1   |              |
| 5   | 911 612 034 00 | Wiring harness   | /LL 84  | 1   |              |
| (5) |                | Sunroof  |         | 1   |              |
| (5) | 911 612 034 01 | Wiring harness   | /LL -85 | 1   |              |
| (5) | 911 612 034 02 | Sunroof  |         | 1   |              |
| -   | 993 612 563 00 | Wiring harness   | 86-     | 1   | CABRIO       |
|     |                | Convertible top control  |         | 1   |              |
|     |                | Electric   |         | 1   |              |
| -   | 911 612 561 01 | Wiring harness   | /LL 86- | 1   | CABRIO       |
|     |                | Convertible top control  |         | 1   |              |
|     |                | Electric   |         | 1   |              |
| -   | 911 612 562 00 | Wiring harness   | /RL 86- | 1   | CABRIO       |
|     |                | Convertible top control  |         | 1   |              |
|     |                | Electric   |         | 1   |              |
| -   | 911 612 415 00 | Wiring harness   |         | 1   |              |
|     |                | Switch   |         | 1   |              |
| -   | 911 612 091 01 | Wiring harness   |         | 1   |              |
|     |                | Interior light   |         | 1   |              |
|     |                | Clock  |         | 1   |              |

Model: 911 84

Model life 1984>>1986





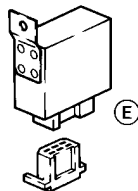
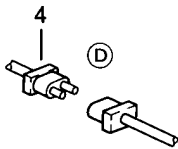
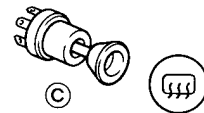
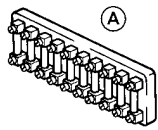
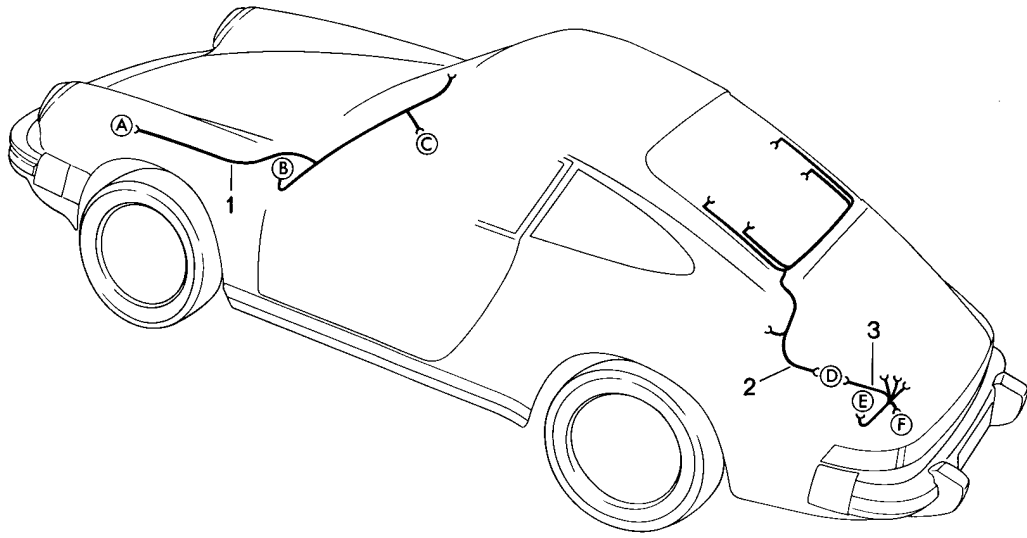
Model: 911 84

Model life 1984>>1986

| Pos | Part Number    | Description  | Remark    | Qty | Model |
|-----|----------------|--|-----------|-----|-------|
|     |                | Wiring harnesses<br>Door mirror<br>Electrically adjustable<br>Central locking system                           |           |     |       |
| 1   | 911 612 162 03 | Door mirror<br>Driver's side<br>Wiring harness   | 84<br>/LL | 1   |       |
| 2   | 911 612 163 01 | Boot floor plate<br>Wiring harness<br>Driver's door<br>Door mirror<br>Driver's side<br>And<br>Passenger's side |           | 1   |       |
| 1   | 911 612 164 03 | Wiring harness   | /LL -84   | 1   |       |
| 2   | 911 612 165 01 | Boot floor plate<br>Wiring harness<br>Driver's door  |           | 1   |       |
| 3   | 911 612 166 01 | Wiring harness<br>Passenger's door<br>Wiring harnesses<br>Central locking system                               |           | 1   |       |
| 4   | 911 612 263 01 | Wiring harness   | 85-       | 1   |       |
| 5   | 911 612 264 00 | Wiring harness   | 85-       | 2   |       |
| -   | 911 612 521 00 | Wiring harness<br>Seat<br>Electrically adjustable<br>Heated  | -85       | 1   |       |
| -   | 911 612 521 01 | Wiring harness<br>Seat<br>Electrically adjustable<br>Heated  | 86-       | 1   |       |

Model: 911 84

Model life 1984>>1986



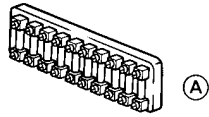
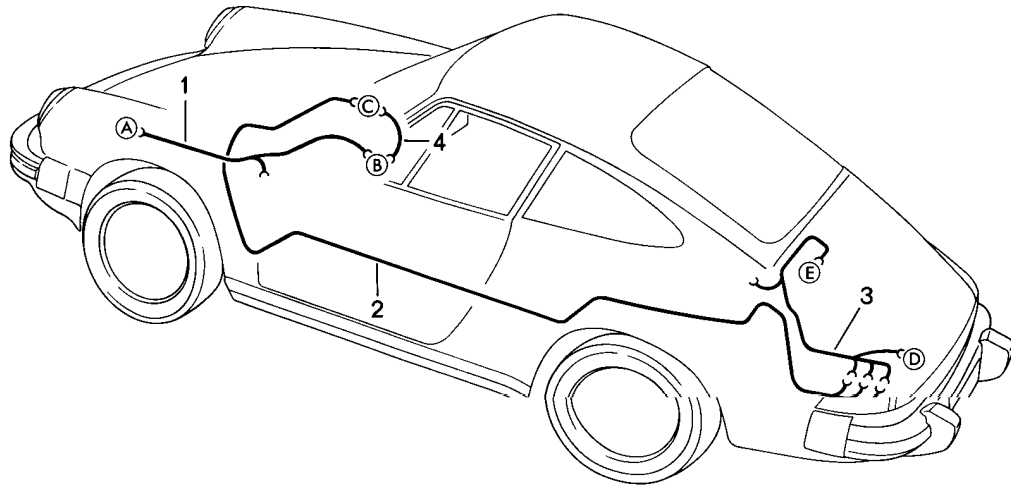
Model: 911 84

Model life 1984>>1986

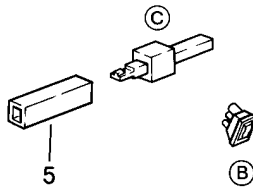
| Pos | Part Number    | Description   | Remark | Qty | Model       |
|-----|----------------|---|--------|-----|-------------|
| 1   | 911 612 057 00 | Wiring harnesses<br>Windscreen heating<br>Rear window heating<br>Wiring harness | /LL    | 1   |             |
| 2   | 911 612 032 02 | Wiring harness<br>Rear window heating   | -85    | 1   |             |
| 2   | 911 612 032 06 | Wiring harness<br>Rear window heating<br>Brake light                            | 86     | 1   | COUPE/TARGA |
| -   | 999 652 381 00 | Connector housing   | -85    | 1   |             |
| -   | 944 612 436 00 | Connector   |        | 1   |             |
| -   | 911 612 037 01 | Wiring harness<br>Rear window   | -85    | 2   | COUPE       |
| -   | 911 612 075 00 | Additional cable<br>Rear window   | -85    | 2   | TARGA       |
| -   | 911 612 091 04 | Single line<br>Rear window  | 86-    | 2   | COUPE/TARGA |
| 3   | 911 612 035 00 | Wiring harness<br>Washer<br>Relay   |        | 1   |             |
| 4   | 999 652 381 00 | Connector housing<br>2-pole<br>for<br>Cable                                     |        | 1   |             |
| 5   | 901 612 333 00 | 911 612 032 02<br>Plug socket<br>Relay  |        | 1   |             |
| -   | 901 612 066 02 | Wiring harness<br>Switch  |        | 1   |             |

Model: 911 84

Model life 1984>>1986



A

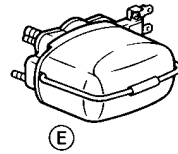


C

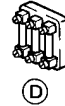
5



B



E



D

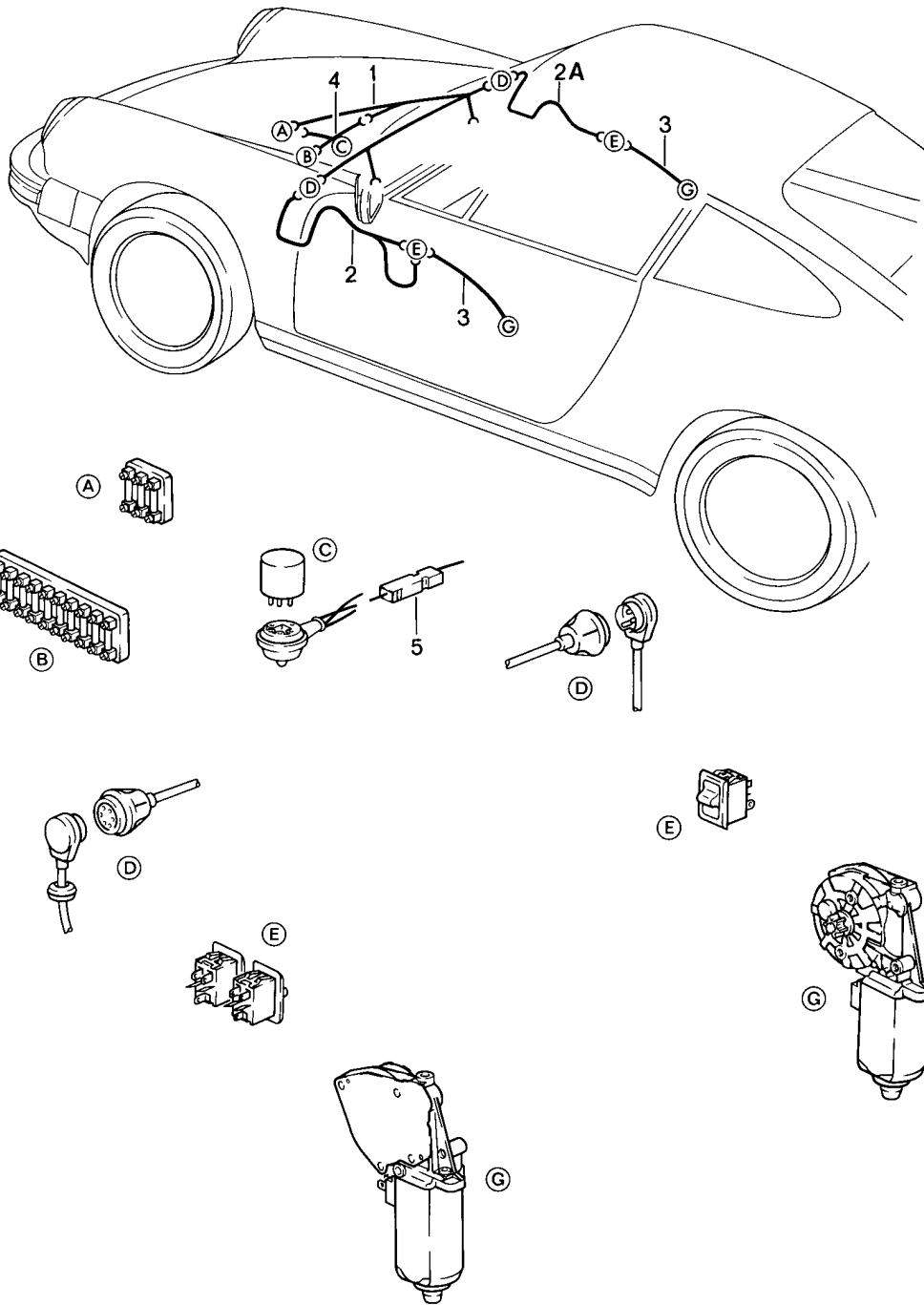
Model: 911 84

Model life 1984>>1986

| Pos | Part Number    | Description   | Remark | Qty | Model   |
|-----|----------------|---|--------|-----|---------|
| 1   | 911 612 019 00 | Wiring harnesses<br>Rear window wiper<br>Wiring harness<br>Switch<br>Fuse box | /LL    | 1   |         |
| 2   | 911 612 025 01 | Wiring harness<br>Tunnel  | /LL    | 1   |         |
| 3   | 911 612 031 02 | Wiring harness<br>Fuse box<br>Engine  |        | 1   | CARRERA |
| (3) | 911 612 031 01 | Wiring harness<br>Fuse box<br>Engine  |        | 1   | TURBO   |
| 4   | 911 612 223 00 | Single line<br>Switch<br>Diode  |        | 1   |         |
| 5   | 111 971 977    | Flat connector socket   |        | 1   |         |
| -   | 911 617 106 01 | Diode   |        | 1   |         |
| -   | 911 617 106 02 | Diode   |        | 1   |         |

Model: 911 84

Model life 1984>>1986



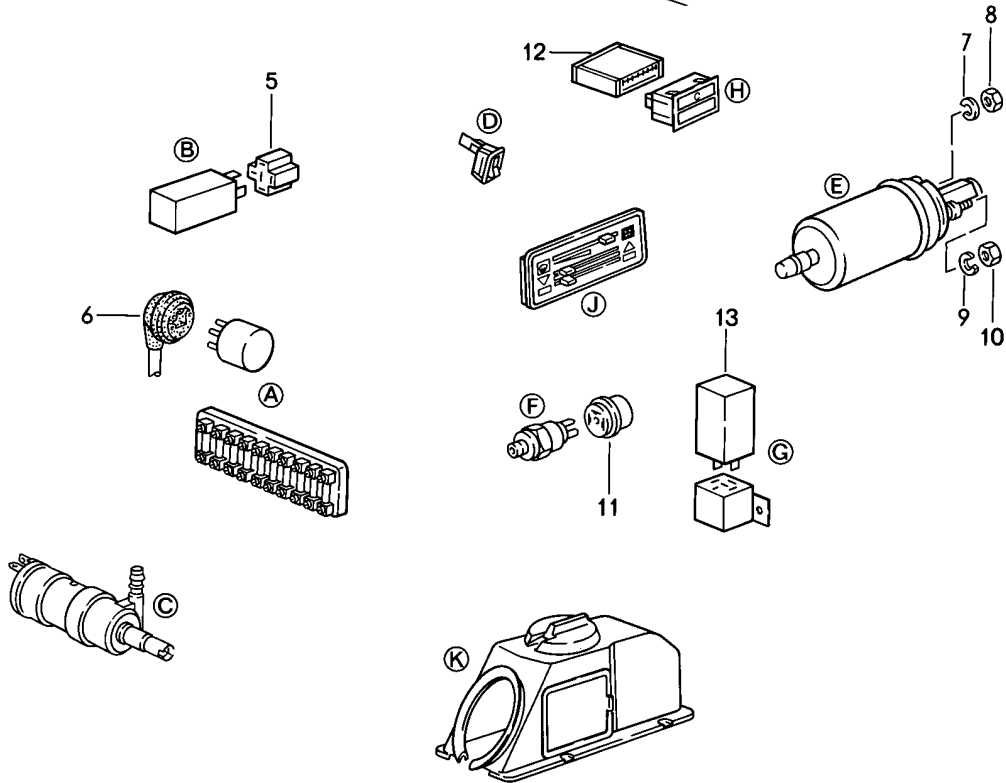
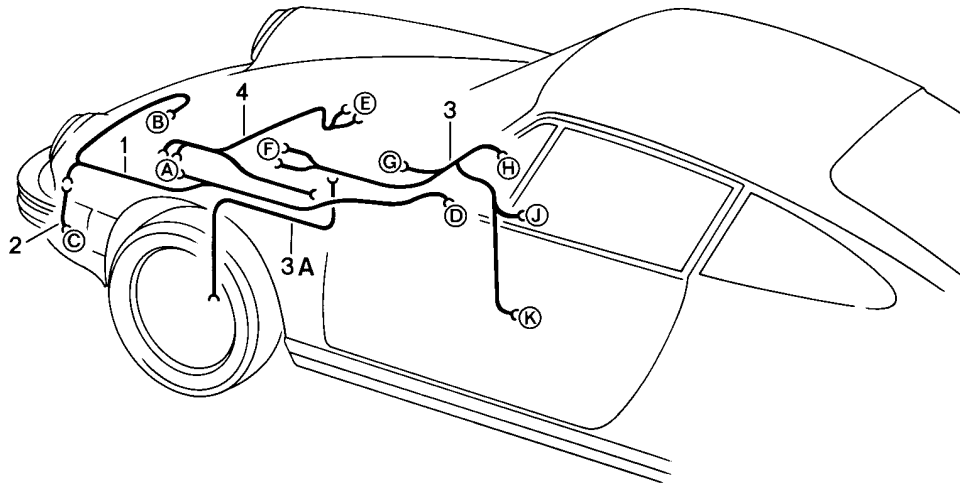
Model: 911 84

Model life 1984&gt;&gt;1986

| Pos | Part Number    | Description   | Remark | Qty | Model |
|-----|----------------|---|--------|-----|-------|
|     |                | Wiring harnesses<br>FRONT luggage compartment<br>Power window |        |     |       |
| 1   | 911 612 167 00 | Wiring harness  |        | 1   |       |
| 2   | 911 612 104 01 | Wiring harness<br>Connection point<br>Switch                  | /L     | 1   |       |
| 2A  | 911 612 104 02 | Wiring harness<br>Connection point<br>Switch                  | /R     | 1   |       |
| 3   | 911 612 048 00 | Wiring harness<br>Switch                                      |        | 2   |       |
| 4   | 911 612 147 01 | Engine<br>Wiring harness<br>Relay                             | /LL    | 1   |       |
| 5   | 111 971 977    | Flat connector socket   |        | 1   |       |

Model: 911 84

Model life 1984>>1986



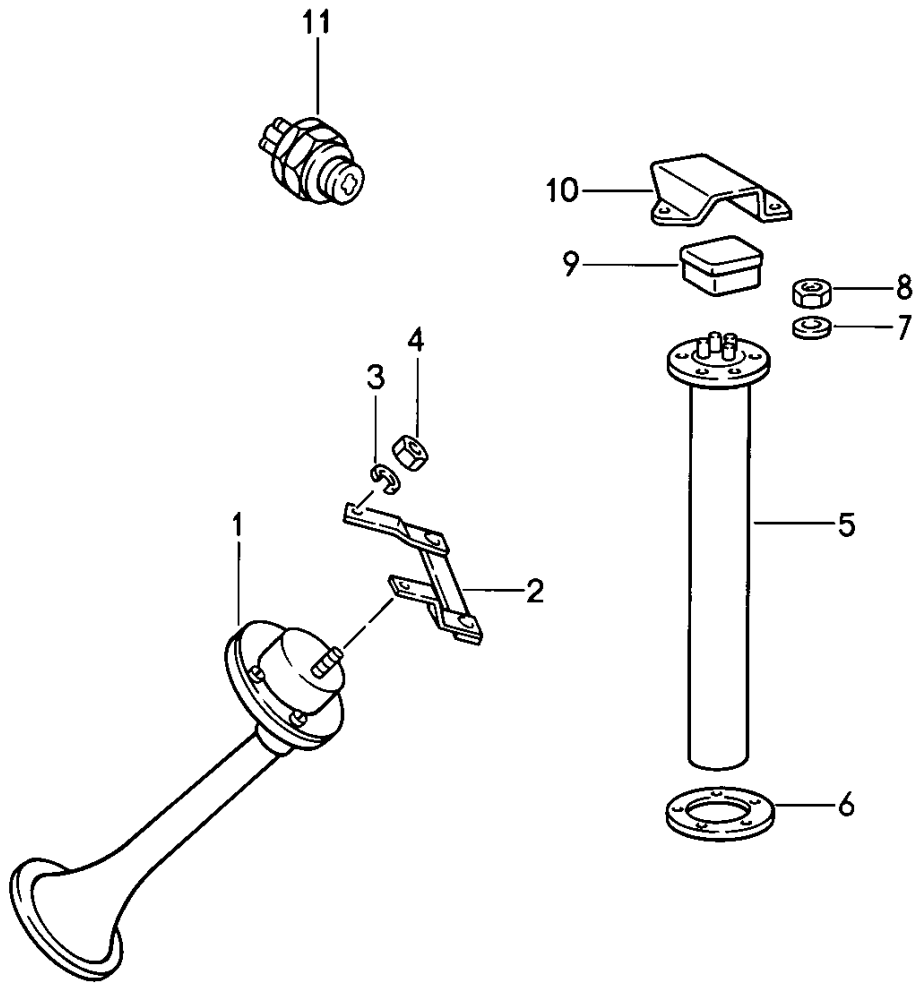


Model: 911 84 Model life 1984>>1986

| Pos  | Part Number    | Description  | Remark | Qty | Model   |
|------|----------------|--|--------|-----|---------|
| 1    | 911 612 076 01 | Wiring harnesses<br>Headlight washer system<br>Indicator lights<br>Fuel pump<br>Wiring harness |        | 1   |         |
| 2    | 911 612 179 01 | Headlight washer system<br>Wiring harness  |        | 1   |         |
| (3)  | 911 612 041 14 | Headlight washer system<br>Wiring harness<br>Seat belt   | /LL 84 | 1   |         |
| (3)  | 911 612 041 18 | Brake circuit monitoring<br>Wiring harness<br>Seat belt<br>And                                 |        | 1   |         |
| -    | 999 591 383 02 | Brake circuit monitoring<br>Cable clamp  |        | 1   |         |
| 3A   | 911 612 051 00 | Wiring harness<br>Brake pad wear indicator<br>Rear axle  |        | 1   |         |
| (3A) | 911 612 052 00 | Wiring harness<br>Brake fluid<br>Warning system<br>Front axle                                  |        | 1   |         |
| -    | 911 612 170 01 | Wiring harness<br>Brake circuit monitoring<br>Warning system                                   |        | 1   |         |
| 4    | 911 612 072 15 | Wiring harness<br>Fuel pump  |        | 1   | CARRERA |
| (4)  | 930 612 072 02 | Wiring harness<br>Fuel pump  |        | 1   | TURBO   |
| (4)  | 930 612 072 03 | Wiring harness<br>Fuel pump<br>Rear  |        | 1   | TURBO   |
| 5    | 803 971 835 A  | Terminal sleeve housing  |        | 1   |         |
| 6    | 901 612 333 00 | Plug socket  |        | 1   |         |
| 7    | 900 027 011 01 | Lock ring<br>B 4   |        | 1   |         |
| 8    | N 011 004 6    | Hexagon nut<br>M 4   |        | 1   |         |
| 8    | N 011 004 G    | Nut<br>M 4   |        | 1   |         |
| 9    | N 012 005 3    | Lock ring<br>B 5   |        | 1   |         |
| 10   | N 011 005 14   | Hexagon nut<br>M 5   |        | 1   |         |
| 10   | 900 076 091 01 | Hexagon nut<br>M 5   |        | 1   |         |
| 11   | 113 945 525    | Terminal sleeve housing<br>Brake light switch  |        | 2   |         |
| 12   | 113 971 998 B  | Connector housing<br>Brake circuit monitoring  |        | 1   |         |
| -    | 999 652 192 47 | Connector housing<br>Connecting line<br>POS. 1 + POS. 2  |        | 1   |         |
| -    | 815 971 989    | Connector housing<br>Connecting line<br>POS. 1 + POS. 2  |        | 1   |         |
| 13   | 911 618 102 00 | Warning time relay<br>Seat belt  | /LL    | 1   |         |

Model: 911 84

Model life 1984>>1986

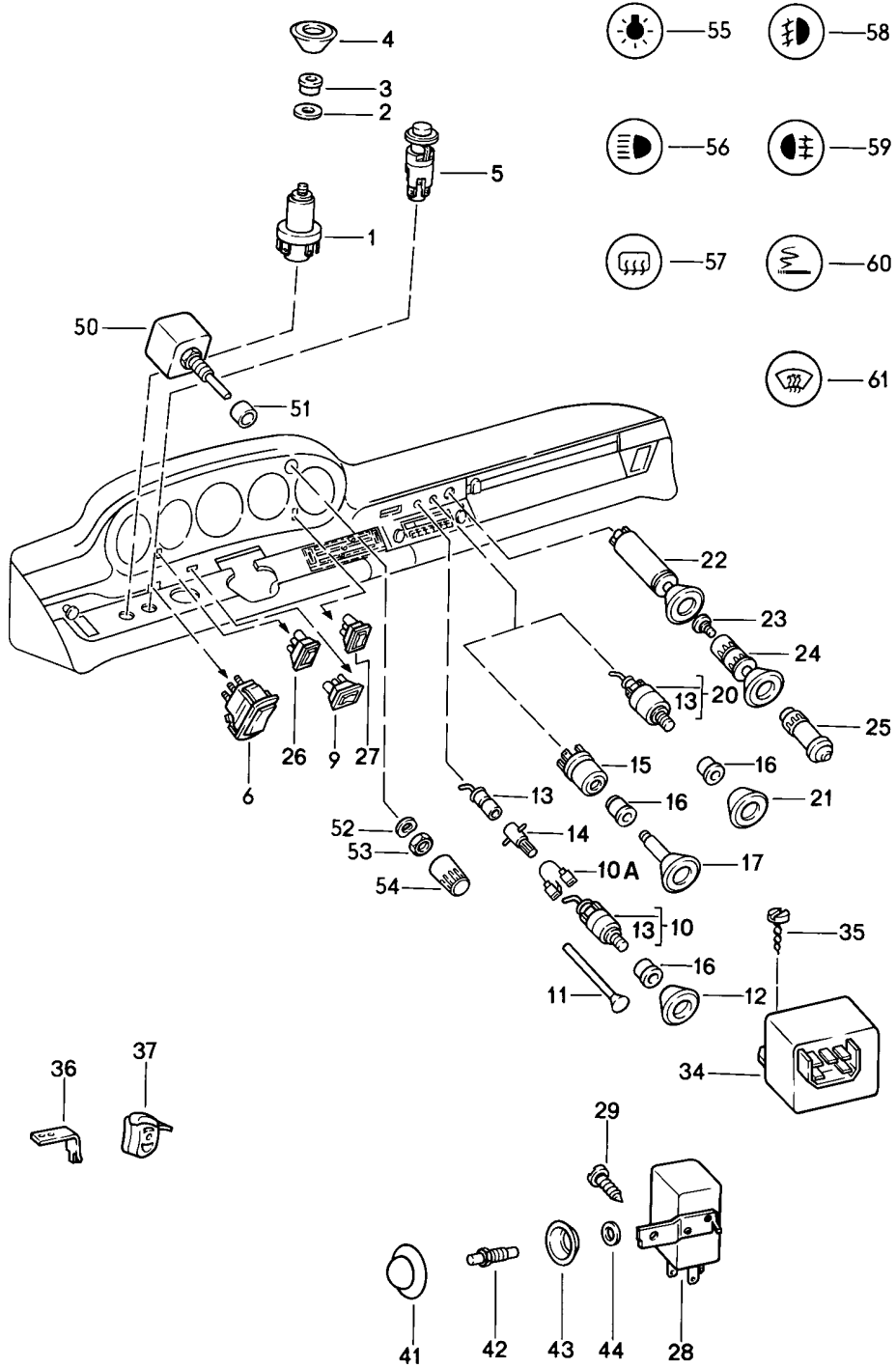


Model: 911 84 Model life 1984>>1986

| Pos  | Part Number    | Description   | Remark | Qty | Model |
|------|----------------|---|--------|-----|-------|
| 1    | 911 635 101 20 | Fanfare<br>Sender<br>Fuel-level indicator<br>Back-up light switch |        | 1   |       |
| 1    | 911 635 101 21 | Fanfare<br>Short<br>High-pitched                                  |        | 1   |       |
| (1)  | 911 635 102 20 | Fanfare<br>Long<br>Low-pitched                                    |        | 1   |       |
| (1)  | 911 635 102 21 | Fanfare<br>Long<br>Low-pitched                                    |        | 1   |       |
| 2    | 911 635 091 00 | Support   |        | 1   |       |
| 3    | N 042 121 3    | Shake-proof washer<br>6,4   |        | 2   |       |
| 4    | 900 076 010 02 | Nut<br>M 6  |        | 2   |       |
| 4    | 900 076 010 0B | Nut<br>M 6  |        | 2   |       |
| 5    | 901 741 801 00 | Sender<br>Fuel-level indicator                                    |        | 1   |       |
| 6    | 477 919 133    | Sealing ring  |        | 1   |       |
| 7    | N 012 222 4    | Spring washer<br>A 5  |        | 5   |       |
| 8    | N 011 005 14   | Hexagon nut<br>M 5  |        | 5   |       |
| 8    | 900 076 091 01 | Hexagon nut<br>M 5  |        | 5   |       |
| 9    | 901 612 891 01 | Connector housing   |        | 1   |       |
| 10   | 901 201 275 30 | Cap<br>for<br>Sender<br>Yellow<br>Anodised                        |        | 1   |       |
| (10) | 901 201 275 31 | Cap<br>for<br>Sender<br>Black                                     |        | 1   |       |
| 11   | 914 613 541 02 | Back-up light switch  |        | 1   |       |

Model: 911 84

Model life 1984>>1986



Model: 911 84

Model life 1984&gt;&gt;1986

| Pos  | Part Number    | Description               | Remark | Qty | Model  |
|------|----------------|---------------------------|--------|-----|--------|
|      |                | Switch                    | -85    |     |        |
|      |                | Relay                     |        |     |        |
| 1    | 911 613 029 03 | Push-pull light switch    |        | 1   |        |
| 2    | 900 151 026 02 | Washer                    |        | 1   |        |
|      |                | B 10,5                    |        |     |        |
| 2    | 900 151 050 01 | Washer                    |        | 1   |        |
|      |                | B 10,5                    |        |     |        |
| (3)  | 911 613 213 02 | Rosette                   |        | 1   |        |
| (4)  | 911 613 215 01 | Knob                      |        | 1   |        |
| 5    | 911 613 124 32 | Hazard warning light sw.  |        | 1   |        |
| -    | 900 631 102 90 | Light                     |        | 1   |        |
|      |                | 2 W                       |        |     |        |
| (5)  | 911 613 159 00 | Switch                    |        | 1   | CABRIO |
|      |                | Door mirror               |        |     |        |
|      |                | Heated                    |        |     |        |
| -    | 911 612 249 00 | Resistor                  |        | 1   |        |
|      |                | 150 OHM - 2 - W           |        |     |        |
| 6    | 911 613 622 00 | Tip switch                |        | 1   |        |
|      |                | for sliding roof          |        |     |        |
| 6    | 911 613 622 01 | Tip switch                |        | 1   |        |
|      |                | for sliding roof          |        |     |        |
| -    | 911 613 621 03 | Switch                    |        | 3   |        |
|      |                | for window opener         |        |     |        |
| -    | 911 613 635 20 | Assembly frame            |        | 3   |        |
|      |                | for window opener         |        |     |        |
| 9    | 911 613 113 00 | Changeover switch         |        | 1   |        |
|      |                | for                       |        |     |        |
|      |                | Door mirror               |        |     |        |
|      |                | Electrically adjustable   |        |     |        |
|      |                | without                   |        |     |        |
|      |                | Cap with symbol           |        |     |        |
| (10) | 911 613 149 00 | Switch                    |        | 1   |        |
|      |                | Rear window heating       |        |     |        |
| (10) | 911 613 147 00 | Switch                    |        | 1   |        |
|      |                | Rear window heating       |        |     |        |
|      |                | Two-stage heatable        |        |     |        |
| -    | 999 703 067 50 | Stopper                   |        | 1   |        |
| (12) | 911 613 028 03 | Knob                      |        | 1   |        |
| 13   | 999 632 007 00 | Bulb socket               |        | 1   |        |
| 14   | 900 631 132 90 | Bulb                      |        | 1   |        |
| 15   | 911 613 147 00 | Switch                    | -84    | 1   |        |
|      |                | Fog headlamp              |        |     |        |
|      |                | Switch for rear fog light |        |     |        |
| 16   | 911 613 213 03 | Rosette                   |        | 2   |        |
| 17   | 911 613 028 03 | Knob                      |        | 1   |        |
| (20) | 911 613 149 00 | Switch                    | 85-    | 1   |        |
|      |                | Fog headlamp              |        |     |        |
|      |                | Switch for rear fog light |        |     |        |
| (21) | 911 613 028 03 | Knob                      |        | 1   |        |
| 22   | 911 652 102 06 | Cigarette lighter         |        | 1   |        |
| 22   | 911 652 102 08 | Cigarette lighter         |        | 1   |        |
| 23   | 644 652 112 00 | Glower                    |        | 1   |        |
|      |                | Cigarette lighter         |        |     |        |
| 24   | 911 652 122 02 | Connector                 |        | 1   |        |
|      |                | Cigarette lighter         |        |     |        |
| 25   | 901 613 801 00 | Connector                 |        | 1   |        |
|      |                | for                       |        |     |        |
|      |                | Auxiliary unit            |        |     |        |
| 26   | 911 613 321 01 | Tip switch                |        | 1   |        |
|      |                | Rear window wiper         |        |     |        |
| 27   | 911 613 319 01 | Tip switch                |        | 1   |        |
|      |                | Headlight washer system   |        |     |        |
| 28   | 928 618 111 00 | Relay                     |        | 1   |        |

Model: 911 84 Model life 1984>>1986

| Pos  | Part Number        | Description                                 | Remark | Qty | Model   |
|------|--------------------|---|--------|-----|---------|
| 29   | N 013 968 7        | Headlight washer system<br>Tapping screw    |        | 1   |         |
| 29   | 900 143 097 01     | B 4,8 X 13<br>Tapping screw                 |        | 1   |         |
| -    | 911 617 136 00     | B 4,8 X 13<br>Relay                         |        | 1   | CARRERA |
|      |                    | Engine-speed shutoff<br>Catalytic converter |        |     |         |
| 34   | 911 618 149 01     | Pulse sender<br>Wipe interval               |        | 1   |         |
| 35   | N 013 970 5        | Oval-head sheetmetal screw                  |        | 1   |         |
| 35   | N 106 568 02       | B 4,8 X 9,5<br>Oval-head sheetmetal screw   |        | 1   |         |
| 36   | 901 613 523 20     | B 4,8 X 9,5<br>Contact bow                  |        | 1   |         |
|      |                    | Handbrake<br>Indicator light                |        |     |         |
| 37   | 901 613 521 20     | Contact switch                              |        | 1   |         |
| 41   | 901 615 616 20     | Rubber cap                                  |        | 2   |         |
| 42   | 964 613 601 00     | Door contact switch                         |        | 3   |         |
|      |                    | for<br>Luggage compartment lamp             |        |     |         |
| (42) | 928 613 147 00     | Door contact switch                         |        | 2   |         |
|      |                    | Interior light                              |        |     |         |
| (42) | 901 615 601 02     | Contact switch                              |        | 1   |         |
|      |                    | for<br>Glove compartment light              |        |     |         |
| (42) | 901 615 601 03     | Contact switch                              |        | 1   |         |
|      |                    | for<br>Glove compartment light              |        |     |         |
| 43   | 901 615 615 20     | Concave washer                              |        | 2   |         |
| 44   | 900 031 001 60     | Washer                                      |        | 2   |         |
|      |                    | 8,4   |        |     |         |
| 50   | 911 618 147 01     | Potentiometer                               |        | 1   |         |
|      |                    | Wipe interval                               |        |     |         |
| 50   | 911 618 147 02     | Potentiometer                               |        | 1   |         |
|      |                    | Wipe interval                               |        |     |         |
| 51   | 911 618 207 00     | Spacer sleeve                               |        | 1   |         |
| 52   | 900 028 019 01     | Spring washer                               |        | 1   |         |
|      |                    | B 7   |        |     |         |
| 53   | 911 618 209 00     | Hexagon nut                                 |        | 1   |         |
|      |                    | M 7 X 0,75                                  |        |     |         |
| 54   | 911 618 011 00     | Knob  |        | 1   |         |
|      |                    | with<br>Spring                              |        |     |         |
|      |                    | Cap with symbol                             |        |     |         |
| 56   | 911 613 239 01     | Cap with symbol                             |        | 1   |         |
|      |                    | Light switch                                |        |     |         |
| 56   | 911 613 239 02     | Cap with symbol                             |        | 1   |         |
|      |                    | Light switch                                |        |     |         |
| 57   | 911 613 232 01     | Cap with symbol                             |        | 1   |         |
|      |                    | Rear window heating                         |        |     |         |
| 57   | 911 613 232 02     | Cap with symbol                             |        | 1   |         |
|      | 911 613 232 02 01C | Satin black                                 |        |     |         |
|      |                    | Rear window heating                         |        |     |         |
| 57   | 911 613 232 03     | Cap with symbol                             |        | 1   |         |
|      | 911 613 232 03 01C | Satin black                                 |        |     |         |
|      |                    | Rear window heating                         |        |     |         |
| 57   | 911 613 232 03     | Cap with symbol                             |        | 1   |         |
|      | 911 613 232 03 01C | Satin black                                 |        |     |         |
|      |                    | Rear window heating                         |        |     |         |
| 58   | 911 613 233 01     | Cap with symbol                             |        | 1   |         |
|      |                    | Fog headlamp                                |        |     |         |

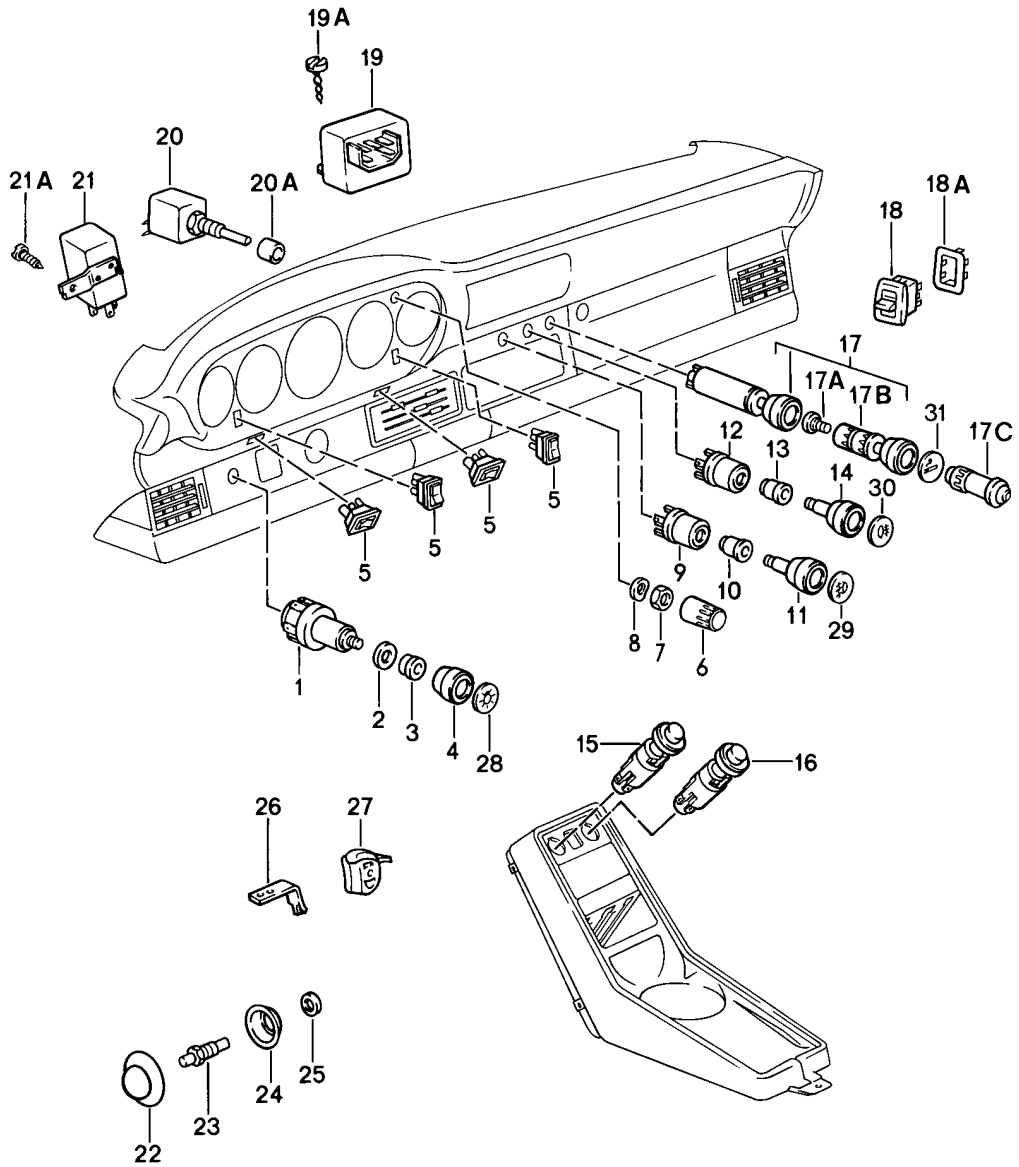
Model: 911 84

Model life 1984&gt;&gt;1986

| Pos | Part Number    | Description                           | Remark | Qty | Model |
|-----|----------------|---------------------------------------|--------|-----|-------|
| 59  | 911 613 234 01 | Cap with symbol<br>Rear fog light     |        | 1   |       |
| 60  | 911 613 235 01 | Cap with symbol<br>Cigarette lighter  |        | 1   |       |
| 60  | 911 613 235 02 | Cap with symbol<br>Cigarette lighter  |        | 1   |       |
| 61  | 911 613 240 01 | Cap with symbol<br>Windscreen heating |        | 1   |       |

Model: 911 84

Model life 1984>>1986





Model: 911 84 Model life 1984>>1986

| Pos  | Part Number    | Description                               | Remark | Qty | Model  |
|------|----------------|---|--------|-----|--------|
|      |                | Switch                                    | 86-    |     |        |
|      |                | Relay                                     |        |     |        |
| 1    | 911 613 029 03 | Push-pull light switch                    |        | 1   |        |
| 2    | 900 151 026 02 | Washer                                    |        | 1   |        |
| 2    | 900 151 050 01 | Washer                                    |        | 1   |        |
| 3    | 911 613 213 02 | Rosette                                   |        | 1   |        |
| 4    | 911 613 214 05 | Knob                                      |        | 1   |        |
| 5    | 911 613 622 00 | Tip switch<br>for sliding roof            |        | 1   |        |
| 5    | 911 613 622 01 | Tip switch<br>for sliding roof            |        | 1   |        |
| 5    | 911 613 622 00 | Tip switch<br>Convertible top             |        | 1   | CABRIO |
| 5    | 911 613 622 01 | Tip switch<br>Convertible top             |        | 1   | CABRIO |
| 5    | 911 613 319 02 | Tip switch<br>Intensive windscreen washer |        | 1   |        |
| 5    | 911 613 113 00 | Changeover switch<br>Door mirror          |        | 1   |        |
| 5    | 911 613 319 01 | Tip switch<br>Electrically adjustable     |        | 1   |        |
| 5    | 911 613 321 01 | Tip switch<br>Headlight washer system     |        | 1   |        |
| 6    | 911 618 011 00 | Rear window wiper<br>Knob                 |        | 1   |        |
| 7    | 911 618 209 00 | Potentiometer<br>Hexagon nut              |        | 1   |        |
| 8    | 900 028 019 01 | Spring washer                             |        | 1   |        |
| 9    | 911 613 149 00 | Switch<br>Fog headlamp                    |        | 1   |        |
| 10   | 911 613 213 03 | Rosette                                   |        | 1   |        |
| -    | 900 631 132 90 | Bulb                                      |        | 1   |        |
| 11   | 911 613 028 10 | Knob                                      |        | 1   |        |
| 12   | 911 613 149 00 | Switch<br>Rear fog light                  |        | 1   |        |
| 13   | 911 613 213 03 | Rosette                                   |        | 1   |        |
| -    | 900 631 132 90 | Bulb                                      |        | 1   |        |
| 14   | 911 613 028 10 | Knob                                      |        | 1   |        |
| 15   | 911 613 124 32 | Hazard warning light sw.                  |        | 1   |        |
| -    | 900 631 102 90 | Light<br>2 W                              |        | 1   |        |
| 16   | 911 613 148 00 | Switch<br>Rear window heating             |        | 1   |        |
| (16) | 911 613 159 00 | Switch<br>Door mirror                     |        | 1   | CABRIO |
|      |                | Heated                                    |        |     |        |
| 17   | 911 652 102 06 | Cigarette lighter                         |        | 1   |        |
| 17   | 911 652 102 08 | Cigarette lighter                         |        | 1   |        |
| 17A  | 644 652 112 00 | Glower<br>Cigarette lighter               |        | 1   |        |
| 17B  | 911 652 122 02 | Connector<br>Cigarette lighter            |        | 1   |        |
| 17C  | 901 613 801 00 | Connector<br>Connector                    |        | 1   |        |
|      |                | for                                       |        |     |        |
|      |                | Auxiliary units                           |        |     |        |
| 18   | 911 613 621 03 | Switch<br>for window opener               |        | 3   |        |
| 18A  | 911 613 635 20 | Assembly frame                            |        | 1   |        |
| 19   | 911 618 149 01 | Pulse sender<br>Wipe interval             |        | 1   |        |

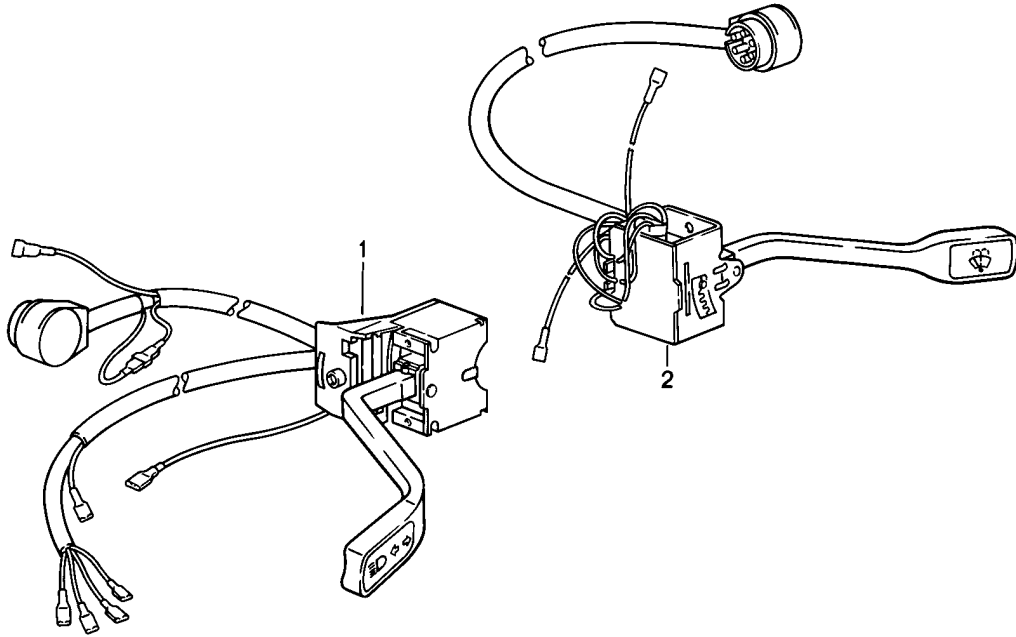
Model: 911 84

Model life 1984>>1986

| Pos  | Part Number        | Description                                     | Remark | Qty | Model |
|------|--------------------|---|--------|-----|-------|
| 19A  | N 013 970 5        | Oval-head sheetmetal screw<br>B 4,8 X 9,5       |        | 1   |       |
| 19A  | N 106 568 02       | Oval-head sheetmetal screw<br>B 4,8 X 9,5       |        | 1   |       |
| 20   | 911 618 147 01     | Potentiometer<br>Wipe interval                  |        | 1   |       |
| 20   | 911 618 147 02     | Potentiometer<br>Wipe interval                  |        | 1   |       |
| 20A  | 911 618 207 00     | Spacer sleeve                                   |        | 1   |       |
| 21   | 928 618 111 00     | Relay<br>Headlight washer system                |        | 1   |       |
| 21A  | N 013 968 7        | Tapping screw<br>B 4,8 X 13                     |        | 1   |       |
| 21A  | 900 143 097 01     | Tapping screw<br>B 4,8 X 13                     |        | 1   |       |
| 22   | 901 615 616 20     | Rubber cap                                      |        | 1   |       |
| 23   | 964 613 601 00     | Door contact switch<br>Luggage compartment lamp |        | 3   |       |
| (23) | 928 613 147 00     | Door contact switch<br>Interior light           |        | 3   |       |
| (23) | 901 615 601 02     | Contact switch<br>Glove compartment<br>Light    |        | 1   |       |
| (23) | 901 615 601 03     | Contact switch<br>Glove compartment<br>Light    |        | 1   |       |
| 24   | 901 615 615 20     | Concave washer                                  |        | 2   |       |
| 25   | 900 031 001 60     | Washer<br>8,4                                   |        | 2   |       |
| 26   | 901 613 523 20     | Contact bow<br>Handbrake<br>Indicator light     |        | 1   |       |
| 27   | 901 613 521 20     | Contact switch<br>Cap with symbol               |        | 1   |       |
| 28   | 911 613 239 01     | Cap with symbol<br>Light switch                 |        | 1   |       |
| 28   | 911 613 239 02     | Cap with symbol<br>Light switch                 |        | 1   |       |
| 29   | 911 613 233 02     | Cap with symbol<br>Fog headlamp                 |        | 1   |       |
| 29   | 911 613 233 03     | Cap with symbol                                 |        | 1   |       |
| 29   | 911 613 233 03 01C | Satin black<br>Fog headlamp                     |        | 1   |       |
| 29   | 911 613 233 03     | Cap with symbol<br>for<br>Fog headlamp          |        | 1   |       |
| 29   | 911 613 233 03 01C | Black   |        | 1   |       |
| 30   | 911 613 234 02     | Cap with symbol<br>Rear fog light               |        | 1   |       |
| 31   | 911 613 235 01     | Cap with symbol<br>Cigarette lighter            |        | 1   |       |
| 31   | 911 613 235 02     | Cap with symbol<br>Cigarette lighter            |        | 1   |       |

Model: 911 84

Model life 1984>>1986



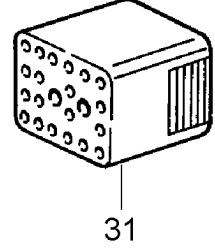
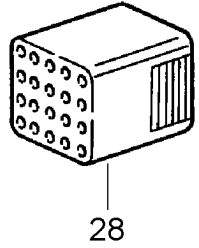
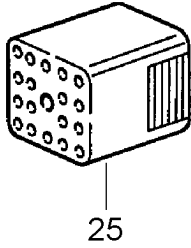
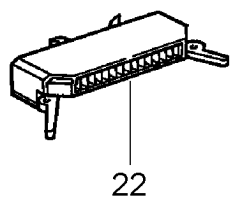
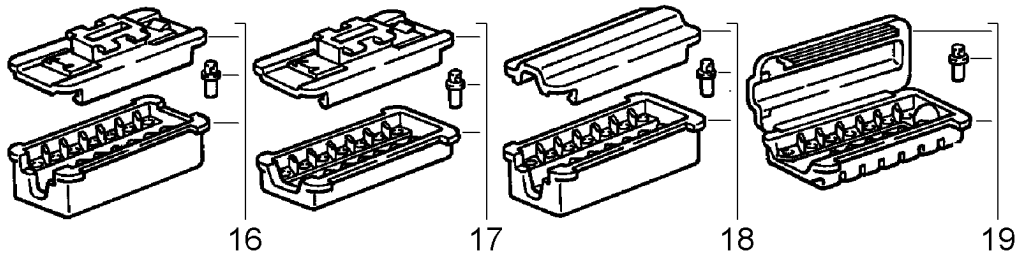
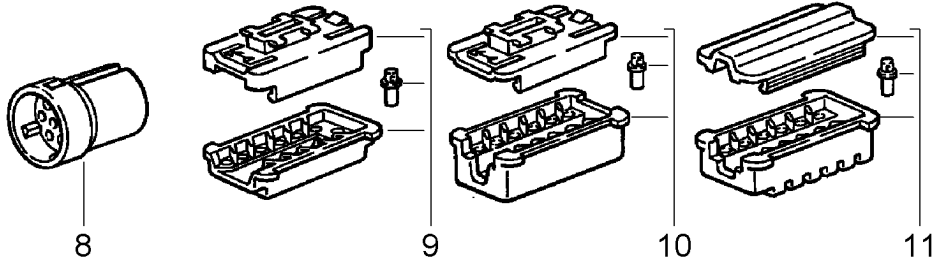
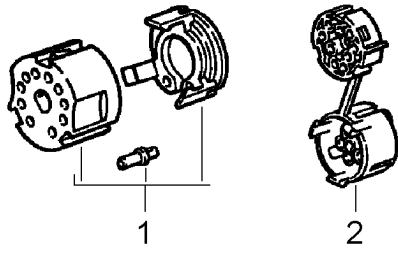
Model: 911 84

Model life 1984&gt;&gt;1986

| Pos | Part Number    | Description  | Remark | Qty    | Model |
|-----|----------------|--|--------|--------|-------|
| 1   | 911 613 305 01 | Steering column switch<br>Steering column switch<br>Left |        | 1      |       |
| 2   | 911 613 306 02 | Steering column switch<br>Right                          |        | 1<br>1 |       |

Model: 911 84

Model life 1984>>1986



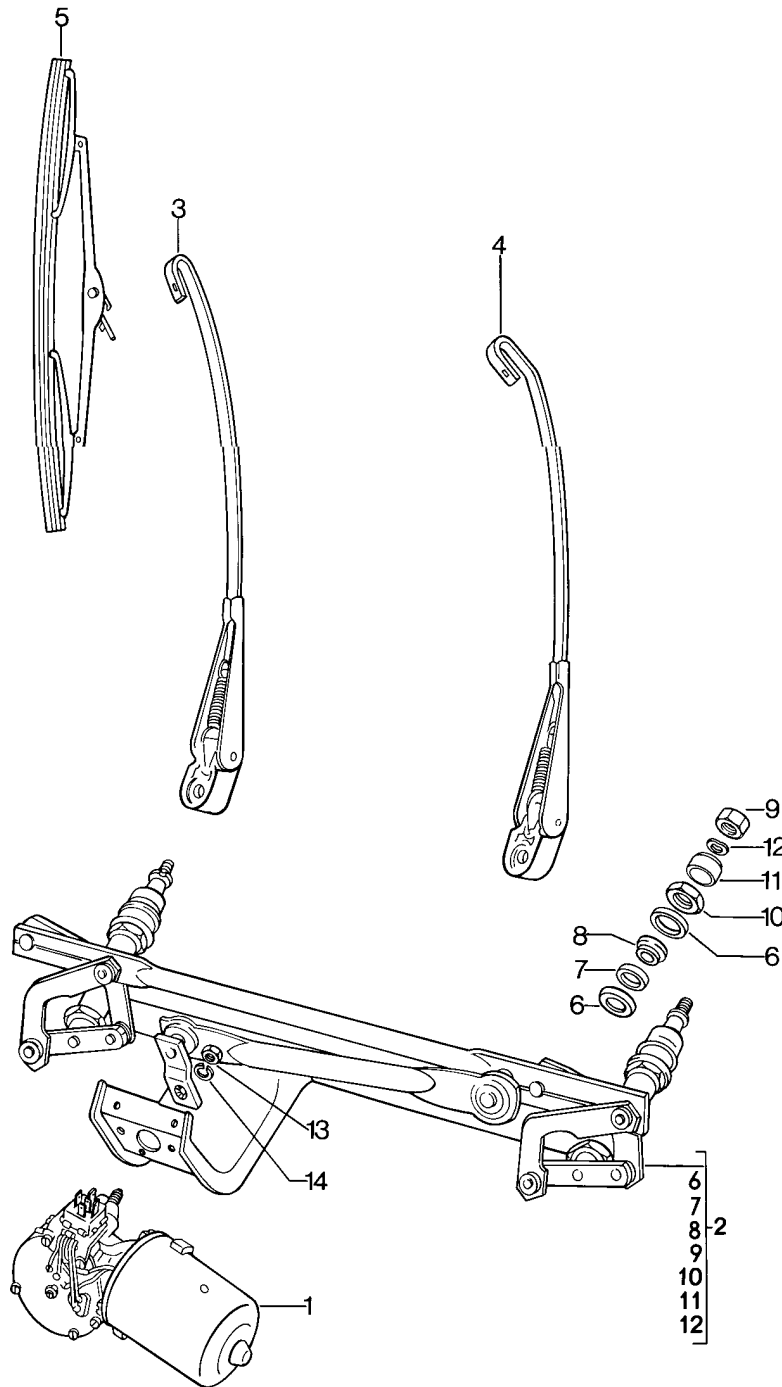
Model: 911 84

Model life 1984>>1986

| Pos  | Part Number    | Description   | Remark | Qty | Model |
|------|----------------|---|--------|-----|-------|
|      |                | Connector housing<br>10-pole<br>Until<br>22-pole<br>10-pole |        |     |       |
| 1    | 911 612 889 00 | Connector housing<br>with                                   |        | X   |       |
| -    |                | Contact bush  |        | 10  |       |
| 2    | 944 613 531 01 | Connector housing<br>for                                    |        | X   |       |
| -    | 944 612 548 00 | Contact bush<br>12-pole                                     |        | 10  |       |
| 8    | 861 972 524    | Connector housing<br>1,6 / 3,5                              |        | X   |       |
| 9    | 911 612 122 02 | Plug socket<br>with   |        | X   |       |
|      |                | Contact bush  |        | 12  |       |
| 9    | 911 612 122 04 | Plug socket<br>with   |        | X   |       |
|      |                | Contact bush  |        | 12  |       |
| 10   | 928 612 423 00 | Connector housing   |        | X   |       |
| 11   | 911 612 884 00 | Connector housing   |        | X   |       |
| 11   | 911 612 121 01 | Connector housing<br>14-pole                                |        | X   |       |
| 16   | 911 612 115 02 | Connector housing   |        | X   |       |
| 17   | 911 612 113 05 | Connector housing   |        | X   |       |
| 18   | 911 612 115 03 | Connector housing   |        | X   |       |
| 19   | 944 612 215 00 | Connector housing<br>without                                |        | X   |       |
|      |                | Contact bush<br>99965235122<br>17-pole                      |        | 14  |       |
| 22   | 944 612 311 00 | Connector housing<br>for                                    |        | X   |       |
| -    | 999 652 380 12 | Contact spring<br>19-pole                                   |        | X   |       |
| 25   | 171 971 971 C  | Connector housing<br>Nature                                 |        | X   |       |
| (25) | 171 971 971 E  | Connector housing<br>White                                  |        | X   |       |
| 28   | 171 971 971    | Connector housing<br>Yellow                                 |        | X   |       |
| (28) | 171 971 971 D  | Connector housing<br>Red                                    |        | X   |       |
| 31   | 171 971 971 A  | Connector housing<br>Black                                  |        | X   |       |
| (31) | 171 971 971 B  | Connector housing<br>Blue                                   |        | X   |       |

Model: 911 84

Model life 1984>>1986



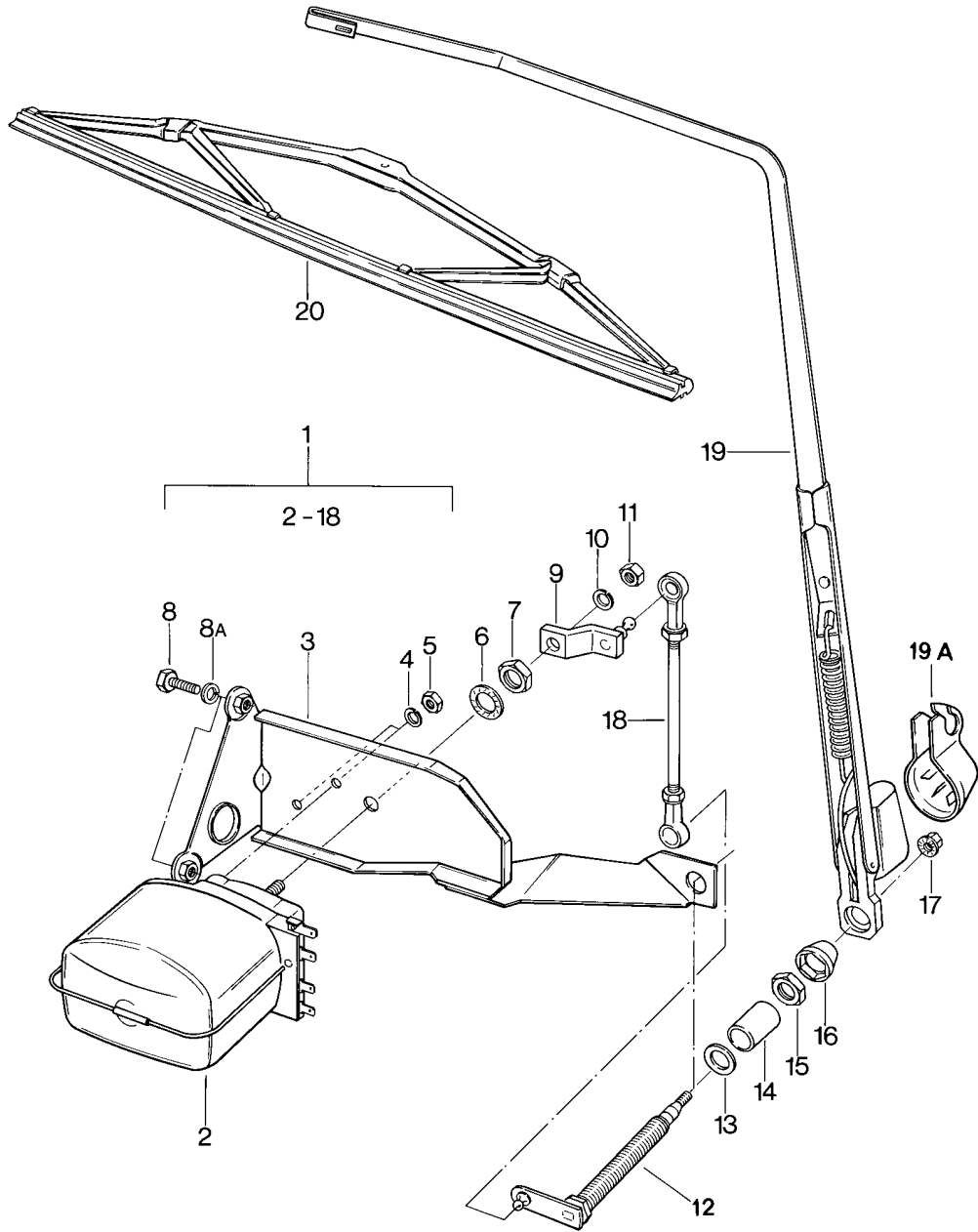
Model: 911 84 Model life 1984>>1986

| Pos | Part Number    | Description                      | Remark  | Qty | Model |
|-----|----------------|----------------------------------|---------|-----|-------|
|     |                | Windscreen wiper system          |         |     |       |
| 1   | 911 628 115 01 | Wiper motor                      | /LL 84  | 1   |       |
| (1) | 911 628 115 02 | Wiper motor                      | /LL 85- | 1   |       |
| 2   | 911 628 961 00 | Crank drive<br>with<br>POS. 6-12 | /LL -84 | 1   |       |
| 2   | 911 628 035 01 | Crank drive                      | /LL 85- | 1   |       |
| 3   | 911 628 313 00 | Wiper arm                        | /LL /L  | 1   |       |
| 4   | 911 628 314 00 | Wiper arm                        | /LL /R  | 1   |       |
| 5   | 964 628 901 00 | Wiper blade                      |         | 2   |       |
| 5   | 964 628 901 02 | Wiper blade                      |         | 2   |       |
| 6   | 911 628 963 00 | Flange washer<br>Black           |         | 4   |       |
| 7   | 901 628 923 01 | Rubber bush                      |         | 2   |       |
| 8   | 901 628 924 00 | Rubber bush                      |         | 2   |       |
| 9   | N 011 118 11   | Hexagon nut<br>BM 8              |         | 2   |       |
| 9   | 900 034 001 05 | Hexagon nut<br>BM 8              |         | 2   |       |
| 9   | N 011 118 11   | Hexagon nut                      |         | 2   |       |
| 9   | 900 034 001 05 | Hexagon nut                      |         | 2   |       |
| 10  | 901 628 925 00 | Hexagon nut                      |         | 2   |       |
| 11  | 901 628 926 00 | Cap                              |         | 2   |       |
| 12  | 901 628 927 00 | Spring washer                    |         | 2   |       |
| 12  | 481 955 349    | Spring washer                    |         | 2   |       |
| 12  | 803 955 437    | Spring washer                    |         | 2   |       |
| 13  | 900 076 010 02 | Nut<br>M 6                       |         | 1   |       |
| 13  | 900 076 010 0B | Nut<br>M 6                       |         | 1   |       |
| 14  | N 012 226 5    | Spring washer<br>6,4             |         | 1   |       |
| 14  |                | Spring washer                    |         | 1   |       |



Model: 911 84

Model life 1984>>1986



Model: 911 84

Model life 1984&gt;&gt;1986

| Pos  | Part Number    | Description  | Remark | Qty | Model                        |
|------|----------------|--|--------|-----|------------------------------|
| 1    | 911 628 019 03 | Rear window wiper<br>Rear window wiper<br>without<br>Wiper arm<br>And<br>Wiper blade |        | 1   | CARRERA                      |
| (1)  | 911 628 019 05 | Rear window wiper<br>without<br>Wiper arm<br>And<br>Wiper blade                      |        | 1   | CARRERA<br>M473/491<br>TURBO |
| 2    | 911 628 063 00 | Wiper motor  |        | 1   |                              |
| 3    | 911 628 037 01 | Assembly frame   |        | 1   |                              |
| 4    | N 012 006 4    | Lock ring  |        | 2   |                              |
| 5    | 999 076 023 02 | Hexagon nut<br>M 5   |        | 2   |                              |
| 6    | 911 628 338 00 | Washer<br>14,2   |        | 1   |                              |
| 7    | 999 078 014 02 | Hexagon nut<br>M 14 X 1  |        | 1   |                              |
| 8    | 999 072 005 09 | Hexagon nut<br>M 6 X 12  |        | 2   |                              |
| 8    | 999 072 005 01 | Hexagon nut<br>M 6 X 12  |        | 2   |                              |
| 8A   | N 012 006 4    | Lock ring<br>B 6   |        | 1   |                              |
| 9    | 901 628 318 00 | Lever  |        | 1   |                              |
| 10   | N 012 006 4    | Lock ring<br>A 6   |        | 1   |                              |
| 11   | 999 076 024 02 | Hexagon nut<br>M 6   |        | 1   |                              |
| 12   | 911 628 256 02 | Wiper bearing  |        | 1   | CARRERA                      |
| (12) | 911 628 256 01 | Wiper bearing  |        | 1   | CARRERA<br>M473/491<br>TURBO |
| 13   | 999 040 002 00 | Round seal<br>B 10   |        | 1   |                              |
| 14   | 911 628 251 03 | Bush<br>14 MM  |        | 1   |                              |
| (14) | 911 628 251 01 | Bush<br>23 MM  |        | 1   |                              |
| (14) | 911 628 251 04 | Bush<br>4 MM   |        | 1   |                              |
| (14) | 911 628 251 02 | Bush<br>27 MM  |        | 1   |                              |
| 15   | 999 183 004 02 | Hexagon nut<br>M 12 X 1  |        | 1   |                              |
| 16   | 911 628 193 00 | Cap  |        | 1   |                              |
| 17   | 999 084 045 02 | Lock nut<br>M 6  |        | 1   |                              |
| 18   | 911 628 145 00 | Joint rod  |        | 1   |                              |
| 18   | 911 628 145 01 | Joint rod  |        | 1   |                              |
| 19   | 911 628 611 01 | Wiper arm  |        | 1   |                              |
| 19A  | 911 628 623 00 | Cap  |        | 1   |                              |
| 20   | 911 628 613 01 | Wiper blade  |        | 1   |                              |
| -    | 911 613 321 01 | Tip switch   |        | 1   |                              |
| -    | 911 612 031 02 | Wiring harness<br>Rear window wiper  |        | 1   | CARRERA                      |
| -    | 911 612 031 01 | Wiring harness   |        | 1   | TURBO<br>M491                |
| -    | 911 612 025 01 | Rear window wiper<br>Wiring harness<br>Rear window wiper                             | /LL    | 1   |                              |

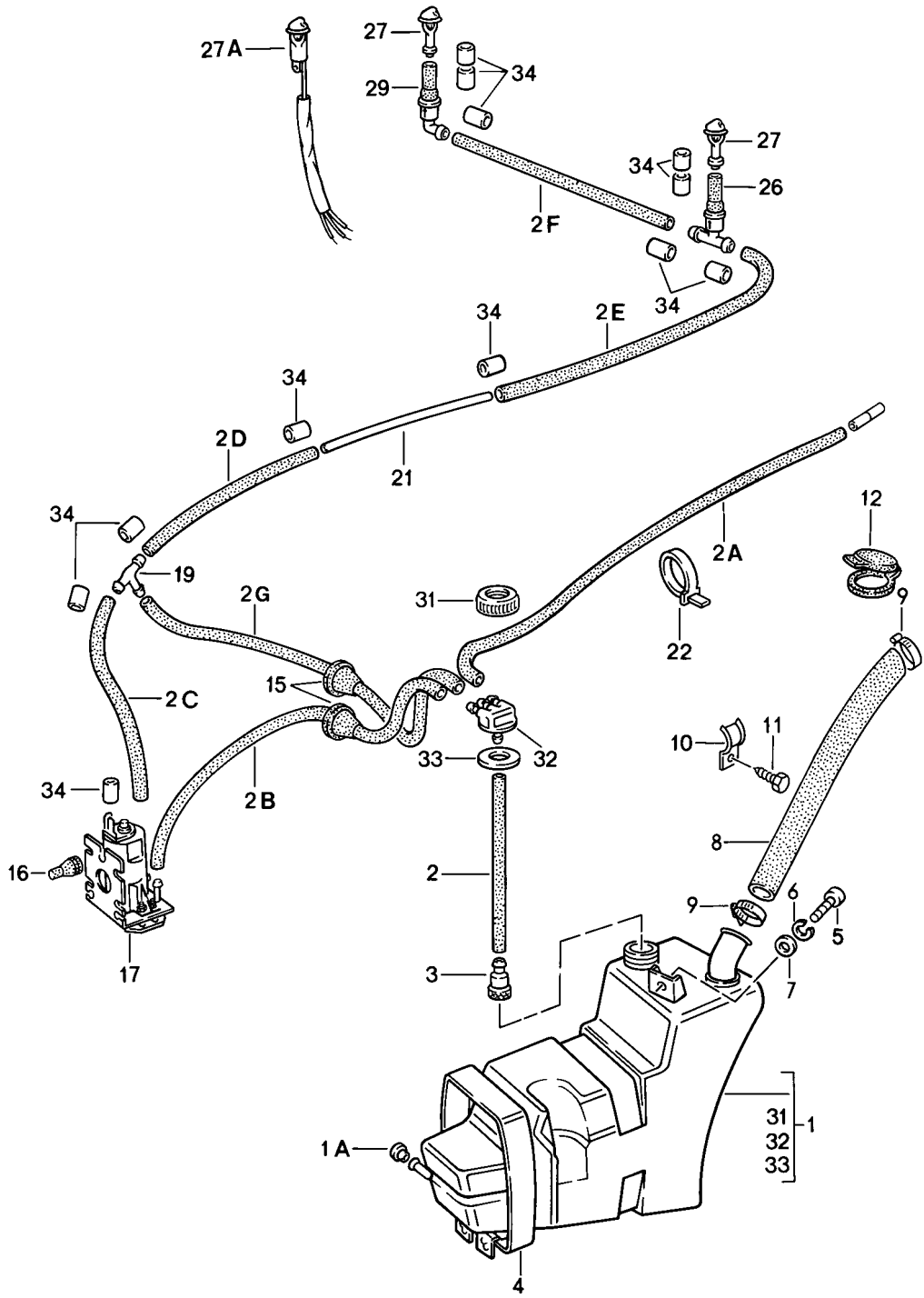
Model: 911 84

Model life 1984&gt;&gt;1986

| Pos | Part Number    | Description                                   | Remark | Qty | Model |
|-----|----------------|---|--------|-----|-------|
| -   | 911 612 223 00 | Switch<br>Single line<br>Rear window wiper    |        | 1   |       |
| -   | 911 612 019 00 | Switch<br>Wiring harness<br>Rear window wiper | /LL    | 1   |       |
| -   | 911 617 106 01 | Switch<br>Diode                               |        | 1   |       |
| -   | 911 617 106 02 | Diode   |        | 1   |       |

Model: 911 84

Model life 1984>>1986



Model: 911 84 Model life 1984>>1986

| Pos  | Part Number    | Description  | Remark | Qty | Model |
|------|----------------|--|--------|-----|-------|
| 1    | 911 628 075 08 | Windscreen washer system<br>Water reservoir                    |        | 1   |       |
| 1A   | 999 703 013 50 | When required order also:<br>Stopper<br>for<br>Water reservoir |        | 1   |       |
| -    | N 020 301 1    | Hose<br>4 X 6  | -84    | X   |       |
| -    | PCG 020 301 10 | Hose<br>4 X 1<br>3000 MM                                       |        | X   |       |
| 2    |                | 300 MM   |        | 1   |       |
| 2A   |                | 800 MM   |        | 1   |       |
| 2B   |                | 650 MM   |        | 1   |       |
| 2C   |                | 150 MM   |        | 1   |       |
| 2D   |                | 360 MM   |        | 1   |       |
| 2E   |                | 360 MM   |        | 1   |       |
| 2F   |                | 900 MM   |        | 1   |       |
| 2G   |                | 500 MM   |        | 1   |       |
| -    | 999 181 722 40 | Hose<br>4,6 X 8,2  | 85-    | *   |       |
| (2)  |                | 300 MM   |        | 1   |       |
| (2A) |                | 800 MM   |        | 1   |       |
| (2B) |                | 650 MM   |        | 1   |       |
| (2C) |                | 150 MM   |        | 1   |       |
| (2D) |                | 1790 MM  |        | 1   |       |
| (2F) |                | 1060 MM  |        | 1   |       |
| (2G) |                | 500 MM   |        | 1   |       |
| 3    | 911 628 749 00 | Valve  |        | 1   |       |
| 4    | 911 628 081 00 | Restraining strap  |        | 1   |       |
| 4    | 911 628 081 02 | Restraining strap  |        | 1   |       |
| 5    | N 010 217 9    | Hexagon-head bolt<br>M 6 X 20                                  |        | 1   |       |
| 6    | N 012 007 2    | Lock ring<br>A 6   |        | 1   |       |
| 6    | 900 027 004 03 | Lock ring<br>A 6   |        | 1   |       |
| 7    | 900 151 003 02 | Washer<br>A 6  |        | 1   |       |
| 7    | 900 151 006 03 | Washer<br>A 6  |        | 1   |       |
| 8    | 911 628 236 00 | Filling hose<br>25 X 32 X 710                                  |        | 1   |       |
| 8    | 911 628 236 01 | Filling hose<br>25 X 32 X 710                                  |        | 1   |       |
| 9    | 999 512 356 02 | Hose clamp   |        | 2   |       |
| 10   | 911 573 145 00 | Clamp  |        | 1   |       |
| 10   | 911 573 145 01 | Clamp  |        | 1   |       |
| 11   | 900 187 025 02 | Hexagon-head tapping screw<br>B 5,5 X 13                       |        | 1   |       |
| 12   | 964 201 507 00 | Lid<br>Filler neck   |        | 1   |       |
| 15   | 911 612 413 00 | Rubber sleeve  |        | 1   |       |
| 16   | 914 628 741 00 | Stopper  |        | 3   |       |
| 17   | 928 628 074 01 | Pump   |        | 1   |       |
| 19   | 901 628 749 20 | T-piece  |        | 1   |       |
| 21   | 911 628 237 00 | Pipe<br>4 X 5 X 1100 MM  |        | 1   |       |
| 21   | 901 628 739 22 | Pipe<br>4 X 5 X 1100 MM  |        | 1   |       |
| 22   | 999 513 023 40 | Tie-wrap   |        | 2   |       |
| 26   | 914 628 433 00 | Valve  |        | 1   |       |
| 27   | 914 628 203 11 | Nozzle   | 84     | 2   |       |

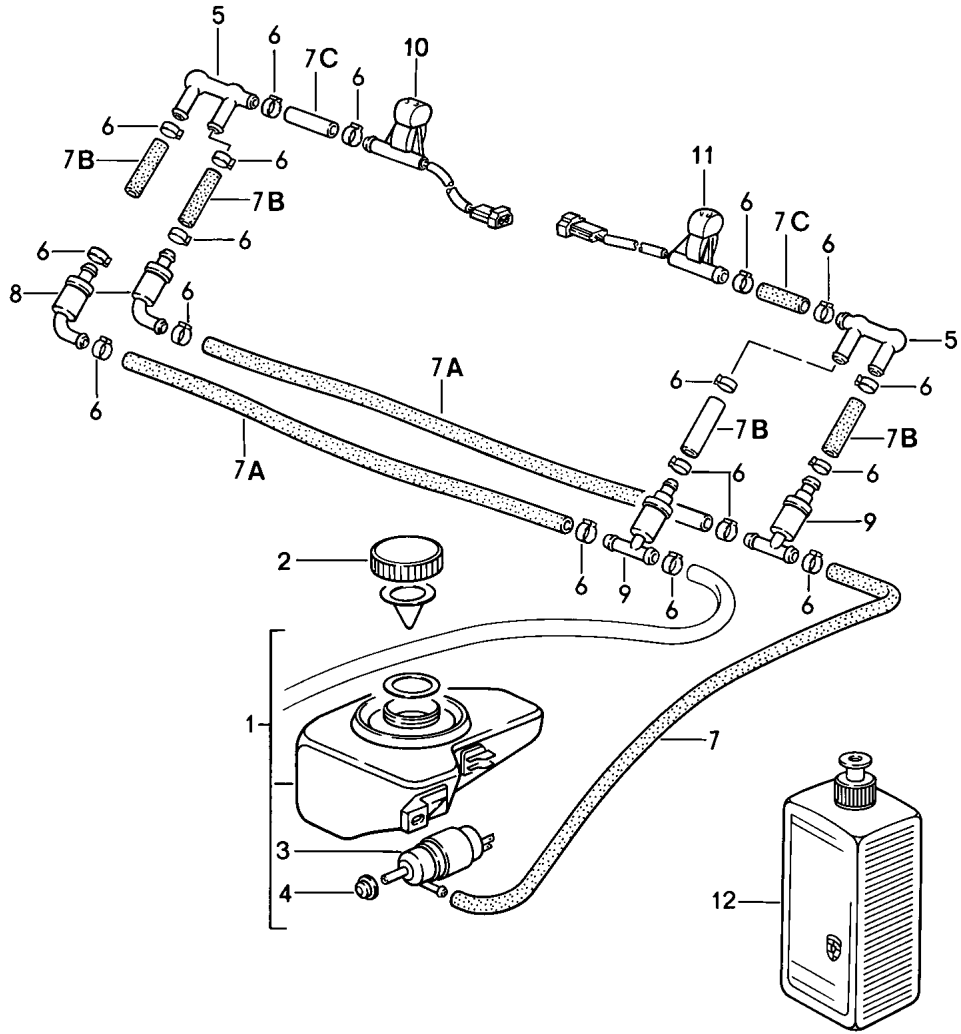
Model: 911 84

Model life 1984&gt;&gt;1986

| Pos | Part Number    | Description      | Remark | Qty | Model |
|-----|----------------|------------------|--------|-----|-------|
| 27A | 928 628 077 00 | Nozzle<br>Heated | 85-    | 2   |       |
| 29  | 477 955 481    | Valve            |        | 1   |       |
| 31  | 911 628 735 00 | Threaded cover   |        | 1   |       |
| 31  | 911 628 735 01 | Threaded cover   |        | 1   |       |
| 32  | 911 628 737 00 | Connecting piece |        | 1   |       |
| 33  | 911 628 743 00 | Closing gasket   |        | 1   |       |
| 34  | 111 971 521 A  | Hose             |        | 8   |       |

Model: 911 84

Model life 1984>>1986



Model: 911 84

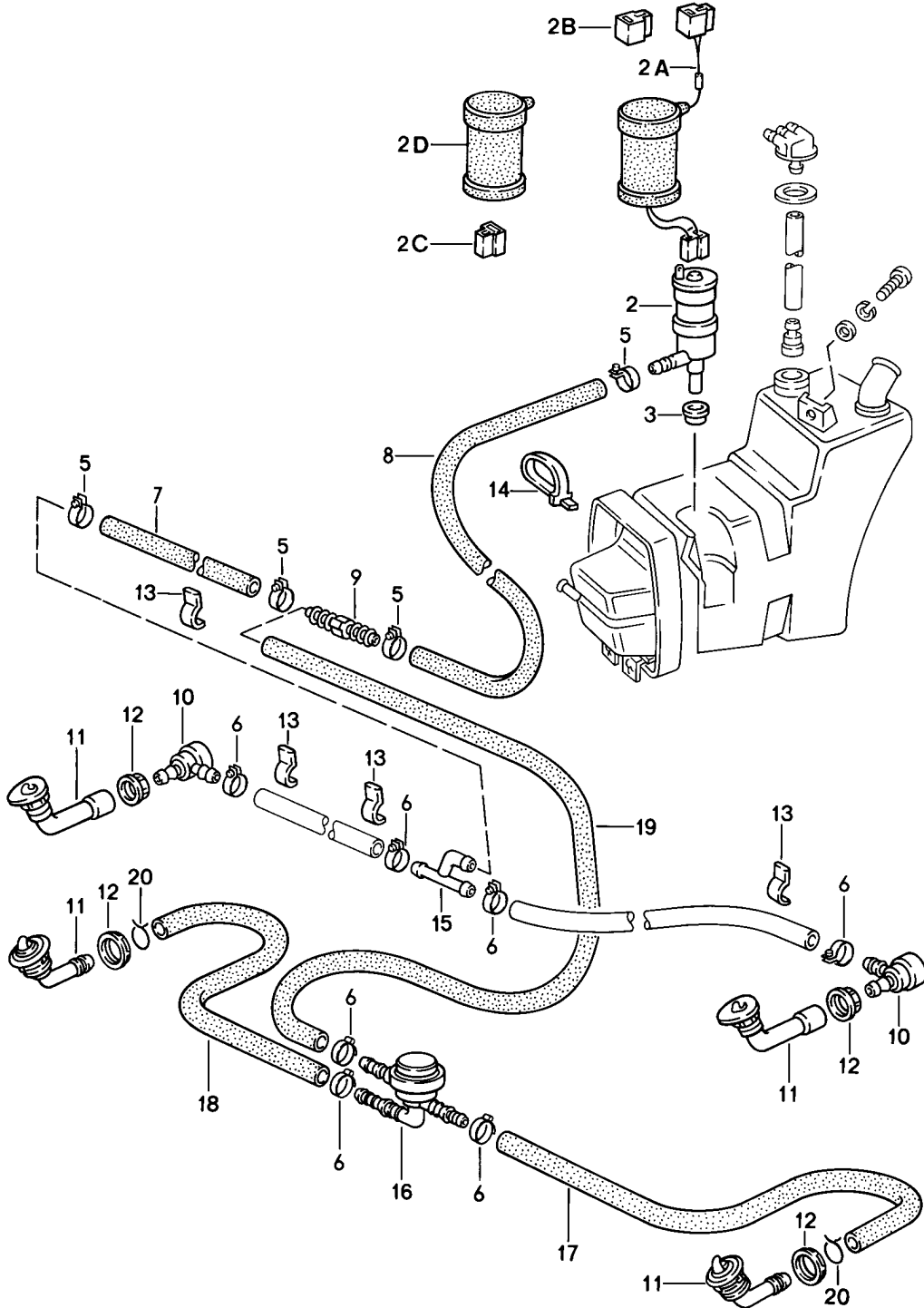
Model life 1984>>1986

| Pos | Part Number        | Description                                    | Remark | Qty | Model |
|-----|--------------------|--|--------|-----|-------|
| 1   | 911 628 027 00     | Intensive windscreen washer<br>Water reservoir |        | 1   |       |
| 2   | 911 628 077 00     | Threaded cover<br>with<br>Gasket               |        | 1   |       |
| 3   | 431 955 651        | Pump   |        | 1   |       |
| 4   | 431 955 465 B      | Sealing ring                                   |        | 1   |       |
| 5   | 911 628 617 00     | Connecting piece                               |        | 1   |       |
| 6   | N 100 020 01       | Clip   |        | 20  |       |
| 6   | 999 512 527 00     | Clamp  |        | 20  |       |
| -   | 999 181 722 40     | Hose<br>4,6 X 8,2                              |        | *   |       |
| 7   |                    | 600 MM   |        | 1   |       |
| 7A  |                    | 915 MM   |        | 2   |       |
| 7B  |                    | 20 MM  |        | 4   |       |
| 7C  |                    | 140 MM   |        | 2   |       |
| 8   | 477 955 481        | Valve  |        | 2   |       |
| 9   | 914 628 433 00     | Valve  |        | 2   |       |
| 10  | 928 628 077 00     | Nozzle   | /R     | 1   |       |
|     | 928 628 077 00 01C | Black  |        |     |       |
| 11  | 944 628 077 00     | Nozzle   | /L     | 1   |       |
|     | 944 628 077 00 01C | Black  |        |     |       |
| 12  | 928 628 931 00     | Silicone remover<br>1 LITER                    |        | X   |       |
| 12  | 000 044 000 93     | Silicone remover<br>1 LITER                    |        | X   |       |



Model: 911 84

Model life 1984>>1986



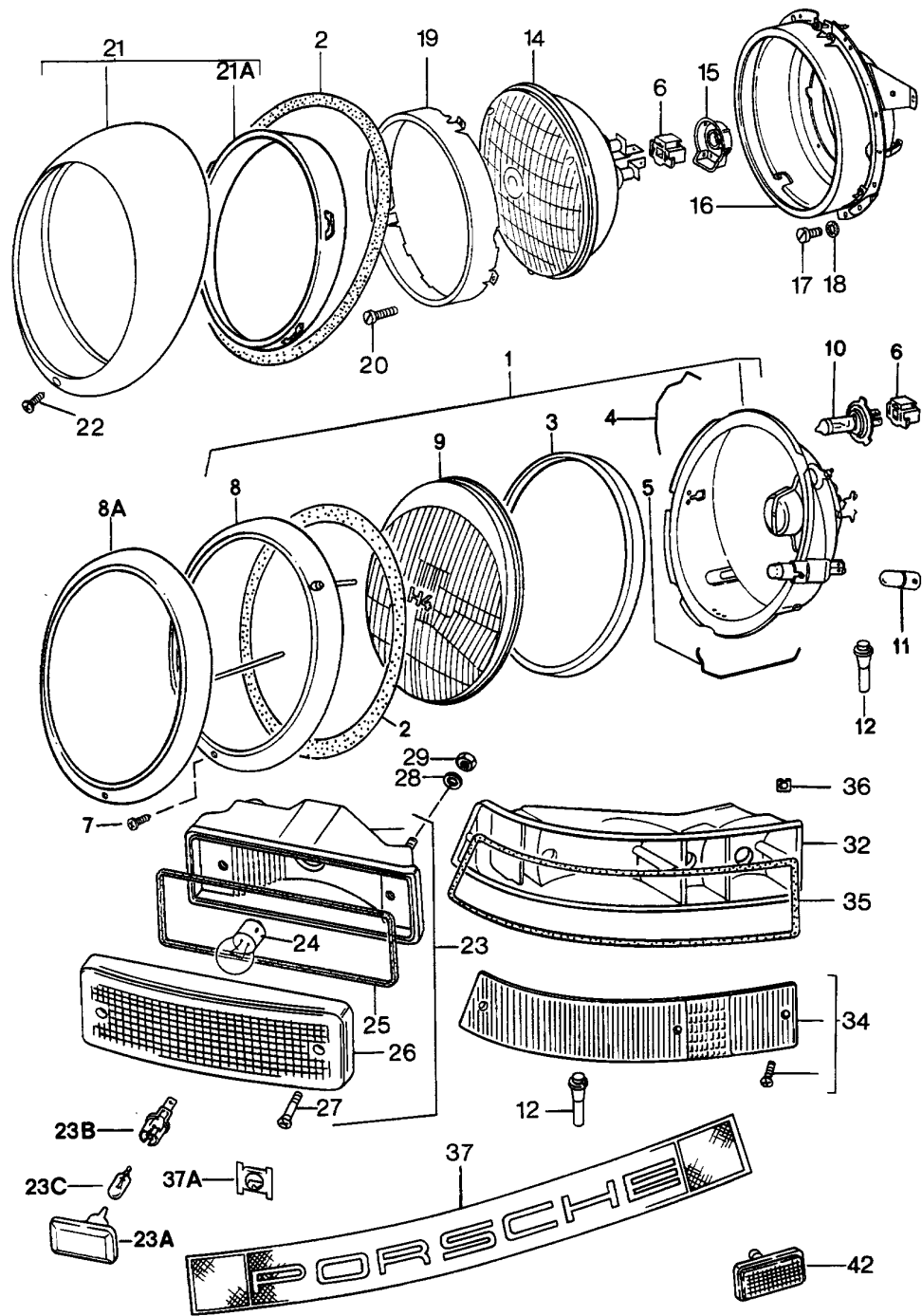
Model: 911 84

Model life 1984>>1986

| Pos  | Part Number    | Description                                | Remark | Qty | Model |
|------|----------------|--|--------|-----|-------|
| -    | 911 628 075 07 | Headlight washer system<br>Water reservoir |        | 1   |       |
| 2    | 191 955 681    | Headlight washer system<br>Pump            |        | 1   |       |
| 2A   | 911 612 179 01 | Wiring harness                             |        | 1   |       |
| 2B   | 999 652 192 47 | Connector housing                          |        | 1   |       |
| 2C   | 999 652 167 40 | Terminal sleeve housing                    |        | 1   |       |
| 2D   | 477 971 921    | Protection cap                             |        | 1   |       |
| 3    | 928 628 193 00 | Gasket                                     |        | 1   |       |
| 5    | N 023 570 2    | Hose clamp                                 |        | 4   |       |
| 6    | 999 512 160 02 | Hose clamp                                 |        | 4   |       |
| 6    | PCG 512 160 02 | Hose clamp                                 |        | 4   |       |
| (6)  | 999 512 335 02 | Clamp                                      |        | 7   |       |
| -    | 999 181 806 40 | Hose<br>PVC 10 X 16                        |        | *   |       |
| 7    |                | 420 MM                                     |        | 1   |       |
| 8    |                | 230 MM                                     |        | 1   |       |
| 9    | 999 137 023 40 | Hose connection                            |        | 1   |       |
| 10   | 477 955 183    | Pressure control valve                     |        | 2   |       |
| 11   | 911 628 085 01 | Jet carrier                                | 84     | 2   |       |
| (11) | 911 628 071 01 | Jet carrier                                | 85-    | 2   |       |
| 12   | 900 281 002 40 | Hexagon nut                                |        | 2   |       |
| 13   | 999 613 017 40 | Covering<br>for<br>Cable holder            |        | *   |       |
| 14   | 999 513 008 40 | Tie-wrap                                   |        | 1   |       |
| 15   | 914 628 413 10 | Distributing piece                         |        | 1   |       |
| 16   | 281 955 187    | Valve                                      |        | 1   |       |
| -    | 999 181 806 40 | Hose                                       |        | *   |       |
| 17   |                | 610 MM                                     |        | 1   |       |
| 18   |                | 630 MM                                     |        | 1   |       |
| 19   |                | 640 MM                                     |        | 1   |       |

Model: 911 84

Model life 1984>>1986



Model: 911 84 Model life 1984>>1986

| Pos   | Part Number    | Description  | Remark      | Qty | Model |
|-------|----------------|--|-------------|-----|-------|
|       |                | Headlamp<br>Lights   |             |     |       |
| 2     | 911 631 115 02 | Gasket   |             | 2   |       |
| 6     | 911 631 108 00 | Terminal sleeve housing  |             | 2   |       |
| -     | N 017 498 A    | Flat plug<br>7,7 X 1 CuZn  |             | X   |       |
| 14    | 999 631 127 90 | Headlamp unit<br>"SEALED BEAM" -<br>60/40 W  |             | 2   |       |
| 16    | 901 631 103 02 | Mounting piece   |             | 2   |       |
| 17    | 999 014 008 02 | Cheese-head screw  |             | 8   |       |
| 18    | 900 114 014 01 | Shake-proof washer<br>A 4,3  |             | 8   |       |
| 19    | 901 631 102 03 | Window retaining bracket<br>Chrome   |             | 2   |       |
| 19    | 901 631 102 06 | Window retaining bracket<br>Chrome   |             | 2   |       |
| 20    | N 014 122 8    | Oval-head screw<br>M 4 X 8   |             | 6   |       |
| 20    | N 014 122 17   | Oval-head screw<br>M 4 X 8   |             | 6   |       |
| (21)  | 901 631 102 05 | Retaining ring<br>for<br>SEALED BEAM<br>Headlamp<br>Chrome<br>Order also:            |             | 2   |       |
| -     | 911 631 137 00 | Stopper  |             | X   |       |
| (21)  | 911 631 135 01 | Retaining ring<br>for<br>SEALED BEAM<br>Headlamp ring<br>Prime coated<br>Order also: |             | 2   |       |
| -     | 911 631 137 00 | Stopper  |             | X   |       |
| -     |                | Stopper<br>for<br>Retaining ring   |             | 4   |       |
| (21A) | 911 631 133 01 | Intermediate ring  |             | 2   |       |
| 22    | 911 631 146 01 | Lens-head screw<br>AM 5 X 18   |             | 2   |       |
| 22    |                | Lens-head screw<br>for<br>Retaining ring<br>911.631.135.00                           |             | 2   |       |
| -     | 911 631 148 00 | Bush<br>for<br>Retaining ring<br>911.631.135.00                                      |             | 2   |       |
| -     | 113 951 539    | Washer   |             | 2   |       |
| -     |                | Washer   |             | 2   |       |
| (23)  | 911 631 409 00 | Direction indicator light  | (CDN) (USA) | 2   |       |
| (23)  | 911 631 405 00 | Direction indicator light  |             | 2   |       |
| (23)  | 911 631 411 00 | Side marker light  | (CDN) (USA) | 2   |       |
| 23C   | 999 631 032 90 | Bulb   |             | 2   |       |
| 24    |                | Bulb<br>See group<br>9/05/05   |             |     |       |
| 25    | 911 631 961 00 | Rubber seal<br>Direction indicator light   |             | 2   |       |
| (25)  | 911 631 920 00 | Lens<br>Side marker light  |             | 2   |       |
| 26    | 911 631 914 00 | Lens   |             | 2   |       |

Model: 911 84

Model life 1984&gt;&gt;1986

| Pos  | Part Number    | Description  | Remark         | Qty | Model |
|------|----------------|--|----------------|-----|-------|
| (26) | 911 631 916 00 | Direction indicator light<br>Lens  | (CDN) (USA)    | 2   |       |
| (26) | 911 631 920 00 | Direction indicator light<br>Lens  | (CDN) (USA)    | 2   |       |
| 27   | 911 631 918 00 | Side marker light<br>Oval-head sheetmetal screw<br>with<br>Washer                |                | 4   |       |
| 28   | 900 025 003 02 | Washer<br>5,3  |                | 4   |       |
| 29   | N 021 196 1    | Lock nut<br>M 5  |                | 4   |       |
| 29   | N 021 196 3    | Hexagon nut<br>M 5   |                | 4   |       |
| -    | 999 591 379 01 | Cable clamp  |                | 4   |       |
| (32) | 901 631 941 00 | Tail light housing   | /L (CDN) (USA) | 1   |       |
| (32) | 901 631 942 00 | Tail light housing   | /R (CDN) (USA) | 1   |       |
| -    | N 100 818 01   | Oval-head screw<br>for<br>Tail light housing<br>M5 X 16                          |                | X   |       |
| (34) | 911 631 951 00 | Lens   | /L (CDN) (USA) | 1   |       |
| -    | PCG 631 911 00 | Screw<br>Fastening screw<br>Silver<br>Comprising:<br>6 Schrauben<br>6 Dichtungen |                | 1   |       |
| -    | PCG 631 911 01 | Screw<br>Fastening screw<br>Black<br>Comprising:<br>6 Schrauben<br>6 Dichtungen  |                | 1   |       |
| (34) | 911 631 952 00 | Lens   | /R (CDN) (USA) | 1   |       |
| -    | PCG 631 911 00 | Screw<br>Fastening screw<br>Silver<br>Comprising:<br>6 Schrauben<br>6 Dichtungen |                | 1   |       |
| -    | PCG 631 911 01 | Screw<br>Fastening screw<br>Black<br>Comprising:<br>6 Schrauben<br>6 Dichtungen  |                | 1   |       |
| 35   | 911 631 971 01 | Gasket   | /L             | 1   |       |
| (35) | 911 631 971 00 | Gasket   | /R             | 1   |       |
| 36   | 999 507 312 12 | Nut lock<br>M 5  |                | 4   |       |
| 36   | 999 507 330 02 | Cable holder<br>M 5  |                | 4   |       |
| 36   | 999 507 312 12 | Nut lock<br>M 5  |                | 4   |       |
| 37   | 911 631 432 03 | Covering<br>with<br>Reflector  |                | 1   |       |
| 37A  | 999 591 447 02 | Cage   |                | 10  |       |

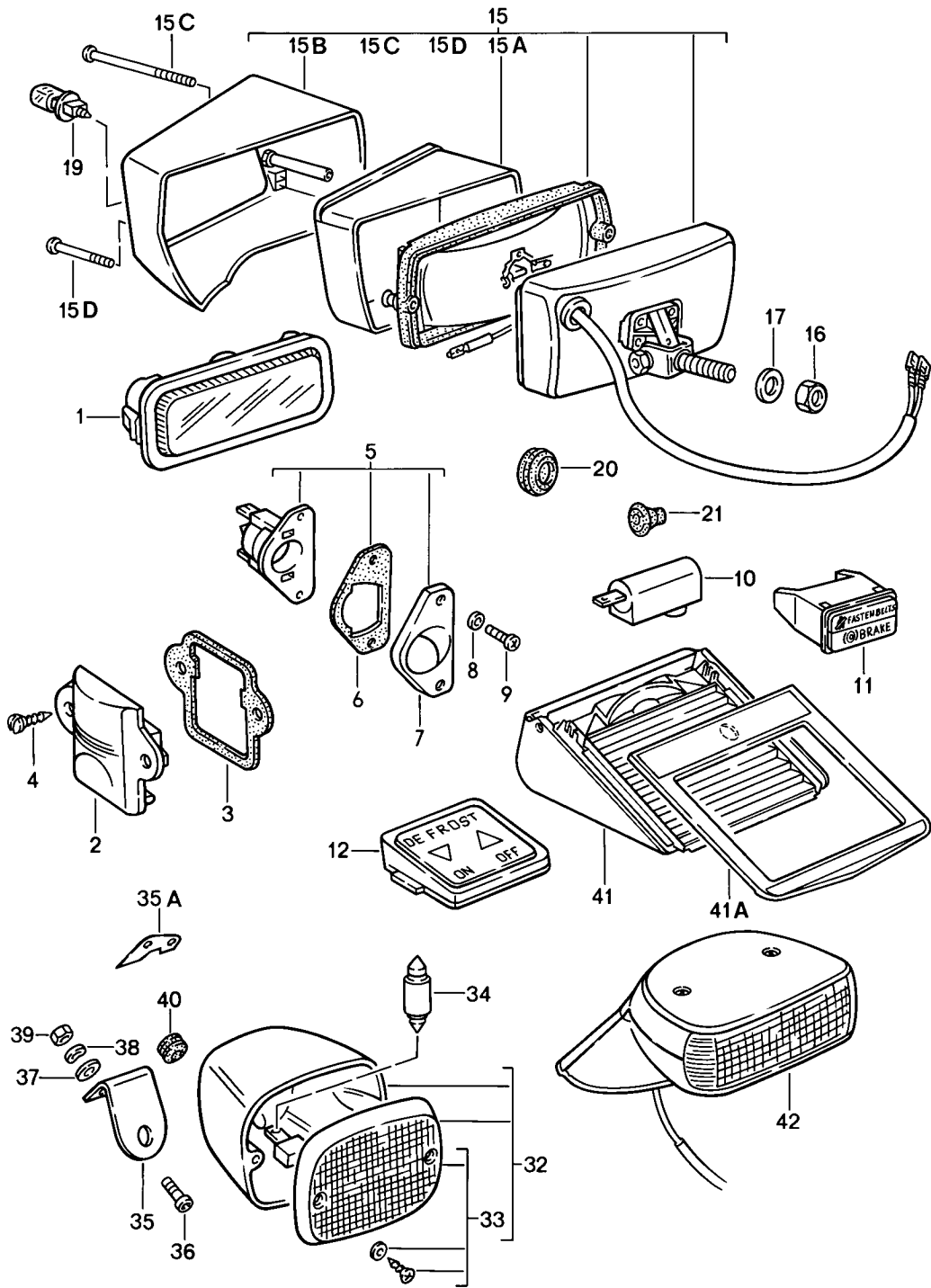
Model: 911 84

Model life 1984&gt;&gt;1986

| Pos | Part Number    | Description  | Remark | Qty | Model |
|-----|----------------|--|--------|-----|-------|
| -   | 911 631 901 01 | Conversion set<br>Headlamp<br>for subsequent installation<br>Up to model 86<br>Comprising: |        | 1   |       |
| -   | 911 631 119 00 | Headlamp   |        | 2   |       |
| -   | 911 631 142 00 | Headlamp ring  |        | 2   |       |
| -   | 113 951 539    | Washer   |        | 2   |       |
| -   | 900 270 063 07 | Countersunk-head screw   |        | 2   |       |
| -   | 911 631 139 00 | Spacer sleeve  |        | 2   |       |
| -   | 911 631 137 00 | Stopper  |        | 4   |       |
| -   | 165 941 165    | Connector housing  |        | 2   |       |
| -   | N 903 353 03   | Contact spring   |        | 6   |       |

Model: 911 84

Model life 1984>>1986



Model: 911 84 Model life 1984>>1986

| Pos   | Part Number    | Description                | Remark | Qty | Model        |
|-------|----------------|----------------------------|--------|-----|--------------|
|       |                | Interior light             |        |     |              |
|       |                | Fog headlamp               |        |     |              |
|       |                | Lights                     |        |     |              |
| (1)   | 901 632 101 28 | Interior light             |        | 2   | COUPE        |
| (1)   | 911 632 102 00 | Light                      |        | 1   | TARGA/CABRIO |
| (1)   |                | Light                      |        | 1   |              |
| -     | 964 555 153 00 | Desk pad                   |        | 2   | CARRERA      |
|       |                | Interior light             |        |     | COUPE        |
| 2     | 901 632 201 01 | Luggage compartment lamp   |        | 1   |              |
| 3     | 901 632 291 00 | Desk pad                   |        | 1   |              |
|       |                | Luggage compartment lamp   |        |     |              |
| 4     | N 013 961 2    | Oval-head sheetmetal screw |        | 2   |              |
|       |                | B 3,9 X 13                 |        |     |              |
| 4     | N 013 961 11   | Oval-head sheetmetal screw |        | 2   |              |
|       |                | B 3,9 X 13                 |        |     |              |
| 5     | 911 631 620 04 | License plate light        |        | 2   |              |
| 6     | 911 631 608 00 | Gasket                     |        | 2   |              |
|       |                | License plate light        |        |     |              |
| 6     | 911 631 608 01 | Gasket                     |        | 2   |              |
|       |                | License plate light        |        |     |              |
| 7     | 911 631 606 00 | Lens                       |        | 2   |              |
| 8     | 911 631 604 00 | Sealing washer             |        | 4   |              |
| (9)   | 900 143 116 07 | Oval-head sheetmetal screw |        | 4   |              |
|       |                | B 3,5 X 22                 |        |     |              |
| (9)   | 900 143 116 0H | Oval-head sheetmetal screw |        | 4   |              |
|       |                | B 3,5 X 22                 |        |     |              |
| -     | 911 505 339 00 | Speed nut                  |        | 4   |              |
|       |                | BG 3,5                     |        |     |              |
| -     | 999 591 381 02 | Cable clamp                |        | 2   |              |
| 10    | 911 632 904 00 | Ashtray light              |        | 1   |              |
| -     | 911 632 017 00 | Indicator light            | 86-    | 1   | CABRIO       |
|       |                | Convertible top            |        |     |              |
|       |                | Electric                   |        |     |              |
| (11)  | 944 632 213 00 | Combination warning light  |        | 1   |              |
|       |                | ("FASTEN BELTS"/"BRAKE")   |        |     |              |
| -     | PCG 632 213 00 | Lens                       |        | 1   |              |
|       |                | Combination warning light  |        |     |              |
|       |                | for                        |        |     |              |
|       |                | 94463221300                |        |     |              |
| -     | 900 631 129 90 | Bulb                       |        | 1   |              |
|       |                | 12 V - 1,2 W               |        |     |              |
| -     | 900 631 132 90 | Bulb                       |        | 1   |              |
|       |                | 12 V - 1,2 W               |        |     |              |
| 12    | 914 632 107 00 | Illumination               |        | 1   |              |
|       |                | Logo                       |        |     |              |
|       |                | Actuator                   |        |     |              |
|       |                | Heating                    |        |     |              |
| -     | N 013 954 1    | Oval-head sheetmetal screw |        | 1   |              |
|       |                | B 2,9 X 13                 |        |     |              |
|       |                | for                        |        |     |              |
|       |                | 914.632.107.00             |        |     |              |
| 15    | 911 631 203 00 | Fog headlamp               | /L     | 1   |              |
|       |                | Light-diffusing lens       |        |     |              |
|       |                | Clear                      |        |     |              |
| 15    | 911 631 204 00 | Fog headlamp               | /R     | 1   |              |
|       |                | Light-diffusing lens       |        |     |              |
|       |                | Clear                      |        |     |              |
| 15A   | 911 631 941 00 | Light-diffusing lens       | /L     | 1   |              |
|       |                | Yellow                     |        |     |              |
| (15A) | 911 631 941 01 | Light-diffusing lens       | /L     | 1   |              |
|       |                | Clear                      |        |     |              |
| 15A   | 911 631 942 00 | Light-diffusing lens       | /R     | 1   |              |
|       |                | Yellow                     |        |     |              |



Model: 911 84 Model life 1984>>1986

| Pos   | Part Number    | Description   | Remark | Qty | Model       |
|-------|----------------|---|--------|-----|-------------|
| (15A) | 911 631 942 01 | Light-diffusing lens<br>Clear   | /R     | 1   |             |
| 15B   | 911 631 981 00 | Frame for light   | /L     | 1   |             |
| (15B) | 911 631 982 00 | Frame for light   | /R     | 1   |             |
| 15C   | 911 631 983 00 | Oval-head screw<br>M 4 X 80   |        | 1   |             |
| 15D   | 911 631 984 00 | Oval-head screw<br>M 4 X 37   |        | 1   |             |
| 16    | N 011 185 6    | Hexagon nut<br>M 10   |        | 2   |             |
| 17    | 900 151 026 02 | Washer<br>B 10,5 X 30   |        | 2   |             |
| 17    | 900 151 050 01 | Washer<br>B 10,5 X 30   |        | 2   |             |
| 19    | 900 631 126 90 | Halogen bulb<br>H 3   |        | 2   |             |
| 20    | 999 702 084 50 | Rubber sleeve   |        | 2   |             |
| 21    | 911 612 132 00 | Grommet   |        | 2   |             |
| 41    | 911 545 071 00 | Brake light<br>Raised   |        | 1   | COUPE       |
| 41A   | 911 631 061 00 | Frame for light<br>Brake light<br>Raised                                  |        | 1   | COUPE TARGA |
| 42    | 911 631 071 00 | Brake light<br>Raised<br>without<br>Spoiler                               |        | 1   | CABRIO      |
| 42    | 911 631 071 01 | Brake light<br>Raised<br>without<br>Spoiler                               |        | 1   | CABRIO      |
| (42)  | 911 631 072 00 | Brake light<br>Raised<br>with<br>Spoiler                                  |        | 1   | CABRIO      |
| (42)  | 911 631 072 01 | Brake light<br>Raised<br>with<br>Spoiler                                  |        | 1   | CABRIO      |
| -     | 911 631 419 00 | Desk pad<br>Brake light<br>Raised   |        | 1   | CABRIO      |
| -     | 999 591 335 40 | Cable holder<br>Brake light<br>Raised                                     |        | 3   | CABRIO      |
| -     | 928 537 411 02 | Clip<br>Brake light<br>Raised   |        | 1   | CABRIO      |
| -     | 911 631 315 01 | Engine compartment lamp<br>Bulb   |        | 1   |             |
| -     | 900 631 126 90 | Halogen bulb<br>H 3   |        | 2   |             |
| -     | 900 631 127 90 | Fog headlamp<br>Bulb<br>12 V - 21 W                                       |        | 2   |             |
| -     | 900 631 115 90 | Bulb<br>Luggage compartment lamp<br>12 V - 10 W                           |        | 1   |             |
| -     | 900 631 106 90 | Linolite lamp<br>Interior light<br>Engine compartment lamp<br>12 V - 10 W |        | 3   |             |
| -     | 900 631 132 90 | Bulb  |        | X   |             |

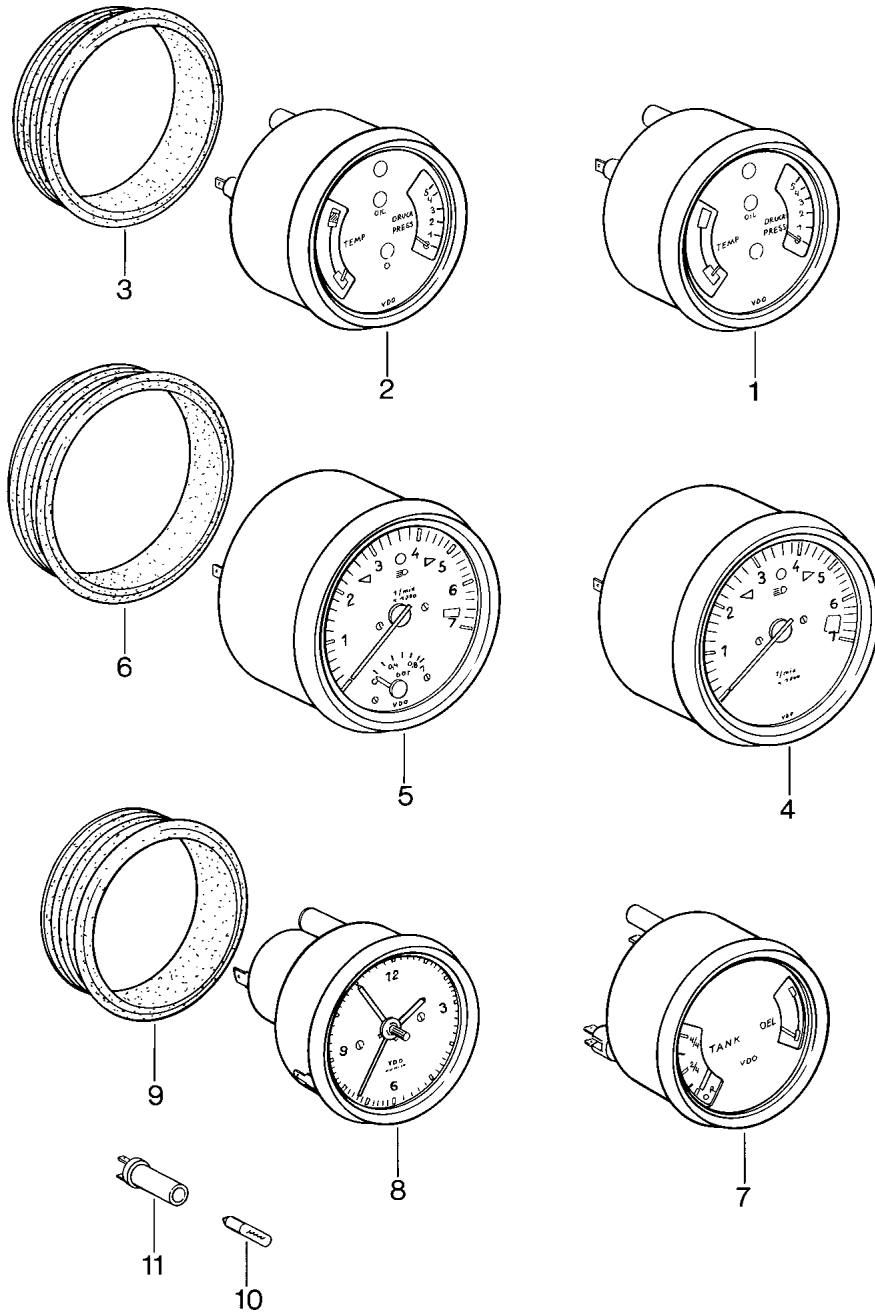
Model: 911 84

Model life 1984>>1986

| Pos | Part Number    | Description   | Remark | Qty | Model |
|-----|----------------|---|--------|-----|-------|
| -   | 900 631 127 90 | Bulb<br>12V 21W<br>Brake light<br>Raised  |        | 1   |       |
| -   | 900 631 132 90 | Bulb<br>12 V - 1,2 W<br>for<br>Switch<br>Fog headlamp<br>Additional headlamp<br>Rear window heating |        | X   |       |
| -   | 999 631 115 90 | Bulb<br>Brake light<br>12 V - 32/3 CP   |        | 4   |       |

Model: 911 84

Model life 1984>>1986

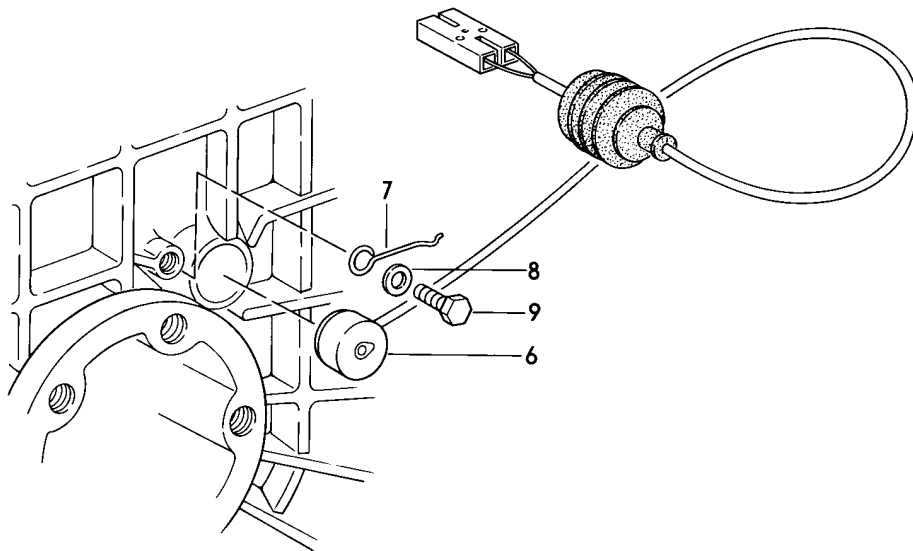
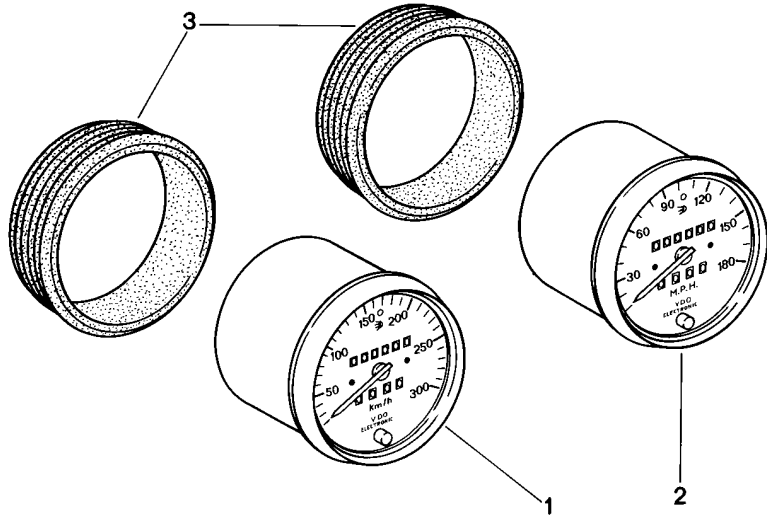


Model: 911 84 Model life 1984>>1986

| Pos  | Part Number    | Description   | Remark | Qty | Model   |
|------|----------------|---|--------|-----|---------|
| 1    | 911 641 923 00 | Instruments<br>Instrument cluster<br>100 \$                                     |        | 1   |         |
| 1    | 911 641 923 X  | Instrument cluster<br>100 \$  |        | 1   |         |
| 3    | 911 641 902 00 | Rubber ring<br>100 \$   | -85    | 2   |         |
| (3)  | 911 641 902 01 | Rubber ring<br>100 \$   | 86-    | 2   |         |
| 4    | 911 641 301 05 | Tachometer<br>115 \$  |        | 1   | CARRERA |
| 4    | 911 641 301 EX | Tachometer<br>115 \$  |        | 1   | CARRERA |
| 5    | 930 641 302 01 | Tachometer<br>with<br>Boost pressure gauge<br>115 \$                            |        | 1   | TURBO   |
| 6    | 911 641 903 00 | Rubber ring<br>115 \$   | -85    | 2   |         |
| (6)  | 911 641 903 01 | Rubber ring<br>115 \$   | 86-    | 2   |         |
| 7    | 911 641 202 03 | Instrument cluster<br>80 \$   |        | 1   |         |
| 7    | 911 641 202 DX | Instrument cluster<br>80 \$   |        | 1   |         |
| 8    | 911 641 701 29 | Clock<br>80 \$  |        | 1   |         |
| 9    | 911 641 901 00 | Rubber ring<br>80 \$  | -85    | 2   |         |
| (9)  | 911 641 901 01 | Rubber ring<br>80 \$  | 86-    | 2   |         |
| -    | 900 631 132 90 | Bulb  |        | X   |         |
| -    | 900 631 103 90 | Bulb  |        | 1   |         |
|      |                | Charging control indicator  |        |     |         |
| 11   | 999 632 007 00 | Bulb socket<br>with<br>Flat plug  |        | X   |         |
| (11) | 999 632 009 10 | Bulb socket<br>Double<br>Flat plug<br>for<br>Glass-base bulb<br>Small           |        | 1   |         |
| (11) | 999 632 002 00 | Bulb socket<br>Flat plug<br>Double  |        | 1   |         |
| -    | 911 612 047 00 | Wiring harness<br>for<br>Instrument<br>Illumination<br>with<br>8<br>Bulb socket |        | 1   |         |
| -    | 999 652 161 10 | Tubular rivet   |        | 8   |         |

Model: 911 84

Model life 1984>>1986



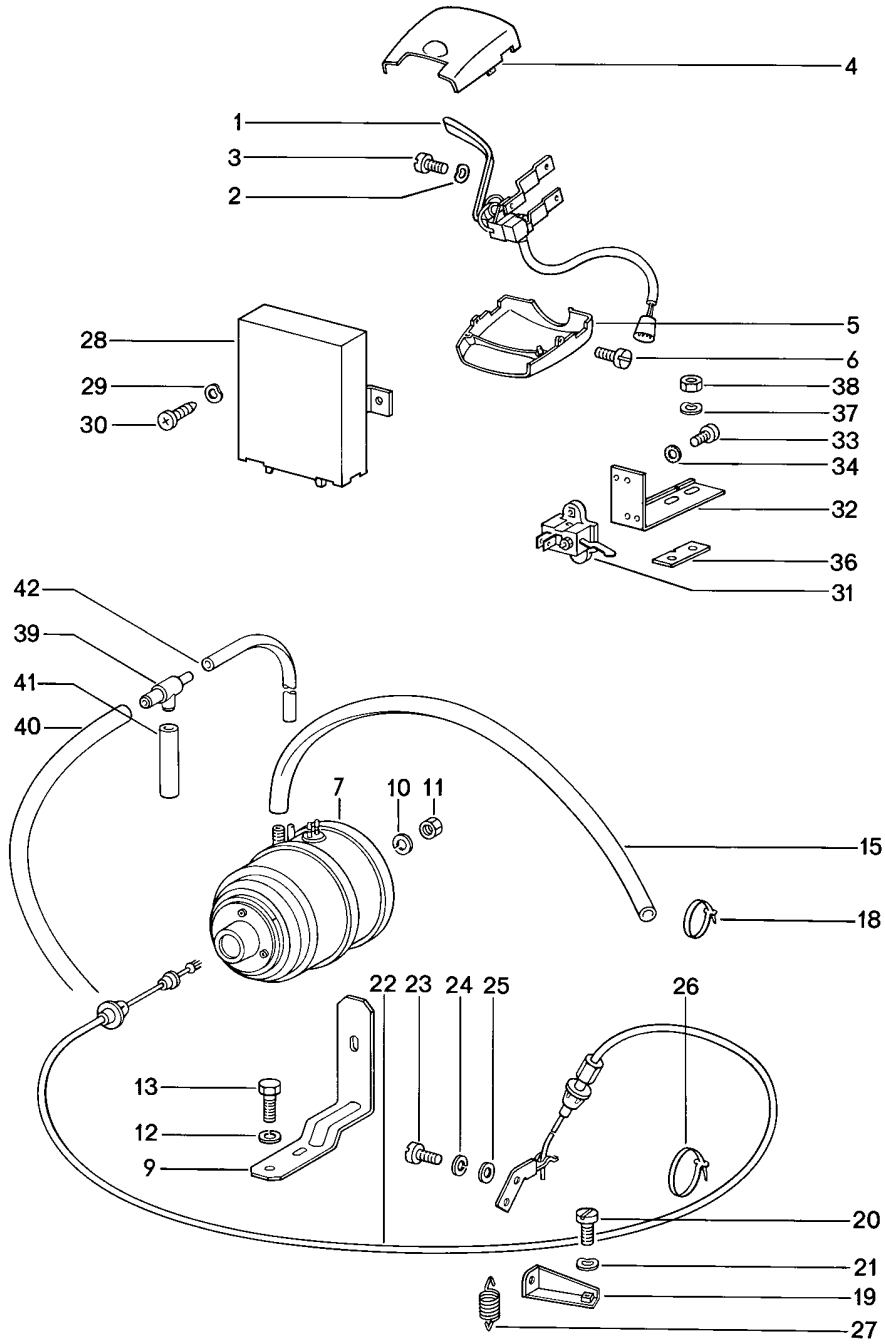
Model: 911 84

Model life 1984>>1986

| Pos | Part Number    | Description             | Remark | Qty | Model   |
|-----|----------------|-------------------------|--------|-----|---------|
|     |                | Speedometer<br>260 KM/H |        |     |         |
| (1) | 911 641 516 06 | Speedometer             | (CDN)  | 1   | CARRERA |
| (1) | 911 641 516 FX | Speedometer             | (CDN)  | 1   | CARRERA |
|     |                | 260 KM/H                |        |     |         |
| 1   | 930 641 507 01 | Speedometer             |        | 1   | TURBO   |
| 1   | 930 641 507 AX | Speedometer             |        | 1   | TURBO   |
|     |                | 300 KM/H                |        |     |         |
| (2) | 911 641 517 00 | Speedometer             | (USA)  | 1   |         |
| (2) | 911 641 517 X  | Speedometer             | (USA)  | 1   |         |
|     |                | MPH 170 + KM/H 270      |        |     |         |
| 3   | 911 641 902 00 | Rubber ring             | -85    | 4   |         |
| 3   | 911 641 902 01 | Rubber ring             | 86-    | 4   |         |
|     |                | 100 \$                  |        |     |         |
| 6   | 911 606 209 00 | Pulse sender            | 84     | 1   |         |
| 6   | 911 606 209 01 | Pulse sender            | 85-    | 1   |         |
| 7   | 915 660 509 00 | Tensioning spring       |        | 1   |         |
| 8   | N 011 524 7    | Washer                  |        | 1   |         |
|     |                | A 6,4                   |        |     |         |
| 8   | N 011 524 27   | Washer                  |        | 1   |         |
|     |                | A 6,4                   |        |     |         |
| 9   | 999 072 005 09 | Hexagon nut             |        | 1   |         |
|     |                | M 6 X 12                |        |     |         |
| 9   | 999 072 005 01 | Hexagon nut             |        | 1   |         |
|     |                | M 6 X 12                |        |     |         |
| -   | 911 612 406 01 | Cable holder            |        | 1   |         |
| -   | 900 093 010 02 | Grooved nail            |        | 1   |         |
|     |                | 3 X 8                   |        |     |         |
| -   | 999 513 002 40 | Tie-wrap                |        | 1   | TURBO   |
| -   | N 020 910 4    | Tie-wrap                |        | 1   | TURBO   |
| -   | 999 513 003 40 | Tie-wrap                |        | 1   | TURBO   |

Model: 911 84

Model life 1984>>1986



Model: 911 84

Model life 1984&gt;&gt;1986

| Pos  | Part Number    | Description                      | Remark | Qty | Model |
|------|----------------|----------------------------------|--------|-----|-------|
| 1    | 911 613 102 01 | Cruise control<br>Switch         |        | 1   |       |
| 2    | 900 115 007 01 | Serrated lock washer<br>3,2      |        | 2   |       |
| 3    | 900 014 079 02 | Pan-head screw<br>M 3 X 10       |        | 2   |       |
| 4    | 911 613 311 02 | Switch housing<br>Upper part     |        | 1   |       |
| 5    | 911 613 312 02 | Switch housing<br>Lower part     |        | 1   |       |
| 6    | 900 014 079 02 | Pan-head screw<br>M 3 X 10       |        | 2   |       |
| 7    | 911 617 123 02 | Drive link                       |        | 1   |       |
| 9    | 911 617 127 00 | Support                          |        | 1   |       |
| 10   | 900 027 015 02 | Lock ring<br>B 8                 |        | 1   |       |
| 10   | 900 027 015 03 | Lock ring<br>B 8                 |        | 1   |       |
| 11   | 900 076 025 02 | Hexagon nut<br>M 8               |        | 1   |       |
| 11   | 900 076 064 02 | Hexagon nut<br>M 8               |        | 1   |       |
| 12   | N 011 524 7    | Washer<br>A 6,4                  |        | 2   |       |
| 12   | N 011 524 27   | Washer<br>A 6,4                  |        | 2   |       |
| 13   | 900 075 260 02 | Hexagon-head bolt<br>M 6 X 16 SB |        | 2   |       |
| -    | N 020 359 1    | Hose                             |        | *   |       |
| 15   |                | 670 MM                           |        | 1   |       |
| 18   | 999 513 010 40 | Tie-wrap<br>140 MM               |        | 1   |       |
| 19   | 911 110 226 00 | Retaining bracket                |        | 1   |       |
| 20   | 900 071 005 02 | Oval-head screw<br>M 5 X 10      |        | 1   |       |
| 21   | N 012 222 4    | Spring washer<br>A 5             |        | 1   |       |
| (22) | 911 617 124 04 | Bowden cable                     |        | 1   |       |
| 23   | N 014 128 13   | Oval-head screw<br>M 5 X 8       |        | 2   |       |
| 24   | N 012 005 3    | Lock ring<br>B 5                 |        | 2   |       |
| 25   | 900 025 003 02 | Washer<br>A 5,3                  |        | 2   |       |
| 26   | 999 513 010 40 | Tie-wrap<br>250 MM               |        | 2   |       |
| 27   | 911 110 227 00 | Gas prop                         |        | 1   |       |
| 28   | 928 617 127 00 | Cruise control regulator         |        | 1   |       |
| 29   | N 012 222 4    | Spring washer<br>B 5             | /LL    | 2   |       |
| 30   | 999 217 008 02 | Hexagon-head bolt<br>M 5 X 10    | /LL    | 2   |       |
| 31   | 911 613 411 00 | Brake light switch               |        | 1   |       |
| 31   | 911 613 411 01 | Brake light switch               |        | 1   |       |
| 32   | 911 613 131 00 | Support                          |        | 1   |       |
| 33   | 900 146 011 02 | Oval-head screw<br>M 4 X 10      |        | 2   |       |
| 34   | 900 114 014 01 | Shake-proof washer<br>A 4,3      |        | 2   |       |
| 36   | 911 613 132 00 | Plate                            |        | 1   |       |
| 37   | N 012 226 5    | Spring washer<br>B 6             |        | 2   |       |
| 38   | 900 076 010 02 | Nut                              |        | 2   |       |

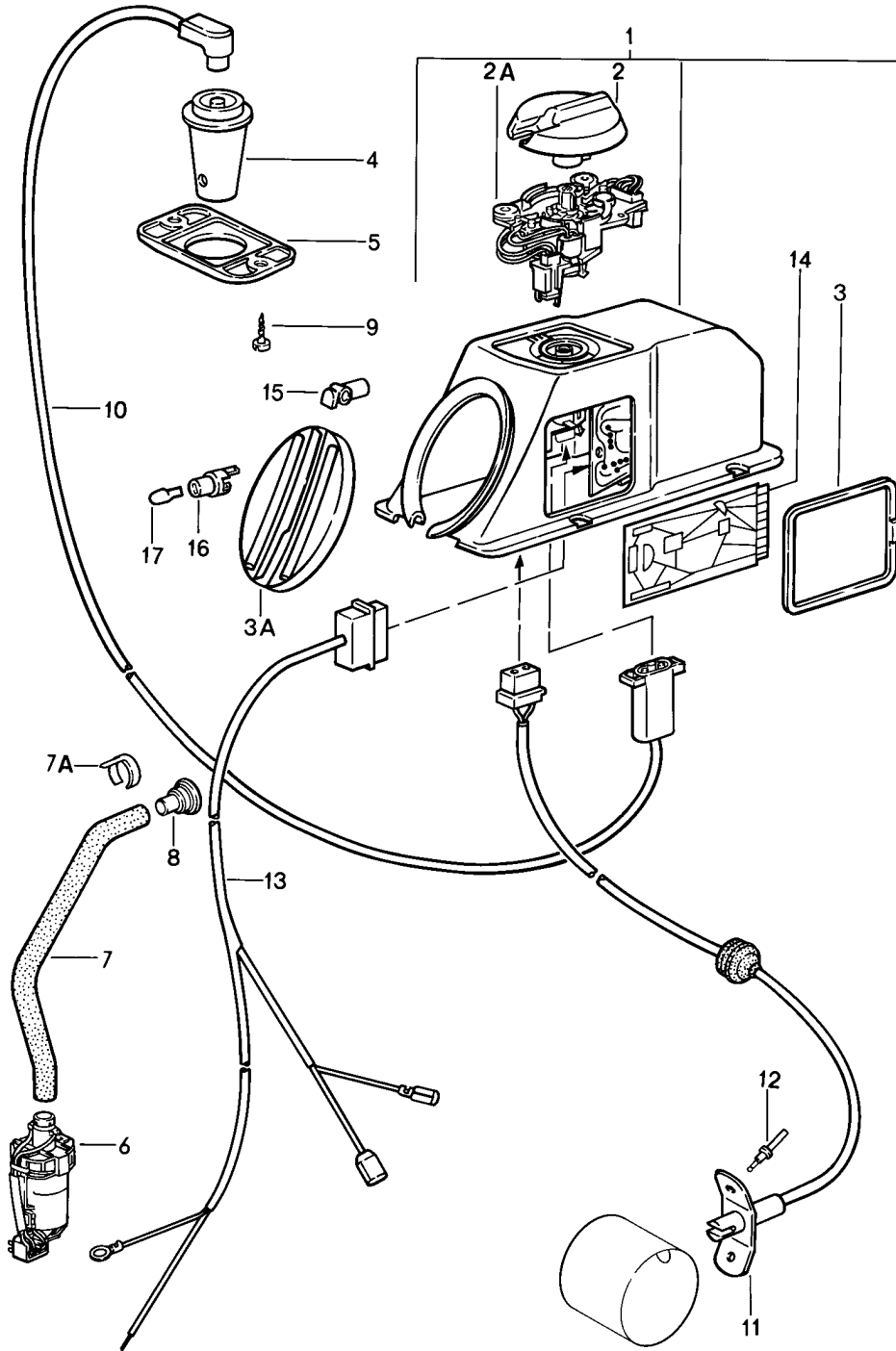


Model: 911 84 Model life 1984>>1986

| Pos | Part Number    | Description  | Remark | Qty | Model |
|-----|----------------|--|--------|-----|-------|
| 38  | 900 076 010 0B | M 6<br>Nut   |        | 2   |       |
| 39  | 321 611 813    | M 6<br>T-piece                                       |        | 1   |       |
| -   | N 020 353 5    | Hose<br>3,5 X 2                                      |        | *   |       |
| 40  | PCG 020 353 5  | Hose<br>3,5 X 2 X 5000                               |        | X   |       |
| 40  |                | 130 MM   |        | 1   |       |
| 41  |                | 600 MM   |        | 1   |       |
| -   | 999 181 167 50 | Hose   |        | *   |       |
| 42  |                | 680 MM   |        | 1   |       |
| -   | 911 612 157 06 | Wiring harness<br>Cruise control regulator<br>Tunnel | /RL 84 | 1   |       |
| -   | 911 612 157 07 | Wiring harness<br>Cruise control regulator<br>Tunnel | /LL 84 | 1   |       |
| -   | 911 612 157 08 | Wiring harness<br>Cruise control regulator<br>Tunnel | /RL 85 | 1   |       |
| -   | 911 612 157 09 | Wiring harness<br>Cruise control regulator<br>Tunnel | /LL 85 | 1   |       |
| -   | 911 612 157 10 | Wiring harness<br>Cruise control regulator<br>Tunnel | 86-    | 1   |       |
| -   | 911 612 158 01 | Wiring harness<br>Tunnel                             | 85     | 1   |       |
| -   | 911 612 158 02 | Drive link<br>Wiring harness<br>Tunnel<br>Drive link |        | 1   |       |

Model: 911 84

Model life 1984>>1986



Model: 911 84 Model life 1984&gt;&gt;1986

| Pos  | Part Number        | Description                                       | Remark  | Qty | Model                          |
|------|--------------------|---|---------|-----|--------------------------------|
| 1    | 911 659 053 00     | Heating system 1<br>Control mechanism<br>Manually | 84      | 1   | COUPE, TARGA<br>CABRIO         |
| (1)  | 911 659 053 01     | Control mechanism<br>Manually                     | 85-     | 1   | COUPE, TARGA<br>CABRIO         |
| (1)  | 911 659 049 02     | Control mechanism<br>Automatic                    | 84      | 1   | COUPE, TARGA<br>M424           |
| (1)  | 911 659 049 03     | Control mechanism<br>Automatic                    | 85-     | 1   | COUPE, TARGA<br>M424<br>CABRIO |
| (1)  | 930 659 059 00     | Control mechanism<br>Automatic                    | -85     | 1   | TURBO                          |
| (1)  | 930 659 059 01     | Control mechanism<br>Automatic                    | 86-     | 1   | TURBO                          |
| 2    | 911 659 110 00     | Knob  |         | 1   |                                |
| 2A   | 911 659 045 01     | Switch  | 84      | 1   | M424                           |
| (2A) | 911 659 045 03     | Switch  | 85-     | 1   | M424                           |
| 3    | 911 659 108 00     | Lid   |         | 2   |                                |
| 3A   | 911 424 591 05     | Sleeve<br>for<br>Governor<br>Automatic            |         | 1   |                                |
| (3A) | 911 424 591 02     | Sleeve<br>for<br>Governor<br>Manually             |         | 1   |                                |
| 4    | 911 659 105 01     | Interior sensor                                   | -85     | 1   |                                |
| 5    | 911 571 235 01     | Rosette   | -85     | 1   |                                |
| -    | 911 659 123 00     | Cap<br>Connector                                  |         | 1   |                                |
| 6    | 911 624 065 00     | Interior sensor                                   | 86-     | 1   |                                |
| 6    | 911 624 065 01     | Interior sensor                                   | 86-     | 1   |                                |
| -    | 911 552 357 00     | Bracket   | 86-     | 1   |                                |
| -    | 900 138 001 02     | Tapping screw<br>B 2,6 X 6,5                      | 86-     | 2   |                                |
| -    | N 013 932 1        | Oval-head sheetmetal screw<br>B 2,9 X 6,5         | 86-     | 2   |                                |
| -    | 944 612 217 00     | Connector housing<br>Clutch<br>4-pole             | 86-     | 1   |                                |
| 7    | 911 572 527 00     | Connecting hose                                   | /LL 86- | 1   |                                |
| 7A   | 911 572 525 00     | Clamping piece<br>for<br>Intake manifold          | 86-     | 1   |                                |
| 8    | 911 572 523 00     | Intake manifold                                   | 86-     | 1   |                                |
|      | 911 572 523 00 01C | Black   |         |     |                                |
| 9    | 900 143 065 07     | Tapping screw<br>B 2,9 X 9,5                      | -85     | 2   |                                |
| 9    | 900 073 003 01     | Tapping screw<br>B 2,9 X 9,5                      |         | 2   |                                |
| 10   | 911 612 150 00     | Wiring harness<br>for<br>Interior sensor          | -85     | 1   |                                |
| 11   | 911 659 101 00     | Caloric feeler                                    |         | 1   |                                |
| (11) | 911 659 101 01     | Caloric feeler                                    |         | 1   |                                |
| -    |                    | Connecting piece<br>See group<br>2/02/00          |         |     |                                |
| 12   | 999 190 129 02     | Blind rivet                                       |         | 2   |                                |
| 13   | 911 612 152 00     | Wiring harness                                    | /LL     | 1   |                                |
| -    | N 012 225 2        | Spring washer<br>B 5                              |         | 4   |                                |
| -    | 900 075 154 07     | Hexagon-head bolt                                 |         | 4   |                                |

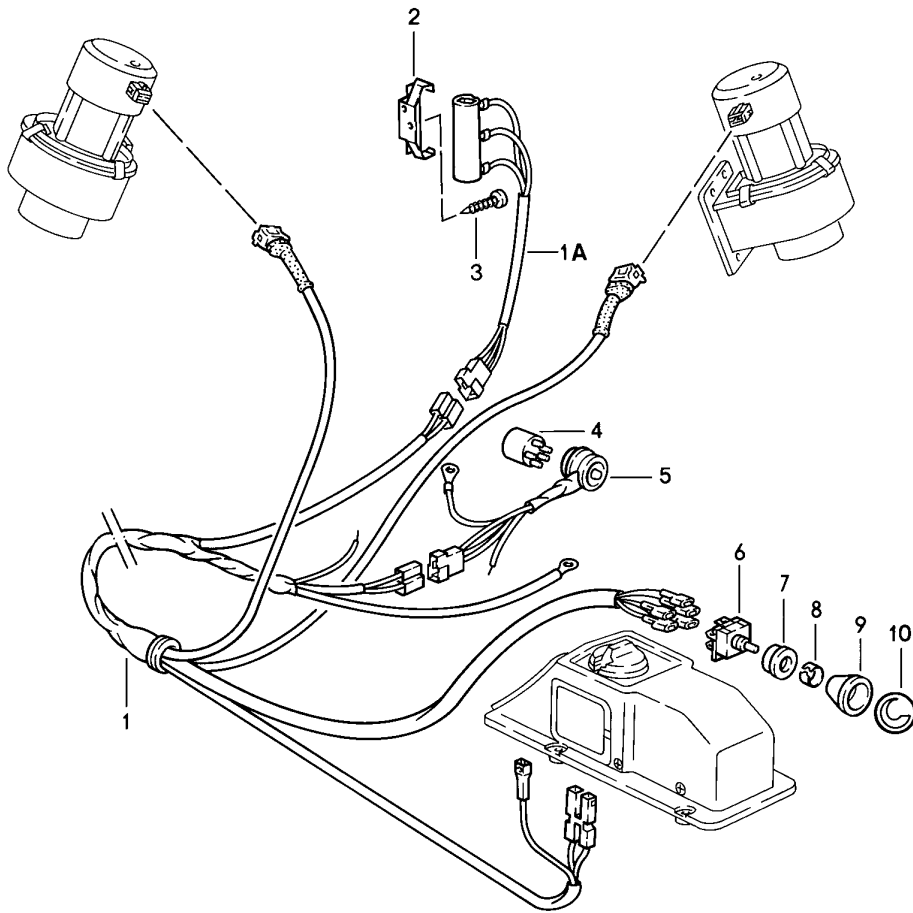
Model: 911 84

Model life 1984>>1986

| Pos  | Part Number    | Description           | Remark | Qty | Model |
|------|----------------|-----------------------|--------|-----|-------|
|      |                | M 5 X 18              |        |     |       |
| 14   | 911 659 058 02 | Printed circuit board | -85    | 1   |       |
| 14   |                | Printed circuit board | 86     | 1   |       |
| 15   | 999 168 021 40 | Ball socket           |        | 2   |       |
| 16   | 914 631 179 10 | Bulb socket           | 84     | 1   |       |
| (16) | 999 632 015 00 | Bulb socket           | 85-    | 1   |       |
| 17   | 900 631 132 90 | Bulb<br>12 V - 1,2 W  |        | 1   |       |

Model: 911 84

Model life 1984>>1986

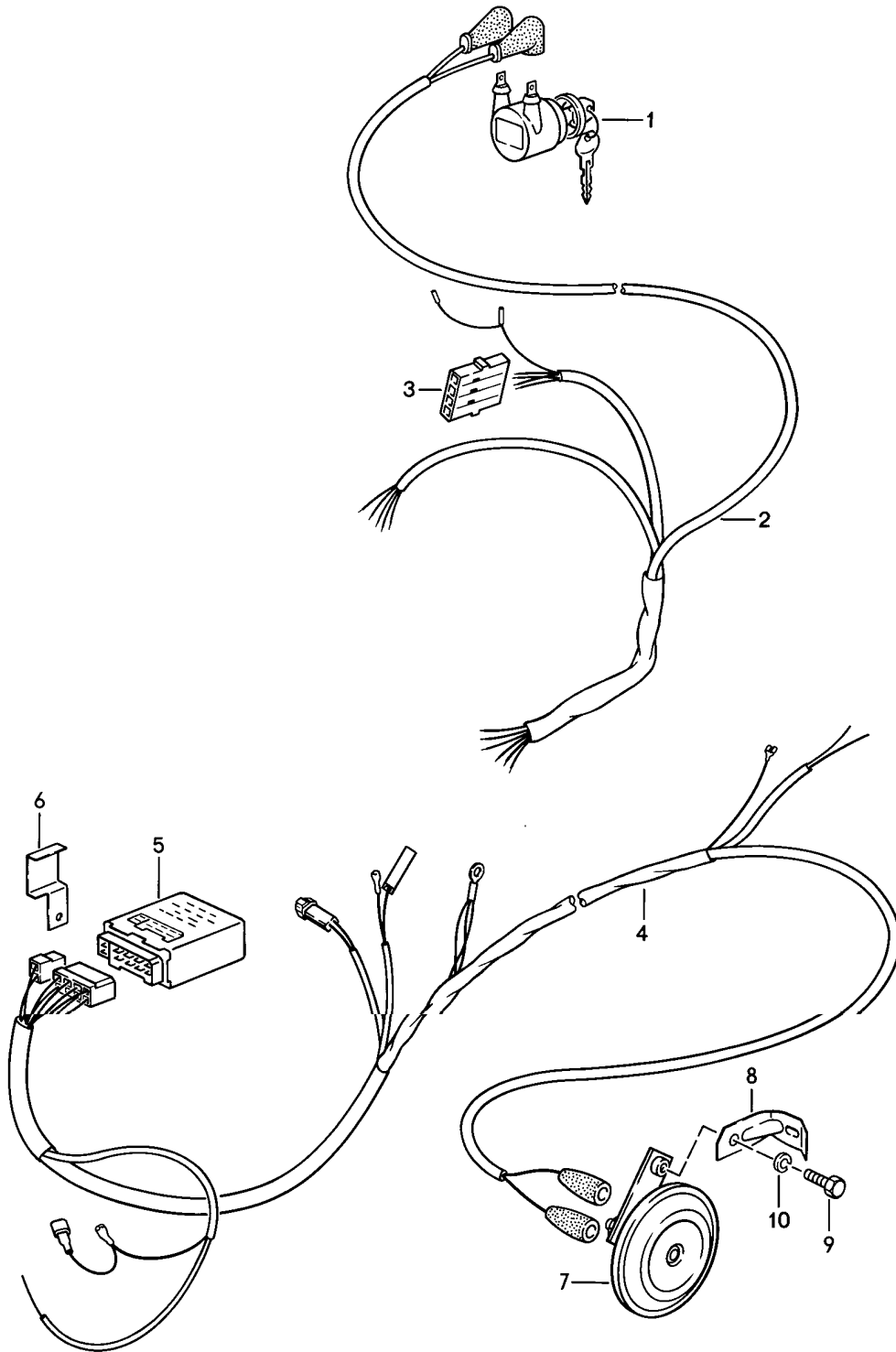


Model: 911 84 Model life 1984>>1986

| Pos  | Part Number        | Description         | Remark | Qty | Model   |
|------|--------------------|---------------------|--------|-----|---------|
| 1    | 930 612 113 05     | Heating system 2    |        | 1   | TURBO   |
|      |                    | Wiring harness      | /LL    | 1   | TURBO   |
| 1A   | 930 616 011 00     | Resistor            |        | 1   | TURBO   |
| (1A) | 911 616 011 00     | Resistor            |        | 1   | CARRERA |
| 2    | 930 616 113 00     | Support             | -85    | 1   | TURBO   |
| 2    | 911 616 113 01     | Support             | 86-    | 1   | TURBO   |
| (2)  |                    | Support             |        | 1   | CARRERA |
| 3    | 900 143 058 02     | Tapping screw       |        | 2   | TURBO   |
| 4    | 911 615 109 01     | Standard type relay |        | 1   |         |
| 5    | 930 612 115 00     | Wiring harness      |        | 1   | TURBO   |
| 6    | 911 613 243 00     | Blower switch       |        | 1   | TURBO   |
| 7    | 911 613 213 06     | Rosette             |        | 1   | TURBO   |
| 8    | 999 591 619 01     | Knob holder         |        | 1   | TURBO   |
| 9    | 911 613 141 00     | Knob                | -85    | 1   | TURBO   |
| (9)  | 911 613 103 02     | Knob                | 86-    | 1   | TURBO   |
|      | 911 613 103 02 70B | Black               |        |     |         |
|      |                    | Temperature switch  |        |     |         |
| 10   | 911 613 237 02     | Cap with symbol     | -85    | 1   | TURBO   |
| 10   | 911 613 237 03     | Cap with symbol     | -85    | 1   | TURBO   |

Model: 911 84

Model life 1984>>1986



Model: 911 84 Model life 1984>>1986

| Pos | Part Number    | Description   | Remark | Qty | Model   |
|-----|----------------|---|--------|-----|---------|
| 1   | 911 637 101 00 | Alarm system<br>Left-hand drive<br>Alarm switch<br>with 2 secondary keys  |        | 1   |         |
| 2   | 911 612 163 02 | Wiring harness<br>Driver's door<br>Passenger's door<br>without<br>Spiegel | -84    | 1   |         |
| (2) | 911 612 165 02 | Wiring harness<br>Driver's door<br>Passenger's door<br>with<br>Spiegel    |        | 1   |         |
| 3   | 111 971 977    | Flat connector socket   |        | 1   |         |
| 4   | 911 612 176 01 | Wiring harness  |        | 1   |         |
| 5   | 911 637 104 02 | Alarm control unit  |        | 1   | CARRERA |
| (5) | 911 637 104 00 | Alarm control unit  |        | 1   | TURBO   |
| 6   | 911 637 117 00 | Support   |        | 1   |         |
| 7   | 944 637 103 01 | Horn  |        | 1   |         |
| 8   | 911 635 093 00 | Retaining bracket   |        | 1   |         |
| 9   | N 010 239 11   | Hexagon-head bolt<br>M 8 X 18   |        | 1   |         |
| 9   | N 010 239 30   | Hexagon-head bolt<br>M 8 X 18   |        | 1   |         |
| 10  | 900 027 015 02 | Lock ring<br>B 8  |        | 1   |         |
| 10  | 900 027 015 03 | Lock ring<br>B 8  |        | 1   |         |



Model: 911 84

Model life 1984>>1986



Model: 911 84

Model life 1984&gt;&gt;1986

| Pos | Part Number    | Description  | Remark | Qty | Model |
|-----|----------------|--|--------|-----|-------|
| >>  | 911 631 901 01 | Conversion set<br>Headlamp<br>Conversion set<br>Headlamp<br>for subsequent installation<br>Up to model 86<br>Comprising: |        | 1   |       |
| -   | 911 631 119 00 | Headlamp   |        | 2   |       |
| -   | 911 631 142 00 | Headlamp ring  |        | 2   |       |
| -   | 113 951 539    | Washer   |        | 2   |       |
| -   | 900 270 063 07 | Countersunk-head screw   |        | 2   |       |
| -   | 911 631 139 00 | Spacer sleeve  |        | 2   |       |
| -   | 911 631 137 00 | Stopper  |        | 4   |       |
| -   | 165 941 165    | Connector housing  |        | 2   |       |
| -   | N 903 353 03   | Contact spring   |        | 6   |       |