

Model: TEQ 4

Model life 2014>>

NR	Description
450	Ceramic brake (PCCB)
482	Tire Pressure Monitoring TPM, 433 MHz
ER1	Regional code "ECE" for radio
ER2	Regional code "RdW" for radio
ER3	Region code "USA" for radio
IV0	Without Connect Plus package
L0L	Left-hand drive version
QH1	Voice control
QR0	without compass/Sport Chrono/analogue clock
QR1	With compass
QR3	Analog clock on dashboard
UF0	Without electric interface
UF1	Multimedia socket for external source
UI4	AUX-IN and USB/IPOD electric interface
UI6	AUX + USB/IPOD electric interface + 2X charging
0P8	Sports exhaust system
0P9	Sports exhaust system, Black tailpipe
1E9	without activated carbon canister with SCR
3GA	without cargo management
3S7	Roof rails
3S8	Roof Transport System
4F2	Porsche entry + drive
4F6	Porsche entry + drive (usa/can)
5RP	Right exterior mirror, convex with camera
5RQ	Exterior mirror, right, convex
5RR	Door mirror, right, convex (US)
5RT	Door mirror, right, convex (AGCC)
5SG	Door mirror, left, flat
5SL	Door mirror, left, aspherical
5SU	Left exterior mirror, convex with camera
5W1	Silver roof rails plus bars
5W4	Black roof rails plus bars
6XP	Door mirrors, electrically retractable, electrically adjustable, separately heated
6XT	Door mirrors, automatically dimmable, electrically retractable/adjustable, separately heated + memory
6XW	Door mirrors, automatically dimmable, electrically retractable/adjustable, separately heated
7K0	Without Tire Pressure Monitoring (TPM)
7K3	Tyre pressure monitoring (TPM) 433 MHz
7X0	Without park distance control
7X2	ParkAssist, front/rear
7X8	Ultrasound parking aid and reversing camera
7Y1	Lane change assist
77J	Navigation software Argentina
77K	Navigation software Chile

Model: TEQ 4 Model life 2014>>

NR	Description
8A4	Ultrasound parking aid with Real Topview
8EE	Xenon, ECE, left-hand traffic (Black)
8EF	Xenon, ECE, right-hand traffic (Black)
8EG	Xenon, USA, right-hand traffic (Black)
8EX	LED headlights, r-h traffic + dyn. cornering light
8EY	LED headlights, USA with dynamic cornering light
8Q3	Headlight levelling - dynamic
8SB	side tail light standard design, Black
8SI	side tail light (USA, Canada), Black
8T0	Without cruise control
8T1	Cruise control
8T3	Automatic distance control + cruise control ACC from MY 04
8T6	Cruise control with speed limiter
8X1	Headlamp washer system
9TF	Courtesy entry and exit lights
9TH	Safety lights on front and rear doors
9W1	Telephone module without passive handset
089	Exterior package, Black
201	105 Ah battery
275	Safety interior mirror, manual dimming function
444	Anti-theft lock, wheel bolts "THATCHAM"
450	Ceramic brake (PCCB)
482	Tire Pressure Monitoring TPM, 433 MHz
583	Smoker package
602	LED headlights with dynamic cornering light Plus (PDLs Plus)
608	Garage door opener "Homelink" 433 MHz
619	Mobile phone preparation (BLUETOOTH) without console
642	Start/Stop function
666	PCM 3 telephone (GSM)
671	Voice control system
675	Without radio preparation (Japan navigation system)
680	BOSE sound package
890	Folding table, left
899	Isifix child-seat restraint on front passenger side
B0A	Component set without country assignment
B0D	Component set for USA
B0E	Component set for Canada
B0L	Component set for Japan
B0M	Component set for AGCC countries
B0N	Component set for Great Britain

Model: TEQ 4 Model life 2014>>

NR	Description
B0R	Component set for Australia
B1C	Component set for Mexico
B1D	Component set for Brazil
B1P	Component set for China
B1Q	Component parts set, complying with vehicle type for Argentina, various parts
B2A	Component set PAP LHD
B2G	Component set for Thailand
B2H	Component set for Korea
B3D	Component set for Turkey
B3H	Assembly kit, Indonesia corresponding vehicle version, various parts
B4U	Component parts set, complying with vehicle type for Serbia, various parts
CY3	RS Spyder Design wheel, 20"
CY4	Cayenne Sport Techno wheel 9"/10" x 20" in vehicle colour
C5F	18" Macan S wheel (8/9X18)
C6P	19" Macan Turbo wheel (8/9X19)
C6X	19" Macan Design wheel (8/9X19)
C7N	18" Macan wheel (8/9X18)
C7T	21" 911 Turbo Design wheel (9/10X21)
C9K	21" Sport Classic wheel (9/10X21)
DD7	6-cylinder diesel engine 3.0 l/190 kW TDI
DE5	4-cylinder diesel engine 2.0 l/140 kW TDI
DM0	4-cylinder TFSI engine 2.0 l/174 kW
DQ5	4-cylinder TFSI engine 2.0 l/185 kW
DU0	6-cylinder turbo engine 3.0 l/250 kW
DU1	6-cylinder turbo engine 3.6 l/294 kW
DU2	6-cylinder turbo engine, 3.6 l 309 kW
DU3	3.6 litre turbo engine, 6-cylinder
DU6	6-cylinder turbo engine, 3.0l, 250KW
D1V	6-cylinder diesel engine 3.0/155 kW TDI
D11	6-cylinder petrol engine 3.0/245 kW
D4A	Turbo engine, 6 cyl. 3.0 l/265 KW
D43	6-cylinder diesel engine 3.0 l/180 kW TDI
D50	6-cylinder diesel engine, 3.0 l/176 kW TDI
D51	6-Zylinder-Dieselmotor 3,0 L/184 KW TDI
ER1	Regional code "ECE" for radio
ER2	Regional code "RdW" for radio
ER3	Region code "USA" for radio
ER4	Region code "Mexico/NAR2" for radio
ER5	Region code Japan for radio
ER6	Regional code "China" for radio
ER7	Regional code "Korea" for radio
ER8	Regional code "Taiwan" for radio

Model: TEQ 4

Model life 2014>>

NR	Description
ER9	Regional code "Rest of Asia" for radio
E0A	No campaign version, basic equipment
E0W	GTS version
E1Z	Exclusive edition
GY0	Without electric closing aid for tailgate
GY1	Power closing mechanism for tailgate
G1D	7-speed automatic transmission for all-wheel drive
G1G	8-speed auto. transmission for all-wheel drive
H3L	Tyres 235/60 R18, 255/55 R18
H3Q	All-season tyres 235/60 R18, 255/55 R18
H6B	Tyres 235/55 R19, 255/50 R19
H6J	All-season tyres 235/55 R19, 255/50 R19
H6K	Tyres 265/45 R20, 295/40 R20
H6N	All-season tyres 265/45 R20, 295/40 R20
H6P	Tyres 265/40 R21, 295/35 R21
IV0	Without Connect Plus package
IY1	Model year period from week 22 to week 45
IY2	Model year period from week 45 to week 22
I8L	Premium radio (2nd gen.)
J0B	Battery (92 Ah)Battery (92 Ah)
J0P	Battery (105 Ah)
J1N	Battery (75 Ah)
KK1	Refrigerant R134a
KK3	Refrigerant R1234yf
L0L	Left-hand drive version
L0R	Right-hand drive version
NOQ	Seat covers, full leather, smooth, for A/C seat
NZ3	ERA/GLONASS (emergency call)
NOQ	Seat covers in leather, smooth-finish for A/C seats
N1A	Seat covers in natural leather for A/C seats
N1B	Seat covers in full leather, two-colour with air conditioning
N1M	Two-colour seat covers in partial leather, smooth-finish
N1P	Seat covers in partial leather (natural leather, smooth-finish)
N2S	Seat covers in partial leather ALCANTARA
N4M	Seat covers, partial leather, leather/leatherette
N5U	Part-leather seat covers, smooth leather
N6D	Seat covers, Alcantara/leatherette
QE0	W/o storage comp. package / box
QE1	Tray areas package
QH0	not with voice control
QH1	Voice control
QJ2	Aluminium package
QJ4	Aluminium package, Black
QJ6	Aluminium package, Black Matt

Model: TEQ 4

Model life 2014>>

NR	Description
QR0	Without compass
QR1	With compass
QR3	Analog clock on dashboard
QR4	Sport Chrono package
QR5	Sport Chrono Package Plus
QU0	Digital radio reception (DAB)
QU1	TV reception + digital radio reception (DAB) MIB
QU8	SAT radio reception, USA
QV0	Without TV and digital radio reception
QV1	With TV reception
QV3	HD radio reception (high-definition)
QV4	XM satellite radio receiver
QV5	TV reception and digital radio reception (DAB)
QV8	HD radio reception and SAT radio XM (SDARS)
Q1G	Standard seats (front), 8-way
Q1J	GTS sports seats front and rear
Q2J	Convenience seat
Q4P	Sports seat GTS 8-way
TF1	V6 TDI (generation 2) basic engine components
TH1	V6 TDI (SCR) basic engine components
TQ9	Units for V6 3.6-litre engine (DU1/2/3)
TW6	R4 TFSI 2.0-litre basic engine components
T2G	R4 TFSI 2.0-litre basic engine components
T8I	Unit for V6 3.0-litre engine (DU0/D4A)
UF0	Without electric interface
UF1	Multimedia socket for external source
UI4	AUX-IN and USB/IPOD electric interface
UI6	AUX + USB/IPOD electric interface + 2X charging
UP1	Sport Chrono / compass, Black
UP3	Sport Chrono / compass, White
UP4	Sport Chrono / compass, Luxor Beige
UP5	Sport Chrono / compass, Garnet Red
UX6	TPM valve, Silver
UX7	TPM valve, Black
U5A	Instrument insert, km/h indication, RoW
U5B	Instrument insert, mph indication, GB
U5C	Instrument insert, mph indication, USA
U5D	Instrument insert, km/h indication, Canada
U5E	Instrument insert, km/h indication, Japan
U5F	Instrument insert, display km/h, AGCC
U5G	Instrument insert, km/h indication, Australia
VC0	Ohne Garagentoröffner
VC1	Garage door opener, 433 MHz
VC2	Garage door opener, 315 MHz
VR0	Without impact protection measures

Model: TEQ 4

Model life 2014>>

NR	Description
VR1	Side protection, running board
VR4	Front impact protection measures
VT2	Door entry guards, aluminium, illuminated
VW1	Privacy glazing
VW5	Insulating glass in rear
V39	21" Sport Classic wheel in exterior colour
V95	21" Sport Classic wheel in Black
V96	21" Sport Classic wheel in platinum
0F5	Fuel system for diesel engine
0GG	Emissions compliance EU 4
0JA	Weight class 1, front axle - 1170-1210 kg
0JB	Weight class 2, front axle - 1211-1226 kg
0JC	Weight class 3, front axle - 1227-1251 kg
0JD	Weight class 4, front axle - 1252-1276 kg
0JE	Weight class 5, front axle - 1277-1292 kg
0JF	Weight class 6, front axle - 1293-1328 kg
0JG	Weight class 7, front axle - 1329-1428 kg
0JH	Weight class 8, front axle
0JJ	Weight class 9, front axle
0JK	Weight class 10, front axle
0JL	Weight class 11, front axle
0K0	Without alternative drive system
0K1	Hybrid propulsion system
0M2	Fuel tank, 75 l
0M5	Fuel tank, 60 litre
0M6	Fuel tank, 65 litre
0NA	Deletion of model designation
0NB	Nameplate set in basic version
0P0	Standard tailpipe
0P3	Exhaust tailpipe, polished
0P6	Exhaust tailpipe, Black
0P8	Sports exhaust system
0P9	Sports exhaust system, Black tailpipe
0RC	With electric steering column lock
0RZ	Without electric steering column lock
0YA	Weight class 1, rear axle - 1039-1074 kg
0YB	Weight class 2, rear axle - 1075-1128 kg
0YC	Weight class 3, rear axle - 1129-1159 kg
0YD	Weight class 4, rear axle - 1160-1215 kg
0YE	Weight class 5, rear axle - 1216-1244 kg
0YF	Weight class 6, rear axle - 1245-1299 kg
0YG	Weight class 7, rear axle - 1300-1331 kg
0YH	Weight class 8, rear axle
0YJ	Weight class 9, RA
1A2	Engine variant without reduced compression

Model: TEQ 4

Model life 2014>>

NR	Description
1BA	Suspension/dampers, standard
1BH	Suspension/dampers, standard 2 PASM
1BK	Air suspension with levelling system and height adjustment (PASM)
1BW	Comfort suspension/damping (steel springs)
1D0	without tow bar
1D3	Trailer hitch, electrically retractable, ECE R55
1D6	Trailer coupling without tow ball
1D7	Preparation for detachable trailer coupling
1D8	Preparation for detachable trailer coupling "usa"
1E0	Without activated charcoal canister
1E1	Active charcoal container
1E9	without activated carbon canister with SCR
1G1	18-inch collapsible spare wheel
1G4	19" collapsible spare wheel
1G8	Tire Fit, tyre repair set
1KD	Rear disc brakes, 17-inch disc diameter, brake calliper painted Black
1KE	Rear disc brakes, 17-inch disc diameter, brake calliper painted Silver
1KY	Disc brakes, rear, 17", Red
1LA	Front disc brakes, 17-inch disc diameter, brake calliper painted Black
1LB	Front disc brakes, 18-inch disc diameter, brake calliper painted Silver
1LE	Front disc brakes, 17-inch disc diameter, brake calliper painted Black
1LF	Front disc brakes, 18-inch disc diameter, brake calliper painted Silver
1LG	Front disc brakes, 18-inch disc diameter, brake calliper painted Red
1LH	Rear disc brake - disc diameter 19 inches, brake calliper painted red
1LY	Front disc brake - 19-inch disc diameter, brake calliper painted Yellow (PCCB)
1L0	Standard air cleaner
1L1	Air cleaner for dusty regions
1NE	Wheel centres STANDARD
1NP	Wheel centres with full-colour Porsche Crest (concave)
1PC	Wheel bolts with theft protection
1T3	First aid kit, warning triangle
1T7	First aid kit, 2 warning triangles
1XA	Multi-function steering wheel, Anthracite Birch, heated

Model: TEQ 4

Model life 2014>>

NR	Description
1XE	3-spoke multi-function steering wheel, wood, Anthracite Birch with radio controls
1XG	Multi-function steering wheel, American Walnut, Brown, heated
1Y0	Ohne Vorder- /Hinterachssperre
1Y1	Differential lock, rear, centre differential lock
1ZK	Front disc brakes, 18-inch disc diameter, brake calliper painted Red
2C4	Steering column, reach + height adjustable with memory
2C5	Steering column, reach + height adjustable, mechanical
2D0	Without Sport Design package
2D1	Aerokit, with sill cover
2D2	Aerokit, without sill cover
2D4	Sport Design package, exterior colour
2D5	Sport Design package, Black
2D6	Sport Design package without door sill, Black
2D7	Rear end painted in body colour
2D8	Rear end painted High-Gloss Black
2EH	Rear disc brakes - disc diameter 19 inch Brake calliper painted yellow (PCCB)
2EK	Rear disc brakes, 18-inch disc diameter, brake calliper painted Red
2FX	3-spoke multi-function steering wheel, carbon, heated
2G0	Without insert for filling with diesel
2G1	Insert for fuelling with unleaded petrol
2G4	Insert for fuelling with unleaded petrol (CARB Diagnosis)
2G7	Insert for unleaded fuelling in bad fuel region
2HB	Interior sound measures (shaker)
2JB	Bumper, standard
2JC	Comfort bumper, stainless-steel attachment, front apron bottom section
2JU	Bumper with on-road front end
2JX	Comfort bumper (stainless steel trim at front + rear)
2PX	Multi-function steering wheel, Alcantara, 3-spoke
2P1	Loading sill guard in plastic
2P2	Stainless steel loading edge protection
2P3	Carbon loading edge protection
2W0	Tank cap, standard
2ZF	3-sp. multi-funct steering wheel, Alcantara, heated
2ZH	3-spoke multi-function steering wheel,

Model: TEQ 4

Model life 2014>>

NR	Description
	heated
2ZM	3-spoke multi-function steering wheel
2ZU	Multi-function steering wheel, Yachting Mahogany, heated
3B9	Isifix child seat anchor system, front and rear
3CA	with no partition
3CU	Preparation for net partition
3CX	net partition
3D1	Centre console STANDARD (PVC)
3D2	Centre console for leather package
3D3	Centre console, leather package/Alcantara
3D4	Centre console in natural leather
3D5	Centre console Alcantara
3D6	Centre console in two-colour leather
3D8	Centre console Leather, smooth
3D9	Centre console, standard, two-colour
3FA	Without roof insert
3FU	Porsche large roof system
3GA	without cargo management
3GN	Variable luggage/load compartment floor
3I0	Centre console for leather package, two-colour
3J4	Headrests for front seats
3J7	Headrests for front seats, with embossed crest
3LD	Door & side trim panel - standard - PAG
3LE	Door & side trim panel - MEDIUM - PAG
3LH	Door trim and side wall - all leather -- pillars/rooflining in Alcantara - PAG
3LM	Door panel/side trim panel in natural leather
3LS	Door & side trim panel - Alcantara
3LT	Door, side trim panel in two-colour natural leather
3L3	Manual height adjustment for both 8-way adjustable front seats
3L4	Driver memory package
3L5	Electrical adjustment for both 12-way adjustable front seats
3L6	Front seat adjustment, electrical with memory, right
3PB	Front seat adjustment, left electrical, right manual
3PE	Front seat adjustment, right electrical, left manual
3PH	Front seat adjustment, right electrical and memory, left manual
3PJ	Front seat adjustment, right electrical, left manual
3PN	12-way electrical adjustment for both front seats

Model: TEQ 4

Model life 2014>>

NR	Description
	+ memory
3QT	3-point automatic seat belts at front with seat-belt pre-tensioners + height adjustment
3S0	not with roof rail
3S1	Bright roof rails
3S5	Black roof rails with drip mouldings
3S7	Roof rails
3S8	Roof Transport System
3W4	Acoustic package, standard
3W8	Acoustic package, diesel
3X1	Load-through hatch with ski bag
3Y0	without roll-up sun screen
3Y4	Roller blind for rear side windows
3ZD	3-point automatic seat belt (rear), "NAR"
3ZU	3-point automatic seat belt (rear), "RoW"
4AH	Door/side trim panel, leather package/Alcantara
4AK	Door/side trim panel, leather package, two-colour
4AP	Door/side trim panel, standard two-colour
4A0	without seat heater
4A3	Heated seats, front
4A4	Heated seats, front/rear
4D0	without seat ventilation
4D1	Seat ventilation for A/C seat front and rear
4D3	Seat ventilation (front), a/c seat
4D4	Front and rear massage seat
4E0	Tailgate release from outside
4E7	Trunk lid power closing
4F2	Porsche entry + drive
4F6	Porsche entry + drive (usa/can)
4GC	Windscreen in heat-insulating glass, with top tint
4GF	Windscreen of tinted glass
4GK	Windscreen, insulating glass with top tint
4KC	Green heat-insulating glass in rear
4KF	Dark tinted glass in rear
4K0	Central-locking system with key remote and interior operation
4K3	Central locking with remote control, inner release and safe lock system
4L2	Safety interior mirror, manual dimming function
4L6	Safety interior mirror, automatic dimming function
4M0	Without cupholder
4M3	Rear cup holder
4N0	Dashboard for leather package, two-colour
4N1	Padded dashboard
4N2	Dashboard for leather package
4N3	Switch panel in two-tone leather w. decor. stitching

Model: TEQ 4

Model life 2014>>

NR	Description
4N5	Dashboard in natural leather
4N8	Dashboard with genuine leather
4N9	Upholstered dashboard, two-colour
4QR	3-point automatic seat belt (front), "NAR"
4UD	Airbag, can not be deactivated on passenger's side
4UE	Airbags for driver and front-seat passenger; front-seat passenger side can be deactivated
4UQ	Advanced airbag
4X3	Front side airbag with head airbag
4X4	Side-airbag, front and rear with curtain airbag
41L	RS Spyder Design 20" wheel in Black
46X	21" 911 Turbo Design wheel, Black
5C1	Body measure, FSO
5C6	Rear end reinforcement
5D1	Carrier frequency 433.92 MHz
5D2	Carrier frequency 315 MHz
5D3	Carrier frequency 315 MHz with reduced transmission power for Japan
5D8	Carrier frequency 434 MHz
5KA	Rear seats, Comfort (40/20/40)
5KH	Rear seats, Sport (40/20/40)
5MA	Decorative inlays - paint, painted plastic
5MH	Carbon decorative inlays
5MP	Decorative inlays in American Walnut, Brown
5RP	Right exterior mirror, convex with camera
5RQ	Exterior mirror, right, convex
5RR	Door mirror, right, convex (US)
5RT	Door mirror, right, convex (AGCC)
5RV	Door mirror, right, aspherical
5SG	Door mirror, left, flat
5SJ	Door mirror, left, convex
5SL	Door mirror, left, aspherical
5SU	Left exterior mirror, convex with camera
5TE	Aluminium "sport" package
5TH	Aluminium decorative inlays, anodised Black
5TL	Decorative inlay in Piano Look
5W1	Silver roof rails plus bars
5W4	Black roof rails plus bars
5XC	Sun visors, mirror (RoW)
5XX	Sun visors, mirror (USA)
5ZD	Headrests, front and rear, with logo
5ZF	Headrests for front seats, with embossed crest
6A0	without fire extinguisher
6A7	With fire extinguisher
6DL	Sun visors, mirror (Korea)

Model: TEQ 4 Model life 2014>>

NR	Description
6DQ	Sun visors, mirror (China)
6EA	Without additional body covers, side stone guards
6EC	Underbody protection, rear axle
6ET	Stone guard film, poor road package
6FB	Door-mirror housing painted in exterior colour
6FG	Door mirror housing, standard
6F0	Without imprint on armrest
6F6	Porsche Crest on front armrest
6F8	Model logo on front armrest
6G2	CD/DVD changer (external)
6H0	Door design trims, Black (grained)
6H1	Door design trims, vehicle colour
6H3	Door design trims, carbon
6H5	Door design trims in High-Gloss Black
6H6	Door design trims, black matt
6KA	Air grille, standard
6KC	Air grille, High-Gloss Black
6NA	One-piece rooflining in Alcantara, USA
6NJ	Standard rooflining, fabric
6NN	Alcantara rooflining
6NQ	Roof lining, standard, fabric, USA
6Q2	Gear selector knob + grip in leather, gear lever in leather/aluminium
6Q5	Selector lever, Alcantara
6W1	Number-plate holder, front, large (ECE)
6W2	Number-plate holder, front, small (RoW)
6W3	Number-plate holder, front (NAR)
6W4	Front number plate bracket, Japan
6W7	Number plate bracket, front, China
6XP	Door mirrors, electrically retractable, electrically adjustable, separately heated
6XQ	Exterior mirror with memory function, electr. retractable/adjustable, separately heated
6XT	Door mirrors, automatically dimmable, electrically retractable/adjustable, separately heated + memory
6XW	Door mirrors, automatically dimmable, electrically retractable/adjustable, separately heated
6Y2	Comfort air pressure, 270 km/h
6Y4	Comfort air pressure, 100 mph
6Y7	Comfort air pressure, 100 mph USA
7AA	Electronic immobilizer
7AB	Engine immobiliser, alarm system, alarm horn
7AC	Alarm system, interior surveillance, alarm horn
7AH	Alarm system, interior surveillance can be deactivated Backup horn

Model: TEQ 4

Model life 2014>>

NR	Description
7AK	Alarm system, interior surveillance system, anti-towing protection
7AL	Alarm system, interior surveillance system, backup horn, anti-towing protection
7A0	Without CD autochanger/player
7D7	Integrated CD/DVD autochanger
7E0	Without heat accumulator
7E6	Auxiliary heater
7F4	PDK selector lever, aluminium, Exclusive design
7GB	Emission standard ULEV 2
7GH	EU4 emissions concept without EOBD
7G5	Preparation, VTS (Vehicle Tracking System), with driver card, connection to alarm system, re-start inhibitor
7G9	VTS preparation and Porsche Car Connect (pcc)
7HI	Emissions concept EU5 Russia
7I0	VTS security package (incl. PCC) and keypad
7I2	VTS security package (with PCC)
7K0	Without Tire Pressure Monitoring (TPM)
7K3	Tyre pressure monitoring (TPM) 433 MHz
7K4	Tyre pressure monitoring system 315 MHz
7L4	Start/Stop "last mode" with recuperation
7L7	StopRecuperation without Start/Stop
7L8	Start/Stop "default on" mit Rekuperation
7MG	Emissions concept EU 5
7MJ	Emissions concept EU 5J
7MM	EU6 plus exhaust concept
7M0	Door entry guards of plastic from MY 04
7M3	Door entry guards in carbon
7M4	Preparation for CT door entry guards, illuminated
7M8	Door entry guards in Carbon, illuminated
7M9	Door entry guards in aluminium
7Q0	not with navigation system
7Q4	Navigation system preparation, Japan
7Q7	PCM incl. navigation & compass display in instrument cluster
7RG	Navigation China
7RH	Navigation Middle East
7RJ	Navigation Australia
7RM	Navigation Hong Kong
7RS	Navigation North America
7RT	Navigation package Europe
7RV	Navigation Russia

Model: TEQ 4

Model life 2014>>

NR	Description
7RX	Navigation South Africa
7TK	Decorative inlays, White Oak
7T1	Offroad navigation, with course calculator showing latitude and longitude
7T4	Navigation module China
7UG	Navigation device, High
7V0	Instrument dials in Black
7V3	Instrument dials in White
7V4	Instrument dials in Luxor Beige
7V5	Instrument dials in Silver
7V6	Instrument dials in Black/Silver
7V7	Instrument dials, Garnet Red
7V8	Instrument dials in Carmine Red
7X0	Without park distance control
7X2	ParkAssist, front/rear
7X8	Ultrasound parking aid and reversing camera
7X9	Rear view camera system
7Y0	No lane change assistant
7Y1	Lane change assist
7Y2	Lane keeping system
7Y3	Lane Change Assist and Lane Keep Assist
7Y6	Lane departure warning (LDW)
7Y7	Lane Change Assist and Lane departure warning
77J	Navigation software Argentina
77K	Navigation software Chile
8A4	Ultrasound parking aid with Real Topview
8BB	Halogen main headlights, right-hand traffic
8BC	Main headlights with gas-discharge lamps + direction indicators, XENON, right-hand traffic
8BE	Main headlight with gas-discharge lamp & direction indicator light, XENON, left-hand traffic
8BF	Halogen main headlight, left-hand traffic
8BR	Halogen main headlights, U.S. version with direction indicator and running lights, right-hand traffic
8BZ	Main headlights with gas-discharge lamps + direction indicators, XENON, left-hand traffic
8DQ	Basic radio/PCM terminal, USA, double-DIN colour display
8DV	Basic radio/PCM terminal, RoW, double-DIN colour display
8EA	Xenon USA, right-hand traffic
8EE	Xenon, ECE, left-hand traffic (Black)
8EF	Xenon, ECE, right-hand traffic (Black)
8EG	Xenon, USA, right-hand traffic (Black)

Model: TEQ 4

Model life 2014>>

NR	Description
8EX	LED headlights, r-h traffic + dyn. cornering light
8EY	LED headlights, USA with dynamic cornering light
8F2	side-mounted turn signals
8F5	Side-marker lamps and turn signals
8G0	Without high-beam assistant
8G1	PDLs+ High beam assist
8G2	Dynamic high beam PDLs+
8IS	LED headlights, l-h traffic + dyn. cornering light
8JD	Main headlights with gas-discharge lamps U.S. version, XENON RHD
8JE	Main headlight with gas-discharge lamp ECE, XENON, right-hand traffic.
8JG	Main headlight with gas discharge lamp ECE, XENON, right-hand traffic with black interior lining
8N7	Windscreen washer interval Light and rain sensor
8N8	Windscreen washer interval Light sensor
8Q2	Static headlight beam adjustment
8Q3	Headlight levelling - dynamic
8RV	10 loudspeakers, passive
8SA	side tail light standard design
8SB	side tail light standard design, Black
8SI	side tail light (USA, Canada), Black
8SJ	side tail light (USA, Canada)
8T0	Without cruise control
8T1	Cruise control
8T3	Automatic distance control + cruise control ACC from MY 04
8T6	Cruise control with speed limiter
8WB	Front fog lamps
8WH	Street junction light and fog lights
8X0	Without headlamp washer system
8X1	Headlamp washer system
8YZ	Without radio but with preparation for 10 loudspeakers
8Y1	Standard horns
8Y2	Horns for extreme driving situations
9AB	Manually controlled air conditioning system
9AD	Climatronic, free of CFCs

Model: TEQ 4

Model life 2014>>

NR	Description
9AQ	3-zone Climatronic
9G1	220 A generator
9JA	Non-smoker package
9JB	Smoker version; ashtrays at front and rear
9MA	Interior lighting in basic equipment
9MB	Comfort interior lighting, dimmable, with light strips on door panels
9MO	Without auxiliary heater or engine-indep. heating
9M0	Without auxiliary heater/parking heater
9M1	Water heater with timer
9M9	Auxiliary water heater with timer and remote control
9NY	electronic log book
9P3	Belt control, visual and acoustic for driver and passenger
9P6	Belt control, visual and acoustic (front + rear)
9P7	Belt control, visual and acoustic only for driver
9Q1	without road sign recognition
9Q6	Traffic sign recognition
9TF	Courtesy entry and exit lights
9TH	Safety lights on front and rear doors
9VJ	Top Premium sound system Top Premium sound system
9VK	Sound package 1/sound package
9VL	Sound package 2/High-end sound system
9WM	Preparation for "Rear Seat Entertainment"
9WU	MIRRORLINK + RSE PREPARATION
9W0	Without preparation for installation of car phone
9W1	Telephone module without passive handset
9W5	BLUETOOTH mobile phone preparation
9ZC	Telephone module with connection box
9ZE	Mobile-phone preparation with connection box
9ZK	Telephone module
9ZP	Telephone module with passive handset
9ZX	Mobile phone preparation

Model: TEQ 4

Model life 2014>>



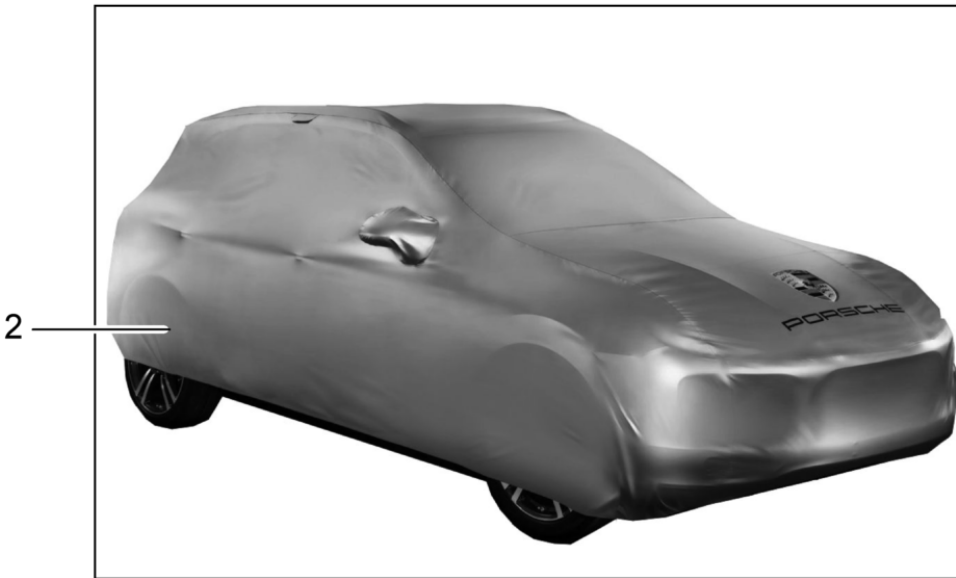
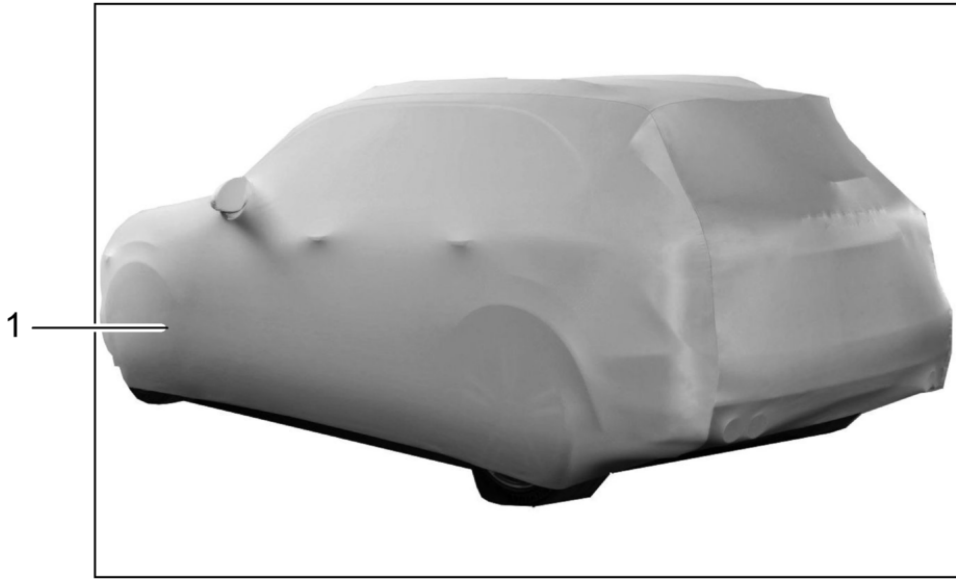
Model: TEQ 4

Model life 2014>>

Pos	Part Number	Description	Remark	Qty	Model
1	955 044 001 00	tool kit bag tool bag with tools Leather		1	

Model: TEQ 4

Model life 2014>>



Model: TEQ 4

Model life 2014>>

Pos	Part Number	Description	Remark	Qty	Model
1	95B 044 000 00	Cover D - MJ 2014>> Cover Indoor		1	alle
2	95B 044 000 01	Cover Outdoor		1	alle

Model: TEQ 4

Model life 2014>>



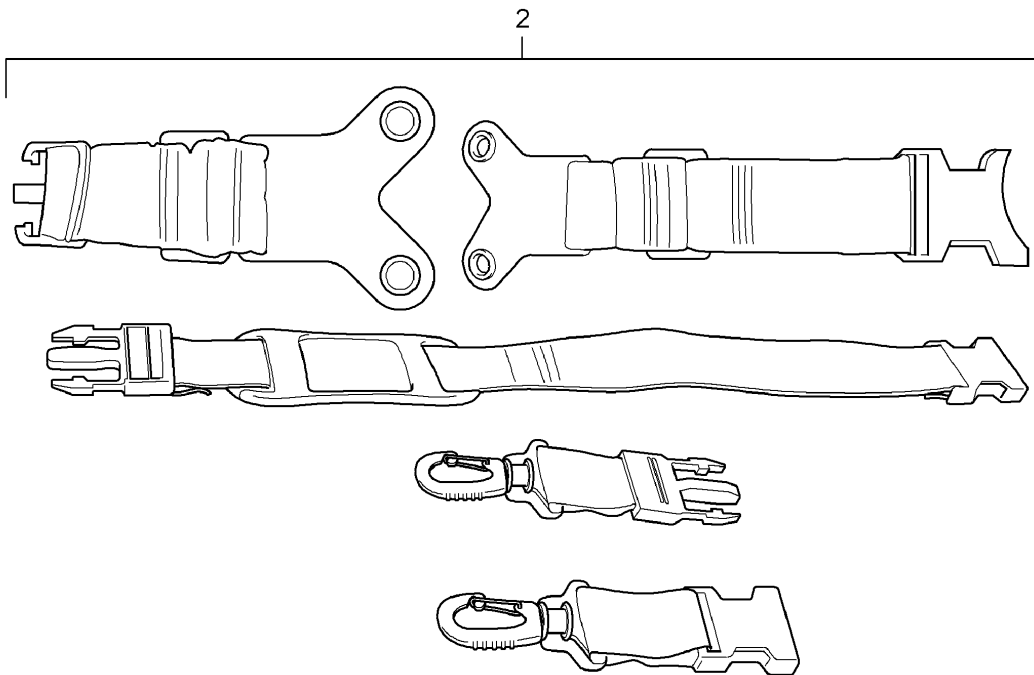
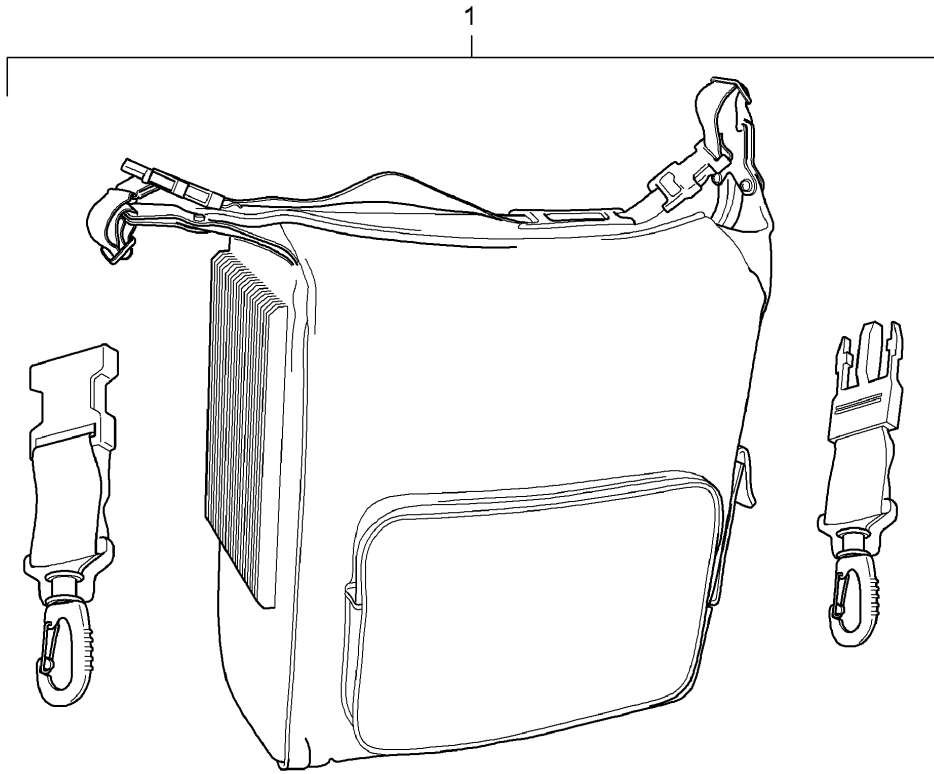
Model: TEQ 4

Model life 2014>>

Pos	Part Number	Description	Remark	Qty	Model
1	991 044 000 50	Luggage set Exclusive programme Luggage set (complete) Exclusive programme Leather Black With coloured stitching gold 4-part		1	
(1)	991 044 000 60	Luggage set (complete) Exclusive programme Leather Black With coloured stitching silver 4-part		1	
-	991 044 000 61	Pocket Size xl Exclusive programme Leather Black With coloured stitching silver		1	
-	991 044 000 62	Pocket Size l Exclusive programme Leather Black With coloured stitching silver		1	
-	991 044 000 63	Pocket Size S Exclusive programme Leather Black With coloured stitching silver		1	
-	991 044 000 64	Clothes bag Exclusive programme Leather Black With coloured stitching silver		1	

Model: TEQ 4

Model life 2014>>



Model: TEQ 4

Model life 2014>>

Pos	Part Number	Description	Remark	Qty	Model
-		Cooling bag Technical information Group 6 6832 (22/16) Attention			
1	955 044 902 30	Cooling bag Electric		1	
2	955 044 900 23	repair set Fastening clip Belt for Cooling bag 955.044.902.30		1	

Model: TEQ 4

Model life 2014>>



Model: TEQ 4 Model life 2014>>

Pos	Part Number	Description	Remark	Qty	Model
		Key case Leather and Alcantara			Macan
1	970 044 001 00	Key case Leather Platinum Grey		1	
(1)	970 044 001 01	Key case Leather Black		1	
(1)	970 044 001 02	Key case Leather Luxor beige		1	
(1)	970 044 001 03	Key case Leather Espresso		1	
(1)	970 044 001 04	Key case Leather yachting blue		1	
(1)	970 044 001 05	Key case Leather Cognac		1	
(1)	970 044 001 06	Key case Leather Umber		1	
(1)	970 044 001 07	Key case Leather Marsala Red		1	
(1)	970 044 001 08	Key case Leather agate grey		1	
(1)	970 044 001 09	Key case Leather Garnet Red/Carrera Red		1	
(1)	970 044 001 10	Key case Leather saddle brown		1	
(1)	970 044 001 11	Key case Leather Bordeaux red		1	
(1)	970 044 001 12	Key case Leather Graphite Blue		1	
(1)	970 044 001 13	Key case Leather mojave beige		1	
2	000 044 001 10	Key case Alcantara Black		1	
		Decorative stitching in D - MJ 2015>>	with:		
	000 044 001 10 7T2	Black			
	000 044 001 10 8E9	Platinum Grey			
	000 044 001 10 M2A	Lava Orange			
	000 044 001 10 N13	guards red (Porsche)			

Model: TEQ 4

Model life 2014>>

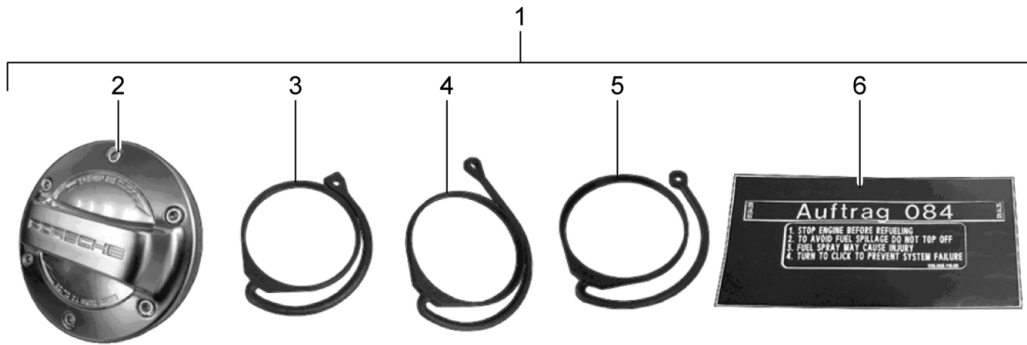
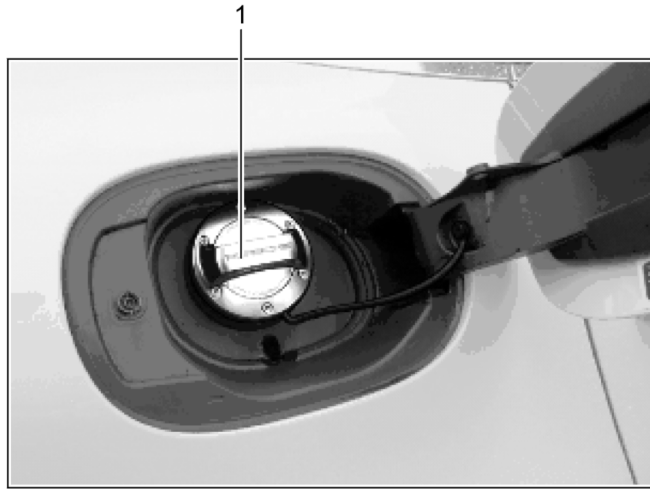


Model: TEQ 4 Model life 2014>>

Pos	Part Number	Description	Remark	Qty	Model
		Polish			Macan
1	999 901 065 40	Insect remover	500 ml	1	
2	000 044 000 87	Window cleaning solution	250 ml	1	
-	000 044 002 07	Windscreen washer system Winter window cleaner Windscreen washer system	1000 ml	1	- "J..", - "RUS", - "CH."
-	000 044 002 27	Winter window cleaner Windscreen washer system	1000 ML	1	
(3)	000 044 000 74	Window cleaning solution	100 ml inner	1	
4	000 044 000 92	Paint polish		1	
5	000 044 000 90	Polish Paint Wax Discontinued part	250 ml	1	
(5)	999 901 069 40	Polish Paint Wax	250 ml	1	
6	999 901 062 40	Car shampoo	250 ml	1	
7	000 044 000 03	Leather care product	100 ml	1	
8	999 901 068 40	Leather care product Cleaning solution	100 ml	1	
9	999 901 066 41	Rim cleaner Spray bottle Discontinued part	500 ml	1	
10	999 901 066 40	Rim cleaner Refilling bottle Discontinued part	1000 ml	1	
11	000 044 001 89	Care kit Pocket		1	
12	000 044 001 87	Care kit Rim cleaner Pocket		1	
13	000 044 000 95	Cleaning solution Cloth Set		1	
14	955 044 000 02	ice scraper		1	
-	999 901 021 40	Polishing wadding		1	
-	999 901 022 40	Polishing cloth		1	
15	000 044 001 00	Care kit Leather care product		1	
16	000 044 000 96	Sponge inscription Porsche		1	
17	000 044 001 03	Care kit Winter		1	

Model: TEQ 4

Model life 2014>>



Model: TEQ 4

Model life 2014>>

Pos	Part Number	Description	Remark	Qty	Model
-		Fuel tank cap Aluminium look D - MJ 2014>> Inst. & Conv. Instructions Macan Group 2 2005 (4/14) Attention			alle
1	000 044 001 91	cap with retaining strap for fuel tank Aluminium look Set		1	PR:-1E9
2		Fuel tank cap Aluminium look		1	
3		Holding strap		1	Panamera
4		Holding strap		1	Cayenne
5		Holding strap		1	Sportwagen
6	7P5 010 869 D	Sticker Warning note		1	Macan 00004400191

Model: TEQ 4

Model life 2014>>

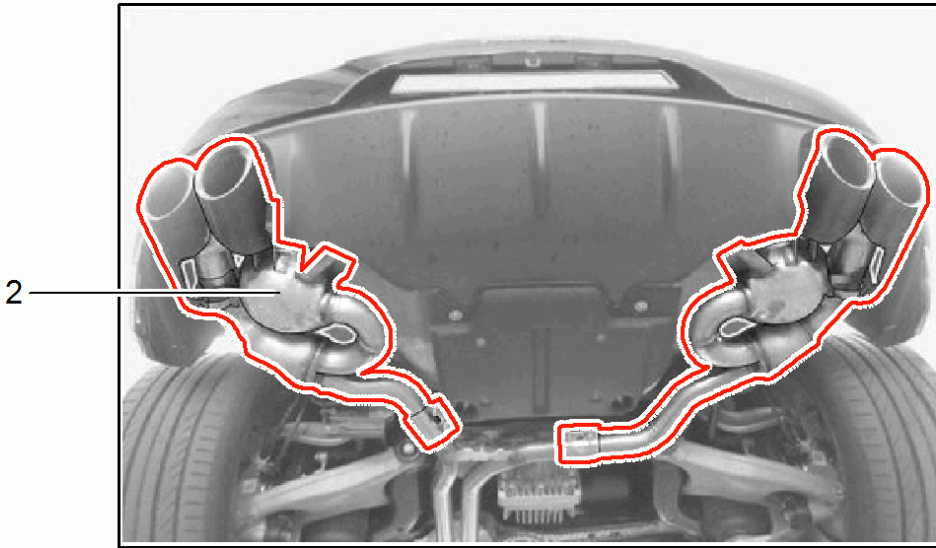
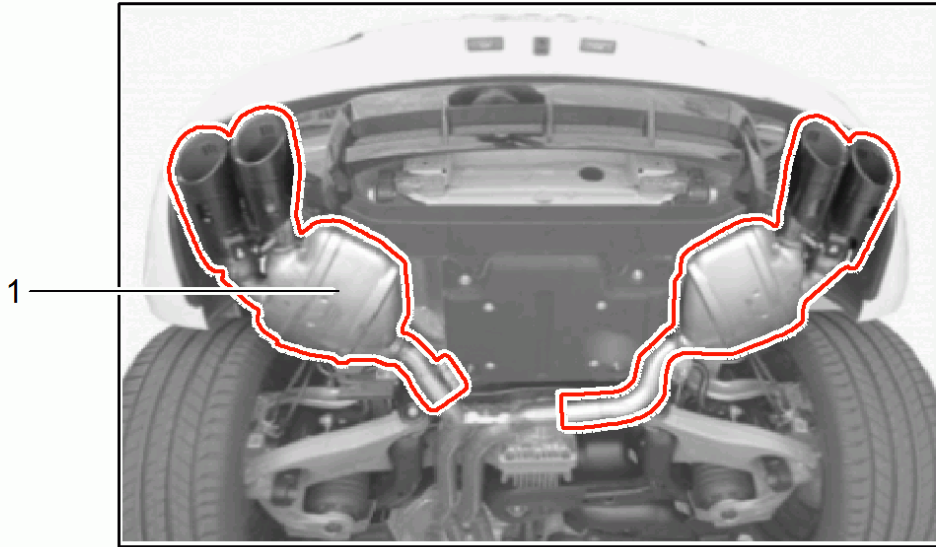


Model: TEQ 4 Model life 2014>>

Pos	Part Number	Description	Remark	Qty	Model
-		Sports tailpipe Inst. & Conv. Instructions 911 carrera Group 2 2635 (41/14) Attention			Macan
1	95B 044 200 07	Tailpipe Sports tailpipe Set silver High gloss chromed		1	Macan S S Diesel PR:-0P8,-0P9
2	95B 044 200 08	Tailpipe Sports tailpipe Set Black High gloss chromed		1	Macan S S Diesel PR:-0P8,-0P9
(1)	95B 044 200 09	Tailpipe Sports tailpipe Set silver High gloss chromed		1	Macan Turbo
(2)	95B 044 200 10	Tailpipe Sports tailpipe Set Black High gloss chromed		1	Macan Turbo
(1)	95B 044 200 11	Tailpipe Sports tailpipe Set silver High gloss chromed		1	Macan
(2)	95B 044 200 12	Tailpipe Sports tailpipe Set Black High gloss chromed		1	Macan

Model: TEQ 4

Model life 2014>>



Model: TEQ 4 Model life 2014>>

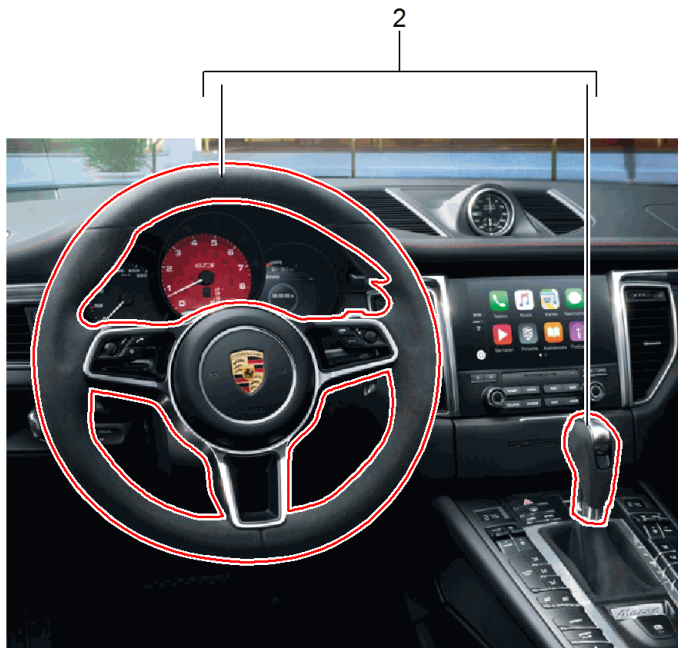
Pos	Part Number	Description	Remark	Qty	Model
-		exhaust system Sport version			Macan S Macan Turbo Macan S Diesel
-		Inst. & Conv. Instructions Macan Group 2 2601 (47/14) Attention			Macan S Macan Turbo
-		Valid for Vehicle Ident. No. WP1XXXX5XFXX91614-99999 WP1XXXX5XFXX47001-50000 All WP1XXXX5XFXX53354-75000 WP1XXXX5XFXX41001-47000 All	15-16 15-16 16- 15-16 15-16 16-		Macan Turbo Macan Turbo Macan Turbo Macan S Macan S Macan S
1	95B 044 200 19	exhaust system Sport version Set silver chromed		1	Macan S Macan Turbo /LL
(1)	95B 044 200 20	exhaust system Sport version Set Black chromed		1	Macan S Macan Turbo /LL
(1)	95B 044 200 21	exhaust system Sport version Set silver chromed		1	Macan S Macan Turbo /RL
(1)	95B 044 200 22	exhaust system Sport version Set Black chromed		1	Macan S Macan Turbo /RL
-		Inst. & Conv. Instructions Macan Group 2 2601 (01/16) Attention			Macan
-		Subsequent installation Only for Vehicle From 15.01.2016			Macan
(1)	95B 044 200 37	exhaust system Sport version Set silver		1	Macan /LL
(1)	95B 044 200 38	exhaust system Sport version Set Black		1	Macan /LL
(1)	95B 044 200 47	exhaust system Sport version Set silver		1	Macan /RL
(1)	95B 044 200 48	exhaust system Sport version Set		1	Macan /RL

Model: TEQ 4 Model life 2014>>

Pos	Part Number	Description	Remark	Qty	Model
-		Black			
-		also use: Control panel with pushbuttons Subsequent installation Centre console see Spare parts catalogue Inst. & Conv. Instructions Macan Group 2 2601 (17/15) Attention Valid for Vehicle Ident. No. WP1XXXX5XFX32414-41000			S Diesel
2	95B 044 200 35	exhaust system Sport version Set silver chromed	15-16 16-	1	S Diesel S Diesel S Diesel /LL /RL
(2)	95B 044 200 36	exhaust system Sport version Set Black chromed		1	S Diesel /LL /RL

Model: TEQ 4

Model life 2014>>



Model: TEQ 4 Model life 2014>>

Pos	Part Number	Description	Remark	Qty	Model
-		steering wheel Multi-function only in conj. with:			
1	95B 044 400 00	Multi-function steering wheel (leather) Multi-function Included heater White Oak, chalked Set Leather paint		1	
	95B 044 400 00 A34	Limed white oak/black			
	95B 044 400 00 OE5	Limed white oak/agate grey			
	95B 044 400 00 OK6	Limed white oak/ saddle brown			
	95B 044 400 00 6H6	Limed white oak/espresso			
	95B 044 400 00 9J9	Limed white oak/luxor beige			
2	95B 044 400 01	Equipment supplement steering wheel and selector lever - PDK - Alcantara		1	

Model: TEQ 4

Model life 2014>>



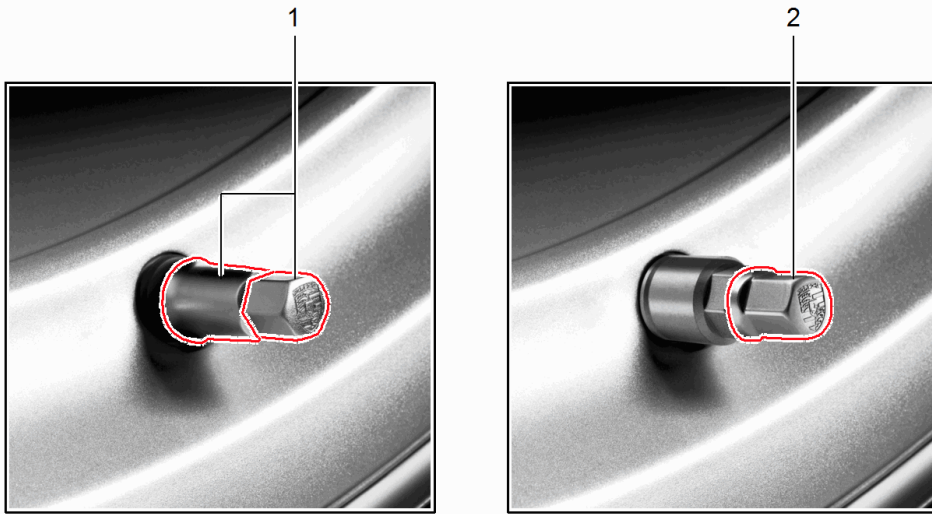
Model: TEQ 4

Model life 2014>>

Pos	Part Number	Description	Remark	Qty	Model
-		Power steering Plus Inst. & Conv. Instructions Macan Group 4 4890 (43/14) Attention			Macan alle
1	95B 044 900 05	Power steering Plus Coding VIA PRMS		1	

Model: TEQ 4

Model life 2014>>



Model: TEQ 4 Model life 2014>>

Pos	Part Number	Description	Remark	Qty	Model
1	000 044 601 00	Valve cap Porsche crest silver Black Cap Valve cap	with:	1	Macan PR: 7K0
2	000 044 602 15	Porsche crest Set Cap Valve cap	with:	1	PR: 7K3, 7K4
3	991 044 602 66	Porsche crest Set Discontinued part Cap Valve cap Black		1	PR: 7K0
(3)	991 044 602 67	Porsche crest Coloured Set Cap Valve cap Black		1	PR: 7K3, 7K4
4	991 044 602 69	Porsche crest Coloured Set Cap Valve cap silver		1	PR: 7K3, 7K4
5	991 044 602 65	Porsche crest Coloured Set Cap Valve cap Black		1	PR: 7K0
6	991 044 602 68	Porsche crest Black-white Set Cap Valve cap silver		1	PR: 7K3, 7K4
		Porsche crest Black-white Set			

Model: TEQ 4

Model life 2014>>



1



2



3



4



5



6



7



8

Model: TEQ 4 Model life 2014>>

Pos	Part Number	Description	Remark	Qty	Model
-		Wheels Gear wheel sets Summer All Gear wheel sets Not Together with Shim			
-		Information Manufacturer Approval Wheels and tyres in Piwis Group 4 suspension Attention			
1	95B 044 602 01	Set of wheels, compl. 19-ZOLL SPORT CLASSIC 8J X 19" ET21 235/55 R19 101Y 9J X 19" ET21 255/50 R19 103Y GT Silver Metallic MICHELIN Not Together with Shim		1	PR:-482
(1)	95B 044 602 02	Set of wheels, compl. 19-ZOLL SPORT CLASSIC 8J X 19" ET21 235/55 R19 101Y 9J X 19" ET21 255/50 R19 103Y GT Silver Metallic MICHELIN also use:	000 044 605 13	1	PR:482
2	95B 044 602 03	Not Together with Shim Set of wheels, compl. 19-ZOLL SPORT CLASSIC 8J X 19" ET21 235/55 R19 101Y 9J X 19" ET21 255/50 R19 103Y Silk-Gloss Platinum MICHELIN Included Hub cap Not Together with Shim	also use: 000 044 605 13	1	PR:-482
(2)	95B 044 602 04	Set of wheels, compl. 19-ZOLL SPORT CLASSIC 8J X 19" ET21 235/55 R19 101Y 9J X 19" ET21 255/50 R19 103Y Silk-Gloss Platinum MICHELIN Included Hub cap		1	PR:482

Model: TEQ 4 Model life 2014>>

Pos	Part Number	Description	Remark	Qty	Model
3	95B 044 602 05	Not Together with Shim Set of wheels, compl. 20-ZOLL RS SPYDER DESIGN 9J X 20" ET26 265/45 R20 104Y 10J X 20" ET19 295/40 R20 106Y two-colour MICHELIN	also use: 000 044 605 12	1	PR:-482
(3)	95B 044 602 06	Not Together with Shim Set of wheels, compl. 20-ZOLL RS SPYDER DESIGN 9J X 20" ET26 265/45 R20 104Y 10J X 20" ET19 295/40 R20 106Y two-colour MICHELIN	also use: 000 044 605 12	1	PR:482
4	95B 044 602 07	Not Together with Shim Set of wheels, compl. 20-ZOLL MACAN SPORT DESIGN 9J X 20" ET26 265/45 R20 104Y 10J X 20" ET19 295/40 R20 106Y silver MICHELIN	also use: 000 044 605 11	1	PR:-482
(4)	95B 044 602 08	Not Together with Shim Set of wheels, compl. 20-ZOLL RS SPYDER DESIGN 9J X 20" ET26 265/45 R20 104Y 10J X 20" ET19 295/40 R20 106Y silver MICHELIN	also use: 000 044 605 11	1	PR:482
5	95B 044 602 19	Not Together with Shim Set of wheels, compl. 21-ZOLL 911 TURBO DESIGN 9J X 21" ET26 265/45 R21 101Y 10J X 21" ET19 295/35 R21 103Y two-colour CONTINENTAL	also use: 000 044 605 16	1	PR:-482
		Not Together with Shim			

Model: TEQ 4 Model life 2014>>

Pos	Part Number	Description	Remark	Qty	Model
(5)	95B 044 602 20	Set of wheels, compl. 21-ZOLL 911 TURBO DESIGN 9J X 21" ET26 265/45 R21 101Y 10J X 21" ET19 295/35 R21 103Y two-colour CONTINENTAL		1	PR:482
			also use: 000 044 605 16		
		Not Together with Shim			
6	95B 044 602 21	Set of wheels, compl. 21-ZOLL SPORT CLASSIC 9J X 21" ET26 265/45 R21 101Y 10J X 21" ET19 295/35 R21 103Y GT Silver Metallic CONTINENTAL		1	PR:-482
			also use: 000 044 605 13		
		Not Together with Shim			
(6)	95B 044 602 22	Set of wheels, compl. 21-ZOLL SPORT CLASSIC 9J X 21" ET26 265/45 R21 101Y 10J X 21" ET19 295/35 R21 103Y GT Silver Metallic CONTINENTAL		1	PR:482
			also use: 000 044 605 13		
		Not Together with Shim			
7	95B 044 602 25	Set of wheels, compl. 21-ZOLL SPORT CLASSIC 9J X 21" ET26 265/45 R21 101Y 10J X 21" ET19 295/35 R21 103Y Silk-Gloss Platinum CONTINENTAL Included Hub cap		1	PR:-482
		Not Together with Shim			
(7)	95B 044 602 26	Set of wheels, compl. 21-ZOLL SPORT CLASSIC 9J X 21" ET26 265/45 R21 101Y 10J X 21" ET19 295/35 R21 103Y Silk-Gloss Platinum CONTINENTAL Included Hub cap		1	PR:482
		Not Together with Shim			
8	95B 044 602 23	Set of wheels, compl.		1	PR:-482

Model: TEQ 4

Model life 2014>>

Pos	Part Number	Description	Remark	Qty	Model
(8)	95B 044 602 24	21-ZOLL SPORT CLASSIC 9J X 21" ET26 265/45 R21 101Y 10J X 21" ET19 295/35 R21 103Y High-Gloss Black CONTINENTAL Included Hub cap Not Together with Shim Set of wheels, compl. 21-ZOLL SPORT CLASSIC 9J X 21" ET26 265/45 R21 101Y 10J X 21" ET19 295/35 R21 103Y High-Gloss Black CONTINENTAL Included Hub cap Not Together with Shim		1	PR:482

Model: TEQ 4

Model life 2014>>



Model: TEQ 4 Model life 2014>>

Pos	Part Number	Description	Remark	Qty	Model
1	95B 044 600 01	Wheels Gear wheel sets Winter Set of wheels, compl. 18-ZOLL MACAN 8J X 18'' ET21 235/60 R18 103V M+S 9J X 18'' ET21 255/55 R18 105V M+S silver PIRELLI		1	Macan Macan S S Diesel PR:-482,-450
(1)	95B 044 600 21	also use: use if required: Set of wheels, compl. 18-ZOLL MACAN 8J X 18'' ET21 235/60 R18 103V M+S 9J X 18'' ET21 255/55 R18 105V M+S silver CONTINENTAL	000 044 605 09 95B 044 600 15	1	Macan Macan S S Diesel PR:-482,-450
(1)	95B 044 600 02	also use: use if required: Set of wheels, compl. 18-ZOLL MACAN 8J X 18'' ET21 235/60 R18 103V M+S 9J X 18'' ET21 255/55 R18 105V M+S silver PIRELLI	000 044 605 09 95B 044 600 15	1	Macan Macan S S Diesel PR:482,-450
(1)	95B 044 600 22	also use: use if required: Set of wheels, compl. 18-ZOLL MACAN 8J X 18'' ET21 235/60 R18 103V M+S 9J X 18'' ET21 255/55 R18 105V M+S silver CONTINENTAL	000 044 605 09 95B 044 600 15	1	Macan Macan S S Diesel PR:482,-450
2	95B 044 600 03	Set of wheels, compl. 18-ZOLL MACAN S 8J X 18'' ET21 235/60 R18 103V M+S 9J X 18'' ET21 255/55 R18 105V M+S silver PIRELLI		1	Macan Macan S S Diesel PR:-482,-450
(2)	95B 044 600 23	also use: use if required: Set of wheels, compl. 18-ZOLL MACAN S 8J X 18'' ET21 235/60 R18 103V M+S 9J X 18'' ET21 255/55 R18 105V M+S silver CONTINENTAL	000 044 605 09 95B 044 600 15	1	Macan Macan S S Diesel PR:-482,-450
		also use: use if required:	000 044 605 09 95B 044 600 15		

Model: TEQ 4 Model life 2014>>

Pos	Part Number	Description	Remark	Qty	Model
(2)	95B 044 600 04	Set of wheels, compl. 18-ZOLL MACAN S 8J X 18'' ET21 235/60 R18 103V M+S 9J X 18'' ET21 255/55 R18 105V M+S silver PIRELLI		1	Macan Macan S S Diesel PR:482,-450
			also use: 000 044 605 09 use if required: 95B 044 600 15		
(2)	95B 044 600 24	Set of wheels, compl. 18-ZOLL MACAN S 8J X 18'' ET21 235/60 R18 103V M+S 9J X 18'' ET21 255/55 R18 105V M+S silver CONTINENTAL		1	Macan Macan S S Diesel PR:482,-450
			also use: 000 044 605 09 use if required: 95B 044 600 15		
3	95B 044 600 05	Set of wheels, compl. 19-ZOLL MACAN TURBO 8J X 19'' ET21 235/55 R19 101V M+S 9J X 19'' ET21 255/50 R19 103V M+S silver PIRELLI		1	PR:-482
			also use: 000 044 605 10 use if required: 95B 044 600 15		
(3)	95B 044 600 25	gear set 19-ZOLL MACAN TURBO 8J X 19'' ET21 235/55 R19 101V M+S 9J X 19'' ET21 255/50 R19 103V M+S silver DUNLOP		1	PR:-482
			also use: 000 044 605 10 use if required: 95B 044 600 15		
(3)	95B 044 600 06	Set of wheels, compl. 19-ZOLL MACAN TURBO 8J X 19'' ET21 235/55 R19 101V M+S 9J X 19'' ET21 255/50 R19 103V M+S silver PIRELLI		1	PR:482
			also use: 000 044 605 10 use if required: 95B 044 600 15		
(3)	95B 044 600 26	Set of wheels, compl. 19-ZOLL MACAN TURBO 8J X 19'' ET21 235/55 R19 101V M+S 9J X 19'' ET21 255/50 R19 103V M+S silver DUNLOP		1	PR:482
			also use: 000 044 605 10 use if required: 95B 044 600 15		
4	95B 044 600 07	Set of wheels, compl. 19-ZOLL MACAN SPORT CLASSIC		1	PR:-482
			also use: 000 044 605 10 use if required: 95B 044 600 15		

Model: TEQ 4 Model life 2014>>

Pos	Part Number	Description	Remark	Qty	Model
(4)	95B 044 600 27	8J X 19'' ET21 235/55 R19 101V M+S 9J X 19'' ET21 255/50 R19 103V M+S GT Silver Metallic PIRELLI also use: 000 044 605 13 use if required: 95B 044 600 15 Set of wheels, compl. 19-ZOLL MACAN SPORT CLASSIC 8J X 19'' ET21 235/55 R19 101V M+S 9J X 19'' ET21 255/50 R19 103V M+S GT Silver Metallic DUNLOP		1	PR:-482
(4)	95B 044 600 08	also use: 000 044 605 13 use if required: 95B 044 600 15 Set of wheels, compl. 19-ZOLL MACAN SPORT CLASSIC 8J X 19'' ET21 235/55 R19 101V M+S 9J X 19'' ET21 255/50 R19 103V M+S GT Silver Metallic PIRELLI		1	PR:482
(4)	95B 044 600 28	also use: 000 044 605 13 use if required: 95B 044 600 15 Set of wheels, compl. 19-ZOLL MACAN SPORT CLASSIC 8J X 19'' ET21 235/55 R19 101V M+S 9J X 19'' ET21 255/50 R19 103V M+S GT Silver Metallic DUNLOP		1	PR:482
5	95B 044 600 09	also use: 000 044 605 13 use if required: 95B 044 600 15 Set of wheels, compl. 19-ZOLL MACAN SPORT CLASSIC 8J X 19'' ET21 235/55 R19 101V M+S 9J X 19'' ET21 255/50 R19 103V M+S Silk-Gloss Platinum PIRELLI Included Hub cap		1	PR:-482
(5)	95B 044 600 29	use if required: 95B 044 600 15 Set of wheels, compl. 19-ZOLL MACAN SPORT CLASSIC 8J X 19'' ET21 235/55 R19 101V M+S 9J X 19'' ET21 255/50 R19 103V M+S Silk-Gloss Platinum DUNLOP Included		1	PR:-482

Model: TEQ 4 Model life 2014>>

Pos	Part Number	Description	Remark	Qty	Model
(5)	95B 044 600 10	Hub cap use if required: Set of wheels, compl. 19-ZOLL MACAN SPORT CLASSIC 8J X 19'' ET21 235/55 R19 101V M+S 9J X 19'' ET21 255/50 R19 103V M+S Silk-Gloss Platinum PIRELLI Included Hub cap	95B 044 600 15	1	PR:482
(5)	95B 044 600 30	Hub cap use if required: Set of wheels, compl. 19-ZOLL MACAN SPORT CLASSIC 8J X 19'' ET21 235/55 R19 101V M+S 9J X 19'' ET21 255/50 R19 103V M+S Silk-Gloss Platinum DUNLOP Included Hub cap	95B 044 600 15	1	PR:482
6	95B 044 600 11	Hub cap use if required: Set of wheels, compl. 20-ZOLL RS SPYDER DESIGN 9J X 20'' ET26 265/45 R20 104V M+S 10J X 20'' ET19 295/40 R20 106V M+S two-colour DUNLOP	95B 044 600 15	1	PR:-482
		also use:	000 044 605 12		
(6)	95B 044 600 31	Not Together with Snow chains Set of wheels, compl. 20-ZOLL RS SPYDER DESIGN 9J X 20'' ET26 265/45 R20 104V M+S 10J X 20'' ET19 295/40 R20 106V M+S two-colour MICHELIN		1	PR:-482
		also use:	000 044 605 12		
(6)	95B 044 600 12	Not Together with Snow chains Set of wheels, compl. 20-ZOLL RS SPYDER DESIGN 9J X 20'' ET26 265/45 R20 104V M+S 10J X 20'' ET19 295/40 R20 106V M+S two-colour DUNLOP		1	PR:482
		also use:	000 044 605 12		
(6)	95B 044 600 32	Not Together with Snow chains Set of wheels, compl.		1	PR:482

Model: TEQ 4 Model life 2014>>

Pos	Part Number	Description	Remark	Qty	Model
(6)	95B 044 600 42	20-ZOLL RS SPYDER DESIGN 9J X 20'' ET26 265/45 R20 104V M+S 10J X 20'' ET19 295/40 R20 106V M+S two-colour MICHELIN also use: 000 044 605 12 Not Together with Snow chains Set of wheels, compl.		1	PR:482
7	95B 044 600 17	20-ZOLL RS SPYDER DESIGN 9J X 20'' ET26 265/45 R20 104V M+S 10J X 20'' ET19 295/40 R20 106V M+S two-colour PIRELLI also use: 000 044 605 12 Not Together with Snow chains Set of wheels, compl.		1	PR:-482
(7)	95B 044 600 37	20-ZOLL RS SPYDER DESIGN 9J X 20'' ET26 265/45 R20 104V M+S 10J X 20'' ET19 295/40 R20 106V M+S Silk-Gloss Black DUNLOP Included Hub cap Not Together with Snow chains Set of wheels, compl.		1	PR:-482
(7)	95B 044 600 18	20-ZOLL RS SPYDER DESIGN 9J X 20'' ET26 265/45 R20 104V M+S 10J X 20'' ET19 295/40 R20 106V M+S Silk-Gloss Black MICHELIN Included Hub cap Not Together with Snow chains Set of wheels, compl.		1	PR:482
(7)	95B 044 600 38	20-ZOLL RS SPYDER DESIGN 9J X 20'' ET26 265/45 R20 104V M+S 10J X 20'' ET19 295/40 R20 106V M+S Silk-Gloss Black DUNLOP Included Hub cap Not Together with Snow chains Set of wheels, compl.		1	PR:482

Model: TEQ 4 Model life 2014>>

Pos	Part Number	Description	Remark	Qty	Model
(7)	95B 044 600 48	20-ZOLL RS SPYDER DESIGN 9J X 20'' ET26 265/45 R20 104V M+S 10J X 20'' ET19 295/40 R20 106V M+S Silk-Gloss Black MICHELIN Included Hub cap Not Together with Snow chains Set of wheels, compl.		1	PR:482
8	95B 044 600 13	20-ZOLL RS SPYDER DESIGN 9J X 20'' ET26 265/45 R20 104V M+S 10J X 20'' ET19 295/40 R20 106V M+S Silk-Gloss Black PIRELLI Included Hub cap Not Together with Snow chains Set of wheels, compl.		1	PR:-482
(8)	95B 044 600 33	20-ZOLL MACAN SPORT DESIGN 9J X 20'' ET26 265/45 R20 104V M+S 10J X 20'' ET19 295/40 R20 106V M+S silver DUNLOP also use: 000 044 605 11 Not Together with Snow chains Set of wheels, compl.		1	PR:-482
(8)	95B 044 600 14	20-ZOLL MACAN SPORT DESIGN 9J X 20'' ET26 265/45 R20 104V M+S 10J X 20'' ET19 295/40 R20 106V M+S silver MICHELIN also use: 000 044 605 11 Not Together with Snow chains Set of wheels, compl.		1	PR:482
(8)	95B 044 600 34	20-ZOLL MACAN SPORT DESIGN 9J X 20'' ET26 265/45 R20 104V M+S 10J X 20'' ET19 295/40 R20 106V M+S silver DUNLOP also use: 000 044 605 11 Not Together with Snow chains Set of wheels, compl.		1	PR:482

Model: TEQ 4 Model life 2014>>

Pos	Part Number	Description	Remark	Qty	Model
(8)	95B 044 600 44	9J X 20'' ET26 265/45 R20 104V M+S 10J X 20'' ET19 295/40 R20 106V M+S silver MICHELIN also use: 000 044 605 11 Not Together with Snow chains Set of wheels, compl. 20-ZOLL MACAN SPORT DESIGN		1	PR:482
-		9J X 20'' ET26 265/45 R20 104V M+S 10J X 20'' ET19 295/40 R20 106V M+S silver PIRELLI also use: 000 044 605 11 Not Together with Snow chains Wheels Only for replacement			
9	95B 601 025 BK	Alloy wheel 19-ZOLL MACAN SPORT CLASSIC 8J X 19" ET21		1	
(9)	95B 601 025 BK M7Z	GT Silver Metallic			
	95B 601 025 BL	Alloy wheel 19-ZOLL MACAN SPORT CLASSIC 9J X 19" ET21		1	
10	95B 601 025 BL M7Z	GT Silver Metallic			
	95B 601 025 BK	Alloy wheel 19-ZOLL MACAN SPORT CLASSIC 8J X 19" ET21		1	
(10)	95B 601 025 BK OB5	Silk-Gloss Platinum			
	95B 601 025 BL	Alloy wheel 19-ZOLL MACAN SPORT CLASSIC 9J X 19" ET21		1	
	95B 601 025 BL OB5	Silk-Gloss Platinum			

Model: TEQ 4

Model life 2014>>



Model: TEQ 4

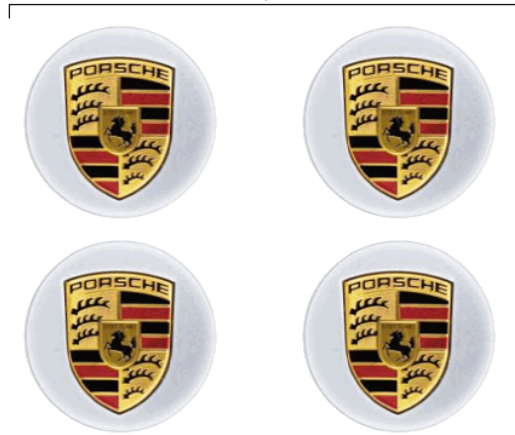
Model life 2014>>

Pos	Part Number	Description	Remark	Qty	Model
1	95B 044 600 15	Snow chains Snow chains 18-ZOLL 19-ZOLL for 255/55 R18 M+S 255/50 R19 M+S for rear axle only Not Together with Shim		1	Macan

Model: TEQ 4

Model life 2014>>

1



2



3



Model: TEQ 4

Model life 2014>>

Pos	Part Number	Description	Remark	Qty	Model
1	000 044 605 09	Hub cap 1 set wheel trim caps Brilliant Silver Porsche crest Coloured for Set of wheels, compl. 18-ZOLL MACAN		1	Macan
(1)	000 044 605 10	18-ZOLL MACAN S 1 set wheel trim caps Brilliant chrome finish Porsche crest Coloured for Set of wheels, compl. 19-ZOLL MACAN TURBO		1	
(1)	000 044 605 11	19-ZOLL MACAN DESIGN 1 set wheel trim caps Brilliant chrome finish Porsche crest Coloured for Set of wheels, compl. 20-ZOLL SPORT DESIGN		1	
(1)	000 044 605 12	1 set wheel trim caps Titanium Dark Porsche crest Coloured for Set of wheels, compl. 20-ZOLL RS SPYDER		1	
(1)	000 044 605 13	1 set wheel trim caps GT Silver Metallic Porsche crest Coloured for Set of wheels, compl. 19-ZOLL SPORT CLASSIC		1	
(1)	000 044 605 16	21-ZOLL SPORT CLASSIC 1 set wheel trim caps aluminium Polished Porsche crest Coloured for Set of wheels, compl. 21-ZOLL 911 TURBO DESIGN		1	
2	000 044 605 14	1 set wheel trim caps Silk-Gloss Platinum Porsche crest Coloured for Set of wheels, compl. 19-ZOLL SPORT CLASSIC		1	
3	000 044 607 30	21-ZOLL SPORT CLASSIC 1 set wheel trim caps Silk-Gloss Black Porsche crest Coloured for Set of wheels, compl.		1	

Model: TEQ 4

Model life 2014>>

Pos	Part Number	Description	Remark	Qty	Model
(3)	000 044 605 15	20-ZOLL MACAN RS SPYDER DESIGN Silk-Gloss Black 1 set wheel trim caps High-Gloss Black Porsche crest Coloured for Set of wheels, compl. 21-ZOLL SPORT CLASSIC High-Gloss Black		1	

Model: TEQ 4

Model life 2014>>



Model: TEQ 4

Model life 2014>>

Pos	Part Number	Description	Remark	Qty	Model
1	95B 713 139 C	selector lever - PDK - selector lever aluminium Exclusive programme Leather in Interior colour saddle brown 95B 713 139 C OK6 95B 713 139 C PL1 95B 713 139 C 8C0 95B 713 139 C 8YR 95B 713 139 C 9H6		1	Macan Macan

Model: TEQ 4

Model life 2014>>



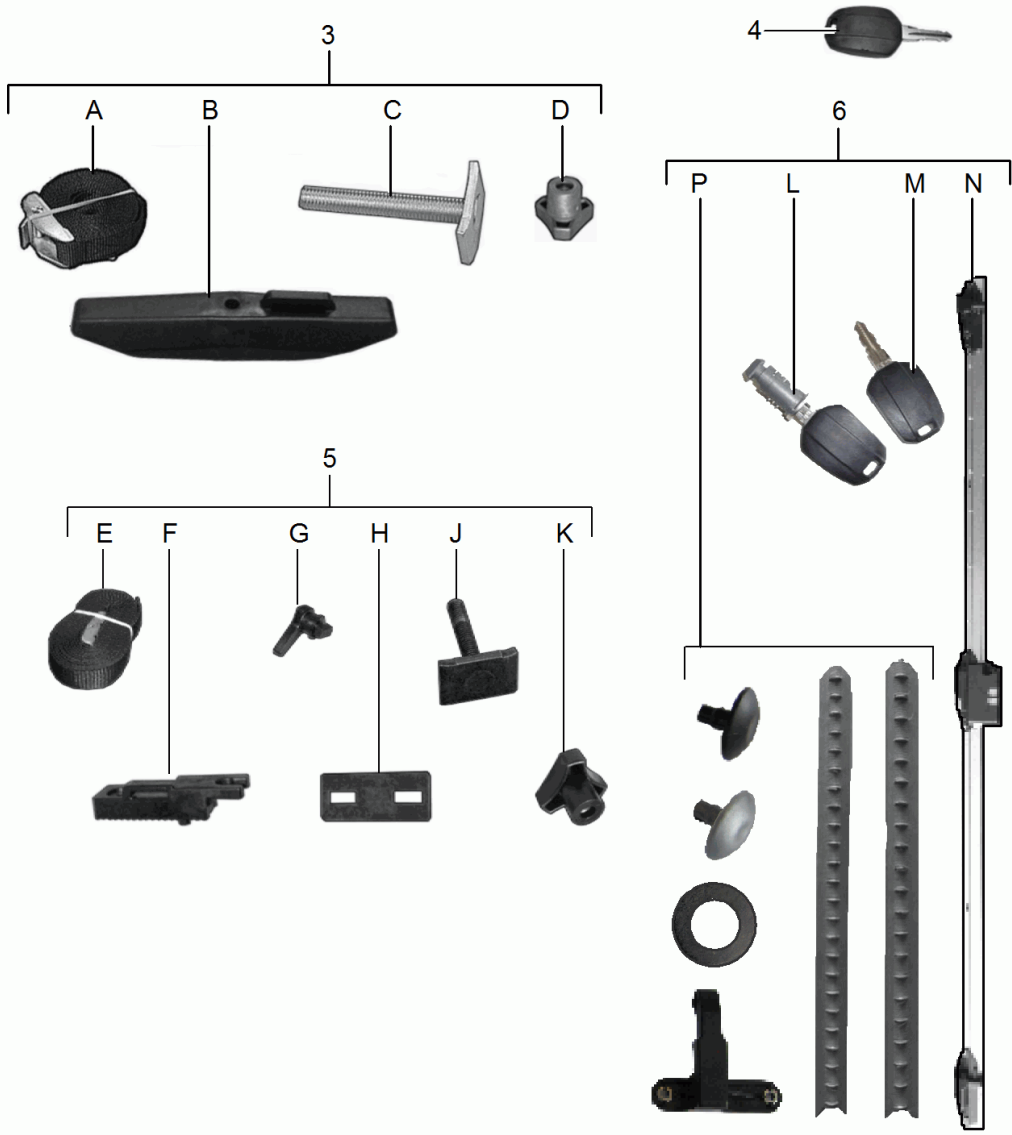
Model: TEQ 4

Model life 2014>>

Pos	Part Number	Description	Remark	Qty	Model
-		Roof transport system Operating instructions Macan Attention			alle
1	95B 860 019 A	Additional traverses for roof rail Set		1	
-	955 044 000 59	key Set State lock number		1	

Model: TEQ 4

Model life 2014>>



Model: TEQ 4 Model life 2014>>

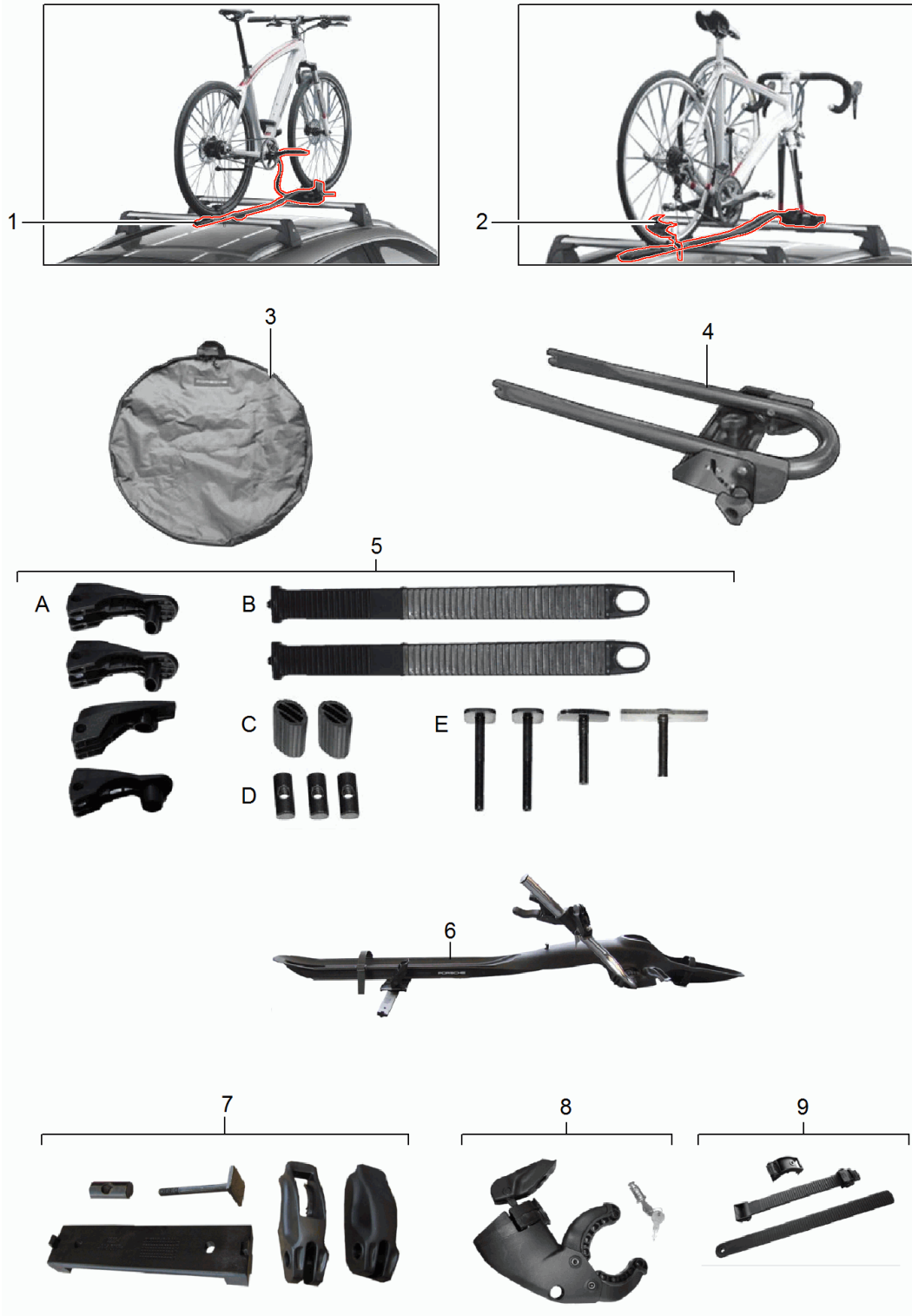
Pos	Part Number	Description	Remark	Qty	Model
-		roof box Not for: Loading aid 955.044.000.04			Macan
-		Inst. & Conv. Instructions Macan Group 6 6692 (28/14) 6692 (20/14) Attention			alle
1	958 044 000 12	roof box 520 Black		1	PR:5W1,5W4
(1)	958 044 000 13	roof box 520 Platinum satin-matt		1	PR:5W1,5W4
2	958 044 000 26	roof box 320 Platinum satin-matt		1	PR:5W1,5W4
(2)	958 044 000 25	roof box 320 Black		1	PR:5W1,5W4
(2)	955 044 002 15	roof box Narrow silver		1	PR:5W1,5W4
(2)	955 044 000 47	roof box Narrow Discontinued part		1	PR:5W1,5W4
3	955 044 002 13	Assembly kit for roof box 955.044.002.12 comprising: tensioning strap clamping piece Screw bolt Nut Inst. & Conv. Instructions Attention	(Pos. A) (Pos. B) (Pos. C) (Pos. D)	3 4 4 4	M8x55 M8
(3)	958 044 000 21	Assembly kit for roof box 958.044.000.12 958.044.000.13 958.044.000.25 958.044.000.26 comprising: tensioning strap clamping piece Screw bolt Nut Inst. & Conv. Instructions Attention	(Pos. A) (Pos. B) (Pos. C) (Pos. D)	3 4 4 4	M8x55 M8
4	955 044 000 59	key for roof box State lock number		1	alle
5	955 044 000 48	Assembly kit for roof box 955.044.000.12 955.044.000.47 955.044.002.15		1	

Model: TEQ 4 Model life 2014>>

Pos	Part Number	Description	Remark	Qty	Model
6	955 044 000 49	comprising: Belt Adapter Screw bolt Nut Seal clamping piece Technical information Attention Discontinued part repair set lock for roof box 955.044.000.12 955.044.002.15	(Pos. E) (Pos. F) (Pos. G) (Pos. H) (Pos. J) (Pos. K)	2 4 4 4 4 4	M6x37 M6
(6)	958 044 000 20	comprising: lock key strip Fasteners repair set lock for roof box 955.044.002.12 958.044.000.12 958.044.000.13 958.044.000.25 958.044.000.26	(Pos. L) (Pos. M) (Pos. N) (Pos. P)	1 2 1 1	
-	955 044 000 63	comprising: lock key strip Fasteners Support Cover roof box 955.044.000.12 955.044.002.12 958.044.000.12 958.044.000.13	(Pos. L) (Pos. M) (Pos. N) (Pos. P)	1 2 1 1 1	

Model: TEQ 4

Model life 2014>>



Model: TEQ 4 Model life 2014>>

Pos	Part Number	Description	Remark	Qty	Model
-		Bike stand Roof rack Technical information Macan Group 6 6692 (38/14) 6692 (42/14) Attention			Macan alle
1	95B 044 800 06	Bike stand Set - bike carrier		1	PR:5W1,5W4
2	95B 044 800 08	Bike stand Racing bike		1	PR:5W1,5W4
(2)	95B 044 800 09	Pocket 95B 044 800 34 Bike stand Racing bike with:		1	PR:5W1,5W4
-		Bracket 95B 044 800 35 Only for replacement			
3	95B 044 800 34	Pocket for Bike stand Racing bike		1	
4	95B 044 800 35	Bracket for Bike stand Racing bike		1	
5	95B 044 800 36	1 set attachment parts for Bike stand Set - bike carrier and Racing bike		1	
(5)		comprising: angled bracket tensioning strap Protective rubber Threaded pin Pin Pin Pin	(Pos. A) (Pos. B) (Pos. C) (Pos. D) (Pos. E) (Pos. E) (Pos. E)	4 2 2 3 2 1 1	M6 M6x60 M6x40 M6x35
6	955 044 002 66	Carrier Set - bike carrier Discontinued part		1	
7	955 044 000 51	repair set for Carrier 955.044.002.66		1	
(7)		Set comprising: Adapter Threaded pin Pin Pin Pin angled bracket angled bracket Clutch	front rear	1 3 2 1 1 2 1 1	M6 M6 x 55 M6 x 40 M6 x 25
8	955 044 000 56	Lock cylinders key with:		1	

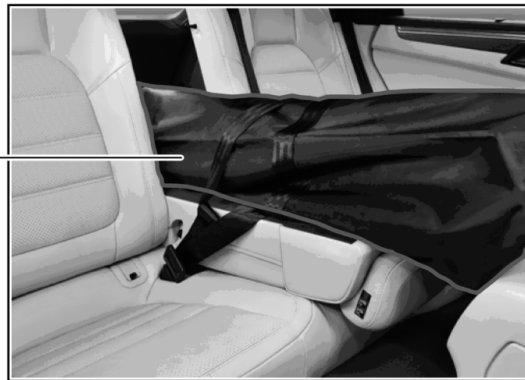
Model: TEQ 4

Model life 2014>>

Pos	Part Number	Description	Remark	Qty	Model
9	955 044 000 80	and Frame connection for Carrier 955.044.002.66 Holding strap Set for Racing bike		1	

Model: TEQ 4

Model life 2014>>



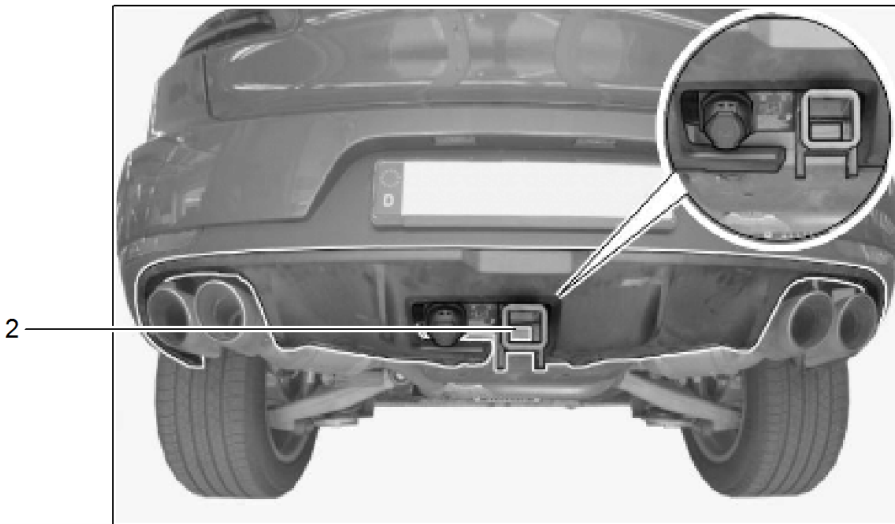
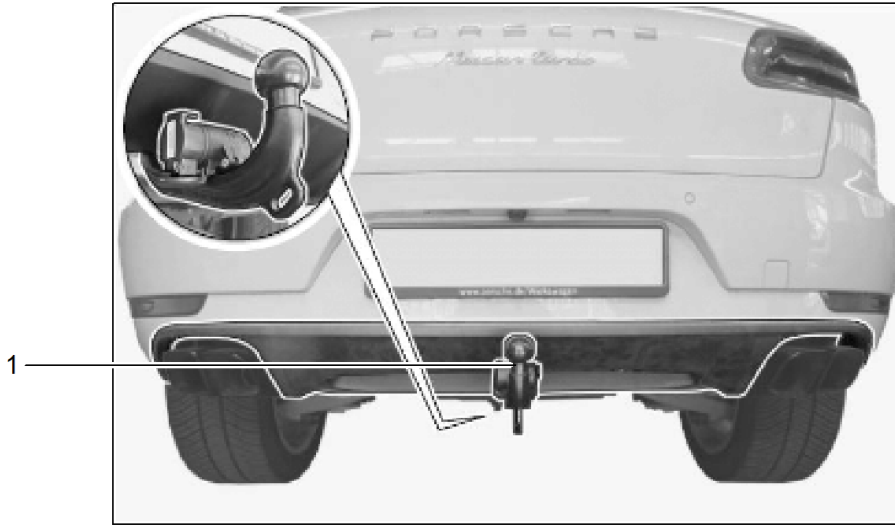
Model: TEQ 4

Model life 2014>>

Pos	Part Number	Description	Remark	Qty	Model
1	95B 044 800 10	Ski holder Snowboard holder ski and snowboard holder Loading aid Integrated		1	PR:5W1,5W4
2	95B 044 800 37	1 set attachment parts for Ski holder Snowboard holder comprising: Pin Hexagon nut Spring washer Plastic washer		1	
3	955 044 000 59	key State lock number		1	
4	95B 860 811	Ski bag Carrier bag	with:	1	
				4	M6x16
				4	M6
				4	12 x 6,4
				4	25 x 6,5

Model: TEQ 4

Model life 2014>>

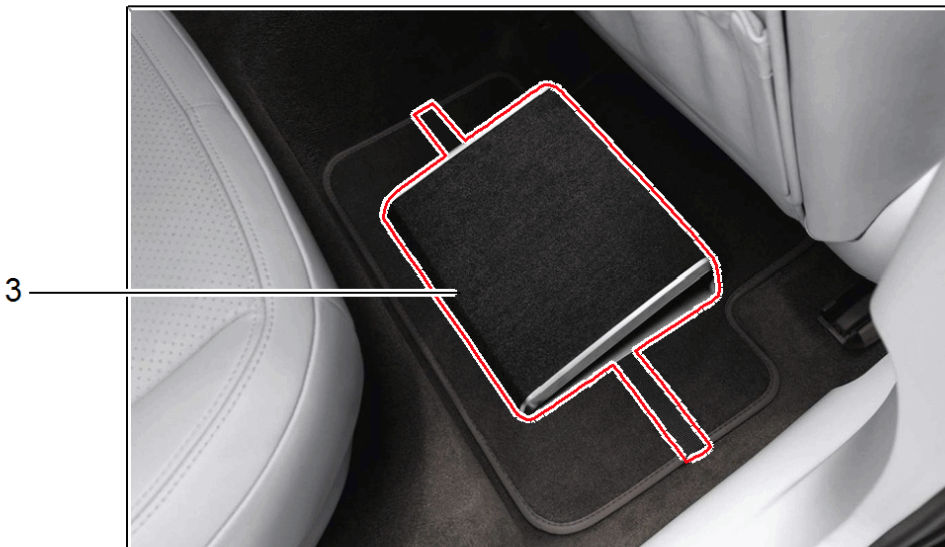


Model: TEQ 4 Model life 2014>>

Pos	Part Number	Description	Remark	Qty	Model
-		Tow hitch Inst. & Conv. Instructions Macan Group 6 Electric 6690 (59/14) Mechanical 6690 (03/15) Attention			Macan PR:1D3,1D6 alle
1	95B 044 802 34	Tow hitch Electric		1	PR:1D3,-2JX -"CN.", -"USA", -"AUS", -"MEX", -"PLA"
-		use if required:			
-	95B 044 802 35	Wire set Tow hitch Electric		1	
2	95B 044 802 32	Tow hitch Mechanical		1	PR:1D6,-2JX "AUS"
(2)	95B 044 802 31	Tow hitch Mechanical		1	PR:1D6,-2JX "USA", "MEX", "PLA"
-		use if required:			
-	955 044 000 64	Adapter plug 7-pole		1	-"AUS"

Model: TEQ 4

Model life 2014>>

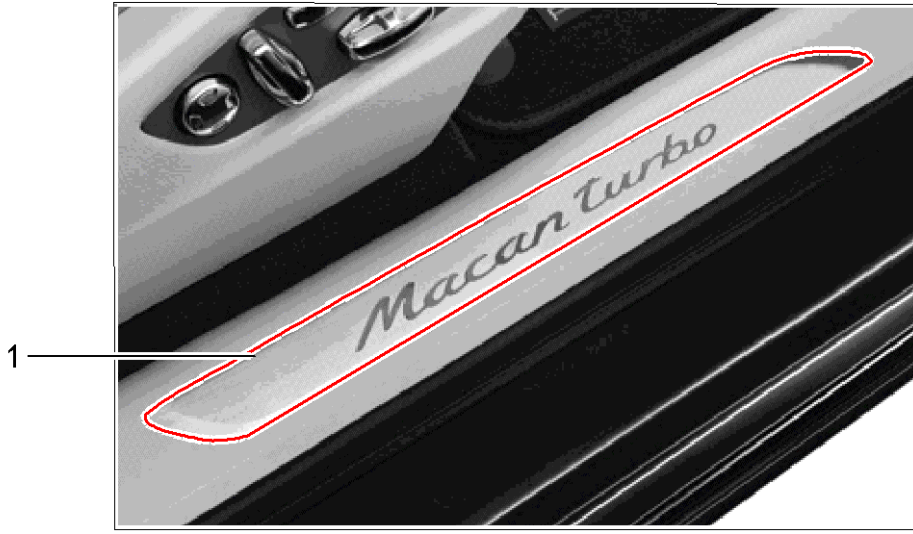


Model: TEQ 4 Model life 2014>>

Pos	Part Number	Description	Remark	Qty	Model
1	95B 864 435 B	Floor mats Velour Rubber 1 set foot mats Velour Set 4-part	14-	1	/LL
	95B 864 435 B OS5	Black			
	95B 864 435 B OQ3	agate grey			
	95B 864 435 B OT7	Espresso			
	95B 864 435 B OR4	Luxor beige			
	95B 864 435 B OL7	saddle brown			
	95B 864 435 B HJA	Black/Carmin Red			
	95B 864 435 B HJB	Black/Rhodium Silver			
(1)	95B 864 436 B	1 set foot mats Velour Set 4-part	-17	1	/RL
	95B 864 436 B OS5	Black			
	95B 864 436 B OQ3	agate grey			
	95B 864 436 B OT7	Espresso			
	95B 864 436 B OR4	Luxor beige			
	95B 864 436 B OL7	saddle brown			
	95B 864 436 B HJA	Black/Carmin Red			
	95B 864 436 B HJB	Black/Rhodium Silver			
	95B 864 436 B HSS	Black/Carrera Red			
(1)	95B 864 436 D	1 set foot mats Velour Set 4-part	18-	1	/RL
	95B 864 436 D OS5	Black			
	95B 864 436 D OQ3	agate grey			
	95B 864 436 D OT7	Espresso			
	95B 864 436 D OL7	saddle brown			
	95B 864 436 D HJA	Black/Carmin Red			
	95B 864 436 D HJB	Black/Rhodium Silver			
	95B 864 436 D HSS	Black/Carrera Red			
2	95B 044 800 31	1 set foot mats (rubber) 4-part		1	/LL -"CN. "
	95B 044 800 31 4H0	Luxor beige			
(2)	95B 044 800 43	1 set foot mats (rubber) 4-part		1	/LL "CN. "
	95B 044 800 43 OP1	agate grey			
	95B 044 800 43 1E0	Black			
	95B 044 800 43 4H0	Luxor beige			
(2)	95B 044 800 32	1 set foot mats (rubber) 4-part	-17	1	/RL
	95B 044 800 32 OP1	agate grey			
	95B 044 800 32 1E0	Black			
	95B 044 800 32 4H0	Luxor beige			
(2)	95B 044 802 42	1 set foot mats (rubber) 4-part	18-	1	/RL
	95B 044 802 42 OP1	agate grey			
	95B 044 802 42 1E0	Black			
	95B 044 802 42 4H0	Luxor beige			
3	970 044 802 80	Foot rest	rear	1	
	970 044 802 80 DK4	Black			

Model: TEQ 4

Model life 2014>>

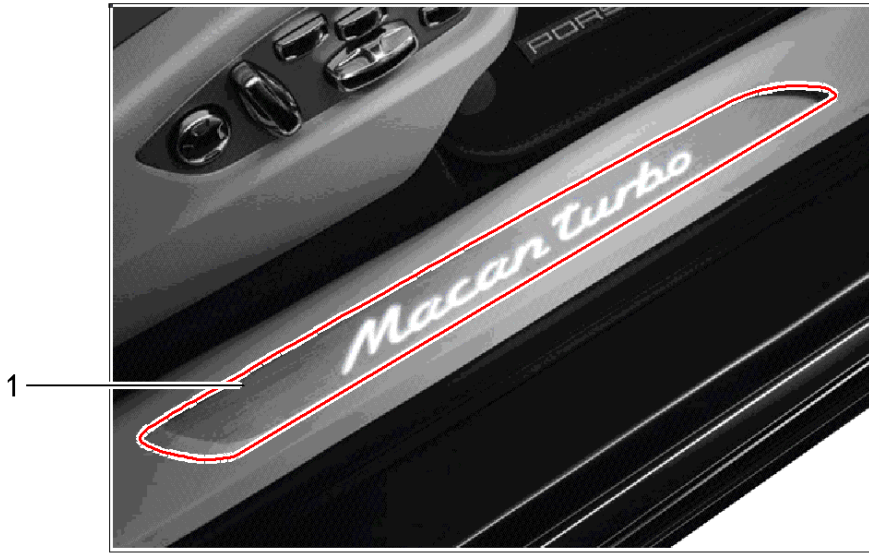


Model: TEQ 4 Model life 2014>>

Pos	Part Number	Description	Remark	Qty	Model
1	95B 044 800 90	Sill trim strip without: Lighting Sill trim strip Included Trim Loading sill Carbon Set		1	Macan
(1)	95B 044 800 91	Sill trim strip Included Trim Loading sill Carbon Set		1	Macan S
(1)	95B 044 800 92	Sill trim strip Included Trim Loading sill Carbon Set		1	Macan Turbo
(1)	95B 044 800 93	Sill trim strip Included Trim Loading sill Carbon Set		1	Macan GTS

Model: TEQ 4

Model life 2014>>

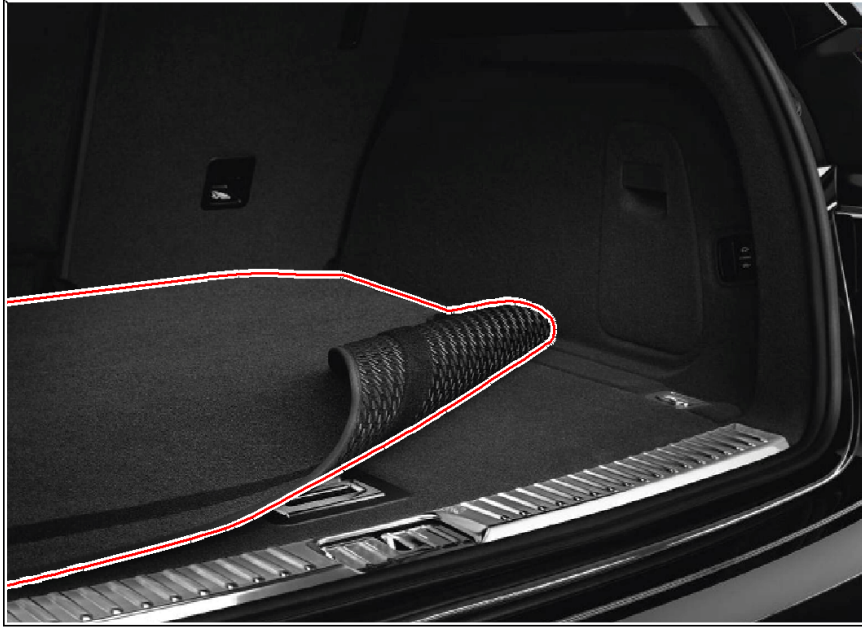


Model: TEQ 4 Model life 2014>>

Pos	Part Number	Description	Remark	Qty	Model
1	95B 044 801 10	Sill trim strip Lighting Sill trim strip aluminium Set	with:	1	Macan
(1)	95B 044 801 11	Sill trim strip aluminium Set		1	Macan S
(1)	95B 044 801 12	Sill trim strip aluminium Set		1	Macan Turbo
(1)	95B 044 801 13	Sill trim strip aluminium Set		1	Macan GTS
(1)	95B 044 801 00	Sill trim strip Included Trim Loading sill		1	Macan
(1)	95B 044 801 01	Lighting Carbon Set Sill trim strip Included Trim Loading sill	without:	1	Macan S
(1)	95B 044 801 02	Lighting Carbon Set Sill trim strip Included Trim Loading sill	without:	1	Macan Turbo
(1)	95B 044 801 03	Lighting Carbon Set Sill trim strip Included Trim Loading sill	without:	1	Macan GTS
		Lighting Carbon Set	without:		

Model: TEQ 4

Model life 2014>>



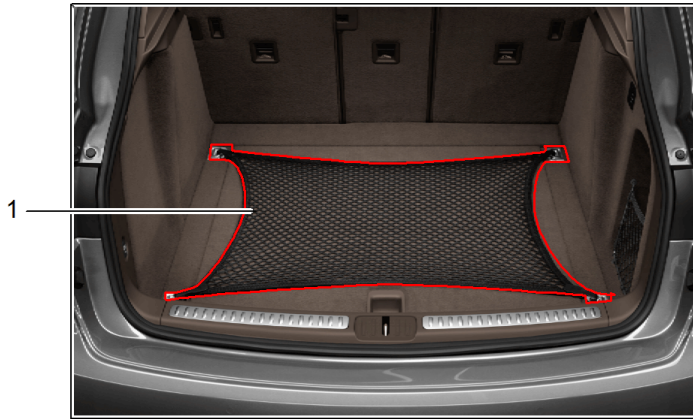
Model: TEQ 4

Model life 2014>>

Pos	Part Number	Description	Remark	Qty	Model
1	95B 044 800 40	Luggage compartment mat Carpet Luggage compartment mat Included Protective film Load edge protection	velours	1	PR:3GA
	95B 044 800 40 OL7	saddle brown			
	95B 044 800 40 OQ3	agate grey			
	95B 044 800 40 OR4	Luxor beige			
	95B 044 800 40 OS5	Black			
	95B 044 800 40 OT7	Espresso			

Model: TEQ 4

Model life 2014>>



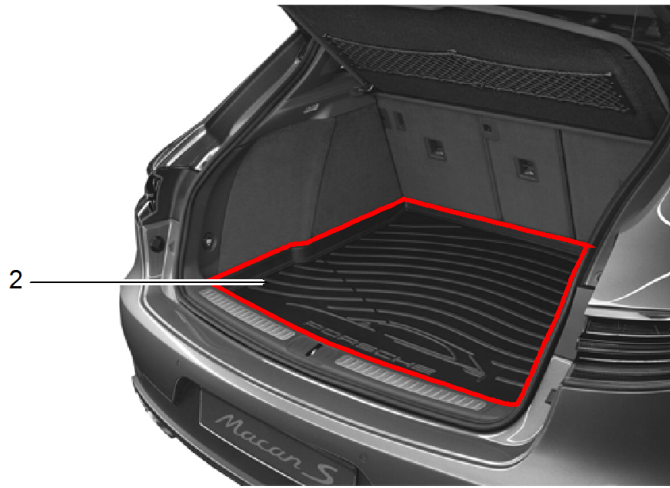
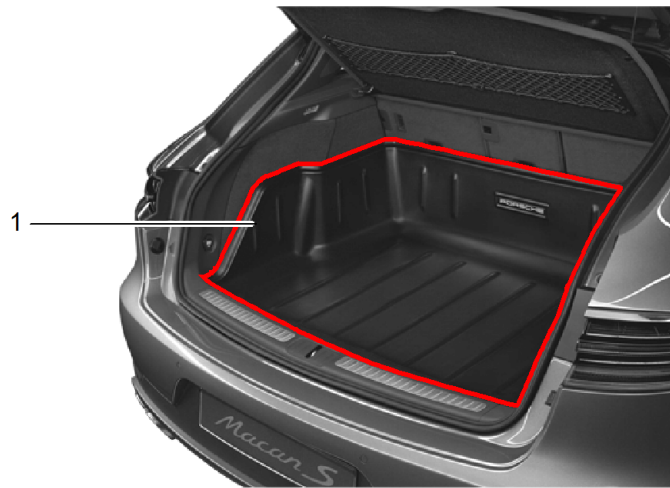
Model: TEQ 4

Model life 2014>>

Pos	Part Number	Description	Remark	Qty	Model
1	95B 044 800 03	Luggage net Luggage net Not for: Luggage compartment liner		1	

Model: TEQ 4

Model life 2014>>



Model: TEQ 4

Model life 2014>>

Pos	Part Number	Description	Remark	Qty	Model
1	95B 044 800 15	Luggage compartment liner Luggage compartment liner High		1	- "CN."
(1)	95B 044 800 16	Luggage compartment liner Luggage compartment liner High		1	"CN."
2	95B 044 800 17	Luggage compartment liner Luggage compartment liner Flat		1	- "CN."
(2)	95B 044 800 18	Luggage compartment liner Luggage compartment liner Flat		1	"CN."
3	95B 044 800 19	Luggage compartment liner Luggage compartment liner with: Organiser		1	- "CN."
(3)	95B 044 800 27	Luggage compartment liner Luggage compartment liner with: Organiser		1	"CN."

Model: TEQ 4

Model life 2014>>



1

Model: TEQ 4

Model life 2014>>

Pos	Part Number	Description	Remark	Qty	Model
1	95B 044 800 28	Loading sill Protective film Protective film for bumper		1	Macan

Model: TEQ 4

Model life 2014>>



1



2



3



4



5



6



7

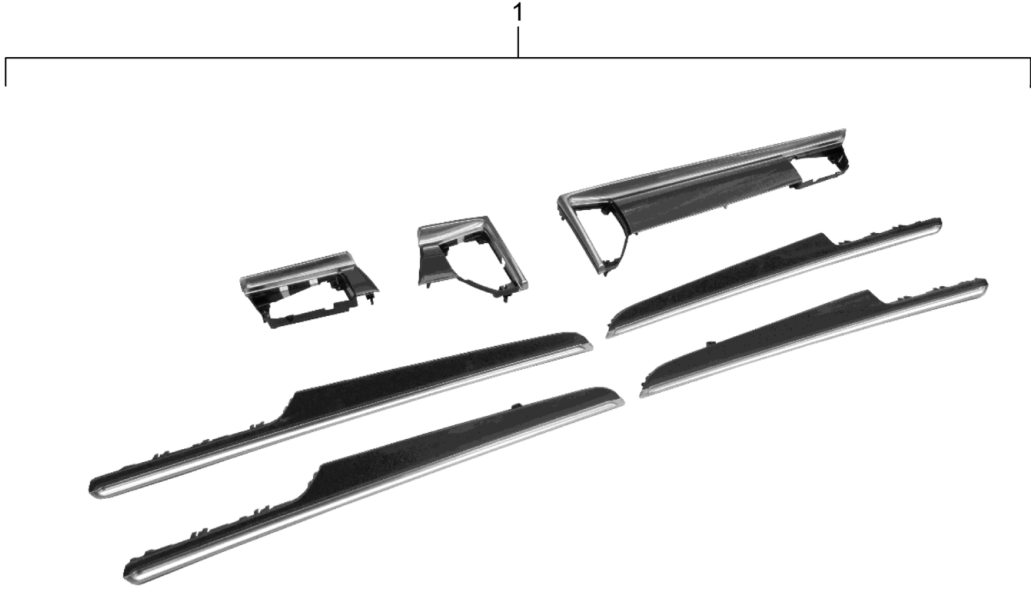
Model: TEQ 4

Model life 2014>>

Pos	Part Number	Description	Remark	Qty	Model
-		child seat note: Operating instructions			Macan PR:899
-		use only in conjunction with: Seat belts			
-		to use for: Front passenger seat	front		
-		also to be used for: Back seat	rear, outer		
-		use if required:			
(1)	955 044 802 87	child seat BABY SEAT ISOFIX G0+		1	- "CDN" Macan
4	958 044 802 91	child seat JUNIOR PLUS SEAT G2+G3		1	alle - "CDN"
-		15-36 KG Only for replacement			
6	955 044 802 93	Order Guide child seat Rail Set		1	
7	958 044 801 80	Child seat underlay Cover with pocket	front	1	
(7)	9Y0 044 801 80	Child seat underlay		1	

Model: TEQ 4

Model life 2014>>



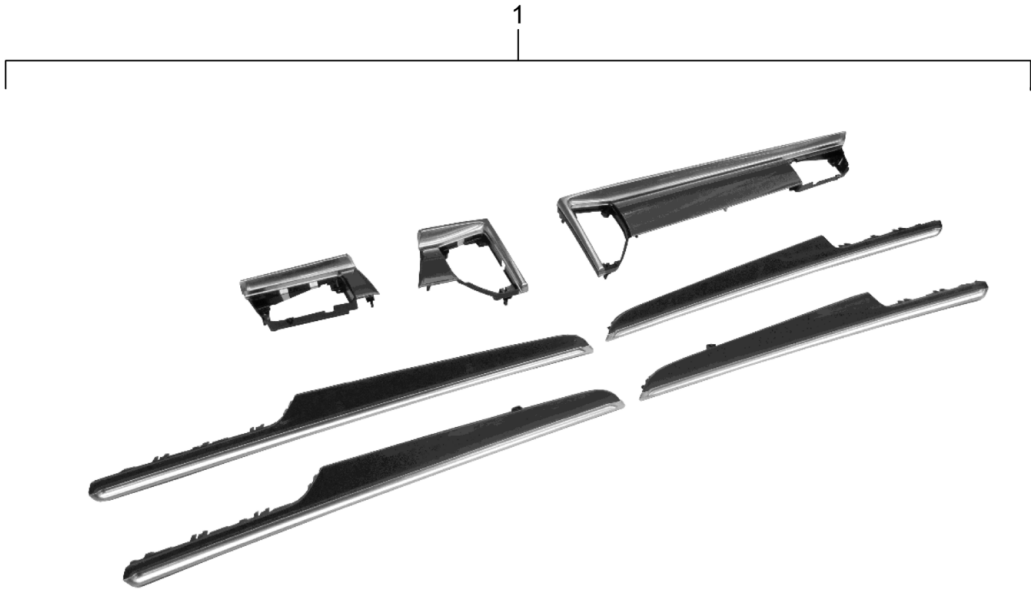
Model: TEQ 4

Model life 2014>>

Pos	Part Number	Description	Remark	Qty	Model
-		Passenger compartment Package White Oak, chalked Package comprising: Trim door panel Instrument panel trim			
1	95B 044 800 00	Interior equipment Set	lhd	1	PR:L0L
(1)	95B 044 800 01	Interior equipment Set	rhd	1	
(1)	95B 044 802 10	Interior equipment Set	lhd	1	PR:L0L
(1)	95B 044 802 11	D - MJ 2017>> Interior equipment Set D - MJ 2017>>	rhd	1	

Model: TEQ 4

Model life 2014>>

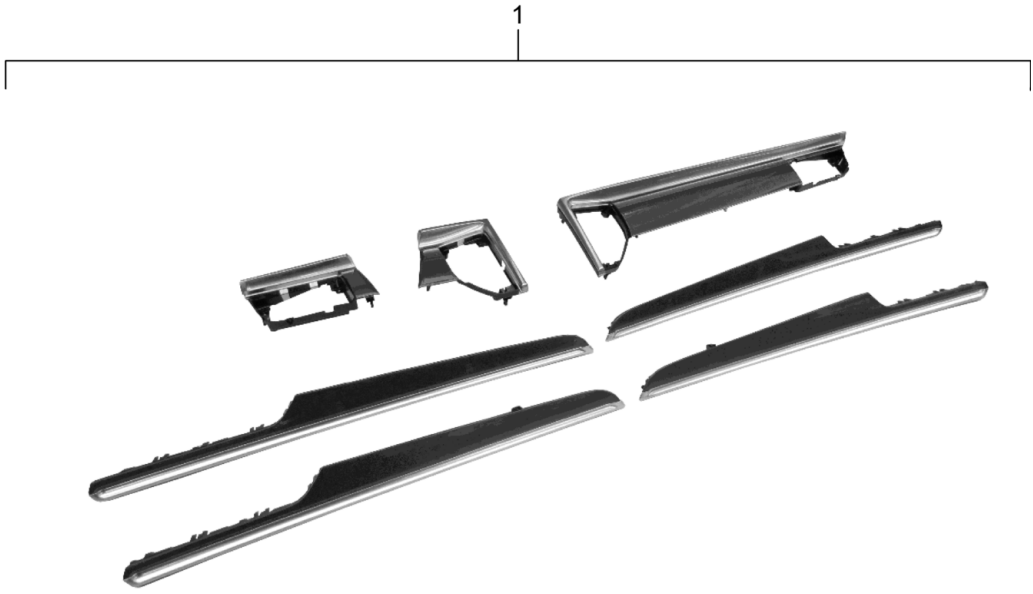


Model: TEQ 4 Model life 2014>>

Pos	Part Number	Description	Remark	Qty	Model
-		Passenger compartment Package Carbon Package comprising: Trim door panel Instrument panel trim			
1	95B 044 800 21	Interior equipment Set	lhd	1	PR:L0L
(1)	95B 044 800 22	Interior equipment Set	rhd	1	
(1)	95B 044 802 12	Interior equipment Set	lhd	1	PR:L0L
(1)	95B 044 802 13	D - MJ 2017>> Interior equipment Set D - MJ 2017>>	rhd	1	

Model: TEQ 4

Model life 2014>>

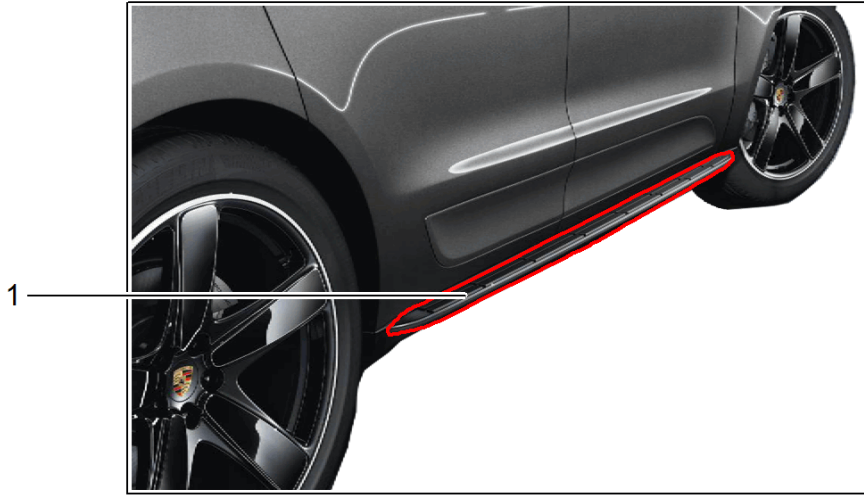


Model: TEQ 4 Model life 2014>>

Pos	Part Number	Description	Remark	Qty	Model
-		Passenger compartment Package Walnut, high-gloss Dark Package comprising: Trim door panel Instrument panel trim			
1	95B 044 800 25	Interior equipment Set	lhd	1	PR:LOL
(1)	95B 044 800 26	Interior equipment Set	rhd	1	
(1)	95B 044 802 14	Interior equipment Set	lhd	1	PR:LOL
(1)	95B 044 802 15	D - MJ 2017>> Interior equipment Set D - MJ 2017>>	rhd	1	

Model: TEQ 4

Model life 2014>>



Model: TEQ 4

Model life 2014>>

Pos	Part Number	Description	Remark	Qty	Model
1	95B 044 800 12	footboard		1	
-		footboard			
		also use:			
-	95B 044 800 13	retaining strip		1	
		footboard			
		Set			

Model: TEQ 4

Model life 2014>>



Model: TEQ 4

Model life 2014>>

Pos	Part Number	Description	Remark	Qty	Model
1	95B 044 802 80	inscription Lacquered inscription Porsche Lacquered		1	
	95B 044 802 80 041	High-Gloss Black			
	95B 044 802 80 G2X	primed			
(1)	95B 044 802 81	inscription Porsche MACAN S Lacquered		1	
	95B 044 802 81 041	High-Gloss Black			
	95B 044 802 81 G2X	primed			
(1)	95B 044 802 82	inscription Porsche MACAN TURBO Lacquered		1	
	95B 044 802 82 041	High-Gloss Black			
	95B 044 802 82 G2X	primed			

Model: TEQ 4

Model life 2014>>

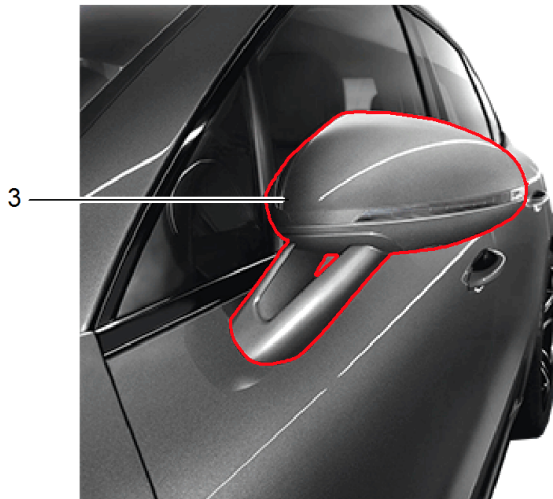
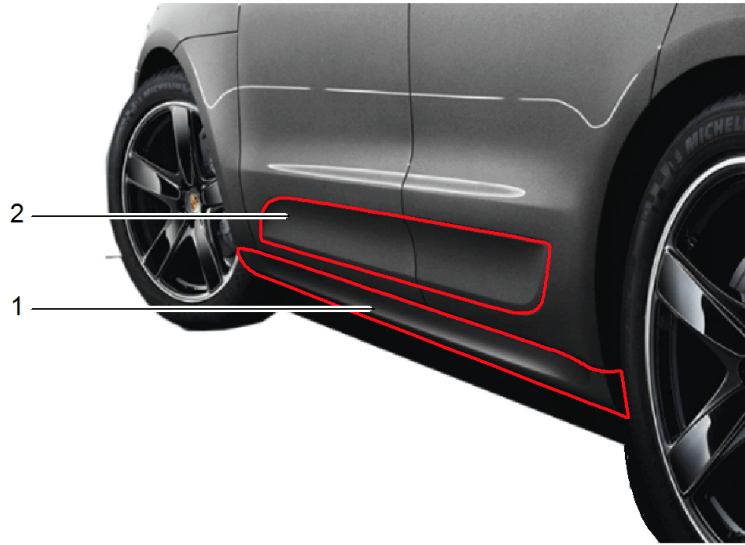


Model: TEQ 4 Model life 2014>>

Pos	Part Number	Description	Remark	Qty	Model
-		Sport Design package Sport Design package comprising: Basic package and Supplement set			
		without:			
(1)	95B 044 801 21	Side member trim Sport Design package Basic package USA		1	Macan Macan S "USA"
(1)	95B 044 801 25	Sport Design package Basic package USA		1	Macan Turbo "USA"
-		for vehicles with Parking aid			OHNE/NOT FOR Macan Turbo
		also use:			
-	5Q0 919 275 A	Sensor Parking aid	outer	2	Macan Macan S PR: 7X2, 7X8
-		also use:			
-	95B 044 801 36	Supplement for Sport Design package Supplement set Sport Design package USA		1	PR: 7X0, 8T0, 8T1, 8T6
-	95B 044 801 37	Supplement set Sport Design package USA		1	PR: 7X0, 8T3
-	95B 044 801 38	Supplement set Sport Design package USA		1	PR: 8A4, 8T3
-	95B 044 801 39	Supplement set Sport Design package USA		1	PR: 7X2, 8T3, 7X8
-	95B 044 801 40	Supplement set Sport Design package USA		1	PR: 8A4, 8T0, 8T1, 8T6
-	95B 044 801 41	Supplement set Sport Design package USA		1	PR: 7X2, 8T0, 8T1, 8T6, 7X8

Model: TEQ 4

Model life 2014>>



Model: TEQ 4

Model life 2014>>

Pos	Part Number	Description	Remark	Qty	Model
1	95B 044 801 95	Accessories Sport Design package Side member trim Sport Design package Set		1	Macan Macan S
2	95B 044 802 00	Trim for door primed Set	outer	1	Sideblades
(2)	95B 044 802 01	Trim for door	outer	1	Sideblades SportDesign
(2)	95B 044 802 03	Carbon Set Trim for door	outer	1	Sideblades SportDesign Macan GTS
3	95B 044 800 60	Carbon Set 1 set of exterior mirrors Sport Design package		1	/LL PR:9TH -"J.."
(3)	95B 044 800 61	1 set of exterior mirrors Sport Design package		1	/RL PR:9TH -"J.."
(3)	95B 044 800 62	1 set of exterior mirrors Sport Design package		1	/LL PR:9TF -"J.."
(3)	95B 044 800 63	for vehicles with Headlight unit 1 set of exterior mirrors Sport Design package		1	/RL PR:9TF -"J.."
(3)	95B 044 800 68	for vehicles with Headlight unit 1 set of exterior mirrors Sport Design package		1	/LL PR:9TH,8A4
(3)	95B 044 800 69	for vehicles with Real Top View 1 set of exterior mirrors Sport Design package		1	/RL PR:9TH,8A4
(3)	95B 044 800 70	for vehicles with Real Top View 1 set of exterior mirrors Sport Design package		1	/LL PR:9TF,8A4
(3)	95B 044 800 71	for vehicles with Headlight unit and Real Top View 1 set of exterior mirrors Sport Design package		1	/RL PR:9TF,8A4
(3)	95B 044 800 76	for vehicles with Real Top View 1 set of exterior mirrors Sport Design package		1	/LL PR:9TH,5RP "J.."
(3)	95B 044 800 77	for vehicles with Camera Version for japan 1 set of exterior mirrors Sport Design package		1	/LL PR:9TF,5RP "J.."
		for vehicles with			

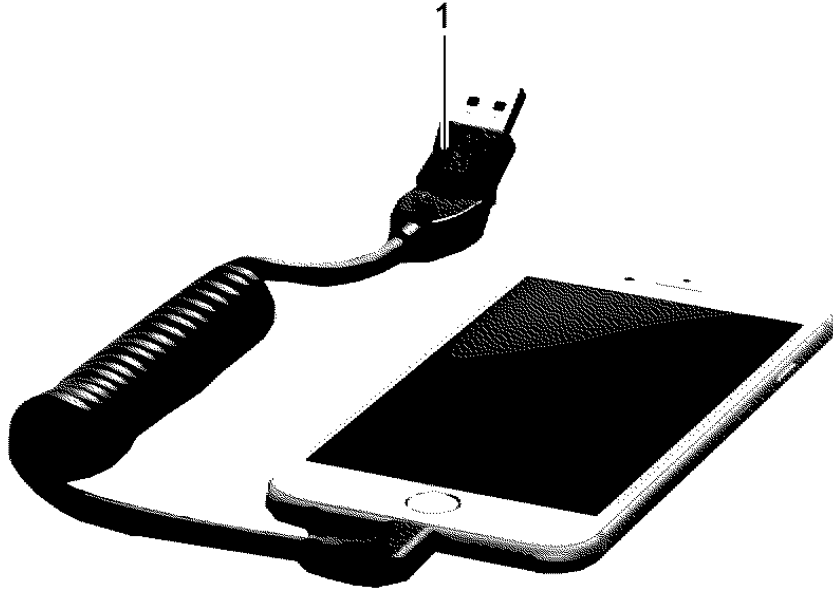
Model: TEQ 4

Model life 2014>>

Pos	Part Number	Description	Remark	Qty	Model
(3)	95B 044 800 80	Headlight unit and Camera Version for japan 1 set of exterior mirrors Sport Design package for vehicles with Camera Version for japan		1	/RL PR:9TH,5SU "J.."
(3)	95B 044 800 81	1 set of exterior mirrors Sport Design package for vehicles with Headlight unit and Camera Version for japan		1	/RL PR:9TF,5SU "J.."

Model: TEQ 4

Model life 2014>>



Model: TEQ 4 Model life 2014>>

Pos	Part Number	Description	Remark	Qty	Model
1	970 044 901 50	Charging cable USB connection cable		1	Macan
(1)	970 044 901 51	USB connection cable APPLE		1	
(1)	970 044 901 52	USB connection cable MICRO USB	Type: USB-C	1	

Model: TEQ 4

Model life 2014>>

1



2



Model: TEQ 4 Model life 2014>>

Pos	Part Number	Description	Remark	Qty	Model
-		Key cover Ignition/starter switch Exterior body colour Inst. & Conv. Instructions Macan Group 9 9662 (63/12) Attention	14-		All
1	991 044 801 20	Key cover Set	1 painted	1	
	991 044 801 20 A6W	Crystal green metallic Discontinued part			
	991 044 801 20 C1Y	Palladium Metallic			
	991 044 801 20 C5M	Moonlight Blue Metallic			
	991 044 801 20 C9A	white			
	991 044 801 20 C9X	Jet Black Metallic			
	991 044 801 20 C9Z	Basalt black metallic			
	991 044 801 20 H8Z	Chestnut Brown Metallic			
	991 044 801 20 M1R	Aurum Metallic			
	991 044 801 20 M1S	Luxor Beige Metallic Discontinued part			
	991 044 801 20 M2A	Lava Orange			
	991 044 801 20 M3C	Carmin red			
	991 044 801 20 M3T	Auburn Metallic Discontinued part			
	991 044 801 20 M3X	Ruby red metallic			
	991 044 801 20 M4A	Ultraviolet			
	991 044 801 20 M4W	Purpurite Metallic			
	991 044 801 20 M4Z	Amethyst metallic			
	991 044 801 20 M5C	miami blue			
	991 044 801 20 M5F	Midnight Blue Metallic			
	991 044 801 20 M5G	Graphite Blue Metallic			
	991 044 801 20 M5J	Sapphire Blue Metallic			
	991 044 801 20 M5R	Aqua blue metallic Discontinued part			
	991 044 801 20 M5S	Yachting Blue Metallic			
	991 044 801 20 M5X	Dark blue metallic			
	991 044 801 20 M7R	Volcano Grey Metallic			
	991 044 801 20 M7S	Achat Grey Metallic			
	991 044 801 20 M7T	Platinum Silver Metallic Discontinued part			
	991 044 801 20 M7U	Rhodium Silver Metallic			
	991 044 801 20 M7W	Meteor Grey Metallic			
	991 044 801 20 M7Z	GT Silver Metallic			
	991 044 801 20 M8S	Anthracite Brown Metallic			
	991 044 801 20 M8U	Umbra Metallic			
	991 044 801 20 M8X	Topaz Brown Metallic Discontinued part			
	991 044 801 20 M8Y	Mahogany Metallic			
	991 044 801 20 M8Z	Cognac Metallic			
	991 044 801 20 M9Z	Carbon Grey Metallic			
	991 044 801 20 S9R	Carrara White metallic			
	991 044 801 20 X7W	Classic Silver Metallic			
	991 044 801 20 Z6H	Jet Green Metallic			
	991 044 801 20 041	Black			
	991 044 801 20 1S1	Racing Yellow			
	991 044 801 20 2G6	emerald green metallic Discontinued part			
	991 044 801 20 2S1	Peridot Metallic			
	991 044 801 20 5P1	Lime Gold Metallic			
	991 044 801 20 7B2	agate grey			
	991 044 801 20 8L1	Amaranth Red Metallic			
	991 044 801 20 8M5	Impulse Red Metallic			

Model: TEQ 4 Model life 2014>>

Pos	Part Number	Description	Remark	Qty	Model
(1)	991 044 801 20 84A	guards red (Porsche)	painted	1	
	991 044 801 20 9G5	Geyser Grey Metallic			
	991 044 801 22	Key cover			
		Set			
2	991 044 801 22 M6B	Lizard green	painted	1	PR: 4F2, 4F6
	991 044 801 22 M6S	Mamba green metallic			
	991 044 801 22 M7P	Dolomite silver metallic			
	991 044 801 21	Ignition/starter switch			
	991 044 801 21 041	Black			
	991 044 801 21 1S1	Racing Yellow			
	991 044 801 21 2S1	Peridot Metallic			
	991 044 801 21 5P1	Lime Gold Metallic			
	991 044 801 21 84A	guards red (Porsche)			
	991 044 801 21 8M5	Impulse Red Metallic			
	991 044 801 21 C1Y	Palladium Metallic			
	991 044 801 21 C5M	Moonlight Blue Metallic			
	991 044 801 21 C9A	white			
	991 044 801 21 C9X	Jet Black Metallic			
	991 044 801 21 H8Z	Chestnut Brown Metallic			
	991 044 801 21 M1R	Aurum Metallic			
	991 044 801 21 M2A	Lava Orange			
	991 044 801 21 M3C	Carmine red			
	991 044 801 21 M3X	Ruby red metallic			
	991 044 801 21 M4A	Ultraviolet			
	991 044 801 21 M4W	Purpurite Metallic			
	991 044 801 21 M4Z	Amethyst metallic			
	991 044 801 21 M5C	miami blue			
	991 044 801 21 M5F	Midnight Blue Metallic			
	991 044 801 21 M5G	Graphite Blue Metallic			
	991 044 801 21 M5J	Sapphire Blue Metallic			
	991 044 801 21 M5S	Yachting Blue Metallic			
	991 044 801 21 M5X	Dark blue metallic			
	991 044 801 21 M6B	Lizard green			
	991 044 801 21 M6S	Mamba green metallic			
	991 044 801 21 M6T	Aventurine green metallic			
	991 044 801 21 M7P	Dolomite silver metallic			
991 044 801 21 M7R	Volcano Grey Metallic				
991 044 801 21 M7S	Achat Grey Metallic				
991 044 801 21 M7U	Rhodium Silver Metallic				
991 044 801 21 M7W	Meteor Grey Metallic				
991 044 801 21 M7Z	GT Silver Metallic				
991 044 801 21 M8S	Anthracite Brown Metallic				
991 044 801 21 M8U	Umbra Metallic				
991 044 801 21 M8Y	Mahogany Metallic				
991 044 801 21 M8Z	Cognac Metallic				
991 044 801 21 M9A	Chalk				
991 044 801 21 M9Z	Carbon Grey Metallic				
991 044 801 21 S9R	Carrara White metallic				

Model: TEQ 4

Model life 2014>>



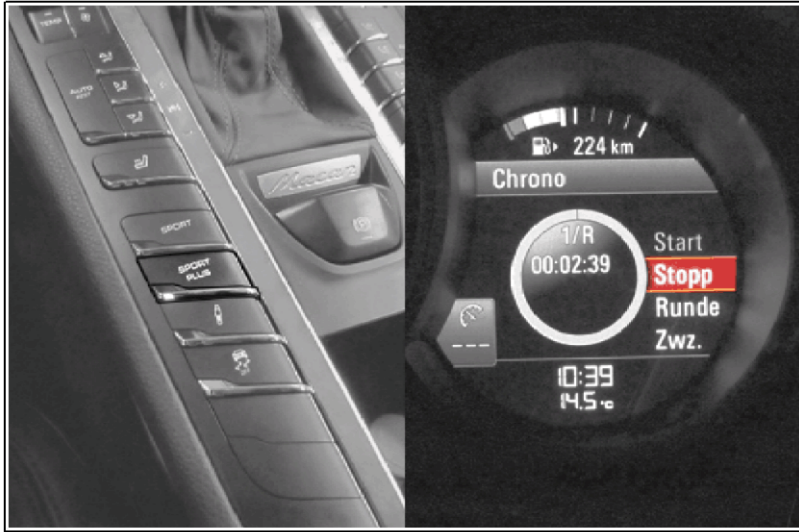
Model: TEQ 4

Model life 2014>>

Pos	Part Number	Description	Remark	Qty	Model
(1)	955 044 900 54	Charger Cigarette lighter		1	Macan
1	955 044 900 55	Charger 12 V		1	/110 V "USA"
(2)	958 044 900 71	Charger USA/KANADA		1	"GB."
3	958 044 900 75	Adapter 110-120 V / 4,3 A for Charger		1	Charge-o-mat Pro "USA", "CDN"
-		Only for replacement			
4	958 044 900 76	Connector Cigarette lighter		1	

Model: TEQ 4

Model life 2014>>



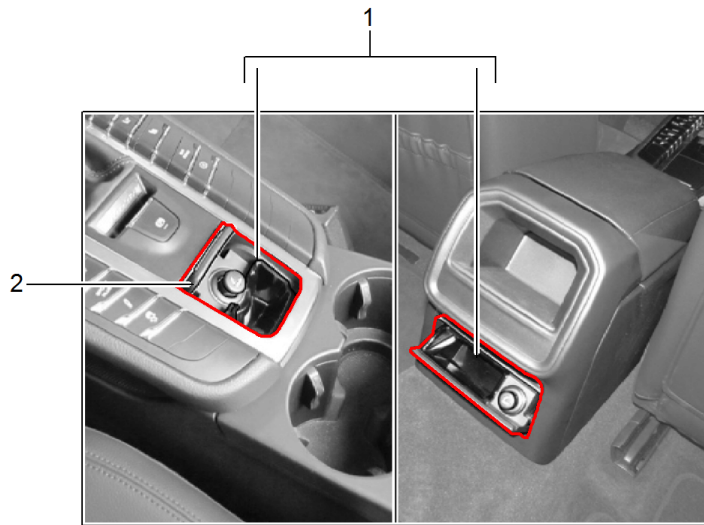
Model: TEQ 4

Model life 2014>>

Pos	Part Number	Description	Remark	Qty	Model
-		Supplement SPORT PLUS Inst. & Conv. Instructions Macan Group 9 9627 (09/14) 9627 (38/16) Attention	-2016 2017-		alle
1	95B 044 900 70	Supplement SPORT PLUS for cars without Compass Coding VIA PRMS		1	PR:QR0,QR3
(1)	95B 044 900 73	D >> - MJ 2016 Supplement SPORT PLUS for cars without Compass D - MJ 2017>>		1	PR:QR0,QR3
-		also use: Control panel with pushbuttons for Subsequent installation see Spare parts catalogue			

Model: TEQ 4

Model life 2014>>

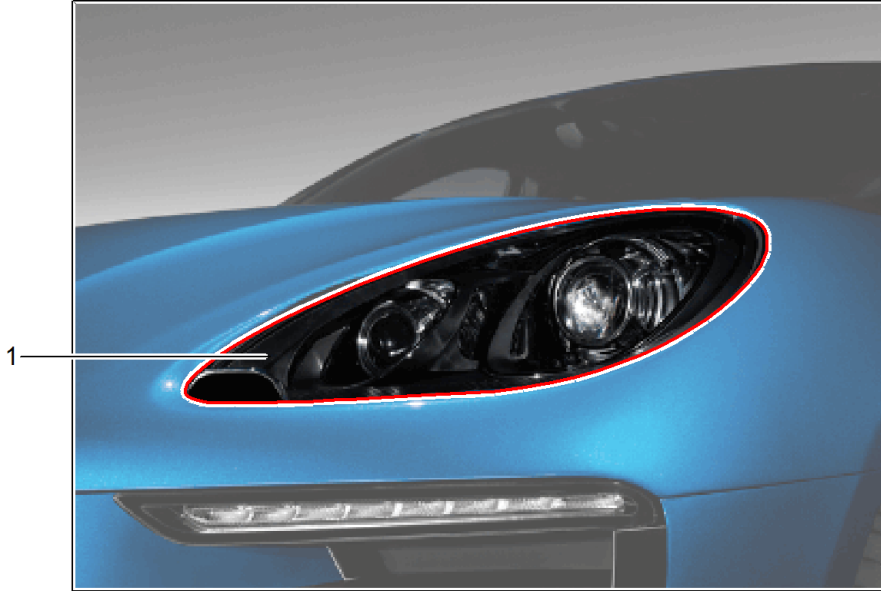


Model: TEQ 4 Model life 2014>>

Pos	Part Number	Description	Remark	Qty	Model
-		Smoker package Inst. & Conv. Instructions Macan Group 6 6820 (24/14) Attention			Macan alle
1	95B 044 900 80	Retrofit kit Smoker package	-16	1	alle PR:UI4,UF0, UF1
	95B 044 900 80 OA6	agate grey			
	95B 044 900 80 OD9	flint grey			
	95B 044 900 80 OE1	Garnet Red/Carrera Red			
	95B 044 900 80 OL7	saddle brown			
	95B 044 900 80 3T0	Espresso			
	95B 044 900 80 5Q0	Black			
	95B 044 900 80 6W0	Luxor beige			
2	95B 044 900 81	Retrofit kit for vehicles with USB connection	17- rear	1	alle PR:UI6

Model: TEQ 4

Model life 2014>>



Model: TEQ 4

Model life 2014>>

Pos	Part Number	Description	Remark	Qty	Model
1	95B 044 900 42	Headlights Black Headlights XENON Black Set	drive on right	1	Macan PR:8EG,8Q3, 8X1
2	95B 044 900 92	LED headlight Set D - MJ 2016>>	drive on right	1	PR:8EY,8Q3

Model: TEQ 4

Model life 2014>>



Model: TEQ 4

Model life 2014>>

Pos	Part Number	Description	Remark	Qty	Model
1	95B 044 900 13	Rear light Black Rear light Black Set		1	Macan PR:8SI

Model: TEQ 4

Model life 2014>>



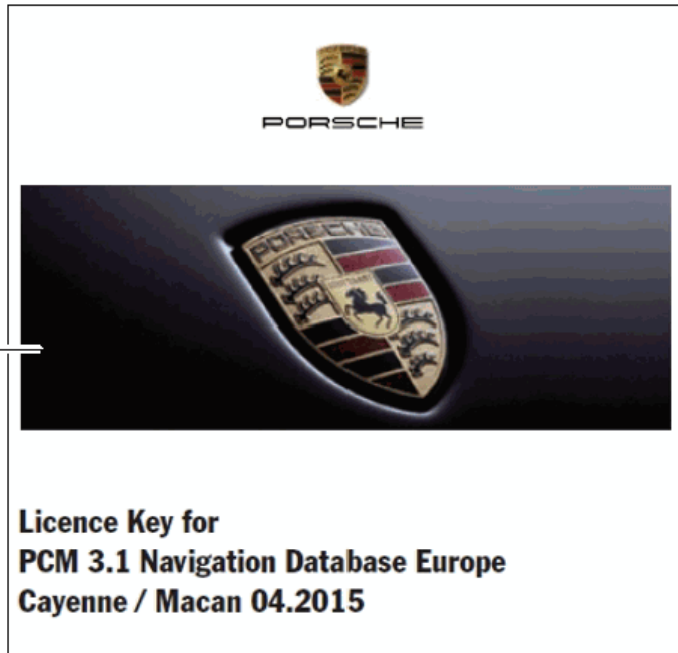
Model: TEQ 4 Model life 2014>>

Pos	Part Number	Description	Remark	Qty	Model
-		Navigation system PCM 3.1 Included DVD device PCM4.0-UPDATE	-2016 2017-		Macan
(1)	95B 044 900 31	Inst. & Conv. Instructions Macan Group 9 Attention PCM 3 with: Navigation and DVD device Retrofit kit America Coding VIA PRMS D >> - MJ 2016		1	alle "USA", "MEX", "PLA", "CDN", "BR."
-		Inst. & Conv. Instructions Group 9 9152 (37/16) Attention			Macan
(2)	95B 044 902 02	Retrofit kit Module Navigation for PCM4.0 Included Voice control system D - MJ 2017>>		1	PR:ER3

Model: TEQ 4

Model life 2014>>

1



2

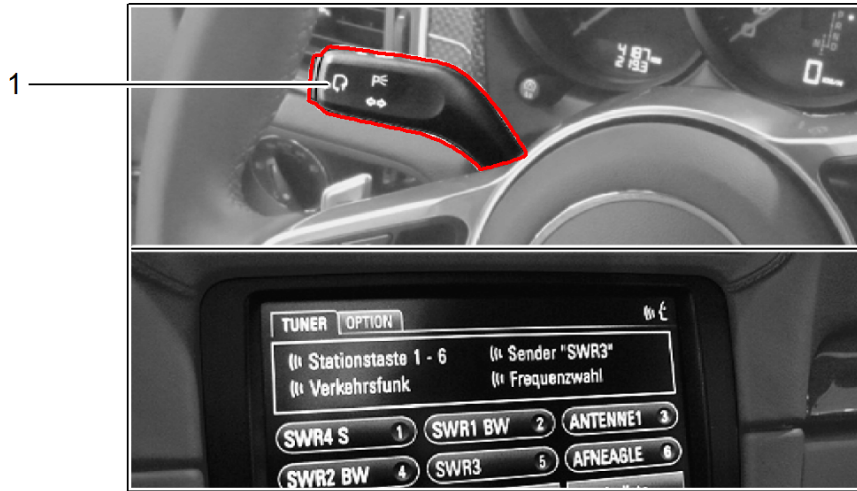


Model: TEQ 4 Model life 2014>>

Pos	Part Number	Description	Remark	Qty	Model
-		Navigation PCM3.1-UPDATE D >> - MJ 2016 Inst. & Conv. Instructions Macan Group 9 9110 (49/15) Attention			Macan
1	958 044 904 51	Software PCM3.1-UPDATE America 04/2015 Together with Country equipment Note coding		1	"USA", "MEX", "CDN", "BR."

Model: TEQ 4

Model life 2014>>



Model: TEQ 4 Model life 2014>>

Pos	Part Number	Description	Remark	Qty	Model
-		Voice control system PCM3.1 Included Steering column switch D >> - MJ 2016 Inst. & Conv. Instructions Macan Group 9 Attention			Macan
1	95B 044 900 50	Module Voice control system PCM 3.1 Retrofit kit Coding VIA PRMS D >> - MJ 2016		1	PR:QH1
(1)	95B 044 900 51	Module Voice control system PCM 3.1 Retrofit kit Coding VIA PRMS D >> - MJ 2016		1	PR:8X1, QH1
(1)	95B 044 900 52	Module Voice control system PCM 3.1 Retrofit kit Coding VIA PRMS D >> - MJ 2016		1	PR:8T3, QH1
(1)	95B 044 900 53	Module Voice control system PCM 3.1 Retrofit kit Coding VIA PRMS D >> - MJ 2016		1	PR:8T3, 8X1, QH1
(1)	95B 044 900 54	Module Voice control system PCM 3.1 Retrofit kit Coding VIA PRMS D >> - MJ 2016		1	PR:8T1, QH1
(1)	95B 044 900 55	Module Voice control system PCM 3.1 Retrofit kit Coding VIA PRMS D >> - MJ 2016		1	PR:8T1, 8X1, QH1
(1)	95B 044 900 56	Module Voice control system PCM 3.1 Retrofit kit Coding VIA PRMS D >> - MJ 2016		1	PR:8T6, QH1
(1)	95B 044 900 57	Module Voice control system PCM 3.1 Retrofit kit Coding		1	PR:8T6, 8X1, QH1

Model: TEQ 4

Model life 2014>>

Pos	Part Number	Description	Remark	Qty	Model
-		VIA PRMS D >> - MJ 2016 Inst. & Conv. Instructions Group 9 9152 (09/17) Attention	17-		
(1)	982 044 900 04	Module Voice control system for vehicles with PCM4.0 Included Navigation	17-	1	"USA", "CN."
-		also use: Steering column switch	17-		PR:IVO
-		see Spare parts catalogue also use:	N 910 207 01	1	

Model: TEQ 4

Model life 2014>>



Model: TEQ 4

Model life 2014>>

Pos	Part Number	Description	Remark	Qty	Model
-		Mobile preparation for telephone D >> - MJ 2016 Technical information Inst. & Conv. Instructions Macan Group 9 Attention			Macan
1	95B 044 900 17	Wire set Mobile preparation for telephone Coding VIA PRMS		1	alle
-		D >> - MJ 2016 use if required: Console Roof see Catalogue 95B 9/03/06		1	

Model: TEQ 4

Model life 2014>>



Model: TEQ 4

Model life 2014>>

Pos	Part Number	Description	Remark	Qty	Model
-		Module Telephone PCM3.1 / CDR PLUS D >> - MJ 2016 Inst. & Conv. Instructions Macan Group 9 Attention			alle
1	95B 044 900 15	Module Telephone Coding VIA PRMS		1	
1		D >> - MJ 2016 use if required: Console Roof see Catalogue 95B 9/03/06		1	

Model: TEQ 4

Model life 2014>>



1

Model: TEQ 4 Model life 2014>>

Pos	Part Number	Description	Remark	Qty	Model
-		Receiver Telephone BLUETOOTH D >> - MJ 2016 Inst. & Conv. Instructions Macan			Macan
1	95B 044 900 16	Group 9 9191 (14/14) Attention Receiver Telephone BLUETOOTH only in conj. with: TELEFONMODUL D >> - MJ 2016		1	PR:9W1

Model: TEQ 4

Model life 2014>>



Model: TEQ 4

Model life 2014>>



Model: TEQ 4 Model life 2014>>

Pos	Part Number	Description	Remark	Qty	Model
-		Rear seat entertainment system Exclusive programme Spare parts catalogue Only for replacement Exclusive programme Order			Macan
-		Inst. & Conv. Instructions Macan Group 9 9194 (29/15) Attention			
1	970 558 320 00	DVD-player Rear seat entertainment system Lacquered Black		1	Macan PR: -B1Q, -B3H, -B4U
(1)	970 558 321 00	DVD-player Rear seat entertainment system Leather paint		1	Macan PR: -B1Q, -B3H, -B4U
	970 558 321 00 8C0	Leather colour/espresso			
	970 558 321 00 8YR	Leather colour/black			
	970 558 321 00 9H6	Leather colour/luxor beige			
	970 558 321 00 N11	Leather colour/garnet red/ Carrera red			
	970 558 321 00 OK6	Leather colour/saddle brown			
	970 558 321 00 PL1	Leather colour/agate grey			
	970 558 321 00 PQ4	Leather colour/pebble grey			
	970 558 321 00 HAT	Leather colour/black/ Carrera red			
(1)	970 558 322 00	DVD-player Rear Seat Entertainm. Plus Lacquered Black		1	Macan PR: -B1Q, -B3H, -B4U
(1)	970 558 323 00	DVD-player Rear Seat Entertainm. Plus Leather paint		1	Macan PR: -B1Q, -B3H, -B4U
	970 558 323 00 8C0	Leather colour/espresso			
	970 558 323 00 8YR	Leather colour/black			
	970 558 323 00 9H6	Leather colour/luxor beige			
	970 558 323 00 N11	Leather colour/garnet red/ Carrera red			
	970 558 323 00 OK6	Leather colour/saddle brown			
	970 558 323 00 PL1	Leather colour/agate grey			
	970 558 323 00 PQ4	Leather colour/pebble grey			
	970 558 323 00 HAT	Leather colour/black/ Carrera red			
2	970 558 316 00	Headphones Bluetooth		1	
-	970 558 314 00	Operating instructions Rear seat entertainment system Valid for 970 558 320 00 970 558 321 00 970 558 322 00 970 558 323 00		1	

Model: TEQ 4

Model life 2014>>



Model: TEQ 4

Model life 2014>>

Pos	Part Number	Description	Remark	Qty	Model
-		Logbook PCM3.1 Inst. & Conv. Instructions Group 9 BEACHTEN			
1	958 044 900 29	Logbook Coding VIA PRMS D >> - MJ 2016 Discontinued part		1	

Model: TEQ 4

Model life 2014>>



Model: TEQ 4

Model life 2014>>

Pos	Part Number	Description	Remark	Qty	Model
-		Subsequent installation APPLE CARPLAY D - MJ 2017>> Inst. & Conv. Instructions Group 9 9193 (36/16) Attention			
1	95B 044 900 07	Software Subsequent installation APPLE CARPLAY D - MJ 2017>>		1	- "J.."

Model: TEQ 4

Model life 2014>>



Model: TEQ 4 Model life 2014>>

Pos	Part Number	Description	Remark	Qty	Model
-		Subsequent installation ONLINE SERVICES PCM3.1 Inst. & Conv. Instructions Macan Group 9 Attention			
1	958 044 900 28	Software ONLINE SERVICES only in conj. with: PCM3.1 Coding VIA PRMS D >> - MJ 2016		1	