

Model: TEQ 2

Model life 2003>>

Model Overview EC

| EC | Sales term | LTR | KW | Hp | Cyl | Mounting time | Remark |
|------|------------|------|-----|-----|-----|---------------|--------|
| 4800 | | 4,50 | 250 | 340 | 8 | 05/02-05/03 | |
| 4850 | | 4,50 | 331 | 450 | 8 | 05/02-05/03 | |

Model: TEQ 2**Model life 2003>>**

Engine Numbers

| Engine number | Model year | Vehicle type | Engine type |
|-----------------|------------|---------------|-------------|
| 813 00501>60000 | 2003 | CAYENNE S | 4800 |
| 823 00501>60000 | 2003 | CAYENNE TURBO | 4850 |

Model: TEQ 2

Model life 2003>>

| NR | Description |
|-----|---|
| 011 | Special model GTS (981/991) |
| 092 | Turbo S |
| 482 | Tire Pressure Monitoring TPM, 433 MHz |
| 483 | 315-MHz TPM, Tire Pressure Monitoring |
| 490 | Sound system "ASK" |
| 672 | -2008 PCM 2, 2009- PCM 3 Offroad navigation |
| 680 | BOSE sound package |
| 899 | Isifix child-seat restraint on front passenger side |
| CJ1 | Cayenne wheel 7.5x17, wheel offset 53 |
| CJ2 | Cayenne S wheel 8x18, wheel offset 57 |
| CJ3 | 19-inch (9 X 19) Cayenne Design wheel |
| CJ6 | 18-inch (8 x 18) Cayenne Turbo wheel |
| CP5 | Cayenne Sport Techno wheel 9"/10" x 20" Titanium metallic |
| CP7 | 19-inch (9 x 19) Cayenne Design wheel painted in body colour |
| CS5 | 20-inch (9X20) Cayenne Sport Design wheel |
| CS6 | Cayenne Sport Techno wheel 9x20, wheel offset 60 |
| CT1 | Cayenne Sport Techno wheel 9x20, wheel offset 60, wheel spokes painted in exterior colour |
| CW3 | Cayenne Design wheel 19 " in titanium metallic |
| CY3 | Cayenne Sport Techno wheel 9-inch/10-inch x 20-inch |
| CY4 | Cayenne Sport Techno wheel 9"/10" x 20" in vehicle colour |
| DD8 | 8-cylinder diesel engine 4.2 l KW TDI |
| DT5 | 4.8 litre turbo engine, 8-cylinder |
| DU3 | 3.6 litre turbo engine, 6-cylinder |
| D1V | 6-cylinder diesel engine 3.0/155 kW TDI |
| D11 | 6-cylinder petrol engine 3.0/245 kW |
| D19 | 6-cyl. spark-ignition engine, 3.0 l/245 kW (HYBRID) |
| D34 | 6-cyl. spark-ignition engine, 3.6 l/220 kW (E2) |
| D43 | 6-cylinder diesel engine 3.0 l/180 kW TDI |
| D5V | 8-cylinder petrol engine 4.8 l/280 KW V8 FSI |
| D5X | 6-cyl. spark-ignition engine, 3.6 l/206 kW FSI |
| D5Z | 8-cylinder petrol engine 4.8 l/368 KW V8 biturbo |
| D50 | 6-cylinder diesel engine, 3.0 l/176 kW TDI |
| D58 | 8-cyl. spark-ign. engine, 4.8 l/368 kW biturbo (E2) |
| D6V | 8-cyl. spark-ignition engine, 4.8 l/294 kW DFI (E2) |
| D9J | 6-cylinder petrol engine, 3.2 l/177 kW (24 valves) |
| D9K | 8-cylinder petrol engine, 4.5 l/250 kW (V 8) |
| D9L | 8-cylinder petrol engine, 4.5 l/330 kW (V 8) biturbo |
| E0W | GTS version |
| E1T | Sondermodell CAYENNE. Porsche Design Edition 3 |
| E16 | Special model 'Cayenne S Titanium' |
| E2D | Special model Transsyberia |

Model: TEQ 2 Model life 2003>>

| NR | Description |
|-----|--|
| E8A | Turbo S |
| E81 | Enhanced performance engine |
| GY1 | Power closing mechanism for tailgate |
| G0L | 6-speed manual transmission for all-wheel drive vehicle |
| G0R | Tiptronic s |
| G1G | 8-speed auto. transmission for all-wheel drive |
| IV0 | Without Connect Plus package |
| IY2 | Model year period from week 45 to week 22 |
| J0L | 340 A (70 Ah) battery |
| J0Z | 520 A (110 Ah) battery |
| J1U | 450 A (95 Ah) battery |
| J2C | 480 A (85 Ah) and 520 A (110 Ah) batteries |
| K4H | Closed body |
| L0L | Left-hand drive version |
| L0R | Right-hand drive version |
| N1X | Part-leather seat covers, grained |
| N5U | Part-leather seat covers, smooth leather |
| N7D | Soft ruffled leather seats in smooth leather |
| N7F | Soft ruffled leather seats in embossed leather |
| PF1 | PCM including navigation |
| QH0 | not with voice control |
| QH1 | Voice control |
| QL3 | Tinted glass, green at rear |
| QL5 | Dark tinted rear privacy glass |
| QL6 | Heat-insulating glass at rear, metallized |
| QR0 | without compass/Sport Chrono/analogue clock |
| QR3 | Analog clock on dashboard |
| QV1 | With TV reception |
| Q1D | Sports seats with expanded memory function in smooth leather |
| Q2J | Convenience seat |
| T31 | Components for basic engine, unit M 022Y |
| T90 | Units for engine PR No. D9L |
| T91 | Units for engine PR No. D9K |
| U5A | Instrument insert, km/h indication, RoW |
| U5B | Instrument insert, mph indication, GB |
| U5C | Instrument insert, mph indication, USA |
| U5D | Instrument insert, km/h indication, Canada |
| U5E | Instrument insert, km/h indication, Japan |
| U5F | Instrument insert, display km/h, AGCC |
| U5G | Instrument insert, km/h indication, Australia |
| VC1 | Garage door opener, 433 MHz |
| VR0 | Without impact protection measures |
| VR1 | Side protection, running board |
| VR2 | Side impact protection measures, off-road |
| VR3 | Front-end and side protection |

Model: TEQ 2

Model life 2003>>

| NR | Description |
|-----|--|
| VR4 | Front impact protection measures |
| 0AB | Anti-roll bar, front and rear |
| 0AG | Anti-roll bar, front, disengageable |
| 0AW | Front and rear anti-roll bars with active Body control -PDCC- |
| 0BB | Rear stabilizer bar |
| 0BJ | Anti-roll bar, rear, disengageable |
| 0GG | Emissions compliance EU 4 |
| 0GM | Emissions compliance LEV |
| 0GU | Emissions compliance EU 2 |
| 0JA | Weight class 1, front axle - 1170-1210 kg |
| 0JB | Weight class 2, front axle - 1211-1226 kg |
| 0JC | Weight class 3, front axle - 1227-1251 kg |
| 0JD | Weight class 4, front axle - 1252-1276 kg |
| 0JE | Weight class 5, front axle - 1277-1292 kg |
| 0JF | Weight class 6, front axle - 1293-1328 kg |
| 0JG | Weight class 7, front axle - 1329-1428 kg |
| 0K0 | Without alternative drive system |
| 0K1 | Hybrid propulsion system |
| 0K3 | Hybrid propulsion system PHEV |
| 0NA | Deletion of model designation |
| 0NB | Nameplate set in basic version |
| 0P0 | Standard tailpipe |
| 0P3 | Sports tailpipe in precision-cast aluminium, 4-pipe look |
| 0P8 | Sports exhaust system |
| 0P9 | Sports exhaust system, Black tailpipe |
| 0YA | Weight class 1, rear axle - 1039-1074 kg |
| 0YB | Weight class 2, rear axle - 1075-1128 kg |
| 0YC | Weight class 3, rear axle - 1129-1159 kg |
| 0YD | Weight class 4, rear axle - 1160-1215 kg |
| 0YE | Weight class 5, rear axle - 1216-1244 kg |
| 0YF | Weight class 6, rear axle - 1245-1299 kg |
| 0YG | Weight class 7, rear axle - 1300-1331 kg |
| 1BA | Suspension/dampers, standard |
| 1BK | Air suspension with levelling system and height adjustment (PASM) |
| 1BS | 4-corner air suspension |
| 1D1 | Trailer hitch, removable, lockable, ECE R55 |
| 1D2 | Detachable trailer coupling |
| 1D3 | Trailer hitch, electrically retractable, ECE R55 |
| 1D6 | Trailer coupling without tow ball |
| 1D7 | Preparation for detachable trailer coupling |
| 1D8 | Preparation for detachable trailer coupling "usa" |

Model: TEQ 2

Model life 2003>>

| NR | Description |
|-----|---|
| 1D9 | Electric folding trailer coupling |
| 1G1 | 18-inch collapsible spare wheel |
| 1G3 | High-pressure alloy spare wheel with tyre |
| 1G4 | 19" collapsible spare wheel |
| 1G6 | Spare wheel, space saving - 17-inch, radial tyre, compressor, in vehicle |
| 1G8 | Tire Fit, tyre repair set |
| 1KW | Rear disc brakes - disc diameter 17 inches, brake calliper painted black |
| 1KY | Rear disc brakes - disc diameter 17 inches, brake calliper painted silver |
| 1KZ | Rear disc brakes - disc diameter 17 inches, brake calliper painted red |
| 1LK | Front disc brake, disc diameter 19 inches, brake calliper painted Green |
| 1LL | Front disc brake, disc diameter 19 inches, brake calliper painted Green |
| 1LM | Front disc brake, disc diameter 19 inches, brake calliper painted Black |
| 1L0 | Standard air cleaner |
| 1ML | Sports steering wheel with paddle |
| 1NE | Wheel centres STANDARD |
| 1NP | Wheel centres with full-colour Porsche Crest (concave) |
| 1N1 | Power steering |
| 1N3 | Speed-dependent power-assisted steering (servotronic) |
| 1XE | 3-spoke multi-function steering wheel, wood, Anthracite Birch with radio controls |
| 1XJ | 3-spoke multi-function steering wheel in dark Burr maple wood with radio control element |
| 1XK | 3-spoke multi-function steering wheel in Light Olive wood with radio control element |
| 1Y1 | Differential lock, rear, centre differential lock |
| 2C4 | Steering column, reach + height adjustable with memory |
| 2C5 | Steering column, reach + height adjustable, mechanical |
| 2D0 | Without Sport Design package |
| 2D1 | Aerokit, with sill cover |
| 2D2 | Aerokit, without sill cover |
| 2D3 | Sill cover |
| 2FV | 3-spoke multi-function steering wheel in light Olive wood, matt, with radio control element |
| 2FX | 3-spoke multi-function steering wheel, wood, Carbon with radio controls |
| 2G1 | Insert for fuelling with unleaded petrol |
| 2G4 | Insert for fuelling with unleaded petrol (CARB |

Model: TEQ 2 Model life 2003>>

| NR | Description |
|-----|---|
| | Diagnosis) |
| 2JB | Bumper, standard |
| 2JC | Comfort bumper, stainless-steel attachment, front apron bottom section |
| 2JX | Comfort bumper (stainless steel trim at front + rear) |
| 2PH | Leather steering wheel for airbag system - 3 spokes, heated |
| 2PM | Leather steering wheel for airbag system - 3-spoke steering wheel |
| 2V5 | Fresh air intake with activated charcoal filter |
| 2X2 | tiptronic control on steering wheel |
| 2ZH | 3-spoke multi-function steering wheel, heated |
| 2ZM | 3-spoke multi-function steering wheel |
| 3B1 | Child seat anchors, USA/Canada requirement |
| 3B4 | Child seat anchors for ISOFIX child seat system, RoW |
| 3CX | net partition |
| 3D1 | Centre console STANDARD (PVC) |
| 3D3 | Centre console MEDIUM, grained leather |
| 3D8 | Centre console Leather, smooth |
| 3FE | Electric glass slide/tilt sunroof |
| 3FU | Porsche large roof system |
| 3F4 | Spare wheel with tyre, internal |
| 3GE | Raised loadspace floor |
| 3GN | Variable luggage/load compartment floor |
| 3LD | Door & side trim panel - standard - PAG |
| 3LE | Door & side trim panel - MEDIUM - PAG |
| 3LH | Door trim and side wall - all leather -- pillars/ rooflining in Alcantara - PAG |
| 3L3 | Manual height adjustment for both 8-way adjustable front seats |
| 3L4 | Driver memory package |
| 3L5 | Electrical adjustment for both 12-way adjustable front seats |
| 3ME | Tufted velour carpeting with protective pad |
| 3MT | Pearl velour carpeting with protective pad |
| 3PN | 12-way electrical adjustment for both front seats + memory |
| 3QT | 3-point automatic seat belts at front with seat-belt pre-tensioners + height adjustment |
| 3S1 | Bright roof rails |
| 3S2 | Black roof rails |
| 3S4 | Preparation for roof rack, black |
| 3S5 | Black roof rails with drip mouldings |
| 3S7 | Roof rails |
| 3S8 | Roof Transport System |

Model: TEQ 2 Model life 2003>>

| NR | Description |
|-----|---|
| 3W4 | Acoustic package, standard |
| 3W7 | Extra audio package |
| 3X1 | Load-through hatch with ski bag |
| 3Y3 | Manual sun blind, rear side window |
| 4AV | Door trim and side wall - smooth-leather insert |
| 4A3 | Heated seats, front |
| 4A4 | Heated seats, front/rear |
| 4E2 | Interior tailgate release, electrical |
| 4F2 | Porsche entry + drive |
| 4F6 | Porsche entry + drive (usa/can) |
| 4GF | Windscreen of tinted glass |
| 4GY | Windscreen of heat-insulating glass |
| 4K0 | Central-locking system with key remote and interior operation |
| 4K3 | Central locking with remote control, inner release and safe lock system |
| 4LB | 3-spoke multi-function steering wheel in leather with radio control element |
| 4LC | 3-spoke multi-function steering wheel in leather with radio and telephone control element |
| 4L2 | Safety interior mirror, manual dimming function |
| 4L6 | Safety interior mirror, automatic dimming function |
| 4N1 | Padded dashboard |
| 4N8 | Dashboard with genuine leather |
| 4QF | 3-point automatic belts at front with electrical height adjustment and memory |
| 4UB | Airbag with kneebar |
| 4UE | Airbags for driver and front-seat passenger; front-seat passenger side can be deactivated |
| 5D1 | Carrier frequency 433.92 MHz |
| 5D2 | Carrier frequency 315 MHz |
| 5D3 | Carrier frequency 315 MHz with reduced transmission power for Japan |
| 5MA | Decorative inlays - paint, painted plastic |
| 5MG | Burr maple wood package, dark high gloss |
| 5RK | Door mirror, right, flat |
| 5RP | Right exterior mirror, convex with camera |
| 5RQ | Exterior mirror, right, convex |
| 5RR | Door mirror, right, convex (US) |
| 5RT | Door mirror, right, convex (AGCC) |
| 5RV | Door mirror, right, aspherical |
| 5SG | Door mirror, left, flat |
| 5SJ | Door mirror, left, convex |
| 5SL | Door mirror, left, aspherical |
| 5SU | Left exterior mirror, convex with camera |
| 5TE | Aluminium "sport" package |
| 5TF | "Olive" wood package, light high gloss |

Model: TEQ 2

Model life 2003>>

| NR | Description |
|-----|---|
| 5W1 | Silver roof rails plus bars |
| 5W2 | Preparation for roof rack, bright, silver |
| 5W3 | Roof rack black, guide rails bright |
| 5W4 | Black roof rails plus bars |
| 6A5 | Fire extinguishers |
| 6EB | Additional body covers, stone guards and partial cover |
| 6EP | Additional body covers, stone guards, type 1 |
| 6EQ | Additional body covers, stone guards, type 2 |
| 6E3 | Centre armrest, front - PVC foam film |
| 6E6 | Centre armrest, front - smooth leather |
| 6E7 | Centre armrest, front - grained leather |
| 6FB | Door-mirror housing painted in exterior colour |
| 6GB | Component set - wider wheel arch cover, off-road |
| 6GE | Component set - wheel arch extensions, extra wide for Australia |
| 6GF | Component set - wider wheel arch covers |
| 6GH | Component set for wider wheel arch trim in exterior colour (USA) - 2010, 2011 - worldwide |
| 6GJ | Component set for wider wheel arch trim in exterior colour (RoW) - 2010, 2011 - worldwide |
| 6NJ | Standard rooflining, fabric |
| 6NN | Alcantara rooflining |
| 6N1 | Mudguards, rear |
| 6P1 | Number-plate holder, rear (ECE) |
| 6P2 | Number-plate holder, rear (USA) |
| 6Q2 | Gear selector knob + grip in leather, gear lever in leather/aluminium |
| 6Q8 | Gear lever, wood, dark |
| 6W1 | Number-plate holder, front, large (ECE) |
| 6W2 | Number-plate holder, front, small (RoW) |
| 6W3 | Number-plate holder, front (NAR) |
| 6XP | Door mirrors, electrically retractable, electrically adjustable, separately heated |
| 6XQ | Exterior mirror with memory function, electr. retractable/adjustable, separately heated |
| 6XT | Door mirrors, automatically dimmable, electrically retractable/adjustable, separately heated + memory |
| 6XW | Door mirrors, automatically dimmable, electrically retractable/adjustable, separately heated |
| 7AK | Alarm system, interior surveillance system, anti-towing protection |
| 7AL | Alarm system, interior surveillance system, backup horn, anti-towing protection |

Model: TEQ 2

Model life 2003>>

| NR | Description |
|-----|--|
| 7AT | Alarm system, interior surveillance, with VTS (Vehicle Tracking System) |
| 7AU | Alarm system, backup horn, with VTS (Vehicle Tracking System) |
| 7A1 | Preparation for CD autochanger |
| 7A2 | CD autochanger (6-disc) |
| 7B6 | Six 12-V sockets |
| 7B7 | Five 12-V sockets |
| 7B8 | Seven 12-V sockets |
| 7F6 | Gear lever, wood, light, matt |
| 7F7 | Gear lever, wood, light, high gloss |
| 7G0 | Without VTS (Vehicle Tracking System) preparation |
| 7G1 | VTS (Vehicle Tracking System) preparation, without driver card |
| 7G2 | VTS (Vehicle Tracking System) preparation, with driver card |
| 7G5 | Preparation, VTS (Vehicle Tracking System), with driver card, connection to alarm system, re-start inhibitor |
| 7K0 | Without Tire Pressure Monitoring (TPM) |
| 7K3 | Tyre pressure monitoring (TPM) 433 MHz |
| 7K4 | Tyre pressure monitoring system 315 MHz |
| 7K5 | 315-MHz Tire Pressure Monitoring with reduced transmission power |
| 7M0 | Door entry guards of plastic from MY 04 |
| 7M1 | Door entry guards of stainless steel from MY 04 |
| 7Q2 | PCM navigation module |
| 7Q4 | Navigation system preparation, Japan |
| 7Q7 | PCM incl. navigation & compass display in instrument cluster |
| 7RV | Navigation Russia |
| 7T0 | Compass display in instrument cluster |
| 7T1 | Offroad navigation, with course calculator showing latitude and longitude |
| 7T3 | Offroad navigation, with course calculator showing latitude and longitude + COMPASS |
| 7VE | Auxiliary heater with integrated timer. |
| 7VL | Auxiliary heater with integrated timer and remote control |
| 7X2 | ParkAssist, front/rear |
| 77J | Navigation software Argentina |
| 77K | Navigation software Chile |
| 8AJ | Porsche CDR 31 radio WW |
| 8A4 | Ultrasound parking aid with Real Topview |
| 8BB | Halogen main headlights, right-hand traffic |

Model: TEQ 2

Model life 2003>>

| NR | Description |
|-----|---|
| 8BC | Main headlights with gas-discharge lamps + direction indicators, XENON, right-hand traffic |
| 8BE | Main headlight with gas-discharge lamp & direction indicator light, XENON, left-hand traffic |
| 8BF | Halogen main headlight, left-hand traffic |
| 8BR | Halogen main headlights, U.S. version with direction indicator and running lights, right-hand traffic |
| 8BZ | Main headlights with gas-discharge lamps + direction indicators, XENON, left-hand traffic |
| 8DQ | Basic radio/PCM terminal, USA, double-DIN colour display |
| 8DR | Porsche CDR 30 radio WW |
| 8DU | Porsche CDR 23 radio WW |
| 8DV | Basic radio/PCM terminal, RoW, double-DIN colour display |
| 8EA | Xenon USA, right-hand traffic |
| 8EC | Xenon ECE RHD with daytime running lights |
| 8ED | Xenon ECE LHD with daytime running lights |
| 8EE | Xenon, ECE, left-hand traffic (Black) |
| 8EF | Xenon, ECE, right-hand traffic (Black) |
| 8EG | Xenon, USA, right-hand traffic (Black) |
| 8EH | Xenon USA, right-hand traffic with daytime running lights. |
| 8FE | Preparation for second battery |
| 8F2 | side-mounted turn signals |
| 8F5 | Side-marker lamps and turn signals |
| 8GH | Alternator 190 A |
| 8GR | Alternator 150 A |
| 8JD | Main headlights with gas-discharge lamps U.S. version, XENON RHD |
| 8JE | Main headlight with gas-discharge lamp ECE, XENON, right-hand traffic. |
| 8K1 | Daytime driving light setting, Scandinavia |
| 8K3 | Daytime driving lights, auxiliary driving lights, RoW, with COMING/LEAVING HOME function |
| 8K4 | Daytime driving light setting, Canada |
| 8K5 | Auxiliary driving lights, USA (NAR) |
| 8K8 | Auxiliary driving lights (RoW) |
| 8K9 | Daytime driving lights, auxiliary driving lights, Canada (NAR), with COMING/LEAVING HOME function |
| 8L6 | Diversity antenna |
| 8N3 | Wipers - variable interval setting with rain sensor |
| 8Q1 | Headlight levelling, manual |
| 8Q3 | Headlight levelling - dynamic |

Model: TEQ 2 Model life 2003>>

| NR | Description |
|-----|--|
| 8RV | 10 loudspeakers, passive |
| 8SB | side tail light standard design, Black |
| 8SI | side tail light (USA, Canada), Black |
| 8TF | Rear left and right fog lights |
| 8T1 | Cruise control |
| 8T3 | Automatic distance control + cruise control ACC from MY 04 |
| 8WB | Front fog lamps |
| 8X0 | Without headlamp washer system |
| 8X1 | Headlamp washer system |
| 8ZM | Antenna in rear spoiler |
| 9AB | Manually controlled air conditioning system |
| 9AD | Climatronic, free of CFCs |
| 9AH | 4-zone air conditioning system |
| 9JA | Non-smoker package |
| 9JB | Smoker version; ashtrays at front and rear |
| 9L1 | engine compartment lighting |
| 9MA | Interior lighting in basic equipment |
| 9MB | Comfort interior lighting, dimmable, with light strips on door panels |
| 9Q1 | Multi-function display, on-board computer |
| 9TF | Courtesy entry and exit lights |
| 9TH | Safety lights on front and rear doors |
| 9T1 | Heated washer nozzles, front |
| 9VJ | Top Premium sound system Top Premium sound system |
| 9VK | Sound package 1/sound package |
| 9VL | Bose Surround Sound System |
| 9WM | Preparation for "Rear Seat Entertainment" |
| 9W1 | Telephone module without passive handset |
| 9ZF | Telephone preparation for VDA mobile phone with hands-free facility |
| 9ZH | Installation of car phone with emergency-call system - PCM telematics |
| 9ZP | Telephone module with passive handset |
| 9ZT | Telephone preparation USA, JAPAN |
| 092 | Turbo S |
| 450 | Ceramic brake (PCCB) |
| 452 | Multi-function steering wheel, Sycamore, touch + feel |
| 509 | Fire extinguishers |
| 610 | DVD navigation, "Europe package" |
| 611 | DVD navigation South Africa |
| 612 | DVD navigation middle east |
| 613 | DVD navigation australia |

Model: TEQ 2

Model life 2003>>

| NR | Description |
|-----|--|
| 614 | DVD navigation asia-pacific |
| 615 | DVD navigation system, North America |
| 616 | DVD, Navigation Russia |
| 656 | Steering column with electric reach/ height adjustment and memory |
| 899 | Isofix child-seat restraint on front passenger side |
| B0A | Component set without country assignment |
| B0D | Component set for USA |
| B0E | Component set for Canada |
| B0L | Component set for Japan |
| B0M | Component set for AGCC countries |
| B0N | Component set for Great Britain |
| B0R | Component set for Australia |
| B0W | Component set for California |
| B1C | Component set for Mexico |
| B1D | Component set for Brazil |
| B1P | Component set for China |
| B1Q | Component set for Argentina |
| B2A | Component set PAP LHD |
| B2G | Component set for Thailand |
| B2H | Component set for Korea |
| B3D | Component set for Turkey |
| CD3 | 18-inch Turbo wheel-2 (8 X 18 RO 57) |
| CJ2 | Cayenne S wheel 8x18, wheel offset 57 |
| CJ3 | 19-inch (9 X 19) Cayenne Design wheel |
| CJ6 | 18-inch (8 x 18) Cayenne Turbo wheel |
| CK0 | 21" Cayenne Sport Edition wheel (10 x 21) |
| CN5 | 21" Cayenne Sport Edition wheel (10 x 21) in vehicle colour |
| CN7 | 20" Cayenne Sport Design wheel (10 x 20) |
| CP5 | RS Spyder Design wheel, 9" x 20" |
| CP7 | 19-inch (9 x 19) Cayenne Design wheel painted in body colour |
| CQ1 | Cayenne Sport Edition 21" (10 x 21) in black |
| CS5 | 20-inch (9X20) Cayenne Sport Design wheel |
| CS6 | Cayenne Sport Techno wheel 9x20, wheel offset 60 |
| CT1 | Cayenne Sport Techno wheel 9x20, wheel offset 60, wheel spokes painted in exterior colour |
| CW3 | Cayenne Design wheel 19 " in titanium metallic |
| CY2 | 21-inch Cayenne Sport wheel (10 x 21 RO 50) |
| CY3 | RS Spyder Design wheel, 20" |
| CY4 | Cayenne Sport Techno wheel 9"/10" x 20" in vehicle colour |
| CY6 | RS SportDesign 20" wheel (GTS), Matt Black |
| CZ4 | 21" 911 Turbo Design wheel (10 X 21) |

Model: TEQ 2

Model life 2003>>

| NR | Description |
|-----|---|
| C1J | Cayenne Rad 18" (8 x 18 ET 53) |
| C1Q | 18" Cayenne S wheel (8 x 18 RO 53) |
| C2R | 18-inch Cayenne S wheel-2 (8 x 18 RO 57) |
| C2Y | 911 Turbo Design wheel, 21", E2 II, Black |
| C4I | 21" Cayenne E2 SportClassic wheel Wheel centre painted in Platinum |
| C4P | 21" Cayenne E2 Sport Classic wheel, Black |
| C5B | RS Spyder Design wheel, 9.5" x 20" |
| C5D | 20" RS Spyder Design wheel, Platinum |
| C5E | 19" RS Sport Classic Tequipment wheel |
| C7F | 20-inch 911 Turbo Design wheel, Black |
| C8K | 19" Turbo wheel (8.5 x 19 RO 59) |
| C9N | 21" Sport Classic wheel in Black |
| C9S | 21" Sport Classic wheel in exterior colour |
| DD7 | 6-cylinder diesel engine 3.0 l/190 kW TDI |
| DD8 | 8-cylinder diesel engine 4.2 l KW TDI |
| DT1 | 8-cylinder biturbo engine, 4.8 l 382 kW |
| DT5 | 4.8 litre turbo engine, 8-cylinder |
| DU1 | 6-cylinder turbo engine 3.6 l/294 kW |
| DU2 | 6-cylinder turbo engine, 3.6 l 309 kW |
| DU3 | 3.6 litre turbo engine, 6-cylinder |
| DV7 | 6-cylinder diesel engine 3.0 l/193 kW TDI |
| D1V | 6-cylinder diesel engine 3.0/155 kW TDI |
| D11 | 6-cylinder petrol engine 3.0/245 kW |
| D19 | 6-cyl. spark-ignition engine, 3.0 l/245 kW (HYBRID) |
| D34 | 6-cyl. spark-ignition engine, 3.6 l/220 kW (E2) |
| D43 | 6-cylinder diesel engine 3.0 l/180 kW TDI |
| D5V | 8-cylinder petrol engine 4.8 l/280 KW V8 FSI |
| D5X | 6-cyl. spark-ignition engine, 3.6 l/206 kW FSI |
| D5Z | 8-cylinder petrol engine 4.8 l/368 KW V8 biturbo |
| D50 | 6-cylinder diesel engine, 3.0 l/176 kW TDI |
| D51 | 6-Zylinder-Dieselmotor 3,0 L/184 KW TDI |
| D58 | 8-cyl. spark-ign. engine, 4.8 l/368 kW biturbo (E2) |
| D6V | 8-cyl. spark-ignition engine, 4.8 l/294 kW DFI (E2) |
| D9J | 6-cylinder petrol engine, 3.2 l/177 kW (24 valves) |
| D9K | 8-cylinder petrol engine, 4.5 l/250 kW (V 8) |
| D9L | 8-cylinder petrol engine, 4.5 l/330 kW (V 8) biturbo |
| EH1 | Length of charging cable: standard |
| EH2 | Charging cable length: 7.5 metres |
| ER1 | Regional code "ECE" for radio |
| ER2 | Regional code "RdW" for radio |
| ER3 | Region code "USA" for radio |
| ER4 | Region code "Mexico/NAR2" for radio |
| ER5 | Region code Japan for radio |
| ER6 | Regional code "China" for radio |
| ER7 | Regional code "Korea" for radio |

Model: TEQ 2

Model life 2003>>

| NR | Description |
|-----|---|
| ER8 | Regional code "Taiwan" for radio |
| ES1 | Charging socket, AC type 1, mode 2-3 (NAR/Japan) |
| ES3 | Charging socket, AC type 2, mode 2-3 (EU) |
| ES4 | Household charging socket, type L |
| EV1 | Household charging cable, type E/F |
| EV2 | Household charging cable, type Japan 100V |
| EV3 | Household charging cable, type J |
| EV4 | Household charging cable, type G |
| EV5 | Household charging cable, type B |
| EV6 | Household charging cable, type K |
| EV7 | Household charging cable, type I Australia |
| EV8 | Household charging cable, type M |
| EV9 | Household charging cable, type I CN China |
| E0A | No campaign version, basic equipment |
| E0L | Cayenne special model Platinum edition |
| E0W | GTS version |
| E1T | Sondermodell CAYENNE. Porsche Design Edition 3 |
| E2D | Special model Transsyberia |
| E8A | Turbo S |
| E81 | Enhanced performance engine |
| FI0 | Seat belts in Agate Grey |
| FI1 | Seat belts in Saddle Tan |
| FI2 | Seat belts in Garnet Red |
| FI3 | Seat belts in Espresso |
| FI5 | Seat belts in Rhodium Silver |
| FI7 | Seat belts in Cohiba Brown |
| FZ0 | Seat belts in Black |
| FZ1 | Seat belts in Guards Red |
| FZ2 | Seat belts in Silver Grey |
| FZ3 | Seat belts in Luxor Beige |
| FZ4 | Seat belts in Orange |
| FZ5 | Seat belts in Cognac |
| FZ6 | Seat belts in Umber |
| FZ7 | Seat belts in Titanium Blue |
| FZ8 | Seat belts in Carmine Red |
| FZ9 | Seat belts in Peridot |
| F09 | 19" Cayenne Design wheel (8.5 x 19) |
| GM4 | Sound box without deactivation |
| GP0 | Vehicle without product enhancement |
| GP1 | Product enhancement E2 II |
| GY0 | Without electric closing aid for tailgate |
| GY1 | Power closing mechanism for tailgate |
| GZ0 | Without closing aid for doors |
| GZ2 | Closing aid for doors |
| G0L | 6-speed manual transmission for all-wheel drive |

Model: TEQ 2

Model life 2003>>

| NR | Description |
|-----|--|
| | vehicle |
| G0R | Tiptronic s |
| G1G | 8-speed auto. transmission for all-wheel drive |
| HA8 | Tyres 295/35 R21 107 Y |
| HD9 | Tyres 275/40 R20 106 Y |
| HP2 | All-season tyres 275/45 R19 108 V |
| HQ3 | All-season tyres 265/50 R19 110 V |
| HQ4 | All-season tyres 275/45 R20 110 V |
| HS9 | Tyres 265/50 R19 110 Y |
| HT0 | Tyres 275/45 R20 110 Y |
| HV7 | All-season tyres 235/65 R17 108 V |
| H8Z | Tyres 235/65 R17 108 V |
| H9K | Tyres 255/55 R18 109 Y |
| H9L | Tyres 275/45 R19 108 Y |
| H9M | All-season tyre on 18-inch aluminium wheel |
| IV0 | Without Connect Plus package |
| IY1 | Model year period from week 22 to week 45 |
| IY2 | Model year period from week 45 to week 22 |
| I8L | Premium radio (2nd gen.) |
| J0B | Battery (92 Ah)Battery (92 Ah) |
| J0L | 340 A (70 Ah) battery |
| J0P | Battery (105 Ah) |
| J0Z | 520 A (110 Ah) battery |
| J1N | Battery (75 Ah) |
| J1U | 450 A (95 Ah) battery |
| KB1 | Charger, 3.6 kW |
| KB2 | Charger, 7.2 kW |
| KE0 | Without theft protection for engine control unit |
| KE2 | Theft protection for engine control unit |
| KK1 | Refrigerant R134a |
| KK3 | Refrigerant R1234yf |
| K4H | Closed body |
| L0L | Left-hand drive version |
| L0R | Right-hand drive version |
| NJ1 | Charging Dock (wall mount) |
| NJ2 | Charging Dock, flush-mounted (wall mount) |
| NZ0 | without emergency call control unit |
| N0G | Full-leather seat covers, smooth-finish for A/C seat |
| N0Q | Seat covers in leather, smooth-finish for A/C seats |
| N1A | Seat covers in natural leather for A/C seats |
| N1B | Seat covers in full leather, two-colour with air conditioning |
| N1D | Seat covers in partial leather (emb.) two-colour |
| N1M | Two-colour seat covers in partial leather, smooth-finish |
| N1P | Seat covers in partial leather (natural leather, smooth-finish) |

Model: TEQ 2

Model life 2003>>

| NR | Description |
|-----|---|
| N1X | Part-leather seat covers, grained |
| N2S | Seat covers in partial leather ALCANTARA |
| N2Z | Two-tone seat covers in partial leather, embossed for Cayenne S special model |
| N5U | Part-leather seat covers, smooth leather |
| N5Y | Seat covers in partial leather (natural leather, soft ruffled leather) |
| N7D | Soft ruffled leather seats in smooth leather |
| N7F | Soft ruffled leather seats in embossed leather |
| OK3 | Hybrid propulsion system PHEV |
| QA0 | without child seat |
| QG1 | LongLife Service Regime |
| QH0 | not with voice control |
| QH1 | Voice control |
| QJ2 | Aluminium package |
| QJ3 | Alum. package, Platinum Silver Metallic |
| QJ4 | Aluminium package, Black |
| QJ5 | Aluminium package, Titanium-Metallic |
| QL3 | Tinted glass, green at rear |
| QL5 | Dark tinted rear privacy glass |
| QL6 | Heat-insulating glass at rear, metallized |
| QR0 | Without compass |
| QR1 | With compass |
| QR3 | Analog clock on dashboard |
| QR4 | Sport Chrono package |
| QR5 | Sport Chrono Package Plus |
| QU0 | Digital radio reception (DAB) |
| QU1 | TV reception + digital radio reception (DAB) MIB |
| QU8 | SAT radio reception, USA |
| QV0 | Without TV and digital radio reception |
| QV1 | With TV reception |
| QV3 | HD radio reception (high-definition) |
| QV4 | XM satellite radio receiver |
| QV5 | TV reception and digital radio reception (DAB) |
| QV8 | HD radio reception and SAT radio XM (SDARS) |
| Q1D | Sports seats with expanded memory function in smooth leather |
| Q1G | Standard seats (front), 8-way |
| Q1J | GTS sports seats front and rear |
| Q2J | Convenience seat |
| Q4P | Sports seat GTS 8-way |
| TF1 | V6 TDI (generation 2) basic engine components |
| TH1 | V6 TDI (SCR) basic engine components |
| UF0 | Without electric interface |
| UF1 | Multimedia socket for external source |
| UI2 | 2 X USB/IPOD interface |

Model: TEQ 2 Model life 2003>>

| NR | Description |
|-----|--|
| UI4 | AUX-IN and USB/IPOD electric interface |
| UI6 | AUX + USB/IPOD electric interface + 2X charging |
| UP1 | Sport Chrono / compass, Black |
| UP3 | Sport Chrono / compass, White |
| UP4 | Sport Chrono / compass, Luxor Beige |
| UP5 | Sport Chrono / compass, Garnet Red |
| UX6 | TPM valve, Silver |
| UX7 | TPM valve, Black |
| U00 | Cayenne E2 II Turbo wheel, 19" (8.5 x 19, R059) |
| U01 | 911 Turbo Design wheel, 21" E2 II (10 x 21) |
| U02 | 21" Sport Classic wheel |
| U5A | Instrument insert, km/h indication, RoW |
| U5B | Instrument insert, mph indication, GB |
| U5C | Instrument insert, mph indication, USA |
| U5D | Instrument insert, km/h indication, Canada |
| U5E | Instrument insert, km/h indication, Japan |
| U5F | Instrument insert, display km/h, AGCC |
| U5G | Instrument insert, km/h indication, Australia |
| U97 | Cayenne E2 Platinum Sport Edition wheel, 21" |
| VC0 | Ohne Garagentoröffner |
| VC1 | Garage door opener, 433 MHz |
| VC2 | Garage door opener, 315 MHz |
| VR0 | Without impact protection measures |
| VR1 | Side protection, running board |
| VR2 | Side impact protection measures, off-road |
| VR3 | Front-end and side protection |
| VR4 | Front impact protection measures |
| VR5 | Sill cover with aluminium trim |
| VW5 | Insulating glass in rear Insulating glass in rear |
| V98 | Cayenne E2 II wheel, 18" (8 x 18, R053) |
| V99 | Cayenne S E2 II wheel, 18" (8 x 18, R053) |
| 0AB | Anti-roll bar, front and rear |
| 0AC | Anti-roll bar, active body control (pdcc) |
| 0AG | Anti-roll bar, front, disengageable |
| 0AW | Front and rear anti-roll bars with active Body control -PDCC- |
| 0BB | Rear stabilizer bar |
| 0BJ | Anti-roll bar, rear, disengageable |
| 0F5 | Fuel system for diesel engine |
| 0F9 | Cooled fuel system for diesel engine |
| 0GD | Emissions compliance EU 2, (CN) |
| 0GG | Emissions compliance EU 4 |
| 0GM | Emissions compliance LEV |
| 0GU | Emissions compliance EU 2 |
| 0GZ | EU 3 diesel emissions concept with E-OBD |

Model: TEQ 2 Model life 2003>>

| NR | Description |
|-----|---|
| 0JA | Weight class 1, front axle - 1170-1210 kg |
| 0JB | Weight class 2, front axle - 1211-1226 kg |
| 0JC | Weight class 3, front axle - 1227-1251 kg |
| 0JD | Weight class 4, front axle - 1252-1276 kg |
| 0JE | Weight class 5, front axle - 1277-1292 kg |
| 0JF | Weight class 6, front axle - 1293-1328 kg |
| 0JG | Weight class 7, front axle - 1329-1428 kg |
| 0K0 | Without alternative drive system |
| 0K1 | Hybrid propulsion system |
| 0K3 | Hybrid propulsion system PHEV |
| 0M0 | Fuel tank, 85 litre |
| 0M1 | Fuel tank, 100 litre |
| 0NA | Deletion of model designation |
| 0NB | Nameplate set in basic version |
| 0P0 | Standard tailpipe |
| 0P3 | Sports tailpipe of polished stainless steel, 4-pipe look |
| 0P6 | Exhaust tailpipe, Black |
| 0P8 | Sports exhaust system |
| 0P9 | Sports exhaust system, Black tailpipe |
| 0SA | Without special stickers, plates |
| 0SB | Stickers, plates in German |
| 0SC | Stickers, plates in English |
| 0SD | Stickers, plates in Swedish |
| 0SE | Stickers, plates in Dutch |
| 0SF | Stickers, plates in Danish |
| 0SG | Stickers, plates in French |
| 0SH | Stickers, plates in Portuguese |
| 0SJ | Stickers, plates in Spanish |
| 0SK | Stickers, plates in Italian |
| 0SL | Stickers, plates in Japanese |
| 0SM | Stickers, plates in Chinese |
| 0SN | Stickers, plates in Russian |
| 0SP | Stickers, plates in Finnish |
| 0SQ | Stickers, plates in Norwegian |
| 0SS | Stickers, plates in English/French |
| 0SV | Stickers, plates in Greek |
| 0SW | Stickers, plates in Arabic |
| 0YA | Weight class 1, rear axle - 1039-1074 kg |
| 0YB | Weight class 2, rear axle - 1075-1128 kg |
| 0YC | Weight class 3, rear axle - 1129-1159 kg |
| 0YD | Weight class 4, rear axle - 1160-1215 kg |
| 0YE | Weight class 5, rear axle - 1216-1244 kg |
| 0YF | Weight class 6, rear axle - 1245-1299 kg |
| 0YG | Weight class 7, rear axle - 1300-1331 kg |
| 0YH | Weight class 8, rear axle |
| 0Y1 | Standard climatic zone |

Model: TEQ 2

Model life 2003>>

| NR | Description |
|-----|--|
| 0Y2 | Tropical climatic zone |
| 0Y3 | Cold climatic zone |
| 1A2 | Engine variant without reduced compression |
| 1A5 | Engine variant with reduced compression |
| 1BA | Suspension/dampers, standard |
| 1BH | Suspension/dampers, standard 2 PASM |
| 1BK | Air suspension with levelling system and height adjustment (PASM) |
| 1BS | 4-corner air suspension |
| 1BW | Comfort suspension/damping (steel springs) |
| 1BZ | Comfort suspension/damping, PASM |
| 1D0 | without tow bar |
| 1D1 | Trailer hitch, removable, lockable, ECE R55 |
| 1D2 | Detachable trailer coupling |
| 1D3 | Trailer hitch, electrically retractable, ECE R55 |
| 1D6 | Trailer coupling without tow ball |
| 1D7 | Preparation for detachable trailer coupling |
| 1D8 | Preparation for detachable trailer coupling "usa" |
| 1D9 | Electric folding trailer coupling |
| 1E0 | Without activated charcoal canister |
| 1E1 | Active charcoal container |
| 1E9 | without activated carbon canister with SCR |
| 1G1 | 18-inch collapsible spare wheel |
| 1G3 | High-pressure alloy spare wheel with tyre |
| 1G4 | 19" collapsible spare wheel |
| 1G6 | Spare wheel, space saving - 17-inch, radial tyre, compressor, in vehicle |
| 1G8 | Tire Fit, tyre repair set |
| 1KF | Rear brake discs, disc diameter 18 inches, Black brake callipers, (NAR) |
| 1KP | Rear disc brakes - disc diameter 18"plus Brake calliper painted red |
| 1KS | Rear disc brakes, 18", green |
| 1KT | Rear disc brakes, 18", green (USA) |
| 1KU | Rear disc brakes - disc diameter 18 inches, brake calliper painted red |
| 1KW | Rear disc brakes - disc diameter 17 inches, brake calliper painted black |
| 1KY | Rear brake discs, Disc diameter 18", Silver brake calliper |
| 1KZ | Rear disc brakes, 18-inch disc diameter, brake calliper painted black |

Model: TEQ 2

Model life 2003>>

| NR | Description |
|-----|---|
| 1LD | Front disc brake, 18-inch disc diameter, brake calliper painted silver, North America |
| 1LH | Rear disc brake - disc diameter 19 inches, brake calliper painted red |
| 1LK | Front disc brake, disc diameter 19 inches, brake calliper painted Green |
| 1LL | Front disc brake, disc diameter 19 inches, brake calliper painted Green |
| 1LM | Front disc brake, disc diameter 19 inches, brake calliper painted Black |
| 1LN | Front disc brake - 18-inch disc diameter, brake calliper painted Black |
| 1LP | Front disc brakes, disc diameter 19 inches, brake calliper painted Black |
| 1LT | Front disc brake, 20", yellow/PCCB |
| 1LU | Front disc brake - 18-inch disc diameter, brake calliper in anodised silver |
| 1LV | Front disc brake - 20-inch disc diameter plus brake calliper painted Yellow (PCCB) |
| 1LX | Front disc brake - disc diameter 20 inch, brake calliper painted yellow (PCCB) |
| 1LY | Front disc brake - 19-inch disc diameter, brake calliper painted Yellow (PCCB) |
| 1L0 | Standard air cleaner |
| 1L1 | Air cleaner for dusty regions |
| 1L2 | Equipment for countries with dust-laden air |
| 1MD | Leather steering wheel for airbag system - 3 spokes, heatable, TWO-COLOUR |
| 1ML | Sports steering wheel with paddle |
| 1MV | Lederlenkrad fuer Airbagsystem - 3 Speichen, aufgepolstert |
| 1MW | Leather steering wheel for airbag system - 3 spokes, padded |
| 1NE | Wheel centres STANDARD |
| 1NP | Wheel centres with full-colour Porsche Crest (concave) |
| 1N1 | Power steering |
| 1N3 | Speed-dependent power-assisted steering (servotronic) |
| 1PC | Wheel bolts with theft protection |
| 1SA | Without protective plate for engine |
| 1SB | Protective plate for engine in steel |
| 1XE | 3-spoke multi-function steering wheel, wood, Anthracite Birch with radio controls |
| 1XG | Multi-function steering wheel, |

Model: TEQ 2

Model life 2003>>

| NR | Description |
|-----|---|
| | American Walnut, Brown, heated |
| 1XJ | 3-spoke multi-function steering wheel in dark Burr maple wood with radio control element |
| 1XK | 3-spoke multi-function steering wheel in Light Olive wood with radio control element |
| 1Y0 | Ohne Vorder- /Hinterachssperre |
| 1Y1 | Differential lock, rear, centre differential lock |
| 1ZA | Front disc brake, 18" disc brake, brake calliper painted Green |
| 1ZB | Front disc brake, 18" disc brake, brake calliper painted Green, North America |
| 1ZL | Front disc brake, 19-inch disc diameter, brake calliper painted red, North America |
| 1ZT | Front disc brake, 18-inch disc diameter, brake calliper painted black, North America |
| 2C4 | Steering column, reach + height adjustable with memory |
| 2C5 | Steering column, reach + height adjustable, mechanical |
| 2D0 | Without Aerokit |
| 2D1 | Aerokit, with sill cover |
| 2D2 | Aerokit, without sill cover |
| 2D3 | Sill cover |
| 2D4 | Cayenne GTS aerokit standard spoiler |
| 2ED | Rear brake discs, disc diameter 20 inches, brake calliper painted Acid Green |
| 2EE | Rear disc brakes - 18-inch disc diameter, brake calliper in anodised silver |
| 2EH | Rear disc brakes - disc diameter 19 inch Brake calliper painted yellow (PCCB) |
| 2EJ | Rear disc brakes, disc diameter 18 inches, Silver brake callipers (NAR) |
| 2EL | Rear brake discs, disc diameter 18 inches, brake callipers, Red (NAR) |
| 2FV | 3-spoke multi-function steering wheel in light Olive wood, matt, with radio control element |
| 2FX | 3-spoke multi-function steering wheel, wood, Carbon with radio controls |
| 2G0 | Without insert for filling with diesel |
| 2G1 | Insert for fuelling with unleaded petrol |

Model: TEQ 2

Model life 2003>>

| NR | Description |
|-----|--|
| 2G3 | Without insert for unleaded filling |
| 2G4 | Insert for fuelling with unleaded petrol (CARB Diagnosis) |
| 2G6 | Without fuel tank adapter; ethanol fuel |
| 2G7 | Insert for unleaded fuelling in bad fuel region |
| 2G8 | Insert for unleaded fuelling - MAPPS |
| 2HB | Interior sound measures (shaker) |
| 2JB | Bumper, standard |
| 2JC | Comfort bumper, stainless-steel attachment, front apron bottom section |
| 2JL | Comfort bumper (stainless steel trim at rear) |
| 2JX | Comfort bumper (stainless steel trim at front + rear) |
| 2PH | Leather steering wheel for airbag system - 3 spokes, heated |
| 2PM | Leather steering wheel for airbag system - 3-spoke steering wheel |
| 2PR | Alcantara steering wheel, 3-spoke, heated, padded |
| 2PW | Alcantara steering wheel, 3-spoke, padded |
| 2PX | Sports steering wheel, Alcantara with paddles |
| 2V5 | Fresh air intake with activated charcoal filter |
| 2W0 | Tank cap, standard |
| 2W2 | Tank cap in Green (NAR diesel) |
| 2W6 | Fuel tank cap in Aluminium Look |
| 2X0 | Without Tiptronic operation |
| 2X2 | tiptronic control on steering wheel |
| 2ZF | 3-sp. multi-funct steering wheel, Alcantara, heated |
| 2ZH | 3-spoke multi-function steering wheel, heated |
| 2ZM | 3-spoke multi-function steering wheel |
| 2ZU | Multi-function steering wheel, Yachting Mahogany, heated |
| 3B1 | Child seat anchors, USA/Canada requirement |
| 3B4 | Child seat anchors for ISOFIX child seat system, RoW |
| 3CA | with no partition |
| 3CX | net partition |
| 3D1 | Centre console STANDARD (PVC) |
| 3D3 | Centre console MEDIUM, grained leather |
| 3D4 | Centre console in natural leather |
| 3D5 | Centre console Alcantara |
| 3D6 | Centre console in two-colour leather |
| 3D7 | Centre console in two-colour natural leather |
| 3D8 | Centre console Leather, smooth |
| 3D9 | Centre console, standard, two-colour |
| 3FA | Without roof insert |
| 3FE | Electric glass slide/tilt sunroof |

Model: TEQ 2

Model life 2003>>

| NR | Description |
|-----|--|
| 3FU | Porsche large roof system |
| 3F4 | Spare wheel with tyre, internal |
| 3GA | without cargo management |
| 3GE | Raised loadspace floor |
| 3GN | Variable luggage/load compartment floor |
| 3J4 | Headrests for front seats |
| 3J7 | Headrests for front seats, with embossed crest |
| 3LD | Door & side trim panel - standard - PAG |
| 3LE | Door & side trim panel - MEDIUM - PAG |
| 3LH | Door trim and side wall - all leather -- pillars/ rooflining in Alcantara - PAG |
| 3LM | Door panel/side trim panel in natural leather |
| 3LS | Door & side trim panel - Alcantara |
| 3LT | Door, side trim panel in two-colour natural leather |
| 3LX | Door/side trim panel in two-colour natural leather |
| 3L3 | Manual height adjustment for both 8-way adjustable front seats |
| 3L4 | Driver memory package |
| 3L5 | Electrical adjustment for both 12-way adjustable front seats |
| 3ME | Tufted velour carpeting with protective pad |
| 3MT | Pearl velour carpeting with protective pad |
| 3NW | Rear seats, split backrest can be folded down |
| 3PN | 12-way electrical adjustment for both front seats + memory |
| 3QT | 3-point automatic seat belts at front with seat-belt pre-tensioners + height adjustment |
| 3S1 | Bright roof rails |
| 3S2 | Black roof rails without drip mouldings |
| 3S4 | Preparation for roof rack, black |
| 3S5 | Black roof rails with drip mouldings |
| 3S7 | Roof rails |
| 3S8 | Roof Transport System |
| 3W4 | Acoustic package, standard |
| 3W7 | Extra audio package |
| 3X0 | not with through-loading aperture |
| 3X1 | Load-through hatch with ski bag |
| 3Y0 | without roll-up sun screen |
| 3Y3 | Manual sun blind, rear side window |
| 3Y4 | Roller blind for rear side windows |
| 3Y7 | Roll-up sun blind, side windows, rear, electric |
| 3Y8 | Electric roll-up sunblind for rear side window |
| 3ZD | 3-point automatic seat belt (rear), "NAR" |
| 3ZU | 3-point automatic seat belt (rear), "RoW" |
| 4AP | Door/side trim panel, standard two-colour |
| 4AV | Door trim and side wall - smooth-leather insert |

Model: TEQ 2

Model life 2003>>

| NR | Description |
|-----|--|
| 4A0 | without seat heater |
| 4A3 | Heated seats, front |
| 4A4 | Heated seats, front/rear |
| 4D0 | without seat ventilation |
| 4D1 | Seat ventilation for A/C seat front and rear |
| 4D3 | Seat ventilation (front), a/c seat |
| 4E0 | Tailgate release from outside |
| 4E2 | Interior tailgate release, electrical |
| 4E7 | Trunk lid power closing |
| 4F2 | Porsche entry + drive |
| 4F6 | Porsche entry + drive (usa/can) |
| 4GC | Windscreen in heat-insulating glass, with top tint |
| 4GF | Windscreen of tinted glass |
| 4GG | Windscreen, insulating glass with top tint, heated |
| 4GH | Windscreen, heat-insulating glass with top tint, heated |
| 4GK | Windscreen, insulating glass with top tint |
| 4GY | Windscreen of heat-insulating glass |
| 4KC | Green heat-insulating glass in rear |
| 4KF | Dark tinted glass in rear |
| 4K0 | Central-locking system with key remote and interior operation |
| 4K3 | Central locking with remote control, inner release and safe lock system |
| 4LA | no controls on steering wheel |
| 4LB | 3-spoke multi-function steering wheel in leather with radio control element |
| 4LC | 3-spoke multi-function steering wheel in leather with radio and telephone control element |
| 4L2 | Safety interior mirror, manual dimming function |
| 4L6 | Safety interior mirror, automatic dimming function |
| 4N1 | Padded dashboard |
| 4N3 | Switch panel in two-tone leather w. decor. stitching |
| 4N4 | Dashboard in two-colour natural leather |
| 4N5 | Dashboard in natural leather |
| 4N8 | Dashboard with genuine leather |
| 4N9 | Upholstered dashboard, two-colour |
| 4QF | 3-point automatic belts at front with electrical height adjustment and memory |
| 4QR | 3-point automatic seat belt (front), "NAR" |
| 4UB | Airbag with kneebar |
| 4UD | Airbag, can not be deactivated on passenger's side |
| 4UE | Airbags for driver and front-seat passenger; front-seat passenger side can be deactivated |
| 4UP | Airbag for driver, passenger, |

Model: TEQ 2

Model life 2003>>

| NR | Description |
|-----|---|
| | with knee airbag, passenger's side, deactivatable |
| 4UQ | Advanced airbag |
| 4X3 | Front side airbag with head airbag |
| 4X4 | Side-airbag, front and rear with curtain airbag |
| 5D1 | Carrier frequency 433.92 MHz |
| 5D2 | Carrier frequency 315 MHz |
| 5D3 | Carrier frequency 315 MHz with reduced transmission power for Japan |
| 5D8 | Carrier frequency 434 MHz |
| 5D9 | Carrier frequency 433.92 MHz with changed transmission duration |
| 5J1 | Rear spoiler, unpainted |
| 5J2 | Body-colored rear spoiler |
| 5J8 | Rear spoiler in Platinum Silver Metallic |
| 5MA | Decorative inlays - paint, painted plastic |
| 5MB | Decorative inlay in Swedish Birch Anthracite |
| 5MG | Burr maple wood package, dark high gloss |
| 5MH | Carbon decorative inlays |
| 5ML | Decorative inlays in Mahogany Yachting |
| 5MP | Decorative inlays in American Walnut, Brown |
| 5RK | Door mirror, right, flat |
| 5RP | Right exterior mirror, convex with camera |
| 5RQ | Exterior mirror, right, convex |
| 5RR | Door mirror, right, convex (US) |
| 5RT | Door mirror, right, convex (AGCC) |
| 5RV | Door mirror, right, aspherical |
| 5SG | Door mirror, left, flat |
| 5SJ | Door mirror, left, convex |
| 5SL | Door mirror, left, aspherical |
| 5SU | Left exterior mirror, convex with camera |
| 5TE | Aluminium "sport" package |
| 5TF | "Olive" wood package, light high gloss |
| 5TK | Decorative inlays, grained olive wood |
| 5TL | Decorative inlay in Piano Look |
| 5W0 | Roof rail, Titanium-Metallic |
| 5W1 | Silver roof rails plus bars |
| 5W2 | Preparation for roof rack, bright, silver |
| 5W3 | Roof rack black, guide rails bright |
| 5W4 | Black roof rails plus bars |
| 5XH | Sun visor, illuminated mirror with dual function |
| 5ZD | Headrests, front and rear, with logo |
| 5ZF | Headrests for front seats, with embossed crest |
| 6A0 | without fire extinguisher |
| 6A4 | Preparation for fire extinguisher |
| 6A5 | Fire extinguishers |

Model: TEQ 2 Model life 2003>>

| NR | Description |
|-----|---|
| 6A7 | With fire extinguisher |
| 6DL | Sun visors, mirror (Korea) |
| 6DQ | Sun visors, mirror (China) |
| 6EA | Without additional body covers, side stone guards |
| 6EB | Additional body covers, stone guards and partial cover |
| 6EC | Underbody protection, rear axle |
| 6EP | Additional body covers, stone guards, type 1 |
| 6EQ | Additional body covers, stone guards, type 2 |
| 6ES | Additional body covers, stone guards, type 3 |
| 6ET | Additional body covers, stone guards, type 4 |
| 6E2 | Front centre armrest in natural leather |
| 6E3 | Centre armrest, front - PVC foam film |
| 6E4 | GTS front centre armrest in natural leather |
| 6E6 | Centre armrest, front - smooth leather |
| 6E7 | Centre armrest, front - grained leather |
| 6FA | without contrasting colour |
| 6FB | Door-mirror housing painted in exterior colour |
| 6FI | Contrasting colour: Orange |
| 6FJ | Mirror lower shell/base, Black |
| 6FM | Contrasting colour: Crystal Silver Metallic |
| 6FP | Contrasting colour: Meteor Grey Metallic |
| 6FU | Mirror lower shell/base, vehicle colour |
| 6F0 | Without imprint on armrest |
| 6F6 | Porsche Crest on front armrest |
| 6F8 | Model logo on front armrest |
| 6GA | without exterior body styling kit |
| 6GB | Component set - wider wheel arch cover, off-road |
| 6GE | Component set - wheel arch extensions, extra wide for Australia |
| 6GF | Component set - wider wheel arch covers |
| 6GG | Component set for wider wheel arch trim (USA/CAN) |
| 6GH | Component set for wider wheel arch trim in exterior colour (USA) - 2010, 2011 - worldwide |
| 6GJ | Component set for wider wheel arch trim in exterior colour (RoW) - 2010, 2011 - worldwide |
| 6GK | Component set for wider wheel arch trim in exterior colour (AUS) |
| 6NA | One-piece rooflining in Alcantara, USA |
| 6NF | One-piece rooflining in Alcantara, Canada |
| 6NG | Standard roof lining, fabric (Japan) |
| 6NH | Standard roof lining, Alcantara (Japan) |
| 6NJ | Standard rooflining, fabric |

Model: TEQ 2

Model life 2003>>

| NR | Description |
|-----|---|
| 6NL | Standard rooflining in fabric, Canada |
| 6NN | Alcantara rooflining |
| 6NQ | Roof lining, standard, fabric, USA |
| 6N1 | Mudguards, rear |
| 6P1 | Number-plate holder, rear (ECE) |
| 6P2 | Number-plate holder, rear (USA) |
| 6P4 | Rear number plate bracket (Japan) |
| 6P5 | Rear number plate bracket (China) |
| 6Q2 | Gear selector knob + grip in leather, gear lever in leather/aluminium |
| 6Q3 | Selector lever in Swedish Birch, Anthracite |
| 6Q4 | Selector lever in Carbon |
| 6Q7 | EXC selector lever |
| 6Q8 | Gear lever, wood, dark |
| 6W1 | Number-plate holder, front, large (ECE) |
| 6W2 | Number-plate holder, front, small (RoW) |
| 6W3 | Number-plate holder, front (NAR) |
| 6W4 | Front number plate bracket, Japan |
| 6W7 | Number plate bracket, front, China |
| 6XP | Door mirrors, electrically retractable, electrically adjustable, separately heated |
| 6XQ | Exterior mirror with memory function, electr. retractable/adjustable, separately heated |
| 6XT | Door mirrors, automatically dimmable, electrically retractable/adjustable, separately heated + memory |
| 6XW | Door mirrors, automatically dimmable, electrically retractable/adjustable, separately heated |
| 6Y2 | Comfort air pressure, 270 km/h |
| 6Y4 | Comfort air pressure, 100 mph |
| 6Y7 | Comfort air pressure, 100 mph USA |
| 7AC | Alarm system, interior surveillance, alarm horn |
| 7AH | Alarm system, interior surveillance can be deactivated Backup horn |
| 7AK | Alarm system, interior surveillance system, anti-towing protection |
| 7AL | Alarm system, interior surveillance system, backup horn, anti-towing protection |
| 7AT | Alarm system, interior surveillance, with VTS (Vehicle Tracking System) |
| 7AU | Alarm system, backup horn, with VTS (Vehicle Tracking System) |
| 7A0 | Without CD autochanger/player |
| 7A1 | Preparation for CD autochanger |
| 7A2 | CD autochanger (6-disc) |
| 7B2 | Five 12-volt plug sockets (USA) |
| 7B3 | Four 12-volt plug sockets (ROW) |
| 7B6 | Six 12-V sockets |

Model: TEQ 2

Model life 2003>>

| NR | Description |
|-----|---|
| 7B7 | Five 12-V sockets |
| 7B8 | Seven 12-V sockets |
| 7D7 | Integrated CD/DVD autochanger |
| 7E0 | Without heat accumulator |
| 7E6 | Auxiliary heater |
| 7F2 | Selector lever in Mahogany Yachting |
| 7F3 | Selector lever, American Walnut, Brown |
| 7F7 | Gear lever, wood, light, high gloss |
| 7GA | Emission standard LEV 2 |
| 7GB | Emission standard ULEV 2 |
| 7GG | EU 4 emissions concept with particle filter |
| 7GH | EU4 emissions concept without EOBD |
| 7G1 | VTS (Vehicle Tracking System) preparation, without driver card |
| 7G2 | VTS (Vehicle Tracking System) preparation, with driver card |
| 7G5 | Preparation, VTS (Vehicle Tracking System), with driver card, connection to alarm system, re-start inhibitor |
| 7G9 | VTS preparation and Porsche Car Connect (pcc) |
| 7HI | Emissions concept EU5 Russia |
| 7I0 | VTS security package (incl. PCC) and keypad |
| 7I2 | VTS security package (with PCC) |
| 7K0 | Without Tire Pressure Monitoring (TPM) |
| 7K3 | Tyre pressure monitoring (TPM) 433 MHz |
| 7K4 | Tyre pressure monitoring system 315 MHz |
| 7K5 | 315-MHz Tire Pressure Monitoring with reduced transmission power |
| 7L4 | Start/Stop "last mode" with recuperation |
| 7L6 | Start/Stop "default off" mit Rekuperation |
| 7L7 | StopRecuperation without Start/Stop |
| 7L8 | Start/Stop "default on" mit Rekuperation |
| 7MG | Emissions concept EU 5 |
| 7MJ | Emissions concept EU 5J |
| 7MM | EU6 plus exhaust concept |
| 7MN | EU5 emissions concept for Japan (hybrid) |
| 7MQ | Emissions concept EU5 |
| 7M0 | Door entry guards of plastic from MY 04 |
| 7M1 | Door entry guards of stainless steel from MY 04 |
| 7M3 | Door entry guards in carbon |
| 7M7 | Door entry guards, stainless steel, illuminated |
| 7M8 | Door entry guards in Carbon, illuminated |

Model: TEQ 2 Model life 2003>>

| NR | Description |
|-----|---|
| 7QT | Navigation "Europe package" |
| 7QV | Navigation south africa |
| 7QX | Navigation North America |
| 7QZ | Navigation middle east |
| 7Q0 | not with navigation system |
| 7Q2 | PCM navigation module |
| 7Q4 | Navigation system preparation, Japan |
| 7Q7 | PCM incl. navigation & compass display in instrument cluster |
| 7RA | Navigation, Australia |
| 7RB | Navigation, Hong Kong |
| 7RC | Navigation, Singapore |
| 7RD | Navigation Taiwan |
| 7RG | Navigation China |
| 7RH | Navigation Middle East |
| 7RJ | Navigation Australia |
| 7RM | Navigation Hong Kong |
| 7RN | Navigation Taiwan |
| 7RS | Navigation North America |
| 7RT | Navigation package Europe |
| 7RV | Navigation Russia |
| 7RX | Navigation South Africa |
| 7RY | Navigation Singapore |
| 7T0 | Compass display in instrument cluster |
| 7T1 | Offroad navigation, with course calculator showing latitude and longitude |
| 7T3 | Offroad navigation, with course calculator showing latitude and longitude + COMPASS |
| 7T4 | Navigation module China |
| 7T7 | Navigation system preparation, China |
| 7UG | Navigation device, High |
| 7VE | Auxiliary heater with integrated timer. |
| 7VL | Auxiliary heater with integrated timer and remote control |
| 7V0 | Instrument dials in Black |
| 7V1 | Instrument dials in Guards Red |
| 7V3 | Instrument dials in White |
| 7V4 | Instrument dials in Luxor Beige |
| 7V5 | Instrument dials in Silver |
| 7V6 | Instrument dials in Black/Silver |
| 7V7 | Instrument dials, Garnet Red |
| 7V8 | Instrument dials in Carmine Red |
| 7X0 | Without park distance control |
| 7X1 | Ultrasound ParkAssist and reversing camera |
| 7X2 | ParkAssist, front/rear |
| 7X3 | Rear view camera system |
| 7X7 | Ultrasound parking aid with |

Model: TEQ 2

Model life 2003>>

| NR | Description |
|-----|---|
| | camera (LOW) |
| 7X8 | Ultrasound parking aid and reversing camera |
| 7X9 | Rear view camera system |
| 7Y0 | No lane change assistant |
| 7Y1 | Lane change assist |
| 7Y2 | Lane keeping system |
| 7Y3 | Lane Change Assist and Lane Keep Assist |
| 7Y6 | Lane departure warning (LDW) |
| 7Y7 | Lane Change Assist and Lane departure warning |
| 70H | Household charging cable, type N Brazil |
| 70L | Household charging cable, type N ZA South Africa |
| 70S | Household charging cable, type L, Italy |
| 71X | Household charging cable, type B, Mexico |
| 71Y | Household charging cable, type I, China |
| 73B | Industrial charging cable, NEMA 6-30 |
| 73C | Industrial charging cable, NEMA 6-50 |
| 73D | Industrial charging cable, type NEMA 14-30 |
| 73E | Industrial charging cable, NEMA 14-50 |
| 73F | Industrial charging cable, Japan 200V |
| 73G | Industrial charging cable, CEE 16A/230V/6H |
| 73H | Industrial charging cable, CEE 32A/230V/6H |
| 73J | Industrial charging cable, CEE 16A/400V/6H |
| 73K | Industrial charging cable, CEE 32A/400V/6H |
| 73L | Infrastructure charging cable, fixed (USA) |
| 73S | Industrial charging cable Japan YP-43 |
| 77J | Navigation software Argentina |
| 77K | Navigation software Chile |
| 8AJ | Porsche CDR 31 radio WW |
| 8A4 | Ultrasound parking aid with Real Topview |
| 8BB | Halogen main headlights, right-hand traffic |
| 8BC | Main headlights with gas-discharge lamps + direction indicators, XENON, right-hand traffic |
| 8BE | Main headlight with gas-discharge lamp & direction indicator light, XENON, left-hand traffic |
| 8BF | Halogen main headlight, left-hand traffic |
| 8BR | Halogen main headlights, U.S. version with direction indicator and running lights, right-hand traffic |
| 8BT | Main headlight with gas discharge lamp USA, XENON right-hand traffic, with black interior lining |
| 8BZ | Main headlights with gas-discharge lamps + direction indicators, XENON, left-hand traffic |

Model: TEQ 2 Model life 2003>>

| NR | Description |
|-----|---|
| 8DQ | Basic radio/PCM terminal, USA, double-DIN colour display |
| 8DR | Porsche CDR 30 radio WW |
| 8DU | Porsche CDR 23 radio WW |
| 8DV | Basic radio/PCM terminal, RoW, double-DIN colour display |
| 8EA | Xenon USA, right-hand traffic |
| 8EC | Xenon ECE RHD with daytime running lights |
| 8ED | Xenon ECE LHD with daytime running lights |
| 8EE | Xenon, ECE, left-hand traffic (Black) |
| 8EF | Xenon, ECE, right-hand traffic (Black) |
| 8EG | Xenon, USA, right-hand traffic (Black) |
| 8EH | Xenon USA, right-hand traffic with daytime running lights. |
| 8EX | LED headlights, r-h traffic + dyn. cornering light |
| 8EY | LED headlights, USA with dynamic cornering light |
| 8FE | Preparation for second battery |
| 8F2 | side-mounted turn signals |
| 8F5 | Side-marker lamps and turn signals |
| 8GH | Alternator 190 A |
| 8GR | Alternator 150 A |
| 8GV | Alternator 180 A |
| 8G0 | Without high-beam assistant |
| 8G1 | PDLs+ High beam assist |
| 8G2 | Dynamic high beam PDLs+ |
| 8IS | LED headlights, l-h traffic + dyn. cornering light |
| 8JD | Main headlights with gas-discharge lamps U.S. version, XENON RHD |
| 8JE | Main headlight with gas-discharge lamp ECE, XENON, right-hand traffic. |
| 8JG | Main headlight with gas discharge lamp ECE, XENON, right-hand traffic with black interior lining |
| 8JJ | Main headlight with gas-discharge lamp ECE, XENON, left-hand traffic, with black interior lining |
| 8K0 | No special driving light activation |
| 8K1 | Daytime driving light setting, Scandinavia |
| 8K3 | Daytime driving lights, auxiliary driving lights, RoW, with COMING/LEAVING HOME function |
| 8K4 | Daytime driving light setting, Canada |
| 8K5 | Auxiliary driving lights, USA (NAR) |
| 8K8 | Auxiliary driving lights (RoW) |
| 8K9 | Daytime driving lights, auxiliary driving lights, Canada (NAR), with COMING/LEAVING HOME function |
| 8L6 | Diversity antenna |

Model: TEQ 2 Model life 2003>>

| NR | Description |
|-----|---|
| 8N3 | Wipers - variable interval setting with rain sensor |
| 8Q1 | Headlight levelling, manual |
| 8Q2 | Static headlight beam adjustment |
| 8Q3 | Headlight levelling - dynamic |
| 8RV | 10 loudspeakers, passive |
| 8SA | side tail light standard design |
| 8SB | side tail light standard design, Black |
| 8SI | side tail light (USA, Canada), Black |
| 8SJ | side tail light (USA, Canada) |
| 8TF | Rear left and right fog lights |
| 8T1 | Cruise control |
| 8T3 | Automatic distance control + cruise control ACC from MY 04 |
| 8WB | Front fog lamps |
| 8WH | Street junction light and fog lights |
| 8WU | Roof-mounted lights |
| 8X0 | Without headlamp washer system |
| 8X1 | Headlamp washer system |
| 8YZ | Without radio but with preparation for 10 loudspeakers |
| 8Y1 | Standard horns |
| 8Y2 | Horns for extreme driving situations |
| 8ZM | Antenna in rear spoiler |
| 9AB | Manually controlled air conditioning system |
| 9AD | Climatronic, free of CFCs |
| 9AH | 4-zone air conditioning system |
| 9G1 | 220 A generator |
| 9JA | Non-smoker package |
| 9JB | Smoker version; ashtrays at front and rear engine compartment lighting |
| 9L1 | Interior lighting in basic equipment |
| 9MA | Comfort interior lighting, dimmable, with light strips on door panels |
| 9M0 | Without auxiliary heater/parking heater |
| 9M1 | Water heater with timer |
| 9M5 | Preheater for diesel |
| 9M9 | Auxiliary water heater with timer and remote control |
| 9NY | electronic log book |
| 9P3 | Belt control, visual and acoustic for driver and passenger |

Model: TEQ 2

Model life 2003>>

| NR | Description |
|-----|---|
| 9P7 | Belt control, visual and acoustic only for driver |
| 9Q1 | Multi-function display, on-board computer |
| 9Q6 | Traffic sign recognition |
| 9TF | Courtesy entry and exit lights |
| 9TH | Safety lights on front and rear doors |
| 9T1 | Heated washer nozzles, front |
| 9VJ | Top Premium sound systemTop Premium sound system |
| 9VK | Sound package 1/sound package |
| 9VL | Sound package 2/High-end sound system |
| 9WC | Without multimedia in the vehicle rear |
| 9WM | Preparation for "Rear Seat Entertainment" |
| 9WU | MIRRORLINK + RSE PREPARATION |
| 9W0 | Without preparation for installation of car phone |
| 9W1 | Telephone module without passive handset |
| 9W5 | BLUETOOTH mobile phone preparation |
| 9ZC | Telephone module with connection box |
| 9ZF | Telephone preparation for VDA mobile phone with hands-free facility |
| 9ZH | Installation of car phone with emergency-call system - PCM telematics |
| 9ZK | Telephone module |
| 9ZP | Telephone module with passive handset |
| 9ZT | Telephone preparation USA, JAPAN |
| 9ZX | Mobile phone preparation |

Model: TEQ 2

Model life 2003>>

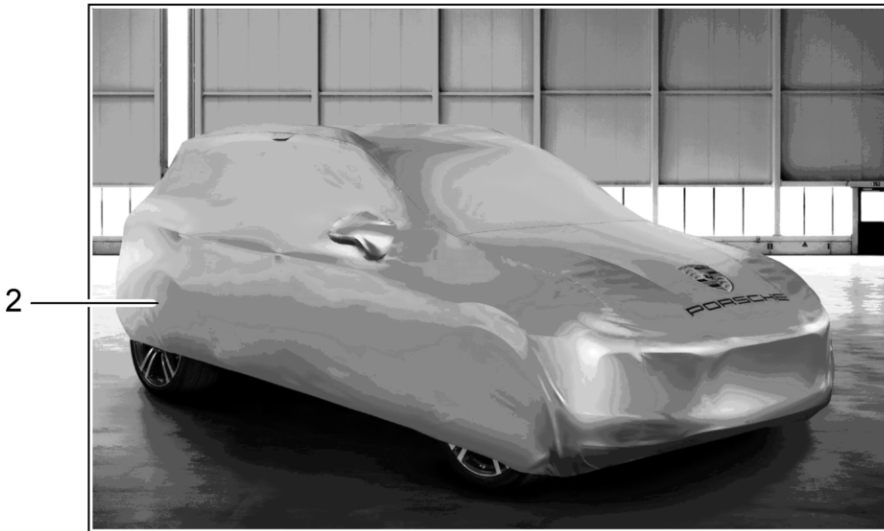


Model: TEQ 2 Model life 2003>>

| Pos | Part Number | Description | Remark | Qty | Model |
|-----|----------------|--|--------|-----|-------|
| 1 | 955 044 001 00 | tool kit bag tool bag with tools Leather | | 1 | |

Model: TEQ 2

Model life 2003>>



Model: TEQ 2

Model life 2003>>

| Pos | Part Number | Description | Remark | Qty | Model |
|-----|----------------|------------------|----------------|-----|--------------------------------|
| | | Cover | 03-10 11-17 | | Cayenne (9PA) Cayenne (92A) |
| (1) | 955 044 000 00 | Cover INDOOR | 03-10 | 1 | |
| (2) | 955 044 000 70 | Cover Outdoor | 03-10 | 1 | |
| 1 | 958 044 000 08 | Cover INDOOR | 11- | 1 | |
| (1) | 9Y0 044 003 | Cover INDOOR | 18- | 1 | |
| 2 | 958 044 000 09 | Cover Outdoor | 11- | 1 | |
| (2) | 9Y0 044 004 | Cover Outdoor | 18- | 1 | |

Model: TEQ 2

Model life 2003>>



Model: TEQ 2 Model life 2003>>

| Pos | Part Number | Description | Remark | Qty | Model |
|-----|----------------|---|--------|-----|-------|
| 1 | 991 044 000 50 | Luggage set Exclusive programme Luggage set (complete) Exclusive programme Leather Black With coloured stitching gold 4-part | | 1 | |
| (1) | 991 044 000 60 | Luggage set (complete) Exclusive programme Leather Black With coloured stitching silver 4-part | | 1 | |
| - | 991 044 000 61 | Pocket Size xl Exclusive programme Leather Black With coloured stitching silver | | 1 | |
| - | 991 044 000 62 | Pocket Size l Exclusive programme Leather Black With coloured stitching silver | | 1 | |
| - | 991 044 000 63 | Pocket Size S Exclusive programme Leather Black With coloured stitching silver | | 1 | |
| - | 991 044 000 64 | Clothes bag Exclusive programme Leather Black With coloured stitching silver | | 1 | |

Model: TEQ 2

Model life 2003>>

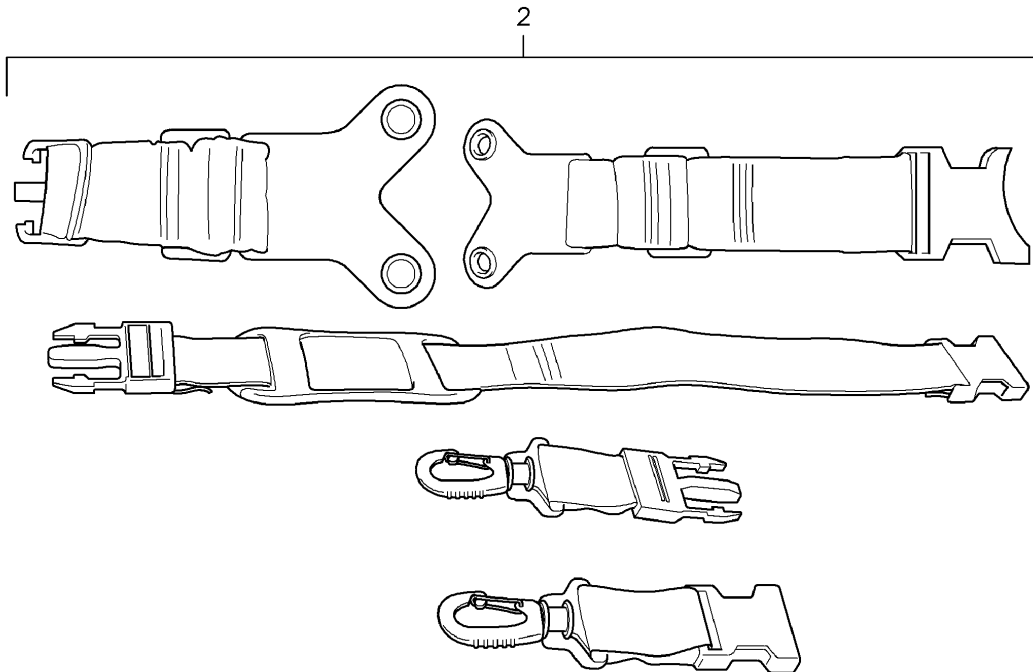
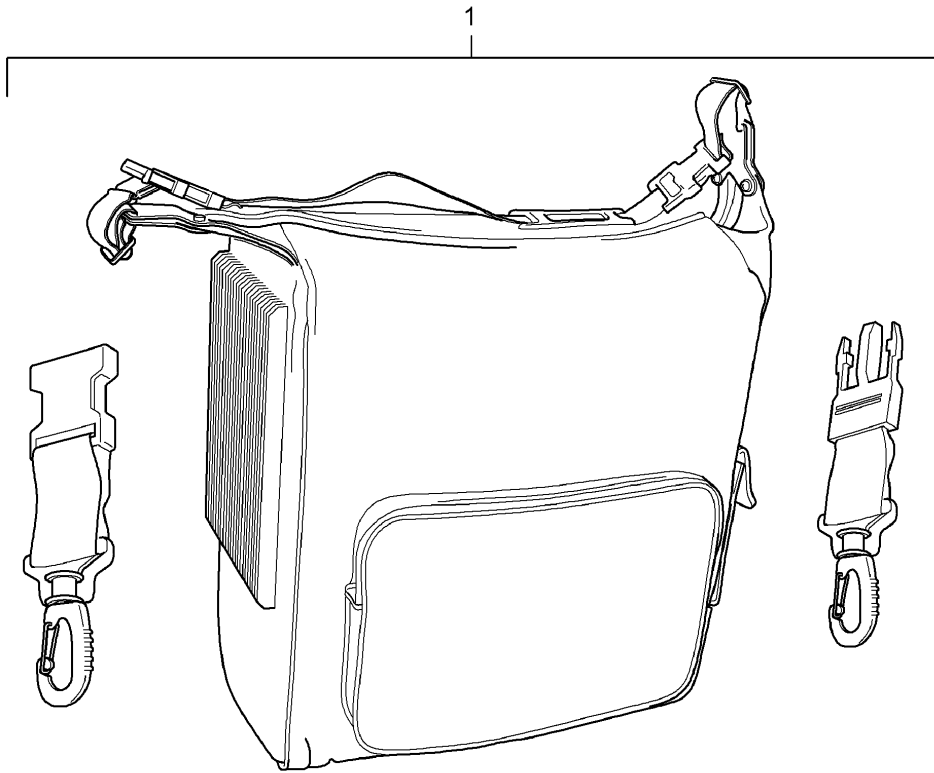


Model: TEQ 2 Model life 2003>>

| Pos | Part Number | Description | Remark | Qty | Model |
|-----|----------------|--|--------|-----|-------|
| 1 | 958 553 981 01 | Beverages Bracket D >> - MJ 2017 Insert for cupholder Centre console | | 1 | |

Model: TEQ 2

Model life 2003>>

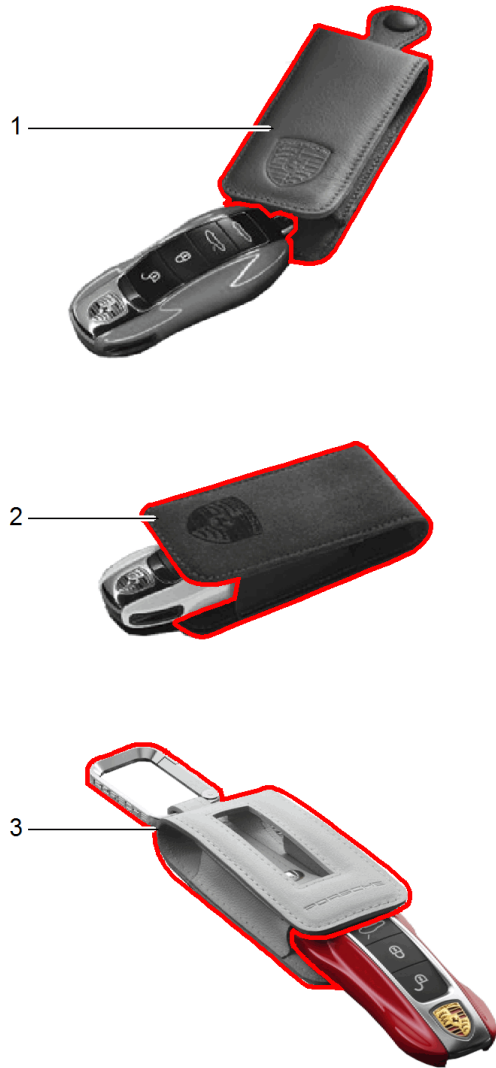


Model: TEQ 2 Model life 2003>>

| Pos | Part Number | Description | Remark | Qty | Model |
|-----|----------------|---|---------------------------|-----|--------------------------------|
| - | | Cooling bag Technical information CAYENNE, ALLE Group 6 6832 (12/07) 6832 (12/12) Attention | 03- 03-10 11-17 | | Cayenne (9PA) Cayenne (92A) |
| 1 | 955 044 902 30 | Cooling bag Electric | | 1 | PR:D9J,D9K, D9L |
| 2 | 955 044 900 23 | repair set Fastening clip Belt for Cooling bag 955.044.902.30 | | 1 | |

Model: TEQ 2

Model life 2003>>



Model: TEQ 2 Model life 2003>>

| Pos | Part Number | Description | Remark | Qty | Model |
|-----|--------------------|--|--------|-----|---------------|
| | | Key case Leather and Alcantara D - MJ 2011>> | | | Cayenne (92A) |
| 1 | 970 044 001 00 | Key case Leather Platinum Grey | | 1 | |
| (1) | 970 044 001 01 | Key case Leather Black | | 1 | |
| (1) | 970 044 001 02 | Key case Leather Luxor beige | | 1 | |
| (1) | 970 044 001 03 | Key case Leather Espresso | | 1 | |
| (1) | 970 044 001 04 | Key case Leather yachting blue | | 1 | |
| (1) | 970 044 001 05 | Key case Leather Cognac | | 1 | |
| (1) | 970 044 001 06 | Key case Leather Umber | | 1 | |
| (1) | 970 044 001 07 | Key case Leather Marsala Red | | 1 | |
| (1) | 970 044 001 08 | Key case Leather agate grey | | 1 | |
| (1) | 970 044 001 09 | Key case Leather Leather colour/garnet red/ Carrera red | | 1 | |
| (1) | 970 044 001 10 | Key case Leather saddle brown | | 1 | |
| (1) | 970 044 001 11 | Key case Leather Bordeaux red | | 1 | |
| (1) | 970 044 001 12 | Key case Leather Graphite Blue | | 1 | |
| (1) | 970 044 001 13 | Key case Leather mojave beige | | 1 | |
| 2 | 000 044 001 10 | Key case Alcantara Black With coloured stitching D - MJ 2011>> | | 1 | |
| | 000 044 001 10 7T2 | Black | | | |
| | 000 044 001 10 8E9 | Platinum Grey | | | |
| | 000 044 001 10 M2A | Lava Orange | | | |
| | 000 044 001 10 N13 | guards red (Porsche) | | | |
| 3 | 971 044 003 | Key case Leather paint D - MJ 2017>> | | 1 | |
| | 971 044 003 6G0 | Cream | | | |
| | 971 044 003 8M8 | Marsala Red | | | |
| | 971 044 003 8YR | Black | | | |

Model: TEQ 2

Model life 2003>>

| Pos | Part Number | Description | Remark | Qty | Model |
|-----|-----------------|---------------|--------|-----|-------|
| | 971 044 003 9H6 | Luxor beige | | | |
| | 971 044 003 OG6 | Bordeaux red | | | |
| | 971 044 003 OH7 | Graphite Blue | | | |
| | 971 044 003 OK6 | saddle brown | | | |
| | 971 044 003 OL8 | Chalk | | | |
| | 971 044 003 ON1 | Cohiba Brown | | | |
| | 971 044 003 OT2 | Truffle Brown | | | |
| | 971 044 003 OT5 | beige | | | |
| | | Mojave | | | |
| | 971 044 003 OU6 | Slate grey | | | |
| | 971 044 003 PL1 | agate grey | | | |

Model: TEQ 2

Model life 2003>>



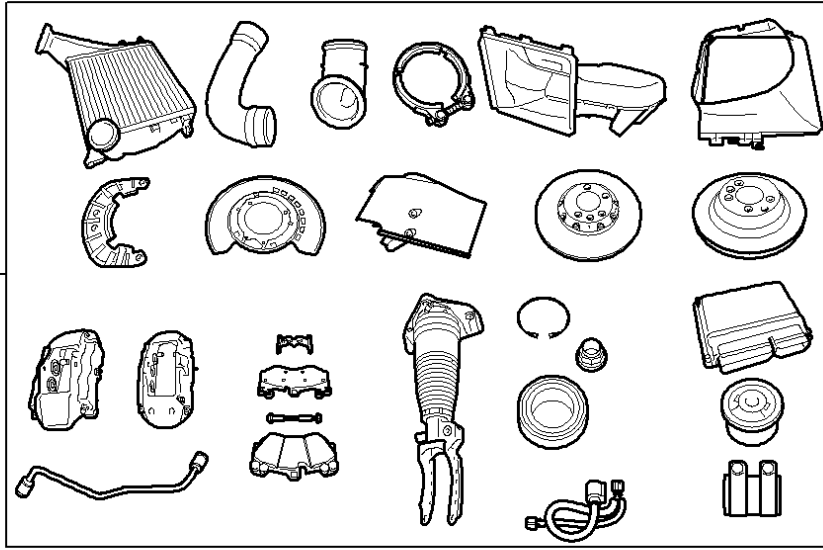
Model: TEQ 2 Model life 2003>>

| Pos | Part Number | Description | Remark | Qty | Model |
|-----|----------------|--|-----------------|-----|---------|
| | | Polish | | | Cayenne |
| 1 | 999 901 065 40 | Insect remover | 500 ml | 1 | |
| 2 | 000 044 000 87 | Window cleaning solution | 250 ml | 1 | |
| - | 000 044 002 07 | Windscreen washer system Winter window cleaner | 1000 ml | 1 | |
| - | 000 044 002 27 | Windscreen washer system Winter window cleaner | 1000 ML | 1 | |
| (3) | 000 044 000 74 | Windscreen washer system Window cleaning solution | 100 ml inner | 1 | |
| 4 | 000 044 000 92 | Paint polish | | 1 | |
| 5 | 000 044 000 90 | Polish | 250 ml | 1 | |
| | | Paint Wax Discontinued part | | | |
| (5) | 999 901 069 40 | Polish | 250 ml | 1 | |
| | | Paint Wax | | | |
| 6 | 999 901 062 40 | Car shampoo | 250 ml | 1 | |
| 7 | 000 044 000 03 | Leather care product | 100 ml | 1 | |
| 8 | 999 901 068 40 | Leather care product | 100 ml | 1 | |
| | | Cleaning solution | | | |
| 9 | 999 901 066 41 | Rim cleaner | 500 ml | 1 | |
| | | Spray bottle Discontinued part | | | |
| 10 | 999 901 066 40 | Rim cleaner | 1000 ml | 1 | |
| | | Refilling bottle Discontinued part | | | |
| 11 | 000 044 001 89 | Care kit | | 1 | |
| | | Pocket | | | |
| 12 | 000 044 001 87 | Care kit | | 1 | |
| | | Rim cleaner | | | |
| | | Pocket | | | |
| 13 | 000 044 000 95 | Cleaning solution | | 1 | |
| | | Cloth Set | | | |
| 14 | 955 044 000 02 | ice scraper | | 1 | |
| - | 999 901 021 40 | Polishing wadding | | 1 | |
| - | 999 901 022 40 | Polishing cloth | | 1 | |
| 15 | 000 044 001 00 | Care kit | | 1 | |
| | | Leather care product | | | |
| 16 | 000 044 000 96 | Sponge | | 1 | |
| | | inscription Porsche | | | |
| 17 | 000 044 001 03 | Care kit | | 1 | |
| | | Winter | | | |

Model: TEQ 2

Model life 2003>>

1

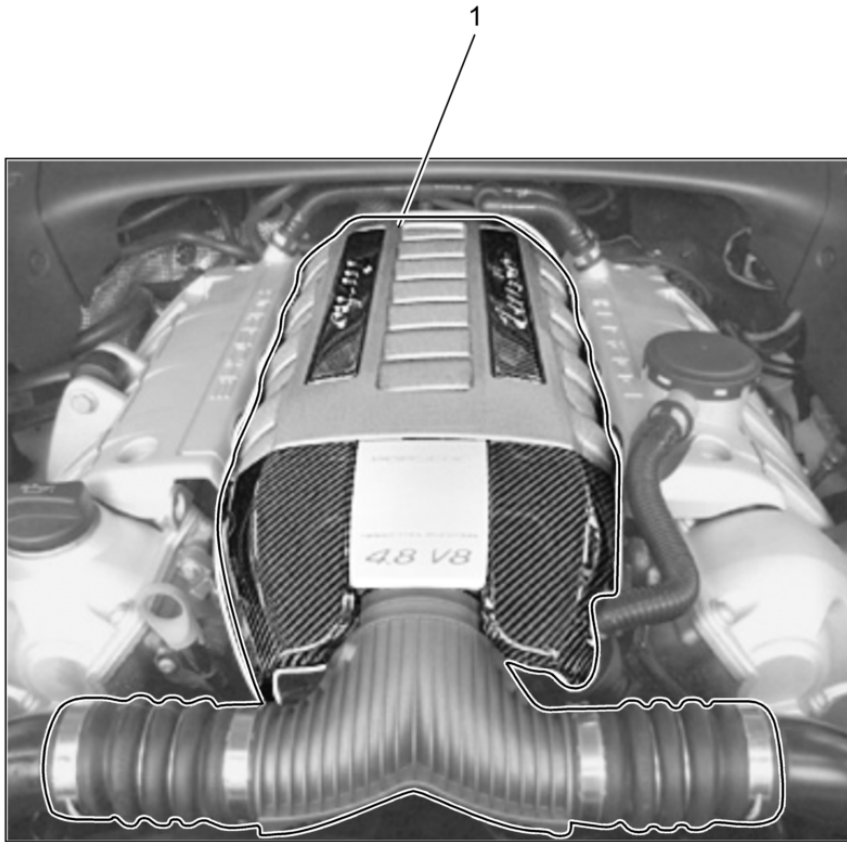


Model: TEQ 2 Model life 2003>>

| Pos | Part Number | Description | Remark | Qty | Model |
|-----|----------------|--|--------|-----|------------------------|
| - | | Engine Drive power 368 kW (500 PS) D - MJ 2003>> - MJ 2006 Inst. & Conv. Instructions Cayenne turbo Group 1 1001 (4/05) | | | Cayenne (9PA) Turbo |
| 1 | 955 044 100 00 | Retrofit kit Engine Drive power 368 KW (500 PS) Coding VIA PRMS | 331 kW | 1 | 4850 |

Model: TEQ 2

Model life 2003>>

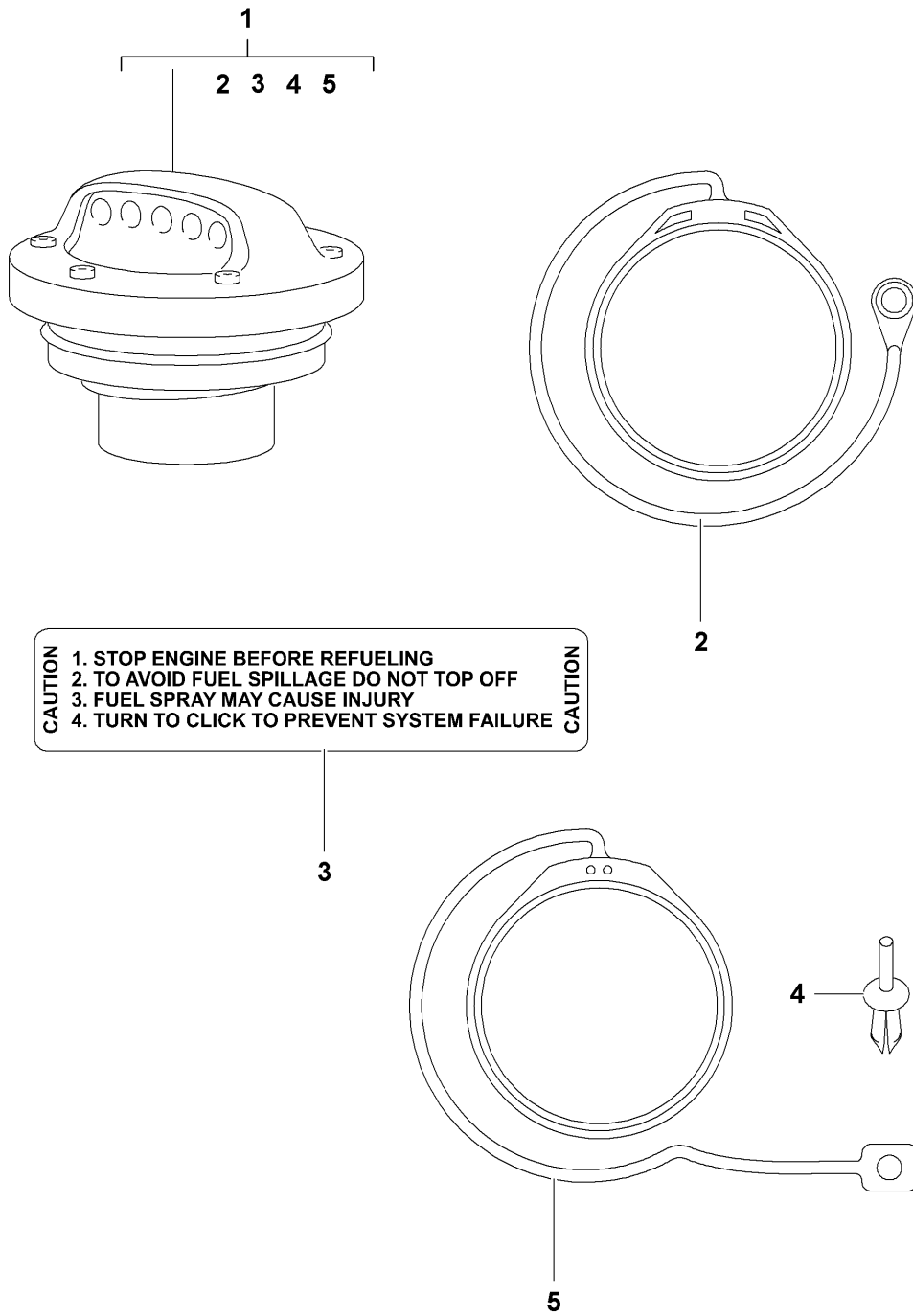


Model: TEQ 2 Model life 2003>>

| Pos | Part Number | Description | Remark | Qty | Model |
|-----|----------------|---|--------|-----|------------------------|
| - | | Engine Drive power 397 kW (540 PS) D - MJ 2008>> - MJ 2010 Inst. & Conv. Instructions Cayenne turbo Group 1 1001 (34/07) | | | Cayenne (9PA) Turbo |
| 1 | 955 044 100 01 | Retrofit kit Engine Drive power 397 KW (540 PS) INKL. BREMSANLAGE Coding VIA PRMS | 368 kW | 1 | FZG. BIS 4851 |
| (1) | 955 044 100 02 | Retrofit kit Engine Drive power 397 KW (540 PS) OHNE BREMSANLAGE Coding VIA PRMS | 368 kW | 1 | FZG. AB 4851 |

Model: TEQ 2

Model life 2003>>

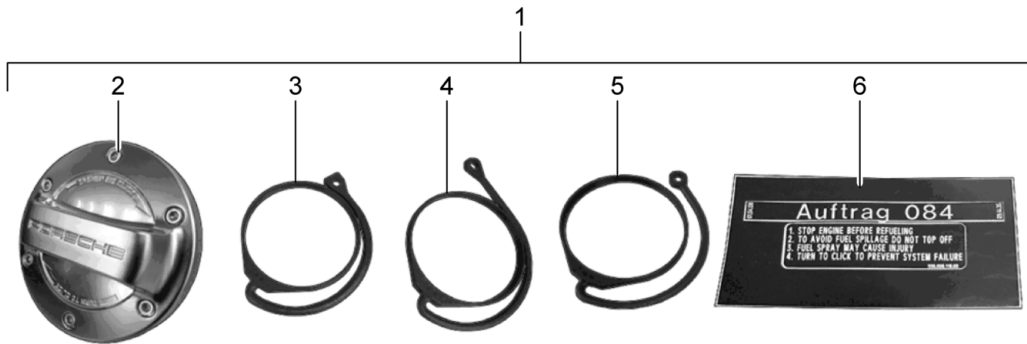
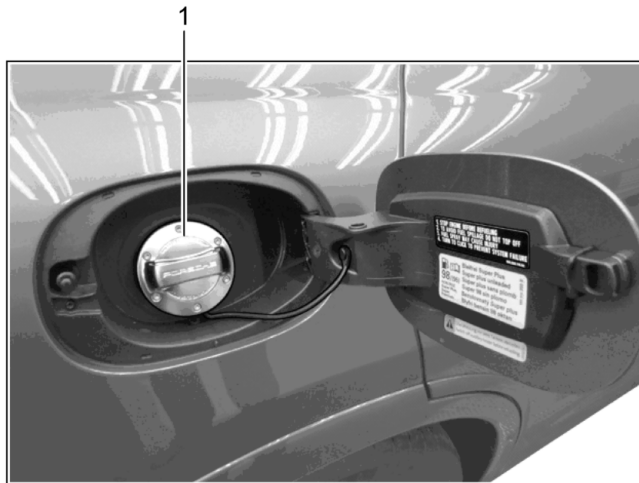


Model: TEQ 2 Model life 2003>>

| Pos | Part Number | Description | Remark | Qty | Model |
|-----|----------------|---|--------|-----|--------------------|
| - | | Fuel tank cap Aluminium look D - MJ 2003>> - MJ 2010 Inst. & Conv. Instructions Porsche Cayenne Group 2 2005 (12/04) Attention | | | Cayenne (9PA) |
| 1 | 997 201 980 00 | Fuel tank cap Aluminium look | | 1 | /ID9 PR:D9J,D9L |
| 2 | 955 044 200 05 | fuse | | 1 | |
| | | with: | | | |
| 3 | 996 006 118 01 | Spreader rivet | | 1 | |
| 4 | 999 507 499 40 | Sticker | | 1 | Sportwagen |
| 5 | 997 044 200 05 | Spreader rivet fuse | | 1 | Sportwagen |

Model: TEQ 2

Model life 2003>>

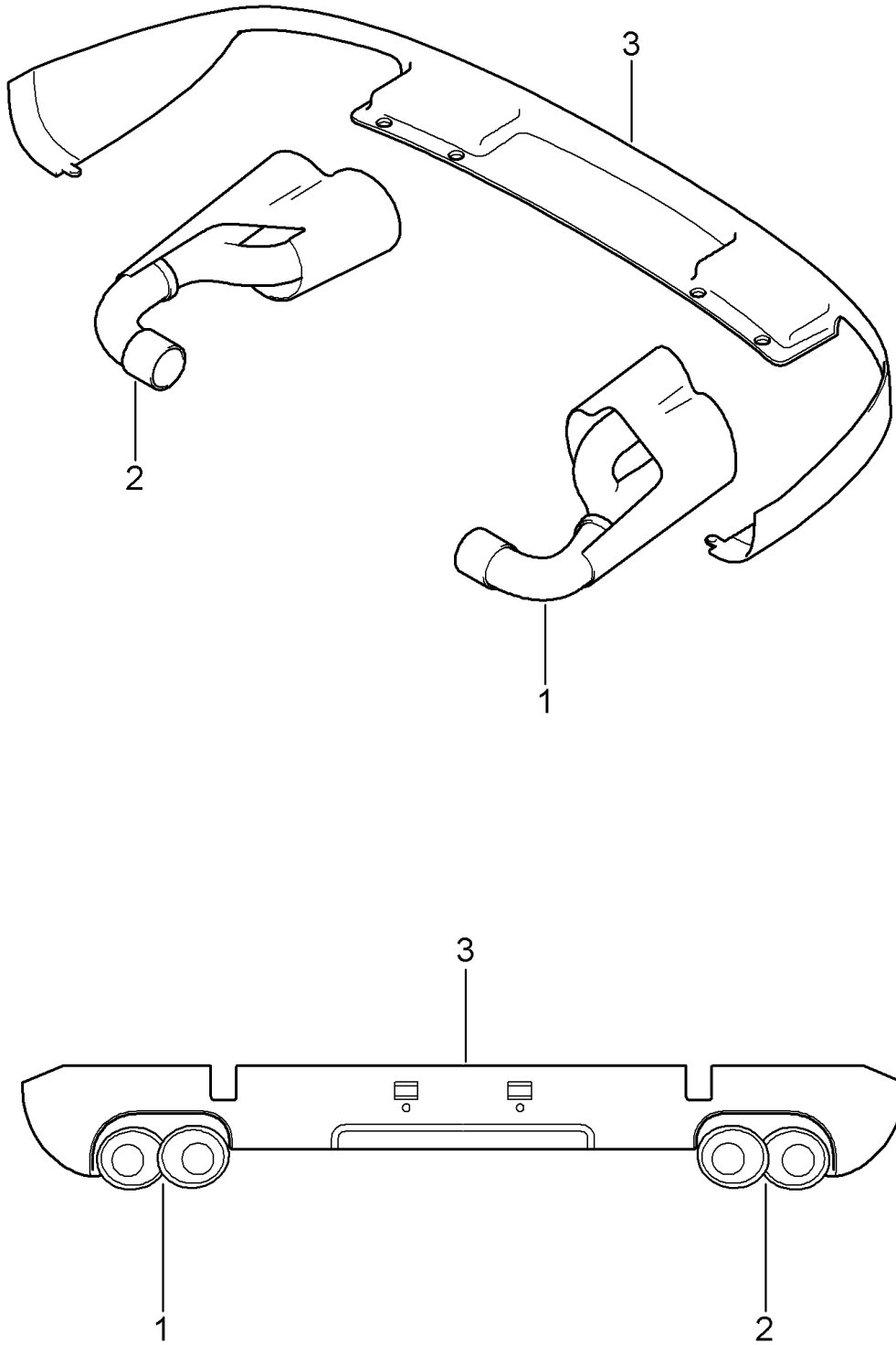


Model: TEQ 2 Model life 2003>>

| Pos | Part Number | Description | Remark | Qty | Model |
|-----|----------------|---|--------|-----|--|
| - | | Fuel tank cap Aluminium look D - MJ 2011>> Inst. & Conv. Instructions Porsche Cayenne Group 2 2005 (52/12) Attention | | | CAYENNE (92A) CAYENNE (9YA) alle |
| 1 | 000 044 001 91 | cap with retaining strap for fuel tank Aluminium look Set | | 1 | PR:-D50 |
| 1 | 000 044 001 92 | Fuel tank cap Aluminium look Set | | 1 | NUR/ONLY E2 II PHEV |
| 2 | | Fuel tank cap Aluminium look | | 1 | |
| 3 | | Holding strap | | 1 | Panamera |
| 4 | | Holding strap | | 1 | Cayenne |
| 5 | | Holding strap | | 1 | Sportwagen |
| 6 | 7P5 010 869 D | Sticker Warning note | | 1 | 00004400191 00004400192 |

Model: TEQ 2

Model life 2003>>

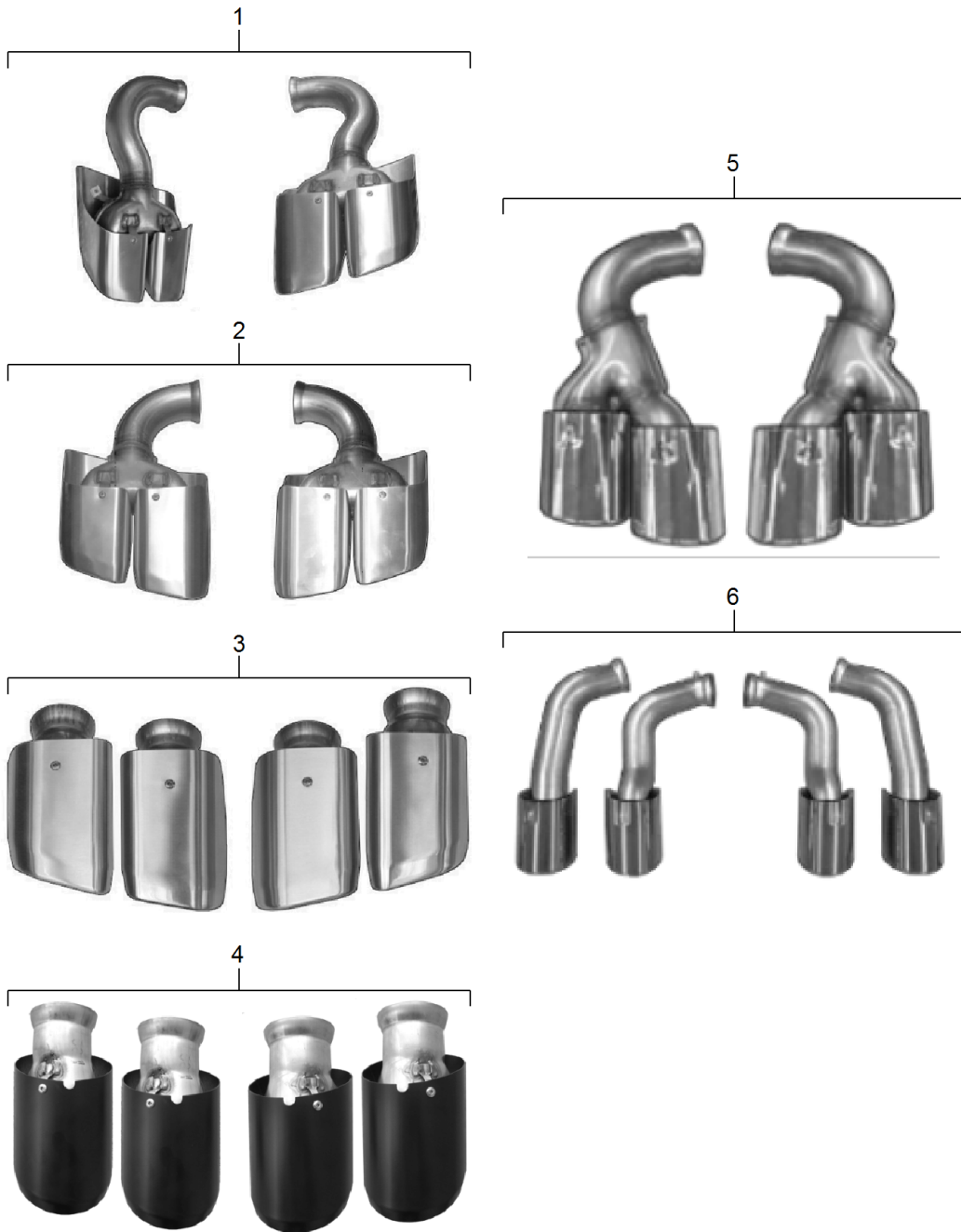


Model: TEQ 2 Model life 2003>>

| Pos | Part Number | Description | Remark | Qty | Model |
|-----|----------------|---|--------------------------------|-----|---|
| 1 | 955 111 981 00 | Sports tailpipe Tailpipe | 03-10 03-06 left | 1 | Cayenne (9PA) PR:D9K,D9L, G0R,G0L |
| 2 | 955 111 982 00 | Tailpipe | 03-06 right | 1 | PR:D9K,D9L, G0R,G0L |
| (1) | 955 044 981 01 | Tailpipe | 03-06 left | 1 | /+G0L PR:D9J,D9K |
| (2) | 955 044 982 01 | Tailpipe | 03-06 right | 1 | /+G0L PR:D9J,D9K |
| - | | for Cayenne / Cayenne S | | | |
| 3 | 955 505 521 04 | Spoiler | also use: 03-06 without: | 1 | PR:D9L,0P3 |
| (3) | 955 505 521 05 | Cover cap Spoiler | without: 03-06 | 1 | PR:D9L,0P3, 1G3 |
| - | 955 505 449 02 | Cover cap | 03-06 | 1 | /L PR:0P3,1G3 |
| - | 955 505 450 02 | Cover cap | 03-06 | 1 | /R PR:0P3,1G3 |
| - | | Inst. & Conv. Instructions Porsche Cayenne Group 2 2634 (17/07) Attention | | | alle |
| (1) | 955 044 981 02 | Tailpipe | 08-10 left | 1 | |
| (2) | 955 044 982 02 | Set Tailpipe | 08-10 right | 1 | |
| - | | Set for Cayenne / Cayenne S | | | |
| (3) | 955 044 200 08 | rear spoiler Set | also use: 08-10 | 1 | PR:D5Z |

Model: TEQ 2

Model life 2003>>

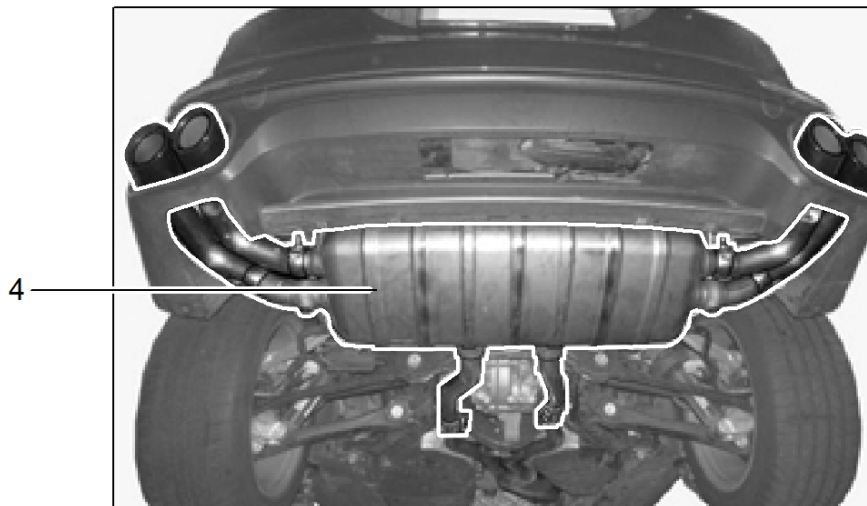
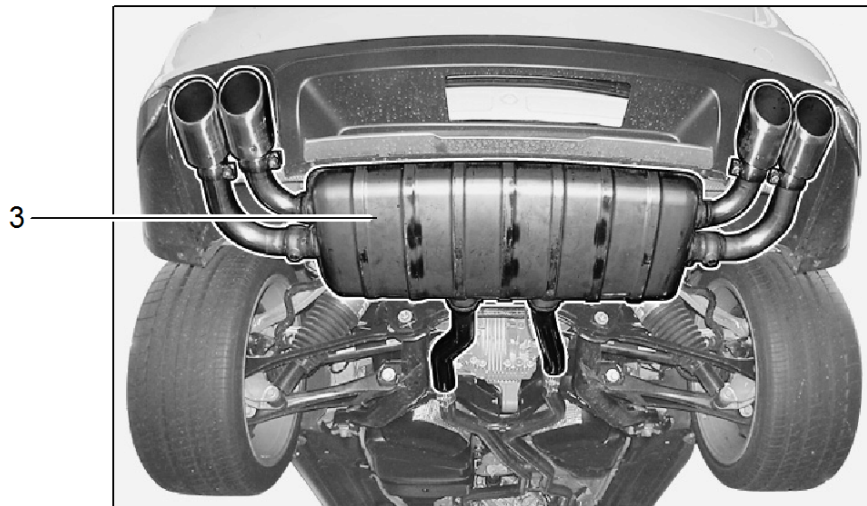
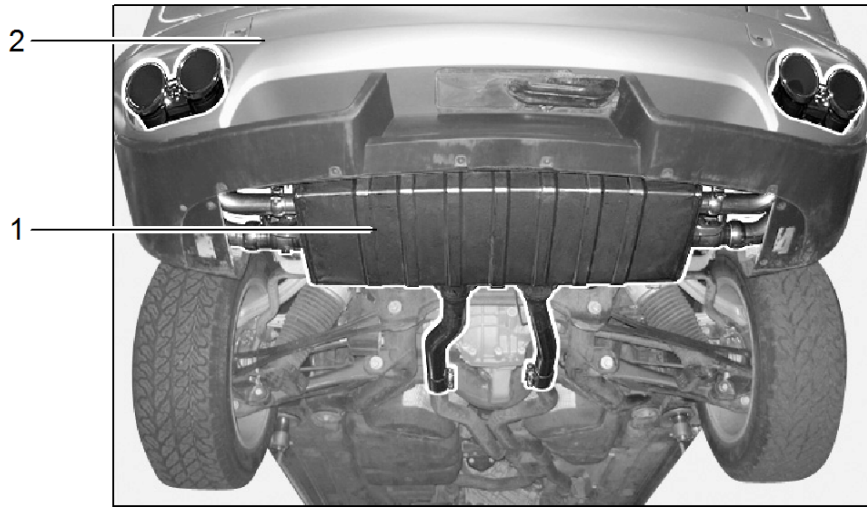


Model: TEQ 2 Model life 2003>>

| Pos | Part Number | Description | Remark | Qty | Model |
|-----|----------------|--|----------------------------------|-----|---|
| - | | Sports tailpipe D - MJ 2011>> Inst. & Conv. Instructions Porsche Cayenne Group 2 2634 (4/11) Attention | | | Cayenne(92A) alle |
| 1 | 958 044 200 07 | D - MJ 2011>> - MJ 2014 Tailpipe Sport version silver Set | TDI V6 TDI V8 Hybrid V6 | 1 | PR:D1V,D43, D50,DD8,D19 -"PAP", -"ROK","CN." |
| 2 | 958 044 200 08 | D - MJ 2011>> - MJ 2014 Tailpipe Sport version silver Set | V6 V8 | 1 | PR:D11,D34, D6V |
| 3 | 958 044 200 09 | D - MJ 2011>> - MJ 2014 Tailpipe Sport version silver Set | Turbo | 1 | PR:D58 |
| 4 | 958 044 200 10 | D - MJ 2011>> - MJ 2014 Exhaust tail pipe GTS Black Set | GTS / Turbo V6 / V8 | 1 | PR:0P8 |
| 5 | 958 044 200 17 | D - MJ 2011>> - MJ 2014 Tailpipe Simple silver Set | | 1 | Cayenne Cay. Diesel PR:-0P8,-0P9 |
| (5) | 958 044 200 18 | D - MJ 2015>> Tailpipe Simple Black Set | | 1 | Cayenne Cay. Diesel PR:-0P8,-0P9 |
| 6 | 958 044 200 19 | D - MJ 2015>> Tailpipe Double silver Set | | 1 | Cayenne S Cay S Diesel Turbo / S S e-hybrid Cayenne GTS |
| (6) | 958 044 200 20 | D - MJ 2015>> Tailpipe Double Black Set D - MJ 2015>> | | 1 | Cayenne S Cay S Diesel Turbo / S S e-hybrid Cayenne GTS |

Model: TEQ 2

Model life 2003>>

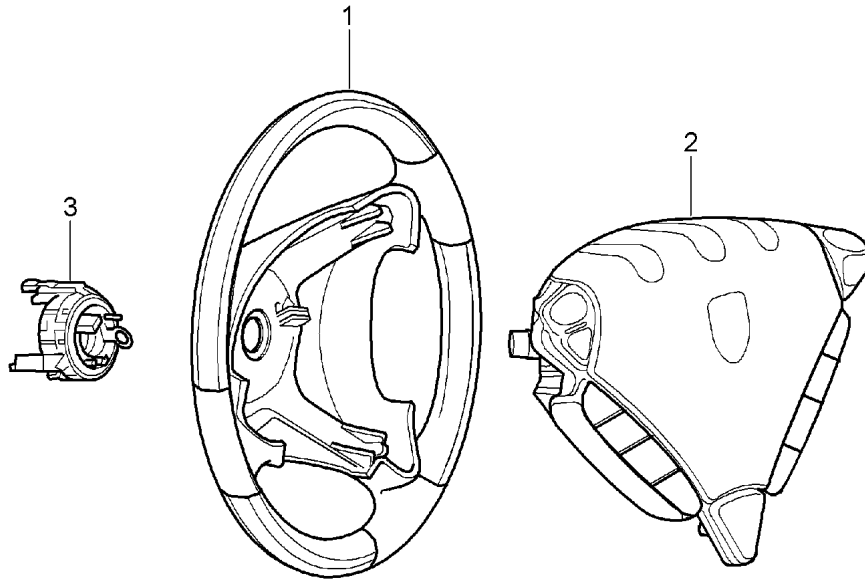


Model: TEQ 2 Model life 2003>>

| Pos | Part Number | Description | Remark | Qty | Model |
|-----|----------------|---|--------------|-----|---|
| - | | exhaust system Sport version Inst. & Conv. Instructions Porsche Cayenne Group 2 2601 (5/06) | 08-10 11- | | Cayenne (9PA) Cayenne (92A) S |
| 1 | 955 044 200 02 | exhaust system Sport version Set | 08-10 | 1 | Cayenne (9PA) 4801+ PR:D5V,G0R |
| - | | | | | also use: |
| 2 | 955 044 200 08 | rear spoiler Set | 08-10 | 1 | Cayenne (9PA) PR:-0P3 |
| - | | Inst. & Conv. Instructions Porsche Cayenne Group 2 2601 (41/10) | | | Cayenne/S |
| 3 | 958 044 200 00 | exhaust system Sport version | 11-14 | 1 | Cayenne (92A) Cayenne 5502 |
| (3) | 958 044 200 01 | exhaust system Sport version | 11-14 | 1 | Cayenne (92A) S 4802 |
| 4 | 958 044 200 30 | exhaust system Sport version Tailpipe silver | 15- | 1 | Cayenne (92A) VR6 -"HK.", -"CN." |
| (4) | 958 044 200 31 | exhaust system Sport version Tailpipe Black | 15- | 1 | Cayenne (92A) VR6 -"HK.", -"CN." |
| (4) | 958 044 200 32 | exhaust system Sport version Tailpipe silver | 15- | 1 | Cayenne (92A) Cayenne S V6BT |
| (4) | 958 044 200 33 | exhaust system Sport version Tailpipe Black | 15- | 1 | Cayenne (92A) Cayenne S V6BT |
| (4) | 958 044 200 34 | exhaust system Sport version Tailpipe silver | 15- | 1 | Cayenne (92A) Turbo V8T |
| (4) | 958 044 200 35 | exhaust system Sport version Tailpipe Black | 15- | 1 | Cayenne (92A) Turbo V8T |
| - | | | | | also use: |
| - | | Control panel with pushbuttons Subsequent installation Centre console see Spare parts catalogue | | | |

Model: TEQ 2

Model life 2003>>

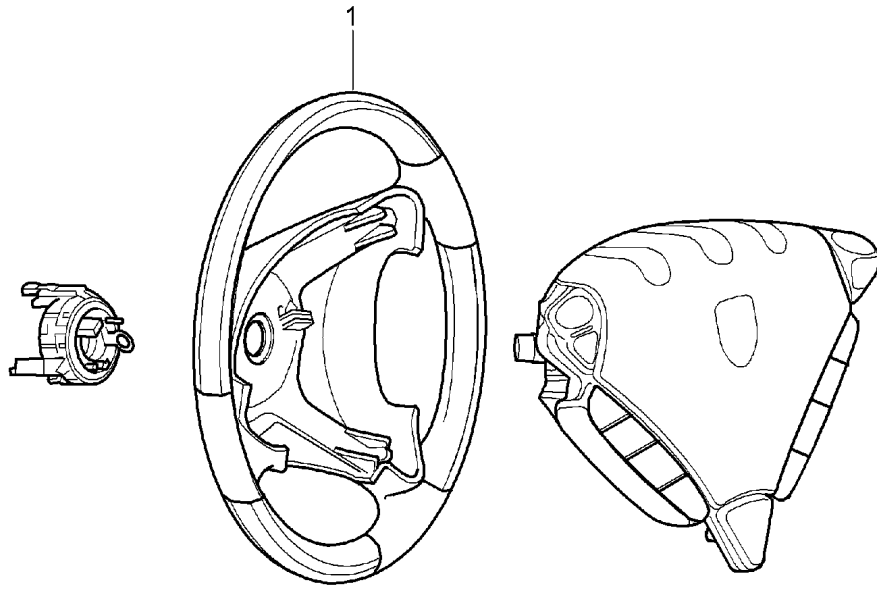


Model: TEQ 2 Model life 2003>>

| Pos | Part Number | Description | Remark | Qty | Model |
|-----|--------------------|---|-----------|-----|------------------------------------|
| 1 | 955 347 804 50 | Steering wheels Wood Airbag unit D - MJ 2003>> - MJ 2010 steering wheel (leather) Wooden ring Light for vehicles with Multi-function D - MJ 2003>> | | 1 | PR:1XK,4LB, 4LC |
| - | 955 347 804 50 PBE | Olive wood/black | | | |
| - | 955 347 804 50 PBF | Olive wood/stone grey | | | |
| - | 955 347 804 50 PBG | Olive wood/palm green | | | |
| - | 955 347 804 50 PBH | Olive wood/havanna | | | |
| - | 955 347 804 50 TXA | Olive wood/sand beige (heated) Not available | | | |
| (1) | 955 347 804 60 | steering wheel (leather) Wooden ring Light Matte for vehicles with Multi-function D - MJ 2003>> - MJ 2006 | | 1 | PR:2FV,4LB, 4LC |
| - | 955 347 804 60 RRY | Olive wood/black | | | |
| - | 955 347 804 60 RRZ | Olive wood/stone grey | | | |
| - | 955 347 804 60 RSZ | Olive wood/palm green | | | |
| - | 955 347 804 60 RTZ | Olive wood/havanna for cars without Multi-function | | | |
| (1) | 955 347 804 40 | Airbag unit and Spring steering wheel Wooden ring Dark for vehicles with Multi-function D - MJ 2003>> | also use: | 1 | PR:1XJ,4LB, 4LC |
| - | 955 347 804 40 PBA | Black | | | |
| - | 955 347 804 40 PBB | Stone grey | | | |
| - | 955 347 804 40 PBC | Palm green | | | |
| - | 955 347 804 40 PBD | Havanna | | | |
| - | 955 347 804 40 TXB | Sand beige (heated) Not available for cars without Multi-function | also use: | | |
| - | | Airbag unit and Spring | | 1 | |
| - | | Airbag unit See catalogue 24 see illustration: | | | |
| 3 | 955 652 211 10 | 403-06 D - MJ 2003>> Spring D - MJ 2003>> | | 1 | PR:1XJ,1XK, 2FV,2PM,4LB, 4LC |

Model: TEQ 2

Model life 2003>>



Model: TEQ 2 Model life 2003>>

| Pos | Part Number | Description | Remark | Qty | Model |
|-----|--------------------|--|---------|-----|-------|
| 1 | 955 347 980 00 | Steering wheels Carbon D - MJ 2003>> - MJ 2010 multifunction steering wheel Carbon for vehicles with D - MJ 2003>> | | 1 | |
| | 955 347 980 00 5Z3 | Black | | | |
| | 955 347 980 00 6P1 | Stone grey | | | |
| | 955 347 980 00 6Q2 | Havanna | | | |
| | 955 347 980 00 6R3 | Palm green | | | |
| | 955 347 980 00 4P8 | Sand beige (heated) | | | |
| - | | Not available | | | |
| - | | for cars without Multi-function | | | |
| | | also use: | | | |
| | | Airbag unit and Spring See catalogue 24 | | | |
| | | see illustration: | 403-006 | | |

Model: TEQ 2

Model life 2003>>

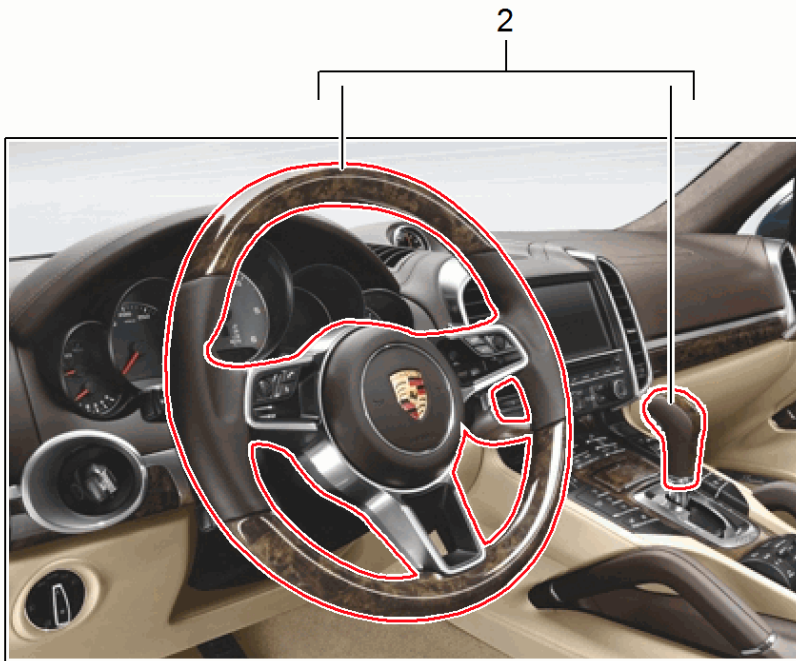
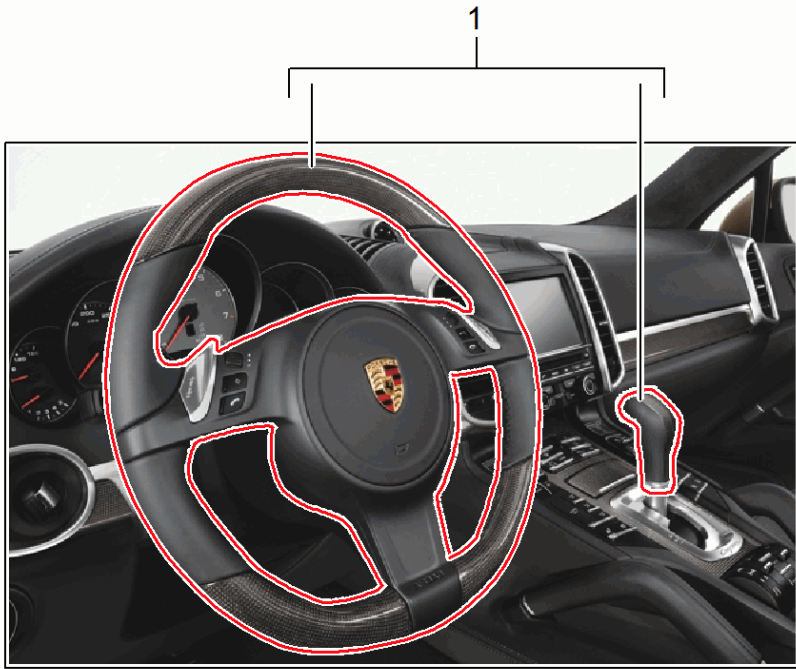


Model: TEQ 2 Model life 2003>>

| Pos | Part Number | Description | Remark | Qty | Model |
|-----|----------------|---|--------|-----|--|
| 1 | 955 044 400 00 | steering wheel with: Padding D - MJ 2003>> - MJ 2010 steering wheel Leather for vehicles with Multi-function Not (heated) 955 044 400 00 5Z3 Black 955 044 400 00 6P1 Stone grey 955 044 400 00 6Q2 Havanna 955 044 400 00 6R3 Palm green 955 044 400 00 4P8 Sand beige | | 1 | Cayenne (9PA) S / Turbo PR: 4LB, 4LC |
| (1) | 955 044 400 01 | steering wheel Leather for vehicles with Multi-function (heated) 955 044 400 01 5Z3 Black 955 044 400 01 6P1 Stone grey 955 044 400 01 6Q2 Havanna 955 044 400 01 6R3 Palm green 955 044 400 01 4P8 Sand beige | | 1 | PR: 4LB, 4LC, 2PH |

Model: TEQ 2

Model life 2003>>



Model: TEQ 2 Model life 2003>>

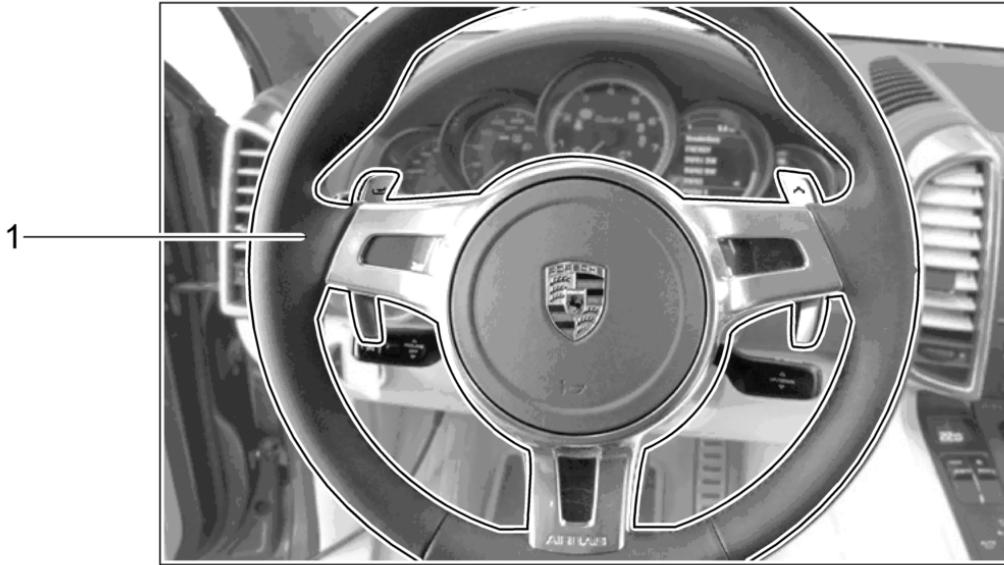
| Pos | Part Number | Description | Remark | Qty | Model |
|-----|--------------------|---|--------|-----|---------------|
| - | | steering wheel Multi-function selector lever D - MJ 2011>> only in conj. with: | | | Cayenne (92A) |
| (1) | 958 044 400 00 | Multi-function steering wheel Multi-function Included heater and selector lever Walnut, high-gloss D >> - MJ 2014 | | 1 | |
| | 958 044 400 00 A34 | Highly polished walnut root/ black | | | |
| | 958 044 400 00 9J9 | Highly polished walnut root/ luxor beige | | | |
| | 958 044 400 00 8T3 | Highly polished walnut root/ platinum grey | | | |
| | 958 044 400 00 6H6 | Highly polished walnut root/ espresso | | | |
| | 958 044 400 00 DE1 | Highly polished walnut root/ umbra | | | |
| 1 | 958 044 400 01 | steering wheel Multi-function Included heater and selector lever Carbon D >> - MJ 2014 | | 1 | |
| | 958 044 400 01 A34 | Black | | | |
| | 958 044 400 01 9J9 | Luxor beige | | | |
| | 958 044 400 01 8T3 | Platinum Grey | | | |
| | 958 044 400 01 6H6 | Espresso | | | |
| | 958 044 400 01 DE1 | Umber | | | |
| (1) | 958 044 400 02 | steering wheel Multi-function Included heater and selector lever Anthracite Birch D >> - MJ 2014 | | 1 | |
| | 958 044 400 02 A34 | Birch anthracite/black | | | |
| | 958 044 400 02 9J9 | Birch anthracite/luxor beige Discontinued part | | | |
| | 958 044 400 02 8T3 | Birch anthracite/platinum grey | | | |
| | 958 044 400 02 6H6 | Birch anthracite/espresso | | | |
| | 958 044 400 02 DE1 | Birch anthracite/umbra | | | |
| (1) | 958 044 400 03 | steering wheel Multi-function Included heater and selector lever Mahogany Yachting D >> - MJ 2014 | | 1 | |
| | 958 044 400 03 A34 | Yachting mahogany/black | | | |
| | 958 044 400 03 9J9 | Yachting mahogany/luxor beige | | | |
| | 958 044 400 03 8T3 | Yachting mahogany/plat. grey | | | |
| | 958 044 400 03 6H6 | Yachting mahogany/espresso | | | |

Model: TEQ 2 Model life 2003>>

| Pos | Part Number | Description | Remark | Qty | Model |
|-----|--------------------------------------|---|--------|-----|-------|
| 2 | 958 044 400 03 DE1 958 044 400 10 | Yachting mahogany/umbra steering wheel Multi-function Included heater and selector lever American Walnut D - MJ 2015>> | | 1 | |
| | 958 044 400 10 6H6 | American walnut root/ espresso | | | |
| | 958 044 400 10 9J9 | American walnut root/ luxor beige | | | |
| | 958 044 400 10 A34 | American walnut root/ black | | | |
| | 958 044 400 10 OE5 | American walnut root/ agate grey | | | |
| | 958 044 400 10 OK6 | American walnut root/ saddle brown | | | |
| (2) | 958 044 400 11 | steering wheel Multi-function Included heater and selector lever Carbon D - MJ 2015>> | | 1 | |
| | 958 044 400 11 6H6 | Espresso | | | |
| | 958 044 400 11 9J9 | Luxor beige | | | |
| | 958 044 400 11 A34 | Black | | | |
| | 958 044 400 11 OE5 | agate grey | | | |
| | 958 044 400 11 OK6 | saddle brown | | | |
| (2) | 958 044 400 12 | steering wheel Multi-function Included heater and selector lever Anthracite Birch D - MJ 2015>> | | 1 | |
| | 958 044 400 12 6H6 | Birch anthracite/espresso | | | |
| | 958 044 400 12 9J9 | Birch anthracite/luxor beige | | | |
| | 958 044 400 12 A34 | Birch anthracite/black | | | |
| | 958 044 400 12 OE5 | Birch anthracite/agate grey | | | |
| | 958 044 400 12 OK6 | Birch anthracite/saddle brown | | | |
| (2) | 958 044 400 13 | steering wheel Multi-function Included heater and selector lever Mahogany Yachting D - MJ 2015>> | | 1 | |
| | 958 044 400 13 6H6 | Yachting mahogany/espresso | | | |
| | 958 044 400 13 9J9 | Yachting mahogany/luxor beige | | | |
| | 958 044 400 13 A34 | Yachting mahogany/black | | | |
| | 958 044 400 13 OE5 | Yachting mahogany/agate grey | | | |
| | 958 044 400 13 OK6 | Yachting mahogany/saddle brown | | | |

Model: TEQ 2

Model life 2003>>

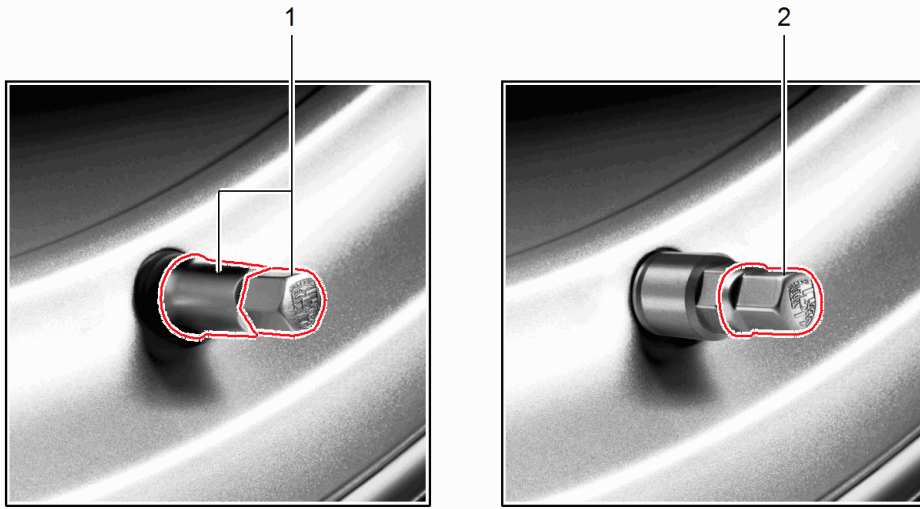


Model: TEQ 2 Model life 2003>>

| Pos | Part Number | Description | Remark | Qty | Model |
|-----|--------------------|--|---------|-----|--|
| - | | sports steering wheel Shifting paddle D - MJ 2011>> - MJ 2014 Inst. & Conv. Instructions Cayenne, alle Group 4 4810 (40/10) Attention | | | Cayenne (92A) |
| 1 | 970 044 400 00 | sports steering wheel Shifting paddle only in conj. with: TIPTRONIC S | | 1 | PR: 2ZM, 2ZH, 2FX, 2FV, 1XE, 1XJ, 1XK, G1G |
| | 970 044 400 00 A34 | Black | | | |
| | 970 044 400 00 DE1 | Umber | | | |
| | 970 044 400 00 6H6 | Espresso | | | |
| | 970 044 400 00 8T3 | Platinum Grey | | | |
| | 970 044 400 00 9J9 | Luxor beige | | | |
| - | | also use: Steering column switch see illustration: Porsche Cayenne | 903-010 | 1 | (92A) |

Model: TEQ 2

Model life 2003>>

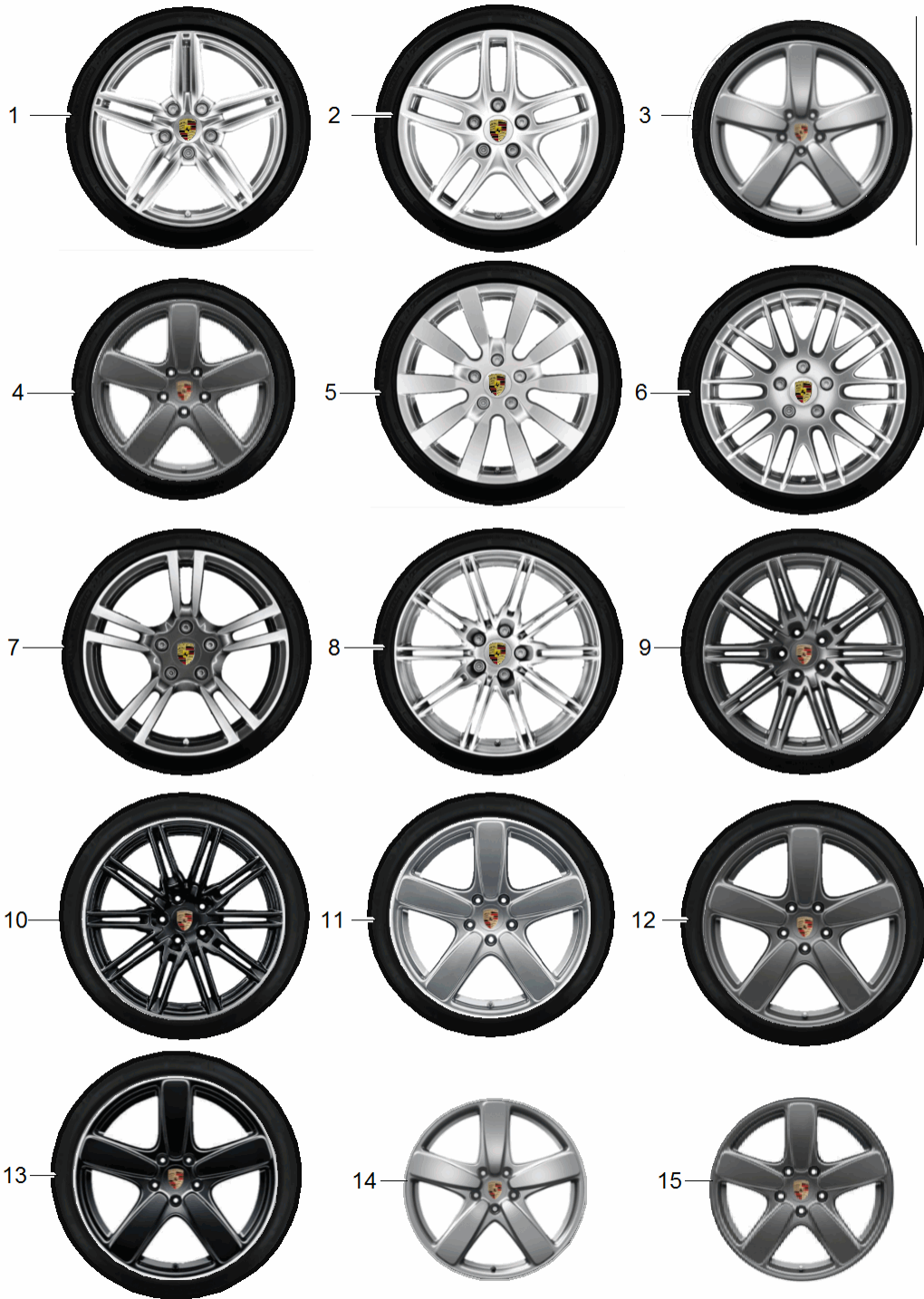


Model: TEQ 2 Model life 2003>>

| Pos | Part Number | Description | Remark | Qty | Model |
|-----|----------------|--|-----------------------|-----|---|
| 1 | 000 044 601 00 | Valve cap Porsche crest silver Black Cap Valve cap with: Porsche crest Set Included Rubber valve Cap Valve cap | 03-10 11-17 18- | 1 | Cayenne (9PA) Cayenne (92A) Cayenne (9YA) PR:7K0 |
| 2 | 000 044 602 15 | Porsche crest Set Discontinued part Cap Valve cap with: Porsche crest Set | | 1 | PR:7K3,7K4 |
| 3 | 991 044 602 66 | Cap Valve cap Black Porsche crest Coloured Set | | 1 | PR:7K0 |
| (3) | 991 044 602 67 | Cap Valve cap Black Porsche crest Coloured Set | | 1 | PR:7K3,7K4 |
| 4 | 991 044 602 69 | Cap Valve cap silver Porsche crest Coloured Set | | 1 | PR:7K3,7K4 |
| 5 | 991 044 602 65 | Cap Valve cap Black Porsche crest Black-white Set | | 1 | PR:7K0 |
| 6 | 991 044 602 68 | Cap Valve cap silver Porsche crest Black-white Set | | 1 | PR:7K3,7K4 |

Model: TEQ 2

Model life 2003>>



Model: TEQ 2 Model life 2003>>

| Pos | Part Number | Description | Remark | Qty | Model |
|-----|----------------|--|--|-----|------------------------------|
| - | | Gear wheel sets Wheels Summer D - MJ 2011>> - MJ 2014 Information Manufacturer Approval Wheels and tyres in Piwis Group 4 suspension Attention Attention PCCB only in conj. with: 20/21-ZOLL for PCCB Together with 19-ZOLL Technical information Attention Attention 21-ZOLL only in conj. with: Wheel housing liner Wide | | | Cayenne (92A) |
| 1 | 958 044 602 43 | Set of wheels, compl. 19-ZOLL CAYENNE DESIGN II 8,5J X 19'' ET59 265/50 R19 110Y XL silver PIRELLI also use: use if required: | 970 044 600 14 955 044 600 23 958 044 500 00 | 1 | PR:-482 17 mm 5 mm |
| (1) | 958 044 600 55 | D - MJ 2011>> - MJ 2014 Set of wheels, compl. 19-ZOLL CAYENNE DESIGN II 8,5J X 19'' ET59 265/50 R19 110V XL M+S silver MICHELIN ALL SEASON also use: use if required: | 970 044 600 14 958 044 600 14 | 1 | PR:-482 |
| (1) | 958 044 602 44 | Not Together with Shim D - MJ 2011>> - MJ 2014 Set of wheels, compl. 19-ZOLL CAYENNE DESIGN II 8,5J X 19'' ET59 265/50 R19 110Y XL silver PIRELLI also use: use if required: | 970 044 600 14 955 044 600 23 958 044 500 00 | 1 | PR:482 17 mm 5 mm |
| (1) | 958 044 600 56 | D - MJ 2011>> - MJ 2014 Set of wheels, compl. 19-ZOLL CAYENNE DESIGN II 8,5J X 19'' ET59 265/50 R19 110V XL M+S | | 1 | PR:482 |

Model: TEQ 2 Model life 2003>>

| Pos | Part Number | Description | Remark | Qty | Model |
|-----|----------------|---|--------|-----|--------------------------|
| 2 | 958 044 602 41 | silver MICHELIN ALL SEASON also use: 970 044 600 14 use if required: 958 044 600 14 Not Together with Shim D - MJ 2011>> - MJ 2014 Set of wheels, compl. 19-ZOLL CAYENNE TURBO III 8,5J X 19'' ET59 265/50 R19 110Y XL silver PIRELLI | | 1 | PR:-482 |
| (2) | 958 044 602 42 | also use: 970 044 600 14 use if required: 955 044 600 23 958 044 500 00 D - MJ 2011>> - MJ 2014 Set of wheels, compl. 19-ZOLL CAYENNE TURBO III 8,5J X 19'' ET59 265/50 R19 110Y XL silver PIRELLI | | 1 | 17 mm 5 mm PR:482 |
| 3 | 958 044 602 27 | also use: 970 044 600 14 use if required: 955 044 600 23 958 044 500 00 D - MJ 2011>> - MJ 2014 Set of wheels, compl. 19-ZOLL CAYENNE SPORT CLASSIC 8,5J X 19'' ET59 265/50 R19 110Y XL GT Silver Metallic PIRELLI | | 1 | 17 mm 5 mm PR:-482 |
| (3) | 958 044 602 28 | also use: 991 044 600 20 use if required: 955 044 600 23 958 044 500 00 D - MJ 2011>> - MJ 2014 Set of wheels, compl. 19-ZOLL CAYENNE SPORT CLASSIC 8,5J X 19'' ET59 265/50 R19 110Y XL GT Silver Metallic PIRELLI | | 1 | 17 mm 5 mm PR:482 |
| 4 | 958 044 602 29 | also use: 991 044 600 20 use if required: 955 044 600 23 958 044 500 00 D - MJ 2011>> - MJ 2014 Set of wheels, compl. 19-ZOLL CAYENNE SPORT CLASSIC 8,5J X 19'' ET59 265/50 R19 110Y XL Silk-Gloss Platinum PIRELLI Included Hub cap use if required: 955 044 600 23 958 044 500 00 | | 1 | 17 mm 5 mm PR:-482 |
| (4) | 958 044 602 30 | D - MJ 2011>> - MJ 2014 Set of wheels, compl. | | 1 | PR:482 |

Model: TEQ 2 Model life 2003>>

| Pos | Part Number | Description | Remark | Qty | Model |
|-----|----------------|---|--|-----|--------------------------|
| 5 | 958 044 602 45 | 19-ZOLL CAYENNE SPORT CLASSIC 8,5J X 19'' ET59 265/50 R19 110Y XL Silk-Gloss Platinum PIRELLI Included Hub cap use if required: | 955 044 600 23 958 044 500 00 | 1 | 17 mm 5 mm PR:-482 |
| (5) | 958 044 602 46 | D - MJ 2011>> - MJ 2014 Set of wheels, compl. 20-ZOLL CAYENNE SPORT DESIGN II 9J X 20'' ET57 275/45 R20 110Y XL silver MICHELIN also use: use if required: | 970 044 600 14 955 044 600 23 958 044 500 00 | 1 | 17 mm 5 mm PR:482 |
| 6 | 958 044 602 47 | D - MJ 2011>> - MJ 2014 Set of wheels, compl. 20-ZOLL RS SPYDER 9J X 20'' ET57 275/45 R20 110Y XL silver MICHELIN also use: use if required: | 970 044 600 14 955 044 600 23 958 044 500 00 | 1 | 17 mm 5 mm PR:-482 |
| (6) | 958 044 602 48 | D - MJ 2011>> - MJ 2014 Set of wheels, compl. 20-ZOLL RS SPYDER 9J X 20'' ET57 275/45 R20 110Y XL silver MICHELIN also use: use if required: | 958 044 600 11 955 044 600 23 958 044 500 00 | 1 | 17 mm 5 mm PR:482 |
| - | | D - MJ 2011>> - MJ 2014 Attention 21-ZOLL only in conj. with: | | | |
| 7 | 958 044 602 49 | Wheel housing liner Wide Set of wheels, compl. 21-ZOLL 911 TURBO II 10J X 21'' ET50 295/35 R21 107Y XL two-colour | | 1 | PR:-482 |

Model: TEQ 2 Model life 2003>>

| Pos | Part Number | Description | Remark | Qty | Model |
|------|----------------|---|----------------------------------|-----|-----------------|
| (7) | 958 044 602 50 | MICHELIN also use: use if required: D - MJ 2011>> - MJ 2014 Set of wheels, compl. 21-ZOLL 911 TURBO II 10J X 21'' ET50 295/35 R21 107Y XL two-colour MICHELIN | 970 044 600 12 958 044 500 00 | 1 | 5 mm PR:482 |
| 8 | 958 044 602 51 | MICHELIN also use: use if required: D - MJ 2011>> - MJ 2014 Set of wheels, compl. 21-ZOLL SPORT EDITION 10J X 21'' ET50 295/35 R21 107Y XL GT Silver Metallic MICHELIN | 970 044 600 12 958 044 500 00 | 1 | 5 mm PR:-482 |
| (8) | 958 044 602 52 | MICHELIN also use: use if required: D - MJ 2011>> - MJ 2014 Set of wheels, compl. 21-ZOLL SPORT EDITION 10J X 21'' ET50 295/35 R21 107Y XL GT Silver Metallic MICHELIN | 970 044 600 10 958 044 500 00 | 1 | 5 mm PR:482 |
| 9 | 958 044 602 55 | MICHELIN also use: use if required: D - MJ 2011>> - MJ 2014 Set of wheels, compl. 21-ZOLL SPORT EDITION 10J X 21'' ET50 295/35 R21 107Y XL Silk-Gloss Platinum MICHELIN Included Hub cap | 970 044 600 10 958 044 500 00 | 1 | 5 mm PR:-482 |
| (9) | 958 044 602 56 | MICHELIN use if required: D - MJ 2011>> - MJ 2014 Set of wheels, compl. 21-ZOLL SPORT EDITION 10J X 21'' ET50 295/35 R21 107Y XL Silk-Gloss Platinum MICHELIN Included Hub cap | 958 044 500 00 | 1 | 5 mm PR:482 |
| 10 | 958 044 602 53 | MICHELIN use if required: D - MJ 2011>> - MJ 2014 Set of wheels, compl. 21-ZOLL SPORT EDITION 10J X 21'' ET50 295/35 R21 107Y XL High-Gloss Black MICHELIN Included Hub cap | 958 044 500 00 | 1 | 5 mm PR:-482 |
| (10) | 958 044 602 54 | MICHELIN use if required: D - MJ 2011>> - MJ 2014 Set of wheels, compl. 21-ZOLL SPORT EDITION | 958 044 500 00 | 1 | 5 mm PR:482 |

Model: TEQ 2 Model life 2003>>

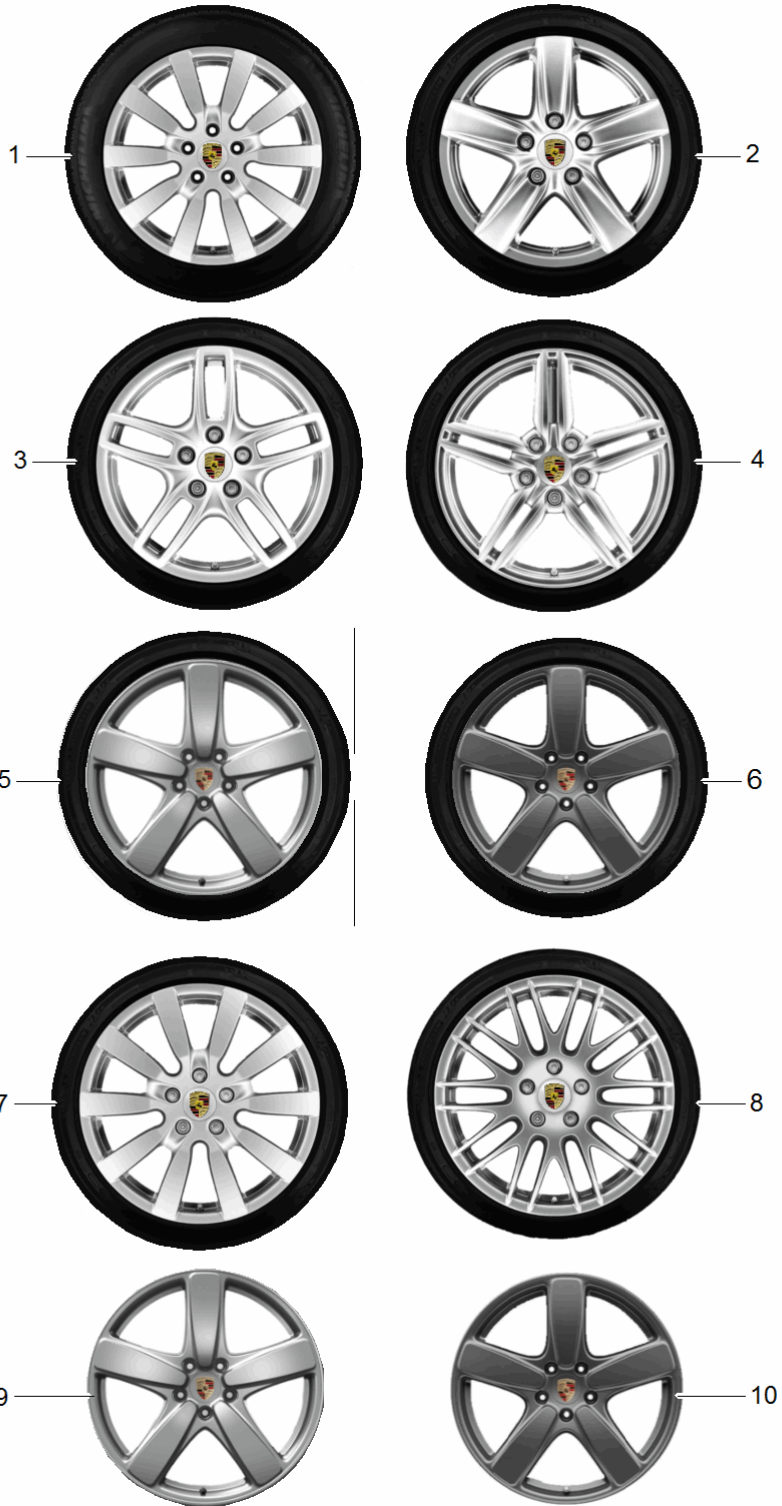
| Pos | Part Number | Description | Remark | Qty | Model |
|------|----------------|---|----------------------------------|-----|-----------------|
| 11 | 958 044 602 21 | 10J X 21'' ET50 295/35 R21 107Y XL High-Gloss Black MICHELIN Included Hub cap use if required: D - MJ 2011>> - MJ 2014 | 958 044 500 00 | 1 | 5 mm PR:-482 |
| (11) | 958 044 602 22 | Set of wheels, compl. 21-ZOLL CAYENNE SPORT CLASSIC 10J X 21'' ET50 295/35 R21 107Y XL GT Silver Metallic MICHELIN also use: use if required: D - MJ 2011>> - MJ 2014 | 991 044 600 20 958 044 500 00 | 1 | 5 mm PR:482 |
| 12 | 958 044 602 25 | Set of wheels, compl. 21-ZOLL CAYENNE SPORT CLASSIC 10J X 21'' ET50 295/35 R21 107Y XL GT Silver Metallic MICHELIN Included Hub cap also use: use if required: D - MJ 2011>> - MJ 2014 | 991 044 600 20 958 044 500 00 | 1 | 5 mm PR:-482 |
| (12) | 958 044 602 26 | Set of wheels, compl. 21-ZOLL CAYENNE SPORT CLASSIC 10J X 21'' ET50 295/35 R21 107Y XL Silk-Gloss Platinum MICHELIN Included Hub cap use if required: D - MJ 2011>> - MJ 2014 | 958 044 500 00 | 1 | 5 mm PR:482 |
| 13 | 958 044 602 23 | Set of wheels, compl. 21-ZOLL CAYENNE SPORT CLASSIC 10J X 21'' ET50 295/35 R21 107Y XL High-Gloss Black MICHELIN Included Hub cap use if required: D - MJ 2011>> - MJ 2014 | 958 044 500 00 | 1 | 5 mm PR:-482 |
| (13) | 958 044 602 24 | Set of wheels, compl. 21-ZOLL CAYENNE use if required: D - MJ 2011>> - MJ 2014 | 958 044 500 00 | 1 | 5 mm PR:482 |

Model: TEQ 2 Model life 2003>>

| Pos | Part Number | Description | Remark | Qty | Model |
|-----|--------------------------------------|---|----------------|-----|-------|
| - | | SPORT CLASSIC 10J X 21'' ET50 295/35 R21 107Y XL High-Gloss Black MICHELIN Included Hub cap | | | |
| | | use if required: D - MJ 2011>> - MJ 2014 | 958 044 500 00 | | 5 mm |
| 14 | 7P5 601 025 BE | Wheels Only for replacement Alloy wheel 19-ZOLL CAYENNE SPORT CLASSIC II 8,5 X 19'' ET59 | | 1 | |
| 15 | 7P5 601 025 BE M7Z 7P5 601 025 BE | GT Silver Metallic Alloy wheel 19-ZOLL CAYENNE SPORT CLASSIC II 8,5 X 19'' ET59 | | 1 | |
| | 7P5 601 025 BE OB5 | Platinum satin-matt | | | |

Model: TEQ 2

Model life 2003>>



Model: TEQ 2 Model life 2003>>

| Pos | Part Number | Description | Remark | Qty | Model |
|-----|----------------|---|----------------------------------|-----|--|
| - | | Gear wheel sets Wheels Winter D - MJ 2011>> - MJ 2014 Information Manufacturer Approval Wheels and tyres in Piwis Group 4 suspension Attention Attention PCCB only in conj. with: 20-ZOLL for PCCB Together with 19-ZOLL Technical information Attention Attention Snow chains Not Together with Shim | | | Cayenne (92A) |
| 1 | 958 044 600 65 | Set of wheels, compl. 18-ZOLL CAYENNE II 8J X 18'' ET53 255/55 R18 109V XL M+S silver DUNLOP Not for: PCCB | | 1 | PR:7K0 OHNE/NOT FOR TURBO TURBO S |
| (1) | 958 044 600 75 | Set of wheels, compl. 18-ZOLL CAYENNE II 8J X 18'' ET53 255/55 R18 109V XL M+S silver PIRELLI Not for: PCCB also use: use if required: | 970 044 600 11 958 044 600 13 | 1 | PR:7K0 OHNE/NOT FOR TURBO TURBO S |
| (1) | 958 044 600 85 | Set of wheels, compl. 18-ZOLL CAYENNE II 8J X 18'' ET53 255/55 R18 109V XL M+S silver MICHELIN Not for: PCCB also use: use if required: | 970 044 600 11 958 044 600 13 | 1 | PR:7K0 OHNE/NOT FOR TURBO TURBO S |
| (1) | 958 044 600 66 | Set of wheels, compl. 18-ZOLL CAYENNE II 8J X 18'' ET53 255/55 R18 109V XL M+S silver DUNLOP | | 1 | PR:7K3 OHNE/NOT FOR TURBO TURBO S |

Model: TEQ 2 Model life 2003>>

| Pos | Part Number | Description | Remark | Qty | Model |
|-----|----------------|---|----------------------------------|-----|--|
| (1) | 958 044 600 76 | Not for: PCCB also use: use if required: Set of wheels, compl. 18-ZOLL CAYENNE II 8J X 18'' ET53 255/55 R18 109V XL M+S silver PIRELLI Not for: PCCB | 970 044 600 11 958 044 600 13 | 1 | PR:7K3 OHNE/NOT FOR TURBO TURBO S |
| (1) | 958 044 600 86 | Not for: PCCB also use: use if required: Set of wheels, compl. 18-ZOLL CAYENNE II 8J X 18'' ET53 255/55 R18 109V XL M+S silver MICHELIN Not for: PCCB | 970 044 600 11 958 044 600 13 | 1 | PR:7K3 OHNE/NOT FOR TURBO TURBO S |
| 2 | 958 044 600 61 | Not for: PCCB also use: use if required: Set of wheels, compl. 18-ZOLL CAYENNE S III 8J X 18'' ET53 255/55 R18 109V XL M+S silver DUNLOP Not for: PCCB | 970 044 600 11 958 044 600 13 | 1 | PR:7K0 OHNE/NOT FOR TURBO TURBO S |
| (2) | 958 044 600 71 | Not for: PCCB also use: use if required: Set of wheels, compl. 18-ZOLL CAYENNE S III 8J X 18'' ET53 255/55 R18 109V XL M+S silver PIRELLI Not for: PCCB | 970 044 600 11 958 044 600 13 | 1 | PR:7K0 OHNE/NOT FOR TURBO TURBO S |
| (2) | 958 044 600 81 | Not for: PCCB also use: use if required: Set of wheels, compl. 18-ZOLL CAYENNE S III 8J X 18'' ET53 255/55 R18 109V XL M+S silver MICHELIN Not for: PCCB | 970 044 600 11 958 044 600 13 | 1 | PR:7K0 OHNE/NOT FOR TURBO TURBO S |
| (2) | 958 044 600 62 | Not for: PCCB also use: use if required: Set of wheels, compl. 18-ZOLL CAYENNE S III 8J X 18'' ET53 255/55 R18 109V XL M+S silver DUNLOP Not for: PCCB | 970 044 600 11 958 044 600 13 | 1 | PR:7K3 OHNE/NOT FOR TURBO TURBO S |
| | | also use: | 970 044 600 11 | | |

Model: TEQ 2 Model life 2003>>

| Pos | Part Number | Description | Remark | Qty | Model |
|-----|----------------|---|----------------------------------|-----|--|
| (2) | 958 044 600 72 | use if required: Set of wheels, compl. 18-ZOLL CAYENNE S III 8J X 18'' ET53 255/55 R18 109V XL M+S silver PIRELLI Not for: PCCB | 958 044 600 13 | 1 | PR:7K3 OHNE/NOT FOR TURBO TURBO S |
| (2) | 958 044 600 82 | also use: use if required: Set of wheels, compl. 18-ZOLL CAYENNE S III 8J X 18'' ET53 255/55 R18 109V XL M+S silver MICHELIN Not for: PCCB | 970 044 600 11 958 044 600 13 | 1 | PR:7K3 OHNE/NOT FOR TURBO TURBO S |
| 3 | 958 044 600 63 | also use: use if required: Set of wheels, compl. 19-ZOLL CAYENNE TURBO III 8,5J X 19'' ET59 265/50 R19 110V XL M+S silver DUNLOP | 970 044 600 11 958 044 600 13 | 1 | PR:7K0 |
| (3) | 958 044 600 73 | also use: use if required: Set of wheels, compl. 19-ZOLL CAYENNE TURBO III 8,5J X 19'' ET59 265/50 R19 110V XL M+S silver PIRELLI | 970 044 600 14 958 044 600 14 | 1 | PR:7K0 |
| (3) | 958 044 600 64 | also use: use if required: Set of wheels, compl. 19-ZOLL CAYENNE TURBO III 8,5J X 19'' ET59 265/50 R19 110V XL M+S silver DUNLOP | 970 044 600 14 958 044 600 14 | 1 | PR:7K3 |
| (3) | 958 044 600 74 | also use: use if required: Set of wheels, compl. 19-ZOLL CAYENNE TURBO III 8,5J X 19'' ET59 265/50 R19 110V XL M+S silver PIRELLI | 970 044 600 14 958 044 600 14 | 1 | PR:7K3 |
| 4 | 958 044 600 83 | also use: use if required: Set of wheels, compl. 19-ZOLL CAYENNE DESIGN II 8,5J X 19'' ET59 265/50 R19 110V XL M+S silver DUNLOP | 970 044 600 14 958 044 600 14 | 1 | PR:7K0 |
| (4) | 958 044 600 93 | also use: use if required: Set of wheels, compl. 19-ZOLL CAYENNE DESIGN II | 970 044 600 14 958 044 600 14 | 1 | PR:7K0 |

Model: TEQ 2 Model life 2003>>

| Pos | Part Number | Description | Remark | Qty | Model |
|-----|----------------|--|----------------------------------|-----|--------|
| (4) | 958 044 600 84 | 8,5J X 19'' ET59 265/50 R19 110V XL M+S silver PIRELLI also use: use if required: | 970 044 600 14 958 044 600 14 | 1 | PR:7K3 |
| (4) | 958 044 600 94 | Set of wheels, compl. 19-ZOLL CAYENNE DESIGN II 8,5J X 19'' ET59 265/50 R19 110V XL M+S silver DUNLOP also use: use if required: | 970 044 600 14 958 044 600 14 | 1 | PR:7K3 |
| 5 | 958 044 600 95 | Set of wheels, compl. 19-ZOLL CAYENNE SPORT CLASSIC 8,5J X 19'' ET59 265/50 R19 110V XL M+S GT Silver Metallic DUNLOP also use: use if required: | 970 044 600 14 958 044 600 14 | 1 | PR:7K0 |
| (5) | 958 044 600 96 | Set of wheels, compl. 19-ZOLL CAYENNE SPORT CLASSIC 8,5J X 19'' ET59 265/50 R19 110V XL M+S GT Silver Metallic DUNLOP also use: use if required: | 991 044 600 20 958 044 600 14 | 1 | PR:7K3 |
| 6 | 958 044 600 97 | Set of wheels, compl. 19-ZOLL CAYENNE SPORT CLASSIC 8,5J X 19'' ET59 265/50 R19 110V XL M+S Silk-Gloss Platinum DUNLOP Included Hub cap also use: use if required: | 991 044 600 20 958 044 600 14 | 1 | PR:7K0 |
| (6) | 958 044 600 98 | Set of wheels, compl. 19-ZOLL CAYENNE SPORT CLASSIC 8,5J X 19'' ET59 265/50 R19 110V XL M+S Silk-Gloss Platinum DUNLOP Included Hub cap use if required: | 958 044 600 14 | 1 | PR:7K3 |
| 7 | 958 044 600 67 | Set of wheels, compl. 20-ZOLL CAYENNE SPORT DESIGN II use if required: | 958 044 600 14 | 1 | PR:7K0 |

Model: TEQ 2 Model life 2003>>

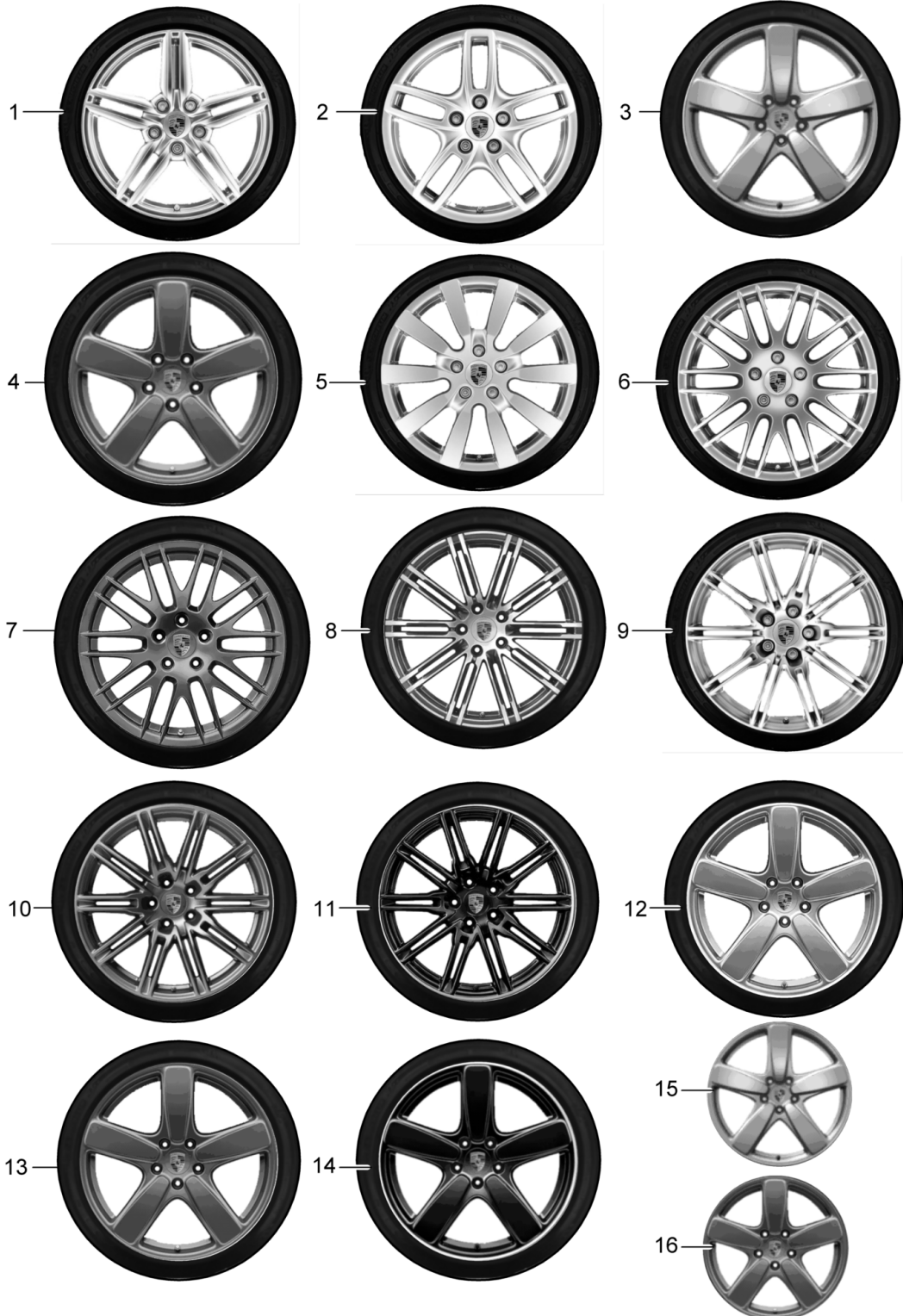
| Pos | Part Number | Description | Remark | Qty | Model |
|-----|----------------|---|----------------------------------|-----|--------|
| (7) | 958 044 600 77 | 9J X 20'' ET57 275/45 R20 110V XL M+S silver DUNLOP also use: use if required: | 970 044 600 14 958 044 600 14 | 1 | PR:7K0 |
| (7) | 958 044 600 68 | Set of wheels, compl. 20-ZOLL CAYENNE SPORT DESIGN II 9J X 20'' ET57 275/45 R20 110V XL M+S silver PIRELLI also use: use if required: | 970 044 600 14 958 044 600 14 | 1 | PR:7K3 |
| (7) | 958 044 600 78 | Set of wheels, compl. 20-ZOLL CAYENNE SPORT DESIGN II 9J X 20'' ET57 275/45 R20 110V XL M+S silver PIRELLI also use: use if required: | 970 044 600 14 958 044 600 14 | 1 | PR:7K3 |
| 8 | 958 044 600 69 | Set of wheels, compl. 20-ZOLL RS SPYDER DESIGN 9J X 20'' ET57 275/45 R20 110V XL M+S silver DUNLOP also use: use if required: | 970 044 600 14 958 044 600 14 | 1 | PR:7K0 |
| (8) | 958 044 600 79 | Set of wheels, compl. 20-ZOLL RS SPYDER DESIGN 9J X 20'' ET57 275/45 R20 110V XL M+S silver PIRELLI also use: use if required: | 958 044 600 11 958 044 600 14 | 1 | PR:7K0 |
| (8) | 958 044 600 70 | Set of wheels, compl. 20-ZOLL RS SPYDER DESIGN 9J X 20'' ET57 275/45 R20 110V XL M+S silver DUNLOP also use: use if required: | 958 044 600 11 958 044 600 14 | 1 | PR:7K3 |
| (8) | 958 044 600 80 | Set of wheels, compl. 20-ZOLL RS SPYDER DESIGN 9J X 20'' ET57 275/45 R20 110V XL M+S silver PIRELLI | 958 044 600 11 958 044 600 14 | 1 | PR:7K3 |

Model: TEQ 2 Model life 2003>>

| Pos | Part Number | Description | Remark | Qty | Model |
|-----|--------------------|---|---|-----|-------|
| - | | Wheels Only for replacement | also use: 958 044 600 11 use if required: 958 044 600 14 | | |
| 9 | 7P5 601 025 BE | Alloy wheel 19-ZOLL CAYENNE SPORT CLASSIC II 8,5 X 19'' ET59 | | 1 | |
| 10 | 7P5 601 025 BE M7Z | GT Silver Metallic | | | |
| | 7P5 601 025 BE | Alloy wheel 19-ZOLL CAYENNE SPORT CLASSIC II 8,5 X 19'' ET59 | | 1 | |
| | 7P5 601 025 BE OB5 | Platinum satin-matt | | | |

Model: TEQ 2

Model life 2003>>



Model: TEQ 2 Model life 2003>>

| Pos | Part Number | Description | Remark | Qty | Model |
|-----|----------------|--|--|-----|--|
| - | | Gear wheel sets Wheels Summer Information Manufacturer Approval Wheels and tyres in Piwis Group 4 suspension Attention Attention PCCB only in conj. with: 20/21-ZOLL for PCCB Together with 19-ZOLL Technical information Attention Attention 20'' RS SPYDER DESIGN Silk-Gloss Platinum and 21-ZOLL only in conj. with: wheel cover Wide | 15-17 | | Cayenne (92A) |
| 1 | 958 044 602 62 | Set of wheels, compl. 19-ZOLL CAYENNE DESIGN II 8,5J X 19'' ET59 265/50 R19 110Y XL silver PIRELLI also use: use if required: | 970 044 600 14 955 044 600 23 958 044 500 00 | 1 | PR:7K3 OHNE/NOT FOR TURBO S |
| (1) | 958 044 601 10 | Set of wheels, compl. 19-ZOLL CAYENNE DESIGN II 8,5J X 19'' ET59 265/50 R19 110V XL M+S silver MICHELIN ALL SEASON also use: use if required: | 970 044 600 14 958 044 600 14 | 1 | 17 mm 5 mm PR:7K3 OHNE/NOT FOR TURBO S |
| 2 | 958 044 602 64 | Not Together with Shim Set of wheels, compl. 19-ZOLL CAYENNE TURBO III 8,5J X 19'' ET59 265/50 R19 110Y XL silver PIRELLI also use: use if required: | 970 044 600 14 955 044 600 23 958 044 500 00 | 1 | PR:7K3 OHNE/NOT FOR TURBO S |
| 3 | 958 044 602 66 | Set of wheels, compl. 19-ZOLL CAYENNE SPORT CLASSIC 8,5J X 19'' ET59 265/50 R19 110Y XL | 970 044 600 14 955 044 600 23 958 044 500 00 | 1 | 17 mm 5 mm OHNE/NOT FOR TURBO S |

Model: TEQ 2 Model life 2003>>

| Pos | Part Number | Description | Remark | Qty | Model |
|-----|----------------|---|--|-----|--|
| 4 | 958 044 602 68 | GT Silver Metallic PIRELLI also use: use if required: | 991 044 600 20 955 044 600 23 958 044 500 00 | 1 | 17 mm 5 mm PR:7K3 |
| 5 | 958 044 602 70 | Set of wheels, compl. 19-ZOLL CAYENNE SPORT CLASSIC 8,5J X 19'' ET59 265/50 R19 110Y XL Silk-Gloss Platinum PIRELLI Included Hub cap use if required: | 955 044 600 23 958 044 500 00 | 1 | 17 mm 5 mm PR:7K3 OHNE/NOT FOR TURBO S |
| 6 | 958 044 602 72 | Set of wheels, compl. 20-ZOLL CAYENNE SPORT DESIGN II 9J X 20'' ET57 275/45 R20 110Y XL silver MICHELIN Together with PCCB Not for: Cayenne GTS Cayenne turbo also use: use if required: | 970 044 600 14 955 044 600 23 958 044 500 00 | 1 | 17 mm 5 mm PR:7K3 |
| - | | Set of wheels, compl. 20-ZOLL RS SPYDER 9J X 20'' ET57 275/45 R20 110Y XL silver MICHELIN also use: use if required: | 958 044 600 11 955 044 600 23 958 044 500 00 | 1 | 17 mm 5 mm |
| 7 | 958 044 602 86 | Attention 20'' RS SPYDER DESIGN Silk-Gloss Platinum and 21-ZOLL only in conj. with: wheel cover Wide | | 1 | PR:7K3 |
| 8 | 958 044 602 74 | Set of wheels, compl. 20-ZOLL RS SPYDER 9,5J X 20'' ET47 275/45 R20 110Y XL Silk-Gloss Platinum MICHELIN Not Together with Shim Included Hub cap | | 1 | PR:7K3 |
| | | Set of wheels, compl. 21-ZOLL 911 TURBO DESIGN 10J X 21'' ET50 295/35 R21 107Y XL | | 1 | PR:7K3 |

Model: TEQ 2 Model life 2003>>

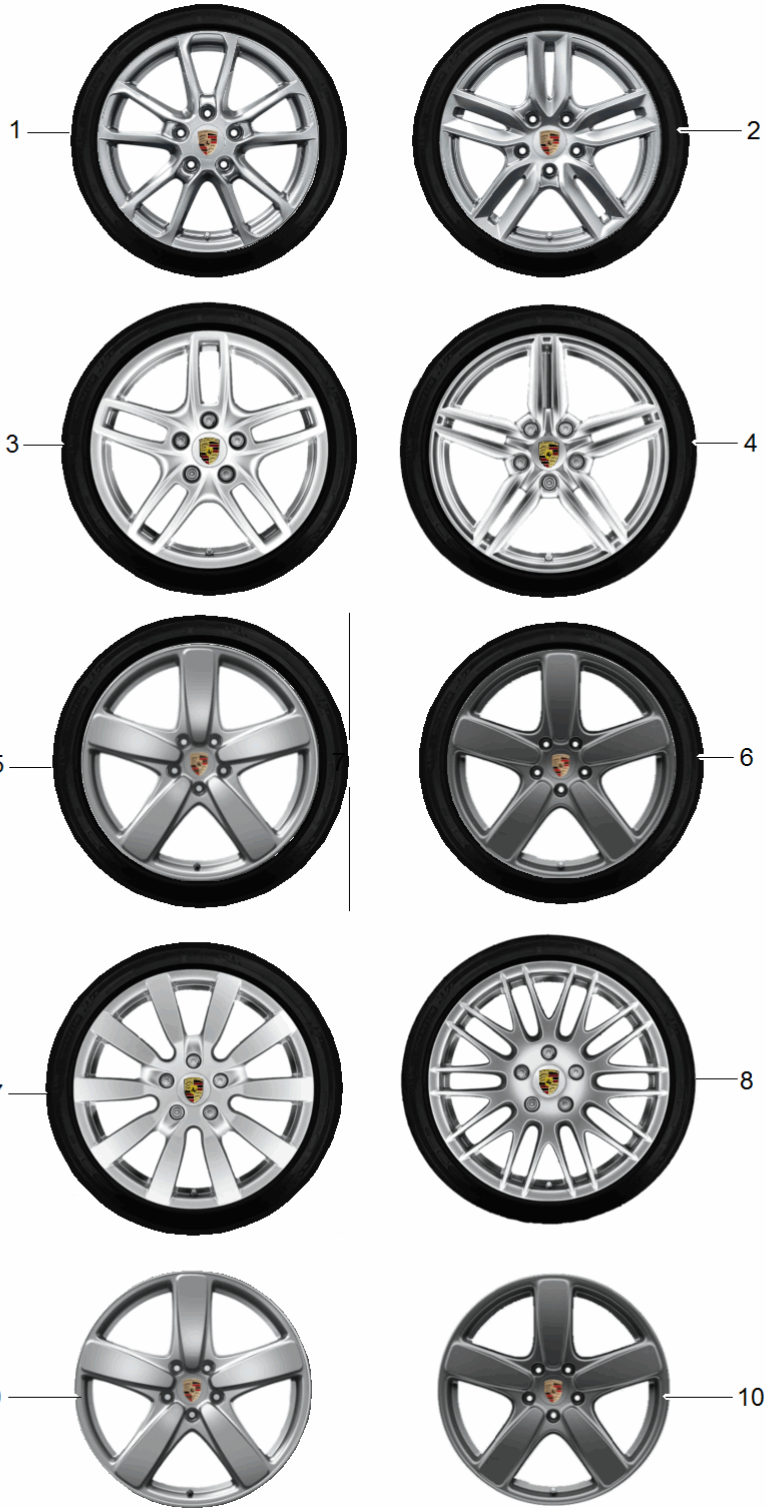
| Pos | Part Number | Description | Remark | Qty | Model |
|-----|----------------|---|----------------------------------|-----|----------------|
| 9 | 958 044 602 82 | two-colour MICHELIN also use: use if required: Set of wheels, compl. 21-ZOLL SPORT EDITION 10J X 21'' ET50 295/35 R21 107Y XL GT Silver Metallic MICHELIN | 970 044 600 12 958 044 500 00 | 1 | 5 mm PR:7K3 |
| 10 | 958 044 602 58 | also use: use if required: Set of wheels, compl. 21-ZOLL SPORT EDITION 10J X 21'' ET50 295/35 R21 107Y XL Silk-Gloss Platinum MICHELIN Included Hub cap | 997 044 600 10 958 044 500 00 | 1 | 5 mm |
| 11 | 958 044 602 84 | use if required: Set of wheels, compl. 21-ZOLL SPORT EDITION 10J X 21'' ET50 295/35 R21 107Y XL High-Gloss Black MICHELIN Included Hub cap | 958 044 500 00 | 1 | 5 mm PR:7K3 |
| 12 | 958 044 602 76 | use if required: Set of wheels, compl. 21-ZOLL CAYENNE SPORT CLASSIC 10J X 21'' ET50 295/35 R21 107Y XL GT Silver Metallic MICHELIN | 958 044 500 00 | 1 | 5 mm PR:7K3 |
| 13 | 958 044 602 80 | also use: use if required: Set of wheels, compl. 21-ZOLL CAYENNE SPORT CLASSIC 10J X 21'' ET50 295/35 R21 107Y XL Silk-Gloss Platinum MICHELIN Included Hub cap | 991 044 600 20 958 044 500 00 | 1 | 5 mm PR:7K3 |
| 14 | 958 044 602 78 | use if required: Set of wheels, compl. 21-ZOLL CAYENNE SPORT CLASSIC 10J X 21'' ET50 295/35 R21 107Y XL High-Gloss Black MICHELIN Included Hub cap | 958 044 500 00 | 1 | 5 mm PR:7K3 |
| - | | use if required: Wheels Only for replacement | 958 044 500 00 | | 5 mm |
| 15 | 7P5 601 025 BE | Alloy wheel 19-ZOLL CAYENNE | | 1 | |

Model: TEQ 2 Model life 2003>>

| Pos | Part Number | Description | Remark | Qty | Model |
|-----|--|---|--------|-----|-------|
| 16 | 7P5 601 025 BE M7Z 7P5 601 025 BE 7P5 601 025 BE OB5 | SPORT CLASSIC II 8,5 X 19'' ET 59 GT Silver Metallic Alloy wheel 19-ZOLL CAYENNE SPORT CLASSIC II 8,5 X 19'' ET 59 Platinum satin-matt | | 1 | |

Model: TEQ 2

Model life 2003>>



Model: TEQ 2 Model life 2003>>

| Pos | Part Number | Description | Remark | Qty | Model |
|-----|----------------|---|---|-----|---|
| - | | Gear wheel sets Wheels Winter D - MJ 2015>> - MJ 2017 Information Manufacturer Approval Wheels and tyres in Piwis Group 4 suspension Attention Attention PCCB only in conj. with: 20-ZOLL for PCCB Together with 19-ZOLL Technical information Attention Attention Snow chains Not Together with Shim | | | Cayenne (92A) |
| 1 | 958 044 601 02 | Set of wheels, compl. 18-ZOLL CAYENNE 8J X 18'' ET53 255/55 R18 109V XL M+S silver DUNLOP Not for: PCCB | | 1 | PR:7K3 OHNE/NOT FOR GTS, TURBO TURBO S |
| (1) | 958 044 601 22 | Set of wheels, compl. 18-ZOLL CAYENNE 8J X 18'' ET53 255/55 R18 109V XL M+S silver PIRELLI Not for: PCCB | also use: 970 044 600 11 use if required: 958 044 600 13 | 1 | PR:7K3 OHNE/NOT FOR GTS, TURBO TURBO S |
| (1) | 958 044 601 12 | Set of wheels, compl. 18-ZOLL CAYENNE 8J X 18'' ET53 255/55 R18 109V XL M+S silver MICHELIN Not for: PCCB | also use: 970 044 600 11 use if required: 958 044 600 13 | 1 | PR:7K3 OHNE/NOT FOR GTS, TURBO TURBO S |
| 2 | 958 044 601 04 | Set of wheels, compl. 18-ZOLL CAYENNE S 8J X 18'' ET53 255/55 R18 109V XL M+S silver DUNLOP | also use: 970 044 600 11 use if required: 958 044 600 13 | 1 | PR:7K3 OHNE/NOT FOR GTS, TURBO TURBO S |

Model: TEQ 2 Model life 2003>>

| Pos | Part Number | Description | Remark | Qty | Model |
|-----|----------------|---|--|-----|---|
| (2) | 958 044 601 24 | Not for: PCCB also use: use if required: Set of wheels, compl. 18-ZOLL CAYENNE S 8J X 18'' ET53 255/55 R18 109V XL M+S silver PIRELLI Not for: PCCB also use: use if required: | 970 044 600 11 958 044 600 13 | 1 | PR:7K3 OHNE/NOT FOR GTS, TURBO TURBO S |
| (2) | 958 044 601 14 | Not for: PCCB also use: use if required: Set of wheels, compl. 18-ZOLL CAYENNE S 8J X 18'' ET53 255/55 R18 109V XL M+S silver MICHELIN Not for: PCCB also use: use if required: | 970 044 600 11 958 044 600 13 | 1 | PR:7K3 OHNE/NOT FOR GTS, TURBO TURBO S |
| 3 | 958 044 601 06 | Not for: PCCB also use: use if required: Set of wheels, compl. 19-ZOLL CAYENNE TURBO for vehicles with air spring 8,5J X 19'' ET59 265/50 R19 110V XL M+S silver DUNLOP also use: use if required: | 970 044 600 11 958 044 600 13 | 1 | PR:7K3 OHNE/NOT FOR TURBO S |
| (3) | 958 044 601 26 | Not for: PCCB also use: use if required: Set of wheels, compl. 19-ZOLL CAYENNE TURBO for cars without air spring 8,5J X 19'' ET59 265/50 R19 110V XL M+S silver PIRELLI also use: use if required: | 970 044 600 14 958 044 600 14 | 1 | PR:7K3 OHNE/NOT FOR TURBO S |
| 4 | 958 044 601 08 | Not for: PCCB also use: use if required: Set of wheels, compl. 19-ZOLL CAYENNE DESIGN II for vehicles with air spring 8,5J X 19'' ET59 265/50 R19 110V XL M+S silver DUNLOP also use: use if required: | 970 044 600 14 958 044 600 14 | 1 | PR:7K3 OHNE/NOT FOR TURBO S |
| (4) | 958 044 601 28 | Not for: PCCB also use: use if required: Set of wheels, compl. 19-ZOLL CAYENNE DESIGN II for cars without air spring 8,5J X 19'' ET59 265/50 R19 110V XL M+S silver PIRELLI also use: | 970 044 600 14 958 044 600 14 970 044 600 14 | 1 | PR:7K3 OHNE/NOT FOR TURBO S |

Model: TEQ 2 Model life 2003>>

| Pos | Part Number | Description | Remark | Qty | Model |
|-----|----------------|---|----------------------------------|-----|---------------------------------------|
| 5 | 958 044 601 34 | use if required: Set of wheels, compl. 19-ZOLL CAYENNE SPORT CLASSIC for vehicles with air spring 8,5J X 19'' ET59 265/50 R19 110V XL M+S GT Silver Metallic DUNLOP | 958 044 600 14 | 1 | PR:7K3 OHNE/NOT FOR TURBO S |
| (5) | 958 044 601 54 | also use: use if required: Set of wheels, compl. 19-ZOLL CAYENNE SPORT CLASSIC for cars without air spring 8,5J X 19'' ET59 265/50 R19 110V XL M+S GT Silver Metallic PIRELLI | 991 044 600 20 958 044 600 14 | 1 | PR:7K3 OHNE/NOT FOR TURBO S |
| 6 | 958 044 601 36 | also use: use if required: Set of wheels, compl. 19-ZOLL CAYENNE SPORT CLASSIC for vehicles with air spring 8,5J X 19'' ET59 265/50 R19 110V XL M+S Silk-Gloss Platinum DUNLOP Included Hub cap | 991 044 600 20 958 044 600 14 | 1 | PR:7K3 OHNE/NOT FOR TURBO S |
| (6) | 958 044 601 56 | use if required: Set of wheels, compl. 19-ZOLL CAYENNE SPORT CLASSIC for cars without air spring 8,5J X 19'' ET59 265/50 R19 110V XL M+S Silk-Gloss Platinum PIRELLI Included Hub cap | 958 044 600 14 | 1 | PR:7K3 OHNE/NOT FOR TURBO S |
| 7 | 958 044 601 30 | use if required: Set of wheels, compl. 20-ZOLL CAYENNE SPORT DESIGN II for vehicles with air spring 9J X 20'' ET57 275/45 R20 110V XL M+S silver DUNLOP Together with PCCB Not for: Cayenne GTS Cayenne turbo | 958 044 600 14 | 1 | PR:7K3 OHNE/NOT FOR TURBO S |
| | | also use: use if required: | 970 044 600 14 958 044 600 14 | | |

Model: TEQ 2 Model life 2003>>

| Pos | Part Number | Description | Remark | Qty | Model |
|-----|--------------------|--|---|-----|---------------------------------------|
| (7) | 958 044 601 40 | Set of wheels, compl. 20-ZOLL CAYENNE SPORT DESIGN II for cars without air spring 9J X 20'' ET57 275/45 R20 110V XL M+S silver MICHELIN Together with PCCB Not for: Cayenne GTS Cayenne turbo | | 1 | PR:7K3 OHNE/NOT FOR TURBO S |
| | | | also use: 970 044 600 14 use if required: 958 044 600 14 | | |
| 8 | 958 044 601 32 | Set of wheels, compl. 20-ZOLL RS SPYDER for vehicles with air spring 9J X 20'' ET57 275/45 R20 110V XL M+S silver DUNLOP | | 1 | PR:7K3 |
| | | | also use: 958 044 600 11 use if required: 958 044 600 14 | | |
| (8) | 958 044 601 42 | Set of wheels, compl. 20-ZOLL RS SPYDER for cars without air spring 9J X 20'' ET57 275/45 R20 110V XL M+S silver MICHELIN | | 1 | PR:7K3 |
| | | | also use: 958 044 600 11 use if required: 958 044 600 14 | | |
| - | | Wheels Only for replacement | | | |
| 9 | 7P5 601 025 BE | Alloy wheel 19-ZOLL CAYENNE SPORT CLASSIC II 8,5 X 19'' ET 59 | | 1 | |
| | 7P5 601 025 BE M7Z | GT Silver Metallic | | | |
| 10 | 7P5 601 025 BE | Alloy wheel 19-ZOLL CAYENNE SPORT CLASSIC II 8,5 X 19'' ET 59 | | 1 | |
| | 7P5 601 025 BE OB5 | Platinum satin-matt | | | |

Model: TEQ 2

Model life 2003>>



Model: TEQ 2

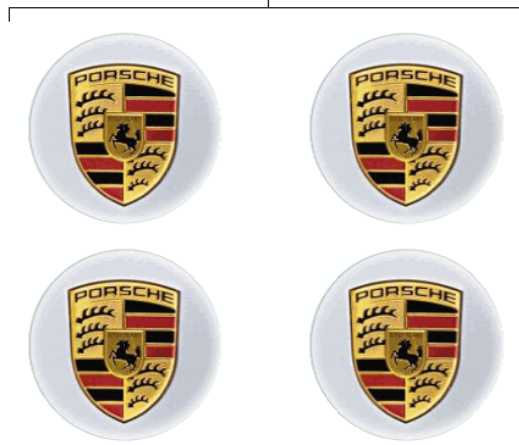
Model life 2003>>

| Pos | Part Number | Description | Remark | Qty | Model |
|-----|----------------|---|--------|-----|---|
| 1 | 958 044 600 13 | Snow chains D - MJ 2011>> - MJ 2017 Snow chains 18-ZOLL fuer 255/55 R18 M+S nicht i. V. m. Distanzsch. | | 1 | Cayenne(92A) Cayenne/S Diesel S Hybrid |
| (1) | 958 044 600 14 | Snow chains 19-ZOLL 20-ZOLL fuer 265/50 R19 M+S fuer 275/45 R20 M+S nur an Hinterachse nicht i. V. m. Distanzsch. | | 1 | Cayenne/S Diesel S Hybrid Turbo |

Model: TEQ 2

Model life 2003>>

1



2



3



Model: TEQ 2

Model life 2003>>

| Pos | Part Number | Description | Remark | Qty | Model |
|-----|----------------|---|--------|-----|---|
| 1 | 991 044 600 09 | Hub cap D - MJ 2003>> 1 set wheel trim caps silver Porsche crest Coloured for Set of wheels, compl. 18-ZOLL CAYENNE S 19-ZOLL CAYENNE S | | 1 | Cayenne alle 9PA 9YA |
| (1) | 970 044 600 11 | 1 set wheel trim caps Brilliant Silver Porsche crest Coloured for Set of wheels, compl. 17-ZOLL CAYENNE 18-ZOLL CAYENNE 18-ZOLL CAYENNE S II 18-ZOLL CAYENNE S III 18-ZOLL CAYENNE TURBO II 19-ZOLL CAYENNE 20-ZOLL SPORT TECHNO 21-ZOLL CAYENNE SPORT 21-ZOLL CAYENNE SPORT PLUS | | 1 | 9PA 9YA 9PA 92A 9PA 92A 9PA 9YA 9PA 9PA 9PA |
| (1) | 970 044 600 14 | 1 set wheel trim caps Brilliant chrome finish Porsche crest Coloured for Set of wheels, compl. 19-ZOLL CAYENNE TURBO III 19-ZOLL CAYENNE DESIGN II 20-ZOLL SPORT DESIGN II 20-ZOLL CAYENNE DESIGN 20-ZOLL CAYENNE SPORT | | 1 | 9PA 92A 92A 92A 9YA 9YA |
| (1) | 955 044 600 11 | Hub cap Star shaped Set silver Porsche crest Coloured for Set of wheels, compl. 19-ZOLL CAYENNE DESIGN 20-ZOLL SPORT DESIGN | | 1 | 9PA 9PA |
| (1) | 955 044 600 12 | Hub cap Set silver Porsche crest Coloured for Set of wheels, compl. 18-ZOLL CAYENNE TURBO | | 1 | 9PA |
| (1) | 997 044 600 10 | 1 set wheel trim caps GT Silver Metallic Porsche crest Coloured for Set of wheels, compl. 21-ZOLL SPORT EDITION | | 1 | 92A |
| (1) | 991 044 600 20 | 1 set wheel trim caps GT Silver Metallic | | 1 | |

Model: TEQ 2 Model life 2003>>

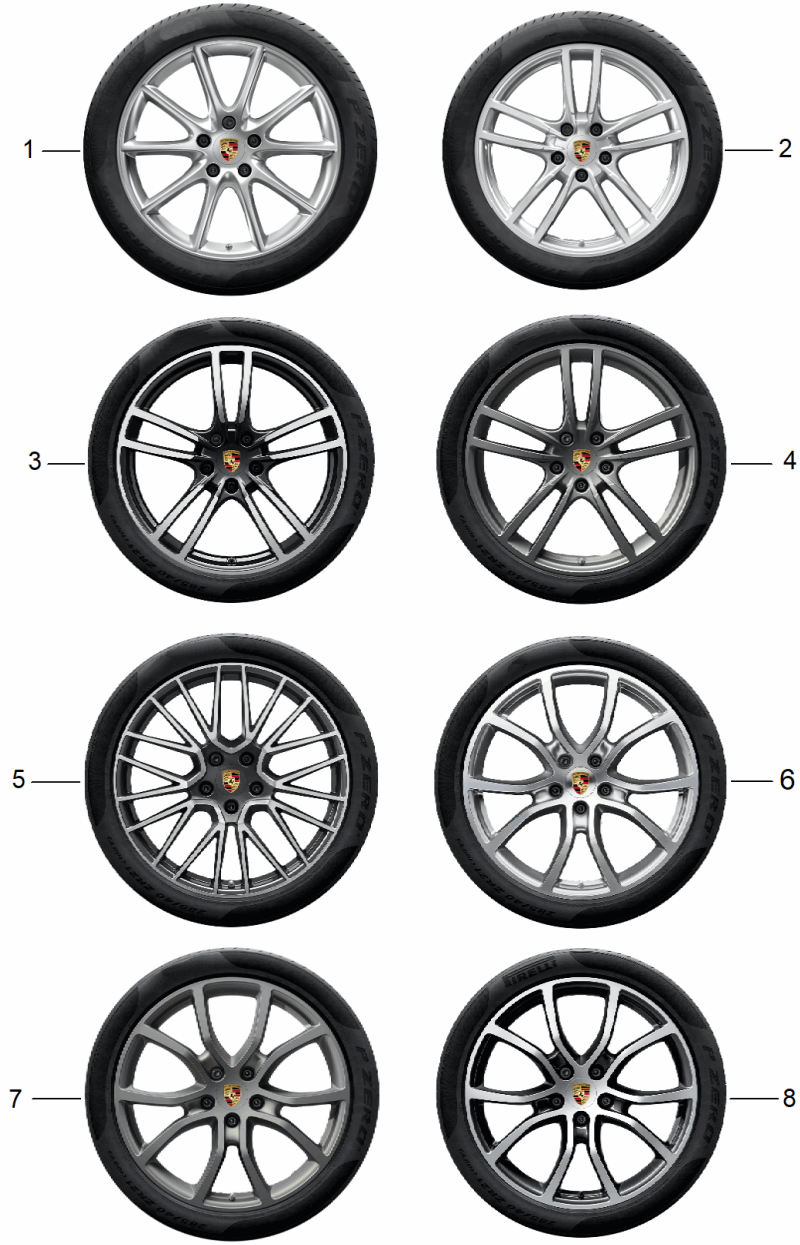
| Pos | Part Number | Description | Remark | Qty | Model |
|-----|----------------|---|--------|-----|-------------------|
| (1) | 970 044 600 12 | Porsche crest Coloured for Set of wheels, compl. 19-ZOLL SPORT CLASSIC 21-ZOLL SPORT CLASSIC II 1 set wheel trim caps Titanium grey Porsche crest Coloured for Set of wheels, compl. 21-ZOLL 911 TURBO II 21-ZOLL CAYENNE TURBO 21-ZOLL CAYENNE RS SPYDER | | 1 | 92A 92A |
| (1) | 958 044 600 11 | 1 set wheel trim caps Titanium grey Porsche crest Coloured for Set of wheels, compl. 20-ZOLL RS SPYDER | | 1 | 92A 9YA 9YA |
| (1) | 991 044 600 23 | 1 set wheel trim caps Titanium Dark Porsche crest Coloured for Set of wheels, compl. 21-ZOLL 911 TURBO III | | 1 | 92A |
| 2 | 000 044 607 23 | 1 set wheel trim caps Silk-Gloss Platinum Porsche crest Coloured for Set of wheels, compl. 20-ZOLL RS SPYDER 21-ZOLL CAYENNE TURBO DESI | | 1 | 92A 9YA |
| (2) | 000 044 605 34 | Platinum satin-matt 1 set wheel trim caps Silk-Gloss Platinum Porsche crest Coloured for Set of wheels, compl. 19-ZOLL SPORT CLASSIC 21-ZOLL SPORT CLASSIC II 21-ZOLL SPORT EDITION Platinum satin-matt | | 1 | 92A 92A 92A |
| 3 | 997 044 600 47 | 1 set wheel trim caps Black Porsche crest Coloured for Set of wheels, compl. 21-ZOLL SPORT PLUS | | 1 | 9PA |
| (3) | 997 044 602 97 | Black 1 set wheel trim caps Black Porsche crest Coloured for Set of wheels, compl. | | 1 | |

Model: TEQ 2 Model life 2003>>

| Pos | Part Number | Description | Remark | Qty | Model |
|-----|-------------|--|--------|-----|------------|
| | | 21-ZOLL SPORT CLASSIC II 21-ZOLL SPORT EDITION Black | | | 92A 92A |

Model: TEQ 2

Model life 2003>>



P94602006 04 - 18

Model: TEQ 2 Model life 2003>>

| Pos | Part Number | Description | Remark | Qty | Model |
|-----|---------------|---|----------------|-----|---------------|
| - | | gear set RAEDER SOMMER D - MJ 2018>> note: HERSTELLERFREIGABE RAEDER UND REIFEN IN PIWIS GRUPPE 4 FAHRWERK BEACHTEN | | | Cayenne (9YA) |
| - | | note: PCCB only in conj. with: 21-ZOLL | | | |
| - | | note: 21-ZOLL KOMPLETTTRAEDER only in conj. with: RADHAUSVERBREITERUNGEN | | | |
| 1 | 9Y0 044 660 B | Set of wheels, compl. 20-ZOLL CAYENNE DESIGN 9J X 20 ET50 275/45 ZR20 (110Y) XL 10,5J X 20 ET64 305/40 ZR20 (112Y) XL silver PIRELLI | Painted | 1 | PR:7K3 |
| 2 | 9Y0 044 660 C | also use: Set of wheels, compl. 20-ZOLL CAYENNE SPORT 9J X 20 ET50 275/45 ZR20 (110Y) XL 10,5J X 20 ET64 305/40 ZR20 (112Y) XL silver PIRELLI | 970 044 600 14 | 1 | PR:7K3 |
| 5 | 9Y0 044 660 F | also use: Set of wheels, compl. 21-ZOLL CAYENNE TURBO 9,5J X 21 ET46 285/40 ZR21 (109Y) XL 11J X 21 ET58 315/35 ZR21 (111Y) XL silver PIRELLI | 970 044 600 14 | 1 | PR:7K3 |
| 6 | 9Y0 044 660 G | also use: Set of wheels, compl. 21-ZOLL CAYENNE TURBO DESI 9,5J X 21 ET46 285/40 ZR21 (109Y) XL 11J X 21 ET58 315/35 ZR21 (111Y) XL Silk-Gloss Platinum PIRELLI Included | 970 044 600 12 | 1 | PR:7K3 |
| 7 | 9Y0 044 660 H | 1 set wheel trim caps Set of wheels, compl. 21-ZOLL CAYENNE RS SPYDER 9,5J X 21 ET46 285/40 ZR21 (109Y) XL 11J X 21 ET58 315/35 ZR21 (111Y) XL | | 1 | PR:7K3 |

Model: TEQ 2 Model life 2003>>

| Pos | Part Number | Description | Remark | Qty | Model |
|-----|---------------|--|----------------|-----|--------|
| 8 | 9Y0 044 660 J | silver PIRELLI also use: Set of wheels, compl. 21-ZOLL CAYENNE EXC DESIGN 9,5J X 21 ET46 285/40 ZR21 (109Y) XL 11J X 21 ET58 315/35 ZR21 (111Y) XL silver PIRELLI | 000 044 607 36 | 1 | PR:7K3 |
| 9 | 9Y0 044 660 K | also use: Set of wheels, compl. 21-ZOLL CAYENNE EXC DESIGN 9,5J X 21 ET46 285/40 ZR21 (109Y) XL 11J X 21 ET58 315/35 ZR21 (111Y) XL Silk-Gloss Platinum PIRELLI Included 1 set wheel trim caps | 000 044 607 37 | 1 | PR:7K3 |
| 10 | 9Y0 044 660 L | Set of wheels, compl. 21-ZOLL CAYENNE EXC DESIGN 9,5J X 21 ET46 285/40 ZR21 (109Y) XL 11J X 21 ET58 315/35 ZR21 (111Y) XL High-Gloss Black PIRELLI Included 1 set wheel trim caps | | 1 | PR:7K3 |

Model: TEQ 2

Model life 2003>>



Model: TEQ 2 Model life 2003>>

| Pos | Part Number | Description | Remark | Qty | Model |
|-----|---------------|--|--|-----|-------------------------------------|
| - | | Gear wheel sets Wheels Winter D - MJ 2018>> Information Manufacturer Approval Wheels and tyres in Piwis Group 4 suspension Attention note: PSCB only in conj. with: 20-ZOLL ODER 21-ZOLL note: PCCB only in conj. with: 21-ZOLL Attention 21-ZOLL KOMPLETTTRAEDER only in conj. with: RADHAUSVERBREITERUNGEN Lacquered | | | Cayenne (9YA) |
| 1 | 9Y0 044 600 A | Set of wheels, compl. 19-ZOLL CAYENNE S 8,5J X 19 ET47 255/55 R19 111V XL M+S 9,5J X 19 ET54 275/50 R19 112V XL M+S silver MICHELIN Not for: PCCB & PSCB | | 1 | PR:7K3 OHNE/NOT FOR TURBO |
| (1) | 9Y0 044 601 A | Set of wheels, compl. 19-ZOLL CAYENNE S 8,5J X 19 ET47 255/55 R19 111V XL M+S 9,5J X 19 ET54 275/50 R19 112V XL M+S silver PIRELLI Not for: PCCB & PSCB | also use: 955 044 600 09 use if required: 9Y0 044 690 A | 1 | PR:7K3 OHNE/NOT FOR TURBO |
| 2 | 9Y0 044 600 B | Set of wheels, compl. 20-ZOLL CAYENNE DESIGN 9J X 20 ET50 275/45 R20 110V XL M+S 10,5J X 20 ET64 305/40 R20 112V XL M+S silver MICHELIN Not for: PCCB | also use: 955 044 600 09 use if required: 9Y0 044 690 A | 1 | PR:7K3 |
| (2) | 9Y0 044 601 B | Set of wheels, compl. 20-ZOLL CAYENNE DESIGN | also use: 970 044 600 14 use if required: 9Y0 044 690 A | 1 | PR:7K3 |

Model: TEQ 2 Model life 2003>>

| Pos | Part Number | Description | Remark | Qty | Model |
|-----|---------------|---|---------------------------------|-----|--------|
| (2) | 9Y0 044 602 B | 9J X 20 ET50 275/45 R20 110V XL M+S 10,5J X 20 ET64 305/40 R20 112V XL M+S silver Continental Not for: PCCB also use: use if required: | 970 044 600 14 9Y0 044 690 A | 1 | PR:7K3 |
| 3 | 9Y0 044 600 C | Set of wheels, compl. 20-ZOLL CAYENNE DESIGN 9J X 20 ET50 275/45 R20 110V XL M+S 10,5J X 20 ET64 305/40 R20 112V XL M+S silver PIRELLI Not for: PCCB also use: use if required: | 970 044 600 14 9Y0 044 690 A | 1 | PR:7K3 |
| (3) | 9Y0 044 601 C | Set of wheels, compl. 20-ZOLL CAYENNE SPORT 9J X 20 ET50 275/45 R20 110V XL M+S 10,5J X 20 ET64 305/40 R20 112V XL M+S silver MICHELIN Not for: PCCB also use: use if required: | 970 044 600 14 9Y0 044 690 A | 1 | PR:7K3 |
| (3) | 9Y0 044 602 C | Set of wheels, compl. 20-ZOLL CAYENNE SPORT 9J X 20 ET50 275/45 R20 110V XL M+S 10,5J X 20 ET64 305/40 R20 112V XL M+S silver Continental Not for: PCCB also use: use if required: | 970 044 600 14 9Y0 044 690 A | 1 | PR:7K3 |
| 4 | 9Y0 044 610 D | Set of wheels, compl. 20-ZOLL CAYENNE SPORTCLASSIC 9J X 20 ET50 275/45 R20 110V XL M+S 10,5J X 20 ET64 | 970 044 600 14 9Y0 044 690 A | 1 | PR:7K3 |

Model: TEQ 2 Model life 2003>>

| Pos | Part Number | Description | Remark | Qty | Model |
|-----|---------------|---|--------|-----|--------|
| 6 | 9Y0 044 600 H | 305/40 R20 112V XL M+S silver MICHELIN Not for: PCCB also use: 000 044 605 22 use if required: 9Y0 044 690 A Set of wheels, compl. 21-ZOLL CAYENNE RS SPYDER 9,5J X 21 ET46 275/40 R21 107V XL M+S 11J X 21 ET58 305/35 R21 109V XL M+S silver Pirelli | | 1 | PR:7K3 |
| 7 | 9Y0 044 600 J | also use: 000 044 607 36 use if required: 9Y0 044 690 A Set of wheels, compl. 21-ZOLL CAYENNE EXC DESIGN 9,5J X 21 ET46 275/40 R21 107V XL M+S 11J X 21 ET58 305/35 R21 109V XL M+S silver Pirelli also use: 000 044 607 37 use if required: 9Y0 044 690 A | | 1 | PR:7K3 |

Model: TEQ 2

Model life 2003>>



Model: TEQ 2 Model life 2003>>

| Pos | Part Number | Description | Remark | Qty | Model |
|-----|---------------|--|--------|-----|---------------|
| 1 | 9Y0 044 690 A | Snow chains D - MJ 2018>> Snow chains 19-ZOLL 20-ZOLL 21-ZOLL FUER 275/50 R19 M+S FUER 305/40 R20 M+S FUER 305/35 R21 M+S NUR AN HINTERACHSE NICHT FUER 21-ZOLL AS | | 1 | Cayenne (9YA) |

Model: TEQ 2

Model life 2003>>



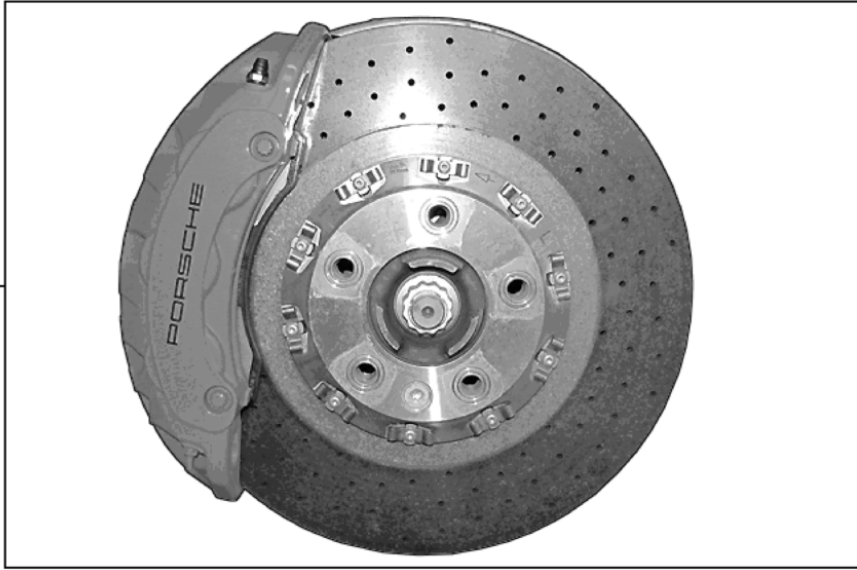
Model: TEQ 2 Model life 2003>>

| Pos | Part Number | Description | Remark | Qty | Model |
|-----|----------------|-------------------------|--------|-----|---------------|
| | | Snow chains | | | Cayenne (9PA) |
| | | D - MJ 2003>> - MJ 2010 | | | |
| 1 | 955 044 600 07 | Snow chains | | 1 | 235/65 R17 |
| | | Double | | | |
| (1) | 955 044 600 08 | Snow chains | | 1 | 255/55 R18 |
| | | Double | | | 255/50 R19 |
| (1) | 955 044 600 13 | Snow chains | | 1 | 275/40 R20 |
| | | Double | | | |

Model: TEQ 2

Model life 2003>>

1

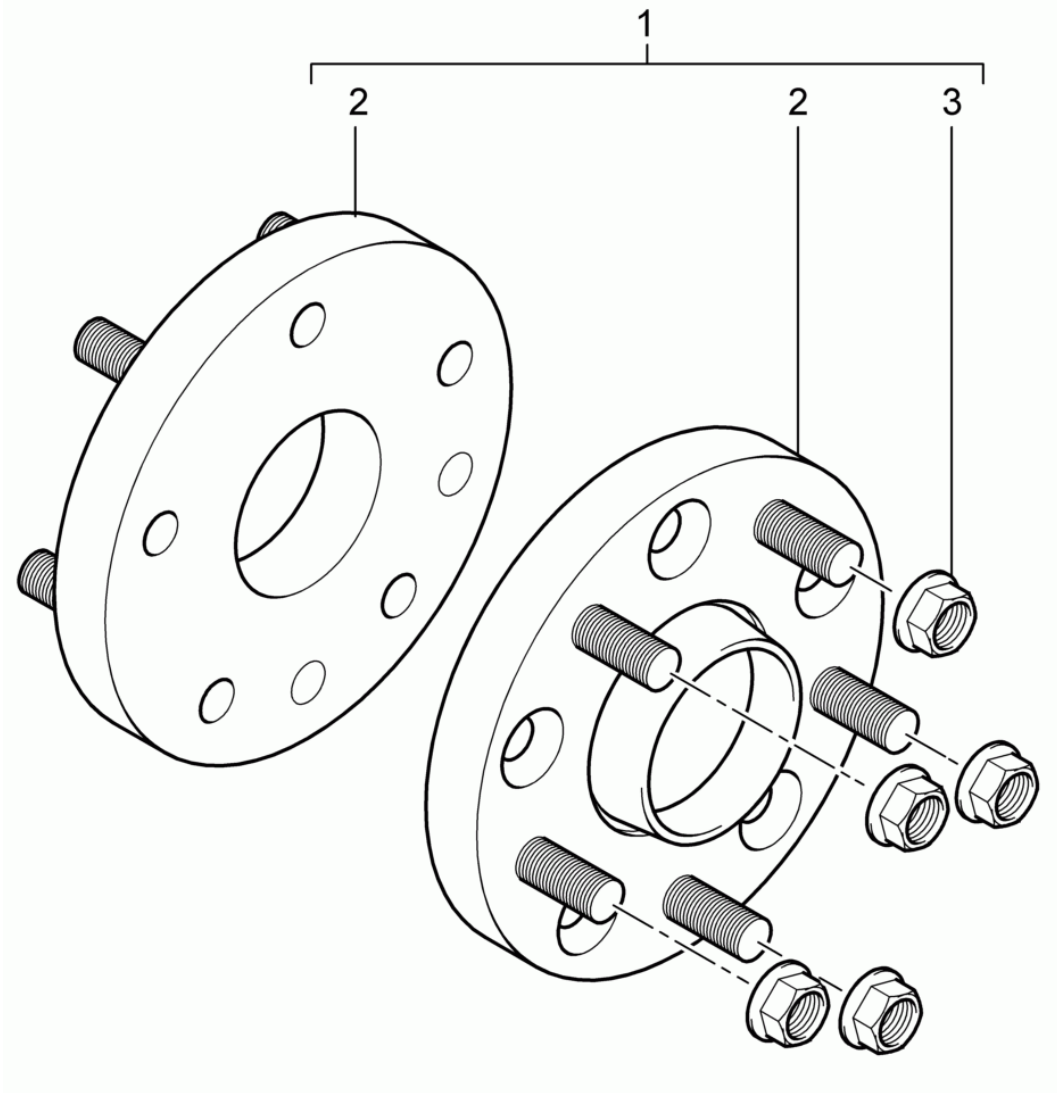


Model: TEQ 2 Model life 2003>>

| Pos | Part Number | Description | Remark | Qty | Model |
|-----|----------------|---|--------|-----|---|
| - | | Brake PCCB D - MJ 2011>> - MJ 2014 Inst. & Conv. Instructions Cayenne turbo Group 4 4701 (48/10) Attention | | | Cayenne (92A) Turbo / GTS Turbo S |
| 1 | 958 044 605 00 | PCCB Set Only Vehicle Ident. No. F >> A2-CLA81 170 D - MJ 2011>> - MJ 2012 Inst. & Conv. Instructions Cayenne turbo Group 4 4701 (8/12) Attention | | 1 | Turbo |
| (1) | 958 044 605 01 | PCCB Set AB Vehicle Ident. No. F A2-CLA81 170>> D - MJ 2012>> - MJ 2014 | | 1 | Turbo / GTS Turbo S |

Model: TEQ 2

Model life 2003>>



Model: TEQ 2 Model life 2003>>

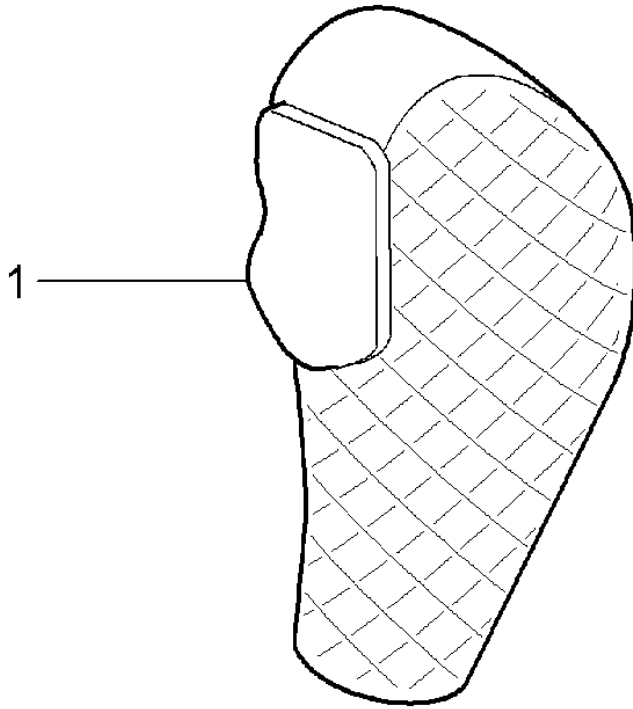
| Pos | Part Number | Description | Remark | Qty | Model |
|-----|----------------|---|----------------|-----|---|
| - | | Shim 17 MM Inst. & Conv. Instructions Porsche Cayenne 4413 (10/07) 4413 (43/07) 4413 (23/11) 4413 (21/15) Attention | 03-10 11-17 | | Cayenne (9PA) Cayenne (92A) alle Cayenne (9PA) Cayenne (9PA) Cayenne (92A) Cayenne (92A) |
| 1 | 955 044 600 23 | Shim for Widening of track Rear axle Set | | 1 | 17 mm PR: -011, -092 - "J..", - "S..", - "DK..", - "SF..", - "GB..", - "N..", - "RUS" PR: 2D1, 2D2, 6GB, 6GF, 6GH, 6GJ |
| - | | only in conj. with: Sport Design package or wheel cover | | | |
| - | | Not Together with Snow chains | | | |
| - | | Not Together with 20-ZOLL RS SPYDER DESIGN | | | |
| - | | Not Together with 21-ZOLL Not for: Wheels 955.362.136.30 955.362.142.00 955.362.156.00 955.362.162.00 Use | | | Cayenne (9PA) |
| - | | Not for: Wheels 958.362.142.01.9A1 958.362.150.01.M7Z Use | | | Cayenne (92A) |
| - | | Set comprising: Spacer ring | | 2 | 17 mm |
| 2 | 996 361 617 00 | | | | |
| 3 | N 020 112 1 | Spherical collar nut | | 10 | M14 x 1,5 |

Model: TEQ 2 Model life 2003>>

| Pos | Part Number | Description | Remark | Qty | Model |
|-----|----------------|--|--------|-----|---|
| - | | Shim 5 MM Inst. & Conv. Instructions Porsche Cayenne All Main group 4 4413 (32/12) 4413 (16/15) Attention | 11- | | Cayenne (92A) |
| 1 | 958 044 500 00 | Shim Set 2-part | | 1 | 5 mm |
| - | | Not Together with Snow chains | | | |
| - | | for Widening of track Front axle or Rear axle | | | |
| - | | Attention in Japan only in conj. with: Sport Design package or wheel cover and Not Together with 21-ZOLL | | | PR: 2D1, 2D2, 6GB, 6GF, 6GH, 6GJ "J.." |
| - | | Set comprising: | | | |
| 2 | 997 361 605 92 | Spacer ring | | 4 | 5 mm |
| 3 | 958 361 980 00 | Wheel bolt Black | | 16 | M14x1, 5x54 |
| 4 | 000 044 602 42 | Anti-theft protection Wheel bolt Black Set | | 1 | M14x1, 5x54 |

Model: TEQ 2

Model life 2003>>

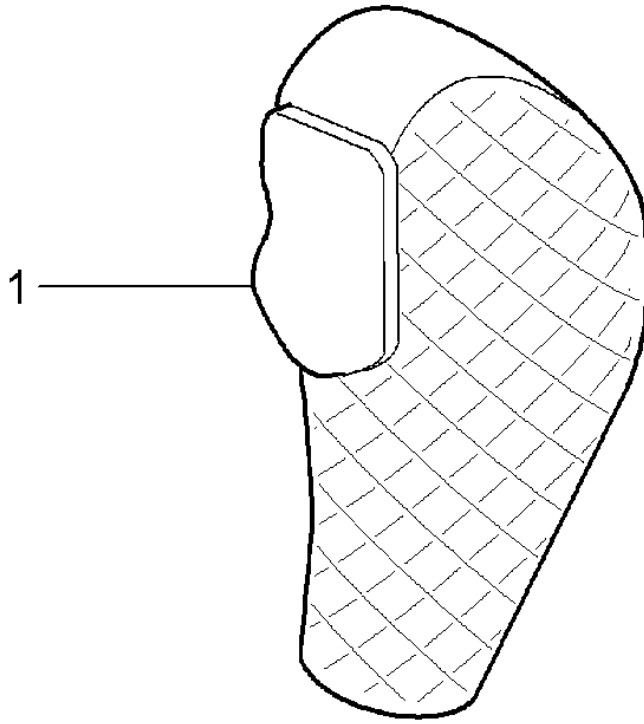


Model: TEQ 2 Model life 2003>>

| Pos | Part Number | Description | Remark | Qty | Model |
|-----|--------------------|---|--------|-----|-------------------------|
| - | 955 424 982 00 | selector lever Tiptronic Wood D - MJ 2003>> - MJ 2010 | | 1 | Cayenne (9PA) PR:GOR |
| 1 | 955 426 069 30 | selector lever Olive grain Light High gloss D - MJ 2003>> - MJ 2004 Discontinued part | | 1 | PR:GOR |
| | 955 426 069 30 4V8 | Selector knob D - MJ 2005>> - MJ 2010 | | | |
| - | 955 424 983 00 | Olive grain Light High gloss selector lever Olive grain Light Matte D - MJ 2003>> - MJ 2006 Discontinued part | | 1 | PR:GOR |
| 1 | 955 426 069 20 | Selector knob D - MJ 2005>> - MJ 2010 | | 1 | PR:GOR |
| | 955 426 069 20 9Z4 | Olive grain Light Matte | | | |
| - | 955 424 981 00 | selector lever Rootwood Dark High gloss D - MJ 2003>> - MJ 2004 Discontinued part | | 1 | PR:GOR |
| 1 | 955 426 069 10 | Selector knob D - MJ 2005>> - MJ 2010 | | 1 | PR:GOR |
| | 955 426 069 10 4X2 | Rootwood Dark High gloss | | | |

Model: TEQ 2

Model life 2003>>



Model: TEQ 2 Model life 2003>>

| Pos | Part Number | Description | Remark | Qty | Model |
|-----|----------------|---|--------|-----|---|
| 1 | 955 424 980 00 | selector lever Tiptronic Carbon D - MJ 2003>> - MJ 2010 selector lever Tiptronic Carbon | | 1 | Cayenne (9PA) PR:D9J,D9K, D9L |

Model: TEQ 2

Model life 2003>>

1



2

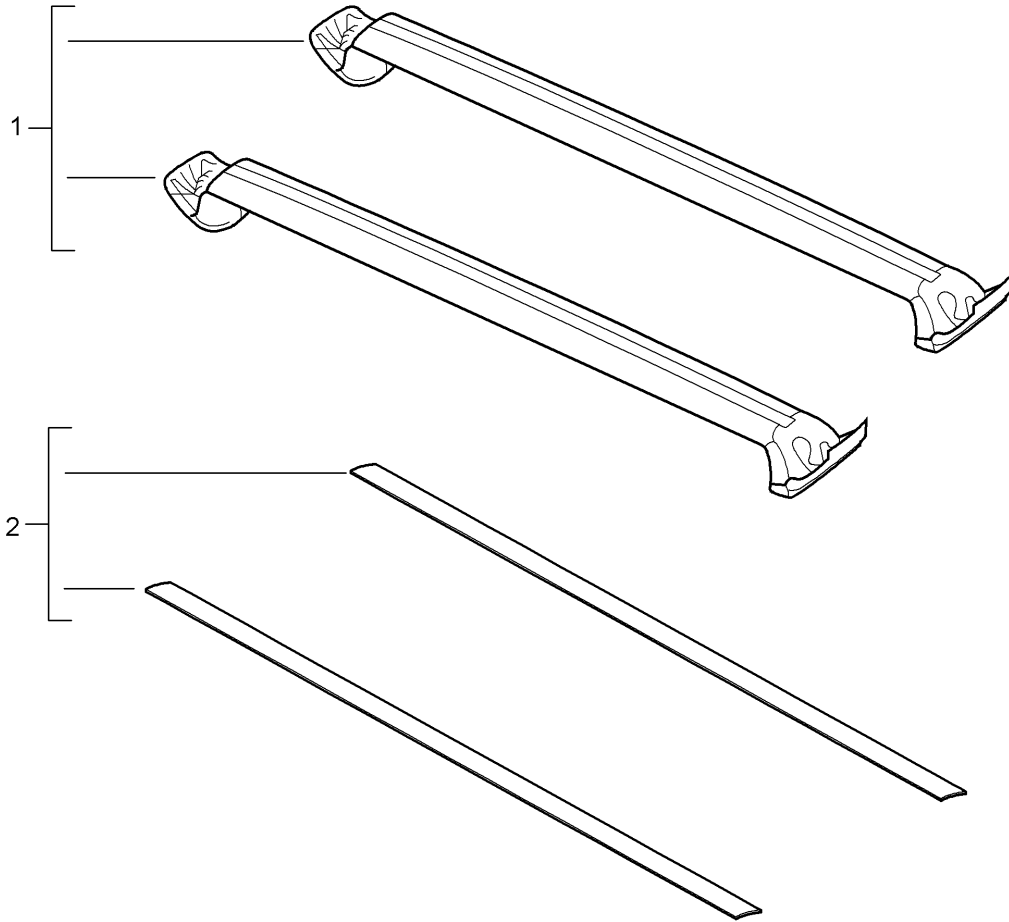


Model: TEQ 2 Model life 2003>>

| Pos | Part Number | Description | Remark | Qty | Model | |
|--------------------|----------------|--------------------|----------------|-----|---|--|
| 1 | 955 044 700 00 | selector lever | 03-10 | 1 | Cayenne (9PA) Cayenne (92A) Cayenne (9PA) PR:G0R | |
| | | Tiptronic | 11- | | | |
| | | selector lever | 03-10 | | | |
| | | Magnesium | | | | |
| | | 955 044 700 00 L63 | chestnut brown | | | |
| | | 955 044 700 00 5X6 | Stone grey | | | |
| 2 | 958 044 700 00 | 955 044 700 00 7A3 | Havanna | 1 | Cayenne (92A) PR:G1G | |
| | | 955 044 700 00 8B2 | Black | | | |
| | | 955 044 700 00 8D4 | Sand beige | | | |
| | | selector lever | 11- | | | |
| | | aluminium | | | | |
| | | 958 044 700 00 DE1 | Umber | | | |
| | | 958 044 700 00 7A0 | Platinum Grey | | | |
| | | 958 044 700 00 8C0 | Espresso | | | |
| | | 958 044 700 00 8YR | Black | | | |
| | | 958 044 700 00 9H6 | Luxor beige | | | |
| 958 044 700 00 OK6 | saddle brown | | | | | |
| 958 044 700 00 PL1 | agate grey | | | | | |

Model: TEQ 2

Model life 2003>>

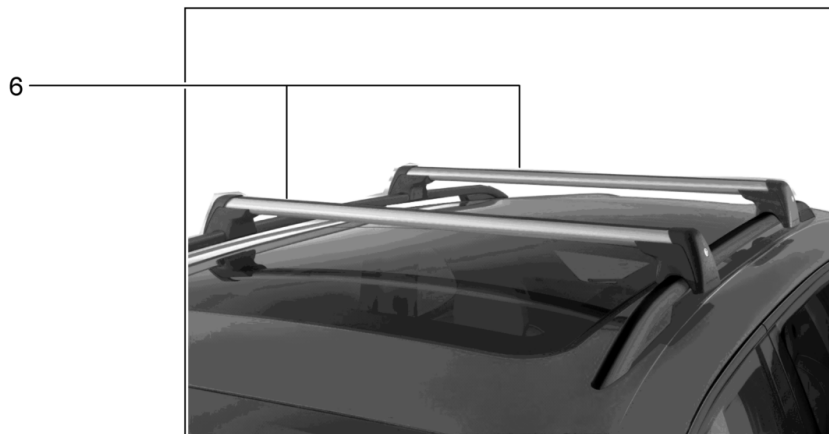
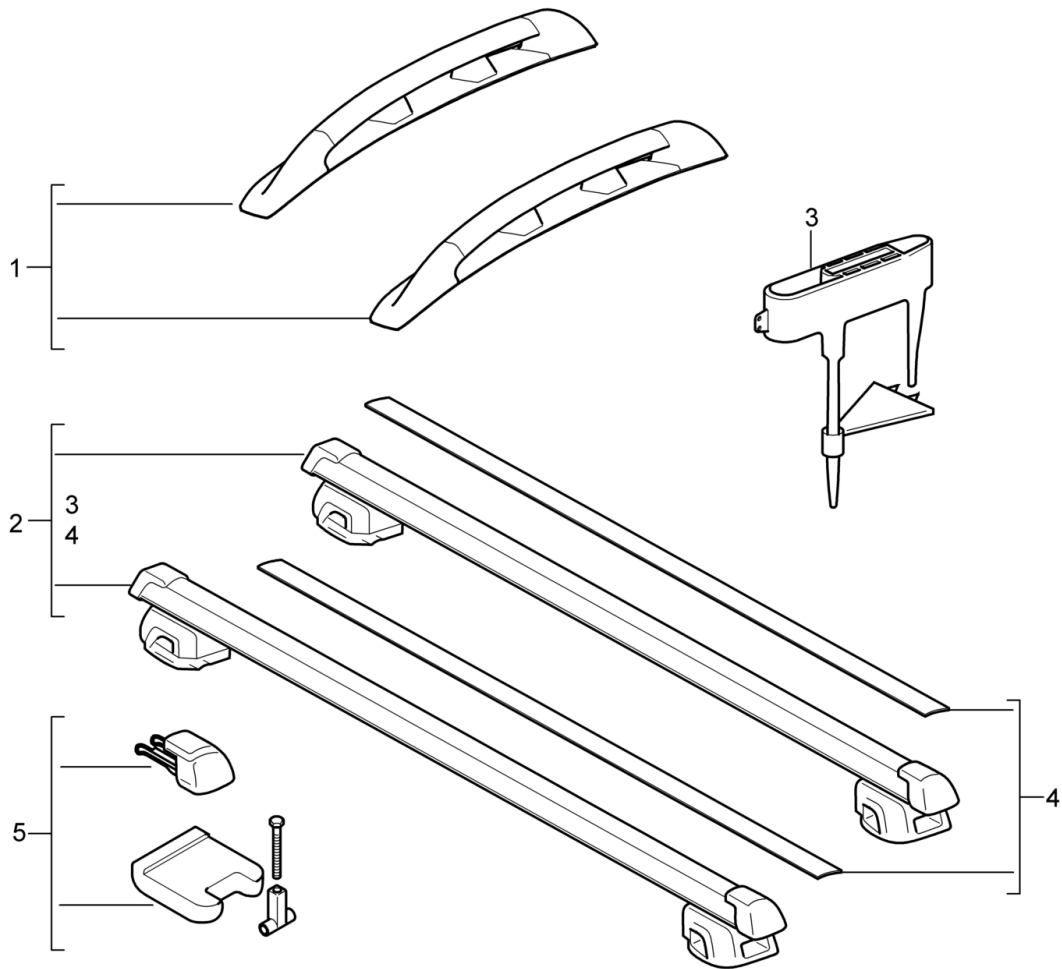


Model: TEQ 2 Model life 2003>>

| Pos | Part Number | Description | Remark | Qty | Model |
|-----|----------------|--|--------|-----|---------------|
| - | | Roof carrier D - MJ 2003>> - MJ 2010 Technical information Porsche Cayenne Group 6 6692 (1/02) Attention | | | Cayenne (9PA) |
| 1 | 955 044 000 22 | Roof carrier Main support Double | | 1 | alle |
| (1) | 955 044 000 72 | Discontinued part Roof carrier Main support Double | | 1 | |
| - | | Individual parts see Catalogue 9PA-8/10/00 | | | |
| 2 | 955 801 385 00 | Protective rubber | | 1 | |
| - | 955 044 000 59 | key Set State lock number | | 1 | |

Model: TEQ 2

Model life 2003>>

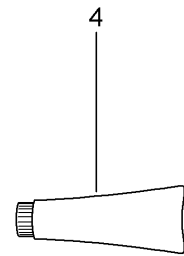
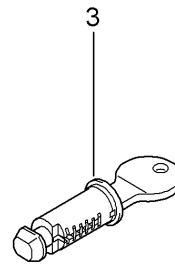
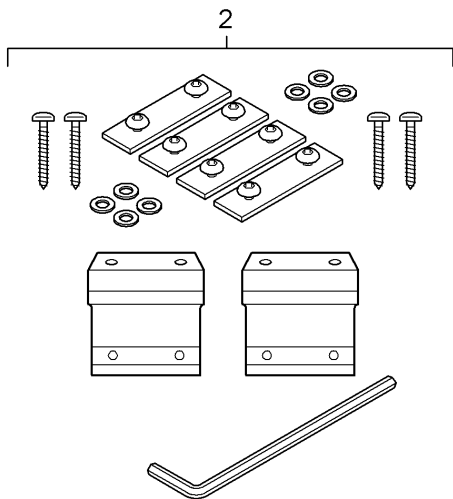
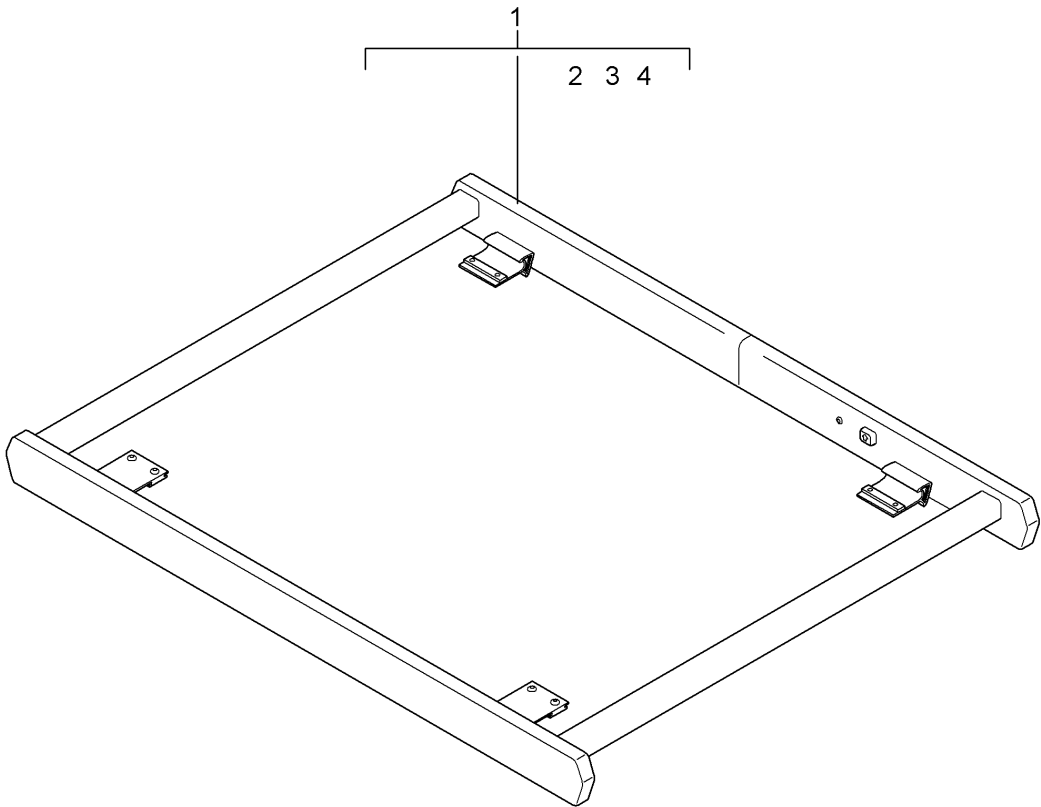


Model: TEQ 2 Model life 2003>>

| Pos | Part Number | Description | Remark | Qty | Model |
|-----|----------------|--|---------------------|----------------------------|---|
| - | | roof rail Cross member | 03-10 11- 18- | | Cayenne (9PA) Cayenne (92A) Cayenne (9YA) |
| - | | Technical information Porsche Cayenne Group 6 6687 (2/04) Attention | | | alle |
| 1 | 955 044 000 30 | roof rail silver | 03-10 | 1 | Cayenne (9PA) |
| (1) | 955 044 000 62 | roof rail Black | 03-10 | 1 | Cayenne (9PA) |
| - | | Individual parts see illustration: 9PA 8/10/00 | | | |
| - | | Technical information Porsche Cayenne Group 6 6692 (18/03) Attention | | | alle |
| 2 | 955 044 000 35 | Cross member Set for roof rail 955.044.000.30/62 | 03-10 | 1 | Cayenne (9PA) |
| 3 | 955 044 000 46 | Torque wrench | 03-10 | 1 | Cayenne (9PA) |
| 4 | 955 801 385 00 | Protective rubber | | 1 | |
| 5 | 955 044 000 44 | Assembly kit Cross member 955.044.000.35 comprising: Cover cap t-piece Screw Protective rubber Installation instructions | | 1 1 1 1 1 1 | M6 x 50 |
| 6 | 958 044 000 10 | Roof rack Set | 11-17 | 1 | Cayenne (92A) PR:3S1, 3S5 |
| (6) | 9Y0 860 019 | Roof carrier Set | 18- | 1 | PR:K4H, 3S1, 3S2 |
| - | 955 044 000 59 | key Set State lock number | | 1 | |

Model: TEQ 2

Model life 2003>>

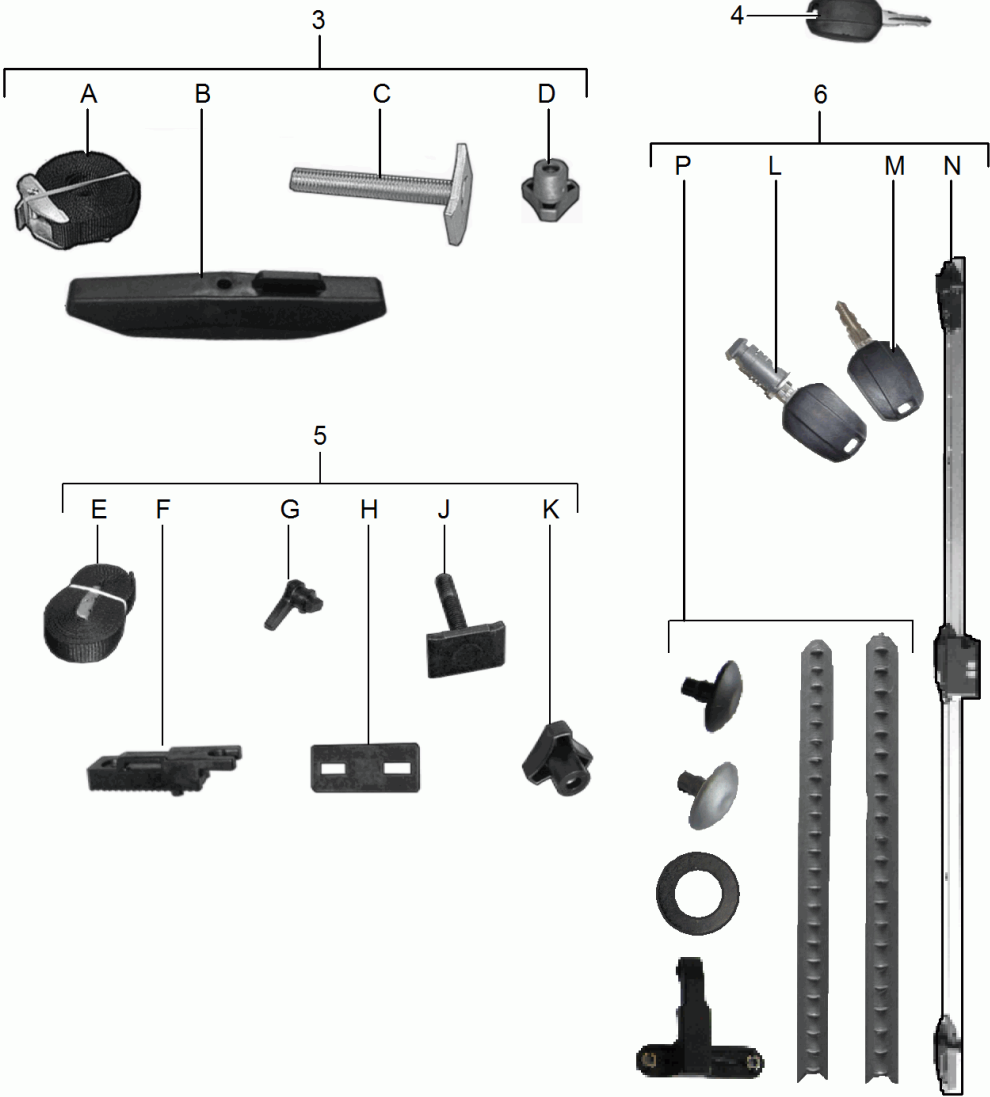


Model: TEQ 2 Model life 2003>>

| Pos | Part Number | Description | Remark | Qty | Model |
|-----|----------------|---|----------------|-----|---------------|
| - | | Loading aid D - MJ 2003>> - MJ 2010 Technical information Porsche Cayenne Group 6 6692 (3/04) Attention | | | Cayenne (9PA) |
| 1 | 955 044 000 04 | Loading aid | | 1 | |
| 2 | 955 044 000 43 | repair set | front and rear | 2 | PR:3S8 |
| | | with: | | | |
| 3 | 955 044 000 50 | Fasteners Set of locks for Loading aid | | 4 | |
| - | | comprising: Lock cylinders and key Simple | | | |
| 4 | 955 044 000 37 | Lubricants for Loading aid 955.044.000.43 | | 1 | |
| - | 955 044 000 36 | Adapter Set for vehicles with roof rail 955.044.000.30/62 and Cross member 955.044.000.35 | | 1 | PR:3S7 |

Model: TEQ 2

Model life 2003>>



Model: TEQ 2 Model life 2003>>

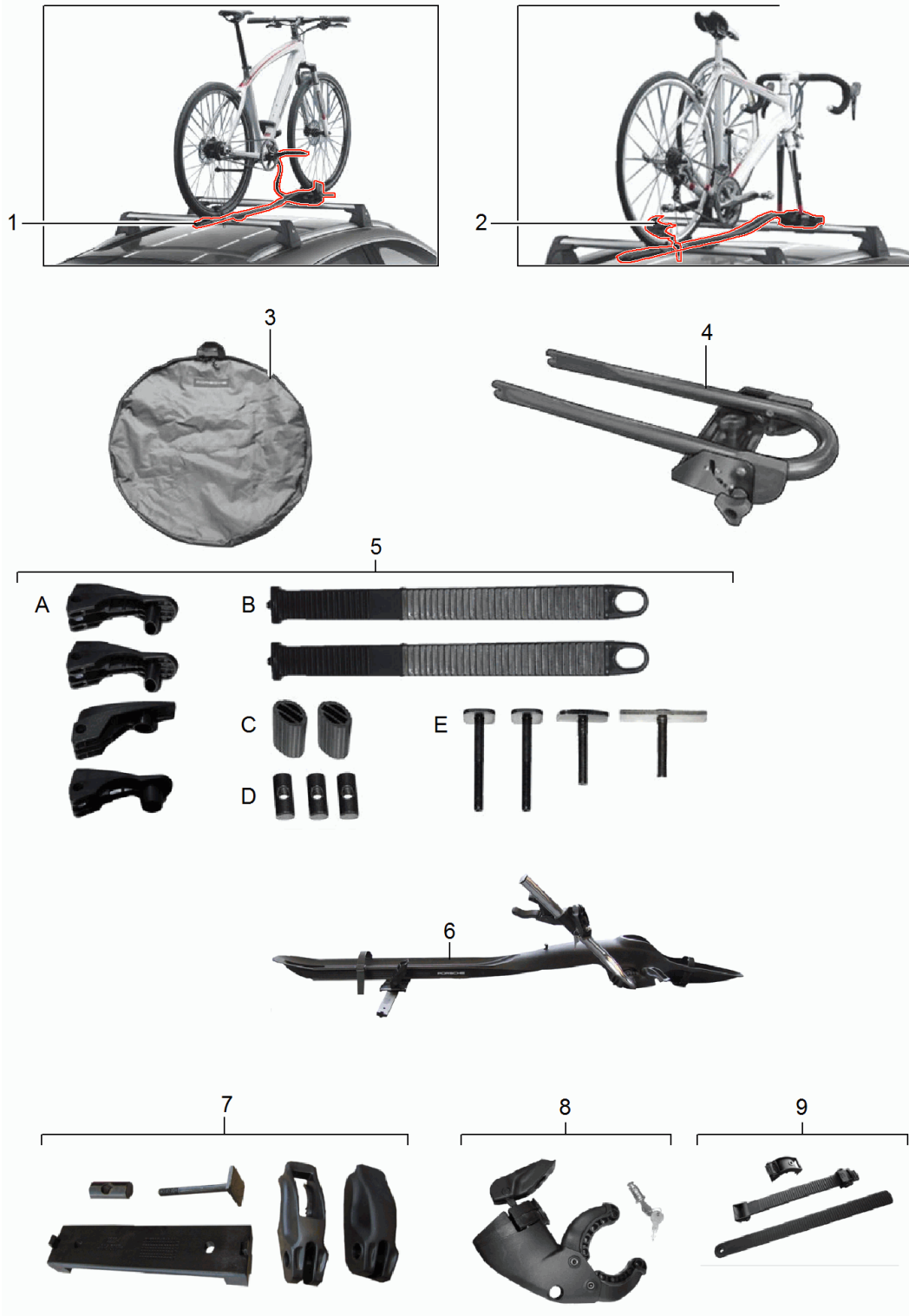
| Pos | Part Number | Description | Remark | Qty | Model |
|-----|----------------|--|--|------------------|--|
| - | | roof box | 03-10 11-17 | | Cayenne (9PA) Cayenne (92A) |
| - | | Not for: Loading aid 955.044.000.04 | | | |
| - | | Inst. & Conv. Instructions Porsche Cayenne Group 6 6692 (33/08) 6692 (25/10) | 03-10 11-17 | | alle Cayenne (9PA) Cayenne (92A) |
| 1 | 958 044 000 12 | BEACHTEN roof box 520 Black | | 1 | PR: 3S7, 3S8, 5W1, 5W4 |
| (1) | 958 044 000 13 | roof box 520 Platinum satin-matt | | 1 | PR: 3S7, 3S8, 5W1, 5W4 |
| 2 | 958 044 000 26 | roof box 320 Platinum satin-matt | | 1 | PR: 3S7, 3S8, 5W1, 5W4 |
| (2) | 958 044 000 25 | roof box 320 Black | | 1 | PR: 3S7, 3S8, 5W1, 5W4 |
| (2) | 955 044 002 15 | roof box Narrow silver | | 1 | PR: 3S7, 3S8, 5W1, 5W4 |
| (2) | 955 044 000 47 | roof box Narrow Discontinued part | | 1 | PR: 3S7, 3S8, 5W1, 5W4 |
| 3 | 955 044 002 13 | Assembly kit for roof box 955.044.002.12 comprising: tensioning strap clamping piece Screw bolt Nut Inst. & Conv. Instructions Attention | (Pos. A) (Pos. B) (Pos. C) (Pos. D) | 3 4 4 4 | M8x55 M8 |
| (3) | 958 044 000 21 | Assembly kit for roof box 958.044.000.12 958.044.000.13 958.044.000.25 958.044.000.26 comprising: tensioning strap clamping piece Screw bolt Nut Inst. & Conv. Instructions Attention | (Pos. A) (Pos. B) (Pos. C) (Pos. D) | 3 4 4 4 | M8x55 M8 |
| 4 | 955 044 000 59 | key for roof box State lock number | | 1 | alle |
| 5 | 955 044 000 48 | Assembly kit for roof box 955.044.000.12 955.044.000.47 | | 1 | |

Model: TEQ 2 Model life 2003>>

| Pos | Part Number | Description | Remark | Qty | Model |
|-----|----------------|---|--|----------------------------|-------------|
| 6 | 955 044 000 49 | 955.044.002.15 comprising: Belt Adapter Screw bolt Nut Seal clamping piece Technical information Attention Discontinued part repair set lock for roof box | (Pos. E) (Pos. F) (Pos. G) (Pos. H) (Pos. J) (Pos. K) | 2 4 4 4 4 4 | M6x37 M6 |
| (6) | 958 044 000 20 | 955.044.000.12 955.044.002.15 comprising: lock key strip Fasteners repair set lock for roof box | (Pos. L) (Pos. M) (Pos. N) (Pos. P) | 1 2 1 1 | |
| - | 955 044 000 63 | 958.044.000.12 958.044.000.13 958.044.000.25 958.044.000.26 comprising: lock key strip Fasteners Support Cover roof box | (Pos. L) (Pos. M) (Pos. N) (Pos. P) | 1 2 1 1 | |
| | | 955.044.000.12 955.044.002.12 958.044.000.12 958.044.000.13 | | 1 | |

Model: TEQ 2

Model life 2003>>



Model: TEQ 2 Model life 2003>>

| Pos | Part Number | Description | Remark | Qty | Model |
|-----|----------------|---|--|---------------------------------|-------------------------------------|
| 1 | 95B 044 800 06 | Bike stand Roof rack Bike stand | 03- | 1 | PR:5W1,5W4 |
| 2 | 95B 044 800 08 | Set - bike carrier Bike stand Racing bike | | 1 | PR:5W1,5W4 |
| (2) | 95B 044 800 09 | Pocket 95B 044 800 34 Bike stand Racing bike | with: | 1 | PR:5W1,5W4 |
| - | 95B 044 800 34 | Bracket 95B 044 800 35 Only for replacement Pocket for Bike stand Racing bike | | 1 | |
| 3 | 95B 044 800 34 | Bracket 95B 044 800 35 Only for replacement | | 1 | |
| 4 | 95B 044 800 35 | Pocket for Bike stand Racing bike | | 1 | |
| 5 | 95B 044 800 36 | 1 set attachment parts for Bike stand Set - bike carrier and Racing bike | | 1 | |
| (5) | | comprising: angled bracket tensioning strap Protective rubber Threaded pin Pin Pin Pin | (Pos. A) (Pos. B) (Pos. C) (Pos. D) (Pos. E) (Pos. E) (Pos. E) | 4 2 2 3 2 1 1 | M6 M6x60 M6x40 M6x35 |
| - | | Technical information Porsche Cayenne Group 6 6692 (6/03) beachten | | | alle |
| 6 | 955 044 002 66 | Carrier Bike | | 1 | |
| 7 | 955 044 000 51 | repair set for Carrier 955.044.002.66 | | 1 | |
| (7) | | Set comprising: Adapter Threaded pin Pin Pin Pin | front rear | 1 3 2 1 1 | M6 M6 x 55 M6 x 40 M6 x 25 |
| 8 | 955 044 000 56 | angled bracket angled bracket Clutch | | 2 1 1 | |
| | | Lock cylinders and Frame connection for | with: | 1 | |

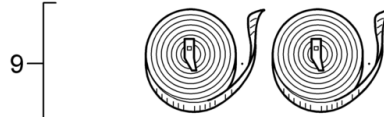
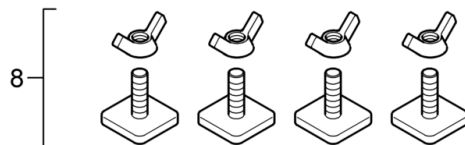
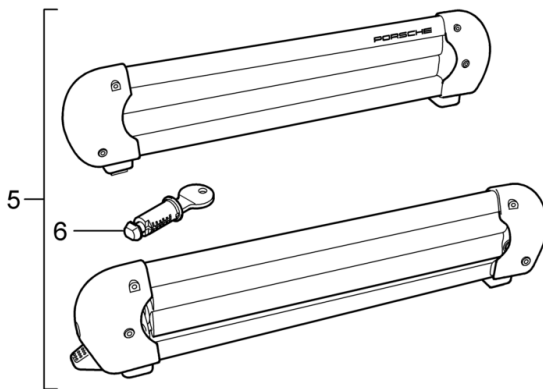
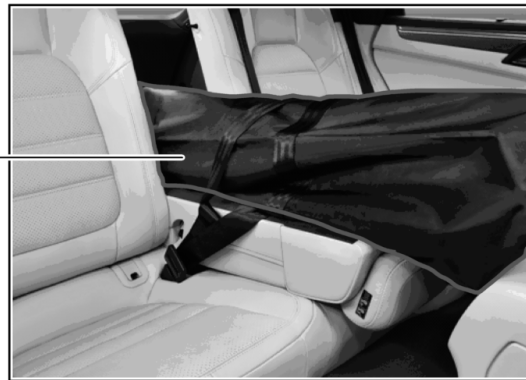
Model: TEQ 2

Model life 2003>>

| Pos | Part Number | Description | Remark | Qty | Model |
|-----|----------------|---|--------|-----|-------|
| 9 | 955 044 000 80 | Carrier 955.044.002.66 Holding strap Set for Racing bike | | 1 | |

Model: TEQ 2

Model life 2003>>



Model: TEQ 2 Model life 2003>>

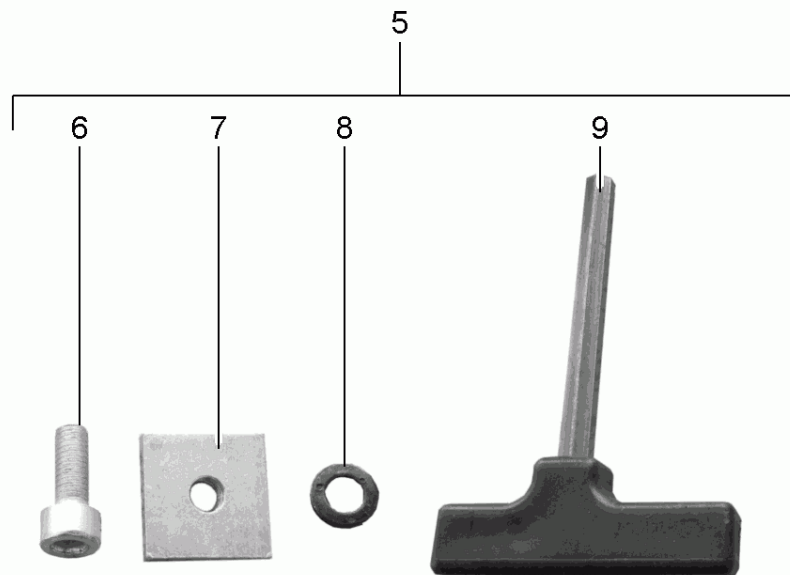
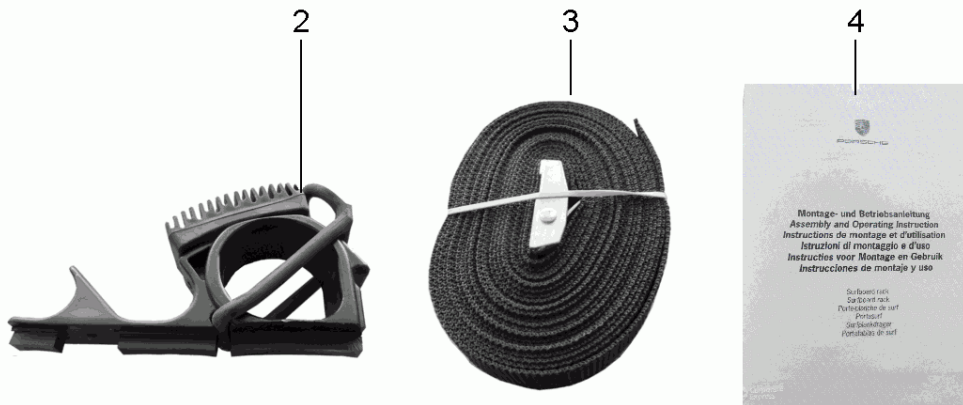
| Pos | Part Number | Description | Remark | Qty | Model |
|-----|--------------------|--|--------|-----|------------------------|
| 1 | 95B 044 800 10 | Ski holder Snowboard holder BOOTSTRAEGER ski and snowboard holder | | 1 | PR:3S7,3S8, 5W1,5W4 |
| 2 | 95B 044 800 37 | Loading aid Integrated 1 set attachment parts for Ski holder Snowboard holder comprising: Pin Hexagon nut Spring washer Plastic washer | | 1 | |
| 3 | 955 044 000 59 | key State lock number | | 1 | |
| 4 | 95B 860 811 | Ski bag | with: | 1 | |
| 5 | 955 044 000 23 | Carrier bag Ski holder Snowboard holder Small Not for: BELADEHILFE 955.044.000.04 | | 1 | PR:3S7,3S8, 5W1,5W4 |
| (5) | 955 044 000 24 | Discontinued part Ski holder Snowboard holder Large Not for: BELADEHILFE 955.044.000.04 | | 1 | PR:3S7,3S8, 5W1,5W4 |
| 6 | 955 044 000 50 | Discontinued part Set of locks Simple for 955.044.000.23 955.044.000.24 Lock cylinders key | with: | 2 | |
| | 955 044 000 50 021 | Coding Set of locks | | | |
| | 955 044 000 50 023 | Set of locks | | | |
| | 955 044 000 50 025 | Set of locks | | | |
| | 955 044 000 50 027 | Set of locks | | | |
| | 955 044 000 50 029 | Set of locks | | | |
| - | | Technical information Porsche Cayenne Group 6 6692 (17/03) Attention | | | alle |
| - | | Individual parts BOOTSTRAEGER Only for replacement | | | PR:3S7,3S8 |
| 7 | 955 044 000 39 | Bracket | with: | 4 | |
| 8 | 955 044 000 40 | Rubber pad repair set comprising: FLÜGELMUTTER M6 BOLZEN M6 X 27 | | 1 | |
| 9 | 955 044 000 32 | tensioning strap | | 4 | |
| | | | | 1 | |

Model: TEQ 2 Model life 2003>>

| Pos | Part Number | Description | Remark | Qty | Model |
|-----|-------------|--|--------|-----|-------|
| | | Set comprising: tensioning strap | | 2 | |

Model: TEQ 2

Model life 2003>>

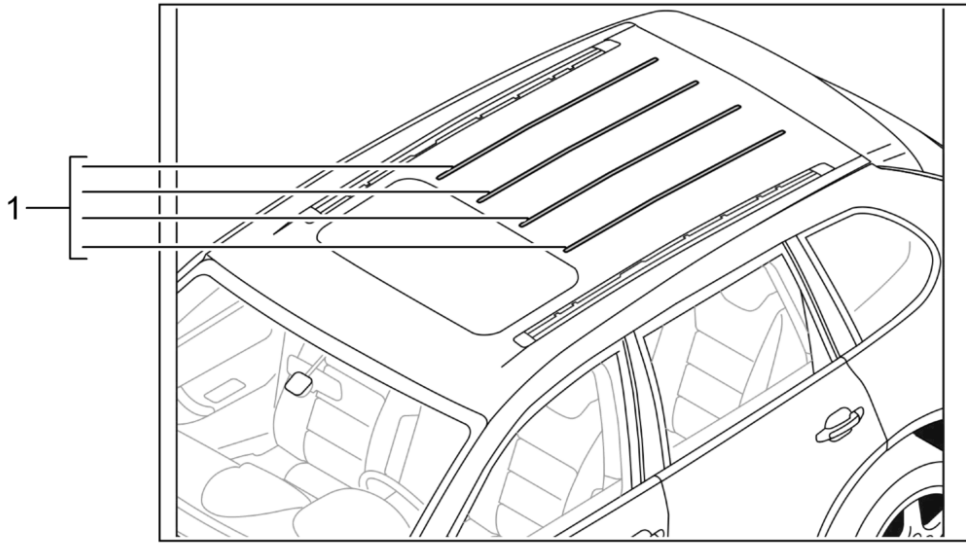


Model: TEQ 2 Model life 2003>>

| Pos | Part Number | Description | Remark | Qty | Model |
|-----|----------------|--|--------|-----|-------------|
| - | | Surfboard support Not for: Loading aid 955.044.000.04 | | | |
| - | | Technical information Porsche Cayenne Group 6 6692 (5/03) Attention | | | alle |
| 1 | 955 044 000 07 | Surfboard support Set | | 1 | PR:3S7,3S8 |
| - | | Discontinued part Repair material for Surfboard support 955.044.000.07 | | | PR:3S7,3S8 |
| 2 | 955 044 000 31 | Support Set | | 1 | |
| 3 | 955 044 000 32 | tensioning strap SATZ | 2-part | 1 | |
| 4 | | Operating instructions | | 1 | |
| 5 | 955 044 000 52 | repair set | | 1 | |
| - | | comprising: | | | |
| 6 | | Hexagon socket head bolt | | 4 | M6 x 16 |
| 7 | | castellated nut | | 4 | M6 x 20 x 4 |
| 8 | | Washer | | 4 | 4 x 12 x 1 |
| 9 | | Socket wrench | | 1 | |

Model: TEQ 2

Model life 2003>>

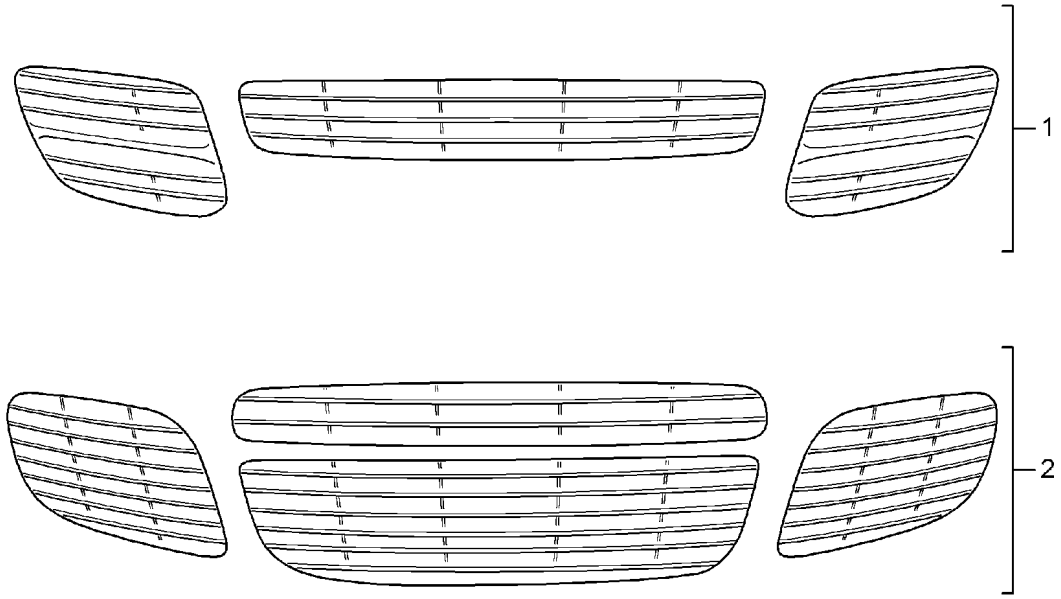


Model: TEQ 2 Model life 2003>>

| Pos | Part Number | Description | Remark | Qty | Model |
|-----|----------------|--|--------------|-----|--|
| - | | roof channel Roof cover moulding Inst. & Conv. Instructions Porsche Cayenne Group 6 6633 (16/03) Attention | 03-10 11- | | Cayenne (9PA) Cayenne (92A) alle |
| 1 | 955 044 000 29 | roof channel silver Fourfold | | 1 | |
| (1) | 955 044 000 65 | roof channel Black Fourfold | | 1 | |
| 2 | 955 044 801 19 | Roof cover moulding Spoiler Aluminium coloured | 08-10 | 1 | Cayenne (9PA) |
| (2) | 955 559 980 02 | Roof cover moulding Spoiler orange | 08-10 | 1 | Cayenne (9PA) |
| 3 | 958 044 800 00 | Roof cover moulding Spoiler Black | 11-11 | 1 | Cayenne (92A) |
| (3) | 958 044 800 01 | Roof cover moulding Spoiler Black | 12- | 1 | Cayenne (92A) |

Model: TEQ 2

Model life 2003>>

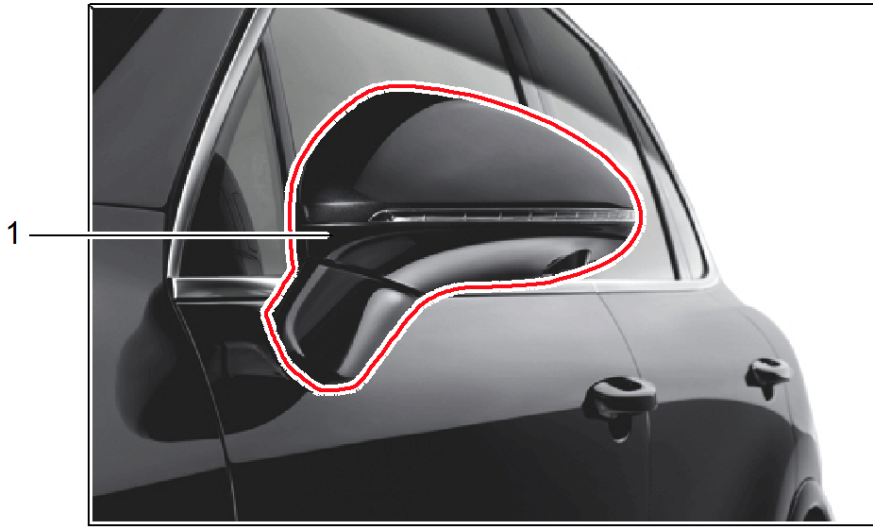


Model: TEQ 2 Model life 2003>>

| Pos | Part Number | Description | Remark | Qty | Model |
|-----|----------------|--|----------|-----|--|
| 1 | 955 044 801 00 | Ventilation grille Coloured D - MJ 2003>> Ventilation grille Aluminium coloured | | 1 | PR:D9J,D9K |
| (1) | 955 044 801 17 | D - MJ 2003>> - MJ 2006 Ventilation grille Aluminium coloured | | 1 | PR:D5V,D5X |
| (1) | 955 044 801 27 | D - MJ 2008>> - MJ 2010 Ventilation grille orange | | 1 | PR:D5V,D5X |
| (1) | 958 044 800 03 | D - MJ 2008>> - MJ 2010 Ventilation grille Black High gloss | without: | 1 | PR:D1V,D11, D19,D34,D50, D6V |
| (1) | 958 044 800 04 | Distance sensor Not for: Turbo D - MJ 2011>> - MJ 2014 Ventilation grille Black High gloss | with: | 1 | PR:D1V,D11, D19,D34,D50, D6V,8T3 |
| (1) | 958 044 800 05 | Distance sensor Not for: Turbo D - MJ 2011>> - MJ 2014 Ventilation grille Black High gloss | without: | 1 | PR:D58 |
| (1) | 958 044 800 06 | Distance sensor for Turbo D - MJ 2011>> - MJ 2014 Ventilation grille Black High gloss | with: | 1 | PR:D58,8T3 |
| 2 | 955 044 801 01 | Distance sensor for Turbo D - MJ 2011>> - MJ 2014 Ventilation grille Aluminium coloured | | 1 | PR:D9L |
| (2) | 955 044 801 11 | D - MJ 2003>> - MJ 2006 Discontinued part Ventilation grille Aluminium coloured | | 1 | PR:D9L |
| (2) | 955 044 801 18 | D - MJ 2003>> - MJ 2006 Ventilation grille Aluminium coloured | | 1 | PR:D5Z |
| (2) | 955 044 801 28 | D - MJ 2008>> - MJ 2010 Ventilation grille orange D - MJ 2008>> - MJ 2010 | | 1 | PR:D5Z |

Model: TEQ 2

Model life 2003>>



Model: TEQ 2 Model life 2003>>

| Pos | Part Number | Description | Remark | Qty | Model |
|-----|----------------|--|---|-----|--|
| (1) | 955 044 801 20 | Exterior mirror housing Aluminium coloured Black For painting in ext. colour 1 set of exterior mirrors housing Aluminium coloured | 08-10 11-14 15-17 18- 08-10 | 1 | CAYENNE (9PA) CAYENNE (92A) CAYENNE (92A) CAYENNE (9YA) PR:9TF |
| (1) | 958 044 800 08 | Lighting 1 set of exterior mirrors housing Black High gloss | 11-14 | 1 | PR:L0L,9TF |
| (1) | 958 044 800 10 | Lighting 1 set of exterior mirrors housing Black High gloss | 11-14 | 1 | PR:L0R,9TF |
| 1 | 958 044 802 06 | Lighting Exterior mirror Bottom half Mirror base Exterior colour | 15-17 | 1 | PR:L0L,9TF -"J.." |
| (1) | 958 044 802 07 | Headlight unit Set Exterior mirror Bottom half Mirror base Exterior colour | 15-17 | 1 | PR:L0R,9TF -"J.." |
| (1) | 958 044 802 08 | Headlight unit Set Exterior mirror Bottom half Mirror base Exterior colour | 15-17 | 1 | PR:8A4,L0L,9TF -"J.." |
| (1) | 958 044 802 09 | Headlight unit Set Exterior mirror Bottom half Mirror base Exterior colour | 15-17 | 1 | PR:8A4,L0R,9TF -"J.." |
| (1) | 958 044 802 10 | Headlight unit Set Exterior mirror Bottom half Mirror base Exterior colour | 15-17 | 1 | PR:L0L,9TF "J.." |
| (1) | 958 044 802 11 | Headlight unit Set Exterior mirror Bottom half Mirror base Exterior colour | 15-17 | 1 | PR:L0R,9TF "J.." |

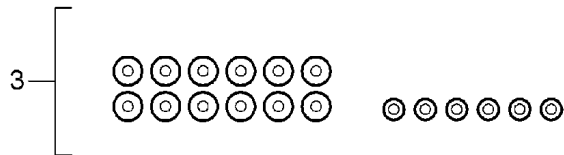
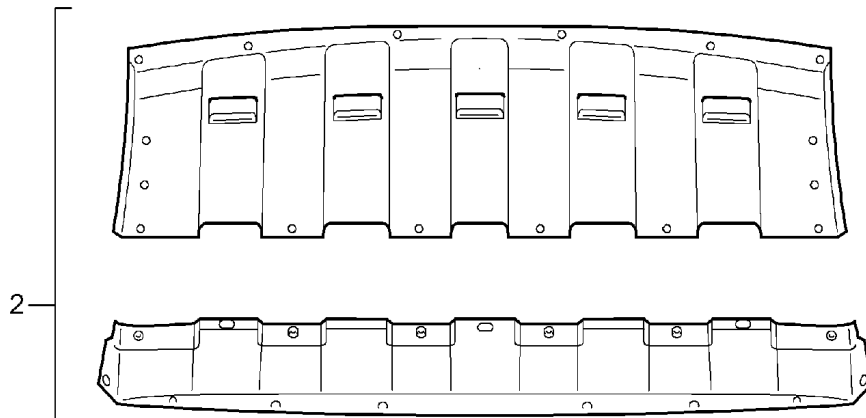
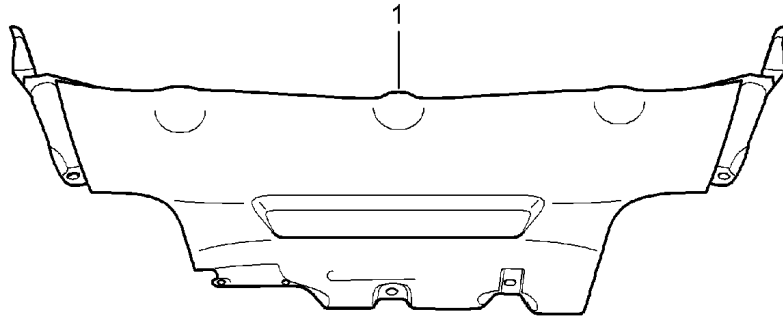
Model: TEQ 2

Model life 2003>>

| Pos | Part Number | Description | Remark | Qty | Model |
|-----|----------------|---|-----------|-----|------------------------------|
| (1) | 955 044 801 21 | Headlight unit Set 1 set of exterior mirrors housing Aluminium coloured without: | 08-10 | 1 | PR:-9TF |
| (1) | 958 044 800 07 | Lighting 1 set of exterior mirrors housing Black High gloss without: | 11-14 lhd | 1 | PR:L0L,-9TF |
| (1) | 958 044 800 09 | Lighting 1 set of exterior mirrors housing Black High gloss without: | 11-14 rhd | 1 | PR:L0R,-9TF |
| (1) | 958 044 802 00 | Lighting Exterior mirror Bottom half Mirror base Exterior colour without: | 15-17 lhd | 1 | PR:L0L,9TH -"J.." |
| (1) | 958 044 802 01 | Headlight unit Set Exterior mirror Bottom half Mirror base Exterior colour without: | 15-17 rhd | 1 | PR:L0R,9TH -"J.." |
| (1) | 958 044 802 02 | Headlight unit Set Exterior mirror Bottom half Mirror base Exterior colour without: | 15-17 lhd | 1 | PR:8A4,L0L, 9TH -"J.." |
| (1) | 958 044 802 03 | Headlight unit Set Exterior mirror Bottom half Mirror base Exterior colour without: | 15-17 rhd | 1 | PR:8A4,L0R, 9TH -"J.." |
| (1) | 958 044 802 04 | Headlight unit Set Exterior mirror Bottom half Mirror base Exterior colour without: | 15-17 lhd | 1 | PR:L0L,9TH "J.." |
| (1) | 958 044 802 05 | Headlight unit Set Exterior mirror Bottom half Mirror base Exterior colour without: | 15-17 rhd | 1 | PR:L0R,9TH "J.." |
| (1) | 955 044 801 22 | Headlight unit Set 1 set of exterior mirrors housing | | 1 | Cayenne S Transsyberia |

Model: TEQ 2

Model life 2003>>



Model: TEQ 2 Model life 2003>>

| Pos | Part Number | Description | Remark | Qty | Model |
|-----|----------------|---|--------|-----|---|
| 1 | 955 107 981 00 | Underbody protection Front end cover rear spoiler D - MJ 2003>> - MJ 2010 Cover | front | 1 | Cayenne (9PA) PR:D9J,D9K, D9L |
| - | | Underbody protection Steel Black D - MJ 2003>> - MJ 2006 Inst. & Conv. Instructions Cayenne,alle Group 6 6316 Attention | | | |
| (2) | 955 044 800 15 | Front end cover stainless steel D - MJ 2003>> - MJ 2006 | | 1 | PR:D9J,D9K |
| 2 | 955 044 800 16 | Front end cover stainless steel D - MJ 2003>> - MJ 2006 | | 1 | PR:D9L |
| (2) | 955 044 802 80 | Front end cover stainless steel D - MJ 2008>> - MJ 2010 | | 1 | |
| 3 | 955 044 800 59 | Assembly kit Front end cover stainless steel D - MJ 2003>> - MJ 2006 Inst. & Conv. Instructions Cayenne,alle Group 6 6356 Attention | | 1 | PR:D9J,D9K, D9L |
| - | | rear spoiler stainless steel D - MJ 2008>> - MJ 2010 | | 1 | |

Model: TEQ 2

Model life 2003>>

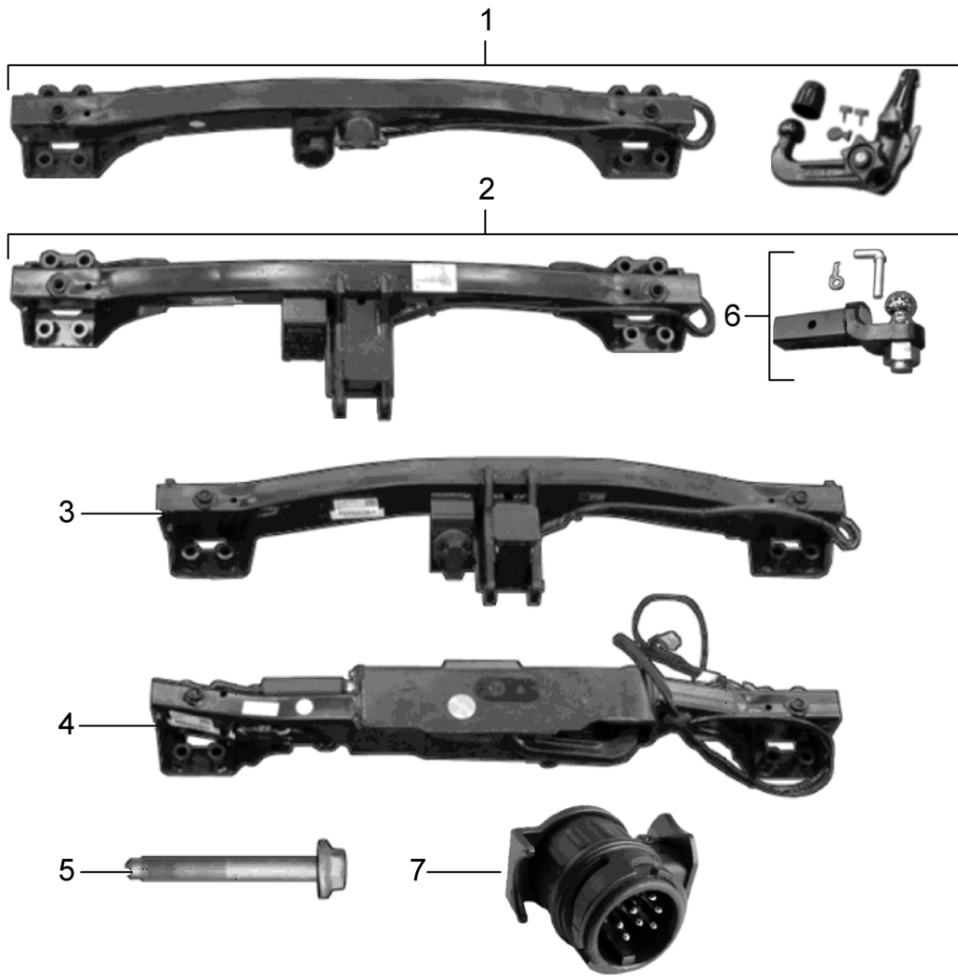


Model: TEQ 2 Model life 2003>>

| Pos | Part Number | Description | Remark | Qty | Model |
|-----|--------------------------------|--|----------------|-----|--|
| - | | Front end cover rear spoiler Inst. & Conv. Instructions Cayenne, alle Group 6 6316 (39/10) Attention | 11-17 18- | | CAYENNE (92A) CAYENNE (9YA) |
| 1 | 958 505 833 00 | Trim Front spoiler stainless steel | 11-14 | 1 | PR: -2JC, -2JX, -2D1, -2D2, -E0W |
| (1) | 958 505 833 01 | Trim Front spoiler stainless steel | 15-17 | 1 | PR: -2JC, -2JX |
| | 958 505 833 01 6M7 | | | | PR: -2D1, -2D2, -E0W |
| (1) | 9Y0 807 833 9Y0 807 833 6M7 | Trim Brushed stainless steel | 18- | 1 | |
| - | | Inst. & Conv. Instructions Cayenne, alle Group 6 6356 (47/10) Attention | | | |
| (2) | 958 505 834 70 | Trim Rear end D >> - MJ 2014 | lower | 1 | PR: -2JX, -2D1, -2D2, -E0W |
| | 958 505 834 70 6M7 | stainless steel | | | |
| (2) | 958 505 834 85 | Trim Rear end | lower 15-17 | 1 | PR: -2JX, -2D1, -2D2, -E0W |
| | 958 505 834 85 6M7 | Brushed stainless steel | | | |
| (2) | 9Y0 807 649 A | Cover Brushed stainless steel | rear lower | 1 | PR: 2D0, 1D0 |
| | 9Y0 807 649 A OK1 | Matt black | 18- | | |
| (2) | 9Y0 807 649 C | Cover Brushed stainless steel | rear left | 1 | PR: 2D0 |
| | | use if required: | 9Y0807650C OK1 | | |
| | 9Y0 807 649 C OK1 | Matt black | 18- | | |
| (2) | 9Y0 807 650 C | Cover Brushed stainless steel | rear right | 1 | PR: 2D0 |
| | | use if required: | 9Y0807649C OK1 | | |
| | 9Y0 807 650 C OK1 | Matt black | 18- | | |

Model: TEQ 2

Model life 2003>>

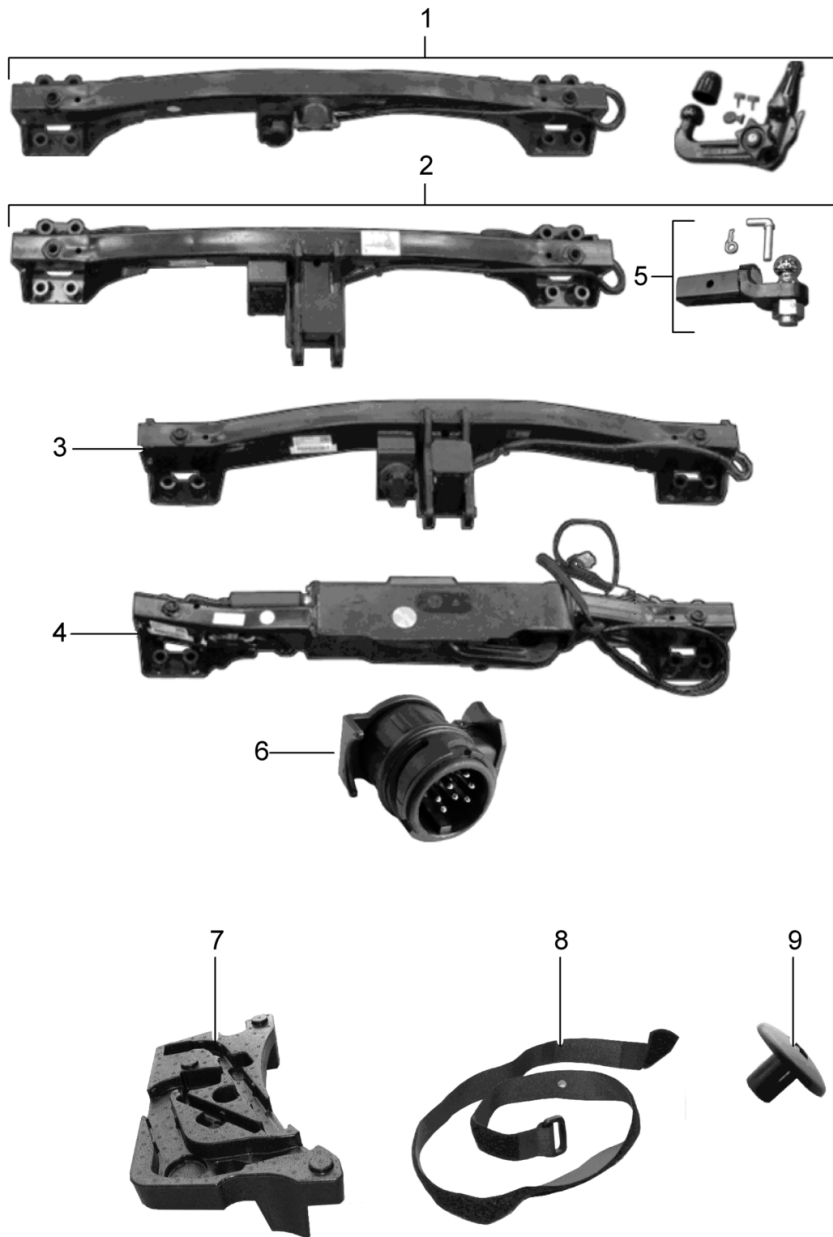


Model: TEQ 2 Model life 2003>>

| Pos | Part Number | Description | Remark | Qty | Model |
|-----|----------------|--|-----------------------------|-----|---------------------------|
| - | | Tow hitch D - MJ 2003>> - MJ 2010 Inst. & Conv. Instructions Porsche Cayenne Group 6 6690 (6/04) Attention | | | Cayenne (9PA) alle |
| - | | | | | |
| 5 | N 909 892 01 | Hexagon bolt Inst. & Conv. Instructions Porsche Cayenne Group 6 6690 (27/07) 6690 (1/06) Attention | 03-05 03-06 08-10 | 8 | PR:1D7 alle |
| - | | | | | |
| (2) | 955 044 002 74 | Tow hitch Mechanical | | 1 | PR:1D8 |
| - | | | | | |
| 6 | 955 044 000 27 | ball head use if required: | | 1 | "USA", "AUS", "CDN" |

Model: TEQ 2

Model life 2003>>



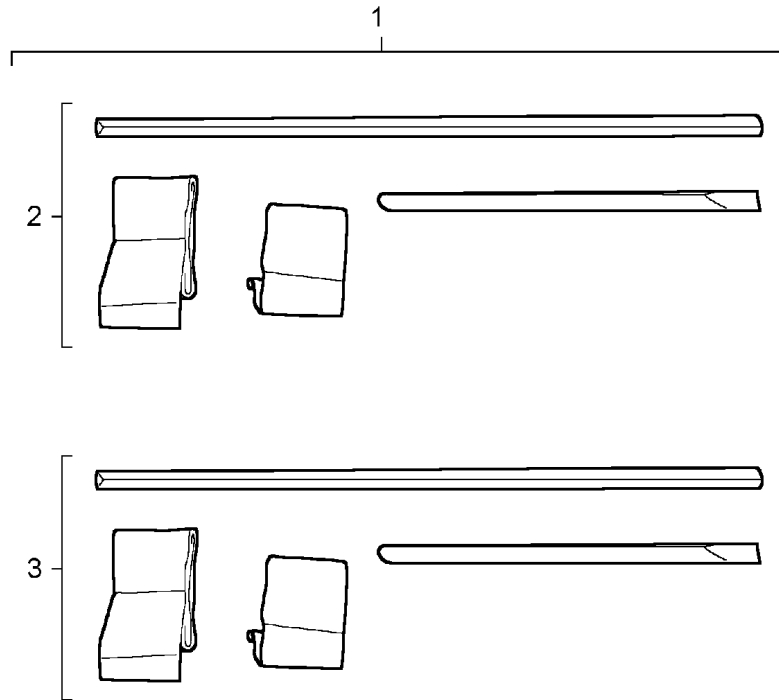
Model: TEQ 2

Model life 2003>>

| Pos | Part Number | Description | Remark | Qty | Model |
|-----|----------------|--|----------------|-----|----------|
| - | | Tow hitch | 11-14 15- | | alle |
| | | Inst. & Conv. Instructions Porsche Cayenne Group 6 6690 (32/10) 6690 (24/16) | 11-14 15-17 | | |
| 2 | 958 044 801 31 | Tow hitch Mechanical | 11-17 | 1 | only for |

Model: TEQ 2

Model life 2003>>



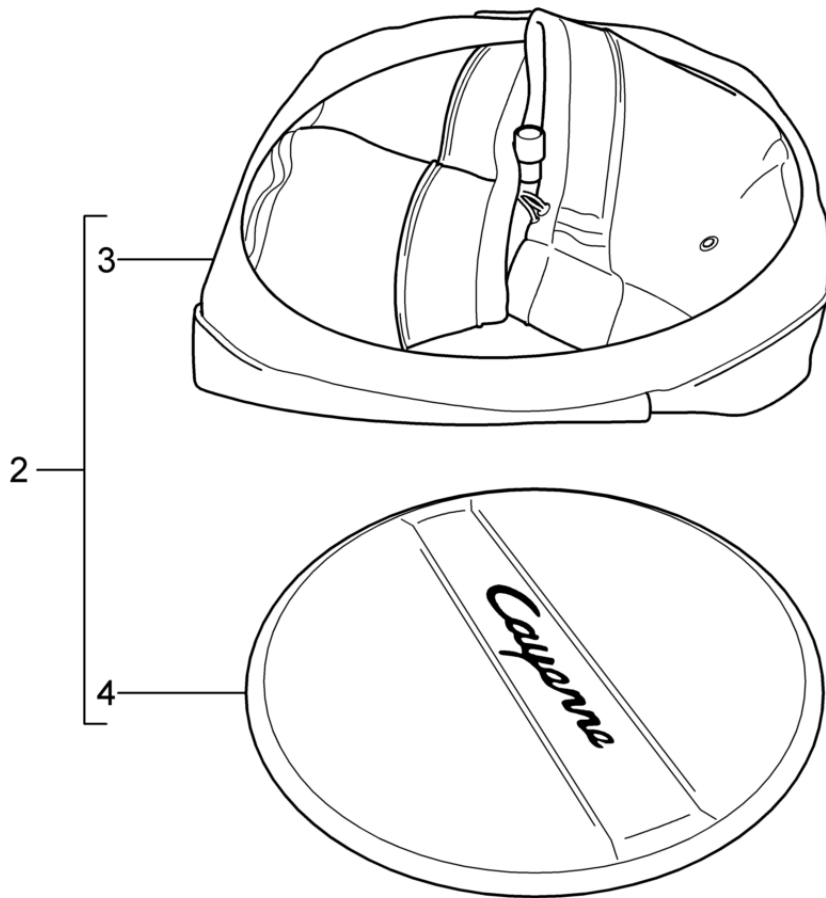
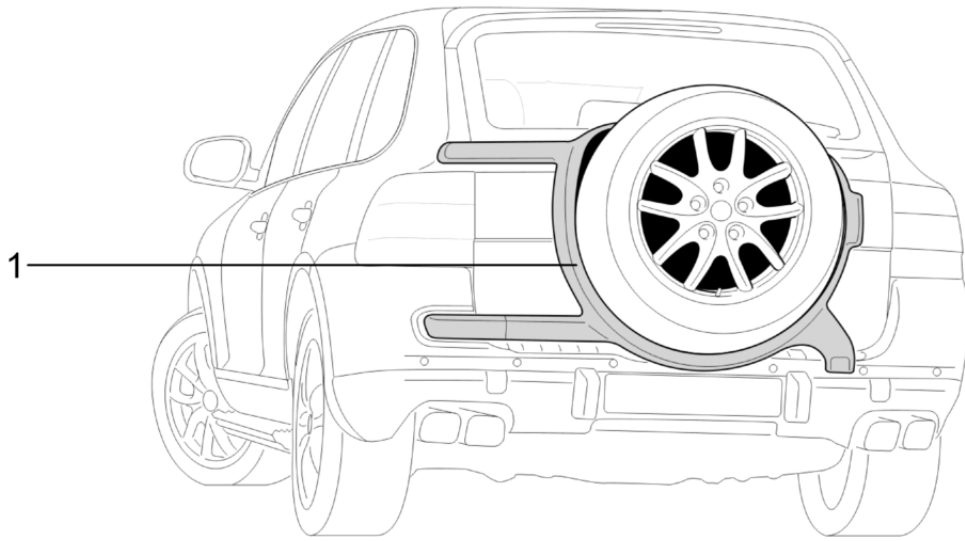
Model: TEQ 2

Model life 2003>>

| Pos | Part Number | Description | Remark | Qty | Model |
|-----|----------------|--|--------|-----|---------------|
| - | | Protective strip D - MJ 2003>> - MJ 2010 Inst. & Conv. Instructions Porsche Cayenne Group 6 6625 (26/07) Attention | side | | Cayenne (9PA) |
| 1 | 955 044 800 06 | strip doors | side | 1 | alle |
| - | | Set comprising: | | | |
| 2 | 955 044 800 65 | strip repair set | left | 1 | |
| 3 | 955 044 800 66 | strip repair set | right | 1 | |

Model: TEQ 2

Model life 2003>>



Model: TEQ 2

Model life 2003>>

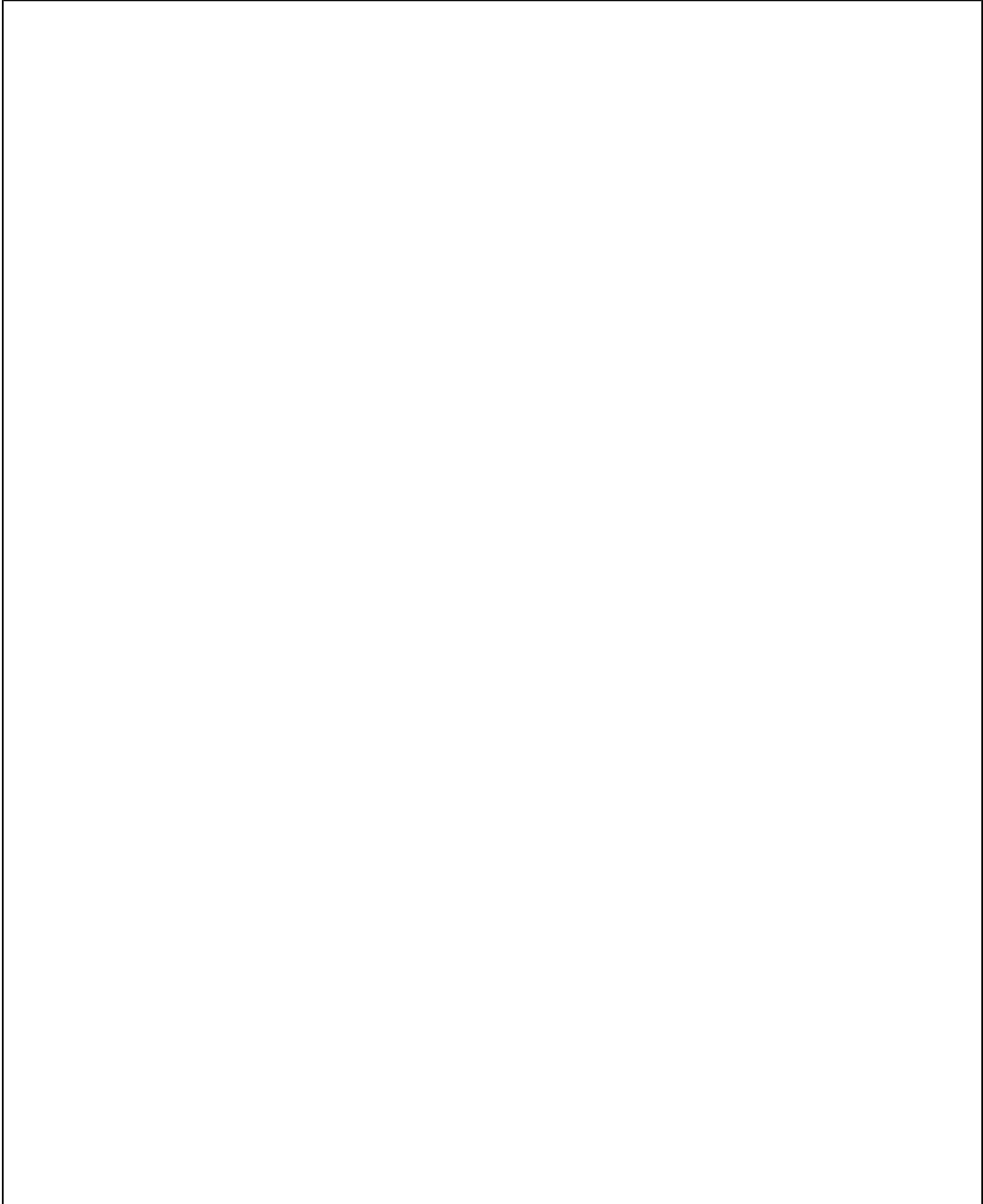
| Pos | Part Number | Description | Remark | Qty | Model |
|-----|--------------------|--|----------------|-----|---------------|
| - | | Support for spare wheel Spare wheel covering Technical information Porsche Cayenne Group 4 4456 (4/04) Attention | 03-10 | | Cayenne (9PA) |
| 1 | 955 044 000 21 | Support for spare wheel Set Discontinued part Not for: Gear wheel sets 95504460213 95504460214 | outer | 1 | PR:D9J,D9K |
| - | | with: 10JX20 ET 55 comprising: Carrier Spare wheel Individual parts see illustration: 9PA 0/02/05 | | 1 | |
| - | N 910 460 01 | fillister hd. bolt | | 3 | |
| - | 955 722 020 01 | Support | upper inner | 1 | |
| - | N 105 361 01 | Hex collared bolt M8 x 16 | | 4 | |
| - | 955 722 256 00 | Cap | upper | 1 | |
| - | | with: Cable ties Mounting | | 1 | |
| - | 955 722 201 01 | Mounting | lower | 1 | |
| - | N 019 530 3 | Hex collared bolt | | 4 | |
| - | 955 722 255 00 | Cap | lower | 1 | |
| - | 955 722 203 00 | Trim | | 1 | |
| - | 955 722 203 00 4W9 | Satin aluminium countersunk bolt M5 x 12 | | 1 | |
| - | N 104 272 01 | countersunk bolt M5 x 12 | | 1 | |
| - | 955 722 204 00 | Frame | | 1 | |
| - | | Cover | | 1 | |
| - | 955 722 031 00 | 955 722 205 00 Locking mechanism | | 1 | |
| - | | with: Bowden cable Distance piece | | 1 | |
| - | 955 722 075 00 | Distance piece | | 1 | |
| - | N 908 179 01 | riveted cap nut MG 3,5-6 for aluminium Cross member or Tow hitch | | 4 | |
| - | | riveted cap nut M6 2,4-4,5 Only for Tow hitch | | 4 | |
| - | N 909 975 01 | Hose bracket Bowden cable Emergency operation Release | | 2 | |
| - | N 102 856 01 | hexagon head bolt (combi) | | 4 | |
| - | 955 505 897 00 | U-clip | | 14 | |
| - | 955 044 900 05 | Wire set | inner | 1 | |

Model: TEQ 2 Model life 2003>>

| Pos | Part Number | Description | Remark | Qty | Model |
|-----|----------------|--|--------|-----|--------|
| - | 955 612 812 00 | Wire set lock | outer | 1 | |
| - | 955 044 900 09 | Wire set Licence plate light | outer | 1 | |
| - | | Bolt with washer M5 x 9 | | 4 | |
| - | N 902 184 01 | Number plate Bracket rivetted cap nut M6 0,5-4 | | 2 | |
| - | | Screw M6 x 20 | | 2 | |
| - | N 906 851 01 | Number plate Bracket bracket for connector housing Connection point Rear end Trim | | 1 | |
| - | N 103 358 01 | flat contact 0,5-1,0 QMM | | 2 | |
| - | N 903 352 04 | flat contact bush 0,5-1,0QMM | | 2 | |
| - | 999 652 475 22 | flat connector KONTAKT 2,5-6,3 QMM Individual parts Support for spare wheel Retrofit kit | | 2 | |
| - | | see illustration: 9PA 0/02/05 Inst. & Conv. Instructions Porsche Cayenne 4464 (15/07) Attention | | | alle |
| 2 | 955 044 000 14 | Spare wheel covering Discontinued part Not for: Gear wheel sets 95504460213 95504460214 | | 1 | PR:1G3 |
| | | with: 10JX20 ET 55 | | | |
| 3 | 955 044 000 54 | Protective sleeve Discontinued part | | 1 | PR:1G3 |
| 4 | 955 044 000 55 | Protective cap Discontinued part | | 1 | PR:1G3 |

Model: TEQ 2

Model life 2003>>



Model: TEQ 2

Model life 2003>>

| Pos | Part Number | Description | Remark | Qty | Model |
|-----|----------------|--|--------|-------------|---------------|
| | | protective grille Sun visor | | | Cayenne (9PA) |
| - | 955 044 000 67 | D - MJ 2003>> - MJ 2010 protective grille Side window Set | | 1 | |
| - | | comprising: sun vizors | | 4 | |
| - | 955 044 000 68 | protective grille Rear window Set | | 1 | |
| - | | comprising: Sun visor | | 1 | |
| - | 955 044 000 69 | Assembly kit protective grille Side window Rear window | | 1 4 1 | |

Model: TEQ 2

Model life 2003>>

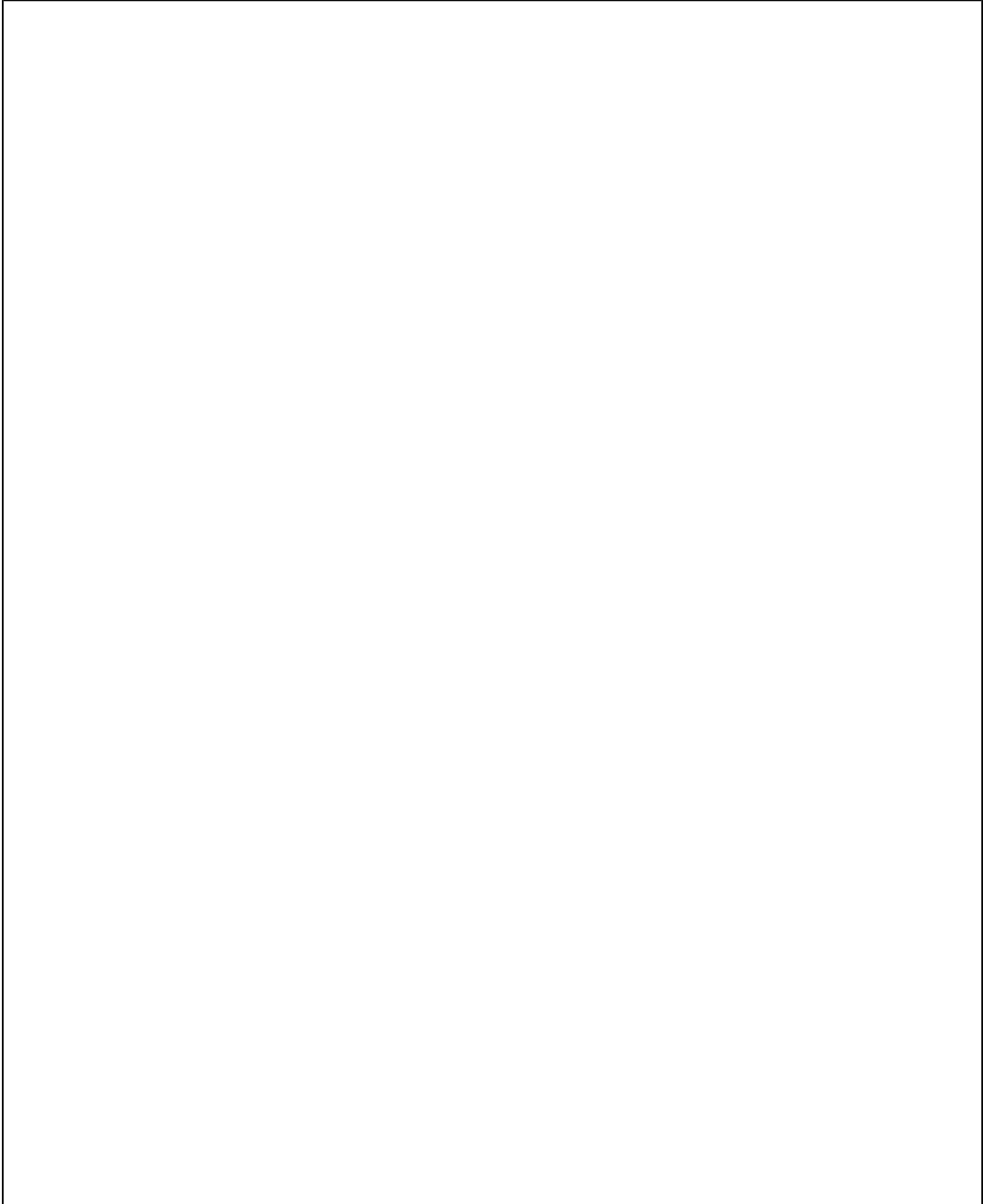


Model: TEQ 2 Model life 2003>>

| Pos | Part Number | Description | Remark | Qty | Model |
|-----|----------------|--|--------|-----|---------------|
| 1 | 958 044 000 05 | protective grille Sun visor D - MJ 2011>> protective grille Rear window Set | | 1 | Cayenne (92A) |
| - | | comprising: | | | |
| - | | Sun visor | | 1 | |
| 2 | 958 044 000 06 | protective grille Side window Set | | 1 | |
| - | | comprising: | | | |
| - | | sun vizors | | 4 | |

Model: TEQ 2

Model life 2003>>

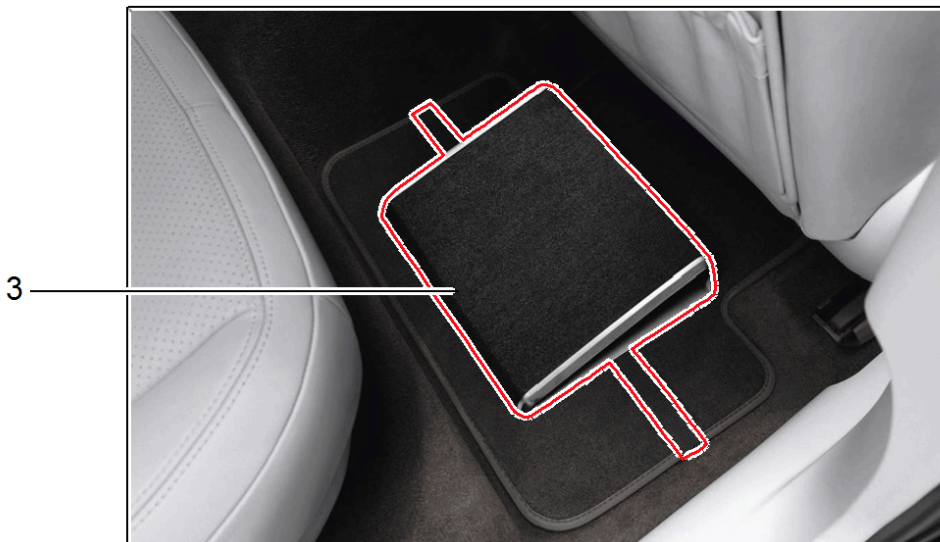


Model: TEQ 2 Model life 2003>>

| Pos | Part Number | Description | Remark | Qty | Model |
|-----|--------------------|---|--------|-----|---------------------------|
| - | | Loadspace system D - MJ 2003>> - MJ 2010 Inst. & Conv. Instructions Porsche Cayenne Group 6 6870 (7/07) Attention | | | Cayenne (9PA) alle |
| - | 955 044 802 19 | Loadspace system Tufting velour Set | | 1 | PR:-9AH |
| | 955 044 802 19 7H1 | Black | | | |
| | 955 044 802 19 7J2 | steel grey | | | |
| | 955 044 802 19 7K3 | Sand beige | | | |
| - | 955 044 802 20 | Loadspace system Pearl velour Set | | 1 | PR:-9AH |
| | 955 044 802 20 8B2 | Black | | | |
| | 955 044 802 20 8C3 | steel grey | | | |
| | 955 044 802 20 8D4 | Sand beige | | | |
| | 955 044 802 20 L63 | chestnut brown | | | |
| - | 955 044 802 21 | Loadspace system Tufting velour Set | | 1 | PR:9AH |
| | 955 044 802 21 7H1 | Black | | | |
| | 955 044 802 21 7J2 | steel grey | | | |
| | 955 044 802 21 7K3 | Sand beige | | | |
| - | 955 044 802 22 | Loadspace system Pearl velour Set | | 1 | PR:9AH |
| | 955 044 802 22 8B2 | Black | | | |
| | 955 044 802 22 8C3 | steel grey | | | |
| | 955 044 802 22 8D4 | Sand beige | | | |
| | 955 044 802 22 L63 | chestnut brown | | | |

Model: TEQ 2

Model life 2003>>



Model: TEQ 2 Model life 2003>>

| Pos | Part Number | Description | Remark | Qty | Model |
|-----|--------------------|--|--------------------------------------|-----|--|
| (1) | 955 044 800 02 | Floor mats Velour Rubber Floor mat Velour Set | 2003-10 2011-17 2018- 03-03 | 1 | Cayenne (9PA) Cayenne (92A) Cayenne (9YA) Cayenne (9PA) |
| | 955 044 800 02 8B2 | Black | | | /LL |
| | 955 044 800 02 8C3 | steel grey | | | |
| | 955 044 800 02 8D4 | Sand beige | | | |
| | 955 044 800 02 8E5 | Palm green | | | |
| (1) | 955 044 800 03 | Floor mat Velour Set | 03-03 | 1 | Cayenne (9PA) |
| | 955 044 800 03 8B2 | Black | | | /RL |
| | 955 044 800 03 8C3 | steel grey | | | |
| | 955 044 800 03 8D4 | Sand beige | | | |
| | 955 044 800 03 8E5 | Palm green | | | |
| - | | use if required: | | | |
| - | 955 044 800 64 | Securing element Set | 03-03 | 1 | |
| | 955 044 800 64 8B2 | Black | | | |
| | 955 044 800 64 8C3 | steel grey | | | |
| | 955 044 800 64 8D4 | Sand beige | | | |
| | 955 044 800 64 8E5 | Palm green | | | |
| (1) | 955 044 800 62 | Floor mat Velour Set Discontinued part | 04-06 | 1 | Cayenne (9PA) |
| | 955 044 800 62 8B2 | Black | | | /LL |
| | 955 044 800 62 8C3 | steel grey | | | |
| | 955 044 800 62 8D4 | Sand beige | | | |
| | 955 044 800 62 8E5 | Palm green | | | |
| (1) | 955 044 801 62 | Floor mat Velour Set | 04-06 | 1 | Cayenne (9PA) |
| | 955 044 801 62 8B2 | Black | | | /LL |
| | 955 044 801 62 8C3 | steel grey | | | |
| | 955 044 801 62 8D4 | Sand beige | | | |
| | 955 044 801 62 8E5 | Palm green | | | |
| (1) | 955 044 800 63 | Floor mat Velour Set Discontinued part | 04-06 | 1 | Cayenne (9PA) |
| | 955 044 800 63 8B2 | Black | | | /RL |
| | 955 044 800 63 8C3 | steel grey | | | |
| | 955 044 800 63 8D4 | Sand beige | | | |
| | 955 044 800 63 8E5 | Palm green | | | |
| (1) | 955 044 801 63 | Floor mat Velour Set | 04-06 | 1 | Cayenne (9PA) |
| | 955 044 801 63 8B2 | Black | | | /RL |
| | 955 044 801 63 8C3 | steel grey | | | |
| | 955 044 801 63 8D4 | Sand beige | | | |
| | 955 044 801 63 8E5 | Palm green | | | |
| - | | use if required: | | | |
| - | 955 044 802 64 | Securing element Set | 03-06 | 1 | Cayenne (9PA) |
| | 955 044 802 64 8B2 | Black | | | |
| | 955 044 802 64 8C3 | steel grey | | | |
| | 955 044 802 64 8D4 | Sand beige | | | |
| (1) | 955 044 802 62 | Floor mat Velour Set | 08-10 | 1 | Cayenne (9PA) |
| | | | | | /RL |

Model: TEQ 2 Model life 2003>>

| Pos | Part Number | Description | Remark | Qty | Model | | | | | |
|--------------------|--------------------|--|--|-------|---------------|--|--|-------|---|---------------|
| (1) | 955 044 802 62 8B2 | Black | 08-10 | 1 | Cayenne (9PA) | | | | | |
| | 955 044 802 62 8C3 | steel grey | | | | | | | | |
| | 955 044 802 62 8D4 | Sand beige | | | | | | | | |
| | 955 044 802 62 L63 | chestnut brown | | | | | | | | |
| | 955 044 802 63 | Floor mat Velour Set | | | | | | | | |
| (1) | 955 044 802 63 8B2 | Black | 10-10 | 1 | Cayenne (9PA) | | | | | |
| | 955 044 802 63 8C3 | steel grey | | | | | | | | |
| | 955 044 802 63 8D4 | Sand beige | | | | | | | | |
| | 955 044 802 63 L63 | chestnut brown | | | | | | | | |
| | 955 044 804 65 | Floor mat Velour Set | | | | | | | | |
| (1) | 955 044 804 66 | Black | 10-10 | 1 | Cayenne (9PA) | | | | | |
| | | Indian red | | | | | | | | |
| | | Floor mat Velour Set | | | | | | | | |
| (1) | 958 044 800 61 | Black | 11-14 | 1 | CAYENNE (92A) | | | | | |
| | | Indian red | | | | | | | | |
| | | 1 set foot mats | | | | | | | | |
| | | Floor mat (textile) for vehicles with no air conditioning system | | | | | | | | |
| | | rear | | | | | | | | |
| | | 958 044 800 61 DE1 | | | | Umber | | | | |
| | | 958 044 800 61 DJ6 | | | | Platinum Grey | | | | |
| | | 958 044 800 61 DK4 | | | | Black | | | | |
| | | 958 044 800 61 DM5 | | | | Luxor beige | | | | |
| | | 958 044 800 61 DP8 | | | | Espresso | | | | |
| (1) | 958 044 800 62 | 1 set foot mats | 11-14 | 1 | CAYENNE (92A) | | | | | |
| | | Floor mat (textile) for vehicles with no air conditioning system | | | | | | | | |
| | | rear | | | | | | | | |
| | | 958 044 800 62 DE1 | | | | Umber | | | | |
| | | 958 044 800 62 DJ6 | | | | Platinum Grey | | | | |
| | | 958 044 800 62 DK4 | | | | Black | | | | |
| | | 958 044 800 62 DM5 | | | | Luxor beige | | | | |
| | | 958 044 800 62 DP8 | | | | Espresso | | | | |
| | | (1) | | | | 958 044 800 63 | 1 set foot mats | 11-14 | 1 | CAYENNE (92A) |
| | | | | | | | Floor mat (textile) for vehicles with air conditioner for rear | | | |
| 958 044 800 63 DE1 | Umber | | | | | | | | | |
| 958 044 800 63 DJ6 | Platinum Grey | | | | | | | | | |
| 958 044 800 63 DK4 | Black | | | | | | | | | |
| 958 044 800 63 DM5 | Luxor beige | | | | | | | | | |
| 958 044 800 63 DP8 | Espresso | | | | | | | | | |
| (1) | 958 044 800 64 | | 1 set foot mats | 11-14 | 1 | | CAYENNE (92A) | | | |
| | | | Floor mat (textile) for vehicles with air conditioner for rear | | | | | | | |
| | | | 958 044 800 64 DE1 | | | | | | | |
| | | 958 044 800 64 DJ6 | Platinum Grey | | | | | | | |
| | | 958 044 800 64 DK4 | Black | | | | | | | |
| | | 958 044 800 64 DM5 | Luxor beige | | | | | | | |
| | | 958 044 800 64 DP8 | Espresso | | | | | | | |
| | | 1 | 7P5 863 011 D | | | 1 set foot mats | | 15- | 1 | CAYENNE (92A) |
| | | | | | | Floor mat (textile) for vehicles with no air conditioning system | | | | |
| | | | | | | rear | | | | |
| 7P5 863 011 D DE1 | Umber | | | | | | | | | |
| 7P5 863 011 D DJ6 | Platinum Grey | | | | | | | | | |

Model: TEQ 2 Model life 2003>>

| Pos | Part Number | Description | Remark | Qty | Model |
|-----|--------------------|---|-----------------|-----|------------------------------------|
| (1) | 7P5 863 011 D DK4 | Black | | | |
| | 7P5 863 011 D DM5 | Luxor beige | | | |
| | 7P5 863 011 D DP8 | Espresso | | | |
| | 7P5 863 011 D OJ1 | agate grey | | | |
| | 7P5 863 011 D OP2 | saddle brown | | | |
| | 7P5 863 011 E | 1 set foot mats Floor mat (textile) for vehicles with no air conditioning system | 15- rear | 1 | CAYENNE (92A) rhd PR:9AD |
| | 7P5 863 011 E DE1 | Umber | | | |
| | 7P5 863 011 E DJ6 | Platinum Grey | | | |
| | 7P5 863 011 E DK4 | Black | | | |
| | 7P5 863 011 E DM5 | Luxor beige | | | |
| (1) | 7P5 863 011 E DP8 | Espresso | | | |
| | 7P5 863 011 E OJ1 | agate grey | | | |
| | 7P5 863 011 E OP2 | saddle brown | | | |
| | 7P5 863 011 F | 1 set foot mats Floor mat (textile) for vehicles with air conditioner for rear | 15- rear | 1 | CAYENNE (92A) lhd PR:9AH |
| | 7P5 863 011 F DE1 | Umber | | | |
| | 7P5 863 011 F DJ6 | Platinum Grey | | | |
| | 7P5 863 011 F DK4 | Black | | | |
| | 7P5 863 011 F DM5 | Luxor beige | | | |
| | 7P5 863 011 F DP8 | Espresso | | | |
| | 7P5 863 011 F OJ1 | agate grey | | | |
| (1) | 7P5 863 011 F OP2 | saddle brown | | | |
| | 7P5 863 011 G | 1 set foot mats Floor mat (textile) for vehicles with air conditioner for rear | 15- rear | 1 | CAYENNE (92A) rhd PR:9AH |
| | 7P5 863 011 G DE1 | Umber | | | |
| | 7P5 863 011 G DJ6 | Platinum Grey | | | |
| | 7P5 863 011 G DK4 | Black | | | |
| | 7P5 863 011 G DM5 | Luxor beige | | | |
| | 7P5 863 011 G DP8 | Espresso | | | |
| | 7P5 863 011 G OJ1 | agate grey | | | |
| | 7P5 863 011 G OP2 | saddle brown | | | |
| | 958 551 800 68 | 1 set foot mats Floor mat (textile) for vehicles with no air conditioning system | 15- rear | 1 | CAYENNE (92A) lhd PR:9AD |
| (1) | 958 551 800 68 YRI | Black/Carrera Red | | | |
| | 958 551 800 68 YPO | Black/Cream | | | |
| | 958 551 800 69 | 1 set foot mats Floor mat (textile) for vehicles with no air conditioning system | 15- rear | 1 | CAYENNE (92A) rhd PR:9AD |
| (1) | 958 551 800 69 YRI | Black/Carrera Red | | | |
| | 958 551 800 69 YPO | Black/Cream | | | |
| | 958 551 800 86 | 1 set foot mats Floor mat (textile) for vehicles with air conditioner for rear | 15- rear | 1 | CAYENNE (92A) lhd PR:9AH |
| (1) | 958 551 800 86 YRI | Black/Carrera Red | | | |
| | 958 551 800 86 YPO | Black/Cream | | | |
| | 958 551 800 87 | 1 set foot mats Floor mat (textile) for vehicles with air conditioner for rear | 15- rear | 1 | CAYENNE (92A) rhd PR:9AH |
| (1) | 958 551 800 87 YRI | Black/Carrera Red | | | |
| | 958 551 800 87 YPO | Black/Cream | | | |
| | 9Y1 863 011 | 1 set foot mats | 18- | 1 | CAYENNE (9YA) |

Model: TEQ 2 Model life 2003>>

| Pos | Part Number | Description | Remark | Qty | Model |
|-----|--------------------|---------------------------|--------|-----|--|
| | | Floor mat (textile) | 4-part | | lhd |
| | 9Y1 863 011 OS5 | Black | | | |
| | 9Y1 863 011 OH7 | Graphite Blue | | | |
| | 9Y1 863 011 OS1 | Truffle Brown | | | |
| | 9Y1 863 011 OU6 | Slate grey | | | |
| (1) | 9Y2 863 011 | 1 set foot mats | 18- | 1 | CAYENNE (9YA) |
| | | Floor mat (textile) | 4-part | | rhd |
| | 9Y2 863 011 OS5 | Black | | | |
| | 9Y2 863 011 OH7 | Graphite Blue | | | |
| | 9Y2 863 011 OS1 | Truffle Brown | | | |
| | 9Y2 863 011 OU6 | Slate grey | | | |
| (2) | 955 044 802 60 | 1 set foot mats (rubber) | 03-10 | 1 | Cayenne (9PA) /RL - "CN. " |
| (2) | 955 044 802 61 | 1 set foot mats (rubber) | 03-10 | 1 | Cayenne (9PA) /LL - "CN. " |
| 2 | 958 044 801 51 | 1 set foot mats (rubber) | 11- | 1 | Cayenne (92A) /LL PR:9AD - "CN. " |
| | | Air conditioning | | | |
| | 958 044 801 51 1E0 | Black | | | |
| | 958 044 801 51 4H0 | Luxor beige | | | |
| | 958 044 801 51 OP1 | agate grey | | | |
| (2) | 958 044 801 55 | 1 set foot mats (rubber) | 11- | 1 | Cayenne (92A) /LL PR:9AD "CN. " |
| | | Air conditioning | | | |
| | 958 044 801 55 1E0 | Black | | | |
| | 958 044 801 55 4H0 | Luxor beige | | | |
| | 958 044 801 55 OP1 | agate grey | | | |
| (2) | 958 044 801 52 | 1 set foot mats (rubber) | 11- | 1 | Cayenne (92A) /RL PR:9AD - "CN. " |
| | | Air conditioning | | | |
| | 958 044 801 52 1E0 | Black | | | |
| | 958 044 801 52 4H0 | Luxor beige | | | |
| | 958 044 801 52 OP1 | agate grey | | | |
| (2) | 958 044 801 53 | 1 set foot mats (rubber) | 11- | 1 | Cayenne (92A) /LL PR:9AH - "CN. " |
| | | Auxiliary air conditioner | | | |
| | 958 044 801 53 1E0 | Black | | | |
| | 958 044 801 53 4H0 | Luxor beige | | | |
| | 958 044 801 53 OP1 | agate grey | | | |
| (2) | 958 044 801 57 | 1 set foot mats (rubber) | 11- | 1 | Cayenne (92A) /LL PR:9AH "CN. " |
| | | Auxiliary air conditioner | | | |
| | 958 044 801 57 1E0 | Black | | | |
| | 958 044 801 57 4H0 | Luxor beige | | | |
| | 958 044 801 57 OP1 | agate grey | | | |
| (2) | 958 044 801 54 | 1 set foot mats (rubber) | 11- | 1 | Cayenne (92A) /RL PR:9AH - "CN. " |
| | | Auxiliary air conditioner | | | |
| | 958 044 801 54 1E0 | Black | | | |
| | 958 044 801 54 4H0 | Luxor beige | | | |
| | 958 044 801 54 OP1 | agate grey | | | |
| 2 | 9Y0 044 801 | 1 set foot mats (rubber) | | 1 | Cayenne (9YA) /LL |
| | | D - MJ 2018>> | | | |
| | 9Y0 044 801 1E0 | Black | | | |

Model: TEQ 2 Model life 2003>>

| Pos | Part Number | Description | Remark | Qty | Model |
|-----|---|---|--------|-----|---|
| (2) | 9Y0 044 801 OS1 9Y0 044 801 OH7 9Y0 044 801 A | Truffle Brown Graphite Blue 1 set foot mats (rubber) | | 1 | Cayenne (9YA) /RL |
| | | D - MJ 2018>> | | | |
| | 9Y0 044 801 A 1E0 9Y0 044 801 A OS1 9Y0 044 801 A OH7 | Black Truffle Brown Graphite Blue | | | |
| - | | Floor mats two-colour | 11- | | Cayenne (92A) |
| (1) | 958 551 800 68 | 1 set foot mats Velour two-colour Set 4-part | 11- | 1 | Cayenne (92A) /LL |
| | 958 551 800 68 HAH | Black/Rhodium Silver | | | Cayenne GTS PR:DU3 Platinum Ed. |
| | 958 551 800 68 HGZ | Black/Luxor Beige SCHWARZ/SCHWARZ/LUXORBEIGE | | | PR:D11,D1V, D34,D43,D50 Cayenne GTS PR:DU3 |
| | 958 551 800 68 IVG | Black/Carmin Red | | | Cayenne GTS PR:DU3 |
| | 958 551 800 68 IVH | Black/Peridot | | | Cayenne GTS PR:DU3 |
| | 958 551 800 68 YRI | Black/Carrera Red | | | Turbo S PR:DT5 |
| | 958 551 800 68 YSI | Black/Luxor Beige | | | Turbo S PR:DT5 |
| (1) | 958 551 800 69 | 1 set foot mats Velour two-colour Set 4-part | 11- | 1 | Cayenne (92A) /RL |
| | 958 551 800 69 HAH | Black/Rhodium Silver | | | Cayenne GTS PR:DU3 Platinum Ed. |
| | 958 551 800 69 HGZ | Black/Luxor Beige SCHWARZ/SCHWARZ/LUXORBEIGE | | | PR:D11,D1V, D34,D43,D50 Cayenne GTS PR:DU3 |
| | 958 551 800 69 IVG | Black/Carmin Red | | | Cayenne GTS PR:DU3 |
| | 958 551 800 69 IVH | Black/Peridot | | | Cayenne GTS PR:DU3 |
| | 958 551 800 69 YRI | Black/Carrera Red | | | Turbo S PR:DT5 |
| | 958 551 800 69 YSI | Black/Luxor Beige | | | Turbo S PR:DT5 |
| (1) | 958 551 800 86 | 1 set foot mats Velour two-colour Set 4-part Auxiliary air conditioner | 11- | 1 | Cayenne (92A) /LL PR:9AH |
| | 958 551 800 86 HAH | Black/Rhodium Silver | | | Cayenne GTS PR:DU3 Platinum Ed. |
| | 958 551 800 86 HGZ | Black/Luxor Beige SCHWARZ/SCHWARZ/LUXORBEIGE | | | PR:D11,D1V, D34,D43,D50 Cayenne GTS PR:DU3 |
| | 958 551 800 86 IVG | Black/Carmin Red | | | Cayenne GTS PR:DU3 |
| | 958 551 800 86 IVH | Black/Peridot | | | Cayenne GTS |

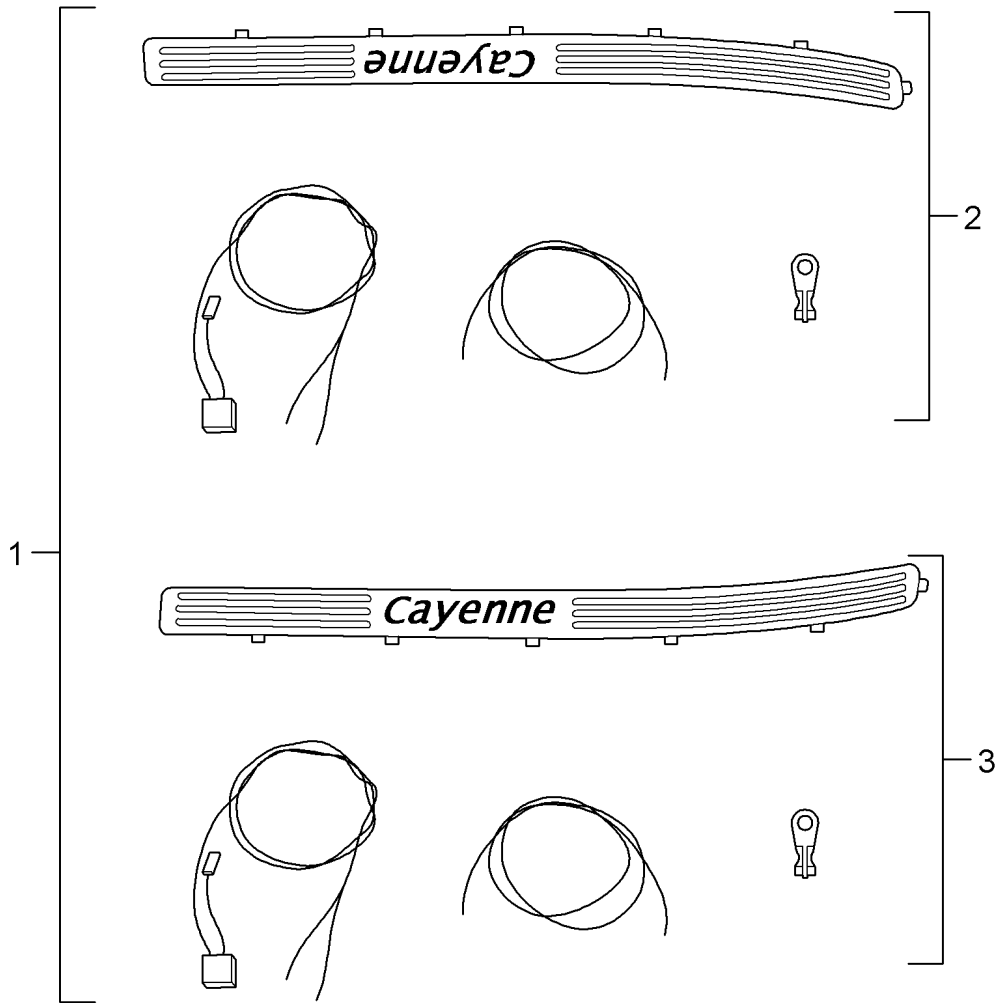
Model: TEQ 2

Model life 2003>>

| Pos | Part Number | Description | Remark | Qty | Model |
|-----|--------------------|---|--------|-----|---|
| | 958 551 800 86 YRI | Black/Carrera Red | | | PR:DU3 Turbo S |
| | 958 551 800 86 YSI | Black/Luxor Beige | | | PR:DT5 Turbo S |
| (1) | 958 551 800 87 | 1 set foot mats Velour two-colour Set 4-part Auxiliary air conditioner | 11- | 1 | PR:DT5 Cayenne(92A) |
| | 958 551 800 87 HAH | Black/Rhodium Silver | | | /RL PR:9AH |
| | 958 551 800 87 HGZ | Black/Luxor Beige SCHWARZ/SCHWARZ/LUXORBEIGE | | | Cayenne GTS PR:DU3 Platinum Ed. |
| | 958 551 800 87 IVG | Black/Carmin Red | | | PR:D11,D1V, D34,D43,D50 Cayenne GTS |
| | 958 551 800 87 IVH | Black/Peridot | | | PR:DU3 Cayenne GTS |
| | 958 551 800 87 YRI | Black/Carrera Red | | | PR:DU3 |
| | 958 551 800 87 YSI | Black/Luxor Beige | | | Turbo S PR:DT5 |
| 3 | 970 044 802 80 | Foot rest | rear | 1 | Turbo S PR:DT5 |
| | 970 044 802 80 DK4 | Black | | | |

Model: TEQ 2

Model life 2003>>

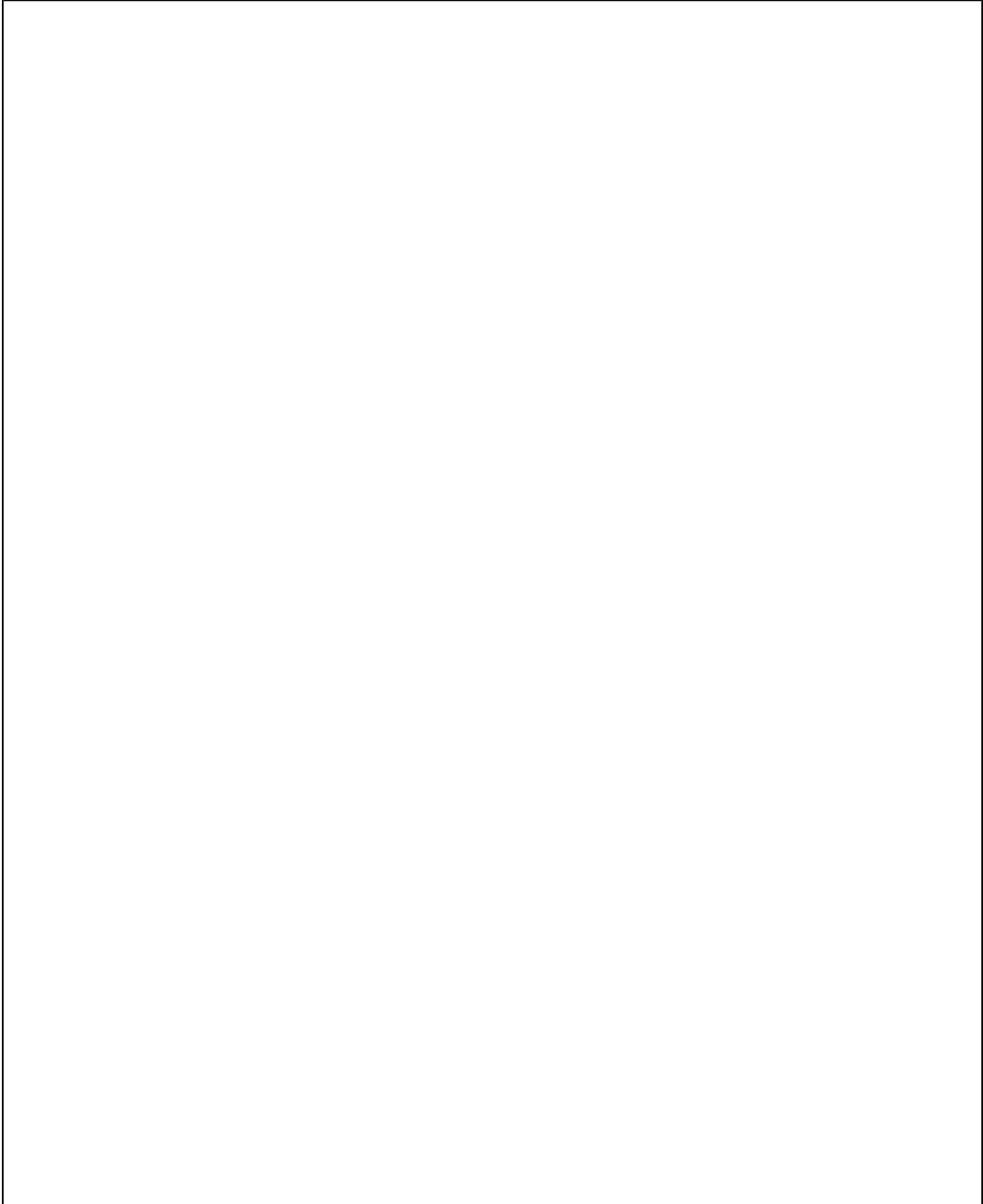


Model: TEQ 2 Model life 2003>>

| Pos | Part Number | Description | Remark | Qty | Model |
|-----|----------------|---|--------|-----|--------------------|
| | | Sill trim strip | 03-10 | | Cayenne (9PA) |
| | | without: | 11- | | Cayenne (92A) |
| - | 955 044 800 49 | Lighting Sill trim strip stainless steel Set | 04-10 | 1 | PR:D9J |
| - | 958 044 800 14 | 1 set of sill strips stainless steel | 11- | 1 | |
| | | without: | | | |
| - | 958 044 800 13 | inscription 1 set of sill strips Carbon | 11-14 | 1 | Cayenne |
| - | 958 044 800 17 | 1 set of sill strips Carbon | 11-14 | 1 | Cayenne S |
| - | 958 044 800 40 | 1 set of sill strips Carbon | 11-14 | 1 | Cayenne GTS |
| - | 958 044 800 37 | 1 set of sill strips Carbon | 11-14 | 1 | Cayenne turbo |
| - | 958 044 800 43 | 1 set of sill strips Carbon | 14-14 | 1 | Cayenne turbo S |

Model: TEQ 2

Model life 2003>>

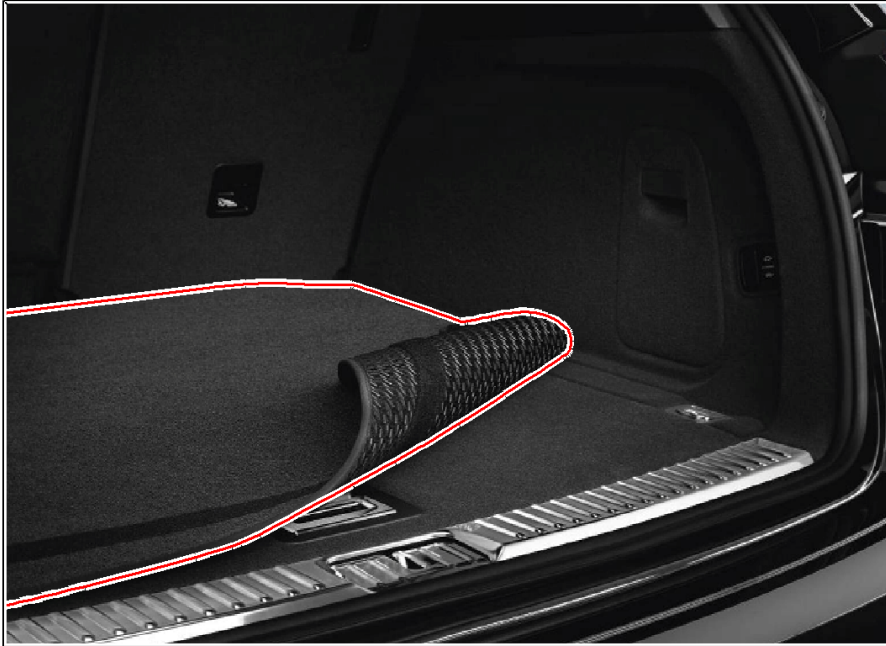


Model: TEQ 2 Model life 2003>>

| Pos | Part Number | Description | Remark | Qty | Model |
|-----|----------------|--|----------------|-----|--|
| - | | Sill trim strip with: Lighting Inst. & Conv. Instructions Porsche Cayenne Group 6 6807 (7/05) Attention | | | Cayenne (9PA) Cayenne (92A) Cayenne/S Turbo |
| - | 955 044 800 00 | 1 set of sill strips stainless steel | 03-10 | 1 | PR:D9J,D9K, D9L |
| - | 955 044 800 67 | Sill trim strip stainless steel repair set | left 03-10 | 1 | PR:D9J,D9K, D9L |
| - | 955 044 800 68 | Sill trim strip stainless steel repair set | right 03-10 | 1 | PR:D9J,D9K, D9L |
| - | 955 551 983 00 | 1 set of sill strips Transsyberia Only for replacement Order | 03-10 | 1 | PR:E2D |
| - | 955 551 992 00 | Wire set Sill trim strip Inst. & Conv. Instructions Porsche Cayenne Group 6 6807 (8/11) Attention | 03-10 | 1 | alle |
| - | 958 044 800 11 | 1 set of sill strips stainless steel | 11- | 1 | Cayenne |
| - | 958 044 800 15 | 1 set of sill strips stainless steel | 11- | 1 | Cayenne S |
| - | 958 044 800 38 | 1 set of sill strips stainless steel | 11- | 1 | Cayenne GTS |
| - | 958 044 800 35 | 1 set of sill strips stainless steel | 11- | 1 | Cayenne turbo |
| - | 958 044 800 41 | 1 set of sill strips stainless steel | 14- | 1 | Cayenne turbo S |
| - | 958 044 802 19 | 1 set of sill strips stainless steel | 14- | 1 | Cayenne S e-hybrid |
| - | 958 044 800 12 | 1 set of sill strips Carbon | 11- | 1 | Cayenne |
| - | 958 044 800 16 | 1 set of sill strips Carbon | 11- | 1 | Cayenne S |
| - | 958 044 800 39 | 1 set of sill strips Carbon | 11- | 1 | Cayenne GTS |
| - | 958 044 800 36 | 1 set of sill strips Carbon | 11- | 1 | Cayenne turbo |
| - | 958 044 800 42 | 1 set of sill strips Carbon | 14- | 1 | Cayenne turbo S |
| - | 958 044 802 18 | 1 set of sill strips Carbon | 14- | 1 | Cayenne S e-hybrid |

Model: TEQ 2

Model life 2003>>

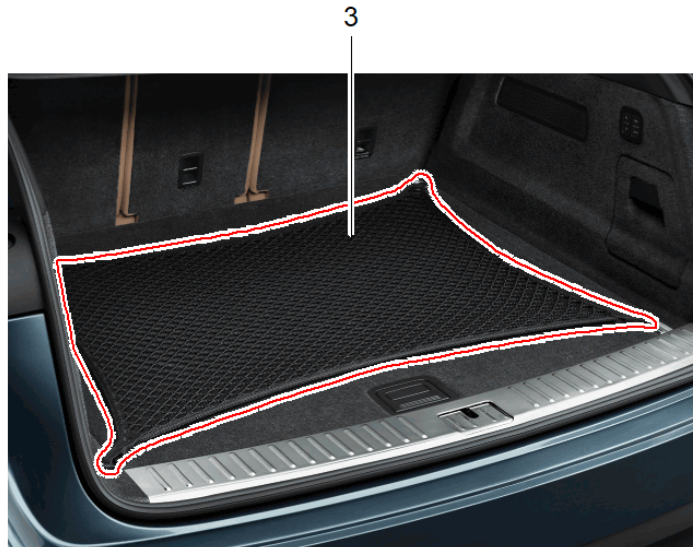
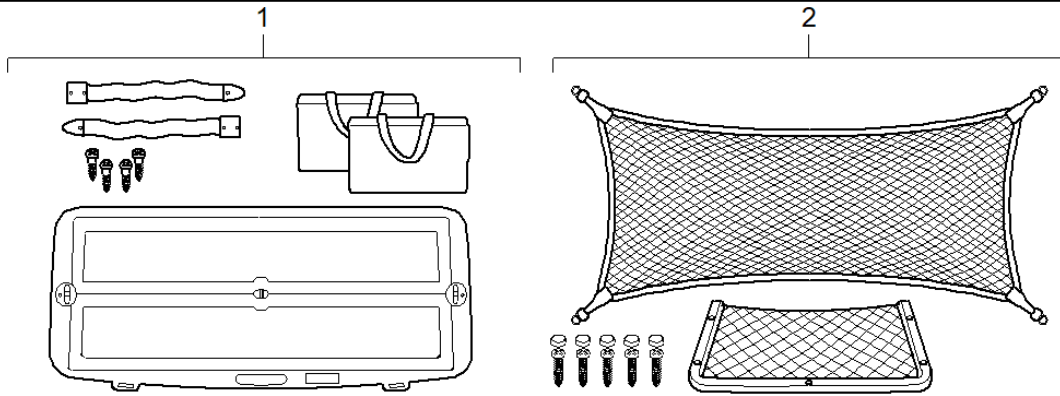


Model: TEQ 2 Model life 2003>>

| Pos | Part Number | Description | Remark | Qty | Model |
|-----|--------------------|---|--------------------|-----|--------|
| 1 | 955 044 800 04 | Luggage compartment mat Luggage compartment mat for D - MJ 2003>> - MJ 2010 | velours | 1 | PR:9AD |
| | 955 044 800 04 8B2 | Black | | | |
| | 955 044 800 04 8C3 | steel grey | | | |
| | 955 044 800 04 8D4 | Sand beige | | | |
| | 955 044 800 04 8E5 | Palm green | | | |
| | 955 044 800 04 L63 | chestnut brown | | | |
| 2 | 955 044 800 40 | Luggage compartment mat for vehicles with Air conditioning D - MJ 2003>> - MJ 2010 | velours 4 point | 1 | PR:9AH |
| | 955 044 800 40 8B2 | Black | | | |
| | 955 044 800 40 8C3 | steel grey | | | |
| | 955 044 800 40 8D4 | Sand beige | | | |
| | 955 044 800 40 8E5 | Palm green | | | |
| | 955 044 800 40 L63 | chestnut brown | | | |
| 2 | 958 044 800 65 | Luggage compartment mat for D - MJ 2011>> | velours | 1 | |
| | 958 044 800 65 DK4 | Black | | | |
| | 958 044 800 65 DE1 | Umber | | | |
| | 958 044 800 65 DJ6 | Platinum Grey | | | |
| | 958 044 800 65 DM5 | Luxor beige | | | |
| | 958 044 800 65 DP8 | Espresso | | | |
| | 958 044 800 65 OP2 | saddle brown | | | |
| | 958 044 800 65 OJ1 | agate grey | | | |
| 3 | 9Y0 044 810 | Carpet For luggage compartment D - MJ 2018>> | velours | 1 | |
| | 9Y0 044 810 DK4 | Black | | | |
| | 9Y0 044 810 OH7 | Graphite Blue | | | |
| | 9Y0 044 810 OS1 | Truffle Brown | | | |
| | 9Y0 044 810 OU6 | Slate grey | | | |

Model: TEQ 2

Model life 2003>>



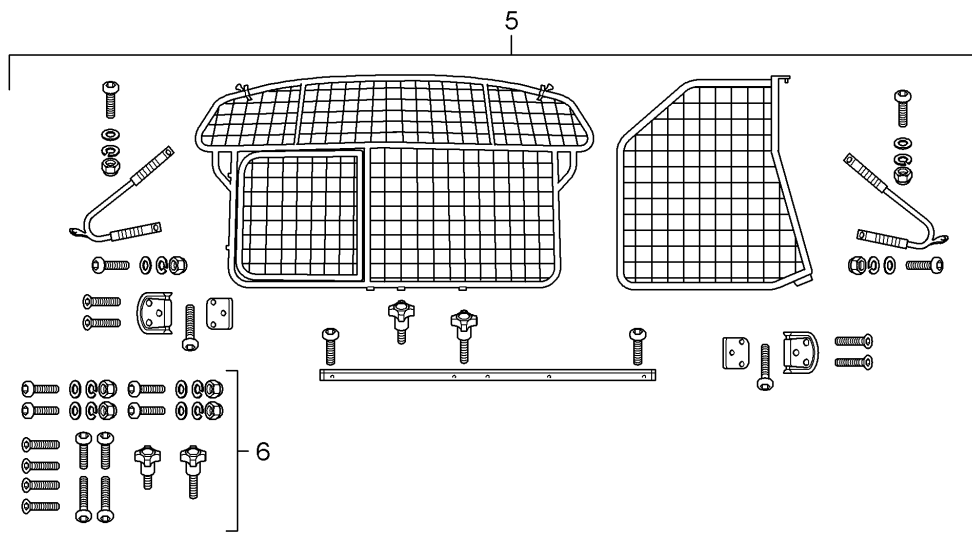
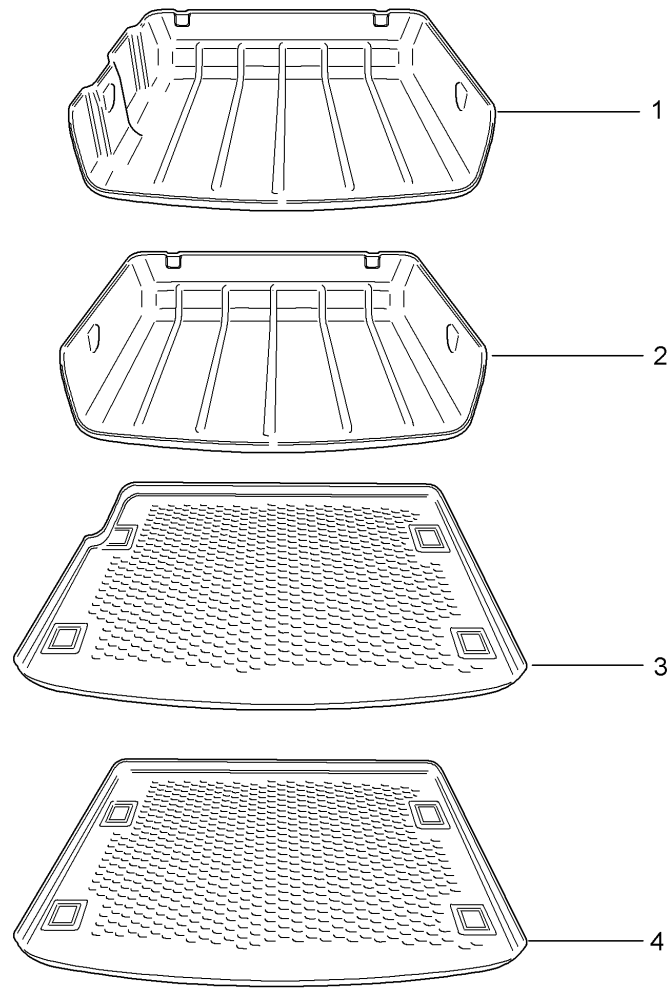
Model: TEQ 2

Model life 2003>>

| Pos | Part Number | Description | Remark | Qty | Model |
|-----|--------------------------------------|--|----------------------------|-----|---|
| 1 | 955 044 000 19 | Luggage net Loadspace system Loadspace system Not for: Luggage compartment liner Deep | 03-10 11- 18- 03- | 1 | CAYENNE (9PA) CAYENNE (92A) CAYENNE (9YA) |
| 2 | 955 044 000 03 | Luggage net Not for: Luggage compartment liner Deep | 03-10 | 1 | Cayenne (9PA) |
| (2) | 958 044 000 03 | Luggage net Not for: Luggage compartment liner Deep | 11-17 | 1 | Cayenne (92A) |
| 3 | 9Y0 044 010 | Luggage net Not for: Luggage compartment liner without: | 18- | 1 | Cayenne (9YA) |
| - | PAB 861 691 00 PAB 861 691 00 AY1 | Side part Net partition Black | 18- | 1 | |

Model: TEQ 2

Model life 2003>>



Model: TEQ 2 Model life 2003>>

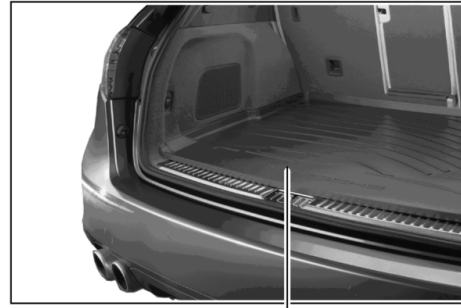
| Pos | Part Number | Description | Remark | Qty | Model |
|-----|----------------|--|--------|-----|----------------------|
| | | Luggage compartment liner Grille Cayenne (9PA) | | | |
| 1 | 955 044 000 16 | D - MJ 2003>> - MJ 2010 Luggage compartment liner High Not for: Grille 955.044.000.13 | | 1 | PR:9AH -"CN." |
| 2 | 955 044 000 15 | Luggage compartment liner High Not for: Grille 955.044.000.13 | | 1 | PR:9AD,9AB -"CN." |
| 3 | 955 044 000 18 | Luggage compartment liner Flat | | 1 | PR:9AH -"CN." |
| 4 | 955 044 000 17 | Luggage compartment liner Flat | | 1 | PR:9AB,9AD -"CN." |
| - | | Technical information Porsche Cayenne Group 6 6845 (3/03) Attention | | | alle |
| 5 | 955 044 000 13 | Grille Retrofit kit (complete) Not for: Luggage compartment liner High | | 1 | PR:9AB |
| 6 | 955 044 000 42 | Assembly kit Grille | | 1 | |

Model: TEQ 2

Model life 2003>>



1

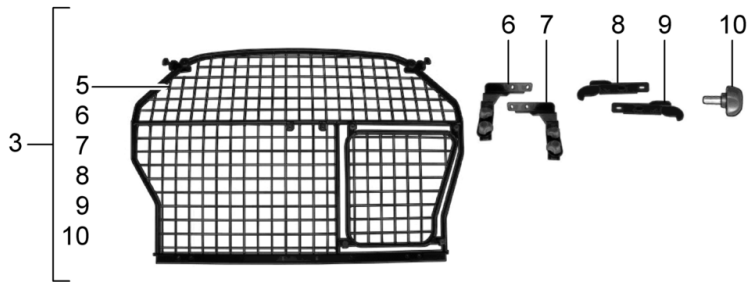


2



3

4



3

5

6

7

8

9

10

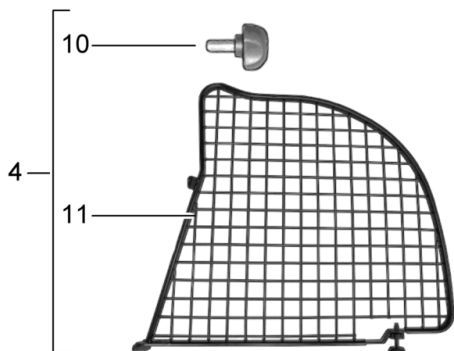
6

7

8

9

10



4

10

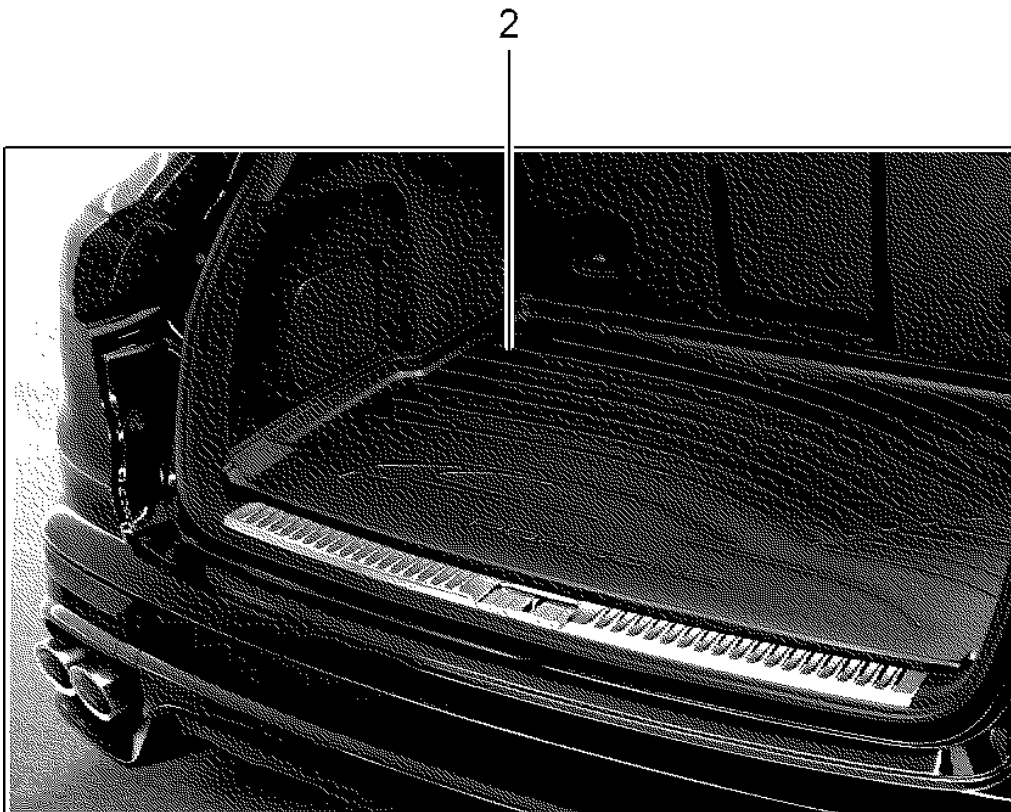
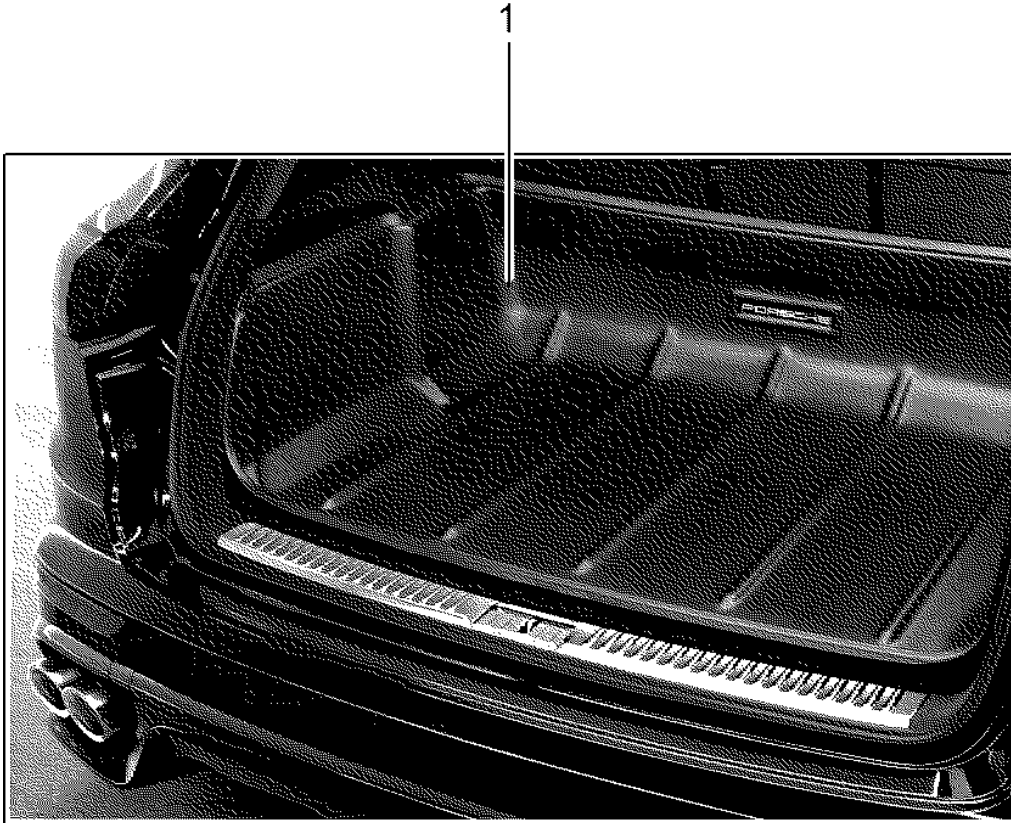
11

Model: TEQ 2 Model life 2003>>

| Pos | Part Number | Description | Remark | Qty | Model |
|------|----------------|---|---------|-----|---|
| | | Luggage compartment liner Grille | | | Cayenne (92A) |
| (1) | 958 044 000 15 | D - MJ 2011>> Luggage compartment liner High | | 1 | PR:-9AH, -0K1,-1G1, -1G4,-1G6 -"CN." |
| 1 | 958 044 000 16 | Luggage compartment liner High | | 1 | PR:9AH,-1G1, -1G4,-1G6 -"CN." |
| 1 | 958 044 000 16 | Luggage compartment liner High | Hybrid | 1 | PR:0K1,-1G1, -1G4,-1G6 -"CN." |
| (2) | 958 044 000 17 | Luggage compartment liner Flat | | 1 | PR:-9AH, -0K1,-1G1, -1G4,-1G6 -"CN." |
| 2 | 958 044 000 27 | Luggage compartment liner Flat | | 1 | PR:-9AH, -0K1,-1G1, -1G4,-1G6 "CN." |
| 2 | 958 044 000 18 | Luggage compartment liner Flat | | 1 | PR:9AH,-1G1, -1G4,-1G6 -"CN." |
| (2) | 958 044 000 28 | Luggage compartment liner Flat | | 1 | PR:9AH,-1G1, -1G4,-1G6 "CN." |
| 2 | 958 044 000 18 | Luggage compartment liner Flat | Hybrid | 1 | PR:0K1,-1G1, -1G4,-1G6 -"CN." |
| - | | Inst. & Conv. Instructions Porsche Cayenne Group 6 6845 (24/11) Attention | | | alle |
| 3 | 958 044 800 33 | Grille Luggage compartment Transverse Set | | 1 | PR:-3FU,-3F4 |
| - | | comprising: | | | |
| (5) | | Grille | | 1 | |
| (6) | | Console | left | 1 | PR:3GN |
| (7) | | Console | right | 1 | PR:3GN |
| (8) | | Console | left | 1 | |
| (9) | | Console | right | 1 | |
| (10) | | Screw | M8 x 20 | 12 | |
| - | | Operating instructions | | 1 | |
| 4 | 958 044 800 34 | Grille Luggage compartment Lengthways Set | | 1 | PR:-3FU,-3F4 |
| - | | comprising: | | | |
| (10) | | Screw | M8 x 20 | 3 | |
| (11) | | Grille | | 1 | |

Model: TEQ 2

Model life 2003>>

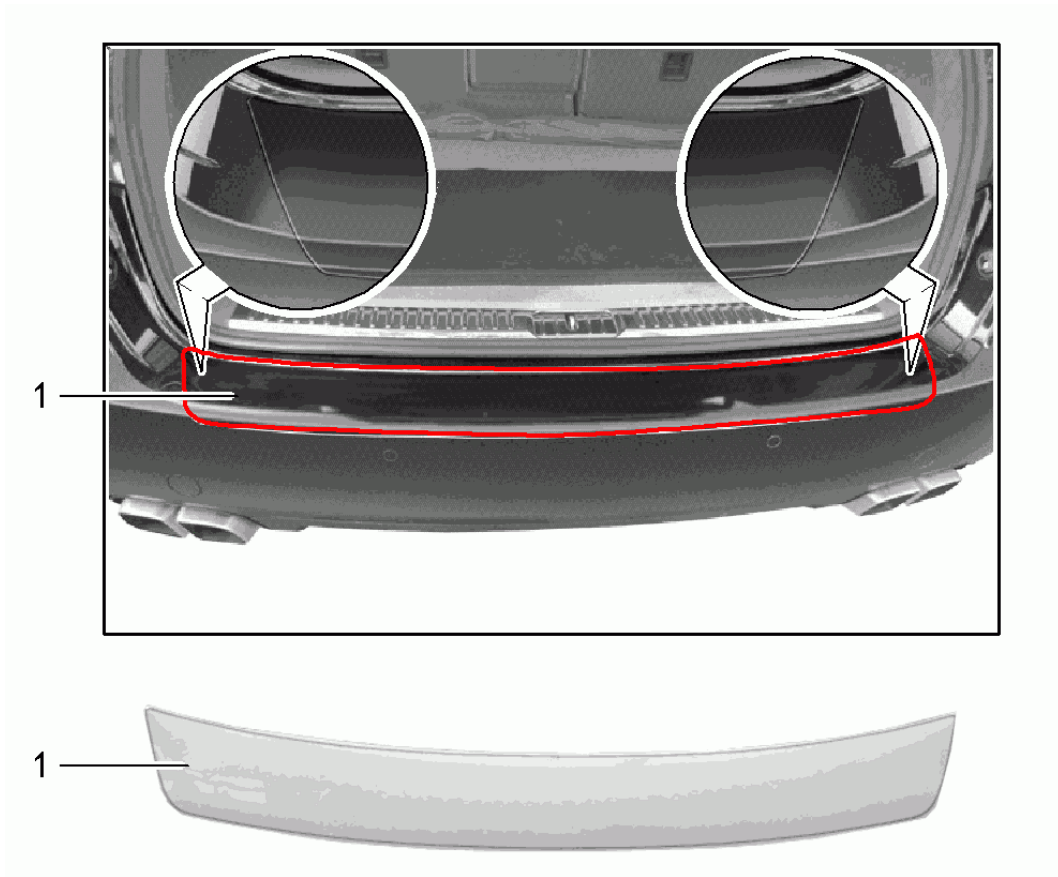


Model: TEQ 2 Model life 2003>>

| Pos | Part Number | Description | Remark | Qty | Model |
|-----|---------------|---|--------|-----|-------------------------|
| | | Luggage compartment tray D - MJ 2018>> | | | Cayenne (9YA) |
| 1 | 9Y0 044 000 | Luggage compartment tray | High | 1 | Cayenne |
| (1) | 9Y0 044 000 A | Luggage compartment tray | High | 1 | Cayenne PHEV |
| 2 | 9Y0 044 001 | Luggage compartment tray | Flat | 1 | Cayenne Cayenne PHEV |

Model: TEQ 2

Model life 2003>>



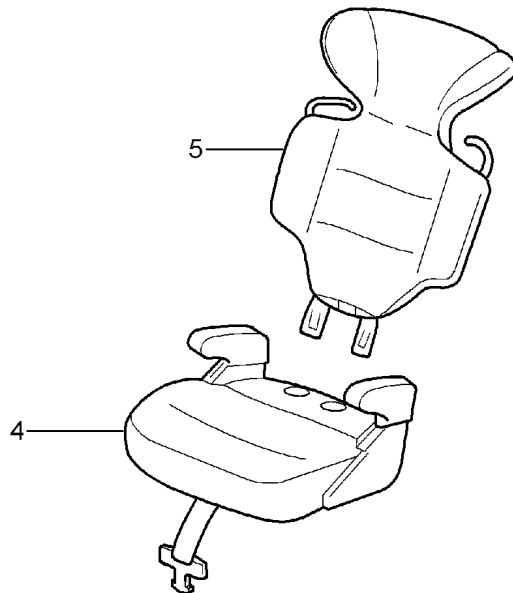
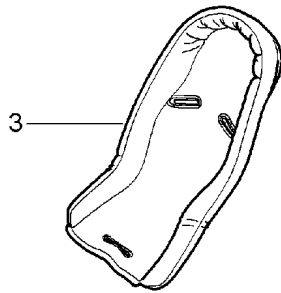
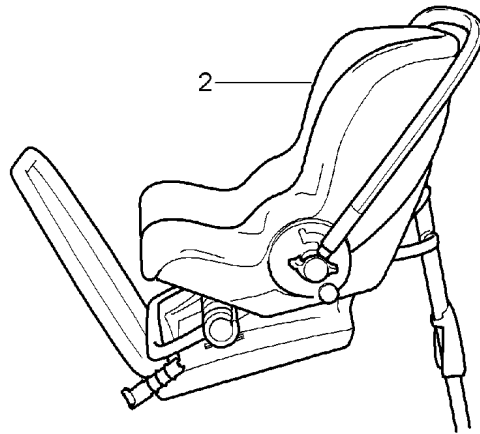
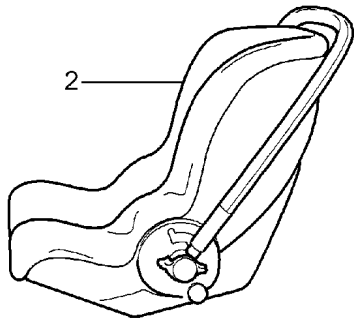
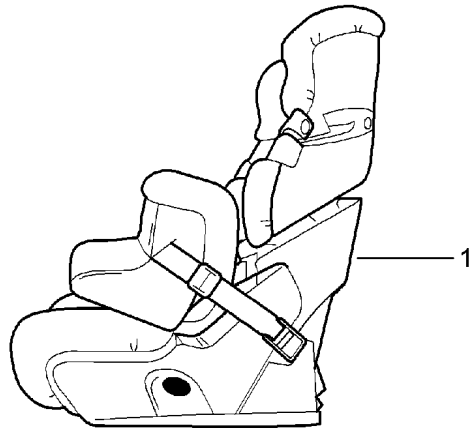
Model: TEQ 2

Model life 2003>>

| Pos | Part Number | Description | Remark | Qty | Model |
|-----|----------------|--|--------------|-----|--------------------------------|
| - | | Load edge protection Protective film note: Inst. & Conv. Instructions 6369 (47/13) | 11-17 18- | | CAYENNE (92A) CAYENNE (9YA) |
| 1 | 958 044 800 45 | Protective film for bumper | 11-14 | 1 | |
| (1) | 958 044 800 46 | Protective film for bumper note: Inst. & Conv. Instructions 6369 (09/18) | 15-17 | 1 | |
| (1) | 9Y0 044 822 | Protective film for bumper | 18- 18- | 1 | |

Model: TEQ 2

Model life 2003>>



Model: TEQ 2 Model life 2003>>

| Pos | Part Number | Description | Remark | Qty | Model |
|-----|----------------|---|--------|-----|---------------|
| - | | child seat D - MJ 2003>> - MJ 2010 Operating instructions Attention /F = Front = Vorn /R = Rear = Hinten Use | | | Cayenne (9PA) |
| (1) | 955 044 800 39 | child seat Junior Seat ISOFIX G1+G2 with: | right | 1 | |
| - | 955 044 800 30 | Push-on connector Cover Backrest JUNIOR SEAT ISOFIX G1+G2 No longer use the part here | | 1 | |
| - | 955 044 800 31 | Cover Seat cushion JUNIOR SEAT ISOFIX G1+G2 No longer use the part here | | 1 | |
| - | 955 044 800 32 | Shelf table JUNIOR SEAT ISOFIX G1+G2 No longer use the part here | | 1 | |
| - | 955 044 800 33 | Twist lock JUNIOR SEAT ISOFIX G1+G2 No longer use the part here | | 1 | |
| - | 955 044 800 34 | Seat belt guide JUNIOR SEAT ISOFIX G1+G2 No longer use the part here | right | 1 | |
| - | 955 044 800 35 | Seat belt guide JUNIOR SEAT ISOFIX G1+G2 No longer use the part here | left | 1 | |
| - | 955 044 800 41 | Belt System Junior Seat ISOFIX G1+G2 | | 1 | |
| - | 955 044 800 37 | Introduction guide funnel JUNIOR SEAT ISOFIX G1+G2 No longer use the part here | | 1 | |
| (2) | 955 044 800 82 | child seat Baby Seat ISOFIX G0 with: | | 1 | - "CN. " |
| - | 955 044 800 57 | Push-on connector 0-13 KG / 0-9 MONATE Seat cover Baby Seat ISOFIX G0 for 95504480042/.43/.82 Discontinued part | | 1 | |
| 3 | 955 044 800 58 | Seat well for child seat | | 1 | - "AUS " |
| (4) | 955 044 801 03 | Baby Seat ISOFIX G0 child seat Kid Plus G2+G3 with: | | 1 | |
| | | Push-on connector Discontinued part | | | |

Model: TEQ 2

Model life 2003>>



1



2

1



3



4



7



5



6



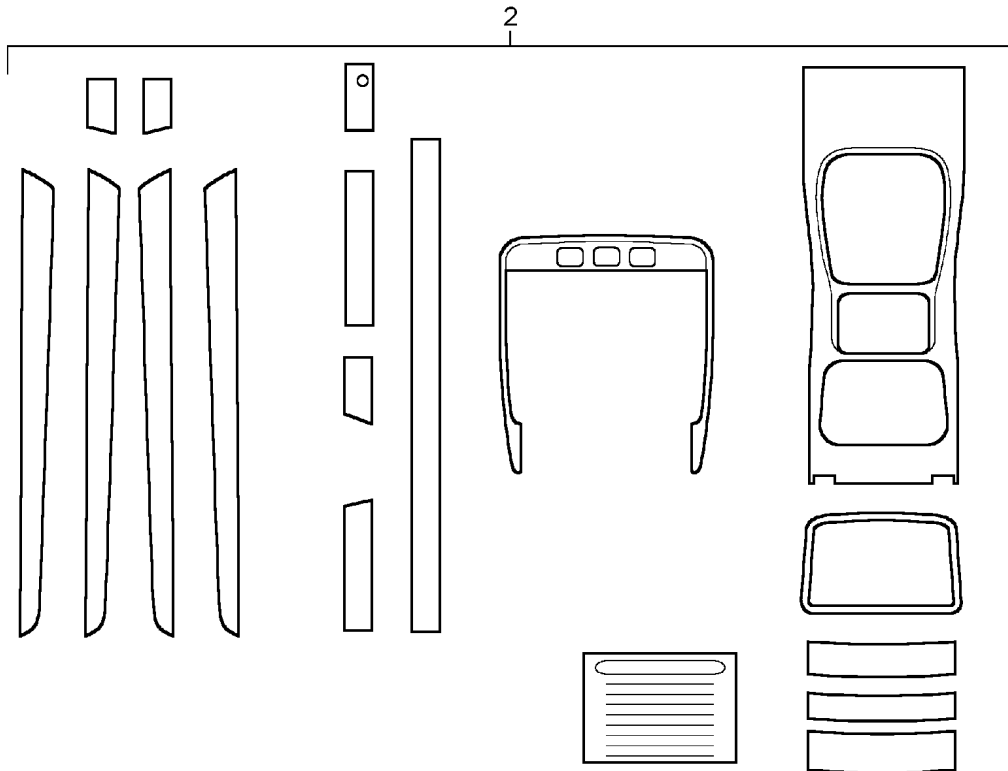
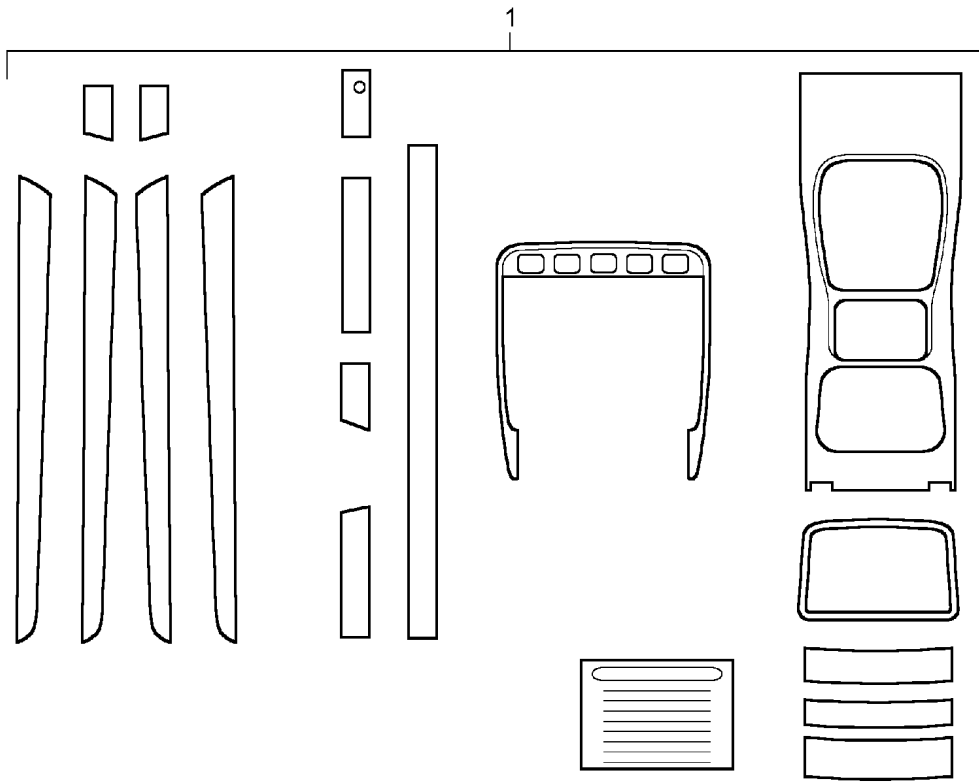
8

Model: TEQ 2 Model life 2003>>

| Pos | Part Number | Description | Remark | Qty | Model |
|-----|----------------|--|----------------|-----|----------------------------|
| - | | child seat D - MJ 2011>> Operating instructions note: /F = FRONT = VORN only in conj. with: Seat belts /R = OUTER REAR SEATS HINTEN AUSSEN GEBRAUCHEN | | | Cayenne (92A) PR:899 |
| - | | use if required: | | | |
| (1) | 955 044 802 87 | child seat BABY SEAT ISOFIX G0+ 0-13 KG | /F /R | 1 | - "CDN" Cayenne alle |
| (4) | 955 044 802 89 | child seat JUNIOR SEAT ISOFIX G1 9-18 KG | /F /R | 1 | - "CDN" Cayenne alle |
| 5 | 958 044 802 91 | child seat JUNIOR PLUS SEAT G2+G3 15-36 KG | | 1 | - "CDN" CAYENNE ALLE |
| - | | parts which are only insatlled as a substitute part. | | | |
| 7 | 955 044 802 93 | Guide child seat Sliding rail SATZ | | 1 | |
| 8 | 958 044 801 80 | Child seat underlay TASCHEN | front with: | 1 | |

Model: TEQ 2

Model life 2003>>



Model: TEQ 2

Model life 2003>>

| Pos | Part Number | Description | Remark | Qty | Model |
|-----|----------------|--|--------|-------|----------------------------------|
| - | | Passenger compartment Wood | 03-10 | | Cayenne (9PA) |
| 1 | 955 044 800 22 | High-gloss olive ash burl Light Interior equipment High-gloss olive ash burl Set | 03-06 | lhd 1 | PR:G0R,L0L, 4A3,4A4 |
| 1 | 955 044 800 92 | Discontinued part Interior equipment High-gloss olive ash burl Set | 03-06 | lhd 1 | PR:L0L,4A3, 4A4 |
| 1 | 955 044 801 92 | Discontinued part Interior equipment High-gloss olive ash burl Set | 03-10 | lhd 1 | PR:L0L,4A3, 4A4 |
| 2 | 955 044 800 23 | Interior equipment High-gloss olive ash burl Set | 03-06 | lhd 1 | PR:G0R,L0L |
| 2 | 955 044 800 93 | Discontinued part Interior equipment High-gloss olive ash burl Set | 03-06 | lhd 1 | PR:L0L |
| 2 | 955 044 801 93 | Interior equipment High-gloss olive ash burl Set | 08-10 | lhd 1 | PR:L0L |
| (1) | 955 044 800 24 | Interior equipment High-gloss olive ash burl Set | 03-06 | rhd 1 | PR:G0R,L0R, 4A3,4A4 |
| (1) | 955 044 800 94 | Discontinued part Interior equipment High-gloss olive ash burl Set | 03-06 | rhd 1 | PR:L0R,4A3, 4A4 |
| (1) | 955 044 801 94 | Interior equipment High-gloss olive ash burl Set | 08-10 | rhd 1 | |
| (2) | 955 044 800 25 | Interior equipment High-gloss olive ash burl Set | 03-06 | rhd 1 | PR:L0R,4A3, 4A4 PR:G0R,L0R |
| (2) | 955 044 800 95 | Discontinued part Interior equipment High-gloss olive ash burl Set | 03-06 | rhd 1 | PR:L0R |
| (2) | 955 044 801 95 | Interior equipment High-gloss olive ash burl Set | 08-10 | rhd 1 | PR:L0R |
| - | | Rootwood Dark | | | |
| (1) | 955 044 800 18 | Interior equipment Rootwood Set | 03-06 | lhd 1 | PR:G0R,L0L, 4A3,4A4 |
| (1) | 955 044 800 88 | Discontinued part Interior equipment Rootwood Set | 03-06 | lhd 1 | PR:L0L,4A3, 4A4 |
| (1) | 955 044 801 88 | Discontinued part Interior equipment Rootwood Set | 03-10 | lhd 1 | PR:L0L,4A3, 4A4 |
| (2) | 955 044 800 19 | Interior equipment Rootwood Set | 03-06 | lhd 1 | PR:G0R,L0L |

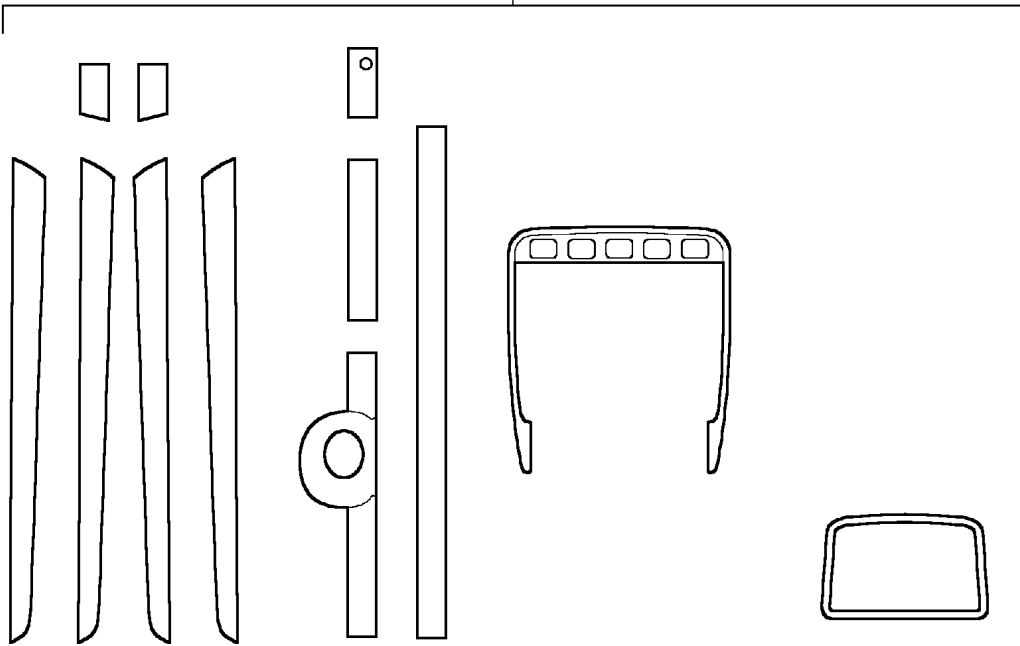
Model: TEQ 2 Model life 2003>>

| Pos | Part Number | Description | Remark | Qty | Model |
|-----|----------------|--|-----------|-----|------------------------|
| (2) | 955 044 800 89 | Discontinued part Interior equipment Rootwood Set | 03-06 lhd | 1 | PR:L0L |
| (2) | 955 044 801 89 | Discontinued part Interior equipment Rootwood Set | 03-10 lhd | 1 | PR:L0L |
| (1) | 955 044 800 20 | Discontinued part Interior equipment Rootwood Set | 03-06 rhd | 1 | PR:G0R,L0R, 4A3,4A4 |
| (1) | 955 044 800 90 | Discontinued part Interior equipment Rootwood Set | 03-06 rhd | 1 | PR:L0R,4A3, 4A4 |
| (1) | 955 044 801 90 | Discontinued part Interior equipment Rootwood Set | 03-10 rhd | 1 | PR:L0R,4A3, 4A4 |
| (2) | 955 044 800 21 | Discontinued part Interior equipment Rootwood Set | 03-06 rhd | 1 | PR:G0R,L0R |
| (2) | 955 044 800 91 | Discontinued part Interior equipment Rootwood Set | 03-06 rhd | 1 | PR:L0R |
| (2) | 955 044 801 91 | Discontinued part Interior equipment Rootwood Set | 03-10 rhd | 1 | PR:L0R |

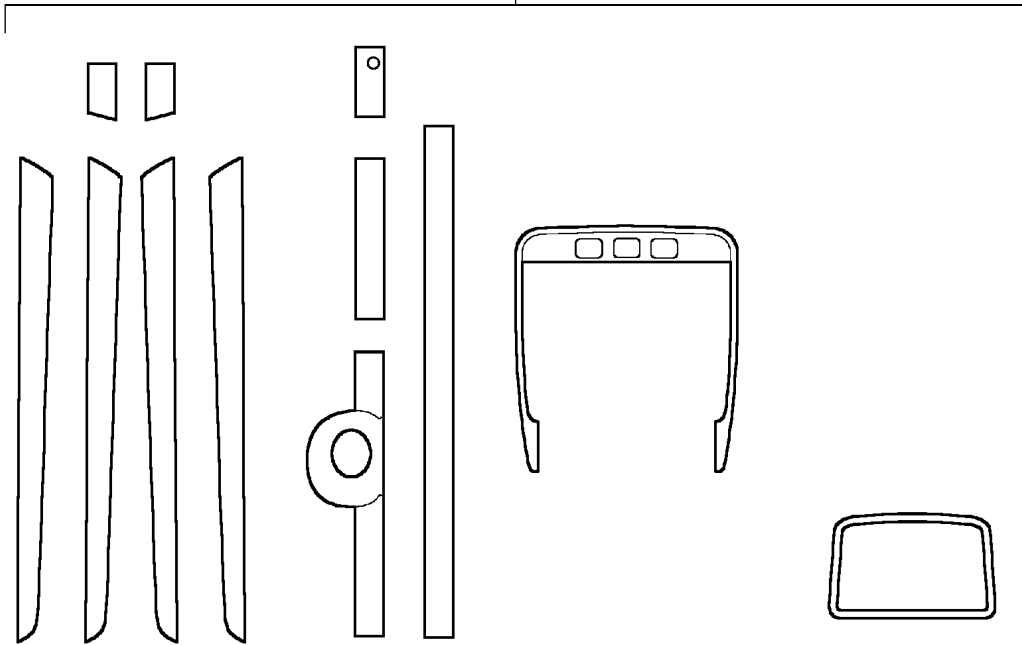
Model: TEQ 2

Model life 2003>>

1



2

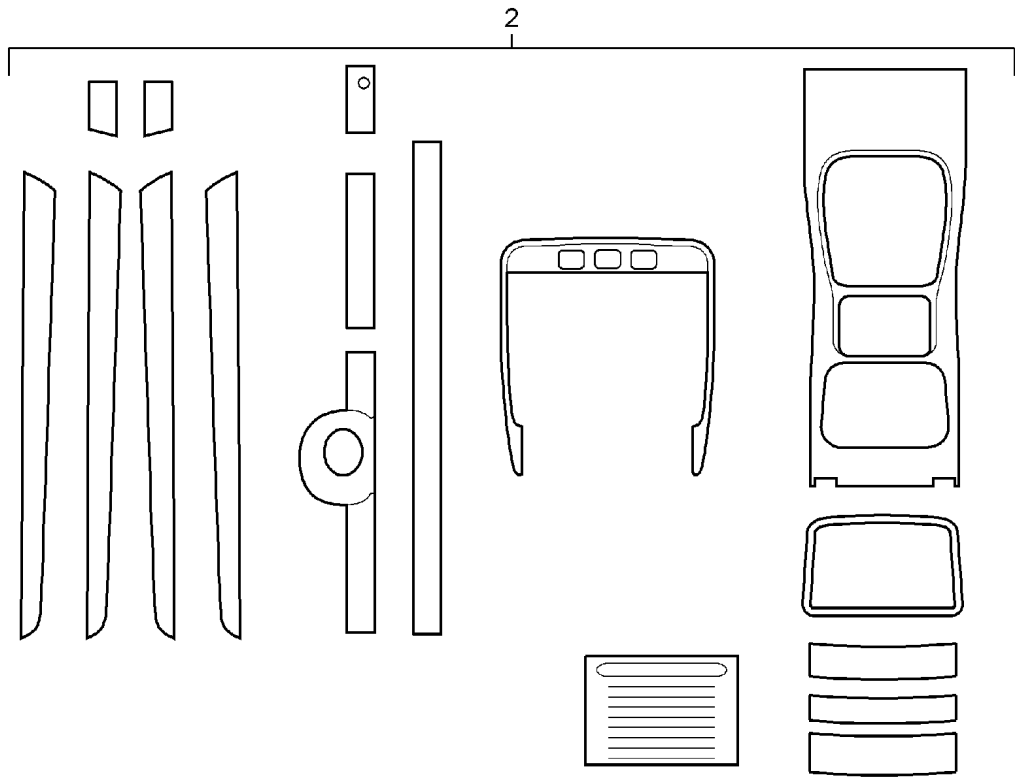
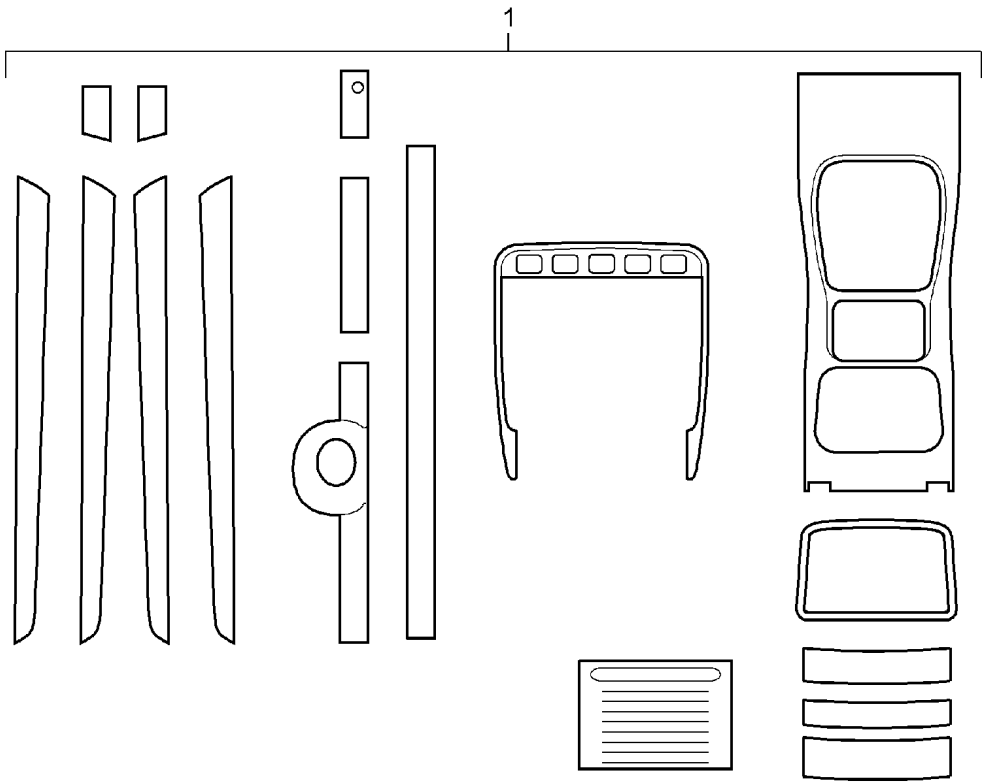


Model: TEQ 2 Model life 2003>>

| Pos | Part Number | Description | Remark | Qty | Model |
|-----|--------------------|---|--------|-----|---|
| 1 | 955 044 800 26 | Passenger compartment aluminium D - MJ 2003>> - MJ 2010 Interior equipment Set aluminium | lhd | 1 | Cayenne (9PA) PR: 4A3, L0L, 4A4 |
| | 955 044 800 26 QHA | Black | | | |
| | 955 044 800 26 QHD | Stone grey | | | |
| | 955 044 800 26 QHC | Havanna | | | |
| | 955 044 800 26 QHP | Palm green | | | |
| | 955 044 800 26 RKT | Sand beige | | | |
| 2 | 955 044 800 27 | Interior equipment aluminium Set | lhd | 1 | PR: L0L |
| | 955 044 800 27 QHA | Black | | | |
| | 955 044 800 27 QHD | Stone grey | | | |
| | 955 044 800 27 QHC | Havanna | | | |
| | 955 044 800 27 QHP | Palm green | | | |
| | 955 044 800 27 RKT | Sand beige | | | |
| (1) | 955 044 800 28 | Interior equipment aluminium Set | rhd | 1 | PR: 4A3, L0R, 4A4 |
| | 955 044 800 28 QHA | Black | | | |
| | 955 044 800 28 QHD | Stone grey | | | |
| | 955 044 800 28 QHC | Havanna | | | |
| | 955 044 800 28 QHP | Palm green | | | |
| | 955 044 800 28 RKT | Sand beige | | | |
| (2) | 955 044 800 29 | Interior equipment aluminium Set | rhd | 1 | PR: L0R |
| | 955 044 800 29 QHA | Black | | | |
| | 955 044 800 29 QHD | Stone grey | | | |
| | 955 044 800 29 QHC | Havanna | | | |
| | 955 044 800 29 QHP | Palm green | | | |
| | 955 044 800 29 RKT | Sand beige | | | |
| (1) | 955 044 802 66 | Interior equipment orange Set | lhd | 1 | Cayenne S Transsyberia PR: 4A3, L0L, 4A4 |
| (2) | 955 044 802 67 | Interior equipment orange Set | lhd | 1 | Cayenne S Transsyberia PR: L0L |
| (1) | 955 044 802 68 | Interior equipment orange Set | rhd | 1 | Cayenne S Transsyberia PR: 4A3, L0R, 4A4 |
| (2) | 955 044 802 69 | Interior equipment orange Set | rhd | 1 | Cayenne S Transsyberia PR: L0R |

Model: TEQ 2

Model life 2003>>

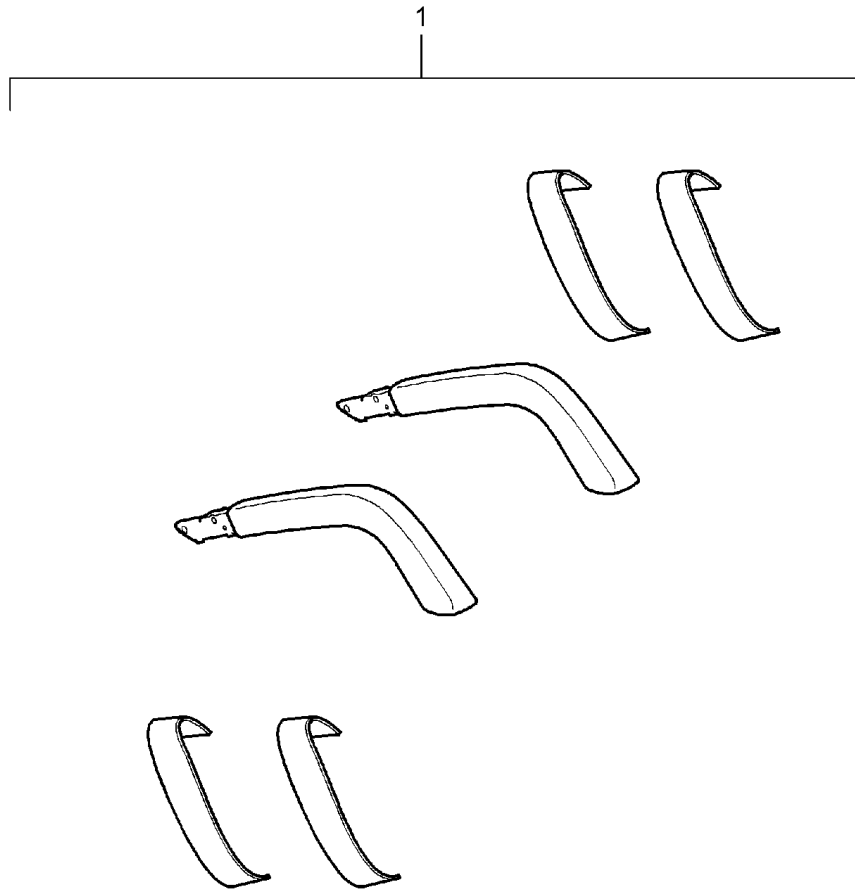


Model: TEQ 2 Model life 2003>>

| Pos | Part Number | Description | Remark | Qty | Model |
|-----|----------------|---|--------|-----|----------------------|
| | | Passenger compartment Carbon | | | Cayenne (9PA) |
| 1 | 955 044 800 53 | D - MJ 2003>> - MJ 2010 Interior equipment Carbon Set | lhd | 1 | PR: 4A3, 4A4, L0L |
| 1 | 955 044 801 53 | D - MJ 2003>> - MJ 2006 Interior equipment Carbon Set | lhd | 1 | PR: 4A3, 4A4, L0L |
| 2 | 955 044 800 54 | D - MJ 2008>> - MJ 2010 Interior equipment Carbon Set | lhd | 1 | PR: L0L |
| 2 | 955 044 801 54 | D - MJ 2003>> - MJ 2006 Interior equipment Carbon Set | lhd | 1 | PR: L0L |
| (1) | 955 044 800 55 | D - MJ 2008>> - MJ 2010 Interior equipment Carbon Set | rhd | 1 | PR: 4A3, 4A4, L0R |
| (1) | 955 044 801 55 | D - MJ 2003>> - MJ 2006 Interior equipment Carbon Set | rhd | 1 | PR: 4A3, 4A4, L0R |
| (2) | 955 044 800 56 | D - MJ 2008>> - MJ 2010 Interior equipment Carbon Set | rhd | 1 | PR: L0R |
| - | 955 553 980 08 | D - MJ 2003>> - MJ 2006 Trim for centre console Connector housing 1-LOCH Replacement see illustration: Porsche Cayenne 809-15 | | 1 | |
| - | 955 553 980 09 | D - MJ 2003>> - MJ 2010 Trim for centre console Connector housing 2-LOCH Replacement see illustration: Porsche Cayenne 809-15 D - MJ 2003>> - MJ 2010 | | 1 | |

Model: TEQ 2

Model life 2003>>

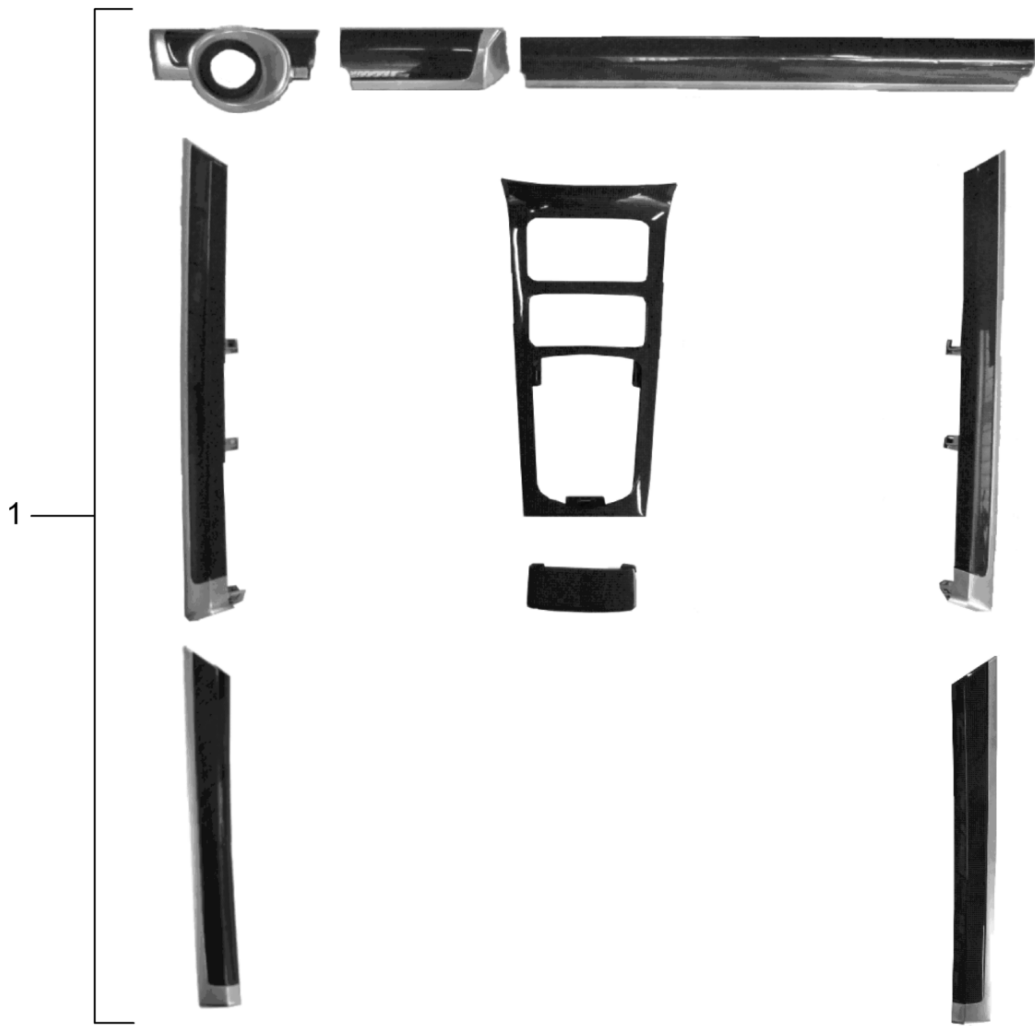


Model: TEQ 2 Model life 2003>>

| Pos | Part Number | Description | Remark | Qty | Model |
|-----|----------------|---|--------|-----|---------------|
| | | handle Package D - MJ 2003>> - MJ 2010 | | | Cayenne (9PA) |
| 1 | 955 044 800 85 | handle Package Wood Light | | 1 | |
| (1) | 955 044 801 15 | D - MJ 2003>> - MJ 2005 Discontinued part handle Package Wood Light Polished Olive grain | | 1 | |
| (1) | 955 044 800 86 | D - MJ 2006>> - MJ 2010 Discontinued part handle Package Wood Light Matte | | 1 | |
| (1) | 955 044 801 16 | D - MJ 2003>> - MJ 2005 handle Package Wood Light Matte Olive grain | | 1 | |
| (1) | 955 044 800 84 | D - MJ 2006>> - MJ 2006 handle Package Wood Dark | | 1 | |
| (1) | 955 044 801 14 | D - MJ 2003>> - MJ 2005 handle Package Wood Dark Polished Rootwood | | 1 | |
| (1) | 955 044 800 83 | D - MJ 2006>> - MJ 2010 handle Package Carbon | | 1 | |
| (1) | 955 044 801 13 | D - MJ 2003>> - MJ 2005 handle Package Carbon D - MJ 2006>> - MJ 2010 | | 1 | |

Model: TEQ 2

Model life 2003>>

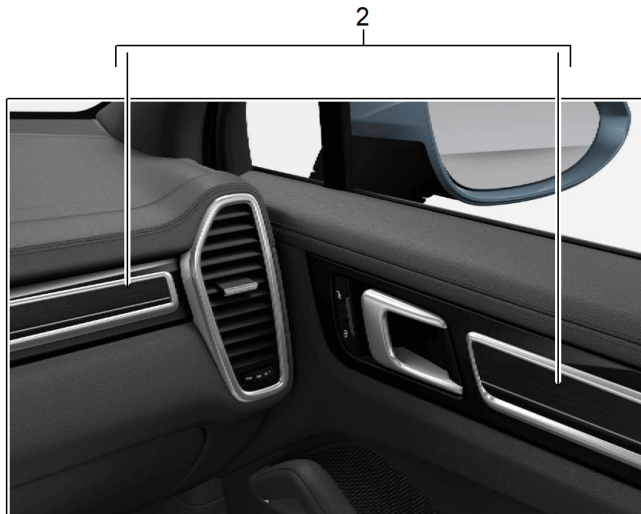
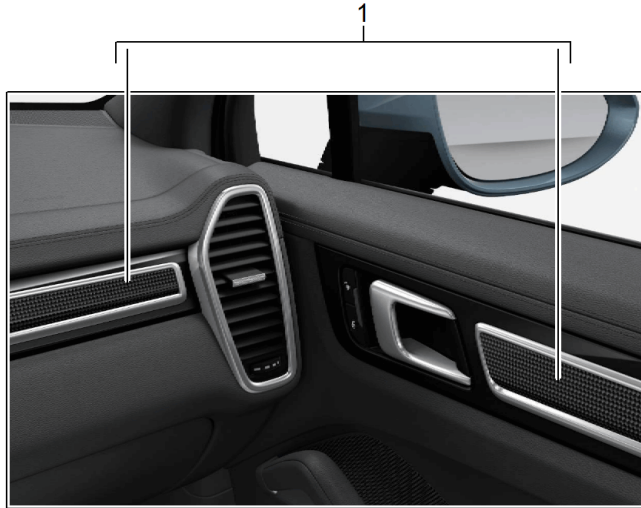


Model: TEQ 2 Model life 2003>>

| Pos | Part Number | Description | Remark | Qty | Model |
|-----|----------------|--|--------|-----|-------------------|
| | | Passenger compartment aluminium Carbon Wood | 11-17 | | Cayenne (92A) |
| (1) | 958 044 800 20 | Interior equipment aluminium Set | lhd | 1 | PR:L0L "Sport" |
| (1) | 958 044 800 21 | Interior equipment aluminium Set | rhd | 1 | PR:L0R "Sport" |
| 1 | 958 044 800 22 | Interior equipment Carbon Set | lhd | 1 | PR:L0L |
| (1) | 958 044 800 23 | Interior equipment Carbon Set | rhd | 1 | PR:L0R |
| - | | Interior equipment Wood | | | |
| (1) | 958 044 800 24 | Interior equipment Walnut, high-gloss Set | lhd | 1 | PR:L0L |
| (1) | 958 044 800 25 | D - MJ 2011>> - MJ 2014 Interior equipment Walnut, high-gloss Set | rhd | 1 | PR:L0R |
| (1) | 958 044 800 26 | D - MJ 2011>> - MJ 2014 Interior equipment Olive Ash matt open-pored Set | lhd | 1 | PR:L0L |
| (1) | 958 044 800 27 | Interior equipment Olive Ash matt open-pored Set | rhd | 1 | PR:L0R |
| (1) | 958 044 800 28 | Interior equipment Anthracite Birch Set | lhd | 1 | PR:L0L |
| (1) | 958 044 800 29 | Interior equipment Anthracite Birch Set | rhd | 1 | PR:L0R |
| (1) | 958 044 800 30 | Interior equipment mahagoni Set | lhd | 1 | PR:L0L |
| (1) | 958 044 800 31 | Interior equipment mahagoni Set | rhd | 1 | PR:L0R |
| (1) | 958 044 802 50 | Interior equipment American Walnut Dark Set | lhd | 1 | PR:L0L |
| (1) | 958 044 802 51 | D - MJ 2015>> Interior equipment American Walnut Dark Set D - MJ 2015>> | rhd | 1 | PR:L0R |

Model: TEQ 2

Model life 2003>>



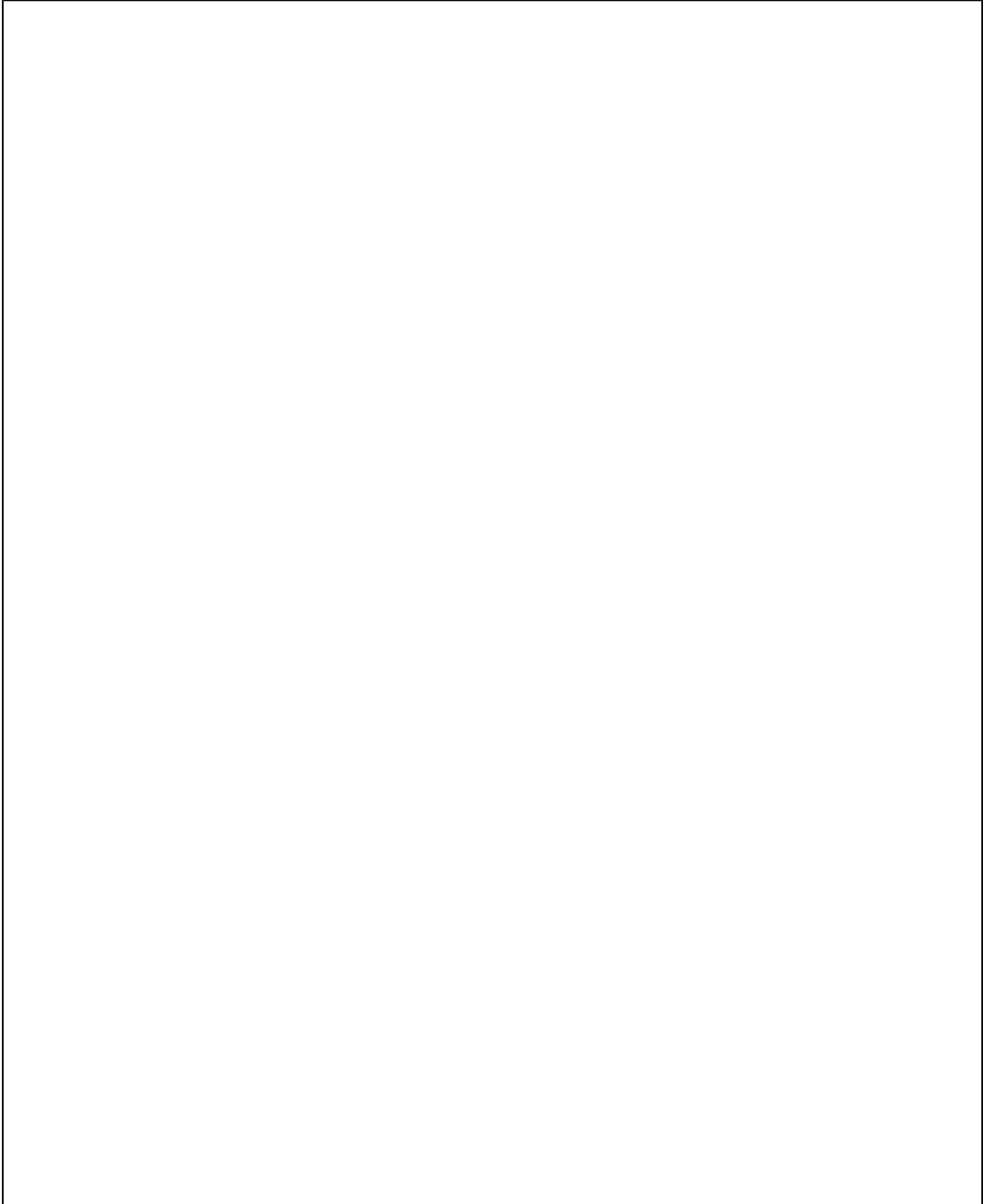
P94809006 05 - 18

Model: TEQ 2 Model life 2003>>

| Pos | Part Number | Description | Remark | Qty | Model |
|-----|---------------|--|-----------------------------|-----|---------------|
| 1 | 9Y0 044 815 | Trim for dash panel and door trims Carbon chestnut 1 set trim strips for vehicle interior | 18- lhd | 1 | CAYENNE (9YA) |
| (1) | 9Y0 044 816 | Carbon door panel Instrument panel trim 1 set trim strips for vehicle interior | 4-part 3-part rhd | 1 | |
| 2 | 9Y0 044 815 A | Carbon door panel Instrument panel trim 1 set trim strips for vehicle interior | 4-part 3-part lhd | 1 | |
| (2) | 9Y0 044 816 A | chestnut anthracite door panel Instrument panel trim 1 set trim strips for vehicle interior | 4-part 3-part rhd | 1 | |
| | | chestnut anthracite door panel Instrument panel trim | 4-part 3-part | | |

Model: TEQ 2

Model life 2003>>



Model: TEQ 2 Model life 2003>>

| Pos | Part Number | Description | Remark | Qty | Model |
|-----|----------------|---|--------|-----|---------------|
| (1) | 958 044 800 70 | handle Package D - MJ 2011>> Grab handle doors Centre console Package | | 1 | Cayenne (92A) |
| (1) | 958 044 800 71 | Anthracite Birch Grab handle doors Centre console Package | | 1 | |
| (1) | 958 044 800 75 | Walnut, high-gloss D >> - MJ 2014 Grab handle doors Centre console Package mahagoni | | 1 | |
| (1) | 958 044 800 73 | D - MJ 2013>> Grab handle doors Centre console Package | | 1 | |
| (1) | 958 044 800 72 | Natural Olive Grab handle doors Centre console Package Carbon | | 1 | |

Model: TEQ 2

Model life 2003>>

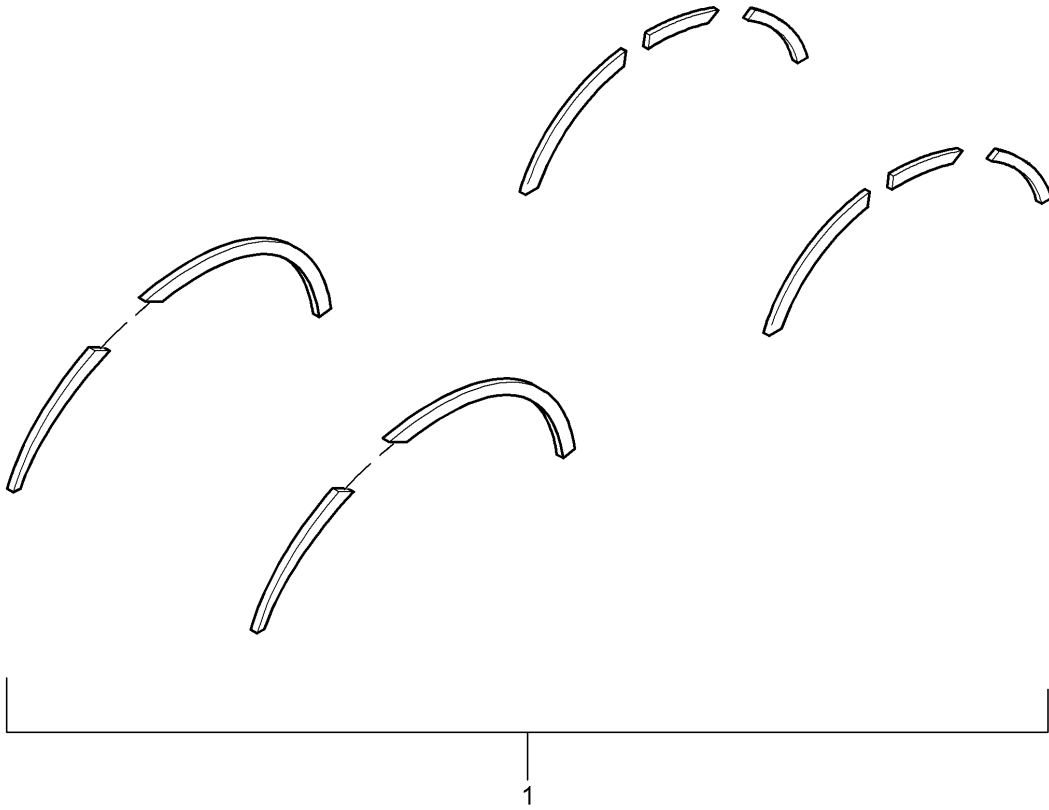


Model: TEQ 2 Model life 2003>>

| Pos | Part Number | Description | Remark | Qty | Model |
|-----|--------------------|---|--------------|-----|--------------------------------|
| - | | Decorative film inscription | 03-10 11- | | Cayenne (9PA) Cayenne (92A) |
| - | | Inst. & Conv. Instructions Porsche Cayenne Group 6 6646 (33/07) | | | |
| - | | Inst. & Conv. Instructions Group 6 6646 (45/10) | CAYENNE | | |
| (2) | 958 044 801 10 | 1 set of trim foil inscription | 11- | 1 | Cayenne |
| | 958 044 801 10 12H | Speed yellow | | | |
| 2 | 958 044 801 11 | 1 set of trim foil inscription | 11- | 1 | Cayenne S |
| | 958 044 801 11 041 | Black | | | |
| | 958 044 801 11 X7W | Classic Silver Metallic | | | |
| | 958 044 801 11 12H | Speed yellow | | | |
| (2) | 958 044 801 12 | 1 set of trim foil inscription | 11- | 1 | Turbo |
| | 958 044 801 12 041 | Black | | | |
| | 958 044 801 12 84A | guards red (Porsche) | | | |
| | 958 044 801 12 X7W | Classic Silver Metallic | | | |
| | 958 044 801 12 12H | Speed yellow | | | |
| (2) | 958 044 801 13 | 1 set of trim foil inscription | 13- | 1 | GTS |
| | 958 044 801 13 X7W | Classic Silver Metallic | | | |
| | 958 044 801 13 12H | Speed yellow | | | |
| (2) | 958 044 801 15 | Decorative film inscription | 11- | 1 | Hybrid |
| | 958 044 801 15 041 | Black | | | |
| | 958 044 801 15 84A | guards red (Porsche) | | | |
| | 958 044 801 15 12H | Speed yellow | | | |
| (2) | 958 044 801 16 | 1 set of trim foil inscription | 11- | 1 | Diesel |
| | 958 044 801 16 041 | Black | | | |
| | 958 044 801 16 84A | guards red (Porsche) | | | |
| | 958 044 801 16 12H | Speed yellow | | | |

Model: TEQ 2

Model life 2003>>



Model: TEQ 2 Model life 2003>>

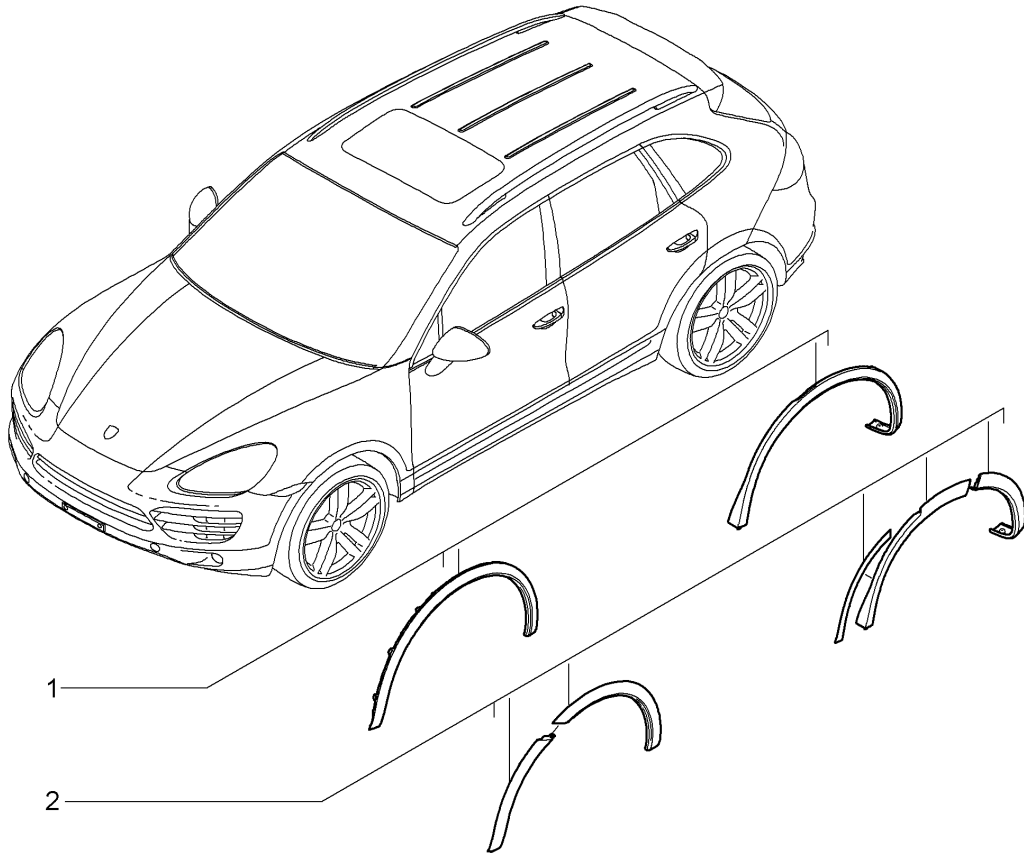
| Pos | Part Number | Description | Remark | Qty | Model |
|-----|----------------|---|--------|-----|---|
| 1 | 955 044 800 10 | Wide wings mud flap D - MJ 2003>> - MJ 2010 Wide wings Set for vehicles with mud flap Individual parts see illustration: 9PA 8/10/05 | | 1 | Cayenne (9PA) PR:D9J,D9K, D9L |
| 1 | 955 044 800 11 | D - MJ 2003>> - MJ 2006 Wide wings Set for cars without mud flap Individual parts see illustration: 9PA 8/10/05 | | 1 | PR:D9J,D9K, D9L |
| (1) | 955 044 802 31 | D - MJ 2003>> - MJ 2006 Wide wings Set for cars without mud flap and without: | | 1 | |
| (1) | 955 044 802 33 | Side member trim D - MJ 2008>> - MJ 2010 Wide wings Set for vehicles with mud flap and without: | | 1 | |
| (1) | 955 044 802 35 | Side member trim D - MJ 2008>> - MJ 2010 Wide wings Set for vehicles with mud flap and | | 1 | |
| (1) | 955 044 802 37 | Side member trim D - MJ 2008>> - MJ 2010 Wide wings Set for vehicles with Side member trim and without: | | 1 | |
| - | 955 044 800 09 | mud flap D - MJ 2008>> - MJ 2010 mud flap Set Not Together with footboard or Rockrails | | 1 | PR:D9J,D9K, D9L |
| - | 955 044 800 13 | D - MJ 2003>> - MJ 2006 mud flap Set | rear | 1 | PR:6EP,VR1 |
| - | 955 044 802 10 | D - MJ 2003>> - MJ 2006 mud flap Set | rear | 1 | |

Model: TEQ 2 Model life 2003>>

| Pos | Part Number | Description | Remark | Qty | Model |
|-----|----------------|--|--------|-----|-------|
| - | 955 044 802 11 | for cars without Wide wings D - MJ 2008>> - MJ 2010 mud flap Set for vehicles with Wide wings D - MJ 2008>> - MJ 2010 | rear | 1 | |

Model: TEQ 2

Model life 2003>>

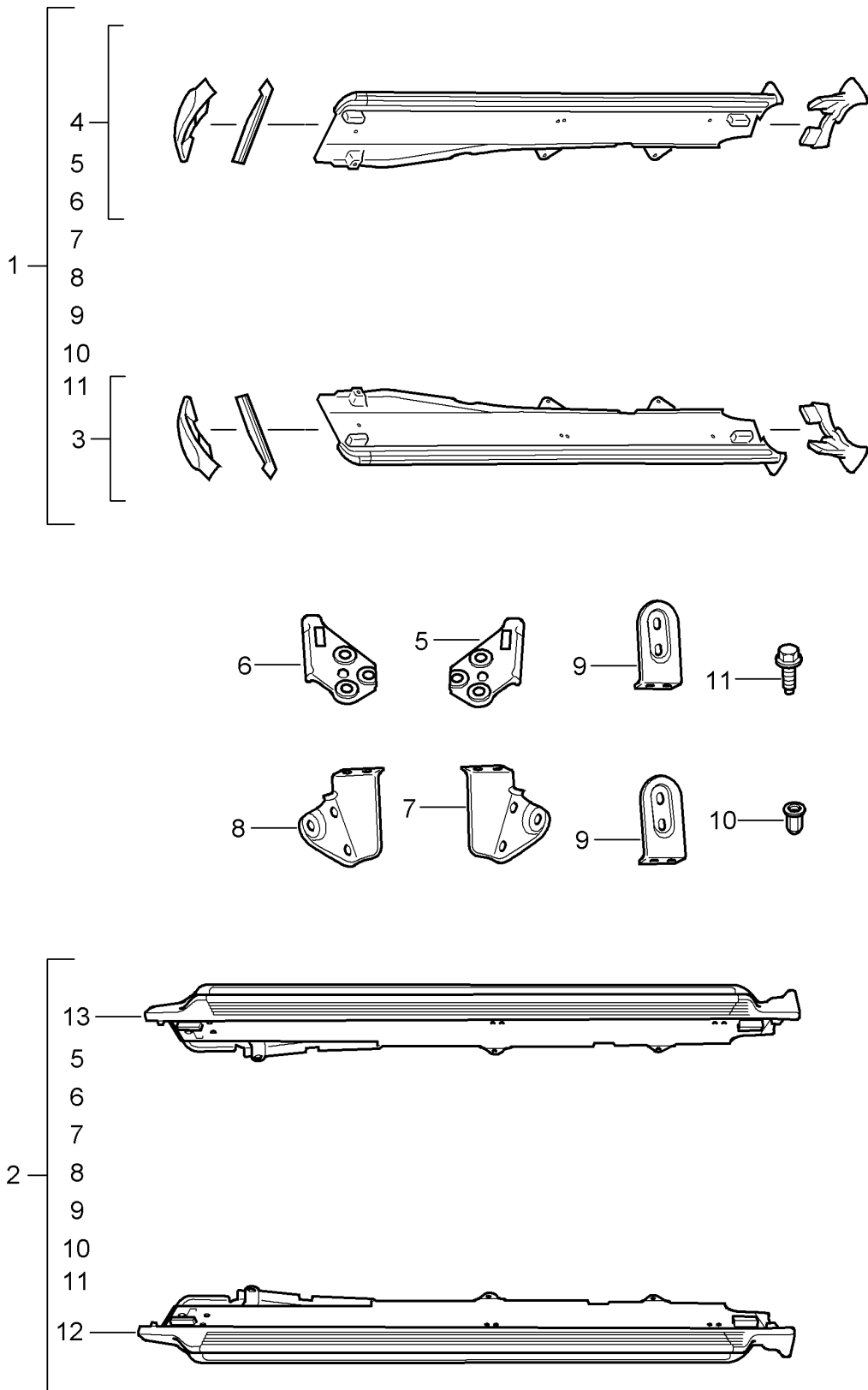


Model: TEQ 2 Model life 2003>>

| Pos | Part Number | Description | Remark | Qty | Model |
|-----|----------------|--|--|--------------|---------------------------------|
| 1 | 958 044 800 95 | Wide wings Wide wings Wide Set | 11- | 1 | Cayenne (92A) PR: -2D1, -2D2 |
| (1) | 958 044 800 97 | Wide wings Wide primed Set | 11-14 | 1 | PR: -2D1, -2D2 |
| - | | Inst. & Conv. Instructions Porsche Cayenne Group 6 6619 (2/11) Attention | | | alle |
| 2 | 958 044 800 96 | Wide wings Wide Set | 11-14 Offroad | 1 | PR: -2D1, -2D2 |
| (1) | 958 044 801 40 | Wide wings Wide Set | 15-17 | 1 | PR: -2D1, -2D2 |
| (2) | 958 044 801 41 | Wide wings Wide Set | also use: N 908 401 03 15-17 Offroad also use: N 908 401 03 | 10 1 2 | PR: -2D1, -2D2 |

Model: TEQ 2

Model life 2003>>



Model: TEQ 2 Model life 2003>>

| Pos | Part Number | Description | Remark | Qty | Model |
|-----|--------------------|--|--------|-----|---------------|
| - | | Rockrails footboard D - MJ 2003>> - MJ 2010 Technical information Cayenne,alle 6631 (8/03) Attention | | | Cayenne (9PA) |
| 1 | 955 044 801 07 | Rockrails Set D - MJ 2003>> - MJ 2006 | | 1 | |
| - | | comprising: | | | |
| 3 | 955 559 553 00 | Door sill rail | left | 1 | |
| | 955 559 553 00 4W9 | Satin aluminium | | | |
| 4 | 955 559 554 00 | Rockrails | right | 1 | |
| | 955 559 554 00 4W9 | Satin aluminium | | | |
| 5 | 955 559 487 00 | Bracket | left | 1 | VORN |
| | | D - MJ 2003>> - MJ 2010 | | | |
| 6 | 955 559 488 00 | Bracket | right | 1 | VORN |
| | | D - MJ 2003>> - MJ 2010 | | | |
| 7 | 955 559 489 00 | Bracket | left | 1 | HINTEN |
| | | D - MJ 2003>> - MJ 2010 | | | |
| 8 | 955 559 490 00 | Bracket | right | 1 | HINTEN |
| | | D - MJ 2003>> - MJ 2010 | | | |
| 9 | 955 559 467 00 | Bracket | | 2 | MITTE |
| | | D - MJ 2003>> - MJ 2010 | | | |
| 10 | N 904 085 02 | riveted cap nut | | 18 | |
| | | D - MJ 2003>> - MJ 2010 | | | |
| 11 | N 909 210 01 | Hexagon bolt | | 34 | |
| | | D - MJ 2003>> - MJ 2010 | | | |
| - | | Inst. & Conv. Instructions Cayenne,alle 6631 (2/07) Attention | | | |
| (1) | 955 044 802 00 | Rockrails Set D - MJ 2008>> - MJ 2010 | | 1 | |
| - | | comprising: | | | |
| (3) | 955 559 553 04 | Door sill rail | left | 1 | |
| | 955 559 553 04 4W9 | Satin aluminium | | | |
| (4) | 955 559 554 00 | Rockrails | right | 1 | |
| | 955 559 554 00 4W9 | Satin aluminium | | | |
| - | | Technical information Cayenne,alle 6626 (9/03) Attention | | | |
| 2 | 955 044 801 08 | footboard Set D - MJ 2003>> - MJ 2006 | | 1 | |
| - | | comprising: | | | |
| 12 | 955 559 847 01 | footboard | left | 1 | |
| | | D - MJ 2003>> - MJ 2006 | | | |
| | 955 559 847 01 4W9 | Satin aluminium | | | |
| 13 | 955 559 848 01 | footboard | right | 1 | |
| | | D - MJ 2003>> - MJ 2006 | | | |
| | 955 559 848 01 4W9 | Satin aluminium | | | |
| - | | Inst. & Conv. Instructions Cayenne,alle 6626 (1/07) Attention | | | |

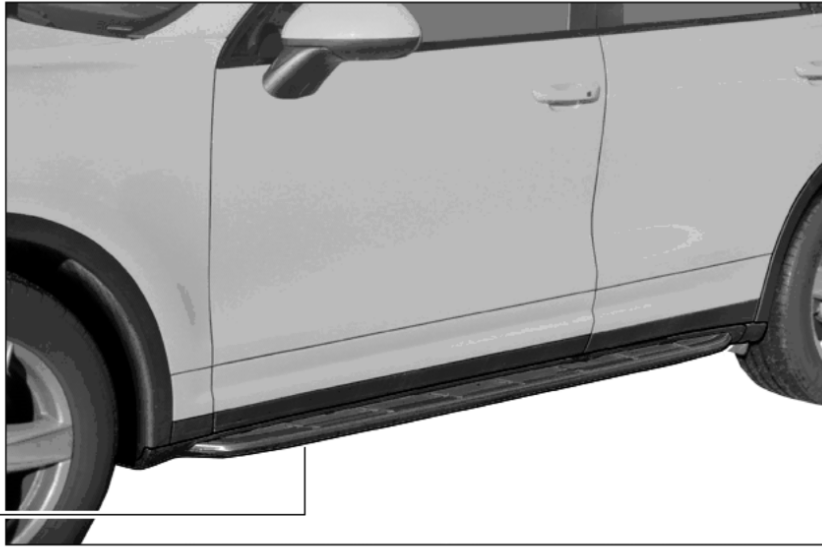
Model: TEQ 2

Model life 2003>>

| Pos | Part Number | Description | Remark | Qty | Model |
|------|--------------------|---|--------|-----|-------|
| (2) | 955 044 802 05 | footboard Set D - MJ 2008>> - MJ 2010 | | 1 | |
| - | | comprising: | | | |
| (12) | 955 559 847 03 | footboard D - MJ 2008>> - MJ 2010 | left | 1 | |
| | 955 559 847 03 4W9 | Satin aluminium | | | |
| (13) | 955 559 848 03 | footboard D - MJ 2008>> - MJ 2010 | right | 1 | |
| | 955 559 848 03 4W9 | Satin aluminium | | | |

Model: TEQ 2

Model life 2003>>



1

Model: TEQ 2

Model life 2003>>

| Pos | Part Number | Description | Remark | Qty | Model |
|-----|----------------|--|--------|-----|----------------|
| - | | footboard Side member trim D - MJ 2011>> Inst. & Conv. Instructions Cayenne, alle 6626 (46/10) Attention | | | Cayenne (92A) |
| 1 | 958 044 801 05 | Set | | 1 | PR: -VR2, -2D1 |
| 2 | 958 044 801 90 | Side member trim Trim aluminium | | 1 | |

Model: TEQ 2

Model life 2003>>



Model: TEQ 2

Model life 2003>>

| Pos | Part Number | Description | Remark | Qty | Model |
|-----|--------------------|---|--------|-----|-------|
| 1 | 958 044 802 80 | inscription Lacquered inscription Porsche Lacquered | | 1 | |
| | 958 044 802 80 041 | High-Gloss Black | | | |
| | 958 044 802 80 G2X | primed | | | |
| (1) | 958 044 802 81 | inscription Porsche Cayenne S Lacquered | | 1 | |
| | 958 044 802 81 041 | High-Gloss Black | | | |
| | 958 044 802 81 G2X | primed | | | |
| (1) | 958 044 802 82 | inscription Porsche Cayenne Turbo S Lacquered | | 1 | |
| | 958 044 802 82 041 | High-Gloss Black | | | |
| | 958 044 802 82 G2X | primed | | | |

Model: TEQ 2

Model life 2003>>



Model: TEQ 2

Model life 2003>>

| Pos | Part Number | Description | Remark | Qty | Model |
|-----|----------------|---|--------|-----|---------------|
| - | | Seat cover Leather Inst. & Conv. Instructions Cayenne,alle Group 7 7411 Attention | 03-06 | | Cayenne (9PA) |
| - | | also use: | | | |
| - | N 909 650 01 | Socket head bolt with multi-point inner drive, self-lock. | | 8 | |
| - | 000 043 207 18 | Clip | | 4 | |
| - | 000 043 207 17 | Clip | | 2 | |
| - | N 910 260 02 | Socket head bolt with inner multipoint head | | 8 | |
| - | 000 043 071 00 | 1 set of retaining clips 50 Stk. | | 1 | |
| - | 999 513 076 40 | Cable ties | | 10 | |
| - | | Colour Black chestnut brown | | | |
| 1 | 955 044 803 30 | Seat cover sports seat | 03-04 | 1 | PR:9AD |
| (1) | 955 044 803 31 | Seat cover sports seat | 03-04 | 1 | PR:9AH |
| (1) | 955 044 803 32 | Seat cover Comfort seat | 03-04 | 1 | PR:9AD |
| (1) | 955 044 803 33 | Seat cover Comfort seat | 03-04 | 1 | PR:9AH |
| (1) | 955 044 803 60 | Seat cover sports seat | 05-05 | 1 | PR:9AD |
| (1) | 955 044 803 61 | Seat cover sports seat | 05-05 | 1 | PR:9AH |
| (1) | 955 044 803 62 | Seat cover Comfort seat | 05-05 | 1 | PR:9AD |
| (1) | 955 044 803 63 | Seat cover Comfort seat | 05-05 | 1 | PR:9AH |
| (1) | 955 044 803 90 | Seat cover sports seat | 06-06 | 1 | PR:9AD |
| (1) | 955 044 803 91 | Seat cover sports seat | 06-06 | 1 | PR:9AH |
| (1) | 955 044 803 92 | Seat cover Comfort seat | 06-06 | 1 | PR:9AD |
| (1) | 955 044 803 93 | Seat cover Comfort seat | 06-06 | 1 | PR:9AH |
| - | | Colour Havanna/sand beige | | | |
| (1) | 955 044 803 40 | Seat cover sports seat | 03-04 | 1 | PR:9AD |
| (1) | 955 044 803 41 | Seat cover sports seat | 03-04 | 1 | PR:9AH |
| (1) | 955 044 803 42 | Seat cover Comfort seat | 03-04 | 1 | PR:9AD |
| (1) | 955 044 803 43 | Seat cover Comfort seat | 03-04 | 1 | PR:9AH |
| (1) | 955 044 803 70 | Seat cover sports seat | 05-05 | 1 | PR:9AD |
| (1) | 955 044 803 71 | Seat cover sports seat | 05-05 | 1 | PR:9AH |
| (1) | 955 044 803 72 | Seat cover Comfort seat | 05-05 | 1 | PR:9AD |
| (1) | 955 044 803 73 | Seat cover Comfort seat | 05-05 | 1 | PR:9AH |
| (1) | 955 044 804 00 | Seat cover | 06-06 | 1 | PR:9AD |

Model: TEQ 2 Model life 2003>>

| Pos | Part Number | Description | Remark | Qty | Model |
|-----|----------------|-------------------------------------|--------|-----|--------|
| (1) | 955 044 804 01 | sports seat Seat cover | 06-06 | 1 | PR:9AH |
| (1) | 955 044 804 02 | sports seat Seat cover | 06-06 | 1 | PR:9AD |
| (1) | 955 044 804 03 | Comfort seat Seat cover | 06-06 | 1 | PR:9AH |
| - | | Comfort seat Colour | | | |
| (1) | 955 044 803 50 | Stone grey/steel grey Seat cover | 03-04 | 1 | PR:9AD |
| (1) | 955 044 803 51 | sports seat Seat cover | 03-04 | 1 | PR:9AH |
| (1) | 955 044 803 52 | sports seat Seat cover | 03-04 | 1 | PR:9AD |
| (1) | 955 044 803 53 | Comfort seat Seat cover | 03-04 | 1 | PR:9AH |
| (1) | 955 044 803 80 | Comfort seat Seat cover | 05-05 | 1 | PR:9AD |
| (1) | 955 044 803 81 | sports seat Seat cover | 05-05 | 1 | PR:9AH |
| (1) | 955 044 803 82 | sports seat Seat cover | 05-05 | 1 | PR:9AD |
| (1) | 955 044 803 83 | Comfort seat Seat cover | 05-05 | 1 | PR:9AH |
| (1) | 955 044 804 10 | Comfort seat Seat cover | | 1 | PR:9AD |
| (1) | 955 044 804 11 | sports seat Seat cover | 06-06 | 1 | PR:9AH |
| (1) | 955 044 804 12 | sports seat Seat cover | 06-06 | 1 | PR:9AD |
| (1) | 955 044 804 13 | Comfort seat Seat cover | 06-06 | 1 | PR:9AH |
| | | Comfort seat | | | |

Model: TEQ 2

Model life 2003>>



Model: TEQ 2 Model life 2003>>

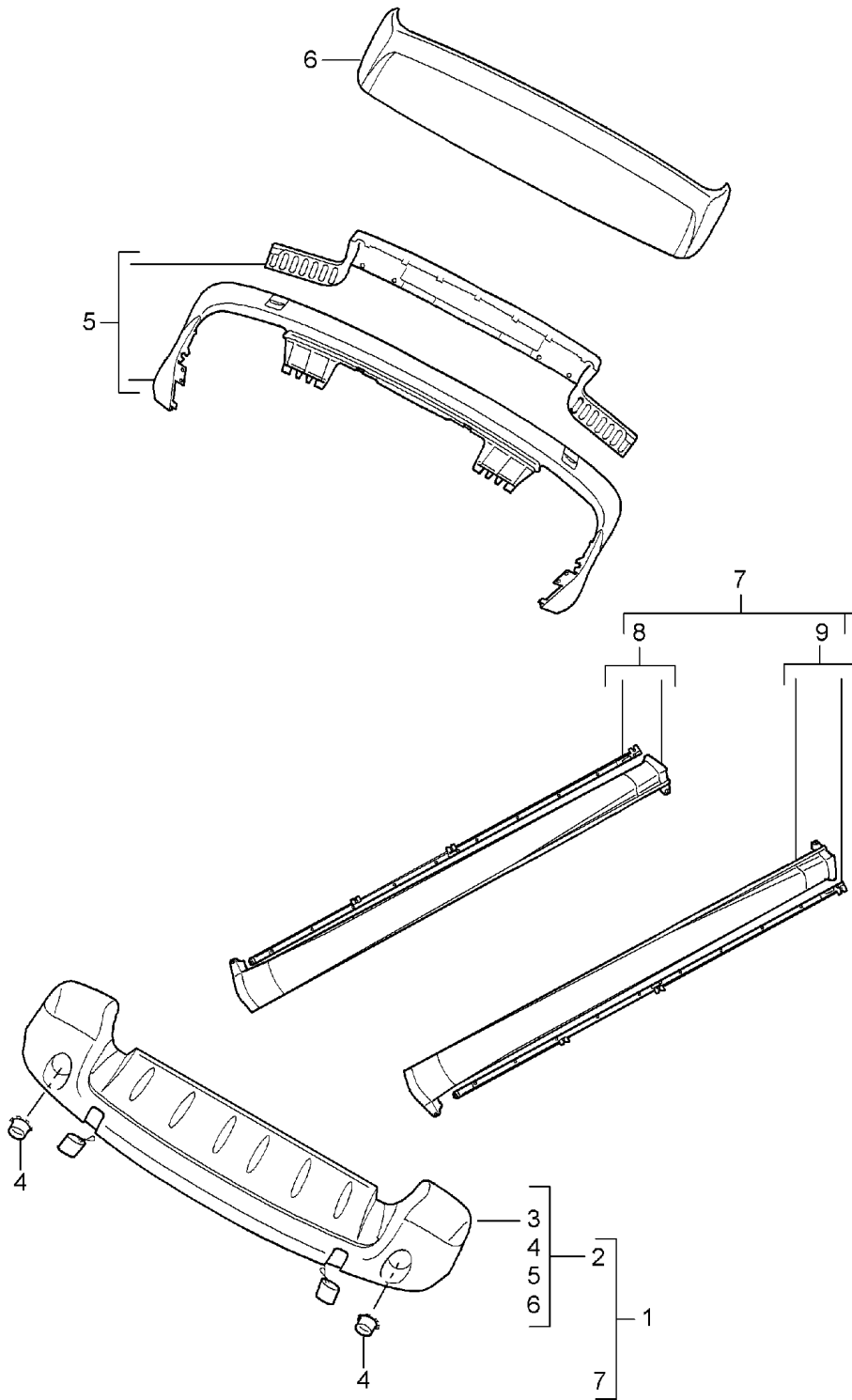
| Pos | Part Number | Description | Remark | Qty | Model |
|-----|----------------|--|--------|-----|---------------|
| - | | Seat cover Leather D - MJ 2008>> - MJ 2009 Inst. & Conv. Instructions Cayenne,alle Group 7 7411 Attention | | | Cayenne (9PA) |
| - | N 909 650 01 | also use: Socket head bolt with multi-point inner drive, self-lock. | | 8 | |
| - | 000 043 207 18 | Clip | | 4 | |
| - | 000 043 207 17 | Clip | | 2 | |
| - | N 910 260 02 | Socket head bolt with inner multipoint head | | 8 | |
| - | 000 043 071 00 | 1 set of retaining clips 50 Stk. | | 1 | |
| - | 999 513 076 40 | Cable ties Colour Black chestnut brown | | 10 | |
| 1 | 955 044 804 20 | Seat cover sports seat D - MJ 2008>> - MJ 2008 | | 1 | PR:9AD |
| (1) | 955 044 804 21 | Seat cover sports seat D - MJ 2008>> - MJ 2008 | | 1 | PR:9AH |
| (1) | 955 044 804 22 | Seat cover Comfort seat D - MJ 2008>> - MJ 2008 | | 1 | PR:9AD |
| (1) | 955 044 804 23 | Seat cover Comfort seat D - MJ 2008>> - MJ 2008 | | 1 | PR:9AH |
| (1) | 955 044 803 00 | Seat cover sports seat D - MJ 2008>> - MJ 2008 | | 1 | PR:9AD |
| (1) | 955 044 803 01 | Seat cover sports seat D - MJ 2008>> - MJ 2008 | | 1 | PR:9AH |
| (1) | 955 044 803 02 | Seat cover Comfort seat D - MJ 2008>> - MJ 2009 | | 1 | PR:9AD |
| (1) | 955 044 803 03 | Seat cover Comfort seat D - MJ 2008>> - MJ 2009 | | 1 | PR:9AH |
| - | | Colour Havanna/sand beige | | | |
| (1) | 955 044 804 30 | Seat cover sports seat D - MJ 2008>> - MJ 2008 | | 1 | PR:9AD |
| (1) | 955 044 804 31 | Seat cover sports seat D - MJ 2008>> - MJ 2008 | | 1 | PR:9AH |
| (1) | 955 044 804 32 | Seat cover Comfort seat D - MJ 2008>> - MJ 2008 | | 1 | PR:9AD |
| (1) | 955 044 804 33 | Seat cover Comfort seat D - MJ 2008>> - MJ 2008 | | 1 | PR:9AH |
| (1) | 955 044 803 10 | Seat cover sports seat D - MJ 2008>> - MJ 2008 | | 1 | PR:9AD |
| (1) | 955 044 803 11 | Seat cover | | 1 | PR:9AH |

Model: TEQ 2 Model life 2003>>

| Pos | Part Number | Description | Remark | Qty | Model |
|-----|----------------|--|--------|-----|--------|
| (1) | 955 044 803 12 | sports seat D - MJ 2008>> - MJ 2008 Seat cover Comfort seat | | 1 | PR:9AD |
| (1) | 955 044 803 13 | D - MJ 2008>> - MJ 2009 Seat cover Comfort seat | | 1 | PR:9AH |
| - | | D - MJ 2008>> - MJ 2009 Colour Stone grey/steel grey | | | |
| (1) | 955 044 804 40 | Seat cover sports seat | | 1 | PR:9AD |
| (1) | 955 044 804 41 | D - MJ 2008>> - MJ 2008 Seat cover sports seat | | 1 | PR:9AH |
| (1) | 955 044 804 42 | D - MJ 2008>> - MJ 2008 Seat cover Comfort seat | | 1 | PR:9AD |
| (1) | 955 044 804 43 | D - MJ 2008>> - MJ 2008 Seat cover Comfort seat | | 1 | PR:9AH |
| (1) | 955 044 803 20 | D - MJ 2008>> - MJ 2008 Seat cover sports seat | | 1 | PR:9AD |
| (1) | 955 044 803 21 | D - MJ 2008>> - MJ 2008 Seat cover sports seat | | 1 | PR:9AH |
| (1) | 955 044 803 22 | D - MJ 2008>> - MJ 2008 Seat cover Comfort seat | | 1 | PR:9AD |
| (1) | 955 044 803 23 | D - MJ 2008>> - MJ 2009 Seat cover Comfort seat D - MJ 2008>> - MJ 2009 | | 1 | PR:9AH |

Model: TEQ 2

Model life 2003>>



Model: TEQ 2 Model life 2003>>

| Pos | Part Number | Description | Remark | Qty | Model |
|-----|----------------|---|--------|-----|------------------------------------|
| - | | Sport Design package D - MJ 2003>> - MJ 2010 Inst. & Conv. Instructions Porsche Cayenne Group 6 6658 (7/04) Attention | | | Cayenne (9PA) alle |
| 1 | 955 044 800 69 | Aerokit Sport Design package (complete) | | 1 | Cayenne Cayenne S PR:D9J,D9K |
| (1) | 955 044 800 70 | D - MJ 2003>> - MJ 2006 Aerokit Sport Design package (complete) | | 1 | Turbo PR:D9L |
| 2 | 955 044 800 71 | D - MJ 2003>> - MJ 2006 Aerokit Sport Design package without: | | 1 | Cayenne Cayenne S PR:D9J,D9K |
| (2) | 955 044 800 72 | Side member trim D - MJ 2003>> - MJ 2006 Aerokit Sport Design package without: | | 1 | Turbo PR:D9L,-1G3 |
| - | | Side member trim D - MJ 2003>> - MJ 2006 comprising: | | | |
| 3 | 955 044 800 73 | Front spoiler Set | | 1 | PR:D9J,D9K, 2D1,2D2 |
| (3) | 955 044 800 74 | D - MJ 2003>> - MJ 2006 Front spoiler Set | | 1 | PR:D9L,2D1, 2D2 |
| 4 | 955 631 163 00 | D - MJ 2003>> - MJ 2006 Fog lights | | 2 | PR:2D1,2D2 |
| 5 | 955 044 800 78 | rear spoiler Set | | 1 | PR:D9J,D9K, D9L,2D1,2D2 |
| 6 | 955 044 800 80 | D - MJ 2003>> - MJ 2006 Roof cover moulding Spoiler Set | | 1 | PR:D9J,D9K, D9L,2D1,2D2 |
| (6) | 955 044 802 73 | D - MJ 2003>> - MJ 2006 Roof cover moulding Spoiler Set | | 1 | |
| - | | D - MJ 2008>> - MJ 2010 Inst. & Conv. Instructions Porsche Cayenne Group 6 6658 (7/04) Attention | | | alle |
| 7 | 955 044 800 75 | Side member trim Set comprising: 955.044.802.76 / .77 | | 1 | Pos. 8 / 9 |
| (7) | 955 044 802 72 | D - MJ 2003>> - MJ 2006 Side member trim Set | | 1 | PR:2D1 |
| 8 | 955 044 800 76 | D - MJ 2008>> - MJ 2010 Side member trim Set | right | 1 | PR:2D1 |
| 9 | 955 044 800 77 | D - MJ 2003>> - MJ 2006 Side member trim Set | left | 1 | PR:2D1 |
| | | D - MJ 2003>> - MJ 2006 | | | |

Model: TEQ 2

Model life 2003>>

| Pos | Part Number | Description | Remark | Qty | Model |
|-----|----------------|--|--------|-----|-----------------------|
| - | | Inst. & Conv. Instructions Porsche Cayenne Group 6 6658 (16/07) Attention | | | alle |
| (1) | 955 044 802 70 | Aerokit Sport Design package (complete) D - MJ 2008>> - MJ 2010 | | 1 | PR:-2D1, -2D2,-2D3 |
| (1) | 955 044 802 71 | Aerokit Sport Design package without: Side member trim D - MJ 2008>> - MJ 2010 | | 1 | PR:-2D1,-2D2 |

Model: TEQ 2

Model life 2003>>

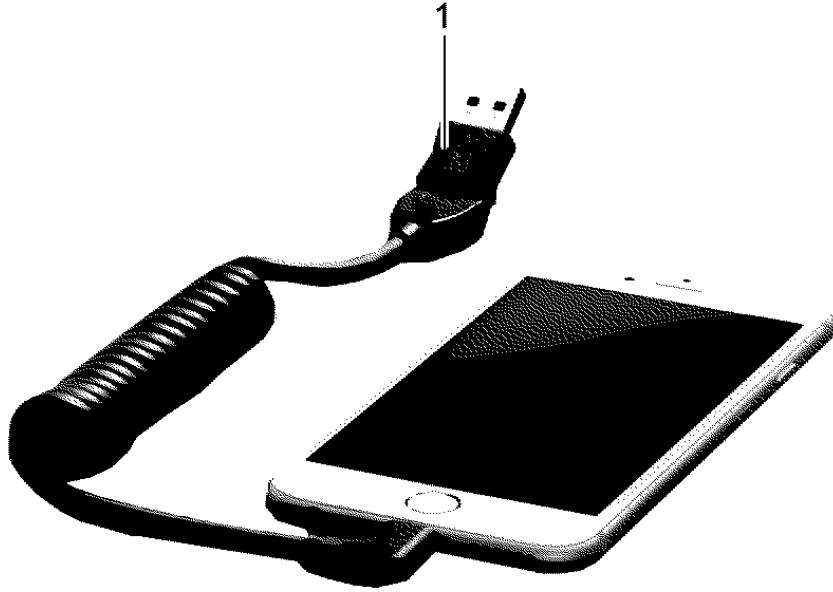


Model: TEQ 2 Model life 2003>>

| Pos | Part Number | Description | Remark | Qty | Model |
|-----|----------------|---|--------------|-----|---------------------------|
| - | | Sport Design package Inst. & Conv. Instructions Porsche Cayenne Group 6 6699 (44/10) Attention | 11-14 15- | | Cayenne (92A) alle |
| 1 | 958 044 801 00 | Aerokit Sport Design package (complete) Set | 11-14 | 1 | |
| 2 | 958 044 801 01 | Aerokit Sport Design package without: | 11-14 | 1 | |
| (2) | 958 044 801 61 | Side member trim for vehicles with bumper guards Set Sport Design package without: | 15- | 1 | Cayenne / S Turbo |
| (1) | 958 044 801 71 | Side member trim Set Sport Design package with: | 15- | 1 | Cayenne / S Turbo |
| (2) | 958 044 801 63 | Side member trim for vehicles with bumper guards Set Sport Design package without: | 15- | 1 | Turbo S |
| (1) | 958 044 801 73 | Side member trim Set Sport Design package with: | 15- | 1 | Turbo S |

Model: TEQ 2

Model life 2003>>

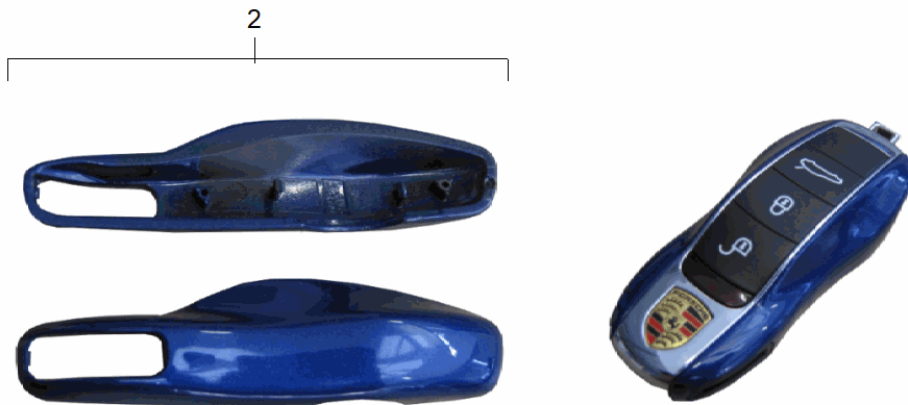
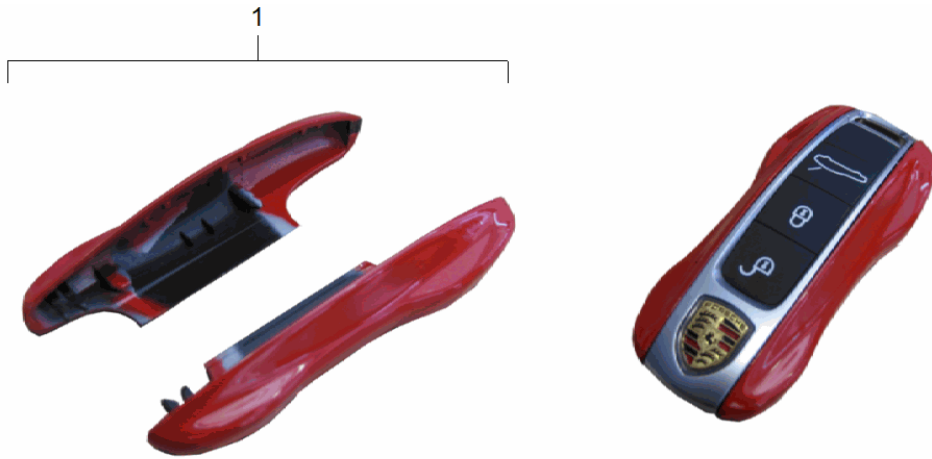


Model: TEQ 2 Model life 2003>>

| Pos | Part Number | Description | Remark | Qty | Model |
|-----|----------------|--|-------------|-----|-------|
| 1 | 970 044 901 50 | Charging cable USB connection cable | | 1 | |
| (1) | 970 044 901 51 | USB connection cable APPLE | | 1 | |
| (1) | 970 044 901 52 | USB connection cable MICRO USB | Type: USB-C | 1 | |

Model: TEQ 2

Model life 2003>>



Model: TEQ 2 Model life 2003>>

| Pos | Part Number | Description | Remark | Qty | Model |
|-----|--------------------|--|----------------|-----|--|
| - | | Key cover Ignition/starter switch Exterior body colour Inst. & Conv. Instructions Porsche Cayenne 9662 (63/12) Attention | 11- 18- | | CAYENNE (92A) CAYENNE (9YA) alle |
| 1 | 971 044 801 | Key cover | 18- painted | 1 | |
| | | Set | | | |
| | 971 044 801 C1Y | Palladium Metallic | | | |
| | 971 044 801 C5M | Moonlight Blue Metallic | | | |
| | 971 044 801 C9A | white | | | |
| | 971 044 801 C9X | Jet Black Metallic | | | |
| | 971 044 801 M2A | Lava Orange | | | |
| | 971 044 801 M3C | Carmine red | | | |
| | 971 044 801 M3S | Burgundy Red Metallic | | | |
| | 971 044 801 M4W | Purpurite Metallic | | | |
| | 971 044 801 M4Z | Amethyst metallic | | | |
| | 971 044 801 M5C | miami blue | | | |
| | 971 044 801 M5E | Biscay Blue Metallic | | | |
| | 971 044 801 M5F | Midnight Blue Metallic | | | |
| | 971 044 801 M5J | Sapphire Blue Metallic | | | |
| | 971 044 801 M6B | Lizard green | | | |
| | 971 044 801 M6S | Mamba green metallic | | | |
| | 971 044 801 M6T | Aventurine green metallic | | | |
| | 971 044 801 M7P | Dolomite silver metallic | | | |
| | 971 044 801 M7Q | Quartzite Grey Metallic | | | |
| | 971 044 801 M7R | Volcano Grey Metallic | | | |
| | 971 044 801 M7S | Achat Grey Metallic | | | |
| | 971 044 801 M7U | Rhodium Silver Metallic | | | |
| | 971 044 801 M7Z | GT Silver Metallic | | | |
| | 971 044 801 M8R | Ristretto Brown Metallic | | | |
| | 971 044 801 M8Y | Mahogany Metallic | | | |
| | 971 044 801 M9A | Chalk | | | |
| | 971 044 801 S9R | Carrara White metallic | | | |
| | 971 044 801 041 | Black | | | |
| | 971 044 801 1S1 | Racing Yellow | | | |
| | 971 044 801 84A | guards red (Porsche) | | | |
| 2 | 991 044 801 20 | Key cover | -18 painted | 1 | |
| | | Set | | | |
| | 991 044 801 20 A6W | Crystal green metallic Discontinued part | | | |
| | 991 044 801 20 C1Y | Palladium Metallic | | | |
| | 991 044 801 20 C5M | Moonlight Blue Metallic | | | |
| | 991 044 801 20 C9A | white | | | |
| | 991 044 801 20 C9X | Jet Black Metallic | | | |
| | 991 044 801 20 C9Z | Basalt black metallic | | | |
| | 991 044 801 20 H8Z | Chestnut Brown Metallic | | | |
| | 991 044 801 20 M1R | Aurum Metallic | | | |
| | 991 044 801 20 M1S | Luxor Beige Metallic Discontinued part | | | |
| | 991 044 801 20 M2A | Lava Orange | | | |
| | 991 044 801 20 M3C | Carmine red | | | |
| | 991 044 801 20 M3T | Auburn Metallic Discontinued part | | | |
| | 991 044 801 20 M3X | Ruby red metallic | | | |
| | 991 044 801 20 M4A | Ultraviolet | | | |
| | 991 044 801 20 M4W | Purpurite Metallic | | | |
| | 991 044 801 20 M4Z | Amethyst metallic | | | |
| | 991 044 801 20 M5C | miami blue | | | |
| | 991 044 801 20 M5F | Midnight Blue Metallic | | | |

Model: TEQ 2 Model life 2003>>

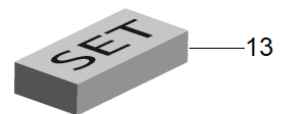
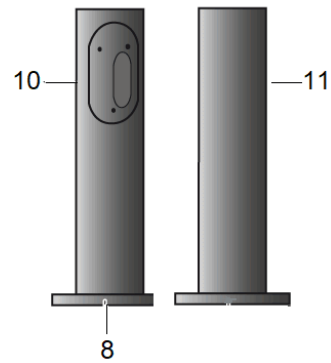
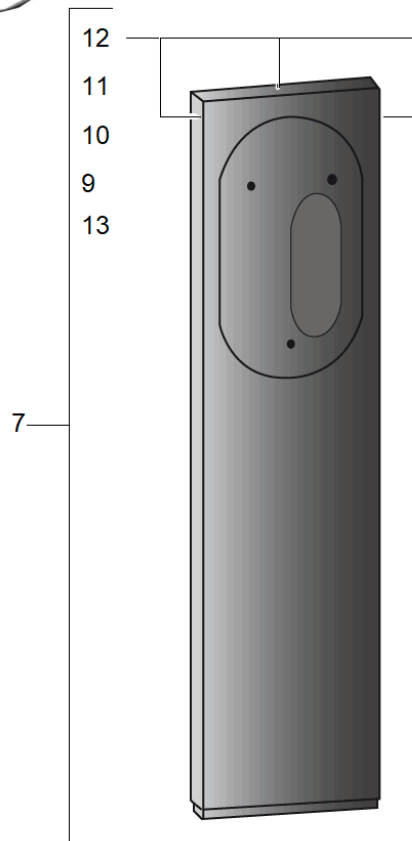
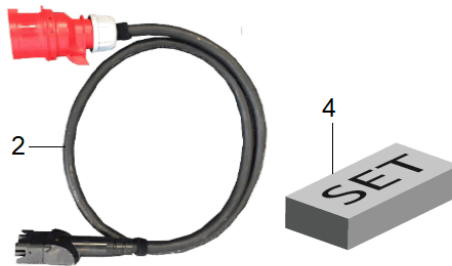
| Pos | Part Number | Description | Remark | Qty | Model |
|-----|--------------------|---|----------------|-----|--------------|
| | 991 044 801 20 M5G | Graphite Blue Metallic | | | |
| | 991 044 801 20 M5J | Sapphire Blue Metallic | | | |
| | 991 044 801 20 M5R | Aqua blue metallic Discontinued part | | | |
| | 991 044 801 20 M5S | Yachting Blue Metallic | | | |
| | 991 044 801 20 M5X | Dark blue metallic | | | |
| | 991 044 801 20 M7R | Volcano Grey Metallic | | | |
| | 991 044 801 20 M7S | Achat Grey Metallic | | | |
| | 991 044 801 20 M7T | Platinum Silver Metallic Discontinued part | | | |
| | 991 044 801 20 M7U | Rhodium Silver Metallic | | | |
| | 991 044 801 20 M7W | Meteor Grey Metallic | | | |
| | 991 044 801 20 M7Z | GT Silver Metallic | | | |
| | 991 044 801 20 M8S | Anthracite Brown Metallic | | | |
| | 991 044 801 20 M8U | Umbra Metallic Discontinued part | | | |
| | 991 044 801 20 M8X | Topaz Brown Metallic Discontinued part | | | |
| | 991 044 801 20 M8Y | Mahogany Metallic | | | |
| | 991 044 801 20 M8Z | Cognac Metallic | | | |
| | 991 044 801 20 M9Z | Carbon Grey Metallic | | | |
| | 991 044 801 20 S9R | Carrara White metallic | | | |
| | 991 044 801 20 X7W | Classic Silver Metallic | | | |
| | 991 044 801 20 Z6H | Jet Green Metallic | | | |
| | 991 044 801 20 041 | Black | | | |
| | 991 044 801 20 1S1 | Racing Yellow | | | |
| | 991 044 801 20 2G6 | emerald green metallic Discontinued part | | | |
| | 991 044 801 20 2S1 | Peridot Metallic Discontinued part | | | |
| | 991 044 801 20 5P1 | Lime Gold Metallic | | | |
| | 991 044 801 20 7B2 | agate grey | | | |
| | 991 044 801 20 8L1 | Amaranth Red Metallic | | | |
| | 991 044 801 20 8M5 | Impulse Red Metallic | | | |
| | 991 044 801 20 84A | guards red (Porsche) | | | |
| | 991 044 801 20 9G5 | Geyser Grey Metallic | | | |
| (2) | 991 044 801 22 | Key cover Set | Painted | 1 | |
| | 991 044 801 22 M6B | Lizard green | | | |
| | 991 044 801 22 M6S | Mamba green metallic | | | |
| | 991 044 801 22 M7P | Dolomite silver metallic | | | |
| 3 | 991 044 801 21 | Ignition/starter switch | -18 Painted | 1 | PR: 4F2, 4F6 |
| | 991 044 801 21 041 | Black | | | |
| | 991 044 801 21 1S1 | Racing Yellow | | | |
| | 991 044 801 21 2S1 | Peridot Metallic Discontinued part | | | |
| | 991 044 801 21 5P1 | Lime Gold Metallic | | | |
| | 991 044 801 21 84A | guards red (Porsche) | | | |
| | 991 044 801 21 8M5 | Impulse Red Metallic | | | |
| | 991 044 801 21 C1Y | Palladium Metallic | | | |
| | 991 044 801 21 C5M | Moonlight Blue Metallic | | | |
| | 991 044 801 21 C9A | white | | | |
| | 991 044 801 21 C9X | Jet Black Metallic | | | |
| | 991 044 801 21 H8Z | Chestnut Brown Metallic | | | |
| | 991 044 801 21 M1R | Aurum Metallic | | | |
| | 991 044 801 21 M2A | Lava Orange | | | |
| | 991 044 801 21 M3C | Carmin red | | | |
| | 991 044 801 21 M3X | Ruby red metallic | | | |
| | 991 044 801 21 M4A | Ultraviolet | | | |
| | 991 044 801 21 M4W | Purpurite Metallic | | | |
| | 991 044 801 21 M4Z | Amethyst metallic | | | |

Model: TEQ 2 Model life 2003>>

| Pos | Part Number | Description | Remark | Qty | Model |
|-----|--------------------|---------------------------|--------|-----|-------|
| | 991 044 801 21 M5C | miami blue | | | |
| | 991 044 801 21 M5F | Midnight Blue Metallic | | | |
| | 991 044 801 21 M5G | Graphite Blue Metallic | | | |
| | 991 044 801 21 M5J | Sapphire Blue Metallic | | | |
| | 991 044 801 21 M5S | Yachting Blue Metallic | | | |
| | 991 044 801 21 M5X | Dark blue metallic | | | |
| | 991 044 801 21 M6B | Lizard green | | | |
| | 991 044 801 21 M6S | Mamba green metallic | | | |
| | 991 044 801 21 M6T | Aventurine green metallic | | | |
| | 991 044 801 21 M7P | Dolomite silver metallic | | | |
| | 991 044 801 21 M7R | Volcano Grey Metallic | | | |
| | 991 044 801 21 M7S | Achat Grey Metallic | | | |
| | 991 044 801 21 M7U | Rhodium Silver Metallic | | | |
| | 991 044 801 21 M7W | Meteor Grey Metallic | | | |
| | 991 044 801 21 M7Z | GT Silver Metallic | | | |
| | 991 044 801 21 M8S | Anthracite Brown Metallic | | | |
| | 991 044 801 21 M8U | Umbra Metallic | | | |
| | | Discontinued part | | | |
| | 991 044 801 21 M8Y | Mahogany Metallic | | | |
| | 991 044 801 21 M8Z | Cognac Metallic | | | |
| | 991 044 801 21 M9A | Chalk | | | |
| | 991 044 801 21 M9Z | Carbon Grey Metallic | | | |
| | 991 044 801 21 S9R | Carrara White metallic | | | |

Model: TEQ 2

Model life 2003>>



Model: TEQ 2 Model life 2003>>

| Pos | Part Number | Description | Remark | Qty | Model |
|-----|----------------|---|--------------------------|-----|-----------------------|
| 1 | 971 044 030 | Stand Power supply Hybrid Stand 167X19X15 CM Charging socket Hybrid with: PORSCHE logo without: Charger without: Connection line use if required: | 7PP 971 678 BA 1650mm | 1 | PHEV -"I..", "J.." |
| 2 | 971 044 035 | Connection line Power supply CEE 3P 32A | 1650mm | 1 | -"USA", -"J.." |
| (2) | 971 044 035 A | Connection line Power supply CEE 1P 32A | 1650mm | 1 | -"USA", -"J.." |
| - | | Only for replacement | | | |
| 3 | 971 044 031 | Bracket Connector Included Set Adapter plug | | 1 | |
| 4 | 971 044 032 | Set of fastening parts base plate Stand | | 1 | |
| 5 | 971 044 033 | Operating instructions Stand | | 1 | |
| 6 | 971 044 034 | key Stand | | 1 | |
| 7 | 970 044 000 70 | State lock number Stand 167X42X10 CM Charging socket Hybrid Glasses box with: PORSCHE logo without: Charging Dock without: Connection line use if required: | | 1 | |
| - | | Post bracket for Trade equipment | | | |
| 8 | 970 044 000 76 | Lower part 88X84X8 CM Movable Stand Charging socket Hybrid | | 1 | |
| (8) | 970 044 000 77 | Lower part 75X75X3 CM Fixed Stand Charging socket Hybrid | | 1 | |
| - | | Only for replacement | | | |
| - | | note: | | | |

Model: TEQ 2 Model life 2003>>

| Pos | Part Number | Description | Remark | Qty | Model |
|-----|----------------|--|----------------------------------|-------------|-------|
| - | 970 044 000 78 | Inst. & Conv. Instructions 0941 (02/18) Modification kit Charging station Black, glass optical for Charger additionally to be used items: | 970 044 000 72 970 044 000 73 | 1 1 1 | |
| - | 970 044 000 79 | Modification kit Charging station Black, glass optical for Charger additionally to be used items: | 2 parts 970 044 000 72 | 2 | |
| (9) | 970 044 000 71 | Stand Charging socket Hybrid Frame Interior frame | | 1 | |
| 10 | 970 044 000 72 | Stand Charging socket Hybrid Washer Charging Dock | front without: without: | 1 | |
| 11 | 970 044 000 73 | Connection line Stand Charging socket Hybrid Washer | rear | 1 | |
| 12 | 970 044 000 74 | Side panel trim Stand Charging socket Hybrid Set 3-part | | 1 | |
| 13 | 970 044 000 75 | Set of fastening parts Stand Charging socket Hybrid | | 1 | |

Model: TEQ 2

Model life 2003>>



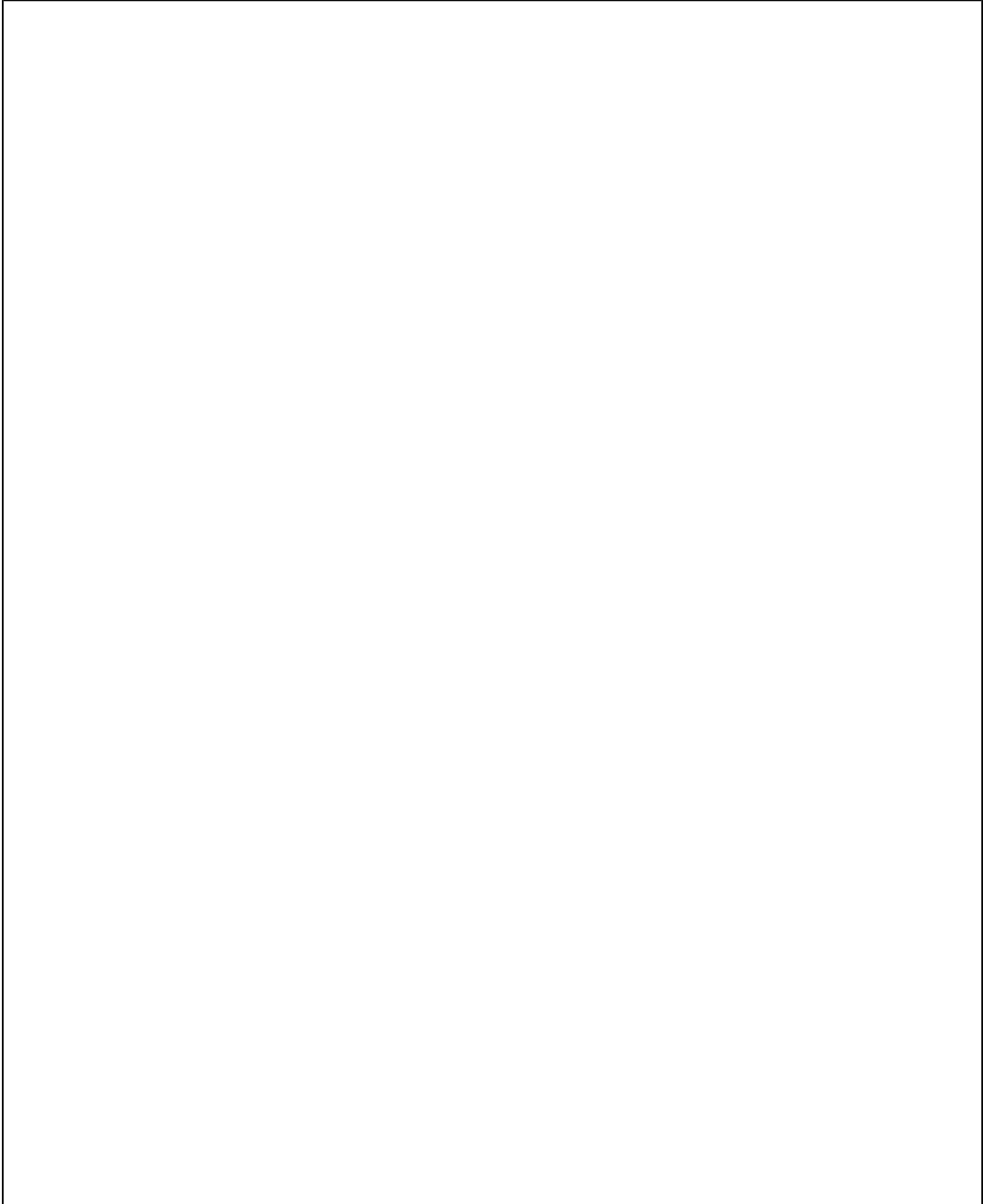
Model: TEQ 2

Model life 2003>>

| Pos | Part Number | Description | Remark | Qty | Model |
|-----|----------------|--|--------|-----|-------------------------------------|
| 1 | 955 044 900 54 | Charger Cigarette lighter | 03- | 1 | /110 V "USA" |
| 1 | 955 044 900 55 | Charger 12 V/3,6 A | 03-17 | 1 | /230 V "GB." |
| (2) | 958 044 900 71 | Charger USA/KANADA 110-120 V / 4,3 A | 03- | 1 | Charge-o-mat Pro "USA", "CDN" |
| 3 | 958 044 900 75 | Adapter for Charger | | 1 | |
| - | | Only for replacement | | | |
| 4 | 958 044 900 76 | Connector Cigarette lighter | | 1 | |

Model: TEQ 2

Model life 2003>>

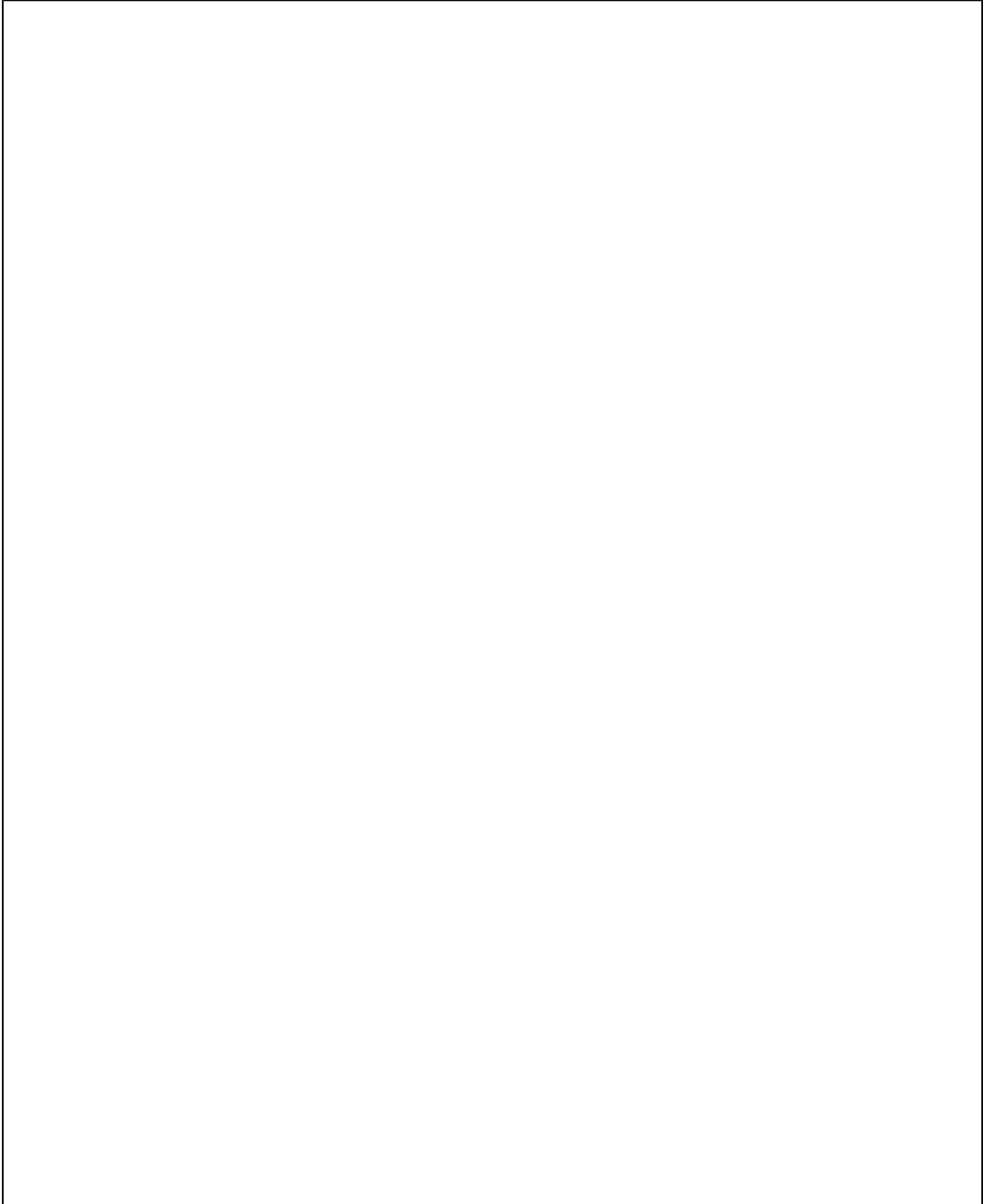


Model: TEQ 2 Model life 2003>>

| Pos | Part Number | Description | Remark | Qty | Model |
|-----|--------------------|--|--------|-----|---------------|
| - | | Garage door opener D - MJ 2003>> - MJ 2010 Inst. & Conv. Instructions Cayenne, alle Group 9 9679 Attention | | | Cayenne (9PA) |
| - | 955 044 900 27 | Garage door opener Retrofit kit Set | | 1 | |
| - | 955 612 502 00 | comprising: Wire set | | 1 | |
| - | 955 613 312 01 | Cap with symbol | | 1 | |
| - | 955 613 312 01 A03 | Black | | | |
| - | 955 613 334 00 | Trim for switch | | 1 | |
| - | 955 613 334 00 A03 | Black | | | |
| - | 955 613 254 00 | Hazard warning light sw. | | 1 | |
| - | N 909 151 01 | Oval-head screw | | 6 | |
| - | 999 652 901 22 | Connector | | 1 | |
| - | 999 650 136 22 | Pin | | 1 | |
| - | 955 618 039 00 | Control unit | | 1 | |

Model: TEQ 2

Model life 2003>>



Model: TEQ 2 Model life 2003>>

| Pos | Part Number | Description | Remark | Qty | Model |
|-----|----------------|---|--------|-----|---------------|
| - | | LED module Passenger compartment D - MJ 2011>> - MJ 2014 Inst. & Conv. Instructions Porsche Cayenne Group 9 9110 (11/12) Attention | | | Cayenne (92A) |
| 1 | 958 044 901 20 | LED module Passenger compartment Set D - MJ 2011>> - MJ 2014 | | 1 | alle |

Model: TEQ 2

Model life 2003>>

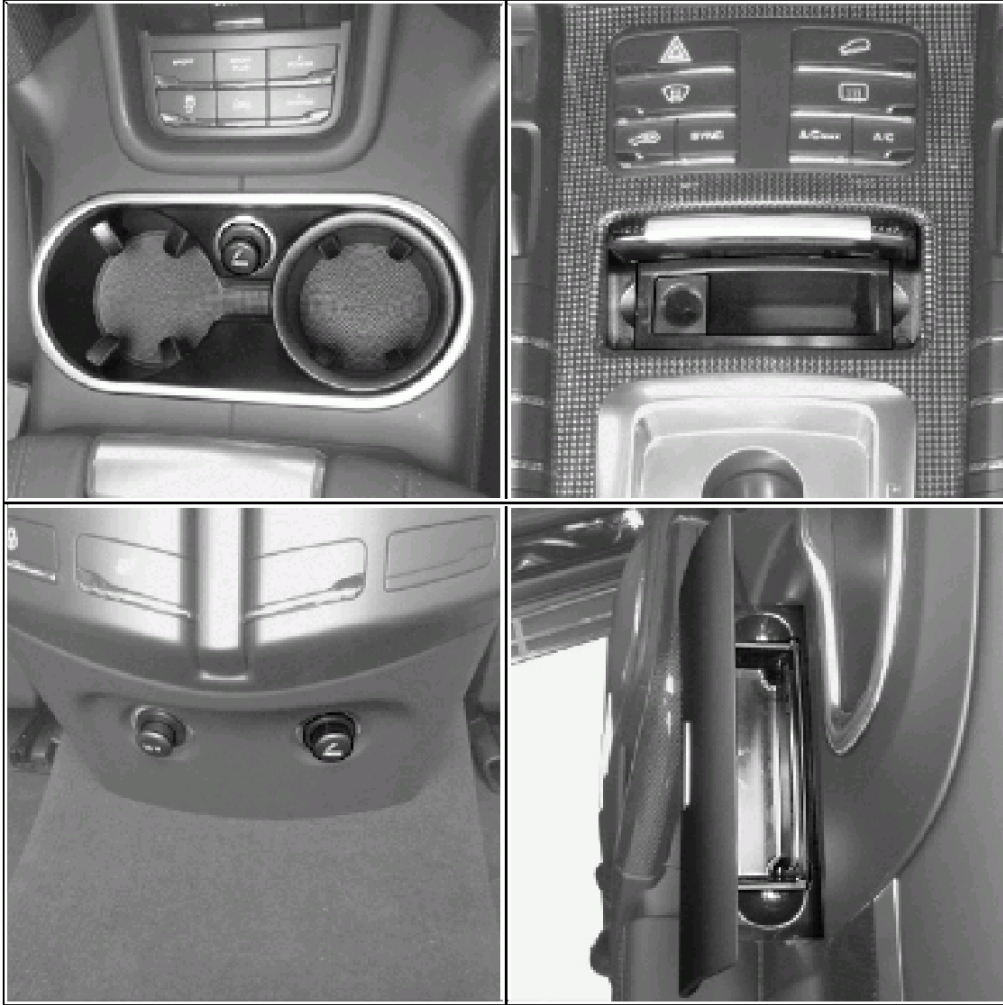


Model: TEQ 2 Model life 2003>>

| Pos | Part Number | Description | Remark | Qty | Model |
|-----|----------------|---|------------------|-----|------------|
| - | | Supplement SPORT PLUS Inst. & Conv. Instructions Porsche Cayenne Group 9 9627 (35/14) 9627 (39/16) Attention | 2015-16 2017- | | alle |
| 1 | 958 044 900 35 | Supplement SPORT PLUS for cars without Compass Coding VIA PRMS | | 1 | PR:QR0,QR3 |
| (1) | 95B 044 900 73 | D - MJ 2015>> - MJ 2016 Supplement SPORT PLUS for cars without Compass D - MJ 2017>> | | 1 | PR:QR0,QR3 |
| - | | also use: Control panel with pushbuttons for Subsequent installation see Spare parts catalogue | | | |

Model: TEQ 2

Model life 2003>>



Model: TEQ 2 Model life 2003>>

| Pos | Part Number | Description | Remark | Qty | Model |
|-----|----------------|--|--------|-----|-------|
| - | | Smoker package Inst. & Conv. Instructions Group 6 6820 (04/15) Attention | | | |
| 1 | 958 044 900 80 | Retrofit kit Smoker package D - MJ 2015>> | | 1 | E2 II |

Model: TEQ 2

Model life 2003>>

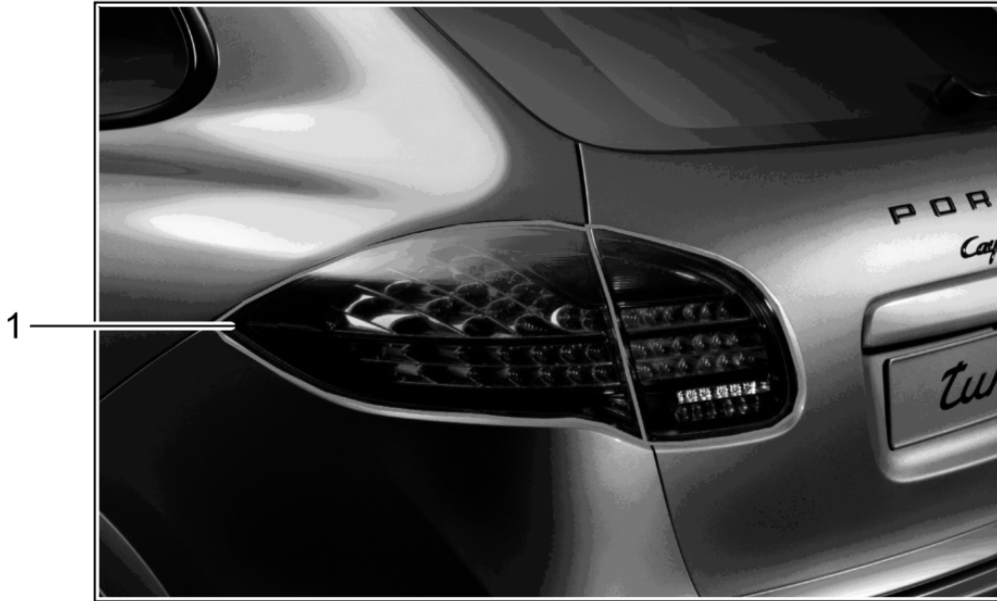


Model: TEQ 2 Model life 2003>>

| Pos | Part Number | Description | Remark | Qty | Model |
|-----|----------------|--|--|-----|---|
| 1 | 955 044 903 12 | Headlights Interior lining Black Headlights | 08-10 11- 18- 08-10 drive on right | 1 | CAYENNE (9PA) CAYENNE (92A) CAYENNE (9YA) PR:8JD |
| 2 | 958 044 900 21 | Set Headlights | 11- | 1 | PR:8Q3,8EA |
| (2) | 958 044 900 23 | Set Headlights | 11- | 1 | PR:8Q3,8EH |
| (2) | 958 044 900 61 | Set Headlights | 15- | 1 | Turbo PR:8Q3,8EG |
| 3 | 958 044 900 90 | Set Black LED headlight Set Black | 15- | 1 | PR:8BE,8EA, 8EE,8EF,8EG, 8JE |

Model: TEQ 2

Model life 2003>>

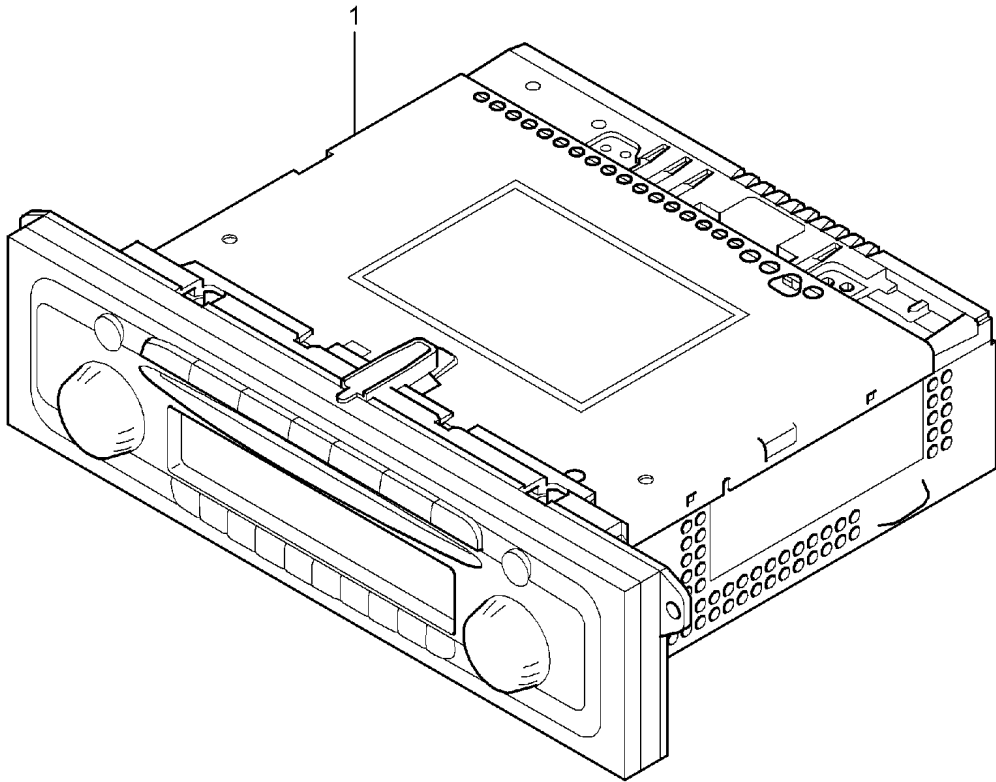


Model: TEQ 2 Model life 2003>>

| Pos | Part Number | Description | Remark | Qty | Model |
|-----|----------------|---|--------|-----|--|
| 1 | 958 044 900 27 | Rear light Black D - MJ 2011>> Rear light Black Set D - MJ 2011>> | | 1 | CAYENNE (92A) CAYENNE (9YA) PR:8SI |
| 2 | 958 044 900 67 | Rear light Black Set D - MJ 2014>> | | 1 | E2 II PR:8SI |

Model: TEQ 2

Model life 2003>>

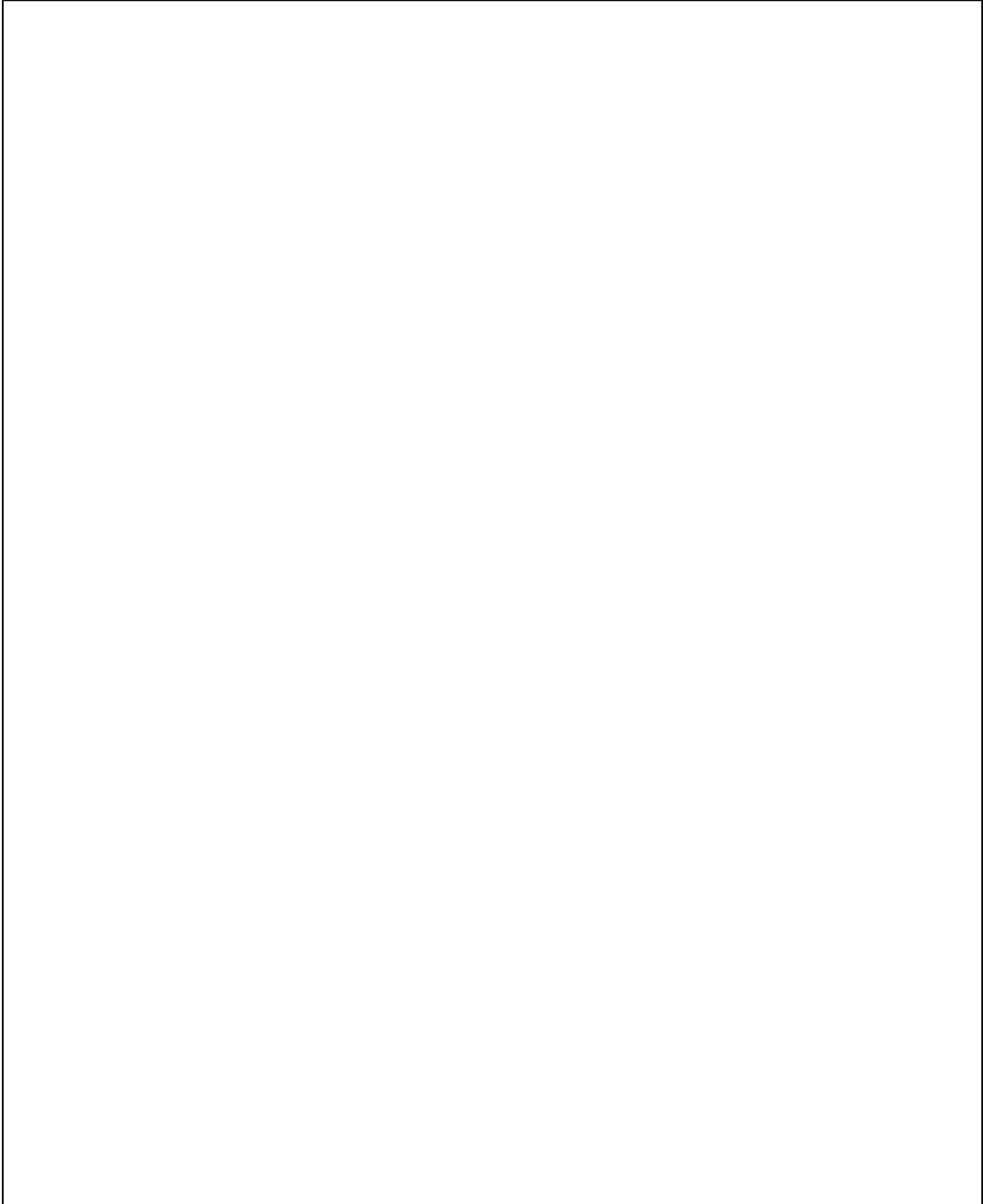


Model: TEQ 2 Model life 2003>>

| Pos | Part Number | Description | Remark | Qty | Model |
|-----|----------------|---|--------|-----|----------------------------|
| 1 | 955 645 128 03 | Radio unit CDR23 D - MJ 2003>> - MJ 2006 CDR | | 1 | Cayenne (9PA) Cayenne S |
| 1 | 955 645 128 04 | Discontinued part CDR | | 1 | |
| 1 | 955 645 128 05 | Discontinued part CDR | | 1 | |

Model: TEQ 2

Model life 2003>>

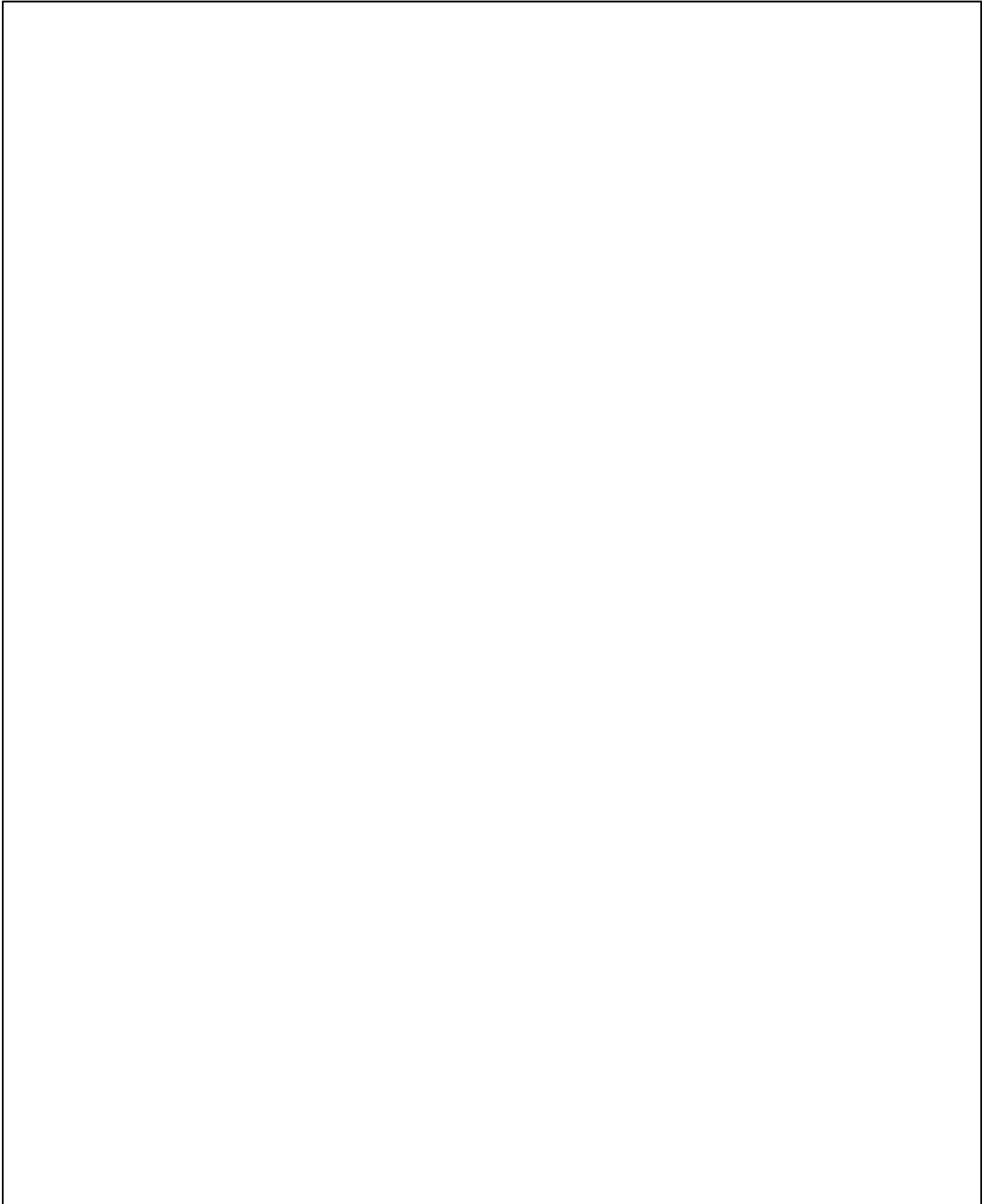


Model: TEQ 2 Model life 2003>>

| Pos | Part Number | Description | Remark | Qty | Model |
|-----|----------------|---|--------|-----|--------------------|
| - | | Digital Radio unit D - MJ 2005>> - MJ 2008 Inst. & Conv. Instructions Cayenne,alle 9153 Attention | | | Cayenne (9PA) |
| - | 955 044 900 36 | radio SIRIUS Discontinued part | | 1 | PR:7T3,7Q2 |
| - | 955 044 900 37 | radio XM Discontinued part | | 1 | PR:7T3,7Q2 |
| - | 955 044 900 63 | radio SIRIUS Discontinued part | | 1 | PR:7A2,7Q2, 7T3 |
| - | 955 044 900 68 | radio XM Discontinued part | | 1 | PR:7A2,7Q2, 7T3 |
| - | 955 044 902 67 | radio XM | | 1 | PR:7T3,7Q2 |
| - | 955 044 902 68 | radio XM | | 1 | PR:7A2,7Q2, 7T3 |
| - | | Set comprising: | | | |
| - | 955 647 214 00 | Connecting line | | 1 | |
| - | 955 645 285 00 | Bracket | | 1 | |
| - | 955 647 117 00 | Aerial | | 1 | |
| - | N 907 371 01 | Oval hexagon socket head bolt | | 1 | |
| - | N 911 010 01 | rivetted cap nut | | 2 | |
| - | 955 612 816 00 | Wire set | | 1 | |
| - | 955 522 782 00 | Bearing bush | | 1 | |
| - | 955 522 781 00 | Bearing bush | | 1 | |
| - | N 910 260 01 | Socket head bolt with inner multipoint head | | 1 | |
| - | 955 044 900 39 | Connector | | 1 | |
| - | 999 513 051 40 | hose clip | | 10 | |
| - | | in | | | |
| - | | Parts kit 955.044.900.36: | | | |
| - | 955 044 900 66 | Wire set | | 1 | |
| - | 955 645 280 02 | Receiving part | | 1 | |
| - | | in | | | |
| - | | Parts kit 955.044.900.37: | | | |
| - | 955 044 900 66 | Wire set | | 1 | |
| - | 955 645 281 02 | Receiving part | | 1 | |
| - | | in | | | |
| - | | Parts kit 955.044.900.63: | | | |
| - | 955 044 900 65 | Wire set | | 1 | |
| - | 955 645 280 02 | Receiving part | | 1 | |
| - | | in | | | |
| - | | Parts kit 955.044.900.68: | | | |
| - | 955 044 900 65 | Wire set | | 1 | |
| - | 955 645 281 02 | Receiving part | | 1 | |

Model: TEQ 2

Model life 2003>>



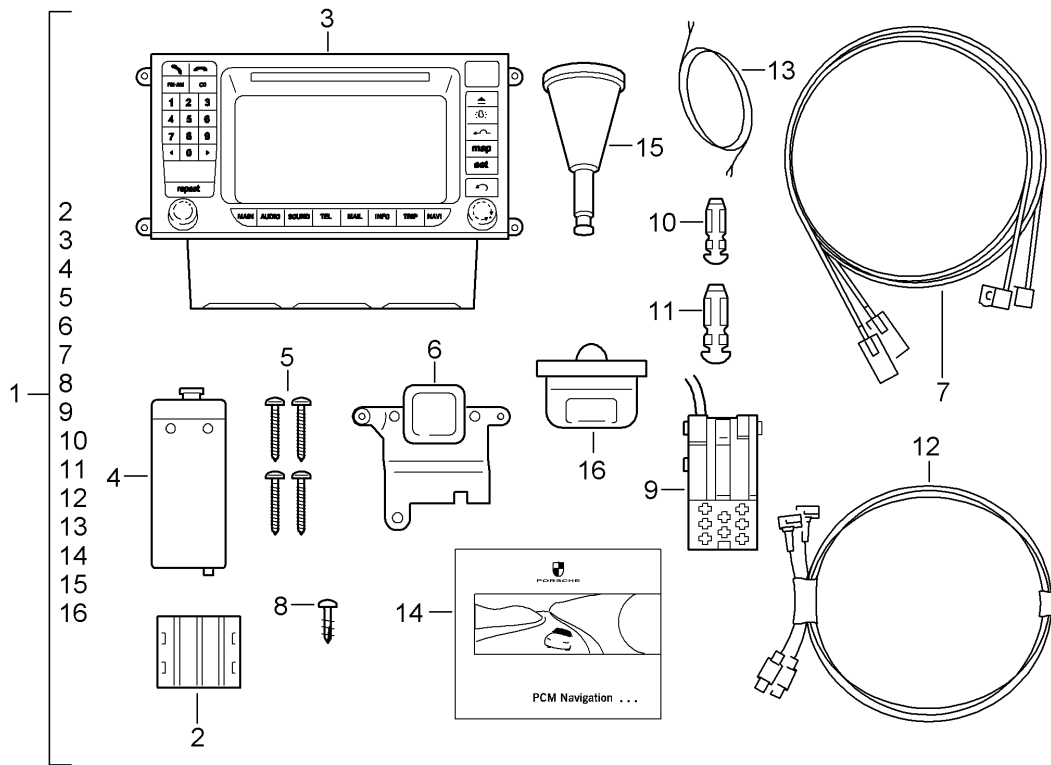
Model: TEQ 2

Model life 2003>>

| Pos | Part Number | Description | Remark | Qty | Model |
|-----|----------------|--|--------|-----|---------------|
| - | | Compass PCM2.1 PCM3.0 note: Inst. & Conv. Instructions 9110 (07/05) | 05-10 | | Cayenne (9PA) |
| - | 955 044 900 28 | Compass in Combi-instrument PCM2.1 PCM3.0 | | 1 | |

Model: TEQ 2

Model life 2003>>



Model: TEQ 2 Model life 2003>>

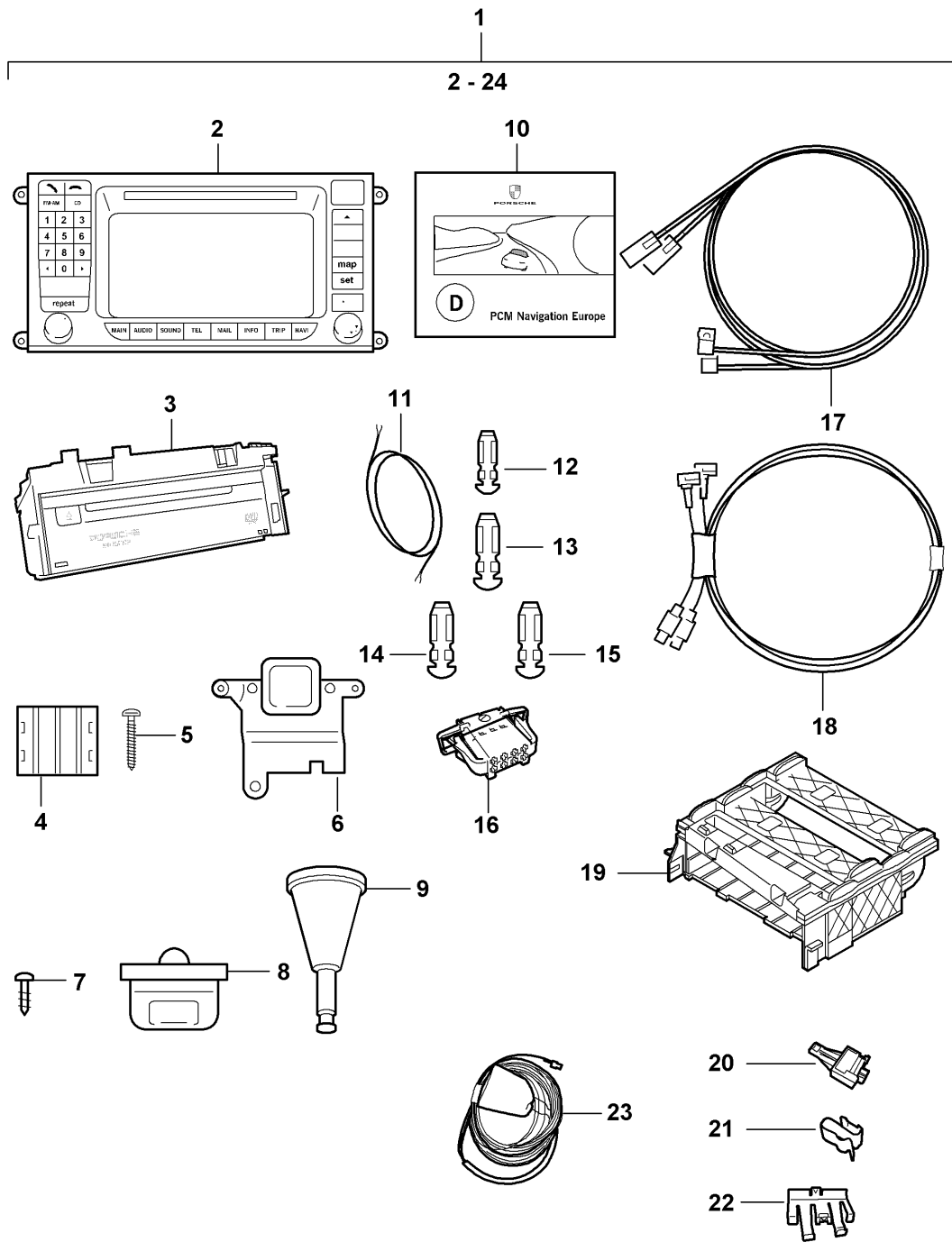
| Pos | Part Number | Description | Remark | Qty | Model |
|-----|----------------|--|--------|-----|---------------|
| - | | Navigation system PCM2.0 D - MJ 2003>> - MJ 2004 Technical information Cayenne, alle Group 9 9110 Attention | | | Cayenne (9PA) |
| 1 | 955 044 900 02 | Pcm2 Navigation system USA / Kanada | | 1 | "USA", "CDN" |
| - | | Set comprising: | | | |
| 2 | 955 647 432 00 | Bracket | | 1 | |
| 3 | 955 642 204 01 | Control panel | | 1 | |
| 4 | 996 642 205 01 | Module | | 1 | |
| 5 | N 105 842 01 | Hexagon socket oval head bolt | | 4 | |
| 6 | 955 647 107 00 | Aerial | | 1 | |
| 7 | 955 647 208 00 | Connecting line | | 1 | |
| 8 | N 908 401 02 | oval head panel screw (combi) | | 1 | |
| 9 | 999 650 062 40 | Connector | | 1 | |
| 10 | N 103 357 01 | flat contact | | 1 | |
| 11 | 999 650 398 12 | cable shoe | | 1 | |
| 12 | 955 647 207 00 | Aerial connection line | | 1 | |
| 13 | 999 630 003 40 | Earth line | | * | |
| 15 | 955 612 951 00 | Grommet | | 1 | |
| 16 | 955 612 952 00 | Cable support sleeve | | 1 | |
| - | | Technical information Cayenne, alle Group 9 9110 Attention | | | |
| - | 955 044 900 18 | Software OffRoad D - MJ 2003>> - MJ 2004 | | 1 | PR:PF1 |

Model: TEQ 2 Model life 2003>>

| Pos | Part Number | Description | Remark | Qty | Model |
|-----|----------------|--|--------|-----|---------------------------------------|
| - | | Navigation PCM2.0-UPDATE D - MJ 2003>> - MJ 2004 Inst. & Conv. Instructions Porsche Cayenne 9110 (8/08 & 24/10) BEACHTEN | | | Cayenne (9PA) |
| (1) | 000 044 901 31 | Software PCM2.0-UPDATE America 05.2013 | | 1 | alle "USA", "MEX", "CDN", "BR." |

Model: TEQ 2

Model life 2003>>



Model: TEQ 2

Model life 2003>>

| Pos | Part Number | Description | Remark | Qty | Model |
|-----|--------------------|---|--------|-----|--------------------------|
| - | | Navigation system PCM2.1 D - MJ 2005>> - MJ 2008 Inst. & Conv. Instructions Cayenne, alle Group 9 9110 Attention | | | Cayenne (9PA) |
| (1) | 955 044 900 32 | Retrofit kit PCM2.1 USA/CANADA | | 1 | |
| (1) | 955 044 900 49 | D - MJ 2005>> - MJ 2005 Discontinued part Retrofit kit PCM2.1 USA/CANADA | | 1 | BIS KW 21/06 MOPF A/B |
| (1) | 955 044 902 49 | D - MJ 2005>> - MJ 2006 Retrofit kit PCM2.1 USA/CANADA | | 1 | AB KW 22/06 MOPF C/C1 |
| - | | D - MJ 2006>> - MJ 2008 also use: | | | |
| - | 955 521 550 00 | Trim | | 1 | |
| | 955 521 550 00 01C | DVD device Satin black | | | |
| | 955 521 550 00 6C6 | Sand beige | | | |
| | 955 521 550 00 6H8 | Palm green | | | |
| | 955 521 550 00 7A8 | steel grey | | | |
| | 955 521 550 00 K40 | chestnut brown | | | |
| - | | Set PCM2.1 comprising: | | | |
| 2 | 955 642 204 10 | Control panel | | 1 | |
| 3 | 997 642 135 03 | DVD-player D - MJ 2005>> - MJ 2006 | | 1 | |
| 3 | 997 642 137 02 | DVD-player D - MJ 2006>> - MJ 2007 | | 1 | |
| 4 | 955 647 432 00 | Bracket | | 1 | |
| 5 | N 105 842 01 | Hexagon socket oval head bolt | | 4 | |
| 6 | 955 647 107 00 | Aerial | | 1 | |
| 7 | N 908 401 02 | oval head panel screw (combi) | | 1 | |
| 8 | 955 612 951 00 | Grommet | | 1 | |
| 9 | 955 612 952 00 | Cable support sleeve | | 1 | |
| 10 | 997 642 257 02 | DVD-ROM for navigation system USA | | 1 | |
| 11 | 999 630 003 40 | Earth line | | * | |
| 12 | N 103 358 01 | flat contact | | 2 | |
| 13 | N 903 353 04 | flat contact | | 1 | |
| 14 | N 103 357 01 | flat contact | | 3 | |
| 15 | 999 650 356 12 | Pin | | 1 | |
| 16 | 955 044 900 44 | Plug socket | | 1 | |
| 17 | 955 647 208 00 | Connecting line | | 1 | |
| 18 | 955 647 207 00 | Aerial connection line | | 1 | |
| - | N 910 192 01 | Socket head collared bolt with inner multipoint head M10 x 25 | | 4 | |
| - | N 909 650 01 | Socket head bolt with multi- point inner drive, self-lock. M10 x 30 | | 4 | |
| - | N 910 260 01 | Socket head bolt with inner multipoint head | | 3 | |

Model: TEQ 2 Model life 2003>>

| Pos | Part Number | Description | Remark | Qty | Model |
|-----|----------------|--|--------|-----|--------|
| - | N 904 411 02 | 10 x 20 Socket head bolt with inner multipoint head | | 1 | |
| - | 999 513 051 40 | M10 x 20 hose clip | | 30 | |
| 19 | 955 642 226 00 | Bracket | | 1 | |
| 20 | 999 650 091 40 | Plug inserts | | 1 | |
| 21 | N 907 468 01 | Clip | | 2 | |
| 22 | 955 642 228 00 | Retaining plate | | 1 | |
| 23 | 955 044 900 10 | Cable | | 1 | |
| - | 999 650 529 00 | cable shoe | | 1 | |
| - | | Technical information Cayenne, alle Group 9 9110 Attention | | | |
| - | 955 044 900 18 | Software OffRoad D - MJ 2005>> - MJ 2008 | | 1 | PR:PF1 |

Model: TEQ 2

Model life 2003>>



1

Model: TEQ 2 Model life 2003>>

| Pos | Part Number | Description | Remark | Qty | Model |
|-----|----------------|---|--------|-----|-------------------------------|
| - | | Navigation PCM2.1-UPDATE Inst. & Conv. Instructions CAYENNE,ALLE 9110 (27/09) 9110 (51/12) BEACHTEN | 05-08 | | Cayenne (9PA) |
| (1) | 997 044 903 51 | Software PCM2.1-UPDATE AMERIKA 05.2013 | | 1 | "USA", "MEX", "CDN", "BR." |

Model: TEQ 2

Model life 2003>>



Model: TEQ 2 Model life 2003>>

| Pos | Part Number | Description | Remark | Qty | Model |
|-----|----------------|---|--------|-----|--|
| - | | Navigation system PCM3.0 Included DVD device D - MJ 2009>> - MJ 2010 Inst. & Conv. Instructions Porsche Cayenne Group 9 9110 (7/09) Attention PCM 3 | | 1 | Cayenne (9PA) alle PR:9VL "USA", "MEX", "CDN", "BR." |
| (1) | 955 044 903 21 | Navigation Set America Coding VIA PRMS for cars without Bose with: also use: | | | PR:-9VL |
| - | 955 645 312 00 | Amplifiers | | 1 | |
| - | 955 645 225 00 | Holder for amplifier | | 1 | |
| - | N 101 563 07 | Hex collared bolt M6 x 12 | | 6 | |
| - | N 910 234 01 | Speed nut M6 x 24,4 | | 1 | |
| - | N 909 278 01 | rivetted cap nut M6 | | 2 | |
| - | 955 044 902 44 | Connector housing blue | | 1 | |
| - | 999 607 088 00 | fuse 30 A | | 1 | |
| - | 999 513 076 40 | Cable ties 1,5 - 85 | | 20 | |
| - | 999 652 570 22 | Connector 2,5 - 1 | | 8 | |
| - | 955 044 902 23 | Wire set PCM / Verstaerker | | 1 | |
| - | 955 044 902 24 | Wire set Verstaerker / TS Lautsprecher | | 1 | |
| - | N 909 650 01 | Socket head bolt with multi- point inner drive, self-lock. M10 x 30 | | 4 | |
| - | N 910 192 02 | Socket head collared bolt with inner multipoint head M10 x 25 | | 4 | |

Model: TEQ 2

Model life 2003>>

1



Model: TEQ 2 Model life 2003>>

| Pos | Part Number | Description | Remark | Qty | Model |
|-----|----------------|---|--------|-----|-------------------------------|
| - | | Navigation PCM3.0-UPDATE D - MJ 2009>> - MJ 2010 Inst. & Conv. Instructions Porsche Cayenne Group 9 9110 (50/15) Attention | | | Cayenne (9PA) |
| 1 | 955 044 911 41 | Software PCM3.0-UPDATE America 04/2015 Together with Country equipment Note coding | | 1 | "USA", "MEX", "CDN", "BR." |

Model: TEQ 2

Model life 2003>>

1



Model: TEQ 2 Model life 2003>>

| Pos | Part Number | Description | Remark | Qty | Model |
|-----|----------------|---|--------------|-----|--------------------|
| - | | Voice control system PCM3.0 PCM3.1 PCM4.0 Inst. & Conv. Instructions Porsche Cayenne Group 9 9110 (14/08) Attention | | | Cayenne (9PA) |
| 1 | 955 044 902 27 | Module Voice control system PCM3.0 Set Coding VIA PRMS | 09-10 | 1 | |
| (1) | 95B 044 900 52 | Module Voice control system PCM3.1 Retrofit kit Coding VIA PRMS | 15-16 | 1 | PR:8T3,QH1 |
| (1) | 95B 044 900 53 | Module Voice control system PCM3.1 Retrofit kit Coding VIA PRMS | 15-16 | 1 | PR:8T3,8X1, QH1 |
| (1) | 95B 044 900 54 | Module Voice control system PCM3.1 Retrofit kit Coding VIA PRMS | 15-16 | 1 | PR:8T1,QH1 |
| (1) | 95B 044 900 55 | Module Voice control system PCM3.1 Retrofit kit Coding VIA PRMS | 15-16 | 1 | PR:8T1,8X1, QH1 |
| - | | Inst. & Conv. Instructions Porsche Cayenne Group 9 9152 (14/08) Attention | 17- | | |
| (1) | 982 044 900 04 | Module Voice control system for vehicles with PCM4.0 Included Navigation | 17- | 1 | "USA", "CN." |
| - | | also use: | | | |
| - | | Steering column switch see Spare parts catalogue | 17- | | PR:IV0 |
| | | also use: | N 910 207 01 | 1 | |

Model: TEQ 2

Model life 2003>>

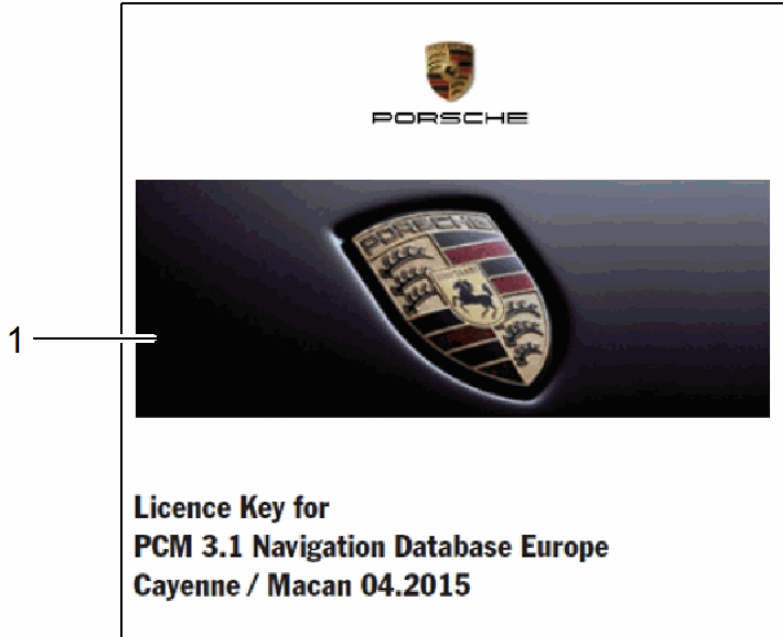


Model: TEQ 2 Model life 2003>>

| Pos | Part Number | Description | Remark | Qty | Model |
|-----|----------------|---|--------|-----|--|
| - | | Navigation system PCM3.1 Included DVD device D - MJ 2011>> - MJ 2016 Inst. & Conv. Instructions Porsche Cayenne Group 9 9110 (26/10) Attention PCM 3 | | 1 | Cayenne (92A) alle PR: 9VL, 9VJ, 9VK "USA", "MEX", "PLA", "CDN", "BR." |
| (1) | 958 044 901 41 | Navigation Set America Coding VIA PRMS D - MJ 2011>> - MJ 2016 for cars without Bose Burmester Amplifiers with: also use: D - MJ 2011>> - MJ 2014 | ASK | | PR: -9VL, -9VJ, -9VK |
| - | 958 645 302 00 | Amplifiers | | 1 | |
| - | 958 645 225 00 | Holder for amplifier | | 1 | |
| - | N 910 967 01 | Oval hexagon socket head bolt M6 x 16 | | 5 | |
| - | 955 044 902 44 | Connector housing blue | | 1 | |
| - | 999 607 073 00 | fuse 40 A | | 1 | |
| - | 999 513 076 40 | Cable ties 1,5 - 85 | | 20 | |
| - | 999 652 570 22 | Connector contact pin 2,5 - 1 | | 8 | |
| - | 955 044 902 23 | Wire set PCM / Verstaerker | | 1 | |
| - | 958 044 900 17 | Wire set Verstaerker / TS Lautsprecher | | 1 | |
| - | 958 612 090 20 | Battery cable Batterie / Stromverteiler | | 1 | |
| - | 958 612 530 00 | fuse holder | | 1 | |
| - | 958 612 838 00 | Cable ties with bracket | | 1 | |
| - | N 911 475 02 | Socket head bolt with inner multipoint head (Kombi) M10 x 35 | | 8 | |
| - | N 989 520 01 | Socket head bolt with inner multipoint head M11.113 x 1.27 x 18 | | 1 | |

Model: TEQ 2

Model life 2003>>

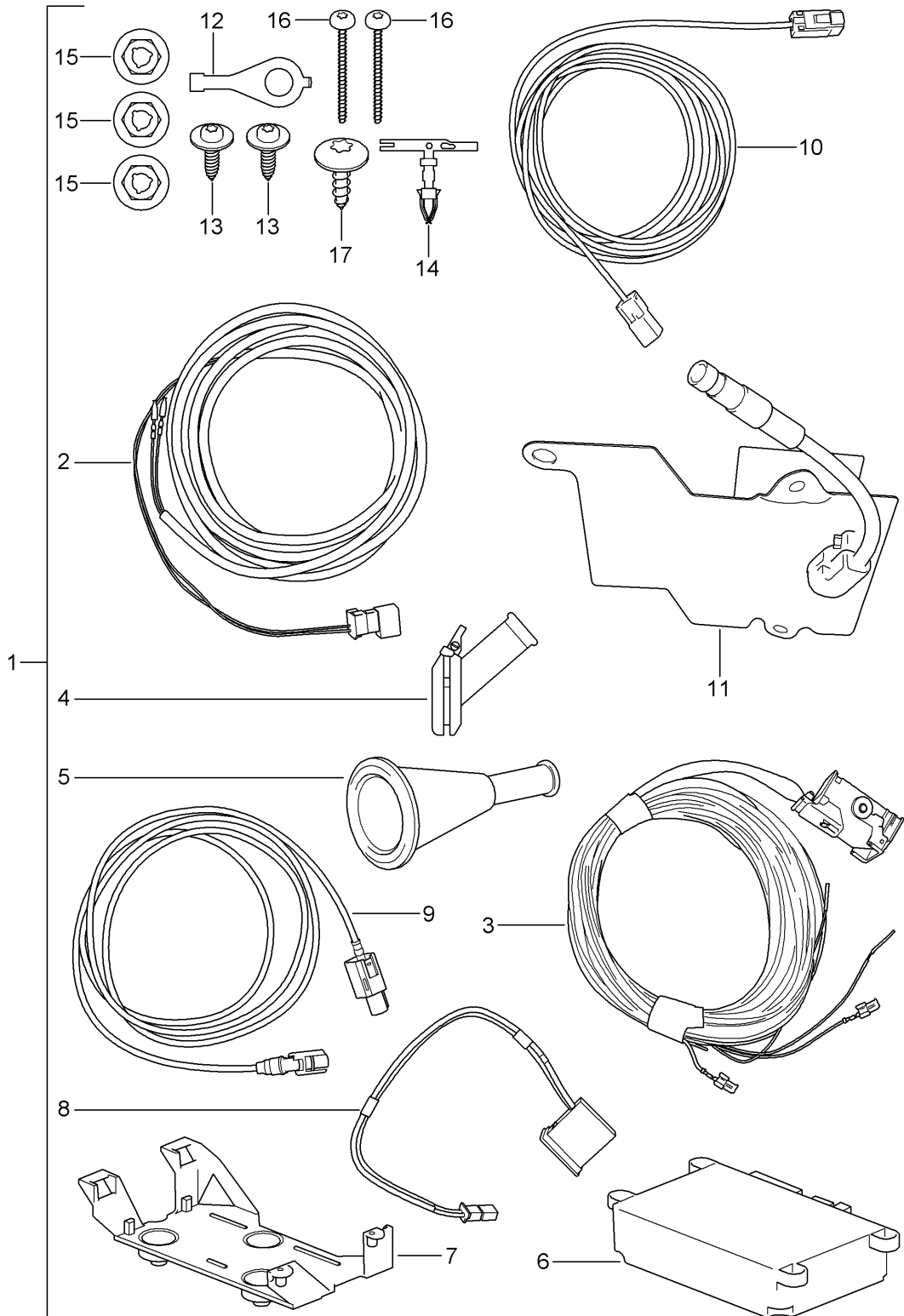


Model: TEQ 2 Model life 2003>>

| Pos | Part Number | Description | Remark | Qty | Model |
|-----|----------------|---|--------|-----|-------------------------------|
| - | | Navigation PCM3.1-UPDATE D - MJ 2011>> - MJ 2016 Inst. & Conv. Instructions Porsche Cayenne Group 9 9110 (48/15) Attention | | | Cayenne (92A) 92A |
| 1 | 958 044 904 51 | Software PCM3.1-UPDATE America 04/2015 Together with Country equipment Note coding | | 1 | "USA", "MEX", "CDN", "BR." |

Model: TEQ 2

Model life 2003>>

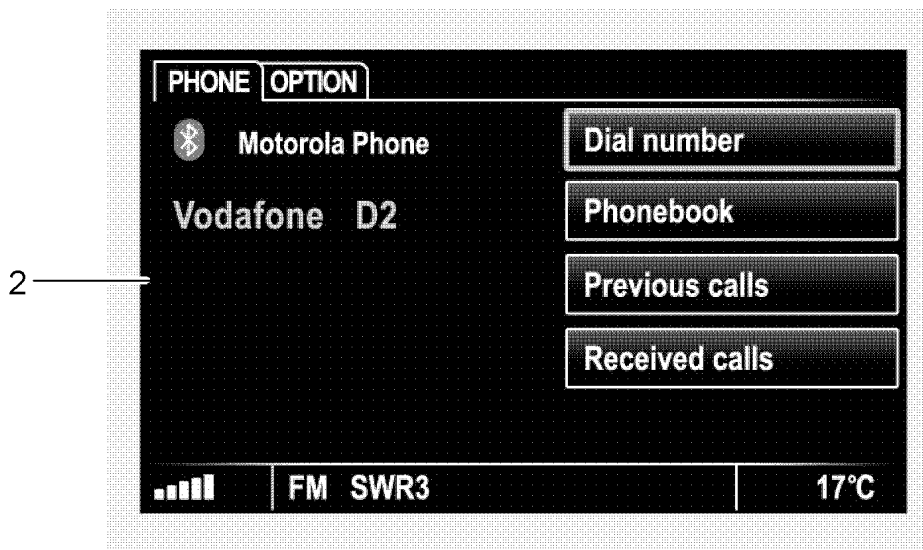
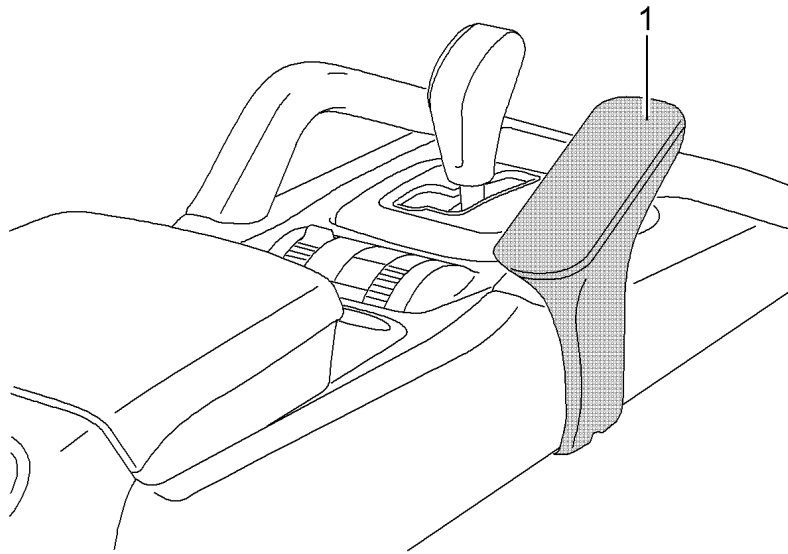


Model: TEQ 2 Model life 2003>>

| Pos | Part Number | Description | Remark | Qty | Model |
|------|----------------|--|--------|-----|--------------------------|
| 1 | 955 044 900 03 | Module Telephone PCM2.0 PCM2.1 D - MJ 2003>> - MJ 2008 | | 1 | Cayenne (9PA) |
| (1) | 955 044 901 43 | Module Telephone Subsequent installation for PCM2.0 D - MJ 2003>> - MJ 2004 | | 1 | BIS KW 21/06 MOPF A/B |
| (1) | 955 044 902 13 | Module Telephone Subsequent installation for PCM 2.1 D - MJ 2005>> - MJ 2006 | | 1 | AB KW 22/06 MOPF C/C1 |
| - | | D - MJ 2006>> - MJ 2008 Attention Technical information CAYENNE 23/04 CAYENNE 08/06 comprising: | | | |
| 2 | 955 044 900 14 | Wiring microphone | | 1 | |
| 3 | 955 044 900 11 | D - MJ 2003>> Wiring | | 1 | |
| 4 | 955 612 951 00 | Positive cable Grommet Rear end | | 1 | |
| 5 | 955 612 952 00 | D - MJ 2003>> Cable support sleeve Roof | | 1 | |
| 6 | 996 642 207 02 | D - MJ 2003>> Control unit for telephone | | 1 | BIS KW 21/06 |
| (6) | 997 646 209 01 | D >> - MJ 2006 Control unit for telephone D - MJ 2006>> | | 1 | AB KW 21/06 |
| 7 | 955 642 208 00 | Bracket | | 1 | |
| 8 | 955 642 310 00 | microphone | | 1 | |
| 9 | 955 647 206 00 | Connecting line | | 1 | |
| 10 | 955 647 209 00 | Connecting line | | 1 | |
| 11 | 955 647 106 00 | Telephone aerial | | 1 | |
| 12 | 999 650 398 12 | cable shoe | | 1 | |
| 13 | N 104 648 02 | Oval hexagon socket head bolt | | 2 | |
| 14 | 999 650 356 12 | Pin | | 3 | 0,5-1 QMM |
| 15 | N 100 151 01 | Hexagon nut | | 3 | |
| (14) | N 903 352 04 | flat contact | | 1 | 1-3,5 QMM |
| (14) | N 103 357 01 | flat contact | | 1 | 0,35 QMM |
| 16 | N 105 357 02 | fillister hd. bolt | | 2 | |
| 17 | N 908 401 02 | oval head panel screw (combi) | | 1 | |

Model: TEQ 2

Model life 2003>>

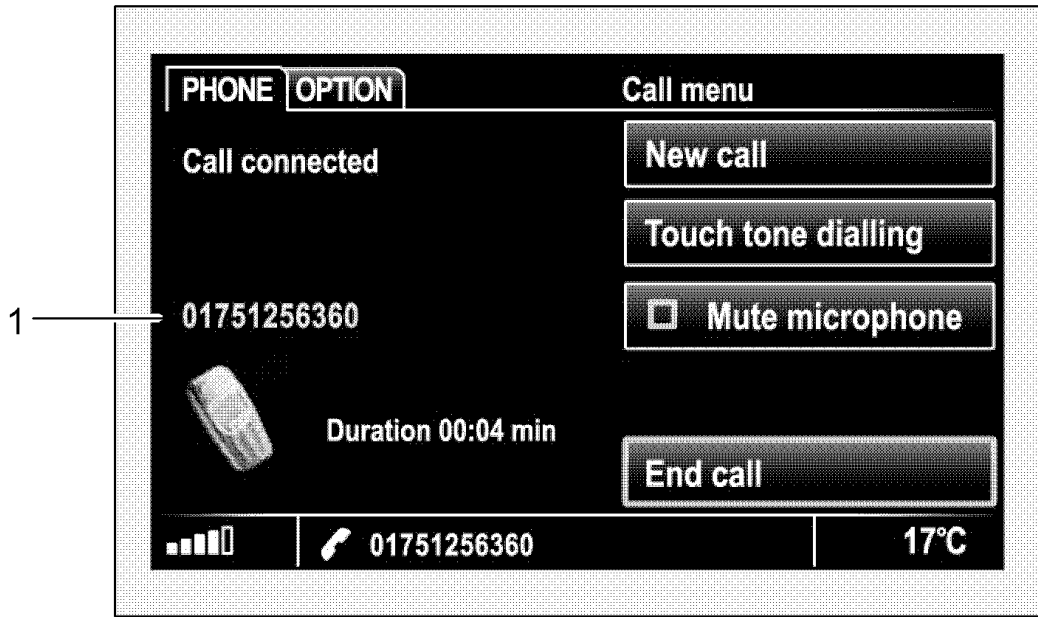


Model: TEQ 2 Model life 2003>>

| Pos | Part Number | Description | Remark | Qty | Model |
|-----|----------------|--|-------------------------|-----|--------------------------------|
| - | | Mobile preparation for telephone Technical information Inst. & Conv. Instructions Porsche Cayenne Group 9 9110 (5/04) 9187 (13/08) Attention | 04-10 11-16 | | Cayenne (9PA) Cayenne (92A) |
| 1 | 955 044 900 19 | Wire set Mobile preparation for telephone only in conj. with: CDR23 / PCM2.1 | 04-08 09-10 04-08 | 1 | PR:D9J,D9K, D9L |
| 2 | 955 044 902 25 | Wire set Mobile preparation for telephone only in conj. with: PCM3.0 Coding VIA PRMS | 09-10 | 1 | PR:7T1 |
| - | | Inst. & Conv. Instructions Porsche Cayenne Group 9 9187 (35/10) Attention | 11-16 | | alle |
| (2) | 958 044 900 12 | Wire set Mobile preparation for telephone only in conj. with: PCM3.1 or CDR PLUS Coding VIA PRMS | 11-16 | 1 | PR:7T1 |
| - | | use if required: Console Roof see illustration: Porsche Cayenne 903-06 | | | PR:-7Q4 |

Model: TEQ 2

Model life 2003>>

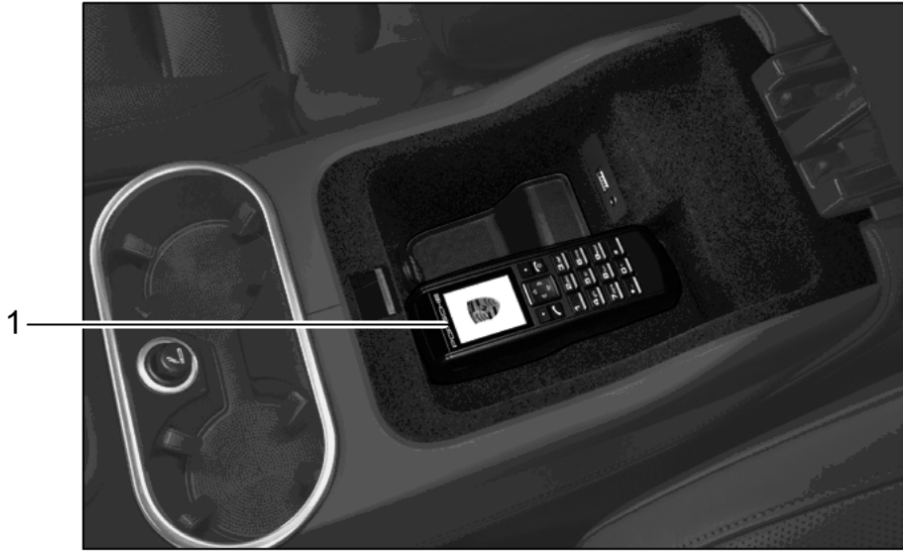


Model: TEQ 2 Model life 2003>>

| Pos | Part Number | Description | Remark | Qty | Model |
|-----|----------------|---|----------------|-----|--------------------------------|
| - | | Module Telephone PCM3.0 PCM3.1 / CDR PLUS Inst. & Conv. Instructions Porsche Cayenne Group 9 9155 (15/08) Attention | 09-10 11-16 | | Cayenne (9PA) Cayenne (92A) |
| 1 | 955 044 902 43 | Module Telephone only in conj. with: PCM3.0 Coding VIA PRMS Inst. & Conv. Instructions Porsche Cayenne Group 9 9155 (34/10) Attention | 09-10 | 1 | PR:7T1 alle |
| - | | use if required: Console Roof see Catalogue 92A-9/03/06 | | | PR:-7Q4 |
| (1) | 958 044 900 10 | Module Telephone only in conj. with: PCM3.1 Until 45/2012 Coding VIA PRMS | 11-12 | 1 | PR:7T1 |
| (1) | 958 044 901 10 | Module Telephone only in conj. with: PCM3.1 or CDR PLUS Coding VIA PRMS | 11-16 | 1 | PR:7T1 |

Model: TEQ 2

Model life 2003>>



Model: TEQ 2 Model life 2003>>

| Pos | Part Number | Description | Remark | Qty | Model |
|-----|----------------|---|--------|-----|---------------|
| - | | Receiver Telephone BLUETOOTH D - MJ 2011>> - MJ 2016 Inst. & Conv. Instructions Cayenne, alle Group 9 9191 | | | Cayenne (92A) |
| 1 | 958 044 900 11 | Attention Receiver Telephone BLUETOOTH only in conj. with: TELEFONMODUL D - MJ 2011>> - MJ 2016 | | 1 | PR:9W1 |

Model: TEQ 2

Model life 2003>>

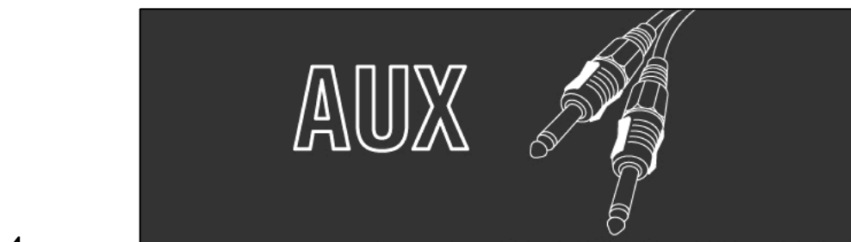
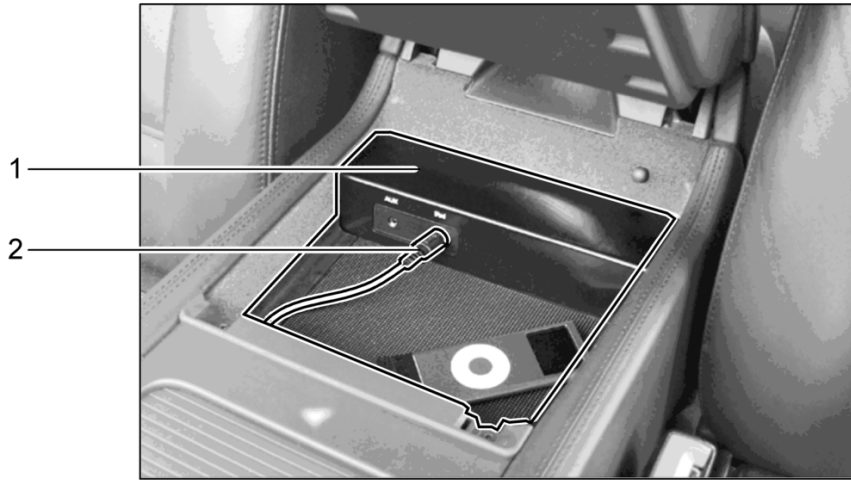


Model: TEQ 2 Model life 2003>>

| Pos | Part Number | Description | Remark | Qty | Model |
|-----|----------------|--|--------|------------------|---|
| - | | Internet access D - MJ 2011>> Inst. & Conv. Instructions Porsche Cayenne Group 9 9121 (9/11) 9121 (45/14) Attention | | | Cayenne (92A) alle Pos. 1 Pos. 2 |
| 1 | 970 044 900 48 | Parts kit Internet access | | 1 | - "J..", - "AUS", - "ZA.", - "PME", - "MEX", - "ROK", - "SGP" |
| - | 970 044 900 45 | repair set for Internet access 970 044 900 47 970 044 900 48 | | 1 | |
| - | | Set comprising: Wire set Assembly kit Aerial Operating instructions Only for replacement | | 1 1 1 1 | |

Model: TEQ 2

Model life 2003>>

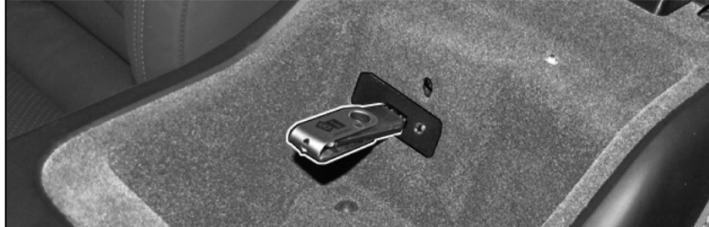
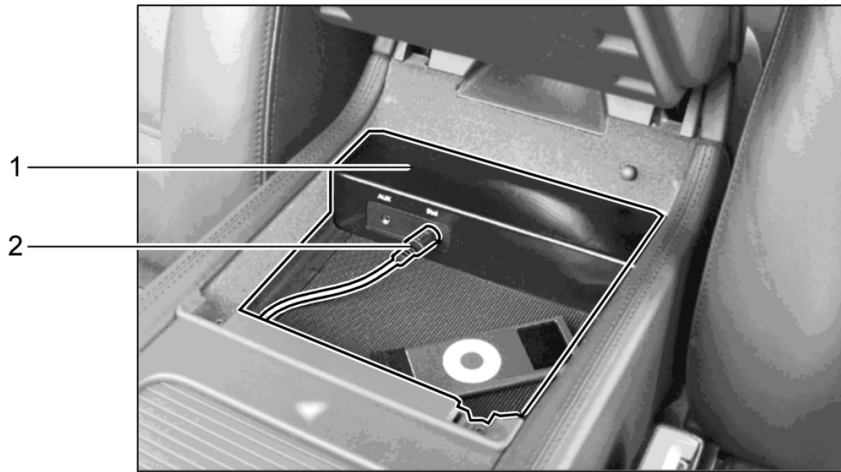


Model: TEQ 2 Model life 2003>>

| Pos | Part Number | Description | Remark | Qty | Model |
|-----|----------------|--|-----------------------|-----|--|
| - | | Multimedia interface for Radio unit Inst. & Conv. Instructions Porsche Cayenne Group 9 9122 (25/07) Attention | 03-10 11- 03-08 | | Cayenne (9PA) Cayenne (92A) alle |
| 1 | 955 044 902 97 | Multimedia interface Universal Set only in conj. with: CDR23 | 03-08 | 1 | Cayenne (9PA) |
| - | 997 044 901 74 | Operating instructions for Multimedia interface 955.044.902.90 / 902.97 | | 1 | Cayenne (9PA) |
| (2) | 000 044 901 78 | Connection cable Multimedia interface | 03-10 | 1 | Cayenne (9PA) |
| - | | Inst. & Conv. Instructions Porsche Cayenne Group 9 9122 (3/09) Attention | 09-10 | | alle |
| 3 | 955 044 902 92 | Multimedia interface Universal Set only in conj. with: CDR30 | 09-10 | 1 | Cayenne (9PA) PR:8DR |
| - | | Inst. & Conv. Instructions Porsche Cayenne Group 9 9122 (33/10) Attention | 11-12 | | alle |
| 4 | 958 044 900 16 | Multimedia interface Universal Set only in conj. with: CDR31 F >> A2-CLA05 314 F >> A2-CLA92 074 F >> A2-CLA45 218 Discontinued part | 11-12 | 1 | Cayenne (92A) PR:8AJ |
| - | | Inst. & Conv. Instructions Porsche Cayenne Group 9 9122 (44/12) Attention | 11-14 | | alle |
| (4) | 958 044 901 16 | Multimedia interface Universal Set only in conj. with: CDR31 | 11-14 | 1 | Cayenne (92A) PR:8AJ |

Model: TEQ 2

Model life 2003>>

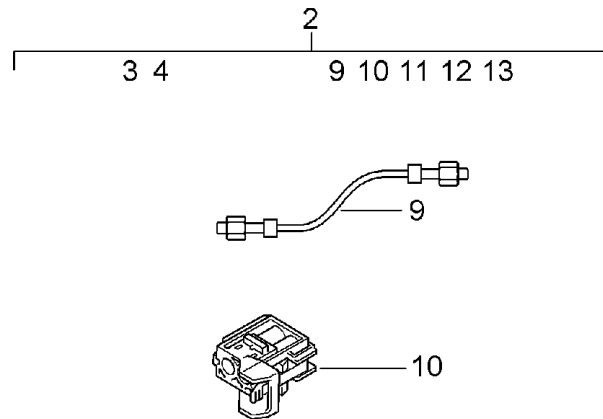
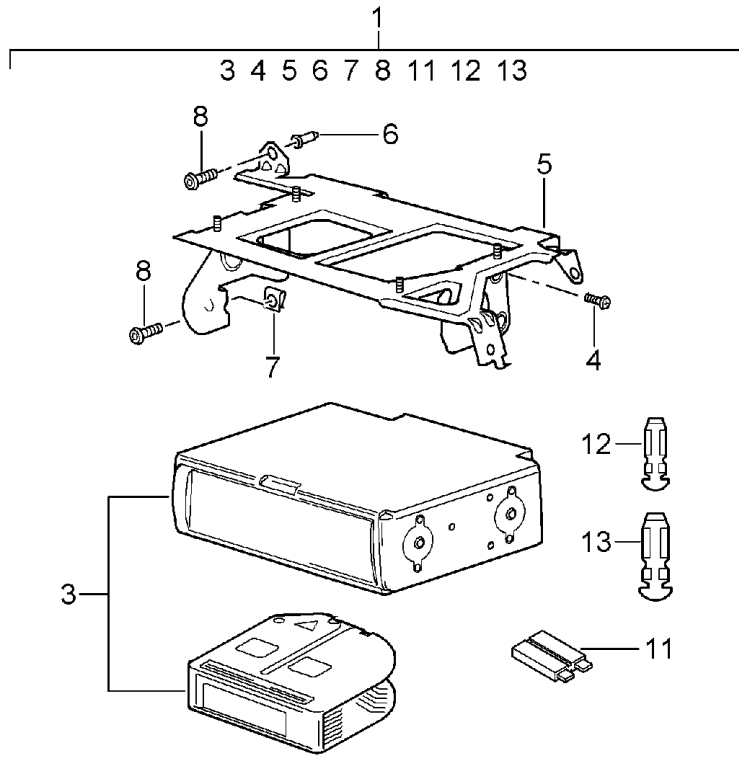


Model: TEQ 2 Model life 2003>>

| Pos | Part Number | Description | Remark | Qty | Model |
|-----|----------------|--|-----------------------------|-----|-----------------------------------|
| - | | Multimedia interface for PCM Inst. & Conv. Instructions CAYENNE,ALLE Group 9 9122 Attention | 03-10 11-16 03-08 | | Cayenne (9PA) Cayenne (92A) |
| 1 | 955 044 902 97 | Multimedia interface Universal Set only in conj. with: PCM2.0 / PCM2.1 | 03-08 | 1 | Cayenne (9PA) |
| - | 997 044 901 74 | Operating instructions for Multimedia interface 955.044.902.90 / 902.97 | | 1 | Cayenne (9PA) |
| (2) | 000 044 901 78 | Connection cable Multimedia interface | 03-10 | 1 | Cayenne (9PA) |
| 3 | 955 044 902 26 | Multimedia interface Universal Set only in conj. with: PCM3.0 Coding VIA PRMS | 09-10 | 1 | Cayenne (9PA) PR:7T1 |
| 4 | 958 044 900 13 | Multimedia interface Universal Set only in conj. with: PCM3.1 Coding VIA PRMS F >> A2-CLA05 314 F >> A2-CLA92 074 F >> A2-CLA45 218 F >> A2-CLA82 202 Discontinued part | 11-12 | 1 | Cayenne (92A) |
| (4) | 958 044 901 13 | Multimedia interface Universal Set only in conj. with: PCM3.1 Coding VIA PRMS | 11-16 | 1 | PR:7T1 Cayenne (92A) PR:7T1 |

Model: TEQ 2

Model life 2003>>



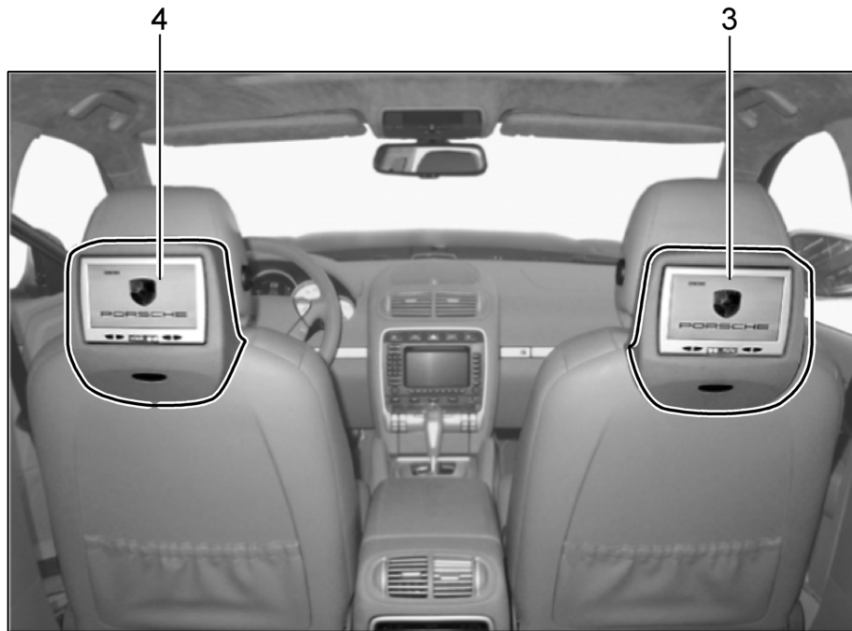
Model: TEQ 2

Model life 2003>>

| Pos | Part Number | Description | Remark | Qty | Model |
|-----|----------------|---|--------|-----|---------------|
| - | | CD changers CDC4 D - MJ 2003>> - MJ 2008 Inst. & Conv. Instructions Cayenne,alle 9160 Attention | | | Cayenne (9PA) |
| 1 | 955 044 900 04 | CD changer pack.,retrofit set CDC4 | | 1 | PR:7A1 |
| 2 | 955 044 900 12 | CD changer pack.,retrofit set CDC4 | | 1 | PR:7A1,9VL |
| - | | for cars without CD changers Preparation | | | |
| - | 955 044 900 10 | also use: Cable D - MJ 2003>> - MJ 2003 | | 1 | |
| - | | Set comprising: | | | |
| 3 | 996 645 140 02 | CD changers | | 1 | |
| 4 | N 906 448 01 | Oval hexagon socket head bolt | | 6 | M5 X 9 |
| 5 | 955 645 220 00 | bracket for cd changer and/or amplifier | | 1 | |
| 6 | N 909 278 01 | rivetted cap nut | | 2 | M6 |
| 7 | N 910 234 01 | Speed nut | | 1 | M6 X 24,4 |
| 8 | N 100 292 01 | fillister head bolt with allen key head | | 4 | M6 X 15 |
| 9 | 955 642 304 00 | fibre optic wave conductor D - MJ 2003>> - MJ 2003 | | 1 | |
| 10 | 955 642 321 00 | Connector D - MJ 2003>> - MJ 2003 | | 1 | |
| 11 | 999 607 004 00 | fuse | | 1 | 5A |
| 12 | N 103 357 01 | flat contact | | 1 | 0,35 QMM |
| 13 | 999 650 356 12 | Pin | | 1 | 0,5Q MM |

Model: TEQ 2

Model life 2003>>



Model: TEQ 2 Model life 2003>>

| Pos | Part Number | Description | Remark | Qty | Model |
|-----|--------------------|--------------------------------|--------|-----|---------------|
| - | | Rear seat entertainment system | 04-06 | | Cayenne (9PA) |
| - | | Rear seat entertainment system | 04-10 | | |
| - | | 2nd GENERATION | | | |
| - | | Rear seat entertainment system | 04-06 | | |
| - | | Technical information | | | |
| - | | CAYENNE,ALLE | | | |
| - | | Group 9 | | | |
| - | | 9194 | | | |
| - | | Attention | | | |
| - | | Basic package | 04-06 | | PR:1D7,1D8 |
| - | | DVD device | | | |
| - | | with: | | | |
| - | | Screen | | | |
| - | | for vehicles with | | | |
| - | | or | | | |
| - | | From | | | |
| - | | F >>WP1AA29PX4LA 20012 | | | |
| 1 | 955 044 901 01 | DVD-player | 04-06 | 1 | PR:1D7,1D8 |
| - | | Screen | | | |
| - | | Basic package | | | |
| - | | Discontinued part | | | |
| - | 955 044 901 01 SXL | Leather colour/black | | | |
| - | 955 044 901 01 SXM | steel grey | | | |
| - | 955 044 901 01 SXN | Sand beige | | | |
| - | 955 044 901 01 SXP | Palm green | | | |
| - | | for | | | |
| - | | DVD | | | |
| - | | Coding | | | |
| - | | USA | | | |
| - | | Canada | | | |
| (1) | 955 044 901 04 | DVD-player | 04-06 | 1 | PR:1D7,1D8 |
| - | | Screen | | | |
| - | | Basic package | | | |
| - | | Discontinued part | | | |
| - | 955 044 901 04 SXL | Leather colour/black | | | |
| - | 955 044 901 04 SXM | steel grey | | | |
| - | 955 044 901 04 SXN | Sand beige | | | |
| - | 955 044 901 04 SXP | Palm green | | | |
| - | | for | | | |
| - | | DVD | | | |
| - | | Coding | | | |
| - | | AUSTRALIA | | | |
| - | | NEW ZEELAND | | | |
| - | | SOUTH AMERICA | | | |
| - | | MIDDLE AMERICA | | | |
| - | | MEXICO | | | |
| - | | CARIBIC | | | |
| - | | PACIFIC ISLANDS | | | |
| - | | BRAZIL | | | |
| 2 | 955 044 900 25 | Appendix | 04-06 | 1 | PR:1D7,1D8 |
| - | | Screen | | | |
| - | | for | | | |
| - | | Basic package | | | |
| - | | All | | | |
| - | | Country equipment | | | |
| - | | Discontinued part | | | |
| - | 955 044 900 25 SXL | Leather colour/black | | | |
| - | 955 044 900 25 SXM | steel grey | | | |
| - | 955 044 900 25 SXN | Sand beige | | | |
| - | 955 044 900 25 SXP | Palm green | | | |
| - | | Basic package | | | |
| - | | comprising: | | | |
| - | 955 645 980 00 | DVD-player | 04-06 | 1 | |

Model: TEQ 2 Model life 2003>>

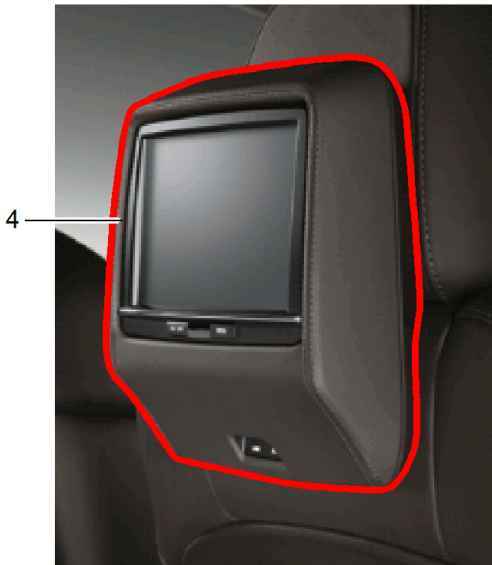
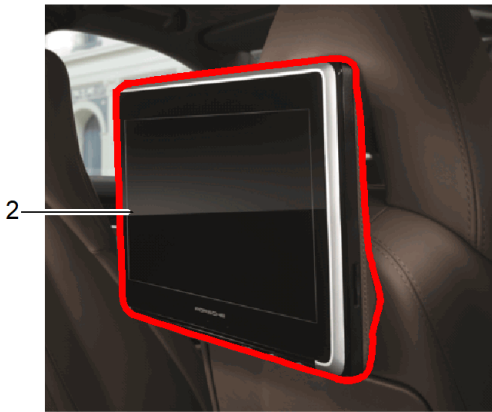
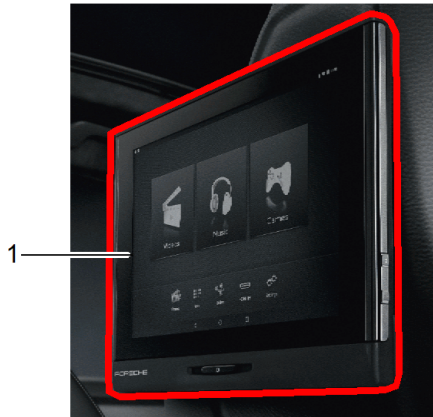
| Pos | Part Number | Description | Remark | Qty | Model |
|-----|--------------------|---|--------|-----|--------------------|
| | 955 645 980 00 SXL | Black | | | |
| | 955 645 980 00 SXM | steel grey | | | |
| | 955 645 980 00 SXN | Sand beige | | | |
| | 955 645 980 00 SXP | Palm green | | | |
| - | | Coding DVD Indicate | | | |
| - | 955 645 982 01 | Video Cable Screen | 04-06 | 1 | |
| - | 955 645 982 02 | Video Cable DVD device | 04-06 | 1 | |
| - | 955 645 982 03 | Cable Wiring | 04-06 | 1 | |
| - | 955 645 982 04 | Control panel DVD device | | 1 | |
| - | 955 645 982 05 | Receiver | | 1 | |
| - | 955 645 982 06 | Hooks for Receiver | | 1 | |
| - | 955 645 981 03 | display without: | 04-06 | 1 | |
| - | | Trim Rear seat entertainment system 2nd GENERATION Inst. & Conv. Instructions CAYENNE,ALLE Group 9 9194 Attention Only for vehicles with or Vehicle Ident. No. From F 9P-4LA20 012>> | 04-10 | | |
| - | | (passenger side) order at the same time DVD Note coding | | | PR:1D2,1D6, 1D9 |
| 3 | 955 044 902 01 | DVD-player Screen Basic package | 04-10 | 1 | PR:1D2,1D6, 1D9 |
| | 955 044 902 01 SXL | Leather colour/black | | | |
| | 955 044 902 01 SXM | steel grey | | | |
| | 955 044 902 01 SXN | Sand beige | | | |
| | 955 044 902 01 WAG | Leather colour/maroon brown | | | |
| | 955 044 902 01 SXP | Palm green for DVD Coding USA Canada | | | |
| (3) | 955 044 902 04 | DVD-player Screen Basic package | 04-10 | 1 | PR:1D2,1D6, 1D9 |
| | 955 044 902 04 SXL | Leather colour/black | | | |
| | 955 044 902 04 SXM | steel grey | | | |
| | 955 044 902 04 SXN | Sand beige | | | |
| | 955 044 902 04 WAG | Leather colour/maroon brown | | | |

Model: TEQ 2 Model life 2003>>

| Pos | Part Number | Description | Remark | Qty | Model |
|-----|--------------------|---|------------------|-----|--------|
| - | 955 044 902 04 SXP | Palm green for DVD Coding Australia New Zeeland South America Middle America Mexico Caribic Pacific Islands Brazil | | | |
| 4 | 955 044 902 07 | display with: | 04-10 lhd | 1 | PR:L0L |
| | 955 044 902 07 SXL | Accessories Black | | | |
| | 955 044 902 07 SXM | steel grey | | | |
| | 955 044 902 07 SXN | Sand beige | | | |
| (4) | 955 044 902 07 WAG | chestnut brown | | | |
| | 955 044 902 08 | display with: | 04-10 rhd | 1 | PR:L0R |
| | 955 044 902 08 SXL | Accessories Black | | | |
| | 955 044 902 08 SXM | steel grey | | | |
| | 955 044 902 08 SXN | Sand beige | | | |
| | 955 044 902 08 WAG | chestnut brown | | | |
| - | 955 044 902 08 SXP | Palm green | | | |
| | 955 044 902 09 | display without: | 04-10 | 1 | |
| | 955 044 902 09 SXL | Accessories (drivers side) Leather colour/black | | | |
| | 955 044 902 09 SXM | steel grey | | | |
| | 955 044 902 09 SXN | Sand beige | | | |
| | 955 044 902 09 WAG | Leather colour/maroon brown | | | |
| | 955 044 902 09 SXP | Palm green | | | |

Model: TEQ 2

Model life 2003>>



P94950022 05-18

Model: TEQ 2 Model life 2003>>

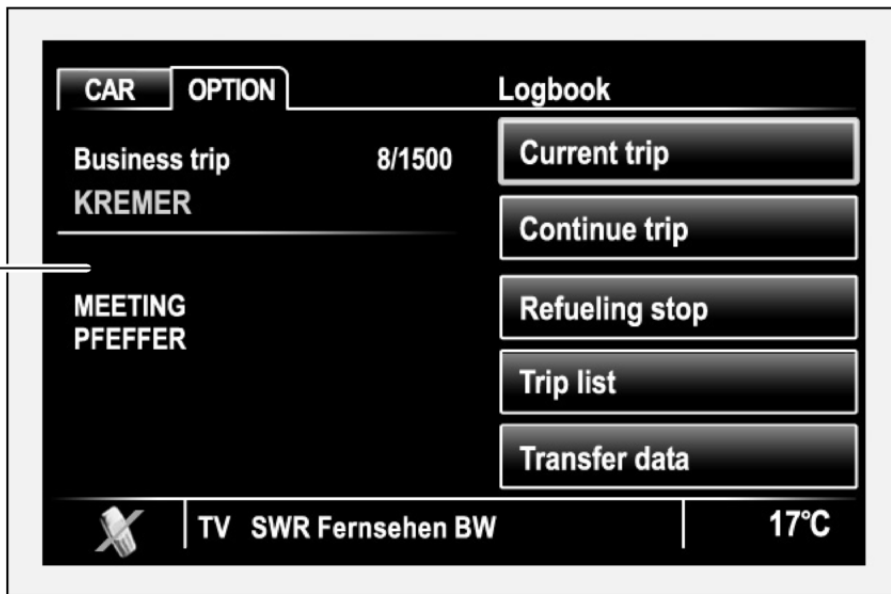
| Pos | Part Number | Description | Remark | Qty | Model |
|-----|--------------------|---|---------|-------------|--------------------------------|
| - | | Rear seat entertainment system Exclusive programme Spare parts catalogue D - MJ 2011>> Only for replacement Exclusive programme Order | | | CAYENNE (92A) CAYENNE (9YA) |
| 1 | 9Y0 088 008 | Retrofit kit Rear seat entertainment system Porsche Cayenne Black | | 1 | - "CN. " E3 |
| - | | use if required: 970.558.316.00 note: Inst. & Conv. Instructions Group 9 9194 (27/15) 9194 (28/15) | | | ab E2 II |
| 2 | 970 558 320 00 | DVD-player Rear seat entertainment system Black | Painted | 1 | E2 II |
| (2) | 970 558 321 00 | DVD-player Rear seat entertainment system Leather paint | | 1 | E2 II |
| | 970 558 321 00 6G0 | Leather colour/crema | | | |
| | 970 558 321 00 8C0 | Leather colour/espresso | | | |
| | 970 558 321 00 8YR | Leather colour/black | | | |
| | 970 558 321 00 9EF | Leather colour/cognac | | | |
| | 970 558 321 00 9H6 | Leather colour/luxor beige | | | |
| | 970 558 321 00 N11 | Leather colour/garnet red/ Carrera red | | | |
| | 970 558 321 00 OB8 | Leather colour/cohiba brown | | | |
| | 970 558 321 00 OK6 | Leather colour/saddle brown | | | |
| | 970 558 321 00 PL1 | Leather colour/agate grey | | | |
| | 970 558 321 00 HAT | Leather colour/black/ Carrera red | | | |
| (2) | 970 558 322 00 | DVD-player Rear Seat Entertainm. Plus Black | Painted | 1 | E2 II |
| (2) | 970 558 323 00 | DVD-player Rear Seat Entertainm. Plus Leather paint | | 1 | E2 II |
| | 970 558 323 00 6G0 | Leather colour/crema | | | |
| | 970 558 323 00 8C0 | Leather colour/espresso | | | |
| | 970 558 323 00 8YR | Leather colour/black | | | |
| | 970 558 323 00 9EF | Leather colour/cognac | | | |
| | 970 558 323 00 9H6 | Leather colour/luxor beige | | | |
| | 970 558 323 00 N11 | Leather colour/garnet red/ Carrera red | | | |
| | 970 558 323 00 OB8 | Leather colour/cohiba brown | | | |
| | 970 558 323 00 OK6 | Leather colour/saddle brown | | | |
| | 970 558 323 00 PL1 | Leather colour/agate grey | | | |
| | 970 558 323 00 HAT | Leather colour/black/ Carrera red | | | |
| - | 970 044 901 00 | Retrofit kit For vehicles with rear seat entertainment 'RSE' New design comprising: DVD-player Operating instructions | | 1 2 1 | E2 I / E2 II PR:9WM |
| - | | only in conj. with: Headphones | | | |

Model: TEQ 2 Model life 2003>>

| Pos | Part Number | Description | Remark | Qty | Model |
|-----|--------------------|--|--------|-----|--------------|
| 3 | 970 558 316 00 | Bluetooth Headphones | | 1 | E2 I / E2 II |
| - | 970 558 314 00 | Bluetooth Operating instructions Rear seat entertainment system Valid for 970 558 320 00 970 558 321 00 970 558 322 00 970 558 323 00 | | 1 | |
| - | | Inst. & Conv. Instructions Porsche Cayenne Group 9 9194 (43/10) Attention | | | alle |
| 4 | 958 645 991 00 | DVD-player Leather paint | | 1 | |
| | 958 645 991 00 DE1 | Leather colour/umbra | | | |
| | 958 645 991 00 DF2 | Light Tartufo | | | |
| | 958 645 991 00 DJ3 | Leather colour/titanium blue | | | |
| | 958 645 991 00 HAT | Leather colour/black/ Carrera red | | | |
| | 958 645 991 00 6G0 | Leather colour/crema | | | |
| | 958 645 991 00 7A0 | Leather colour/platinum grey | | | |
| | 958 645 991 00 8C0 | Leather colour/espresso | | | |
| | 958 645 991 00 8YR | Leather colour/black | | | |
| | 958 645 991 00 9EF | Leather colour/cognac | | | |
| | 958 645 991 00 9H6 | Leather colour/luxor beige | | | |
| 5 | 970 645 993 00 | Receiver (complete) | | 1 | |
| - | 970 645 996 00 | Rear seat entertainment system Cable AUX Valid for 958 645 991 00 | | 1 | |
| - | 958 645 992 00 | Operating instructions Rear seat entertainment system Valid for 958 645 991 00 | | 1 | |

Model: TEQ 2

Model life 2003>>



Model: TEQ 2 Model life 2003>>

| Pos | Part Number | Description | Remark | Qty | Model |
|-----|----------------|---|----------------|-----|---|
| - | | Logbook PCM2.1 / PCM3.0 PCM3.1 Inst. & Conv. Instructions Group 9 9110 (14/05) 9110 (16/08) 9110 (3/10) Attention | 05-10 11-16 | | Cayenne (9PA) Cayenne (92A) Cayenne (9PA) Cayenne (9PA) Cayenne (92A) |
| 2 | 958 044 900 29 | Logbook Coding VIA PRMS | 05-16 | 1 | PR: 7Q2, 7T1 Cayenne (9PA) Cayenne (9PA) Cayenne (92A) |
| - | | Discontinued part also use: | 955 044 900 08 | 1 | USA |

Model: TEQ 2

Model life 2003>>



Model: TEQ 2 Model life 2003>>

| Pos | Part Number | Description | Remark | Qty | Model |
|-----|----------------|--|--------|-----|---------------|
| - | | Subsequent installation ONLINE SERVICES PCM3.1 D - MJ 2012>> - MJ 2016 Inst. & Conv. Instructions Porsche Cayenne Group 9 9110 (38/13) Attention | | | Cayenne (92A) |
| 1 | 958 044 900 28 | Software ONLINE SERVICES only in conj. with: PCM3.1 Coding VIA PRMS D >> - MJ 2016 | | 1 | 45/2012 >> |