

Model: 980 04**Model life 2004>>2006**

ORDER-INFO

THIS PARTS CATALOGUE CONTAINS ALL ORDER INFORMATION OF
TYPE 980 GT FROM MODEL YEAR 2004

IT IS AVAILABLE IN TWO EDITIONS IN THE FOLLOWING LANGUAGES:

EDITION

USA, CANADA - *

EDITION

ALL OTHER COUNTRIES - GERMAN

* - ENGLISH

- FRENCH

- ITALIAN

- SPANISH

UPDATING IS BEING PERFORMED BY CHANGING OF UPDATE.

THE EDITION CAN BE RECOGNIZED BY THE CURRENT NO.
IN THE BOTTOM LINE OF SUBJECT UPDATE.

THE PREVIOUS UPDATE SHOULD NO LONGER BE USED.

ALL ILLUSTRATIONS ARE SUBJECT TO CHANGE WITHOUT OBLIGATION.

THE SEATS FOR EACH MODEL ARE AVAILABLE IN THE PARTS CATALOGUE
"SEATS (STZ 19)".

Model: 980 04

Model life 2004>>2006

EXPLANAT.- VIN

EXPLANATION OF THE ABRIDGED VERSION OF THE VEHICLE IDENT. NUMBERS (VIN)
 =====
 USED IN THE CATALOGUE
 =====

| | | | | | | | | | | | | | | | | | | |
|--------|--|---|---|---|---|---|---|---|---|---|----|----|----|----|----|----|----|----|
| DIGIT: | | 1 | 2 | 3 | 4 | 5 | 6 | 7 | 8 | 9 | 10 | 11 | 12 | 13 | 14 | 15 | 16 | 17 |
|--------|--|---|---|---|---|---|---|---|---|---|----|----|----|----|----|----|----|----|

| | | | | | | | | | | | | | | | | | | |
|----------|--|---|---|---|---|---|---|---|---|---|---|---|---|---|---|---|---|---|
| EXAMPLE: | | W | P | 0 | Z | Z | Z | 9 | 8 | Z | 4 | L | 0 | 0 | 0 | 1 | 2 | 5 |
|----------|--|---|---|---|---|---|---|---|---|---|---|---|---|---|---|---|---|---|

| | | | | | | | | | | | | | | | | | | | |
|--|--|--|--|--|--|--|--|-----|--|--|---|--|---|--|--|--|--|--|-------|
| | | | | | | | | === | | | = | | = | | | | | | ===== |
|--|--|--|--|--|--|--|--|-----|--|--|---|--|---|--|--|--|--|--|-------|

| | | | | | | | | | | | | | | | | | | | |
|--|--|--|--|--|--|--|--|---|--|--|---|---|---|--|--|--|--|---|--|
| | | | | | | | | ! | | | ! | ! | ! | | | | | ! | |
|--|--|--|--|--|--|--|--|---|--|--|---|---|---|--|--|--|--|---|--|

VEHICLE TYPE 1ST+2ND DIGIT-----+

| | | | | | | | | | | | | | | | | | | | |
|--|--|--|--|--|--|--|--|--|--|--|---|---|---|--|--|--|--|---|--|
| | | | | | | | | | | | ! | ! | ! | | | | | ! | |
|--|--|--|--|--|--|--|--|--|--|--|---|---|---|--|--|--|--|---|--|

MODEL YEAR-----+

| | | | | | | | | | | | | | | | | | | | |
|--|--|--|--|--|--|--|--|--|--|--|---|---|--|--|--|--|--|---|--|
| | | | | | | | | | | | ! | ! | | | | | | ! | |
|--|--|--|--|--|--|--|--|--|--|--|---|---|--|--|--|--|--|---|--|

MANUFACTURING LOCATION-----+

| | | | | | | | | | | | | | | | | | | | |
|--|--|--|--|--|--|--|--|--|--|--|---|---|--|--|--|--|--|---|--|
| | | | | | | | | | | | ! | ! | | | | | | ! | |
|--|--|--|--|--|--|--|--|--|--|--|---|---|--|--|--|--|--|---|--|

VEHICLE TYPE 3RD DIGIT-----+

| | | | | | | | | | | | | | | | | | | | |
|--|--|--|--|--|--|--|--|--|--|--|--|--|--|--|--|--|--|---|--|
| | | | | | | | | | | | | | | | | | | ! | |
|--|--|--|--|--|--|--|--|--|--|--|--|--|--|--|--|--|--|---|--|

SERIAL NUMBER-----+

Model: 980 04**Model life 2004>>2006**

SUMMARY TYPES

| VEHICLE TYPE | MY | VIN | ENGINE TYPE |
|----------------------|------|-------------------|---------------|
| 980 CARRERA GT | 04 4 | 984L0 00061>10000 | M80.01 450 KW |
| 980 CARRERA GT (USA) | 04 4 | 984L0 10001>20000 | M80.01 450 KW |
| 980 CARRERA GT | 05 5 | 985L0 00061>10000 | M80.01 450 KW |
| 980 CARRERA GT (USA) | 05 5 | 985L0 10001>20000 | M80.01 450 KW |
| 980 CARRERA GT | 06 6 | 986L0 00061>10000 | M80.01 450 KW |
| 980 CARRERA GT (USA) | 06 6 | 986L0 10001>20000 | M80.01 450 KW |

Model: 980 04

Model life 2004>>2006

EXPL. ENGINE-NO.

EXPLANATION OF THE MOTOR-NUMBERS USED IN THE CATALOGUE

=====

| | | |
|--|-------|-----------|
| DIGIT: | 1 2 3 | 4 5 6 7 8 |
| EXAMPLE: | 9 9 4 | 0 0 1 3 6 |
| | = = = | ===== |
| | ! ! ! | ! |
| ENGINE TYPE (9 = 10-CYL.-ENGINE)-----+ | ! ! | ! |
| | ! ! | ! |
| ENGINE VERSION-----+ | ! | ! |
| | ! | ! |
| MODEL YEAR-----+ | | ! |
| | | ! |
| SERIAL NUMBER-----+ | | ! |

Model: 980 04

Model life 2004>>2006

SUMMARY ENGINES

| VEHICLE TYPE | ENGINE | | ENGINE NO. | TECHNICAL DATA |
|----------------|--------|------|-----------------|-------------------|
| | TYPE | MY | | |
| 980 CARRERA GT | M80.01 | 04 4 | 994 00501>20000 | 10ZYL/5,7L/450 KW |
| 980 CARRERA GT | M80.01 | 05 5 | 905 30501>60000 | 10ZYL/5,7L/450 KW |
| 980 CARRERA GT | M80.01 | 06 6 | 906 30501>60000 | 10ZYL/5,7L/450 KW |

Model: 980 04

Model life 2004>>2006

EXPL. TRANSM. NO.

EXPLANATION OF THE TRANSMISSION-NUMBERS USED IN THE CATALOGUE

=====

| | | | | | | | | | | | |
|----------------------------|---|-------|---|---|---|---|-------|---|---|----|----|
| DIGIT: | 1 | 2 | 3 | 4 | 5 | 6 | 7 | 8 | 9 | 10 | 11 |
| EXAMPLE: | G | 8 | 0 | 0 | 1 | 2 | 0 | 0 | 5 | 4 | 3 |
| | = | ===== | | | | = | ===== | | | | |
| | ! | | ! | | | ! | | | ! | | ! |
| | ! | | ! | | | ! | | | ! | | ! |
| TRANSMISSION TYPE-----+ | | | ! | | | ! | | | ! | | ! |
| | | | ! | | | ! | | | ! | | ! |
| TRANSMISSION VERSION-----+ | | | | | | ! | | | ! | | ! |
| | | | | | | ! | | | ! | | ! |
| INDEX OF VARIANTS-----+ | | | | | | | | | ! | | ! |
| | | | | | | | | | ! | | ! |
| SERIAL NUMBER-----+ | | | | | | | | | | | ! |

Model: 980 04**Model life 2004>>2006**

SUMM. TRANSMISS.

| VEHICLE TYPE | TYPE | MY | TRANSMISSION NO. | TECHNICAL DATA |
|----------------|--------|------|-----------------------|----------------|
| 980 CARRERA GT | G80.01 | 04 4 | G8001 2 002001>999999 | 6-GANG |
| 980 CARRERA GT | G80.01 | 05 5 | G8001 2 002001>999999 | 6-GANG |
| 980 CARRERA GT | G80.01 | 06 6 | G8001 2 002001>999999 | 6-GANG |

Model: 980 04

Model life 2004>>2006

LEGENDS/NOTICES

LEGENDS AND NOTICES

=====

IN COLUMN -S- STATUS

- N NEW ADDITION
- P PART ALREADY IN PROGRAMME, BUT NEW AT THIS APPLICATION
- W DELETED AT THIS APPLICATION, BUT CONTINUED TO BE CARRIED
- K THIS PART MUST BE RE-ORDERED IF IT IS UNAVAILABLE WHEN THE ORDER IS FIRST PLACED. ORDER BACKLOGS ARE NOT PROCESSED.
- A STOCK TO BE USED UP
- U DELETED WITHOUT REPLACEMENT
- * PART ALSO OR ONLY AVAILABLE IN REPAIR KIT
- > ALSO AVAILABLE IN EXCHANGE

IN COLUMN - ILL. -

- 1 IDENTIFICATION NO. IN ILLUSTRATION
- (1) PART ONLY SIMILAR AS ILLUSTRATED
- PART IS NOT ILLUSTRATED

FIG.-NUMBERS FOR WHICH THERE IS SHOWN NO TEXT ARE NOT VALID FOR THIS EDITION OF CATALOGUE

IN COLUMN -PART NUMBER/CODE-

000 000 000 00 PART NUMBER EQUALS ORDERING NO., IF A CODE IS SHOWN, IT WILL HAVE TO BE PART OF ORDERING NUMBER

01C COLOUR CODE

IN COLUMN -TEXT

INSTALLATION WITH ENGINE OR CHASSIS NUMBER-RANGE

EXAMPLE:

Model: 980 04**Model life 2004>>2006**

M 66W 00389>>

FROM ENGINE NO.

F >>99WS6 00889

UP TO CHASSIS NO.

Model: 980 04

Model life 2004>>2006

LEGENDS/NOTICES

IN COLUMN - A -

IDENTIFICATION LETTER FOR PERIOD OF INSTALLATION
THAT IS REPEATED SEVERAL TIMES IN THE CATALOG GROUP.

EXPLANATION PLEASE FIND IN TEXT COLUMN OF THE CATALOG GROUP

IN COLUMN - QU - = NO. OF PIECES

1 NUMBER PER APPLICATION

X NUMBER AS NEEDED

* AVAILABLE ONLY IN RUNNING LENGTHS 1 = 1 METRE

IN COLUMN - MODEL/SYMBOL -

I650 OPTIONAL EQUIPMENT - SEE M-NO. LIST

-98 LIMITATION OF MODEL YEAR FOR INSTANCE: VALID UP TO
END OF MODEL YEAR 1997

/LL LHD

/RL RHD

/V FRONT I
I

/H REAR I

/L LEFT I I----> APPLIES TO
DIRECTION OF TRAVEL

/R RIGHT I

-----+

WW THE PART CAN BE USED INSTEAD OF THE
PRECEDING ONE.

Model: 980 04

Model life 2004>>2006

COUNTRY-EQIPM.

EQUIPMENT BY COUNTRY REGULATIONS

=====

| | |
|-------|-----------------------------|
| (A) | AUSTRIA |
| (AG) | ARABIAN GULF STATES |
| (AUS) | AUSTRALIA |
| (B) | BELGIUM |
| (BR) | BRAZIL |
| (CDN) | CANADA |
| (CH) | SWITZERLAND |
| (D) | FEDERAL REPUBLIC OF GERMANY |
| (DK) | DENMARK |
| (E) | SPAIN |
| (F) | FRANCE |
| (GB) | GREAT BRITAIN |
| (GR) | GREECE |
| (HK) | HONGKONG |
| (I) | ITALY |
| (J) | JAPAN |
| (L) | LUXEMBURG |
| (N) | NORWAY |
| (NL) | NETHERLANDS |
| (NZ) | NEW ZEALAND |
| (P) | PORTUGAL |
| (RC) | TAIWAN |
| (S) | SWEDEN |
| (SA) | SAUDI ARABIA |
| (SF) | FINLAND |
| (USA) | UNITED STATES OF AMERICA |
| (ZA) | SOUTH AFRICA |

Model: 980 04

Model life 2004>>2006

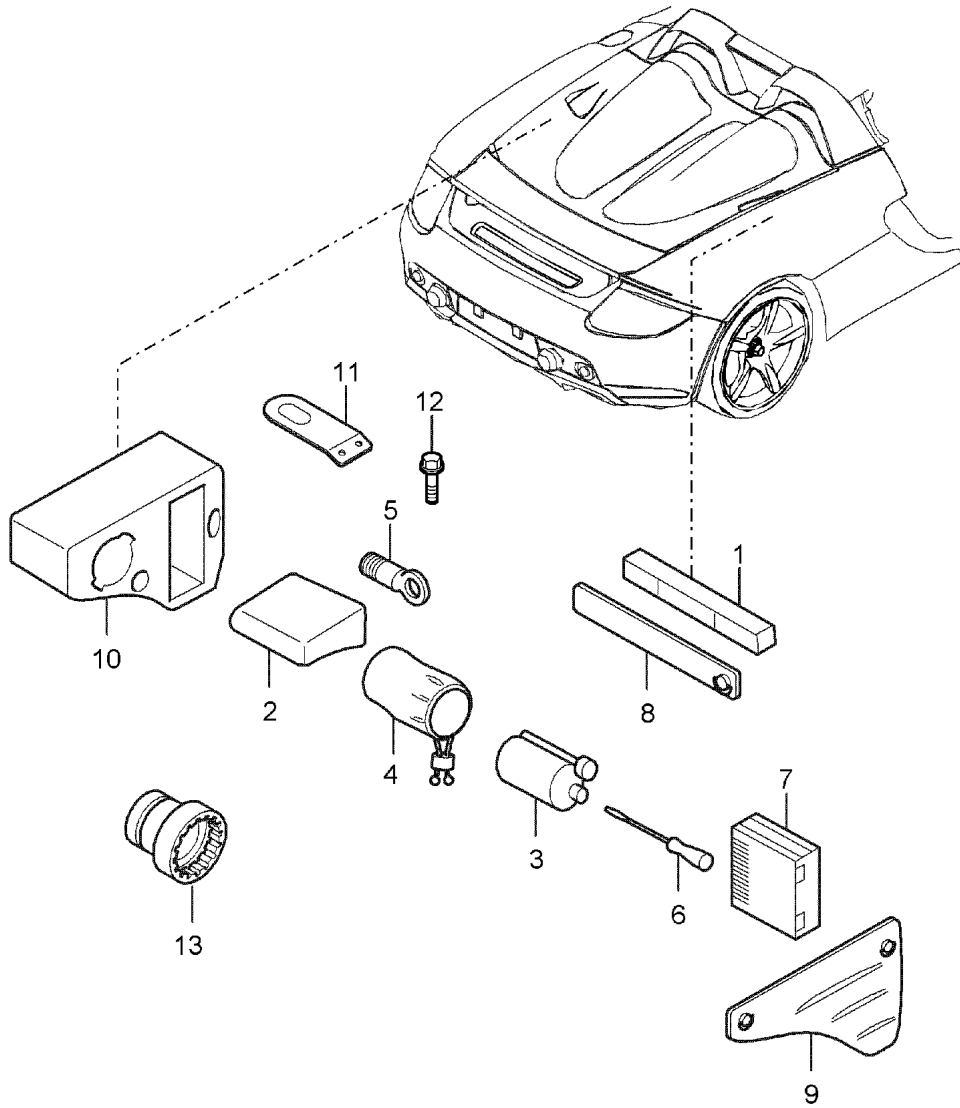
| NR | Description |
|------|--|
| I068 | PAP right-hand drive version |
| I074 | PAP left-hand drive version |
| I193 | Version for Japan |
| I215 | Version for Saudi Arabia |
| I288 | Headlamp washer |
| I382 | Vertical seat adjustment, left |
| I383 | Vertical seat adjustment, right |
| I384 | Carrera GT bucket seat, left |
| I385 | Carrera GT bucket seat, right |
| I386 | Carrera GT bucket seat XT, left |
| I387 | Carrera GT bucket seat XT, right |
| I465 | Rear fog light, left |
| I466 | Rear fog light, right |
| I482 | Tire Pressure Monitoring TPM, 433 MHz |
| I483 | 315-MHz TPM, Tire Pressure Monitoring |
| I484 | Version for USA |
| I492 | Headlights for left-hand traffic |
| I506 | Reflection-optimised interior |
| I534 | Theft security system, 433 MHz |
| I535 | Theft security system, 315 MHz |
| I536 | -07 Alarm siren and tilt sensor 08- Alarm siren |
| I572 | Manual air-conditioning system |
| I574 | Without air conditioner |
| I577 | Luggage set |
| I578 | Carrera GT luggage set, Terracotta |
| I579 | Carrera GT luggage set, Dark Grey |
| I659 | On-board computer |
| I664 | Orvr |
| I681 | Carrera GT sound system |
| I690 | CD radio "Porsche Online Pro" |

Model: 980 04

Model life 2004>>2006

Model: 980 04

Model life 2004>>2006



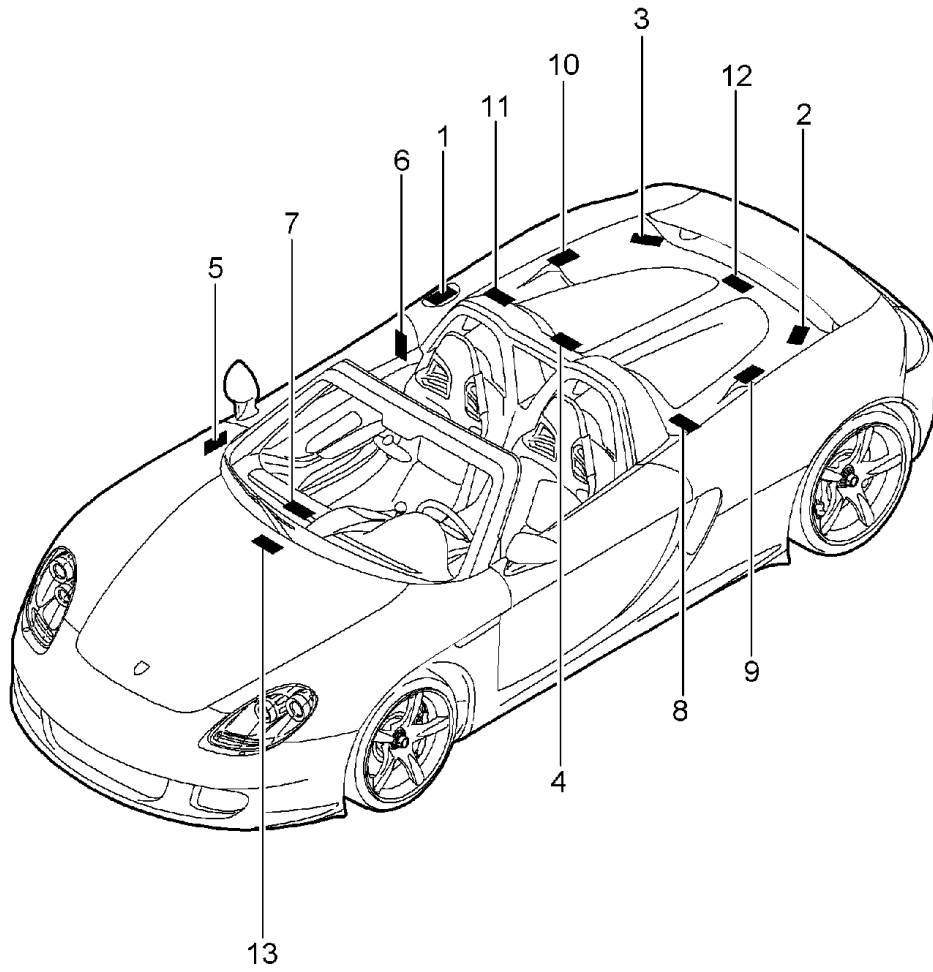
Model: 980 04

Model life 2004>>2006

| Pos | Part Number | Description | Remark | Qty | Model |
|-----|----------------|-----------------------|--------|-----|-------|
| | | Tool | | | |
| 1 | 000 722 722 05 | Warning triangle | | 1 | |
| 1 | 000 722 722 06 | Warning triangle | | 1 | |
| 2 | 980 722 041 00 | First-aid kit | | 1 | |
| 3 | 955 722 631 00 | Compressed air bottle | | 1 | |
| 4 | 980 721 093 00 | Cover | | 1 | |
| | | Bag | | | |
| 5 | 996 721 151 00 | Towing lug | | 1 | |
| 6 | 980 721 615 00 | Screwdriver | | 1 | |
| 7 | | Compressor | | 1 | |
| | | See group | | | |
| | | 6/01/00 | | | |
| 8 | 980 505 409 00 | Cover | | 1 | |
| 9 | 980 505 303 00 | Cover | | 1 | |
| - | 980 505 503 00 | Gasket | | 1 | |
| | | for | | | |
| | | Pos. 9 | | | |
| 10 | 980 722 101 01 | Foam part | | 1 | |
| 11 | 980 504 659 00 | Eye | | 1 | |
| 12 | 900 378 260 A2 | Hexagon-head bolt | | 2 | |
| | | M 8X20 | | | |
| 13 | 980 361 169 00 | Socket wrench | | 1 | |

Model: 980 04

Model life 2004>>2006



Model: 980 04 Model life 2004>>2006

| Pos | Part Number | Description | Remark | Qty | Model |
|-----|----------------|---|----------|-----|-------|
| 1 | 980 701 287 02 | Stickers Stickers Tyre pressure Sticker Tyre pressure Stickers Type of fuel | | 1 | |
| 1 | 996 006 118 01 | Sticker Fuel filler flap | | 1 | |
| 2 | 980 006 109 00 | Sticker Engine specifications | 04 | 1 | |
| 2 | 980 006 109 01 | Sticker Engine specifications | 05- | 1 | |
| 2 | 980 006 109 02 | Sticker Engine specifications | (CDN) 06 | 1 | |
| 2 | 997 006 544 00 | Sticker Engine oil - MOBIL 1 - | | 1 | |
| 2 | 7PP 010 786 T | Sticker Engine oil - MOBIL 1 - | | 1 | |
| 3 | 996 006 140 00 | Sticker Antiknock regulation | | 1 | |
| 4 | 996 006 120 00 | Indication sticker Expansion tank Coolant Stickers Airbag | | 1 | |
| 5 | 980 701 180 00 | Sticker Child car seat | | 1 | |
| 5 | 980 701 181 00 | Sticker Child car seat | (USA) | 1 | |
| 5 | 980 701 181 01 | Sticker Child car seat | (CDN) | 1 | |
| 6 | 996 701 423 01 | Sticker Service Airbag | | 1 | |
| 7 | 986 701 421 04 | Sticker Airbag Warning sign | | 1 | |
| 8 | 980 701 141 00 | Sticker Air conditioner | | 1 | |
| 9 | 980 701 721 00 | Sticker Tool bag | | 1 | |
| 11 | 980 701 611 00 | Sticker Ground distributor | | 1 | |
| 12 | 980 701 512 00 | Sticker Danger of injury | | 1 | |
| 13 | 980 701 565 00 | Sticker Targa roof | | 1 | |

Model: 980 04

Model life 2004>>2006



Model: 980 04

Model life 2004>>2006

| Pos | Part Number | Description | Remark | Qty | Model |
|-----|----------------|---|--------|-----|-------|
| | | Luggage set Boot | | | |
| - | 980 802 301 00 | Luggage set Ascot brown/natural | | 1 | |
| - | 980 802 301 01 | Luggage set Terracotta | | 1 | |
| - | 980 802 301 02 | Luggage set Dark grey | | 1 | |
| - | 000 043 206 78 | Support for Garment bag Behind Seat Driver's side Use also: | | 2 | |
| - | 999 507 497 40 | Expansion rivet | | 4 | |
| - | 980 721 331 00 | Boot for Carrera GT | | 1 | |
| - | 980 721 341 00 | Boot for Roof | | 1 | |

Model: 980 04

Model life 2004>>2006



Model: 980 04

Model life 2004>>2006

| Pos | Part Number | Description | Remark | Qty | Model |
|-----|----------------|---|--------|-----|-------|
| | | Adhesive Cleaning agent Lubricants Repair material | | | |
| - | 986 559 990 03 | Adhesive film | | X | |
| | | Double sided | | | |
| - | 000 043 206 59 | Adhesive tape | | X | |
| | | Double sided | | | |
| | | 5 MM | | | |
| - | 999 911 078 40 | Adhesive tape | | X | |
| | | 50,8X0,20 | | | |
| - | 999 551 169 40 | Tape | | * | |
| | | Damping strip | | | |
| - | 000 043 157 00 | Cleaning agent | | X | |
| - | 000 043 204 89 | Oil | | X | |
| | | VITAMOL ZH-M | | | |
| | | 250 ML | | | |
| | | Spoiler | | | |
| | | Driving mechanism | | | |
| - | 000 043 203 33 | Pentosin | | X | |
| | | 1000 ML | | | |
| - | 999 915 650 40 | Adhesive | | X | |
| | | TEROMIX 6700 | | | |
| - | 999 551 196 40 | Adhesive tape | | * | |
| - | 000 043 205 25 | Sealing compound | | X | |
| | | SIKAFLEX 221 | | | |
| - | 000 043 206 29 | Adhesive set | | X | |
| | | Body | | | |
| | | Comprising: | | | |
| - | 000 043 206 30 | Adhesive | | 1 | |
| | | 50 ML | | | |
| - | 000 043 206 31 | Tool | | 1 | |
| | | for | | | |
| | | Adhesive set | | | |
| - | 000 043 206 32 | Mixing tube | | 1 | |
| - | 000 043 206 33 | Activator | | 1 | |
| - | 000 043 300 35 | Spraying can | | X | |
| | | MC LUBE SAILKOTE | | | |
| | | HIGH PERFORMANCE | | | |
| - | 000 043 300 47 | Set | | 1 | |
| | | Adhesive | | | |
| | | Comprising: | | | |
| | | EPX-SCOTCH-WELD | | | |
| | | 38 ML | | | |
| | | Mixing tube | | | |
| | | When required order also: | | | |
| - | 000 043 300 48 | Tool | | 1 | |
| | | for | | | |
| | | EPX-SCOTCH-WELD | | | |
| - | 000 043 205 81 | Suitcase | | X | |
| | | Threaded insert | | | |
| | | Threaded bush | | | |
| | | Repair material | | | |
| | | Comprising: | | | |
| | | See group | | | |
| | | 0/03/01 | | | |

Model: 980 04

Model life 2004>>2006



Model: 980 04 Model life 2004>>2006

| Pos | Part Number | Description | Remark | Qty | Model |
|-----|----------------|---|--------|-----|-------|
| - | 000 043 205 81 | Repair Suitcase for Threaded bush Threaded insert Suitcase | | X | |
| - | 000 043 205 68 | Comprising: Suitcase | | 1 | |
| - | 999 504 250 00 | Threaded sleeve 7/16"UNF | | 5 | |
| - | 999 025 282 00 | Washer M 5 | | 10 | |
| - | 999 025 283 00 | Washer M 6 | | 10 | |
| - | 999 500 115 00 | Rivet Nut M 5 | | 10 | |
| - | 999 500 117 00 | Rivet Nut M 6 | | 10 | |
| - | 000 043 205 53 | Support for Tool | | 1 | |
| - | 000 043 205 54 | Tool | | 1 | |
| - | 000 043 205 55 | Tool | | 1 | |
| - | 000 043 205 56 | Tool | | 1 | |
| - | 000 043 205 57 | Tool | | 1 | |
| - | 000 043 205 58 | Tool | | 1 | |
| - | 000 043 205 59 | Tool | | 1 | |
| - | 000 043 205 60 | Tool | | 1 | |
| - | 000 043 206 26 | Tool | | 1 | |
| - | 000 043 205 62 | Tool | | 1 | |
| - | 000 043 205 63 | Tool | | 1 | |
| - | 000 043 300 97 | Tool | | 1 | |
| - | 000 043 206 27 | Tool | | 1 | |
| - | 999 504 254 00 | Set M 5 | | 1 | |
| - | 999 504 251 00 | Threaded bush M 6 | | 1 | |
| - | 999 504 252 00 | Threaded bush M 8 | | 1 | |
| - | 999 504 253 00 | Threaded bush M 10 | | 1 | |
| - | 999 504 255 A2 | Set M 12 | | 1 | |
| - | 999 048 010 00 | Threaded bush M 5 | | 5 | |
| - | 999 048 011 00 | Threaded bush M 6 | | 5 | |
| - | 999 915 650 40 | Adhesive Replacement | | 1 | |
| - | 000 043 205 87 | Threaded sleeve Threaded sleeve M 5 | | 1 | |
| - | 000 043 205 88 | Threaded sleeve M 6 | | 1 | |
| - | 000 043 205 89 | Threaded sleeve M 8 | | 1 | |
| - | 000 043 205 90 | Threaded sleeve M 10 | | 1 | |
| - | 000 043 205 91 | Threaded sleeve M 12 | | 1 | |

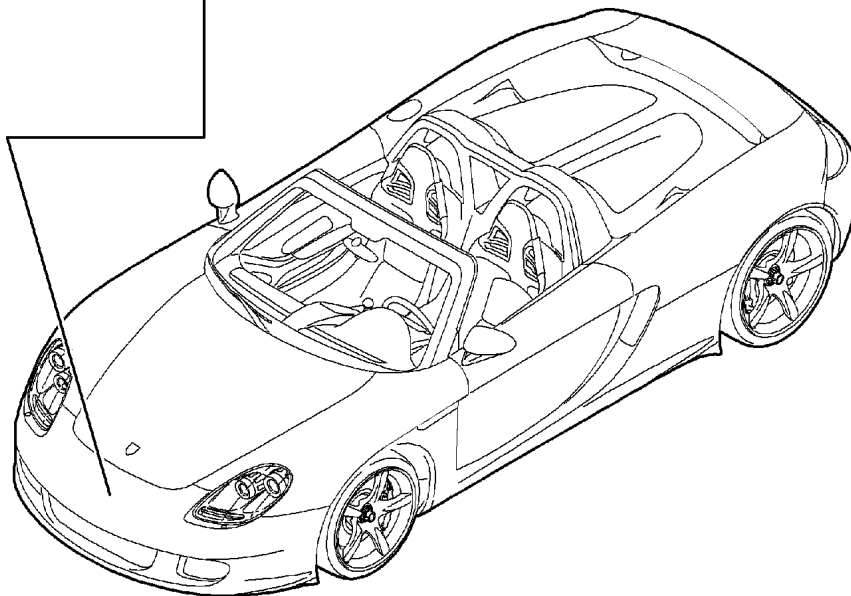
Model: 980 04

Model life 2004>>2006

FARBNUMMER
 COLOUR NUMBER
 NUMERO DE COULEUR
 NUMERO COLORE
 NUMERO DE COLOR

697 9 1
 DIAMOND BLUE METALLIC
 DIAMANT BLAU METALLIC
 F5

FARBENNUNG
 COLOUR
 COULEUR
 COLORE
 COLOR



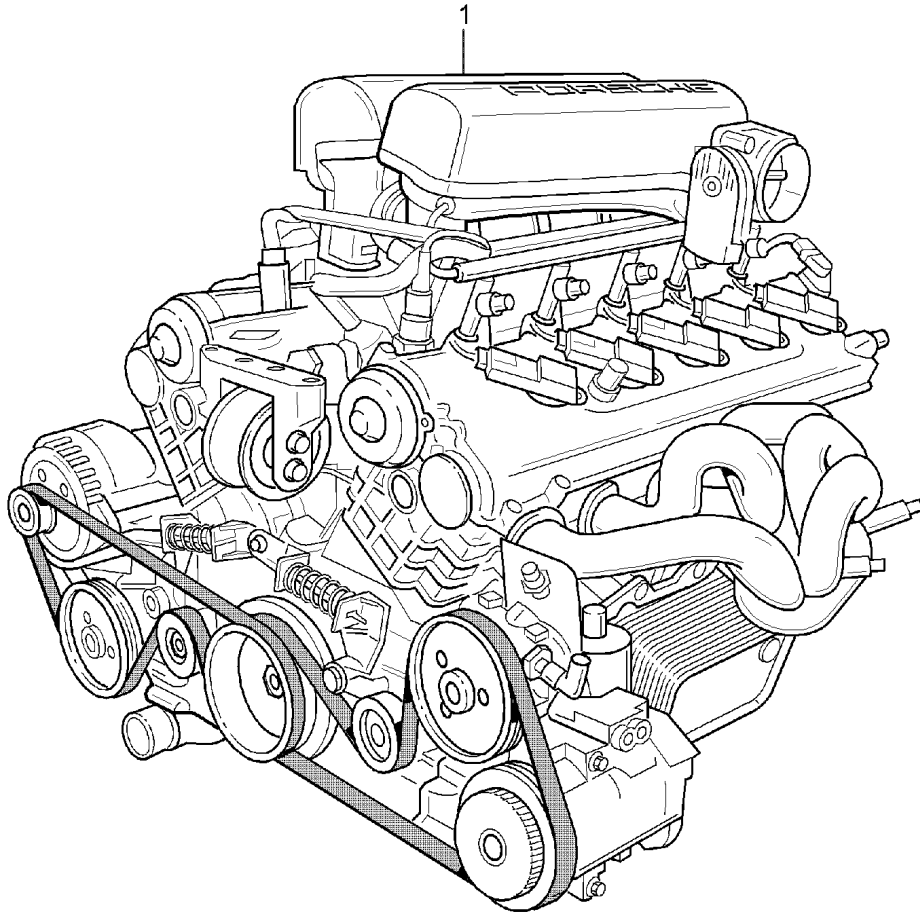
Model: 980 04

Model life 2004>>2006

| Pos | Part Number | Description | Remark | Qty | Model |
|-----|--------------------|--|--------|-----|-------|
| - | 911 095 932 20 | Paint touch-up applicator | | X | |
| | 911 095 932 20 041 | Paint touch-up applicator Black | | | A 1 |
| | 911 095 932 20 80K | Guards red | | | G 1 |
| | 911 095 932 20 1C1 | Fayence yellow | | | Q 2 |
| - | 911 095 933 20 | Paint touch-up applicator Set | | X | |
| | | Comprising: Paint touch-up applicator Primer Paint touch-up applicator Clear lacquer | | | |
| | 911 095 933 20 6B4 | Seal grey metallic | | | Y 1 |
| | 911 095 933 20 C9Z | Basalt black metallic | | | Z 4 |
| | 911 095 933 20 M7Z | GT Silver Metallic | | | U 2 |

Model: 980 04

Model life 2004>>2006

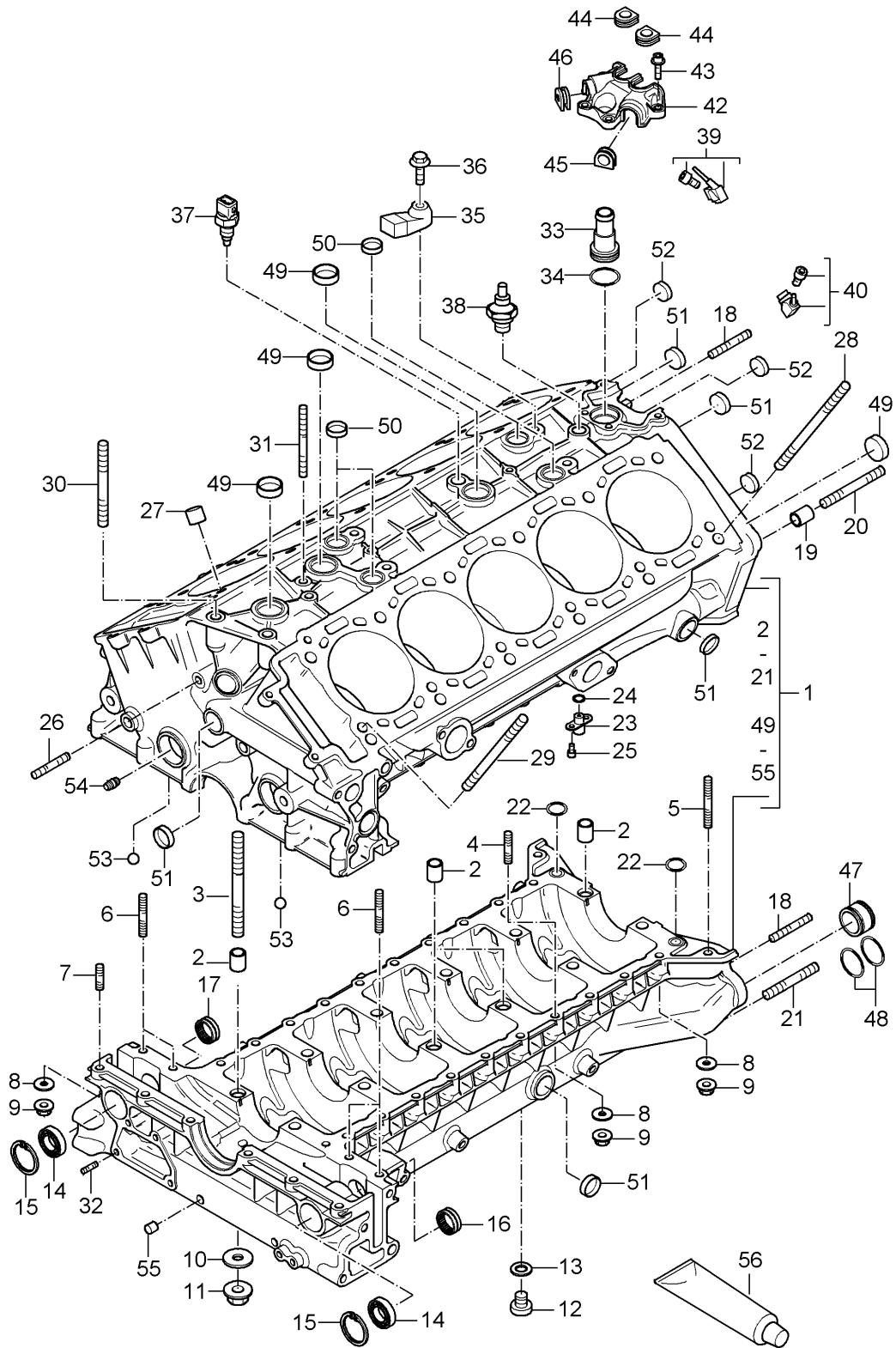


Model: 980 04 Model life 2004>>2006

| Pos | Part Number | Description | Remark | Qty | Model |
|----------------------|----------------|-------------------------|--------|-----|--------|
| 1 | 980 100 970 00 | Replacement engine | | 1 | M80.01 |
| | | Not | | | |
| | | Ready for installation | | | |
| | | Replacement engine | | | |
| | | with | | | |
| | | Flywheel | | | |
| | | without | | | |
| | | Clutch | | | |
| | | without | | | |
| | | Compressor | | | |
| | | Air conditioner | | | |
| | | without | | | |
| | | Clutch pipeline | | | |
| | | without | | | |
| | | Poly-rib belt | | | |
| | | And | | | |
| | | without | | | |
| | | Heat protection | | | |
| | | Vehicle | | | I574 |
| | | without air conditioner | | | |
| | | Use also: | | | |
| | | 980.147.153.00 | 1 | | |
| | | 980.147.253.00 | 1 | | |
| | | 900.378.137.09 | 2 | | |
| | | 900.378.033.09 | 2 | | |
| | | 980.106.421.00 | 1 | | |
| | | 980.101.411.00 | 1 | | |
| | | 980.102.252.02 | 1 | | |
| | | 980.102.253.00 | 1 | | |
| | | 980.111.211.06 | 1 | | |
| | | 980.111.212.06 | 1 | | |
| | | 980.111.213.03 | 2 | | |
| | | 980.111.253.00 | 1 | | |
| | | 900.067.274.02 | 16 | | |
| | | 900.623.007.00 | 4 | | |
| | | 477.971.881.A | 1 | | |
| 999.511.239.40 | 1 | | | | |
| Vehicle | | I572 | | | |
| with air conditioner | | | | | |
| Use also: | | | | | |
| 980.102.252.02 | 1 | | | | |
| 980.102.251.02 | 1 | | | | |
| 980.111.211.06 | 1 | | | | |
| 980.111.212.06 | 1 | | | | |
| 980.111.213.03 | 2 | | | | |
| 980.111.253.00 | 1 | | | | |
| 900.067.274.02 | 16 | | | | |
| 900.623.007.00 | 4 | | | | |
| 477.971.881.A | 1 | | | | |
| 999.511.239.40 | 1 | | | | |

Model: 980 04

Model life 2004>>2006



Model: 980 04 Model life 2004>>2006

| Pos | Part Number | Description | Remark | Qty | Model |
|-----|----------------|--|--------|--|--------|
| 1 | 980 101 011 02 | Crankcase Single parts Crankcase without Piston Use also: 980.101.198.00 980.101.172.00 996.101.172.70 980.101.815.00 980.101.817.00 999.062.102.02 980.101.813.00 999.707.429.40 980.101.053.03 999.707.188.40 999.218.024.02 980.107.845.00 999.707.243.40 | | 1 4 1 23 2 2 4 1 2 5 5 10 9 9 | M80.01 |
| 2 | 980 101 195 01 | Dowel sleeve | | 4 | |
| 3 | 980 101 171 00 | Stud M 12 X 1,5 X 130 | | 12 | |
| 4 | 999 062 098 02 | Stud BM 8 X 38 | | 21 | |
| 5 | 999 062 049 02 | Stud BM 8 X 82 | | 1 | |
| 6 | 999 062 069 02 | Stud BM 8 X 57 | | 4 | |
| 7 | 999 062 009 02 | Stud BM 8 X 28 | | 6 | |
| 7 | 900 060 105 01 | Stud BM 8 X 28 | | 6 | |
| 8 | 900 031 001 02 | Washer 8,4 | | 32 | |
| 8 | 900 031 105 01 | Washer 8,4 | | 32 | |
| 9 | 900 817 002 02 | Hexagon nut M 8 | | 32 | |
| 10 | 980 101 351 00 | Washer 12,1 | | 12 | |
| 11 | 900 817 004 02 | Hexagon nut M 12 X 1,5 | | 12 | |
| 12 | 900 219 007 02 | Screw plug M 10 X 1 | | 5 | |
| 12 | 900 219 007 01 | Screw plug M 10 X 1 | | 5 | |
| 13 | N 013 806 2 | Sealing ring A 10 X 14 | | 5 | |
| 14 | 900 052 051 00 | Deep-groove ball bearing 12 X 32 X 10 | | 2 | |
| 15 | 900 042 007 01 | Circlip 32 X 1,2 | | 2 | |
| 16 | 999 201 023 00 | Needle sleeve 20 X 26 X 14 | | 1 | |
| 17 | 999 201 073 00 | Needle sleeve 20 X 26 X 12 | | 1 | |
| 18 | 999 062 010 02 | Stud BM 8 X 35 | | 3 | |
| 19 | 980 101 199 00 | Dowel sleeve | | 2 | |
| 20 | 980 101 823 00 | Stud M 10 X 1,5 X 73 | | 2 | |
| - | 944 104 361 00 | Dowel sleeve for | | 2 | |

Model: 980 04

Model life 2004>>2006

| Pos | Part Number | Description | Remark | Qty | Model |
|-----|----------------|---|--------|-----|-------|
| 21 | 980 101 821 00 | Flange Shaft sealing ring Crankshaft Stud M 10 X 1,5 X 65 | | 2 | |
| 22 | 999 707 429 40 | Sealing ring 11 X 1,3 | | 2 | |
| 23 | 980 101 053 03 | Spray nozzle Engine oil | | 5 | |
| 24 | 999 707 188 40 | Sealing ring 10 X 1 | | 5 | |
| 25 | 999 218 024 02 | Pan-head screw M 5 X 12 | | 10 | |
| 26 | 980 101 813 00 | Stud M 8 X 1,25 X 51 | | 1 | |
| 27 | 980 101 198 00 | Dowel sleeve | | 4 | |
| 28 | 996 101 172 70 | Stud M 10 X 185,5 | | 23 | |
| 29 | 980 101 172 00 | Stud M 10 X 165,5 | | 1 | |
| 30 | 980 101 815 00 | Stud M 10 X 106 | | 2 | |
| 31 | 980 101 817 00 | Stud M 8 X 89 | | 2 | |
| 32 | 999 062 102 02 | Stud BM 6 X 22 | | 4 | |
| 33 | 980 101 911 01 | Connection piece | | 1 | |
| 34 | 999 707 552 40 | Sealing ring 26 X 2 | | 1 | |
| 35 | 996 606 125 00 | Knock sensor | | 4 | |
| 36 | 900 378 033 09 | Hexagon-head bolt AM 8 X 30 | | 4 | |
| 36 | 900 378 033 01 | Hexagon-head bolt AM 8 X 30 | | 4 | |
| 37 | 996 606 410 00 | Temperature sensor | | 1 | |
| 38 | 980 606 203 00 | Oil pressure sender | | 1 | |
| 39 | 980 606 112 00 | Pulse sender Cyl. 1 - 5 with Pan-head screw | | 1 | |
| 40 | 980 606 113 00 | Pulse sender Cylinders 6 - 10 with Pan-head screw | | 1 | |
| 42 | 980 101 311 05 | Lid | | 1 | |
| 43 | 900 067 207 02 | Combination screw M 6 X 20 | | 4 | |
| 44 | 999 702 285 40 | Grommet 6,5 X 14 X 3 | | 2 | |
| 45 | 999 702 316 40 | Grommet 9,5 X 14 X 3 | | 1 | |
| 46 | 999 702 317 40 | Grommet 4,75 X 14 X 3 | | 1 | |
| 47 | 980 107 153 00 | Joining socket | | 1 | |
| 48 | 999 707 498 40 | O-ring 27 X 3 | | 2 | |
| 49 | 900 036 040 02 | Lid A 30 | | 4 | |
| 50 | 900 036 056 02 | Lid A 25 | | 4 | |
| 51 | 900 036 046 02 | Lid A 22 | | 5 | |
| 52 | 900 036 055 02 | Lid | | 3 | |

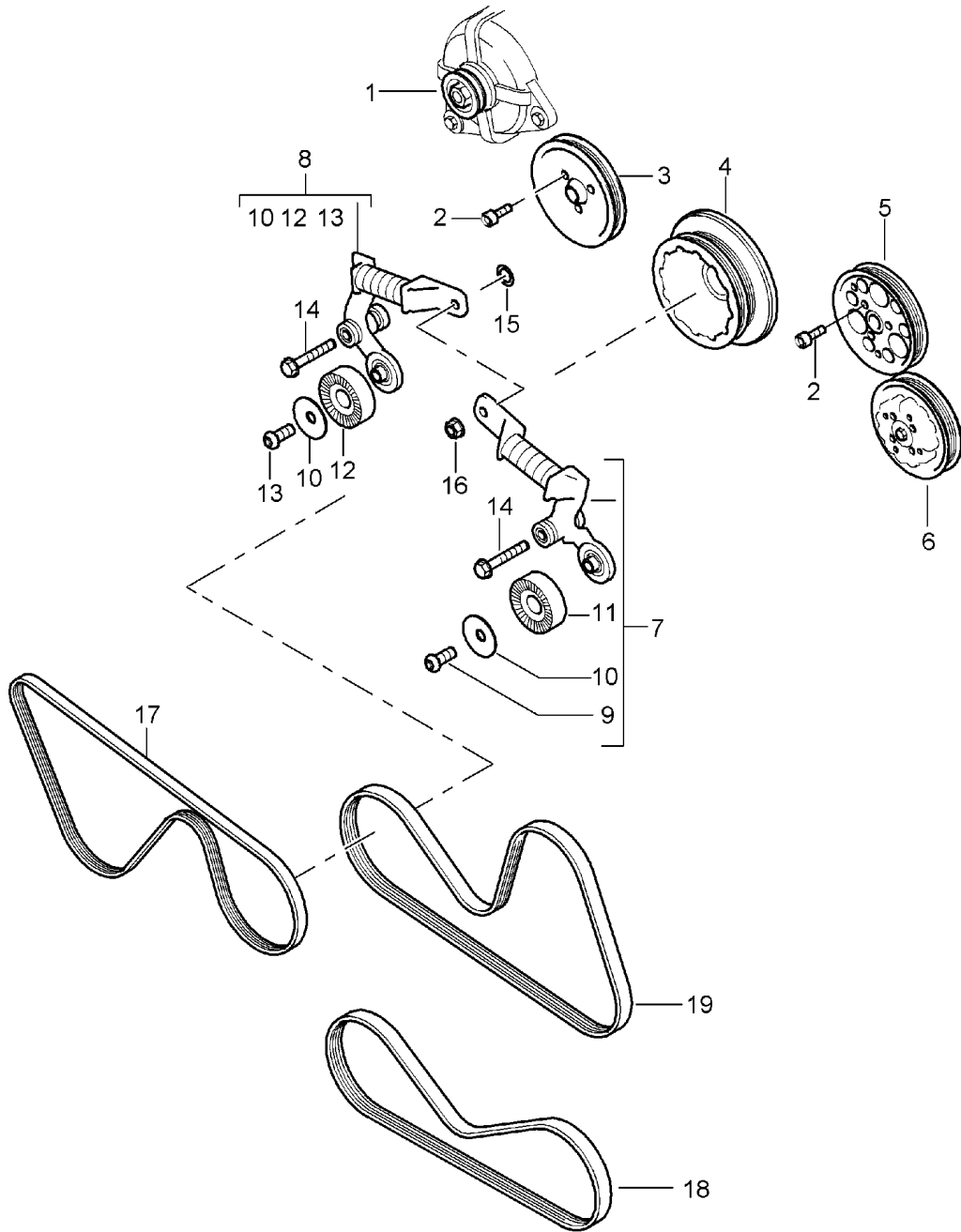
Model: 980 04

Model life 2004>>2006

| Pos | Part Number | Description | Remark | Qty | Model |
|-----|----------------|--|--------|-----|-------|
| 53 | 900 108 006 00 | A 18 Ball 4,0 | | 2 | |
| 54 | 999 504 164 02 | Threaded insert M 6 X 12 | | 2 | |
| 55 | 999 501 040 30 | Stopper 9,7 | | 1 | |
| 56 | 000 043 205 42 | Sealing compound 1 50-g tube DREIBOND 5520 | | 1 | |

Model: 980 04

Model life 2004>>2006



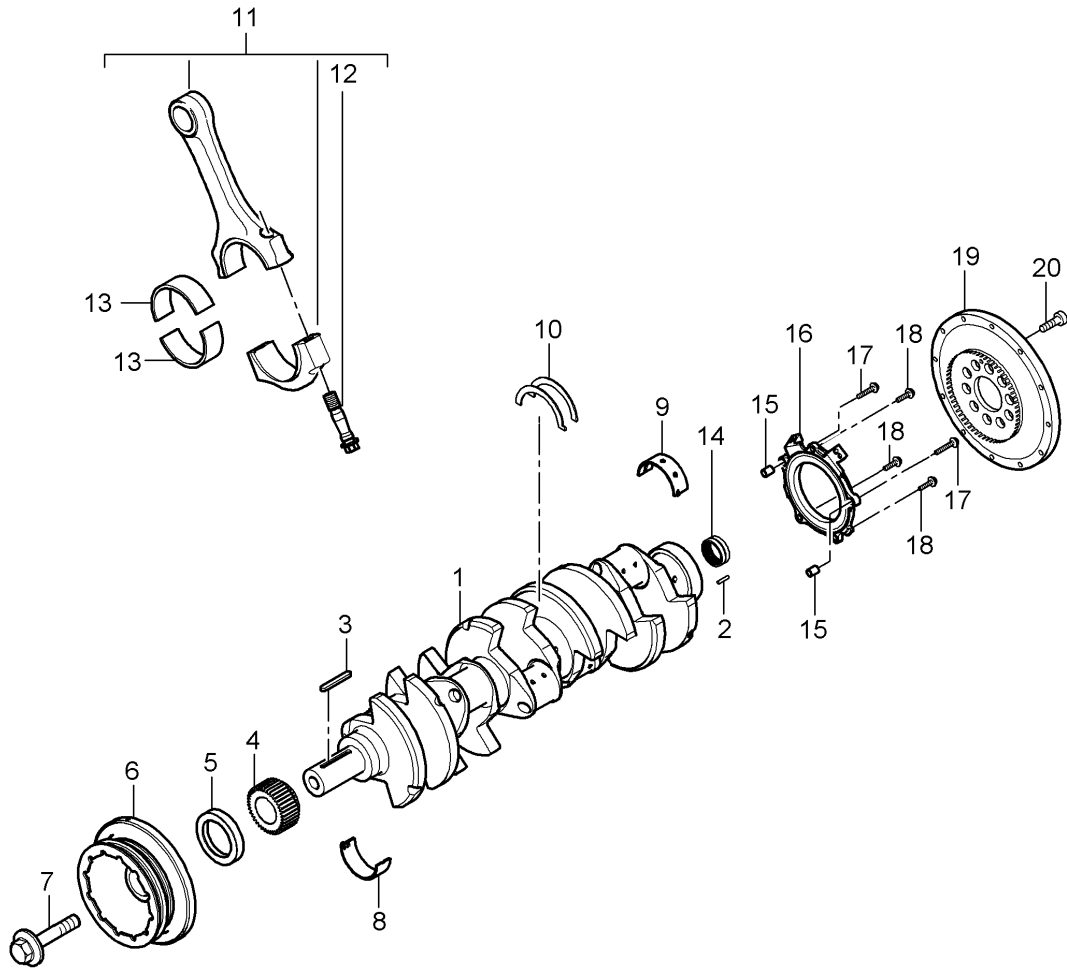
Model: 980 04

Model life 2004>>2006

| Pos | Part Number | Description | Remark | Qty | Model |
|-----|----------------|---|--------|-----|--------|
| 1 | | Belt tensioner Belt drive Pulley Generator See illustrations 9/02/05 | | 1 | M80.01 |
| 2 | 900 119 052 02 | Pan-head screw M 8 X 16 | | 6 | |
| (2) | 900 119 052 01 | Pan-head screw M 8 X 16 | | 6 | |
| 3 | 980 106 106 00 | Pulley Water pump | | 1 | |
| 4 | | Vibration damper Crankshaft See illustrations 1/02/00 | | 1 | |
| 5 | 980 147 511 00 | Pulley Power-steering pump | | 1 | |
| 6 | | Pulley Compressor See illustrations 8/13/15 | | 1 | |
| 7 | 980 102 351 01 | Belt tensioner | | 1 | |
| 8 | 980 102 352 01 | Belt tensioner | | 1 | |
| 9 | 999 073 281 09 | Round head screw M 10 LH X 27 | | 1 | |
| 10 | 980 102 391 00 | Cover disc | | 2 | |
| 11 | 980 102 371 00 | Tensioning roller | | 1 | |
| 12 | 980 102 372 00 | Tensioning roller | | 1 | |
| 13 | 999 073 289 09 | Round head screw M 10 X 27 | | 1 | |
| 14 | 900 378 198 09 | Hexagon-head bolt M 10 X 75 | | 2 | |
| 15 | 980 102 751 00 | Washer 16 X 0,14 X 8,1 | | 1 | |
| 16 | 900 377 003 02 | Hexagon nut M 8 | | 1 | |
| 17 | 980 102 252 02 | Poly-rib belt | | 1 | |
| 18 | 980 102 253 00 | Poly-rib belt without air conditioner | | 1 | I574 |
| 19 | 980 102 251 02 | Poly-rib belt with air conditioner | | 1 | I572 |

Model: 980 04

Model life 2004>>2006



Model: 980 04 Model life 2004>>2006

| Pos | Part Number | Description | Remark | Qty | Model |
|------|----------------|------------------------|--------|-----|--------|
| | | Crankshaft | | | M80.01 |
| | | Connecting rods | | | |
| 1 | 980 102 021 00 | Crankshaft | | 1 | |
| 2 | 900 302 022 00 | Straight pin | | 1 | |
| | | 4,0 X 14,0 | | | |
| 3 | 999 117 008 00 | Woodruff key | | 1 | |
| | | A 5,96 X 4,0 X 50,0 | | | |
| 4 | 980 105 211 01 | Gear wheel | | 1 | |
| 5 | 999 113 458 40 | Shaft sealing ring | | 1 | |
| | | AS 50 X 70 X 10 | | | |
| 6 | 980 102 151 03 | Vibration damper | | 1 | |
| 7 | 948 102 202 00 | Screw | | 1 | |
| 8 | 980 101 139 00 | Main bearing shell | | 6 | |
| | | Lower | | | |
| | | Red | | | |
| (8) | 980 101 139 01 | Main bearing shell | | 6 | |
| | | Lower | | | |
| | | Yellow | | | |
| (8) | 980 101 139 02 | Main bearing shell | | 6 | |
| | | Lower | | | |
| | | Blue | | | |
| 9 | 980 101 137 00 | Main bearing shell | | 6 | |
| | | Upper | | | |
| | | Red | | | |
| (9) | 980 101 137 01 | Main bearing shell | | 6 | |
| | | Upper | | | |
| | | Yellow | | | |
| (9) | 980 101 137 02 | Main bearing shell | | 6 | |
| | | Upper | | | |
| | | Blue | | | |
| 10 | 980 101 131 00 | Thrust washer | | 2 | |
| | | Upper | | | |
| 11 | 980 103 975 00 | Connecting rod | | 1 | |
| | | 1 set | | | |
| | | Comprising: | | | |
| | | Connecting rod | | 10 | |
| (11) | 980 103 975 02 | Connecting rod | | 1 | |
| | | 1 set | | | |
| | | Comprising: | | | |
| | | Connecting rod | | 10 | |
| 12 | 996 103 176 95 | Connecting rod bolt | | 20 | |
| | | M 10 X 1,25 | | | |
| 13 | 980 103 133 00 | Connecting-rod bearing | | 20 | |
| | | Identification | | | |
| | | Red | | | |
| (13) | 980 103 133 01 | Connecting-rod bearing | | 20 | |
| | | Identification | | | |
| | | Yellow | | | |
| (13) | 980 103 133 02 | Connecting-rod bearing | | 20 | |
| | | Identification | | | |
| | | Blue | | | |
| 14 | 999 201 204 00 | Needle sleeve | | 1 | |
| | | 15 X 21 X 14 | | | |
| 15 | 944 104 361 00 | Dowel sleeve | | 2 | |
| 16 | 980 101 072 01 | Flange | | 1 | |
| | | with | | | |
| | | Shaft sealing ring | | | |
| 17 | 900 067 238 02 | Combination screw | | 2 | |
| | | M 6 X 30 | | | |
| 18 | 900 067 207 02 | Combination screw | | 3 | |
| | | M 6 X 20 | | | |
| 19 | 980 102 142 31 | Flywheel | | 1 | |
| 20 | 930 102 206 00 | Pan-head screw | | 10 | |

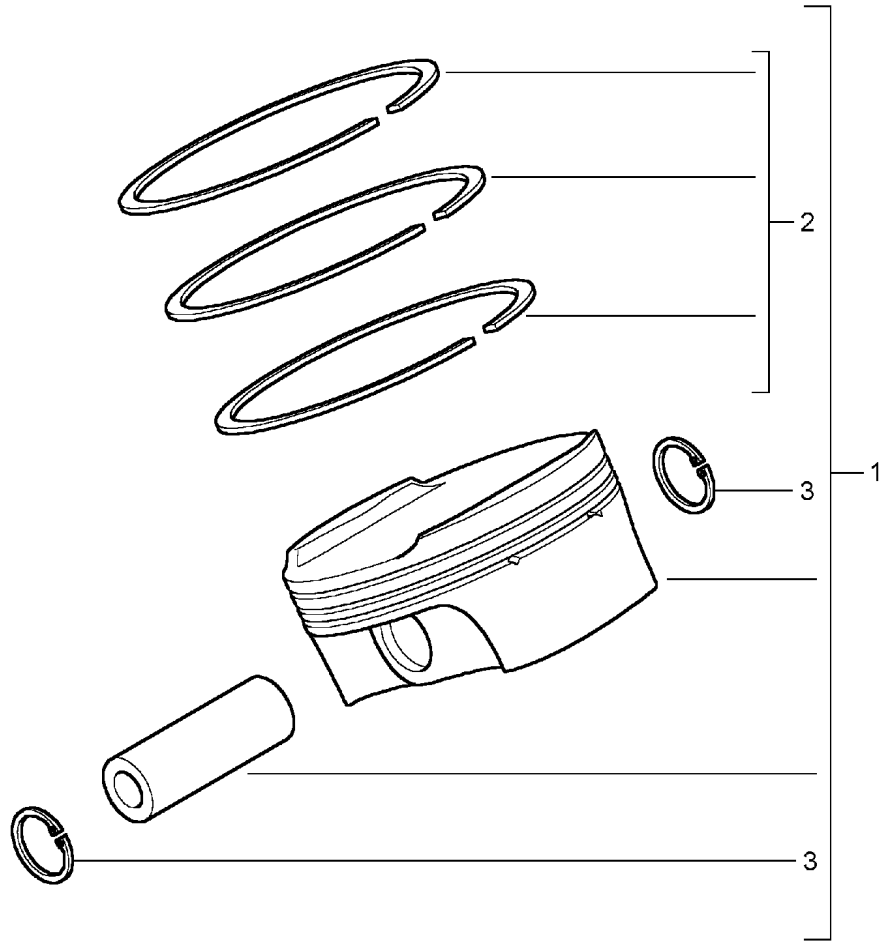
Model: 980 04

Model life 2004>>2006

| Pos | Part Number | Description | Remark | Qty | Model |
|-----|-------------|--------------------|--------|-----|-------|
| | | M 10 X 1,25 X 19,5 | | | |

Model: 980 04

Model life 2004>>2006



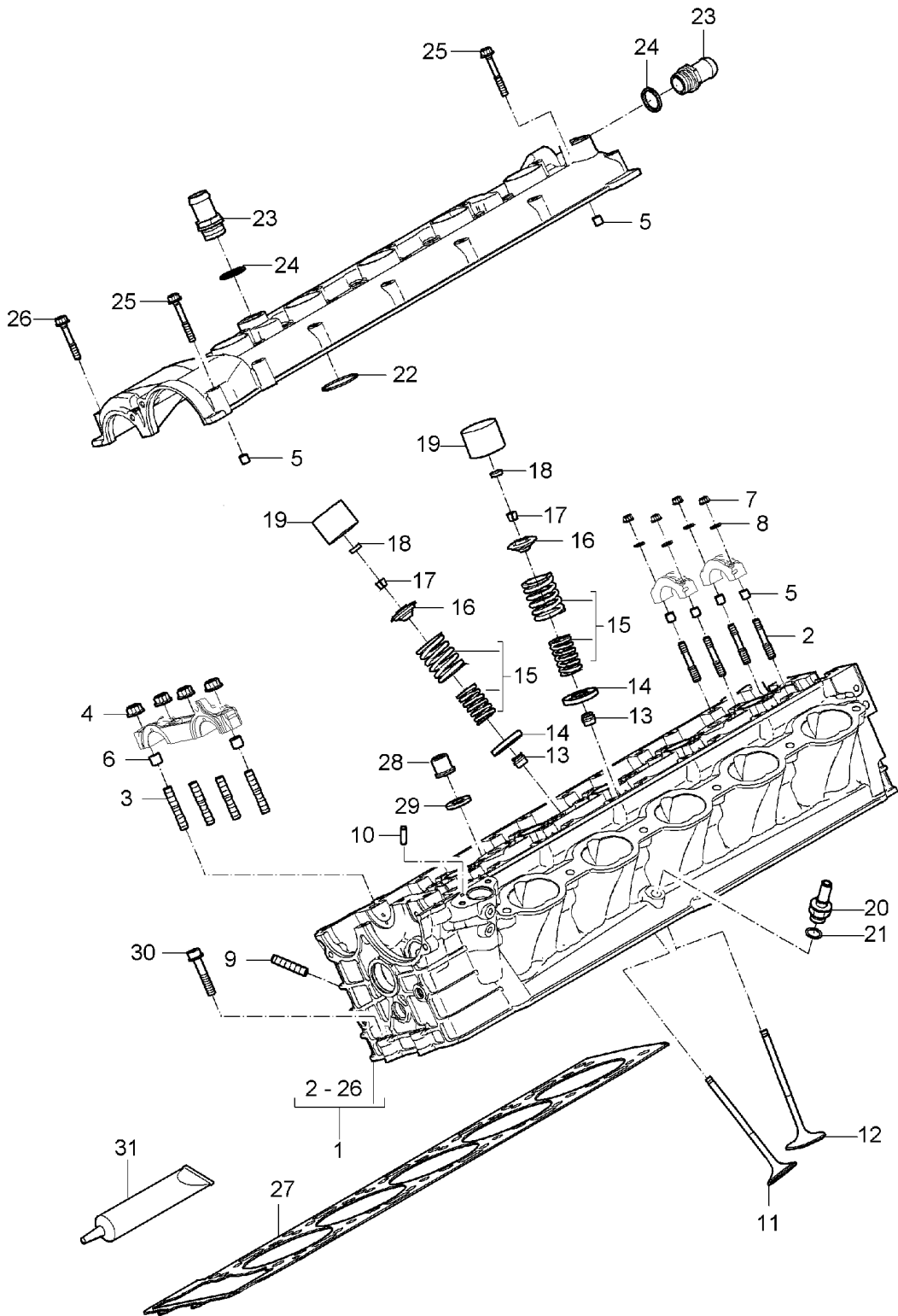
Model: 980 04

Model life 2004>>2006

| Pos | Part Number | Description | Remark | Qty | Model |
|-----|----------------|---|--------|-----|--------|
| 1 | 980 103 036 03 | Piston Piston rings Piston Tolerance group 0 Cyl. 1 - 5 | | 5 | M80.01 |
| (1) | 980 103 035 03 | Piston Tolerance group 0 Cylinders 6 - 10 | | 5 | |
| 2 | 980 103 945 00 | Set of piston rings | | 10 | |
| 3 | 980 103 373 00 | Circlip | | 20 | |

Model: 980 04

Model life 2004>>2006



Model: 980 04 Model life 2004>>2006

| Pos | Part Number | Description | Remark | Qty | Model |
|------|----------------|--|--------|-----|--------|
| | | Cylinder head Valve cover | | | M80.01 |
| 1 | 980 104 012 01 | Cylinder head Complete with Valve cover Cyl. 1 - 5 | | 1 | |
| (1) | 980 104 011 01 | Cylinder head Complete with Valve cover Cylinders 6 - 10 | | 1 | |
| 2 | 980 104 713 00 | Stud | | 40 | |
| 3 | 999 062 115 02 | Stud BM 8 X 32 | | 8 | |
| 4 | 900 377 003 02 | Hexagon nut M 8 | | 8 | |
| 5 | 999 095 048 00 | Dowel sleeve 8 X 8 | | 44 | |
| 6 | 999 095 063 02 | Dowel sleeve 11 X 10 | | 2 | |
| 6 | 999 095 063 01 | Dowel sleeve 11 X 10 | | 2 | |
| 7 | 999 084 644 02 | 12-point nut M 6 | | 40 | |
| 8 | 900 025 079 01 | Washer 6 | | 40 | |
| 9 | 999 062 005 02 | Stud BM 8 X 18 | | 30 | |
| 10 | 900 302 021 00 | Straight pin 4 X 10 | | 2 | |
| 11 | 980 105 113 01 | Exhaust valve | | 20 | |
| 12 | 980 105 111 02 | Intake valve | | 20 | |
| 13 | 996 105 115 52 | Valve stem seal | | 40 | |
| - | 000 043 204 46 | Sleeve for Repair | | 1 | |
| 14 | 980 105 117 00 | Valve stem seal Concave washer Lower | | 40 | |
| 15 | 980 105 811 01 | Set of valve springs | | 40 | |
| 16 | 980 105 121 01 | Concave washer Upper | | 40 | |
| 17 | 980 105 123 00 | Valve collet | | 80 | |
| 18 | | See illustrations 1/03/10 | | X | |
| 19 | | See illustrations 1/03/10 | | X | |
| 20 | 980 104 259 00 | Connection piece | | 2 | |
| 21 | 900 123 003 30 | Sealing ring A 10 X 14 | | 2 | |
| 22 | 999 707 559 40 | O-ring 28 X 1 | | 10 | |
| 23 | 999 230 573 30 | Screw socket | | 4 | |
| 24 | 900 123 118 30 | Sealing ring A 22 X 27 | | 4 | |
| 25 | 900 378 113 02 | Hexagon-head bolt AM 6 X 45 | | 4 | |
| 26 | 900 378 277 02 | Hexagon-head bolt AM 6 X 40 | | 46 | |
| 27 | 980 104 412 02 | Cylinder head gasket Cyl. 1 - 5 | | 1 | |
| (27) | 980 104 411 02 | Cylinder head gasket | | 1 | |

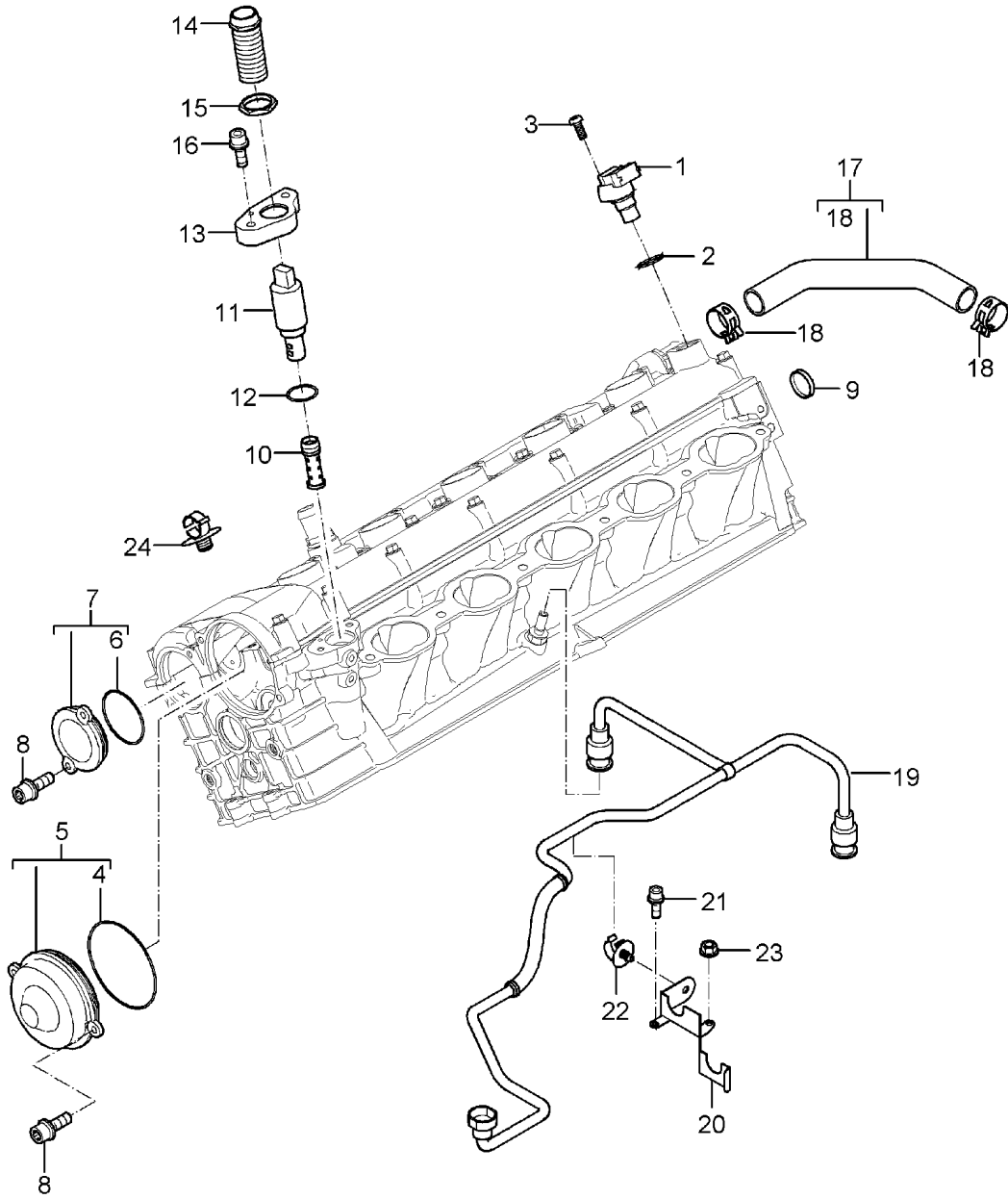
Model: 980 04

Model life 2004>>2006

| Pos | Part Number | Description | Remark | Qty | Model |
|-----|----------------|--|--------|-----|-------|
| 28 | 996 104 382 80 | Cylinders 6 - 10 Cylinder head nut M 10 | | 24 | |
| 29 | 980 104 351 00 | Washer | | 24 | |
| 30 | 900 067 236 08 | Pan-head screw M 6 X 40 | | 4 | |
| 31 | 000 043 204 58 | Sealing compound 1 tube 30 GR. DREIBOND FD 2210 | | 1 | |

Model: 980 04

Model life 2004>>2006

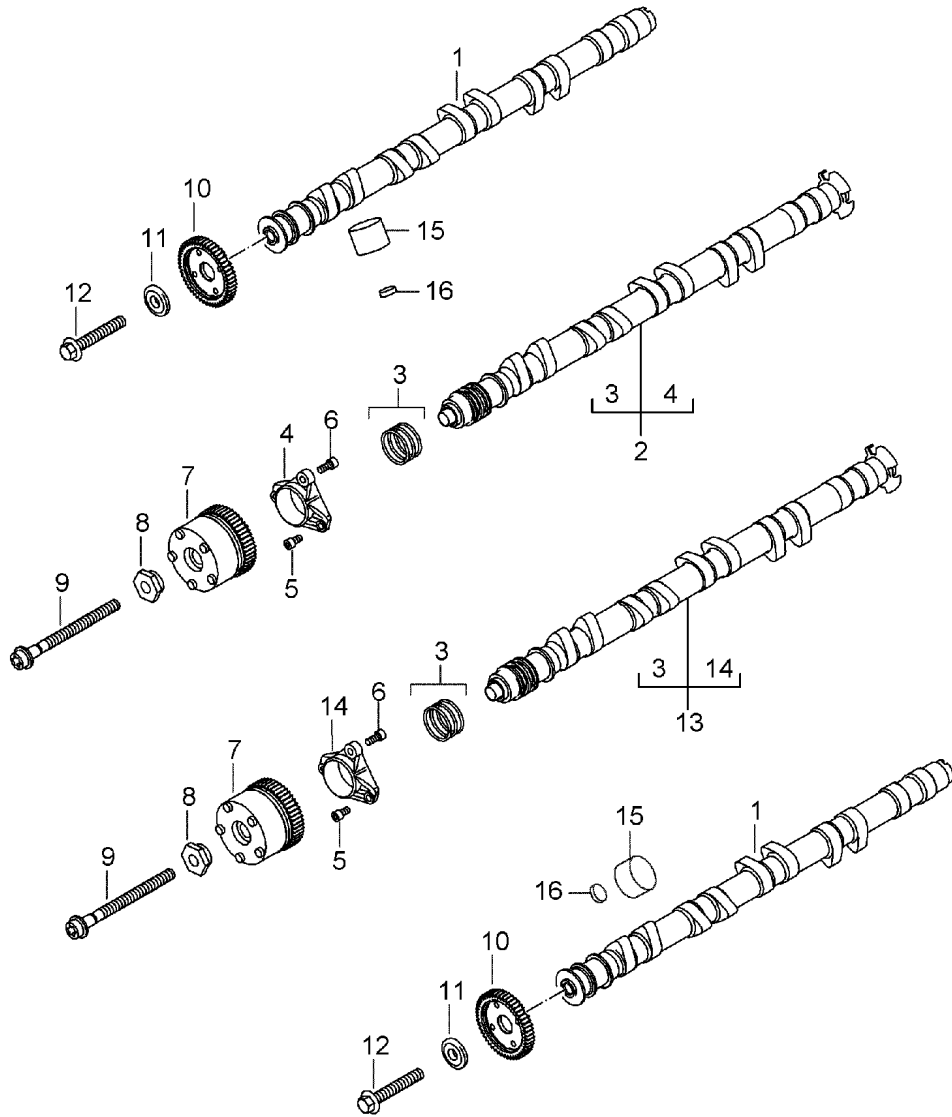


Model: 980 04 Model life 2004>>2006

| Pos | Part Number | Description | Remark | Qty | Model |
|------|----------------|-------------------|--------|-----|--------|
| | | Cylinder head | | | M80.01 |
| | | Valve cover | | | |
| | | Accessories | | | |
| 1 | 996 606 106 03 | Hall sender | | 2 | |
| 2 | 999 707 404 40 | O-ring | | 2 | |
| | | 17,05 X 1,78 | | | |
| 3 | 900 067 117 09 | Pan-head screw | | 2 | |
| | | M 6 X 16 | | | |
| 4 | 999 707 384 40 | O-ring | | 2 | |
| | | 85,00 X 2,5 N | | | |
| 5 | 980 105 023 02 | Lid | | 2 | |
| 6 | 999 707 298 40 | O-ring | | 2 | |
| | | 51,00 X 2,5 N | | | |
| 7 | 980 105 024 02 | Lid | | 2 | |
| 8 | 900 067 412 02 | Combination screw | | 8 | |
| | | M 6 X 16 | | | |
| 9 | 999 036 008 40 | Lid | | 4 | |
| | | 35 X 8 | | | |
| 10 | 996 105 703 01 | Oil strainer | | 2 | |
| (10) | 997 105 701 00 | Oil strainer | | 2 | |
| 11 | 996 105 303 05 | Actuator | | 2 | |
| (11) | 996 105 303 06 | Actuator | | 2 | |
| | | Camshaft | | | |
| - | 996 105 903 05 | O-ring | | 2 | |
| | | for | | | |
| | | Actuator | | | |
| 12 | 999 707 184 40 | O-ring | | 2 | |
| | | 21,95 X 1,78 | | | |
| 13 | 980 104 256 00 | Flange | | 2 | |
| 14 | 980 104 258 00 | Sleeve | | 2 | |
| 15 | 980 104 956 00 | Hexagon nut | | 2 | |
| | | M 33 X 1 | | | |
| 16 | 900 067 238 02 | Combination screw | | 4 | |
| | | M 6 X 30 | | | |
| (16) | 900 067 238 01 | Combination screw | | 4 | |
| | | M 6 X 30 | | | |
| 17 | 980 107 214 01 | Breather hose | | 1 | |
| | | Cyl. 1 - 5 | | | |
| (17) | 980 107 215 01 | Breather hose | | 1 | |
| | | Cylinders 6 - 10 | | | |
| 18 | 999 512 661 09 | Hose clamp | | 4 | |
| | | B 30 X 12 | | | |
| 19 | 980 106 210 03 | Vent line | | 1 | |
| (19) | 980 106 210 04 | Cylinder head | | | |
| | | Expansion tank | | | |
| | | Water cooling | | | |
| | | Vent line | | 1 | |
| | | Cylinder head | | | |
| | | Expansion tank | | | |
| | | Water cooling | | | |
| 20 | 980 106 703 00 | Support | | 1 | |
| | | Vent line | | | |
| | | Clutch pipeline | | | |
| 21 | 900 067 409 02 | Combination screw | | 1 | |
| | | M 6 X 15 | | | |
| 22 | 999 507 675 40 | Hose holder | | 1 | |
| | | 7,5 - 8,0 | | | |
| 23 | | See illustrations | | 1 | |
| | | 1/09/00 | | | |
| 24 | 999 511 239 40 | Cable holder | | 4 | |
| | | 6 - 12 | | | |

Model: 980 04

Model life 2004>>2006



Model: 980 04 Model life 2004>>2006

| Pos | Part Number | Description | Remark | Qty | Model |
|------|----------------|---|--------|-----|--------|
| 1 | 980 105 315 00 | Camshaft | | 2 | M80.01 |
| 2 | 980 105 032 00 | Camshaft Exhaust Camshaft Intake Cyl. 1 - 5 | | 1 | |
| 3 | 996 105 280 90 | Ring | | 6 | |
| 4 | 980 105 226 00 | Bearing flange Cyl. 1 - 5 | | 1 | |
| 5 | N 014 740 2 | Pan-head screw M 6 X 16 | | 4 | |
| (5) | N 014 740 11 | Pan-head screw M 6 X 16 | | 4 | |
| 6 | 900 067 354 02 | Pan-head screw M 6 X 25 | | 2 | |
| 7 | 980 105 051 01 | Camshaft adjuster | | 2 | |
| 8 | 980 105 218 00 | Sleeve | | 2 | |
| 9 | 948 104 181 01 | Screw M 12 X 1,5 X 140 | | 2 | |
| 10 | 980 105 275 01 | Camshaft timing gear Exhaust | | 2 | |
| 11 | 980 105 573 00 | Washer | | 2 | |
| 12 | 900 378 139 09 | Hexagon-head bolt M 12 X 1,5 X 80 | | 2 | |
| 12 | 900 378 139 01 | Hexagon-head bolt M 12 X 1,5 X 80 | | 2 | |
| 13 | 980 105 031 00 | Camshaft Intake Cylinders 6 - 10 | | 1 | |
| 14 | 980 105 225 00 | Bearing flange Cylinders 6 - 10 | | 1 | |
| 15 | 980 105 309 00 | Hydraulic valve tappet | | 40 | |
| (15) | 980 105 309 01 | Hydraulic valve tappet | | 40 | |
| 16 | 980 105 335 10 | Adjusting shim 2,100 MM | | X | |
| (16) | 980 105 335 15 | Adjusting shim 2,150 MM | | X | |
| (16) | 980 105 335 20 | Adjusting shim 2,200 MM | | X | |
| (16) | 980 105 335 25 | Adjusting shim 2,250 MM | | X | |
| (16) | 980 105 335 30 | Adjusting shim 2,300 MM | | X | |
| (16) | 980 105 335 35 | Adjusting shim 2,350 MM | | X | |
| (16) | 980 105 335 40 | Adjusting shim 2,400 MM | | X | |
| (16) | 980 105 335 42 | Adjusting shim 2,425 MM | | X | |
| (16) | 980 105 335 45 | Adjusting shim 2,450 MM | | X | |
| (16) | 980 105 335 47 | Adjusting shim 2,475 MM | | X | |
| (16) | 980 105 335 50 | Adjusting shim 2,500 MM | | X | |
| (16) | 980 105 335 52 | Adjusting shim 2,525 MM | | X | |
| (16) | 980 105 335 55 | Adjusting shim 2,550 MM | | X | |
| (16) | 980 105 335 57 | Adjusting shim 2,575 MM | | X | |
| (16) | 980 105 335 60 | Adjusting shim 2,600 MM | | X | |

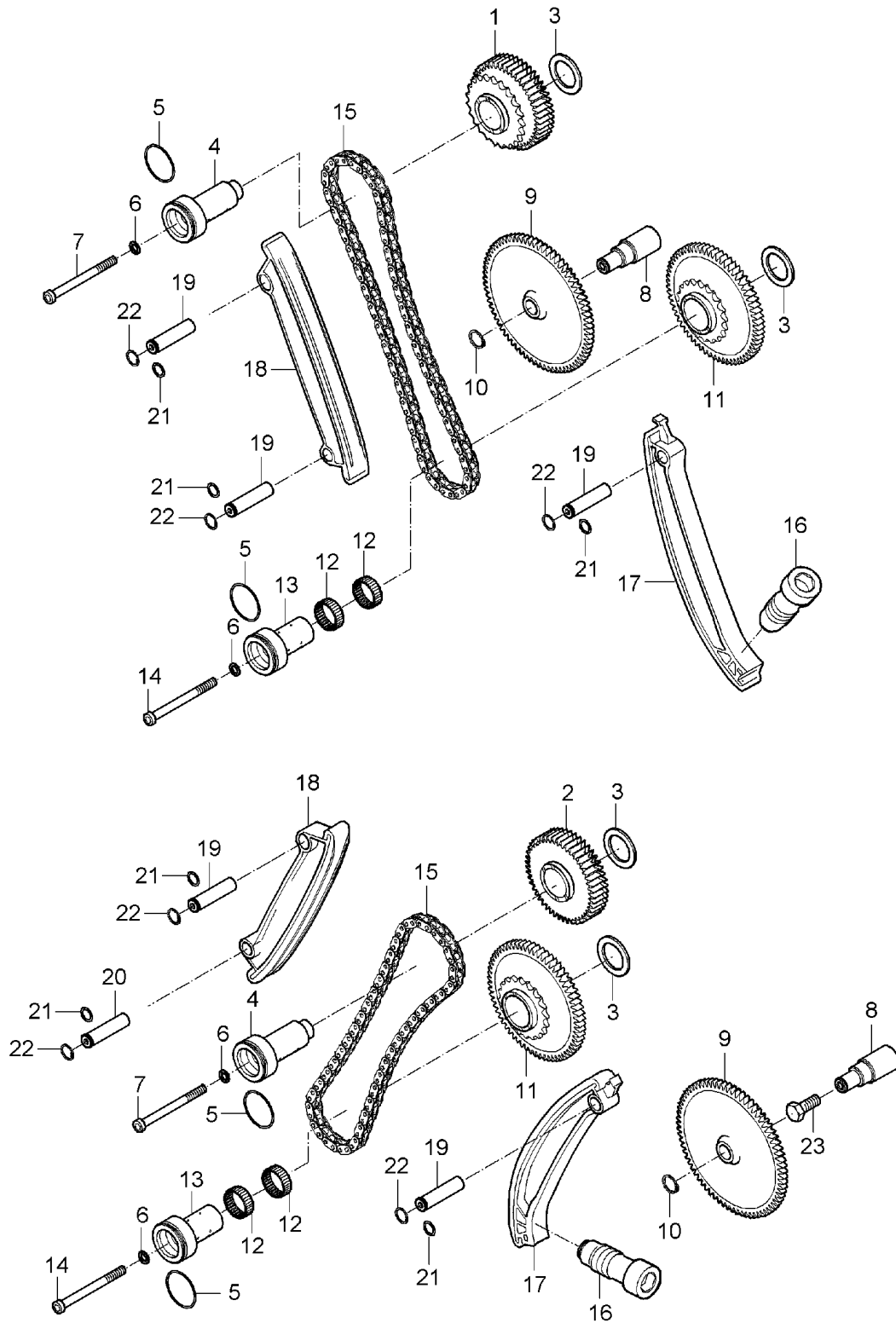
Model: 980 04

Model life 2004>>2006

| Pos | Part Number | Description | Remark | Qty | Model |
|------|----------------|----------------------------|--------|-----|-------|
| (16) | 980 105 335 62 | Adjusting shim 2,625 MM | | X | |
| (16) | 980 105 335 65 | Adjusting shim 2,650 MM | | X | |
| (16) | 980 105 335 67 | Adjusting shim 2,675 MM | | X | |
| (16) | 980 105 335 70 | Adjusting shim 2,700 MM | | X | |
| (16) | 980 105 335 75 | Adjusting shim 2,750 MM | | X | |
| (16) | 980 105 335 80 | Adjusting shim 2,800 MM | | X | |

Model: 980 04

Model life 2004>>2006



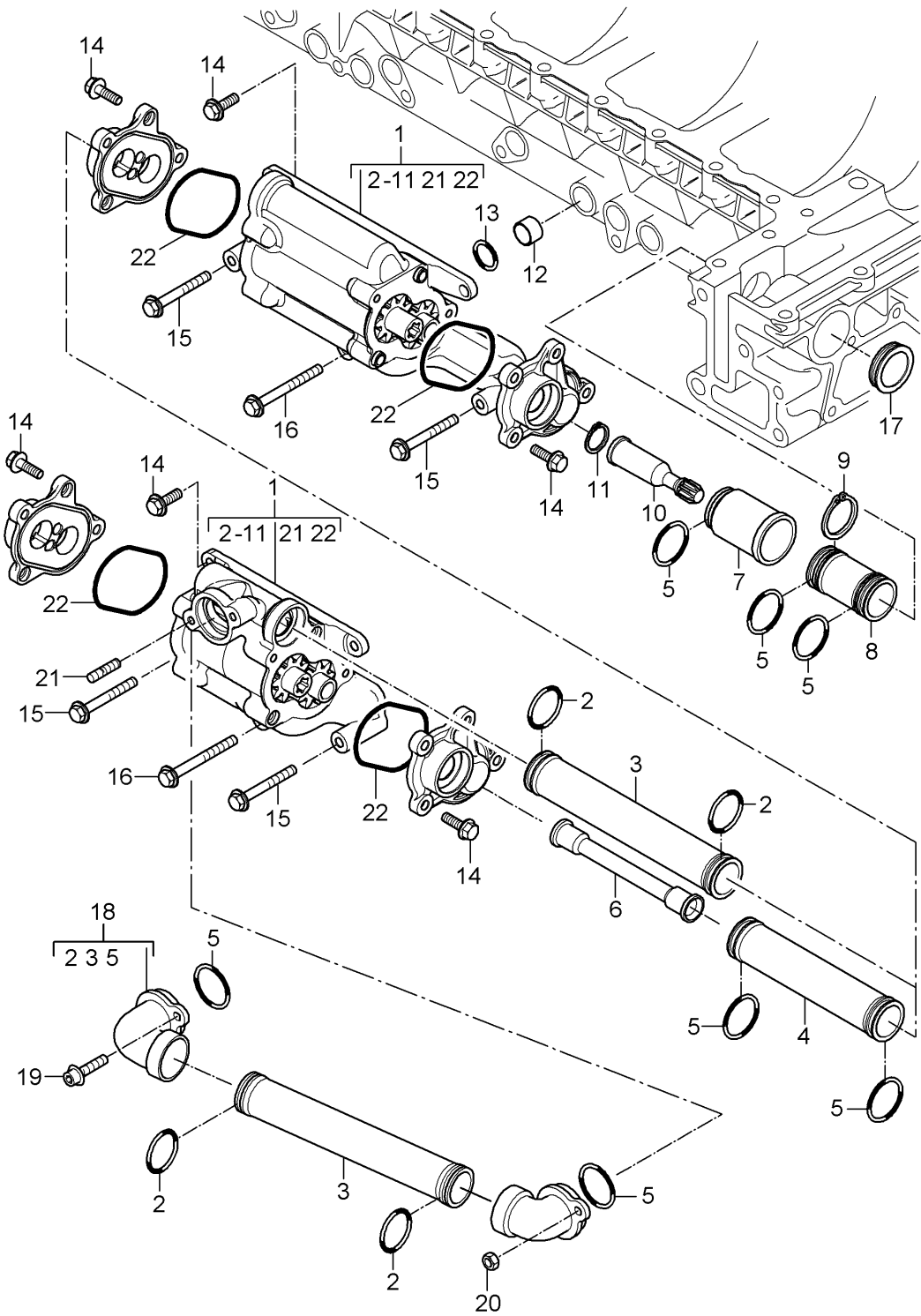
Model: 980 04

Model life 2004>>2006

| Pos | Part Number | Description | Remark | Qty | Model |
|-----|----------------|---|--------|-----|--------|
| 1 | 980 105 062 01 | Valve control Gear wheel Cyl. 1 - 5 | | 1 | M80.01 |
| 2 | 980 105 061 01 | Gear wheel Cylinders 6 - 10 | | 1 | |
| 3 | 980 105 557 00 | Thrust washer 1,80 MM | | X | |
| (3) | 980 105 557 01 | Thrust washer 1,90 MM | | X | |
| (3) | 980 105 557 02 | Thrust washer 2,00 MM | | X | |
| (3) | 980 105 557 03 | Thrust washer 2,10 MM | | X | |
| (3) | 980 105 557 04 | Thrust washer 2,20 MM | | X | |
| 4 | 980 105 553 01 | Bearing pin | | 2 | |
| 5 | 999 701 028 40 | O-ring 29,0 X 2,0 | | 4 | |
| 6 | 999 699 024 40 | Sealing ring 6,7 X 10 X 1 | | 4 | |
| 7 | 999 510 025 01 | Pan-head screw M 6 X 70 | | 2 | |
| 8 | 980 105 231 00 | Drive shaft | | 2 | |
| 9 | 980 105 221 01 | Oil pump Drive wheel Oil pump | | 2 | |
| 10 | 900 041 005 01 | Circlip 12 X 1 | | 2 | |
| 11 | 980 105 251 01 | Sprocket | | 2 | |
| 12 | 999 201 050 00 | Needle sleeve 22 X 26 X 13 | | 4 | |
| 13 | 980 105 551 01 | Bearing pin | | 2 | |
| 14 | 900 067 062 02 | Screw M 6 X 50 | | 2 | |
| 15 | 980 105 321 00 | Timing chain | | 2 | |
| 16 | 980 105 327 00 | Chain adjuster | | 2 | |
| 17 | 980 105 323 00 | Tensioner blade | | 2 | |
| 18 | 980 105 325 00 | Guide rail | | 2 | |
| 19 | 980 105 555 02 | Bearing pin | | 5 | |
| 20 | 980 105 555 03 | Bearing pin | | 1 | |
| 21 | 999 701 972 40 | O-ring 7,0 X 1,5 N | | 6 | |
| 22 | 900 042 043 01 | Circlip 12 X 1 | | 6 | |
| 23 | 900 075 490 09 | Hexagon-head bolt M 6 X 8 | | 1 | |

Model: 980 04

Model life 2004>>2006



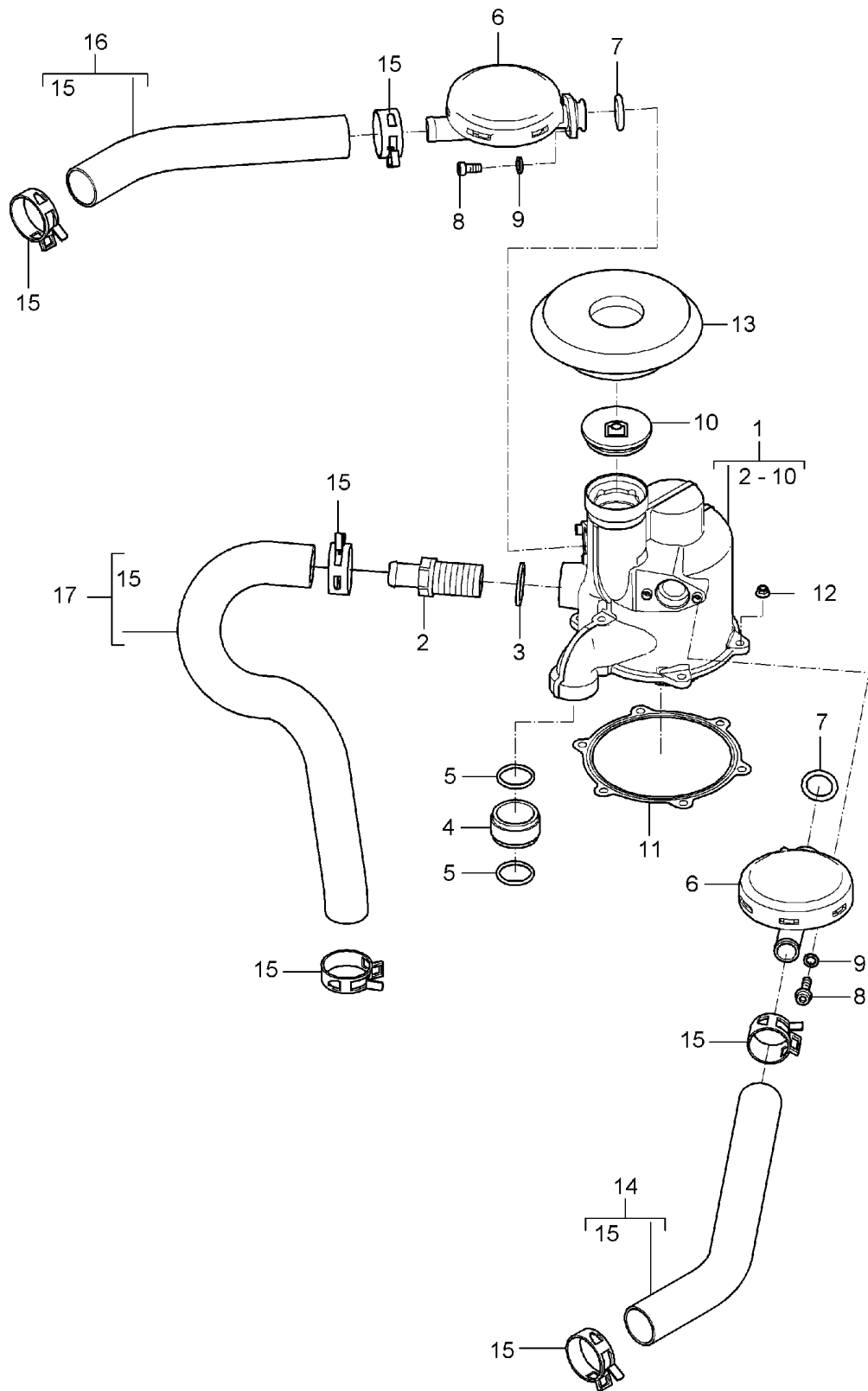
Model: 980 04

Model life 2004>>2006

| Pos | Part Number | Description | Remark | Qty | Model |
|------|----------------|--|--------|-----|--------|
| | | Oil pump Driving mechanism Return pipe | | | M80.01 |
| 1 | 980 107 041 01 | Oil pump | | 1 | |
| 2 | 900 331 039 40 | O-ring 23 X 2,5 | | 4 | |
| 3 | 980 107 436 00 | Pressure pipe | | 1 | |
| 4 | 980 107 439 00 | Protective tube | | 1 | |
| 5 | 900 331 038 40 | O-ring 25 X 2,5 | | 7 | |
| 6 | 980 107 442 01 | Drive shaft | | 1 | |
| 7 | 980 107 437 00 | Protective tube | | 1 | |
| (7) | 980 107 437 01 | Protective tube | | 1 | |
| 8 | 980 107 438 00 | Protective tube | | 1 | |
| 9 | 900 041 061 00 | Circlip A 30 | | 1 | |
| 10 | 980 107 441 01 | Drive shaft | | 1 | |
| 11 | 900 041 060 00 | Circlip A 11 | | 1 | |
| 12 | 980 107 845 00 | Dowel sleeve 14,0 X 16 | | 9 | |
| 13 | 999 707 243 40 | O-ring 15,6 X 1,78 | | 9 | |
| 14 | 900 378 030 09 | Hexagon-head bolt M 6 X 20 | | 20 | |
| 15 | 900 378 032 09 | Hexagon-head bolt M 6 X 50 | | 4 | |
| 16 | 900 378 111 09 | Hexagon-head bolt M 6 X 60 | | 2 | |
| (16) | 900 378 111 01 | Hexagon-head bolt M 6 X 60 | | 2 | |
| 17 | 996 105 329 70 | Lid | | 1 | |
| 18 | 980 107 071 00 | Return pipe Complete | | 1 | |
| 19 | 900 067 412 02 | Combination screw M 6 X 16 | | 2 | |
| 20 | 980 301 561 00 | Lock nut M 6 X 1 | | 2 | |
| 21 | 900 060 046 09 | Stud M 6 X 13 | | 2 | |
| 22 | 900 331 049 40 | O-ring 60 X 2 | | 4 | |

Model: 980 04

Model life 2004>>2006



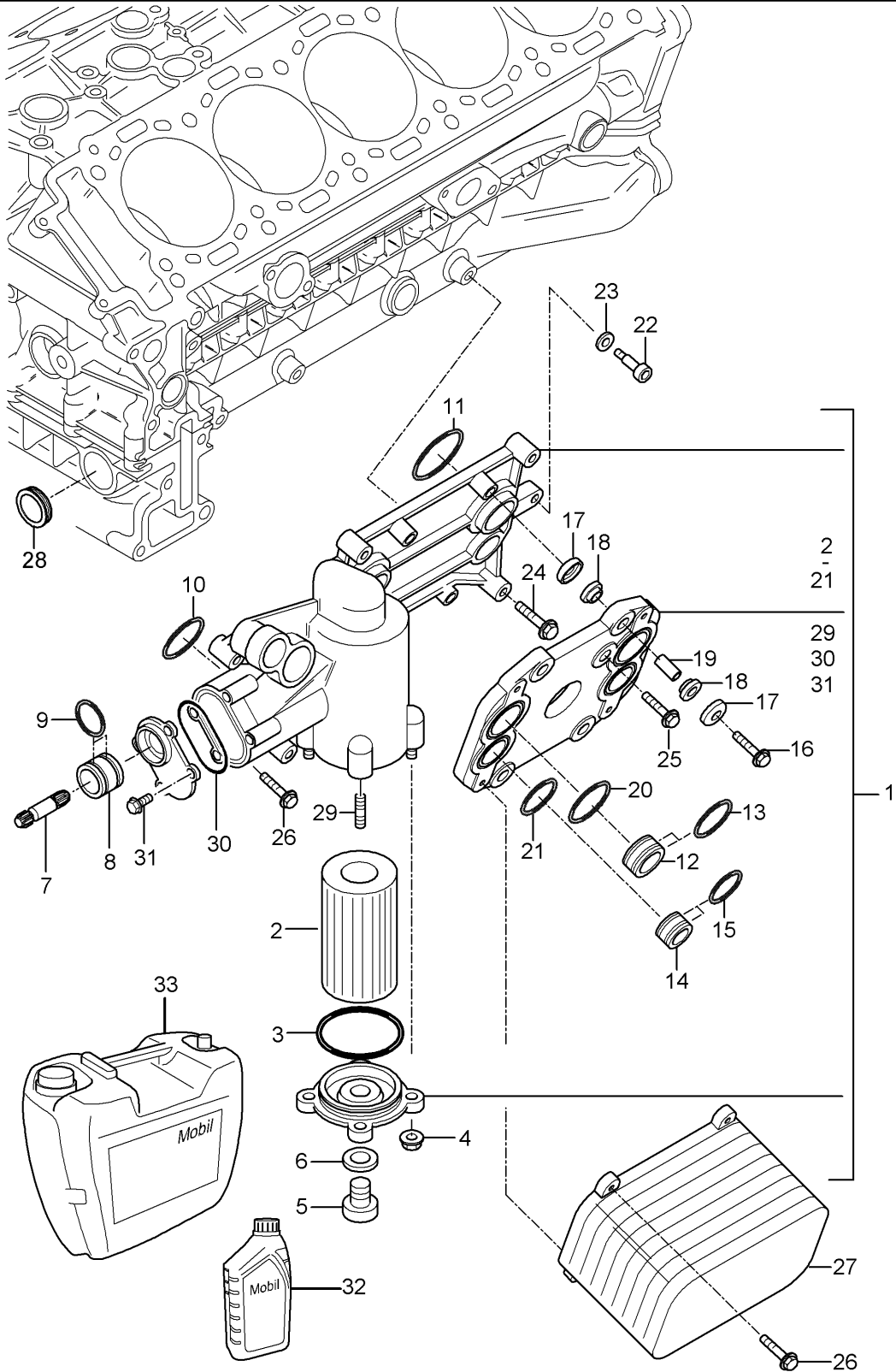
Model: 980 04

Model life 2004>>2006

| Pos | Part Number | Description | Remark | Qty | Model |
|-----|----------------|--|--------|-----|--------|
| | | Engine lubrication | | | M80.01 |
| 1 | 980 107 061 02 | Air/oil separator Air/oil separator Complete | | 1 | |
| 2 | 980 107 823 00 | Valve | | 1 | |
| 3 | 900 123 060 30 | Sealing ring A 24 X 29 | | 1 | |
| 4 | 980 107 169 00 | Joining socket | | 1 | |
| 5 | 980 107 907 00 | O-ring 25 X 2,5 | | 2 | |
| 6 | 980 107 211 00 | Pressure valve | | 2 | |
| 7 | 980 107 908 00 | O-ring 20 x 3 | | 2 | |
| 8 | 900 067 003 02 | Pan-head screw M 5 X 15 | | 4 | |
| 9 | 900 025 003 02 | Washer A 5,3 | | 4 | |
| 9 | 900 025 080 01 | Washer A 5,3 | | 4 | |
| 10 | 980 107 165 00 | Lid | | 1 | |
| 11 | 980 301 399 00 | Gasket | | 1 | |
| 12 | 980 301 561 00 | Lock nut M 6 X 1 | | 6 | |
| 13 | 980 107 385 00 | Rubber sleeve | | 1 | |
| 14 | 980 107 167 02 | Hose Mount Intake distributor | /L | 1 | |
| 15 | 999 512 552 00 | Hose clamp 20 - 32 X 9 | | 6 | |
| 15 | 999 512 552 01 | Hose clamp 20 - 32 X 9 | | 6 | |
| 16 | 980 107 168 02 | Hose Mount Intake distributor | /R | 1 | |
| 17 | 980 107 224 00 | Breather hose Crankcase | | 1 | |

Model: 980 04

Model life 2004>>2006



Model: 980 04 Model life 2004>>2006

| Pos | Part Number | Description | Remark | Qty | Model |
|-----|----------------|-------------------|--------|-----|--------|
| | | Oil filter | | | M80.01 |
| | | Bracket | | | |
| 1 | 980 107 043 04 | Heat exchanger | | 1 | |
| 2 | 996 107 225 52 | Bracket | | 1 | |
| (2) | 996 107 225 53 | Filter element | | 1 | |
| 3 | 900 331 042 40 | Filter element | | 1 | |
| | | O-ring | | 1 | |
| | | 65 X 2,5 | | | |
| 4 | 900 380 015 09 | Hexagon nut | | 4 | |
| | | M 6 | | | |
| 4 | 900 380 015 01 | Hexagon nut | | 4 | |
| | | M 6 | | | |
| 5 | 900 219 006 02 | Screw plug | | 1 | |
| | | M 12 X 1,5 X 15 | | | |
| 5 | 900 219 006 01 | Screw plug | | 1 | |
| | | M 12 X 1,5 X 15 | | | |
| 6 | 900 123 006 25 | Sealing ring | | 1 | |
| | | A 12 X 18 X 1,5 | | | |
| 7 | 980 107 107 01 | Drive shaft | | 1 | |
| 8 | 980 107 108 02 | Protective tube | | 1 | |
| 9 | 999 707 565 40 | O-ring | | 2 | |
| | | 26 X 2 | | | |
| 10 | 900 331 045 40 | O-ring | | 1 | |
| | | 39,2 X 3 | | | |
| 11 | 900 331 046 40 | O-ring | | 1 | |
| | | 33 X 3,5 | | | |
| 12 | 980 107 153 00 | Joining socket | | 3 | |
| | | NW 25 | | | |
| 13 | 900 331 047 40 | O-ring | | 6 | |
| | | 27 X 3 | | | |
| 14 | 980 107 151 00 | Joining socket | | 3 | |
| | | NW 20 | | | |
| 15 | 900 331 048 40 | O-ring | | 6 | |
| | | 22 X 3 | | | |
| 16 | 900 378 174 09 | Hexagon-head bolt | | 4 | |
| | | AM 6 X 35 | | | |
| 17 | 980 107 387 00 | Washer | | 8 | |
| 18 | 996 107 385 97 | Rubber mounting | | 8 | |
| 19 | 996 107 389 91 | Bearing sleeve | | 4 | |
| | | 6,2 X 12,8 | | | |
| 20 | 900 331 043 40 | O-ring | | 2 | |
| | | 39 X 2,5 | | | |
| 21 | 900 331 044 40 | O-ring | | 2 | |
| | | 33 X 2,5 | | | |
| 22 | 999 217 159 00 | Fit bolt | | 2 | |
| | | M 6 X 16 | | | |
| 23 | 900 025 042 02 | Washer | | 2 | |
| | | 8 | | | |
| 24 | 900 378 055 09 | Hexagon-head bolt | | 5 | |
| | | AM 8 X 40 | | | |
| 25 | 900 378 177 09 | Hexagon-head bolt | | 1 | |
| | | AM 6 X 30 | | | |
| 26 | 900 378 030 09 | Hexagon-head bolt | | 5 | |
| | | M 6 X 20 | | | |
| 27 | 980 107 025 01 | Heat exchanger | | 1 | |
| 28 | 996 105 329 70 | Lid | | 1 | |
| 29 | 980 107 115 00 | Stud | | 4 | |
| | | M 6 X 17 | | | |
| 30 | 900 331 040 40 | O-ring | | 1 | |
| | | 48 X 2,5 | | | |
| 31 | 900 378 035 09 | Hexagon-head bolt | | 4 | |
| | | M 6 X 16 | | | |
| 32 | 000 043 301 19 | Engine oil | | X | |

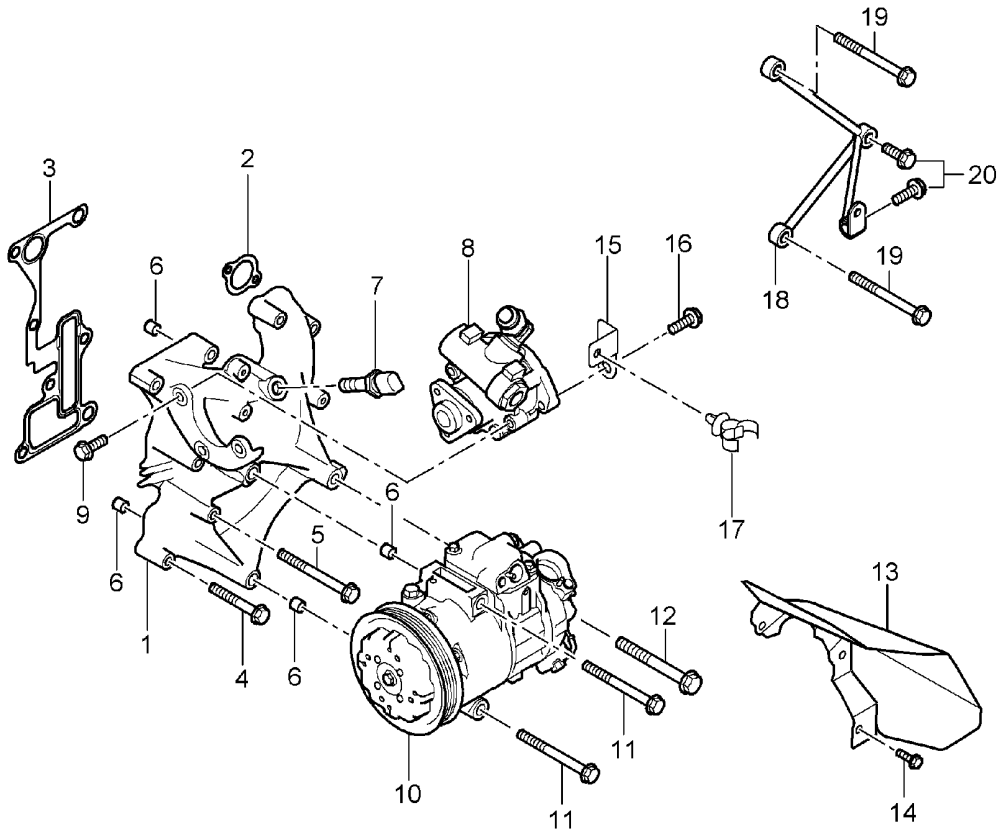
Model: 980 04

Model life 2004>>2006

| Pos | Part Number | Description | Remark | Qty | Model |
|------|----------------|---|--------|-----|-------|
| (32) | 000 043 303 16 | EXXON MOBIL 1 0W-40 1 LITER Container Information available Engine oil | | X | |
| 33 | 000 043 301 21 | EXXON MOBIL 1 0W-40 1 qt US gallon Container Information available Engine oil | | X | |
| | | EXXON MOBIL 1 0W-40 20 LITER Container Information available | | | |

Model: 980 04

Model life 2004>>2006

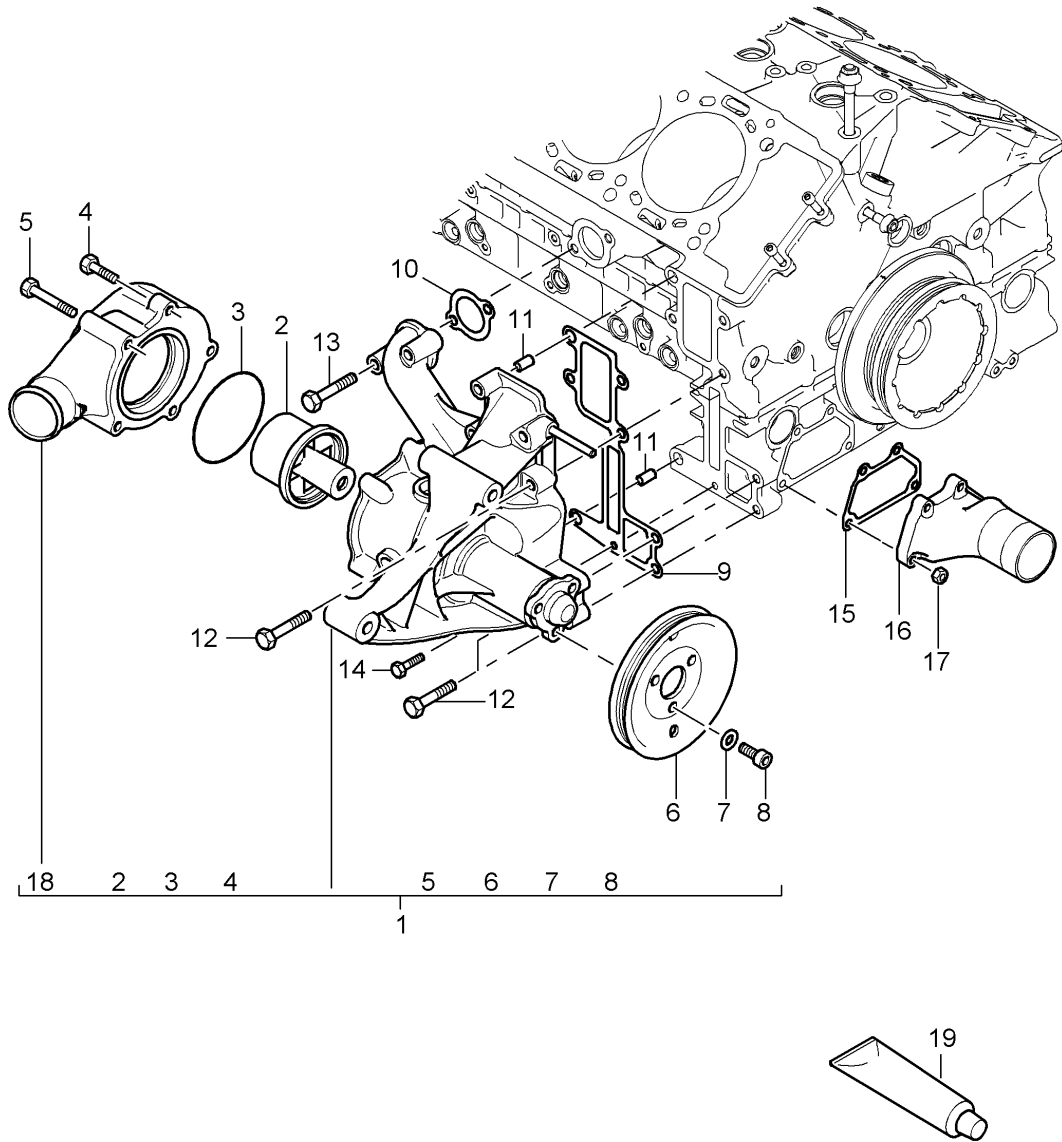


Model: 980 04 Model life 2004>>2006

| Pos | Part Number | Description | Remark | Qty | Model |
|-----|----------------|--------------------------------|--------|-----|--------|
| | | Bracket | | | M80.01 |
| | | Power-steering pump | | | |
| | | Compressor | | | |
| | | Air conditioner | | | |
| 1 | 980 147 151 02 | Bracket | | 1 | I572 |
| (1) | 980 147 153 00 | Bracket | | 1 | I574 |
| 2 | 980 106 421 00 | Flange gasket | | 1 | |
| 3 | 980 101 411 00 | Flange gasket | | 1 | |
| 4 | 900 378 224 09 | Hexagon-head bolt AM 8 X 50 | | 5 | |
| 5 | 900 378 104 09 | Hexagon-head bolt AM 8 X 80 | | 4 | I572 |
| (5) | | Hexagon-head bolt AM 8 X 80 | | 2 | I574 |
| 6 | 999 095 063 02 | Dowel sleeve 11M 6 X 10 | | 4 | |
| 6 | 999 095 063 01 | Dowel sleeve 11M 6 X 10 | | 4 | |
| 7 | 996 606 410 00 | Temperature sensor | | 1 | |
| 8 | | See group 4/03/03 | | 1 | |
| 9 | 900 378 022 09 | Hexagon-head bolt AM 8 X 25 | | 3 | |
| 10 | | See group 8/13/15 | | 1 | |
| 11 | 900 378 075 09 | Hexagon-head bolt M 8 X 90 | | 2 | |
| 12 | 900 378 142 09 | Hexagon-head bolt M 10 X 90 | | 1 | |
| 13 | 980 111 263 00 | Heat shield | | 1 | |
| 14 | 900 378 036 09 | Hexagon-head bolt M 6 X 12 | | 3 | |
| 15 | 477 971 885 | Support | | 1 | I572 |
| 16 | 900 378 123 09 | Hexagon-head bolt M 8 X 12 | | 1 | I572 |
| 17 | 999 511 239 40 | Cable holder 6 - 12 | | 1 | |
| 18 | 980 147 253 00 | Bracket | | 1 | I574 |
| | | Power-steering pump | | | |
| 19 | 900 378 137 09 | Hexagon-head bolt AM 8 X 95 | | 2 | I574 |
| 20 | 900 378 033 09 | Hexagon-head bolt AM 8 X 30 | | 2 | I574 |
| 20 | 900 378 033 01 | Hexagon-head bolt AM 8 X 30 | | 2 | I574 |

Model: 980 04

Model life 2004>>2006



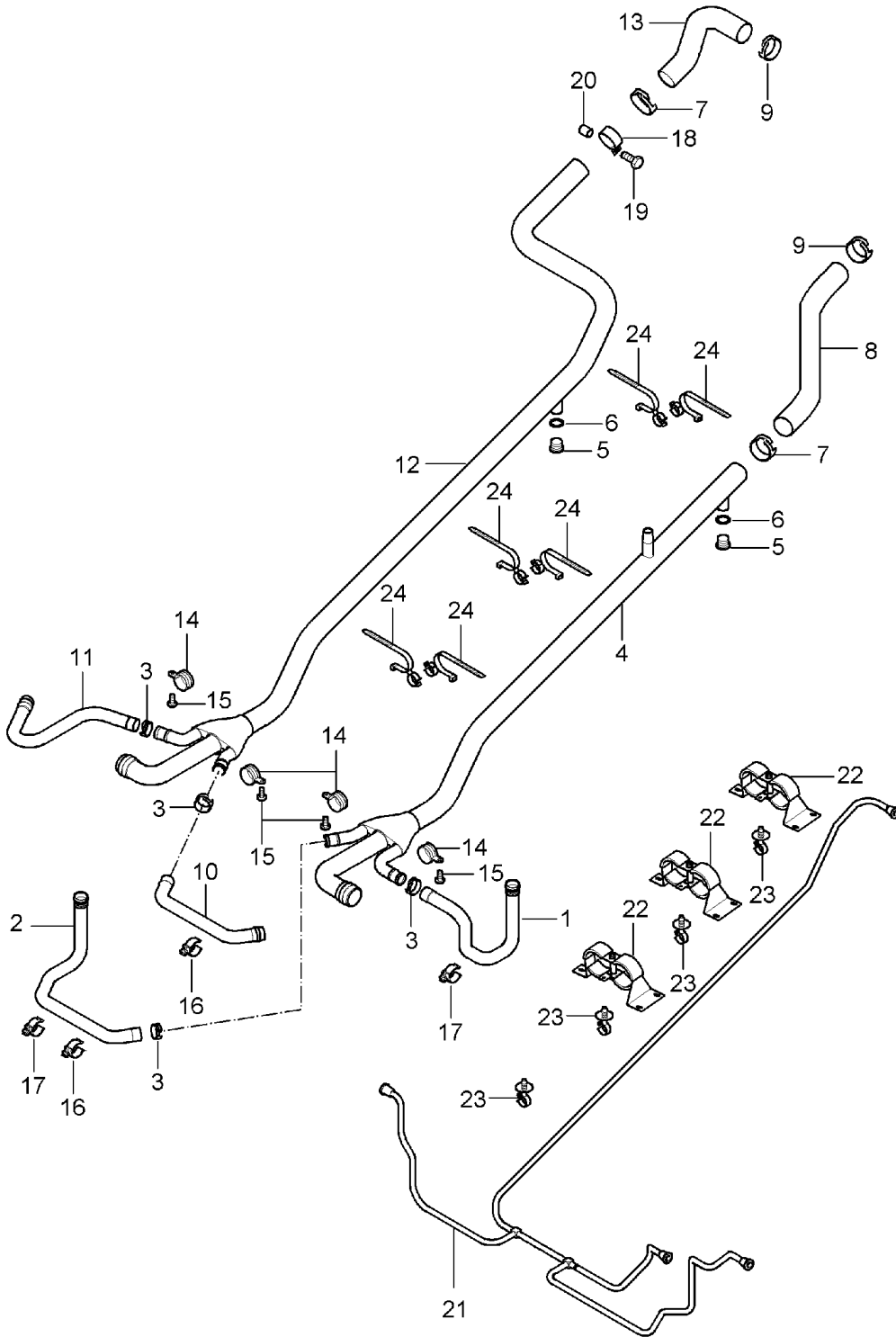
Model: 980 04

Model life 2004>>2006

| Pos | Part Number | Description | Remark | Qty | Model |
|-----|----------------|---|--------|-----|--------|
| | | Water pump Thermostat | | | M80.01 |
| 1 | 980 106 011 04 | Water pump | | 1 | |
| 2 | 980 106 125 01 | Thermostat insert | | 1 | |
| (2) | 980 106 125 03 | Thermostat insert | | 1 | |
| 2 | 997 106 225 8A | Thermostat insert | | 1 | |
| 3 | 900 331 037 40 | O-ring 101 X 3 | | 1 | |
| 4 | 900 378 174 09 | Hexagon-head bolt M 6 X 35 | | 3 | |
| 5 | 900 378 151 09 | Hexagon-head bolt AM 6 X 70 | | 2 | |
| (5) | 900 385 027 01 | Torx screw BM 6 X 70 | | 2 | |
| 6 | 980 106 106 00 | Pulley | | 1 | |
| 7 | 900 031 001 02 | Washer 8,4 | | 3 | |
| 7 | 900 031 105 01 | Washer 8,4 | | 3 | |
| 8 | 900 119 052 02 | Pan-head screw M 8 X 16 | | 3 | |
| (8) | 900 119 052 01 | Pan-head screw M 8 X 16 | | 6 | |
| 9 | 980 106 411 00 | Flange gasket | | 1 | |
| 10 | 980 106 421 00 | Flange gasket | | 1 | |
| 11 | 999 095 063 02 | Dowel sleeve 11 M6 X 10 | | 2 | |
| 11 | 999 095 063 01 | Dowel sleeve 11 M6 X 10 | | 2 | |
| 12 | 900 378 055 09 | Hexagon-head bolt AM 8 X 40 | | 3 | |
| 13 | 900 378 224 09 | Hexagon-head bolt AM 8 X 50 | | 6 | |
| 14 | 900 378 177 09 | Hexagon-head bolt AM 6 X 30 | | 1 | |
| 15 | 980 106 431 01 | Flange gasket | | 1 | |
| 16 | 980 106 231 00 | Flange | | 1 | |
| 17 | 900 377 010 09 | Hexagon nut M 6 | | 4 | |
| 18 | 980 106 921 00 | Thermostat housing | | 1 | |
| 19 | 000 043 205 93 | Grease 1 100-gramme tube KLUEBERPLUS S 06-100 | | X | |

Model: 980 04

Model life 2004>>2006



Model: 980 04

Model life 2004>>2006

| Pos | Part Number | Description | Remark | Qty | Model |
|-----|----------------|---|--------|-----|-------|
| 1 | 980 106 621 02 | Water cooling 1 Water hose Supply Mount Radiator Left Upper | /L | 1 | |
| 2 | 980 106 622 02 | Water hose Supply Mount Radiator Right Upper | /R | 1 | |
| 3 | 999 512 700 09 | Clip 35 X 12 | | 4 | |
| 4 | 980 106 311 02 | Water tube Supply | | 1 | |
| 5 | 900 219 006 02 | Screw plug M 12 X 1,5 | | 2 | |
| 5 | 900 219 006 01 | Screw plug M 12 X 1,5 | | 2 | |
| 6 | 900 123 101 30 | Sealing ring A 12 X 18 | | 2 | |
| 7 | 999 512 702 09 | Clip 58 X 15 | | 2 | |
| 8 | 980 106 629 00 | Water hose Supply Flange Crankcase | | 1 | |
| 9 | 999 512 690 00 | Hose clamp 50 - 70 X 12 | | 2 | |
| 10 | 980 106 623 02 | Water hose Return line Mount Radiator Left Lower | /L | 1 | |
| - | 980 106 513 00 | Retainer spring Quick-connecting lock Water hose Return line | | 1 | |
| 11 | 980 106 624 01 | Water hose Return line Mount Radiator Right Lower | /R | 1 | |
| - | 980 106 513 00 | Retainer spring Quick-connecting lock Water hose Return line | | 1 | |
| 12 | 980 106 315 01 | Water tube Return line | | 1 | |
| 13 | 980 106 631 01 | Water hose Return line | | 1 | |
| 14 | 999 511 256 00 | Water pump Pipe clamp 28 | | 4 | |
| 15 | 999 015 026 09 | Oval-head screw M 6 X 16 | | 4 | |
| 16 | 996 106 414 55 | Support | | 2 | |
| 17 | 980 106 414 00 | Support | | 2 | |
| 18 | 999 511 254 00 | Pipe clamp | | 1 | |

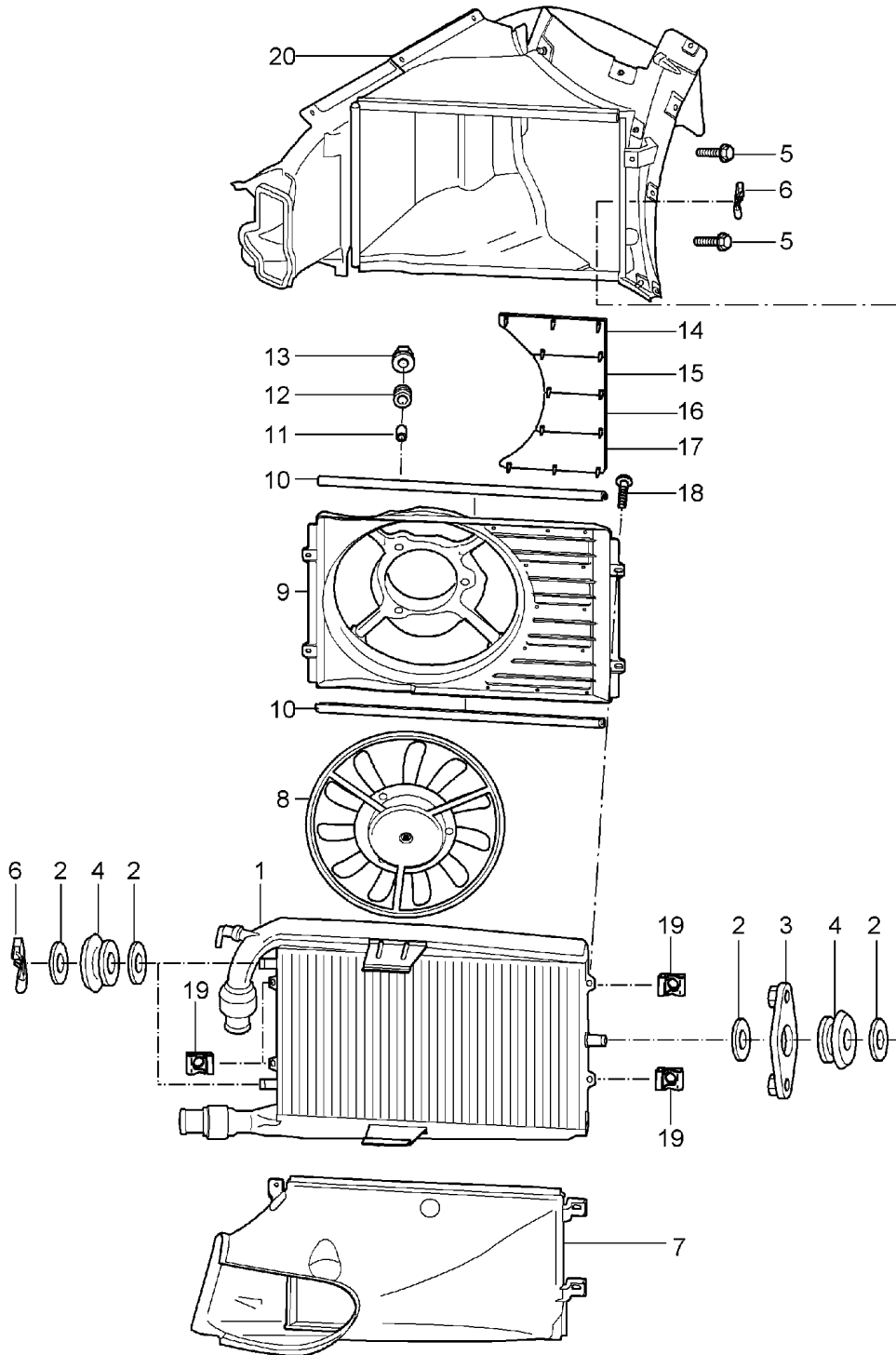
Model: 980 04

Model life 2004>>2006

| Pos | Part Number | Description | Remark | Qty | Model |
|-----|----------------|-------------------------------------|--------|-----|-------|
| 19 | 900 378 157 09 | 48 Hexagon-head bolt M 6 X 25 | | 1 | |
| 20 | 980 106 761 00 | Spacer | | 1 | |
| 21 | 980 106 227 04 | Vent line | | 1 | |
| 22 | | See illustrations 8/13/00 | | 3 | |
| 23 | 999 507 970 40 | Line bracket 12,5 - 13,5 | | 4 | |
| 24 | 999 511 238 40 | Hose holder 10 - 52 / 13 | | 6 | |

Model: 980 04

Model life 2004>>2006



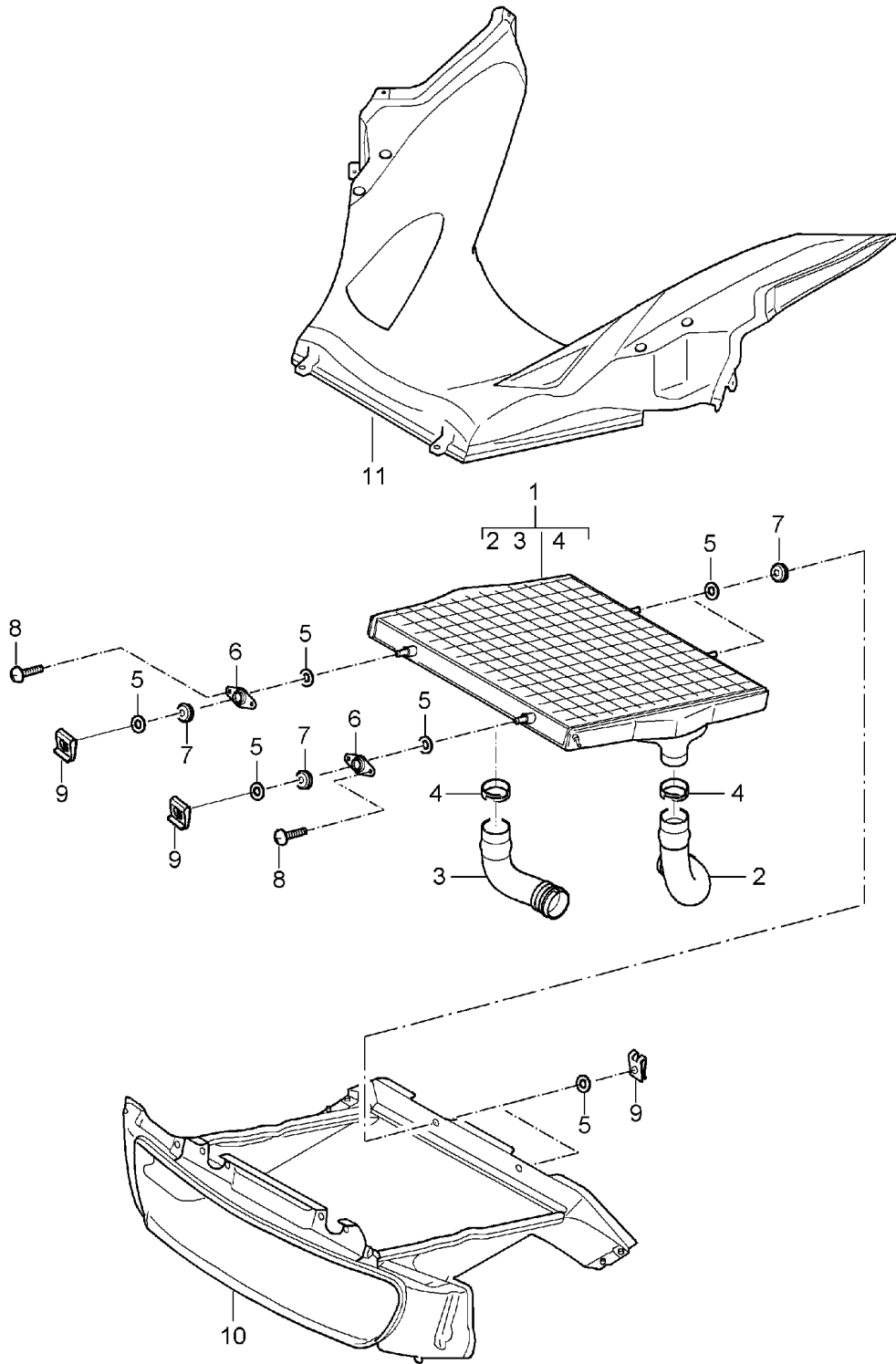
Model: 980 04

Model life 2004>>2006

| Pos | Part Number | Description | Remark | Qty | Model |
|------|----------------|---|--------|-----|-------|
| 1 | 980 106 031 02 | Water cooling 2 Radiator | /L | 1 | |
| (1) | 980 106 032 02 | Radiator | /R | 1 | |
| 2 | 999 025 255 02 | Washer 16,1 X 32 X 0,5 | | 12 | |
| 3 | 980 106 235 00 | Retaining bracket | | 2 | |
| 4 | 999 702 214 40 | Grommet 14 X 20,5 X 7,5 | | 6 | |
| 5 | 900 378 204 A2 | Hexagon-head bolt M 6 X 12 | | 4 | |
| 6 | 999 166 083 09 | Tab washer SLB 14 | | 6 | |
| 7 | | See illustrations 8/01/03 | | 1 | |
| 8 | 980 624 128 01 | Fan | /L | 1 | |
| (8) | 980 624 127 01 | Fan | /R | 1 | |
| 9 | 980 504 641 02 | Fan carrier | | 2 | |
| 10 | 000 043 206 07 | Edge protection profile 11 X 6 X 15 X 390 MM | | 4 | |
| 11 | 996 624 175 00 | Bush | | 6 | |
| 12 | 996 624 173 00 | Rubber mounting | | 6 | |
| 13 | 900 377 001 A2 | Hexagon nut M 6 | | 6 | |
| 14 | 996 624 158 00 | Air flap | /L | 1 | |
| (14) | 996 624 157 00 | Air flap | /R | 1 | |
| 15 | 996 624 164 00 | Air flap | /L | 1 | |
| (15) | 996 624 163 00 | Air flap | /R | 1 | |
| 16 | 996 624 162 00 | Air flap | /L | 1 | |
| (16) | 996 624 161 00 | Air flap | /R | 1 | |
| 17 | 996 624 160 00 | Air flap | /L | 1 | |
| (17) | 996 624 159 00 | Air flap | /R | 1 | |
| 18 | 999 073 231 09 | Tapping screw ST 4,8 X 16 | | 8 | |
| 19 | 999 591 489 02 | Speed nut ST 4,8 | | 8 | |
| (19) | 999 591 489 01 | Speed nut ST 4,8 | | 8 | |
| 20 | | See illustrations 8/01/03 | | 1 | |

Model: 980 04

Model life 2004>>2006



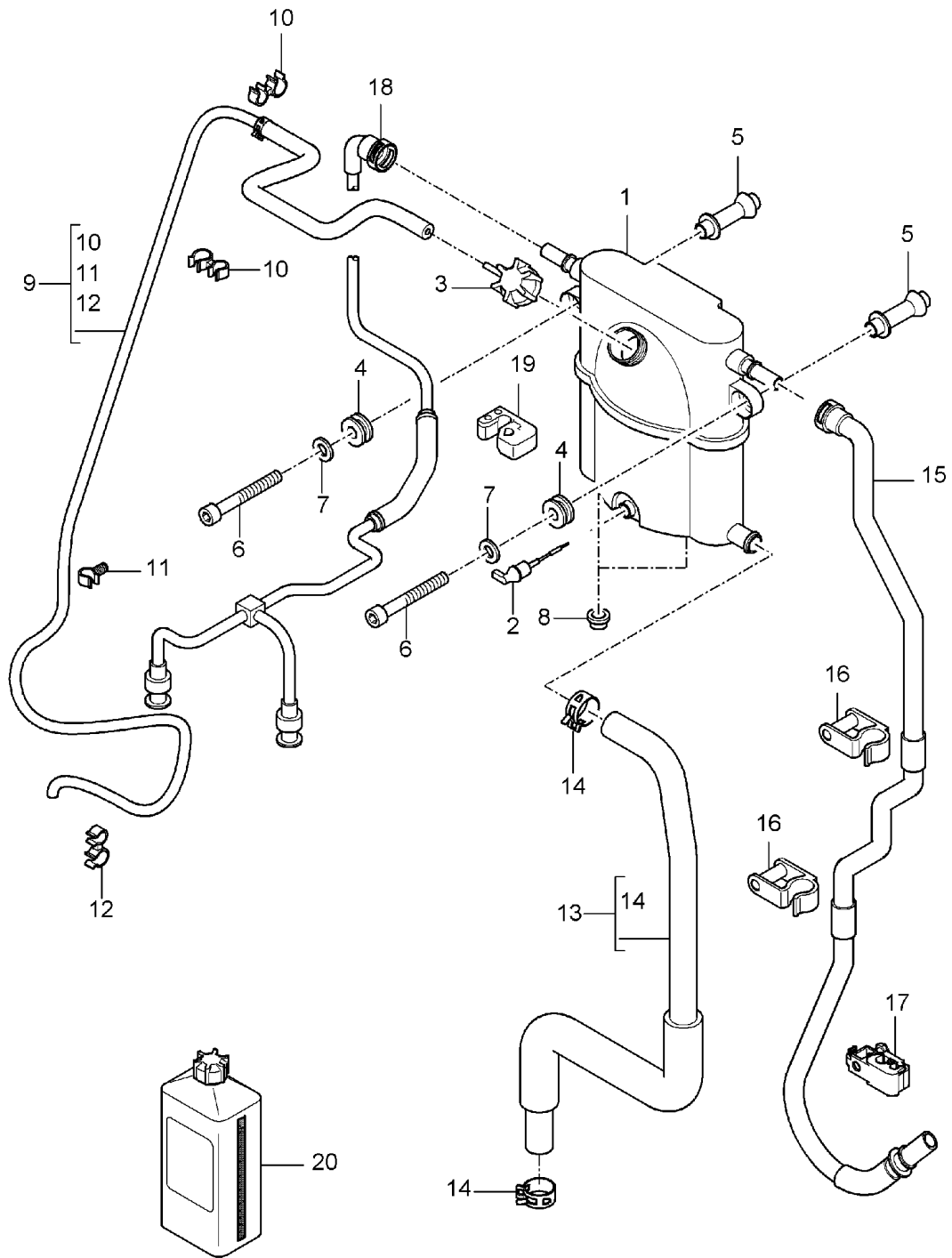
Model: 980 04

Model life 2004>>2006

| Pos | Part Number | Description | Remark | Qty | Model |
|-----|----------------|-------------------------------|--------|-----|-------|
| | | Radiator Centre | | | |
| 1 | 980 106 037 02 | Radiator | | 1 | |
| 2 | 980 106 625 01 | Water hose Supply | | 1 | |
| 3 | 980 106 627 01 | Water hose Return line | | 1 | |
| 4 | 999 512 701 09 | Clip 47 X 12 | | 2 | |
| 5 | 999 025 255 02 | Washer 16,1 X 32 X 0,5 | | 8 | |
| 6 | 980 106 235 00 | Retaining bracket | | 2 | |
| 7 | 999 702 214 40 | Grommet 14 X 20,5 X 7,5 | | 4 | |
| 8 | 900 378 204 A2 | Hexagon-head bolt M 6 X 12 | | 4 | |
| 9 | 999 166 083 09 | Tab washer SLB 14 | | 4 | |
| 10 | | See illustrations 8/01/03 | | 1 | |
| 11 | | See illustrations 8/01/03 | | 1 | |

Model: 980 04

Model life 2004>>2006

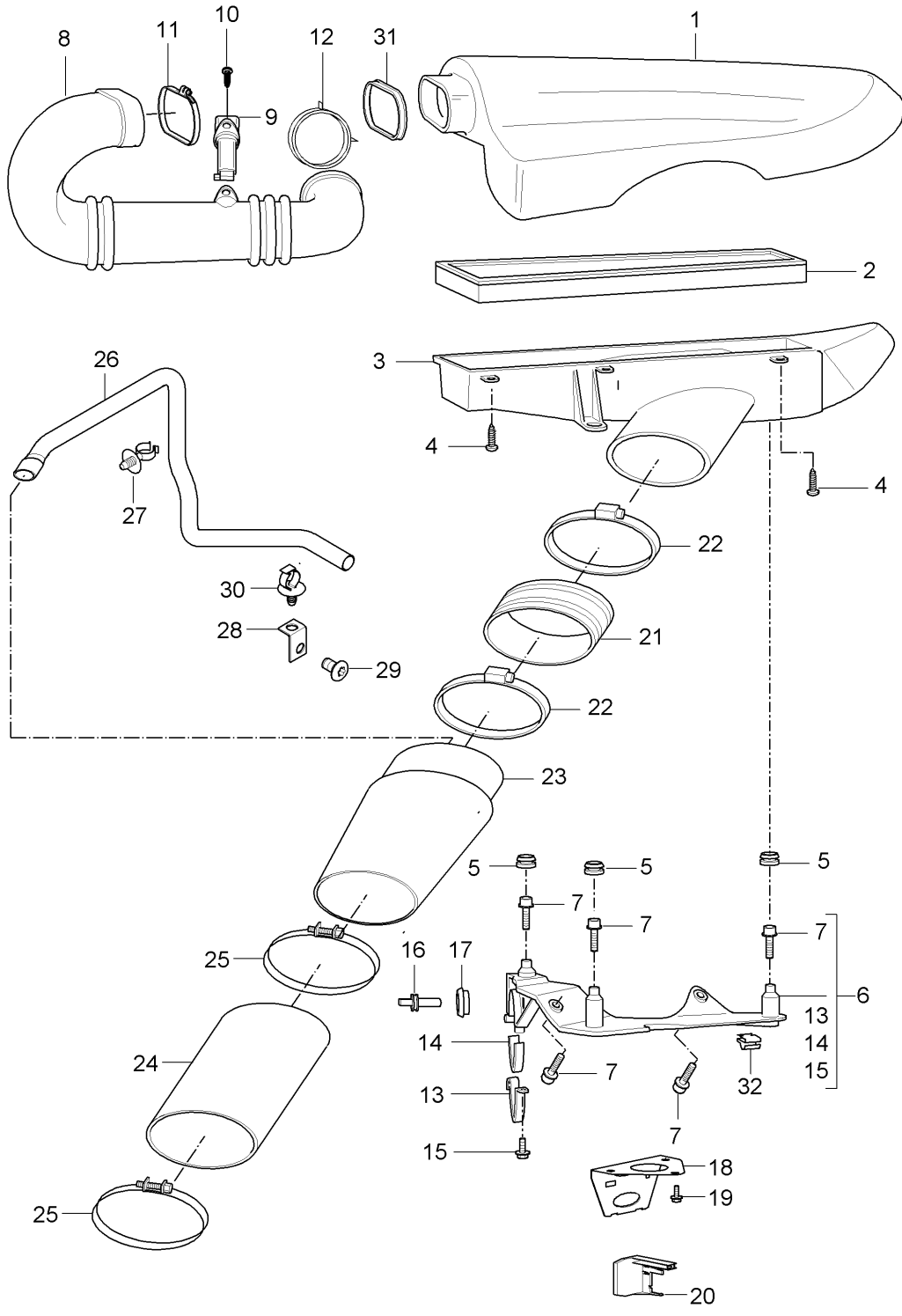


Model: 980 04 Model life 2004>>2006

| Pos | Part Number | Description | Remark | Qty | Model |
|------|----------------|-------------------|--------|-----|-------|
| | | Water cooling 3 | | | |
| | | Water reservoir | | | |
| 1 | 980 106 151 03 | Expansion tank | | 1 | |
| 2 | 996 641 503 00 | Switch | | 1 | |
| (2) | 997 641 503 00 | Switch | | 1 | |
| 3 | 980 106 391 00 | Lid | | 1 | |
| 4 | 999 702 246 40 | Grommet | | 2 | |
| | | 12 X 17 X 3 | | | |
| 5 | 980 106 771 01 | Sleeve | | 2 | |
| 6 | 900 067 082 02 | Pan-head screw | | 2 | |
| | | M 6 X 65 | | | |
| 7 | 900 151 006 09 | Washer | | 2 | |
| | | 6,4 | | | |
| 8 | 999 703 496 40 | Rubber mounting | | 2 | |
| | | 10 X 9,5 X 17 | | | |
| 9 | 980 106 123 00 | Overflow hose | | 1 | |
| 10 | 999 507 112 40 | Line bracket | | 2 | |
| 11 | 999 507 045 40 | Line bracket | | 1 | |
| 12 | 999 507 821 40 | Line bracket | | 1 | |
| 13 | 980 106 850 00 | Water hose | | 1 | |
| | | Water pump | | | |
| 14 | 999 512 551 00 | Hose clamp | | 2 | |
| | | 25 - 40 | | | |
| 15 | 980 106 229 03 | Vent line | | 1 | |
| 16 | 999 591 964 40 | Support | | 2 | |
| 17 | 996 347 543 00 | Cable holder | | 1 | |
| - | 999 919 213 A2 | Stud | | 3 | |
| | | T 5 X 20 | | | |
| 18 | | See illustrations | | 1 | |
| | | 1/03/05 | | | |
| - | 999 507 683 40 | Cable holder | | 1 | |
| | | 6,4 | | | |
| 19 | 999 591 922 40 | Support | | 1 | |
| | | 4,8 / 8,0 | | | |
| - | 999 919 213 A2 | Stud | | 1 | |
| | | T 5 X 20 | | | |
| 20 | 000 043 203 78 | Antifreeze | | X | |
| | | 1 LITER | | | |
| | | Container | | | |
| (20) | 000 043 300 88 | Antifreeze | | X | |
| | | 1 GALLON | | | |
| | | Container | | | |
| (20) | 000 043 300 31 | Antifreeze | | X | |
| | | 20 LITER | | | |
| | | Container | | | |
| (20) | 000 043 301 03 | Antifreeze | | X | |
| | | 1 LITER | | | |
| | | Container | | | |
| (20) | 000 043 301 05 | Antifreeze | | X | |
| | | 1 GALLON | | | |
| | | Container | | | |
| (20) | 000 043 301 04 | Antifreeze | | X | |
| | | 20 LITER | | | |
| | | Container | | | |
| (20) | 000 043 301 47 | Antifreeze | | X | |
| | | 1 LTR. | | | |
| | | Container | | | |
| (20) | 000 043 301 49 | Antifreeze | | X | |
| | | 1 GALLON | | | |
| | | Container | | | |
| (20) | 000 043 301 48 | Antifreeze | | X | |
| | | 20 LTR. | | | |
| | | Container | | | |

Model: 980 04

Model life 2004>>2006



Model: 980 04 Model life 2004>>2006

| Pos | Part Number | Description | Remark | Qty | Model |
|------|----------------|--|--------|-----|-------|
| 1 | 980 110 913 00 | Air cleaner system Air cleaner cover Set Comprising: Air cleaner cover Cylinders 6 - 10 And Air cleaner cover Cyl. 1 - 5 | | 1 | |
| 2 | 980 110 215 00 | Air cleaner cartridge Cylinders 6 - 10 | | 1 | |
| (2) | 980 110 214 00 | Air cleaner cartridge Cyl. 1 - 5 | | 1 | |
| 3 | 980 110 217 01 | Air cleaner Lower part Cylinders 6 - 10 | | 1 | |
| (3) | 980 110 216 01 | Air cleaner Lower part Cyl. 1 - 5 | | 1 | |
| 4 | 980 110 651 00 | Lens-head screw | | 12 | |
| 5 | 980 110 623 00 | Rubber mounting | | 6 | |
| 6 | 980 110 027 01 | Mounting plate Cylinders 6 - 10 | | 1 | |
| (6) | 980 110 028 01 | Mounting plate Cyl. 1 - 5 | | 1 | |
| 7 | 980 110 625 00 | Pan-head screw | | 12 | |
| 8 | 980 110 263 01 | Intake manifold Cylinders 6 - 10 | | 1 | |
| (8) | 980 110 262 01 | Intake manifold Cyl. 1 - 5 | | 1 | |
| 9 | 986 606 125 01 | Mass air flow meter | | 2 | |
| 10 | 999 919 160 07 | Oval-head screw M 5 X 20 | | 4 | |
| 11 | 999 512 563 00 | Hose clamp 120-140 X 9,0 X 0,6 | | 2 | |
| 12 | 999 512 620 02 | Hose clamp 75-84 | | 2 | |
| 13 | 980 110 237 01 | Clip | | 2 | |
| 14 | 980 110 238 00 | Rubber support | | 2 | |
| 15 | 900 385 041 09 | Torx screw BM 6 X 12 | | 2 | |
| 16 | 996 606 113 01 | Temperature sensor Mount Mounting plate Cyl. 1 - 5 | | 1 | |
| (16) | 997 606 213 00 | Temperature sensor Mount Mounting plate Cyl. 1 - 5 | | 1 | |
| 17 | 996 110 530 90 | Grommet Temperature sensor | | 1 | |
| 18 | 980 606 208 01 | Support | | 2 | |
| 19 | 900 075 361 02 | Hexagon-head bolt M 5 X 12 | | 6 | |
| (19) | 900 075 361 01 | Hexagon-head bolt M 5 X 12 | | 6 | |
| 20 | 996 606 107 02 | Support Connector housing Oxygen sensor | | 2 | |
| 21 | 980 110 520 00 | Hose | | 2 | |
| 22 | 999 512 406 00 | Hose clamp A 100 - 120 | | 4 | |
| 23 | 980 110 321 00 | Water separator | | 2 | |

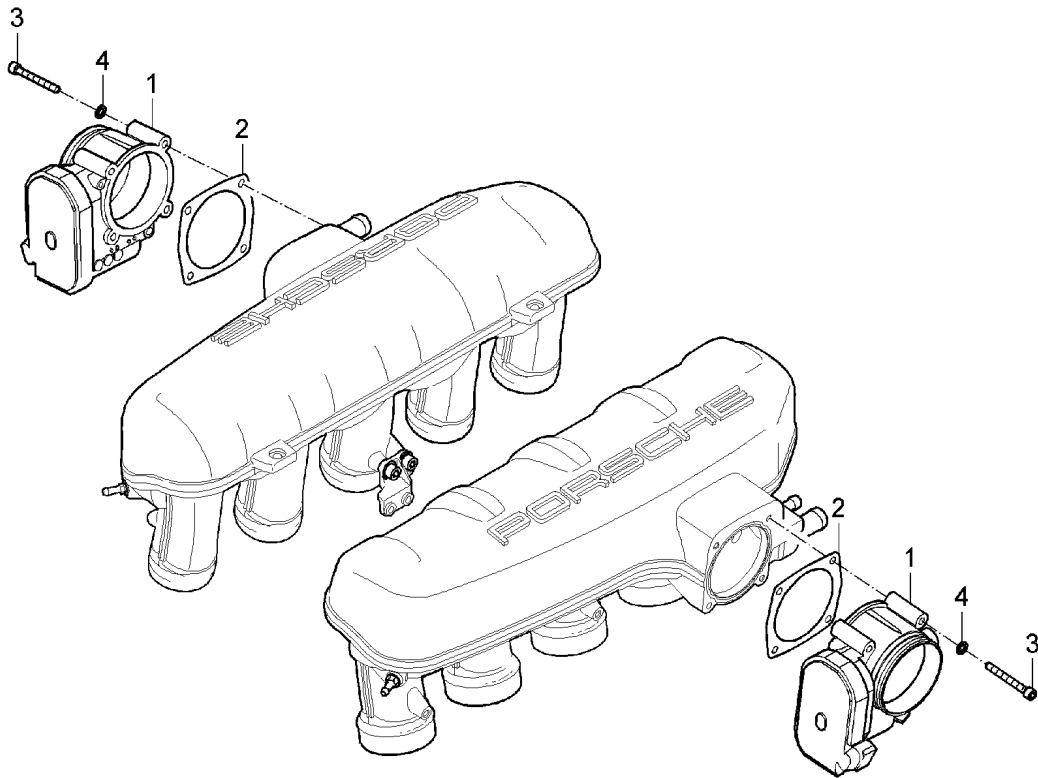
Model: 980 04

Model life 2004>>2006

| Pos | Part Number | Description | Remark | Qty | Model |
|------|----------------|--|--------|-----|-------|
| 24 | 980 110 550 00 | Moulded hose | | 2 | |
| 25 | 999 512 774 02 | Hose clamp 112 - 125 | | 4 | |
| 26 | 980 110 431 00 | Water drain hose | /L | 1 | |
| (26) | 980 110 432 00 | Water drain hose | /R | 1 | |
| 27 | 999 507 977 40 | Hose holder 16 | | 2 | |
| 28 | 980 110 421 00 | Retaining bracket | /L | 1 | |
| (28) | 980 110 422 00 | Retaining bracket | /R | 1 | |
| 29 | | See illustrations 8/01/75 | | X | |
| 30 | 999 511 240 40 | Cable holder 11 - 18 | | 2 | |
| 31 | 980 110 511 00 | Gasket | | 2 | |
| 32 | 999 507 625 02 | Cable holder 9,0 - 10,0 Mount Line Oxygen sensor | | 2 | |

Model: 980 04

Model life 2004>>2006



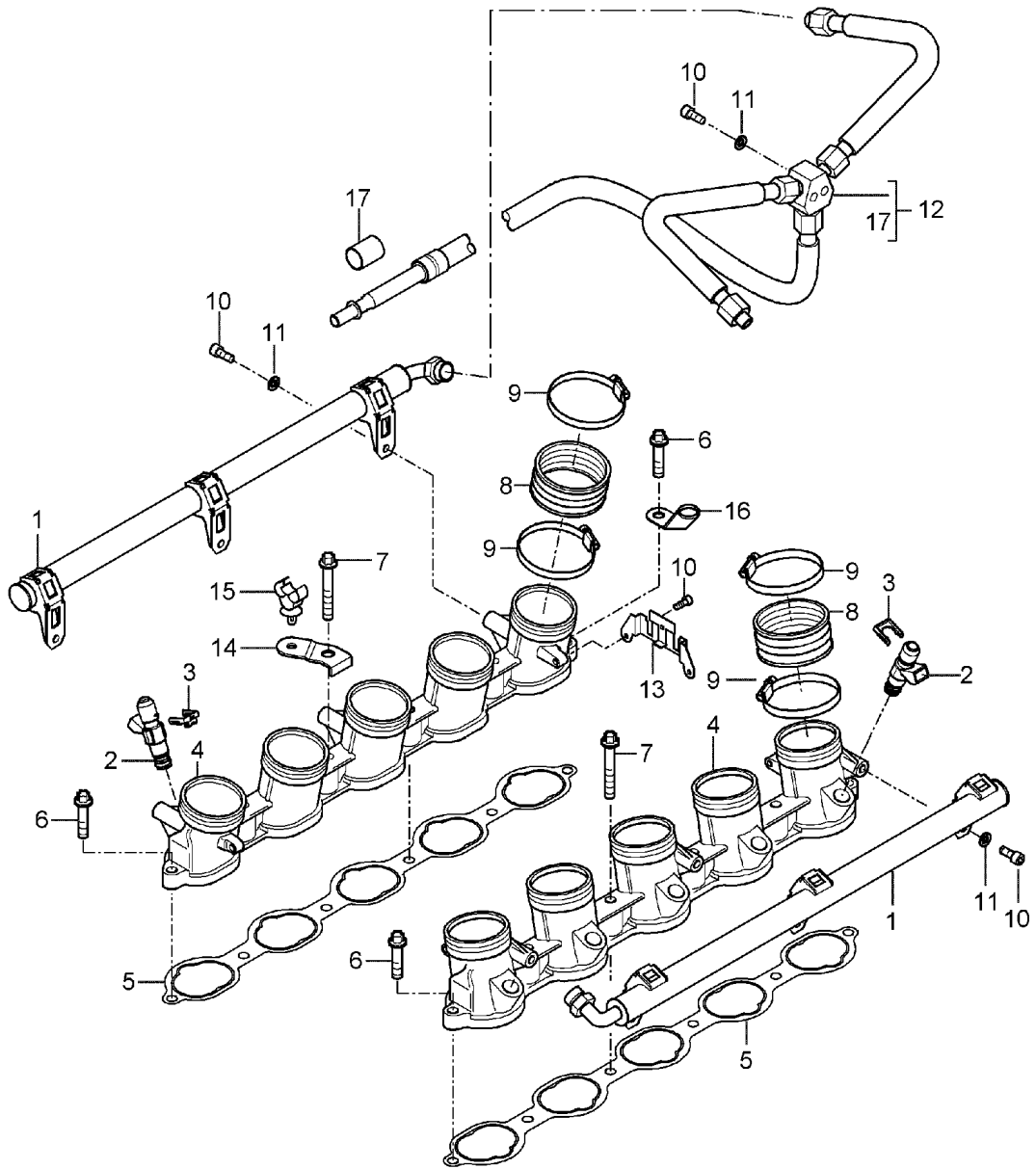
Model: 980 04

Model life 2004>>2006

| Pos | Part Number | Description | Remark | Qty | Model |
|-----|----------------|----------------|--------|-----|--------|
| 1 | 986 605 115 01 | Throttle body | | 2 | M80.01 |
| 2 | 980 110 417 00 | Throttle body | | 2 | |
| 3 | 900 119 110 02 | Flange gasket | | 2 | |
| | | Pan-head screw | | 8 | |
| | | M 6 X 52 | | | |
| 4 | N 011 524 7 | Washer | | 8 | |
| | | A 6,4 | | | |
| 4 | N 011 524 27 | Washer | | 8 | |
| | | A 6,4 | | | |

Model: 980 04

Model life 2004>>2006



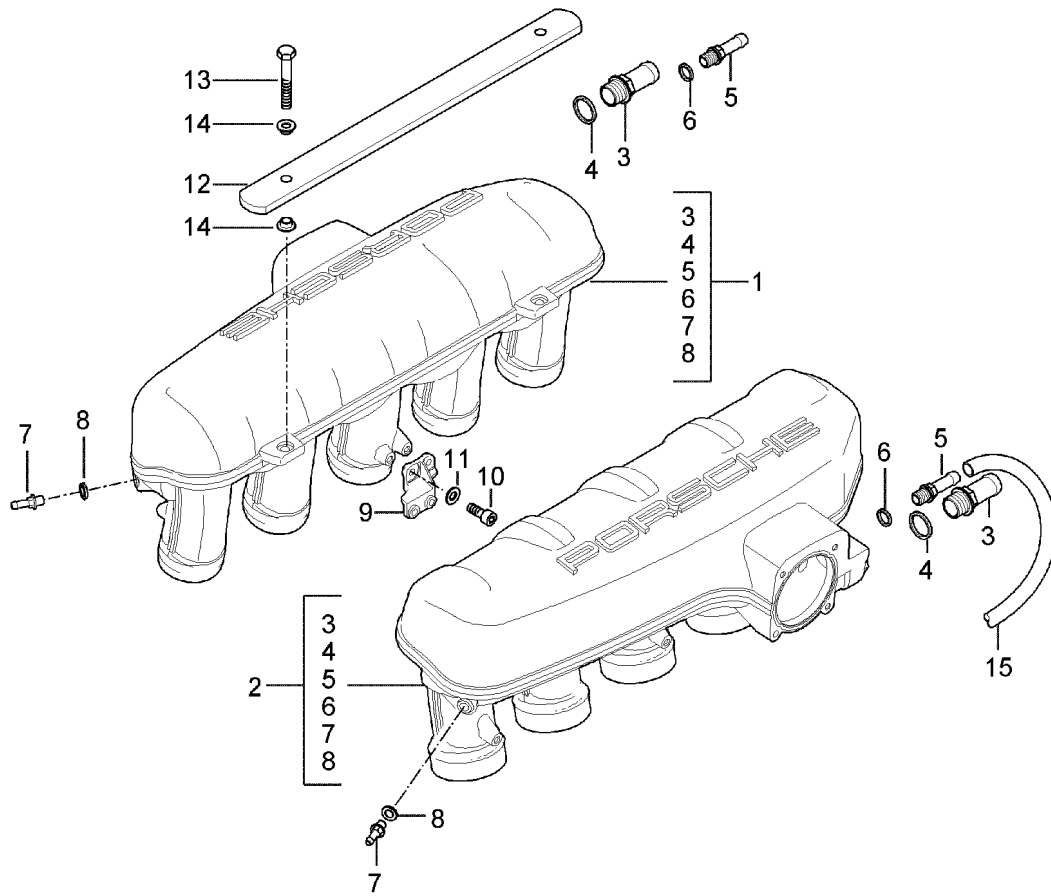
Model: 980 04

Model life 2004>>2006

| Pos | Part Number | Description | Remark | Qty | Model |
|------|----------------|----------------------------------|--------|-----|--------|
| | | Fuel collection pipe | | | M80.01 |
| 1 | 980 110 031 04 | Fuel collection pipe | | 2 | |
| 2 | 980 606 132 01 | Injector valve | | 10 | |
| 3 | 996 110 113 52 | Retaining clip | | 10 | |
| 4 | 980 110 120 02 | Intake manifold | | 2 | |
| 5 | 980 110 411 00 | Flange gasket | | 2 | |
| 6 | 900 385 006 02 | Torx screw BM 8 X 35 | | 4 | |
| 7 | 900 385 036 02 | Torx screw BM 8 X 55 | | 8 | |
| 8 | 980 110 621 00 | Rubber sleeve | | 10 | |
| 9 | 999 512 648 02 | Hose clamp 60 - 80 | | 20 | |
| (9) | 980 110 901 00 | Hose clamp 60 - 80 | | 20 | |
| 10 | 900 067 009 02 | Pan-head screw M 6 X 15 | | 10 | |
| 11 | 900 025 064 02 | Washer A 6,4 | | 8 | |
| 12 | 980 110 314 04 | Pressure line | | 1 | |
| (12) | 980 110 314 05 | Pressure line | | 1 | |
| 13 | 980 110 515 00 | Support Pulse sender | | 1 | |
| 14 | 980 110 545 00 | Support Pressure line | | 1 | |
| 15 | 999 511 240 40 | Cable holder 11,0 - 18,0 | | 1 | |
| 16 | | See illustrations 7/02/08 | | 1 | |
| 17 | 980 110 387 00 | Shrink-fit hose Pressure line | | 1 | |

Model: 980 04

Model life 2004>>2006



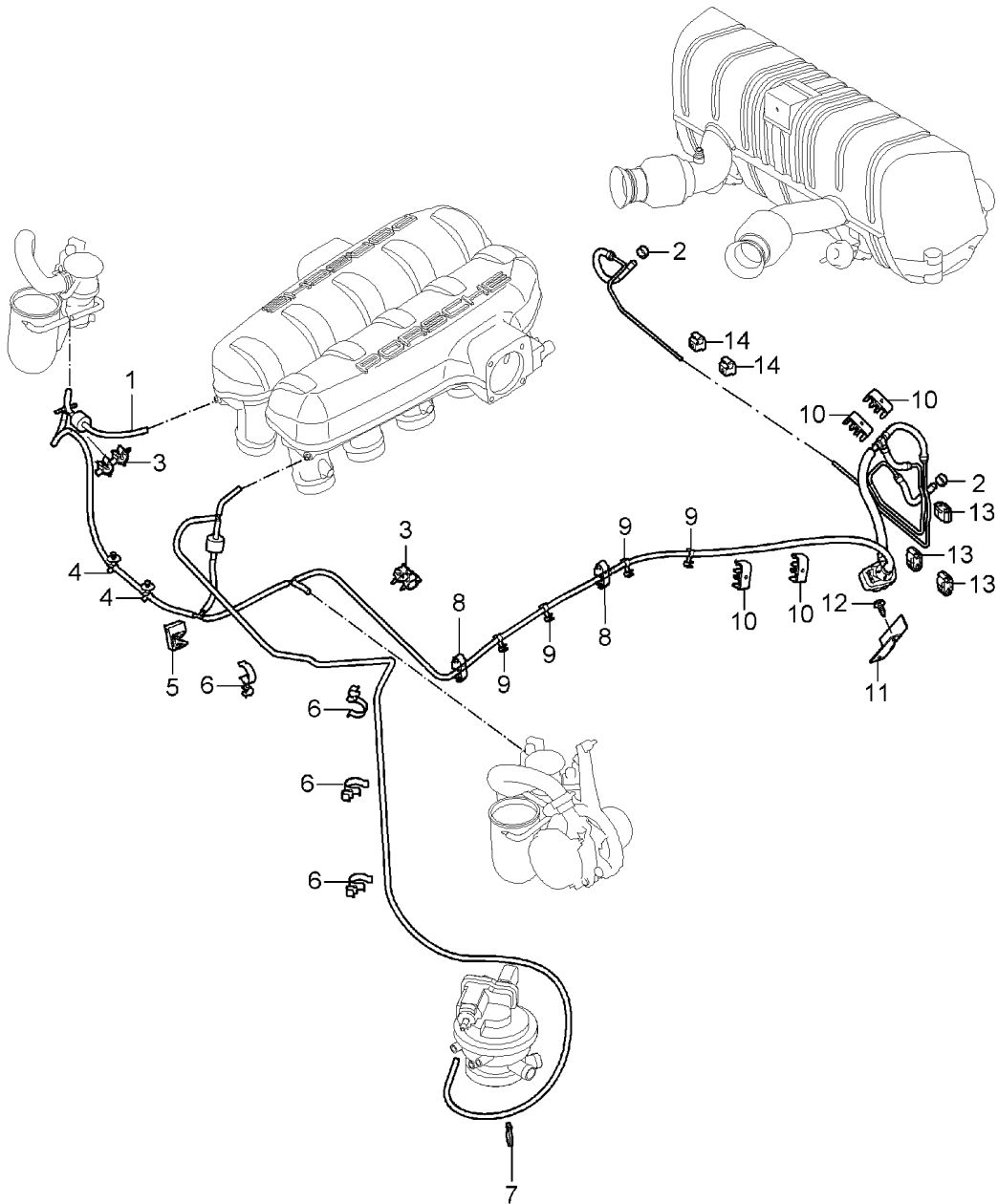
Model: 980 04

Model life 2004>>2006

| Pos | Part Number | Description | Remark | Qty | Model |
|-----|----------------|--|--------|-----|--------|
| 1 | 980 110 019 01 | Intake distributor | | 1 | M80.01 |
| 2 | 980 110 018 01 | Intake distributor Cyl. 1 - 5 | | 1 | |
| 3 | 980 110 231 01 | Intake distributor Cylinders 6 - 10 | | 2 | |
| 4 | 900 123 095 30 | Screw socket NW 16 | | 2 | |
| 5 | 980 110 233 01 | Sealing ring A 21 X 26 | | 2 | |
| 6 | 900 123 126 70 | Screw socket NW 8 | | 2 | |
| 7 | 980 110 235 01 | Sealing ring C 12 X 15,5 | | 2 | |
| 8 | 999 123 032 30 | Screw socket NW 4 | | 2 | |
| 9 | 980 110 513 00 | Sealing ring A 6,2 X 12 | | 1 | |
| 10 | 900 067 009 02 | Support Pressure line | | 2 | |
| 11 | 900 025 064 02 | Pan-head screw M 6 X 15 | | 2 | |
| 12 | 980 110 415 00 | Washer A 6,4 | | 1 | |
| 13 | 900 378 029 12 | Cover | | 2 | |
| 14 | 980 110 641 00 | Hexagon-head bolt AM 6 X 40 | | 4 | |
| 15 | | Washer See illustrations 2/01/20 | | 1 | |

Model: 980 04

Model life 2004>>2006



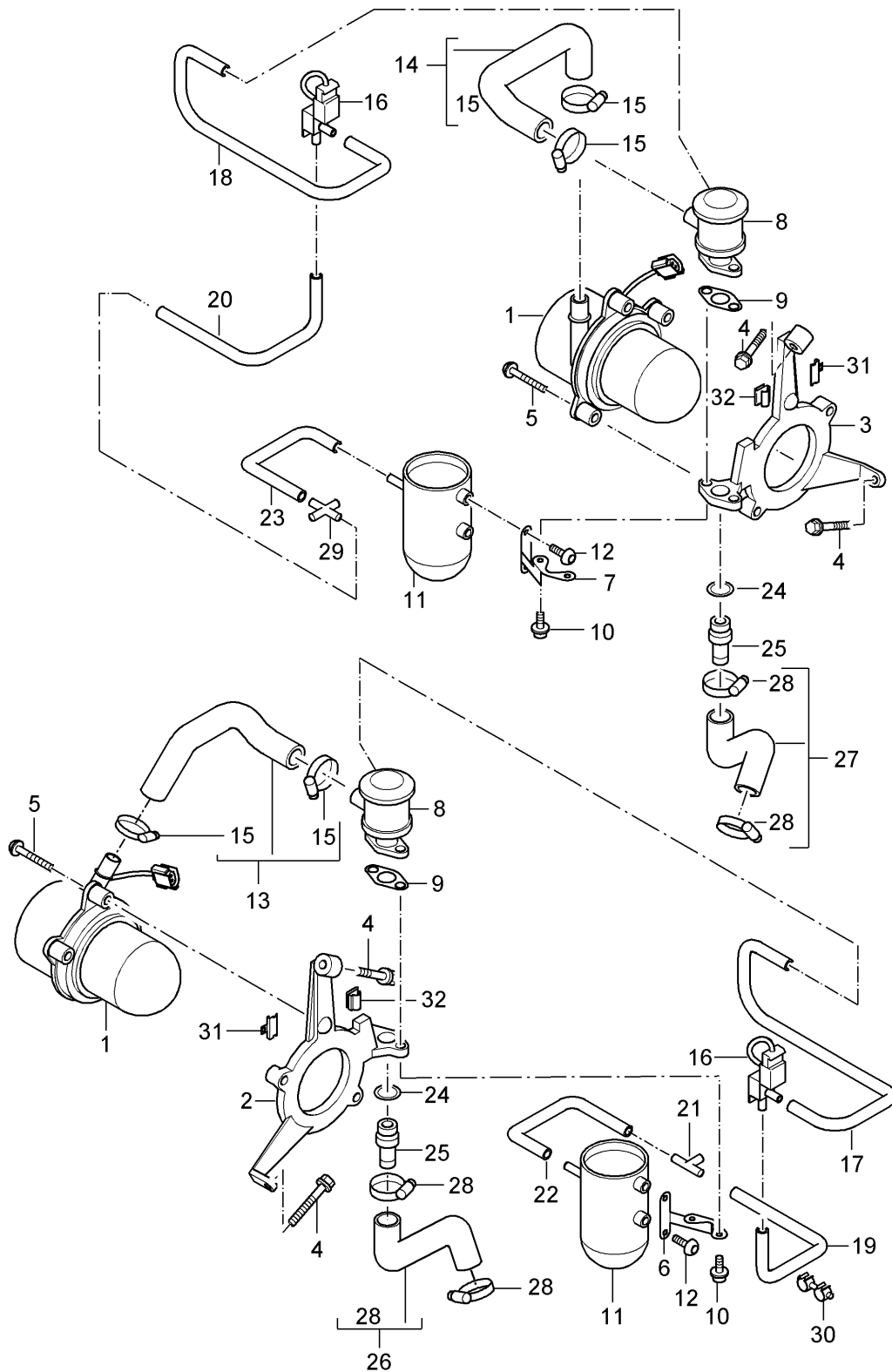
Model: 980 04

Model life 2004>>2006

| Pos | Part Number | Description | Remark | Qty | Model |
|-----|----------------|-----------------------|--------|-----|-------|
| | | Vacuum line | | | |
| | | Intake distributor | | | |
| | | Vacuum tank | | | |
| | | Air injection | | | |
| | | Control box | | | |
| | | Rear muffler | | | |
| 1 | 980 110 160 01 | Vacuum line | | 1 | I484 |
| | | Information available | | | I484 |
| 2 | 999 512 707 00 | Hose clamp | | 2 | |
| | | 9,6 - 11,3 | | | |
| 3 | 999 507 106 40 | Hose holder | | 2 | |
| | | 10 / 10 | | | |
| 4 | | See illustrations | | 2 | |
| | | 1/09/00 | | | |
| 5 | 999 591 922 40 | Support | | 1 | |
| | | 4,8 / 8 | | | |
| - | 999 919 213 A2 | Stud | | 1 | |
| | | T 5 X 20 | | | |
| 6 | 999 507 113 40 | Hose holder | | 4 | I484 |
| | | 24,5 / 9 | | | |
| 7 | 999 513 054 40 | Tie-wrap | | 1 | I484 |
| | | 3,5 - 45 | | | |
| 8 | | See illustrations | | 2 | |
| | | 6/04/15 | | | |
| 9 | | See illustrations | | 4 | |
| | | 6/04/15 | | | |
| 10 | 999 507 487 40 | Cable holder | | 4 | |
| | | 10 / 10 | | | |
| - | 999 919 225 A2 | Stud | | 4 | |
| | | T 5 X 13 | | | |
| 11 | 980 110 517 00 | Support | | 1 | |
| | | Change-over valve | | | |
| 12 | 999 073 268 09 | Oval-head screw | | 2 | |
| | | M 5 X 12 | | | |
| 13 | 811 611 797 | Support | | 3 | |
| | | 4,6 / 4,6 | | | |
| - | 999 919 225 A2 | Stud | | 2 | |
| | | T 5 X 13 | | | |
| - | 999 919 213 A2 | Stud | | 1 | |
| | | T 5 X 20 | | | |
| 14 | 999 591 930 40 | Support | | 2 | |
| | | 4,75 | | | |
| - | 999 919 225 A2 | Stud | | 2 | |
| | | T 5 X 13 | | | |

Model: 980 04

Model life 2004>>2006



Model: 980 04

Model life 2004>>2006

| Pos | Part Number | Description | Remark | Qty | Model |
|-----|----------------|-------------------|--------|-----|-------|
| 1 | 997 605 104 00 | Air injection | | 2 | |
| (1) | 997 605 104 02 | Secondary pump | | 2 | |
| 2 | 980 113 241 00 | Bracket | | 1 | |
| 3 | 980 113 242 00 | Cylinders 6 - 10 | | 1 | |
| 4 | 900 378 013 09 | Bracket | | 1 | |
| 4 | 900 378 013 01 | Cyl. 1 - 5 | | 4 | |
| 5 | 955 113 325 00 | Hexagon-head bolt | | 4 | |
| 6 | 980 113 515 01 | AM 6 X 25 | | 4 | |
| 7 | 980 113 516 00 | Hexagon-head bolt | | 6 | |
| 8 | 996 113 249 01 | AM 6 X 25 | | 1 | |
| (8) | 996 113 249 02 | Oval-head screw | | 1 | |
| (8) | 997 113 249 90 | Retaining bracket | | 2 | |
| 9 | 993 113 258 51 | Cylinders 6 - 10 | | 2 | |
| 10 | 900 067 354 02 | Retaining bracket | | 4 | |
| 11 | 993 110 140 03 | Cyl. 1 - 5 | | 2 | |
| 12 | 999 919 115 02 | Shut-off valve | | 2 | |
| 13 | 980 113 207 00 | Shut-off valve | | 2 | |
| 14 | 980 113 206 00 | Gasket | | 1 | |
| 15 | 999 512 346 00 | Pan-head screw | | 4 | |
| 16 | 996 605 123 01 | M 6 X 25 | | 2 | |
| 17 | 980 113 213 00 | Vacuum tank | | 2 | |
| 18 | 980 113 210 00 | Oval-head screw | | 1 | |
| 19 | 980 113 215 00 | M 5 X 22 | | 1 | |
| 20 | 980 113 212 00 | Hose | | 1 | |
| 21 | 999 137 004 40 | Secondary pump | | 1 | |
| 22 | 980 113 214 00 | Cylinders 6 - 10 | | 1 | |
| 23 | 980 113 211 00 | Hose | | 4 | |
| 24 | 900 123 011 30 | Hose clamp | | 2 | |
| 25 | 999 230 573 30 | A 16 - 27 | | 2 | |
| 26 | 980 113 209 00 | Change-over valve | | 1 | |
| 27 | 980 113 208 00 | Moulded hose | | 1 | |
| 28 | 999 512 552 00 | Moulded hose | | 1 | |
| 28 | 999 512 552 01 | Moulded hose | | 1 | |
| 29 | | Moulded hose | | 1 | |
| 30 | | Moulded hose | | 1 | |
| 31 | 999 507 608 02 | Moulded hose | | 1 | |
| | | Sealing ring | | 2 | |
| | | A 22 X 27 | | 2 | |
| | | Screw socket | | 1 | |
| | | Hose | | 1 | |
| | | Valve cover | | 1 | |
| | | Cylinders 6 - 10 | | 1 | |
| | | Hose | | 4 | |
| | | Valve cover | | 4 | |
| | | Cyl. 1 - 5 | | 1 | |
| | | Hose clamp | | 1 | |
| | | A 20 - 32 | | 1 | |
| | | Hose clamp | | 1 | |
| | | A 20 - 32 | | 1 | |
| | | See illustrations | | 1 | |
| | | 1/07/15 | | 1 | |
| | | See illustrations | | 1 | |
| | | 1/07/15 | | 2 | |
| | | U-clamp | | 2 | |
| | | 3,0 - 4,0 | | | |
| | | Mount | | | |
| | | Connector | | | |

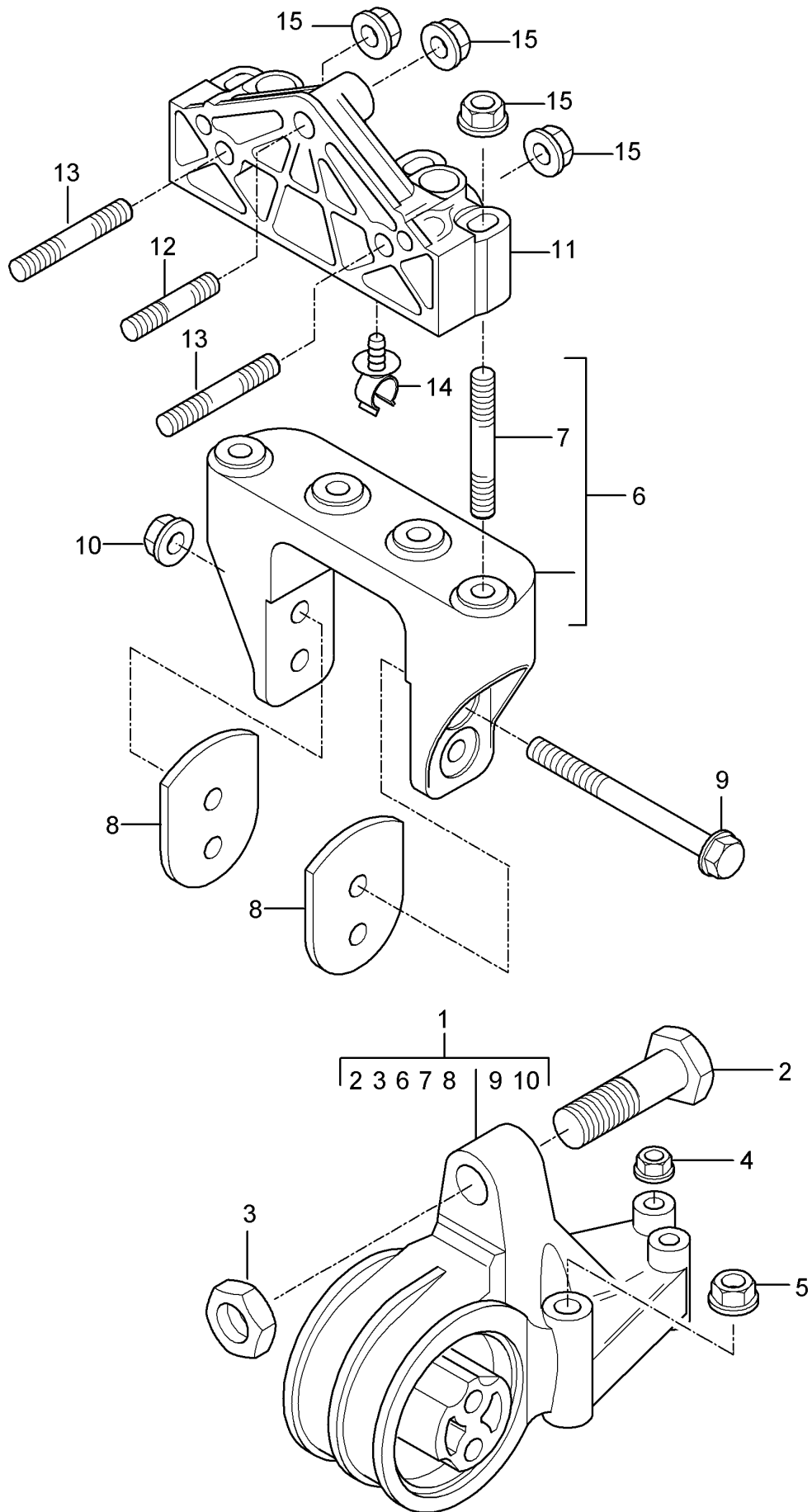
Model: 980 04

Model life 2004>>2006

| Pos | Part Number | Description | Remark | Qty | Model |
|-----|----------------|--|--------|-----|-------|
| 32 | 999 507 625 02 | Secondary pump Cable holder 9,0 - 10,0 Mount Line Oxygen sensor | | 4 | |

Model: 980 04

Model life 2004>>2006



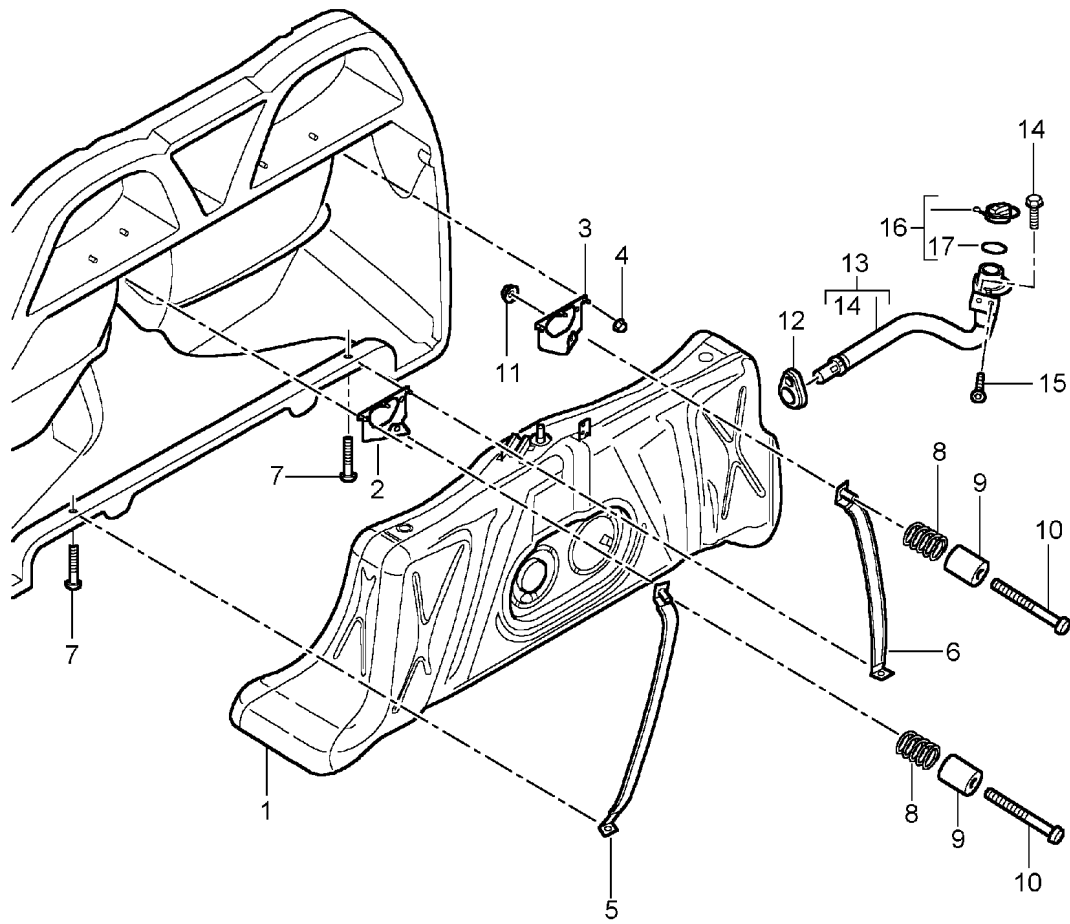
Model: 980 04

Model life 2004>>2006

| Pos | Part Number | Description | Remark | Qty | Model |
|------|----------------|-------------------------------------|--------|-----|-------|
| 1 | 980 375 101 00 | Engine suspension | | 1 | |
| (1) | 980 375 010 00 | Engine carrier Complete | | 1 | |
| 2 | 980 375 855 00 | Adjusting screw | | 1 | |
| 3 | 900 034 015 02 | Hexagon nut M 20 X 1,5 | | 1 | |
| 4 | 900 377 003 02 | Hexagon nut M 8 | | 2 | |
| 5 | 900 377 011 09 | Hexagon nut M 10 | | 2 | |
| 5 | 900 377 011 01 | Hexagon nut M 10 | | 2 | |
| 6 | 980 375 103 00 | Cross member | | 1 | |
| 7 | 980 101 823 00 | Stud M 10 X 1,5 X 73 | | 4 | |
| 8 | 980 375 255 00 | Stop | | 2 | |
| 9 | 900 378 167 09 | Hexagon-head bolt M 10 X 110 | | 2 | |
| 10 | 900 380 008 09 | Lock nut M 10 | | 9 | |
| (10) | 900 380 008 01 | Hexagon nut M 10 | | 2 | |
| 11 | 980 375 123 00 | Bracket | | 1 | |
| 12 | 900 305 011 09 | Stud M 10 FO X 50 | | 1 | |
| (12) | 900 305 011 A2 | Stud M 10 FO X 50 | | 1 | |
| 13 | 900 305 012 09 | Stud M 10 FO X 65 | | 2 | |
| (13) | 900 305 012 A2 | Stud M 10 FO X 65 | | 2 | |
| 14 | 999 507 975 40 | Hose holder 9,0 | | 2 | |
| 15 | 900 380 008 01 | Control line Hexagon nut M 10 | | 7 | |

Model: 980 04

Model life 2004>>2006



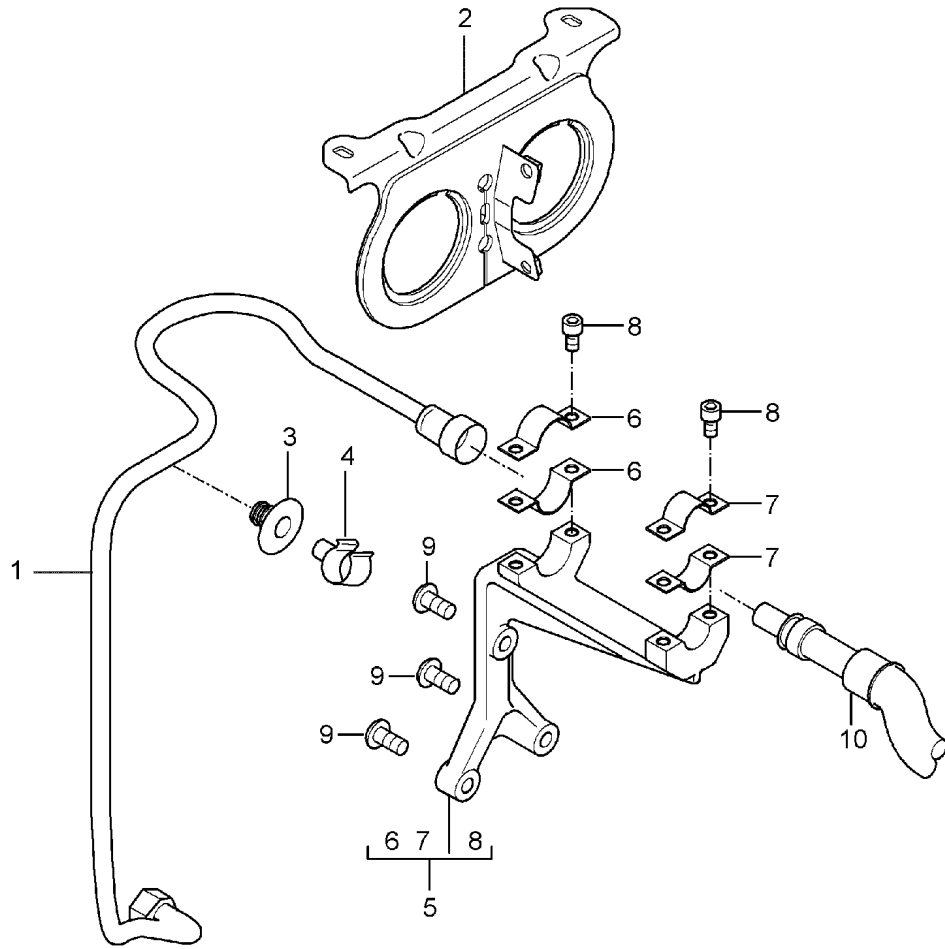
Model: 980 04

Model life 2004>>2006

| Pos | Part Number | Description | Remark | Qty | Model |
|------|----------------|--|--------|-----|-------|
| 1 | 980 201 013 03 | Fuel tank with Accessories | | 1 | |
| (1) | 980 201 013 04 | Fuel tank Complete | | 1 | |
| 2 | 980 201 737 01 | Support | /L | 1 | |
| 3 | 980 201 738 01 | Support | /R | 1 | |
| 4 | 900 377 003 A2 | Hexagon nut M 8 | | 4 | |
| 5 | 980 201 105 01 | Restraining strap | /L | 1 | |
| 6 | 980 201 106 01 | Restraining strap | /R | 1 | |
| 7 | 999 015 029 A2 | Oval-head screw M 6 X 40 | | 2 | |
| 8 | 999 521 083 00 | Compression spring | | 2 | |
| 9 | 980 201 749 00 | Sleeve | | 2 | |
| 10 | 900 075 421 00 | Hexagon-head bolt AM 8 X 90 | | 2 | |
| 11 | 900 910 003 02 | Lock nut M 8 | | 2 | |
| (11) | 900 910 003 04 | Lock nut M 8 | | 2 | |
| 12 | 980 612 890 01 | Grommet | | 1 | |
| 13 | 980 201 043 03 | Filler neck | | 1 | |
| 14 | 900 378 035 A2 | Hexagon-head bolt M 6 X 16 | | 2 | |
| 15 | 999 015 026 A2 | Oval-head screw M 6 X 16 | | 2 | |
| (15) | 999 015 026 01 | Oval-head screw M 6 X 16 | | 2 | |
| 16 | 980 201 241 00 | Fuel tank cap Information available | | 1 | |

Model: 980 04

Model life 2004>>2006



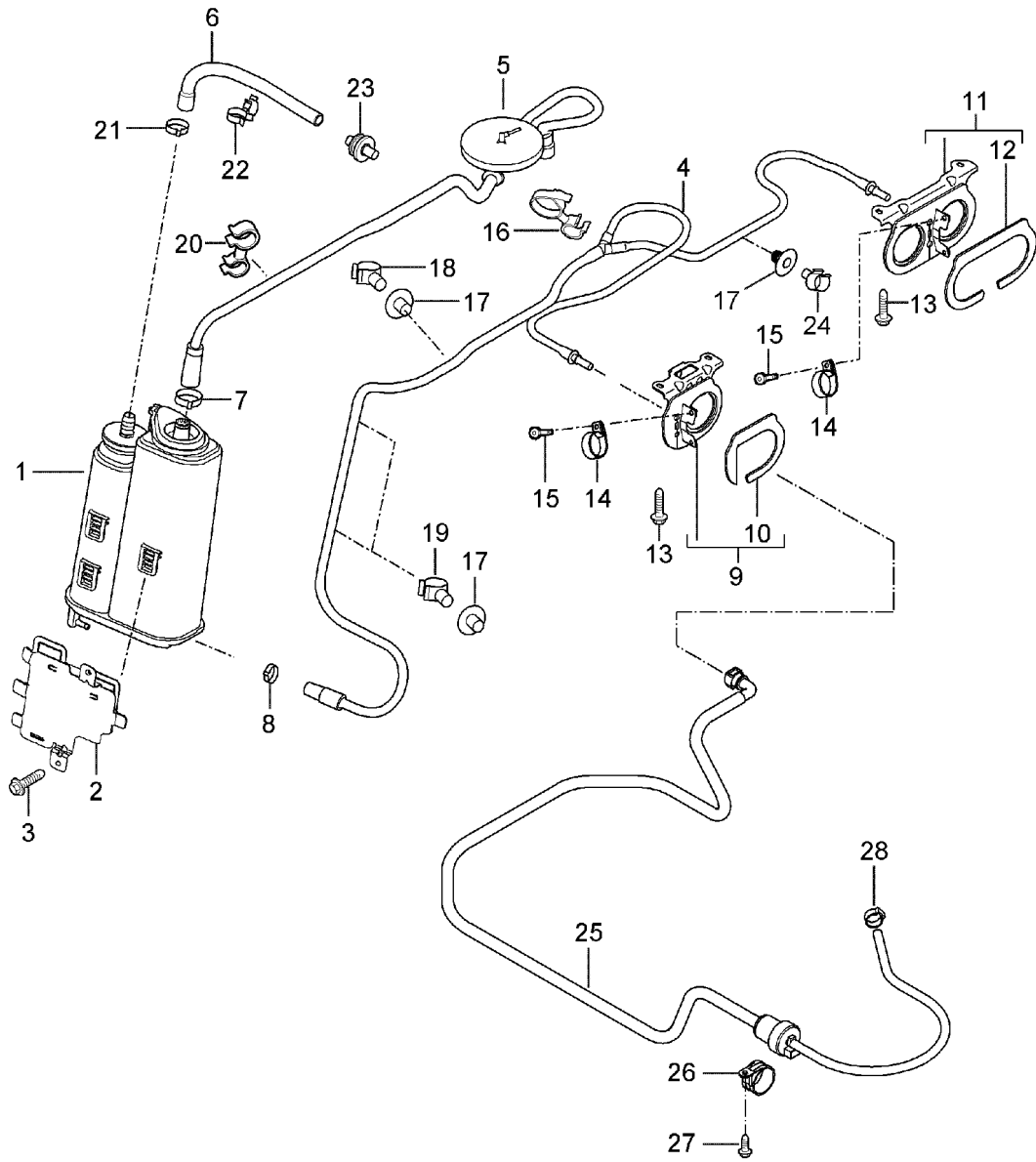
Model: 980 04

Model life 2004>>2006

| Pos | Part Number | Description | Remark | Qty | Model |
|-----|----------------|--|--------|-----|-------|
| 1 | 980 201 265 02 | Fuel system Rear Pressure line Supply | | 1 | |
| 2 | | See illustrations 2/01/20 | | 1 | |
| 3 | 999 507 444 40 | Fastening part | | 1 | |
| 4 | 999 507 933 40 | Hose holder 15 | | 1 | |
| 5 | 980 110 275 00 | Support Fuel line | | 1 | |
| 6 | 980 110 395 00 | Spring support | | 2 | |
| 7 | 980 110 385 00 | Spring support | | 2 | |
| 8 | 900 186 016 02 | Pan-head screw M 4 X 10 | | 4 | |
| 9 | N 044 701 1 | Pan-head screw M 5 X 22 | | 3 | |
| 10 | | See illustrations 1/07/05 | | 1 | |

Model: 980 04

Model life 2004>>2006

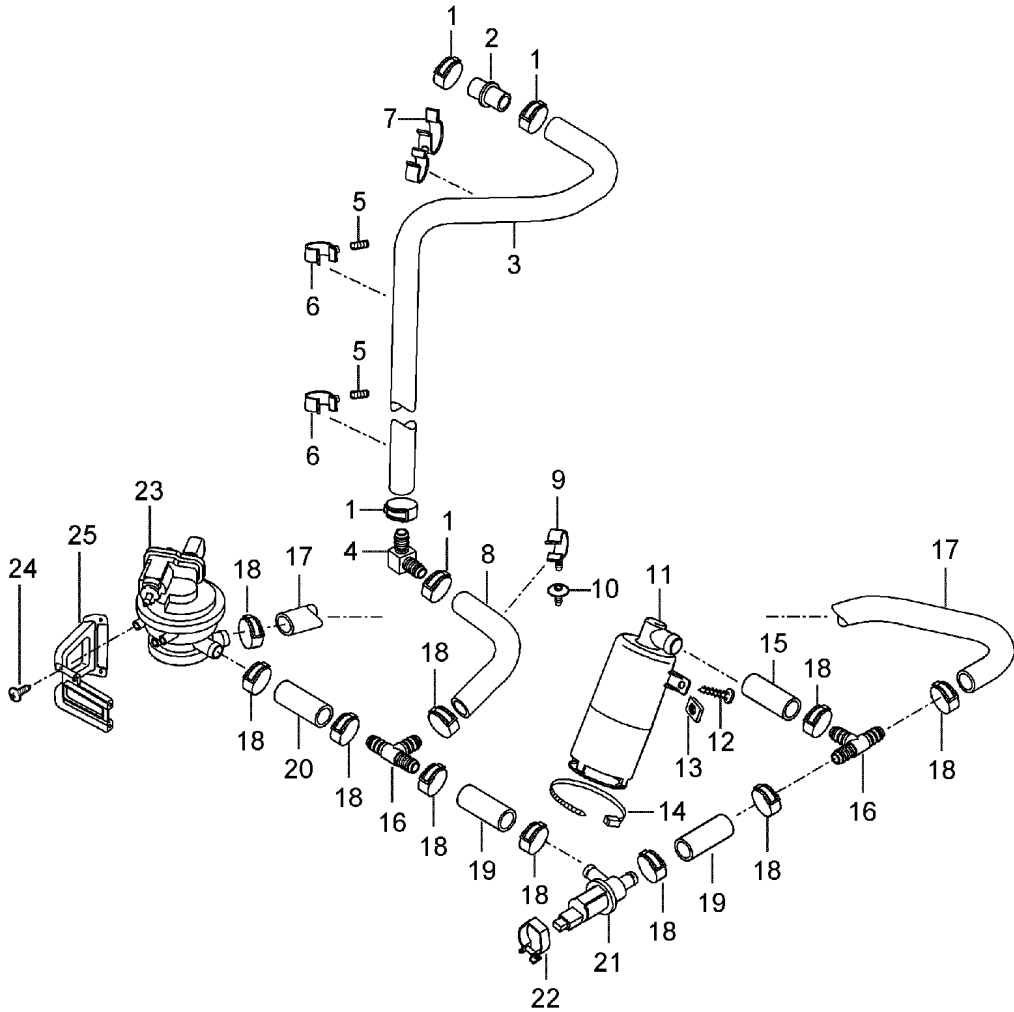


Model: 980 04 Model life 2004>>2006

| Pos | Part Number | Description | Remark | Qty | Model |
|------|----------------|---|--------|-----|-------|
| | | Carbon canister with Accessories | | | |
| 1 | 980 201 221 00 | Carbon canister | | 1 | |
| 2 | 980 201 331 01 | Support | | 1 | |
| 3 | 900 378 174 A2 | Hexagon-head bolt M 6 X 35 | | 3 | |
| 4 | 980 201 355 01 | Purge-air line Information available | | 1 | |
| 5 | 980 201 725 02 | Vent line | | 1 | |
| 6 | 980 201 713 01 | Breather hose Information available | | 1 | |
| 7 | 999 512 660 09 | Hose clamp B 29 X 12 | | 1 | |
| 8 | 999 512 686 09 | Hose clamp B 17 X 12 | | 1 | |
| 9 | 980 504 135 00 | Support | /L | 1 | |
| 10 | 980 504 717 00 | Foam part | | 1 | |
| 11 | 980 504 136 01 | Support | /R | 1 | |
| 12 | 980 504 718 01 | Foam part | | 1 | |
| 13 | 999 015 026 A2 | Oval-head screw M 6 X 16 | | 4 | |
| 14 | 999 511 003 02 | Clamp | | 2 | |
| 15 | 999 073 273 09 | Oval-head screw M 5 X 10 | | 2 | |
| 16 | 999 511 247 40 | Line bracket | | 1 | |
| 17 | 999 507 444 40 | Fastening part | | 4 | |
| 18 | 999 507 933 40 | Hose holder 15 | | 1 | |
| 19 | 999 591 767 40 | Hose holder 12 | | 2 | |
| 20 | 999 507 112 40 | Line bracket | | 1 | |
| 21 | 999 512 657 09 | Hose clamp B 26 X 12 | | 1 | |
| 22 | 999 507 935 40 | Line bracket A-01 22 /C-01 28 | | 1 | |
| 23 | 999 702 064 50 | Grommet 22 X 31 X 3 | | 1 | |
| 24 | 999 507 092 40 | Hose holder 10,5 | | 1 | |
| 25 | 980 201 617 03 | Purge-air line Information available | /L | 1 | |
| - | 999 507 738 40 | Line bracket 9,5 / 16,4 | | 2 | |
| - | 999 919 213 A2 | Stud T 5 X 20 | | 1 | |
| (25) | 980 201 616 03 | Purge-air line Information available | /R | 1 | |
| - | 999 507 738 40 | Line bracket 9,5 / 16,4 | | 1 | |
| - | 999 507 112 40 | Line bracket 12 / 15 | | 1 | |
| 26 | 999 511 083 02 | Pipe clamp 30 X 15 | | 2 | |
| 27 | 900 075 361 02 | Hexagon-head bolt M 5 X 12 | | 2 | |
| (27) | 900 075 361 01 | Hexagon-head bolt M 5 X 12 | | 2 | |
| 28 | 999 512 650 09 | Hose clamp B 14 X 12 | | 2 | |

Model: 980 04

Model life 2004>>2006



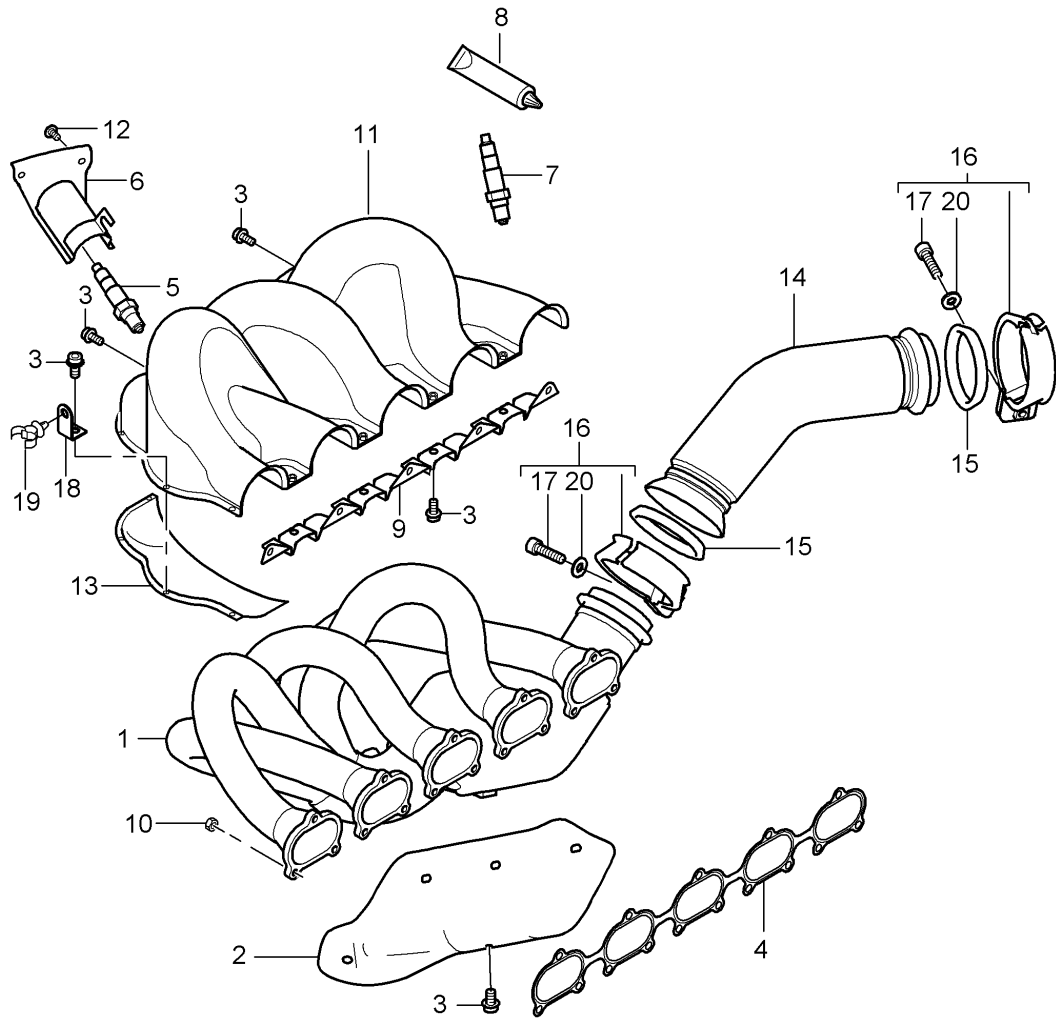
Model: 980 04

Model life 2004>>2006

| Pos | Part Number | Description | Remark | Qty | Model |
|-----|----------------|-----------------------|--------|-----|-------|
| | | Carbon canister | | | |
| | | Air cleaner | | | |
| | | Pump | | | I664 |
| | | Diagnostic | | | |
| 1 | 999 512 655 09 | Hose clamp | | 4 | |
| | | B 22 X 12 | | | |
| 2 | 999 137 040 40 | Joining socket | | 1 | |
| 3 | 980 201 721 01 | Connecting hose | | 1 | |
| | | Information available | | | |
| 4 | 999 137 061 40 | Joining socket | | 1 | |
| 5 | 999 919 215 A2 | Stud | | 2 | |
| | | T 5 X 8 M 5 | | | |
| 6 | 999 591 808 40 | Hose holder | | 2 | |
| 7 | 999 507 096 40 | Hose holder | | 1 | |
| | | A-01 22/E-01 25 | | | |
| 8 | 980 201 707 00 | Connecting hose | | 1 | I664 |
| | | Information available | | | I664 |
| 11 | 955 201 253 00 | Air cleaner | | 1 | |
| 12 | 999 073 226 A2 | Tapping screw | | 1 | |
| | | ST 4,2 X 16 | | | |
| 13 | 999 507 101 0A | Speed nut | | 1 | |
| | | ST 4,2 | | | |
| 14 | 999 513 010 40 | Tie-wrap | | 1 | |
| 15 | 980 201 723 01 | Connecting hose | | 1 | I664 |
| | | Information available | | | I664 |
| 16 | 999 137 031 40 | T-socket | | 2 | I664 |
| 17 | 980 201 747 01 | Connecting hose | | 1 | I664 |
| | | Information available | | | I664 |
| 18 | 999 512 655 09 | Hose clamp | | 10 | I664 |
| | | B 22 X 12 | | | |
| 19 | 980 201 729 01 | Connecting hose | | 2 | I664 |
| | | Information available | | | I664 |
| 20 | 980 201 743 01 | Connecting hose | | 1 | I664 |
| | | Information available | | | I664 |
| 21 | 955 605 245 00 | Shut-off valve | | 1 | I664 |
| 22 | 999 512 552 00 | Hose clamp | | 1 | I664 |
| | | A 20 - 32 | | | |
| 22 | 999 512 552 01 | Hose clamp | | 1 | I664 |
| | | A 20 - 32 | | | |
| 23 | 1C0 906 271 | Pump | | 1 | I664 |
| | | Diagnostic | | | |
| 24 | 999 073 231 A2 | Tapping screw | | 3 | I664 |
| | | ST 4,8 X 16 | | | |
| 25 | | See illustrations | | 1 | I664 |
| | | 8/01/05 | | | |

Model: 980 04

Model life 2004>>2006



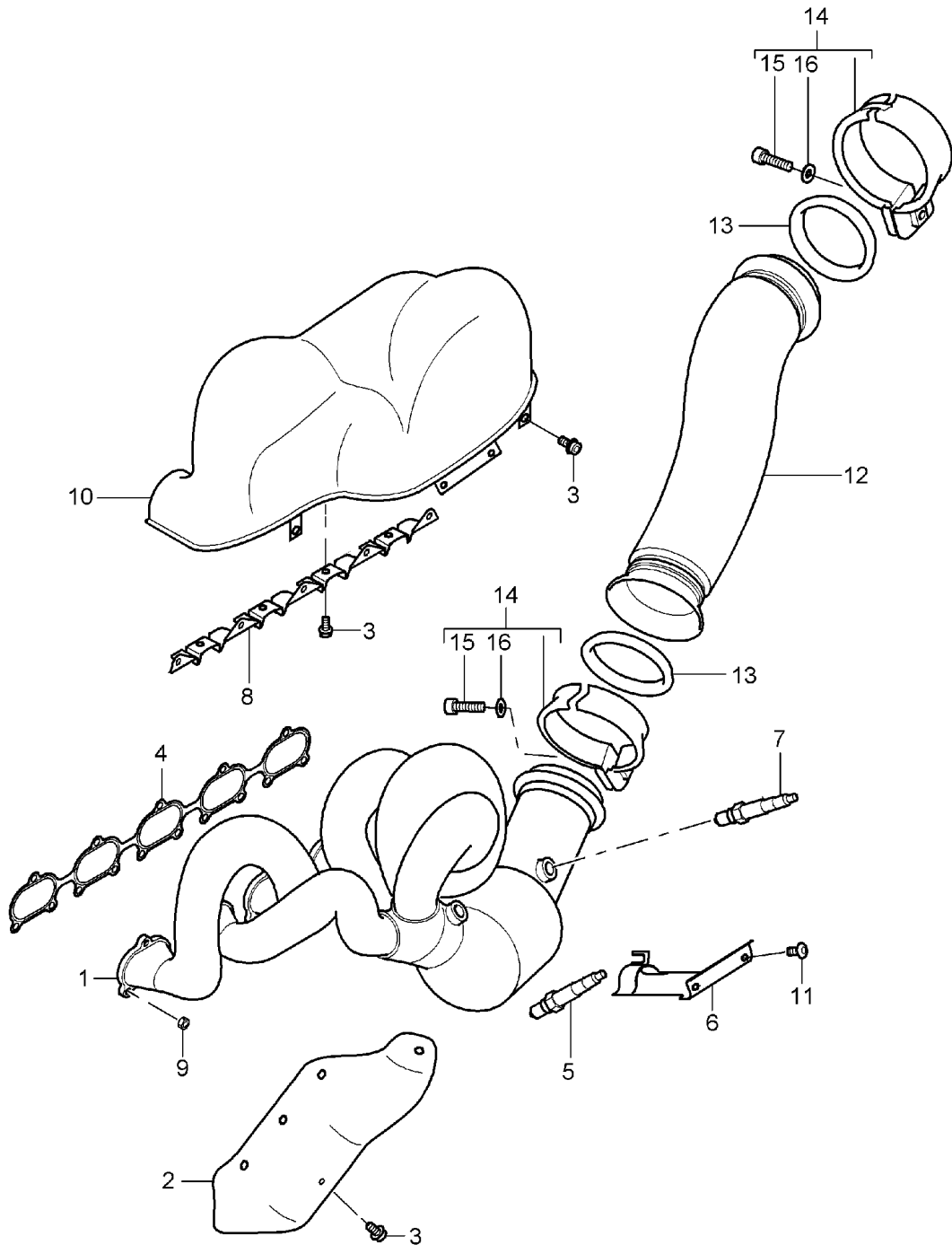
Model: 980 04

Model life 2004>>2006

| Pos | Part Number | Description | Remark | Qty | Model |
|------|----------------|--|--------|-----|-------|
| 1 | 980 111 012 06 | Exhaust system Exhaust manifold Catalytic converter Cyl. 1 - 5 Exhaust manifold with Catalytic converter | | 1 | |
| 2 | 980 111 242 01 | Heat shield | | 1 | |
| (2) | 980 111 242 02 | Heat shield | | 1 | |
| 3 | 900 067 274 02 | Combination screw M 6 X 12 | | 15 | |
| 4 | 980 111 411 00 | Gasket | | 1 | |
| 5 | 996 606 128 00 | Oxygen sensor in front of Catalytic converter | | 1 | |
| (5) | 996 606 128 01 | Oxygen sensor in front of Catalytic converter | | 1 | |
| - | 999 591 746 02 | Cable clamp 7,0 - 9,0 for Oxygen sensor Mount Support Transmission oil cooler | | 1 | |
| - | 999 591 746 01 | Cable clamp 7,0 - 9,0 for Oxygen sensor Mount Support Transmission oil cooler | | 1 | |
| 6 | 980 111 213 03 | Heat shield | | 1 | |
| 7 | 996 606 138 01 | Oxygen sensor | | 1 | |
| 8 | 000 043 207 07 | Grease for oxygen sensor | | 1 | |
| 9 | 980 111 423 00 | Retaining strip | | 1 | |
| 10 | 999 084 628 02 | Lock nut M 8 | | 15 | |
| (10) | 900 910 003 03 | Hexagon nut M 8 | | 15 | |
| 11 | 980 111 212 05 | Heat protection | | 1 | |
| (11) | 980 111 212 06 | Heat protection | | 1 | |
| 12 | 900 623 007 00 | Hexagon socket head bolt M 6 X 12 | | 2 | |
| 13 | 980 111 253 00 | Heat shield Generator | | 1 | |
| 14 | 980 111 152 00 | Exhaust pipe | | 1 | |
| 15 | 980 111 561 00 | Sealing ring | | 2 | |
| 16 | 980 111 563 01 | Clip | | 2 | |
| 16 | 997 111 336 90 | Clip | | 2 | |
| 17 | 980 111 973 00 | Pan-head screw M 8 X 40 | | 2 | |
| 18 | 477 971 881 A | Retaining bracket | | 1 | |
| 19 | 999 511 239 40 | Cable holder 6,0 - 12,0 | | 1 | |
| 20 | 980 111 963 00 | Washer NL 8 | | 4 | |

Model: 980 04

Model life 2004>>2006



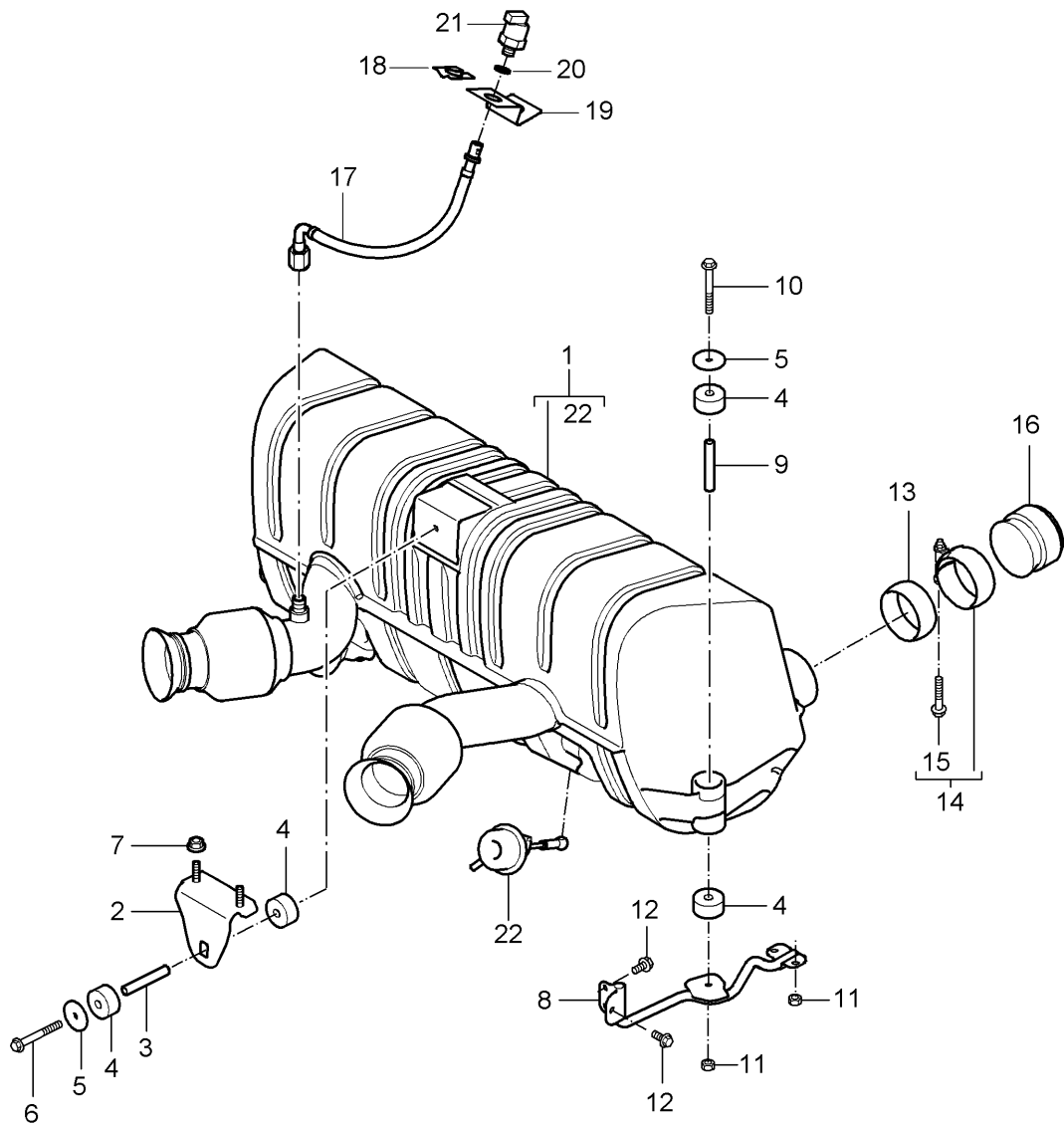
Model: 980 04

Model life 2004>>2006

| Pos | Part Number | Description | Remark | Qty | Model |
|------|----------------|--|--------|-----|-------|
| 1 | 980 111 011 06 | Exhaust system Exhaust manifold Catalytic converter Cylinders 6 - 10 Exhaust manifold with Catalytic converter | | 1 | |
| 2 | 980 111 241 01 | Heat shield | | 1 | |
| 3 | 900 067 274 02 | Combination screw M 6 X 12 | | 11 | |
| 4 | 980 111 411 00 | Gasket | | 1 | |
| 5 | 996 606 128 00 | Oxygen sensor in front of Catalytic converter | | 1 | |
| (5) | 996 606 128 01 | Oxygen sensor in front of Catalytic converter | | 1 | |
| - | 999 513 063 40 | Cable holder with Tie-wrap 12 - 35 for Cable Oxygen sensor Mount Support Air conditioning cooler | | 2 | |
| 6 | 980 111 213 03 | Heat shield | | 1 | |
| 7 | 996 606 138 01 | Oxygen sensor After Catalytic converter | | 1 | |
| 8 | 980 111 423 00 | Retaining strip | | 1 | |
| 9 | 999 084 628 02 | Lock nut M 8 | | 15 | |
| (9) | 900 910 003 03 | Hexagon nut M 8 | | 15 | |
| 10 | 980 111 211 05 | Heat protection | | 1 | |
| (10) | 980 111 211 06 | Heat protection | | 1 | |
| 11 | 900 623 007 00 | Hexagon socket head bolt M 6 X 12 | | 2 | |
| 12 | 980 111 151 00 | Exhaust pipe | | 1 | |
| 13 | 980 111 561 00 | Sealing ring | | 2 | |
| 14 | 980 111 563 01 | Clip | | 2 | |
| 14 | 997 111 336 90 | Clip | | 2 | |
| 15 | 980 111 973 00 | Pan-head screw M 8 X 40 | | 2 | |
| 16 | 980 111 963 00 | Washer NL 8 | | 4 | |

Model: 980 04

Model life 2004>>2006

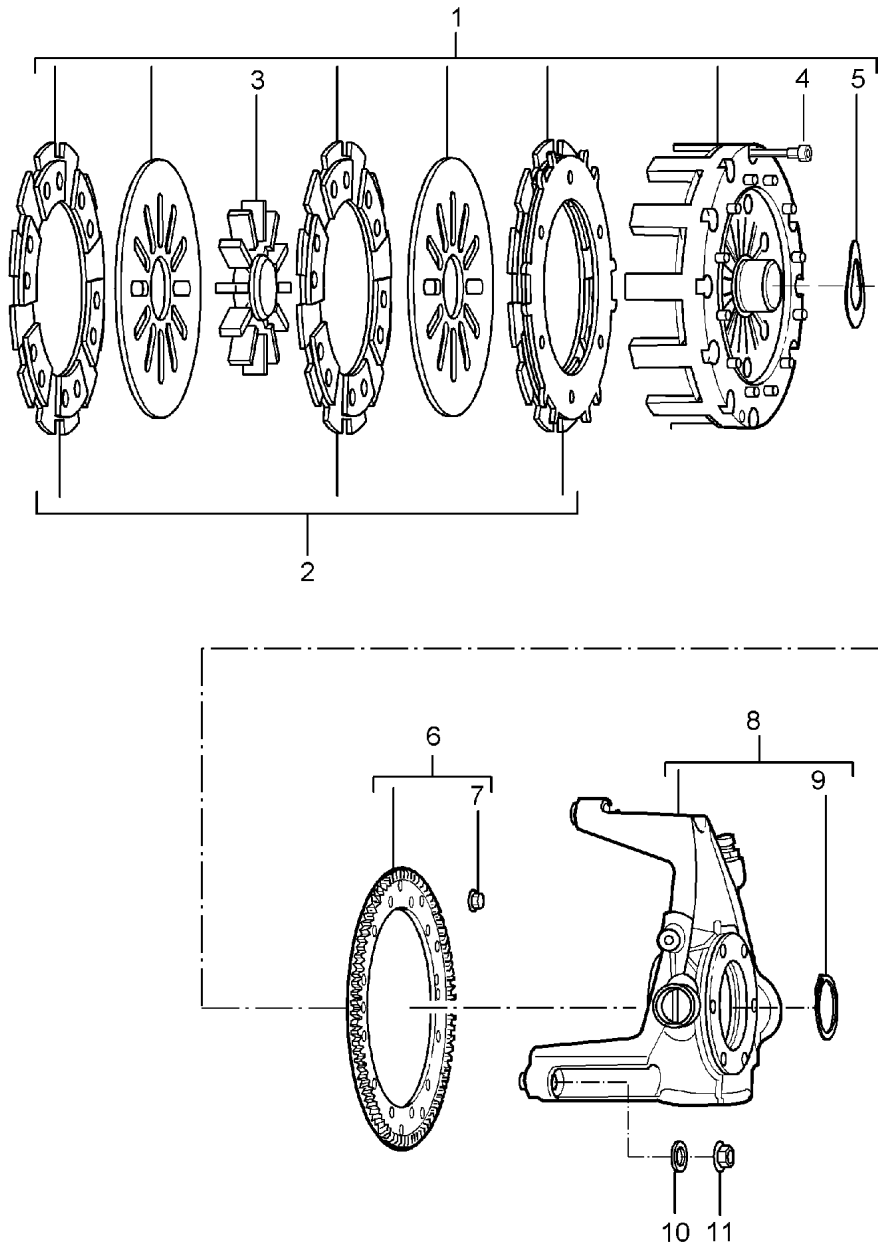


Model: 980 04 Model life 2004>>2006

| Pos | Part Number | Description | Remark | Qty | Model |
|------|----------------|-------------------|--------|-----|-------|
| | | Exhaust system | | | |
| | | Rear muffler | | | |
| | | Tail pipe | | | |
| 1 | 980 111 123 02 | Rear muffler | | 1 | |
| 2 | 980 111 231 00 | Support | | 1 | |
| 3 | 980 111 235 00 | Spacer sleeve | | 1 | |
| 4 | 996 111 229 00 | Damping piece | | 6 | |
| | | 40 X 20 | | | |
| 5 | 980 111 237 00 | Washer | | 3 | |
| 6 | 900 378 153 09 | Hexagon-head bolt | | 1 | |
| | | AM 8 X 55 | | | |
| (6) | 900 378 153 01 | Hexagon-head bolt | | 1 | |
| | | AM 8 X 55 | | | |
| 7 | 999 084 121 00 | Hexagon nut | | 2 | |
| | | M 8 | | | |
| 8 | 980 111 227 00 | Support | | 1 | |
| | | Cylinders 6 - 10 | | | |
| (8) | 980 111 228 00 | Support | | 1 | |
| | | Cyl. 1 - 5 | | | |
| 9 | 980 111 233 00 | Spacer sleeve | | 2 | |
| 10 | 900 378 075 09 | Hexagon-head bolt | | 2 | |
| | | M 8 X 90 | | | |
| 11 | 900 380 005 09 | Hexagon nut | | 6 | |
| | | M 8 | | | |
| 12 | 900 378 260 A2 | Hexagon-head bolt | | 6 | |
| | | AM 8 X 20 | | | |
| 13 | 980 111 265 00 | Sealing ring | | 2 | |
| 14 | 980 111 336 00 | Clip | | 2 | |
| 15 | 900 074 339 02 | Hexagon-head bolt | | 2 | |
| | | M 8 X 70 | | | |
| - | 999 025 125 09 | Washer | | 2 | |
| | | A 8,4 | | | |
| - | 999 025 125 01 | Washer | | 2 | |
| | | A 8,4 | | | |
| 16 | 980 111 271 01 | Tail pipe | | 2 | |
| 17 | 980 111 475 00 | Pressure line | | 1 | |
| | | Diagnostic | | | |
| - | 000 043 020 00 | Optimoly | | X | |
| | | 1 100-gramme tube | | | |
| 18 | 999 166 089 02 | Lock | | 1 | |
| | | KL 14,5 | | | |
| 19 | 980 111 477 00 | Support | | 1 | |
| | | Pressure line | | | |
| 20 | 900 123 005 20 | Sealing ring | | 1 | |
| | | A 12 X 16 | | | |
| 21 | 980 605 115 00 | Pressure sensor | | 1 | |
| | | F >>985L0 01393 | | | |
| (21) | 980 605 115 01 | Pressure sensor | | 1 | |
| | | F 985L0 01394>> | | | |
| - | 996 612 832 90 | Connector housing | | 1 | |
| | | Wiring harness | | | |
| | | Rear end | | | |
| | | F 985L0 01394>> | | | |
| 22 | 980 111 981 00 | Vacuum unit | | 2 | |
| | | with | | | |
| | | Insulator | | | |
| | | And | | | |
| | | Lock nut | | | |
| | | M 5 | | | |

Model: 980 04

Model life 2004>>2006



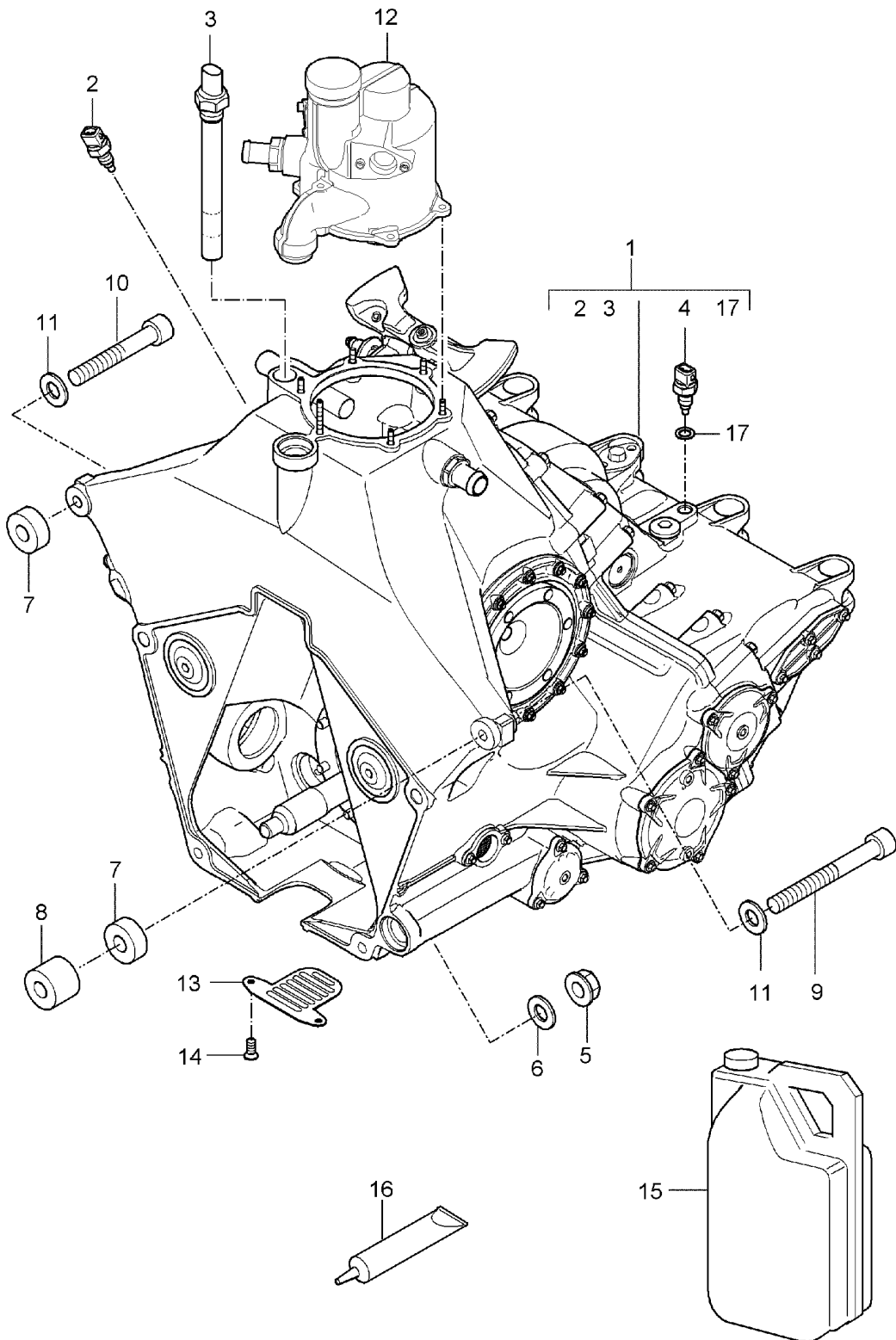
Model: 980 04

Model life 2004>>2006

| Pos | Part Number | Description | Remark | Qty | Model |
|-----|----------------|---|--------|-----|--------|
| 1 | 980 116 001 36 | Clutch 1 PCCC (clutch) Complete | | 1 | M80.01 |
| 2 | 980 116 906 00 | Intermediate plate Repair kit Only Clutch Complete Use | | 1 | |
| 3 | 980 116 963 00 | Hub | | 1 | |
| 4 | 980 116 147 00 | Screw M 6 | | 12 | |
| 5 | 980 116 957 00 | Spring washer | | 1 | |
| 6 | 980 114 043 32 | Starter ring | | 1 | |
| 7 | 980 114 531 00 | Lock nut | | 12 | |
| 8 | 980 116 002 02 | Release module | | 1 | |
| 9 | 980 116 937 00 | Circlip | | 1 | |
| 10 | 900 031 001 02 | Washer 8,4 | | 3 | |
| 10 | 900 031 105 01 | Washer 8,4 | | 3 | |
| 11 | 900 817 002 02 | Hexagon nut M 8 | | 3 | |

Model: 980 04

Model life 2004>>2006



Model: 980 04

Model life 2004>>2006

| Pos | Part Number | Description | Remark | Qty | Model |
|-----|----------------|--|--------|-----|--------|
| | | Replacement transmission Ready for installation Threaded joint Engine | | | G80.01 |
| 1 | 980 300 020 02 | Replacement transmission Complete without Transmission oil | | 1 | |
| (1) | 980 300 020 04 | Replacement transmission Complete without Transmission oil | | 1 | |
| 2 | 996 606 410 00 | Temperature sensor | | 1 | |
| 3 | 996 606 140 00 | Oil-level sender | | 1 | |
| 4 | 996 606 133 00 | Switch Reverse gear | | 1 | |
| 5 | 900 817 003 02 | Lock nut M 10 | | 4 | |
| 6 | 900 031 005 02 | Washer 10,5 | | 4 | |
| 6 | 900 031 005 03 | Washer 10,5 | | 4 | |
| 7 | 980 104 723 10 | Spacer 9,80 MM Long | | X | |
| (7) | 980 104 723 20 | Spacer 9,90 MM Long | | X | |
| (7) | 980 104 723 30 | Spacer 10,00 MM Long | | X | |
| (7) | 980 104 723 40 | Spacer 10,10 MM Long | | X | |
| (7) | 980 104 723 50 | Spacer 10,20 MM Long | | X | |
| (7) | 980 104 723 60 | Spacer 10,30 MM Long | | X | |
| (7) | 980 104 723 70 | Spacer 10,40 MM Long | | X | |
| (7) | 980 104 723 80 | Spacer 10,50 MM Long | | X | |
| 8 | 980 104 723 00 | Spacer 20,00 MM Long | | 1 | |
| 9 | 900 067 254 04 | Pan-head screw M 10 X 85 | | 1 | |
| 10 | 900 067 121 04 | Pan-head screw M 10 X 65 | | 1 | |
| 11 | 900 031 005 04 | Washer 10 | | 2 | |
| 12 | | See illustrations 1/04/05 | | 1 | |
| 13 | 980 301 178 00 | Protective plate | | 1 | |
| 14 | 999 015 025 A2 | Lens-head screw M 6 X 12 | | 2 | |
| 15 | 000 043 300 89 | Transmission oil MOBILUBE 1 SHC SAE 75 W 90 | | X | |

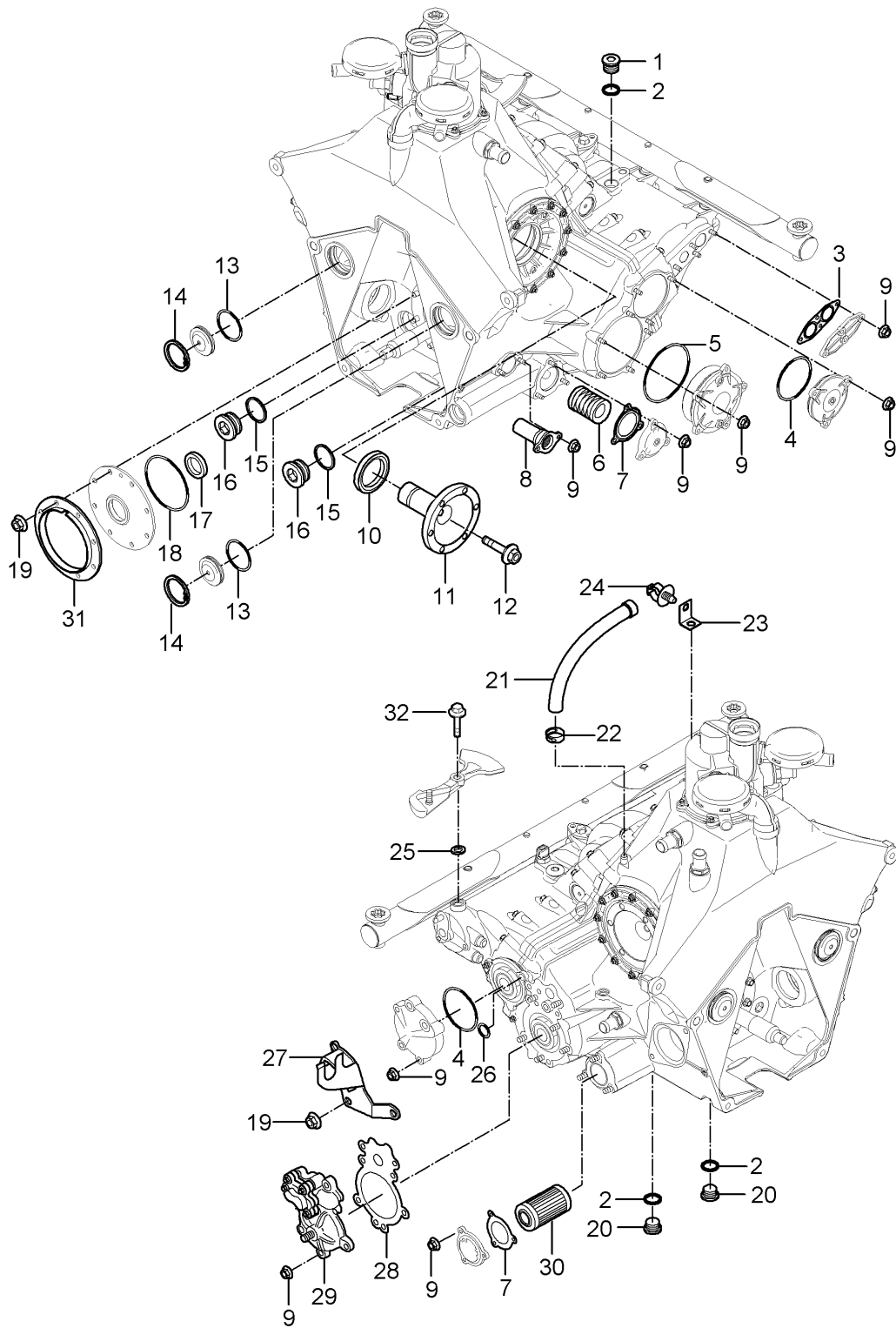
Model: 980 04

Model life 2004>>2006

| Pos | Part Number | Description | Remark | Qty | Model |
|-----|----------------|---|--------|-----|-------|
| 16 | 000 043 024 00 | Container 20 LTR. Extreme-pressure grease 1 tube | | X | |
| 17 | 900 123 101 30 | 80 GR. Sealing ring A 12 X 18 | | X | |

Model: 980 04

Model life 2004>>2006



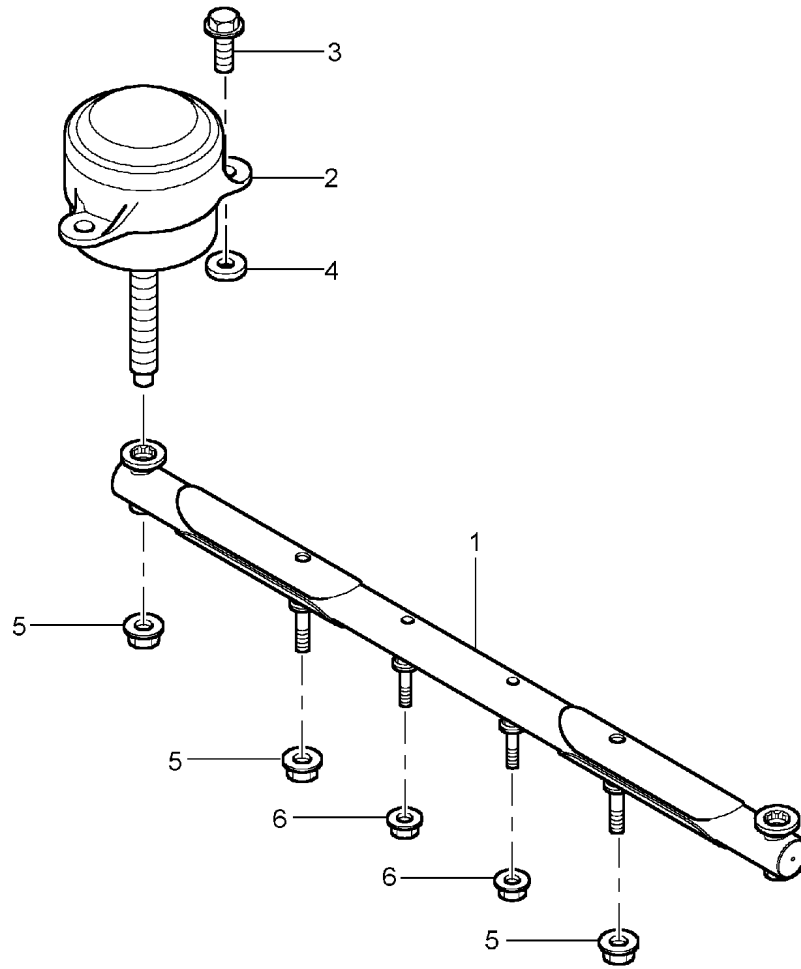
Model: 980 04

Model life 2004>>2006

| Pos | Part Number | Description | Remark | Qty | Model |
|-----|----------------|--|--------|-----|--------|
| | | Transmission case | | | G80.01 |
| 1 | 900 219 001 30 | Screw plug M 22 X 1,5 | | 1 | |
| 2 | 900 123 118 30 | Sealing ring A 22 X 27 | | 3 | |
| 3 | 980 301 359 00 | Gasket | | 1 | |
| 4 | 999 701 071 40 | O-ring 68 X 2,5 | | 2 | |
| 5 | 999 707 562 40 | O-ring 92 X 3,0 | | 1 | |
| 6 | 980 207 470 00 | Oil filter Engine | | 1 | |
| 7 | 980 301 379 00 | Gasket | | 2 | |
| 8 | 980 116 072 00 | Ventilation pipe Clutch | | 1 | |
| 9 | 980 301 561 00 | Lock nut M 6 X 1 | | 29 | |
| 10 | 999 113 356 40 | Shaft sealing ring AS 48 X 68 X 10 | | 1 | |
| 11 | 980 332 209 00 | Joint flange | | 2 | |
| 12 | 900 074 068 02 | Hexagon-head bolt M 10 X 85 | | 2 | |
| 13 | 999 701 683 40 | O-ring 42 X 2,5 | | 2 | |
| 14 | 900 042 055 01 | Circlip 50 X 2 | | 2 | |
| 15 | 900 123 036 30 | Sealing ring A 36 X 42 X 2 | | 2 | |
| 16 | 900 219 022 30 | Screw plug M 36 X 1,5 | | 2 | |
| 17 | 900 112 112 40 | Shaft sealing ring AS 32 X 47 X 10 | | 1 | |
| 18 | 999 707 561 40 | O-ring 86 X 2 | | 1 | |
| 19 | 980 301 563 00 | Lock nut M 8 X 1,25 | | 11 | |
| 20 | 999 063 008 02 | Screw plug with magnet M 22 X 1,5 | | 2 | |
| 21 | 980 307 093 00 | Vent hose | | 1 | |
| 22 | 999 512 650 09 | Hose clamp | | 1 | |
| 23 | 477 971 881 B | Retaining bracket | | 1 | |
| 24 | 999 511 239 40 | Cable holder | | 1 | |
| 25 | 900 112 113 40 | Shaft sealing ring AS 16 X 28 X 7 | | 1 | |
| 26 | 999 707 563 40 | O-ring 7 X 2,5 | | 1 | |
| 27 | 980 301 375 00 | Support | | 1 | |
| 28 | 980 301 329 00 | Gasket | | 1 | |
| 29 | 980 307 023 00 | Oil pump | | 1 | |
| 30 | 980 307 149 00 | Oil filter Transmission | | 1 | |
| 31 | 980 300 911 00 | Retaining ring Release module | | 1 | |
| 32 | 000 043 301 11 | Fastening screw M 6 X 12 Use also: 928.101.921.00 | | 1 | |
| | | | | X | |

Model: 980 04

Model life 2004>>2006



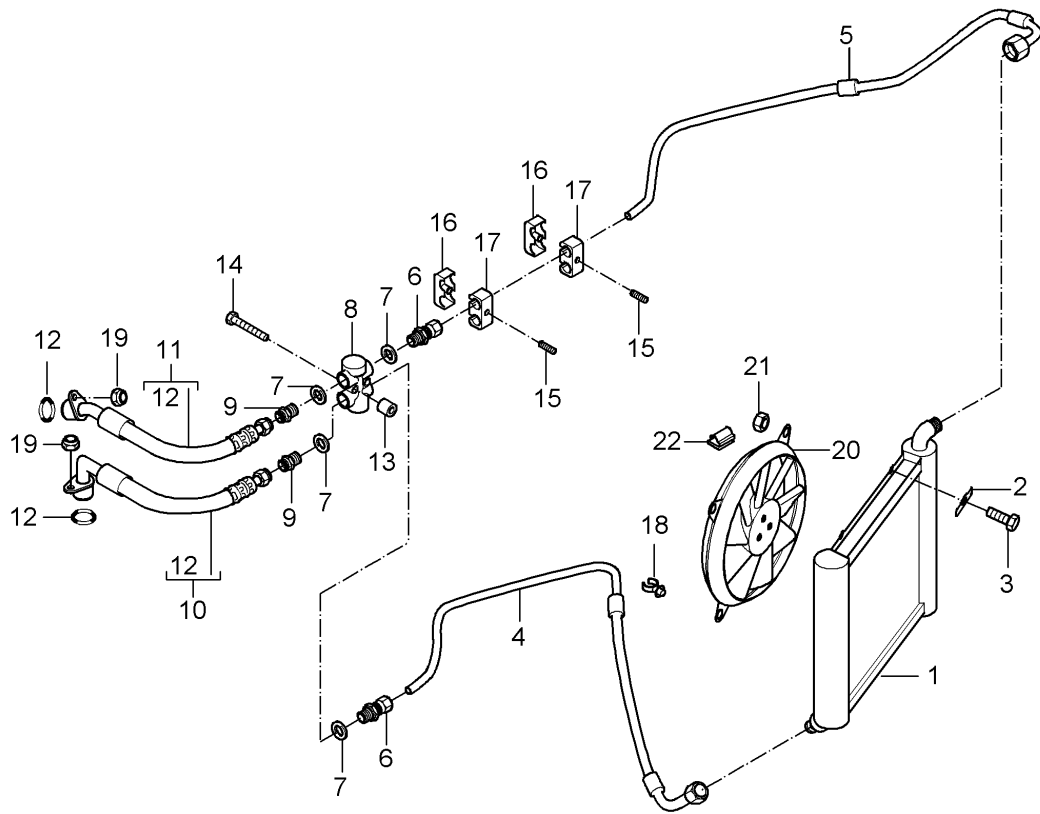
Model: 980 04

Model life 2004>>2006

| Pos | Part Number | Description | Remark | Qty | Model |
|-----|----------------|--------------------------------|--------|-----|--------|
| | | Transmission suspension | | | G80.01 |
| 1 | 980 375 071 01 | Cross member | | 1 | |
| 2 | 980 375 351 01 | Hydraulic mount | | 2 | |
| (2) | 980 375 351 02 | Hydraulic mount | | 2 | |
| 3 | 900 378 022 A2 | Hexagon-head bolt AM 8 X 25 | | 4 | |
| 4 | 980 375 615 00 | Spacer | | 4 | |
| 5 | 900 380 010 09 | Lock nut M 12 X 1,5 | | 4 | |
| 6 | 900 380 008 09 | Lock nut M 10 | | 2 | |
| 6 | 900 380 008 01 | Hexagon nut M 10 | | 2 | |

Model: 980 04

Model life 2004>>2006



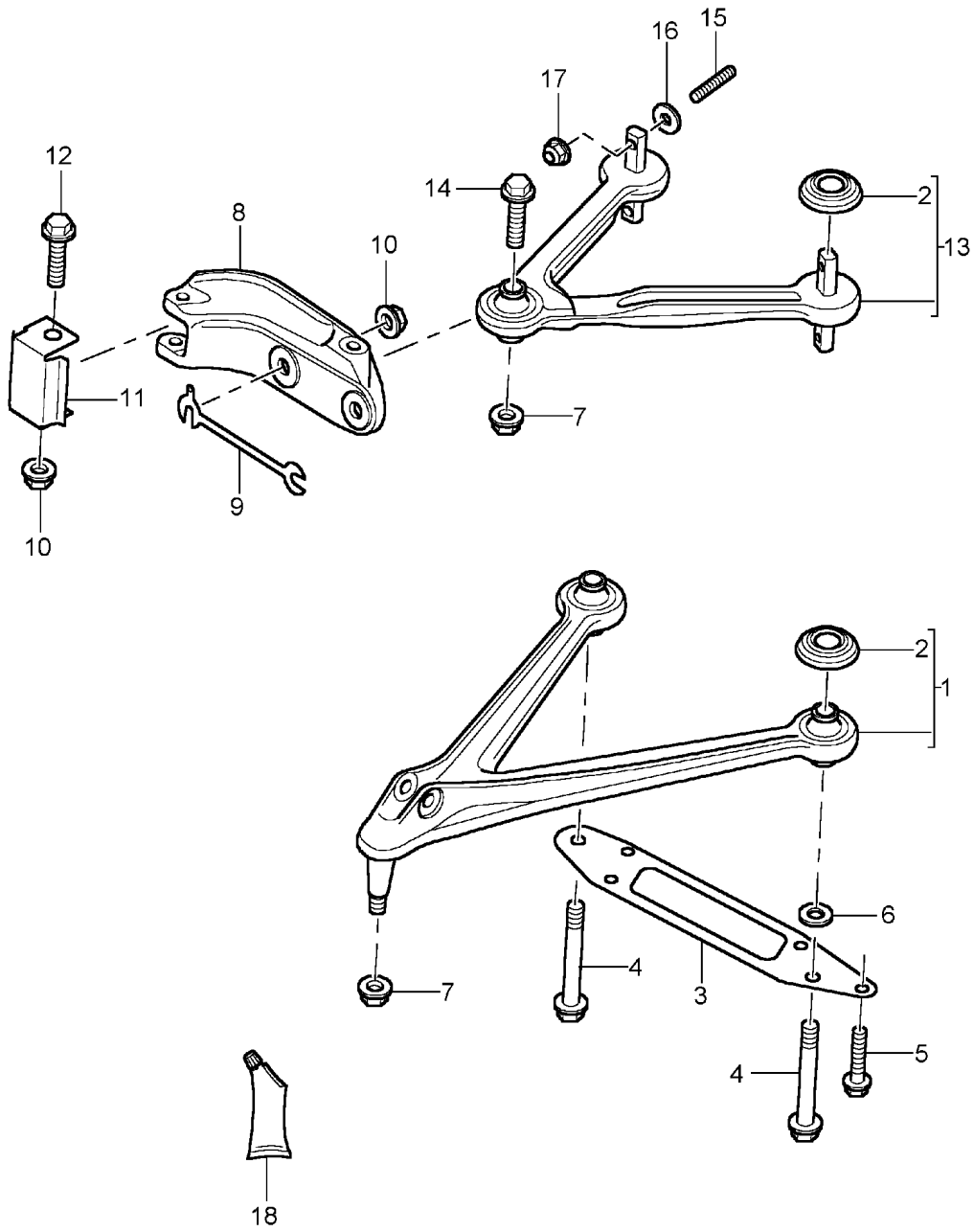
Model: 980 04

Model life 2004>>2006

| Pos | Part Number | Description | Remark | Qty | Model |
|------|----------------|---|--------|-----|--------|
| | | Oil cooling Lines | | | G80.01 |
| 1 | 980 307 150 00 | Transmission oil cooler | | 1 | |
| 2 | 980 307 455 00 | Reinforcement plate | | 4 | |
| 3 | 900 378 017 A2 | Hexagon-head bolt M 8 X 20 | | 4 | |
| 4 | 980 307 080 02 | Oil pipe Supply | | 1 | |
| 5 | 980 307 081 02 | Oil pipe Return line | | 1 | |
| 6 | 999 230 647 02 | Threaded joint M 16 X 1,5 | | 2 | |
| 7 | 900 123 157 22 | Sealing ring A 16 X 22 | | 4 | |
| 8 | 980 307 250 00 | Thermostat | | 1 | |
| 9 | 900 915 005 02 | Connection piece | | 2 | |
| 10 | 980 307 060 02 | Oil hose Supply | | 1 | |
| 11 | 980 307 061 02 | Oil hose Return line | | 1 | |
| 12 | 999 707 440 40 | O-ring 12 X 2,5 | | 2 | |
| 13 | 980 307 255 00 | Spacer sleeve | | 1 | |
| 14 | 900 378 032 09 | Hexagon-head bolt AM 6 X 50 | | 1 | |
| 15 | 999 919 213 A2 | Stud T 5 X 20 | | 2 | |
| 16 | 928 347 555 00 | Clamp | | 2 | |
| 17 | 928 347 527 00 | Rubber mounting | | 2 | |
| 18 | 999 507 110 40 | Line bracket | | 1 | |
| 19 | 980 301 561 00 | Lock nut | | 2 | |
| 20 | 980 624 131 01 | Fan Information available | | 1 | |
| 21 | 900 380 003 02 | Hexagon nut M 6 | | 4 | |
| 22 | 999 591 746 02 | Cable clamp 7,0 - 9,0 Mount Wiring harness Fan And Cable Oxygen sensor Airscoop | | 4 | |
| (22) | 999 591 746 01 | Cable clamp 7,0 - 9,0 Mount Wiring harness Fan And Cable Oxygen sensor Airscoop | | 4 | |

Model: 980 04

Model life 2004>>2006



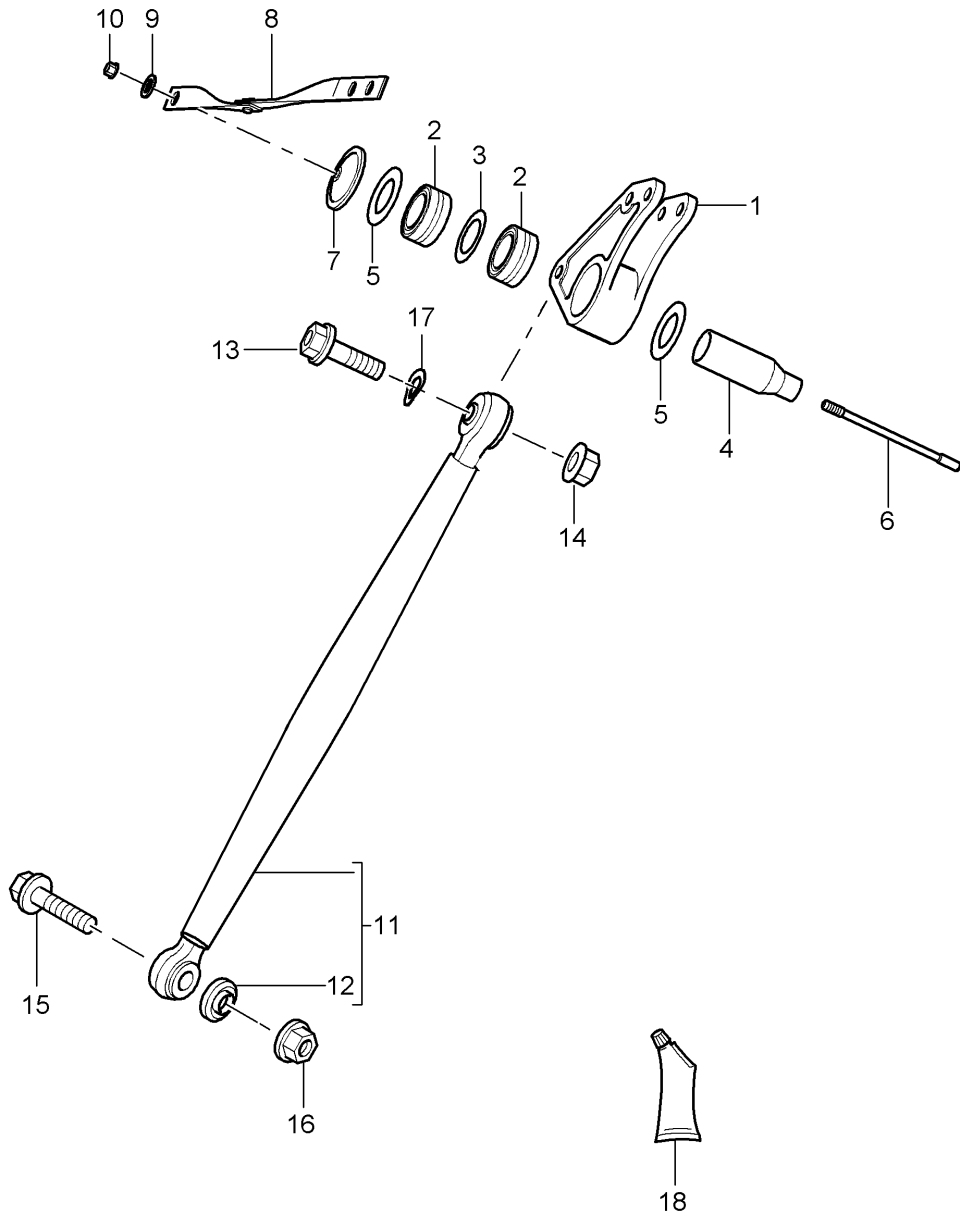
Model: 980 04

Model life 2004>>2006

| Pos | Part Number | Description | Remark | Qty | Model |
|-----|----------------|---|--------|-----|-------|
| 1 | 980 341 053 00 | Wishbone Steering arm Wishbone Lower | | 2 | |
| 2 | 999 593 122 43 | Boot | | 20 | |
| 3 | 980 341 371 00 | Supporting plate | | 2 | |
| (3) | 980 341 371 02 | Supporting plate | | 2 | |
| 4 | 900 378 069 09 | Hexagon-head bolt M 12 X 1,5 X 85 | | 4 | |
| 5 | 900 378 070 09 | Hexagon-head bolt M 10 X 30 | | 8 | |
| 6 | 999 025 054 30 | Washer 12 X 18 X 3,66 | | 2 | |
| 7 | 999 084 445 09 | Lock nut M 12 X 1,5 | | 4 | |
| 8 | 980 341 331 01 | Steering arm | | 2 | |
| 9 | 980 341 351 00 | Spacer plate 1 MM | | 4 | |
| (9) | 980 341 351 01 | Spacer plate 1 MM | | 4 | |
| 10 | 900 380 008 09 | Lock nut M 10 | | 6 | |
| 10 | 900 380 008 01 | Hexagon nut M 10 | | 6 | |
| 11 | 980 351 805 02 | Cover plate Steering arm | | 2 | |
| 12 | 900 378 065 09 | Hexagon-head bolt M 10 X 70 | | 2 | |
| 13 | 980 341 051 00 | Wishbone Upper | | 2 | |
| 14 | 900 378 020 09 | Hexagon-head bolt M 12 X 1,5 X 90 | | 2 | |
| 14 | 900 378 304 01 | Hexagon-head bolt M 12 X 1,5 X 90 | | 2 | |
| 15 | 900 305 013 A2 | Stud M 10 X 25 | | 8 | |
| 16 | 999 025 050 30 | Washer 10,2 X 19,5 X 5 | | 8 | |
| 17 | 900 817 003 02 | Lock nut M 10 | | 8 | |
| 18 | 000 043 205 34 | Grease 1 tube 100 ML | | X | |

Model: 980 04

Model life 2004>>2006

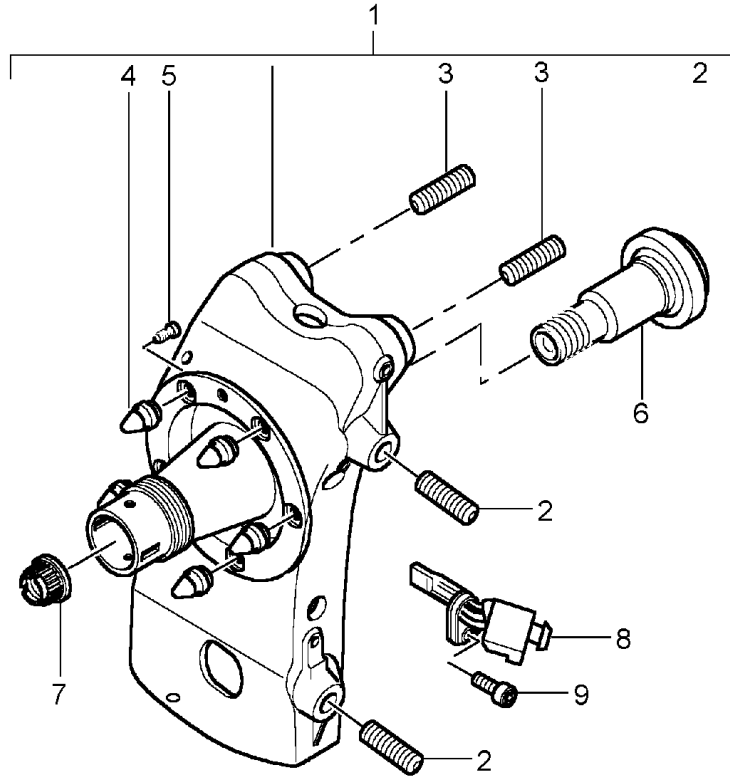


Model: 980 04 Model life 2004>>2006

| Pos | Part Number | Description | Remark | Qty | Model |
|------|----------------|-----------------------|--------|-----|-------|
| | | Rocker arm | | | |
| | | Push rod | | | |
| 1 | 980 343 267 00 | Rocker arm | | 2 | |
| 2 | 900 201 502 00 | Needle-roller bearing | | 4 | |
| (2) | 900 201 503 00 | Needle-roller bearing | | 4 | |
| 3 | 980 333 375 00 | Adjusting shim | | 2 | |
| 4 | 980 333 367 00 | Rocker shaft | | 2 | |
| | | Standard | | | |
| (4) | 980 333 368 00 | Rocker shaft | | 2 | |
| | | Oversize | | | |
| 5 | 980 333 371 00 | Thrust washer | | 4 | |
| 6 | 980 333 767 00 | Stud | | 2 | |
| | | MJ 8 X 135 | | | |
| 7 | 980 343 779 01 | Lid | | 2 | |
| 8 | | Tension strut | | 1 | |
| | | See illustrations | | | |
| | | 8/01/00 | | | |
| 9 | 900 151 043 00 | Washer | | 2 | |
| | | 8 | | | |
| 10 | 900 817 002 02 | Hexagon nut | | 2 | |
| | | M 8 | | | |
| 11 | 980 343 257 01 | Push rod | /L | 1 | |
| (11) | 980 343 257 03 | Push rod | /L | 1 | |
| (11) | 980 343 257 04 | Push rod | /L | 1 | |
| | | suspension | | | |
| | | 10 MM | | | |
| | | High | | | |
| | | see | | | |
| | | Retrofit kit | | | |
| | | 000.044.500.40 | | | |
| (11) | 980 343 258 01 | Push rod | /R | 1 | |
| (11) | 980 343 258 03 | Push rod | /R | 1 | |
| (11) | 980 343 258 04 | Push rod | /R | 1 | |
| | | suspension | | | |
| | | 10 MM | | | |
| | | High | | | |
| | | see | | | |
| | | Retrofit kit | | | |
| | | 000.044.500.40 | | | |
| 12 | 999 593 124 43 | Boot | | 8 | |
| 13 | 999 311 049 02 | Fit bolt | | 2 | |
| | | MJ 10 X 50 | | | |
| 14 | 900 817 003 02 | Lock nut | | 2 | |
| | | M 10 | | | |
| 15 | 900 378 100 09 | Hexagon-head bolt | | 2 | |
| | | AM 10 X 45 | | | |
| 16 | 999 084 016 02 | Lock nut | | 2 | |
| | | M 10 | | | |
| 17 | 900 028 023 00 | Spring washer | | 2 | |
| | | B 10 X 18 | | | |
| 18 | 000 043 205 34 | Grease | | X | |
| | | 1 tube | | | |
| | | 100 ML | | | |
| (18) | 000 043 981 00 | Grease | | X | |
| | | 1 tube | | | |
| | | 25 ML | | | |

Model: 980 04

Model life 2004>>2006

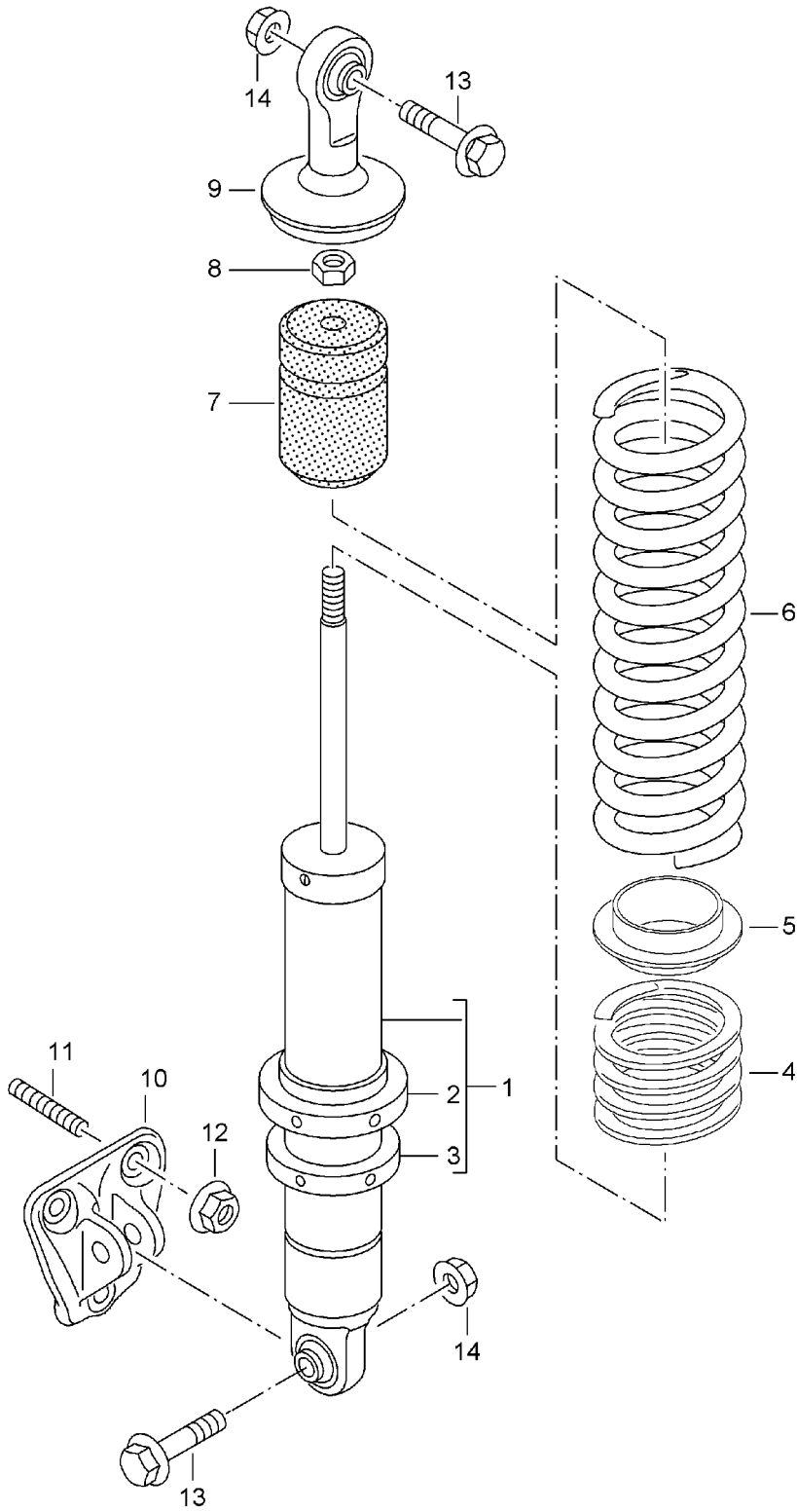


Model: 980 04 Model life 2004>>2006

| Pos | Part Number | Description | Remark | Qty | Model |
|-----|----------------|--|--------|-----|-------|
| 1 | 980 341 957 02 | Wheel carrier Wheel carrier Complete Comprising: Wheel carrier Stud M 10 X 30 Stud M 12 X 1,5 X 50 Bearing Lid Hexagon-head bolt M 8 X 35 Wheel hub | /L | 1 | |
| (1) | 980 341 958 02 | Wheel carrier Complete Comprising: Wheel carrier Stud M 10 X 30 Stud M 12 X 1,5 X 50 Bearing Lid Hexagon-head bolt M 8 X 35 Wheel hub | /R | 1 | |
| 2 | 999 218 116 09 | Stud M 12 X 1,5 X 50 | | 4 | |
| 3 | 900 305 014 09 | Stud M 10 X 30 | | 4 | |
| 4 | 9R1 331 614 00 | Driving pin Aluminium | | 8 | |
| (4) | 980 331 618 00 | Driving pin Titanium | | 2 | |
| 5 | 900 067 408 09 | Pan-head screw M 8 X 25 | | 10 | |
| 6 | 980 341 131 00 | Tension bolt | | 2 | |
| 7 | 955 341 640 00 | Lock nut M 24 X 1,5 | | 2 | |
| 8 | 7H0 927 803 | Speed sensor | /L | 1 | |
| (8) | 7H0 927 804 | Speed sensor | /R | 1 | |
| 9 | 900 067 117 09 | Pan-head screw M 6 X 16 | | 2 | |

Model: 980 04

Model life 2004>>2006



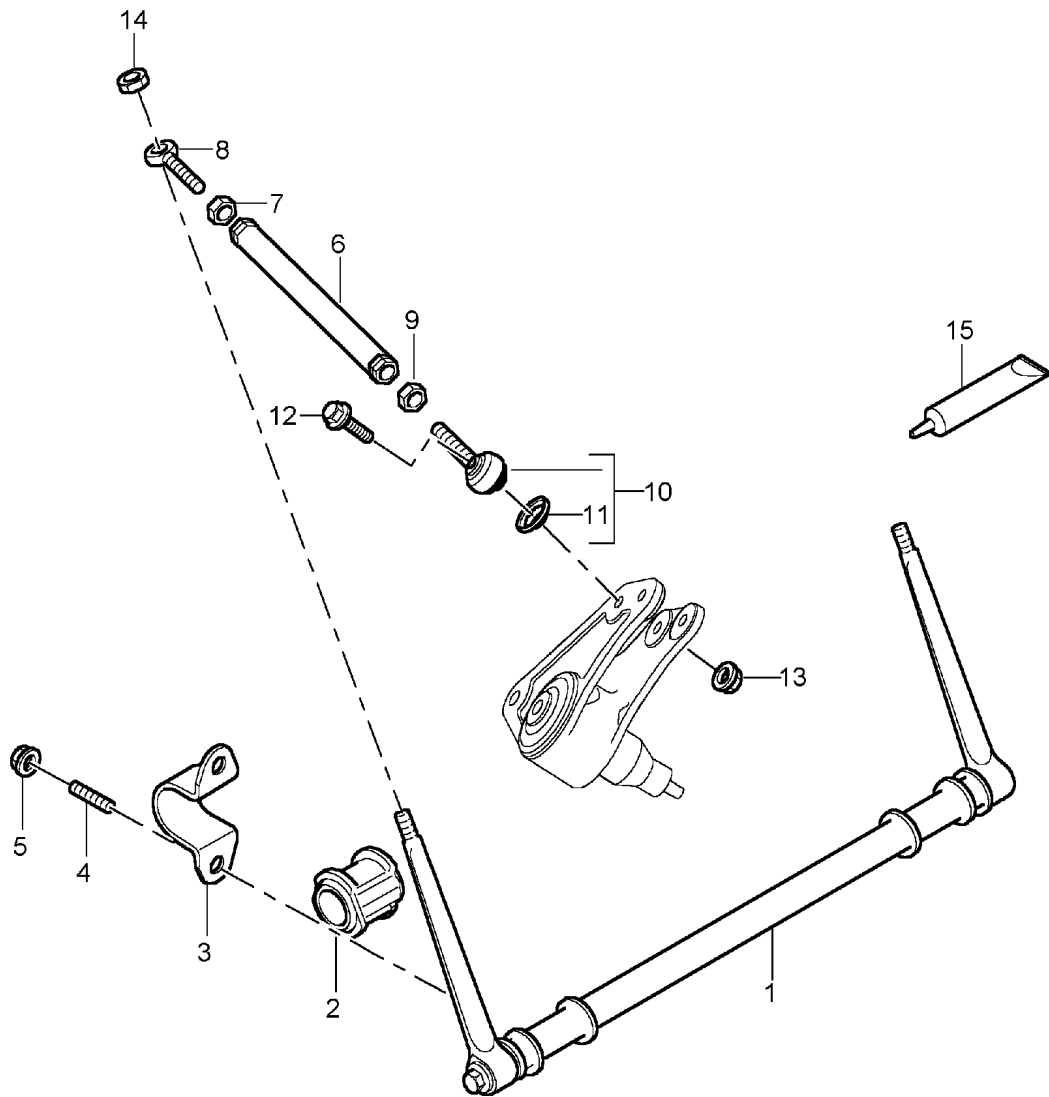
Model: 980 04

Model life 2004>>2006

| Pos | Part Number | Description | Remark | Qty | Model |
|-----|----------------|----------------------|--------|-----|-------|
| | | suspension | | | |
| | | Shock absorber strut | | | |
| | | Bearing bracket | | | |
| 1 | 980 343 041 03 | Vibration damper | | 2 | |
| 2 | 980 333 505 00 | Concave washer | | 2 | |
| 3 | 980 333 549 00 | Ring | | 2 | |
| 4 | 980 343 301 00 | Additional spring | | 2 | |
| 5 | 980 343 307 00 | Centring ring | | 2 | |
| 6 | 980 343 531 00 | Coil spring | | 2 | |
| 7 | 980 343 541 00 | Rubber stop | | 2 | |
| 8 | 980 333 547 00 | Hexagon nut | | 2 | |
| | | M 12 X 1 | | | |
| 9 | 980 333 513 01 | Shock absorber eye | | 2 | |
| 10 | 980 333 281 01 | Bearing bracket | | 2 | |
| 11 | 900 305 007 A2 | Stud | | 6 | |
| | | M 8 FO X 30 | | | |
| 12 | 900 380 005 09 | Hexagon nut | | 6 | |
| | | M 8 | | | |
| 13 | 999 311 049 02 | Fit bolt | | 4 | |
| | | MJ 10 X 50 | | | |
| 14 | 900 817 003 02 | Lock nut | | 4 | |
| | | M10 | | | |

Model: 980 04

Model life 2004>>2006



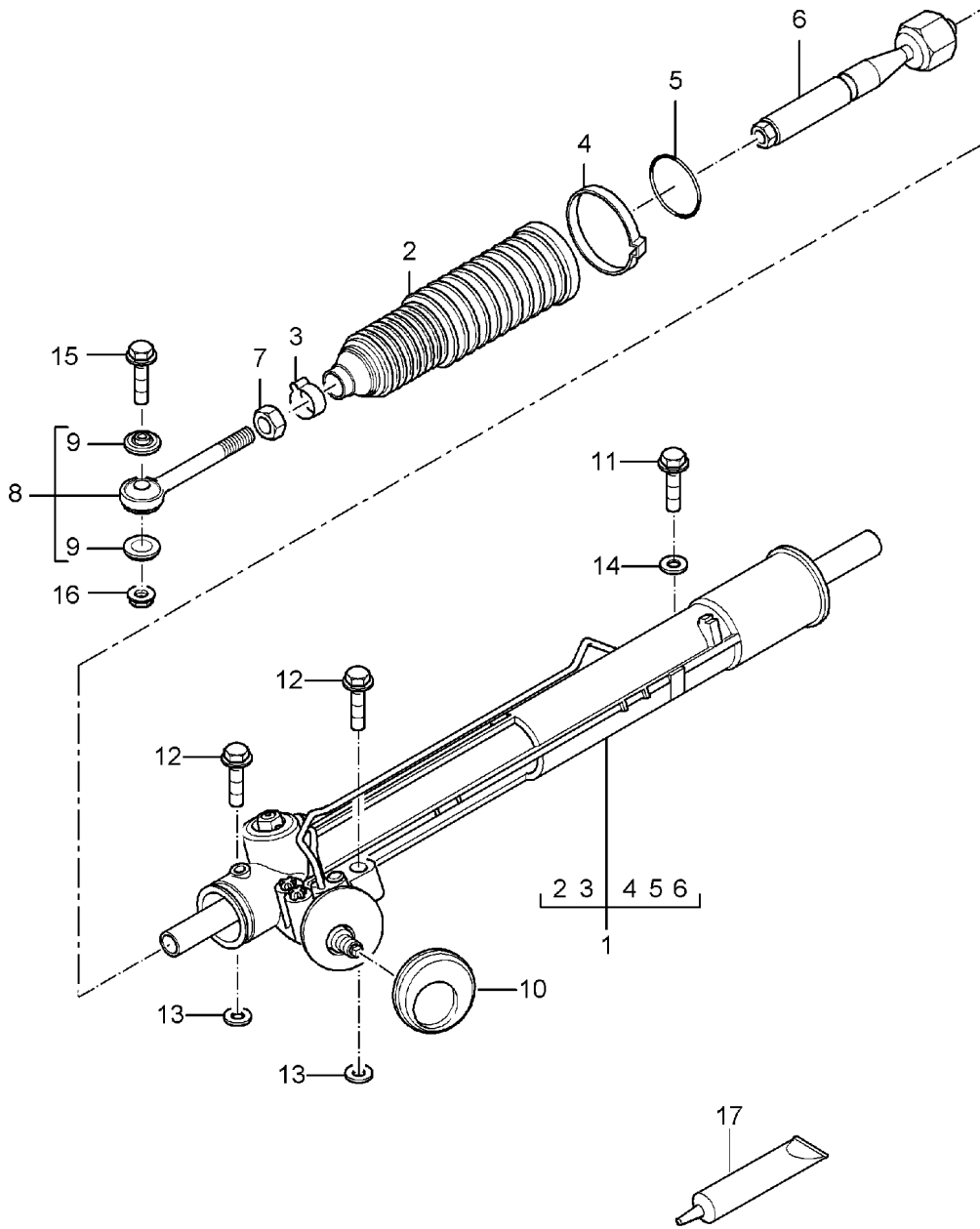
Model: 980 04

Model life 2004>>2006

| Pos | Part Number | Description | Remark | Qty | Model |
|-----|----------------|-------------------------------------|--------|-----|-------|
| 1 | 980 343 071 02 | Stabiliser Stabiliser 18,7 MM | | 1 | |
| 2 | 980 343 792 00 | Stabiliser mounting 19,3 MM | | 2 | |
| 3 | 996 343 777 01 | Clip | | 2 | |
| 4 | 900 305 013 A2 | Stud M 10 X 25 | | 4 | |
| 5 | 900 380 008 09 | Lock nut M 10 | | 4 | |
| 5 | 900 380 008 01 | Hexagon nut M 10 | | 4 | |
| 6 | 980 343 610 00 | Connecting rod | | 2 | |
| 7 | 900 034 045 09 | Hexagon nut M 12 Right thread | | 2 | |
| 8 | 999 593 127 01 | Swivel head Right thread | | 2 | |
| 9 | 900 034 044 09 | Hexagon nut M 12 Left thread | | 2 | |
| 10 | 999 593 126 01 | Swivel head Left thread | | 2 | |
| 11 | 999 593 120 43 | Boot | | 2 | |
| 12 | 999 311 049 02 | Fit bolt MJ 10 X 50 | | 2 | |
| 13 | 900 817 003 02 | Lock nut M 10 | | 2 | |
| 14 | 900 817 002 02 | Hexagon nut M 8 | | 2 | |
| 15 | 000 043 205 34 | Grease 1 tube 100 ML | | X | |

Model: 980 04

Model life 2004>>2006



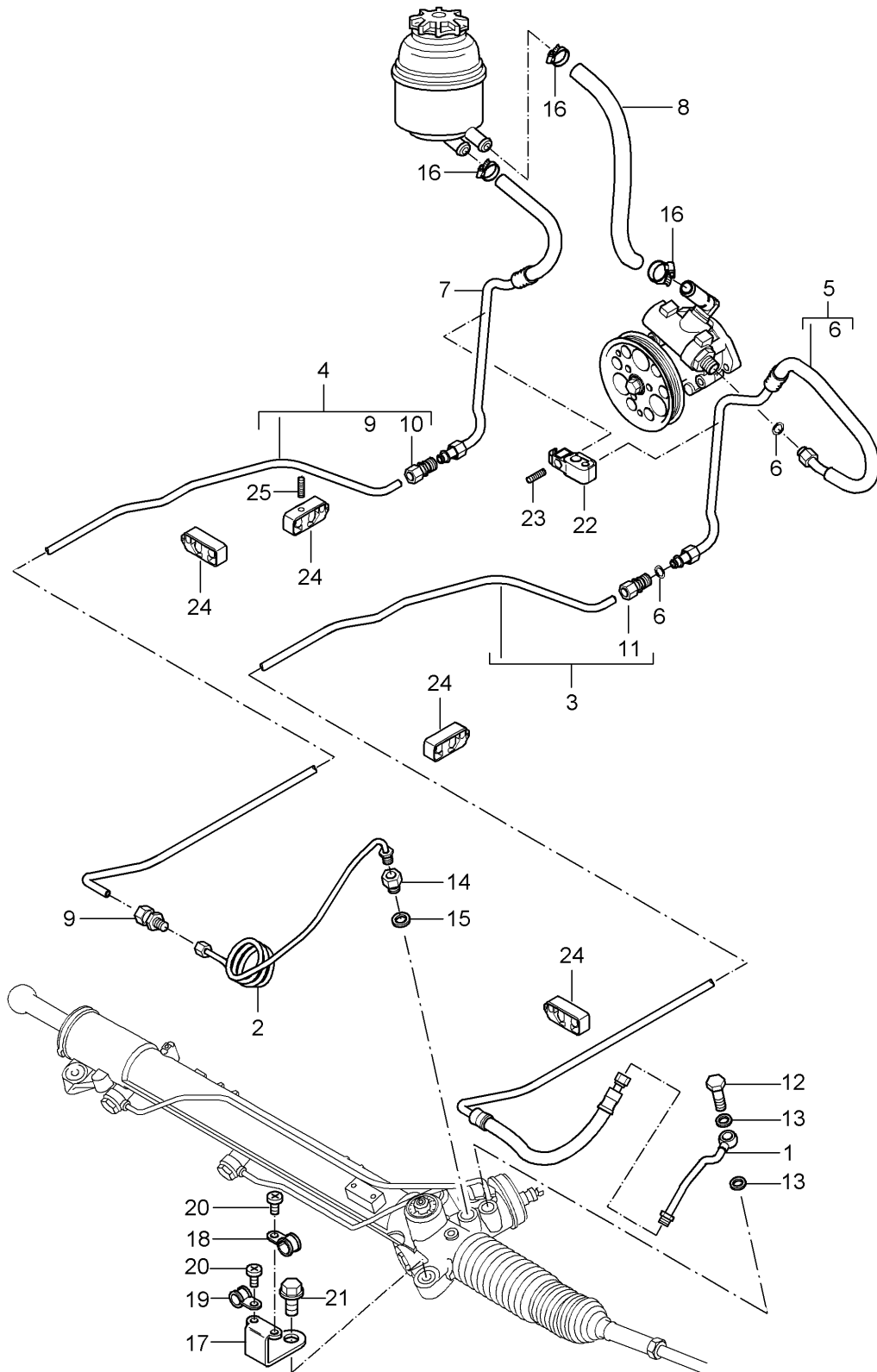
Model: 980 04

Model life 2004>>2006

| Pos | Part Number | Description | Remark | Qty | Model |
|-----|----------------|---|--------|-----|-------|
| 1 | 980 347 011 02 | Power steering Steering gear Steering gear | | 1 | |
| 2 | 980 347 191 00 | Bellows | /L | 1 | |
| (2) | 980 347 192 00 | Bellows | /R | 1 | |
| 3 | 999 512 113 09 | Hose clamp 24 X 10 | | 2 | |
| 4 | 999 512 112 00 | Hose clamp 68 X 7 | | 2 | |
| 5 | 999 707 762 40 | O-ring 57 X 2 | | 2 | |
| 6 | 980 347 322 00 | Joint | | 2 | |
| 7 | 999 034 037 09 | Hexagon nut M 14 X 1,5 | | 2 | |
| 8 | 999 593 121 01 | Track rod | | 2 | |
| 9 | 999 593 121 43 | Boot | | 4 | |
| 10 | 980 347 347 00 | Gasket Information available | | 1 | |
| 11 | 900 378 265 09 | Hexagon-head bolt AM 10 X 35 | | 1 | |
| 12 | 900 378 266 09 | Hexagon-head bolt M 10 X 60 | | 2 | |
| 13 | 999 209 073 30 | Washer 10,1 X 34 X 7,7 | | 2 | |
| 14 | 999 025 278 40 | Washer 10,5 X 21 X1,5 | | 1 | |
| 15 | | Hexagon-head bolt See group 4/01/00 POS.12 | | 2 | |
| 16 | | Hexagon nut See group 4/01/00 POS.10 | | 2 | |
| 17 | 000 043 205 34 | Grease 1 tube 100 ML | | X | |

Model: 980 04

Model life 2004>>2006



Model: 980 04

Model life 2004>>2006

| Pos | Part Number | Description | Remark | Qty | Model |
|-----|----------------|--|--------|-----|-------|
| 1 | 980 347 451 00 | Power steering Lines Pressure line | | 1 | |
| 2 | 980 347 449 01 | Steering gear Return line | | 1 | |
| 3 | 980 347 545 03 | Steering gear Pressure line | | 1 | |
| - | 999 507 738 40 | Tunnel Line bracket 9,5 / 16,4 | | 1 | |
| - | 999 507 981 40 | Line bracket 6,5 / 20 Mount Pressure line Tunnel | | 2 | |
| 4 | 980 347 539 03 | Clutch pipeline Return line Tunnel | | 1 | |
| - | 999 507 738 40 | Line bracket 9,5 / 16,4 | | 1 | |
| 5 | 980 347 443 06 | Pressure line Power-steering pump | | 1 | |
| 6 | 999 707 569 40 | O-ring 8,5 X 1,5 X 11,5 | | 2 | |
| 7 | 980 347 441 02 | Return line Oil tank Information available | | 1 | |
| (7) | 980 347 441 03 | Return line Oil tank | | 1 | |
| 8 | 980 347 333 00 | Suction hose Oil tank Power-steering pump | | 1 | I572 |
| (8) | 980 347 335 00 | Suction hose Oil tank Power-steering pump | | 1 | I574 |
| 9 | 999 230 771 02 | Threaded joint GR 12/6 | | 1 | |
| 10 | 999 230 631 02 | Threaded joint SC L12 | | 1 | |
| 11 | 900 099 015 02 | Threaded joint SC L10 | | 1 | |
| 12 | 999 230 395 02 | Banjo bolt 10 | | 1 | |
| 13 | N 013 849 2 | Sealing ring A 14 X 20 | | 2 | |
| 14 | 999 136 052 02 | Connection piece M 16 X 1,5 | | 1 | |
| 15 | 900 123 019 20 | Sealing ring A 16 X 22 | | 1 | |
| 16 | 999 512 676 00 | Hose clamp 16 - 25 | | 3 | |
| 17 | 980 347 563 01 | Support | | 1 | |
| 18 | 999 511 068 00 | Clamp 10 X 12 | | 1 | |
| 19 | N 020 680 1 | Clip 6 X 12 | | 1 | |
| 20 | 999 073 268 A2 | Oval-head screw M 5 X 12 | | 2 | |
| 21 | | See illustrations 4/03/00 | | 1 | |
| 22 | 996 347 543 00 | Cable holder | | 1 | |
| 23 | 999 919 213 A2 | Stud T5 X 20 | | 1 | |

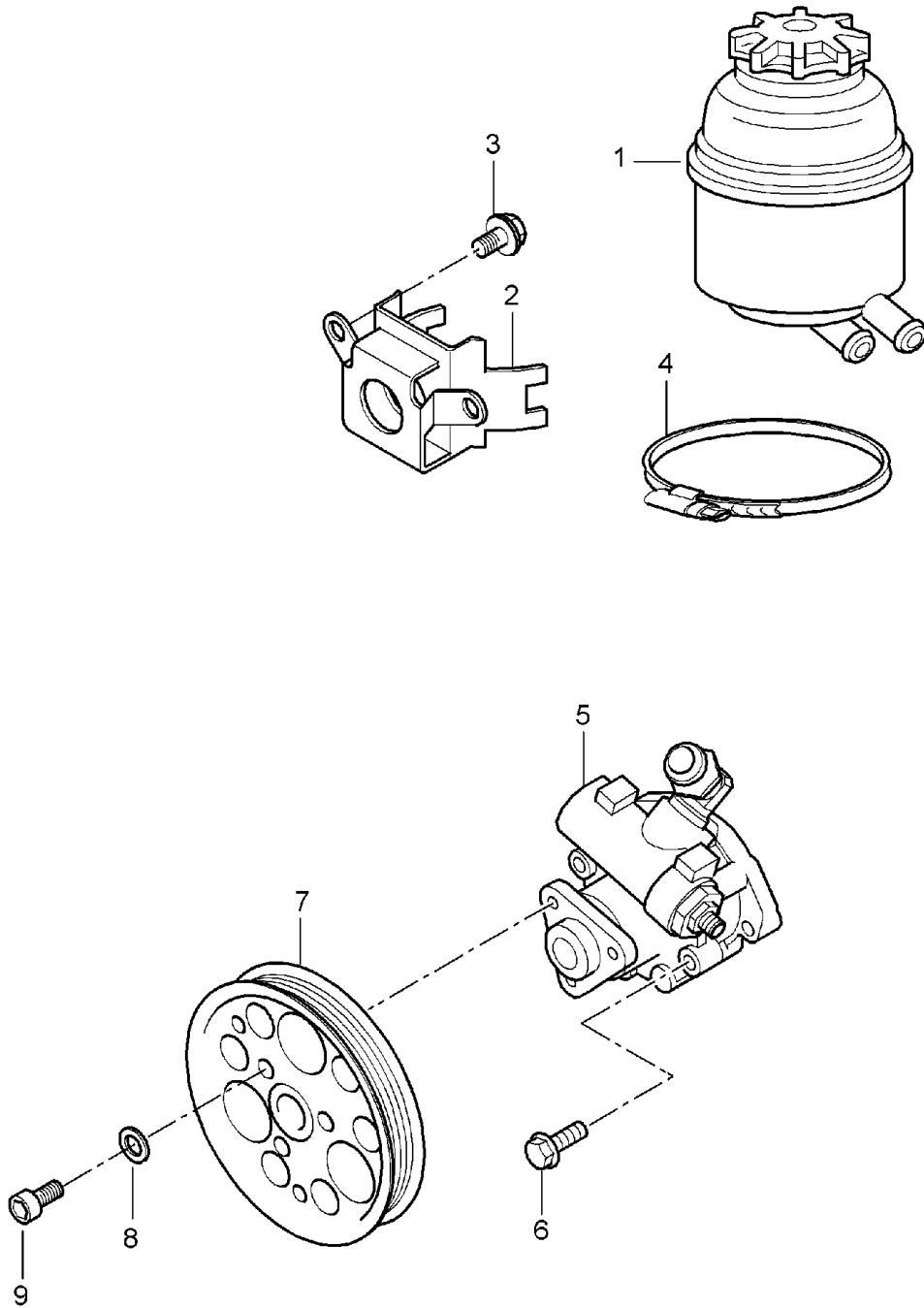
Model: 980 04

Model life 2004>>2006

| Pos | Part Number | Description | Remark | Qty | Model |
|-----|----------------|---|--------|-----|-------|
| 24 | 999 507 520 40 | Line bracket 8 / 12 / 10 | | 4 | |
| - | 999 513 054 40 | Tie-wrap 3,5 - 45 Mount Line bracket 999.507.520.40 | | 4 | |
| 25 | 999 919 231 A2 | Stud T5 X 13 | | 1 | |
| - | 999 507 374 40 | Line bracket 10 / 10 | | 1 | |

Model: 980 04

Model life 2004>>2006



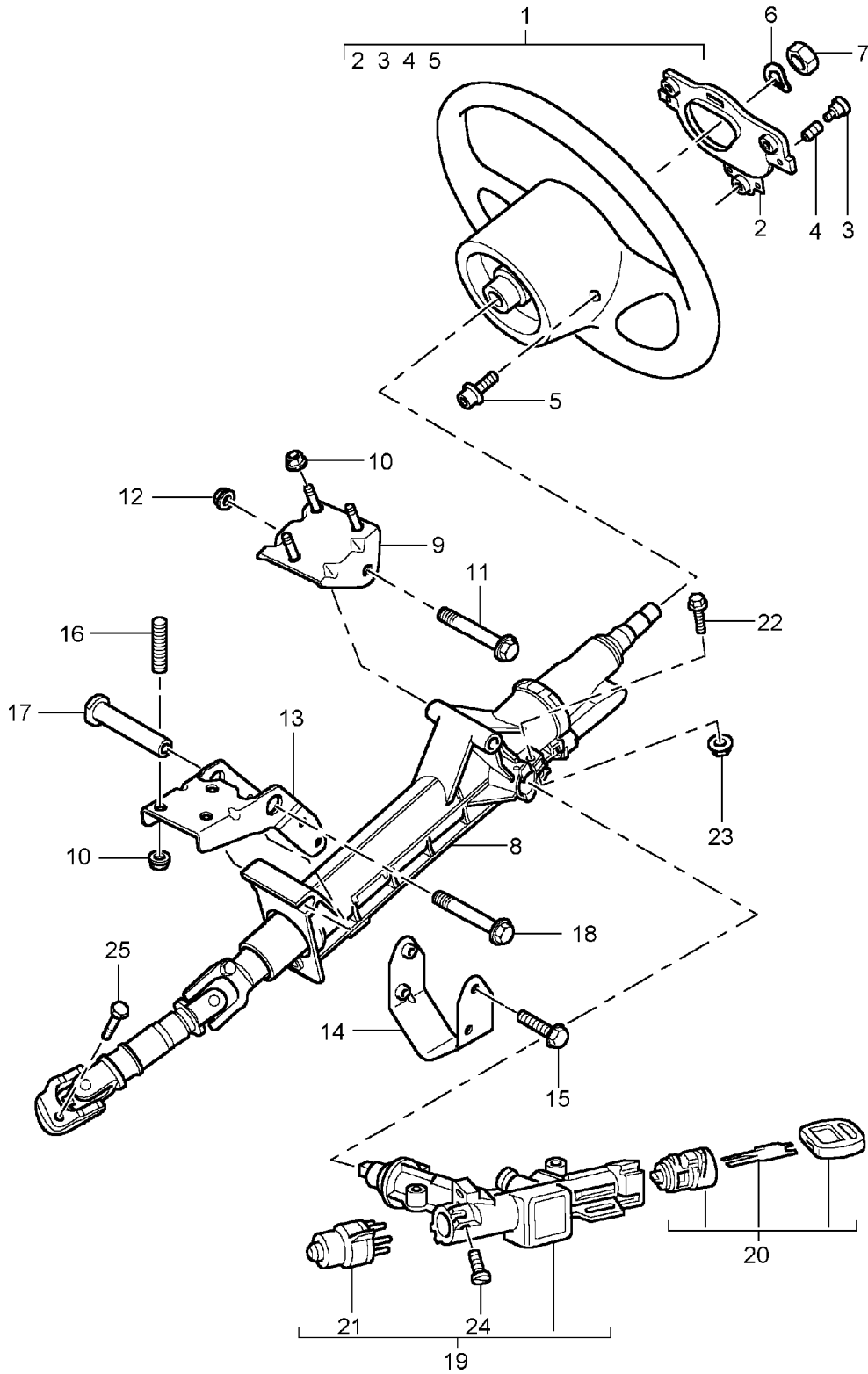
Model: 980 04

Model life 2004>>2006

| Pos | Part Number | Description | Remark | Qty | Model |
|-----|----------------|---------------------|--------|-----|-------|
| | | Power steering | | | |
| | | Power-steering pump | | | |
| | | Oil tank | | | |
| 1 | 980 347 015 02 | Oil tank | | 1 | |
| 2 | 980 347 363 01 | Support | | 1 | |
| | | Oil tank | | | |
| 3 | 900 378 204 A2 | Hexagon-head bolt | | 2 | |
| | | M 6 X 12 | | | |
| 4 | 999 512 350 02 | Hose clamp | | 1 | |
| | | A 80 - 100 | | | |
| 5 | 980 314 050 03 | Power-steering pump | | 1 | |
| 6 | 900 378 022 09 | Hexagon-head bolt | | 3 | |
| | | AM 8 X 25 | | | |
| 7 | 980 147 511 00 | Pulley | | 1 | |
| | | Power-steering pump | | | |
| 8 | 900 031 001 02 | Washer | | 3 | |
| | | 8,4 | | | |
| 8 | 900 031 105 01 | Washer | | 3 | |
| | | 8,4 | | | |
| 9 | 900 119 052 02 | Pan-head screw | | 3 | |
| | | M 8 X 16 | | | |
| (9) | 900 119 052 01 | Pan-head screw | | 6 | |
| | | M 8 X 16 | | | |
| - | 000 043 203 33 | Pentosin | | X | |
| | | CHF 11S | | | |
| | | 1 LITER | | | |
| - | 000 043 206 56 | Pentosin | | X | |
| | | CHF 202 | | | |
| | | 1 LITER | | | |

Model: 980 04

Model life 2004>>2006



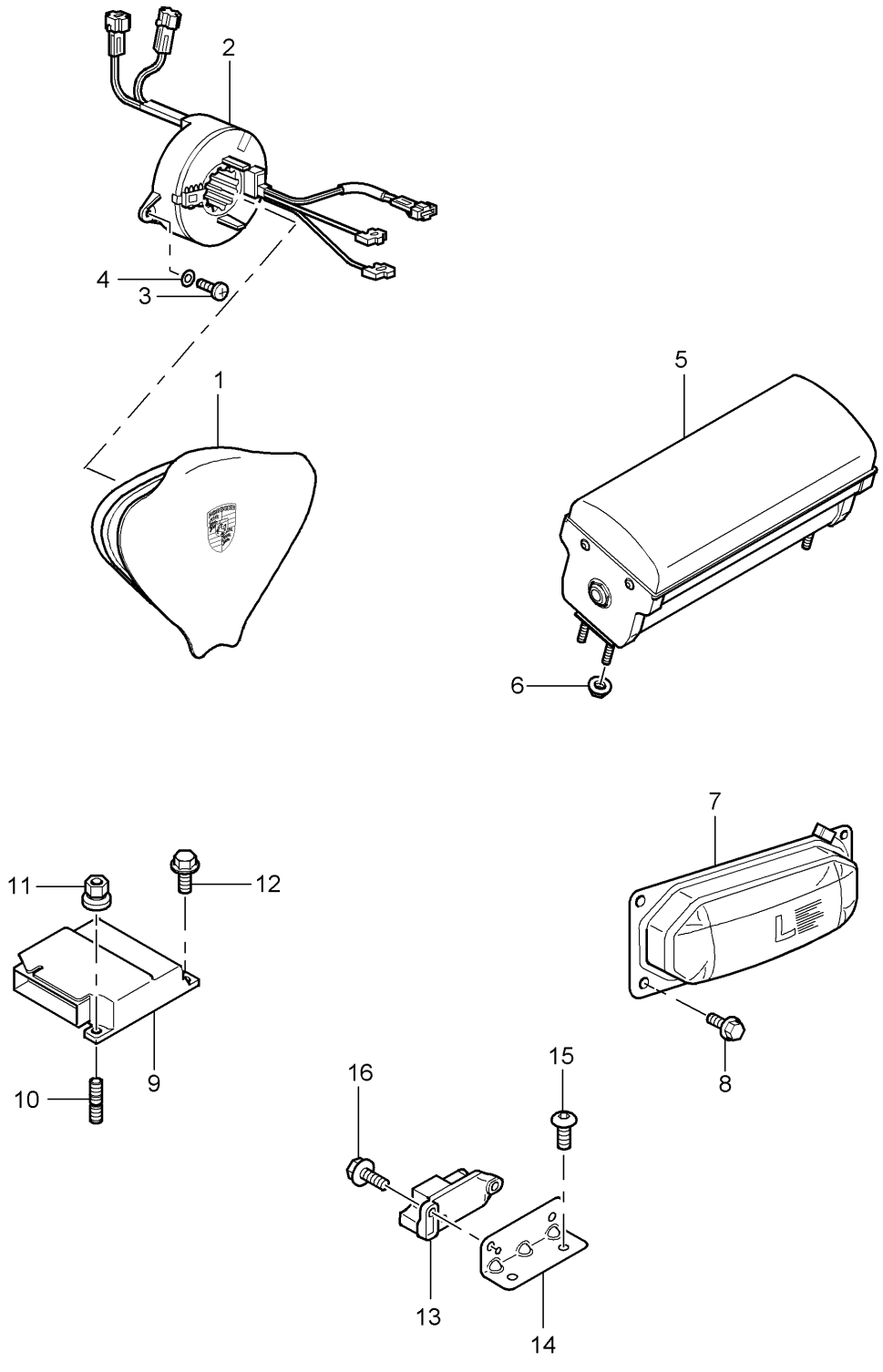
Model: 980 04

Model life 2004>>2006

| Pos | Part Number | Description | Remark | Qty | Model |
|------|--------------------|---|--------|-----|-------|
| 1 | 980 347 804 50 | Steering wheels Steering column Steering shaft Steering wheel Leather | | 1 | |
| | 980 347 804 50 9N2 | Terracotta | | | |
| | 980 347 804 50 D11 | Dark grey/natural | | | |
| | 980 347 804 50 FKA | Ascot brown/natural Black/natural | | | |
| 2 | 996 347 880 02 | Retaining frame | | 1 | |
| 3 | 999 073 184 02 | Round head screw M 5 X 10,7 | | 3 | |
| 4 | 999 521 079 02 | Compression spring | | 3 | |
| 5 | 999 073 183 02 | Pan-head screw M 6 X 10,5 | | 2 | |
| 6 | N 012 238 1 | Spring washer B 16 | | 1 | |
| 7 | 900 078 006 01 | Hexagon nut M 16 X 1,5 | | 1 | |
| 8 | 980 347 007 00 | Steering column Complete | | 1 | |
| 9 | 980 347 213 01 | Support | | 1 | |
| 10 | 900 380 005 09 | Hexagon nut M 8 | | 6 | |
| 11 | 900 378 095 09 | Hexagon-head bolt M 10 X 100 | | 1 | |
| 12 | 900 380 008 09 | Lock nut M 10 | | 1 | |
| 12 | 900 380 008 01 | Hexagon nut M 10 | | 1 | |
| 13 | 980 347 215 01 | Support | | 1 | |
| (13) | 980 347 215 02 | Support | | 1 | |
| 14 | 980 347 221 00 | Clip | | 1 | |
| 15 | 999 217 020 02 | Hexagon-head bolt M6 X 10 | | 4 | |
| 15 | 999 217 020 01 | Hexagon-head bolt M6 X 10 | | 4 | |
| 16 | 900 060 082 A2 | Stud M 8 FO X 20 | | 3 | |
| 17 | 980 347 219 00 | Threaded sleeve | | 1 | |
| 18 | 900 378 254 09 | Hexagon-head bolt M 10 X 40 | | 1 | |
| 19 | 996 347 017 07 | Steering lock | | 1 | |
| 20 | 996 347 917 02 | Lock cylinder with stipulated lock number | | 1 | |
| (20) | 996 347 915 02 | Lock cylinder W/o stipulated lock number | | 1 | |
| 21 | 4B0 905 849 | Ignition starter switch | | 1 | |
| 22 | 900 378 157 09 | Hexagon-head bolt AM 6 X 25 | | 1 | |
| 23 | 900 380 015 09 | Hexagon nut M 6 | | 1 | |
| 23 | 900 380 015 01 | Hexagon nut M 6 | | 1 | |
| 24 | 996 347 901 00 | Slotted screw | | 2 | |
| 25 | 999 217 042 09 | Hexagon-head bolt M 8 X 35 | | 1 | |

Model: 980 04

Model life 2004>>2006



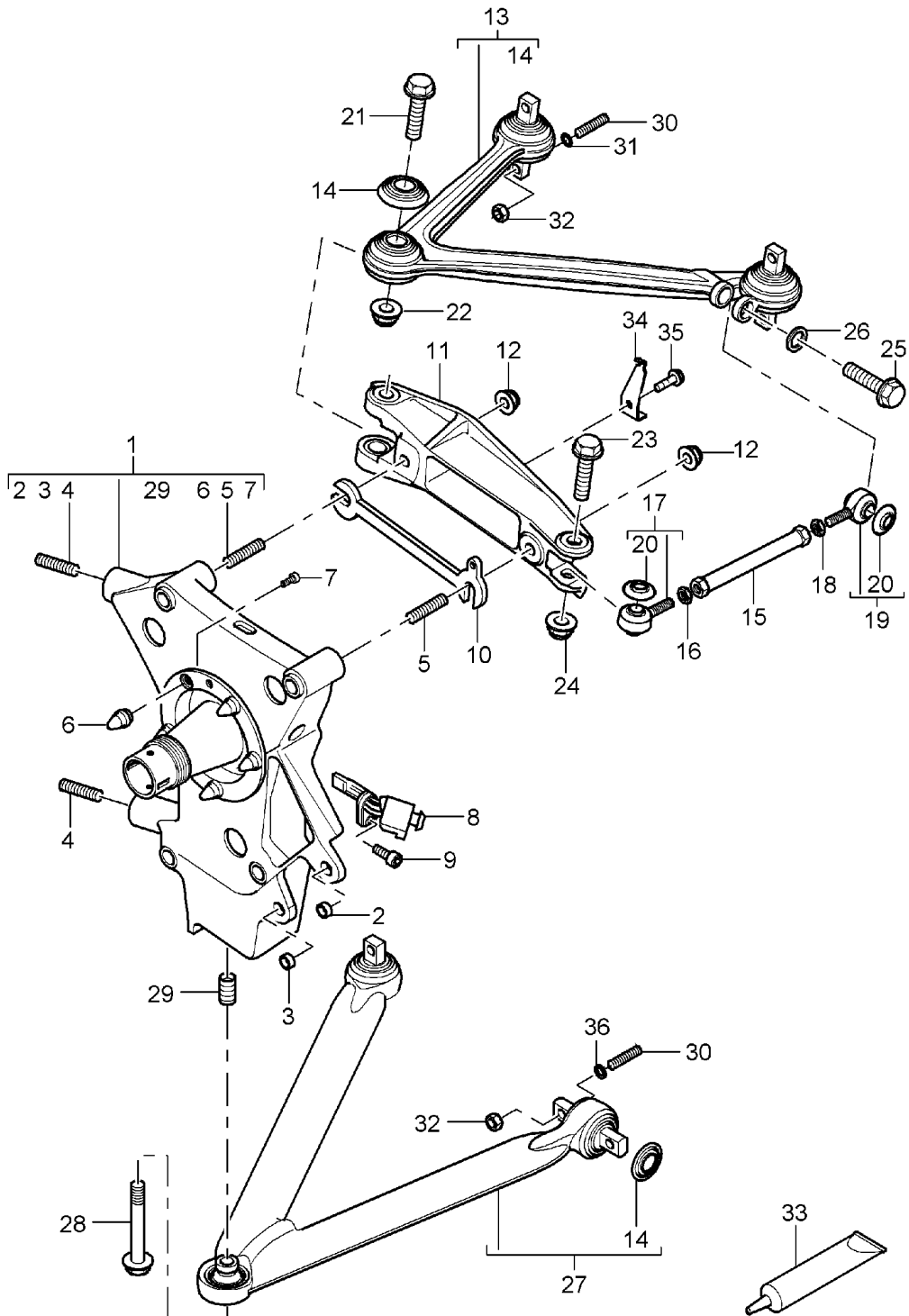
Model: 980 04

Model life 2004>>2006

| Pos | Part Number | Description | Remark | Qty | Model |
|-----|--------------------|---|--------|-----|-------|
| 1 | 996 803 089 05 | Airbag Airbag unit Leather Driver's side | | 1 | |
| | 996 803 089 05 9N2 | Terracotta | | | |
| | 996 803 089 05 D11 | Dark grey/natural | | | |
| | 996 803 089 05 R20 | Ascot brown/natural | | | |
| 1 | 996 803 089 09 | Airbag unit Leather Driver's side | | 1 | |
| | 996 803 089 09 9N2 | Terracotta | | | |
| | 996 803 089 09 D11 | Dark grey/natural | | | |
| | 996 803 089 09 R20 | Ascot brown/natural | | | |
| 2 | 996 652 211 00 | Support for contact | | 1 | |
| 3 | 900 146 024 07 | Oval-head screw M 5 X 8 | | 2 | |
| 4 | 900 028 007 07 | Spring washer B 5 | | 2 | |
| 5 | 980 803 071 00 | Airbag unit Passenger's side | | 1 | |
| 6 | 900 380 015 09 | Hexagon nut M6 | | 4 | |
| 6 | 900 380 015 01 | Hexagon nut M6 | | 4 | |
| 7 | 996 803 091 00 | Airbag unit Side airbag | /L | 1 | |
| (7) | 996 803 092 00 | Airbag unit Side airbag | /R | 1 | |
| 8 | 900 378 035 A2 | Hexagon-head bolt M 6 X 16 | | 8 | |
| 9 | 996 618 219 02 | Switch unit Airbag | | 1 | |
| 10 | 999 062 120 A2 | Stud M 6 X 13 | | 1 | |
| 11 | 999 084 635 02 | Shear-off nut M 6 | | 1 | |
| 12 | 900 378 125 A2 | Hexagon-head bolt M 6 X 16 | | 2 | |
| 13 | 980 618 221 00 | Sensor Side airbag | | 2 | |
| 14 | 980 618 213 00 | Support Sensor Side airbag | | 2 | |
| 15 | 999 015 026 A2 | Oval-head screw M 6 X 16 | | 4 | |
| 16 | 900 378 204 A2 | Hexagon-head bolt M 6 x 12 | | 4 | |

Model: 980 04

Model life 2004>>2006



Model: 980 04 Model life 2004>>2006

| Pos | Part Number | Description | Remark | Qty | Model |
|------|----------------|---|--------|-----|-------|
| 1 | 980 331 911 00 | Rear axle Wheel carrier Wishbone Wheel hub Wheel carrier Complete Comprising: Wheel carrier Stud M 10 X 30 Stud M 12 X 1,5 X 50 Bearing Lid Hexagon-head bolt M 8 X 35 Wheel hub Knurled nut M 8 Knurled nut M 10 Threaded insert M 10 X 20 | /L | 1 | |
| (1) | 980 331 912 00 | Wheel carrier Complete Comprising: Wheel carrier Stud M 10 X 30 Stud M 12 X 1,5 X 50 Bearing Lid Hexagon-head bolt M 8 X 35 Wheel hub Knurled nut M 8 Knurled nut M 10 Threaded insert M 10 X 20 | /R | 1 | |
| 2 | 980 331 315 00 | Knurled nut M 8 | | 2 | |
| 3 | 980 331 317 00 | Knurled nut M 10 Information available | | 2 | |
| 4 | 999 218 116 09 | Stud M 12 X 1,5 X 50 | | 4 | |
| 5 | 900 305 014 09 | Stud M 10 X 30 | | 4 | |
| 6 | 9R1 331 614 00 | Driving pin | | 10 | |
| 7 | 900 067 408 09 | Pan-head screw M 8 X 25 | | 10 | |
| 8 | 7H0 927 803 | Speed sensor | /L | 1 | |
| (8) | 7H0 927 804 | Speed sensor | /R | 1 | |
| 9 | 900 067 117 09 | Pan-head screw M 6 X 16 | | 2 | |
| 10 | 980 331 351 00 | Spacer plate 1 MM | | 4 | |
| (10) | 980 331 351 01 | Spacer plate 1 MM | | 4 | |
| 11 | 980 331 113 00 | Steering arm | -05 | 2 | |

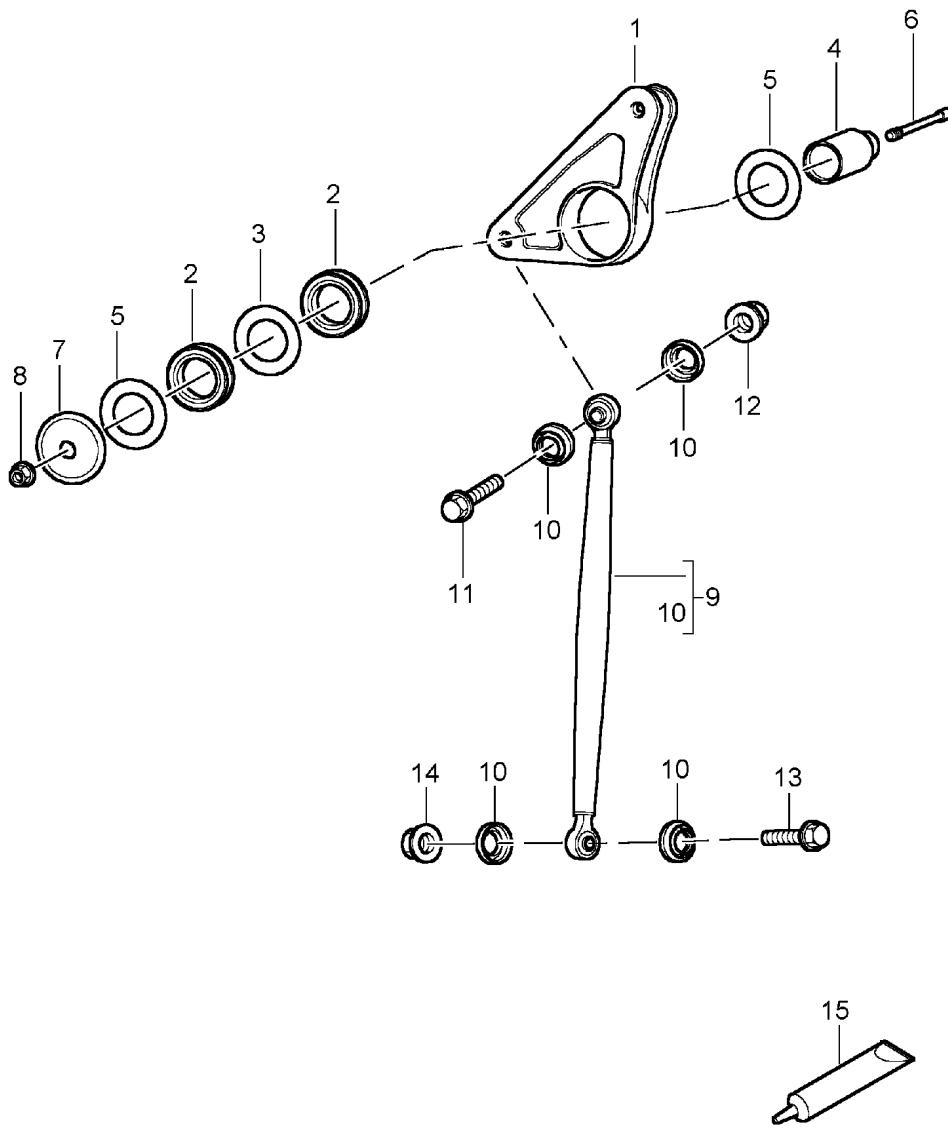
Model: 980 04

Model life 2004>>2006

| Pos | Part Number | Description | Remark | Qty | Model |
|------|----------------|--------------------------------------|--------|-----|-------|
| (11) | 980 331 113 01 | Steering arm | 06- | 2 | |
| 12 | 900 380 008 09 | Lock nut M 10 | | 4 | |
| 12 | 900 380 008 01 | Hexagon nut M 10 | | 4 | |
| 13 | 980 331 043 00 | Wishbone Upper | | 2 | |
| 14 | 999 593 122 43 | Boot | | 24 | |
| 15 | 980 331 245 00 | Track rod | | 2 | |
| 16 | 900 034 045 09 | Hexagon nut Right thread M 12 | | 2 | |
| 17 | 999 593 120 01 | Swivel head Right thread | | 2 | |
| 18 | 900 034 044 09 | Hexagon nut Left thread | | 2 | |
| 19 | 999 593 126 01 | Swivel head Left thread | | 2 | |
| 20 | 999 593 120 43 | Boot | | 4 | |
| 21 | 900 378 020 09 | Hexagon-head bolt M 12 X 1,5 X 90 | | 2 | |
| 21 | 900 378 304 01 | Hexagon-head bolt M 12 X 1,5 X 90 | | 2 | |
| 22 | 999 084 445 09 | Lock nut M 12 X 1,5 | | 2 | |
| 23 | 900 378 133 09 | Hexagon-head bolt M 10 X 60 | | 2 | |
| 24 | 900 380 008 09 | Lock nut M 10 | | 2 | |
| 24 | 900 380 008 01 | Hexagon nut M 10 | | 2 | |
| 25 | 900 074 192 09 | Hexagon-head bolt M 10 X 55 | | 2 | |
| 26 | 900 031 005 09 | Washer 10 | | 2 | |
| 27 | 980 331 041 01 | Wishbone Lower | | 2 | |
| 28 | 980 331 601 00 | Fit bolt M 10 X 81 | | 2 | |
| 29 | 999 504 646 00 | Threaded insert M 10 X 20 | | 2 | |
| 30 | 900 305 013 A2 | Stud M 10 X 25 | | 16 | |
| 31 | 999 025 059 30 | Washer 10,2 X 19,5 X 2,0 | | 8 | |
| 32 | 900 817 003 02 | Lock nut M 10 | | 16 | |
| 33 | 000 043 205 34 | Grease 1 tube 100 ML | | X | |
| 34 | 980 610 235 01 | Support | /L | 1 | |
| (34) | 980 610 236 01 | Support | /R | 1 | |
| 35 | 900 378 177 09 | Hexagon-head bolt AM 6 X 30 | | 2 | |
| 36 | 999 025 066 30 | Washer 10,2 X 19,5 X 3,5 | | 8 | |

Model: 980 04

Model life 2004>>2006



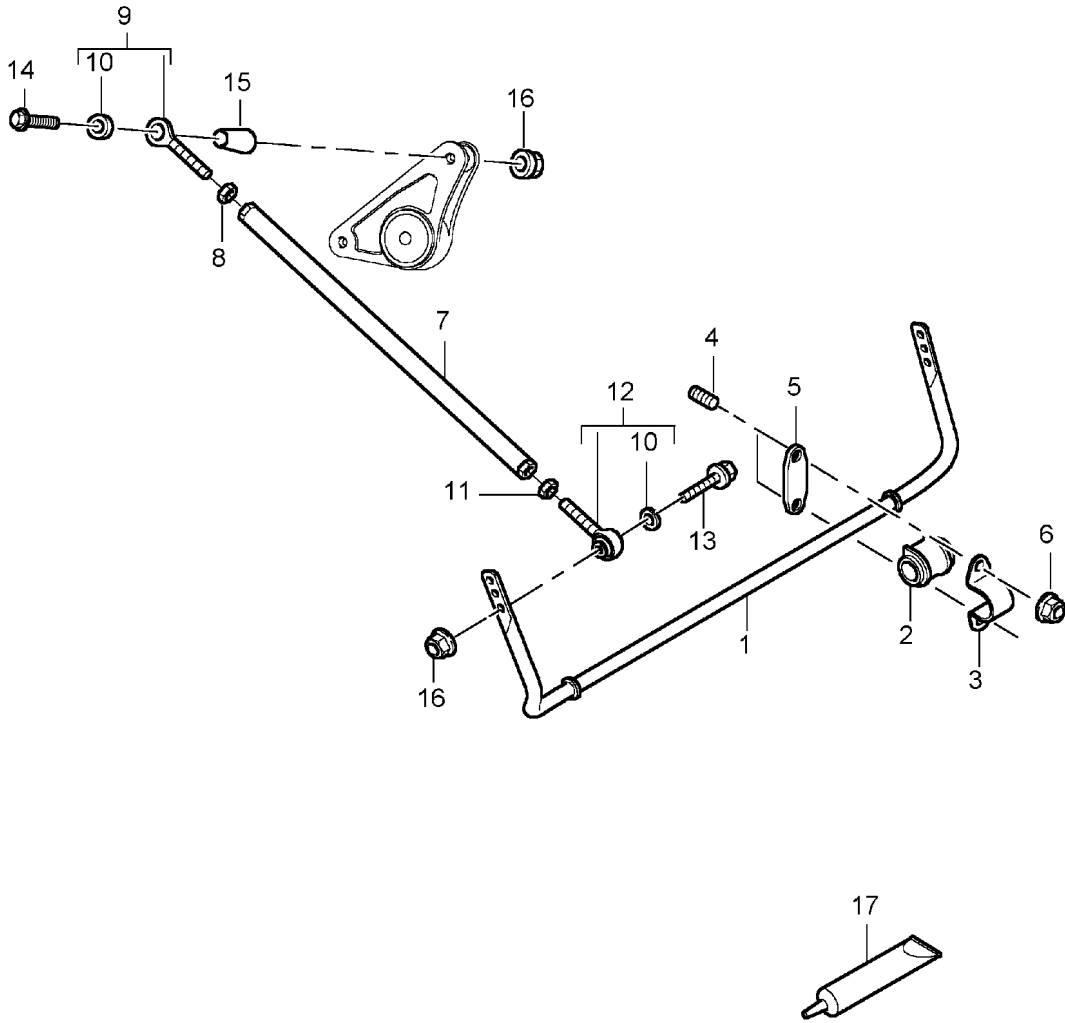
Model: 980 04

Model life 2004>>2006

| Pos | Part Number | Description | Remark | Qty | Model |
|------|----------------|-----------------------|--------|-----|-------|
| | | Rear axle | | | |
| | | Rocker arm | | | |
| | | Push rod | | | |
| 1 | 980 333 267 00 | Rocker arm | | 2 | |
| 2 | 900 201 502 00 | Needle-roller bearing | | 4 | |
| (2) | 900 201 503 00 | Needle-roller bearing | | 4 | |
| 3 | 980 333 375 00 | Adjusting shim | | 2 | |
| 4 | 980 333 367 00 | Rocker shaft | | 2 | |
| | | Standard | | | |
| (4) | 980 333 368 00 | Rocker shaft | | 2 | |
| | | Oversize | | | |
| 5 | 980 333 371 00 | Thrust washer | | 4 | |
| 6 | 980 333 767 00 | Stud | | 2 | |
| | | MJ 8 X 135 | | | |
| 7 | 980 333 779 00 | Lid | | 2 | |
| 8 | 900 817 002 02 | Hexagon nut | | 2 | |
| | | M 8 | | | |
| 9 | 980 333 257 01 | Push rod | /L | 1 | |
| (9) | 980 333 257 03 | Push rod | /L | 1 | |
| (9) | 980 333 257 04 | Push rod | /L | 1 | |
| | | suspension | | | |
| | | 10 MM | | | |
| | | High | | | |
| | | see | | | |
| | | Retrofit kit | | | |
| | | 000.044.500.40 | | | |
| (9) | 980 333 258 01 | Push rod | /R | 1 | |
| (9) | 980 333 258 03 | Push rod | /R | 1 | |
| (9) | 980 333 258 04 | Push rod | /R | 1 | |
| | | suspension | | | |
| | | 10 MM | | | |
| | | High | | | |
| | | see | | | |
| | | Retrofit kit | | | |
| | | 000.044.500.40 | | | |
| 10 | 999 593 124 43 | Boot | | 8 | |
| 11 | 999 311 049 02 | Fit bolt | | 2 | |
| | | MJ 10 X 50 | | | |
| 12 | 900 817 003 02 | Lock nut | | 2 | |
| | | M 10 | | | |
| 13 | 900 378 249 09 | Hexagon-head bolt | | 2 | |
| | | AM 10 X 55 | | | |
| 14 | 900 380 008 09 | Lock nut | | 2 | |
| | | M 10 | | | |
| 14 | 900 380 008 01 | Hexagon nut | | 2 | |
| | | M 10 | | | |
| 15 | 000 043 205 34 | Grease | | X | |
| | | 1 tube | | | |
| | | 100 ML | | | |
| (15) | 000 043 981 00 | Grease | | X | |
| | | 1 tube | | | |
| | | 25 ML | | | |

Model: 980 04

Model life 2004>>2006



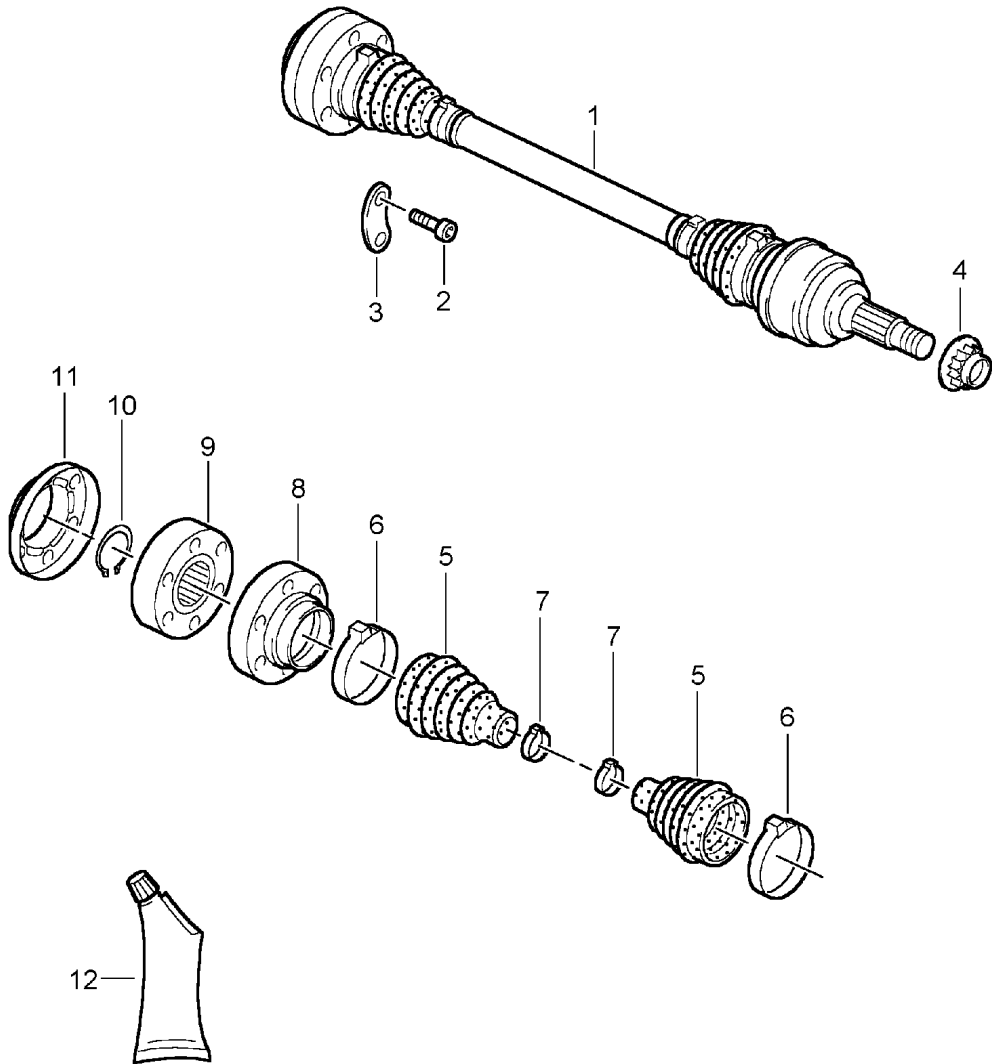
Model: 980 04

Model life 2004>>2006

| Pos | Part Number | Description | Remark | Qty | Model |
|-----|----------------|---|--------|-----|-------|
| 1 | 980 333 071 01 | Stabiliser | | 1 | |
| 2 | 980 333 792 00 | Stabiliser mounting 17,2 MM | | 2 | |
| 3 | 996 343 777 01 | Clip | | 2 | |
| 4 | 900 305 013 A2 | Stud M 10 X 25 | | 4 | |
| 5 | 980 333 775 00 | Spacer | | 2 | |
| 6 | 900 380 008 09 | Lock nut M 10 | | 4 | |
| 6 | 900 380 008 01 | Hexagon nut M 10 | | 4 | |
| 7 | 980 333 630 01 | Connecting rod | | 2 | |
| 8 | 900 034 045 09 | Hexagon nut M 12 | | 2 | |
| 9 | 999 593 120 01 | Right thread Swivel head Right thread | | 2 | |
| 10 | 999 593 120 43 | Boot | | 4 | |
| 11 | 900 034 044 09 | Hexagon nut M 12 | | 2 | |
| 12 | 999 593 126 01 | Left thread Swivel head Left thread | | 2 | |
| 13 | 999 311 048 02 | Fit bolt MJ 10 X 40 | | 2 | |
| 14 | 999 311 050 02 | Fit bolt MJ 10 X 102 | | 2 | |
| 15 | 980 333 403 00 | Spacer sleeve | | 2 | |
| 16 | 900 817 003 02 | Lock nut M 10 | | 4 | |
| 17 | 000 043 205 34 | Grease 1 tube 100 ML | | X | |

Model: 980 04

Model life 2004>>2006



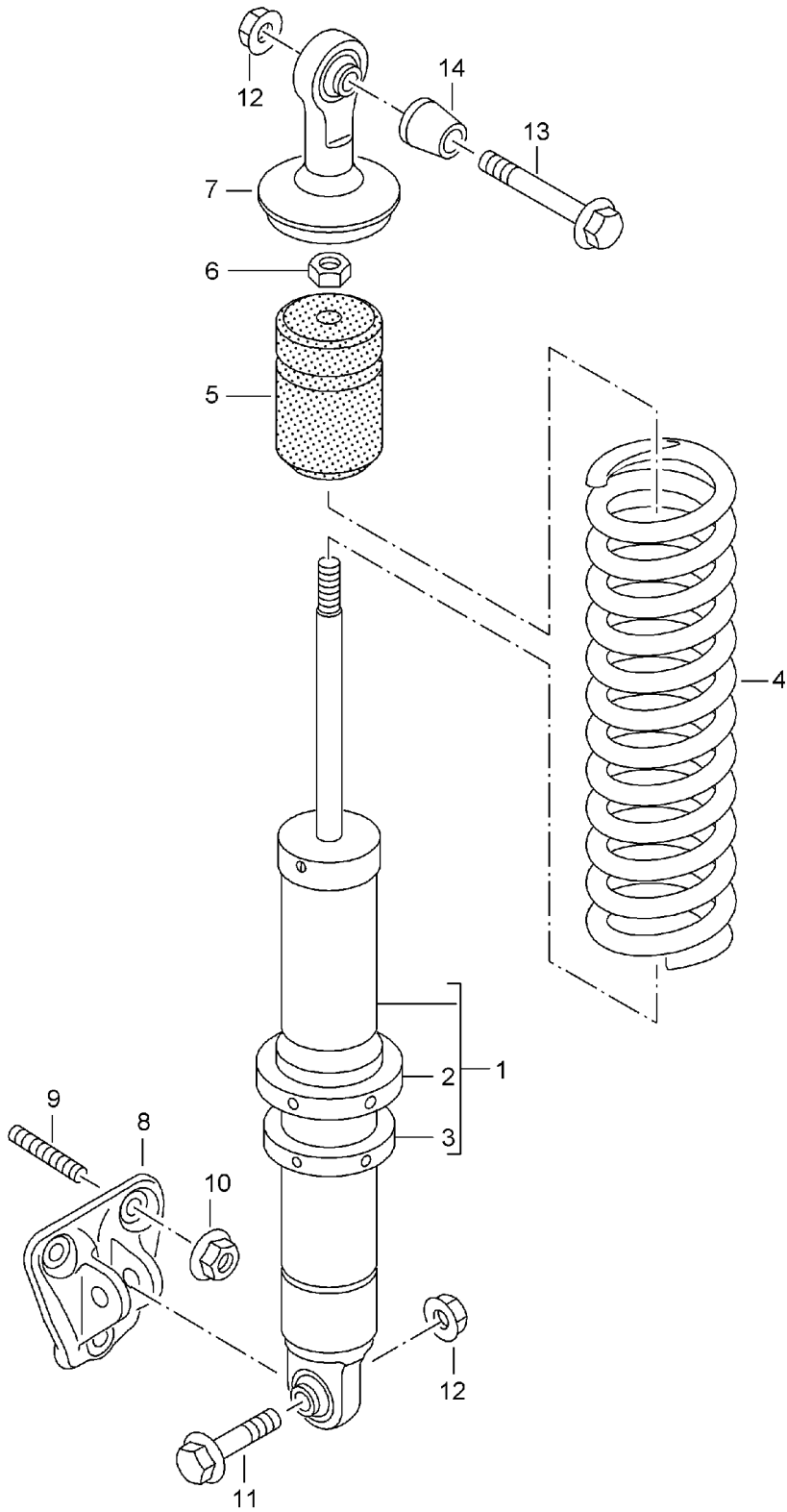
Model: 980 04

Model life 2004>>2006

| Pos | Part Number | Description | Remark | Qty | Model |
|------|----------------|--|--------|-----|-------|
| 1 | 980 332 024 01 | Drive shaft | | 2 | |
| (1) | 980 332 024 02 | Drive shaft | | 2 | |
| 2 | 900 067 087 01 | Pan-head screw M 10 X 55 | | 12 | |
| 3 | 955 332 191 20 | Plate | | 12 | |
| (3) | 955 332 191 21 | Plate | | 12 | |
| 4 | 955 341 640 00 | Lock nut M 24 X 1,5 | | 2 | |
| (4) | WHT 006 779 | Lock nut M 24 X 1,5 | | 2 | |
| 5 | 980 332 293 00 | Bellows | | 4 | |
| 6 | N 909 473 01 | Clamp 75 X 10 X 1 | | 4 | |
| 7 | N 909 342 01 | Clamp 37,5 X 10 X 0,8 | | 4 | |
| 8 | 7L0 501 269 A | Bellow support for Bellows | | 2 | |
| (8) | 7L0 501 269 B | Bellow support for Bellows | | 2 | |
| 9 | 7L0 501 331 A | Constant-velocity joint | | 2 | |
| 10 | N 012 375 1 | Circlip 30 X 1,5 | | 2 | |
| 11 | 980 332 267 00 | Lid | | 2 | |
| (11) | 980 332 267 01 | Lid | | 2 | |
| 12 | 000 043 110 01 | Grease Grease for drive shaft 1 100-gramme tube | | X | |
| (12) | 000 043 205 36 | Sealing compound Drive shaft STUCARIT 309 1 100-gramme tube | | X | |
| - | 000 043 204 85 | Cavity preservation Spraying can 400 ML | | X | |

Model: 980 04

Model life 2004>>2006



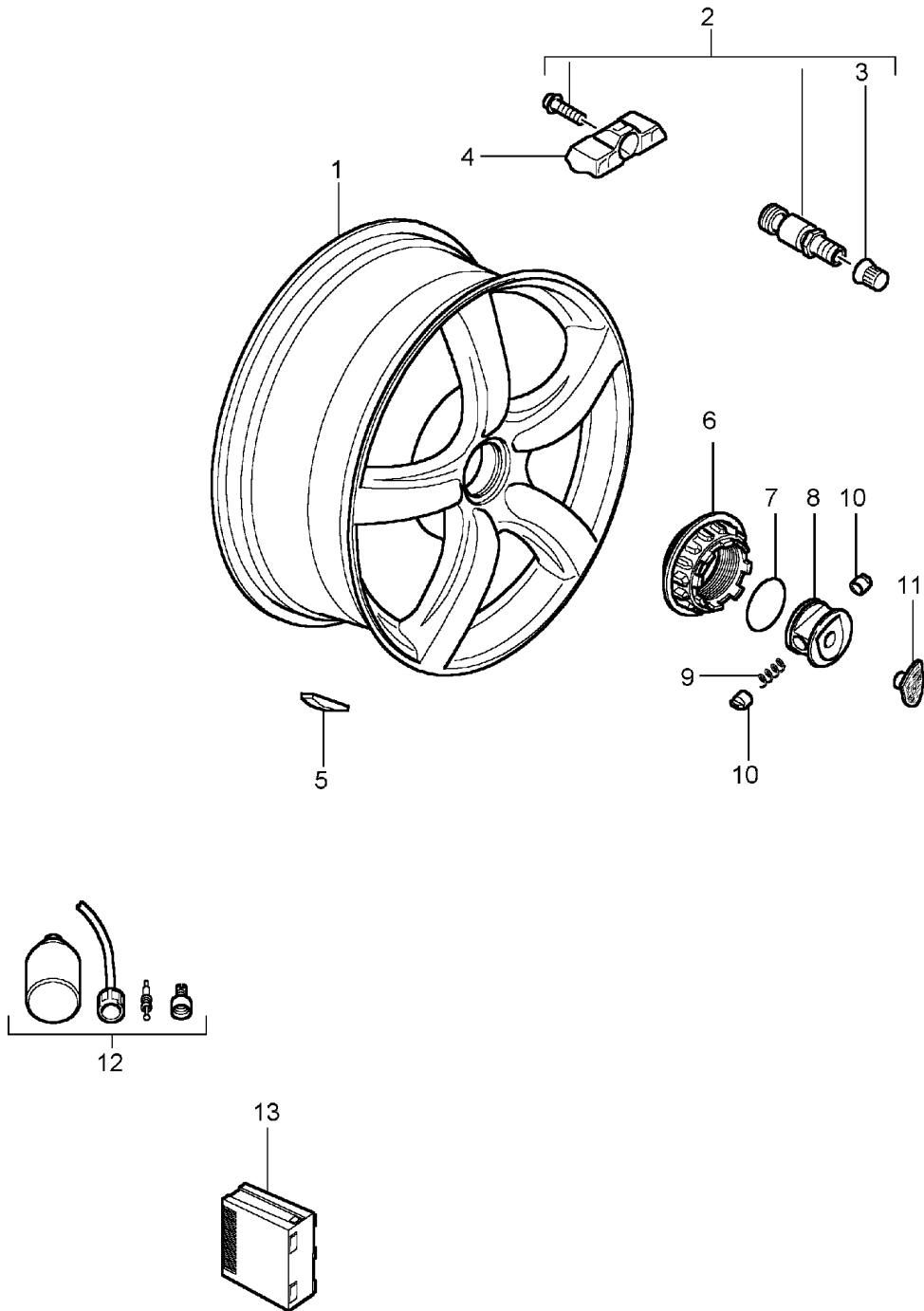
Model: 980 04

Model life 2004>>2006

| Pos | Part Number | Description | Remark | Qty | Model |
|-----|----------------|----------------------|--------|-----|-------|
| | | suspension | | | |
| | | Shock absorber strut | | | |
| | | Bearing bracket | | | |
| 1 | 980 333 051 03 | Vibration damper | | 2 | |
| 2 | 980 333 505 00 | Concave washer | | 2 | |
| 3 | 980 333 549 00 | Ring | | 2 | |
| 4 | 980 333 531 01 | Coil spring | | 2 | |
| 5 | 980 333 541 00 | Rubber stop | | 2 | |
| 6 | 980 333 547 00 | Hexagon nut | | 2 | |
| | | M 12 X 1 | | | |
| 7 | 980 333 513 01 | Shock absorber eye | | 2 | |
| 8 | 980 333 281 01 | Bearing bracket | | 2 | |
| 9 | 900 060 082 A2 | Stud | | 6 | |
| | | M 8 X 20 | | | |
| 10 | 900 380 005 09 | Hexagon nut | | 6 | |
| | | M 8 | | | |
| 11 | 999 311 049 02 | Fit bolt | | 2 | |
| | | MJ 10 X 50 | | | |
| 12 | 900 817 003 02 | Lock nut | | 4 | |
| | | M 10 | | | |
| 13 | 999 311 050 02 | Fit bolt | | 2 | |
| | | MJ 10 X 102 | | | |
| 14 | 980 333 403 00 | Spacer sleeve | | 2 | |

Model: 980 04

Model life 2004>>2006



Model: 980 04 Model life 2004>>2006

| Pos | Part Number | Description | Remark | Qty | Model |
|-----|----------------|---|--------|-----|-------|
| 1 | 980 362 158 08 | Wheels Disc wheel 9,5 J X 19" ET 6,2 | /V | 2 | |
| (1) | 980 362 174 12 | Disc wheel 12,5 J X 20" ET 39,3 | /H | 2 | |
| 2 | 955 361 053 00 | Valve Aluminium | | 4 | |
| 3 | N 908 729 01 | Cap | | 4 | |
| 4 | | See illustrations 6/01/05 | | 4 | |
| 5 | 955 361 410 50 | Balance stick-on weight 5 G. | | X | |
| (5) | 1K0 601 178 C | Balance stick-on weight 5 G. | | X | |
| (5) | 997 361 405 00 | Balance stick-on weight 5 G. | | X | |
| (5) | 955 361 410 00 | Balance stick-on weight 10 G. | | X | |
| (5) | 1K0 601 179 C | Balance stick-on weight 10 G. | | X | |
| (5) | 997 361 410 00 | Balance stick-on weight 10 G. | | X | |
| (5) | 955 361 411 50 | Balance stick-on weight 15 G. | | X | |
| (5) | 1K0 601 181 C | Balance stick-on weight 15 G. | | X | |
| (5) | 997 361 415 00 | Balance stick-on weight 15 G. | | X | |
| (5) | 955 361 411 00 | Balance stick-on weight 20 G. | | X | |
| (5) | 1K0 601 182 C | Balance stick-on weight 20 G. | | X | |
| (5) | 997 361 420 00 | Balance stick-on weight 20 G. | | X | |
| (5) | 955 361 412 50 | Balance stick-on weight 25 G. | | X | |
| (5) | 1K0 601 183 C | Balance stick-on weight 25 G. | | X | |
| (5) | 997 361 425 00 | Balance stick-on weight 25 G. | | X | |
| (5) | 955 361 412 00 | Balance stick-on weight 30 G. | | X | |
| (5) | 1K0 601 184 C | Balance stick-on weight 30 G. | | X | |
| (5) | 997 361 430 00 | Balance stick-on weight 30 G. | | X | |
| (5) | 955 361 413 50 | Balance stick-on weight 35 G. | | X | |
| (5) | 1K0 601 185 C | Balance stick-on weight 35 G. | | X | |
| (5) | 997 361 435 00 | Balance stick-on weight 35 G. | | X | |
| (5) | 955 361 413 00 | Balance stick-on weight 40 G. | | X | |
| (5) | 1K0 601 186 C | Balance stick-on weight 40 G. | | X | |
| (5) | 997 361 440 00 | Balance stick-on weight 40 G. | | X | |
| (5) | 955 361 414 50 | Balance stick-on weight 45 G. | | X | |
| (5) | 1K0 601 187 C | Balance stick-on weight | | X | |

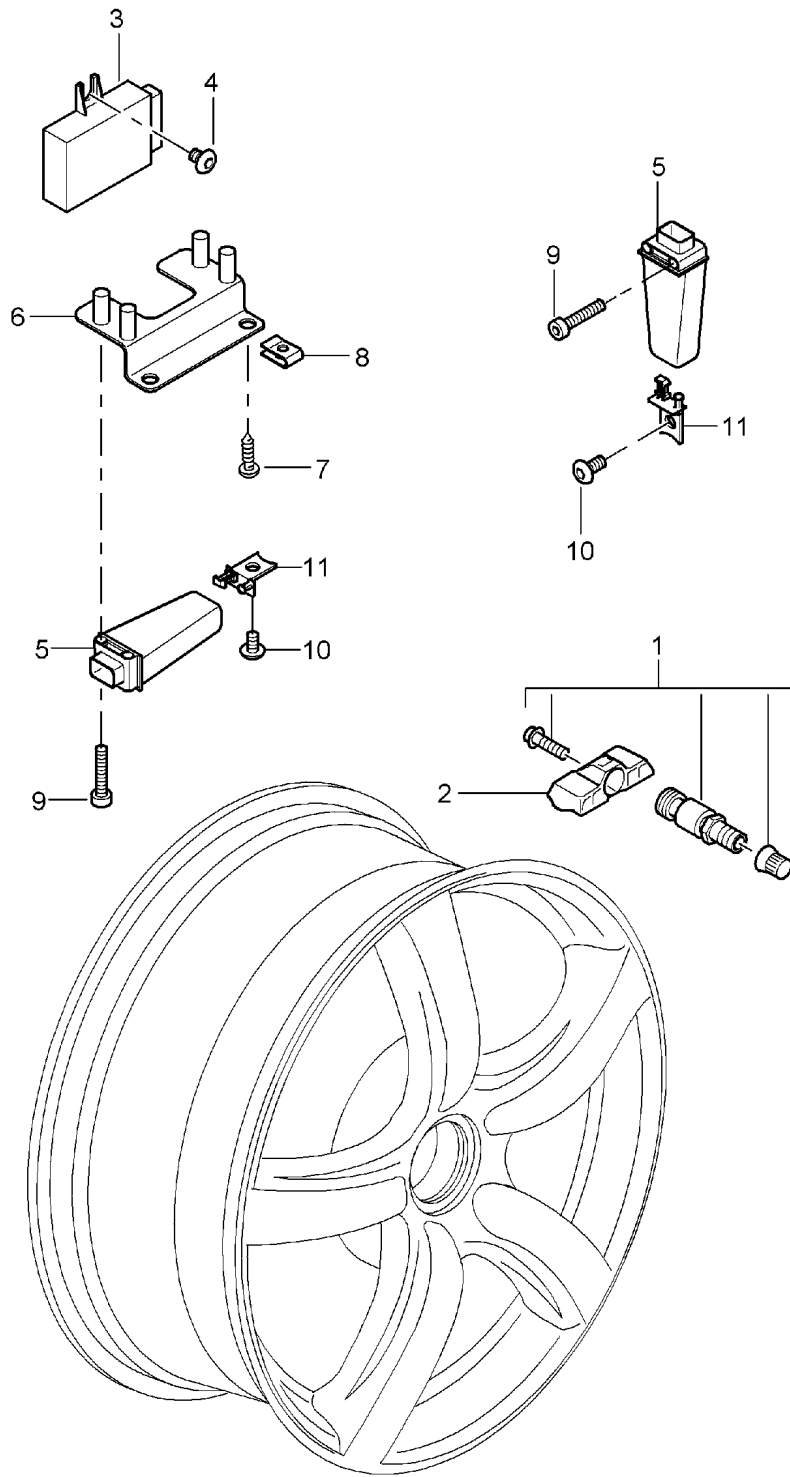
Model: 980 04

Model life 2004>>2006

| Pos | Part Number | Description | Remark | Qty | Model |
|------|----------------|---|--------|-----|-------|
| (5) | 997 361 445 00 | 45 G. Balance stick-on weight | | X | |
| (5) | 955 361 414 00 | 45 G. Balance stick-on weight | | X | |
| (5) | 1K0 601 188 C | 50 G. Balance stick-on weight | | X | |
| (5) | 997 361 450 00 | 50 G. Balance stick-on weight | | X | |
| (5) | 955 361 415 50 | 50 G. Balance stick-on weight | | X | |
| (5) | 1K0 601 189 C | 55 G. Balance stick-on weight | | X | |
| (5) | 997 361 455 00 | 55 G. Balance stick-on weight | | X | |
| (5) | 955 361 415 00 | 55 G. Balance stick-on weight | | X | |
| (5) | 1K0 601 190 C | 60 G. Balance stick-on weight | | X | |
| (5) | 997 361 460 00 | 60 G. Balance stick-on weight | | X | |
| 6 | 980 331 307 00 | Nut Front and rear Central locking Right thread Identification Red | /L | 2 | |
| (6) | 980 331 308 00 | Nut Front and rear Central locking Left thread Identification Blue | /R | 2 | |
| 7 | 999 707 410 40 | O-ring 39,2 X 3 | | 4 | |
| 8 | 980 341 739 00 | Stopper Use also: 999.707.410.40 | | 4 | |
| (8) | 980 341 739 01 | Stopper Use also: 999.707.410.40 | | 4 | |
| 9 | 980 341 741 00 | Compression spring | | 4 | |
| 10 | 980 341 737 00 | Pin | | 8 | |
| 11 | 980 361 303 00 | Hub cap | | 4 | |
| 12 | 955 722 631 00 | Compressed air bottle with Sealing compound | | 1 | |
| 13 | 996 652 053 00 | Compressor | | 1 | |
| 13 | 997 652 051 00 | Compressor | | 1 | |
| 13 | 997 652 055 00 | Compressor | | 1 | |
| - | 955 721 247 00 | Adapter for Compressor 996.652.053.00 | | 1 | |
| (13) | 997 652 051 00 | Compressor | | 1 | |
| (13) | 997 652 055 00 | Compressor for Emergency wheel | | 1 | |
| - | 000 043 300 35 | Spraying can MC LUBE SAILKOTE HIGH PERFORMANCE | | 1 | |

Model: 980 04

Model life 2004>>2006



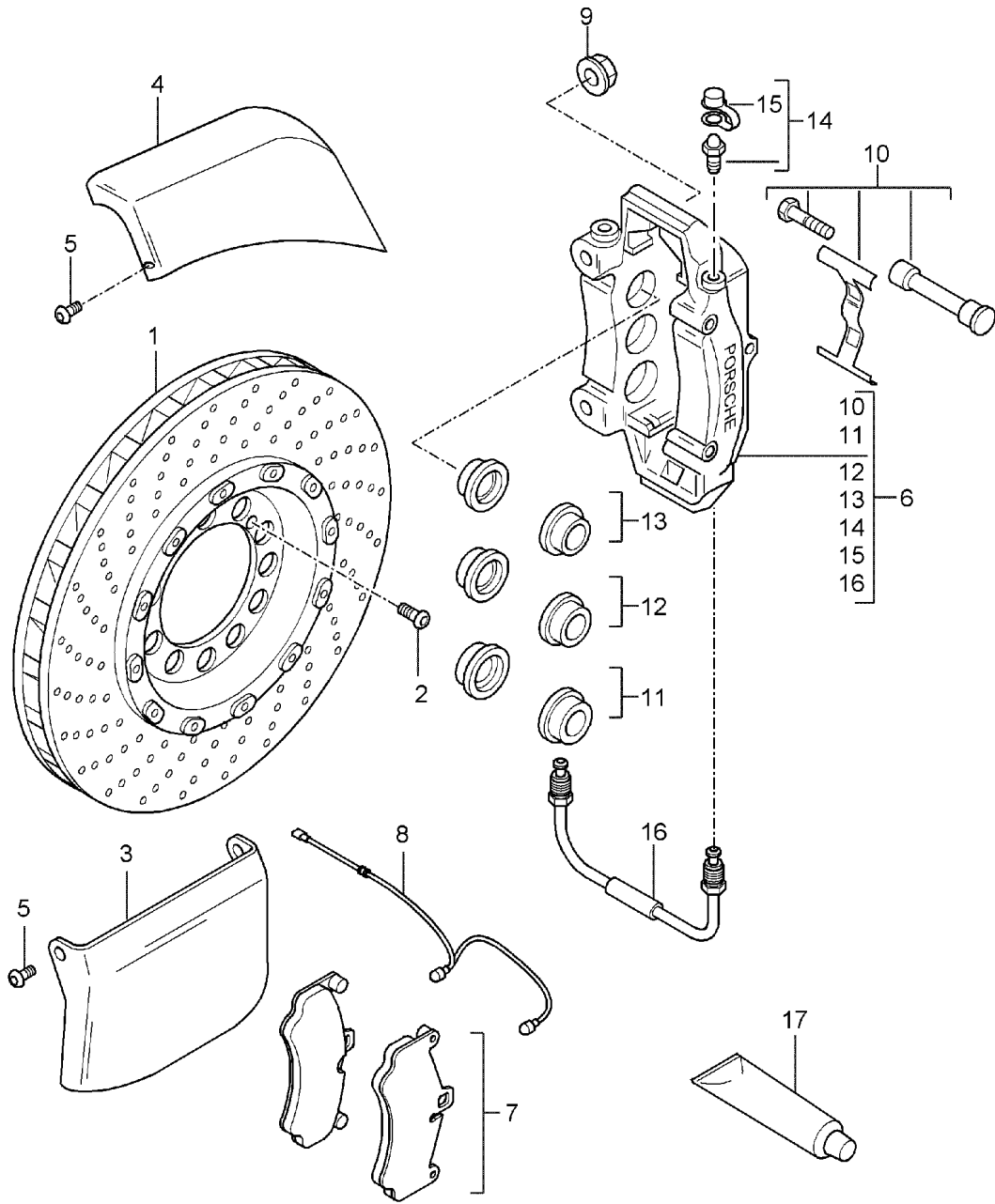
Model: 980 04

Model life 2004>>2006

| Pos | Part Number | Description | Remark | Qty | Model |
|-----|----------------|---|--------|-----|----------|
| 1 | | Tyre pressure monitoring See illustrations 6/01/00 | | 4 | I482/483 |
| 2 | 997 606 021 00 | Sensor Tyre pressure monitoring | | 4 | I482 |
| (2) | 997 606 021 01 | Use also: 955.361.053.00 Sensor Tyre pressure monitoring | | 4 | I482 |
| 3 | 980 618 103 00 | Use also: 955.361.053.00 Control unit | | 1 | |
| 4 | 999 073 268 A2 | Tyre pressure monitoring Oval-head screw | | 2 | |
| 5 | 997 606 101 00 | M 5 X 12 Antenna | | 4 | I482 |
| 6 | 980 606 181 00 | Use also: 997.606.225.00 Support Antenna | | 2 | |
| 7 | 999 073 231 09 | Front axle Tapping screw | | 4 | |
| 8 | 999 507 668 02 | ST 4,8 X 16 Speed nut | | 4 | |
| 8 | 999 507 668 01 | ST 4,8 Speed nut | | 4 | |
| 9 | N 019 909 1 | ST 4,8 Pan-head screw | | 8 | |
| 10 | 999 073 269 09 | M 5 X 35 Oval-head screw | | 4 | |
| 11 | 997 606 225 00 | M 5 X 16 Clip Mount Antenna | | 4 | |

Model: 980 04

Model life 2004>>2006



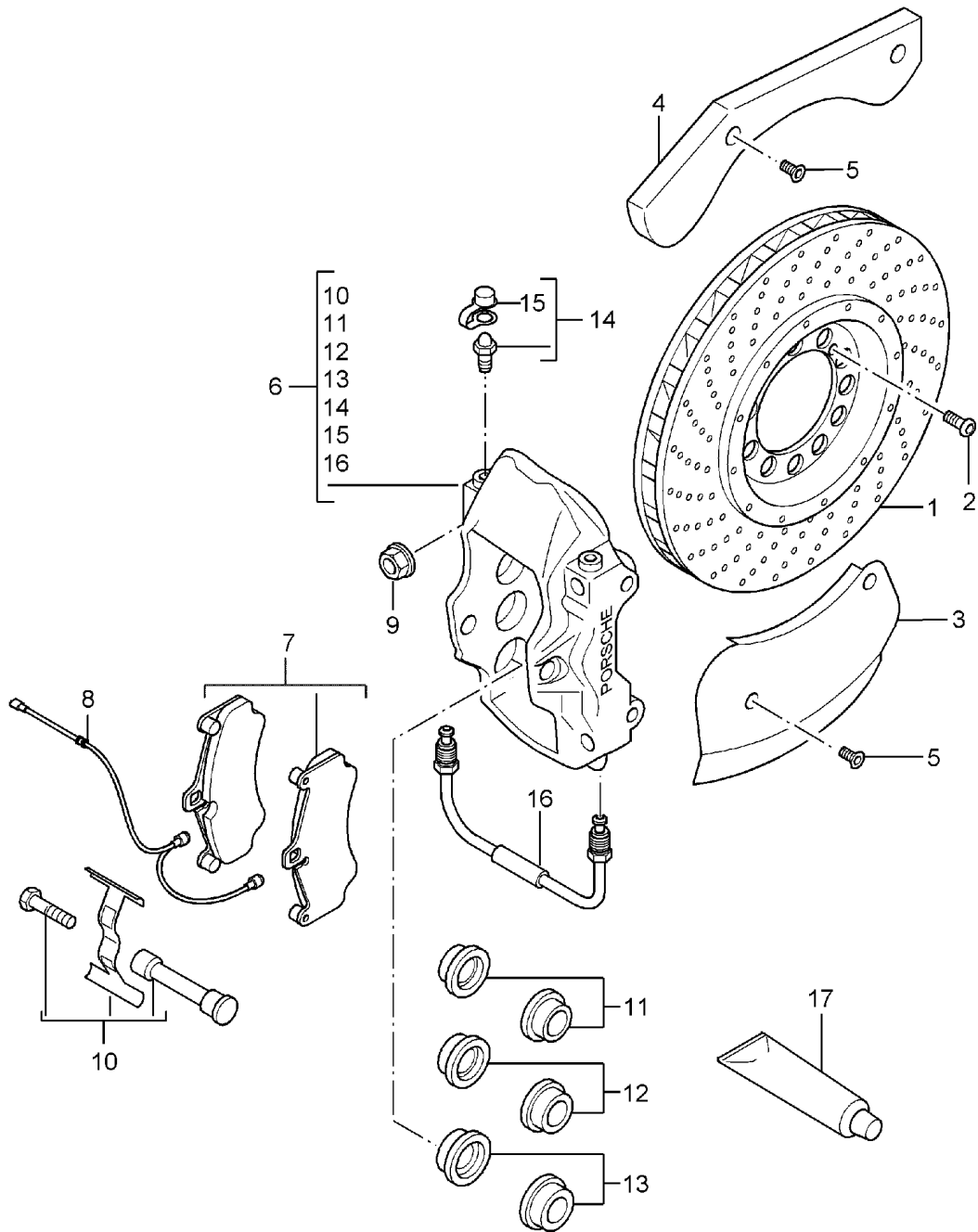
Model: 980 04

Model life 2004>>2006

| Pos | Part Number | Description | Remark | Qty | Model |
|------|----------------|---|--------|------------------|-------|
| | | Disc brake Front axle | | | |
| 1 | 980 352 031 03 | Brake disc | /L | 1 | |
| (1) | 980 352 032 03 | Brake disc | /R | 1 | |
| 2 | 999 015 025 A2 | Lens-head screw M 6 X 12 | | 4 | |
| 3 | 980 351 801 00 | Cover plate Lower | /L | 1 | |
| (3) | 980 351 802 00 | Cover plate Lower | /R | 1 | |
| 4 | 980 351 803 00 | Cover plate Upper | /L | 1 | |
| (4) | 980 351 804 00 | Cover plate Upper | /R | 1 | |
| 5 | 900 623 007 00 | Hexagon socket head bolt M 6 X 12 | | 12 | |
| 6 | 980 351 421 00 | Fixed calliper without pad | /L | 1 | |
| (6) | 980 351 422 00 | Fixed calliper without pad | /R | 1 | |
| 7 | 980 351 939 00 | Brake pad repair set Comprising: Brake pad Use also: Mounting parts | | 1 4 | |
| - | 996 352 086 01 | Damping plate | | 6 | |
| 8 | 980 612 347 01 | Warning contact | | 2 | |
| 9 | 900 817 004 02 | Hexagon nut M 12 X 1,5 | | 4 | |
| 10 | 996 351 959 30 | Repair kit Mounting parts Comprising: Tension strut Spring Locking screw | | 1 2 2 2 | |
| 11 | 951 352 917 00 | Repair kit Protection caps 28 MM | | 2 | |
| 12 | 996 351 915 00 | Repair kit Protection caps 32 MM | | 2 | |
| 13 | 951 351 917 00 | Repair kit Protection caps 36 MM | | 2 | |
| 14 | 930 351 919 00 | Ventilation valve with Dust boot | | 4 | |
| 15 | 930 351 927 00 | Dust boot | | 4 | |
| 15 | 930 351 927 01 | Dust boot | | 4 | |
| 16 | 980 351 961 00 | Connecting line | | 2 | |
| 17 | 000 043 117 00 | Brake cylinder paste 50 GR. | | X | |
| (17) | 000 043 020 00 | Optimoly 1 100-gramme tube | | X | |

Model: 980 04

Model life 2004>>2006

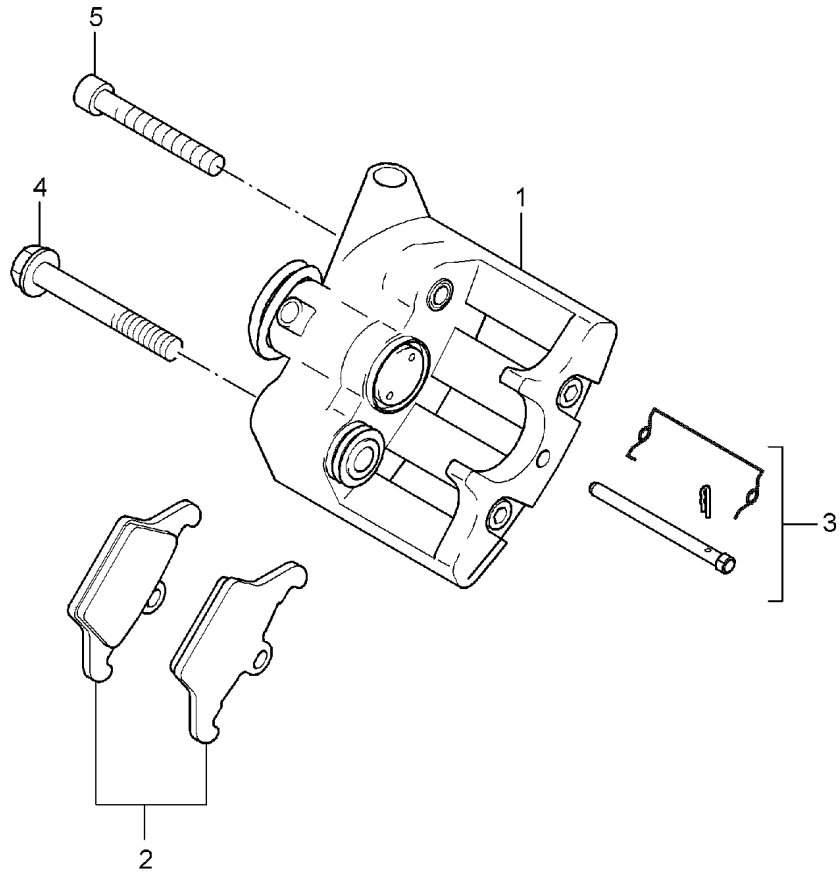


Model: 980 04 Model life 2004>>2006

| Pos | Part Number | Description | Remark | Qty | Model |
|------|----------------|---|--------|-------------|-------|
| | | Disc brake Rear axle | | | |
| 1 | 980 352 031 03 | Brake disc | /L | 1 | |
| (1) | 980 352 032 03 | Brake disc | /R | 1 | |
| 2 | 999 015 025 A2 | Lens-head screw M 6 X 12 | | 4 | |
| 3 | 980 352 801 01 | Cover plate Lower | /L | 1 | |
| (3) | 980 352 802 01 | Cover plate Lower | /R | 1 | |
| 4 | 980 352 803 00 | Cover plate Upper | /L | 1 | |
| (4) | 980 352 804 00 | Cover plate Upper | /R | 1 | |
| 5 | 900 249 001 02 | Countersunk-head screw M 6 X 15 | | 8 | |
| 6 | 980 352 421 01 | Fixed calliper without pad | /L | 1 | |
| (6) | 980 352 422 01 | Fixed calliper without pad | /R | 1 | |
| 7 | 980 351 939 00 | Brake pad repair set Comprising: Brake pad Use also: Mounting parts | | 1 4 | |
| - | 996 352 086 01 | Damping plate | | 6 | |
| 8 | 997 612 677 00 | Warning contact | | 2 | |
| - | 944 612 627 00 | Line bracket 4,75 / 7,4 Mount Brake pad wear indicator Wiring harness | | 4 | |
| 9 | 900 817 004 02 | Hexagon nut M 12 X 1,5 | | 4 | |
| 10 | 996 351 959 30 | Repair kit Mounting parts Comprising: Tension strut Spring | | 1 2 2 | |
| 11 | 951 352 917 00 | Locking screw Repair kit Protection caps 28 MM | | 2 2 | |
| 12 | 951 352 917 01 | Repair kit Protection caps 30 MM | | 2 | |
| 13 | 996 351 915 00 | Repair kit Protection caps 32 MM | | 2 | |
| 14 | 930 351 919 00 | Ventilation valve with Dust boot | | 4 | |
| 15 | 930 351 927 00 | Dust boot | | 4 | |
| 15 | 930 351 927 01 | Dust boot | | 4 | |
| 16 | 980 351 961 00 | Connecting line | | 2 | |
| 17 | 000 043 117 00 | Brake cylinder paste 50 GR. | | X | |
| (17) | 000 043 020 00 | Optimoly 1 100-gramme tube | | X | |

Model: 980 04

Model life 2004>>2006



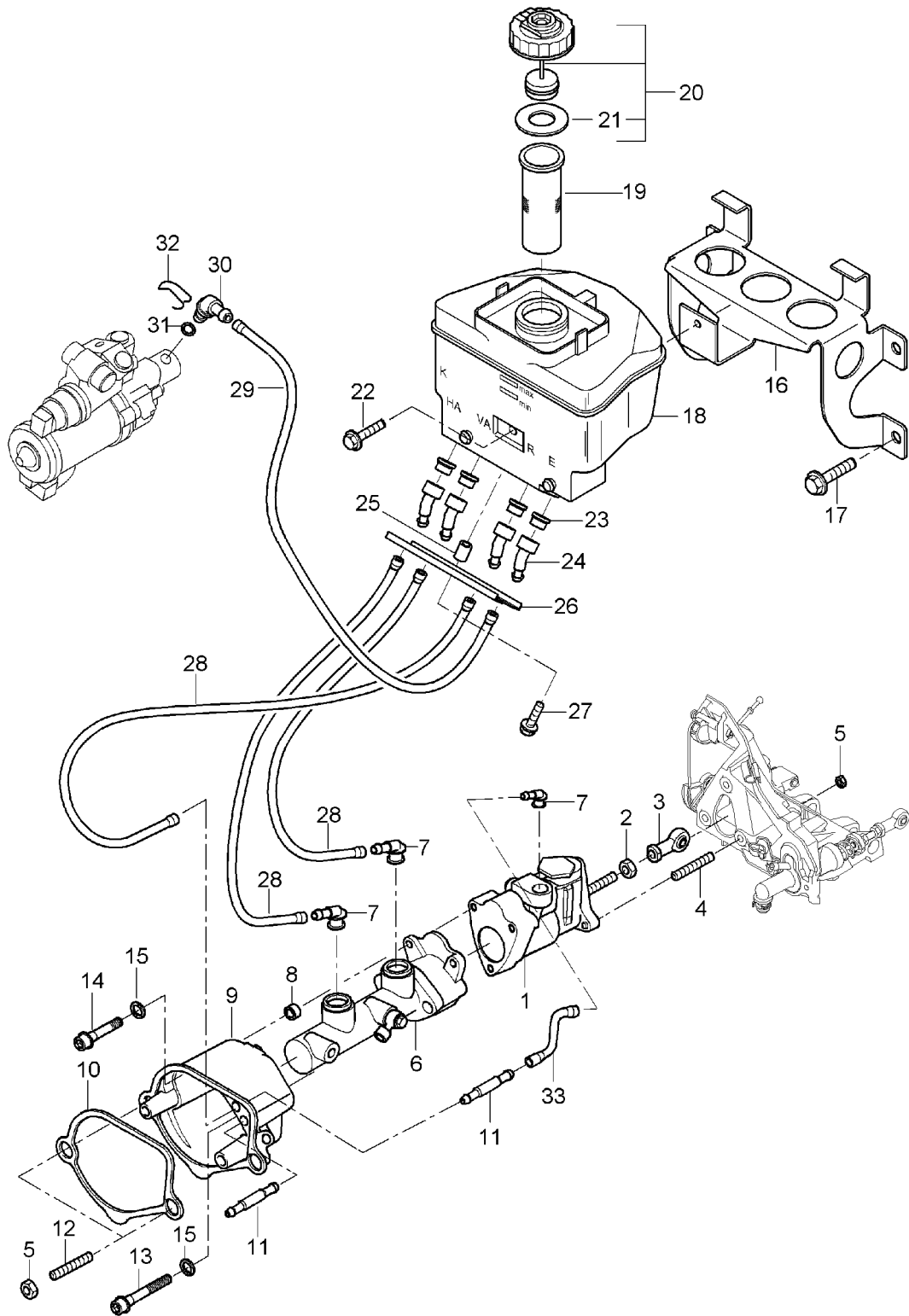
Model: 980 04

Model life 2004>>2006

| Pos | Part Number | Description | Remark | Qty | Model |
|-----|----------------|---|--------|-------------|-------|
| 1 | 980 352 995 00 | Fixed calliper for Handbrake Fixed calliper without pad | /L | 1 | |
| (1) | 980 352 996 00 | Fixed calliper without pad | /R | 1 | |
| 2 | 980 352 949 02 | Brake pad repair set Comprising: Brake pad | | 1 4 | |
| 3 | 980 352 915 00 | Use also: Mounting parts Repair kit Mounting parts Comprising: Retaining pin Spring | /L | 1 1 1 | |
| (3) | 980 352 916 00 | Retaining spring Repair kit Mounting parts Comprising: Retaining pin Spring | /R | 1 1 1 | |
| 4 | 900 378 264 09 | Retaining spring Hexagon-head bolt AM 10 X 77 | | 1 2 | |
| 5 | 900 067 406 09 | Pan-head screw M 8 X 62 | | 2 | |

Model: 980 04

Model life 2004>>2006



Model: 980 04

Model life 2004>>2006

| Pos | Part Number | Description | Remark | Qty | Model |
|------|----------------|-----------------------|--------|-----|-------|
| | | Brake master cylinder | | | |
| | | Brake booster | | | |
| | | Brake fluid reservoir | | | |
| 1 | 980 355 125 00 | Brake booster | | 1 | |
| 2 | 900 157 002 02 | Hexagon nut | | 1 | |
| | | M 10 | | | |
| (2) | 900 157 002 03 | Hexagon nut | | 1 | |
| | | M 10 | | | |
| 3 | | See illustrations | | 1 | |
| | | 7/02/00 | | | |
| 4 | 900 060 082 A2 | Stud | | 3 | |
| | | M 8 X 20 | | | |
| 5 | 900 380 005 09 | Hexagon nut | | 5 | |
| | | M 8 | | | |
| 6 | 980 355 025 01 | Brake master cylinder | | 1 | |
| 7 | 911 355 323 00 | Intake socket | | 3 | |
| 8 | 999 209 078 30 | Spacer sleeve | | 3 | |
| | | 8.3 X 2.85 X 9.5 | | | |
| 9 | 980 423 261 02 | Housing | | 1 | |
| 10 | 980 423 561 01 | Gasket | | 1 | |
| 11 | 980 423 293 02 | Adapter | | 2 | |
| 12 | 900 060 083 09 | Stud | | 2 | |
| | | BM 8 X 40 | | | |
| 13 | 900 067 435 01 | Pan-head screw | | 1 | |
| | | M 8 X 75 | | | |
| 14 | N 014 715 3 | Pan-head screw | | 2 | |
| | | M 8 X 45 | | | |
| (14) | 900 067 103 01 | Pan-head screw | | 2 | |
| | | M 8 X 45 | | | |
| 15 | 900 025 007 07 | Washer | | 3 | |
| | | A 8 | | | |
| 16 | 980 355 463 03 | Support | | 1 | |
| | | Brake fluid reservoir | | | |
| 17 | 900 378 035 A2 | Hexagon-head bolt | | 4 | |
| | | M 6 X 16 | | | |
| 18 | 993 355 113 50 | Container | | 1 | |
| | | Brake fluid | | | |
| 19 | 964 355 187 01 | Restrictor bush | | 1 | |
| 20 | 993 355 181 50 | Threaded cover | | 1 | |
| | | with | | | |
| | | Bleeding | | | |
| 21 | 911 355 908 00 | Gasket | | 1 | |
| 22 | 900 378 125 A2 | Hexagon-head bolt | | 1 | |
| | | M 6 X 16 | | | |
| 23 | 999 702 164 50 | Rubber bush | | 4 | |
| 24 | 980 355 621 01 | Adapter | | 4 | |
| 25 | 980 355 631 00 | Threaded sleeve | | 1 | |
| 26 | 980 355 629 00 | Retaining strip | | 1 | |
| 27 | 900 378 204 A2 | Hexagon-head bolt | | 1 | |
| | | M 6 X 12 | | | |
| 28 | 980 355 429 00 | Return line | | 3 | |
| - | 999 507 821 40 | Line bracket | | 1 | |
| | | 5,2 / 13,0 | | | |
| | | Mount | | | |
| | | Return line | | | |
| | | And | | | |
| | | Brake line | | | |
| - | 999 651 276 40 | Cable holder | | 4 | |
| | | 10,0 / 10,0 | | | |
| | | Return line | | | |
| 29 | 980 355 317 01 | Intake pipe | | 1 | |
| - | 999 507 821 40 | Line bracket | | 1 | |
| | | 5,2 / 13,0 | | | |

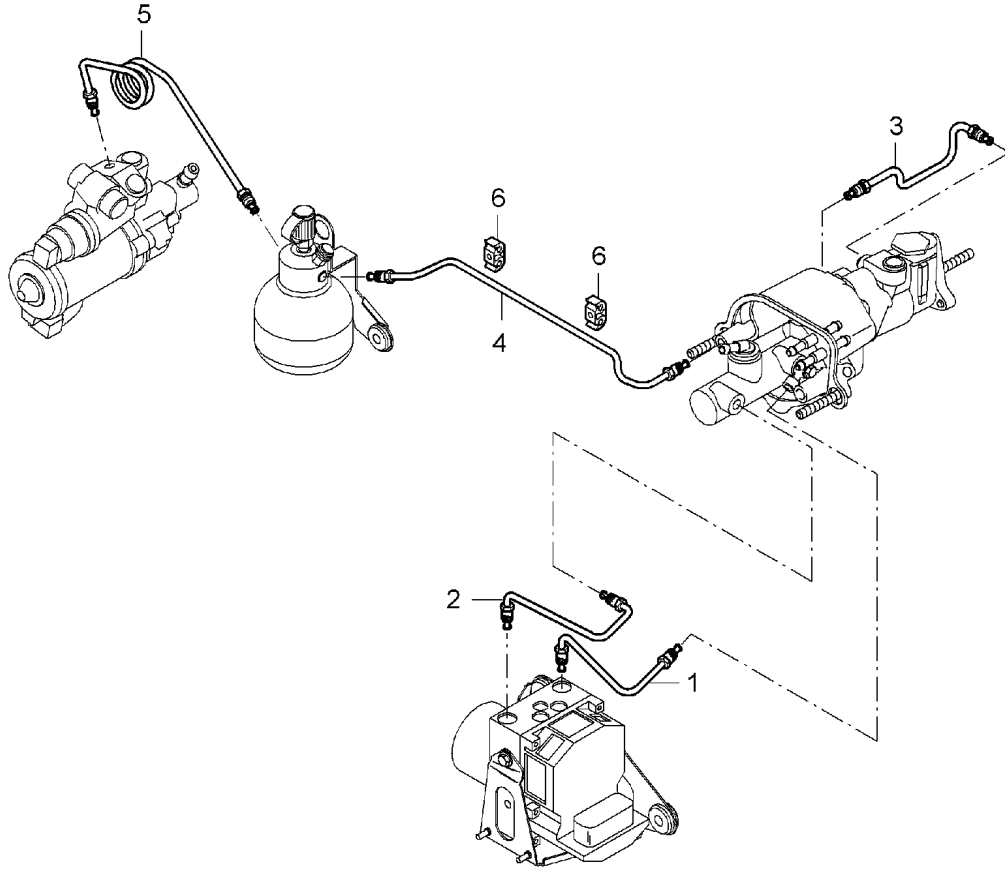
Model: 980 04

Model life 2004>>2006

| Pos | Part Number | Description | Remark | Qty | Model |
|-----|----------------|---|--------|-----|-------|
| - | 999 507 969 40 | Mount Intake pipe And Brake line Hose holder 12,0 / 12,0 Mount Intake pipe And Pressure line Power steering | | 1 | |
| 30 | 980 355 633 00 | Elbow | | 1 | |
| 31 | 999 707 075 40 | O-ring 7,5 X 2 | | 1 | |
| 32 | 999 021 003 00 | Lock | | 1 | |
| 33 | 980 355 425 00 | Return line | | 1 | |
| - | 000 043 203 66 | Brake fluid SUPER DOT 4 1 LTR. Container | | X | |
| - | 000 043 205 25 | Sealing compound SIKAFLEX 221 Seal Housing 980.423.261.02 | | X | |

Model: 980 04

Model life 2004>>2006



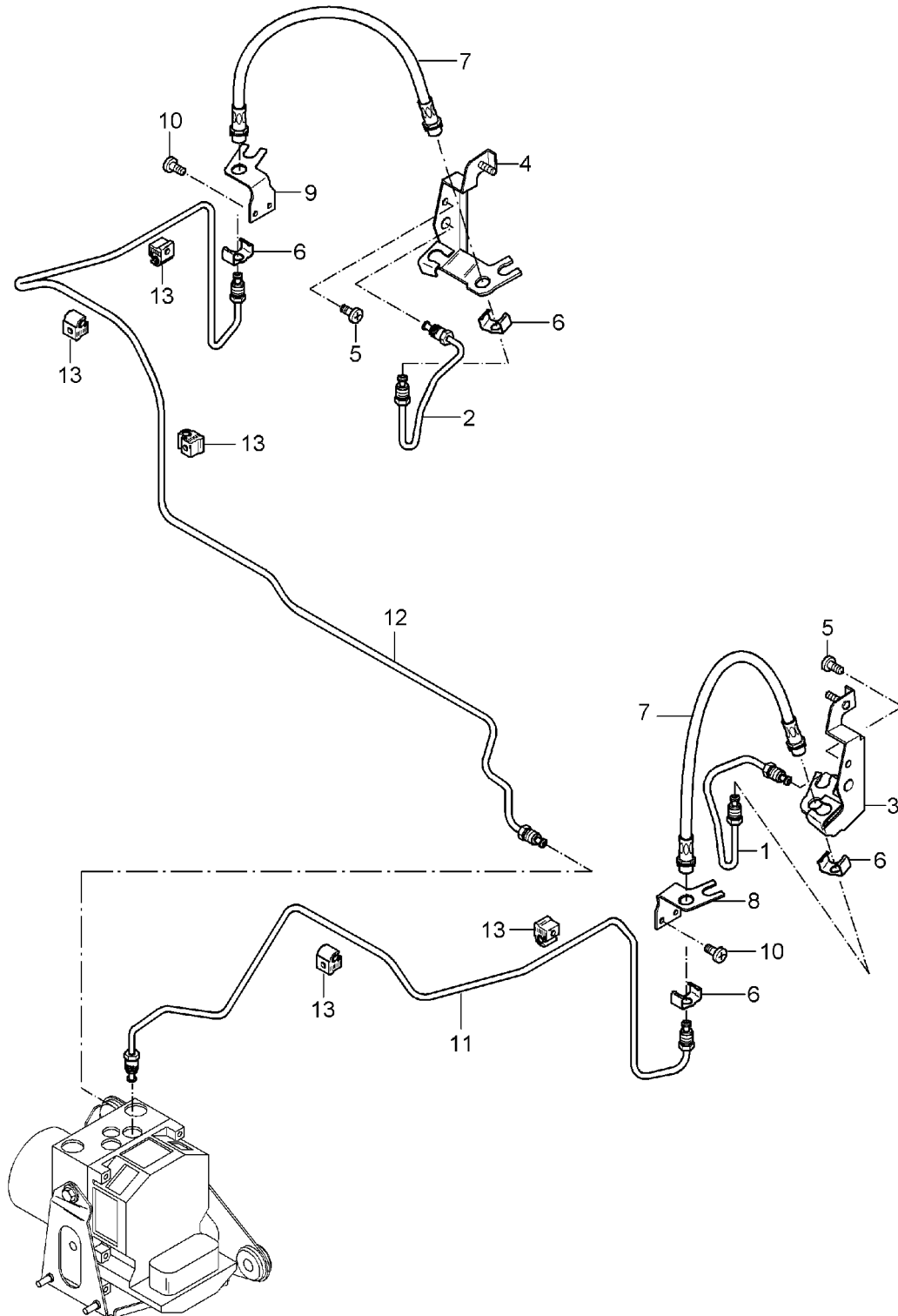
Model: 980 04

Model life 2004>>2006

| Pos | Part Number | Description | Remark | Qty | Model |
|-----|----------------|--------------------|--------|-----|-------|
| | | Brake lines | | | |
| | | Body front section | | | |
| 1 | 980 355 311 02 | Pressure line | | 1 | |
| 2 | 980 355 313 02 | Pressure line | | 1 | |
| 3 | 980 355 353 01 | Pressure line | | 1 | |
| 4 | 980 355 357 02 | Pressure line | | 1 | |
| 5 | 980 355 457 00 | Pressure line | | 1 | |
| 6 | 811 611 797 | Support | | 2 | |

Model: 980 04

Model life 2004>>2006



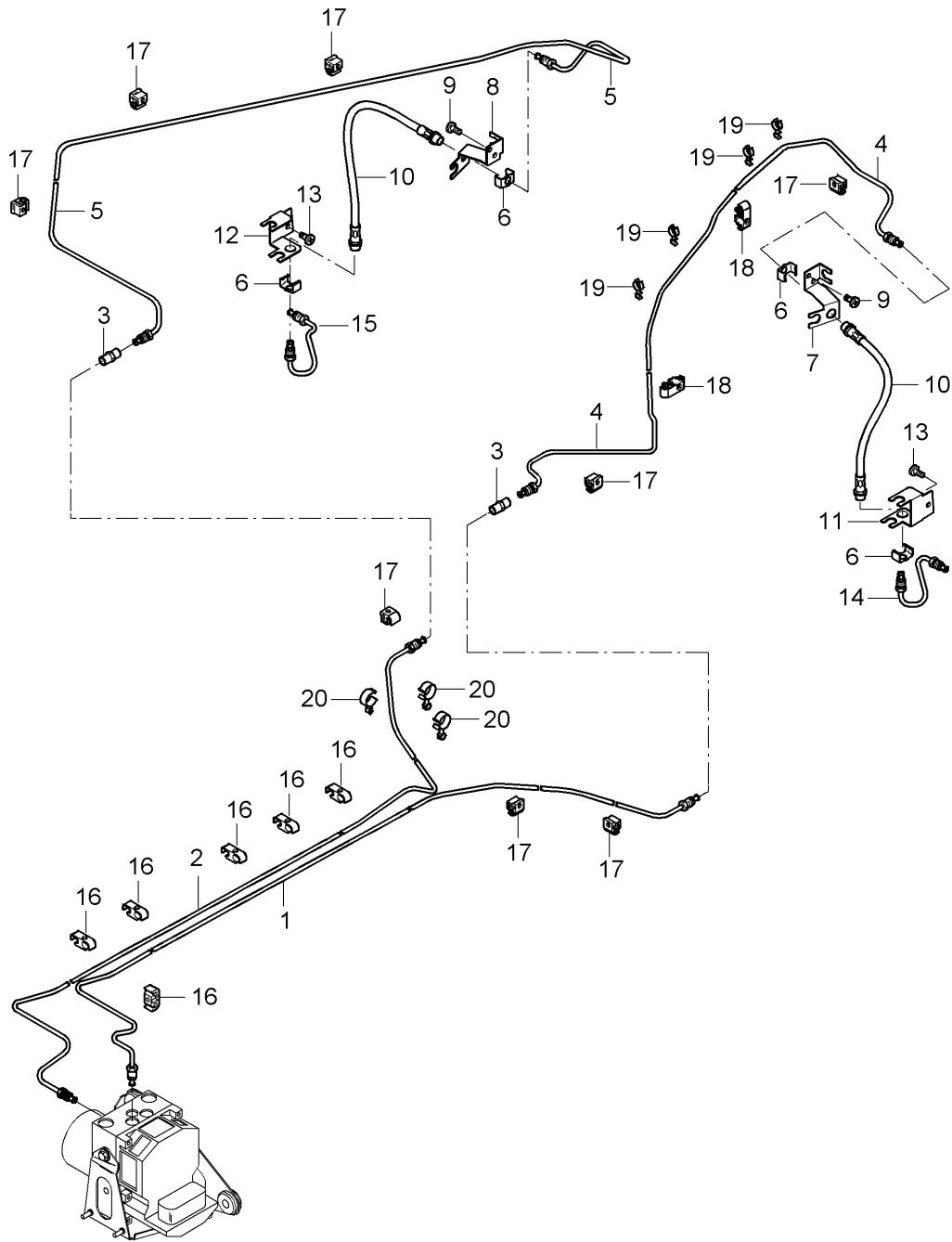
Model: 980 04

Model life 2004>>2006

| Pos | Part Number | Description | Remark | Qty | Model |
|-----|----------------|-------------------------------|--------|-----|-------|
| | | Brake lines | | | |
| | | Front axle | | | |
| 1 | 980 355 581 00 | Brake line | /L | 1 | |
| (1) | 980 355 581 02 | Brake line | /L | 1 | |
| 2 | 980 355 582 00 | Brake line | /R | 1 | |
| 3 | 980 355 557 00 | Support | /L | 1 | |
| 4 | 980 355 558 00 | Support | /R | 1 | |
| 5 | 999 217 020 02 | Hexagon-head bolt M 6 X 10 | | 2 | |
| (5) | 999 217 020 01 | Hexagon-head bolt M 6 X 10 | | 2 | |
| 6 | 955 355 321 00 | Retainer spring | | 4 | |
| (6) | 997 355 331 01 | Retainer spring | | 4 | |
| 7 | 980 355 559 00 | Brake hose | | 2 | |
| 8 | 980 355 571 00 | Support | /L | 1 | |
| 9 | 980 355 572 00 | Support | /R | 1 | |
| 10 | 999 073 268 A2 | Oval-head screw M 5 X 12 | | 4 | |
| 11 | 980 355 327 02 | Brake line | /L | 1 | |
| 12 | 980 355 326 01 | Brake line | /R | 1 | |
| 13 | 999 591 930 40 | Support 4,75 | | 5 | |
| - | 999 919 225 A2 | Stud T 5 X 13 | | 5 | |

Model: 980 04

Model life 2004>>2006



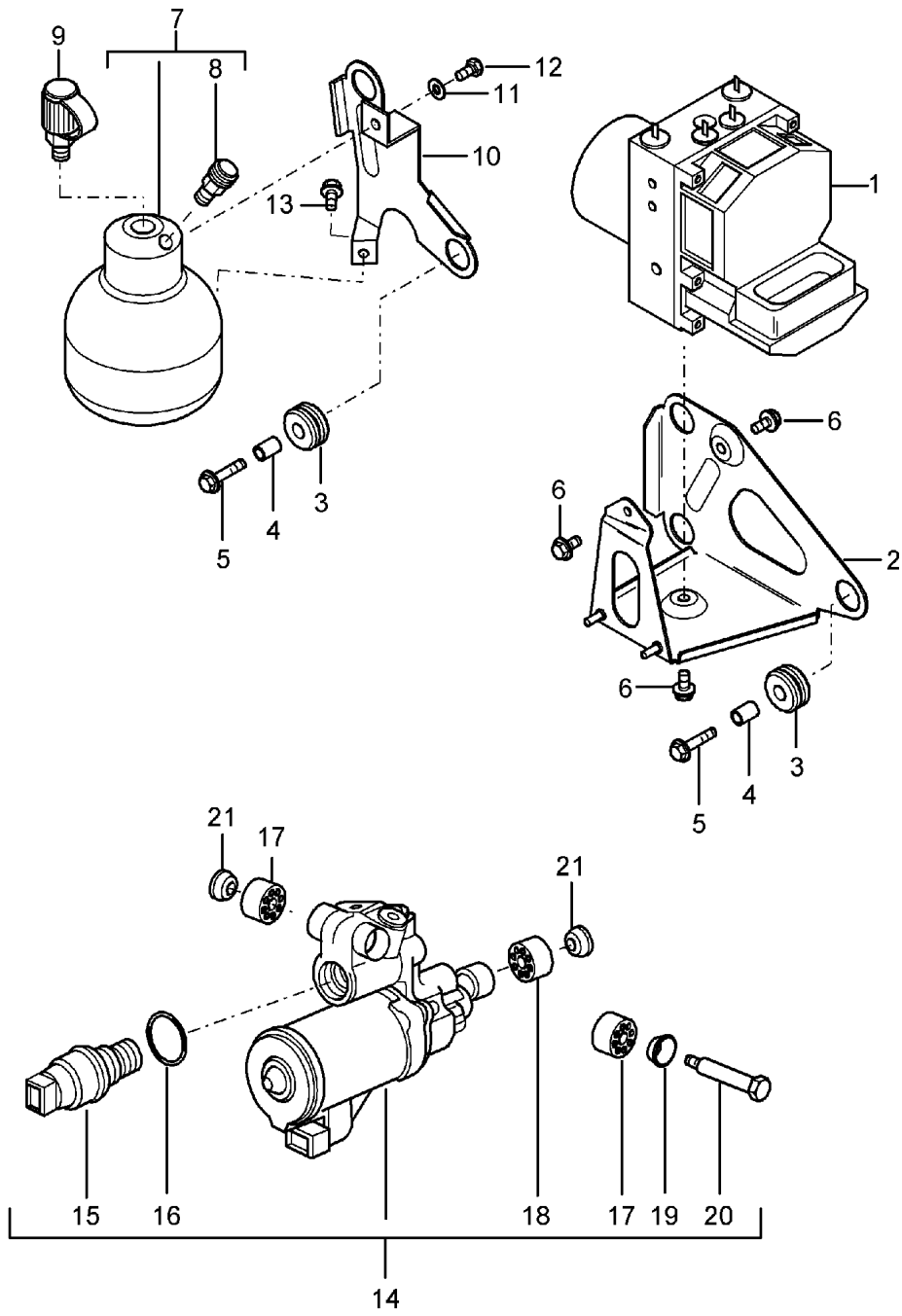
Model: 980 04

Model life 2004>>2006

| Pos | Part Number | Description | Remark | Qty | Model |
|------|----------------|--|--------|-----|-------|
| | | Brake line | | | |
| | | Underbody | | | |
| | | Rear axle | | | |
| 1 | 980 355 315 02 | Brake line | /L | 1 | |
| 2 | 980 355 316 02 | Brake line | /R | 1 | |
| 3 | 914 355 661 00 | Intermediate piece | | 2 | |
| 4 | 980 355 189 01 | Brake line | /L | 1 | |
| 5 | 980 355 190 02 | Brake line | /R | 1 | |
| 6 | 955 355 321 00 | Retainer spring | | 4 | |
| (6) | 997 355 331 01 | Retainer spring | | 4 | |
| 7 | 980 355 573 01 | Support | /L | 1 | |
| 8 | 980 355 574 01 | Support | /R | 1 | |
| 9 | 999 073 268 A2 | Oval-head screw M 5 X 12 | | 4 | |
| 10 | 980 355 561 00 | Brake hose | | 2 | |
| 11 | 980 355 555 01 | Support | /L | 1 | |
| 12 | 980 355 556 01 | Support | /R | 1 | |
| 13 | 999 217 020 02 | Hexagon-head bolt M 6 X 10 | | 2 | |
| (13) | 999 217 020 01 | Hexagon-head bolt M 6 X 10 | | 2 | |
| 14 | 980 355 585 01 | Brake line | /L | 1 | |
| 15 | 980 355 586 01 | Brake line | /R | 1 | |
| 16 | 811 611 797 | Support 4,6 / 4,6 | | 6 | |
| 17 | 999 591 930 40 | Support 4,75 | | 8 | |
| - | 999 919 225 A2 | Stud T 5 X 13 | | 13 | |
| 18 | 964 423 811 00 | Support 4,7 / 8,0 / 4,7 | | 2 | |
| - | 999 919 213 A2 | Stud T 5 X 20 | | 2 | |
| 19 | 999 507 095 40 | Line bracket 7,5 / 5,2 | | 4 | |
| 20 | 999 507 535 40 | Line bracket 4,5 / 15,0 Mount Heater pipeline | | 3 | |

Model: 980 04

Model life 2004>>2006



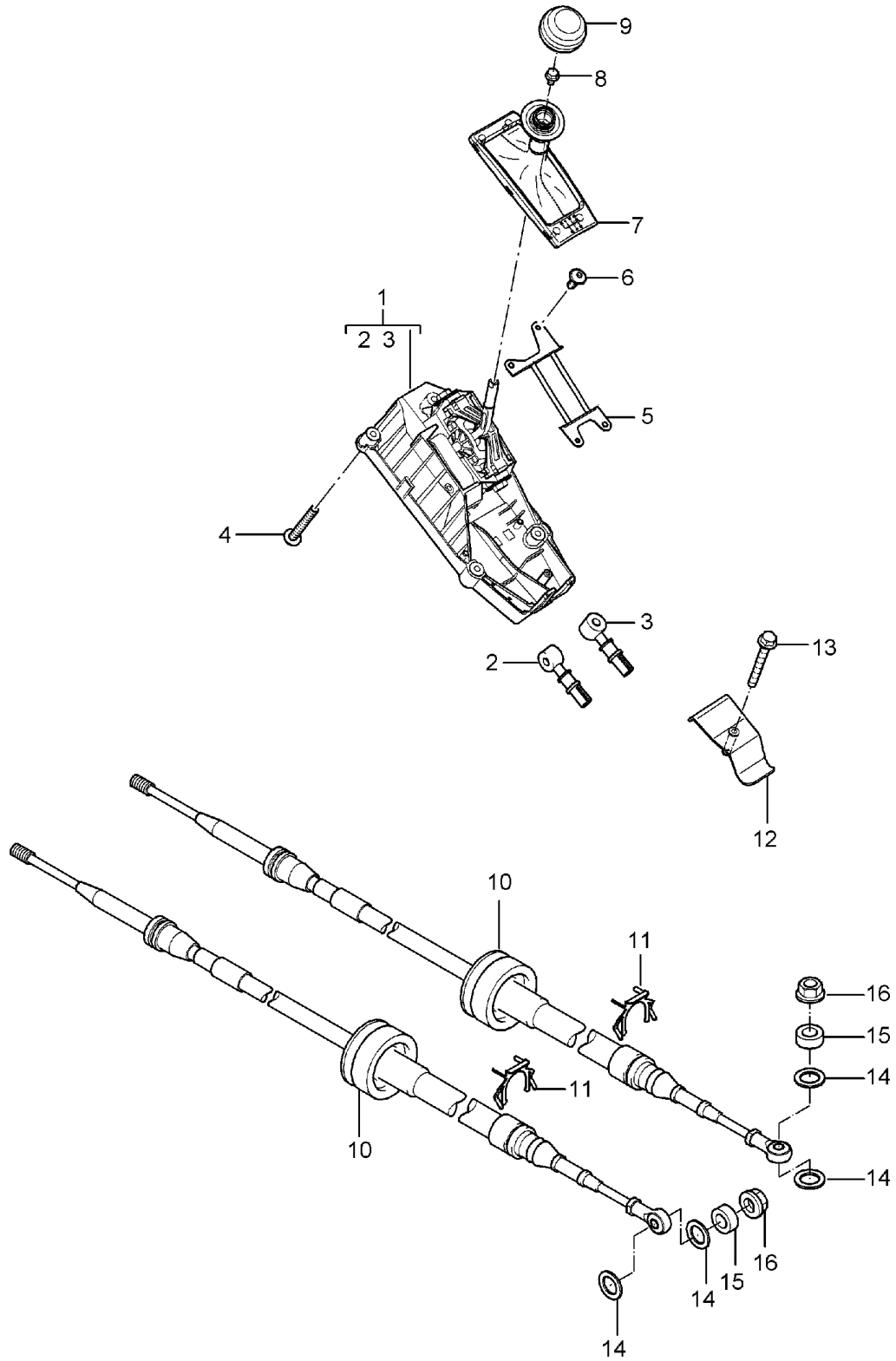
Model: 980 04

Model life 2004>>2006

| Pos | Part Number | Description | Remark | Qty | Model |
|-----|----------------|---|--------|-----|-------|
| | | Hydraulic unit Anti-lock brake system Control | | | |
| 1 | 980 355 955 01 | Hydraulic unit | | 1 | |
| 2 | 980 355 133 01 | Support | | 1 | |
| 3 | 964 356 635 00 | Rubber mounting | | 5 | |
| 4 | 955 343 633 00 | Bearing sleeve | | 5 | |
| 5 | 900 075 482 A2 | Combination screw M 6 X 30 | | 5 | |
| 6 | 900 378 204 09 | Hexagon-head bolt M 6 X 12 | | 3 | |
| 7 | 993 355 109 03 | Pressure accumulator | | 1 | |
| 8 | 964 355 809 00 | Ventilation valve | | 1 | |
| 9 | 964 355 893 00 | Valve | | 1 | |
| 10 | 993 355 451 01 | Support | | 1 | |
| 11 | 900 025 004 09 | Washer 6 | | 1 | |
| 12 | N 010 208 5 | Hexagon-head bolt M 6 X 8 | | 1 | |
| 13 | 900 378 036 09 | Hexagon-head bolt M 6 X 12 | | 1 | |
| 14 | 993 355 953 50 | Pump | | 1 | |
| 15 | 964 606 904 00 | Pressure switch | | 1 | |
| 16 | 999 707 094 40 | O-ring 17,30 X 2,4 | | 1 | |
| 17 | 964 355 906 00 | Sleeve | | 2 | |
| 18 | 964 355 908 50 | Sleeve | | 1 | |
| 19 | 999 025 202 02 | Washer | | 1 | |
| 20 | 999 074 043 02 | Hexagon-head bolt M 6 X 65 | | 1 | |
| 21 | 999 025 202 02 | Washer | | 2 | |

Model: 980 04

Model life 2004>>2006

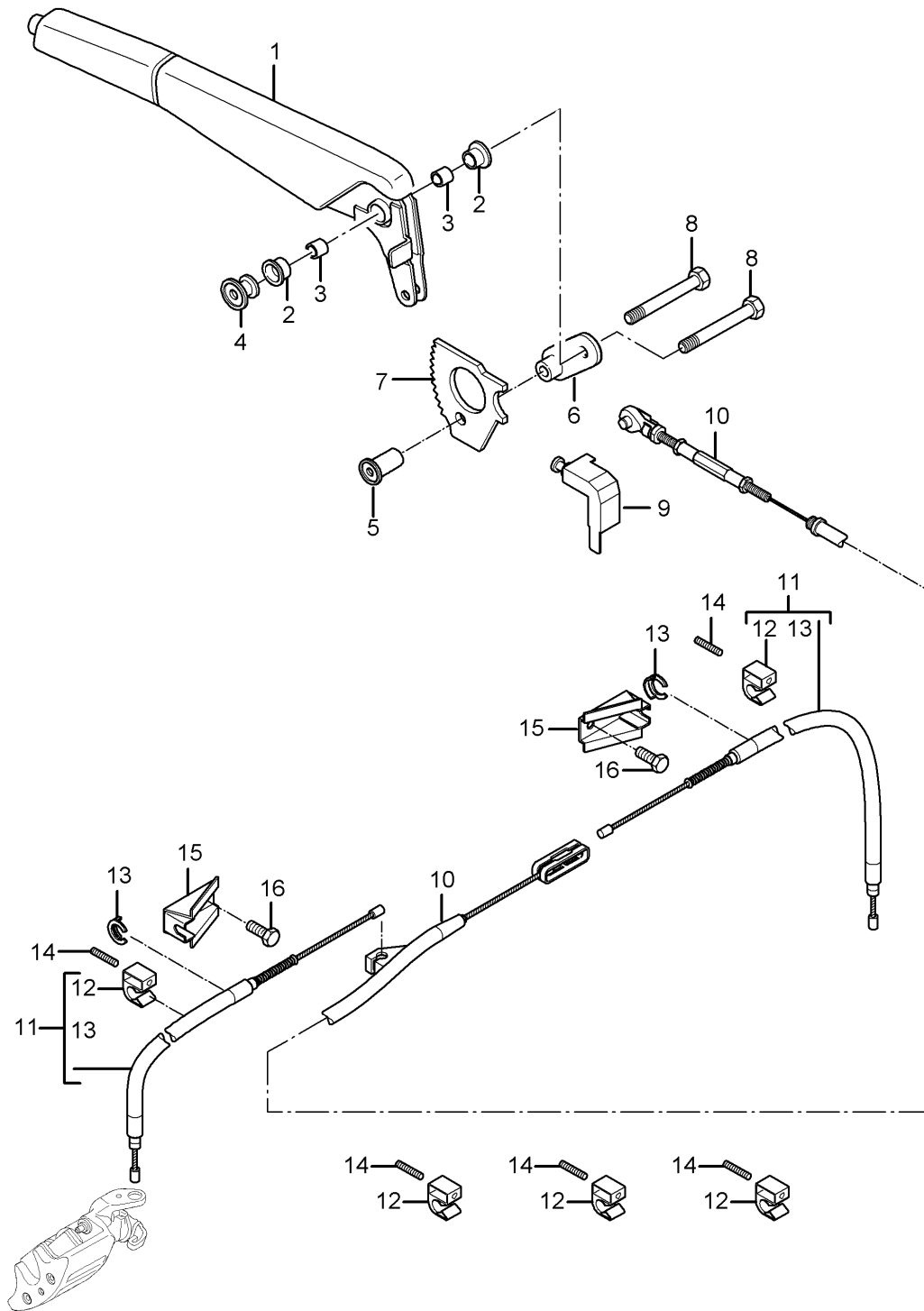


Model: 980 04 Model life 2004>>2006

| Pos | Part Number | Description | Remark | Qty | Model |
|-----|--------------------|---|--------|-----|-------|
| 1 | 980 424 010 02 | Transmission control Manual transmission | | 1 | |
| 2 | 996 424 145 01 | Gearshift bracket | | 1 | |
| - | 996 424 445 00 | Fastening part for Shift cable Adjustable | | 1 | |
| 3 | 996 424 147 00 | Clip for Fastening part | | 1 | |
| 4 | 999 073 277 A2 | Fastening part for Shift cable Adjustable | | 4 | |
| 5 | 980 424 020 01 | Oval-head screw M 6 X 45 | | 1 | |
| 6 | 999 073 268 A2 | Stop Gearshift lever | | 4 | |
| 7 | 980 424 027 01 | Oval-head screw M 5 X 12 | | 1 | |
| | | Shift-lever knob Lower part with Leather bellows And Retaining frame | | | |
| | 980 424 027 01 9N2 | Terracotta | | | |
| | 980 424 027 01 D11 | Dark grey/natural | | | |
| | 980 424 027 01 R20 | Ascot brown/natural | | | |
| 8 | 900 378 036 09 | Hexagon-head bolt M 6 X 12 | | 1 | |
| 9 | 980 424 271 00 | Shift-lever knob Upper part Laminated wood | | 1 | |
| | 980 424 271 00 R30 | Beech/beech | | | |
| 10 | 980 424 040 02 | Shift cable Set Comprising: Shift cable See technical manual Group 3 34/12/19 | | 1 | |
| | | | | 2 | |
| 11 | 986 424 411 00 | Retainer spring | | 2 | |
| 12 | 980 424 805 01 | Support | | 1 | |
| 13 | 900 378 032 09 | Hexagon-head bolt AM 6 X 50 | | 1 | |
| 14 | 980 424 575 00 | Sealing ring | | 4 | |
| 15 | 980 424 585 00 | Spacer | | 2 | |
| 16 | 980 301 561 00 | Lock nut | | 2 | |

Model: 980 04

Model life 2004>>2006



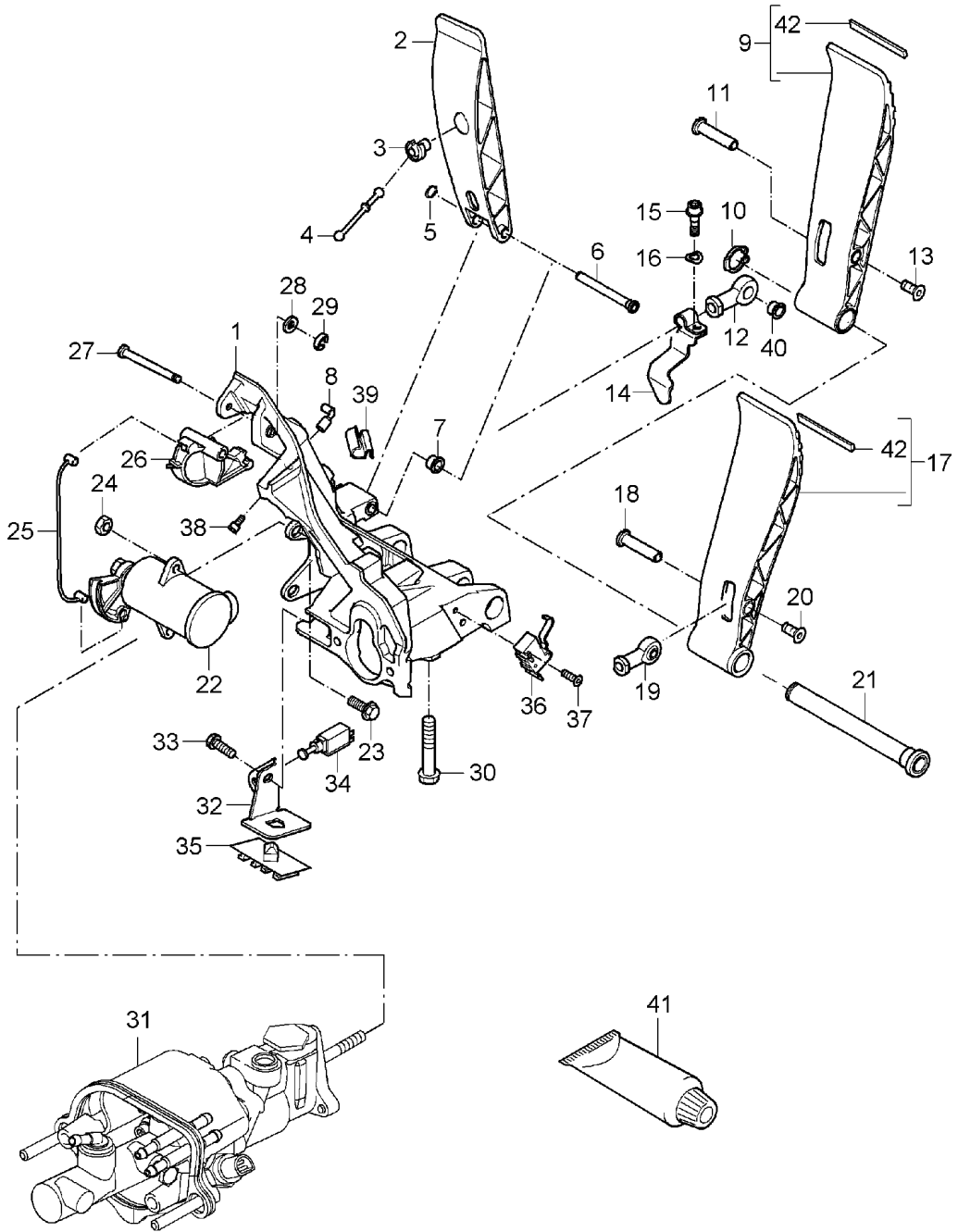
Model: 980 04

Model life 2004>>2006

| Pos | Part Number | Description | Remark | Qty | Model |
|-----|--------------------|---|--------|-----|-------|
| 1 | 980 424 049 01 | Handbrake Actuator Parking-brake lever Leather | | 1 | |
| | 980 424 049 01 9N2 | Terracotta | | | |
| | 980 424 049 01 D11 | Dark grey/natural | | | |
| | 980 424 049 01 FJE | Ascot brown/natural Black/natural | | | |
| 2 | 999 924 039 00 | Bush 12 X 14 X 9 | | 2 | |
| 3 | 999 201 469 00 | Inner ring 12 X 8 X 12,5 | | 2 | |
| 4 | 980 424 543 00 | Spacer sleeve | | 1 | |
| 5 | 980 424 545 00 | Spacer sleeve | | 1 | |
| 6 | 980 424 551 00 | Filler plate | | 1 | |
| (6) | 980 424 551 01 | Filler plate | | 1 | |
| 7 | 914 424 541 00 | Locking segment | | 1 | |
| 8 | 900 074 044 02 | Hexagon-head bolt M 8 X 70 | | 2 | |
| 9 | 996 613 112 01 | Switch Handbrake | | 1 | |
| 10 | 980 424 071 01 | Parking-brake cable Long | | 1 | |
| 11 | 980 424 073 00 | Parking-brake cable Short | | 2 | |
| 12 | 999 591 814 40 | Cable holder 9,90 | | 4 | |
| 13 | 000 043 207 21 | Securing clip Parking-brake cable | | 2 | |
| 14 | 999 074 119 A2 | Stud T 5 X 15 | | 4 | |
| 15 | 980 424 473 00 | Support Parking-brake cable | | 2 | |
| 16 | 900 378 035 09 | Hexagon-head bolt M 6 X 16 | | 2 | |

Model: 980 04

Model life 2004>>2006



Model: 980 04

Model life 2004>>2006

| Pos | Part Number | Description | Remark | Qty | Model |
|------|----------------|------------------------------------|--------|-----|-------|
| 1 | 980 423 165 03 | Pedals Bracket | | 1 | |
| 2 | 980 423 119 02 | Pedals Accelerator pedal | | 1 | |
| 3 | 980 423 245 00 | Insert Accelerator pedal | | 1 | |
| 4 | 996 423 181 01 | Push rod | | 1 | |
| 5 | 900 116 003 02 | Lock washer 4 | | 1 | |
| 5 | 900 116 003 09 | Lock washer 4 | | 1 | |
| 6 | 980 423 247 00 | Guide pin | | 1 | |
| 7 | 999 924 161 00 | Bush 6 X 8 X 8 | | 2 | |
| 8 | 980 423 395 03 | Stop Accelerator pedal | | 1 | |
| 9 | 980 423 041 03 | Brake pedal | | 1 | |
| - | 999 924 081 00 | Bush 18 X 20 X 12 | | 2 | |
| 10 | N 012 418 1 | Circlip 18 X 1,2 | | 1 | |
| 11 | 980 423 177 00 | Threaded sleeve | | 1 | |
| 12 | 980 423 281 01 | Swivel head Brake pedal | | 1 | |
| 13 | 900 249 001 02 | Countersunk-head screw M 6 X 15 | | 1 | |
| 14 | 980 423 365 01 | Stop Brake light switch | | 1 | |
| 15 | 999 218 084 02 | Pan-head screw M 5 X 14 | | 1 | |
| 16 | 900 028 047 00 | Spring washer B 5 | | 1 | |
| (16) | 900 028 007 07 | Spring washer B 5 | | 1 | |
| 17 | 980 423 069 03 | Clutch pedal | | 1 | |
| - | 999 924 081 00 | Bush 18 X 20 X 12 | | 2 | |
| 18 | 980 423 175 00 | Threaded sleeve | | 1 | |
| 19 | 996 355 831 80 | Swivel head Clutch pedal | | 1 | |
| 20 | 900 249 034 02 | Countersunk-head screw M5 X 12 | | 1 | |
| 20 | 900 249 072 01 | Countersunk-head screw M5 X 12 | | 1 | |
| 21 | 980 423 283 01 | Bearing shaft Clutch pedal | | 1 | |
| 22 | 996 606 115 00 | Pedal sensor | | 1 | |
| 22 | 996 606 115 01 | Pedal sensor | | 1 | |
| 23 | 900 378 188 09 | Hexagon-head bolt M 6 X 20 | | 2 | |
| 24 | 900 380 015 09 | Hexagon nut M 6 | | 2 | |
| 24 | 900 380 015 01 | Hexagon nut M 6 | | 2 | |
| 25 | 980 423 383 01 | Cable Pedal sensor | | 1 | |
| 26 | 996 423 381 01 | Drive plate | | 1 | |
| 27 | 980 423 385 00 | Guide pin Drive plate | | 1 | |
| 28 | 900 025 073 00 | Washer 5 | | 1 | |
| 29 | 999 166 040 02 | K1-lock 5 | | 1 | |

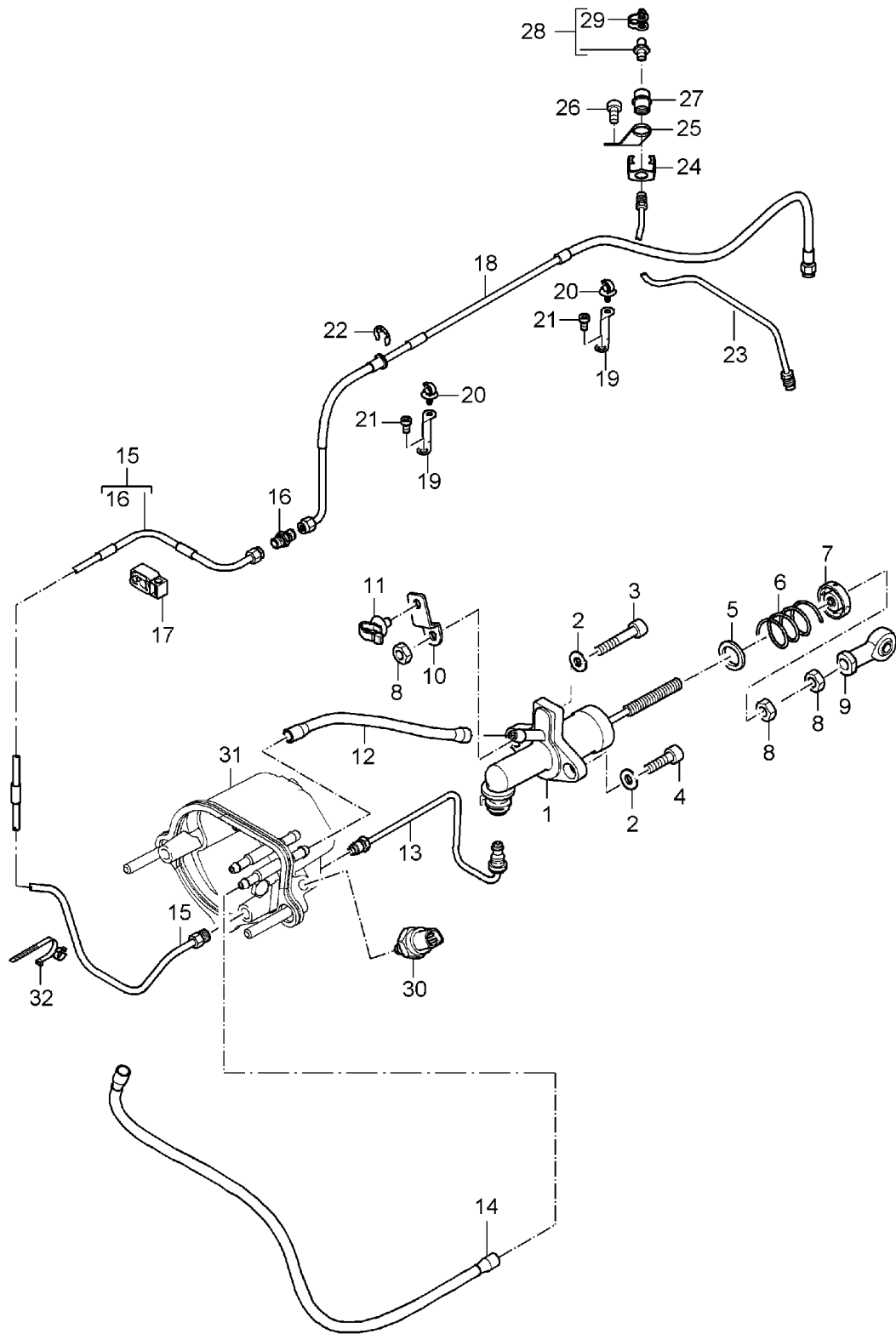
Model: 980 04

Model life 2004>>2006

| Pos | Part Number | Description | Remark | Qty | Model |
|------|----------------|--------------------------------|--------|-----|-------|
| 30 | 900 378 254 09 | Hexagon-head bolt M 10 X 40 | | 2 | |
| 31 | | See illustrations 6/04/00 | | 1 | |
| 32 | 980 423 361 01 | Support Brake light switch | | 1 | |
| 33 | 900 378 036 09 | Hexagon-head bolt M 6 X 12 | | 1 | |
| 34 | 996 613 113 01 | Switch Brake pedal | | 1 | |
| 35 | 999 650 117 40 | Fixing clip | | 1 | |
| 36 | 996 613 109 00 | Switch Clutch pedal | | 1 | |
| (36) | 997 613 109 00 | Switch Clutch pedal | | 1 | |
| 37 | 900 146 159 02 | Round head screw M 3 X 20 | | 1 | |
| 38 | 999 218 084 02 | Pan-head screw M 5 X 14 | | 1 | |
| 39 | 999 507 625 02 | Cable holder 9 - 10 | | 1 | |
| 40 | 999 924 103 00 | Bush 10 X 12 X 7 | | 2 | |
| 41 | 000 043 205 34 | Grease 1 tube 100 ML | | X | |
| - | 980 025 211 00 | Tread 8,21 X 3,5 | | * | |
| 42 | | 75 MM | | 8 | |

Model: 980 04

Model life 2004>>2006



Model: 980 04

Model life 2004>>2006

| Pos | Part Number | Description | Remark | Qty | Model |
|------|----------------|------------------------|--------|-----|-------|
| | | clutch actuation | | | |
| | | Clutch master cylinder | | | |
| | | Clutch pipeline | | | |
| 1 | 980 423 171 00 | Clutch master cylinder | | 1 | |
| 2 | 900 025 007 07 | Washer | | 2 | |
| | | A 8.4 | | | |
| 3 | 900 067 081 09 | Pan-head screw | | 1 | |
| | | M 8 X 35 | | | |
| 4 | 900 067 397 09 | Pan-head screw | | 1 | |
| | | M 8 X 25 | | | |
| 5 | 999 209 074 30 | Washer | | 1 | |
| | | 19 X 26.7 | | | |
| 6 | 999 521 086 01 | Compression spring | | 1 | |
| | | 2 X 22 X 95 | | | |
| (6) | 999 521 086 02 | Compression spring | | 1 | |
| | | 2 X 22 X 95 | | | |
| 7 | 980 423 369 00 | Concave washer | | 1 | |
| | | Clutch | | | |
| 8 | 900 076 025 02 | Hexagon nut | | 3 | |
| | | M 8 | | | |
| 8 | 900 076 064 02 | Hexagon nut | | 3 | |
| | | M 8 | | | |
| 9 | | See illustrations | | 1 | |
| | | 7/02/00 | | | |
| 10 | 477 971 883 | Support | | 1 | |
| | | Wiring harness | | | |
| 11 | 999 513 063 40 | Cable holder | | 1 | |
| | | with | | | |
| | | Tie-wrap | | | |
| | | 12 - 35 | | | |
| 12 | 980 423 137 00 | Line | | 1 | |
| 13 | 980 423 107 02 | Clutch pipeline | | 1 | |
| 14 | 980 423 147 00 | Feed line | | 1 | |
| | | Brake fluid reservoir | | | |
| 15 | 980 423 113 03 | Clutch pipeline | | 1 | |
| | | Tunnel | | | |
| - | 999 507 087 40 | Hose holder | | 1 | |
| | | 20,0 / 13,0 / 13,0 | | | |
| | | Mount | | | |
| | | Pressure line | | | |
| | | Clutch | | | |
| 16 | 999 230 629 02 | Threaded joint | | 1 | |
| | | EL 6 | | | |
| 17 | 996 347 543 00 | Cable holder | | 1 | |
| - | 999 919 231 A2 | Stud | | 1 | |
| | | T5 X 13 | | | |
| 18 | 980 423 377 01 | Clutch pipeline | | 1 | |
| (18) | 980 423 377 02 | Clutch pipeline | | 1 | |
| 19 | 980 101 623 00 | Support | | 2 | |
| 20 | 999 507 699 40 | Line bracket | | 2 | |
| | | 7,8 - 8,5 | | | |
| 21 | 900 067 409 02 | Combination screw | | 2 | |
| | | M 6 X 15 | | | |
| 22 | 999 166 089 02 | Lock | | 1 | |
| | | 14,5 | | | |
| 23 | 980 423 151 02 | Vent line | | 1 | |
| | | Clutch | | | |
| 24 | 955 355 321 00 | Retainer spring | | 1 | |
| (24) | 997 355 331 01 | Retainer spring | | 1 | |
| 25 | 980 423 351 01 | Support | | 1 | |
| | | Vent line | | | |
| 26 | | See illustrations | | 1 | |
| | | 1/07/05 | | | |

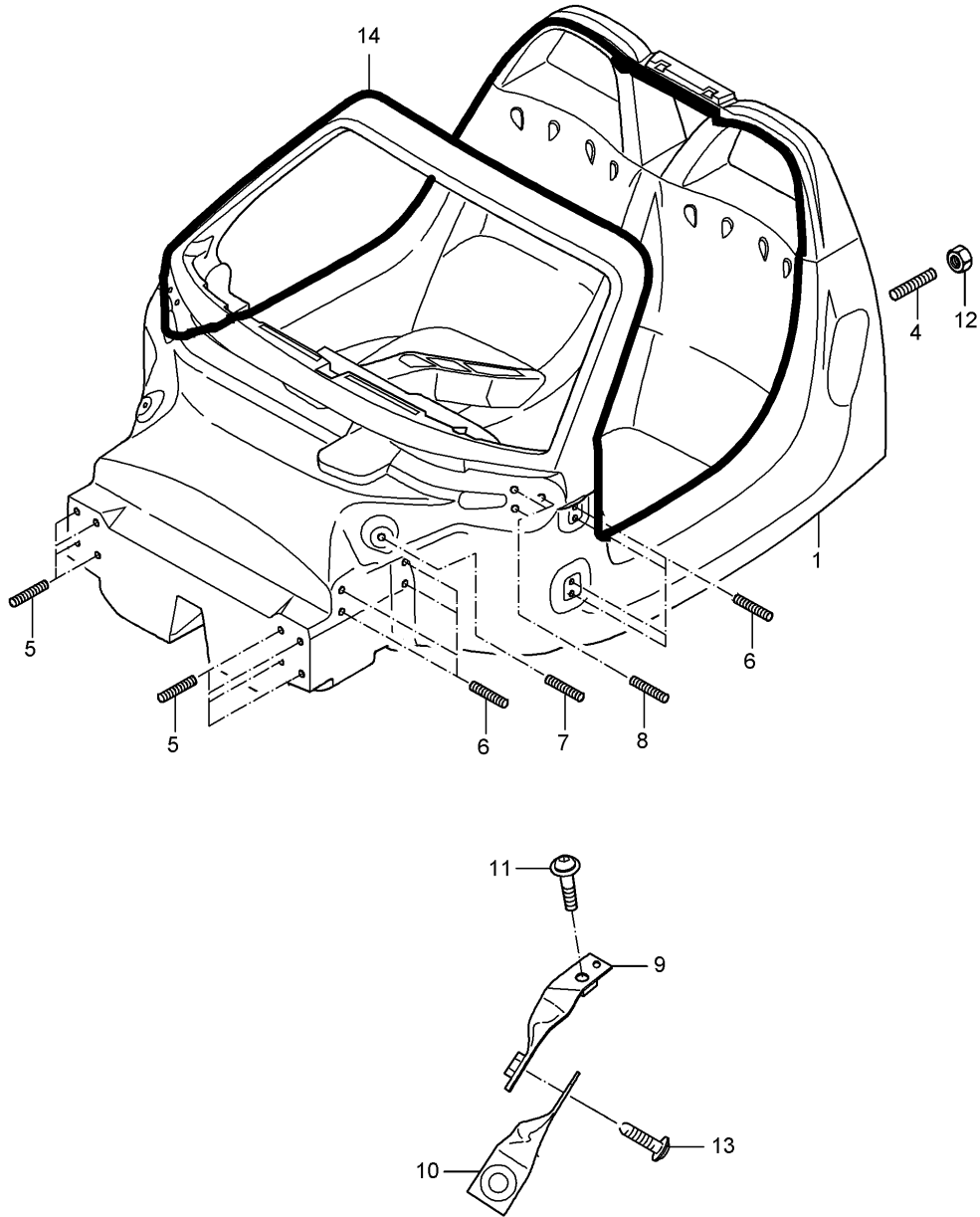
Model: 980 04

Model life 2004>>2006

| Pos | Part Number | Description | Remark | Qty | Model |
|-----|----------------|--|--------|-----|-------|
| 27 | 980 423 321 00 | Connecting piece | | 1 | |
| 28 | 999 926 017 02 | Ventilation valve | | 1 | |
| 29 | 930 351 927 00 | Dust boot | | 1 | |
| 29 | 930 351 927 01 | Dust boot | | 1 | |
| 30 | 980 613 114 00 | Pressure switch | | 1 | |
| 31 | | Clutch pedal See illustrations 6/04/00 | | 1 | |
| 32 | 999 511 257 40 | Hose holder 6,0 / 8,0 - 50,0 | | 1 | |

Model: 980 04

Model life 2004>>2006



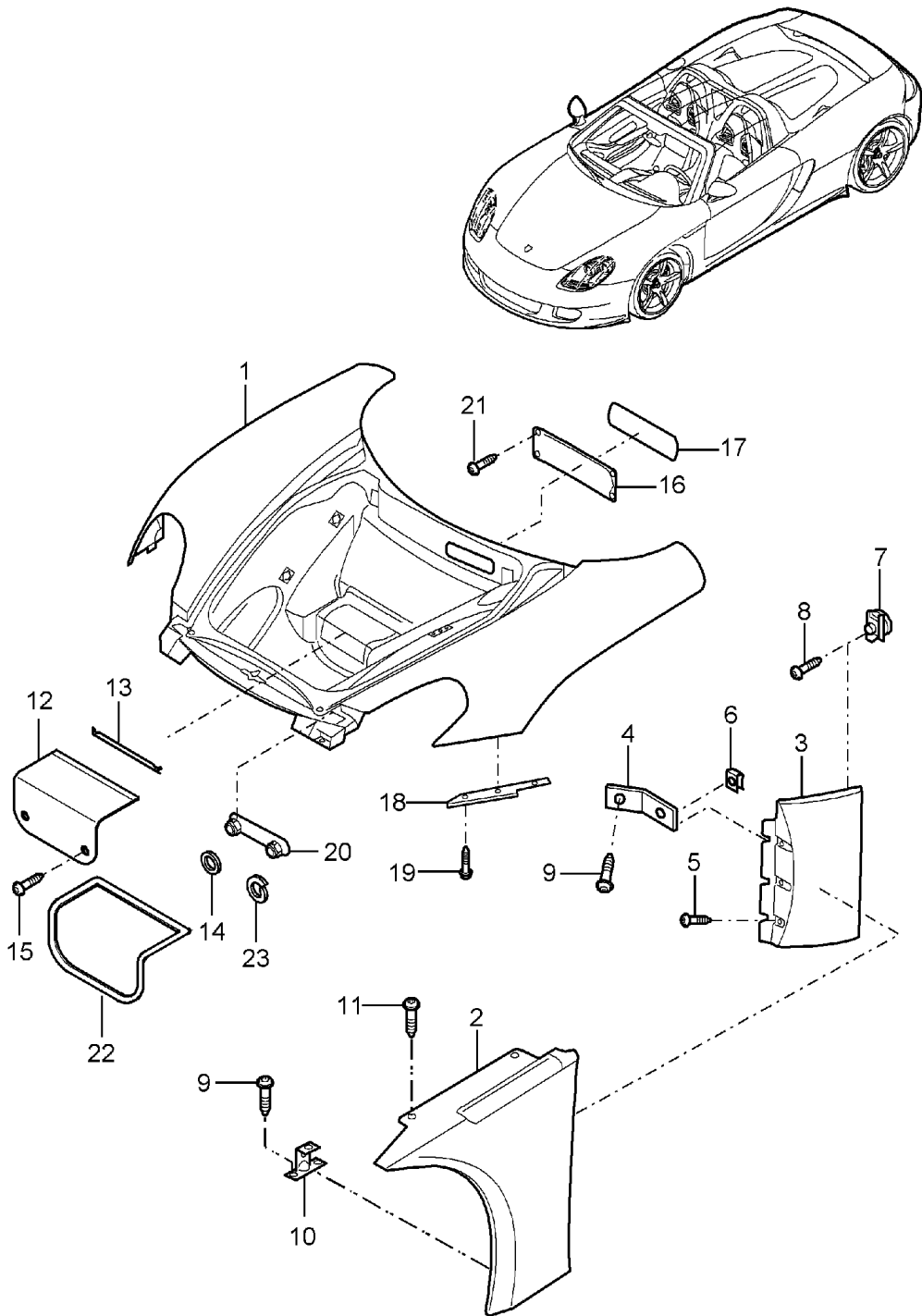
Model: 980 04

Model life 2004>>2006

| Pos | Part Number | Description | Remark | Qty | Model |
|------|----------------|-----------------------|--------|-----|-------|
| | | Monocoque | | | |
| | | Prime coated | | | |
| 1 | 980 501 910 00 | Monocoque | | 1 | |
| 4 | 900 305 010 A2 | Stud | | X | |
| | | M 12X1,5 | | | |
| 5 | 900 305 007 A2 | Stud | | X | |
| | | M 8X30 | | | |
| 6 | 900 305 013 A2 | Stud | | X | |
| | | M 10X25 | | | |
| 7 | 980 333 767 00 | Stud | | X | |
| | | M 8X18? | | | |
| 8 | | See illustrations | | X | |
| | | 4/02/00 | | | |
| 9 | 980 505 427 00 | Tension strut | /L | 1 | |
| (9) | 980 505 428 00 | Tension strut | /R | 1 | |
| 10 | 980 505 437 02 | Tension strut | /L | 1 | |
| (10) | 980 505 438 02 | Tension strut | /R | 1 | |
| 11 | 999 073 324 07 | Oval-head screw | | 2 | |
| | | M 8 X 35 | | | |
| 12 | 999 084 445 A2 | Hexagon nut | | 5 | |
| | | M 12X1,5 | | | |
| 13 | 999 073 104 09 | Oval-head screw | | 2 | |
| | | M 8 x 16 | | | |
| 14 | 980 504 279 01 | Gasket | | 1 | |
| | | Monocoque | | | |
| 15 | 980 504 645 01 | Support | | 1 | |
| | | Air guide | | | |
| 16 | 999 591 512 40 | Mounting parts | | 2 | |
| | | Gasket | | | |
| 17 | 980 504 281 00 | Gasket | | 1 | |
| | | Windscreen frame part | | | |
| | | Inner | | | |
| 18 | 980 504 283 01 | Gasket | | 1 | |
| | | Windscreen frame part | | | |
| | | Outer | | | |
| 19 | 980 501 609 00 | Threaded insert | | 8 | |

Model: 980 04

Model life 2004>>2006



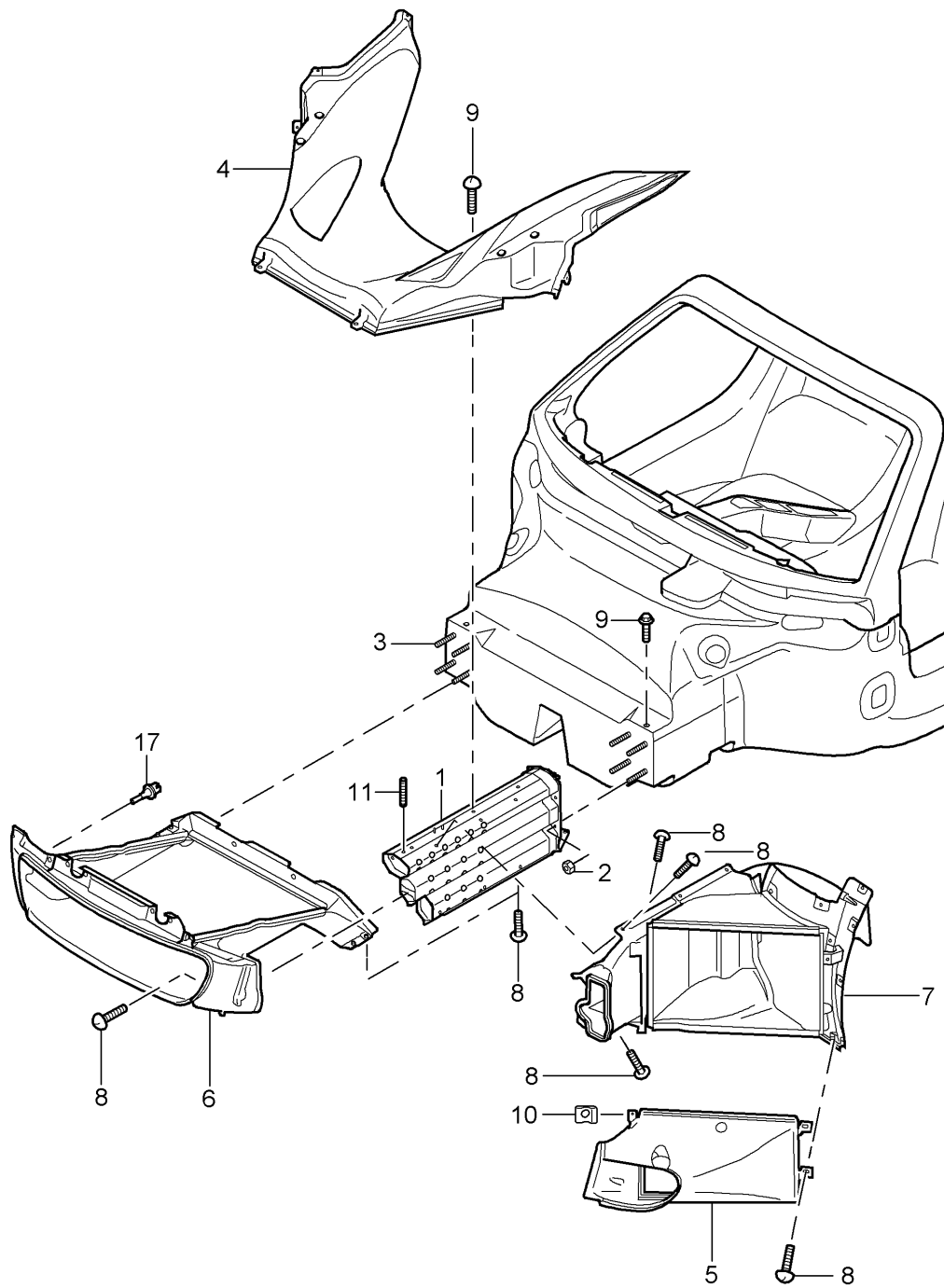
Model: 980 04

Model life 2004>>2006

| Pos | Part Number | Description | Remark | Qty | Model |
|------|--------------------|--------------------------------------|--------|-----|-------|
| 1 | 980 505 425 01 | Body front section Lining | | 1 | |
| | 980 505 425 01 G2X | Prime coated | | | |
| 2 | 980 505 213 01 | Side section | /L | 1 | |
| | 980 505 213 01 G2X | Prime coated | | | |
| (2) | 980 505 214 01 | Side section | /R | 1 | |
| | 980 505 214 01 G2X | Prime coated | | | |
| 3 | 980 505 421 01 | Side section | /L | 1 | |
| | 980 505 421 01 G2X | Prime coated | | | |
| (3) | 980 505 422 01 | Side section | /R | 1 | |
| | 980 505 422 01 G2X | Prime coated | | | |
| 4 | 980 505 615 02 | Support | | 1 | |
| (4) | 980 505 635 00 | Support | | 1 | |
| 5 | 999 073 297 A2 | Oval-head screw M 6X16 | | X | |
| 6 | 999 507 550 0A | Speed nut | | X | |
| 7 | 980 505 581 00 | Captive nut | | X | |
| 8 | 999 073 254 A2 | Oval-head screw M 6X30 | | X | |
| 9 | 999 073 295 A2 | Oval-head screw M 5X12 | | X | |
| 10 | 980 559 611 01 | Support | | 2 | |
| 11 | 999 073 254 A2 | Oval-head screw M 6X30 | | X | |
| 12 | 980 505 501 00 | Lid 10913 | | 1 | |
| 13 | 980 505 541 00 | Hinge | | 1 | |
| 14 | 900 025 024 40 | Washer 4,3X9X0,8 | | 2 | |
| 15 | 900 312 012 02 | Stopper A 4X10 | | X | |
| 16 | 980 572 505 02 | Lid | | 1 | |
| 16 | 980 572 505 03 | Body front section Lid | | 1 | |
| 17 | 980 572 611 00 | Body front section Rubber seal | | 1 | |
| 18 | 980 505 713 01 | Body front section Retainer plate | /L | 1 | |
| (18) | 980 505 714 01 | Retainer plate | /R | 1 | |
| 19 | 999 073 252 A2 | Oval-head screw M 6X20 | | 4 | |
| 20 | 980 505 723 02 | Retainer plate | | 2 | |
| 21 | 999 073 268 A2 | Oval-head screw M 5X12 | | 4 | |
| 22 | 980 505 609 00 | Gasket | | 1 | |
| 23 | 999 507 068 01 | Clamping washer 4,0 | | 2 | |

Model: 980 04

Model life 2004>>2006



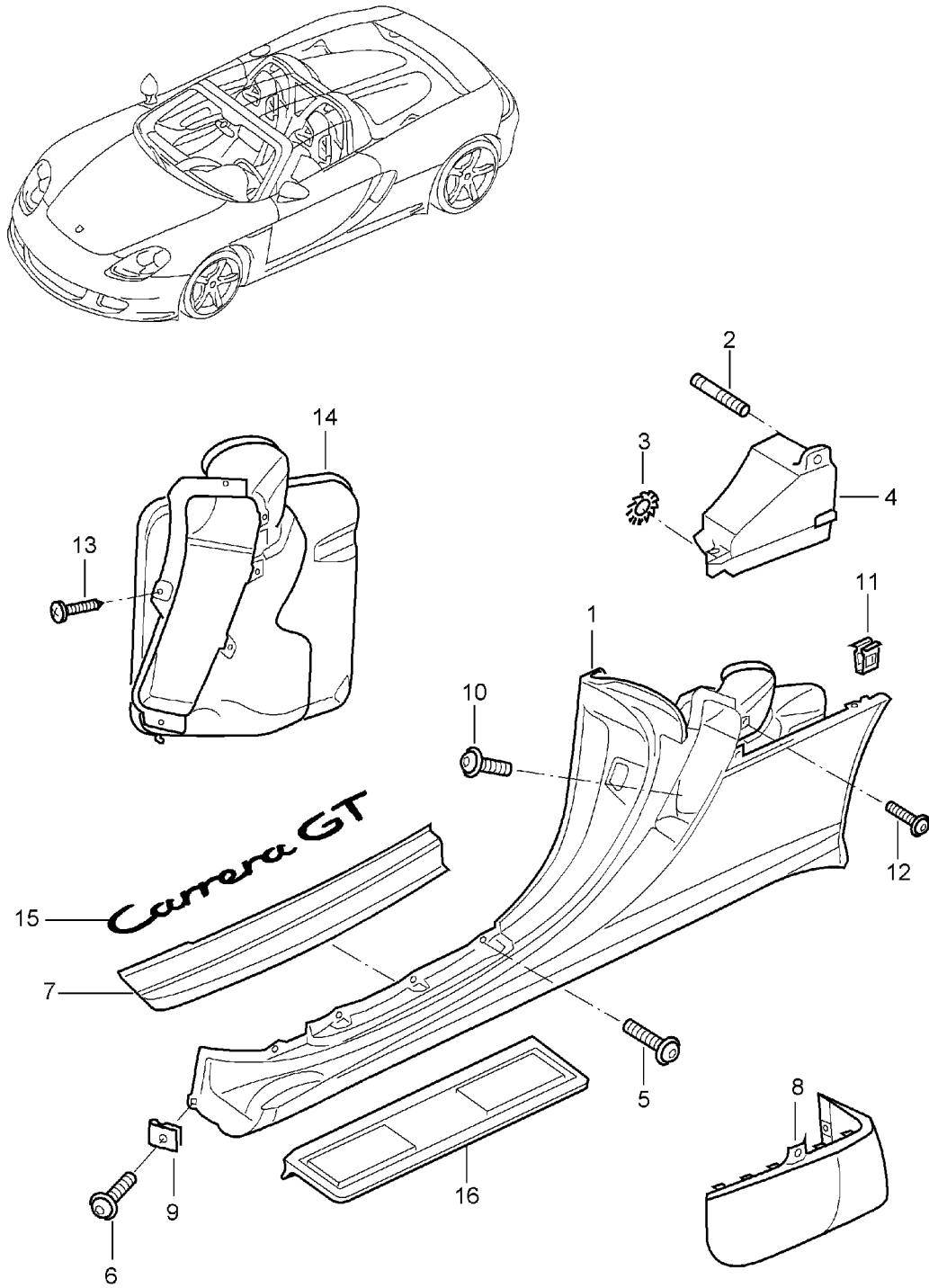
Model: 980 04

Model life 2004>>2006

| Pos | Part Number | Description | Remark | Qty | Model |
|------|----------------|------------------------------------|--------|-----|-------|
| | | Body front section | | | |
| 1 | 980 501 311 01 | Bracket | /L | 1 | |
| (1) | 980 501 312 01 | Bracket | /R | 1 | |
| 2 | 900 380 005 A2 | Hexagon nut M 8 | | 8 | |
| 3 | 900 305 007 A2 | Stud M 8X30 | | 8 | |
| 4 | 980 504 311 03 | Air guide Centre | | 1 | |
| 5 | 980 504 519 02 | Air guide Lateral | /L | 1 | |
| (5) | 980 504 520 02 | Air guide Lateral | /R | 1 | |
| 6 | 980 504 321 03 | Air guide Centre | | 1 | |
| (6) | 980 504 321 04 | Air guide Centre | | 1 | |
| 7 | 980 504 317 05 | Air guide Lateral | /L | 1 | |
| (7) | 980 504 317 06 | Air guide Lateral | /L | 1 | |
| (7) | 980 504 318 05 | Air guide Lateral | /R | 1 | |
| (7) | 980 504 318 06 | Air guide Lateral | /R | 1 | |
| 8 | 999 015 026 A2 | Oval-head screw M 6X16 | | 18 | |
| 9 | 999 073 261 A2 | Oval-head screw M 8X25 | | X | |
| 10 | 999 591 489 02 | Speed nut ST 4,8 | | 8 | |
| (10) | 999 591 489 01 | Speed nut ST 4,8 | | 8 | |
| 11 | 900 228 031 00 | Threaded pin M 8X70 | | X | |
| 12 | 999 084 121 00 | Hexagon nut M 8 | | 2 | |
| 13 | 900 034 046 00 | Hexagon nut M 8 | | 1 | |
| 14 | 980 025 563 00 | Edge protection profile 5707 MM | | X | |
| 15 | 999 911 700 40 | Tread 1774 MM | | * | |
| 16 | 999 073 311 A2 | Combination screw | | 6 | |
| 17 | 958 505 535 00 | Sensor | | 1 | |

Model: 980 04

Model life 2004>>2006

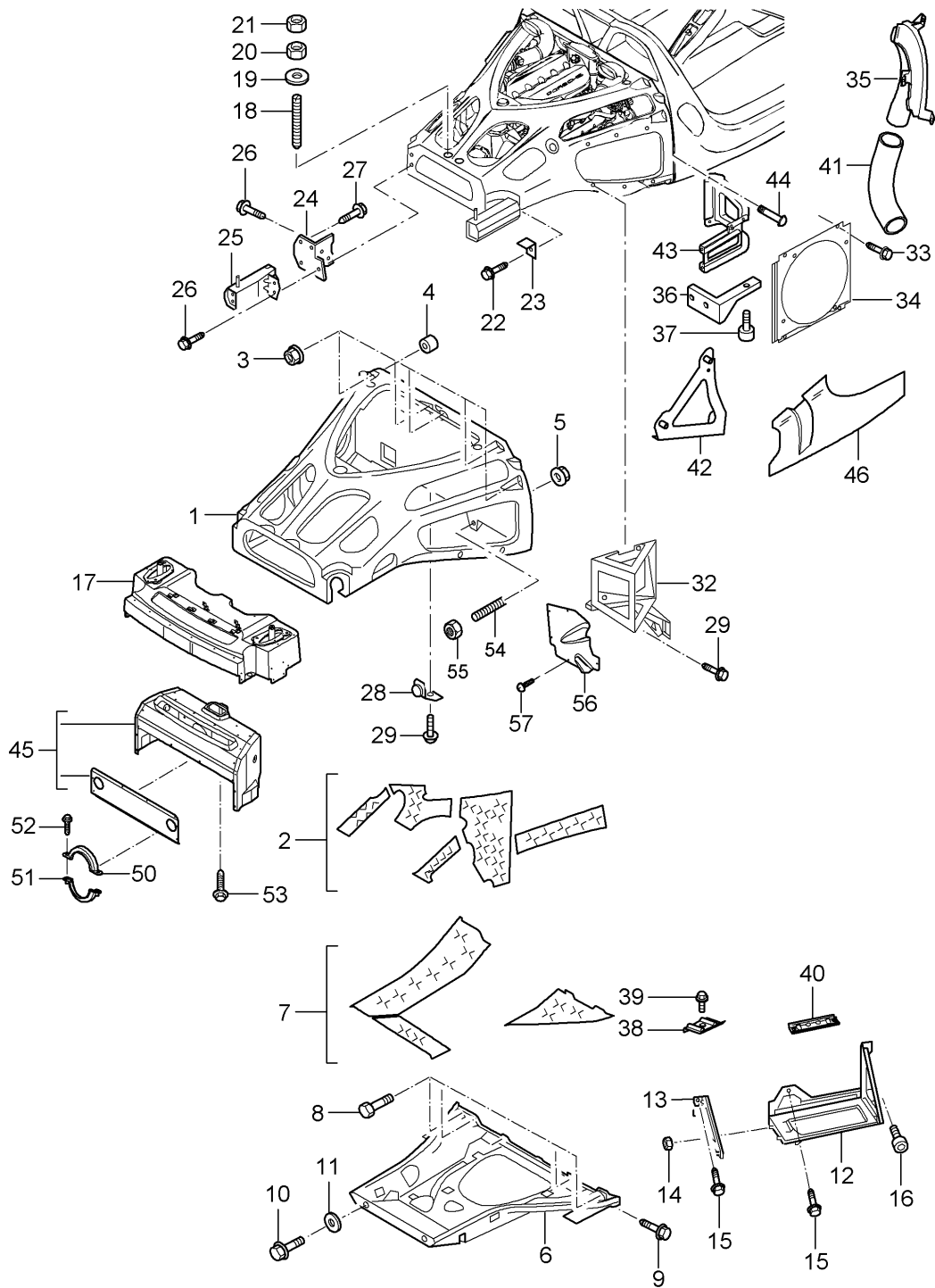


Model: 980 04 Model life 2004>>2006

| Pos | Part Number | Description | Remark | Qty | Model |
|------|--------------------|-------------------------|--------|-----|-------|
| 1 | 980 559 411 02 | Door sill | | | |
| | 980 559 411 02 | Door sill | /L | 1 | |
| | 980 559 411 02 G2X | Prime coated | | | |
| (1) | 980 559 412 02 | Door sill | /R | 1 | |
| | 980 559 412 02 G2X | Prime coated | | | |
| 2 | 999 073 252 A2 | Oval-head screw | | X | |
| | | M 6X20 | | | |
| 3 | N 903 350 04 | Clamping washer | | X | |
| 4 | 980 559 601 00 | Foam part | | 2 | |
| 5 | 999 073 252 A2 | Oval-head screw | | X | |
| | | M 6X20 | | | |
| 6 | 999 015 026 A2 | Oval-head screw | | X | |
| | | M 6X16 | | | |
| 7 | 980 559 311 01 | Trim cover | /L | 1 | |
| | 980 559 311 01 G2X | Prime coated | | | |
| (7) | 980 559 312 01 | Trim cover | /R | 1 | |
| | 980 559 312 01 G2X | Prime coated | | | |
| 8 | 980 559 393 00 | Cover | /L | 1 | |
| | 980 559 393 00 G2X | Prime coated | | | |
| (8) | 980 559 394 00 | Cover | /R | 1 | |
| | 980 559 394 00 G2X | Prime coated | | | |
| 9 | 999 507 550 0A | Speed nut | | 26 | |
| 10 | 999 015 026 A2 | Oval-head screw | | 8 | |
| | | M 6X16 | | | |
| 11 | 999 507 696 00 | U-clamp | | 12 | |
| 12 | 999 919 121 A2 | Oval-head screw | | 2 | |
| | | M 5X16 | | | |
| 13 | 999 073 231 A2 | Tapping screw | | 6 | |
| 14 | 980 504 323 01 | Air guide | | 1 | |
| | | Transmission oil cooler | | | |
| (14) | 980 504 121 02 | Air guide | | 1 | |
| | | Condenser | | | |
| 15 | 980 551 603 00 | Logo | /L | 1 | |
| | | Carrera GT | | | |
| (15) | 980 551 604 00 | Logo | /R | 1 | |
| | | Carrera GT | | | |
| 16 | 980 504 661 00 | Protective strip | | 1 | |
| (16) | 980 504 662 00 | Protective strip | | 1 | |
| | | for | | | |
| | | Door sill | | | |
| - | 980 559 793 00 | Cover | | 1 | |
| | 980 559 793 00 01C | Black | | | |
| - | 980 559 794 00 | Cover | | 1 | |
| | 980 559 794 00 01C | Black | | | |

Model: 980 04

Model life 2004>>2006



Model: 980 04

Model life 2004>>2006

| Pos | Part Number | Description | Remark | Qty | Model |
|------|----------------|--|--------|-----|-------|
| 1 | 980 501 971 00 | Rear end Unit carrier | | 1 | |
| 2 | 980 501 711 01 | Upper part Heat protection Upper part Use also: POS.46 | | 1 | |
| 3 | 999 084 445 A2 | Hexagon nut M 12X1,5 | | 5 | |
| 4 | 999 095 040 0A | Dowel sleeve M 6X12,5X18,5 | | 2 | |
| 4 | 999 095 040 01 | Dowel sleeve M 6X12,5X18,5 | | 2 | |
| 5 | 900 380 008 A2 | Hexagon nut M 10 | | 2 | |
| 6 | 980 501 181 01 | Unit carrier Lower part | | 1 | |
| 7 | 980 501 701 01 | Heat protection Lower part Use also: | | 1 | |
| - | 999 915 650 40 | Adhesive | | X | |
| 8 | 900 378 256 A2 | Hexagon-head bolt M 12X1,5X65 | | 4 | |
| 9 | 900 378 227 A2 | Hexagon-head bolt M 8X28 | | 4 | |
| 10 | 900 378 177 A2 | Hexagon-head bolt M 6X30 | | 5 | |
| 11 | N 011 666 12 | Washer | | 5 | |
| 12 | 980 504 601 01 | Support Battery | | 1 | |
| 13 | 980 504 603 00 | Support Battery | | 1 | |
| 14 | 900 380 005 A2 | Hexagon nut M 8 | | 2 | |
| 15 | 900 378 030 A2 | Hexagon-head bolt M 6X20 | | 5 | |
| 16 | 900 387 277 09 | Pan-head screw M 8X35 | | 1 | |
| 17 | 980 505 351 03 | Cross member | | 1 | |
| 18 | 900 228 031 00 | Threaded pin M 8X70 | | 2 | |
| 19 | 900 025 074 00 | Washer M 8 | | 2 | |
| 20 | 900 380 005 A2 | Hexagon nut M 8 | | 2 | |
| 21 | 999 084 121 00 | Hexagon nut | | 10 | |
| (21) | 900 034 046 00 | Hexagon nut M8 | | 10 | |
| 22 | 999 073 258 A2 | Oval-head screw M 8X20 | | 4 | |
| 23 | 980 505 551 00 | Stop bracket | | 2 | |
| 24 | 980 501 413 01 | Bracket | | 1 | |
| (24) | 980 501 414 01 | Bracket | | 1 | |
| 25 | 980 501 411 01 | Bracket Rear | | 1 | |
| (25) | 980 501 412 01 | Bracket Rear | | 1 | |
| 26 | 900 378 227 A2 | Hexagon-head bolt M 8X28 | | 18 | |
| 27 | 900 378 074 09 | Hexagon-head bolt M 8X16 | | 8 | |
| 28 | 980 501 605 00 | Stop Pulley | | 1 | |

Model: 980 04

Model life 2004>>2006

| Pos | Part Number | Description | Remark | Qty | Model |
|------|----------------|---|--------|-----|-------|
| 29 | 999 015 026 A2 | Oval-head screw M 6X16 | | 1 | |
| 32 | 980 504 141 00 | Support Transmission oil cooler | | 1 | |
| (32) | 980 504 543 02 | Support Air conditioning cooler | | 1 | |
| (32) | 980 504 543 03 | Support Air conditioning cooler | | 1 | |
| 33 | 999 073 252 A2 | Oval-head screw M 6X20 | | 4 | |
| 34 | 980 504 241 01 | Support Fan Transmission oil cooler | | 1 | |
| (34) | 980 504 351 00 | Support Fan Air conditioning cooler | | 1 | |
| - | 980 504 743 00 | Lid Condenser | | 1 | |
| 35 | 980 504 719 00 | Air guide Transmission oil cooler | | 1 | |
| 36 | 980 504 641 02 | Fan carrier | | 2 | |
| 37 | 900 387 277 09 | Pan-head screw M 8X35 | | 1 | |
| 38 | 996 611 209 00 | Rail | | 1 | |
| 39 | 900 378 017 09 | Hexagon-head bolt M 8X20 | | 1 | |
| 40 | 980 504 653 00 | Adapter Battery | | 1 | |
| - | 999 217 020 02 | Hexagon-head bolt M 6X10 | | 1 | |
| - | 999 217 020 01 | Hexagon-head bolt M 6X10 | | 1 | |
| 41 | 980 504 721 00 | Air guide | | 1 | |
| 42 | 980 504 545 01 | Support Transmission oil cooler | | 1 | |
| 43 | 980 504 709 00 | Support LECKDIAGNOSEPUMPE | | 1 | |
| 44 | 999 015 026 A2 | Oval-head screw M 6X16 | | 4 | |
| - | 980 501 601 00 | Sound absorber | | 1 | |
| 45 | 980 504 201 02 | Heat protection Rear muffler | 04 | 1 | |
| (45) | 980 504 201 03 | Heat protection Rear muffler | 05- | 1 | |
| 46 | 980 501 713 00 | Heat protection Unit carrier Upper part | /L | 1 | |
| (46) | 980 501 714 00 | Heat protection Unit carrier Upper part | /R | 1 | |
| - | 980 505 721 02 | Heat protection Cross member Rear | | 1 | |
| - | 980 505 705 00 | Heat protection Cross member Rear | | 1 | |
| 50 | 980 504 655 00 | Clip Upper | | 2 | |
| 51 | 980 504 657 00 | Clip Lower | | 2 | |
| 52 | 999 015 026 09 | Oval-head screw M6 X 16 | | X | |
| 53 | 999 015 025 A2 | Lens-head screw | | 6 | |

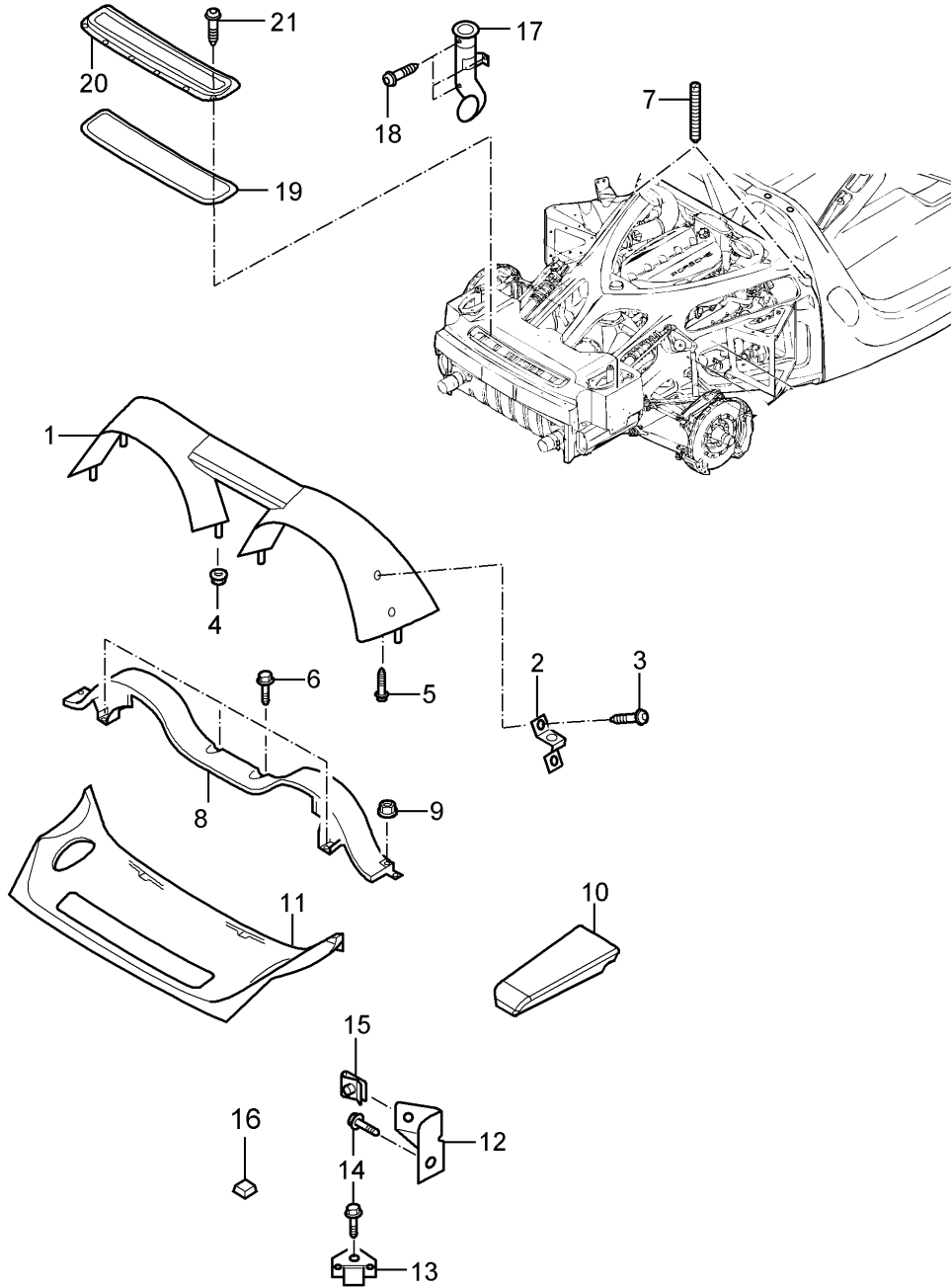
Model: 980 04

Model life 2004>>2006

| Pos | Part Number | Description | Remark | Qty | Model |
|-----|----------------|--------------------------------|--------|-----|-------|
| 54 | 999 218 115 A2 | M6 X 12 Stud | | 2 | |
| 55 | 900 380 008 A2 | M10 x 40 Hexagon nut M10 | | 2 | |

Model: 980 04

Model life 2004>>2006

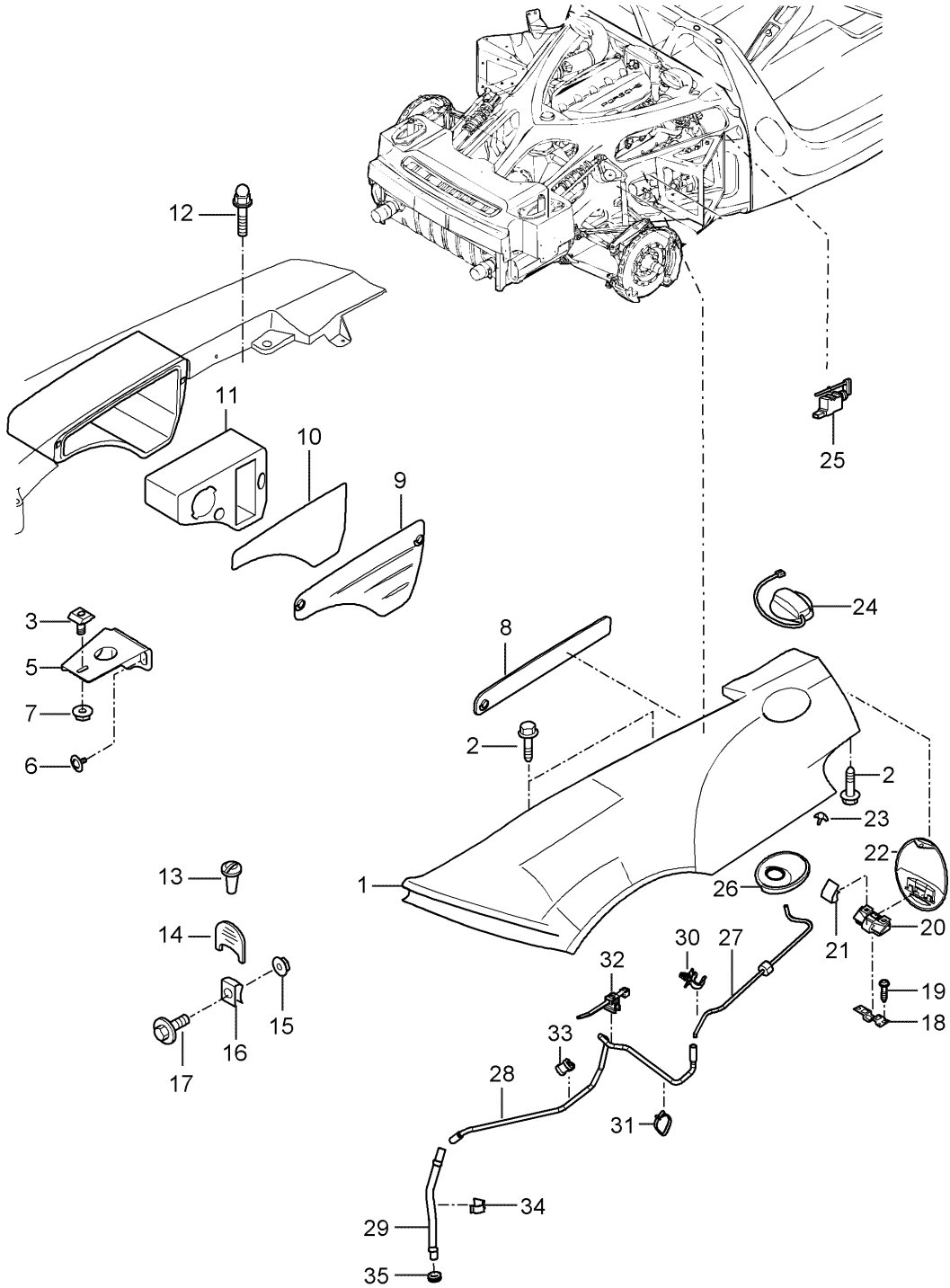


Model: 980 04 Model life 2004>>2006

| Pos | Part Number | Description | Remark | Qty | Model |
|------|--------------------------------------|---|--------|-----|-------|
| 1 | 980 505 061 01 | Rear end Accessories Lining Roll-over bar | | 1 | |
| 2 | 980 505 061 01 G2X 980 505 761 01 | Prime coated Bracket Lining | | 2 | |
| 3 | 999 073 295 A2 | Oval-head screw M 5X12 | | 4 | |
| 4 | 999 084 213 A2 | Hexagon nut M 6S | | 4 | |
| 5 | 999 073 296 A2 | Oval-head screw M 6X16 | | 2 | |
| 6 | 999 073 252 A2 | Oval-head screw M 6X20 | | 4 | |
| 7 | 900 228 032 00 | Threaded pin M 8X45 | | 2 | |
| 8 | 980 505 331 01 980 505 331 01 G2X | Rear centre panel Prime coated Front | | 1 | |
| 9 | 999 084 213 A2 | Hexagon nut | | 2 | |
| 10 | 980 580 503 00 980 580 503 00 G2X | Lining Prime coated Roll-over bar | | 1 | |
| 11 | 980 505 341 04 980 505 341 04 G2X | Rear centre panel Prime coated Rear | | 1 | |
| 12 | 980 505 543 00 | Stop bracket | | 1 | |
| (12) | 980 505 544 00 | Stop bracket Stop bracket | | 1 | |
| 13 | 980 505 633 02 | Retaining bracket | | 2 | |
| 14 | 999 015 025 A2 | Lens-head screw M 6X12 | | 8 | |
| 15 | 999 507 550 0A | Speed nut M6 | | 2 | |
| 16 | 999 703 319 40 | Buffer | | 2 | |
| 17 | 980 504 443 03 | Brake ventilation | /L | 1 | |
| (17) | 980 504 444 03 | Brake ventilation | /R | 1 | |
| 18 | 999 015 026 A2 | Oval-head screw M 6X16 | | 6 | |
| 19 | 980 505 731 00 | Heat protection | | 1 | |
| 20 | 980 505 071 00 | Cover | | 1 | |
| 21 | 999 073 268 A2 | Oval-head screw M 5X12 | | 8 | |

Model: 980 04

Model life 2004>>2006



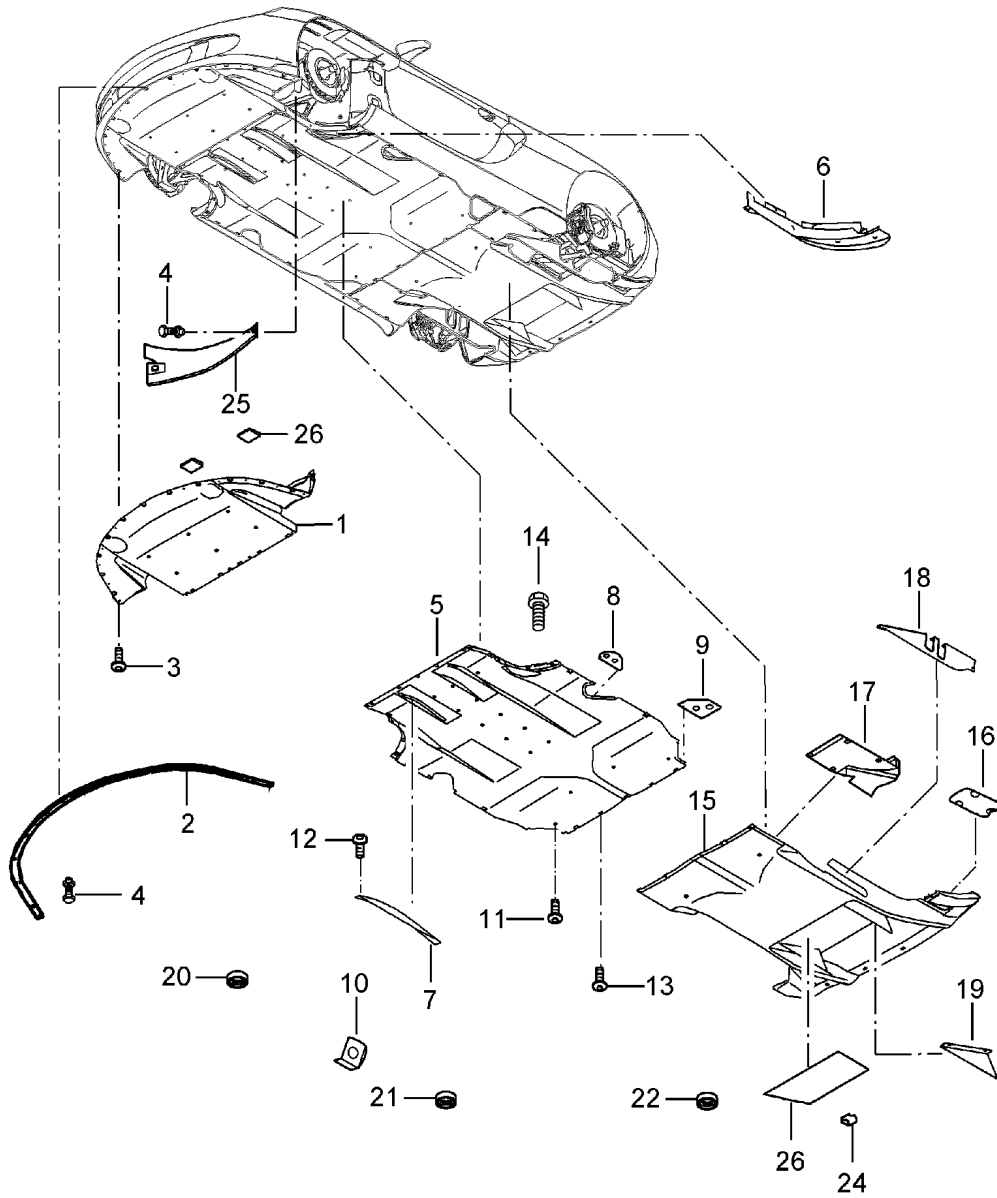
Model: 980 04

Model life 2004>>2006

| Pos | Part Number | Description | Remark | Qty | Model |
|-----|--------------------|---------------------------|--------|-----|-------|
| 1 | 980 505 051 01 | Wing Rear | | 1 | |
| | 980 505 051 01 G2X | Prime coated | /L | 1 | |
| (1) | 980 505 052 01 | Wing | /R | 1 | |
| | 980 505 052 01 G2X | Prime coated | | | |
| 2 | 999 015 026 A2 | Oval-head screw M 6X16 | | 8 | |
| 3 | 999 015 031 02 | Torx screw M 6X20 | | X | |
| 5 | 980 505 603 00 | Support | | 1 | |
| 6 | 999 015 026 A2 | Oval-head screw M 6X16 | | 2 | |
| 7 | 999 084 213 A2 | Hexagon nut M 6 | | 3 | |
| 8 | 980 505 409 00 | Cover | | 1 | |
| 9 | 980 505 303 00 | Cover | | 1 | |
| 10 | 980 505 503 00 | Gasket | | 1 | |
| 11 | 980 722 101 01 | Foam part | | 1 | |
| 12 | N 909 662 01 | Ball pin | | 2 | |
| 13 | 999 590 053 00 | Catch | | 3 | |
| 14 | 980 505 750 00 | Filler piece | | 3 | |
| 15 | 999 507 550 0A | Speed nut | | 16 | |
| 16 | 999 507 668 0A | Speed nut | | 3 | |
| 17 | 980 505 535 01 | Guide pin | | 3 | |
| 18 | 980 504 733 02 | Support | | 1 | |
| | 980 504 733 02 GRV | Prime coated | | | |
| 19 | 999 919 121 09 | Oval-head screw M 5X16 | | 2 | |
| 20 | 996 201 063 00 | Hinge | | 1 | |
| 21 | 996 201 413 01 | Spring | | 1 | |
| 22 | 980 504 133 01 | Fuel filler flap | | 1 | |
| | 980 504 133 01 G2X | Prime coated | | | |
| 23 | 996 201 513 00 | Rubber stop | | 1 | |
| 24 | 980 201 241 00 | Fuel tank cap | | 1 | |
| | | Information available | | | |
| 25 | 997 624 113 00 | Actuator | | 1 | |
| 26 | 980 201 741 01 | Sleeve | | 1 | |
| - | 999 513 054 40 | Tie-wrap 3,5-45 | | 1 | |
| 27 | 980 201 751 00 | Line | | 1 | |
| 28 | 980 201 753 00 | Line | | 1 | |
| 29 | 980 201 755 00 | Line | | 1 | |
| 30 | 999 507 675 40 | Hose holder | | 1 | |
| 31 | 999 513 010 40 | Tie-wrap | | 1 | |
| 32 | 999 507 093 40 | Support | | 1 | |
| 33 | 999 511 153 02 | Clip | | 1 | |
| 34 | 999 651 274 02 | Support | | 1 | |
| 35 | 999 702 173 50 | Rubber sleeve | | 1 | |
| 36 | 980 106 531 00 | Damping piece | | 2 | |

Model: 980 04

Model life 2004>>2006



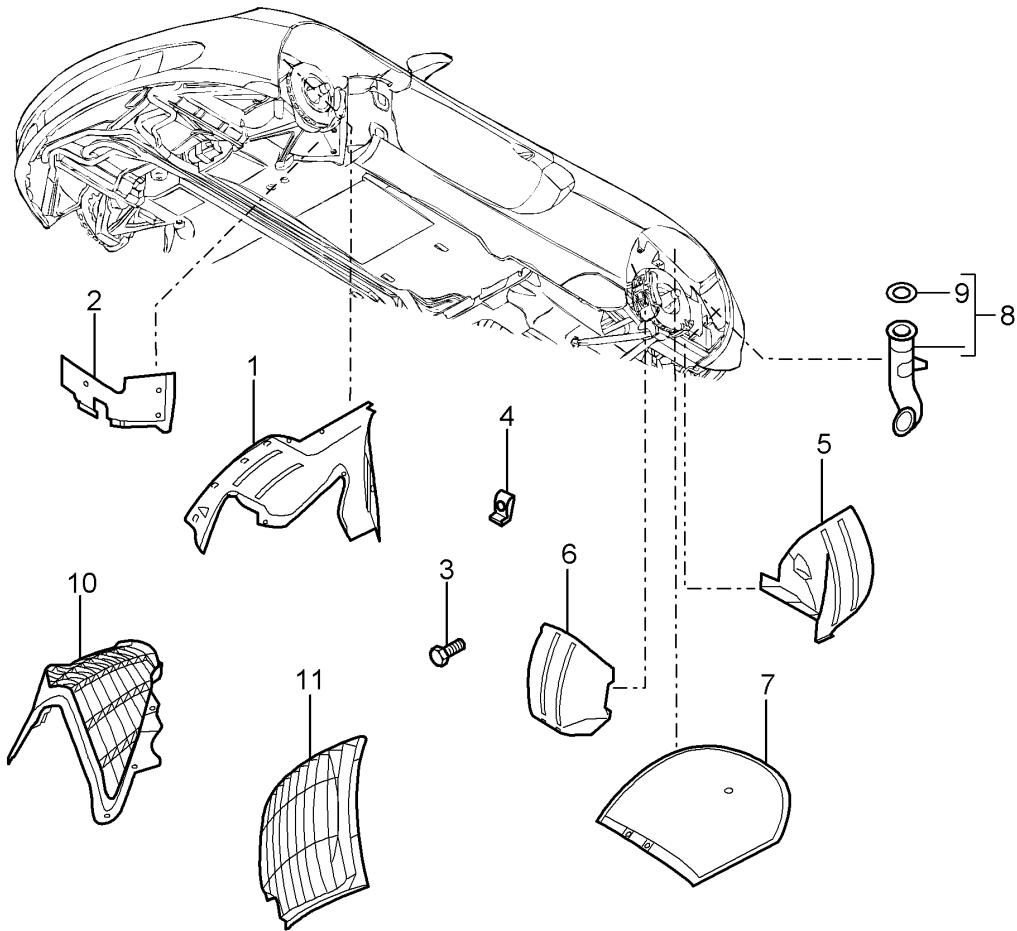
Model: 980 04

Model life 2004>>2006

| Pos | Part Number | Description | Remark | Qty | Model |
|------|----------------|---------------------------------|--------|-----|-------|
| 1 | 980 504 531 03 | Underbody Underbody | | 1 | |
| 2 | 980 504 631 01 | Front Spoiler | | 1 | |
| 3 | 999 015 026 A2 | Oval-head screw M 6X16 | | X | |
| 4 | 999 507 497 40 | Expansion rivet | | X | |
| 5 | 980 504 533 02 | Underbody Centre | | 1 | |
| 6 | 980 504 551 01 | Underbody | /L | 1 | |
| (6) | 980 504 552 01 | Underbody | /R | 1 | |
| 7 | 980 504 633 01 | Air guide Underbody Lower | /L | 1 | |
| (7) | 980 504 634 01 | Air guide Underbody Lower | /R | 1 | |
| 8 | 980 504 427 01 | Cover Front | /L | 1 | |
| (8) | 980 504 428 01 | Cover Front | /R | 1 | |
| 9 | 980 504 429 01 | Cover Rear | /L | 1 | |
| (9) | 980 504 430 01 | Cover Rear | /R | 1 | |
| - | 999 703 224 40 | Cap for POS. 9 | | 4 | |
| 10 | 999 507 550 0A | Speed nut | | X | |
| 11 | 999 073 254 A2 | Oval-head screw M 6X30 | | X | |
| 12 | 999 015 025 A2 | Lens-head screw M 6X12 | | X | |
| 13 | 999 015 026 A2 | Oval-head screw M 6X16 | | X | |
| 14 | 900 378 074 A2 | Hexagon-head bolt M 8X16 | | X | |
| 15 | 980 504 435 02 | Underbody Rear | | 1 | |
| 16 | 980 504 635 00 | Flap | /L | 1 | |
| (16) | 980 504 636 00 | Flap | /R | 1 | |
| 17 | 980 504 437 01 | Underbody | /L | 1 | |
| (17) | 980 504 438 01 | Underbody | /R | 1 | |
| 18 | 980 504 625 02 | Air guide Underbody Outer | /L | 1 | |
| (18) | 980 504 626 02 | Air guide Underbody Outer | /R | 1 | |
| 19 | 980 504 629 00 | Air guide Underbody | /L | 1 | |
| (19) | 980 504 630 00 | Air guide Underbody | /R | 1 | |
| 20 | 980 504 461 00 | Spacer | | 2 | |
| 21 | 980 504 471 00 | Spacer | | 2 | |
| 22 | 980 504 481 00 | Spacer | | 2 | |
| 24 | 999 507 716 01 | U-clamp | | X | |
| 25 | 980 504 651 00 | Air guide | | 1 | |
| (25) | 980 504 652 00 | Air guide | | 1 | |
| 26 | 980 504 705 01 | Heat protection | | 1 | |
| - | 999 911 710 40 | Sealing strap | | X | |

Model: 980 04

Model life 2004>>2006



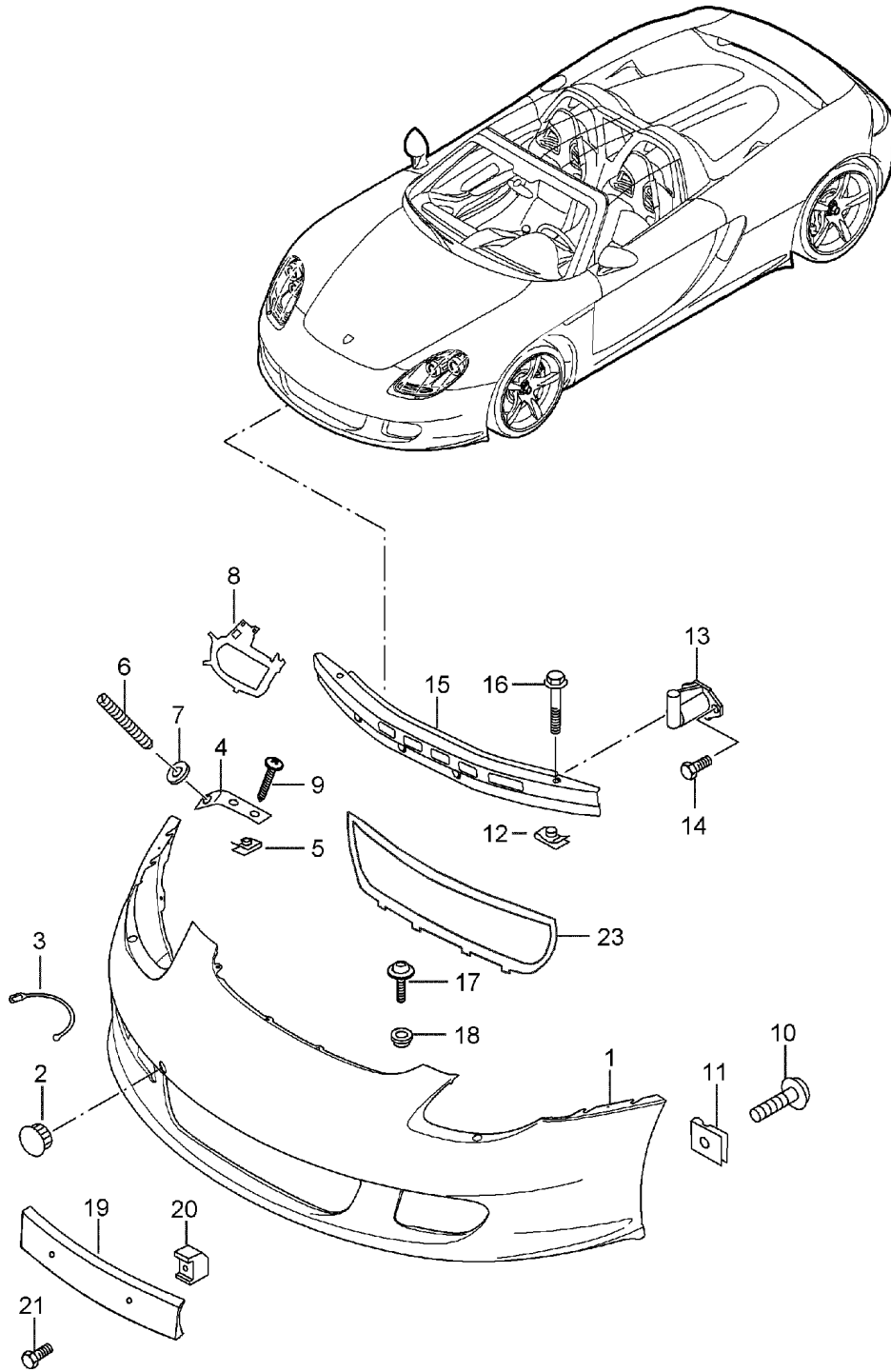
Model: 980 04

Model life 2004>>2006

| Pos | Part Number | Description | Remark | Qty | Model |
|------|----------------|---|--------|-----|-------|
| 1 | 980 504 411 02 | Wheel-housing liner Wheel-housing liner Front | /L | 1 | |
| (1) | 980 504 412 02 | Wheel-housing liner Wheel-housing liner Front | /R | 1 | |
| 2 | 980 504 413 01 | Wheel-housing liner Wheel-housing liner Front Lower | /L | 1 | |
| (2) | 980 504 414 01 | Wheel-housing liner Wheel-housing liner Front Lower | /R | 1 | |
| 3 | 999 015 026 A2 | Oval-head screw M 6X16 | | X | |
| 4 | 999 507 550 0A | Speed nut | | 1 | |
| 5 | 980 504 425 02 | Wheel-housing liner Wheel-housing liner Rear | /L 04 | 1 | |
| 5 | 980 504 425 03 | Wheel-housing liner Wheel-housing liner Rear | /L 05- | 1 | |
| (5) | 980 504 426 02 | Wheel-housing liner Wheel-housing liner Rear | /R 04 | 1 | |
| (5) | 980 504 426 03 | Wheel-housing liner Wheel-housing liner Rear | /R 05- | 1 | |
| 6 | 980 504 421 01 | Wheel-housing liner Wheel-housing liner Rear Front | /L 04 | 1 | |
| 6 | 980 504 421 02 | Wheel-housing liner Wheel-housing liner Rear Front | /L 05- | 1 | |
| (6) | 980 504 422 01 | Wheel-housing liner Wheel-housing liner Rear Front | /R 04 | 1 | |
| (6) | 980 504 422 02 | Wheel-housing liner Wheel-housing liner Rear Front | /R 05- | 1 | |
| 7 | 980 504 423 02 | Wheel-housing liner Wheel-housing liner Rear | /L | 1 | |
| (7) | 980 504 424 02 | Wheel-housing liner Wheel-housing liner Rear Upper | /R | 1 | |
| 8 | 980 504 443 03 | Brake ventilation Brake ventilation Rear | /L | 1 | |
| (8) | 980 504 444 03 | Brake ventilation Brake ventilation Rear | /R | 1 | |
| 9 | 980 504 843 00 | Spacer ring Technical information see Group 4 Nr. 13/07 | | 1 | |
| 10 | 980 504 449 02 | Air guide Air guide Centre | /L | 1 | |
| (10) | 980 504 450 02 | Air guide Air guide Centre | /R | 1 | |
| 11 | 980 504 447 02 | Air guide Air guide Lateral | /L | 1 | |
| (11) | 980 504 448 02 | Air guide Air guide Lateral | /R | 1 | |

Model: 980 04

Model life 2004>>2006



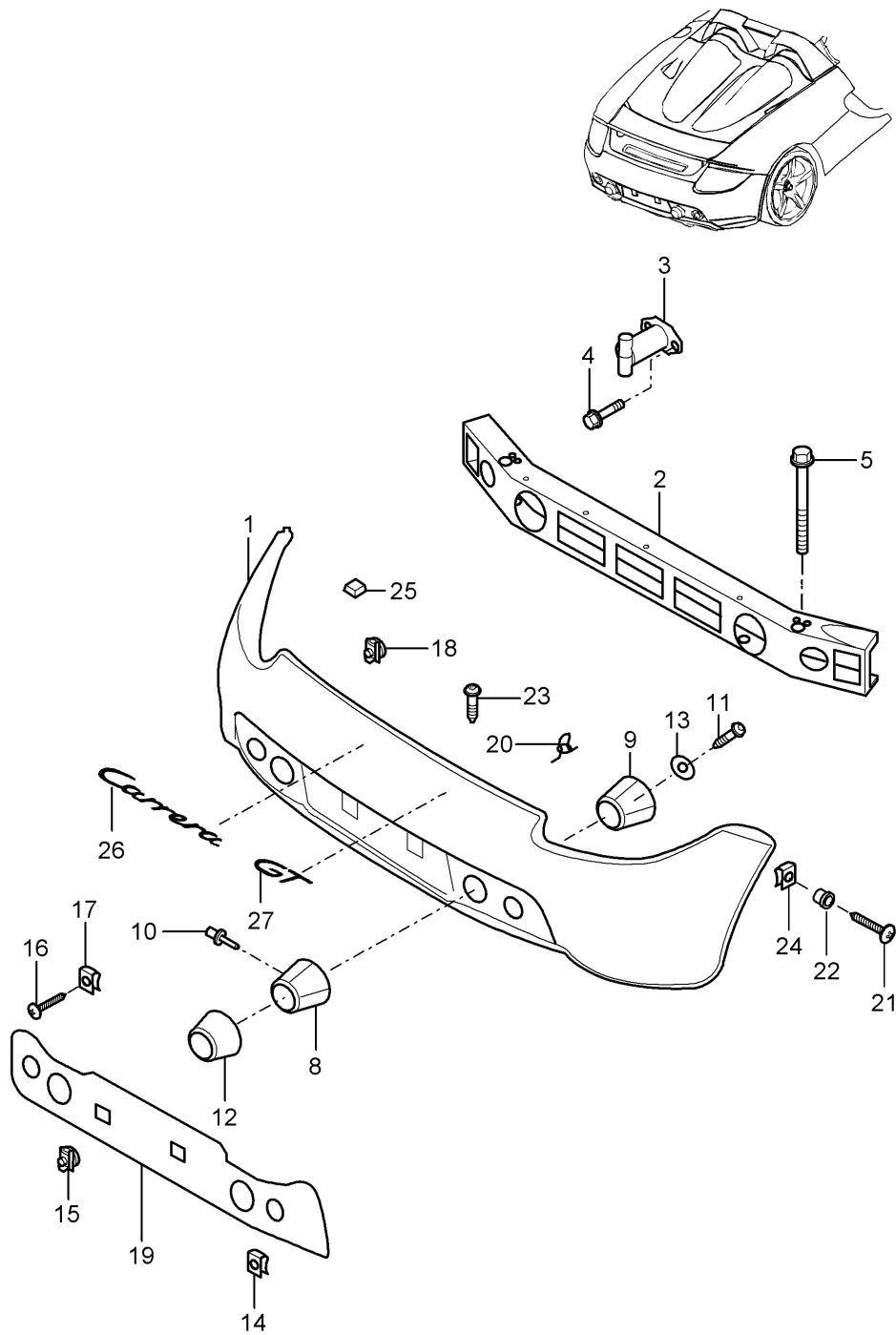
Model: 980 04

Model life 2004>>2006

| Pos | Part Number | Description | Remark | Qty | Model |
|------|--------------------|----------------------------|--------|-----|-------|
| | | Bumper | | | |
| | | Front | | | |
| 1 | 980 505 711 03 | Lining | | 1 | |
| | 980 505 711 03 G2X | Prime coated | | | |
| 2 | 964 505 103 00 | Cap | | 1 | |
| | 964 505 103 00 G2X | Prime coated | | | |
| 3 | 999 651 225 40 | Safety rope | | 1 | |
| 4 | 980 505 619 00 | Fixing device | | 1 | |
| (4) | 980 505 620 00 | Fixing device | | 1 | |
| 5 | 999 507 668 0A | Speed nut | | 2 | |
| 6 | 900 312 012 02 | Stopper | | 2 | |
| 7 | 999 507 068 01 | Clamping washer | | 2 | |
| 8 | 980 505 563 00 | Air inlet | /L | 1 | |
| | 980 505 563 00 01C | Black | | | |
| (8) | 980 505 564 00 | Air inlet | /R | 1 | |
| | 980 505 564 00 01C | Black | | | |
| 9 | 999 073 231 A2 | Tapping screw | | 4 | |
| | | 4.8X16 | | | |
| 10 | 999 015 026 A2 | Oval-head screw | | 6 | |
| | | M 6X16 | | | |
| 11 | 999 507 696 00 | U-clamp | | 24 | |
| 12 | 999 507 550 0A | Speed nut | | 15 | |
| 13 | 980 505 121 00 | Impact pipe | | 2 | |
| 14 | 900 075 457 02 | Combination screw | | 4 | |
| | | M 8X30 | | | |
| 15 | 980 505 131 01 | Bracket | | 1 | |
| 16 | 900 378 088 09 | Hexagon-head bolt | | 2 | |
| | | M 12 x 100 | | | |
| 16 | 900 378 088 01 | Hexagon-head bolt | | 2 | |
| | | M 12 x 100 | | | |
| 17 | 999 073 297 A2 | Oval-head screw | | 4 | |
| | | M6X16 | | | |
| 18 | 999 209 025 17 | Spacer sleeve | | 4 | |
| (19) | 980 701 107 00 | Support | | 1 | |
| | 980 701 107 00 01C | Black | | | |
| 20 | 980 701 801 00 | Spacer | /L | 2 | |
| | 980 701 801 00 01C | Black | | | |
| (20) | 980 701 802 00 | Spacer | /R | 2 | |
| | 980 701 802 00 01C | Black | | | |
| 21 | 999 919 206 07 | Oval-head screw | | 2 | |
| | | M 5X12 | | | |
| (21) | 900 145 012 07 | Counters. head tapp. screw | | 2 | |
| | | B 4,2X32 | | | |
| 22 | 980 505 613 02 | Support | /L | 1 | |
| (22) | 980 505 614 02 | Support | /R | 1 | |
| 23 | 980 505 561 00 | Ventilation grille | | 1 | |
| | 980 505 561 00 01C | Black | | | |

Model: 980 04

Model life 2004>>2006



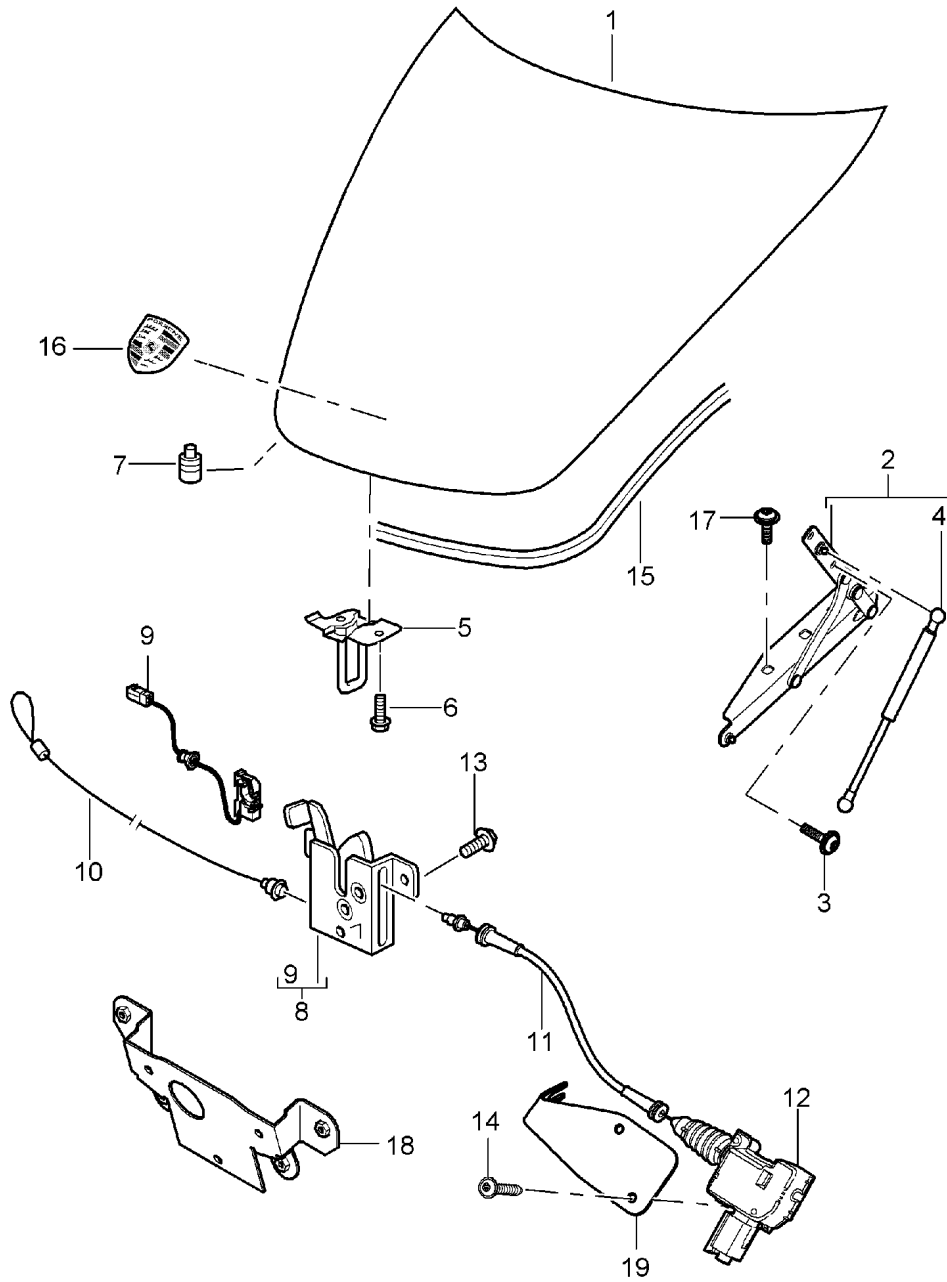
Model: 980 04

Model life 2004>>2006

| Pos | Part Number | Description | Remark | Qty | Model |
|-----|--------------------|-------------------------------|--------|-----|-------|
| | | Lining Rear | | | |
| 1 | 980 505 211 05 | Lining | | 1 | |
| | 980 505 211 05 G2X | Prime coated | | | |
| 2 | 980 505 281 02 | Bracket | | 1 | |
| 3 | 980 505 123 00 | Impact pipe | | 2 | |
| 4 | 900 075 457 02 | Combination screw M 8X30 | | 4 | |
| 5 | 900 378 088 09 | Hexagon-head bolt M 12X100 | | 2 | |
| 5 | 900 378 088 01 | Hexagon-head bolt M 12X100 | | 2 | |
| 8 | 980 505 424 01 | Ornamental exhaust pipe | | 2 | |
| 9 | 980 505 518 00 | Guide Tail pipe | | 2 | |
| 10 | 999 190 142 30 | Blind rivet | | 6 | |
| 11 | 999 073 337 A2 | Oval-head screw M 5X20 | | X | |
| 12 | 980 505 423 01 | Ornamental exhaust pipe | | 2 | |
| 13 | 980 505 621 01 | Heat protection | | 6 | |
| 14 | 999 507 550 0A | Speed nut | | 5 | |
| 15 | 999 507 590 0A | Captive nut | | 2 | |
| 16 | 999 073 231 A2 | Tapping screw | | 13 | |
| 17 | 999 507 668 0A | Speed nut | | 4 | |
| 18 | 999 507 590 0A | Captive nut | | 9 | |
| 19 | 980 505 523 01 | End plate | | 1 | |
| 20 | 999 507 676 0A | Clamp | | X | |
| 21 | 999 073 231 A2 | Tapping screw | | 2 | |
| 22 | 999 209 025 17 | Spacer sleeve | | 6 | |
| 23 | 999 073 297 A2 | Oval-head screw M 6X16 | | 6 | |
| 24 | 999 507 550 0A | Speed nut | | 6 | |
| 25 | 999 703 319 40 | Buffer | | 2 | |
| 26 | 980 559 237 00 | Logo Carrera | | 1 | |
| 27 | 980 559 239 00 | Logo GT | | 1 | |

Model: 980 04

Model life 2004>>2006



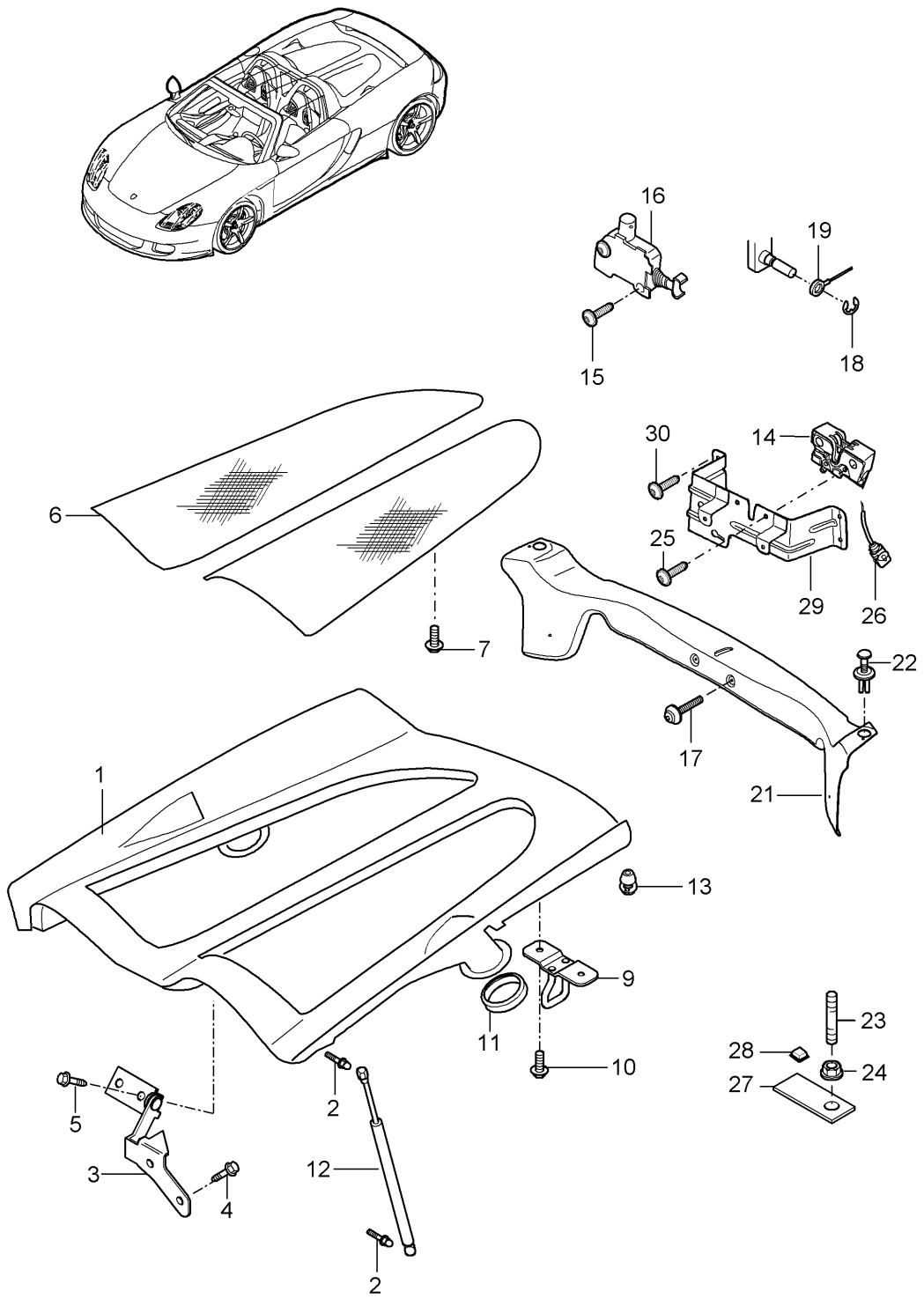
Model: 980 04

Model life 2004>>2006

| Pos | Part Number | Description | Remark | Qty | Model |
|-----|--------------------|----------------------------|--------|-----|-------|
| | | Lid Front | | | |
| 1 | 980 511 411 00 | Lid | | 1 | |
| | 980 511 411 00 G2X | Prime coated | | | |
| 2 | 980 511 421 01 | Hinge | /L | 1 | |
| (2) | 980 511 422 01 | Hinge | /R | 1 | |
| 3 | 999 073 252 A2 | Oval-head screw M 6X20 | | 4 | |
| 4 | 980 511 551 00 | Gas-pressure spring | | 2 | |
| 5 | 996 511 051 02 | Lock upper part | | 1 | |
| 6 | 999 015 026 A2 | Oval-head screw M 6X16 | | 2 | |
| 7 | 996 512 987 00 | Adjusting screw | | 2 | |
| 8 | 980 511 053 00 | Lock lower part | | 1 | |
| 9 | 996 613 206 00 | Microswitch | | 1 | |
| 10 | 996 511 521 00 | Emergency operation | | 1 | |
| 11 | 980 511 601 00 | Cable | | 1 | |
| 12 | 980 624 117 00 | Actuator | | 1 | |
| 13 | 999 015 026 A2 | Oval-head screw M 6X16 | | 2 | |
| 14 | 999 073 314 07 | Oval-head screw M 6X16 | | 4 | |
| 15 | 980 511 611 00 | Gasket | | 1 | |
| - | 000 043 300 42 | Use also: Form | | 1 | |
| 16 | 980 559 201 00 | Lid emblem | | 1 | |
| 17 | 999 073 314 07 | Oval-head screw M 6X16 | | 8 | |
| 18 | 980 511 553 00 | Bracket Lock lower part | | 1 | |
| 19 | 980 511 555 00 | Bracket Actuator | | 1 | |

Model: 980 04

Model life 2004>>2006



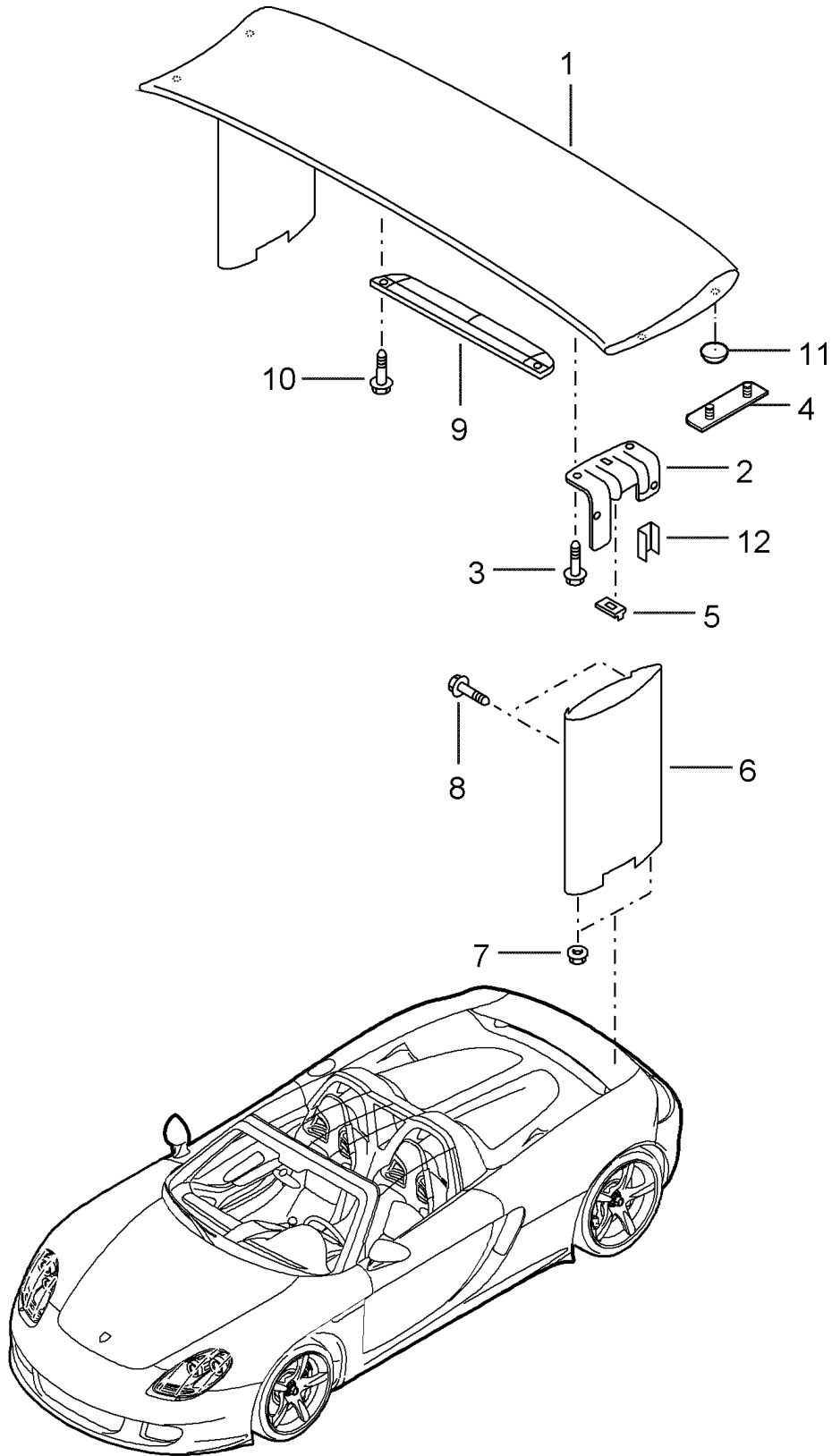
Model: 980 04

Model life 2004>>2006

| Pos | Part Number | Description | Remark | Qty | Model |
|-----|--------------------|---|--------|-----|-------|
| 1 | 980 512 411 00 | Lid Rear | | 1 | |
| | 980 512 411 00 G2X | Lid Prime coated | | | |
| 2 | N 909 662 01 | Ball pin | | 2 | |
| 3 | 980 512 221 00 | Hinge | /L | 1 | |
| (3) | 980 512 222 00 | Hinge | /R | 1 | |
| 4 | 999 076 078 01 | Hexagon nut M 6 | | 2 | |
| 5 | 999 073 297 A2 | Oval-head screw M 6X16 | | 4 | |
| 6 | 980 512 225 00 | Ventilation grille | /L | 1 | |
| (6) | 980 512 226 00 | Ventilation grille M 6X16 | | 1 | |
| 7 | 999 073 315 02 | Oval-head screw M 6X12 | | 18 | |
| 9 | 997 512 213 01 | Lock upper part | | 1 | |
| 10 | 999 073 315 02 | Oval-head screw M 6X16 | | 2 | |
| 11 | 980 512 555 00 | Gasket | | 1 | |
| 12 | 980 512 251 01 | Gas-pressure spring | | 2 | |
| 13 | 996 512 987 00 | Adjusting screw | | 4 | |
| 14 | 980 512 053 00 | Lock | | 1 | |
| 15 | 999 015 026 A2 | Oval-head screw M 6X16 | | 4 | |
| 16 | 980 624 118 00 | Actuator | | 1 | |
| 17 | N 104 422 01 | Combination screw M 6X40 | | 2 | |
| 18 | 900 116 002 02 | Lock washer | | 2 | |
| 19 | 996 512 521 00 | Emergency operation | | 1 | |
| 20 | N 909 662 01 | Ball pin | | 2 | |
| 21 | 980 512 501 00 | Cover | | 1 | |
| 22 | 999 591 941 40 | Expansion rivet | | 6 | |
| 23 | 900 228 030 00 | Threaded pin M 6X35 | | 4 | |
| 24 | 999 084 213 A2 | Hexagon nut M 6 | | 4 | |
| 25 | 999 015 026 A2 | Oval-head screw M 6X16 | | 4 | |
| 26 | 980 613 201 00 | Microswitch | | 1 | |
| 27 | 980 624 235 00 | Retaining bracket | | 1 | |
| 28 | 999 703 319 40 | Actuator Buffer Rear centre panel AUF TRÄGER | | 2 | |
| 29 | 980 512 553 00 | Bracket | | 1 | |
| 30 | 999 015 026 A2 | Oval-head screw M 6X16 | | 4 | |

Model: 980 04

Model life 2004>>2006



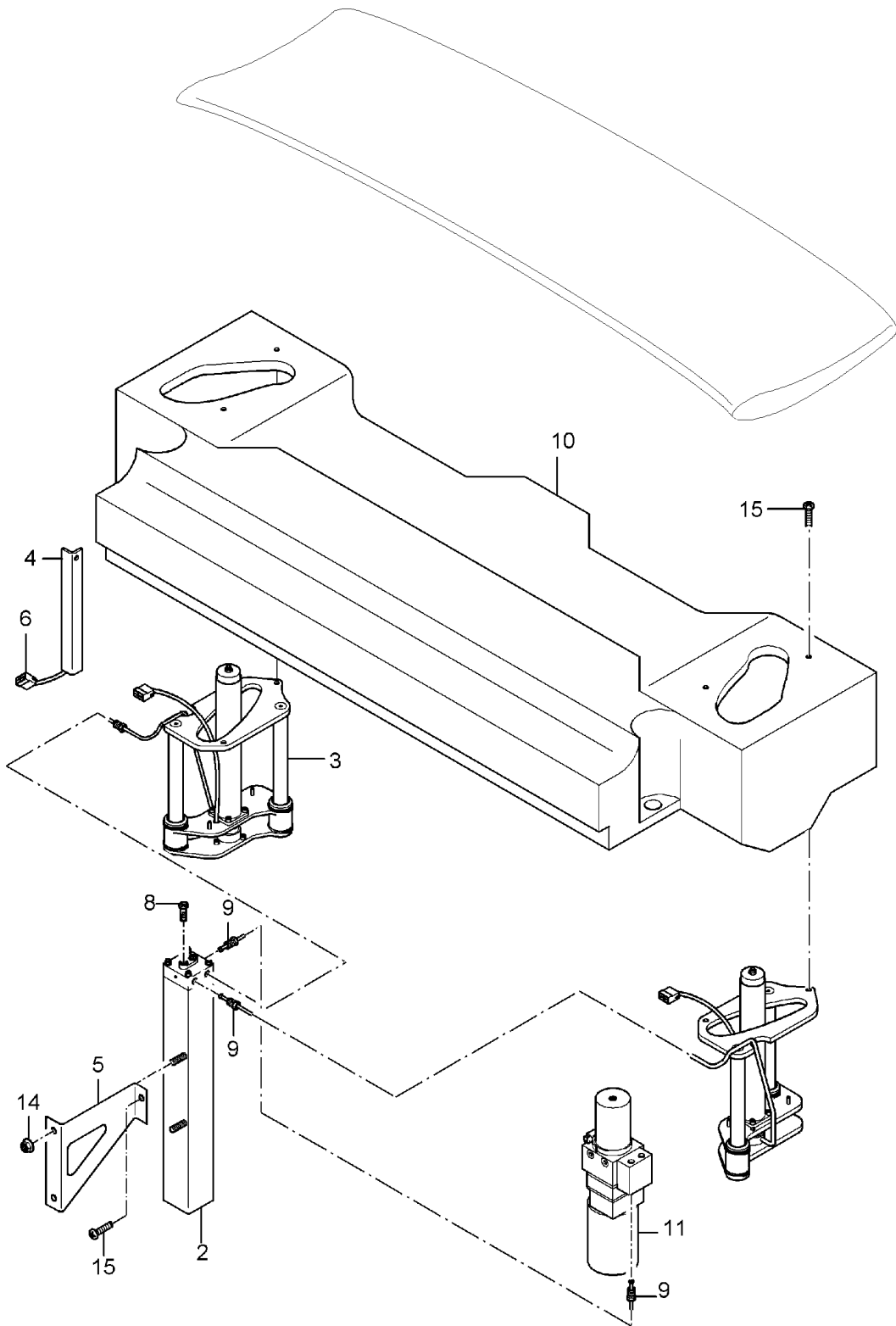
Model: 980 04

Model life 2004>>2006

| Pos | Part Number | Description | Remark | Qty | Model |
|-----|--------------------|---------------------------|--------|-----|-------|
| 1 | 980 505 813 01 | Rear spoiler | | 1 | |
| | 980 505 813 01 G2X | Spoiler Prime coated | | | |
| 2 | 980 505 413 01 | Adapter | /L | 2 | |
| (2) | 980 505 414 01 | Adapter | /R | 2 | |
| 3 | 999 015 025 A2 | Lens-head screw M 6X12 | | 4 | |
| 4 | 980 505 661 00 | Cover | /L | 1 | |
| | 980 505 661 00 G2X | Prime coated | | | |
| (4) | 980 505 662 00 | Cover | /R | 1 | |
| | 980 505 662 00 G2X | Prime coated | | | |
| 5 | 999 507 778 0A | Terminal 7,4X18/1,5 | | 2 | |
| 6 | 980 505 443 00 | Bracket | /L | 1 | |
| (6) | 980 505 444 00 | Bracket | /R | 1 | |
| 7 | 900 377 010 A2 | Nut M 6 | | 4 | |
| 8 | 999 073 252 A2 | Oval-head screw M 6X20 | | 8 | |
| 9 | | See group 9/05/05 | | 1 | |
| 10 | | See group 9/05/05 | | 2 | |
| 11 | 999 703 499 40 | Buffer | | 4 | |
| 12 | 999 507 407 40 | Clip | | 1 | |

Model: 980 04

Model life 2004>>2006

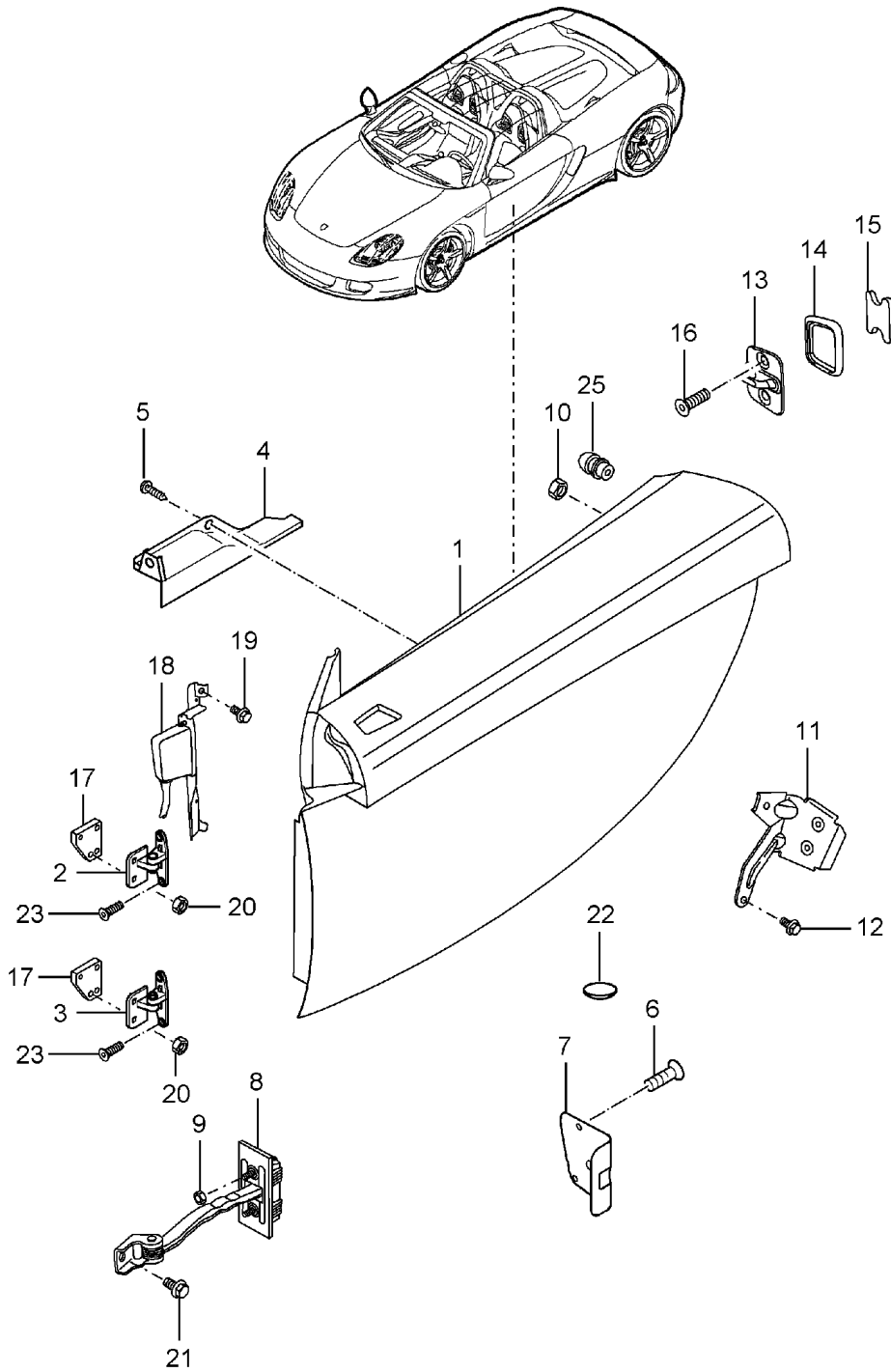


Model: 980 04 Model life 2004>>2006

| Pos | Part Number | Description | Remark | Qty | Model |
|-----|----------------|--|--------|-----|-------|
| 1 | 980 505 321 00 | Rear spoiler Driving mechanism Driving mechanism | | 1 | |
| 2 | 980 355 051 00 | Rear spoiler Complete Driving mechanism Spoiler | | 1 | |
| 3 | 980 505 811 00 | Hinge | /L | 1 | |
| (3) | 980 505 812 00 | Hinge | /R | 1 | |
| 4 | 980 355 331 01 | Support | /L | 1 | |
| (4) | 980 355 332 01 | Rear spoiler Support | /R | 1 | |
| 5 | 980 505 655 00 | Rear spoiler Support | /L | 1 | |
| (5) | 980 505 656 00 | Support | /R | 1 | |
| 6 | 980 613 901 00 | Wiring harness | /L | 1 | |
| 6 | 980 613 903 00 | Wiring harness with Microswitch | /R | 1 | |
| 7 | 980 612 813 00 | Wiring harness Brake light | | 1 | |
| 8 | 980 355 471 00 | Banjo bolt Set | | 1 | |
| 9 | 980 355 919 00 | Set Hydraulic line | | 1 | |
| 10 | 980 505 351 03 | Cross member | | 1 | |
| 11 | 980 355 057 00 | Hydraulic unit | | 1 | |
| 12 | 999 507 407 40 | Clip | | 1 | |
| 13 | 999 507 938 40 | Cable holder Double | | 3 | |
| 14 | 900 377 010 A2 | Nut M6 | | 2 | |
| 15 | 999 073 252 A2 | Oval-head screw M6X20 | | 6 | |
| 16 | 999 507 937 40 | Cable holder Simple | | 3 | |
| 17 | 999 507 739 40 | Cable holder 4,5 | | 1 | |
| 18 | 999 507 085 40 | Clip | | 3 | |
| 19 | 999 015 025 A2 | Lens-head screw M6X12 | | 14 | |

Model: 980 04

Model life 2004>>2006

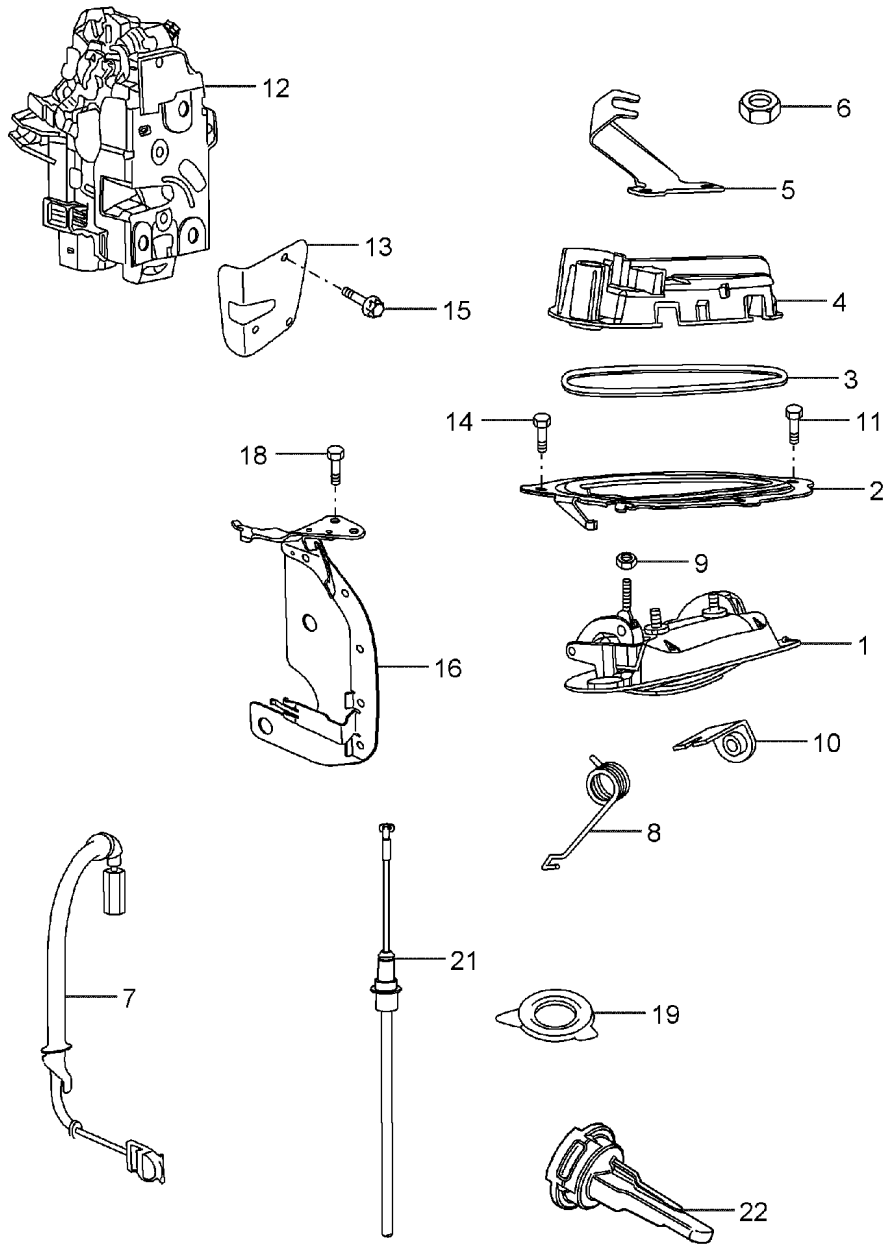


Model: 980 04 Model life 2004>>2006

| Pos | Part Number | Description | Remark | Qty | Model |
|------|--------------------|------------------------|--------|-----|-------|
| | | Door | | | |
| | | And | | | |
| | | Installation parts | | | |
| 1 | 980 531 011 01 | Door | /L | 1 | |
| | 980 531 011 01 G2X | Prime coated | | | |
| (1) | 980 531 012 01 | Door | /R | 1 | |
| | 980 531 012 01 G2X | Prime coated | | | |
| 2 | 980 531 121 01 | Hinge | /L | 1 | |
| (2) | 980 531 122 01 | Hinge | /R | 1 | |
| 3 | 980 531 131 01 | Hinge | /L | 1 | |
| (3) | 980 531 132 01 | Hinge | /R | 1 | |
| 4 | 980 645 241 00 | Protection cap | /L | 1 | |
| (4) | 980 645 242 00 | Protection cap | /R | 1 | |
| 5 | 999 073 305 A2 | Tapping screw | | 6 | |
| 6 | 999 073 310 00 | Hexagon-head bolt | | 4 | |
| | | M 8X25 | | | |
| 7 | 980 531 537 00 | Cover | /L | 1 | |
| (7) | 980 531 538 00 | Cover | /R | 1 | |
| 8 | 980 537 413 01 | Door arrester | | 2 | |
| 9 | 900 377 010 A2 | Nut | | 4 | |
| | | M 6 | | | |
| 10 | 999 073 280 00 | Countersunk-head screw | | 8 | |
| | | M8X30 | | | |
| 11 | 980 501 333 02 | Bracket | /L | 1 | |
| (11) | 980 501 334 02 | Bracket | /R | 1 | |
| 12 | N 019 530 3 | Hexagon-head bolt | | 6 | |
| | | M 8X25 | | | |
| 13 | 3D4 837 033 D | Door lock striker | | 2 | |
| | | Closing element | | | |
| 14 | 980 537 621 01 | Gasket | | 2 | |
| 15 | 980 537 611 00 | Spacer | | 2 | |
| 16 | 999 073 280 00 | Countersunk-head screw | | 4 | |
| | | M 8X30 | | | |
| 17 | 980 531 421 00 | Spacer | | 2 | |
| 18 | 980 610 307 00 | Support | | 1 | |
| (18) | 980 610 308 00 | Support | | 1 | |
| 19 | 999 073 259 09 | Oval-head screw | | 4 | |
| | | M 6X8 | | | |
| 20 | 900 380 005 A2 | Hexagon nut | | 8 | |
| | | M 8 | | | |
| 21 | 999 073 261 A2 | Oval-head screw | | 2 | |
| | | M 8X24 | | | |
| 22 | 803 803 583 | Rubber sleeve | | 4 | |
| 22 | 999 703 195 40 | Rubber sleeve | | 4 | |
| 23 | 980 531 605 00 | Strut | /L | 1 | |
| (23) | 980 531 606 00 | Strut | /R | 1 | |
| 24 | 999 073 258 A2 | Oval-head screw | | 4 | |
| | | M 8X20 | | | |
| - | 999 513 012 40 | Tie-wrap | | X | |
| | | 1,6-35 | | | |
| 25 | 996 512 987 00 | Adjusting screw | | 2 | |
| | | Adjustable | | | |
| - | 980 501 625 00 | Threaded piece | | 2 | |
| - | 980 555 527 00 | Support | | 1 | |
| - | 980 555 528 00 | Support | | 1 | |
| | | Bowden cable | | | |

Model: 980 04

Model life 2004>>2006



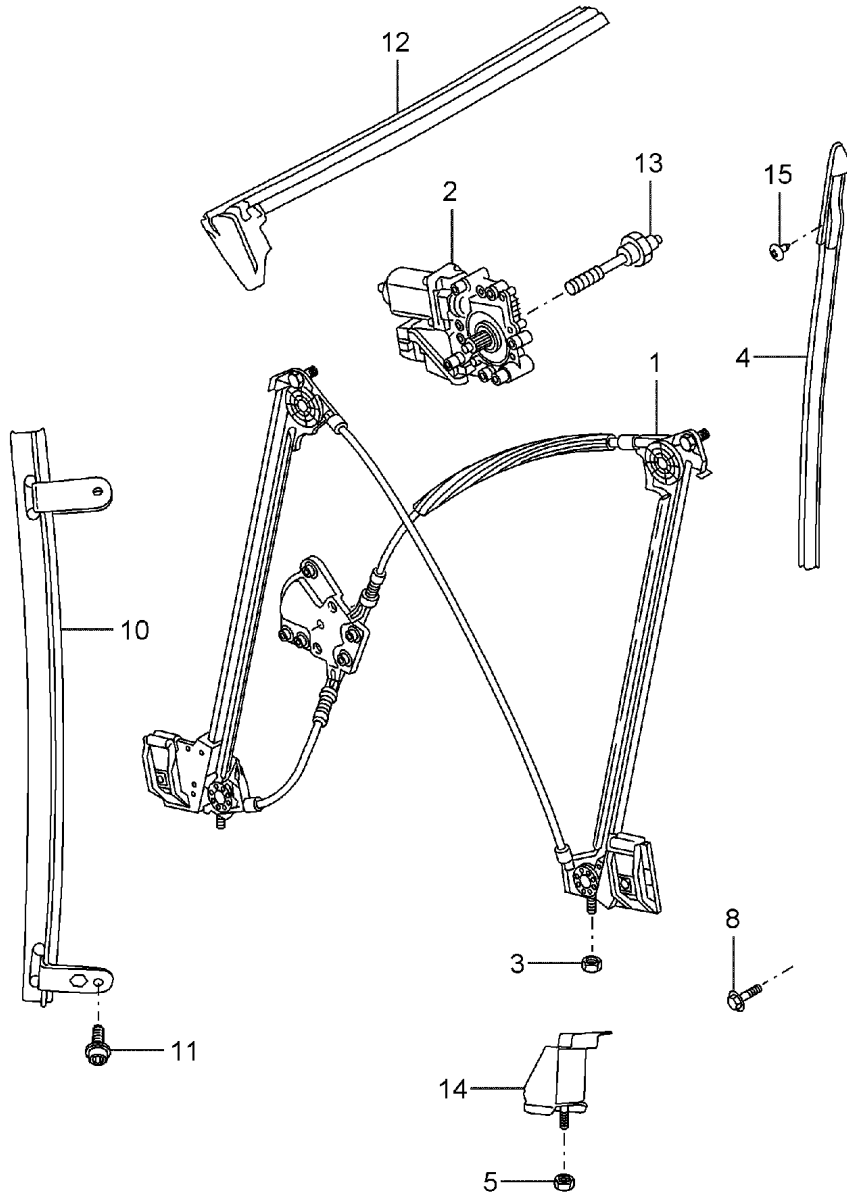
Model: 980 04

Model life 2004>>2006

| Pos | Part Number | Description | Remark | Qty | Model |
|------|--------------------|--|--------|-----|-------|
| | | Door handle | | | |
| | | Door lock | | | |
| 1 | 996 537 061 06 | Outer door handle | /L | 1 | |
| | 996 537 061 06 G2X | Prime coated | | | |
| (1) | 996 537 062 06 | Handle | /R | 1 | |
| | 996 537 062 06 G2X | Prime coated | | | |
| 2 | 980 537 519 00 | Bracket | /L | 1 | |
| | | Outer door handle | | | |
| (2) | 980 537 520 00 | Bracket | /R | 1 | |
| | | Outer door handle | | | |
| 3 | 980 537 605 00 | Desk pad | /L | 1 | |
| | | Outer door handle | | | |
| (3) | 980 537 606 00 | Desk pad | /R | 1 | |
| | | Outer door handle | | | |
| 4 | 996 537 063 03 | Support | /L | 1 | |
| | | Outer door handle | | | |
| (4) | 996 537 064 03 | Support | /R | 1 | |
| | | Outer door handle | | | |
| 5 | 980 537 501 00 | Support | /L | 1 | |
| | | Bowden cable | | | |
| (5) | 980 537 502 00 | Support | /R | 1 | |
| | | Bowden cable | | | |
| 6 | 980 531 611 00 | Hexagon nut | | 2 | |
| | | M 4,5 | | | |
| 7 | 980 537 321 00 | Cable | /L | 1 | |
| | | Outer door handle | | | |
| (7) | 980 537 322 00 | Cable | /R | 1 | |
| | | Outer door handle | | | |
| 8 | 980 537 515 00 | Spring | /L | 1 | |
| | | Bowden cable | | | |
| (8) | 980 537 516 00 | Spring | /R | 1 | |
| | | Bowden cable | | | |
| 9 | 900 377 010 A2 | Nut | | 4 | |
| 10 | 980 537 603 00 | Connecting piece | /L | 1 | |
| (10) | 980 537 604 00 | Connecting piece | /R | 1 | |
| 11 | 999 073 315 02 | Oval-head screw | | 2 | |
| | | M 6X12 | | | |
| (12) | 8N1 837 015 C | Door lock | /L | 1 | |
| (12) | 3B1 837 016 P | Door lock | /R | 1 | |
| 13 | 980 531 537 00 | Cover | /L | 1 | |
| | | Door lock | | | |
| (13) | | Cover | /R | 1 | |
| 14 | 999 015 026 A2 | Oval-head screw | | 6 | |
| | | M 6 X 16 | | | |
| 15 | 999 073 310 00 | Hexagon-head bolt | | 4 | |
| | | M 8 X 25 | | | |
| 16 | 980 537 465 02 | Support | /L | 1 | |
| | | Lock cylinder | | | |
| 18 | 900 623 013 00 | Hexagon-head bolt | | 2 | |
| | | M 5X8 | | | |
| 19 | 980 537 601 00 | Rosette | | 1 | |
| | | Lock cylinder | | | |
| 21 | 980 537 319 01 | Cable | | 2 | |
| | | Door opener | | | |
| - | 000 043 300 35 | Use also: Spraying can Lubricants | | X | |
| 23 | 980 537 563 01 | Mounting | | 1 | |
| | | Lock cylinder | | | |
| 24 | 996 537 623 01 | Buffer | | 2 | |
| 25 | 996 537 625 00 | Buffer | | 2 | |
| - | 997 538 931 00 | Replacement key with stipulated lock number | | X | |

Model: 980 04

Model life 2004>>2006



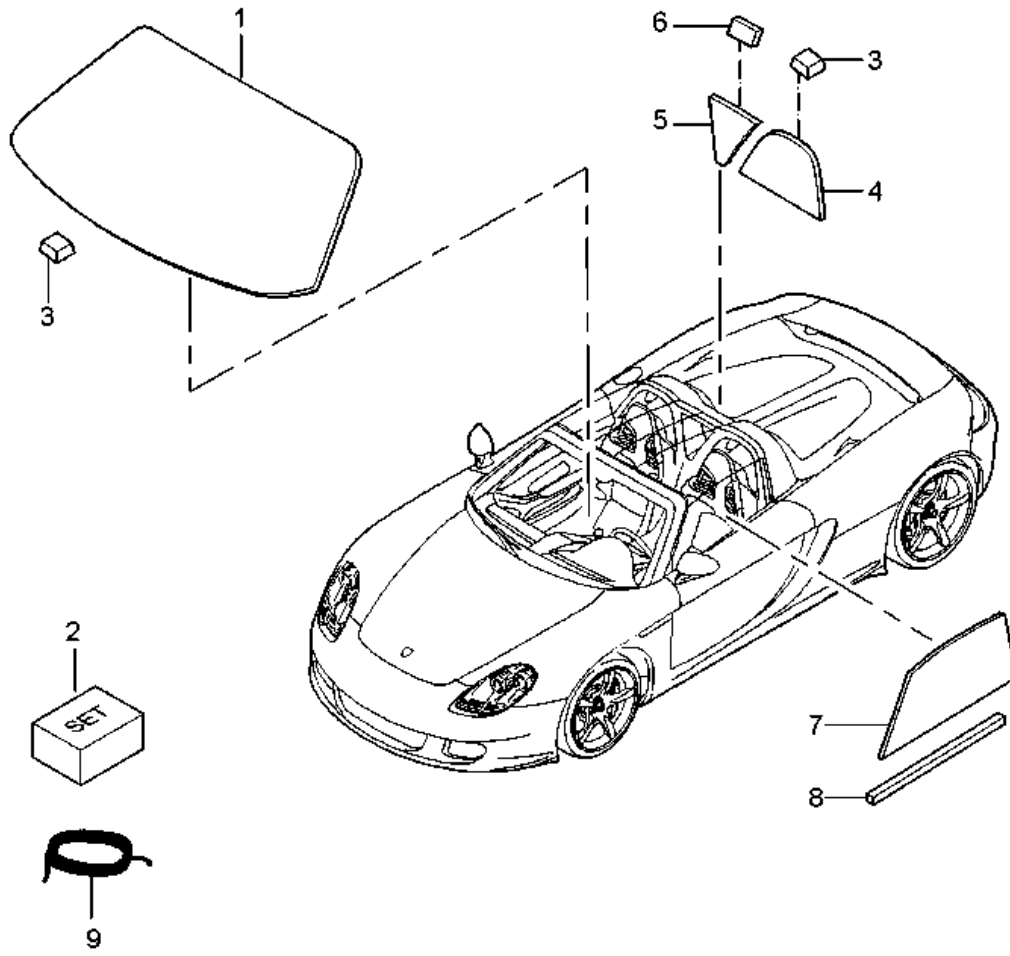
Model: 980 04

Model life 2004>>2006

| Pos | Part Number | Description | Remark | Qty | Model |
|------|----------------|---------------------------|--------|-----|-------|
| 1 | 980 542 275 01 | Power windows | /L | 1 | |
| (1) | 980 542 276 01 | Power windows | /R | 1 | |
| 2 | 996 624 101 05 | Electric motor | /L | 1 | |
| (2) | 996 624 102 05 | Electric motor | /R | 1 | |
| 3 | 900 377 010 A2 | Nut M 6 | | X | |
| 4 | 980 542 331 01 | Window guide | /L | 1 | |
| (4) | 980 542 332 01 | Window guide | /R | 1 | |
| 5 | 996 512 987 00 | Adjusting screw | | 2 | |
| 8 | 999 073 268 A2 | Oval-head screw M 5X12 | | 4 | |
| 10 | 980 537 415 01 | Guide rail | /L | 1 | |
| (10) | 980 537 416 01 | Guide rail | /R | 1 | |
| 11 | 999 073 252 A2 | Oval-head screw M 6X20 | | 4 | |
| 12 | 980 542 121 00 | Sealing for door slot | /L | 1 | |
| (12) | 980 542 122 00 | Sealing for door slot | /R | 1 | |
| 13 | 996 542 711 00 | Threaded bolt | | 6 | |
| 14 | 980 542 411 01 | Support | | 2 | |
| 15 | 999 919 152 09 | Oval-head screw | | 2 | |

Model: 980 04

Model life 2004>>2006



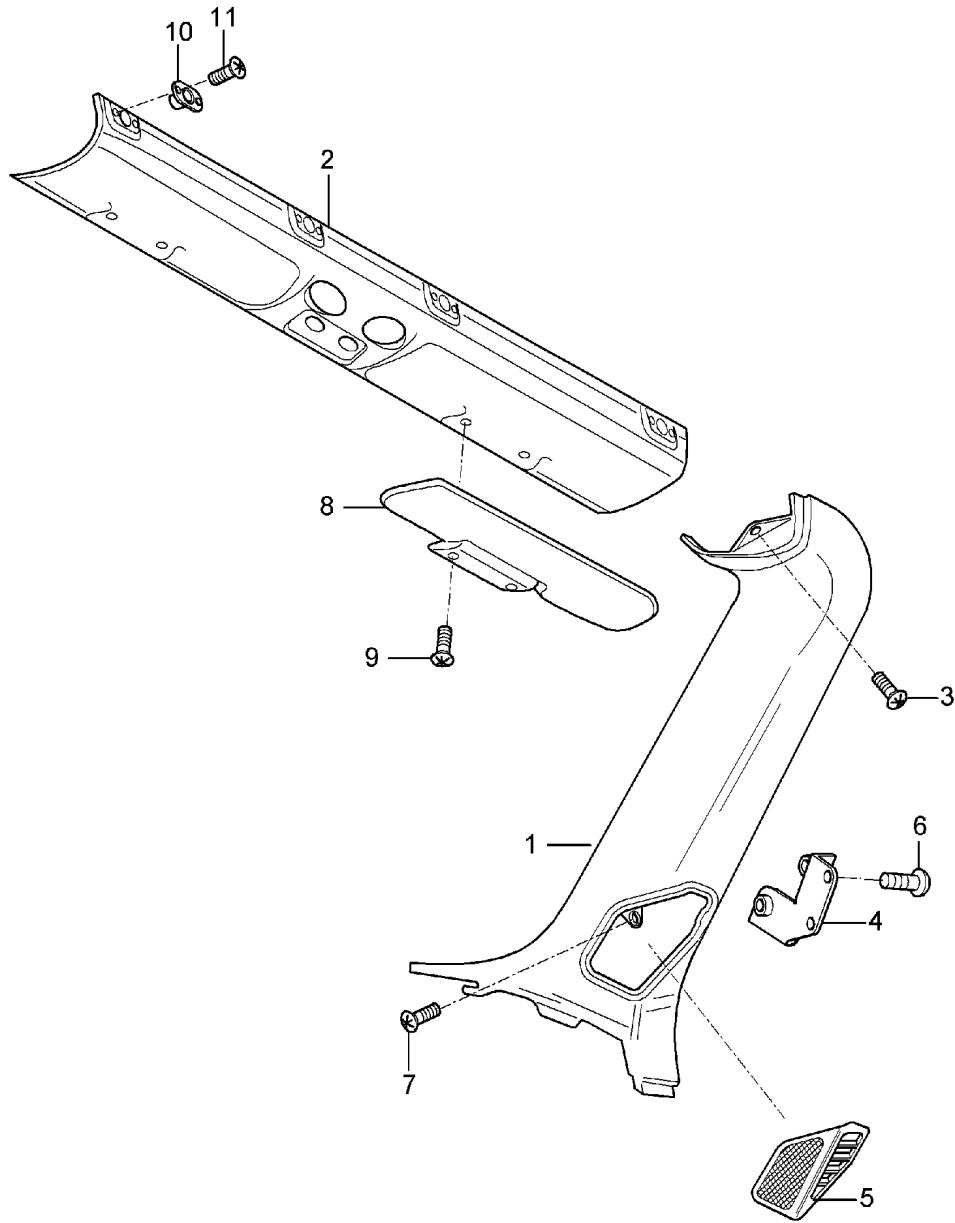
Model: 980 04

Model life 2004>>2006

| Pos | Part Number | Description | Remark | Qty | Model |
|-----|----------------|------------------------------|--------|-----|-------|
| 1 | 980 541 111 01 | window glazing Windscreen | | 1 | |
| | | Use also: | | | |
| 2 | 000 043 300 94 | Adhesive set | | X | |
| 3 | 000 043 300 98 | Connection piece | | 8 | |
| 4 | 980 565 431 00 | Rear window | /L | 1 | |
| (4) | 980 565 432 00 | Rear window | /R | 1 | |
| | | Use also: | | | |
| - | 000 043 300 98 | Connection piece Pos. 3 | | X | |
| - | 000 043 300 43 | Adhesive tape | | X | |
| 5 | 980 565 433 02 | Rear window Centre | | 1 | |
| | | Use also: | | | |
| 6 | 999 703 492 40 | Buffer 3 mm | | 4 | |
| 7 | 980 542 111 00 | Door window glass | /L | 1 | |
| (7) | 980 542 112 00 | Door window glass | /R | 1 | |
| 8 | 980 542 601 00 | Desk pad | | 2 | |
| 9 | 000 043 300 96 | Wire Disassembly tool | | X | |

Model: 980 04

Model life 2004>>2006

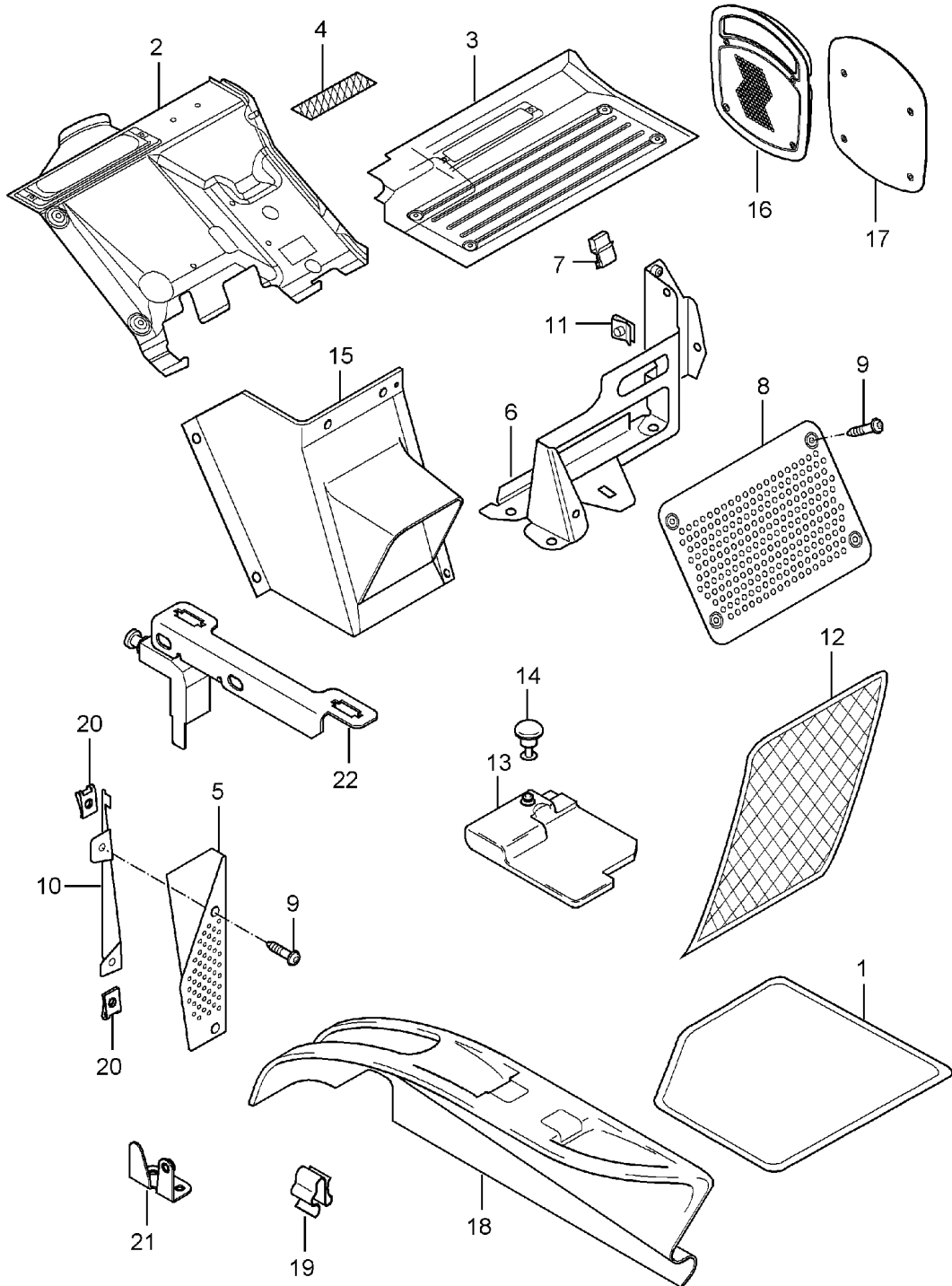


Model: 980 04 Model life 2004>>2006

| Pos | Part Number | Description | Remark | Qty | Model |
|-----|--------------------|---|----------|-----|-------|
| 1 | 980 555 411 00 | Sun visors Linings A-pillar Lining A-pillar | /L | 1 | |
| | 980 555 411 00 D12 | Dark grey/natural | | | |
| | 980 555 411 00 R21 | Ascot brown/natural | | | |
| | 980 555 411 00 9S5 | Terracotta | | | |
| (1) | 980 555 412 00 | Lining A-pillar | /R | 1 | |
| | 980 555 412 00 D12 | Dark grey/natural | | | |
| | 980 555 412 00 R21 | Ascot brown/natural | | | |
| | 980 555 412 00 9S5 | Terracotta | | | |
| 2 | 980 555 413 00 | Cowl panel covering | | 1 | |
| | 980 555 413 00 D12 | Dark grey/natural | | | |
| | 980 555 413 00 R21 | Ascot brown/natural | | | |
| | 980 555 413 00 9S5 | Terracotta | | | |
| 3 | 999 073 268 A2 | Oval-head screw M 5X16 | | 2 | |
| 4 | 980 555 627 02 | Support Lining A-pillar | /L | 1 | |
| (4) | 980 555 628 02 | Support Lining A-pillar | /R | 1 | |
| 5 | 980 555 401 00 | Loudspeaker grille | /L | 1 | |
| (5) | 980 555 402 00 | Loudspeaker grille | /R | 1 | |
| 6 | 999 073 268 A2 | Oval-head screw M 5X16 | | 4 | |
| 7 | | Oval-head screw M 5X16 | | 2 | |
| 8 | 980 731 131 01 | Sun visor | /L (USA) | 1 | |
| | 980 731 131 01 D12 | Dark grey/natural | | | |
| | 980 731 131 01 R21 | Ascot brown/natural | | | |
| | 980 731 131 01 9S5 | Terracotta | | | |
| 8 | 980 731 131 02 | Sun visor | /L (CDN) | 1 | |
| | 980 731 131 02 D12 | Dark grey/natural | | | |
| | 980 731 131 02 R21 | Ascot brown/natural | | | |
| | 980 731 131 02 9S5 | Terracotta | | | |
| (8) | 980 731 132 01 | Sun visor | /R (USA) | 1 | |
| | 980 731 132 01 D12 | Dark grey/natural | | | |
| | 980 731 132 01 R21 | Ascot brown/natural | | | |
| | 980 731 132 01 9S5 | Terracotta | | | |
| (8) | 980 731 132 02 | Sun visor | /R (CDN) | 1 | |
| | 980 731 132 02 D12 | Dark grey/natural | | | |
| | 980 731 132 02 R21 | Ascot brown/natural | | | |
| | 980 731 132 02 9S5 | Terracotta | | | |
| 9 | 999 073 268 A2 | Oval-head screw M 5X16 | | 4 | |
| 10 | 980 504 553 00 | Rosette | | 4 | |
| | 980 504 553 00 01C | Satin black | | | |
| 11 | 900 073 500 A2 | Oval-head screw M 5X25 | | 8 | |

Model: 980 04

Model life 2004>>2006



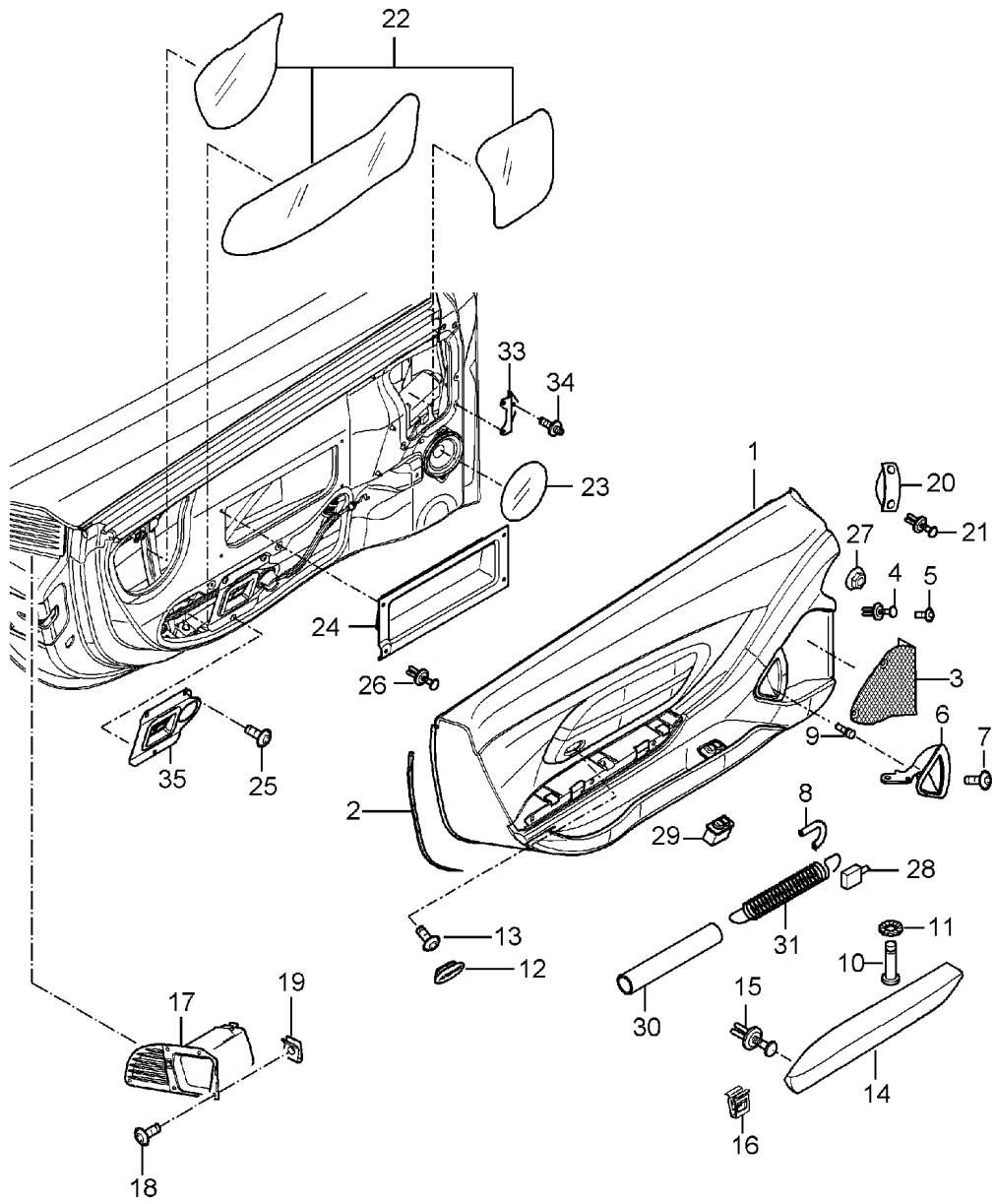
Model: 980 04

Model life 2004>>2006

| Pos | Part Number | Description | Remark | Qty | Model |
|-----|--------------------|---------------------------|--------|-----|-------|
| | | Footwell | | | |
| | | Carpet | | | |
| 1 | 980 551 615 01 | Carpet | /L | 1 | |
| | 980 551 615 01 FKE | Black | | | |
| (1) | 980 551 616 01 | Carpet | /R | 1 | |
| | 980 551 616 01 FKE | Black | | | |
| 2 | 980 551 617 04 | Cover | | 1 | |
| | | Pedals | | | |
| 3 | 980 551 621 00 | Cover | | 1 | |
| | | Footwell | | | |
| 4 | 999 551 170 40 | Tape | | * | |
| 5 | 980 551 611 01 | Foot support | | 1 | |
| 6 | 980 551 705 01 | Support | | 1 | |
| 7 | 999 591 700 01 | U-clamp | | 1 | |
| 8 | 980 551 624 00 | Insert | | 1 | |
| 9 | 999 073 268 A2 | Oval-head screw | | 4 | |
| | | M 5X12 | | | |
| 10 | 980 551 723 00 | Support | | 1 | |
| | | Foot support | | | |
| 11 | 999 591 888 02 | Speed nut | | 4 | |
| 12 | 980 551 635 00 | Sound absorber | /L | 2 | |
| | 980 551 635 00 A22 | Black | | | |
| 13 | 980 551 623 02 | Lid | | 1 | |
| | | Central electrical system | | | |
| 14 | 999 591 983 12 | Tenax upper part | | 1 | |
| 15 | 980 551 619 00 | Lining | | 1 | |
| | | Tunnel | | | |
| 16 | 980 645 145 00 | Trim cover | | 2 | |
| 17 | 980 645 181 00 | Cover | | 2 | |
| 18 | 980 551 625 02 | Cover | | 1 | |
| | 980 551 625 02 A05 | Black mat | | | |
| 19 | 999 591 380 02 | Cable clamp | | 1 | |
| | | Cable holder | | | |
| 19 | 999 591 380 01 | Cable clamp | | 1 | |
| | | Cable holder | | | |
| 20 | 999 507 371 02 | Speed nut | | 2 | |
| | | M5 | | | |
| 21 | 980 551 801 00 | Support | | 1 | |
| | | Parking-brake lever | | | |
| | | Front | | | |
| 22 | 980 551 803 02 | Support | | 1 | |
| | | Parking-brake lever | | | |
| | | Rear | | | |

Model: 980 04

Model life 2004>>2006



Model: 980 04 Model life 2004>>2006

| Pos | Part Number | Description | Remark | Qty | Model |
|------|--------------------|--------------------------|--------|-----|-------|
| 1 | 980 555 011 03 | Door trim panel | /L | 1 | |
| | 980 555 011 03 FJY | Dark grey/natural | | | |
| | 980 555 011 03 FJZ | Ascot brown/natural | | | |
| | 980 555 011 03 FJX | Terracotta | | | |
| (1) | 980 555 012 03 | Door trim panel | /R | 1 | |
| | 980 555 012 03 FJY | Dark grey/natural | | | |
| | 980 555 012 03 FJZ | Ascot brown/natural | | | |
| | 980 555 012 03 FJX | Terracotta | | | |
| 2 | 980 555 523 00 | Edge protection | | 1 | |
| 3 | 980 555 131 00 | Trim cover | /L | 1 | |
| | | Loudspeaker | | | |
| (3) | 980 555 132 00 | Trim cover | /R | 1 | |
| | | Loudspeaker | | | |
| 4 | 999 591 941 40 | Expansion rivet | | 4 | |
| 5 | 999 073 250 09 | Oval-head screw | | 2 | |
| | | M 5X15 | | | |
| 6 | 980 555 121 01 | Door opener | /L | 1 | |
| | 980 555 121 01 C70 | Black | | | |
| 7 | 999 067 043 02 | Pan-head screw | | 2 | |
| | | M 5X12 | | | |
| 8 | 999 702 281 40 | Grommet | | 2 | |
| 9 | 999 703 870 40 | Rubber stop | | 2 | |
| | | Door opener | | | |
| 10 | 999 166 084 02 | Bolt | | 2 | |
| | | Door opener | | 2 | |
| 11 | 999 166 026 02 | Lock | | 2 | |
| 12 | 996 555 623 02 | Cap | | 2 | |
| | 996 555 623 02 V03 | Sport silver | | | |
| 13 | 999 067 043 02 | Pan-head screw | | 2 | |
| | | M 5X10 | | | |
| 14 | 980 555 141 00 | Armrest | /L | 1 | |
| | 980 555 141 00 A11 | Black | | | |
| | 980 555 141 00 A51 | Black/natural | | | |
| (14) | 980 555 142 00 | Armrest | /R | 1 | |
| | 980 555 142 00 A11 | Black | | | |
| | 980 555 142 00 A51 | Black/natural | | | |
| 15 | 999 507 107 40 | Clip | | 6 | |
| 16 | 999 507 716 01 | U-clamp | | 6 | |
| 17 | 980 531 301 00 | Shelf | /L | 1 | |
| | 980 531 301 00 01C | Black | | | |
| (17) | 980 531 302 00 | Shelf | /R | 1 | |
| | 980 531 302 00 01C | Black | | | |
| 18 | 999 450 008 09 | Tapping screw | | 10 | |
| 19 | 999 507 426 02 | Speed nut | | 10 | |
| 20 | 980 555 617 00 | Cover | /L | 1 | |
| (20) | 980 555 618 00 | Cover | /R | 1 | |
| 21 | 999 591 941 40 | Expansion rivet | | 4 | |
| 22 | 980 555 521 01 | Sealing film | /L | 2 | |
| (22) | 980 555 522 01 | Sealing film | /R | 1 | |
| 23 | 980 555 525 00 | Sealing film | /L | 1 | |
| 24 | 980 555 501 00 | Sealing film | /R | 1 | |
| | | Side airbag | /L | | |
| (24) | 980 555 502 00 | Sealing film | | 1 | |
| | | Side airbag | /R | | |
| 25 | 999 073 250 09 | Oval-head screw | | 4 | |
| | | M 5X15 | | | |
| 26 | 999 591 941 40 | Expansion rivet | | 4 | |
| 27 | 999 076 066 09 | Hexagon nut | | 2 | |
| 28 | 996 613 123 00 | Microswitch | | 1 | |
| 29 | 993 613 241 00 | Mirror changeover switch | | 1 | |
| | 993 613 241 00 01C | | | | |
| 30 | 996 555 635 00 | Hose | | 2 | |

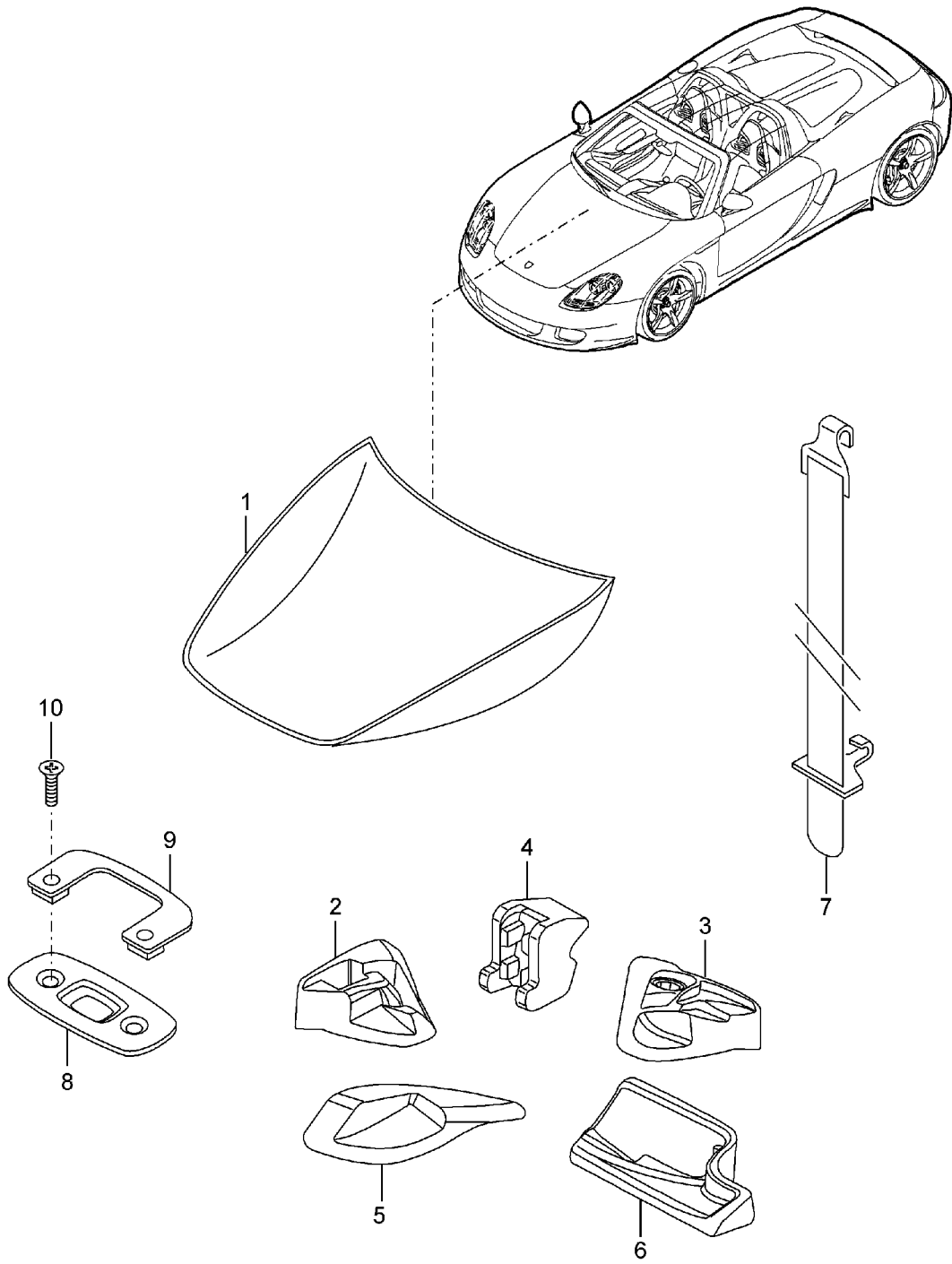
Model: 980 04

Model life 2004>>2006

| Pos | Part Number | Description | Remark | Qty | Model |
|------|----------------|----------------|--------|-----|-------|
| 31 | 999 522 015 00 | Tension spring | | 2 | |
| 33 | 980 555 705 00 | Support | | 2 | |
| 34 | 980 555 707 00 | Threaded piece | | 2 | |
| 35 | 980 573 603 00 | Bleeding | /L | 1 | |
| (35) | 980 573 604 00 | Bleeding | /R | 1 | |

Model: 980 04

Model life 2004>>2006



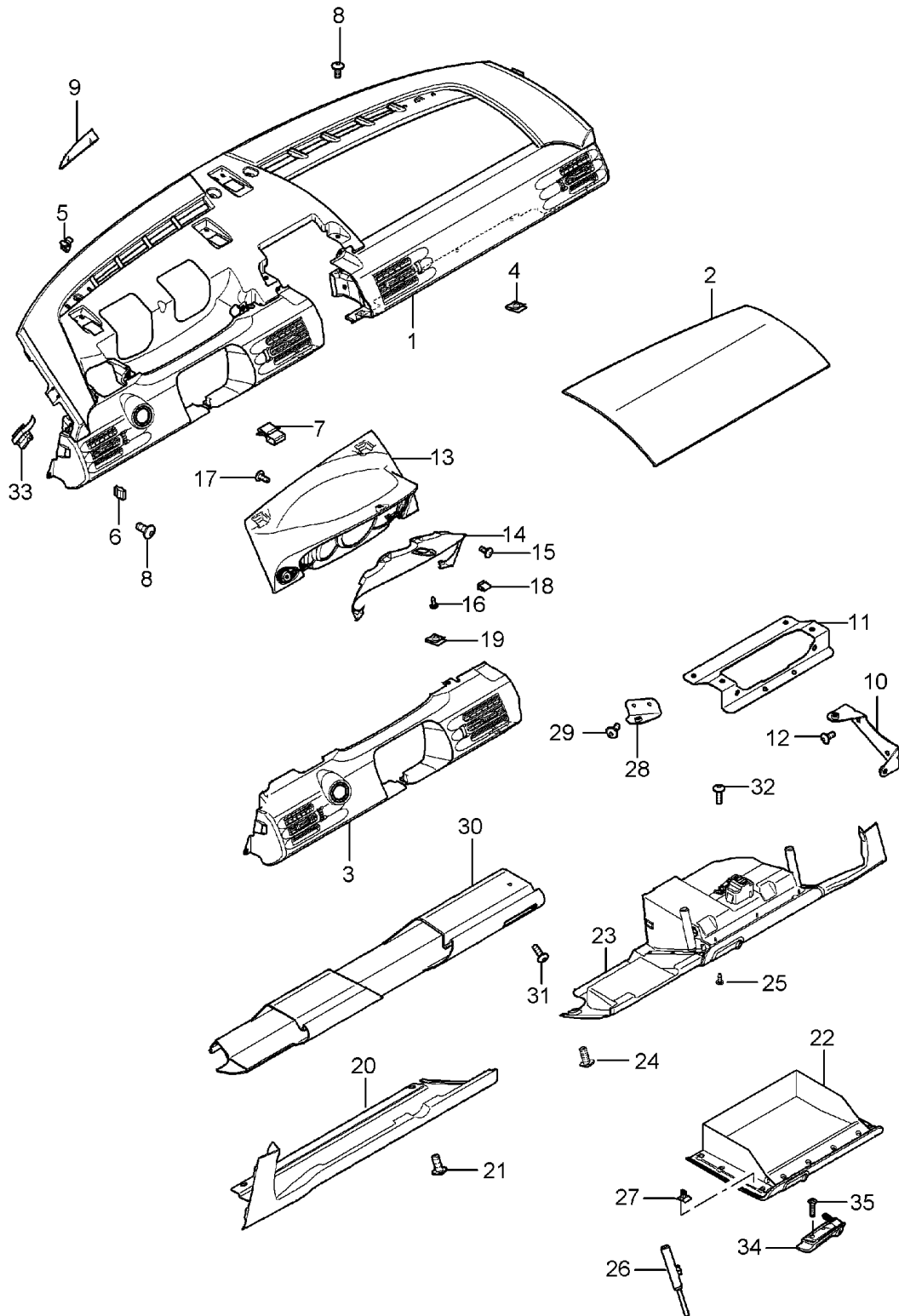
Model: 980 04

Model life 2004>>2006

| Pos | Part Number | Description | Remark | Qty | Model |
|-----|--------------------|--------------------------|--------|-----|-------|
| 1 | 980 551 637 00 | Luggage compartment trim | | 1 | |
| | 980 551 637 00 A22 | Lining | | | |
| | 980 551 637 00 A22 | Black | | | |
| - | 999 902 047 40 | Velcro strip | | * | |
| 2 | 980 551 709 00 | Foam part | | 1 | |
| 3 | 980 551 710 00 | Foam part | | 1 | |
| 4 | 980 551 712 02 | Foam part | | 1 | |
| 5 | 980 551 713 02 | Foam part | | 1 | |
| 6 | 980 551 714 01 | Foam part | | 1 | |
| 7 | 980 551 321 00 | Belt | | 1 | |
| | | Upper | | | |
| | 980 551 321 00 FKB | Terracotta | | | |
| | 980 551 321 00 FKC | Dark grey/natural | | | |
| | 980 551 321 00 FKD | Ascot brown/natural | | | |
| (7) | 980 551 323 00 | Belt | | 1 | |
| | | Lower | | | |
| | 980 551 323 00 FKB | Terracotta | | | |
| | 980 551 323 00 FKC | Dark grey/natural | | | |
| | 980 551 323 00 FKD | Ascot brown/natural | | | |
| 8 | 980 551 631 00 | Mounting plate | | 4 | |
| 9 | 980 551 633 00 | Counterplate | | 4 | |
| 10 | 900 249 072 00 | Countersunk-head screw | | 8 | |
| | | M 5X12 | | | |

Model: 980 04

Model life 2004>>2006



Model: 980 04 Model life 2004>>2006

| Pos | Part Number | Description | Remark | Qty | Model |
|------|--------------------|---------------------|--------|-----|-------|
| 1 | 980 552 011 01 | Dashboard | | 1 | |
| | 980 552 011 01 9A4 | Titanium metallic | | | |
| 2 | 980 552 131 00 | Lid | | 1 | |
| | 980 552 131 00 R21 | Ascot brown/natural | | | |
| | 980 552 131 00 9S5 | Terracotta | | | |
| | 980 552 131 00 D12 | Dark grey | | | |
| 3 | 980 552 321 01 | Cover | /L | 1 | |
| | 980 552 321 01 9A4 | Titanium metallic | | | |
| (3) | 980 552 322 01 | Cover | /R | 1 | |
| | 980 552 322 01 9A4 | Titanium metallic | | | |
| 4 | 999 591 460 02 | Speed nut | | 3 | |
| 5 | 999 507 967 02 | Clamp | | 4 | |
| 6 | 999 591 380 02 | Cable clamp | | 2 | |
| 6 | 999 591 380 01 | Cable clamp | | 2 | |
| 7 | 999 591 700 01 | U-clamp | | 3 | |
| 8 | 999 073 268 A2 | Oval-head screw | | 13 | |
| | | M5X12 | | | |
| | | Mount | | | |
| | | Dashboard | | | |
| | | with | | | |
| | | Body | | | |
| 9 | 980 552 607 01 | Trim cover | | 1 | |
| | | Dashboard | | | |
| (9) | 980 552 608 01 | Trim cover | | 1 | |
| | | Dashboard | | | |
| 10 | 980 552 643 00 | Support | /L | 1 | |
| | | Dashboard | | | |
| (10) | 980 552 644 00 | Support | /R | 1 | |
| | | Dashboard | | | |
| 11 | 980 552 603 01 | Support | | 1 | |
| | | SCHALTAFEL | | | |
| 12 | 999 073 268 A2 | Oval-head screw | | 8 | |
| | | M5X12 | | | |
| 13 | 980 552 241 00 | Air guide | | 1 | |
| | 980 552 241 00 FJQ | Ascot brown/natural | | | |
| | 980 552 241 00 FJO | Terracotta | | | |
| | 980 552 241 00 FJP | Dark grey | | | |
| (13) | 980 552 241 01 | Air guide | | 1 | I484 |
| | 980 552 241 01 FJQ | Ascot brown/natural | | | |
| | 980 552 241 01 FJO | Terracotta | | | |
| | 980 552 241 01 FJP | Dark grey | | | |
| 14 | 980 552 543 00 | Cover | | 1 | |
| | | Air guide | | | |
| 15 | 999 073 268 A2 | Oval-head screw | | 2 | |
| | | M5X12 | | | |
| 16 | 999 073 294 09 | Tapping screw | | 1 | |
| | | ST3,5X8 | | | |
| 17 | 999 073 269 A2 | Oval-head screw | | 2 | |
| | | M5X16 | | | |
| | | Mount | | | |
| | | Cover | | | |
| | | with | | | |
| | | Dashboard | | | |
| 18 | 999 507 109 02 | Clamp | | 2 | |
| 19 | 999 591 460 02 | Speed nut | | 1 | |
| 20 | 980 552 313 00 | Dashboard | /L | 1 | |
| | | Cover | | | |
| | | Lower part | | | |
| | 980 552 313 00 D12 | Dark grey | | | |
| | 980 552 313 00 R21 | Ascot brown/natural | | | |
| | 980 552 313 00 9S5 | Terracotta | | | |
| 21 | 999 073 268 A2 | Oval-head screw | | 2 | |

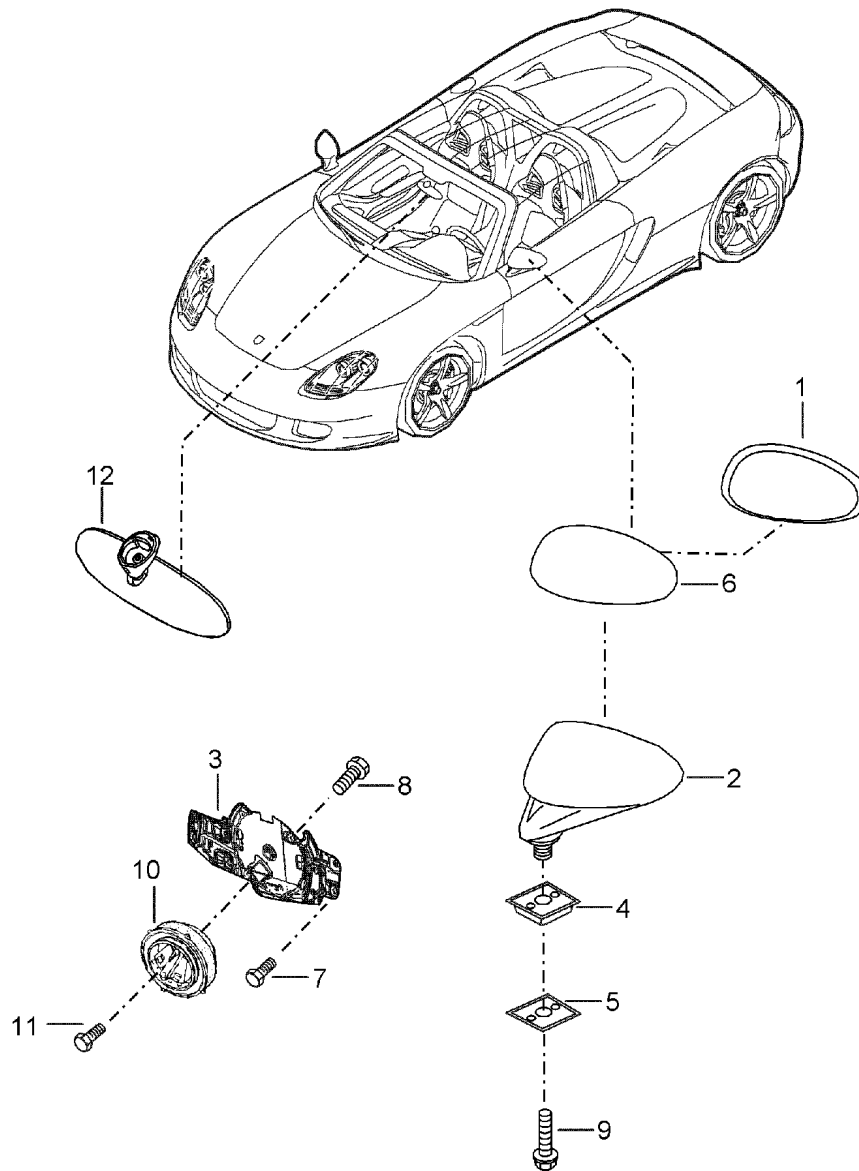
Model: 980 04

Model life 2004>>2006

| Pos | Part Number | Description | Remark | Qty | Model |
|------|--------------------|----------------------------------|--------|-----|-------|
| 22 | 980 552 079 00 | M5X12 Glove compartment | | 1 | |
| | 980 552 079 00 D11 | Dark grey/natural | | | |
| | 980 552 079 00 R21 | Ascot brown/natural | | | |
| | 980 552 079 00 9S5 | Terracotta | | | |
| 23 | 980 552 114 00 | Dashboard Cover Lower part | /R | 1 | |
| | 980 552 114 00 FJH | Dark grey/natural | | | |
| | 980 552 114 00 FJJ | Ascot brown/natural | | | |
| | 980 552 114 00 FJG | Terracotta | | | |
| 24 | 999 073 268 A2 | Oval-head screw | | 3 | |
| 25 | 999 073 294 09 | M5X12 Tapping screw | | 3 | |
| | | 3,5X8-F | | | |
| 26 | 996 552 779 00 | Damper | | 2 | |
| 27 | 996 552 879 00 | Adapter | | 2 | |
| 28 | 980 552 727 00 | Support | /R | 1 | |
| 29 | 999 073 268 A2 | Oval-head screw M5X12 | | 2 | |
| 30 | 980 552 723 01 | Knee protection strip | /L | 1 | |
| (30) | 980 552 724 01 | Knee protection strip | /R | 1 | |
| 31 | 999 073 268 A2 | Oval-head screw M5X12 | | 5 | |
| 32 | 999 073 269 A2 | Oval-head screw M6X18 | | 4 | |
| 33 | 999 507 685 02 | Clamp 4.8X7.0-1.0 | | 4 | |
| 34 | 996 552 349 01 | Handle | | 1 | |
| | 996 552 349 01 V03 | Sport silver | | | |
| 35 | 999 073 240 02 | Screw M4X16 | | 1 | |

Model: 980 04

Model life 2004>>2006



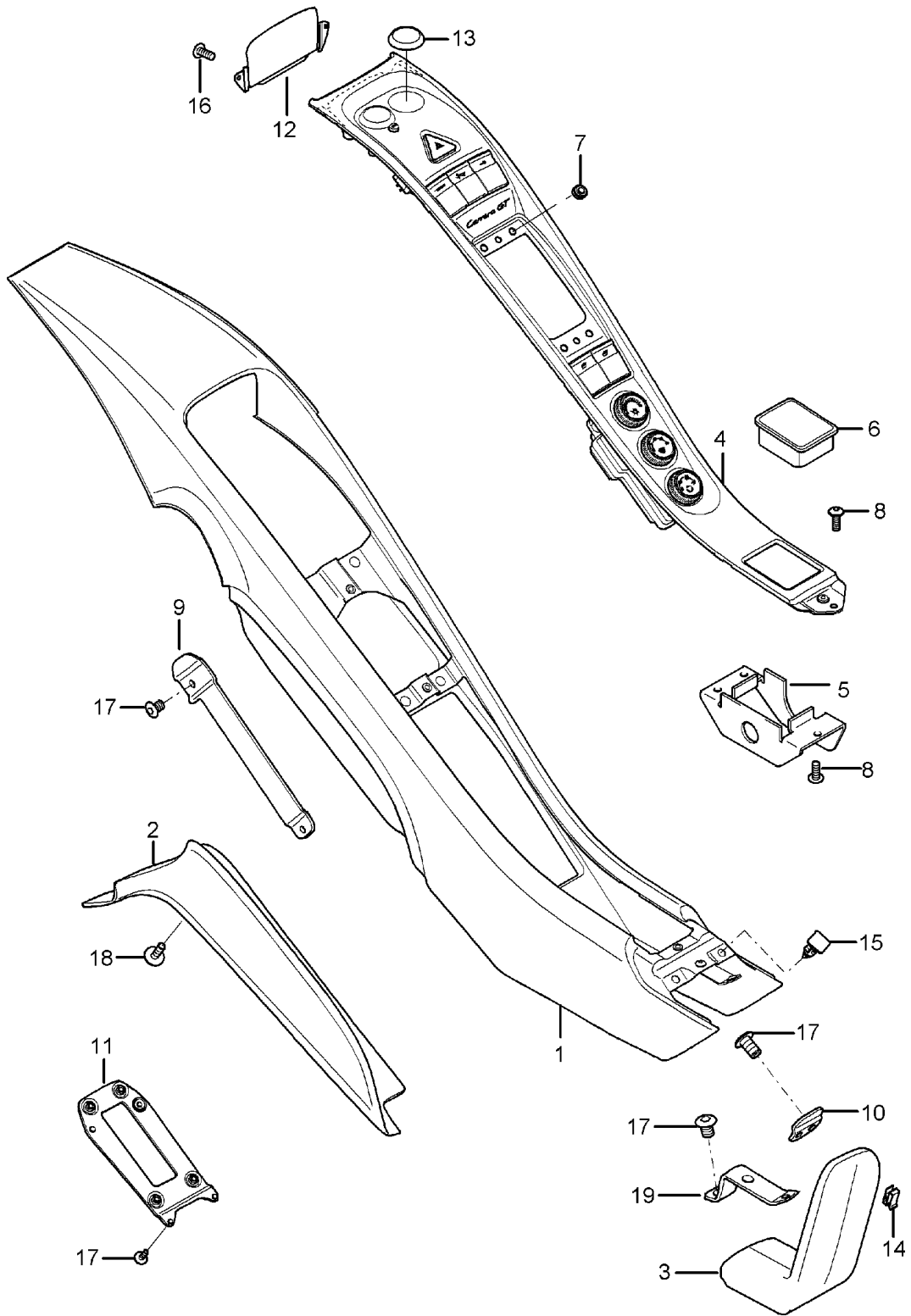
Model: 980 04

Model life 2004>>2006

| Pos | Part Number | Description | Remark | Qty | Model |
|------|--------------------|------------------------|--------|-----|-------|
| 1 | 980 731 119 01 | Door mirror | | | |
| | | Interior mirror | | | |
| | 980 731 119 01 | Mirror housing | /L | 1 | |
| | 980 731 119 01 G2X | Prime coated | | | |
| (1) | 980 731 120 01 | Mirror housing | /R | 1 | |
| | 980 731 120 01 G2X | Prime coated | | | |
| 2 | 980 731 319 00 | Mounting | /L | 1 | |
| | | Mirror housing | | | |
| | 980 731 319 00 G2X | Prime coated | | | |
| (2) | 980 731 320 00 | Mounting | /R | 1 | |
| | | Mirror housing | | | |
| | 980 731 320 00 G2X | Prime coated | | | |
| 3 | 980 731 321 00 | Adapter | /L | 1 | |
| (3) | 980 731 322 00 | Adapter | /R | 1 | |
| 4 | 980 731 219 01 | Mirror base | /L | 1 | |
| (4) | 980 731 220 01 | Mirror base | /R | 1 | |
| 5 | 980 731 419 00 | Gasket | /L | 1 | |
| (5) | 980 731 420 00 | Gasket | /R | 1 | |
| 6 | 980 731 035 02 | Mirror glass | /L | 1 | |
| | | Plane | | | |
| 6 | 980 731 035 03 | Mirror glass | /L | 1 | |
| | | Aspherical | | | |
| 6 | 980 731 038 04 | Mirror glass | /R | 1 | |
| | | Convex | | | |
| 7 | 999 919 109 02 | Countersunk-head screw | | 4 | |
| | | M 3X12 | | | |
| 8 | 999 919 157 02 | Oval-head screw | | 7 | |
| | | M 3X16 | | | |
| 9 | 999 073 253 A2 | Oval-head screw | | 4 | |
| | | M 6X25 | | | |
| 10 | 980 624 223 00 | Adjusting motor | /L | 1 | |
| (10) | 955 624 047 00 | Adjusting motor | | 1 | |
| 11 | 999 015 025 A2 | Lens-head screw | | X | |
| | | M 6X12 | | | |
| 12 | 980 731 511 00 | Interior mirror | | 1 | |
| 13 | 980 612 980 00 | Wiring harness | | 2 | |
| 14 | 999 650 030 40 | Plug socket | | X | |

Model: 980 04

Model life 2004>>2006

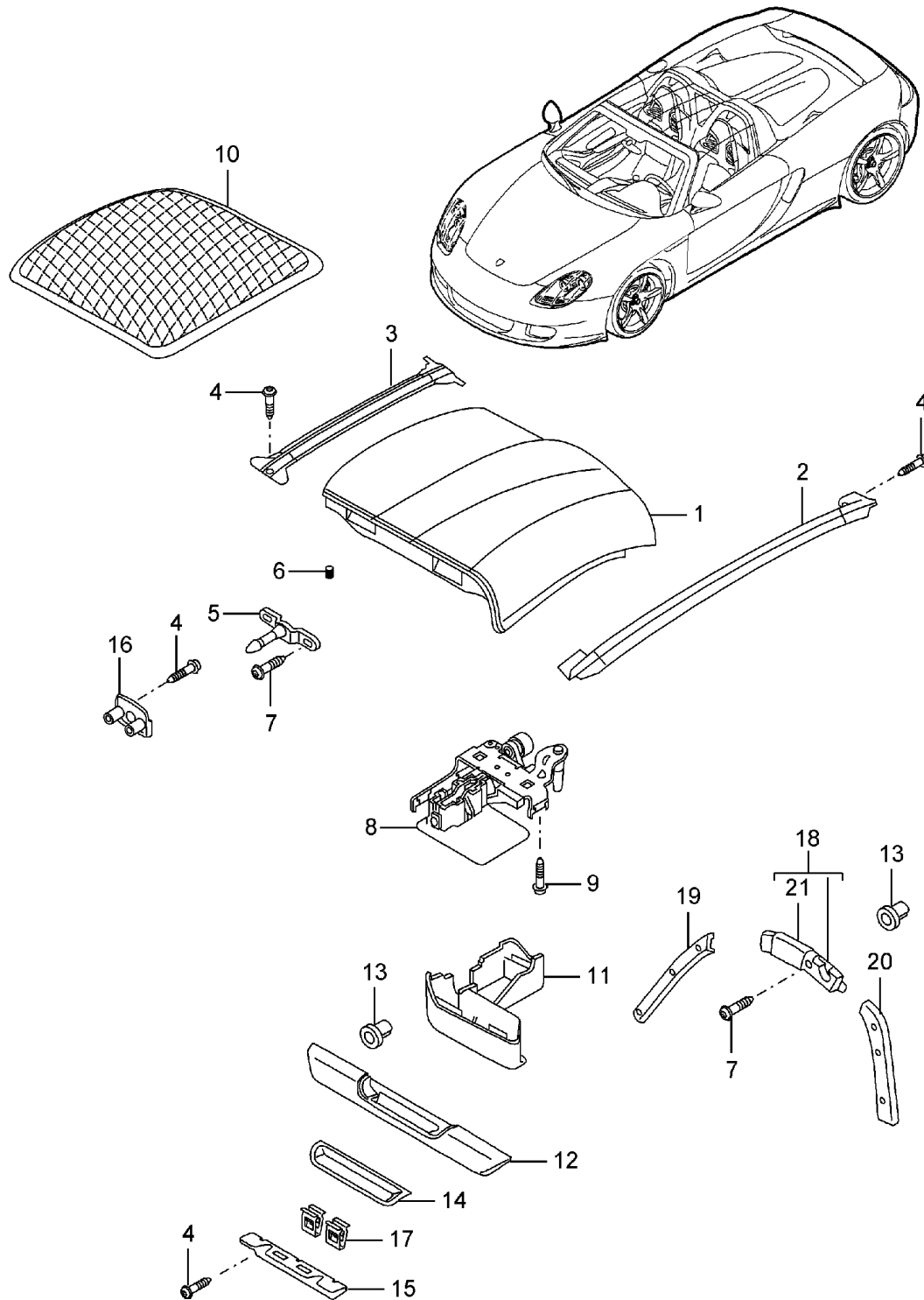


Model: 980 04 Model life 2004>>2006

| Pos | Part Number | Description | Remark | Qty | Model |
|-----|--------------------|-------------------------------------|--------|-----|-------|
| 1 | 980 553 111 02 | Centre console Lining | | 1 | |
| | 980 553 111 02 D12 | Centre console Dark grey/natural | | | |
| | 980 553 111 02 R21 | Ascot brown/natural | | | |
| | 980 553 111 02 9S5 | Terracotta | | | |
| 2 | 980 553 301 01 | Side trim panel | /L | 1 | |
| | 980 553 301 01 D12 | Dark grey/natural | | | |
| | 980 553 301 01 R21 | Ascot brown/natural | | | |
| | 980 553 301 01 9S5 | Terracotta | | | |
| (2) | 980 553 302 01 | Side trim panel | /R | 1 | |
| | 980 553 302 01 D12 | Centre console Dark grey/natural | | | |
| | 980 553 302 01 R21 | Ascot brown/natural | | | |
| | 980 553 302 01 9S5 | Terracotta | | | |
| 3 | 980 553 421 00 | Armrest | | 1 | |
| | 980 553 421 00 D12 | Centre console Dark grey/natural | | | |
| | 980 553 421 00 R21 | Ascot brown/natural | | | |
| | 980 553 421 00 9S5 | Terracotta | | | |
| 4 | | Cover | | 1 | I690 |
| | | Centre console Manually | | 1 | |
| | | Order | | | |
| 5 | 980 553 603 00 | Support | | 1 | |
| | | Ashtray | | | |
| 6 | 980 553 461 00 | Ashtray | | 1 | |
| | 980 553 461 00 C70 | Matte Chrome | | | |
| 8 | 999 073 268 A2 | Oval-head screw M5X12 | | X | |
| 9 | 980 553 807 01 | Support | /L | 1 | |
| | | Side trim panel | | | |
| (9) | 980 553 808 01 | Support | /R | 1 | |
| | | Side trim panel | | | |
| 10 | 980 553 619 00 | Support | | 1 | |
| | | Armrest | | | |
| 11 | 980 553 809 01 | Support | | 2 | |
| | | Side trim panel | | | |
| 12 | 980 553 405 00 | Cover | | 1 | |
| 13 | 980 553 403 00 | Cover | | 2 | |
| | | Opening for radio | | | |
| 14 | 999 507 716 01 | U-clamp | | 1 | |
| 15 | 999 591 452 40 | Special nut | | 2 | |
| 16 | 999 073 250 09 | Oval-head screw M 5X15 | | 2 | |
| 17 | 999 073 268 A2 | Oval-head screw M 5X12 | | X | |
| 18 | 999 073 250 09 | Oval-head screw | | 4 | |
| | | Cover M5X15 | | | |
| 19 | 980 553 505 00 | Support | | 1 | |
| 20 | 980 553 617 00 | Support | | 1 | |
| | | Lining Centre console | | | |

Model: 980 04

Model life 2004>>2006

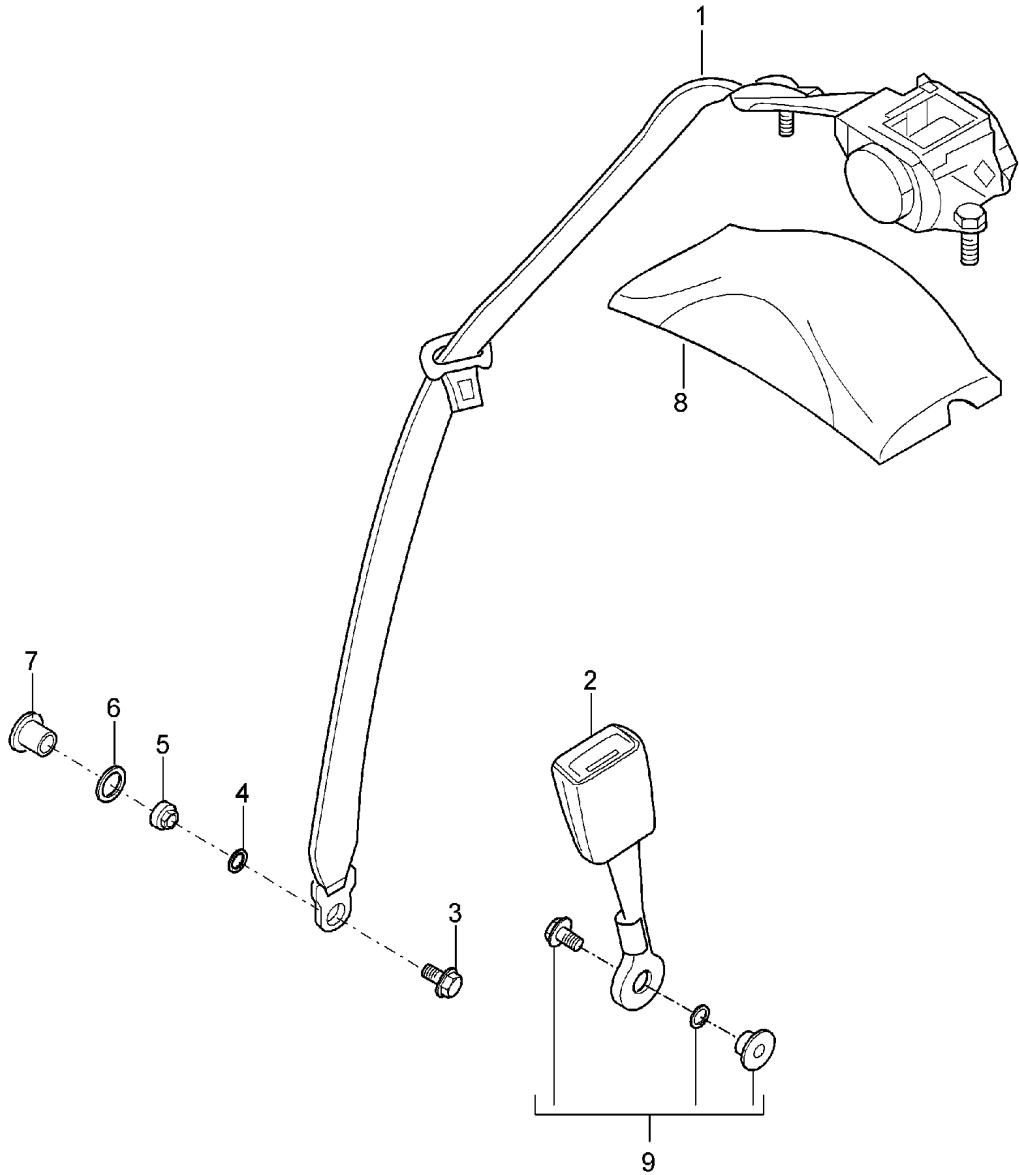


Model: 980 04 Model life 2004>>2006

| Pos | Part Number | Description | Remark | Qty | Model |
|------|--------------------|-------------------|--------|-----|-------|
| 1 | 980 565 111 00 | Roof | | | |
| | 980 565 111 00 G2X | Roof | /L | 1 | |
| | 980 565 111 00 G2X | Prime coated | | | |
| (1) | 980 565 112 00 | Roof | /R | 1 | |
| | 980 565 112 00 G2X | Prime coated | | | |
| 2 | 980 565 221 00 | Gasket | /L | 1 | |
| (2) | 980 565 222 00 | Gasket | /R | 1 | |
| 3 | 980 565 223 00 | Gasket | /R | 1 | |
| 4 | 999 073 268 A2 | Oval-head screw | | 6 | |
| | | M 5X12 | | | |
| 5 | 980 565 201 01 | Locating peg | /L | 1 | |
| 6 | 999 703 488 40 | Buffer | | 4 | |
| 7 | 999 073 254 A2 | Oval-head screw | | X | |
| | | M 6X30 | | | |
| 8 | 980 565 213 02 | Catch | /L | 1 | |
| | 980 565 213 02 FJU | Satin aluminium | | | |
| (8) | 980 565 214 02 | Catch | /R | 1 | |
| | 980 565 214 02 FJU | Satin aluminium | | | |
| 9 | 999 073 311 A2 | Combination screw | | 2 | |
| | | M 6X18 | | | |
| 10 | 980 555 631 00 | Sound absorber | /L | 1 | |
| | 980 555 631 00 A22 | Black | | | |
| (10) | 980 555 632 00 | Sound absorber | /R | 1 | |
| | 980 555 632 00 A22 | Black | | | |
| 11 | 980 565 417 00 | Cover | /L | 1 | |
| | 980 565 417 00 01C | Satin black | | | |
| 11 | 980 565 418 00 | Cover | /R | 1 | |
| | 980 565 418 00 01C | Satin black | | | |
| 12 | 980 580 605 00 | Padding | | 1 | |
| | 980 580 605 00 A11 | Black | | | |
| 13 | 986 580 751 00 | Clip | | X | |
| 14 | 980 565 519 00 | Bracket | | 1 | |
| | 980 565 519 00 01C | Satin black | | | |
| 15 | 980 565 601 00 | Retaining bracket | | 1 | |
| 16 | 980 504 553 00 | Rosette | | 2 | |
| | 980 504 553 00 01C | Satin black | | | |
| 17 | 999 507 815 02 | Clamp | | 2 | |
| 18 | 980 565 203 01 | Mounting | /L | 1 | |
| | 980 565 203 01 FJN | Black | | | |
| (18) | 980 565 204 01 | Mounting | /R | 1 | |
| | 980 565 204 01 FJN | Black | | | |
| 19 | 980 580 603 00 | Padding | /L | 1 | |
| | 980 580 603 00 A11 | Black | | | |
| (19) | 980 580 604 00 | Padding | /R | 1 | |
| | 980 580 604 00 A11 | Black | | | |
| 20 | 980 580 607 00 | Padding | /L | 1 | |
| | 980 580 607 00 A11 | Black | | | |
| (20) | 980 580 608 00 | Padding | /R | 1 | |
| | 980 580 608 00 A11 | Black | | | |
| 21 | 980 580 709 00 | Support washer | | 2 | |

Model: 980 04

Model life 2004>>2006



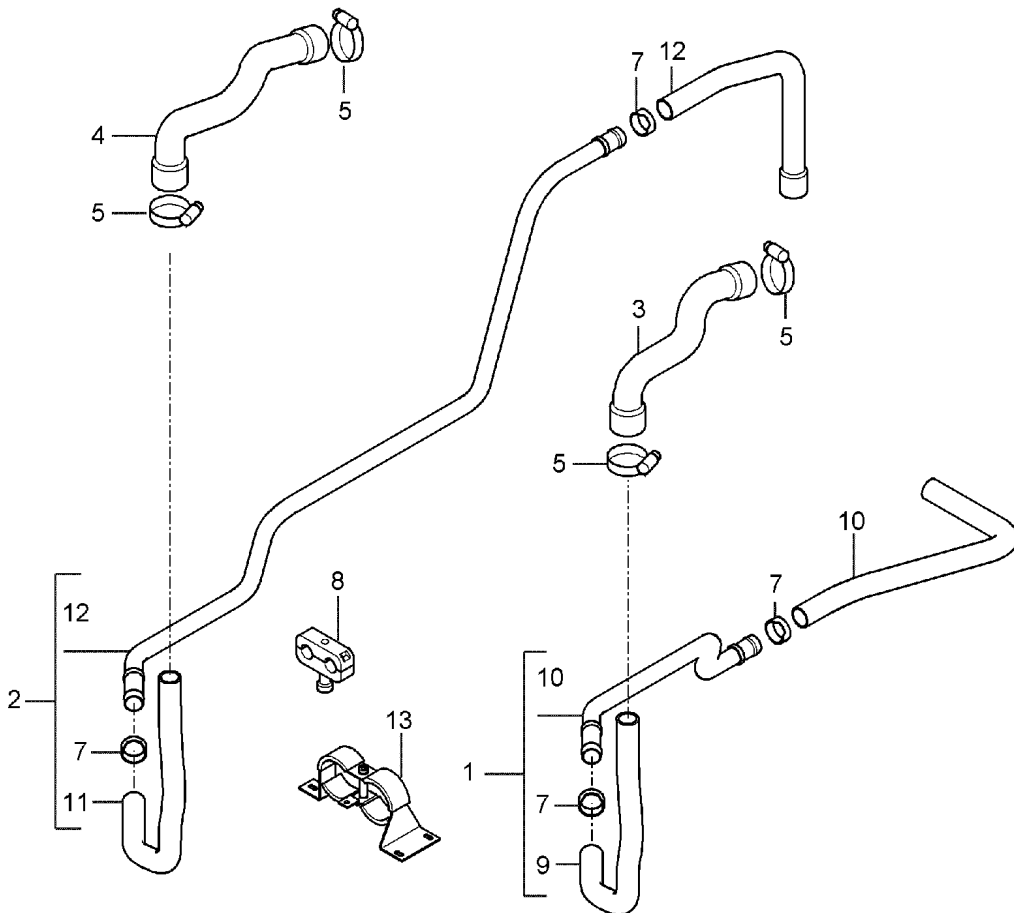
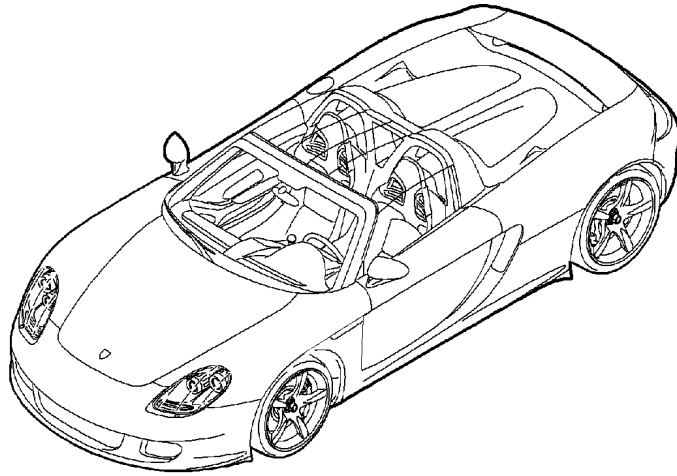
Model: 980 04

Model life 2004>>2006

| Pos | Part Number | Description | Remark | Qty | Model |
|-----|--------------------|----------------------------|--------|-----|----------|
| | | Seat belt | | | |
| | | 3-point automat. seat belt | | | |
| 1 | 980 803 023 01 | Seat belt | /L | 1 | |
| (1) | 980 803 024 01 | Seat belt | /R | 1 | |
| 2 | 980 803 183 00 | Seat-belt buckle | /L | 1 | |
| (2) | 980 803 183 01 | Seat-belt buckle | /R | 1 | |
| 3 | 999 075 072 09 | Hexagon-head bolt | | 2 | |
| | | 7/16-20 UNF | | | |
| 4 | 211 857 771 | Washer | | 2 | |
| 5 | 980 803 664 00 | Spacer sleeve | | 1 | I384/385 |
| (5) | 980 803 666 00 | Spacer sleeve | | 1 | I386/387 |
| 6 | 999 025 275 09 | Washer | | 2 | |
| 7 | 999 048 005 09 | Threaded bush | /L | 1 | |
| (7) | 999 048 006 09 | Threaded bush | /R | 1 | |
| 8 | 980 555 417 01 | Cover | | 1 | |
| | 980 555 417 01 G2X | Prime coated | | | |
| (8) | 980 555 418 01 | Cover | | 1 | |
| | 980 555 418 01 G2X | Prime coated | | | |
| 9 | 980 521 425 00 | Set of fastening parts | | 1 | I384/385 |
| 9 | 980 521 425 01 | Set of fastening parts | | 1 | I386/387 |

Model: 980 04

Model life 2004>>2006



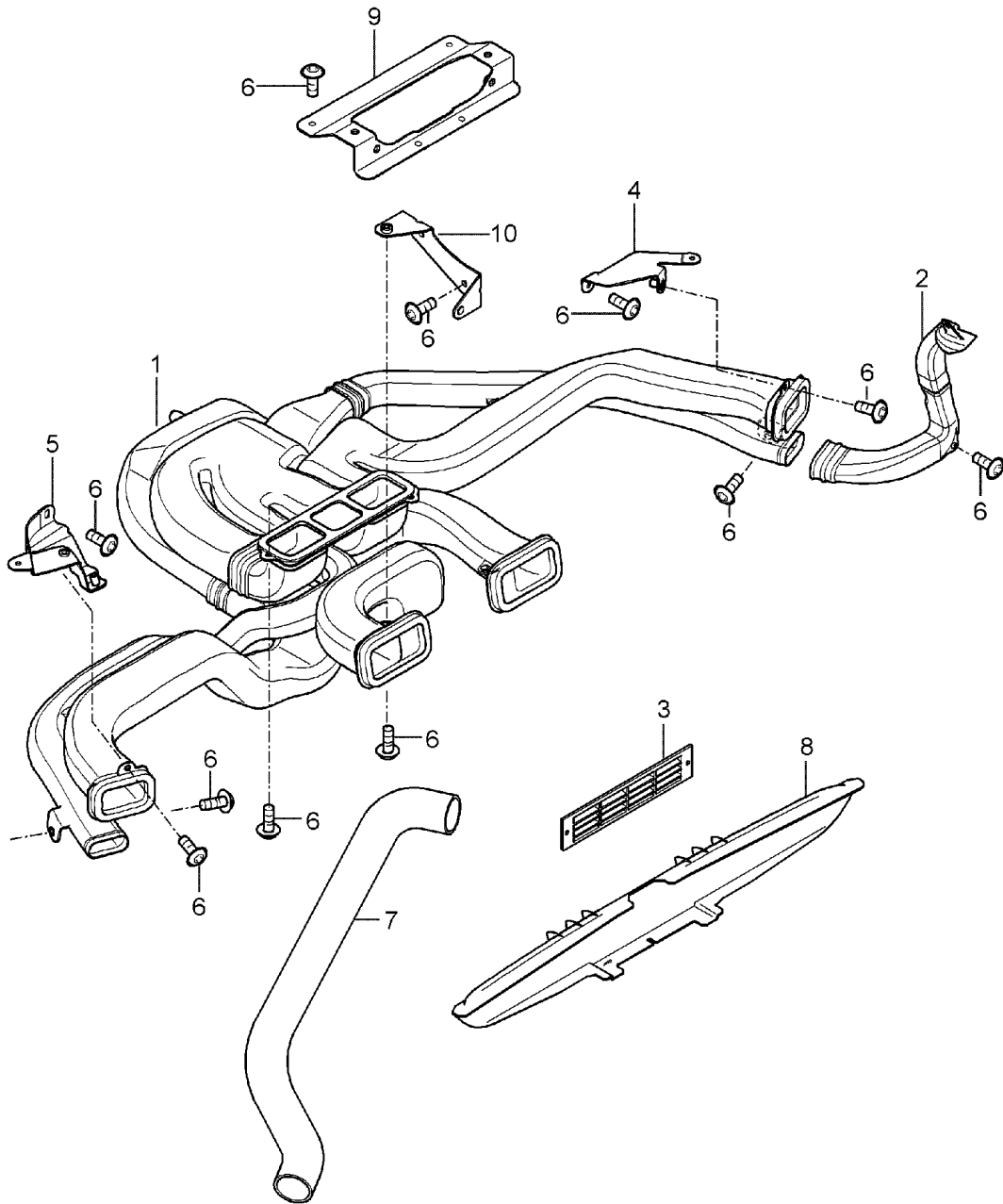
Model: 980 04

Model life 2004>>2006

| Pos | Part Number | Description | Remark | Qty | Model |
|-----|----------------|---|--------|-----|-------|
| 1 | 980 572 381 02 | Heating Feed line Return line Hot air duct Supply | | 1 | |
| 2 | 980 572 383 02 | Hot air duct Return line | | 1 | |
| 4 | 980 572 683 00 | Heater hose Return line | | 1 | |
| 5 | 999 512 655 09 | Hose clamp | | X | |
| 6 | 980 572 501 01 | Heater hose | | 1 | |
| 7 | 999 512 674 00 | Clip | | X | |
| 8 | 999 511 230 40 | Cable holder | | 3 | |
| 9 | 980 572 681 00 | Heater hose Supply | | 1 | |
| 10 | 980 572 687 00 | Heater hose Supply | | 1 | |
| 12 | 980 572 685 00 | Heater hose Return line | | 1 | |
| 13 | 980 504 605 01 | Support Water tube | | 3 | |
| 17 | 999 073 269 A2 | Oval-head screw | | 4 | |

Model: 980 04

Model life 2004>>2006



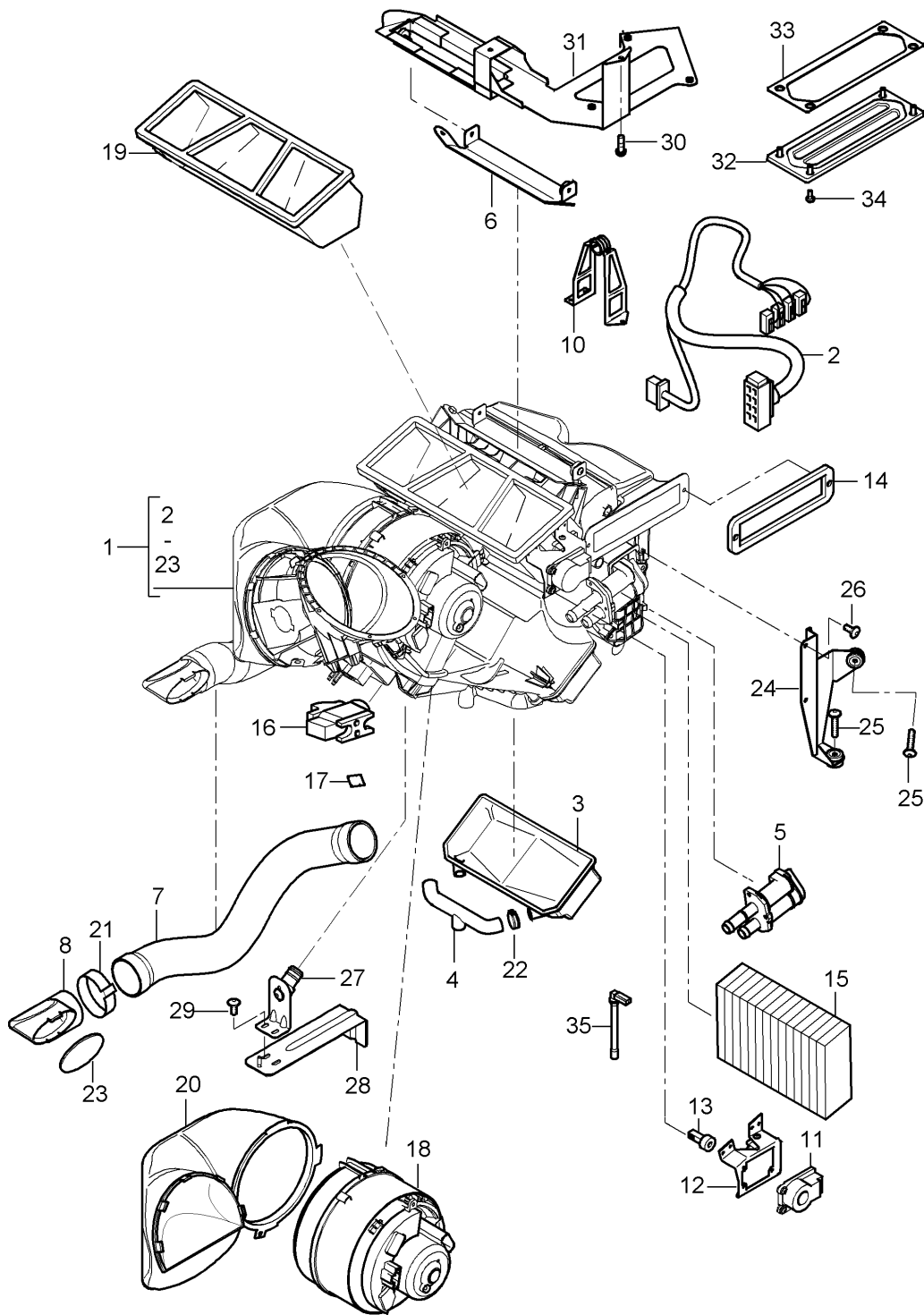
Model: 980 04

Model life 2004>>2006

| Pos | Part Number | Description | Remark | Qty | Model |
|------|----------------|---|--------|-----|-------|
| 1 | 980 552 731 01 | Heating Air distributor Air guide Centre | | 1 | |
| 2 | 980 552 733 01 | Air guide Lateral | /L | 1 | |
| (2) | 980 552 734 01 | Air guide Lateral | /R | 1 | |
| 3 | 980 551 627 00 | Cover Footwell outlet vent | | 2 | |
| 4 | 980 504 645 01 | Support Air guide | | 1 | |
| 5 | 980 552 653 02 | Support Steering lock | | 1 | |
| 6 | 999 073 268 A2 | Oval-head screw M5X12 | | 20 | |
| 7 | 980 573 501 00 | Air guide Footwell | | 1 | |
| 8 | 980 502 411 01 | Closing plate Defroster | | 1 | |
| 9 | 980 552 603 00 | Support Dashboard Centre | | 1 | |
| 10 | 980 552 643 00 | Support Cover | | 1 | |
| (10) | 980 552 644 00 | Support Cover | | 1 | |
| 11 | 980 573 415 01 | Air distributor Footwell | | 1 | |

Model: 980 04

Model life 2004>>2006



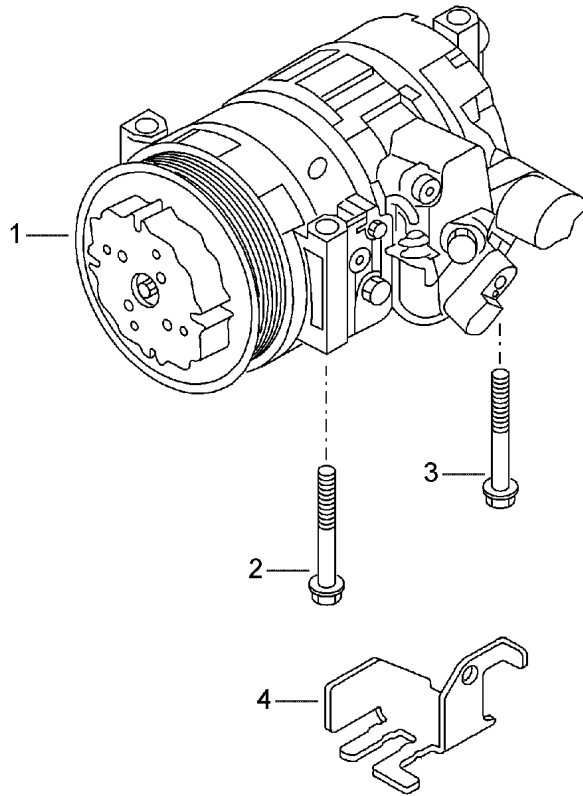
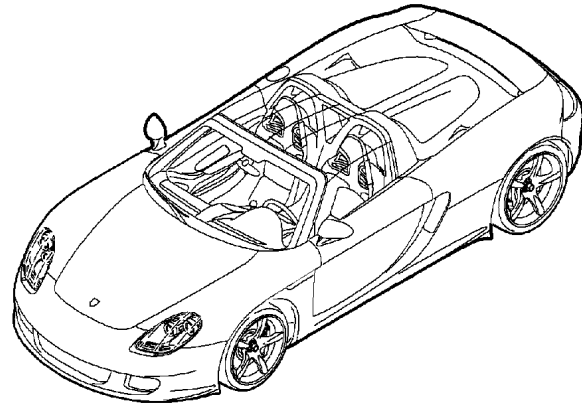
Model: 980 04

Model life 2004>>2006

| Pos | Part Number | Description | Remark | Qty | Model |
|-----|----------------|--------------------|--------|-----|-------|
| | | Heater | | | |
| | | Air conditioner | | | |
| | | Single parts | | | |
| 1 | 980 572 123 00 | Heater | | 1 | I574 |
| (1) | 980 573 123 01 | Air conditioner | | 1 | I572 |
| 2 | 980 612 047 00 | Wiring harness | | 1 | |
| 3 | 980 572 427 01 | Covering | | 1 | |
| | | Lower | | | |
| 4 | 980 573 341 01 | Water hose | | 1 | |
| | | Water drain hose | | | |
| 5 | 980 573 417 01 | Connection piece | | 1 | |
| | | Heat exchanger | | | |
| 6 | 980 572 412 01 | Support | | 1 | |
| 7 | 980 572 415 01 | Bush | | 2 | |
| | | Footwell | | | |
| 8 | 980 573 503 00 | Adapter | | 1 | |
| 11 | 980 624 135 00 | Electric motor | | 3 | |
| 12 | 980 572 607 00 | Support | | 1 | |
| 13 | 980 572 601 01 | Adapter | | 1 | |
| 14 | 980 573 605 00 | Gasket | | X | |
| | | Air duct | | | |
| 15 | 980 572 129 00 | Heat exchanger | | 1 | |
| 16 | 980 573 101 00 | Expansion valve | | 1 | |
| 17 | 980 572 101 00 | Lid | | 1 | |
| 18 | 980 624 107 00 | Blower | | 1 | |
| 19 | 980 573 415 01 | Air distributor | | 1 | |
| 20 | 980 573 413 01 | Air guide | | 1 | |
| 21 | 999 512 669 09 | Hose clamp | | 1 | |
| | | \$23 | | | |
| 22 | 999 512 653 09 | Hose clamp | | 1 | |
| | | \$20 | | | |
| 23 | 980 504 565 01 | Frame | | 1 | |
| 24 | 980 572 414 02 | Support | | 1 | |
| 27 | 980 572 413 02 | Support | | 1 | |
| 28 | 980 610 131 00 | Support | | 1 | |
| | | Cable guide | | | |
| 29 | 999 073 268 A2 | Oval-head screw | | 3 | |
| | | M5X12 | | | |
| 30 | 999 073 269 A2 | Oval-head screw | | 5 | |
| | | M5X16 | | | |
| 31 | 980 572 311 01 | Support | | 1 | |
| | | Upper | | | |
| 32 | 980 572 505 03 | Lid | | 1 | |
| | | Body front section | | | |
| 33 | 980 572 611 00 | Rubber seal | | 1 | |
| 34 | 999 073 268 A2 | Oval-head screw | | 4 | |
| | | M5X12 | | | |
| 35 | 980 573 925 00 | Temperature sensor | | 1 | |
| | | for | | | |
| | | DURCHFÜHRUNG | | | |
| | | KONDENSWASSER | | | |
| | | Underbody | | | |
| - | 980 572 327 01 | Screw plug | | 1 | |
| - | 980 572 325 02 | Sleeve | | 1 | |
| - | 999 707 193 40 | O-ring | | 1 | |
| - | 955 347 569 00 | Hose clamp | | 1 | |

Model: 980 04

Model life 2004>>2006



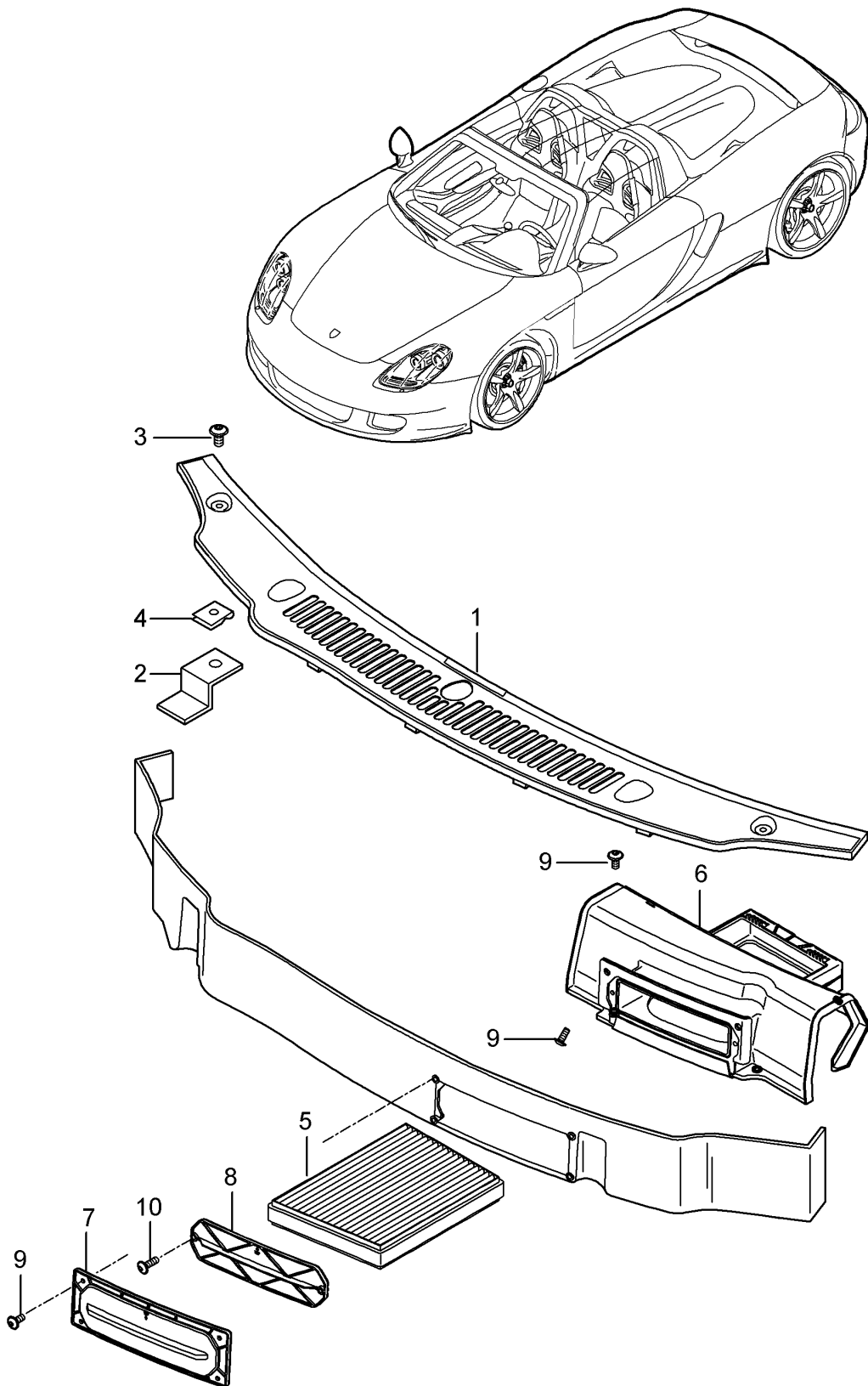
Model: 980 04

Model life 2004>>2006

| Pos | Part Number | Description | Remark | Qty | Model |
|-----|----------------|---|--------|-----|-------|
| 1 | 980 126 011 01 | Compressor | | 1 | |
| 2 | 900 378 075 09 | Compressor Hexagon-head bolt M 8X90 | | 2 | |
| 3 | 900 378 142 09 | Hexagon-head bolt M 10X90 | | 1 | |
| 4 | 980 126 411 00 | Support for Connector | | 1 | |

Model: 980 04

Model life 2004>>2006



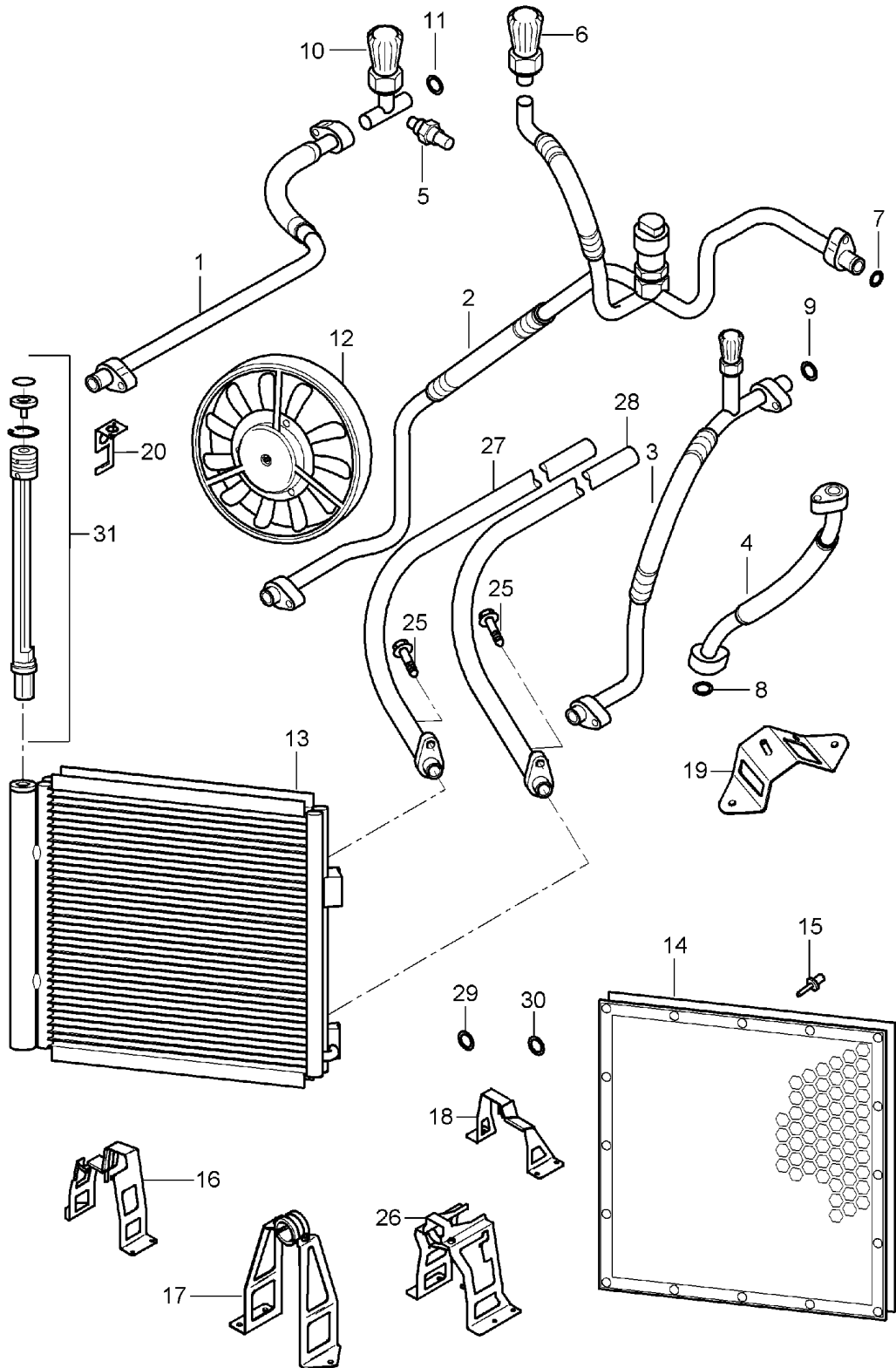
Model: 980 04

Model life 2004>>2006

| Pos | Part Number | Description | Remark | Qty | Model |
|-----|----------------|-----------------|--------|-----|-------|
| | | Cover | | | |
| | | Plenum panel | | | |
| | | Particle filter | | | |
| 1 | 980 572 121 01 | Cover | | 1 | |
| 2 | 980 572 521 01 | Support | | 2 | |
| | | Cover | | | |
| 3 | 999 015 026 A2 | Oval-head screw | | 2 | |
| | | M6X16 | | | |
| 4 | 999 591 882 02 | Speed nut | | 2 | |
| | | M6 | | | |
| 4 | 999 591 882 01 | Speed nut | | 2 | |
| | | M6 | | | |
| 5 | 980 571 419 01 | Particle filter | | 1 | |
| 6 | 980 572 019 03 | Housing | | 1 | |
| 7 | 980 572 505 03 | Lid | | 1 | |
| | | Air cleaner | | | |
| 8 | 980 572 507 02 | Lid | | 1 | |
| | | Particle filter | | | |
| 9 | 999 073 268 A2 | Oval-head screw | | 4 | |
| | | M 5X12 | | | |
| 10 | 999 073 269 A2 | Oval-head screw | | 4 | |
| | | M 5X16 | | | |

Model: 980 04

Model life 2004>>2006



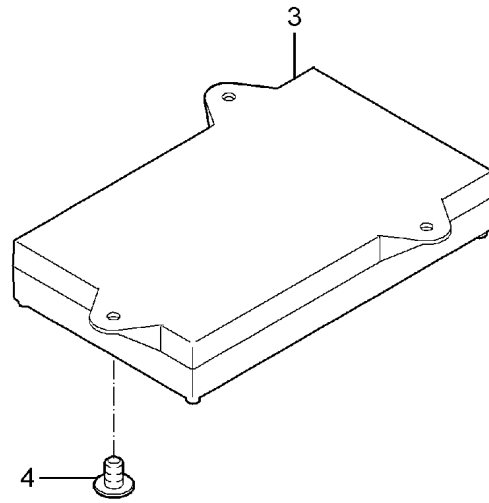
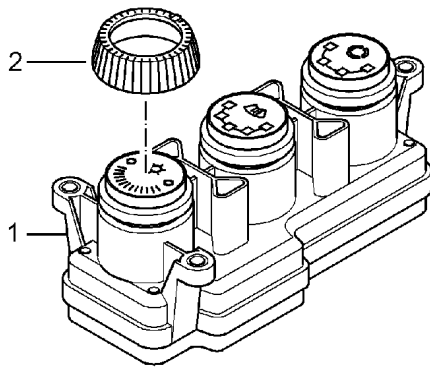
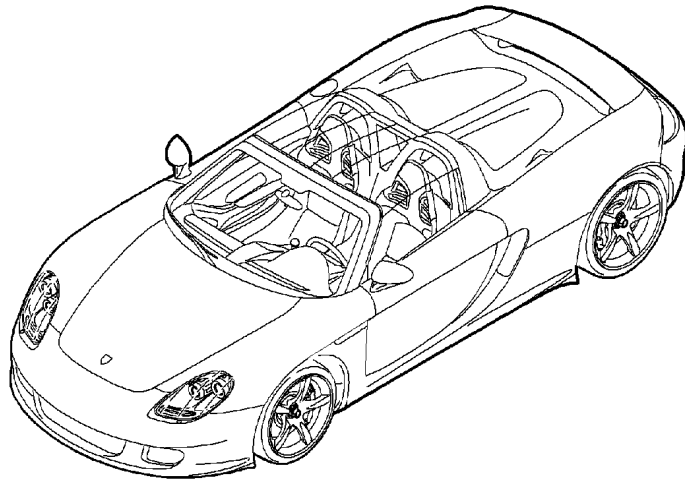
Model: 980 04

Model life 2004>>2006

| Pos | Part Number | Description | Remark | Qty | Model |
|-----|----------------|------------------------------------|--------|-----|-------|
| | | Refrigerant circuit | | | |
| 1 | 980 573 311 02 | Pressure line | | 1 | |
| 2 | 980 573 313 02 | Pressure line | | 1 | |
| 3 | 980 573 329 02 | Intake pipe | | 1 | |
| 4 | 980 573 331 02 | Intake pipe | | 1 | |
| 5 | 955 613 137 00 | Pressure switch | | 1 | |
| 6 | 996 573 466 00 | Valve | | 1 | |
| 7 | 999 707 556 41 | O-ring 9,50X2,50 | | X | |
| 8 | 999 707 439 41 | O-ring 23,80X2,40 | | X | |
| 9 | 999 707 558 41 | O-ring 13,70X2,50N | | X | |
| 10 | 996 573 465 00 | Valve | | 1 | |
| 11 | 999 707 555 41 | O-ring 10,80X1,82 | | X | |
| - | 999 707 557 41 | O-ring 11.00X2.50 | | X | |
| 12 | 980 624 131 01 | Fan Information available | | 1 | |
| 13 | 980 573 323 01 | Condenser | | 1 | |
| 14 | 980 573 363 00 | Cover Condenser | | 1 | |
| 15 | 999 190 449 30 | Blind rivet | | 15 | |
| 16 | 980 504 639 00 | Support Tunnel | | 1 | |
| 17 | 980 504 637 00 | Support Wiring harness | | 1 | |
| 18 | 980 504 609 02 | Support Tunnel | | 1 | |
| 19 | 980 504 647 01 | Support Refrigerant line | | 1 | |
| 20 | 980 610 153 00 | Support Connection point Fan | | 1 | |
| 25 | 900 067 247 02 | Combination screw M8X30 | | X | |
| 25 | 900 067 247 01 | Combination screw M8X30 | | X | |
| 26 | 980 504 643 03 | Support Wiring harness | | 1 | |
| 27 | 980 573 317 03 | Intake pipe Tunnel | | 1 | |
| 28 | 980 573 325 02 | Pressure line | | 1 | |
| 29 | 999 707 193 40 | O-ring 28,00X2,5 SB | | 1 | |
| 30 | 999 707 531 41 | O-ring 7,50X2,00 | | X | |
| 31 | 980 573 923 00 | Desiccator | | 1 | |

Model: 980 04

Model life 2004>>2006



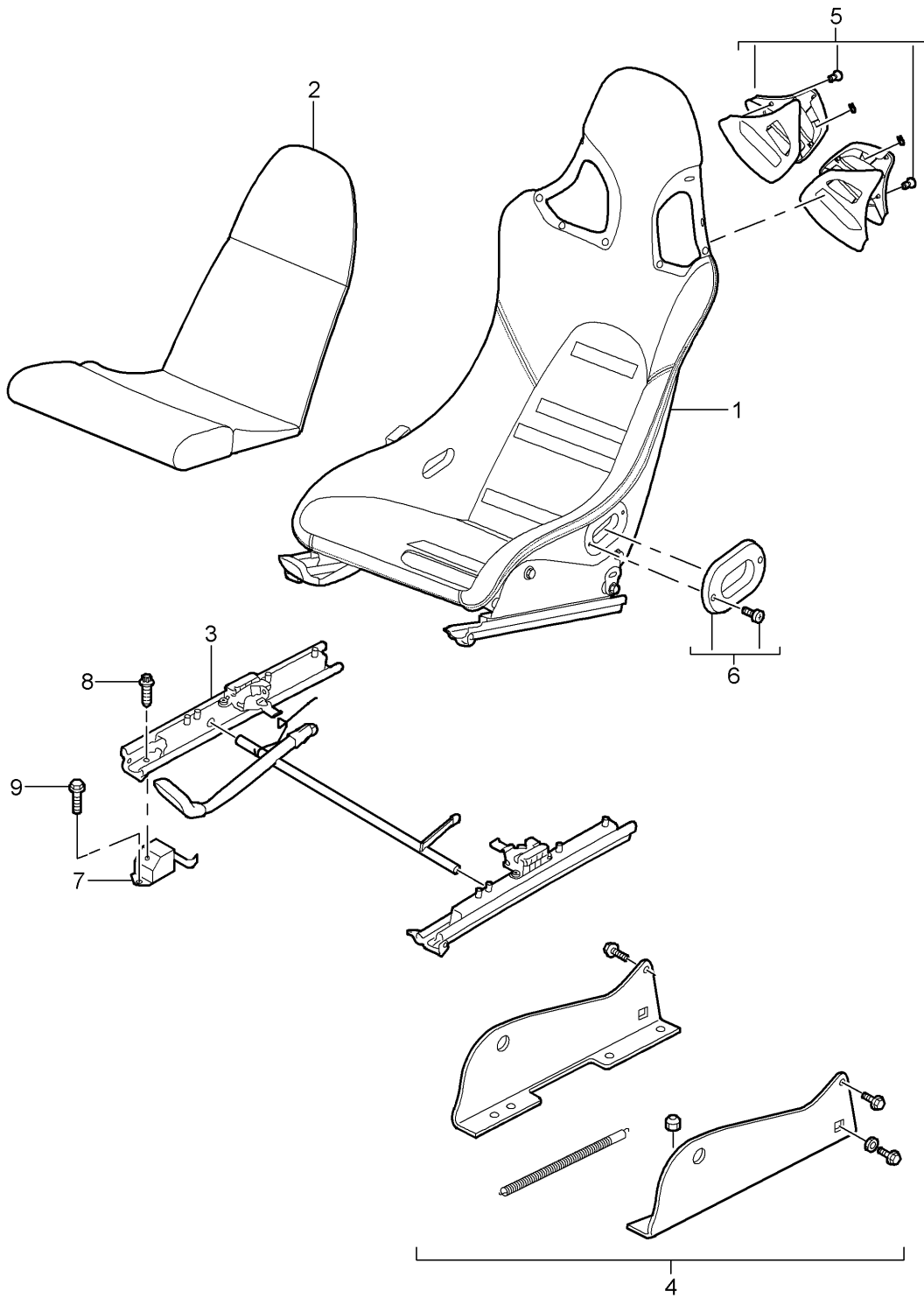
Model: 980 04

Model life 2004>>2006

| Pos | Part Number | Description | Remark | Qty | Model |
|-----|----------------|--|--------|-----|-------|
| | | Control part Heating Air conditioner | | | |
| 1 | 980 653 103 00 | Control part | | 1 | |
| (1) | 980 653 101 00 | Control part | | 1 | I572 |
| 2 | 980 653 201 00 | Ring | | 3 | |
| 3 | 980 618 321 01 | Control unit | | 1 | |
| 4 | 999 073 284 0A | Oval-head screw M 4X16 | | 4 | |

Model: 980 04

Model life 2004>>2006



Model: 980 04 Model life 2004>>2006

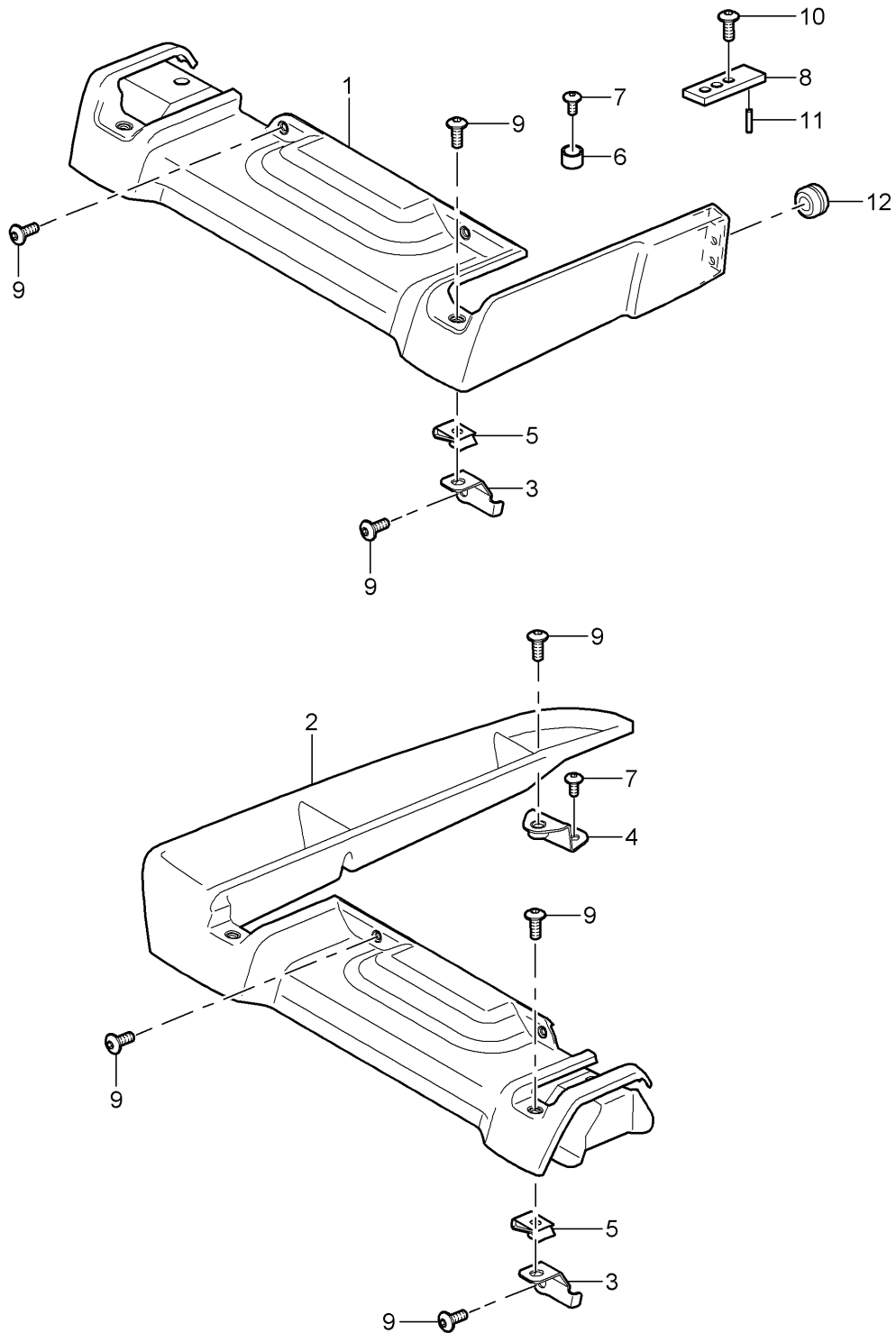
| Pos | Part Number | Description | Remark | Qty | Model |
|-----|--------------------|--|--------|-----|------------|
| | | Carrera GT Bucket seat Seat belt Seat-belt buckle See group 8/12/00 KATALOG 25 | 04- | | CARRERA GT |
| 1 | 980 521 401 02 | Cup Seat Partial leather | /L /R | 2 | I384/385 |
| | 980 521 401 02 FJA | Terracotta | | | |
| | 980 521 401 02 FJB | Dark grey/natural | | | |
| | 980 521 401 02 FJC | Ascot brown/natural | | | |
| (1) | 980 521 401 03 | Cup Seat Partial leather | /L | 1 | I386 |
| | 980 521 401 03 FJA | Terracotta | | | |
| | 980 521 401 03 FJB | Dark grey/natural | | | |
| | 980 521 401 03 FJC | Ascot brown/natural | | | |
| (1) | 980 521 402 03 | Cup Seat Partial leather | /R | 1 | I387 |
| | 980 521 402 03 FJA | Terracotta | | | |
| | 980 521 402 03 FJB | Dark grey/natural | | | |
| | 980 521 402 03 FJC | Ascot brown/natural | | | |
| 2 | 980 521 403 00 | Set Seat cushion | /L /R | 2 | I384/385 |
| | 980 521 403 00 9N2 | Terracotta | | | |
| | 980 521 403 00 D11 | Dark grey/natural | | | |
| | 980 521 403 00 R20 | Ascot brown/natural | | | |
| (2) | 980 521 403 01 | Set Seat cushion | /L | 1 | I386 |
| | 980 521 403 01 9N2 | Terracotta | | | |
| | 980 521 403 01 D11 | Dark grey/natural | | | |
| | 980 521 403 01 R20 | Ascot brown/natural | | | |
| (2) | 980 521 404 01 | Set Seat cushion | /R | 1 | I387 |
| | 980 521 404 01 9N2 | Terracotta | | | |
| | 980 521 404 01 D11 | Dark grey/natural | | | |
| | 980 521 404 01 R20 | Ascot brown/natural | | | |
| 3 | 980 521 429 00 | Seat rail Set | /L | 1 | |
| (3) | 980 521 430 00 | Seat rail Set | /R | 1 | |
| 4 | 980 521 423 00 | Adapter Seat Set | /L /R | 1 | I384/385 |
| (4) | 980 521 423 01 | Adapter Seat Set | /L | 1 | I386 |
| (4) | 980 521 424 01 | Adapter Seat Set | /R | 1 | I387 |
| 5 | 980 521 405 00 | Cover Support for seatbelt Set Upper | | 1 | |
| 6 | 980 521 405 00 9A4 | Titanium metallic | | | |
| | 996 521 907 90 | Parts kit Cover Guide Belt Lower | | 2 | |

Model: 980 04 Model life 2004>>2006

| Pos | Part Number | Description | Remark | Qty | Model |
|-----|----------------|--|--------|-----|----------|
| (7) | 980 501 621 00 | Support Bracket Deep | /L | 2 | |
| 7 | 980 501 623 00 | Support Bracket Deep | /R | 1 | |
| (7) | 980 501 615 00 | Support Bracket High | /L | 1 | I382/383 |
| (7) | 980 501 617 00 | Support Bracket High | /R | 1 | I382/383 |
| 8 | 999 073 312 09 | Screw Support M 10 X 30,6 | /L /R | 4 | |
| 9 | 900 378 276 A2 | Hexagon-head bolt M 8 X 20 Mount Support Seat rail Monocoque Front | /L /R | 8 | |
| - | 999 015 025 A2 | Lens-head screw M6 x 12 Mount Bracket Seat rail Monocoque | /L /R | 4 | I382/383 |
| - | 999 015 026 A2 | Oval-head screw M 6 X 16 Support Cover Seat rail | | 4 | |

Model: 980 04

Model life 2004>>2006



Model: 980 04

Model life 2004>>2006

| Pos | Part Number | Description | Remark | Qty | Model |
|-----|----------------|--|--------|-----|----------|
| 1 | 980 521 301 00 | Carrera GT Bucket seat Mounting parts Cover Seat rail Driver's side High | 04- | 1 | I382 |
| (1) | 980 521 301 01 | Cover Seat rail Driver's side Deep | | 1 | |
| 2 | 980 521 302 00 | Cover Seat rail Passenger's side High | | 1 | I383 |
| (2) | 980 521 302 01 | Cover Seat rail Passenger's side Deep | | 1 | |
| 3 | 980 521 701 00 | Support Cover Seat rail Front | | 2 | |
| 4 | 980 521 704 00 | Support Cover Seat rail Rear High | | 2 | I383 |
| (4) | 980 521 704 01 | Support Cover Seat rail Rear Deep | | 2 | |
| 5 | 999 507 550 02 | Speed nut M6 Mount Cover Seat rail | | 2 | |
| 6 | 980 521 601 00 | Bracket Seat rail High | | 2 | I382/383 |
| (6) | 980 521 601 01 | Bracket Seat rail Deep | | 2 | |
| 7 | 999 073 268 A2 | Oval-head screw M5 X 12 Mount Bracket | | 2 | |
| 8 | 980 501 619 00 | Bracket Seat rail Rear High | | 4 | I382/383 |
| 9 | 999 015 026 09 | Oval-head screw M6 X 16 Mount Cover | | 7 | |
| 10 | 999 015 025 A2 | Lens-head screw Bracket M6 X 12 | | 4 | I382/383 |
| 11 | 900 302 052 00 | Straight pin Bracket 6,0 X 20 | | 4 | I382/383 |
| 12 | 999 702 107 40 | Grommet | | 2 | |

Model: 980 04

Model life 2004>>2006

| Pos | Part Number | Description | Remark | Qty | Model |
|-----|----------------|--|--------|-----|-------|
| - | 000 043 205 94 | 4,5 X 6,5 X 1,2 Conversion set Driver's side Deep | | 1 | |
| - | 000 043 205 95 | Conversion set Passenger's side Deep | | 1 | |
| - | 000 043 205 96 | Conversion set Driver's side High | | 1 | I382 |
| - | 000 043 205 97 | Conversion set Passenger's side High | | 1 | I383 |

Model: 980 04

Model life 2004>>2006



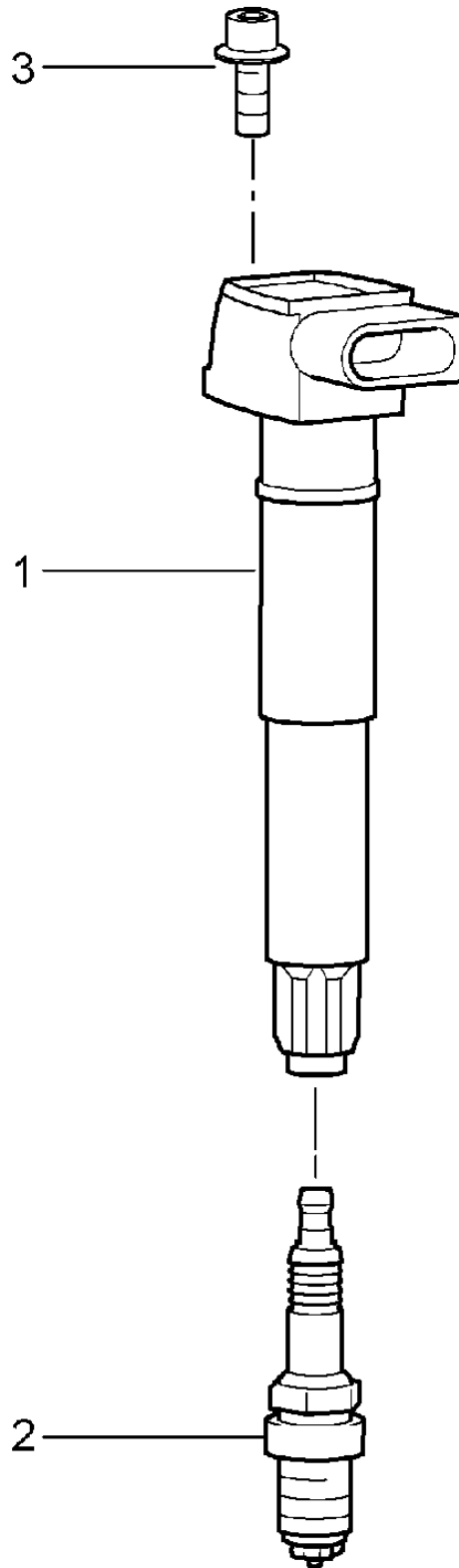
Model: 980 04

Model life 2004>>2006

| Pos | Part Number | Description | Remark | Qty | Model |
|-----|----------------|---|--------|-----------------------------------|-------|
| >> | 980 538 001 00 | Set of locks Set of locks Comprising: Lock cylinder Steering lock Lock cylinder Glove compartment Key Lock cylinder Door | | 1 1 1 1 1 | |

Model: 980 04

Model life 2004>>2006



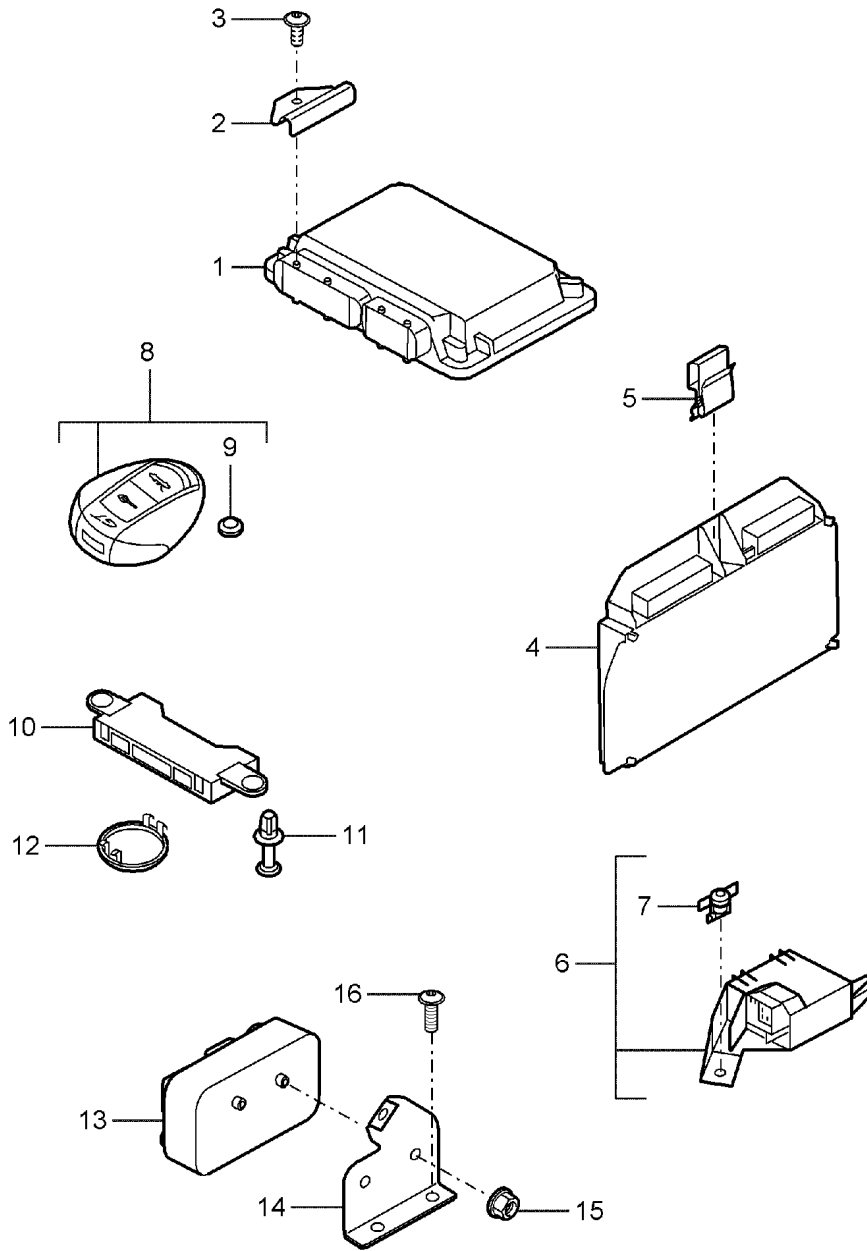
Model: 980 04

Model life 2004>>2006

| Pos | Part Number | Description | Remark | Qty | Model |
|-----|----------------|-------------------|--------|-----|-------|
| | | Ignition system | | | |
| 1 | 948 602 104 00 | Ignition coil | | 10 | |
| 1 | 980 602 904 00 | Ignition coil | | 10 | |
| 1 | 980 602 904 01 | Ignition coil | | 10 | |
| 2 | 999 170 227 90 | Spark plug | | 10 | |
| | | 14 F-4 DPU | | | |
| 3 | 900 067 412 02 | Combination screw | | 10 | |
| | | M 6 X 16 | | | |

Model: 980 04

Model life 2004>>2006



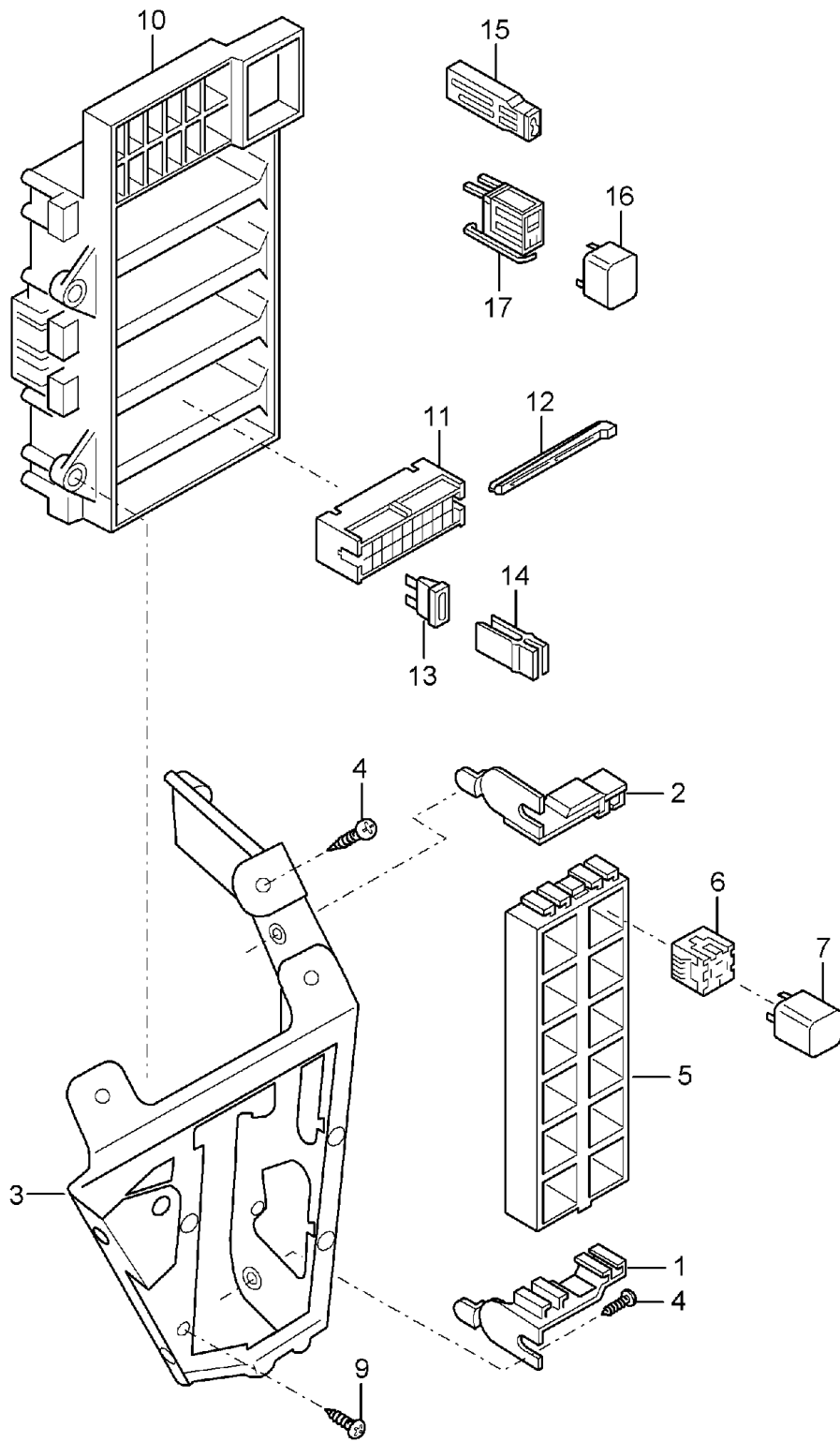
Model: 980 04

Model life 2004>>2006

| Pos | Part Number | Description | Remark | Qty | Model |
|-----|----------------|---|--------|-----|----------|
| 1 | 980 618 605 00 | Control units Control unit | | 2 | |
| 1 | 980 618 605 20 | - dme - Control unit | | 2 | |
| 2 | 980 618 131 00 | - dme - Support Control unit | | 4 | |
| 3 | 999 073 268 A2 | - dme - Oval-head screw M 5 X 12 | | 4 | |
| 4 | 996 618 262 03 | Control unit Immobiliser Central locking system Alarm system | | 1 | I535 |
| - | 999 607 064 00 | Lock 15 A for POS. 4 | | X | |
| 5 | 999 591 700 01 | U-clamp | | 1 | |
| 6 | 996 618 159 01 | Signal transducer | | 1 | |
| 7 | 996 618 261 00 | Locking device | | 1 | |
| 8 | 980 637 244 01 | Handheld transmitter | | 1 | I535 |
| - | 996 637 443 00 | Crest Coloured for Handheld transmitter | | 1 | |
| 9 | 999 611 108 00 | Battery | | 1 | I534/535 |
| 10 | 996 618 210 02 | Sensor Interior monitoring | | 1 | I534/535 |
| 10 | 996 618 210 03 | Sensor Interior monitoring for Interior colour Red | | 1 | I534/535 |
| 11 | 999 591 627 40 | Expansion rivet | | 2 | |
| 12 | 996 618 212 02 | Trim cover | | 2 | |
| 13 | 980 618 215 02 | Control unit Cooling air control | | 1 | |
| 14 | 980 624 231 00 | Support | | 1 | |
| 15 | 900 377 001 A2 | Hexagon nut M 6 | | 2 | |
| 16 | 999 073 307 A2 | Oval-head screw M 6 X 12 | | 2 | |

Model: 980 04

Model life 2004>>2006



Model: 980 04 Model life 2004>>2006

| Pos | Part Number | Description | Remark | Qty | Model |
|------|----------------|---|--------|-----|-------|
| | | Central electrical system | | | |
| | | Dashboard | | | |
| 1 | 996 610 126 00 | Support | | 1 | |
| 2 | 996 610 127 00 | Support | | 1 | |
| 3 | 980 610 126 01 | Support | | 1 | |
| 3 | 980 610 126 02 | Support | | 1 | |
| 4 | 999 073 268 A2 | Oval-head screw M 5 X 12 | | 6 | |
| 5 | 996 610 111 00 | Relay carrier Support frame M 6 | | 1 | |
| 6 | 928 610 511 00 | Relay carrier | | X | |
| 7 | | Relay | | | |
| (7) | 999 657 008 90 | Relay Pre-charge pump | | 1 | |
| (7) | 999 657 017 90 | Relay socket/code: Relay Pre-charge pump | S1 | 1 | |
| (7) | 141 951 253 B | Relay socket/code: Relay Heating | S1 | 1 | |
| (7) | 996 615 111 00 | Relay socket/code: Relay | S2 | 1 | |
| (7) | 141 951 253 B | Daytime driving lights Relay socket/code: Relay | S5/6 | 1 | |
| (7) | 996 615 102 00 | Fanfare Relay socket/code: Relay | S7 | 1 | |
| (7) | 141 951 253 B | Alarm system Central locking system Relay socket/code: Relay | S8 | 1 | |
| (7) | | Door mirror Relay socket/code: Relay | S9 | 1 | |
| (7) | 996 618 113 00 | Fog headlamp Relay socket/code: Relay | S10 | 1 | I288 |
| (7) | 986 615 103 00 | Headlight washer system Relay socket/code: Relay | S11 | 1 | |
| 9 | 999 919 088 02 | Wipe interval Relay socket/code: Oval-head screw 5,0 X 16 | S12 | 4 | |
| 10 | 996 610 211 01 | Bracket | | 1 | |
| 11 | 999 650 209 40 | Fuse holder | | X | |
| 12 | 999 650 210 40 | Slide | | X | |
| 13 | 999 607 083 00 | Lock | | X | |
| (13) | 999 607 084 00 | 7 , 5 A Lock | | X | |
| (13) | 999 607 085 00 | 10 A Lock | | X | |
| (13) | 999 607 087 00 | 15 A Lock | | X | |
| (13) | 999 607 088 00 | 25 A Lock | | X | |
| 14 | 996 610 214 00 | 30 A Tool | | X | |
| - | 980 610 217 00 | Assignment sticker Lock Emergency operation | | X | |

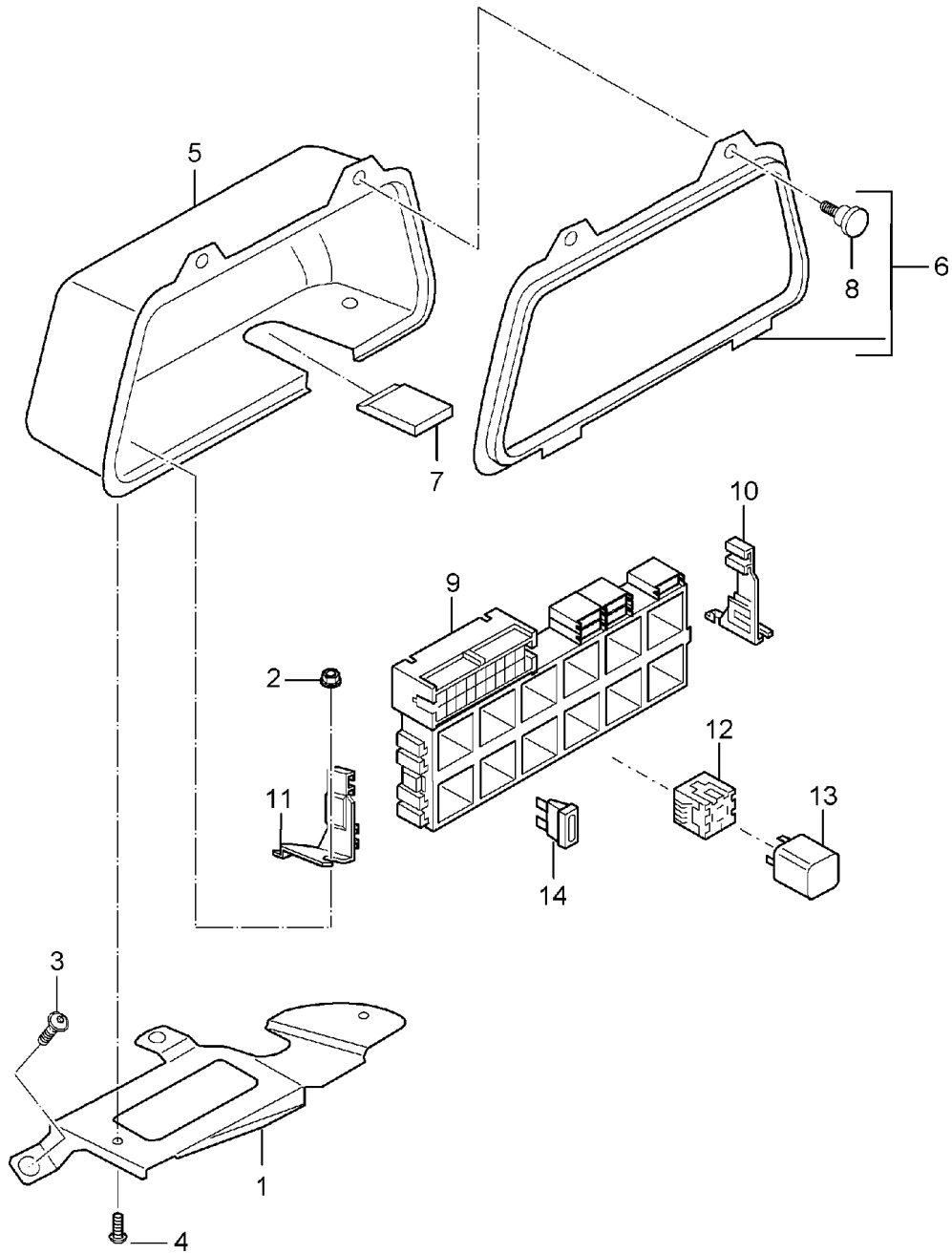
Model: 980 04

Model life 2004>>2006

| Pos | Part Number | Description | Remark | Qty | Model |
|-----|----------------|-------------------------|--------|-----|-------|
| 15 | 996 610 240 00 | Lid Terminal clamp | | 1 | |
| 16 | 999 657 006 90 | Relay | | 1 | |
| 17 | 999 650 538 40 | Relay carrier 5-pole | | 1 | |

Model: 980 04

Model life 2004>>2006



Model: 980 04 Model life 2004>>2006

| Pos | Part Number | Description | Remark | Qty | Model |
|------|----------------|---------------------------|--------|-----|-------|
| | | Central electrical system | | | |
| | | Rear end | | | |
| 1 | 980 610 145 01 | Support | | 1 | |
| 2 | 900 377 010 A2 | Nut | | 2 | |
| | | M 6 | | | |
| 3 | 999 015 026 A2 | Oval-head screw | | 3 | |
| | | M 6 X 16 | | | |
| 4 | 999 073 297 A2 | Oval-head screw | | 2 | |
| | | M 6 X 16 | | | |
| 5 | 980 610 141 01 | Housing | | 1 | |
| 6 | 980 610 143 01 | Central electrical system | | 1 | |
| | | Lid | | | |
| 7 | 980 610 150 00 | Central electrical system | | 1 | |
| | | Sealing rubber | | | |
| 8 | 900 253 006 09 | Knurled screw | | 2 | |
| | | M 5 X 12 | | | |
| 9 | 980 610 911 00 | Relay carrier | | 1 | |
| | | Support frame | | | |
| 10 | 996 610 126 00 | Support | | 1 | |
| | | It is necessary to rework | | | |
| 11 | 996 610 127 00 | Support | | 1 | |
| | | It is necessary to rework | | | |
| 12 | 928 610 511 00 | Relay carrier | | X | |
| 13 | | Relay | | | |
| (13) | 141 951 253 B | Relay | | 1 | |
| | | Fan | | | |
| | | Air conditioner | | | |
| (13) | 996 615 101 00 | Relay socket/code: | S1 | 1 | |
| | | Relay | | | |
| | | Fuel pump | | | |
| | | - 1 - | | | |
| (13) | 996 615 102 00 | Relay socket/code: | S2 | 1 | |
| | | Relay | | | |
| | | Spoiler | | | |
| (13) | 141 951 253 B | Relay socket/code: | S3 | 1 | |
| | | Relay | | | |
| | | KL. 15 | | | |
| | | Left | | | |
| (13) | | Relay socket/code: | S4 | 1 | |
| | | Relay | | | |
| | | Starter | | | |
| (13) | 993 615 115 00 | Relay socket/code: | S5 | 1 | |
| | | Relay | | | |
| | | Secondary pump | | | |
| | | - 1 - | | | |
| (13) | 993 615 115 01 | Relay socket/code: | S6 | 1 | |
| | | Relay | | | |
| | | Secondary pump | | | |
| | | - 1 - | | | |
| (13) | 141 951 253 B | Relay socket/code: | S6 | 1 | |
| | | Relay | | | |
| | | Fan | | | |
| | | Transmission | | | |
| (13) | 996 615 101 00 | Relay socket/code: | S7 | 1 | |
| | | Relay | | | |
| | | Fuel pump | | | |
| | | - 2 - | | | |
| (13) | 996 615 102 00 | Relay socket/code: | S8 | 1 | |
| | | Relay | | | |
| | | Spoiler | | | |
| (13) | 141 951 253 B | Relay socket/code: | S9 | 1 | |
| | | Relay | | | |
| | | KL. 15 | | | |

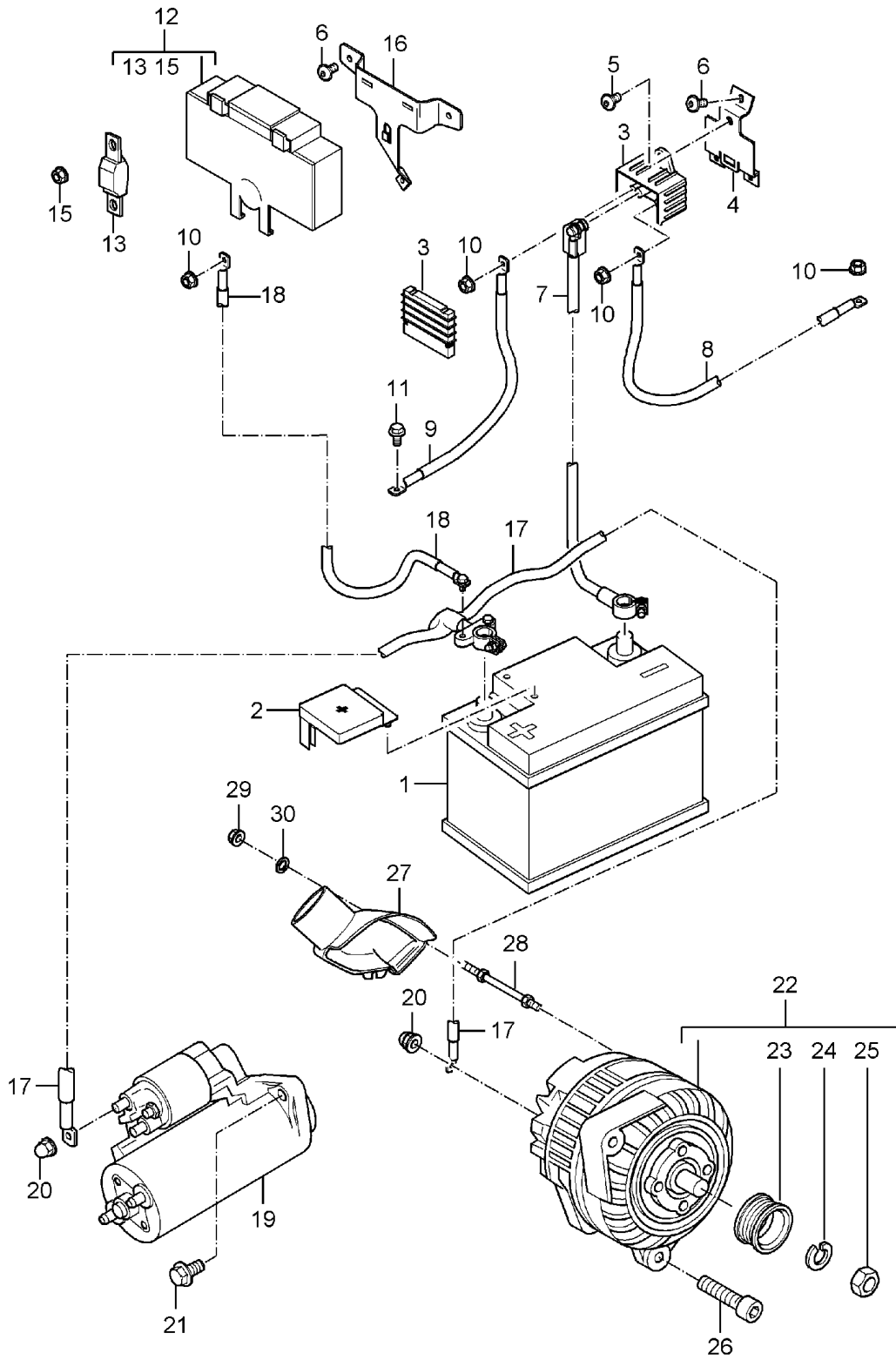
Model: 980 04

Model life 2004>>2006

| Pos | Part Number | Description | Remark | Qty | Model |
|------|----------------|--|--------|-----|-------|
| (13) | | Right Relay socket/code: Relay - dme - | S10 | 1 | |
| (13) | 993 615 115 00 | Relay socket/code: Relay Secondary pump - 2 - | S11 | 1 | |
| (13) | 993 615 115 01 | Relay socket/code: Relay Secondary pump - 2 - | S12 | 1 | |
| (14) | 999 607 085 00 | Relay socket/code: Lock 15 A | S12 | X | |
| (14) | 999 607 087 00 | Lock 25 A | | X | |
| (14) | 999 607 089 00 | Lock 40 A | | X | |
| (14) | 999 607 073 00 | Lock 40 A Large | | X | |

Model: 980 04

Model life 2004>>2006



Model: 980 04

Model life 2004>>2006

| Pos | Part Number | Description | Remark | Qty | Model |
|------|----------------|--|--------|-----|-------|
| | | Battery Ground distributor Power distributor Starter Generator | | | |
| 1 | 999 611 080 20 | Battery 80 AH | | 1 | |
| (1) | 999 611 080 21 | Battery 80 AH | | 1 | |
| 1 | 999 611 060 20 | Battery 60 AH | | 1 | |
| 2 | 980 611 104 00 | Pole covering Battery Support Battery See group 8/01/05 | | 1 | |
| 3 | 980 611 311 00 | Ground distributor | | 1 | |
| 4 | 980 611 301 01 | Retaining bracket Ground distributor | | 1 | |
| 5 | 999 015 025 A2 | Lens-head screw M 6 X 12 | | 1 | |
| 6 | 999 015 026 A2 | Oval-head screw M 6 X 16 | | 6 | |
| 7 | 980 611 088 01 | Ground cable Battery Ground distributor | | 1 | |
| 8 | 980 611 091 00 | Ground cable Ground distributor Side member Front Right | | 1 | |
| 9 | 980 611 090 00 | Ground cable Ground distributor Transmission | | 1 | |
| 10 | 900 380 005 09 | Hexagon nut M 8 | | 4 | |
| 11 | 900 378 260 09 | Hexagon-head bolt M 8 X 20 | | 1 | |
| 12 | 980 610 301 00 | Power distributor Complete | | 1 | |
| 13 | 999 607 075 00 | Fuse element 50 A | | X | |
| (13) | 999 607 076 00 | Fuse element 80 A | | X | |
| (13) | 999 607 078 00 | Fuse element 100 A | | X | |
| 15 | 900 084 122 02 | Hexagon nut M 5 | | X | |
| (15) | 900 084 031 02 | Hexagon nut M 6 | | X | |
| 16 | 980 610 147 00 | Support Power distributor | | 1 | |
| 17 | 980 612 041 01 | Cable Battery Generator Starter | | 1 | |
| 18 | 980 612 042 01 | Cable Battery Power distributor | | 1 | |
| 19 | 996 604 103 00 | Starter | | 1 | |
| 20 | 999 070 014 00 | Cap nut | | 2 | |

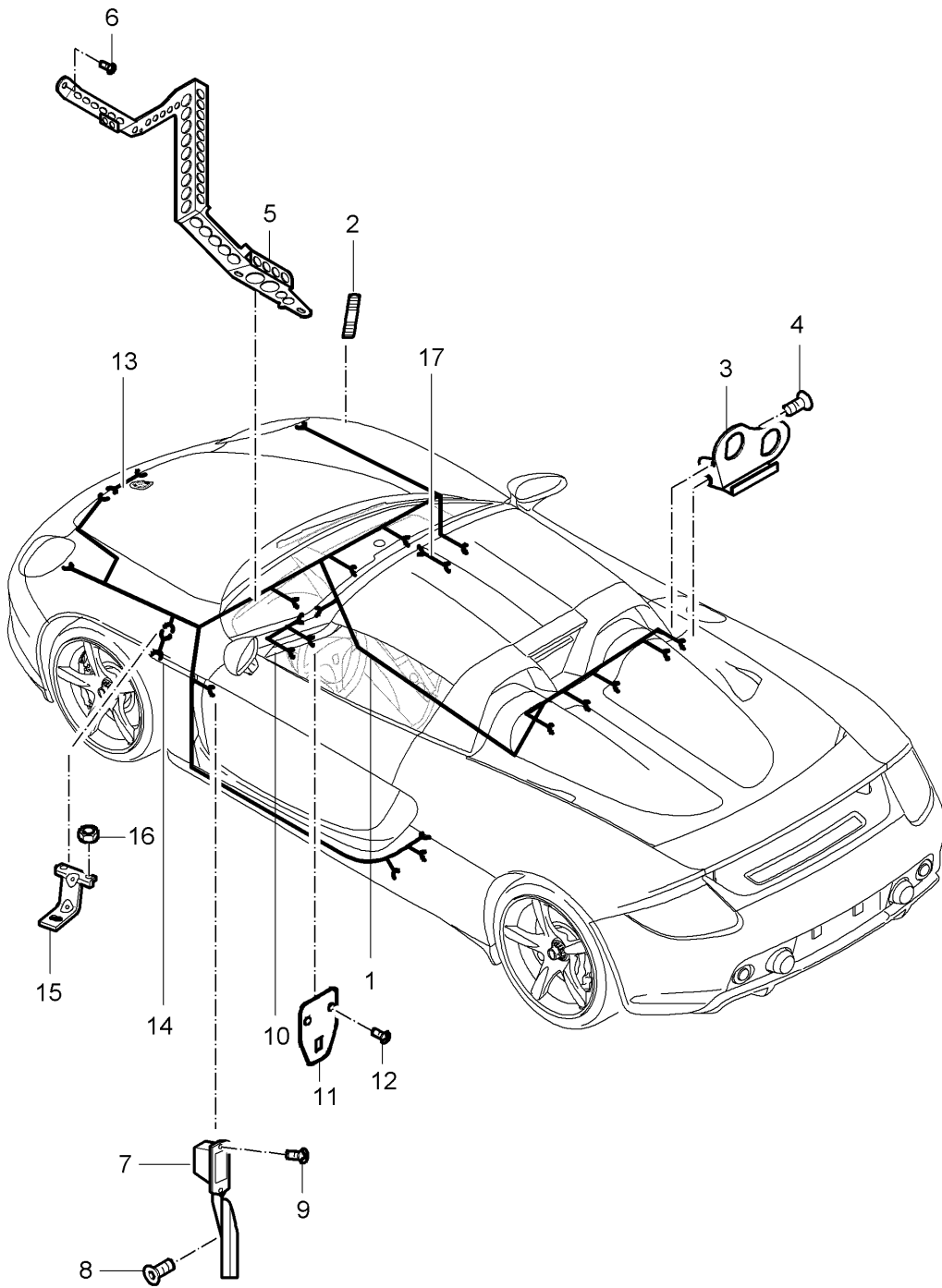
Model: 980 04

Model life 2004>>2006

| Pos | Part Number | Description | Remark | Qty | Model |
|------|----------------|---|--------|-----|-------|
| (20) | 900 377 010 A2 | M 8 Nut | | 1 | |
| 21 | 900 378 101 09 | M 6 Hexagon-head bolt | | 2 | |
| 22 | 997 603 012 06 | AM 10 X 35 Generator with Pulley | | 1 | |
| 23 | 980 603 511 00 | Use also: POS. 23 Pulley | | 1 | |
| 24 | N 012 016 1 | Lock ring | | 1 | |
| 25 | 900 034 013 01 | B 16 Hexagon nut | | 1 | |
| - | 996 603 113 00 | M 16 X 1,5 Protection cap for POS. 25 | | 1 | |
| 26 | 900 378 167 09 | Hexagon-head bolt M 10 X 110 | | 1 | |
| (26) | 900 378 098 09 | Hexagon-head bolt AM 10X 60 | | 1 | |
| 27 | 980 504 723 01 | Air guide Generator Hose See group 8/01/05 POS. 41 | | 1 | |
| 28 | 980 504 725 00 | Stud | | 1 | |
| 29 | 900 380 001 02 | Nut M 5 | | 1 | |
| 30 | 900 025 003 02 | Washer | | 1 | |
| 30 | 900 025 080 01 | Washer | | 1 | |

Model: 980 04

Model life 2004>>2006



Model: 980 04 Model life 2004>>2006

| Pos | Part Number | Description | Remark | Qty | Model |
|-----|----------------|--|--------|-----|-------|
| | | Wiring harnesses Passenger compartment Pedals Luggage compartment lamp Glove compartment light Repair kit Anti-lock brake system Brake pad wear indicator Front axle | | | |
| 1 | 980 612 101 00 | Wiring harness Passenger compartment | | 1 | |
| 2 | 999 919 225 A2 | Stud M 5/T 5 X 13,0 | | X | |
| (2) | 999 919 214 A2 | Stud M 5/T 5 X 40,0 | | X | |
| - | 999 591 126 40 | Tie-wrap for POS. 2 4,6 X 200 MM Retaining range 45 MM | | X | |
| - | 999 591 114 40 | Tie-wrap for POS. 2 4,6 X 150 MM Retaining range 33 MM | | X | |
| 3 | 980 612 215 00 | Support Connection point Wiring harness Passenger compartment Rear end | | 1 | |
| 4 | 999 015 026 A2 | Oval-head screw M 6 X 16 | | 2 | |
| 5 | 980 610 160 00 | Cable guide | | 1 | |
| 6 | 999 073 297 A2 | Oval-head screw M 6 X 16 | | 3 | |
| 7 | 980 610 307 00 | Support Connection point Door | /L | 1 | |
| (7) | 980 610 308 00 | Support Connection point Door | /R | 1 | |
| 8 | 999 015 025 A2 | Lens-head screw M 6 X 12 | | 4 | |
| 9 | 999 073 259 09 | Oval-head screw M 6 X 8 | | 2 | |
| 10 | 980 612 151 00 | Wiring harness Pedals | | 1 | |
| 11 | 980 610 166 00 | Support Connection point Pedals | | 1 | |
| 12 | 999 073 268 A2 | Oval-head screw M 5 X 12 | | 2 | |
| 13 | 980 612 146 00 | Wiring harness Luggage compartment lamp | | 1 | |
| 17 | 980 612 651 00 | Wiring harness Glove compartment light | | 1 | |
| - | 999 650 564 40 | Clip Microswitch Repair kit Wiring harness Anti-lock brake system | | 1 | |

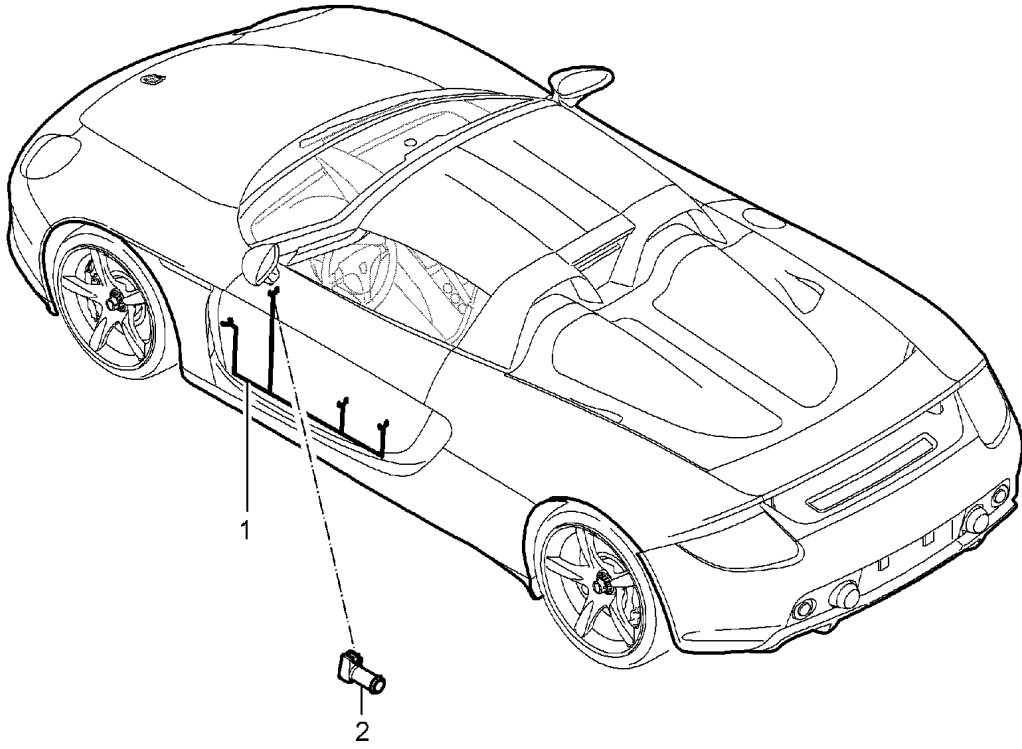
Model: 980 04

Model life 2004>>2006

| Pos | Part Number | Description | Remark | Qty | Model |
|-----|----------------|---|--------|-----|-------|
| - | 980 612 951 00 | Brake pad wear indicator Front axle Repair kit | /V /L | 1 | |
| - | 980 612 950 00 | Wiring harness Repair kit | /V /R | 1 | |
| - | 944 612 627 00 | Wiring harness Line bracket for Repair kit | | 10 | |
| - | 980 612 351 00 | Connecting line Anti-lock brake system | | 2 | |
| - | 999 507 464 40 | Support for Connecting line | | 2 | |
| - | 996 610 120 01 | Support Plug socket Diagnostic connector Repair kit Wiring harness Rear axle See group 9/02/20 | | 1 | |

Model: 980 04

Model life 2004>>2006



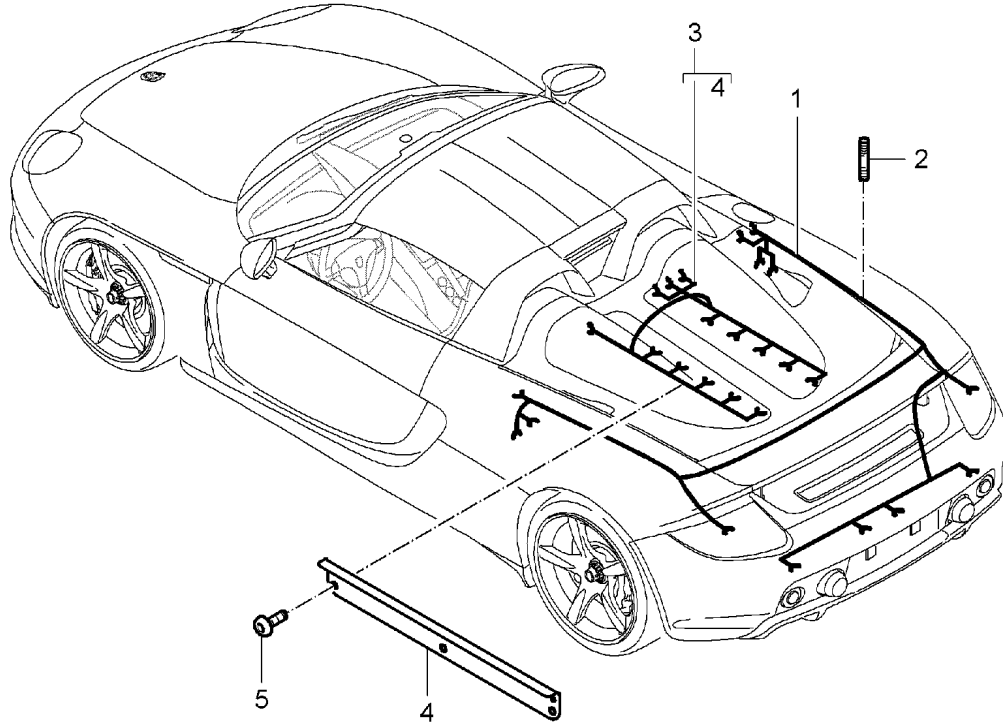
Model: 980 04

Model life 2004>>2006

| Pos | Part Number | Description | Remark | Qty | Model |
|-----|----------------|---|--------|-----|-------|
| 1 | 980 612 165 00 | Wiring harnesses Driver's door Passenger's door | | 1 | |
| (1) | 980 612 166 00 | Wiring harness Driver's door Passenger's door | | 1 | |
| 2 | 964 612 616 00 | Use also: Plug socket 6-pole | | 1 | |

Model: 980 04

Model life 2004>>2006

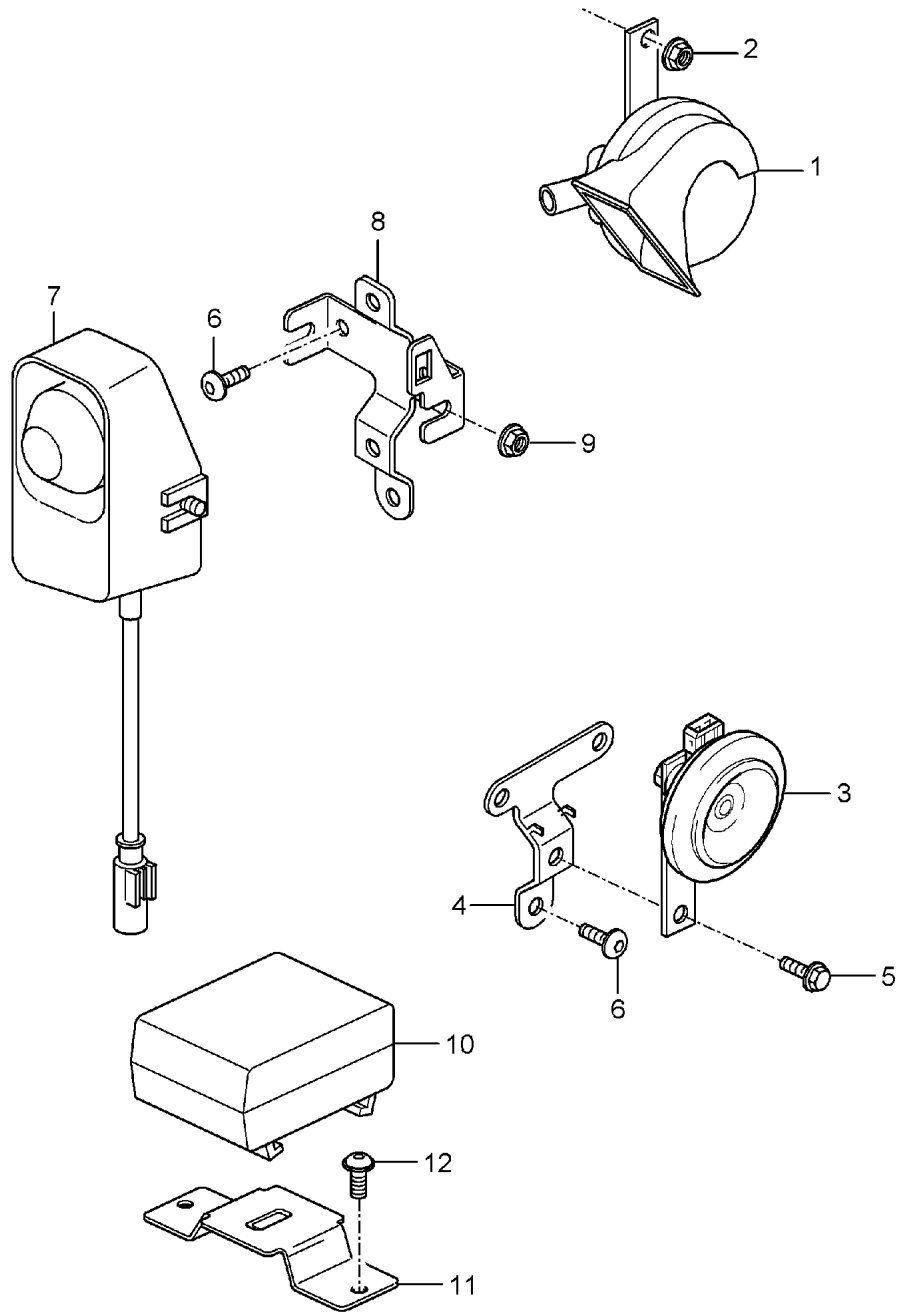


Model: 980 04 Model life 2004>>2006

| Pos | Part Number | Description | Remark | Qty | Model |
|-----|----------------|---|--------|-----|-------|
| | | Wiring harnesses Rear end Engine Repair kit Anti-lock brake system Brake pad wear indicator Rear axle | | | |
| 1 | 980 612 801 00 | Wiring harness Rear end | | 1 | |
| 1 | 980 612 801 01 | F >>985L0 01393 Wiring harness Rear end | | 1 | |
| 2 | 999 919 225 A2 | F 985L0 01394>> Stud | | X | |
| - | 999 591 126 40 | T 5 X 13,0 Tie-wrap for POS. 2 4,6 X 200 MM | | X | |
| - | 999 591 114 40 | Retaining range 45 MM Tie-wrap for POS. 2 4,6 X 150 MM | | X | |
| - | 999 513 063 40 | Retaining range 33 MM Cable holder for POS. 2 3,6 X 150 MM | | X | |
| 3 | 980 607 005 00 | Wiring harness Engine | | 1 | |
| 4 | 980 607 301 02 | Cable guide | | 2 | |
| 5 | 900 067 240 02 | Combination screw M 6 X 12 | | 6 | |
| - | 477 971 881 A | Retaining bracket | | 1 | |
| - | 999 511 239 40 | Cable holder | | 4 | |
| - | 999 651 152 02 | Cable clamp | | 1 | |
| - | 999 651 152 01 | Cable clamp | | 1 | |
| | | Repair kit Wiring harness Anti-lock brake system Brake pad wear indicator Rear axle | | | |
| - | 980 612 961 00 | Repair kit | /H /L | 1 | |
| | | Wiring harness | | | |
| - | 980 612 960 00 | Repair kit | /H /R | 1 | |
| | | Wiring harness | | | |
| - | 980 612 351 00 | Connecting line Anti-lock brake system Repair kit Wiring harness Front axle See group 9/02/10 | | 2 | |

Model: 980 04

Model life 2004>>2006



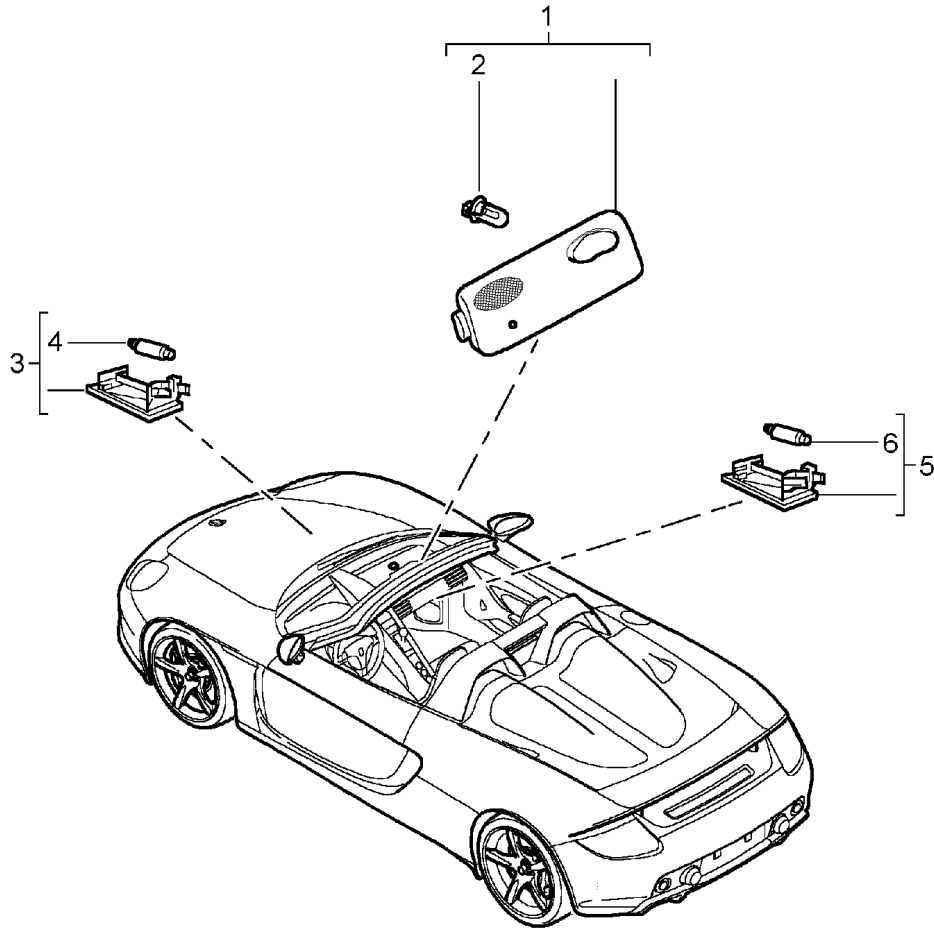
Model: 980 04

Model life 2004>>2006

| Pos | Part Number | Description | Remark | Qty | Model |
|-----|----------------|---|--------|-----|-------|
| 1 | 980 635 205 00 | Fanfare Horn | | 1 | |
| (1) | 980 635 206 00 | Fanfare Low-pitched Fanfare High-pitched | | 1 | |
| 2 | 900 380 005 09 | Hexagon nut M 8 | | 2 | |
| 3 | 996 637 117 02 | Horn for Alarm system | | 1 | |
| 3 | 996 637 117 03 | Horn for Alarm system | | 1 | |
| 4 | 980 637 223 01 | Support | | 1 | |
| 5 | 900 385 099 09 | Screw BM 8 X 12 | | 1 | |
| 6 | 999 073 307 A2 | Oval-head screw M 6 X 12 | | X | |

Model: 980 04

Model life 2004>>2006



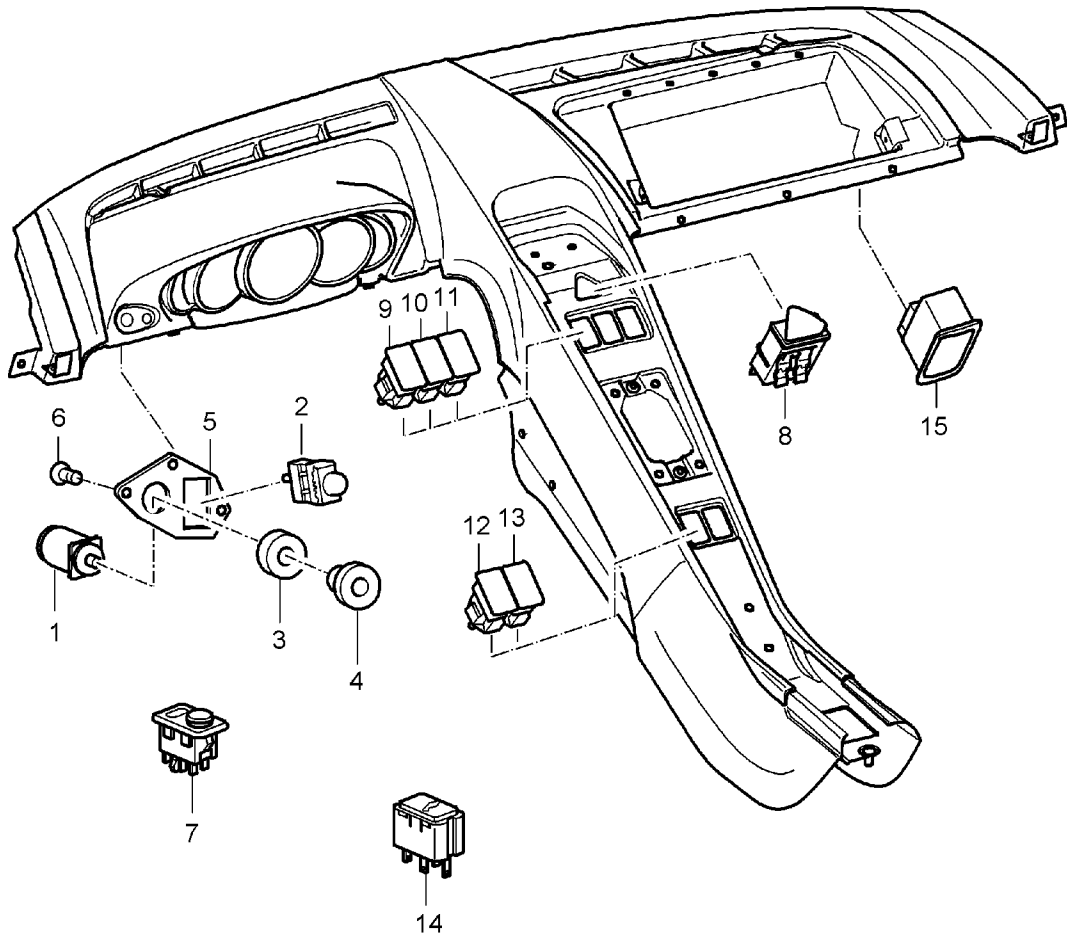
Model: 980 04

Model life 2004>>2006

| Pos | Part Number | Description | Remark | Qty | Model |
|-----|----------------|--------------------------|--------|-----|-------|
| | | Interior lights | | | |
| | | Luggage compartment lamp | | | |
| | | Glove compartment | | | |
| (1) | 986 632 053 10 | Interior light | | 1 | |
| 2 | 999 631 032 90 | Bulb | | 1 | |
| | | 5 W | | | |
| - | 999 632 018 00 | Bulb socket | | 1 | |
| 3 | 997 632 201 00 | Light | | 1 | |
| 4 | 900 631 106 90 | Linolite lamp | | 1 | |
| | | 10 W | | | |
| 5 | 928 632 101 00 | Glove compartment light | | 1 | |
| 6 | 999 631 018 90 | Bulb | | 1 | |
| | | 3 W | | | |

Model: 980 04

Model life 2004>>2006

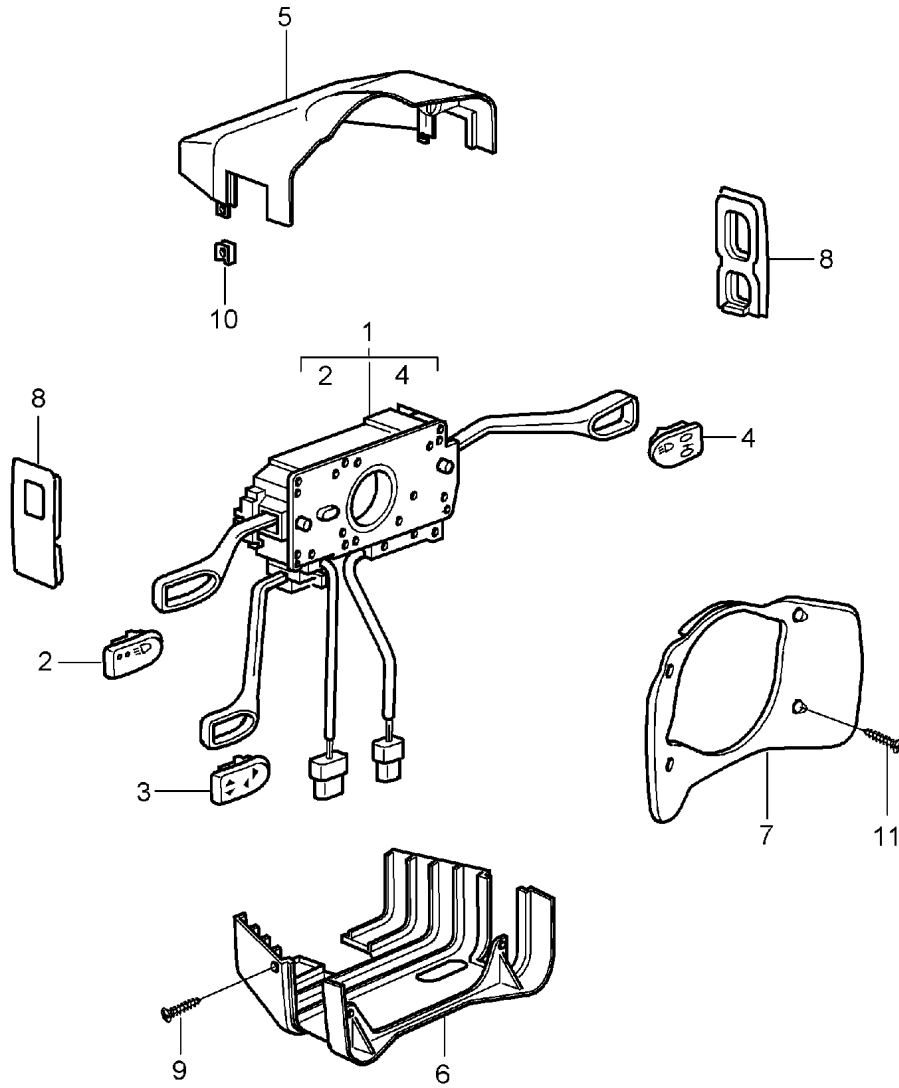


Model: 980 04 Model life 2004>>2006

| Pos | Part Number | Description | Remark | Qty | Model |
|------|--------------------|--------------------------------------|--------|-----|-------|
| 1 | 980 613 531 00 | Switch Light switch | | 1 | |
| (2) | 980 641 541 00 | Display unit Illumination | | 1 | |
| 3 | 964 613 535 00 | Rosette | | 1 | |
| | 964 613 535 00 01C | Satin black | | | |
| 4 | 980 613 533 00 | Rotary knob | | 1 | |
| | 980 613 533 00 FJW | Mat chrome Titanium grey | | | |
| 5 | 980 613 543 00 | Support | | 1 | |
| 6 | 999 073 284 0A | Oval-head screw M 4 X 16 | | 3 | |
| 7 | 993 613 241 00 | Switch Door mirror | | 1 | |
| | 993 613 241 00 01C | Satin black | | | |
| 8 | 6N0 953 235 B | Hazard warning light sw. | | 1 | |
| 9 | 980 613 131 00 | Tip switch - ASR - | | 1 | |
| | 980 613 131 00 C70 | Mat chrome | | | |
| 10 | 980 613 133 00 | Tip switch Spoiler | | 1 | |
| | 980 613 133 00 C70 | Mat chrome | | | |
| 11 | 980 613 135 00 | Tip switch Central locking system | | 1 | |
| | 980 613 135 00 C70 | Mat chrome | | | |
| 12 | 980 613 151 00 | Tip switch Power windows | /L | 1 | |
| | 980 613 151 00 C70 | Mat chrome | | | |
| 13 | 980 613 152 00 | Tip switch Power windows | /R | 1 | |
| | 980 613 152 00 C70 | Mat chrome | | | |
| 14 | 980 613 105 00 | Tip switch Lid Front | | 1 | |
| | 980 613 105 00 A05 | Black mat | | | |
| (14) | 980 613 106 00 | Tip switch Lid Rear | | 1 | |
| | 980 613 106 00 A05 | Black mat | | | |
| 15 | 4B0 925 071 A | Plug socket Glove compartment | | 1 | |
| 15 | | Plug socket Glove compartment | | 1 | |
| | 4B0 925 071 A 2AQ | Black | | | |

Model: 980 04

Model life 2004>>2006

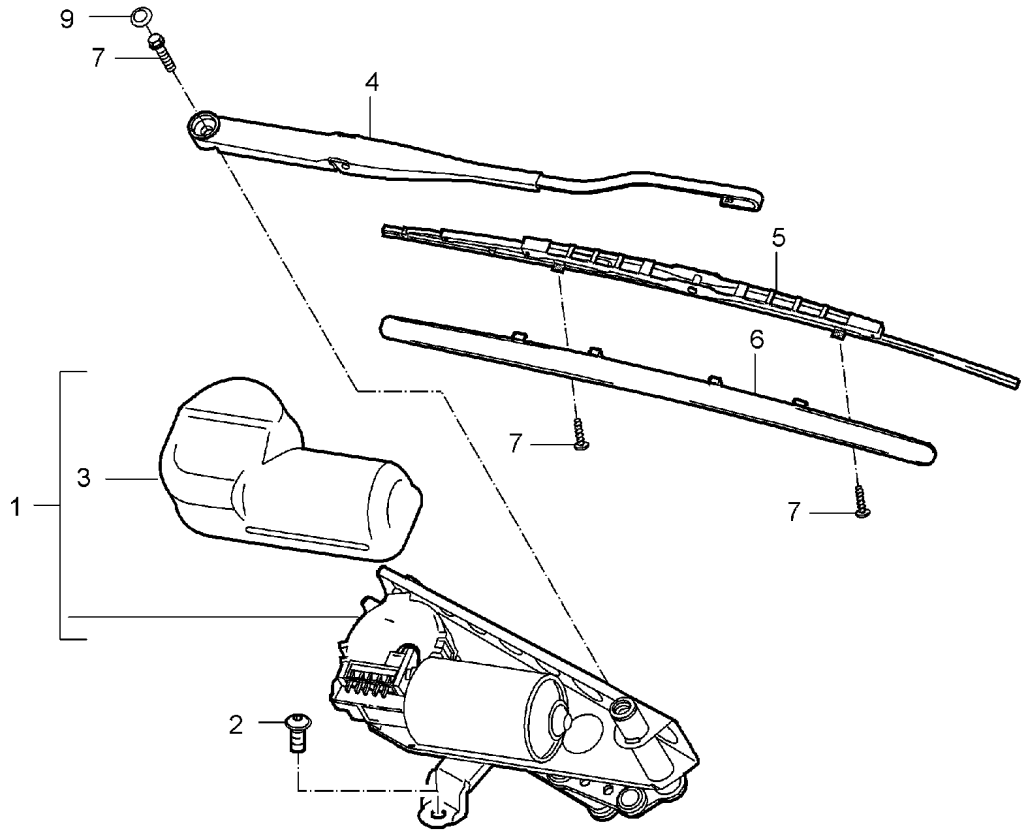


Model: 980 04 Model life 2004>>2006

| Pos | Part Number | Description | Remark | Qty | Model |
|-----|--------------------------------------|--|--------|-----|-------|
| 1 | 996 613 215 10 996 613 215 10 EWC | Steering column switch Steering column switch Black mat/satin black When required order also: | | 1 | |
| 2 | 996 613 509 10 996 613 509 10 A05 | Cap with symbol Black mat Direction indicator light High beam | | 1 | |
| 3 | 996 613 503 10 996 613 503 10 A05 | Cap with symbol Black mat | | 1 | I659 |
| 4 | 996 613 507 10 996 613 507 10 A05 | Cap with symbol Black mat | | 1 | I288 |
| 5 | 996 552 273 01 996 552 273 01 A03 | Switch housing Lacquered Black | | 1 | |
| 6 | 996 552 275 03 996 552 275 03 A03 | Switch housing Lacquered Black | | 1 | |
| 7 | 996 552 277 00 996 552 277 00 A03 | Cover Lacquered Black | | 1 | |
| 8 | 993 552 573 00 993 552 573 00 01C | Cover Satin black | | 1 | |
| (8) | 993 552 573 01 993 552 573 01 01C | Cover Satin black | | 1 | |
| 9 | 900 143 002 07 | Tapping screw B 2,9 X 9,5 | | 2 | |
| 10 | 999 591 888 02 | Speed nut B 2,9 | | 2 | |
| 11 | 900 143 072 02 | Oval-head sheetmetal screw B 3,5 X 19 | | 4 | |

Model: 980 04

Model life 2004>>2006



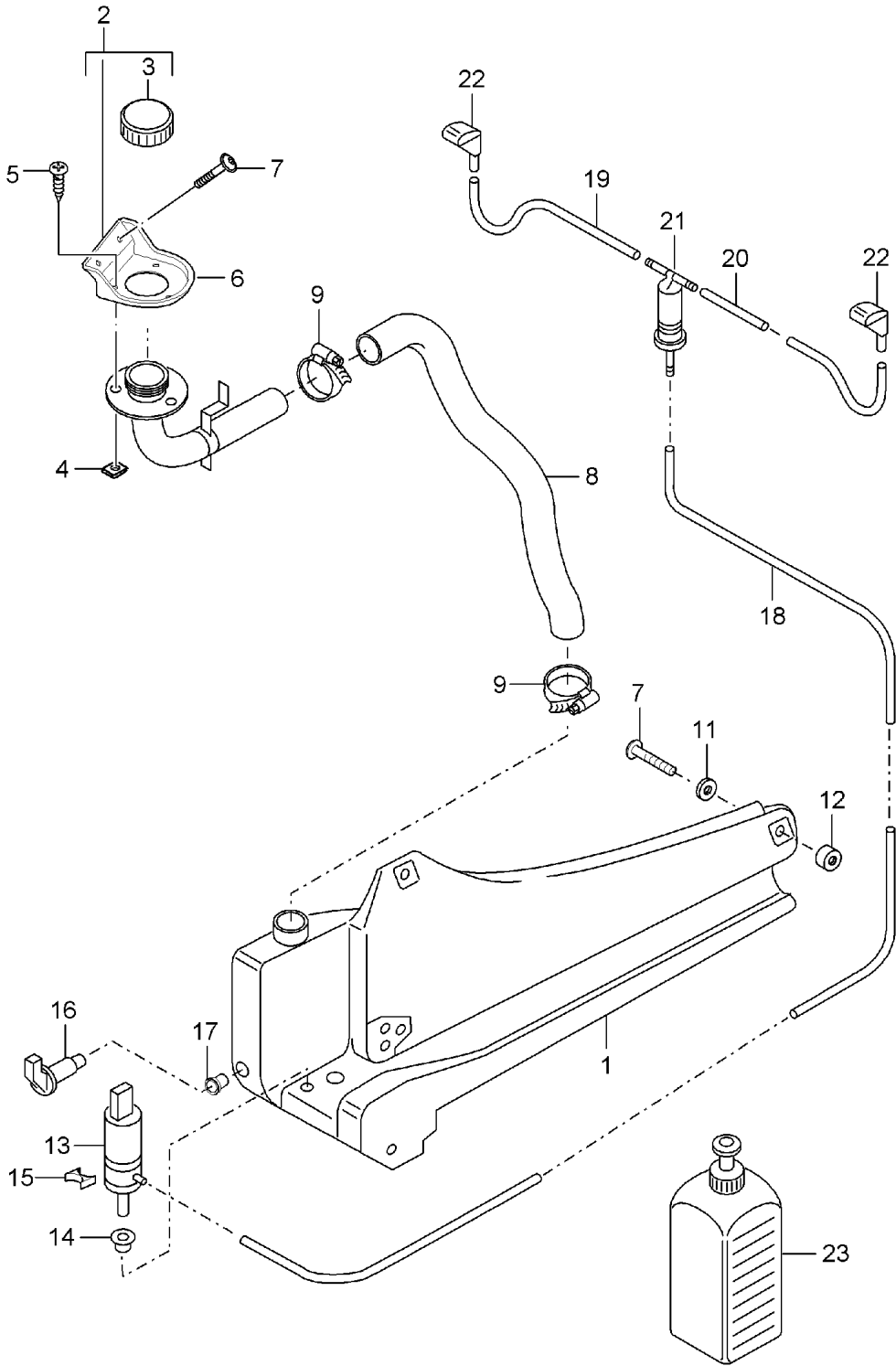
Model: 980 04

Model life 2004>>2006

| Pos | Part Number | Description | Remark | Qty | Model |
|-----|----------------|--|--------|-----|-------|
| 1 | 980 628 035 02 | Windscreen wiper system Windscreen wiper system Complete | | 1 | |
| 2 | 999 073 252 A2 | Oval-head screw M 6 X 20 | | 3 | |
| 3 | 980 628 145 01 | Cover Wiper motor | | 1 | |
| 4 | 980 628 027 00 | Wiper arm | | 1 | |
| 5 | 980 628 031 00 | Wiper blade with spoiler | | 1 | |
| 6 | 980 628 137 00 | Spoiler Wiper blade | | 1 | |
| 7 | 999 919 140 A2 | Oval-head screw 4,0 X 12 | | 2 | |
| 8 | 900 378 017 A2 | Hexagon-head bolt M 8 X 20 | | 1 | |
| 9 | 944 628 305 01 | Cap | | 1 | |

Model: 980 04

Model life 2004>>2006



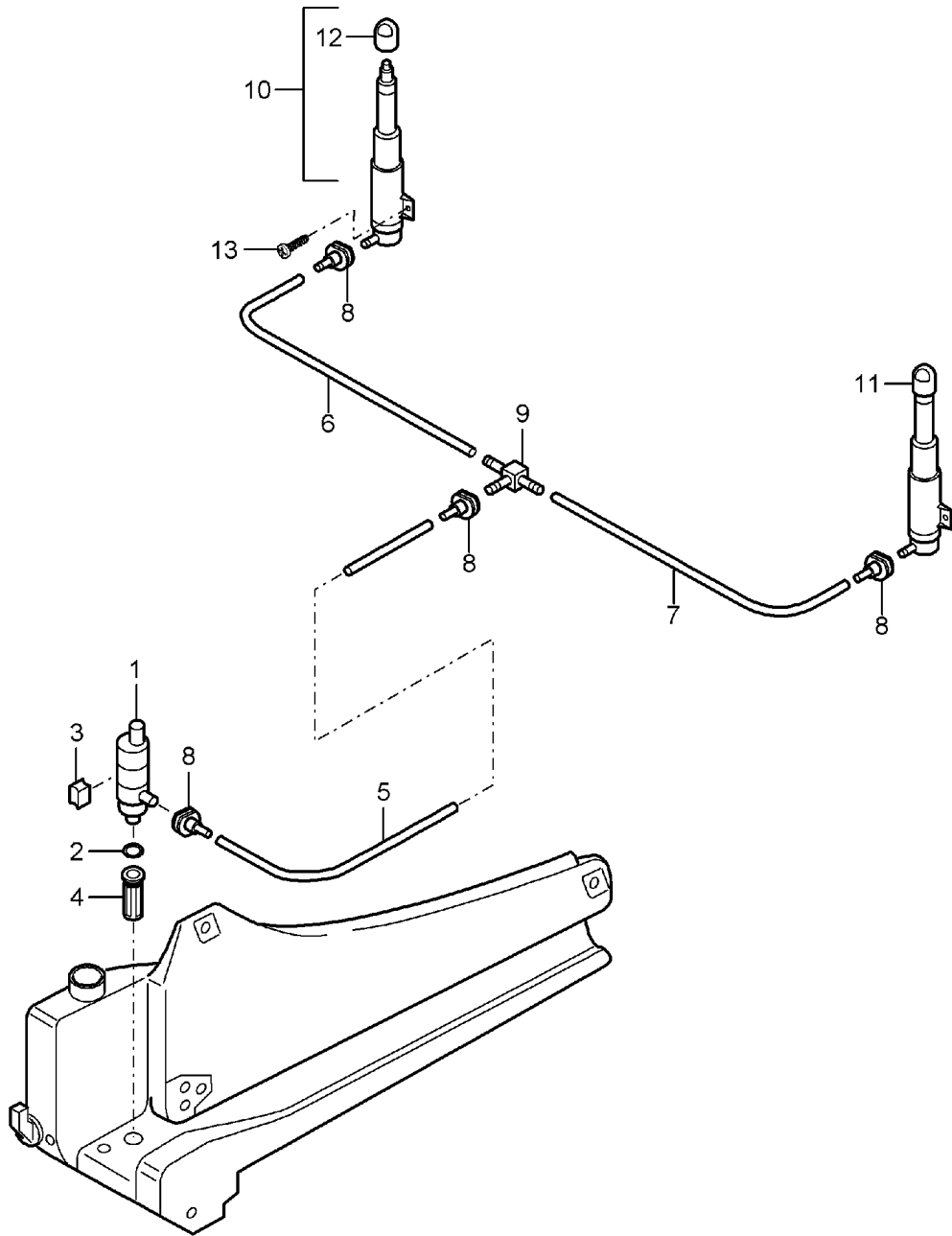
Model: 980 04

Model life 2004>>2006

| Pos | Part Number | Description | Remark | Qty | Model |
|------|----------------|---|--------|-----|-------|
| | | Windscreen washer system | | | |
| 1 | 980 528 511 02 | Water reservoir | | 1 | |
| 2 | 996 528 605 00 | Filler neck | | 1 | |
| 3 | 996 528 607 00 | Lid | | 1 | |
| 4 | 999 507 668 0A | Speed nut 4,8 | | 3 | |
| 5 | 999 073 231 09 | Tapping screw 4,8 X 16 | | 3 | |
| 6 | 980 501 613 00 | Support | | 1 | |
| 7 | 999 015 026 A2 | Oval-head screw M 6 X 16 | | 5 | |
| 8 | 980 528 411 00 | Hose | | 1 | |
| 9 | 999 512 677 00 | Hose clamp 25 - 40 | | 2 | |
| 11 | 999 025 268 09 | Washer 6,4 X 18 | | 3 | |
| 12 | 999 209 035 02 | Spacer sleeve | | 3 | |
| 13 | 996 628 172 00 | Pump | | 1 | |
| 14 | 431 955 465 B | Sealing ring | | 2 | |
| 15 | 993 628 213 00 | Spacer | | 1 | I288 |
| 16 | 996 628 105 00 | Tank gauge switch | | 1 | |
| 17 | 996 528 721 00 | Grommet | | 1 | |
| - | 999 181 815 40 | Hose 5,0 X 2,5 | | * | |
| 18 | | 3090 MM | | 1 | |
| 19 | | 250 MM | | 1 | |
| 20 | | 720 MM | | 1 | |
| 21 | 996 628 102 00 | T-piece | | 1 | |
| 22 | 996 628 077 01 | Nozzle Not Adjustable | | 2 | |
| (22) | 980 628 077 00 | Nozzle Adjustable | /L | 1 | |
| (22) | 980 628 078 00 | Nozzle Adjustable | /R | 1 | |
| - | 980 628 477 00 | When required order also: Clamp for Nozzle Adjustable | | 2 | |
| 23 | 999 901 017 41 | Window cleaner 250 ML Summer | | X | |
| 23 | 999 901 033 40 | Window cleaner 1000 ML Winter | | X | |

Model: 980 04

Model life 2004>>2006



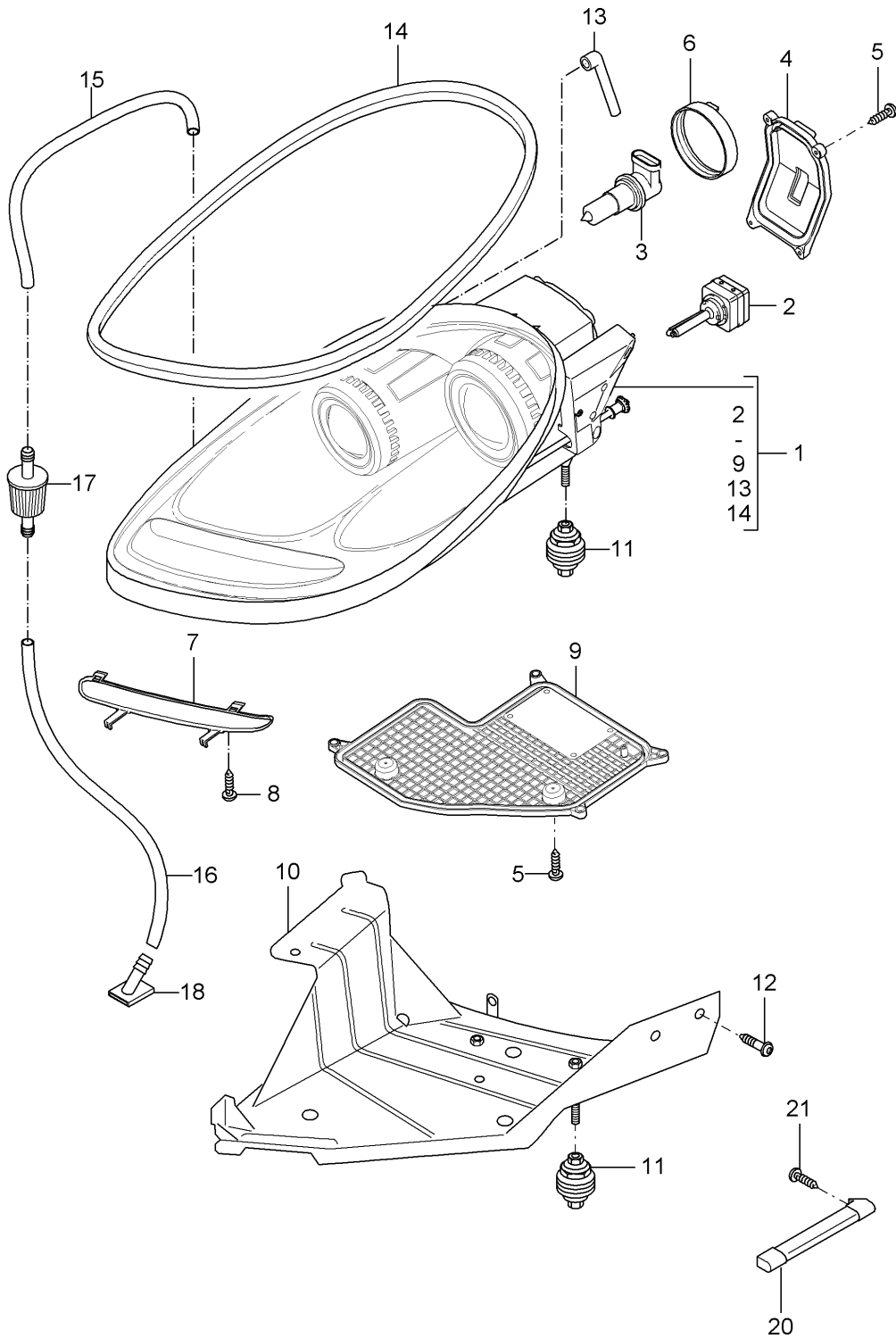
Model: 980 04

Model life 2004>>2006

| Pos | Part Number | Description | Remark | Qty | Model |
|-----|----------------|----------------------------|--------|-----|-------|
| | | Headlight washer system | | | I288 |
| 1 | 997 624 502 00 | Pump | | 1 | |
| 2 | 999 707 323 40 | O-ring 9,00 X 1,5 | | 1 | |
| 3 | 993 628 213 00 | Spacer | | 1 | |
| 4 | 996 628 393 00 | Gasket with Strainer | | 1 | |
| - | 999 181 760 40 | Hose 10 X 3 | | * | |
| 5 | | 3080 MM | | 1 | |
| 6 | | 820 MM | | 1 | |
| 7 | | 1125 MM | | 1 | |
| 8 | 997 628 204 00 | Clutch | | 4 | |
| 9 | 980 628 453 00 | T-piece | | 1 | |
| 10 | 980 628 133 00 | Nozzle | /L | 1 | |
| 11 | 980 628 134 00 | Nozzle | /R | 1 | |
| 12 | 997 628 333 00 | Cap | | 2 | |
| 13 | 999 073 231 A2 | Tapping screw 4,8 X 16 | | 4 | |

Model: 980 04

Model life 2004>>2006



Model: 980 04 Model life 2004>>2006

| Pos | Part Number | Description | Remark | Qty | Model |
|------|----------------|---|--------|-----|-------|
| | | Headlamp | | | |
| | | Direction indicator light | | | |
| 1 | 980 631 057 20 | Headlamp | /L | 1 | |
| 1 | 980 631 057 21 | Headlamp | /L | 1 | |
| (1) | 980 631 058 20 | Headlamp | /R | 1 | |
| (1) | 980 631 058 21 | Headlamp | /R | 1 | |
| | | See technical information GR. 9 , NR. 4/04 | | | |
| - | 980 631 901 00 | Repair kit | | 1 | |
| | | Wiring harness | | | |
| | | Headlamp | | | |
| | | See technical information GR. 9 , NR. 2/04 | | | |
| 2 | 999 631 036 90 | Bulb | | 2 | |
| | | - PHILIPS - | | | |
| 3 | 999 631 145 90 | Bulb | | 2 | |
| | | HB 3 A | | | |
| 4 | 980 631 101 00 | Protective cap | | 2 | |
| | | Dipped beam | | | |
| 5 | 999 919 025 02 | Oval-head screw | | 20 | |
| | | 4 X 10 | | | |
| 6 | 980 631 105 00 | Protective cap | | 2 | |
| | | High beam | | | |
| 7 | 980 631 171 00 | Headlight unit | /L | 1 | |
| | | Direction indicator light | | | |
| | | Position light | | | |
| (7) | 980 631 172 00 | Headlight unit | /R | 1 | |
| | | Direction indicator light | | | |
| | | Position light | | | |
| 8 | 999 919 031 02 | Oval-head screw | | 6 | |
| | | 4 X 8 | | | |
| 9 | 980 631 103 00 | Protective cap | /L | 1 | |
| | | Direction indicator light | | | |
| | | Position light | | | |
| (9) | 980 631 104 00 | Protective cap | /R | 1 | |
| | | Direction indicator light | | | |
| | | Position light | | | |
| 10 | 980 631 411 00 | Support | /L | 1 | |
| | | Headlamp | | | |
| (10) | 980 631 412 00 | Support | /R | 1 | |
| | | Headlamp | | | |
| 11 | 996 631 078 00 | Fastening part | | 10 | |
| 12 | 999 073 258 A2 | Oval-head screw | | 10 | |
| | | M 8 X 20 | | | |
| 13 | 997 631 147 00 | Breather adapter | | 2 | |
| 14 | 980 631 121 00 | Retaining ring | | 2 | |
| - | 000 043 204 78 | Hose | | * | |
| | | 6,0 X 2,0 | | | |
| 15 | | 500 MM | | 2 | |
| 16 | | 200 MM | | 2 | |
| 17 | 980 631 173 00 | Filter | | 2 | |
| 18 | 993 631 141 01 | Breather adapter | | 2 | |
| - | 999 911 041 00 | Edge protection | | * | |
| | | 1000 MM | | 1 | |
| - | 999 513 021 40 | Tie-wrap | | 2 | |
| | | When required order also: | | | |
| - | 000 043 300 47 | Set | | 1 | |
| | | Adhesive | | | |
| | | EPX-SCOTCH-WELD | | | |
| - | 000 043 300 48 | Tool | | 1 | |
| | | for | | | |
| | | EPX-SCOTCH-WELD | | | |
| | | Direction indicator light | | | |

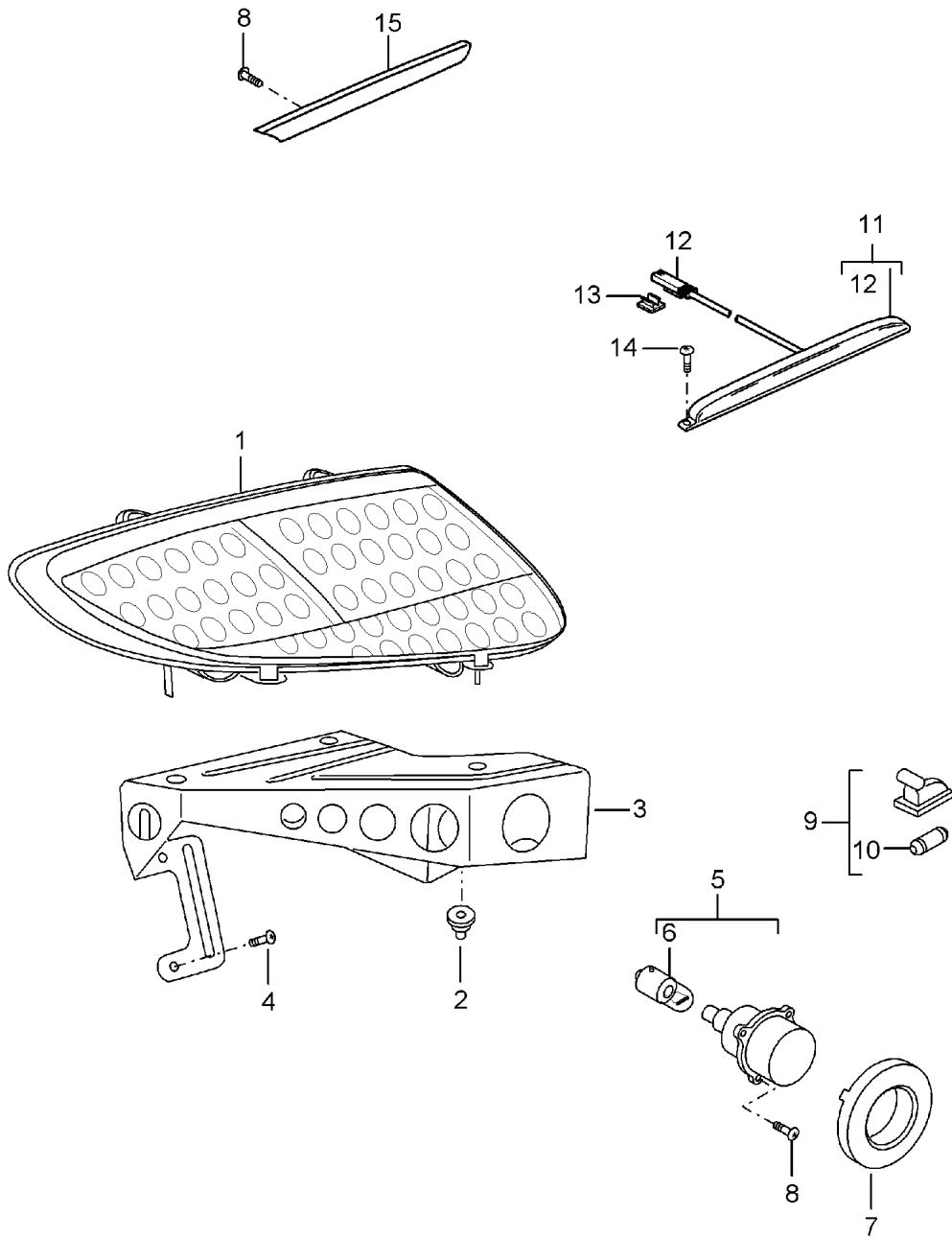
Model: 980 04

Model life 2004>>2006

| Pos | Part Number | Description | Remark | Qty | Model |
|------|----------------|-----------------------------|--------|-----|-------|
| 20 | 980 631 037 00 | Side marker light | | 1 | |
| (20) | 980 631 043 00 | Direction indicator light | /L | 1 | |
| (20) | 980 631 038 00 | Side marker light | /L | 1 | |
| (20) | 980 631 044 00 | Direction indicator light | /R | 1 | |
| (20) | 980 631 044 00 | Side marker light | /R | 1 | |
| 21 | 999 919 140 A2 | Oval-head screw 4,0 X 12 | | 4 | |

Model: 980 04

Model life 2004>>2006



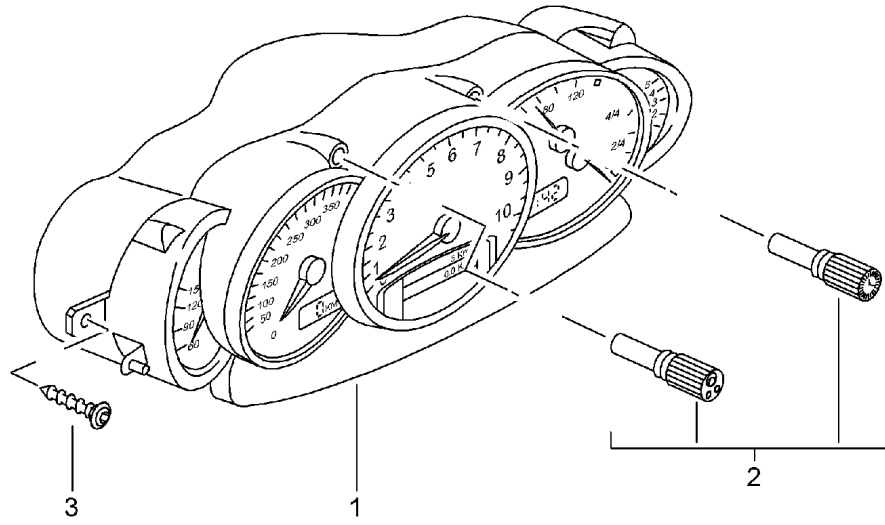
Model: 980 04

Model life 2004>>2006

| Pos | Part Number | Description | Remark | Qty | Model |
|-----|----------------|--------------------------------|--------|-----|-------|
| | | Rear light | | | |
| | | License plate light | | | |
| | | Additional brake light | | | |
| (1) | 980 631 417 00 | Rear light | /L | 1 | |
| (1) | 980 631 418 00 | Rear light | /R | 1 | |
| 2 | 996 631 078 00 | Fastening part | | 6 | |
| 3 | 980 631 465 00 | Support | /L | 1 | |
| (3) | 980 631 466 00 | Support | /R | 1 | |
| 4 | 999 015 025 A2 | Lens-head screw M 6 X 12 | | 12 | |
| 5 | 980 631 081 00 | Back-up light | | 2 | |
| 6 | 900 631 127 90 | Bulb 21 W | | 2 | |
| 7 | 980 631 091 00 | Reflector | | 2 | |
| 8 | 999 919 140 A2 | Oval-head screw 4,0 X 12 | | 8 | |
| 9 | 997 631 620 01 | License plate light | | 2 | |
| 9 | 997 631 620 02 | License plate light | | 2 | |
| 10 | 900 631 025 90 | Bulb 5 W | | 2 | |
| 11 | 980 631 050 00 | Additional brake light | | 1 | |
| - | 980 631 250 00 | Cap for POS. 14 | | 2 | |
| 12 | 999 652 913 40 | Pin connector socket 2-pole | | 1 | |
| 13 | 999 507 407 40 | Clip | | 1 | |
| 14 | 999 073 269 A2 | Oval-head screw M 5 X 16 | | 2 | |
| 15 | 980 631 125 00 | Cover Roll-over bar | | 1 | |

Model: 980 04

Model life 2004>>2006



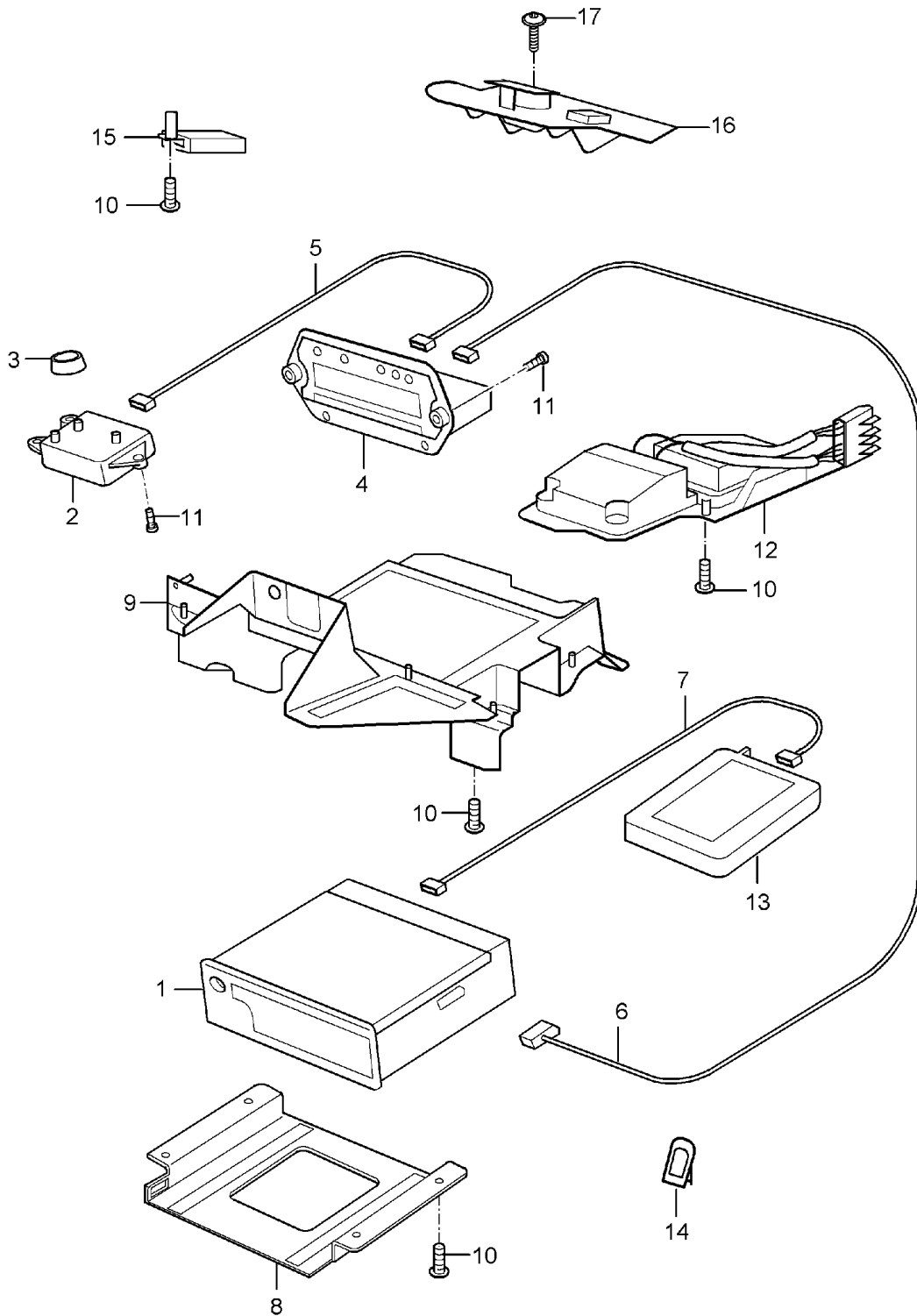
Model: 980 04

Model life 2004>>2006

| Pos | Part Number | Description | Remark | Qty | Model |
|-----|--------------------|--|--------|-----|-------|
| 1 | 980 641 213 00 | Instruments Complete Instrument cluster | (USA) | 1 | |
| | 980 641 213 00 FJD | Rally black Titanium grey | | | |
| 1 | 980 641 215 00 | Instrument cluster Complete | (CDN) | 1 | |
| | 980 641 215 00 FJD | Rally black Titanium grey | | | |
| 2 | 996 641 911 00 | Knob Actuator Trip meter And Clock | | 1 | |
| 3 | 999 073 269 A2 | Oval-head screw M 5 X 16 | | 2 | |

Model: 980 04

Model life 2004>>2006

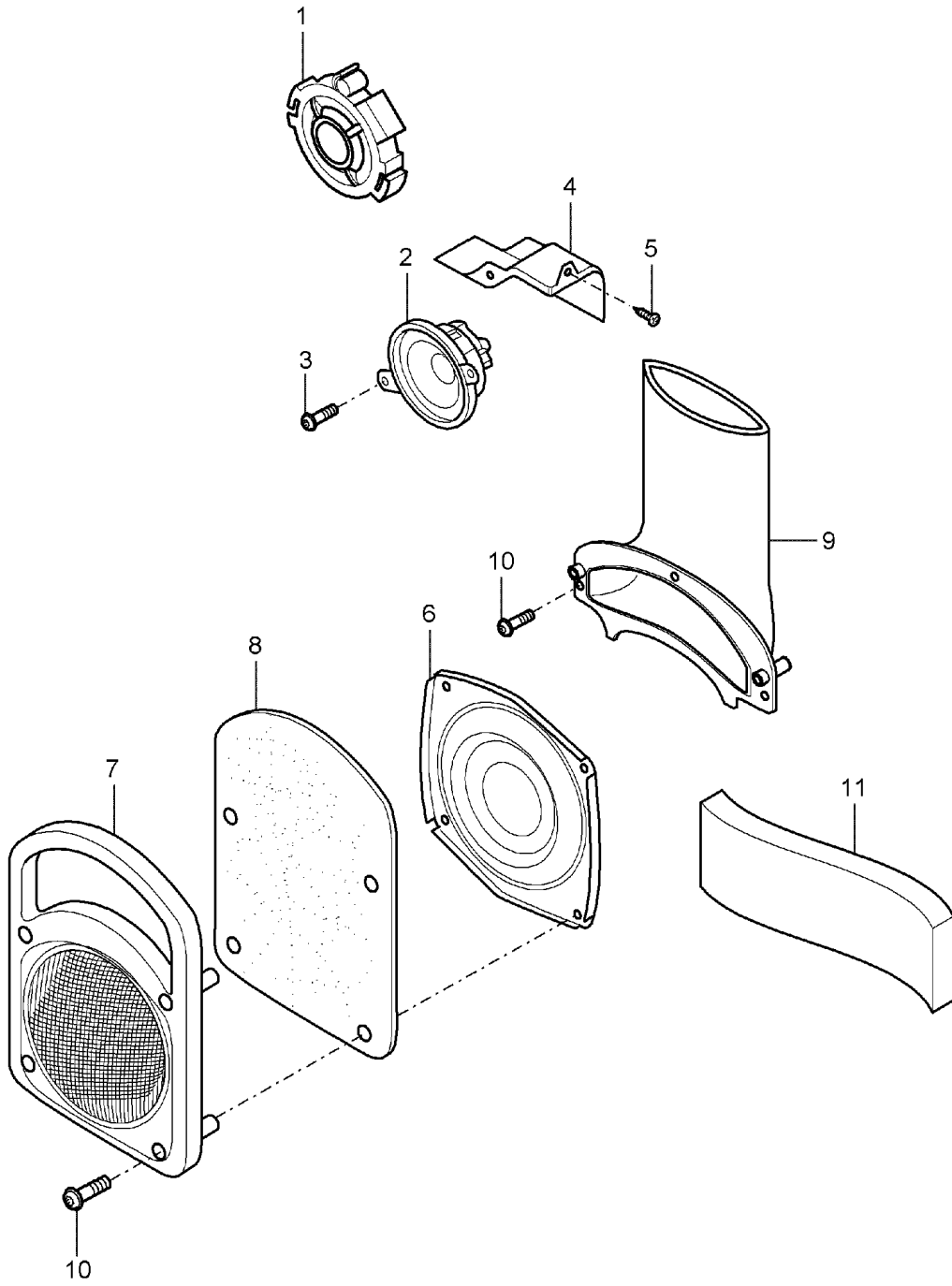


Model: 980 04 Model life 2004>>2006

| Pos | Part Number | Description | Remark | Qty | Model |
|-----|----------------|---|--------|-----|-------|
| 1 | 980 645 121 00 | Radio Navigation system | | 1 | |
| 1 | 980 645 121 X | Radio Basic device | | 1 | |
| - | 980 642 032 00 | CD-ROM Navigation system | | 1 | |
| 2 | 980 645 123 00 | Control part Radio | | 1 | |
| 3 | 980 645 229 00 | Rotary knob Control part | | 2 | |
| 4 | 980 645 125 00 | Display unit Radio | | 1 | |
| 5 | 980 612 123 00 | Wiring harness Control part Display unit | | 1 | |
| (5) | 980 612 131 00 | Ground cable Control part Display unit | | 1 | |
| 6 | 980 612 121 00 | Wiring harness Radio Basic device Display unit | | 1 | |
| 8 | 980 645 225 00 | Support frame Radio | | 1 | |
| 9 | 980 645 227 01 | Support | | 1 | |
| 10 | 999 073 268 A2 | Oval-head screw M 5 X 12 | | 10 | |
| 11 | 999 073 284 0A | Oval-head screw M 4 X 16 | | 7 | |
| 12 | 980 645 057 00 | Booster | | 1 | |
| 15 | 980 647 105 00 | Antenna booster Radio | | 1 | |
| 16 | 980 647 045 00 | Antenna GPS | | 1 | |
| 17 | 900 067 255 02 | Pan-head screw M 5 X 12 | | 3 | |

Model: 980 04

Model life 2004>>2006



Model: 980 04

Model life 2004>>2006

| Pos | Part Number | Description | Remark | Qty | Model |
|-----|----------------|--|--------|-----|-------|
| 1 | 980 645 023 00 | Loudspeaker Tweeter | | 2 | |
| 2 | 955 645 031 00 | Mid-range loudspeaker | | 2 | |
| 3 | 999 015 030 0A | Oval-head screw M 4 X 8 | | 4 | |
| 3 | 999 015 030 02 | Oval-head screw M 4 X 8 | | 4 | |
| 4 | 980 645 241 00 | Protection cap | /L | 1 | |
| (4) | 980 645 242 00 | Protection cap | /R | 1 | |
| 5 | 999 073 305 A2 | Tapping screw 4,8 X 14 | | 6 | |
| 6 | 980 645 013 00 | Woofers with Loudspeaker grille | | 2 | |
| 7 | 980 645 145 00 | Trim cover for cars without Sound system | | 2 | |
| 8 | 980 645 181 00 | Cover for cars without Sound system | | 2 | |
| 9 | 980 645 035 00 | Pipe Woofers | | 2 | |
| 10 | 900 067 070 A2 | Pan-head screw M 5 X 12 | | 14 | |
| 11 | 980 645 251 00 | Sound absorbing plate Woofers | | 2 | |