

Model: 987 05

Model life 2005>>2008

Model Overview Sales Type

| Sales term | Description | Mounting time | Remark |
|------------|---|---------------|--------|
| 987310 | Boxster | 08/04-07/08 | |
| 987311 | Boxster | 08/04-07/08 | |
| 987320 | Boxster S | 08/04-07/08 | |
| 987321 | Boxster S | 08/04-07/08 | |
| 987330 | Boxster "Orange" | 08/07-07/08 | |
| 987340 | Boxster S "Orange" | 08/07-07/08 | |
| 987360 | Boxster S RS 60 Spyder | 08/07-07/08 | |
| 987361 | Boxster S RS 60 Spyder | 08/07-07/08 | |
| 987371 | Boxster Sport Edition | 08/07-07/08 | |
| 987381 | Boxster S Sport Edition | 08/07-07/08 | |
| 987740 | Boxster S Special edition Porsche Design Edition 2 | 08/07-07/08 | |
| 987741 | Boxster S Special edition Porsche Design Edition 2 | 08/07-07/08 | |

Model: 987 05

Model life 2005>>2008

Model Overview EC

| EC | Sales term | LTR | KW | Hp | Cyl | Mounting time | Remark |
|------|------------|------|-----|-----|-----|---------------|--------|
| 9625 | | 2,70 | 176 | 239 | 6 | 08/04-07/06 | |
| 9626 | | 3,20 | 206 | 280 | 6 | 08/04-07/06 | |
| 9720 | | 2,70 | 180 | 244 | 6 | 08/06-07/08 | |
| 9721 | | 3,40 | 217 | 295 | 6 | 08/06-07/08 | |
| 9722 | | 3,40 | 223 | 303 | 6 | 08/07-07/08 | |

Model: 987 05**Model life 2005>>2008**

Model Overview TC

| TC | Sales term | Type | Mounting time | Remark |
|-------|------------|------|---------------|--------|
| A8701 | | 5A | 08/04-07/06 | |
| A8702 | | 5A | 08/06-07/08 | |
| A8720 | | 5A | 08/04-07/06 | |
| A8721 | | 5A | 08/06-07/08 | |
| G8701 | | 5S | 08/04-07/08 | |
| G8720 | | 6S | 08/04-07/08 | |
| G8721 | | 6S | 08/06-07/08 | |

Model: 987 05 Model life 2005>>2008

VIN-Numbers Overview

| Model year | Date | VIN | | Remark |
|------------|------------|-------------|--------------|--------------------------------------|
| 2005 | 01.08.2004 | 98-5S700061 | >98-5S710000 | Boxster |
| 2005 | 01.08.2004 | 98-5U700061 | >98-5U710000 | Boxster |
| 2005 | 01.08.2004 | 98-5S720061 | >98-5S730000 | Boxster S |
| 2005 | 01.08.2004 | 98-5U720061 | >98-5U730000 | Boxster S |
| 2005 | 01.08.2004 | 98-5S710061 | >98-5S720000 | Boxster (USA, CDN, MEX, BR) |
| 2005 | 01.08.2004 | 98-5U710061 | >98-5U720000 | Boxster (USA, CDN, MEX, BR) |
| 2005 | 01.08.2004 | 98-5S730061 | >98-5S740000 | Boxster S (USA, CDN, MEX, BR) |
| 2005 | 01.08.2004 | 98-5U730061 | >98-5U740000 | Boxster S (USA, CDN, MEX, BR) |
| 2006 | 01.08.2005 | 98-6S700061 | >98-6S710000 | Boxster |
| 2006 | 01.08.2005 | 98-6U700061 | >98-6U710000 | Boxster |
| 2006 | 01.08.2005 | 98-6S720061 | >98-6S730000 | Boxster S |
| 2006 | 01.08.2005 | 98-6U720061 | >98-6U730000 | Boxster S |
| 2006 | 01.08.2005 | 98-6S710061 | >98-6S720000 | Boxster (USA, CDN, MEX, BR) |
| 2006 | 01.08.2005 | 98-6U710061 | >98-6U720000 | Boxster (USA, CDN, MEX, BR) |
| 2006 | 01.08.2005 | 98-6S730061 | >98-6S740000 | Boxster S (USA, CDN, MEX, BR) |
| 2006 | 01.08.2005 | 98-6U730061 | >98-6U740000 | Boxster S (USA, CDN, MEX, BR) |
| 2007 | 01.08.2006 | 98-7S700061 | >98-7S710000 | Boxster |
| 2007 | 01.08.2006 | 98-7U700061 | >98-7U710000 | Boxster |
| 2007 | 01.08.2006 | 98-7S720061 | >98-7S730000 | Boxster S |
| 2007 | 01.08.2006 | 98-7U720061 | >98-7U730000 | Boxster S |
| 2007 | 01.08.2006 | 98-7S710061 | >98-7S720000 | Boxster (USA, CN, CDN, MEX, BR) |
| 2007 | 01.08.2006 | 98-7U710061 | >98-7U720000 | Boxster (USA, CN, CDN, MEX, BR) |
| 2007 | 01.08.2006 | 98-7S730061 | >98-7S740000 | Boxster S (USA, CN, CDN, MEX, BR) |
| 2007 | 01.08.2006 | 98-7U730061 | >98-7U740000 | Boxster S (USA, CN, CDN, MEX, BR) |
| 2008 | 01.08.2007 | 98-8S700061 | >98-8S710000 | Boxster |
| 2008 | 01.08.2007 | 98-8U700061 | >98-8U710000 | Boxster |
| 2008 | 01.08.2007 | 98-8S720061 | >98-8S730000 | Boxster S |
| 2008 | 01.08.2007 | 98-8U720061 | >98-8U730000 | Boxster S |
| 2008 | 01.08.2007 | 98-8S710061 | >98-8S720000 | Boxster (USA, CN, CDN, MEX, BR) |
| 2008 | 01.08.2007 | 98-8U710061 | >98-8U720000 | Boxster (USA, CN, CDN, MEX, BR) |
| 2008 | 01.08.2007 | 98-8S730061 | >98-8S740000 | Boxster S (USA, CN, CDN, MEX, BR) |
| 2008 | 01.08.2007 | 98-8U730061 | >98-8U740000 | Boxster S |

Model: 987 05

Model life 2005>>2008

(USA, CN, CDN, MEX,
BR)

Model: 987 05**Model life 2005>>2008**

Engine Numbers

| Engine number | Model year | Vehicle type | Engine type |
|-----------------|------------|-----------------------|-------------|
| 615 00501>60000 | 2005 | BOXSTER | 9625 |
| 625 00501>60000 | 2005 | BOXSTER "S" | 9626 |
| 616 00501>60000 | 2006 | BOXSTER | 9625 |
| 626 00501>60000 | 2006 | BOXSTER "S" | 9626 |
| 657 00501>60000 | 2007 | BOXSTER | 9720 |
| 677 00501>60000 | 2007 | BOXSTER "S" | 9721 |
| 658 00501>60000 | 2008 | BOXSTER | 9720 |
| 678 00501>60000 | 2008 | BOXSTER "S" | 9721 |
| 668 00501>60000 | 2008 | BOXSTER "S" RS SPYDER | 9722 |

Model: 987 05

Model life 2005>>2008

Transmission Numbers

| Transmission Number | Model year | Vehicle type | Gearbox type |
|-----------------------|------------|-----------------------|--------------|
| A8701 1 002001>999999 | 2005 | BOXSTER TIPTRONIC | A8701 |
| A8720 1 002001>999999 | 2005 | BOXSTER "S" TIPTRONIC | A8720 |
| G8701 1 002001>999999 | 2005 | BOXSTER | G8701 |
| G8720 1 002001>999999 | 2005 | BOXSTER "S" | G8720 |
| A8701 1 002001>999999 | 2006 | BOXSTER TIPTRONIC | A8701 |
| A8720 1 002001>999999 | 2006 | BOXSTER "S" TIPTRONIC | A8720 |
| G8701 1 002001>999999 | 2006 | BOXSTER | G8701 |
| G8720 1 002001>999999 | 2006 | BOXSTER "S" | G8720 |
| A8702 1 002001>999999 | 2007 | BOXSTER TIPTRONIC | A8702 |
| A8721 1 002001>999999 | 2007 | BOXSTER "S" TIPTRONIC | A8721 |
| G8701 1 002001>999999 | 2007 | BOXSTER | G8701 |
| G8720 1 002001>999999 | 2007 | BOXSTER I480 | G8720 |
| G8721 1 002001>999999 | 2007 | BOXSTER "S" | G8721 |
| A8702 1 002001>999999 | 2008 | BOXSTER TIPTRONIC | A8702 |
| A8721 1 002001>999999 | 2008 | BOXSTER "S" TIPTRONIC | A8721 |
| G8701 1 002001>999999 | 2008 | BOXSTER | G8701 |
| G8720 1 002001>999999 | 2008 | BOXSTER I480 | G8720 |
| G8721 1 002001>999999 | 2008 | BOXSTER "S" | G8721 |

Model: 987 05

Model life 2005>>2008

| NR | Description |
|-----|--|
| 008 | Boxster S 3.2 litres displacement |
| 009 | Boxster 2.7 litres displacement |
| 024 | Version for Greece |
| 025 | Black-coloured instrument dials, stopwatch |
| 026 | Silver-coloured instrument dials, stopwatch |
| 027 | Instrument dials, stopwatch in Carrara White |
| 029 | Standard chassis |
| 030 | Sports suspension |
| 032 | Touring suspension |
| 034 | Version for Italy |
| 058 | Impact absorbers, front and rear |
| 061 | Version for Great Britain |
| 062 | sweden version |
| 063 | Version Luxemburg |
| 064 | Version for Netherlands |
| 065 | Version for Denmark |
| 066 | Version for Norway |
| 067 | Version for Finland |
| 068 | PAP right-hand drive version |
| 069 | Other country version |
| 071 | EU country version |
| 072 | Version for Mexico |
| 073 | Version for Russia |
| 074 | PAP left-hand drive version |
| 075 | Chinese version |
| 098 | Left-hand drive version |
| 099 | Right-hand drive version |
| 111 | Version for Austria |
| 113 | Version for Canada |
| 114 | Version for Taiwan |
| 119 | Version for Spain |
| 124 | Version for France |
| 126 | Control and indications in French lettering |
| 127 | Control and indications in Swedish lettering |
| 130 | Control and indications in English lettering |
| 150 | Operation with leaded gas |
| 159 | Curbed engine, 155 kW/211 bhp |
| 193 | japan version |
| 194 | Battery, 60 Ah |
| 195 | Battery, 70 Ah |
| 196 | Battery, 80 Ah |
| 197 | Stronger battery |
| 198 | Enhanced starter motor (1.7 kW) |
| 199 | Battery disconnection switch |
| 200 | 95 Ah battery |
| 210 | Licence plate holder version 2 |
| 211 | Licence plate holder version 3 |

Model: 987 05

Model life 2005>>2008

| NR | Description |
|-----|---|
| 215 | Version for Saudi Arabia |
| 218 | Licence plate holder version 4 |
| 219 | Differential |
| 220 | Locking differential 40 % |
| 225 | Version for Belgium |
| 237 | All-season tyres ZR 19" |
| 249 | Tiptronic transmission |
| 265 | Automatic anti-dazzle interior mirror with rain sensor |
| 266 | Automatic anti-dazzle door mirror |
| 267 | Automatically dimmable interior and door mirrors |
| 268 | Rain sensor |
| 270 | Door mirrors -flat - driver's side, electrically adjustable and heatable |
| 271 | Door mirrors -aspherical- driver's side, electrically adjustable and heatable |
| 273 | Door mirrors, electrically adjustable and heatable |
| 274 | Vanity mirror, illuminated |
| 277 | Swiss version |
| 288 | Headlamp washer |
| 301 | Transmission ratio long |
| 305 | Gear lever in Alcantara, Black |
| 308 | Selector lever in Alcantara, Black |
| 325 | Version for South Africa/New Zealand |
| 342 | Seat heating, left/right seat |
| 369 | Standard seat, left |
| 370 | Standard seat, right |
| 375 | Sports seat, backrest shell, left |
| 376 | Sports seat, backrest shell, right |
| 377 | Sports seat, backrest shell, left, electrically adjustable |
| 378 | Sports seat, backrest shell, right, electrically adjustable |
| 388 | Sports bucket seat, left |
| 389 | Sports bucket seat, right |
| 392 | 17-inch Carrera wheel |
| 393 | 17-inch Boxster II wheel (987) |
| 397 | 18-inch Boxster II wheel (987) |
| 398 | 19" Cayman S wheel |
| 401 | 18-in. Cayman S wheel |
| 402 | Carrera 3 wheel 18-inch |
| 403 | Carrera S wheel 19-inch |
| 404 | 19" Turbo-1 wheel |
| 405 | Carrera Classic wheel 19-inch |
| 406 | Carrera GT wheel 19-inch/20-inch |

Model: 987 05 Model life 2005>>2008

| NR | Description |
|-----|--|
| 407 | SportDesign wheel 19-inch |
| 410 | 18" Turbo-2/Panamera wheel |
| 411 | 18-inch Carrera wheel -->2005 19-inch Carrera wheel 2012--> |
| 415 | 18-inch Turbo-Look II wheel |
| 416 | 18-inch GT3 wheel |
| 418 | 18-inch Turbo II wheel in GT Silver |
| 424 | CD storage unit |
| 425 | Rear window wiper |
| 426 | Without rear window wiper |
| 431 | Multi-function steering wheel, touch + feel |
| 432 | Steering wheel with Tiptronic operation |
| 433 | 20" Carrera S wheel (4) |
| 435 | Sports steering wheel |
| 436 | 3-spoke airbag steering wheel |
| 437 | Comfort seat, left, electrically adjustable |
| 438 | Comfort seat, right, electrically adjustable |
| 439 | 20" 911 Turbo 4 wheel |
| 440 | Antenna diversity |
| 441 | prepared for radio |
| 444 | Anti-theft lock, wheel bolts "THATCHAM" |
| 446 | Concave wheel centers with full-colour Porsche Crest |
| 447 | Emergency wheel |
| 450 | Ceramic brake (PCCB) |
| 451 | Multi-function steering wheel, Makassar Ebony, touch + feel |
| 452 | Multi-function steering wheel, Sycamore, touch + feel |
| 453 | Multi-function steering wheel, Carbon, touch + feel |
| 454 | Automatic speed control |
| 459 | 3-spoke airbag steering wheel, touch + feel |
| 460 | 20" RS Spyder Design wheel |
| 461 | External antenna |
| 475 | "PASM" electronic damper control |
| 476 | Porsche Stability Management (PSM) |
| 479 | Version for Australia |
| 480 | 6-speed manual transmission |
| 481 | 5th-speed manual transmission |
| 482 | Tire Pressure Monitoring TPM, 433 MHz |
| 483 | 315-MHz TPM, Tire Pressure Monitoring |
| 484 | Version for USA |
| 488 | Inscriptions in German language |
| 490 | Sound system "ASK" |
| 492 | Headlights for left-hand traffic |

Model: 987 05

Model life 2005>>2008

| NR | Description |
|-----|---|
| 498 | Deletion of model designation on rear end |
| 499 | Version for Germany |
| 501 | Car cover |
| 509 | Fire extinguishers |
| 513 | Lumbar support, right seat |
| 521 | Tilt sensor |
| 524 | Immobilizer, central locking, 433 MHz |
| 525 | Immobilizer, central locking, 315 MHz |
| 532 | Alarm system remote control omitted |
| 533 | Radio convertible-top operation omitted |
| 534 | Theft security system, 433 MHz |
| 535 | Theft security system, 315 MHz |
| 536 | -07 Alarm siren and tilt sensor 08- Alarm siren |
| 537 | Seat position control for comfort seat, left |
| 538 | Seat position control for comfort seat, right |
| 539 | Mechanical seat height adjustment, left |
| 540 | Mechanical seat height adjustment, right |
| 541 | Active seat ventilation (incl. heated seats) |
| 544 | Anti-theft protection without infrared monitoring, 433 MHz |
| 545 | Anti-theft protection without infrared monitoring, 315 MHz |
| 549 | Roof Transport System |
| 550 | Hardtop |
| 551 | Wind deflector |
| 553 | Version for USA, Canada |
| 554 | Front spoiler lip included |
| 555 | Black seat belts |
| 560 | Advanced airbag |
| 562 | Airbag, driver's side and front passenger's side |
| 563 | Side airbag |
| 566 | Front fog lights, white |
| 567 | Windscreen tinted, upper part darker coloured |
| 568 | Windscreen without shade band |
| 571 | Activated charcoal filter |
| 572 | Manual air-conditioning system |
| 573 | Air conditioner |
| 575 | Luggage compartment cooling system |
| 581 | Centre console, front |
| 584 | Storage box on engine cover |
| 586 | Lumbar support, left seat |
| 594 | Alcantara rooflining |
| 601 | Xenon lighting system |

Model: 987 05

Model life 2005>>2008

| NR | Description |
|-----|--|
| 602 | Center high-mounted stop light |
| 606 | Daytime driving lights |
| 607 | Garage door opener "Homelink", 315 MHz |
| 608 | Garage door opener "Homelink" 433 MHz |
| 610 | DVD navigation, "Europe package" |
| 611 | DVD navigation South Africa |
| 612 | DVD navigation middle east |
| 613 | DVD navigation australia |
| 614 | DVD navigation asia-pacific |
| 615 | DVD navigation system, North America |
| 616 | DVD, Navigation Russia |
| 617 | DVD Navigation China |
| 618 | Phone preparation |
| 619 | Mobile phone preparation (BLUETOOTH) without console |
| 621 | 12-V socket, passenger's side, footwell |
| 625 | "KESSY" Porsche Entry and Drive |
| 635 | Park distance control |
| 639 | Sport Chrono package |
| 640 | Sport Chrono Plus package |
| 641 | electronic log book |
| 650 | Electrical sliding roof |
| 651 | Electric window opener |
| 652 | Without sliding/tilting roof |
| 657 | Power steering |
| 659 | on-board computer |
| 660 | Obd 2 |
| 661 | Stricter emission-control concept |
| 664 | Orvr |
| 665 | -2008 PCM 2, 2009- PCM 3 basic module incl. radio |
| 666 | -2008 PCM 2, 2009- PCM 3 telephone (GSM) |
| 668 | PCM2 telephone handset |
| 669 | PCM 3 - Telephone handset (BLUETOOTH) |
| 670 | PCM2 navigation |
| 672 | -2008 PCM 2, 2009- PCM 3 Offroad navigation |
| 674 | "Vehicle Tracking System" preparation |
| 675 | Without radio preparation (Japan navigation system) |
| 677 | "Driver card" antenna |
| 678 | Alarm system connection |
| 679 | Restart inhibitor |
| 680 | BOSE sound package |
| 685 | Rear seats, split |
| 689 | Preperation for CD autochanger |
| 690 | CD radio "Porsche Online Pro" |
| 692 | CD autochanger "Porsche" |
| 694 | CD radio "PORSCHE CDR 24" |
| 697 | CD radio "Porsche CDR-23" |
| 711 | Omission underbody protection |

Model: 987 05

Model life 2005>>2008

| NR | Description |
|-----|--|
| 753 | Special model "orange Spyder" |
| 754 | Special model "RS 60 Spyder" |
| 755 | Special model "Porsche Design Edition 1" |
| 757 | Special model "Porsche Design Edition 2" |
| 789 | Colour to sample |
| 796 | Full leather trim natural leather |
| 798 | Full leather trim special leather |
| 799 | Full leather trim by choice |
| 801 | Makassar Ebony wood package, dark (matt satin finish) |
| 802 | Sycamore package, light (matt satin finish) |
| 803 | Carbon package |
| 804 | GT2 Carbon exterior package |
| 805 | Lifestyle package |
| 810 | foot mats |
| 912 | without identification plate |
| 936 | Seat covers, rear, leather |
| 937 | Seat covers, rear, leatherette |
| 939 | Seat covers, rear, draped leather |
| 946 | Seat covers, front, leather/leather/leatherette |
| 950 | Alcantara seat covers, front |
| 951 | Seat covers front, Alcantara/leather/leather |
| 970 | Two-tone interior |
| 971 | "TORO" embossed leather |
| 981 | Leather equipment, without seat covers |
| 982 | Seat covers, front, draped leather/leather/leather |
| 983 | Seat covers, front, leather |
| 985 | Seat covers, leather/leather/leatherette, 2 |
| 990 | Seat covers, front, cloth/cloth/leatherette |
| 991 | Steering wheel airbag module in leather |
| 998 | Leather, natural |
| 999 | Passenger compartment monitoring sensor for leather colour of choice |
| XAF | Turbo aerokit |
| XAG | Carrera - rear spoiler |
| XAH | Carrera 4S aerokit |
| XAJ | Painted sill covers |
| XAL | Aerokit Boxster |
| XAM | Aerokit Cayman |
| XCA | Dashboard trim strip (3-part) sports seats |
| XCB | Instrument surround sports seats |
| XCC | Side air vents sports seats |
| XCD | Center air vent bracket sports seats |
| XCE | Rear center console sports seats |

Model: 987 05

Model life 2005>>2008

| NR | Description |
|-----|---|
| XCG | Sports seat backrest in Aluminium Look finish |
| XCH | Side/centre air vent slats, sports seats |
| XCK | Rear center console in Galvano Silver |
| XCL | Instrument surround in Galvano Silver |
| XCM | Roll-over bar in Galvano Silver |
| XCN | Side air vents in Aluminium Look finish (997) |
| XCY | Center air vent in Aluminium Look finish |
| XCZ | Short shifter |
| XEA | Passive handset in leather |
| XE8 | Gear lever knob aluminium/dark burr maple/leather |
| XE9 | Handbrake lever aluminium/dark burr maple/leather |
| XFD | Instrument dials in Sand Beige |
| XFE | Instrument dials in Terracotta |
| XFF | Instrument dials in Brown/Natural |
| XFG | Instrument dials in Guards Red |
| XFH | Instrument dials in Speed Yellow |
| XFJ | Instrument dials in Carrara White |
| XGB | Decorative dashboard trim, carbon |
| XGC | Dashboard carbon/Alcantara |
| XGD | Parking brake handle carbon/Alcantara |
| XGE | Handle recess insert, carbon |
| XJL | Makassar Ebony side air vent |
| XJM | Sycamore side air vent |
| XJN | Makassar Ebony center air vent |
| XJP | Sycamore center air vent |
| XJR | Makassar Ebony windscreen defroster panel |
| XJS | Sycamore windscreen defroster panel |
| XJT | Makassar Ebony rear center console |
| XJU | Sycamore rear center console |
| XJ4 | Leather cover for ignition lock surround |
| XKB | Side air vent in light burr maple |
| XKC | Side air vent in dark burr maple |
| XKG | "Defroster trim in light burr maple; leather" |
| XKH | "Defroster trim in dark burr maple; leather" |
| XKJ | Defroster trim in Carbon/leather |
| XKL | Leather speaker covers |
| XKM | Speaker covers in light burr maple |
| XKN | Speaker covers in dark burr maple |
| XKP | Carbon speaker covers |
| XKR | Center air vent bracket in light burr maple |
| XKS | Center air vent bracket in dark burr maple |
| XLA | Boxster tailpipe |
| XLF | Sports exhaust system |
| XME | Rear section of centre console painted |
| XMF | Front center console including 2 storage bins, leather |
| XMJ | Rear section of centre console in Carbon |

Model: 987 05

Model life 2005>>2008

| NR | Description |
|-----|---|
| XMK | Roll-over bar in exterior color |
| XML | Rear center console in light burr maple |
| XMP | Leather sun visor, 2 illuminated vanity mirrors * |
| XMR | Sun visor in leather, 2 illuminated vanity mirrors, |
| XMZ | Rear section of centre console in leather |
| XNB | Rear center console in dark burr maple |
| XNG | Instrument surround in leather |
| XNN | Center air vent bracket in leather |
| XNR | Carbon center air vent bracket |
| XNS | Leather steering column trim, 4-part |
| XNU | Leather trim strip (dashboard) |
| XNV | Trim strip (dashboard) in light burr maple |
| XNW | Trim strip (dashboard) in dark burr maple |
| XNX | Carbon trim strip (dashboard) |
| XPA | 3-spoke sports steering wheel in leather interior co |
| XPB | 3-spoke sports steering wheel, light burr maple, leather |
| XPC | 3-spoke sports steering wheel, dark burr maple, leather |
| XPD | 3-spoke sports steering wheel, Carbon/leather |
| XPG | 3-spoke sports steering wheel, sports seats |
| XPV | Multi-function steering wheel, Galvano Silver |
| XPW | Instrument surround in light burr maple |
| XPX | Instrument surround in dark burr maple * |
| XPY | Carbon instrument surround |
| XRB | 18-inch Sport Classic II wheel |
| XRC | 18-inch SportTechno wheel |
| XRL | 18-inch SportDesign wheel |
| XRN | 17-mm spacers, rear |
| XRP | 5-mm spacers, front/rear |
| XRR | 19-in. Carrera Sport wheel |
| XSA | Painted sports seat backrest |
| XSB | Leather sports seat backrest |
| XSC | Porsche Crest embossed in headrest |
| XSD | Front seat controls in leather |
| XSE | Bucket seat, left |
| XSF | Bucket seat, right |
| XSG | Racing bucket seat, left |
| XSH | Silver seat belts |
| XSJ | 6-point harness |
| XSL | 6-point safety catch |
| XSM | Racing safety cage |
| XSN | Omission of rear seats |
| XSR | Carbon back for bucket seat, right |
| XSS | Carbon back for bucket seat, left |

Model: 987 05

Model life 2005>>2008

| NR | Description |
|-----|--|
| XST | Seat belts in Sand Beige |
| XSU | Upholstered seat |
| XSW | Seat belts in Maritime Blue |
| XSX | Seat belts in Guards Red |
| XSY | Seat belts in Speed Yellow |
| XTG | Inner door sills in leather |
| XTJ | Door panel parts in light burr maple |
| XTK | Door panel parts in dark burr maple |
| XTL | Door panel parts in Carbon |
| XTR | Door panel parts in Aluminium Look finish |
| XTT | Makassar Ebony door panel parts |
| XTU | Sycamore door panel parts |
| XTV | Leather door panel parts |
| XTW | Door panel parts in Galvano Silver |
| XVM | Leather center air vent |
| XVP | Trim strip including cupholder cover in leather |
| XVR | Side/centre air vent in leather |
| XV1 | Defroster trim in leather |
| XXF | Red tail lights |
| XXZ | Footrest |
| XX1 | Floor mats, logo, leather border |
| XX2 | footwell light |
| XY5 | Tiptronic gear selector gate in leather |
| XZB | Carbon centre air vent |
| XZD | Interior light surround in leather |
| X45 | Instrument dial in interior color |
| X46 | Tiptronic selector lever in aluminium/leather |
| X47 | Gear lever knob in Carbon/leather |
| X48 | Tiptronic selector lever in Carbon/aluminium |
| X50 | Powerkit 331/340 kW |
| X51 | Powerkit 250 kW |
| X54 | Stainless steel tailpipes |
| X58 | Handbrake lever in Carbon/leather |
| X65 | Tiptronic selector lever in light burr maple/aluminium |
| X66 | Tiptronic selector lever in dark burr maple/aluminium |
| X69 | Door entry guards in Carbon with logo |
| X70 | Door entry guards in stainless steel with logo |
| X71 | Instrument dial painted/Aluminium Look finish |
| X72 | Gear lever knob aluminium/light burr maple/leather |
| X73 | Turbo sports suspension |
| X74 | Sports suspension (exclusive) |
| X75 | Differential lock (exclusive) |
| X76 | Inner door sill guard, left/right |
| X91 | Handbrake lever aluminium/light burr maple/leather |
| X97 | Gear lever knob in aluminium/leather |

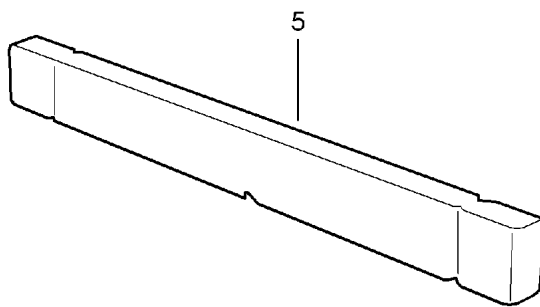
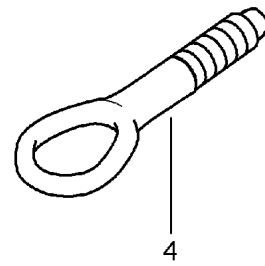
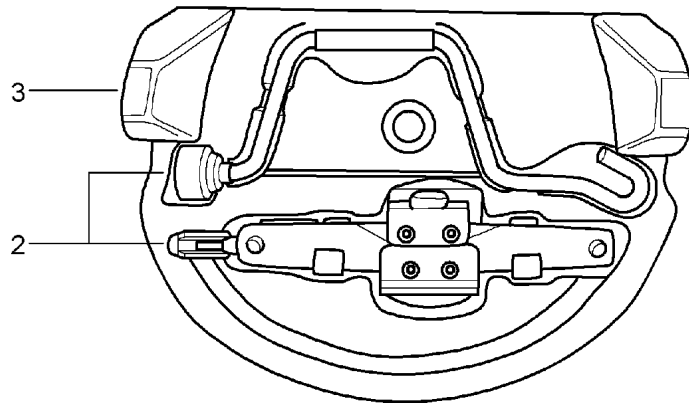
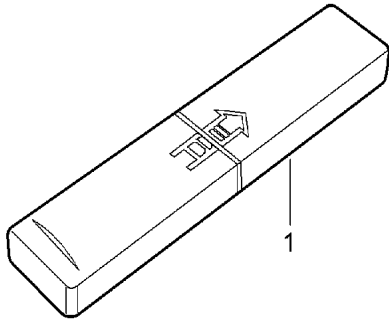
Model: 987 05

Model life 2005>>2008

| NR | Description |
|-----|--------------------------------------|
| X98 | Handbrake lever in aluminium/leather |
| X99 | Natural leather |

Model: 987 05

Model life 2005>>2008



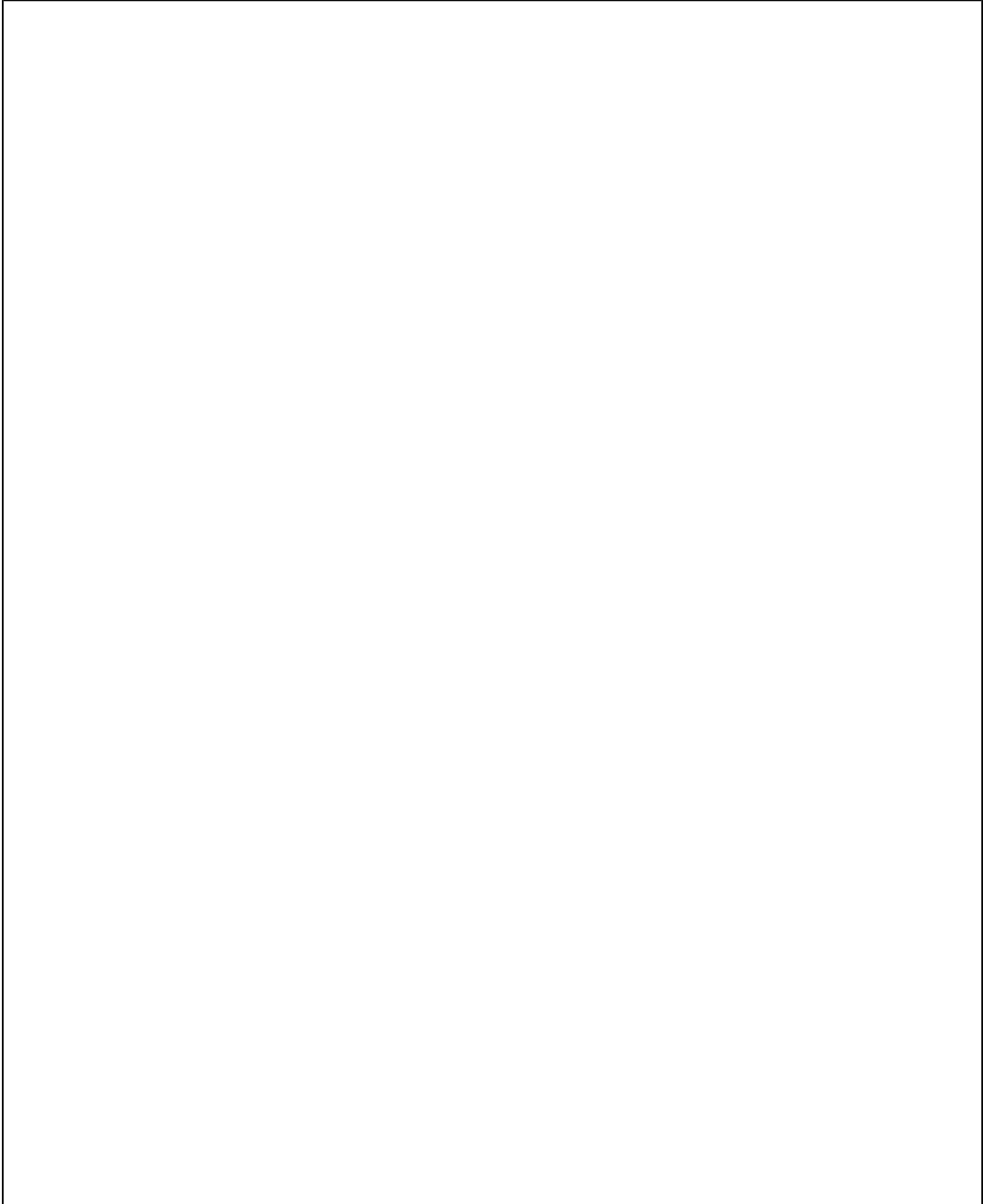
Model: 987 05

Model life 2005>>2008

| Pos | Part Number | Description | Remark | Qty | Model |
|-----|----------------|---|--------|-----|--------|
| 1 | 997 721 115 00 | Tool jack Toolbox with contents comprising: | | 1 | |
| - | 477 012 229 | Double open-ended spanner 10 X 13 | | 1 | |
| - | 477 012 231 | screwdriver | | 1 | |
| - | 111 012 287 | handle for screwdriver | | 1 | |
| - | 999 571 077 02 | Socket wrench - 5 - for Headlights | | 1 | |
| 2 | 996 721 211 00 | Scissors type jack | | 1 | PR:447 |
| 3 | 996 722 101 00 | Foam part | | 1 | PR:447 |
| - | 999 571 074 30 | Threaded stud for Assembly Wheels | | 1 | PR:447 |
| - | 477 012 221 A | wheel bolt wrench | | 1 | PR:447 |
| - | 999 571 070 30 | operating rod for Rim wrench | | 1 | PR:447 |
| - | 997 722 801 00 | Mounting for vehicle tools | | 1 | PR:447 |
| - | 996 361 521 00 | Protective sleeve | | 1 | PR:447 |
| - | 997 722 061 00 | Cover Spare wheel Discontinued part | | 1 | PR:447 |
| - | 997 722 061 01 | Cover Spare wheel | | 1 | PR:447 |
| - | 987 722 103 00 | Support Spare wheel | | 1 | PR:447 |
| 4 | 997 721 551 00 | Tow hitch | | 1 | |
| - | 999 571 081 01 | release tool Convertible top | | 1 | |

Model: 987 05

Model life 2005>>2008



Model: 987 05 Model life 2005>>2008

| Pos | Part Number | Description | Remark | Qty | Model |
|-----|----------------|--|--------|-----|--|
| - | | Signs/notices Signs/notices Tyre pressure | | | |
| | | without: | | | |
| | | Paint identification label | | | |
| 1 | 987 701 287 70 | Data plate for tyre pressure D - MJ 2006>> | | 1 | BOXSTER PR:393,398 |
| 1 | 987 701 287 71 | Data plate for tyre pressure D - MJ 2006>> | | 1 | BOXSTER PR:393,398, 447 |
| 1 | 987 701 287 72 | Data plate for tyre pressure D - MJ 2006>> | | 1 | "USA" BOXSTER / S PR:397,401 |
| 1 | 987 701 287 73 | Data plate for tyre pressure D - MJ 2006>> | | 1 | BOXSTER / S PR:397,401, 447 |
| 1 | 987 701 287 74 | Data plate for tyre pressure D - MJ 2006>> | | 1 | "USA" BOXSTER / S PR:403,404, 405,407,XRR |
| 1 | 987 701 287 75 | Data plate for tyre pressure D - MJ 2006>> | | 1 | BOXSTER / S PR:403,404, 405,407,XRR, 447 |
| - | 997 701 449 00 | Sticker Mercury | | 1 | "USA" "USA" |
| - | | Signs/notices Spare wheel | | 1 | PR:447 |
| - | 996 361 701 20 | Sticker English | | 1 | "USA" |
| - | 996 361 701 21 | Sticker French | | 1 | "CDN" |
| - | | D - MJ 2005>> - MJ 2005 | | | |
| - | | Signs/notices Engine specifications | | | |
| 2 | 987 006 109 00 | Notice Engine data D - MJ 2005>> - MJ 2005 | | 1 | BOXSTER |
| 2 | 987 006 109 02 | Notice Engine data D - MJ 2006>> - MJ 2006 | | 1 | BOXSTER |
| 2 | 987 006 109 10 | Notice Engine data D - MJ 2007>> - MJ 2007 | | 1 | BOXSTER |
| 2 | 987 006 109 14 | Notice Engine data D - MJ 2008>> - MJ 2008 | | 1 | BOXSTER |
| 2 | 987 006 109 01 | Notice Engine data D - MJ 2005>> - MJ 2005 | | 1 | BOXSTER S |
| 2 | 987 006 109 03 | Notice Engine data D - MJ 2006>> - MJ 2006 | | 1 | BOXSTER S |
| 2 | 987 006 109 11 | Notice Engine data D - MJ 2007>> - MJ 2007 | | 1 | BOXSTER S |
| 2 | 987 006 109 15 | Notice Engine data D - MJ 2008>> - MJ 2008 | | 1 | BOXSTER S |
| 2 | 996 006 140 00 | Sticker Antiknock regulation | | 1 | |
| 4 | 996 006 120 00 | Notice Reservoir Coolant | | 1 | |

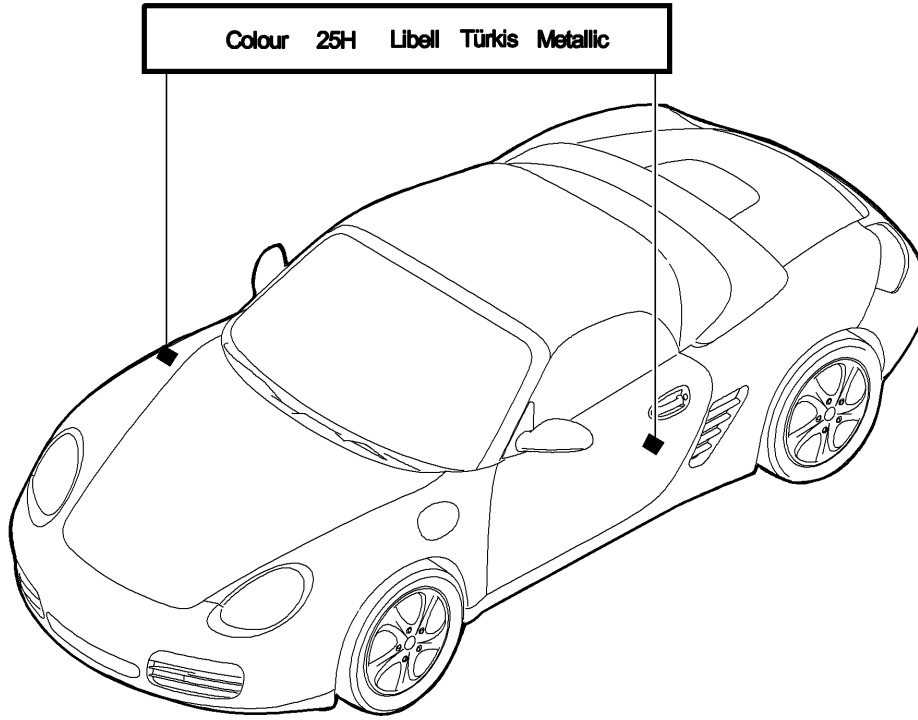
Model: 987 05

Model life 2005>>2008

| Pos | Part Number | Description | Remark | Qty | Model |
|-----|----------------|--|---------|-----|-------|
| 4 | 997 006 544 00 | Sticker engine oil - MOBIL 1 - D >> - MJ 2006 | | 1 | |
| 4 | 997 006 544 01 | Sticker engine oil - MOBIL 1 - D - MJ 2007>> | | 1 | |
| - | | Signs/notices Type of fuel | | | |
| 5 | 996 006 117 03 | Sticker 93 RON/MON/2 | | 1 | |
| 5 | 996 006 118 01 | Sticker Fuel filler flap | | 1 | "USA" |
| - | | Signs/notices Airbag | | | |
| 6 | 3B0 010 219 B | sticker with pictogram for - airbag / child's seat child seat | | 1 | |
| 7 | 996 701 423 01 | Sticker Service | | 1 | |
| 8 | 986 701 421 04 | Airbag Sticker Airbag Warning sign D - MJ 2005>> - MJ 2005 | | 1 | |
| 8 | 997 701 422 00 | Sticker Airbag Warning sign D - MJ 2006>> | | 1 | |
| 9 | 986 701 141 01 | Sticker Air conditioning | | 1 | |
| - | | Signs/notices Convertible top control see illustration: | 807-009 | | |

Model: 987 05

Model life 2005>>2008

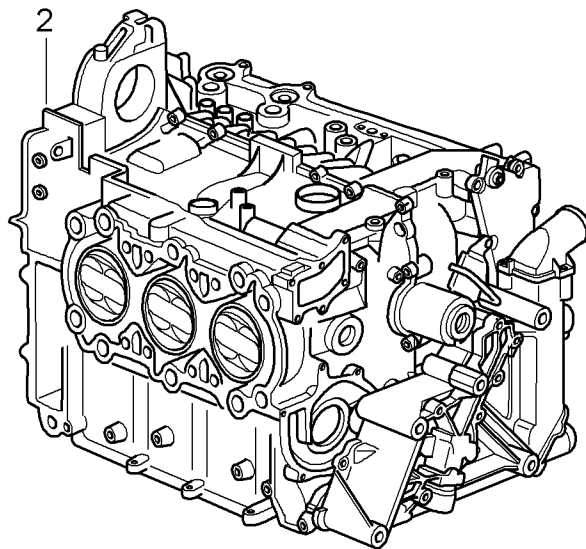
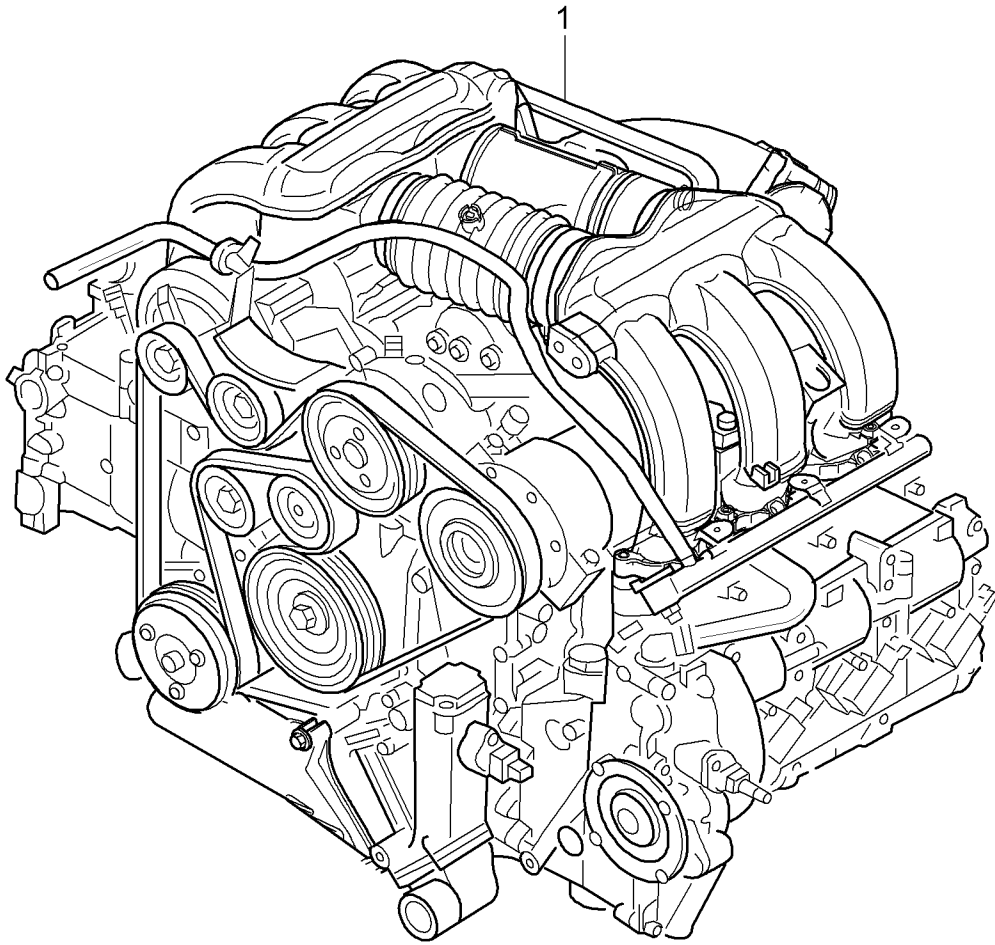


Model: 987 05 Model life 2005>>2008

| Pos | Part Number | Description | Remark | Qty | Model |
|-----|--------------------|--|--------|-----|-------|
| - | 911 095 932 20 | paint touch-up applicator Paints | | X | |
| | 911 095 932 20 041 | paint touch-up applicator Black | | | A 1 |
| | 911 095 932 20 80K | guards red (Porsche) | | | G 1 |
| | 911 095 932 20 B9A | Carrara white | | | B 4 |
| | 911 095 932 20 12G | Speed yellow | | | X 4 |
| | 911 095 932 20 8C6 | orange | | | N 2 |
| | | D - MJ 2008>> - MJ 2008 | | | |
| - | 911 095 933 20 | Paint pen set Set comprising: base paint clear paint | | X | |
| | 911 095 933 20 92T | Arctic silver metallic | | | X 1 |
| | 911 095 933 20 M3W | Carmon red metallic | | | E 4 |
| | 911 095 933 20 M5W | Lapis blue metallic | | | J 2 |
| | 911 095 933 20 M6W | Lagoon green metallic | | | G 4 |
| | 911 095 933 20 C9Z | Basalt black metallic | | | Z 4 |
| | 911 095 933 20 M7X | Atlas grey metallic | | | E 7 |
| | 911 095 933 20 37W | Midnight Blue Metallic | | | E 9 |
| | 911 095 933 20 6B4 | Seal grey metallic | | | Y 1 |
| | 911 095 933 20 22E | Forest green metallic | | | 53 |
| | 911 095 933 20 37U | Cobalt blue metallic | | | 56 |
| | 911 095 933 20 22D | Slate grey metallic | | | 59 |
| | 911 095 933 20 M7Z | GT Silver Metallic | | | U 2 |
| | 911 095 933 20 M6X | Dark olive-metallic | | | 7 G |
| | 911 095 933 20 M7W | Meteor Grey Metallic | | | 9 Q |
| | | D - MJ 2007>> | | | |
| | 911 095 933 20 8A7 | Ruby red metallic | | | L 2 |
| | | D - MJ 2008>> - MJ 2008 | | | |
| | 911 095 933 20 M8W | Macadamia Metallic | | | 9 S |
| | | D - MJ 2008>> - MJ 2008 | | | |
| | 911 095 933 20 2B5 | Malachite Green Metallic | | | H 1 |
| | | D - MJ 2008>> - MJ 2008 | | | |
| | 911 095 933 20 M2Z | Nordic Gold Metallic | | | 8 W |
| | | D - MJ 2008>> - MJ 2008 | | | |

Model: 987 05

Model life 2005>>2008



Model: 987 05 Model life 2005>>2008

| Pos | Part Number | Description | Remark | Qty | Model |
|-----|----------------|---|--------|-----|----------------------------------|
| - | | Replacement engine without: Clutch plate Tiptronic without: flywheel Manual gearbox | | | 9625,9626, 9720,9721, 9722 |
| - | | Technical information GRUPPE 1 NR.1/04 Attention | | | |
| 1 | 987 100 925 00 | Replacement engine | | 1 | 9625+ PR:481 |
| 1 | 987 100 925 03 | D - MJ 2005>> - MJ 2005 Replacement engine | | 1 | 9625+ PR:481 |
| (1) | 987 100 920 02 | D - MJ 2006>> - MJ 2006 Replacement engine | | 1 | 9720+ PR:481 |
| (1) | 987 100 920 07 | D - MJ 2007>> - MJ 2007 Replacement engine | | 1 | 9720+ PR:481 |
| 1 | 987 100 925 01 | D - MJ 2008>> - MJ 2008 Replacement engine | | 1 | 9625+ PR:249 |
| 1 | 987 100 925 04 | D - MJ 2005>> - MJ 2005 Replacement engine | | 1 | 9625+ PR:249 |
| (1) | 987 100 920 03 | D - MJ 2006>> - MJ 2006 Replacement engine | | 1 | 9720+ PR:249 |
| (1) | 987 100 920 09 | D - MJ 2007>> - MJ 2007 Replacement engine | | 1 | 9720+ PR:249 |
| 1 | 987 100 925 02 | D - MJ 2008>> - MJ 2008 Replacement engine | | 1 | 9625+ PR:480 |
| 1 | 987 100 925 05 | D - MJ 2005>> - MJ 2005 Replacement engine | | 1 | 9625+ PR:480 |
| (1) | 987 100 920 04 | D - MJ 2006>> - MJ 2006 Replacement engine | | 1 | 9720+ PR:480 |
| (1) | 987 100 920 11 | D - MJ 2007>> - MJ 2007 Replacement engine | | 1 | 9720+ PR:480 |
| 1 | 987 100 926 00 | D - MJ 2008>> - MJ 2008 Replacement engine | | 1 | 9626+ PR:480 |
| 1 | 987 100 926 02 | D - MJ 2005>> - MJ 2005 Replacement engine | | 1 | 9626+ PR:480 |
| (1) | 987 100 921 06 | D - MJ 2006>> - MJ 2006 Replacement engine | | 1 | 9721+ PR:480 |
| (1) | 987 100 921 09 | Discontinued part Replacement engine | | 1 | 9721+ PR:480 |
| (1) | 987 100 922 01 | D >> - MJ 2008 Replacement engine | | 1 | 9722+ PR:480 |
| | | D - MJ 2008>> - MJ 2008 | | | |

Model: 987 05 Model life 2005>>2008

| Pos | Part Number | Description | Remark | Qty | Model |
|-----|----------------|--|----------------|-----|--------------------------|
| 1 | 987 100 926 01 | Replacement engine | | 1 | 9626+ PR:249 |
| 1 | 987 100 926 03 | D - MJ 2005>> - MJ 2005 Replacement engine | | 1 | 9626+ PR:249 |
| (1) | 987 100 921 07 | D - MJ 2006>> - MJ 2006 Replacement engine | | 1 | 9721+ PR:249 |
| (1) | 987 100 921 11 | D - MJ 2007>> - MJ 2007 Replacement engine | | 1 | 9721+ PR:249 |
| (1) | 987 100 922 03 | D - MJ 2008>> - MJ 2008 Replacement engine | | 1 | "ROK" 9722+ PR:249 |
| 2 | 987 100 925 50 | D - MJ 2008>> - MJ 2008 Short block comprising: Crankcase housing Connecting rod Crankshaft piston oil pump timing chain Parts kit without: Gaskets | | 1 | 9625 |
| | | | also use: | | |
| | | | 996 101 016 00 | 1 | |
| | | | 996 104 215 54 | 4 | |
| | | | 996 104 216 02 | 2 | |
| | | | 996 105 244 03 | 2 | |
| | | | 000 043 204 35 | X | |
| | | | 000 043 300 13 | X | |
| | | | 996 106 125 53 | 1 | |
| | | | 999 075 074 00 | 12 | |
| | | | 999 170 223 90 | 6 | |
| 2 | 987 100 925 TX | D - MJ 2005>> - MJ 2006 Short block comprising: Crankcase housing Connecting rod Crankshaft piston oil pump timing chain Parts kit without: Gaskets | | 1 | 9625 |
| | | | also use: | | |
| | | | 996 101 016 00 | 1 | |
| | | | 996 104 215 54 | 4 | |
| | | | 996 104 216 02 | 2 | |
| | | | 996 105 244 03 | 2 | |
| | | | 000 043 204 35 | X | |
| | | | 000 043 300 13 | X | |
| | | | 996 106 125 53 | 1 | |
| | | | 999 075 074 00 | 12 | |
| | | | 999 170 223 90 | 6 | |
| - | 996 104 170 10 | D - MJ 2005>> - MJ 2006 Cylinder head gasket Short block 98710092550/TX Parts kit for seals Cylinder head also use: | | 2 | |
| | | | 996 101 336 50 | 1 | |
| | | | 996 101 331 50 | 1 | |
| | | | 996 104 203 00 | 6 | |

Model: 987 05 Model life 2005>>2008

| Pos | Part Number | Description | Remark | Qty | Model |
|-----|----------------|---|--|--|-------|
| - | 996 106 326 50 | Seal Short block 98710092550/TX Parts kit for seals Accessories | 999 701 761 41 996 105 903 05 999 707 479 40 999 707 404 40 996 113 233 50 996 113 213 51 999 707 554 40 999 707 547 40 999 707 389 40 996 111 107 55 999 707 574 40 | 6 4 2 2 1 1 2 2 2 2 12 | |
| | | also use: | 999 702 206 50 999 707 348 40 996 107 103 51 999 707 364 40 997 106 340 00 996 110 247 03 997 106 709 00 997 113 233 01 997 106 708 00 | 1 1 2 1 1 6 1 1 1 | |
| 2 | 987 100 926 50 | Short block comprising: Crankcase housing Connecting rod Crankshaft piston oil pump timing chain Parts kit | | 1 | 9626 |
| | | without: Gaskets | | | |
| | | also use: | 996 101 016 00 996 104 215 54 996 104 216 02 996 105 244 03 000 043 204 35 000 043 300 13 996 106 125 53 999 075 074 00 999 170 223 90 | 1 4 2 2 X X 1 12 6 | |
| 2 | 987 100 926 TX | D - MJ 2005>> - MJ 2006 Short block comprising: Crankcase housing Connecting rod Crankshaft piston oil pump timing chain Parts kit | | 1 | 9626 |
| | | without: Gaskets | | | |
| | | also use: | 996 101 016 00 996 104 215 54 996 104 216 02 996 105 244 03 000 043 204 35 000 043 300 13 996 106 125 53 | 1 4 2 2 X X 1 | |

Model: 987 05 Model life 2005>>2008

| Pos | Part Number | Description | Remark | Qty | Model |
|-----|----------------|--|--|--|-------|
| - | 996 104 170 60 | D - MJ 2005>> - MJ 2006 Cylinder head gasket Short block 98710092650/TX Parts kit for seals Cylinder head | 999 075 074 00 999 170 223 90 | 12 6 2 | |
| | | also use: | 996 101 336 50 996 101 331 50 996 104 203 00 999 701 761 41 996 105 903 05 999 707 479 40 999 707 404 40 996 113 213 51 999 707 554 40 999 707 547 40 999 707 389 40 996 111 107 55 999 707 574 40 | 1 1 6 6 4 2 2 1 2 2 2 2 12 | |
| - | 996 106 326 50 | Seal thermostat housing Short block 98710092650/TX Parts kit for seals Accessories | | 1 1 | |
| | | also use: | 999 702 206 50 999 707 348 40 996 107 103 51 999 707 364 40 997 106 340 00 996 110 247 03 999 106 709 00 999 106 708 00 997 113 233 01 996 113 213 51 | 1 1 1 1 1 6 1 1 1 1 | |
| 2 | 987 100 920 50 | Short block comprising: Crankcase housing Connecting rod Crankshaft piston oil pump timing chain Parts kit | | 1 | 9720 |
| | | without: Gaskets | | | |
| | | also use: | 996 101 016 00 996 104 215 54 996 104 216 02 996 105 244 03 000 043 204 35 000 043 300 13 996 106 125 53 999 075 074 00 999 170 223 90 | 1 4 2 4 X X 1 12 6 | |
| 2 | 987 100 920 TX | D - MJ 2007>> - MJ 2008 Short block comprising: Crankcase housing Connecting rod Crankshaft piston oil pump | | 1 | 9720 |

Model: 987 05 Model life 2005>>2008

| Pos | Part Number | Description | Remark | Qty | Model |
|-----|----------------|--|--|--|-------|
| - | 996 104 170 10 | timing chain Parts kit without: Gaskets also use: | 996 101 016 00 996 104 215 54 996 104 216 02 996 105 244 03 000 043 204 35 000 043 300 13 996 106 125 53 999 075 074 00 999 170 223 90 | 1 4 2 4 X X 1 12 6 | |
| - | 996 106 326 50 | D - MJ 2007>> - MJ 2008 Cylinder head gasket Short block 98710092050/TX Parts kit for seals Cylinder head also use: | 996 101 336 50 996 101 331 50 996 104 203 00 999 701 761 41 996 105 903 05 999 707 479 40 999 707 404 40 996 113 213 51 999 707 554 40 999 707 547 40 999 707 389 40 996 111 107 55 999 707 574 40 999 707 573 40 | 1 1 6 6 4 2 2 1 2 2 2 2 6 6 | |
| - | 987 100 921 50 | Seal thermostat housing Short block Parts kit for seals Accessories also use: | 999 702 206 50 999 707 348 40 996 107 103 51 999 707 364 40 997 106 340 00 996 106 326 50 997 106 709 00 997 110 247 02 997 113 233 01 997 106 708 00 | 1 1 2 1 1 1 1 6 1 1 | |
| 2 | 987 100 921 50 | Short block comprising: Crankcase housing Connecting rod Crankshaft piston oil pump timing chain Parts kit without: Gaskets also use: | 996 101 016 00 996 104 215 54 996 104 216 02 996 105 244 03 000 043 204 35 | 1 4 2 4 X | 9721 |

Model: 987 05 Model life 2005>>2008

| Pos | Part Number | Description | Remark | Qty | Model |
|-----|----------------|---|--|--|-------|
| 2 | 987 100 921 TX | D - MJ 2007>> - MJ 2008 Short block comprising: Crankcase housing Connecting rod Crankshaft piston oil pump timing chain Parts kit | 000 043 300 13 996 106 125 53 999 075 074 00 999 170 223 90 | X 1 12 6 1 | 9721 |
| - | 996 104 201 04 | D - MJ 2007>> - MJ 2008 Cylinder head gasket Short block 98710092150/TX Parts kit for seals Cylinder head | 996 101 016 00 996 104 215 54 996 104 216 02 996 105 244 03 000 043 204 35 000 043 300 13 996 106 125 53 999 075 074 00 999 170 223 90 | 1 4 2 4 X X 1 12 6 2 | |
| - | 996 106 326 50 | Seal thermostat housing Short block 98710092150/TX Parts kit for seals Accessories | 996 101 336 50 996 101 331 50 996 104 203 00 999 701 761 41 996 105 903 05 999 707 479 40 999 707 404 40 996 113 213 51 999 707 554 40 999 707 547 40 999 707 389 40 996 111 107 55 999 707 574 40 999 707 573 40 | 1 1 6 6 4 2 2 1 2 2 1 2 12 6 1 | |
| 2 | 987 100 922 50 | Short block comprising: Crankcase housing Connecting rod | 999 702 206 50 999 707 348 40 996 107 103 51 999 707 364 40 997 106 340 00 997 106 709 00 997 106 708 00 997 110 247 02 997 113 233 01 996 113 213 51 | 1 1 2 1 1 1 1 1 1 1 1 1 | 9722 |

Model: 987 05 Model life 2005>>2008

| Pos | Part Number | Description | Remark | Qty | Model |
|-----|----------------|--|----------------|-----|-------|
| | | Crankshaft piston oil pump timing chain Parts kit | | | |
| | | without: | | | |
| | | Gaskets | | | |
| | | also use: | 996 101 016 00 | 1 | |
| | | | 996 104 215 54 | 4 | |
| | | | 996 104 216 02 | 2 | |
| | | | 996 105 244 03 | 4 | |
| | | | 000 043 204 35 | X | |
| | | | 000 043 300 13 | X | |
| | | | 996 106 125 53 | 1 | |
| | | | 999 075 074 00 | 12 | |
| | | D - MJ 2008>> - MJ 2008 | 999 170 223 90 | 6 | |
| 2 | 987 100 922 TX | Short block comprising: Crankcase housing Connecting rod Crankshaft piston oil pump timing chain Parts kit | | 1 | 9722 |
| | | without: | | | |
| | | Gaskets | | | |
| | | also use: | 996 101 016 00 | 1 | |
| | | | 996 104 215 54 | 4 | |
| | | | 996 104 216 02 | 2 | |
| | | | 996 105 244 03 | 4 | |
| | | | 000 043 204 35 | X | |
| | | | 000 043 300 13 | X | |
| | | | 996 106 125 53 | 1 | |
| | | | 999 075 074 00 | 12 | |
| | | D - MJ 2008>> - MJ 2008 | 999 170 223 90 | 6 | |
| - | 996 104 201 04 | Cylinder head gasket Short block 98710092250/TX Parts kit for seals Cylinder head | | 2 | |
| | | also use: | 996 101 336 50 | 1 | |
| | | | 996 101 331 50 | 1 | |
| | | | 996 104 203 00 | 6 | |
| | | | 999 701 761 41 | 6 | |
| | | | 996 105 903 05 | 2 | |
| | | | 999 707 479 40 | 2 | |
| | | | 999 707 404 40 | 2 | |
| | | | 996 113 213 51 | 1 | |
| | | | 999 707 554 40 | 2 | |
| | | | 999 707 547 40 | 2 | |
| | | | 999 707 389 40 | 2 | |
| | | | 996 111 107 55 | 2 | |
| | | | 999 707 574 40 | 12 | |
| - | 996 106 326 50 | Seal thermostat housing Short block 98710092250/TX Parts kit for seals Accessories | | 1 | |
| | | also use: | 999 702 206 50 | 1 | |
| | | | 999 707 348 40 | 1 | |
| | | | 996 107 103 51 | 2 | |

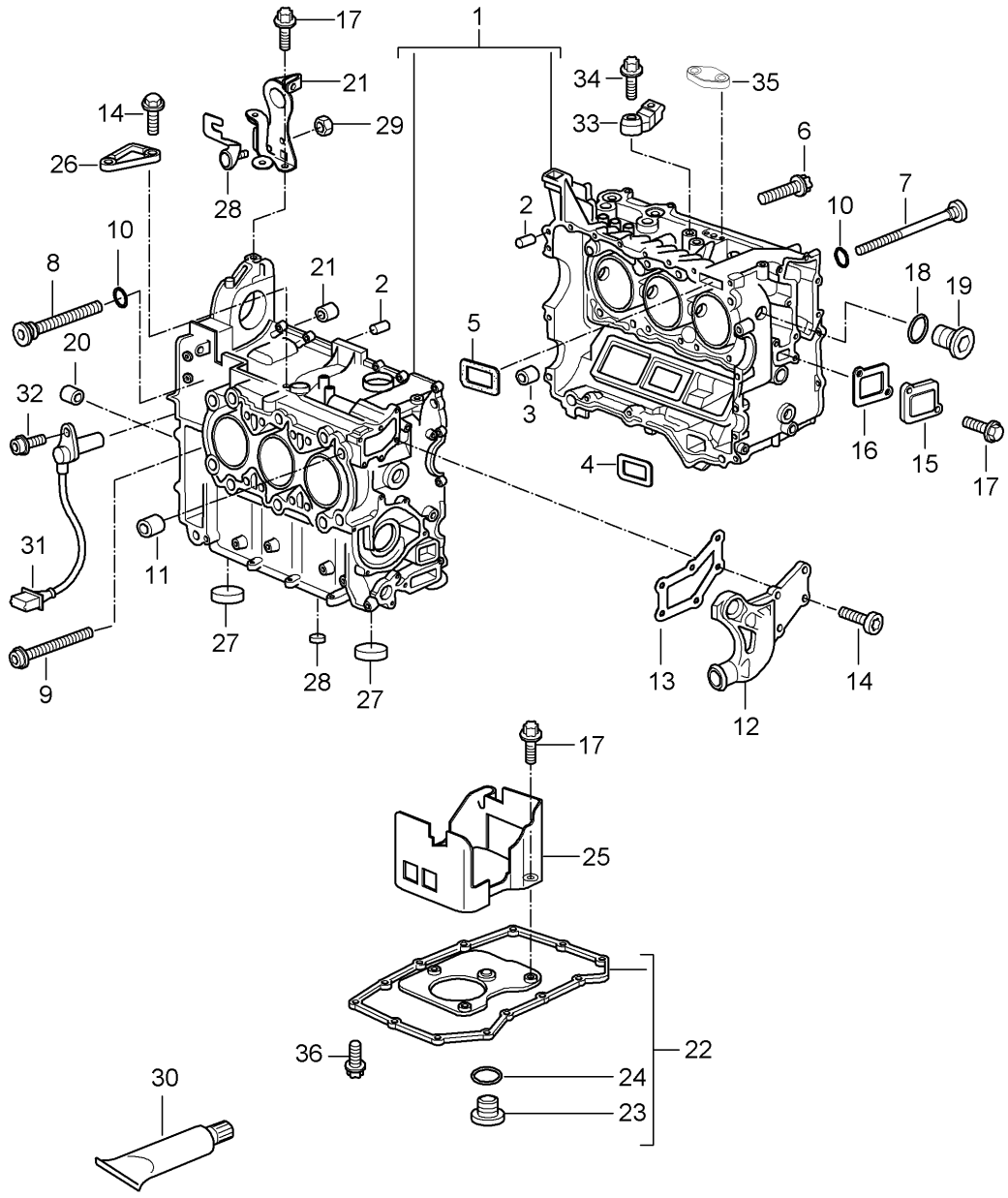
Model: 987 05

Model life 2005>>2008

| Pos | Part Number | Description | Remark | Qty | Model |
|-----|-------------|-------------|----------------|-----|-------|
| | | | 999 707 364 40 | 1 | |
| | | | 997 106 340 00 | 1 | |
| | | | 997 106 709 00 | 1 | |
| | | | 997 106 708 00 | 1 | |
| | | | 997 110 247 02 | 6 | |
| | | | 997 113 233 01 | 1 | |

Model: 987 05

Model life 2005>>2008



Model: 987 05 Model life 2005>>2008

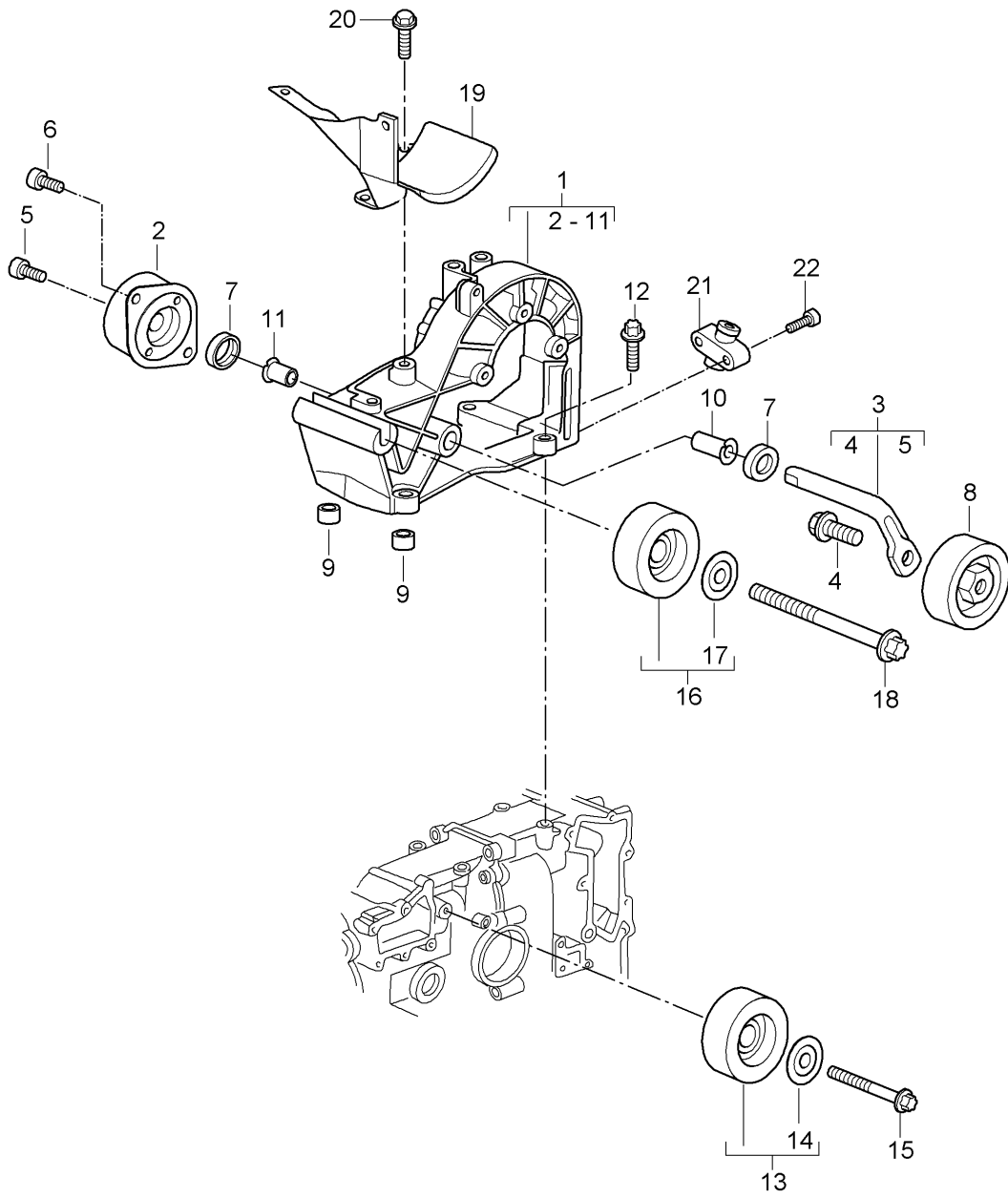
| Pos | Part Number | Description | Remark | Qty | Model |
|------|----------------|---|--------------------------|--------|--|
| | | Crankcase housing Individual parts | | | 9625,9626, 9720,9721, 9722 9626 |
| 1 | 996 101 901 10 | Crankcase housing D >> - MJ 2006 | | 1 | |
| 1 | 987 101 901 00 | Crankcase housing D - MJ 2007>> | | 1 | 9721,9722 |
| 1 | 996 101 901 09 | Crankcase housing D >> - MJ 2006 | | 1 | 9625 |
| 1 | 987 101 901 01 | Crankcase housing D - MJ 2007>> | | 1 | 9720 |
| 2 | 999 012 049 00 | Cylinder pin 12M 6 X 22 | | 3 | |
| 3 | 996 101 253 51 | dowel sleeve | | 3 | |
| 4 | 996 101 361 51 | Seal | | 1 | |
| 5 | 996 101 363 50 | Seal | | 1 | |
| 6 | 900 385 270 04 | Torx screw M 6 X 35 | | 19 | |
| (6) | 999 385 004 09 | Torx screw BM 6 X 35 blue Coated D >> - MJ 2007 | | 4 | |
| (6) | 999 385 004 01 | Torx screw BM 6 X 35 white Coated D - MJ 2008>> | | 4 | |
| 7 | 996 101 219 52 | Screw 9 X 150 | | 1 | |
| 8 | 996 101 229 00 | Screw M 9 X 94 | | 1 | |
| 9 | 996 101 203 00 | Screw 9 X 94 | | 1 | |
| 10 | 999 701 789 40 | O-ring 12 X 2 | | 2 | |
| 11 | 999 095 043 01 | dowel sleeve 17M 6 X 18,5 | also use: 999 917 788 00 | 1 4 | |
| 12 | 996 101 021 01 | End cap Discontinued part | | 1 | |
| (12) | 996 101 021 02 | End cap | | 1 | |
| 13 | 996 101 331 50 | Seal | | 1 | |
| 14 | 999 073 344 04 | flat round head bolt M 6 X 20 | | 8 | |
| 15 | 996 101 016 00 | End cap | | 1 | |
| 16 | 996 101 336 50 | Seal | | 1 | |
| 17 | 900 385 009 09 | Torx screw BM 6 X 16 | | 4 | |
| 18 | 900 123 147 30 | seal ring A 27 X 32 | | 1 | |
| 19 | 900 219 017 30 | sealing plug M 27 X 2 | | 1 | |
| 20 | 014 301 153 B | dowel sleeve 13 X 16 X13,5 | | 2 | |
| 21 | | see illustration: | 107-005 | 1 | |
| 22 | 996 107 031 55 | oil sump Discontinued part | | 1 | |
| (22) | 996 107 031 57 | oil sump Discontinued part | | 1 | |
| (22) | 996 107 031 58 | oil sump | | 1 | |
| 23 | 900 219 009 30 | sealing plug M 18 X 1,5 | | 1 | |

Model: 987 05 Model life 2005>>2008

| Pos | Part Number | Description | Remark | Qty | Model |
|-----|----------------|---|--------|-----|---------|
| 24 | 900 123 106 30 | seal ring A 18 X 24 | | 1 | |
| 25 | 997 107 243 00 | filler plate | | 1 | |
| 26 | 999 036 005 02 | End cap B 50 | | 2 | |
| 27 | 000 043 300 19 | End cap B 16 Discontinued part | | 1 | |
| 27 | 900 036 029 03 | End cap B 16 | | 1 | |
| 28 | 996 101 613 50 | Bracket | | 1 | PR:249 |
| 29 | 900 377 010 09 | Hexagon nut M 6 | | 1 | PR:249 |
| 30 | 000 043 204 35 | sealant 50 ML Loctite 5900 | | X | |
| 31 | 986 606 112 03 | impulse sender Discontinued part | | 1 | |
| 31 | 986 606 112 04 | impulse sender | | 1 | |
| 32 | 900 387 264 09 | Socket head bolt M 6 X 16 Discontinued part | | 1 | |
| 32 | 900 387 264 01 | Socket head bolt M 6 X 16 | | 1 | |
| 32 | N 105 464 03 | Hexagon socket head bolt M 6 X 16 | | 1 | |
| 33 | 997 606 121 00 | Knock sensor | | 2 | |
| 34 | 900 385 090 04 | Torx screw BM 8 X 35 | | 2 | |
| 35 | 997 113 340 00 | End cap | | 1 | PR:-661 |
| - | 996 113 213 51 | Seal | | 1 | |
| 36 | 900 385 019 02 | Screw BM 6 X 20 | | 13 | |

Model: 987 05

Model life 2005>>2008



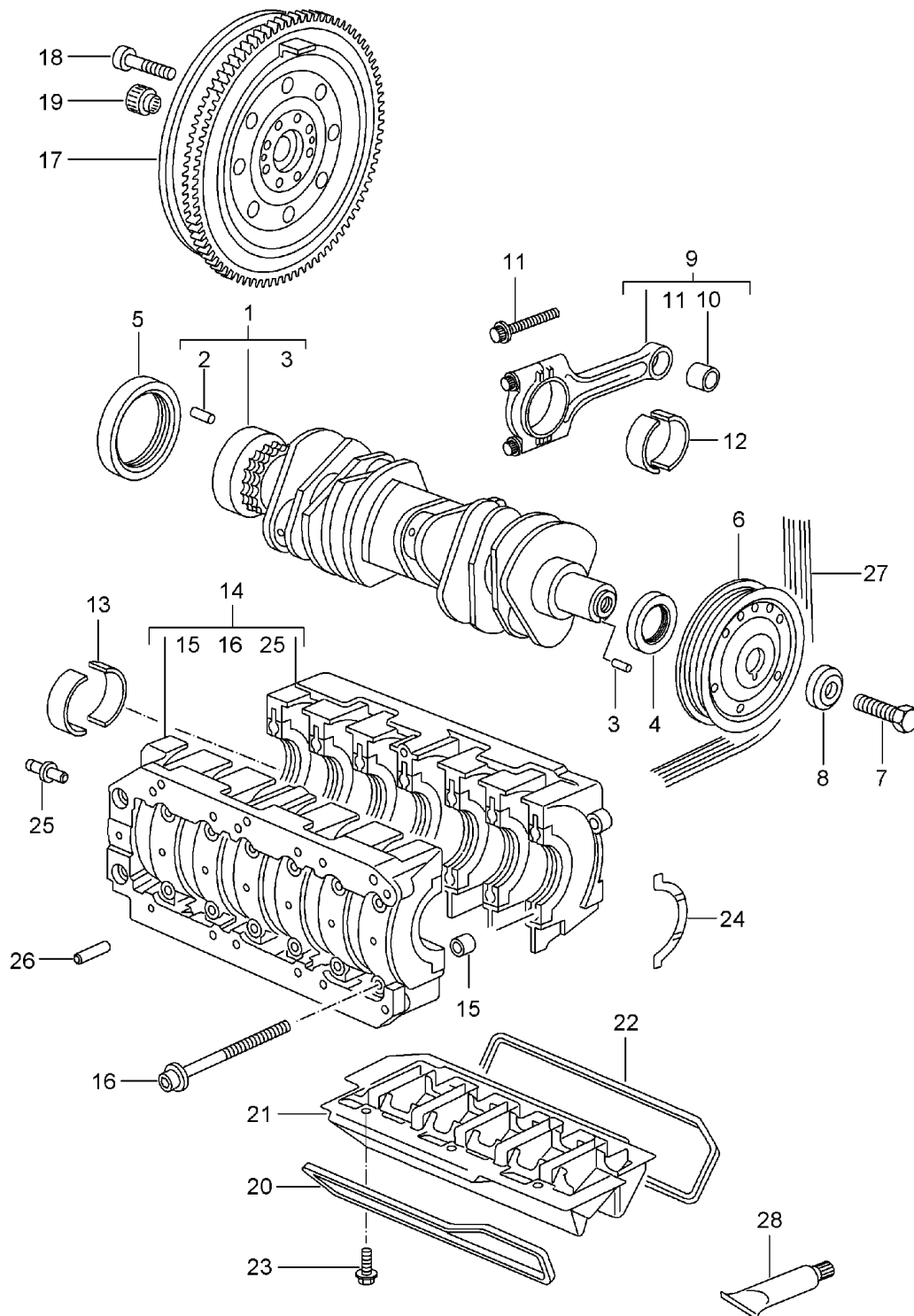
Model: 987 05

Model life 2005>>2008

| Pos | Part Number | Description | Remark | Qty | Model |
|------|----------------|---|--------|-----|----------------------------------|
| | | Belt tensioner Belt drive | | | 9625,9626, 9720,9721, 9722 |
| 1 | 997 102 016 00 | Console | | 1 | PR:480,481 |
| (1) | 996 102 016 01 | Console | | 1 | PR:249 |
| | | Discontinued part | | | |
| (1) | 996 102 016 03 | Console | | 1 | PR:249 |
| 2 | 997 102 260 00 | tensioner | | 1 | |
| 3 | 996 102 360 51 | lever | | 1 | |
| 4 | 999 072 041 09 | Hexagon bolt M 10 X 30 | | 1 | |
| 5 | 900 067 117 03 | Socket head bolt M 6 X 16 | | 1 | |
| 6 | 999 067 045 09 | Socket head bolt M 8 X 22 | | 2 | |
| 7 | 996 102 365 50 | dust cap | | 2 | |
| 8 | 997 102 117 00 | Tensioning roller | | 1 | PR:480,481 |
| (8) | 996 102 117 57 | Tensioning roller | | 1 | PR:249 |
| 9 | 999 095 064 00 | dowel sleeve 12 M 6 X 13 | | 2 | |
| 10 | 997 102 167 00 | Bush | | 1 | |
| 11 | 997 102 165 00 | Bush | | 1 | |
| 12 | 900 385 090 04 | Torx screw M 8 X 35 | | 4 | |
| 13 | 997 102 119 00 | idler pulley | | 1 | PR:480,481 |
| (13) | 996 102 119 58 | idler pulley | | 1 | PR:249 |
| 14 | 996 102 127 54 | Cover disc | | 1 | |
| 15 | 900 385 091 04 | Torx screw M 8 X 60 | | 1 | |
| | | Discontinued part | | | |
| 15 | 900 385 091 01 | Hexagon head bolt M 8 X 60 | | 1 | |
| 16 | 997 102 118 00 | idler pulley | | 1 | PR:480,481 |
| (16) | 996 102 118 56 | idler pulley | | 1 | PR:249 |
| 17 | 996 102 125 53 | Cover disc | | 1 | PR:249 |
| 18 | 900 385 092 04 | Torx screw M 10 X 145 | | 1 | |
| 19 | 996 102 211 05 | Cover | | 1 | |
| 20 | 900 385 279 09 | Hexagon bolt M 6 X 12 | | 3 | |
| | | Discontinued part | | | |
| 20 | 900 385 279 01 | Hexagon head bolt M 6 X 12 | | 3 | |
| 21 | 997 126 101 00 | Bracket Compressor Air conditioning | | 1 | |

Model: 987 05

Model life 2005>>2008



Model: 987 05 Model life 2005>>2008

| Pos | Part Number | Description | Remark | Qty | Model |
|------|----------------|---|--------------------------|-----|----------------------------------|
| | | Crankshaft | | | 9625,9626, 9720,9721, 9722 |
| 1 | 996 102 011 58 | Crankshaft | | 1 | |
| 1 | 987 102 010 03 | Crankshaft | | 1 | 9721,9722 |
| 2 | 900 095 031 01 | spring pin 6,0 X 16 | | 1 | |
| 3 | 900 302 021 00 | Cylinder pin A 4,0 X 10 | | 1 | |
| 4 | 999 113 475 40 | Shaft oil seal 40 X 62 X 10 | | 1 | |
| 5 | 999 113 490 40 | Shaft oil seal 85 X 105 X 11 | | 1 | |
| 5 | 997 101 212 00 | No longer use the part here Shaft oil seal 85 x 105 x 11 | | 1 | |
| 6 | 996 102 115 63 | pulley | | 1 | |
| 7 | 900 082 085 09 | Hexagon bolt M 16 X 1,5 X 60 | | 1 | |
| 8 | 996 102 315 51 | pressure washer | | 1 | |
| 9 | 996 103 975 02 | Connecting rod Connecting rods comprising: 6 Connecting rods See workshop manual 987 GR.1-1 | | 1 | |
| 10 | 996 103 111 51 | bush - connecting rod | | 6 | |
| 11 | 997 103 115 01 | bolt - connecting rod | | 12 | |
| 12 | 996 103 121 62 | connecting rod bearing shell | | 12 | |
| 13 | 987 101 205 01 | crankshaft bearing No longer use the part here | | 14 | 9625 |
| 13 | 996 101 205 10 | crankshaft bearing | | 14 | 9626,9720 |
| 13 | 996 101 205 10 | crankshaft bearing | | 14 | 9625 |
| 13 | 996 101 209 04 | crankshaft bearing | also use: 996 101 007 09 | 14 | 9721,9722 |
| 14 | 987 101 007 20 | Bearing housing only in conj. with: 987.101.205.01 No longer use the part here | | 1 | 9625 |
| 14 | 996 101 007 09 | Bearing housing | | 1 | 9625,9626, 9720 |
| 14 | 996 101 007 22 | Bearing housing Discontinued part | | 1 | 9721 |
| (14) | 996 101 007 23 | Bearing housing | | 1 | 9721,9722 |
| 15 | 999 095 064 00 | dowel sleeve 12 M 6 X 13 | | 3 | |
| 16 | 996 101 115 60 | Screw M >> 615 06313 | | 14 | 9625 |
| (16) | 996 101 115 61 | Screw M 615 06314 >> No longer use the part here | | 14 | 9625 |
| (16) | 996 101 115 61 | Screw for Bearing housing No longer use the part here | | 14 | 9720,9721, 9722,9626 |
| (16) | 996 101 115 59 | Screw for Bearing housing | | 14 | 9720,9721, 9722,9626 |
| 17 | 986 114 012 05 | Dual-mass flywheel | | 1 | 9625,9720+ PR:481 |
| 17 | 986 114 012 06 | Dual-mass flywheel | | 1 | 9625,9626, 9720+ |

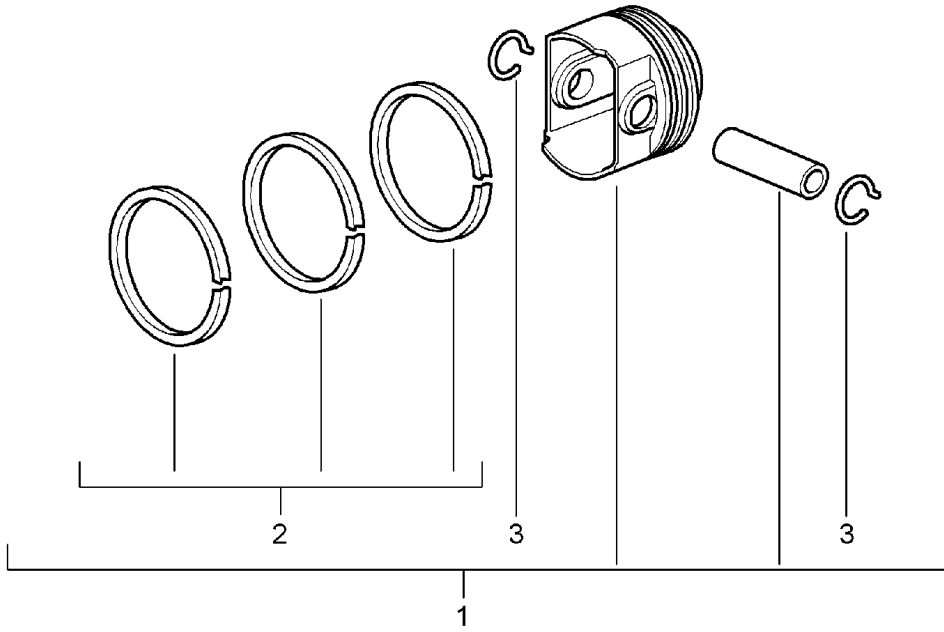
Model: 987 05

Model life 2005>>2008

| Pos | Part Number | Description | Remark | Qty | Model |
|------|----------------|--|--------|-----|--------------------------------|
| 17 | 986 114 012 06 | Dual-mass flywheel | | 1 | PR:480 9721,9722+ PR:480 |
| 18 | 999 073 092 09 | Socket head bolt M 10 X 1 X 50 | | 8 | |
| 19 | 034 105 313 A | needle bearing - | | 1 | |
| 20 | 996 101 241 51 | Seal | | 1 | |
| 21 | 996 101 110 00 | oil separator | | 1 | |
| 22 | 996 101 242 51 | Seal | | 1 | |
| 23 | 900 385 050 09 | Torx screw M 6 X 16 | | 6 | |
| (23) | 900 385 050 01 | Discontinued part Hexagon head bolt M 6 X 16 | | 6 | |
| 24 | 996 101 129 52 | thrust washer | | 2 | 9625,9626, 9720 |
| (24) | 996 101 132 00 | thrust washer | | 2 | 9721,9722 |
| 25 | 996 101 117 54 | Cylinder pin | | 1 | |
| 26 | 996 101 018 51 | Spray jet | | 6 | |
| 27 | 996 102 151 66 | Poly-rib belt | | 1 | |
| 28 | 000 043 204 17 | Extreme-pressure grease 100 GR. | | X | |

Model: 987 05

Model life 2005>>2008



Model: 987 05 Model life 2005>>2008

| Pos | Part Number | Description | Remark | Qty | Model |
|-----|----------------|--|--------|-----|--|
| | | piston | | | 9625,9626, 9720,9721, 9722 9625 |
| 1 | 996 103 071 14 | piston complete Tolerance range X Identification: >> >> - | | 6 | |
| (1) | 996 103 071 15 | 460 - 466 G piston complete Tolerance range X Identification: >> >> + | | 6 | 9625 |
| (1) | 987 103 071 03 | 466 - 472 G piston complete Tolerance range X Identification: >> >> - | | 6 | 9720 |
| (1) | 987 103 071 04 | 462 - 468 G No longer use the part here piston complete Tolerance range X Identification: >> >> + | | 6 | 9720 |
| (1) | 987 103 971 00 | 468 - 474 G No longer use the part here 1 set pistons Content piston Tolerance range X Only by sets | | 1 | 9720 |
| (1) | 996 103 032 15 | piston Tolerance range X Identification: >> >> - | | 6 | 9626 |
| (1) | 996 103 032 16 | 535 - 541 G piston Tolerance range X Identification: >> >> + | | 6 | 9626 |
| (1) | 987 103 051 13 | 541 - 547 G piston complete Tolerance range X Identification: >> >> - | | 6 | 9721,9722 |
| (1) | 987 103 051 14 | 524 - 530 G piston complete Tolerance range X Identification: >> >> + | | 6 | 9721,9722 |
| 2 | 996 103 073 00 | 530 - 536 G 1 set: piston rings | | 6 | 9625 |
| 2 | 996 103 073 00 | 1 set: piston rings | | 6 | 9720 |
| 2 | 996 103 033 51 | 1 set: piston rings | | 6 | 9626 |
| 2 | 987 103 053 02 | 1 set: piston rings | | 6 | 9721,9722 |

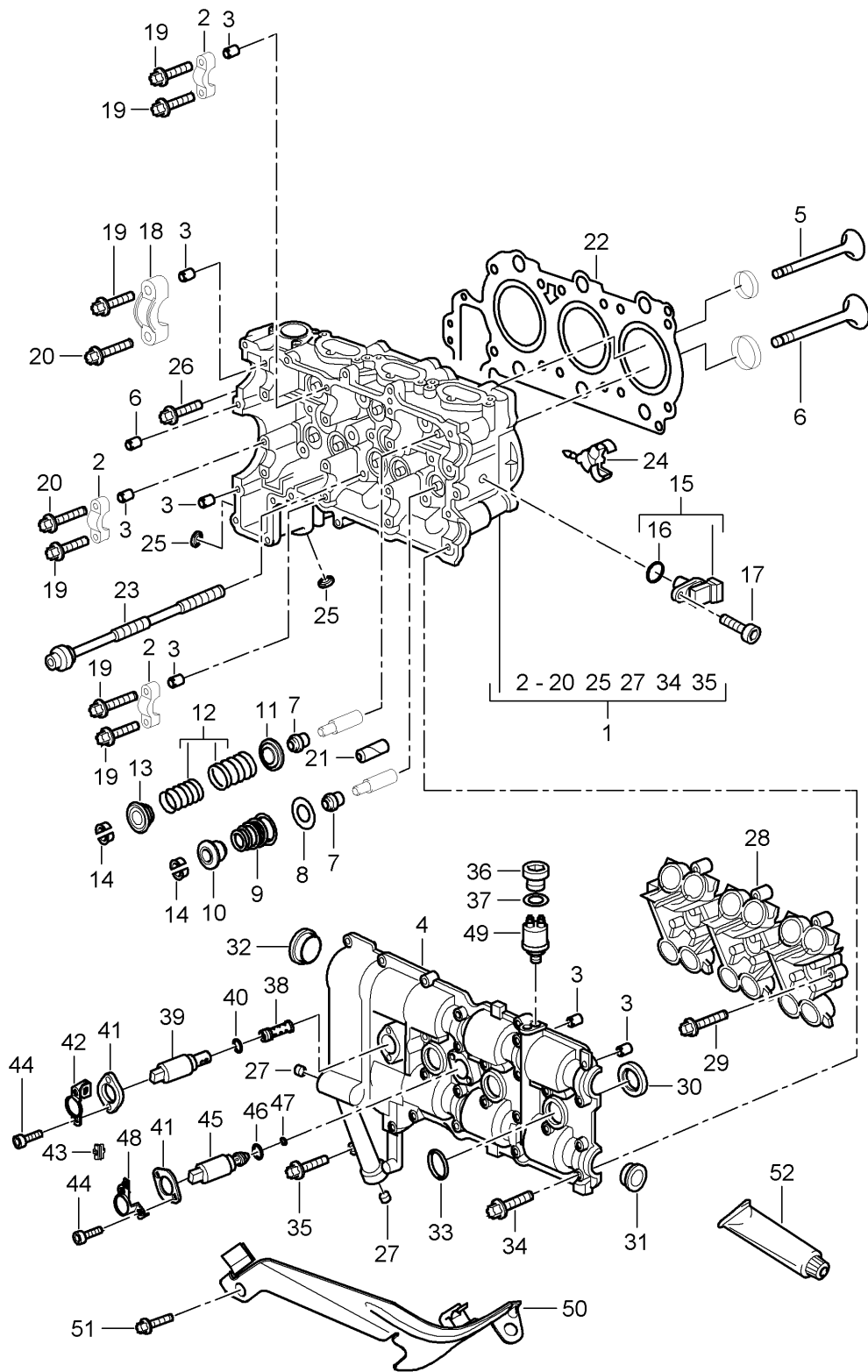
Model: 987 05

Model life 2005>>2008

| Pos | Part Number | Description | Remark | Qty | Model |
|-----|----------------|---------------|--------|-----|-------|
| 3 | 996 103 141 03 | Securing ring | | 12 | |

Model: 987 05

Model life 2005>>2008



Model: 987 05 Model life 2005>>2008

| Pos | Part Number | Description | Remark | Qty | Model |
|-----|----------------|--|--------|-----|--|
| | | Cylinder head | | | 9625,9626, 9720,9721, 9722 9625 |
| 1 | 996 104 933 00 | Complete cylinder head Cyl. 1 - 3 | | 1 | 9625 |
| 1 | 996 104 933 AX | Complete cylinder head Cyl. 1 - 3 | | 1 | 9625 |
| 1 | 987 104 915 00 | Cylinder head Cyl. 1 - 3 | | 1 | 9720 |
| 1 | 987 104 915 AX | Cylinder head Cyl. 1 - 3 | | 1 | 9720 |
| (1) | 996 104 953 00 | Complete cylinder head Cyl. 1 - 3 | | 1 | 9626 |
| (1) | 996 104 953 AX | Complete cylinder head Cyl. 1 - 3 | | 1 | 9626 |
| (1) | 987 104 913 00 | Cylinder head Cyl. 1 - 3 | | 1 | 9721,9722 |
| (1) | 987 104 913 AX | Cylinder head Cyl. 1 - 3 | | 1 | 9721,9722 |
| (1) | 996 104 934 00 | Complete cylinder head Cyl. 4 - 6 | | 1 | 9625 |
| (1) | 996 104 934 AX | Complete cylinder head Cyl. 4 - 6 | | 1 | 9625 |
| (1) | 987 104 916 00 | Cylinder head Cyl. 4 - 6 | | 1 | 9720 |
| (1) | 987 104 916 AX | Cylinder head Cyl. 4 - 6 | | 1 | 9720 |
| (1) | 996 104 954 00 | Complete cylinder head Cyl. 4 - 6 | | 1 | 9626 |
| (1) | 996 104 954 AX | Complete cylinder head Cyl. 4 - 6 | | 1 | 9626 |
| (1) | 987 104 914 00 | Cylinder head Cyl. 4 - 6 | | 1 | 9721,9722 |
| (1) | 987 104 914 AX | Cylinder head Cyl. 4 - 6 | | 1 | 9721,9722 |
| 2 | | Bearing cover Matching with: Cylinder head | | 6 | |
| 3 | 996 104 117 50 | dowel sleeve | | 28 | |
| 4 | | Cover Matching with: Cylinder head | | 2 | |
| 5 | 996 105 111 02 | Inlet valve Discontinued part | | 12 | 9625 |
| 5 | 996 105 111 05 | Inlet valve | | 12 | 9625 |
| 5 | 987 105 115 00 | Inlet valve | | 12 | 9720 |
| (5) | 996 105 111 52 | Inlet valve | | 12 | 9626 |
| (5) | 996 105 271 00 | Inlet valve Discontinued part | | 12 | 9721,9722 |
| (5) | 996 105 271 02 | Inlet valve | | 12 | 9721,9722 |
| 6 | 996 105 113 04 | exhaust valve | | 12 | 9625 |
| 6 | 987 105 116 00 | exhaust valve | | 12 | N97.20 |
| (6) | 996 105 247 00 | exhaust valve | | 12 | 9626 |
| (6) | 996 105 273 03 | exhaust valve Discontinued part | | 12 | 9721,9722 |
| (6) | 996 105 273 04 | exhaust valve | | 12 | |
| 7 | 996 105 115 52 | Valve stem seal | | 24 | |
| 8 | 996 105 117 51 | spring disc exhaust valve | lower | 24 | 9625,9626 |
| (8) | 996 105 117 51 | spring disc exhaust valve | lower | 12 | 9720,9721 |
| (9) | 996 105 119 56 | Valve spring | | 12 | 9625,9626 |
| 9 | 996 105 118 01 | Valve spring | | 12 | 9720,9721, |

Model: 987 05 Model life 2005>>2008

| Pos | Part Number | Description | Remark | Qty | Model |
|------|----------------|--|--------|-----|------------------------|
| 10 | 996 105 121 54 | exhaust valve spring disc | upper | 24 | 9722 9625,9626 |
| 10 | 996 105 121 54 | spring disc | upper | 12 | 9720,9721, 9722 |
| 11 | 996 105 147 00 | exhaust valve spring disc | lower | 12 | |
| (12) | 996 105 119 56 | Inlet valve Valve spring | | 12 | 9625,9626 |
| 12 | 996 105 939 00 | 1 set of valve springs Inlet valve | | 12 | 9720,9721, 9722 |
| 13 | 996 105 145 00 | spring disc Inlet valve | upper | 12 | |
| 14 | 996 105 123 51 | Valve collet | | 48 | |
| 15 | 997 606 106 01 | Hall sensor Discontinued part | | 2 | |
| 15 | 997 606 106 03 | Hall sensor | | 2 | |
| 16 | 999 707 404 40 | O-ring 17,05 X 1,78 To Use 997.606.106.03 No longer use the part here | | 2 | |
| 17 | 900 387 264 01 | Socket head bolt M 6 X 16 Discontinued part | | 2 | |
| 17 | N 105 464 03 | Hexagon socket head bolt M 6 X 16 | | 2 | |
| 18 | | Bearing cover Intake Matching with: Cylinder head | | 2 | |
| 19 | 900 385 017 09 | Torx screw M 6 X 35 | | 12 | |
| 20 | 900 385 025 01 | Torx screw M 6 X 40 | | 4 | |
| 21 | 000 043 204 46 | Sleeve for Valve stem seal | | 1 | |
| 22 | 996 104 170 10 | Cylinder head gasket | | 2 | /97.20 9625 9626 |
| (22) | 996 104 170 60 | Cylinder head gasket | | 2 | 9626 |
| (22) | 996 104 201 04 | Cylinder head gasket | | 2 | 9721,9722 |
| 23 | 996 104 180 58 | Screw M 10 X 230 Discontinued part | | 24 | |
| 23 | 996 104 180 59 | Screw M 10 X 230 | | 24 | |
| 24 | 999 507 075 40 | Cable holder 3,0 - 12 | | 3 | |
| 25 | 999 036 026 02 | End cap B 10 Discontinued part | | 4 | |
| (25) | 999 036 026 01 | End cap B 10 | | 4 | |
| 26 | 900 385 048 01 | Torx screw M 6 X 30 Mount Cylinder head Crankcase housing | | 8 | |
| 27 | 900 036 023 02 | End cap B 18 Discontinued part | | 4 | |

Model: 987 05

Model life 2005>>2008

| Pos | Part Number | Description | Remark | Qty | Model |
|------|----------------|---|--------|-----|--------------------|
| (27) | 900 036 023 01 | End cap B 18 | | 4 | |
| 28 | 996 104 042 03 | housing Tappets Hydraulic | | 2 | 9625,9626 |
| (28) | 987 104 045 00 | housing Tappets Hydraulic | | 2 | 9720 |
| (28) | 997 104 043 00 | housing Tappets Hydraulic | | 2 | 9721,9722 |
| 29 | 900 385 017 09 | Torx screw M 6 X35 | | 22 | |
| 30 | 996 104 203 00 | Seal | | 6 | |
| 31 | 996 104 215 54 | End cap | | 4 | |
| 32 | 996 104 216 02 | End cap | | 2 | |
| 33 | 999 701 761 41 | O-ring 28 X 2 | | 6 | |
| 34 | 999 385 003 01 | Torx screw M 6 X 30 | | 16 | |
| 35 | 900 385 048 01 | Torx screw M 6 X 30 | | 24 | |
| 36 | 900 219 018 30 | sealing plug M 14 X 1,5 | | 1 | |
| 36 | 999 063 038 01 | No longer use the part here sealing plug M 14 X 1,5 | | 1 | |
| 37 | 900 123 104 30 | seal ring A 14 X 18 | | 1 | |
| 37 | 900 123 173 20 | No longer use the part here seal ring A 14 X 18 | | 1 | |
| 38 | 997 105 701 00 | oil strainer | | 2 | |
| 39 | 996 105 303 05 | throttle control element Camshaft Discontinued part | | 2 | |
| 40 | 996 105 903 05 | O-ring throttle control element Camshaft | | 2 | |
| 41 | 996 105 244 03 | End cap throttle control element | | 4 | |
| 42 | 996 105 256 01 | bracket f.throttle contr.elem. | | 2 | |
| 43 | 999 651 386 02 | Cable clamp 5,5 - 9,0 Discontinued part | | 4 | |
| 43 | 999 651 386 01 | Cable clamp 5,5 - 9,0 | | 4 | |
| 44 | 900 387 006 01 | Socket head bolt M 6 X 20 | | 8 | |
| 45 | 997 105 301 00 | throttle control element | | 2 | 9720,9721, 9722 |
| 46 | 999 707 479 40 | O-ring 22,00 X 1,50 | | 2 | 9720,9721, 9722 |
| 47 | 999 707 441 40 | O-ring 18,00 X 1,50 | | 2 | 9720,9721, 9722 |
| 48 | 996 105 310 03 | Bracket D - MJ 2007>> | | 2 | 9720,9721 |
| 49 | 986 606 203 03 | Oil pressure switch | | 1 | |
| 50 | 987 104 445 00 | Guard plate Cyl. 1 - 3 | | 1 | |
| 51 | 900 385 009 09 | Torx screw M 6 X 16 | | 4 | |
| 52 | 000 043 204 35 | sealant | | X | |

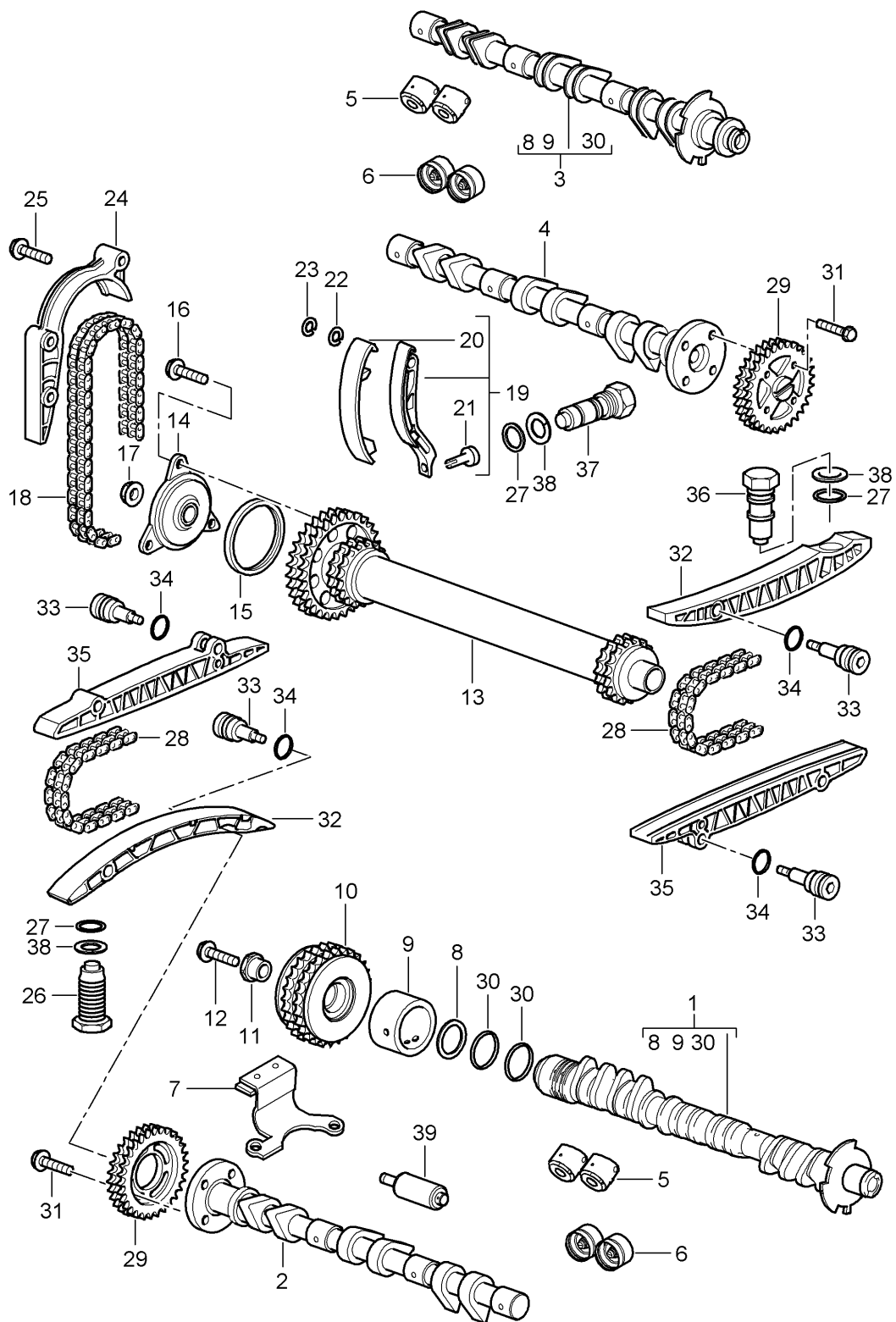
Model: 987 05

Model life 2005>>2008

| Pos | Part Number | Description | Remark | Qty | Model |
|------|----------------|---|--------|-----|-------|
| (52) | 000 043 024 00 | 50 ML Extreme-pressure grease 1 tube 80 Gr. for Camshaft | | 1 | |

Model: 987 05

Model life 2005>>2008



Model: 987 05 Model life 2005>>2008

| Pos | Part Number | Description | Remark | Qty | Model |
|-----|----------------|---|--------|-----|--|
| | | Camshaft Driving mechanism | | | 9625,9626, 9720,9721, 9722 9626 |
| 1 | 996 105 921 00 | Camshaft Intake Cyl. 1 - 3 | | 1 | |
| (1) | 997 105 947 00 | Camshaft Intake Cyl. 1 - 3 | | 1 | 9721 |
| (1) | 997 105 047 03 | No longer use the part here Camshaft Intake Cyl. 1 - 3 | | 1 | 9721 |
| (1) | 997 105 947 01 | No longer use the part here Camshaft Intake Cyl. 1 - 3 | | 1 | 9721,9722 |
| (1) | 996 105 921 20 | Camshaft Intake Cyl. 1 - 3 | | 1 | 9625 |
| (1) | 987 105 951 00 | Camshaft Intake Cyl. 1 - 3 | | 1 | 9720 |
| 2 | 996 105 065 01 | Camshaft Exhaust Cyl. 1 - 3 | | 1 | 9625 |
| (2) | 996 105 065 02 | Discontinued part Camshaft Exhaust Cyl. 1 - 3 | | 1 | 9625 |
| (2) | 987 105 065 04 | Camshaft Exhaust Cyl. 1 - 3 | | 1 | 9720 |
| (2) | 987 105 065 05 | Discontinued part Camshaft Exhaust Cyl. 1 - 3 | | 1 | 9720 |
| (2) | 996 105 063 01 | Camshaft Exhaust Cyl. 1 - 3 | | 1 | 9626 |
| (2) | 996 105 063 02 | Discontinued part Camshaft Exhaust Cyl. 1 - 3 | | 1 | 9626 |
| (2) | 996 105 059 01 | Camshaft Exhaust Cyl. 1 - 3 | | 1 | 9721,9722 |
| (2) | 996 105 059 02 | Discontinued part Camshaft Exhaust Cyl. 1 - 3 | | 1 | 9721,9722 |
| 3 | 996 105 916 00 | Camshaft Intake Cyl. 4 - 6 | | 1 | 9626 |
| (3) | 997 105 948 00 | Camshaft Intake Cyl. 4 - 6 | | 1 | 9721 |
| (3) | 997 105 048 03 | No longer use the part here Camshaft Intake Cyl. 4 - 6 | | 1 | 9721 |
| (3) | 997 105 948 01 | No longer use the part here Camshaft | | 1 | 9721,9722 |

Model: 987 05 Model life 2005>>2008

| Pos | Part Number | Description | Remark | Qty | Model |
|------|----------------|---|--------|-----|--------------------|
| (3) | 996 105 916 20 | Intake Cyl. 4 - 6 Camshaft | | 1 | 9625 |
| (3) | 987 105 952 00 | Intake Cyl. 4 - 6 Camshaft | | 1 | 9720 |
| 4 | 996 105 066 26 | Intake Cyl. 4 - 6 Camshaft Exhaust | | 1 | 9625 |
| (4) | 996 105 066 27 | Discontinued part Camshaft Exhaust Cyl. 4 - 6 | | 1 | 9625 |
| (4) | 987 105 066 04 | Discontinued part Camshaft Exhaust Cyl. 4 - 6 | | 1 | 9720 |
| (4) | 987 105 066 05 | Discontinued part Camshaft Exhaust Cyl. 4 - 6 | | 1 | 9720 |
| (4) | 996 105 064 27 | Discontinued part Camshaft Exhaust Cyl. 4 - 6 | | 1 | 9626 |
| (4) | 996 105 064 28 | Discontinued part Camshaft Exhaust Cyl. 4 - 6 | | 1 | 9626 |
| (4) | 997 105 060 01 | Discontinued part Camshaft Exhaust Cyl. 4 - 6 | | 1 | 9721,9722 |
| (4) | 997 105 060 02 | Discontinued part Camshaft Exhaust Cyl. 4 - 6 | | 1 | 9721,9722 |
| 5 | 996 105 041 72 | Hydraulic tappet | | 24 | 9625,9626 |
| 5 | 996 105 041 72 | Hydraulic tappet Exhaust | | 12 | 9720,9721, 9722 |
| 6 | 996 105 255 25 | Hydraulic tappet | | 12 | 9720,9721, 9722 |
| 7 | 996 105 168 03 | Intake Rail Discontinued part | | 2 | |
| 7 | 996 105 168 04 | Rail | | 2 | |
| 8 | 996 105 203 00 | Washer | | 2 | |
| 9 | 996 104 205 07 | Bearing bush | | 2 | |
| 10 | 996 105 051 03 | camshaft adjuster unit Camshaft Intake cylinder Cyl. 1 - 3 Discontinued part | | 1 | |
| 10 | 996 105 051 04 | camshaft adjuster unit Camshaft Intake cylinder Cyl. 1 - 3 | | 1 | |
| (10) | 996 105 052 01 | camshaft adjuster unit Camshaft Intake cylinder Cyl. 4 - 6 Discontinued part | | 1 | |

Model: 987 05

Model life 2005>>2008

| Pos | Part Number | Description | Remark | Qty | Model |
|------|----------------|--|--------|-----|-------|
| (10) | 996 105 052 02 | camshaft adjuster unit Camshaft Intake cylinder Cyl. 4 - 6 | | 1 | |
| 11 | 987 105 260 01 | Intermediate piece | | 2 | |
| 12 | 987 105 254 00 | Hexagon bolt M 12 X 1,5 X 130 | | 2 | |
| 13 | 996 105 901 06 | Intermediate shaft | | 1 | |
| 14 | 996 105 024 06 | Bearing cover | | 1 | |
| 15 | 996 105 112 01 | Seal | | 1 | |
| 16 | 900 385 093 09 | Hexagon bolt M 6 X 20 Discontinued part | | 3 | |
| 16 | 900 385 093 01 | Hexagon bolt M 6 X 20 | | 3 | |
| 17 | 999 076 084 01 | Hexagon nut M 12 x 1,25 | | 1 | |
| 18 | 996 105 171 56 | timing chain Discontinued part | | 1 | |
| 18 | 996 105 171 58 | timing chain | | 1 | |
| 19 | 996 105 165 55 | Tensioner blade | | 1 | |
| 20 | 996 105 195 00 | covering | | 1 | |
| 21 | 996 105 197 00 | Pressure pin | | 1 | |
| 22 | 900 234 040 01 | fitted washer 10 X 16 X 1,2 | | 1 | |
| 23 | 900 041 004 01 | Securing ring 10 X 1 | | 1 | |
| 24 | 996 105 166 51 | slide rail | | 1 | |
| 25 | 900 075 486 01 | Bolt with washer M 6 X 40 | | 3 | |
| 26 | 996 105 186 01 | chain tensioner Discontinued part | | 1 | |
| 26 | 996 105 186 02 | chain tensioner | | 1 | |
| 27 | 999 707 344 40 | O-ring 18,77 X 1,78 | | 3 | |
| 28 | 996 105 152 00 | timing chain Discontinued part | | 2 | |
| 28 | 996 105 152 01 | timing chain | | 2 | |
| 29 | 996 105 178 54 | Chain sprocket | | 2 | |
| | | with: | | | |
| 30 | 996 105 280 51 | Follower ring | | 1 | |
| 31 | 900 385 041 01 | Torx screw M 6 X 12 | | 8 | |
| 32 | 996 105 156 00 | Tensioner blade cylinder 1 - 3 | | 1 | |
| (32) | 996 105 158 00 | Tensioner blade cylinder 4 - 6 Discontinued part | | 1 | |
| (32) | 996 105 158 01 | Tensioner blade cylinder 4 - 6 | | 1 | |
| 33 | 996 105 062 01 | Screw M 6 Discontinued part | | 6 | |
| (33) | 9A1 105 062 01 | Socket head bolt M 6 | | 6 | |
| 34 | 999 707 346 40 | O-ring 15 X 3 | | 6 | |
| 35 | 996 105 054 01 | slide rail | | 1 | |

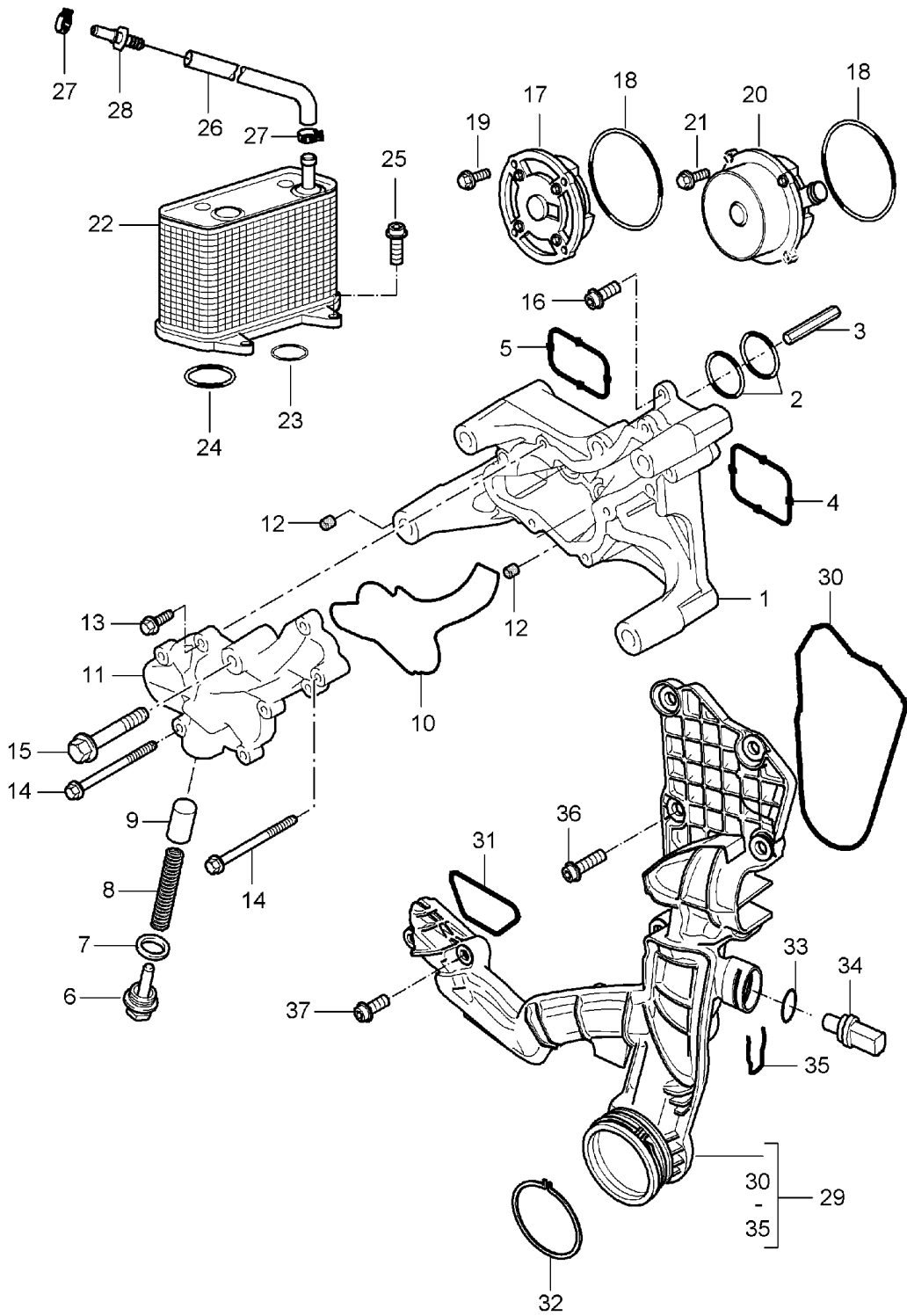
Model: 987 05

Model life 2005>>2008

| Pos | Part Number | Description | Remark | Qty | Model |
|------|----------------|--|---------|-----|-------|
| (35) | 996 105 164 00 | cylinder 1 - 3 slide rail cylinder 4 - 6 | | 1 | |
| 36 | 996 105 188 01 | chain tensioner Discontinued part | | 1 | |
| 36 | 996 105 188 02 | chain tensioner | | 1 | |
| 37 | 996 105 180 56 | chain tensioner Discontinued part | | 1 | |
| 37 | 996 105 180 58 | chain tensioner | | 1 | |
| 38 | 900 123 147 30 | seal ring A 27 X 32 | | 3 | |
| 39 | | throttle control element see illustration: | 103-000 | 2 | |
| 40 | 900 385 025 09 | Torx screw M 6 X 40 Discontinued part | | 2 | |
| (40) | 900 385 025 01 | Torx screw M 6 X 40 | | 2 | |
| 41 | 900 385 017 09 | Torx screw M 6 X 35 | | 2 | |
| 42 | 999 707 571 40 | O-ring 18 x 2 | | 1 | |
| - | 000 043 024 00 | Extreme-pressure grease 1 tube 80 Gr. for Camshaft | | 1 | |

Model: 987 05

Model life 2005>>2008



Model: 987 05 Model life 2005>>2008

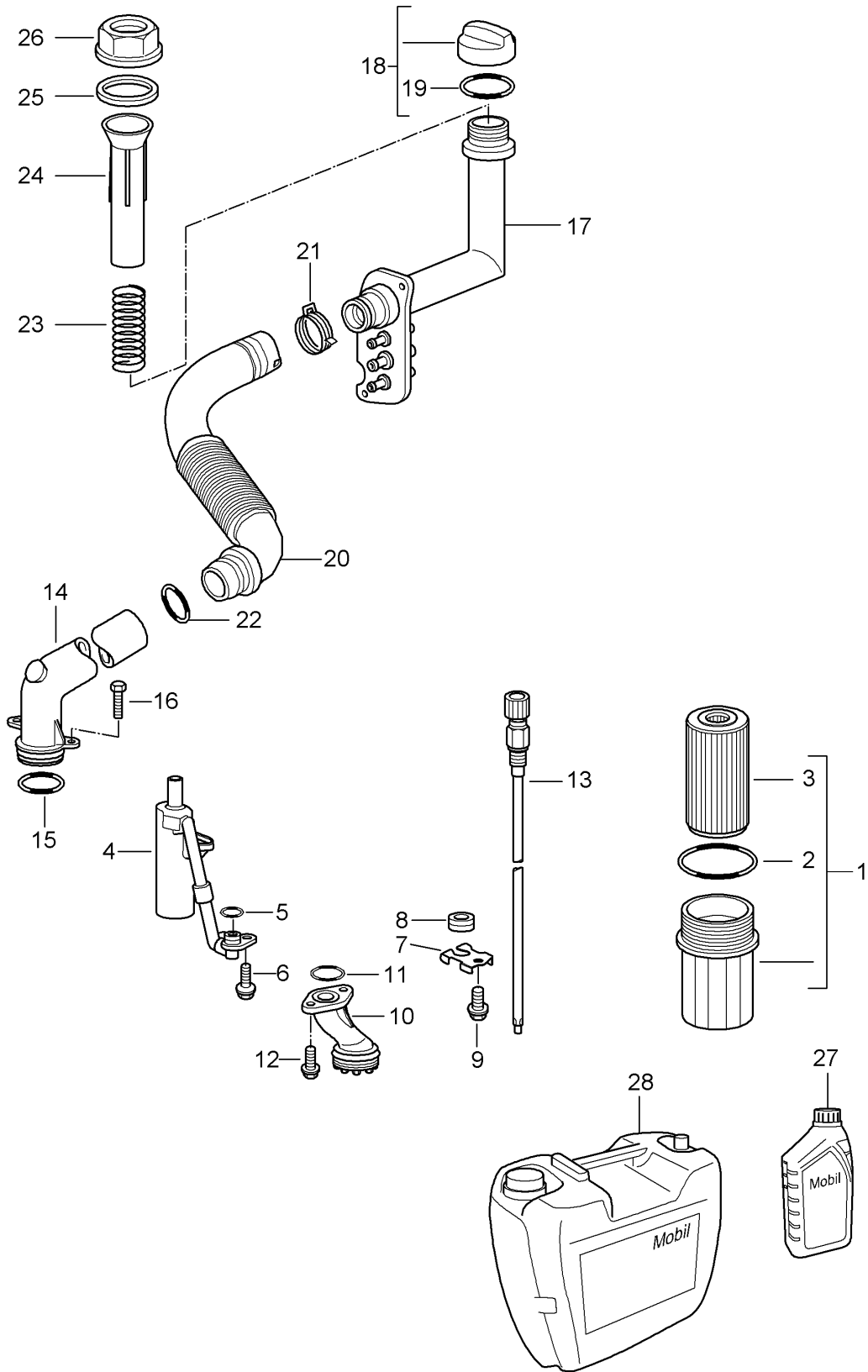
| Pos | Part Number | Description | Remark | Qty | Model |
|------|----------------|---|--------------------------|-----|----------------------------------|
| | | oil pump Tandem pump | | | 9625,9626, 9720,9721, 9722 |
| 1 | 997 107 012 04 | oil pump Discontinued part | | 1 | |
| (1) | 997 107 912 04 | oil pump | | 1 | |
| (1) | 997 107 012 06 | D >> - MJ 2006 oil pump | | 1 | |
| (1) | 997 107 012 07 | D - MJ 2007>> Discontinued part oil pump | | 1 | |
| 2 | 996 107 103 51 | O-ring 29,1 X 2,55 | | 2 | |
| | | also use: | 000 043 300 13 | 1 | |
| 3 | 996 107 121 50 | Follower | | 1 | |
| 4 | 997 107 266 00 | seal ring | | 1 | |
| 5 | 997 107 267 00 | seal ring | | 1 | |
| 6 | 996 107 105 51 | sealing plug | | 1 | |
| 7 | 996 107 123 50 | Seal | | 1 | |
| 8 | 996 107 127 53 | Spring for oil pressure relief valve | | 1 | |
| 9 | 997 107 125 01 | piston | | 1 | |
| 10 | 997 107 261 00 | seal ring | | 1 | |
| 11 | 997 107 212 03 | Oil pump cover Use Position 1 No longer use the part here | | 1 | |
| 12 | 996 106 103 50 | dowel sleeve | | 2 | |
| 13 | 900 385 023 09 | Screw BM 6 X 25 | | 6 | |
| 14 | 999 073 355 09 | flat round head bolt M 6 X 80 | | 2 | |
| (14) | 999 073 381 01 | D >> - MJ 2006 flat round head bolt M 6 X 110 D - MJ 2007>> | | 1 | |
| 15 | 900 385 089 09 | Torx screw BM 10 X 100 | | 1 | |
| 16 | 999 073 344 04 | flat round head bolt M 6 X 20 | | 6 | |
| 17 | 997 107 021 03 | oil pump Discontinued part | | 1 | |
| 17 | 997 107 021 04 | oil pump | | 1 | |
| 18 | 999 707 554 40 | O-ring 95 X 2,5 | | 2 | |
| 19 | 999 073 316 09 | Hexagon bolt M 6 X 20 | also use: 000 043 300 13 | 4 | |
| 20 | 997 107 022 01 | Tandem pump Discontinued part | | 1 | |
| 20 | 997 107 022 02 | Tandem pump Discontinued part | | 1 | |
| 20 | 997 107 022 03 | Tandem pump Discontinued part | | 1 | |
| 20 | 997 107 022 04 | Tandem pump | | 1 | |
| 21 | 999 073 317 09 | flat round head bolt M 6 X 30 | | 4 | |
| 22 | 996 107 025 07 | heat exchanger | | 1 | 9625,9626, 9720 |
| (22) | 987 107 025 01 | heat exchanger Discontinued part | | 1 | 9721,9722 |

Model: 987 05 Model life 2005>>2008

| Pos | Part Number | Description | Remark | Qty | Model |
|------|----------------|---|--------|-----|--------------------|
| (22) | 987 107 025 02 | heat exchanger | | 1 | 9721,9722 |
| 23 | 999 707 547 40 | O-ring 28 X 3 | | 2 | |
| 24 | 999 707 389 40 | O-ring 35 X 4 | | 2 | |
| 25 | 900 387 264 09 | Socket head bolt M 6 X 16 Discontinued part | | 4 | |
| 25 | 900 387 264 01 | Socket head bolt M 6 X 16 | | 4 | |
| 25 | N 105 464 03 | Hexagon socket head bolt M 6 X 16 | | 4 | |
| 26 | 987 106 249 00 | Vent hose | | 1 | 9625,9626 |
| (26) | 987 106 531 00 | Vent hose F >> 98-8U711 812 F >> 98-8U731 559 | | 1 | 9720,9721, 9722 |
| (26) | 987 106 531 01 | Vent hose F 98-8U711 813>> F 98-8U731 560>> | | 1 | 9720,9721, 9722 |
| 27 | 999 512 650 09 | Hose clamp B 14 X 12 | | 2 | 9625,9626 |
| (27) | 999 512 684 09 | Clamp B 18 X 12 | | 2 | 9720,9721, 9722 |
| 28 | 996 106 255 00 | Push-on sleeve | | 1 | 9625,9626 |
| 29 | 987 106 508 04 | Water guide housing | | 1 | |
| 30 | 997 106 709 00 | seal ring | | 1 | |
| 31 | 997 106 708 00 | seal ring | | 1 | |
| 32 | 997 106 802 03 | Spring SCB 42 | | 1 | |
| 33 | 999 707 508 40 | O-ring 19,6 X 3,65 | | 1 | |
| 34 | 997 606 410 00 | Temperature sensor | | 1 | |
| 35 | 999 021 011 01 | retaining spring SL-B110 | | 1 | |
| 36 | 999 073 344 04 | flat round head bolt M 6 X 20 Discontinued part | | 3 | |
| 36 | 999 073 344 01 | flat round head bolt M 6 X 20 | | 3 | |
| 37 | 999 073 352 09 | flat round head bolt M 6 X 35 Discontinued part | | 5 | |
| 37 | 999 073 352 01 | flat round head bolt M 6 X 35 | | 5 | |
| - | 996 102 235 01 | arm Belt drive | | 1 | PR:249,572 |
| - | 996 102 235 01 | arm Belt drive | | 1 | PR:249,573 |

Model: 987 05

Model life 2005>>2008

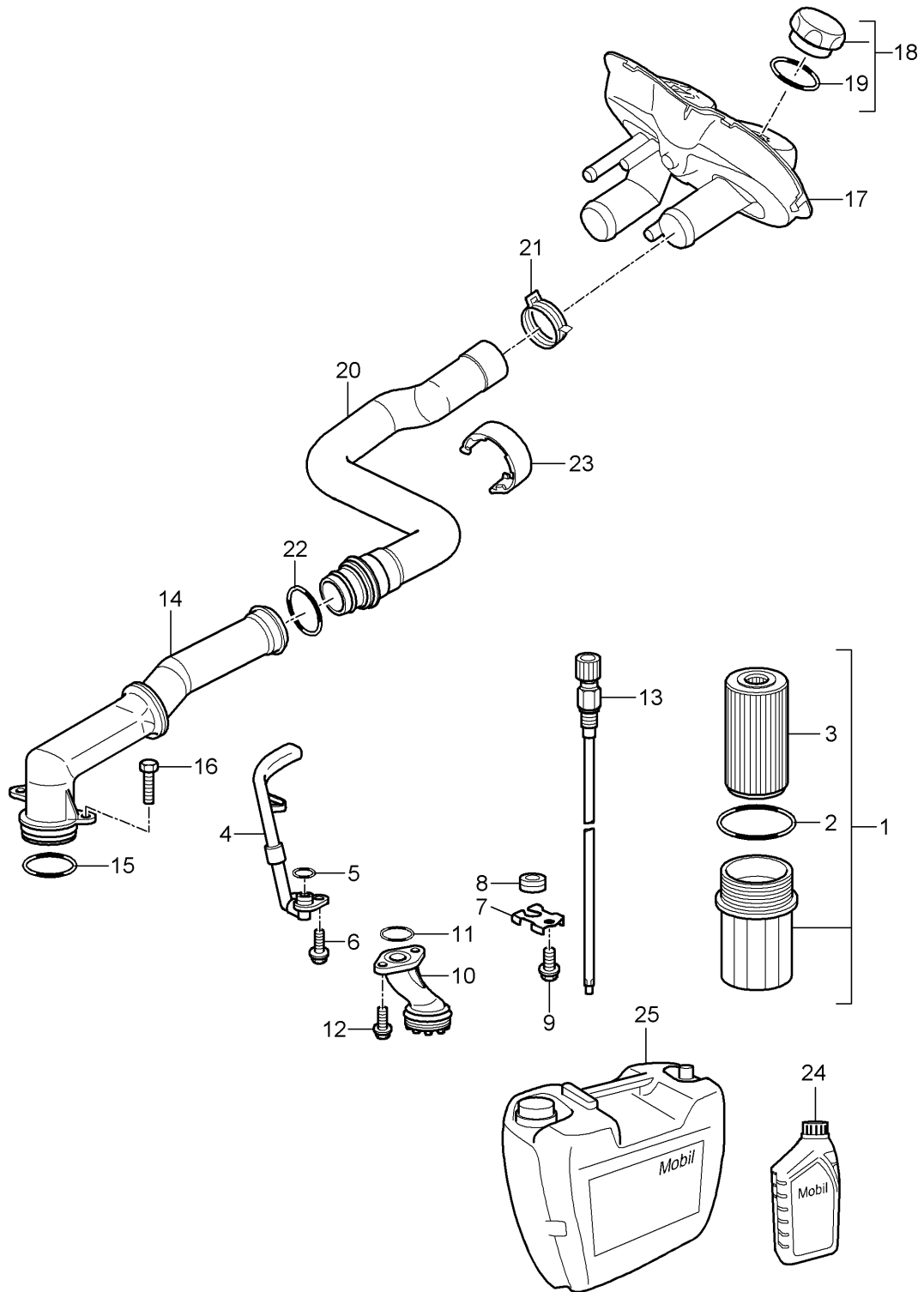


Model: 987 05 Model life 2005>>2008

| Pos | Part Number | Description | Remark | Qty | Model |
|------|----------------|--|----------------|-----|-----------|
| | | Engine lubrication | | | 9625,9626 |
| 1 | 996 107 020 55 | oil filter | | 1 | |
| 2 | 996 107 313 51 | seal ring | | 1 | |
| | | also use: | 000 043 300 13 | 1 | |
| 3 | 996 107 225 60 | filter element | | 1 | |
| 4 | 996 107 080 54 | oil separator | | 2 | |
| 5 | 999 701 789 40 | O-ring 12 X 2 | | 2 | |
| 6 | 999 073 344 04 | flat round head bolt BM 6 X 20 | | 5 | |
| 7 | 996 107 333 50 | Bracket | | 1 | |
| 8 | 999 702 206 50 | Grommet 9,5 X 18,0 X 1,2 | | 1 | |
| 9 | 900 385 275 09 | Torx screw M 6 X 20 | | 2 | |
| 10 | 996 107 075 57 | Suction tube | | 1 | |
| 11 | 999 707 375 40 | O-ring 30 X 3 | | 1 | |
| 12 | 900 378 030 09 | Hexagon bolt M 6 X 20 | | 2 | |
| 13 | 996 606 150 00 | oil level sender | | 1 | |
| 14 | 987 107 150 00 | oil pipe | | 1 | |
| 15 | 999 707 348 40 | O-ring 42 X 4 | | 1 | |
| | | also use: | 000 043 300 13 | 1 | |
| 16 | 900 385 050 09 | Torx screw M 6 X 16 | | 2 | |
| (16) | 900 385 050 01 | Discontinued part Hexagon head bolt M 6 X 16 | | 2 | |
| 17 | 996 107 273 05 | Filler tube | | 1 | |
| 18 | 996 107 035 52 | End cap | | 1 | |
| 19 | 996 107 336 00 | Seal | | 1 | |
| 20 | 987 107 254 01 | Oil hose | | 1 | |
| 21 | 999 512 667 09 | Hose clamp 44 X 12 | | 1 | |
| 22 | 999 701 416 40 | O-ring 33 X 4 | | 1 | |
| 23 | 996 107 343 00 | Spring | | 1 | |
| 24 | 996 107 323 00 | Oil funnel | | 1 | |
| 25 | 996 107 303 00 | Seal | | 1 | |
| 26 | 996 107 367 00 | Locknut | | 1 | |
| 27 | 000 043 301 19 | engine oil EXXON MOBIL 1 0W-40 1 LITER Container | | X | |
| (27) | 000 043 303 16 | engine oil EXXON MOBIL 1 0W-40 1 qt US gallon Container | | X | |
| 28 | 000 043 301 21 | engine oil EXXON MOBIL 1 0W-40 20 LITER Container | | X | |

Model: 987 05

Model life 2005>>2008

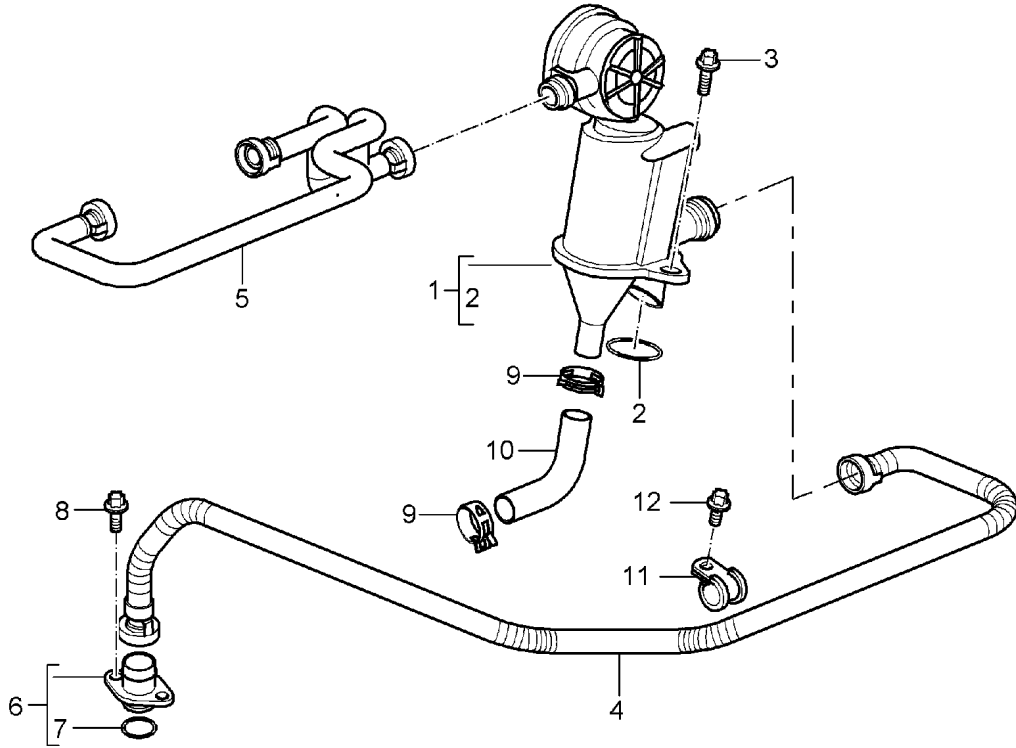


Model: 987 05 Model life 2005>>2008

| Pos | Part Number | Description | Remark | Qty | Model |
|------|----------------|--|----------------|-----|--------------------|
| | | Engine lubrication | | | 9720,9721, 9722 |
| 1 | 996 107 020 55 | oil filter | | 1 | |
| 2 | 996 107 313 51 | seal ring | | 1 | |
| | | also use: | 000 043 300 13 | 1 | |
| 3 | 996 107 225 53 | filter element | | 1 | |
| 4 | 997 107 016 00 | Return pipe | | 2 | |
| 5 | 999 701 789 40 | O-ring 12 X 2 | | 2 | |
| 6 | 900 385 019 04 | Torx screw BM 6 X 20 | | 4 | |
| 7 | 996 107 333 50 | Bracket | | 1 | 9720 |
| (7) | 997 107 333 50 | Bracket | | 1 | 9721,9722 |
| 8 | 999 702 206 50 | Grommet 9,5 X 18,0 X 1,2 | | 1 | |
| 9 | 900 385 041 09 | Torx screw M 6 X 12 | | 1 | |
| 10 | 996 107 075 57 | Suction tube | | 1 | |
| 11 | 999 707 375 40 | O-ring 30 X 3 | | 1 | |
| 12 | 900 385 275 09 | Torx screw M 6 X 20 | | 2 | |
| 13 | 996 606 150 00 | oil level sender | | 1 | |
| 14 | 987 107 150 00 | oil pipe | | 1 | |
| 15 | 999 707 348 40 | O-ring 42 X 4 | | 1 | |
| | | also use: | 000 043 300 13 | 1 | |
| 16 | 900 385 050 09 | Torx screw M 6 X 16 | | 2 | |
| (16) | 900 385 050 01 | Discontinued part Hexagon head bolt M 6 X 16 | | 2 | |
| 17 | | see illustration: | 105-022 | 1 | |
| 18 | | see illustration: | 105-022 | 1 | |
| 19 | | see illustration: | 105-022 | 1 | |
| 20 | 987 107 064 01 | Oil hose Discontinued part | | 1 | |
| 20 | 987 107 064 02 | Oil hose | | 1 | |
| 21 | 999 512 667 09 | Hose clamp 44 X 12 | | 1 | |
| 22 | 999 701 416 40 | O-ring 33 X 4 | | 1 | |
| 23 | 987 107 205 00 | Clip | | 1 | |
| 24 | 000 043 301 19 | engine oil EXXON MOBIL 1 0W-40 1 LITER Container | | X | |
| (24) | 000 043 303 16 | engine oil EXXON MOBIL 1 0W-40 1 qt US gallon Container | | X | |
| 25 | 000 043 301 21 | engine oil EXXON MOBIL 1 0W-40 20 LITER Container | | X | |

Model: 987 05

Model life 2005>>2008



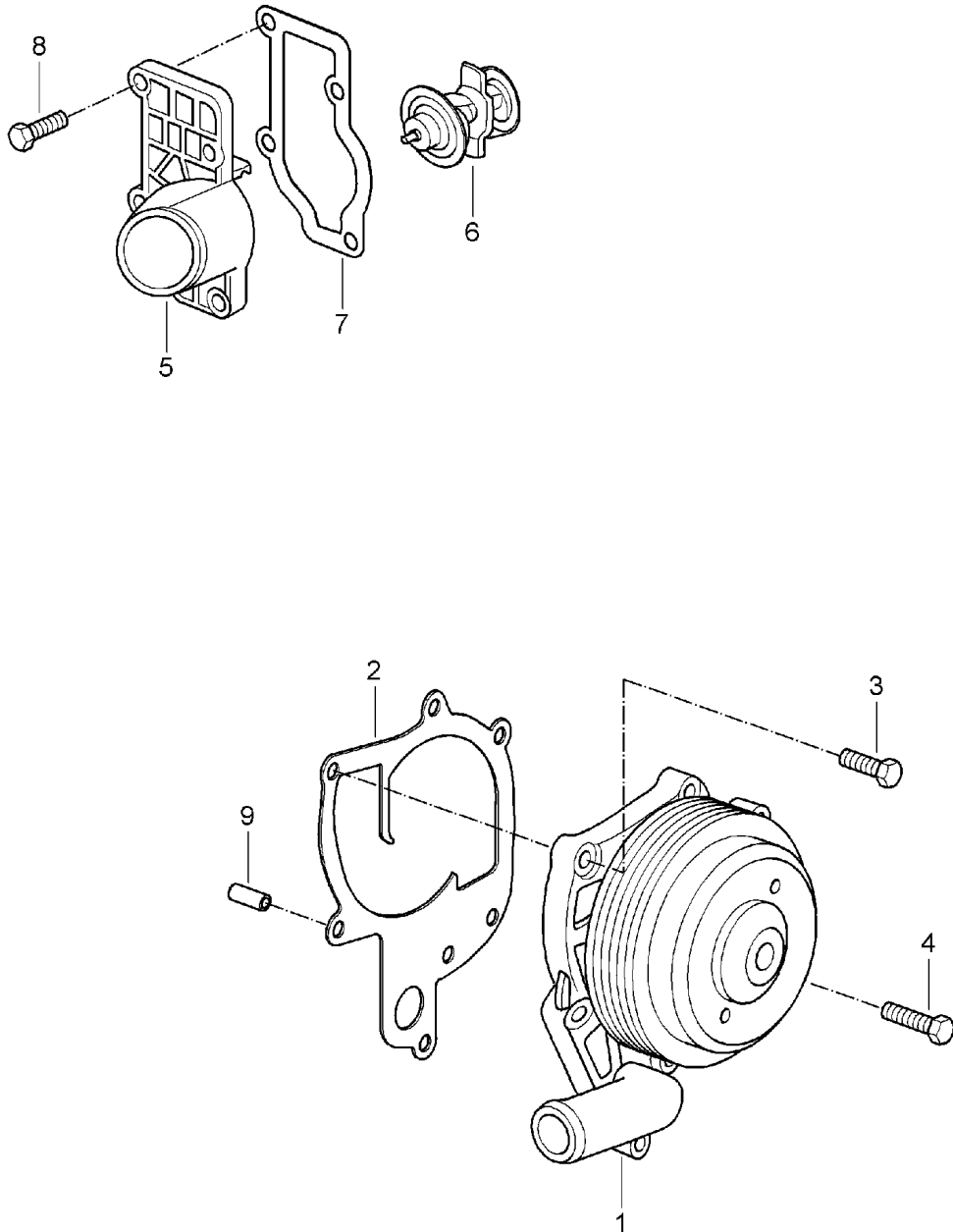
Model: 987 05

Model life 2005>>2008

| Pos | Part Number | Description | Remark | Qty | Model |
|-----|----------------|--------------------------------|--------|-----|----------------------------------|
| | | Crankcase housing Bleeding | | | 9625,9626, 9720,9721, 9722 |
| 1 | 996 107 026 00 | oil separator | | 1 | |
| | | No longer use the part here | | | |
| 1 | 996 107 026 01 | oil separator | | 1 | |
| 2 | 999 707 507 40 | O-ring 29,74 X 2,95 | | 1 | |
| 3 | 900 385 275 09 | Torx screw M 6 X 20 | | 2 | |
| 4 | 987 107 147 01 | Breather line Cyl. 4 - 6 | | 1 | 9625,9626 |
| | | Discontinued part | | | |
| 4 | 987 107 246 01 | Breather line Cyl. 4 - 6 | | 1 | 9720,9721, 9722 |
| (4) | 987 107 947 00 | Breather line Cyl. 4 - 6 | | 1 | |
| 5 | 987 107 146 02 | Breather line oil separator | | 1 | 9625,9626 |
| 5 | 987 107 145 00 | Breather line oil separator | | 1 | 9720,9721, 9722 |
| 6 | 996 107 047 01 | ventilation union | | 1 | |
| 7 | 999 707 364 40 | seal ring 30 X 2,5 | | 1 | |
| 8 | 900 385 050 09 | Torx screw M 6 X 16 | | 3 | |
| | | Discontinued part | | | |
| (8) | 900 385 050 01 | Hexagon head bolt M 6 X 16 | | 3 | |
| 9 | 999 512 683 09 | Hose clamp 23 X 12 | | 2 | |
| 10 | 996 107 175 50 | Oil hose | | 1 | |
| 11 | 999 511 008 00 | Clamp 26 X 15 | | 1 | |
| 12 | 900 385 041 09 | Torx screw M 6 X 12 | | 1 | |

Model: 987 05

Model life 2005>>2008



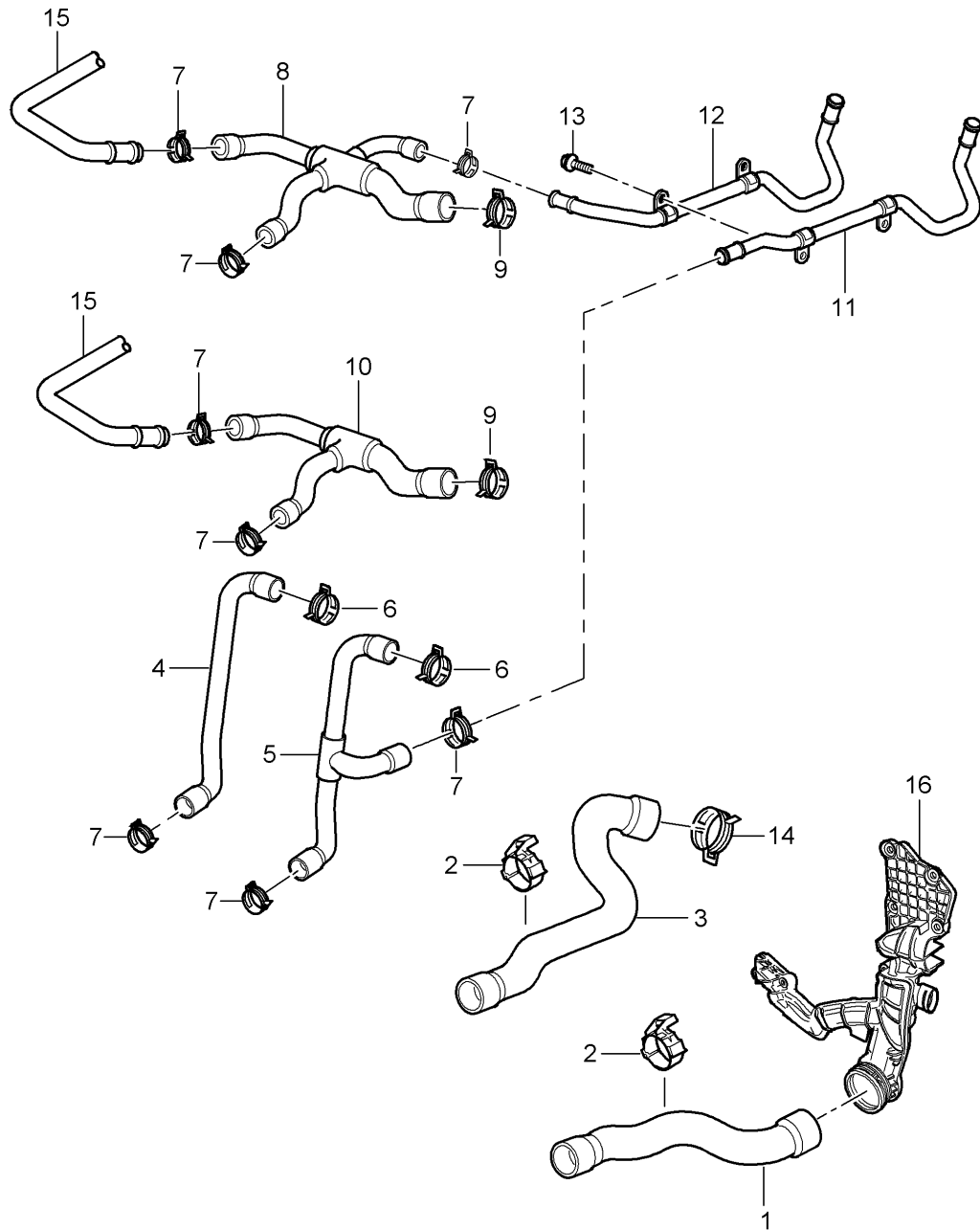
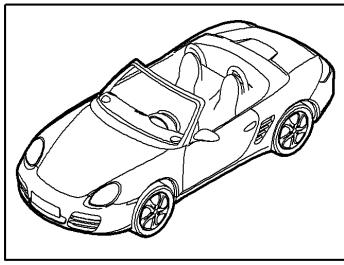
Model: 987 05

Model life 2005>>2008

| Pos | Part Number | Description | Remark | Qty | Model |
|-----|----------------|---|--------|-----|----------------------------------|
| | | Coolant pump thermostat housing | | | 9625,9626, 9720,9721, 9722 |
| 1 | 997 106 011 02 | Coolant pump | | 1 | |
| (1) | 997 106 011 05 | Discontinued part Coolant pump | | 1 | |
| (1) | 997 106 011 06 | Discontinued part Coolant pump | | 1 | |
| 2 | 997 106 340 00 | Seal | | 1 | |
| 3 | 900 378 013 09 | Hexagon bolt M 6 X 25 | | 5 | |
| (3) | 900 378 013 01 | D >> - MJ 2007 Hexagon bolt M 6 X 25 | | 5 | |
| 4 | 900 378 177 09 | D - MJ 2008>> Hexagon bolt M 6 X 30 | | 2 | |
| (4) | 900 378 177 01 | D >> - MJ 2007 Hexagon bolt M 6 X 30 | | 2 | |
| 5 | 996 106 013 57 | D - MJ 2008>> thermostat | | 1 | |
| (5) | 996 106 013 59 | with: Thermostat insert Discontinued part thermostat | | 1 | |
| 6 | 996 106 125 52 | with: Thermostat insert | | 1 | |
| 7 | 996 106 326 50 | Thermostat insert | | 1 | |
| 8 | 900 385 019 04 | Seal | | 1 | |
| 9 | 996 106 103 50 | Torx screw M 6 X 20 dowel sleeve 8,2 X 7 | | 4 | |
| | | | | 2 | |

Model: 987 05

Model life 2005>>2008



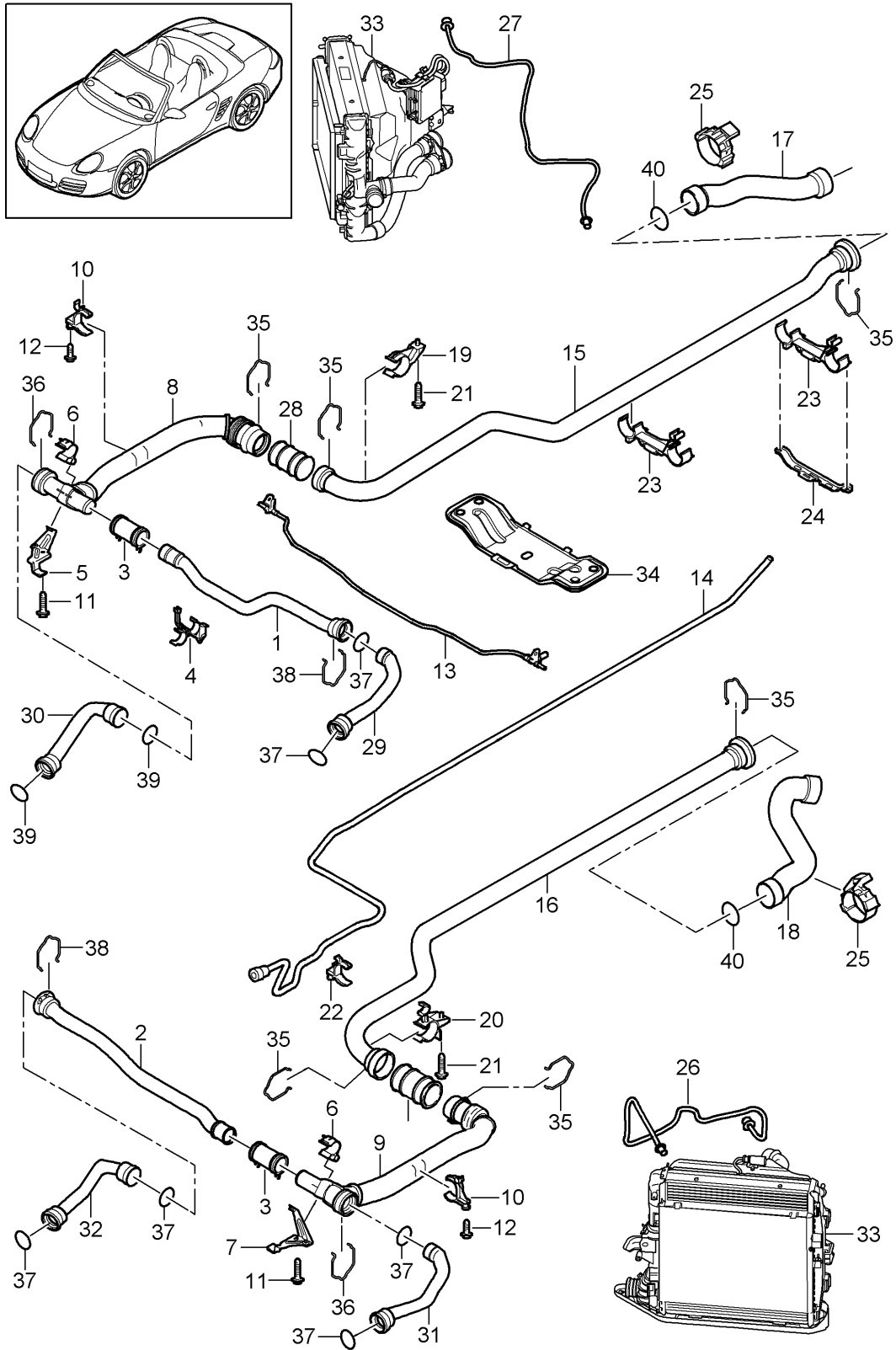
Model: 987 05

Model life 2005>>2008

| Pos | Part Number | Description | Remark | Qty | Model |
|-----|----------------|--|---------|-----|----------------------------------|
| | | Water cooling 1 | | | 9625,9626, 9720,9721, 9722 |
| 1 | 987 106 501 05 | Water hose | | 1 | |
| 1 | 987 106 501 06 | No longer use the part here Water hose | | 1 | |
| 1 | 987 106 501 07 | Supply Discontinued part Water hose | | 1 | |
| 2 | 987 106 425 00 | Supply Bracket | | 2 | |
| 3 | 987 106 502 03 | Discontinued part Water hose | | 1 | |
| 3 | 987 106 502 04 | Return line Discontinued part Water hose | | 1 | |
| 4 | 996 106 212 09 | Return line Water hose | | 1 | PR:480,481 |
| 4 | 996 106 212 11 | Supply Discontinued part Water hose | | 1 | PR:480,481 |
| 5 | 996 106 212 10 | Supply Hose | | 1 | PR:249 |
| 5 | 996 106 212 12 | Supply Discontinued part Hose | | 1 | PR:249 |
| 6 | 999 512 660 09 | Supply Hose clamp | | 1 | |
| 7 | 999 512 657 09 | 29 X 12 Hose clamp | | 4 | |
| 8 | 987 106 522 01 | 26 X 12 Water hose | | 1 | PR:249 |
| 8 | 987 106 522 02 | Return line Discontinued part Water hose | | 1 | PR:249 |
| 9 | 999 512 664 09 | Return line Hose clamp | | 1 | |
| 10 | 996 106 222 15 | 36 X 12 Water hose | | 1 | PR:480,481 |
| 10 | 996 106 222 17 | Return line Discontinued part Water hose | | 1 | PR:480,481 |
| 11 | 987 106 674 00 | Return line Coolant pipe | | 1 | PR:249 |
| 12 | 996 106 672 01 | Supply Atf cooler Coolant pipe | | 1 | PR:249 |
| 13 | 900 385 009 09 | Return line Atf cooler Torx screw | | 2 | PR:249 |
| 14 | 999 512 669 09 | M 6 X 16 Hose clamp | | 1 | |
| 15 | | 53 X 12 see illustration: | 105-020 | 1 | |
| 16 | | see illustration: | 104-000 | 1 | |

Model: 987 05

Model life 2005>>2008



Model: 987 05 Model life 2005>>2008

| Pos | Part Number | Description | Remark | Qty | Model |
|------|----------------|---|--------|-----|----------------------------------|
| | | Water cooling 2 | | | 9625,9626, 9720,9721, 9722 |
| 1 | 997 106 711 01 | Water pipe Supply Discontinued part | | 1 | |
| (1) | 997 106 711 02 | Water pipe Supply Discontinued part | | 1 | |
| (1) | 997 106 711 03 | Water pipe Supply | | 1 | |
| 2 | 997 106 720 01 | Water pipe Return line Discontinued part | | 1 | |
| (2) | 997 106 720 02 | Water pipe Return line Discontinued part | | 1 | |
| (2) | 997 106 720 03 | Water pipe Return line | | 1 | |
| 3 | 997 106 723 04 | Water hose | | 2 | |
| 4 | 997 106 525 01 | Bracket | center | 1 | |
| 5 | 997 106 574 02 | Cross tube pipe holder | right | 1 | |
| 6 | 997 106 526 01 | Distributor tube Bracket | upper | 2 | |
| 7 | 997 106 573 02 | Cross tube pipe holder | left | 1 | |
| 8 | 997 106 752 03 | Distributor tube Distributor tube Supply | | 1 | |
| (8) | 997 106 752 04 | D >> - MJ 2006 Distributor tube Supply | | 1 | |
| 9 | 997 106 751 03 | D - MJ 2007>> Distributor tube Return line | | 1 | |
| (9) | 997 106 751 04 | D >> - MJ 2006 Distributor tube Return line | | 1 | |
| 10 | 997 106 413 01 | D - MJ 2007>> pipe holder | | 2 | |
| (10) | 997 106 413 01 | Distributor tube pipe holder | right | 1 | PR:601 |
| (10) | 997 106 414 00 | Distributor tube Bracket | left | 1 | PR:601 |
| 11 | 900 378 013 09 | Distributor tube Hexagon bolt M 6 X 25 | | 2 | |
| 12 | 900 378 036 09 | Hexagon bolt M 6 X 12 | | 2 | |
| 13 | 997 106 767 02 | Breather line Transverse | | 1 | |
| 14 | 987 106 227 01 | Breather line tunnel | | 1 | |
| 15 | 987 106 651 02 | Water pipe Supply tunnel Discontinued part | | 1 | 9625,9720+ PR:249 |
| 15 | 987 106 651 02 | Water pipe Supply tunnel | | 1 | 9626,9721 |
| 15 | 987 106 651 03 | Discontinued part Water pipe | | 1 | 9625,9720+ |

Model: 987 05 Model life 2005>>2008

| Pos | Part Number | Description | Remark | Qty | Model |
|------|----------------|--|---------|-----|--------------------------|
| | | Supply tunnel | | | PR:249 |
| 15 | 987 106 651 04 | Discontinued part Water pipe | | 1 | 9625,9720+ PR:249 |
| 15 | 987 106 651 03 | Supply tunnel Water pipe | | 1 | 9626,9721 |
| 15 | 987 106 651 04 | Discontinued part Water pipe | | 1 | 9625,9720+ PR:249 |
| (15) | 987 106 851 01 | Supply tunnel Water pipe | | 1 | 9625,9720+ PR:480,481 |
| (15) | 987 106 851 03 | Discontinued part Water pipe | | 1 | 9625,9720+ PR:480,481 |
| (16) | 987 106 652 02 | Supply tunnel Water pipe Return line | | 1 | 9625,9720+ PR:249 |
| (16) | 987 106 652 02 | Discontinued part Water pipe Return line | | 1 | 9626,9721 |
| (16) | 987 106 652 03 | Supply tunnel Water pipe Return line | | 1 | 9625,9720+ PR:249 |
| (16) | 987 106 652 04 | Discontinued part Water pipe Return line | | 1 | 9625,9720+ PR:249 |
| (16) | 987 106 652 03 | Supply tunnel Water pipe Return line | | 1 | 9626,9721 |
| (16) | 987 106 652 04 | Discontinued part Water pipe Return line | | 1 | 9625,9720+ PR:249 |
| (16) | 987 106 852 02 | Supply tunnel Water pipe Return line | | 1 | 9625,9720+ PR:480,481 |
| (16) | 987 106 852 03 | Discontinued part Water pipe Return line | | 1 | 9625,9720+ PR:480,481 |
| 17 | | see illustration: | 105-005 | 1 | |
| 18 | | see illustration: | 105-005 | 1 | PR:480 |
| 19 | 997 106 520 02 | Bracket | right | 1 | |
| 20 | 997 106 521 01 | Firewall Bracket | left | 1 | |
| 21 | 900 378 035 01 | Hexagon bolt M 6 X 16 | | 2 | |
| 22 | 997 106 512 03 | Distance piece Breather line | | 1 | |
| 23 | 997 106 540 02 | Bracket tunnel | | 2 | |
| 24 | 997 106 515 02 | Bridge tunnel | | 1 | |

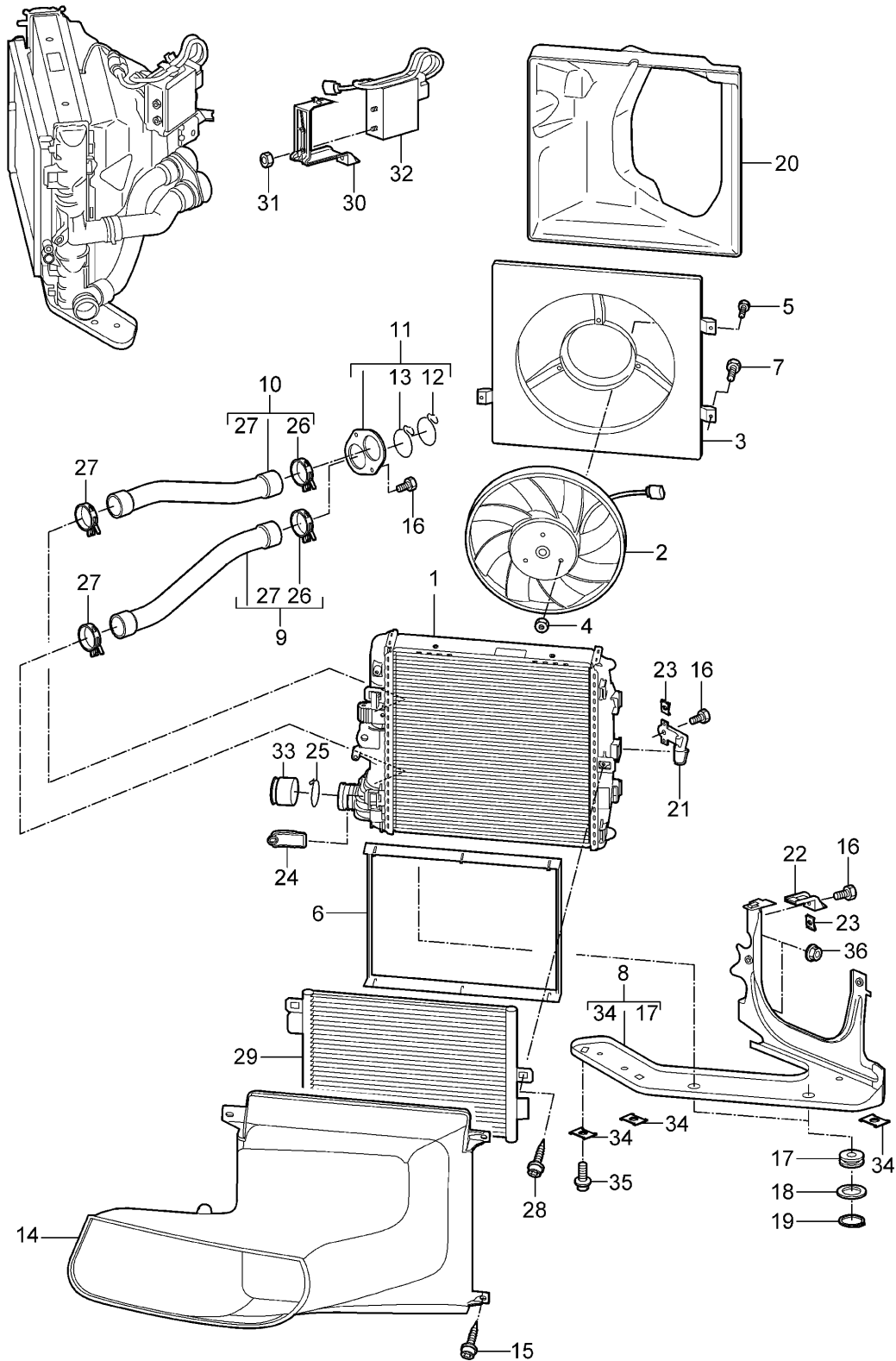
Model: 987 05

Model life 2005>>2008

| Pos | Part Number | Description | Remark | Qty | Model |
|-----|----------------|---------------------------|---------|-----|-------|
| 25 | 987 106 425 00 | Bracket Heel plate | | 1 | |
| 26 | 997 106 765 02 | Line | left | 1 | |
| 27 | 997 106 766 02 | Line | right | 1 | |
| 28 | 997 106 551 03 | Sleeve | | 2 | |
| 29 | 997 106 623 03 | Water hose Supply | left | 1 | |
| 30 | 997 106 627 03 | Water hose Supply | right | 1 | |
| 31 | 997 106 728 03 | Water hose Return line | left | 1 | |
| 32 | 997 106 624 03 | Water hose Return line | right | 1 | |
| 33 | | see illustration: | 105-015 | X | |
| 34 | | see illustration: | 801-070 | X | |
| 35 | 997 106 802 03 | Spring | | X | |
| 36 | 997 106 802 02 | Spring | | X | |
| 37 | 996 106 801 02 | O-ring 36,3 X 3,53 | | X | |
| 38 | 997 106 802 01 | Spring | | X | |
| 39 | 996 106 801 07 | O-ring 39,3 X 3,53 | | X | |
| 40 | 996 106 801 03 | O-ring 46,7 X 3,53 | | X | |

Model: 987 05

Model life 2005>>2008



Model: 987 05 Model life 2005>>2008

| Pos | Part Number | Description | Remark | Qty | Model |
|------|----------------|--|---------|-----|----------------------------------|
| | | Water cooling 3 | | | 9625,9626, 9720,9721, 9722 |
| 1 | 997 106 131 02 | Radiator | left | 1 | |
| (1) | 997 106 132 02 | Radiator | right | 1 | |
| 2 | 997 624 135 02 | Radiator fan | left | 2 | |
| (2) | 997 624 136 02 | Radiator fan | right | 2 | |
| 3 | 997 624 131 02 | Air guide | left | 2 | |
| (3) | 997 624 132 02 | Air guide | right | 2 | |
| 4 | 900 377 001 02 | Hexagon nut M 6 | | 6 | |
| 5 | 900 146 116 09 | Screw M 5 X 16 | | 6 | |
| 6 | 997 573 711 00 | Sealing frame | | 1 | |
| 7 | 999 919 125 09 | Hexagon bolt plastic M 5 X 16 | | 6 | |
| 8 | 997 106 155 01 | Console | left | 1 | |
| (8) | 997 106 156 01 | Console | right | 1 | |
| 9 | 997 106 621 03 | Water hose Supply | left | 1 | |
| (9) | 997 106 622 03 | Water hose Supply | right | 1 | |
| 10 | 997 106 625 03 | Water hose Return line | left | 1 | |
| 10 | 997 106 626 03 | Water hose Return line | right | 1 | |
| 11 | 997 106 255 02 | Connecting piece | | 2 | |
| 12 | 997 106 802 01 | Spring SCB 33 | | 1 | |
| 13 | 997 106 802 02 | Spring SCB 36 | | 1 | |
| 14 | 987 575 321 00 | Air guide | left | 1 | |
| (14) | 987 575 322 00 | Air guide | right | 1 | |
| 15 | 999 919 134 09 | fillister hd. bolt M 6 X 16 | | 6 | |
| 16 | 900 385 009 09 | Torx screw M 6 X 16 | | 6 | |
| 17 | 999 703 494 40 | Rubber bush 15 X 19,5 | | 4 | |
| 18 | 999 025 255 02 | Washer | | 4 | |
| 19 | 999 166 083 09 | Retaining plate B 25 | | 4 | |
| 20 | 997 575 341 00 | Air guide | left | 1 | |
| (20) | 997 575 342 00 | Air guide | right | 1 | |
| 21 | 997 106 232 01 | Bracket | outer | 2 | |
| 22 | 997 106 455 00 | Bracket | left | 1 | |
| 23 | 999 591 350 02 | panel nut ST 4,8 | | 6 | |
| 23 | 999 591 350 01 | Discontinued part panel nut ST 4,8 | | 6 | |
| 24 | 997 106 231 02 | Bracket | inner | 2 | |
| 25 | 997 106 802 00 | Spring SCB26 | | 2 | |
| 26 | 997 106 901 00 | clamp | | 2 | |
| 27 | 997 106 902 00 | clamp | | 2 | |
| 28 | 999 919 125 09 | Hexagon bolt 6,0 X 16 | | 1 | |
| 29 | | Condenser see illustration: | 813-025 | * | |
| 30 | 997 106 456 00 | Bracket | right | 1 | |
| 31 | 900 377 010 09 | Hexagon nut | | 2 | |

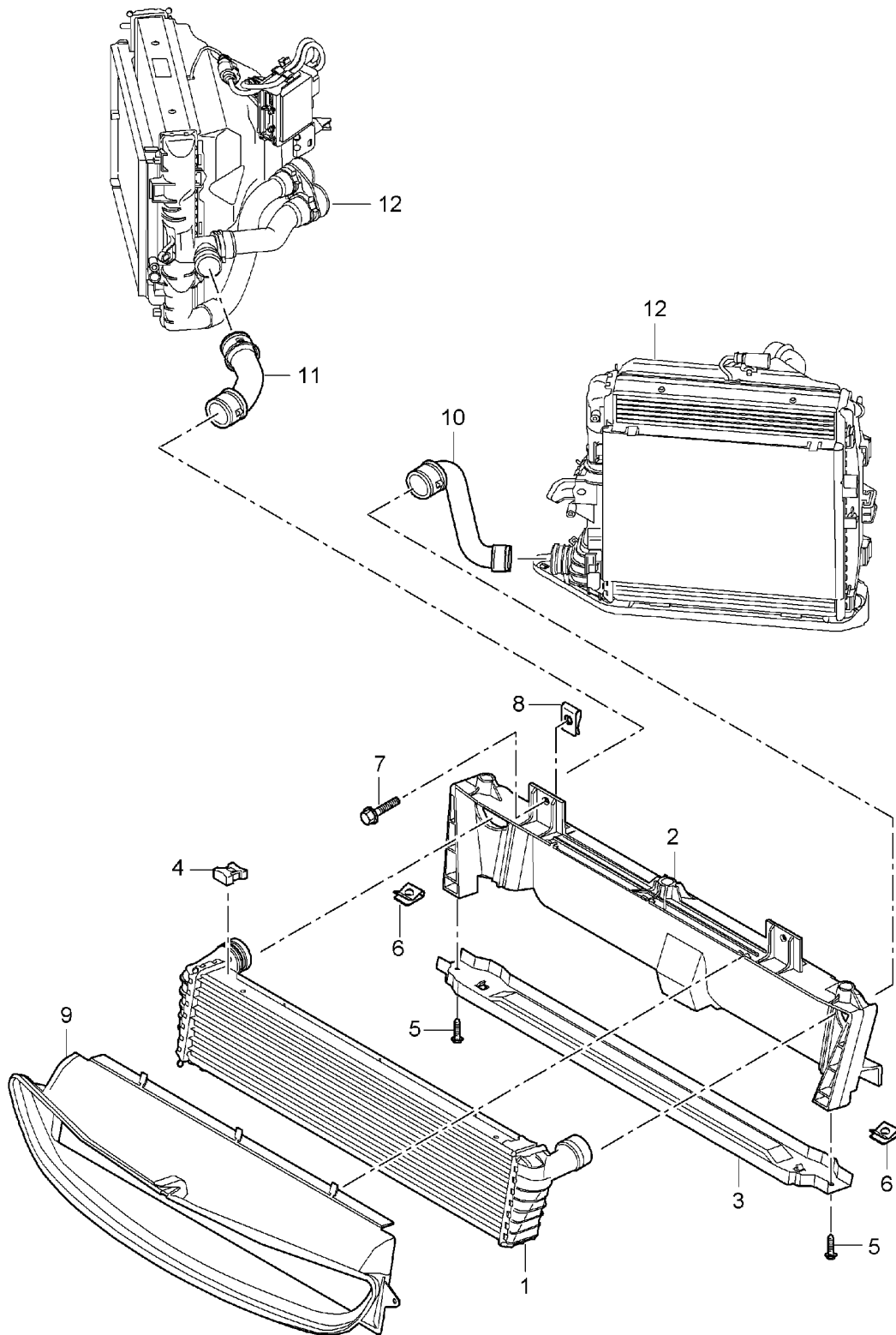
Model: 987 05

Model life 2005>>2008

| Pos | Part Number | Description | Remark | Qty | Model |
|-----|----------------|--|---------|-----|-------|
| 32 | | M 6 Control unit Cooling air control | | 1 | |
| | | see illustration: | 901-003 | | |
| 33 | 997 106 546 02 | Bungs | | 2 | |
| 34 | 999 591 329 01 | panel nut ST 4,8 | | 3 | |
| 35 | 999 072 048 01 | Hexagon bolt M 8 X 25 | | 2 | |
| 36 | 999 084 447 01 | Hexagon nut M 8 | | 4 | |
| 36 | PAF 003 923 | Hexagon nut M 8 | | 4 | |

Model: 987 05

Model life 2005>>2008



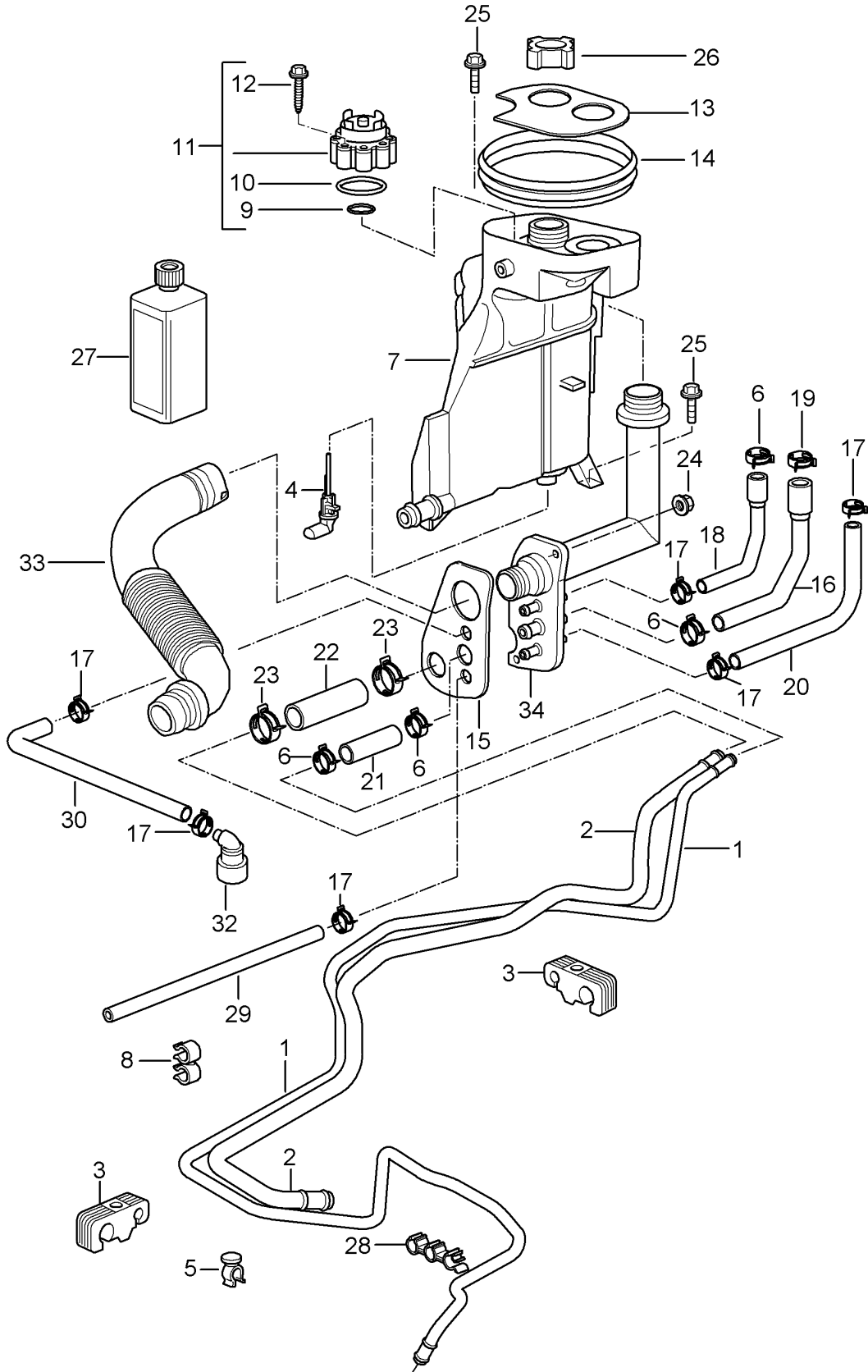
Model: 987 05

Model life 2005>>2008

| Pos | Part Number | Description | Remark | Qty | Model |
|-----|----------------|---------------------------------------|---------|-----|-------------------------------|
| | | Radiator | center | | 9626,9721, 9722+ PR:249 |
| 1 | 997 106 037 02 | Radiator | | 1 | |
| 2 | 997 504 487 00 | Retaining frame | upper | 1 | |
| 3 | 997 504 485 00 | Retaining frame | lower | 1 | |
| 4 | 997 106 437 01 | Rubber bush | | 4 | |
| 5 | 900 378 035 01 | Hexagon bolt M 6 X 16 | | 2 | |
| 6 | 999 591 882 02 | panel nut M 6 | | 2 | |
| 6 | 999 591 882 01 | Discontinued part panel nut M 6 | | 2 | |
| 7 | 900 378 074 09 | Hexagon bolt M 8 X 16 | | 4 | |
| 8 | 999 591 869 02 | panel nut M 8 | | 4 | |
| 9 | 987 575 323 00 | Air guide Radiator | center | 1 | |
| 10 | 997 106 639 03 | Water hose Return line | | 1 | |
| 11 | 997 106 638 03 | Water hose Supply | | 1 | |
| 12 | | see illustration: | 105-015 | X | |

Model: 987 05

Model life 2005>>2008



Model: 987 05 Model life 2005>>2008

| Pos | Part Number | Description | Remark | Qty | Model |
|------|----------------|--|--------|-----|-----------|
| 1 | 987 106 681 01 | Water cooling 4 Breather line Discontinued part | | 1 | 9625,9626 |
| 1 | 987 106 681 02 | Breather line | | 1 | |
| 2 | 987 106 663 00 | Filler tube | | 1 | |
| 3 | 999 591 140 40 | Line holder | | 2 | |
| 4 | 997 641 503 00 | Switch | | 1 | |
| 5 | 999 507 743 40 | Cable holder Breather line | | 2 | |
| 6 | 999 512 653 09 | Hose clamp 20 X 12 | | 3 | |
| 7 | 996 106 147 07 | Reservoir Discontinued part | | 1 | |
| 7 | 996 106 147 08 | Reservoir | | 1 | |
| 8 | 999 507 570 40 | Hose bracket 11,0 / 18,0 | | 2 | |
| 9 | 999 707 371 40 | O-ring 17 X 4 | | 1 | |
| 10 | 999 707 370 40 | O-ring 47 X 4 | | 1 | |
| 11 | 996 106 347 01 | Bleed valve | | 1 | |
| 12 | 999 919 058 02 | Hexagon bolt 5,0 X 40 | | 8 | |
| 13 | 996 106 234 01 | Cover | | 1 | |
| 14 | 986 504 644 00 | Seal | | 1 | |
| 15 | 996 106 235 02 | Seal | | 1 | |
| 16 | 996 106 237 02 | Hose Discontinued part | | 1 | |
| 16 | 996 106 237 03 | Hose | | 1 | |
| 17 | 999 512 651 09 | Hose clamp 15 X 12 | | 3 | |
| 18 | 996 106 247 02 | Vent hose Discontinued part | | 1 | |
| 18 | 996 106 247 03 | Vent hose | | 1 | |
| 19 | 999 512 655 09 | Hose clamp 22 X 12 | | 1 | |
| 20 | 996 106 287 03 | Overflow hose Discontinued part | | 1 | |
| 20 | 996 106 287 04 | Overflow hose | | 1 | |
| 21 | 996 106 257 02 | Vent hose Discontinued part | | 1 | |
| 21 | 996 106 257 03 | Vent hose | | 1 | |
| 22 | 996 106 297 03 | Overflow hose Discontinued part | | 1 | |
| 23 | 996 106 297 06 | Overflow hose | | 1 | |
| 23 | 999 512 658 09 | Hose clamp 27 X 12 | | 2 | |
| 24 | 999 076 071 02 | Hexagon nut M 6 | | 2 | |
| 25 | 900 075 333 02 | Bolt with washer M 6 X 25 | | 8 | |
| 26 | 996 106 447 01 | cap for expansion tank Discontinued part | | 1 | |
| (26) | 996 106 447 04 | cap for expansion tank See technical manual Group 1 | | 1 | |
| 27 | 000 043 203 78 | Antifreeze 1 LTR. Container Discontinued part | | X | |
| (27) | 000 043 203 79 | Antifreeze | | X | |

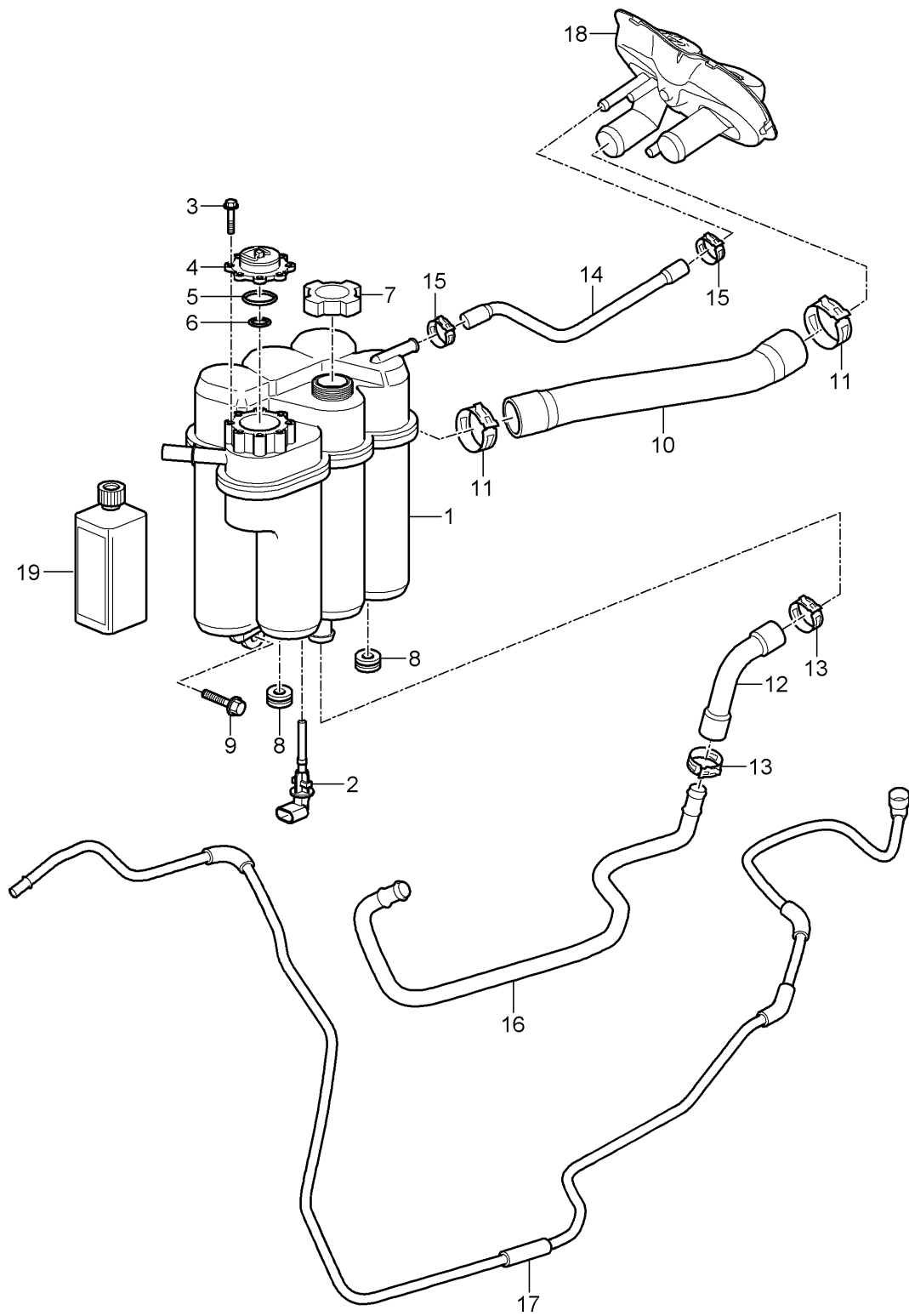
Model: 987 05

Model life 2005>>2008

| Pos | Part Number | Description | Remark | Qty | Model |
|------|----------------|---|----------|-----|-------|
| | | 25 LTR. Container | | | |
| (27) | 000 043 301 03 | Discontinued part Coolant additive | 1.0 Ltr. | X | |
| (27) | 000 043 301 05 | discontinued part Coolant additive | | X | |
| (27) | 000 043 301 04 | 1 GALLON discontinued part Coolant additive | 20ltr. | X | |
| (27) | 000 043 301 47 | discontinued part Coolant additive | 1.0 Ltr. | X | |
| (27) | 000 043 305 15 | discontinued part Coolant additive | 1.0 Ltr. | X | |
| (27) | 000 043 301 48 | Coolant additive | 20ltr. | X | |
| (27) | 000 043 305 16 | Discontinued part Coolant additive | 20ltr. | X | |
| (27) | 000 043 301 49 | Coolant additive | | X | |
| (27) | 000 043 305 75 | 1 GALLON discontinued part Coolant additive | | X | |
| (27) | 000 043 305 64 | 1 GALLON Cleaning solution | 20ltr. | 1 | |
| 28 | 999 507 743 40 | Cable holder | | 1 | |
| 29 | 996 106 267 02 | Hose | | 1 | |
| 29 | 996 106 267 03 | Hose | | 1 | |
| 30 | 996 106 207 04 | Hose | | 1 | |
| 30 | 996 106 207 05 | Discontinued part Hose | | 1 | |
| 31 | 999 500 084 01 | insert nut M 6 | | 2 | |
| 32 | 996 106 253 00 | Hose connector | | 1 | |
| 33 | | see illustration: | 104-005 | | |
| 34 | | see illustration: | 104-005 | | |

Model: 987 05

Model life 2005>>2008

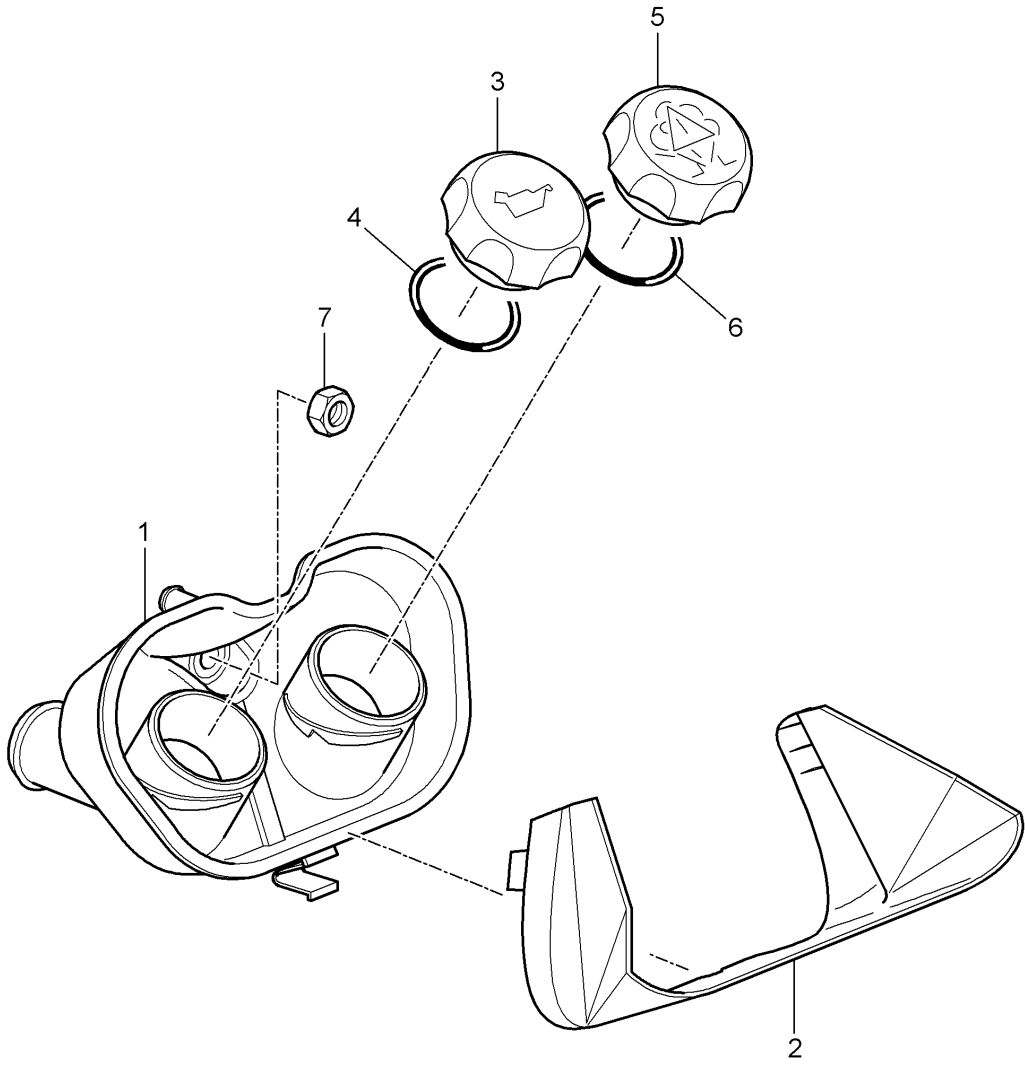


Model: 987 05 Model life 2005>>2008

| Pos | Part Number | Description | Remark | Qty | Model |
|------|----------------|--|----------|-----|--------------------|
| | | Water cooling 4 | | | 9720,9721, 9722 |
| 1 | 987 106 047 02 | Reservoir F >> 98-8U711 812 F >> 98-8U731 559 | | 1 | |
| (1) | 987 106 047 03 | Reservoir F 98-8U711 813>> F 98-8U731 560>> | | 1 | |
| (2) | 987 641 503 00 | Switch | | 1 | |
| 3 | 999 919 058 01 | Hexagon bolt M 5 X 40 | | 8 | |
| 4 | 996 106 347 02 | Bleed valve | | 1 | |
| 5 | 999 707 370 40 | O-ring 47,00 X 4,0 | | 1 | |
| 6 | 999 707 371 40 | O-ring 17,00 X 4,0 | | 1 | |
| 7 | 996 106 447 01 | cap for expansion tank Discontinued part | | 1 | |
| (7) | 996 106 447 04 | cap for expansion tank See technical manual Group 1 | | 1 | |
| 8 | 999 702 183 40 | Grommet | | 2 | |
| 9 | 900 378 074 09 | Hexagon bolt M 8 X 16 | | 1 | |
| 10 | 987 106 270 02 | Water hose | | 1 | |
| 11 | 999 512 672 09 | Hose clamp 40 X 12 | | 2 | |
| 12 | 987 106 267 02 | Hose | | 1 | |
| 13 | 999 512 657 09 | Hose clamp 26 X 12 | | 2 | |
| 14 | 987 106 287 01 | Breather line | | 1 | |
| 15 | 999 512 684 09 | Clamp 18 X 12 | | 2 | |
| 16 | 987 106 664 01 | Line | | 1 | |
| 17 | 987 106 682 01 | Breather line | | 1 | |
| 18 | | see illustration: | 105-022 | | |
| (19) | 000 043 301 03 | Coolant additive discontinued part | 1.0 Ltr. | X | |
| (19) | 000 043 301 04 | Coolant additive discontinued part | 20ltr. | X | |
| (19) | 000 043 301 05 | Coolant additive 1 GALLON discontinued part | | X | |
| (19) | 000 043 301 47 | Coolant additive discontinued part | 1.0 Ltr. | X | |
| (19) | 000 043 305 15 | Coolant additive | 1.0 Ltr. | X | |
| (19) | 000 043 301 48 | Coolant additive discontinued part | 20ltr. | X | |
| (19) | 000 043 305 16 | Coolant additive | 20ltr. | X | |
| (19) | 000 043 301 49 | Coolant additive 1 GALLON discontinued part | | X | |
| (19) | 000 043 305 75 | Coolant additive | | X | |
| (19) | 000 043 305 64 | Coolant additive 1 GALLON Cleaning solution | 20ltr. | 1 | |

Model: 987 05

Model life 2005>>2008



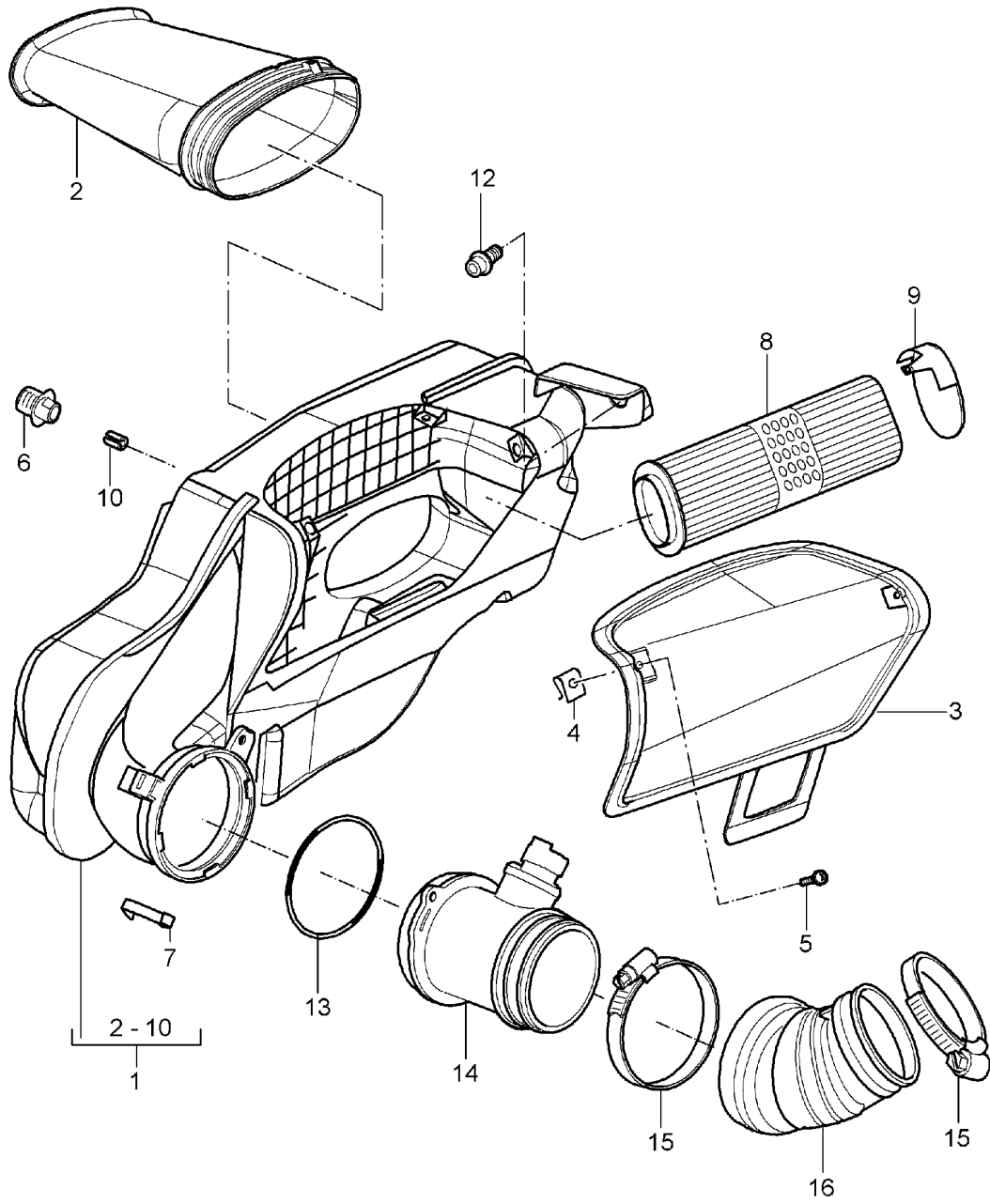
Model: 987 05

Model life 2005>>2008

| Pos | Part Number | Description | Remark | Qty | Model |
|-----|----------------|---|--------|-----|--------------------|
| 1 | 987 106 150 02 | Water cooling 4 Serviceschale Cup | | 1 | 9720,9721, 9722 |
| 2 | 987 106 180 00 | Cover | | 1 | |
| 3 | 987 107 035 01 | End cap engine oil | | 1 | |
| 4 | 987 107 336 00 | Seal | | 1 | |
| 5 | 987 106 044 00 | End cap Coolant | | 1 | |
| 6 | 987 106 170 00 | Seal | | 1 | |
| 7 | 999 076 071 02 | Hexagon nut M 6 | | 1 | |

Model: 987 05

Model life 2005>>2008



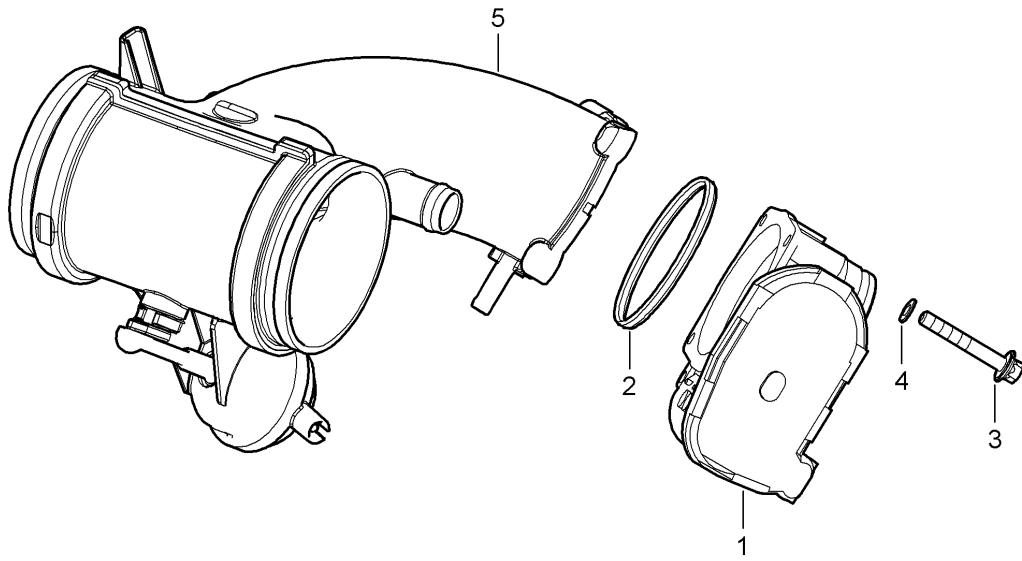
Model: 987 05

Model life 2005>>2008

| Pos | Part Number | Description | Remark | Qty | Model |
|------|----------------|---------------------------|--------|-----|----------------------------------|
| | | Air filter | | | 9625,9626, 9720,9721, 9722 |
| 1 | 987 110 021 00 | Air filter | | 1 | |
| 2 | 987 110 122 00 | intake manifold | | 1 | |
| 3 | 987 110 131 00 | Housing cover | | 1 | |
| 4 | 999 507 442 02 | panel nut | | 2 | |
| 5 | 900 143 095 09 | panel screw | | 3 | |
| 6 | 987 110 141 00 | Grommet | | 1 | |
| 7 | 993 110 116 01 | angled bracket | | 1 | |
| 8 | 987 110 133 00 | Air filter element | | 1 | |
| | | Discontinued part | | | |
| 8 | 987 110 133 01 | Air filter element | | 1 | |
| 9 | 987 110 134 00 | Securing plate | | 1 | |
| 10 | 900 095 099 09 | spring pin | | 3 | |
| | | 12 X 14 | | | |
| 11 | 999 919 050 09 | fillister hd. bolt | | 1 | |
| | | 4 X 12 | | | |
| 12 | 900 075 333 02 | Bolt with washer | | 1 | |
| | | M 6 X 25 | | | |
| 13 | 999 707 052 40 | O-ring | | 1 | |
| | | 91 X 6 | | | |
| 14 | 987 606 125 00 | Air mass meter | | 1 | |
| 15 | 999 512 542 00 | Hose clamp | | 2 | |
| | | 80 - 100 | | | |
| 16 | 987 110 222 00 | air guide for air cleaner | | 1 | |
| | | Discontinued part | | | |
| (16) | 987 110 222 01 | air guide for air cleaner | | 1 | |

Model: 987 05

Model life 2005>>2008



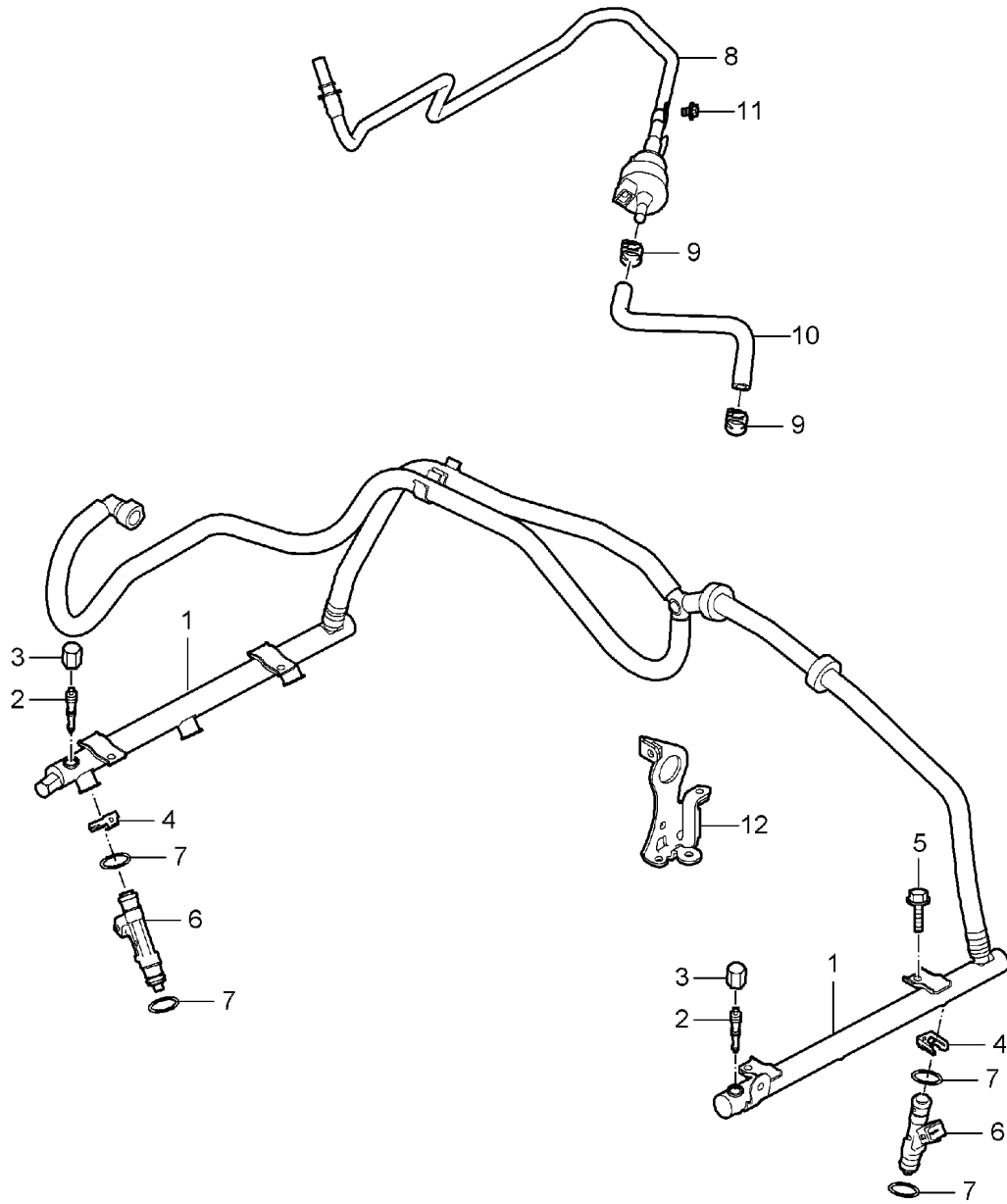
Model: 987 05

Model life 2005>>2008

| Pos | Part Number | Description | Remark | Qty | Model |
|-----|----------------|---|---------|-----|----------------------------------|
| | | throttle valve adapter | | | 9625,9626, 9720,9721, 9722 |
| 1 | 986 605 115 01 | throttle valve adapter D >> - MJ 2006 | | 1 | |
| (1) | 997 605 115 00 | throttle valve adapter D - MJ 2007>> | | 1 | |
| 2 | 996 110 319 00 | Seal D >> - MJ 2006 | | 1 | |
| (2) | 997 110 319 00 | Seal Distributor tube D - MJ 2007>> | | 1 | |
| 3 | 900 385 010 09 | Torx screw M 6 X 50 | | 4 | |
| 4 | N 011 524 7 | Washer A 6,4 | | 2 | |
| 5 | | Distributor tube see illustration: | 107-010 | | |

Model: 987 05

Model life 2005>>2008



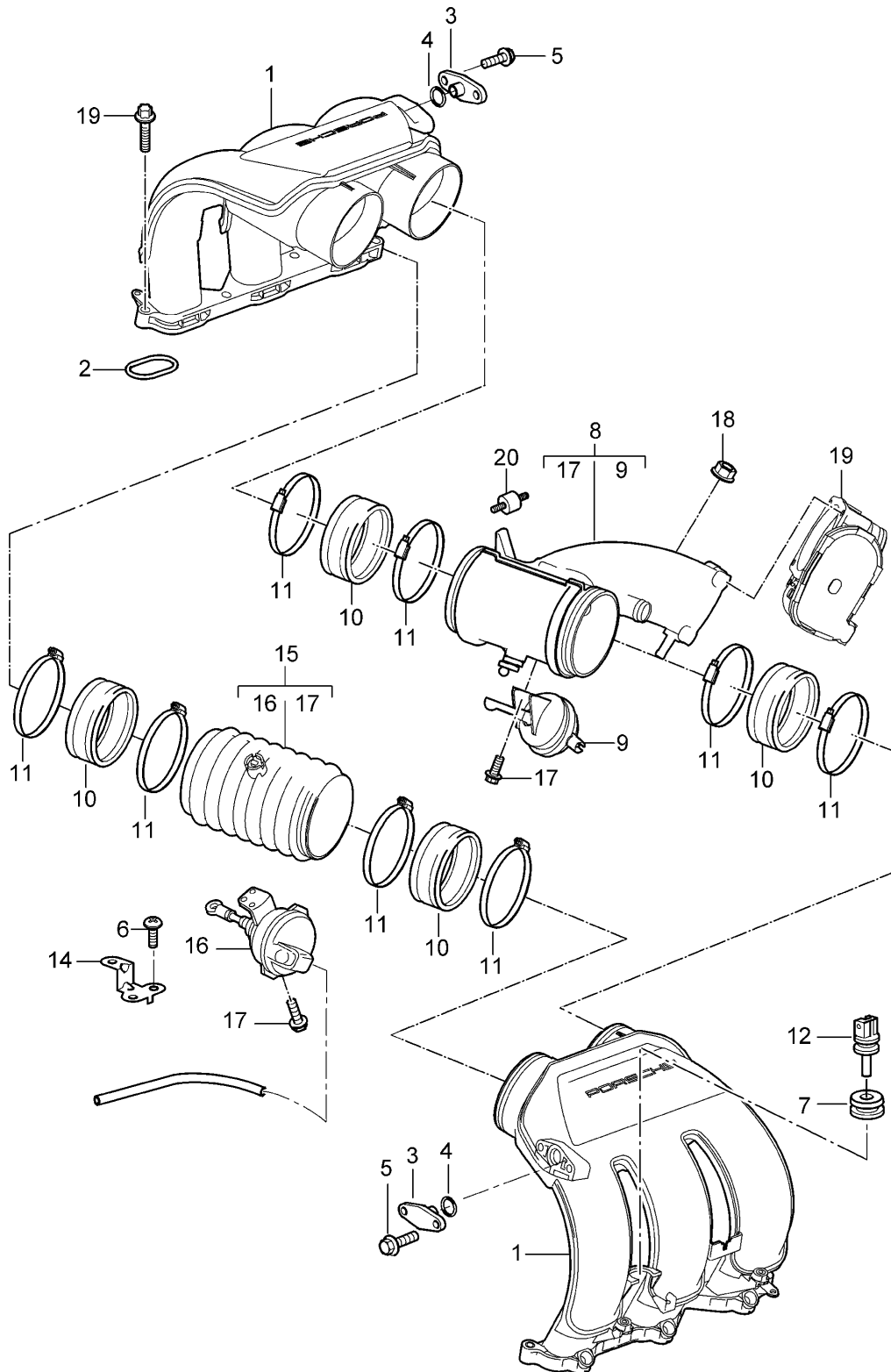
Model: 987 05

Model life 2005>>2008

| Pos | Part Number | Description | Remark | Qty | Model |
|------|----------------|--------------------------|--------|-----|----------------------------------|
| | | Fuel collection pipe | | | 9625,9626, 9720,9721, 9722 |
| 1 | 987 110 036 00 | Fuel collection pipe | | 1 | 9625,9626 |
| (1) | 987 110 031 01 | Fuel collection pipe | | 1 | 9720,9721, 9722 |
| 2 | 993 110 217 00 | Valve | | 1 | |
| 3 | 997 110 218 00 | Cap closure | | 1 | |
| 4 | 996 110 113 52 | Retaining clip | | 6 | |
| 5 | 900 385 041 09 | Torx screw M 6 X 12 | | 4 | |
| 6 | 996 606 122 00 | Injection valve | | 6 | 9625,9626 |
| (6) | 997 605 123 00 | Injection valve | | 6 | 9720,9721, 9722 |
| 7 | 999 707 574 40 | O-ring 7,52 X 3,51 | | 12 | |
| 8 | 987 110 128 00 | Breather line | | 1 | |
| 9 | 999 512 650 09 | Hose clamp B 14 X 12 | | 2 | |
| 10 | 987 110 137 02 | Vent hose | | 1 | 9625,9626 |
| (10) | 987 110 237 00 | Hose Tank ventilation | | 1 | 9720,9721, 9722 |
| 11 | 999 919 125 09 | Hexagon bolt M 6 X 16 | | 1 | |
| 12 | 996 101 213 56 | Retaining bar | | 1 | 9625,9626 |

Model: 987 05

Model life 2005>>2008

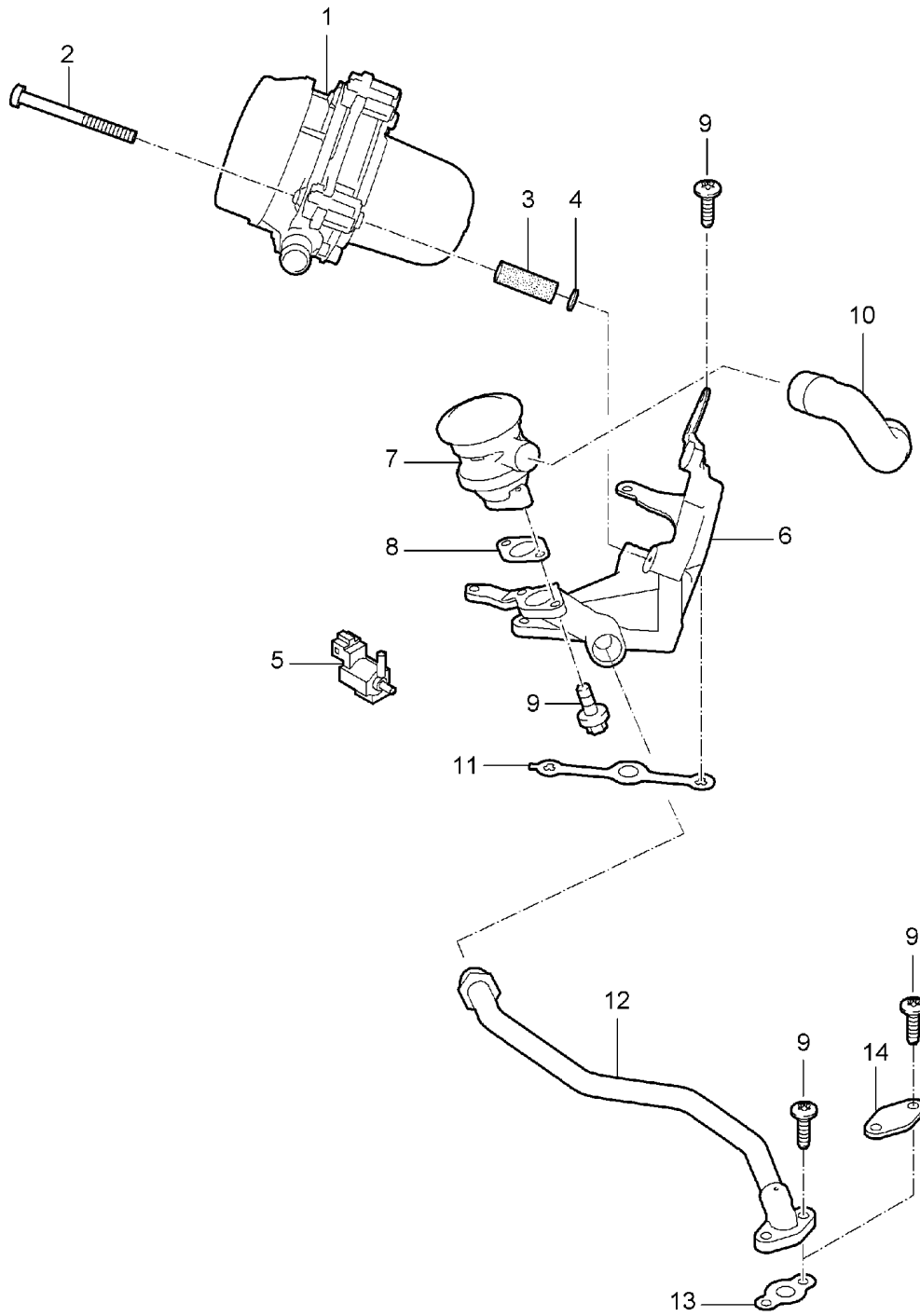


Model: 987 05 Model life 2005>>2008

| Pos | Part Number | Description | Remark | Qty | Model |
|------|----------------|---|---------|-----|----------------------------------|
| | | intake air distributor | | | 9625,9626, 9720,9721, 9722 |
| 1 | 996 110 045 01 | intake air distributor | | 2 | 9625,9626 |
| (1) | 997 110 036 01 | intake air distributor | | 2 | 9721,9720, 9722 |
| 2 | 996 110 247 03 | Seal | | 6 | 9625,9626 |
| (2) | 997 110 247 01 | Seal | | 6 | 9721,9720, 9722 |
| 3 | 996 110 251 51 | End cap | | 2 | |
| | | D >> - MJ 2006 | | | |
| 4 | 999 701 163 40 | O-ring 11,0 X 2,5 | | 2 | |
| | | D >> - MJ 2006 | | | |
| | | Discontinued part | | | |
| 4 | 999 701 163 41 | O-ring 11,0 X 2,5 | | 2 | |
| 5 | 900 385 017 04 | Torx screw 6,0 X 16 | | 4 | |
| | | D >> - MJ 2006 | | | |
| | | Discontinued part | | | |
| 5 | 900 385 017 01 | Torx screw 6,0 X 16 | | 4 | |
| 6 | 900 385 041 09 | Torx screw BM 6 X 12 | | 1 | |
| | | D >> - MJ 2006 | | | |
| 7 | 993 110 530 01 | Grommet | | 1 | |
| 8 | 987 110 055 01 | Distributor tube | | 1 | 9625,9626 |
| (8) | 987 110 116 01 | Distributor tube | | 1 | 9721,9720, 9722 |
| 9 | 987 110 462 00 | Vacuum unit | | 1 | 9625,9626 |
| 10 | 996 110 686 02 | Rubber sleeve | | 4 | 9625,9626 |
| | | Discontinued part | | | |
| (10) | 996 110 686 03 | Rubber sleeve | | 4 | 9625,9626 |
| (10) | 997 110 685 00 | Rubber sleeve | | 4 | 9721,9720, 9722 |
| 11 | 999 512 350 02 | Hose clamp 80 - 100/9 | | 8 | 9625,9626 |
| (11) | 999 512 539 01 | Hose clamp 90 - 110/9 | | 8 | 9721,9720, 9722 |
| 12 | 997 606 213 00 | Temperature sensor | | 1 | |
| 13 | 900 385 017 04 | Torx screw M 6 X 35 | | 12 | |
| 14 | 987 110 226 00 | Bracket | | 1 | 9625,9626 |
| 15 | 996 110 130 02 | Resonance tube | | 1 | 9625,9626 |
| (15) | 996 110 120 53 | Resonance tube | | 1 | 9721,9720, 9722 |
| 16 | 993 110 462 02 | Vacuum unit | | 1 | |
| 17 | 900 146 123 02 | Screw M 5 X 16 | | 4 | |
| - | 000 043 204 99 | Hose 3,5 X 2 120 MM | | * | |
| 18 | 900 380 022 09 | Hexagon nut M 6 | | 1 | |
| 19 | | throttle valve adapter see illustration: | 107-000 | 1 | |
| 20 | 999 703 239 01 | sound absorber piece 20X15 M6 | | 1 | |

Model: 987 05

Model life 2005>>2008

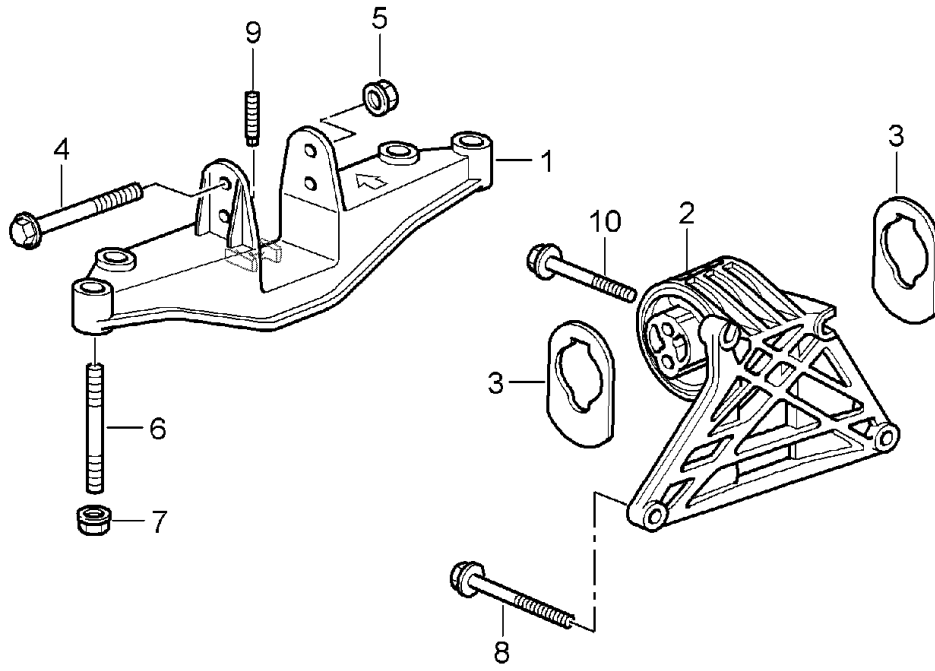


Model: 987 05 Model life 2005>>2008

| Pos | Part Number | Description | Remark | Qty | Model |
|-----|----------------|---|--------|-----|----------------------------------|
| | | Air injection | | | 9625,9626, 9720,9721, 9722 |
| 1 | 997 605 104 00 | Secondary pump | | 1 | |
| (1) | 997 605 104 02 | Secondary pump | | 1 | |
| 2 | 955 113 325 00 | fillister hd. bolt M 6 X 50 | | 3 | |
| 3 | 999 703 868 40 | Rubber bush 8,76 X 33,3 | | 3 | |
| 4 | 999 209 077 02 | spacer sleeve 6,5 X 1 | | 3 | |
| 4 | 999 209 077 01 | Discontinued part spacer sleeve 6,5 X 1 | | 3 | |
| 5 | 996 605 123 01 | Change-over valve | | 1 | |
| 6 | 997 113 137 01 | Console Secondary pump | | 1 | |
| 7 | 948 113 203 51 | Valve | | 1 | |
| 8 | 993 113 258 51 | Seal | | 1 | |
| 9 | 999 073 344 04 | flat round head bolt M 6 X 20 | | 7 | |
| 10 | 997 113 339 02 | Hose | | 1 | |
| 11 | 997 113 233 01 | Seal Console | | 1 | |
| 12 | 997 113 117 01 | Connecting line | | 1 | |
| 13 | 996 113 213 51 | Seal Connecting line | | 1 | |
| 14 | 997 113 340 00 | End cap | | 1 | |

Model: 987 05

Model life 2005>>2008



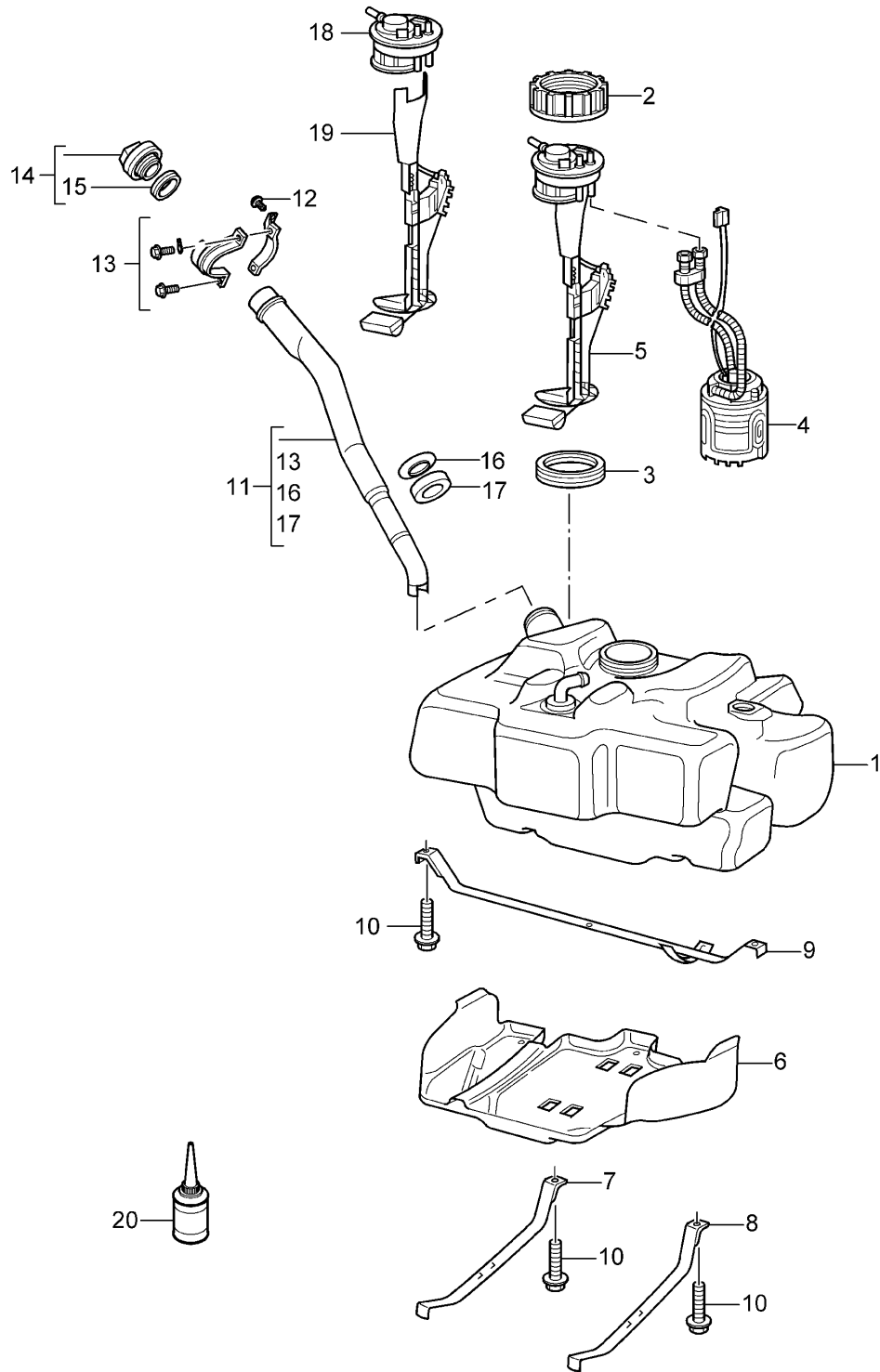
Model: 987 05

Model life 2005>>2008

| Pos | Part Number | Description | Remark | Qty | Model |
|-----|----------------|--|--------|-----|----------------------------------|
| | | Engine suspension | | | 9625,9626, 9720,9721, 9722 |
| 1 | 987 375 309 01 | Engine brackets | | 1 | |
| (1) | 987 375 309 02 | Engine brackets | | 1 | |
| 2 | 987 375 023 02 | Console for engine mounting | | 1 | 9625,9626 |
| 2 | 987 375 023 03 | Console for engine mounting | | 1 | 9721,9720, 9722 |
| (2) | 987 375 023 04 | Console for engine mounting Discontinued part | | 1 | |
| (2) | 987 375 023 05 | Console for engine mounting | | 1 | |
| 3 | 987 375 255 03 | Stop | | 2 | 9625,9626 |
| 3 | 987 375 255 05 | Stop D >> - MJ 2007 Discontinued part | | 2 | 9721,9720, 9722 |
| 3 | 9A1 375 257 01 | Stop | | 2 | |
| 4 | 900 378 167 09 | Hexagon bolt M 10 X 110 | | 2 | |
| 5 | 900 380 008 09 | Locknut M 10 | | 2 | |
| 6 | 999 061 106 09 | Threaded pin M 10 X 84 Discontinued part | | 4 | |
| 6 | 999 061 106 01 | Threaded pin M 10 X 84 | | 4 | |
| 7 | 999 076 053 09 | Hexagon nut M 10 | | 4 | |
| 8 | 999 072 027 09 | Hexagon bolt M 10 X 120 | | 3 | |
| 9 | 999 919 169 02 | Threaded pin 6,0 X 11/M6 | | 1 | |
| 10 | 999 072 036 09 | Hexagon bolt M 10 X 80 | | 1 | |

Model: 987 05

Model life 2005>>2008



Model: 987 05 Model life 2005>>2008

| Pos | Part Number | Description | Remark | Qty | Model |
|------|----------------|--|----------------|-----|--------|
| 1 | 997 201 021 00 | Fuel tank | | 1 | PR:664 |
| - | 997 201 543 00 | Pipe | inner | 1 | PR:664 |
| 2 | 997 201 623 00 | Union nut | | 1 | PR:664 |
| 3 | 997 201 733 00 | seal ring | | 1 | PR:664 |
| 4 | 997 620 131 00 | Fuel pump | | 1 | PR:664 |
| | | Discontinued part | | | |
| 4 | 997 620 131 01 | Fuel pump | | 1 | PR:664 |
| 6 | 997 201 331 02 | Bottom protection for fuel tank | lhd | 1 | PR:098 |
| 7 | 996 201 106 02 | tensioning strap | right | 1 | |
| | | Discontinued part | | | |
| (7) | 997 201 106 01 | tensioning strap | right | 1 | |
| 8 | 996 201 105 02 | tensioning strap | left | 1 | |
| | | Discontinued part | | | |
| (8) | 997 201 105 01 | tensioning strap | left | 1 | |
| 9 | 997 201 107 01 | tensioning strap | | 1 | PR:664 |
| 10 | 900 075 479 09 | Bolt with washer M 8 X 40 | | 4 | |
| 11 | 997 201 043 02 | fuel filler neck | | 1 | PR:664 |
| | | F >> 98-5U710 918 | | | |
| | | F >> 98-5U730 718 | | | |
| | | Discontinued part | | | |
| 11 | 997 201 043 08 | fuel filler neck | | 1 | PR:664 |
| | | F >> 98-5U710 918 | | | |
| | | F >> 98-5U730 718 | | | |
| | | also use: | 997 201 951 01 | 1 | |
| 11 | 997 201 043 08 | fuel filler neck | | 1 | PR:664 |
| | | F 98-5U710 919>> | | | |
| | | F 98-5U730 719>> | | | |
| 12 | 999 015 025 09 | Oval-head screw M 6 X 12 | | 1 | |
| | | F >> 98-5U710 918 | | | |
| | | F >> 98-5U730 718 | | | |
| (12) | 999 073 348 09 | fillister hd. bolt M 6 X 12 | | 1 | |
| | | F 98-5U710 919>> | | | |
| | | F 98-5U730 719>> | | | |
| 13 | 997 201 951 01 | Bracket (complete) | | 1 | PR:664 |
| | | F >> 98-5U710 918 | | | |
| | | F >> 98-5U730 718 | | | |
| 13 | 997 201 951 02 | Bracket for filler neck (complete) | | 1 | |
| | | F 98-5U710 919>> | | | |
| | | F 98-5U730 719>> | | | |
| 14 | 996 201 241 03 | Fuel tank cap | | 1 | |
| | | with: | | | |
| - | 999 507 499 40 | Clip | | 1 | |
| 15 | 191 201 557 | Spreader rivet | | 1 | |
| 16 | 996 201 755 00 | seal ring | | 1 | |
| 17 | 996 201 755 00 | support washer | | 1 | |
| 18 | 996 201 753 00 | Seal | | 1 | |
| 18 | 997 201 421 00 | flange for Tank gauge | | 1 | PR:664 |
| 19 | 997 620 831 02 | Tank gauge | | 1 | PR:664 |
| | | without: | | | |
| 20 | 000 043 206 89 | flange Multi-purpose additive for Otto engine fuels 100 ML | | 1 | |
| | | Discontinued part | | | |

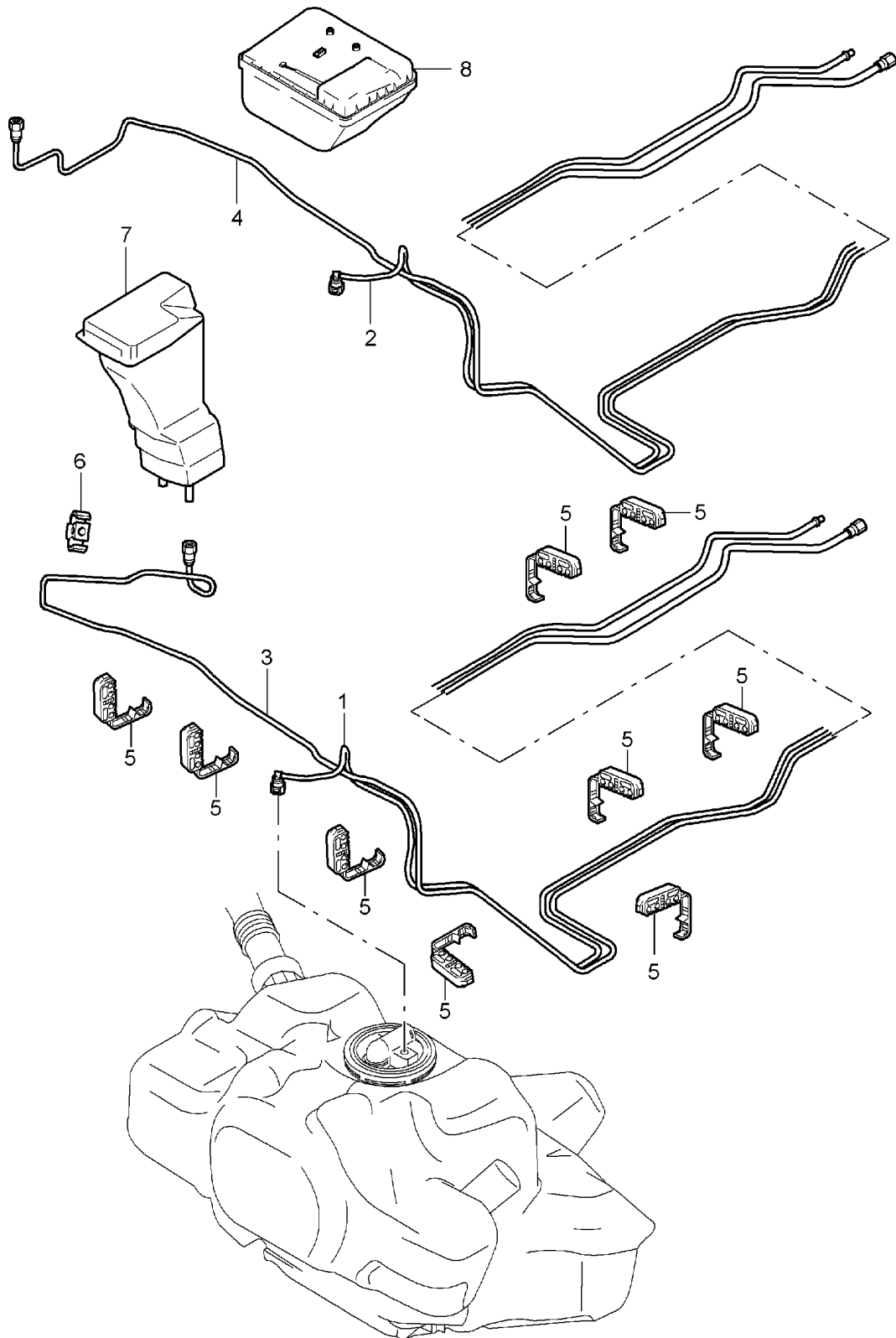
Model: 987 05

Model life 2005>>2008

| Pos | Part Number | Description | Remark | Qty | Model |
|-----|----------------|---|--------|-----|-------|
| 20 | 000 043 209 02 | Multi-purpose additive for Otto engine fuels 100 ML | | 1 | |

Model: 987 05

Model life 2005>>2008



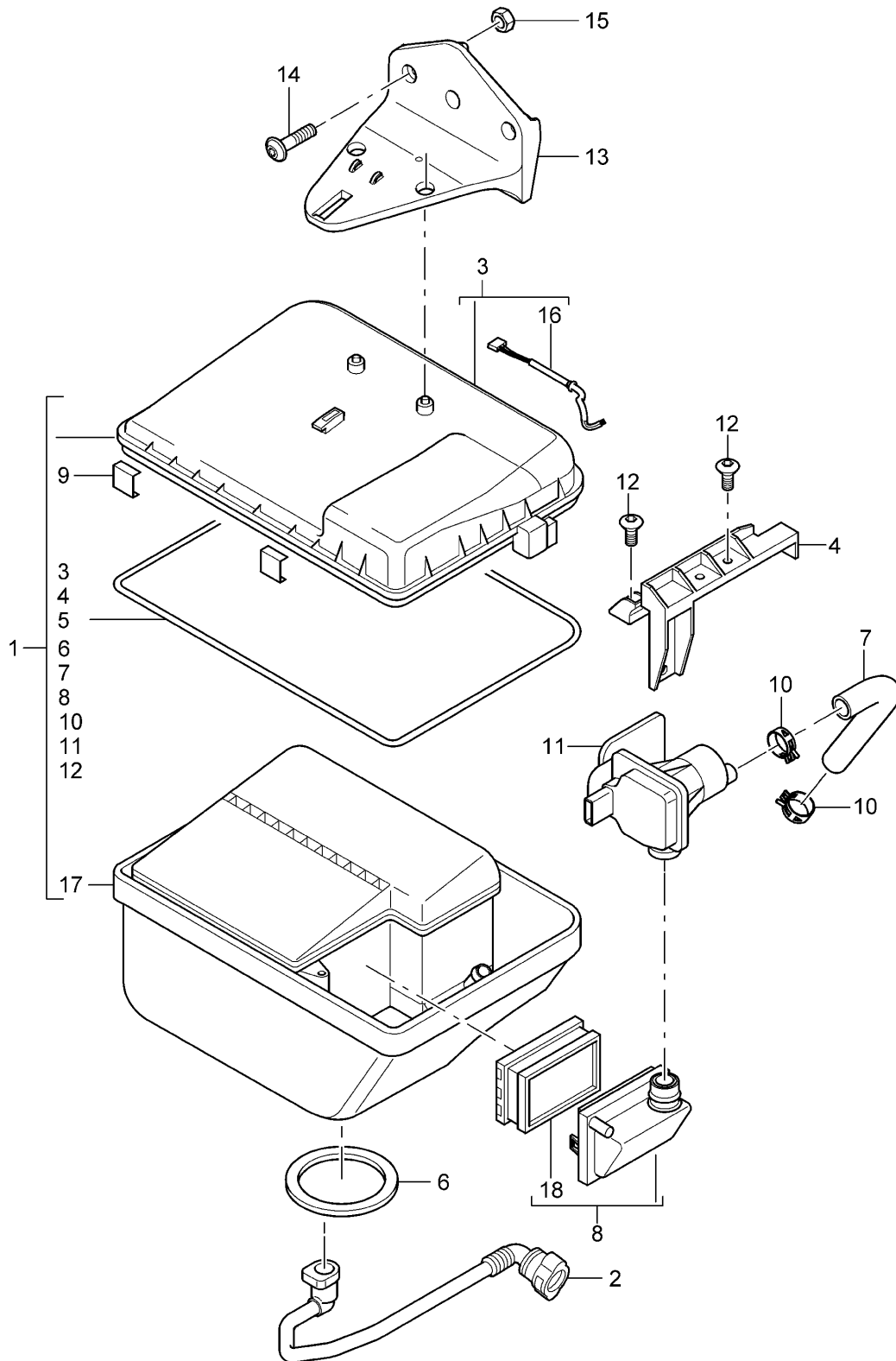
Model: 987 05

Model life 2005>>2008

| Pos | Part Number | Description | Remark | Qty | Model |
|-----|----------------|---|---------|-----|--------|
| 2 | 987 201 261 00 | Fuel system Fuel line Fuel pump for Engine | | 1 | PR:664 |
| 4 | 987 201 353 00 | Purge-air line Activated charcoal container for Engine | | 1 | PR:664 |
| 5 | 999 507 521 40 | Cable holder 8,0/8/10 | | 9 | |
| 8 | | Activated charcoal container see illustration: | 201-030 | 1 | |

Model: 987 05

Model life 2005>>2008

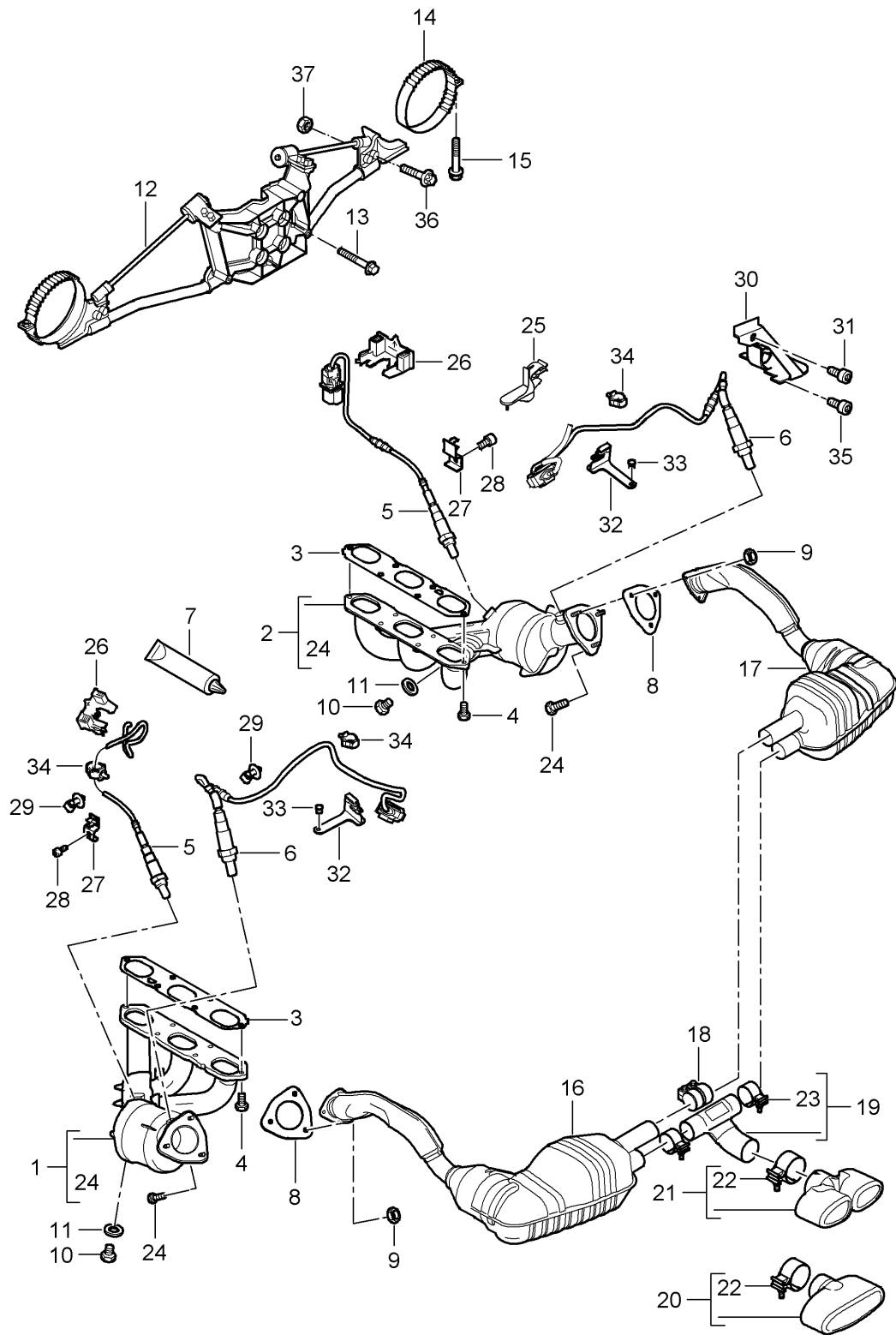


Model: 987 05 Model life 2005>>2008

| Pos | Part Number | Description | Remark | Qty | Model |
|------|----------------|---|-------------------------|--------|-----------|
| | | Activated charcoal container ORVR ONBOARD REFUELING VAPOR RECOVERY | | | PR:664 |
| 1 | 997 201 221 03 | Activated charcoal container (complete) | | 1 | |
| (1) | 997 201 221 04 | Discontinued part Activated charcoal container (complete) | | 1 | |
| 2 | 997 201 253 02 | No longer use the part here Breather line Fuel tank for | | 1 | |
| 2 | 997 201 253 04 | Activated charcoal container Discontinued part Breather line Fuel tank for | | 1 | |
| 3 | 997 201 401 00 | Activated charcoal container Cover F 98-5S710 186>> F 98-5U712 869>> F 98-5S730 177>> F 98-5U731 864>> | outer | 1 | 9625,9626 |
| 3 | 997 201 401 00 | also use: Cover F >> 98-5S710 185 F >> 98-5U712 868 F >> 98-5S730 176 F >> 98-5U731 863 | 997 605 125 01 outer | 1 1 | 9625,9626 |
| 4 | 997 201 411 00 | Retainer, diagnosis interface | | 1 | |
| 5 | 997 201 601 00 | gasket for housing | | 1 | |
| 6 | 997 201 631 00 | Seal | lower | 1 | |
| 7 | 997 201 621 00 | Hose Diagnostic | | 1 | |
| 8 | 997 201 501 00 | Filter | | 1 | |
| 9 | 999 507 818 09 | Clip | | 6 | |
| 10 | 999 512 108 09 | Hose clamp | | 2 | |
| 11 | 997 605 125 00 | Indicator Diagnostic Discontinued part | | 1 | |
| (11) | 997 605 125 01 | Leak detection module DMTL | | 1 | |
| 12 | 999 919 164 09 | fillister hd. bolt M 5 x 12 | | 7 | |
| 13 | 997 201 611 00 | Bracket for activated carbon container | | 1 | |
| 14 | 999 073 321 09 | fillister hd. bolt M 6 X 25 | | 2 | |
| 15 | 999 500 069 02 | rivitted cap nut M 6/0 5-3 | | 2 | |
| 16 | 997 612 669 02 | Wire set Position 3 Use | | 1 | |
| 17 | 997 201 402 00 | Discontinued part housing lower part | | 1 | |
| 18 | 997 201 222 00 | without: Activated carbon filter filter element | | 1 | |
| - | | Purge-air line see illustration: | 201-005 | 1 | |

Model: 987 05

Model life 2005>>2008



Model: 987 05 Model life 2005>>2008

| Pos | Part Number | Description | Remark | Qty | Model |
|-----|----------------|---|--------|-----|--|
| | | exhaust system | | | 9625,9626, 9720,9721, 9722 9625 |
| 1 | 987 113 104 07 | Exhaust manifolds with: Pre-catalytic converter Cyl. 4 - 6 D - MJ 2005>> - MJ 2005 Discontinued part | | 1 | |
| (1) | 987 113 104 08 | Exhaust manifolds with: Pre-catalytic converter Cyl. 4 - 6 D - MJ 2006>> - MJ 2006 Discontinued part | | 1 | 9625 |
| (1) | 987 113 104 10 | Exhaust manifolds with: Pre-catalytic converter Cyl. 4 - 6 | | 1 | 9625 |
| (1) | 987 113 104 AX | Exhaust manifolds with: Pre-catalytic converter Cyl. 4 - 6 | | 1 | 9625 |
| (1) | 987 113 108 05 | Exhaust manifolds with: Pre-catalytic converter Cyl. 4 - 6 D - MJ 2007>> | | 1 | 9721,9720, 9722 |
| (1) | 987 113 108 AX | Exhaust manifolds with: Pre-catalytic converter Cyl. 4 - 6 D - MJ 2007>> | | 1 | 9721,9720, 9722 |
| (1) | 987 113 106 05 | Exhaust manifolds with: Pre-catalytic converter Cyl. 4 - 6 D - MJ 2005>> - MJ 2005 Discontinued part | | 1 | 9626 |
| (1) | 987 113 106 06 | Exhaust manifolds with: Pre-catalytic converter Cyl. 4 - 6 | | 1 | 9626 |
| (1) | 987 113 106 AX | Exhaust manifolds with: Pre-catalytic converter Cyl. 4 - 6 | | 1 | 9626 |
| 2 | 987 113 103 07 | Exhaust manifolds with: Pre-catalytic converter Cyl. 1 - 3 D - MJ 2005>> - MJ 2005 Discontinued part | | 1 | 9625 |
| (2) | 987 113 103 10 | Exhaust manifolds with: Pre-catalytic converter Cyl. 1 - 3 | | 1 | 9625 |
| (2) | 987 113 103 AX | Exhaust manifolds with: Pre-catalytic converter Cyl. 1 - 3 | | 1 | 9625 |
| (2) | 987 113 107 05 | Exhaust manifolds with: | | 1 | 9721,9720, 9722 |

Model: 987 05 Model life 2005>>2008

| Pos | Part Number | Description | Remark | Qty | Model |
|-----|----------------|--|----------------|-----|-------------------------------|
| (2) | 987 113 107 AX | Pre-catalytic converter Cyl. 1 - 3 D - MJ 2007>> Exhaust manifolds | with: | 1 | 9721,9720, 9722 |
| (2) | 987 113 105 05 | Pre-catalytic converter Cyl. 1 - 3 D - MJ 2007>> Exhaust manifolds | with: | 1 | 9626 |
| (2) | 987 113 105 06 | Pre-catalytic converter Cyl. 1 - 3 Discontinued part Exhaust manifolds | with: | 1 | 9626 |
| (2) | 987 113 105 AX | Pre-catalytic converter Cyl. 1 - 3 Exhaust manifolds | with: | 1 | 9626 |
| 3 | 996 111 107 54 | Pre-catalytic converter Cyl. 1 - 3 Seal | | 2 | |
| 3 | 996 111 107 55 | Exhaust manifolds Discontinued part Seal | | 2 | |
| 4 | 999 075 074 00 | Exhaust manifolds Hexagon bolt M 8 X 26 | | 12 | |
| 5 | 987 606 123 01 | Lambda probe in front of Catalytic converter Discontinued part | | 2 | |
| 5 | 987 606 123 03 | Lambda probe in front of Catalytic converter | | 2 | |
| 5 | 987 606 123 01 | Lambda probe in front of Catalytic converter D - MJ 2007>> Discontinued part | | 2 | 9721,9720, 9722+ PR:660 |
| 5 | 987 606 123 03 | Lambda probe in front of Catalytic converter | | 2 | |
| 6 | 987 606 124 00 | Lambda probe After Catalytic converter No longer use the part here | | 2 | |
| (6) | 987 606 123 02 | Lambda probe After Catalytic converter | | 2 | |
| 7 | 000 043 207 07 | grease for oxygen sensor | | 1 | |
| 8 | 997 111 113 00 | Seal | | 2 | |
| | | also use: | 999 084 046 02 | 3 | |
| | | | 900 075 365 02 | 3 | |
| 9 | 999 084 046 02 | Locknut M 8 | | 6 | |
| 10 | 900 083 080 00 | Hexagon bolt M 8 x 1 | | 2 | |
| 11 | 900 123 050 20 | Exhaust emission tube seal ring 8 x 11,5 Exhaust emission tube | | 2 | |

Model: 987 05 Model life 2005>>2008

| Pos | Part Number | Description | Remark | Qty | Model |
|------|----------------|---|--------|-----|-------------------------------|
| 12 | 987 111 041 02 | Retainer for exhaust system | | 1 | 9625,9626+ PR:249 |
| (12) | 987 111 041 03 | Retainer for exhaust system | | 1 | 9720,9721, 9722+ PR:249 |
| (12) | 987 111 042 00 | D - MJ 2007>> Retainer for exhaust system | | 1 | 9625+ PR:481 |
| (12) | 987 111 042 03 | Discontinued part Retainer for exhaust system | | 1 | 9720+ PR:481 |
| (12) | 987 111 042 04 | D - MJ 2007>> No longer use the part here Retainer for exhaust system | | 1 | 9720+ PR:481 |
| (12) | 987 111 043 03 | Retainer for exhaust system Discontinued part | | 1 | 9625,9626 |
| (12) | 987 111 043 04 | Retainer for exhaust system D - MJ 2007>> | | 1 | PR:480 |
| 13 | 900 378 070 09 | Hexagon bolt M 10 X 30 | | 4 | 9625,9626 |
| (13) | 900 378 056 02 | Hexagon bolt M 8 X 60 | | 3 | 9625,9626 |
| 14 | 987 111 210 00 | Clip No longer use the part here | | 2 | |
| 14 | 987 111 210 01 | Clip | | 2 | |
| 15 | 900 378 055 09 | Hexagon bolt | | 2 | |
| 16 | 987 113 112 00 | Silencer with: Main catalytic converter Cyl. 4 - 6 D - MJ 2005>> - MJ 2005 Discontinued part | | 1 | 9626 |
| 16 | 987 113 112 04 | Silencer with: Main catalytic converter Cyl. 4 - 6 D - MJ 2006>> - MJ 2006 Discontinued part | | 1 | 9626 |
| 16 | 987 113 112 05 | Silencer with: Main catalytic converter Cyl. 4 - 6 | | 1 | 9626 |
| 16 | 987 113 112 AX | Silencer with catalyst Main catalytic converter Cyl. 4 - 6 | | 1 | 9626 |
| 16 | 987 113 124 02 | Silencer with: Main catalytic converter Cyl. 4 - 6 D - MJ 2007>> | | 1 | 9721,9720+ PR:660 |
| 16 | 987 113 124 03 | Discontinued part Silencer with: Main catalytic converter Cyl. 4 - 6 D - MJ 2007>> | | 1 | 9721,9720+ PR:660 |
| 16 | 987 113 114 00 | Silencer with: Main catalytic converter Cyl. 4 - 6 D - MJ 2005>> - MJ 2005 Discontinued part | | 1 | 9625 |
| 16 | 987 113 114 02 | Silencer | | 1 | 9625 |

Model: 987 05 Model life 2005>>2008

| Pos | Part Number | Description | Remark | Qty | Model |
|------|----------------|---|--------|-----|----------------------|
| 16 | 987 113 114 03 | with: Main catalytic converter Cyl. 4 - 6 D - MJ 2006>> - MJ 2006 Discontinued part Silencer | | 1 | 9625 |
| 16 | 987 113 114 AX | with: Main catalytic converter Cyl. 4 - 6 Silencer with catalyst | | 1 | 9625 |
| (16) | 987 113 512 00 | Main catalytic converter Cyl. 4 - 6 Silencer | | 1 | PR:XLF |
| (16) | 987 113 512 01 | with: Main catalytic converter Cyl. 4 - 6 D - MJ 2007>> - MJ 2007 Discontinued part Silencer | | 1 | PR:XLF |
| (16) | 987 113 512 02 | with: Main catalytic converter Cyl. 4 - 6 D - MJ 2008>> Discontinued part Silencer | | 1 | PR:XLF |
| (16) | 987 113 512 AX | with: Main catalytic converter Cyl. 4 - 6 Silencer with catalyst | | 1 | PR:XLF |
| (16) | 987 113 512 60 | Main catalytic converter Cyl. 4 - 6 Silencer | | 1 | 9722 |
| (16) | 987 113 512 CX | with: Main catalytic converter Cyl. 4 - 6 D - MJ 2008>> Silencer with catalyst | | 1 | 9722 |
| 17 | 987 113 111 00 | Main catalytic converter Cyl. 4 - 6 D - MJ 2008>> Silencer | | 1 | 9626 |
| 17 | 987 113 111 04 | with: Main catalytic converter Cyl. 1 - 3 D - MJ 2005>> - MJ 2005 Discontinued part Silencer | | 1 | 9626 |
| 17 | 987 113 111 05 | with: Main catalytic converter Cyl. 1 - 3 D - MJ 2006>> - MJ 2006 Discontinued part Silencer | | 1 | 9626 |
| 17 | 987 113 111 AX | with: Main catalytic converter Cyl. 1 - 3 Silencer with catalyst | | 1 | 9626 |
| 17 | 987 113 123 02 | Main catalytic converter Cyl. 1 - 3 Silencer | | 1 | 9721,9720+ PR:660 |
| | | with: Main catalytic converter Cyl. 1 - 3 | | | |

Model: 987 05 Model life 2005>>2008

| Pos | Part Number | Description | Remark | Qty | Model |
|------|----------------|---|--------|-----|---------------------------|
| 17 | 987 113 123 03 | D - MJ 2007>> Discontinued part Silencer with: Main catalytic converter Cyl. 1 - 3 | | 1 | 9721,9720+ PR:660 |
| 17 | 987 113 113 00 | D - MJ 2007>> Silencer with: Main catalytic converter Cyl. 1 - 3 | | 1 | 9625 |
| 17 | 987 113 113 02 | D - MJ 2005>> - MJ 2005 Discontinued part Silencer with: Main catalytic converter Cyl. 1 - 3 | | 1 | 9625 |
| 17 | 987 113 113 03 | D - MJ 2006>> - MJ 2006 Discontinued part Silencer with: Main catalytic converter Cyl. 1 - 3 | | 1 | 9625 |
| 17 | 987 113 113 AX | Silencer with catalyst Main catalytic converter Cyl. 1 - 3 | | 1 | 9625 |
| (17) | 987 113 511 00 | Silencer with: Main catalytic converter Cyl. 1 - 3 | | 1 | PR:XLF |
| (17) | 987 113 511 01 | D - MJ 2007>> - MJ 2007 Discontinued part Silencer with: Main catalytic converter Cyl. 1 - 3 | | 1 | PR:XLF |
| (17) | 987 113 511 02 | D - MJ 2008>> Discontinued part Silencer with: Main catalytic converter Cyl. 1 - 3 | | 1 | PR:XLF |
| (17) | 987 113 511 AX | Silencer with catalyst Main catalytic converter Cyl. 1 - 3 | | 1 | PR:XLF |
| (17) | 987 113 511 60 | Silencer with: Main catalytic converter Cyl. 1 - 3 | | 1 | 9722 |
| (17) | 987 113 511 CX | D - MJ 2008>> Silencer with catalyst Main catalytic converter Cyl. 1 - 3 | | 1 | 9722 |
| 18 | 987 111 220 00 | D - MJ 2008>> Clamping sleeve | | 1 | |
| 19 | 987 111 353 00 | Exhaust pipe | | 1 | .21 9625,9626, 9720 |
| 20 | 987 111 253 00 | Tailpipe D >> - MJ 2006 | | 1 | 9625 |
| 20 | 987 111 253 00 | Tailpipe D - MJ 2007>> | | 1 | 9720 |

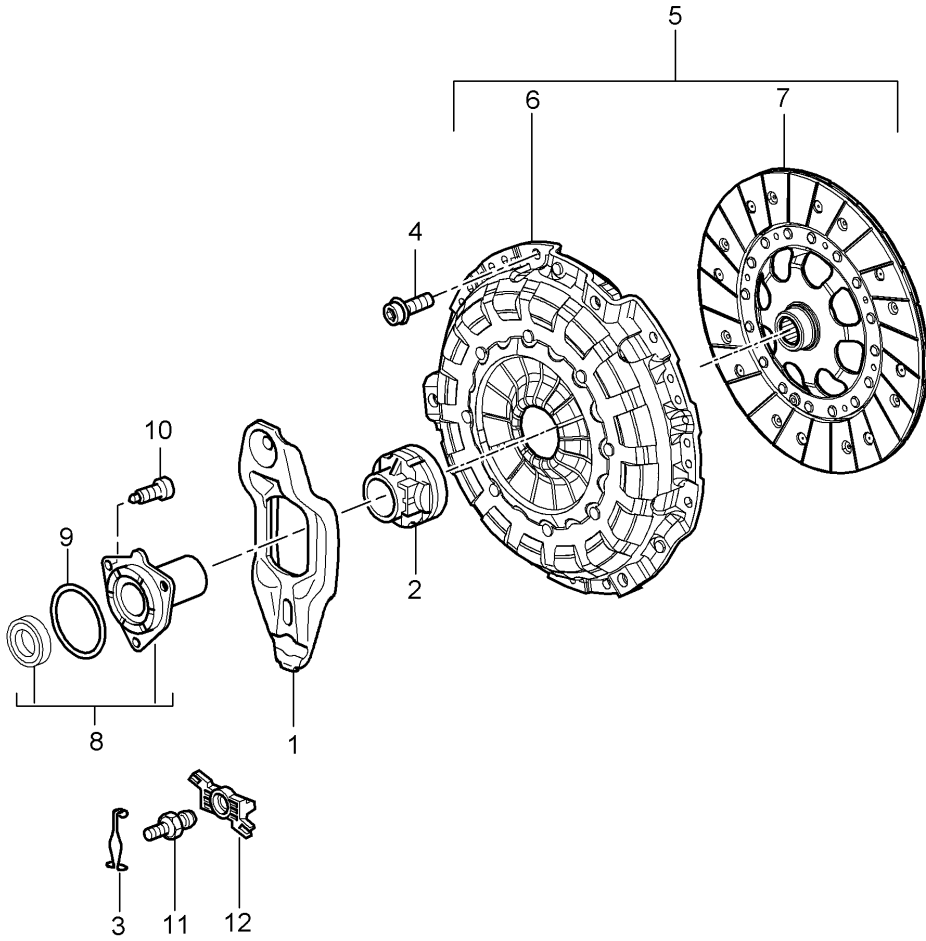
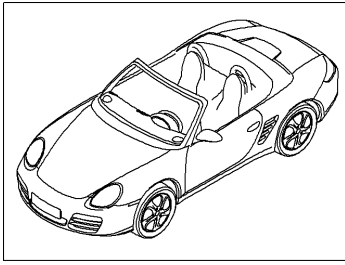
Model: 987 05

Model life 2005>>2008

| Pos | Part Number | Description | Remark | Qty | Model |
|------|----------------|---|--------|-----|-----------------|
| 21 | 987 111 254 02 | Tailpipe D >> - MJ 2006 | | 1 | 9626 |
| 21 | 987 111 254 02 | Tailpipe D - MJ 2007>> | | 1 | 9721 |
| (21) | 987 111 254 01 | Tailpipe | | 1 | PR:XLA |
| (21) | 987 111 258 30 | Tailpipe D - MJ 2008>> Discontinued part | | 1 | 9722+ PR:754 |
| (21) | 987 111 258 31 | Tailpipe D - MJ 2008>> | | 1 | 9722+ PR:754 |
| 22 | 000 043 300 53 | Clamp for Trim Set (complete) | | 1 | |
| 23 | 000 043 300 54 | Clamp for Exhaust pipe Set (complete) | | 2 | |
| 24 | 900 075 365 02 | Screw M 8 X 30 | | X | |
| 25 | 987 606 103 01 | Holder for lambda probe Line | | 1 | |
| 26 | 987 606 259 01 | Bracket Connector Lambda probe To filler plate | | 2 | PR:660 |
| 27 | 987 606 104 00 | Bracket Line Lambda probe To Valve cover Discontinued part | | 3 | |
| (27) | 987 606 104 01 | Holder for lambda probe Line To Valve cover | | 3 | |
| 28 | 900 385 041 09 | Torx screw M 6 X 12 | | 3 | |
| 29 | 999 507 111 40 | Line holder Lambda probe To Cylinder head | | 2 | |
| 30 | 987 104 445 00 | Guard plate | | 1 | |
| 31 | 900 387 009 09 | Screw M 6 X 12 | | 1 | |
| 32 | 987 606 105 01 | Bracket Connector Lambda probe | | 2 | |
| 33 | 999 591 712 40 | Spreader rivet 6,0 X 12,0 | | 4 | |
| 34 | 999 507 075 40 | Cable holder 3,0 - 12,0 | | 3 | |
| 35 | 900 385 041 09 | Torx screw M 6 X 12 | | 1 | |
| 37 | 900 380 005 01 | Nut M 8 | | 12 | |

Model: 987 05

Model life 2005>>2008



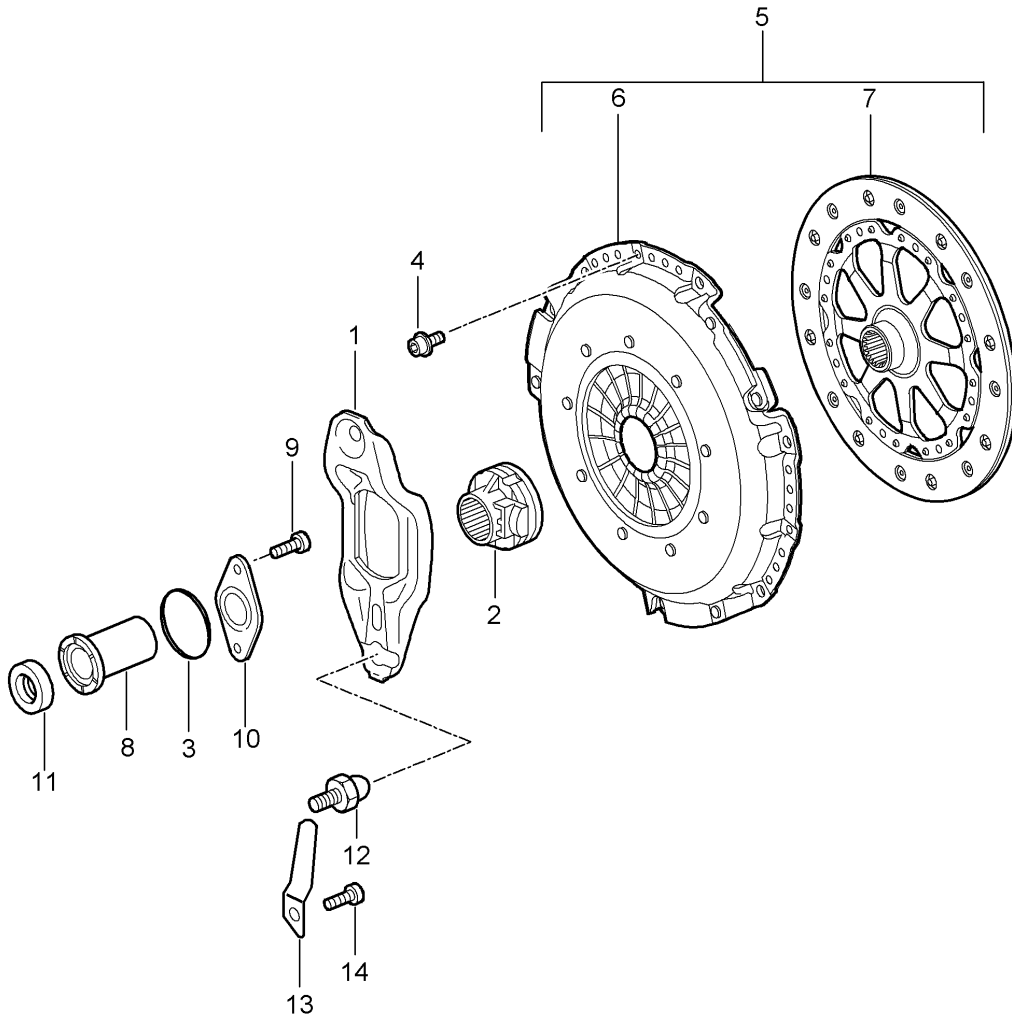
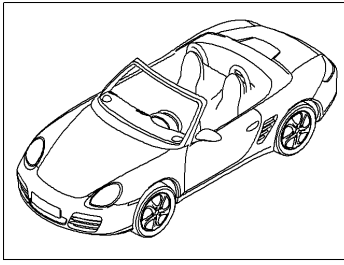
Model: 987 05

Model life 2005>>2008

| Pos | Part Number | Description | Remark | Qty | Model |
|-----|----------------|---|--------|-----|----------------------|
| | | Coupling | | | 9625,9720+ PR:481 |
| 1 | 012 141 719 B | clutch operating lever | | 1 | |
| 2 | 012 141 165 E | release bearing | | 1 | |
| 3 | 012 141 741 | retaining spring | | 1 | |
| 4 | 900 067 131 03 | Socket head bolt M 8 X 16 | | 6 | |
| | | No longer use the part here | | | |
| (4) | 999 073 458 01 | Screw M 8 X 16 | | 6 | |
| 5 | 987 116 914 00 | Coupling Set | | 1 | |
| 6 | 986 116 028 04 | Pressure plate | | 1 | |
| 7 | 987 116 014 00 | Clutch plate Discontinued part | | 1 | |
| 7 | 987 116 014 01 | Clutch plate | | 1 | |
| 8 | 012 141 180 B | guide sleeve | | 1 | |
| 9 | N 903 542 01 | O-ring 56,8 X 2,6 | | 1 | |
| 10 | N 903 663 01 | Socket head bolt M 8 X 22 | | 3 | |
| 11 | 012 141 777 D | Ball stud | | 1 | |
| 12 | 012 141 751 B | Intermediate piece Discontinued part | | 1 | |
| 12 | 012 141 751 C | Intermediate piece | | 1 | |
| - | 987 116 014 01 | Clutch plate | | 1 | |
| - | 000 043 304 02 | Grease KLÜBERALFA HM83-801 50 GR. | | X | |
| - | 000 043 024 00 | Extreme-pressure grease LONGTIME 3EP 80 GR. | | X | |

Model: 987 05

Model life 2005>>2008

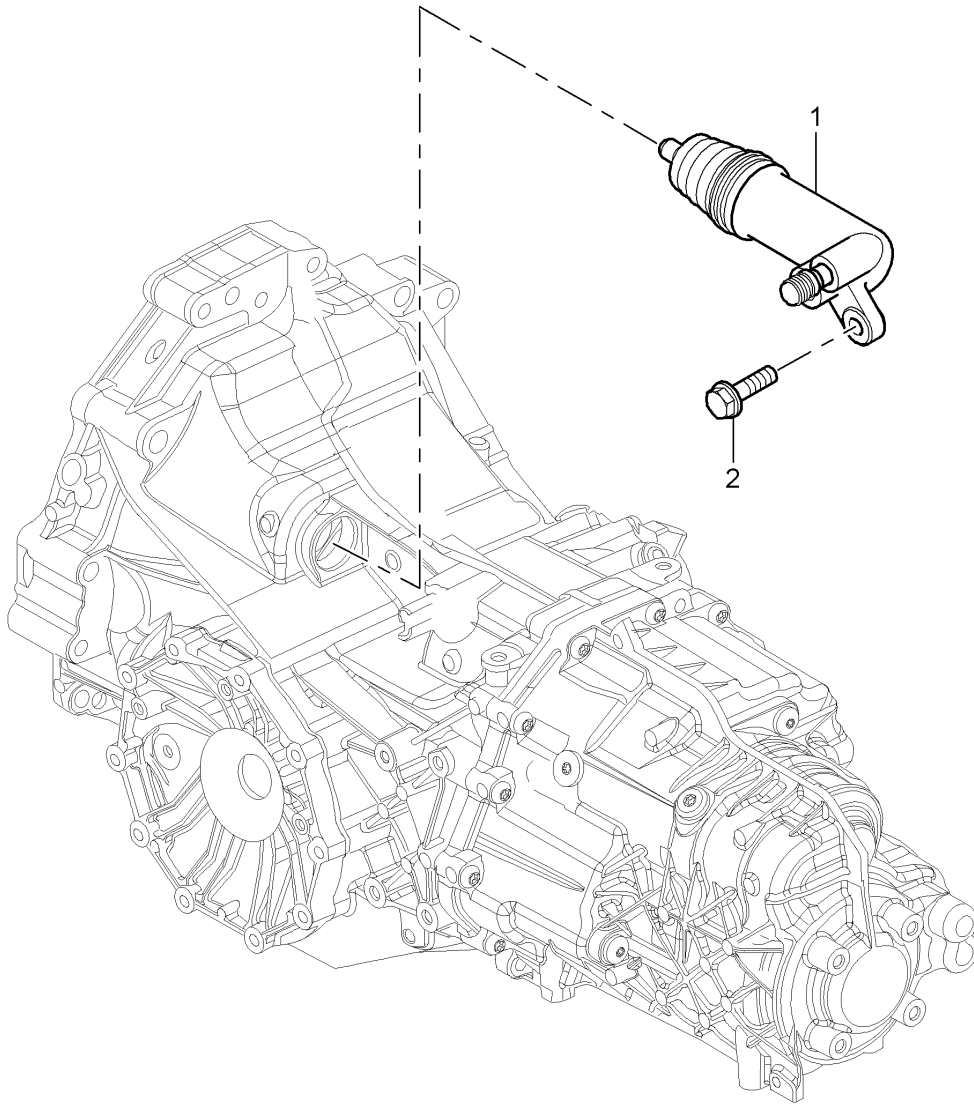


Model: 987 05 Model life 2005>>2008

| Pos | Part Number | Description | Remark | Qty | Model |
|-----|----------------|---|--------|-----|-------------------------|
| 1 | 0A2 141 719 | Coupling clutch operating lever Discontinued part | | 1 | PR:480 |
| 1 | 0A2 141 719 A | clutch operating lever | | 1 | |
| 2 | 012 141 165 E | release bearing | | 1 | |
| 3 | 0A2 311 091 A | O-ring | | 1 | |
| 4 | 900 067 131 03 | Socket head bolt M 8 X 16 No longer use the part here | | 6 | |
| (4) | 999 073 458 01 | Screw M 8 X 16 | | 6 | |
| 5 | 987 116 913 22 | Coupling Set Discontinued part | | 1 | 9625,9626, 9720 |
| (5) | 987 116 913 23 | Coupling Set Discontinued part | | 1 | 9625,9626, 9720 |
| (5) | 987 116 913 24 | Coupling Set | | 1 | 9625,9626, 9720 |
| (5) | 987 116 913 30 | Coupling Set | | 1 | 9721,9722 |
| (5) | 987 116 913 36 | Coupling Set | | 1 | 9721,9722 |
| 6 | 987 116 027 22 | Pressure plate | | 1 | 9625,9626, 9720 |
| (6) | 987 116 027 30 | Pressure plate Discontinued part | | 1 | 9721 |
| (6) | 987 116 027 33 | Pressure plate | | 1 | 9721 |
| 7 | 987 116 013 20 | Clutch plate Discontinued part | | 1 | 9625,9626, 9720,9721 |
| 7 | 987 116 013 21 | Clutch plate | | 1 | 9625,9626, 9720,9721 |
| 7 | 987 116 013 22 | Discontinued part Clutch plate | | 1 | 9625,9626, 9720,9721 |
| 8 | 0A2 141 181 | guide sleeve | | 1 | |
| 9 | 999 073 320 02 | Hexagon bolt m 8 x 20,5 | | 2 | |
| 10 | 0A2 141 179 | Retaining plate | | 1 | |
| 11 | 016 311 113 C | radial shaft seal | | 1 | |
| 12 | 01E 141 751 A | Intermediate piece | | 1 | |
| 13 | 01E 141 721 A | leaf spring | | 1 | |
| 14 | 999 073 319 02 | flat round head bolt M 8 x 22 | | 1 | |

Model: 987 05

Model life 2005>>2008



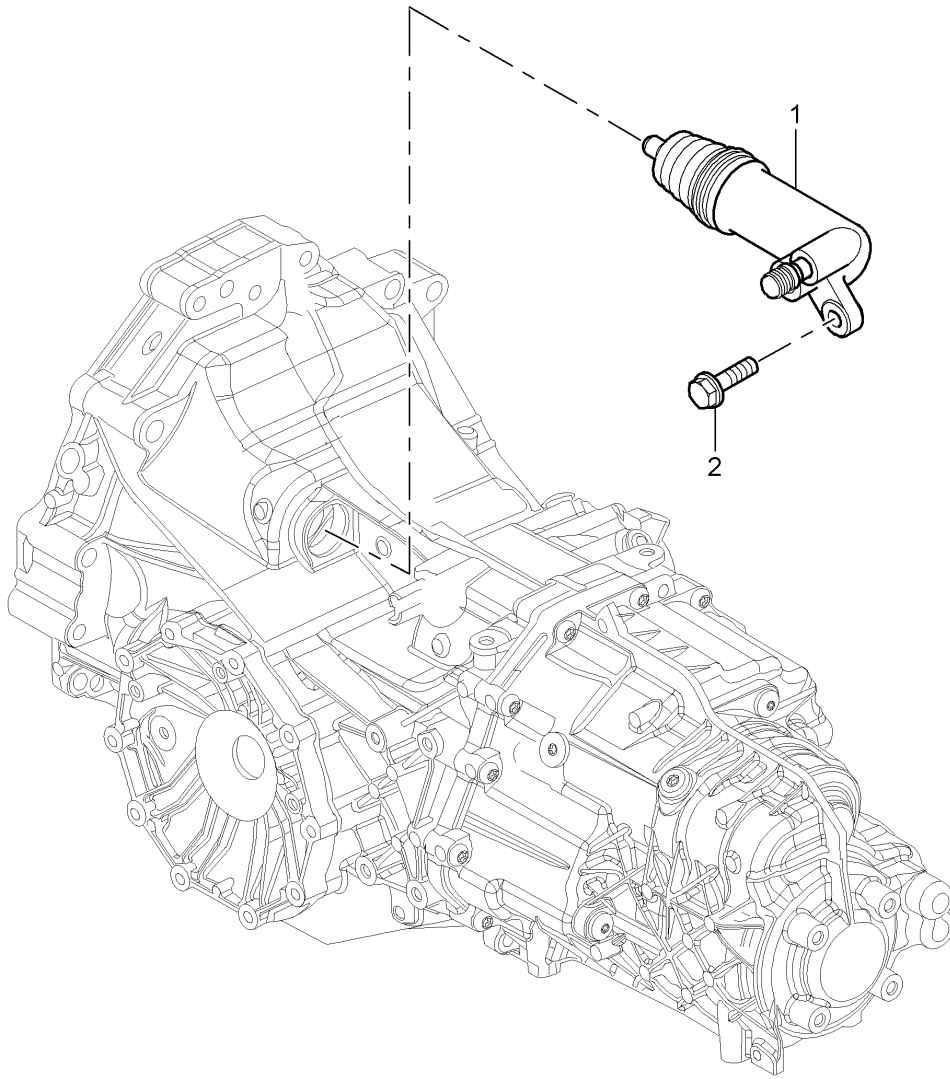
Model: 987 05

Model life 2005>>2008

| Pos | Part Number | Description | Remark | Qty | Model |
|-----|----------------|---|--------|-----|------------------|
| | | Clutch release | | | G8701+ PR:481 |
| 1 | 8E0 721 257 B | Clutch slave cylinder D >> - MJ 2007 | | 1 | |
| 1 | 8E0 721 257 M | Clutch slave cylinder D - MJ 2008>> | | 1 | |
| 2 | N 090 316 5 | bolt,hex.hd.with shoul.(combi) M 8 X 30 Z1 D >> - MJ 2007 | | 1 | |
| (2) | 900 075 506 01 | Bolt with washer M 8 X 30 D - MJ 2008>> | | 1 | |

Model: 987 05

Model life 2005>>2008



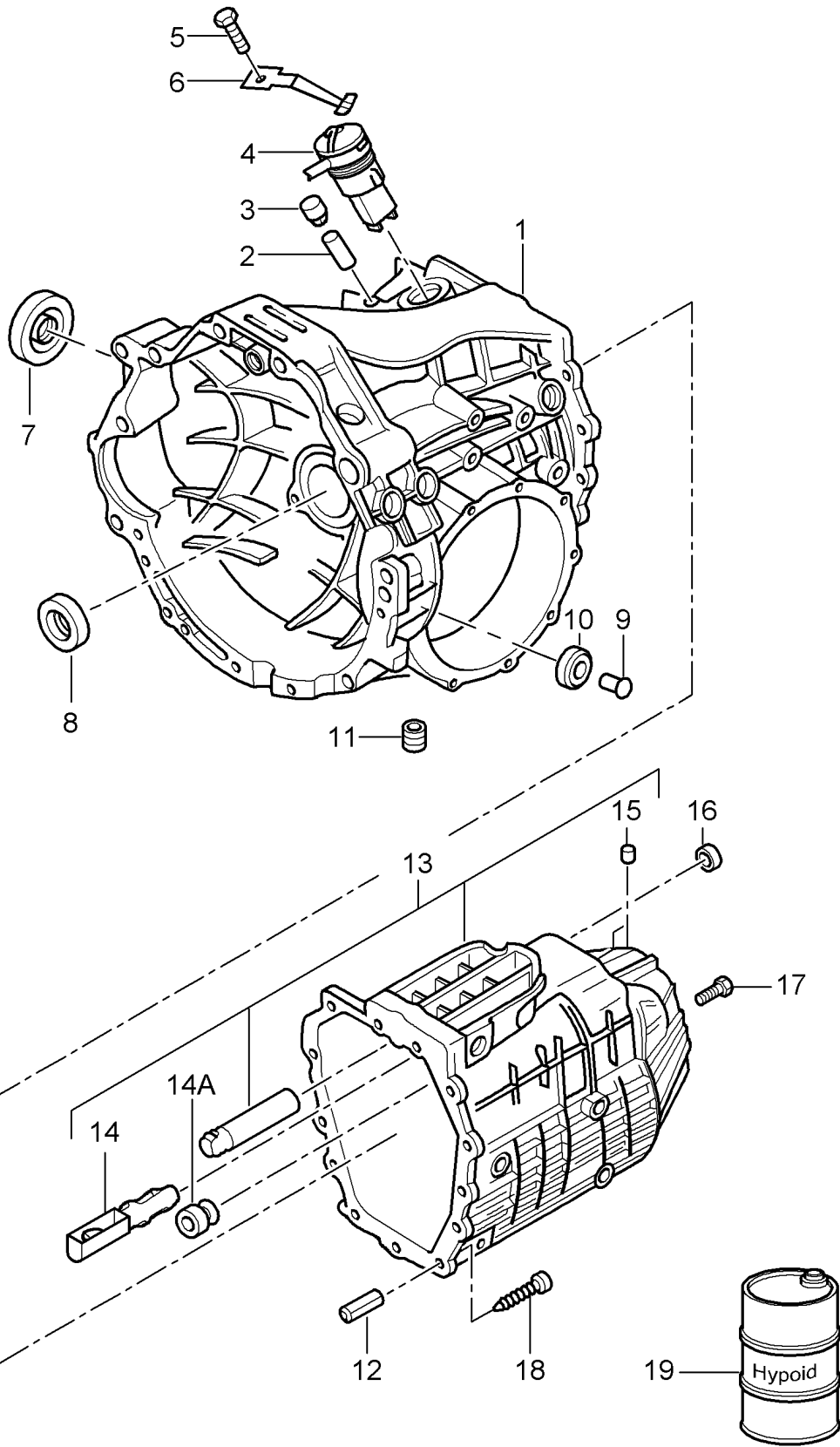
Model: 987 05

Model life 2005>>2008

| Pos | Part Number | Description | Remark | Qty | Model |
|-----|----------------|--|--------|-----|-------------|
| 1 | 986 116 237 00 | Clutch release Clutch slave cylinder No longer use the part here | | 1 | G8720,G8721 |
| (1) | 986 116 237 01 | Clutch slave cylinder | | 1 | |
| 2 | N 090 316 5 | bolt,hex.hd.with shoul.(combi) M 8 X 30 Z1 D >> - MJ 2007 | | 1 | |
| (2) | 900 075 506 01 | Bolt with washer M 8 X 30 D - MJ 2008>> | | 1 | |

Model: 987 05

Model life 2005>>2008



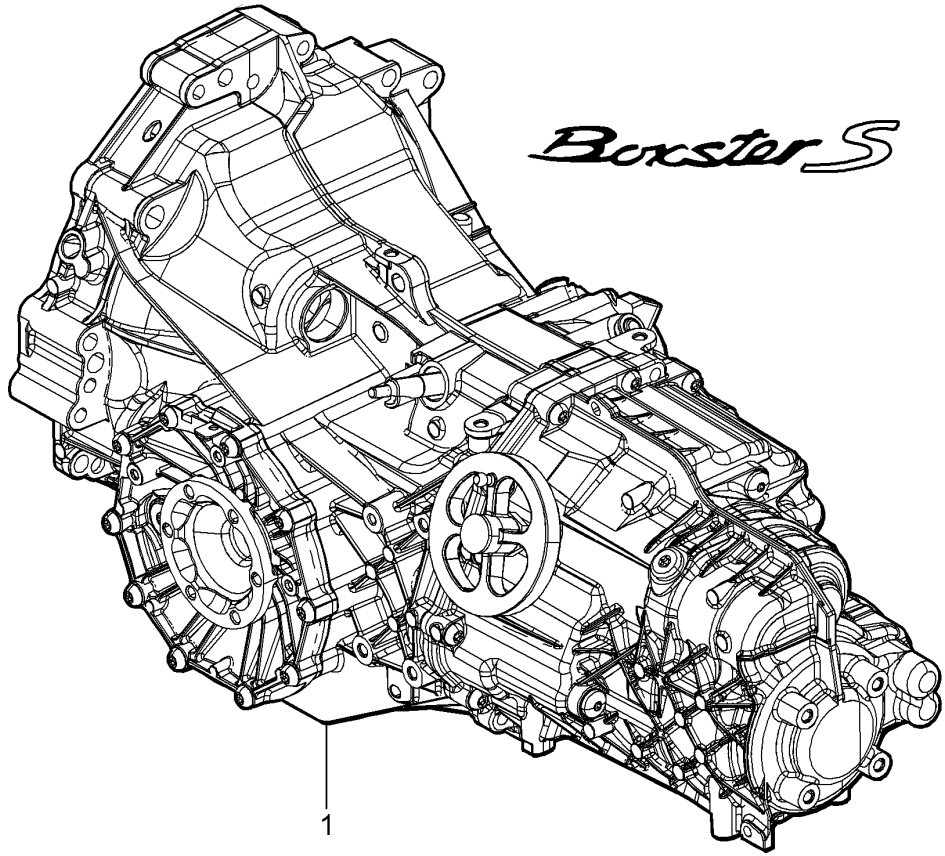
Model: 987 05

Model life 2005>>2008

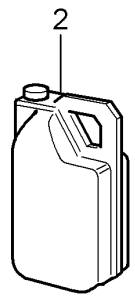
| Pos | Part Number | Description | Remark | Qty | Model |
|-----|----------------|---|-------------------------|-----|-----------------------------|
| - | | Replacement transmission Gear housing Gearbox Classification letter Attention | | | G8701+ PR:481 GAL |
| - | 987 300 010 00 | Manual gearbox | | 1 | GAL |
| 1 | 012 301 103 AD | Gear housing | | 1 | |
| 2 | 012 301 474 A | Sleeve 12 X 30 | | 1 | |
| 3 | 014 301 485 | Cap for venting the gearbox | | 1 | |
| 4 | 012 919 823 F | Switch | | 1 | |
| - | 999 652 907 40 | Plug socket | | 1 | |
| - | 999 652 694 12 | Contact bush | | 2 | |
| - | 999 704 161 40 | Seal | | 2 | |
| - | 999 652 811 40 | Bungs | | 3 | |
| 5 | N 040 255 2 | Hexagon bolt M 8 X 14 | | 1 | |
| 6 | 012 301 483 G | leaf spring | | 1 | |
| 7 | 016 409 399 B | radial shaft seal 45 X 60 X 8 | | 1 | |
| 8 | 012 311 113 B | radial shaft seal | | 1 | |
| 9 | 012 301 183 A | bush BM 8 X 20 | | 1 | |
| 10 | 01X 301 143 | Magnet | | 1 | |
| 11 | WHT 001 937 | sealing plug M 24 X 1,5 | | 1 | |
| 12 | 012 301 473 | Sleeve 12 X 30 | | 1 | |
| 13 | 012 301 205 P | Gearbox cover | also use: 012 311 439 P | 1 | |
| 14 | 012 301 276 A | oil drip tray | | 1 | |
| 14A | 012 311 429 P | roller sleeve 23 X 39 X 28,3 | | 1 | |
| 15 | 012 301 115 | Bungs | | 2 | |
| 16 | 012 301 457 C | Shaft oil seal 16 X 24 X 6 | | 1 | |
| 18 | 012 301 282 A | Oval hexagon socket head bolt M 8 X 48 No longer use the part here | | 13 | |
| 18 | 9A7 002 079 00 | Torx screw M 8 X 48 | | 13 | |
| 19 | 000 043 204 71 | Transmission fluid HYPOID 25 LTR. Container | | X | |
| 19 | 000 043 304 71 | Discontinued part Transmission fluid HYPOID 20 LTR. Container | | X | |

Model: 987 05

Model life 2005>>2008



Boxster S



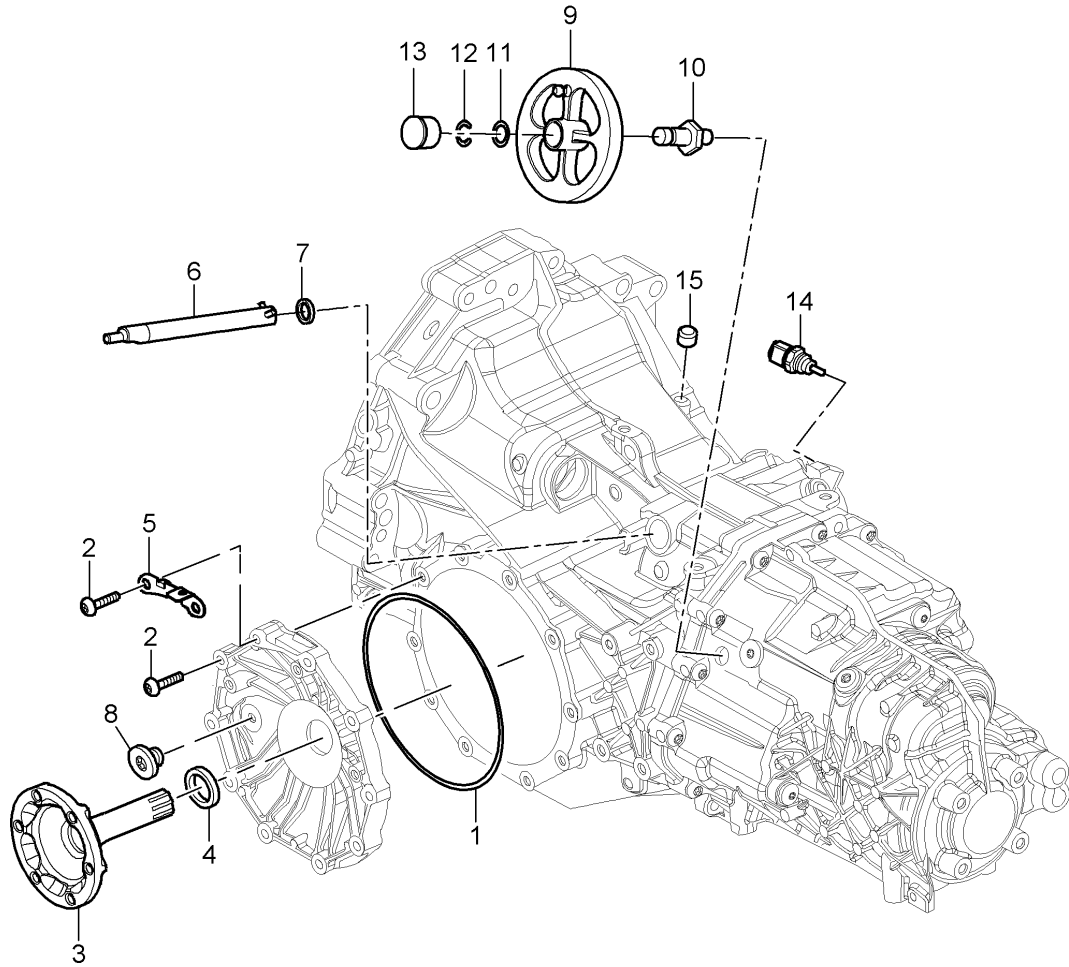
Model: 987 05

Model life 2005>>2008

| Pos | Part Number | Description | Remark | Qty | Model |
|-----|----------------|--|--------|-----|---------------------------------|
| 1 | 987 300 010 22 | Replacement transmission Ready for installation 6-speed manual transmission Discontinued part | | 1 | G8720,G8721+ PR:480 G8720 |
| (1) | 987 300 010 24 | 6-speed manual transmission Discontinued part | | 1 | G8720 |
| (1) | 987 300 010 BX | 6-speed manual transmission Discontinued part | | 1 | G8720 |
| 1 | 987 300 010 23 | 6-speed manual transmission Discontinued part | | 1 | G8721 |
| (1) | 987 300 010 25 | 6-speed manual transmission | | 1 | G8721 |
| (1) | 987 300 010 2X | 6-speed manual transmission | | 1 | G8721 |
| 2 | 000 043 204 71 | Transmission fluid HYPOID Container 25 LTR. Discontinued part | | X | |
| 2 | 000 043 304 71 | Transmission fluid HYPOID Container 20 LTR. | | X | |

Model: 987 05

Model life 2005>>2008



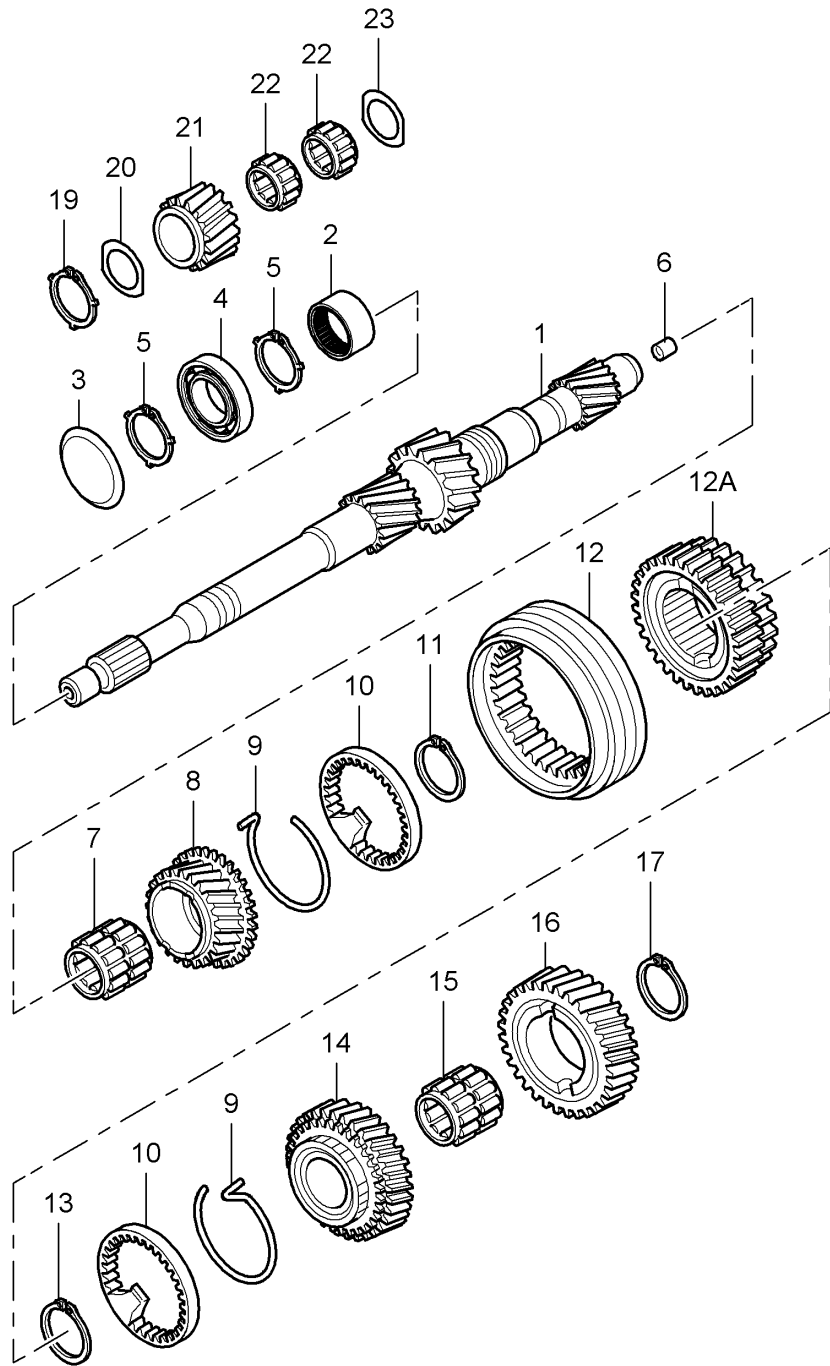
Model: 987 05

Model life 2005>>2008

| Pos | Part Number | Description | Remark | Qty | Model |
|------|----------------|--|--------|-----|------------------------|
| | | Replacement transmission Individual parts | | | G8720,G8721+ PR:480 |
| 1 | N 905 144 01 | O-ring 171,00 X 3,50 | | 1 | |
| 2 | 999 073 368 01 | Torx screw M 8 X 42 | | 10 | |
| 3 | 987 332 209 00 | Drive flange | | 2 | |
| 4 | 016 409 399 B | radial shaft seal | | 2 | |
| 5 | 987 116 214 00 | Support | | 1 | |
| 6 | 987 303 021 00 | shift rod | | 1 | |
| 7 | 012 301 457 B | Shaft oil seal | | 1 | |
| 8 | N 910 597 01 | sealing plug M 22 X 1,5 | | 1 | |
| 9 | 987 303 051 00 | flywheel Discontinued part | | 1 | |
| 9 | 987 303 051 10 | flywheel | | 1 | |
| 10 | 987 303 151 01 | bearing pin | | 1 | |
| 11 | 900 234 147 00 | fitted washer 12 X 18 X 1,0 | | 1 | |
| 12 | 900 041 005 03 | Securing ring 12 X 1 | | 1 | |
| 13 | 999 703 011 40 | Bungs 25,5 X 30 X 11 | | 1 | |
| 14 | 01E 941 521 A | switch for reversing light Back-up light Discontinued part | | 1 | |
| (14) | 01E 941 521 B | switch for reversing light Back-up light | | 1 | |
| 15 | 014 301 485 | Cap for venting the gearbox breather assy. | | 1 | |

Model: 987 05

Model life 2005>>2008



Model: 987 05

Model life 2005>>2008

| Pos | Part Number | Description | Remark | Qty | Model |
|------|----------------|---|--------|-----|-----------------------------|
| - | | gears and shafts Gearbox Classification letter Attention | | | G8701+ PR:481 GAL |
| 1 | 012 311 105 AG | Input shaft | | 1 | |
| 2 | 012 311 123 D | Needle bush 27 X 41 X 23 | | 1 | |
| 3 | 012 311 443 | Belleville spring 42 X 58 X 2 | | 1 | |
| 4 | 012 311 445 G | grooved ball bearing 25 X 58 X 16 | | 1 | |
| 4 | 012 311 445 H | Discontinued part grooved ball bearing 25 X 58 X 16 | | 1 | |
| 5 | N 902 941 02 | Securing ring 24,9 X 1,45 | | X | |
| (5) | N 902 941 14 | Securing ring 24,9 X 1,54 | | X | |
| (5) | N 902 941 15 | Securing ring 24,9 X 1,63 | | X | |
| (5) | N 902 941 16 | Securing ring 24,9 X 1,72 | | X | |
| (5) | N 902 941 17 | Securing ring 24,9 X 1,81 | | 1 | |
| (5) | N 902 941 18 | Securing ring 24,9 X 1,9 | | X | |
| (5) | N 902 941 19 | Securing ring 24,9 X 1,99 | | X | |
| (5) | N 902 941 20 | Securing ring 24,9 X 2,08 | | X | |
| (5) | N 902 941 11 | Securing ring 24,9 X 2,17 | | X | |
| 6 | 012 311 111 A | Sleeve 13 X 14 X 10,8 | | 1 | |
| 7 | 012 311 213 J | Needle cage 38 X 43 X 29,5 | | 1 | |
| 8 | 012 311 131 CB | change gear 3rd gear Z = 40 : 28 | | 1 | |
| 9 | 01X 311 312 A | securing spring 3rd/4th gear | | 2 | |
| 10 | 01X 311 295 J | synchronizer ring 3rd/4th gear | | 2 | |
| 11 | N 902 945 01 | Securing ring 38 X 2 | | 1 | |
| 12 | 01X 311 315 | Sliding sleeve 3rd/4th gear | | 1 | |
| 12A | 01X 311 309 | synchronizing hub 3rd/4th gear | | 1 | |
| 13 | N 902 944 01 | Securing ring 37 X 1,9 | | X | |
| (13) | N 902 944 02 | Securing ring 37 X 1,93 | | X | |
| (13) | N 902 944 03 | Securing ring 37 X 1,96 | | X | |
| (13) | N 902 944 04 | Securing ring 37 X 1,99 | | X | |
| (13) | N 902 944 05 | Securing ring 37 X 2,02 | | X | |
| (13) | N 902 944 06 | Securing ring 37 X 2,05 | | X | |
| 14 | 012 311 149 CQ | change gear | | 1 | |

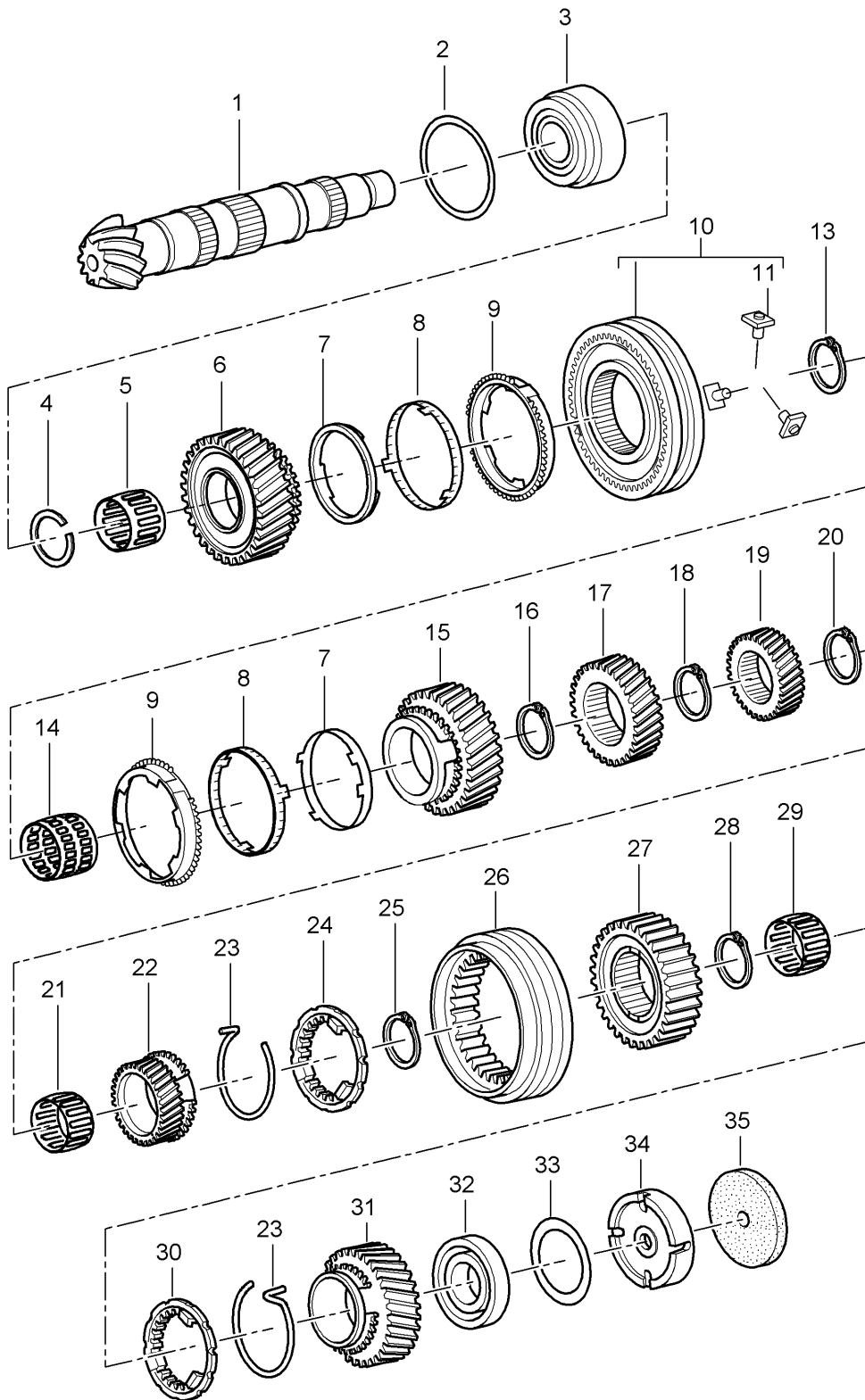
Model: 987 05

Model life 2005>>2008

| Pos | Part Number | Description | Remark | Qty | Model |
|------|----------------|--|--------|-----|-------|
| 15 | 012 311 115 F | 4th speed Z = 36 : 33 Needle cage | | 1 | |
| (16) | 012 311 159 CH | 37 X 42 X 29,8 gear | | 1 | |
| 17 | N 902 942 02 | 5th gear Z = 31 ; 37 Securing ring | | X | |
| (17) | N 902 942 03 | 36 X 1,9 Securing ring | | X | |
| (17) | N 902 942 04 | 36 X 1,93 Securing ring | | X | |
| (17) | N 902 942 05 | 36 X 1,96 Securing ring | | X | |
| (17) | N 902 942 06 | 36 X 1,99 Securing ring | | X | |
| 18 | 012 311 429 P | 36 X 2,02 roller sleeve | | 1 | |
| 19 | N 902 951 01 | 23 X 39 X 28,2 Securing ring | | 1 | |
| 20 | 012 311 518 | 22 X 1,7 4th speed Support plate | | 1 | |
| 21 | 012 311 531 E | 3rd gear reverse gear | | 1 | |
| 22 | 012 311 523 G | needle bearing - | | 2 | |
| 23 | 012 311 517 | 22 X 30 X 16 thrust washer | | 1 | |

Model: 987 05

Model life 2005>>2008



Model: 987 05 Model life 2005>>2008

| Pos | Part Number | Description | Remark | Qty | Model |
|-----|---------------|---|--------|-----|-----------------------------|
| - | | gears and shafts Gearbox Classification letter Attention | | | G8701+ PR:481 GAL |
| 1 | | Output shaft | | 1 | |
| 2 | 012 311 391 | adjusting washer 0,4 | | X | |
| (2) | 012 311 391 A | adjusting washer 0,45 | | X | |
| (2) | 012 311 391 B | adjusting washer 0,5 | | X | |
| (2) | 012 311 391 C | adjusting washer 0,55 | | X | |
| (2) | 012 311 391 D | adjusting washer 0,6 | | X | |
| (2) | 012 311 391 E | adjusting washer 0,65 | | X | |
| (2) | 012 311 391 F | adjusting washer 0,7 | | X | |
| (2) | 012 311 391 G | adjusting washer 0,75 | | X | |
| 3 | 012 311 220 A | Taper roller bearing 48,6 X 88 X 21,5 | | 1 | |
| 4 | N 908 600 01 | Securing ring A 48,5 X 2,00 | | X | |
| (4) | N 908 600 07 | Securing ring A 48,5 X 2,03 | | X | |
| (4) | N 908 600 08 | Securing ring A 48,5 X 2,09 | | X | |
| (4) | N 908 600 09 | Securing ring A 48,5 X 2,12 | | X | |
| (4) | N 908 600 10 | Securing ring 48,5 X 2,15 | | X | |
| 5 | 01X 311 325 A | needle bearing - 1st gear 48,5 X 52,5 X 26,4 | | 1 | |
| 6 | 012 311 250 H | change gear 1st gear Z = 35 : 10 | | 1 | |
| 7 | 01X 311 277 G | inner ring 1st gear | | 1 | |
| (7) | 01X 311 277 B | inner ring 2nd gear | | 1 | |
| (7) | 0B1 311 277 | Discontinued part inner ring 2nd gear | | 1 | |
| 8 | 01X 311 259 G | Intermediate ring 1st / 2nd gear | | 2 | |
| 9 | 01X 311 247 P | synchronizer ring 1st / 2nd gear | | 2 | |
| 9 | 0B1 311 247 B | Discontinued part synchronizer ring 1st / 2nd gear | | 2 | |
| 10 | 01X 311 239 B | synchronizing hub with locking collar | | 1 | |
| | | with: | | | |
| 10 | 01X 311 239 C | Sliding sleeve 1st / 2nd gear Discontinued part synchronizing hub with locking collar | | 1 | |
| | | with: | | | |

Model: 987 05

Model life 2005>>2008

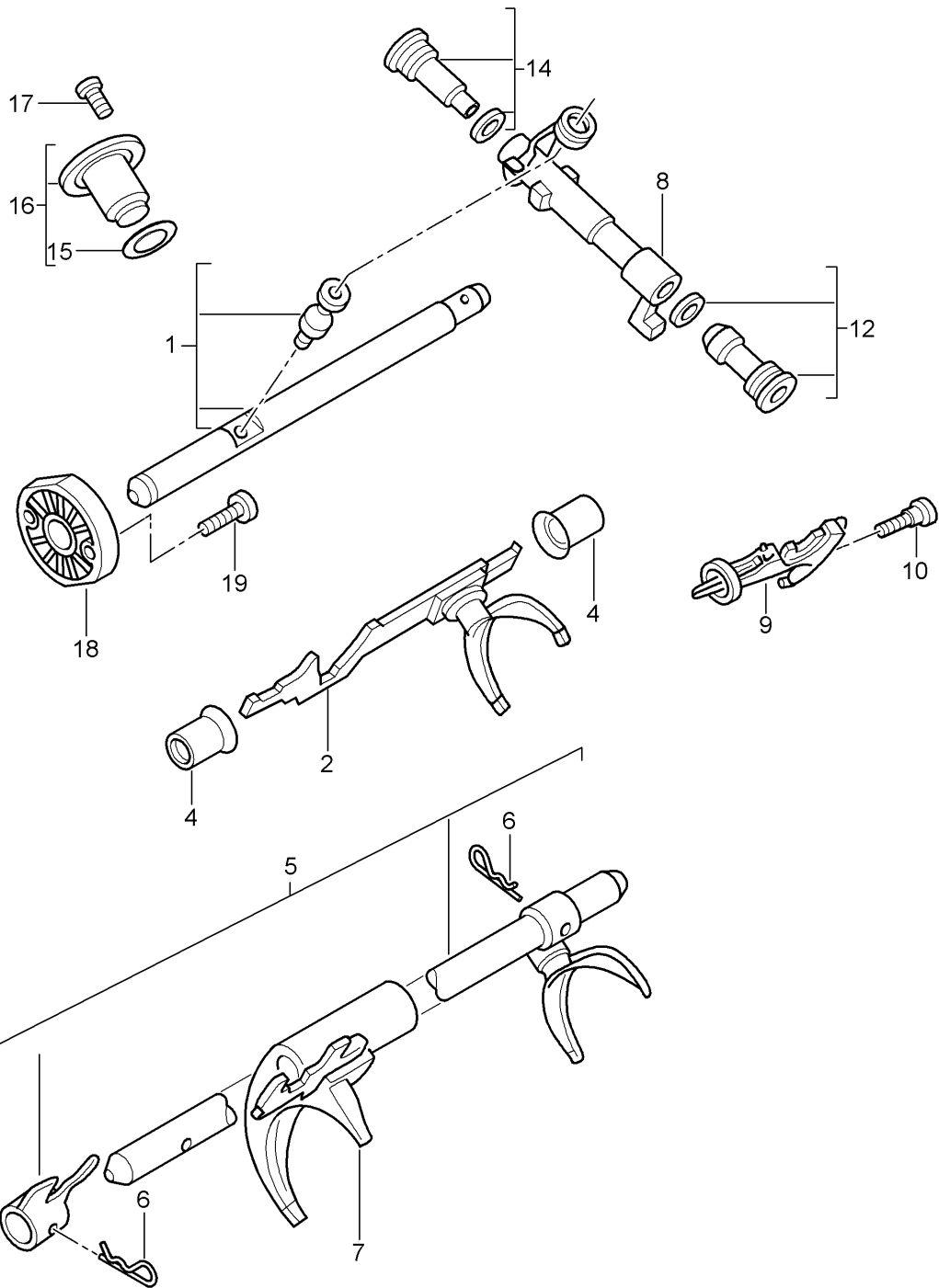
| Pos | Part Number | Description | Remark | Qty | Model |
|------|----------------|---|--------|-----|-------|
| 11 | 01X 311 314 B | Sliding sleeve | | 3 | |
| 13 | N 902 947 01 | 1st / 2nd gear thrust piece | | X | |
| (13) | N 902 947 02 | Securing ring 47 X 1,9 | | X | |
| (13) | N 902 947 03 | Securing ring 47 X 1,93 | | X | |
| (13) | N 902 947 04 | Securing ring 47 X 1,96 | | X | |
| (13) | N 902 947 05 | Securing ring 47 X 1,99 | | X | |
| 14 | 012 311 229 K | Securing ring 47 X 2,02 | | X | |
| 14 | 012 311 229 K | Needle cage 2nd gear 47 X 52 X 26,6 | | 1 | |
| 15 | 012 311 260 L | change gear 2nd gear Z = 36 : 17 | | 1 | |
| 16 | 012 311 317 | Securing ring 47 X 2,5 | | 1 | |
| 17 | 012 311 285 BT | gear 3rd gear Z = 40 : 28 | | 1 | |
| 18 | 01X 311 317 | Securing ring 44,5 x 1,9 | | X | |
| (18) | 01X 311 317 A | Securing ring 44,5 x 1,94 | | X | |
| (18) | 01X 311 317 B | Securing ring 44,5 x 1,98 | | X | |
| (18) | 01X 311 317 C | Securing ring 44,5 x 2,02 | | X | |
| (18) | 01X 311 317 D | Securing ring 44,5 x 2,06 | | X | |
| (18) | 01X 311 317 E | Securing ring 44,5 x 2,10 | | X | |
| 19 | 012 311 149 BT | gear 4th speed Z = 36 : 33 | | 1 | |
| 20 | N 902 945 01 | Securing ring 38 X 2 | | X | |
| (20) | N 902 945 02 | Securing ring 38 X 2,16 | | X | |
| (20) | N 902 945 03 | Securing ring 38 X 2,20 | | X | |
| (20) | N 902 945 04 | Securing ring 38 X 2,24 | | X | |
| (20) | N 902 945 05 | Securing ring 38 X 2,28 | | X | |
| 21 | 012 311 116 G | Needle cage 5th gear 38 X 43 X 27 | | 1 | |
| 22 | 012 311 159 EJ | change gear 5th gear Z = 31 : 37 | | 1 | |
| 23 | 01X 311 312 A | securing spring | | 2 | |
| 24 | 01X 311 295 J | synchronizer ring 5th gear and | | 1 | |
| 25 | N 902 945 01 | Reverse gear Securing ring 38 X 2 | | 1 | |
| 26 | 01X 311 315 | Sliding sleeve | | 2 | |

Model: 987 05 Model life 2005>>2008

| Pos | Part Number | Description | Remark | Qty | Model |
|------|---------------|--|--------|-----|-------|
| 27 | 01X 311 309 | 5th gear and Reverse gear synchronizing hub | | 1 | |
| 28 | N 902 944 01 | 5th gear and Reverse gear | | X | |
| (28) | N 902 944 02 | Securing ring 37 X 1,9 | | X | |
| (28) | N 902 944 03 | Securing ring 37 X 1,93 | | X | |
| (28) | N 902 944 04 | Securing ring 37 X 1,96 | | X | |
| (28) | N 902 944 05 | Securing ring 37 X 1,99 | | X | |
| (28) | N 902 944 06 | Securing ring 37 X 2,02 | | X | |
| 29 | 012 311 234 E | Securing ring 37 X 2,05 | | X | |
| 30 | 01X 311 295 J | needle bearing - 37 x 42 x 24,5 | | 1 | |
| 31 | 012 311 217 L | synchronizer ring | | 1 | |
| 32 | 012 311 375 C | Reverse gear sliding wheel for reverse gear | | 1 | |
| 33 | 012 311 393 | Taper roller bearing 31,7 x 76,2 x 25,4 | | X | |
| (33) | 012 311 393 A | adjusting washer 0,45 | | X | |
| (33) | 012 311 393 B | adjusting washer 0,49 | | X | |
| (33) | 012 311 393 C | adjusting washer 0,53 | | X | |
| (33) | 012 311 393 D | adjusting washer 0,57 | | X | |
| (33) | 012 311 393 E | adjusting washer 0,61 | | X | |
| (33) | 012 311 393 F | adjusting washer 0,65 | | X | |
| (33) | 012 311 393 G | adjusting washer 0,69 | | X | |
| (33) | 012 311 393 H | adjusting washer 0,73 | | X | |
| (33) | 012 311 393 J | adjusting washer 0,77 | | X | |
| (33) | 012 311 393 K | adjusting washer 0,81 | | X | |
| (33) | 012 311 393 L | adjusting washer 0,85 | | X | |
| 34 | 012 301 251 B | adjusting washer 0,89 | | X | |
| (34) | 012 301 251 C | Pressure plate 70,98 X 14,8 | | X | |
| 35 | 012 301 193 C | Pressure plate 70,98 X 15,3 | | 1 | |
| | | Rubber washer 71 X 7 | | | |

Model: 987 05

Model life 2005>>2008



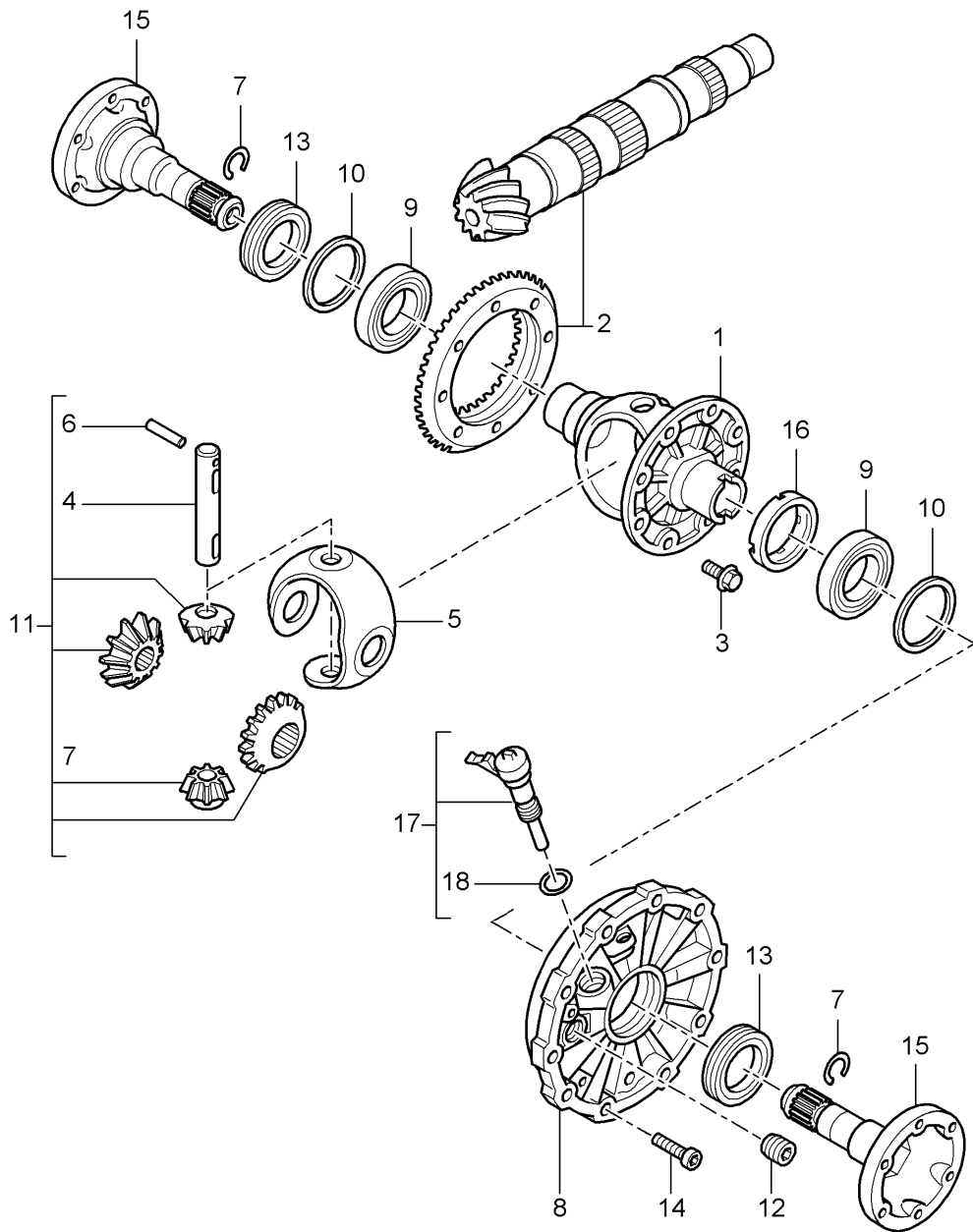
Model: 987 05

Model life 2005>>2008

| Pos | Part Number | Description | Remark | Qty | Model |
|-----|---------------|-------------------------------|--------|-----|--------|
| | | Manual gearbox | | | G8701+ |
| | | Shift rods | | | PR:481 |
| | | shift forks | | | |
| 1 | 012 311 505 | shift rod | | 1 | |
| 2 | 012 311 559 D | selector shaft | | 1 | |
| | | 3rd/4th gear | | | |
| 4 | 012 301 120 C | Ball sleeve | | 2 | |
| 5 | 012 311 575 D | selector shaft | | 1 | |
| | | 5th gear | | | |
| | | and | | | |
| | | Reverse gear | | | |
| 6 | N 023 332 1 | spring pin | | 2 | |
| | | 6 X 24 | | | |
| 7 | 012 311 549 | Selector fork | | 1 | |
| | | 1st / 2nd gear | | | |
| 8 | 012 311 617 E | Deviating shaft | | 1 | |
| 9 | 012 311 741 | locking segment | | 1 | |
| 10 | 012 301 291 | Hexagon socket flange screw | | 1 | |
| | | M 8 X 30 | | | |
| 12 | 012 311 718 D | stop screw | | 1 | |
| | | M 22 X 1,5 | | | |
| 14 | 012 311 720 D | stop screw | | 1 | |
| | | M 26 X 1,5 | | | |
| 15 | N 903 541 01 | O-ring | | 1 | |
| | | 22 X 2 | | | |
| 16 | 012 311 691 A | Locking unit | | 1 | |
| 17 | N 903 663 03 | Cylinder screw, | | 2 | |
| | | self-locking | | | |
| | | M 8 X 22 | | | |
| 18 | 012 301 451 | Cover for selector shaft | | 1 | |
| 19 | N 903 660 01 | Oval hexagon socket head bolt | | 2 | |
| | | M 8 X 36 | | | |

Model: 987 05

Model life 2005>>2008



Model: 987 05

Model life 2005>>2008

| Pos | Part Number | Description | Remark | Qty | Model |
|------|----------------|---|--------|-----|-----------------------------|
| - | | Differential Gearbox Classification letter Attention | | | G8701+ PR:481 GAL |
| 1 | 01X 409 121 A | Differential housing 90 MM | | 1 | |
| 2 | 012 409 143 EE | pinion gear set 30 : 8 | | 1 | |
| 3 | N 903 614 01 | Hexagon bolt M 10 X 1 X 22,8 | | 10 | |
| 4 | 005 409 177 00 | Differential bolt | | 1 | |
| 5 | 02B 409 170 A | Thrust washer assembly Discontinued part | | 1 | |
| 5 | 02M 409 170 A | Thrust washer assembly | | 1 | |
| 6 | N 100 726 01 | spring pin 5 X 36 | | 1 | |
| 7 | 012 409 413 | snap ring | | 2 | |
| 8 | 012 409 131 L | Cover for axle differential | | 1 | |
| 9 | 002 517 185 A | Taper roller bearing 46 X 75 X 18 | right | 1 | |
| 9 | 002 517 185 M | Discontinued part Taper roller bearing 46 X 75 X 18 | right | 1 | |
| 9 | 01X 409 123 | Taper roller bearing 50 X 80 X 20 | left | 1 | |
| 10 | 012 409 387 | compensation washer 0,45 | | X | |
| 10 | 012 409 387 DM | compensation washer 0,45 | left | X | |
| 10 | 012 409 387 AK | compensation washer 0,45 | right | X | |
| (10) | 012 409 387 DN | compensation washer 0,49 | left | X | |
| (10) | 012 409 387 AL | compensation washer 0,49 | right | X | |
| (10) | 012 409 387 DP | compensation washer 0,53 | left | X | |
| (10) | 012 409 387 AM | compensation washer 0,53 | right | X | |
| (10) | 012 409 387 DQ | compensation washer 0,57 | left | X | |
| (10) | 012 409 387 AN | compensation washer 0,57 | right | X | |
| (10) | 012 409 387 DR | compensation washer 0,61 | left | X | |
| (10) | 012 409 387 AP | compensation washer 0,61 | right | X | |
| (10) | 012 409 387 DS | compensation washer 0,65 | left | X | |
| (10) | 012 409 387 AQ | compensation washer 0,65 | right | X | |
| (10) | 012 409 387 DT | compensation washer 0,69 | left | X | |
| (10) | 012 409 387 AR | compensation washer 0,69 | right | X | |
| (10) | 012 409 387 EA | compensation washer 0,73 | left | X | |
| (10) | 012 409 387 AS | compensation washer 0,73 | right | X | |
| (10) | 012 409 387 EB | compensation washer 0,77 | left | X | |
| (10) | 012 409 387 AT | compensation washer | right | X | |

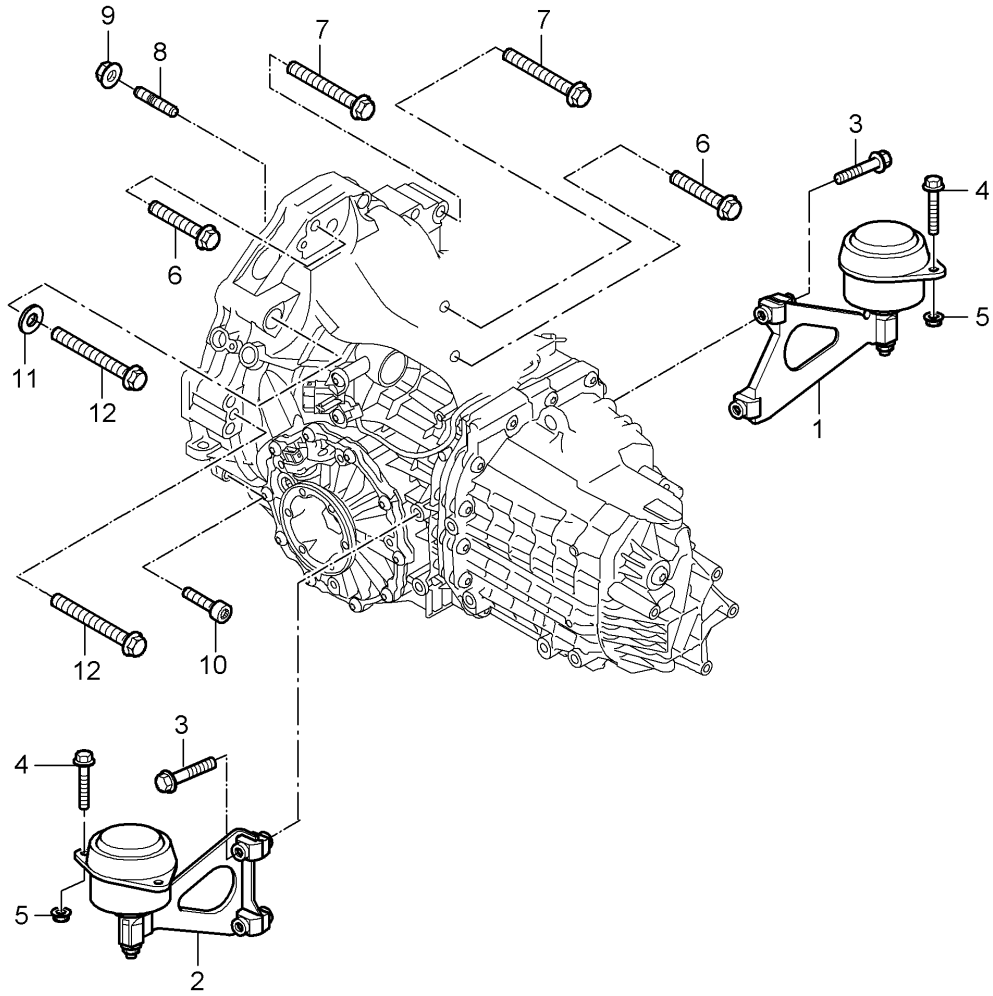
Model: 987 05

Model life 2005>>2008

| Pos | Part Number | Description | Remark | Qty | Model |
|------|----------------|---|--------|-----|-------|
| (10) | 012 409 387 EC | 0,77 compensation washer | left | X | |
| (10) | 012 409 387 BA | 0,81 compensation washer | right | X | |
| (10) | 012 409 387 ED | 0,81 compensation washer | left | X | |
| (10) | 012 409 387 BB | 0,85 compensation washer | right | X | |
| 11 | 01X 498 081 | 1 set: differential pinions | | 1 | |
| 12 | WHT 001 937 | sealing plug M 24 X 1,5 | | 1 | |
| 13 | 016 409 399 B | radial shaft seal 45 X 60 X 8 | | 2 | |
| 14 | N 903 660 01 | Oval hexagon socket head bolt M 8 X 36 | | 10 | |
| 15 | 012 409 343 AC | Flanged shaft | | 2 | |
| 16 | 012 409 182 C | Drive wheel speedometer without: | | 1 | |
| (17) | 012 409 961 | Function-drive Sealing cap | | 1 | |
| 18 | N 903 684 01 | O-ring 14,5 X 2 | | 1 | |

Model: 987 05

Model life 2005>>2008



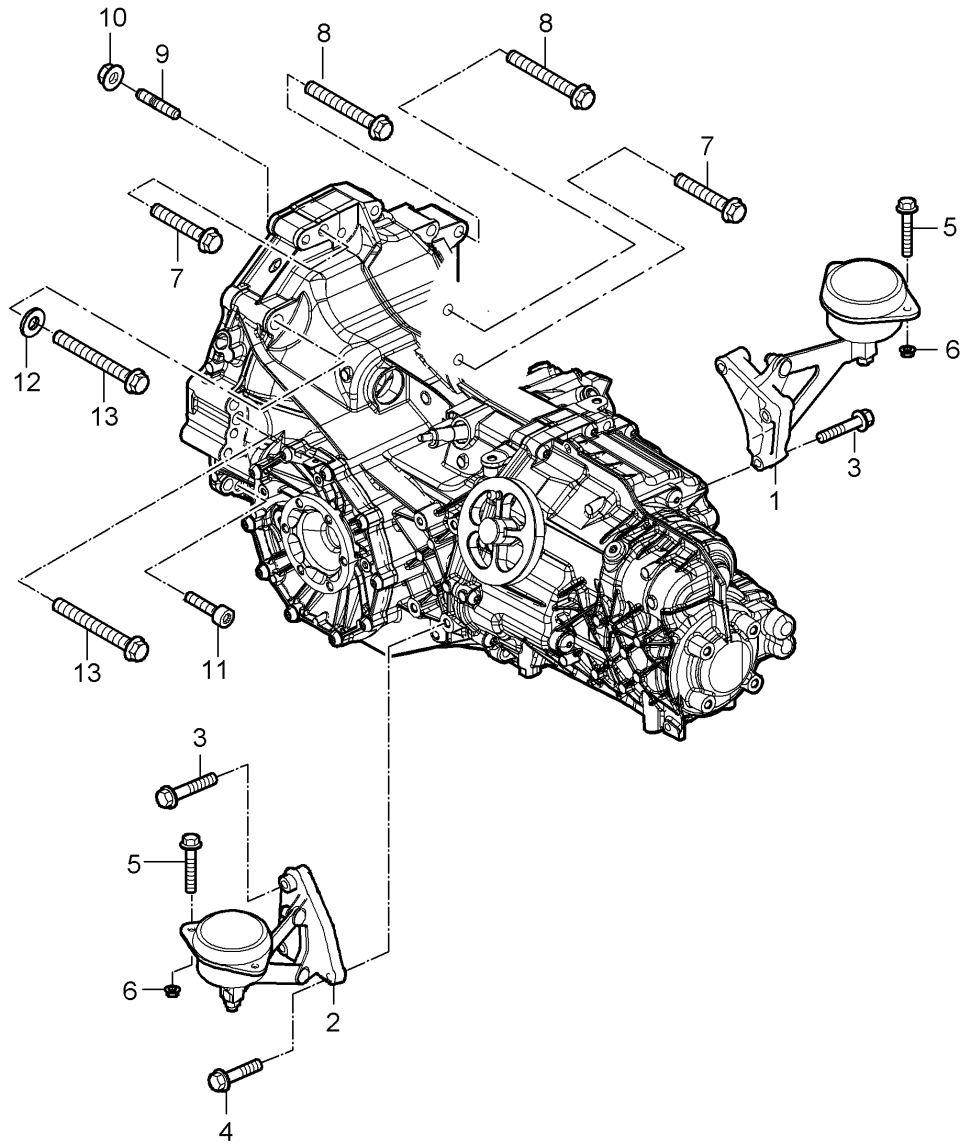
Model: 987 05

Model life 2005>>2008

| Pos | Part Number | Description | Remark | Qty | Model |
|------|----------------|--|--------|-----|----------------------|
| | | Manual gearbox Transmission suspension Threaded joint for Engine | | | 9625,9720+ PR:481 |
| 1 | 986 375 084 03 | Transmission bracket | right | 1 | |
| 2 | 986 375 083 03 | Transmission bracket | left | 1 | |
| | | Discontinued part | | | |
| 2 | 986 375 083 04 | Transmission bracket | left | 1 | |
| 3 | 900 378 098 09 | Hexagon bolt M 10 X 60 | | 4 | |
| | | Discontinued part | | | |
| 3 | 900 378 098 01 | Hexagon bolt AM 10 X 60 | | 4 | |
| 4 | 900 378 159 09 | Hexagon bolt M 8 X 60 | | 4 | |
| 5 | 999 084 447 01 | Hexagon nut M 8 | | 4 | |
| 5 | PAF 003 923 | Hexagon nut M 8 | | 4 | |
| 6 | 999 072 008 09 | Hexagon bolt M 12 X 1,5 X 70 | | 2 | |
| | | Discontinued part | | | |
| (6) | 999 072 008 01 | Hexagon bolt M 12 X 1,5 X 70 | | 2 | |
| 7 | 999 072 009 09 | Hexagon bolt M 12 X 1,5 X 90 | | 2 | |
| | | Discontinued part | | | |
| (7) | 999 072 009 01 | Hexagon bolt M 12 X 1,5 X 90 | | 2 | |
| 8 | 999 218 088 09 | Threaded pin M 10 X 30 | | 1 | |
| 9 | 900 377 011 09 | Hexagon nut M 10 | | 1 | |
| | | Discontinued part | | | |
| (9) | 900 377 011 01 | Hexagon nut M 10 | | 1 | |
| 10 | 999 073 118 09 | Socket head bolt M 10 X 40 | | 1 | |
| | | Discontinued part | | | |
| (10) | 999 073 118 01 | Socket head bolt M 10 X 40 | | 1 | |
| 11 | N 905 028 02 | Washer 15 X 28 X 3,5 | | 1 | |
| 12 | 999 072 010 09 | Hexagon bolt M 12 X 1,5 X 100 | | 2 | |
| | | Discontinued part | | | |
| (12) | 999 072 010 01 | Hexagon bolt M 12 X 1,5 X 100 | | 2 | |

Model: 987 05

Model life 2005>>2008

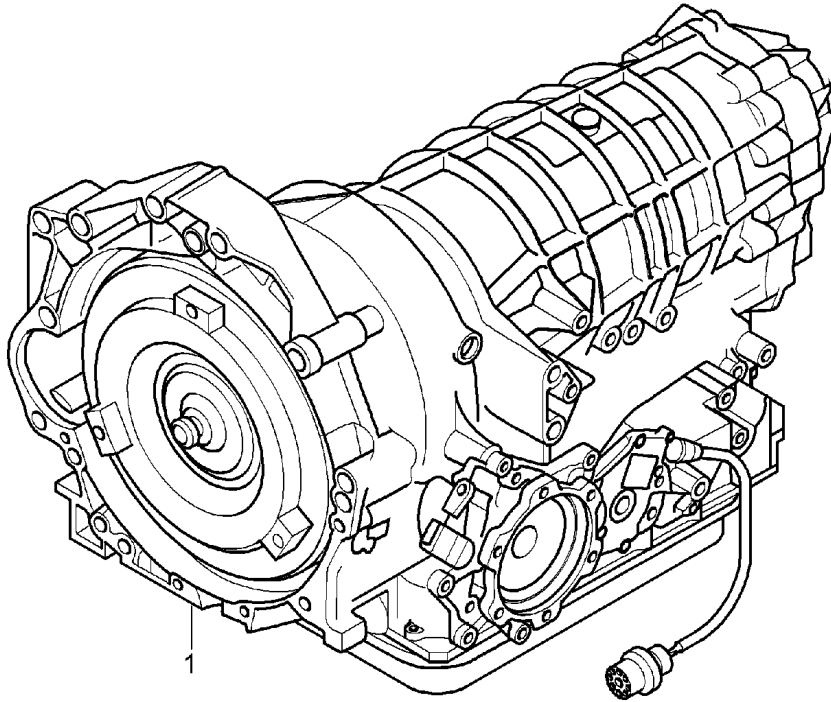


Model: 987 05 Model life 2005>>2008

| Pos | Part Number | Description | Remark | Qty | Model |
|------|----------------|---|--------|-----|--------|
| | | Manual gearbox Transmission suspension Threaded joint Engine | | | PR:480 |
| 1 | 987 375 042 01 | Transmission bracket Discontinued part | right | 1 | |
| 1 | 987 375 042 02 | Transmission bracket | right | 1 | |
| 2 | 987 375 041 01 | Transmission bracket Discontinued part | left | 1 | |
| 2 | 987 375 041 02 | Transmission bracket | left | 1 | |
| 3 | 900 378 098 09 | Hexagon bolt M 10 X 60 Discontinued part | | 4 | |
| 3 | 900 378 098 01 | Hexagon bolt AM 10 X 60 | | 4 | |
| 4 | 900 378 021 09 | Hexagon bolt M 10 X 40 | | 2 | |
| 5 | 900 378 159 09 | Hexagon bolt M 8 X 60 | | 4 | |
| 6 | 900 380 005 09 | Hexagon nut M 8 | | 4 | |
| 7 | 999 072 008 09 | Hexagon bolt M 12 X 1,5 X 70 Discontinued part | | 2 | |
| (7) | 999 072 008 01 | Hexagon bolt M 12 X 1,5 X 70 | | 2 | |
| 8 | 999 072 009 09 | Hexagon bolt M 12 X 1,5 X 90 Discontinued part | | 2 | |
| (8) | 999 072 009 01 | Hexagon bolt M 12 X 1,5 X 90 | | 2 | |
| 9 | 999 218 088 09 | Threaded pin M 10 X 30 | | 1 | |
| 10 | 900 377 011 09 | Hexagon nut M 10 Discontinued part | | 1 | |
| (10) | 900 377 011 01 | Hexagon nut M 10 | | 1 | |
| 11 | 999 073 118 09 | Socket head bolt M 10 X 40 Discontinued part | | 1 | |
| (11) | 999 073 118 01 | Socket head bolt M 10 X 40 | | 1 | |
| 12 | N 905 028 02 | Washer 15 X 28 X 3,5 | | 1 | |
| 13 | 999 072 010 09 | Hexagon bolt M 12 X 1,5 X 100 Discontinued part | | 2 | |
| (13) | 999 072 010 01 | Hexagon bolt M 12 X 1,5 X 100 | | 2 | |

Model: 987 05

Model life 2005>>2008



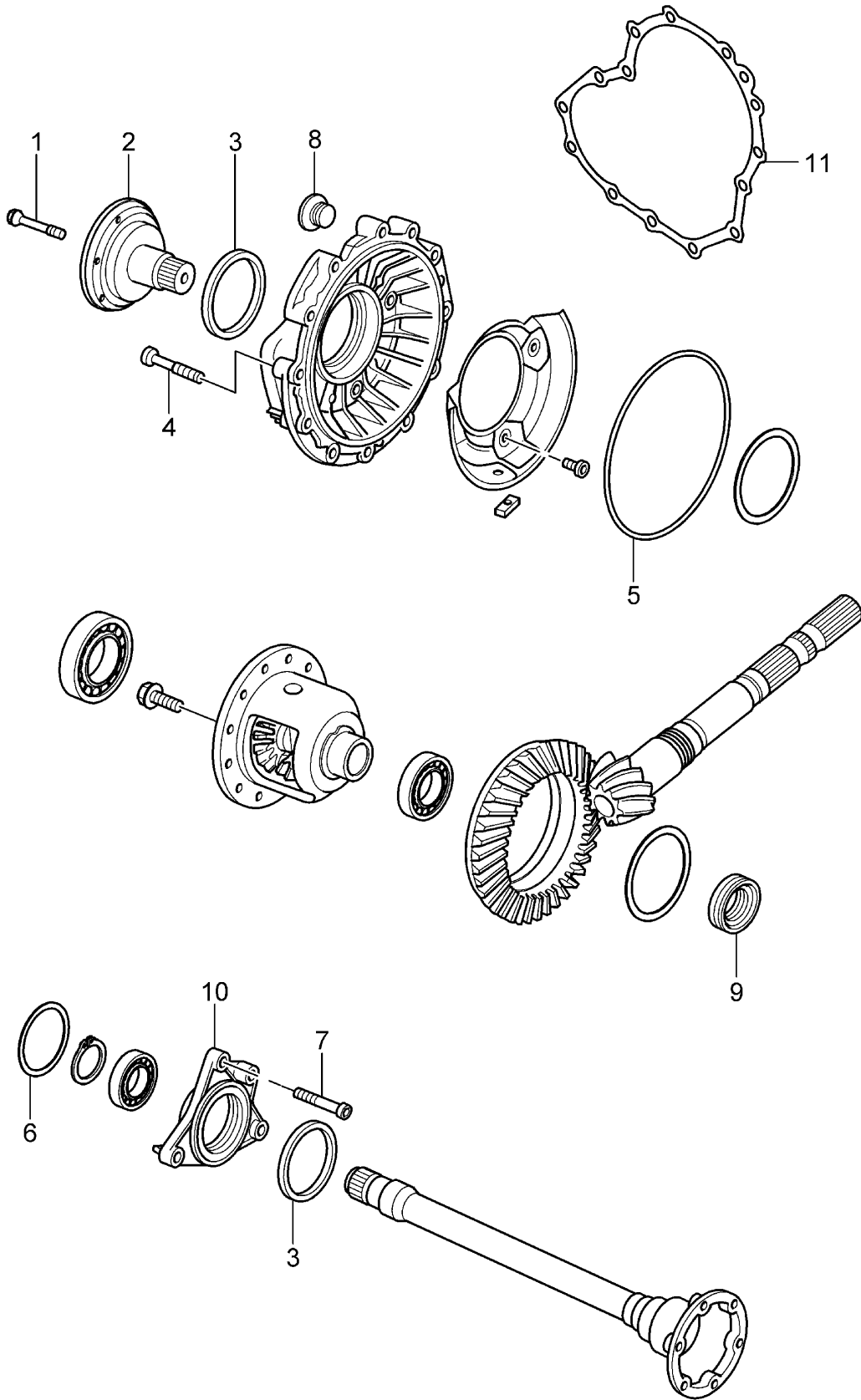
Model: 987 05

Model life 2005>>2008

| Pos | Part Number | Description | Remark | Qty | Model |
|-----|----------------|--|--------|-----|-------------------|
| | | Tiptronic Replacement transmission Ready for installation | | | PR:249 |
| 1 | 987 300 011 00 | Gearbox Discontinued part | | 1 | A8701 |
| 1 | 987 300 011 02 | Gearbox | | 1 | A8701 |
| 1 | 987 300 011 BX | Gearbox | | 1 | A8701 - "CN. " |
| 1 | 987 300 011 01 | Gearbox | | 1 | A8702 |
| 1 | 987 300 011 CX | Gearbox | | 1 | A8702 - "CN. " |
| 1 | 987 300 011 20 | Gearbox | | 1 | A8720 |
| 1 | 987 300 011 AX | Gearbox | | 1 | A8720 - "CN. " |
| 1 | 987 300 011 21 | Gearbox | | 1 | A8721 |
| 1 | 987 300 011 DX | Gearbox | | 1 | A8721 - "CN. " |
| 2 | 000 043 205 09 | Transmission fluid ATF 20 LTR. Container | | X | |
| 3 | 999 917 546 00 | Transmission fluid HYPOID 1 LTR. Container | | X | |
| 3 | 000 043 305 49 | Discontinued part Transmission fluid HYPOID 1 LTR. Container | | X | |

Model: 987 05

Model life 2005>>2008

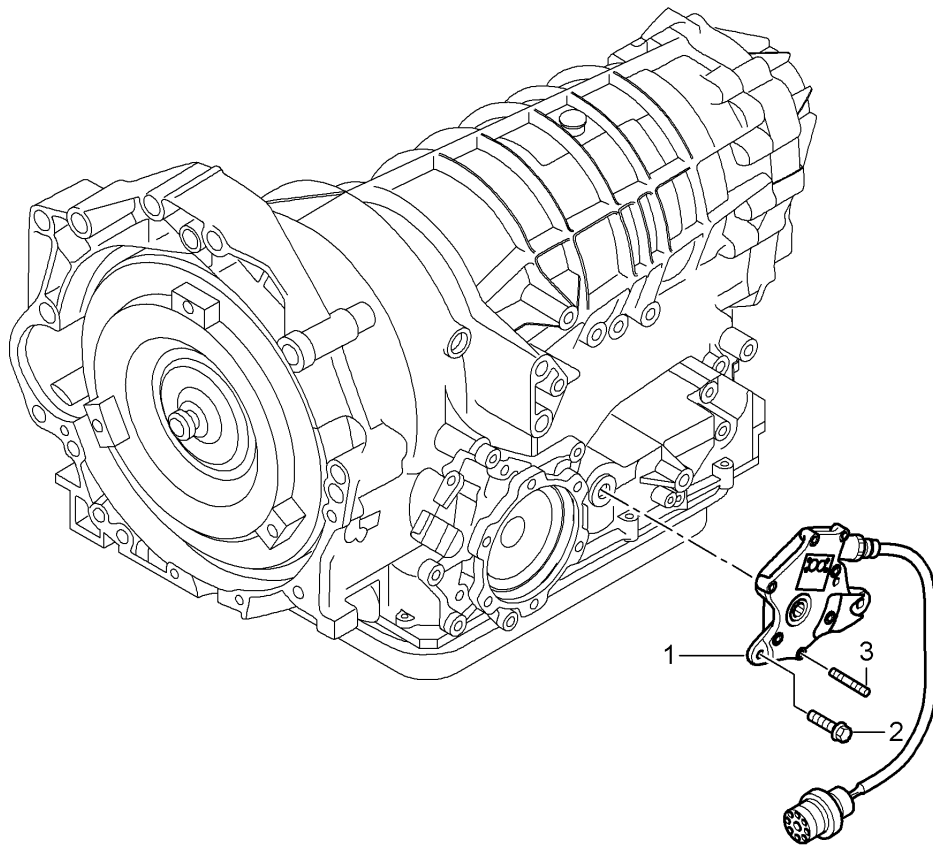


Model: 987 05 Model life 2005>>2008

| Pos | Part Number | Description | Remark | Qty | Model |
|-----|----------------|---|--------|-----|--------|
| | | Tiptronic Differential Differential housing | | | PR:249 |
| 1 | 944 332 587 00 | Expansion screw M 8 | | 1 | |
| 2 | 986 332 201 00 | Drive flange M 8 for Gearbox 98730001100 | | 1 | A8701 |
| (2) | 986 332 201 20 | Drive flange M 10 for Gearbox 98730001102 | | 1 | A8701 |
| (2) | 987 332 208 00 | Drive flange M 10 for Gearbox 98730001101 | | 1 | A8702 |
| 3 | 986 397 027 00 | Shaft oil seal for Cover | | 1 | |
| (3) | 996 397 015 00 | Shaft oil seal for flange | | 1 | |
| 4 | 986 397 029 00 | Socket head bolt M 8 X 45 | | 12 | |
| 5 | 986 397 028 00 | O-ring | | 1 | |
| 6 | 986 397 034 00 | O-ring | | 1 | |
| 7 | 996 397 007 00 | Socket head bolt M 8 X 30 | | 3 | |
| 8 | 986 397 026 00 | Seal bolt with sealing ring Discontinued part | | 1 | |
| 8 | 986 397 026 01 | Seal bolt with sealing ring | | 1 | |
| 9 | 986 397 039 00 | Shaft oil seal 34 X 46-37 X 12-16 | | 1 | |
| 10 | 986 332 203 00 | Cover Flanged shaft | | 1 | |
| 11 | 986 397 038 00 | Seal Firewall Cover | | 1 | |

Model: 987 05

Model life 2005>>2008



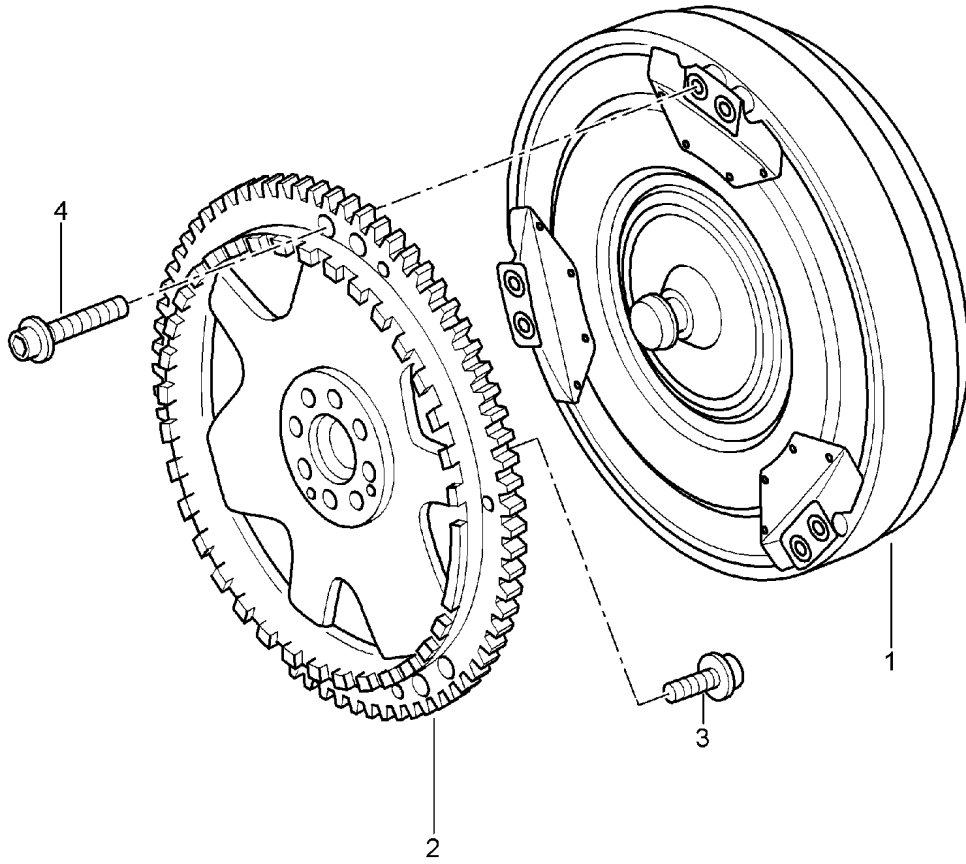
Model: 987 05

Model life 2005>>2008

| Pos | Part Number | Description | Remark | Qty | Model |
|-----|----------------|-------------------|--------|-----|--------|
| | | Tiptronic | | | PR:249 |
| 1 | 986 325 612 01 | Selector switch | | 1 | |
| 2 | 986 397 025 00 | Switch | | 2 | |
| | | Socket head bolt | | | |
| | | M 6 X 15 | | | |
| | | Discontinued part | | | |
| 2 | 986 397 025 01 | Socket head bolt | | 2 | |
| | | M 6 X 15 | | | |
| 3 | 986 397 024 00 | Cylinder pin | | 1 | |
| | | M 6 X 14 | | | |

Model: 987 05

Model life 2005>>2008



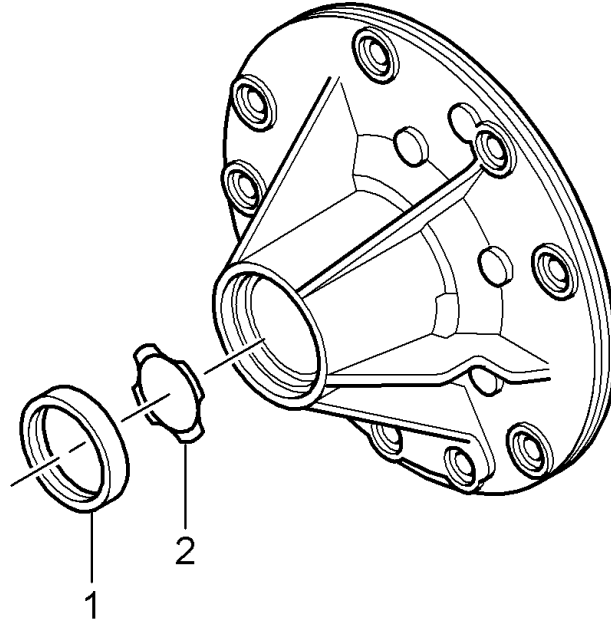
Model: 987 05

Model life 2005>>2008

| Pos | Part Number | Description | Remark | Qty | Model |
|-----|----------------|-----------------------------------|--------|-----|-------------|
| | | Tiptronic | | | PR:249 |
| 1 | 986 316 001 05 | Torque converter | | 1 | A8701,A8702 |
| 1 | 996 316 001 01 | Torque converter | | 1 | A8720,A8721 |
| 2 | 996 116 075 07 | Clutch plate | | 1 | |
| 3 | 999 073 091 09 | Socket head bolt M 10 X 1 X 25 | | 8 | |
| 4 | 900 067 369 09 | Socket head bolt M 8 X 20 | | 6 | |

Model: 987 05

Model life 2005>>2008



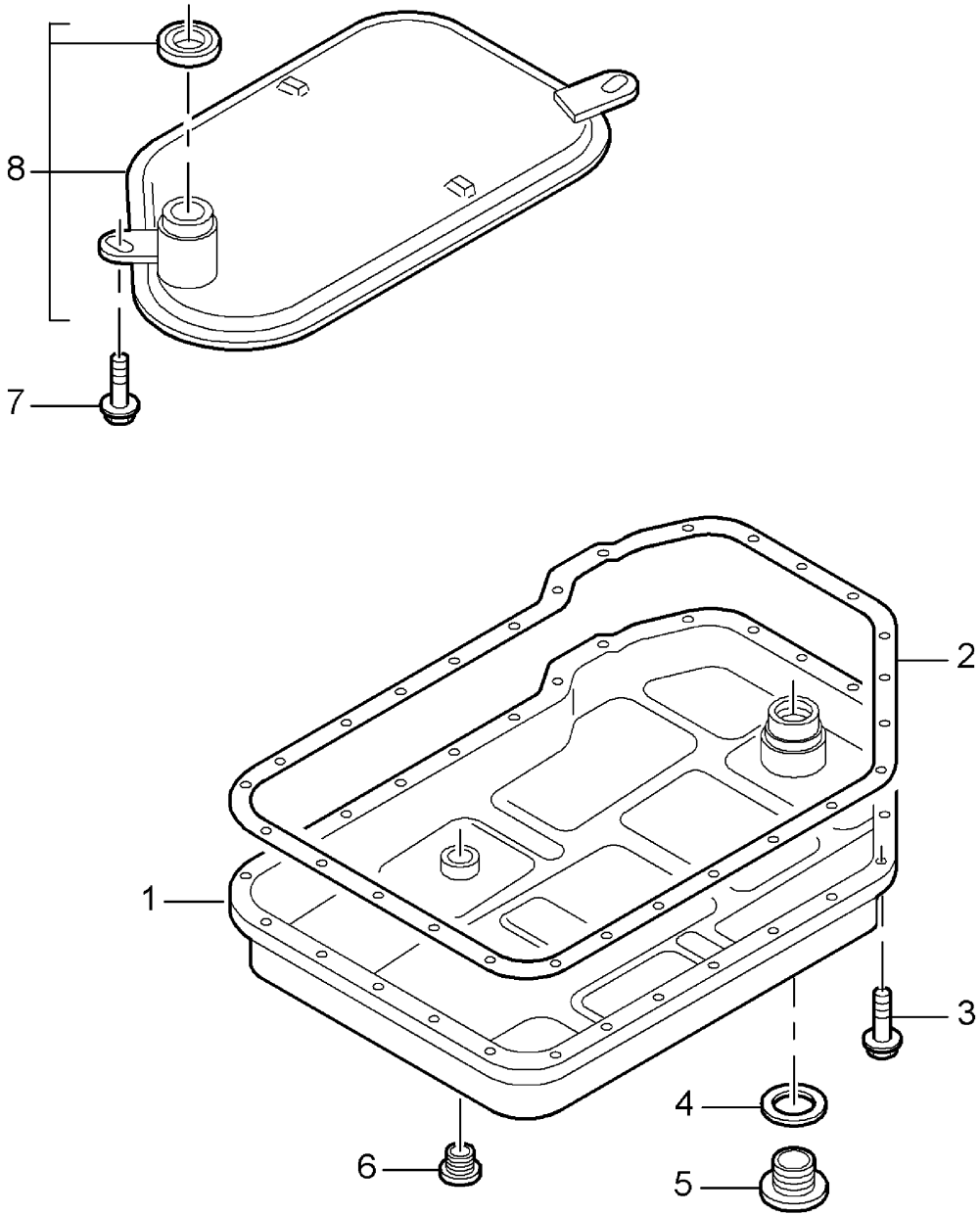
Model: 987 05

Model life 2005>>2008

| Pos | Part Number | Description | Remark | Qty | Model |
|-----|----------------|-----------------------|--------|-----|--------|
| | | Tiptronic oil pump | | | PR:249 |
| 1 | 996 397 010 00 | Shaft oil seal | | 1 | |
| 2 | 986 397 012 00 | Washer | | 1 | |

Model: 987 05

Model life 2005>>2008



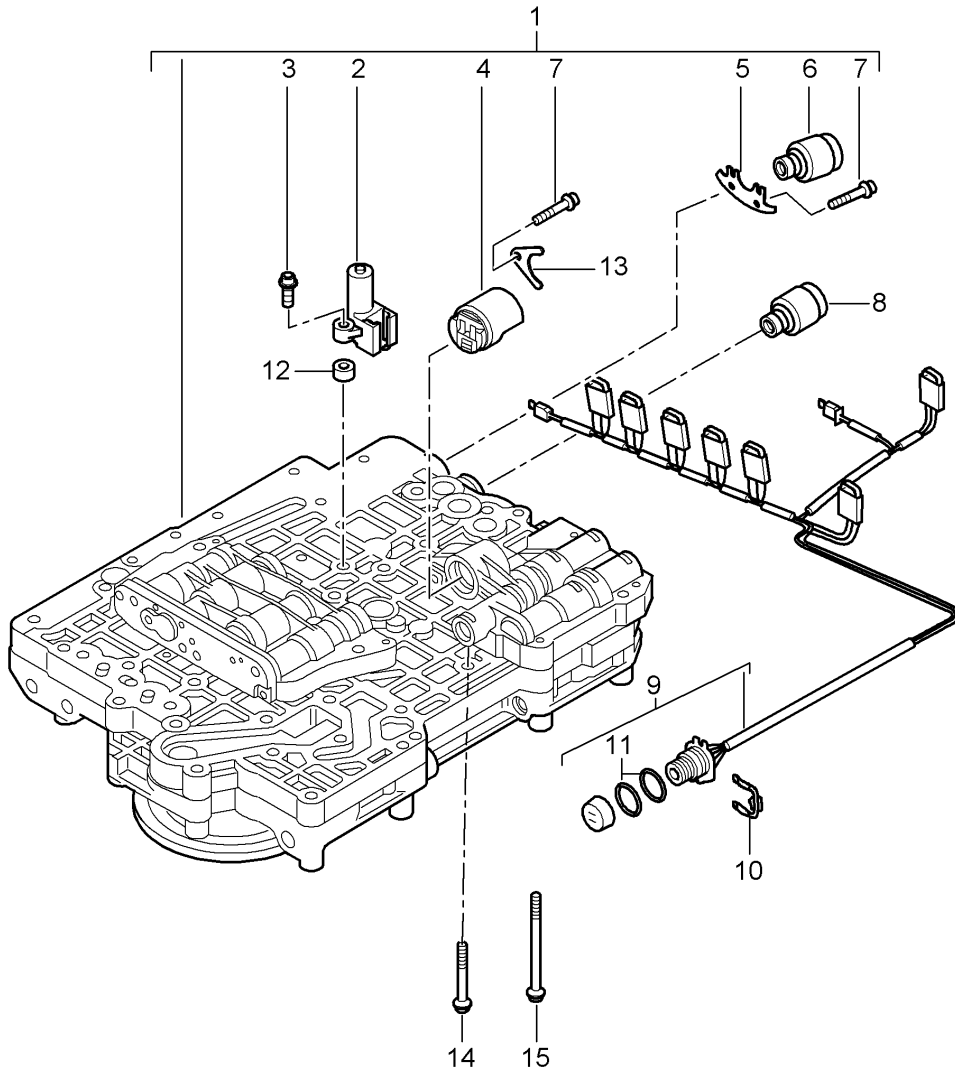
Model: 987 05

Model life 2005>>2008

| Pos | Part Number | Description | Remark | Qty | Model |
|-----|----------------|---|--------|-----|--------|
| | | Tiptronic oil filter oil sump | | | PR:249 |
| 1 | 986 321 025 02 | oil sump | | 1 | |
| 2 | 986 397 016 00 | gasket for oil sump | | 1 | |
| 3 | 943 397 039 00 | Socket head bolt M 6 X 20 | | 27 | |
| 4 | 986 397 014 00 | O-ring | | 1 | |
| 5 | 986 397 015 00 | sealing plug M 30 X 1,5 | | 1 | |
| 5 | 986 397 015 01 | Discontinued part sealing plug M 30 X 1,5 | | 1 | |
| 6 | 986 397 013 00 | Seal bolt with sealing ring M 16 X 1,5 | | 1 | |
| 7 | 943 397 045 00 | Socket head bolt M 5 X 12 | | 2 | |
| 8 | 986 307 403 00 | Filter | | 2 | |

Model: 987 05

Model life 2005>>2008



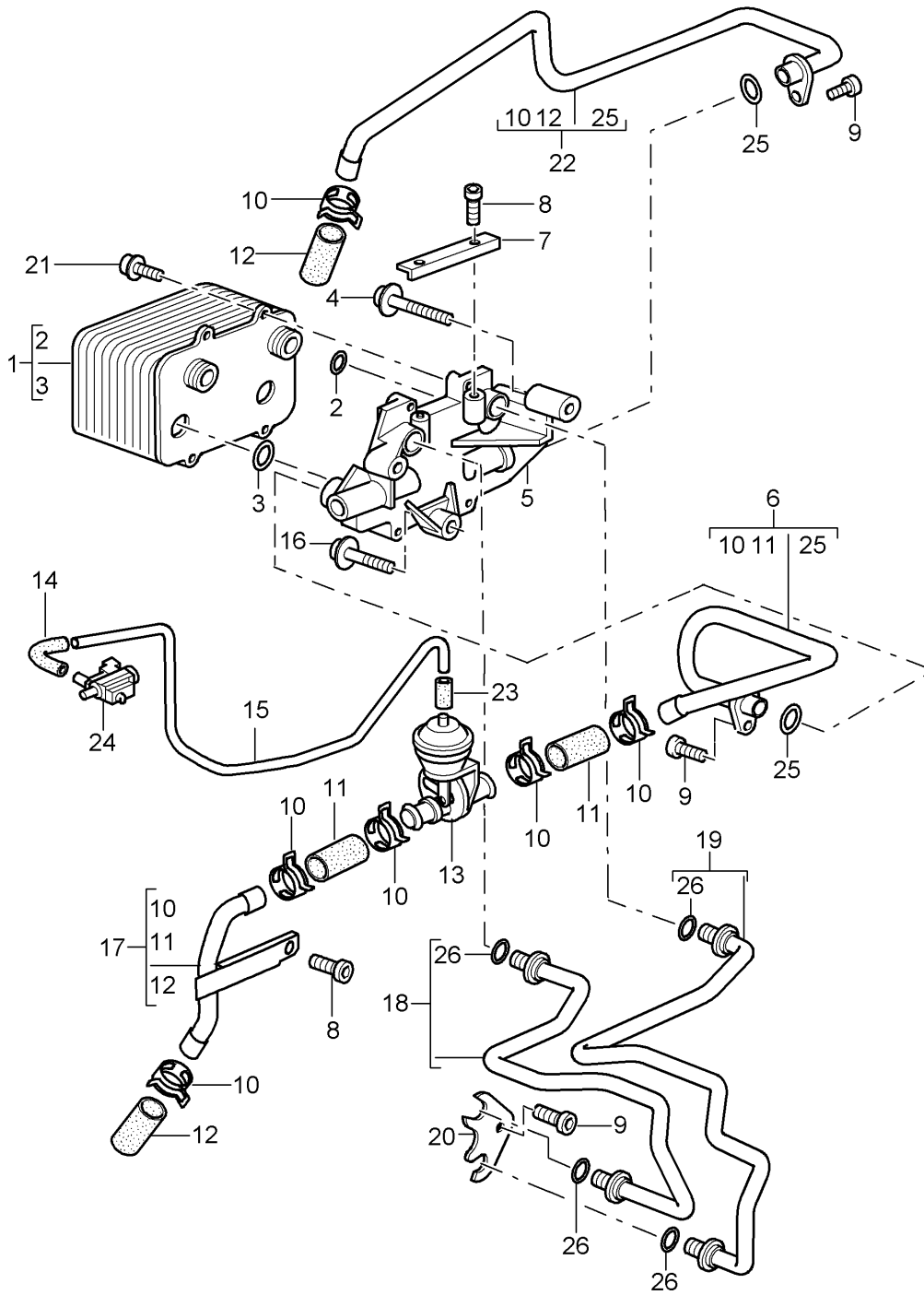
Model: 987 05

Model life 2005>>2008

| Pos | Part Number | Description | Remark | Qty | Model |
|-----|----------------|--|--------|-----|-----------------------|
| | | Tiptronic Switch unit Solenoid valve pressure regulator | | | PR:249 |
| 1 | 986 325 617 01 | Switch unit | | 1 | A8701,A8720 |
| (1) | 987 325 617 00 | Switch unit | | 1 | A8702,A8721 |
| 2 | 986 325 608 00 | Inductive sensor | | 1 | |
| 3 | 986 397 019 00 | Socket head bolt M 5 X 40 | | 2 | |
| 4 | 986 325 604 01 | pressure regulator | | 1 | |
| 5 | 986 325 615 00 | Retaining plate | | 2 | |
| 6 | 986 325 601 00 | Solenoid valve | | 3 | |
| 7 | 943 397 045 00 | Socket head bolt M 5 X 12 | | 5 | |
| 8 | 986 325 603 00 | pressure regulator | | 3 | |
| 9 | 987 325 611 01 | Wire set | | 1 | A8701 |
| (9) | 987 325 611 00 | Wire set | | 1 | A8702,A8720, A8721 |
| 10 | 986 397 018 01 | Clip | | 1 | |
| 11 | 986 397 017 00 | O-ring | | 2 | |
| 12 | 986 397 020 00 | Spacer ring | | 2 | |
| 13 | 943 325 111 00 | Retaining plate | | 1 | |
| 14 | 943 397 013 00 | Socket head bolt M 6 X 30 | | 1 | |
| 15 | 943 397 005 00 | Socket head bolt M 6 X 60 | | 16 | |

Model: 987 05

Model life 2005>>2008



Model: 987 05 Model life 2005>>2008

| Pos | Part Number | Description | Remark | Qty | Model |
|------|----------------|---|--------|-----|--------|
| | | Tiptronic Atf cooler Atf lines | | | PR:249 |
| 1 | 996 307 017 01 | Atf cooler | | 1 | |
| 2 | 999 707 388 40 | O-ring 18,64 X 3,53 | | 2 | |
| 3 | 900 331 034 40 | O-ring 25,8 X 3,55 | | 2 | |
| 4 | 999 073 116 09 | fillister hd. bolt M 8 X 55 | | 1 | |
| 5 | 986 307 020 00 | Port plate | | 1 | |
| 6 | 986 307 076 21 | Water line Supply | | 1 | |
| (6) | 986 307 076 22 | D >> - MJ 2006 Water line Supply D - MJ 2007>> | | 1 | |
| 7 | 986 307 143 02 | Latch | | 1 | |
| 8 | 999 073 103 09 | fillister hd. bolt M 6 X 16 | | 2 | |
| 9 | 999 073 094 09 | fillister hd. bolt M 8 X 20 | | 4 | |
| 10 | 999 512 656 09 | Hose clamp B 25 X 12 | | 6 | |
| 11 | 900 181 060 50 | Water hose 18 X 3,5 X 50 | | 2 | |
| 12 | 900 181 062 50 | Water hose 18 X 3,5 X 60 | | 2 | |
| 13 | 928 574 573 03 | Disc valve | | 1 | |
| 14 | 928 574 717 05 | Molded hose | | 1 | |
| 14 | 928 574 717 07 | Molded hose | | 1 | |
| 14 | 9P1 129 487 | No longer use the part here Molded hose | | 1 | |
| - | 999 181 742 40 | Pipe 4,0 X 1,0 | | X | |
| 15 | | shorten to: | 140 MM | 1 | |
| 16 | 999 073 105 09 | flat round head bolt M 8 X 40 | | 2 | |
| 17 | 986 307 075 21 | Water line Supply | | 1 | |
| (17) | 986 307 075 22 | D >> - MJ 2006 Water line Supply D - MJ 2007>> | | 1 | |
| 18 | 986 307 085 04 | Oil return line D >> - MJ 2006 | | 1 | |
| (18) | 986 307 085 05 | Oil return line D - MJ 2007>> | | 1 | |
| 19 | 986 307 082 04 | Oil pipe Supply | | 1 | |
| (19) | 986 307 082 05 | D >> - MJ 2006 Oil pipe Supply D - MJ 2007>> | | 1 | |
| 20 | 996 307 147 00 | Bracket D >> - MJ 2006 | | 1 | |
| (20) | 996 307 147 01 | Bracket D - MJ 2007>> | | 1 | |
| 21 | 999 073 103 09 | fillister hd. bolt M 6 X 16 | | 4 | |
| 22 | 987 307 077 01 | Water pipe Return line | | 1 | |
| 23 | 999 239 040 40 | Connecting piece | | 1 | |

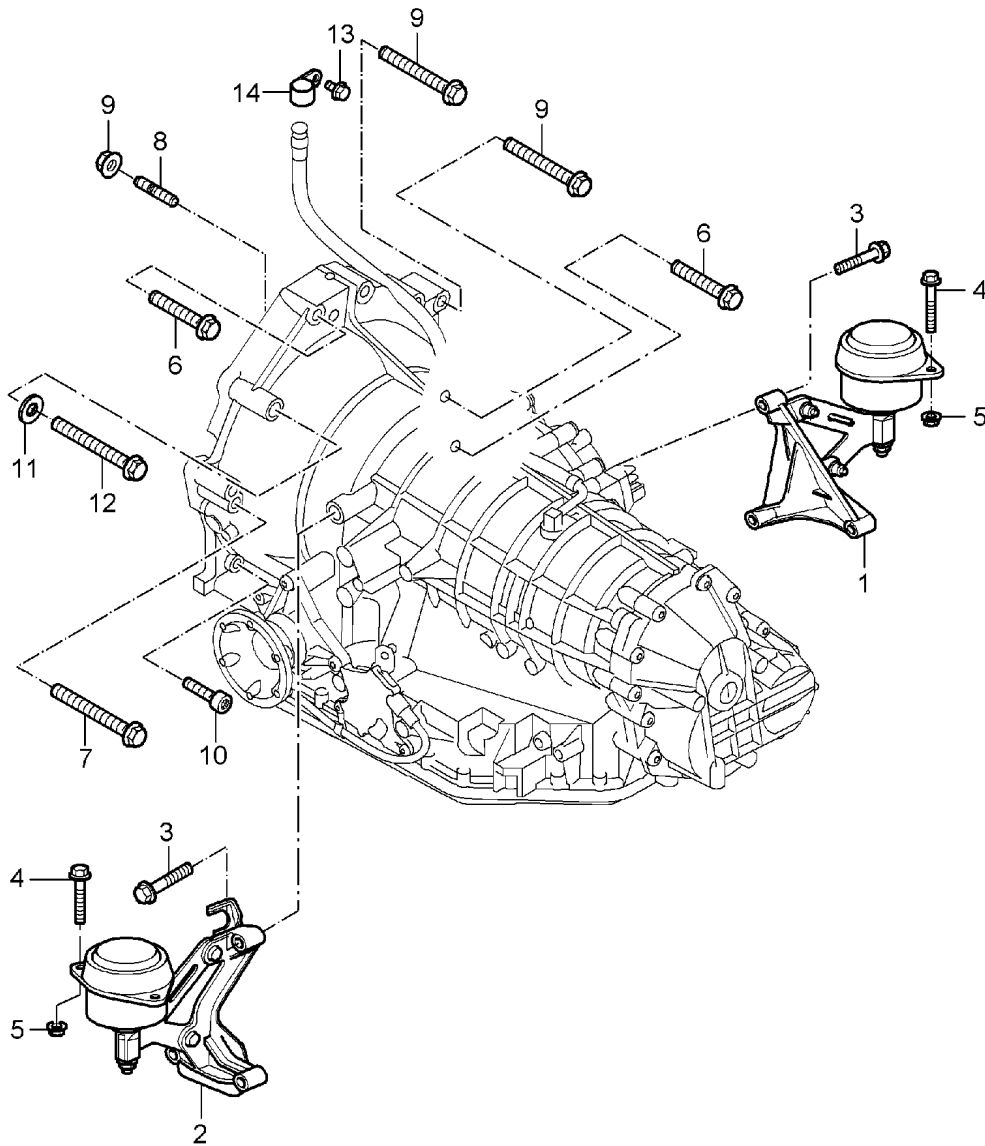
Model: 987 05

Model life 2005>>2008

| Pos | Part Number | Description | Remark | Qty | Model |
|-----|----------------|------------------------|--------|-----|-------|
| 24 | 996 605 123 01 | Change-over valve | | 1 | |
| 25 | 999 707 387 40 | O-ring 15 X 2,5 | | 2 | |
| 26 | 999 707 386 40 | O-ring 12,37 X 2,62 | | 4 | |

Model: 987 05

Model life 2005>>2008



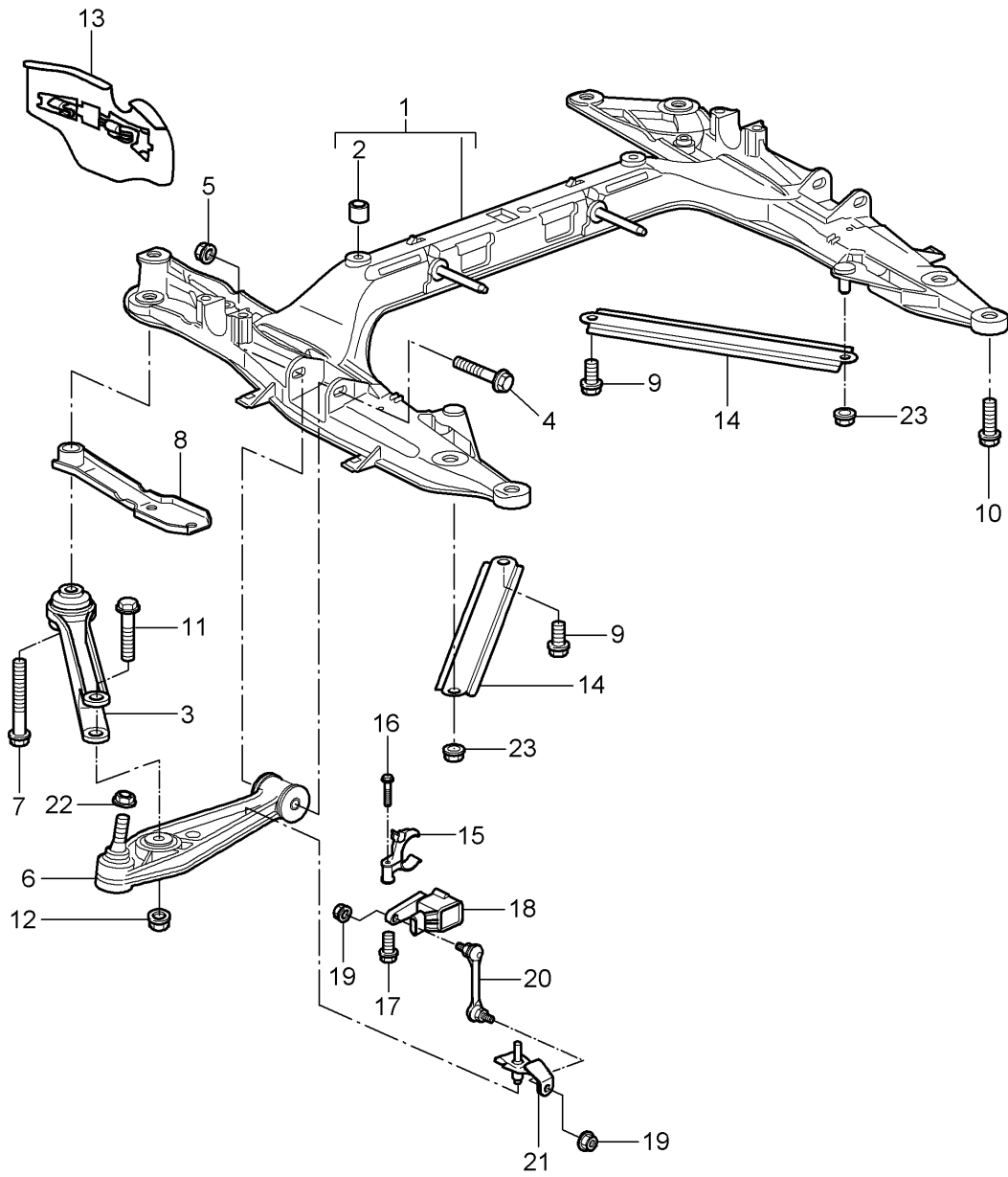
Model: 987 05

Model life 2005>>2008

| Pos | Part Number | Description | Remark | Qty | Model |
|-----|----------------|---|--------|-----|--------|
| | | Tiptronic Transmission suspension Threaded joint for Engine | | | PR:249 |
| 1 | 986 375 094 03 | Transmission bracket | right | 1 | |
| | | Discontinued part | | | |
| 1 | 986 375 094 04 | Transmission bracket | right | 1 | |
| 2 | 987 375 093 01 | Transmission bracket | left | 1 | |
| | | Discontinued part | | | |
| 2 | 987 375 093 02 | Transmission bracket | left | 1 | |
| 3 | 900 378 076 09 | Hexagon bolt | | 6 | |
| | | M 10 X 50 | | | |
| 4 | 900 378 159 09 | Hexagon bolt | | 4 | |
| | | M 8 X 60 | | | |
| 5 | 999 084 447 09 | Hexagon nut | | 4 | |
| | | M 8 | | | |
| 6 | 999 072 008 09 | Hexagon bolt | | 1 | |
| | | M 12 X 1,5 X 70 | | | |
| | | Discontinued part | | | |
| 6 | 999 072 008 01 | Hexagon bolt | | 1 | |
| | | M 12 X 1,5 X 70 | | | |
| 7 | 999 072 009 09 | Hexagon bolt | | 3 | |
| | | M 12 X 1,5 X 90 | | | |
| | | Discontinued part | | | |
| 7 | 999 072 009 01 | Hexagon bolt | | 3 | |
| | | M 12 X 1,5 X 90 | | | |
| 8 | 999 218 088 09 | Threaded pin | | 1 | |
| | | M 10 X 30 | | | |
| 9 | 900 377 011 09 | Hexagon nut | | 1 | |
| | | M 10 | | | |
| 10 | 999 073 119 09 | Socket head bolt | | 1 | |
| | | M 10 X 50 | | | |
| 11 | N 905 028 02 | Washer | | 1 | |
| | | 15 X 28 X 3,5 | | | |
| 12 | 999 072 010 09 | Hexagon bolt | | 1 | |
| | | M 12 X 1,5 X 100 | | | |
| 13 | 900 378 036 09 | Hexagon bolt | | 1 | |
| | | M 6 X 12 | | | |
| 14 | 999 511 142 02 | Clamp | | 1 | |
| | | A 1 | | | |

Model: 987 05

Model life 2005>>2008



Model: 987 05 Model life 2005>>2008

| Pos | Part Number | Description | Remark | Qty | Model |
|------|----------------|---|---------|-----|--------|
| 1 | 997 341 081 04 | Cross member Wishbone | | 1 | |
| (1) | 997 341 081 06 | Cross member Discontinued part | | 1 | |
| 2 | 900 197 070 00 | spring pin 13 X 14 | | 1 | |
| 3 | 997 341 043 00 | Guide | | 2 | |
| 4 | 900 378 165 09 | Hexagon bolt M 12 X 1,5 X 95 D >> - MJ 2007 | | 2 | |
| (4) | 900 378 165 01 | Hexagon bolt M 12 X 1,5 X 95 D - MJ 2008>> | | 2 | |
| 5 | 999 084 445 01 | Locknut M 12 X 1,5 | | 2 | |
| 6 | 997 341 053 00 | Wishbone D - MJ 2005>> - MJ 2005 | | 2 | |
| (6) | 997 341 053 03 | Wishbone | | 2 | |
| 7 | 900 378 241 09 | Hexagon bolt M 14 X 1,5 X 120 D - MJ 2005>> - MJ 2005 | | 2 | |
| (7) | 999 072 050 09 | Discontinued part Hexagon bolt M 14 X 1,5 X 120 | | 2 | |
| 8 | 997 341 145 01 | plate D - MJ 2005>> - MJ 2005 | | 2 | |
| (8) | 997 341 145 05 | Discontinued part plate | | 2 | |
| 9 | 999 072 047 09 | Hexagon bolt M 12 X 1,5 X 30 Discontinued part | | 6 | |
| (9) | 999 072 047 01 | Hexagon bolt M 12 x 1,5 x 30 | | 6 | |
| (10) | 900 378 072 01 | Hexagon bolt M 12 X 1,5 X 30 | front | 2 | |
| 10 | 900 378 192 09 | Hexagon bolt M 14 X 1,5 X 50 Discontinued part | rear | 4 | |
| 10 | 900 378 192 01 | Hexagon bolt M 14 x 1,5 x 50 | rear | 4 | |
| 11 | 900 378 279 09 | Hexagon bolt M 14 X 1,5 X 95 D >> - MJ 2007 | | 2 | |
| (11) | 900 378 279 01 | Hexagon bolt M 14 X 1,5 X 95 D - MJ 2008>> | | 2 | |
| 12 | 900 380 012 09 | Hexagon nut M 14 X 1,5 Discontinued part | | 2 | |
| 12 | 900 380 012 01 | Hexagon nut M 14 X 1,5 | | 2 | |
| 13 | 996 341 483 05 | Spoiler | left | 1 | |
| 13 | 996 341 484 05 | Spoiler | right | 1 | |
| 14 | 997 504 433 00 | Brace | | 2 | |
| 15 | | Bracket see illustration: | 105-010 | 1 | PR:601 |
| 16 | 900 146 003 02 | fillister hd. bolt M 5 X 10 | | 2 | PR:601 |
| (16) | 900 146 003 03 | fillister hd. bolt M 5 x 10 | | 2 | PR:601 |
| 17 | 900 378 036 09 | Hexagon bolt M 6 X 12 | | 1 | PR:601 |

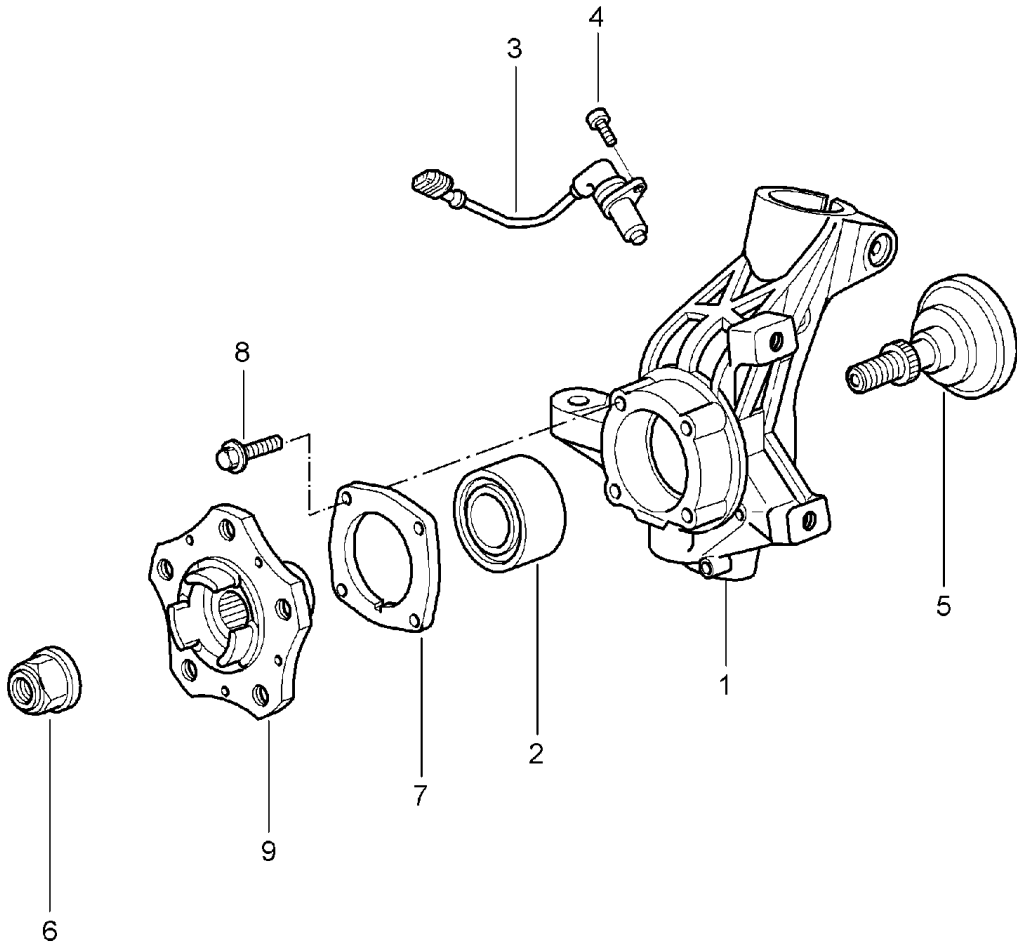
Model: 987 05

Model life 2005>>2008

| Pos | Part Number | Description | Remark | Qty | Model |
|------|----------------|---|--------|-----|--------|
| 18 | 997 631 121 00 | Level sensor | | 1 | PR:601 |
| 19 | 900 380 015 09 | Hexagon nut M 6 | | 2 | PR:601 |
| (19) | 900 380 015 01 | Discontinued part Hexagon nut M 6 | | 2 | PR:601 |
| 20 | 997 341 375 01 | Brace | | 1 | PR:601 |
| 21 | 996 341 371 03 | Bracket for cross member | | 1 | PR:601 |
| 22 | 999 084 449 09 | Locknut M 12 X 1,5 | | 2 | |
| 23 | 999 084 445 01 | Locknut M 12 X 1,5 | | 2 | |

Model: 987 05

Model life 2005>>2008



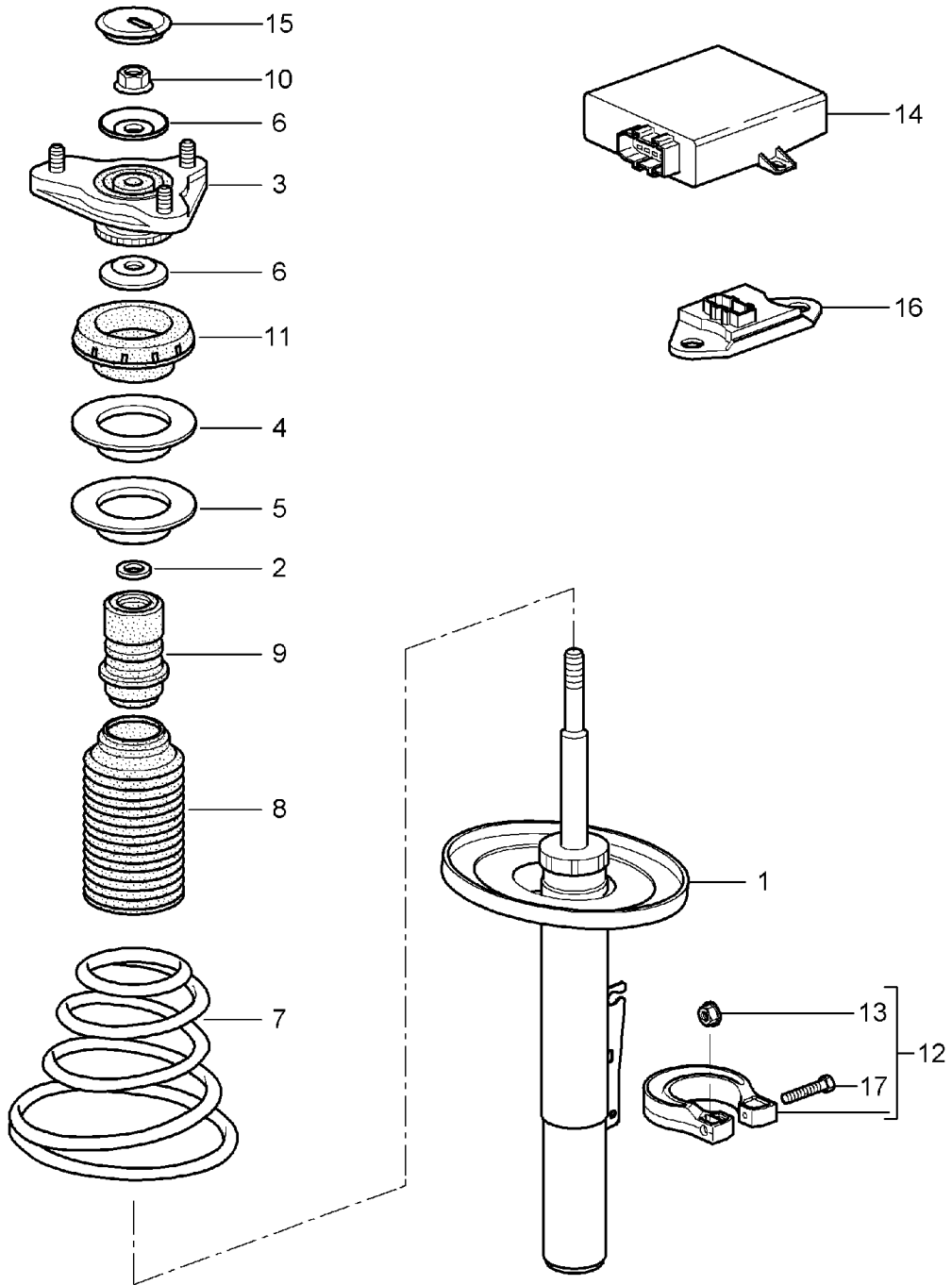
Model: 987 05

Model life 2005>>2008

| Pos | Part Number | Description | Remark | Qty | Model |
|-----|----------------|--------------------------|--------|-----|--------|
| | | Wheel carrier | | | |
| | | Wheel hub | | | |
| 1 | 997 341 157 05 | Wheel carrier | left | 1 | |
| (1) | 997 341 157 25 | Wheel carrier | left | 1 | PR:450 |
| (1) | 997 341 158 05 | Wheel carrier | right | 1 | |
| (1) | 997 341 158 25 | Wheel carrier | right | 1 | PR:450 |
| 2 | 999 053 054 05 | angular ball bearing | | 2 | |
| 3 | 997 606 407 01 | speed sensor | | 2 | |
| - | 999 507 464 40 | bracket for speed sensor | | 2 | |
| 4 | 900 067 117 09 | Socket head bolt | | 2 | |
| | | M 6 X 16 | | | |
| 5 | 997 341 131 00 | retaining bolt | | 2 | |
| 6 | 999 084 634 02 | Locknut | | 2 | |
| | | M 22 X 1,5 | | | |
| 7 | 986 331 661 20 | Cover | | 2 | |
| 8 | 999 217 042 09 | Hexagon bolt | | 8 | |
| | | M 8 X 35 | | | |
| 9 | 997 341 605 01 | Wheel hub | | 2 | |
| | | Discontinued part | | | |
| (9) | 991 341 605 02 | Wheel hub | | 2 | |
| | | Discontinued part | | | |
| (9) | 991 341 605 03 | Wheel hub | | 2 | |
| - | 997 361 605 90 | Spacer ring | | 2 | PR:XRP |
| | | 5 MM | | | |

Model: 987 05

Model life 2005>>2008



Model: 987 05 Model life 2005>>2008

| Pos | Part Number | Description | Remark | Qty | Model |
|-----|--------------------|------------------------|--------|-----|--------|
| | | suspension | | | |
| | | Shock absorber strut | | | |
| 1 | 987 343 041 06 | Shock absorbers | | 2 | |
| (1) | 987 343 041 07 | Shock absorbers | | 2 | |
| (1) | 987 343 045 06 | Shock absorbers | | 2 | PR:475 |
| | | Discontinued part | | | |
| (1) | 987 343 045 10 | Shock absorbers | | 2 | PR:475 |
| - | | Mount | | | |
| | | Shock absorbers | | | |
| - | 900 378 138 09 | Hexagon bolt | | 2 | |
| | | M 12 X 1,5 X 70 | | | |
| | | Discontinued part | | | |
| - | 900 378 138 01 | Hexagon bolt | | 2 | |
| | | M 12 X 1,5 X 70 | | | |
| - | 999 084 445 01 | Locknut | | 2 | |
| | | M 12 X 1,5 | | | |
| 2 | 996 343 513 00 | Washer | | 2 | |
| 3 | 997 343 018 00 | Shock absorber bearing | | 2 | |
| | | Discontinued part | | | |
| 3 | 997 343 018 01 | Shock absorber bearing | | 2 | |
| - | 999 084 447 09 | Hexagon nut | | 6 | |
| | | M 8 | | | |
| | | Discontinued part | | | |
| - | 999 084 447 01 | Hexagon nut | | 6 | |
| | | M 8 | | | |
| - | PAF 003 923 | Hexagon nut | | 6 | |
| | | M 8 | | | |
| 4 | 996 343 517 01 | Thrust ring | | 2 | |
| 5 | 996 343 511 00 | Balancing plate | | X | |
| | | 3,0 MM | | | |
| (5) | 996 343 511 01 | Balancing plate | | X | |
| | | 6,5 MM | | | |
| 6 | 997 343 107 01 | Stop plate | | 4 | |
| (6) | 997 343 107 00 | Stop plate | lower | 2 | PR:475 |
| (6) | 997 343 107 01 | Stop plate | upper | 2 | |
| 7 | 997 343 531 32 | Coil spring | | 1 | |
| | | 1 set | | | |
| | | Discontinued part | | | |
| | 997 343 531 32 504 | 1 pair of springs | | | |
| | | Rapeseed yellow | | | |
| | | blue | | | |
| | | F >> 98-5S710 060 | | | |
| | | F >> 98-5U711 262 | | | |
| | | F >> 98-5S730 061 | | | |
| | | F >> 98-5U730 928 | | | |
| 7 | 997 343 531 82 | Coil spring | | 1 | |
| | | 1 set | | | |
| | 997 343 531 82 504 | 1 pair of springs | | | |
| | | Rapeseed yellow | | | |
| | | blue | | | |
| | | F >> 98-5S710 060 | | | |
| | | F >> 98-5U711 262 | | | |
| | | F >> 98-5S730 061 | | | |
| | | F >> 98-5U730 928 | | | |
| (7) | 997 343 531 38 | Coil spring | | 1 | |
| | | 1 set | | | |
| | 997 343 531 38 504 | 1 pair of springs | | | |
| | | Rapeseed yellow | | | |
| | | blue | | | |
| | | F 98-5S710 061>> | | | |
| | | F 98-5U711 263>> | | | |
| | | F 98-5S730 062>> | | | |
| | | F 98-5U730 929>> | | | |

Model: 987 05 Model life 2005>>2008

| Pos | Part Number | Description | Remark | Qty | Model |
|------|--------------------|--|--------|-----|-----------|
| (7) | 997 343 531 30 | Coil spring 1 set Discontinued part | | 1 | PR:475 |
| | 997 343 531 30 504 | 1 pair of springs blue red F >> 98-5S710 063 F >> 98-5U711 278 F >> 98-5S730 069 F >> 98-5U730 927 | | | |
| (7) | 997 343 531 37 | Coil spring 1 set Discontinued part | | 1 | PR:475 |
| | 997 343 531 37 504 | 1 pair of springs blue red F 98-5S710 064>> F 98-5U711 279>> F 98-5S730 070>> F 98-5U730 928>> | | | |
| (7) | 997 343 531 41 | Coil spring 1 set Discontinued part | | 1 | PR:475 |
| | 997 343 531 41 504 | 1 pair of springs blue red F 98-5S710 064>> F 98-5U711 279>> F 98-5S730 070>> F 98-5U730 928>> | | | |
| 8 | 996 343 505 00 | Bellows | | 2 | |
| 9 | 996 343 301 02 | helper spring | | 2 | |
| 10 | 900 380 012 09 | Hexagon nut M 14 X 1,5 Discontinued part | | 2 | |
| 10 | 900 380 012 01 | Hexagon nut M 14 X 1,5 | | 2 | |
| (11) | 996 343 515 05 | grooved ball bearing with housing | | 2 | |
| (12) | 997 343 569 00 | Clamp | | 2 | BOXSTER S |
| 13 | 900 377 010 09 | Hexagon nut M 6 | | 2 | BOXSTER S |
| - | 900 378 111 09 | Hexagon bolt M 6 X 60 | | 2 | |
| 14 | 987 618 105 05 | Control unit D >> - MJ 2005 Discontinued part | | 1 | PR:475 |
| (14) | 987 618 105 15 | Control unit D >> - MJ 2005 Discontinued part | | 1 | PR:475 |
| (14) | 987 618 105 16 | Control unit D >> - MJ 2005 | | 1 | PR:475 |
| (14) | 987 618 105 09 | Control unit D >> - MJ 2007 | | 1 | PR:475 |
| (14) | 987 618 105 10 | Control unit D - MJ 2008>> | | 1 | PR:475 |
| 15 | 999 703 457 40 | End cap | | 2 | |
| 16 | 997 606 111 00 | Acceleration sensor for bodywork D >> - MJ 2006 Discontinued part | | 1 | |
| (16) | 997 606 111 01 | Acceleration sensor for bodywork D - MJ 2007>> | | 1 | |

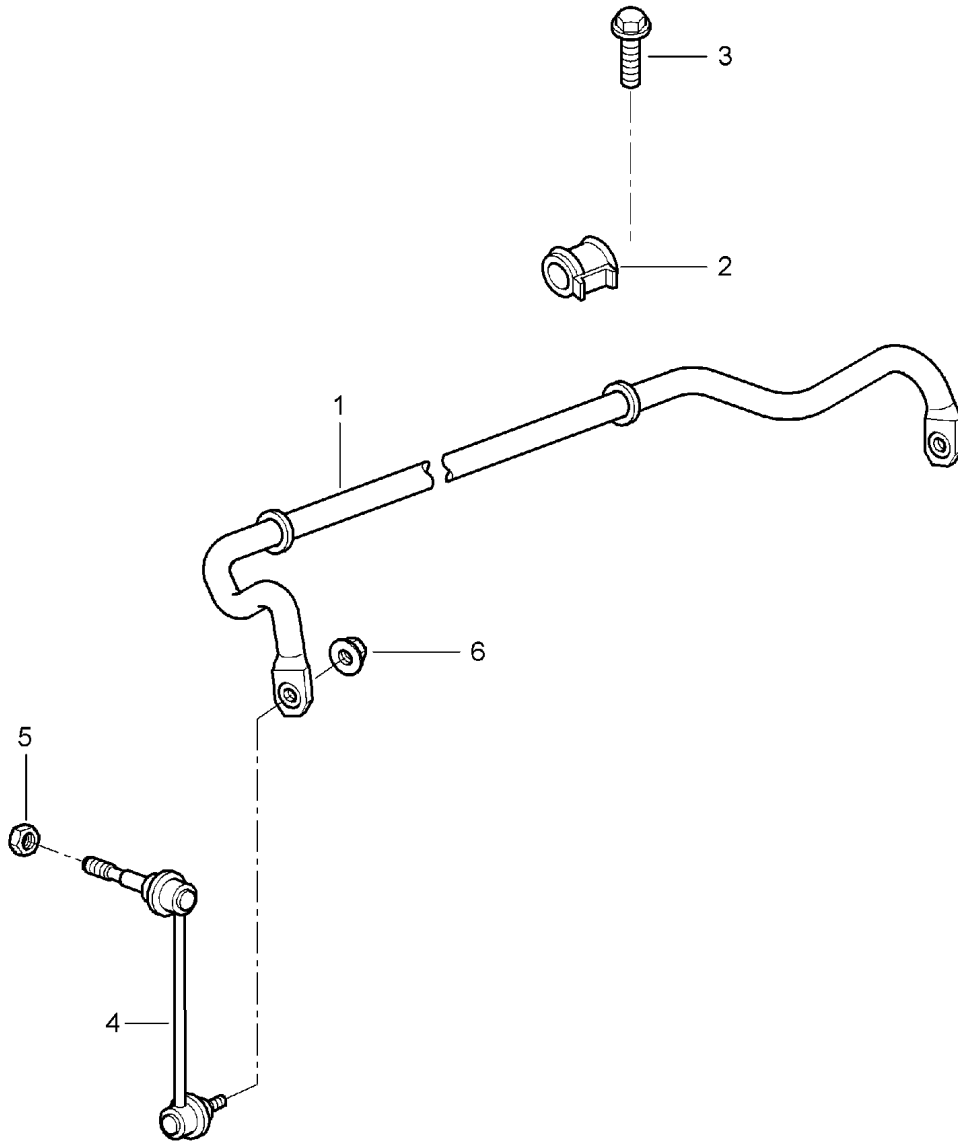
Model: 987 05

Model life 2005>>2008

| Pos | Part Number | Description | Remark | Qty | Model |
|------|----------------|--|--------|-----|-------|
| 17 | 900 378 111 09 | Hexagon bolt M 6 X 60 | | 2 | |
| 16 | 997 606 111 01 | Acceleration sensor for bodywork | | 1 | |
| 17 | 997 606 212 00 | Bracket Body | | 1 | |
| (17) | 997 606 212 01 | D >> - MJ 2006 Bracket Body D - MJ 2007>> | | 1 | |

Model: 987 05

Model life 2005>>2008



Model: 987 05

Model life 2005>>2008

| Pos | Part Number | Description | Remark | Qty | Model |
|-----|----------------|---|--------|-----|----------------------------------|
| 1 | 997 343 701 03 | Anti-roll bar Anti-roll bar | | 1 | BOXSTER BOXSTER PR:249,481 |
| (1) | 997 343 701 04 | Anti-roll bar | | 1 | BOXSTER PR:480 |
| (1) | 997 343 701 07 | Discontinued part Anti-roll bar | | 1 | BOXSTER PR:480 |
| (1) | 997 343 701 05 | Anti-roll bar | | 1 | BOXSTER PR:475 |
| (1) | 997 343 701 04 | Anti-roll bar | | 1 | BOXSTER S PR:029 |
| (1) | 997 343 701 07 | Discontinued part Anti-roll bar | | 1 | BOXSTER S PR:029 |
| (1) | 997 343 701 05 | Anti-roll bar | | 1 | BOXSTER S PR:475 |
| 2 | 996 343 792 12 | anti-roll bar bearing bracket | | 2 | BOXSTER PR:029,249 |
| (2) | 996 343 792 17 | anti-roll bar bearing bracket | | 2 | BOXSTER PR:029,481 |
| (2) | 996 343 792 17 | anti-roll bar bearing bracket | | 2 | BOXSTER PR:029,480 |
| (2) | 996 343 792 17 | anti-roll bar bearing bracket | | 2 | BOXSTER PR:475 |
| (2) | 996 343 792 17 | anti-roll bar bearing bracket | | 2 | BOXSTER S PR:029 |
| (2) | 996 343 792 17 | anti-roll bar bearing bracket | | 2 | BOXSTER S PR:475 |
| 3 | 900 378 098 01 | Hexagon bolt M 10 X 60 | | 4 | |
| - | 900 380 008 01 | Hexagon nut M 10 | | 4 | |
| 4 | 997 343 069 00 | Coupling rod See technical manual Group 4 NR.407819 | left | 1 | |
| (4) | 997 343 069 01 | Coupling rod See technical manual Group 4 NR.407819 | left | 1 | |
| (4) | 997 343 070 00 | Coupling rod See technical manual Group 4 NR.407819 | right | 1 | |
| (4) | 997 343 070 01 | Coupling rod See technical manual Group 4 NR.407819 | right | 1 | |
| 5 | 999 084 445 01 | Locknut M 12 X 1,5 See technical manual Group 4 NR.407819 | | 2 | |
| (5) | 999 084 123 09 | Hexagon nut M 10 See technical manual Group 4 NR.407819 | | 2 | |
| 6 | 999 084 643 09 | Hexagon nut M 10 See technical manual | | 2 | |

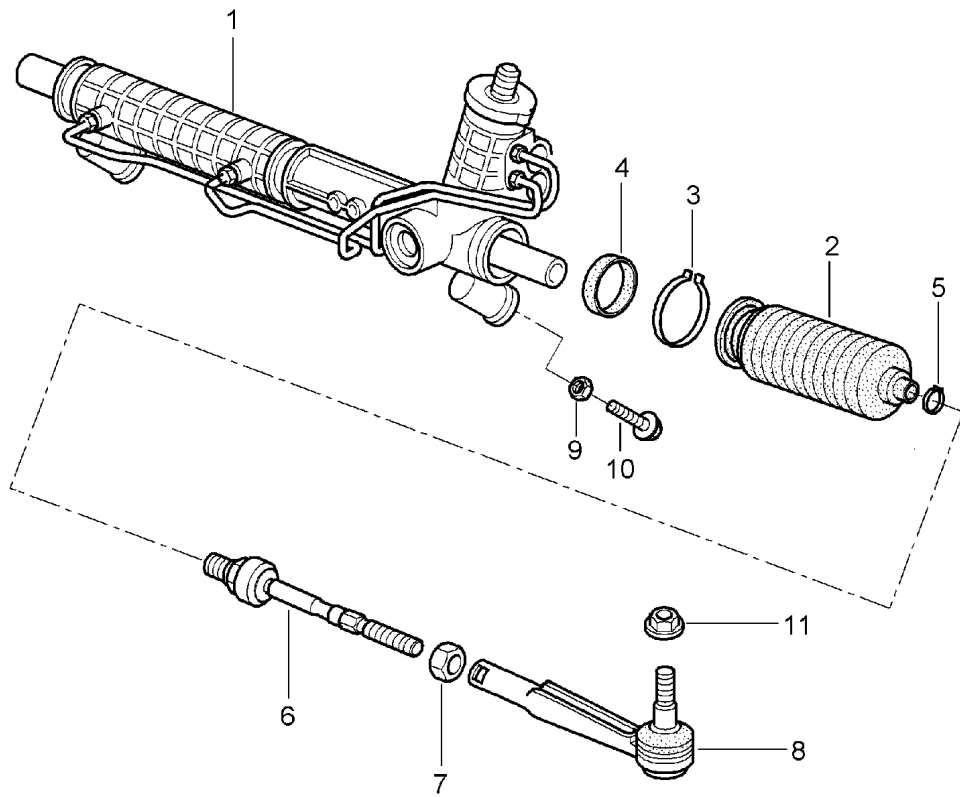
Model: 987 05

Model life 2005>>2008

| Pos | Part Number | Description | Remark | Qty | Model |
|-----|----------------|---|--------|-----|-------|
| (6) | 999 084 123 09 | Group 4 NR.407819 Hexagon nut M 10 See technical manual Group 4 NR.407819 | | 2 | |

Model: 987 05

Model life 2005>>2008



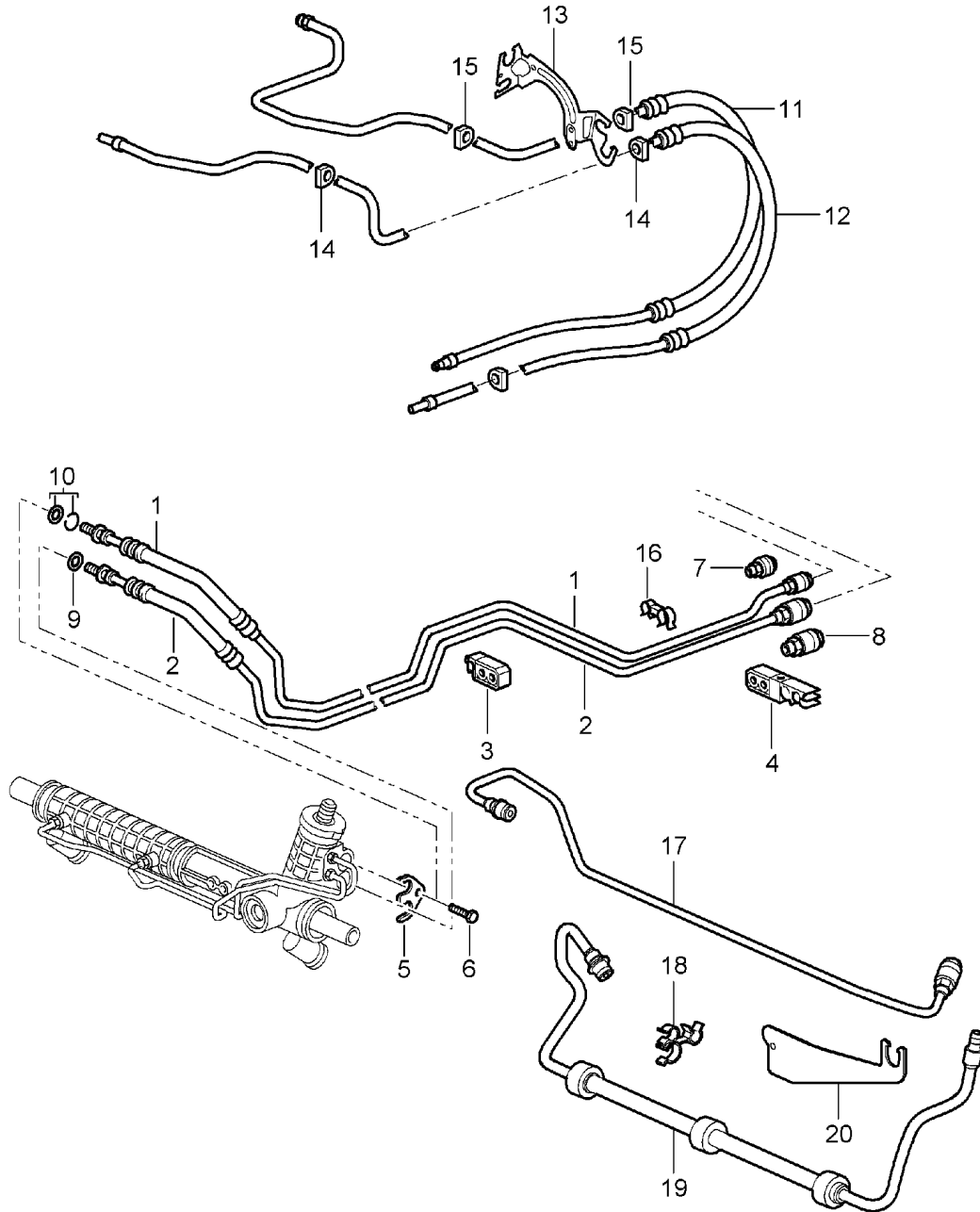
Model: 987 05

Model life 2005>>2008

| Pos | Part Number | Description | Remark | Qty | Model |
|-----|----------------|--|-----------|-----|--------|
| 1 | 997 347 011 05 | Power steering Steering gear Steering parts Steering gear Power steering D >> - MJ 2007 | | 1 | PR:098 |
| (1) | 997 347 011 06 | Steering gear Power steering D - MJ 2008>> | | 1 | PR:098 |
| - | 996 347 110 02 | Clip pinion | | 1 | |
| 2 | 997 347 191 00 | Steering gear Bellows for | | 2 | |
| 3 | 996 347 293 04 | Steering gear clamping ring for | | 2 | |
| 4 | 997 347 373 00 | Steering gear seal ring for | | 2 | |
| 5 | 999 512 693 09 | Steering gear clamping ring | | 2 | |
| 6 | 997 347 322 00 | Joint D >> - MJ 2007 | | 2 | |
| (6) | 997 347 322 01 | Joint D - MJ 2008>> | | 2 | |
| 7 | 999 034 037 09 | Hexagon nut M 14 X 1,5 | | 2 | |
| 8 | 996 347 131 04 | Track rod | | 2 | |
| 9 | | see illustration, item: | 401-000,2 | | |
| 10 | 900 378 100 01 | Hexagon bolt AM 10 X 45 | | 2 | |
| 11 | 999 084 449 09 | Locknut M 12 X 1,5 | | 2 | |

Model: 987 05

Model life 2005>>2008

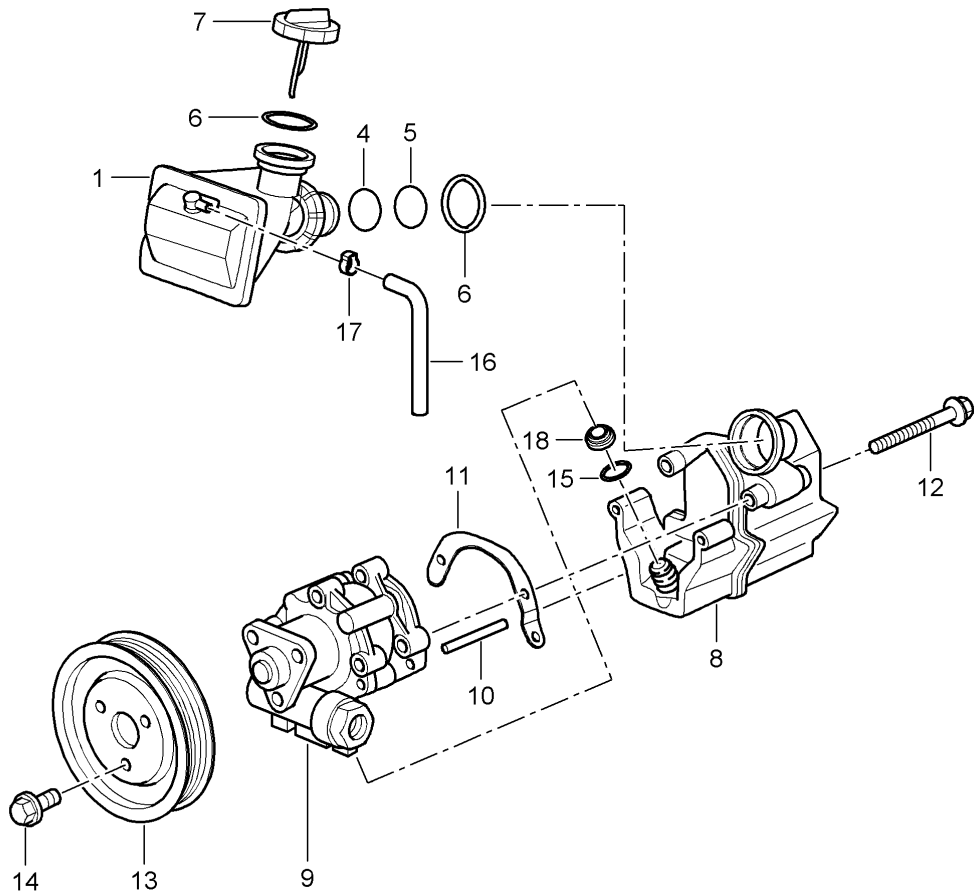


Model: 987 05 Model life 2005>>2008

| Pos | Part Number | Description | Remark | Qty | Model |
|------|----------------|---|--------|-----|--------|
| 1 | 997 347 451 03 | Power steering Lines Pressure line D >> - MJ 2007 | | 1 | PR:098 |
| (1) | 997 347 451 04 | Pressure line D - MJ 2008>> Discontinued part | | 1 | PR:098 |
| (1) | 997 347 451 05 | Pressure line D - MJ 2008>> | | 1 | PR:098 |
| 2 | 987 347 449 03 | return line Discontinued part | | 1 | PR:098 |
| (2) | 987 347 449 05 | return line Discontinued part | | 1 | PR:098 |
| (2) | 987 347 449 07 | return line Discontinued part | | 1 | PR:098 |
| 3 | 996 347 543 00 | Cable holder | | 3 | |
| 4 | 996 355 543 00 | Bracket | | 1 | |
| 5 | 996 347 769 01 | Tension shackle | | 1 | |
| 6 | 900 067 063 02 | Socket head bolt M 10 X 20 D >> - MJ 2007 | | 1 | |
| (6) | 900 067 063 03 | Socket head bolt M 10 x 20 D - MJ 2008>> | | 1 | |
| 7 | 999 230 552 10 | Threaded joint | | 1 | |
| 8 | 999 230 551 10 | Threaded joint | | 1 | |
| - | 999 230 683 40 | securing clip for Threaded joint | | X | |
| - | 999 230 584 40 | Pressure line Securing ring Threaded joint return line | | 1 | PR:098 |
| 9 | 999 230 542 40 | O-ring | | X | |
| 10 | 999 230 543 40 | repair set Gaskets | | X | |
| 11 | 987 347 443 02 | Pressure line Discontinued part | | 1 | |
| (11) | 987 347 443 03 | Pressure line Discontinued part | | 1 | |
| (11) | 987 347 443 04 | Pressure line | | 1 | |
| 12 | 987 347 439 01 | return line | | 1 | |
| 13 | 987 347 749 01 | Line holder | | 1 | |
| 14 | 999 702 210 40 | Rubber grommet | | 4 | |
| 15 | 999 702 226 40 | Rubber grommet | | 3 | |
| 16 | 999 507 091 40 | Cable holder | | 3 | |

Model: 987 05

Model life 2005>>2008



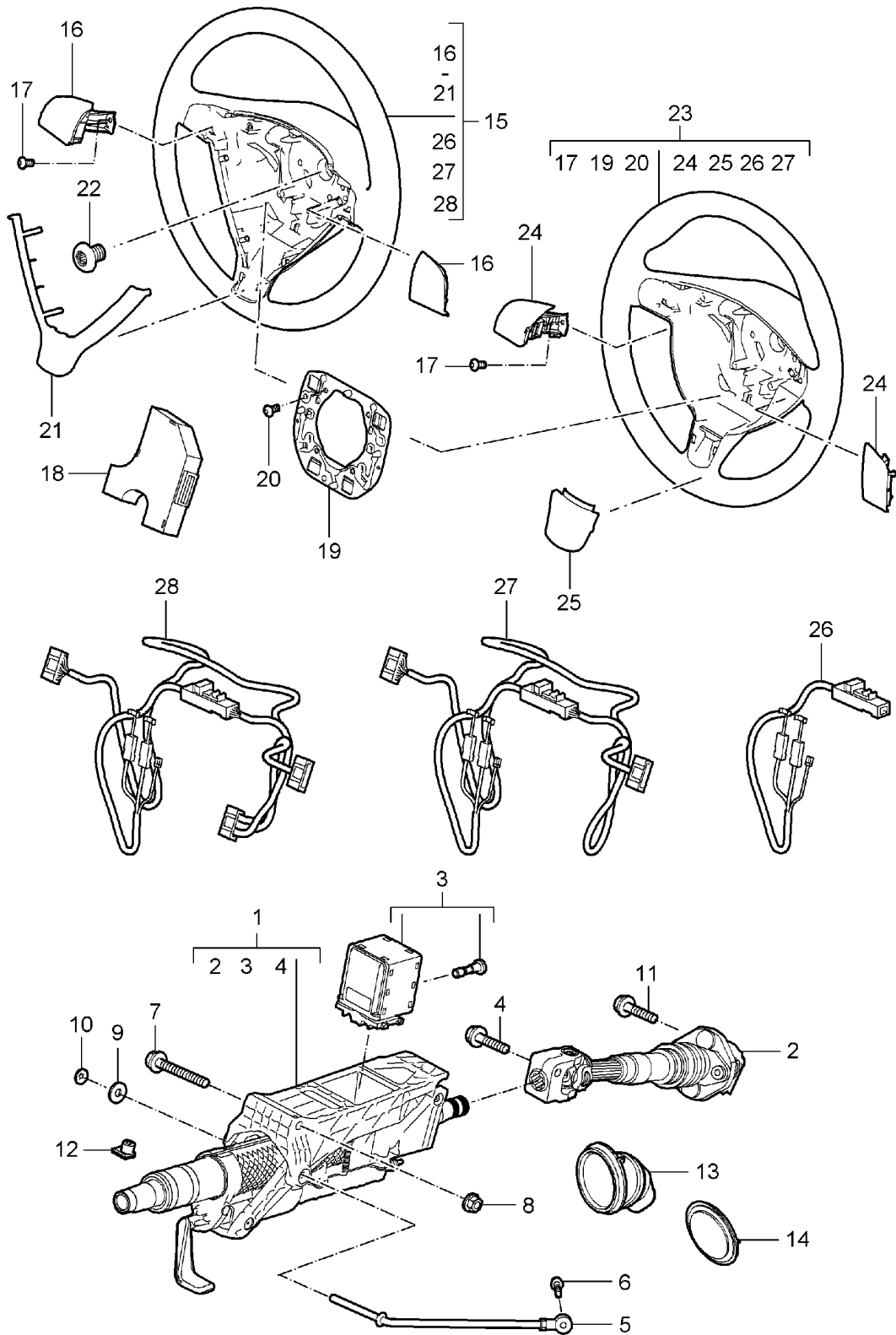
Model: 987 05

Model life 2005>>2008

| Pos | Part Number | Description | Remark | Qty | Model |
|------|----------------|--|--------|-----|--------|
| | | Power steering Power-steering pump container | | | |
| 1 | 986 314 225 02 | Reservoir | | 1 | |
| (1) | 987 314 225 00 | Reservoir | | 1 | PR:754 |
| 4 | 999 707 362 40 | seal ring | | 1 | |
| 5 | 999 707 363 40 | seal ring | | 1 | |
| 6 | 999 701 154 40 | seal ring | | 2 | |
| 7 | 986 314 223 00 | Cover | | 1 | |
| 8 | 997 314 220 00 | oil container | | 1 | |
| 9 | 996 314 050 02 | Power-steering pump | | 1 | |
| 10 | 996 314 320 03 | Cylinder pin | | 2 | |
| 11 | 996 314 431 05 | Support | | 1 | |
| 12 | 900 378 105 09 | Hexagon bolt AM 8 X 70 | | 2 | |
| | | D >> - MJ 2006 | | | |
| (12) | 900 378 105 01 | Screw am 8 x 70 D - MJ 2007>> | | 2 | |
| 13 | 996 147 223 60 | pulley | | 1 | |
| 14 | 900 385 099 04 | Torx screw M 8 X 12 Discontinued part | | 3 | |
| 14 | 900 385 099 01 | Torx screw M 8 X 12 | | 3 | |
| 15 | 999 707 204 40 | seal ring 12.5 X 2N | | 1 | |
| 17 | 999 512 527 00 | Clamp 8,5-10,0 | | 1 | |
| - | 000 043 203 33 | Pentosin 1000 ML | | X | |
| 18 | 996 314 427 00 | Guide | | 1 | |

Model: 987 05

Model life 2005>>2008



Model: 987 05 Model life 2005>>2008

| Pos | Part Number | Description | Remark | Qty | Model |
|-----|----------------|---|--------|-----|-------|
| 1 | 997 347 007 05 | Steering protective pipe Intermediate steering shaft Steering wheels Complete steering column with: | | 1 | |
| (1) | 997 347 007 06 | Intermediate steering shaft Discontinued part Complete steering column with: | | 1 | |
| (1) | 997 347 007 09 | Intermediate steering shaft Discontinued part Complete steering column with: | | 1 | |
| 2 | 997 347 023 02 | Intermediate steering shaft Intermediate steering shaft Discontinued part | | 1 | |
| (2) | 997 347 023 04 | Intermediate steering shaft | | 1 | |
| 3 | 997 618 158 01 | Control unit Steering column with: | | 1 | |
| (3) | 997 618 158 03 | Screw D - MJ 2006>> - MJ 2006 Discontinued part Control unit Steering column with: | | 1 | |
| (3) | 997 618 158 04 | Screw D >> - MJ 2007 Discontinued part Control unit Steering column with: | | 1 | |
| 4 | 999 217 042 09 | Screw D - MJ 2008>> Hexagon bolt M 8 X 35 | | 1 | |
| 5 | 997 347 243 00 | Support | | 1 | |
| 6 | 900 378 173 09 | Hexagon bolt AM 6 X 20 Discontinued part | | 1 | |
| (6) | 900 378 173 01 | Hexagon bolt M 6 X 20 | | 1 | |
| 7 | 900 378 095 09 | Hexagon bolt M 10 X 100 Discontinued part | | 1 | |
| (7) | 900 378 095 01 | Hexagon bolt M 10 X 100 | | 1 | |
| 8 | 900 380 008 09 | Locknut M 10 Discontinued part | | 1 | |
| 8 | 900 380 008 01 | Hexagon nut M 10 | | 1 | |
| 9 | 900 151 006 09 | Washer Discontinued part | | 1 | |
| (9) | 900 151 006 03 | Washer | | 1 | |
| 10 | 999 507 217 07 | Clamping washer | | 1 | |
| 11 | 999 217 042 09 | Hexagon bolt M 8 X 35 | | 1 | |
| 12 | 999 920 019 40 | Plug-in nut 3,5 X 2,5 X 9 | | 1 | |
| 13 | 986 347 037 01 | Bellows | | 1 | |
| 14 | 996 347 339 02 | Rubber seal filler plate | | 1 | |

Model: 987 05 Model life 2005>>2008

| Pos | Part Number | Description | Remark | Qty | Model |
|------|--------------------|-------------------------------|--------|-----|----------------|
| 15 | 997 347 804 03 | steering wheel (leather) | | 1 | PR:436,481,480 |
| | | Embossed Discontinued part | | | |
| | 997 347 804 03 FOA | Black | | | |
| | 997 347 804 03 FOB | Stone grey | | | |
| | 997 347 804 03 FOC | Sand beige | | | |
| | 997 347 804 03 FOD | Palm green | | | |
| | 997 347 804 03 FOE | sea blue | | | |
| | 997 347 804 03 FOF | Terracotta | | | |
| | 997 347 804 03 FOG | Cocoa | | | |
| | 997 347 804 03 FOH | Dark grey/natural | | | |
| | 997 347 804 03 FOJ | Brown/natural | | | |
| | 997 347 804 03 FSQ | Carrera Red | | | |
| 15 | 997 347 804 60 | steering wheel (leather) | | 1 | PR:436,481,480 |
| | | Embossed Discontinued part | | | |
| | 997 347 804 60 A34 | Black | | | |
| | 997 347 804 60 B24 | Stone grey | | | |
| | 997 347 804 60 T24 | Sand beige | | | |
| | 997 347 804 60 E24 | sea blue | | | |
| | 997 347 804 60 M24 | Terracotta | | | |
| | 997 347 804 60 R24 | Cocoa | | | |
| | 997 347 804 60 D14 | Dark grey/natural | | | |
| | 997 347 804 60 T34 | Brown/natural | | | |
| | 997 347 804 60 N14 | Carrera Red | | | |
| 15 | 997 347 804 72 | steering wheel (leather) | | 1 | PR:436,481,480 |
| | | Embossed | | | |
| | 997 347 804 72 A34 | Black | | | |
| | 997 347 804 72 B24 | Stone grey | | | |
| | 997 347 804 72 T24 | Sand beige | | | |
| | 997 347 804 72 E24 | sea blue | | | |
| | 997 347 804 72 M24 | Terracotta | | | |
| | 997 347 804 72 R24 | Cocoa | | | |
| | 997 347 804 72 D14 | Dark grey/natural | | | |
| | 997 347 804 72 T34 | Brown/natural | | | |
| | 997 347 804 72 N14 | Carrera Red | | | |
| 15 | 997 347 804 61 | steering wheel (leather) | | 1 | PR:436,249 |
| | | Embossed | | | |
| | 997 347 804 61 A34 | Black | | | |
| | 997 347 804 61 B24 | Stone grey | | | |
| | 997 347 804 61 T24 | Sand beige | | | |
| | 997 347 804 61 E24 | sea blue | | | |
| | 997 347 804 61 M24 | Terracotta | | | |
| | 997 347 804 61 R24 | Cocoa | | | |
| | 997 347 804 61 D14 | Dark grey/natural | | | |
| | 997 347 804 61 T34 | Brown/natural | | | |
| | 997 347 804 61 N14 | Carrera Red | | | |
| (15) | 997 347 804 01 | steering wheel | | 1 | PR:459,481,480 |
| | | Plain leather | | | |
| | 997 347 804 01 FOK | black/grey | | | |
| | 997 347 804 01 FOL | Stone grey/stone grey | | | |
| | 997 347 804 01 FOM | Sand beige/sand beige | | | |
| | 997 347 804 01 FON | Palmgreen/palmgreen | | | |
| | 997 347 804 01 FOO | Sea blue/grey | | | |
| | 997 347 804 01 FOP | Terracotta/terracotta | | | |
| | 997 347 804 01 FOQ | Cocoa/Cocoa | | | |
| | 997 347 804 01 FOR | Darkgrey natural/grey | | | |
| | 997 347 804 01 FOS | Brown nat./brown nat. | | | |
| | 997 347 804 01 FSQ | Carrera Red | | | |
| (15) | 997 347 804 11 | steering wheel | | 1 | PR:459,249 |

Model: 987 05 Model life 2005>>2008

| Pos | Part Number | Description | Remark | Qty | Model |
|------|--------------------|------------------------------|--------|-----|----------------|
| | | Plain leather | | | |
| | 997 347 804 11 FOK | black/grey | | | |
| | 997 347 804 11 FOL | Stone grey/stone grey | | | |
| | 997 347 804 11 FOM | Sand beige/sand beige | | | |
| | 997 347 804 11 FON | Palmgreen/palmgreen | | | |
| | 997 347 804 11 FOO | Sea blue/grey | | | |
| | 997 347 804 11 FOP | Terracotta/terracotta | | | |
| | 997 347 804 11 FOQ | Cocoa/Cocoa | | | |
| | 997 347 804 11 FOR | Darkgrey natural/grey | | | |
| | 997 347 804 11 FOS | Brown nat./brown nat. | | | |
| | 997 347 804 11 FSQ | Carrera Red | | | |
| (15) | 997 347 804 05 | steering wheel (leather) | | 1 | PR:431,481,480 |
| | | Plain leather | | | |
| | | Multi-function | | | |
| | | Discontinued part | | | |
| | 997 347 804 05 FOK | black/grey | | | |
| | | Discontinued part | | | |
| | 997 347 804 05 FOL | Stone grey/stone grey | | | |
| | | Discontinued part | | | |
| | 997 347 804 05 FOM | Sand beige/sand beige | | | |
| | 997 347 804 05 FON | Palmgreen/palmgreen | | | |
| | 997 347 804 05 FOO | Sea blue/grey | | | |
| | | Discontinued part | | | |
| | 997 347 804 05 FOP | Terracotta/terracotta | | | |
| | 997 347 804 05 FOQ | Cocoa/Cocoa | | | |
| | | Discontinued part | | | |
| | 997 347 804 05 FOR | Darkgrey natural/grey | | | |
| | 997 347 804 05 FOS | Brown nat./brown nat. | | | |
| | 997 347 804 05 FSQ | Carrera Red | | | |
| | | Discontinued part | | | |
| (15) | 997 347 804 63 | multifunction steering wheel | | 1 | PR:431,481,480 |
| | | Plain leather | | | |
| | 997 347 804 63 A34 | black/grey | | | |
| | 997 347 804 63 B24 | Stone grey/stone grey | | | |
| | 997 347 804 63 T24 | Sand beige/sand beige | | | |
| | 997 347 804 63 E24 | Sea blue/grey | | | |
| | 997 347 804 63 M24 | Terracotta/terracotta | | | |
| | 997 347 804 63 R24 | Cocoa/Cocoa | | | |
| | 997 347 804 63 D14 | Darkgrey natural/grey | | | |
| | 997 347 804 63 T34 | Brown nat./brown nat. | | | |
| | 997 347 804 63 N14 | Carrera Red/Carrera Red | | | |
| (15) | 997 347 804 06 | steering wheel (leather) | | 1 | PR:431,249 |
| | | Plain leather | | | |
| | | Multi-function | | | |
| | | Discontinued part | | | |
| | 997 347 804 06 FOK | black/grey | | | |
| | 997 347 804 06 FOL | Stone grey/stone grey | | | |
| | 997 347 804 06 FOM | Sand beige/sand beige | | | |
| | 997 347 804 06 FON | Palmgreen/palmgreen | | | |
| | 997 347 804 06 FOO | Sea blue/grey | | | |
| | 997 347 804 06 FOP | Terracotta/terracotta | | | |
| | 997 347 804 06 FOQ | Cocoa/Cocoa | | | |
| | 997 347 804 06 FOR | Darkgrey natural/grey | | | |
| | 997 347 804 06 FOS | Brown nat./brown nat. | | | |
| | 997 347 804 06 FSQ | Carrera Red | | | |
| (15) | 997 347 804 65 | steering wheel (leather) | | 1 | PR:431,249 |
| | | Plain leather | | | |
| | | Multi-function | | | |
| | | Discontinued part | | | |
| | 997 347 804 65 A34 | black/grey | | | |
| | 997 347 804 65 B24 | Stone grey/stone grey | | | |
| | 997 347 804 65 T24 | Sand beige/sand beige | | | |
| | 997 347 804 65 J24 | Palmgreen/palmgreen | | | |

Model: 987 05 Model life 2005>>2008

| Pos | Part Number | Description | Remark | Qty | Model |
|------|--------------------|---|--------|-----|----------------|
| | 997 347 804 65 E24 | Sea blue/grey | | | |
| | 997 347 804 65 M24 | Terracotta/terracotta | | | |
| | 997 347 804 65 R24 | Cocoa/Cocoa | | | |
| | 997 347 804 65 D14 | Darkgrey natural/grey | | | |
| | 997 347 804 65 T34 | Brown nat./brown nat. | | | |
| | 997 347 804 65 N14 | Carrera Red | | | |
| (15) | 997 347 804 77 | steering wheel (leather) Plain leather Multi-function | | 1 | PR:431,249 |
| | 997 347 804 77 A34 | Black | | | |
| | 997 347 804 77 B24 | Stone grey | | | |
| | 997 347 804 77 T24 | Sand beige | | | |
| | 997 347 804 77 E24 | sea blue | | | |
| | 997 347 804 77 M24 | Terracotta | | | |
| | 997 347 804 77 R24 | Cocoa | | | |
| | 997 347 804 77 D14 | Dark grey/natural | | | |
| | 997 347 804 77 T34 | Brown/natural | | | |
| | 997 347 804 77 N14 | Carrera Red | | | |
| (15) | 997 347 804 22 | steering wheel Multi-function Wood macassar | | 1 | PR:451,481,480 |
| | 997 347 804 22 FOK | black/grey | | | |
| | 997 347 804 22 FOL | Stone grey/stone grey | | | |
| | 997 347 804 22 FOM | Sand beige/sand beige | | | |
| | 997 347 804 22 FON | Palmgreen/palmgreen | | | |
| | 997 347 804 22 FOO | Sea blue/grey | | | |
| | 997 347 804 22 FOP | Terracotta/terracotta | | | |
| | 997 347 804 22 FOQ | Cocoa/Cocoa | | | |
| | 997 347 804 22 FOR | Darkgrey natural/grey | | | |
| | 997 347 804 22 FOS | Brown nat./brown nat. | | | |
| | 997 347 804 22 FSQ | Carrera Red | | | |
| (15) | 997 347 804 32 | steering wheel Multi-function Wood macassar | | 1 | PR:451,249 |
| | 997 347 804 32 FOK | black/grey | | | |
| | 997 347 804 32 FOL | Stone grey/stone grey | | | |
| | 997 347 804 32 FOM | Sand beige/sand beige | | | |
| | 997 347 804 32 FON | Palmgreen/palmgreen | | | |
| | 997 347 804 32 FOO | Sea blue/grey | | | |
| | 997 347 804 32 FOP | Terracotta/terracotta | | | |
| | 997 347 804 32 FOQ | Cocoa/Cocoa | | | |
| | 997 347 804 32 FOR | Darkgrey natural/grey | | | |
| | 997 347 804 32 FOS | Brown nat./brown nat. | | | |
| | 997 347 804 32 FSQ | Carrera Red | | | |
| (15) | 997 347 804 23 | steering wheel Multi-function Wood Sycamore wood | | 1 | PR:452,481,480 |
| | 997 347 804 23 FOK | black/grey | | | |
| | 997 347 804 23 FOL | Stone grey/stone grey | | | |
| | 997 347 804 23 FOM | Sand beige/sand beige | | | |
| | 997 347 804 23 FON | Palmgreen/palmgreen | | | |
| | 997 347 804 23 FOO | Sea blue/grey | | | |
| | 997 347 804 23 FOP | Terracotta/terracotta | | | |
| | 997 347 804 23 FOQ | Cocoa/Cocoa | | | |
| | 997 347 804 23 FOR | Darkgrey natural/grey | | | |
| | 997 347 804 23 FOS | Brown nat./brown nat. | | | |
| | 997 347 804 23 FSQ | Carrera Red | | | |
| (15) | 997 347 804 33 | steering wheel Multi-function Wood | | 1 | PR:452,249 |

Model: 987 05 Model life 2005>>2008

| Pos | Part Number | Description | Remark | Qty | Model |
|------|--------------------|--|--------|-----|--------------------|
| | 997 347 804 33 FOK | Sycamore wood black/grey | | | |
| | 997 347 804 33 FOL | Stone grey/stone grey | | | |
| | 997 347 804 33 FOM | Sand beige/sand beige | | | |
| | 997 347 804 33 FON | Palmgreen/palmgreen | | | |
| | 997 347 804 33 FOO | Sea blue/grey | | | |
| | 997 347 804 33 FOP | Terracotta/terracotta | | | |
| | 997 347 804 33 FOQ | Cocoa/Cocoa | | | |
| | 997 347 804 33 FOR | Darkgrey natural/grey | | | |
| | 997 347 804 33 FOS | Brown nat./brown nat. | | | |
| | 997 347 804 33 FSQ | Carrera Red | | | |
| (15) | 997 347 804 24 | steering wheel Multi-function Carbon | | 1 | PR:453,481, 480 |
| | 997 347 804 24 FOK | black/grey | | | |
| | 997 347 804 24 FOL | Stone grey/stone grey | | | |
| | 997 347 804 24 FOM | Sand beige/sand beige | | | |
| | 997 347 804 24 FON | Palmgreen/palmgreen | | | |
| | 997 347 804 24 FOO | Sea blue/grey | | | |
| | 997 347 804 24 FOP | Terracotta/terracotta | | | |
| | 997 347 804 24 FOQ | Cocoa/Cocoa | | | |
| | 997 347 804 24 FOR | Darkgrey natural/grey | | | |
| | 997 347 804 24 FOS | Brown nat./brown nat. | | | |
| | 997 347 804 24 FSQ | Carrera Red | | | |
| (15) | 997 347 804 34 | steering wheel Multi-function Carbon | | 1 | PR:453,249 |
| | 997 347 804 34 FOK | black/grey | | | |
| | 997 347 804 34 FOL | Stone grey/stone grey | | | |
| | 997 347 804 34 FOM | Sand beige/sand beige | | | |
| | 997 347 804 34 FON | Palmgreen/palmgreen | | | |
| | 997 347 804 34 FOO | Sea blue/grey | | | |
| | 997 347 804 34 FOP | Terracotta/terracotta | | | |
| | 997 347 804 34 FOQ | Cocoa/Cocoa | | | |
| | 997 347 804 34 FOR | Darkgrey natural/grey | | | |
| | 997 347 804 34 FOS | Brown nat./brown nat. | | | |
| | 997 347 804 34 FSQ | Carrera Red | | | |
| (15) | 997 347 981 00 | multifunction steering wheel Aluminium look | | 1 | PR:480,XPV |
| | 997 347 981 00 A34 | Black | | | |
| | 997 347 981 00 B24 | Stone grey | | | |
| | 997 347 981 00 D14 | Dark grey/natural | | | |
| | 997 347 981 00 E24 | sea blue | | | |
| | 997 347 981 00 J24 | Palm green | | | |
| | 997 347 981 00 M24 | Terracotta | | | |
| | 997 347 981 00 R24 | Cocoa | | | |
| | 997 347 981 00 T24 | Sand beige | | | |
| | 997 347 981 00 T34 | Brown/natural | | | |
| | 997 347 981 00 N14 | Carrera Red | | | |
| (15) | 997 347 981 01 | multifunction steering wheel Aluminium look | | 1 | PR:432,XPV |
| | 997 347 981 01 A34 | Black | | | |
| | 997 347 981 01 B24 | Stone grey | | | |
| | 997 347 981 01 D14 | Dark grey/natural | | | |
| | 997 347 981 01 E24 | sea blue | | | |
| | 997 347 981 01 J24 | Palm green | | | |
| | 997 347 981 01 M24 | Terracotta | | | |
| | 997 347 981 01 R24 | Cocoa | | | |
| | 997 347 981 01 T24 | Sand beige | | | |
| | 997 347 981 01 T34 | Brown/natural | | | |
| | 997 347 981 01 N14 | Carrera Red/Carrera Red | | | |
| 16 | 997 347 837 00 | Dummy cover | left | 1 | PR:480,481 |
| | 997 347 837 00 V04 | Galvano silver | | | |

Model: 987 05 Model life 2005>>2008

| Pos | Part Number | Description | Remark | Qty | Model |
|------|--------------------------------------|---|--------|-----|------------|
| (16) | 997 347 838 00 997 347 838 00 V04 | Dummy cover Galvano silver | right | 1 | PR:480,481 |
| (16) | 997 613 431 01 | Switching module with: Tiptronic Lever D - MJ 2005>> - MJ 2005 | left | 1 | PR:249 |
| (16) | 997 613 431 01 V04 997 613 431 02 | Galvano silver Switching module with: Tiptronic Lever D - MJ 2006>> | left | 1 | PR:249 |
| (16) | 997 613 431 02 V04 997 613 432 01 | Galvano silver Switching module with: Tiptronic Lever D - MJ 2005>> - MJ 2005 | right | 1 | PR:249 |
| (16) | 997 613 432 01 V04 997 613 432 02 | Galvano silver Switching module with: Tiptronic Lever D - MJ 2006>> | right | 1 | PR:249 |
| (16) | 997 613 432 02 V04 997 613 433 01 | Galvano silver Switching module Multi-function Manual gearbox D - MJ 2005>> - MJ 2005 | left | 1 | PR:480,481 |
| (16) | 997 613 433 01 V04 997 613 433 02 | Galvano silver Switching module Multi-function Manual gearbox D - MJ 2006>> | left | 1 | PR:480,481 |
| (16) | 997 613 433 02 V04 997 613 433 03 | Galvano silver F >> 98-7U710 734 F >> 98-7U730 402 Switching module Multi-function Manual gearbox | left | 1 | PR:480,481 |
| (16) | 997 613 433 03 V04 | Galvano silver F 98-7U710 735>> F 98-7U730 403>> also use: 997 613 434 03 (V04) 997 613 445 03 See technical manual | | | |
| (16) | 997 613 434 01 | 91 6119 91 7719 Switching module Multi-function Manual gearbox D - MJ 2005>> - MJ 2005 | right | 1 | PR:480,481 |
| (16) | 997 613 434 01 V04 997 613 434 02 | Galvano silver Switching module Multi-function Manual gearbox D - MJ 2006>> | right | 1 | PR:480,481 |
| (16) | 997 613 434 02 V04 | Galvano silver F >> 98-7U710 734 F >> 98-7U730 402 | | | |

Model: 987 05 Model life 2005>>2008

| Pos | Part Number | Description | Remark | Qty | Model |
|------|--------------------|--|---|-----|------------|
| (16) | 997 613 434 03 | Switching module Multi-function Manual gearbox | right | 1 | PR:480,481 |
| | 997 613 434 03 V04 | Galvano silver F 98-7U710 735>> F 98-7U730 403>> | | | |
| | | also use: | 997 613 433 03 (V04) 997 613 445 03 | | |
| | | See technical manual | | | |
| | | Group: | | | |
| | | 91 6119 91 7719 | | | |
| (16) | 997 613 435 01 | Switching module Multi-function | left | 1 | PR:249 |
| | | with: | | | |
| | | Tiptronic Lever D - MJ 2005>> - MJ 2005 | | | |
| | 997 613 435 01 V04 | Galvano silver | | | |
| (16) | 997 613 435 02 | Switching module Multi-function | left | 1 | PR:249 |
| | | with: | | | |
| | | Tiptronic Lever D - MJ 2006>> Discontinued part | | | |
| | 997 613 435 02 V04 | Galvano silver F >> 98-7U710 734 F >> 98-7U730 402 | | | |
| (16) | 997 613 435 03 | Switching module Multi-function | left | 1 | PR:249 |
| | | with: | | | |
| | | Tiptronic Lever Galvano silver F 98-7U710 735>> F 98-7U730 403>> | | | |
| | | also use: | 997 613 436 03 (V04) 997 613 445 03 | | |
| | | See technical manual | | | |
| | | Group: | | | |
| | | 91 6119 91 7719 | | | |
| (16) | 997 613 436 01 | Switching module Multi-function | right | 1 | PR:249 |
| | | with: | | | |
| | | Tiptronic Lever D - MJ 2005>> - MJ 2005 | | | |
| | 997 613 436 01 V04 | Galvano silver | | | |
| (16) | 997 613 436 02 | Switching module Multi-function | right | 1 | PR:249 |
| | | with: | | | |
| | | Tiptronic Lever D - MJ 2006>> Discontinued part | | | |
| | 997 613 436 02 V04 | Galvano silver F >> 98-7U710 734 F >> 98-7U730 402 | | | |
| (16) | 997 613 436 03 | Switching module | right | 1 | PR:249 |

Model: 987 05 Model life 2005>>2008

| Pos | Part Number | Description | Remark | Qty | Model |
|------|--------------------|--|--------|-----|--------------------|
| | 997 613 436 03 V04 | Multi-function with: Tiptronic Lever Galvano silver F 98-7U710 735>> F 98-7U730 403>> also use: 997 613 435 03 (V04) 997 613 445 03 See technical manual Group: 91 6119 91 7719 | | | |
| 17 | 999 073 318 09 | Round-head screw M 4 X 10 | | 2 | |
| 18 | 997 613 445 01 | Electronic unit Multi-function Discontinued part | | 1 | PR:431,451,452,453 |
| (18) | 997 613 445 02 | Electronic unit Multi-function F >> 98-7U710 734 F >> 98-7U730 402 | | 1 | PR:431,451,452,453 |
| (18) | 997 613 445 03 | Electronic unit Multi-function F 98-7U710 735>> F 98-7U730 403>> also use: 997 613 435 03 (V04) left 997 613 436 03 (V04) right See technical manual Group: 91 6119, 91 7719 | | 1 | PR:431,451,452,453 |
| (18) | 997 613 445 03 | Electronic unit Multi-function F 98-7U710 735>> F 98-7U730 403>> also use: 997 613 433 03 (V04) left 997 613 434 03 (V04) right See technical manual Group: 91 6119, 91 7719 | | 1 | PR:431,451,452,453 |
| 19 | 997 347 880 00 | retaining frame | | 1 | |
| 20 | 999 141 022 09 | flat round head bolt M 5 X 12,5 | | 4 | |
| 21 | 997 347 821 00 | Trim | | 1 | |
| | 997 347 821 00 D07 | Volcano grey | | | |
| 22 | N 910 207 01 | Screw with int. serrations M 18 X 1,5 X 26 | | 1 | |

Model: 987 05 Model life 2005>>2008

| Pos | Part Number | Description | Remark | Qty | Model |
|------|--------------------|--|--------|-----|--------------------|
| 23 | 997 347 804 40 | sports steering wheel(leather) Embossed | | 1 | PR:435,481, 480 |
| | 997 347 804 40 FOA | Black | | | |
| | 997 347 804 40 FOB | Stone grey | | | |
| | 997 347 804 40 FOC | Sand beige | | | |
| | 997 347 804 40 FOD | Palm green | | | |
| | 997 347 804 40 FOE | sea blue | | | |
| | 997 347 804 40 FOF | Terracotta | | | |
| | 997 347 804 40 FOG | Cocoa | | | |
| | 997 347 804 40 FOH | Dark grey/natural | | | |
| | 997 347 804 40 FOJ | Brown/natural | | | |
| | 997 347 804 40 FSQ | Carrera Red | | | |
| (23) | 997 347 804 50 | sports steering wheel(leather) Embossed | | 1 | PR:435,249 |
| | 997 347 804 50 FOA | Black | | | |
| | 997 347 804 50 FOB | Stone grey | | | |
| | 997 347 804 50 FOC | Sand beige | | | |
| | 997 347 804 50 FOD | Palm green | | | |
| | 997 347 804 50 FOE | sea blue | | | |
| | 997 347 804 50 FOF | Terracotta | | | |
| | 997 347 804 50 FOG | Cocoa | | | |
| | 997 347 804 50 FOH | Dark grey/natural | | | |
| | 997 347 804 50 FOJ | Brown/natural | | | |
| | 997 347 804 50 N14 | Carrera Red | | | |
| (23) | 997 347 804 41 | sports steering wheel Plain leather | | 1 | PR:460,481, 480 |
| | 997 347 804 41 FOK | black/grey | | | |
| | 997 347 804 41 FOL | Stone grey/stone grey | | | |
| | 997 347 804 41 FOM | Sand beige/sand beige | | | |
| | 997 347 804 41 FON | Palmgreen/palmgreen | | | |
| | 997 347 804 41 FOO | Sea blue/grey | | | |
| | 997 347 804 41 FOP | Terracotta/terracotta | | | |
| | 997 347 804 41 FOQ | Cocoa/Cocoa | | | |
| | 997 347 804 41 FOR | Darkgrey natural/grey | | | |
| | 997 347 804 41 FOS | Brown nat./brown nat. | | | |
| | 997 347 804 41 FSQ | Carrera Red | | | |
| (23) | 997 347 804 51 | sports steering wheel Plain leather | | 1 | PR:460,249 |
| | 997 347 804 51 FOK | black/grey | | | |
| | 997 347 804 51 FOL | Stone grey/stone grey | | | |
| | 997 347 804 51 FOM | Sand beige/sand beige | | | |
| | 997 347 804 51 FON | Palmgreen/palmgreen | | | |
| | 997 347 804 51 FOO | Sea blue/grey | | | |
| | 997 347 804 51 FOP | Terracotta/terracotta | | | |
| | 997 347 804 51 FOQ | Cocoa/Cocoa | | | |
| | 997 347 804 51 FOR | Darkgrey natural/grey | | | |
| | 997 347 804 51 FOS | Brown nat./brown nat. | | | |
| | 997 347 804 51 FSQ | Carrera Red | | | |
| (23) | 997 347 804 91 | sports steering wheel Alcantara | | 1 | PR:753,757 |
| | 997 347 804 91 A15 | Black | | | |
| (23) | 997 347 804 93 | sports steering wheel Alcantara | | 1 | PR:753,249, 757 |
| | 997 347 804 93 A15 | Black | | | |
| (23) | 997 347 980 00 | sports steering wheel(leather) | | 1 | PR:480,XPA |
| | 997 347 980 00 A34 | Black | | | |
| | 997 347 980 00 B24 | Stone grey | | | |
| | 997 347 980 00 D14 | Dark grey/natural | | | |
| | 997 347 980 00 E24 | sea blue | | | |
| | 997 347 980 00 J24 | Palm green | | | |
| | 997 347 980 00 M24 | Terracotta | | | |
| | 997 347 980 00 R24 | Cocoa | | | |

Model: 987 05 Model life 2005>>2008

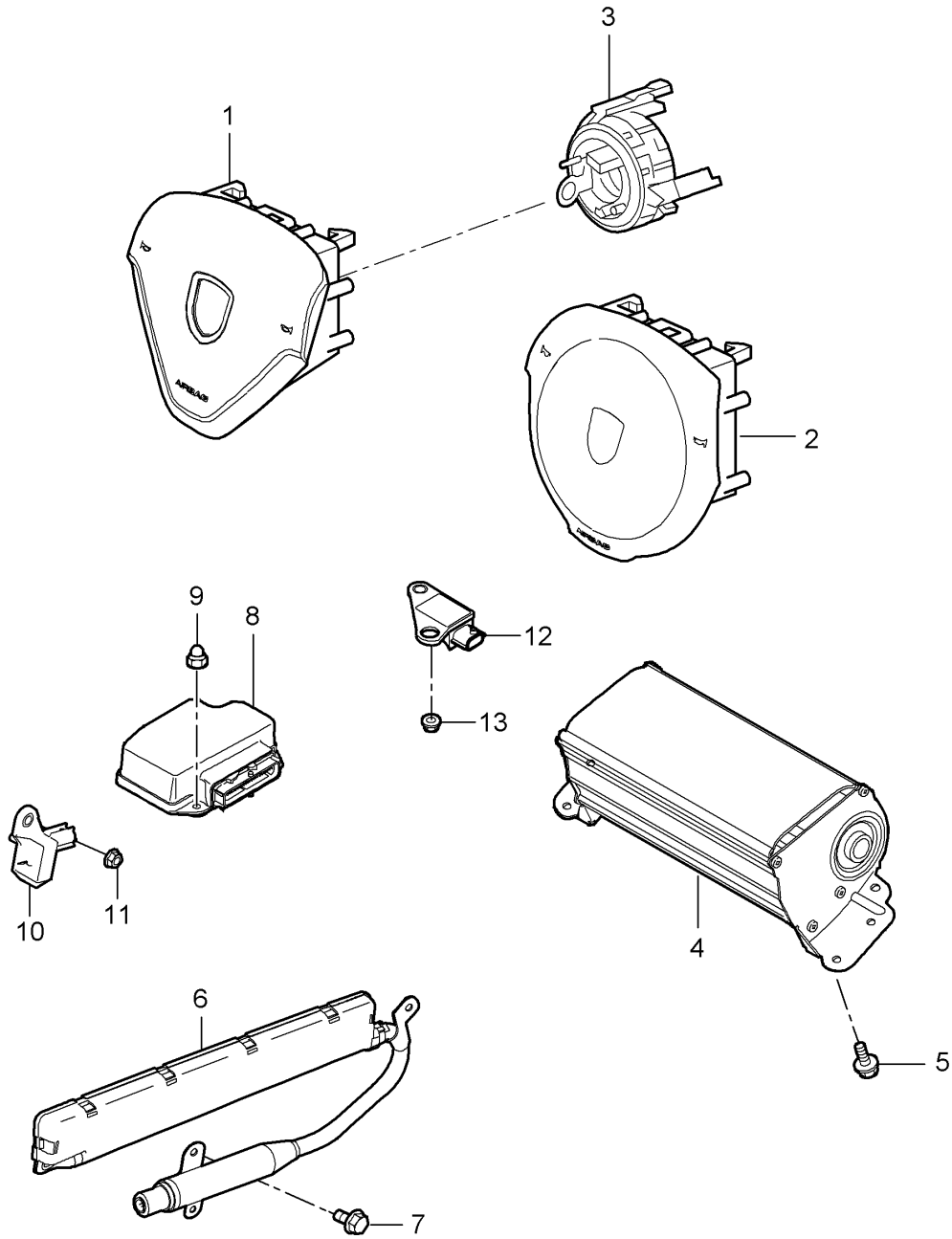
| Pos | Part Number | Description | Remark | Qty | Model |
|------|--------------------|--|--------|-----|------------|
| | 997 347 980 00 T24 | Sand beige | | | |
| | 997 347 980 00 T34 | Brown/natural | | | |
| | 997 347 980 00 N14 | Carrera Red | | | |
| (23) | 997 347 980 01 | sports steering wheel(leather) | | 1 | PR:432,XPA |
| | 997 347 980 01 A34 | Black | | | |
| | 997 347 980 01 B24 | Stone grey | | | |
| | 997 347 980 01 D14 | Dark grey/natural | | | |
| | 997 347 980 01 E24 | sea blue | | | |
| | 997 347 980 01 J24 | Palm green | | | |
| | 997 347 980 01 M24 | Terracotta | | | |
| | 997 347 980 01 R24 | Cocoa | | | |
| | 997 347 980 01 T24 | Sand beige | | | |
| | 997 347 980 01 T34 | Brown/natural | | | |
| | 997 347 980 01 N14 | Carrera Red | | | |
| (23) | 997 347 804 53 | sports steering wheel Leather Discontinued part | | 1 | PR:754,432 |
| | 997 347 804 53 VAH | Carrera Red | | | |
| | 997 347 804 53 VAJ | Dark grey/natural | | | |
| (23) | 997 347 804 59 | sports steering wheel Leather Discontinued part | | 1 | PR:754,432 |
| | 997 347 804 59 N25 | Carrera Red | | | |
| | 997 347 804 59 D13 | Dark grey/natural | | | |
| (23) | 997 347 804 71 | steering wheel Leather | | 1 | PR:754,432 |
| | 997 347 804 71 N25 | Carrera Red | | | |
| | 997 347 804 71 D13 | Dark grey/natural | | | |
| (23) | 997 347 804 43 | sports steering wheel Leather Discontinued part | | 1 | PR:754,249 |
| | 997 347 804 43 VAH | Carrera Red | | | |
| | 997 347 804 43 VAJ | Dark grey/natural | | | |
| (23) | 997 347 804 56 | sports steering wheel Leather Discontinued part | | 1 | PR:754,249 |
| | 997 347 804 56 N25 | Carrera Red | | | |
| | 997 347 804 56 D13 | Dark grey/natural | | | |
| (23) | 997 347 804 68 | steering wheel Leather | | 1 | PR:754,249 |
| | 997 347 804 68 N25 | Carrera Red | | | |
| | 997 347 804 68 D13 | Dark grey/natural | | | |
| 24 | 997 347 837 40 | Dummy cover | left | 1 | PR:480,481 |
| | 997 347 837 40 V04 | Galvano silver | | | |
| (24) | 997 347 837 90 | Dummy cover | left | 1 | PR:753 |
| | 997 347 837 90 D07 | Volcano grey | | | |
| (24) | 997 347 838 40 | Dummy cover | right | 1 | PR:480,481 |
| | 997 347 838 40 V04 | Galvano silver | | | |
| (24) | 997 347 838 90 | Dummy cover | right | 1 | PR:753 |
| | 997 347 838 90 D07 | Volcano grey | | | |
| (24) | 997 613 437 00 | Switching module | left | 1 | PR:249 |
| | | with: Tiptronic Lever D - MJ 2005>> - MJ 2005 | | | |
| | 997 613 437 00 V04 | Galvano silver | | | |
| (24) | 997 613 437 02 | Switching module | left | 1 | PR:249 |
| | | with: Tiptronic Lever D - MJ 2006>> - MJ 2006 | | | |
| | 997 613 437 02 V04 | Galvano silver | | | |
| (24) | 997 613 437 03 | Switching module | left | 1 | PR:249 |

Model: 987 05 Model life 2005>>2008

| Pos | Part Number | Description | Remark | Qty | Model |
|------|--|--|--------|-----|------------------------|
| (24) | 997 613 437 03 V04 997 613 438 00 | with: Tiptronic Lever D - MJ 2007>> Galvano silver Switching module | right | 1 | PR:249 |
| (24) | 997 613 438 00 V04 997 613 438 02 | with: Tiptronic Lever D - MJ 2005>> - MJ 2005 Galvano silver Switching module | right | 1 | PR:249 |
| (24) | 997 613 438 02 V04 997 613 438 03 | with: Tiptronic Lever D - MJ 2006>> - MJ 2006 Galvano silver Switching module | right | 1 | PR:249 |
| 25 | 997 613 438 03 V04 997 347 821 40 997 347 821 40 V04 | with: Tiptronic Lever D - MJ 2007>> Galvano silver Dummy cover Galvano silver | | 1 | |
| (25) | 997 347 821 90 997 347 821 90 D07 | Dummy cover Volcano grey | | 1 | PR:753 |
| 26 | 997 612 672 00 | Wire set 3-spoke steering wheel sports steering wheel | | 1 | PR:480,481 |
| 26 | 997 612 672 01 | without: Multi-function Manual gearbox Discontinued part Wire set 3-spoke steering wheel sports steering wheel | | 1 | PR:480,481 |
| 26 | 997 612 672 02 | without: Multi-function Manual gearbox Discontinued part Wire set 3-spoke steering wheel sports steering wheel | | 1 | PR:480,481 |
| 27 | 997 612 674 00 | without: Multi-function Manual gearbox Wire set 3-spoke steering wheel sports steering wheel | | 1 | PR:249 |
| 28 | 997 612 673 00 | without: Multi-function Tiptronic Wire set 3-spoke steering wheel | | 1 | PR:431,451, 452,453 |
| | | with: Multi-function Manual gearbox Tiptronic | | | |

Model: 987 05

Model life 2005>>2008



Model: 987 05 Model life 2005>>2008

| Pos | Part Number | Description | Remark | Qty | Model |
|-----|--------------------|--|--------|-----|------------------------------------|
| 1 | 997 803 089 13 | Airbag Airbag unit 3-spoke steering wheel plastic Porsche crest Coloured Discontinued part | | 1 | PR:436 |
| | 997 803 089 13 A32 | Black | | | |
| | 997 803 089 13 B22 | Stone grey | | | |
| | 997 803 089 13 T22 | Sand beige | | | |
| | 997 803 089 13 E22 | sea blue | | | |
| | 997 803 089 13 J22 | Palm green | | | |
| | 997 803 089 13 M22 | Terracotta | | | |
| | 997 803 089 13 R32 | Cocoa | | | |
| | 997 803 089 13 T32 | Brown/natural | | | |
| | 997 803 089 13 N22 | Carrera Red | | | |
| 1 | 997 803 089 19 | Airbag unit 3-spoke steering wheel plastic Porsche crest Coloured Discontinued part | | 1 | PR:436 |
| | 997 803 089 19 A32 | Black | | | |
| | 997 803 089 19 B22 | Stone grey | | | |
| | 997 803 089 19 T22 | Sand beige | | | |
| | 997 803 089 19 E22 | sea blue | | | |
| | 997 803 089 19 J22 | Palm green | | | |
| | 997 803 089 19 M22 | Terracotta | | | |
| | 997 803 089 19 R32 | Cocoa | | | |
| | 997 803 089 19 T32 | Brown/natural | | | |
| | 997 803 089 19 N22 | Carrera Red | | | |
| 1 | 997 803 089 25 | Airbag unit 3-spoke steering wheel plastic Porsche crest Coloured | | 1 | PR:436 |
| | 997 803 089 25 A32 | Black | | | |
| | 997 803 089 25 B22 | Stone grey | | | |
| | 997 803 089 25 T22 | Sand beige | | | |
| | 997 803 089 25 E22 | sea blue | | | |
| | 997 803 089 25 J22 | Palm green | | | |
| | 997 803 089 25 M22 | Terracotta | | | |
| | 997 803 089 25 R32 | Cocoa | | | |
| | 997 803 089 25 T32 | Brown/natural | | | |
| | 997 803 089 25 N22 | Carrera Red | | | |
| (1) | 997 803 089 14 | Airbag unit 3-spoke steering wheel Leather Porsche crest Coloured Discontinued part | | 1 | PR:431,451, 452,453,459, 991 |
| | 997 803 089 14 A34 | Black Discontinued part | | | |
| | 997 803 089 14 B24 | Stone grey Discontinued part | | | |
| | 997 803 089 14 T24 | Sand beige Discontinued part | | | |
| | 997 803 089 14 E24 | sea blue Discontinued part | | | |
| | 997 803 089 14 J24 | Palm green | | | |
| | 997 803 089 14 M24 | Terracotta Discontinued part | | | |
| | 997 803 089 14 R24 | Cocoa | | | |

Model: 987 05 Model life 2005>>2008

| Pos | Part Number | Description | Remark | Qty | Model |
|-----|--------------------|--|--------|-----|------------------------------------|
| | 997 803 089 14 D14 | Discontinued part Dark grey/natural | | | |
| | 997 803 089 14 T34 | Brown/natural | | | |
| | 997 803 089 14 N14 | Carrera Red | | | |
| (1) | 997 803 089 20 | Discontinued part Airbag unit 3-spoke steering wheel Leather Porsche crest Coloured | | 1 | PR:431,451, 452,453,459, 991 |
| | 997 803 089 20 A34 | Discontinued part Black | | | |
| | 997 803 089 20 B24 | Stone grey | | | |
| | 997 803 089 20 T24 | Sand beige | | | |
| | 997 803 089 20 E24 | sea blue | | | |
| | 997 803 089 20 J24 | Palm green | | | |
| | 997 803 089 20 M24 | Terracotta | | | |
| | 997 803 089 20 R24 | Cocoa | | | |
| | 997 803 089 20 D14 | Dark grey/natural | | | |
| | 997 803 089 20 T34 | Brown/natural | | | |
| | 997 803 089 20 N14 | Carrera Red | | | |
| (1) | 997 803 089 26 | Airbag unit 3-spoke steering wheel Leather Porsche crest Coloured | | 1 | PR:431,451, 452,453,459, 991 |
| | 997 803 089 26 A34 | Black | | | |
| | 997 803 089 26 B24 | Stone grey | | | |
| | 997 803 089 26 T24 | Sand beige | | | |
| | 997 803 089 26 E24 | sea blue | | | |
| | 997 803 089 26 J24 | Palm green | | | |
| | 997 803 089 26 M24 | Terracotta | | | |
| | 997 803 089 26 R24 | Cocoa | | | |
| | 997 803 089 26 D14 | Dark grey/natural | | | |
| | 997 803 089 26 T34 | Brown/natural | | | |
| | 997 803 089 26 N14 | Carrera Red | | | |
| (2) | 997 803 089 16 | Airbag unit Discontinued part | | 1 | PR:435 |
| | 997 803 089 16 A32 | Black | | | |
| | 997 803 089 16 B22 | Stone grey | | | |
| | 997 803 089 16 T22 | Sand beige | | | |
| | 997 803 089 16 E22 | sea blue | | | |
| | 997 803 089 16 J22 | Palm green | | | |
| | 997 803 089 16 M22 | Terracotta | | | |
| | 997 803 089 16 R32 | Cocoa | | | |
| | 997 803 089 16 T32 | Brown/natural | | | |
| | 997 803 089 16 N22 | Carrera Red | | | |
| (2) | 997 803 089 21 | Airbag unit Discontinued part | | 1 | PR:435 |
| | 997 803 089 21 A32 | Black | | | |
| | 997 803 089 21 B22 | Stone grey | | | |
| | 997 803 089 21 T22 | Sand beige | | | |
| | 997 803 089 21 E22 | sea blue | | | |
| | 997 803 089 21 J22 | Palm green | | | |
| | 997 803 089 21 M22 | Terracotta | | | |
| | 997 803 089 21 R32 | Cocoa | | | |
| | 997 803 089 21 T32 | Brown/natural | | | |
| | 997 803 089 21 N22 | Carrera Red | | | |
| (2) | 997 803 089 22 | Airbag unit sports steering wheel Leather Discontinued part | | 1 | PR:435 |
| | 997 803 089 22 A34 | Black | | | |

Model: 987 05 Model life 2005>>2008

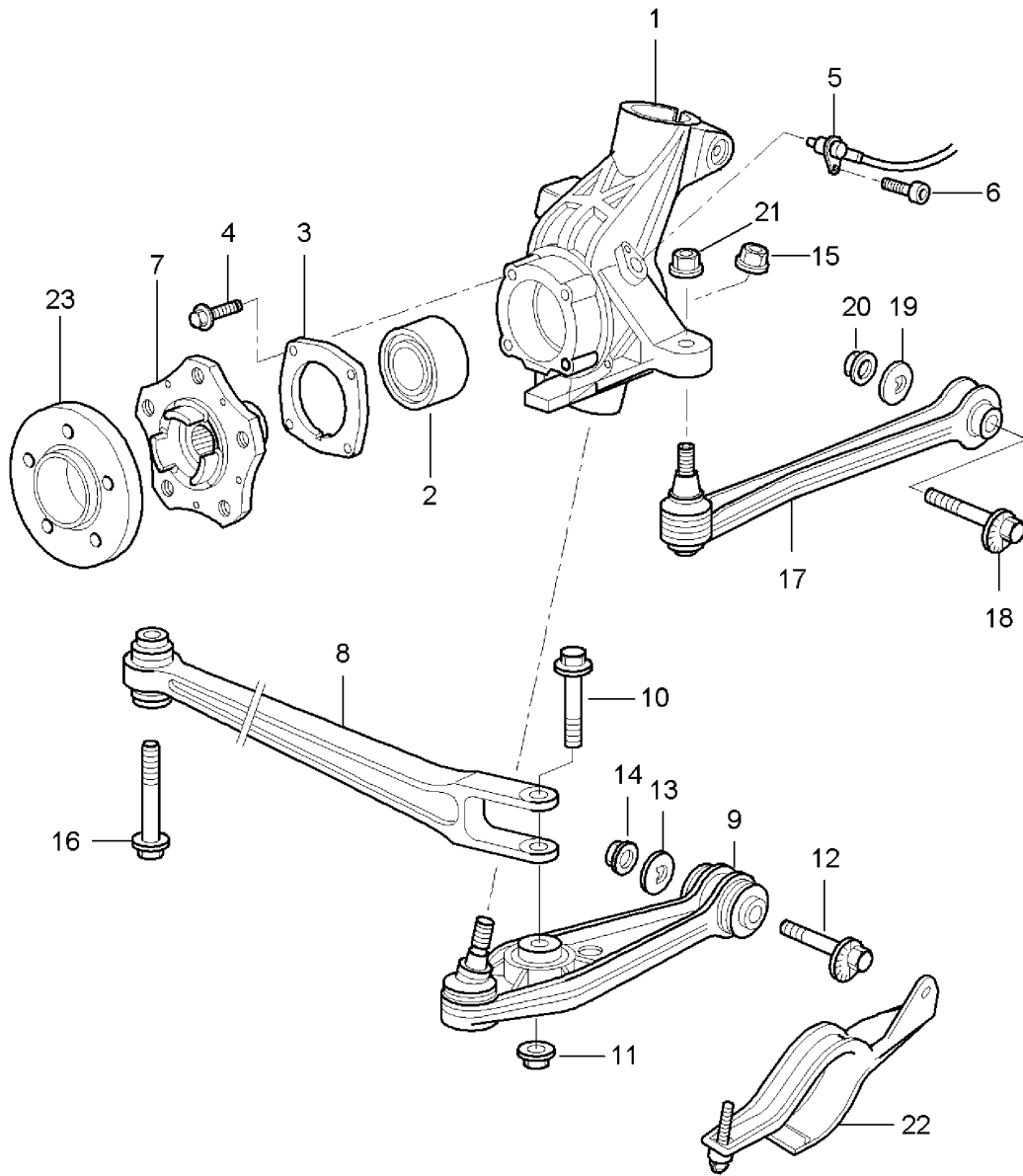
| Pos | Part Number | Description | Remark | Qty | Model |
|-----|--------------------|-----------------------|--------|-----|------------|
| | 997 803 089 22 B24 | Stone grey | | | |
| | 997 803 089 22 T24 | Sand beige | | | |
| | 997 803 089 22 E24 | sea blue | | | |
| | 997 803 089 22 J24 | Palm green | | | |
| | 997 803 089 22 M24 | Terracotta | | | |
| | 997 803 089 22 R24 | Cocoa | | | |
| | 997 803 089 22 T34 | Brown/natural | | | |
| | 997 803 089 22 N14 | Carrera Red | | | |
| (2) | 997 803 089 27 | Airbag unit | | 1 | PR:435 |
| | | sports steering wheel | | | |
| | | Leather | | | |
| | 997 803 089 27 A34 | Black | | | |
| | 997 803 089 27 B24 | Stone grey | | | |
| | 997 803 089 27 T24 | Sand beige | | | |
| | 997 803 089 27 E24 | sea blue | | | |
| | 997 803 089 27 J24 | Palm green | | | |
| | 997 803 089 27 M24 | Terracotta | | | |
| | 997 803 089 27 R24 | Cocoa | | | |
| | 997 803 089 27 T34 | Brown/natural | | | |
| | 997 803 089 27 N14 | Carrera Red | | | |
| (2) | 997 803 089 17 | Airbag unit | | 1 | PR:460,991 |
| | | sports steering wheel | | | |
| | | Leather | | | |
| | | Porsche crest | | | |
| | | Coloured | | | |
| | | Discontinued part | | | |
| | 997 803 089 17 A34 | Black | | | |
| | 997 803 089 17 B24 | Stone grey | | | |
| | 997 803 089 17 T24 | Sand beige | | | |
| | 997 803 089 17 E24 | sea blue | | | |
| | 997 803 089 17 J24 | Palm green | | | |
| | 997 803 089 17 M24 | Terracotta | | | |
| | 997 803 089 17 R24 | Cocoa | | | |
| | 997 803 089 17 D14 | Dark grey/natural | | | |
| | 997 803 089 17 T34 | Brown/natural | | | |
| | 997 803 089 17 N14 | Carrera Red | | | |
| (2) | 997 803 089 22 | Airbag unit | | 1 | PR:460,991 |
| | | sports steering wheel | | | |
| | | Leather | | | |
| | | Porsche crest | | | |
| | | Coloured | | | |
| | | Discontinued part | | | |
| | 997 803 089 22 A34 | Black | | | |
| | 997 803 089 22 B24 | Stone grey | | | |
| | 997 803 089 22 T24 | Sand beige | | | |
| | 997 803 089 22 E24 | sea blue | | | |
| | 997 803 089 22 J24 | Palm green | | | |
| | 997 803 089 22 M24 | Terracotta | | | |
| | 997 803 089 22 R24 | Cocoa | | | |
| | 997 803 089 22 D14 | Dark grey/natural | | | |
| | 997 803 089 22 T34 | Brown/natural | | | |
| | 997 803 089 22 N14 | Carrera Red | | | |
| (2) | 997 803 089 27 | Airbag unit | | 1 | PR:460,991 |
| | | sports steering wheel | | | |
| | | Leather | | | |
| | | Porsche crest | | | |
| | | Coloured | | | |
| | 997 803 089 27 A34 | Black | | | |
| | 997 803 089 27 B24 | Stone grey | | | |
| | 997 803 089 27 T24 | Sand beige | | | |
| | 997 803 089 27 E24 | sea blue | | | |
| | 997 803 089 27 J24 | Palm green | | | |
| | 997 803 089 27 M24 | Terracotta | | | |

Model: 987 05 Model life 2005>>2008

| Pos | Part Number | Description | Remark | Qty | Model |
|-----|--------------------|---|--------|-----|------------|
| | 997 803 089 27 R24 | Cocoa | | | |
| | 997 803 089 27 D14 | Dark grey/natural | | | |
| | 997 803 089 27 T34 | Brown/natural | | | |
| | 997 803 089 27 N14 | Carrera Red | | | |
| (2) | 997 803 089 91 | Airbag unit Leather Alcantara | | 1 | PR:433,249 |
| | 997 803 089 91 A34 | Black | | | |
| (2) | 997 803 089 17 | Airbag unit Leather Alcantara | | 1 | PR:433,480 |
| | 997 803 089 17 A34 | Black | | | |
| (2) | 997 803 089 17 | Airbag unit Leather Discontinued part | | 1 | PR:754 |
| | 997 803 089 17 D14 | Dark grey/natural | | | |
| | 997 803 089 17 N14 | Carrera Red | | | |
| (2) | 997 803 089 22 | Airbag unit Leather Discontinued part | | 1 | PR:754 |
| | 997 803 089 22 D14 | Dark grey/natural | | | |
| | 997 803 089 22 N14 | Carrera Red | | | |
| (2) | 997 803 089 27 | Airbag unit Leather | | 1 | PR:754 |
| | 997 803 089 27 D14 | Dark grey/natural | | | |
| | 997 803 089 27 N14 | Carrera Red | | | |
| 3 | 955 652 211 11 | Spring | | 1 | |
| | | with: | | | |
| 4 | 997 803 071 05 | steering sensor Airbag unit (passenger side) | | 1 | |
| 5 | 900 378 222 09 | Hexagon bolt M 6 X 16 | | 4 | |
| 6 | 997 803 091 03 | Side airbag unit for | left | 1 | |
| (6) | 997 803 092 03 | Head airbag unit Side airbag unit for | right | 1 | |
| 7 | 900 378 035 01 | Hexagon bolt M 6 X 16 | | 6 | |
| 8 | 997 618 217 06 | Control unit for airbag D - MJ 2005>> - MJ 2005 Discontinued part | | 1 | |
| (8) | 997 618 217 07 | Control unit for airbag D - MJ 2006>> | | 1 | |
| 9 | 999 070 015 02 | domed cap nut M 6 | | 3 | |
| 10 | 997 618 221 00 | Crash sensor for airbag Side airbag unit | | 2 | |
| 11 | 999 084 629 09 | Hexagon nut M 6 | | 8 | |
| 12 | 997 618 223 01 | Accelerator sensor Airbag Front | | 2 | |
| 13 | 999 084 638 01 | Hexagon nut M 6 SB | | 2 | |

Model: 987 05

Model life 2005>>2008



Model: 987 05

Model life 2005>>2008

| Pos | Part Number | Description | Remark | Qty | Model |
|------|----------------|-------------------------|--------|-----|-------|
| | | Rear axle | | | |
| | | Wheel carrier | | | |
| | | Guide | | | |
| | | Wheel hub | | | |
| 1 | 987 331 157 05 | Wheel carrier | left | 1 | |
| (1) | 987 331 158 05 | Wheel carrier | right | 1 | |
| 2 | 999 053 054 05 | angular ball bearing | | 2 | |
| (3) | 986 331 661 20 | Cover | | 2 | |
| 4 | 999 217 042 09 | Hexagon bolt | | 8 | |
| | | M 8 X 35 | | | |
| 5 | 997 606 407 01 | speed sensor | | 2 | |
| 6 | 900 067 117 09 | Socket head bolt | | 2 | |
| | | M 6 X 16 | | | |
| 7 | 997 341 605 01 | Wheel hub | | 2 | |
| | | Discontinued part | | | |
| 7 | 991 341 605 02 | Wheel hub | | 2 | |
| | | Discontinued part | | | |
| 7 | 991 341 605 03 | Wheel hub | | 2 | |
| 8 | 987 331 043 02 | Guide | | 2 | |
| (9) | 996 341 053 17 | Wishbone | | 2 | |
| | | F >> 98-6U712 251 | | | |
| | | F >> 98-6U731 422 | | | |
| (9) | 997 331 053 01 | Wishbone | | 2 | |
| | | F 98-6U712 252>> | | | |
| | | F 98-6U731 423>> | | | |
| 10 | 900 378 135 09 | Hexagon bolt | | 2 | |
| | | M 14 X 1,5 X 75 | | | |
| | | Discontinued part | | | |
| (10) | 900 378 135 01 | Hexagon bolt | | 2 | |
| | | M 14 x 1,5 x 75 | | | |
| 11 | 900 380 012 09 | Hexagon nut | | 2 | |
| | | M 14 X 1,5 | | | |
| | | Discontinued part | | | |
| 11 | 900 380 012 01 | Hexagon nut | | 2 | |
| | | M 14 X 1,5 | | | |
| (12) | 996 331 217 03 | Eccentric bolt | | 2 | |
| | | M 12 X 100 | | | |
| (12) | 996 331 217 04 | Eccentric bolt | | 2 | |
| | | M 12 X 105 | | | |
| | | Technical information | | | |
| | | Group 4 | | | |
| | | Nr.4238 | | | |
| | | 20/07 | | | |
| 13 | 996 331 219 00 | eccentric washer | | 2 | |
| 14 | 999 084 445 01 | Locknut | | 4 | |
| | | M 12 X 1,5 | | | |
| 15 | 999 084 449 09 | Locknut | | 2 | |
| | | M 12 X 1,5 | | | |
| 16 | 900 378 209 09 | Hexagon bolt | | 2 | |
| | | M 14 X 1,5 X 90 | | | |
| - | 986 331 023 00 | Nut lock | | 2 | |
| 17 | 996 331 045 12 | Track rod | | 2 | |
| | | D - MJ 2005>> - MJ 2005 | | | |
| | | Discontinued part | | | |
| (17) | 997 331 045 04 | Track rod | | 2 | |
| | | D - MJ 2006>> | | | |
| 18 | 996 331 217 02 | Eccentric bolt | | 2 | |
| | | M 12 X 83 | | | |
| 19 | 996 331 219 00 | eccentric washer | | 2 | |
| 20 | 999 084 445 01 | Locknut | | 2 | |
| | | M 12 X 1,5 | | | |
| 21 | 999 084 449 09 | Locknut | | 2 | |
| | | M 12 X 1,5 | | | |

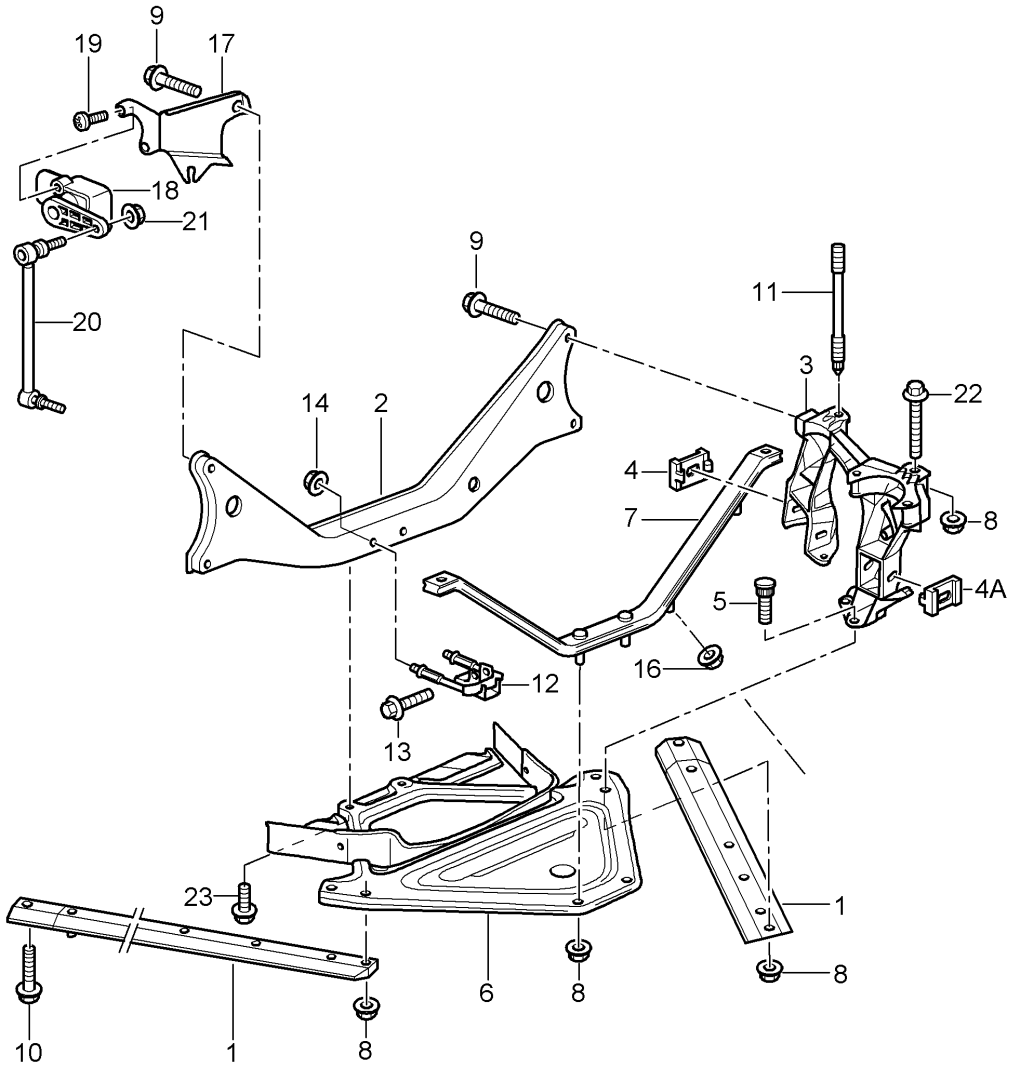
Model: 987 05

Model life 2005>>2008

| Pos | Part Number | Description | Remark | Qty | Model |
|-----|----------------|---------------------|--------|-----|--------|
| 22 | 987 331 371 02 | Bracket | left | 2 | PR:601 |
| 23 | 997 361 605 90 | Spacer ring 5 mm | | 2 | PR:XRP |

Model: 987 05

Model life 2005>>2008



Model: 987 05 Model life 2005>>2008

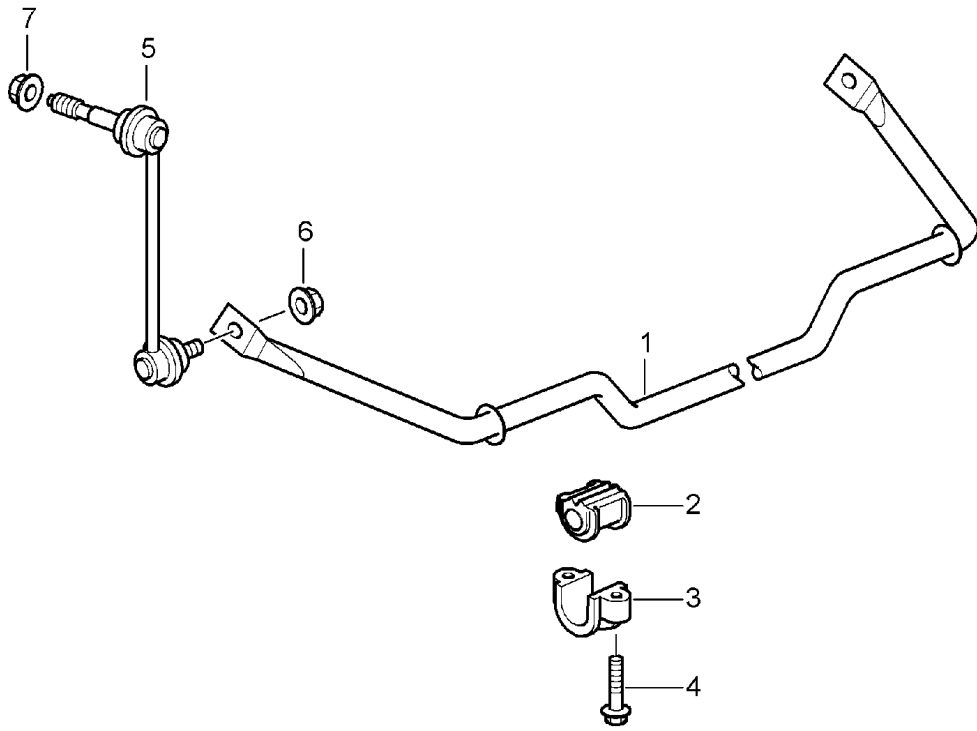
| Pos | Part Number | Description | Remark | Qty | Model |
|------|----------------|--|--------|-----|--------|
| 1 | 986 331 031 01 | Rear axle Side part Carrier Brace F >> 98-8U710 760 F >> 98-8U730 503 | left | 1 | |
| (1) | 987 331 031 20 | Brace F 98-8U710 761>> F 98-8U730 504>> | left | 1 | |
| (1) | 986 331 032 01 | Brace F >> 98-8U710 760 F >> 98-8U730 503 | right | 1 | |
| (1) | 987 331 032 20 | Brace F 98-8U710 761>> F 98-8U730 504>> | right | 1 | |
| 2 | 986 331 071 10 | Cross member | | 1 | |
| 3 | 987 331 051 04 | Side part | left | 1 | |
| (3) | 987 331 052 04 | Side part Technical information Group 4 Nr.4238 20/07 | right | 1 | |
| 4 | 986 331 351 01 | Clip | | 6 | |
| 5 | 999 080 031 09 | Fastening screw D >> - MJ 2007 | | 8 | |
| (5) | 999 080 031 01 | Fastening screw D - MJ 2008>> | | 8 | |
| 6 | 987 331 161 02 | Bracket | | 1 | PR:481 |
| (6) | 987 331 161 01 | Bracket | | 1 | PR:249 |
| (6) | 987 331 161 00 | Bracket | | 1 | PR:480 |
| - | 986 331 361 03 | Spoiler | | 2 | |
| - | 999 507 774 40 | press stud A 3,9 | | 2 | |
| - | 999 507 775 40 | press stud B 3,9 | | 2 | |
| 7 | 986 331 093 03 | Brace | | 1 | |
| - | 999 072 032 09 | Hexagon bolt M 10 X 75 Discontinued part | | 2 | |
| - | 999 072 032 01 | Hexagon bolt M 10 x 75 POS.7 Threaded joint Body | | 1 | |
| 8 | 999 076 053 09 | Hexagon nut M 10 | | 14 | |
| (9) | 999 072 037 09 | Hexagon bolt M 10 X 45 | | 4 | |
| - | 999 076 058 09 | Nut M 10 - 10 -26A1 in Side part Discontinued part | | 8 | |
| - | 999 076 058 01 | Nut M 10 - 10 26B1 in Side part | | 8 | |
| (10) | 999 072 031 01 | Hexagon bolt M 10 x 45 F >> 98-8U710 760 F >> 98-8U720 503 | | 2 | |
| (10) | 999 073 443 01 | Bolt with washer F 98-8U710 761>> | | 2 | |

Model: 987 05 Model life 2005>>2008

| Pos | Part Number | Description | Remark | Qty | Model |
|------|----------------|---|--------|-----|--------|
| 11 | 999 061 108 09 | F 98-8U720 504>> Threaded pin M 10 X 113 Discontinued part | | 4 | |
| (11) | 999 061 108 01 | Threaded pin M 10 X 113 | | 4 | |
| 12 | 986 331 181 01 | Arresting cable | | 1 | |
| 13 | 900 378 107 09 | Hexagon bolt M 8 X 45 Discontinued part | | 1 | |
| (13) | 900 378 107 01 | Hexagon bolt M 8 x 45 | | 1 | |
| 14 | 900 380 005 09 | Hexagon nut M 8 D >> - MJ 2006 | | 2 | |
| (14) | 999 084 457 01 | Hexagon nut M 8 D - MJ 2007>> | | 2 | |
| 17 | 987 331 611 01 | Bracket | | 1 | PR:601 |
| 18 | 997 631 121 00 | Level sensor | | 1 | PR:601 |
| 19 | N 014 129 12 | fillister hd. bolt M 5 X 10 | | 2 | PR:601 |
| 20 | 987 331 375 00 | Brace | | 1 | PR:601 |
| 21 | 900 380 015 09 | Hexagon nut VM 6 Discontinued part | | 2 | PR:601 |
| (21) | 900 380 015 01 | Hexagon nut VM 6 | | 2 | PR:601 |
| 22 | 999 217 165 09 | Hexagon bolt M 10 X 80 | | 2 | |
| 23 | 999 072 024 01 | Hexagon bolt M 10 x 25 | | 2 | |

Model: 987 05

Model life 2005>>2008



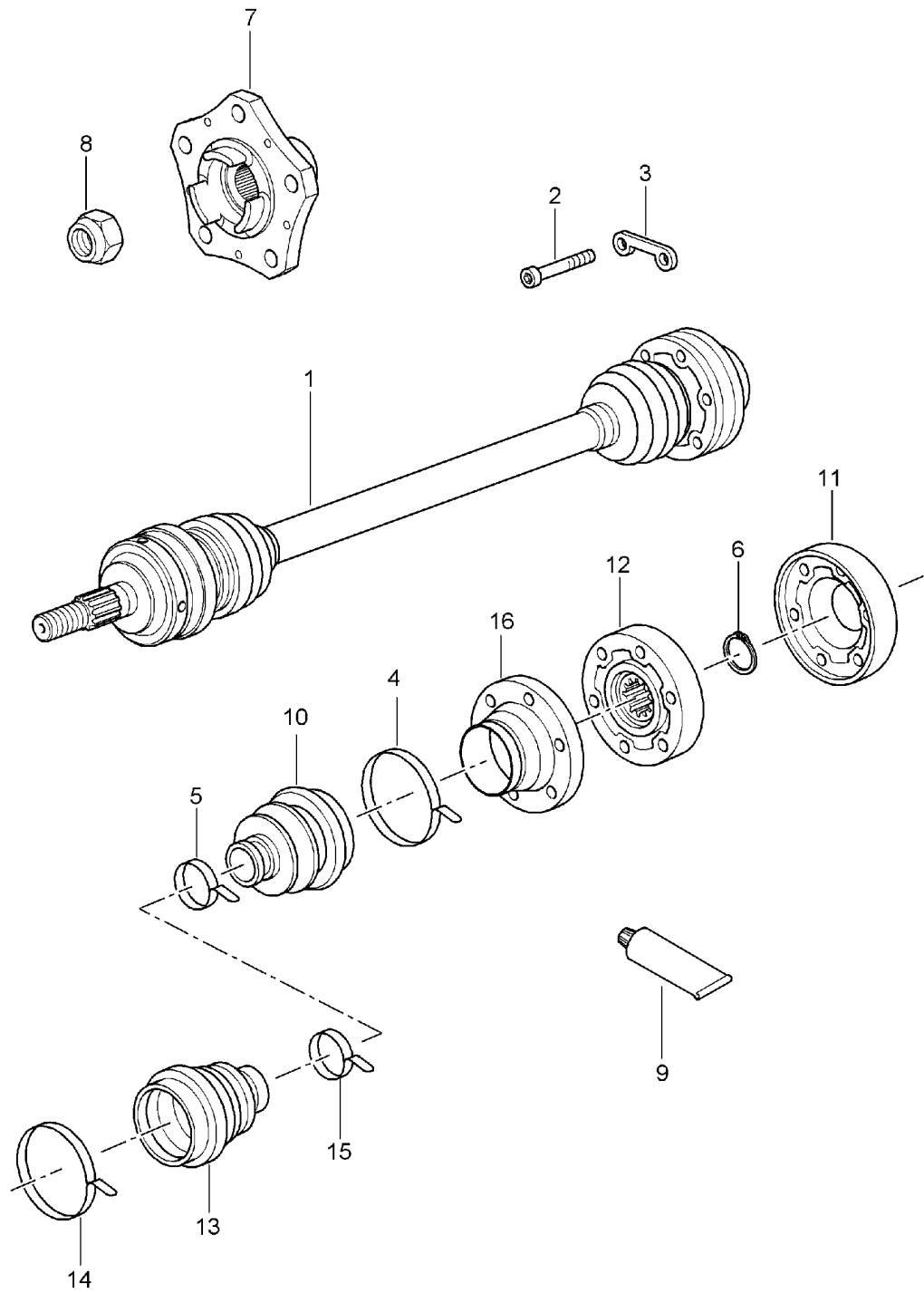
Model: 987 05

Model life 2005>>2008

| Pos | Part Number | Description | Remark | Qty | Model |
|-----|----------------|---|--------|-----|--------|
| 1 | 987 333 701 01 | Anti-roll bar Anti-roll bar Discontinued part | | 1 | PR:029 |
| (1) | 987 333 701 04 | Anti-roll bar | | 1 | PR:029 |
| (1) | 987 333 701 02 | Anti-roll bar Discontinued part | | 1 | PR:475 |
| (1) | 987 333 701 05 | Anti-roll bar | | 1 | PR:475 |
| 2 | 996 333 792 28 | anti-roll bar bearing bracket | | 2 | PR:029 |
| (2) | 996 333 792 25 | anti-roll bar bearing bracket | | 2 | PR:475 |
| 3 | 996 333 777 01 | Bearing clamp | | 2 | |
| 4 | 900 378 055 01 | Hexagon bolt AM 8 X 40 | | 4 | |
| 5 | 997 343 069 00 | Coupling rod See technical manual Group 4 NR.429019 | left | 1 | |
| (5) | 997 343 069 01 | Coupling rod See technical manual Group 4 NR.429019 | left | 1 | |
| (5) | 997 343 070 00 | Coupling rod See technical manual Group 4 NR.429019 | right | 1 | |
| (5) | 997 343 070 01 | Coupling rod See technical manual Group 4 NR.429019 | right | 1 | |
| 6 | 999 084 643 09 | Hexagon nut M 10 See technical manual Group 4 NR.429019 | | 2 | |
| (6) | 999 084 123 09 | Hexagon nut M 10 See technical manual Group 4 NR.429019 | | 2 | |
| 7 | 999 084 445 01 | Locknut M 12 See technical manual Group 4 NR.429019 | | 2 | |
| (7) | 999 084 123 09 | Hexagon nut M 10 See technical manual Group 4 NR.429019 | | 2 | |

Model: 987 05

Model life 2005>>2008

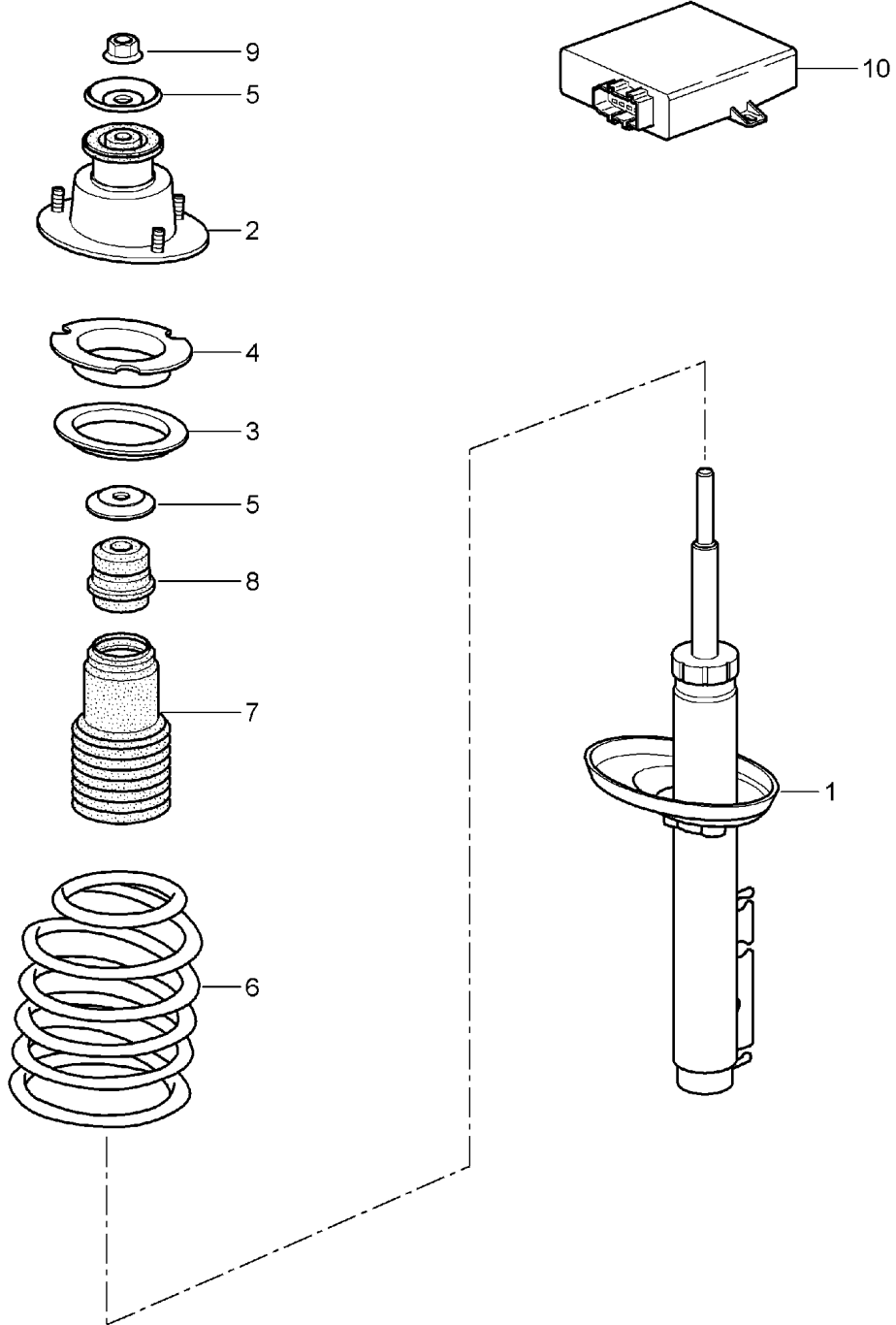


Model: 987 05 Model life 2005>>2008

| Pos | Part Number | Description | Remark | Qty | Model |
|------|----------------|---|--------|-----|---------------------|
| 1 | 987 332 024 05 | Drive shaft Wheel hub | left | 2 | BOXSTER PR:481 |
| (1) | 987 332 024 04 | Drive shaft | right | 1 | BOXSTER PR:481 |
| (1) | 987 332 024 23 | Drive shaft | left | 1 | PR:480 |
| (1) | 987 332 024 24 | Drive shaft | right | 1 | PR:480 |
| (1) | 987 332 024 06 | Drive shaft | | 2 | BOXSTER PR:249 |
| (1) | 987 332 024 25 | Drive shaft | | 2 | BOXSTER S PR:249 |
| 2 | N 909 417 01 | Socket head bolt with inner multipoint head M 10 X 45 | | 12 | BOXSTER PR:481 |
| (2) | 900 067 229 09 | Socket head bolt M 10 X 48,4 Discontinued part | | 12 | PR:480 |
| (2) | 900 067 229 01 | Socket head bolt M 10 X 48,4 | | 12 | PR:480 |
| (2) | 986 332 190 00 | Socket head bolt M 8 X 44 | | X | BOXSTER PR:249 |
| (2) | N 909 417 01 | Socket head bolt with inner multipoint head M 10 x 45 | | X | BOXSTER PR:249 |
| (2) | 900 067 298 09 | Socket head bolt M 10 X 46,5 Discontinued part | | 12 | BOXSTER S PR:249 |
| (2) | 900 067 298 02 | Socket head bolt M 10 X 46,5 Discontinued part | | 12 | BOXSTER S PR:249 |
| (2) | 999 510 047 01 | Socket head bolt M 10 X 46,5 | | 12 | BOXSTER S PR:249 |
| 3 | 986 332 191 00 | Spacer | | 6 | BOXSTER |
| (3) | 996 332 191 00 | Spacer | | 6 | BOXSTER S |
| 4 | 996 332 957 00 | Clip 73 MM | | 2 | |
| 5 | 996 332 257 00 | Clip 34 MM | | 2 | |
| 6 | 900 041 014 00 | Securing ring | | 2 | |
| 7 | 997 341 605 01 | Wheel hub Discontinued part | | 2 | |
| 7 | 991 341 605 02 | Wheel hub Discontinued part | | 2 | |
| 7 | 991 341 605 03 | Wheel hub | | 2 | |
| 8 | 999 084 641 02 | Locknut | | 2 | |
| 9 | 000 043 110 01 | Grease 1 100-gramme tube | | X | |
| (9) | 000 043 205 36 | sealant 1 100-gramme tube | | X | |
| 10 | 996 332 293 00 | Dust bellows | | 2 | |
| 11 | 986 332 267 00 | End cap Discontinued part | | 2 | BOXSTER |
| 11 | 987 332 267 00 | End cap | | 2 | BOXSTER |
| (11) | 928 332 267 01 | End cap | | 2 | BOXSTER S |
| 12 | 986 332 030 00 | Joint | | 2 | BOXSTER |
| (12) | 996 332 030 00 | Joint | | 2 | BOXSTER S |
| 13 | 996 332 293 00 | Dust bellows | | 2 | |
| 14 | 996 332 957 00 | Clip | | 2 | |
| 15 | 996 332 257 00 | Clip | | 2 | |
| 16 | 986 332 259 00 | Bellow support | | 2 | BOXSTER |
| (16) | 996 332 259 00 | Bellow support | | 2 | BOXSTER S |

Model: 987 05

Model life 2005>>2008



Model: 987 05 Model life 2005>>2008

| Pos | Part Number | Description | Remark | Qty | Model |
|-----|--------------------|---|----------|-----|--------------------|
| 1 | 987 333 051 04 | Shock absorbers Coil spring | BILSTEIN | 2 | PR:029 |
| (1) | 987 333 051 11 | Shock absorbers Discontinued part | BILSTEIN | 2 | PR:029 |
| (1) | 987 333 051 14 | Shock absorbers | BILSTEIN | 2 | PR:029 |
| (1) | 987 333 053 07 | vibration damper | BILSTEIN | 2 | PR:475,481, 480 |
| (1) | 987 333 053 12 | Discontinued part vibration damper | BILSTEIN | 2 | PR:475,481, 480 |
| (1) | 987 333 053 20 | Discontinued part vibration damper | BILSTEIN | 2 | PR:475,481, 480 |
| (1) | 987 333 053 08 | vibration damper | BILSTEIN | 2 | PR:475,249 |
| (1) | 987 333 053 14 | Discontinued part vibration damper | BILSTEIN | 2 | PR:475,249 |
| (1) | 987 333 053 21 | Discontinued part vibration damper | BILSTEIN | 2 | PR:475,249 |
| - | | Mount | | | |
| - | 900 380 005 09 | Shock absorbers Hexagon nut | | 6 | |
| - | | M 8 | | | |
| - | 999 084 445 01 | Locknut | | 2 | |
| | | M 12 X 1,5 | | | |
| (2) | 986 333 059 06 | Shock absorber bearing | | 2 | |
| (2) | 987 333 059 00 | D >> - MJ 2008 Shock absorber bearing | | 2 | |
| - | 999 703 543 40 | D - MJ 2009>> End cap | | 2 | |
| 3 | 986 333 509 02 | Engine support bearing | | 2 | |
| 4 | 986 333 504 02 | ring | | 2 | |
| (4) | 986 333 504 03 | Balancing plate 3,0 MM | | X | |
| (5) | 997 343 107 00 | Balancing plate 6,0 MM | | X | |
| (5) | 997 343 107 01 | Stop plate | upper | 2 | PR:475 |
| 6 | 987 333 531 19 | Stop plate | lower | 2 | PR:475 |
| | | Coil spring | | 1 | BOXSTER |
| | | 1 set | | | PR:029,481 |
| | 987 333 531 19 504 | 1 pair of springs Rapeseed yellow white | | | |
| (6) | 987 333 531 53 | F >> 98-5U711 303 Coil spring | | 1 | BOXSTER |
| | | 1 set | | | PR:029,481 |
| | 987 333 531 53 504 | 1 pair of springs Rapeseed yellow white | | | |
| (6) | 987 333 531 19 | F 98-5U711 304>> Coil spring | | 1 | BOXSTER |
| | | 1 set | | | PR:029,480 |
| | 987 333 531 19 504 | 1 pair of springs Rapeseed yellow white | | | |
| (6) | 987 333 531 53 | F >> 98-5U711 303 Coil spring | | 1 | BOXSTER |
| | | 1 set | | | PR:029,480 |
| | 987 333 531 53 504 | 1 pair of springs Rapeseed yellow white | | | |
| | | F 98-5U711 304>> | | | |

Model: 987 05 Model life 2005>>2008

| Pos | Part Number | Description | Remark | Qty | Model |
|-----|--------------------|--|--------|-----|-------------------------|
| (6) | 987 333 531 27 | Coil spring 1 set | | 1 | BOXSTER PR:029,480 |
| | 987 333 531 27 504 | 1 pair of springs Rapeseed yellow violet F >> 98-5U711 303 | | | |
| (6) | 987 333 531 48 | Coil spring 1 set | | 1 | BOXSTER PR:029,249 |
| | 987 333 531 48 504 | D >> - MJ 2006 1 pair of springs Rapeseed yellow violet F 98-5U711 304>> | | | |
| (6) | 987 333 531 55 | Coil spring 1 set | | 1 | BOXSTER PR:029,249 |
| | 987 333 531 55 504 | D - MJ 2007>> 1 pair of springs Rapeseed yellow violet F 98-5U711 304>> | | | |
| (6) | 987 333 531 20 | Coil spring 1 set | | 1 | BOXSTER S PR:029,480 |
| | 987 333 531 20 504 | 1 pair of springs Rapeseed yellow red F >> 98-5U730 953 | | | |
| (6) | 987 333 531 49 | Coil spring 1 set | | 1 | BOXSTER S PR:029,480 |
| | 987 333 531 49 504 | Discontinued part 1 pair of springs Rapeseed yellow red F 98-5U730 954>> | | | |
| (6) | 987 333 531 56 | Coil spring 1 set | | 1 | BOXSTER S PR:029,480 |
| | 987 333 531 56 504 | 1 pair of springs Rapeseed yellow red F 98-5U730 954>> | | | |
| (6) | 987 333 531 22 | Coil spring 1 set | | 1 | BOXSTER S PR:029,249 |
| | 987 333 531 22 504 | 1 pair of springs Rapeseed yellow green F >> 98-5U730 953 | | | |
| (6) | 987 333 531 50 | Coil spring 1 set | | 1 | BOXSTER S PR:029,249 |
| | 987 333 531 50 504 | 1 pair of springs Rapeseed yellow green F 98-5U730 954>> | | | |
| (6) | 987 333 531 29 | Coil spring 1 set | | 1 | PR:475,481 |
| | 987 333 531 29 504 | 1 pair of springs silver violet F >> 98-5U711 303 | | | |
| (6) | 987 333 531 51 | Coil spring 1 set | | 1 | PR:475,481 |
| | 987 333 531 51 504 | Discontinued part 1 pair of springs silver violet | | | |

Model: 987 05 Model life 2005>>2008

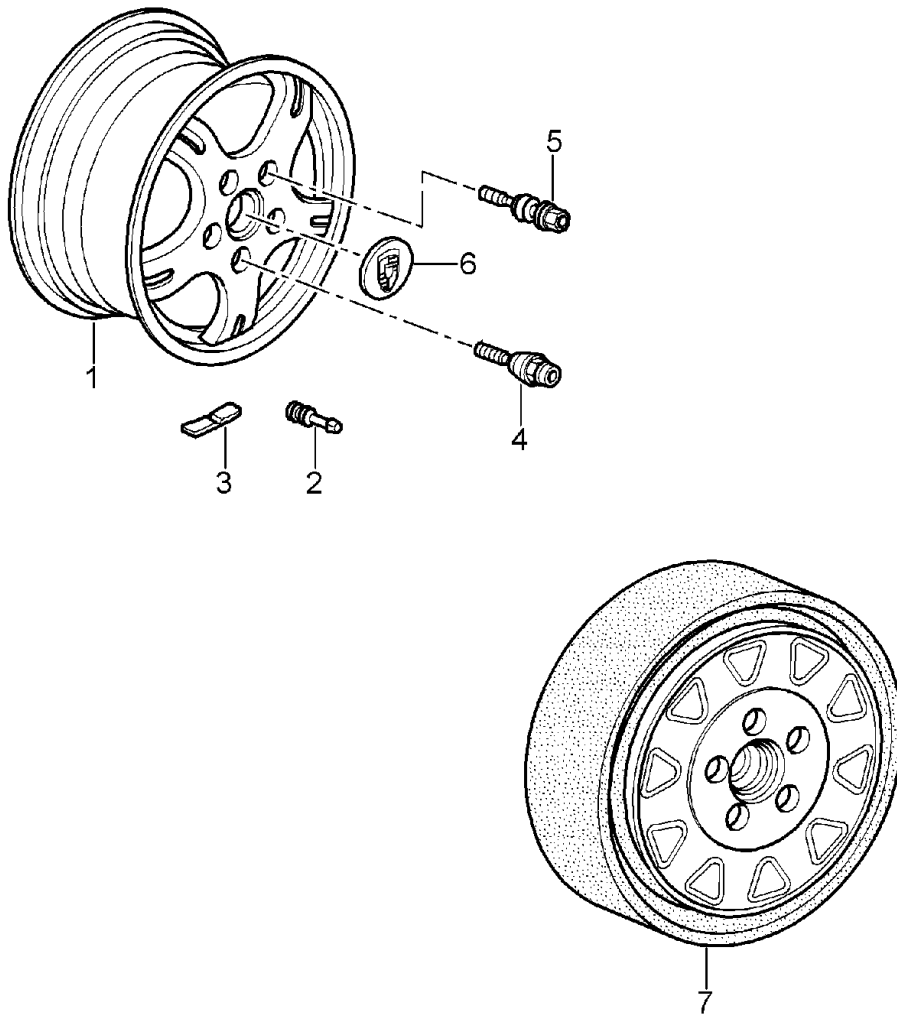
| Pos | Part Number | Description | Remark | Qty | Model |
|-----|--------------------|---|--------|-----|------------|
| (6) | 987 333 531 62 | F 98-5U711 304>> Coil spring 1 set Discontinued part | | 1 | PR:475,481 |
| | 987 333 531 62 504 | 1 pair of springs red silver | | | |
| (6) | 987 333 531 1F | F 98-5U711 304>> Coil spring 1 set | | 1 | PR:475,481 |
| | 987 333 531 1F 504 | 1 pair of springs red silver | | | |
| (6) | 987 333 531 29 | F 98-5U711 304>> Coil spring 1 set | | 1 | PR:475,480 |
| | 987 333 531 29 504 | 1 pair of springs silver violet | | | |
| | | F >> 98-5U711 303 F >> 98-5U730 953 | | | |
| (6) | 987 333 531 51 | Coil spring 1 set Discontinued part | | 1 | PR:475,480 |
| | 987 333 531 51 504 | 1 pair of springs silver violet | | | |
| | | F 98-5U711 304>> F 98-5U730 954>> | | | |
| (6) | 987 333 531 62 | Coil spring 1 set Discontinued part | | 1 | PR:475,480 |
| | 987 333 531 62 504 | 1 pair of springs red silver | | | |
| | | F 98-5U711 304>> F 98-5U730 954>> | | | |
| (6) | 987 333 531 1F | Coil spring 1 set | | 1 | PR:475,480 |
| | 987 333 531 1F 504 | 1 pair of springs red silver | | | |
| | | F 98-5U711 304>> F 98-5U730 954>> | | | |
| (6) | 987 333 531 30 | Coil spring 1 set | | 1 | PR:475,249 |
| | 987 333 531 30 504 | 1 pair of springs pink red | | | |
| | | F >> 98-5U711 303 F >> 98-5U730 953 | | | |
| (6) | 987 333 531 52 | Coil spring 1 set Discontinued part | | 1 | PR:475,249 |
| | 987 333 531 52 504 | 1 pair of springs pink red | | | |
| | | F 98-5U711 304>> F 98-5U730 954>> | | | |
| (6) | 987 333 531 63 | Coil spring 1 set | | 1 | PR:475,249 |
| | 987 333 531 63 504 | 1 pair of springs pink | | | |

Model: 987 05 Model life 2005>>2008

| Pos | Part Number | Description | Remark | Qty | Model |
|------|----------------|----------------------------|--------|-----|--------|
| | | red | | | |
| | | F 98-5U711 304>> | | | |
| | | F 98-5U730 954>> | | | |
| 7 | 986 333 505 01 | Bellows | | 1 | |
| 8 | 986 333 301 01 | helper spring | | 1 | |
| | | D - MJ 2005>> - MJ 2005 | | | |
| (8) | 987 333 301 00 | helper spring | | 1 | |
| | | D - MJ 2006>> | | | |
| (9) | 999 084 645 09 | Hexagon nut | | 2 | PR:475 |
| | | M 14 X 1,5 | | | |
| 10 | 987 618 105 05 | Control unit | | 1 | PR:475 |
| | | D - MJ 2005>> - MJ 2005 | | | |
| | | Discontinued part | | | |
| (10) | 987 618 105 15 | Control unit | | 1 | PR:475 |
| | | D - MJ 2005>> - MJ 2005 | | | |
| | | Discontinued part | | | |
| (10) | 987 618 105 16 | Control unit | | 1 | PR:475 |
| | | D - MJ 2005>> - MJ 2005 | | | |
| (10) | 987 618 105 09 | Control unit | | 1 | PR:475 |
| | | D >> - MJ 2007 | | | |
| (10) | 987 618 105 10 | Control unit | | 1 | PR:475 |
| | | D - MJ 2008>> | | | |
| - | 997 618 205 00 | Retainer for control units | | 1 | PR:475 |
| | | for | | | |
| - | 997 606 111 01 | Acceleration sensor for | | 1 | PR:475 |
| | | bodywork | | | |
| - | 987 606 235 00 | Bracket | | 1 | PR:475 |
| | | for | | | |
| | | Accelerator sensor | | | |

Model: 987 05

Model life 2005>>2008



Model: 987 05

Model life 2005>>2008

| Pos | Part Number | Description | Remark | Qty | Model |
|-----|----------------|---|--------|-----|--------|
| - | | Wheels Wheel bolts see Technical information 84/11 Group 4 4407 | | | |
| 1 | 987 362 122 05 | Alloy wheel 6,5 J X 17 ET 55 | front | 2 | PR:393 |
| (1) | 987 362 136 00 | Alloy wheel 8 J X 18 ET 57 Discontinued part | front | 2 | PR:397 |
| (1) | 987 362 136 02 | Alloy wheel 8 J X 18 ET 57 | front | 2 | PR:397 |
| (1) | 987 362 122 06 | Alloy wheel 6,5 J X 17 ET 55 | front | 2 | PR:398 |
| (1) | 987 362 136 01 | Alloy wheel 8 J X 18 ET 57 | front | 2 | PR:401 |
| (1) | 997 362 156 07 | Alloy wheel S+M 8 J X 19 ET 57 | front | 2 | PR:403 |
| (1) | 997 362 156 00 | Alloy wheel BBS 8 J x 19 Et 57 | front | 2 | PR:403 |
| (1) | 997 362 156 02 | Alloy wheel 8 J x 19 Et 57 D - MJ 2007>> | front | 2 | PR:404 |
| (1) | 997 362 156 03 | Alloy wheel 8 J X 19 ET 57 | front | 2 | PR:405 |
| (1) | 997 362 156 04 | Alloy wheel 8 J X 19 ET 57 | front | 2 | PR:407 |
| (1) | 997 362 156 55 | Alloy wheel 8.5 J x 19 Et 55 | front | 2 | PR:XRR |
| (1) | 987 362 136 01 | Alloy wheel 8 J X 18 ET 57 | front | 2 | PR:753 |
| (1) | 997 362 156 01 | Alloy wheel 9 J X 19 ET 43 | | 2 | PR:753 |
| (1) | 987 362 126 00 | Alloy wheel 8 J X 17 ET 40 | rear | 2 | PR:393 |
| (1) | 987 362 138 00 | Alloy wheel 9 J X 18 ET 43 Discontinued part | rear | 2 | PR:397 |
| (1) | 987 362 138 02 | Alloy wheel 9 J X 18 ET 43 | rear | 2 | PR:397 |
| (1) | 987 362 126 01 | Alloy wheel 8 J X 17 ET 40 | rear | 2 | PR:398 |

Model: 987 05 Model life 2005>>2008

| Pos | Part Number | Description | Remark | Qty | Model |
|-----|----------------|--|--------|-----|--------|
| (1) | 987 362 138 01 | Alloy wheel 9 J X 18 ET 43 | rear | 2 | PR:401 |
| (1) | 997 362 158 05 | Alloy wheel 9,5 J X 19 ET 46 | rear | 2 | PR:403 |
| (1) | 997 362 158 08 | Alloy wheel 9,5 J x 19 ET 46 | rear | 2 | PR:404 |
| (1) | 997 362 158 06 | D - MJ 2007>> Alloy wheel 9,5 J X 19 ET 46 | rear | 2 | PR:405 |
| (1) | 997 362 158 07 | Alloy wheel 9,5 J X 19 ET46 | rear | 2 | PR:407 |
| (1) | 997 362 160 50 | Alloy wheel 10 J x 19 ET 42 | rear | 2 | PR:XRR |
| (1) | 987 362 138 01 | Alloy wheel 9 J X 18 ET 43 | rear | 2 | PR:753 |
| (1) | 997 362 158 05 | Alloy wheel 9,5 J X 19 ET 46 | rear | 2 | PR:753 |
| 2 | 900 265 001 50 | Rubber valve Rubber | | 4 | |
| (2) | 900 265 001 51 | Rubber valve Rubber | | 4 | |
| (2) | 311 601 361 | Discontinued part Rubber valve Rubber | | 4 | |
| 3 | 1K0 601 178 C | Balancer weight (self-adhesive) 5 G. | | X | |
| (3) | 997 361 405 00 | D - MJ 2005>> - MJ 2005 Balancer weight (self-adhesive) 5 G. | | X | |
| (3) | 1K0 601 179 C | D - MJ 2006>> Balancer weight (self-adhesive) 10 G. | | X | |
| (3) | 997 361 410 00 | D - MJ 2005>> - MJ 2005 Balancer weight (self-adhesive) 10 G. | | X | |
| (3) | 1K0 601 181 C | D - MJ 2006>> Balancer weight (self-adhesive) 15 G. | | X | |
| (3) | 997 361 415 00 | D - MJ 2005>> - MJ 2005 Balancer weight (self-adhesive) 15 G. | | X | |
| (3) | 1K0 601 182 C | D - MJ 2006>> Balancer weight (self-adhesive) 20 G. | | X | |
| (3) | 997 361 420 00 | D - MJ 2005>> - MJ 2005 Balancer weight (self-adhesive) 20 G. | | X | |

Model: 987 05 Model life 2005>>2008

| Pos | Part Number | Description | Remark | Qty | Model |
|-----|----------------|--|--------|-----|-------|
| (3) | 1K0 601 183 C | D - MJ 2006>> Balancer weight (self-adhesive) 25 G. | | X | |
| (3) | 997 361 425 00 | D - MJ 2005>> - MJ 2005 Balancer weight (self-adhesive) 25 G. | | X | |
| (3) | 1K0 601 184 C | D - MJ 2006>> Balancer weight (self-adhesive) 30 G. | | X | |
| (3) | 997 361 430 00 | D - MJ 2005>> - MJ 2005 Balancer weight (self-adhesive) 30 G. | | X | |
| (3) | 1K0 601 185 C | D - MJ 2006>> Balancer weight (self-adhesive) 35 G. | | X | |
| (3) | 997 361 435 00 | D - MJ 2005>> - MJ 2005 Balancer weight (self-adhesive) 35 G. | | X | |
| (3) | 1K0 601 186 C | D - MJ 2006>> Balancer weight (self-adhesive) 40 G. | | X | |
| (3) | 997 361 440 00 | D - MJ 2005>> - MJ 2005 Balancer weight (self-adhesive) 40 G. | | X | |
| (3) | 1K0 601 187 C | D - MJ 2006>> Balancer weight (self-adhesive) 45 G. | | X | |
| (3) | 997 361 445 00 | D - MJ 2005>> - MJ 2005 Balancer weight (self-adhesive) 45 G. | | X | |
| (3) | 1K0 601 188 C | D - MJ 2006>> Balancer weight (self-adhesive) 50 G. | | X | |
| (3) | 997 361 450 00 | D - MJ 2005>> - MJ 2005 Balancer weight (self-adhesive) 50 G. | | X | |
| (3) | 1K0 601 189 C | D - MJ 2006>> Balancer weight (self-adhesive) 55 G. | | X | |
| (3) | 997 361 455 00 | D - MJ 2005>> - MJ 2005 Balancer weight (self-adhesive) 55 G. | | X | |
| (3) | 1K0 601 190 C | D - MJ 2006>> Balancer weight (self-adhesive) 60 G. | | X | |
| (3) | 997 361 460 00 | D - MJ 2005>> - MJ 2005 Balancer weight (self-adhesive) | | X | |

Model: 987 05 Model life 2005>>2008

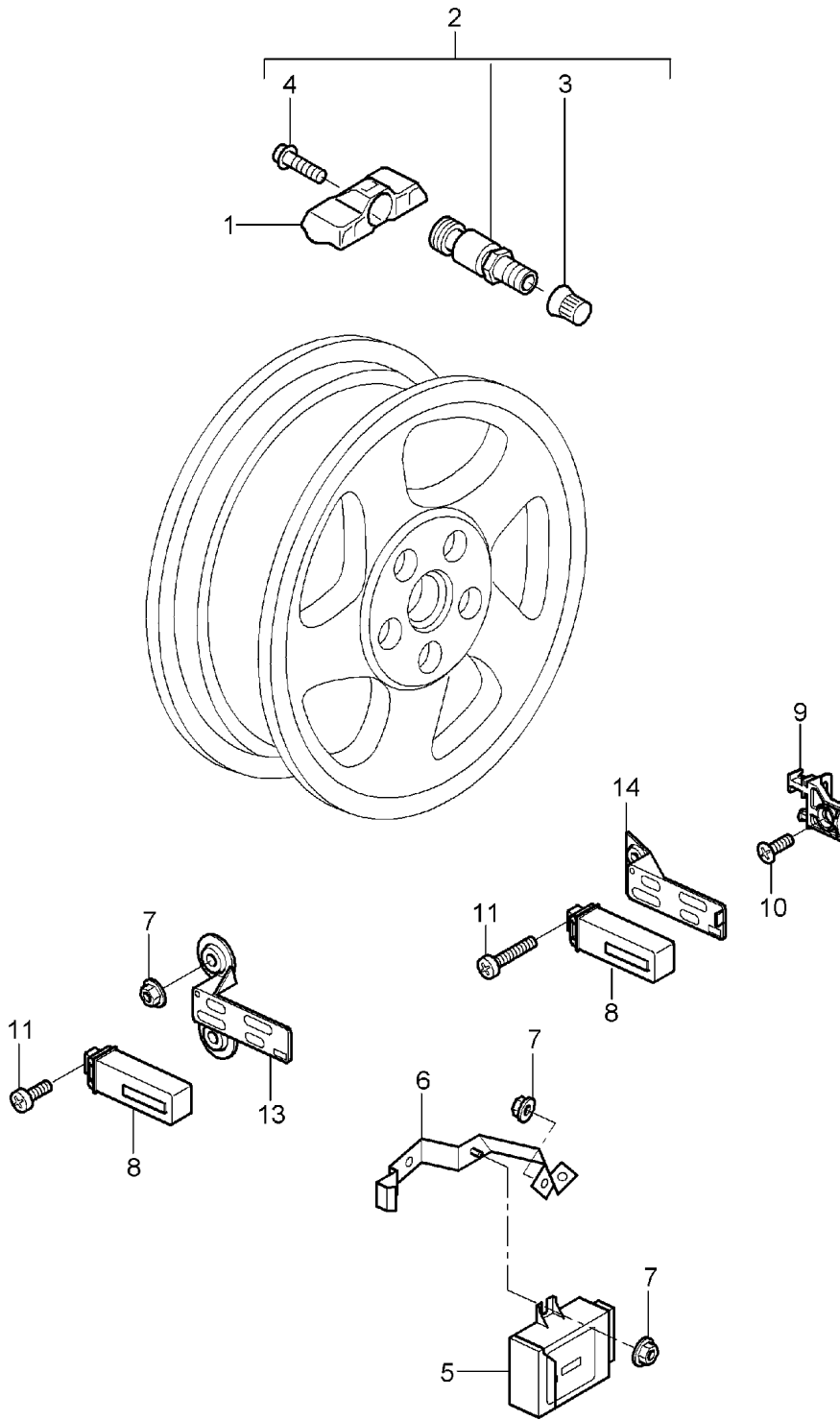
| Pos | Part Number | Description | Remark | Qty | Model |
|-----|--------------------|--|--------|-----|---------|
| (3) | 997 361 465 00 | 60 G. D - MJ 2006>> Balancer weight (self-adhesive) | | X | |
| (3) | 997 361 470 00 | 65 G. Balancer weight (self-adhesive) | | X | |
| (3) | 997 361 475 00 | 70 G. Balancer weight (self-adhesive) | | X | |
| (3) | 997 361 480 00 | 75 G. Balancer weight (self-adhesive) | | X | |
| (3) | 997 361 485 00 | 80 G. Balancer weight (self-adhesive) | | X | |
| (3) | 997 361 490 00 | 85 G. Balancer weight (self-adhesive) | | X | |
| - | | 90 G. Wheel bolts see Technical information 84/11 Group 4 4407 | | | |
| (4) | 996 361 057 02 | Set Anti-theft protection 1 set silver | | 1 | |
| (4) | 997 361 057 02 | Discontinued part Set Anti-theft protection 1 set silver | | 1 | |
| 5 | 996 361 203 02 | Wheel bolt silver | | X | |
| 5 | 997 361 203 01 | Discontinued part Wheel bolt silver | | X | |
| 5 | 997 361 203 02 | Discontinued part Wheel bolt silver | | X | |
| (5) | 996 361 980 00 | Wheel bolt silver | | X | PR: XRP |
| 6 | 955 361 303 00 | Hub cap | | 4 | |
| (6) | 955 361 303 05 9A1 | silver | | 4 | PR: 446 |
| (6) | 955 361 303 05 9A1 | Hub cap silver | | 4 | PR: XRR |
| (6) | 997 361 303 01 | Hub cap Porsche crest Coloured silver | | 4 | PR: 404 |
| (6) | 997 361 305 00 | Hub cap D - MJ 2007>> Discontinued part | | 4 | PR: 404 |
| (6) | 7PP 601 149 F | Hub cap D - MJ 2007>> | | 4 | PR: 404 |
| (6) | 997 361 303 00 | Hub cap No longer use the part here | | 4 | PR: 757 |
| | 997 361 303 00 B9A | Carrara white Special model Porsche crest | | | |

Model: 987 05 Model life 2005>>2008

| Pos | Part Number | Description | Remark | Qty | Model |
|------|--------------------|---|-------------------------|-----|--------|
| (6) | 997 361 303 04 | Coloured Hub cap No longer use the part here | | 4 | PR:757 |
| | 997 361 303 04 B9A | Carrara white Special model Porsche crest Coloured | | | |
| (6) | 955 361 303 20 | Hub cap | | 4 | PR:757 |
| | 955 361 303 20 9A1 | silver Special model Porsche crest Coloured Paint modify in workshop | | | |
| 7 | 996 362 020 04 | Spare wheel | | 1 | PR:447 |
| 8 | 955 722 631 00 | Compressed air bottle Discontinued part | | 1 | |
| 8 | 4L0 012 619 A | Tyre sealant | | 1 | |
| 9 | 996 361 411 00 | Belt for Spare wheel | | 1 | PR:447 |
| 10 | 996 361 521 00 | Protective sleeve for Spare wheel | | 1 | PR:447 |
| 11 | 999 914 001 40 | Plastic gloves No longer use the part here | | 1 | PR:447 |
| 12 | 997 652 051 00 | Compressor for Spare wheel | | 1 | |
| (12) | 997 652 055 00 | D >> - MJ 2007 Compressor for Spare wheel | | 1 | |
| | | also use: | 991 555 575 03 (1E0) | 1 | |
| | | | 991 555 765 02 (1E0) | 1 | |
| | | D - MJ 2008>> | | | |

Model: 987 05

Model life 2005>>2008

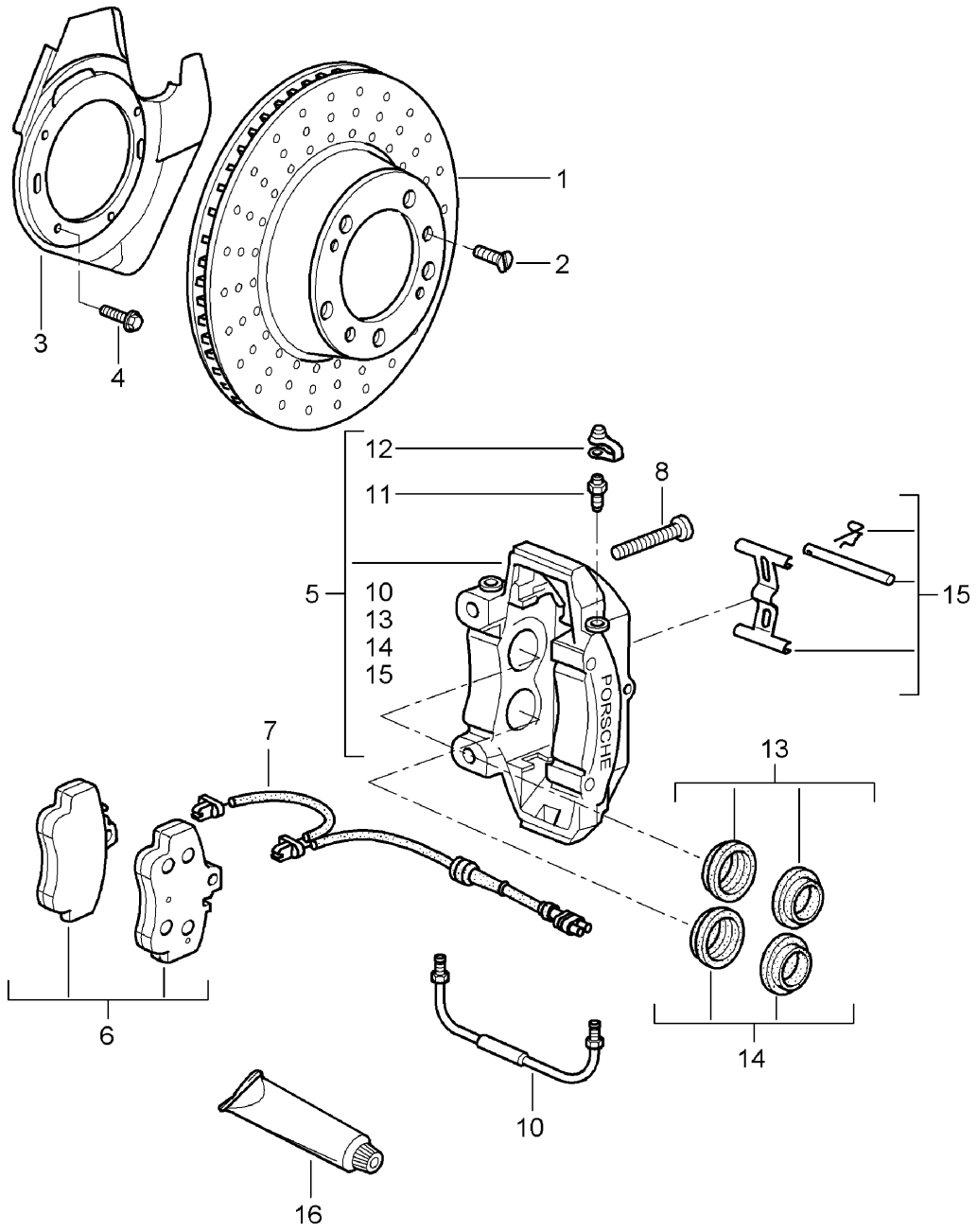


Model: 987 05 Model life 2005>>2008

| Pos | Part Number | Description | Remark | Qty | Model |
|-----|----------------|---|----------------|-----|----------------------|
| 1 | 997 606 021 00 | tyre pressure control system Tyre pressure sensor tyre pressure control system | | 4 | PR:482,483 PR:482 |
| | | also use: | 955 361 053 00 | | |
| (1) | 997 606 021 01 | D >> - MJ 2007 Tyre pressure sensor tyre pressure control system | | 4 | PR:482 |
| | | also use: | 955 361 053 00 | | |
| (1) | 997 606 021 02 | D - MJ 2008>> Discontinued part Tyre pressure sensor tyre pressure control system | | 4 | PR:482 |
| | | also use: | 955 361 053 00 | | |
| (1) | 997 606 023 00 | D - MJ 2008>> Tyre pressure sensor tyre pressure control system | | 4 | PR:483 |
| | | also use: | 955 361 053 00 | | |
| (1) | 997 606 023 01 | D >> - MJ 2007 Discontinued part Tyre pressure sensor tyre pressure control system | | 4 | PR:483 |
| | | also use: | 955 361 053 00 | | |
| 2 | 955 361 053 00 | D - MJ 2008>> Discontinued part Valve aluminium Discontinued part | | 4 | |
| (2) | 9P1 601 361 A | Valve aluminium | | 4 | |
| 3 | N 908 729 01 | Valve cap for valve unit | | 4 | |
| 4 | 4D0 601 365 | Hexagon socket head bolt, self-locking | | 4 | |
| 5 | 997 618 103 06 | Control unit for tyre pressure control | | 1 | |
| 6 | 997 618 203 00 | Bracket Control unit | | 1 | |
| 7 | 999 076 081 40 | Hexagon plastic collar nut T5 16 X 11, 2 | | 7 | |
| 8 | 997 606 101 00 | Aerial 433 MHZ | | 4 | PR:482 - "ROK" |
| (8) | 997 606 102 00 | Aerial 433 MHZ | | 4 | "ROK" |
| | | only in conj. with: | | | |
| (8) | 997 606 103 00 | 997.606.021.02 Aerial 315 MHZ | | 4 | PR:483 |
| 11 | 999 919 023 09 | fillister hd. bolt M 5 X 35 | | 4 | |
| 13 | 997 606 141 00 | Retainer for aerial | front | 2 | |
| 14 | 997 606 131 00 | Retainer for aerial Rear axle | | 2 | |

Model: 987 05

Model life 2005>>2008



Model: 987 05 Model life 2005>>2008

| Pos | Part Number | Description | Remark | Qty | Model |
|-----|----------------|--|-------------|-----|---------------------|
| - | | Disc brake Front axle Brake disc Only in pairs Replace Technical manual Attention | | | PR:450 |
| 1 | 987 351 401 01 | Brake disc | left front | 1 | |
| (1) | 996 351 405 01 | Brake disc | left front | 1 | BOXSTER S |
| (1) | 996 351 031 03 | Brake disc | left front | 1 | BOXSTER S PR:450 |
| (1) | 996 351 031 04 | D >> - MJ 2007 Brake disc | left front | 1 | BOXSTER S PR:450 |
| (1) | 997 351 031 01 | D - MJ 2008>> Brake disc | left front | 1 | BOXSTER S PR:450 |
| (1) | 987 351 402 01 | D - MJ 2008>> Brake disc | right front | 1 | |
| (1) | 996 351 406 01 | Brake disc | right front | 1 | BOXSTER S |
| (1) | 996 351 032 03 | Brake disc | right front | 1 | BOXSTER S PR:450 |
| (1) | 996 351 032 04 | D >> - MJ 2007 Brake disc | right front | 1 | BOXSTER S PR:450 |
| (1) | 997 351 032 01 | D - MJ 2008>> Brake disc | right front | 1 | BOXSTER S PR:450 |
| 2 | 900 269 047 09 | D - MJ 2008>> countersunk bolt M 6 X 12 | | 4 | |
| 2 | 900 269 047 01 | Discontinued part countersunk bolt M 6 X 12 | | 4 | |
| (3) | 997 351 801 02 | Cover plate | left | 1 | |
| (3) | 997 351 802 02 | Cover plate | right | 1 | |
| (3) | 997 351 805 05 | Cover plate | left | 1 | PR:450 |
| (3) | 997 351 806 05 | Cover plate | right | 1 | PR:450 |
| 4 | 999 217 116 09 | Hexagon bolt M 6 X 16 | | X | |
| 5 | 986 351 421 03 | caliper without brake pads | left | 1 | |
| (5) | 996 351 425 11 | caliper without brake pads | left | 1 | BOXSTER S |
| (5) | 996 351 431 30 | caliper without brake pads | left | 1 | BOXSTER S PR:450 |
| (5) | 996 351 431 31 | D >> - MJ 2007 caliper without brake pads | left | 1 | BOXSTER S PR:450 |
| (5) | 986 351 422 03 | D - MJ 2008>> caliper without brake pads | right | 1 | |
| (5) | 996 351 426 11 | caliper without brake pads | right | 1 | BOXSTER S |
| (5) | 996 351 432 30 | caliper without brake pads | right | 1 | BOXSTER S PR:450 |
| (5) | 996 351 432 31 | D >> - MJ 2007 caliper without brake pads | right | 1 | BOXSTER S PR:450 |
| (6) | 987 351 939 02 | D - MJ 2008>> 1 set of brake pads for disk brake | front | 1 | BOXSTER |
| (6) | 987 351 939 03 | No longer use the part here 1 set of brake pads for disk brake | front | 1 | BOXSTER |
| (6) | 997 351 939 05 | 1 set of brake pads for | front | 1 | BOXSTER S |

Model: 987 05 Model life 2005>>2008

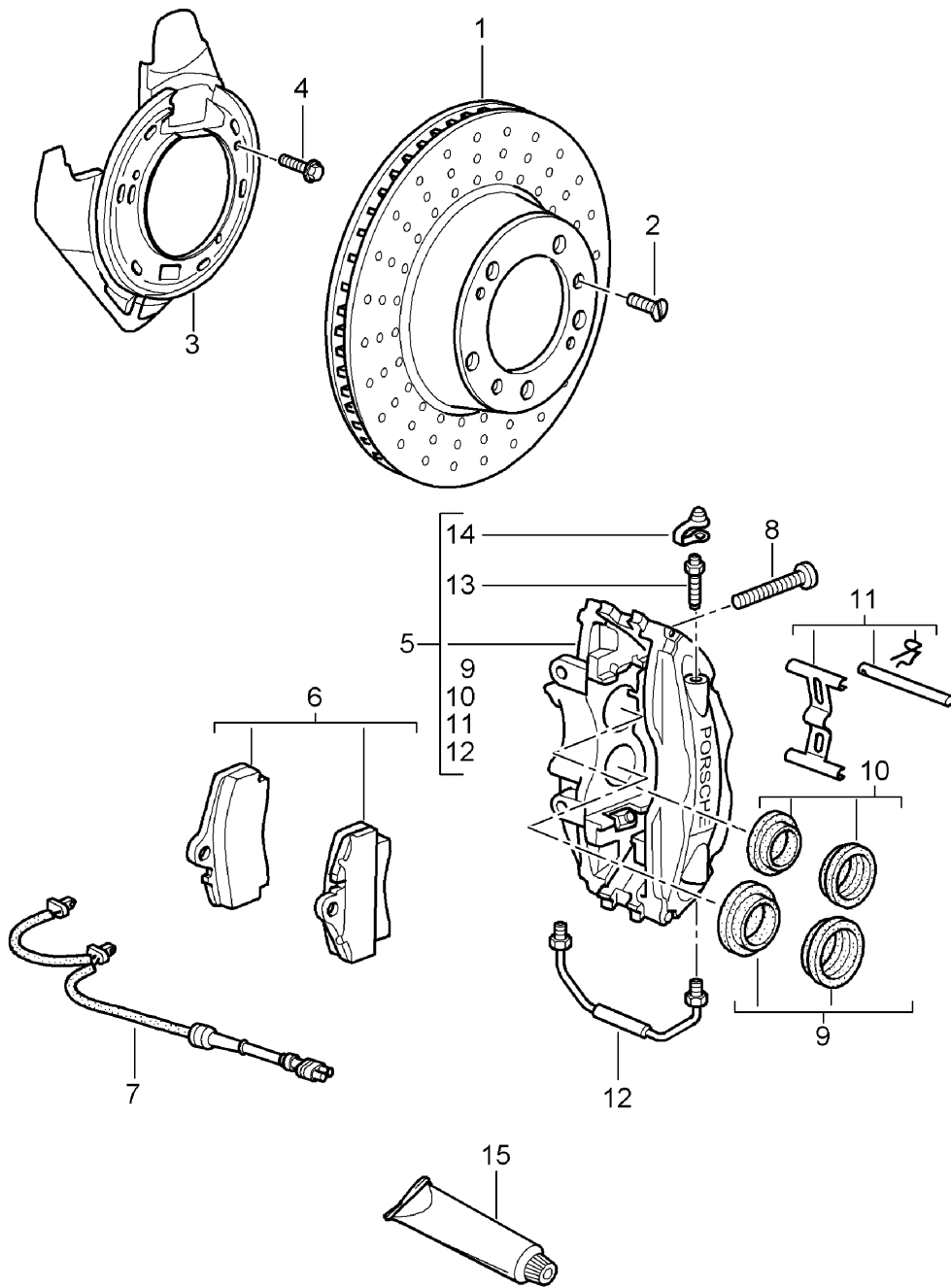
| Pos | Part Number | Description | Remark | Qty | Model |
|-----|----------------|------------------------------------|----------------|-----|---------------------|
| | | disk brake | | | |
| | | | 997 612 756 00 | 1 | |
| | | also use: | 997 612 759 00 | 1 | |
| | | | 955 352 960 00 | 1 | |
| | | See technical manual | 46 | | |
| | | Group: | NR. 3619 | | |
| (6) | 996 351 947 01 | 1 set of brake pads for disk brake | front | 1 | BOXSTER S |
| | | See technical manual | | | |
| | | Group: | | | |
| | | also use: | | | |
| | | Fasteners | | | |
| | | Discontinued part | | | PR:450 |
| (6) | 997 351 948 00 | 1 set of brake pads for disk brake | front | 1 | BOXSTER S |
| | | See technical manual | | | |
| | | Group: | | | |
| | | also use: | | | |
| | | Fasteners | | | |
| | | Discontinued part | | | PR:450 |
| (6) | 997 351 948 01 | 1 set of brake pads for disk brake | front | 1 | BOXSTER S |
| | | See technical manual | | | |
| | | Group: | | | |
| | | also use: | | | |
| | | Fasteners | | | |
| | | Discontinued part | | | PR:450 |
| - | 987 351 088 00 | Damping plate | | 4 | BOXSTER |
| | | Discontinued part | | | |
| - | 987 351 088 01 | Damping plate | | 4 | BOXSTER |
| - | 996 351 088 01 | Damping plate | | 4 | BOXSTER S |
| | | Discontinued part | | | |
| - | 996 351 088 02 | Damping plate | | 4 | BOXSTER S |
| - | 996 352 086 01 | Damping plate | | 12 | BOXSTER S |
| | | See technical manual | | | |
| | | Group: | | | |
| | | 46 34 20 | | | |
| | | F >> 98-6U731 545 | | | |
| | | Discontinued part | | | |
| - | 996 352 086 02 | Damping plate | | 12 | PR:450 BOXSTER S |
| | | See technical manual | | | |
| | | Group: | | | |
| | | 46 34 20 | | | |
| | | F >> 98-6U731 545 | | | |
| 7 | 997 612 755 00 | sender wire (pad wear indicator) | left | 2 | PR:450 BOXSTER |
| (7) | 997 612 757 00 | sender wire (pad wear indicator) | right | 2 | BOXSTER |
| (7) | 997 612 756 00 | Warning contact | left | 2 | BOXSTER S |
| | | See technical manual | | | |
| | | Group: | | | |
| | | 46 3619 | | | |
| (7) | 997 612 759 00 | sender wire (pad wear indicator) | right | 2 | BOXSTER S |
| | | See technical manual | | | |
| | | Group: | 46 36 19 | | |
| (7) | 997 612 675 01 | sender wire (pad wear indicator) | left | 1 | BOXSTER S |
| (7) | 997 612 679 00 | sender wire (pad wear indicator) | right | 1 | PR:450 BOXSTER S |
| 8 | 999 067 041 09 | Socket head bolt | | 4 | PR:450 |

Model: 987 05 Model life 2005>>2008

| Pos | Part Number | Description | Remark | Qty | Model |
|------|----------------|--|--------|-----|---------------------|
| 8 | 999 067 041 01 | M 12 X 1,5 X 72 Discontinued part Socket head bolt | | 4 | |
| (8) | 999 067 047 09 | M 12 X 1,5 X 72 Socket head bolt | | 4 | BOXSTER S PR:450 |
| - | 944 612 627 00 | M 12 X 1,5 X 85 Line holder for Warning contact | | 2 | |
| 10 | 996 352 962 00 | Connecting line | left | 1 | |
| (10) | 996 352 961 00 | Connecting line | right | 1 | |
| (10) | 996 351 961 00 | Connecting line | left | 1 | BOXSTER S |
| (10) | 996 351 962 00 | Connecting line | right | 1 | BOXSTER S |
| (10) | 996 351 961 30 | Connecting line | | 2 | BOXSTER S PR:450 |
| 11 | 930 351 919 00 | Breather valve | | 2 | |
| 12 | 930 351 927 00 | dust cap Discontinued part | | 2 | |
| 12 | 930 351 927 01 | dust cap | | 2 | |
| 13 | 951 351 917 01 | repair set Protection caps 40 MM \$ | | 2 | |
| 14 | 951 351 917 00 | repair set Protection caps 36 MM \$ | | 2 | |
| 13 | 996 351 915 01 | repair set Protection caps 38 MM \$ | | 2 | BOXSTER S PR:450 |
| - | 951 352 917 00 | repair set Protection caps 28 MM \$ | | 2 | BOXSTER S PR:450 |
| 14 | 996 351 915 00 | repair set Protection caps 32 MM \$ | | 2 | BOXSTER S PR:450 |
| 15 | 996 352 959 01 | repair set Fasteners Pin | | 1 | |
| | | Cup expander spring | | 2 | |
| | | Securing bars | | 2 | |
| (15) | 955 352 960 00 | Repair set for rear axle Fasteners Pin | | 1 | BOXSTER S |
| | | Cup expander spring | | 2 | |
| | | Securing bars | | 2 | |
| | | See technical manual | | | |
| (15) | 996 351 959 30 | repair set Fasteners Pin | Group: | 1 | BOXSTER S PR:450 |
| | | Cup expander spring | | 2 | |
| | | Screw | | 2 | |
| 16 | 000 043 117 00 | brake cylinder paste 50 G | | X | |
| (16) | 000 043 020 00 | Assembly paste 100 G | | X | |

Model: 987 05

Model life 2005>>2008



Model: 987 05 Model life 2005>>2008

| Pos | Part Number | Description | Remark | Qty | Model |
|-----|----------------|--|------------|-----|---------------------|
| - | | Disc brake Rear axle Brake disc (use in pairs only) See technical manual | | | PR:450 |
| 1 | 987 352 401 01 | Brake disc | rear | 2 | |
| (1) | 987 352 403 00 | Brake disc Discontinued part | rear | 2 | BOXSTER S |
| (1) | 987 352 403 01 | Brake disc | rear | 2 | BOXSTER S |
| (1) | 987 352 031 00 | Brake disc | left rear | 1 | BOXSTER S PR:450 |
| (1) | 987 352 031 01 | D - MJ 2005>> - MJ 2005 Brake disc | left rear | 1 | BOXSTER S PR:450 |
| (1) | 987 352 031 02 | D - MJ 2006>> Brake disc | left rear | 1 | BOXSTER S PR:450 |
| (1) | 987 352 031 03 | D - MJ 2008>> Discontinued part Brake disc | left rear | 1 | BOXSTER S PR:450 |
| (1) | 981 352 031 00 | D - MJ 2008>> Discontinued part Brake disc | left rear | 1 | BOXSTER S PR:450 |
| (1) | 987 352 032 00 | D - MJ 2008>> Brake disc | right rear | 1 | BOXSTER S PR:450 |
| (1) | 987 352 032 01 | D - MJ 2005>> - MJ 2005 Brake disc | right rear | 1 | BOXSTER S PR:450 |
| (1) | 987 352 032 02 | D - MJ 2006>> Brake disc | right rear | 1 | BOXSTER S |
| (1) | 987 352 032 03 | D - MJ 2008>> Discontinued part Brake disc | right rear | 1 | BOXSTER S |
| (1) | 981 352 032 00 | D - MJ 2008>> Discontinued part Brake disc | right rear | 1 | BOXSTER S |
| 2 | 900 269 047 09 | countersunk bolt M 6 X 12 | | 4 | |
| 2 | 900 269 047 01 | Discontinued part countersunk bolt M 6 X 12 | | 4 | |
| (2) | 900 269 106 09 | countersunk bolt M 6 x 16 | | 4 | PR:XRP |
| (2) | 900 269 106 01 | Discontinued part countersunk bolt M 6 x 16 | | 4 | PR:XRP |
| 3 | 987 352 801 00 | Protective plate | | 2 | |
| 4 | 999 217 116 09 | Hexagon bolt M 6 X 16 | | X | |
| (4) | 999 217 116 01 | Discontinued part Hexagon bolt M 6 X 16 | | X | |
| 5 | 986 352 423 01 | caliper without brake pads | left | 1 | |
| (5) | 996 352 421 13 | caliper without brake pads | left | 1 | BOXSTER S |
| (5) | 996 352 423 30 | caliper without brake pads | left | 1 | BOXSTER S PR:450 |
| (5) | 996 352 423 31 | D >> - MJ 2007 caliper without brake pads | left | 1 | BOXSTER S PR:450 |

Model: 987 05 Model life 2005>>2008

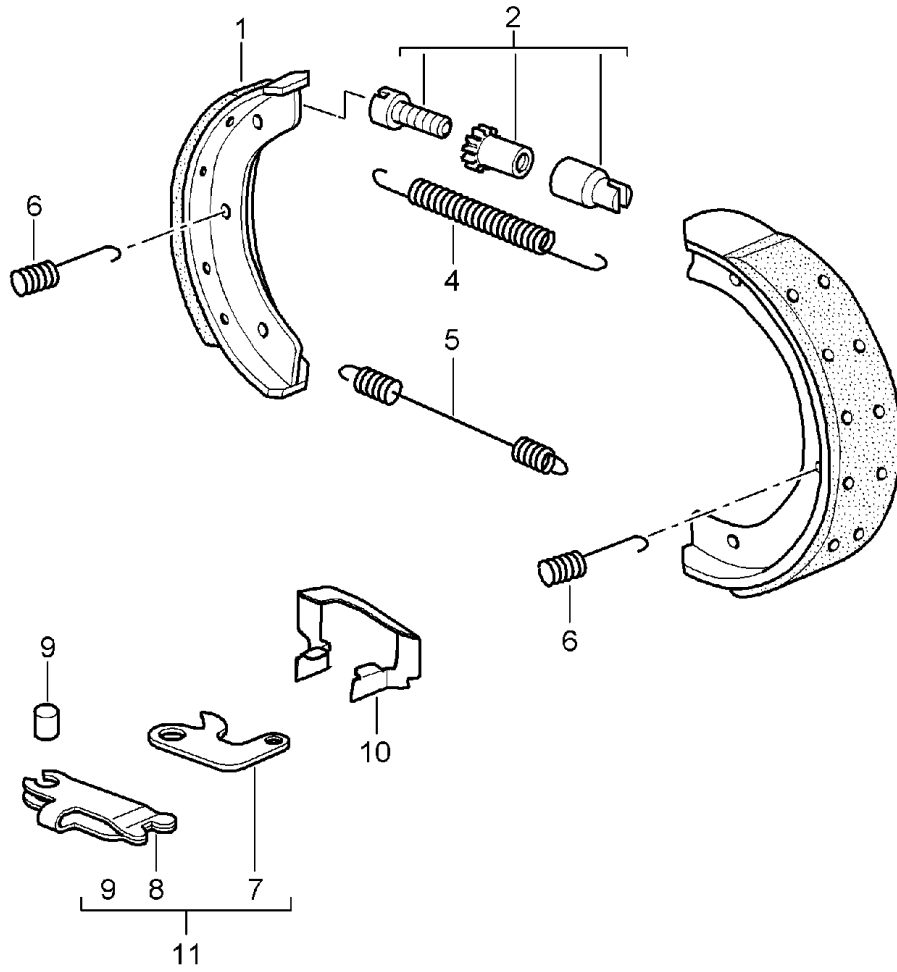
| Pos | Part Number | Description | Remark | Qty | Model |
|-----|----------------|---|----------------------|-----|----------------------|
| (5) | 986 352 424 01 | D - MJ 2008>> caliper without brake pads | right | 1 | |
| (5) | 996 352 422 13 | caliper without brake pads | right | 1 | BOXSTER S |
| (5) | 996 352 424 30 | caliper without brake pads | right | 1 | BOXSTER S PR:450 |
| (5) | 996 352 424 31 | D >> - MJ 2007 caliper without brake pads | right | 1 | BOXSTER S PR:450 |
| 6 | 987 352 939 00 | D - MJ 2008>> 1 set of brake pads for disk brake | rear | 1 | |
| (6) | 987 352 939 01 | Discontinued part 1 set of brake pads for disk brake | rear | 1 | |
| (6) | 986 352 939 10 | 1 set of brake pads for disk brake | rear | 1 | BOXSTER S |
| (6) | 996 352 947 01 | 1 set of brake pads for disk brake See technical manual | rear | 1 | BOXSTER S |
| (6) | 997 352 948 00 | Group: also use: F >> 98-6U731 545 1 set of brake pads for disk brake | rear 46 35 20 | 1 | PR:450 BOXSTER S |
| 7 | 987 612 676 01 | Fasteners sender wire (pad wear indicator) | | 2 | PR:450 BOXSTER |
| (7) | 986 612 365 00 | sender wire (pad wear indicator) | | 2 | BOXSTER S |
| (7) | 987 612 676 01 | sender wire (pad wear indicator) | | 2 | BOXSTER S PR:450 |
| - | 999 507 464 40 | bracket for speed sensor Warning contact | | 2 | |
| 8 | 999 067 041 09 | Socket head bolt M 12 X 1,5 X 72 Discontinued part | | 4 | |
| 8 | 999 067 041 01 | Socket head bolt M 12 X 1,5 X 72 Discontinued part | | 4 | |
| (8) | 999 073 402 01 | Socket head bolt M 12 X 1;5 X 72 | | 4 | |
| (8) | 999 067 041 09 | Socket head bolt M 12 X 1,5 X 72 Discontinued part | | 4 | BOXSTER S PR:-450 |
| (8) | 999 067 041 01 | Socket head bolt M 12 X 1,5 X 72 Discontinued part | | 4 | BOXSTER S PR:-450 |
| (8) | 999 073 402 01 | Socket head bolt M 12 X 1,5 X 72 | | 4 | BOXSTER S PR:-450 |
| (8) | 999 067 047 09 | Socket head bolt M 12 X 1,5 X 85 Discontinued part | | 4 | BOXSTER S PR:450 |
| (8) | 999 067 053 09 | Socket head bolt M 12 X 1,5 X 85 | | 4 | BOXSTER S PR:450 |
| - | 944 612 627 00 | Line holder for sender wire (pad wear indicator) | | 2 | |
| 9 | 951 352 917 01 | repair set | | 2 | |

Model: 987 05 Model life 2005>>2008

| Pos | Part Number | Description | Remark | Qty | Model |
|------|----------------|--|--------|------------------|---|
| 10 | 951 352 917 00 | Protective cap 30 MM \$ repair set | | 2 | |
| 11 | 996 352 959 01 | Protective cap 28 MM \$ repair set Fasteners Pin | | 1 2 2 2 | PR:-450 |
| (11) | 996 351 959 01 | Cup expander spring Securing bars repair set Fasteners Pin | | 2 2 1 2 | BOXSTER S PR:450 |
| - | 964 352 096 00 | Cup expander spring Securing bars Damping plate 30 MM \$ | | X X X X | BOXSTER S BOXSTER S PR:450 BOXSTER S |
| - | 964 352 096 01 | Damping plate 28 MM \$ | | X | BOXSTER S |
| - | 996 352 086 01 | Damping plate 28 MM \$ See technical manual | | X | BOXSTER S PR:450 |
| | | Group: 46 35 20 F >> 98-6U731 545 F >> 98-6U731 545 | | | |
| - | 996 352 086 02 | Discontinued part Damping plate 28 MM \$ See technical manual | | X | BOXSTER S PR:450 |
| | | Group: 46 35 20 F >> 98-6U731 545 F >> 98-6U731 545 | | | |
| 12 | 996 352 961 00 | Connecting line | left | 1 | PR:-450 |
| (12) | 996 352 962 00 | Connecting line | right | 1 | PR:-450 |
| (12) | 996 351 961 30 | Connecting line | | 2 | BOXSTER S PR:450 |
| 13 | 930 351 919 00 | Breather valve | | 4 | |
| 14 | 930 351 927 00 | dust cap Discontinued part | | 4 | |
| 14 | 930 351 927 01 | dust cap | | 4 | |
| 15 | 000 043 117 00 | brake cylinder paste 50 G | | X | |
| (15) | 000 043 020 00 | Assembly paste 100 G | | X | |

Model: 987 05

Model life 2005>>2008

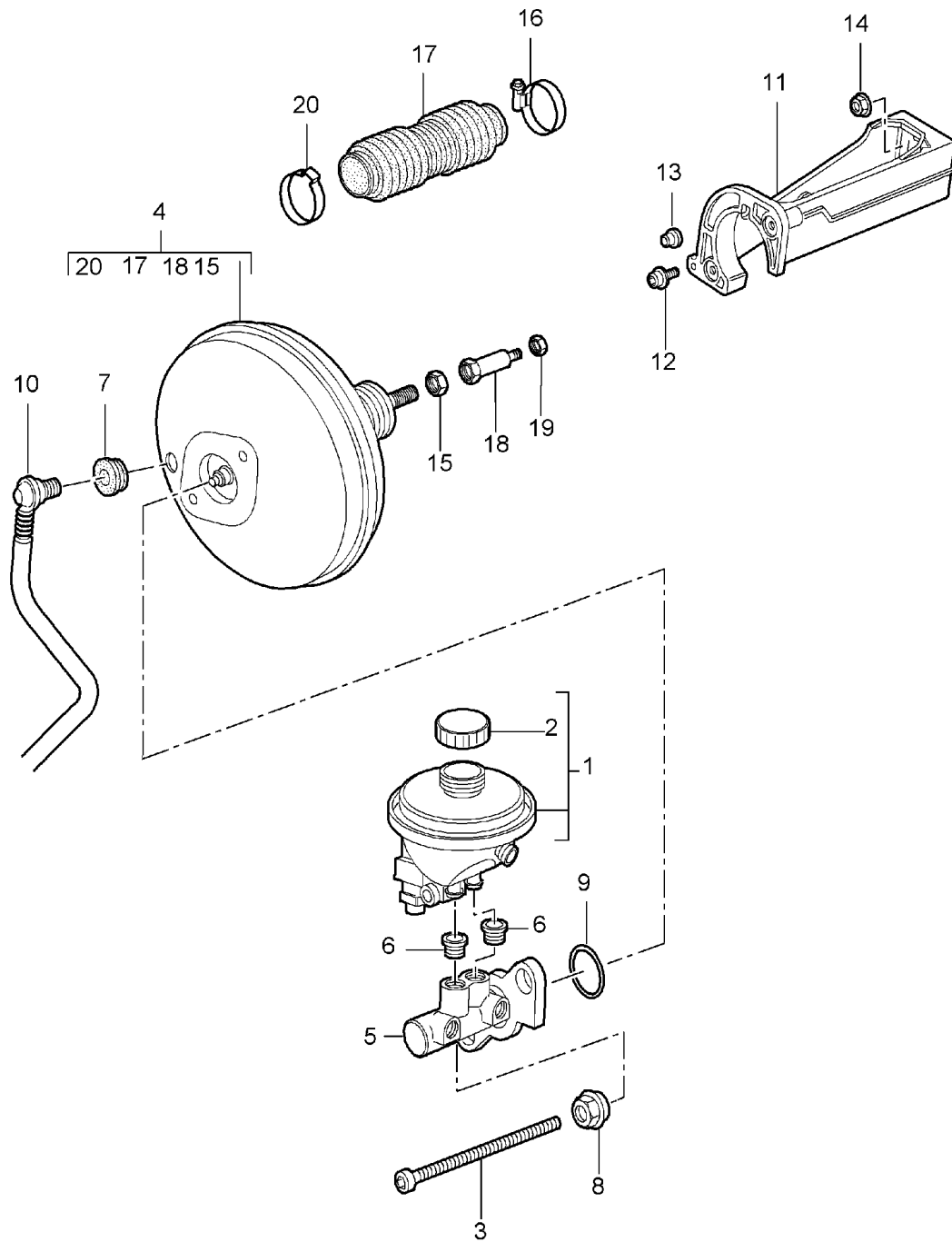


Model: 987 05 Model life 2005>>2008

| Pos | Part Number | Description | Remark | Qty | Model |
|-----|----------------|---------------------------------------|--------|-----|-------|
| - | | handbrake See technical manual | | | |
| | | Group: | | | |
| | | 46 83 20 | | | |
| (1) | 996 352 993 02 | Brake shoe 1 set | | 1 | |
| | | only in conj. with: | | | |
| | | Pressure spring 997.352.741.01 | | | |
| 2 | 993 352 071 00 | adjustment screw | | 2 | |
| (2) | 298 609 723 | Discontinued part adjustment screw | | 2 | |
| 4 | 997 352 721 01 | tension spring | | 2 | |
| | | Discontinued part | | | |
| (4) | 298 609 717 | tension spring | | 2 | |
| 5 | 997 352 723 01 | tension spring | | 2 | |
| | | D - MJ 2005>> - MJ 2005 | | | |
| (5) | 997 352 723 02 | tension spring | | 2 | |
| | | D - MJ 2006>> | | | |
| (6) | 997 352 741 01 | Pressure spring | | 4 | |
| | | only in conj. with: | | | |
| | | Brake shoe 996.352.993.00/01/02 | | | |
| 7 | 986 352 731 01 | Actuating lever | | 2 | |
| 8 | 986 352 733 02 | Clip | | 2 | |
| 9 | 986 352 735 00 | Articulated bolt | | 2 | |
| 10 | 997 352 807 01 | Support plate | | 2 | |
| 11 | 986 352 073 02 | Expanding bow | | 2 | |

Model: 987 05

Model life 2005>>2008

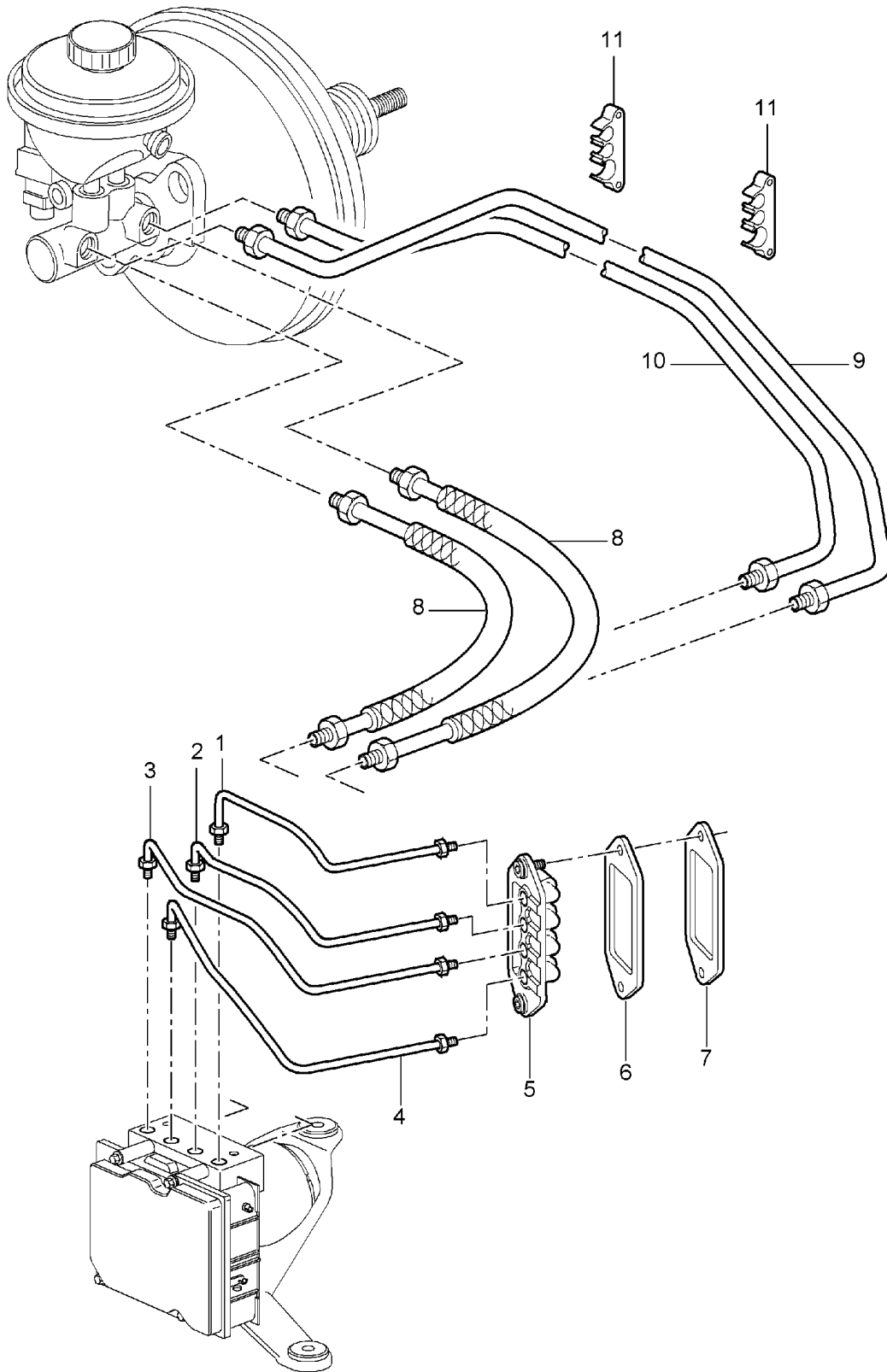


Model: 987 05 Model life 2005>>2008

| Pos | Part Number | Description | Remark | Qty | Model |
|------|----------------|-------------------------------------|----------|-----|---------------------|
| - | 000 043 210 82 | Brake master cylinder | | | |
| - | 000 043 210 86 | Brake servo | | | |
| - | 000 043 210 86 | brake fluid | 1.0 Ltr. | X | |
| - | 000 043 210 86 | brake fluid | 30ltr. | X | |
| 1 | 997 355 013 00 | Reservoir for brake fluid | | 1 | PR:480,481 |
| | | D - MJ 2005>> - MJ 2005 | | | |
| | | Discontinued part | | | |
| (1) | 997 355 013 01 | Reservoir for brake fluid | | 1 | PR:480,481 |
| (1) | 997 355 013 20 | Reservoir for brake fluid | | 1 | PR:249 |
| | | D - MJ 2005>> - MJ 2005 | | | |
| | | Discontinued part | | | |
| (1) | 997 355 013 21 | Reservoir for brake fluid | | 1 | PR:249 |
| 2 | 996 355 119 01 | catch | | 1 | |
| - | 997 355 125 00 | contact carrier for container | | 1 | |
| 3 | 999 073 124 09 | Socket head bolt M 8 X 154 X 80 | | 2 | |
| (3) | 999 073 124 02 | Socket head bolt M 8 X 154 X 80 | | 2 | |
| | | Discontinued part | | | |
| (3) | 999 073 615 01 | Socket head bolt M 8 X 154 X 80 | | 2 | |
| 4 | 997 355 923 00 | Brake servo | | 1 | |
| - | 996 355 137 01 | catch | | 1 | |
| | | Threaded joint | | | |
| | | Brake servo | | | |
| 5 | 997 355 910 00 | Brake master cylinder | | 1 | |
| (5) | 997 355 910 00 | Brake master cylinder | | 1 | BOXSTER S |
| (5) | 997 355 910 10 | Brake master cylinder | | 1 | BOXSTER S PR:450 |
| 6 | 993 355 922 00 | Grommet | | 2 | |
| 7 | 999 702 182 40 | Rubber bush | | 1 | |
| 8 | 997 355 925 00 | Hexagon nut | | 2 | |
| 9 | 993 355 212 00 | Seal | | 1 | |
| 10 | 997 355 577 00 | Vacuum line | | 1 | PR:098 |
| 11 | 997 423 251 00 | Intermediate piece | | 1 | |
| 12 | 999 073 189 01 | flat round head bolt M 6 X 12 | | 2 | |
| 13 | 999 703 448 50 | Bungs | right | 1 | |
| 14 | 999 084 630 09 | Hexagon nut M 8 | | 2 | |
| 15 | 900 183 015 02 | Hexagon nut M 12 X 1,5 | | 1 | |
| - | 996 355 901 01 | Seal | | 1 | |
| | | Brake servo filler plate | | | |
| 16 | 999 512 478 00 | Hose clamp | | 1 | |
| 17 | 996 423 269 05 | Bellows | | 1 | |
| 18 | 996 355 927 01 | Connecting piece | | 1 | |
| 19 | 900 380 015 09 | Hexagon nut M 6 | | 1 | |
| | | Discontinued part | | | |
| (19) | 900 380 015 01 | Hexagon nut M 6 | | 1 | |
| 20 | 999 512 672 00 | clamp | | 1 | |

Model: 987 05

Model life 2005>>2008



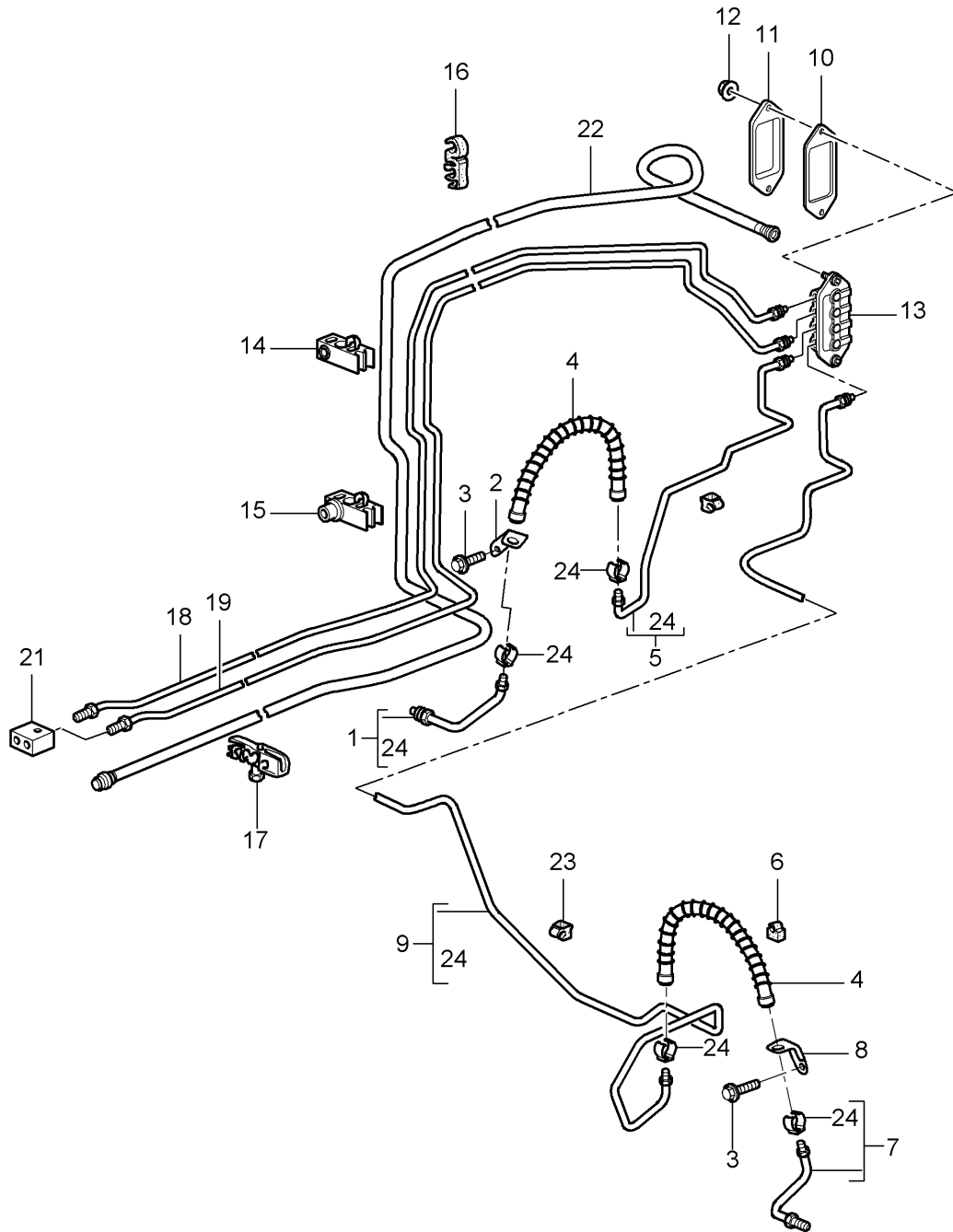
Model: 987 05

Model life 2005>>2008

| Pos | Part Number | Description | Remark | Qty | Model |
|-----|----------------|--------------------|--------|-----|--------|
| | | Brake lines | | | |
| | | Front end | | | |
| 1 | 997 355 315 00 | Brake line | | 1 | |
| 2 | 997 355 316 00 | Brake line | | 1 | |
| 3 | 997 355 327 00 | Brake line | | 1 | |
| 4 | 997 355 326 00 | Brake line | | 1 | |
| 5 | 997 355 650 00 | Intermediate piece | | 1 | |
| 6 | 997 355 752 00 | Seal | | 1 | |
| 7 | 997 355 753 00 | Reinforcement | | 1 | |
| 8 | 997 355 311 00 | Pressure line | | 2 | PR:098 |
| 9 | 997 355 312 00 | Pressure line | | 1 | PR:099 |
| 10 | 997 355 314 00 | Pressure line | | 1 | PR:099 |
| 11 | 999 507 632 40 | Cable holder | | 2 | |

Model: 987 05

Model life 2005>>2008



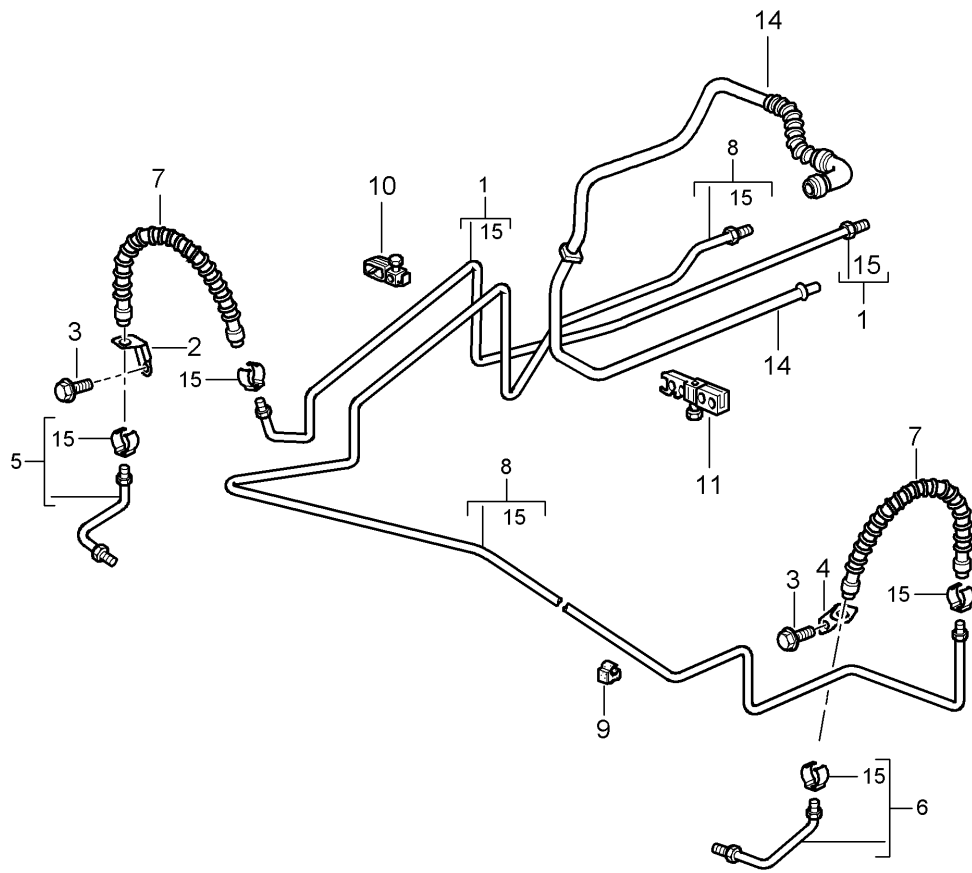
Model: 987 05

Model life 2005>>2008

| Pos | Part Number | Description | Remark | Qty | Model |
|------|----------------|---------------------------------------|--------|-----|--------|
| | | Brake lines | | | |
| | | Brake lines | | | |
| | | Underbody | | | |
| | | Vacuum line | | | |
| 1 | 996 355 581 06 | Brake line | left | 1 | |
| (1) | 996 355 581 9B | Brake line | left | 1 | PR:450 |
| 2 | 996 355 501 06 | Brake hose bracket | left | 1 | |
| 3 | 900 067 117 09 | Socket head bolt M 6 X 16 | | 2 | |
| 4 | 996 355 139 01 | Brake hose | | 2 | |
| | | Discontinued part | | | |
| 4 | 996 355 139 03 | Brake hose | | 2 | |
| 5 | 997 355 175 02 | Brake line | left | 1 | |
| | | Discontinued part | | | |
| 5 | 997 355 175 10 | Brake line | left | 1 | |
| | | Discontinued part | | | |
| 5 | 997 355 175 11 | Brake line | left | 1 | |
| 6 | 999 591 930 40 | Bracket | | X | |
| 7 | 996 355 584 06 | Brake line | right | 1 | |
| (7) | 996 355 584 9B | Brake line | right | 1 | PR:450 |
| 8 | 996 355 502 06 | Brake hose bracket | right | 1 | |
| 9 | 997 355 176 02 | Brake line | | 1 | |
| 10 | 997 355 753 00 | Reinforcement | | 1 | |
| 11 | 997 355 752 00 | Seal | | 1 | |
| 12 | 900 380 015 09 | Hexagon nut M 6 | | 3 | |
| | | Discontinued part | | | |
| (12) | 900 380 015 01 | Hexagon nut M 6 | | 3 | |
| 13 | 997 355 650 00 | Intermediate piece | | 1 | |
| 14 | 996 355 545 00 | Bracket | | 3 | |
| 15 | 996 355 549 00 | Bracket | | 1 | |
| 16 | 996 355 547 01 | Bracket | | 2 | |
| 17 | 996 355 543 00 | Bracket | | 1 | |
| 18 | 997 355 177 01 | Brake line | | 1 | |
| 19 | 997 355 179 01 | Brake line | | 1 | |
| | | Discontinued part | | | |
| 19 | 997 355 179 10 | Brake line | | 1 | |
| | | Discontinued part | | | |
| 19 | 997 355 179 11 | Brake line | | 1 | |
| 21 | 996 355 760 31 | Connecting piece | | 1 | |
| 22 | 997 355 571 01 | Vacuum line | | 1 | |
| - | 999 702 289 40 | Grommet | | 1 | |
| | | Wheel housing | | | |
| 23 | 999 651 331 40 | Cable holder | | 5 | |
| 24 | 997 355 331 00 | retaining spring for Brake hose | | X | |

Model: 987 05

Model life 2005>>2008

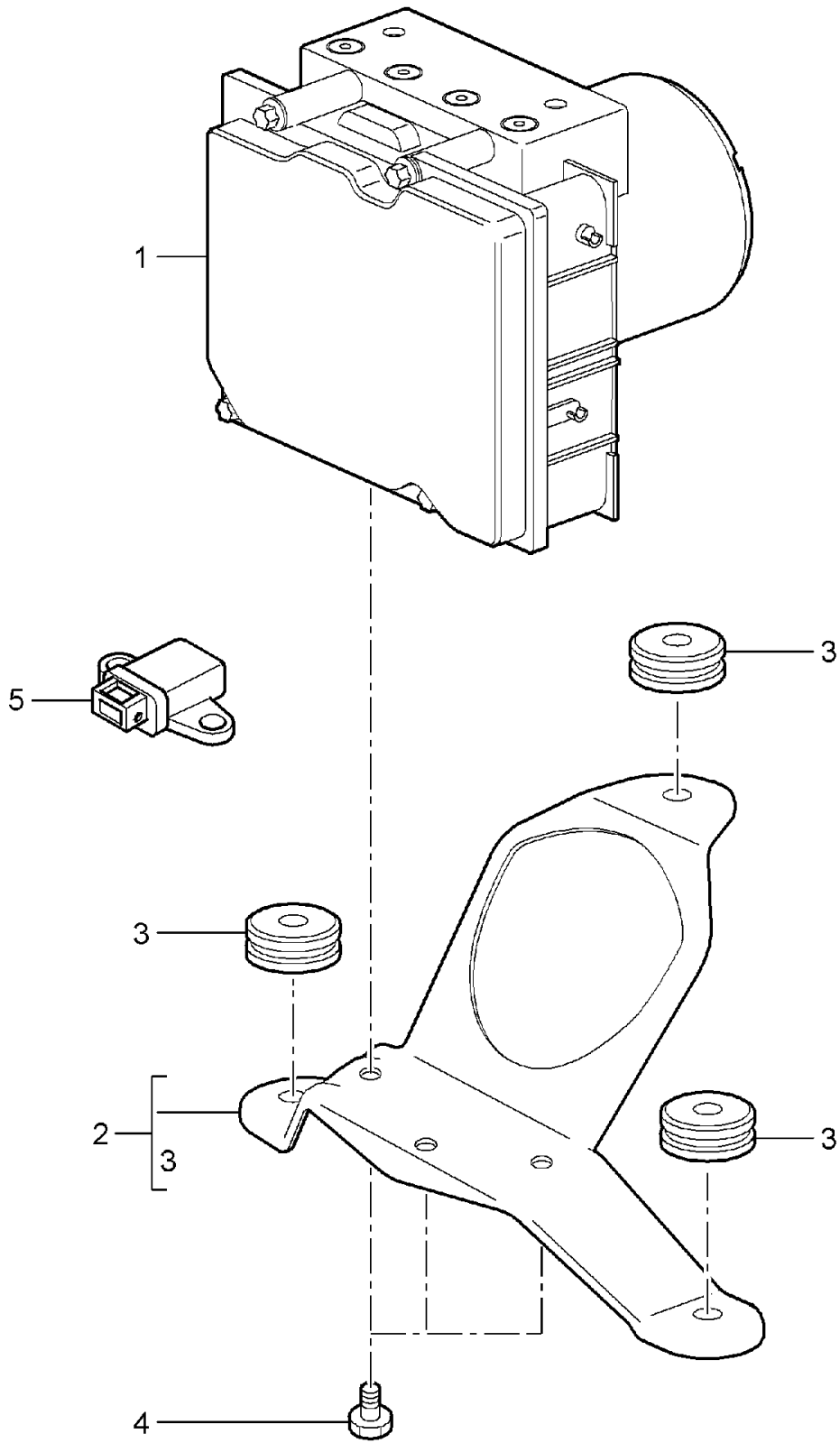


Model: 987 05 Model life 2005>>2008

| Pos | Part Number | Description | Remark | Qty | Model |
|------|----------------|---|--------|-----|---------------------|
| | | Brake line Underbody Rear axle Vacuum line | | | |
| 1 | 987 355 189 01 | Brake line | left | 1 | |
| 2 | 987 355 501 01 | Retainer for brake hose | left | 1 | |
| 3 | 900 075 355 01 | Hexagon bolt M 6 X 16 | | 4 | |
| 4 | 987 355 502 01 | Retainer for brake hose | right | 1 | |
| 5 | 987 355 581 00 | Brake line | left | 1 | |
| (5) | 987 355 583 00 | Brake line | left | 1 | BOXSTER S PR:450 |
| (5) | 987 355 583 01 | Discontinued part Brake line | left | 1 | BOXSTER S PR:450 |
| 6 | 987 355 582 00 | Brake line | right | 1 | |
| (6) | 987 355 584 00 | Brake line | right | 1 | BOXSTER S PR:450 |
| (6) | 987 355 584 01 | Discontinued part Brake line | right | 1 | BOXSTER S PR:450 |
| - | 996 501 815 02 | Brake line bracket | | 2 | |
| 7 | 987 355 137 00 | Brake hose | | 2 | |
| (7) | 987 355 637 00 | Discontinued part Brake hose | | 2 | |
| (7) | 987 355 637 01 | Discontinued part Brake hose | | 2 | |
| 8 | 987 355 190 01 | Brake line | right | 1 | |
| 9 | 999 651 331 40 | Cable holder | | 3 | |
| 10 | 964 423 811 00 | Bracket | | 2 | |
| 11 | 996 355 543 00 | Bracket | | 1 | |
| 14 | 987 355 575 01 | Vacuum line | | 1 | |
| (14) | 987 355 575 02 | Discontinued part Vacuum line | | 1 | |
| 15 | 997 355 331 00 | retaining spring for Brake hose | | X | |

Model: 987 05

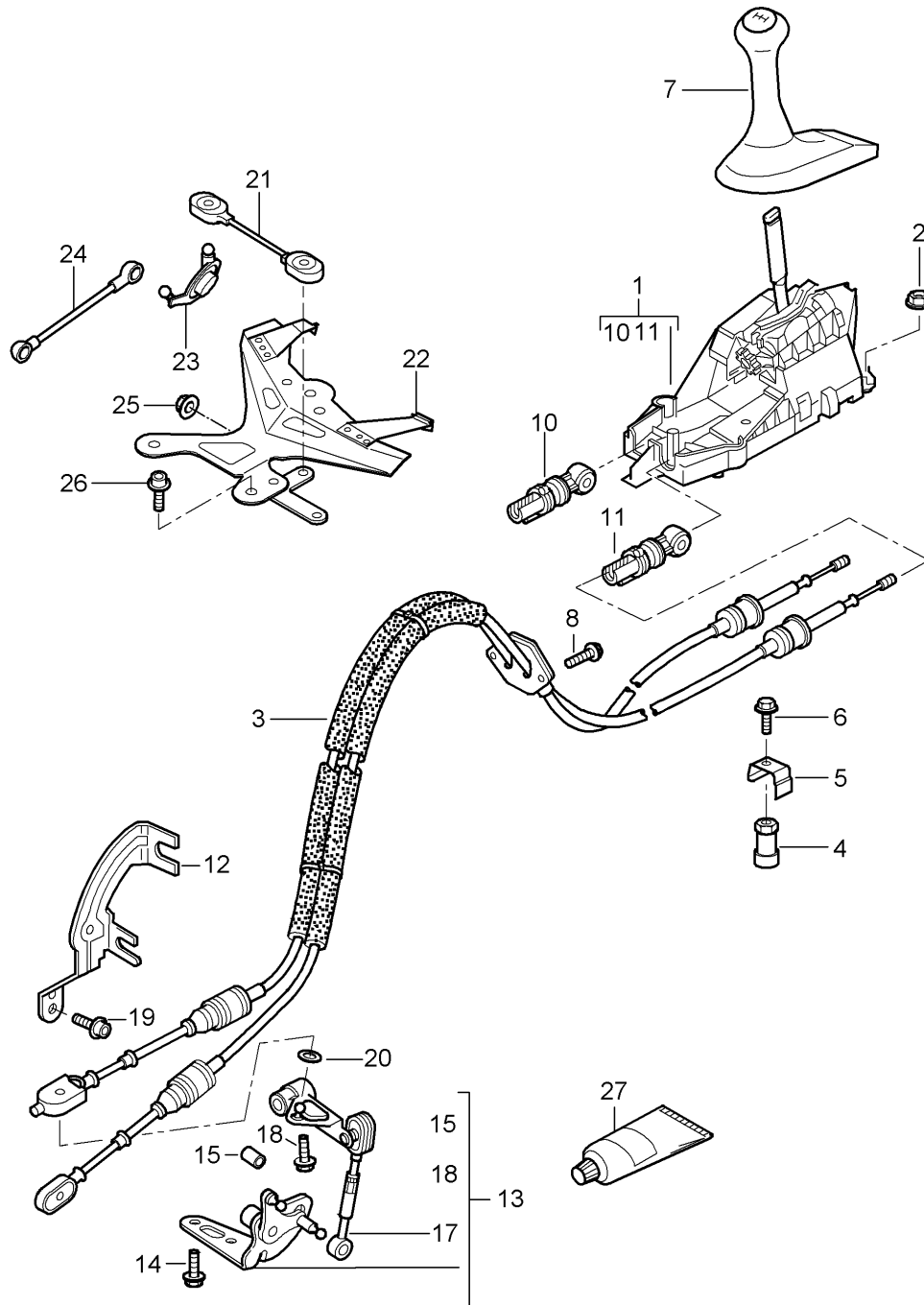
Model life 2005>>2008



Model: 987 05

Model life 2005>>2008

| Pos | Part Number | Description | Remark | Qty | Model |
|-----|----------------|---|--------|-----|-------|
| | | Hydraulic unit anti-locking brake syst. -abs- Control | | | |
| 1 | 987 355 955 04 | Hydraulic unit | | 1 | |
| 2 | 997 355 033 00 | Bracket | | 1 | |
| | | with: | | | |
| 3 | 964 356 635 00 | Rubber bush | | 3 | |
| - | 999 045 004 40 | Rubber bush | | 3 | |
| | | Hexagon nut | | 3 | |
| | | plastic | | | |
| 4 | 900 385 060 09 | Screw | | 3 | |
| | | BM 6 X 10 | | | |
| | | Discontinued part | | | |
| (4) | 900 385 060 01 | Screw | | 3 | |
| | | BM 6 x 10 | | | |
| 5 | 996 606 145 00 | Sensor | | 1 | |



Model: 987 05 Model life 2005>>2008

| Pos | Part Number | Description | Remark | Qty | Model |
|-----|--------------------|--|--------|-----|------------|
| | | Transmission control Manual gearbox | | | PR:480,481 |
| 1 | 997 424 010 00 | ball housing - gearshift lever | | 1 | |
| (1) | 997 424 983 00 | ball housing - gearshift lever | | 1 | PR:XCZ |
| 2 | 999 084 629 01 | Hexagon nut M 6SB | | 4 | |
| 3 | 987 424 041 00 | Cable Discontinued part | | 1 | PR:481 |
| (3) | 987 424 041 01 | Shift cable | | 1 | PR:481 |
| | | D >> - MJ 2006 | | | |
| (3) | 987 424 041 11 | Cable | | 1 | PR:481 |
| | | D - MJ 2007>> | | | |
| (3) | 987 424 042 00 | Cable Discontinued part | | 1 | PR:480 |
| (3) | 987 424 042 01 | Shift cable | | 1 | PR:480 |
| | | D >> - MJ 2006 | | | |
| | | No longer use the part here | | | |
| (3) | 987 424 042 02 | Shift cable | | 1 | PR:480 |
| | | D >> - MJ 2006 | | | |
| (3) | 987 424 042 11 | Cable | | 1 | PR:480 |
| | | D - MJ 2007>> | | | |
| | | No longer use the part here | | | |
| (3) | 987 424 042 12 | Cable | | 1 | PR:480 |
| | | D - MJ 2007>> | | | |
| 4 | 986 424 221 00 | Distance piece No longer use the part here | | 2 | |
| 5 | 987 424 211 01 | Bracket No longer use the part here | | 1 | |
| 6 | 900 075 023 02 | Hexagon bolt M8 X 12 No longer use the part here | | 1 | |
| 7 | 987 424 075 00 | gearstick knob (leather) Shift pattern Black | | 1 | PR:481 |
| | 987 424 075 00 FOT | black/black | | | |
| | 987 424 075 00 FOU | Stone grey/stone grey | | | |
| | 987 424 075 00 FOV | Sand beige/sand beige | | | |
| | 987 424 075 00 FOW | Sea blue/sea blue | | | |
| | 987 424 075 00 FOX | Palmgreen/palmgreen | | | |
| | 987 424 075 00 FPW | Terracotta/terracotta | | | |
| | 987 424 075 00 FPX | Cocoa/Cocoa | | | |
| | 987 424 075 00 FQE | Black/stone grey | | | |
| | 987 424 075 00 FOY | Dark grey/dark grey | | | |
| | 987 424 075 00 FOZ | For remote-controlled parking | | | |
| (7) | 987 424 075 03 | gearstick knob Carbon Shift pattern Black | | 1 | PR:481,803 |
| | 987 424 075 03 FPP | Black | | | |
| | 987 424 075 03 FPQ | Stone grey | | | |
| | 987 424 075 03 FPR | Sand beige | | | |
| | 987 424 075 03 FPS | sea blue | | | |
| | 987 424 075 03 FPT | Palm green | | | |
| | 987 424 075 03 FQC | Terracotta | | | |
| | 987 424 075 03 FQD | Cocoa | | | |
| | 987 424 075 03 FPU | Dark grey/natural | | | |
| | 987 424 075 03 FPV | Brown/natural | | | |
| (7) | 987 424 075 04 | gearstick knob (leather) macassar Shift pattern Black | | 1 | PR:481,801 |
| | 987 424 075 04 FPA | Black | | | |
| | 987 424 075 04 FPB | Stone grey | | | |

Model: 987 05 Model life 2005>>2008

| Pos | Part Number | Description | Remark | Qty | Model |
|-----|--------------------|--|--------|-----|------------|
| | 987 424 075 04 FPC | Sand beige | | | |
| | 987 424 075 04 FPD | sea blue | | | |
| | 987 424 075 04 FPE | Palm green | | | |
| | 987 424 075 04 FPY | Terracotta | | | |
| | 987 424 075 04 FPZ | Cocoa | | | |
| | 987 424 075 04 FPF | Dark grey/natural | | | |
| | 987 424 075 04 FPG | Brown/natural | | | |
| (7) | 987 424 075 04 | gearstick knob (leather) Sycamore wood Shift pattern Black | | 1 | PR:481,802 |
| | 987 424 075 04 FPH | Black | | | |
| | 987 424 075 04 FPJ | Stone grey | | | |
| | 987 424 075 04 FPK | Sand beige | | | |
| | 987 424 075 04 FPL | sea blue | | | |
| | 987 424 075 04 FPM | Palm green | | | |
| | 987 424 075 04 FQA | Terracotta | | | |
| | 987 424 075 04 FQB | Cocoa | | | |
| | 987 424 075 04 FPN | Dark grey/natural | | | |
| | 987 424 075 04 FPO | Brown/natural | | | |
| (7) | 997 424 075 01 | gearstick knob (leather) Shift pattern Aluminium look | | 1 | PR:480 |
| | 997 424 075 01 FOT | black/black | | | |
| | 997 424 075 01 FOU | Stone grey/stone grey | | | |
| | 997 424 075 01 FOV | Sand beige/sand beige | | | |
| | 997 424 075 01 FOW | Sea blue/sea blue | | | |
| | 997 424 075 01 FOX | Palmgreen/palmgreen | | | |
| | 997 424 075 01 FPW | Terracotta/terracotta | | | |
| | 997 424 075 01 FPX | Cocoa/Cocoa | | | |
| | 997 424 075 01 FQE | Black/stone grey | | | |
| | 997 424 075 01 FOY | Dark grey/dark grey | | | |
| | 997 424 075 01 FOZ | Brown nat./brown nat. | | | |
| (7) | 997 424 075 03 | gearstick knob Carbon Shift pattern Aluminium look | | 1 | PR:480,803 |
| | 997 424 075 03 FPP | Black | | | |
| | 997 424 075 03 FPQ | Stone grey | | | |
| | 997 424 075 03 FPR | Sand beige | | | |
| | 997 424 075 03 FPS | sea blue | | | |
| | 997 424 075 03 FPT | Palm green | | | |
| | 997 424 075 03 FQC | Terracotta | | | |
| | 997 424 075 03 FQD | Cocoa | | | |
| | 997 424 075 03 FPU | Dark grey/natural | | | |
| | 997 424 075 03 FPV | Brown/natural | | | |
| (7) | 997 424 075 04 | gearstick knob (leather) macassar Shift pattern Aluminium look | | 1 | PR:480,801 |
| | 997 424 075 04 FPA | Black | | | |
| | 997 424 075 04 FPB | Stone grey | | | |
| | 997 424 075 04 FPC | Sand beige | | | |
| | 997 424 075 04 FPD | sea blue | | | |
| | 997 424 075 04 FPE | Palm green | | | |
| | 997 424 075 04 FPY | Terracotta | | | |
| | 997 424 075 04 FPZ | Cocoa | | | |
| | 997 424 075 04 FPF | Dark grey/natural | | | |
| | 997 424 075 04 FPG | Brown/natural | | | |
| (7) | 997 424 075 04 | gearstick knob (leather) Sycamore wood Shift pattern Aluminium look | | 1 | PR:480,802 |

Model: 987 05 Model life 2005>>2008

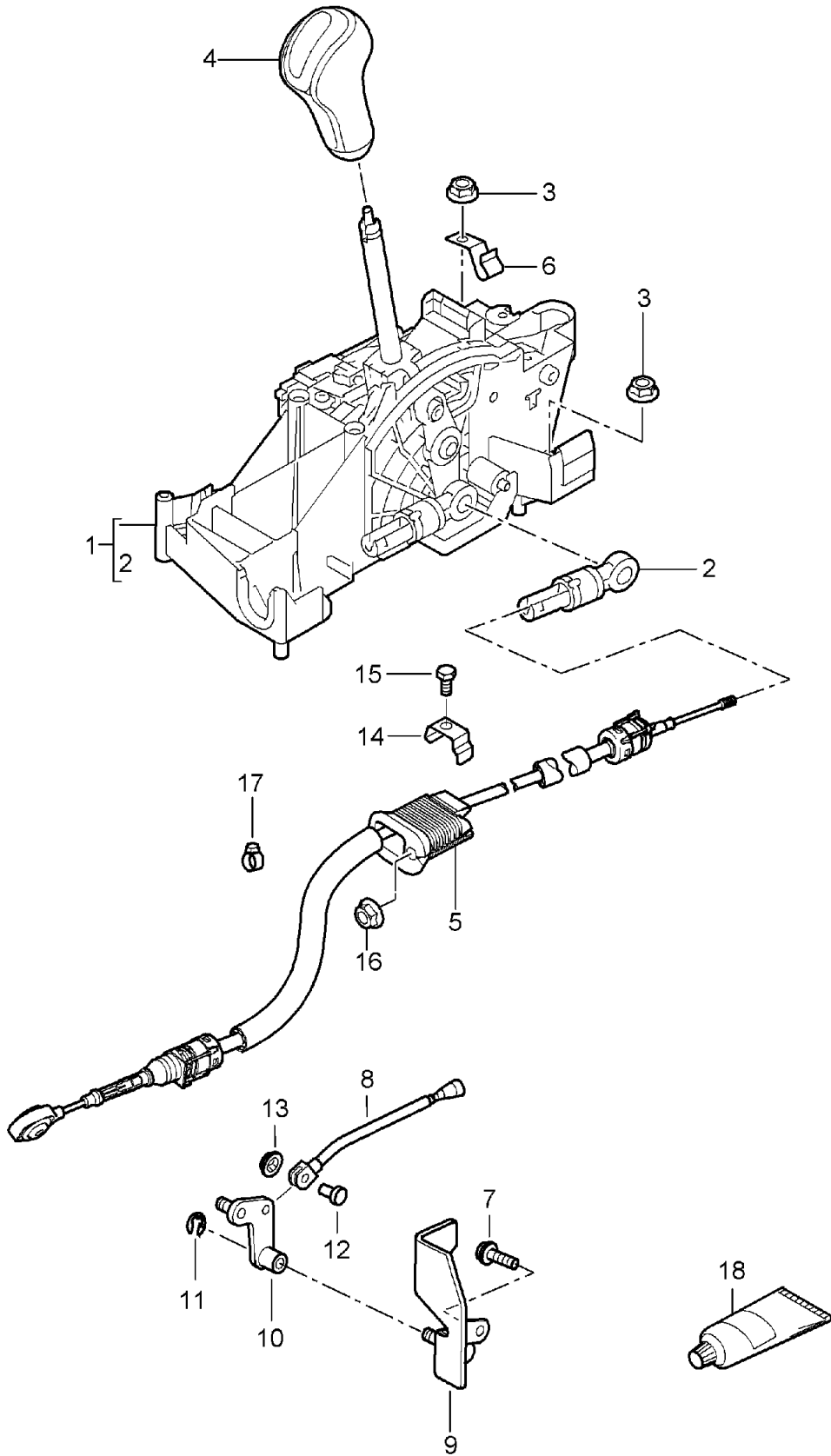
| Pos | Part Number | Description | Remark | Qty | Model |
|------|--------------------|---|--------|-----|------------|
| | 997 424 075 04 FPH | Black | | | |
| | 997 424 075 04 FPJ | Stone grey | | | |
| | 997 424 075 04 FPK | Sand beige | | | |
| | 997 424 075 04 FPL | sea blue | | | |
| | 997 424 075 04 FPM | Palm green | | | |
| | 997 424 075 04 FQA | Terracotta | | | |
| | 997 424 075 04 FQB | Cocoa | | | |
| | 997 424 075 04 FPN | Dark grey/natural | | | |
| | 997 424 075 04 FPO | Brown/natural | | | |
| (7) | 987 424 075 05 | gearstick knob (leather) | | 1 | PR:753,481 |
| | 987 424 075 05 A15 | Black | | | |
| (7) | 987 424 075 06 | gearstick knob (leather) | | 1 | PR:753,480 |
| | 987 424 075 06 A15 | Black | | | |
| (7) | 997 424 981 00 | gearstick knob aluminium Leather D - MJ 2006>> | | 1 | PR:X97,480 |
| | 997 424 981 00 8YR | Black | | | |
| | 997 424 981 00 5X5 | Stone grey | | | |
| | 997 424 981 00 8G1 | Sand beige | | | |
| | 997 424 981 00 3S8 | sea blue | | | |
| | 997 424 981 00 4P1 | Palm green | | | |
| | 997 424 981 00 9N2 | Terracotta | | | |
| | 997 424 981 00 9Q3 | Cocoa | | | |
| | 997 424 981 00 D11 | Dark grey/natural | | | |
| | 997 424 981 00 T11 | Brown/natural | | | |
| (7) | 987 424 981 00 | gearstick knob (leather) aluminium D - MJ 2006>> | | 1 | PR:X97,481 |
| | 987 424 981 00 8YR | Black | | | |
| | 987 424 981 00 5X5 | Stone grey | | | |
| | 987 424 981 00 8G1 | Sand beige | | | |
| | 987 424 981 00 3S8 | sea blue | | | |
| | 987 424 981 00 4P1 | Palm green | | | |
| | 987 424 981 00 9N2 | Terracotta | | | |
| | 987 424 981 00 9Q3 | Cocoa | | | |
| | 987 424 981 00 D11 | Dark grey/natural | | | |
| | 987 424 981 00 T11 | Brown/natural | | | |
| (7) | 997 424 981 00 | gearstick knob aluminium Leather | | 1 | PR:754,X97 |
| | 997 424 981 00 N11 | Carrera Red | | | |
| | 997 424 981 00 D11 | Dark grey/natural | | | |
| (7) | 997 424 075 90 | gearstick knob (leather) | | 1 | PR:757 |
| | 997 424 075 90 A15 | Black | | | |
| 8 | 900 378 152 09 | Hexagon bolt M 6 X 20 | | 2 | PR:481 |
| (8) | 999 084 629 09 | Hexagon nut M 6 | | 2 | PR:480 |
| (10) | 996 424 145 01 | Securing element for Cable Adjustable | | 1 | |
| - | 996 424 445 00 | Clip for Securing element | | 1 | |
| 11 | 996 424 147 00 | Securing element for Cable Adjustable | | 1 | |
| 12 | 986 424 165 02 | Bracket for Cable | | 1 | |

Model: 987 05 Model life 2005>>2008

| Pos | Part Number | Description | Remark | Qty | Model |
|------|----------------|--|--------|-----|--------|
| 13 | 987 424 913 02 | D >> - MJ 2007 Poles Adjustable | | 1 | PR:481 |
| (13) | 987 424 913 03 | D >> - MJ 2007 Poles Adjustable D - MJ 2008>> | | 1 | PR:481 |
| 14 | 900 075 085 02 | Hexagon bolt M 8 X 20 | | 2 | |
| 15 | 987 424 135 00 | Stop buffer | | 1 | |
| 17 | 987 424 932 02 | connecting rod Adjustable | | 1 | |
| 18 | N 901 239 02 | Hexagon bolt M 8 X 26 | | 1 | |
| 19 | 999 073 209 09 | Socket head bolt M 10 X 20 | | 2 | |
| 20 | 986 424 133 00 | Washer | | 2 | |
| 21 | 987 424 131 02 | toggle lever | | 1 | PR:480 |
| (21) | 987 424 131 22 | D >> - MJ 2007 Discontinued part toggle lever D - MJ 2008>> | | 1 | PR:480 |
| 22 | 987 424 137 01 | Transmission bracket | | 1 | PR:480 |
| 23 | 987 424 023 00 | lever No longer use the part here | | 1 | PR:480 |
| 23 | 981 424 023 00 | lever | | 1 | PR:480 |
| 24 | 987 424 035 00 | connecting rod D >> - MJ 2006 | | 1 | PR:480 |
| (24) | 987 424 035 10 | connecting rod D - MJ 2007>> Discontinued part | | 1 | PR:480 |
| (24) | 981 424 035 10 | connecting rod D - MJ 2007>> | | 1 | PR:480 |
| 25 | 900 377 003 02 | Hexagon nut M 8 | | 1 | PR:480 |
| 26 | 900 385 274 09 | Torx screw M 10 X 25 | | 3 | PR:480 |
| 27 | 000 043 205 93 | grease 1 100-gramme tube | | X | |

Model: 987 05

Model life 2005>>2008



Model: 987 05 Model life 2005>>2008

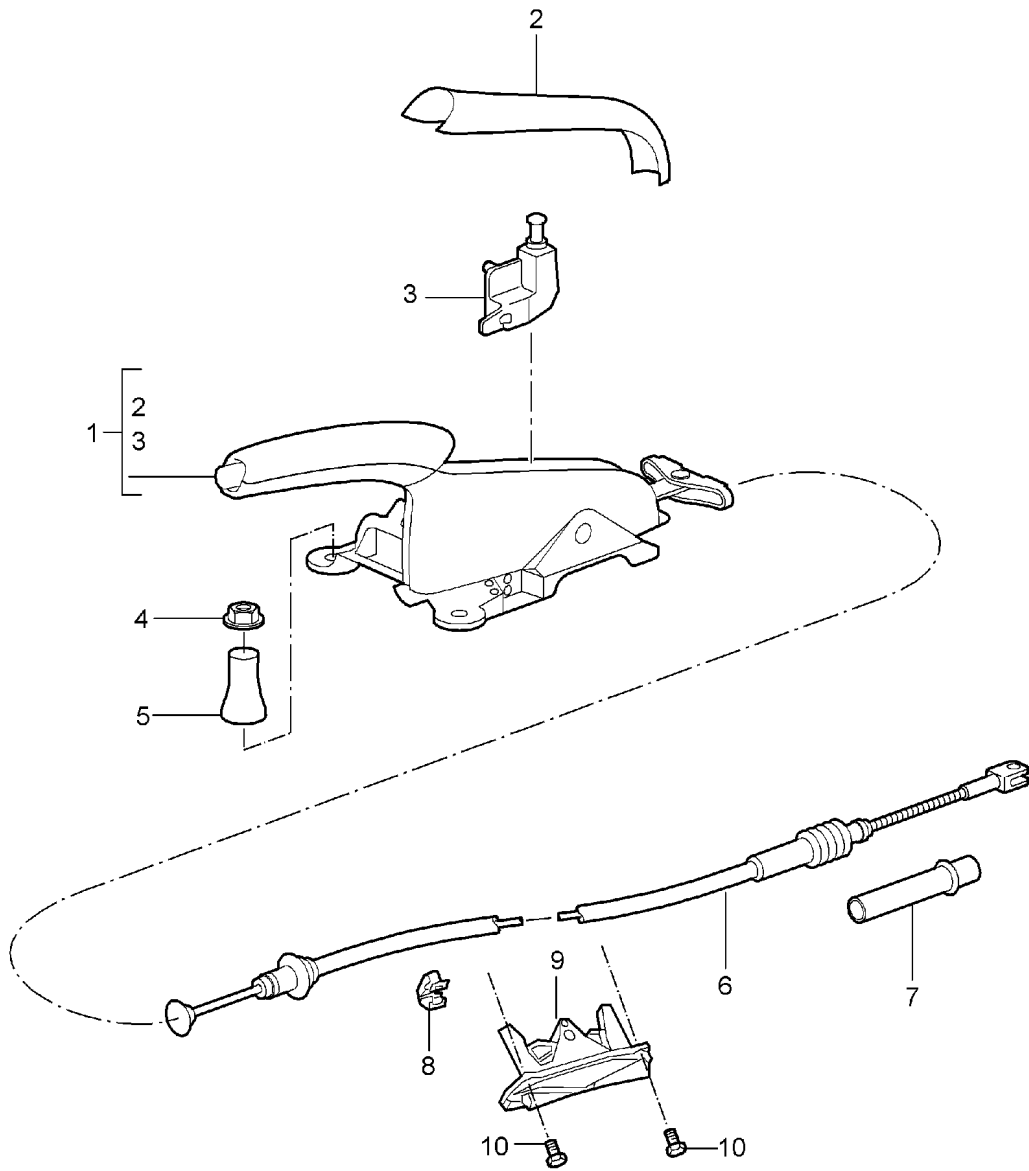
| Pos | Part Number | Description | Remark | Qty | Model |
|-----|--------------------|--|--------|-----|--------|
| 1 | 987 426 011 01 | selector lever Tiptronic selector lever with: housing D >> - MJ 2006 Discontinued part | | 1 | PR:249 |
| (1) | 987 426 011 02 | selector lever with: housing | | 1 | |
| - | 997 613 243 02 | Switch selector lever | | 1 | |
| - | 996 613 212 10 | No longer use the part here Switch selector lever | | 1 | |
| 2 | 996 426 035 00 | Securing element for Cable Adjustable | | 1 | |
| 3 | 999 084 629 09 | Hexagon nut M 6 | | 4 | |
| 4 | 997 426 069 00 | Selector knob Leather D >> - MJ 2006 | | 1 | |
| | 997 426 069 00 8YR | Black | | | |
| | 997 426 069 00 5X5 | Stone grey | | | |
| | 997 426 069 00 8G1 | Sand beige | | | |
| | 997 426 069 00 3S8 | sea blue | | | |
| | 997 426 069 00 4P1 | Palm green | | | |
| | 997 426 069 00 9N2 | Terracotta | | | |
| | 997 426 069 00 9Q3 | Cocoa | | | |
| | 997 426 069 00 D11 | Dark grey/natural | | | |
| | 997 426 069 00 T11 | Brown/natural | | | |
| (4) | 997 426 069 10 | Selector knob Leather D >> - MJ 2006 | | 1 | |
| (4) | 997 426 069 10 4P1 | Palm green | | 1 | |
| (4) | 997 426 069 10 | Selector knob Leather D - MJ 2007>> | | 1 | |
| | 997 426 069 10 8YR | Black | | | |
| | 997 426 069 10 5X5 | Stone grey | | | |
| | 997 426 069 10 8G1 | Sand beige | | | |
| | 997 426 069 10 3S8 | sea blue | | | |
| | 997 426 069 10 4P1 | Palm green | | | |
| | 997 426 069 10 9N2 | Terracotta | | | |
| | 997 426 069 10 9Q3 | Cocoa | | | |
| | 997 426 069 10 D11 | Dark grey/natural | | | |
| | 997 426 069 10 T11 | Brown/natural | | | |
| | 997 426 069 10 N11 | Carrera Red | | | |
| (4) | 997 426 069 03 | Selector knob D >> - MJ 2006 | | 1 | PR:803 |
| (4) | 997 426 069 03 A35 | Carbon | | 1 | PR:803 |
| (4) | 997 426 069 13 | Selector knob D - MJ 2007>> | | 1 | PR:801 |
| (4) | 997 426 069 13 A35 | Carbon | | 1 | PR:801 |
| (4) | 997 426 069 04 | Selector knob D >> - MJ 2006 | | 1 | PR:801 |
| (4) | 997 426 069 04 S61 | macassar | | 1 | PR:801 |
| (4) | 997 426 069 14 | Selector knob D - MJ 2007>> | | 1 | PR:801 |
| | 997 426 069 14 S61 | macassar | | | |

Model: 987 05 Model life 2005>>2008

| Pos | Part Number | Description | Remark | Qty | Model |
|------|--------------------|--|--------|-----|------------|
| (4) | 997 426 069 04 | Selector knob D >> - MJ 2006 | | 1 | PR:802 |
| | 997 426 069 04 S62 | Sycamore wood | | | |
| (4) | 997 426 069 14 | Selector knob D - MJ 2007>> | | 1 | PR:802 |
| | 997 426 069 14 S62 | Sycamore wood | | | |
| (4) | 997 426 991 00 | selector lever Leather Alcantara | | 1 | PR:753,308 |
| | 997 426 991 00 A15 | Black | | | |
| (4) | 997 426 069 10 | Selector knob Leather | | 1 | PR:754 |
| | 997 426 069 10 N11 | Carrera Red | | | |
| | 997 426 069 10 D11 | Dark grey/natural | | | |
| (4) | 997 426 991 00 | selector lever Leather | | 1 | PR:757 |
| | 997 426 991 00 A15 | Black | | | |
| - | 997 426 275 00 | Button for selector lever release | | 1 | |
| | 997 426 275 00 V05 | Galvano silver | | | |
| 5 | 987 426 033 00 | Cable Discontinued part | | 1 | |
| (5) | 987 426 033 01 | Cable Discontinued part | | 1 | |
| (5) | 987 426 033 02 | Cable | | 1 | |
| | | D >> - MJ 2006 | | | |
| (5) | 987 426 033 12 | Cable D - MJ 2007>> | | 1 | |
| 6 | 999 507 465 02 | Cable holder | | 1 | |
| 7 | 999 073 094 09 | fillister hd. bolt M 8 X 20 | | 2 | |
| 8 | 986 426 043 01 | push rod | | 1 | |
| 9 | 986 426 041 06 | basic plate | | 1 | |
| 10 | 986 426 045 06 | relay lever | | 1 | |
| 11 | 900 116 007 09 | fuse D >> - MJ 2007 | | 1 | |
| (11) | 900 116 007 02 | fuse | | 1 | |
| 12 | 986 426 415 02 | Pin | | 1 | |
| 13 | 999 507 057 02 | Clamping washer D >> - MJ 2007 | | 1 | |
| (13) | 999 507 057 03 | Clamping washer D - MJ 2008>> | | 1 | |
| 14 | 987 424 211 01 | Bracket | | 1 | |
| 15 | 900 075 023 02 | No longer use the part here Hexagon bolt M 8 X 12 No longer use the part here | | 1 | |
| 16 | 999 084 629 09 | Hexagon nut M 6 | | 2 | |
| 17 | 999 507 635 00 | Bracket | | 1 | |
| 18 | 000 043 205 93 | grease 1 100-gramme tube | | 1 | |

Model: 987 05

Model life 2005>>2008



Model: 987 05 Model life 2005>>2008

| Pos | Part Number | Description | Remark | Qty | Model |
|-----|--------------------|--|--------|-----|--------|
| (1) | 997 424 031 62 | handbrake Actuator handbrake lever grip (leather) (complete) Discontinued part | | 1 | |
| | 997 424 031 62 8YR | Black | | | |
| | 997 424 031 62 5X5 | Stone grey | | | |
| | 997 424 031 62 8G1 | Sand beige | | | |
| | 997 424 031 62 3S8 | sea blue | | | |
| | 997 424 031 62 4P1 | Palm green | | | |
| | 997 424 031 62 9N2 | Terracotta | | | |
| | 997 424 031 62 9Q3 | Cocoa | | | |
| | 997 424 031 62 FQF | Black/stone grey | | | |
| | 997 424 031 62 D11 | Dark grey/natural | | | |
| | 997 424 031 62 T11 | Brown/natural | | | |
| | 997 424 031 62 N11 | Carrera Red | | | |
| (1) | 997 424 031 67 | D - MJ 2008>> handbrake lever grip (leather) (complete) | | 1 | |
| | 997 424 031 67 8YR | Black | | | |
| | 997 424 031 67 5X5 | Stone grey | | | |
| | 997 424 031 67 8G1 | Sand beige | | | |
| | 997 424 031 67 3S8 | sea blue | | | |
| | 997 424 031 67 4P1 | Palm green | | | |
| | 997 424 031 67 9N2 | Terracotta | | | |
| | 997 424 031 67 9Q3 | Cocoa | | | |
| | 997 424 031 67 FQF | Black/stone grey | | | |
| | 997 424 031 67 D11 | Dark grey/natural | | | |
| | 997 424 031 67 T11 | Brown/natural | | | |
| | 997 424 031 67 N11 | Carrera Red | | | |
| (1) | 997 424 031 63 | D - MJ 2008>> Brake lever (complete) macassar Discontinued part | | 1 | PR:801 |
| | 997 424 031 63 8YR | Black | | | |
| | 997 424 031 63 5X5 | Stone grey | | | |
| | 997 424 031 63 8G1 | Sand beige | | | |
| | 997 424 031 63 3S8 | sea blue | | | |
| | 997 424 031 63 4P1 | Palm green | | | |
| | 997 424 031 63 9N2 | Terracotta | | | |
| | 997 424 031 63 9Q3 | Cocoa | | | |
| | 997 424 031 63 D11 | Dark grey/natural | | | |
| | 997 424 031 63 T11 | Brown/natural | | | |
| | 997 424 031 63 N11 | Carrera Red | | | |
| (1) | 997 424 031 68 | D - MJ 2008>> Brake lever (complete) macassar | | 1 | PR:801 |
| | 997 424 031 68 8YR | Black | | | |
| | 997 424 031 68 5X5 | Stone grey | | | |
| | 997 424 031 68 8G1 | Sand beige | | | |
| | 997 424 031 68 3S8 | sea blue | | | |
| | 997 424 031 68 4P1 | Palm green | | | |
| | 997 424 031 68 9N2 | Terracotta | | | |
| | 997 424 031 68 9Q3 | Cocoa | | | |
| | 997 424 031 68 D11 | Dark grey/natural | | | |
| | 997 424 031 68 T11 | Brown/natural | | | |
| | 997 424 031 68 N11 | Carrera Red | | | |
| (1) | 997 424 031 64 | D - MJ 2008>> Brake lever (complete) Sycamore wood | | 1 | PR:802 |

Model: 987 05 Model life 2005>>2008

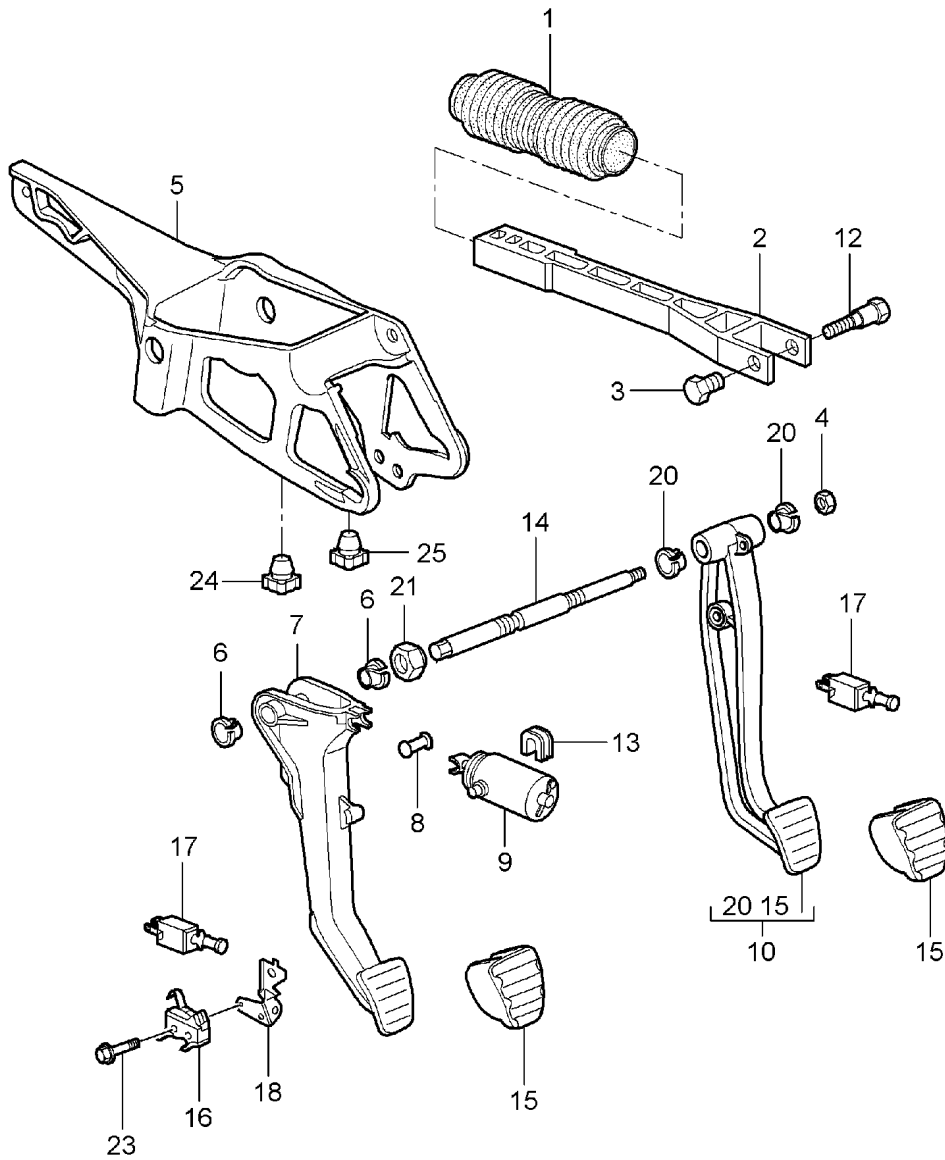
| Pos | Part Number | Description | Remark | Qty | Model |
|-----|--------------------|--|--------|-----|------------|
| | | Discontinued part | | | |
| | 997 424 031 64 8YR | Black | | | |
| | 997 424 031 64 8G1 | Sand beige | | | |
| | 997 424 031 64 3S8 | sea blue | | | |
| | 997 424 031 64 4P1 | Palm green | | | |
| | 997 424 031 64 9N2 | Terracotta | | | |
| | 997 424 031 64 9Q3 | Cocoa | | | |
| | 997 424 031 64 D11 | Dark grey/natural | | | |
| | 997 424 031 64 T11 | Brown/natural | | | |
| | 997 424 031 64 N11 | Carrera Red | | | |
| | | D - MJ 2008>> | | | |
| (1) | 997 424 031 69 | Brake lever (complete) Sycamore wood | | 1 | PR:802 |
| | 997 424 031 69 8YR | Black | | | |
| | 997 424 031 69 5X5 | Stone grey | | | |
| | 997 424 031 69 8G1 | Sand beige | | | |
| | 997 424 031 69 3S8 | sea blue | | | |
| | 997 424 031 69 4P1 | Palm green | | | |
| | 997 424 031 69 9N2 | Terracotta | | | |
| | 997 424 031 69 9Q3 | Cocoa | | | |
| | 997 424 031 69 D11 | Dark grey/natural | | | |
| | 997 424 031 69 T11 | Brown/natural | | | |
| | 997 424 031 69 N11 | Carrera Red | | | |
| | | D - MJ 2008>> | | | |
| (1) | 997 424 031 65 | Brake lever (complete) Carbon | | 1 | PR:803 |
| | | Discontinued part | | | |
| | 997 424 031 65 8YR | Black | | | |
| | 997 424 031 65 5X5 | Stone grey | | | |
| | 997 424 031 65 8G1 | Sand beige | | | |
| | 997 424 031 65 3S8 | sea blue | | | |
| | 997 424 031 65 4P1 | Palm green | | | |
| | 997 424 031 65 9N2 | Terracotta | | | |
| | 997 424 031 65 9Q3 | Cocoa | | | |
| | 997 424 031 65 D11 | Dark grey/natural | | | |
| | 997 424 031 65 T11 | Brown/natural | | | |
| | 997 424 031 65 N11 | Carrera Red | | | |
| | | D - MJ 2008>> | | | |
| (1) | 997 424 031 70 | Brake lever (complete) Carbon | | 1 | PR:803 |
| | 997 424 031 70 8YR | Black | | | |
| | 997 424 031 70 5X5 | Stone grey | | | |
| | 997 424 031 70 8G1 | Sand beige | | | |
| | 997 424 031 70 3S8 | sea blue | | | |
| | 997 424 031 70 4P1 | Palm green | | | |
| | 997 424 031 70 9N2 | Terracotta | | | |
| | 997 424 031 70 9Q3 | Cocoa | | | |
| | 997 424 031 70 D11 | Dark grey/natural | | | |
| | 997 424 031 70 T11 | Brown/natural | | | |
| | 997 424 031 70 N11 | Carrera Red | | | |
| | | D - MJ 2008>> | | | |
| (1) | 997 424 980 00 | handbrake lever grip (leather) (complete) | | 1 | PR:X98,098 |
| | | D - MJ 2007>> | | | |
| | | Discontinued part | | | |
| | 997 424 980 00 8YR | Black | | | |
| | 997 424 980 00 5X5 | Stone grey | | | |
| | 997 424 980 00 8G1 | Sand beige | | | |
| | 997 424 980 00 3S8 | sea blue | | | |
| | 997 424 980 00 4P1 | Palm green | | | |

Model: 987 05 Model life 2005>>2008

| Pos | Part Number | Description | Remark | Qty | Model |
|-----|--------------------|---|--------|-----|------------|
| | 997 424 980 00 9N2 | Terracotta | | | |
| | 997 424 980 00 9Q3 | Cocoa | | | |
| | 997 424 980 00 D11 | Dark grey/natural | | | |
| | 997 424 980 00 T11 | Brown/natural | | | |
| (1) | 997 424 980 06 | handbrake lever grip (leather) (complete) D - MJ 2007>> | | 1 | PR:X98,098 |
| | 997 424 980 06 8YR | Black | | | |
| | 997 424 980 06 5X5 | Stone grey | | | |
| | 997 424 980 06 8G1 | Sand beige | | | |
| | 997 424 980 06 3S8 | sea blue | | | |
| | 997 424 980 06 4P1 | Palm green | | | |
| | 997 424 980 06 9N2 | Terracotta | | | |
| | 997 424 980 06 9Q3 | Cocoa | | | |
| | 997 424 980 06 D11 | Dark grey/natural | | | |
| | 997 424 980 06 T11 | Brown/natural | | | |
| (1) | 997 424 031 66 | handbrake lever grip (leather) (complete) Discontinued part | | 1 | PR:754 |
| | 997 424 031 66 VAL | Carrera Red | | | |
| | 997 424 031 66 VAK | Dark grey/natural | | | |
| (1) | 997 424 031 71 | handbrake lever grip (leather) (complete) | | 1 | PR:754 |
| | 997 424 031 71 VAL | Carrera Red | | | |
| | 997 424 031 71 VAK | Dark grey/natural | | | |
| (1) | 997 424 031 92 | Brake lever Alcantara Discontinued part | | 1 | PR:757 |
| | 997 424 031 92 A15 | Black | | | |
| (1) | 997 424 031 93 | Brake lever Alcantara | | 1 | PR:757 |
| | 997 424 031 93 A15 | Black | | | |
| 2 | 997 424 155 00 | trim for handbrake lever Leather | | 1 | |
| | 997 424 155 00 8YR | Black | | | |
| | 997 424 155 00 5X5 | Stone grey | | | |
| | 997 424 155 00 8G1 | Sand beige | | | |
| | 997 424 155 00 3S8 | sea blue | | | |
| | 997 424 155 00 4P1 | Palm green | | | |
| | 997 424 155 00 9N2 | Terracotta | | | |
| | 997 424 155 00 9Q3 | Cocoa | | | |
| | 997 424 155 00 D11 | Dark grey/natural | | | |
| | 997 424 155 00 T11 | Brown/natural | | | |
| (2) | 997 424 155 90 | trim for handbrake lever | | 1 | PR:757 |
| | 997 424 155 90 A15 | Black | | | |
| 3 | 996 613 112 01 | Switch | | 1 | |
| 4 | 999 084 630 09 | Hexagon nut M 8 | | 4 | |
| 5 | 986 424 221 00 | Distance piece No longer use the part here | | 1 | |
| 6 | 987 424 141 04 | Parking-brake cable Discontinued part | | 2 | |
| (6) | 987 424 141 05 | Parking-brake cable | | 2 | |
| 7 | 986 424 721 07 | guide tube | | 2 | |
| 8 | 999 507 827 40 | Hose bracket | | 2 | |
| 9 | 986 424 310 02 | housing | | 1 | |
| 10 | 900 378 035 01 | Hexagon bolt M 6 X 16 | | 4 | |

Model: 987 05

Model life 2005>>2008

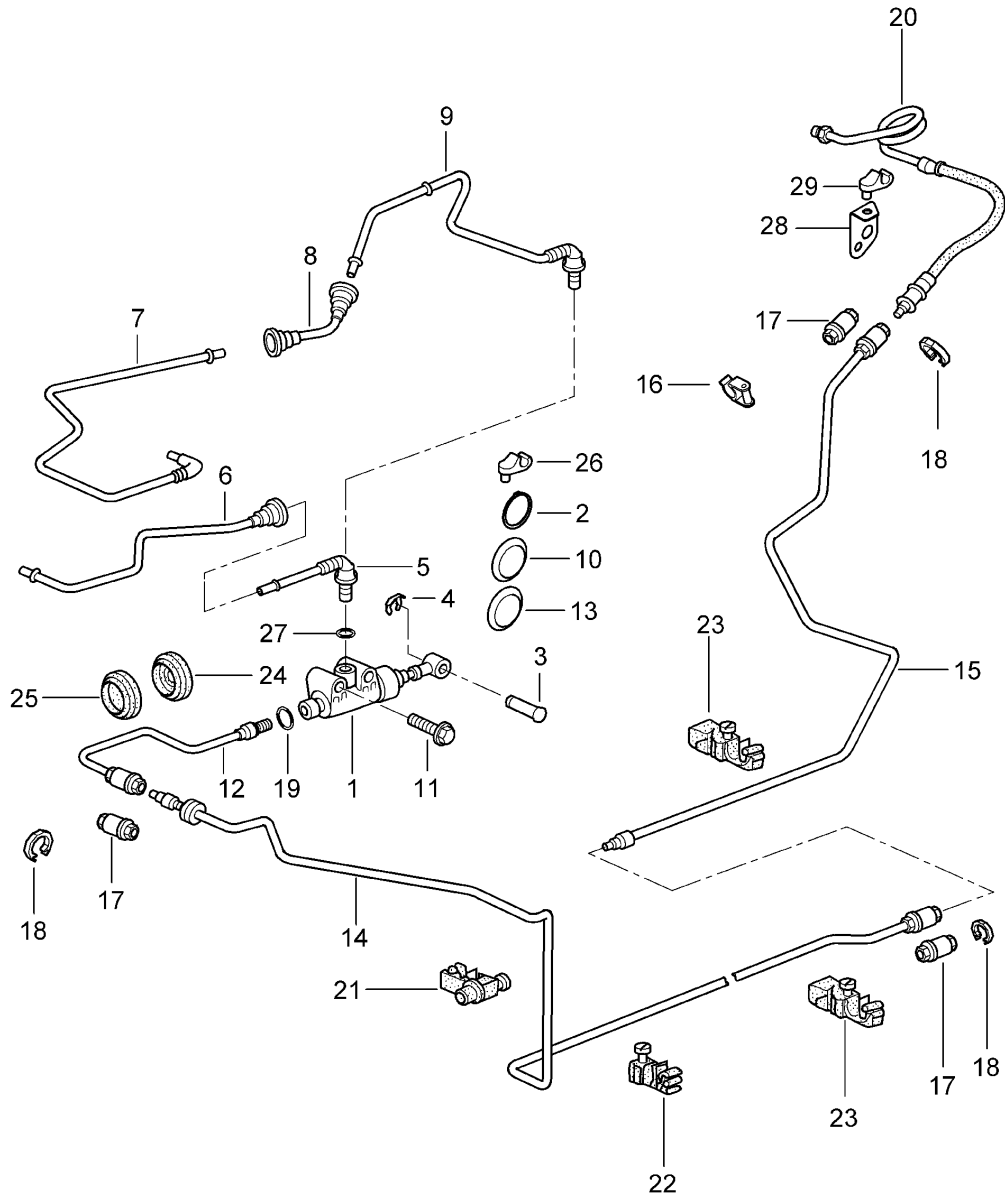


Model: 987 05 Model life 2005>>2008

| Pos | Part Number | Description | Remark | Qty | Model |
|------|----------------|---|---------|-----|--------------------|
| - | 000 043 206 17 | Pedals universal low temperat. grease 1 tube | | X | |
| 1 | | Bellows see illustration: | 604-000 | 1 | |
| (2) | 996 423 165 05 | push rod | | 1 | |
| 3 | 996 423 307 00 | Sleeve | | 1 | |
| 4 | 900 380 005 09 | Hexagon nut M 8 | | 3 | |
| | | Console | | 2 | |
| 5 | 997 423 571 02 | for Servo spring bush | | 1 | PR:480,481 |
| 6 | 997 423 399 01 | Clutch pedal switch | | 2 | PR:480,481 |
| 7 | 997 423 139 01 | Pin | | 1 | PR:480,481 |
| (8) | 996 423 315 06 | Pin | | 1 | PR:480,481 |
| - | 999 166 022 02 | Kl-lock for Pin | | 1 | PR:480,481 |
| 9 | 997 423 081 05 | Servo spring | | 1 | |
| (10) | 997 423 091 03 | brake pedal Discontinued part | | 1 | PR:480,098 |
| (10) | 997 423 091 04 | brake pedal | | 1 | PR:480,098, 481 |
| (10) | 997 423 093 03 | brake pedal Discontinued part | | 1 | PR:249,098 |
| (10) | 997 423 093 04 | brake pedal | | 1 | PR:249,098 |
| 12 | 996 423 308 00 | Pin | | 1 | |
| 13 | 997 423 581 00 | bearing shell | | 1 | |
| 14 | 997 423 281 00 | axle | | 1 | PR:480,098, 481 |
| (14) | 996 423 283 05 | axle | | 1 | PR:249,098 |
| 15 | 997 423 910 00 | pad for brake and clutch pedals | | 2 | PR:480,481 |
| (15) | 997 423 912 00 | Cap for foot brake pedal | | 1 | PR:249 |
| 16 | 997 613 109 00 | Switch | | 1 | PR:480,481 |
| (17) | 996 613 113 01 | Switch brake pedal | | 2 | |
| (17) | 996 613 114 01 | Switch for clutch pedal Clutch pedal switch | | 1 | |
| 18 | 997 423 541 00 | Bracket | | 1 | |
| 20 | 997 423 401 00 | bush | | 2 | PR:098 |
| 21 | 997 423 275 01 | sealing plug | | 1 | |
| 22 | 900 378 273 09 | Hexagon bolt M 6 X 18 Discontinued part | | 1 | |
| (22) | 900 378 273 01 | Hexagon bolt M 6 x 18 | | 1 | |
| 23 | 900 146 159 02 | flat round head bolt M 3 X 20 Discontinued part | | 1 | |
| 23 | 999 073 480 01 | Bolt with washer M 3 X 20 | | 1 | |
| 24 | 997 423 695 00 | Rubber stop | | 1 | |
| 25 | 997 423 697 00 | Rubber stop | | 1 | |

Model: 987 05

Model life 2005>>2008

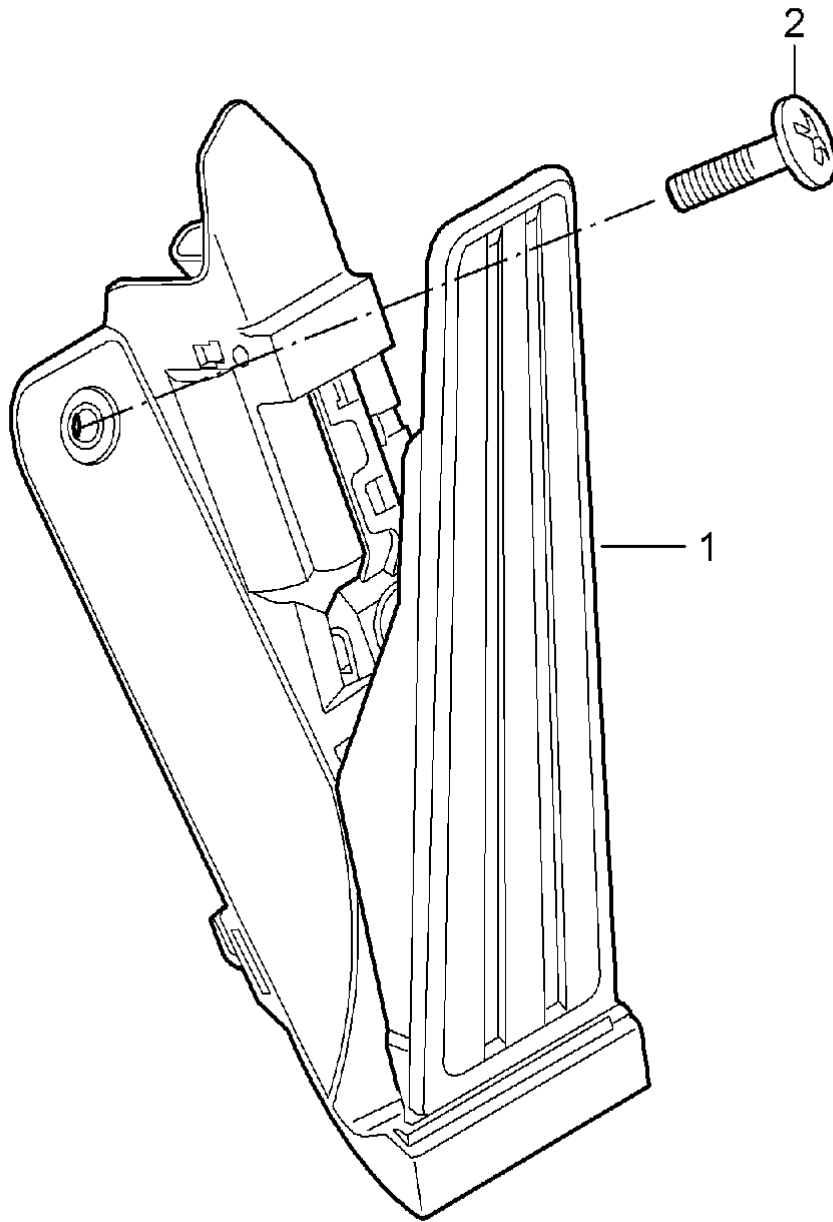


Model: 987 05 Model life 2005>>2008

| Pos | Part Number | Description | Remark | Qty | Model |
|------|----------------|--|--------|-----|------------|
| | | clutch actuation | | | |
| | | Clutch master cylinder | | | |
| | | Clutch tube | | | |
| 1 | 997 423 171 01 | Clutch master cylinder | | 1 | |
| 2 | 996 423 614 00 | Securing ring | | 1 | |
| | | Pressure line | | | |
| 3 | 996 423 315 06 | Pin | | 1 | |
| 4 | 999 166 022 02 | Kl-lock for Pin | | 1 | |
| | | Discontinued part | | | |
| 4 | 999 166 022 01 | Kl-lock for Pin | | 1 | |
| 5 | 997 423 147 00 | Feed line | | 1 | PR:098 |
| 6 | 997 423 137 00 | Feed line | | 1 | PR:098 |
| 10 | 999 703 421 40 | Grommet | | 1 | PR:249 |
| | | Side part | | | |
| 11 | 900 378 217 09 | Hexagon bolt M 6 X 40 | | 2 | |
| 12 | 996 423 107 10 | Clutch tube | | 1 | PR:098 |
| | | Discontinued part | | | |
| (12) | 996 423 107 11 | Clutch tube | | 1 | PR:098 |
| 13 | 999 702 174 50 | Grommet | | 1 | PR:098 |
| 14 | 997 423 109 00 | Clutch tube | | 1 | |
| | | Discontinued part | | | |
| (14) | 997 423 109 01 | Clutch tube | | 1 | |
| 15 | 987 423 113 00 | Clutch tube | | 1 | PR:480 |
| | | Discontinued part | | | |
| (15) | 987 423 113 01 | Clutch tube | | 1 | PR:480 |
| (15) | 987 423 113 25 | Clutch tube | | 1 | PR:481 |
| 16 | 999 591 964 40 | Bracket | | 1 | |
| 17 | 999 230 541 10 | Threaded joint | | 3 | |
| 18 | 999 230 685 40 | Securing ring for Threaded joint | | 3 | |
| 19 | 999 707 333 40 | seal ring | | 1 | |
| 20 | 987 423 377 00 | Clutch hose | | 1 | PR:480 |
| | | D >> - MJ 2007 | | | |
| (20) | 987 423 377 01 | Clutch hose D - MJ 2008>> | | 1 | PR:480 |
| | | Discontinued part | | | |
| (20) | 987 423 377 02 | Clutch hose D - MJ 2008>> | | 1 | PR:480 |
| 21 | 996 355 549 00 | Bracket | | 1 | |
| 22 | 996 355 545 00 | Bracket | | 2 | |
| 23 | 996 355 543 00 | Bracket | | 4 | |
| 24 | 999 702 216 42 | Grommet | | 1 | PR:481,480 |
| 25 | 999 702 217 41 | Grommet | | 1 | PR:249 |
| 26 | 999 507 586 40 | Cable holder | | 1 | |
| 27 | 999 707 333 40 | seal ring 6,07 X 1,78N | | 1 | |
| 28 | 986 423 677 25 | Support | | 1 | PR:481 |
| 29 | 999 507 586 40 | Cable holder | | 1 | PR:481 |

Model: 987 05

Model life 2005>>2008



Model: 987 05

Model life 2005>>2008

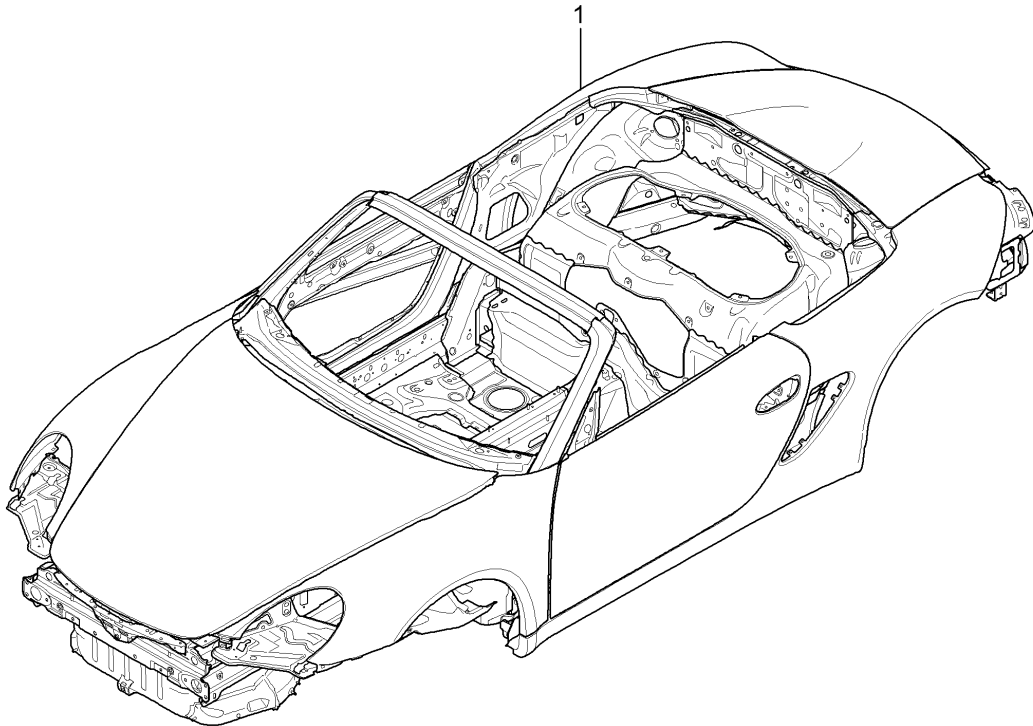
| Pos | Part Number | Description | Remark | Qty | Model |
|-----|----------------|----------------------------------|--------|-----|------------|
| | | Pedals | | | |
| | | throttle control | | | |
| 1 | 997 423 019 02 | throttle control | | 1 | PR:480,481 |
| (1) | 997 423 021 02 | throttle control | | 1 | PR:249 |
| 2 | 900 146 161 09 | flat round head bolt M 6 X 20 | | 1 | |

Model: 987 05

Model life 2005>>2008

- B — WPOZZZ 98 z 5U730070
- C — 987 121
M9701-685 G9701
- G — L6B4 AT
- D — C00 267 268 425 437
- E — 438 446 454 537 610
635 640 650 666 670
- F — 00641 20772

A



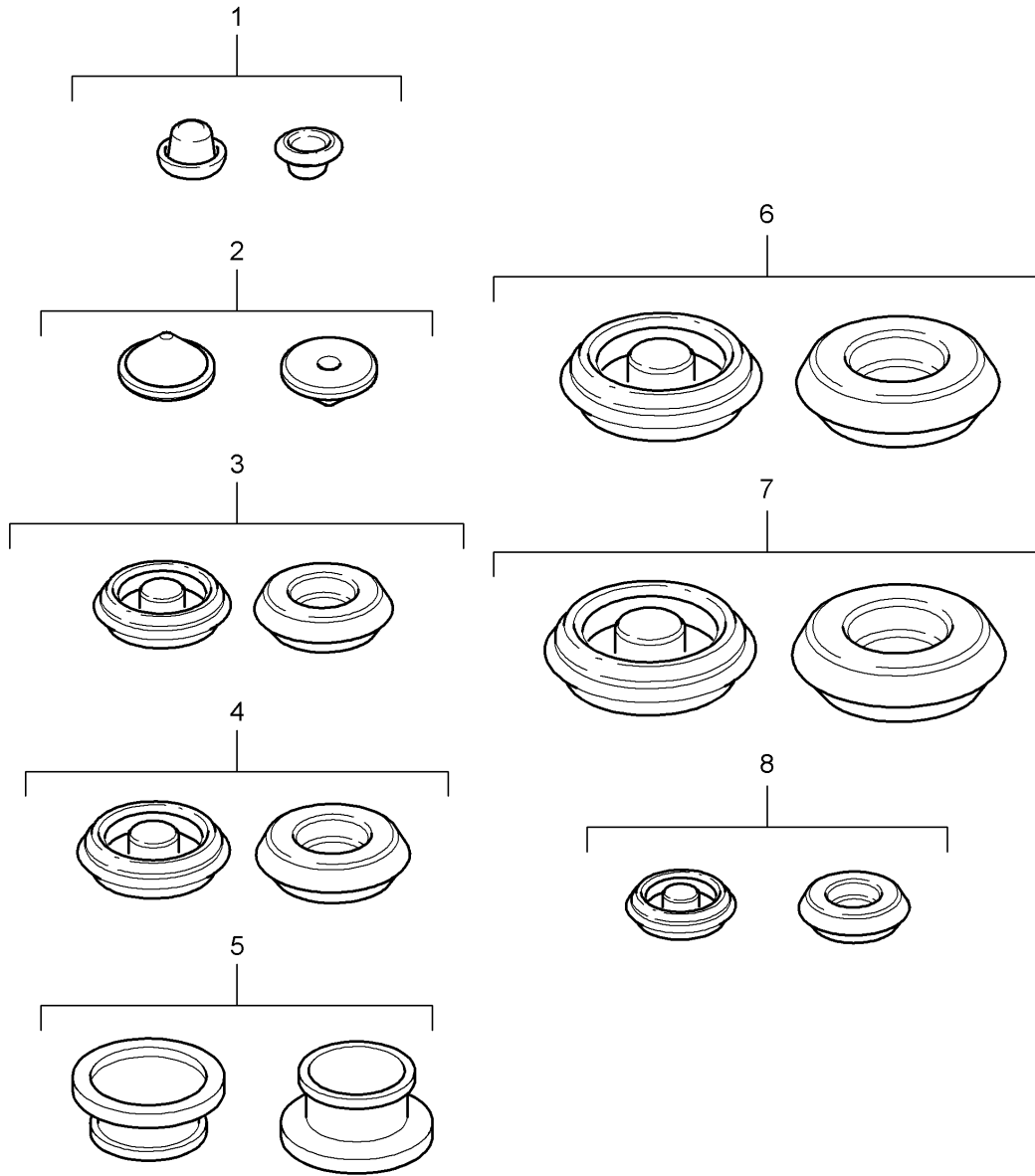
Model: 987 05

Model life 2005>>2008

| Pos | Part Number | Description | Remark | Qty | Model |
|-----|--------------------------------------|--|--------|-----|-------|
| - | | Car body primed Sealed | | | |
| | | with: Underbody protection | | | |
| | | with: Doors/lids/wings | | | |
| - | | BodysHELLS can only only available from current Model year available | | | |
| - | | The data required for your order Can be found on the Vehicle data carrier in Vehicle wallet Please indicate this data in your order | | | |
| A | | Vehicle data carrier | | | |
| B | | Vehicle Ident. No. | | | |
| C | | Order type | | | |
| D | | Country equipment | | | |
| E | | Optional extras | | | |
| F | | Additional applications | | | |
| G | | Please state the colour | | | |
| 1 | 987 500 900 00 987 500 900 00 GRV | Car body primed | | 1 | |

Model: 987 05

Model life 2005>>2008



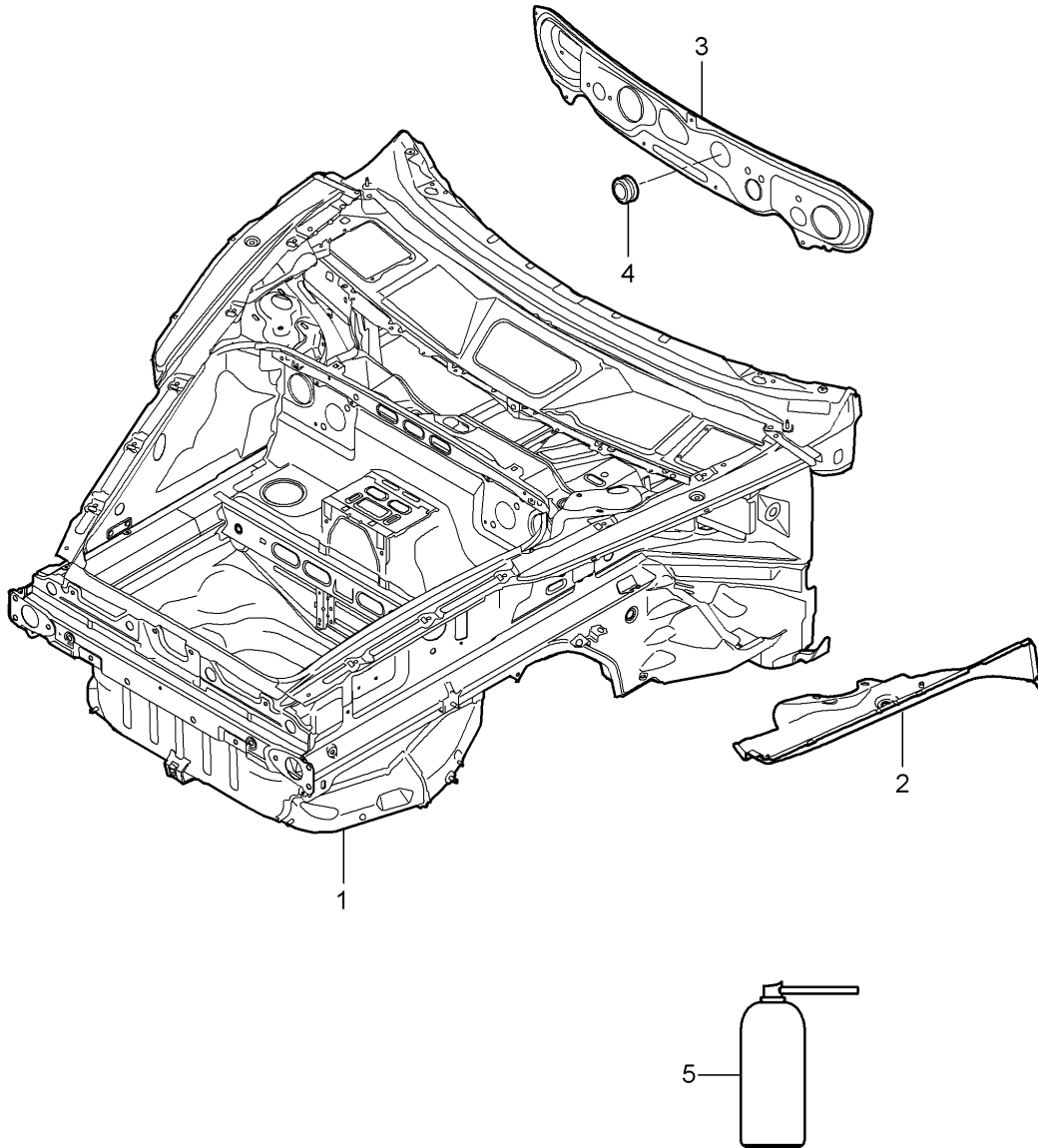
Model: 987 05

Model life 2005>>2008

| Pos | Part Number | Description | Remark | Qty | Model |
|-----|----------------|--|--------|-----|-------|
| 1 | 999 703 462 40 | Bungs Plane See workshop manual End cap 10 x 6,5 | | X | |
| 2 | 999 703 421 40 | Grommet 15 mm | | X | |
| 4 | 803 803 583 A | Bungs 20 x 30 Discontinued part | | X | |
| 4 | 999 703 196 40 | End cap 20 x 30 | | X | |
| 5 | 999 703 420 40 | Bungs 20,3 x 30 x 11 | | X | |
| 6 | 803 803 583 | Rubber grommet 30 x 40 Discontinued part | | X | |
| 6 | 999 703 195 40 | Rubber grommet 30 x 40 | | X | |
| 7 | 999 703 433 40 | Bungs 30 x 42 | | X | |
| 8 | 999 703 435 40 | End cap 15 x 26 | | X | |

Model: 987 05

Model life 2005>>2008



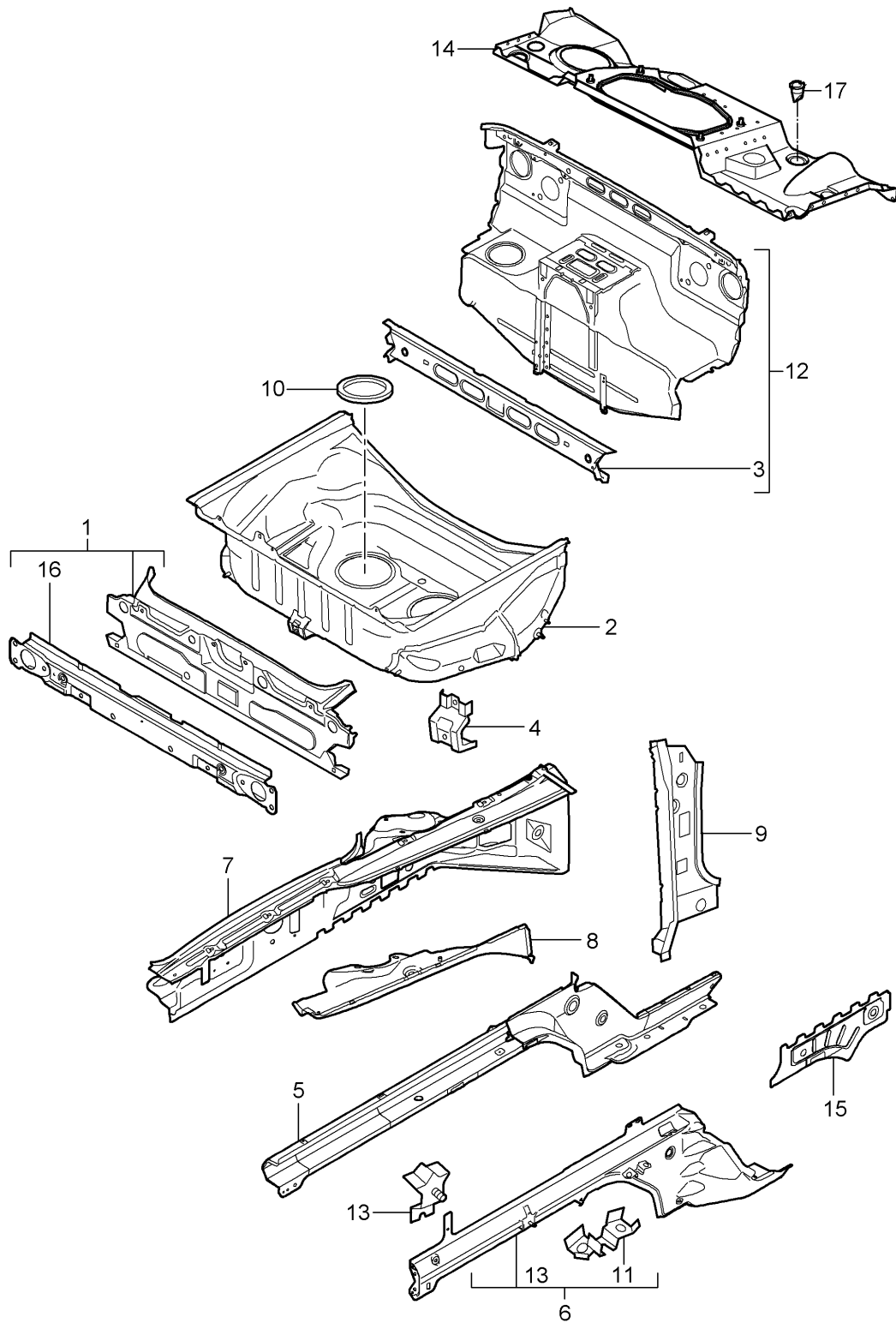
Model: 987 05

Model life 2005>>2008

| Pos | Part Number | Description | Remark | Qty | Model |
|-----|--------------------------------------|---|--------|-----|--------|
| 1 | 987 501 911 00 987 501 911 00 GRV | Front end Front end primed also use: sealant Pos. 5 Processing instructions See technical manual | | 1 | |
| - | | also use: | | | |
| 2 | 997 501 945 00 997 501 945 00 GRV | Lower part primed | left | 1 | |
| (2) | 997 501 946 00 997 501 946 00 GRV | Bottom half primed | right | 1 | |
| 3 | 997 504 121 00 | Cover | lhd | 1 | PR:098 |
| - | 000 043 300 94 | Adhesive set | | 1 | |
| 4 | 999 702 255 41 | End cap 62,5 X 72,6 | | 1 | |
| 5 | 999 915 337 40 | sealant | | 1 | |

Model: 987 05

Model life 2005>>2008

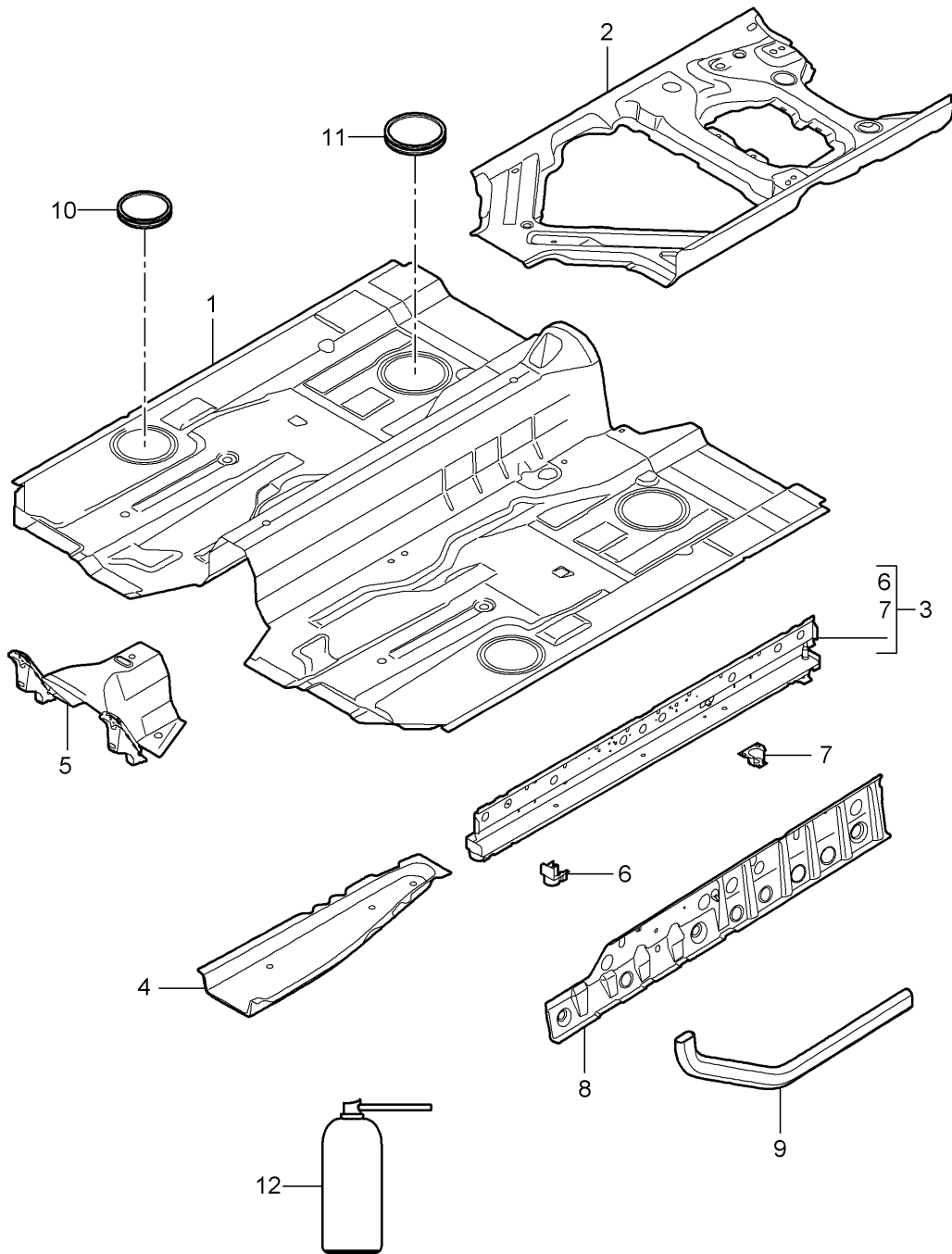


Model: 987 05 Model life 2005>>2008

| Pos | Part Number | Description | Remark | Qty | Model |
|------|--------------------|--------------------|--------|-----|-------|
| | | Front end | | | |
| | | Individual parts | | | |
| 1 | 997 501 931 00 | Cross panel | | 1 | |
| | 997 501 931 00 GRV | primed | | | |
| 2 | 987 501 979 00 | Spare wheel well | | 1 | |
| | 987 501 979 00 GRV | primed | | | |
| 3 | 997 501 649 00 | Cross member | | 1 | |
| | | filler plate | | | |
| | 997 501 649 00 GRV | primed | | | |
| 4 | 996 501 621 00 | Bracket | | 3 | |
| | 996 501 621 00 GRV | primed | | | |
| 5 | 997 501 305 01 | Side member | left | 1 | |
| | 997 501 305 01 GRV | primed | | | |
| (5) | 997 501 306 01 | Side member | right | 1 | |
| | 997 501 306 01 GRV | primed | | | |
| 6 | 997 501 915 00 | Side member | left | 1 | |
| | 997 501 915 00 GRV | primed | | | |
| (6) | 997 501 916 00 | Side member | right | 1 | |
| | 997 501 916 00 GRV | primed | | | |
| 7 | 997 501 935 00 | Wheel housing | left | 1 | |
| | | Discontinued part | | | |
| | 997 501 935 00 GRV | primed | | | |
| 7 | 997 501 935 01 | Wheel housing | left | 1 | |
| | 997 501 935 01 GRV | primed | | | |
| (7) | 997 501 936 01 | Wheel housing | right | 1 | |
| | 997 501 936 01 GRV | primed | | | |
| 8 | 997 501 945 00 | Lower part | left | 1 | |
| | 997 501 945 00 GRV | primed | | | |
| (8) | 997 501 946 00 | Bottom half | right | 1 | |
| | 997 501 946 00 GRV | primed | | | |
| 9 | 997 501 937 00 | Hinge pillar | left | 1 | |
| | 997 501 937 00 GRV | primed | | | |
| 9 | 997 501 938 00 | Hinge pillar | right | 1 | |
| | 997 501 938 00 GRV | primed | | | |
| 10 | 996 504 201 01 | Cover | | 2 | |
| | | \$ 145 MM | | | |
| 11 | 996 501 815 02 | Brake line bracket | | 2 | |
| | 996 501 815 02 GRV | primed | | | |
| 12 | 997 502 921 00 | filler plate | | 1 | |
| | 997 502 921 00 GRV | primed | | | |
| 13 | 996 501 341 00 | Bracket | upper | 2 | |
| | | Radiator | | | |
| | 996 501 341 00 GRV | primed | | | |
| 14 | 997 502 017 01 | Cross panel | | 1 | |
| | 997 502 017 01 GRV | primed | | | |
| 15 | 997 501 665 01 | Web plate | left | 1 | |
| | 997 501 665 01 GRV | primed | | | |
| (15) | 997 501 666 01 | Web plate | right | 1 | |
| | 997 501 666 01 GRV | primed | | | |
| 16 | 997 501 901 00 | Cross member | | 1 | |
| | 997 501 901 00 GRV | primed | | | |
| 17 | 999 703 476 40 | Grommet | | 4 | |
| | | 29,8 X 1,0 | | | |
| 17 | 999 703 476 41 | Grommet | | 4 | |
| | | 29,8 X 1,0 | | | |

Model: 987 05

Model life 2005>>2008



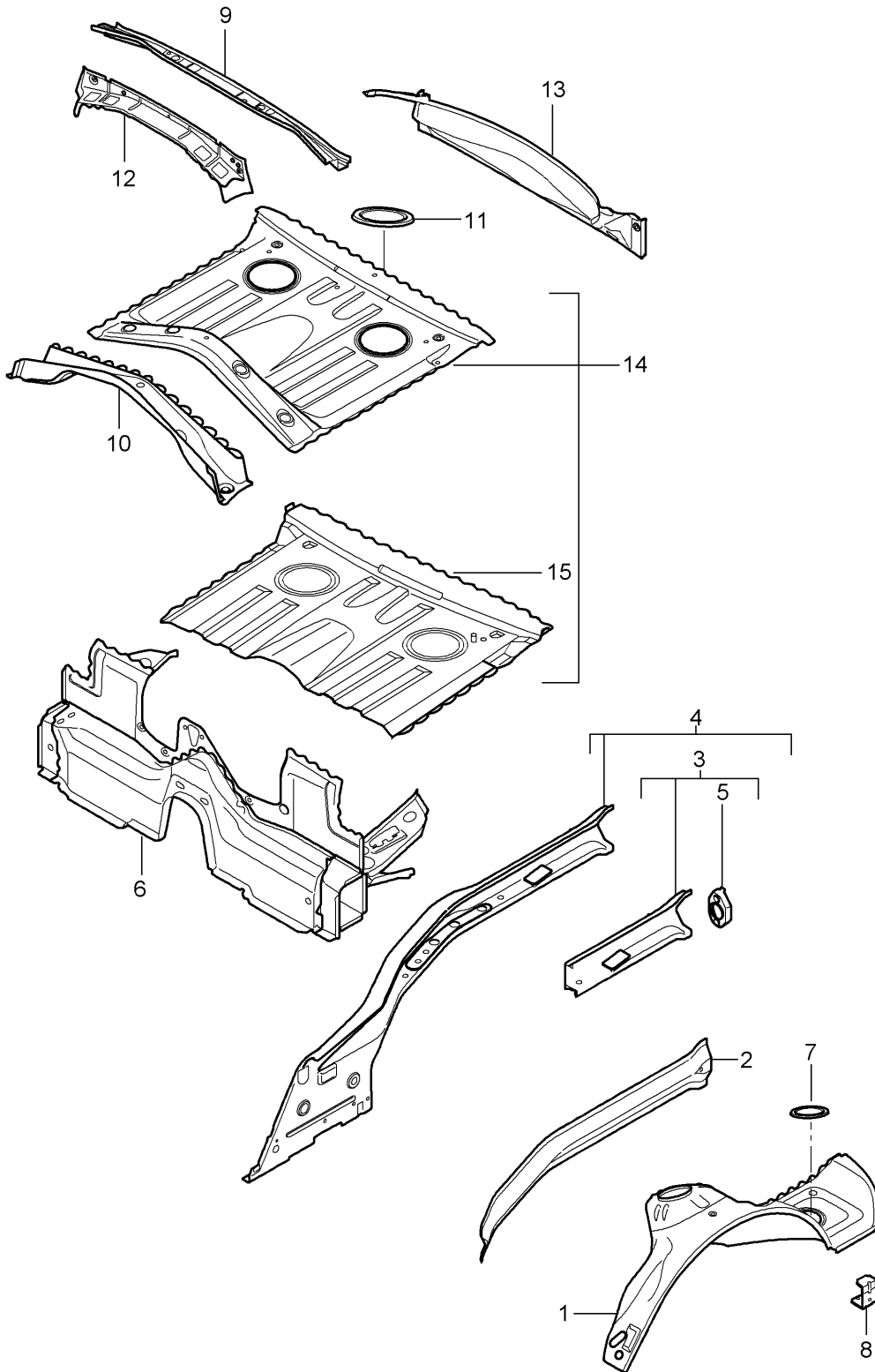
Model: 987 05

Model life 2005>>2008

| Pos | Part Number | Description | Remark | Qty | Model |
|-----|--------------------|-------------------------|-------------|-----|-------|
| 1 | 987 501 551 00 | Floor | center | 1 | |
| | 987 501 551 00 GRV | Floor primed | | | |
| 2 | 997 501 953 01 | Seat support | left | 1 | |
| | 997 501 953 01 GRV | Seat support primed | | | |
| (2) | 997 501 954 01 | Seat support | right | 1 | |
| | 997 501 954 01 GRV | Seat support primed | | | |
| 3 | 987 501 957 00 | Side member | left | 1 | |
| | 987 501 957 00 GRV | Side member primed | | | |
| (3) | 987 501 958 00 | Side member | right | 1 | |
| | 987 501 958 00 GRV | Side member primed | | | |
| 4 | 997 501 525 00 | Side member | left | 1 | |
| | 997 501 525 00 GRV | Side member primed | | | |
| (4) | 997 501 526 00 | Side member | right | 1 | |
| | 997 501 526 00 GRV | Side member primed | | | |
| 5 | 996 501 751 00 | Extension | | 1 | |
| | 996 501 751 00 GRV | Extension primed | | | |
| 6 | 996 501 785 00 | socket - jack | left front | 1 | |
| | 996 501 785 00 GRV | socket - jack primed | | | |
| (6) | 996 501 786 00 | socket - jack | right front | 1 | |
| | 996 501 786 00 GRV | socket - jack primed | | | |
| 7 | 996 501 481 01 | socket - jack | left rear | 1 | |
| | 996 501 481 01 GRV | socket - jack primed | | | |
| (7) | 996 501 482 01 | socket - jack | right rear | 1 | |
| | 996 501 482 01 GRV | socket - jack primed | | | |
| 8 | 997 501 329 00 | Retaining plate | left | 1 | |
| | 997 501 329 00 GRV | Retaining plate primed | | | |
| (8) | 997 501 330 00 | Retaining plate | right | 1 | |
| | 997 501 330 00 GRV | Retaining plate primed | | | |
| 9 | 997 501 439 00 | Support tube | | 2 | |
| | 997 501 439 00 GRV | Support tube primed | | | |
| | | also use: | | | |
| | | sealant | | | |
| | | Pos. 12 | | | |
| | | Processing instructions | | | |
| | | See technical manual | | | |
| | | 51 49 55 | | | |
| 10 | 996 504 205 01 | Cover | | 2 | |
| | | \$ 125 MM | | | |
| 11 | 996 504 201 01 | Cover | | 2 | |
| | | \$ 145 MM | | | |
| 12 | 999 915 337 40 | sealant | | 1 | |

Model: 987 05

Model life 2005>>2008



Model: 987 05 Model life 2005>>2008

| Pos | Part Number | Description | Remark | Qty | Model |
|-----|--------------------|--|--------|-----|-------|
| - | 000 043 206 29 | Rear end Individual parts Adhesive set | | X | |
| - | 000 043 206 30 | Body comprising: adhesive | | 1 | |
| - | 000 043 206 31 | Double cartridge gun | | 1 | |
| - | 000 043 206 32 | emulsion tube | | 1 | |
| - | 000 043 206 33 | activator | | 1 | |
| 1 | 987 501 983 00 | Wheel housing | left | 1 | -10 |
| | 987 501 983 00 GRV | primed | | | |
| 1 | 987 501 983 01 | Wheel housing | left | 1 | 11- |
| | 987 501 983 01 GRV | primed | | | |
| (1) | 987 501 984 01 | Wheel housing | right | 1 | -10 |
| | 987 501 984 01 GRV | primed | | | |
| (1) | 987 501 984 02 | Wheel housing | right | 1 | 11- |
| | 987 501 984 02 GRV | primed | | | |
| - | 987 501 654 00 | Retainer for control units | | 1 | |
| | 987 501 654 00 GRV | primed | | | |
| 2 | 986 501 995 01 | Control unit Tiptronic Side member | left | 2 | |
| | 986 501 995 01 GRV | primed | outer | | |
| (2) | 986 501 996 01 | Side member | right | 2 | |
| | 986 501 996 01 GRV | primed | outer | | |
| 3 | 986 501 977 00 | Side member | left | 1 | |
| | 986 501 977 00 GRV | primed | inner | | |
| | | Sub-part See workshop manual | | | |
| (3) | 987 501 978 00 | Side member | right | 1 | |
| | 987 501 978 00 GRV | Discontinued part primed | inner | | |
| | | Sub-part See workshop manual | | | |
| (3) | 987 501 978 02 | Side member | right | 1 | |
| | 987 501 978 02 GRV | primed | inner | | |
| | | Sub-part See workshop manual | | | |
| 4 | 987 501 177 00 | Side member | left | 1 | |
| | 987 501 177 00 GRV | primed | inner | | |
| (4) | 987 501 178 00 | Side member | right | 1 | |
| | 987 501 178 00 GRV | primed | inner | | |
| 5 | 996 501 377 01 | Support | | 2 | |
| | 996 501 377 01 GRV | primed | | | |
| 6 | 987 501 191 00 | filler plate | | 1 | |
| | 987 501 191 00 GRV | primed | | | |
| 7 | 996 504 209 01 | Cover 100 MM | | 2 | |
| 8 | 986 501 613 00 | Bracket | | 1 | |
| | 986 501 613 00 GRV | primed | | | |
| 9 | 987 502 685 00 | Console | | 1 | |
| | 987 502 685 00 GRV | primed | | | |
| 10 | 986 501 575 00 | Side part Cross member | | 1 | |
| | 986 501 575 00 GRV | primed | | | |
| 11 | 996 504 201 01 | Rear axle Cover 145 MM | | 2 | |
| 12 | 986 502 673 01 | Cross member | | 1 | |
| | 986 502 673 01 GRV | primed | | | |
| 13 | 987 501 243 00 | Cross panel | | 1 | |
| | 987 501 243 00 GRV | primed | | | |
| 14 | 986 501 471 00 | Floor section | | 1 | |

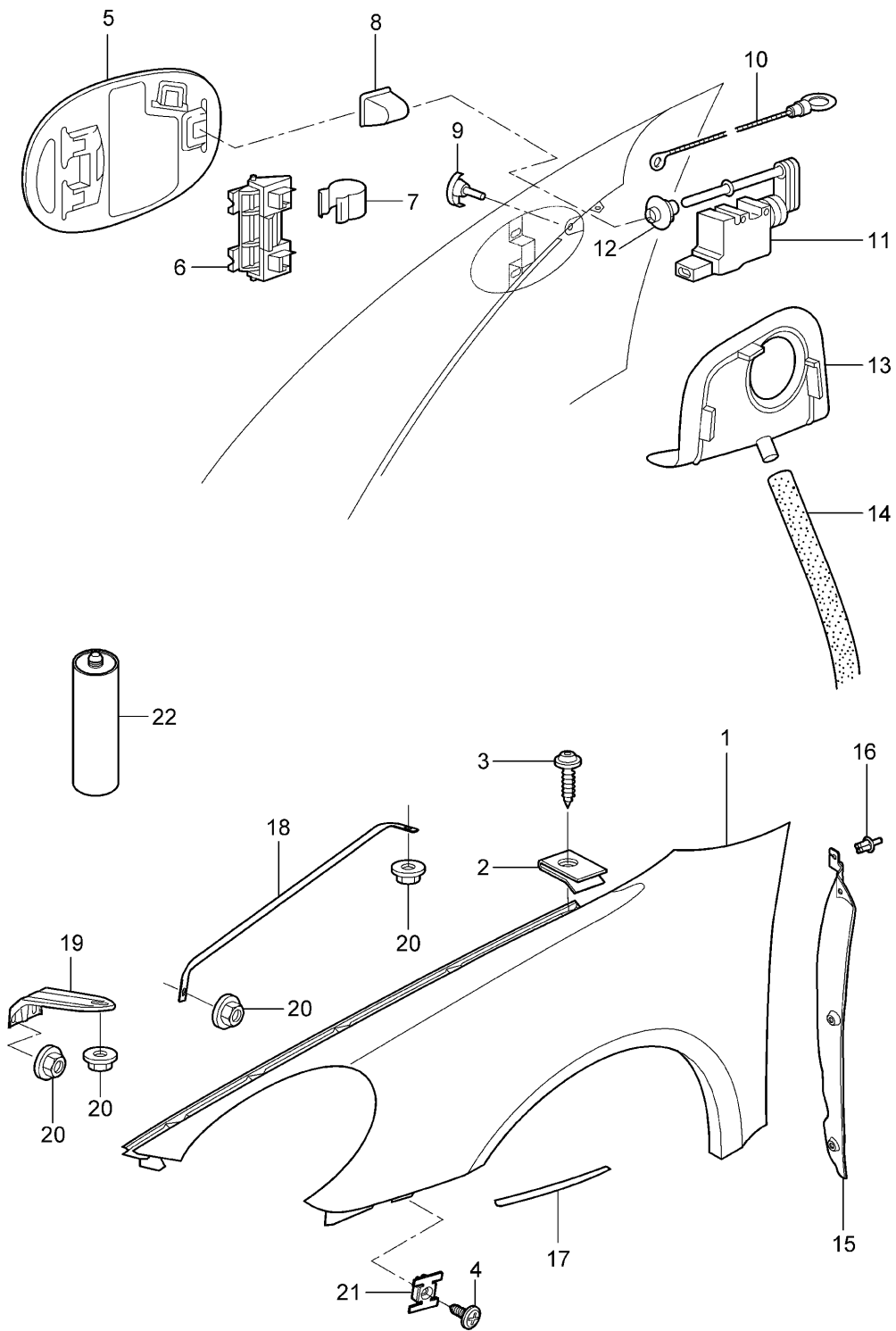
Model: 987 05

Model life 2005>>2008

| Pos | Part Number | Description | Remark | Qty | Model |
|-----|--------------------|------------------|--------|-----|-------|
| 15 | 986 501 471 00 GRV | primed | | 1 | |
| | 986 501 971 00 | boot floor plate | | | |
| | 986 501 971 00 GRV | primed | | | |

Model: 987 05

Model life 2005>>2008

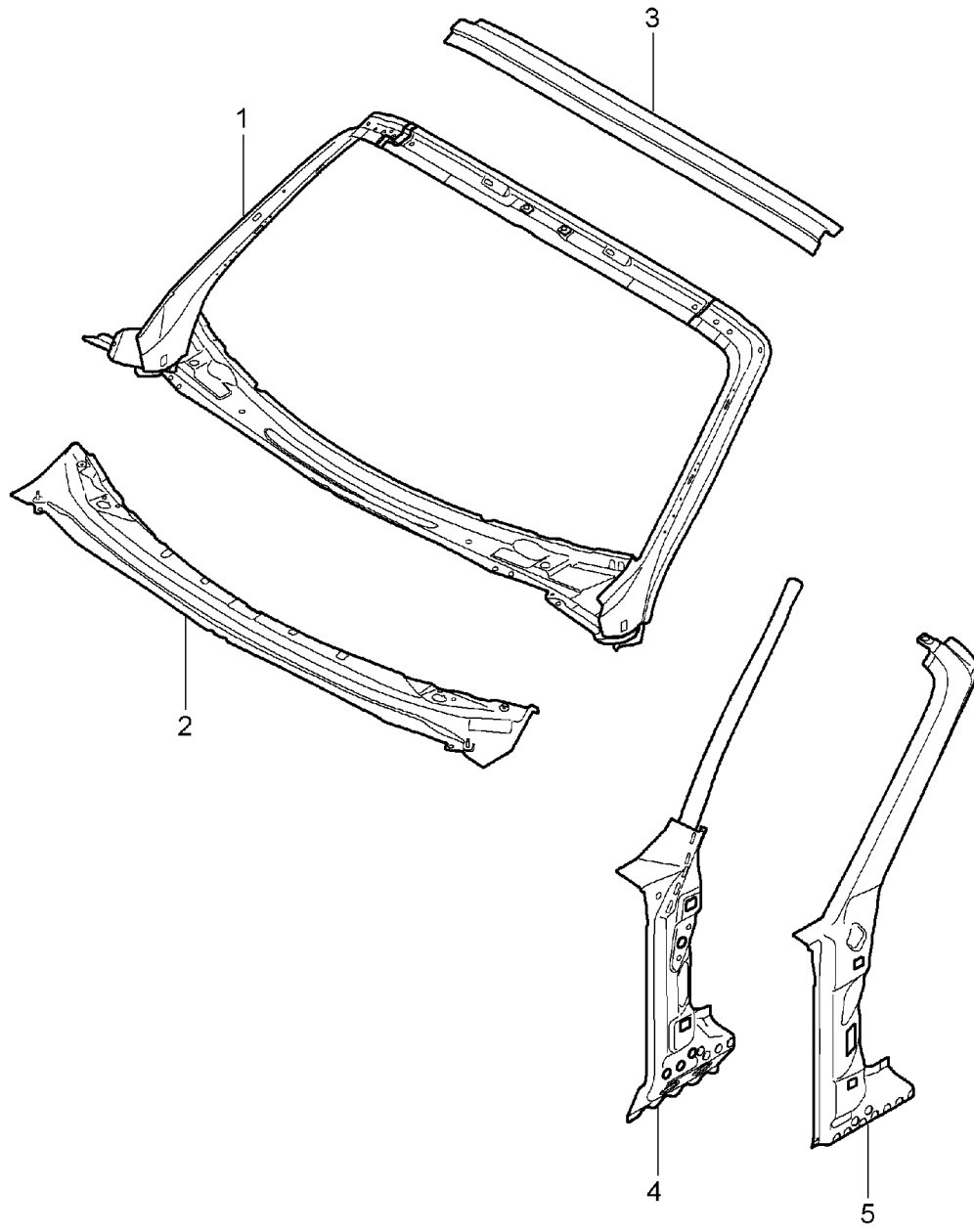


Model: 987 05 Model life 2005>>2008

| Pos | Part Number | Description | Remark | Qty | Model |
|------|--------------------|--|--------|-----|---------|
| 1 | 987 503 031 00 | Wing | left | 1 | |
| | 987 503 031 00 GRV | Wing primed | | | |
| (1) | 987 503 032 02 | Wing | right | 1 | PR:-461 |
| | 987 503 032 02 GRV | D - MJ 2005>> - MJ 2007 primed | | | |
| (1) | 987 503 932 00 | Wing | right | 1 | PR:-461 |
| | 987 503 932 00 GRV | D - MJ 2008>> primed | | | |
| (1) | 987 503 032 01 | Wing | right | 1 | PR:461 |
| | 987 503 032 01 GRV | D - MJ 2005>> Discontinued part primed | | | |
| (1) | 987 503 932 01 | Wing | right | 1 | PR:461 |
| | 987 503 932 01 GRV | D - MJ 2005>> primed | | | |
| 2 | 999 507 003 02 | panel nut | | 18 | |
| | | ST 6,3 | | | |
| | | Discontinued part | | | |
| 2 | 999 507 003 01 | panel nut | | 18 | |
| | | ST 6,3 | | | |
| 3 | 999 073 128 02 | panel screw | | 10 | |
| | | ST 6,3 X 14 | | | |
| 4 | 900 187 111 02 | Bolt with washer | | 8 | |
| | | ST 6,3 X 12 | | | |
| | | Discontinued part | | | |
| 4 | 900 187 111 01 | Bolt with washer | | 8 | |
| | | ST 6,3 X 12 | | | |
| 5 | 987 504 134 00 | Fuel filler flap | | 1 | |
| | 987 504 134 00 GRV | primed | | | |
| 6 | 996 201 063 00 | Hinge | | 1 | |
| 7 | 997 504 711 00 | Spring | | 1 | |
| 8 | 996 201 423 00 | Cap | | 1 | |
| 9 | 997 504 888 01 | Rubber stop | | 1 | |
| 10 | 996 201 493 00 | Emergency operation | | 1 | |
| 11 | 997 624 113 00 | throttle control element | | 1 | |
| 12 | 996 624 505 02 | Guide rose | | 1 | |
| 13 | 996 201 667 01 | Sleeve | | 1 | |
| | | D >> - MJ 2005 | | | |
| 13 | 997 201 667 00 | Sleeve | | 1 | |
| | | D - MJ 2006>> | | | |
| 14 | 996 201 153 00 | Hose | | 1 | |
| 15 | 997 504 641 01 | lining for fender | left | 1 | |
| | 997 504 641 01 01C | Black | | | |
| (15) | 997 504 642 01 | lining for fender | right | 1 | |
| | 997 504 642 01 01C | Black | | | |
| 16 | 999 591 712 40 | Spreader rivet | | 6 | |
| | | A 6,0 X 12,0 | | | |
| 17 | 987 504 531 00 | Protective film | left | 1 | |
| (17) | 987 504 532 00 | Protective film | right | 1 | |
| 18 | 997 504 441 00 | Brace | | 2 | |
| | 997 504 441 00 GRV | primed | | | |
| 19 | 997 504 555 00 | Console | | 2 | |
| | 997 504 555 00 GRV | primed | | | |
| 20 | 999 076 066 09 | Hexagon nut | | 10 | |
| | | M 6 | | | |
| 21 | 999 507 590 02 | Cage nut | | 6 | |
| | | ST 4,8 | | | |
| 22 | 000 043 204 85 | cavity preservative agent | | X | |
| | | 400 ML | | | |

Model: 987 05

Model life 2005>>2008

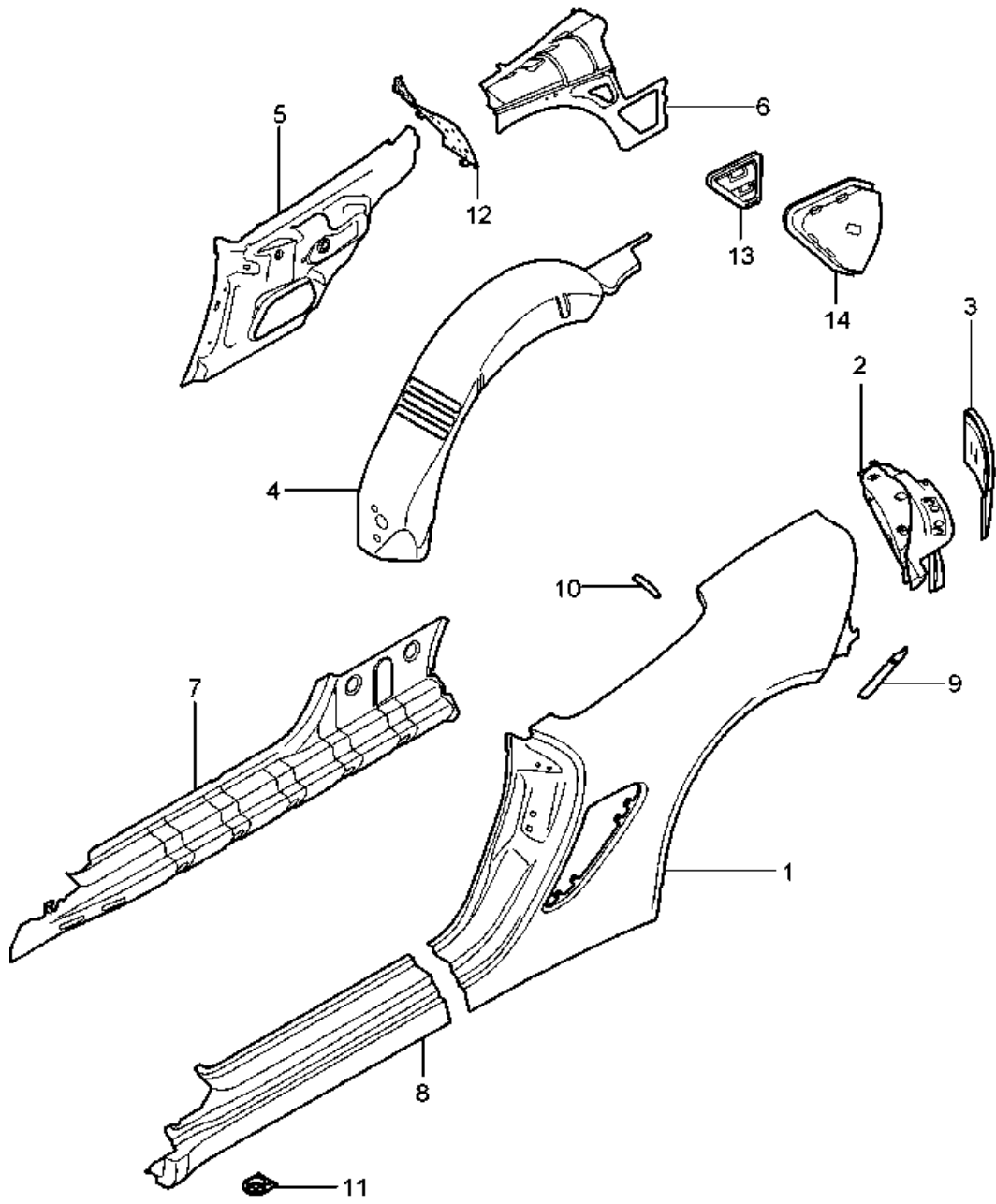


Model: 987 05 Model life 2005>>2008

| Pos | Part Number | Description | Remark | Qty | Model |
|-----|--------------------|----------------------------|--------|-----|-------|
| 1 | 987 502 137 00 | Scuttle | | 1 | |
| | 987 502 137 00 GRV | primed | inner | | |
| 2 | 997 502 527 00 | Scuttle | | 1 | |
| | 997 502 527 00 GRV | primed | outer | | |
| 3 | 987 502 529 00 | Scuttle | | 1 | |
| | 987 502 529 00 GRV | primed | outer | | |
| 4 | 987 502 135 01 | Reinforcement for A-pillar | left | 1 | |
| | 987 502 135 01 GRV | primed | | | |
| | | also use: | | | |
| (4) | 987 502 136 01 | Reinforcement for A-pillar | right | 1 | |
| | 987 502 136 01 GRV | primed | | | |
| | | also use: | | | |
| - | 000 043 206 29 | Adhesive set | | X | |
| | | Body | | | |
| | | comprising: | | | |
| - | 000 043 206 30 | adhesive | | 1 | |
| - | 000 043 206 31 | Double cartridge gun | | 1 | |
| - | 000 043 206 32 | emulsion tube | | 1 | |
| - | 000 043 206 33 | activator | | 1 | |
| 5 | 987 502 335 00 | Hinge pillar | left | 1 | |
| | 987 502 335 00 GRV | primed | | | |
| | | also use: | | | |
| (5) | 987 502 336 00 | Hinge pillar | right | 1 | |
| | 987 502 336 00 GRV | primed | | | |
| | | also use: | | | |
| - | 000 043 206 29 | Adhesive set | | X | |
| | | Body | | | |
| | | comprising: | | | |
| - | 000 043 206 30 | adhesive | | 1 | |
| - | 000 043 206 31 | Double cartridge gun | | 1 | |
| - | 000 043 206 32 | emulsion tube | | 1 | |
| - | 000 043 206 33 | activator | | 1 | |

Model: 987 05

Model life 2005>>2008



Model: 987 05 Model life 2005>>2008

| Pos | Part Number | Description | Remark | Qty | Model |
|------|--------------------|---|--------|-----|-------|
| 1 | 987 503 961 02 | Side part | | | |
| | 987 503 961 02 GRV | Side part primed | left | 1 | |
| (1) | 987 503 962 02 | Side part | right | 1 | |
| | 987 503 962 02 GRV | Side part primed | | | |
| - | | also use: | | | |
| - | 999 915 650 40 | adhesive teromix 6700 | | X | |
| - | 000 043 300 48 | Tool set See technical manual Group 5 53 55 55 | | X | |
| 2 | 987 502 161 00 | Frame for light | left | 1 | |
| | 987 502 161 00 GRV | Frame for light primed | | | |
| (2) | 987 502 162 00 | Frame for light | right | 1 | |
| | 987 502 162 00 GRV | Frame for light primed | | | |
| 3 | 987 501 651 00 | corner part | left | 1 | |
| | 987 501 651 00 GRV | corner part primed | | | |
| (3) | 987 501 652 00 | corner part | right | 1 | |
| | 987 501 652 00 GRV | corner part primed | | | |
| 4 | 987 502 515 00 | Wheel housing | left | 1 | |
| | 987 502 515 00 GRV | Wheel housing primed | | | |
| (4) | 987 502 516 00 | Wheel housing | right | 1 | |
| | 987 502 516 00 GRV | Wheel housing primed | | | |
| 5 | 987 502 083 00 | Side part | left | 1 | |
| | 987 502 083 00 GRV | Side part primed | | | |
| (5) | 987 502 084 00 | Side part | right | 1 | |
| | 987 502 084 00 GRV | Side part primed | | | |
| 6 | 986 502 085 00 | Side part | left | 1 | |
| | 986 502 085 00 GRV | Side part primed | | | |
| (6) | 986 502 106 00 | Side part | right | 1 | |
| | 986 502 106 00 GRV | Side part primed | | | |
| 7 | 986 502 163 02 | Reinforcement Sill | left | 1 | |
| | 986 502 163 02 GRV | Reinforcement Sill primed | | | |
| | | also use: | | | |
| (7) | 986 502 164 01 | Reinforcement Sill | right | 1 | |
| | 986 502 164 01 GRV | Reinforcement Sill primed | | | |
| | | also use: | | | |
| - | 000 043 206 29 | Adhesive set Body comprising: | | X | |
| - | 000 043 206 30 | adhesive | | 1 | |
| - | 000 043 206 31 | Double cartridge gun | | 1 | |
| - | 000 043 206 32 | emulsion tube | | 1 | |
| - | 000 043 206 33 | activator | | 1 | |
| 8 | 987 503 963 02 | Sill | left | 1 | |
| | 987 503 963 02 GRV | Sill primed | | | |
| (8) | 987 503 964 02 | Sill | right | 1 | |
| | 987 503 964 02 GRV | Sill primed | | | |
| 9 | 987 504 631 00 | Protective film | left | 2 | |
| 10 | 996 537 237 00 | Protective film | | 2 | |
| 11 | 999 703 475 40 | drain tube | | 2 | |
| 12 | 987 504 901 00 | Sill Seal See technical manual Group 5 53 55 55 | | 2 | |
| 13 | 986 572 043 02 | Bleeding | left | 1 | |
| (13) | 986 572 044 00 | Bleeding | right | 1 | |
| 14 | 986 572 643 01 | Air-guide cowl Bleeding | left | 1 | |

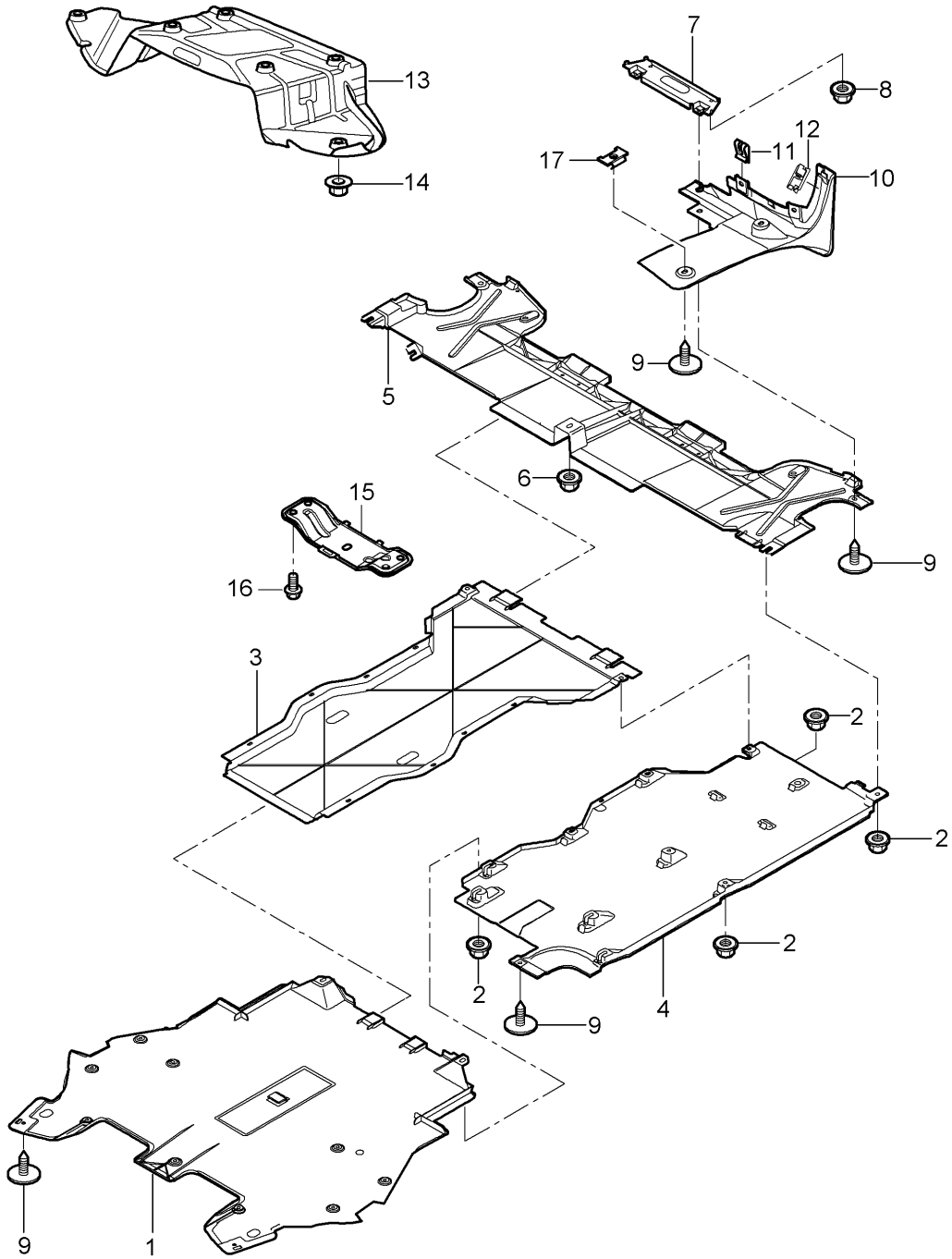
Model: 987 05

Model life 2005>>2008

| Pos | Part Number | Description | Remark | Qty | Model |
|------|----------------|----------------------------|--------|-----|-------|
| (14) | 986 572 644 01 | Air-guide cowl Bleeding | right | 1 | |

Model: 987 05

Model life 2005>>2008

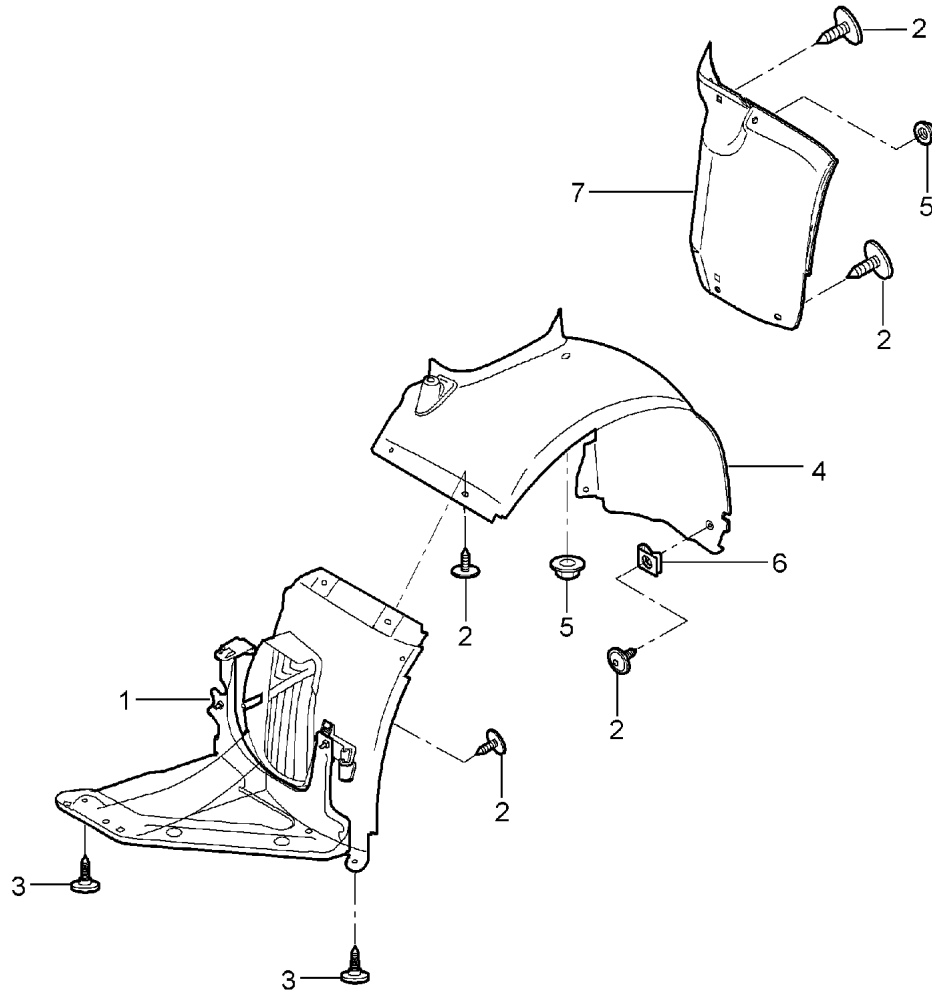


Model: 987 05 Model life 2005>>2008

| Pos | Part Number | Description | Remark | Qty | Model |
|------|--------------------|---|---------------|-----|-------|
| | | Linings | | | |
| | | Underbody | | | |
| 1 | 997 504 527 02 | Cover | front | 1 | |
| 2 | 999 049 028 40 | Plastic nut T 5/22 X 10 | | 33 | |
| 3 | 997 504 043 00 | Cover | center | 1 | |
| 4 | 997 504 343 02 | Cover | left | 1 | |
| (4) | 997 504 344 02 | Cover | right | 1 | |
| 5 | 987 504 129 00 | Cover | rear | 1 | |
| 6 | 999 076 068 09 | Hexagon nut M 6 | | 1 | |
| 6 | 999 076 068 01 | Discontinued part Hexagon nut M 6 | | 1 | |
| 7 | 987 504 571 00 | Bracket Cover Discontinued part | rear | 2 | |
| 7 | 987 504 571 01 | Bracket Cover | left rear | 1 | |
| 7 | 987 504 572 01 | Bracket Cover | right rear | 1 | |
| 8 | 999 084 212 02 | Hexagon nut M 6 | | 2 | |
| 9 | 999 073 231 09 | panel screw ST 4,8 X 16 | | X | |
| 10 | 987 504 793 00 | Trim | left | 1 | |
| (10) | 987 504 793 00 01C | Satin black | | | |
| (10) | 987 504 794 00 | Trim | right | 1 | |
| (10) | 987 504 794 00 01C | Satin black | | | |
| 11 | 999 507 795 09 | panel nut ST 4,8 | | 2 | |
| 12 | 987 504 635 00 | Clip | left | 1 | |
| (12) | 987 504 636 00 | Clip | right | 1 | |
| | | Trim | | 1 | |
| 13 | 987 504 405 00 | Heat insulation | | 1 | |
| 14 | 999 049 025 09 | Collar nut T 5 | | 7 | |
| 15 | 997 504 823 01 | Transverse strut tunnel | | 1 | |
| | 997 504 823 01 GRV | primed | | | |
| 16 | 900 075 475 09 | Bolt with washer M 10 x 25 | | 4 | |
| 17 | 999 507 849 01 | Cage nut st 4,8 | | 4 | |

Model: 987 05

Model life 2005>>2008

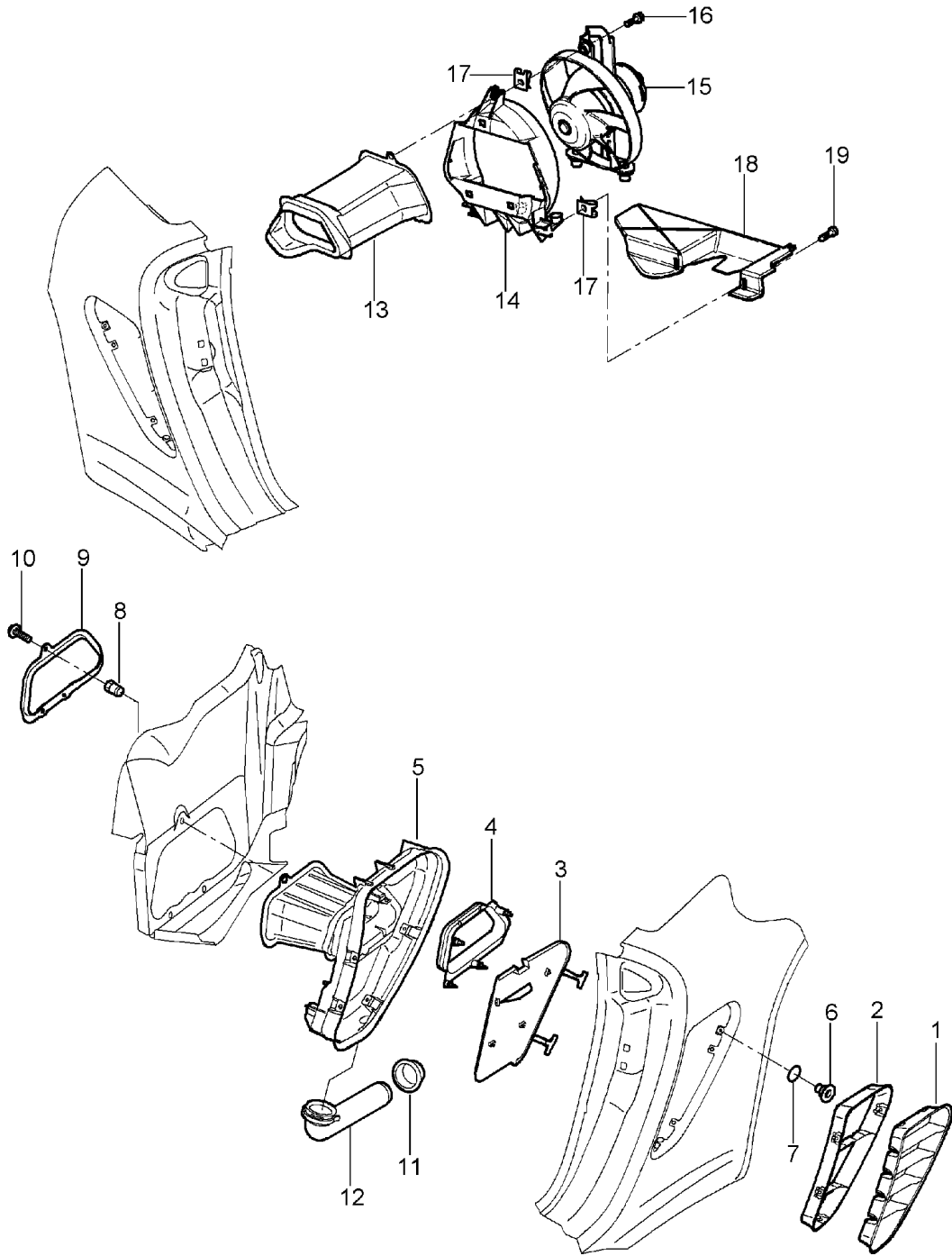


Model: 987 05 Model life 2005>>2008

| Pos | Part Number | Description | Remark | Qty | Model |
|-----|----------------|--|----------------|-----|------------|
| 1 | 987 504 123 00 | Linings for Wheel housing Wheel housing liner | left front | 1 | PR:480,481 |
| (1) | 987 504 124 00 | Discontinued part Wheel housing liner | right front | 1 | PR:480,481 |
| (1) | 987 504 123 04 | Discontinued part Wheel housing liner | left front | 1 | PR:480,481 |
| (1) | 987 504 124 04 | Wheel housing liner | right front | 1 | PR:480,481 |
| (1) | 987 504 123 03 | Wheel housing liner | left front | 1 | PR:249 |
| (1) | 987 504 124 03 | Discontinued part Wheel housing liner | right front | 1 | PR:249 |
| (1) | 987 504 123 05 | Discontinued part Wheel housing liner | left front | 1 | PR:249 |
| (1) | 987 504 124 05 | Wheel housing liner | right front | 1 | PR:249 |
| (1) | 987 504 123 06 | Wheel housing liner | left front | 1 | PR:754,480 |
| (1) | 987 504 124 06 | Wheel housing liner | right front | 1 | PR:754,480 |
| (1) | 987 504 123 07 | Wheel housing liner | left front | 1 | PR:754,249 |
| (1) | 987 504 124 07 | Wheel housing liner | right front | 1 | PR:754,249 |
| 2 | 999 073 231 09 | panel screw ST 4,8 X 16 | | 20 | |
| 3 | 999 073 227 09 | panel screw ST 4,8 X 19 | | 4 | |
| 4 | 987 504 203 00 | Wheel housing liner | front and rear | 1 | |
| (4) | 987 504 204 00 | Wheel housing liner | front and rear | 1 | |
| 5 | 999 049 028 40 | Plastic nut T5 | | 10 | |
| 6 | 999 507 795 09 | panel nut | | 2 | |
| 7 | 987 504 573 01 | Wheel housing liner | front and rear | 1 | |
| (7) | 987 504 574 01 | Wheel housing liner | front and rear | 1 | |
| 8 | 987 504 673 01 | Heat insulation | left | 1 | |
| (8) | 987 504 674 01 | Heat insulation | right | 1 | |
| 9 | 999 507 795 09 | Brake hose panel nut | | 2 | |

Model: 987 05

Model life 2005>>2008



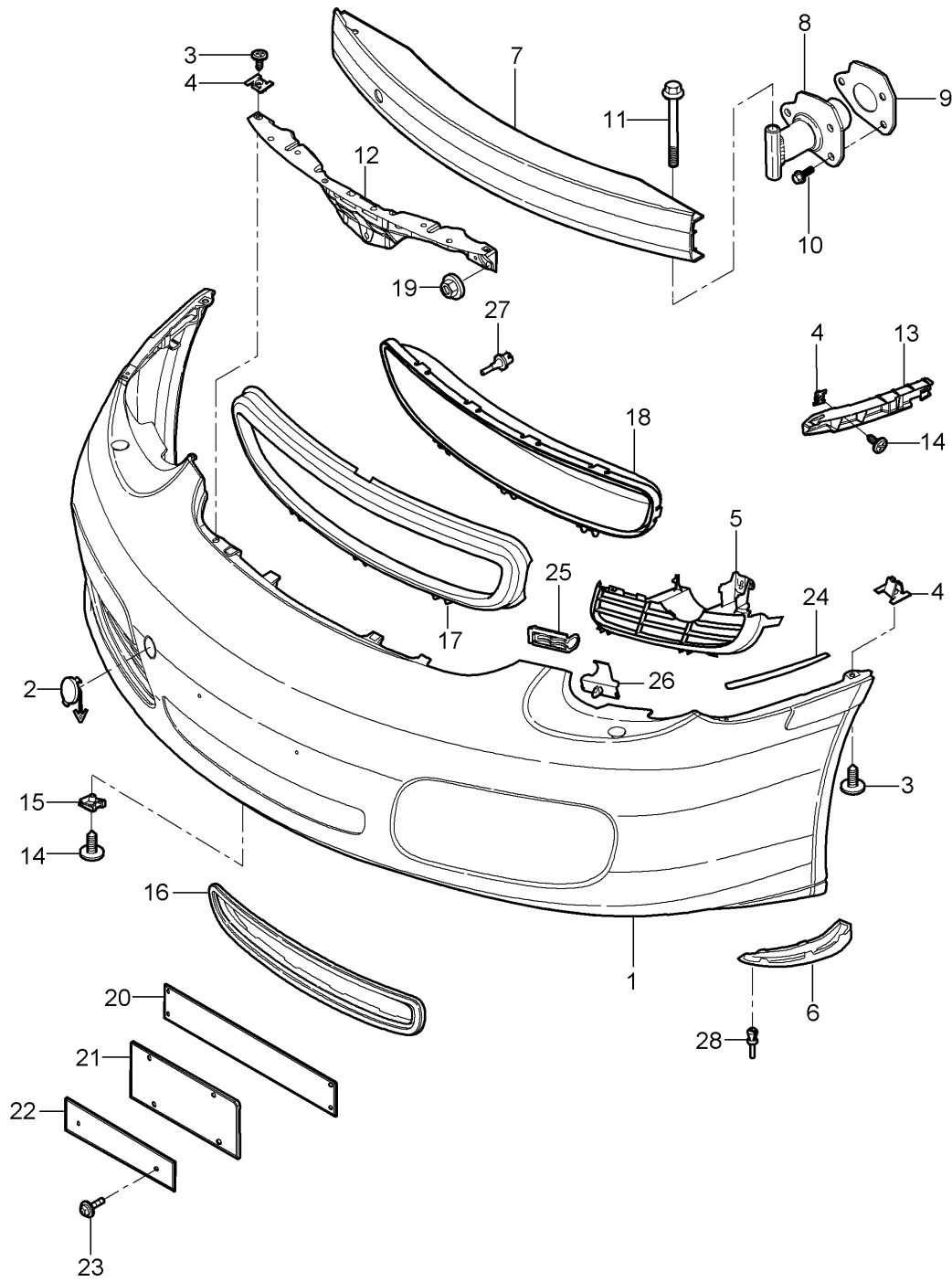
Model: 987 05

Model life 2005>>2008

| Pos | Part Number | Description | Remark | Qty | Model |
|-----|--------------------|-----------------------------------|---------------|-----|-------|
| | | Ventilation Engine compartment | | | |
| 1 | 987 504 561 01 | Ventilation grille | left | 1 | |
| | 987 504 561 01 9B1 | Titanium metallic | | | |
| (1) | 987 504 562 01 | Ventilation grille | right | 1 | |
| | 987 504 562 01 9B1 | Titanium metallic | | | |
| 2 | 987 504 749 01 | Frame | left | 1 | |
| | 987 504 749 01 01C | Satin black | | | |
| (2) | 987 504 750 01 | Frame | right | 1 | |
| | 987 504 750 01 01C | Satin black | | | |
| 3 | 987 575 647 01 | Impact absorber plate | left | 1 | |
| 4 | 987 575 757 00 | Reinforcement | left | 1 | |
| | | Air guide | | | |
| 5 | 987 575 657 00 | Air guide | left inner | 1 | |
| 6 | 999 507 585 40 | Retaining clip | | 8 | |
| 7 | 999 701 489 40 | seal ring | left | 4 | |
| 8 | 999 500 069 02 | rivetted cap nut | | 6 | |
| 9 | 987 575 759 00 | Mounting frame | | 1 | |
| | | Air guide | | | |
| 10 | 900 075 413 09 | Bolt with washer | | 3 | |
| | | M 6 X 16 | | | |
| 11 | 999 702 288 40 | Grommet | left | 1 | |
| | | 32,5 X 20 | | | |
| 12 | 987 504 431 00 | water drain pipe | left | 1 | |
| 13 | 987 575 360 01 | Air guide channel | right | 1 | |
| 14 | 986 575 356 00 | Airscoop | right | 1 | |
| 15 | 986 624 036 00 | Fan | right | 1 | |
| 16 | 900 075 333 02 | Bolt with washer | | 3 | |
| | | M 6 X 25 | | | |
| 17 | 999 507 550 02 | panel nut | | 3 | |
| | | M 6 | | | |
| 18 | 986 575 756 02 | Air guide | right | 1 | |
| 19 | 900 378 036 09 | Hexagon bolt | | 1 | |
| | | M 6 X 12 | | | |

Model: 987 05

Model life 2005>>2008



Model: 987 05 Model life 2005>>2008

| Pos | Part Number | Description | Remark | Qty | Model |
|------|--------------------|-----------------------------|-----------|-----|-------------------------------|
| 1 | 987 505 191 22 | bumper | front | 1 | BOXSTER |
| (1) | 987 505 191 23 | Trim | | 1 | BOXSTER |
| (1) | 987 505 191 24 | Trim | | 1 | PR:288 PR:249 BOXSTER S |
| (1) | 987 505 191 03 | Trim | | 1 | PR:288,249 BOXSTER S |
| (1) | 987 505 191 26 | Trim | | 1 | PR:480 BOXSTER S |
| (1) | 987 505 191 27 | Trim | | 1 | PR:288,480 BOXSTER S |
| 2 | 987 505 703 00 | Cover cap | | 1 | |
| | 987 505 703 00 G2X | primed | | | |
| 3 | 999 073 227 09 | panel screw | | 10 | |
| 4 | 999 507 590 02 | Cage nut | | X | |
| 5 | 987 505 553 00 | Grille frame | left | 1 | BOXSTER |
| | 987 505 553 00 01C | Satin black | | | |
| (5) | 987 505 554 00 | Grille frame | right | 1 | BOXSTER |
| | 987 505 554 00 01C | Satin black | | | |
| (5) | 987 505 553 06 | Grille frame | left | 1 | BOXSTER PR:753 |
| | 987 505 553 06 041 | Black | | | |
| (5) | 987 505 554 06 | Grille frame | right | 1 | BOXSTER PR:753 |
| | 987 505 554 06 041 | Black | | | |
| (5) | 987 505 553 01 | Grille frame | left | 1 | BOXSTER S |
| | 987 505 553 01 FNP | Titanium metallic | | | |
| (5) | 987 505 554 01 | Grille frame | right | 1 | BOXSTER S |
| | 987 505 554 01 FNP | Titanium metallic | | | |
| (5) | 987 505 553 07 | Grille frame | left | 1 | BOXSTER S PR:753 |
| | 987 505 553 07 041 | Orange/primed | | | |
| (5) | 987 505 554 07 | Grille frame | right | 1 | BOXSTER S PR:753 |
| | 987 505 554 07 041 | Orange/primed | | | |
| (6) | 987 505 525 00 | Trim | left | 1 | PR:-XAL |
| | 987 505 525 00 01C | Satin black | | | |
| (6) | 987 505 526 00 | Trim | right | 1 | PR:-XAL |
| | 987 505 526 00 01C | Satin black | | | |
| (6) | 987 505 987 03 | Spoiler | left | 1 | PR:XAL |
| | | | also use: | | |
| (6) | 987 505 988 03 | Spoiler | right | 1 | PR:XAL |
| | | | also use: | | |
| - | 987 505 989 00 | Adhesive set | | 1 | |
| 7 | 997 505 141 02 | Bumper carrier | | 1 | |
| 8 | 997 505 319 00 | Impact pipe | | 2 | |
| 9 | 997 505 751 02 | Seal | | 2 | |
| | | Shock absorber | | | |
| 10 | 900 378 267 09 | Bolt with washer M8X30 | | 6 | |
| 11 | 900 378 088 09 | Hexagon bolt m 12 x 100 | | 2 | |
| 12 | 997 505 531 00 | retaining strip | center | 1 | |
| 13 | 987 505 535 01 | retaining strip | left | 1 | |
| (13) | 987 505 536 01 | retaining strip | right | 1 | |
| 14 | 999 073 418 01 | panel screw ST4,8 X 19-C | | 4 | |
| - | 999 591 387 02 | Clamping washer | | 10 | |
| 15 | 999 591 699 02 | panel nut ST 4,8 | | 1 | |
| 16 | 987 505 551 00 | Trim | | 1 | BOXSTER S |
| | 987 505 551 00 G2X | primed | | | |

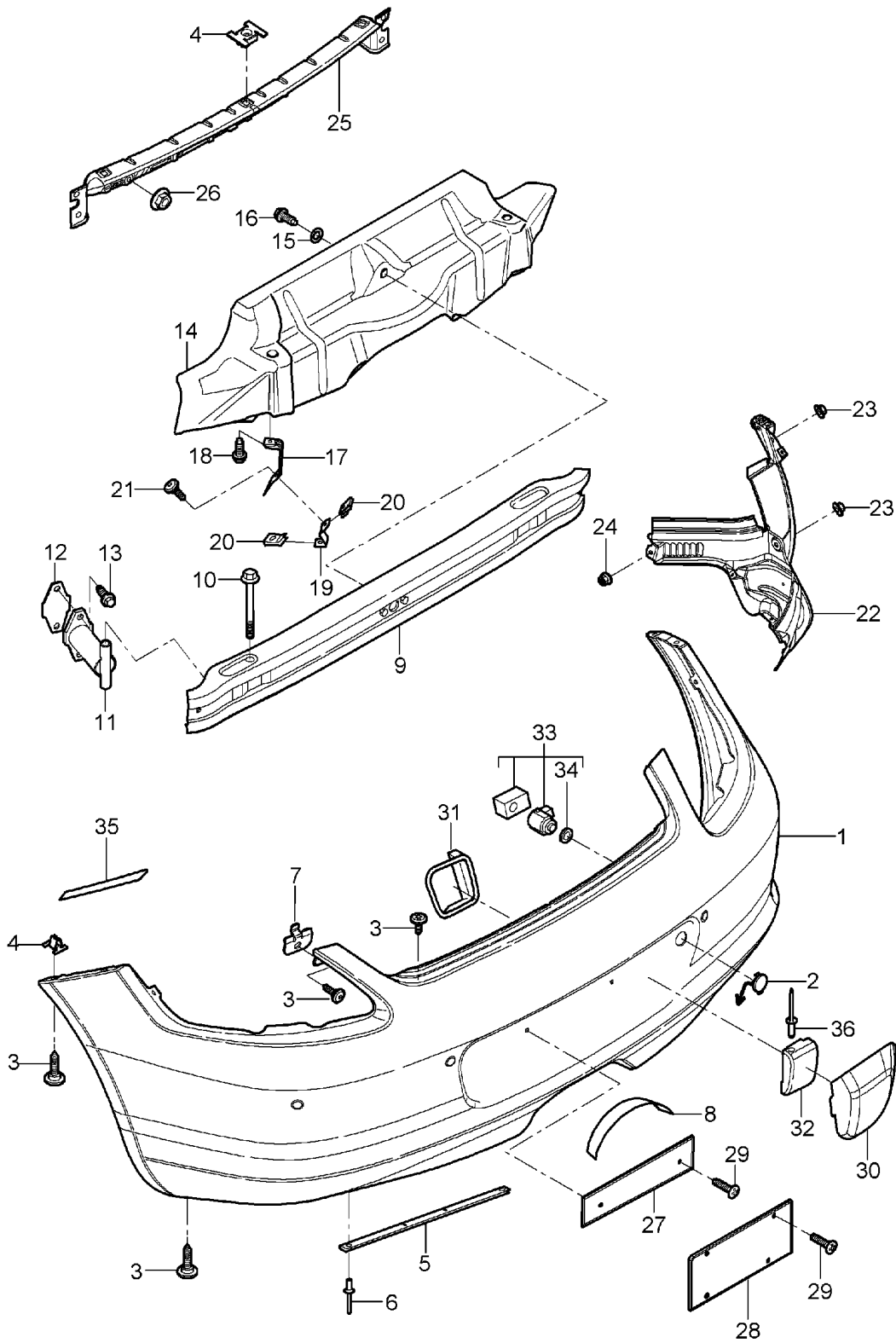
Model: 987 05

Model life 2005>>2008

| Pos | Part Number | Description | Remark | Qty | Model |
|------|--------------------|----------------------|--------|-----|-----------|
| 17 | 987 505 555 00 | Retaining frame | | 1 | PR:249 |
| | 987 505 555 00 01C | Satin black | | | BOXSTER S |
| 18 | 987 505 751 01 | Cover | center | 1 | PR:480 |
| | | Air inlet | | | BOXSTER S |
| | 987 505 751 01 01C | Satin black | | | |
| 19 | 999 076 078 09 | Hexagon nut | | 3 | |
| | | M 6 | | | |
| 21 | 987 701 107 00 | Licence plate holder | | 1 | PR:218 |
| | 987 701 107 00 01C | Satin black | | | |
| 23 | 999 919 228 A2 | Screw | | X | |
| | | 5,0X28,0 | | | |
| (23) | 999 919 227 A2 | panel screw | | X | |
| | | 5,0X13,0 | | | |
| 24 | 987 504 531 00 | Protective film | left | 1 | |
| (24) | 987 504 532 00 | Protective film | right | 1 | |
| 25 | 987 505 719 00 | Fixing | | 2 | |
| 26 | 987 505 709 00 | Guide plate | | 2 | |
| 27 | 996 641 142 00 | Temperature sensor | | 1 | |
| 28 | 999 591 712 40 | Spreader rivet | | 6 | |
| | | 6,0X12,0 | | | |

Model: 987 05

Model life 2005>>2008



Model: 987 05 Model life 2005>>2008

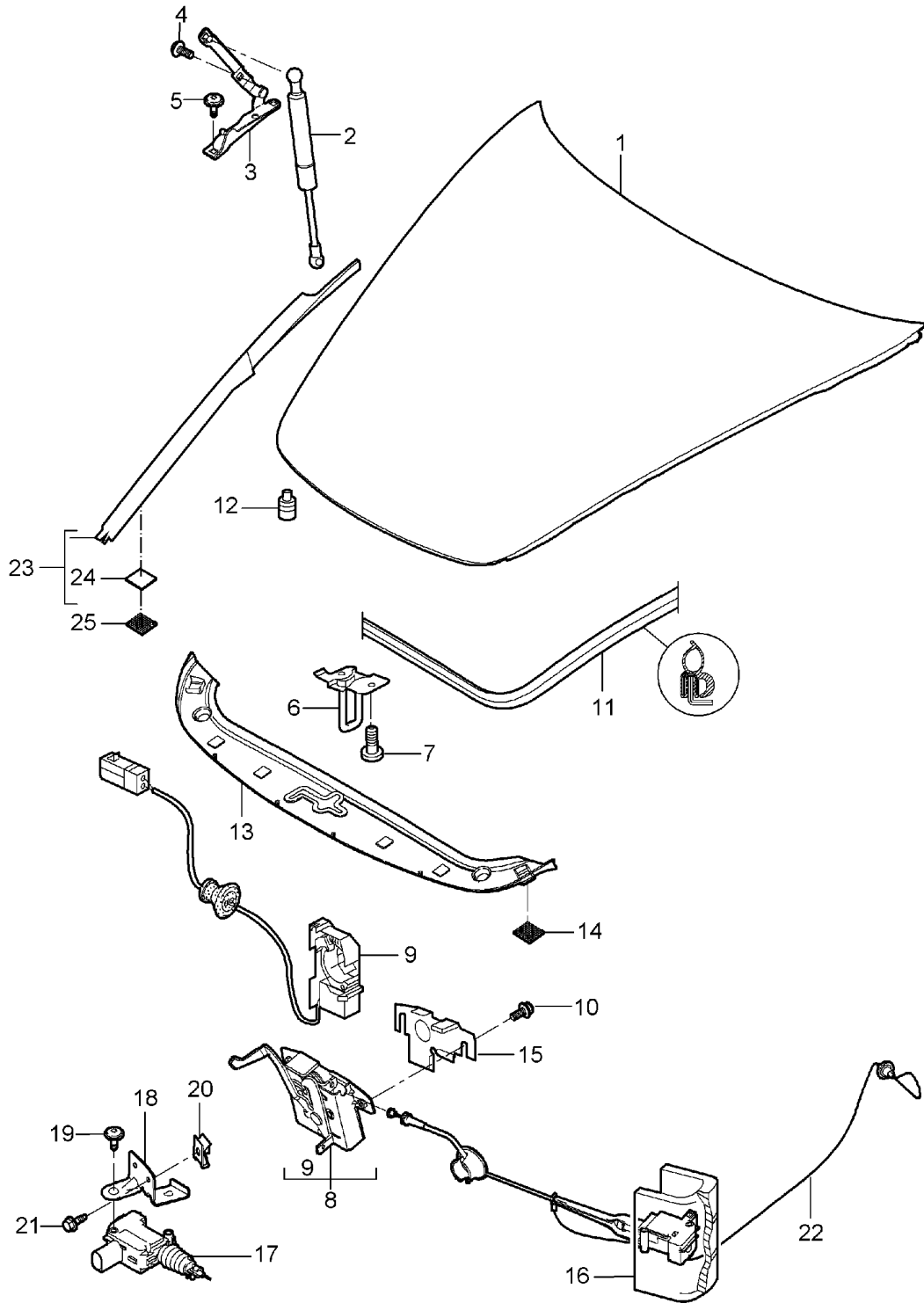
| Pos | Part Number | Description | Remark | Qty | Model |
|------|--------------------|-------------------------------------|--------|-----|----------------|
| (1) | 987 505 411 01 | bumper Trim Discontinued part | rear | 1 | PR:553 |
| (1) | 987 505 411 01 G2X | primed | | | |
| (1) | 987 505 411 33 | Trim Discontinued part | | 1 | PR:553 |
| (1) | 987 505 411 33 G2X | primed | | | |
| (1) | 987 505 996 05 | Trim Discontinued part | | 1 | PR:553,XAL |
| | 987 505 996 05 G2X | primed | | | |
| 1 | 987 505 291 01 | Trim Discontinued part | | 1 | PR:635,553 |
| 1 | 987 505 993 01 | Trim | | 1 | PR:XAL,635,553 |
| 2 | 997 505 803 00 | cover for towing eye | | 1 | |
| | 997 505 803 00 G2X | primed | | | |
| 3 | 999 073 227 09 | panel screw ST 4,8 X 19 | | 15 | |
| 4 | 999 507 590 02 | Cage nut ST 4,8 | | 7 | |
| 5 | 987 505 837 00 | retaining rail | | 2 | |
| 6 | 999 190 104 30 | Pop rivet 3,2 X 7,9 | | 4 | |
| 7 | 987 505 815 00 | Retaining plate | | 2 | |
| 8 | 987 505 811 00 | Guard plate for tail pipe | | 1 | |
| | 987 505 811 00 9B1 | Titanium metallic | | | |
| 8 | 987 505 997 00 | Guard plate | | 1 | PR:XAL |
| | 987 505 997 00 9B1 | Titanium metallic | | | |
| (9) | 987 505 241 01 | Bumper carrier | | 1 | PR:553 |
| 10 | 900 378 088 09 | Hexagon bolt M 12 X 1,5 X 100 | | 2 | |
| 11 | 996 505 019 01 | Impact pipe | | 2 | |
| (11) | 996 505 015 00 | Shock absorber | | 2 | PR:113 |
| 12 | 996 505 775 00 | Underlay Shock absorber | | 2 | |
| (12) | 996 505 775 01 | Underlay Shock absorber | | 2 | PR:113 |
| 13 | 900 378 267 09 | Bolt with washer M 8 X 30 | | 4 | |
| 14 | 987 505 475 00 | Heat insulation | center | 1 | |
| 15 | 999 025 243 02 | Washer 5,0X1,0 | | 1 | |
| 16 | 900 278 025 02 | Hexagon bolt M5X12 | | 1 | |
| 17 | 987 505 639 00 | Rear support | | 2 | |
| 18 | 999 075 056 09 | Bolt with washer M 6 X 22 | | 2 | |
| 19 | 996 505 649 01 | angle Rear support | | 2 | |
| 20 | 999 507 795 09 | panel nut ST4,8 | | 4 | |
| 21 | 999 073 314 09 | panel screw ST4,8X16-C | | 2 | |
| (22) | 987 505 631 00 | Bracket | left | 1 | |
| 22 | 987 505 632 00 | Bracket | right | 1 | |
| 23 | 999 076 078 09 | Hexagon nut M 6 | | 6 | |
| 24 | 999 049 028 40 | Plastic nut T5/22 X 10 | | 4 | |
| 25 | 987 505 841 00 | Securing strip | | 1 | |
| 26 | 999 076 078 09 | Hexagon nut M 6 | | 5 | |
| 27 | 987 701 105 00 | Licence plate holder | | 1 | PR:211 |
| | 987 701 105 00 01C | Satin black | | | |

Model: 987 05 Model life 2005>>2008

| Pos | Part Number | Description | Remark | Qty | Model |
|------|--------------------|--------------------------------------|--------|-----|------------|
| 28 | 987 701 107 00 | Licence plate holder | | 1 | PR:218 |
| | 987 701 107 00 01C | Satin black | | | |
| - | 999 911 740 40 | Adhesive tape for Number plate | | 3 | |
| | | without: | | | |
| | | Frame | | | |
| 29 | 999 919 227 A2 | panel screw | | 4 | PR:210,211 |
| | | Bracket | | | |
| (29) | 999 919 227 A2 | panel screw | | 8 | PR:218 |
| | | Bracket | | | |
| | | Number plate | | | |
| | | 5 X 13 | | | |
| (30) | 987 505 625 00 | Buffer | left | 1 | PR:553 |
| | 987 505 625 00 G2X | primed | | | |
| 30 | 987 505 626 00 | Buffer | right | 1 | PR:553 |
| | 987 505 626 00 G2X | primed | | | |
| (31) | 987 505 645 00 | Support | left | 1 | PR:553 |
| 31 | 987 505 646 00 | Support | right | 1 | PR:553 |
| | | Trim | | | |
| (32) | 987 505 845 00 | Buffer | left | 1 | PR:553 |
| 32 | 987 505 846 00 | Buffer | right | 1 | PR:553 |
| 33 | 955 606 275 05 | Sensor | | 4 | |
| | | Parking aid | | | |
| 34 | 7L6 919 659 | O-ring | | 4 | |
| | | Sensor | | | |
| | | Sensor | | | |
| 35 | 987 504 631 00 | Protective film | | 2 | |
| 36 | 999 591 712 40 | Spreader rivet | | 6 | |
| | | Buffer | | | |
| - | 987 505 991 00 | Support | | 1 | PR:XAL |
| - | 999 507 696 00 | U-clip | | 1 | |
| - | 999 507 840 40 | Cable holder | | 2 | PR:XAL |
| - | 999 591 974 01 | Clamping washer | | 4 | PR:XAL |
| - | 999 073 426 01 | panel screw | | 2 | PR:XAL |

Model: 987 05

Model life 2005>>2008



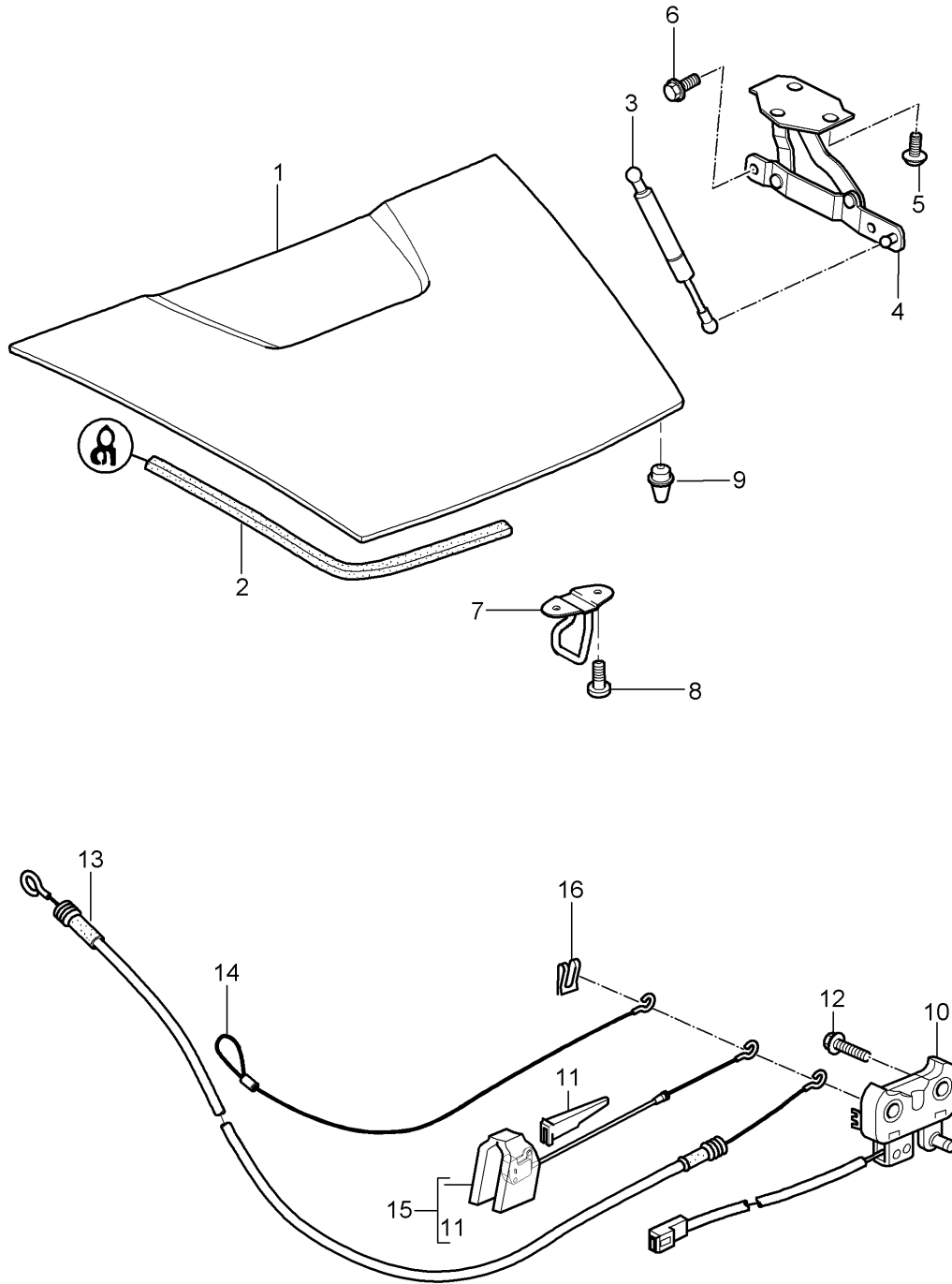
Model: 987 05

Model life 2005>>2008

| Pos | Part Number | Description | Remark | Qty | Model |
|------|--------------------|--|--------|-----|--------|
| 1 | 997 511 011 00 | Cover | front | 1 | |
| | 997 511 011 00 GRV | Cover primed | | | |
| 2 | 997 511 551 01 | Gas filled strut | | 2 | |
| (3) | 997 511 151 00 | Hinge | left | 1 | |
| 3 | 997 511 152 00 | Hinge | right | 1 | |
| 4 | 999 073 357 09 | fillister hd. bolt M 6 X 12 | | 4 | |
| 5 | 999 073 348 09 | fillister hd. bolt M 6 X 20 | | 4 | |
| 6 | 997 511 051 00 | Lock upper part | | 1 | |
| 7 | 999 073 350 04 | flat round head bolt M 6 X 16 | | 2 | |
| 8 | 997 511 053 00 | Lock lower part | | 1 | |
| 9 | 997 613 206 00 | Micro switch | | 1 | |
| 10 | 900 075 466 09 | Bolt with washer M 6 X 16 | | 2 | |
| 11 | 997 511 611 00 | Seal | | 1 | |
| 12 | 999 703 140 41 | Rubber buffer | | 2 | |
| 13 | 997 504 811 03 | Cover panel | | 1 | |
| | 997 504 811 03 FMT | Satin black | | | |
| 14 | 999 902 049 40 | Velcro fastener | | 4 | |
| 15 | 996 511 653 00 | Cover | | 1 | |
| 16 | 997 511 117 00 | throttle control element | | 1 | |
| 17 | 996 624 119 01 | throttle control element Emergency operation | | 1 | PR:553 |
| 18 | 997 511 489 00 | angle throttle control element Discontinued part | | 1 | PR:553 |
| (18) | 997 511 489 01 | angle throttle control element | | 1 | PR:553 |
| 19 | 999 919 188 09 | fillister hd. bolt 5,0 X 30 | | 2 | PR:553 |
| 20 | 999 591 882 02 | panel nut M6 Discontinued part | | 2 | PR:553 |
| 20 | 999 591 882 01 | panel nut M6 | | 2 | PR:553 |
| 21 | 900 075 466 09 | Bolt with washer M 6 X 16 | | 2 | PR:553 |
| 22 | 997 511 085 00 | Cable Luggage compartment | | 1 | PR:553 |
| (23) | 997 572 465 02 | Cover panel | left | 1 | |
| | 997 572 465 02 02A | Black | | | |
| 23 | 997 572 466 02 | Cover panel Wing | right | 1 | |
| | 997 572 466 02 02A | Black | | | |
| 24 | 999 902 052 40 | Velcro fastener Cover 20 X 20 | | 4 | |
| 25 | 999 902 051 40 | Velcro fastener Wing 20 X 20 | | 4 | |

Model: 987 05

Model life 2005>>2008



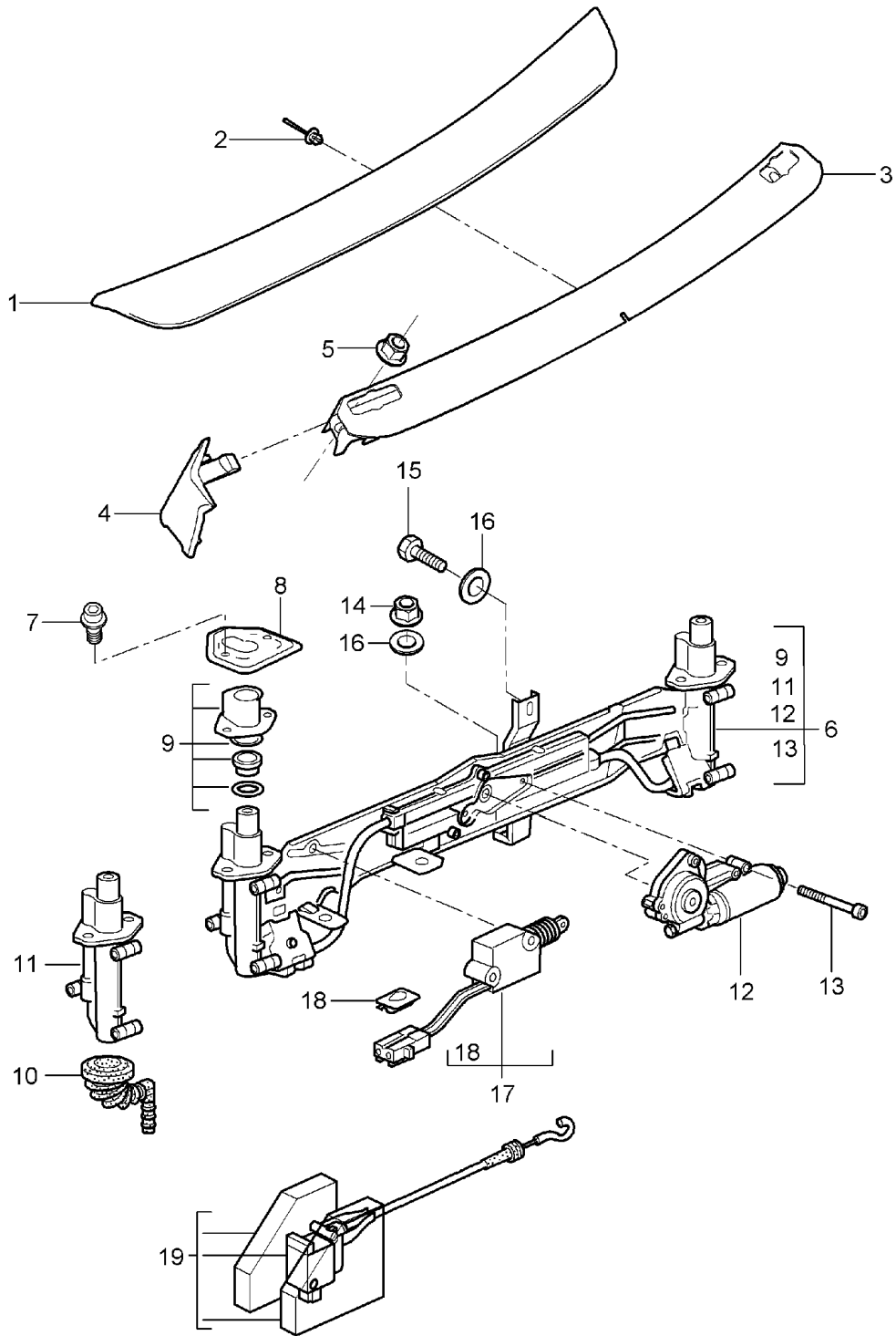
Model: 987 05

Model life 2005>>2008

| Pos | Part Number | Description | Remark | Qty | Model |
|-----|--------------------|--------------------------|--------------------------|-----|-------|
| 1 | 987 512 011 00 | Cover | rear | 1 | |
| | 987 512 011 00 GRV | Cover primed | | | |
| - | 000 043 204 38 | sealant | also use: 000 043 204 38 | 1 | |
| 2 | 987 512 611 01 | Seal | | 1 | |
| 3 | 987 512 551 01 | Gas filled strut | | 1 | |
| (4) | 987 512 151 00 | Hinge | left | 1 | |
| | | Discontinued part | | | |
| (4) | 987 512 151 02 | Hinge | left | 1 | |
| 4 | 987 512 152 00 | Hinge | right | 1 | |
| | | Discontinued part | | | |
| 4 | 987 512 152 02 | Hinge | right | 1 | |
| 5 | 900 075 469 02 | Bolt with washer | | 4 | |
| | | M 6 X 22 | | | |
| 6 | 900 378 155 09 | Hexagon bolt | | 4 | |
| | | M 6 X 16 | | | |
| 7 | 987 512 051 00 | Lock upper part | | 1 | |
| 8 | 999 073 350 04 | flat round head bolt | | 2 | |
| | | M 6 X 16 | | | |
| 9 | 987 512 987 00 | throttle control element | | 2 | |
| 10 | 987 512 053 01 | Lock lower part | | 1 | |
| 11 | 997 511 753 00 | Guide for Bowden cable | | 1 | |
| 12 | 900 075 504 01 | Bolt with washer | | 2 | |
| | | M 6 X 45 | | | |
| 13 | 987 512 217 00 | Lid-release cable | | 1 | |
| | | Cover | | | |
| 14 | 987 512 521 00 | Emergency operation | | 1 | |
| | | Cable | | | |
| 15 | 987 512 117 00 | throttle control element | | 1 | |
| 16 | 999 166 054 02 | S1-lock | | 1 | |
| | | Discontinued part | | | |
| 16 | 999 166 054 01 | S1-lock | | 1 | |

Model: 987 05

Model life 2005>>2008



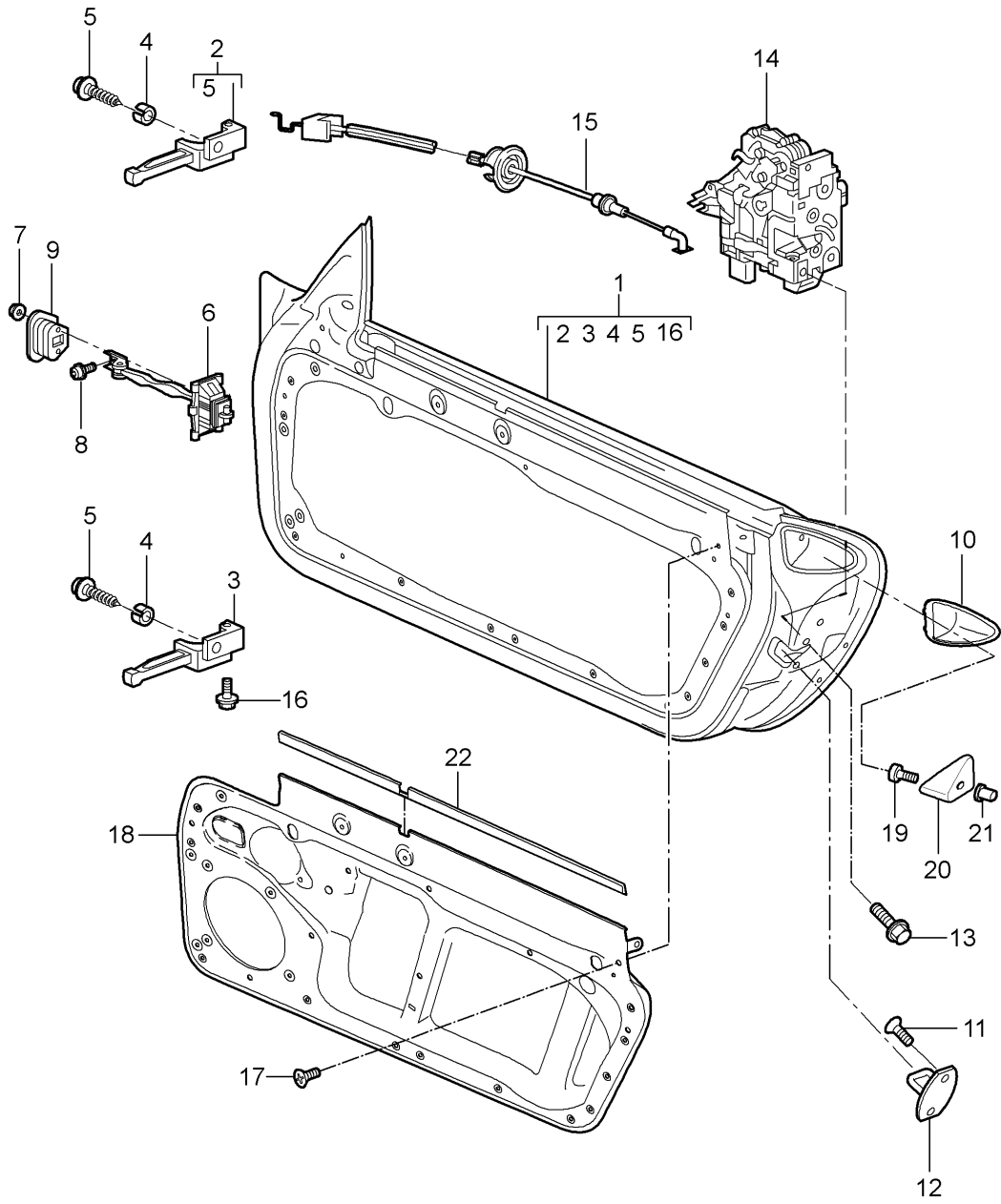
Model: 987 05

Model life 2005>>2008

| Pos | Part Number | Description | Remark | Qty | Model |
|-----|--------------------|-------------------------------|--------|-----|--------|
| 1 | 987 504 609 00 | Rear spoiler | | 1 | |
| | 987 504 609 00 G2X | Upper part | | | |
| (1) | 987 504 981 01 | primed Spoiler | | 1 | PR:XAL |
| | | primed | | | |
| | | D - MJ 2006>> - MJ 2008 | | | |
| 2 | 999 507 499 40 | Spreader rivet | | 3 | |
| | | 5,0 X 11,5 | | | |
| 3 | 987 504 613 00 | Carrier | | 1 | |
| | | D >> - MJ 2005 | | | |
| 3 | 987 504 613 01 | Carrier | | 1 | |
| | | Upper part | | | |
| | | D - MJ 2006>> | | | |
| 4 | 987 504 615 00 | Cover | left | 1 | |
| | | Carrier | | | |
| (4) | 987 504 616 00 | Cover | right | 1 | |
| | | Carrier | | | |
| 5 | 900 377 003 02 | Hexagon nut | | 2 | |
| | | Carrier | | | |
| | | M8 | | | |
| 6 | 987 504 109 00 | Driving mechanism | | 1 | |
| | | (complete) | | | |
| 7 | 999 218 016 02 | Bolt with washer | | 4 | |
| | | M 6 X 16 | | | |
| | | Micro-self-locking | | | |
| | | Discontinued part | | | |
| 7 | 999 218 016 01 | Bolt with washer | | 4 | |
| | | M 6 X 16 | | | |
| | | Micro-self-locking | | | |
| 8 | 986 504 251 00 | Securing plate | | 2 | |
| 9 | 987 504 413 00 | Gasket set | | 2 | |
| | | Toggle catch | | | |
| 10 | 987 504 415 00 | Water drainage hose | | 1 | |
| 11 | 987 504 411 00 | Toggle catch | | 2 | |
| 12 | 996 624 151 00 | Electric motor | | 1 | |
| 13 | 900 074 364 02 | Hexagon bolt | | 1 | |
| | | M 5 X 55 | | | |
| | | Micro-self-locking | | | |
| 14 | 999 084 629 09 | Hexagon nut | | 3 | |
| | | M 6 | | | |
| 15 | 900 075 485 09 | Hexagon bolt | | 1 | |
| | | M 6 X 16 | | | |
| 16 | 900 035 001 09 | Washer | | 4 | |
| 17 | 996 624 117 01 | throttle control element | rear | 1 | |
| | | Cover | | | |
| 18 | 999 507 434 40 | bracket for connector housing | | 1 | |
| 19 | 987 512 117 00 | throttle control element | | 1 | |

Model: 987 05

Model life 2005>>2008



Model: 987 05 Model life 2005>>2008

| Pos | Part Number | Description | Remark | Qty | Model |
|------|--------------------------------------|---|--------|-----|------------|
| (1) | 997 531 011 02 997 531 011 02 GRV | Door shell Installation parts Door lock Door shell primed | left | 1 | |
| | | also use: | | | |
| 1 | 997 531 012 02 997 531 012 02 GRV | Door shell primed | right | 1 | |
| | | also use: | | | |
| - | 000 043 305 32 | sealant | | 1 | |
| (2) | 997 531 321 00 | Hinge | left | 1 | |
| 2 | 997 531 322 00 | Hinge | right | 1 | |
| (3) | 997 531 319 00 | Hinge | left | 1 | |
| 3 | 997 531 320 00 | Hinge | right | 1 | |
| 4 | 996 531 831 00 | Sleeve | | 4 | |
| 5 | 900 067 291 01 | Bolt with washer M 8 X 16 | | 2 | |
| 6 | 997 537 151 01 | Door catch Discontinued part | | 2 | |
| 6 | 997 537 151 02 | Door catch | | 2 | |
| 7 | 999 084 212 02 | Hexagon nut M 6 | | 4 | |
| 8 | 999 073 138 09 | Screw M 8 X 25 Discontinued part | | 2 | |
| 9 | 996 537 751 00 | Seal | | 2 | |
| (10) | 997 537 331 00 997 537 331 00 01C | Support Satin black | | 1 | |
| 10 | 997 537 332 00 997 537 332 00 01C | Support Satin black | | 1 | |
| 11 | N 910 174 01 | countersunk multi-point socket head bolt M 8 X 22 | | 4 | |
| 12 | 3B0 837 033 P | Lock striker | | 2 | |
| 13 | WHT 000 439 | flat round head bolt M 8 X 20 | | 2 | |
| (14) | 3D1 837 015 C | Door lock | left | 1 | PR:072,553 |
| (14) | 3D1 837 016 C | Door lock | right | 1 | PR:072,553 |
| 15 | 997 537 319 01 | Bowden cable | | 2 | |
| 16 | 999 072 043 09 | Hexagon bolt M 6 X 12 Micro-self-locking fillister hd. bolt M6 X 16 | | 4 | |
| 17 | 999 073 333 09 | Micro-self-locking fillister hd. bolt M6 X 16 | | 9 | |
| (18) | 997 537 201 00 | Inner panel D >> - MJ 2005 No longer use the part here | left | 1 | |
| 18 | 997 537 202 00 | Inner panel D >> - MJ 2005 No longer use the part here | right | 1 | |
| (18) | 997 537 901 00 | Inner panel D >> - MJ 2005 | left | 1 | |
| 18 | 997 537 902 00 | Inner panel D >> - MJ 2005 | right | 1 | |
| (18) | 987 537 201 00 | Inner panel D - MJ 2006>> No longer use the part here | left | 1 | |
| 18 | 987 537 202 00 | Inner panel D - MJ 2006>> No longer use the part here | right | 1 | |
| 18 | 987 537 201 01 | Inner panel D - MJ 2006>> | left | 1 | |
| 18 | 987 537 202 01 | Inner panel D - MJ 2006>> | right | 1 | |

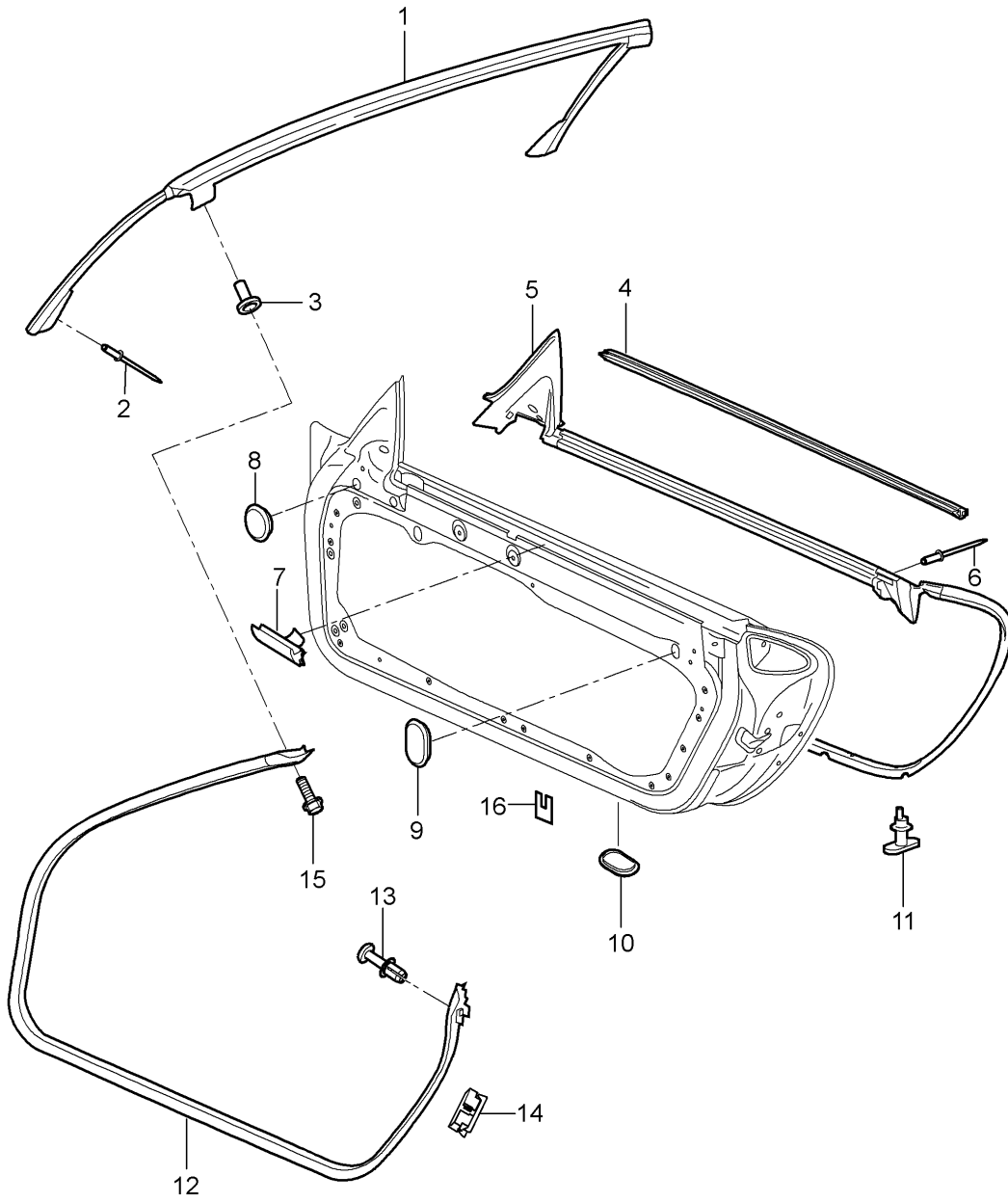
Model: 987 05

Model life 2005>>2008

| Pos | Part Number | Description | Remark | Qty | Model |
|------|--------------------|--|--------|-----|-------|
| 19 | 900 119 072 00 | D - MJ 2006>> Socket head bolt M8 X 16 | | 2 | |
| (20) | 997 537 333 00 | Support | left | 1 | |
| | 997 537 333 00 G2X | primed | | | |
| 20 | 997 537 334 00 | Support | right | 1 | |
| | | Side part | | | |
| | 997 537 334 00 G2X | primed | | | |
| 21 | 999 500 121 02 | rivetted cap nut M8 / 0,8 - 3 | | 2 | |
| - | 999 551 172 40 | Lining strap 25 x 1,3 x 730 for Inner panel | | 2 | |

Model: 987 05

Model life 2005>>2008

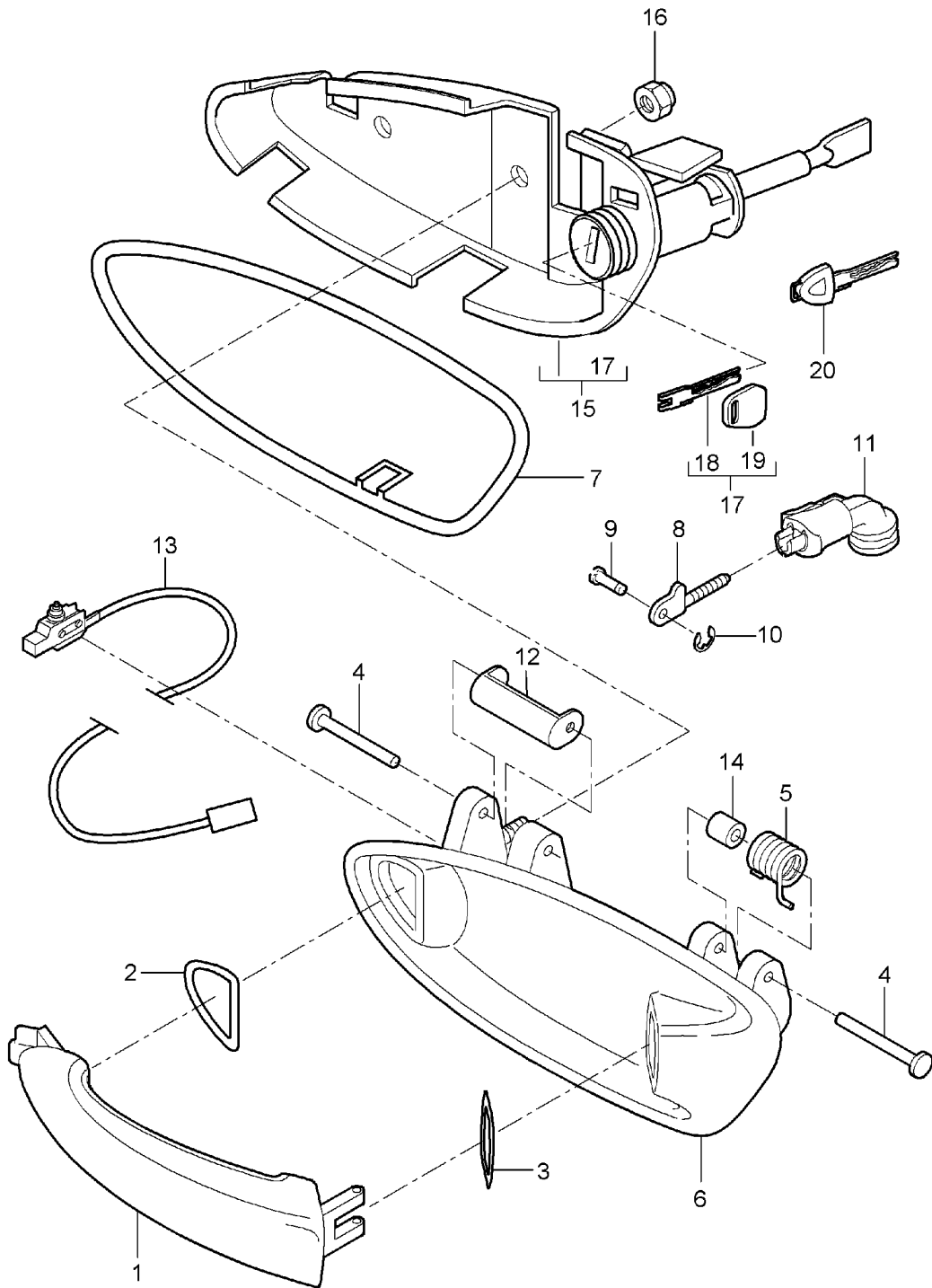


Model: 987 05 Model life 2005>>2008

| Pos | Part Number | Description | Remark | Qty | Model |
|------|----------------|--------------------------|----------------|-----|-------|
| | | Door seal | | | |
| | | Seal | | | |
| | | windshield frame | | | |
| 1 | 987 537 077 01 | Seal | | 1 | |
| 2 | 999 190 445 37 | Pop rivet | | X | |
| | | A 4,0 X 7,9 | | | |
| 3 | 999 500 098 01 | rivetted cap nut | | 2 | |
| | | M 5/0,5-3 | | | |
| (4) | 997 537 085 00 | Seal | left | 1 | |
| 4 | 997 537 086 00 | Seal | right | 1 | |
| (5) | 997 537 531 06 | Seal | left | 1 | |
| | | D >> - MJ 2007 | | | |
| | | Discontinued part | | | |
| (5) | 997 537 531 07 | Seal | left | 1 | |
| | | D - MJ 2008>> | | | |
| 5 | 997 537 532 06 | Seal | right | 1 | |
| | | D >> - MJ 2007 | | | |
| | | Discontinued part | | | |
| 5 | 997 537 532 07 | Seal | right inner | 1 | |
| | | D - MJ 2008>> | | | |
| 7 | 997 537 495 00 | Seal | | 1 | |
| 8 | 803 803 583 A | Bungs | | 2 | |
| | | 20,0 X 30,0 | | | |
| | | Discontinued part | | | |
| 8 | 999 703 196 40 | End cap | | 2 | |
| | | 20,0 X 30,0 | | | |
| 9 | 999 703 541 40 | End cap | | 4 | |
| | | 20,0 X 28,0 | | | |
| 10 | 999 703 542 40 | End cap | | 8 | |
| | | 23,8 X 38,7 | | | |
| 11 | 999 507 578 40 | Clip | | 36 | |
| | | Seal | | | |
| | | 5,0 X 3,7 | | | |
| | | D >> - MJ 2007 | | | |
| 11 | 999 591 513 40 | Clip | | 36 | |
| | | Seal | | | |
| | | 5,8 x 0,9 | | | |
| | | D - MJ 2008>> | | | |
| (12) | 987 537 075 00 | Door seal | left | 1 | |
| 12 | 987 537 076 00 | Door seal | right | 1 | |
| 13 | 999 507 706 40 | expanding nut | | 2 | |
| | | 4,2 | | | |
| 14 | 999 507 710 02 | U-clip | | 2 | |
| 15 | 900 075 362 02 | Bolt with washer | | 2 | |
| | | M 5 X 16 | | | |
| 16 | 996 537 337 00 | protective foil for door | | 4 | |

Model: 987 05

Model life 2005>>2008

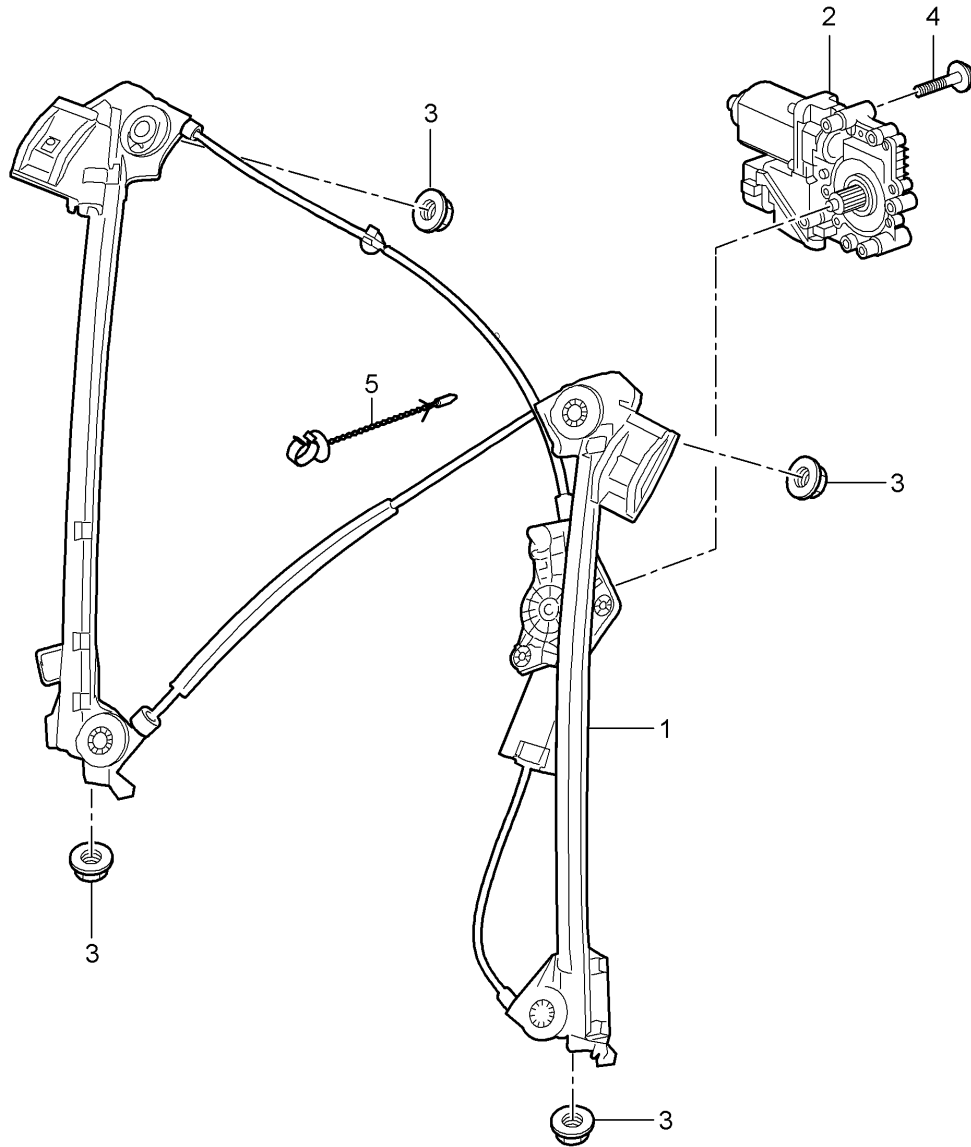


Model: 987 05 Model life 2005>>2008

| Pos | Part Number | Description | Remark | Qty | Model |
|------|--------------------|---------------------------------|-----------|-----|--------|
| 1 | 997 537 613 00 | Door handle | left | 1 | |
| | 997 537 613 00 G2X | Door handle primed | | | |
| (1) | 997 537 614 00 | Door handle | right | 1 | |
| | 997 537 614 00 G2X | Door handle primed | | | |
| 2 | 997 537 623 00 | Stop buffer | | 2 | |
| 3 | 997 537 625 00 | Stop buffer | | 2 | |
| 4 | 997 537 621 00 | axle | | 2 | |
| 5 | 997 537 611 00 | Return spring | left | 1 | |
| (5) | 997 537 612 00 | Return spring | right | 1 | |
| 6 | 997 537 645 00 | Handle liner | left lhd | 1 | PR:098 |
| | 997 537 645 00 G2X | Handle liner primed | | | |
| (6) | 997 537 646 01 | Handle liner | right lhd | 1 | PR:098 |
| | 997 537 646 01 G2X | Handle liner primed | | | |
| 7 | 997 537 637 00 | Underlay | left | 1 | |
| (7) | 997 537 638 00 | Underlay | right | 1 | |
| 8 | 997 537 627 00 | operating rod | | 2 | |
| 9 | 997 537 629 00 | Pin | | 2 | |
| 10 | 996 537 641 00 | Retaining washer | | 2 | |
| 11 | 997 537 445 02 | Connecting piece | | 2 | |
| 12 | 997 537 653 00 | Actuating lever | left | 1 | |
| (12) | 997 537 654 00 | Actuating lever | right | 1 | |
| 13 | 997 613 125 00 | Micro switch | | 2 | |
| 13 | 997 613 125 02 | Micro switch | | 2 | |
| | | Window regulator | | | |
| 14 | 997 537 633 00 | bush | | 2 | |
| 15 | 997 538 963 00 | Bracket | left lhd | 1 | PR:098 |
| | | with lock cylinder | | | |
| | | with stipulated lock number | | | |
| (15) | 997 538 963 01 | Bracket | left lhd | 1 | PR:098 |
| | | with lock cylinder | | | |
| | | W/o stipulated lock number | | | |
| (15) | 997 537 464 01 | Bracket | right lhd | 1 | PR:098 |
| | | Without lock cylinder | | | |
| 16 | 900 380 015 09 | Hexagon nut | | 4 | |
| | | M6 | | | |
| 17 | 997 538 931 00 | Replacement key | | X | |
| | | with stipulated lock number | | | |
| | | State lock number | | | |
| 18 | 997 538 531 00 | Blank key | | X | |
| 19 | 944 538 431 00 | Key cover | | X | |
| 20 | 955 538 916 00 | emergency key | | X | |
| | | with stipulated lock number | | | |
| | | State lock number | | | |
| (20) | 955 538 216 00 | D >> - MJ 2006 emergency key | | X | |
| | | W/o stipulated lock number | | | |
| | | D >> - MJ 2006 | | | |

Model: 987 05

Model life 2005>>2008

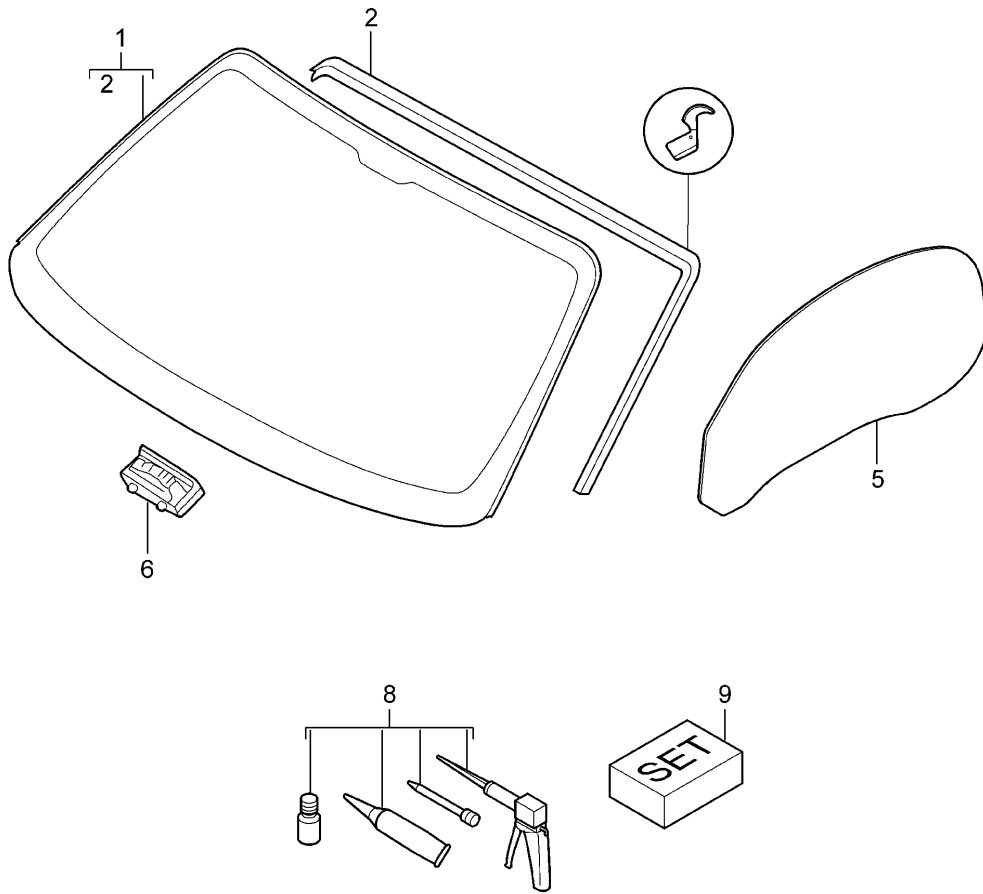


Model: 987 05 Model life 2005>>2008

| Pos | Part Number | Description | Remark | Qty | Model |
|-----|----------------|--------------------------------------|-----------|-----|--------|
| 1 | 987 542 075 00 | Window regulator Window regulator | left | 1 | |
| | | D >> - MJ 2005 | | | |
| 1 | 987 542 075 01 | Window regulator | left | 1 | |
| | | D - MJ 2006>> | | | |
| (1) | 987 542 076 00 | Window regulator | right | 1 | |
| | | D >> - MJ 2005 | | | |
| (1) | 987 542 076 01 | Window regulator | right | 1 | |
| | | D - MJ 2006>> | | | |
| 2 | 987 624 101 06 | Electric motor | left lhd | 1 | PR:098 |
| | | D >> - MJ 2005 | | | |
| (2) | 987 624 104 06 | Electric motor | right lhd | 1 | PR:098 |
| | | D >> - MJ 2005 | | | |
| (2) | 997 624 181 02 | Electric motor | left lhd | 1 | PR:098 |
| | | D - MJ 2006>> | | | |
| (2) | 997 624 182 02 | Electric motor | right lhd | 1 | PR:098 |
| | | D - MJ 2006>> | | | |
| (2) | 997 624 182 06 | Electric motor | right lhd | 1 | PR:098 |
| | | D - MJ 2006>> | | | |
| 3 | 900 380 015 09 | Hexagon nut | | 4 | |
| | | M 6 | | | |
| 4 | 999 919 209 09 | fillister hd. bolt | | 6 | |
| | | M5X22 | | | |
| 5 | 987 542 941 00 | Clip | | 1 | |
| | | Bowden cable | | | |
| | | Window regulator | | | |

Model: 987 05

Model life 2005>>2008

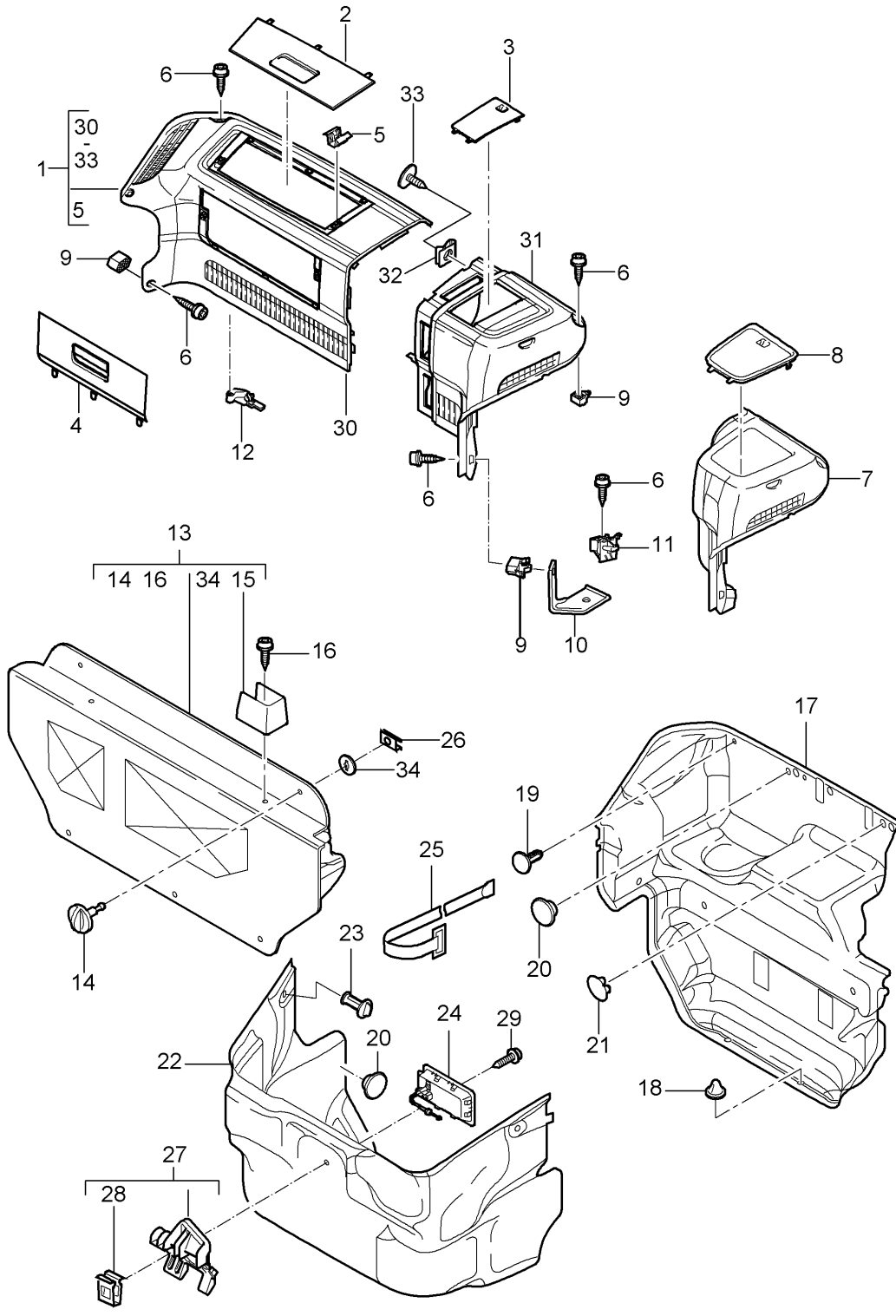


Model: 987 05 Model life 2005>>2008

| Pos | Part Number | Description | Remark | Qty | Model |
|-----|----------------|---|--------------------------|-----|------------------------|
| 1 | 987 541 911 08 | window glazing Windscreen Tinted | | 1 | PR:568 |
| (1) | 987 541 911 09 | Windscreen Tinted | also use: 000 043 305 35 | 1 | PR:567 |
| (1) | 987 541 911 10 | Windscreen Tinted | also use: 000 043 305 35 | 1 | PR:267,268, 568 |
| (1) | 987 541 911 18 | Windscreen Tinted | also use: 000 043 305 35 | 1 | PR:267,268, 568 |
| (1) | 987 541 911 11 | Windscreen Tinted | also use: 000 043 305 35 | 1 | PR:267,268, 567 |
| (1) | 987 541 911 12 | Windscreen Tinted | also use: 000 043 305 35 | 1 | PR:440,568 |
| (1) | 987 541 911 13 | Windscreen Tinted | also use: 000 043 305 35 | 1 | PR:440,567 |
| (1) | 987 541 911 14 | Windscreen Tinted | also use: 000 043 305 35 | 1 | PR:267,268, 440,568 |
| (1) | 987 541 911 15 | Windscreen Tinted | also use: 000 043 305 35 | 1 | PR:267,268, 440,567 |
| 2 | 997 541 901 09 | Seal for front window | | 1 | |
| 5 | 987 542 511 02 | Door window | left | 1 | |
| (5) | 987 542 512 02 | Door window | right | 1 | |
| 6 | 999 507 576 41 | Bracket | | 2 | |
| 8 | 000 043 305 35 | 2K pane adhesive set | | 1 | |
| 9 | 000 043 206 47 | Car care set Side window See technical manual | | X | |

Model: 987 05

Model life 2005>>2008



Model: 987 05 Model life 2005>>2008

| Pos | Part Number | Description | Remark | Qty | Model |
|-----|--------------------|---|--------------|-----|------------|
| (1) | 997 551 133 00 | Luggage compartment Lugg. compartment trim, compl. (3-part) | front lhd | 1 | PR:098,670 |
| | 997 551 133 00 02A | Black | | | |
| (1) | 997 551 133 00 | Luggage compartment trim, compl. (3-part) | lhd | 1 | PR:098,672 |
| | 997 551 133 00 02A | Black | | | |
| (1) | 997 551 133 00 | Luggage compartment trim, compl. (3-part) | lhd | 1 | PR:098,692 |
| | 997 551 133 00 02A | Black | | | |
| (1) | 997 551 133 00 | Luggage compartment trim, compl. (3-part) | | 1 | PR:664 |
| | 997 551 133 00 02A | Black | | | |
| 2 | 997 551 306 00 | cover for luggage compartment trim | upper lhd | 1 | PR:098,670 |
| | 997 551 306 00 02A | Black | | | |
| 2 | 997 551 306 00 | cover for luggage compartment trim | upper lhd | 1 | PR:098,672 |
| | 997 551 306 00 02A | Black | | | |
| 2 | 997 551 306 00 | cover for luggage compartment trim | upper lhd | 1 | PR:098,692 |
| | 997 551 306 00 02A | Black | | | |
| 2 | 997 551 306 00 | cover for luggage compartment trim | upper lhd | 1 | PR:664 |
| | 997 551 306 00 02A | Black | | | |
| 3 | 997 551 301 00 | Cover Brake servo | lhd | 1 | PR:098,670 |
| | 997 551 301 00 02A | Black | | | |
| 3 | 997 551 301 00 | Cover Brake servo | lhd | 1 | PR:098,672 |
| | 997 551 301 00 02A | Black | | | |
| 3 | 997 551 301 00 | Cover Brake servo | lhd | 1 | PR:098,692 |
| | 997 551 301 00 02A | Black | | | |
| 3 | 997 551 301 00 | Cover Brake servo | | 1 | PR:664 |
| | 997 551 301 00 02A | Black | | | |
| 4 | 997 551 308 00 | cover for luggage compartment trim | lower lhd | 1 | PR:098,670 |
| | 997 551 308 00 02A | Black | | | |
| 4 | 997 551 308 00 | cover for luggage compartment trim | lower lhd | 1 | PR:098,672 |
| | 997 551 308 00 02A | Black | | | |
| 4 | 997 551 308 00 | cover for luggage compartment trim | lower lhd | 1 | PR:098,692 |
| | 997 551 308 00 02A | Black | | | |
| 4 | 997 551 308 00 | cover for luggage compartment trim | lower lhd | 1 | PR:664 |
| | 997 551 308 00 02A | Black | | | |
| 5 | 999 507 735 02 | Clamp 9 X 22/2,5 | | 4 | |
| 6 | 900 187 501 01 | panel screw ST 3,5 X 16 | | X | |
| 7 | 997 551 231 00 | Trim Brake servo | lhd | 1 | PR:098 |
| | 997 551 231 00 02A | Black | | | |
| 8 | 997 551 311 00 | Cover trim Brake servo | lhd | 1 | PR:098 |
| | 997 551 311 00 02A | Black | | | |
| 9 | 999 507 734 40 | Bracket ST 3,5 | | X | |
| 10 | 997 551 771 02 | Bracket Trim | | 1 | |

Model: 987 05 Model life 2005>>2008

| Pos | Part Number | Description | Remark | Qty | Model |
|------|--------------------------------------|--|--------|-----|--------------------|
| 11 | 999 507 512 40 | Luggage compartment Bracket ST 3,5 | | X | |
| 12 | 997 551 772 02 | Bracket for trim | | 1 | |
| (13) | 997 551 123 03 | Luggage compartment trim Tool Carpet | | 1 | PR:553 |
| 14 | 997 551 123 03 A31 997 551 803 00 | Black catch Trim Tool | | 2 | |
| 17 | 997 551 051 06 | Luggage compartment trim filler plate Valid up to: F >> 98-5S700 078 F >> 98-5U711 193 F >> 98-5U730 896 also use: Position 22 | lhd | 1 | PR:098,476 |
| (17) | 997 551 051 06 A31 997 551 051 08 | Black Trim Luggage compartment filler plate Valid up to: F >> 98-5S700 078 F >> 98-5U711 193 F >> 98-5U730 896 also use: Position 22 | lhd | 1 | PR:098,476, 670 |
| (17) | 997 551 051 08 A31 997 551 051 08 | Black Trim Luggage compartment filler plate Valid up to: F >> 98-5S700 078 F >> 98-5U711 193 F >> 98-5U730 896 also use: Position 22 | | 1 | PR:476,692 |
| (17) | 997 551 051 08 A31 997 551 051 10 | Black Luggage compartment trim filler plate Valid up to: F >> 98-5S700 078 F >> 98-5U711 193 F >> 98-5U730 896 also use: Position 22 | | 1 | PR:476,664 |
| (17) | 997 551 051 10 A31 997 551 051 17 | Black Luggage compartment trim filler plate Valid from: F 98-5S700 079>> F 98-5U711 194>> F 98-5U730 897>> | | 1 | PR:476,694 |
| 18 | 997 551 051 17 A31 999 049 004 40 | Black Plastic nut | | 2 | |

Model: 987 05 Model life 2005>>2008

| Pos | Part Number | Description | Remark | Qty | Model |
|------|--------------------------------------|--|--------|-----|------------|
| 19 | 999 703 432 40 | T5 / 32 X 20 Bungs | | 2 | |
| 20 | 999 703 455 41 | 8,2 X 18 End cap | | X | |
| 21 | 999 703 456 40 | 12,2 X 25 Cover cap | | 1 | |
| (22) | 987 551 045 01 | 49 X 26 Trim Luggage compartment liner Valid up to: F >> 98-5S700 078 F >> 98-5U711 193 F >> 98-5U730 896 also use: Position 17 | | 1 | PR:664 |
| (22) | 987 551 045 01 A31 987 551 045 05 | Black Trim Luggage compartment liner Valid from: F 98-5S700 079>> F 98-5U711 194>> F 98-5U730 897>> | | 1 | PR:553 |
| 23 | 987 551 045 05 A31 999 049 006 40 | Black Plastic nut T5 /30 X 7,5 | | 2 | |
| 24 | 997 504 087 00 | Emergency operation Luggage compartment | | 1 | PR:553 |
| 26 | 999 590 055 01 | Securing clip 10,7 X 11,5 | | 2 | |
| 27 | 997 551 706 00 | Bracket Emergency operation | | 1 | PR:553 |
| 28 | 999 591 489 09 | panel nut ST 4,8 | | 1 | PR:553 |
| 29 | 999 073 061 02 | panel screw 4,8 X 16 | | 1 | PR:553 |
| 30 | 997 551 634 00 | Luggage compartment trim | lhd | 1 | PR:098,670 |
| 30 | 997 551 634 00 FMU | black/black | lhd | 1 | PR:098,672 |
| 30 | 997 551 634 00 FMU | Luggage compartment trim | lhd | 1 | PR:098,692 |
| 30 | 997 551 634 00 FMU | black/black | lhd | 1 | PR:098,692 |
| 30 | 997 551 634 00 FMU | Luggage compartment trim | | 1 | PR:664 |
| 30 | 997 551 634 00 FMU | black/black | | 1 | PR:664 |
| 31 | 997 551 633 00 | Trim Brake servo | lhd | 1 | PR:098,670 |
| 31 | 997 551 633 00 FMU | black/black | | 1 | PR:098,672 |
| 31 | 997 551 633 00 FMU | Trim Brake servo | lhd | 1 | PR:098,672 |
| 31 | 997 551 633 00 FMU | black/black | | 1 | PR:098,692 |
| 31 | 997 551 633 00 FMU | Trim Brake servo | lhd | 1 | PR:098,692 |
| 31 | 997 551 633 00 FMU | black/black | | 1 | PR:664 |
| 31 | 997 551 633 00 FMU | Trim Brake servo | | 1 | PR:664 |
| 31 | 997 551 633 00 FMU | black/black | | 1 | PR:664 |
| 32 | 999 507 795 09 | panel nut 4,8 | | 3 | |
| 33 | 999 073 231 09 | panel screw st 4,8 X 16 | | 3 | |
| 34 | 999 025 236 40 | Washer fuse catch | | 2 | |

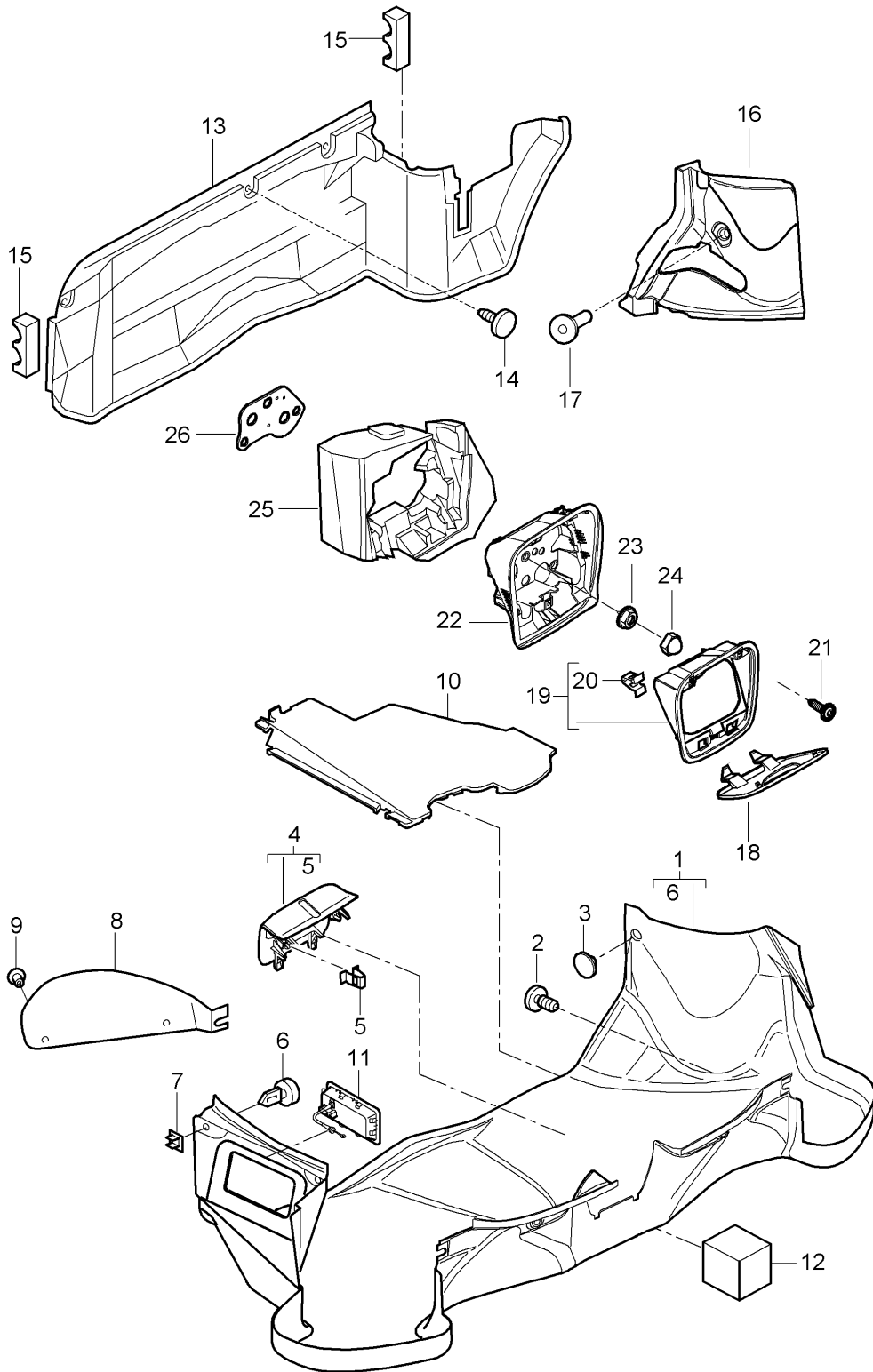
Model: 987 05

Model life 2005>>2008

| Pos | Part Number | Description | Remark | Qty | Model |
|-----|-------------|----------------|--------|-----|-------|
| | | Position 14 | | | |

Model: 987 05

Model life 2005>>2008



Model: 987 05 Model life 2005>>2008

| Pos | Part Number | Description | Remark | Qty | Model |
|------|--------------------|---|--------|-----|--------|
| (1) | 987 551 053 01 | Luggage compartment Luggage compartment trim D >> - MJ 2006 | rear | 1 | PR:553 |
| (1) | 987 551 053 01 A31 | Black | | | |
| (1) | 987 551 053 04 | Luggage compartment trim D - MJ 2007>> | | 1 | PR:553 |
| | 987 551 053 04 A31 | Black | | | |
| 2 | 999 703 432 40 | Bungs 8,0 | | 4 | |
| 3 | 999 703 455 41 | End cap 12,2 X 25 | | 1 | |
| 4 | 987 551 251 03 | Luggage compartment trim Lid lock | | 1 | |
| | 987 551 251 03 02A | Black | | | |
| 5 | 999 507 681 01 | Clip 2,5/3,0 | | 2 | |
| 6 | 999 507 529 40 | catch 18,0 | | 2 | |
| 7 | 999 590 046 40 | Cam disc 10,0 X 11,5 | | 2 | |
| 8 | 987 551 651 00 | Cover Rear light | left | 1 | |
| | 987 551 651 00 A31 | Black | | | |
| (8) | 987 551 652 00 | Cover Rear light | right | 1 | |
| | 987 551 652 00 A31 | Black | | | |
| 9 | 999 049 005 40 | Plastic nut T5/27 X 9,8 | | X | |
| 10 | 986 551 763 01 | Reinforcement | left | 1 | |
| (10) | 986 551 764 01 | Reinforcement D >> - MJ 2006 | right | 1 | |
| (10) | 987 551 764 00 | Reinforcement D - MJ 2007>> | right | 1 | |
| 11 | 987 504 067 00 | Emergency operation Luggage compartment | rear | 1 | PR:553 |
| 12 | 987 551 603 00 | Foam part Luggage compartment liner | | 3 | |
| 13 | 987 551 047 00 | Luggage compartment trim D >> - MJ 2006 | | 1 | |
| | 987 551 047 00 A31 | Black | | | |
| (13) | 987 551 047 01 | Luggage compartment trim D - MJ 2007>> | | 1 | |
| | 987 551 047 01 A31 | Black | | | |
| 14 | 999 703 432 40 | Bungs 8,0 | | 3 | |
| 15 | 987 551 403 00 | Foam part Luggage compartment | | 1 | |
| 16 | 987 551 702 00 | Foam part Luggage compartment liner D - MJ 2007>> | | 1 | |
| 17 | 999 049 027 40 | Plastic nut T5/30 X 1,8 D - MJ 2007>> | | X | |
| 18 | 987 551 372 01 | Cover Service Cup D - MJ 2007>> | | 1 | |
| | 987 551 372 01 01C | Satin black | | | |
| 19 | 987 551 074 01 | Cover frame Service Cup D - MJ 2007>> | | 1 | |
| | 987 551 074 01 01C | Satin black | | | |

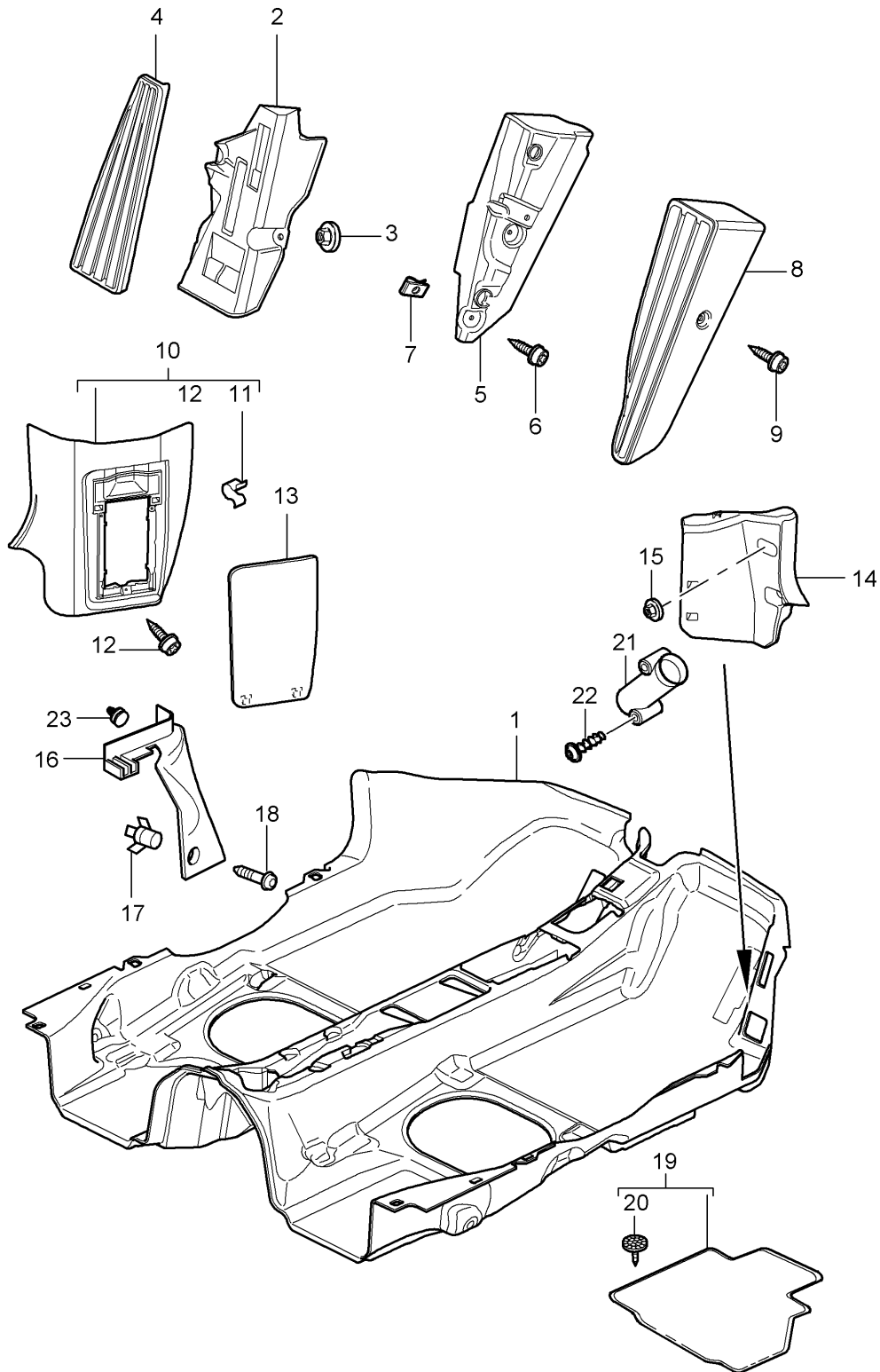
Model: 987 05

Model life 2005>>2008

| Pos | Part Number | Description | Remark | Qty | Model |
|-----|----------------|---|--------|-----|-------|
| 20 | 999 507 552 01 | Spring clip 9,0 X 13/4,0 D - MJ 2007>> | | 2 | |
| 21 | 999 073 226 09 | panel screw ST 4,2 X 16C D - MJ 2007>> | | X | |
| 22 | 987 551 078 01 | Assembly frame Service Cup D - MJ 2007>> | | 1 | |
| 23 | 999 076 078 01 | Hexagon nut M 6 D - MJ 2007>> | | 3 | |
| 24 | 999 703 231 40 | Protective cap D - MJ 2007>> | | 1 | |
| 25 | 987 556 502 00 | Sound absorber Service Cup D - MJ 2007>> | | 1 | |
| 26 | 987 555 477 00 | Sealing frame Service Cup D - MJ 2007>> | | 1 | |

Model: 987 05

Model life 2005>>2008



Model: 987 05 Model life 2005>>2008

| Pos | Part Number | Description | Remark | Qty | Model |
|-----|--------------------|--|--------|-----|------------|
| 1 | 987 551 011 04 | Interior equipment Flooring Linings Flooring (carpet) | lhd | 1 | PR:098 |
| | 987 551 011 04 FLW | Black | | | |
| | 987 551 011 04 FLX | Stone grey | | | |
| | 987 551 011 04 FLY | Sand beige | | | |
| | 987 551 011 04 FLZ | sea blue | | | |
| | 987 551 011 04 FMA | Palm green | | | |
| | | D >> - MJ 2007 | | | |
| | 987 551 011 04 FMB | Terracotta | | | |
| | 987 551 011 04 FMC | Cocoa | | | |
| | 987 551 011 04 FMD | Dark grey/natural | | | |
| | 987 551 011 04 FME | Brown/natural | | | |
| | 987 551 011 04 FSV | Carrera Red | | | |
| | | D - MJ 2008>> | | | |
| - | 997 551 813 00 | Protective film Carpet | lhd | 1 | PR:098 |
| | | D >> - MJ 2007 | | | |
| - | 997 551 813 01 | Protective film Carpet | lhd | 1 | PR:098 |
| | | D - MJ 2008>> | | | |
| 2 | 997 551 211 01 | Foot rest | lhd | 1 | PR:098 |
| 3 | 999 076 081 40 | Hexagon plastic collar nut T5/16 X 11,2 | | 2 | |
| 4 | 997 551 611 00 | Cover for footrest | lhd | 1 | PR:098 |
| | 997 551 611 00 01C | Satin black | | | |
| (4) | 997 551 986 00 | Cover for footrest | lhd | 1 | PR:XXZ,098 |
| 10 | 997 551 101 00 | Trim | lhd | 1 | PR:098 |
| | | Fuse box Carpet | | | |
| | 997 551 101 00 A10 | Black | | | |
| | 997 551 101 00 B10 | Stone grey | | | |
| | 997 551 101 00 T10 | Sand beige | | | |
| | 997 551 101 00 E10 | sea blue | | | |
| | 997 551 101 00 J10 | Palm green | | | |
| | | D >> - MJ 2007 | | | |
| | 997 551 101 00 M10 | Terracotta | | | |
| | 997 551 101 00 R10 | Cocoa | | | |
| | 997 551 101 00 D11 | Dark grey/natural | | | |
| | 997 551 101 00 T11 | Brown/natural | | | |
| | 997 551 101 00 N10 | Carrera Red | | | |
| | | D - MJ 2008>> | | | |
| 11 | 999 507 552 01 | Spring clip 9,0 X 13/4,0 | | 2 | |
| 12 | 999 919 161 09 | fillister hd. bolt 5,0 X 18 for Mount | | 3 | |
| 13 | 997 551 621 00 | Fuse box Cover trim | lhd | 1 | PR:098 |
| | 997 551 621 00 01C | Fuse box Satin black | | | |
| 15 | 999 076 081 40 | Hexagon plastic collar nut T5/16 X 11,2 Mount Bracket | | 2 | |
| 16 | 987 551 215 01 | Flooring Trim Seat belt | left | 1 | |
| | 987 551 215 01 FQG | black/black | | | |
| | 987 551 215 01 FQH | Stone grey/stone grey | | | |
| | 987 551 215 01 FQJ | Sand beige/sand beige | | | |

Model: 987 05 Model life 2005>>2008

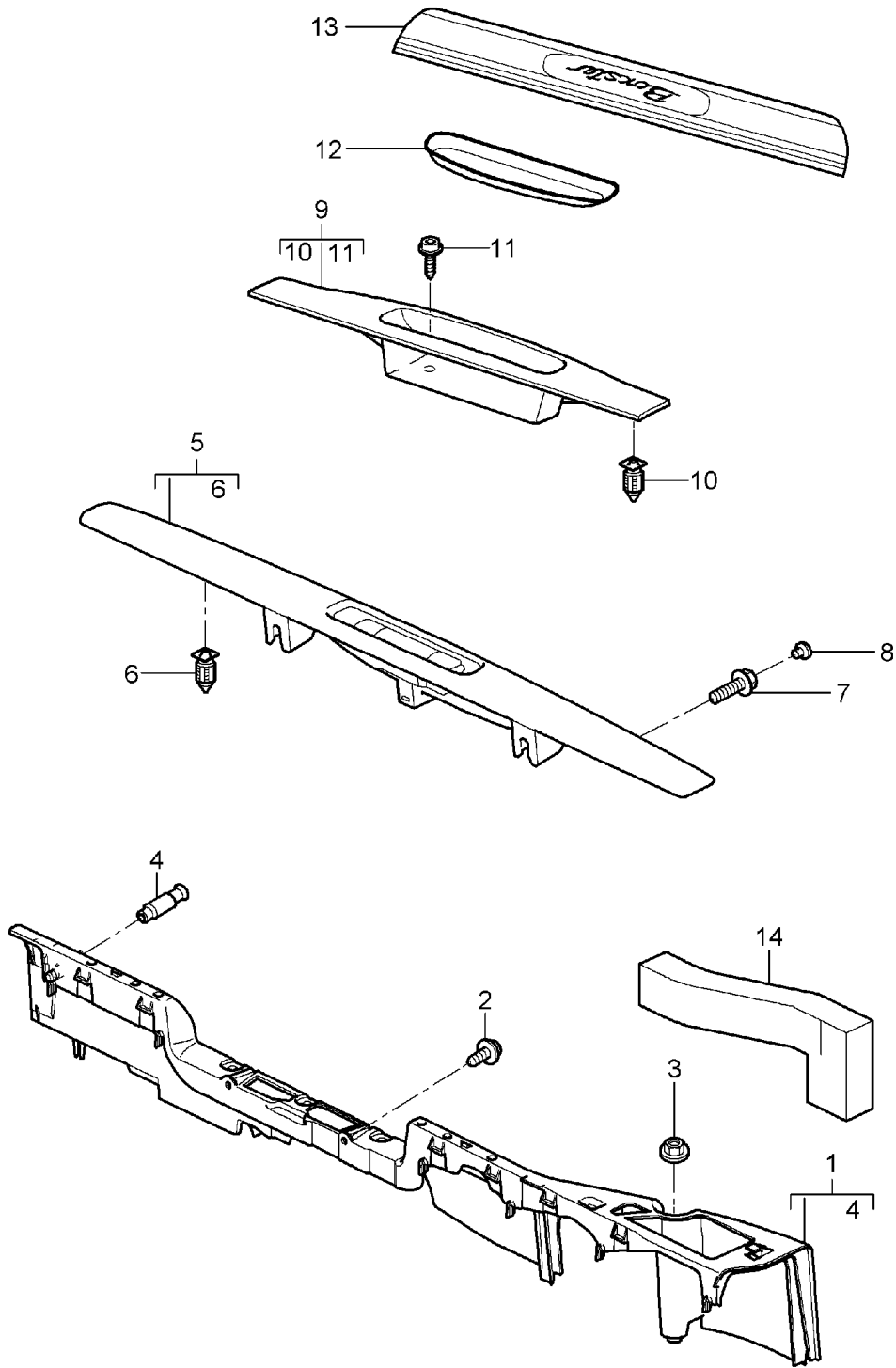
| Pos | Part Number | Description | Remark | Qty | Model |
|------|--------------------|---|--------|-----|-------|
| | 987 551 215 01 FQK | Sea blue/sea blue | | | |
| | 987 551 215 01 FQL | Palmgreen/palmgreen | | | |
| | 987 551 215 01 FQM | Terracotta/terracotta | | | |
| | 987 551 215 01 FQN | Cocoa/Cocoa | | | |
| | 987 551 215 01 FQQ | Black/stone grey | | | |
| | 987 551 215 01 FQO | Dark grey natural/black | | | |
| | 987 551 215 01 FQP | Brown nat./brown nat. | | | |
| 16 | 987 551 215 02 | Trim Seat belt D - MJ 2007>> | left | 1 | |
| | 987 551 215 02 FQL | Palmgreen/palmgreen D >> - MJ 2007 | | | |
| | 987 551 215 02 FQM | Terracotta/terracotta | | | |
| | 987 551 215 02 FQN | Cocoa/Cocoa | | | |
| | 987 551 215 02 FQP | Brown nat./brown nat. | | | |
| 16 | 987 551 215 02 | Trim Seat belt Until Chassis number See technical information GR.7 NR. 17/11 KD-NR. 70 D - MJ 2007>> | left | 1 | |
| | 987 551 215 02 FQG | black/black | | | |
| | 987 551 215 02 FQH | Stone grey/stone grey | | | |
| | 987 551 215 02 FQJ | Sand beige/sand beige | | | |
| | 987 551 215 02 FQK | Sea blue/sea blue | | | |
| | 987 551 215 02 FQQ | Black/stone grey | | | |
| | 987 551 215 02 FQO | Dark grey natural/black | | | |
| | 987 551 215 02 FSY | Carrera Red D - MJ 2008>> | | | |
| 16 | 987 551 215 03 | Trim Seat belt From Chassis number See technical information GR.7 NR. 17/11 KD-NR. 70 D - MJ 2007>> | left | 1 | |
| | 987 551 215 03 FQG | black/black | | | |
| | 987 551 215 03 FQH | Stone grey/stone grey | | | |
| | 987 551 215 03 FQJ | Sand beige/sand beige | | | |
| | 987 551 215 03 FQK | Sea blue/sea blue | | | |
| | 987 551 215 03 FQQ | Black/stone grey | | | |
| | 987 551 215 03 FQO | Dark grey natural/black | | | |
| | 987 551 215 03 FSY | Carrera Red D - MJ 2008>> | | | |
| (16) | 987 551 216 01 | Trim Seat belt | right | 1 | |
| | 987 551 216 01 FQG | black/black | | | |
| | 987 551 216 01 FQH | Stone grey/steel grey | | | |
| | 987 551 216 01 FQJ | Sand beige/sand beige | | | |
| | 987 551 216 01 FQK | Sea blue/sea blue | | | |
| | 987 551 216 01 FQL | Palmgreen/palmgreen | | | |
| | 987 551 216 01 FQM | Terracotta/terracotta | | | |
| | 987 551 216 01 FQN | Cocoa/Cocoa | | | |
| | 987 551 216 01 FQQ | Black/stone grey | | | |
| | 987 551 216 01 FQO | Dark grey natural/black | | | |
| | 987 551 216 01 FQP | Brown nat./brown nat. | | | |
| (16) | 987 551 216 02 | Trim Seat belt D - MJ 2007>> | right | 1 | |
| | 987 551 216 02 FQL | Palmgreen/palmgreen | | | |

Model: 987 05 Model life 2005>>2008

| Pos | Part Number | Description | Remark | Qty | Model |
|------|--------------------|---------------------------|---------|-----|-------|
| | | D >> - MJ 2007 | | | |
| | 987 551 216 02 FQM | Terracotta/terracotta | | | |
| | 987 551 216 02 FQN | Cocoa/Cocoa | | | |
| | 987 551 216 02 FQP | Brown nat./brown nat. | | | |
| (16) | 987 551 216 02 | Trim | right | 1 | |
| | | Seat belt | | | |
| | | Until | | | |
| | | Chassis number | | | |
| | | See technical information | | | |
| | | GR.7 NR. 17/11 | | | |
| | | KD-NR. 70 | | | |
| | | D - MJ 2007>> | | | |
| | 987 551 216 02 FQG | black/black | | | |
| | 987 551 216 02 FQH | Stone grey/stone grey | | | |
| | 987 551 216 02 FQJ | Sand beige/sand beige | | | |
| | 987 551 216 02 FQK | Sea blue/sea blue | | | |
| | 987 551 216 02 FQQ | Black/stone grey | | | |
| | 987 551 216 02 FQO | Dark grey natural/black | | | |
| | 987 551 216 02 FSY | Carrera Red | | | |
| | | D - MJ 2008>> | | | |
| (16) | 987 551 216 03 | Trim | right | 1 | |
| | | Seat belt | | | |
| | | From | | | |
| | | Chassis number | | | |
| | | See technical information | | | |
| | | GR.7 NR. 17/11 | | | |
| | | KD-NR. 70 | | | |
| | | D - MJ 2007>> | | | |
| | 987 551 216 03 FQG | black/black | | | |
| | 987 551 216 03 FQH | Stone grey/stone grey | | | |
| | 987 551 216 03 FQJ | Sand beige/sand beige | | | |
| | 987 551 216 03 FQK | Sea blue/sea blue | | | |
| | 987 551 216 03 FQQ | Black/stone grey | | | |
| | 987 551 216 03 FQO | Dark grey natural/black | | | |
| | 987 551 216 03 FSY | Carrera Red | | | |
| | | D - MJ 2008>> | | | |
| 17 | 999 507 438 40 | Bracket | | 2 | |
| | | 3,5 | | | |
| 18 | 999 073 049 02 | panel screw | | 2 | |
| | | 3,5 X 16 | | | |
| 19 | | Floor mats | | 1 | |
| | | Set | | | |
| | | see illustration: | 807-007 | | |
| | | Tequipment catalogue | | | |
| 20 | 999 902 054 40 | Fixing plate | | 4 | |
| | | for | | | |
| | | Floor mats | | | |
| 23 | 999 507 837 40 | Clip | | 2 | |
| | | Trim | | | |
| | | Seat belt | | | |

Model: 987 05

Model life 2005>>2008

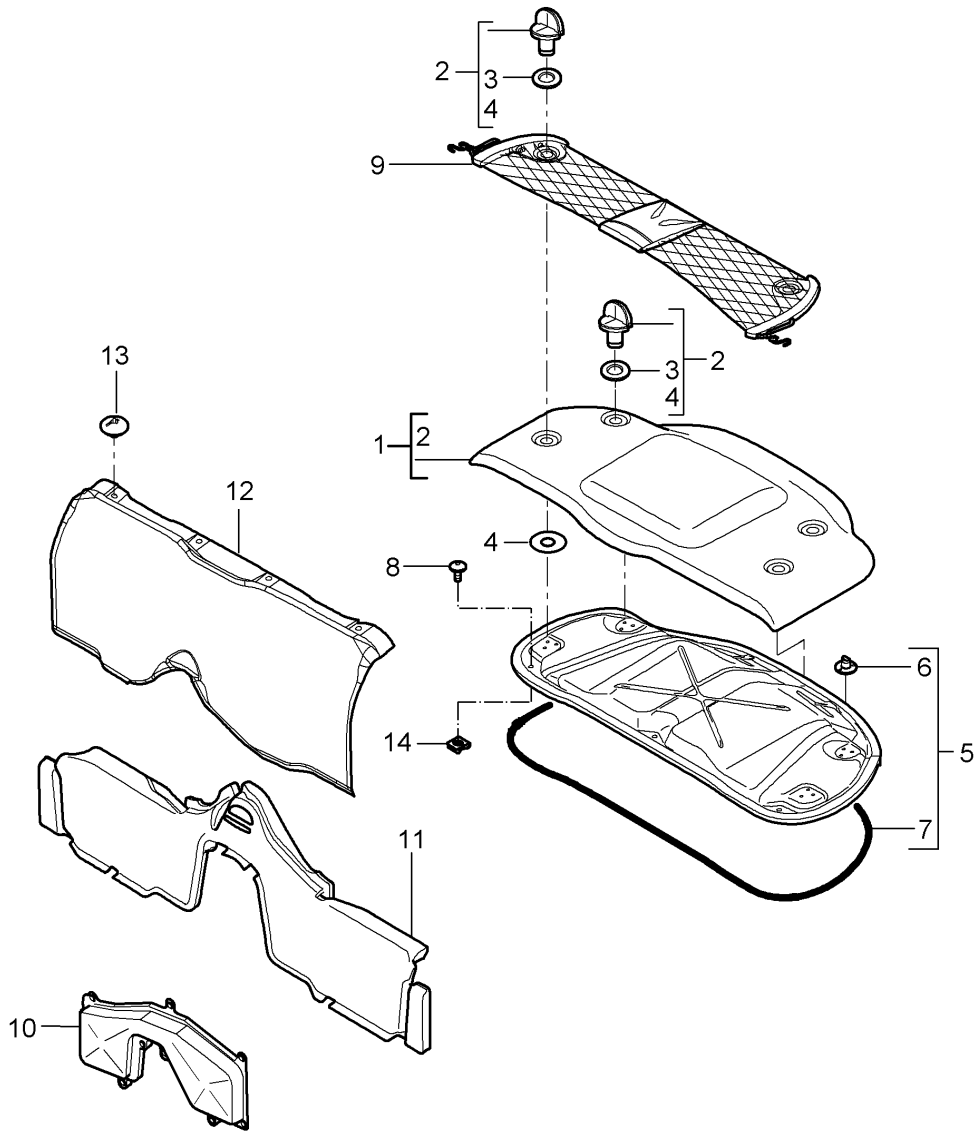


Model: 987 05 Model life 2005>>2008

| Pos | Part Number | Description | Remark | Qty | Model |
|------|--------------------------------------|---|--------|-----|---------------------------|
| 1 | 987 551 619 01 | Trim Sill Support | left | 1 | |
| (1) | 987 551 620 01 | Sill Support | right | 1 | |
| 2 | 900 143 082 01 | Sill panel screw ST 6,3 X 13 for Mount Support | | 4 | |
| 3 | 999 076 081 40 | Sill Hexagon plastic collar nut T5 16 X 11,2 for Mount Support | | 2 | |
| 4 | 996 551 873 00 | Sill Locating peg for Mount Support | | 2 | |
| 5 | 997 551 019 04 | Sill Trim Sill (drivers side) | lhd | 1 | PR:098 |
| 6 | 997 551 019 04 A03 999 507 484 40 | Black expanding nut 9 X 22 | | 6 | |
| 7 | 999 067 046 01 | Bolt with washer M 6 X 20 | | 2 | |
| 8 | 999 703 443 40 | Bungs 8,0 X 11 | | 2 | |
| 9 | 999 703 443 40 01C 997 551 120 01 | Satin black Trim Sill (passenger side) | | 1 | |
| 10 | 997 551 120 01 A03 999 507 484 40 | Black expanding nut 9 X 22 | | 6 | |
| 11 | 999 919 164 09 | fillister hd. bolt 5,0 X 12 | | 1 | |
| 12 | 996 551 513 00 | Mat | | 1 | |
| (13) | 987 551 303 04 | Sill trim strip Lacquered | | 2 | BOXSTER PR:-X69,-X70 |
| 13 | 987 551 303 04 A03 987 551 303 05 | Black Sill trim strip Lacquered | | 2 | BOXSTER S PR:-X69,-X70 |
| (13) | 987 551 303 05 A03 987 551 980 13 | Black 1 set of sill strips | | 1 | BOXSTER S PR:754,X70 |
| (13) | 987 551 980 18 | D - MJ 2008>> - MJ 2008 1 set of sill strips | | 1 | BOXSTER S PR:757,X70 |
| - | | D - MJ 2008>> Sill trim strip Exclusive See catalogue Tequipment 8/07/07 | | | |
| 14 | 987 556 605 00 | Sound absorber Support | | 2 | |

Model: 987 05

Model life 2005>>2008



Model: 987 05 Model life 2005>>2008

| Pos | Part Number | Description | Remark | Qty | Model |
|-----|--------------------|---|--------|-----|-------|
| 1 | 987 551 039 03 | Linings Engine compartment Trim Carpet | | 1 | |
| | 987 551 039 03 FMZ | Palm green | | | |
| | 987 551 039 03 FNA | Terracotta | | | |
| | 987 551 039 03 FNB | Cocoa | | | |
| | 987 551 039 03 FNC | Dark grey/natural | | | |
| | 987 551 039 03 FND | Brown/natural | | | |
| 1 | 987 551 039 03 | Trim Carpet Until Chassis number See technical information GR.7 NR. 17/11 KD-NR. 70 | | 1 | |
| | 987 551 039 03 FMV | Black | | | |
| | 987 551 039 03 FMW | Stone grey | | | |
| | 987 551 039 03 FMX | Sand beige | | | |
| | 987 551 039 03 FMY | sea blue | | | |
| | 987 551 039 03 FSX | Carrera Red | | | |
| 1 | 987 551 039 04 | Trim Carpet From Chassis number See technical information GR.7 NR. 17/11 KD-NR. 70 | | 1 | |
| | 987 551 039 04 FMV | Black | | | |
| | 987 551 039 04 FMW | Stone grey | | | |
| | 987 551 039 04 FMX | Sand beige | | | |
| | 987 551 039 04 FMY | sea blue | | | |
| | 987 551 039 04 FSX | Carrera Red | | | |
| 2 | 986 551 339 00 | catch | | 4 | |
| | 986 551 339 00 01C | Satin black | | | |
| 3 | 986 551 543 00 | pressure washer 40 X 3 X 24 | | 4 | |
| | 986 551 543 00 01C | Satin black | | | |
| 4 | 986 551 545 00 | Retaining washer 55 X 1 X 21 | | 4 | |
| 5 | 987 513 211 00 | cover for engine compartment D >> - MJ 2005 | | 1 | |
| (5) | 987 513 211 02 | cover for engine compartment D - MJ 2006>> | | 1 | |
| 6 | 986 551 547 00 | Support | | 4 | |
| - | 999 190 174 30 | Pop rivet Mount Support | | 12 | |
| 7 | 987 513 611 00 | Seal Engine cover | | 1 | |
| 8 | 999 073 130 02 | fillister hd. bolt M6 X 16 | | 5 | |
| 9 | 987 551 633 00 | Luggage net | | 1 | |
| 10 | 986 504 181 00 | engine compartment lid filler plate | | 1 | |
| - | 999 084 629 01 | Hexagon nut M6 | | 2 | |
| - | 900 378 169 01 | Hexagon bolt M6X12 | | 4 | |
| 11 | 987 551 033 00 | Trim Cross member Carpet D >> - MJ 2007 | | 1 | |

Model: 987 05 Model life 2005>>2008

| Pos | Part Number | Description | Remark | Qty | Model |
|-----|--------------------|---------------------------|--------|-----|-------|
| | 987 551 033 00 A10 | Black | | | |
| | 987 551 033 00 B10 | Stone grey | | | |
| | 987 551 033 00 T10 | Sand beige | | | |
| | 987 551 033 00 E10 | sea blue | | | |
| | 987 551 033 00 J10 | Palm green | | | |
| | | D >> - MJ 2007 | | | |
| | 987 551 033 00 M10 | Terracotta | | | |
| | 987 551 033 00 R10 | Cocoa | | | |
| | 987 551 033 00 D11 | Dark grey/natural | | | |
| | 987 551 033 00 T11 | Brown/natural | | | |
| 11 | 987 551 033 01 | Trim | | 1 | |
| | | Cross member | | | |
| | | Carpet | | | |
| | | D - MJ 2008>> | | | |
| | 987 551 033 01 M10 | Terracotta | | | |
| | 987 551 033 01 R10 | Cocoa | | | |
| | 987 551 033 01 D11 | Dark grey/natural | | | |
| | 987 551 033 01 T11 | Brown/natural | | | |
| 11 | 987 551 033 01 | Trim | | 1 | |
| | | Cross member | | | |
| | | Carpet | | | |
| | | Until | | | |
| | | Chassis number | | | |
| | | See technical information | | | |
| | | GR.7 NR. 17/11 | | | |
| | | KD-NR. 70 | | | |
| | | D - MJ 2008>> | | | |
| | 987 551 033 01 A10 | Black | | | |
| | 987 551 033 01 B10 | Stone grey | | | |
| | 987 551 033 01 T10 | Sand beige | | | |
| | 987 551 033 01 E10 | sea blue | | | |
| | 987 551 033 01 N10 | Carrera Red | | | |
| | | D - MJ 2008>> | | | |
| 11 | 987 551 033 02 | Trim | | 1 | |
| | | Cross member | | | |
| | | Carpet | | | |
| | | From | | | |
| | | Chassis number | | | |
| | | See technical information | | | |
| | | GR.7 NR. 17/11 | | | |
| | | KD-NR. 70 | | | |
| | | D - MJ 2008>> | | | |
| | 987 551 033 02 A10 | Black | | | |
| | 987 551 033 02 B10 | Stone grey | | | |
| | 987 551 033 02 T10 | Sand beige | | | |
| | 987 551 033 02 E10 | sea blue | | | |
| | 987 551 033 02 N10 | Carrera Red | | | |
| | | D - MJ 2008>> | | | |
| 12 | 987 551 035 00 | Rear panel trim | | 1 | |
| | | Carpet | | | |
| | | D >> - MJ 2007 | | | |
| | 987 551 035 00 A10 | Black | | | |
| | 987 551 035 00 B10 | Stone grey | | | |
| | 987 551 035 00 T10 | Sand beige | | | |
| | 987 551 035 00 E10 | sea blue | | | |
| | 987 551 035 00 J10 | Palm green | | | |
| | | D >> - MJ 2007 | | | |
| | 987 551 035 00 M10 | Terracotta | | | |
| | 987 551 035 00 R10 | Cocoa | | | |
| | 987 551 035 00 D11 | Dark grey/natural | | | |
| | 987 551 035 00 T11 | Brown/natural | | | |
| 12 | 987 551 035 03 | Rear panel trim | | 1 | |
| | | Carpet | | | |

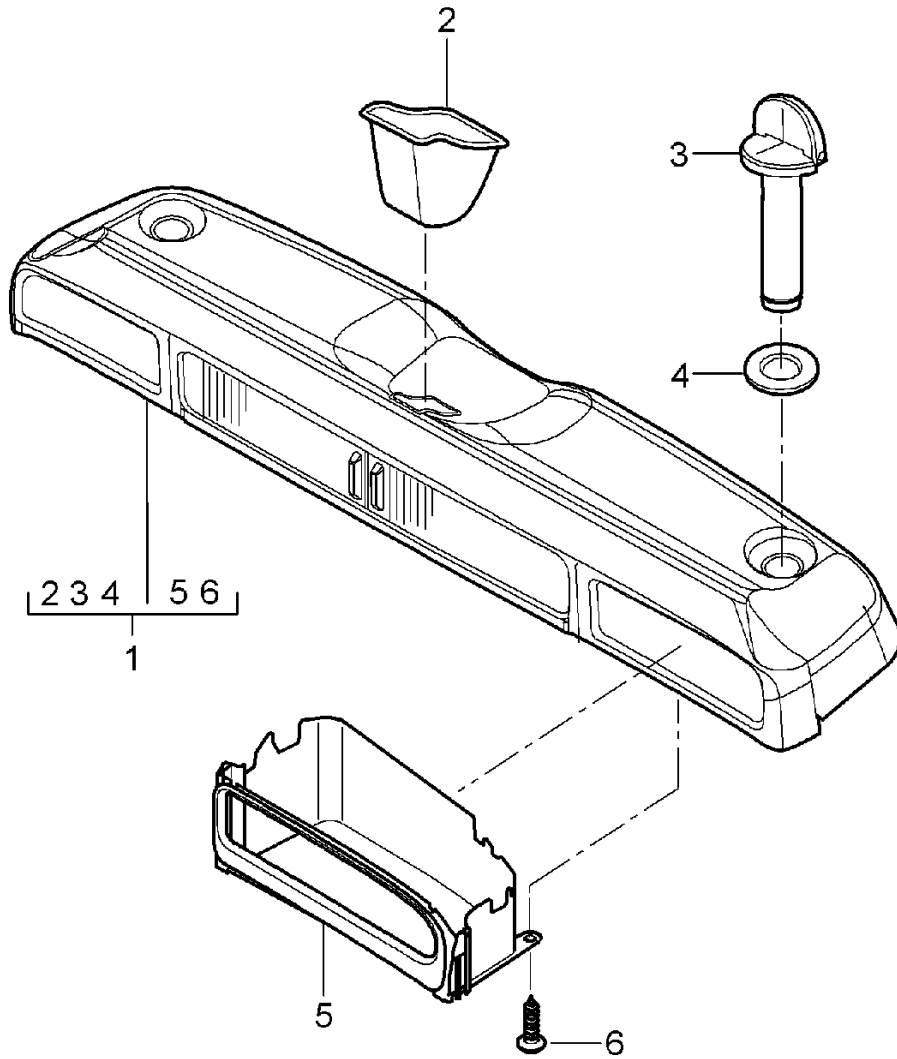
Model: 987 05

Model life 2005>>2008

| Pos | Part Number | Description | Remark | Qty | Model |
|-----|--------------------|---------------------------|--------|-----|-------|
| | | D - MJ 2008>> | | | |
| | 987 551 035 03 M10 | Terracotta | | | |
| | 987 551 035 03 R10 | Cocoa | | | |
| | 987 551 035 03 D11 | Dark grey/natural | | | |
| | 987 551 035 03 T11 | Brown/natural | | | |
| 12 | 987 551 035 03 | Rear panel trim | | 1 | |
| | | Carpet | | | |
| | | Until | | | |
| | | Chassis number | | | |
| | | See technical information | | | |
| | | GR.7 NR. 17/11 | | | |
| | | KD-NR. 70 | | | |
| | | D - MJ 2008>> | | | |
| | 987 551 035 03 A10 | Black | | | |
| | 987 551 035 03 B10 | Stone grey | | | |
| | 987 551 035 03 T10 | Sand beige | | | |
| | 987 551 035 03 E10 | sea blue | | | |
| | 987 551 035 03 N10 | Carrera Red | | | |
| | | D - MJ 2008>> | | | |
| 12 | 987 551 035 06 | Rear panel trim | | 1 | |
| | | Carpet | | | |
| | | From | | | |
| | | Chassis number | | | |
| | | See technical information | | | |
| | | GR.7 NR. 17/11 | | | |
| | | KD-NR. 70 | | | |
| | | D - MJ 2008>> | | | |
| | 987 551 035 06 A10 | Black | | | |
| | 987 551 035 06 B10 | Stone grey | | | |
| | 987 551 035 06 T10 | Sand beige | | | |
| | 987 551 035 06 E10 | sea blue | | | |
| | 987 551 035 06 N10 | Carrera Red | | | |
| | | D - MJ 2008>> | | | |
| 13 | 999 049 020 40 | Plastic nut | | 4 | |
| | | T5/30 X 5,1 | | | |
| 14 | 999 591 869 02 | panel nut | | 5 | |
| | | M 8 | | | |

Model: 987 05

Model life 2005>>2008

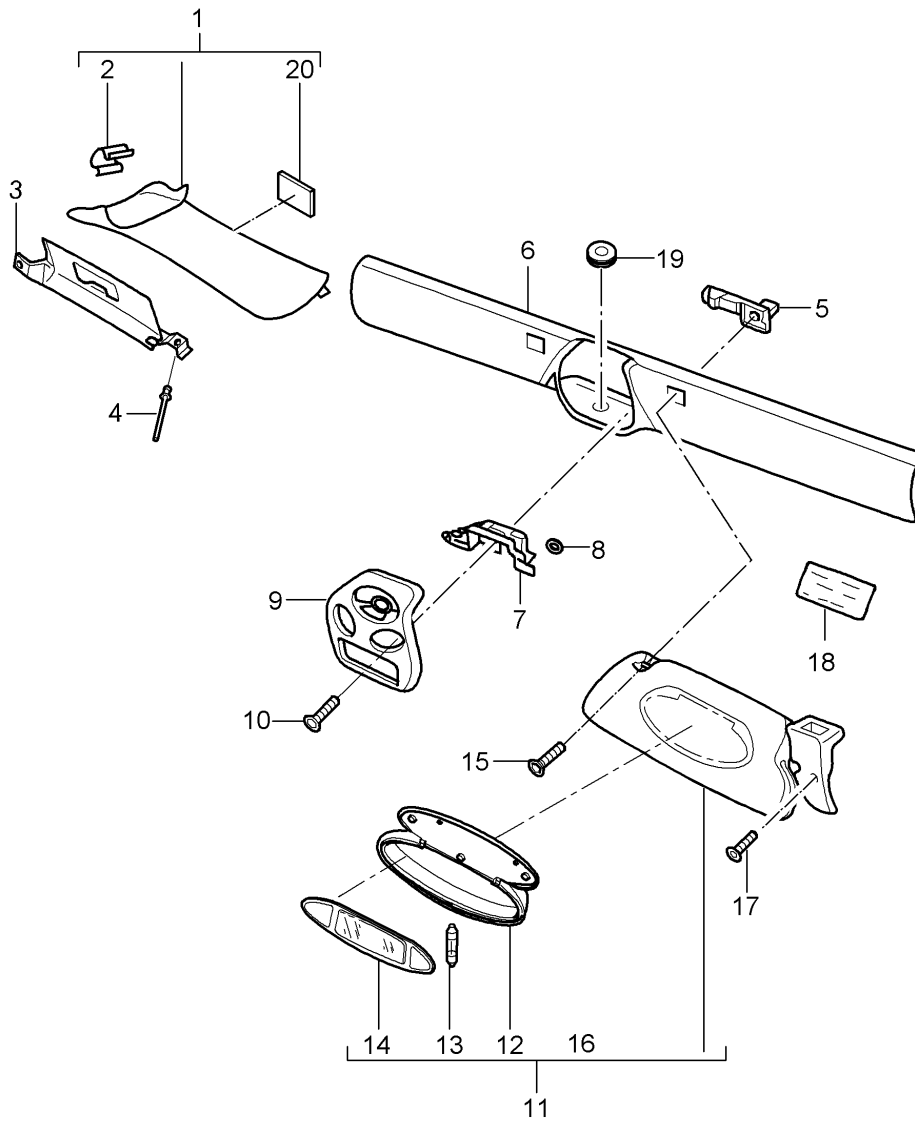
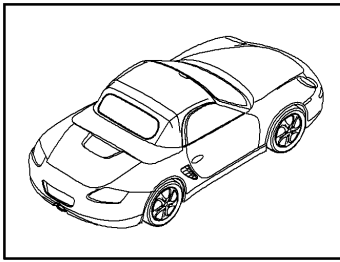


Model: 987 05 Model life 2005>>2008

| Pos | Part Number | Description | Remark | Qty | Model |
|-----|--------------------|---------------------------|--------|-----|--------|
| 1 | 987 551 223 01 | Stowage box | | 1 | PR:584 |
| | 987 551 223 01 FNK | Stowage box Palm green | | | PR:584 |
| | | D >> - MJ 2007 | | | |
| | 987 551 223 01 FNL | Terracotta | | | |
| | 987 551 223 01 FNM | Cocoa | | | |
| | 987 551 223 01 FNN | Dark grey/natural | | | |
| | 987 551 223 01 FNO | Brown/natural | | | |
| 1 | 987 551 223 01 | Stowage box | | 1 | PR:584 |
| | | Until | | | |
| | | Chassis number | | | |
| | | See technical information | | | |
| | | GR.7 NR. 17/11 | | | |
| | | KD-NR. 70 | | | |
| | 987 551 223 01 FNF | Black | | | |
| | 987 551 223 01 FNG | Stone grey | | | |
| | 987 551 223 01 FNH | Sand beige | | | |
| | 987 551 223 01 FNJ | sea blue | | | |
| | 987 551 223 01 FSZ | Carrera Red | | | |
| | | D - MJ 2008>> | | | |
| 1 | 987 551 223 02 | Stowage box | | 1 | PR:584 |
| | | From | | | |
| | | Chassis number | | | |
| | | See technical information | | | |
| | | GR.7 NR. 17/11 | | | |
| | | KD-NR. 70 | | | |
| | 987 551 223 02 FNF | Black | | | |
| | 987 551 223 02 FNG | Stone grey | | | |
| | 987 551 223 02 FNH | Sand beige | | | |
| | 987 551 223 02 FNJ | sea blue | | | |
| | 987 551 223 02 FSZ | Carrera Red | | | |
| | | D - MJ 2008>> | | | |
| 2 | 986 551 427 00 | Rosette | | 1 | PR:584 |
| | | for | | | |
| | | Stowage box | | | |
| | | 987 551 223 00 ... | | | |
| | | F >> 98-5S700 089 | | | |
| | | F >> 98-5S720 072 | | | |
| | | F >> 98-5U721 685 | | | |
| | 986 551 427 00 01C | Satin black | | | |
| 2 | 987 551 427 00 | Rosette | | 1 | PR:584 |
| | | for | | | |
| | | Stowage box | | | |
| | | 987 551 223 01... | | | |
| | | F 98-5S700 090>> | | | |
| | | F 98-5S720 073>> | | | |
| | | F 98-5U721 686>> | | | |
| | 987 551 427 00 01C | Satin black | | | |
| 3 | 986 551 429 00 | catch | | 2 | PR:584 |
| | 986 551 429 00 01C | Satin black | | | |
| 4 | 986 551 543 00 | pressure washer | | 2 | PR:584 |
| | | 40 X 3 X 24 | | | |
| | 986 551 543 00 01C | Satin black | | | |
| 5 | 986 551 435 00 | tray | left | 1 | PR:584 |
| | | Appendix | | | |
| | 986 551 435 00 01C | Satin black | | | |
| (5) | 986 551 436 00 | tray | right | 1 | PR:584 |
| | | Appendix | | | |
| | 986 551 436 00 01C | Satin black | | | |
| 6 | 999 919 164 09 | fillister hd. bolt | | 7 | PR:584 |
| | | 5 X 12 | | | |

Model: 987 05

Model life 2005>>2008



Model: 987 05 Model life 2005>>2008

| Pos | Part Number | Description | Remark | Qty | Model |
|------|--------------------|--|--------|-----|------------|
| 1 | 987 555 181 00 | windshield frame sun vizors A-pillar trim | left | 1 | |
| | | D - MJ 2005>> - MJ 2005 | | | |
| (1) | 987 555 181 00 A03 | Black | | | |
| | 987 555 182 00 | A-pillar trim | right | 1 | |
| | | D - MJ 2005>> - MJ 2005 | | | |
| | 987 555 182 00 A03 | Black | | | |
| (1) | 987 555 181 03 | A-pillar trim | left | 1 | |
| | | D - MJ 2006>> | | | |
| | 987 555 181 03 A03 | Black | | | |
| (1) | 987 555 182 03 | A-pillar trim | right | 1 | |
| | | D - MJ 2006>> | | | |
| | 987 555 182 03 A03 | Black | | | |
| (2) | 999 507 681 01 | Clip 2,5/3,0 | | 2 | |
| | | D - MJ 2005>> - MJ 2005 | | | |
| (2) | 999 507 047 09 | Clip 3,6 | | 2 | |
| | | D - MJ 2006>> - MJ 2006 | | | |
| 3 | 986 555 291 00 | deformation element A-pillar | left | 1 | |
| | | D - MJ 2005>> - MJ 2005 | | | |
| (3) | 986 555 292 00 | deformation element A-pillar | right | 1 | |
| | | D - MJ 2005>> - MJ 2005 | | | |
| 3 | 987 555 291 01 | deformation element A-pillar | left | 1 | PR:553,072 |
| | | D - MJ 2006>> | | | |
| (3) | 987 555 292 01 | deformation element A-pillar | right | 1 | PR:553,072 |
| | | D - MJ 2006>> | | | |
| 4 | 999 190 184 01 | Pop rivet 4,0 X 8,5 | | X | |
| 5 | 986 731 541 01 | basic plate Support Sun visor | | 2 | |
| 6 | 986 555 059 01 | Trim for wind protection window frame | | 1 | |
| | 986 555 059 01 A03 | Black | | | |
| (6) | 986 555 059 03 | Trim windshield frame | | 1 | PR:267 |
| | 986 555 059 03 A03 | Black | | | |
| 7 | 986 613 799 00 | Micro switch Locking mechanism Convertible top | | 1 | |
| 8 | 999 507 534 02 | Clamping washer 2,5 | | 2 | |
| 9 | 986 561 235 03 | Support Locking mechanism Convertible top | | 1 | |
| | 986 561 235 03 A09 | Rally black | | | |
| 10 | 999 073 166 09 | countersunk bolt M 6 X 25 | | 2 | |
| (11) | 986 731 031 24 | Sun visor with mirror | left | 1 | PR:113 |
| | | D - MJ 2005>> - MJ 2005 | | | |
| | 986 731 031 24 A12 | Black | | | |
| (11) | 986 731 032 24 | Sun visor with mirror | right | 1 | PR:113 |
| | | D - MJ 2005>> - MJ 2005 | | | |
| | 986 731 032 24 A12 | Black | | | |
| (11) | 986 731 031 25 | Sun visor with mirror | left | 1 | PR:484 |
| | | D - MJ 2005>> - MJ 2005 | | | |
| | 986 731 031 25 A12 | Black | | | |

Model: 987 05 Model life 2005>>2008

| Pos | Part Number | Description | Remark | Qty | Model |
|------|--------------------|--|--------|-----|------------|
| (11) | 986 731 032 25 | Sun visor with mirror D - MJ 2005>> - MJ 2005 | right | 1 | PR:484 |
| | 986 731 032 25 A12 | Black | | | |
| (11) | 987 731 031 11 | Sun visor with mirror D - MJ 2006>> | left | 1 | PR:484 |
| | 987 731 031 11 A12 | Black | | | |
| (11) | 987 731 032 11 | Sun visor with mirror D - MJ 2006>> | right | 1 | PR:484 |
| | 987 731 032 11 A12 | Black | | | |
| (11) | 987 731 031 12 | Sun visor with mirror D - MJ 2006>> | left | 1 | PR:113 |
| | 987 731 031 12 A12 | Black | | | |
| (11) | 987 731 032 12 | Sun visor with mirror D - MJ 2006>> | right | 1 | PR:113 |
| | 987 731 032 12 A12 | Black | | | |
| (11) | 987 731 981 02 | Sun visor with mirror Leather D - MJ 2005>> - MJ 2005 | left | 1 | PR:XMR,113 |
| | 987 731 981 02 A11 | Black | | | |
| | 987 731 981 02 5X6 | Stone grey | | | |
| | 987 731 981 02 8G2 | Sand beige | | | |
| | 987 731 981 02 3S9 | sea blue | | | |
| | 987 731 981 02 4P2 | Palm green | | | |
| | 987 731 981 02 9S5 | Terracotta | | | |
| | 987 731 981 02 9V6 | Cocoa | | | |
| | 987 731 981 02 D12 | Dark grey/natural | | | |
| | 987 731 981 02 T12 | Brown/natural | | | |
| (11) | 987 731 982 02 | Sun visor with mirror Leather D - MJ 2005>> - MJ 2005 | right | 1 | PR:XMR,113 |
| | 987 731 982 02 A11 | Black | | | |
| | 987 731 982 02 5X6 | Stone grey | | | |
| | 987 731 982 02 8G2 | Sand beige | | | |
| | 987 731 982 02 3S9 | sea blue | | | |
| | 987 731 982 02 4P2 | Palm green | | | |
| | 987 731 982 02 9S5 | Terracotta | | | |
| | 987 731 982 02 9V6 | Cocoa | | | |
| | 987 731 982 02 D12 | Dark grey/natural | | | |
| | 987 731 982 02 T12 | Brown/natural | | | |
| (11) | 987 731 981 03 | Sun visor with mirror Leather D - MJ 2005>> - MJ 2005 | left | 1 | PR:XMR,484 |
| | 987 731 981 03 A11 | Black | | | |
| | 987 731 981 03 5X6 | Stone grey | | | |
| | 987 731 981 03 8G2 | Sand beige | | | |
| | 987 731 981 03 3S9 | sea blue | | | |
| | 987 731 981 03 4P2 | Palm green | | | |
| | 987 731 981 03 9S5 | Terracotta | | | |
| | 987 731 981 03 9V6 | Cocoa | | | |
| | 987 731 981 03 D12 | Dark grey/natural | | | |
| | 987 731 981 03 T12 | Brown/natural | | | |
| (11) | 987 731 982 03 | Sun visor with mirror Leather Black D - MJ 2005>> - MJ 2005 | right | 1 | PR:XMR,484 |
| | 987 731 982 03 A11 | Black | | | |
| | 987 731 982 03 5X6 | Stone grey | | | |
| | 987 731 982 03 8G2 | Sand beige | | | |
| | 987 731 982 03 3S9 | sea blue | | | |
| | 987 731 982 03 4P2 | Palm green | | | |
| | 987 731 982 03 9S5 | Terracotta | | | |
| | 987 731 982 03 9V6 | Cocoa | | | |
| | 987 731 982 03 D12 | Dark grey/natural | | | |

Model: 987 05 Model life 2005>>2008

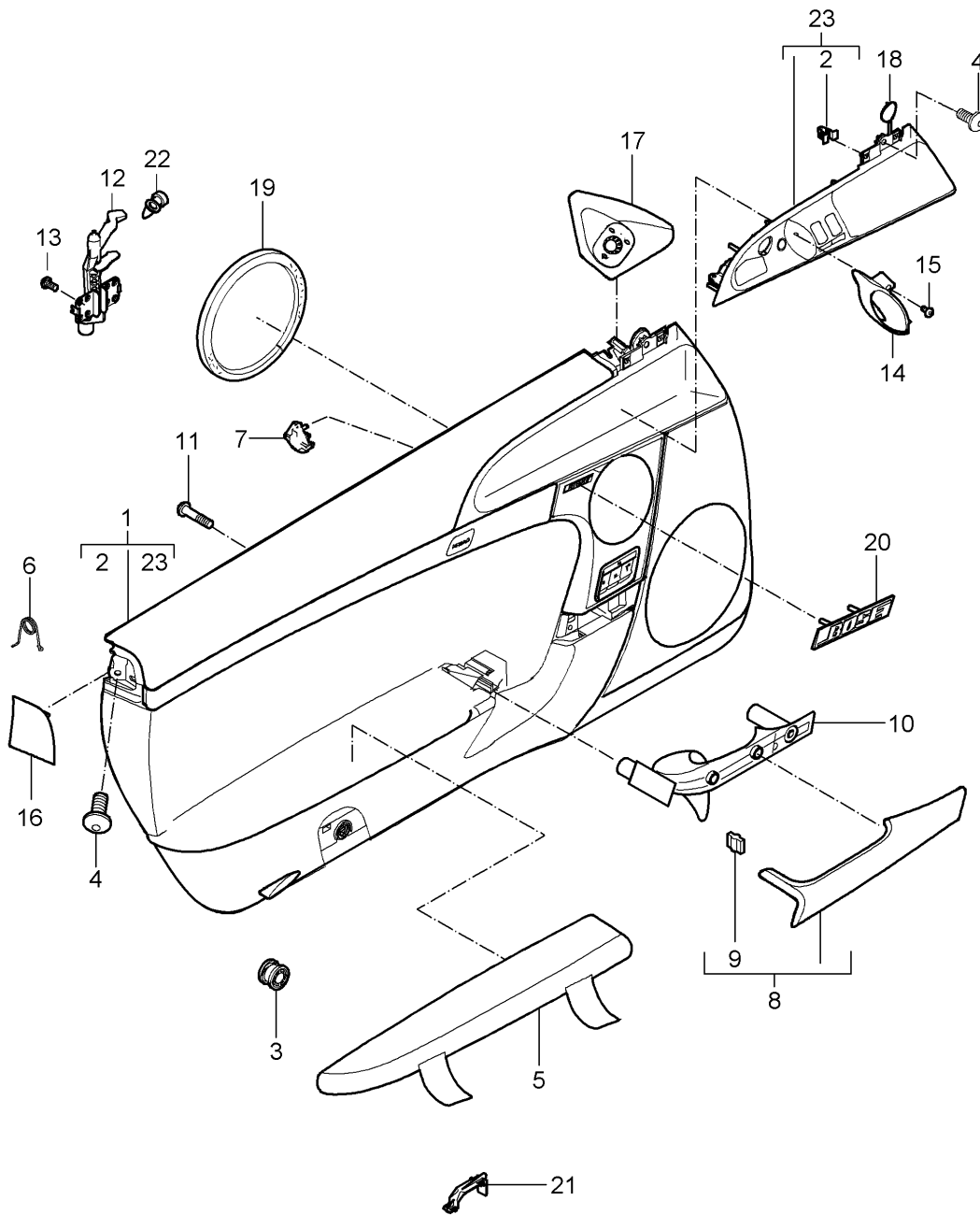
| Pos | Part Number | Description | Remark | Qty | Model |
|--------------------|------------------------------|---|--------|-----|------------|
| (11) | 987 731 982 03 T12 | Brown/natural | left | 1 | PR:XMR,113 |
| | 987 731 981 11 | Sun visor with mirror Leather D - MJ 2006>> | | | |
| | 987 731 981 11 A11 | Black | | | |
| | 987 731 981 11 5X6 | Stone grey | | | |
| | 987 731 981 11 8G2 | Sand beige | | | |
| | 987 731 981 11 3S9 | sea blue | | | |
| | 987 731 981 11 4P2 | Palm green D >> - MJ 2007 | | | |
| | 987 731 981 11 9S5 | Terracotta | | | |
| | 987 731 981 11 9V6 | Cocoa | | | |
| | 987 731 981 11 D12 | Dark grey/natural | | | |
| | 987 731 981 11 T12 | Brown/natural | | | |
| 987 731 981 11 N12 | Carrera Red D - MJ 2008>> | | | | |
| (11) | 987 731 982 11 | Sun visor with mirror Leather D - MJ 2006>> | right | 1 | PR:XMR,113 |
| | 987 731 982 11 A11 | Black | | | |
| | 987 731 982 11 5X6 | Stone grey | | | |
| | 987 731 982 11 8G2 | Sand beige | | | |
| | 987 731 982 11 3S9 | sea blue | | | |
| | 987 731 982 11 4P2 | Palm green D >> - MJ 2007 | | | |
| | 987 731 982 11 9S5 | Terracotta | | | |
| | 987 731 982 11 9V6 | Cocoa | | | |
| | 987 731 982 11 D12 | Dark grey/natural | | | |
| | 987 731 982 11 T12 | Brown/natural | | | |
| | 987 731 982 11 N12 | Carrera Red D - MJ 2008>> | | | |
| (11) | 987 731 981 12 | Sun visor with mirror Leather D - MJ 2006>> | left | 1 | PR:XMR,484 |
| | 987 731 981 12 A11 | Black | | | |
| | 987 731 981 12 5X6 | Stone grey | | | |
| | 987 731 981 12 8G2 | Sand beige | | | |
| | 987 731 981 12 3S9 | sea blue | | | |
| | 987 731 981 12 4P2 | Palm green D >> - MJ 2007 | | | |
| | 987 731 981 12 9S5 | Terracotta | | | |
| | 987 731 981 12 9V6 | Cocoa | | | |
| | 987 731 981 12 D12 | Dark grey/natural | | | |
| | 987 731 981 12 T12 | Brown/natural | | | |
| | 987 731 981 12 N12 | Carrera Red D - MJ 2008>> | | | |
| (11) | 987 731 982 12 | Sun visor with mirror Leather D - MJ 2006>> | right | 1 | PR:XMR,484 |
| | 987 731 982 12 A11 | Black | | | |
| | 987 731 982 12 5X6 | Stone grey | | | |
| | 987 731 982 12 8G2 | Sand beige | | | |
| | 987 731 982 12 3S9 | sea blue | | | |
| | 987 731 982 12 4P2 | Palm green D >> - MJ 2007 | | | |
| | 987 731 982 12 9S5 | Terracotta | | | |
| | 987 731 982 12 9V6 | Cocoa | | | |
| | 987 731 982 12 D12 | Dark grey/natural | | | |
| | 987 731 982 12 T12 | Brown/natural | | | |
| | 987 731 982 12 N12 | Carrera Red D - MJ 2008>> | | | |
| (12) | 986 731 903 00 | Mirror housing with: | | 1 | PR:484 |

Model: 987 05 Model life 2005>>2008

| Pos | Part Number | Description | Remark | Qty | Model |
|------|--------------------------------------|---|--------|-----|------------|
| (12) | 986 731 903 00 01C 986 731 903 01 | Lighting D >> - MJ 2005 Satin black Mirror housing | | 1 | PR:113 |
| | | with: | | | |
| (12) | 986 731 903 01 01C 987 731 903 00 | Lighting D >> - MJ 2005 Satin black Mirror housing | | 1 | PR:484 |
| | | with: | | | |
| (12) | 987 731 903 00 01C 997 731 903 01 | Lighting D - MJ 2006>> Satin black Mirror housing | | 1 | PR:113 |
| | | with: | | | |
| 13 | 997 731 903 01 01C 999 631 147 90 | Lighting D - MJ 2006>> Satin black bulb | | 2 | |
| 14 | 996 731 531 01 | 3 W Mirror glass | | 2 | |
| | | with: | | | |
| 15 | 996 731 531 01 01C 999 919 120 09 | Frame Satin black fillister hd. bolt | | 2 | |
| 17 | 999 073 166 09 | 4,0 X 18 countersunk bolt | | 4 | |
| 18 | 987 701 401 07 | M 6 X 25 Notice Convertible top control | | 1 | PR:130 |
| 18 | 987 701 401 08 | English Notice Convertible top control | | 1 | PR:126,113 |
| 19 | 996 555 619 00 | French Grommet | | 1 | PR:267 |
| 20 | 999 551 134 40 | Wire set Rain sensor Adhesive tape 20 x 65 | | 2 | |

Model: 987 05

Model life 2005>>2008



Model: 987 05 Model life 2005>>2008

| Pos | Part Number | Description | Remark | Qty | Model |
|-----|--------------------|---|----------|-----|------------|
| 1 | 997 555 201 00 | door panel Accessories door panel slush technology D >> - MJ 2007 | left lhd | 1 | PR:098 |
| | 997 555 201 00 9E8 | Palm green D >> - MJ 2007 | | | |
| 1 | 997 555 201 00 | door panel slush technology Until Chassis number See technical information GR.7 NR. 17/11 KD-NR. 70 | left lhd | 1 | PR:098 |
| | 997 555 201 00 9L4 | Black | | | |
| | 997 555 201 00 9M5 | Stone grey | | | |
| | 997 555 201 00 9C6 | Sand beige | | | |
| | 997 555 201 00 9D7 | sea blue | | | |
| 1 | 997 555 901 00 | door panel slush technology From Chassis number See technical information GR.7 NR. 17/11 KD-NR. 70 | left lhd | 1 | PR:098 |
| | 997 555 901 00 9L4 | Black | | | |
| | 997 555 901 00 9M5 | Stone grey | | | |
| | 997 555 901 00 9C6 | Sand beige | | | |
| | 997 555 901 00 9D7 | sea blue | | | |
| (1) | 997 555 201 04 | door panel slush technology D >> - MJ 2007 | left lhd | 1 | PR:098,490 |
| | 997 555 201 04 9E8 | Palm green D >> - MJ 2007 | | | |
| (1) | 997 555 201 04 | door panel slush technology Until Chassis number See technical information GR.7 NR. 17/11 KD-NR. 70 | left lhd | 1 | PR:098,490 |
| | 997 555 201 04 9L4 | Black | | | |
| | 997 555 201 04 9M5 | Stone grey | | | |
| | 997 555 201 04 9C6 | Sand beige | | | |
| | 997 555 201 04 9D7 | sea blue | | | |
| (1) | 997 555 901 01 | door panel slush technology From Chassis number See technical information GR.7 NR. 17/11 KD-NR. 70 | left lhd | 1 | PR:098,490 |
| | 997 555 901 01 9L4 | Black | | | |
| | 997 555 901 01 9M5 | Stone grey | | | |
| | 997 555 901 01 9C6 | Sand beige | | | |
| | 997 555 901 01 9D7 | sea blue | | | |
| (1) | 997 555 201 06 | door panel slush technology D >> - MJ 2007 | left lhd | 1 | PR:537,098 |
| | 997 555 201 06 9E8 | Palm green D >> - MJ 2007 | | | |
| (1) | 997 555 201 06 | door panel slush technology | left lhd | 1 | PR:537,098 |

Model: 987 05 Model life 2005>>2008

| Pos | Part Number | Description | Remark | Qty | Model |
|-----|--------------------|--|-----------|-----|----------------|
| | | Until Chassis number See technical information GR.7 NR. 17/11 KD-NR. 70 | | | |
| | 997 555 201 06 9L4 | Black | | | |
| | 997 555 201 06 9M5 | Stone grey | | | |
| | 997 555 201 06 9C6 | Sand beige | | | |
| | 997 555 201 06 9D7 | sea blue | | | |
| (1) | 997 555 901 03 | door panel slush technology From Chassis number See technical information GR.7 NR. 17/11 KD-NR. 70 | left lhd | 1 | PR:537,098 |
| | 997 555 901 03 9L4 | Black | | | |
| | 997 555 901 03 9M5 | Stone grey | | | |
| | 997 555 901 03 9C6 | Sand beige | | | |
| | 997 555 901 03 9D7 | sea blue | | | |
| (1) | 997 555 201 06 | door panel slush technology D >> - MJ 2007 | left lhd | 1 | PR:490,537,098 |
| | 997 555 201 06 9E8 | Palm green D >> - MJ 2007 | | | |
| (1) | 997 555 201 06 | door panel slush technology | left lhd | 1 | PR:490,537,098 |
| | | Until Chassis number See technical information GR.7 NR. 17/11 KD-NR. 70 | | | |
| | 997 555 201 06 9L4 | Black | | | |
| | 997 555 201 06 9M5 | Stone grey | | | |
| | 997 555 201 06 9C6 | Sand beige | | | |
| | 997 555 201 06 9D7 | sea blue | | | |
| (1) | 997 555 901 03 | door panel slush technology From Chassis number See technical information GR.7 NR. 17/11 KD-NR. 70 | left lhd | 1 | PR:490,537,098 |
| | 997 555 901 03 9L4 | Black | | | |
| | 997 555 901 03 9M5 | Stone grey | | | |
| | 997 555 901 03 9C6 | Sand beige | | | |
| | 997 555 901 03 9D7 | sea blue | | | |
| (1) | 997 555 202 24 | door panel slush technology D >> - MJ 2007 | right lhd | 1 | PR:098 |
| | 997 555 202 24 9E8 | Palm green D >> - MJ 2007 | | | |
| (1) | 997 555 202 24 | door panel slush technology | right lhd | 1 | PR:098 |
| | | Until Chassis number See technical information GR.7 NR. 17/11 KD-NR. 70 | | | |
| | 997 555 202 24 9L4 | Black | | | |
| | 997 555 202 24 9M5 | Stone grey | | | |
| | 997 555 202 24 9C6 | Sand beige | | | |
| | 997 555 202 24 9D7 | sea blue | | | |

Model: 987 05 Model life 2005>>2008

| Pos | Part Number | Description | Remark | Qty | Model |
|-----|--------------------|---|-----------|-----|------------|
| (1) | 997 555 902 17 | door panel slush technology From Chassis number See technical information GR.7 NR. 17/11 KD-NR. 70 | right lhd | 1 | PR:098 |
| | 997 555 902 17 9L4 | Black | | | |
| | 997 555 902 17 9M5 | Stone grey | | | |
| | 997 555 902 17 9C6 | Sand beige | | | |
| | 997 555 902 17 9D7 | sea blue | | | |
| (1) | 997 555 202 26 | door panel slush technology D >> - MJ 2007 | right lhd | 1 | PR:098,490 |
| | 997 555 202 26 9E8 | Palm green D >> - MJ 2007 | | | |
| (1) | 997 555 202 26 | door panel slush technology Until Chassis number See technical information GR.7 NR. 17/11 KD-NR. 70 | right lhd | 1 | PR:098,490 |
| | 997 555 202 26 9L4 | Black | | | |
| | 997 555 202 26 9M5 | Stone grey | | | |
| | 997 555 202 26 9C6 | Sand beige | | | |
| | 997 555 202 26 9D7 | sea blue | | | |
| (1) | 997 555 902 18 | door panel slush technology From Chassis number See technical information GR.7 NR. 17/11 KD-NR. 70 | right lhd | 1 | PR:098,490 |
| | 997 555 902 18 9L4 | Black | | | |
| | 997 555 902 18 9M5 | Stone grey | | | |
| | 997 555 902 18 9C6 | Sand beige | | | |
| | 997 555 902 18 9D7 | sea blue | | | |
| (1) | 997 555 202 26 | door panel slush technology D >> - MJ 2007 | right lhd | 1 | PR:537,098 |
| | 997 555 202 26 9E8 | Palm green D >> - MJ 2007 | | | |
| (1) | 997 555 202 26 | door panel slush technology Until Chassis number See technical information GR.7 NR. 17/11 KD-NR. 70 | right lhd | 1 | PR:537,098 |
| | 997 555 202 26 9L4 | Black | | | |
| | 997 555 202 26 9M5 | Stone grey | | | |
| | 997 555 202 26 9C6 | Sand beige | | | |
| | 997 555 202 26 9D7 | sea blue | | | |
| (1) | 997 555 902 18 | door panel slush technology From Chassis number See technical information GR.7 NR. 17/11 KD-NR. 70 | right lhd | 1 | PR:537,098 |
| | 997 555 902 18 9L4 | Black | | | |
| | 997 555 902 18 9M5 | Stone grey | | | |

Model: 987 05 Model life 2005>>2008

| Pos | Part Number | Description | Remark | Qty | Model |
|-----|--|---|-----------|-----|--------------------|
| (1) | 997 555 902 18 9C6 997 555 902 18 9D7 997 555 201 08 | Sand beige sea blue door panel slush technology D >> - MJ 2007 | left lhd | 1 | PR:098,680 |
| (1) | 997 555 201 08 9E8 997 555 201 08 | Palm green D >> - MJ 2007 door panel slush technology Until Chassis number See technical information GR.7 NR. 17/11 KD-NR. 70 | left lhd | 1 | PR:098,680 |
| (1) | 997 555 201 08 9L4 997 555 201 08 9M5 997 555 201 08 9C6 997 555 201 08 9D7 997 555 901 05 | Black Stone grey Sand beige sea blue door panel slush technology From Chassis number See technical information GR.7 NR. 17/11 KD-NR. 70 | left lhd | 1 | PR:098,680 |
| (1) | 997 555 901 05 9L4 997 555 901 05 9M5 997 555 901 05 9C6 997 555 901 05 9D7 997 555 201 10 | Black Stone grey Sand beige sea blue door panel slush technology D >> - MJ 2007 | left lhd | 1 | PR:537,680, 098 |
| (1) | 997 555 201 10 9E8 997 555 201 10 | Palm green D >> - MJ 2007 door panel slush technology Until Chassis number See technical information GR.7 NR. 17/11 KD-NR. 70 | left lhd | 1 | PR:537,680, 098 |
| (1) | 997 555 201 10 9L4 997 555 201 10 9M5 997 555 201 10 9C6 997 555 201 10 9D7 997 555 901 07 | Black Stone grey Sand beige sea blue door panel slush technology From Chassis number See technical information GR.7 NR. 17/11 KD-NR. 70 | left lhd | 1 | PR:537,680, 098 |
| (1) | 997 555 901 07 9L4 997 555 901 07 9M5 997 555 901 07 9C6 997 555 901 07 9D7 997 555 202 28 | Black Stone grey Sand beige sea blue door panel slush technology D >> - MJ 2007 | left lhd | 1 | PR:098,680 |
| (1) | 997 555 202 28 9E8 997 555 202 28 | Palm green D >> - MJ 2007 door panel slush technology | right lhd | 1 | PR:098,680 |

Model: 987 05 Model life 2005>>2008

| Pos | Part Number | Description | Remark | Qty | Model |
|-----|--------------------|--|-----------|-----|--------------------|
| | | Until Chassis number See technical information GR.7 NR. 17/11 KD-NR. 70 | | | |
| | 997 555 202 28 9L4 | Black | | | |
| | 997 555 202 28 9M5 | Stone grey | | | |
| | 997 555 202 28 9C6 | Sand beige | | | |
| | 997 555 202 28 9D7 | sea blue | | | |
| (1) | 997 555 902 20 | door panel slush technology | right lhd | 1 | PR:098,680 |
| | | From Chassis number See technical information GR.7 NR. 17/11 KD-NR. 70 | | | |
| | 997 555 902 20 9L4 | Black | | | |
| | 997 555 902 20 9M5 | Stone grey | | | |
| | 997 555 902 20 9C6 | Sand beige | | | |
| | 997 555 902 20 9D7 | sea blue | | | |
| (1) | 997 555 201 05 | Door panel trim (leather) | left lhd | 1 | PR:098,981 |
| | 997 555 201 05 FSE | Palmgreen/palmgreen D >> - MJ 2007 | | | |
| | 997 555 201 05 FSF | Terracotta/terracotta | | | |
| | 997 555 201 05 FSG | Cocoa/Cocoa | | | |
| | 997 555 201 05 FSH | Darkgrey natural/grey | | | |
| | 997 555 201 05 FSJ | Brown nat./brown nat. | | | |
| (1) | 997 555 201 05 BCB | Black/stone grey | left lhd | 1 | PR:098,981 |
| | | Door panel trim (leather) Until Chassis number See technical information GR.7 NR. 17/11 KD-NR. 70 | | | |
| | 997 555 201 05 FSC | Sand beige/sand beige | | | |
| | 997 555 201 05 FSA | black/grey | | | |
| | 997 555 201 05 FSD | Sea blue/grey | | | |
| | 997 555 201 05 FSP | Carrera Red D - MJ 2008>> | | | |
| (1) | 997 555 201 05 FSB | Stone grey/stone grey | left lhd | 1 | PR:098,981 |
| | 997 555 901 02 | Door panel trim (leather) From Chassis number See technical information GR.7 NR. 17/11 KD-NR. 70 | | | |
| | 997 555 901 02 FSC | Sand beige/sand beige | | | |
| | 997 555 901 02 FSP | Carrera Red D - MJ 2008>> | | | |
| | 997 555 901 02 FSA | Black | | | |
| | 997 555 901 02 FSB | Stone grey | | | |
| | 997 555 901 02 FSD | sea blue | | | |
| (1) | 997 555 201 05 | Door panel trim (leather) | left lhd | 1 | PR:098,490, 981 |
| | 997 555 201 05 FSE | Palmgreen/palmgreen D >> - MJ 2007 | | | |
| | 997 555 201 05 FSF | Terracotta/terracotta | | | |
| | 997 555 201 05 FSG | Cocoa/Cocoa | | | |
| | 997 555 201 05 FSH | Darkgrey natural/grey | | | |
| | 997 555 201 05 BCB | Black/stone grey | | | |
| | 997 555 201 05 FSJ | Brown nat./brown nat. | | | |
| (1) | 997 555 201 05 | Door panel trim (leather) | left lhd | 1 | PR:098,480, 981 |

Model: 987 05 Model life 2005>>2008

| Pos | Part Number | Description | Remark | Qty | Model |
|-----|--------------------|---|----------|-----|--------------------|
| | | Until Chassis number See technical information GR.7 NR. 17/11 KD-NR. 70 | | | |
| | 997 555 201 05 FSC | Sand beige/sand beige | | | |
| | 997 555 201 05 FSA | black/grey | | | |
| | 997 555 201 05 FSB | Stone grey/stone grey | | | |
| | 997 555 201 05 FSD | Sea blue/grey | | | |
| | 997 555 201 05 FSP | Carrera Red | | | |
| (1) | 997 555 901 02 | D - MJ 2008>> Door panel trim (leather) | left lhd | 1 | PR:098,480,981 |
| | | From Chassis number See technical information GR.7 NR. 17/11 KD-NR. 70 | | | |
| | 997 555 901 02 FSC | Sand beige/sand beige | | | |
| | 997 555 901 02 FSA | Black | | | |
| | 997 555 901 02 FSB | Stone grey | | | |
| | 997 555 901 02 FSD | sea blue | | | |
| | 997 555 901 02 FSP | Carrera Red | | | |
| (1) | 997 555 201 07 | D - MJ 2008>> Door panel trim (leather) | left lhd | 1 | PR:537,981,098 |
| | 997 555 201 07 FSE | Palmgreen/palmgreen D >> - MJ 2007 | | | |
| | 997 555 201 07 FSF | Terracotta/terracotta | | | |
| | 997 555 201 07 FSG | Cocoa/Cocoa | | | |
| | 997 555 201 07 FSH | Darkgrey natural/grey | | | |
| | 997 555 201 07 BCB | Black/stone grey | | | |
| | 997 555 201 07 FSJ | Brown nat./brown nat. | | | |
| (1) | 997 555 201 07 | Door panel trim (leather) | left lhd | 1 | PR:537,981,098 |
| | | Until Chassis number See technical information GR.7 NR. 17/11 KD-NR. 70 | | | |
| | 997 555 201 07 FSB | Stone grey/stone grey | | | |
| | 997 555 201 07 FSC | Sand beige/sand beige | | | |
| | 997 555 201 07 FSP | Carrera Red | | | |
| | 997 555 201 07 FSA | D - MJ 2008>> black/grey | | | |
| | 997 555 201 07 FSD | Sea blue/grey | | | |
| (1) | 997 555 901 04 | Door panel trim (leather) | left lhd | 1 | PR:537,981,098 |
| | | From Chassis number See technical information GR.7 NR. 17/11 KD-NR. 70 | | | |
| | 997 555 901 04 FSB | Stone grey/stone grey | | | |
| | 997 555 901 04 FSC | Sand beige/sand beige | | | |
| | 997 555 901 04 FSP | Carrera Red | | | |
| | 997 555 901 04 FSA | D - MJ 2008>> Black | | | |
| | 997 555 901 04 FSD | sea blue | | | |
| (1) | 997 555 201 07 | Door panel trim (leather) | left lhd | 1 | PR:490,537,981,098 |
| | 997 555 201 07 FSE | Palmgreen/palmgreen D >> - MJ 2007 | | | |

Model: 987 05 Model life 2005>>2008

| Pos | Part Number | Description | Remark | Qty | Model |
|--------------------|------------------------------|---|-----------|-----|------------------------|
| (1) | 997 555 201 07 BCB | Black/stone grey | | | |
| | 997 555 201 07 FSF | Terracotta/terracotta | | | |
| | 997 555 201 07 FSG | Cocoa/Cocoa | | | |
| | 997 555 201 07 FSH | Darkgrey natural/grey | | | |
| | 997 555 201 07 FSJ | Brown nat./brown nat. | | | |
| | 997 555 201 07 | Door panel trim (leather) | left lhd | 1 | PR:490,537, 981,098 |
| | | Until Chassis number See technical information GR.7 NR. 17/11 KD-NR. 70 | | | |
| | 997 555 201 07 FSB | Stone grey/stone grey | | | |
| | 997 555 201 07 FSC | Sand beige/sand beige | | | |
| | 997 555 201 07 FSP | Carrera Red D - MJ 2008>> | | | |
| (1) | 997 555 201 07 FSA | black/grey | | | |
| | 997 555 201 07 FSD | Sea blue/grey | | | |
| | 997 555 901 04 | Door panel trim (leather) | left lhd | 1 | PR:490,537, 981,098 |
| | | From Chassis number See technical information GR.7 NR. 17/11 KD-NR. 70 | | | |
| | 997 555 901 04 FSA | Black | | | |
| | 997 555 901 04 FSB | Stone grey/stone grey | | | |
| | 997 555 901 04 FSC | Sand beige/sand beige | | | |
| | 997 555 901 04 FSD | sea blue | | | |
| | 997 555 901 04 FSP | Carrera Red D - MJ 2008>> | | | |
| | 997 555 202 27 | Door panel trim (leather) | right lhd | 1 | PR:098,981 |
| (1) | 997 555 202 27 FSE | Palmgreen/palmgreen D >> - MJ 2007 | | | |
| | 997 555 202 27 FSF | Terracotta/terracotta | | | |
| | 997 555 202 27 FSG | Cocoa/Cocoa | | | |
| | 997 555 202 27 FSH | Darkgrey natural/grey | | | |
| | 997 555 202 27 FSJ | Brown nat./brown nat. | | | |
| | 997 555 202 27 BCB | Black/stone grey | | | |
| | 997 555 202 27 | Door panel trim (leather) | right lhd | 1 | PR:098,981 |
| | | Until Chassis number See technical information GR.7 NR. 17/11 KD-NR. 70 | | | |
| | 997 555 202 27 FSB | Stone grey/stone grey | | | |
| | 997 555 202 27 FSC | Sand beige/sand beige | | | |
| 997 555 202 27 FSP | Carrera Red D - MJ 2008>> | | | | |
| (1) | 997 555 202 27 FSA | black/grey | | | |
| | 997 555 202 27 FSD | Sea blue/grey | | | |
| | 997 555 902 19 | Door panel trim (leather) | right lhd | 1 | PR:098,981 |
| | | From Chassis number See technical information GR.7 NR. 17/11 KD-NR. 70 | | | |
| | 997 555 902 19 FSA | Black | | | |
| | 997 555 902 19 FSB | Stone grey/stone grey | | | |
| | 997 555 902 19 FSC | Sand beige/sand beige | | | |
| | 997 555 902 19 FSD | sea blue | | | |
| | 997 555 902 19 FSP | Carrera Red D - MJ 2008>> | | | |

Model: 987 05 Model life 2005>>2008

| Pos | Part Number | Description | Remark | Qty | Model |
|-----|--------------------|---|-----------|-----|-----------------|
| (1) | 997 555 202 27 | Door panel trim (leather) | right lhd | 1 | PR:098,490, 981 |
| | 997 555 202 27 FSE | Palmgreen/palmgreen D >> - MJ 2007 | | | |
| | 997 555 202 27 BCB | Black/stone grey | | | |
| | 997 555 202 27 FSF | Terracotta/terracotta | | | |
| | 997 555 202 27 FSG | Cocoa/Cocoa | | | |
| | 997 555 202 27 FSH | Darkgrey natural/grey | | | |
| | 997 555 202 27 FSJ | Brown nat./brown nat. | | | |
| (1) | 997 555 202 27 | Door panel trim (leather) | right lhd | 1 | PR:098,490, 981 |
| | | Until Chassis number See technical information GR.7 NR. 17/11 KD-NR. 70 | | | |
| | 997 555 202 27 FSB | Stone grey/stone grey | | | |
| | 997 555 202 27 FSC | Sand beige/sand beige | | | |
| | 997 555 202 27 FSP | Carrera Red D - MJ 2008>> | | | |
| | 997 555 202 27 FSA | black/grey | | | |
| | 997 555 202 27 FSD | Sea blue/grey | | | |
| (1) | 997 555 902 19 | Door panel trim (leather) | right lhd | 1 | PR:098,490, 981 |
| | | From Chassis number See technical information GR.7 NR. 17/11 KD-NR. 70 | | | |
| | 997 555 902 19 FSA | Black | | | |
| | 997 555 902 19 FSB | Stone grey/stone grey | | | |
| | 997 555 902 19 FSC | Sand beige/sand beige | | | |
| | 997 555 902 19 FSD | sea blue | | | |
| | 997 555 902 19 FSP | Carrera Red D - MJ 2008>> | | | |
| (1) | 997 555 201 09 | Door panel trim (leather) | left lhd | 1 | PR:098,680, 981 |
| | 997 555 201 09 FSE | Palmgreen/palmgreen D >> - MJ 2007 | | | |
| | 997 555 201 09 FSF | Terracotta/terracotta | | | |
| | 997 555 201 09 FSG | Cocoa/Cocoa | | | |
| | 997 555 201 09 FSH | Darkgrey natural/grey | | | |
| | 997 555 201 09 FSJ | Brown nat./brown nat. | | | |
| | 997 555 201 09 BCB | Black/stone grey | | | |
| (1) | 997 555 201 09 | Door panel trim (leather) | left lhd | 1 | PR:098,680, 981 |
| | | Until Chassis number See technical information GR.7 NR. 17/11 KD-NR. 70 | | | |
| | 997 555 201 09 FSB | Stone grey/stone grey | | | |
| | 997 555 201 09 FSC | Sand beige/sand beige | | | |
| | 997 555 201 09 FSA | black/grey | | | |
| | 997 555 201 09 FSD | Sea blue/grey | | | |
| | 997 555 201 09 FSP | Carrera Red D - MJ 2008>> | | | |
| (1) | 997 555 901 06 | Door panel trim (leather) | left lhd | 1 | PR:098,680, 981 |
| | | From Chassis number See technical information GR.7 NR. 17/11 | | | |

Model: 987 05 Model life 2005>>2008

| Pos | Part Number | Description | Remark | Qty | Model |
|-----|--------------------|--|-----------|-----|------------------------|
| | | KD-NR. 70 | | | |
| | 997 555 901 06 FSA | Black | | | |
| | 997 555 901 06 FSB | Stone grey | | | |
| | 997 555 901 06 FSC | Sand beige/sand beige | | | |
| | 997 555 901 06 FSD | sea blue | | | |
| | 997 555 901 06 FSP | Carrera Red | | | |
| (1) | 997 555 201 11 | D - MJ 2008>> Door panel trim (leather) | left lhd | 1 | PR:537,680, 981,098 |
| | 997 555 201 11 FSE | Palmgreen/palmgreen | | | |
| | | D >> - MJ 2007 | | | |
| | 997 555 201 11 FSF | Terracotta/terracotta | | | |
| | 997 555 201 11 FSG | Cocoa/Cocoa | | | |
| | 997 555 201 11 FSH | Darkgrey natural/grey | | | |
| | 997 555 201 11 FSJ | Brown nat./brown nat. | | | |
| | 997 555 201 11 BCB | Black/stone grey | | | |
| (1) | 997 555 201 11 | Door panel trim (leather) | left lhd | 1 | PR:537,680, 981,098 |
| | | Until Chassis number See technical information GR.7 NR. 17/11 | | | |
| | | KD-NR. 70 | | | |
| | 997 555 201 11 FSB | Stone grey/stone grey | | | |
| | 997 555 201 11 FSC | Sand beige/sand beige | | | |
| | 997 555 201 11 FSA | black/grey | | | |
| | 997 555 201 11 FSD | Sea blue/grey | | | |
| | 997 555 201 11 FSP | Carrera Red | | | |
| (1) | 997 555 901 08 | D - MJ 2008>> Door panel trim (leather) | left lhd | 1 | PR:537,680, 981,098 |
| | | From Chassis number See technical information GR.7 NR. 17/11 | | | |
| | | KD-NR. 70 | | | |
| | 997 555 901 08 FSA | Black | | | |
| | 997 555 901 08 FSB | Stone grey/stone grey | | | |
| | 997 555 901 08 FSC | Sand beige/sand beige | | | |
| | 997 555 901 08 FSD | sea blue | | | |
| | 997 555 901 08 FSP | Carrera Red | | | |
| (1) | 997 555 202 29 | D - MJ 2008>> Door panel trim (leather) | right lhd | 1 | PR:098,680, 981 |
| | 997 555 202 29 FSE | Palmgreen/palmgreen | | | |
| | | D >> - MJ 2007 | | | |
| | 997 555 202 29 FSF | Terracotta/terracotta | | | |
| | 997 555 202 29 FSG | Cocoa/Cocoa | | | |
| | 997 555 202 29 FSH | Darkgrey natural/grey | | | |
| | 997 555 202 29 FSJ | Brown nat./brown nat. | | | |
| | 997 555 202 29 BCB | Black/stone grey | | | |
| (1) | 997 555 202 29 | Door panel trim (leather) | right lhd | 1 | PR:098,680, 981 |
| | | Until Chassis number See technical information GR.7 NR. 17/11 | | | |
| | | KD-NR. 70 | | | |
| | 997 555 202 29 FSB | Stone grey/stone grey | | | |
| | 997 555 202 29 FSC | Sand beige/sand beige | | | |
| | 997 555 202 29 FSA | black/grey | | | |
| | 997 555 202 29 FSD | Sea blue/grey | | | |
| | 997 555 202 29 FSP | Carrera Red | | | |

Model: 987 05 Model life 2005>>2008

| Pos | Part Number | Description | Remark | Qty | Model |
|-----|--------------------|--|-----------|-----|-------------------------|
| (1) | 997 555 902 21 | D - MJ 2008>> Door panel trim (leather) From Chassis number See technical information GR.7 NR. 17/11 KD-NR. 70 | right lhd | 1 | PR:098,680, 981 |
| | 997 555 902 21 FSA | Black | | | |
| | 997 555 902 21 FSB | Stone grey/stone grey | | | |
| | 997 555 902 21 FSC | Sand beige/sand beige | | | |
| | 997 555 902 21 FSD | sea blue | | | |
| | 997 555 902 21 FSP | Carrera Red | | | |
| (1) | 987 555 201 38 | D - MJ 2008>> door panel slush technology | left | 1 | PR:753 |
| | 987 555 201 38 9L4 | D - MJ 2008>> Black Special model orange | | | |
| (1) | 987 555 201 39 | door panel slush technology | left | 1 | BOXSTER S PR:490,753 |
| | 987 555 201 39 9L4 | D - MJ 2008>> Black | | | |
| (1) | 987 555 201 40 | door panel slush technology | left | 1 | PR:680,753 |
| | 987 555 201 40 9L4 | D - MJ 2008>> Black Special model orange | | | |
| (1) | 987 555 202 38 | door panel slush technology | right | 1 | PR:753 |
| | 987 555 202 38 9L4 | D - MJ 2008>> Black Special model orange | | | |
| (1) | 987 555 202 39 | door panel slush technology | right | 1 | BOXSTER S PR:490,753 |
| | 987 555 202 39 9L4 | D - MJ 2008>> Black | | | |
| (1) | 987 555 202 40 | door panel slush technology | right | 1 | PR:680,753 |
| | 987 555 202 40 9L4 | D - MJ 2008>> Black Special model orange | | | |
| (1) | 997 555 201 05 | Door panel trim (leather) D - MJ 2008>> | left lhd | 1 | PR:098,754, 981 |
| | 997 555 201 05 VAF | Dark grey/natural | | | |
| | 997 555 201 05 VAG | Carrera Red | | | |
| (1) | 997 555 201 05 | Door panel trim (leather) D - MJ 2008>> | left lhd | 1 | PR:098,490, 754,981 |
| | 997 555 201 05 VAF | Dark grey/natural | | | |
| | 997 555 201 05 VAG | Carrera Red | | | |
| (1) | 997 555 202 27 | Door panel trim (leather) D - MJ 2008>> | right lhd | 1 | PR:098,754, 981 |
| | 997 555 202 27 VAF | Dark grey/natural | | | |
| | 997 555 202 27 VAG | Carrera Red | | | |

Model: 987 05 Model life 2005>>2008

| Pos | Part Number | Description | Remark | Qty | Model |
|-----|--------------------|---------------------------|-----------|-----|------------------------|
| (1) | 997 555 202 27 | Door panel trim (leather) | right lhd | 1 | PR:098,490, 754,981 |
| | | D - MJ 2008>> | | | |
| | 997 555 202 27 VAF | Dark grey/natural | | | |
| | 997 555 202 27 VAG | Carrera Red | | | |
| (1) | 997 555 201 09 | Door panel trim (leather) | left lhd | 1 | PR:098,680, 754,981 |
| | | D - MJ 2008>> | | | |
| | 997 555 201 09 VAF | Dark grey/natural | | | |
| | 997 555 201 09 VAG | Carrera Red | | | |
| (1) | 997 555 202 29 | Door panel trim (leather) | right lhd | 1 | PR:098,680, 754,981 |
| | | D - MJ 2008>> | | | |
| | 997 555 202 29 VAF | Dark grey/natural | | | |
| | 997 555 202 29 VAG | Carrera Red | | | |
| 2 | 999 507 533 02 | Clamp | | 2 | |
| | | 8,0 X 10/2,5 | | | |
| 3 | 955 555 243 00 | Retaining clip | | 9 | |
| 4 | 999 073 322 02 | fillister hd. bolt | | 5 | |
| | | 6 X 20 | | | |
| | | for | | | |
| | | Mount | | | |
| | | door panel | | | |
| 5 | 987 555 221 01 | Cover | left | 1 | BOXSTER |
| | 987 555 221 01 1MZ | Black | | | |
| | 987 555 221 01 1YP | Stone grey | | | |
| | 987 555 221 01 1TK | Sand beige | | | |
| | 987 555 221 01 1VM | sea blue | | | |
| | 987 555 221 01 1UL | Palm green | | | |
| | | D >> - MJ 2007 | | | |
| (5) | 987 555 222 01 | Cover | right | 1 | BOXSTER |
| | | Stowage compartment | | | |
| | 987 555 222 01 1MZ | Black | | | |
| | 987 555 222 01 1YP | Stone grey | | | |
| | 987 555 222 01 1TK | Sand beige | | | |
| | 987 555 222 01 1VM | sea blue | | | |
| | 987 555 222 01 1UL | Palm green | | | |
| | | D >> - MJ 2007 | | | |
| (5) | 997 555 221 01 | Cover | left | 1 | BOXSTER PR:981 |
| | | Stowage compartment | | | |
| | | Leather | | | |
| | 997 555 221 01 FSA | black/grey | | | |
| | 997 555 221 01 FSB | Stone grey/stone grey | | | |
| | 997 555 221 01 FSC | Sand beige/sand beige | | | |
| | 997 555 221 01 FSD | Sea blue/grey | | | |
| | 997 555 221 01 FSE | Palmgreen/palmgreen | | | |
| | | D >> - MJ 2007 | | | |
| | 997 555 221 01 FSF | Terracotta/terracotta | | | |
| | 997 555 221 01 FSG | Cocoa/Cocoa | | | |
| | 997 555 221 01 FSH | Darkgrey natural/grey | | | |
| | 997 555 221 01 FSJ | Brown nat./brown nat. | | | |
| | 997 555 221 01 FSP | Carrera Red | | | |
| | | D - MJ 2008>> | | | |
| (5) | 997 555 221 01 | Cover | left | 1 | BOXSTER S |
| | | Stowage compartment | | | |
| | | Leather | | | |
| | 997 555 221 01 FSA | black/grey | | | |
| | 997 555 221 01 FSB | Stone grey/stone grey | | | |
| | 997 555 221 01 FSC | Sand beige/sand beige | | | |
| | 997 555 221 01 FSD | Sea blue/grey | | | |
| | 997 555 221 01 FSE | Palmgreen/palmgreen | | | |
| | | D >> - MJ 2007 | | | |
| | 997 555 221 01 FSF | Terracotta/terracotta | | | |

Model: 987 05 Model life 2005>>2008

| Pos | Part Number | Description | Remark | Qty | Model |
|-----|--------------------|---|--------|-----|-------------------|
| | 997 555 221 01 FSG | Cocoa/Cocoa | | | |
| | 997 555 221 01 FSH | Darkgrey natural/grey | | | |
| | 997 555 221 01 FSJ | Brown nat./brown nat. | | | |
| | 997 555 221 01 FSP | Carrera Red D - MJ 2008>> | | | |
| (5) | 997 555 222 01 | Cover Stowage compartment Leather | right | 1 | BOXSTER PR:981 |
| | 997 555 222 01 FSA | black/grey | | | |
| | 997 555 222 01 FSB | Stone grey/stone grey | | | |
| | 997 555 222 01 FSC | Sand beige/sand beige | | | |
| | 997 555 222 01 FSD | Sea blue/grey | | | |
| | 997 555 222 01 FSE | Palmgreen/palmgreen D >> - MJ 2007 | | | |
| | 997 555 222 01 FSF | Terracotta/terracotta | | | |
| | 997 555 222 01 FSG | Cocoa/Cocoa | | | |
| | 997 555 222 01 FSH | Darkgrey natural/grey | | | |
| | 997 555 222 01 FSJ | Brown nat./brown nat. | | | |
| | 997 555 222 01 FSP | Carrera Red D - MJ 2008>> | | | |
| (5) | 997 555 222 01 | Cover Stowage compartment Leather | right | 1 | BOXSTER S |
| | 997 555 222 01 FSA | black/grey | | | |
| | 997 555 222 01 FSB | Stone grey/stone grey | | | |
| | 997 555 222 01 FSC | Sand beige/sand beige | | | |
| | 997 555 222 01 FSD | Sea blue/grey | | | |
| | 997 555 222 01 FSE | Palmgreen/palmgreen D >> - MJ 2007 | | | |
| | 997 555 222 01 FSF | Terracotta/terracotta | | | |
| | 997 555 222 01 FSG | Cocoa/Cocoa | | | |
| | 997 555 222 01 FSH | Darkgrey natural/grey | | | |
| | 997 555 222 01 FSJ | Brown nat./brown nat. | | | |
| | 997 555 222 01 FSP | Carrera Red D - MJ 2008>> | | | |
| (5) | 997 555 989 00 | Cover for stowage compartment Carbon | left | 1 | PR:XTL |
| | 997 555 989 00 A35 | Black | | | |
| (5) | 997 555 990 00 | Cover for stowage compartment Carbon | right | 1 | PR:XTL |
| | 997 555 990 00 A35 | Black | | | |
| (5) | 997 555 989 01 | Cover for stowage compartment | left | 1 | PR:XTU |
| | 997 555 989 01 S62 | Sycamore wood | | | |
| (5) | 997 555 990 01 | Cover for stowage compartment | right | 1 | PR:XTU |
| | 997 555 990 01 S62 | Sycamore wood | | | |
| (5) | 997 555 989 02 | Cover for stowage compartment | left | 1 | PR:XTT |
| | 997 555 989 02 S61 | macassar | | | |
| (5) | 997 555 990 02 | Cover for stowage compartment | right | 1 | PR:XTT |
| | 997 555 990 02 S61 | macassar | | | |
| (5) | 997 555 989 03 | Cover for stowage compartment | left | 1 | PR:XTW |
| | 997 555 989 03 V04 | Galvano silver | | | |
| (5) | 997 555 990 03 | Cover for stowage compartment | right | 1 | PR:XTW |
| | 997 555 990 03 V04 | Galvano silver | | | |
| 6 | 997 555 833 00 | Leg spring for Cover Stowage compartment | left | 1 | |
| (6) | 997 555 834 00 | Leg spring for Cover Stowage compartment | right | 1 | |
| 7 | 997 555 841 00 | Damper Stowage compartment | | 1 | |

Model: 987 05 Model life 2005>>2008

| Pos | Part Number | Description | Remark | Qty | Model |
|-----|--------------------|-------------------------------------|--------|-----|-------------------|
| 8 | 987 555 271 01 | Pull handle Upper part | left | 1 | BOXSTER |
| | 987 555 271 01 A11 | Black | | | |
| | 987 555 271 01 5X6 | Stone grey | | | |
| | 987 555 271 01 8G2 | Sand beige | | | |
| | 987 555 271 01 3S9 | sea blue | | | |
| | 987 555 271 01 4P2 | Palm green | | | |
| | D | >> - MJ 2007 | | | |
| (8) | 987 555 272 01 | Pull handle Upper part | right | 1 | BOXSTER |
| | 987 555 272 01 A11 | Black | | | |
| | 987 555 272 01 5X6 | Stone grey | | | |
| | 987 555 272 01 8G2 | Sand beige | | | |
| | 987 555 272 01 3S9 | sea blue | | | |
| | 987 555 272 01 4P2 | Palm green | | | |
| | D | >> - MJ 2007 | | | |
| (8) | 987 555 271 02 | Pull handle (leather) Upper part | left | 1 | BOXSTER PR:981 |
| | 987 555 271 02 FSA | black/grey | | | |
| | 987 555 271 02 FSB | Stone grey/stone grey | | | |
| | 987 555 271 02 FSC | Sand beige/sand beige | | | |
| | 987 555 271 02 FSD | Sea blue/grey | | | |
| | 987 555 271 02 FSE | Palmgreen/palmgreen | | | |
| | D | >> - MJ 2007 | | | |
| | 987 555 271 02 FSF | Terracotta/terracotta | | | |
| | 987 555 271 02 FSG | Cocoa/Cocoa | | | |
| | 987 555 271 02 FSH | Darkgrey natural/grey | | | |
| | 987 555 271 02 FSJ | Brown nat./brown nat. | | | |
| | 987 555 271 02 FSP | Carrera Red | | | |
| | D | - MJ 2008>> | | | |
| (8) | 987 555 271 02 | Pull handle (leather) Upper part | left | 1 | BOXSTER S |
| | 987 555 271 02 FSA | black/grey | | | |
| | 987 555 271 02 FSB | Stone grey/stone grey | | | |
| | 987 555 271 02 FSC | Sand beige/sand beige | | | |
| | 987 555 271 02 FSD | Sea blue/grey | | | |
| | 987 555 271 02 FSE | Palmgreen/palmgreen | | | |
| | D | >> - MJ 2007 | | | |
| | 987 555 271 02 FSF | Terracotta/terracotta | | | |
| | 987 555 271 02 FSG | Cocoa/Cocoa | | | |
| | 987 555 271 02 FSH | Darkgrey natural/grey | | | |
| | 987 555 271 02 FSJ | Brown nat./brown nat. | | | |
| | 987 555 271 02 FSP | Carrera Red | | | |
| | D | - MJ 2008>> | | | |
| (8) | 987 555 272 02 | Pull handle (leather) Upper part | right | 1 | BOXSTER PR:981 |
| | 987 555 272 02 FSA | black/grey | | | |
| | 987 555 272 02 FSB | Stone grey/stone grey | | | |
| | 987 555 272 02 FSC | Sand beige/sand beige | | | |
| | 987 555 272 02 FSD | Sea blue/grey | | | |
| | 987 555 272 02 FSE | Palmgreen/palmgreen | | | |
| | D | >> - MJ 2007 | | | |
| | 987 555 272 02 FSF | Terracotta/terracotta | | | |
| | 987 555 272 02 FSG | Cocoa/Cocoa | | | |
| | 987 555 272 02 FSH | Darkgrey natural/grey | | | |
| | 987 555 272 02 FSJ | Brown nat./brown nat. | | | |
| | 987 555 272 02 FSP | Carrera Red | | | |
| | D | - MJ 2008>> | | | |
| (8) | 987 555 272 02 | Pull handle (leather) Upper part | right | 1 | BOXSTER S |
| | 987 555 272 02 FSA | black/grey | | | |
| | 987 555 272 02 FSB | Stone grey/stone grey | | | |
| | 987 555 272 02 FSC | Sand beige/sand beige | | | |

Model: 987 05 Model life 2005>>2008

| Pos | Part Number | Description | Remark | Qty | Model |
|-----|--------------------|-----------------------|--------|-----|--------|
| | 987 555 272 02 FSD | Sea blue/grey | | | |
| | 987 555 272 02 FSE | Palmgreen/palmgreen | | | |
| | | D >> - MJ 2007 | | | |
| | 987 555 272 02 FSF | Terracotta/terracotta | | | |
| | 987 555 272 02 FSG | Cocoa/Cocoa | | | |
| | 987 555 272 02 FSH | Darkgrey natural/grey | | | |
| | 987 555 272 02 FSJ | Brown nat./brown nat. | | | |
| | 987 555 272 02 FSP | Carrera Red | | | |
| | | D - MJ 2008>> | | | |
| (8) | 987 555 987 00 | Pull handle | left | 1 | PR:XTL |
| | | Upper part | | | |
| | 987 555 987 00 A11 | Black | | | |
| | 987 555 987 00 5X6 | Stone grey | | | |
| | 987 555 987 00 8G2 | Sand beige | | | |
| | 987 555 987 00 3S9 | sea blue | | | |
| | 987 555 987 00 4P2 | Palm green | | | |
| | | D >> - MJ 2007 | | | |
| | 987 555 987 00 9S5 | Terracotta | | | |
| | 987 555 987 00 9V6 | Cocoa | | | |
| | 987 555 987 00 D12 | Dark grey/natural | | | |
| | 987 555 987 00 T12 | Brown/natural | | | |
| | 987 555 987 00 N12 | Carrera Red | | | |
| | | D - MJ 2008>> | | | |
| (8) | 987 555 988 00 | Pull handle | right | 1 | PR:XTL |
| | | Upper part | | | |
| | 987 555 988 00 A11 | Black | | | |
| | 987 555 988 00 5X6 | Stone grey | | | |
| | 987 555 988 00 8G2 | Sand beige | | | |
| | 987 555 988 00 3S9 | sea blue | | | |
| | 987 555 988 00 4P2 | Palm green | | | |
| | | D >> - MJ 2007 | | | |
| | 987 555 988 00 9S5 | Terracotta | | | |
| | 987 555 988 00 9V6 | Cocoa | | | |
| | 987 555 988 00 D12 | Dark grey/natural | | | |
| | 987 555 988 00 T12 | Brown/natural | | | |
| | 987 555 988 00 N12 | Carrera Red | | | |
| | | D - MJ 2008>> | | | |
| (8) | 987 555 987 01 | Pull handle | left | 1 | PR:XTU |
| | | Upper part | | | |
| | 987 555 987 01 A11 | Black | | | |
| | 987 555 987 01 5X6 | Stone grey | | | |
| | 987 555 987 01 8G2 | Sand beige | | | |
| | 987 555 987 01 3S9 | sea blue | | | |
| | 987 555 987 01 4P2 | Palm green | | | |
| | | D >> - MJ 2007 | | | |
| | 987 555 987 01 9S5 | Terracotta | | | |
| | 987 555 987 01 9V6 | Cocoa | | | |
| | 987 555 987 01 D12 | Dark grey/natural | | | |
| | 987 555 987 01 T12 | Brown/natural | | | |
| | 987 555 987 01 N12 | Carrera Red | | | |
| | | D - MJ 2008>> | | | |
| (8) | 987 555 988 01 | Pull handle | right | 1 | PR:XTU |
| | | Upper part | | | |
| | 987 555 988 01 A11 | Black | | | |
| | 987 555 988 01 5X6 | Stone grey | | | |
| | 987 555 988 01 8G2 | Sand beige | | | |
| | 987 555 988 01 3S9 | sea blue | | | |
| | 987 555 988 01 4P2 | Palm green | | | |
| | | D >> - MJ 2007 | | | |
| | 987 555 988 01 9S5 | Terracotta | | | |
| | 987 555 988 01 9V6 | Cocoa | | | |
| | 987 555 988 01 D12 | Dark grey/natural | | | |
| | 987 555 988 01 T12 | Brown/natural | | | |

Model: 987 05 Model life 2005>>2008

| Pos | Part Number | Description | Remark | Qty | Model |
|-----|--------------------|------------------------------|--------|-----|--------|
| | 987 555 988 01 N12 | Carrera Red D - MJ 2008>> | | | |
| (8) | 987 555 987 02 | Pull handle Upper part | left | 1 | PR:XTT |
| | 987 555 987 02 A11 | Black | | | |
| | 987 555 987 02 5X6 | Stone grey | | | |
| | 987 555 987 02 8G2 | Sand beige | | | |
| | 987 555 987 02 3S9 | sea blue | | | |
| | 987 555 987 02 4P2 | Palm green | | | |
| | | D >> - MJ 2007 | | | |
| | 987 555 987 02 9S5 | Terracotta | | | |
| | 987 555 987 02 9V6 | Cocoa | | | |
| | 987 555 987 02 D12 | Dark grey/natural | | | |
| | 987 555 987 02 T12 | Brown/natural | | | |
| | 987 555 987 02 N12 | Carrera Red D - MJ 2008>> | | | |
| (8) | 987 555 988 02 | Pull handle Upper part | right | 1 | PR:XTT |
| | 987 555 988 02 A11 | Black | | | |
| | 987 555 988 02 5X6 | Stone grey | | | |
| | 987 555 988 02 8G2 | Sand beige | | | |
| | 987 555 988 02 3S9 | sea blue | | | |
| | 987 555 988 02 4P2 | Palm green | | | |
| | | D >> - MJ 2007 | | | |
| | 987 555 988 02 9S5 | Terracotta | | | |
| | 987 555 988 02 9V6 | Cocoa | | | |
| | 987 555 988 02 D12 | Dark grey/natural | | | |
| | 987 555 988 02 T12 | Brown/natural | | | |
| | 987 555 988 02 N12 | Carrera Red D - MJ 2008>> | | | |
| (8) | 987 555 987 03 | Pull handle Upper part | left | 1 | PR:XTW |
| | 987 555 987 03 A11 | Black | | | |
| | 987 555 987 03 5X6 | Stone grey | | | |
| | 987 555 987 03 8G2 | Sand beige | | | |
| | 987 555 987 03 3S9 | sea blue | | | |
| | 987 555 987 03 4P2 | Palm green | | | |
| | | D >> - MJ 2007 | | | |
| | 987 555 987 03 9S5 | Terracotta | | | |
| | 987 555 987 03 9V6 | Cocoa | | | |
| | 987 555 987 03 D12 | Dark grey/natural | | | |
| | 987 555 987 03 T12 | Brown/natural | | | |
| | 987 555 987 03 N12 | Carrera Red D - MJ 2008>> | | | |
| (8) | 987 555 988 03 | Pull handle Upper part | right | 1 | PR:XTW |
| | 987 555 988 03 A11 | Black | | | |
| | 987 555 988 03 5X6 | Stone grey | | | |
| | 987 555 988 03 8G2 | Sand beige | | | |
| | 987 555 988 03 3S9 | sea blue | | | |
| | 987 555 988 03 4P2 | Palm green | | | |
| | | D >> - MJ 2007 | | | |
| | 987 555 988 03 9S5 | Terracotta | | | |
| | 987 555 988 03 9V6 | Cocoa | | | |
| | 987 555 988 03 D12 | Dark grey/natural | | | |
| | 987 555 988 03 T12 | Brown/natural | | | |
| | 987 555 988 03 N12 | Carrera Red D - MJ 2008>> | | | |
| 9 | 999 591 380 01 | Cable fastener | | 4 | |
| 10 | 987 555 261 01 | Pull handle Lower part | left | 1 | |
| | 987 555 261 01 A11 | Black | | | |
| | 987 555 261 01 5X6 | Stone grey | | | |

Model: 987 05 Model life 2005>>2008

| Pos | Part Number | Description | Remark | Qty | Model |
|------|--------------------|---|--------|-----|-------|
| | 987 555 261 01 8G2 | Sand beige | | | |
| | 987 555 261 01 3S9 | sea blue | | | |
| | 987 555 261 01 4P2 | Palm green | | | |
| | | D >> - MJ 2007 | | | |
| | 987 555 261 01 9S5 | Terracotta | | | |
| | 987 555 261 01 9V6 | Cocoa | | | |
| | 987 555 261 01 D12 | Dark grey/natural | | | |
| | 987 555 261 01 T12 | Brown/natural | | | |
| | 987 555 261 01 N12 | Carrera Red | | | |
| | | D - MJ 2008>> | | | |
| (10) | 987 555 262 01 | Pull handle | right | 1 | |
| | | Lower part | | | |
| | 987 555 262 01 A11 | Black | | | |
| | 987 555 262 01 5X6 | Stone grey | | | |
| | 987 555 262 01 8G2 | Sand beige | | | |
| | 987 555 262 01 3S9 | sea blue | | | |
| | 987 555 262 01 4P2 | Palm green | | | |
| | | D >> - MJ 2007 | | | |
| | 987 555 262 01 9S5 | Terracotta | | | |
| | 987 555 262 01 9V6 | Cocoa | | | |
| | 987 555 262 01 D12 | Dark grey/natural | | | |
| | 987 555 262 01 T12 | Brown/natural | | | |
| | 987 555 262 01 N12 | Carrera Red | | | |
| | | D - MJ 2008>> | | | |
| 11 | 999 919 229 02 | fillister hd. bolt 6,0 X 40,0 for Mount Pull handle | | 2 | |
| 12 | 997 555 381 02 | Axle bearing | left | 1 | |
| (12) | 997 555 382 02 | Axle bearing | right | 1 | |
| 13 | 999 919 164 09 | fillister hd. bolt 5 X 12 for Mount Axle bearing | | 3 | |
| 14 | 997 555 461 01 | lever Inner actuator | left | 1 | |
| | 997 555 461 01 V05 | Galvano silver | | | |
| (14) | 997 555 462 01 | lever Inner actuator | right | 1 | |
| | 997 555 462 01 V05 | Galvano silver | | | |
| 15 | 999 919 164 09 | fillister hd. bolt 5 X 12 for Mount lever Inner actuator | | 1 | |
| 16 | 997 555 683 00 | Cover cap Airbag | left | 1 | |
| | 997 555 683 00 A03 | Black | | | |
| | 997 555 683 00 5V7 | Stone grey | | | |
| | 997 555 683 00 5Z1 | Sand beige | | | |
| | 997 555 683 00 8W7 | sea blue | | | |
| | 997 555 683 00 5Y2 | Palm green | | | |
| | | D >> - MJ 2007 | | | |
| | 997 555 683 00 8X8 | Terracotta | | | |
| | 997 555 683 00 8P9 | Cocoa | | | |
| | 997 555 683 00 T13 | Brown/natural | | | |
| | 997 555 683 00 N23 | Carrera Red | | | |
| | | D - MJ 2008>> | | | |
| (16) | 997 555 684 00 | Cover cap Airbag | right | 1 | |

Model: 987 05 Model life 2005>>2008

| Pos | Part Number | Description | Remark | Qty | Model |
|------|--------------------|--|-----------|-----|--------|
| | 997 555 684 00 A03 | Black | | | |
| | 997 555 684 00 5V7 | Stone grey | | | |
| | 997 555 684 00 5Z1 | Sand beige | | | |
| | 997 555 684 00 8W7 | sea blue | | | |
| | 997 555 684 00 5Y2 | Palm green | | | |
| | | D >> - MJ 2007 | | | |
| | 997 555 684 00 8X8 | Terracotta | | | |
| | 997 555 684 00 8P9 | Cocoa | | | |
| | 997 555 684 00 T13 | Brown/natural | | | |
| | 997 555 684 00 N23 | Carrera Red | | | |
| | | D - MJ 2008>> | | | |
| 17 | 997 555 685 02 | Cover | left lhd | 1 | PR:098 |
| | | Exterior mirror (drivers side) Lacquered | | | |
| | 997 555 685 02 A03 | Black | | | |
| | 997 555 685 02 5V7 | Stone grey | | | |
| | 997 555 685 02 5Z1 | Sand beige | | | |
| | 997 555 685 02 8W7 | sea blue | | | |
| | 997 555 685 02 5Y2 | Palm green | | | |
| | | D >> - MJ 2007 | | | |
| | 997 555 685 02 8X8 | Terracotta | | | |
| | 997 555 685 02 8P9 | Cocoa | | | |
| | 997 555 685 02 T13 | Brown/natural | | | |
| | 997 555 685 02 N23 | Carrera Red | | | |
| | | D - MJ 2008>> | | | |
| (17) | 997 555 686 02 | Cover | right lhd | 1 | PR:098 |
| | | Exterior mirror (passenger side) Lacquered | | | |
| | 997 555 686 02 A03 | Black | | | |
| | 997 555 686 02 5V7 | Stone grey | | | |
| | 997 555 686 02 5Z1 | Sand beige | | | |
| | 997 555 686 02 8W7 | sea blue | | | |
| | 997 555 686 02 5Y2 | Palm green | | | |
| | | D >> - MJ 2007 | | | |
| | 997 555 686 02 8X8 | Terracotta | | | |
| | 997 555 686 02 8P9 | Cocoa | | | |
| | 997 555 686 02 T13 | Brown/natural | | | |
| | 997 555 686 02 N23 | Carrera Red | | | |
| | | D - MJ 2008>> | | | |
| 18 | 997 555 577 00 | Cover cap | | 1 | |
| | | Handle liner | | | |
| | 997 555 577 00 A03 | Black | | | |
| | 997 555 577 00 5V7 | Stone grey | | | |
| | 997 555 577 00 8W7 | sea blue | | | |
| | 997 555 577 00 5Y2 | Palm green | | | |
| | | D >> - MJ 2007 | | | |
| | 997 555 577 00 8X8 | Terracotta | | | |
| | 997 555 577 00 8P9 | Cocoa | | | |
| | 997 555 577 00 T13 | Brown/natural | | | |
| | 997 555 577 00 N23 | Carrera Red | | | |
| | | D - MJ 2008>> | | | |
| 19 | 997 555 895 00 | Plastic foam strip for | | 1 | |
| | | Bass loudspeaker | | | |
| 20 | 997 645 511 00 | inscription | | 2 | PR:680 |
| 21 | 997 555 597 00 | Distance piece | | 2 | |
| | | Bonnet hinge | | | |
| 22 | 999 702 281 41 | Grommet | | 1 | |
| | | Axle bearing | | | |
| 23 | 997 555 351 03 | Insert | left lhd | 1 | PR:098 |
| | | Handle liner | | | |

Model: 987 05 Model life 2005>>2008

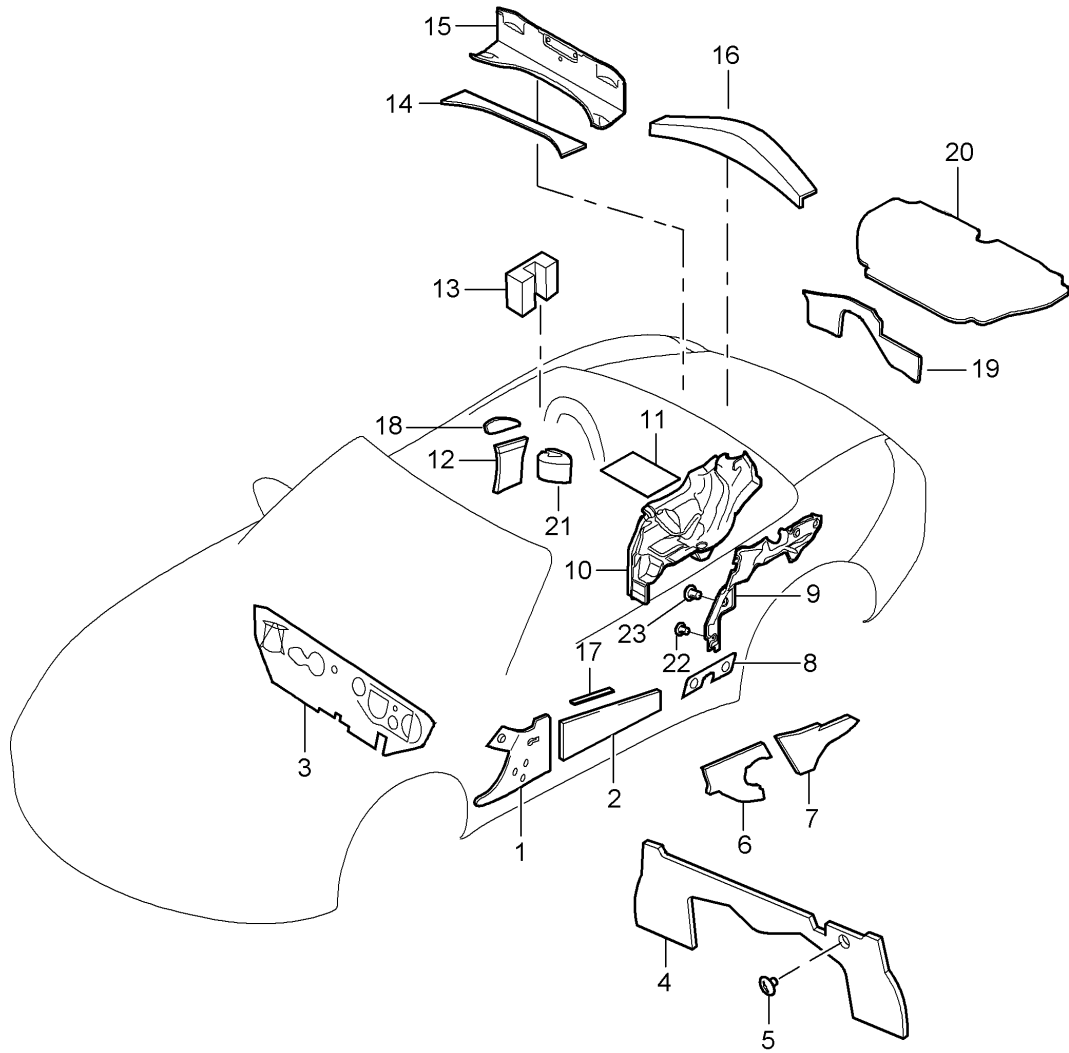
| Pos | Part Number | Description | Remark | Qty | Model |
|------|--------------------|-------------------------------------|-----------|-----|------------|
| | 997 555 351 03 A03 | Lacquered Black | | | |
| | 997 555 351 03 5V7 | Stone grey | | | |
| | 997 555 351 03 5Z1 | Sand beige | | | |
| | 997 555 351 03 8W7 | sea blue | | | |
| | 997 555 351 03 5Y2 | Palm green | | | |
| | | D >> - MJ 2007 | | | |
| | 997 555 351 03 8X8 | Terracotta | | | |
| | 997 555 351 03 8P9 | Cocoa | | | |
| | 997 555 351 03 T13 | Brown/natural | | | |
| | 997 555 351 03 N23 | Carrera Red | | | |
| | | D - MJ 2008>> | | | |
| (23) | 997 555 352 04 | Insert Handle liner Lacquered | right lhd | 1 | PR:098 |
| | 997 555 352 04 A03 | Black | | | |
| | 997 555 352 04 5V7 | Stone grey | | | |
| | 997 555 352 04 5Z1 | Sand beige | | | |
| | 997 555 352 04 8W7 | sea blue | | | |
| | 997 555 352 04 5Y2 | Palm green | | | |
| | | D >> - MJ 2007 | | | |
| | 997 555 352 04 8X8 | Terracotta | | | |
| | 997 555 352 04 8P9 | Cocoa | | | |
| | 997 555 352 04 T13 | Brown/natural | | | |
| | 997 555 352 04 N23 | Carrera Red | | | |
| | | D - MJ 2008>> | | | |
| 23 | 997 555 985 00 | Insert Handle liner Leather | left lhd | 1 | PR:XTV,098 |
| | 997 555 985 00 A11 | Black | | | |
| | 997 555 985 00 5X6 | Stone grey | | | |
| | 997 555 985 00 8G2 | Sand beige | | | |
| | 997 555 985 00 3S9 | sea blue | | | |
| | 997 555 985 00 4P2 | Palm green | | | |
| | | D >> - MJ 2007 | | | |
| | 997 555 985 00 9S5 | Terracotta | | | |
| | 997 555 985 00 9V6 | Cocoa | | | |
| | 997 555 985 00 D12 | Dark grey/natural | | | |
| | 997 555 985 00 T12 | Brown/natural | | | |
| | 997 555 985 00 N12 | Carrera Red | | | |
| | | D - MJ 2008>> | | | |
| (23) | 997 555 986 00 | Insert Handle liner Leather | right lhd | 1 | PR:XTV,098 |
| | 997 555 986 00 A11 | Black | | | |
| | 997 555 986 00 5X6 | Stone grey | | | |
| | 997 555 986 00 8G2 | Sand beige | | | |
| | 997 555 986 00 3S9 | sea blue | | | |
| | 997 555 986 00 4P2 | Palm green | | | |
| | | D >> - MJ 2007 | | | |
| | 997 555 986 00 9S5 | Terracotta | | | |
| | 997 555 986 00 9V6 | Cocoa | | | |
| | 997 555 986 00 D12 | Dark grey/natural | | | |
| | 997 555 986 00 T12 | Brown/natural | | | |
| | 997 555 986 00 N12 | Carrera Red | | | |
| | | D - MJ 2008>> | | | |
| 23 | 997 555 985 03 | Insert Handle liner Carbon | left lhd | 1 | PR:XTL,098 |
| | 997 555 985 03 A35 | Black | | | |
| (23) | 997 555 986 03 | Insert Handle liner Carbon | right lhd | 1 | PR:XTL,098 |

Model: 987 05 Model life 2005>>2008

| Pos | Part Number | Description | Remark | Qty | Model |
|------|--------------------------------------|---|-----------|-----|------------|
| 23 | 997 555 986 03 A35 997 555 985 06 | Black Insert Handle liner | left lhd | 1 | PR:XTU,098 |
| (23) | 997 555 985 06 S62 997 555 986 06 | Sycamore wood Insert Handle liner | right lhd | 1 | PR:XTU,098 |
| 23 | 997 555 986 06 S62 997 555 985 09 | Sycamore wood Insert Handle liner | left lhd | 1 | PR:XTT,098 |
| (23) | 997 555 985 09 S61 997 555 986 09 | macassar Insert Handle liner | right lhd | 1 | PR:XTT,098 |
| 23 | 997 555 986 09 S61 997 555 985 12 | macassar Insert Handle liner | left lhd | 1 | PR:XTW,098 |
| (23) | 997 555 985 12 V04 997 555 986 12 | Galvano silver Insert Handle liner | right lhd | 1 | PR:XTW,098 |
| (23) | 997 555 986 12 V04 987 555 351 00 | Galvano silver Insert Handle liner | left | 1 | PR:753 |
| (23) | 987 555 351 00 8C6 987 555 352 00 | D - MJ 2008>> orange Insert Handle liner | right | 1 | PR:753 |
| | 987 555 352 00 8C6 | D - MJ 2008>> orange | | | |

Model: 987 05

Model life 2005>>2008



Model: 987 05 Model life 2005>>2008

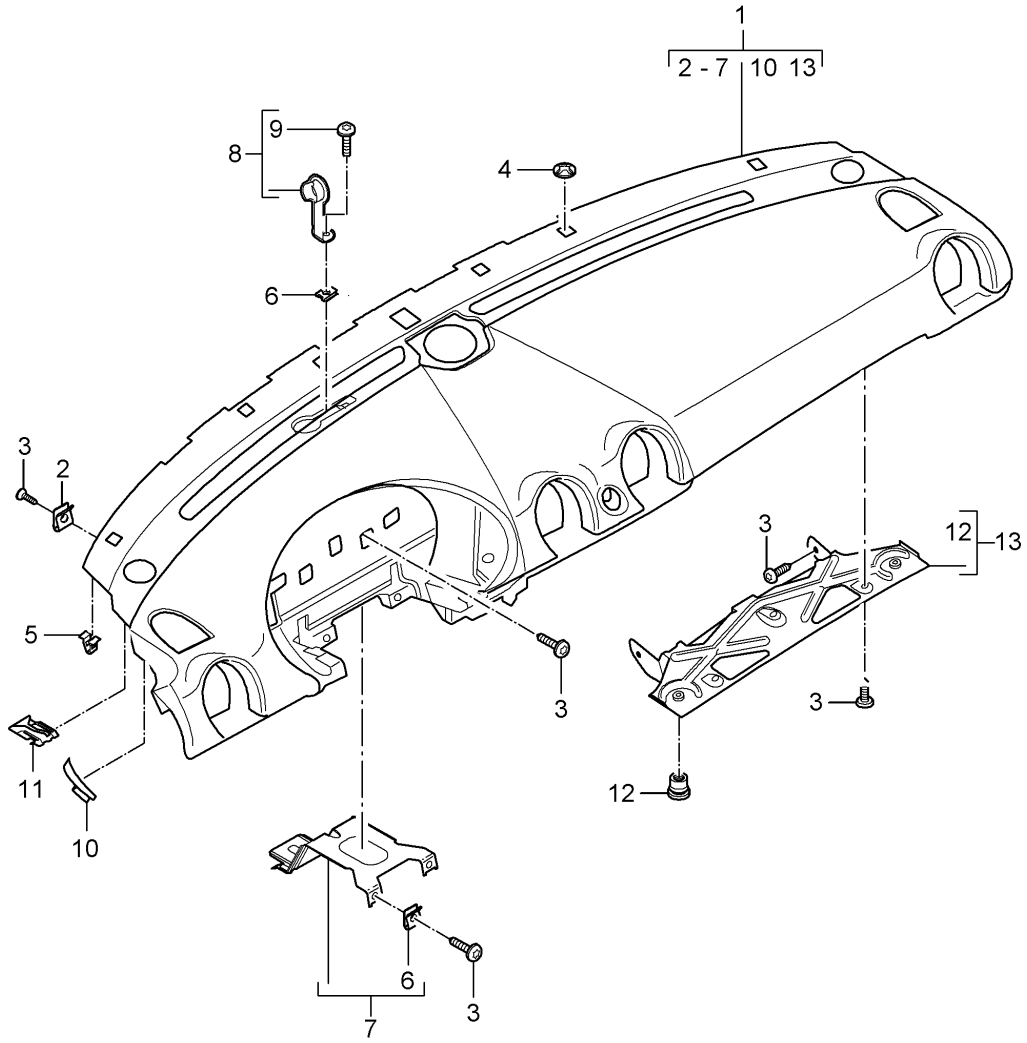
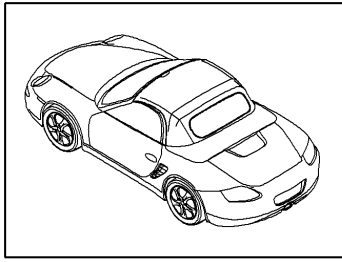
| Pos | Part Number | Description | Remark | Qty | Model |
|------|----------------|--|----------------|-----|--------|
| 1 | 997 556 605 00 | Body Sound proofing 1 Sound absorber | left | 1 | PR:098 |
| (1) | 997 556 606 00 | Wheel housing Sound absorber | front right | 1 | |
| 2 | 997 537 551 00 | Wheel housing sound absorber for door | front | 2 | |
| 3 | 997 556 723 00 | Sound absorber Firewall | lhd | 1 | |
| 4 | 987 556 741 00 | Sound absorber Engine bay rear panel | | 1 | |
| (4) | 987 556 741 01 | D >> - MJ 2006 Sound absorber Engine bay rear panel | | 1 | |
| (4) | 987 556 741 02 | D >> - MJ 2008 Sound absorber Engine bay rear panel | | 1 | |
| 5 | 999 049 020 40 | D - MJ 2009>> Plastic nut | | 1 | |
| (6) | 987 556 721 00 | T5 / 30 X 5,1 Sound absorber | left | 1 | |
| 6 | 987 556 722 00 | Engine bay Sound absorber | side right | 1 | |
| 7 | 987 556 724 00 | Engine bay Sound absorber | side right | 1 | |
| 8 | 987 556 683 00 | sound absorber for side panel | rear | 2 | |
| 9 | 987 556 663 00 | Sound absorber | left | 1 | |
| (9) | 987 556 664 00 | convertible top stowage box Sound absorber | outer right | 1 | |
| 10 | 987 556 623 02 | convertible top stowage box Sound absorber | outer left | 1 | |
| (10) | 987 556 624 02 | convertible top stowage box Sound absorber | side right | 1 | |
| 11 | 987 556 601 00 | convertible top stowage box Damping | side | 1 | |
| (12) | 987 556 603 00 | Engine cover Sound absorber | left | 1 | |
| 12 | 987 556 604 00 | Cover Seat belt D >> - MJ 2006 | | 1 | |
| (12) | 987 556 603 01 | Sound absorber Cover Seat belt D >> - MJ 2006 | right | 1 | |
| (12) | 987 556 604 01 | Sound absorber Cover Seat belt D - MJ 2007>> | left | 1 | |
| 13 | 987 556 671 01 | Sound absorber roll bar | right | 2 | |
| 14 | 987 556 627 00 | Damping convertible top stowage box | | 1 | |
| 15 | 987 556 621 00 | Sound absorber convertible top stowage box | | 1 | |

Model: 987 05 Model life 2005>>2008

| Pos | Part Number | Description | Remark | Qty | Model |
|------|----------------|---|----------------|-----|-------|
| 16 | 987 556 665 00 | Sound absorber D - MJ 2008>> - MJ 2008 | | 1 | |
| (16) | 987 556 665 02 | Sound absorber Cross member D - MJ 2008>> | rear | 1 | |
| 17 | 997 537 553 00 | sound absorber for door Reinforcement D - MJ 2006>> | | 4 | |
| 18 | 987 556 607 00 | Sound absorber Cover Seat belt D - MJ 2007>> | left upper | 1 | |
| (18) | 987 556 608 00 | Sound absorber Cover Seat belt D - MJ 2007>> | right upper | 1 | |
| 19 | 987 556 745 00 | Damping filler plate D - MJ 2007>> | inner | 1 | |
| 20 | 987 556 743 00 | sound absorber for engine lid D - MJ 2007>> | inner | 1 | |
| 21 | 987 556 653 00 | Damping roll bar D - MJ 2007>> | lower | 2 | |
| 22 | 999 703 432 40 | Bungs | | 2 | |
| 23 | 999 507 581 40 | Bungs | | 4 | |

Model: 987 05

Model life 2005>>2008



Model: 987 05 Model life 2005>>2008

| Pos | Part Number | Description | Remark | Qty | Model |
|-----|--------------------|--|--------------------|-----|--------------------|
| - | | Instrument panel trim Upper part with: Fasteners Accessories | | | |
| 1 | 987 552 101 10 | dashboard Upper part Leatherette Valid up to: F >> 98-8U710 728 F >> 98-8U730 471 | 809-001 lhd | 1 | PR:098 |
| | 987 552 101 10 9L4 | Black | | | |
| | 987 552 101 10 9M5 | Stone grey | | | |
| | 987 552 101 10 9C6 | Sand beige | | | |
| | 987 552 101 10 9D7 | sea blue | | | |
| | 987 552 101 10 9E8 | Palm green | | | |
| | | D >> - MJ 2007 | | | |
| 1 | 987 552 101 21 | dashboard Upper part Leatherette Valid from: F 98-8U710 729>> F 98-8U730 472>> | lhd | 1 | PR:098 |
| | 987 552 101 21 9L4 | Black | | | |
| | 987 552 101 21 9M5 | Stone grey | | | |
| | 987 552 101 21 9C6 | Sand beige | | | |
| | 987 552 101 21 9D7 | sea blue | | | |
| (1) | 987 552 101 12 | dashboard Upper part Leatherette Valid up to: F >> 98-8U710 728 F >> 98-8U730 471 | lhd | 1 | PR:098,639, 640 |
| | 987 552 101 12 9L4 | Black | | | |
| | 987 552 101 12 9M5 | Stone grey | | | |
| | 987 552 101 12 9C6 | Sand beige | | | |
| | 987 552 101 12 9D7 | sea blue | | | |
| | 987 552 101 12 9E8 | Palm green | | | |
| | | D >> - MJ 2007 | | | |
| 1 | 987 552 101 23 | dashboard Upper part Leatherette Valid from: F 98-8U710 729>> F 98-8U730 472>> | lhd | 1 | PR:098,639, 640 |
| | 987 552 101 23 9L4 | Black | | | |
| | 987 552 101 23 9M5 | Stone grey | | | |
| | 987 552 101 23 9C6 | Sand beige | | | |
| | 987 552 101 23 9D7 | sea blue | | | |
| (1) | 987 552 101 11 | dashboard Upper part Leather Valid up to: F >> 98-8U710 728 F >> 98-8U730 471 | lhd | 1 | PR:098,981 |
| | 987 552 101 11 A11 | Black | | | |
| | 987 552 101 11 5X6 | Stone grey | | | |
| | 987 552 101 11 8G2 | Sand beige | | | |

Model: 987 05 Model life 2005>>2008

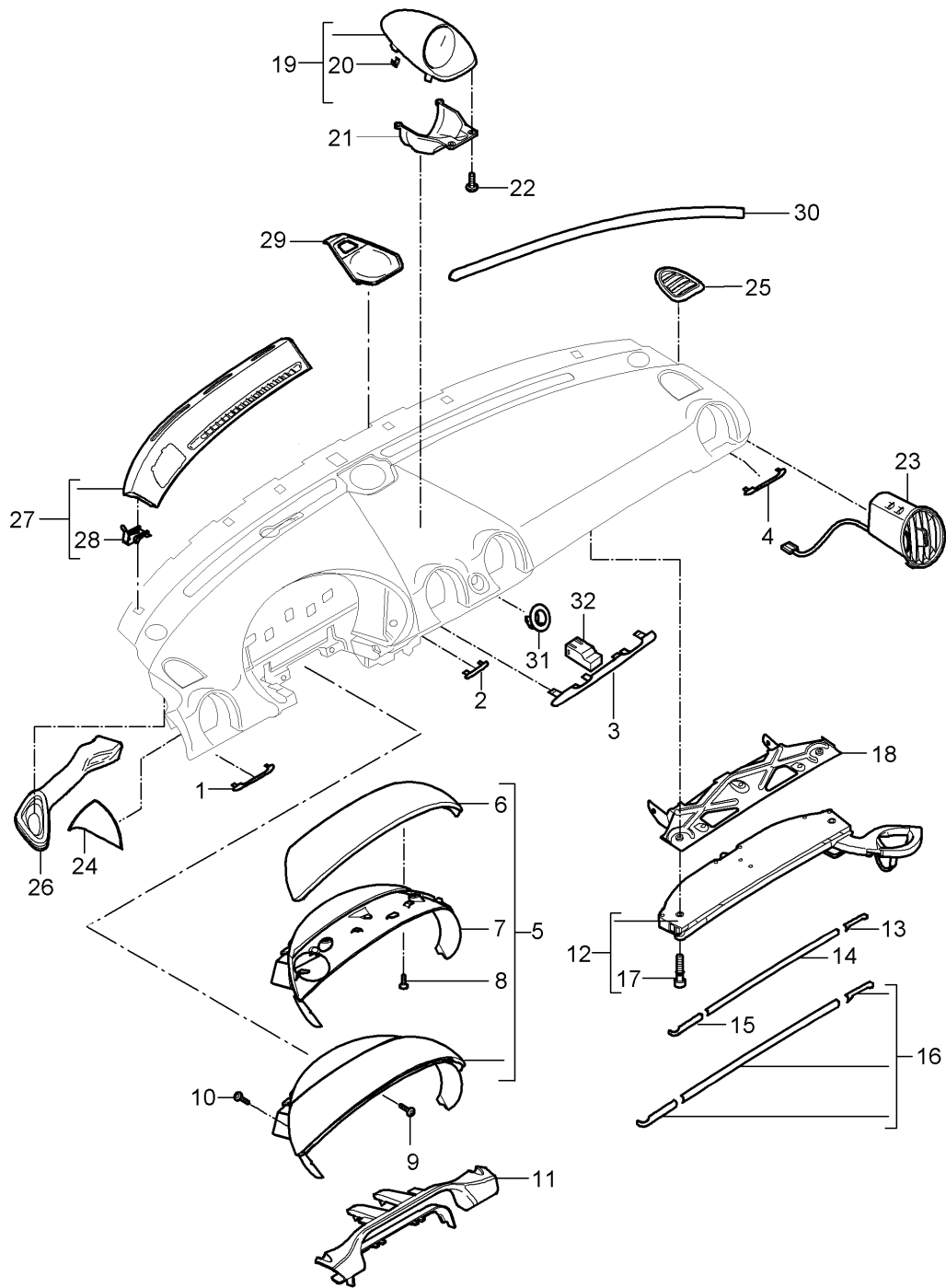
| Pos | Part Number | Description | Remark | Qty | Model |
|-----|--------------------|-------------------|--------|-----|------------------------|
| | 987 552 101 11 3S9 | sea blue | | | |
| | 987 552 101 11 4P2 | Palm green | | | |
| | | D >> - MJ 2007 | | | |
| | 987 552 101 11 9S5 | Terracotta | | | |
| | 987 552 101 11 9V6 | Cocoa | | | |
| | 987 552 101 11 D12 | Dark grey/natural | | | |
| | 987 552 101 11 T12 | Brown/natural | | | |
| | 987 552 101 11 N12 | Carrera Red | | | |
| | | D - MJ 2008>> | | | |
| 1 | 987 552 101 22 | dashboard | lhd | 1 | PR:098,981 |
| | | Upper part | | | |
| | | Leather | | | |
| | | Valid from: | | | |
| | | F 98-8U710 729>> | | | |
| | | F 98-8U730 472>> | | | |
| | 987 552 101 22 A11 | Black | | | |
| | 987 552 101 22 5X6 | Stone grey | | | |
| | 987 552 101 22 8G2 | Sand beige | | | |
| | 987 552 101 22 3S9 | sea blue | | | |
| | 987 552 101 22 9S5 | Terracotta | | | |
| | 987 552 101 22 9V6 | Cocoa | | | |
| | 987 552 101 22 D12 | Dark grey/natural | | | |
| | 987 552 101 22 T12 | Brown/natural | | | |
| | 987 552 101 22 N12 | Carrera Red | | | |
| | | D - MJ 2008>> | | | |
| (1) | 987 552 101 13 | dashboard | lhd | 1 | PR:098,639, 640,981 |
| | | Upper part | | | |
| | | Leather | | | |
| | | Valid up to: | | | |
| | | F >> 98-8U710 728 | | | |
| | | F >> 98-8U730 471 | | | |
| | 987 552 101 13 A11 | Black | | | |
| | 987 552 101 13 5X6 | Stone grey | | | |
| | 987 552 101 13 8G2 | Sand beige | | | |
| | 987 552 101 13 3S9 | sea blue | | | |
| | 987 552 101 13 4P2 | Palm green | | | |
| | | D >> - MJ 2007 | | | |
| | 987 552 101 13 9S5 | Terracotta | | | |
| | 987 552 101 13 9V6 | Cocoa | | | |
| | 987 552 101 13 D12 | Dark grey/natural | | | |
| | 987 552 101 13 T12 | Brown/natural | | | |
| | 987 552 101 13 N12 | Carrera Red | | | |
| | | D - MJ 2008>> | | | |
| 1 | 987 552 101 24 | dashboard | lhd | 1 | PR:098,639, 640,981 |
| | | Upper part | | | |
| | | Leather | | | |
| | | Valid from: | | | |
| | | F 98-8U710 729>> | | | |
| | | F 98-8U730 472>> | | | |
| | 987 552 101 24 A11 | Black | | | |
| | 987 552 101 24 5X6 | Stone grey | | | |
| | 987 552 101 24 8G2 | Sand beige | | | |
| | 987 552 101 24 3S9 | sea blue | | | |
| | 987 552 101 24 9S5 | Terracotta | | | |
| | 987 552 101 24 9V6 | Cocoa | | | |
| | 987 552 101 24 D12 | Dark grey/natural | | | |
| | 987 552 101 24 T12 | Brown/natural | | | |
| | 987 552 101 24 N12 | Carrera Red | | | |
| | | D - MJ 2008>> | | | |

Model: 987 05 Model life 2005>>2008

| Pos | Part Number | Description | Remark | Qty | Model |
|------|----------------|---|--------|-----|--------|
| 2 | 999 507 971 01 | panel nut ST 4,2 | | X | |
| 3 | 999 073 155 09 | panel screw ST 4,2 X 13 | | X | |
| 4 | 999 507 106 02 | Clamping washer 8,0 | | X | |
| 5 | 999 507 732 01 | Clamp 8,0 X 12,0 /4,0 | | X | |
| 6 | 999 507 020 01 | panel nut ST 4,2 | | X | |
| 7 | 997 552 617 01 | bracket for dash panel (drivers side) | | 1 | |
| 8 | 997 552 673 00 | Cover Defroster trim | | 2 | |
| 9 | 999 073 226 09 | panel screw ST 4,2 X 16 | | 2 | |
| 10 | 997 552 481 00 | Insert A-pillar | left | 1 | |
| (10) | 997 552 482 00 | Insert A-pillar | right | 1 | |
| 11 | 999 507 921 01 | Clip | | 2 | |
| 12 | 999 500 132 00 | castellated nut M5 Valid up to: F >> 98-8U710 728 F >> 98-8U730 471 | | 2 | |
| (12) | 999 507 319 01 | Cage nut M5 Valid from: F 98-8U710 729>> F 98-8U730 472>> | | 2 | |
| 13 | 997 552 360 02 | Retaining plate for Beverages Bracket Valid up to: F >>98U7 10728 F >>98U7 30471 | lhd | 1 | PR:098 |
| (13) | 997 552 360 03 | Retaining plate for Beverages Bracket Valid from: F 98-8U710 729>> F 98-8U730 472>> | lhd | 1 | PR:098 |

Model: 987 05

Model life 2005>>2008



Model: 987 05 Model life 2005>>2008

| Pos | Part Number | Description | Remark | Qty | Model |
|-----|--------------------|---------------------------------------|-----------|-----|---------------------|
| | | Instrument panel trim Upper part | | | |
| | | with: | | | |
| 1 | 987 552 381 01 | Accessories Trim (drivers side) | outer lhd | 1 | BOXSTER PR:098 |
| (1) | 987 552 381 01 D07 | Volcano grey | | | |
| (1) | 987 552 381 02 | Trim (drivers side) | outer lhd | 1 | BOXSTER S PR:098 |
| (1) | 987 552 381 02 V04 | Galvano silver | | | |
| (1) | 987 552 381 03 | Trim (drivers side) | outer lhd | 1 | PR:098,801 |
| (1) | 987 552 381 03 S61 | macassar | | | |
| (1) | 987 552 381 04 | Trim | left lhd | 1 | PR:098,802 |
| | | | outer | | |
| (1) | 987 552 381 04 S62 | Sycamore wood | | | |
| (1) | 987 552 381 05 | Trim (drivers side) | outer lhd | 1 | PR:098,803 |
| (1) | 987 552 381 05 A35 | Black | | | |
| (1) | 987 552 381 06 | Trim (drivers side) | outer | 1 | PR:753 |
| | | D - MJ 2008>> | | | |
| (1) | 987 552 381 06 G2X | primed | | | |
| (1) | 987 552 381 06 | Trim (drivers side) | outer lhd | 1 | PR:098,757 |
| | | D - MJ 2008>> | | | |
| (1) | 987 552 381 06 G2X | primed | | | |
| (1) | 987 552 986 00 | Trim (drivers side) | outer lhd | 1 | PR:XVP,098 |
| | | Black | | | |
| | | Stone grey | | | |
| | | Sand beige | | | |
| | | sea blue | | | |
| | | Palm green | | | |
| | | D >> - MJ 2007 | | | |
| | | Terracotta | | | |
| | | Cocoa | | | |
| | | Dark grey/natural | | | |
| | | Brown/natural | | | |
| | | Carrera Red | | | |
| | | D - MJ 2008>> | | | |
| 2 | 987 552 383 01 | Trim (drivers side) | inner lhd | 1 | BOXSTER PR:098 |
| (2) | 987 552 383 01 D07 | Volcano grey | | | |
| (2) | 987 552 383 02 | Trim (drivers side) | inner lhd | 1 | BOXSTER S PR:098 |
| (2) | 987 552 383 02 V04 | Galvano silver | | | |
| (2) | 987 552 383 03 | Trim (drivers side) | inner lhd | 1 | PR:098,801 |
| (2) | 987 552 383 03 S61 | macassar | | | |
| (2) | 987 552 383 04 | Trim (drivers side) | inner lhd | 1 | PR:098,802 |
| (2) | 987 552 383 04 S62 | Sycamore wood | | | |
| (2) | 987 552 383 05 | Trim (drivers side) | inner lhd | 1 | PR:098,803 |
| (2) | 987 552 383 05 A35 | Black | | | |
| (2) | 987 552 383 06 | Trim (drivers side) | inner | 1 | PR:753 |
| | | D - MJ 2008>> | | | |
| (2) | 987 552 383 06 G2X | primed | | | |
| (2) | 987 552 383 06 | Trim (drivers side) | inner lhd | 1 | PR:098,757 |

Model: 987 05 Model life 2005>>2008

| Pos | Part Number | Description | Remark | Qty | Model |
|-----|--------------------|-----------------------|--------|-----|------------|
| | | D - MJ 2008>> | | | |
| (2) | 987 552 383 06 G2X | primed | | | |
| | 987 552 987 00 | Trim | lhd | 1 | PR:XVP,098 |
| | | (drivers side) | inner | | |
| | 987 552 987 00 A11 | Black | | | |
| | 987 552 987 00 5X6 | Stone grey | | | |
| | 987 552 987 00 8G2 | Sand beige | | | |
| | 987 552 987 00 3S9 | sea blue | | | |
| | 987 552 987 00 4P2 | Palm green | | | |
| | | D >> - MJ 2007 | | | |
| | 987 552 987 00 9S5 | Terracotta | | | |
| | 987 552 987 00 9V6 | Cocoa | | | |
| | 987 552 987 00 D12 | Dark grey/natural | | | |
| | 987 552 987 00 T12 | Brown/natural | | | |
| | 987 552 987 00 N12 | Carrera Red | | | |
| | | D - MJ 2008>> | | | |
| 3 | 987 552 585 01 | molding for dashboard | center | 1 | BOXSTER |
| | 987 552 585 01 D07 | Volcano grey | | | |
| (3) | 987 552 585 02 | molding for dashboard | center | 1 | BOXSTER S |
| | 987 552 585 02 V04 | Galvano silver | | | |
| (3) | 987 552 585 03 | molding for dashboard | center | 1 | PR:801 |
| | 987 552 585 03 S61 | macassar | | | |
| (3) | 987 552 585 04 | molding for dashboard | center | 1 | PR:802 |
| | 987 552 585 04 S62 | Sycamore wood | | | |
| (3) | 987 552 585 05 | molding for dashboard | center | 1 | PR:803 |
| | 987 552 585 05 A35 | Black | | | |
| (3) | 987 552 585 06 | molding for dashboard | center | 1 | PR:753 |
| | | D - MJ 2008>> | | | |
| | 987 552 585 06 G2X | primed | | | |
| (3) | 987 552 585 06 | molding for dashboard | center | 1 | PR:757 |
| | | D - MJ 2008>> | | | |
| | 987 552 585 06 G2X | primed | | | |
| (3) | 987 552 981 00 | molding for dashboard | center | 1 | PR:XVP |
| | 987 552 981 00 A11 | Black | | | |
| | 987 552 981 00 5X6 | Stone grey | | | |
| | 987 552 981 00 8G2 | Sand beige | | | |
| | 987 552 981 00 3S9 | sea blue | | | |
| | 987 552 981 00 4P2 | Palm green | | | |
| | | D >> - MJ 2007 | | | |
| | 987 552 981 00 9S5 | Terracotta | | | |
| | 987 552 981 00 9V6 | Cocoa | | | |
| | 987 552 981 00 D12 | Dark grey/natural | | | |
| | 987 552 981 00 T12 | Brown/natural | | | |
| | 987 552 981 00 N12 | Carrera Red | | | |
| | | D - MJ 2008>> | | | |
| 4 | 987 552 388 01 | molding for dashboard | lhd | 1 | BOXSTER |
| | | (passenger side) | | | PR:098 |
| | 987 552 388 01 D07 | Volcano grey | | | |
| (4) | 987 552 388 02 | molding for dashboard | lhd | 1 | BOXSTER S |
| | | (passenger side) | | | PR:098 |
| | 987 552 388 02 V04 | Galvano silver | | | |
| (4) | 987 552 388 03 | molding for dashboard | lhd | 1 | PR:098,801 |
| | | (passenger side) | | | |
| | 987 552 388 03 S61 | macassar | | | |
| (4) | 987 552 388 04 | molding for dashboard | lhd | 1 | PR:098,802 |
| | | (passenger side) | | | |
| | 987 552 388 04 S62 | Sycamore wood | | | |
| (4) | 987 552 388 05 | molding for dashboard | lhd | 1 | PR:098,803 |
| | | (passenger side) | | | |
| | 987 552 388 05 A35 | Black | | | |
| (4) | 987 552 388 06 | molding for dashboard | | 1 | PR:753 |
| | | (passenger side) | | | |

Model: 987 05 Model life 2005>>2008

| Pos | Part Number | Description | Remark | Qty | Model |
|-----|--------------------------------------|--|--------|-----|--------------------|
| (4) | 987 552 388 06 G2X 987 552 388 06 | D - MJ 2008>> primed molding for dashboard (passenger side) | lhd | 1 | PR:098,757 |
| (4) | 987 552 388 06 G2X 987 552 982 00 | D - MJ 2008>> primed molding for dashboard (passenger side) | lhd | 1 | PR:XVP,098 |
| | 987 552 982 00 A11 | Black | | | |
| | 987 552 982 00 5X6 | Stone grey | | | |
| | 987 552 982 00 8G2 | Sand beige | | | |
| | 987 552 982 00 3S9 | sea blue | | | |
| | 987 552 982 00 4P2 | Palm green | | | |
| | | D >> - MJ 2007 | | | |
| | 987 552 982 00 9S5 | Terracotta | | | |
| | 987 552 982 00 9V6 | Cocoa | | | |
| | 987 552 982 00 D12 | Dark grey/natural | | | |
| | 987 552 982 00 T12 | Brown/natural | | | |
| | 987 552 982 00 N12 | Carrera Red | | | |
| 5 | 987 552 021 00 | D - MJ 2008>> Instrument box (complete) slush technology | lhd | 1 | PR:098 |
| | 987 552 021 00 9L4 | Black | | | |
| | 987 552 021 00 9M5 | Stone grey | | | |
| | 987 552 021 00 9C6 | Sand beige | | | |
| | 987 552 021 00 9D7 | sea blue | | | |
| | 987 552 021 00 9E8 | Palm green | | | |
| | | D >> - MJ 2007 | | | |
| (5) | 987 552 021 01 | Instrument box (complete) | lhd | 1 | PR:098,981 |
| | 987 552 021 01 FSA | black/grey | | | |
| | 987 552 021 01 FSB | Stone grey/stone grey | | | |
| | 987 552 021 01 FSC | Sand beige/sand beige | | | |
| | 987 552 021 01 FSD | Sea blue/grey | | | |
| | 987 552 021 01 FSE | Palmgreen/palmgreen | | | |
| | | D >> - MJ 2007 | | | |
| | 987 552 021 01 FSF | Terracotta/terracotta | | | |
| | 987 552 021 01 FSG | Cocoa/Cocoa | | | |
| | 987 552 021 01 FSH | Darkgrey natural/grey | | | |
| | 987 552 021 01 FSJ | Brown nat./brown nat. | | | |
| | 987 552 021 01 FSP | Carrera Red | | | |
| (5) | 987 552 990 00 | D - MJ 2008>> Instrument box (complete) | lhd | 1 | PR:XNG,098 |
| | 987 552 990 00 9L4 | Black | | | |
| | 987 552 990 00 9M5 | Stone grey | | | |
| | 987 552 990 00 9C6 | Sand beige | | | |
| | 987 552 990 00 9D7 | sea blue | | | |
| | 987 552 990 00 9E8 | Palm green | | | |
| | | D >> - MJ 2007 | | | |
| (5) | 987 552 990 02 | Instrument box (complete) | lhd | 1 | PR:XNG,098, 991 |
| | 987 552 990 02 A11 | Black | | | |
| | 987 552 990 02 5X6 | Stone grey | | | |
| | 987 552 990 02 8G2 | Sand beige | | | |
| | 987 552 990 02 3S9 | sea blue | | | |
| | 987 552 990 02 4P2 | Palm green | | | |
| | | D >> - MJ 2007 | | | |
| | 987 552 990 02 9S5 | Terracotta | | | |
| | 987 552 990 02 9V6 | Cocoa | | | |
| | 987 552 990 02 D12 | Dark grey/natural | | | |
| | 987 552 990 02 T12 | Brown/natural | | | |

Model: 987 05 Model life 2005>>2008

| Pos | Part Number | Description | Remark | Qty | Model |
|-----|--------------------|---|--------|-----|--------------------|
| | 987 552 990 02 N12 | Carrera Red | | | |
| (5) | 987 552 990 04 | D - MJ 2008>> Instrument box (complete) | lhd | 1 | PR:XCL,098 |
| | 987 552 990 04 9L4 | Black | | | |
| | 987 552 990 04 9M5 | Stone grey | | | |
| | 987 552 990 04 9C6 | Sand beige | | | |
| | 987 552 990 04 9D7 | sea blue | | | |
| | 987 552 990 04 9E8 | Palm green | | | |
| (5) | 987 552 990 06 | D >> - MJ 2007 Instrument box (complete) | lhd | 1 | PR:XCL,098, 981 |
| | 987 552 990 06 A11 | Black | | | |
| | 987 552 990 06 5X6 | Stone grey | | | |
| | 987 552 990 06 8G2 | Sand beige | | | |
| | 987 552 990 06 3S9 | sea blue | | | |
| | 987 552 990 06 4P2 | Palm green | | | |
| | 987 552 990 06 9S5 | D >> - MJ 2007 Terracotta | | | |
| | 987 552 990 06 9V6 | Cocoa | | | |
| | 987 552 990 06 D12 | Dark grey/natural | | | |
| | 987 552 990 06 T12 | Brown/natural | | | |
| | 987 552 990 06 N12 | Carrera Red | | | |
| (5) | 987 552 325 02 | D - MJ 2008>> Instrument box Lacquered | | 1 | PR:098,754 |
| | 987 552 325 02 A03 | D - MJ 2008>> Black | | | |
| (5) | 987 552 325 02 N23 | Carrera Red Instrument box Lacquered | | 1 | PR:099,754 |
| | 987 552 326 02 A03 | D - MJ 2008>> Black | | | |
| 6 | 987 552 121 02 | 987 552 326 02 N23 Carrera Red Instrument box Upper part slush technology | lhd | 1 | PR:098 |
| | 987 552 121 02 9L4 | Black | | | |
| | 987 552 121 02 9M5 | Stone grey | | | |
| | 987 552 121 02 9C6 | Sand beige | | | |
| | 987 552 121 02 9D7 | sea blue | | | |
| | 987 552 121 02 9E8 | Palm green | | | |
| (6) | 987 552 121 03 | D >> - MJ 2007 Instrument box Upper part | lhd | 1 | PR:098,981 |
| | 987 552 121 03 FSA | black/grey | | | |
| | 987 552 121 03 FSB | Stone grey/stone grey | | | |
| | 987 552 121 03 FSC | Sand beige/sand beige | | | |
| | 987 552 121 03 FSD | Sea blue/grey | | | |
| | 987 552 121 03 FSE | Palmgreen/palmgreen | | | |
| | 987 552 121 03 FSF | D >> - MJ 2007 Terracotta/terracotta | | | |
| | 987 552 121 03 FSG | Cocoa/Cocoa | | | |
| | 987 552 121 03 FSH | Darkgrey natural/grey | | | |
| | 987 552 121 03 FSJ | Brown nat./brown nat. | | | |
| | 987 552 121 03 FSP | Carrera Red | | | |
| 7 | 987 552 227 01 | D - MJ 2008>> Trim Combi-instrument | lhd | 1 | PR:098 |
| | 987 552 227 01 A03 | Black | | | |
| | 987 552 227 01 5V7 | Stone grey | | | |
| | 987 552 227 01 5Z1 | Sand beige | | | |
| | 987 552 227 01 8W7 | sea blue | | | |

Model: 987 05 Model life 2005>>2008

| Pos | Part Number | Description | Remark | Qty | Model |
|-----|--------------------|--|--------|-----|--------------------|
| | 987 552 227 01 5Y2 | Palm green D >> - MJ 2007 | | | |
| | 987 552 227 01 8X8 | Terracotta | | | |
| | 987 552 227 01 8P9 | Cocoa | | | |
| | 987 552 227 01 T13 | Brown/natural | | | |
| | 987 552 227 01 N23 | Carrera Red D - MJ 2008>> | | | |
| (7) | 987 552 989 00 | Leather panel Combi-instrument | lhd | 1 | PR:XNG,098, 981 |
| | 987 552 989 00 A11 | Black | | | |
| | 987 552 989 00 5X6 | Stone grey | | | |
| | 987 552 989 00 8G2 | Sand beige | | | |
| | 987 552 989 00 3S9 | sea blue | | | |
| | 987 552 989 00 4P2 | Palm green D >> - MJ 2007 | | | |
| | 987 552 989 00 9S5 | Terracotta | | | |
| | 987 552 989 00 9V6 | Cocoa | | | |
| | 987 552 989 00 D12 | Dark grey/natural | | | |
| | 987 552 989 00 T12 | Brown/natural | | | |
| | 987 552 989 00 N12 | Carrera Red D - MJ 2008>> | | | |
| (7) | 987 552 989 02 | Trim Combi-instrument | lhd | 1 | PR:XCL,098, 981 |
| | 987 552 989 02 V04 | Galvano silver | | | |
| 8 | 999 073 340 09 | panel screw ST 3,5 X 11 | | 2 | |
| 9 | 999 073 155 09 | panel screw ST 4,2 X 13 Mount Trim | | 2 | |
| 10 | 999 073 226 09 | Combi-instrument panel screw ST 4,2 X 16 Mount Trim | | 5 | |
| - | 999 507 621 02 | Combi-instrument panel nut Mount Trim | | 5 | |
| - | 999 507 621 01 | Combi-instrument D >> - MJ 2006 panel nut ST 4,2 Mount Trim | | 5 | |
| 11 | 987 552 271 01 | Combi-instrument D - MJ 2007>> Bridge | lhd | 1 | PR:098 |
| | 987 552 271 01 A03 | Black | | | |
| | 987 552 271 01 5V7 | Stone grey | | | |
| | 987 552 271 01 5Z1 | Sand beige | | | |
| | 987 552 271 01 8W7 | sea blue | | | |
| | 987 552 271 01 5Y2 | Palm green D >> - MJ 2007 | | | |
| | 987 552 271 01 8X8 | Terracotta | | | |
| | 987 552 271 01 8P9 | Cocoa | | | |
| | 987 552 271 01 T13 | Brown/natural | | | |
| | 987 552 271 01 N23 | Carrera Red D - MJ 2008>> | | | |
| 11 | 987 552 978 00 | Bridge D - MJ 2006>> | lhd | 1 | PR:XNS,098 |
| | 987 552 978 00 A11 | Black | | | |
| | 987 552 978 00 5X6 | Stone grey | | | |

Model: 987 05 Model life 2005>>2008

| Pos | Part Number | Description | Remark | Qty | Model |
|------|--------------------|------------------------|------------|-----|---------------------|
| | 987 552 978 00 8G2 | Sand beige | | | |
| | 987 552 978 00 3S9 | sea blue | | | |
| | 987 552 978 00 4P2 | Palm green | | | |
| | | D >> - MJ 2007 | | | |
| | 987 552 978 00 9S5 | Terracotta | | | |
| | 987 552 978 00 9V6 | Cocoa | | | |
| | 987 552 978 00 D12 | Dark grey/natural | | | |
| | 987 552 978 00 T12 | Brown/natural | | | |
| | 987 552 978 00 N12 | Carrera Red | | | |
| | | D - MJ 2008>> | | | |
| (11) | 987 552 978 01 | Bridge | rhd | 1 | PR:XNS,099 |
| | | D - MJ 2006>> | | | |
| | 987 552 978 01 A11 | Black | | | |
| | 987 552 978 01 5X6 | Stone grey | | | |
| | 987 552 978 01 8G2 | Sand beige | | | |
| | 987 552 978 01 3S9 | sea blue | | | |
| | 987 552 978 01 4P2 | Palm green | | | |
| | | D >> - MJ 2007 | | | |
| | 987 552 978 01 9S5 | Terracotta | | | |
| | 987 552 978 01 9V6 | Cocoa | | | |
| | 987 552 978 01 D12 | Dark grey/natural | | | |
| | 987 552 978 01 T12 | Brown/natural | | | |
| | 987 552 978 01 N12 | Carrera Red | | | |
| | | D - MJ 2008>> | | | |
| 12 | 997 552 294 03 | Drinks holder | lhd | 1 | PR:098 |
| - | 997 552 905 00 | repair set | | 1 | |
| | | Flap | | | |
| | | torsion spring | | | |
| | | for | | | |
| | | Beverages | | | |
| | | Bracket | | | |
| 13 | 997 552 394 01 | Retainer for trim | right lhd | 1 | BOXSTER PR:098 |
| (13) | 997 552 394 01 D07 | Volcano grey | | | |
| | 997 552 394 02 | Retainer for trim | right lhd | 1 | BOXSTER S PR:098 |
| (13) | 997 552 394 02 V04 | Galvano silver | | | |
| | 997 552 396 05 | Retainer for trim | right lhd | 1 | PR:098,803 |
| (13) | 997 552 396 05 A35 | Black | | | |
| | 987 552 394 00 | Trim for drinks holder | right | 1 | PR:753 |
| | | D - MJ 2008>> | | | |
| (13) | 987 552 394 00 G2X | primed | | | |
| | 987 552 394 00 | Trim for drinks holder | right lhd | 1 | PR:098,757 |
| | | D - MJ 2008>> | | | |
| (13) | 987 552 394 00 G2X | primed | | | |
| | 997 552 993 00 | Leather panel | right lhd | 1 | PR:XVP,098 |
| | 997 552 993 00 A11 | Black | | | |
| | 997 552 993 00 5X6 | Stone grey | | | |
| | 997 552 993 00 8G2 | Sand beige | | | |
| | 997 552 993 00 3S9 | sea blue | | | |
| | 997 552 993 00 4P2 | Palm green | | | |
| | | D >> - MJ 2007 | | | |
| | 997 552 993 00 9S5 | Terracotta | | | |
| | 997 552 993 00 9V6 | Cocoa | | | |
| | 997 552 993 00 D12 | Dark grey/natural | | | |
| | 997 552 993 00 T12 | Brown/natural | | | |
| | 997 552 993 00 N12 | Carrera Red | | | |
| | | D - MJ 2008>> | | | |
| 14 | 997 552 398 00 | Retainer for trim | center lhd | 1 | BOXSTER PR:098 |
| | 997 552 398 00 D07 | Volcano grey | | | |

Model: 987 05 Model life 2005>>2008

| Pos | Part Number | Description | Remark | Qty | Model |
|------|--------------------|---------------------------|------------|-----|---------------------|
| (14) | 997 552 398 01 | Retainer for trim | center lhd | 1 | BOXSTER S PR:098 |
| | 997 552 398 01 V04 | Galvano silver | | | |
| (14) | 997 552 398 04 | Retainer for trim | center lhd | 1 | PR:098,803 |
| | 997 552 398 04 A35 | Black | | | |
| (14) | 987 552 392 00 | Retainer for trim | center | 1 | PR:753 |
| | 987 552 392 00 G2X | D - MJ 2008>> primed | | | |
| (14) | 987 552 392 00 | Retainer for trim | center lhd | 1 | PR:098,757 |
| | 987 552 392 00 G2X | D - MJ 2008>> primed | | | |
| (14) | 997 552 994 00 | Leather panel | center lhd | 1 | PR:XVP,098 |
| | 997 552 994 00 A11 | Black | | | |
| | 997 552 994 00 5X6 | Stone grey | | | |
| | 997 552 994 00 8G2 | Sand beige | | | |
| | 997 552 994 00 3S9 | sea blue | | | |
| | 997 552 994 00 4P2 | Palm green | | | |
| | 997 552 994 00 9S5 | Terracotta | | | |
| | 997 552 994 00 9V6 | Cocoa | | | |
| | 997 552 994 00 D12 | Dark grey/natural | | | |
| | 997 552 994 00 T12 | Brown/natural | | | |
| | 997 552 994 00 N12 | Carrera Red | | | |
| | 997 552 994 00 | D - MJ 2008>> | | | |
| 15 | 997 552 396 01 | Retainer for trim | left lhd | 1 | BOXSTER PR:098 |
| | 997 552 396 01 D07 | Volcano grey | | | |
| (15) | 997 552 396 02 | Retainer for trim | left lhd | 1 | BOXSTER S PR:098 |
| | 997 552 396 02 V04 | Galvano silver | | | |
| (15) | 997 552 394 05 | Retainer for trim | left lhd | 1 | PR:098,803 |
| | 997 552 394 05 A35 | Black | | | |
| (15) | 987 552 396 00 | Trim for drinks holder | left | 1 | PR:753 |
| | 987 552 396 00 G2X | D - MJ 2008>> primed | | | |
| (15) | 987 552 396 00 | Trim for drinks holder | left lhd | 1 | PR:098,757 |
| | 987 552 396 00 G2X | D - MJ 2008>> primed | | | |
| (15) | 997 552 992 00 | Leather panel | left lhd | 1 | PR:XVP,098 |
| | 997 552 992 00 A11 | Black | | | |
| | 997 552 992 00 5X6 | Stone grey | | | |
| | 997 552 992 00 8G2 | Sand beige | | | |
| | 997 552 992 00 3S9 | sea blue | | | |
| | 997 552 992 00 4P2 | Palm green | | | |
| | 997 552 992 00 9S5 | Terracotta | | | |
| | 997 552 992 00 9V6 | Cocoa | | | |
| | 997 552 992 00 D12 | Dark grey/natural | | | |
| | 997 552 992 00 T12 | Brown/natural | | | |
| | 997 552 992 00 N12 | Carrera Red | | | |
| | 997 552 992 00 | D - MJ 2008>> | | | |
| 16 | 997 552 904 00 | Set Trim Wood | lhd | 1 | PR:098,801 |
| | 997 552 904 00 S61 | macassar | | | |
| 16 | 997 552 904 01 | Set Trim Wood | lhd | 1 | PR:098,802 |

Model: 987 05 Model life 2005>>2008

| Pos | Part Number | Description | Remark | Qty | Model |
|------|--|---|------------------------------|-----|--------------------|
| 17 | 997 552 904 01 S62 900 067 416 01 | Sycamore wood Socket head bolt M5 x 27 | | 2 | |
| 18 | | Retaining plate Beverages Bracket | | 1 | |
| 19 | 987 552 371 00 987 552 371 00 A03 987 552 371 00 5V7 987 552 371 00 5Z1 987 552 371 00 8W7 987 552 371 00 5Y2 | Air guide Upper part Black Stone grey Sand beige sea blue Palm green D >> - MJ 2007 | 809-000 see illustration: | 1 | PR:639,640 |
| (19) | 987 552 371 01 987 552 371 01 A11 987 552 371 01 5X6 987 552 371 01 8G2 987 552 371 01 3S9 987 552 371 01 4P2 987 552 371 01 9S5 987 552 371 01 9V6 987 552 371 01 D12 987 552 371 01 T12 987 552 371 01 N12 | Air guide Upper part Black Stone grey Sand beige sea blue Palm green D >> - MJ 2007 Terracotta Cocoa Dark grey/natural Brown/natural Carrera Red D - MJ 2008>> | | 1 | PR:639,640, 981 |
| 20 | 999 507 920 01 | U-clip 1,7-2,1 | | 4 | PR:639,640 |
| 21 | 997 552 373 01 | Retainer, upper part | | 1 | PR:639,640 |
| 22 | 999 919 167 09 | fillister hd. bolt 3,0 X 10 | | 4 | |
| 23 | 987 552 131 03 987 552 131 03 FNE | Air vent D >> - MJ 2007 Volcano grey/galvanosilver | | 4 | |
| 23 | 987 552 131 04 987 552 131 04 FRA | Air vent D - MJ 2008>> Black/Galvano Silver | | 4 | |
| (23) | 987 552 980 00 987 552 980 00 A11 987 552 980 00 5X6 987 552 980 00 8G2 987 552 980 00 3S9 987 552 980 00 4P2 987 552 980 00 9S5 987 552 980 00 9V6 987 552 980 00 D12 987 552 980 00 T12 987 552 980 00 N12 | Air vent Black Stone grey Sand beige sea blue Palm green D >> - MJ 2007 Terracotta Cocoa Dark grey/natural Brown/natural Carrera Red D - MJ 2008>> | | 4 | PR:XVR |
| 24 | 987 552 537 01 987 552 537 01 A03 987 552 537 01 5V7 987 552 537 01 5Z1 987 552 537 01 8W7 987 552 537 01 5Y2 987 552 537 01 8X8 987 552 537 01 8P9 | Dash panel trim Upper part Black Stone grey Sand beige sea blue Palm green D >> - MJ 2007 Terracotta Cocoa | left | 1 | |

Model: 987 05 Model life 2005>>2008

| Pos | Part Number | Description | Remark | Qty | Model | | |
|---------------------|--------------------|-----------------|--------|-----|-------|---|--|
| (24) | 987 552 537 01 T13 | Brown/natural | right | 1 | | | |
| | 987 552 537 01 N23 | Carrera Red | | | | | |
| | | D - MJ 2008>> | | | | | |
| | 987 552 538 01 | Dash panel trim | | | | | |
| | | Upper part | | | | | |
| | 987 552 538 01 A03 | Black | | | | | |
| | 987 552 538 01 5V7 | Stone grey | | | | | |
| | 987 552 538 01 5Z1 | Sand beige | | | | | |
| | 987 552 538 01 8W7 | sea blue | | | | | |
| | 987 552 538 01 5Y2 | Palm green | | | | | |
| | | D >> - MJ 2007 | | | | | |
| 987 552 538 01 8X8 | Terracotta | left | 1 | | | | |
| 987 552 538 01 8P9 | Cocoa | | | | | | |
| 987 552 538 01 T13 | Brown/natural | | | | | | |
| 987 552 538 01 N23 | Carrera Red | | | | | | |
| | D - MJ 2008>> | | | | | | |
| 25 987 552 455 01 | Cover | | | | | | |
| | Defroster vent | | | | | | |
| 987 552 455 01 A03 | Black | | | | | | |
| 987 552 455 01 5V7 | Stone grey | | | | | | |
| 987 552 455 01 5Z1 | Sand beige | | | | | | |
| 987 552 455 01 8W7 | sea blue | | | | | | |
| 987 552 455 01 5Y2 | Palm green | | | | | | |
| | D >> - MJ 2007 | | | | | | |
| 987 552 455 01 8X8 | Terracotta | right | 1 | | | | |
| 987 552 455 01 8P9 | Cocoa | | | | | | |
| 987 552 455 01 T13 | Brown/natural | | | | | | |
| 987 552 455 01 N23 | Carrera Red | | | | | | |
| | D - MJ 2008>> | | | | | | |
| (25) 987 552 456 01 | Cover | | | | | | |
| | Defroster vent | | | | | | |
| 987 552 456 01 A03 | Black | | | | | | |
| 987 552 456 01 5V7 | Stone grey | | | | | | |
| 987 552 456 01 5Z1 | Sand beige | | | | | | |
| 987 552 456 01 8W7 | sea blue | | | | | | |
| 987 552 456 01 5Y2 | Palm green | | | | | | |
| | D >> - MJ 2007 | | | | | | |
| 987 552 456 01 8X8 | Terracotta | left | 1 | | | | |
| 987 552 456 01 8P9 | Cocoa | | | | | | |
| 987 552 456 01 T13 | Brown/natural | | | | | | |
| 987 552 456 01 N23 | Carrera Red | | | | | | |
| | D - MJ 2008>> | | | | | | |
| 26 987 552 315 02 | Air guide | | | | | | |
| (26) 987 552 316 02 | Air guide | | | | | | |
| 27 997 552 175 01 | Defroster trim | | | | left | 1 | |
| 997 552 175 01 A03 | Black | | | | | | |
| 997 552 175 01 5V7 | Stone grey | | | | | | |
| 997 552 175 01 5Z1 | Sand beige | | | | | | |
| 997 552 175 01 8W7 | sea blue | | | | | | |
| 997 552 175 01 5Y2 | Palm green | | | | | | |
| | D >> - MJ 2007 | | | | | | |
| 997 552 175 01 8X8 | Terracotta | | | | | | |
| 997 552 175 01 8P9 | Cocoa | | | | | | |
| 997 552 175 01 T13 | Brown/natural | | | | | | |
| 997 552 175 01 N23 | Carrera Red | | | | | | |
| | D - MJ 2008>> | | | | | | |
| (27) 997 552 176 01 | Defroster trim | right | 1 | | | | |
| 997 552 176 01 A03 | Black | | | | | | |
| 997 552 176 01 5V7 | Stone grey | | | | | | |
| 997 552 176 01 5Z1 | Sand beige | | | | | | |
| 997 552 176 01 8W7 | sea blue | | | | | | |
| 997 552 176 01 8W7 | sea blue | | | | | | |

Model: 987 05 Model life 2005>>2008

| Pos | Part Number | Description | Remark | Qty | Model |
|------|--------------------|------------------------------|--------|-----|---------|
| | 997 552 176 01 5Y2 | Palm green D >> - MJ 2007 | | | |
| | 997 552 176 01 8X8 | Terracotta | | | |
| | 997 552 176 01 8P9 | Cocoa | | | |
| | 997 552 176 01 T13 | Brown/natural | | | |
| | 997 552 176 01 N23 | Carrera Red D - MJ 2008>> | | | |
| (27) | 997 552 983 00 | Defroster trim | left | 1 | PR: XV1 |
| | 997 552 983 00 A11 | Black | | | |
| | 997 552 983 00 5X6 | Stone grey | | | |
| | 997 552 983 00 8G2 | Sand beige | | | |
| | 997 552 983 00 3S9 | sea blue | | | |
| | 997 552 983 00 4P2 | Palm green D >> - MJ 2007 | | | |
| | 997 552 983 00 9S5 | Terracotta | | | |
| | 997 552 983 00 9V6 | Cocoa | | | |
| | 997 552 983 00 D12 | Dark grey/natural | | | |
| | 997 552 983 00 T12 | Brown/natural | | | |
| | 997 552 983 00 N12 | Carrera Red D - MJ 2008>> | | | |
| (27) | 997 552 984 00 | Defroster trim | right | 1 | PR: XV1 |
| | 997 552 984 00 A11 | Black | | | |
| | 997 552 984 00 5X6 | Stone grey | | | |
| | 997 552 984 00 8G2 | Sand beige | | | |
| | 997 552 984 00 3S9 | sea blue | | | |
| | 997 552 984 00 4P2 | Palm green D >> - MJ 2007 | | | |
| | 997 552 984 00 9S5 | Terracotta | | | |
| | 997 552 984 00 9V6 | Cocoa | | | |
| | 997 552 984 00 D12 | Dark grey/natural | | | |
| | 997 552 984 00 T12 | Brown/natural | | | |
| | 997 552 984 00 N12 | Carrera Red D - MJ 2008>> | | | |
| (27) | 997 552 983 01 | Defroster trim | left | 1 | PR: XKJ |
| | 997 552 983 01 A11 | Black | | | |
| | 997 552 983 01 5X6 | Stone grey | | | |
| | 997 552 983 01 8G2 | Sand beige | | | |
| | 997 552 983 01 3S9 | sea blue | | | |
| | 997 552 983 01 4P2 | Palm green D >> - MJ 2007 | | | |
| | 997 552 983 01 9S5 | Terracotta | | | |
| | 997 552 983 01 9V6 | Cocoa | | | |
| | 997 552 983 01 D12 | Dark grey/natural | | | |
| | 997 552 983 01 T12 | Brown/natural | | | |
| | 997 552 983 01 N12 | Carrera Red D - MJ 2008>> | | | |
| (27) | 997 552 984 01 | Defroster trim | right | 1 | PR: XKJ |
| | 997 552 984 01 A11 | Black | | | |
| | 997 552 984 01 5X6 | Stone grey | | | |
| | 997 552 984 01 8G2 | Sand beige | | | |
| | 997 552 984 01 3S9 | sea blue | | | |
| | 997 552 984 01 4P2 | Palm green D >> - MJ 2007 | | | |
| | 997 552 984 01 9S5 | Terracotta | | | |
| | 997 552 984 01 9V6 | Cocoa | | | |
| | 997 552 984 01 D12 | Dark grey/natural | | | |
| | 997 552 984 01 T12 | Brown/natural | | | |
| | 997 552 984 01 N12 | Carrera Red D - MJ 2008>> | | | |
| (27) | 997 552 983 02 | Defroster trim | left | 1 | PR: XJS |
| | 997 552 983 02 A11 | Black | | | |
| | 997 552 983 02 5X6 | Stone grey | | | |
| | 997 552 983 02 8G2 | Sand beige | | | |

Model: 987 05 Model life 2005>>2008

| Pos | Part Number | Description | Remark | Qty | Model |
|------|--------------------|-------------------|--------|-----|--------|
| | 997 552 983 02 3S9 | sea blue | | | |
| | 997 552 983 02 4P2 | Palm green | | | |
| | | D >> - MJ 2007 | | | |
| | 997 552 983 02 9S5 | Terracotta | | | |
| | 997 552 983 02 9V6 | Cocoa | | | |
| | 997 552 983 02 D12 | Dark grey/natural | | | |
| | 997 552 983 02 T12 | Brown/natural | | | |
| | 997 552 983 02 N12 | Carrera Red | | | |
| | | D - MJ 2008>> | | | |
| (27) | 997 552 984 02 | Defroster trim | right | 1 | PR:XJS |
| | 997 552 984 02 A11 | Black | | | |
| | 997 552 984 02 5X6 | Stone grey | | | |
| | 997 552 984 02 8G2 | Sand beige | | | |
| | 997 552 984 02 3S9 | sea blue | | | |
| | 997 552 984 02 4P2 | Palm green | | | |
| | | D >> - MJ 2007 | | | |
| | 997 552 984 02 9S5 | Terracotta | | | |
| | 997 552 984 02 9V6 | Cocoa | | | |
| | 997 552 984 02 D12 | Dark grey/natural | | | |
| | 997 552 984 02 T12 | Brown/natural | | | |
| | 997 552 984 02 N12 | Carrera Red | | | |
| | | D - MJ 2008>> | | | |
| (27) | 997 552 983 03 | Defroster trim | left | 1 | PR:XJR |
| | 997 552 983 03 A11 | Black | | | |
| | 997 552 983 03 5X6 | Stone grey | | | |
| | 997 552 983 03 8G2 | Sand beige | | | |
| | 997 552 983 03 3S9 | sea blue | | | |
| | 997 552 983 03 4P2 | Palm green | | | |
| | | D >> - MJ 2007 | | | |
| | 997 552 983 03 9S5 | Terracotta | | | |
| | 997 552 983 03 9V6 | Cocoa | | | |
| | 997 552 983 03 D12 | Dark grey/natural | | | |
| | 997 552 983 03 T12 | Brown/natural | | | |
| | 997 552 983 03 N12 | Carrera Red | | | |
| | | D - MJ 2008>> | | | |
| (27) | 997 552 984 03 | Defroster trim | right | 1 | PR:XJR |
| | 997 552 984 03 A11 | Black | | | |
| | 997 552 984 03 5X6 | Stone grey | | | |
| | 997 552 984 03 8G2 | Sand beige | | | |
| | 997 552 984 03 3S9 | sea blue | | | |
| | 997 552 984 03 4P2 | Palm green | | | |
| | | D >> - MJ 2007 | | | |
| | 997 552 984 03 9S5 | Terracotta | | | |
| | 997 552 984 03 9V6 | Cocoa | | | |
| | 997 552 984 03 D12 | Dark grey/natural | | | |
| | 997 552 984 03 T12 | Brown/natural | | | |
| | 997 552 984 03 N12 | Carrera Red | | | |
| | | D - MJ 2008>> | | | |
| 28 | 999 591 307 01 | U-clip | | 1 | |
| 29 | 997 552 351 01 | Trim | center | 1 | |
| | 997 552 351 01 A03 | Black | | | |
| | 997 552 351 01 5V7 | Stone grey | | | |
| | 997 552 351 01 5Z1 | Sand beige | | | |
| | 997 552 351 01 8W7 | sea blue | | | |
| | 997 552 351 01 5Y2 | Palm green | | | |
| | | D >> - MJ 2007 | | | |
| | 997 552 351 01 8X8 | Terracotta | | | |
| | 997 552 351 01 8P9 | Cocoa | | | |
| | 997 552 351 01 T13 | Brown/natural | | | |
| | 997 552 351 01 N23 | Carrera Red | | | |
| | | D - MJ 2008>> | | | |
| (29) | 997 552 985 00 | Leather panel | center | 1 | PR:XV1 |
| | 997 552 985 00 A11 | Black | | | |

Model: 987 05 Model life 2005>>2008

| Pos | Part Number | Description | Remark | Qty | Model |
|------|--------------------|--------------------------|--------|-----|---------|
| | 997 552 985 00 5X6 | Stone grey | | | |
| | 997 552 985 00 8G2 | Sand beige | | | |
| | 997 552 985 00 3S9 | sea blue | | | |
| | 997 552 985 00 4P2 | Palm green | | | |
| | | D >> - MJ 2007 | | | |
| | 997 552 985 00 9S5 | Terracotta | | | |
| | 997 552 985 00 9V6 | Cocoa | | | |
| | 997 552 985 00 D12 | Dark grey/natural | | | |
| | 997 552 985 00 T12 | Brown/natural | | | |
| | 997 552 985 00 N12 | Carrera Red | | | |
| | | D - MJ 2008>> | | | |
| (29) | 997 552 985 00 | Leather panel | center | 1 | PR: XKJ |
| | 997 552 985 00 A11 | Black | | | |
| | 997 552 985 00 5X6 | Stone grey | | | |
| | 997 552 985 00 8G2 | Sand beige | | | |
| | 997 552 985 00 3S9 | sea blue | | | |
| | 997 552 985 00 4P2 | Palm green | | | |
| | | D >> - MJ 2007 | | | |
| | 997 552 985 00 9S5 | Terracotta | | | |
| | 997 552 985 00 9V6 | Cocoa | | | |
| | 997 552 985 00 D12 | Dark grey/natural | | | |
| | 997 552 985 00 T12 | Brown/natural | | | |
| | 997 552 985 00 N12 | Carrera Red | | | |
| | | D - MJ 2008>> | | | |
| (29) | 997 552 985 00 | Leather panel | center | 1 | PR: XJS |
| | 997 552 985 00 A11 | Black | | | |
| | 997 552 985 00 5X6 | Stone grey | | | |
| | 997 552 985 00 8G2 | Sand beige | | | |
| | 997 552 985 00 3S9 | sea blue | | | |
| | 997 552 985 00 4P2 | Palm green | | | |
| | | D >> - MJ 2007 | | | |
| | 997 552 985 00 9S5 | Terracotta | | | |
| | 997 552 985 00 9V6 | Cocoa | | | |
| | 997 552 985 00 D12 | Dark grey/natural | | | |
| | 997 552 985 00 T12 | Brown/natural | | | |
| | 997 552 985 00 N12 | Carrera Red | | | |
| | | D - MJ 2008>> | | | |
| (29) | 997 552 985 00 | Leather panel | center | 1 | PR: XJR |
| | 997 552 985 00 A11 | Black | | | |
| | 997 552 985 00 5X6 | Stone grey | | | |
| | 997 552 985 00 8G2 | Sand beige | | | |
| | 997 552 985 00 3S9 | sea blue | | | |
| | 997 552 985 00 4P2 | Palm green | | | |
| | | D >> - MJ 2007 | | | |
| | 997 552 985 00 9S5 | Terracotta | | | |
| | 997 552 985 00 9V6 | Cocoa | | | |
| | 997 552 985 00 D12 | Dark grey/natural | | | |
| | 997 552 985 00 T12 | Brown/natural | | | |
| | 997 552 985 00 N12 | Carrera Red | | | |
| | | D - MJ 2008>> | | | |
| 30 | 997 552 645 00 | Seal | | 1 | |
| | | Scuttle | | | |
| 31 | 987 552 397 02 | Trim | | 1 | |
| | | Hazard warning light sw. | | | |
| | 987 552 397 02 A03 | Black | | | |
| | 987 552 397 02 5V7 | Stone grey | | | |
| | 987 552 397 02 5Z1 | Sand beige | | | |
| | 987 552 397 02 8W7 | sea blue | | | |
| | 987 552 397 02 5Y2 | Palm green | | | |
| | | D >> - MJ 2007 | | | |
| | 987 552 397 02 8X8 | Terracotta | | | |
| | 987 552 397 02 8P9 | Cocoa | | | |
| | 987 552 397 02 T13 | Brown/natural | | | |

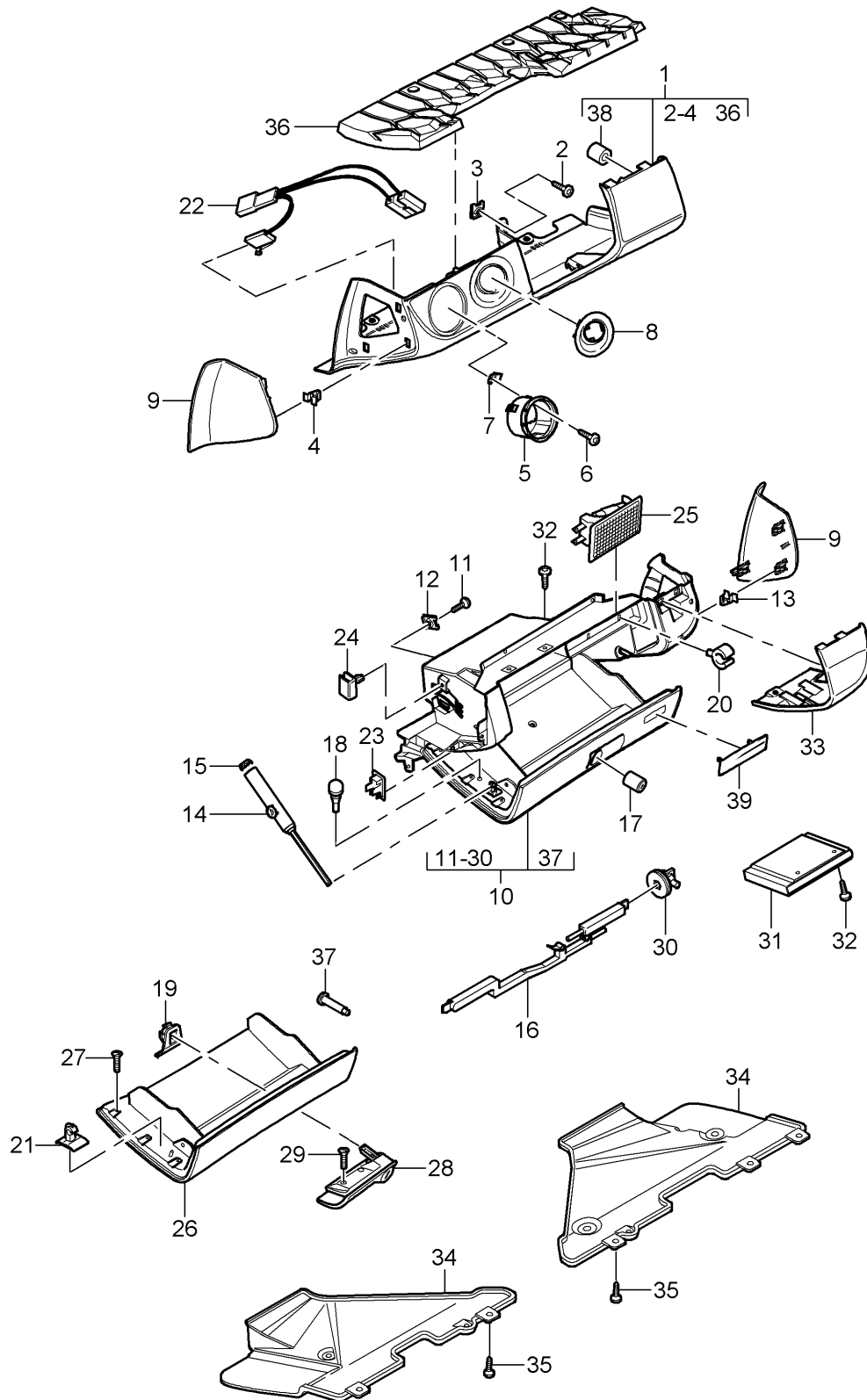
Model: 987 05

Model life 2005>>2008

| Pos | Part Number | Description | Remark | Qty | Model |
|-----|--------------------------------------|---|--------|-----|-------|
| 32 | 987 552 397 02 N23 987 552 595 00 | Carrera Red D - MJ 2008>> Support Switch Central locking system | | 1 | |

Model: 987 05

Model life 2005>>2008



Model: 987 05 Model life 2005>>2008

| Pos | Part Number | Description | Remark | Qty | Model |
|-----|--------------------|--|--------|-----|------------|
| 1 | 997 552 201 02 | Glove box Cover and Trim (drivers side) Trim lower section Leatherette | lhd | 1 | PR:098 |
| | 997 552 201 02 1MZ | Black | | | |
| | 997 552 201 02 1YP | Stone grey | | | |
| | 997 552 201 02 1TK | Sand beige | | | |
| | 997 552 201 02 1VM | sea blue | | | |
| | 997 552 201 02 1UL | Palm green | | | |
| (1) | 997 552 201 03 | D >> - MJ 2007 Trim lower section Leather | lhd | 1 | PR:098,981 |
| | 997 552 201 03 A11 | Black | | | |
| | 997 552 201 03 5X6 | Stone grey | | | |
| | 997 552 201 03 8G2 | Sand beige | | | |
| | 997 552 201 03 3S9 | sea blue | | | |
| | 997 552 201 03 4P2 | Palm green | | | |
| | 997 552 201 03 9S5 | D >> - MJ 2007 Terracotta | | | |
| | 997 552 201 03 9V6 | Cocoa | | | |
| | 997 552 201 03 D12 | Dark grey/natural | | | |
| | 997 552 201 03 T12 | Brown/natural | | | |
| | 997 552 201 03 N12 | Carrera Red | | | |
| 2 | 999 073 155 09 | D - MJ 2008>> panel screw 4,2 X 13 | | 7 | |
| 3 | 999 507 971 01 | panel nut 4,2 | | 7 | |
| 4 | 999 507 732 01 | Clamp 8 X 12/ 4 for Mount | | 7 | |
| 5 | 997 552 427 01 | Trim Trim Light switch | | 1 | |
| | 997 552 427 01 A03 | Black | | | |
| | 997 552 427 01 5V7 | Stone grey | | | |
| | 997 552 427 01 5Z1 | Sand beige | | | |
| | 997 552 427 01 8W7 | sea blue | | | |
| | 997 552 427 01 5Y2 | Palm green | | | |
| | 997 552 427 01 8X8 | D >> - MJ 2007 Terracotta | | | |
| | 997 552 427 01 8P9 | Cocoa | | | |
| | 997 552 427 01 T13 | Brown/natural | | | |
| | 997 552 427 01 N23 | Carrera Red | | | |
| 6 | 999 073 155 09 | D - MJ 2008>> panel screw 4,2 X 13 | | 3 | |
| 7 | 999 507 971 01 | panel nut 4,2 for Mount Trim Light switch | | 3 | |
| 8 | 997 552 425 01 | Trim Ignition starter lock | lhd | 1 | PR:098 |
| | 997 552 425 01 A03 | Black | | | |
| | 997 552 425 01 5V7 | Stone grey | | | |
| | 997 552 425 01 5Z1 | Sand beige | | | |
| | 997 552 425 01 8W7 | sea blue | | | |

Model: 987 05 Model life 2005>>2008

| Pos | Part Number | Description | Remark | Qty | Model |
|-----|--------------------|--|------------|-----|------------|
| | 997 552 425 01 5Y2 | Palm green D >> - MJ 2007 | | | |
| | 997 552 425 01 8X8 | Terracotta | | | |
| | 997 552 425 01 8P9 | Cocoa | | | |
| | 997 552 425 01 T13 | Brown/natural | | | |
| | 997 552 425 01 N23 | Carrera Red D - MJ 2008>> | | | |
| 9 | 997 552 405 02 | Trim | left | 1 | |
| | 997 552 405 02 A03 | Black | | | |
| | 997 552 405 02 5V7 | Stone grey | | | |
| | 997 552 405 02 5Z1 | Sand beige | | | |
| | 997 552 405 02 8W7 | sea blue | | | |
| | 997 552 405 02 5Y2 | Palm green D >> - MJ 2007 | | | |
| | 997 552 405 02 8X8 | Terracotta | | | |
| | 997 552 405 02 8P9 | Cocoa | | | |
| | 997 552 405 02 T13 | Brown/natural | | | |
| | 997 552 405 02 N23 | Carrera Red D - MJ 2008>> | | | |
| (9) | 997 552 406 02 | Trim (drivers side) | right side | 1 | |
| | 997 552 406 02 A03 | Black | | | |
| | 997 552 406 02 5V7 | Stone grey | | | |
| | 997 552 406 02 5Z1 | Sand beige | | | |
| | 997 552 406 02 8W7 | sea blue | | | |
| | 997 552 406 02 5Y2 | Palm green D >> - MJ 2007 | | | |
| | 997 552 406 02 8X8 | Terracotta | | | |
| | 997 552 406 02 8P9 | Cocoa | | | |
| | 997 552 406 02 T13 | Brown/natural | | | |
| | 997 552 406 02 N23 | Carrera Red D - MJ 2008>> | | | |
| 10 | 997 552 204 04 | Glove box Leatherette (complete) Valid up to: F >> 98-8U710 728 F >> 98-8U730 471 | lhd | 1 | PR:098 |
| | 997 552 204 04 1MZ | Black | | | |
| | 997 552 204 04 1YP | Stone grey | | | |
| | 997 552 204 04 1TK | Sand beige | | | |
| | 997 552 204 04 1VM | sea blue | | | |
| | 997 552 204 04 1UL | Palm green D >> - MJ 2007 | | | |
| 10 | 997 552 204 06 | Glove box Leatherette (complete) Valid from: F 98-8U710 729>> F 98-8U730 472>> | lhd | 1 | PR:098 |
| | 997 552 204 06 1MZ | Black | | | |
| | 997 552 204 06 1YP | Stone grey | | | |
| | 997 552 204 06 1TK | Sand beige | | | |
| | 997 552 204 06 1VM | sea blue | | | |
| 10 | 997 552 204 05 | Glove box Leather (complete) Valid up to: F >> 98-8U710 728 F >> 98-8U730 471 | lhd | 1 | PR:098,981 |
| | 997 552 204 05 A11 | Black | | | |
| | 997 552 204 05 5X6 | Stone grey | | | |

Model: 987 05 Model life 2005>>2008

| Pos | Part Number | Description | Remark | Qty | Model |
|------|--------------------|-------------------------|--------|-----|---------------------------------|
| | 997 552 204 05 8G2 | Sand beige | | | |
| | 997 552 204 05 3S9 | sea blue | | | |
| | 997 552 204 05 4P2 | Palm green | | | |
| | | D >> - MJ 2007 | | | |
| | 997 552 204 05 9S5 | Terracotta | | | |
| | 997 552 204 05 9V6 | Cocoa | | | |
| | 997 552 204 05 D12 | Dark grey/natural | | | |
| | 997 552 204 05 T12 | Brown/natural | | | |
| | 997 552 204 05 N12 | Carrera Red | | | |
| | | D - MJ 2008>> | | | |
| 10 | 997 552 204 07 | Glove box | lhd | 1 | PR:098,981 |
| | | Leather | | | |
| | | (complete) | | | |
| | | Valid from: | | | |
| | | F 98-8U710 729>> | | | |
| | | F 98-8U730 472>> | | | |
| | 997 552 204 07 A11 | Black | | | |
| | 997 552 204 07 5X6 | Stone grey | | | |
| | 997 552 204 07 8G2 | Sand beige | | | |
| | 997 552 204 07 3S9 | sea blue | | | |
| | 997 552 204 07 9S5 | Terracotta | | | |
| | 997 552 204 07 9V6 | Cocoa | | | |
| | 997 552 204 07 D12 | Dark grey/natural | | | |
| | 997 552 204 07 T12 | Brown/natural | | | |
| | 997 552 204 07 N12 | Carrera Red | | | |
| (10) | 987 552 204 02 | Glove box | | 1 | PR:753 |
| | | (complete) | | | |
| | | Valid up to: | | | |
| | | F >> 98-8U710 728 | | | |
| | | F >> 98-8U730 471 | | | |
| | | D - MJ 2008>> - MJ 2008 | | | |
| | 987 552 204 02 1MZ | Black | | | |
| (10) | 987 552 204 04 | Glove box | | 1 | PR:753 |
| | | (complete) | | | |
| | | Valid from: | | | |
| | | F 98-8U710 729>> | | | |
| | | F 98-8U730 472>> | | | |
| | | D - MJ 2008>> - MJ 2008 | | | |
| | 987 552 204 04 1MZ | Black | | | |
| (10) | 987 552 204 06 | Glove box | lhd | 1 | Boxster S PR:098,754, 981 |
| | | (complete) | | | |
| | | Leather | | | |
| | | D - MJ 2008>> - MJ 2008 | | | |
| | 987 552 204 06 D12 | Dark grey/natural | | | |
| | 987 552 204 06 N12 | Carrera Red | | | |
| (10) | 987 552 204 05 | Glove box | lhd | 1 | Boxster S PR:098,757, 981 |
| | | (complete) | | | |
| | | Leather | | | |
| | | D - MJ 2008>> | | | |
| | 987 552 204 05 A11 | Black | | | |
| | 987 552 204 05 5X6 | Stone grey | | | |
| | | D - MJ 2008>> | | | |
| 11 | 999 073 155 09 | panel screw | | X | |
| | | 4,2 X 13 | | | |
| 12 | 999 507 971 01 | panel nut | | X | |
| | | 4,2 | | | |
| 13 | 999 507 732 01 | Clamp | | X | |
| | | 8 X 12 /4 | | | |
| | | for | | | |
| | | Mount | | | |
| | | Glove box | | | |
| 14 | 997 552 484 01 | Damper | | 1 | |
| | | Glove box | | | |

Model: 987 05 Model life 2005>>2008

| Pos | Part Number | Description | Remark | Qty | Model |
|------|--------------------|---|-----------|-----|-------------------|
| 15 | 997 552 612 00 | Cover Damper | | 1 | |
| 16 | 997 552 410 01 | Release Glove box | lhd | 1 | PR:098 |
| 17 | 996 552 915 01 | Lock cylinders Vehicle Ident. No. Indicate | | 1 | |
| 18 | 997 555 533 01 | Stop Glove box F >> 98-6S700 139 F >> 98-6U710 734 F >> 98-6S720 104 F >> 98-6U730 717 | | 2 | |
| 18 | 999 703 068 40 | Stop buffer 3,7 x 10,3 F 98-6S700 140>> F 98-6U710 735>> F 98-6S720 105>> F 98-6U730 718>> | | 2 | |
| 19 | 997 552 509 02 | Support Closing element | left lhd | 1 | PR:098 |
| (19) | 997 552 510 02 | Support Closing element | right lhd | 1 | PR:098 |
| 20 | 996 552 813 00 | Pen holder | | 2 | |
| 21 | 996 552 879 00 | Adapter for Damper | | 2 | |
| 22 | 997 612 651 00 | Wire set Glove box light | | 1 | |
| 23 | 999 650 564 40 | Clip for Wire set | | 1 | |
| 24 | 999 650 565 40 | Micro switch Clip for Wire set | | 1 | |
| 25 | 997 632 071 00 | Glove box light | | 1 | |
| 26 | 997 552 252 02 | Glove compartment cover Leatherette | lhd | 1 | PR:098 |
| | 997 552 252 02 1MZ | Black | | | |
| | 997 552 252 02 1YP | Stone grey | | | |
| | 997 552 252 02 1TK | Sand beige | | | |
| | 997 552 252 02 1VM | sea blue | | | |
| | 997 552 252 02 1UL | Palm green | | | |
| | | D >> - MJ 2007 | | | |
| (26) | 997 552 252 03 | Glove compartment cover Leather | lhd | 1 | PR:098,981 |
| | 997 552 252 03 A11 | Black | | | |
| | 997 552 252 03 5X6 | Stone grey | | | |
| | 997 552 252 03 8G2 | Sand beige | | | |
| | 997 552 252 03 3S9 | sea blue | | | |
| | 997 552 252 03 4P2 | Palm green | | | |
| | | D >> - MJ 2007 | | | |
| | 997 552 252 03 9S5 | Terracotta | | | |
| | 997 552 252 03 9V6 | Cocoa | | | |
| | 997 552 252 03 D12 | Dark grey/natural | | | |
| | 997 552 252 03 T12 | Brown/natural | | | |
| | 997 552 252 03 N12 | Carrera Red | | | |
| | | D - MJ 2008>> | | | |
| (26) | 987 552 252 01 | Glove compartment cover D - MJ 2008>> - MJ 2008 | | 1 | Boxster PR:753 |
| | 987 552 252 01 1MZ | Black | | | |

Model: 987 05 Model life 2005>>2008

| Pos | Part Number | Description | Remark | Qty | Model |
|------|--------------------|---|--------|-----|---------------------------------|
| (26) | 987 552 252 03 | Glove compartment cover Leather D - MJ 2008>> - MJ 2008 | lhd | 1 | Boxster S PR:098,754, 981 |
| | 987 552 252 03 D12 | Dark grey/natural | | | |
| | 987 552 252 03 N12 | Carrera Red | | | |
| (26) | 987 552 252 02 | Glove compartment cover Leather D - MJ 2008>> | lhd | 1 | Boxster S PR:098,757, 981 |
| | 987 552 252 02 A11 | Black | | | |
| | 987 552 252 02 5X6 | Stone grey | | | |
| 27 | 999 073 249 07 | panel screw 3.5 X 12 for Mount | | 11 | |
| 28 | 997 552 362 01 | Glove compartment cover handle (complete) | lhd | 1 | PR:098 |
| | 997 552 362 01 A03 | Black | | | |
| | 997 552 362 01 5V7 | Stone grey | | | |
| | 997 552 362 01 5Z1 | Sand beige | | | |
| | 997 552 362 01 8W7 | sea blue | | | |
| | 997 552 362 01 5Y2 | Palm green D >> - MJ 2007 | | | |
| | 997 552 362 01 8X8 | Terracotta | | | |
| | 997 552 362 01 8P9 | Cocoa | | | |
| | 997 552 362 01 T13 | Brown/natural | | | |
| | 997 552 362 01 N23 | Carrera Red D - MJ 2008>> | | | |
| 29 | 999 073 240 01 | Screw M 4 X 10 for Mount | | 2 | |
| 30 | 997 552 448 00 | Stop | | 1 | |
| 31 | 997 552 663 00 | Box for cds | | 1 | PR:424 |
| (31) | 997 552 665 00 | Trim Box for cds | | 1 | |
| 32 | 999 073 240 01 | Screw M 4 X 10 | | 2 | |
| 33 | 997 552 256 02 | Trim (passenger side) Leatherette | lhd | 1 | PR:098 |
| | 997 552 256 02 1MZ | Black | | | |
| | 997 552 256 02 1YP | Stone grey | | | |
| | 997 552 256 02 1TK | Sand beige | | | |
| | 997 552 256 02 1VM | sea blue | | | |
| | 997 552 256 02 1UL | Palm green D >> - MJ 2007 | | | |
| 33 | 997 552 256 03 | Leather panel (passenger side) | lhd | 1 | PR:098,981 |
| | 997 552 256 03 A11 | Black | | | |
| | 997 552 256 03 5X6 | Stone grey | | | |
| | 997 552 256 03 8G2 | Sand beige | | | |
| | 997 552 256 03 3S9 | sea blue | | | |
| | 997 552 256 03 4P2 | Palm green D >> - MJ 2007 | | | |
| | 997 552 256 03 9S5 | Terracotta | | | |
| | 997 552 256 03 9V6 | Cocoa | | | |
| | 997 552 256 03 D12 | Dark grey/natural | | | |
| | 997 552 256 03 T12 | Brown/natural | | | |
| | 997 552 256 03 N12 | Carrera Red D - MJ 2008>> | | | |
| 34 | 997 552 414 01 | Trim | lhd | 1 | PR:098 |

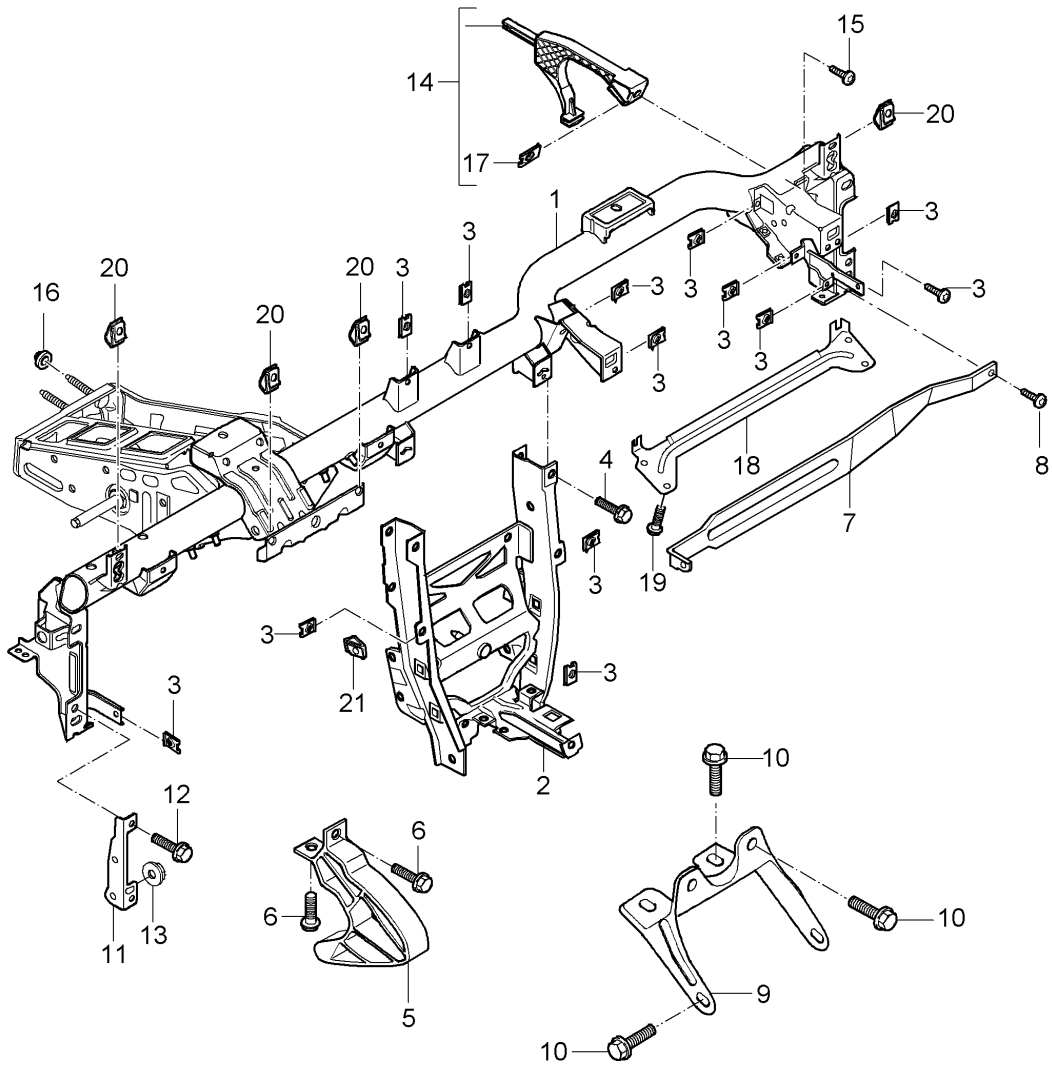
Model: 987 05

Model life 2005>>2008

| Pos | Part Number | Description | Remark | Qty | Model |
|------|----------------|---|--------|-----|--------|
| 35 | 1H0 819 943 | Footwell (passenger side) round hd. screw for Mount Trim Footwell | | X | |
| 36 | 997 552 451 01 | Insert | lhd | 1 | PR:098 |
| 37 | 997 552 649 01 | Hinge bolt Glove box | | 2 | |
| 38 | 997 552 821 00 | Grommet | | 3 | |
| 39 | | Badge Boxster Boxster S Vehicle Ident. No. Indicate | | 1 | PR:753 |
| (39) | | D - MJ 2008>> - MJ 2008 | | 1 | PR:754 |
| (39) | | Badge Vehicle Ident. No. Indicate | | 1 | PR:757 |

Model: 987 05

Model life 2005>>2008



Model: 987 05

Model life 2005>>2008

| Pos | Part Number | Description | Remark | Qty | Model |
|------|----------------|---|--------|-----|--------|
| (1) | 997 552 063 05 | retaining frame dashboard | | 1 | PR:553 |
| 2 | 997 552 163 05 | retaining frame Support | lhd | 1 | PR:098 |
| 3 | 999 507 020 01 | tunnel panel nut ST 4,2 | | X | |
| 4 | 900 378 305 01 | Hexagon bolt M 8 X 65 for Mount | | 2 | |
| 5 | 997 552 191 05 | Support knee pad (drivers side) | | 2 | PR:553 |
| (5) | 997 552 192 05 | knee pad (passenger side) | | 2 | PR:553 |
| 6 | 900 378 036 09 | Hexagon bolt M 6 X 12 for Mount | | 8 | PR:553 |
| 7 | 997 552 764 05 | knee pad Reinforcement strip | | 1 | PR:553 |
| 8 | 999 073 155 09 | Glove box panel screw ST 4,2 X 13 for Mount | | 2 | PR:553 |
| 9 | 997 552 515 01 | Reinforcement strip Bracket | | 1 | |
| 10 | 999 073 442 01 | tunnel Screw M 6 X 25 for Mount | | X | |
| 11 | 997 552 407 01 | Bracket tunnel | left | 1 | |
| (11) | 997 552 408 01 | Screw M 6 X 25 for Mount Bracket tunnel | right | 1 | |
| 12 | 900 378 176 01 | bracket for dash panel A-pillar | | 4 | |
| 13 | 999 084 630 09 | bracket for dash panel A-pillar Hexagon bolt M 8 X 20 for Mount | | 4 | |
| 14 | 997 552 401 00 | Bracket A-pillar Hexagon nut M 8 for Mount | | 1 | |
| 15 | 999 073 155 09 | Bracket A-pillar Retainer for support frame heater | | 1 | |
| 16 | 997 423 299 01 | panel screw ST 4,2 X 13 for Mount Bracket heater Nut for Adjustment | | 1 | |
| | | | | 2 | |

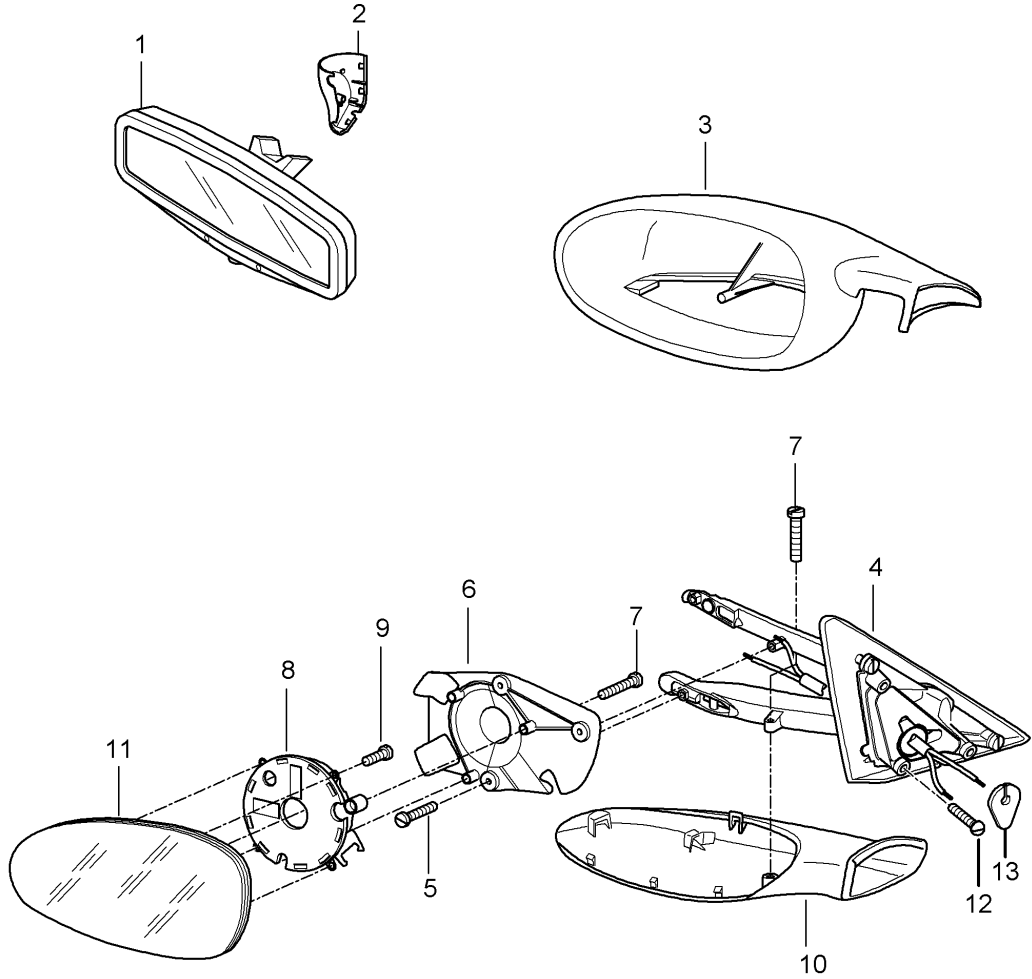
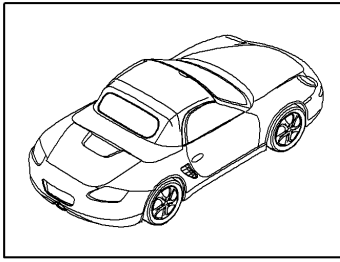
Model: 987 05

Model life 2005>>2008

| Pos | Part Number | Description | Remark | Qty | Model |
|-----|----------------|---|--------|-----|-------|
| 17 | 999 507 971 01 | retaining frame Firewall panel nut ST 4,2 for Mount Bracket heater | | 1 | |
| 18 | 997 552 603 01 | Reinforcement plate Bracket Airbag | | 1 | |
| 19 | 900 378 222 09 | Hexagon bolt M 6 X 16 | | 4 | |
| 20 | 999 591 850 01 | panel nut ST 4,2 | | X | |
| 21 | 999 591 951 03 | panel nut ST 4,2 | | X | |

Model: 987 05

Model life 2005>>2008



Model: 987 05 Model life 2005>>2008

| Pos | Part Number | Description | Remark | Qty | Model |
|-----|--------------------|--|-----------|-----|----------------|
| 1 | 996 731 511 00 | Interior mirror | | 1 | |
| | 996 731 511 00 01C | Exterior mirror | | | |
| | 996 731 511 00 01C | Interior mirror | | | |
| (1) | 987 731 511 00 | Satin black | | 1 | PR:267 |
| | 987 731 511 00 01C | Interior mirror, automatic anti-dazzle | | | |
| 2 | 997 731 811 00 | Satin black | left | 1 | PR:267 |
| | 997 731 811 00 01C | Cover | | | |
| 2 | 997 731 812 00 | Interior mirror | right | 1 | PR:267 |
| | 997 731 812 00 01C | Satin black | | | |
| 3 | 997 731 619 00 | Cover | left | 1 | |
| | 997 731 619 00 G2L | Interior mirror | | | |
| (3) | 997 731 620 00 | Satin black | right | 1 | |
| | 997 731 620 00 G2L | Exterior mirror housing primed | | | |
| 4 | 997 731 219 00 | Exterior mirror housing primed | left lhd | 1 | PR:098 |
| | 997 731 219 00 G2L | Mirror base | | | |
| | | Exterior mirror primed | | | |
| | | with: | | | |
| (4) | 997 731 220 00 | Wire set | right lhd | 1 | PR:098 |
| | 997 731 220 00 G2L | Mirror base | | | |
| | | Exterior mirror primed | | | |
| | | with: | | | |
| (4) | 997 731 219 01 | Wire set | left lhd | 1 | PR:537,098 |
| | 997 731 219 01 G2L | Mirror base | | | |
| | | Exterior mirror primed | | | |
| | | with: | | | |
| (4) | 997 731 220 01 | Wire set | right lhd | 1 | PR:537,098 |
| | 997 731 220 01 G2L | Mirror base | | | |
| | | Exterior mirror primed | | | |
| | | with: | | | |
| (4) | 997 731 219 02 | Wire set | left lhd | 1 | PR:098,267 |
| | 997 731 219 02 G2L | Mirror base | | | |
| | | Exterior mirror primed | | | |
| | | with: | | | |
| (4) | 997 731 220 02 | Wire set | right lhd | 1 | PR:098,267 |
| | 997 731 220 02 G2L | Mirror base | | | |
| | | Exterior mirror primed | | | |
| | | with: | | | |
| (4) | 997 731 219 03 | Wire set | left lhd | 1 | PR:267,537,098 |
| | 997 731 219 03 G2L | Mirror base | | | |
| | | Exterior mirror primed | | | |
| | | with: | | | |
| (4) | 997 731 220 03 | Wire set | right lhd | 1 | PR:267,537,098 |
| | 997 731 220 03 G2L | Mirror base | | | |
| | | Exterior mirror primed | | | |
| | | with: | | | |
| (4) | 997 731 219 07 | Wire set | left | 1 | PR:267,538 |
| | 997 731 219 07 G2L | Mirror base | | | |
| | | Exterior mirror primed | | | |
| | | with: | | | |
| (4) | 997 731 220 07 | Wire set | right | 1 | PR:267,538 |
| | | Mirror base | | | |

Model: 987 05 Model life 2005>>2008

| Pos | Part Number | Description | Remark | Qty | Model |
|------|--------------------|---|-------------|-----|-------------------|
| | 997 731 220 07 G2L | Exterior mirror primed | | | |
| | | with: | | | |
| 5 | 999 919 024 09 | Wire set fillister hd. bolt 3,0 X 12 | | 2 | |
| 6 | 997 731 519 00 | plate | left | 1 | |
| (6) | 997 731 520 00 | Exterior mirror plate | right | 1 | |
| 7 | 999 141 043 02 | Exterior mirror fillister hd. bolt 3,0 X 14 | | 5 | |
| 8 | 997 624 047 00 | Adjusting motor Discontinued part | | 2 | |
| 8 | 997 624 047 01 | Adjusting motor | | 2 | |
| 8 | 7PP 959 578 D | Adjusting motor | | 2 | PR: -537, -538 |
| (8) | 997 624 048 00 | Exterior mirror Adjusting motor Discontinued part | | 2 | PR: 537, 538 |
| (8) | 997 624 048 01 | Adjusting motor | | 2 | PR: 537, 538 |
| 9 | 999 141 043 02 | fillister hd. bolt M 3,0 X 14 | | 3 | |
| 10 | 997 731 719 00 | Trim for exterior mirror housing | left lower | 1 | |
| | 997 731 719 00 G2L | primed | | | |
| (10) | 997 731 720 00 | Trim for exterior mirror housing | right lower | 1 | |
| | 997 731 720 00 G2L | primed | | | |
| 11 | 997 731 035 00 | Mirror glass (flat) | left lhd | 1 | PR: 098, 270 |
| (11) | 997 731 035 01 | Mirror (aspherical) Aspherical | left lhd | 1 | PR: 098, 271 |
| (11) | 997 731 035 02 | Mirror glass (flat) | left lhd | 1 | PR: 098, 267, 270 |
| | | Dimmable D >> - MJ 2006 | | | |
| (11) | 997 731 035 04 | Mirror glass (flat) | left lhd | 1 | PR: 098, 267, 270 |
| | | Dimmable D - MJ 2007>> | | | |
| (11) | 997 731 035 03 | Mirror (aspherical) Aspherical | left lhd | 1 | PR: 098, 267, 271 |
| | | Dimmable D >> - MJ 2006 | | | |
| (11) | 997 731 035 05 | Mirror (aspherical) Aspherical | left lhd | 1 | PR: 098, 267, 271 |
| | | Dimmable D - MJ 2007>> | | | |
| (11) | 997 731 038 01 | Mirror glass (convex) | right lhd | 1 | PR: 553, 098 |
| (11) | 997 731 038 04 | Mirror glass (convex) | right lhd | 1 | PR: 267, 553, 098 |
| | | Dimmable D >> - MJ 2006 | | | |
| (11) | 997 731 038 07 | Mirror glass (convex) | right lhd | 1 | PR: 267, 553, 098 |
| | | Dimmable D - MJ 2007>> | | | |
| 12 | 999 073 345 09 | Oval-head screw M 5 X 18 | | 3 | |
| 13 | 997 537 731 00 | Seal Cable plug | | 1 | |
| | | Mirror base | | | |
| | | Dimmable D >> - MJ 2006 | | | |
| 13 | 997 537 733 00 | Seal | | 1 | |

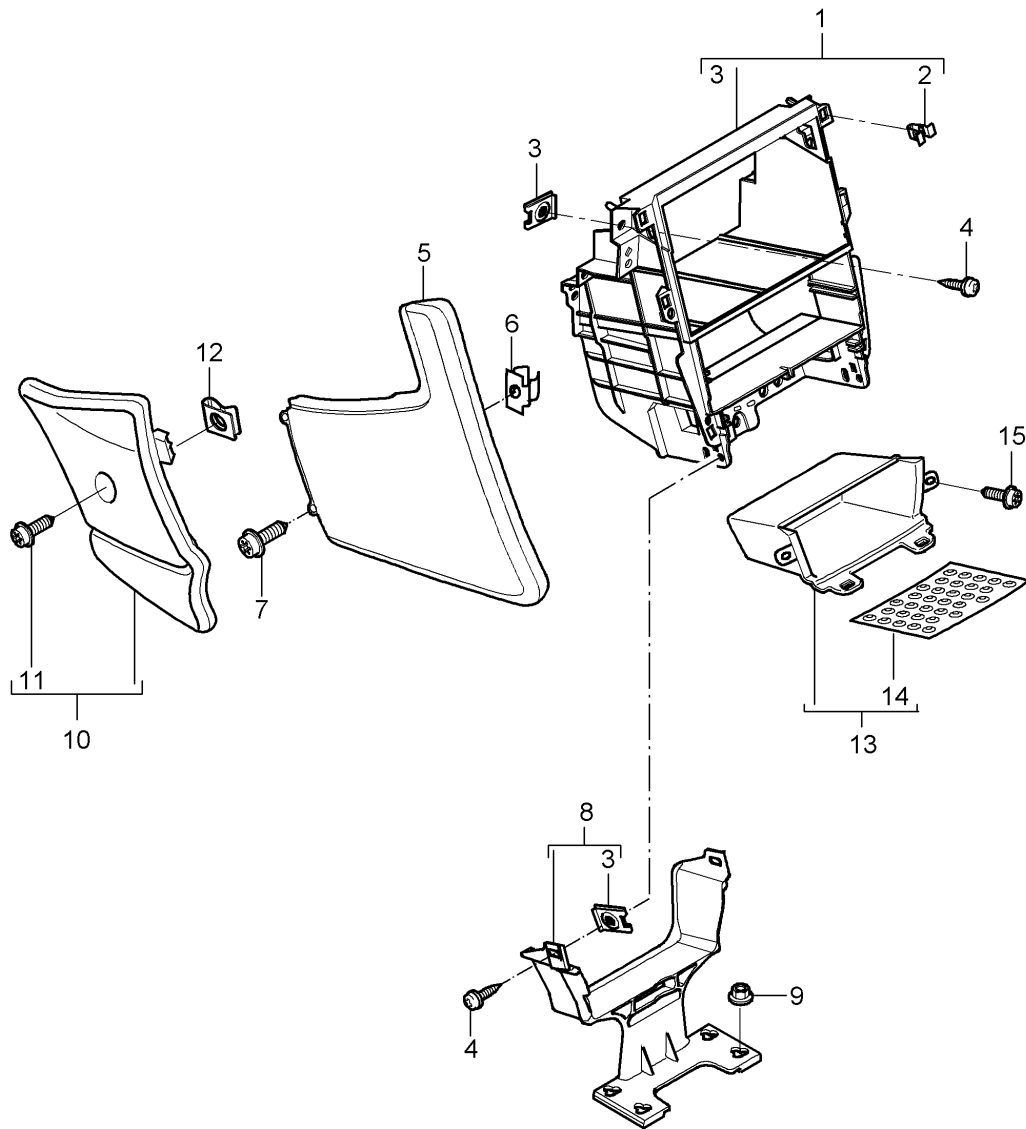
Model: 987 05

Model life 2005>>2008

| Pos | Part Number | Description | Remark | Qty | Model |
|-----|-------------|--|--------|-----|-------|
| | | Cable plug Mirror base D - MJ 2007>> | | | |

Model: 987 05

Model life 2005>>2008



Model: 987 05 Model life 2005>>2008

| Pos | Part Number | Description | Remark | Qty | Model |
|-----|--------------------|---|-----------------|-----|--------------------------------|
| 1 | 997 553 111 03 | Centre console Carrier | front front | 1 | |
| 2 | 999 507 476 01 | Centre console Clamp | | 6 | |
| 3 | 999 507 971 01 | 8,0 X 10,0/2,5 panel nut | | X | |
| 4 | 999 073 155 09 | ST 4,2 panel screw | | X | |
| 5 | 997 553 117 05 | ST 4,2 x 13 Trim | left side | 1 | PR:-618, -619,-668, -669 |
| | | Leatherette | | | |
| | 997 553 117 05 9L4 | Black | | | |
| | 997 553 117 05 9M5 | Stone grey | | | |
| | 997 553 117 05 9C6 | Sand beige | | | |
| | 997 553 117 05 9D7 | sea blue | | | |
| | 997 553 117 05 9E8 | Palm green | | | |
| | | D >> - MJ 2007 | | | |
| (5) | 997 553 118 05 | Trim | right side | 1 | PR:-618, -619,-668, -669 |
| | | Leatherette | | | |
| | 997 553 118 05 9L4 | Black | | | |
| | 997 553 118 05 9M5 | Stone grey | | | |
| | 997 553 118 05 9C6 | Sand beige | | | |
| | 997 553 118 05 9D7 | sea blue | | | |
| | 997 553 118 05 9E8 | Palm green | | | |
| | | D >> - MJ 2007 | | | |
| 5 | 997 553 117 06 | Leather panel | left side | 1 | PR:981,618, 619,668,669 |
| | 997 553 117 06 FSA | black/grey | | | |
| | 997 553 117 06 FSB | Stone grey/stone grey | | | |
| | 997 553 117 06 FSC | Sand beige/sand beige | | | |
| | 997 553 117 06 FSD | Sea blue/grey | | | |
| | 997 553 117 06 FSE | Palmgreen/palmgreen | | | |
| | | D >> - MJ 2007 | | | |
| | 997 553 117 06 FSF | Terracotta/terracotta | | | |
| | 997 553 117 06 FSG | Cocoa/Cocoa | | | |
| | 997 553 117 06 FSH | Darkgrey natural/grey | | | |
| | 997 553 117 06 FSJ | Brown nat./brown nat. | | | |
| | 997 553 117 06 FSP | Carrera Red | | | |
| | | D - MJ 2008>> | | | |
| (5) | 997 553 118 06 | Leather panel | right side | 1 | PR:981,618, 619,668,669 |
| | 997 553 118 06 FSA | black/grey | | | |
| | 997 553 118 06 FSB | Stone grey/stone grey | | | |
| | 997 553 118 06 FSC | Sand beige/sand beige | | | |
| | 997 553 118 06 FSD | Sea blue/grey | | | |
| | 997 553 118 06 FSE | Palmgreen/palmgreen | | | |
| | | D >> - MJ 2007 | | | |
| | 997 553 118 06 FSF | Terracotta/terracotta | | | |
| | 997 553 118 06 FSG | Cocoa/Cocoa | | | |
| | 997 553 118 06 FSH | Darkgrey natural/grey | | | |
| | 997 553 118 06 FSJ | Brown nat./brown nat. | | | |
| | 997 553 118 06 FSP | Carrera Red | | | |
| | | D - MJ 2008>> | | | |
| - | | Trim | side | 1 | |
| | | with: preparation for telephone see illustration: | | | |
| 6 | 999 591 508 02 | Cage nut ST 4,2 for Mount | 911-010 side | 4 | |

Model: 987 05 Model life 2005>>2008

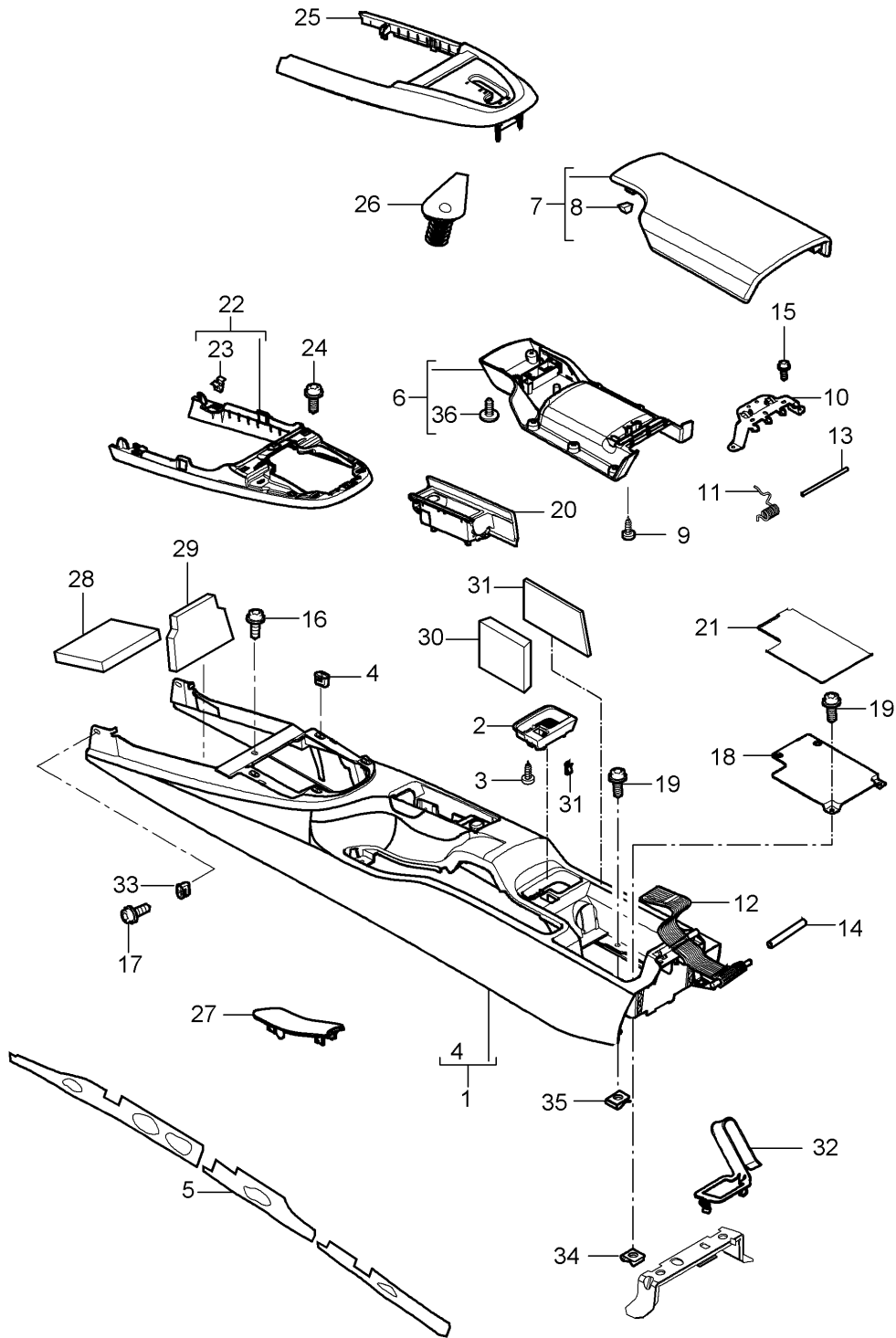
| Pos | Part Number | Description | Remark | Qty | Model |
|------|--------------------|--|-----------|-----|------------|
| 6 | 999 591 508 01 | Trim D >> - MJ 2006 Cage nut st 4,2 for Mount Trim | side | 4 | |
| 7 | 999 073 226 09 | D - MJ 2007>> panel screw ST 4,2 X 16 for Mount Trim | side | 4 | |
| 8 | 997 553 361 01 | Support | center | 1 | |
| 9 | 999 084 629 01 | Hexagon nut M6 | | 4 | |
| 10 | 997 553 131 01 | Cover Footwell outlet vent Carpet | left lhd | 1 | PR:098 |
| | 997 553 131 01 A10 | Black | | | |
| | 997 553 131 01 B10 | Stone grey | | | |
| | 997 553 131 01 T10 | Sand beige | | | |
| | 997 553 131 01 E10 | sea blue | | | |
| | 997 553 131 01 J10 | Palm green | | | |
| | 997 553 131 01 M10 | Terracotta | | | |
| | 997 553 131 01 R10 | Cocoa | | | |
| | 997 553 131 01 D11 | Dark grey/natural | | | |
| | 997 553 131 01 T11 | Brown/natural | | | |
| | 997 553 131 01 N10 | Carrera Red | | | |
| (10) | 997 553 132 01 | D - MJ 2008>> Cover Footwell outlet vent Carpet | right lhd | 1 | PR:098 |
| | 997 553 132 01 A10 | Black | | | |
| | 997 553 132 01 B10 | Stone grey | | | |
| | 997 553 132 01 T10 | Sand beige | | | |
| | 997 553 132 01 E10 | sea blue | | | |
| | 997 553 132 01 J10 | Palm green | | | |
| | 997 553 132 01 M10 | Terracotta | | | |
| | 997 553 132 01 R10 | Cocoa | | | |
| | 997 553 132 01 D11 | Dark grey/natural | | | |
| | 997 553 132 01 T11 | Brown/natural | | | |
| | 997 553 132 01 N10 | Carrera Red | | | |
| 10 | 997 553 131 01 | D - MJ 2008>> Cover Footwell outlet vent Carpet | left | 1 | |
| | 997 553 131 01 A10 | Black | | | |
| | 997 553 131 01 B10 | Stone grey | | | |
| | 997 553 131 01 T10 | Sand beige | | | |
| | 997 553 131 01 E10 | sea blue | | | |
| | 997 553 131 01 J10 | Palm green | | | |
| | 997 553 131 01 M10 | D >> - MJ 2007 Terracotta | | | |
| | 997 553 131 01 R10 | Cocoa | | | |
| | 997 553 131 01 D11 | Dark grey/natural | | | |
| | 997 553 131 01 T11 | Brown/natural | | | |
| | 997 553 131 01 N10 | Carrera Red | | | |
| (10) | 997 553 132 01 | D - MJ 2008>> Cover Footwell outlet vent Carpet | right lhd | 1 | PR:098,621 |

Model: 987 05 Model life 2005>>2008

| Pos | Part Number | Description | Remark | Qty | Model |
|------|--------------------|---------------------------|--------|-----|-------|
| | | D - MJ 2006>> | | | |
| | 997 553 132 01 A10 | Black | | | |
| | 997 553 132 01 B10 | Stone grey | | | |
| | 997 553 132 01 T10 | Sand beige | | | |
| | 997 553 132 01 E10 | sea blue | | | |
| | 997 553 132 01 J10 | Palm green | | | |
| | | D >> - MJ 2007 | | | |
| | 997 553 132 01 M10 | Terracotta | | | |
| | 997 553 132 01 R10 | Cocoa | | | |
| | 997 553 132 01 D11 | Dark grey/natural | | | |
| | 997 553 132 01 T11 | Brown/natural | | | |
| | 997 553 132 01 N10 | Carrera Red | | | |
| | | D - MJ 2008>> | | | |
| (10) | 997 553 132 02 | Cover | right | 1 | |
| | | Footwell outlet vent | | | |
| | | Carpet | | | |
| | | D - MJ 2006>> | | | |
| | 997 553 132 02 A10 | Black | | | |
| | 997 553 132 02 B10 | Stone grey | | | |
| | 997 553 132 02 T10 | Sand beige | | | |
| | 997 553 132 02 E10 | sea blue | | | |
| | 997 553 132 02 J10 | Palm green | | | |
| | | D >> - MJ 2007 | | | |
| | 997 553 132 02 M10 | Terracotta | | | |
| | 997 553 132 02 R10 | Cocoa | | | |
| | 997 553 132 02 D11 | Dark grey/natural | | | |
| | 997 553 132 02 T11 | Brown/natural | | | |
| | 997 553 132 02 N10 | Carrera Red | | | |
| | | D - MJ 2008>> | | | |
| 11 | 999 073 223 07 | fillister hd. bolt | | 2 | |
| | | M 6 X 25 | | | |
| 12 | 999 507 766 02 | panel nut | | 2 | |
| | | M 6 | | | |
| 13 | 997 553 143 01 | Stowage compartment | front | 1 | |
| | | Centre console | | | |
| | 997 553 143 01 D07 | Volcano grey | | | |
| 14 | 997 553 543 01 | Insert for centre console | | 1 | |
| | | Stowage compartment | | | |
| 15 | 999 919 164 09 | fillister hd. bolt | | 3 | |
| | | 5,0 X 12,0 | | | |

Model: 987 05

Model life 2005>>2008



Model: 987 05 Model life 2005>>2008

| Pos | Part Number | Description | Remark | Qty | Model |
|-----|--------------------|---|----------------|-----|--------------------------------|
| 1 | 997 553 211 01 | Centre console Centre console D - MJ 2005>> - MJ 2005 | rear | 1 | |
| | 997 553 211 01 A03 | Black | | | |
| | 997 553 211 01 5V7 | Stone grey | | | |
| | 997 553 211 01 5Z1 | Sand beige | | | |
| | 997 553 211 01 8W7 | sea blue | | | |
| | 997 553 211 01 5Y2 | Palm green | | | |
| | 997 553 211 01 8X8 | Terracotta | | | |
| | 997 553 211 01 8P9 | Cocoa | | | |
| | 997 553 211 01 T13 | Brown/natural | | | |
| 1 | 997 553 211 03 | Centre console D - MJ 2006>> - MJ 2006 | | 1 | |
| | 997 553 211 03 A03 | Black | | | |
| | 997 553 211 03 5V7 | Stone grey | | | |
| | 997 553 211 03 5Z1 | Sand beige | | | |
| | 997 553 211 03 8W7 | sea blue | | | |
| | 997 553 211 03 5Y2 | Palm green | | | |
| | 997 553 211 03 8X8 | Terracotta | | | |
| | 997 553 211 03 8P9 | Cocoa | | | |
| | 997 553 211 03 T13 | Brown/natural | | | |
| (1) | 997 553 211 07 | Centre console for vehicles up to F >> 98-8U712 200 F >> 98-8U731 838 also use: D - MJ 2007>> | 997 613 141 10 | 1 | BOXSTER BOXSTER_S |
| | 997 553 211 07 A03 | Black | | | |
| | 997 553 211 07 5V7 | Stone grey | | | |
| | 997 553 211 07 5Z1 | Sand beige | | | |
| | 997 553 211 07 8W7 | sea blue | | | |
| | 997 553 211 07 5Y2 | Palm green | | | |
| | 997 553 211 07 8X8 | Terracotta | | | |
| | 997 553 211 07 8P9 | Cocoa | | | |
| | 997 553 211 07 T13 | Brown/natural | | | |
| | 997 553 211 07 N23 | Carrera Red | | | |
| (1) | 997 553 901 02 | Centre console Valid from: F 98-8U712 201>> F 98-8U731 839>> D - MJ 2007>> | | 1 | BOXSTER BOXSTER_S |
| | 997 553 901 02 A03 | Black | | | |
| | 997 553 901 02 5V7 | Stone grey | | | |
| | 997 553 901 02 5Z1 | Sand beige | | | |
| | 997 553 901 02 8W7 | sea blue | | | |
| | 997 553 901 02 5Y2 | Palm green | | | |
| | 997 553 901 02 8X8 | Terracotta | | | |
| | 997 553 901 02 8P9 | Cocoa | | | |
| | 997 553 901 02 T13 | Brown/natural | | | |
| | 997 553 901 02 N23 | Carrera Red | | | |
| (1) | 997 553 211 08 | Centre console for vehicles up to F >> 98-8U712 200 F >> 98-8U731 838 also use: D >> - MJ 2007 | 997 613 141 10 | 1 | PR:560 BOXSTER BOXSTER_S |
| | 997 553 211 08 A03 | Black | | | |
| | 997 553 211 08 5V7 | Stone grey | | | |
| | 997 553 211 08 5Z1 | Sand beige | | | |
| | 997 553 211 08 8W7 | sea blue | | | |
| | 997 553 211 08 5Y2 | Palm green | | | |
| | 997 553 211 08 8X8 | Terracotta | | | |
| | 997 553 211 08 8P9 | Cocoa | | | |

Model: 987 05 Model life 2005>>2008

| Pos | Part Number | Description | Remark | Qty | Model |
|--------------------|--------------------|--|----------------|-----|------------------------------------|
| (1) | 997 553 211 08 T13 | Brown/natural | | 1 | PR:560 BOXSTER BOXSTER_S |
| | 997 553 211 08 N23 | Carrera Red | | | |
| | 997 553 901 03 | Centre console Valid from: F 98-8U712 201>> F 98-8U731 839>> | | | |
| | 997 553 901 03 A03 | Black | | | |
| | 997 553 901 03 5V7 | Stone grey | | | |
| | 997 553 901 03 5Z1 | Sand beige | | | |
| | 997 553 901 03 8W7 | sea blue | | | |
| | 997 553 901 03 8X8 | Terracotta | | | |
| | 997 553 901 03 8P9 | Cocoa | | | |
| | 997 553 901 03 T13 | Brown/natural | | | |
| (1) | 997 553 901 03 N23 | Carrera Red | | 1 | PR:XMZ BOXSTER BOXSTER_S |
| | 997 553 980 50 | Centre console Leather for vehicles up to F >> 98-8U712 200 F >> 98-8U731 838 also use: | 997 613 141 10 | | |
| | 997 553 980 50 A11 | Black | | | |
| | 997 553 980 50 5X6 | Stone grey | | | |
| | 997 553 980 50 8G2 | Sand beige | | | |
| | 997 553 980 50 3S9 | sea blue | | | |
| | 997 553 980 50 4P2 | Palm green D >> - MJ 2007 | | | |
| | 997 553 980 50 9S5 | Terracotta | | | |
| | 997 553 980 50 9V6 | Cocoa | | | |
| | 997 553 980 50 D12 | Dark grey/natural | | | |
| (1) | 997 553 980 50 T12 | Brown/natural | | 1 | PR:XMZ BOXSTER BOXSTER_S |
| | 997 553 980 50 N12 | Carrera Red D - MJ 2008>> | | | |
| | 997 553 980 50 | Centre console Leather Valid from: F 98-8U712 201>> F 98-8U731 839>> | | | |
| | 997 553 980 50 A11 | Black | | | |
| | 997 553 980 50 5X6 | Stone grey | | | |
| | 997 553 980 50 8G2 | Sand beige | | | |
| | 997 553 980 50 3S9 | sea blue | | | |
| | 997 553 980 50 4P2 | Palm green D >> - MJ 2007 | | | |
| | 997 553 980 50 9S5 | Terracotta | | | |
| | 997 553 980 50 9V6 | Cocoa | | | |
| (1) | 997 553 980 50 D12 | Dark grey/natural | | 1 | PR:XMZ,560 BOXSTER BOXSTER_S |
| | 997 553 980 50 T12 | Brown/natural | | | |
| | 997 553 980 50 N12 | Carrera Red D - MJ 2008>> | | | |
| | 997 553 980 51 | Centre console Leather for vehicles up to F >> 98-8U712 200 F >> 98-8U731 838 also use: | 997 613 141 10 | | |
| | 997 553 980 51 A11 | Black | | | |
| | 997 553 980 51 5X6 | Stone grey | | | |
| | 997 553 980 51 8G2 | Sand beige | | | |
| | 997 553 980 51 3S9 | sea blue | | | |
| | 997 553 980 51 4P2 | Palm green D >> - MJ 2007 | | | |
| | 997 553 980 51 9S5 | Terracotta | | | |
| 997 553 980 51 9V6 | Cocoa | | | | |

Model: 987 05 Model life 2005>>2008

| Pos | Part Number | Description | Remark | Qty | Model |
|-----|--------------------|-------------------------|----------------|-----|----------------|
| (1) | 997 553 980 51 D12 | Dark grey/natural | | 1 | PR:XMZ,560 |
| | 997 553 980 51 T12 | Brown/natural | | | |
| | 997 553 980 51 N12 | Carrera Red | | | |
| | | D - MJ 2008>> | | | |
| | 997 553 980 51 | Centre console | | | |
| | | Leather | | | |
| | | Valid from: | | | |
| | | F 98-8U712 201>> | | | |
| | | F 98-8U731 839>> | | | |
| | | 997 553 980 51 A11 | Black | | |
| | 997 553 980 51 5X6 | Stone grey | | | |
| | 997 553 980 51 8G2 | Sand beige | | | |
| | 997 553 980 51 3S9 | sea blue | | | |
| | 997 553 980 51 9S5 | Terracotta | | | |
| | 997 553 980 51 9V6 | Cocoa | | | |
| | 997 553 980 51 D12 | Dark grey/natural | | | |
| | 997 553 980 51 T12 | Brown/natural | | | |
| | 997 553 980 51 N12 | Carrera Red | | | |
| (1) | 997 553 980 54 | Centre console | | 1 | PR:XMJ |
| | | Carbon | | | |
| | | for vehicles up to | | | |
| | | F >> 98-8U712 200 | | | |
| | | F >> 98-8U731 838 | | | |
| | | also use: | 997 613 141 10 | | |
| (1) | 997 553 980 54 A35 | Black | | 1 | PR:XMJ |
| | 997 553 980 54 | Centre console | | | |
| | | Carbon | | | |
| | | Valid from: | | | |
| | | F 98-8U712 201>> | | | |
| | | F 98-8U731 839>> | | | |
| (1) | 997 553 980 54 A35 | Black | | 1 | PR:XMJ,560 |
| | 997 553 980 55 | Centre console | | | |
| | | Carbon | | | |
| | | for vehicles up to | | | |
| | | F >> 98-8U712 200 | | | |
| | | F >> 98-8U731 838 | | | |
| | | also use: | 997 613 141 10 | | |
| (1) | 997 553 980 55 A35 | Black | | 1 | PR:XMJ,560 |
| | 997 553 980 55 | Centre console | | | |
| | | Carbon | | | |
| | | Valid from: | | | |
| | | F 98-8U712 201>> | | | |
| | | F 98-8U731 839>> | | | |
| (1) | 997 553 980 55 A35 | Black | | 1 | PR:XJU |
| | 997 553 980 14 | Centre console | rear | | |
| | | D - MJ 2005>> - MJ 2005 | | | |
| (1) | 997 553 980 14 S62 | Sycamore wood | | 1 | PR:XJU,370,560 |
| | 997 553 980 20 | Centre console | rear | | |
| | | D - MJ 2006>> - MJ 2008 | | | |
| (1) | 997 553 980 20 S62 | Sycamore wood | | 1 | PR:XJU,438,560 |
| | 997 553 980 20 | Centre console | rear | | |
| | | D - MJ 2006>> - MJ 2008 | | | |
| (1) | 997 553 980 20 S62 | Sycamore wood | | 1 | PR:XJU,376,560 |
| | 997 553 980 35 | Centre console | rear | | |
| | | D - MJ 2006>> - MJ 2008 | | | |
| (1) | 997 553 980 35 S62 | Sycamore wood | | 1 | PR:XJU,378,560 |
| | 997 553 980 35 | Centre console | rear | | |
| | | D - MJ 2006>> - MJ 2008 | | | |
| | 997 553 980 35 S62 | Sycamore wood | | | |

Model: 987 05 Model life 2005>>2008

| Pos | Part Number | Description | Remark | Qty | Model |
|-----|--------------------|--|----------------|-----|--|
| (1) | 997 553 980 35 | Centre console | rear | 1 | PR:XJU,389, 560 |
| | | D - MJ 2008>> - MJ 2008 | | | |
| | 997 553 980 35 S62 | Sycamore wood | | | |
| (1) | 997 553 980 58 | Centre console for vehicles up to F >> 98-8U712 200 F >> 98-8U731 838 | | 1 | PR:XJT BOXSTER BOXSTER_S |
| | | also use: | 997 613 141 10 | | |
| | 997 553 980 58 S61 | macassar | | | |
| (1) | 997 553 980 58 | Centre console Valid from: F 98-8U712 201>> F 98-8U731 839>> | | 1 | PR:XJT BOXSTER BOXSTER_S |
| | | macassar | | | |
| (1) | 997 553 980 58 S61 | Centre console for vehicles up to F >> 98-8U712 200 F >> 98-8U731 838 | | 1 | PR:XJT,560 BOXSTER BOXSTER_S |
| | | also use: | 997 613 141 10 | | |
| | 997 553 980 59 S61 | macassar | | | |
| (1) | 997 553 980 59 | Centre console Valid from: F 98-8U712 201>> F 98-8U731 839>> | | 1 | PR:XJT,560 BOXSTER BOXSTER_S |
| | | macassar | | | |
| (1) | 997 553 980 59 S61 | Centre console for vehicles up to F >> 98-8U712 200 F >> 98-8U731 838 | | 1 | PR:XCK BOXSTER BOXSTER_S |
| | | also use: | 997 613 141 10 | | |
| | 997 553 980 62 V04 | Galvano silver | | | |
| (1) | 997 553 980 62 | Centre console Valid from: F 98-8U712 201>> F 98-8U731 839>> | | 1 | PR:XCK BOXSTER BOXSTER_S |
| | | Galvano silver | | | |
| (1) | 997 553 980 62 V04 | Centre console for vehicles up to F >> 98-8U712 200 F >> 98-8U731 838 | | 1 | PR:XCK,560 BOXSTER BOXSTER_S |
| | | also use: | 997 613 141 10 | | |
| | 997 553 980 63 V04 | Galvano silver | | | |
| (1) | 997 553 980 63 | Centre console Valid from: F 98-8U712 201>> F 98-8U731 839>> | | 1 | PR:XCK,560 BOXSTER BOXSTER_S |
| | | Galvano silver | | | |
| (1) | 997 553 980 63 V04 | Centre console for vehicles up to F >> 98-8U712 200 F >> 98-8U731 838 | | 1 | PR:XME BOXSTER BOXSTER_S |
| | | also use: | 997 613 141 10 | | |
| | 997 553 980 66 041 | Black | | | |
| | 997 553 980 66 84A | guards red (Porsche) | | | |
| | 997 553 980 66 B9A | Carrara white | | | |
| | 997 553 980 66 12H | Speed yellow | | | |
| | 997 553 980 66 92U | Arctic silver metallic | | | |
| | 997 553 980 66 M3W | Carmon red metallic | | | |
| | 997 553 980 66 M5W | Lapis blue metallic | | | |
| | 997 553 980 66 M6W | Lagoon green metallic | | | |
| | 997 553 980 66 C9Z | Basalt black metallic | | | |
| | 997 553 980 66 M7X | Atlas grey metallic | | | |

Model: 987 05 Model life 2005>>2008

| Pos | Part Number | Description | Remark | Qty | Model |
|-----|--------------------|--------------------------|----------------|-----|------------|
| | 997 553 980 66 39C | Midnight Blue Metallic | | | |
| | 997 553 980 66 6B4 | Seal grey metallic | | | |
| | 997 553 980 66 M7W | Meteor Grey Metallic | | | |
| | 997 553 980 66 2B4 | Forest green metallic | | | |
| | 997 553 980 66 3C8 | Cobalt blue metallic | | | |
| | 997 553 980 66 23F | Slate grey metallic | | | |
| | 997 553 980 66 M7Z | GT Silver Metallic | | | |
| | 997 553 980 66 M6X | Dark olive-metallic | | | |
| | 997 553 980 66 M8W | Macadamia Metallic | | | |
| | | D - MJ 2008>> | | | |
| | 997 553 980 66 8A7 | Ruby red metallic | | | |
| | | D - MJ 2008>> | | | |
| | 997 553 980 66 2B5 | Malachite Green Metallic | | | |
| | | D - MJ 2008>> | | | |
| (1) | 997 553 980 66 | Centre console | | 1 | PR:XME |
| | | Valid from: | | | |
| | | F 98-8U712 201>> | | | BOXSTER |
| | | F 98-8U731 839>> | | | BOXSTER_S |
| | 997 553 980 66 041 | Black | | | |
| | 997 553 980 66 84A | guards red (Porsche) | | | |
| | 997 553 980 66 B9A | Carrara white | | | |
| | 997 553 980 66 12H | Speed yellow | | | |
| | 997 553 980 66 92U | Arctic silver metallic | | | |
| | 997 553 980 66 M3W | Carmon red metallic | | | |
| | 997 553 980 66 M5W | Lapis blue metallic | | | |
| | 997 553 980 66 M6W | Lagoon green metallic | | | |
| | 997 553 980 66 C9Z | Basalt black metallic | | | |
| | 997 553 980 66 M7X | Atlas grey metallic | | | |
| | 997 553 980 66 39C | Midnight Blue Metallic | | | |
| | 997 553 980 66 6B4 | Seal grey metallic | | | |
| | 997 553 980 66 M7W | Meteor Grey Metallic | | | |
| | 997 553 980 66 2B4 | Forest green metallic | | | |
| | 997 553 980 66 3C8 | Cobalt blue metallic | | | |
| | 997 553 980 66 23F | Slate grey metallic | | | |
| | 997 553 980 66 M7Z | GT Silver Metallic | | | |
| | 997 553 980 66 M6X | Dark olive-metallic | | | |
| | 997 553 980 66 M8W | Macadamia Metallic | | | |
| | | D - MJ 2008>> | | | |
| | 997 553 980 66 8A7 | Ruby red metallic | | | |
| | | D - MJ 2008>> | | | |
| | 997 553 980 66 2B5 | Malachite Green Metallic | | | |
| | | D - MJ 2008>> | | | |
| (1) | 997 553 980 67 | Centre console | | 1 | PR:XME,560 |
| | | for vehicles up to | | | |
| | | F >> 98-8U712 200 | | | BOXSTER |
| | | F >> 98-8U731 838 | | | BOXSTER_S |
| | | also use: | 997 613 141 10 | | |
| | 997 553 980 67 041 | Black | | | |
| | 997 553 980 67 84A | guards red (Porsche) | | | |
| | 997 553 980 67 B9A | Carrara white | | | |
| | 997 553 980 67 12H | Speed yellow | | | |
| | 997 553 980 67 92U | Arctic silver metallic | | | |
| | 997 553 980 67 M3W | Carmon red metallic | | | |
| | 997 553 980 67 M5W | Lapis blue metallic | | | |
| | 997 553 980 67 M6W | Lagoon green metallic | | | |
| | 997 553 980 67 C9Z | Basalt black metallic | | | |
| | 997 553 980 67 M7X | Atlas grey metallic | | | |
| | 997 553 980 67 39C | Midnight Blue Metallic | | | |
| | 997 553 980 67 6B4 | Seal grey metallic | | | |
| | 997 553 980 67 M7W | Meteor Grey Metallic | | | |
| | 997 553 980 67 2B4 | Forest green metallic | | | |
| | 997 553 980 67 3C8 | Cobalt blue metallic | | | |
| | 997 553 980 67 23F | Slate grey metallic | | | |

Model: 987 05 Model life 2005>>2008

| Pos | Part Number | Description | Remark | Qty | Model |
|-----|--------------------|--------------------------|--------|-----|----------------------|
| | 997 553 980 67 M7Z | GT Silver Metallic | | | |
| | 997 553 980 67 M6X | Dark olive-metallic | | | |
| | 997 553 980 67 M8W | Macadamia Metallic | | | |
| | | D - MJ 2008>> | | | |
| | 997 553 980 67 8A7 | Ruby red metallic | | | |
| | | D - MJ 2008>> | | | |
| | 997 553 980 67 2B5 | Malachite Green Metallic | | | |
| | | D - MJ 2008>> | | | |
| (1) | 997 553 980 67 | Centre console | | 1 | PR:XME,560 |
| | | Valid from: | | | |
| | | F 98-8U712 201>> | | | |
| | | F 98-8U731 839>> | | | BOXSTER BOXSTER_S |
| | 997 553 980 67 041 | Black | | | |
| | 997 553 980 67 84A | guards red (Porsche) | | | |
| | 997 553 980 67 B9A | Carrara white | | | |
| | 997 553 980 67 12H | Speed yellow | | | |
| | 997 553 980 67 92U | Arctic silver metallic | | | |
| | 997 553 980 67 C9Z | Basalt black metallic | | | |
| | 997 553 980 67 M7X | Atlas grey metallic | | | |
| | 997 553 980 67 39C | Midnight Blue Metallic | | | |
| | 997 553 980 67 M7W | Meteor Grey Metallic | | | |
| | 997 553 980 67 2B4 | Forest green metallic | | | |
| | 997 553 980 67 3C8 | Cobalt blue metallic | | | |
| | 997 553 980 67 23F | Slate grey metallic | | | |
| | 997 553 980 67 M7Z | GT Silver Metallic | | | |
| | 997 553 980 67 M6X | Dark olive-metallic | | | |
| | 997 553 980 67 M8W | Macadamia Metallic | | | |
| | 997 553 980 67 8A7 | Ruby red metallic | | | |
| | 997 553 980 67 2B5 | Malachite Green Metallic | | | |
| (1) | 997 553 997 01 | Protective film | | 2 | |
| | | Centre console | | | |
| | | See technical manual | | | |
| | | 681749 | | | |
| 2 | 997 553 575 02 | Insert | | 1 | |
| | | Locking mechanism | | | |
| | | Centre console | | | |
| | 997 553 575 02 01C | Satin black | | | |
| 3 | 999 919 159 09 | fillister hd. bolt | | 1 | |
| | | 4 X 12 | | | |
| 4 | 999 591 210 40 | expanding nut | | 4 | |
| | | 4,2 | | | |
| 5 | 997 553 843 00 | Sound absorber | left | 1 | |
| (5) | 997 553 844 00 | Sound absorber | right | 1 | |
| 6 | 997 553 433 01 | cover for center console | inner | 1 | |
| | 997 553 433 01 01C | Satin black | | | |
| 7 | 987 553 231 00 | cover for center console | outer | 1 | BOXSTER |
| | 987 553 231 00 1MZ | Black | | | |
| | 987 553 231 00 1YP | Stone grey | | | |
| | 987 553 231 00 1TK | Sand beige | | | |
| | 987 553 231 00 1VM | sea blue | | | |
| | 987 553 231 00 1UL | Palm green | | | |
| (7) | 997 553 231 01 | Cover (leather) | outer | 1 | Boxster PR:981 |
| | 997 553 231 01 A11 | Black | | | |
| | 997 553 231 01 5X6 | Stone grey | | | |
| | 997 553 231 01 8G2 | Sand beige | | | |
| | 997 553 231 01 3S9 | sea blue | | | |
| | 997 553 231 01 4P2 | Palm green | | | |
| | 997 553 231 01 9S5 | Terracotta | | | |
| | 997 553 231 01 9V6 | Cocoa | | | |
| | 997 553 231 01 D12 | Dark grey/natural | | | |
| | 997 553 231 01 T12 | Brown/natural | | | |
| | 997 553 231 01 N12 | Carrera Red | | | |

Model: 987 05 Model life 2005>>2008

| Pos | Part Number | Description | Remark | Qty | Model |
|------|--------------------|--|--------|-----|-----------|
| (7) | 997 553 231 01 | Cover (leather) | outer | 1 | Boxster S |
| | 997 553 231 01 A11 | Black | | | |
| | 997 553 231 01 5X6 | Stone grey | | | |
| | 997 553 231 01 8G2 | Sand beige | | | |
| | 997 553 231 01 3S9 | sea blue | | | |
| | 997 553 231 01 4P2 | Palm green | | | |
| | 997 553 231 01 9S5 | Terracotta | | | |
| | 997 553 231 01 9V6 | Cocoa | | | |
| | 997 553 231 01 D12 | Dark grey/natural | | | |
| | 997 553 231 01 T12 | Brown/natural | | | |
| | 997 553 231 01 N12 | Carrera Red | | | |
| 8 | 999 507 972 01 | panel nut 3,5 | | 8 | |
| 9 | 999 073 153 01 | panel screw 3,5 X 14 | | 8 | |
| 10 | 997 553 437 01 | Hinge | | 1 | |
| 11 | 997 553 439 00 | Leg spring | | 1 | |
| 12 | 997 553 441 00 | Belt | | 1 | |
| 13 | 997 553 447 00 | axle | | 1 | |
| 14 | 997 553 733 00 | Locking pin | | 1 | |
| 15 | 999 919 159 09 | fillister hd. bolt M4X12 | | 2 | |
| 16 | 999 919 121 09 | fillister hd. bolt 5 X 16 for Mount Centre console | | 2 | |
| 17 | 999 073 155 09 | panel screw 4,2 X 13 for Mount Centre console | | 2 | |
| 18 | 997 553 615 01 | Floor Centre console | | 1 | |
| 19 | 999 073 226 09 | panel screw 4,2 X 16 | | 2 | |
| 20 | 997 553 141 02 | ashtray Lacquered D >> - MJ 2007 | | 1 | |
| | 997 553 141 02 A03 | Black | | | |
| | 997 553 141 02 5V7 | Stone grey | | | |
| | 997 553 141 02 5Z1 | Sand beige | | | |
| | 997 553 141 02 8W7 | sea blue | | | |
| | 997 553 141 02 5Y2 | Palm green | | | |
| | 997 553 141 02 8X8 | Terracotta | | | |
| | 997 553 141 02 8P9 | Cocoa | | | |
| | 997 553 141 02 T13 | Brown/natural | | | |
| 20 | 997 553 902 00 | ashtray Lacquered D - MJ 2008>> | | 1 | |
| | 997 553 902 00 A03 | Black | | | |
| | 997 553 902 00 5V7 | Stone grey | | | |
| | 997 553 902 00 5Z1 | Sand beige | | | |
| | 997 553 902 00 8W7 | sea blue | | | |
| | 997 553 902 00 8X8 | Terracotta | | | |
| | 997 553 902 00 8P9 | Cocoa | | | |
| | 997 553 902 00 T13 | Brown/natural | | | |
| | 997 553 902 00 N23 | Carrera Red | | | |
| (20) | 997 553 982 00 | ashtray Leather | | 1 | PR:XMZ |
| | 997 553 982 00 A11 | Black | | | |
| | 997 553 982 00 5X6 | Stone grey | | | |
| | 997 553 982 00 8G2 | Sand beige | | | |

Model: 987 05 Model life 2005>>2008

| Pos | Part Number | Description | Remark | Qty | Model |
|------|--------------------|---------------------------|--------|-----|-----------|
| | 997 553 982 00 3S9 | sea blue | | | |
| | 997 553 982 00 4P2 | Palm green | | | |
| | 997 553 982 00 9S5 | Terracotta | | | |
| | 997 553 982 00 9V6 | Cocoa | | | |
| | 997 553 982 00 D12 | Dark grey/natural | | | |
| | 997 553 982 00 T12 | Brown/natural | | | |
| | 997 553 982 00 N12 | Carrera Red | | | |
| (20) | 997 553 982 01 | ashtray Carbon | | 1 | PR:XMJ |
| | 997 553 982 01 A35 | Black | | | |
| (20) | 997 553 982 02 | ashtray | | 1 | PR:XJU |
| | 997 553 982 02 S62 | Sycamore wood | | | |
| (20) | 997 553 982 03 | ashtray | | 1 | PR:XJT |
| | 997 553 982 03 S61 | macassar | | | |
| (20) | 997 553 982 04 | ashtray Aluminium look | | 1 | PR:XCK |
| | 997 553 982 04 V04 | Galvano silver | | | |
| (20) | 997 553 982 05 | ashtray Lacquered | | 1 | PR:XME |
| | 997 553 982 05 041 | Black | | | |
| | 997 553 982 05 84A | guards red (Porsche) | | | |
| | 997 553 982 05 B9A | Carrara white | | | |
| | 997 553 982 05 12H | Speed yellow | | | |
| | 997 553 982 05 92U | Arctic silver metallic | | | |
| | 997 553 982 05 M3W | Carmon red metallic | | | |
| | 997 553 982 05 M5W | Coral metallic | | | |
| | 997 553 982 05 M6W | Lagoon green metallic | | | |
| | 997 553 982 05 C9Z | Basalt black metallic | | | |
| | 997 553 982 05 M7X | Atlas grey metallic | | | |
| | 997 553 982 05 39C | Midnight Blue Metallic | | | |
| | 997 553 982 05 6B4 | Seal grey metallic | | | |
| | 997 553 982 05 M7W | Meteor Grey Metallic | | | |
| | 997 553 982 05 2B4 | Forest green metallic | | | |
| | 997 553 982 05 3C8 | Cobalt blue metallic | | | |
| | 997 553 982 05 23F | Slate grey metallic | | | |
| | 997 553 982 05 M7Z | GT Silver Metallic | | | |
| | 997 553 982 05 M6X | Dark olive-metallic | | | |
| | 997 553 982 05 M8W | Macadamia Metallic | | | |
| | 997 553 982 05 8A7 | Ruby red metallic | | | |
| | 997 553 982 05 2B5 | Malachite Green Metallic | | | |
| 21 | 997 553 611 01 | Insert for centre console | | 1 | |
| 22 | 997 553 261 05 | Frame Lacquered | | 1 | BOXSTER |
| | 997 553 261 05 D07 | Volcano grey | | | |
| (22) | 997 553 261 02 | Frame Lacquered | | 1 | BOXSTER S |
| | | D >> - MJ 2007 | | | |
| | 997 553 261 02 V04 | Galvano silver | | | |
| (22) | 997 553 261 06 | Frame Lacquered | | 1 | BOXSTER S |
| | | D - MJ 2008>> | | | |
| | 997 553 261 06 V04 | Galvano silver | | | |
| (22) | 987 553 261 01 | Frame D - MJ 2008>> | | 1 | PR:753 |
| | 987 553 261 01 G2X | primed | | | |
| (22) | 987 553 261 01 | Frame D - MJ 2008>> | | 1 | PR:757 |
| | 987 553 261 01 G2X | primed | | | |
| 23 | 999 507 533 02 | Clamp 8,0 X 10,0/2,5 | | 7 | |
| 24 | 999 073 155 09 | panel screw 4,2 X 13 | | 4 | |
| 25 | 997 553 241 02 | Cover | | 1 | PR:249 |

Model: 987 05 Model life 2005>>2008

| Pos | Part Number | Description | Remark | Qty | Model |
|------|--------------------|--------------------------|--------|-----|------------|
| | | Shift gate Lacquered | | | |
| | 997 553 241 02 A03 | Black | | | |
| | 997 553 241 02 5V7 | Stone grey | | | |
| | 997 553 241 02 5Z1 | Sand beige | | | |
| | 997 553 241 02 8W7 | sea blue | | | |
| | 997 553 241 02 5Y2 | Palm green | | | |
| | 997 553 241 02 8X8 | Terracotta | | | |
| | 997 553 241 02 8P9 | Cocoa | | | |
| | 997 553 241 02 T13 | Brown/natural | | | |
| | 997 553 241 02 N23 | Carrera Red | | | |
| (25) | 997 553 243 01 | Cover | | 1 | PR:480,481 |
| | | Shift gate Lacquered | | | |
| | 997 553 243 01 A03 | Black | | | |
| | 997 553 243 01 5V7 | Stone grey | | | |
| | 997 553 243 01 5Z1 | Sand beige | | | |
| | 997 553 243 01 8W7 | sea blue | | | |
| | 997 553 243 01 5Y2 | Palm green | | | |
| | 997 553 243 01 8X8 | Terracotta | | | |
| | 997 553 243 01 8P9 | Cocoa | | | |
| | 997 553 243 01 T13 | Brown/natural | | | |
| | 997 553 243 01 N23 | Carrera Red | | | |
| 26 | 996 552 687 00 | slide valve | | 1 | PR:249 |
| | 996 552 687 00 01C | Black | | | |
| 27 | 997 553 455 01 | Cover | | 1 | |
| | | Brake lever Lacquered | | | |
| | | D >> - MJ 2007 | | | |
| | 997 553 455 01 A03 | Black | | | |
| | 997 553 455 01 5V7 | Stone grey | | | |
| | 997 553 455 01 5Z1 | Sand beige | | | |
| | 997 553 455 01 8W7 | sea blue | | | |
| | 997 553 455 01 5Y2 | Palm green | | | |
| | 997 553 455 01 8X8 | Terracotta | | | |
| | 997 553 455 01 8P9 | Cocoa | | | |
| | 997 553 455 01 T13 | Brown/natural | | | |
| 27 | 997 553 903 00 | Cover | | 1 | |
| | | Brake lever Lacquered | | | |
| | | D - MJ 2008>> | | | |
| | 997 553 903 00 A03 | Black | | | |
| | 997 553 903 00 5V7 | Stone grey | | | |
| | 997 553 903 00 5Z1 | Sand beige | | | |
| | 997 553 903 00 8W7 | sea blue | | | |
| | 997 553 903 00 8X8 | Terracotta | | | |
| | 997 553 903 00 8P9 | Cocoa | | | |
| | 997 553 903 00 T13 | Brown/natural | | | |
| | 997 553 903 00 N23 | Carrera Red | | | |
| (27) | 997 553 981 00 | Cover | | 1 | PR:XCK |
| | | Brake lever | | | |
| | 997 553 981 00 A11 | Black | | | |
| | 997 553 981 00 5X6 | Stone grey | | | |
| | 997 553 981 00 8G2 | Sand beige | | | |
| | 997 553 981 00 3S9 | sea blue | | | |
| | 997 553 981 00 4P2 | Palm green | | | |
| | 997 553 981 00 9S5 | Terracotta | | | |
| | 997 553 981 00 9V6 | Cocoa | | | |
| | 997 553 981 00 D12 | Dark grey/natural | | | |
| | 997 553 981 00 T12 | Brown/natural | | | |
| | 997 553 981 00 N12 | Carrera Red | | | |
| (27) | 997 553 981 00 | Cover | | 1 | PR:XJT |
| | | Brake lever | | | |

Model: 987 05 Model life 2005>>2008

| Pos | Part Number | Description | Remark | Qty | Model |
|------|--------------------|-------------------|--------|-----|--------|
| | 997 553 981 00 A11 | Black | | | |
| | 997 553 981 00 5X6 | Stone grey | | | |
| | 997 553 981 00 8G2 | Sand beige | | | |
| | 997 553 981 00 3S9 | sea blue | | | |
| | 997 553 981 00 4P2 | Palm green | | | |
| | 997 553 981 00 9S5 | Terracotta | | | |
| | 997 553 981 00 9V6 | Cocoa | | | |
| | 997 553 981 00 D12 | Dark grey/natural | | | |
| | 997 553 981 00 T12 | Brown/natural | | | |
| | 997 553 981 00 N12 | Carrera Red | | | |
| (27) | 997 553 981 00 | Cover | | 1 | PR:XJU |
| | | Brake lever | | | |
| | 997 553 981 00 A11 | Black | | | |
| | 997 553 981 00 5X6 | Stone grey | | | |
| | 997 553 981 00 8G2 | Sand beige | | | |
| | 997 553 981 00 3S9 | sea blue | | | |
| | 997 553 981 00 4P2 | Palm green | | | |
| | 997 553 981 00 9S5 | Terracotta | | | |
| | 997 553 981 00 9V6 | Cocoa | | | |
| | 997 553 981 00 D12 | Dark grey/natural | | | |
| | 997 553 981 00 T12 | Brown/natural | | | |
| | 997 553 981 00 N12 | Carrera Red | | | |
| (27) | 997 553 981 00 | Cover | | 1 | PR:XME |
| | | Brake lever | | | |
| | 997 553 981 00 A11 | Black | | | |
| | 997 553 981 00 5X6 | Stone grey | | | |
| | 997 553 981 00 8G2 | Sand beige | | | |
| | 997 553 981 00 3S9 | sea blue | | | |
| | 997 553 981 00 4P2 | Palm green | | | |
| | 997 553 981 00 9S5 | Terracotta | | | |
| | 997 553 981 00 9V6 | Cocoa | | | |
| | 997 553 981 00 D12 | Dark grey/natural | | | |
| | 997 553 981 00 T12 | Brown/natural | | | |
| | 997 553 981 00 N12 | Carrera Red | | | |
| (27) | 997 553 981 00 | Cover | | 1 | PR:XMJ |
| | | Brake lever | | | |
| | 997 553 981 00 A11 | Black | | | |
| | 997 553 981 00 5X6 | Stone grey | | | |
| | 997 553 981 00 8G2 | Sand beige | | | |
| | 997 553 981 00 3S9 | sea blue | | | |
| | 997 553 981 00 4P2 | Palm green | | | |
| | 997 553 981 00 9S5 | Terracotta | | | |
| | 997 553 981 00 9V6 | Cocoa | | | |
| | 997 553 981 00 D12 | Dark grey/natural | | | |
| | 997 553 981 00 T12 | Brown/natural | | | |
| | 997 553 981 00 N12 | Carrera Red | | | |
| (27) | 997 553 981 06 | Cover | | 1 | PR:XMZ |
| | | Brake lever | | | |
| | 997 553 981 06 A11 | Black | | | |
| | 997 553 981 06 5X6 | Stone grey | | | |
| | 997 553 981 06 8G2 | Sand beige | | | |
| | 997 553 981 06 3S9 | sea blue | | | |
| | 997 553 981 06 4P2 | Palm green | | | |
| | 997 553 981 06 9S5 | Terracotta | | | |
| | 997 553 981 06 9V6 | Cocoa | | | |
| | 997 553 981 06 D12 | Dark grey/natural | | | |
| | 997 553 981 06 T12 | Brown/natural | | | |
| | 997 553 981 06 N12 | Carrera Red | | | |
| 28 | 997 553 871 00 | Filler piece | | 1 | |
| | | Centre console | | | |
| 29 | 997 553 873 00 | Filler piece | | 1 | |
| | | Centre console | | | |
| 30 | 997 553 875 00 | Filler piece | | 1 | |

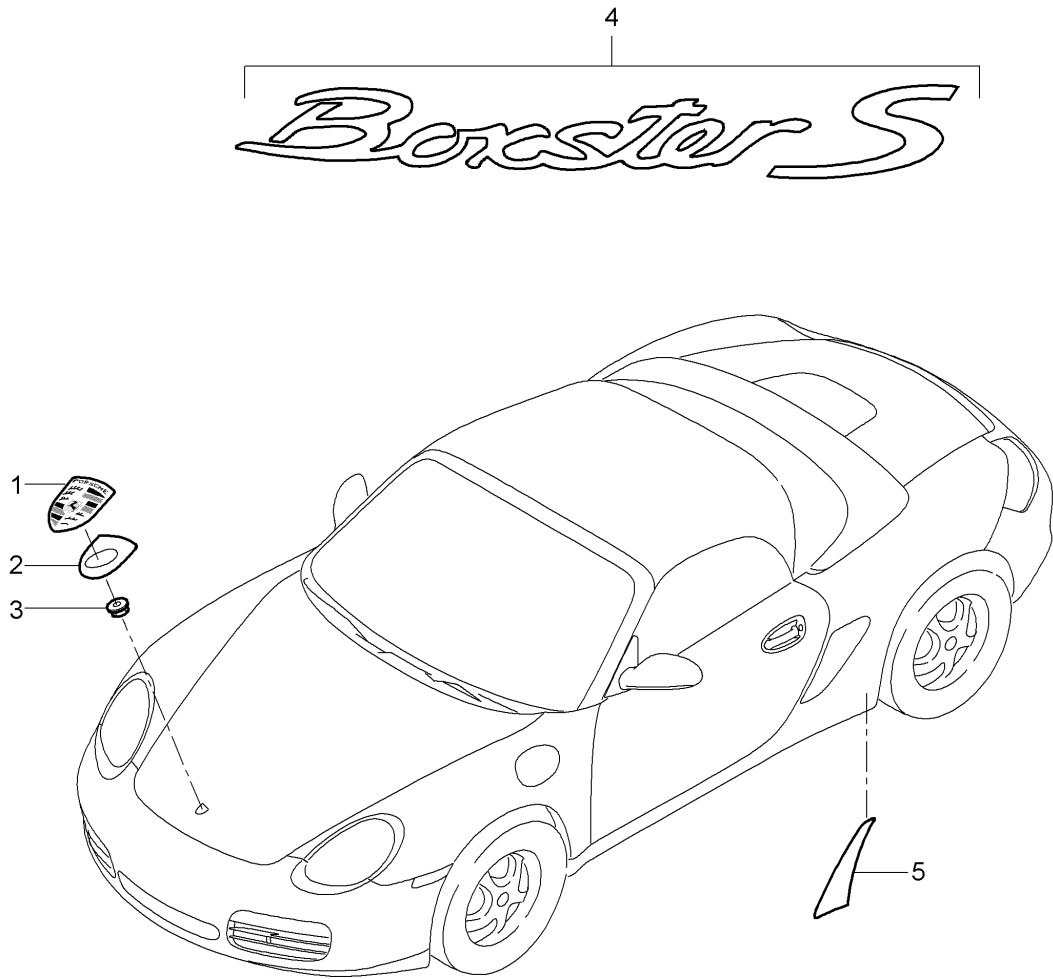
Model: 987 05

Model life 2005>>2008

| Pos | Part Number | Description | Remark | Qty | Model |
|-----|----------------|--------------------------------|--------|-----|-------|
| 31 | 997 553 877 00 | Centre console Filler piece | | 1 | |
| 32 | 987 553 269 00 | Centre console Bracket | | 1 | |
| 33 | 999 591 215 40 | Shift cable expanding nut | | 2 | |
| 34 | 999 507 028 01 | 4,2 panel nut | | X | |
| 35 | 999 507 028 01 | 4,2 panel nut | | X | |
| 36 | 997 553 732 00 | Rubber buffer Cover | inner | 2 | |

Model: 987 05

Model life 2005>>2008



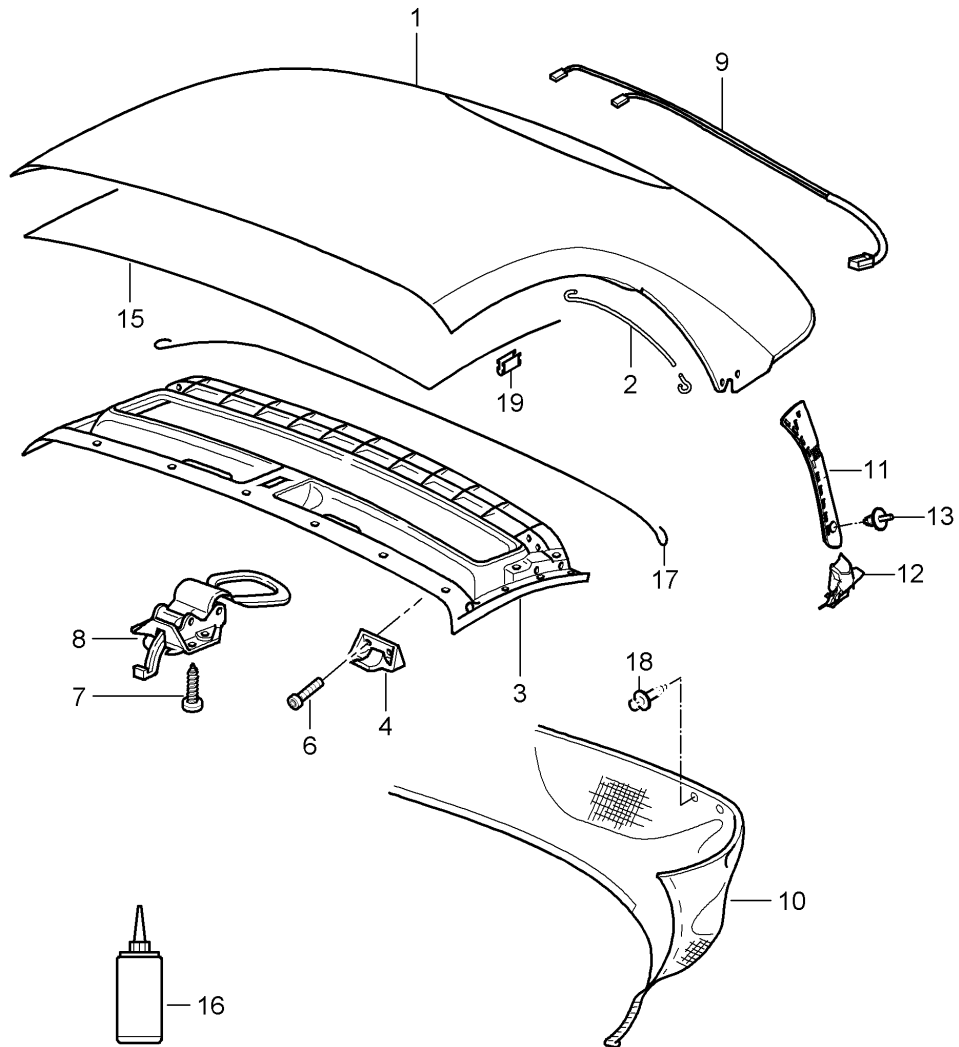
Model: 987 05

Model life 2005>>2008

| Pos | Part Number | Description | Remark | Qty | Model |
|------|----------------|-----------------------------|--------|-----|------------|
| | | inscriptions/lettering | | | |
| | | Stone guard film | | | |
| 1 | 997 559 211 00 | Porsche crest | | 1 | |
| (1) | 996 559 211 01 | Porsche crest | | 1 | |
| 2 | 7L5 853 611 B | Underlay | | 1 | |
| 3 | 999 591 423 03 | Tapping nut | | 2 | |
| 4 | 987 559 037 00 | inscription | | 1 | |
| | | Satin aluminium | | | |
| (4) | 987 559 037 01 | inscription | | 1 | PR:753 |
| | | Lacquered | | | |
| | | Black | | | |
| (4) | 987 559 037 02 | inscription | | 1 | |
| | | chromed | | | |
| | | High gloss | | | |
| (4) | 987 559 984 00 | inscription | | 1 | |
| | | Boxster | | | |
| | | primed | | | |
| (4) | 987 559 985 00 | inscription | | 1 | |
| | | S | | | |
| | | primed | | | |
| 5 | 987 504 825 01 | Stone guard film | left | 1 | |
| | | Side part | | | |
| (5) | 987 504 826 01 | Stone guard film | right | 1 | |
| | | Side part | | | |
| 6 | 987 559 447 01 | Decorative film | front | 1 | PR:757 |
| | | Front apron | | | |
| | | and | | | |
| | | Cover | | | |
| 7 | 987 559 449 01 | Decorative film | | 1 | PR:757 |
| | | convertible top stowage box | | | |
| 8 | 987 559 451 01 | Decorative film | | 1 | PR:757 |
| | | Rear lid | | | |
| (8) | 987 559 451 02 | Decorative film | | 1 | PR:757,075 |
| | | Rear lid | | | |
| 9 | 987 559 453 01 | Decorative film | | 1 | PR:757 |
| | | Rear spoiler | | | |
| | | and | | | |
| | | rear spoiler | | | |
| 10 | 987 559 444 01 | Decorative film for door | right | 1 | PR:757 |
| | | and | | | |
| | | Wing | | | |
| (10) | 987 559 443 01 | Decorative film for door | left | 1 | PR:757 |
| | | and | | | |
| | | Wing | | | |

Model: 987 05

Model life 2005>>2008



Model: 987 05 Model life 2005>>2008

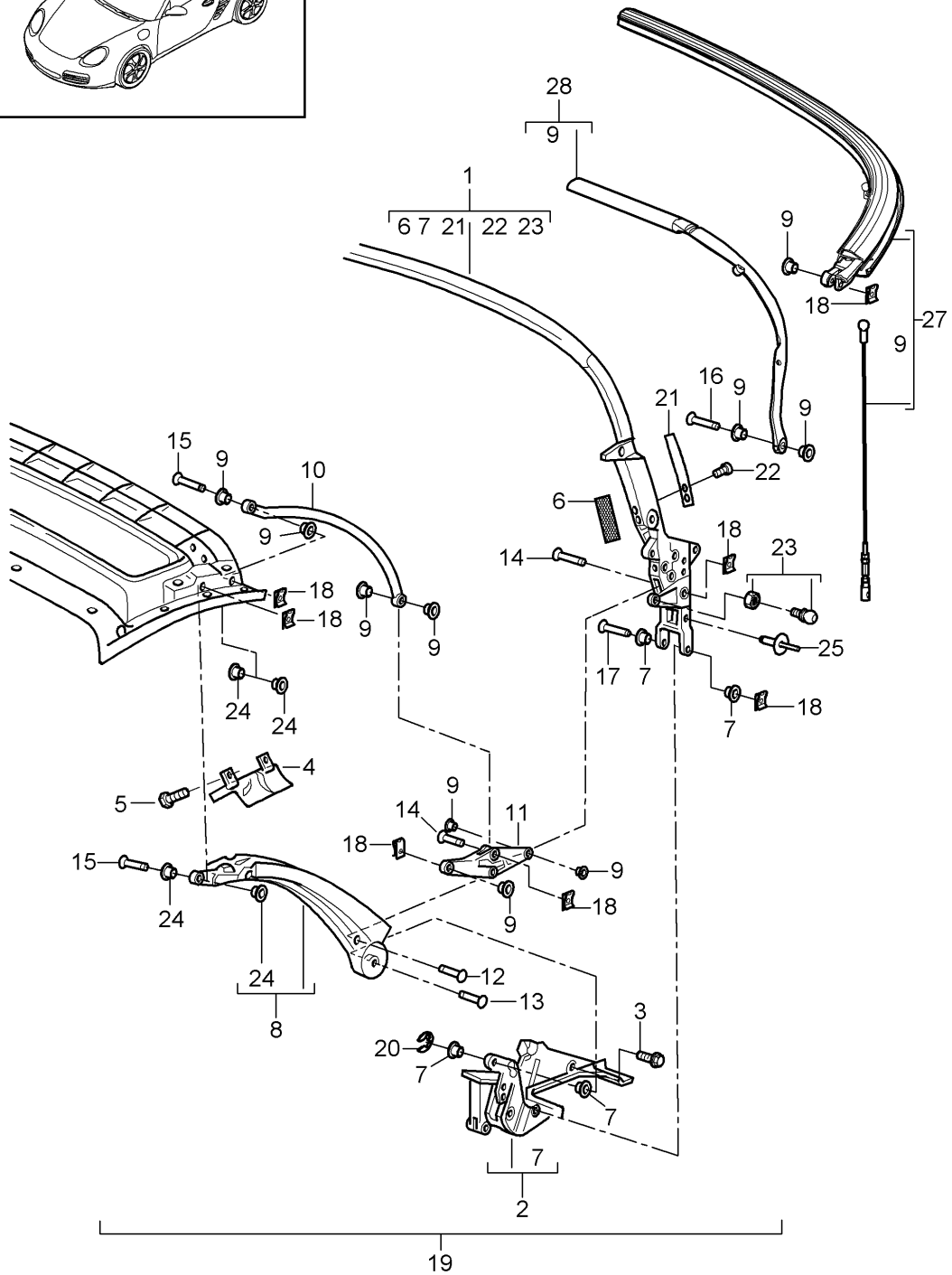
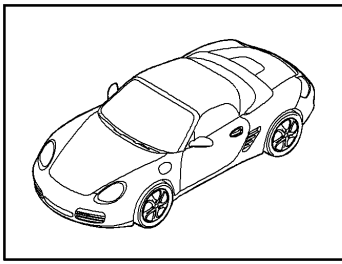
| Pos | Part Number | Description | Remark | Qty | Model |
|-----|--------------------|--|--------|-----|-------|
| 1 | 987 561 903 00 | Convertible top covering Roofliner Convertible top covering D >> - MJ 2005 Discontinued part | | 1 | |
| | 987 561 903 00 A10 | Black | | | |
| | 987 561 903 00 C17 | Grey | | | |
| | 987 561 903 00 G02 | Metropole blue | | | |
| | 987 561 903 00 R17 | brown | | | |
| | 987 561 903 00 L02 | red | | | |
| 1 | 987 561 903 01 | Convertible top covering with: Assembly kit Valid up to: F >> 98-8U702 915 F >> 98-8U722 781 F >> 98-8U712 267 F >> 98-8U731 864 | | 1 | |
| | 987 561 903 01 A10 | Black | | | |
| | 987 561 903 01 C17 | Grey | | | |
| | 987 561 903 01 G02 | Metropole blue | | | |
| | 987 561 903 01 R17 | brown | | | |
| | 987 561 903 01 L02 | red | | | |
| - | 987 561 975 00 | Assembly kit Convertible top covering Valid up to: F >> 98-8U702 915 F >> 98-8U722 781 F >> 98-8U712 267 F >> 98-8U731 864 | | 1 | |
| 1 | 987 561 903 02 | Convertible top covering with: Assembly kit Valid from: F 98-8U702 916>> F 98-8U722 782>> F 98-8U712 268>> F 98-8U731 865>> also use: 987 561 933 00 See workshop manual Group 6 61-2819 61-2855 | | 1 | |
| | 987 561 903 02 A10 | Black | | | |
| | 987 561 903 02 C17 | Grey | | | |
| | 987 561 903 02 G02 | Metropole blue | | | |
| | 987 561 903 02 R17 | brown | | | |
| | 987 561 903 02 L02 | red | | | |
| - | 987 561 933 00 | Assembly kit cord | side | 1 | |
| - | 987 561 945 00 | Assembly kit Convertible top covering Valid from: F 98-8U702 916>> F 98-8U722 782>> F 98-8U712 268>> F 98-8U731 865>> | | 1 | |
| 2 | 987 561 915 00 | tension wire | | 2 | |
| 3 | 987 561 907 01 | roof frame | | 1 | |
| | 987 561 907 01 A09 | Rally black | | | |
| 4 | 987 561 605 00 | Centring journal | left | 1 | |
| | 987 561 605 00 70C | Black | | | |
| (4) | 987 561 606 00 | Centring journal | right | 1 | |

Model: 987 05 Model life 2005>>2008

| Pos | Part Number | Description | Remark | Qty | Model |
|------|--------------------|---------------------|--------|-----|-------|
| | 987 561 606 00 70C | Black | | | |
| 6 | 999 919 144 09 | fillister hd. bolt | | 4 | |
| 7 | 999 919 148 09 | fillister hd. bolt | | 4 | |
| 8 | 987 561 017 00 | Soft top catch | | 1 | |
| | 987 561 017 00 A09 | Black | | | |
| 9 | 987 612 698 00 | Wire set | | 1 | |
| | | Rear window heating | | | |
| 10 | 987 561 085 00 | Cloth | | 1 | |
| | | Black | | | |
| | | Valid up to: | | | |
| | | F >> 98-8U702 915 | | | |
| | | F >> 98-8U722 781 | | | |
| | | F >> 98-8U712 267 | | | |
| | | F >> 98-8U731 864 | | | |
| (10) | 987 561 085 01 | Cloth | | 1 | |
| | 987 561 085 01 A21 | Black | | | |
| | | Valid from: | | | |
| | | F 98-8U702 916>> | | | |
| | | F 98-8U722 782>> | | | |
| | | F 98-8U712 268>> | | | |
| | | F 98-8U731 865>> | | | |
| 11 | 987 561 669 01 | slide valve | left | 1 | |
| (11) | 987 561 670 01 | slide valve | right | 1 | |
| 12 | 987 561 559 00 | clamping piece | left | 1 | |
| (12) | 987 561 560 00 | clamping piece | right | 1 | |
| 13 | 987 561 597 00 | Clip | | 2 | |
| 15 | 987 561 905 00 | Moulded headliner | | 1 | |
| | | Discontinued part | | | |
| | 987 561 905 00 A21 | Black | | | |
| 15 | 987 561 953 01 | Moulded headliner | | 1 | |
| | | with: | | | |
| | | Assembly kit | | | |
| | 987 561 953 01 A21 | Black | | | |
| - | 987 561 943 00 | Assembly kit | | 1 | |
| | | for | | | |
| | | Roofliner | | | |
| - | 999 094 020 30 | Pin | | 2 | |
| | | Pin | | | |
| | | D >> - MJ 2005 | | | |
| 16 | 999 917 557 00 | Grease | | X | |
| | | 30 ML | | | |
| 17 | 987 561 773 01 | tension wire | | 1 | |
| 18 | 999 591 941 40 | Spreader rivet | | 4 | |
| 19 | 999 507 137 01 | Retaining clip | | 8 | |

Model: 987 05

Model life 2005>>2008



Model: 987 05 Model life 2005>>2008

| Pos | Part Number | Description | Remark | Qty | Model |
|------|--------------------------------------|---|---|--------|-------|
| 1 | 987 561 037 00 | top frame Individual parts Main bracing | | 1 | |
| 2 | 987 561 443 00 | Convertible top support Valid up to: F >> 98-8U702 915 F >> 98-8U722 781 F >> 98-8U712 267 F >> 98-8U731 864 | left | 1 | |
| (2) | 987 561 443 01 | Convertible top support Valid from: F 98-8U702 916>> F 98-8U722 782>> F 98-8U712 268>> F 98-8U731 865>> | left | 1 | |
| (2) | 987 561 444 00 | Convertible top support Valid up to: F >> 98-8U702 915 F >> 98-8U722 781 F >> 98-8U712 267 F >> 98-8U731 864 | right | 1 | |
| (2) | 987 561 444 01 | Convertible top support Valid from: F 98-8U702 916>> F 98-8U722 782>> F 98-8U712 268>> F 98-8U731 865>> | right | 1 | |
| 3 | 900 378 033 09 | Hexagon bolt | | 6 | |
| 4 | 987 561 165 01 | Flap use if required: | left 987 561 881 00 | 1 | |
| (4) | 987 561 165 01 A09 987 561 166 01 | Black Flap use if required: | left 999 919 152 09 right 987 561 882 00 | 1 1 | |
| 5 | 987 561 166 01 A09 999 919 141 09 | Black fillister hd. bolt | | 2 | |
| 6 | 987 561 927 00 | felt strip Set Main bracing | side | 1 | |
| 7 | 999 924 117 40 | bush 8x10x10,5 | | X | |
| 8 | 987 561 909 01 987 561 909 01 A09 | B-pillar Black | left | 1 | |
| (8) | 987 561 910 01 987 561 910 01 A09 | B-pillar Black | right | 1 | |
| 9 | 999 924 118 40 | bush 8x10x5,5 | | X | |
| 10 | 987 561 039 00 | Guide with: | left | 1 | |
| (10) | 987 561 040 00 | tension wire Guide with: | right | 1 | |
| 11 | 987 561 345 00 | tension wire swing lever | left lower | 1 | |
| (11) | 987 561 346 00 | swing lever | right lower | 1 | |
| 12 | 999 088 043 30 | Pin schwarz | | 2 | |
| 13 | 999 094 019 30 | Pin | | 2 | |

Model: 987 05 Model life 2005>>2008

| Pos | Part Number | Description | Remark | Qty | Model |
|------|--------------------|---------------------|----------------|-----|-------|
| 14 | 999 088 042 30 | Pin | | X | |
| 15 | 999 088 049 30 | Pin | | 4 | |
| 16 | 999 088 047 30 | Pin | | 2 | |
| 17 | 999 094 020 30 | Pin | | 2 | |
| 18 | 999 166 075 09 | securing clip | | X | |
| 19 | 987 561 011 02 | top frame | | 1 | |
| | | without: | | | |
| | | roll bar | | | |
| | 987 561 011 02 A09 | Black | | | |
| | | Valid up to: | | | |
| | | F >> 98-8U702 915 | | | |
| | | F >> 98-8U722 781 | | | |
| | | F >> 98-8U712 267 | | | |
| | | F >> 98-8U731 864 | | | |
| (19) | | top frame | | 1 | |
| | | Valid from: | | | |
| | | F 98-8U702 916>> | | | |
| | | F 98-8U722 782>> | | | |
| | | F 98-8U712 268>> | | | |
| | | F 98-8U731 865>> | | | |
| | | Individual parts | | | |
| | | Use | | | |
| 20 | 999 166 090 02 | Retaining washer | | 2 | |
| | | with: | | | |
| | | strap | | | |
| 21 | 987 561 769 00 | leaf spring | | 2 | |
| 22 | 999 919 142 09 | Oval-head screw | | 4 | |
| 23 | 987 561 925 00 | Ball stud | | 1 | |
| | | Set | | | |
| 24 | 999 924 086 40 | Bearing bush | | X | |
| 25 | 999 190 194 30 | Rivet | | 2 | |
| | | D12,4/4x10,2 | | | |
| | | Valid from: | | | |
| | | F 98-8U702 916>> | | | |
| | | F 98-8U722 782>> | | | |
| | | F 98-8U712 268>> | | | |
| | | F 98-8U731 865>> | | | |
| 27 | 987 561 041 00 | Roof arch | | 1 | |
| | | Valid up to: | | | |
| | | F >> 98-8U702 915 | | | |
| | | F >> 98-8U722 781 | | | |
| | | F >> 98-8U712 267 | | | |
| | | F >> 98-8U731 864 | | | |
| | | modify in workshop | | | |
| | | See workshop manual | | | |
| | | Group 6 | | | |
| | | 61-3055 | | | |
| | | also use: | 999 190 480 30 | 2 | |
| - | 999 190 480 30 | Pop rivet | | 2 | |
| 27 | 987 561 041 01 | Roof arch | | 1 | |
| | | Valid from: | | | |
| | | F 98-8U702 916>> | | | |
| | | F 98-8U722 782>> | | | |
| | | F 98-8U712 268>> | | | |
| | | F 98-8U731 865>> | | | |
| - | 987 561 421 00 | tension wire | | 2 | |
| 28 | 987 561 237 00 | Roof arch | | 1 | |
| | | Valid up to: | | | |
| | | F >> 98-8U702 915 | | | |
| | | F >> 98-8U722 781 | | | |
| | | F >> 98-8U712 267 | | | |
| | | F >> 98-8U731 864 | | | |
| 28 | 987 561 237 01 | Roof arch | | 1 | |

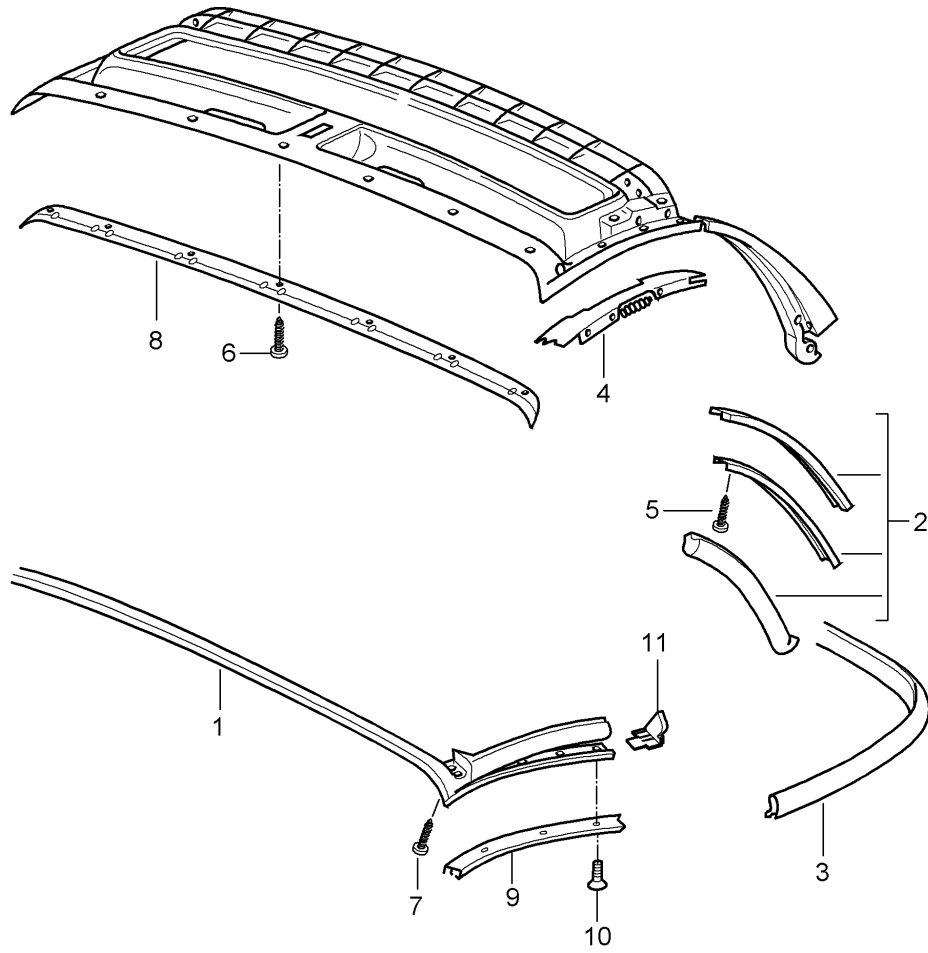
Model: 987 05

Model life 2005>>2008

| Pos | Part Number | Description | Remark | Qty | Model |
|-----|-------------|---|--------|-----|-------|
| | | Valid from: F 98-8U702 916>> F 98-8U722 782>> F 98-8U712 268>> F 98-8U731 865>> | | | |

Model: 987 05

Model life 2005>>2008



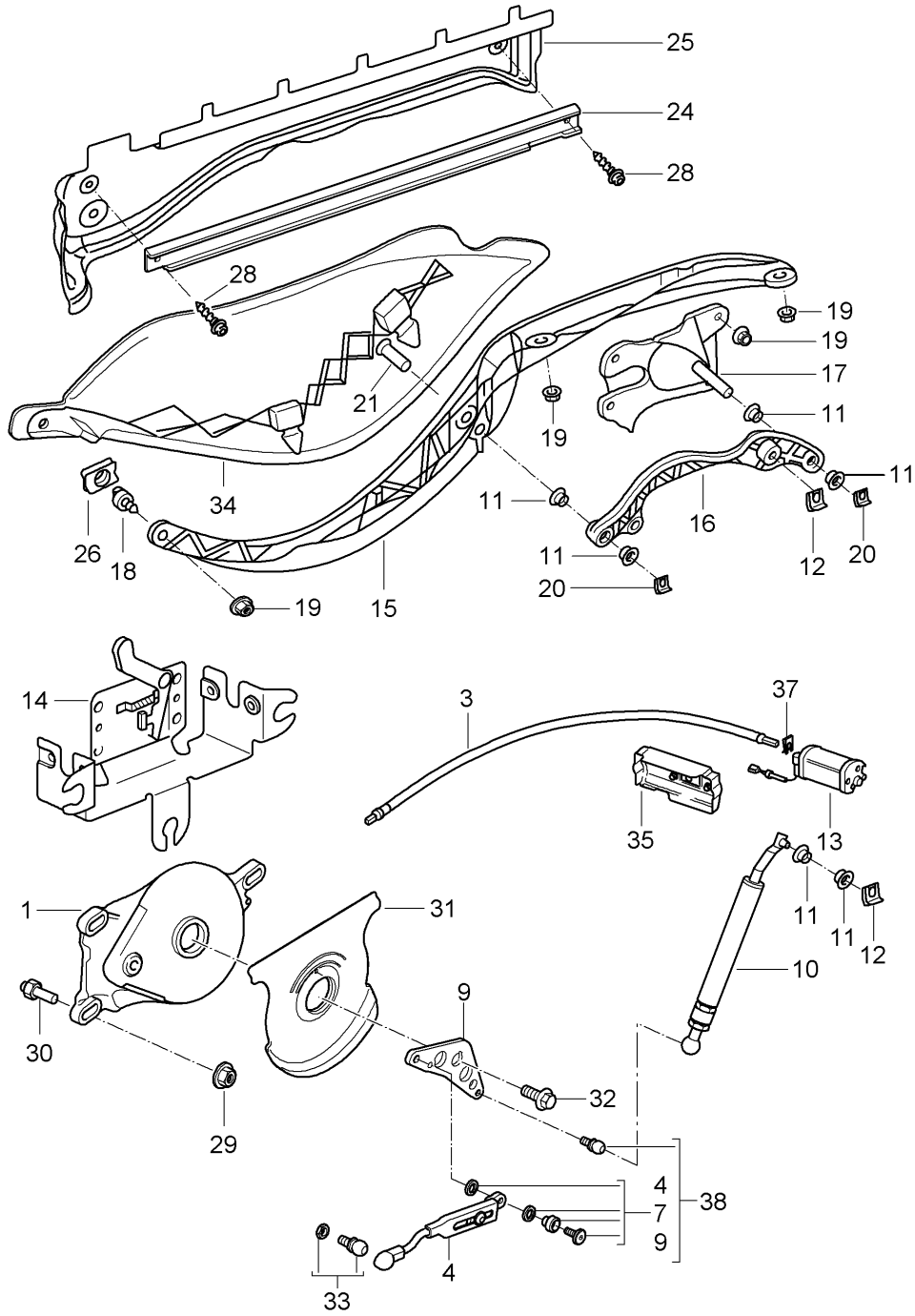
Model: 987 05

Model life 2005>>2008

| Pos | Part Number | Description | Remark | Qty | Model |
|------|----------------|--------------------|--------|-----|-------|
| | | Convertible top | | | |
| 1 | 987 561 327 02 | Seal | | 1 | |
| 2 | 987 561 123 01 | roof frame seal | left | 1 | |
| (2) | 987 561 124 01 | Seal | right | 1 | |
| | | B-pillar | | | |
| 3 | 987 561 393 00 | Seal | | 1 | |
| | | Roof arch | | | |
| 4 | 987 561 115 01 | retaining strip | left | 1 | |
| (4) | 987 561 116 01 | retaining strip | right | 1 | |
| 5 | 999 919 239 01 | fillister hd. bolt | | 7 | |
| | | 3,5x12 | | | |
| 6 | 999 919 139 09 | fillister hd. bolt | | 6 | |
| 7 | 999 919 139 09 | fillister hd. bolt | | 2 | |
| 8 | 987 561 501 00 | retaining strip | | 1 | |
| 9 | 987 561 401 00 | retaining strip | | 1 | |
| (9) | 987 561 402 00 | retaining strip | | 1 | |
| 10 | 999 919 152 09 | fillister hd. bolt | | 8 | |
| 11 | 987 561 813 02 | Filler piece | left | 1 | |
| (11) | 987 561 814 02 | Filler piece | right | 1 | |

Model: 987 05

Model life 2005>>2008



Model: 987 05 Model life 2005>>2008

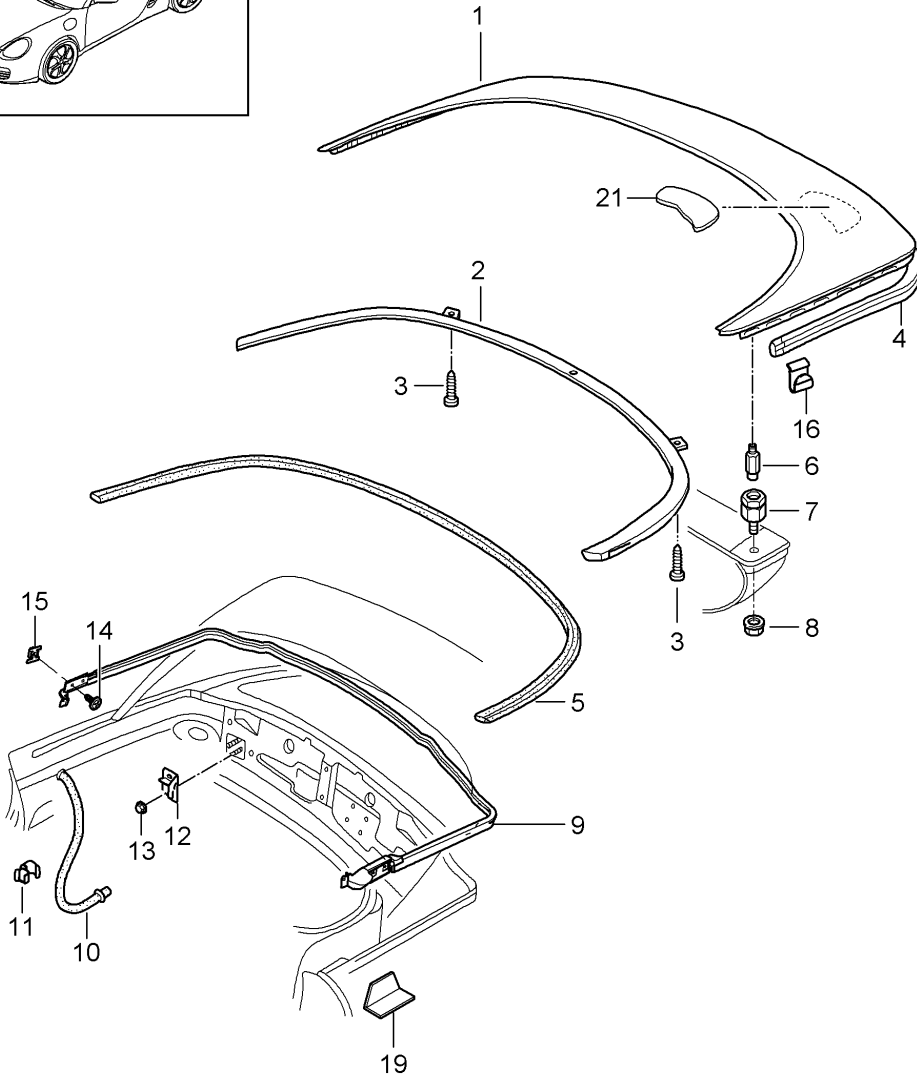
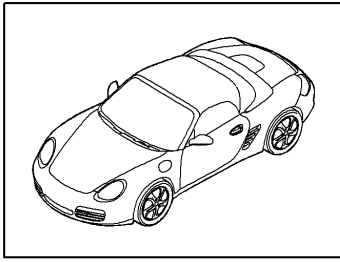
| Pos | Part Number | Description | Remark | Qty | Model |
|-----|----------------|---|--------|-----|-------|
| 1 | 987 561 179 00 | Driving mechanism Convertible top convertible top stowage box Cover Gearbox F >> 98-6U712 007 F >> 98-6U731 340 | left | 1 | |
| 1 | 987 561 179 02 | Gearbox F 98-6U712 008>> F 98-6U731 341>> | left | 1 | |
| 1 | 987 561 180 00 | Gearbox F >> 98-6U712 007 F >> 98-6U731 340 | right | 1 | |
| 1 | 987 561 180 02 | Gearbox F 98-6U712 008>> F 98-6U731 341>> | right | 1 | |
| 3 | 986 561 717 03 | Pliable shaft >F 987U700250 >F 987U720275 >F 987U710140 >F 987U730068 | | 2 | |
| 3 | 987 561 107 00 | Pliable shaft F 98-7U700 251>> F 98-7U720 276>> F 98-7U710 141>> F 98-7U730 069>> | | 2 | |
| 4 | 987 561 279 00 | slide rod F >> 98-6U712 007 F >> 98-6U731 340 | | 2 | |
| 4 | 987 561 279 01 | slide rod F 98-6U712 008>> F 98-6U731 341>> | | 2 | |
| 7 | 987 561 919 00 | Assembly kit for Lever | | 1 | |
| 9 | 986 561 479 01 | Lever F >> 98-6U712 007 F >> 98-6U731 340 | left | 1 | |
| (9) | 987 561 479 01 | Lever F 98-6U712 008>> F 98-6U731 341>> | left | 1 | |
| 9 | 986 561 480 01 | Lever F >> 98-6U712 007 F >> 98-6U731 340 | right | 1 | |
| (9) | 987 561 480 01 | Lever F 98-6U712 008>> F 98-6U731 341>> | right | 1 | |
| 10 | 987 561 579 00 | slide rod F >> 98-6U712 007 F >> 98-6U731 340 | left | 1 | |
| 10 | 987 561 579 01 | slide rod F 98-6U712 008>> F 98-6U731 341>> | left | 1 | |
| 10 | 987 561 580 00 | slide rod F >> 98-6U712 007 F >> 98-6U731 340 | right | 1 | |
| 10 | 987 561 580 01 | slide rod F 98-6U712 008>> F 98-6U731 341>> | right | 1 | |
| 11 | 999 924 130 40 | Bearing bush | | X | |
| 12 | 999 166 075 09 | securing clip | | X | |
| 13 | 986 624 117 01 | Electric motor | | 1 | |
| 14 | 986 624 299 00 | Bracket | | 1 | |

Model: 987 05 Model life 2005>>2008

| Pos | Part Number | Description | Remark | Qty | Model |
|------|--------------------|--------------------|---------|-----|-------|
| 15 | 987 561 551 00 | Guide arm | left | 1 | |
| | 987 561 551 00 GRV | primed | | | |
| (15) | 987 561 552 00 | Guide arm | right | 1 | |
| | 987 561 552 00 GRV | primed | | | |
| 16 | 987 561 571 00 | Hinge lever | left | 1 | |
| | 987 561 571 00 GRV | primed | | | |
| (16) | 987 561 572 00 | Hinge lever | right | 1 | |
| | 987 561 572 00 GRV | primed | | | |
| 17 | 987 561 679 00 | Bracket | left | 1 | |
| | 987 561 679 00 GRV | primed | | | |
| 17 | 987 561 680 00 | Bracket | right | 1 | |
| | 987 561 680 00 GRV | primed | | | |
| 18 | 900 167 023 02 | Ball stud | | 1 | |
| 19 | 900 377 010 09 | Hexagon nut | | 12 | |
| 20 | 999 166 075 09 | securing clip | | X | |
| 21 | 999 088 027 30 | Pin | | 2 | |
| 24 | 987 561 253 00 | slide rail | | 2 | |
| 25 | 987 561 761 00 | Water drain plate | left | 1 | |
| 25 | 987 561 762 00 | Water drain plate | right | 1 | |
| 26 | 986 561 577 01 | Glide piece | | 2 | |
| 28 | 900 067 376 09 | Socket head bolt | | 4 | |
| 29 | 999 076 055 09 | Hexagon nut | | 6 | |
| 30 | 987 561 789 00 | Threaded pin | | 6 | |
| 31 | 987 561 589 00 | Washer | | 2 | |
| | | F >> 98-6U712 007 | | | |
| | | F >> 98-6U731 340 | | | |
| 31 | 987 561 589 01 | Washer | | 2 | |
| | | F 98-6U712 008>> | | | |
| | | F 98-6U731 341>> | | | |
| 32 | 999 217 095 02 | Hexagon bolt | | 2 | |
| | | Discontinued part | | | |
| 32 | 900 378 288 01 | Hexagon bolt | | 2 | |
| | | Micro-self-locking | | | |
| 33 | | Ball stud | | 1 | |
| | | Set | | | |
| | | see illustration: | 811-005 | | |
| 34 | 987 561 445 00 | Cover | left | 1 | |
| | 987 561 445 00 01C | Black | | | |
| (34) | 987 561 446 00 | Cover | right | 1 | |
| | 987 561 446 00 01C | Black | | | |
| 35 | 986 624 295 00 | Cover cap | | 1 | |
| 36 | N 011 118 11 | Hexagon nut | | 2 | |
| | | Discontinued part | | | |
| 36 | 900 034 001 05 | Hexagon nut | | 2 | |
| | | M8 | | | |
| 37 | 987 561 643 00 | Spring clip | | 2 | |
| 37 | 987 561 643 00 | Spring clip | | 2 | |
| 38 | 987 561 277 01 | Lever | left | 1 | |
| | | with: | | | |
| | | slide rod | | | |
| | | F 98-6U712 008>> | | | |
| | | F 98-6U731 341>> | | | |
| (38) | 987 561 278 01 | Lever | right | 1 | |
| | | with: | | | |
| | | slide rod | | | |
| | | F 98-6U712 008>> | | | |
| | | F 98-6U731 341>> | | | |

Model: 987 05

Model life 2005>>2008



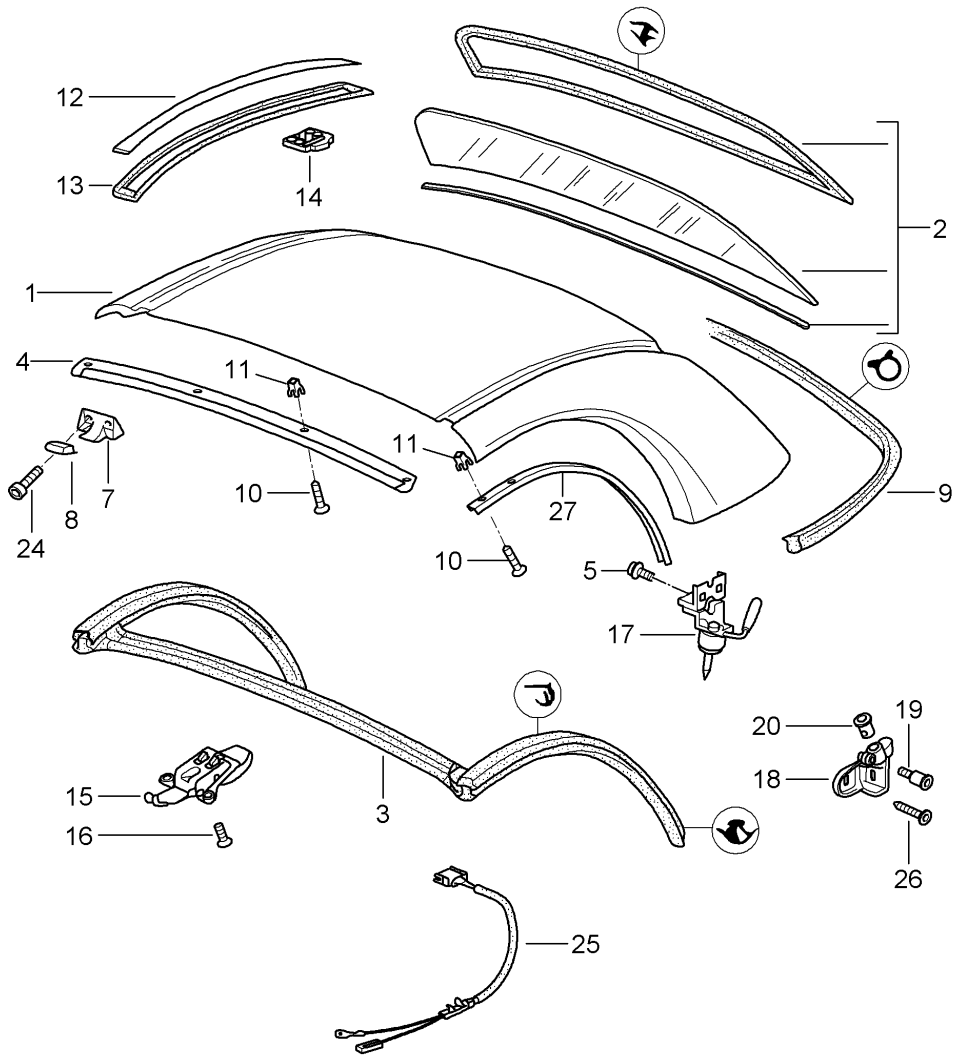
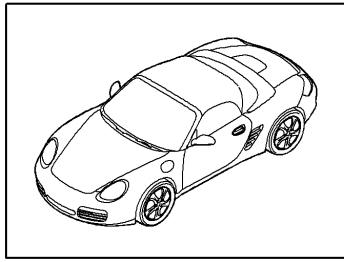
Model: 987 05

Model life 2005>>2008

| Pos | Part Number | Description | Remark | Qty | Model |
|------|--------------------|---|--------|-----|-------|
| | | convertible top stowage box Cover Gaskets | | | |
| 1 | 987 514 011 00 | cabrio top stowage box cover | | 1 | |
| | 987 514 011 00 GRV | primed | | | |
| 2 | 987 514 631 01 | strip | | 1 | |
| 3 | 999 073 047 02 | panel screw | | 2 | |
| 4 | 986 514 714 01 | Edge protection | | 2 | |
| 5 | 986 514 731 00 | Seal | | 1 | |
| 6 | 987 514 253 02 | Centring journal | | 2 | |
| 7 | 986 514 251 01 | shelf | | 2 | |
| 8 | 999 076 061 09 | Hexagon nut | | 4 | |
| 9 | 987 514 211 00 | seal for conv. top stowage box | | 1 | |
| 10 | 986 514 241 00 | Water drainage hose | | 2 | |
| 11 | 999 507 551 09 | Cable fastener | | 4 | |
| (12) | 987 561 505 00 | Bracket Cloth | | 2 | |
| 13 | 999 084 629 09 | Hexagon nut | | 4 | |
| 14 | 999 073 060 02 | panel screw 4,8 x 13 | | 4 | |
| 15 | 999 591 329 09 | panel nut 4,8 | | 4 | |
| 16 | 999 507 600 09 | U-clip Edge protection | | 4 | |
| 19 | 987 561 801 00 | Stop 1 MM | | 1 | |
| 19 | 987 561 801 01 | Stop 2 MM | | 1 | |
| 19 | 987 561 801 02 | Stop 3 MM | | 1 | |
| 19 | 987 561 801 03 | Stop 4 MM | | 1 | |
| 19 | 987 561 801 04 | Stop 5 MM | | 1 | |
| 21 | 987 561 633 00 | Buffer | | 1 | /L |
| (21) | 987 561 634 00 | Buffer | | 1 | /R |

Model: 987 05

Model life 2005>>2008

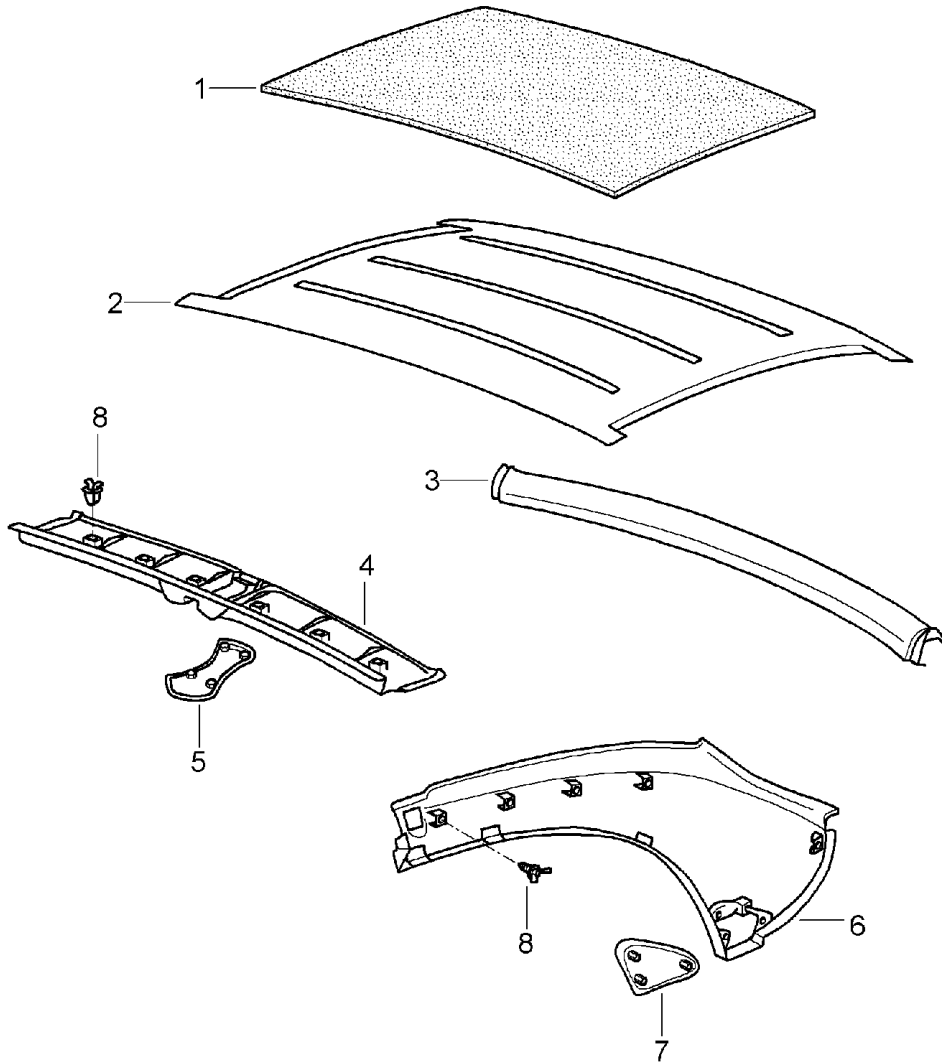


Model: 987 05 Model life 2005>>2008

| Pos | Part Number | Description | Remark | Qty | Model |
|------|--------------------------------------|--|--------|-----|--------|
| | | hardtop Accessories Gaskets | | | PR:550 |
| 1 | 987 563 911 00 987 563 911 00 GRV | hardtop primed | | 1 | |
| | | without: | | | |
| 2 | 986 563 091 01 | Accessories Rear window Ready for installation | | 1 | |
| 3 | 987 563 125 00 | roof frame seal Discontinued part | | 1 | |
| 3 | 987 563 125 01 | roof frame seal | | 1 | |
| 4 | 986 563 319 01 | retaining strip | | 1 | |
| 5 | 999 073 382 01 | Bolt with washer | | 3 | |
| 7 | 986 561 605 00 | Centring journal | | 2 | |
| | 986 561 605 00 A09 | Black | | | |
| 8 | 986 563 625 03 | Cap | | 2 | |
| 9 | 987 563 127 00 | Seal | | 1 | |
| 10 | 999 073 049 02 | panel screw | | 24 | |
| 11 | 999 507 547 40 | expanding nut | | 24 | |
| 12 | 986 563 707 00 | Cover trim | left | 1 | |
| | 986 563 707 00 GRV | primed | | | |
| (12) | 986 563 708 00 | Cover trim | right | 1 | |
| | 986 563 708 00 GRV | primed | | | |
| 13 | 986 563 361 00 | Seal | left | 1 | |
| (13) | 986 563 362 00 | Seal | right | 1 | |
| 14 | 986 563 721 00 | Clip | | 8 | |
| 15 | 986 563 401 00 | catch | | 1 | |
| 16 | 900 249 055 09 | countersunk bolt M 6X20 | | 3 | |
| 17 | 987 563 403 01 | catch | left | 1 | |
| (17) | 987 563 404 01 | catch | right | 1 | |
| 18 | 987 561 653 00 | Support | left | 1 | |
| (18) | 987 561 654 00 | Support | right | 1 | |
| 19 | 999 219 041 00 | Locating bolt | | 2 | |
| 20 | 987 563 713 00 | Insert | left | 1 | |
| (20) | 987 563 714 00 | Insert | right | 1 | |
| 24 | 999 015 035 09 | Screw | | 2 | |
| 25 | 987 612 696 00 | Wire set | | 1 | |
| 26 | 999 073 168 09 | Oval-head screw | | 4 | |
| 27 | 987 563 309 00 | retaining strip | left | 1 | |
| (27) | 987 563 310 00 | retaining strip | right | 1 | |
| - | 000 043 203 29 | sealing tape | | X | |
| | | NITTO | | | |
| 28 | 986 561 655 00 | Cap | | 2 | |

Model: 987 05

Model life 2005>>2008



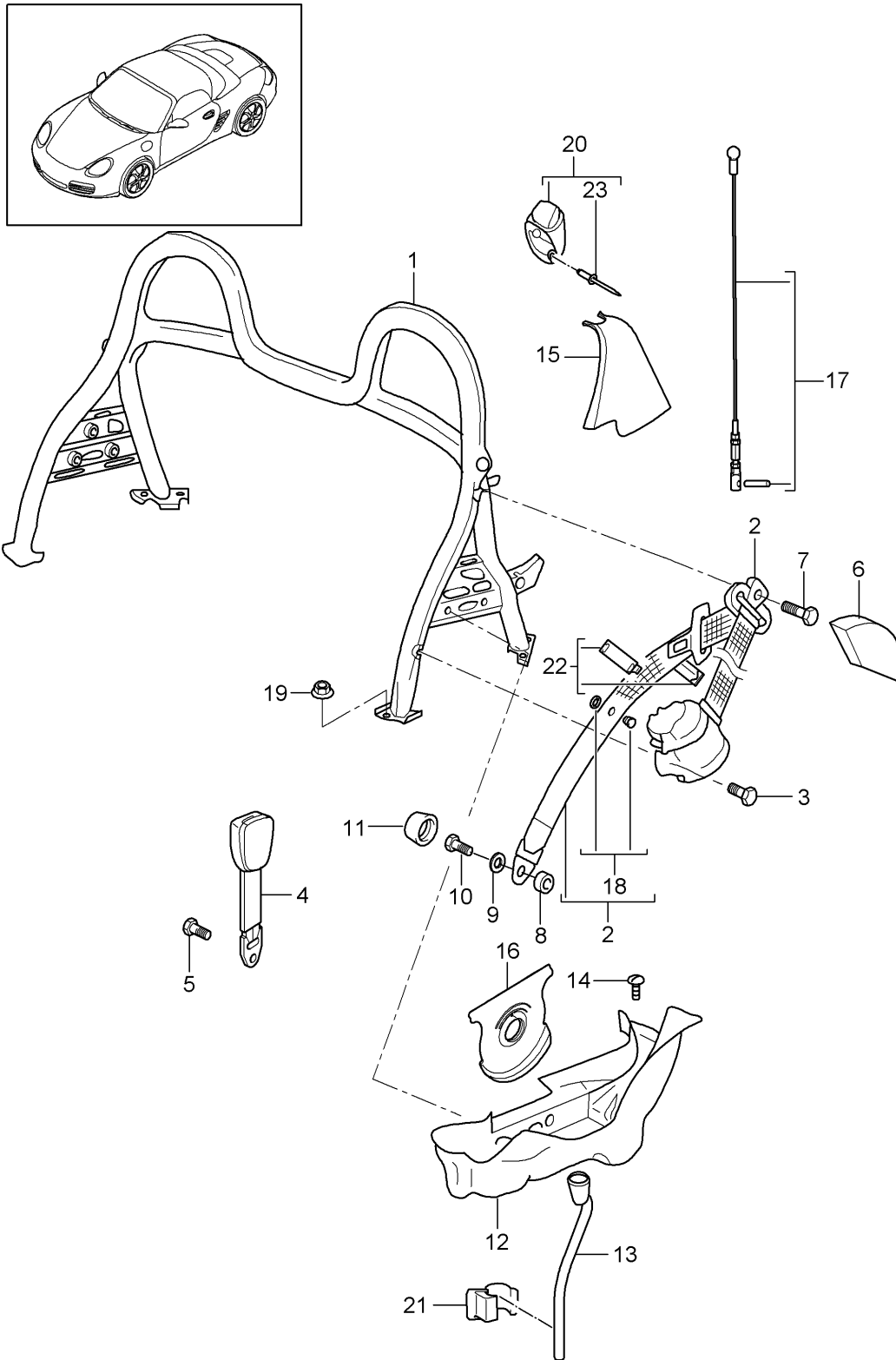
Model: 987 05

Model life 2005>>2008

| Pos | Part Number | Description | Remark | Qty | Model |
|-----|--------------------|---|--------|-----|-------|
| 1 | 986 563 523 00 | hardtop Interior equipment Sound absorber | | 1 | |
| 2 | 986 563 111 01 | Set Trim | | 1 | |
| 3 | 986 563 111 01 A21 | Black | | 1 | |
| | 987 563 505 00 | Trim | | | |
| 4 | 987 563 505 00 A03 | Black | | 1 | |
| | 986 563 501 00 | Trim | | | |
| 5 | 986 563 501 00 A03 | Black | | 1 | |
| | 987 563 551 00 | Cover trim | | | |
| 6 | 987 563 551 00 A03 | Black | | 1 | |
| | 987 563 503 00 | Trim | left | | |
| (6) | 987 563 503 00 A03 | Black | | 1 | |
| | 987 563 504 00 | Trim | right | | |
| 7 | 987 563 504 00 A03 | Black | | 1 | |
| | 987 563 553 00 | Cover trim | left | | |
| (7) | 987 563 553 00 A03 | Black | | 1 | |
| | 987 563 554 00 | Cover trim | right | | |
| 8 | 987 563 554 00 A03 | Black | | 1 | |
| | 999 507 764 40 | Clip | | X | |

Model: 987 05

Model life 2005>>2008



Model: 987 05 Model life 2005>>2008

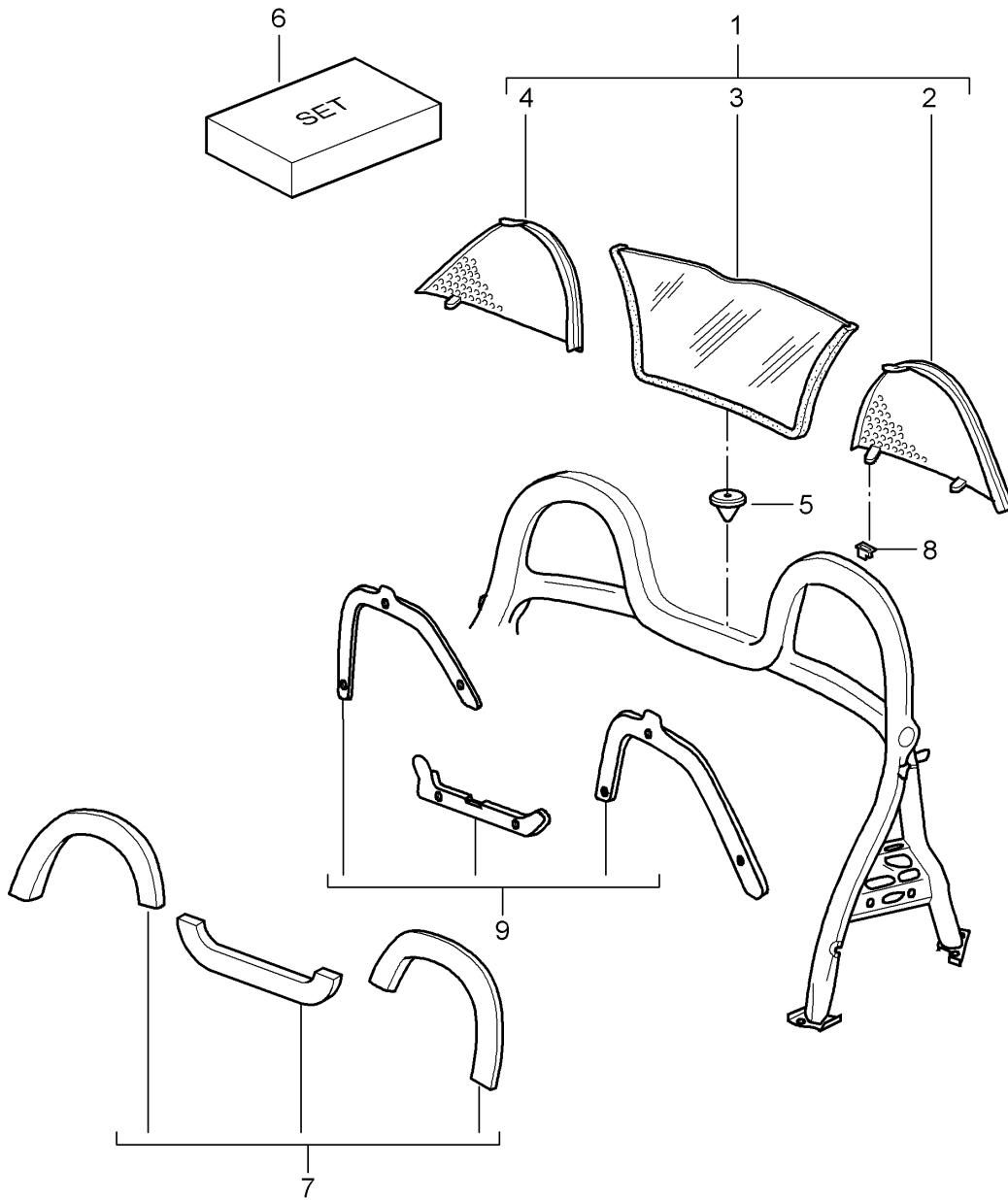
| Pos | Part Number | Description | Remark | Qty | Model |
|------|--------------------|-------------------------|---------|-----|------------|
| 1 | 987 580 011 01 | roll bar | | 1 | |
| | 987 580 011 01 D08 | Seat belt | | | |
| 2 | 987 803 033 02 | roll bar | | 1 | |
| | 987 803 033 02 A23 | Volcano grey | | | |
| | 987 803 033 02 V02 | Three-point safety belt | left | 1 | PR:555 |
| | 987 803 033 02 U01 | Black | | | PR:XSX |
| | 987 803 033 02 N13 | Speed yellow | | | PR:XSX |
| 2 | 987 803 033 04 | guards red (Porsche) | | | |
| | 987 803 033 04 6M4 | Three-point safety belt | left | 1 | PR:XST |
| (2) | 987 803 034 04 | Sand beige | | | |
| | 987 803 034 04 A23 | Three-point safety belt | right | 1 | PR:553 |
| | 987 803 034 04 V02 | Black | | | PR:555 |
| | 987 803 034 04 U01 | Speed yellow | | | PR:XSX |
| | 987 803 034 04 N13 | silver | | | PR:XSX |
| (2) | 987 803 034 07 | guards red (Porsche) | | | |
| | 987 803 034 07 6M4 | Three-point safety belt | right | 1 | PR:553 |
| 3 | 999 075 070 09 | Sand beige | | | PR:XST |
| 4 | 997 803 183 01 | Hexagon bolt | | 2 | |
| | 997 803 183 01 | Belt latch | | 1 | |
| | 997 803 183 01 | (drivers side) | | | |
| (4) | 997 803 183 01 | Belt latch | | 1 | |
| | 997 803 183 01 | (passenger side) | | | |
| (4) | 997 803 183 02 | Belt latch | | 1 | PR:389,560 |
| | 997 803 183 02 | (passenger side) | | | |
| | 997 803 183 02 | D - MJ 2008>> | | | |
| 4 | 997 803 183 04 | Belt latch | | 1 | PR:388 |
| | 997 803 183 04 | (drivers side) | | | |
| | 997 803 183 04 | D - MJ 2008>> | | | |
| - | | Cable | | X | |
| | | for | | | |
| | | Seat belt tensioner | | | |
| | | see illustration: | 902-010 | | |
| 5 | 999 218 101 02 | Hexagon bolt | | 2 | |
| 6 | 987 803 541 00 | Cover | | 2 | |
| | 987 803 541 00 01C | Black | | | |
| 7 | 999 075 057 09 | Hexagon bolt | | 2 | |
| 8 | 999 924 064 02 | spacer sleeve | | 2 | |
| | 999 924 064 02 | Discontinued part | | | |
| 8 | 999 924 064 01 | spacer sleeve | | 2 | |
| (8) | 997 803 663 00 | spacer sleeve | | 1 | PR:388,389 |
| | 997 803 663 00 | D - MJ 2008>> | | | |
| 9 | 211 857 771 | Washer | | 2 | |
| (9) | 999 028 022 01 | Spring washer | | 1 | PR:388,389 |
| | 999 028 022 01 | D - MJ 2008>> | | | |
| - | 999 025 275 A2 | Washer | | 1 | PR:388,389 |
| | 999 025 275 A2 | D - MJ 2008>> | | | |
| 10 | 999 075 073 09 | Hexagon bolt | | 2 | |
| (10) | 999 075 072 A2 | Hexagon bolt | | 2 | PR:388,389 |
| | 999 075 072 A2 | D - MJ 2008>> | | | |
| 11 | 811 857 845 | Cover cap | | 2 | |
| | 811 857 845 01C | Satin black | | | |
| 12 | 987 561 805 00 | Water drip pan | left | 1 | |
| | 987 561 805 00 | Valid up to: | | | |
| | 987 561 805 00 | F >> 98-8U702 915 | | | |
| | 987 561 805 00 | F >> 98-8U722 781 | | | |
| | 987 561 805 00 | F >> 98-8U712 267 | | | |
| | 987 561 805 00 | F >> 98-8U731 864 | | | |
| 12 | 987 561 805 01 | Water drip pan | left | 1 | |
| | 987 561 805 01 | Valid from: | | | |
| | 987 561 805 01 | F 98-8U702 916>> | | | |
| | 987 561 805 01 | F 98-8U722 782>> | | | |
| | 987 561 805 01 | F 98-8U712 268>> | | | |

Model: 987 05 Model life 2005>>2008

| Pos | Part Number | Description | Remark | Qty | Model |
|------|--------------------|--|---------|-----|-------|
| (12) | 987 561 806 00 | F 98-8U731 865>> Water drip pan Valid up to: F >> 98-8U702 915 F >> 98-8U722 781 F >> 98-8U712 267 F >> 98-8U731 864 | right | 1 | |
| (12) | 987 561 806 01 | Water drip pan Valid from: F 98-8U702 916>> F 98-8U722 782>> F 98-8U712 268>> F 98-8U731 865>> | right | 1 | |
| - | 987 561 487 00 | filter element Water drip pan | | 2 | |
| 13 | 987 561 733 00 | water drain pipe | left | 1 | |
| (13) | 987 561 734 00 | water drain pipe | right | 1 | |
| 14 | 996 561 247 00 | Spreader rivet | | 2 | |
| 15 | 987 580 801 00 | Cover | left | 1 | |
| | 987 580 801 00 01C | Black | | | |
| (15) | 987 580 802 00 | Cover | right | 1 | |
| | 987 580 802 00 01C | Black | | | |
| 16 | | Washer see illustration: | 811-012 | 2 | |
| 17 | 987 561 421 00 | tension wire | | 2 | |
| 18 | 955 803 056 00 | knob | | 2 | |
| | 955 803 056 00 HCP | Black | | | |
| 19 | 999 076 065 02 | Collar nut | | 8 | |
| 20 | 987 561 911 00 | Assembly kit Console | left | 1 | |
| | 987 561 911 00 01C | Satin black | | | |
| (20) | 987 561 912 00 | Assembly kit Console | right | 1 | |
| | 987 561 912 00 01C | Satin black | | | |
| 21 | 999 507 551 09 | Cable fastener | | 4 | |
| 22 | 997 803 334 00 | clamping piece | | 2 | |
| | 997 803 334 00 01C | Black | | | |
| 23 | 999 190 176 00 | Pop rivet | | 4 | |

Model: 987 05

Model life 2005>>2008

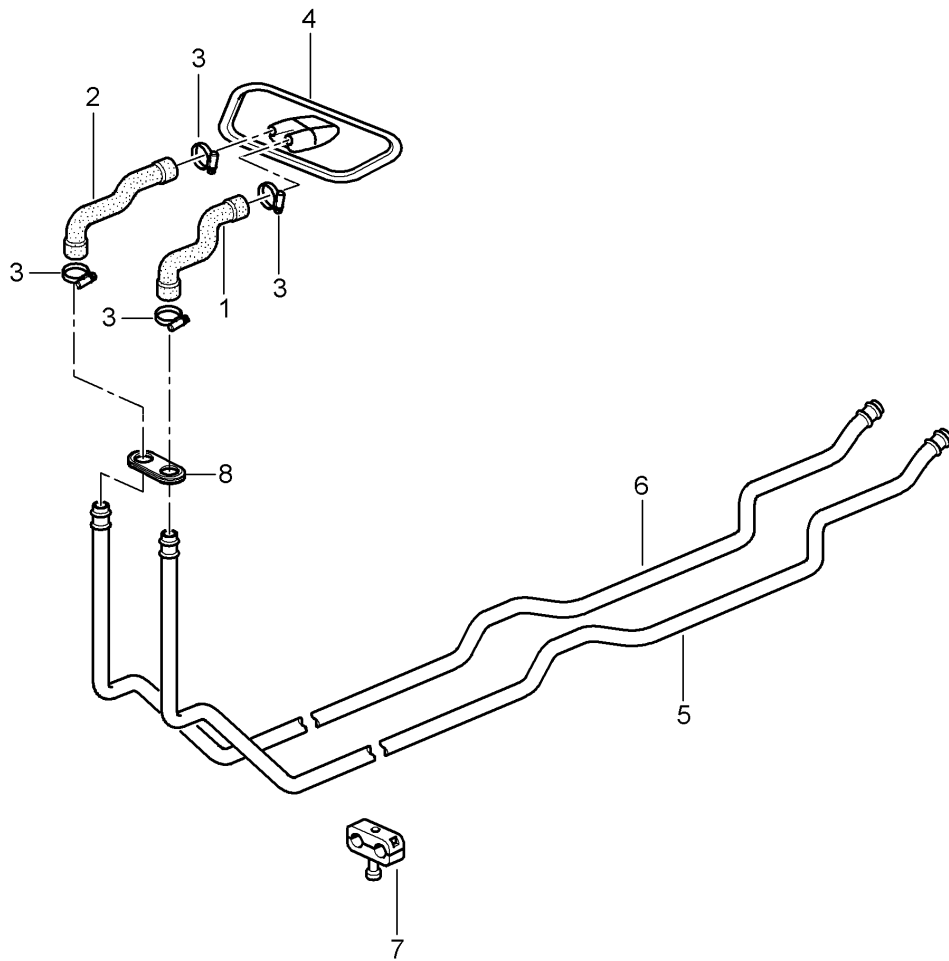
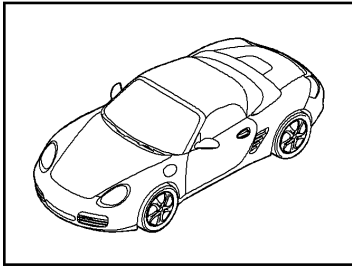


Model: 987 05 Model life 2005>>2008

| Pos | Part Number | Description | Remark | Qty | Model |
|-----|--------------------|--|--------|-----|-------|
| | | Windbreak and Linings roll bar | | | |
| 1 | 987 561 125 00 | Windbreak | | 1 | |
| 2 | 987 561 583 00 | Side part | | 1 | |
| 3 | 987 561 621 00 | Windbreak Centre part | | 1 | |
| | | with: | | | |
| 4 | 987 561 584 00 | Pocket Side part | | 1 | |
| 5 | 987 561 821 00 | Stop buffer Centre part | | 1 | |
| 6 | 987 561 901 02 | Set of fastening parts for Windbreak | | 1 | |
| 7 | 987 580 311 01 | Rollover bar trim Leatherette Set | | 1 | |
| | 987 580 311 01 A37 | Black | | | |
| | 987 580 311 01 B27 | Stone grey | | | |
| | 987 580 311 01 E27 | sea blue | | | |
| | 987 580 311 01 T27 | Sand beige | | | |
| | 987 580 311 01 J27 | Palm green | | | |
| | | D >> - MJ 2007 | | | |
| 7 | 987 580 311 03 | Rollover bar trim Leather Set | | 1 | |
| | 987 580 311 03 A11 | Black | | | |
| | 987 580 311 03 D12 | Dark grey/natural | | | |
| | 987 580 311 03 T12 | Brown/natural | | | |
| | 987 580 311 03 3S9 | sea blue | | | |
| | 987 580 311 03 4P2 | Palm green | | | |
| | | D >> - MJ 2007 | | | |
| | 987 580 311 03 5X6 | Stone grey | | | |
| | 987 580 311 03 8G2 | Sand beige | | | |
| | 987 580 311 03 9S5 | Terracotta | | | |
| | 987 580 311 03 9V6 | Cocoa | | | |
| | 987 580 311 03 N12 | Carrera Red | | | |
| | | D - MJ 2008>> | | | |
| 8 | 986 580 751 00 | Clip | | 8 | |
| 9 | 987 580 911 00 | Set | | 1 | |
| | | Foam part | | | |
| - | 999 911 011 50 | Tread | | 1 | |
| | | Windbreak | | | |
| - | 987 561 825 00 | Tread | | 2 | |
| | | Windbreak | | | |
| | | See technical manual | | | |

Model: 987 05

Model life 2005>>2008



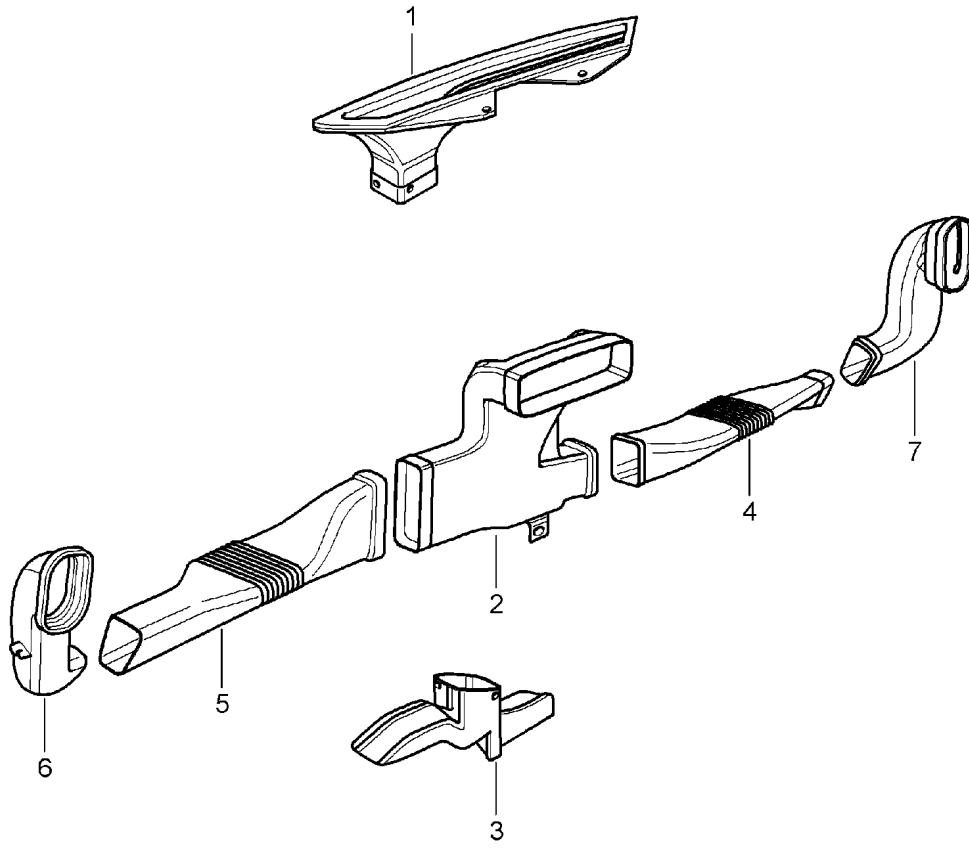
Model: 987 05

Model life 2005>>2008

| Pos | Part Number | Description | Remark | Qty | Model |
|-----|----------------|--|--------|-----|--------|
| 1 | 996 572 583 04 | Heating system 1 Feed line return line Heating hose Zulauf | lhd | 1 | PR:098 |
| 2 | 996 572 585 04 | Heating hose Return line | lhd | 1 | PR:098 |
| 3 | 999 512 441 02 | Hose clamp | | 4 | |
| 4 | 996 572 263 02 | Seal | lhd | 1 | PR:098 |
| 5 | 987 572 681 00 | Heater pipeline Supply | | 1 | |
| 6 | 987 572 683 00 | Discontinued part Heater pipeline Return line Discontinued part | | 1 | |
| 7 | 999 511 230 40 | Cable holder | | 3 | |
| - | 999 511 232 41 | Rubber bush | | 3 | |
| 8 | 996 572 765 02 | Grommet | | 1 | |

Model: 987 05

Model life 2005>>2008



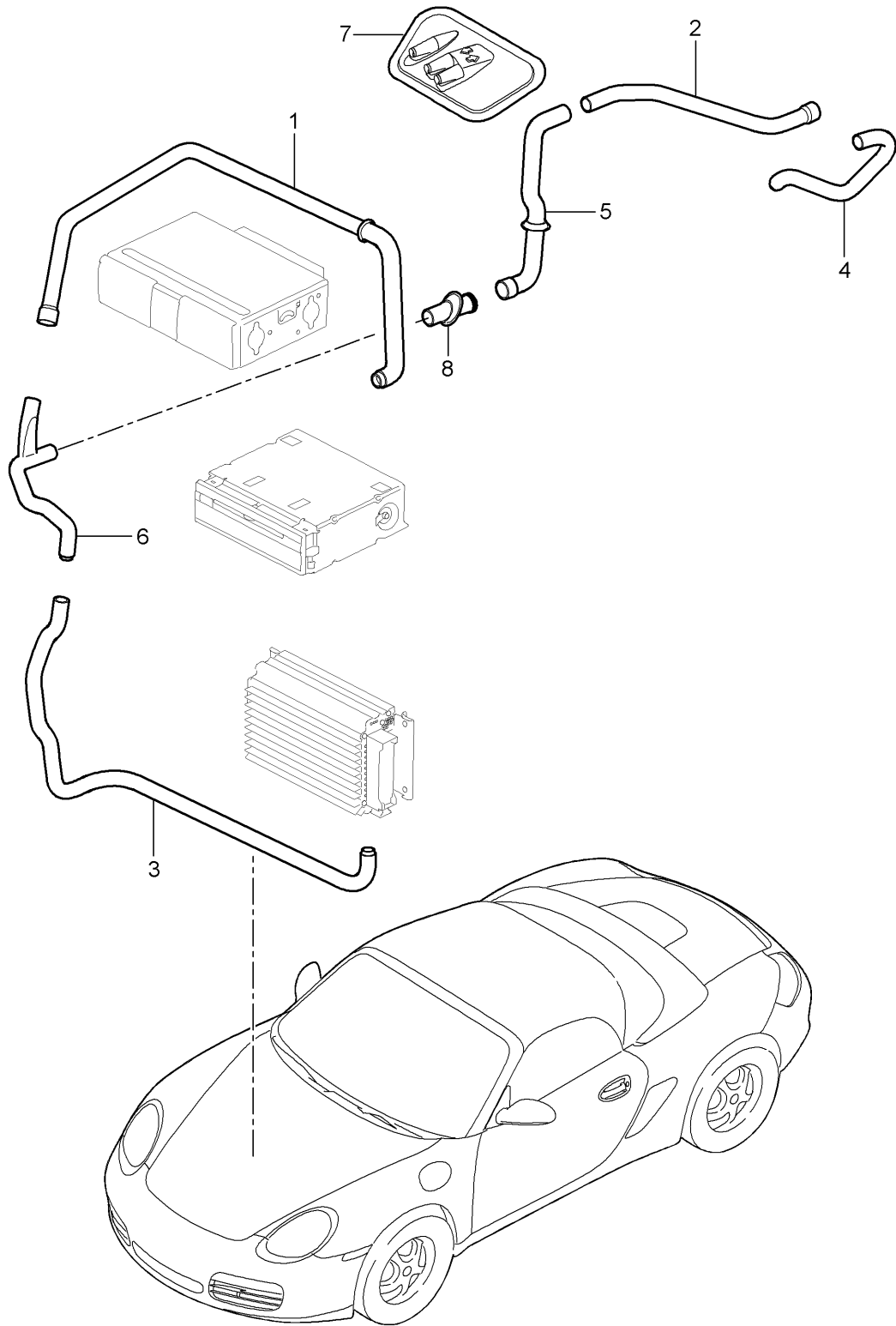
Model: 987 05

Model life 2005>>2008

| Pos | Part Number | Description | Remark | Qty | Model |
|-----|----------------|---|-----------|-----|------------|
| | | heater | | | |
| 1 | 997 572 631 00 | Air distributor Defroster nozzle for wind- screen | lhd | 1 | PR:098 |
| 2 | 997 572 171 00 | Air distributor | lhd | 1 | PR:098 |
| 3 | 997 572 793 00 | Footwell outlet vent | lhd | 1 | PR:098 |
| (3) | 997 572 793 02 | Footwell outlet vent | lhd | 1 | PR:098,680 |
| 4 | 997 572 464 00 | Air guide | right lhd | 1 | PR:098 |
| 5 | 997 572 463 00 | Air guide | left lhd | 1 | PR:098 |
| 6 | 987 572 767 00 | Air guide | left lhd | 1 | PR:098 |
| 7 | 987 572 768 00 | Air guide | right lhd | 1 | PR:098 |
| - | 987 572 769 00 | Intermediate piece | | 1 | PR:098 |
| - | 987 572 769 01 | Intermediate piece | | 1 | PR:099 |

Model: 987 05

Model life 2005>>2008



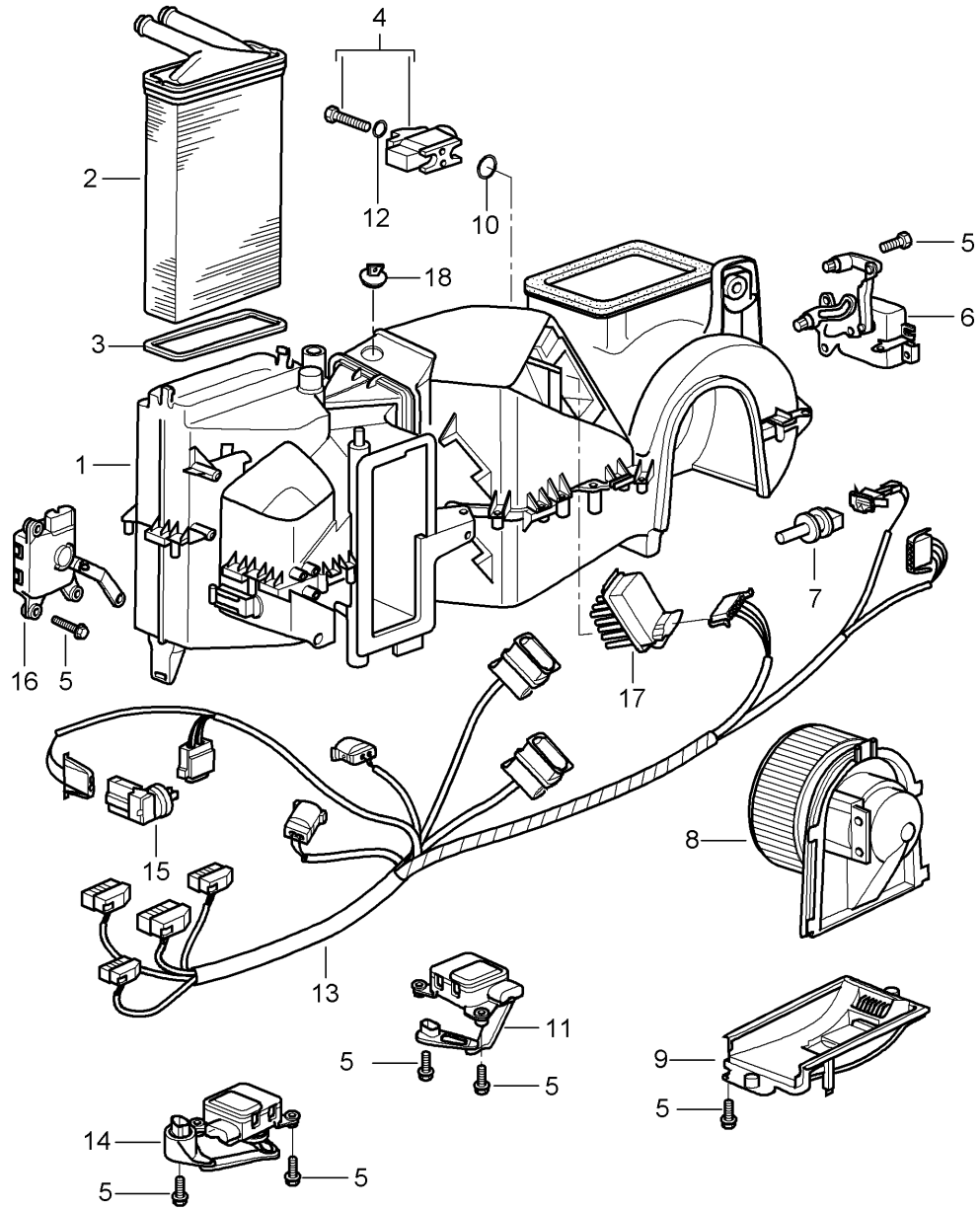
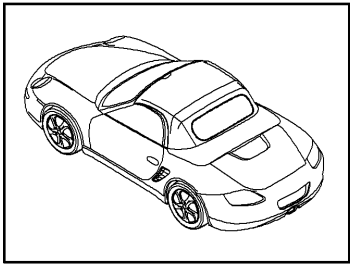
Model: 987 05

Model life 2005>>2008

| Pos | Part Number | Description | Remark | Qty | Model |
|-----|----------------|----------------------------|--------|-----|----------------|
| | | Luggage compartment | | | PR:575 |
| | | Cooling | | | |
| 1 | 997 572 588 00 | Air guide | | 1 | PR:575,692 |
| | | DVD | | | |
| (1) | 997 572 588 01 | Air guide | | 1 | PR:575,664,692 |
| | | DVD | | | |
| (1) | 997 572 588 02 | Air guide | | 1 | PR:575 |
| | | DVD | | | |
| 2 | 997 572 582 00 | Air guide | | 1 | PR:575 |
| | | water box | | | |
| 3 | 997 572 590 00 | Air guide | | 1 | PR:490,575,680 |
| | | Amplifiers | | | |
| 4 | 997 572 580 00 | Air guide | | 1 | PR:575 |
| | | Air conditioner | | | |
| 5 | 997 572 584 03 | Air guide | | 1 | PR:575 |
| | | filler plate | | | |
| 6 | 997 572 586 06 | Air guide | | 1 | PR:575 |
| | | Amplifiers | | | |
| 7 | 997 572 263 00 | Seal | | 1 | PR:575 |
| 8 | 997 572 593 00 | connection piece | | 1 | PR:575 |
| - | 999 076 081 40 | Hexagon plastic collar nut | | 2 | |
| - | 999 703 009 40 | Bungs | | 1 | |

Model: 987 05

Model life 2005>>2008

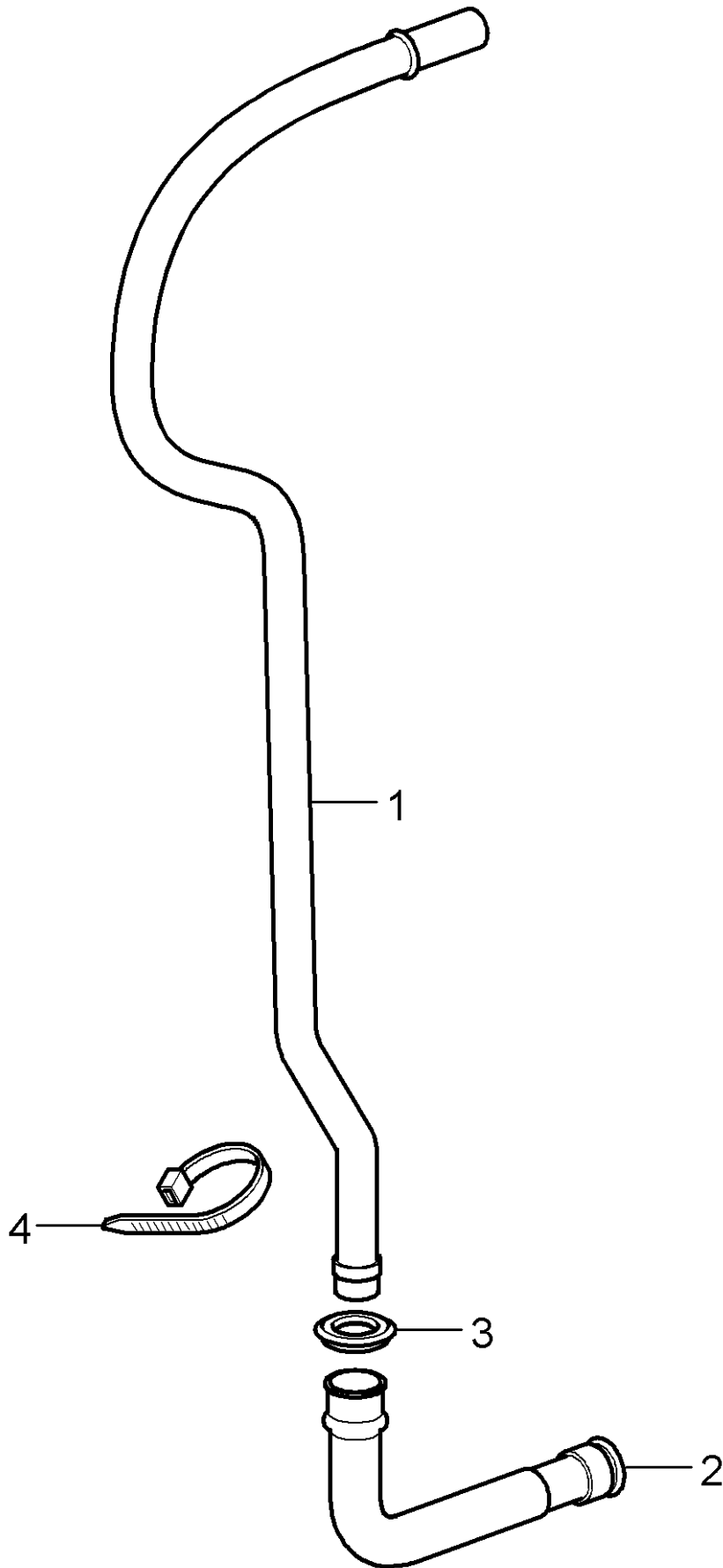


Model: 987 05 Model life 2005>>2008

| Pos | Part Number | Description | Remark | Qty | Model |
|------|----------------|--|--------|-----|------------|
| 1 | 987 573 901 00 | Air conditioner Individual parts Air conditioner | lhd | 1 | PR:098,572 |
| | | without: heat exchanger | | | |
| | | with: evaporator | | | |
| (1) | 997 573 901 04 | Air conditioner | lhd | 1 | PR:098,573 |
| | | without: heat exchanger | | | |
| | | with: evaporator | | | |
| 2 | 997 572 129 00 | heat exchanger | | 1 | |
| 3 | 996 572 913 00 | Seal | | 1 | |
| 4 | 996 573 929 01 | Expansion valve | | 1 | |
| 5 | 900 143 102 02 | Bolt with washer | | X | |
| 6 | 996 573 915 00 | actuator motor for fresh air flap | lhd | 1 | PR:098,573 |
| | | Identification: >> >> Black | | | |
| (6) | 996 572 915 00 | Servomotor | | 1 | PR:572 |
| 7 | 955 572 304 10 | Temperature sensor | | 1 | |
| 8 | 996 624 107 01 | Fan | lhd | 1 | PR:098 |
| 9 | 996 573 905 00 | Cover | | 1 | |
| 10 | 999 707 596 40 | O-ring 14x1,82 | | 1 | |
| 11 | 996 573 919 02 | Servomotor | lhd | 1 | PR:098 |
| | | Temperature valve Identification: >> >> pink | | | |
| 12 | 999 707 534 41 | O-ring 17x2,00 | | 1 | |
| 13 | 997 612 655 02 | Wire set | lhd | 1 | PR:098,573 |
| (13) | 997 612 656 02 | Wire set | rhd | 1 | PR:099,573 |
| | | D >> - MJ 2007 | | | |
| (13) | 987 612 655 00 | Wire set | lhd | 1 | PR:098,572 |
| | | D >> - MJ 2007 | | | |
| (13) | 987 612 655 02 | Wire set | lhd | 1 | PR:098,572 |
| | | D - MJ 2008>> | | | |
| 14 | 996 573 921 02 | Servomotor for defroster flap | lhd | 1 | PR:098 |
| | | Identification: >> >> yellow | | | |
| 15 | 1H0 907 543 A | Temperature sensor | | 1 | |
| 16 | 996 573 917 02 | central flap positioning motor | lhd | 1 | PR:098 |
| | | Identification: >> >> green | | | |
| 17 | 996 573 923 00 | Resistor | | 1 | |
| - | 996 573 927 00 | Blower outlet sensor | | 1 | PR:573 |
| - | 1H0 819 943 | round hd. screw | | 2 | |
| 18 | 997 573 935 00 | Bungs | | 1 | |

Model: 987 05

Model life 2005>>2008



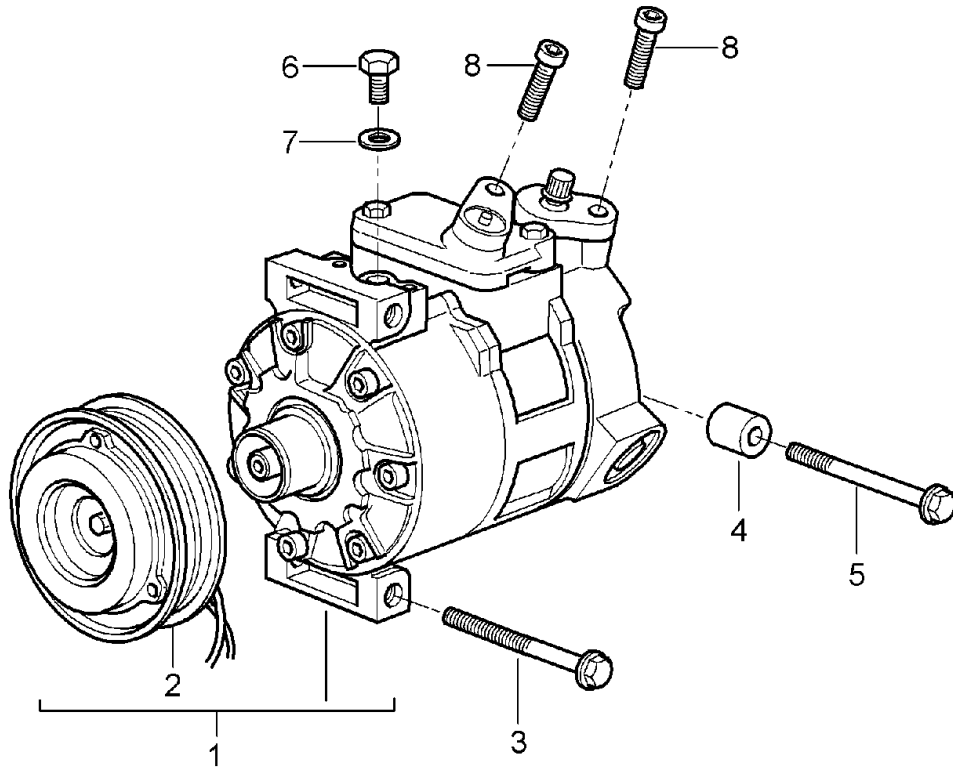
Model: 987 05

Model life 2005>>2008

| Pos | Part Number | Description | Remark | Qty | Model |
|-----|----------------|------------------|--------|-----|--------|
| | | water drain pipe | | | |
| | | Mount | | | |
| | | Air conditioner | | | |
| 1 | 996 573 793 01 | water drain pipe | lhd | 1 | PR:098 |
| 2 | 996 573 797 02 | Connecting piece | | 1 | |
| 3 | 996 573 795 01 | Grommet | | 1 | |
| 4 | 999 513 049 40 | Cable ties | | 1 | |

Model: 987 05

Model life 2005>>2008

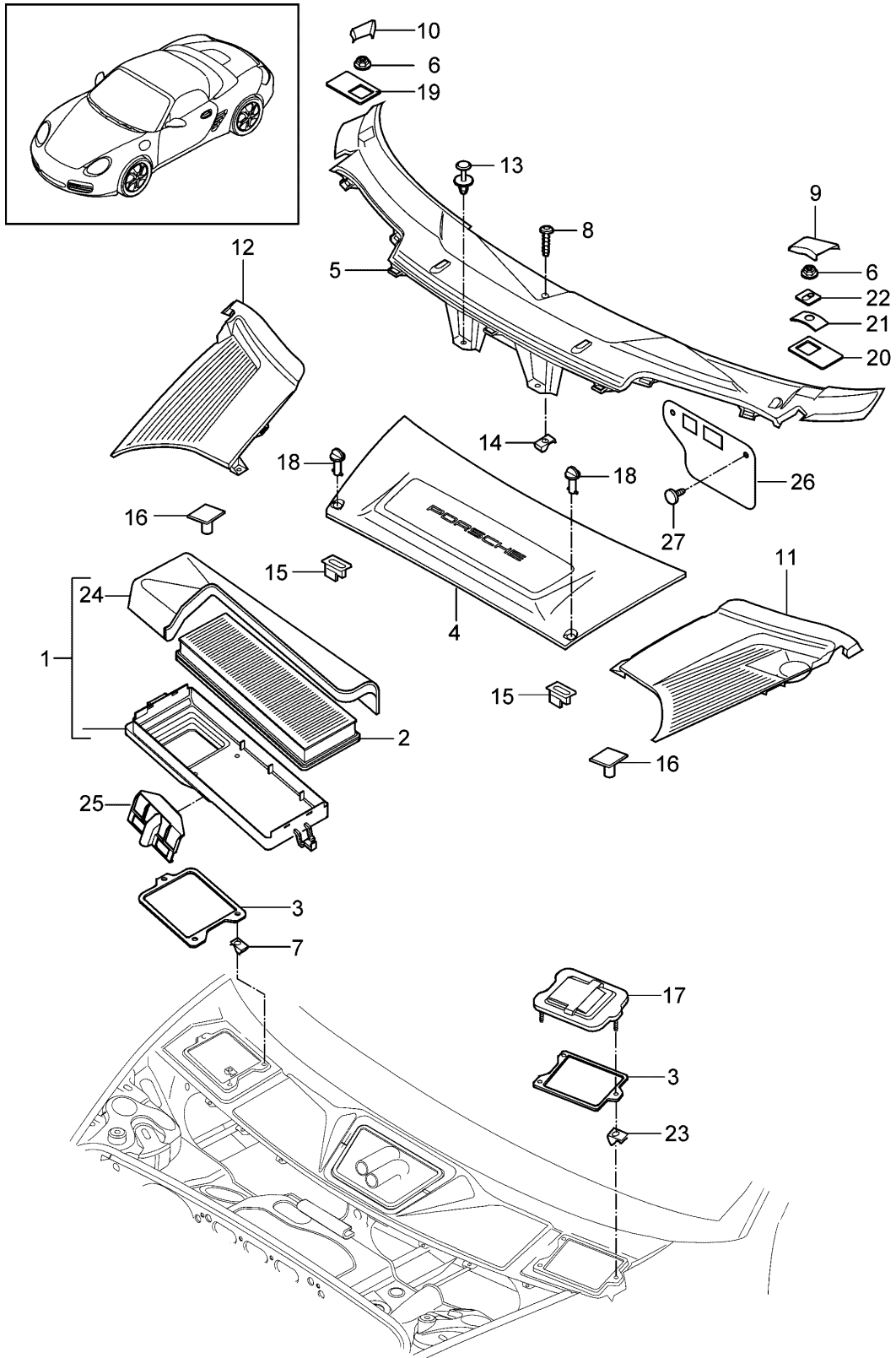


Model: 987 05 Model life 2005>>2008

| Pos | Part Number | Description | Remark | Qty | Model |
|-----|----------------|---|--------|-----|-------|
| 1 | 996 126 011 52 | Compressor | | 1 | |
| 2 | 996 573 926 00 | Magnetic coupling | | 1 | |
| 3 | 900 378 075 09 | Hexagon bolt M 8X90 | | 2 | |
| (3) | 900 385 102 01 | D >> - MJ 2006 Torx screw M 8x90 | | 2 | |
| 4 | 996 126 102 53 | D - MJ 2007>> Distance piece | | 1 | |
| 5 | 900 378 136 09 | Hexagon bolt M 8X120 | | 1 | |
| (5) | 900 385 281 01 | D >> - MJ 2006 Torx screw M 8x120 | | 1 | |
| 6 | 996 573 926 01 | D - MJ 2007>> Oil filler screw | | 1 | |
| 7 | 996 573 926 02 | seal ring | | 1 | |
| 8 | 900 067 147 02 | Socket head bolt Discontinued part | | 2 | |
| 8 | 900 067 147 01 | Socket head bolt | | 2 | |
| - | 000 043 200 04 | Compressor oil 250 ml | | 1 | |

Model: 987 05

Model life 2005>>2008

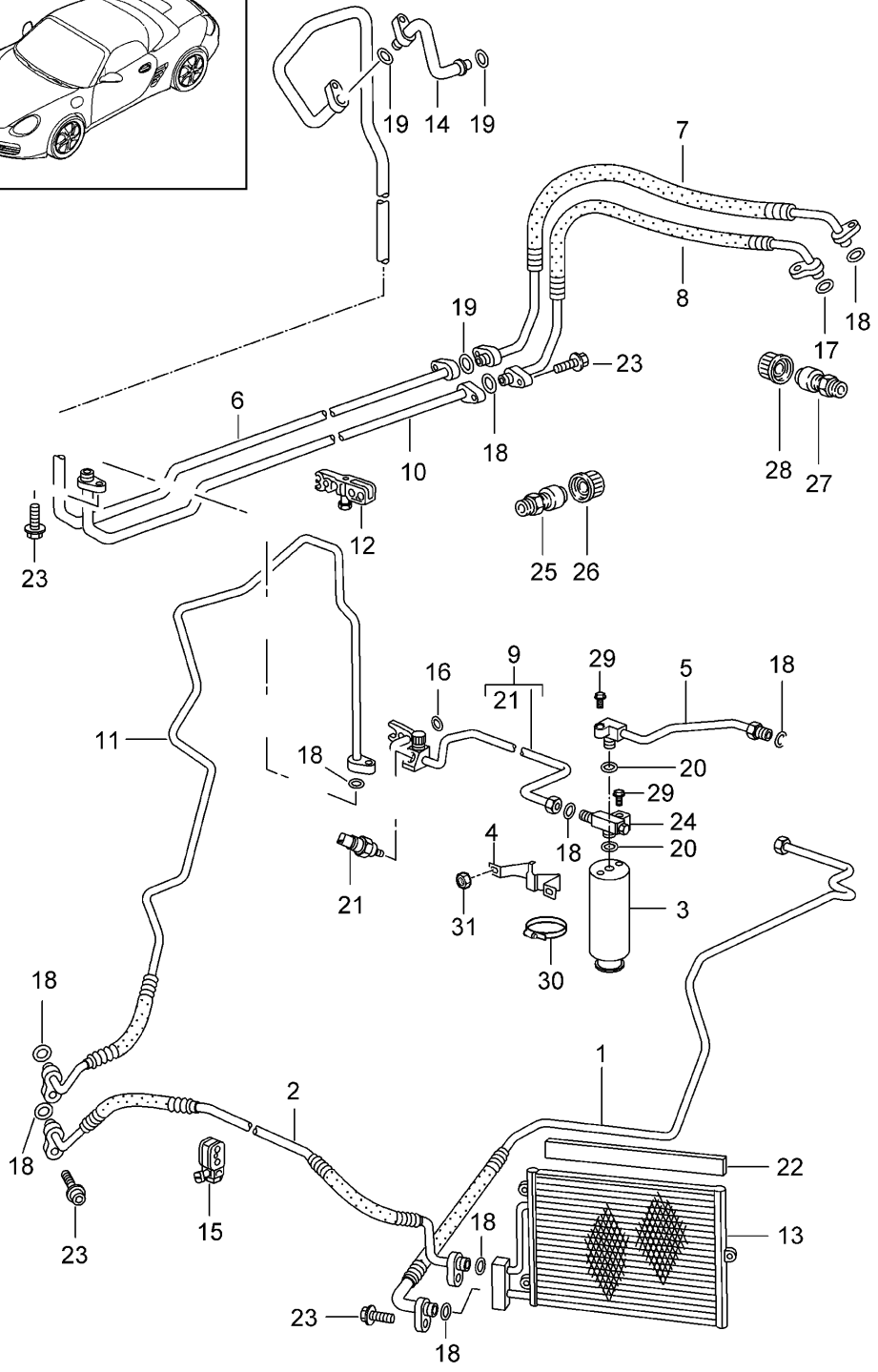
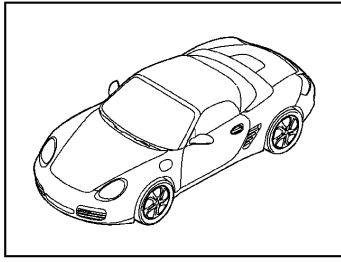


Model: 987 05 Model life 2005>>2008

| Pos | Part Number | Description | Remark | Qty | Model |
|-----|--------------------|---------------------------------|-----------|-----|--------|
| 1 | 997 572 019 04 | Particulate filter housing | lhd | 1 | PR:098 |
| 2 | 997 571 219 01 | Cowl panel covering | | 1 | |
| 3 | 997 572 221 00 | Dust and pollen filter | | 1 | |
| 4 | 997 572 567 04 | Seal | | 1 | |
| 4 | 997 572 567 04 | Battery cover | | 1 | |
| 5 | 997 572 567 04 FMT | Black | | | |
| 5 | 997 572 563 08 | Cover | lhd | 1 | PR:098 |
| | | Scuttle | | | |
| | 997 572 563 08 FMT | Black | | | |
| 6 | 999 076 071 02 | Hexagon nut | | 2 | |
| | | M6 | | | |
| 7 | 999 507 348 01 | panel nut | | 3 | |
| 8 | N 906 487 04 | Hexagon socket oval head bolt | | 1 | |
| 9 | 997 572 569 04 | Cover cap | left lhd | 2 | PR:098 |
| | 997 572 569 04 FMT | Black | | | |
| 10 | 997 572 570 04 | Cover cap | right lhd | 1 | PR:098 |
| | 997 572 570 04 FMT | Black | | | |
| 11 | 997 572 361 07 | Plenum chamber cover | left | 1 | |
| | 997 572 361 07 02A | Black | | | |
| 12 | 997 572 362 08 | Plenum chamber cover | right | 1 | |
| | 997 572 362 08 02A | Black | | | |
| 13 | 999 507 497 40 | Spreader rivet | | 2 | |
| | | 8 X 14 | | | |
| 14 | 999 507 834 41 | expanding nut | | 1 | |
| | | ST 4,8 | | | |
| 15 | 999 590 046 40 | Cam disc | | 2 | |
| 16 | 999 902 046 40 | catch | | 1 | |
| 17 | 997 572 419 03 | Cover | | 1 | |
| 18 | 997 572 867 00 | Locking bolt | | 2 | |
| | 997 572 867 00 02A | Black | | | |
| 18 | 997 572 867 01 | Locking bolt | | 2 | |
| | 997 572 867 01 02A | Black | | | |
| 19 | 997 572 842 00 | Pressure plate (passenger side) | | 1 | |
| | | D >> - MJ 2006 | | | |
| | | Discontinued part | | | |
| 19 | 997 572 842 01 | Pressure plate (passenger side) | right lhd | 1 | PR:098 |
| | | D - MJ 2007>> | | | |
| 20 | 997 572 841 00 | Pressure plate (drivers side) | | 1 | |
| 21 | 997 572 837 00 | spring plate (drivers side) | | 1 | |
| 22 | 997 572 533 00 | Retaining plate (drivers side) | | 1 | |
| 23 | 999 591 855 01 | panel nut | | 3 | |
| 24 | 997 572 729 02 | Dust and pollen filter insert | lhd | 1 | PR:098 |
| | | Particulate filter | | | |
| 25 | 997 572 862 01 | Support | | 1 | |
| 26 | 997 572 763 00 | Cover | | 1 | |
| 27 | 999 703 432 40 | Bungs | | 2 | |
| | | 8,0 | | | |
| | | 12,2 X 25 | | | |

Model: 987 05

Model life 2005>>2008

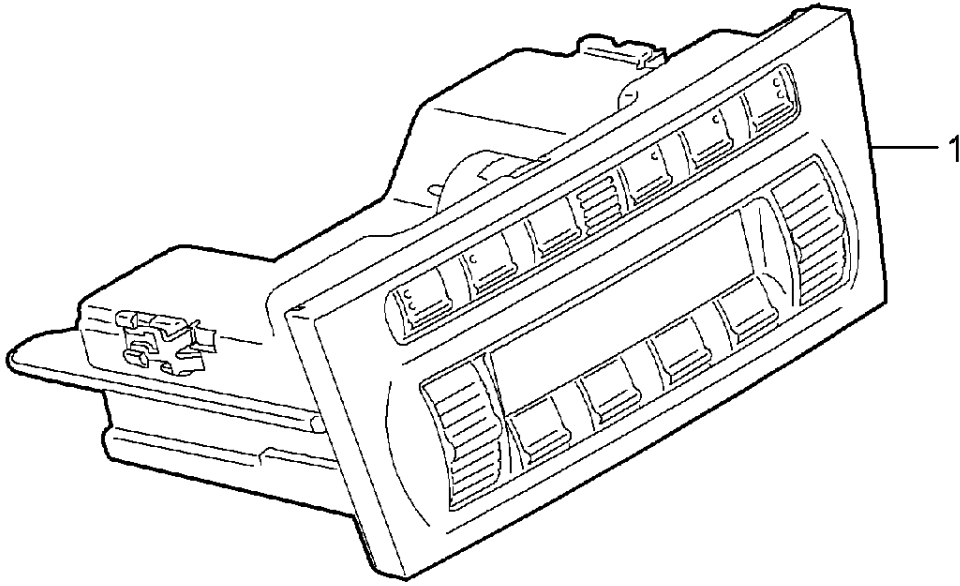


Model: 987 05 Model life 2005>>2008

| Pos | Part Number | Description | Remark | Qty | Model |
|------|----------------|--|--------|-----|--------------------|
| | | refrigerant circuit | | | |
| 1 | 997 573 105 03 | Pressure line | | 1 | |
| 2 | 997 573 103 02 | Pressure line | | 1 | |
| 3 | 944 573 143 01 | Drier | | 1 | |
| 4 | 996 573 451 00 | bracket for drier | | 1 | |
| 5 | 996 573 106 00 | Refrigerant line | | 1 | |
| 6 | 996 573 091 01 | suction line | | 1 | |
| 7 | 987 573 099 00 | suction line | | 1 | 9625,9626 |
| 7 | 987 573 099 01 | suction line | | 1 | 9720,9721, 9722 |
| 8 | 987 573 097 02 | Pressure line | | 1 | 9625,9626 |
| 8 | 987 573 097 04 | Pressure line | | 1 | 9720,9721, 9722 |
| 9 | 997 573 108 02 | Pressure line | lhd | 1 | PR:098 |
| 10 | 996 573 092 02 | Pressure line | | 1 | |
| 11 | 997 573 094 02 | Pressure line | | 1 | |
| 12 | 996 347 543 00 | Cable holder | | 2 | |
| 13 | 996 573 111 03 | Condenser | | 2 | |
| 14 | 996 573 093 06 | suction line | lhd | 1 | PR:098 |
| 15 | 996 347 543 00 | Cable holder | | X | |
| 16 | 999 707 247 40 | O-ring 7,5X2 | | 2 | |
| 17 | 999 707 439 41 | O-ring 23,8X2,4 | | 8 | |
| 18 | 999 707 434 41 | O-ring 10,6X2 | | 8 | |
| 19 | 999 707 534 41 | O-ring 17X2 | | X | |
| 20 | 999 707 262 40 | O-ring 6,7X1,8 | | X | |
| 21 | 1K0 959 126 B | Pressure sensor use if required: | | 1 | |
| (21) | 955 613 137 01 | Discontinued part Pressure sensor use if required: | | 1 | |
| (21) | 955 613 137 02 | Discontinued part Pressure sensor use if required: | | 1 | |
| - | 999 707 555 41 | O-ring 10,8 X 1,8 | | 1 | |
| 22 | 996 573 711 00 | Cover trim | | 2 | |
| 23 | 900 067 019 03 | Socket head bolt | | X | |
| 24 | 997 573 243 00 | Distributor | | 1 | |
| 25 | 996 573 465 00 | Valve suction line | | 1 | |
| 26 | 944 573 663 02 | Cap | | 1 | |
| 27 | 996 573 466 00 | Pressure valve Pressure line | | 1 | |
| 28 | 944 573 663 01 | Cap | | 1 | |
| 29 | 900 075 340 01 | Bolt with washer M6x22 | | 1 | |
| 30 | 999 512 349 01 | Hose clamp A50-70/9 | | 1 | |

Model: 987 05

Model life 2005>>2008

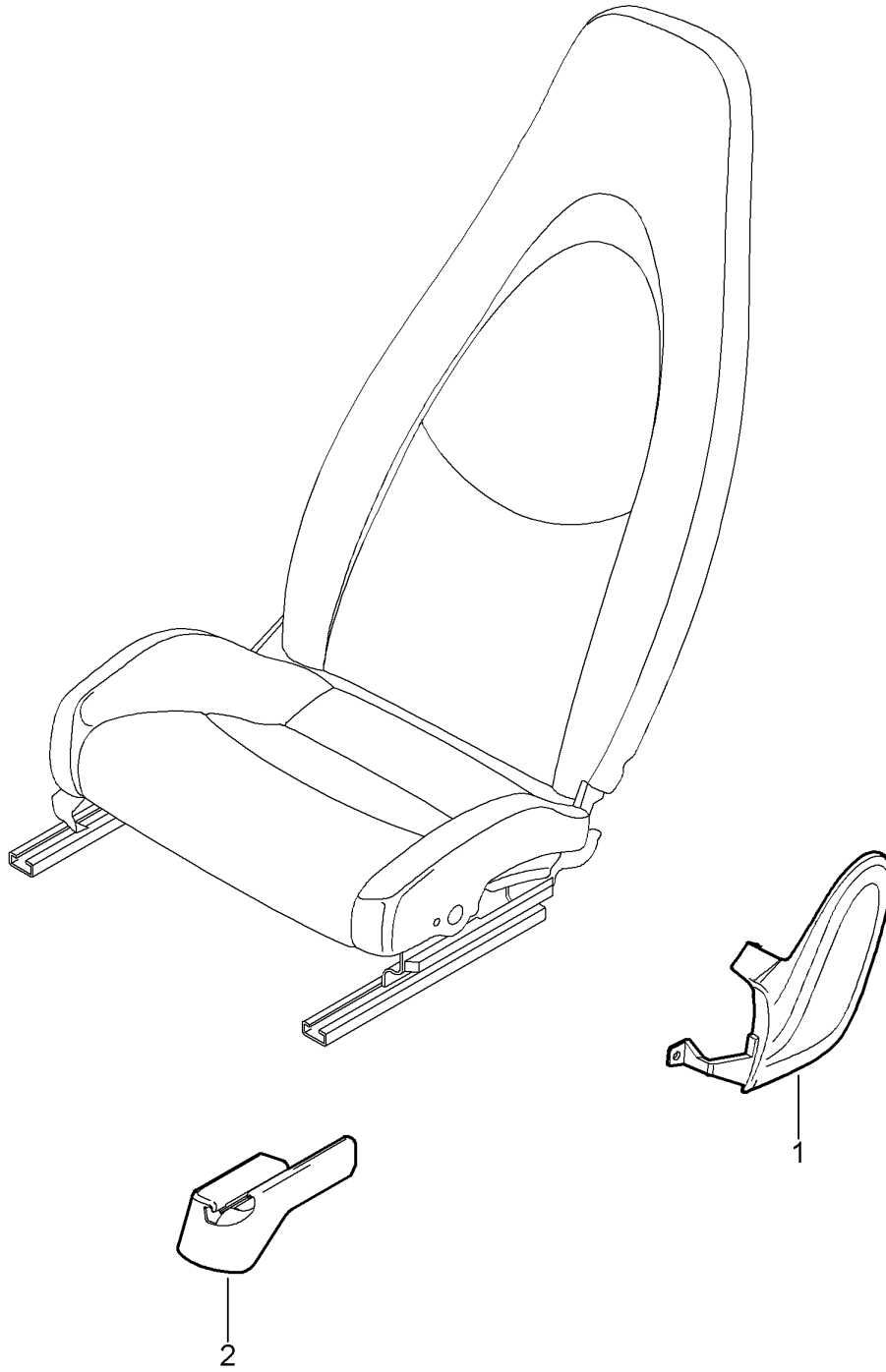


Model: 987 05 Model life 2005>>2008

| Pos | Part Number | Description | Remark | Qty | Model |
|-----|--------------------------------------|---|--------|-----|------------|
| 1 | 997 653 103 10 | Control switch Control panel D >> - MJ 2007 | | 1 | PR:572 |
| 1 | 997 653 103 10 FMH 997 653 103 13 | Volcano Grey/Black Mat Control panel D - MJ 2008>> | | 1 | PR:572 |
| (1) | 997 653 103 13 FMH 997 653 113 10 | Volcano Grey/Black Mat Control panel D >> - MJ 2007 | | 1 | PR:572,342 |
| (1) | 997 653 113 10 FMH 997 653 113 13 | Volcano Grey/Black Mat Control panel D - MJ 2008>> | | 1 | PR:572,342 |
| (1) | 997 653 113 13 FMH 997 653 101 09 | Volcano Grey/Black Mat Control panel D >> - MJ 2007 | | 1 | PR:573 |
| (1) | 997 653 101 09 FMH 997 653 101 13 | Volcano Grey/Black Mat Control panel D - MJ 2008>> | | 1 | PR:573 |
| (1) | 997 653 101 13 FMH 997 653 111 09 | Volcano Grey/Black Mat Control panel D >> - MJ 2007 | | 1 | PR:573,342 |
| (1) | 997 653 111 09 FMH 997 653 111 13 | Volcano Grey/Black Mat Control panel D - MJ 2008>> | | 1 | PR:573,342 |
| | 997 653 111 13 FMH | Volcano Grey/Black Mat | | | |

Model: 987 05

Model life 2005>>2008



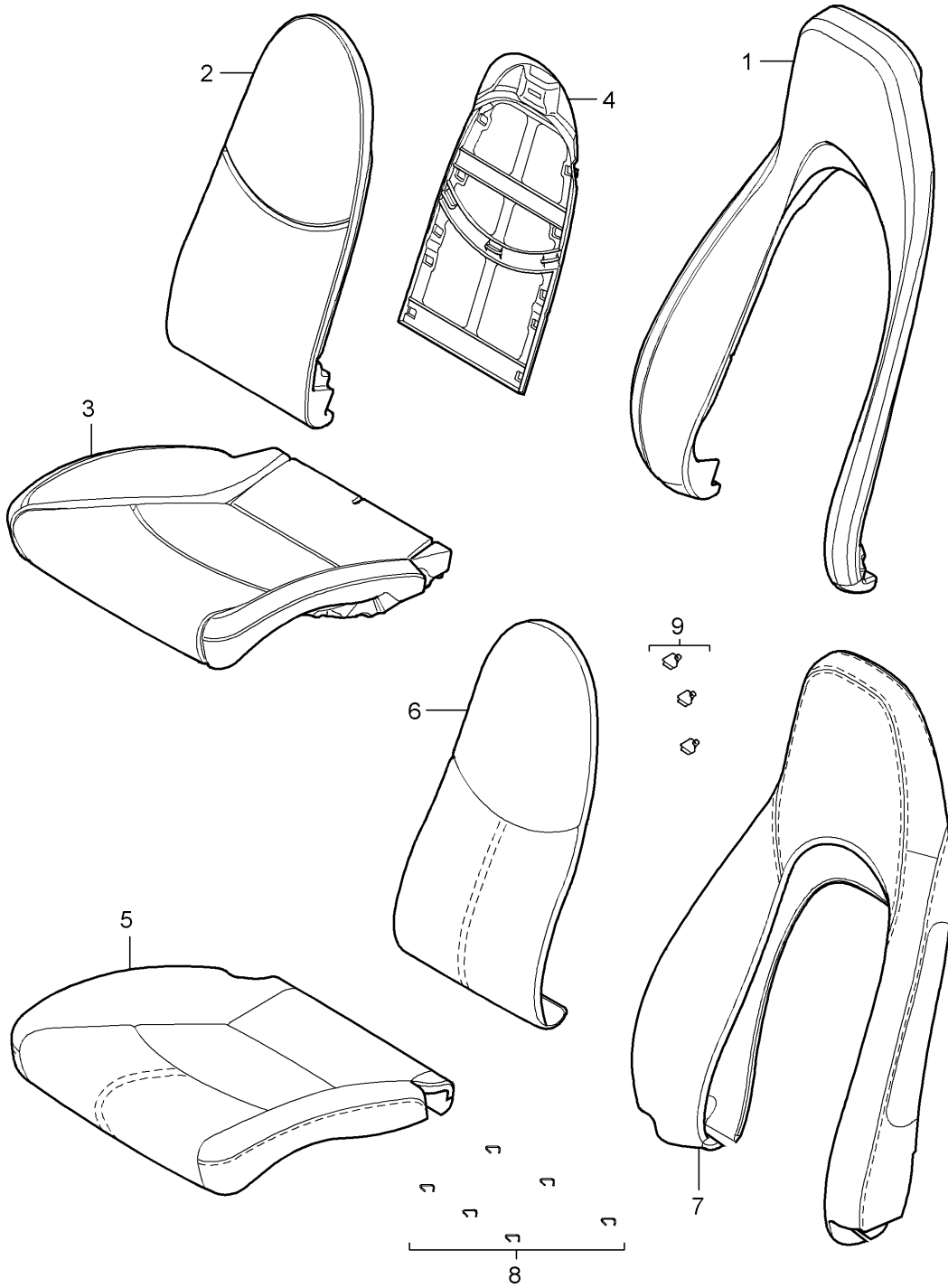
Model: 987 05

Model life 2005>>2008

| Pos | Part Number | Description | Remark | Qty | Model |
|-----|--------------------|--|--------|-----|------------------------------------|
| | | Front seat Standard seat Comfort seat (complete) Not available D - MJ 2005>> | | | BOXSTER BOXSTER S |
| 1 | 997 521 315 02 | Cover panel Mounting component | left | 1 | PR:369,375, 377,437 |
| (1) | 997 521 315 02 D07 | Volcano grey | | | |
| (1) | 997 521 316 02 | Cover panel Mounting component | right | 1 | PR:370,376, 378,438 |
| (1) | 997 521 316 02 D07 | Volcano grey | | | |
| (1) | 997 521 316 03 | Cover panel Mounting component For vehicles with 'Advanced' airbag D - MJ 2006>> | right | 1 | PR:370,376, 378,438,560 |
| 2 | 997 521 316 03 D07 | Volcano grey | | | |
| (2) | 997 521 359 01 | Rail Seat rail | left | 1 | PR:369,375 |
| (2) | 997 521 359 01 01C | Satin black | | | |
| (2) | 997 521 360 01 | Rail Seat rail | right | 1 | PR:370,376 |
| (2) | 997 521 360 01 01C | Satin black | | | |
| (2) | 997 521 361 00 | Rail Seat rail | left | 1 | PR:370,376, 377,378,437, 438 |
| (2) | 997 521 361 00 01C | Satin black | | | |
| (2) | 997 521 362 00 | Rail Seat rail | right | 1 | PR:369,375, 377,378,437, 438 |
| | 997 521 362 00 01C | Satin black | | | |

Model: 987 05

Model life 2005>>2008



Model: 987 05 Model life 2005>>2008

| Pos | Part Number | Description | Remark | Qty | Model |
|-----|--------------------|--|--------|-----|--|
| | | Foam part Cover Standard seat Comfort seat D - MJ 2005>> | | | BOXSTER BOXSTER S |
| 1 | 997 521 535 00 | Foam part backrest | outer | 2 | PR:369,370, 437,438 |
| 2 | 997 521 581 00 | Foam part backrest | center | 2 | PR:369,370, 375,376,377, 378,437,438 |
| 3 | 997 521 571 00 | Foam part Seat cushion | | 1 | PR:369,370, 437,438 |
| (3) | 997 521 571 03 | Foam part Seat cushion For vehicles with 'Advanced' airbag D - MJ 2006>> | | 1 | PR:370,438, 560 |
| 4 | 997 521 551 01 | Backrest-padding support part | | 2 | PR:369,370, 375,376,377, 378,437,438 |
| 5 | 987 521 161 00 | Seat cover | | 2 | PR:369,370, 950 |
| | 987 521 161 00 FLA | Black | | | |
| | 987 521 161 00 FLD | Stone grey | | | |
| | 987 521 161 00 FLG | Sand beige | | | |
| | 987 521 161 00 FLK | sea blue | | | |
| | 987 521 161 00 FLN | Palm green | | | |
| (5) | 997 521 161 00 | Seat cover Leatherette | | 1 | PR:369,370, 437,946 |
| | 997 521 161 00 FLB | Black | | | |
| | 997 521 161 00 FLE | Stone grey | | | |
| | 997 521 161 00 FLH | Sand beige | | | |
| | 997 521 161 00 FLL | sea blue | | | |
| | 997 521 161 00 FLO | Palm green | | | |
| (5) | 997 521 161 01 | Seat cover Leather | | 1 | PR:369,370, 437,983 |
| | 997 521 161 01 FLC | Black | | | |
| | 997 521 161 01 FLF | Stone grey | | | |
| | 997 521 161 01 FLJ | Sand beige | | | |
| | 997 521 161 01 FLM | sea blue | | | |
| | 997 521 161 01 FLP | Palm green | | | |
| | 997 521 161 01 FLQ | Terracotta | | | |
| | 997 521 161 01 FLR | Cocoa | | | |
| | 997 521 161 01 BCA | Black/stone grey | | | |
| | 997 521 161 01 VAA | Dark grey/natural | | | |
| | 997 521 161 01 VAB | Brown/natural | | | |
| | 997 521 161 01 VAC | Carrera Red | | | |
| (5) | 997 521 161 02 | Seat cover Draped leather | | 1 | PR:369,370, 437,982 |
| | 997 521 161 02 FLC | Black | | | |
| | 997 521 161 02 FLF | Stone grey | | | |
| | 997 521 161 02 FLJ | Sand beige | | | |
| | 997 521 161 02 FLM | sea blue | | | |
| | 997 521 161 02 FLP | Palm green | | | |
| | 997 521 161 02 FLQ | Terracotta | | | |
| | 997 521 161 02 FLR | Cocoa | | | |
| | 997 521 161 02 BCA | Black/stone grey | | | |
| | 997 521 161 02 VAA | Dark grey/natural | | | |
| | 997 521 161 02 VAB | Brown/natural | | | |
| | 997 521 161 02 VAC | Carrera Red | | | |
| 6 | 987 521 151 00 | Backrest cushion cover Centre part Alcantara | | 2 | PR:369,370, 950 |

Model: 987 05 Model life 2005>>2008

| Pos | Part Number | Description | Remark | Qty | Model | |
|-----|--------------------|--|--|-------|--------------------|----------------------------|
| | 987 521 151 00 A15 | Black | | | | |
| | 987 521 151 00 B15 | Stone grey | | | | |
| | 987 521 151 00 T45 | Sand beige | | | | |
| | 987 521 151 00 G15 | Metropole blue | | | | |
| | 987 521 151 00 J45 | Palm green | | | | |
| (6) | 997 521 151 00 | Backrest cushion cover Centre part | | 1 | PR:946 | |
| | 997 521 151 00 A08 | Black | | | | |
| | 997 521 151 00 5D6 | Stone grey | | | | |
| | 997 521 151 00 T25 | Sand beige | | | | |
| | 997 521 151 00 3W7 | sea blue | | | | |
| | 997 521 151 00 4Q2 | Palm green | | | | |
| (6) | 997 521 151 00 | Backrest cushion cover Centre part | | 1 | PR:983 | |
| | 997 521 151 00 8YR | Black | | | | |
| | 997 521 151 00 5X5 | Stone grey | | | | |
| | 997 521 151 00 8G1 | Sand beige | | | | |
| | 997 521 151 00 3S8 | sea blue | | | | |
| | 997 521 151 00 4P1 | Palm green | | | | |
| | 997 521 151 00 9N2 | Terracotta | | | | |
| | 997 521 151 00 9Q3 | Cocoa | | | | |
| | 997 521 151 00 D11 | Dark grey/natural | | | | |
| | 997 521 151 00 T11 | Brown/natural | | | | |
| | 997 521 151 00 N11 | Carrera Red | | | | |
| | (6) | 997 521 151 01 | Backrest cushion cover Centre part | | 1 | PR:369,370, 437,438,982 |
| | 997 521 151 01 8YR | Black | | | | |
| | 997 521 151 01 5X5 | Stone grey | | | | |
| | 997 521 151 01 8G1 | Sand beige | | | | |
| | 997 521 151 01 3S8 | sea blue | | | | |
| | 997 521 151 01 4P1 | Palm green | | | | |
| | 997 521 151 01 9N2 | Terracotta | | | | |
| | 997 521 151 01 9Q3 | Cocoa | | | | |
| | 997 521 151 01 D11 | Dark grey/natural | | | | |
| | 997 521 151 01 T11 | Brown/natural | | | | |
| | 997 521 151 01 N11 | Carrera Red | | | | |
| | 7 | 987 521 141 00 | backrest cover (alcantara) Outer part | left | 1 | PR:369,950 |
| | 987 521 141 00 FLA | Black | | | | |
| | 987 521 141 00 FLD | Stone grey | | | | |
| | 987 521 141 00 FLG | Sand beige | | | | |
| | 987 521 141 00 FLK | sea blue | | | | |
| | 987 521 141 00 FLN | Palm green | | | | |
| (7) | 987 521 142 00 | backrest cover (alcantara) Outer part | right | 1 | PR:370,950 | |
| | 987 521 142 00 FLA | Black | | | | |
| | 987 521 142 00 FLD | Stone grey | | | | |
| | 987 521 142 00 FLG | Sand beige | | | | |
| | 987 521 142 00 FLK | sea blue | | | | |
| | 987 521 142 00 FLN | Palm green | | | | |
| (7) | 987 521 141 01 | Backrest cover Outer part | left | 1 | PR:369,437, 946 | |
| | | D >> - MJ 2006 | | | | |
| | 987 521 141 01 FLB | Black | | | | |
| | 987 521 141 01 FLE | Stone grey | | | | |
| | 987 521 141 01 FLH | Sand beige | | | | |
| | 987 521 141 01 FLL | sea blue | | | | |
| | 987 521 141 01 FLO | Palm green | | | | |
| | (7) | 987 521 142 01 | Backrest cover Outer part | right | 1 | PR:370,438, 946 |
| | | D >> - MJ 2006 | | | | |
| | 987 521 142 01 FLB | Black | | | | |
| | 987 521 142 01 FLE | Stone grey | | | | |

Model: 987 05 Model life 2005>>2008

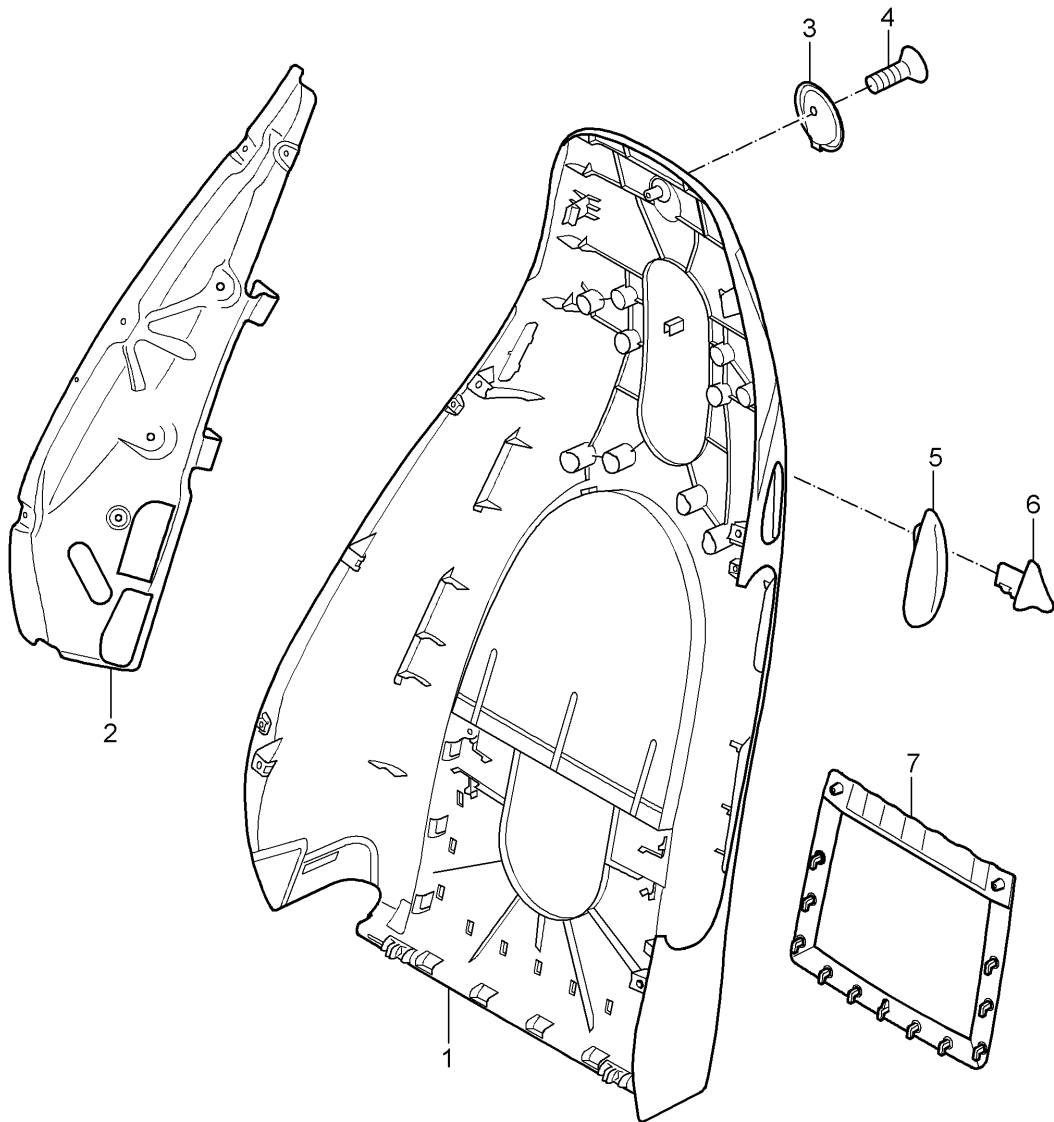
| Pos | Part Number | Description | Remark | Qty | Model |
|--------------------|--------------------|--|--------|-----|----------------------------|
| (7) | 987 521 142 01 FLH | Sand beige | left | 1 | PR:369,437, 946 |
| | 987 521 142 01 FLL | sea blue | | | |
| | 987 521 142 01 FLO | Palm green | | | |
| | 987 521 141 03 | Backrest cover D - MJ 2007>> | | | |
| | 987 521 141 03 FLB | Black | | | |
| | 987 521 141 03 FLE | Stone grey | | | |
| | 987 521 141 03 FLH | Sand beige | | | |
| (7) | 987 521 141 03 FLL | sea blue | right | 1 | PR:370,438, 946 |
| | 987 521 141 03 FLO | Palm green | | | |
| | 987 521 142 03 | Backrest cover Outer part D - MJ 2007>> | | | |
| | 987 521 142 03 FLB | Black | | | |
| | 987 521 142 03 FLE | Stone grey | | | |
| | 987 521 142 03 FLH | Sand beige | | | |
| | 987 521 142 03 FLL | sea blue | | | |
| (7) | 987 521 142 03 FLO | Palm green | left | 1 | PR:369,437, 982,983 |
| | 987 521 141 02 | Backrest cover Outer part | | | |
| | 987 521 141 02 FLC | Black | | | |
| | 987 521 141 02 FLF | Stone grey | | | |
| | 987 521 141 02 FLJ | Sand beige | | | |
| | 987 521 141 02 FLM | sea blue | | | |
| | 987 521 141 02 FLP | Palm green | | | |
| | 987 521 141 02 FLQ | Terracotta | | | |
| | 987 521 141 02 FLR | Cocoa | | | |
| | 987 521 141 02 VAA | Dark grey/natural | | | |
| | 987 521 141 02 VAB | Brown/natural | | | |
| | 987 521 142 02 | Backrest cover Outer part | | | |
| | 987 521 142 02 FLC | Black | | | |
| | 987 521 142 02 FLF | Stone grey | | | |
| 987 521 142 02 FLJ | Sand beige | | | | |
| 987 521 142 02 FLM | sea blue | | | | |
| 987 521 142 02 FLP | Palm green | | | | |
| 987 521 142 02 FLQ | Terracotta | | | | |
| 987 521 142 02 FLR | Cocoa | | | | |
| 987 521 142 02 VAA | Dark grey/natural | | | | |
| 987 521 142 02 VAB | Brown/natural | | | | |
| (7) | 987 521 941 00 | Backrest cover Outer part D >> - MJ 2007 | left | 1 | PR:XSC,946, 369,437 |
| | 987 521 941 00 A08 | Black | | | |
| | 987 521 941 00 5D6 | Stone grey | | | |
| | 987 521 941 00 3W7 | sea blue | | | |
| | 987 521 941 00 4Q2 | Palm green | | | |
| | 987 521 941 00 T25 | Sand beige | | | |
| | 987 521 941 03 | Backrest cover Outer part D - MJ 2008>> | | | |
| | 987 521 941 03 A08 | Black | | | |
| | 987 521 941 03 5D6 | Stone grey | | | |
| | 987 521 941 03 3W7 | sea blue | | | |
| 987 521 941 03 T25 | Sand beige | | | | |
| (7) | 987 521 941 04 | Backrest cover Outer part | left | 1 | PR:XSC,946, 541,369,437 |
| | 987 521 941 04 5D6 | Stone grey | | | |
| | 987 521 941 04 3W7 | sea blue | | | |
| | 987 521 941 04 T25 | Sand beige | | | |
| (7) | 987 521 941 04 A08 | Black | right | 1 | PR:XSC,946, |
| | 987 521 942 00 | Backrest cover | | | |

Model: 987 05 Model life 2005>>2008

| Pos | Part Number | Description | Remark | Qty | Model |
|-----|--------------------|---|--------|-----|----------------------------|
| | | Outer part D >> - MJ 2007 | | | 370,438 |
| | 987 521 942 00 A08 | Black | | | |
| | 987 521 942 00 5D6 | Stone grey | | | |
| | 987 521 942 00 3W7 | sea blue | | | |
| | 987 521 942 00 4Q2 | Palm green | | | |
| | 987 521 942 00 T25 | Sand beige | | | |
| (7) | 987 521 942 03 | Backrest cover Outer part D - MJ 2008>> | right | 1 | PR:XSC,946, 370,438 |
| | 987 521 942 03 A08 | Black | | | |
| | 987 521 942 03 5D6 | Stone grey | | | |
| | 987 521 942 03 3W7 | sea blue | | | |
| | 987 521 942 03 T25 | Sand beige | | | |
| (7) | 987 521 942 04 | Backrest cover Outer part | right | 1 | PR:XSC,946, 541,370,438 |
| | 987 521 942 04 5D6 | Stone grey | | | |
| | 987 521 942 04 3W7 | sea blue | | | |
| | 987 521 942 04 T25 | Sand beige | | | |
| | 987 521 942 04 A08 | Black | | | |
| (7) | 987 521 941 01 | Backrest cover Outer part | left | 1 | PR:XSC,982, 983,369,437 |
| | 987 521 941 01 8YR | Black | | | |
| | 987 521 941 01 5X5 | Stone grey | | | |
| | 987 521 941 01 8G1 | Sand beige | | | |
| | 987 521 941 01 3S8 | sea blue | | | |
| | 987 521 941 01 4P1 | Palm green | | | |
| | 987 521 941 01 9N2 | Terracotta | | | |
| | 987 521 941 01 9Q3 | Cocoa | | | |
| | 987 521 941 01 D11 | Dark grey/natural | | | |
| | 987 521 941 01 T11 | Brown/natural | | | |
| | 987 521 941 01 N11 | Carrera Red | | | |
| (7) | 987 521 942 01 | Backrest cover Outer part | right | 1 | PR:XSC,982, 983,370,438 |
| | 987 521 942 01 8YR | Black | | | |
| | 987 521 942 01 5X5 | Stone grey | | | |
| | 987 521 942 01 8G1 | Sand beige | | | |
| | 987 521 942 01 3S8 | sea blue | | | |
| | 987 521 942 01 4P1 | Palm green | | | |
| | 987 521 942 01 9N2 | Terracotta | | | |
| | 987 521 942 01 9Q3 | Cocoa | | | |
| | 987 521 942 01 D11 | Dark grey/natural | | | |
| | 987 521 942 01 T11 | Brown/natural | | | |
| | 987 521 942 01 N11 | Carrera Red | | | |
| 8 | N 015 261 2 | Clip Padding Seat | | 6 | |
| 9 | 997 521 897 00 | Clip Backrest cover | | 5 | |

Model: 987 05

Model life 2005>>2008

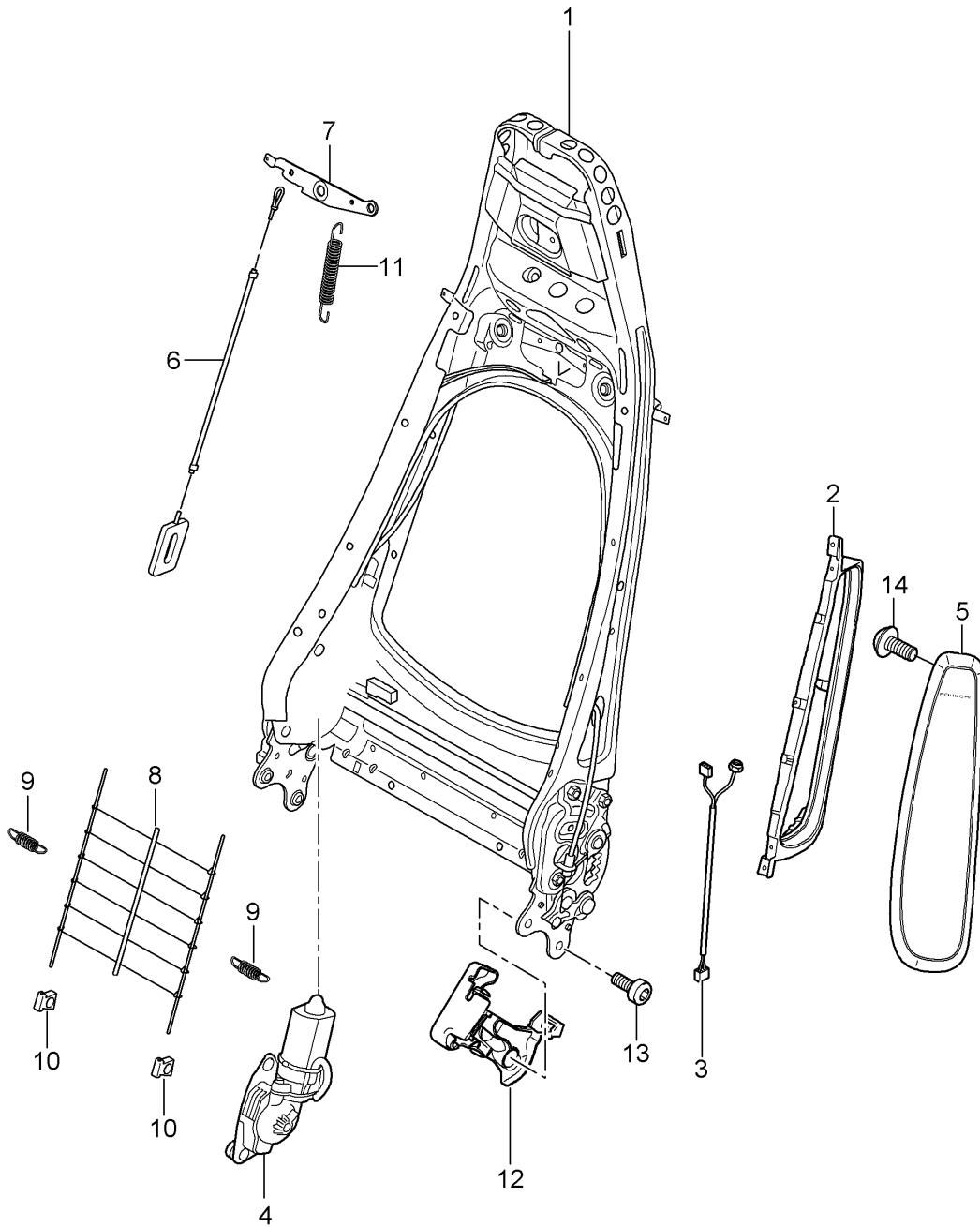


Model: 987 05 Model life 2005>>2008

| Pos | Part Number | Description | Remark | Qty | Model |
|-----|--------------------|--|--------|-----|------------------------------------|
| | | Backrest shell Standard seat Comfort seat D - MJ 2005>> | | | BOXSTER BOXSTER S |
| 1 | 987 521 303 02 | Backrest shell D - MJ 2005>> - MJ 2005 | left | 1 | PR:369,437 |
| (1) | 987 521 303 02 01C | Satin black | | | |
| (1) | 987 521 304 02 | Backrest shell D - MJ 2005>> - MJ 2005 | right | 1 | PR:370,438 |
| (1) | 987 521 304 02 01C | Satin black | | | |
| (1) | 987 521 303 04 | Backrest shell D - MJ 2006>> | left | 1 | PR:369,437 |
| (1) | 987 521 303 04 01C | Satin black | | | |
| (1) | 987 521 304 04 | Backrest shell D - MJ 2006>> | right | 1 | PR:370,438 |
| (2) | 987 521 304 04 01C | Satin black | | | |
| 2 | 997 521 319 00 | Support | left | 1 | |
| 2 | 997 521 320 00 | Support | right | 1 | |
| | | Backrest side bolster | | | |
| 3 | 997 521 373 01 | Coat hook | | 2 | |
| 4 | 997 521 373 01 D07 | Volcano grey | | | |
| 4 | 999 919 199 09 | countersunk bolt Coat hook 5,0 X 25-M | | 1 | |
| 5 | 997 521 621 02 | Rosette lever for folding backrest | left | 1 | PR:369,370, 437,438 |
| (5) | 997 521 621 02 D07 | Volcano grey | | | |
| (5) | 997 521 622 02 | Rosette lever for folding backrest | right | 1 | PR:369,370, 437,438 |
| 6 | 997 521 622 02 D07 | Volcano grey | | | |
| 6 | 987 521 623 01 | Actuator button lever for folding backrest | left | 1 | |
| (6) | 987 521 623 01 V05 | Galvano silver | | | |
| (6) | 987 521 624 01 | Actuator button lever for folding backrest | right | 1 | |
| 7 | 987 521 624 01 V05 | Galvano silver | | | |
| 7 | 997 521 313 01 | Pocket Backrest shell | | 1 | PR:369,370, 437,438,982, 983 |
| (7) | 997 521 313 01 8YR | Black | | | |
| (7) | 987 521 313 01 | Pocket Backrest shell | | 1 | PR:369,370, 437,438,946, 950 |
| | 987 521 313 01 5Q2 | Black | | | |

Model: 987 05

Model life 2005>>2008



Model: 987 05 Model life 2005>>2008

| Pos | Part Number | Description | Remark | Qty | Model |
|-----|--------------------|--|---------------|-----|--|
| 1 | 997 521 329 00 | Backrest frame Standard seat Comfort seat D - MJ 2005>> backrest frame | left a. right | 2 | BOXSTER BOXSTER S PR:369,370, 437,438 |
| | | without: | | | |
| (1) | 997 521 329 02 | Memory D >> - MJ 2007 backrest frame | left a. right | 2 | PR:369,370, 437,438 |
| | | without: | | | |
| (1) | 997 521 329 01 | Memory D - MJ 2008>> backrest frame | left a. right | 2 | PR:537,538 |
| (1) | 997 521 329 03 | D >> - MJ 2007 backrest frame | left a. right | 2 | PR:537,538 |
| | | with: | | | |
| | | Memory D - MJ 2008>> | | | |
| 2 | 997 521 533 00 | Cushion carrier | left | 1 | PR:369,437 |
| (2) | 997 521 534 00 | Cushion carrier | right | 1 | PR:370,438 |
| 3 | 997 612 785 01 | Side airbag unit | | | |
| (3) | 997 612 786 01 | Wire set | left | 1 | PR:537 |
| | | Wire set | right | 1 | PR:538 |
| 4 | 997 624 331 00 | Side airbag unit Electric motor | left a. right | 1 | PR:537,538 |
| (4) | 997 624 321 00 | Backrest frame Memory Electric motor | left a. right | 1 | PR:369,370, 437,438 |
| | | Backrest frame | | | |
| | | without: | | | |
| 5 | 997 803 081 01 | Memory Side airbag unit | left | 1 | |
| | 997 803 081 01 A03 | Black | | | |
| | 997 803 081 01 5V7 | Stone grey | | | |
| | 997 803 081 01 5Z1 | Sand beige | | | |
| | 997 803 081 01 8W7 | sea blue | | | |
| | 997 803 081 01 5Y2 | Palm green | | | |
| | 997 803 081 01 8X8 | Terracotta | | | |
| | 997 803 081 01 8P9 | Cocoa | | | |
| | 997 803 081 01 T13 | Brown/natural | | | |
| | 997 803 081 01 N23 | Carrera Red | | | |
| (5) | 997 803 082 01 | D - MJ 2008>> Side airbag unit | right | 1 | |
| | 997 803 082 01 A03 | Black | | | |
| | 997 803 082 01 5V7 | Stone grey | | | |
| | 997 803 082 01 5Z1 | Sand beige | | | |
| | 997 803 082 01 8W7 | sea blue | | | |
| | 997 803 082 01 5Y2 | Palm green | | | |
| | 997 803 082 01 8X8 | Terracotta | | | |
| | 997 803 082 01 8P9 | Cocoa | | | |
| | 997 803 082 01 T13 | Brown/natural | | | |
| | 997 803 082 01 N23 | Carrera Red | | | |
| 6 | 997 521 485 00 | D - MJ 2008>> Bowden cable | | 2 | |
| 7 | 997 521 375 00 | Backrest frame Release | | 1 | |
| 8 | 997 521 855 00 | Backrest frame Grille | | 1 | |
| 9 | 997 521 893 00 | Backrest frame tension spring | | 2 | |
| 10 | 997 521 895 00 | Inner spring Clip Inner spring | | 2 | |

Model: 987 05

Model life 2005>>2008

| Pos | Part Number | Description | Remark | Qty | Model |
|------|--------------------|--|----------------|-----|-------|
| 11 | 997 521 797 00 | tension spring Release backrest | | 1 | |
| 12 | 997 521 335 01 | Trim | left | 1 | |
| | 997 521 335 01 D07 | Volcano grey | | | |
| (12) | 997 521 336 01 | Trim Mounting component | right inner | 1 | |
| | 997 521 336 01 D07 | Volcano grey | | | |
| 13 | 999 073 375 09 | Screw M10 x 13,0 Mount backrest | | 4 | |
| 14 | 999 073 306 09 | Seat frame Screw Mount Side airbag unit | | 2 | |

Model: 987 05 Model life 2005>>2008

| Pos | Part Number | Description | Remark | Qty | Model |
|-----|--------------------|--|------------------|-----|----------------------|
| | | Seat frame Standard seat Comfort seat D - MJ 2005>> | | | BOXSTER BOXSTER S |
| 1 | 997 521 201 00 | Seat frame D >> - MJ 2006 | left lhd | 1 | PR:098,369, 375 |
| (1) | 997 521 201 10 | Seat frame Height adjustment Manually (drivers side) D - MJ 2007>> | left lhd lhd | 1 | PR:098,369, 375 |
| (1) | 997 521 201 04 | Seat frame D >> - MJ 2006 | left | 1 | PR:377,437 |
| (1) | 997 521 201 12 | Seat frame D - MJ 2007>> | left | 1 | PR:377,437 |
| (1) | 997 521 202 10 | Seat frame D >> - MJ 2006 | right | 1 | PR:378,438 |
| (1) | 997 521 202 21 | Seat frame Electric without: Memory D - MJ 2007>> | right | 1 | PR:378,438 |
| (1) | 997 521 201 05 | Seat frame D >> - MJ 2006 | left | 1 | PR:377,437, 537 |
| (1) | 997 521 201 13 | Seat frame Memory D - MJ 2007>> | left | 1 | PR:377,437, 537 |
| (1) | 997 521 202 11 | Seat frame D >> - MJ 2006 | right | 1 | PR:378,438, 538 |
| (1) | 997 521 202 22 | Seat frame Electric Memory D - MJ 2007>> | | 1 | PR:378,438, 538 |
| (1) | 997 521 201 03 | Seat frame D >> - MJ 2006 | left rhd | 1 | PR:099,369, 375 |
| (1) | 997 521 201 11 | Seat frame Manually (passenger side) D - MJ 2007>> | left rhd rhd | 1 | PR:099,369, 375 |
| (1) | 997 521 202 06 | Seat frame D - MJ 2006>> - MJ 2006 | right | 1 | PR:370,376, 560 |
| (1) | 997 521 202 23 | Seat frame Manually seat occupied recognition D - MJ 2007>> | right | 1 | PR:370,376, 560 |
| (1) | 997 521 202 12 | Seat frame D - MJ 2006>> - MJ 2006 | right | 1 | PR:378,438, 560 |
| (1) | 997 521 202 24 | Seat frame Electric seat occupied recognition D - MJ 2007>> | right | 1 | PR:378,438, 560 |
| (1) | 997 521 202 05 | Seat frame D >> - MJ 2006 | right lhd | 1 | PR:098,370, 376 |
| (1) | 997 521 202 20 | Seat frame Manually (passenger side) D - MJ 2007>> | right lhd lhd | 1 | PR:098,370, 376 |
| 2 | 997 521 627 01 | Actuating lever Height adjustment | left | 1 | PR:369,375 |
| (2) | 997 521 627 01 V05 | Galvano silver | | | |
| (2) | 997 521 628 01 | Actuating lever Height adjustment | right | 1 | PR:370,376 |
| | 997 521 628 01 V05 | Galvano silver | | | |

Model: 987 05 Model life 2005>>2008

| Pos | Part Number | Description | Remark | Qty | Model |
|------|--|---|---------------|-----|------------------------------------|
| 3 | 997 521 629 01 | Cover cap Actuating lever | left a. right | 2 | PR:369,370, 375,376 |
| 4 | 997 521 629 01 D07 997 521 325 06 997 521 325 06 D07 | Volcano grey Trim for switch Volcano grey | left | 1 | PR:369,375 |
| (4) | 997 521 326 06 997 521 326 06 D07 | without: For vehicles with 'Advanced' airbag Trim for switch Volcano grey | right | 1 | PR:370,376 |
| 5 | 997 521 325 07 | without: For vehicles with 'Advanced' airbag Trim for switch | left | 1 | PR:437 |
| (5) | 997 521 325 07 D07 997 521 326 07 | without: For vehicles with 'Advanced' airbag Volcano grey Trim for switch | right | 1 | PR:438 |
| (5) | 997 521 326 07 D07 997 521 326 09 | without: For vehicles with 'Advanced' airbag Volcano grey Trim for switch For vehicles with 'Advanced' airbag | right | 1 | PR:370,376, 560 |
| (5) | 997 521 326 09 D07 997 521 326 10 | D - MJ 2006>> Volcano grey Trim for switch For vehicles with 'Advanced' airbag | right | 1 | PR:438,560 |
| 6 | 997 521 326 10 D07 997 521 631 01 | Volcano grey Actuator button backrest | | 1 | PR:369,370, 375,376,377, 378 |
| 7 | 997 521 631 01 V05 997 521 061 01 | Galvano silver Retainer plate child seat ISOFIX Not for: AUSTRALIEN | | 1 | |
| 8 | 997 521 961 01 | 1 set attachment parts Retainer plate | | 1 | |
| 9 | 997 521 251 00 | Holder for fire extinguisher | | 1 | PR:098,509 |
| (9) | 997 521 252 00 | Holder for fire extinguisher | | 1 | PR:099,509 |
| 10 | 997 521 607 00 | Cup Fire extinguishers | | 1 | PR:509 |
| 11 | 997 521 881 00 | Holder for fire extinguisher Cup | | 1 | PR:509 |
| 12 | 997 521 851 00 | tensioning strap Fire extinguishers | | 1 | PR:509 |
| 13 | 996 722 115 00 | Fire extinguishers Information available | | 1 | PR:509 |
| 14 | 997 521 841 00 | Reinforcement | front | 1 | PR:509 |
| 15 | 997 521 843 00 | Reinforcement | rear | 1 | PR:509 |
| (16) | 997 521 427 01 | Cover Sensor Weight D - MJ 2006>> | left | 1 | PR:370,376, 378,438,560 |
| 16 | 997 521 427 01 01C 997 521 426 01 | Satin black Cover Sensor | right | 1 | PR:370,376, 378,438,560 |

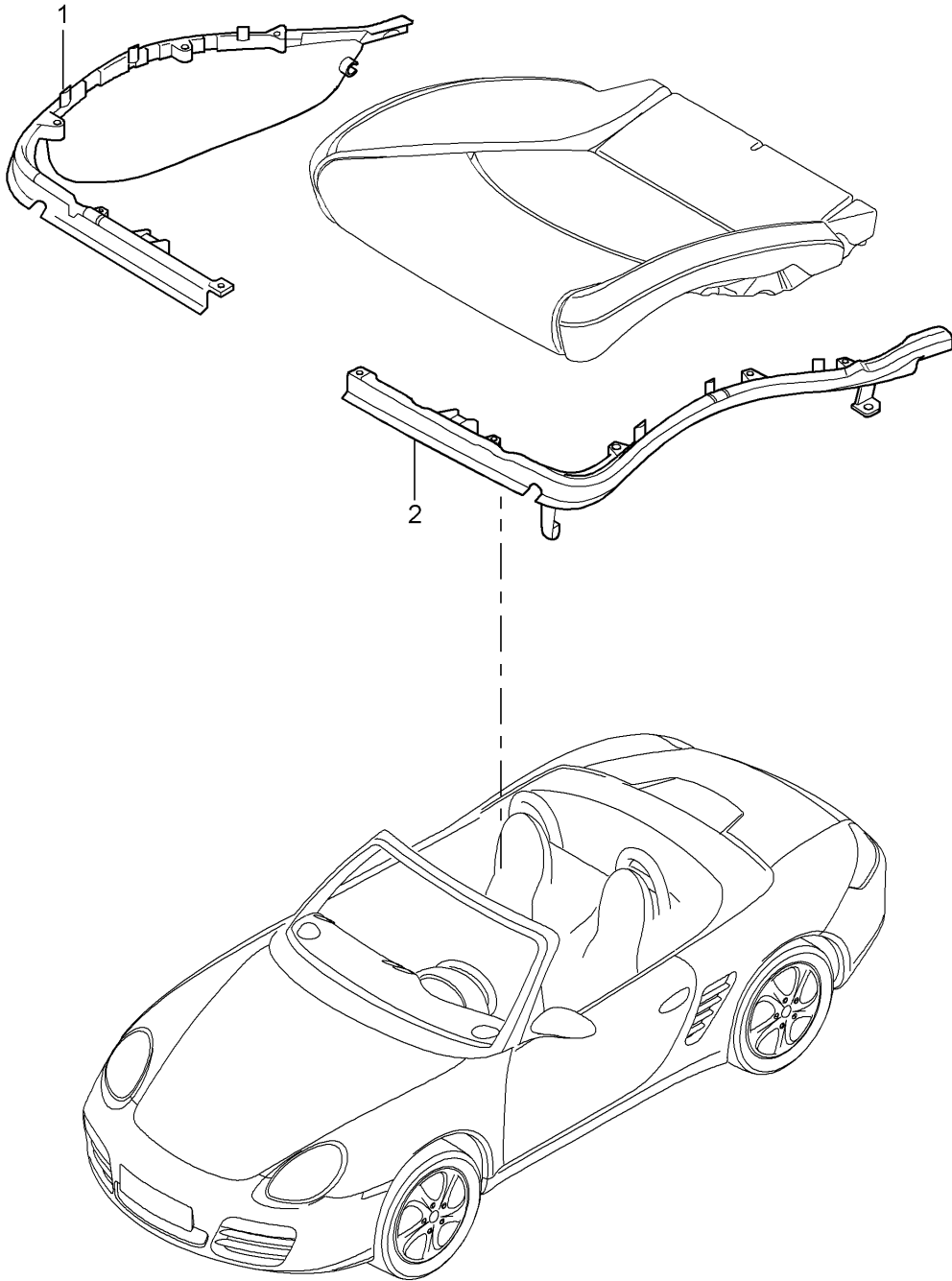
Model: 987 05

Model life 2005>>2008

| Pos | Part Number | Description | Remark | Qty | Model |
|-----|--------------------------------------|---|--------|-----|-------|
| 17 | 997 521 426 01 01C 999 141 047 01 | Weight Satin black Torx screw Mount Seat rail | | 4 | |

Model: 987 05

Model life 2005>>2008



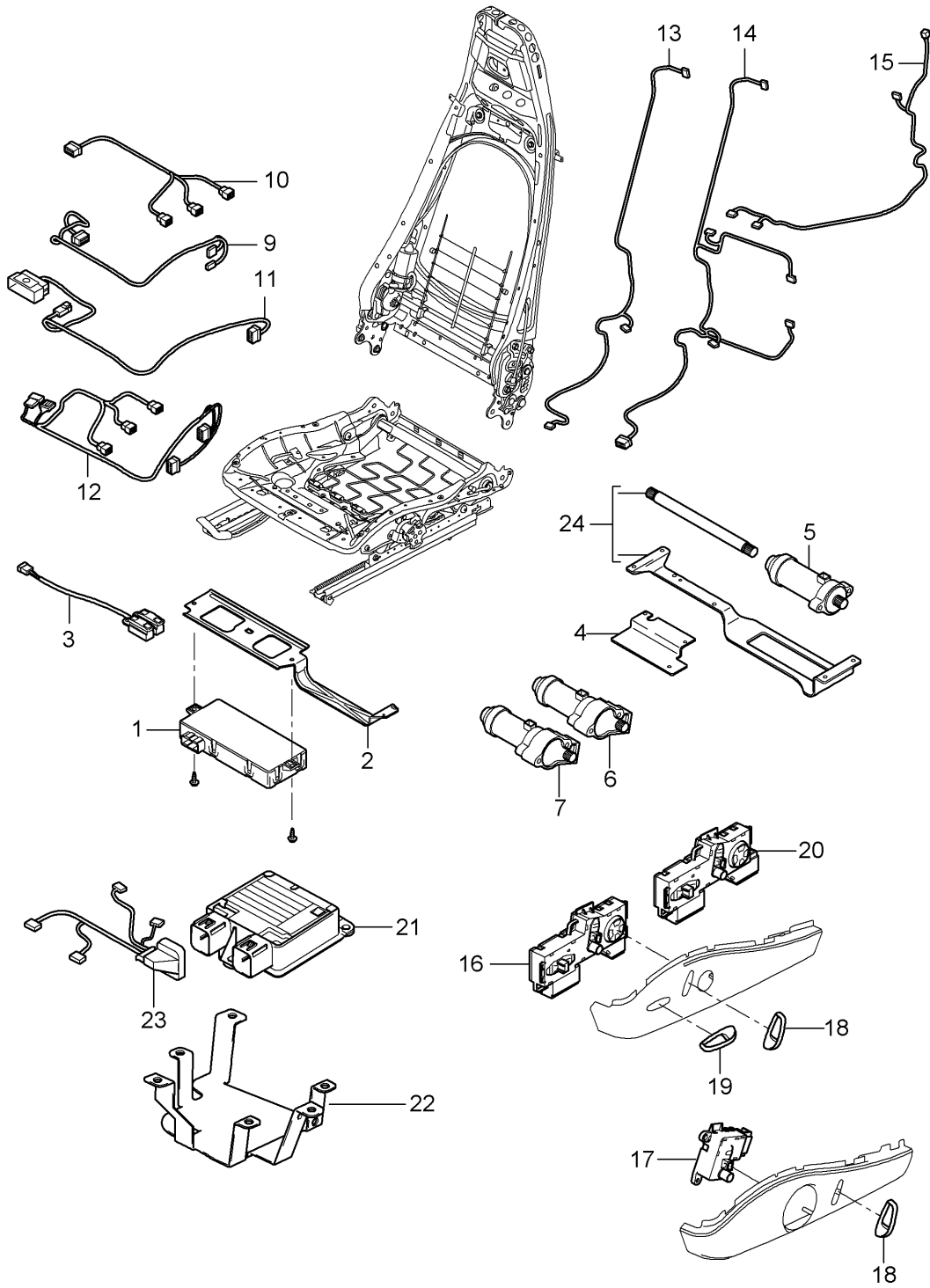
Model: 987 05

Model life 2005>>2008

| Pos | Part Number | Description | Remark | Qty | Model |
|-----|----------------|--|----------------|-----|----------------------|
| | | Cushion carrier Frame Seat surface Standard seat Comfort seat D - MJ 2005>> | | | BOXSTER BOXSTER S |
| 1 | 997 521 547 00 | Frame | left | 1 | PR:370,438 |
| (1) | 997 521 548 00 | Frame | right inner | 1 | PR:369,437 |
| 2 | 997 521 545 00 | Frame | left | 1 | PR:369,437 |
| (2) | 997 521 546 00 | Frame | right outer | 1 | PR:370,438 |
| | | without: | | | |
| | | For vehicles with 'Advanced' airbag | | | |
| - | 997 521 546 01 | Frame | right outer | 1 | PR:370,438, 560 |
| | | with: | | | |
| | | For vehicles with 'Advanced' airbag | | | |
| | | D - MJ 2006>> | | | |

Model: 987 05

Model life 2005>>2008



Model: 987 05 Model life 2005>>2008

| Pos | Part Number | Description | Remark | Qty | Model |
|-----|--------------------|--|--------|-----|------------------------|
| | | Wiring looms Control unit Switch Standard seat Comfort seat D - MJ 2005>> | | | BOXSTER BOXSTER S |
| 1 | 997 618 537 07 | Control unit | | 1 | PR:537,538 |
| 2 | 997 521 643 00 | Seating position control Retainer for control units | | 1 | PR:537,538 |
| 3 | 997 613 725 00 | Seating position control Switch | | 1 | PR:377 |
| (3) | 997 613 725 00 V05 | Seat adjuster Galvano silver | | 1 | PR:378 |
| | 997 613 726 00 | Switch Seat adjuster Galvano silver | | 1 | PR:378 |
| 4 | 997 521 343 00 | Bracket for compressor | | 1 | PR:377,378 |
| 5 | 997 624 322 00 | Electric motor Seat adjuster Lengthways | | 1 | PR:437,438 |
| (5) | 997 624 332 00 | without: Memory Electric motor Seat adjuster Lengthways | | 1 | PR:537,538 |
| 6 | 997 624 322 00 | with: Memory Electric motor Seat adjuster Height adjustment | | 1 | PR:437,438 |
| (6) | 997 624 332 00 | without: Memory Electric motor Seat adjuster Height adjustment | | 1 | PR:537,538 |
| 7 | 997 624 323 00 | with: Memory Electric motor Seat adjuster Tilt angle | | 1 | PR:437,438 |
| (7) | 997 624 333 00 | without: Memory Electric motor Seat adjuster Tilt angle | | 1 | PR:537,538 |
| 9 | 997 612 684 00 | with: Memory Wire set Seat adjuster | | 1 | PR:537,538 |
| 10 | 997 612 690 00 | Memory Wire set Lengthways Height adjustment | | 1 | PR:537,538 |
| 11 | 997 612 682 01 | Memory Wire set Switch | | 1 | PR:369,370, 375,376 |
| 12 | 997 612 683 01 | Seat adjuster Wire set Switch | | 1 | PR:437,438 |
| 13 | 997 612 689 00 | Seat adjuster without: Memory Wire set | | 1 | PR:377,378, |

Model: 987 05 Model life 2005>>2008

| Pos | Part Number | Description | Remark | Qty | Model |
|------|--------------------|---|--------|-----|----------------------------|
| | | Lumbar support | | | 437,438 |
| | | without: | | | |
| 14 | 997 612 687 00 | Memory Wire set Lumbar backrest | | 1 | PR:537,538, 437,438 |
| 15 | 997 612 685 01 | Memory Wire set backrest | left | 1 | PR:369,375, 377,437 |
| (15) | 997 612 686 01 | Memory Wire set backrest | right | 1 | PR:370,376, 378,438 |
| 16 | 997 613 721 01 | switch for seat adjustment | left | 1 | PR:377,437, 537 |
| | | Memory switch | | | |
| | 997 613 721 01 V05 | Galvano silver | | | |
| (16) | 997 613 722 01 | switch for seat adjustment | right | 1 | PR:378,438, 538 |
| | | Memory switch | | | |
| | 997 613 722 01 V05 | Galvano silver | | | |
| 17 | 997 613 713 00 | switch for seat adjustment | left | 1 | PR:369,375 |
| (17) | 997 613 714 00 | switch for seat adjustment | right | 1 | PR:370,376 |
| | | Manually adjustable | | | |
| 18 | 997 521 631 01 | Actuator button | | 1 | PR:369,370, 375 |
| | | Memory switch | | | |
| | 997 521 631 01 V05 | Galvano silver | | | PR:437,438 |
| 18 | 997 521 631 02 | Actuator button | | 1 | PR:369,370, 375 |
| | | D - MJ 2008>> | | | |
| | | Memory switch | | | |
| | 997 521 631 02 V05 | Galvano silver | | | PR:437,438 |
| 19 | 997 521 633 02 | Actuator button | | 1 | PR:377,378, 437 |
| | | Memory switch | | | |
| | 997 521 633 02 V05 | Galvano silver | | | |
| 19 | 997 521 633 03 | Actuator button | | 1 | PR:377,378, 437 |
| | | D - MJ 2008>> | | | |
| | | Memory switch | | | |
| | 997 521 633 03 V05 | Galvano silver | | | |
| 20 | 997 613 717 01 | switch for seat adjustment | left | 1 | PR:377,437 |
| | | without: | | | |
| | | Memory | | | |
| | 997 613 717 01 V05 | Galvano silver | | | |
| 20 | 997 613 717 02 | switch for seat adjustment | left | 1 | PR:377,437 |
| | | without: | | | |
| | | Memory | | | |
| | | D - MJ 2008>> | | | |
| | | Memory switch | | | |
| | 997 613 717 02 V05 | Galvano silver | | | |
| (20) | 997 613 718 01 | switch for seat adjustment | right | 1 | PR:378,438 |
| | | without: | | | |
| | | Memory | | | |
| | 997 613 718 01 V05 | Galvano silver | | | |
| (20) | 997 613 718 02 | switch for seat adjustment | right | 1 | PR:378,438 |
| | | without: | | | |
| | | Memory | | | |
| | | D - MJ 2008>> | | | |
| | | Memory switch | | | |
| | 997 613 718 02 V05 | Galvano silver | | | |
| (21) | 997 618 233 05 | Control unit for seat occupied sensor | | 1 | PR:370,376, 378,438,560 |
| | | D - MJ 2006>> | | | |
| (22) | 997 521 646 00 | Retainer for control units | | 1 | PR:370,376, 378,438,560 |
| | | seat occupied recognition | | | |
| | | D - MJ 2006>> | | | |
| 23 | 997 612 688 00 | Wire set Control unit seat occupied recognition | | 1 | PR:370,376, 378,438,560 |
| | | D - MJ 2006>> | | | |

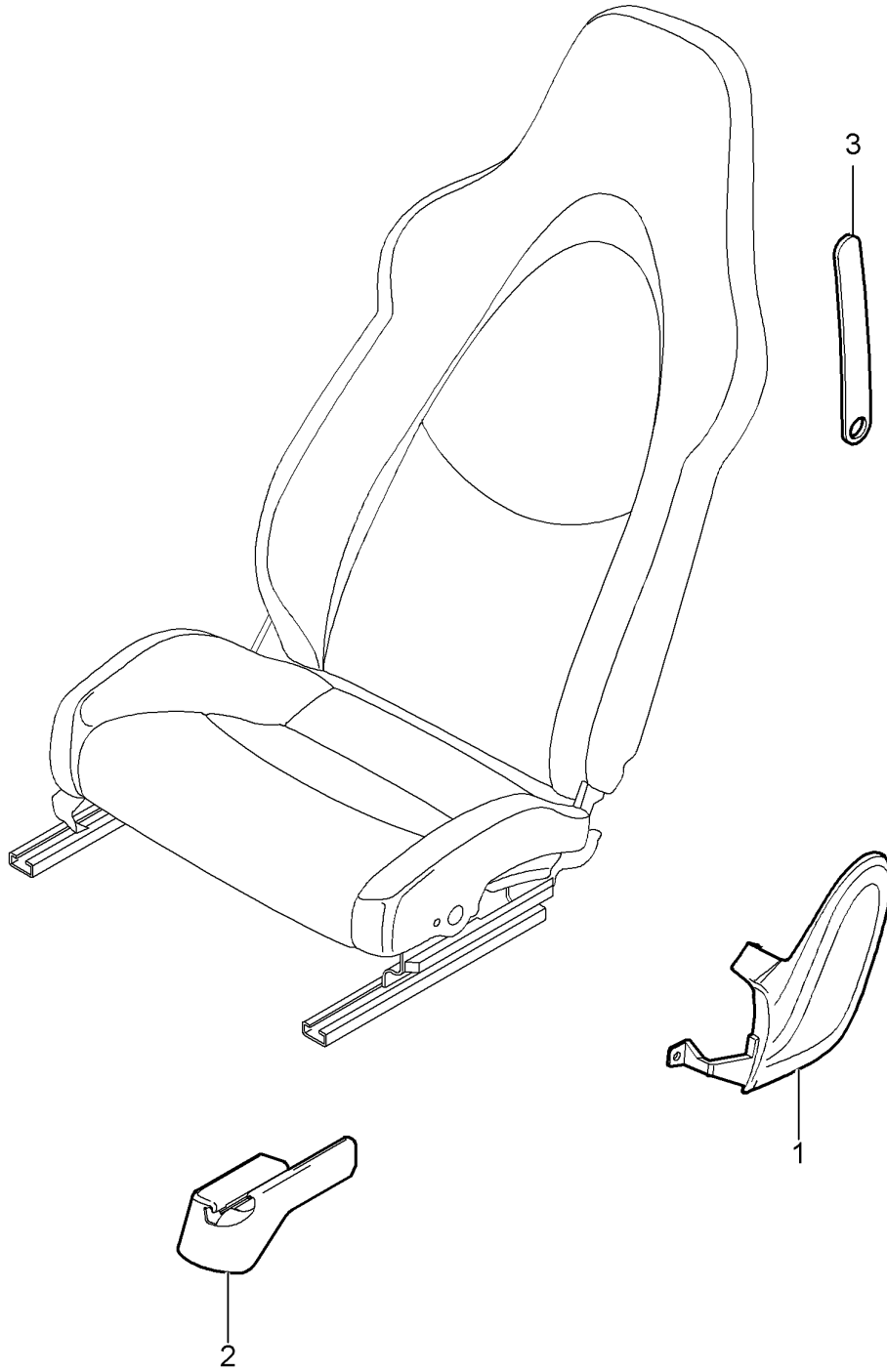
Model: 987 05

Model life 2005>>2008

| Pos | Part Number | Description | Remark | Qty | Model |
|------|----------------|--|--------|-----|-------|
| 24 | 000 043 207 06 | Pliable shaft Adjusting motor Lengthways | | 1 | |
| (24) | 997 521 901 00 | repair set Pliable shaft Console for engine mounting | | 1 | |
| - | 999 650 973 40 | Clip Mount Wire set seat occupied recognition | | 1 | |

Model: 987 05

Model life 2005>>2008

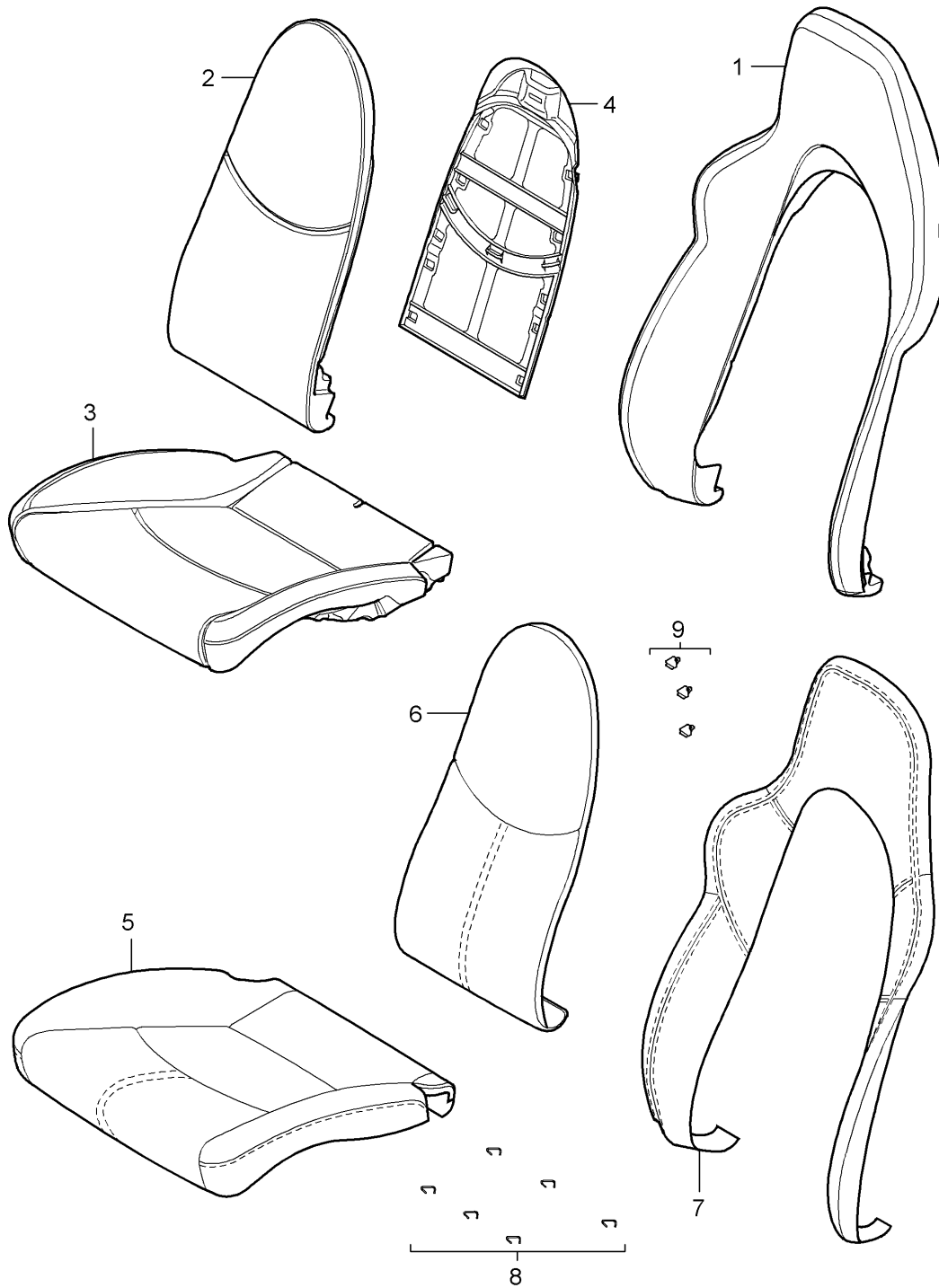


Model: 987 05 Model life 2005>>2008

| Pos | Part Number | Description | Remark | Qty | Model |
|-----|--|---|--------|-----|----------------------------|
| | | Front seat sports seat (complete) Not available D - MJ 2005>> | | | BOXSTER BOXSTER S |
| 1 | 997 521 315 02 | Cover panel Mounting component | left | 1 | PR:375,377 |
| (1) | 997 521 315 02 D07 997 521 316 02 | Volcano grey Cover panel Mounting component | right | 1 | PR:376,378 |
| (1) | 997 521 316 02 D07 997 521 316 03 | Volcano grey Cover panel Mounting component For vehicles with 'Advanced' airbag D - MJ 2006>> | right | 1 | PR:370,376, 378,438,560 |
| 2 | 997 521 316 03 D07 997 521 359 01 | Volcano grey Rail Seat rail | left | 1 | PR:369,375 |
| (2) | 997 521 359 01 01C 997 521 360 01 | Satin black Rail Seat rail | right | 1 | PR:370,376 |
| (2) | 997 521 360 01 01C 997 521 361 00 | Satin black Rail | left | 1 | PR:370,376 |
| (2) | 997 521 361 00 01C 997 521 362 00 | Satin black Rail | right | 1 | PR:375,377, 378 |
| 3 | 997 521 362 00 01C 987 521 181 00 | Satin black 1 set attachment parts Guide Belt (complete) D - MJ 2005>> | left | 1 | PR:375,377 |
| (3) | 987 521 181 00 8YR 987 521 181 00 5X5 987 521 181 00 8G1 987 521 181 00 3S8 987 521 181 00 4P1 987 521 181 00 9N2 987 521 181 00 9Q3 987 521 181 00 D11 987 521 181 00 T11 987 521 181 00 N11 987 521 182 00 | Black Stone grey Sand beige sea blue Palm green Terracotta Cocoa Dark grey/natural Brown/natural Carrera Red 1 set attachment parts Guide Belt (complete) D - MJ 2005>> | right | 1 | PR:376,378 |
| | 987 521 182 00 8YR 987 521 182 00 5X5 987 521 182 00 8G1 987 521 182 00 3S8 987 521 182 00 4P1 987 521 182 00 9N2 987 521 182 00 9Q3 987 521 182 00 D11 987 521 182 00 T11 987 521 182 00 N11 | Black Stone grey Sand beige sea blue Palm green Terracotta Cocoa Dark grey/natural Brown/natural Carrera Red | | | |

Model: 987 05

Model life 2005>>2008



Model: 987 05 Model life 2005>>2008

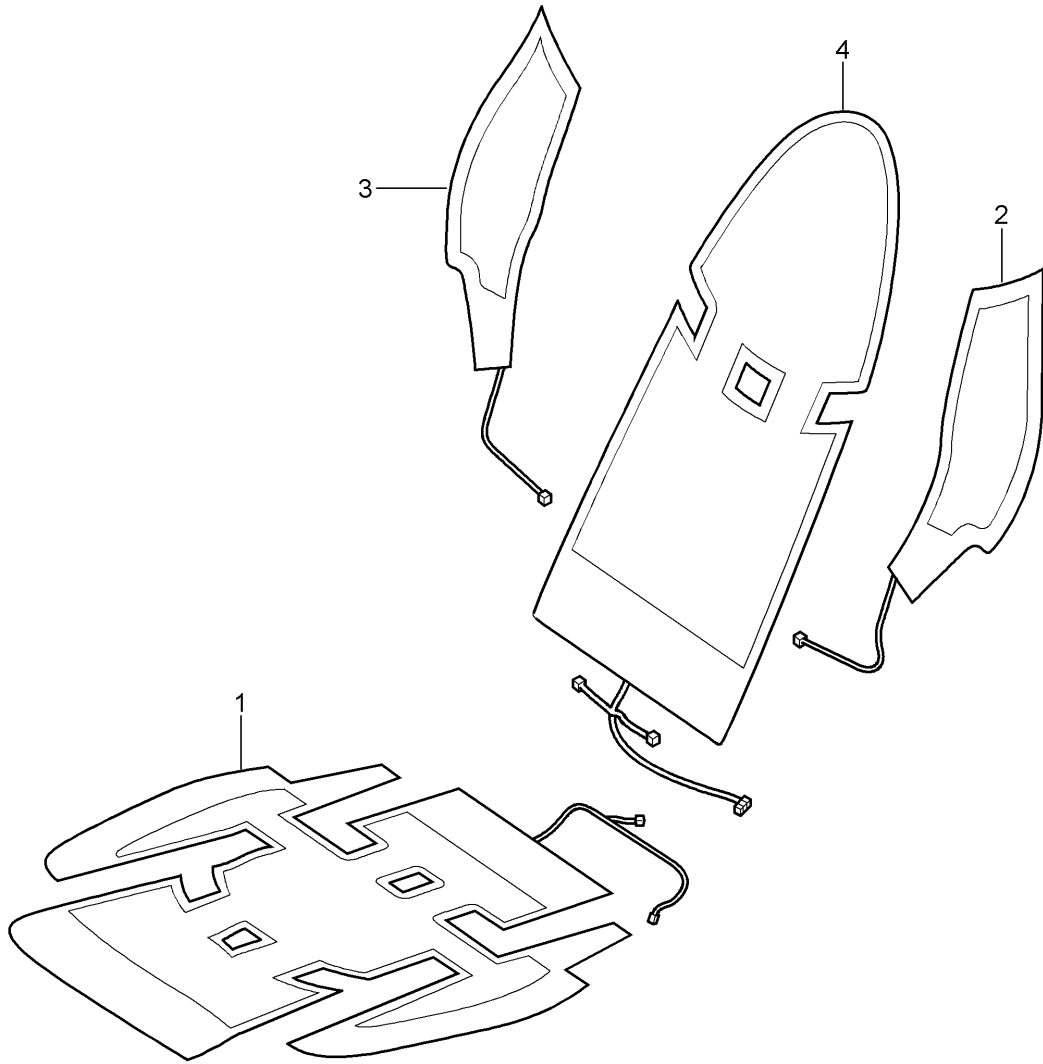
| Pos | Part Number | Description | Remark | Qty | Model |
|-----|--------------------|--|--------|-----|----------------------------|
| | | Foam part Cover sports seat D - MJ 2005>> | | | BOXSTER BOXSTER S |
| 1 | 997 521 535 01 | Foam part backrest | outer | 2 | PR:375,376 |
| 2 | 997 521 581 00 | Foam part backrest | center | 2 | PR:375,376, 377,378 |
| 3 | 997 521 571 01 | Foam part Seat cushion | | 2 | PR:375,376 |
| (3) | 997 521 571 02 | Foam part Seat cushion | | 2 | PR:377,378 |
| (3) | 997 521 571 04 | Foam part Seat cushion For vehicles with 'Advanced' airbag D - MJ 2006>> | | 2 | PR:376,560 |
| (3) | 997 521 571 05 | Foam part Seat cushion For vehicles with 'Advanced' airbag D - MJ 2006>> | | 2 | PR:378,560 |
| 4 | 997 521 551 01 | Backrest-padding support part | | 2 | PR:375,376, 377,378 |
| 5 | 987 521 161 01 | Seat cover Special model RS Spyder | | 2 | PR:375,754, 983,376 |
| | 987 521 161 01 VAD | dark grey | | | |
| | 987 521 161 01 VAE | Carrera Red | | | |
| (5) | 987 521 161 02 | Seat cover Special model RS Spyder | | 2 | PR:377,754, 983,376 |
| | 987 521 161 02 VAD | dark grey | | | |
| | 987 521 161 02 VAE | Carrera Red | | | |
| (5) | 997 521 161 03 | Seat cover | | 2 | PR:375,376, 983 |
| | 997 521 161 03 FLC | Black | | | |
| | 997 521 161 03 FLF | Stone grey | | | |
| | 997 521 161 03 FLJ | Sand beige | | | |
| | 997 521 161 03 FLM | sea blue | | | |
| | 997 521 161 03 FLP | Palm green | | | |
| | 997 521 161 03 FLQ | Terracotta | | | |
| | 997 521 161 03 FLR | Cocoa | | | |
| | 997 521 161 03 BCA | Black/stone grey | | | |
| | 997 521 161 03 VAA | Dark grey/natural | | | |
| | 997 521 161 03 VAB | Brown/natural | | | |
| | 997 521 161 03 VAC | Carrera Red | | | |
| (5) | 997 521 161 06 | Seat cover | | 2 | PR:377,378, 983 |
| | 997 521 161 06 FLC | Black | | | |
| | 997 521 161 06 FLF | Stone grey | | | |
| | 997 521 161 06 FLJ | Sand beige | | | |
| | 997 521 161 06 FLM | sea blue | | | |
| | 997 521 161 06 FLP | Palm green | | | |
| | 997 521 161 06 FLQ | Terracotta | | | |
| | 997 521 161 06 FLR | Cocoa | | | |
| | 997 521 161 06 BCA | Black/stone grey | | | |
| | 997 521 161 06 VAA | Dark grey/natural | | | |
| | 997 521 161 06 VAB | Brown/natural | | | |
| | 997 521 161 06 VAC | Carrera Red | | | |
| 6 | 997 521 151 00 | Backrest cushion cover Centre part | | 2 | PR:369,370, 437,438,946 |
| | 997 521 151 00 A08 | Black | | | |

Model: 987 05 Model life 2005>>2008

| Pos | Part Number | Description | Remark | Qty | Model |
|--------------------|--------------------|---|--------|-----|----------------------------|
| (6) | 997 521 151 00 5D6 | Stone grey | | 1 | PR:375,376, 377,378,983 |
| | 997 521 151 00 T25 | Sand beige | | | |
| | 997 521 151 00 3W7 | sea blue | | | |
| | 997 521 151 00 4Q2 | Palm green | | | |
| | 997 521 151 00 | Backrest cushion cover Centre part | | | |
| | 997 521 151 00 8YR | Black | | | |
| | 997 521 151 00 5X5 | Stone grey | | | |
| | 997 521 151 00 8G1 | Sand beige | | | |
| | 997 521 151 00 3S8 | sea blue | | | |
| | 997 521 151 00 4P1 | Palm green | | | |
| | 997 521 151 00 9N2 | Terracotta | | | |
| (6) | 997 521 151 00 9Q3 | Cocoa | | 2 | PR:950 |
| | 997 521 151 00 D11 | Dark grey/natural | | | |
| | 997 521 151 00 T11 | Brown/natural | | | |
| | 997 521 151 00 N11 | Carrera Red | | | |
| | 987 521 151 00 | Backrest cushion cover Centre part Alcantara | | | |
| | 987 521 151 00 A15 | Black | | | |
| | 987 521 151 01 | Backrest cushion cover Special model Centre part D - MJ 2008>> | | | |
| | 987 521 151 01 VAE | Carrera Red | | | |
| | 987 521 151 01 VAD | dark grey | | | |
| | 997 521 155 01 | Backrest cover Outer part | | | |
| | (7) | 997 521 155 01 FLC | Black | | |
| 997 521 155 01 FLF | | Stone grey | | | |
| 997 521 155 01 FLJ | | Sand beige | | | |
| 997 521 155 01 FLM | | sea blue | | | |
| 997 521 155 01 FLP | | Palm green | | | |
| 997 521 155 01 FLQ | | Terracotta | | | |
| 997 521 155 01 FLR | | Cocoa | | | |
| 997 521 155 01 VAA | | Dark grey/natural | | | |
| 997 521 155 01 VAB | | Brown/natural | | | |
| 997 521 155 01 VAC | | Carrera Red | | | |
| 997 521 155 01 VAD | | dark grey | | | |
| (7) | 997 521 941 02 | Backrest cover Outer part | | 1 | PR:XSC,983 |
| | 997 521 941 02 8YR | Black | | | |
| | 997 521 941 02 5X5 | Stone grey | | | |
| | 997 521 941 02 8G1 | Sand beige | | | |
| | 997 521 941 02 3S8 | sea blue | | | |
| | 997 521 941 02 4P1 | Palm green | | | |
| | 997 521 941 02 9N2 | Terracotta | | | |
| | 997 521 941 02 9Q3 | Cocoa | | | |
| | 997 521 941 02 D11 | Dark grey/natural | | | |
| | 997 521 941 02 T11 | Brown/natural | | | |
| | 997 521 941 02 N11 | Carrera Red | | | |
| 8 | N 015 261 2 | Clip Padding Seat | | 6 | PR:375,376, 377,378 |
| 9 | 997 521 897 00 | Clip Backrest cover | | 5 | PR:375,376, 377,378 |

Model: 987 05

Model life 2005>>2008

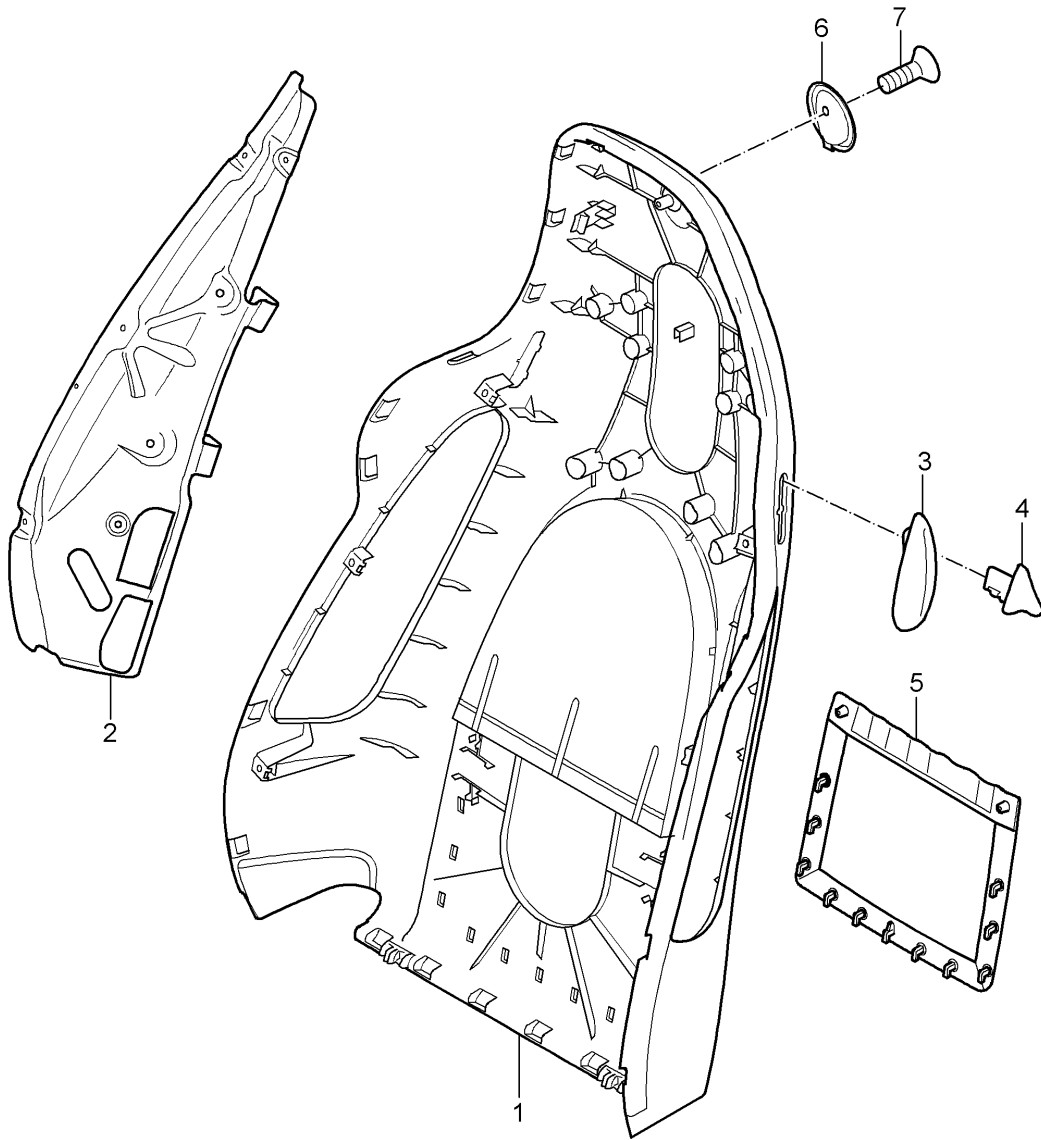


Model: 987 05 Model life 2005>>2008

| Pos | Part Number | Description | Remark | Qty | Model |
|-----|----------------|---|---------------|-----|----------------------------|
| | | heater | | | BOXSTER BOXSTER S |
| 1 | 997 653 105 02 | D - MJ 2005>> Heating element Seat cushion Standard seat Comfort seat | left a. right | 2 | PR:342,369, 370,437,438 |
| (1) | 997 653 105 03 | Heating element Seat cushion sports seat | left a. right | 2 | PR:342,375, 376,377,378 |
| 2 | 997 653 109 00 | Heating element Backrest side bolster Standard seat Comfort seat | left | 1 | PR:342,369, 370,437,438 |
| (2) | 997 653 109 01 | Heating element Backrest side bolster sports seat | left | 1 | PR:342,375, 376,377,378 |
| 3 | 997 653 110 00 | Heating element Backrest side bolster Standard seat Comfort seat | right | 1 | PR:342,369, 370,437,438 |
| (3) | 997 653 110 01 | Heating element Backrest side bolster sports seat | right | 1 | PR:342,375, 376,377,378 |
| 4 | 997 653 107 00 | Heating element Backrest cushion | left a. right | 2 | PR:342 |

Model: 987 05

Model life 2005>>2008



Model: 987 05 Model life 2005>>2008

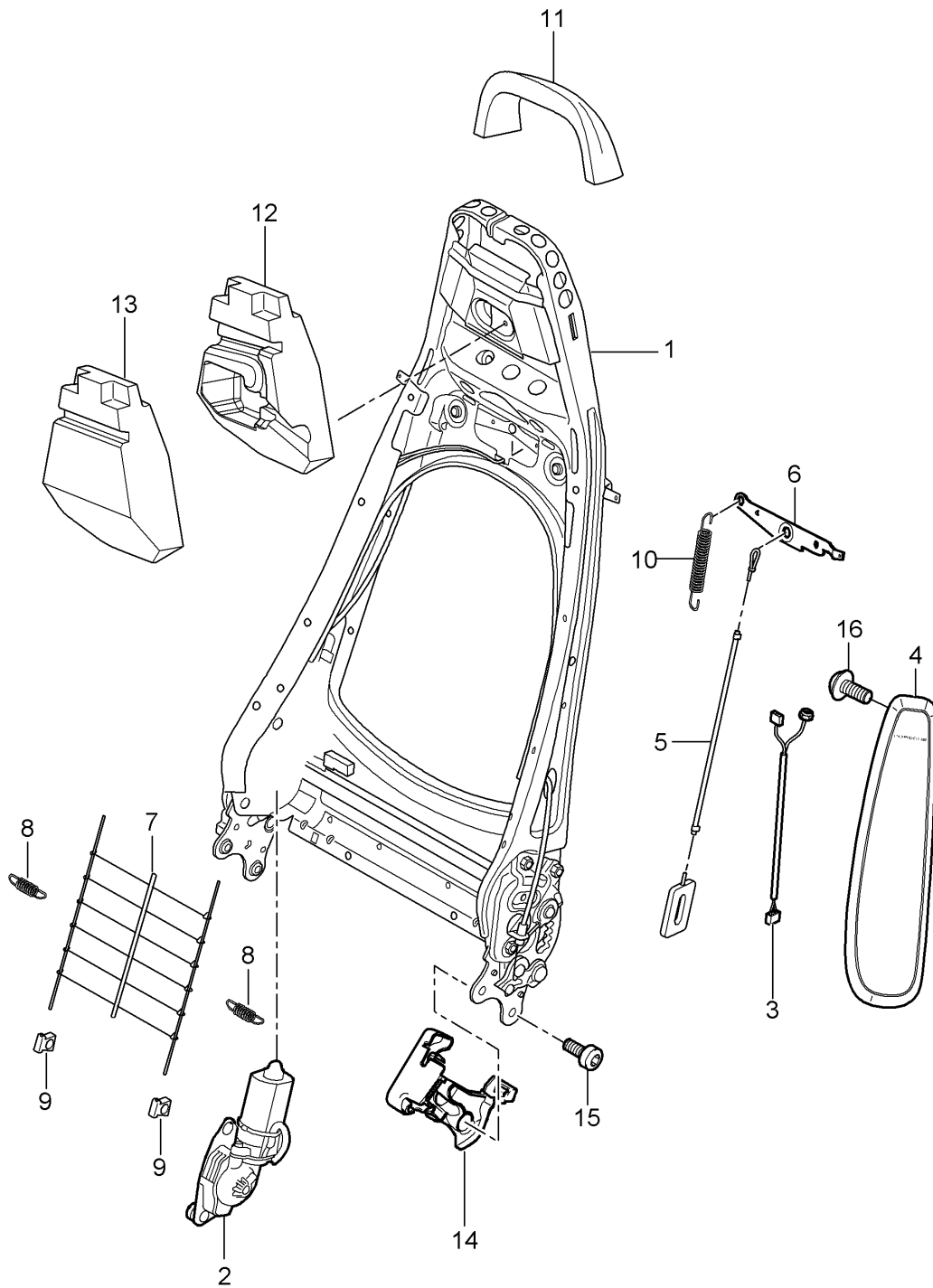
| Pos | Part Number | Description | Remark | Qty | Model |
|-----|--------------------------------------|--|--------|-----|----------------------|
| | | Backrest shell sports seat D - MJ 2005>> | | | BOXSTER BOXSTER S |
| (1) | 987 521 303 03 | Backrest shell D - MJ 2005>> - MJ 2005 | left | 1 | PR:375,377 |
| (1) | 987 521 303 03 D07 987 521 304 03 | Volcano grey Backrest shell D - MJ 2005>> - MJ 2005 | right | 1 | PR:376,378 |
| (1) | 987 521 304 03 D07 987 521 303 05 | Volcano grey Backrest shell D - MJ 2006>> | left | 1 | PR:375,377 |
| (1) | 987 521 303 05 D07 987 521 304 05 | Volcano grey Backrest shell D - MJ 2006>> | right | 1 | PR:376,378 |
| (1) | 987 521 304 05 D07 987 521 981 00 | Volcano grey Backrest shell D - MJ 2006>> | left | 1 | PR:XSA,375, 377 |
| | 987 521 981 00 041 | Black | | | |
| | 987 521 981 00 84A | guards red (Porsche) | | | |
| | 987 521 981 00 12H | Speed yellow | | | |
| | 987 521 981 00 B9A | Carrara white | | | |
| | 987 521 981 00 92U | Arctic silver metallic | | | |
| | 987 521 981 00 M3W | Carmon red metallic | | | |
| | 987 521 981 00 M5W | Lapis blue metallic | | | |
| | 987 521 981 00 M6W | Lagoon green metallic | | | |
| | 987 521 981 00 C9Z | Basalt black metallic | | | |
| | 987 521 981 00 M7X | Atlas grey metallic | | | |
| | 987 521 981 00 39C | Midnight Blue Metallic | | | |
| | 987 521 981 00 6B4 | Seal grey metallic | | | |
| | 987 521 981 00 2B4 | Forest green metallic | | | |
| | 987 521 981 00 3C8 | Cobalt blue metallic | | | |
| | 987 521 981 00 23F | Slate grey metallic | | | |
| | 987 521 981 00 M6X | Dark olive-metallic | | | |
| | 987 521 981 00 M7Z | GT Silver Metallic | | | |
| (1) | 987 521 982 00 | Backrest shell D - MJ 2006>> | right | 1 | PR:XSA,376, 378 |
| | 987 521 982 00 041 | Black | | | |
| | 987 521 982 00 84A | guards red (Porsche) | | | |
| | 987 521 982 00 12H | Speed yellow | | | |
| | 987 521 982 00 B9A | Carrara white | | | |
| | 987 521 982 00 92U | Arctic silver metallic | | | |
| | 987 521 982 00 M3W | Carmon red metallic | | | |
| | 987 521 982 00 M5W | Lapis blue metallic | | | |
| | 987 521 982 00 M6W | Lagoon green metallic | | | |
| | 987 521 982 00 C9Z | Basalt black metallic | | | |
| | 987 521 982 00 M7X | Atlas grey metallic | | | |
| | 987 521 982 00 39C | Midnight Blue Metallic | | | |
| | 987 521 982 00 6B4 | Seal grey metallic | | | |
| | 987 521 982 00 2B4 | Forest green metallic | | | |
| | 987 521 982 00 3C8 | Cobalt blue metallic | | | |
| | 987 521 982 00 23F | Slate grey metallic | | | |
| | 987 521 982 00 M6X | Dark olive-metallic | | | |
| | 987 521 982 00 M7Z | GT Silver Metallic | | | |
| (1) | 987 521 981 01 | Backrest shell Lacquered Aluminium coloured D - MJ 2006>> | left | 1 | PR:XCG,375, 377 |
| (1) | 987 521 981 01 V04 987 521 982 01 | Galvano silver Backrest shell Lacquered Aluminium coloured D - MJ 2006>> | right | 1 | PR:XCG,376, 378 |
| | 987 521 982 01 V04 | Galvano silver | | | |

Model: 987 05 Model life 2005>>2008

| Pos | Part Number | Description | Remark | Qty | Model |
|-----|--------------------|---|--------|-----|----------------------------|
| 2 | 997 521 319 00 | Support | left | 1 | PR:375,376, 377,378 |
| (2) | 997 521 320 00 | Support backrest | right | 1 | PR:375,376, 377,378 |
| 3 | 997 521 621 03 | Rosette lever for folding backrest | left | 1 | PR:375,377 |
| | 997 521 621 03 D07 | Volcano grey | | | |
| (3) | 997 521 622 03 | Rosette lever for folding backrest | right | 1 | PR:376,378 |
| | 997 521 622 03 D07 | Volcano grey | | | |
| 4 | 987 521 623 01 | Actuator button lever for folding backrest | left | 1 | PR:375,377 |
| | 987 521 623 01 V05 | Galvano silver | | | |
| (4) | 987 521 624 01 | Actuator button lever for folding backrest | right | 1 | PR:376,378 |
| | 987 521 624 01 V05 | Galvano silver | | | |
| 5 | 997 521 313 01 | Pocket Backrest shell Black | | 1 | PR:375,376, 377,378,983 |
| | 997 521 313 01 5X5 | Stone grey | | | |
| | 997 521 313 01 8G1 | Sand beige | | | |
| | 997 521 313 01 3S8 | sea blue | | | |
| | 997 521 313 01 4P1 | Palm green | | | |
| | 997 521 313 01 9N2 | Terracotta | | | |
| | 997 521 313 01 9Q3 | Cocoa | | | |
| | 997 521 313 01 D11 | Dark grey/natural | | | |
| | 997 521 313 01 T11 | Brown/natural | | | |
| (6) | 997 521 373 01 | Coat hook D - MJ 2005>> | | 2 | |
| | 997 521 373 01 D07 | Volcano grey | | | |
| 7 | 999 919 199 09 | countersunk bolt Coat hook 5,0 X 25-M | | 1 | |

Model: 987 05

Model life 2005>>2008



Model: 987 05 Model life 2005>>2008

| Pos | Part Number | Description | Remark | Qty | Model |
|-----|--------------------|--|---------------|-----|--|
| 1 | 997 521 329 00 | Backrest frame sports seat D - MJ 2005>> backrest frame | left a. right | 2 | BOXSTER BOXSTER S PR:375,376, 377,378 |
| | | without: | | | |
| (1) | 997 521 329 02 | Memory D >> - MJ 2007 backrest frame | left a. right | 2 | PR:375,376, 377,378 |
| | | without: | | | |
| (1) | 997 521 329 01 | Memory D - MJ 2008>> backrest frame | left a. right | 2 | PR:537,538 |
| (1) | 997 521 329 03 | D >> - MJ 2007 backrest frame | left a. right | 2 | PR:537,538 |
| | | with: | | | |
| 2 | 997 624 331 00 | Memory D - MJ 2008>> Electric motor | left a. right | 1 | PR:537,538 |
| (2) | 997 624 321 00 | Backrest frame Memory Electric motor | left a. right | 1 | PR:375,376, 377,378 |
| | | without: | | | |
| 3 | 997 612 785 01 | Wire set | left | 1 | PR:537 |
| (3) | 997 612 786 01 | Wire set | right | 1 | PR:538 |
| 4 | 997 803 081 01 | Side airbag unit | left | 1 | PR:375,377 |
| (4) | 997 803 081 01 D07 | Volcano grey | right | 1 | PR:376,378 |
| (4) | 997 803 082 01 | Side airbag unit | left | 1 | PR:XSG,375, 377 |
| | 997 803 082 01 D07 | Volcano grey | | | |
| | 997 803 981 00 | Side airbag unit | | | |
| | 997 803 981 00 A03 | D - MJ 2007>> Black | | | |
| | 997 803 981 00 5V7 | Stone grey | | | |
| | 997 803 981 00 5Z1 | Sand beige | | | |
| | 997 803 981 00 5Y2 | Palm green | | | |
| | 997 803 981 00 8W7 | D - MJ 2007>> - MJ 2007 sea blue | | | |
| | 997 803 981 00 8X8 | Terracotta | | | |
| | 997 803 981 00 8P9 | Cocoa | | | |
| | 997 803 981 00 T13 | Brown/natural | | | |
| | 997 803 981 00 N23 | Carrera Red | | | |
| (4) | 997 803 981 00 | D - MJ 2008>> Side airbag unit | left | 1 | PR:XSA,375, 377 |
| | 997 803 981 00 A03 | D - MJ 2007>> Black | | | |
| | 997 803 981 00 5V7 | Stone grey | | | |
| | 997 803 981 00 5Z1 | Sand beige | | | |
| | 997 803 981 00 5Y2 | Palm green | | | |
| | 997 803 981 00 8W7 | D - MJ 2007>> - MJ 2007 sea blue | | | |
| | 997 803 981 00 8X8 | Terracotta | | | |
| | 997 803 981 00 8P9 | Cocoa | | | |
| | 997 803 981 00 T13 | Brown/natural | | | |
| | 997 803 981 00 N23 | Carrera Red | | | |
| (4) | 997 803 981 00 | D - MJ 2008>> Side airbag unit | left | 1 | PR:XSB,375, 377 |
| | 997 803 981 00 A03 | D - MJ 2007>> Black | | | |
| | 997 803 981 00 5V7 | Stone grey | | | |
| | 997 803 981 00 5Z1 | Sand beige | | | |
| | 997 803 981 00 5Y2 | Palm green | | | |

Model: 987 05 Model life 2005>>2008

| Pos | Part Number | Description | Remark | Qty | Model |
|-----|--------------------|--|--------|-----|------------------------|
| | | D - MJ 2007>> - MJ 2007 | | | |
| | 997 803 981 00 8W7 | sea blue | | | |
| | 997 803 981 00 8X8 | Terracotta | | | |
| | 997 803 981 00 8P9 | Cocoa | | | |
| | 997 803 981 00 T13 | Brown/natural | | | |
| | 997 803 981 00 N23 | Carrera Red | | | |
| (4) | 997 803 982 00 | D - MJ 2008>> Side airbag unit D - MJ 2007>> | left | 1 | PR:XSG,376, 378 |
| | 997 803 982 00 A03 | Black | | | |
| | 997 803 982 00 5V7 | Stone grey | | | |
| | 997 803 982 00 5Z1 | Sand beige | | | |
| | 997 803 982 00 5Y2 | Palm green | | | |
| | | D - MJ 2007>> - MJ 2007 | | | |
| | 997 803 982 00 8W7 | sea blue | | | |
| | 997 803 982 00 8X8 | Terracotta | | | |
| | 997 803 982 00 8P9 | Cocoa | | | |
| | 997 803 982 00 T13 | Brown/natural | | | |
| | 997 803 982 00 N23 | Carrera Red | | | |
| (4) | 997 803 982 00 | D - MJ 2008>> Side airbag unit D - MJ 2007>> | left | 1 | PR:XSA,376, 378 |
| | 997 803 982 00 A03 | Black | | | |
| | 997 803 982 00 5V7 | Stone grey | | | |
| | 997 803 982 00 5Z1 | Sand beige | | | |
| | 997 803 982 00 5Y2 | Palm green | | | |
| | | D - MJ 2007>> - MJ 2007 | | | |
| | 997 803 982 00 8W7 | sea blue | | | |
| | 997 803 982 00 8X8 | Terracotta | | | |
| | 997 803 982 00 8P9 | Cocoa | | | |
| | 997 803 982 00 T13 | Brown/natural | | | |
| | 997 803 982 00 N23 | Carrera Red | | | |
| (4) | 997 803 982 00 | D - MJ 2008>> Side airbag unit D - MJ 2007>> | left | 1 | PR:XSB,376, 378 |
| | 997 803 982 00 A03 | Black | | | |
| | 997 803 982 00 5V7 | Stone grey | | | |
| | 997 803 982 00 5Z1 | Sand beige | | | |
| | 997 803 982 00 5Y2 | Palm green | | | |
| | | D - MJ 2007>> - MJ 2007 | | | |
| | 997 803 982 00 8W7 | sea blue | | | |
| | 997 803 982 00 8X8 | Terracotta | | | |
| | 997 803 982 00 8P9 | Cocoa | | | |
| | 997 803 982 00 T13 | Brown/natural | | | |
| | 997 803 982 00 N23 | Carrera Red | | | |
| 5 | 997 521 485 00 | D - MJ 2008>> Bowden cable | | 2 | |
| 6 | 997 521 375 00 | Backrest frame Release | | 1 | |
| 7 | 997 521 855 00 | Backrest frame Grille | | 1 | |
| 8 | 997 521 893 00 | Backrest frame tension spring | | 2 | |
| 9 | 997 521 895 00 | Inner spring Clip | | 2 | |
| 10 | 997 521 797 00 | Inner spring tension spring Release | | 1 | |
| 11 | 997 521 885 00 | backrest Foam part | upper | 1 | PR:375,376, 377,378 |
| 12 | 997 521 887 01 | Head restraint Foam part Head restraint | center | 1 | PR:377,378 |

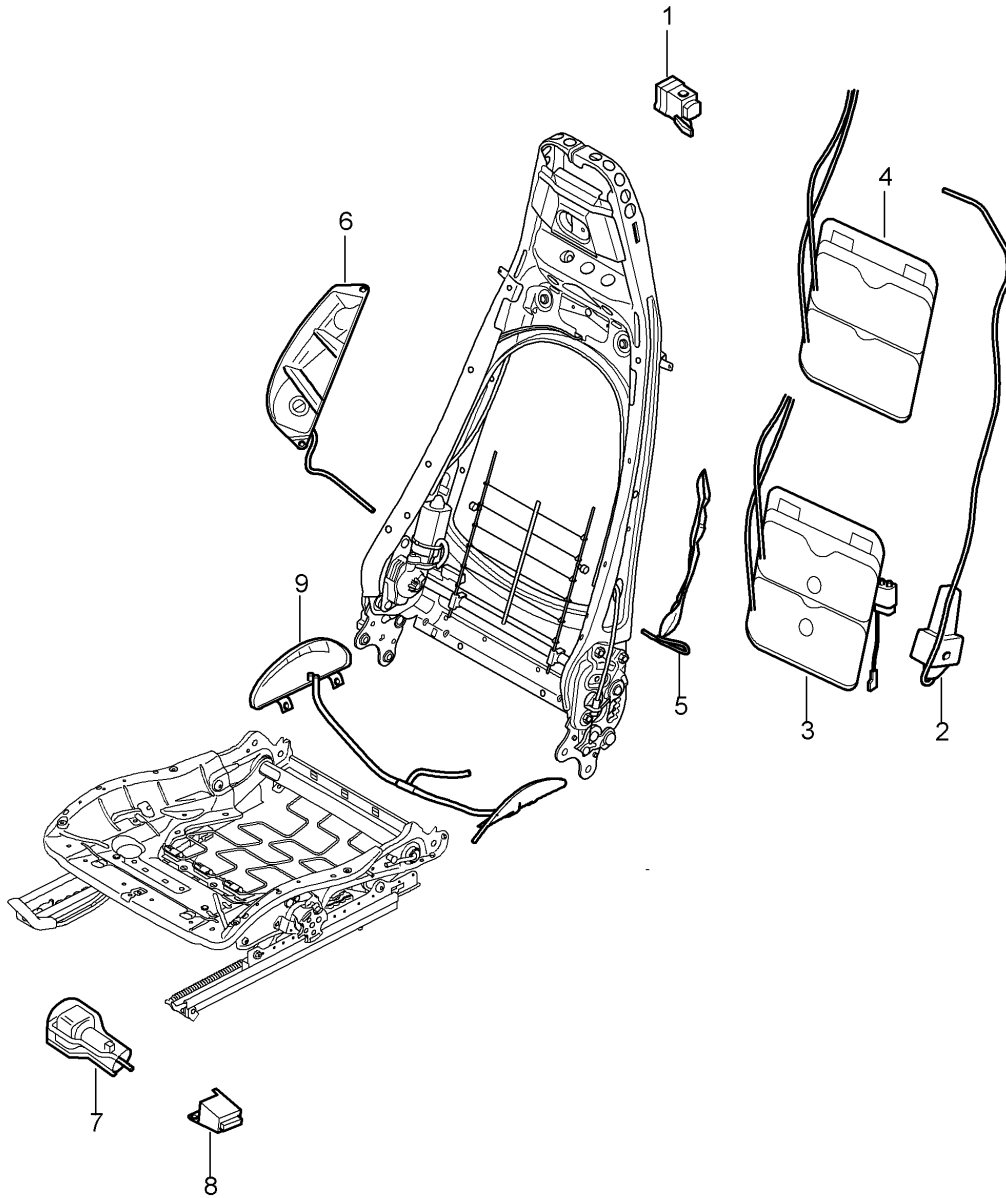
Model: 987 05

Model life 2005>>2008

| Pos | Part Number | Description | Remark | Qty | Model |
|------|--------------------|--|----------------|-----|------------|
| 13 | 997 521 887 00 | Electric Foam part | center | 1 | PR:375,376 |
| 14 | 997 521 335 01 | Head restraint Trim | left | 1 | |
| | 997 521 335 01 D07 | Volcano grey | | | |
| (14) | 997 521 336 01 | Trim Mounting component | right inner | 1 | |
| | 997 521 336 01 D07 | Volcano grey | | | |
| 15 | 999 073 375 09 | Screw M10 x 13 Mount backrest | | 4 | |
| 16 | 999 073 306 09 | Seat frame Screw Mount Side airbag unit | | 2 | |

Model: 987 05

Model life 2005>>2008



Model: 987 05 Model life 2005>>2008

| Pos | Part Number | Description | Remark | Qty | Model |
|-----|----------------|---|--------|-----|--|
| 1 | 997 617 725 00 | Lumbar support sports seat D - MJ 2005>> Valve Lumbar support | | 1 | BOXSTER BOXSTER S PR:377,378, 437,438 |
| (1) | 997 617 726 00 | without: Memory Valve Lumbar support | | 1 | PR:537,538 |
| 2 | 997 620 725 00 | Memory Compressor Lumbar | | 1 | PR:377,378, 437,438 |
| 3 | 997 521 709 01 | Lumbar support Memory | | 1 | PR:377,378, 437,438,537, 538 |
| 4 | 997 521 709 00 | Lumbar support without: Memory | | 1 | PR:377,378, 437,438 |
| 5 | 997 521 711 00 | container Air distributor | | 1 | PR:377,378 |
| 6 | 997 521 712 00 | Backrest side bolster container Air distributor | | 1 | PR:377,378 |
| 7 | 997 620 727 00 | Backrest side bolster Compressor Lumbar support | | 1 | PR:377,378 |
| 8 | 997 617 727 00 | Seat cushion Valve Adjustment | | 1 | PR:377,378 |
| 9 | 997 521 713 01 | Seat Wide container Air distributor Seat side bolster | | 1 | PR:377,378 |

Model: 987 05 Model life 2005>>2008

| Pos | Part Number | Description | Remark | Qty | Model |
|-----|----------------|---|-----------------|-----|----------------------|
| | | Seat frame sports seat D - MJ 2005>> | | | BOXSTER BOXSTER S |
| 1 | 997 521 201 00 | Seat frame D >> - MJ 2006 | left lhd | 1 | PR:098,369, 375 |
| (1) | 997 521 201 10 | Seat frame Height adjustment Manually (drivers side) D - MJ 2007>> | left lhd lhd | 1 | PR:098,369, 375 |
| (1) | 997 521 202 00 | Seat frame Height adjustment Manually (drivers side) D >> - MJ 2007 | right rhd | 1 | PR:099,370, 376 |
| (1) | 997 521 202 19 | Seat frame Height adjustment Manually (drivers side) D - MJ 2008>> | right rhd | 1 | PR:099,370, 376 |
| (1) | 997 521 201 04 | Seat frame D >> - MJ 2006 | left | 1 | PR:377,437 |
| (1) | 997 521 201 12 | Seat frame Electric without: Memory D - MJ 2007>> | left | 1 | PR:377,437 |
| (1) | 997 521 202 10 | Seat frame D >> - MJ 2006 | right | 1 | PR:378,438 |
| (1) | 997 521 202 21 | Seat frame Electric without: Memory D - MJ 2007>> | right | 1 | PR:378,438 |
| (1) | 997 521 201 05 | Seat frame D >> - MJ 2006 | left | 1 | PR:377,437, 537 |
| (1) | 997 521 201 13 | Seat frame Electric Memory D - MJ 2007>> | left | 1 | PR:377,437, 537 |
| (1) | 997 521 201 03 | Seat frame D >> - MJ 2006 | left rhd | 1 | PR:099,369, 375 |
| (1) | 997 521 201 11 | Seat frame Manually (passenger side) D - MJ 2007>> | left rhd rhd | 1 | PR:099,369, 375 |
| (1) | 997 521 202 06 | Seat frame D - MJ 2006>> - MJ 2006 | right | 1 | PR:370,376, 560 |
| (1) | 997 521 202 23 | Seat frame Manually seat occupied recognition D - MJ 2007>> | right | 1 | PR:370,376, 560 |
| (1) | 997 521 202 11 | Seat frame D >> - MJ 2006 | right | 1 | PR:378,438, 538 |
| (1) | 997 521 202 22 | Seat frame Electric Memory D - MJ 2007>> | right | 1 | PR:378,438, 538 |
| (1) | 997 521 202 12 | Seat frame D - MJ 2006>> - MJ 2006 | right | 1 | PR:378,438, 560 |
| (1) | 997 521 202 24 | Seat frame Electric seat occupied recognition | right | 1 | PR:378,438, 560 |

Model: 987 05 Model life 2005>>2008

| Pos | Part Number | Description | Remark | Qty | Model |
|-----|----------------|--|------------------|-----|------------------------|
| (1) | 997 521 202 05 | D - MJ 2007>> Seat frame | right lhd | 1 | PR:098,370, 376 |
| (1) | 997 521 202 20 | D >> - MJ 2006 Seat frame Manually (passenger side) | right lhd lhd | 1 | PR:098,370, 376 |
| 2 | 997 521 627 01 | D - MJ 2007>> Actuating lever Height adjustment | left | 1 | PR:369,375 |
| (2) | 997 521 628 01 | 997 521 627 01 V05 Actuating lever Height adjustment | right | 1 | PR:370,376 |
| 3 | 997 521 629 01 | 997 521 628 01 V05 Cover cap Actuating lever | left a. right | 2 | PR:369,370, 375,376 |
| 4 | 997 521 325 06 | 997 521 629 01 D07 Volcano grey Trim for switch | left | 1 | PR:369,375 |
| (4) | 997 521 326 06 | 997 521 325 06 D07 Volcano grey without: For vehicles with 'Advanced' airbag | right | 1 | PR:370,376 |
| 5 | 997 521 325 08 | 997 521 326 06 D07 Volcano grey Trim for switch | left | 1 | PR:377 |
| (5) | 997 521 326 08 | 997 521 325 08 V04 Galvano silver Trim for switch | right | 1 | PR:378 |
| (5) | 997 521 326 09 | 997 521 326 08 D07 Volcano grey Galvano silver Trim for switch | right | 1 | PR:370,376, 560 |
| (5) | 997 521 326 11 | 997 521 326 09 D07 Volcano grey Trim for switch For vehicles with 'Advanced' airbag | right | 1 | PR:378,560 |
| 6 | 997 521 631 01 | D - MJ 2006>> Volcano grey Actuator button backrest | | 1 | PR:375,376, 377,378 |
| 7 | 997 521 061 01 | 997 521 631 01 V05 Galvano silver Retainer plate child seat ISOFIX Not for: AUSTRALIEN | | 1 | |
| 8 | 997 521 961 01 | 1 set attachment parts Retainer plate | | 1 | |
| (9) | 997 521 251 00 | Holder for fire extinguisher | | 1 | PR:098,509 |
| 10 | 997 521 607 00 | Holder for fire extinguisher Cup | | 1 | PR:099,509 PR:509 |
| 11 | 997 521 881 00 | Fire extinguishers Holder for fire extinguisher Cup | | 1 | PR:509 |
| 12 | 997 521 851 00 | tensioning strap Fire extinguishers | | 1 | PR:509 |
| 13 | 996 722 115 00 | Fire extinguishers Information available | | 1 | PR:509 |
| 14 | 997 521 841 00 | Reinforcement | front | 1 | PR:509 |

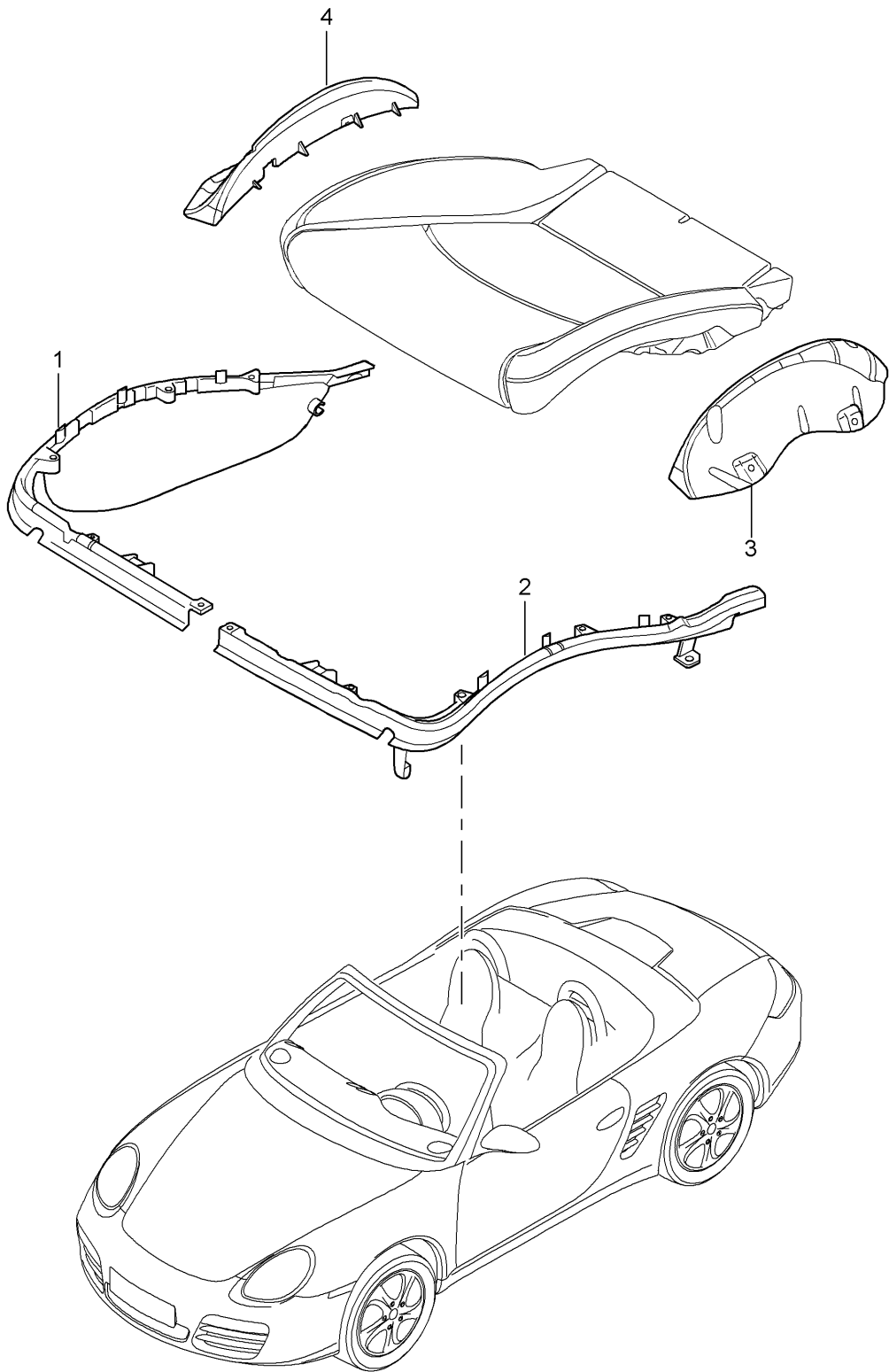
Model: 987 05

Model life 2005>>2008

| Pos | Part Number | Description | Remark | Qty | Model |
|------|--------------------|--|--------|-----|--------------------|
| 15 | 997 521 843 00 | Reinforcement | rear | 1 | PR:509 |
| 16 | 997 521 426 01 | Cover Sensor Weight D - MJ 2006>> | right | 1 | PR:376,378, 560 |
| (16) | 997 521 426 01 01C | Satin black | | | |
| | 997 521 427 01 | Cover Sensor Weight D - MJ 2006>> | left | 1 | PR:376,378, 560 |
| 17 | 997 521 427 01 01C | Satin black | | | |
| | 999 141 047 01 | Torx screw Mount Seat rail | | 4 | |

Model: 987 05

Model life 2005>>2008



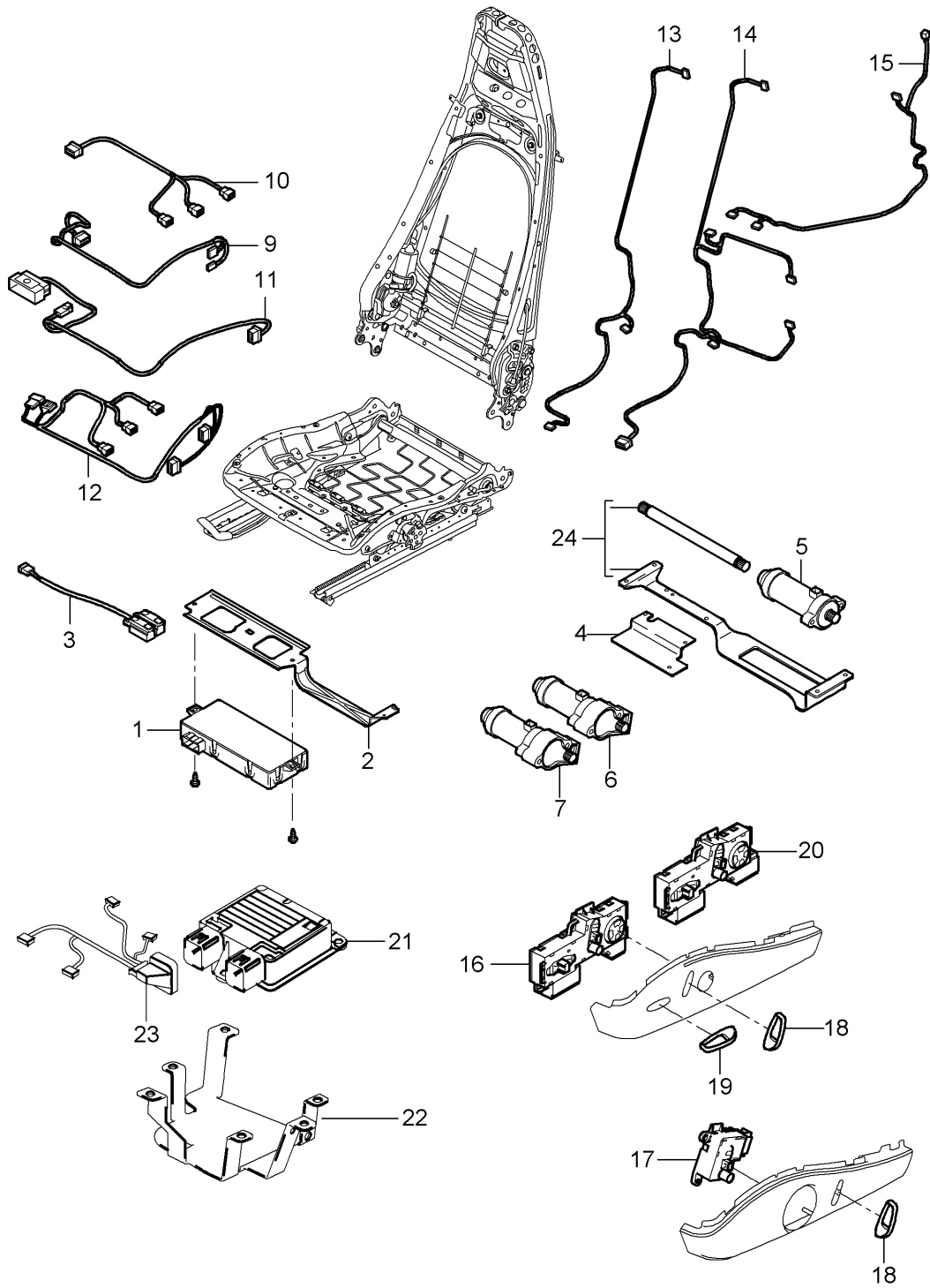
Model: 987 05

Model life 2005>>2008

| Pos | Part Number | Description | Remark | Qty | Model |
|-----|----------------|--|----------------|-----|----------------------|
| | | Cushion carrier Frame Seat surface sports seat D - MJ 2005>> | | | BOXSTER BOXSTER S |
| 1 | 997 521 547 00 | Frame | left | 1 | PR:376,378 |
| (1) | 997 521 548 00 | Frame | right inner | 1 | PR:375,377 |
| (2) | 997 521 545 00 | Frame | left | 1 | PR:375,377 |
| 2 | 997 521 546 00 | Frame | right outer | 1 | PR:376,378 |
| 3 | 997 521 519 00 | Support plate Seat cushion | left | 1 | PR:377,378 |
| 4 | 997 521 520 00 | Support plate Seat cushion | right | 1 | PR:377,378 |
| - | 997 521 546 01 | Frame | right outer | 1 | PR:376,378, 560 |
| | | with: For vehicles with 'Advanced' airbag D - MJ 2006>> | | | |

Model: 987 05

Model life 2005>>2008



Model: 987 05 Model life 2005>>2008

| Pos | Part Number | Description | Remark | Qty | Model |
|-----|--------------------|--|----------|-----|------------------------|
| | | Wiring looms Control unit Switch sports seat D - MJ 2005>> | | | BOXSTER BOXSTER S |
| 1 | 997 618 537 07 | Control unit | | 1 | PR:537,538 |
| 2 | 997 521 643 00 | Seating position control Retainer for control units Seating position control | | 1 | PR:537,538 |
| 3 | 997 613 725 00 | Switch | | 1 | PR:377 |
| (3) | 997 613 725 00 V05 | Galvano silver | | 1 | PR:378 |
| | 997 613 726 00 | Switch | | 1 | PR:378 |
| | 997 613 726 00 V05 | Galvano silver | | 1 | PR:377,378 |
| 4 | 997 521 343 00 | Bracket for compressor Electric motor | | 1 | PR:377,378 |
| 5 | 997 624 322 00 | Electric motor Seat adjuster Lengthways | | 1 | PR:377,378 |
| (5) | 997 624 332 00 | Memory Electric motor Seat adjuster Lengthways | without: | 1 | PR:537,538 |
| 6 | 997 624 322 00 | Memory Electric motor Seat adjuster Height adjustment | with: | 1 | PR:377,378 |
| (6) | 997 624 332 00 | Memory Electric motor Seat adjuster Height adjustment | without: | 1 | PR:537,538 |
| 7 | 997 624 323 00 | Memory Electric motor Seat adjuster Tilt angle | with: | 1 | PR:437,438 |
| (7) | 997 624 333 00 | Memory Electric motor Seat adjuster Tilt angle | without: | 1 | PR:537,538 |
| 9 | 997 612 684 00 | Memory Wire set Switch Seat adjuster | | 1 | PR:537,538 |
| 10 | 997 612 690 00 | Memory Wire set Height adjustment Lengthways | | 1 | PR:537,538 |
| 11 | 997 612 682 01 | Memory Wire set Switch | | 1 | PR:369,370, 375,376 |
| 12 | 997 612 691 01 | Wire set Switch | | 1 | PR:377,378 |
| 12 | 997 612 691 02 | Memory D >> - MJ 2007 Wire set Switch | without: | 1 | PR:377,378 |
| | | | without: | | |

Model: 987 05 Model life 2005>>2008

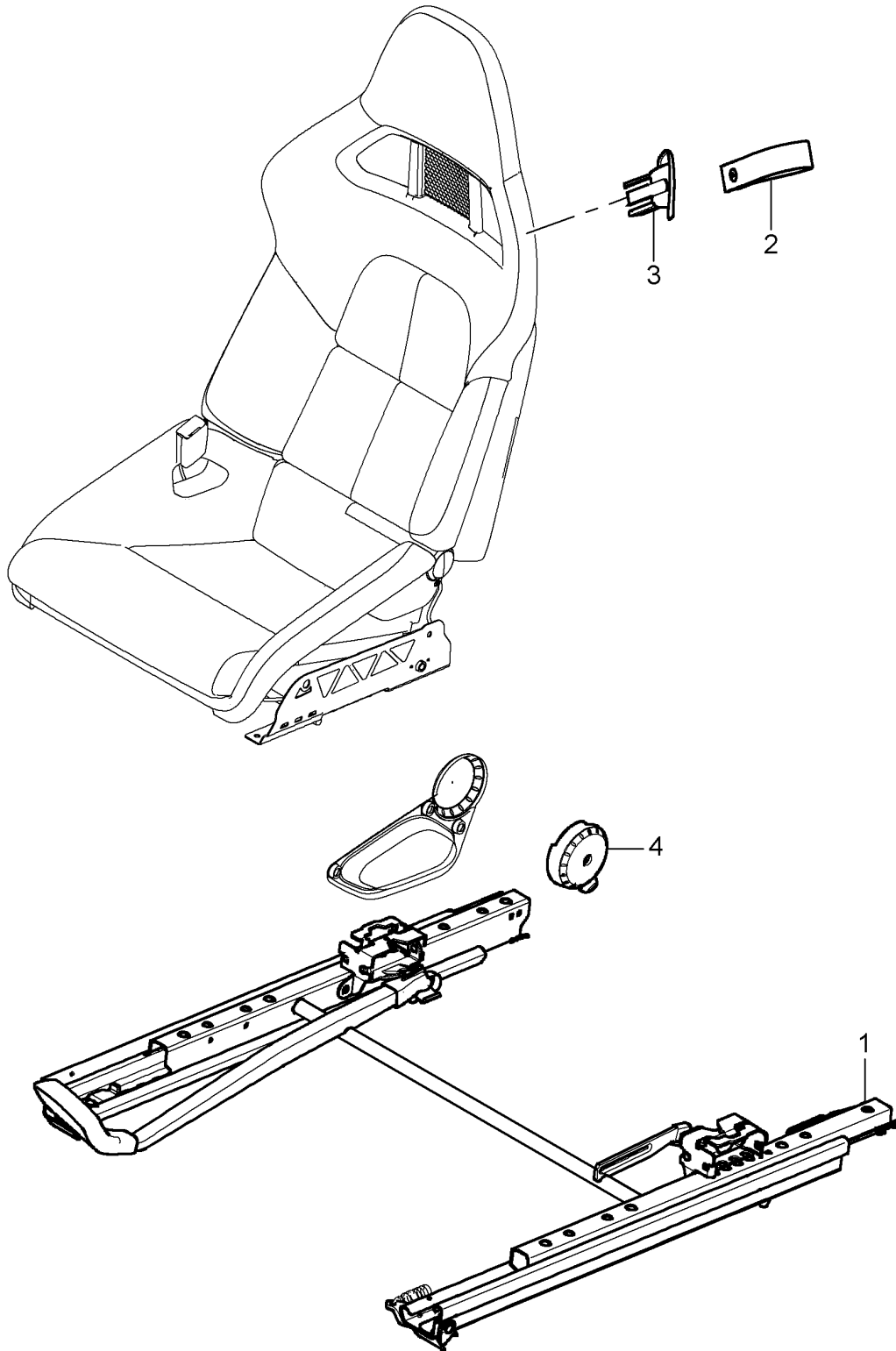
| Pos | Part Number | Description | Remark | Qty | Model |
|------|--------------------|---|--------|-----|------------------------|
| 13 | 997 612 689 00 | Memory D - MJ 2008>> Wire set Lumbar support without: | | 1 | PR:377,378 |
| 14 | 997 612 692 00 | Memory Wire set backrest Lumbar with: | | 1 | PR:377,537 |
| 14 | 997 612 692 00 | Memory D >> - MJ 2007 Wire set backrest Lumbar with: | | 1 | PR:378,538 |
| 14 | 997 612 692 01 | Memory D >> - MJ 2007 Wire set backrest Lumbar with: | | 1 | PR:377,537 |
| 14 | 997 612 692 01 | Memory D - MJ 2008>> Wire set backrest Lumbar with: | | 1 | PR:378,538 |
| 15 | 997 612 685 01 | Memory D - MJ 2008>> Wire set backrest without: | left | 1 | PR:369,375, 377,437 |
| (15) | 997 612 686 01 | Memory Wire set backrest without: | right | 1 | PR:370,376, 378,438 |
| 16 | 997 613 721 01 | Memory switch for seat adjustment | left | 1 | PR:377,437, 537 |
| (16) | 997 613 721 01 V05 | Memory switch Galvano silver | | | |
| (16) | 997 613 722 01 | switch for seat adjustment | right | 1 | PR:378,438, 538 |
| 17 | 997 613 722 01 V05 | Memory switch Galvano silver | | | |
| 17 | 997 613 713 00 | switch for seat adjustment | left | 1 | PR:369,375 |
| (17) | 997 613 714 00 | switch for seat adjustment Manually adjustable | right | 1 | PR:370,376 |
| 18 | 997 521 631 01 | Actuator button backrest D >> - MJ 2007 | | 1 | PR:375,376, 377,378 |
| 18 | 997 521 631 01 V05 | Galvano silver | | | |
| 18 | 997 521 631 02 | Actuator button backrest D - MJ 2008>> | | 1 | PR:375,376, 377,378 |
| 19 | 997 521 631 02 V05 | Galvano silver | | | |
| 19 | 997 521 633 02 | Actuator button Seat cushion D >> - MJ 2007 | | 1 | PR:377,378, 437,438 |
| 19 | 997 521 633 02 V05 | Galvano silver | | | |
| 19 | 997 521 633 03 | Actuator button Seat cushion | | 1 | PR:377,378, 437,438 |

Model: 987 05 Model life 2005>>2008

| Pos | Part Number | Description | Remark | Qty | Model |
|------|--------------------------------------|---|--------|-----|----------------------------|
| 20 | 997 521 633 03 V05 997 613 717 01 | D - MJ 2008>> Galvano silver switch for seat adjustment without: Memory D >> - MJ 2007 | left | 1 | PR:377,437 |
| 20 | 997 613 717 01 V05 997 613 717 02 | Galvano silver switch for seat adjustment without: Memory D - MJ 2008>> | left | 1 | PR:377,437 |
| (20) | 997 613 717 02 V05 997 613 718 01 | Galvano silver switch for seat adjustment without: Memory D >> - MJ 2007 | right | 1 | PR:378,438 |
| (20) | 997 613 718 01 V05 997 613 718 02 | Galvano silver switch for seat adjustment without: Memory D - MJ 2008>> | right | 1 | PR:378,438 |
| 21 | 997 613 718 02 V05 997 618 233 05 | Galvano silver Control unit for seat occupied sensor D - MJ 2006>> | | 1 | PR:370,376, 378,438,560 |
| 22 | 997 521 646 00 | Retainer for control units seat occupied recognition D - MJ 2006>> | | 1 | PR:370,376, 378,438,560 |
| 23 | 997 612 688 00 | Wire set seat occupied recognition D - MJ 2006>> | | 1 | PR:370,376, 378,438,560 |
| (24) | 997 521 901 00 | repair set Pliable shaft Console for engine mounting | | 1 | |
| - | 999 650 973 40 | Clip Mount Wire set seat occupied recognition | | 1 | |

Model: 987 05

Model life 2005>>2008

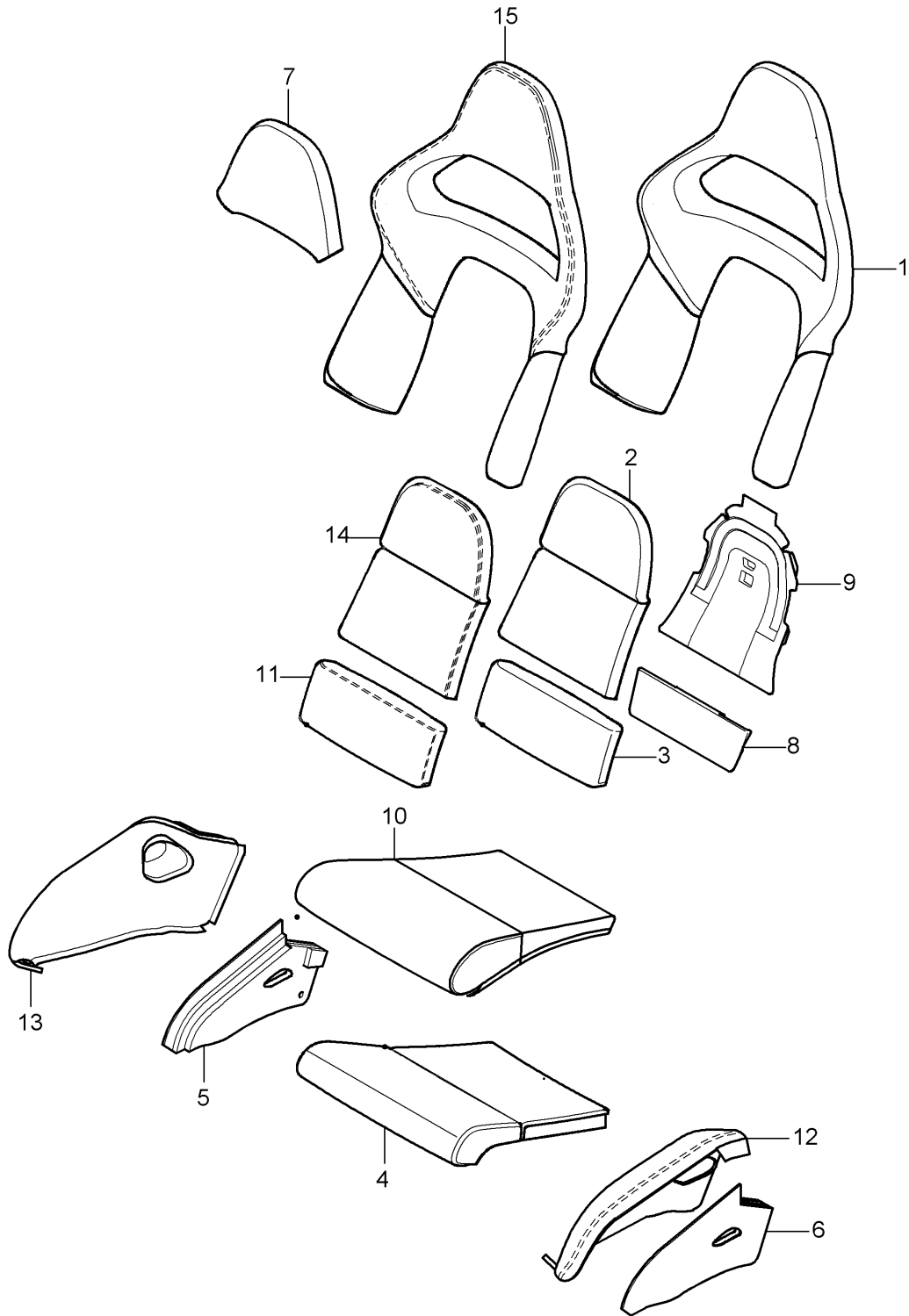


Model: 987 05 Model life 2005>>2008

| Pos | Part Number | Description | Remark | Qty | Model |
|-----|--------------------|--|----------------|-----|------------|
| | | bucket seat Collapsible (complete) Not available D - MJ 2008>> | | | |
| 1 | 997 521 429 01 | 1 set of seat rails (drivers side) | left lhd | 1 | PR:098,388 |
| (1) | 997 521 430 01 | 1 set of seat rails (passenger side) | right lhd | 1 | PR:098,389 |
| (1) | 997 521 429 02 | 1 set of seat rails (passenger side) | left rhd | 1 | PR:099,388 |
| (1) | 997 521 430 02 | 1 set of seat rails (drivers side) | right rhd | 1 | PR:099,389 |
| 2 | 997 521 539 00 | Pull loop Backrest frame | left | 1 | PR:388 |
| | 997 521 539 00 A80 | Black | | | |
| (2) | 997 521 540 00 | Pull loop Backrest frame | right | 1 | PR:389 |
| | 997 521 540 00 A80 | Black | | | |
| 3 | 997 521 538 00 | Rosette Pull loop Backrest frame | right | 1 | PR:389 |
| | 997 521 538 00 01C | Satin black | | | |
| (3) | 997 521 537 00 | Rosette Pull loop Backrest frame | left | 1 | PR:388 |
| | 997 521 537 00 01C | Satin black | | | |
| 4 | 997 521 563 00 | Trim Hinge | left inner | 1 | PR:388,389 |
| | 997 521 563 00 01C | Satin black | | | |
| (4) | 997 521 564 00 | Trim Hinge | right inner | 1 | PR:388,389 |
| | 997 521 564 00 01C | Satin black | | | |

Model: 987 05

Model life 2005>>2008



Model: 987 05 Model life 2005>>2008

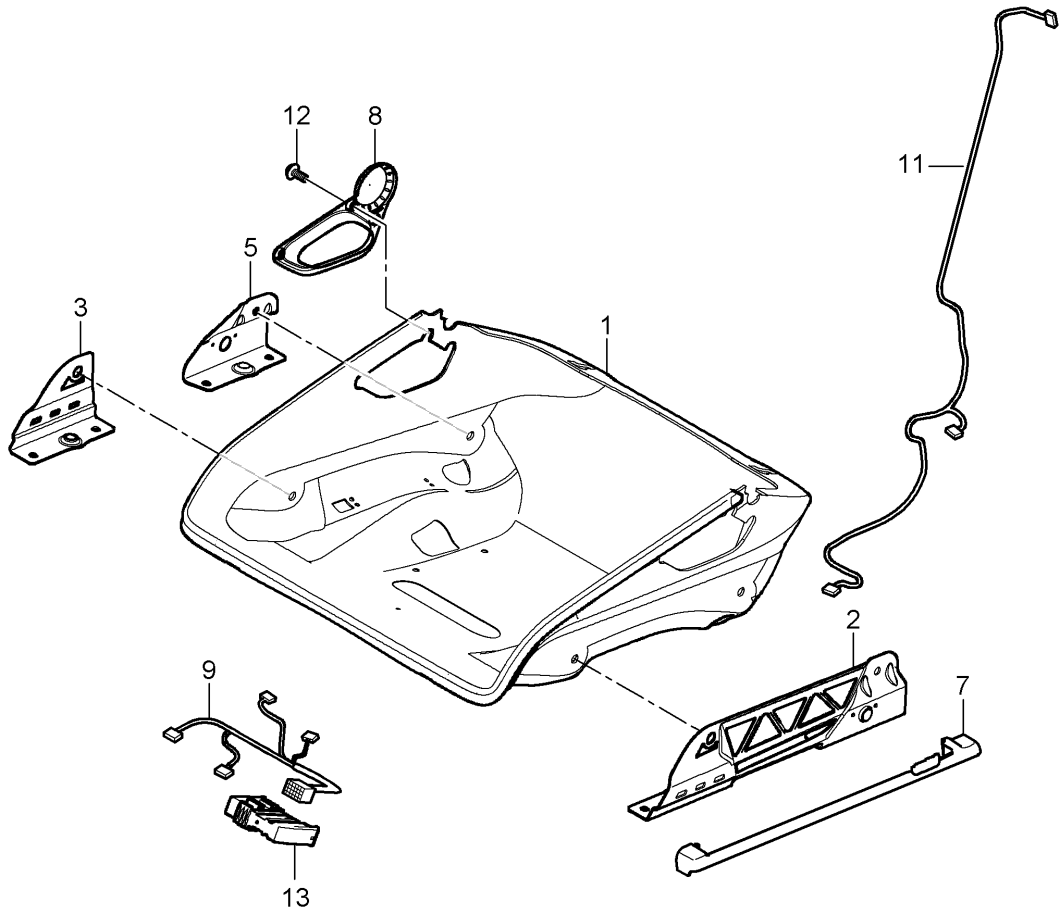
| Pos | Part Number | Description | Remark | Qty | Model |
|-----|--------------------|--|------------------------|-----|--------------------|
| 1 | 997 521 447 00 | Foam part Cover Seat and backrest surface bucket seat Collapsible D - MJ 2008>> | left a. right | 2 | |
| 2 | 997 521 448 00 | Foam part backrest Outer part | | 2 | PR:388,389 |
| 3 | 997 521 441 00 | Foam part Centre part Seat cushion | rear | 2 | PR:388,389 |
| 4 | 997 521 440 00 | Foam part Seat cushion | front | 2 | PR:388,389 |
| 5 | 997 521 443 00 | Foam part Seat cushion | left side outer | 1 | PR:388 |
| (5) | 997 521 444 00 | Foam part Seat cushion | side inner | 1 | PR:388 |
| 6 | 997 521 446 00 | Foam part Seat cushion | left side outer | 1 | PR:389 |
| (6) | 997 521 445 00 | Foam part Seat cushion | right side inner | 1 | PR:389 |
| 7 | 997 521 458 00 | Foam part Head restraint | | 2 | PR:388,389 |
| 8 | 997 521 456 00 | Foam part Seat cushion | rear | 1 | PR:388,389 |
| 9 | 997 521 457 00 | Foam part backrest | | 1 | PR:388,389 |
| 10 | 997 521 380 00 | Seat cover | left a. right front | 1 | PR:388,389, 983 |
| | 997 521 380 00 8YR | Black | | | |
| | 997 521 380 00 5X5 | Stone grey | | | |
| | 997 521 380 00 8G1 | Sand beige | | | |
| | 997 521 380 00 3S8 | sea blue | | | |
| | 997 521 380 00 9N2 | Terracotta | | | |
| | 997 521 380 00 9Q3 | Cocoa | | | |
| | 997 521 380 00 D11 | Dark grey/natural | | | |
| | 997 521 380 00 T11 | Brown/natural | | | |
| | 997 521 380 00 N11 | Carrera Red | | | |
| 11 | 997 521 381 00 | Seat cover | rear | 1 | PR:388,389, 983 |
| | 997 521 381 00 8YR | Black | | | |
| | 997 521 381 00 5X5 | Stone grey | | | |
| | 997 521 381 00 8G1 | Sand beige | | | |
| | 997 521 381 00 3S8 | sea blue | | | |
| | 997 521 381 00 9N2 | Terracotta | | | |
| | 997 521 381 00 9Q3 | Cocoa | | | |
| | 997 521 381 00 D11 | Dark grey/natural | | | |
| | 997 521 381 00 T11 | Brown/natural | | | |
| | 997 521 381 00 N11 | Carrera Red | | | |
| 12 | 997 521 383 00 | Cover | left side outer | 1 | PR:388,983 |
| | 997 521 383 00 8YR | Black | | | |
| | 997 521 383 00 5X5 | Stone grey | | | |
| | 997 521 383 00 8G1 | Sand beige | | | |
| | 997 521 383 00 3S8 | sea blue | | | |

Model: 987 05 Model life 2005>>2008

| Pos | Part Number | Description | Remark | Qty | Model |
|------|--------------------|-------------------------------|------------------------|-----|--------------------|
| 13 | 997 521 383 00 9N2 | Terracotta | left side inner | 1 | PR:388,983 |
| | 997 521 383 00 9Q3 | Cocoa | | | |
| | 997 521 383 00 D11 | Dark grey/natural | | | |
| | 997 521 383 00 T11 | Brown/natural | | | |
| | 997 521 383 00 N11 | Carrera Red | | | |
| | 997 521 384 00 | Seat cover (leather) | | | |
| | 997 521 384 00 8YR | Black | | | |
| | 997 521 384 00 5X5 | Stone grey | | | |
| | 997 521 384 00 8G1 | Sand beige | | | |
| | 997 521 384 00 3S8 | sea blue | | | |
| (13) | 997 521 384 00 9N2 | Terracotta | right side outer | 1 | PR:389,983 |
| | 997 521 384 00 9Q3 | Cocoa | | | |
| | 997 521 384 00 D11 | Dark grey/natural | | | |
| | 997 521 384 00 T11 | Brown/natural | | | |
| | 997 521 384 00 N11 | Carrera Red | | | |
| | 997 521 386 00 | Cover | | | |
| | 997 521 386 00 8YR | Black | | | |
| | 997 521 386 00 5X5 | Stone grey | | | |
| | 997 521 386 00 8G1 | Sand beige | | | |
| | 997 521 386 00 3S8 | sea blue | | | |
| (13) | 997 521 386 00 9N2 | Terracotta | right side inner | 1 | PR:389,983 |
| | 997 521 386 00 9Q3 | Cocoa | | | |
| | 997 521 386 00 D11 | Dark grey/natural | | | |
| | 997 521 386 00 T11 | Brown/natural | | | |
| | 997 521 386 00 N11 | Carrera Red | | | |
| | 997 521 385 00 | Seat cover (leather) | | | |
| | 997 521 385 00 8YR | Black | | | |
| | 997 521 385 00 5X5 | Stone grey | | | |
| | 997 521 385 00 8G1 | Sand beige | | | |
| | 997 521 385 00 3S8 | sea blue | | | |
| 14 | 997 521 385 00 9N2 | Terracotta | outer | 1 | PR:388,389, 983 |
| | 997 521 385 00 9Q3 | Cocoa | | | |
| | 997 521 385 00 D11 | Dark grey/natural | | | |
| | 997 521 385 00 T11 | Brown/natural | | | |
| | 997 521 385 00 N11 | Carrera Red | | | |
| | 997 521 387 00 | Backrest centre part w. cover | | | |
| | 997 521 387 00 8YR | Black | | | |
| | 997 521 387 00 5X5 | Stone grey | | | |
| | 997 521 387 00 8G1 | Sand beige | | | |
| | 997 521 387 00 3S8 | sea blue | | | |
| 15 | 997 521 387 00 9N2 | Terracotta | outer | 1 | PR:388,389, 983 |
| | 997 521 387 00 9Q3 | Cocoa | | | |
| | 997 521 387 00 D11 | Dark grey/natural | | | |
| | 997 521 387 00 T11 | Brown/natural | | | |
| | 997 521 387 00 N11 | Carrera Red | | | |
| | 997 521 388 00 | backrest cover (leather) | | | |
| | 997 521 388 00 8YR | Black | | | |
| | 997 521 388 00 5X5 | Stone grey | | | |
| | 997 521 388 00 8G1 | Sand beige | | | |
| | 997 521 388 00 3S8 | sea blue | | | |
| | 997 521 388 00 9N2 | Terracotta | | | |
| | 997 521 388 00 9Q3 | Cocoa | | | |
| | 997 521 388 00 D11 | Dark grey/natural | | | |
| | 997 521 388 00 T11 | Brown/natural | | | |
| | 997 521 388 00 N11 | Carrera Red | | | |

Model: 987 05

Model life 2005>>2008



Model: 987 05 Model life 2005>>2008

| Pos | Part Number | Description | Remark | Qty | Model |
|-----|--------------------------------------|--|-----------------------|-----|------------|
| 1 | 997 521 281 00 | bucket seat Collapsible Seat frame Accessories D - MJ 2008>> Cup Seat frame | left a. right | 2 | PR:388,389 |
| (1) | 997 521 182 00 | without: seat occupied recognition Cup Seat frame | right | 1 | PR:389,560 |
| 2 | 997 521 433 00 | with: seat occupied recognition and Seat rail Adapter Seat frame Discontinued part | outer left | 1 | PR:388 |
| 2 | 997 521 433 00 | Adapter Seat frame Discontinued part | outer left | 1 | PR:389,560 |
| (2) | 997 521 434 00 | Adapter Seat frame Discontinued part | outer right | 1 | PR:389 |
| (2) | 997 521 434 00 | Adapter Seat frame Discontinued part | outer right | 1 | PR:389,560 |
| 3 | 997 521 436 00 | Adapter Seat frame Discontinued part | front, inner right | 1 | PR:388 |
| 4 | 997 521 435 00 | Adapter Seat frame | front, inner left | 1 | PR:389 |
| 5 | 997 521 438 00 | without: seat occupied recognition Discontinued part Adapter Seat frame Discontinued part | rear, inner right | 1 | PR:388 |
| 6 | 997 521 437 00 | Adapter Seat frame | rear, inner left | 1 | PR:389 |
| 7 | 997 521 427 03 | without: seat occupied recognition Discontinued part Cover Sensor seat occupied recognition | left | 1 | PR:389,560 |
| (7) | 997 521 427 03 01C 997 521 426 03 | Satin black Cover Sensor seat occupied recognition | right | 1 | PR:389,560 |
| 8 | 997 521 426 03 01C 997 521 561 00 | Satin black Trim Seat belt | left lower | 1 | PR:388,389 |
| (8) | 997 521 561 00 01C 997 521 562 00 | Satin black Trim Seat belt | right lower | 1 | PR:388,389 |
| 9 | 997 521 562 00 01C 997 612 688 10 | Satin black Wire set seat occupied recognition | | 1 | PR:389,560 |
| 11 | 997 612 785 10 | Wire set Side airbag unit | left a. right | 1 | PR:388,389 |
| 12 | 999 141 049 01 | Oval-head screw Mount | | 3 | |

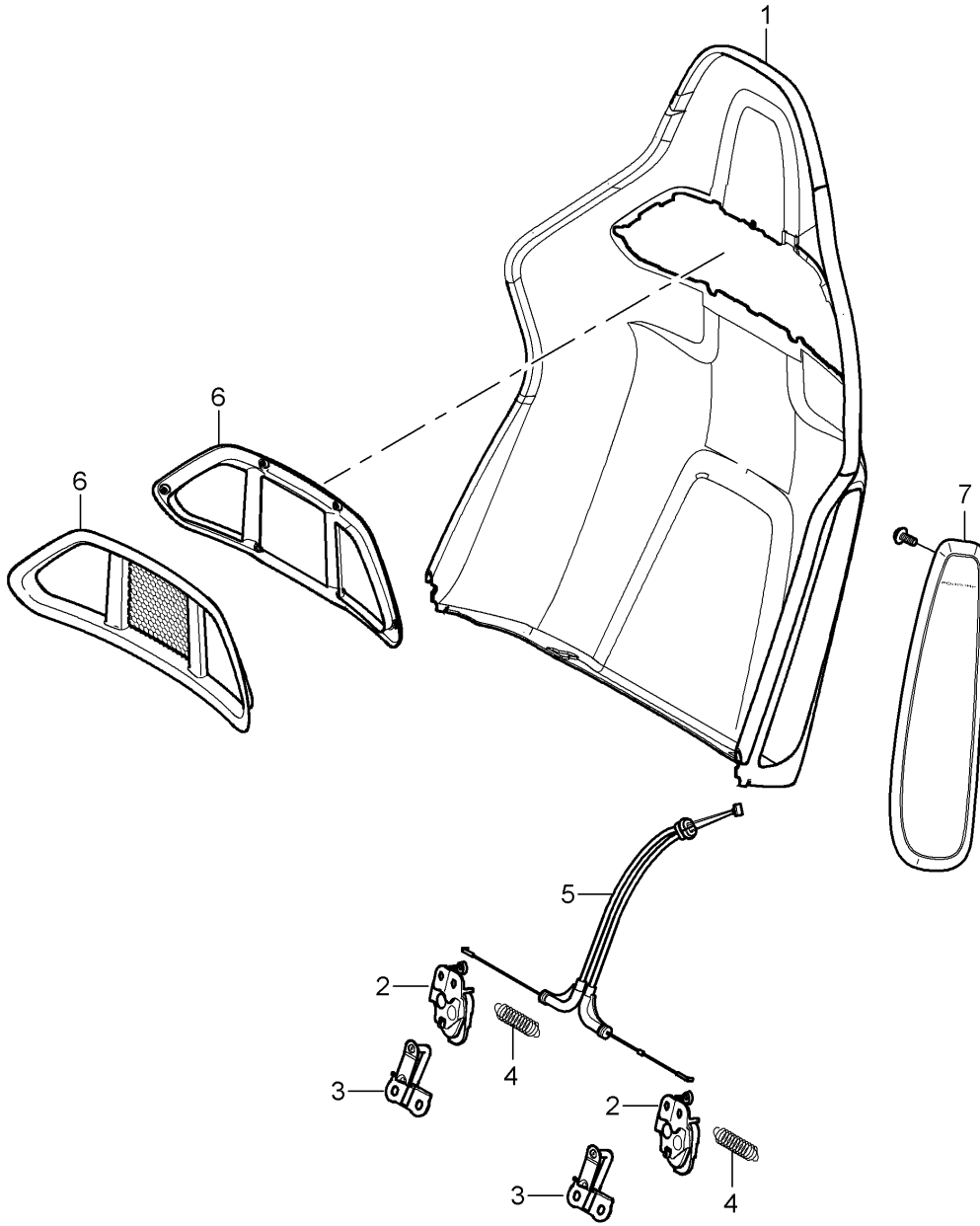
Model: 987 05

Model life 2005>>2008

| Pos | Part Number | Description | Remark | Qty | Model |
|-----|----------------|--|--------|-----|--------|
| 13 | 997 618 233 05 | Trim Belt Seat cushion Control unit for seat occupied sensor | | 1 | PR:560 |

Model: 987 05

Model life 2005>>2008

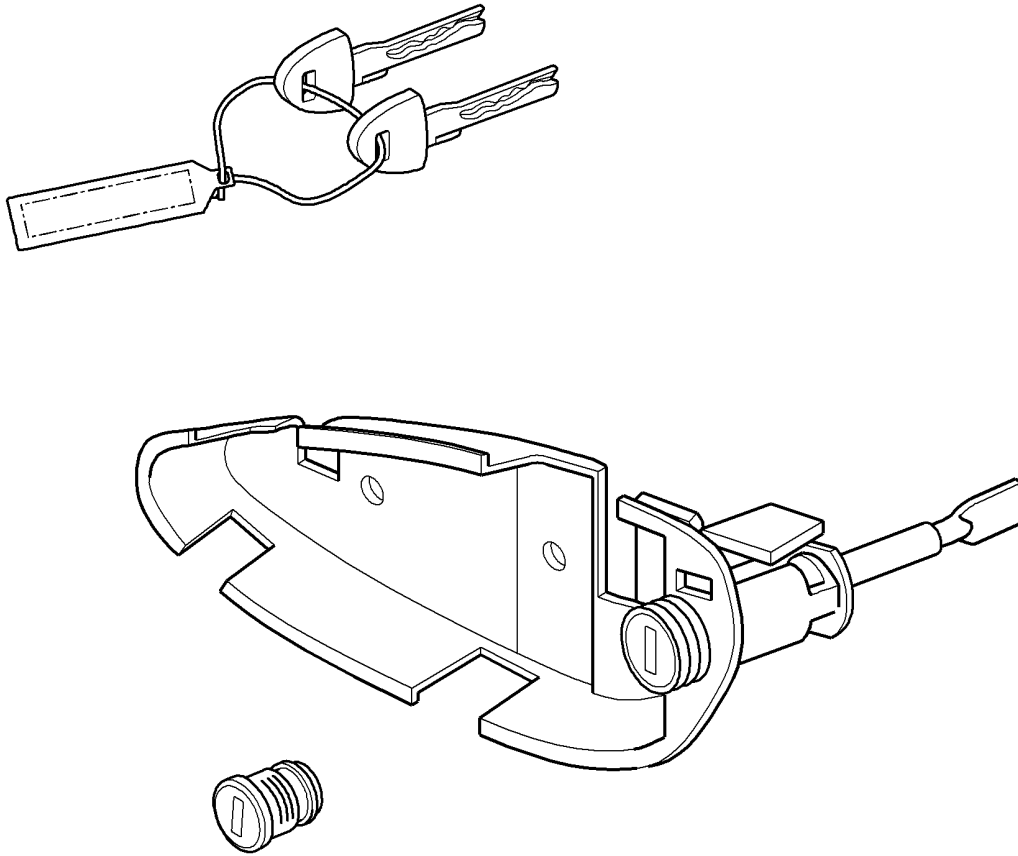


Model: 987 05 Model life 2005>>2008

| Pos | Part Number | Description | Remark | Qty | Model |
|-----|--------------------|--|---------------|-----|------------|
| 1 | 997 521 271 00 | Backrest shell bucket seat Collapsible Accessories D - MJ 2008>> | left | 1 | PR:388 |
| (1) | 997 521 272 00 | Backrest shell bucket seat Collapsible | right | 1 | PR:389 |
| 2 | 997 521 651 00 | backrest lock | left | 1 | PR:388,389 |
| (2) | 997 521 652 00 | backrest lock | right | 1 | PR:388,389 |
| 3 | 997 521 660 00 | Closing element lock | left a. right | 1 | PR:388,389 |
| 4 | 997 521 650 00 | Backrest shell tension spring lock | left a. right | 1 | PR:388,389 |
| 5 | 997 521 640 00 | backrest Bowden cable Release backrest | left a. right | 1 | PR:388,389 |
| 6 | 997 521 330 00 | Trim Seat belt | front | 1 | PR:388,389 |
| (6) | 997 521 330 00 01C | Satin black | | | |
| | 997 521 531 00 | Trim Seat belt | rear | 1 | PR:388,389 |
| 7 | 997 521 531 00 01C | Satin black | | | |
| | 997 803 081 01 | Side airbag unit | left | 1 | PR:388 |
| (7) | 997 803 081 01 A03 | Black | | | |
| | 997 803 082 01 | Side airbag unit | right | 1 | PR:389 |
| | 997 803 082 01 A03 | Front seat Black | | | |

Model: 987 05

Model life 2005>>2008



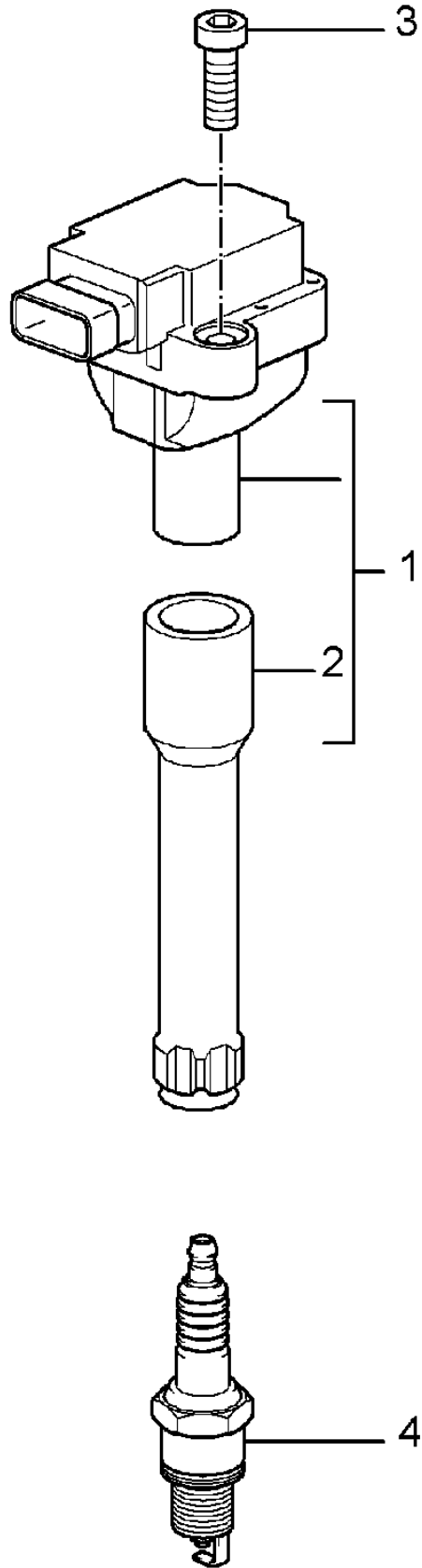
Model: 987 05

Model life 2005>>2008

| Pos | Part Number | Description | Remark | Qty | Model |
|-----|----------------|--|--------|-----|--------|
| - | 997 538 011 00 | repair kits Set of locks comprising: Bracket Door handle, exterior Glove compartment lock key Key fob 1 set of lock cylinders with handheld trans. & emerg. key | | 1 | PR:098 |

Model: 987 05

Model life 2005>>2008



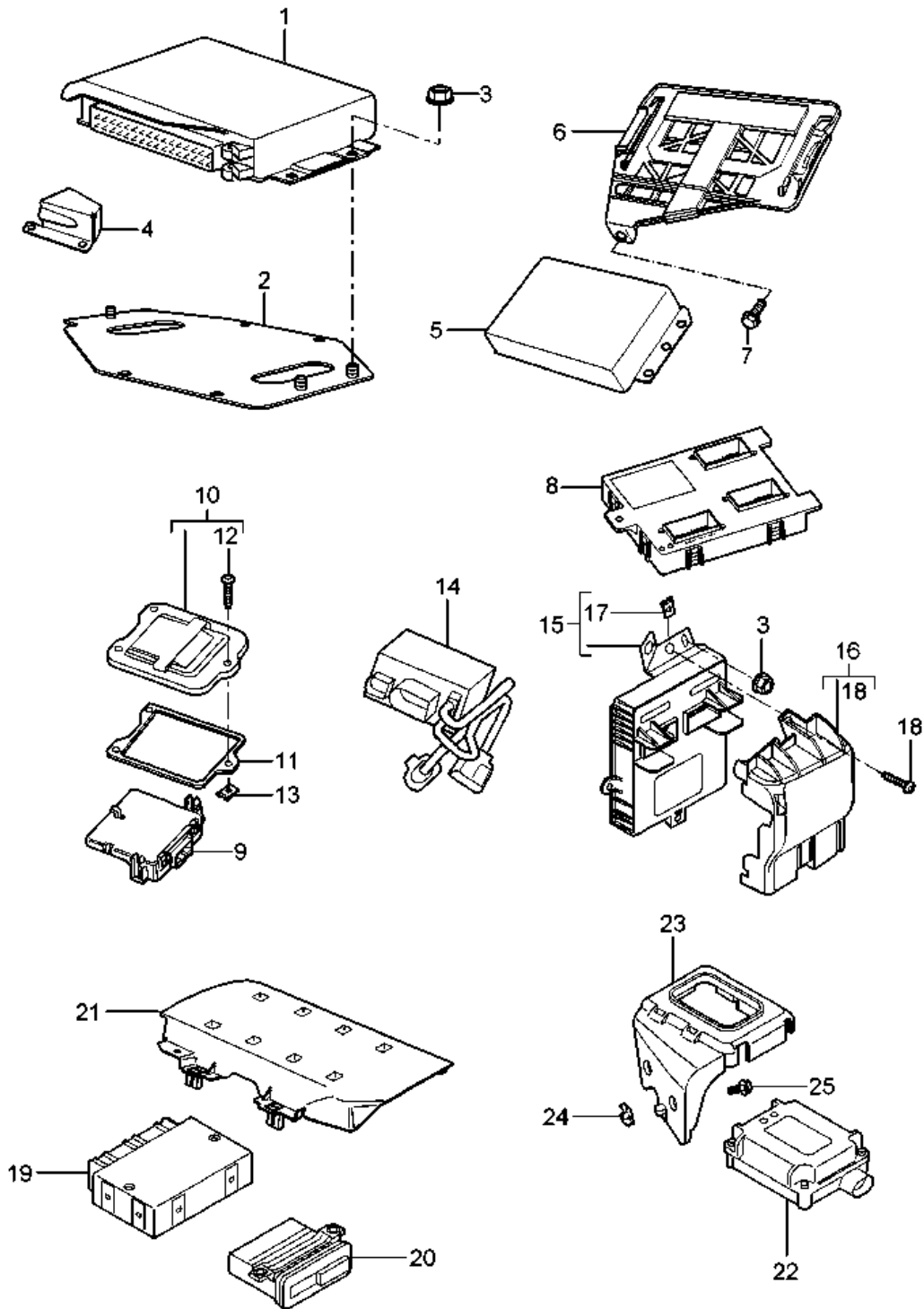
Model: 987 05

Model life 2005>>2008

| Pos | Part Number | Description | Remark | Qty | Model |
|-----|----------------|---|----------------|-----|----------------------------------|
| 1 | 997 602 104 02 | Ignition system ignition coil with spark plug connector | | 6 | |
| | | | 900 385 025 01 | 12 | |
| | | also use: | | | |
| 2 | 996 602 105 00 | spark plug connector | | 6 | |
| 3 | 900 387 008 01 | Socket head bolt M 6 X 25 | | 12 | |
| (3) | 900 385 025 01 | Torx screw M 6 X 40 | | 10 | |
| 4 | 999 170 223 90 | Spark plug FGR 5KQE0 | | 6 | 9625,9626, 9720,9721, 9722 |

Model: 987 05

Model life 2005>>2008



Model: 987 05

Model life 2005>>2008

| Pos | Part Number | Description | Remark | Qty | Model |
|------|----------------|--|--------|-----|-----------|
| 1 | 997 618 603 05 | Control units Control unit - dme - D >> - MJ 2006 | | 1 | |
| 1 | 997 618 601 05 | Control unit - dme - D - MJ 2007>> | | 1 | PR:-660 |
| 1 | 997 618 603 05 | Control unit - dme - D - MJ 2007>> | | 1 | PR:660 |
| 2 | 987 618 029 00 | Retainer for control units D >> - MJ 2006 | | 1 | |
| 3 | 900 377 010 01 | Hexagon nut M 6 D >> - MJ 2006 | | 3 | |
| (3) | 999 084 635 01 | Pull-off nut M 6 - SB | | 5 | PR:536 |
| (3) | 999 084 629 01 | Hexagon nut M 6 | | X | |
| 4 | 986 618 131 00 | Retaining plate Plug-protection D >> - MJ 2006 | | 1 | |
| (4) | 987 618 131 01 | Retaining plate Plug-protection D - MJ 2007>> | | 1 | |
| 5 | 987 618 270 02 | Control unit Tiptronic D >> - MJ 2006 | | 1 | BOXSTER |
| 5 | 987 618 272 07 | Control unit Tiptronic D - MJ 2007>> | | 1 | BOXSTER |
| (5) | 987 618 320 02 | Control unit Tiptronic D >> - MJ 2006 | | 1 | BOXSTER S |
| (5) | 987 618 342 07 | Control unit Tiptronic D - MJ 2007>> | | 1 | BOXSTER S |
| 6 | 987 618 155 02 | Retainer for control units Vehicle electrical system D - MJ 2007>> | | 1 | PR:249 |
| 7 | 900 378 035 01 | Hexagon bolt M 6 X 16 Vehicle electrical system D - MJ 2007>> | | 1 | PR:249 |
| 8 | 997 610 102 06 | Onboard supply control unit No longer use the part here | | 1 | |
| 8 | 997 618 516 01 | Onboard supply control unit | | 1 | |
| 9 | 997 610 107 04 | Control unit for gateway | | 1 | |
| 10 | 997 572 419 03 | Cover | | 1 | |
| 11 | 997 572 221 00 | Seal | | 1 | |
| 12 | 900 143 094 09 | panel screw ST 4,8 X 19 | | 3 | |
| 13 | 999 591 855 01 | panel nut ST 4,8 | | 3 | |
| 14 | 997 618 436 01 | Control unit Cooling air control Discontinued part | | 1 | |
| 14 | 997 618 436 02 | Control unit Cooling air control | | 1 | |
| 15 | 997 618 511 01 | Control unit FRONT luggage compartment | | 1 | |
| (15) | 997 610 105 11 | Control unit FRONT luggage compartment | | 1 | PR:601 |

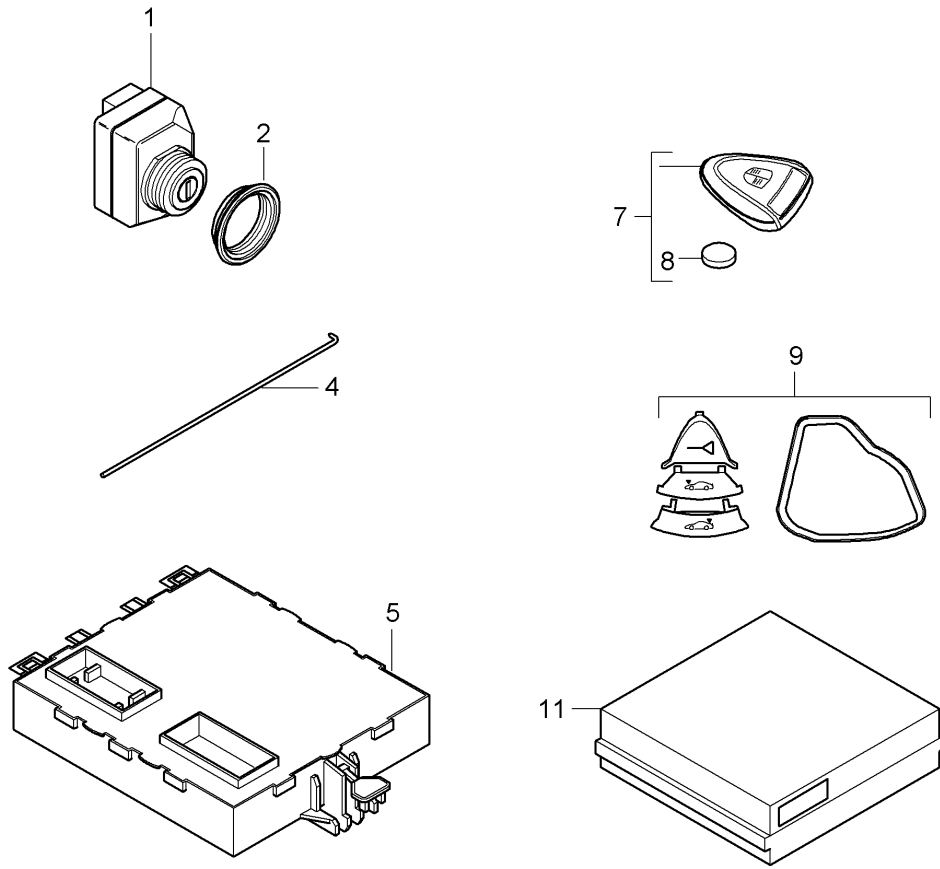
Model: 987 05

Model life 2005>>2008

| Pos | Part Number | Description | Remark | Qty | Model |
|-----|----------------|--|---------|-----|--------|
| 16 | 997 551 736 00 | Cover for control unit | | 1 | |
| 17 | 999 507 462 09 | panel nut 4,8 | | 1 | |
| 18 | 999 073 061 02 | panel screw 4,8 X 16 | | 1 | |
| 19 | 997 618 260 08 | Control unit Rear end | | 1 | |
| 20 | 996 618 171 03 | Control unit for parking aid | | 1 | PR:635 |
| 21 | 997 618 371 01 | Retainer for control units | | 1 | |
| - | | Sensor | | | PR:635 |
| | | see illustration: | 802-005 | | |
| 22 | 997 618 227 02 | Control unit for opening garage door Discontinued part | | 1 | PR:607 |
| 22 | 997 618 227 03 | Control unit for opening garage door | | 1 | PR:607 |
| 23 | 997 618 257 00 | Bracket | | 1 | |
| 24 | 999 591 882 01 | panel nut M 6 | | 2 | |
| 25 | 900 075 505 01 | Bolt with washer M 6 X 20 | | 2 | |

Model: 987 05

Model life 2005>>2008



Model: 987 05 Model life 2005>>2008

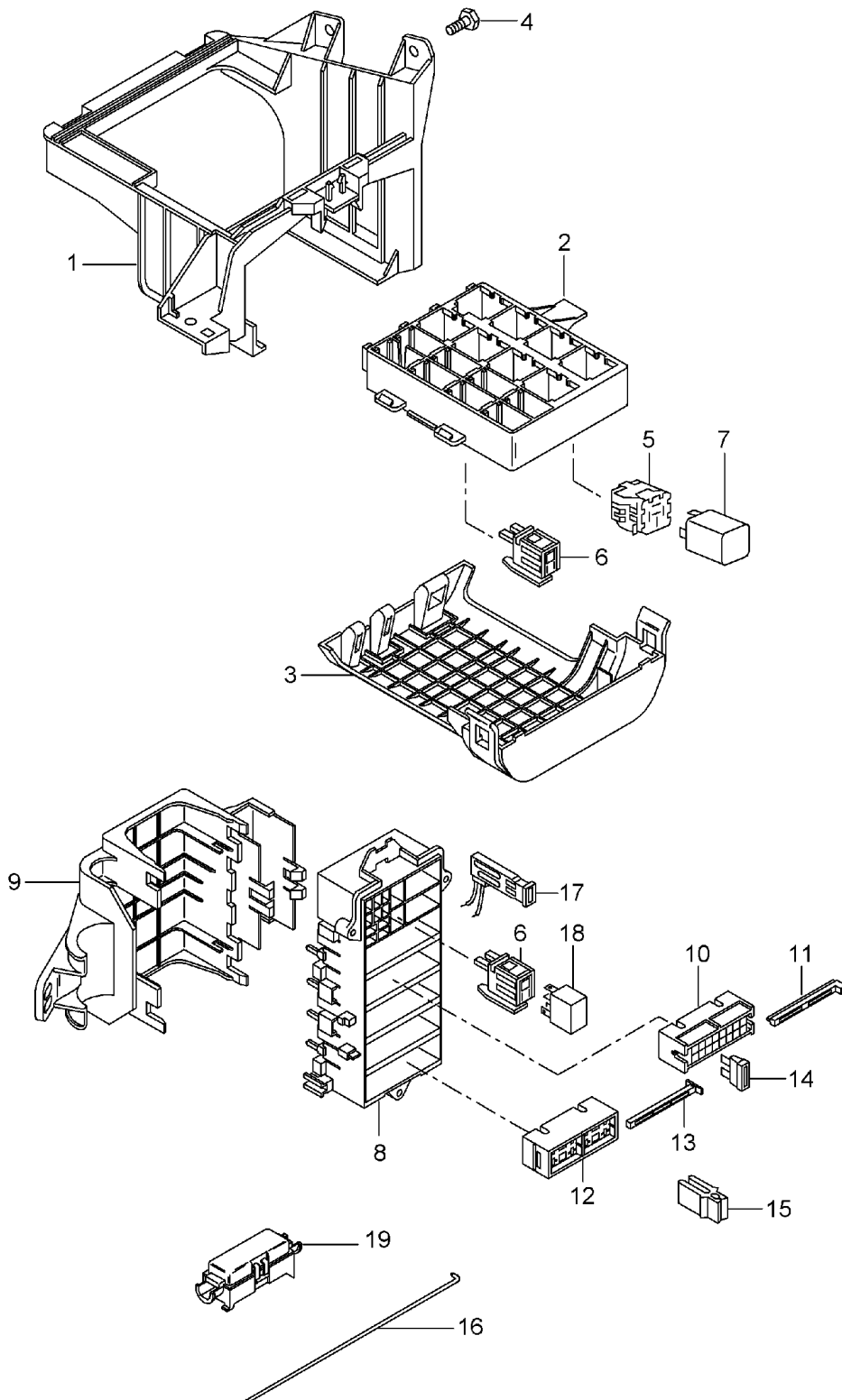
| Pos | Part Number | Description | Remark | Qty | Model |
|-----|----------------|--|--------|-----|------------------------|
| 1 | 997 618 159 04 | Control units Immobiliser Central locking system Ignition/starter switch PORSCHE ACCESS SYSTEM Control unit Ignition/starter switch | | 1 | |
| 2 | 997 618 759 00 | Nut | | 1 | |
| - | 997 618 361 00 | Cover Release | | 1 | |
| 4 | 970 618 761 00 | Handheld transmitter Emergency operation Release | | 1 | |
| 5 | 997 618 172 09 | Ignition/starter switch Control unit for central locking PORSCHE ACCESS SYSTEM F >> 98-5S710 204 F >> 98-5U712 408 F >> 98-5U731 635 See technical information | | 1 | PR:525,535, 545 |
| 5 | 997 618 172 14 | Discontinued part Control unit for central locking PORSCHE ACCESS SYSTEM F 98-5S710 205>> F 98-5U712 409>> F 98-5U731 636>> D >> - MJ 2007 | | 1 | PR:525,535, 545 |
| 5 | 997 618 172 15 | Discontinued part Control unit for central locking PORSCHE ACCESS SYSTEM F 98-5S710 205>> F 98-5U712 409>> F 98-5U731 636>> | | 1 | PR:525,535, 545 |
| 5 | 997 618 172 16 | Discontinued part Control unit for central locking PORSCHE ACCESS SYSTEM F 98-5S710 205>> F 98-5U712 409>> F 98-5U731 636>> | | 1 | PR:525,535, 545 |
| - | 997 612 050 00 | Aerial cable for POS. 5 F >> 98-5S710 204 F >> 98-5U712 408 F >> 98-5U731 635 | lhd | 1 | PR:098,525, 535,545 |
| - | 997 612 050 01 | Aerial cable for POS. 5 F 98-5S710 205>> F 98-5U712 409>> F 98-5U731 636>> | lhd | 1 | PR:098,525, 535,545 |
| - | 987 637 253 00 | use if required: Retainer for aerial F 98-5S710 205>> F 98-5U712 409>> F 98-5U731 636>> | | 1 | PR:524,534, |

Model: 987 05 Model life 2005>>2008

| Pos | Part Number | Description | Remark | Qty | Model |
|-----|----------------|---|--------|-----|--|
| - | 999 073 225 09 | panel screw 4,8 X 16 F 98-5S710 205>> F 98-5U712 409>> F 98-5U731 636>> | | 1 | 544,525,535, 545 |
| - | 928 612 636 01 | Protective hose F 98-5S710 205>> F 98-5U712 409>> F 98-5U731 636>> | | 1 | PR:524,534, 544,525,535, 545 |
| - | 997 612 053 00 | Connecting line Aerial amplifier Control unit POS. 5 | lhd | 1 | PR:524,534, 544,525,535, 545 PR:098,665 |
| - | 997 612 053 01 | Connecting line Aerial amplifier Control unit POS. 5 | lhd | 1 | PR:098,535, 665 |
| 7 | 997 637 244 37 | Handheld transmitter D - MJ 2007>> No longer use the part here | | 1 | PR:525,535, 545 |
| 7 | 997 637 103 01 | Handheld transmitter | | 1 | PR:525,535, 545 |
| 8 | 999 611 108 00 | Battery for hand sender | | 1 | |
| 9 | 000 043 400 14 | repair set Key Handheld transmitter Version Grey See workshop manual KD-NR.: 966237 | | 1 | |
| 11 | 997 618 210 01 | Sensor for interior monitoring | | 1 | |

Model: 987 05

Model life 2005>>2008



Model: 987 05 Model life 2005>>2008

| Pos | Part Number | Description | Remark | Qty | Model |
|------|----------------|--------------------------------|--------|-----|--------|
| | | central electrics dashboard | | | |
| 1 | 997 610 117 01 | bracket for relay bracket | lhd | 1 | PR:098 |
| 2 | 997 610 110 01 | relay plate | | 1 | |
| | | Mounting frame | | | |
| 3 | 997 610 112 00 | Cover | | 1 | |
| | | Mounting frame | | | |
| 4 | 900 378 155 01 | Hexagon bolt | | 2 | |
| | | M 6 X 16 ASP | | | |
| (4) | 900 377 010 01 | Hexagon nut | | 1 | |
| | | M 6 | | | |
| 5 | 928 610 511 00 | relay plate | | X | |
| 6 | 999 650 538 40 | relay plate | | X | |
| 7 | | Relay | | | |
| (7) | 999 657 014 90 | Relay | | 1 | |
| | | Convertible top | | | |
| | | Open | | | |
| | | relay location/code no.: | S3 | | |
| (7) | 999 657 014 90 | Relay | | 1 | |
| | | KL. X | | | |
| | | relay location/code no.: | S4 | | |
| (7) | 999 657 014 90 | Relay | | 1 | |
| | | Convertible top | | | |
| | | Close | | | |
| | | relay location/code no.: | S5 | | |
| (7) | 999 657 015 90 | Relay | | 1 | |
| | | KL. 86S | | | |
| | | relay location/code no.: | S6 | | |
| (7) | 999 657 015 90 | Relay | | 1 | |
| | | Rear window heating | | | |
| | | relay location/code no.: | S7 | | |
| (7) | 999 657 015 90 | Relay | | 1 | |
| | | Fuel pump | | | |
| | | relay location/code no.: | S8 | | |
| (7) | 999 657 013 90 | Relay | | 1 | |
| | | - dme - | | | |
| | | relay location/code no.: | S11 | | |
| (7) | 999 657 013 90 | Relay | | 1 | |
| | | heater | | | |
| | | relay location/code no.: | S12 | | |
| (7) | 999 657 013 90 | Relay | | 1 | PR:288 |
| | | Headlight washer system | | | |
| | | relay location/code no.: | S14 | | |
| (7) | 999 657 013 90 | Relay | | 1 | |
| | | Starter | | | |
| | | relay location/code no.: | S15 | | |
| (7) | 999 657 013 90 | Relay | | 1 | |
| | | KL. 15 | | | |
| | | relay location/code no.: | S16 | | |
| 8 | 997 610 340 00 | Carrier | | 1 | |
| 9 | 997 610 341 00 | Cover | | 1 | |
| 10 | 999 650 209 40 | fuse holder | | 4 | |
| 11 | 999 650 210 40 | slide valve | | 4 | |
| 12 | 999 650 750 40 | fuse holder | | 1 | |
| 13 | 999 650 749 40 | slide valve | | 1 | |
| 14 | 999 607 082 00 | fuse | | X | |
| | | 5 A | | | |
| (14) | 999 607 083 00 | fuse | | X | |
| | | 7 , 5 A | | | |
| (14) | 999 607 084 00 | fuse | | X | |
| | | 10 A | | | |
| (14) | 999 607 085 00 | fuse | | X | |
| | | 15 A | | | |

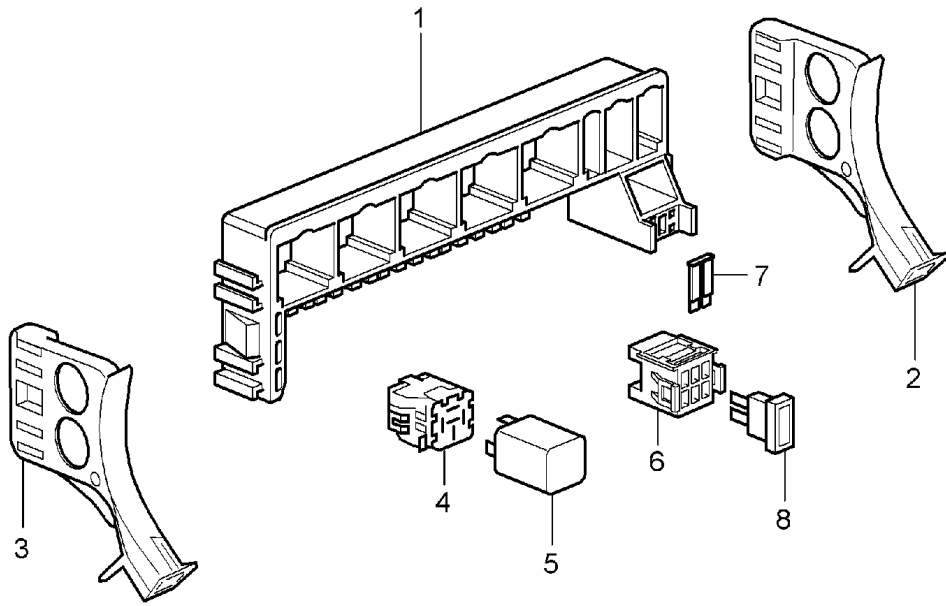
Model: 987 05

Model life 2005>>2008

| Pos | Part Number | Description | Remark | Qty | Model |
|------|----------------|--|---------|-----|-------|
| (14) | 999 607 087 00 | fuse 25 A | | X | |
| (14) | 999 607 088 00 | fuse 30 A | | X | |
| (14) | 999 607 072 00 | fuse 30 A Large | | X | |
| (14) | 999 607 073 00 | fuse 40 A Large | | X | |
| 15 | 999 107 300 40 | Tool | | X | |
| - | 997 610 195 02 | Assignment sticker fuse No longer use the part here | | X | |
| - | 997 610 195 07 | Assignment sticker fuse | | X | |
| 16 | 997 618 761 00 | Emergency operation Release Ignition/starter switch Discontinued part | | 1 | |
| 16 | 970 618 761 00 | Emergency operation Release Ignition/starter switch | | 1 | |
| - | | Emergency operation Cover | | | |
| 17 | 996 610 240 00 | Terminal clamp | | 1 | |
| 18 | 999 657 014 90 | Relay | | 1 | |
| 19 | 999 650 026 99 | fuse holder No longer use the part here | | 1 | |
| 19 | 997 610 915 00 | fuse holder with: fuse 80 A for Cooling air control | | 1 | |
| - | | Cover for housing fuse see illustration: | 807-002 | X | |

Model: 987 05

Model life 2005>>2008

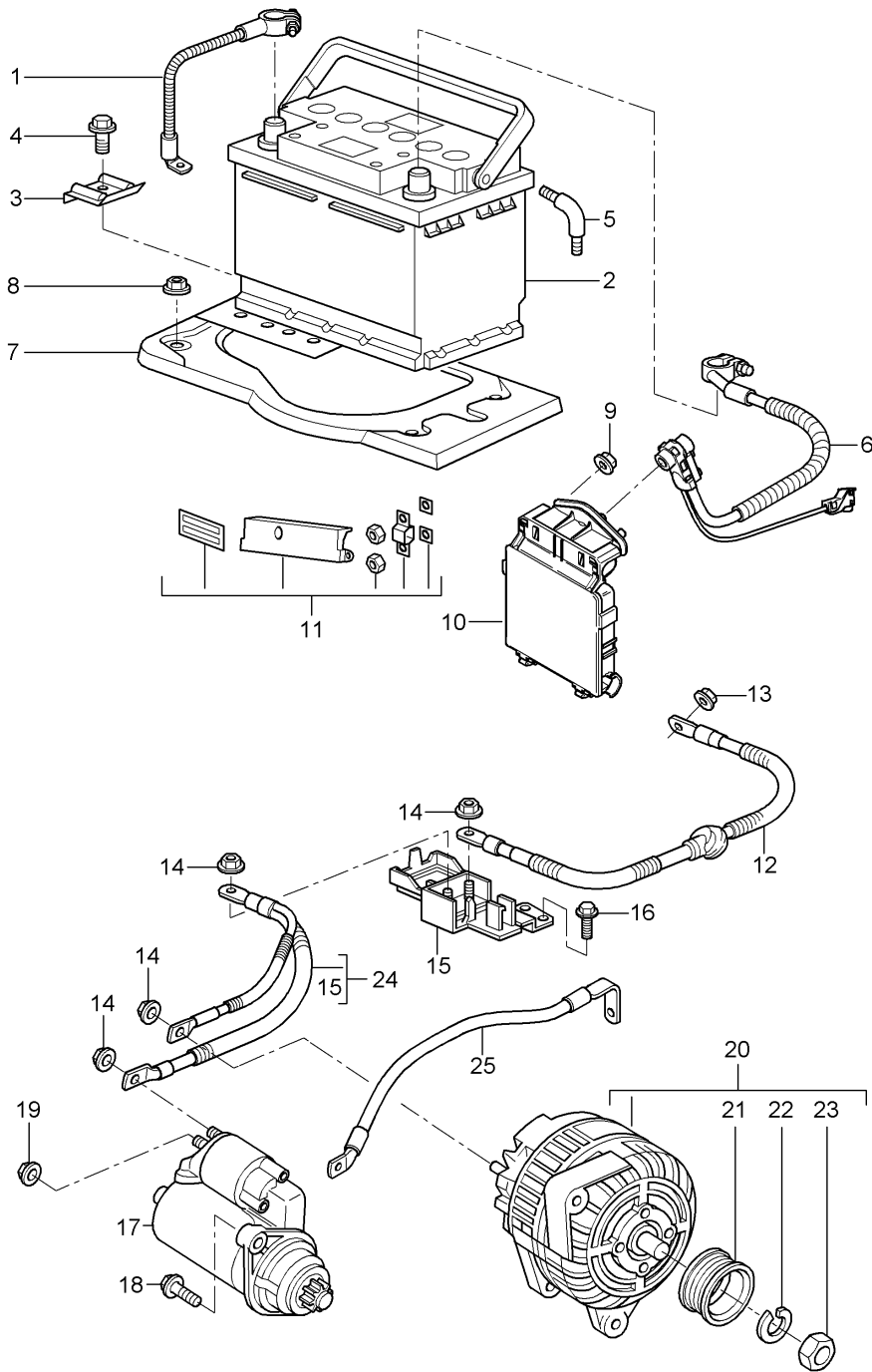


Model: 987 05 Model life 2005>>2008

| Pos | Part Number | Description | Remark | Qty | Model |
|-----|----------------|---|--------|-----|--------|
| 1 | 987 610 111 00 | central electrics Rear end relay plate Mounting frame Discontinued part | | 1 | |
| 1 | 987 610 111 01 | relay plate Mounting frame | | 1 | |
| 2 | 986 610 126 00 | bracket for relay bracket | right | 1 | |
| 3 | 986 610 127 00 | bracket for relay bracket | left | 1 | |
| 4 | 928 610 511 00 | relay plate Large | | X | |
| (4) | 999 650 538 40 | relay plate Small | | X | |
| 5 | | Relay | | | |
| (5) | 964 615 215 00 | Relay Air conditioning relay location/code no.: | S1 | 1 | PR:573 |
| (5) | 999 657 018 90 | Discontinued part relay for air conditioner relay location/code no.: | S1 | 1 | PR:573 |
| (5) | 999 657 008 90 | Relay Secondary pump relay location/code no.: | S2 | 1 | PR:661 |
| (5) | 999 657 017 90 | Discontinued part Relay Secondary pump relay location/code no.: | S2 | 1 | PR:661 |
| (5) | 999 657 007 90 | Relay Fan Engine bay relay location/code no.: | S8 | 1 | |
| (5) | 999 657 015 90 | Discontinued part Relay Fan Engine bay relay location/code no.: | S8 | 1 | |
| 6 | 999 650 747 40 | fuse holder | | 1 | |
| 7 | 999 650 748 40 | Locking mechanism | | 1 | |
| 8 | 999 607 085 00 | fuse 15 A | | X | |
| (8) | 999 607 073 00 | fuse 40 A Large | | X | PR:661 |

Model: 987 05

Model life 2005>>2008



Model: 987 05 Model life 2005>>2008

| Pos | Part Number | Description | Remark | Qty | Model |
|-----|----------------|-----------------------|--------|-----|--------|
| 1 | 997 611 090 00 | Battery | | | |
| - | 900 377 010 01 | Power distributor | | | |
| | | Starter | | | |
| | | Alternator | | | |
| | | Earth line | lhd | 1 | PR:098 |
| | | Hexagon nut | | 1 | |
| | | M 6 | | | |
| (2) | 999 611 070 20 | Battery | | 1 | |
| | | 70 AH | | | |
| 2 | 999 611 080 20 | Battery | | 1 | |
| | | 80 AH | | | |
| 3 | 996 611 209 00 | Rail | | 1 | |
| | | Battery | | | |
| 4 | 900 378 017 01 | Hexagon bolt | | 1 | |
| | | M 8 X 20 | | | |
| 5 | 893 915 507 | Elbow fitting | | 1 | |
| 6 | 997 612 993 00 | repair set | lhd | 1 | PR:098 |
| | | Cable | | | |
| | | Battery | | | |
| | | Power distributor | | | |
| | | Discontinued part | | | |
| (6) | 997 612 908 00 | repair set | lhd | 1 | PR:098 |
| | | Wire set | | | |
| | | Battery | | | |
| | | Power distributor | | | |
| | | see | | | |
| | | Technical information | | | |
| | | 9789 | | | |
| (6) | 997 612 909 00 | repair set | rhd | 1 | PR:099 |
| | | Wire set | | | |
| | | Battery | | | |
| | | Power distributor | | | |
| | | see | | | |
| | | Technical information | | | |
| | | 9789 | | | |
| 7 | 996 504 151 00 | Battery console | | 1 | |
| 8 | 999 084 630 01 | Hexagon nut | | 4 | |
| | | VM 8 SB | | | |
| 9 | 900 380 005 01 | Nut | | 2 | |
| | | VM 8 | | | |
| 10 | 997 610 911 00 | repair set | | 1 | |
| | | Replacement | | | |
| | | Power distributor | | | |
| | | comprising: | | | |
| - | | Power distributor | | 1 | |
| | | without: | | | |
| | | Fuse element | | | |
| - | | Hexagon nut | | 8 | |
| | | M 5 | | | |
| - | | Hexagon nut | | 3 | |
| | | M 8 | | | |
| - | | Seal label | | 1 | |
| | | red | | | |
| 11 | 997 610 912 00 | repair set | | 1 | |
| | | Replacement | | | |
| | | Fuse element | | | |
| | | comprising: | | | |
| - | | Fuse element | | 1 | |
| | | 50 AMPERE | | | |
| - | | Fuse element | | 1 | |
| | | 70 AMPERE | | | |
| - | | Fuse element | | 1 | |
| | | 80 AMPERE | | | |

Model: 987 05 Model life 2005>>2008

| Pos | Part Number | Description | Remark | Qty | Model |
|------|----------------|--|--------|-----|------------|
| - | | Hexagon nut M 5 | | 4 | |
| - | | square washer | | 4 | |
| - | | Cover blue | | 1 | |
| - | | Seal label red | | | |
| 11 | 997 610 913 00 | repair set Replacement Fuse element comprising: Fuse element 150 AMPERE | | 1 | |
| - | | Hexagon nut M 8 | | 2 | |
| - | | square washer | | 2 | |
| - | | Cover blue | | | |
| - | | Seal label red | | 1 | |
| 12 | 987 612 090 02 | Cable Power distributor To Connection point Engine | lhd | 1 | PR:098 |
| 13 | 900 084 123 02 | Hexagon nut M 8 | | 1 | |
| 14 | 900 377 003 03 | Hexagon nut M 8 | | 4 | |
| 15 | 986 611 201 01 | Connection point (complete) | | 1 | |
| 16 | 900 385 009 01 | Torx screw BM 6 X 16 | | 2 | |
| 17 | 996 604 103 00 | Starter 1,7 KW | | 1 | |
| 18 | 900 385 097 01 | Torx screw BM 10 X 35 | | 2 | |
| 19 | 900 377 010 01 | Hexagon nut M 6 | | 1 | |
| 20 | 997 603 012 06 | Alternator with: pulley without: Freewheel D >> - MJ 2006 | | 1 | PR:249 |
| 20 | 997 603 022 04 | Alternator with: pulley without: Freewheel D - MJ 2007>> | | 1 | PR:249 |
| 20 | 997 603 022 DX | Alternator with: pulley without: Freewheel D - MJ 2007>> | | 1 | PR:249 |
| (20) | 997 603 012 01 | Alternator with: pulley Freewheel D >> - MJ 2006 | | 1 | PR:480,481 |
| (20) | 997 603 012 07 | Alternator | | 1 | PR:480,481 |

Model: 987 05 Model life 2005>>2008

| Pos | Part Number | Description | Remark | Qty | Model |
|------|----------------|---|--------|-----|-----------------------|
| (20) | 997 603 012 09 | with: pulley Freewheel D >> - MJ 2006 Discontinued part Alternator | | 1 | PR:480,481 |
| (20) | 997 603 012 JX | with: pulley Freewheel D >> - MJ 2006 Alternator | | 1 | PR:480,481 - "CN." |
| (20) | 997 603 022 05 | with: pulley Freewheel D >> - MJ 2006 Alternator | | 1 | PR:480,481 |
| (20) | 997 603 022 EX | with: pulley Freewheel D - MJ 2007>> Alternator | | 1 | PR:480,481 - "CN." |
| 21 | 996 603 151 55 | with: pulley Freewheel D - MJ 2007>> pulley | | 1 | PR:249 |
| (21) | 997 603 154 00 | without: Freewheel pulley | | 1 | PR:480,481 |
| - | 996 603 113 00 | with: Freewheel Protective cap for 3-phase alternator | | 1 | PR:249 |
| - | 996 603 153 50 | Protective cap | | 1 | PR:480,481 |
| 22 | N 012 016 1 | spring ring | | 1 | |
| 23 | 900 034 013 01 | B 16 Hexagon nut M 16 X 1,5 | | 1 | |
| - | | Fasteners | | | |
| - | 900 385 097 01 | Alternator Torx screw BM 10 X 35 | | 1 | |
| - | 900 385 092 04 | Torx screw BM 10 X 145 | | 1 | |
| 24 | 987 607 019 01 | Wire set Starter Alternator | | 1 | |
| (24) | 987 607 019 02 | D >> - MJ 2006 Wire set Starter Alternator | | 1 | |
| 25 | 996 607 030 00 | D - MJ 2007>> Earth line | | 1 | |
| 25 | 987 607 030 00 | D - MJ 2005>> - MJ 2005 Earth line | | 1 | |
| 26 | 997 610 916 00 | Body Engine D - MJ 2006>> repair set Screw bolt Power distributor comprising: Screw bolt | | 1 | |

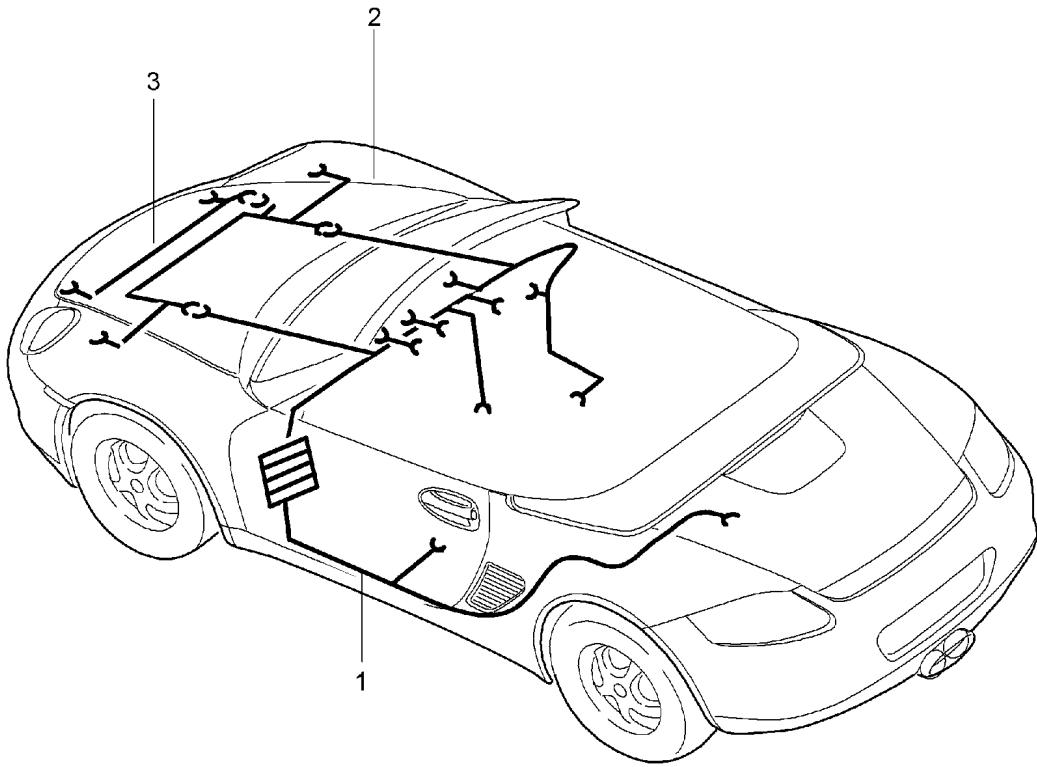
Model: 987 05

Model life 2005>>2008

| Pos | Part Number | Description | Remark | Qty | Model |
|-----|-------------|-------------------|--------|--------|-------|
| | | Nut Seal label | | 2 1 | |

Model: 987 05

Model life 2005>>2008



Model: 987 05 Model life 2005>>2008

| Pos | Part Number | Description | Remark | Qty | Model |
|-----|----------------|---|--------|-----|--------|
| 1 | 987 612 903 00 | Wiring looms Passenger compartment FRONT luggage compartment Trim Airbag Seat belt tensioner repair kits Shock absorbers anti-locking brake syst. -abs- brake pad wear display Front axle | front | 1 | |
| - | 996 610 120 01 | Wire set Passenger compartment Vehicle Ident. No. Indicate | | 1 | |
| - | 999 651 302 40 | Bracket Socket Diagnostic connector | | X | |
| - | 999 651 284 40 | Retaining clip Wire set Passenger compartment Sill | | X | |
| 2 | 987 612 520 10 | Retaining clip Wire set Passenger compartment Sill | | 1 | |
| 2 | 987 612 520 11 | Wire set FRONT luggage compartment See workshop manual KD-NR.: 971619 D - MJ 2006>> - MJ 2006 No longer use the part here | | 1 | |
| (2) | 987 612 521 10 | Wire set FRONT luggage compartment See workshop manual KD-NR.: 971619 D - MJ 2006>> - MJ 2006 No longer use the part here | | 1 | PR:601 |
| (2) | 987 612 521 11 | Wire set FRONT luggage compartment See workshop manual KD-NR.: 971619 D - MJ 2006>> - MJ 2006 No longer use the part here | | 1 | PR:601 |
| - | 997 610 215 01 | Cable guide for Sensor Airbag | | 2 | |
| 3 | 987 612 501 01 | Wire set Trim | front | 1 | |
| - | 999 507 840 40 | Cable holder for POS. 3 | | X | |
| - | 997 612 781 25 | Wire set Airbag (passenger side) Setting 1 Connector | | 1 | |
| - | 997 612 783 00 | green Wire set Airbag | | 1 | |

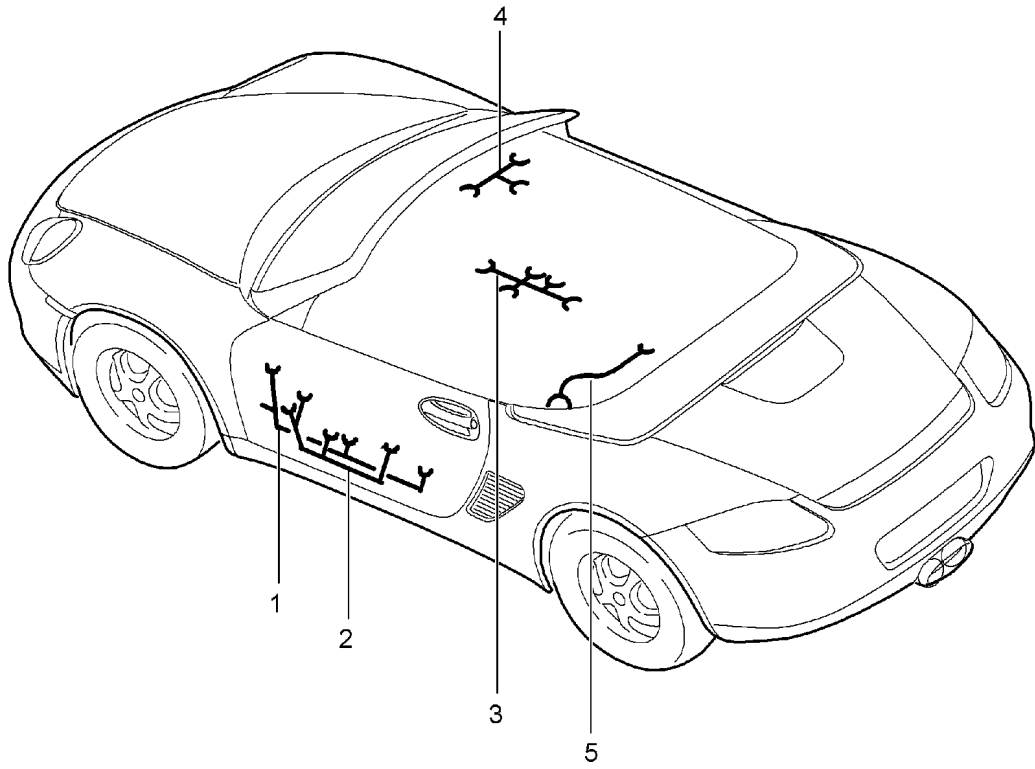
Model: 987 05

Model life 2005>>2008

| Pos | Part Number | Description | Remark | Qty | Model |
|-----|----------------|---|-------------|-----|--------|
| - | 997 612 783 25 | (passenger side) Setting2 Connector yellow D >> - MJ 2007 Discontinued part Wire set Airbag | | 1 | |
| - | 997 612 992 00 | (passenger side) Setting2 Connector yellow Wire set Control unit Airbag Connection point Door | | 2 | |
| - | | Wire set Airbag Seat | | | |
| - | 997 612 793 01 | see illustration: Wire set Seat belt tensioner | 817-006 | 2 | |
| - | 997 612 950 00 | repair set Wire set Shock absorbers | front | 2 | PR:475 |
| - | 997 612 961 00 | Repair set for front axle Wire set anti-locking brake syst. -abs- brake pad wear display | left front | 1 | |
| - | 997 612 960 00 | Repair set for front axle Wire set anti-locking brake syst. -abs- brake pad wear display | right front | 1 | |
| - | | repair set Wire set Rear axle see illustration: | 902-020 | | |

Model: 987 05

Model life 2005>>2008



Model: 987 05 Model life 2005>>2008

| Pos | Part Number | Description | Remark | Qty | Model |
|-----|----------------|--|--------|-----|----------------------|
| 1 | 997 612 642 00 | Wiring looms doors Airbag Centre console Glove box hardtop Wire set | lhd | 1 | PR:098 |
| 1 | 997 612 642 05 | Assembly frame Driver's door D - MJ 2005>> - MJ 2005 Wire set | lhd | 1 | PR:098 |
| 1 | 997 612 642 07 | Assembly frame Driver's door D - MJ 2006>> - MJ 2006 Wire set | lhd | 1 | PR:098 |
| (1) | 997 612 643 00 | Assembly frame Driver's door D - MJ 2007>> Wire set | lhd | 1 | PR:098 |
| (1) | 997 612 643 55 | Assembly frame Passenger's door D - MJ 2005>> - MJ 2005 Wire set | lhd | 1 | PR:098 |
| (1) | 997 612 643 57 | Assembly frame Passenger's door D - MJ 2006>> - MJ 2006 Wire set | lhd | 1 | PR:098 |
| - | 997 612 780 00 | Assembly frame Passenger's door D - MJ 2007>> Wire set | | 2 | |
| - | 997 612 780 16 | Airbag D - MJ 2005>> - MJ 2005 Wire set | | 2 | |
| 2 | 997 612 647 00 | Airbag D - MJ 2006>> Wire set | lhd | 1 | PR:098 |
| 2 | 997 612 647 05 | door panel Driver's door D - MJ 2005>> - MJ 2005 Wire set | lhd | 1 | PR:098 |
| 2 | 997 612 647 07 | door panel Driver's door D - MJ 2006>> - MJ 2006 Wire set | lhd | 1 | PR:098 |
| 2 | 997 612 647 10 | door panel Driver's door F >> 98-8U712 582 F >> 98-8U732 069 D - MJ 2007>> - MJ 2008 Wire set | lhd | 1 | PR:098 |
| (2) | 997 612 648 00 | door panel Driver's door F 98-8U712 583>> F 98-8U732 070>> D - MJ 2008>> Wire set | lhd | 1 | PR:098 |
| (2) | 997 612 648 05 | door panel Passenger's door D - MJ 2005>> - MJ 2005 Wire set | lhd | 1 | PR:098 |
| | | door panel Passenger's door | | | BOXSTER BOXSTER S |

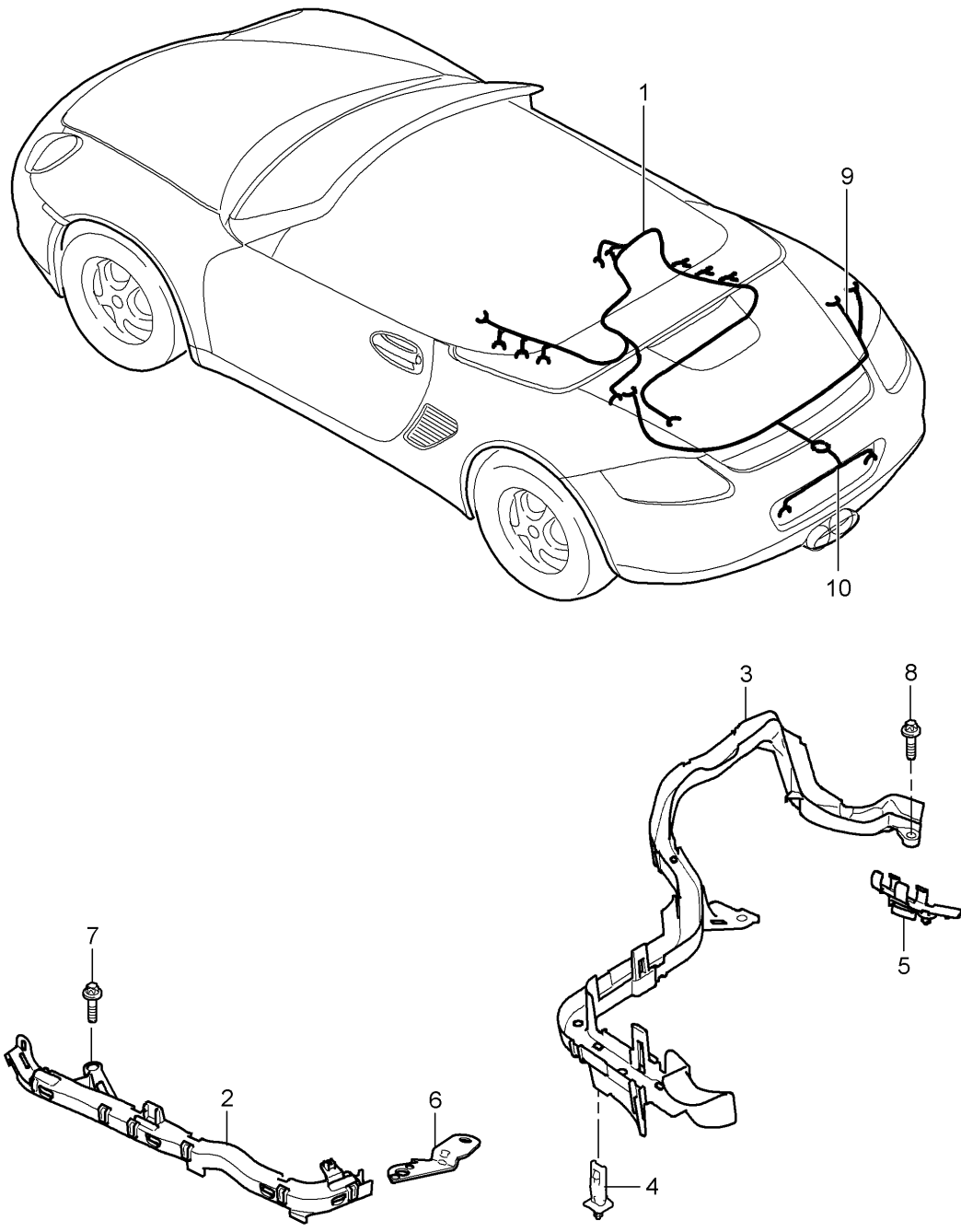
Model: 987 05

Model life 2005>>2008

| Pos | Part Number | Description | Remark | Qty | Model |
|-----|----------------|---|---------|-----|------------------------------------|
| (2) | 997 612 648 07 | D - MJ 2006>> - MJ 2006 Wire set door panel Passenger's door F >> 98-8U712 582 F >> 98-8U732 069 | lhd | 1 | PR:098 BOXSTER BOXSTER S |
| (2) | 997 612 648 10 | D - MJ 2007>> - MJ 2008 Wire set door panel Passenger's door F 98-8U712 583>> F 98-8U732 070>> | lhd | 1 | PR:098 BOXSTER BOXSTER S |
| 3 | 997 612 652 50 | D - MJ 2008>> Wire set Centre console | | 1 | |
| 3 | 997 612 652 75 | D - MJ 2005>> - MJ 2005 Wire set Centre console | | 1 | |
| 4 | 997 612 651 00 | D - MJ 2006>> Wire set Glove box | | 1 | |
| 5 | 986 612 081 01 | Wire set hardtop | | 1 | PR:550 |
| - | | Wire set Convertible top see illustration: | 811-005 | | |

Model: 987 05

Model life 2005>>2008



Model: 987 05 Model life 2005>>2008

| Pos | Part Number | Description | Remark | Qty | Model |
|-----|----------------|--|--------|-----|-----------------------------------|
| 1 | 987 607 001 02 | Wiring looms Engine Rear end Licence plate light Parking aid repair kits for Shock absorbers anti-locking brake syst. -abs- brake pad wear display Rear axle | | 1 | 9625+ PR:481 |
| 1 | 987 607 001 04 | Wire set Engine M >> 615 07982 Discontinued part | | 1 | 9625+ PR:481 |
| 1 | 987 607 001 06 | Wire set Engine D >> - MJ 2006 Discontinued part | | 1 | 9625+ PR:481 |
| 1 | 987 607 010 06 | Wire set Engine D - MJ 2007>> - MJ 2007 Discontinued part | | 1 | 9720+ PR:481,660 |
| 1 | 987 607 010 08 | Wire set Engine D - MJ 2007>> | | 1 | 9720+ PR:481,660 |
| 1 | 987 607 001 61 | Wire set Engine M >> 625 06879 Discontinued part | | 1 | 9625,9626+ PR:480 |
| 1 | 987 607 001 62 | Wire set Engine M >> 625 06879 D >> - MJ 2006 Discontinued part | | 1 | 9625,9626+ PR:480 |
| 1 | 987 607 001 63 | Wire set Engine D >> - MJ 2006 | | 1 | 9625,9626+ PR:480 |
| 1 | 987 607 010 63 | Wire set Engine D - MJ 2007>> - MJ 2007 Discontinued part | | 1 | 9720,9721+ PR:480,660 |
| 1 | 987 607 010 64 | Wire set Engine D - MJ 2007>> | | 1 | 9720,9721, 9722+ PR:480,660 |
| 1 | 987 607 001 03 | Wire set Engine M >> 615 08206 M >> 625 07023 Discontinued part | | 1 | 9625,9626+ PR:249 |
| 1 | 987 607 001 05 | Wire set | | 1 | 9625,9626+ |

Model: 987 05 Model life 2005>>2008

| Pos | Part Number | Description | Remark | Qty | Model |
|------|----------------|---|------------|-----|--------------------------|
| | | Engine M >> 615 08206 M >> 625 07023 D >> - MJ 2006 Discontinued part | | | PR:249 |
| 1 | 987 607 001 07 | Wire set | | 1 | 9625,9626+ PR:249 |
| 1 | 987 607 010 07 | Engine D >> - MJ 2006 Wire set | | 1 | 9720,9721+ PR:249,660 |
| 1 | 987 607 010 09 | Engine D - MJ 2007>> - MJ 2007 Discontinued part Wire set | | 1 | 9720,9721, 9722+ |
| - | 999 702 324 40 | Engine D - MJ 2007>> Grommet | | 1 | |
| 2 | 987 607 116 00 | Air mass meter Cable guide for Wire set 987.607.001.02/03/61 | | 2 | |
| (2) | 987 607 116 01 | D - MJ 2007>> Cable guide for Wire set 987.607.001.04/05/06/07/62 987.607.010.06/07/08/09/63 987.607.010.64 | | 2 | |
| 3 | 997 607 110 00 | Cable guide | | 1 | |
| 4 | 997 607 114 00 | Crankcase housing Bracket | | 1 | |
| 5 | 987 607 126 00 | Cable guide Bracket | | 1 | |
| 6 | 987 607 103 00 | Cable guide Bracket | | 2 | |
| 7 | 900 385 001 02 | Cable guide Torx screw BM 8 X 20 | | 2 | |
| 8 | 900 385 009 01 | Torx screw BM 6 X 16 | | 2 | |
| 9 | 987 612 904 00 | Wire set Rear end Vehicle Ident. No. Indicate | | 1 | |
| 10 | 997 612 660 01 | Wire set Licence plate light | | 1 | |
| (10) | 997 612 661 00 | Wire set Parking aid Licence plate light | | 1 | PR:635 |
| (10) | 997 612 661 01 | Wire set Parking aid Licence plate light | | 1 | PR:635 |
| - | 997 612 950 00 | repair set Wire set Shock absorbers | rear | 2 | PR:475 |
| - | 987 612 963 00 | Repair set for rear axle Wire set | left rear | 1 | |
| - | 987 612 962 00 | anti-locking brake syst. -abs- brake pad wear display Repair set for | right rear | 1 | |

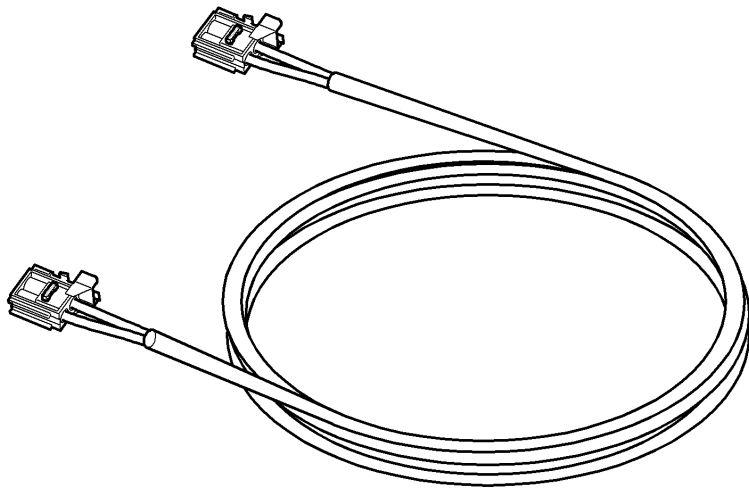
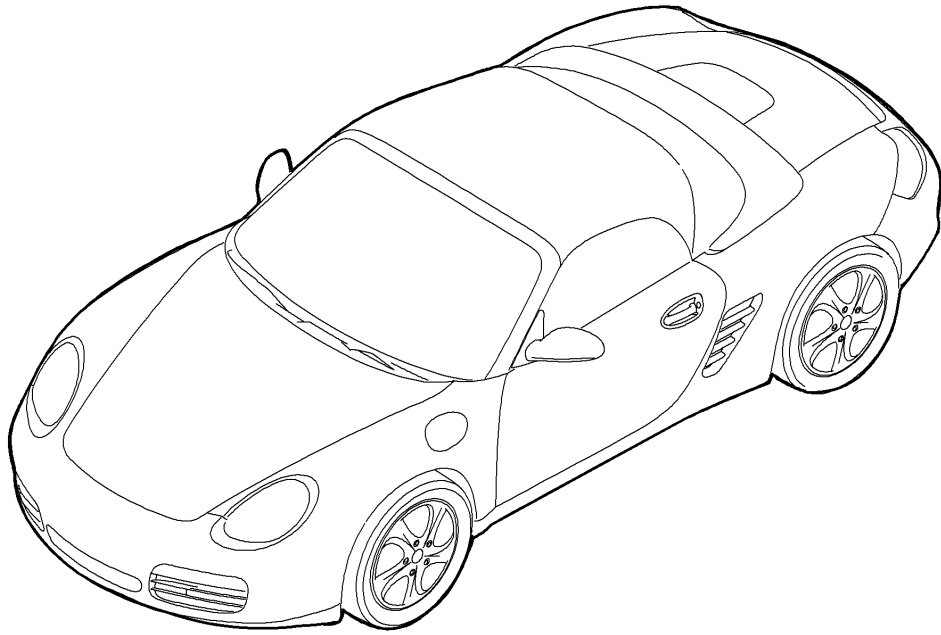
Model: 987 05

Model life 2005>>2008

| Pos | Part Number | Description | Remark | Qty | Model |
|-----|-------------|--|---------|-----|-------|
| - | | rear axle Wire set anti-locking brake syst. -abs- brake pad wear display repair set Wire set Front axle see illustration: | 902-010 | | |

Model: 987 05

Model life 2005>>2008



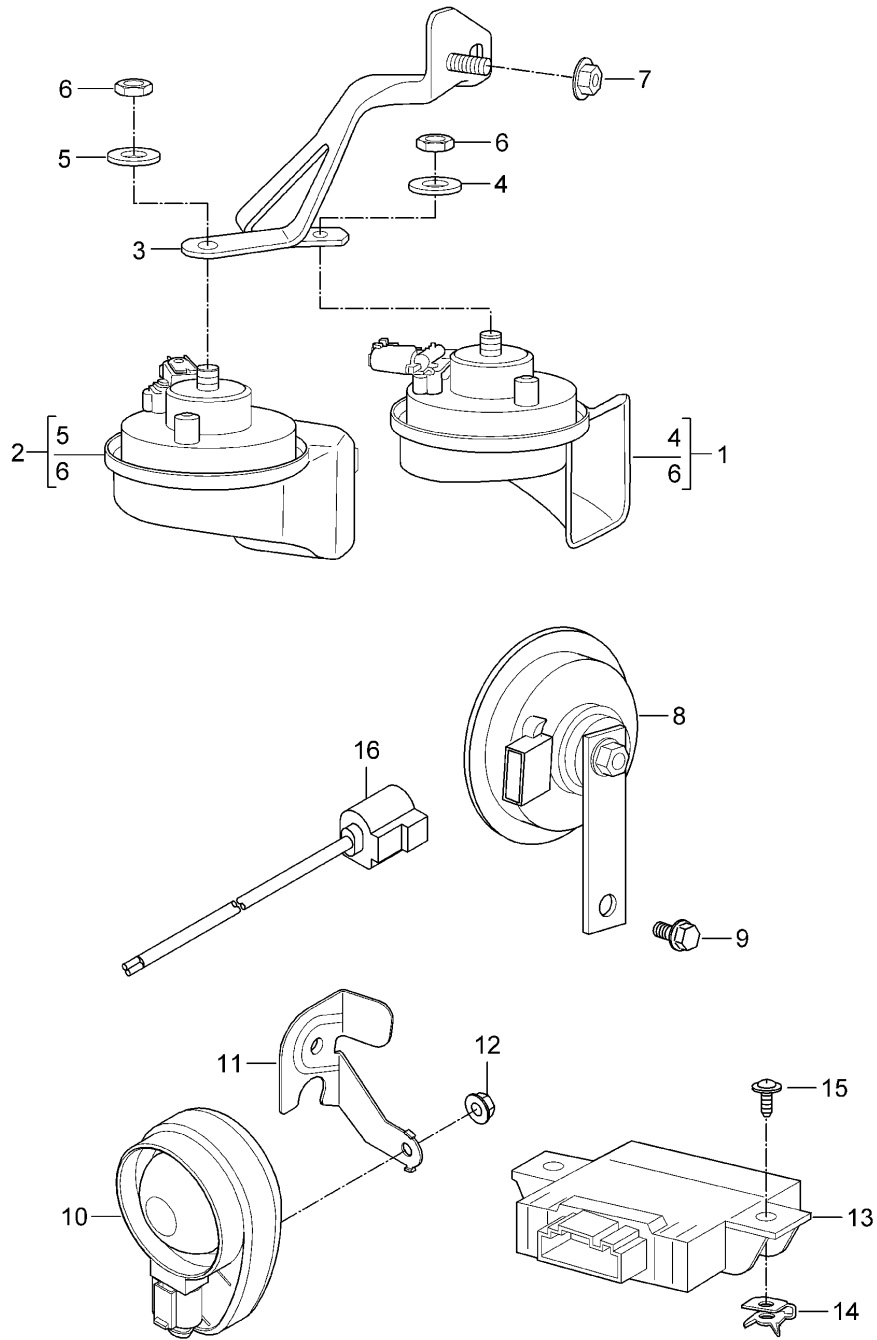
Model: 987 05

Model life 2005>>2008

| Pos | Part Number | Description | Remark | Qty | Model |
|-----|----------------|---|--------|-----|------------------------------------|
| - | | fibre optic wave conductor Module | | | |
| - | 997 622 701 00 | Passenger compartment fibre optic wave conductor Module | lhd | 1 | PR:098,670, 672,680,689, 692 |
| - | 997 622 702 00 | fibre optic wave conductor Module | lhd | 1 | PR:098,666, 689 |
| - | 997 622 703 00 | fibre optic wave conductor Module | lhd | 1 | PR:098,666, 670,672,680, 692 |
| - | 999 650 091 40 | Plug inserts fibre optic wave conductor Module | | X | |
| - | 997 610 122 00 | FRONT luggage compartment Bracket | | 1 | |
| - | 996 610 132 00 | Connection point Cable guide t-piece | | X | |
| - | 997 622 707 00 | FRONT luggage compartment fibre optic wave conductor Module | lhd | 1 | PR:098,670, 672 |
| - | 997 622 704 00 | fibre optic wave conductor Module | lhd | 1 | PR:098,680 |
| - | 997 622 708 00 | fibre optic wave conductor Module | lhd | 1 | PR:098,664, 692 |
| - | 997 622 710 00 | fibre optic wave conductor Module | lhd | 1 | PR:098,670, 672,680 |
| - | 997 622 715 00 | fibre optic wave conductor Module | lhd | 1 | PR:098,664, 670,672,692 |
| - | 997 622 712 00 | fibre optic wave conductor Module | lhd | 1 | PR:098,664, 680,692 |
| - | 997 622 713 00 | fibre optic wave conductor Module | lhd | 1 | PR:098,664, 670,672,680, 692 |

Model: 987 05

Model life 2005>>2008



Model: 987 05 Model life 2005>>2008

| Pos | Part Number | Description | Remark | Qty | Model |
|-----|----------------|---|---------------|-----|-------|
| 1 | 997 635 206 03 | Fanfare Signal horn Fanfare High-pitched Discontinued part | | 1 | |
| 1 | 997 635 206 04 | Fanfare High-pitched No longer use the part here | | 1 | |
| 1 | 997 635 216 00 | Fanfare High-pitched see Technical information GR.9 NR.100/13 KD-NR.9050 | | 1 | |
| - | 997 612 947 00 | Adapter cable see Technical information GR.9 NR.100/13 KD-NR.9050 | | 1 | |
| 2 | 997 635 205 03 | Fanfare Low-pitched Discontinued part | | 1 | |
| 2 | 997 635 205 04 | Fanfare Low-pitched No longer use the part here | | 1 | |
| (2) | 997 635 215 00 | Fanfare Low-pitched see Technical information GR.9 NR.100/13 KD-NR.9050 | | 1 | |
| - | 997 612 947 00 | Adapter cable see Technical information GR.9 NR.100/13 KD-NR.9050 | | 1 | |
| 3 | 997 635 150 04 | Bracket for fanfare Discontinued part | | 1 | |
| 3 | 997 635 150 05 | Bracket for fanfare | | 1 | |
| 4 | | Washer High-pitched | | 1 | |
| 5 | | Washer Low-pitched | | 1 | |
| 6 | 900 034 001 03 | Nut M 8 D >> - MJ 2007 Discontinued part | | 2 | |
| 6 | 900 034 001 04 | Nut M 8 | | 2 | |
| 7 | 900 377 003 03 | Hexagon nut M 8 | | 1 | |
| 8 | 996 637 117 03 | Signal horn for alarm system | | 1 | |
| 8 | 996 637 117 05 | Signal horn for alarm system Replacement for 996.637.117.03 | | 1 | |
| 9 | 900 075 459 01 | use if required: Bolt with washer M 6 X 12 Z2 | 9P1 998 003 A | 1 | |

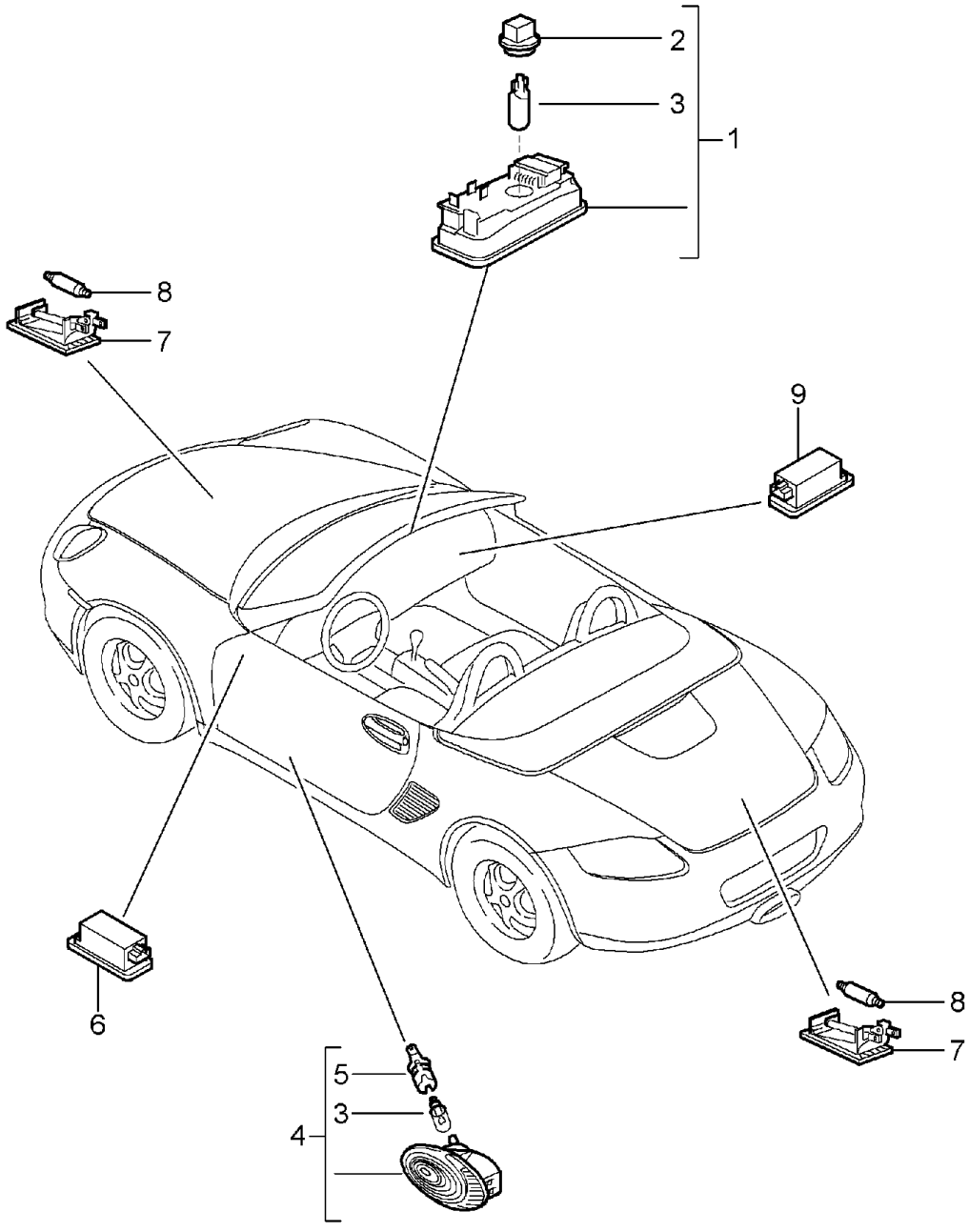
Model: 987 05

Model life 2005>>2008

| Pos | Part Number | Description | Remark | Qty | Model |
|-----|---------------|---|--------|-----|-------|
| 16 | 9P1 998 003 A | Wire set Modification kit Signal horn | | 1 | |

Model: 987 05

Model life 2005>>2008



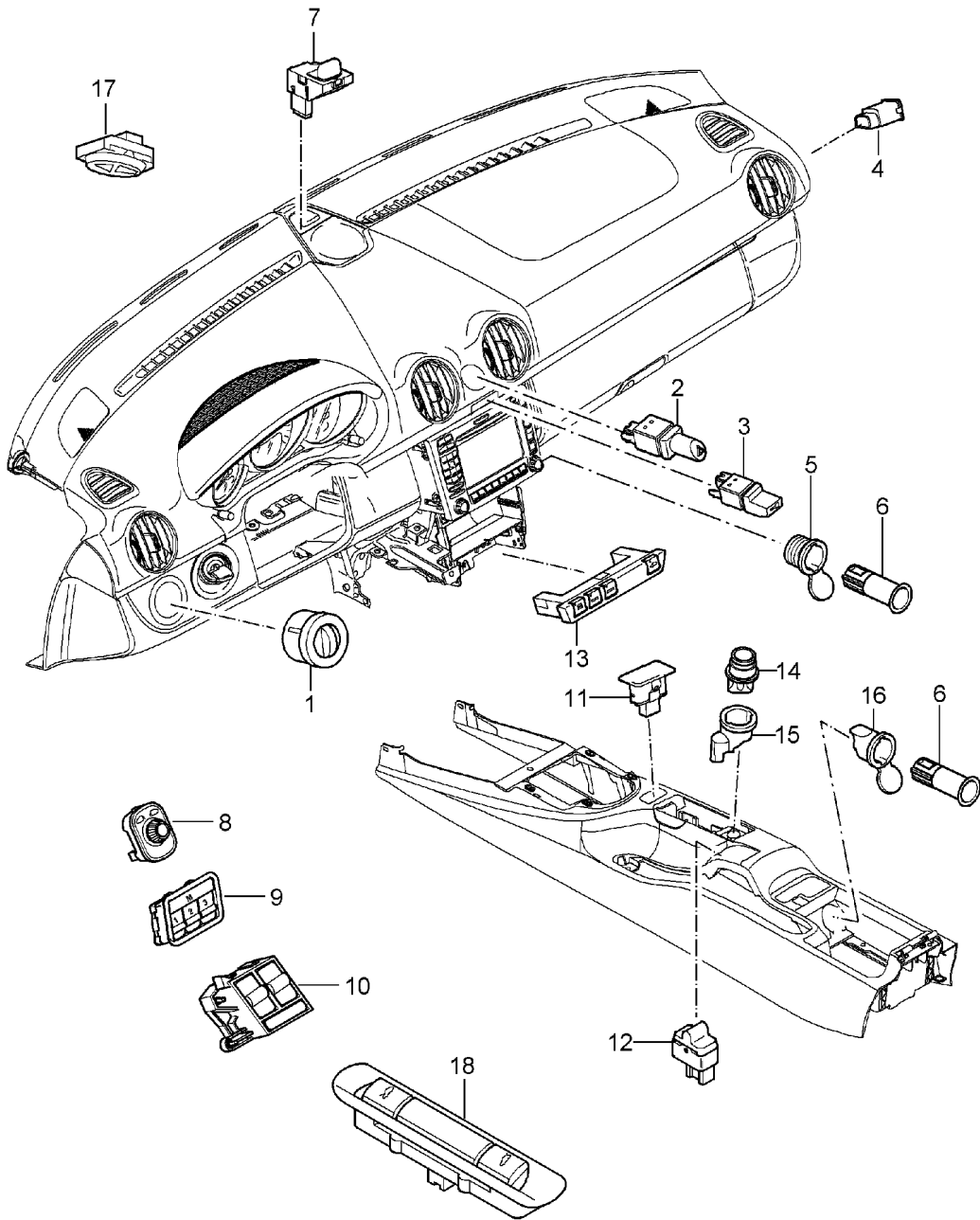
Model: 987 05

Model life 2005>>2008

| Pos | Part Number | Description | Remark | Qty | Model |
|-----|----------------|--------------------------|----------------|-----|-------|
| | | Interior lights | | | |
| | | Luggage compartment lamp | | | |
| | | Engine compartment light | | | |
| | | Glove box light | | | |
| | | Footwell light | | | |
| 1 | 987 632 053 00 | interior light | | 1 | |
| 2 | 999 632 018 00 | Bulb holder | | 1 | |
| 3 | 999 631 032 90 | bulb | | 2 | |
| | | 5 W | | | |
| 4 | 996 632 132 01 | Door warning light | | 2 | |
| 5 | 161 949 111 | Bulb holder | | 1 | |
| 6 | 955 632 202 00 | Light | | 2 | |
| | | Footwell | | | |
| 7 | 997 632 201 00 | Light | front and rear | 2 | |
| | | Luggage compartment | | | |
| 8 | 900 631 106 90 | Linolite lamp | | 2 | |
| | | 10 W | | | |
| 9 | 997 632 071 00 | Glove box light | | 1 | |
| - | 999 631 147 90 | bulb | | 4 | |
| | | 3 W | | | |
| | | Vanity mirror | | | |

Model: 987 05

Model life 2005>>2008



Model: 987 05 Model life 2005>>2008

| Pos | Part Number | Description | Remark | Qty | Model |
|-----|--------------------|--|--------|-----|--------------------------------|
| 1 | 997 613 535 01 | Switch switch for lighting | | 1 | |
| 2 | 997 613 535 01 A05 | Matt black | | | |
| 2 | 987 613 120 02 | Hazard warning light sw. | | 1 | |
| | 987 613 120 02 A05 | Matt black | | | |
| 3 | 987 613 143 00 | Switch Central locking system Discontinued part | | 1 | |
| | 987 613 143 00 A05 | Matt black | | | |
| 3 | 987 613 143 01 | Switch Central locking system | | 1 | |
| | 987 613 143 01 A05 | Matt black | | | |
| 4 | 955 613 165 02 | Switch Airbag | | 1 | |
| | | D - MJ 2005>> - MJ 2005 | | | |
| (4) | 955 613 165 02 9B9 | Satin black | | | |
| | 997 613 211 00 | Switch Airbag | | 1 | |
| | | D - MJ 2006>> | | | |
| | 997 613 211 00 B41 | Satin black | | | |
| 5 | 997 652 103 00 | clamping ring | with: | 1 | |
| 6 | 955 652 107 00 | Cover Socket | | 2 | |
| 7 | 997 653 251 00 | Sensor | | 1 | |
| 8 | 997 613 241 00 | Air conditioning Switch | | 1 | |
| | | Exterior mirror Discontinued part | | | |
| | 997 613 241 00 A05 | Matt black | | | |
| 8 | 997 613 241 01 | Switch Exterior mirror | | 1 | |
| | 997 613 241 01 A05 | Matt black | | | |
| 9 | 997 613 103 00 | Memory switch | left | 1 | PR:537 |
| | | Discontinued part | | | |
| | 997 613 103 00 A05 | Matt black | | | |
| 9 | 997 613 103 01 | Memory switch | left | 1 | PR:537 |
| | 997 613 103 01 A05 | Matt black | | | |
| (9) | 997 613 104 00 | Memory switch | right | 1 | PR:538 |
| | 997 613 104 00 A05 | Matt black | | | |
| 10 | 997 613 151 02 | Switch for electric window regulator (drivers side) | lhd | 1 | PR:098 |
| | 997 613 151 02 A05 | Matt black | | | |
| 10 | 997 613 151 04 | Switch for electric window regulator (drivers side) Discontinued part | lhd | 1 | PR:098 |
| | 997 613 151 04 A05 | Matt black | | | |
| | | F >> 98-8U712 582 | | | |
| | | F >> 98-8U732 069 | | | |
| 10 | 997 613 151 05 | Switch for electric window regulator (drivers side) | lhd | 1 | BOXSTER BOXSTER S PR:098 |
| | 997 613 151 05 A05 | Matt black | | | |
| | | F >> 98-8U712 582 | | | |
| | | F >> 98-8U732 069 | | | |
| 10 | 997 613 151 10 | Switch for electric window regulator (drivers side) Discontinued part | | 1 | BOXSTER BOXSTER S |
| | 997 613 151 10 A05 | Matt black | | | |
| | | F 98-8U712 583>> | | | BOXSTER |

Model: 987 05 Model life 2005>>2008

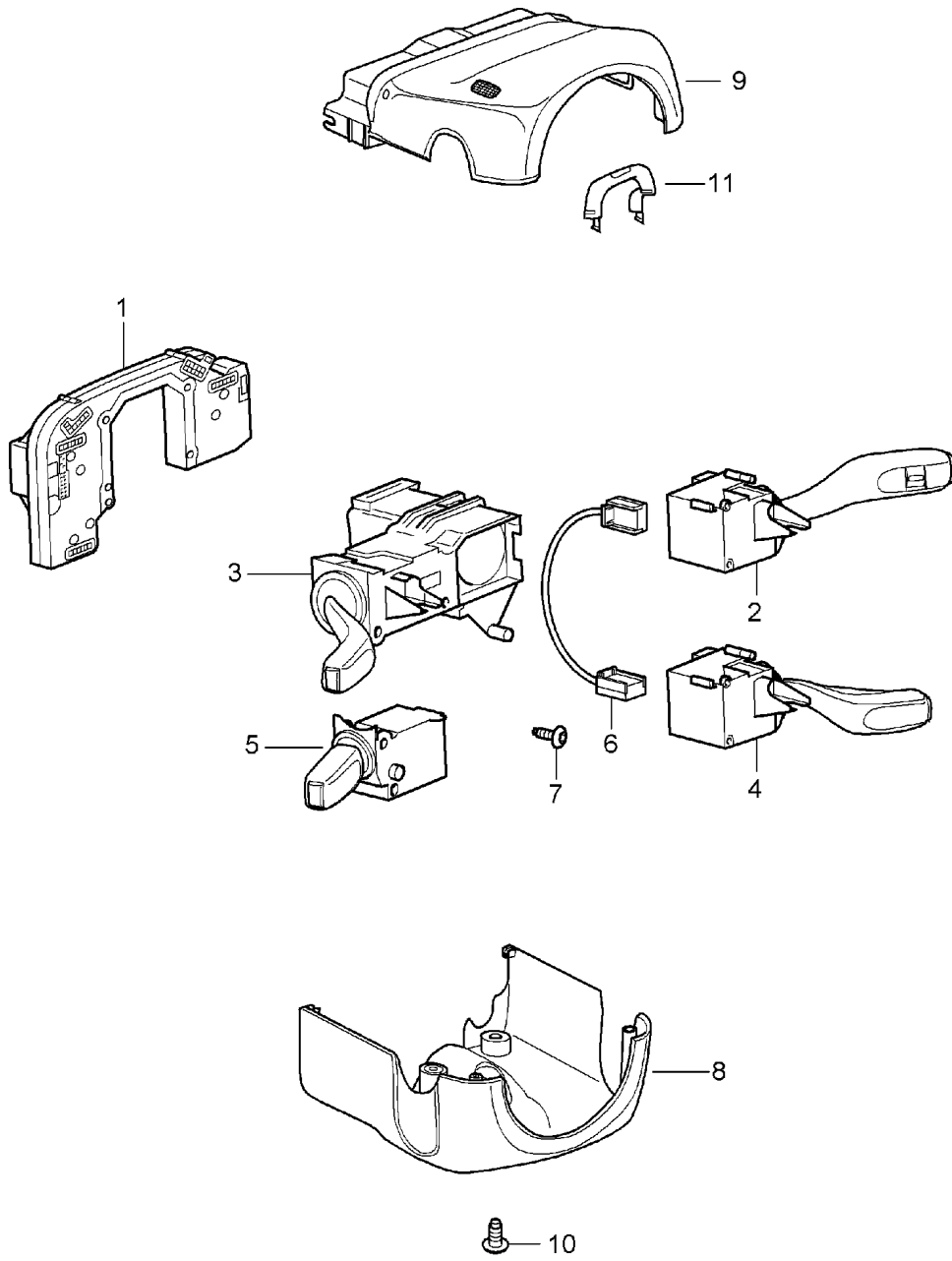
| Pos | Part Number | Description | Remark | Qty | Model |
|------|--------------------|--|--------|-----|-------------------------------------|
| 10 | 997 613 151 11 | F 98-8U732 070>> Switch for electric window regulator (drivers side) | | 1 | BOXSTER S |
| | 997 613 151 11 A05 | Matt black | | | |
| (10) | 997 613 156 04 | F 98-8U712 583>> F 98-8U732 070>> Switch for electric window regulator (passenger side) Discontinued part | lhd | 1 | BOXSTER BOXSTER S PR:098 |
| | 997 613 156 04 A05 | Matt black | | | |
| (10) | 997 613 156 05 | F >> 98-8U712 582 F >> 98-8U732 069 Switch for electric window regulator (passenger side) Discontinued part | lhd | 1 | BOXSTER BOXSTER S PR:098 |
| | 997 613 156 05 A05 | Matt black | | | |
| (10) | 997 613 156 10 | F >> 98-8U712 582 F >> 98-8U732 069 Switch for electric window regulator (passenger side) Discontinued part | | 1 | BOXSTER BOXSTER S |
| | 997 613 156 10 A05 | Matt black | | | |
| (10) | 997 613 156 11 | F 98-8U712 583>> F 98-8U732 070>> Switch for electric window regulator (passenger side) Discontinued part | | 1 | BOXSTER BOXSTER S |
| | 997 613 156 11 A05 | Matt black | | | |
| 11 | 997 641 165 00 | F 98-8U712 583>> F 98-8U732 070>> warning lamp Airbag Discontinued part | | 1 | BOXSTER BOXSTER S |
| | 997 641 165 00 A05 | Matt black | | | |
| 11 | 997 641 165 01 | warning lamp Airbag | | 1 | |
| | 997 641 165 01 A05 | Matt black | | | |
| 12 | 997 613 141 01 | Switch for convertible roof control | | 1 | |
| | 997 613 141 01 A05 | Matt black | | | |
| (12) | 997 613 141 10 | F >> 98-8U712 200 F >> 98-8U731 838 Switch for convertible roof control Discontinued part | | 1 | BOXSTER BOXSTER S |
| | 997 613 141 10 A05 | Matt black | | | |
| (12) | 997 613 141 11 | F 98-8U712 201>> F 98-8U731 839>> Switch for convertible roof control Discontinued part | | 1 | BOXSTER BOXSTER S |
| | 997 613 141 11 A05 | Matt black | | | |
| (12) | 997 613 141 12 | F 98-8U712 201>> F 98-8U731 839>> Switch for convertible roof control | | 1 | BOXSTER BOXSTER S |
| | 997 613 141 12 A05 | Matt black | | | |
| 13 | 997 613 139 00 | F 98-8U712 201>> F 98-8U731 839>> Combined switch | | 1 | BOXSTER BOXSTER S PR:475,476, |

Model: 987 05 Model life 2005>>2008

| Pos | Part Number | Description | Remark | Qty | Model |
|------|--------------------------------------|--|----------------|-----|--------------------|
| | | | | | 639,640 |
| (13) | 997 613 139 00 FMH 997 613 137 00 | Volcano Grey/Black Mat Combined switch | | 1 | PR:476,639, 640 |
| (13) | 997 613 137 00 FMH 997 613 135 00 | Volcano Grey/Black Mat Combined switch | | 1 | PR:475,476 |
| (13) | 997 613 135 00 FMH 997 613 131 00 | Volcano Grey/Black Mat Combined switch | | 1 | PR:XLF,475, 476 |
| (13) | 997 613 131 00 FMH 997 613 133 00 | Volcano Grey/Black Mat Combined switch | | 1 | PR:476 |
| (13) | 997 613 133 00 FMH 997 613 129 00 | Volcano Grey/Black Mat Combined switch | | 1 | PR:XLF,476 |
| | 997 613 129 00 FMH | Volcano Grey/Black Mat | | | |
| 14 | 997 652 101 00 | Cigarette lighter | | 1 | |
| | 997 652 101 00 A05 | Matt black | | | |
| 15 | 997 652 102 00 | Headlight unit | | 1 | |
| 16 | 997 652 104 00 | clamping ring | | 1 | |
| | | with: | | | |
| 17 | 997 613 225 01 | Cover Switch Garage door opener Discontinued part | left | 1 | PR:607,608 |
| | 997 613 225 01 A05 | Matt black | | | |
| 17 | 997 613 225 02 | Switch Garage door opener | left | 1 | PR:607,608 |
| | 997 613 225 02 A05 | Matt black | | | |
| (17) | 997 613 227 01 | Switch Garage door opener Discontinued part | right | 1 | PR:607,608 |
| | 997 613 227 01 A05 | Matt black | | | |
| (17) | 997 613 227 02 | Switch Garage door opener | right | 1 | PR:607,608 |
| | 997 613 227 02 A05 | Matt black | | | |
| (17) | 997 613 235 00 | Dummy cover | | 2 | |
| | 997 613 235 00 01C | Satin black | | | |
| 18 | 997 613 105 01 | Switch Cover Discontinued part | front and rear | 1 | |
| | 997 613 105 01 A05 | Matt black | | | |
| 18 | 997 613 105 02 | Switch Cover | front and rear | 1 | |
| | 997 613 105 02 A05 | Matt black | | | |

Model: 987 05

Model life 2005>>2008



Model: 987 05 Model life 2005>>2008

| Pos | Part Number | Description | Remark | Qty | Model |
|-----|--------------------|--|--------|-----|------------|
| 1 | 997 613 297 02 | Steering column switch Electronic unit Discontinued part | | 1 | |
| 1 | 997 613 297 03 | Electronic unit | | 1 | |
| 2 | 997 613 251 00 | Wiper switch | | 1 | |
| | 997 613 251 00 01C | Satin black | | | |
| (2) | 997 613 253 00 | Wiper switch | | 1 | PR:288 |
| | 997 613 253 00 01C | Satin black | | | |
| 3 | 997 613 245 00 | Direction indicator switch | | 1 | |
| | 997 613 245 00 01C | Satin black | | | |
| 4 | 997 613 261 00 | Switch Cruise control | | 1 | PR:454 |
| | 997 613 261 00 01C | Satin black | | | |
| 5 | 997 613 265 00 | switch for on-board computer | | 1 | PR:659 |
| | 997 613 265 00 01C | Satin black | | | |
| 6 | 997 622 674 00 | Wire set Cruise control | | 1 | PR:454 |
| 7 | N 909 068 01 | Hex socket head locating bolt M 2,5 X 2,6 X 43,5-D | | X | |
| 8 | 997 552 475 02 | Switch housing | lower | 1 | |
| | 997 552 475 02 A03 | Black | | | |
| (8) | 997 552 475 03 | Switch housing | lower | 1 | PR:454 |
| | 997 552 475 03 A03 | Black | | | |
| 8 | 997 552 979 00 | Switch housing Leather | lower | 1 | PR:XNS |
| | | D - MJ 2006>> | | | |
| | 997 552 979 00 A11 | Black | | | |
| | 997 552 979 00 5X6 | Stone grey | | | |
| | 997 552 979 00 8G2 | Sand beige | | | |
| | 997 552 979 00 3S9 | sea blue | | | |
| | 997 552 979 00 4P2 | Palm green | | | |
| | 997 552 979 00 9S5 | Terracotta | | | |
| | 997 552 979 00 9V6 | Cocoa | | | |
| | 997 552 979 00 D12 | Dark grey/natural | | | |
| | 997 552 979 00 T12 | Brown/natural | | | |
| | 997 552 979 00 N12 | Carrera Red | | | |
| (8) | 997 552 979 01 | Switch housing Leather | lower | 1 | PR:XNS,454 |
| | | D - MJ 2006>> | | | |
| | 997 552 979 01 A11 | Black | | | |
| | 997 552 979 01 5X6 | Stone grey | | | |
| | 997 552 979 01 8G2 | Sand beige | | | |
| | 997 552 979 01 3S9 | sea blue | | | |
| | 997 552 979 01 4P2 | Palm green | | | |
| | 997 552 979 01 9S5 | Terracotta | | | |
| | 997 552 979 01 9V6 | Cocoa | | | |
| | 997 552 979 01 D12 | Dark grey/natural | | | |
| | 997 552 979 01 T12 | Brown/natural | | | |
| | 997 552 979 01 N12 | Carrera Red | | | |
| 9 | 997 552 273 02 | Switch housing | upper | 1 | |
| | 997 552 273 02 A03 | Black | | | |
| 9 | 997 552 997 00 | Switch housing Leather | upper | 1 | PR:XNS |
| | | D - MJ 2006>> | | | |
| | 997 552 997 00 A11 | Black | | | |
| | 997 552 997 00 5X6 | Stone grey | | | |
| | 997 552 997 00 8G2 | Sand beige | | | |
| | 997 552 997 00 3S9 | sea blue | | | |
| | 997 552 997 00 4P2 | Palm green | | | |
| | 997 552 997 00 9S5 | Terracotta | | | |
| | 997 552 997 00 9V6 | Cocoa | | | |
| | 997 552 997 00 D12 | Dark grey/natural | | | |
| | 997 552 997 00 T12 | Brown/natural | | | |

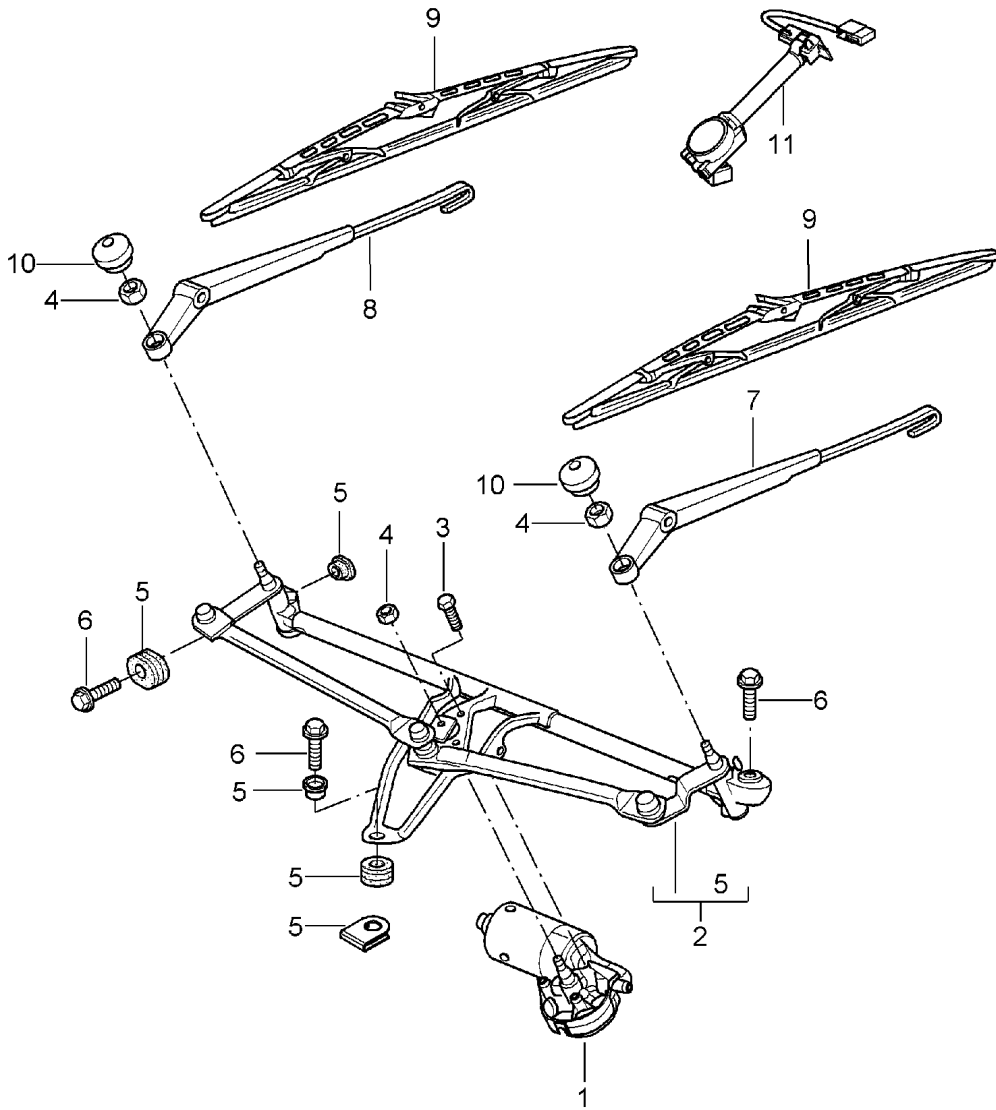
Model: 987 05

Model life 2005>>2008

| Pos | Part Number | Description | Remark | Qty | Model |
|-----|--------------------------------------|---|--------|-----|-------|
| 10 | 997 552 997 00 N12 999 919 136 01 | Carrera Red fillister hd. bolt 3,5 X 18 | | 3 | |
| 11 | 997 610 206 00 | Cable guide | | 1 | |

Model: 987 05

Model life 2005>>2008



Model: 987 05

Model life 2005>>2008

| Pos | Part Number | Description | Remark | Qty | Model |
|-----|----------------|---|--------|-----|------------|
| | | Windscreen wiper system, compl | | | |
| | | Rain sensor | | | |
| 1 | 997 624 105 01 | Wiper motor | lhd | 1 | PR:098 |
| 2 | 997 628 235 01 | Crank drive | lhd | 1 | PR:098 |
| 3 | 999 073 152 02 | Torx screw M 6 X 18 | | 3 | |
| 4 | 900 076 064 02 | Hexagon nut M 8 | | 3 | |
| 5 | 997 628 928 00 | repair set | | 1 | |
| - | | comprising: | | 1 | |
| - | | Bearing sleeve | | 1 | |
| - | | Rubber bush | | 1 | |
| - | | Bearing sleeve | | 1 | |
| - | | Rubber bush | | 1 | |
| - | | Clip | | 2 | |
| 6 | 999 075 075 01 | Bolt with washer M 6 X 22 SC | | 3 | |
| 7 | 987 628 027 00 | Wiper arm (drivers side) | lhd | 1 | PR:098 |
| 8 | 997 628 029 00 | Wiper arm (passenger side) | lhd | 1 | PR:098 |
| 9 | 996 628 901 08 | 1 set: wiper blades (drivers side) (passenger side) | front | 1 | |
| 10 | 944 628 305 01 | Cover cap | | 2 | |
| 11 | 987 612 693 25 | Rain sensor | | 1 | PR:267,268 |
| | | with: | | | |
| - | 000 043 204 65 | Wire set Adhesive film for Rain sensor | | 1 | |

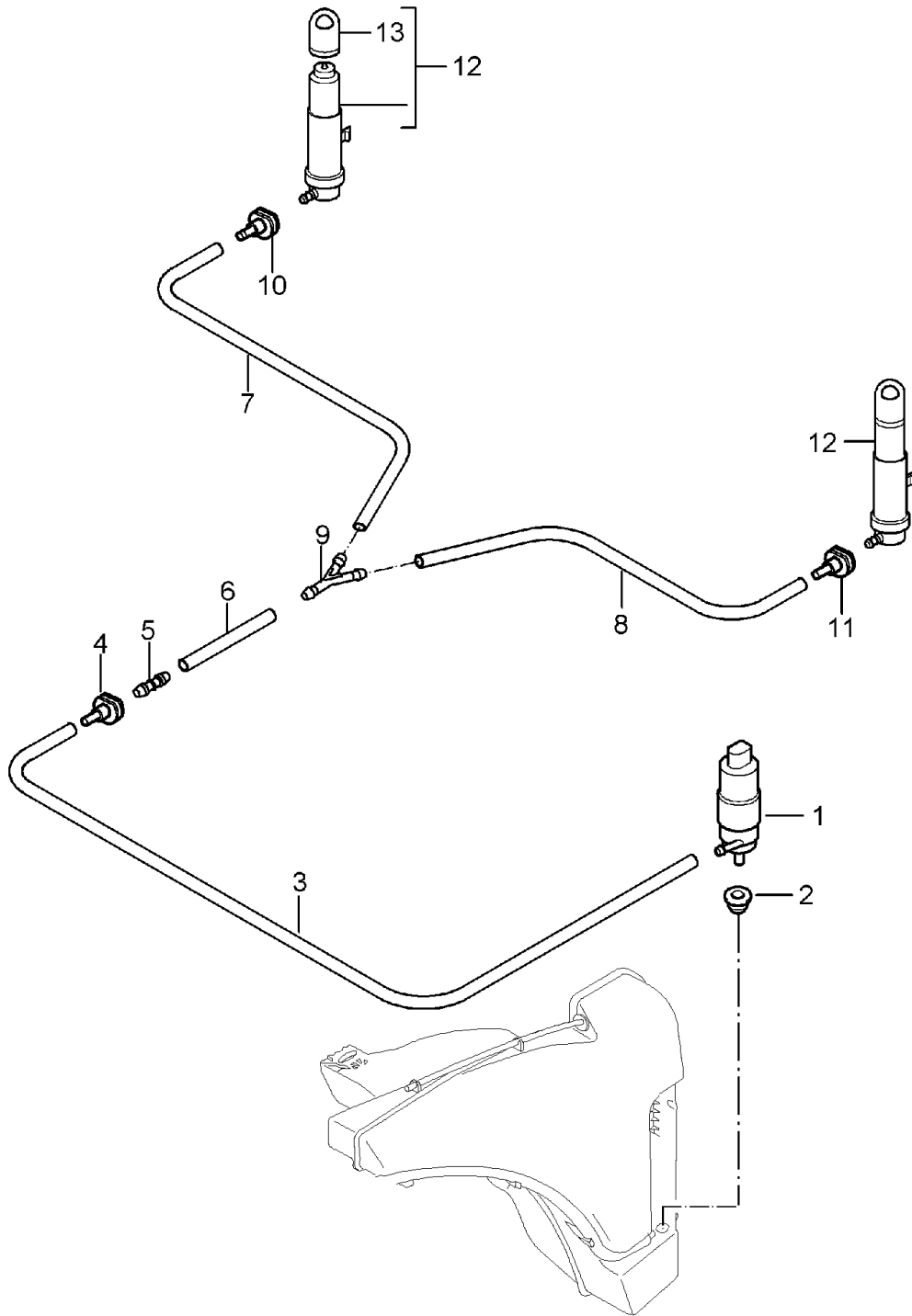
Model: 987 05

Model life 2005>>2008

| Pos | Part Number | Description | Remark | Qty | Model |
|------|----------------|--|--------|-----|--------|
| 1 | 997 528 701 01 | Windscreen washer system | | 1 | PR:288 |
| (1) | 997 528 701 00 | Water reservoir | | 1 | |
| 2 | 996 528 711 00 | Seal | | 1 | |
| 3 | 997 528 605 00 | fuel filler neck | | 1 | |
| 4 | 996 528 607 00 | Cover | | 1 | |
| 5 | 997 528 621 00 | strainer | | 1 | |
| 6 | 996 528 615 01 | Console | | 1 | |
| - | 999 137 091 40 | Connector union | | X | |
| | | Repair material for Console 996.528.615.01 | | | |
| 7 | 900 378 154 01 | Hexagon bolt AM 8 X 35 SB | | 1 | |
| 8 | 999 702 221 40 | Grommet | | 2 | |
| 9 | 997 628 182 00 | Windscreen washer system pump | | 1 | |
| 10 | 431 955 465 B | seal ring | | 2 | |
| 11 | 955 628 105 00 | Water level switch | | 1 | |
| 12 | 955 528 721 00 | Seal | | 1 | |
| 13 | 999 181 347 40 | Breather line 273 MM | | * | |
| - | 999 181 815 40 | Hose 5,0 X 2,5 | | * | |
| 14 | | shorten to: | 375 MM | 1 | |
| 15 | | shorten to: | 650 MM | 1 | |
| 16 | | shorten to: | 97 MM | 1 | |
| 17 | | shorten to: | 347 MM | 1 | |
| 18 | 996 628 102 00 | t-piece with: strainer | | 1 | |
| (18) | 999 137 005 40 | D - MJ 2005>> - MJ 2005 t-piece without: strainer | | 1 | |
| 19 | 996 628 077 03 | jet use if required: | | 2 | |
| 19 | 997 628 077 00 | D >> - MJ 2007 jet use if required: | | 2 | |
| - | 997 612 976 00 | D - MJ 2008>> - MJ 2008 repair set | | 2 | |
| 20 | 999 901 017 42 | Wire set Window cleaning solution 250 ML Summer | | X | |
| 20 | 999 901 033 40 | Window cleaning solution 1000 ML Winter | | X | |

Model: 987 05

Model life 2005>>2008



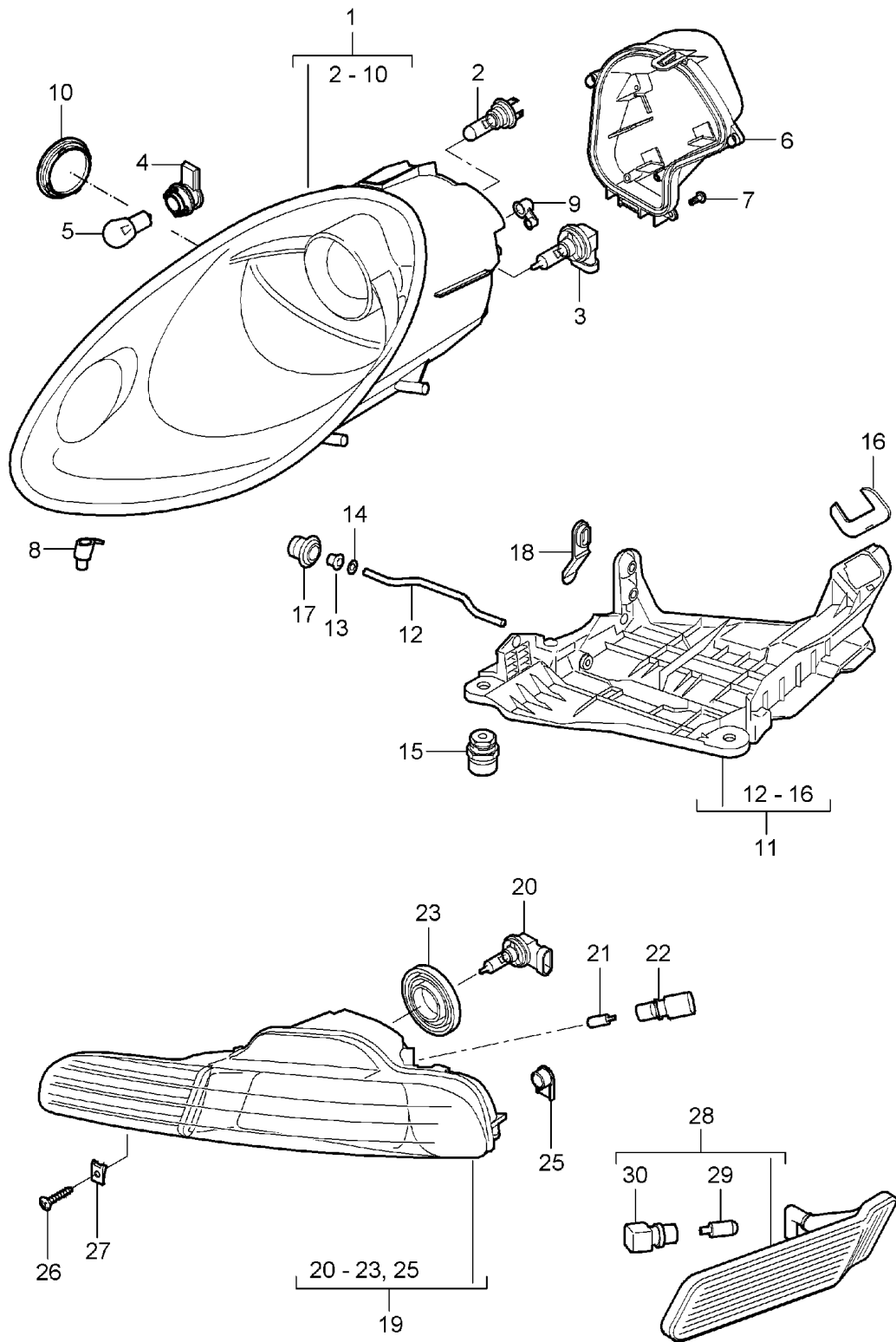
Model: 987 05

Model life 2005>>2008

| Pos | Part Number | Description | Remark | Qty | Model |
|-----|----------------|----------------------------------|---------|-----|--------|
| | | Headlight washer system | | | PR:288 |
| 1 | 997 624 502 00 | Pump for headlight-washer system | | 1 | |
| 2 | 928 628 193 00 | Seal | | 1 | |
| - | 000 043 204 79 | Hose 8 X 3 | | * | |
| 3 | | shorten to: | 890 MM | 1 | |
| 4 | 996 628 204 00 | Coupling | | 1 | |
| 5 | 997 628 208 00 | Hose connector | | 1 | |
| - | 999 181 760 40 | Hose 10 X 3 | | * | |
| 6 | | shorten to: | 440 MM | | |
| 7 | | shorten to: | 50 MM | | |
| 8 | | shorten to: | 1850 MM | | |
| 9 | 999 137 093 40 | Y-piece | | 1 | |
| 10 | 997 628 204 00 | Coupling | | 1 | |
| 11 | 997 628 205 00 | Coupling | | 1 | |
| 12 | 997 628 133 00 | jet | | 2 | |
| | | D >> - MJ 2007 | | | |
| | | Discontinued part | | | |
| 12 | 997 628 133 01 | jet | | 2 | |
| 13 | 997 628 231 00 | Nozzle head | | 2 | |

Model: 987 05

Model life 2005>>2008



Model: 987 05 Model life 2005>>2008

| Pos | Part Number | Description | Remark | Qty | Model |
|------|----------------|-------------------------------|--------|-----|-------|
| | | Headlights | | | |
| | | Additional headlight | | | |
| | | Turn signal repeater | | | |
| 1 | 987 631 163 21 | Headlights | left | 1 | |
| (1) | 987 631 164 21 | Headlights | right | 1 | |
| 2 | 999 631 133 91 | Halogen bulb | | 2 | |
| | | H 7 | | | |
| 3 | 999 631 143 90 | Halogen bulb | | 2 | |
| | | H 9 | | | |
| 4 | 987 631 153 00 | Bulb holder | | 2 | |
| | | Turn signal indicator | | | |
| 5 | 900 631 021 90 | bulb | | 2 | |
| | | 21 W | | | |
| 6 | 997 631 101 00 | Protective hood | left | 1 | |
| (6) | 997 631 102 00 | Protective hood | right | 1 | |
| 7 | 997 631 191 00 | Screw | | 4 | |
| 8 | 987 631 135 00 | ventilation union | | 2 | |
| 9 | 997 631 249 00 | Ventilation component | | 2 | |
| 10 | 987 631 107 00 | End cap | | 2 | |
| 11 | 987 631 041 01 | Mounting for main beam headl. | left | 1 | |
| (11) | 987 631 042 01 | Mounting for main beam headl. | right | 1 | |
| 12 | 987 631 243 01 | Retainer bracket | | 2 | |
| 13 | 997 631 272 00 | Bearing bush | | 2 | |
| 14 | 900 116 004 09 | Retaining washer | | 2 | |
| 15 | 997 631 194 00 | Securing element | | 6 | |
| | | Discontinued part | | | |
| 15 | 997 631 194 02 | Securing element | | 6 | |
| 16 | 997 631 245 00 | Locking mechanism | | 2 | |
| | | Connector housing | | | |
| 17 | 999 703 413 40 | Bungs | | 2 | |
| 18 | 993 631 170 03 | Bungs | | 4 | |
| (18) | 996 631 127 01 | Bungs | | 2 | |
| - | | Additional headlight | | | |
| 19 | 987 631 081 02 | Additional headlight | left | 1 | |
| | | Discontinued part | | | |
| 19 | 987 631 081 03 | Additional headlight | left | 1 | |
| | | Discontinued part | | | |
| 19 | 987 631 081 04 | Additional headlight | left | 1 | |
| (19) | 987 631 082 02 | Additional headlight | right | 1 | |
| | | Discontinued part | | | |
| (19) | 987 631 082 03 | Additional headlight | right | 1 | |
| | | Discontinued part | | | |
| (19) | 987 631 082 04 | Additional headlight | right | 1 | |
| 20 | 999 631 142 90 | Halogen bulb | | 2 | |
| | | H 8 | | | |
| 21 | 999 631 033 90 | bulb | | 2 | |
| | | 5 W | | | |
| | | Position light | | | |
| | | for | | | |
| | | Additional headlight | | | |
| | | 987.631.081/082.00 | | | |
| 21 | 999 631 040 90 | bulb | | 2 | |
| | | 5 W | | | |
| | | Position light | | | |
| | | for | | | |
| | | Additional headlight | | | |
| | | 987.631.081/082.02/03/04 | | | |
| 22 | 997 631 137 00 | Bulb holder | | 2 | |
| | | Position light | | | |
| 23 | 997 631 145 00 | Cover cap | | 2 | |
| (25) | 997 631 293 00 | Cover | | 2 | |
| 26 | 999 073 080 02 | Bolt with washer | | 4 | |
| | | ST 4,2 X 16 | | | |

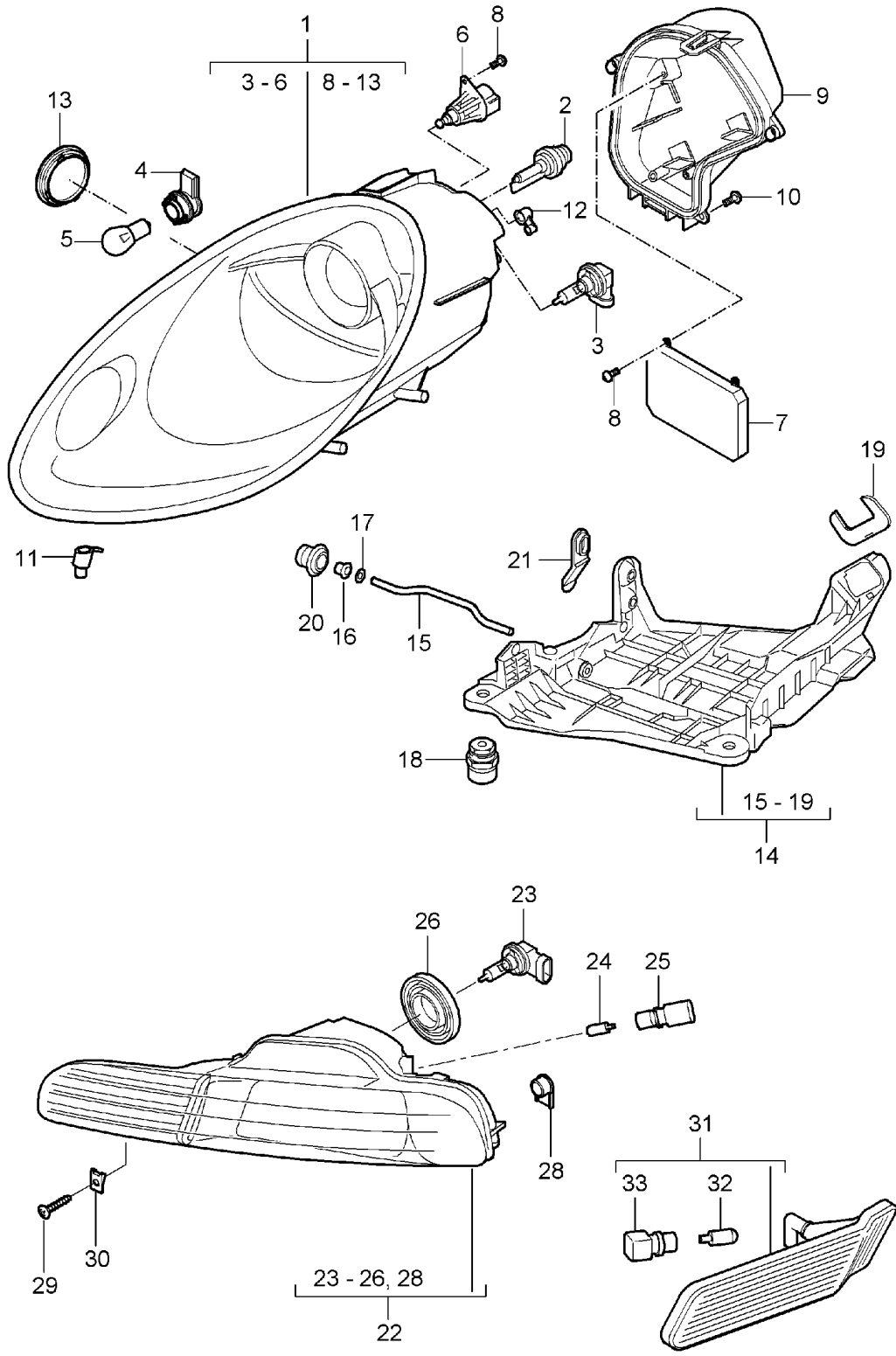
Model: 987 05

Model life 2005>>2008

| Pos | Part Number | Description | Remark | Qty | Model |
|------|----------------|---------------------------------|--------|-----|-------|
| 27 | 999 507 768 02 | panel nut ST 4,2 | | 4 | |
| 28 | 987 631 037 02 | side marker light | left | 1 | |
| (28) | 987 631 038 02 | side marker light | right | 1 | |
| 29 | 900 631 019 90 | Glass-base bulb 3 W white | | 2 | |
| 30 | 997 631 133 00 | Bulb holder | | 2 | |

Model: 987 05

Model life 2005>>2008



Model: 987 05 Model life 2005>>2008

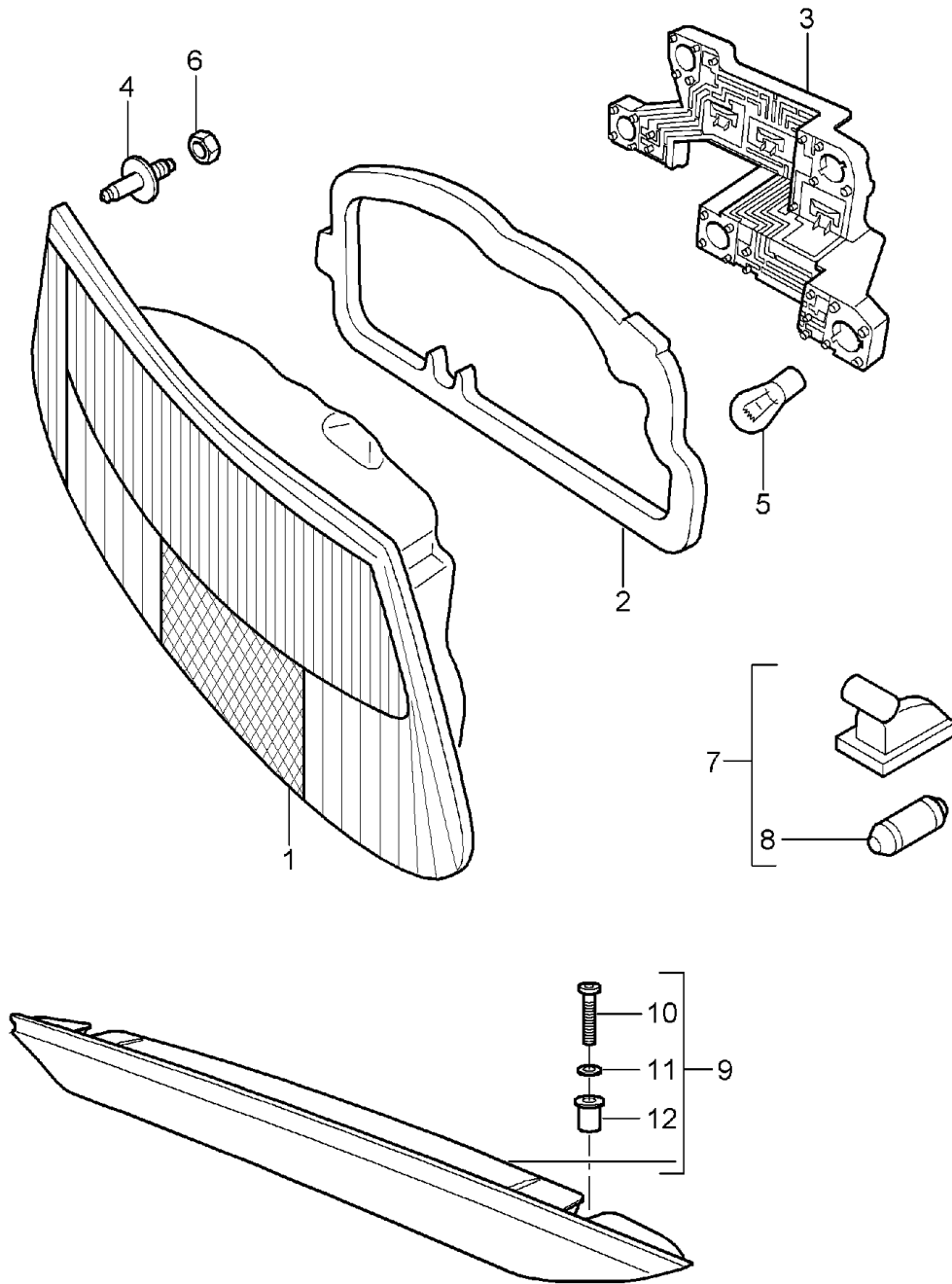
| Pos | Part Number | Description | Remark | Qty | Model |
|------|----------------|--|--------|-----|--------|
| - | | Headlights Additional headlight Turn signal repeater Headlights without: Control unit and bulb XENON | | | PR:601 |
| 1 | 987 631 157 21 | Headlights | left | 1 | |
| (1) | 987 631 158 21 | Headlights | right | 1 | |
| 2 | 999 631 036 90 | Gas discharge lamp - PHILIPS - | | 2 | |
| 3 | 999 631 144 91 | Halogen bulb H 11 | | 2 | |
| 4 | 987 631 153 00 | Bulb holder Turn signal indicator | | 2 | |
| 5 | 900 631 021 90 | bulb 21 W | | 2 | |
| 6 | 997 631 125 01 | Servomotor Headlight range control F >> 98-5S730 299 F >> 98-5U712 517 F >> 98-5U731 690 | left | 1 | PR:492 |
| (6) | 997 631 126 01 | Servomotor Headlight range control F >> 98-5S730 299 F >> 98-5U712 517 F >> 98-5U731 690 | right | 1 | PR:492 |
| 6 | 997 631 141 00 | Servomotor Headlight range control F 98-5S730 300>> F 98-5U712 518>> F 98-5U731 691>> use if required: | | 2 | PR:492 |
| - | | Adapter cable | | 2 | |
| 7 | 997 631 183 00 | Control unit | | 2 | |
| 8 | 997 631 199 00 | Screw | | 6 | |
| 9 | 997 631 101 00 | Protective hood | left | 1 | |
| (9) | 997 631 102 00 | Protective hood | right | 1 | |
| 10 | 997 631 191 00 | Screw | | 8 | |
| 11 | 987 631 135 00 | ventilation union | | 2 | |
| 12 | 997 631 249 00 | Ventilation component | | 2 | |
| 13 | 987 631 107 00 | End cap | | 2 | |
| 14 | 987 631 041 01 | Mounting for main beam headl. | left | 1 | |
| (14) | 987 631 042 01 | Mounting for main beam headl. | right | 1 | |
| 15 | 987 631 243 01 | Retainer bracket | | 2 | |
| 16 | 997 631 272 00 | Bearing bush | | 2 | |
| 17 | 900 116 004 09 | Retaining washer | | 2 | |
| 18 | 997 631 194 00 | Securing element Discontinued part | | 6 | |
| 18 | 997 631 194 02 | Securing element | | 6 | |
| 19 | 997 631 245 00 | Locking mechanism Connector housing | | 2 | |
| 20 | 999 703 413 40 | Bungs | | 2 | |
| 21 | 993 631 170 03 | Bungs | | 4 | |
| (21) | 996 631 127 01 | Bungs | | 2 | |
| - | | Additional headlight | | | |
| 22 | 987 631 081 02 | Additional headlight Discontinued part | left | 1 | |
| 22 | 987 631 081 03 | Additional headlight Discontinued part | left | 1 | |
| 22 | 987 631 081 04 | Additional headlight | left | 1 | |

Model: 987 05 Model life 2005>>2008

| Pos | Part Number | Description | Remark | Qty | Model |
|------|----------------|--|--------|-----|-------|
| (22) | 987 631 082 02 | Additional headlight Discontinued part | right | 1 | |
| (22) | 987 631 082 03 | Additional headlight Discontinued part | right | 1 | |
| (22) | 987 631 082 04 | Additional headlight | right | 1 | |
| 23 | 999 631 142 90 | Halogen bulb H 8 | | 2 | |
| 24 | 999 631 033 90 | bulb 5 W Position light for Additional headlight 987.631.081/082.00 | | 2 | |
| 24 | 999 631 040 90 | bulb 5 W Position light for Additional headlight 987.631.081/082.02/03/04 | | 2 | |
| 25 | 997 631 137 00 | Bulb holder Position light | | 2 | |
| 26 | 997 631 145 00 | Cover cap | | 2 | |
| (28) | 997 631 293 00 | Cover | | 2 | |
| 29 | 999 073 080 02 | Bolt with washer ST 4,2 X 16 | | 4 | |
| 30 | 999 507 768 02 | panel nut ST 4,2 | | 4 | |
| 31 | 987 631 037 02 | side marker light | left | 1 | |
| (31) | 987 631 038 02 | side marker light | right | 1 | |
| 32 | 900 631 019 90 | Glass-base bulb 3 W white | | 2 | |
| 33 | 997 631 133 00 | Bulb holder | | 2 | |

Model: 987 05

Model life 2005>>2008



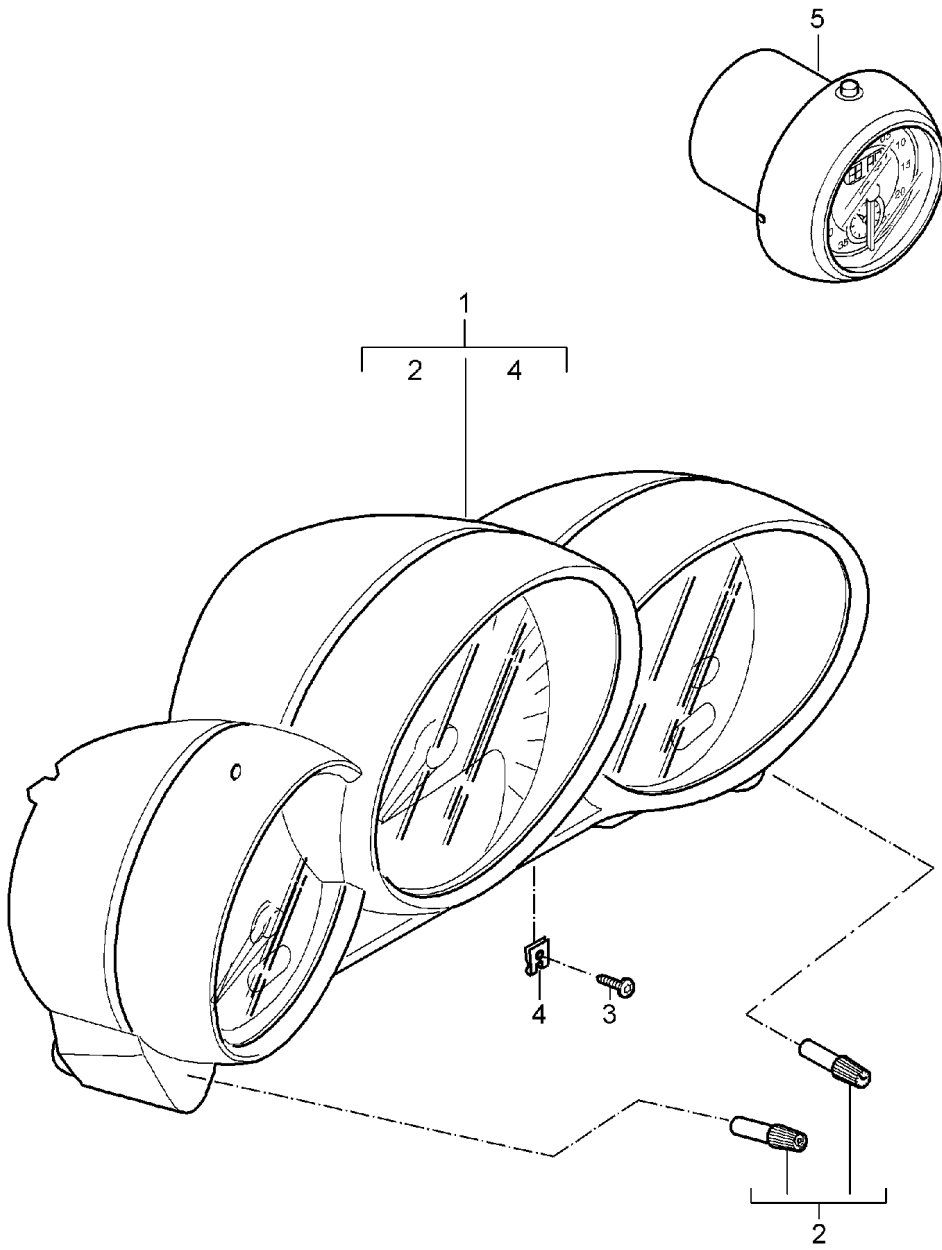
Model: 987 05

Model life 2005>>2008

| Pos | Part Number | Description | Remark | Qty | Model |
|-----|----------------|---|--------|-----|--------|
| | | Rear light | | | |
| | | Licence plate light | | | |
| | | Additional brake light | | | |
| 1 | 987 631 445 03 | Tail light housing | left | 1 | |
| (1) | 987 631 446 03 | Tail light housing | right | 1 | |
| (1) | 987 631 981 00 | Rear light (complete) | left | 1 | PR:XXF |
| (1) | 987 631 982 00 | D - MJ 2008>> - MJ 2008 Rear light (complete) | right | 1 | PR:XXF |
| | | D - MJ 2008>> - MJ 2008 | | | |
| 2 | 987 631 440 00 | Seal | | 2 | |
| 3 | 987 631 453 02 | Bulb carrier | left | 1 | |
| (3) | 987 631 454 02 | Bulb carrier | right | 1 | |
| 4 | 987 631 087 00 | throttle control element | | 6 | |
| 5 | 900 631 022 90 | bulb 21/5 W | | 1 | |
| 5 | 900 631 018 90 | Tail light bulb 21 W white | | 1 | |
| 5 | 900 631 021 90 | Back-up light bulb 21 W yellow | | 1 | |
| 5 | 900 631 017 90 | Turn signal indicator bulb 21/4 W | | 1 | |
| 5 | 900 631 017 91 | Rear fog light Tail light bulb 21/4 W | | 1 | |
| 6 | 999 076 056 01 | Brake light Tail light Hexagon nut M 5 | | 6 | |
| 7 | 997 631 620 01 | Licence plate light Discontinued part | | 2 | |
| 7 | 997 631 620 02 | Licence plate light | | 2 | |
| 8 | 900 631 025 90 | bulb 12V 5W | | 2 | |
| 9 | 987 631 050 02 | Additional brake light | | 1 | |
| 10 | 900 146 049 00 | Socket head bolt M 5 X 25 | | 2 | |
| 11 | 900 025 073 00 | Washer | | 2 | |
| 12 | 999 500 128 00 | Nut Sheetmetal press nut | | 2 | |

Model: 987 05

Model life 2005>>2008



Model: 987 05 Model life 2005>>2008

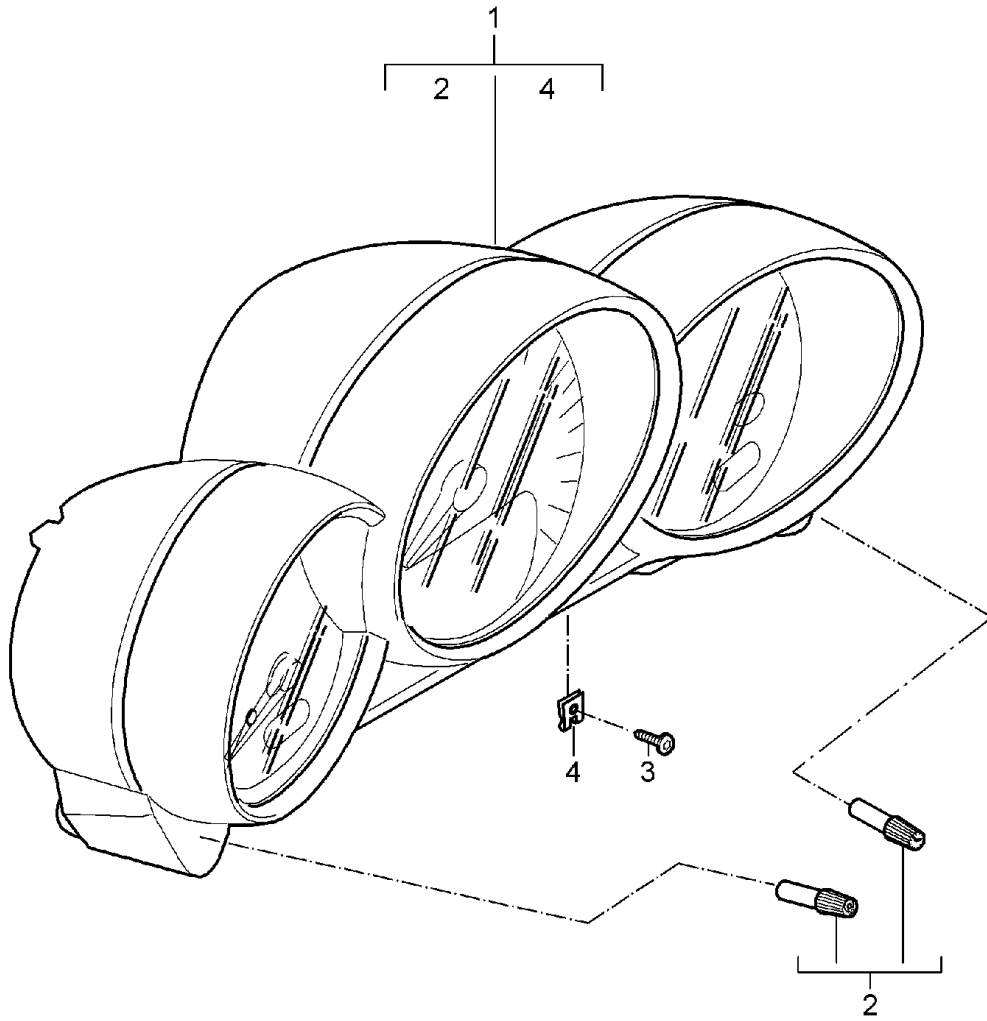
| Pos | Part Number | Description | Remark | Qty | Model |
|-----|--------------------|--|--------|-----|---------------------|
| - | | Instruments Stopwatch See technical information GR. 9 NR. 5/09 KD - NR. 9025 | | | |
| - | | for B O X S T E R | | | |
| 1 | 987 641 103 32 | Combi-instrument (complete) | | 1 | PR:480,481 "USA" |
| (1) | 987 641 103 32 D07 | Volcano grey | | | |
| (1) | 987 641 104 32 | Combi-instrument (complete) | | 1 | PR:249 "USA" |
| | 987 641 104 32 D07 | Volcano grey | | | |
| 1 | 987 641 105 32 | Combi-instrument (complete) | | 1 | PR:480,481 "CDN" |
| | 987 641 105 32 D07 | Volcano grey | | | |
| (1) | 987 641 106 32 | Combi-instrument (complete) | | 1 | PR:249 "CDN" |
| | 987 641 106 32 D07 | Volcano grey | | | |
| - | | for B O X S T E R S | | | |
| (1) | 987 641 113 32 | Combi-instrument (complete) | | 1 | PR:480 "USA" |
| | 987 641 113 32 D07 | Volcano grey | | | |
| (1) | 987 641 114 32 | Combi-instrument (complete) | | 1 | PR:249 "USA" |
| | 987 641 114 32 D07 | Volcano grey | | | |
| (1) | 987 641 115 32 | Combi-instrument (complete) | | 1 | PR:480 "CDN" |
| | 987 641 115 32 D07 | Volcano grey | | | |
| (1) | 987 641 116 32 | Combi-instrument (complete) | | 1 | PR:249 "CDN" |
| | 987 641 116 32 D07 | Volcano grey | | | |
| (1) | 987 641 163 00 | Combi-instrument | | 1 | PR:480,754 "USA" |
| | 987 641 163 00 M7Z | D - MJ 2008>> - MJ 2008 GT Silver Metallic | | | |
| (1) | 987 641 164 00 | Combi-instrument | | 1 | PR:249,754 "USA" |
| | 987 641 164 00 M7Z | D - MJ 2008>> - MJ 2008 GT Silver Metallic | | | |
| (1) | 987 641 165 00 | Combi-instrument | | 1 | PR:480,754 "CDN" |
| | 987 641 165 00 M7Z | D - MJ 2008>> - MJ 2008 GT Silver Metallic | | | |
| (1) | 987 641 166 00 | Combi-instrument | | 1 | PR:249,754 "CDN" |
| | 987 641 166 00 M7Z | D - MJ 2008>> - MJ 2008 GT Silver Metallic | | | |
| (1) | 987 641 183 00 | Combi-instrument | | 1 | PR:480,757 "USA" |
| | 987 641 183 00 B9A | D - MJ 2008>> - MJ 2008 Carrara white | | | |
| (1) | 987 641 184 00 | Combi-instrument | | 1 | PR:249,757 "USA" |
| | 987 641 184 00 B9A | D - MJ 2008>> - MJ 2008 Carrara white | | | |
| (1) | 987 641 185 00 | Combi-instrument | | 1 | PR:480,757 "CDN" |
| | 987 641 185 00 B9A | D - MJ 2008>> - MJ 2008 Carrara white | | | |
| (1) | 987 641 186 00 | Combi-instrument | | 1 | PR:249,757 |

Model: 987 05 Model life 2005>>2008

| Pos | Part Number | Description | Remark | Qty | Model |
|-----|--------------------------------------|---|--------|-----|-------------------------------------|
| | | D - MJ 2008>> - MJ 2008 | | | "CDN" |
| 2 | 987 641 186 00 B9A 997 641 911 00 | Carrara white knob throttle control element Trip meter and Clock | | 1 | |
| 3 | 999 073 155 09 | panel screw 4,2 X 19 | | 2 | |
| 4 | 999 507 403 02 | U-clip 12,5 | | 2 | |
| - | | Stopwatch | | | |
| 5 | 987 641 301 23 | Stopwatch | | 1 | BOXSTER PR:025,639, 640 |
| | | D >> - MJ 2007 Discontinued part | | | |
| 5 | 987 641 301 23 V05 987 641 301 26 | Galvano silver Stopwatch | | 1 | BOXSTER PR:025,639, 640 |
| (5) | 987 641 301 26 V05 987 641 311 26 | Galvano silver Stopwatch | | 1 | BOXSTER S PR:026,639, 640 |
| (5) | 987 641 311 26 V05 987 641 321 00 | Galvano silver Stopwatch | | 1 | BOXSTER S PR:027,639, 640,757 |
| | | D - MJ 2008>> - MJ 2008 | | | |
| | 987 641 321 00 V05 | Galvano silver | | | |

Model: 987 05

Model life 2005>>2008



Model: 987 05 Model life 2005>>2008

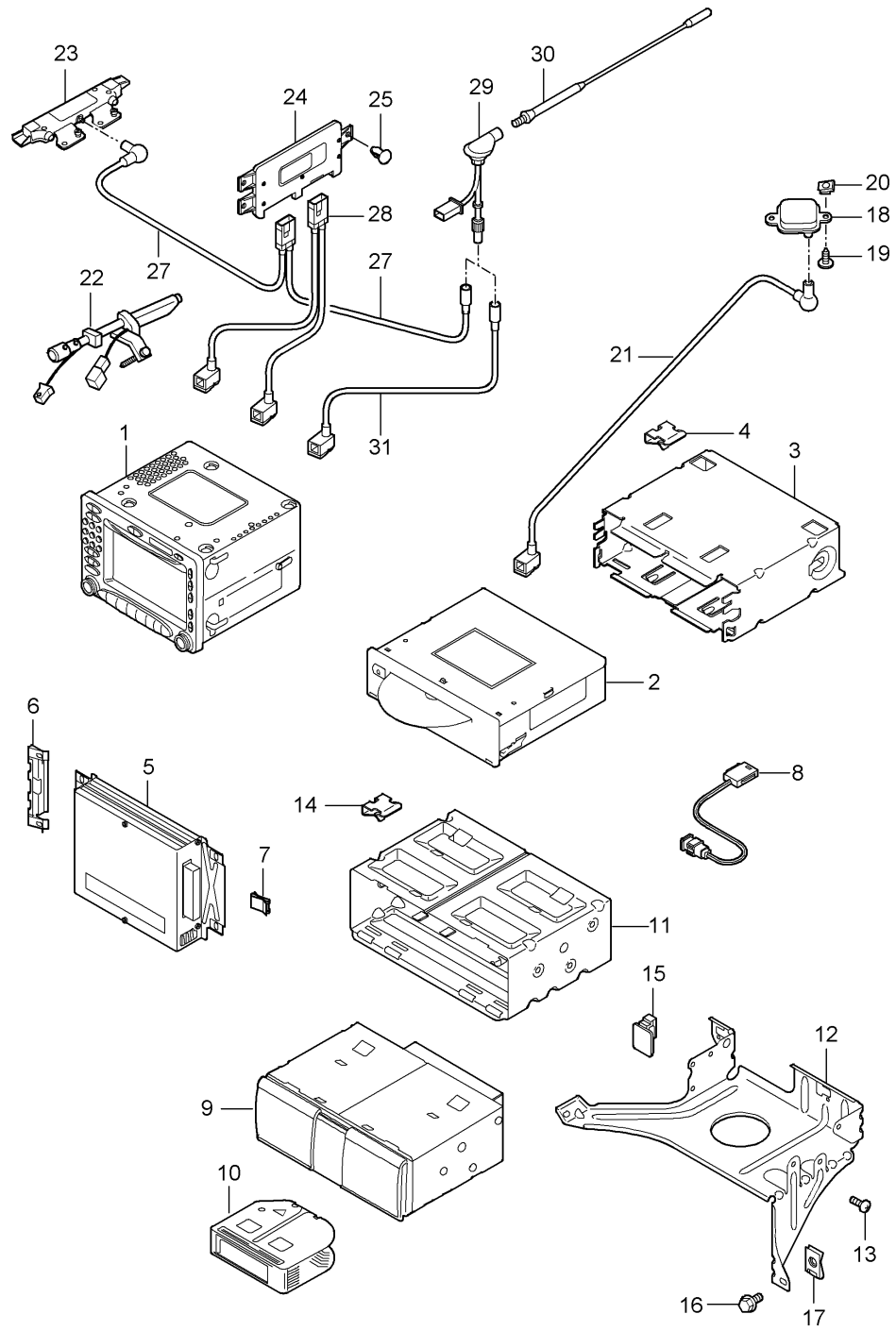
| Pos | Part Number | Description | Remark | Qty | Model |
|-----|--------------------|--|--------|-----|---------------------|
| - | | Instruments Exclusive programme See technical information GR. 9 NR. 5/09 KD - NR. 9025 | | | |
| - | | for B O X S T E R | | | |
| 1 | 987 641 980 43 | Combi-instrument (complete) Dial Lacquered | | 1 | PR:480,481 "USA" |
| | 987 641 980 43 5Z1 | Sand beige | | | PR:XFD |
| | 987 641 980 43 8X8 | Terracotta | | | PR:XFE |
| | 987 641 980 43 T13 | Brown/natural | | | PR:XFF |
| | 987 641 980 43 84A | guards red (Porsche) | | | PR:XFG |
| | 987 641 980 43 12H | Speed yellow | | | PR:XFH |
| | 987 641 980 43 B9A | Carrara white | | | PR:XFJ |
| (1) | 987 641 980 44 | Combi-instrument (complete) Dial Lacquered | | 1 | PR:249 "USA" |
| | 987 641 980 44 5Z1 | Sand beige | | | PR:XFD |
| | 987 641 980 44 8X8 | Terracotta | | | PR:XFE |
| | 987 641 980 44 T13 | Brown/natural | | | PR:XFF |
| | 987 641 980 44 84A | guards red (Porsche) | | | PR:XFG |
| | 987 641 980 44 12H | Speed yellow | | | PR:XFH |
| | 987 641 980 44 B9A | Carrara white | | | PR:XFJ |
| 1 | 987 641 980 45 | Combi-instrument (complete) Dial Lacquered | | 1 | PR:480,481 "CDN" |
| | 987 641 980 45 5Z1 | Sand beige | | | PR:XFD |
| | 987 641 980 45 8X8 | Terracotta | | | PR:XFE |
| | 987 641 980 45 T13 | Brown/natural | | | PR:XFF |
| | 987 641 980 45 84A | guards red (Porsche) | | | PR:XFG |
| | 987 641 980 45 12H | Speed yellow | | | PR:XFH |
| | 987 641 980 45 B9A | Carrara white | | | PR:XFJ |
| (1) | 987 641 980 46 | Combi-instrument (complete) Dial Lacquered | | 1 | PR:249 "CDN" |
| | 987 641 980 46 5Z1 | Sand beige | | | PR:XFD |
| | 987 641 980 46 8X8 | Terracotta | | | PR:XFE |
| | 987 641 980 46 T13 | Brown/natural | | | PR:XFF |
| | 987 641 980 46 84A | guards red (Porsche) | | | PR:XFG |
| | 987 641 980 46 12H | Speed yellow | | | PR:XFH |
| | 987 641 980 46 B9A | Carrara white | | | PR:XFJ |
| - | | for B O X S T E R S | | | |
| 1 | 987 641 980 53 | Combi-instrument (complete) Dial Lacquered | | 1 | PR:480 "USA" |
| | 987 641 980 53 5Z1 | Sand beige | | | PR:XFD |
| | 987 641 980 53 8X8 | Terracotta | | | PR:XFE |
| | 987 641 980 53 T13 | Brown/natural | | | PR:XFF |
| | 987 641 980 53 84A | guards red (Porsche) | | | PR:XFG |
| | 987 641 980 53 12H | Speed yellow | | | PR:XFH |
| | 987 641 980 53 B9A | Carrara white | | | PR:XFJ |
| (1) | 987 641 980 54 | Combi-instrument (complete) | | 1 | PR:249 "USA" |

Model: 987 05 Model life 2005>>2008

| Pos | Part Number | Description | Remark | Qty | Model | | | |
|-----|-------------|--|--------------------------|-----|--|--|---|--|
| 1 | | Dial | | 1 | PR: XFD PR: XFE PR: XFF PR: XFG PR: XFH PR: XFJ PR: 480 "CDN" | | | |
| | | Lacquered | | | | | | |
| | | 987 641 980 54 5Z1 Sand beige | | | | | | |
| | | 987 641 980 54 8X8 Terracotta | | | | | | |
| | | 987 641 980 54 T13 Brown/natural | | | | | | |
| | | 987 641 980 54 84A guards red (Porsche) | | | | | | |
| | | 987 641 980 54 12H Speed yellow | | | | | | |
| | | 987 641 980 54 B9A Carrara white | | | | | | |
| | | 987 641 980 55 Combi-instrument (complete) | | | | | | |
| | | Dial | | | | | | |
| | | Lacquered | | | | | | |
| | | 987 641 980 55 5Z1 Sand beige | | | | | | |
| | | 987 641 980 55 8X8 Terracotta | | | | | | |
| | | 987 641 980 55 T13 Brown/natural | | | | | | |
| (1) | | 987 641 980 55 84A guards red (Porsche) | | 1 | PR: XFD PR: XFE PR: XFF PR: XFG PR: XFH PR: XFJ PR: 249 "CDN" | | | |
| | | 987 641 980 55 12H Speed yellow | | | | | | |
| | | 987 641 980 55 B9A Carrara white | | | | | | |
| | | 987 641 980 56 Combi-instrument (complete) | | | | | | |
| | | Dial | | | | | | |
| | | Lacquered | | | | | | |
| | | 987 641 980 56 5Z1 Sand beige | | | | | | |
| | | 987 641 980 56 8X8 Terracotta | | | | | | |
| | | 987 641 980 56 T13 Brown/natural | | | | | | |
| | | 987 641 980 56 84A guards red (Porsche) | | | | | | |
| | | 987 641 980 56 12H Speed yellow | | | | | | |
| | | 987 641 980 56 B9A Carrara white | | | | | | |
| | 2 | | 997 641 911 00 knob | | | | 1 | PR: XFD PR: XFE PR: XFF PR: XFG PR: XFH PR: XFJ |
| | | | throttle control element | | | | | |
| | | Trip meter | | | | | | |
| | | and | | | | | | |
| | | Clock | | | | | | |
| 3 | | 999 073 155 09 | panel screw | | 2 | | | |
| | | | 4,2 X 19 | | | | | |
| 4 | | 999 507 403 02 | U-clip | | 2 | | | |

Model: 987 05

Model life 2005>>2008



Model: 987 05 Model life 2005>>2008

| Pos | Part Number | Description | Remark | Qty | Model |
|-----|--------------------|--|--------|-----|------------|
| - | | Radio unit Amplifiers Navigation system Radio unit See catalogue Tequipment | | | |
| 1 | 997 642 131 06 | Control panel Discontinued part | | 1 | PR:665 |
| | 997 642 131 06 FMH | Volcano Grey/Black Mat F >> 98-5U710 128 F >> 98-5S730 126 See technical information GR. 9 , NR. 1/04 | | | |
| (1) | 997 642 133 06 | Control panel | | 1 | PR:665,680 |
| | 997 642 133 06 FMH | Volcano Grey/Black Mat F >> 98-5U710 124 F >> 98-5S730 122 See technical information GR. 9 , NR. 1/04 | | | |
| 1 | 997 642 101 11 | Control panel | | 1 | PR:665 |
| | 997 642 101 11 FMH | Volcano Grey/Black Mat F >> 98-5S710 459 F 98-5U710 129>> 98-5U712 717 F 98-5U730 127>> 98-5U731 796 | | | |
| (1) | 997 642 103 11 | Control panel | | 1 | PR:665,680 |
| | 997 642 103 11 FMH | Volcano Grey/Black Mat F >> 98-5S710 459 F 98-5U710 125>> 98-5U712 717 F 98-5U730 123>> 98-5U731 796 | | | |
| 1 | 997 642 141 02 | Control panel Discontinued part | | 1 | PR:665 |
| | 997 642 141 02 FMH | Volcano Grey/Black Mat F 98-5S710 460>> F 98-5U712 718>> 98-6U713 407 F 98-5U731 797>> 98-6U732 061 See technical information GR. 9 , NR. 20/05 | | | |
| 1 | 997 642 141 03 | Control panel | | 1 | PR:665 |
| | 997 642 141 03 FMH | Volcano Grey/Black Mat F 98-5S710 460>> F 98-5U712 718>> 98-6U713 407 F 98-5U731 797>> 98-6U732 061 See technical information GR. 9 , NR. 20/05 | | | |
| 1 | 997 642 143 02 | Control panel Discontinued part | | 1 | PR:665,680 |
| | 997 642 143 02 FMH | Volcano Grey/Black Mat F 98-5S710 460>> F 98-5U712 718>> 98-6U713 407 F 98-5U731 797>> 98-6U732 061 See technical information GR. 9 , NR. 20/05 | | | |
| 1 | 997 642 143 03 | Control panel | | 1 | PR:665,680 |
| | 997 642 143 03 FMH | Volcano Grey/Black Mat F 98-5S710 460>> F 98-5U712 718>> 98-6U713 407 F 98-5U731 797>> 98-6U732 061 See technical information GR. 9 , NR. 20/05 | | | |
| 1 | 997 642 141 10 | Control panel | | 1 | PR:665 |
| | 997 642 141 10 FMH | Volcano Grey/Black Mat F 98-6U713 408>> F 98-6U732 062>> | | | |

Model: 987 05 Model life 2005>>2008

| Pos | Part Number | Description | Remark | Qty | Model |
|-----|--------------------------------------|--|--------|-----|------------|
| 1 | 997 642 143 10 997 642 143 10 FMH | Control panel Volcano Grey/Black Mat F 98-6U713 408>> F 98-6U732 062>> | | 1 | PR:665,680 |
| - | 997 642 201 00 997 642 201 00 A05 | Rot. knob Matt black for Control panel | left | 1 | |
| - | 997 642 202 00 997 642 202 00 A05 | Rot. knob Matt black for Control panel | right | 1 | |
| - | 997 642 941 00 | Control panel Trim drawer SIM card for Control panel | | 1 | |
| - | 900 187 038 02 | panel screw ST 4,2 X 19 for Mount Radio unit and Control panel Centre console | | 1 | |
| 2 | 997 642 135 03 | DVD-player Navigation system F >> 98-5U720 253 F >> 98-5S700 061 Discontinued part | | 1 | PR:670 |
| 2 | 997 642 135 04 | DVD-player Navigation system F >> 98-5S710 459 F >> 98-5U712 717 F >> 98-5U731 796 | | 1 | PR:670 |
| 2 | 997 642 137 02 | DVD-player Navigation system F 98-5S710 460>> F 98-5U712 718>> 98-6U713 407 F 98-5U731 797>> 98-6U732 061 | | 1 | PR:670,672 |
| 2 | 997 642 157 00 | DVD-player Navigation system F 98-6U713 408>> F 98-6U732 062>> | | 1 | PR:670,672 |
| - | 997 642 257 02 | DVD-ROM for navigation system F 98-5S710 460>> F 98-5U712 718>> 98-6U713 407 F 98-5S730 426>> F 98-5U731 797>> 98-6U732 061 | | 1 | PR:615 |
| - | 997 642 257 03 | DVD-ROM for navigation system F 98-6U713 408>> F 98-6U732 062>> D >> - MJ 2006 | | 1 | PR:615 |
| - | 997 642 257 04 | DVD-ROM for navigation system D - MJ 2007>> - MJ 2007 | | 1 | PR:615 |
| - | 997 642 257 05 | DVD-ROM for navigation system D - MJ 2008>> - MJ 2008 | | 1 | PR:615 |
| - | 997 642 148 02 | CD-ROM for electronic driver's logbook | | 1 | PR:641 |

Model: 987 05 Model life 2005>>2008

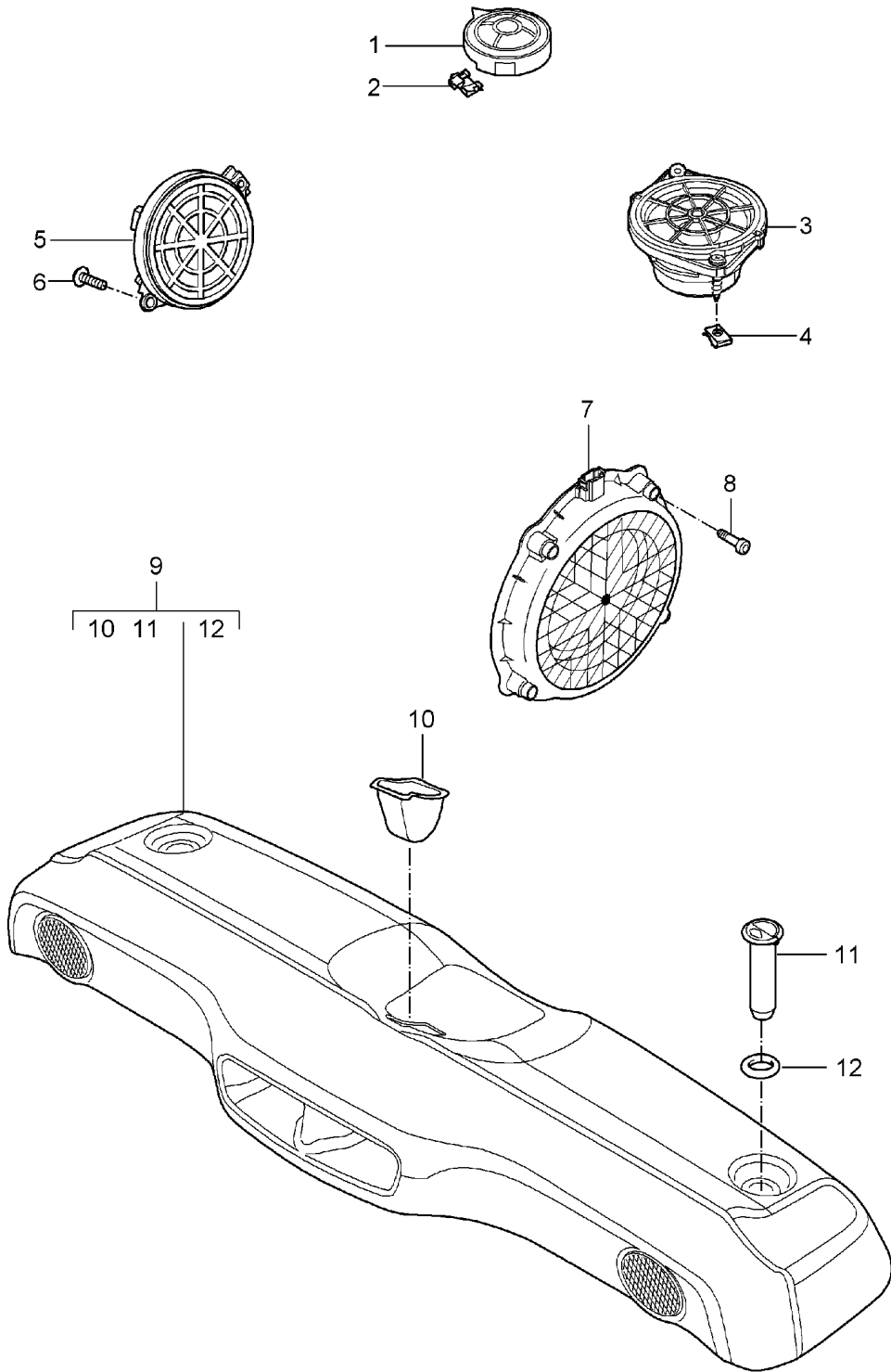
| Pos | Part Number | Description | Remark | Qty | Model |
|-----|----------------|---|--------|-----|--------------------------------|
| 3 | 997 642 231 00 | D - MJ 2006>> Bracket DVD device | | 1 | PR:670,672 |
| 4 | 997 645 342 01 | U-clip | | 4 | |
| 5 | 987 645 331 01 | Amplifiers | | 1 | PR:490 |
| (5) | 997 645 333 06 | Amplifiers F >> 98-5U710 124 F >> 98-5U730 122 See technical information GR. 9 , NR. 1/04 GR. 9 , NR. 8/04 | | 1 | PR:680 BOXSTER BOXSTER S |
| (5) | 997 645 334 22 | Amplifiers Note coding F 98-5U710 125>> F 98-5U730 123>> | | 1 | PR:680 BOXSTER BOXSTER S |
| (5) | 997 645 334 32 | D - MJ 2005>> - MJ 2005 Amplifiers Note coding | | 1 | PR:680 |
| (5) | 997 645 334 33 | D - MJ 2006>> - MJ 2006 Discontinued part Amplifiers Note coding | | 1 | PR:680 |
| 6 | 997 645 340 00 | D - MJ 2006>> Securing clip | | 1 | PR:490,680 |
| 7 | 999 507 532 01 | U-clip | | 2 | PR:490,680 |
| 8 | 997 646 307 02 | microphone | | 1 | PR:680 |
| (8) | 997 646 307 01 | microphone | | 1 | PR:618,666, 680 |
| - | 997 610 233 00 | Cable guide microphone | | 1 | |
| - | 997 610 233 01 | D >> - MJ 2007 Cable guide microphone | | 1 | |
| 9 | 997 645 140 02 | D - MJ 2008>> - MJ 2008 CD changers D - MJ 2005>> - MJ 2005 Discontinued part | | 1 | PR:692 |
| 9 | 997 645 140 03 | CD changers CDC 4 Adjustment Installation Attention | | 1 | PR:692 |
| 10 | 996 645 113 00 | Magazine CD changers | | 1 | PR:692 |
| 11 | 997 645 222 00 | bracket for cd-changer | | 1 | PR:692 |
| 12 | 997 645 221 00 | bracket for cd-changer | | 1 | PR:664,692 |
| 13 | 900 146 024 01 | flat round head bolt M 5 X 8 | | 6 | PR:692 |
| 14 | 997 645 342 01 | U-clip | | 4 | PR:692 |
| 15 | 999 703 501 40 | Securing element | | 2 | PR:664,692 |
| 16 | 900 378 179 09 | Hexagon bolt M 6 X 16 | | 2 | PR:664,692 |
| 17 | 999 507 766 02 | panel nut M 6 | | 2 | PR:664,692 |
| 18 | 997 642 105 00 | Aerial GPS | | 1 | PR:670,672 |
| 19 | 999 073 210 00 | panel screw 4,8 X 13 | | 1 | PR:670,672 |
| 20 | 999 507 441 01 | panel nut 4,8 | | 1 | PR:670,672 |
| 21 | 997 612 060 25 | Aerial connection line DVD device Navigation system | | 1 | PR:670,672 |

Model: 987 05 Model life 2005>>2008

| Pos | Part Number | Description | Remark | Qty | Model |
|------|----------------|--|--------|-----|--------------------|
| 22 | 986 647 105 00 | Aerial amplifier Radio unit D - MJ 2005>> - MJ 2005 Discontinued part | | 1 | PR:441,694 |
| 22 | 987 647 105 00 | Aerial amplifier Radio unit | | 1 | PR:441,694 |
| - | 987 612 052 50 | Connecting line Aerial amplifier Radio unit | | 1 | PR:441,694 |
| 23 | 997 647 117 00 | Aerial amplifier | left | 1 | PR:440 |
| (23) | 997 647 118 00 | Aerial amplifier | right | 1 | PR:440 |
| 24 | 997 647 124 00 | Control unit | | 1 | PR:440 |
| 25 | 999 591 904 40 | Securing element | | 2 | PR:440 |
| 27 | 997 612 066 00 | Connecting line Aerial amplifier Control unit | lhd | 1 | PR:098,461, 665 |
| (27) | 997 612 055 00 | Connecting line Aerial amplifier Control unit | lhd | 1 | PR:098,665 |
| (27) | 997 612 062 50 | Connecting line Aerial amplifier Control unit | | 1 | PR:461,694 |
| (28) | 997 612 058 00 | Connecting line Control unit Control panel or Radio unit | | 1 | PR:665,694 |
| 29 | 997 647 221 00 | aerial base | | 1 | PR:461 |
| 30 | 997 647 223 00 | rod-type aerial | | 1 | PR:461 |
| 31 | 997 612 068 00 | Connecting line aerial base Radio unit | lhd | 1 | PR:098,461, 694 |
| (31) | 997 612 067 01 | Connecting line aerial base Power supply | | 1 | PR:461 |

Model: 987 05

Model life 2005>>2008

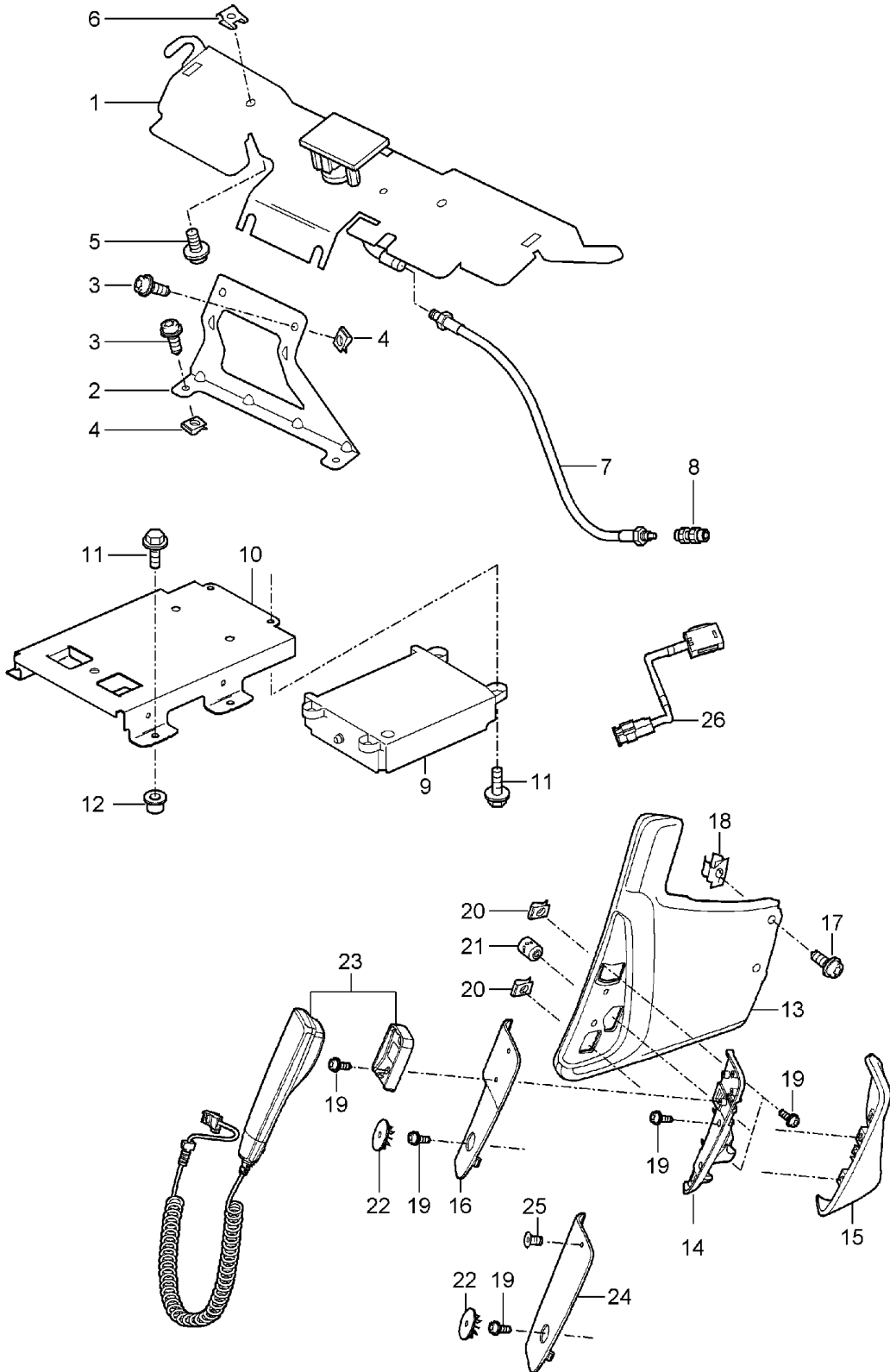


Model: 987 05 Model life 2005>>2008

| Pos | Part Number | Description | Remark | Qty | Model |
|-----|--------------------|--|--------|-----|------------|
| 1 | 997 645 021 00 | Loudspeaker Treble speaker dashboard | | 2 | PR:441,490 |
| (1) | 997 645 025 00 | Treble speaker dashboard | | 2 | PR:680 |
| 2 | 999 591 303 01 | U-clip | | 4 | |
| 3 | 997 645 033 00 | Loudspeaker dashboard | center | 1 | PR:490 |
| (3) | 997 645 035 00 | Loudspeaker dashboard | center | 1 | PR:680 |
| 4 | 999 507 971 01 | panel nut 4,2 | | 4 | |
| 5 | 997 645 543 00 | Mid tone speaker Door | | 2 | PR:490 |
| (5) | 997 645 545 00 | Mid tone speaker Door | | 2 | PR:680 |
| 6 | 999 919 164 09 | fillister hd. bolt 5,0 X 12 | | 4 | |
| 7 | 997 645 551 00 | Bass loudspeaker | | 2 | PR:441 |
| (7) | 997 645 553 00 | Bass loudspeaker | | 2 | PR:490 |
| (7) | 997 645 555 00 | Bass loudspeaker | | 2 | PR:680 |
| 8 | 900 067 012 03 | Socket head bolt M 6 X 30 | | 8 | |
| 9 | 987 645 564 01 | Subwoofer | | 1 | PR:680 |
| | 987 645 564 01 A10 | Black | | | |
| | 987 645 564 01 B10 | Stone grey | | | |
| | 987 645 564 01 T10 | Sand beige | | | |
| | 987 645 564 01 E10 | sea blue | | | |
| | 987 645 564 01 J10 | Palm green | | | |
| | 987 645 564 01 M10 | Terracotta | | | |
| | 987 645 564 01 R10 | Cocoa | | | |
| | 987 645 564 01 D11 | Dark grey/natural | | | |
| | 987 645 564 01 T11 | Brown/natural | | | |
| | 987 645 564 01 N10 | Carrera Red | | | |
| 10 | 986 551 427 00 | Rosette | | 1 | PR:680 |
| | 986 551 427 00 01C | Satin black for Subwoofer 987 645 564 00 ... F >> 98-5S700 089 F >> 98-5S720 072 F >> 98-5U721 685 | | | |
| 10 | 987 551 427 00 | Rosette | | 1 | PR:680 |
| | 987 551 427 00 01C | Satin black for Subwoofer 987 645 564 01 ... F 98-5S700 090>> F 98-5S720 073>> F 98-5U721 686>> | | | |
| 11 | 986 551 429 00 | catch | | 2 | PR:680 |
| | 986 551 429 00 01C | Satin black | | | |
| 12 | 986 551 543 00 | pressure washer | | 2 | PR:680 |
| | 986 551 543 00 01C | Satin black | | | |

Model: 987 05

Model life 2005>>2008



Model: 987 05 Model life 2005>>2008

| Pos | Part Number | Description | Remark | Qty | Model |
|------|--------------------|-------------------------------|----------|-----|------------|
| 1 | 997 647 125 01 | Telephone | | | PR:618,666 |
| 2 | 997 647 127 00 | Telephone aerial | lhd | 1 | PR:098 |
| 3 | 999 073 236 0A | Bracket | lhd | 1 | PR:098 |
| | | fillister hd. bolt | | 4 | |
| | | M 6 X 10 | | | |
| 4 | 999 507 550 01 | panel nut | | 4 | |
| | | M 6 | | | |
| 5 | 999 073 210 00 | panel screw | | 2 | |
| | | 4,8 X 13 | | | |
| 6 | 999 507 441 01 | panel nut | | 2 | |
| | | 4,8 | | | |
| 7 | 997 612 061 00 | Connecting line | | 1 | PR:618 |
| (7) | 997 612 065 05 | Connecting line | | 1 | PR:666 |
| | | Discontinued part | | | |
| (7) | 997 612 989 05 | Connecting line | | 1 | PR:666 |
| | | 997.646.209.00/01 | | | |
| 8 | 964 646 318 00 | Adapter plug | | 1 | PR:618 |
| 9 | 997 646 208 04 | Control unit for telephone | | 1 | PR:666 |
| | | HARMAN - BECKER | | | |
| | | F >> 98-5U712 717 | | | |
| | | F >> 98-5U731 796 | | | |
| | | F >> 98-5S710 459 | | | |
| | | See technical information | | | |
| | | GR. 9 , NR. 14/05 | | | |
| | | use if required: | | | |
| - | 997 612 989 00 | Discontinued part | | | |
| | | Connecting line | | 1 | |
| | | Adapter | | | |
| | | for | | | |
| | | Control unit | | | |
| | | 997.646.208.04 | | | |
| 9 | 997 646 208 13 | Control unit for telephone | | 1 | PR:666 |
| | | F 98-5U712 718>> 98-6U713 407 | | | |
| | | F 98-5U731 797>> 98-6U732 061 | | | |
| | | F 98-5S710 460>> | | | |
| | | See technical information | | | |
| | | GR. 9 , NR. 14/05 | | | |
| | | use if required: | | | |
| - | 997 612 989 00 | Connecting line | | 1 | |
| | | Adapter | | | |
| 9 | 997 646 209 00 | Control unit for telephone | | 1 | PR:666 |
| | | F 98-6U713 408>> | | | |
| | | F 98-6U732 062>> | | | |
| 10 | 997 642 216 00 | Bracket | | 1 | PR:618,666 |
| 11 | 900 378 035 01 | Hexagon bolt | | 4 | PR:618,666 |
| | | M 6 X 16 | | | |
| 12 | 999 500 078 00 | press insert nut | | 2 | PR:618,666 |
| | | M 6 | | | |
| (12) | 999 507 766 02 | D >> - MJ 2006 | | 2 | PR:618,666 |
| | | panel nut | | | |
| | | M 6 | | | |
| | | D - MJ 2007>> | | | |
| 13 | 997 553 118 07 | Leather panel | side lhd | 1 | PR:098 |
| | 997 553 118 07 FSA | black/grey | | | |
| | 997 553 118 07 FSB | Stone grey/stone grey | | | |
| | 997 553 118 07 FSC | Sand beige/sand beige | | | |
| | 997 553 118 07 FSD | Sea blue/grey | | | |
| | 997 553 118 07 FSE | Palmgreen/palmgreen | | | |
| | 997 553 118 07 FSF | Terracotta/terracotta | | | |
| | 997 553 118 07 FSG | Cocoa/Cocoa | | | |
| | 997 553 118 07 FSH | Darkgrey natural/grey | | | |
| | 997 553 118 07 FSJ | Brown nat./brown nat. | | | |

Model: 987 05 Model life 2005>>2008

| Pos | Part Number | Description | Remark | Qty | Model |
|------|--------------------|--|--------------|-----|--------------------|
| | 997 553 118 07 FSP | Carrera Red/Carrera Red | | | |
| 14 | 997 553 520 00 | Adapter | lhd | 1 | PR:098 |
| 15 | 997 553 418 01 | Trim | lhd | 1 | PR:098 |
| | 997 553 418 01 A11 | Black | | | |
| | 997 553 418 01 5X6 | Stone grey | | | |
| | 997 553 418 01 8G2 | Sand beige | | | |
| | 997 553 418 01 3S9 | sea blue | | | |
| | 997 553 418 01 4P2 | Palm green | | | |
| | 997 553 418 01 9S5 | Terracotta | | | |
| | 997 553 418 01 9V6 | Cocoa | | | |
| | 997 553 418 01 D12 | Dark grey/natural | | | |
| | 997 553 418 01 T12 | Brown/natural | | | |
| | 997 553 418 01 N12 | Carrera Red | | | |
| 16 | 997 553 522 00 | Carrier plate | lhd | 1 | PR:098,668 |
| | 997 553 522 00 01C | Satin black | | | |
| 17 | 999 073 226 09 | panel screw 4,2 X 16 | | 2 | |
| 18 | 999 591 508 01 | Cage nut 4,2 | | 2 | |
| 19 | 999 073 155 09 | panel screw 4,2 X 13 | | 7 | |
| 20 | 999 507 028 01 | panel nut 4,2 | | 2 | |
| 21 | 999 507 645 02 | Threaded piece 4,2 | | 1 | |
| 22 | 997 553 751 00 | Cover cap | | 1 | |
| | 997 553 751 00 01C | Satin black | | | |
| 23 | 996 642 212 02 | Telephone controls/receiver | | 1 | PR:668 |
| 24 | 997 553 522 01 | Carrier plate | lhd | 1 | PR:098,618 |
| | 997 553 522 01 01C | Satin black | | | |
| 25 | 999 919 230 00 | countersunk bolt 3 X 10 | | 1 | PR:618 |
| 26 | 997 646 307 00 | microphone | | 1 | PR:618,666 |
| (26) | 997 646 307 01 | microphone | | 1 | PR:618,666, 680 |
| - | 997 610 233 00 | Cable guide microphone D | >> - MJ 2007 | 1 | |
| - | 997 610 233 01 | Cable guide microphone D - MJ 2008>> - MJ 2008 | | 1 | |