

**Model: 986 97****Model life 1997>>2004**

## ORDER-INFO

THIS PARTS CATALOGUE CONTAINS ALL ORDER INFORMATION OF  
TYPE BOXSTER FROM MODEL YEAR 1997

IT IS AVAILABLE IN TWO EDITIONS IN THE FOLLOWING LANGUAGES:

EDITION

USA, CANADA - \*

EDITION

ALL OTHER COUNTRIES - GERMAN

\* - ENGLISH

- FRENCH

- ITALIAN

- SPANISH

UPDATING IS BEING PERFORMED BY CHANGING OF UPDATE.

THE EDITION CAN BE RECOGNIZED BY THE CURRENT NO.  
IN THE BOTTOM LINE OF SUBJECT UPDATE.

THE PREVIOUS UPDATE SHOULD NO LONGER BE USED.

ALL ILLUSTRATIONS ARE SUBJECT TO CHANGE WITHOUT OBLIGATION.

THE SEATS FOR EACH MODEL ARE AVAILABLE IN THE PARTS CATALOGUE  
"SEATS (STZ 19)".

Model: 986 97

Model life 1997>>2004

EXPLANAT.- VIN

EXPLANATION OF THE ABRIDGED VERSION OF THE VEHICLE IDENT. NUMBERS (VIN)  
 =====  
 USED IN THE CATALOGUE  
 =====

DIGIT:		1	2	3	4	5	6	7	8	9	10	11	12	13	14	15	16	17
--------	--	---	---	---	---	---	---	---	---	---	----	----	----	----	----	----	----	----

EXAMPLE:		W	P	0	Z	Z	Z	9	8	Z	V	S	6	0	0	1	2	5
----------	--	---	---	---	---	---	---	---	---	---	---	---	---	---	---	---	---	---

								===		=	=	=						
--	--	--	--	--	--	--	--	-----	--	---	---	---	--	--	--	--	--	--

								!		!	!	!						!
--	--	--	--	--	--	--	--	---	--	---	---	---	--	--	--	--	--	---

VEHICLE TYPE 1ST+2ND DIGIT-----+

										!	!	!						!
--	--	--	--	--	--	--	--	--	--	---	---	---	--	--	--	--	--	---

MODEL YEAR-----+

										!	!							!
--	--	--	--	--	--	--	--	--	--	---	---	--	--	--	--	--	--	---

MANUFACTURING LOCATION-----+

											!	!						!
--	--	--	--	--	--	--	--	--	--	--	---	---	--	--	--	--	--	---

VEHICLE TYPE 3RD DIGIT-----+

																		!
--	--	--	--	--	--	--	--	--	--	--	--	--	--	--	--	--	--	---

SERIAL NUMBER-----+

Model: 986 97 Model life 1997>>2004

SUMMARY TYPES

VEHICLE TYPE	MY	VIN	ENGINE	TYPE
BOXSTER	97	V 98VS6 00061>10000	M96.20	150 KW
BOXSTER (USA) (CDN)	97	V 98VS6 20061>30000	M96.20	150 KW
BOXSTER (BR)	97	V 98TS6 29801>30000	M96.20	150 KW
BOXSTER (BR)	97	V 98VS6 29801>30000	M96.20	150 KW
BOXSTER	98	W 98WS6 00061>10000	M96.20	150 KW
BOXSTER	98	W 98WU6 00061>10000	M96.20	150 KW
BOXSTER (USA) (CDN) (MEX)	98	W 98WS6 20061>30000	M96.20	150 KW
BOXSTER (USA) (CDN)	98	W 98WU6 20061>30000	M96.20	150 KW
BOXSTER (BR)	98	W 98WS6 29801>30000	M96.20	150 KW
BOXSTER (BR)	98	W 98WU6 29801>30000	M96.20	150 KW
BOXSTER	99	X 98XS6 00061>10000	M96.20	150 KW
BOXSTER	99	X 98XU6 00061>10000	M96.20	150 KW
BOXSTER (USA) (CDN) (MEX)	99	X 98XS6 20061>30000	M96.20	150 KW
BOXSTER (USA) (CDN) (MEX)	99	X 98XU6 20061>30000	M96.20	150 KW
BOXSTER (BR)	99	X 98XS6 29801>30000	M96.20	150 KW
BOXSTER (BR)	99	X 98XU6 29801>30000	M96.20	150 KW
BOXSTER	00	Y 98YS6 00061>10000	M96.22	160 KW
BOXSTER	00	Y 98YU6 00061>10000	M96.22	160 KW
BOXSTER (USA) (CDN) (MEX) (BR)	00	Y 98YS6 20061>30000	M96.22	160 KW
BOXSTER (USA) (CDN) (MEX) (BR)	00	Y 98YU6 20061>30000	M96.22	160 KW
BOXSTER "S"	00	Y 98YS6 40061>50000	M96.21	185 KW
BOXSTER "S"	00	Y 98YU6 40061>50000	M96.21	185 KW
BOXSTER "S" (USA.CDN.MEX.BR)	00	Y 98YS6 60061>70000	M96.21	185 KW
BOXSTER "S" (USA.CDN.MEX.BR)	00	Y 98YU6 60061>70000	M96.21	185 KW
BOXSTER	01	1 981S6 00061>10000	M96.22	162 KW
BOXSTER	01	1 981U6 00061>10000	M96.22	162 KW
BOXSTER (USA) (CDN) (MEX) (BR)	01	1 981S6 20061>30000	M96.22	162 KW
BOXSTER (USA) (CDN) (MEX) (BR)	01	1 981U6 20061>30000	M96.22	162 KW
BOXSTER "S"	01	1 981S6 40061>50000	M96.21	185 KW
BOXSTER "S"	01	1 981U6 40061>50000	M96.21	185 KW
BOXSTER "S" (USA.CDN.MEX.BR)	01	1 981S6 60061>70000	M96.21	185 KW
BOXSTER "S" (USA.CDN.MEX.BR)	01	1 981U6 60061>70000	M96.21	185 KW
BOXSTER	02	2 982S6 00061>10000	M96.22	162 KW
BOXSTER	02	2 982U6 00061>10000	M96.22	162 KW
BOXSTER (USA) (CDN) (MEX) (BR)	02	2 982S6 20061>30000	M96.22	162 KW
BOXSTER (USA) (CDN) (MEX) (BR)	02	2 982U6 20061>30000	M96.22	162 KW
BOXSTER "S"	02	2 982S6 40061>50000	M96.21	185 KW
BOXSTER "S"	02	2 982U6 40061>50000	M96.21	185 KW
BOXSTER "S" (USA.CDN.MEX.BR)	02	2 982S6 60061>70000	M96.21	185 KW
BOXSTER "S" (USA.CDN.MEX.BR)	02	2 982U6 60061>70000	M96.21	185 KW
BOXSTER	03	3 983S6 00061>10000	M96.23	168 KW
BOXSTER	03	3 983U6 00061>10000	M96.23	168 KW
BOXSTER (USA) (CDN) (MEX) (BR)	03	3 983S6 20061>30000	M96.23	168 KW
BOXSTER (USA) (CDN) (MEX) (BR)	03	3 983U6 20061>30000	M96.23	168 KW
BOXSTER "S"	03	3 983S6 40061>50000	M96.24	191 KW

**Model: 986 97**

**Model life 1997>>2004**

BOXSTER "S"	03	3	983U6	40061>50000	M96.24	191	KW
BOXSTER "S" (USA.CDN.MEX.BR)	03	3	983S6	60061>70000	M96.24	191	KW
BOXSTER "S" (USA.CDN.MEX.BR)	03	3	983U6	60061>70000	M96.24	191	KW

Model: 986 97

Model life 1997&gt;&gt;2004

## SUMMARY TYPES

VEHICLE TYPE	MY	VIN	ENGINE TYPE
BOXSTER	04 4	984S6 00061>10000	M96.23 168 KW
BOXSTER	04 4	984U6 00061>10000	M96.23 168 KW
BOXSTER (USA) (CDN) (MEX) (BR)	04 4	984S6 20061>30000	M96.23 168 KW
BOXSTER (USA) (CDN) (MEX) (BR)	04 4	984U6 20061>30000	M96.23 168 KW
BOXSTER "S"	04 4	984S6 40061>50000	M96.24 191 KW
BOXSTER "S"	04 4	984U6 40061>50000	M96.24 191 KW
BOXSTER "S" (USA.CDN.MEX.BR)	04 4	984S6 60061>70000	M96.24 191 KW
BOXSTER "S" (USA.CDN.MEX.BR)	04 4	984U6 60061>70000	M96.24 191 KW

Model: 986 97

Model life 1997>>2004

EXPL. ENGINE-NO.

EXPLANATION OF THE MOTOR-NUMBERS USED IN THE CATALOGUE

=====

DIGIT: 1 2 3 4 5 6 7 8

EXAMPLE: 6 5 V 0 0 1 3 6

= = = =====

! ! ! !

ENGINE TYPE (6 = 6-CYL.-ENGINE)-----+ ! ! !

! ! !

ENGINE VERSION-----+ ! !

! !

MODEL YEAR-----+ !

!

SERIAL NUMBER-----+ !

Model: 986 97

Model life 1997&gt;&gt;2004

## SUMMARY ENGINES

VEHICLE TYPE	ENGINE		ENGINE NO.	TECHNICAL DATA
	TYPE	MY		
BOXSTER	M96.20	97 V	65V 00501>60000	6ZYL/2,5L /150 KW
BOXSTER	M96.20	98 W	65W 00501>60000	6ZYL/2,5L /150 KW
BOXSTER	M96.20	99 X	65X 00501>60000	6ZYL/2,5L /150 KW
BOXSTER	M96.22	00 Y	65Y 00501>60000	6ZYL/2,7L /160 KW
BOXSTER "S "	M96.21	00 Y	67Y 00501>60000	6ZYL/3,2L /185 KW
BOXSTER	M96.22	01 1	651 00501>60000	6ZYL/2,7L /162 KW
BOXSTER "S "	M96.21	01 1	671 00501>60000	6ZYL/3,2L /185 KW
BOXSTER	M96.22	02 2	652 00501>60000	6ZYL/2,7L /162 KW
BOXSTER "S "	M96.21	02 2	672 00501>60000	6ZYL/3,2L /185 KW
BOXSTER	M96.23	03 3	653 00501>60000	6ZYL/2,7L /168 KW
BOXSTER "S "	M96.24	03 3	673 00501>60000	6ZYL/3,2L /191 KW
BOXSTER	M96.23	04 4	654 00501>60000	6ZYL/2,7L /168 KW
BOXSTER "S "	M96.24	04 4	674 00501>60000	6ZYL/3,2L /191 KW

Model: 986 97

Model life 1997>>2004

EXPL. TRANSM. NO.

EXPLANATION OF THE TRANSMISSION-NUMBERS USED IN THE CATALOGUE

=====

DIGIT:	1	2	3	4	5	6	7	8	9	10	11
EXAMPLE:	G	8	6	0	0	1	0	0	5	4	3
	=	=====				=	=====				
	!		!			!			!		!
	!		!			!			!		!
TRANSMISSION TYPE-----+			!			!			!		!
			!			!			!		!
TRANSMISSION VERSION-----+						!			!		!
						!			!		!
INDEX OF VARIANTS-----+									!		!
									!		!
SERIAL NUMBER-----+											!



Model: 986 97

Model life 1997&gt;&gt;2004

## SUMM. TRANSMISS.

VEHICLE TYPE	TYPE	MY	TRANSMISSION NO.	TECNICAL DATA
BOXSTER	G86.00	97 V	G8600 1 002001>999999	5-GANG
BOXSTER TIPTRONIC	A86.00	97 V	A8601 1 002001>999999	5-GANG
BOXSTER	G86.00	98 W	G8600 1 002001>999999	5-GANG
BOXSTER TIPTRONIC	A86.00	98 W	A8602 1 002001>999999	5-GANG
BOXSTER	G86.00	99 X	G8600 1 002001>999999	5-GANG
BOXSTER TIPTRONIC	A86.00	99 X	A8603 1 002001>999999	5-GANG
BOXSTER	G86.01	00 Y	G8601 1 002001>999999	5-GANG
BOXSTER TIPTRONIC	A86.05	00 Y	A8605 1 002001>999999	5-GANG
BOXSTER "S"	G86.20	00 Y	G8620 2 002001>999999	6-GANG
BOXSTER "S" TIPTRONIC	A86.20	00 Y	A8620 1 002001>999999	5-GANG
BOXSTER	G86.01	01 1	G8601 1 002001>999999	5-GANG
BOXSTER TIPTRONIC	A86.05	01 1	A8605 1 002001>999999	5-GANG
BOXSTER "S"	G86.20	01 1	G8620 1 002001>999999	6-GANG
BOXSTER "S" TIPTRONIC	A86.20	01 1	A8620 1 002001>999999	5-GANG
BOXSTER	G86.01	02 2	G8601 1 002001>999999	5-GANG
BOXSTER TIPTRONIC	A86.05	02 2	A8605 1 002001>999999	5-GANG
BOXSTER "S"	G86.20	02 2	G8620 1 002001>999999	6-GANG
BOXSTER "S" TIPTRONIC	A86.20	02 2	A8620 1 002001>999999	5-GANG
BOXSTER	G86.01	03 3	G8601 1 002001>999999	5-GANG
BOXSTER TIPTRONIC	A86.05	03 3	A8605 1 002001>999999	5-GANG
BOXSTER "S"	G86.20	03 3	G8620 1 002001>999999	6-GANG
BOXSTER "S" TIPTRONIC	A86.20	03 3	A8620 1 002001>999999	5-GANG
BOXSTER	G86.01	04 4	G8601 1 002001>999999	5-GANG
BOXSTER TIPTRONIC	A86.05	04 4	A8605 1 002001>999999	5-GANG
BOXSTER "S"	G86.20	04 4	G8620 1 002001>999999	6-GANG
BOXSTER "S" TIPTRONIC	A86.20	04 4	A8620 1 002001>999999	5-GANG

Model: 986 97

Model life 1997>>2004

LEGENDS/NOTICES

LEGENDS AND NOTICES

=====

IN COLUMN -S- STATUS

-----

- N NEW ADDITION
- P PART ALREADY IN PROGRAMME, BUT NEW AT THIS APPLICATION
- W DELETED AT THIS APPLICATION, BUT CONTINUED TO BE CARRIED
- A STOCK TO BE USED UP
- U DELETED WITHOUT REPLACEMENT
- \* PART ALSO OR ONLY AVAILABLE IN REPAIR KIT
- > ALSO AVAILABLE IN EXCHANGE

IN COLUMN - ILL. -

-----

- 1 IDENTIFICATION NO. IN ILLUSTRATION
- (1) PART ONLY SIMILAR AS ILLUSTRATED
- PART IS NOT ILLUSTRATED

FIG.-NUMBERS FOR WHICH THERE IS SHOWN NO TEXT ARE NOT VALID FOR THIS EDITION OF CATALOGUE

IN COLUMN -PART NUMBER/CODE-

-----

000 000 000 00 PART NUMBER EQUALS ORDERING NO., IF A CODE IS SHOWN, IT WILL HAVE TO BE PART OF ORDERING NUMBER

01C COLOUR CODE

IN COLUMN -TEXT

-----

INSTALLATION WITH ENGINE OR CHASSIS NUMBER-RANGE

EXAMPLE:

M 65V 00389>> FROM ENGINE NO.

**Model: 986 97****Model life 1997>>2004**

F

&gt;&gt;98VS6 00889

UP TO CHASSIS NO.

Model: 986 97

Model life 1997>>2004

LEGENDS/NOTICES

IN COLUMN - A -  
-----

IDENTIFICATION LETTER FOR PERIOD OF INSTALLATION  
THAT IS REPEATED SEVERAL TIMES IN THE CATALOG GROUP.

EXPLANATION PLEASE FIND IN TEXT COLUMN OF THE CATALOG GROUP

IN COLUMN - QU - = NO. OF PIECES  
-----

- 1 NUMBER PER APPLICATION
- X NUMBER AS NEEDED
- \* AVAILABLE ONLY IN RUNNING LENGTHS 1 = 1 METRE

IN COLUMN - MODEL/SYMBOL -  
-----

- M650 OPTIONAL EQUIPMENT - SEE M-NO. LIST
- 97 LIMITATION OF MODEL YEAR FOR INSTANCE: VALID UP TO  
END OF MODEL YEAR 1997
- /LL LHD
- /RL RHD
- +
- /V FRONT I  
I
- /H REAR I  
I----> APPLIES TO
- /L LEFT I DIRECTION OF TRAVEL  
I
- /R RIGHT I  
-----+
- WW THE PART CAN BE USED INSTEAD OF THE  
PRECEDING ONE.

Model: 986 97

Model life 1997&gt;&gt;2004

COUNTRY-EQIPM.

## EQUIPMENT BY COUNTRY REGULATIONS

=====

(A)	AUSTRIA
(AG)	ARABIAN GULF STATES
(AUS)	AUSTRALIA
(B)	BELGIUM
(BR)	BRAZIL
(CDN)	CANADA
(CH)	SWITZERLAND
(D)	FEDERAL REPUBLIC OF GERMANY
(DK)	DENMARK
(E)	SPAIN
(F)	FRANCE
(GB)	GREAT BRITAIN
(GR)	GREECE
(HK)	HONGKONG
(I)	ITALY
(J)	JAPAN
(L)	LUXEMBURG
(N)	NORWAY
(NL)	NETHERLANDS
(NZ)	NEW ZEALAND
(P)	PORTUGAL
(RC)	TAIWAN
(S)	SWEDEN
(SA)	SAUDI ARABIA
(SF)	FINLAND
(USA)	UNITED STATES OF AMERICA
(ZA)	SOUTH AFRICA

Model: 986 97

Model life 1997&gt;&gt;2004

NR	Description
IXAA	Aerokit Cup
IXAB	Spyder rear in body colour
IXAF	Turbo aerokit
IXAG	Carrera - rear spoiler
IXCA	Dashboard trim strip (3-part) sports seats
IXCC	Side air vents sports seats
IXCD	Center air vent bracket sports seats
IXCE	Rear center console sports seats
IXCG	Sports seat backrest in Aluminium Look finish
IXCZ	Short shifter
IXD9	Wheel painted in body colour
IXEA	Passive handset in leather
IXE8	Gear lever knob aluminium/dark burr maple/leather
IXE9	Handbrake lever aluminium/dark burr maple/leather
IXJB	Rear section of centre console in Arctic Silver
IXJ4	Leather cover for ignition lock surround
IXKB	Side air vent in light burr maple
IXKC	Side air vent in dark burr maple
IXKD	Side air vent in Carbon
IXKE	Side air vent in Arctic Silver
IXKG	"Defroster trim in light burr maple; leather"
IXKH	"Defroster trim in dark burr maple; leather"
IXKJ	Defroster trim in Carbon/leather
IXKR	Center air vent bracket in light burr maple
IXKS	Center air vent bracket in dark burr maple
IXKW	Center nozzle bracket arctic silver
IXKX	Instrument surround in Arctic Silver
IXLA	Boxster tailpipe
IXLF	Sports exhaust system
IXMA	Rooflining in leather
IXME	Rear section of centre console painted
IXMF	Front center console including 2 storage bins, leather
IXMJ	Rear section of centre console in Carbon
IXMK	Roll-over bar in exterior color
IXML	Rear center console in light burr maple
IXMP	Leather sun visor, 2 illuminated vanity mirrors *
IXMR	Sun visor in leather, 2 illuminated vanity mirrors,
IXMY	Roll-over bar in Arctic Silver
IXMZ	Rear section of centre console in leather
IXNB	Rear center console in dark burr maple
IXNG	Instrument surround in leather
IXNH	Side vent, left/right defroster trim in leather
IXNN	Center air vent bracket in leather
IXNR	Carbon center air vent bracket
IXNS	Leather steering column trim, 4-part
IXNU	Leather trim strip (dashboard)

Model: 986 97

Model life 1997&gt;&gt;2004

NR	Description
IXNV	Trim strip (dashboard) in light burr maple
IXNW	Trim strip (dashboard) in dark burr maple
IXNX	Carbon trim strip (dashboard)
IXNY	Trim strip in Arctic Silver
IXN3	Dashboard side air vent in leather
IXPA	3-spoke sports steering wheel in leather interior co
IXPB	3-spoke sports steering wheel, light burr maple, leather
IXPC	3-spoke sports steering wheel, dark burr maple, leather
IXPD	3-spoke sports steering wheel, Carbon/leather
IXPG	3-spoke sports steering wheel, sports seats
IXPP	Loudspeaker finisher on switch panel in interior colour
IXPW	Instrument surround in light burr maple
IXPX	Instrument surround in dark burr maple
	*
IXPY	Carbon instrument surround
IXRA	17-inch SPORTCLASSIC WHEEL
IXRB	18-inch Sport Classic II wheel
IXRC	18-inch SportTechno wheel
IXRL	18-inch SportDesign wheel
IXRN	17-mm spacers, rear
IXRP	5-mm spacers, front/rear
IXSA	Painted sports seat backrest
IXSB	Leather sports seat backrest
IXSC	Porsche Crest embossed in headrest
IXSD	Front seat controls in leather
IXSE	Bucket seat, left
IXSF	Bucket seat, right
IXSG	Racing bucket seat, left
IXSJ	6-point harness
IXSL	6-point safety catch
IXSM	Racing safety cage
IXSN	Omission of rear seats
IXSR	Carbon back for bucket seat, right
IXSS	Carbon back for bucket seat, left
IXSU	Upholstered seat
IXSW	Seat belts in Maritime Blue
IXSX	Seat belts in Guards Red
IXSY	Seat belts in Speed Yellow
IXTC	Door panel parts in leather
IXTE	Door panel parts in carbon/leather
IXTF	Door panel parts in arctic silver/leather
IXTG	Inner door sills in leather
IXTJ	Door panel parts in light burr maple
IXTK	Door panel parts in dark burr maple
IXTL	Door panel parts in Carbon

Model: 986 97

Model life 1997&gt;&gt;2004

NR	Description
IXTR	Door panel parts in Aluminium Look finish
IXV1	Defroster trim in leather
IXX1	Floor mats, logo, leather border
IXX2	Illuminated footwell
IXY5	Tiptronic gear selector gate in leather
IXZD	Interior light surround in leather
IX45	Instrument dial in interior color
IX46	Tiptronic selector lever in aluminium/leather
IX47	Gear lever knob in Carbon/leather
IX48	Tiptronic selector lever in Carbon/aluminium
IX58	Handbrake lever in Carbon/leather
IX65	Tiptronic selector lever in light burr maple/aluminium
IX66	Tiptronic selector lever in dark burr maple/aluminium
IX69	Door entry guards in Carbon with logo
IX70	Door entry guards in stainless steel with logo
IX71	Instrument dial painted/Aluminium Look finish
IX72	Gear lever knob aluminium/light burr maple/leather
IX73	Turbo sports suspension
IX74	Sports suspension (exclusive)
IX76	Inner door sill guard, left/right
IX91	Handbrake lever aluminium/light burr maple/leather
IX97	Gear lever knob in aluminium/leather
IX98	Handbrake lever in aluminium/leather
IX99	Natural leather
I369	Standard seat, left
I370	Standard seat, right
I437	Comfort seat, left, electrically adjustable
I438	Comfort seat, right, electrically adjustable
I946	Seat covers, front, leather/leather/leatherette
M000	+-----+ ! Summary of optional extras "M"! +-----+
M008	986 S 3,2 litres displacement
M009	986 2.5 litres displacement -- MY 1999 986 2.7 litres displacement MY 2000 --
M010	"Classic" package
M011	"Trend" package
M012	"Sport Design" package
M013	"Sport Technik" package
M016	"Standard" package
M020	Speedometer with two scales mph-km/h
M024	Version for Greece
M030	Sport-type chassis
M034	Version for Italy
M058	Impact absorbers, front and rear



Model: 986 97

Model life 1997&gt;&gt;2004

NR	Description
M061	Version for Great Britain
M062	Version for Sweden
M063	Version Luxemburg
M064	Version for Netherlands
M065	Version for Denmark
M066	Version for Norway
M067	Version for Finland
M068	Version for Thailand
M069	Other country version
M071	EU country version
M072	Version for Mexico
M073	Version for Russia
M091	Special model '50 years Spyder'
M111	Version for Austria
M113	Version for Canada
M114	Version for Taiwan
M119	Version for Spain
M124	Version for France
M126	Control and indications in French lettering
M127	Control and indications in Swedish
M130	Control and indications in English lettering
M139	Seat heating system, left seat
M150	Operation with leaded gas
M191	Wheel spokes in Seal Grey Metallic
M193	Version for Japan
M197	Stronger battery
M198	Starter 1.7 kW
M210	Licence plate holder version 2
M211	Licence plate holder version 3
M215	Version for Saudi Arabia
M218	Licence plate holder version 4
M219	Differential
M222	Anti-slip regulation (ASR)
M224	Automatic limited slip differential
M225	Version for Belgium
M249	Tiptronic transmission
M265	Automatic anti-dazzle interior mirror with rain sensor
M266	Automatic anti-dazzle door mirror
M270	Door mirror -flat- driver's side, electrically adjustable and heatable
M271	Door mirror -aspherical- driver's side, electrically adjustable and heatable
M272	Door mirrors, manually adjustable
M273	Door mirrors, electrically adjustable and heatable

Model: 986 97

Model life 1997&gt;&gt;2004

NR	Description
M274	Vanity mirror illuminated
M277	Version for Switzerland
M288	Headlamp washer
M320	Radio "Porsche CR-11" ROW
M321	Radio "Porsche CR 22"
M322	Radio "Porsche CR 220"
M325	Version for South Africa/New Zealand
M326	Radio "Porsche CR-21" ROW
M327	Radio "Porsche CR 2200"
M329	Radio "Porsche CR-210" USA
M330	Radio "Porsche CR-31" ROW
M338	Rear-wheel drive
M340	Seat heating system, right seat
M342	Seat heating system, left/right seat
M369	Standard seat, left
M370	Standard seat, right
M375	Sports seat, backrest shell, left
M376	Sports seat, backrest shell, right
M394	Boxster wheel 17-inch
M395	Cast wheel, 16-inch
M396	Cast wheel, 17-inch
M400	Boxster-S wheel 17-inch
M411	18-inch Carrera wheel
M413	18-inch Turbo-Look wheel
M414	18-inch Turbo-Look wheel, high gloss finish
M415	18-inch monobloc wheel Top
M421	Front cassette compartment
M422	Rear cassette compartment
M424	CD compartment
M431	4-spoke steering wheel (leather), diameter 363 mm
M432	Steering wheel with Tiptronic control
M436	3-spoke airbag steering wheel
M437	Comfort seat, left, electrically adjustable
M438	Comfort seat, right, electrically adjustable
M439	Electrical hood operation
M440	Manual antenna, 4 loudspeakers --- MY 2002 MY 2003 --- antenna diversity
M441	Radio preparation
M446	Concave wheel centers with full-colour Porsche Crest
M454	Automatic speed control
M465	Rear foglamp, left
M466	Rear foglamp, right
M476	Porsche Stability Management (PSM)

Model: 986 97 Model life 1997>>2004

NR	Description
M479	Version for Australia
M480	6-speed manual transmission
M481	5th-speed manual transmission
M484	Version for USA
M488	Inscriptions in German language
M490	-MY 01 sound system
	MY 02 sound system Harmann analog
M492	Headlamps for left-hand traffic
M499	Version for Germany
M509	Fire extinguisher
M513	Lumbar support, right seat
M524	Anti-drive-off feature, 433 MHz
M525	Anti-drive-off feature, 315 MHz
M531	Anti-drive-off feature, central locking system
M532	Alarm system remote control omitted
M534	Theft security system
M535	Anti-theft lock 315 MHz
M536	Alarm siren and tilt sensor
M537	Seating position control for comfort seat, left
M538	Seating position control for comfort seat, right
M539	Mechanical seat-height adjustment, left
M540	Mechanical seat-height adjustment, right
M549	Roof Transport System
M550	Hard top
M551	Wind deflector
M553	Version for USA, Canada
M562	Airbag, driver's side and front passenger's side
M563	Side airbag
M566	Front fog lights, white
M567	Windscreen tinted, upper part darker coloured
M568	Windscreen without green top-tint
M571	Activated charcoal filter
M573	Air conditioner
M574	Without air conditioner
M580	Non-smoker's package
M581	Center console, front
M582	Storage poket (motor cover)
M584	Storage box
M586	Lumbar support, left seat
M590	Power lid locking
M601	Litronic headlights
M602	Raised stop lamp
M606	Daytime driving lights

Model: 986 97

Model life 1997&gt;&gt;2004

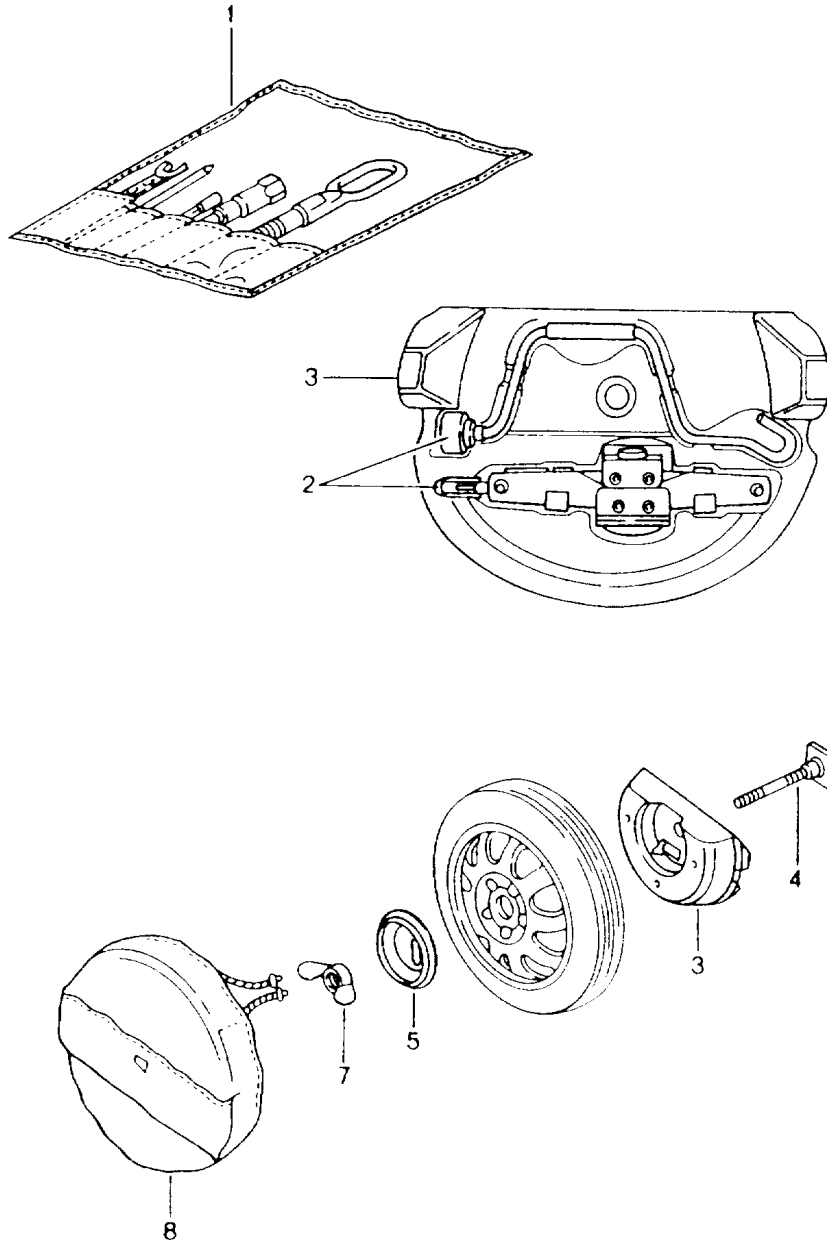
NR	Description
M614	Preparation for telephone installation Motorola 2200
M618	Preparation for telephone installation
M620	Electronic accelerator
M635	Parking assistent
M651	Electric window opener
M657	Power assisted steering
M659	On-board computer
M660	Obd 2
M661	Stricter emission-control concept
M662	Info/navigation system
M663	Passive handset
M664	Orvr
M665	PCM2 basic module including radio
M666	PCM2 telephone (GSM)
M668	PCM2 telephone handset
M670	PCM2 navigation
M680	-MY 01 digital sound package MY 02- sound system Bose analog
M686	Radio "Porsche CDR-21" ROW
M688	Radio "Porsche CDR-210" USA
M689	Preperation of cd autochanger
M692	CD autochanger "Porsche "
M695	CD radio "Porsche CDR 22"
M696	CD radio "Porsche CDR 220"
M698	CD radio "Porsche CDR 32"
M699	MD radio "Porsche MDR32"
M945	Seat covers, front cloth/leatherette/leatherette
M946	Seat covers, front, leather/leather/leatherette
M981	Leather equipment without seat covers
M982	Seat covers, front, draped leather/leather/leather
M983	Seat covers, front, leather
M990	Seat covers, front, cloth/cloth/leatherette
M999	Passenger compartment monitoring sensor for leather colour of choice

Model: 986 97

Model life 1997>>2004

Model: 986 97

Model life 1997>>2004

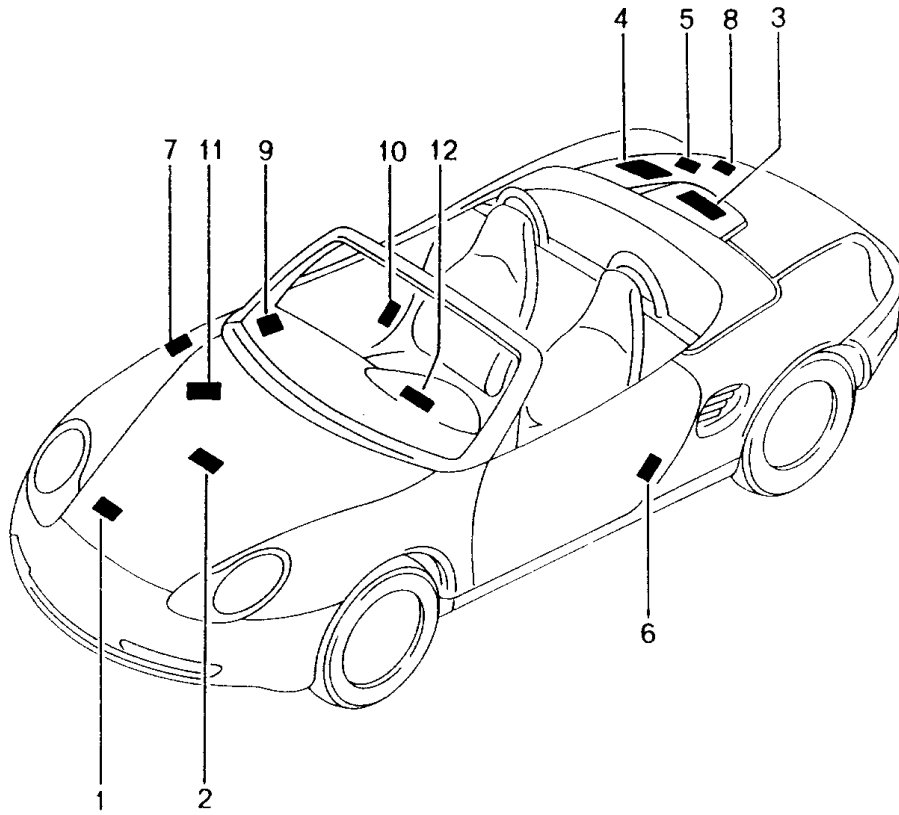


Model: 986 97 Model life 1997>>2004

Pos	Part Number	Description	Remark	Qty	Model
1	996 721 115 00	Tool Jack Tool bag with contents		1	
-	996 721 415 00	Comprising: Tool bag without Content		1	
-	996 361 521 00	Boot for Tyre		1	
-	999 914 001 40	Plastic gloves		1	
-	996 721 151 00	Towing lug		1	
-	477 012 229	Double-end spanner 10 X 13		1	
-	477 012 231	Screwdriver		1	
-	111 012 287	Handle for Screwdriver		1	
-	999 571 076 02	Socket wrench - 5 - for Headlamp		1	
-	999 571 074 30	Threaded bolt for Assembly Wheels		1	
-	477 012 221 A	Rim wrench		1	
-	999 571 070 30	Operating rod for Rim wrench		1	
2	996 721 211 00	Scissors type jack		1	
3	996 722 101 00	Foam part		1	
4	996 721 701 00	Fastening part		1	
5	477 813 157	Mounting plate		1	
7	900 029 004 02	Winged nut M 10		1	
8		See group 8/07/00 POS.19		1	

Model: 986 97

Model life 1997>>2004





Model: 986 97 Model life 1997>>2004

Pos	Part Number	Description	Remark	Qty	Model
		Stickers			
		Stickers			
		Tyre pressure			
1	986 701 287 21	Sticker		1	M009
1	986 701 287 24	Sticker		1	M008
		Stickers		1	
		Emergency wheel			
2	996 361 701 10	Sticker		1	
		English			
2	996 361 701 11	Sticker		1	
		French			
		Stickers			
		Engine specifications			
3	986 006 109 01	Sticker	97	1	M009
3	986 006 109 03	Sticker	98-99	1	M009
3	986 006 109 06	Sticker	00	1	M009
3	986 006 109 10	Sticker	01	1	M009
3	986 006 109 14	Sticker	02	1	M009
3	986 006 109 16	Sticker	03	1	M009
3	986 006 109 18	Sticker	04	1	M009
3	986 006 109 07	Sticker	00	1	M008
3	986 006 109 11	Sticker	01	1	M008
3	986 006 109 15	Sticker	02	1	M008
3	986 006 109 17	Sticker	03	1	M008
3	986 006 109 19	Sticker	04	1	M008
(4)	996 006 120 00	Indication sticker	00-	1	
		Lid			
		Expansion tank			
		Coolant			
5	996 006 140 00	Sticker		1	
		Antiknock regulation			
6	477 000 267	Sticker		1	
		Catalytic converter			
		Stickers			
		Type of fuel			
7	996 006 117 03	Sticker		1	
		93 RON/MON/2			
7	993 006 118 00	Sticker	(USA) -99	1	
		Fuel filler flap			
7	996 006 118 01	Sticker	(USA) 00-	1	
		Fuel filler flap			
7	996 701 190 00	Sticker	01-	1	
		Fuel tank cap			
8	997 006 544 00	Sticker		1	
		Engine oil			
		- MOBIL 1 -			
8	7PP 010 786 T	Sticker		1	
		Engine oil			
		- MOBIL 1 -			
		Stickers			
		Airbag			
9	3B0 010 219 B	Sticker	00-	1	
		Child car seat			
9	986 701 421 04	Sticker		1	
		Airbag			
		Warning sign			
10	996 701 423 01	Sticker		1	
		Service			
		Airbag			
-	993 701 422 03	Sticker	(USA)	2	
		Airbag			
-	993 701 422 02	Sticker	(CDN)	2	
		Airbag			

Model: 986 97

Model life 1997>>2004

Pos	Part Number	Description	Remark	Qty	Model
11	986 701 141 01	Sticker Air conditioner Stickers Convertible top control See group 8/09/05		1	
12	996 701 121 01	Sticker KEY + SHIFT-LOCK	(USA)	1	

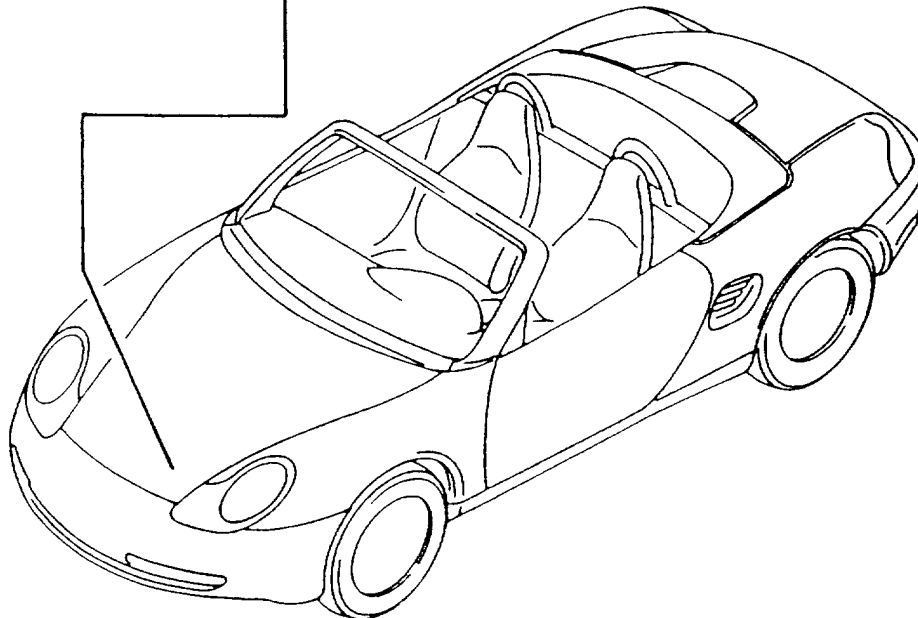
Model: 986 97

Model life 1997>>2004

FARBNUMMER  
COLOUR NUMBER  
NUMERO DE COULEUR  
NUMERO COLORE  
NUMERO DE COLOR

697 9 1  
DIAMOND BLUE METALLIC  
DIAMANT BLAU METALLIC  
F5

FARB BENENNUNG  
COLOUR  
COULEUR  
COLORE  
COLOR

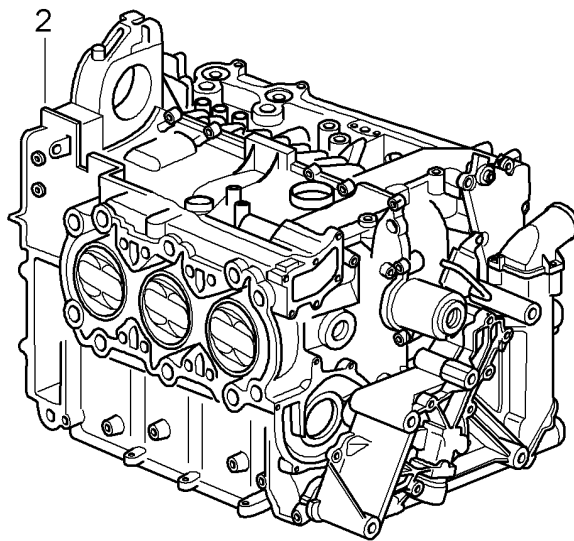
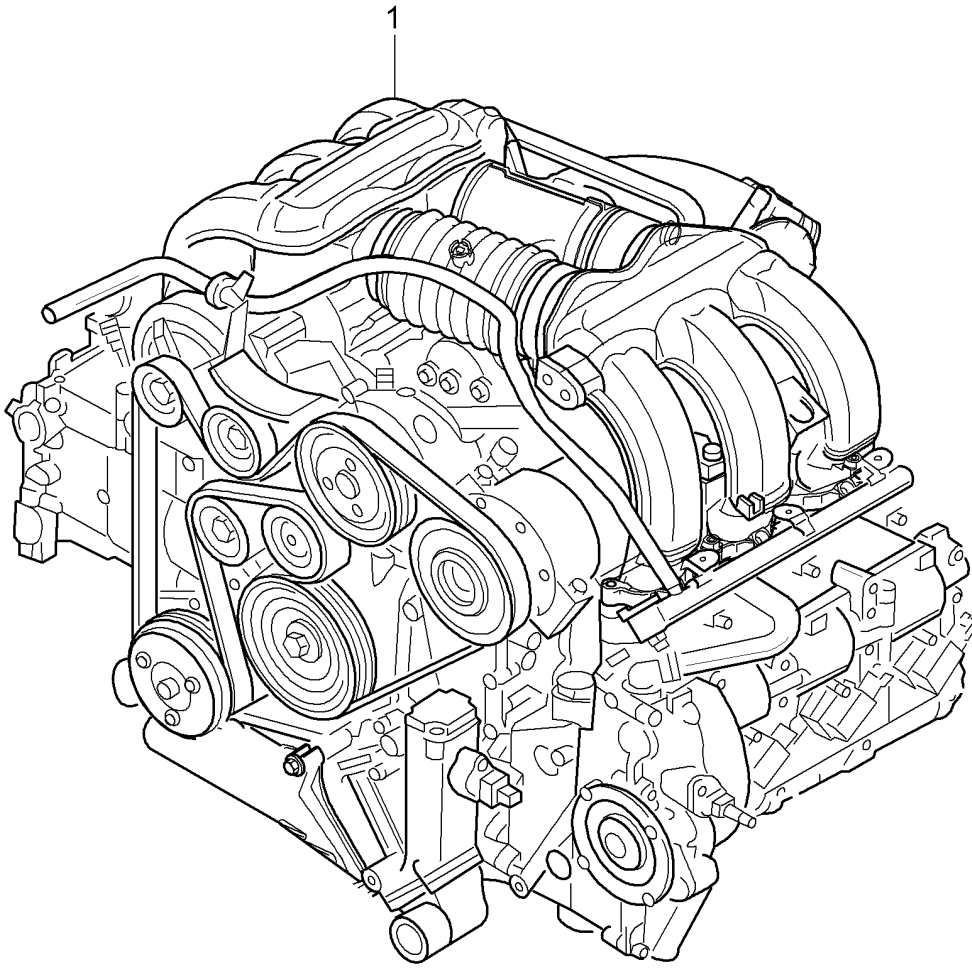


Model: 986 97 Model life 1997>>2004

Pos	Part Number	Description	Remark	Qty	Model
-	911 095 932 20	Paint touch-up applicator		X	
	911 095 932 20 719	Paint touch-up applicator			
	911 095 932 20 80K	Black			A 1
	911 095 932 20 3AT	Guards red			G 1
	911 095 932 20 9A3	Glacier white			Z 1
	911 095 932 20 12L	Biarritz white			Z 2
	911 095 932 20 3AR	Pastel yellow			Q 1
	911 095 932 20 12G	Blue turquoise			J 1
	911 095 932 20 347	Speed yellow			50 / X 4
	911 095 932 20 B9A	Dark blue			55
	911 095 932 20 B9A	Carrara white			B 4
-	911 095 933 20	Paint touch-up applicator		X	
		Set			
		Comprising:			
		Paint touch-up applicator			
		Primer			
		Paint touch-up applicator			
		Clear lacquer			
	911 095 933 20 92T	Arctic silver metallic			X 1
	911 095 933 20 3AY	Ocean blue metallic			E 1
	911 095 933 20 3AW	Zenith blue metallic			F 1
	911 095 933 20 84R	Arena red metallic			H 8
	911 095 933 20 25H	Ocean jade metallic			J 3
	911 095 933 20 746	Black-metallic			Z 8
	911 095 933 20 23I	Wimbledon green metallic			51
	911 095 933 20 22E	Forest green metallic			53
	911 095 933 20 2A2	Rainforest green metallic			J 4
	911 095 933 20 39G	Violet metallic			54
	911 095 933 20 37U	Cobalt blue metallic			56
	911 095 933 20 92E	Polar silver metallic			58
	911 095 933 20 22D	Slate grey metallic			59
	911 095 933 20 39N	Iris blue metallic			61
	911 095 933 20 37W	Midnight Blue Metallic	-02		62
			03- -02		E 9
	911 095 933 20 8A4	Orient red metallic			L 1
	911 095 933 20 3A9	Lapis blue metallic	-02		E 3
	911 095 933 20 M5W	Lapis blue metallic	03-		J 2
	911 095 933 20 6A7	Meridian metallic	-03		X 2
			04 -03		64
	911 095 933 20 1A9	Zanzibar red	-02		N 1
			03 -02		63
	911 095 933 20 6B5	Seal grey metallic			Y 1
	911 095 933 20 C9Z	Basalt black metallic			Z 4
	911 095 933 20 M6W	Lagoon green metallic			G 4
	911 095 933 20 M3W	Carmon red metallic			E 4
	911 095 933 20 M7X	Atlas grey metallic			E 7
	911 095 933 20 M7Z	GT Silver Metallic	04		

Model: 986 97

Model life 1997>>2004



Model: 986 97

Model life 1997&gt;&gt;2004

Pos	Part Number	Description	Remark	Qty	Model
		Replacement engine without Drive plate Tiptronic without Flywheel Manual transmission without Compressor From engine no. M 654 66620 >> M 674 66382 >> Support for Steering 986.375.739.XX See illustrations 4/03/01 From engine no. M 65X 65965 >> M 67Y 65314 >> M 671 65423 >> M 672 65390 >> M 65Y 65152 >> M 651 65255 >> M 652 65391 >> M 654 66620 >> M 674 66382 >> without Bracket Compressor Air conditioner 996.126.101.51 Mount 900.067.403.01 See illustrations 8/13/15 without Pressure line 986.347.443.XX See illustrations 4/03/01			M96.20/21/22 M96.23/24  M96.23 M96.24  M96.20 M96.21 M96.21 M96.21 M96.22 M96.22 M96.22 M96.22 M96.23 M96.24
1	986 100 920 02	Replacement engine	-99	1	M96.20 M481
1	986 100 920 03	Replacement engine	-99	1	M96.20 M249
1	986 100 921 02	Replacement engine	00	1	M96.21 M480
1	986 100 921 06	Replacement engine	01	1	M96.21 M480
1	986 100 921 10	Replacement engine	02	1	M96.21 M480
1	986 100 924 02	Replacement engine	03	1	M96.24 M480
1	986 100 924 06	Replacement engine	04	1	M96.24 M480
1	986 100 924 10	Replacement engine	04	1	M96.24 M091/480
1	986 100 921 03	Replacement engine	00	1	M96.21 M249
1	986 100 921 07	Replacement engine	01	1	M96.21 M249

Model: 986 97 Model life 1997>>2004

Pos	Part Number	Description	Remark	Qty	Model
1	986 100 921 11	Replacement engine	02	1	M96.21 M249
1	986 100 924 03	Replacement engine	03	1	M96.24 M249
1	986 100 924 07	Replacement engine	04	1	M96.24 M249
1	986 100 924 11	Replacement engine	04	1	M249 M091/249
1	986 100 922 02	Replacement engine	00	1	M96.22 M481
1	986 100 922 06	Replacement engine	01	1	M96.22 M481
1	986 100 922 10	Replacement engine	02	1	M96.22 M481
1	986 100 923 02	Replacement engine	03	1	M96.23 M481
1	986 100 923 06	Replacement engine	04	1	M96.23 M481
1	986 100 922 03	Replacement engine	00	1	M96.22 M249
1	986 100 922 07	Replacement engine	01	1	M96.22 M249
1	986 100 922 11	Replacement engine	02	1	M96.22 M249
1	986 100 923 03	Replacement engine	03	1	M96.23 M249
1	986 100 923 07	Replacement engine	04	1	M96.23 M249
2	986 100 920 50	Short engine Comprising: Crankcase Connecting rod Crankshaft Oil pump Timing chain Parts kit without Gaskets Use also: 99610101600 99610421554 99610421602 90037813100 00004320435 00004330013 99610612553 99917020190 99610522352	-99	1	M96.20
2	986 100 920 TX	Short engine Comprising: Crankcase Connecting rod Crankshaft Oil pump Timing chain Parts kit without Gaskets Use also: 99610101600 99610421554 99610421602 90037813100	-99	1	M96.20

Model: 986 97

Model life 1997>>2004

Pos	Part Number	Description	Remark	Qty	Model
-	996 104 970 05	00004320435 00004330013 99610612553 99917020190 99610522352 Cylinder head gasket Short engine 98610092050/TX Parts kit for seals Cylinder head Use also: 99610496901 99610133650 99611323350 99970176141 99610590305 99611321351 99610722151 99970740940 94411090101 99970721540 99970755440 99611110755		X X 1 6 2 1  1 1 1 6 4 1 2 2 2 12 6 2 2	
-	996 106 326 50	Gasket Thermostat housing Short engine 98610092050/TX Parts kit Gaskets Accessories Use also: 99610710351 99970734840 99610726150		1 1 1 6 4 1 2 1 1	
2	986 100 921 50	Short engine Comprising: Crankcase Connecting rod Crankshaft Oil pump Timing chain Parts kit without Gaskets Use also: 99610101600 99610421554 99610421602 90037813100 00004320435 00004330013 99610612553 99917020791 99610522352	00-02	1                   1 4 2 12 X X 1 6 2	M96.21
2	986 100 921 TX	Short engine Comprising: Crankcase Connecting rod Crankshaft Oil pump Timing chain Parts kit without	00-02	1	M96.21



Model: 986 97

Model life 1997>>2004

Pos	Part Number	Description	Remark	Qty	Model
-	996 104 970 56	Gaskets Use also: 99610101600 99610421554 99610421602 90037813100 00004320435 00004330013 99610612553 99917020791 99610522352 Cylinder head gasket Short engine 98610092150/TX Parts kit for seals Cylinder head Use also: 99610496950 99610133650 99611323350 99970176141 99610590305 99611321351 99610722151 99970740940 94411090101 99970721540 99970755440 99611110755		1 4 2 12 X X 1 6 2 1  1 1 1 6 4 1 2 2 12 6 2 2	
-	996 106 326 50	Gasket Thermostat housing Short engine 98610092150/TX Parts kit for seals Accessories Use also: 99610710351 99970734840 99610726150		1 1 1 6 4 1 2 2 12 6 2 2	
2	986 100 922 50	Short engine Comprising: Crankcase Connecting rod Crankshaft Oil pump Timing chain Parts kit without Gaskets Use also: 99610101600 99610421554 99610421602 90037813100 00004320435 00004330013 99610612553 99917020791 99610522352	00-02	1 1 1 1	M96.22
2	986 100 922 TX	Short engine Comprising: Crankcase Connecting rod	00-02	1 1 1 12 X X 1 6 2	M96.22

Model: 986 97 Model life 1997>>2004

Pos	Part Number	Description	Remark	Qty	Model
-	996 104 970 05	Crankshaft Oil pump Timing chain Parts kit without Gaskets Use also: 99610101600 99610421554 99610421602 90037813100 00004320435 00004330013 99610612553 99917020791 99610522352 Cylinder head gasket Short engine 98610092250/TX Parts kit for seals Cylinder head Use also: 99610496901 99610133650 99611323350 99970176141 99611321351 99610722151 99970740940 94411090101 99970721540 99610590305 99970755440 99611110755 Gasket Thermostat housing Short engine 98610092250/TX Parts kit for seals Accessories Use also: 99610710351 99970734840 99610726150		1 4 2 12 X X 1 6 2 1  1 1 1 6 1 2 2 12 6 4 2 2 1  2 1 1 1	
2	986 100 923 50	Short engine Comprising: Crankcase Connecting rod Crankshaft Oil pump Timing chain Parts kit without Gaskets Use also: 99610101600 99610421554 99610421602 90037813100 00004320435 00004330013 99610612553 99917020791	03-04	1	M96.23

Model: 986 97 Model life 1997>>2004

Pos	Part Number	Description	Remark	Qty	Model
2	986 100 923 TX	99610522352 Short engine Comprising: Crankcase Connecting rod Crankshaft Oil pump Timing chain Parts kit without Gaskets Use also: 99610101600 99610421554 99610421602 90037813100 00004320435 00004330013 99610612553 99917020791 99610522352	03-04	2 1	M96.23
-	996 104 170 07	Cylinder head gasket Short engine 98610092350/TX Parts kit for seals Cylinder head Use also: 99610133650 99611323350 99611321351 99970176141 99610722151 99970740940 94411090101 99970721540 99610590305 99970755440		2 2 1 1 1 6 2 2 12 6 4 2 1	
-	996 106 326 50	Gasket Thermostat housing Short engine 98610092350/TX Parts kit for seals Accessories Use also: 99610710351 99610726150 99970734840		1 1 1 2 1 1 1	
2	986 100 924 50	Short engine Comprising: Crankcase Connecting rod Crankshaft Oil pump Timing chain Parts kit without Gaskets Use also: 99610101600 99610421554 99610421602 90037813100 00004320435	03-04	1 1 1 1	M96.24

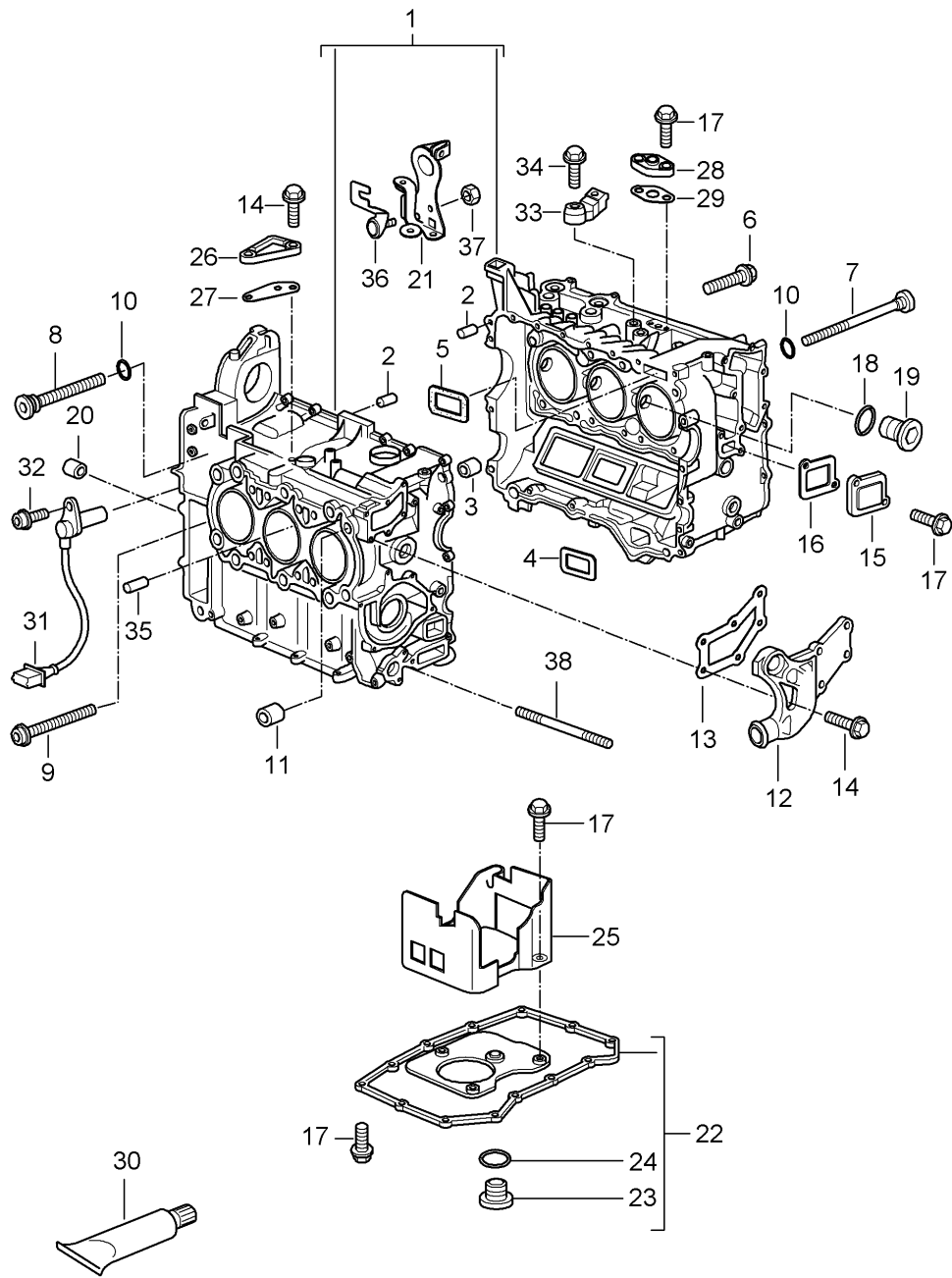
Model: 986 97

Model life 1997>>2004

Pos	Part Number	Description	Remark	Qty	Model
2	986 100 924 TX	00004330013 99610612553 99917020791 99610522352 Short engine Comprising: Crankcase Connecting rod Crankshaft Oil pump Timing chain Parts kit without Gaskets Use also: 99610101600 99610421554 99610421602 90037813100 00004320435 00004330013 99610612553 99917020791 99610522352	03-04	X 1 6 2 1	M96.24
-	996 104 170 58	Cylinder head gasket Short engine 98610092450/TX Parts kit for seals Cylinder head Use also: 99610133650 99611323350 99611321351 99970176141 99610722151 99970740940 94411090101 99970721540 99610590305 99970755440 99611110755		2	
-	996 106 326 50	Gasket Thermostat housing Short engine 98610092450/TX Parts kit for seals Accessories Use also: 99610710351 99970734840 99970734840		1 1 1 6 2 2 12 6 4 4 2 1	
				2 1 1	

Model: 986 97

Model life 1997>>2004



Model: 986 97 Model life 1997>>2004

Pos	Part Number	Description	Remark	Qty	Model
		Crankcase			M96.20 M96.21/22 M96.23/24 M96.20
1	996 101 901 00	Crankcase M >> 65X 17100 Use also: 996 101 012 64 996 101 018 51	-99	1	
1	996 101 901 02	Crankcase	00-02	1	M96.21
1	996 101 901 04	Crankcase	03-	1	M96.24
1	996 101 901 03	Crankcase	00-02	1	M96.22
1	996 101 901 05	Crankcase	03-	1	M96.23
2	999 012 049 00	Straight pin 12M 6 X 22		3	
3	996 101 253 50	Dowel sleeve		1	
3	996 101 253 51	Dowel sleeve		1	
4	996 101 361 51	Gasket		1	
5	996 101 363 50	Gasket		1	
6	900 378 174 09	Hexagon-head bolt M 6 X 35		25	
(6)	999 217 151 09	Hexagon-head bolt M 6 X 35		25	
(6)	900 385 270 01	Outer hexagon round screw M 6 X 35		25	
7	996 101 219 52	Screw 9 X 150		1	
8	996 101 229 00	Screw M 9 X 94		1	
9	996 101 203 00	Screw 9 X 94		1	
10	999 701 789 40	O-ring 12 X 2 Use also: 999 917 788 00		2	
11	999 095 043 01	Dowel sleeve 17M 6 X 18,5		4	
12	996 101 021 00	Lid		1	
12	996 101 021 01	Lid		1	
12	996 101 021 02	Lid		1	
13	996 101 331 50	Gasket		1	
14	900 378 030 09	Hexagon-head bolt M 6 X 20		10	
15	996 101 216 51	Lid		1	
15	996 101 016 00	Lid		1	
16	996 101 336 50	Gasket		1	
17	900 378 035 01	Hexagon-head bolt M 6 X 16		24	
18	900 123 147 30	Sealing ring A 27 X 32		1	
19	900 219 017 30	Screw plug M 27 X 2		1	
20	014 301 153 B	Dowel sleeve 13 X 16 X13,5		2	
21	996 101 213 56	Retaining bar		1	
21	996 101 213 57	Retaining bar		1	
21	996 101 213 58	Retaining bar		1	
22	996 107 031 55	Oil pan		1	
22	996 107 031 57	Oil pan		1	
22	996 107 031 58	Oil pan		1	
23	900 219 009 30	Screw plug M 18 X 1,5		1	
24	900 123 106 30	Sealing ring A 18 X 24		1	

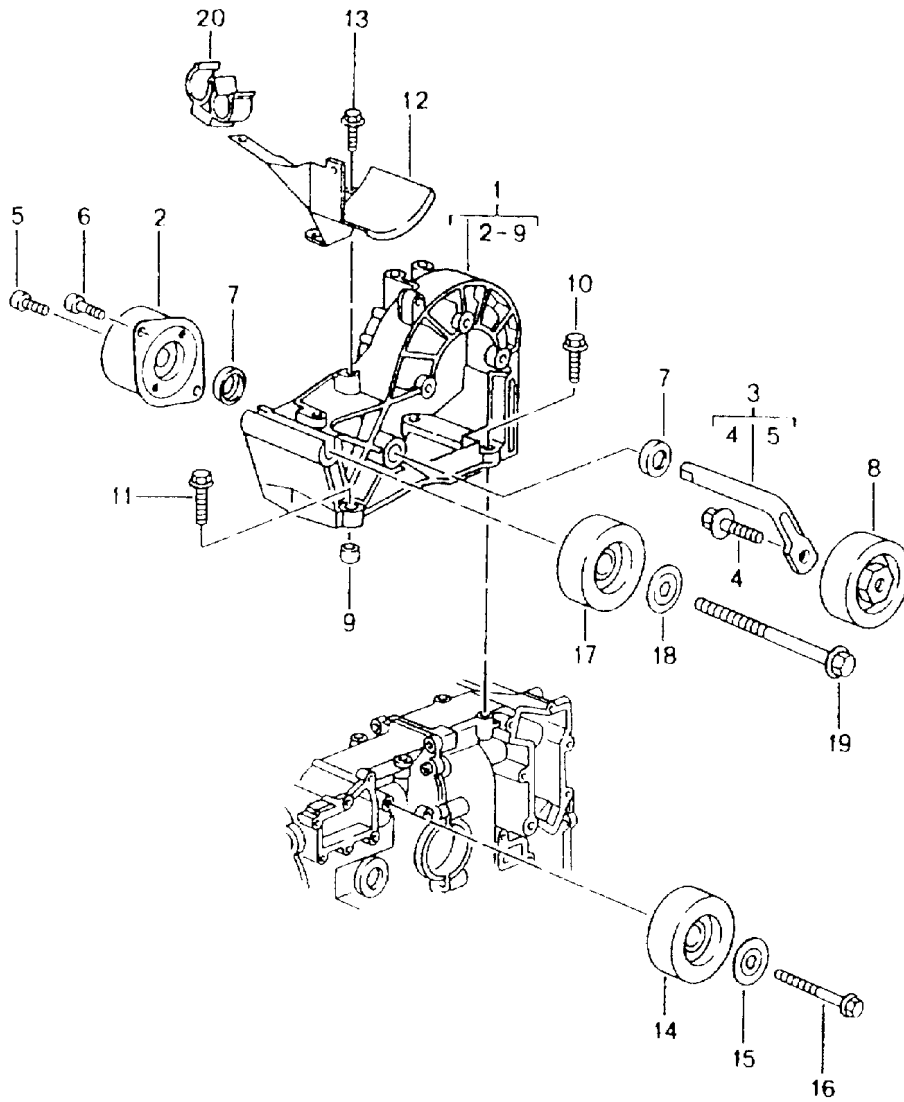
Model: 986 97

Model life 1997>>2004

Pos	Part Number	Description	Remark	Qty	Model
25	996 107 243 51	Bulkhead		1	
26	996 113 140 53	Lid		1	-M661
27	996 113 233 50	Gasket		1	
28	996 113 340 50	Lid		1	-M661
29	996 113 213 51	Gasket		1	
30	000 043 204 35	Sealing compound 50 ML Loctite 5900		X	
31	986 606 112 01	Pulse sender		1	
31	986 606 112 02	Pulse sender	-02	1	
31	986 606 112 03	Pulse sender	03-	1	
-	999 650 181 40	Plug socket		1	
-	999 652 771 12	Connector		3	
-	999 704 161 40	Gasket		3	
32	999 218 005 02	Pan-head screw M 6 X 16		1	
32	999 218 005 01	Pan-head screw M 6 X 16		1	
33	996 606 121 00	Knock sensor		2	
33	996 606 125 00	Knock sensor		2	
-	999 650 167 40	Plug socket		2	
-	999 650 052 12	Connector		4	
-	999 704 161 40	Gasket		4	
34	900 378 033 09	Hexagon-head bolt AM 8 X 30		2	
34	900 378 033 01	Hexagon-head bolt AM 8 X 30		2	
34	900 378 108 09	Hexagon-head bolt AM 8 X 35		2	
35	900 095 137 01	Roll pin 5,0 X 12		2	
36	996 101 613 50	Support		1	M249
37	900 377 010 09	Hexagon nut M 6		1	M249
-	900 036 029 02	Lid B 16		2	
-	999 036 005 02	Lid B 50		2	

Model: 986 97

Model life 1997>>2004



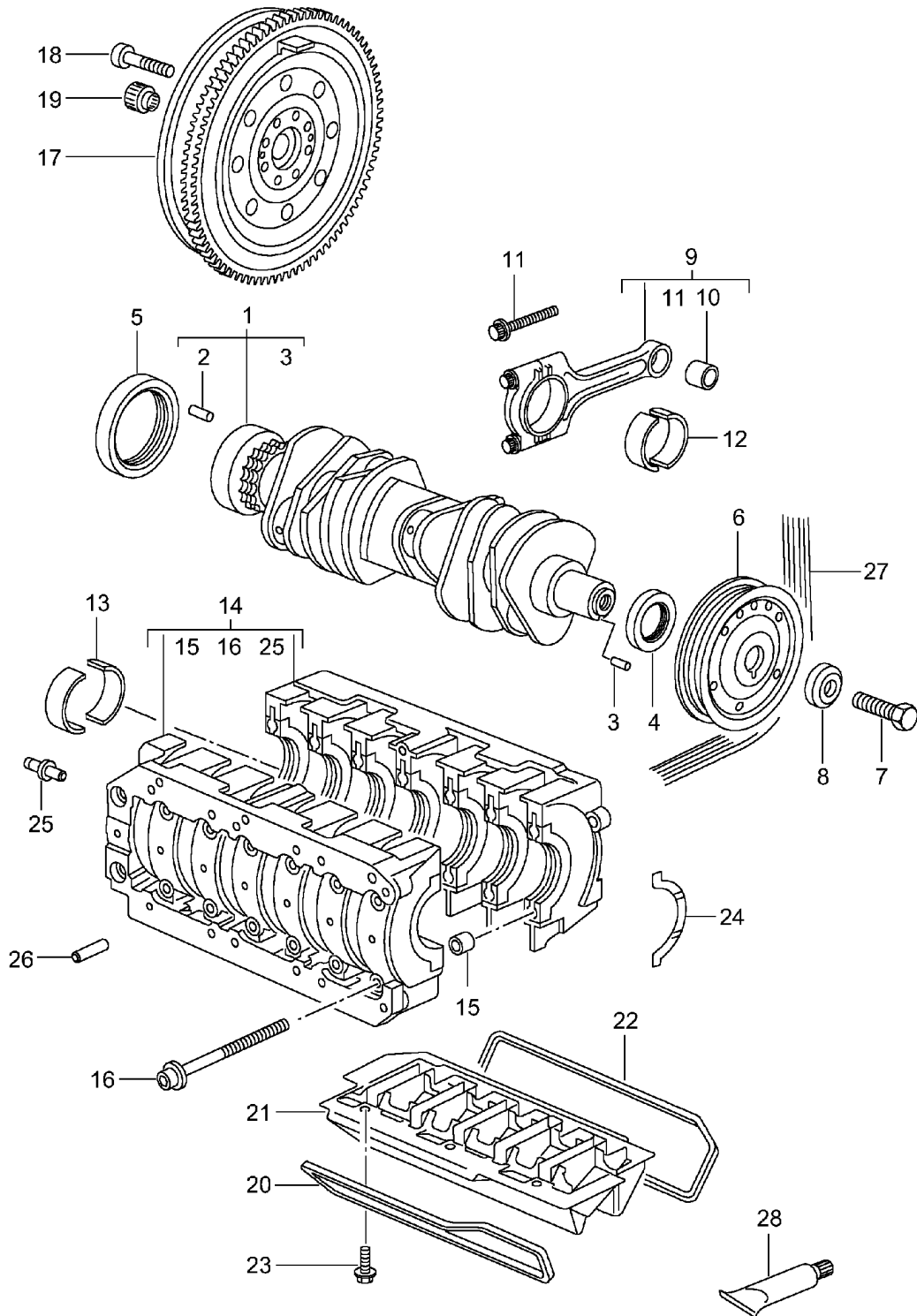


Model: 986 97 Model life 1997>>2004

Pos	Part Number	Description	Remark	Qty	Model
		Belt tensioner			M96.20
		Belt drive			M96.21/22
					M96.23/24
1	996 102 016 67	Bracket	-03	1	M96.20/21
					M96.22
1	996 102 016 69	Bracket	03-	1	M96.23/24
2	996 102 260 50	Tensioner		1	
3	996 102 360 51	Lever		1	
4	999 072 039 09	Hexagon-head bolt M 10 X 30	-98	1	
4	999 072 041 09	Hexagon-head bolt M 10 X 30		1	
5	900 067 117 09	Pan-head screw M 6 X 16		1	
6	999 067 045 09	Pan-head screw M 8 X 22		2	
7	996 102 365 50	Dust boot		2	
8	996 102 117 53	Tensioning roller	-98	1	
8	996 102 117 56	Tensioning roller		1	
(8)	996 102 117 57	Tensioning roller		1	
9	999 095 064 00	Dowel sleeve 12 M 6 X 13		2	
10	900 378 022 09	Hexagon-head bolt AM 8 X 25		2	
11	900 378 108 09	Hexagon-head bolt AM 8 X 35		2	
12	996 102 211 05	Cover		1	
13	900 378 163 09	Hexagon-head bolt M 6 X 16		2	
14	996 102 119 54	Deflection roller		1	M96.20
14	996 102 119 55	Deflection roller		1	M96.21/22
14	996 102 119 58	Deflection roller		1	M96.20/21/22
					M96.23/24
15	996 102 127 50	Cover disc	-98	1	M96.20
15	996 102 127 52	Cover disc		1	M96.20
15	996 102 127 54	Cover disc		1	M96.20
15	996 102 127 51	Cover disc	99	1	M96.20
15	996 102 127 52	Cover disc	-02	1	M96.21/22
15	996 102 127 54	Cover disc	03-	1	M96.23/24
16	900 378 150 09	Hexagon-head bolt AM 8 X 55		1	M96.20
(16)	900 378 056 02	Hexagon-head bolt AM 8 X 60		1	M96.21/22
					M96.23/24
17	996 102 118 52	Deflection roller		1	M96.20
17	996 102 118 53	Deflection roller		1	M96.21/22
					M96.23/24
17	996 102 118 56	Deflection roller		1	
18	996 102 125 50	Cover disc	-98	1	M96.20
18	996 102 125 51	Cover disc	99	1	M96.20
18	996 102 125 52	Cover disc	00-	1	M96.21/22
18	996 102 125 53	Cover disc	03-	1	M96.23/24
19	900 378 181 09	Hexagon-head bolt M 10 X 145		1	
20	964 573 471 00	Support		1	
(20)	964 573 471 01	Support		1	

Model: 986 97

Model life 1997>>2004



Model: 986 97

Model life 1997&gt;&gt;2004

Pos	Part Number	Description	Remark	Qty	Model
		Crankshaft			M96.20 M96.21/22 M96.23/24
1	996 102 011 06	Crankshaft M >> 65X 23559 See technical information Group 1 NR. 8/00		1	M96.20
(1)	996 102 011 07	Crankshaft M 65X 23560 >> See technical information Group 1 NR. 8/00		1	M96.20
1	996 102 011 57	Crankshaft Rollenkette See technical information Group 1 NR. 8/00	00	1	M96.21/22
(1)	996 102 011 56	Crankshaft ZAHNKETTE See technical information Group 1 NR. 8/00	01-02 03-	1	M96.21/22 M96.23/24
(1)	996 102 011 58	Crankshaft ZAHNKETTE See technical information Group 1 NR. 8/00	01-02 03-	1	M96.21/22 M96.23/24
2	900 095 031 01	Roll pin 6,0 X 16		1	
3	900 012 154 00	Straight pin A 4,0 X 10	-01	1	
3	900 302 021 00	Straight pin A 4,0 X 10	02-	1	
4	999 113 475 40	Shaft sealing ring 40 X 62 X 10		1	
5	999 113 490 40	Shaft sealing ring 85 X 105 X 11		1	
5	997 101 212 00	Shaft sealing ring 85 x 105 x 11		1	
6	996 102 115 63	Pulley		1	
7	900 082 085 09	Hexagon-head bolt M 16 X 1,5 X 60		1	
8	996 102 315 50	Thrust washer		1	
(9)	996 103 975 01	Connecting rod Connecting rods Comprising: 6 Connecting rods See workshop manual 986 GR.1-1		1	
10	996 103 111 51	Connecting rod bush		6	
11	996 103 115 51	Connecting rod bolt		12	
11	997 103 115 01	Connecting rod bolt		12	
12	996 103 121 62	Connecting-rod bearing		12	
13	996 101 131 62	Crankshaft bearing Clip Upper right		14	M96.20
13	996 101 205 10	Crankshaft bearing Clip Upper left		14	M96.20
13		Crankshaft bearing		14	M96.21/22 M96.23/24

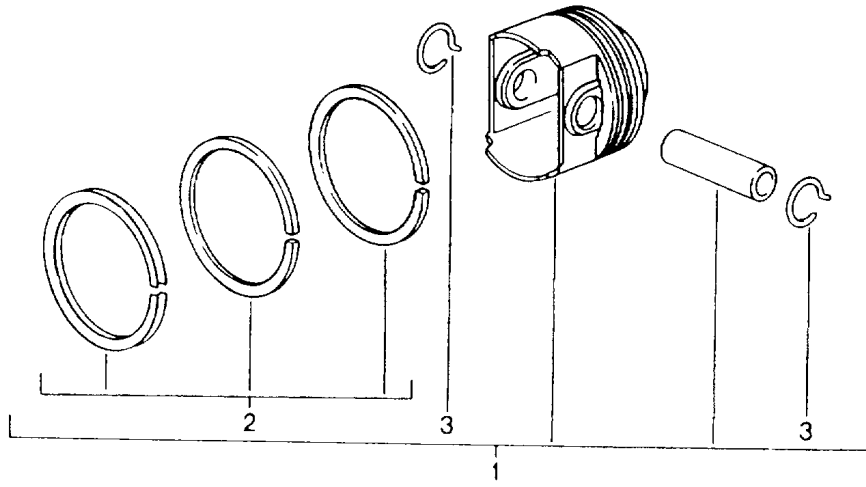
Model: 986 97

Model life 1997&gt;&gt;2004

Pos	Part Number	Description	Remark	Qty	Model
14	996 101 012 54	Bearing case	-97	1	M96.20
14	996 101 012 62	Bearing case	-98	1	M96.20
		Use also:			
		996 101 018 51		6	
14	996 101 012 64	Bearing case	-02	1	
		Use also:			
		996 101 018 51		6	
14	996 101 007 05	Bearing case	03-	1	M96.23/24
15	999 095 064 00	Dowel sleeve		3	
		12 M 6 X 13			
16	996 101 115 59	Screw		14	
		M 9 X 127			
17	986 114 012 01	Double-mass flywheel		1	M96.20/22/23 M481
17	986 114 012 05	Double-mass flywheel		1	M96.20/22/23 M481
17	986 114 012 04	Double-mass flywheel		1	M96.21/24 M480
17	986 114 012 06	Double-mass flywheel		1	M96.21/24 M480
18	999 073 092 09	Pan-head screw		8	
		M 10 X 1 X 50			
18	999 073 092 01	Pan-head screw		8	
		M 10 X 1 X 50			
19	034 105 313 A	Needle-roller bearing		1	
20	996 101 241 51	Gasket		1	
21	996 101 016 50	Oil separator		1	
22	996 101 242 51	Gasket		1	
23	999 218 005 02	Pan-head screw		6	
		M 6 X 16			
23	999 218 005 01	Pan-head screw		6	
		M 6 X 16			
24	996 101 129 51	Thrust washer		2	
24	996 101 129 52	Thrust washer		2	
25	996 101 117 53	Straight pin		1	
26	996 101 018 51	Spray jet		6	
27	996 102 151 65	Poly-rib belt		1	
27	996 102 151 64	Poly-rib belt		1	M573
28	000 043 204 17	Extreme-pressure grease		X	
		100 GR.			
28	000 043 305 56	Extreme-pressure grease		X	
		100 GR.			

Model: 986 97

Model life 1997>>2004



Model: 986 97 Model life 1997>>2004

Pos	Part Number	Description	Remark	Qty	Model
		Piston			M96.20 M96.21/22 M96.23/24 M96.20
1	996 103 031 11	Piston Tolerance range X Identification - 476 - 482 G		6	M96.20
1	996 103 031 12	Piston Tolerance range X Identification + 482 - 488 G		6	M96.21
1	996 103 031 59	Piston Tolerance range X Identification - 529 - 535 G		6	M96.24
1	996 103 032 10	Piston Tolerance range X Identification - 532 - 538 G		6	M96.21
1	996 103 031 60	Piston Tolerance range X Identification + 535 - 541 G		6	M96.24
1	996 103 032 11	Piston Tolerance range X Identification + 538 - 544 G		6	M96.22
1	996 103 071 04	Piston Tolerance range X Identification - 460 - 466 G		6	M96.23
1	996 103 071 09	Piston Tolerance range X Identification - 460 - 466 G		6	M96.22
1	996 103 071 05	Piston Tolerance range X Identification + 466 - 472 G		6	M96.23
1	996 103 071 15	Piston Tolerance range X Identification + 466 - 472 G		6	M96.23

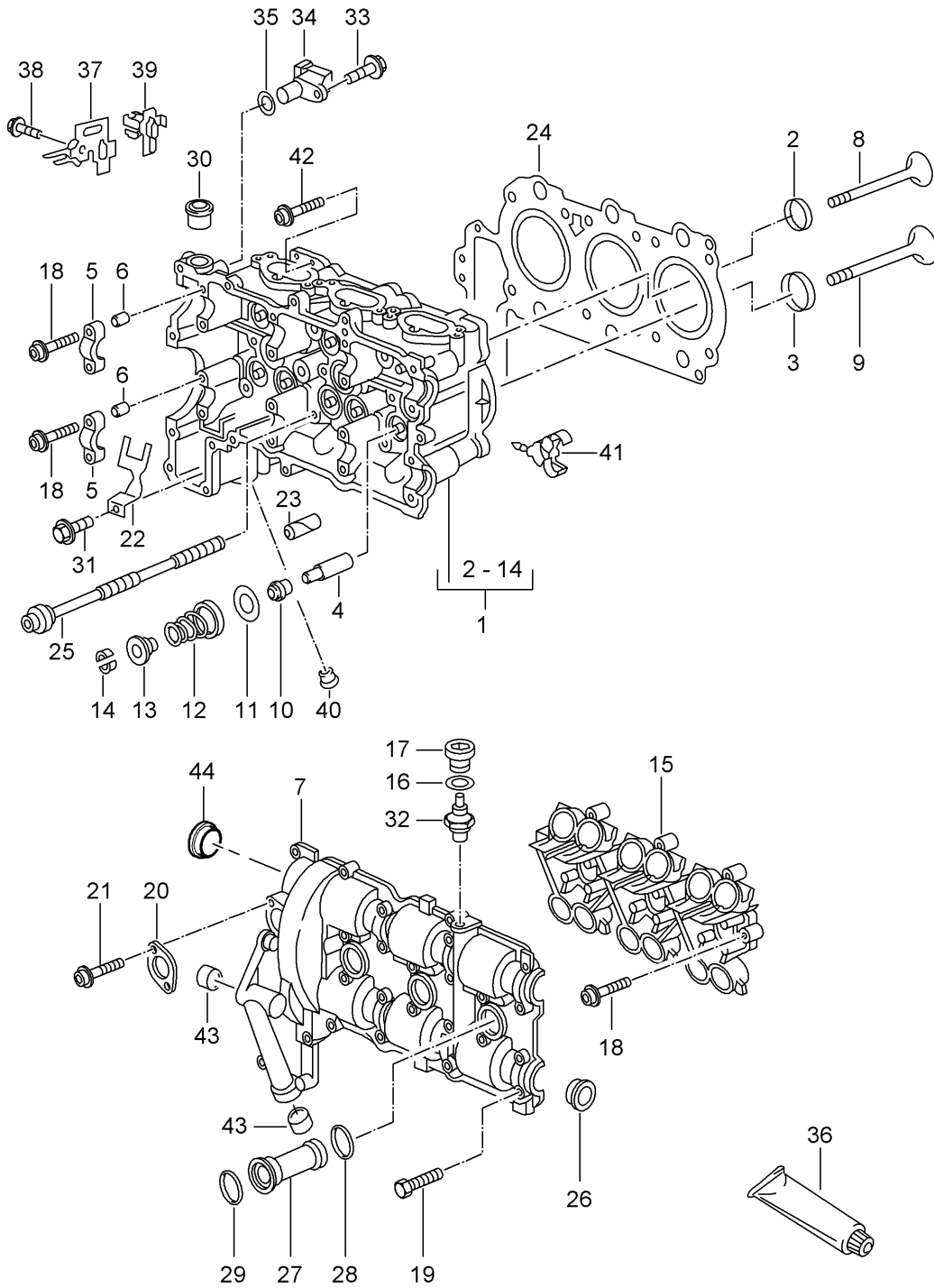
Model: 986 97

Model life 1997&gt;&gt;2004

Pos	Part Number	Description	Remark	Qty	Model
1	996 103 071 14	Piston Tolerance range X Identification - 460 - 466 G		6	M96.23
2	996 103 033 02	Set of piston rings		6	M96.20
2	996 103 033 51	Set of piston rings		6	M96.21
2	996 103 073 00	Set of piston rings		6	M96.24
3	999 178 018 00	Circlip C 22		12	M96.22
3	996 103 141 02	Circlip		12	M96.23
3	996 103 141 03	Circlip		12	M96.21/22
					M96.23/24

Model: 986 97

Model life 1997>>2004





Model: 986 97 Model life 1997>>2004

Pos	Part Number	Description	Remark	Qty	Model
		Cylinder head			M96.20 M96.21/22 M96.23/24 M96.20
1	996 104 001 09	Cylinder head Complete Cylinder 1-3		1	
1	996 104 001 AX	Cylinder head Complete Cylinder 1-3		1	M96.20
(1)	996 104 921 00	Cylinder head Complete Cylinder 1-3		1	M96.21
(1)	996 104 921 AX	Cylinder head Complete Cylinder 1-3		1	M96.21
(1)	996 104 941 00	Cylinder head Complete Cylinder 1-3		1	M96.22
(1)	996 104 941 AX	Cylinder head Complete Cylinder 1-3		1	M96.22
(1)	996 104 931 00	Cylinder head Complete Cylinder 1-3		1	M96.23
(1)	996 104 931 AX	Cylinder head Complete Cylinder 1-3		1	M96.23
(1)	996 104 951 00	Cylinder head Complete Cylinder 1-3		1	M96.24
(1)	996 104 951 AX	Cylinder head Complete Cylinder 1-3		1	M96.24
1	996 104 002 09	Cylinder head Complete Cylinder 4-6		1	M96.20
1	996 104 002 AX	Cylinder head Complete Cylinder 4-6		1	M96.20
(1)	996 104 922 00	Cylinder head Complete Cylinder 4-6		1	M96.21
(1)	996 104 922 AX	Cylinder head Complete Cylinder 4-6		1	M96.21
(1)	996 104 942 00	Cylinder head Complete Cylinder 4-6		1	M96.22

Model: 986 97 Model life 1997>>2004

Pos	Part Number	Description	Remark	Qty	Model
(1)	996 104 942 AX	Cylinder head Complete Cylinder 4-6		1	M96.22
(1)	996 104 932 00	Cylinder head Complete Cylinder 4-6		1	M96.23
(1)	996 104 932 AX	Cylinder head Complete Cylinder 4-6		1	M96.23
(1)	996 104 952 00	Cylinder head Complete Cylinder 4-6		1	M96.24
(1)	996 104 952 AX	Cylinder head Complete Cylinder 4-6		1	M96.24
5		Housing Matching with: Cylinder head		4	
6	996 104 117 50	Dowel sleeve		16	
7		Lid Matching with: Cylinder head		2	
8	996 105 111 02	Intake valve		12	M96.20/22 M96.23
8	996 105 111 05	Intake valve		12	M96.20/22 M96.23
8	996 105 111 52	Intake valve		12	M96.21 M96.24
9	996 105 113 04	Exhaust valve		12	M96.20/22 M96.23
9	996 105 247 00	Exhaust valve		12	M96.21 M96.24
10	996 105 115 52	Valve stem seal		24	
11	996 105 117 51	Concave washer		24	
12	996 105 119 53	Valve spring		24	
12	996 105 119 56	Valve spring		24	M96.23/24
13	996 105 121 54	Concave washer		24	
14	996 105 123 51	Valve collet		48	
15	996 104 105 53	Housing		2	
15	996 104 105 06	Housing		2	M96.23/24
15	996 104 042 03	Housing		2	M96.23/24
16	900 123 007 30	Sealing ring A 14 X 18		1	
17	900 219 018 30	Screw plug M 14 X 1,5		1	
18	900 067 316 02	Combination screw M 6 X 35		38	
19	900 378 177 09	Hexagon-head bolt		23	
(19)	999 217 155 09	Hexagon-head bolt AM 6 X 30		23	
20	996 105 223 51	Lid		2	
20	996 105 223 52	Lid	-02	2	
(20)	996 105 244 03	Lid	03-	2	M96.23/24
21	900 378 030 09	Hexagon-head bolt M 6 X 20		4	
22	996 104 233 01	Heat shield		1	
23	000 043 203 64	Assembly kit for		1	

Model: 986 97 Model life 1997>>2004

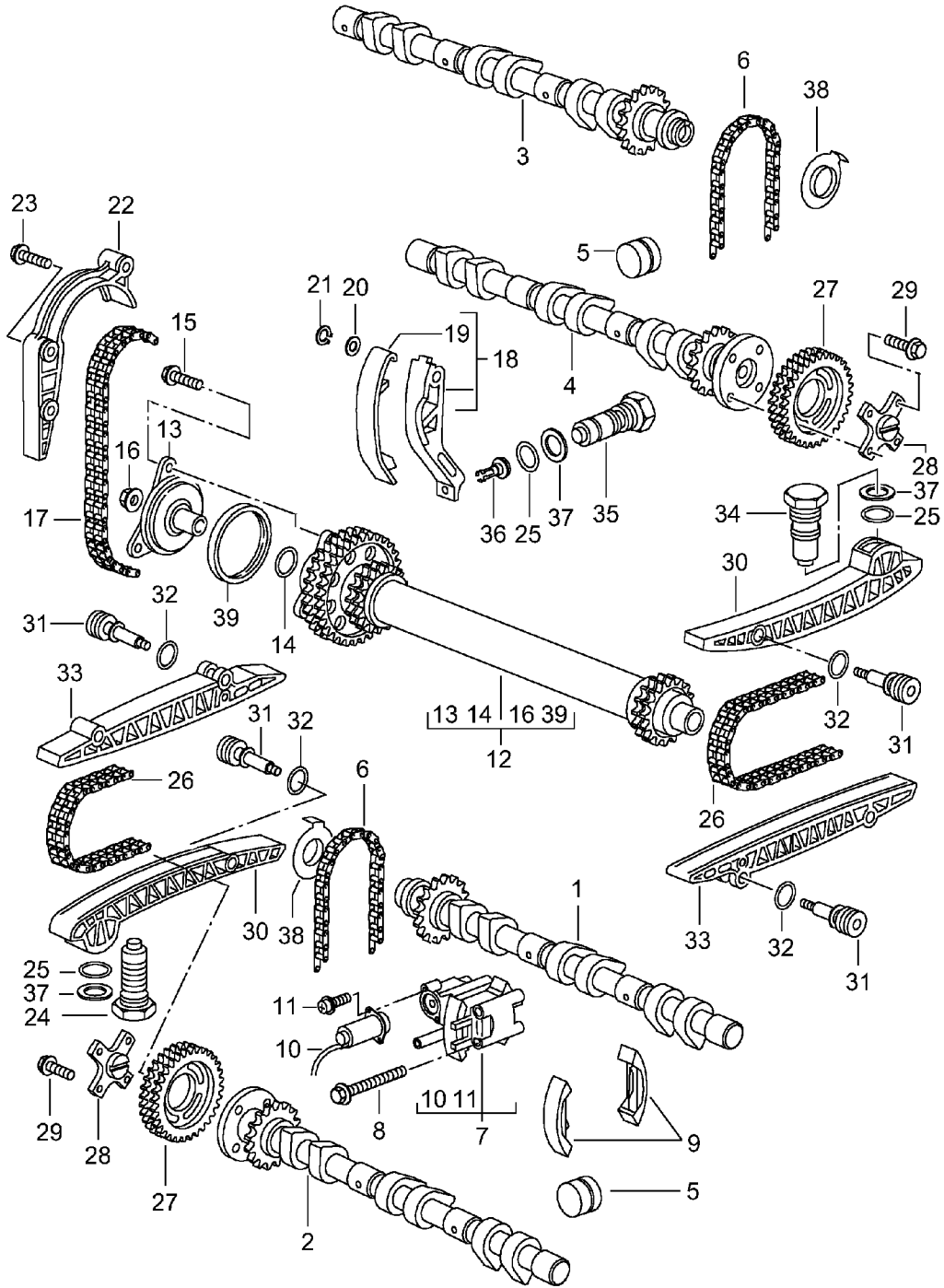
Pos	Part Number	Description	Remark	Qty	Model
24	996 104 170 04	Valve stem seal Cylinder head gasket Cylinder 1-3	-97	1	
24	996 104 170 05	Cylinder head gasket Cylinder 1-3	98-	1	M96.20
24		Cylinder head gasket Cylinder 1-3		1	M96.22
24	996 104 170 56	Cylinder head gasket Cylinder 1-3		1	M96.21
24	996 104 170 59	Cylinder head gasket Cylinder 1-3		1	M96.21
24	996 104 170 07	Cylinder head gasket Cylinder 1-3		1	M96.23
24	996 104 170 58	Cylinder head gasket Cylinder 1-3		1	M96.24
(24)	996 104 169 00	Cylinder head gasket Cylinder 4-6		1	M96.20
(24)	996 104 169 01	Cylinder head gasket Cylinder 4-6		1	M96.22
(24)	996 104 169 03	Cylinder head gasket Cylinder 4-6		1	M96.20/22
(24)	996 104 169 50	Cylinder head gasket Cylinder 4-6		1	M96.21
(24)	996 104 169 52	Cylinder head gasket Cylinder 4-6		1	M96.21
(24)	996 104 170 07	Cylinder head gasket Cylinder 4-6		1	M96.23
(24)	996 104 170 58	Cylinder head gasket Cylinder 4-6		1	M96.24
25	996 104 180 54	Screw M 10 X 234	-97	24	
25	996 104 180 55	Screw M 10 X 230	-98	24	
25	996 104 180 56	Screw M 10 X 230	99-	24	
26	996 104 215 54	Lid		6	
27	996 105 325 52	Pipe Use also: 999 917 788 00		6	M96.20/21/22
28	999 707 343 40	O-ring 25,07 X 2,62		6	
(28)	996 104 203 00	Gasket		6	M96.23/24
29	999 707 215 40	O-ring 27,94 X 5,33		6	
(29)	999 701 761 41	O-ring 28 X 2		6	M96.23/24
30	996 104 207 53	Connection piece		1	
31	900 378 035 01	Hexagon-head bolt M 6 X 16		1	

Model: 986 97 Model life 1997>>2004

Pos	Part Number	Description	Remark	Qty	Model
32	986 606 203 02	Oil pressure switch	-97	1	
32		Oil pressure switch	98-	1	
-	999 652 447 40	Plug socket		1	
-	999 652 444 12	Connector		1	
33	999 218 005 02	Pan-head screw M 6 X 16		2	
33	999 218 005 01	Pan-head screw M 6 X 16		2	
34	996 606 106 01	Hall sender		2	M660
34	996 606 106 02	Hall sender	98-02	2	M660
(34)		Hall sender	98-02	1	
34	996 606 106 03	Hall sender	03-	2	
-	PCG 606 106 02	Stopper for Bore Hall sender Use also:	97-05	1	
-	999 707 404 40	O-ring		1	
-	999 652 916 40	Plug socket		1	
-	999 652 694 12	Contact bush		3	
-	999 704 161 40	Gasket		3	
35	999 707 404 40	O-ring 17,05 X 1,78		1	
36	000 043 203 73	Sealing compound 30 ML		X	
(36)	000 043 204 35	Sealing compound 50 ML		X	
(36)	000 043 024 00	Extreme-pressure grease 1 tube 80 Gr. Camshaft		1	
37	986 607 101 03	Support		1	
38	900 378 036 09	Hexagon-head bolt M 6 X 12		1	
39	986 607 104 00	Support		1	
40	999 036 026 02	Lid 10 MM		X	
40	999 036 026 01	Lid 10 MM		X	
41	999 507 075 40	Cable holder 3,0 - 12,0		2	
42	900 067 377 09	Pan-head screw M 6 X 30		8	
42	900 987 004 01	Combination screw M 6 x 30		8	
42	900 387 004 01	Combination screw M 6 x 30		8	
43	900 036 023 02	Lid D 18		2	
43	900 036 023 01	Lid D 18		2	
44	996 104 216 02	Lid		2	M96.23/24

Model: 986 97

Model life 1997>>2004



Model: 986 97 Model life 1997&gt;&gt;2004

Pos	Part Number	Description	Remark	Qty	Model
		Camshaft Driving mechanism			M96.20 M96.21/22 M96.23/24 M96.20
1	996 105 221 04	Camshaft Intake Cylinder 1 - 3		1	
1	996 105 221 55	Camshaft Intake Cylinder 1 - 3		1	M96.21
1	996 105 221 05	Camshaft Intake Cylinder 1 - 3		1	M96.22
(1)	996 105 045 00	Camshaft Intake Cylinder 1 - 3		1	M96.23
(1)	996 105 921 20	Camshaft Intake Cylinder 1 - 3		1	M96.23
(1)	996 105 039 00	Camshaft Intake Cylinder 1 - 3		1	M96.24
(1)	996 105 921 00	Camshaft Intake Cylinder 1 - 3		1	M96.24
1A	996 105 051 03	Camshaft adjuster Intake Cylinder 1 - 3		1	M96.23/24
1B	987 105 254 00	Hexagon-head bolt for Camshaft adjuster		1	
2	996 105 222 04	Camshaft Exhaust Cylinder 1 - 3		1	M96.20
2	996 105 222 55	Camshaft Exhaust Cylinder 1 - 3		1	M96.21
2	996 105 222 05	Camshaft Exhaust Cylinder 1 - 3		1	M96.22
2	996 105 065 00	Camshaft Exhaust Cylinder 1 - 3		1	M96.23
2	996 105 063 00	Camshaft Exhaust Cylinder 1 - 3		1	M96.24
3	996 105 216 04	Camshaft Intake Cylinder 4 - 6		1	M96.20
3	996 105 216 55	Camshaft		1	M96.21

Model: 986 97 Model life 1997>>2004

Pos	Part Number	Description	Remark	Qty	Model
3	996 105 216 05	Intake Cylinder 4 - 6 Camshaft		1	M96.22
(3)	996 105 046 00	Intake Cylinder 4 - 6 Camshaft		1	M96.23
(3)	996 105 916 20	Intake Cylinder 4 - 6 Camshaft		1	M96.23
(3)	996 105 040 00	Intake Cylinder 4 - 6 Camshaft		1	M96.24
(3)	996 105 916 00	Intake Cylinder 4 - 6 Camshaft		1	M96.24
3A	996 105 052 01	Camshaft adjuster Intake Cylinder 4 - 6		1	M96.23/24
3B	987 105 254 00	Hexagon-head bolt for Camshaft adjuster		1	
4	996 105 218 04	Camshaft Exhaust Cylinder 4 - 6		1	M96.20
4	996 105 218 55	Camshaft Exhaust Cylinder 4 - 6		1	M96.21
4	996 105 218 05	Camshaft Exhaust Cylinder 4 - 6		1	M96.22
4	996 105 066 00	Camshaft Exhaust Cylinder 4 - 6		1	M96.23
4	996 105 064 00	Camshaft Exhaust Cylinder 4 - 6		1	M96.24
5	996 105 041 50	Hydraulic valve tappet		24	M96.20/21/22
5	996 105 041 72	Hydraulic valve tappet		24	
6	996 105 170 53	Timing chain		2	
7	996 105 051 56	Tensioner Cylinder 1 - 3	-97	1	M96.20
7	996 105 051 57	Tensioner Cylinder 1 - 3	-98	1	M96.20
7	996 105 051 58	Tensioner Cylinder 1 - 3	99-	1	M96.20/21/22
(7)	996 105 053 56	Tensioner	-97	1	M96.20

Model: 986 97

Model life 1997&gt;&gt;2004

Pos	Part Number	Description	Remark	Qty	Model
(7)	996 105 053 57	Cylinder 4 - 6 Tensioner	-98	1	M96.20
(7)	996 105 053 58	Cylinder 4 - 6 Tensioner	99-	1	M96.20/21/22
-	996 105 303 05	Actuator Camshaft		2	M96.23/24
-	996 105 303 06	Actuator Camshaft		2	M96.23/24
-	996 105 903 05	O-ring for Actuator Camshaft		2	M96.23/24
-	999 650 167 40	Plug socket		2	
-	999 652 694 12	Contact bush		4	
-	999 704 161 40	Gasket		4	
8	900 067 372 09	Combination screw M 6 X 95		6	
9	996 105 253 00	Parts kit Guide rail		1	
10	996 605 901 00	Solenoid valve Cylinder 1 - 3 Black		1	M96.20/21/22
10	996 605 902 00	Solenoid valve Cylinder 4 - 6 Grey See workshop manual GR.1 15/05/33		1	M96.20/21/22
11	999 141 032 07	Screw		2	
12	996 105 015 58	Intermediate shaft	-98	1	
12	996 105 015 63	Intermediate shaft	-00	1	
(12)	996 105 901 00	Intermediate shaft See technical information Group 1 NR. 8/00	-00	1	
(12)	996 105 901 01	Intermediate shaft M >> 651 12851 M >> 671 11237 See technical information Group 1 NR. 8/00		1	M96.22 M96.21
(12)	996 105 901 02	Intermediate shaft M 651 12852 >> M 671 11238 >> See technical information Group 1 NR. 8/00		1	M96.23/24 M96.22 M96.21
13	999 707 391 40	O-ring 52 X 2,5 See technical information Group 1 NR. 8/00		1	
(13)	996 105 017 02	Housing M >> 651 12851 M >> 671 11237 See technical information Group 1		1	M96.22 M96.21



Model: 986 97

Model life 1997&gt;&gt;2004

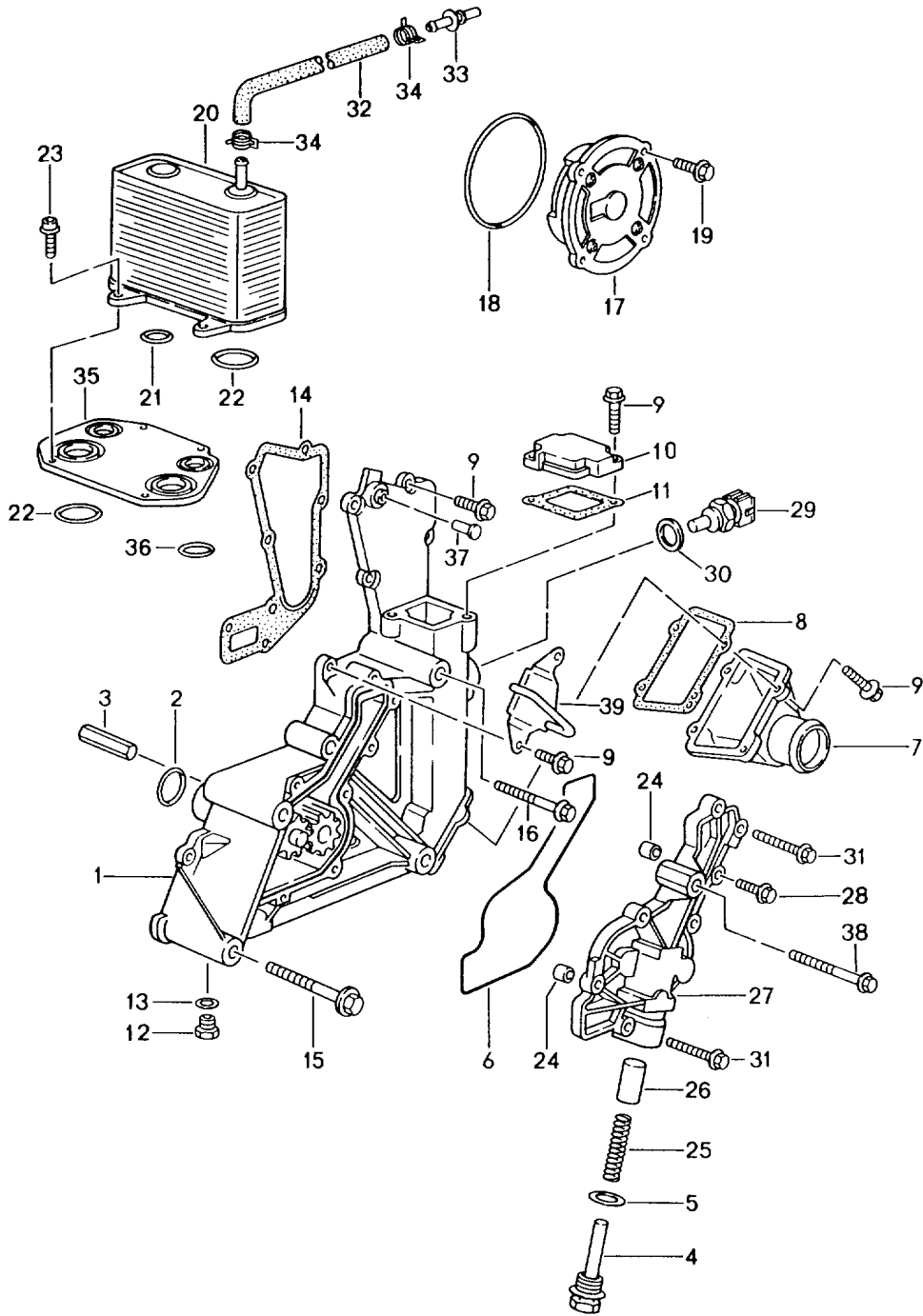
Pos	Part Number	Description	Remark	Qty	Model
(13)	996 105 024 01	NR. 8/00 Housing M 651 12852 >> M 671 11238 >> See technical information Group 1		1	M96.22 M96.21
14	999 707 392 40	NR. 8/00 O-ring 7 X 2 See technical information Group 1		1	
15	900 378 156 09	NR. 8/00 Hexagon-head bolt M 6 X 20 See technical information Group 1		3	
(15)	999 217 150 09	NR. 8/00 Hexagon-head bolt M 6 X 20 See technical information Group 1		3	
(15)	900 385 093 01	NR. 8/00 Hexagon-head bolt M 6 X 20 See technical information Group 1		3	
16	900 380 019 02	NR. 8/00 Hexagon nut M 8 X 1 See technical information Group 1		1	
17	996 105 171 55	NR. 8/00 Timing chain See technical information Group 1	-00	1	
(17)	996 105 171 56	NR. 8/00 Timing chain See technical information Group 1	01-	1	
18	996 105 165 54	NR. 8/00 Tensioner blade	-97	1	
18	996 105 165 55	NR. 8/00 Tensioner blade	98-	1	
19	996 105 195 00	NR. 8/00 Pad		1	
20	900 234 040 01	NR. 8/00 Shim 10 X 16 X 1,2		1	
21	900 041 004 01	NR. 8/00 Circlip 10 X 1		1	
22	996 105 166 51	NR. 8/00 Guide rail		1	
23	900 075 486 01	NR. 8/00 Combination screw AM 6 X 40		3	
24	996 105 179 57	NR. 8/00 Chain adjuster	-98	1	
24	996 105 179 58	NR. 8/00 Chain adjuster	99-	1	
25	999 707 344 40	NR. 8/00 O-ring 18,77 X 1,78		3	
26	996 105 177 52	NR. 8/00 Timing chain		2	
(26)	996 105 152 00	NR. 8/00 Timing chain		2	M96.23/24
27	996 105 178 52	NR. 8/00 Sprocket	-98	2	
(27)	996 105 178 53	NR. 8/00 Sprocket with Driver		2	
28	996 105 185 54	NR. 8/00 Driver	-98	2	
29	900 378 162 09	NR. 8/00 Hexagon-head bolt M 6 X 15		8	

Model: 986 97 Model life 1997>>2004

Pos	Part Number	Description	Remark	Qty	Model
29	900 378 162 01	for 996 105 178 52 Hexagon-head bolt M 6 X 15		8	
29	900 378 204 09	for 996 105 178 52 Hexagon-head bolt M 6 X 12		8	
30	996 105 175 52	for 996 105 178 53 Tensioner blade		2	
(30)	996 105 156 00	Tensioner blade Cyl. 1 - 3	03-04	1	M96.23/24
(30)	996 105 158 00	Tensioner blade Cyl. 4 - 6	03-04	1	M96.23/24
31	996 105 162 52	Screw M 6		6	
32	999 707 346 40	O-ring 15 X 3		6	
33	996 105 173 53	Guide rail		2	
(33)	996 105 054 01	Guide rail Cyl. 1 - 3	03-04	1	M96.23/24
(33)	996 105 164 00	Guide rail Cyl. 4 - 6	03-04	1	M96.23/24
34	996 105 176 51	Chain adjuster		1	
35	996 105 180 54	Chain adjuster See technical information Group 1 NR. 8/00	-00	1	
(35)	996 105 180 55	Chain adjuster See technical information Group 1 NR. 8/00	01-	1	
36	996 105 197 00	Pressure pin		1	
37	900 123 147 30	Sealing ring A 27 X 32		3	
38	996 105 129 52	Rotor trim		1	
39	996 105 112 01	Gasket See technical information Group 1 NR. 8/00		1	
-	000 043 024 00	Extreme-pressure grease 1 tube 80 Gr. for Camshaft		1	

Model: 986 97

Model life 1997>>2004



Model: 986 97 Model life 1997>>2004

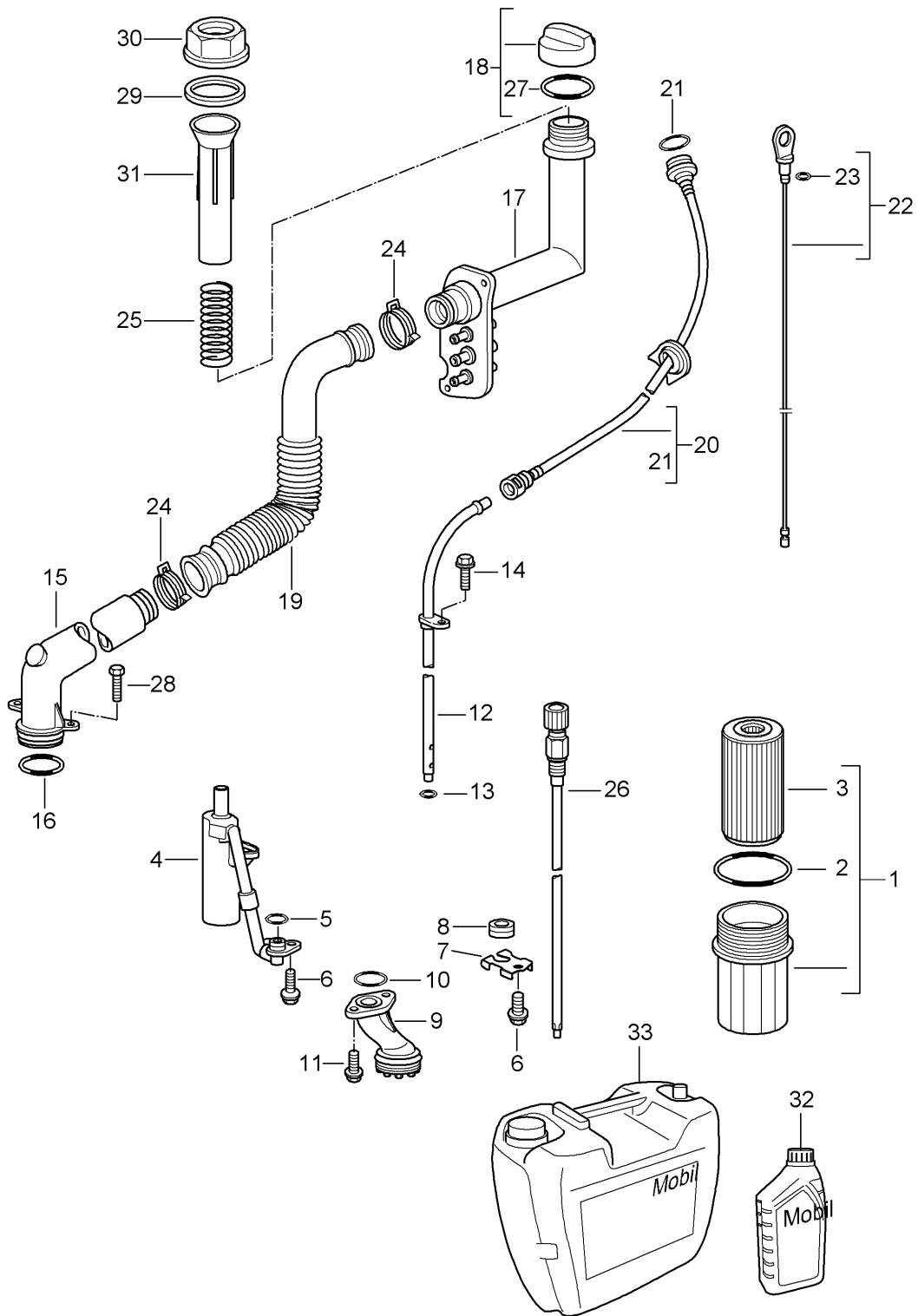
Pos	Part Number	Description	Remark	Qty	Model
1	996 107 012 54	Oil pump	-97	1	
1	996 107 012 55	Oil pump	-97	1	
1	996 107 012 56	Oil pump	-98	1	
1	996 107 012 57	Oil pump		1	
1	996 107 012 58	Oil pump		1	
1	996 107 012 60	Oil pump		1	
1	996 107 012 61	Oil pump		1	
-		See technical information Group 1 1740 / 08A / 97		-	
2	996 107 103 51	O-ring 29,1 X 2,55 Use also: 999 917 788 00		2	
3	996 107 121 50	Driver		1	
4	996 107 105 51	Screw plug Information available		1	
5	996 107 123 50	Gasket		1	
6	996 107 261 50	Sealing ring		1	
7	996 106 215 00	Connection piece		1	M249
7	996 106 216 02	Connection piece		1	M480/481
7	996 106 216 03	Connection piece		1	M480/481
8	996 106 316 51	Gasket		1	
9	900 378 030 09	Hexagon-head bolt M 6 X 20		14	
10	996 106 217 01	Lid		1	
11	996 106 321 50	Gasket		1	
12	900 219 007 02	Screw plug M 10 X 1		1	
12	900 219 007 01	Screw plug M 10 X 1		1	
13	900 123 144 30	Sealing ring A 10 X 13,5		1	
14	996 107 337 50	Gasket		1	
15	999 072 027 09	Hexagon-head bolt M 10 X 120		3	
16	900 378 095 09	Hexagon-head bolt M 10 X 100		1	
17	996 107 021 52	Oil pump	-97	2	
17	996 107 021 54	Oil pump	-01	2	
17	996 107 021 55	Oil pump	02-	2	
18	996 107 221 51	O-ring 95 X 2,5 Use also: 999 917 788 00		2	
19	900 378 156 09	Hexagon-head bolt M 6 X 20		8	
(19)	999 217 150 09	Hexagon-head bolt M 6 X 20		8	
(19)	999 073 316 02	Round head screw M 6 X 20		8	
20	996 107 025 05	Heat exchanger	-97	1	M96.20
20	996 107 025 07	Heat exchanger		1	M96.20/22 M96.23
20	996 107 025 57	Heat exchanger		1	M96.21/24
21	999 707 409 40	O-ring 26 X 3		2	
22	999 707 389 40	O-ring 35 X 4		4	
(22)	999 707 344 40	O-ring 18,77 X 1,78 See technical information		2	

Model: 986 97 Model life 1997>>2004

Pos	Part Number	Description	Remark	Qty	Model
		Group 1 NR. 8/97			
23	900 067 269 09	Pan-head screw M 6 X 16		4	
(23)	900 067 354 02	Pan-head screw M 6 X 25		4	
24	996 106 103 50	Dowel sleeve 8,2 X 7		2	
25	996 107 127 53	Spring		1	
26	996 107 125 51	Piston		1	
27	996 107 212 52	Lid for 996 107 012 54		1	
27	996 107 212 53	Lid for 996 107 012 55/56		1	
27	996 107 212 54	Lid for 996 107 012 57/58		1	
28	900 075 333 02	Combination screw M 6 X 25		7	
28	900 075 333 01	Combination screw M 6 X 25		7	
(29)	996 606 410 00	Temperature sensor		1	M96.21/22 M96.23/24 M96.20
29	996 606 405 01	Temperature sensor		1	
-	999 650 168 40	Plug socket		1	
-	999 650 214 12	Connector		4	
-	999 650 215 40	Gasket		4	
30		Sealing ring See technical information		1	
		Group 1 NR. 8 A/97			
31	900 378 151 09	Hexagon-head bolt M 6 X 70		2	
31	900 385 027 01	Torx screw M 6 X 70		2	
32	996 106 249 00	Breather hose		1	
33	996 106 255 00	Flat connector		1	
34	999 512 584 09	Hose clamp 14 X 12	-98	2	
34	999 512 650 09	Hose clamp 14 X 12	99-	2	
35	996 107 129 00	Intermediate plate		1	
36	999 707 193 40	O-ring 28 X 2,5		4	
37	996 107 119 00	Stopper		1	
38	900 378 098 09	Hexagon-head bolt AM 10 X 60		1	
39	996 102 235 00	Clip		1	M573
39	996 102 235 01	Clip		1	M573

Model: 986 97

Model life 1997>>2004



Model: 986 97

Model life 1997&gt;&gt;2004

Pos	Part Number	Description	Remark	Qty	Model
		Engine lubrication			
1	996 107 020 53	Oil filter		1	
1	996 107 020 54	Oil filter		1	
2	996 107 313 51	Sealing ring		1	
		Use also:			
		999 917 788 00		1	
3	996 107 225 60	Filter element		1	
4	996 107 080 54	Oil separator		2	
5	999 701 789 40	O-ring		2	
		12 X 2			
6	900 378 036 09	Hexagon-head bolt		5	
		M 6 X 12			
7	996 107 333 50	Support		1	
8	999 702 206 50	Grommet		1	
		9,5 X 18,0 X 1,2			
9	996 107 075 57	Suction tube		1	
10	999 707 375 40	O-ring		1	
		30 X 3			
11	900 378 030 09	Hexagon-head bolt		2	
		M 6 X 20			
12	996 107 113 03	Guide tube		1	
13	999 707 369 40	O-ring		1	
		9,5 X 3,5			
		Use also:			
		999 917 788 00		1	
14	900 378 035 01	Hexagon-head bolt		1	
		M 6 X 16			
15	996 107 150 02	Oil tube	-97	1	
15	996 107 150 03	Oil tube	98-	1	
15	996 107 150 05	Oil tube		1	
16	999 707 348 40	O-ring		1	
		42 X 4			
		Use also:			
		999 917 788 00		1	
17	996 107 273 04	Filler tube		1	
		for			
		Model year			
		97			
		Use also:			
-	996 106 287 01	Overflow hose		1	
-	996 106 297 01	Overflow hose		1	
-	996 106 207 03	Hose		1	
18	996 107 035 50	Lid		1	
(18)	996 107 035 51	Lid		1	
(18)	996 107 035 52	Lid		1	
19	996 107 254 03	Oil hose		1	
20	996 107 183 03	Guide tube		1	
21	999 707 385 40	O-ring		1	
		19,8 X 3,53			
22	996 107 014 02	Oil level dipstick		1	
(22)	996 107 014 03	Oil level dipstick		1	
23	999 707 366 40	O-ring		1	
		8 X 1,8			
24	999 512 612 09	Hose clamp	-98	2	
		44 X 12			
24	999 512 667 09	Hose clamp	99-	2	
		44 X 12			
25	996 107 343 00	Spring		1	
26	996 606 150 00	Oil-level sender		1	
26	996 606 150 01	Oil-level sender		1	
-	999 650 168 40	Plug socket		1	
-	999 650 214 12	Connector		4	
-	999 650 215 40	Gasket		4	

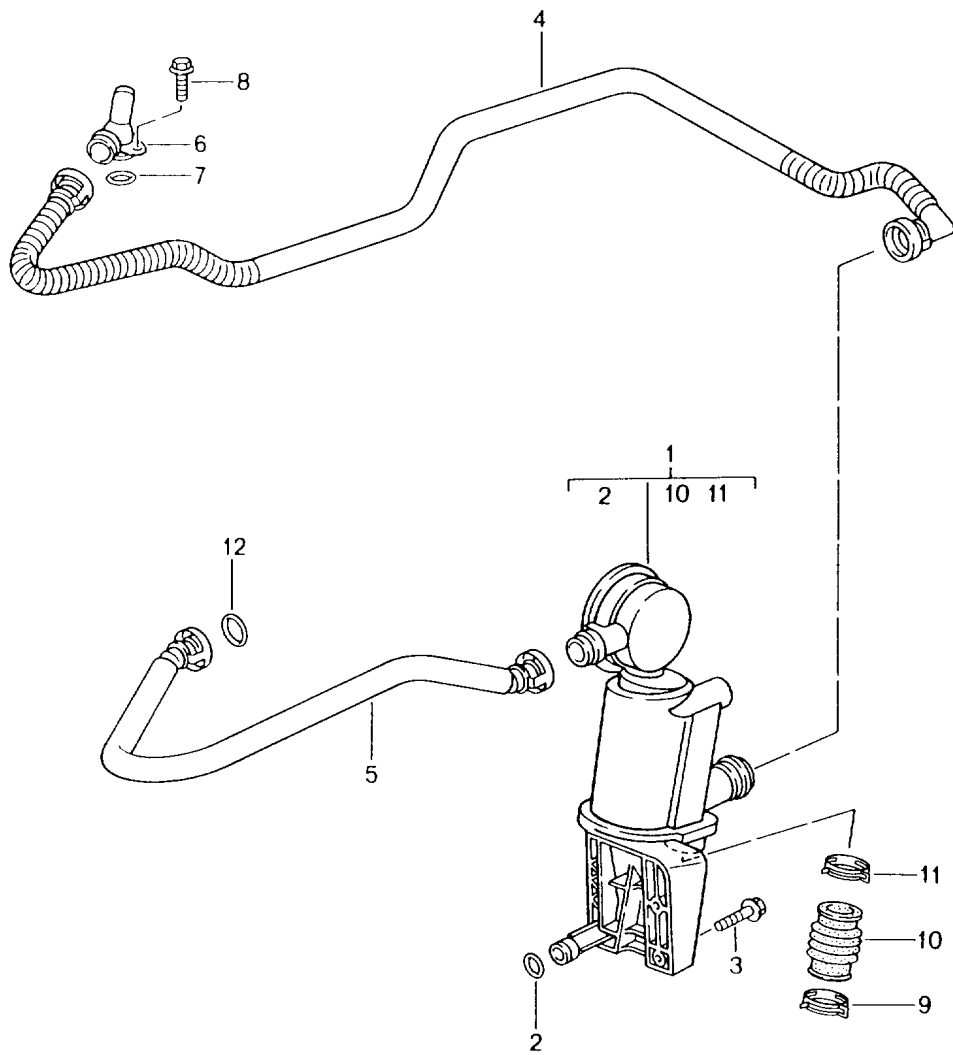
Model: 986 97 Model life 1997>>2004

Pos	Part Number	Description	Remark	Qty	Model
27	999 707 285 40	O-ring 51 X 4,5		1	
(27)	996 107 336 00	Gasket		1	
28	900 378 163 09	Hexagon-head bolt M 6 X 16		2	
29	996 107 303 00	Gasket		1	
30	996 107 367 00	Lock nut		1	
31	996 107 323 00	Funnel		1	
32	000 043 301 19	Engine oil EXXON MOBIL 1 0W-40 1 LITER Container Information available		X	
(32)	000 043 303 16	Engine oil EXXON MOBIL 1 0W-40 1 qt US gallon Container Information available		X	
33	000 043 301 21	Engine oil EXXON MOBIL 1 0W-40 20 LITER Container Information available		X	



Model: 986 97

Model life 1997>>2004

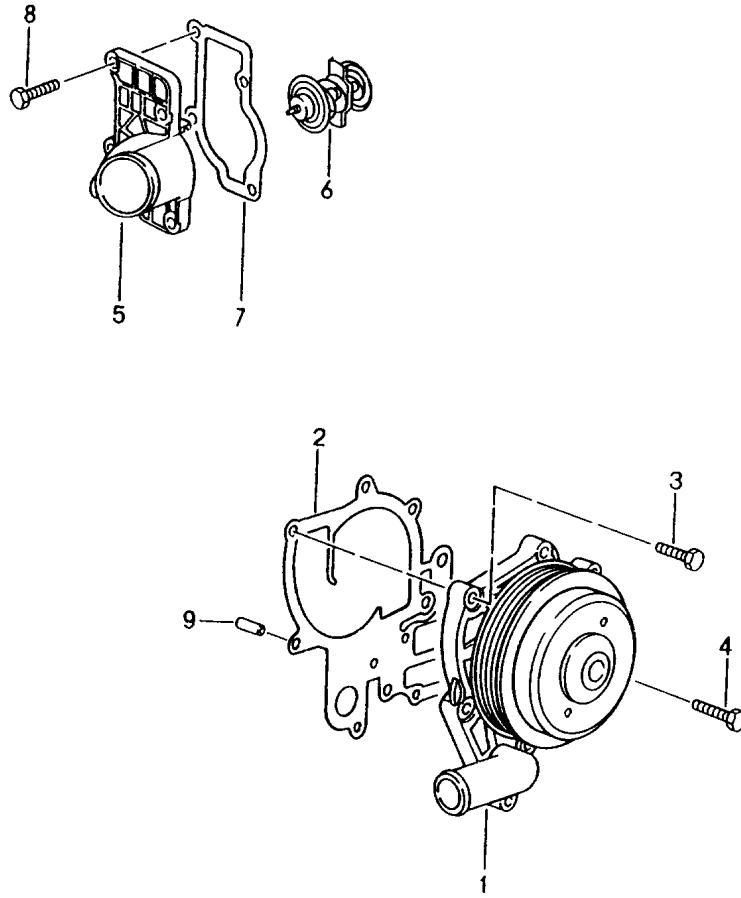


Model: 986 97 Model life 1997>>2004

Pos	Part Number	Description	Remark	Qty	Model
		Crankcase Bleeding			
(1)	996 107 231 55	Oil separator		1	
(1)	996 107 023 51	Oil separator	-97	1	
1	996 107 023 01	Oil separator	-98	1	
1	996 107 023 02	Oil separator	99-	1	
1	996 107 023 03	Oil separator	99-	1	
1	996 107 023 04	Oil separator	99-	1	
1	996 107 026 00	Oil separator	03-	1	
1	996 107 026 01	Oil separator	03-	1	
2	999 707 256 40	O-ring 14 X 1,78	-99	1	
(2)	996 107 122 00	Sealing ring	99-	1	
3	900 378 177 09	Hexagon-head bolt M 6 X 30		2	
4	996 107 147 53	Breather hose		1	
4	996 107 147 54	Breather hose		1	
4	996 107 147 55	Breather hose	-02	1	
(4)	996 107 147 58	Vent line	03-	1	
5	996 107 145 05	Breather hose M >> 65X 01419		1	M96.20
5	996 107 145 06	Vent line M 65X 01420 >>		1	M96.20
(5)	996 107 146 00	Vent line		1	M96.21/22 M96.23/24
6	996 107 047 51	Connection piece	-02	1	
(6)	996 107 047 00	Connection piece	03-	1	
7	999 707 154 40	O-ring 18,77 X 1,78		1	
8	900 378 163 09	Hexagon-head bolt M 6 X 16		1	
9	999 512 630 00	Hose clamp 32 X 12		1	
10	996 107 237 51	Bellows		1	
(10)	996 107 237 52	Bellows		1	
11	999 512 607 09	Hose clamp 30 X 12	-98	1	
11	999 512 551 00	Hose clamp 30 X 12	99-	1	
11	999 512 551 01	Hose clamp 30 X 12	99-	1	
12	999 707 446 40	O-ring 18,0 X 2,5		4	

Model: 986 97

Model life 1997>>2004



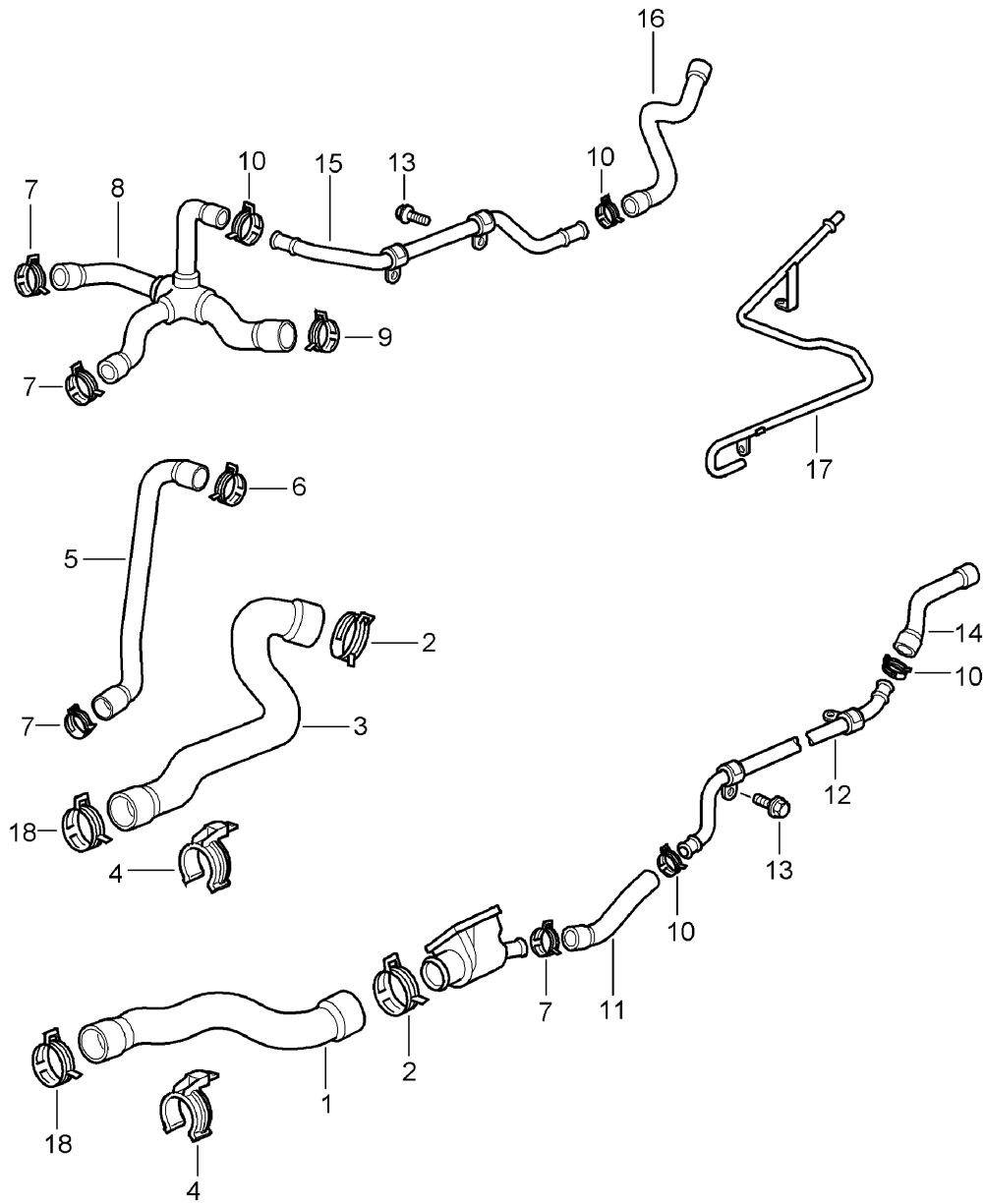
Model: 986 97

Model life 1997>>2004

Pos	Part Number	Description	Remark	Qty	Model
		Water pump			
		Thermostat housing			
1	996 106 011 53	Water pump		1	
1	996 106 011 54	Water pump		1	
1	996 106 011 55	Water pump		1	
1	996 106 011 56	Water pump		1	
1	996 106 011 57	Water pump		1	
2	996 106 340 51	Gasket		1	
3	900 378 013 09	Hexagon-head bolt M 6 X 25		5	
4	900 378 177 09	Hexagon-head bolt M 6 X 30		2	
5	996 106 121 53	Lid		1	
5	996 106 121 55	Lid		1	
5	996 106 013 59	Thermostat		1	
6	996 106 125 52	Thermostat insert		1	
7	996 106 326 50	Gasket		1	
8	900 378 030 09	Hexagon-head bolt M 6 X 20		4	
9	996 106 103 50	Dowel sleeve 8,2 X 7		2	

Model: 986 97

Model life 1997>>2004



Model: 986 97 Model life 1997>>2004

Pos	Part Number	Description	Remark	Qty	Model
		Water cooling 1			
1	996 106 501 03	Hose	-98	1	
1	996 106 501 04	Hose		1	
1	996 106 501 05	Hose	99-	1	
2	999 512 594 09	Hose clamp 53 X 12	-98	2	
2	999 512 669 09	Hose clamp 53 X 12	99-	2	
2	999 512 348 02	Hose clamp 40 - 70		2	
3	996 106 502 03	Hose		1	
3	996 106 502 04	Hose		1	
4	996 106 425 02	Support		2	
5	996 106 212 03	Hose	-98	1	
5	996 106 212 04	Hose	-99	1	M96.20
5		Hose	00-	1	M480/481
5	996 106 212 06	Hose	00-	1	M249
6	999 512 606 09	Hose clamp 29 X 12	-02	1	
6	999 512 660 09	Hose clamp 29 X 12	-02	1	
6	999 512 551 00	Hose clamp 25 - 40	03-	1	
6	999 512 551 01	Hose clamp 25 - 40	03-	1	
7	999 512 589 09	Hose clamp 25 X 12		4	
7	999 512 656 09	Hose clamp 25 X 12	-02	4	
7	999 512 552 00	Hose clamp 24 X 12	03-	4	
7	999 512 552 01	Hose clamp 24 X 12	03-	4	
(8)	996 106 222 07	Hose		1	M480/481
(8)	996 106 222 10	Hose		1	M480/481
(8)	996 106 222 12	Hose		1	M480/481
(8)	996 106 222 17	Water hose		1	M480/481
8	996 106 222 09	Hose		1	M249
8	996 106 222 11	Hose		1	M249
8	996 106 222 13	Hose		1	M249
8	996 106 222 16	Hose	-99	1	M249
(8)	996 106 522 02	Hose	00-	1	M249
9	999 512 609 09	Hose clamp 36 X 12	-98	1	
9	999 512 664 09	Hose clamp 36 X 12	99-	1	
10	999 512 587 09	Hose clamp 21 X 12	-98	6	M249
10	996 106 552 00	Hose 21 X 12	99-	6	M249
11		Hose		1	
11	996 106 552 01	Hose		1	
11	996 106 552 02	Hose		1	
12	996 106 655 02	Cooling water tube	-99	1	M249
(12)	996 106 674 01	Cooling water tube	00-	1	M249
13	900 378 036 09	Hexagon-head bolt M 6 X 12		4	M249
14	996 106 555 00	Hose	-98	1	M249
14	996 106 555 01	Hose	99-	1	M249
15	996 106 657 03	Line	-99	1	M249
(15)	996 106 672 01	Cooling water tube	00-	1	M249
16	996 106 557 01	Hose	-98	1	M249
16	996 106 557 02	Hose	99-	1	M249

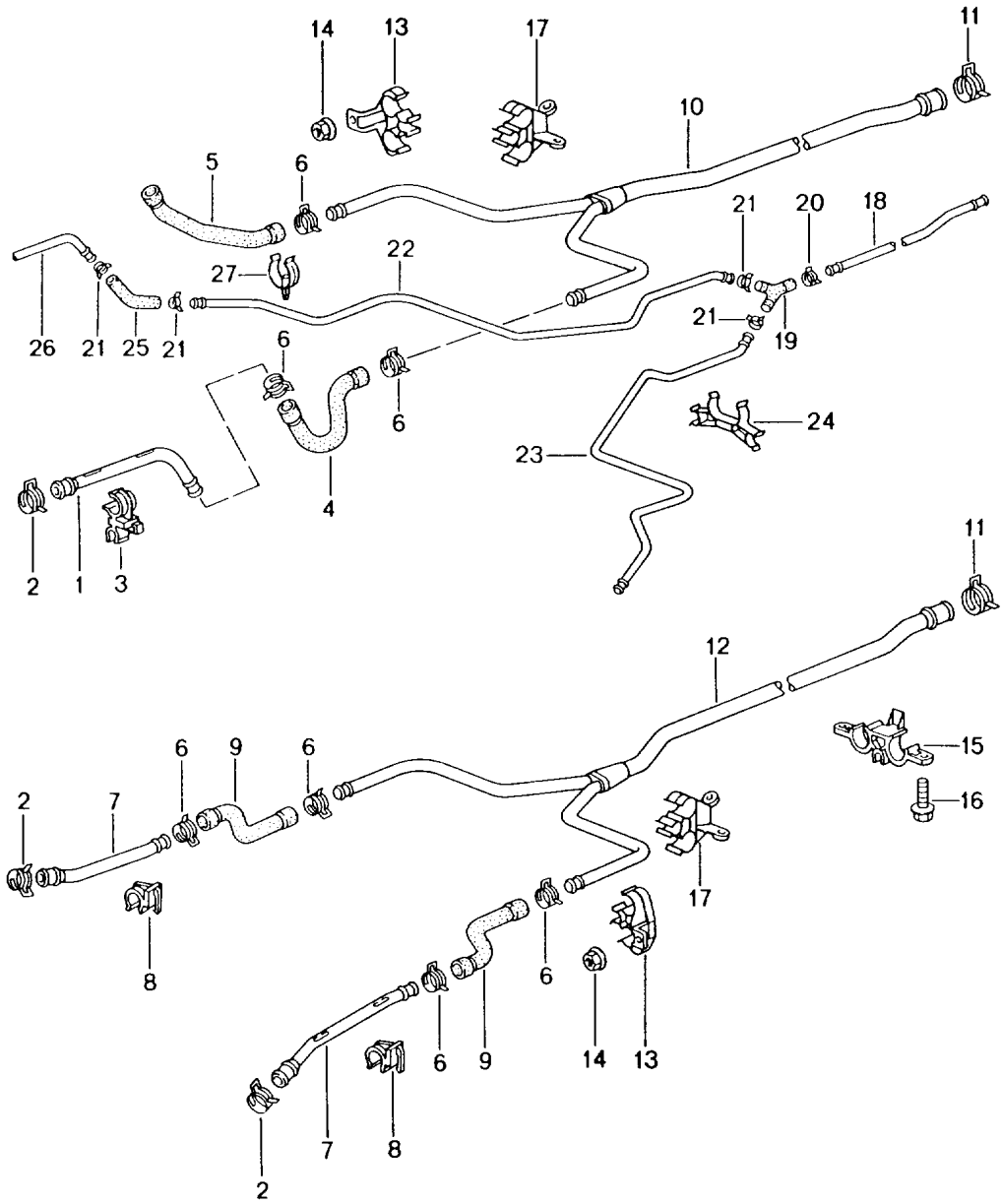
Model: 986 97

Model life 1997&gt;&gt;2004

Pos	Part Number	Description	Remark	Qty	Model
17	996 106 210 02	Vent line		1	
18	999 512 668 09	Hose clamp 49 X 12		2	
19		Connection piece See illustrations 1/04/00		X	

Model: 986 97

Model life 1997>>2004





Model: 986 97 Model life 1997>>2004

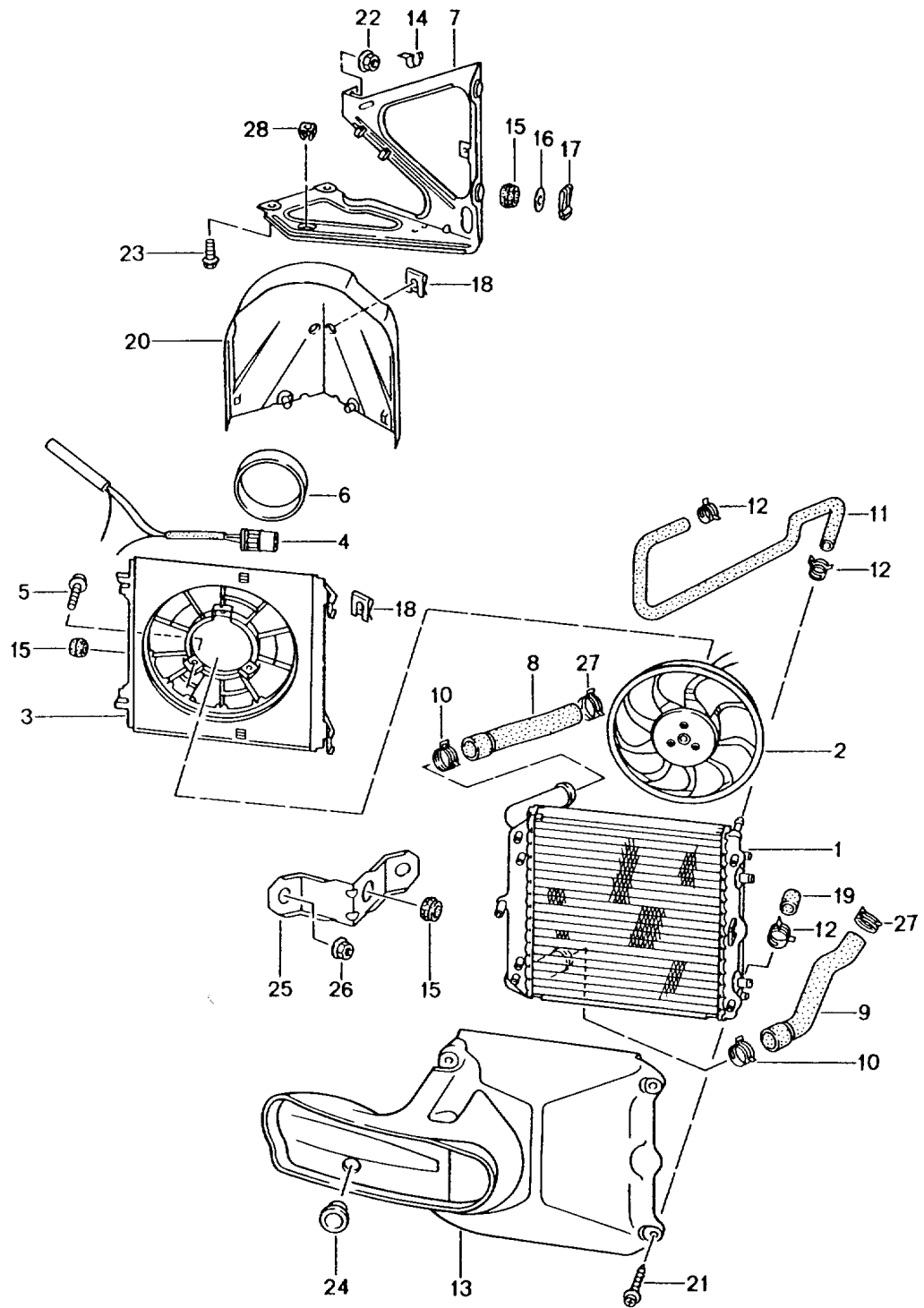
Pos	Part Number	Description	Remark	Qty	Model
		Water cooling 2			
1	996 106 611 00	Water tube		2	
1	996 106 611 01	Water tube	03-	2	
(1)	996 106 611 53	Water tube		2	M008
		Supply			
2	999 512 634 09	Hose clamp		4	
		34 X 12			
(2)	999 512 640 09	Hose clamp		4	
		34 X 12			
(2)	999 512 671 09	Hose clamp		4	
		34 X 12			
(2)	999 512 551 00	Hose clamp		4	
		25 - 40			
(2)	999 512 551 01	Hose clamp		4	
		25 - 40			
3	996 106 414 03	Support		4	
3	996 106 414 04	Support		4	
(3)	996 106 414 55	Support		4	M96.21
4	996 106 623 01	Hose	/L -98	1	
		Supply			
4	996 106 623 02	Hose	/L -00	1	M96.20/22
		Supply			
4		Hose	/L 01-	1	M009/480
(4)	996 106 623 53	Water hose	/L 01-	1	M009/249
(4)		Water hose	/L 99-	1	M008
		Supply			
5	996 106 624 01	Hose	/R -98	1	
		Supply			
5	996 106 624 02	Hose	/R -00	1	M96.20/22
		Supply			
5		Hose	/R 01-	1	M009/480
(5)	996 106 624 53	Water hose	/R 01-	1	M009/249
(5)		Water hose	/R 99-	1	M008
		Supply			
6	999 512 607 09	Hose clamp	-98	10	
		30 X 12			
6	999 512 661 09	Hose clamp	99-	10	
		30 X 12			
6	999 512 672 09	Hose clamp	01-	10	M009/249
		40 X 12			
6	999 512 499 00	Hose clamp	99-	10	M008
		32 - 50 MM			
7	996 106 615 01	Water tube		2	
		Return line			
7	996 106 615 02	Water tube	03-	2	
		Return line			
(7)	996 106 615 54	Water tube		2	M008
		Return line			
8	996 106 419 02	Support		4	
(8)	996 106 419 52	Support	00-	4	M008
			01-		M009/249
9	996 106 627 01	Water hose	-98	2	
9	996 106 627 02	Water hose	99-	2	
(9)	996 106 627 52	Water hose		2	M008
(9)	996 106 627 55	Water hose		2	M008
(9)	996 106 627 52	Water hose	01-	2	M009/249
(9)	996 106 627 55	Water hose	01-	2	M009/249
10	996 106 651 02	Distributing piece	-98	1	
10	996 106 651 03	Distributing piece	99-	1	
10	996 106 651 04	Distributing piece		1	M009/481
(10)	996 106 651 54	Distributing piece		1	M008
					M009/249
11	999 512 593 09	Hose clamp	-98	2	

Model: 986 97 Model life 1997>>2004

Pos	Part Number	Description	Remark	Qty	Model
11	999 512 668 09	49 X 12 Hose clamp	99-	2	
11	999 512 348 02	49 X 12 Hose clamp		2	
12	996 106 652 02	40 - 60 MM Distributing piece Return line	-98	1	
12	996 106 652 03	Distributing piece Return line	99-	1	
12	996 106 652 04	Distributing piece Return line	03-	1	
(12)	996 106 652 54	Distributing piece Return line		1	
13	996 106 413 01	Support		2	
(13)	996 106 413 52	Support	00- 01-	2	M008 M009/249
14	999 084 629 09	Hexagon nut M 6		2	
14	999 084 629 01	Hexagon nut M 6		2	
15	996 106 415 02	Support		2	
16	900 378 035 01	Hexagon-head bolt M 6 X 16		6	
17	996 106 420 02	Support		2	
(17)	996 106 420 52	Support	00- 01-	2	M008 M009/249
18	996 106 127 51	Vent line	-98	1	
18	996 106 127 52	Vent line	99-	1	
18	996 106 127 53	Vent line	03-	1	
19	996 106 546 51	Y-piece	-98	1	
19	996 106 546 52	Y-piece	99-	1	
19	996 106 546 54	Y-piece		1	
19	996 106 546 55	Y-piece		1	
19	996 106 546 56	Y-piece		1	
20	999 512 586 09	Hose clamp 20 X 12	-98	1	
20	999 512 653 09	Hose clamp 20 X 12	99-	1	
21	999 512 584 09	Hose clamp 14 X 12	-98	8	
21	999 512 650 09	Hose clamp 14 X 12		8	
21	999 512 554 00	Hose clamp 12 - 22	99-	8	
22	996 106 126 53	Vent line	/R	1	
22	996 106 126 54	Vent line	/R	1	
23	996 106 225 53	Vent line	/L	1	
23	996 106 225 54	Vent line	/L	1	
24	996 106 412 00	Support		1	
25	996 106 135 51	Breather hose	-98	2	
25	996 106 135 52	Breather hose	99-	2	
26	996 106 685 52	Vent line		2	
26	996 106 685 53	Vent line		2	
27	999 507 378 40	Support		2	
-	996 106 425 03	Support Engine Water hose	01-	2	

Model: 986 97

Model life 1997>>2004



Model: 986 97 Model life 1997>>2004

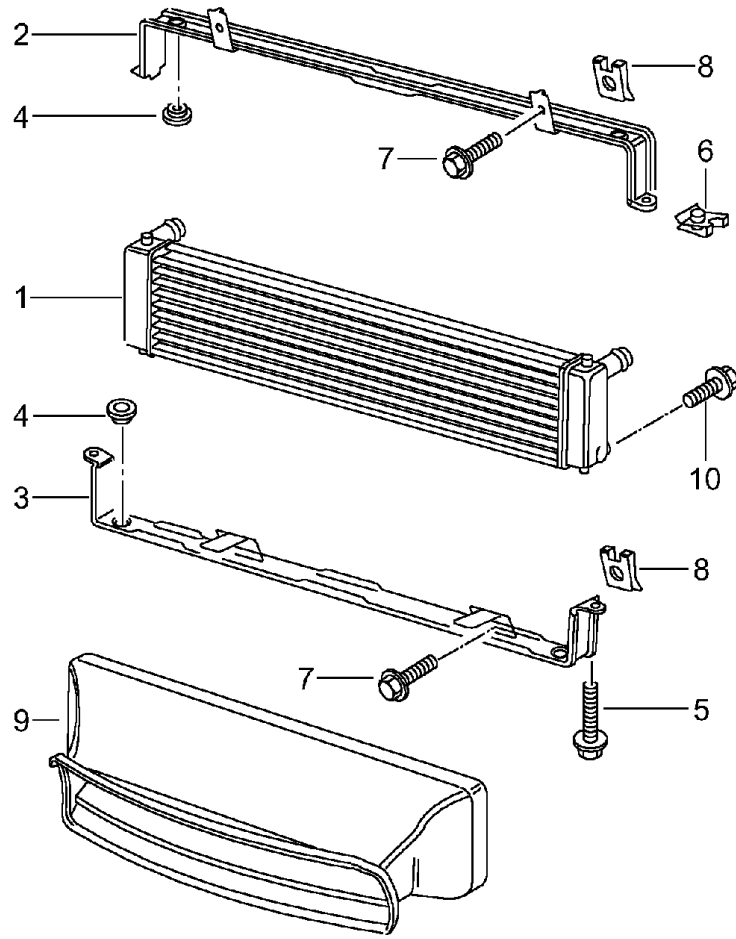
Pos	Part Number	Description	Remark	Qty	Model
		Water cooling 3			
1	996 106 131 50	Radiator		2	
(1)	996 106 131 51	Radiator	/L	1	
(1)	996 106 132 51	Radiator	/R	1	
2	996 624 135 00	Fan		2	
-	999 652 936 40	Plug socket		2	
-	999 652 776 22	Connector		6	
-	999 652 778 40	Gasket		6	
-	999 652 811 40	Stopper		2	
3	996 624 131 00	Air guide		2	
4	996 616 101 00	Series resistor		2	
5	900 146 116 09	Screw		6	
		M 5 X 16			
6	996 624 136 00	Protection cap		2	
7	996 504 175 03	Bracket	/L -97	1	
7	996 504 175 04	Bracket	/L 98-	1	
7	996 504 175 09	Bracket		1	
(7)	996 504 176 03	Bracket	/R -97	1	
(7)	996 504 176 04	Bracket	/R 98-	1	
(7)	996 504 176 09	Bracket		1	
8	996 106 621 01	Hose	/L -98	1	
		Supply			
8	996 106 621 02	Hose	/L 99-	1	
		Supply			
(8)	996 106 665 53	Hose		1	
		Supply			
		with one conection			
		Radiator			
		Centre			
(8)	996 106 665 55	Hose	/L 00-	1	M008
		Supply			
		with one conection			
		Radiator			
		Centre			
(8)	996 106 622 00	Hose	/R -98	1	
		Supply			
(8)	996 106 622 01	Hose	/R 99-	1	
		Supply			
(8)	996 106 622 52	Hose	/R 00-	1	M008
		Supply			
9	996 106 625 01	Hose	/L -98	1	
		Return line			
9	996 106 625 02	Hose	/L 99-	1	
		Return line			
(9)	996 106 625 54	Hose	/L 00-	1	M008
		Return line			
(9)	996 106 666 51	Hose	/R 00-	1	M008
		Return line			
		with one conection			
		Radiator			
		Centre			
(9)	996 106 666 52	Hose		1	
		Return line			
		with one conection			
		Radiator			
		Centre			
(9)	996 106 626 00	Hose	/R -98	1	
		Return line			
(9)	996 106 626 01	Hose	/R 99-	1	
		Return line			
10	999 512 611 09	Hose clamp	-98	4	
		42 X 12			
10	999 512 666 09	Hose clamp	99-	4	

Model: 986 97 Model life 1997>>2004

Pos	Part Number	Description	Remark	Qty	Model
10	999 512 499 00	42 X 12 Hose clamp		4	
		32 - 50 MM			
11	996 106 137 53	Breather hose	/L	1	
(11)	996 106 138 53	Breather hose	/R	1	
12	999 512 585 09	Hose clamp		6	
		15 X 12			
13	996 575 321 00	Air guide	/L	1	
(13)	996 575 322 00	Air guide	/R	1	
14	999 651 305 02	Cable holder		2	
15	999 702 214 40	Grommet		6	
		14 X 20,5 X 7,5			
16	999 025 255 02	Washer		4	
17	999 166 083 09	Tab washer		4	
		B 25			
18	999 166 077 02	Safety clip		6	
		B 22			
19	999 703 418 40	Cap		2	
(19)	996 106 334 00	Rubber cap		2	
20	996 575 341 03	Air guide	-98	2	
20	996 575 341 04	Air guide	/L 99-	1	
(20)	996 575 342 00	Air guide	/R 99-	1	
21	999 919 134 09	Oval-head screw		14	
		6,0 X 16			
22	999 084 630 09	Hexagon nut		2	
		M 8			
23	900 378 074 09	Hexagon-head bolt		4	
		M 8 X 16			
24	803 803 583	Rubber sleeve	/R	1	
		30,0 X 40,0			
24	999 703 195 40	Rubber sleeve	/R	1	
		30,0 X 40,0			
25	996 504 721 00	Support		1	
	996 504 721 00 GRV	Prime coated			
26	900 377 003 02	Hexagon nut		4	
		M 8			
27	999 512 659 09	Hose clamp		2	
		28 X 12			
27	999 512 552 00	Hose clamp		1	
27	999 512 552 01	Hose clamp		1	
28	999 507 590 02	Captive nut		1	

Model: 986 97

Model life 1997>>2004



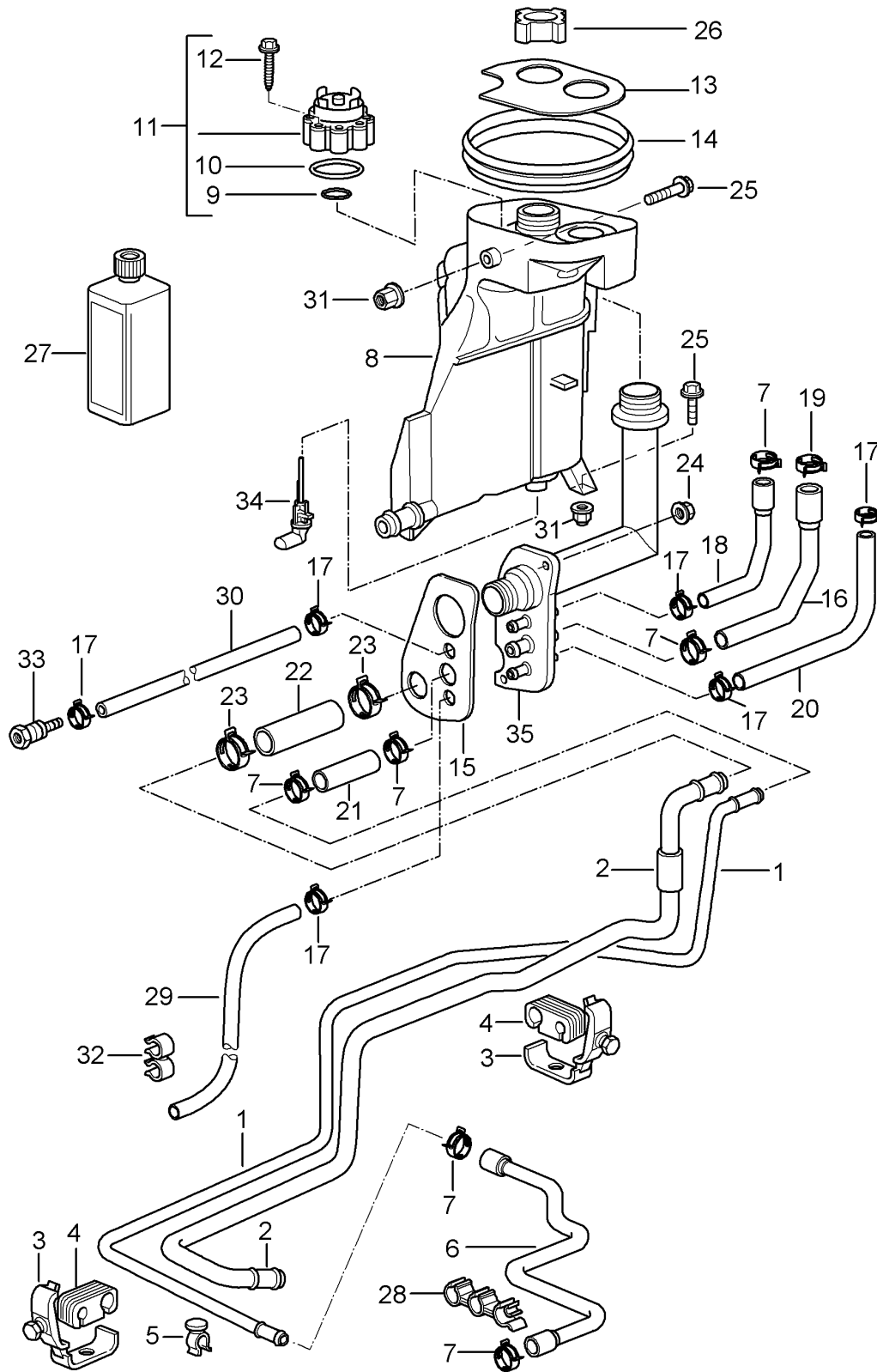
Model: 986 97

Model life 1997>>2004

Pos	Part Number	Description	Remark	Qty	Model
		Radiator Centre	00-		M008
1	996 106 037 50	Radiator		1	
1	996 106 037 51	Radiator		1	
2	996 504 487 02	Retaining frame		1	
3	996 504 485 02	Retaining frame		1	
4	930 113 430 00	Rubber mounting		4	
5	900 378 036 09	Hexagon-head bolt M 6 X 12		2	
6	999 507 550 02	Speed nut M 6		2	
7	900 378 074 09	Hexagon-head bolt M 8 X 16		4	
8	999 591 869 02	Speed nut M 8		4	
9	996 575 141 02	Air guide		1	
10	996 106 901 00	Screw plug		1	

Model: 986 97

Model life 1997>>2004





Model: 986 97 Model life 1997&gt;&gt;2004

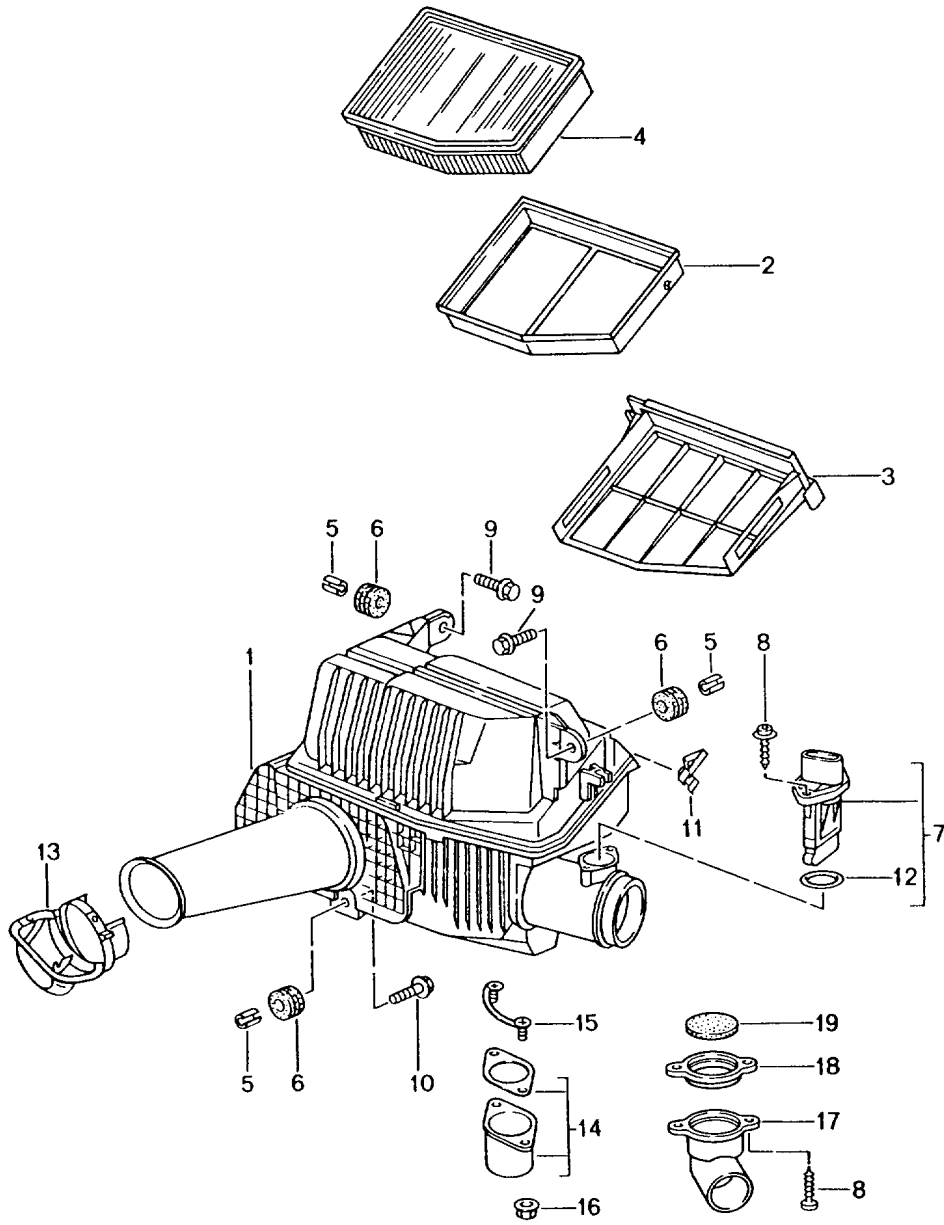
Pos	Part Number	Description	Remark	Qty	Model
1	996 106 681 01	Water cooling 4 Vent line	-98	1	
1	996 106 681 02	Vent line	99-	1	
1	996 106 681 03	Vent line		1	
2	996 106 663 00	Filler tube	-98	1	
2	996 106 663 01	Filler tube	99-	1	
2	996 106 663 02	Filler tube		1	
3	999 511 230 40	Cable holder		2	
4	999 511 231 41	Rubber mounting		2	
5	999 507 500 40	Cable holder		1	
6	996 106 135 01	Breather hose	-98	1	
6	996 106 135 02	Breather hose	99-	1	
7	999 512 653 09	Hose clamp 20 X 12		6	
7	999 512 554 00	Hose clamp 20 X 12		6	
8	996 106 147 03	Expansion tank	-97	1	
8	996 106 147 04	Expansion tank	-98	1	
8	996 106 147 06	Expansion tank		1	
8	996 106 147 07	Expansion tank		1	
8	996 106 147 08	Expansion tank		1	
9	999 707 371 40	O-ring 17 X 4		1	
10	999 707 370 40	O-ring 47 X 4		1	
11	996 106 347 00	Bleeder valve	-97	1	
11	996 106 347 01	Bleeder valve	98-	1	
12	999 919 058 02	Hexagon-head bolt 5,0 X 40		8	
13	996 106 234 01	Cover		1	
14	986 504 644 00	Gasket		1	
15	996 106 235 01	Gasket	-97	1	
15	996 106 235 02	Gasket	98-	1	
16	996 106 237 00	Hose		1	
17	999 512 585 09	Hose clamp 15 X 12		5	
18	996 106 247 00	Hose		1	
19	999 512 587 09	Hose clamp 21 X 12	-98	1	
19	999 512 654 09	Hose clamp 21 X 12	99-	1	
20	996 106 287 00	Overflow hose	-97	1	
20	996 106 287 01	Overflow hose for Model year 97	97-	1	
-	996 107 273 04	Use also: Filler tube		1	
-	996 106 297 01	Overflow hose		1	
-	996 106 207 03	Hose		1	
21	996 106 257 00	Breather hose		1	
22	996 106 267 00	Hose		1	
23	999 512 552 00	Hose clamp 27 X 12		2	
23	999 512 552 01	Hose clamp 27 X 12		2	
24	999 084 629 09	Hexagon nut M 6		2	
24	999 084 629 01	Hexagon nut M 6		2	
25	900 075 333 02	Combination screw M 6 X 25		2	
25	900 075 333 01	Combination screw		2	

Model: 986 97 Model life 1997>>2004

Pos	Part Number	Description	Remark	Qty	Model
		M 6 X 25			
26	443 121 321	Lid	-97	1	
26	996 106 447 00	Lid	98-	1	
26	996 106 447 01	Lid		1	
		See technical manual			
		Group 1			
		Nr.190101			
27	000 043 203 78	Antifreeze		X	
		1 LTR.			
		Container			
(27)	000 043 203 79	Antifreeze		X	
		25 LTR.			
		Container			
(27)	000 043 301 03	Antifreeze		X	
		1 LTR.			
		Container			
(27)	000 043 301 04	Antifreeze		X	
		20 LTR.			
		Container			
(27)	000 043 301 05	Antifreeze		X	
		1 GALLON			
		Container			
28	996 106 411 01	Support	-97	1	
28	996 106 411 02	Support	98-	1	
29	996 106 297 01	Overflow hose		1	
		for			
		Model year			
		97			
		Use also:			
-	996 107 273 04	Filler tube		1	
-	996 106 287 01	Overflow hose		1	
-	996 106 207 03	Hose		1	
30	996 106 207 00	Hose	-97	1	
30	996 106 207 01	Hose	98-	1	
(30)	996 106 207 03	Hose	97-	1	
		for			
		Model year			
		97			
		Use also:			
-	996 107 273 04	Filler tube		1	
-	996 106 287 01	Overflow hose		1	
-	996 106 297 01	Overflow hose		1	
31	999 500 084 02	Special nut		2	
31	999 500 084 01	Special nut		2	
		M 6			
32	999 507 570 40	Hose holder		2	
		11,0/18,0			
33	996 106 253 00	Hose connection		1	
34	996 641 503 00	Switch		1	
35		See illustrations			
		1/04/05			
-	999 652 912 40	Plug socket		1	
-	999 650 490 40	Plug socket		1	
-	999 652 934 22	Contact bush		2	

Model: 986 97

Model life 1997>>2004



Model: 986 97 Model life 1997>>2004

Pos	Part Number	Description	Remark	Qty	Model
1	996 110 121 05	Air cleaner	-97	1	
1	996 110 121 06	Air cleaner	98-	1	
		for M 96.20/22			
		Order also:			
		996 110 297 00		1	
		996 110 295 00		1	
		999 919 198 09		2	
		for M 96.21			
		Order also:			
		996 110 297 01		1	
		996 110 295 00		1	
		999 919 198 09		2	
(1)	987 110 021 00	Air cleaner		1	M091
-	993 110 116 01	Clamp		2	M091
		Connecting piece			
		Air cleaner			
-	999 707 052 41	O-ring		1	M091
		91 X 6			
		Connecting piece			
		Air cleaner			
2	996 110 133 01	Frame		1	
3	996 110 123 02	Frame		1	
4	996 110 131 03	Air cleaner cartridge		1	
4	996 110 131 04	Air cleaner cartridge		1	
(4)	987 110 132 00	Air cleaner cartridge		1	M091
(4)	987 110 133 00	Air cleaner cartridge		1	M091
5	900 095 099 02	Roll pin		3	
		12 X 14			
6	999 702 246 40	Grommet		3	
		12,0 X 17,0 X 3			
7	996 606 123 00	Mass air flow meter	-99	1	-M620/M009
		Information available	-99		-M620/M009
-	999 650 169 40	Plug socket		1	
-	999 652 886 22	Connector		5	
-	999 704 161 40	Gasket		5	
(7)	996 606 124 00	Mass air flow meter	00-	1	M009/620
		Information available	00-		M009/620
(7)	986 606 125 00	Mass air flow meter	00-	1	M009/620
(7)	996 606 124 00	Mass air flow meter		1	M008
		F >>98YS6 20414			
		F >>98YS6 60257			
		See technical information			
		Group 2			
		NR. 1/00			
(7)	986 606 125 00	Information available			
		Mass air flow meter		1	M620
		F 98YS6 20415>>			
		F 98YS6 60258>>			
		See technical information			
		Group 2			
		NR. 1/00			
(7)	987 606 125 00	Mass air flow meter		1	M091
8	999 919 160 07	Oval-head screw		4	
		5,0 X 20			
9	900 075 333 02	Combination screw		2	
		M 6 X 25			
9	900 075 333 01	Combination screw		2	
		M 6 X 25			
10	900 075 482 09	Combination screw		1	
		M 6 X 30			

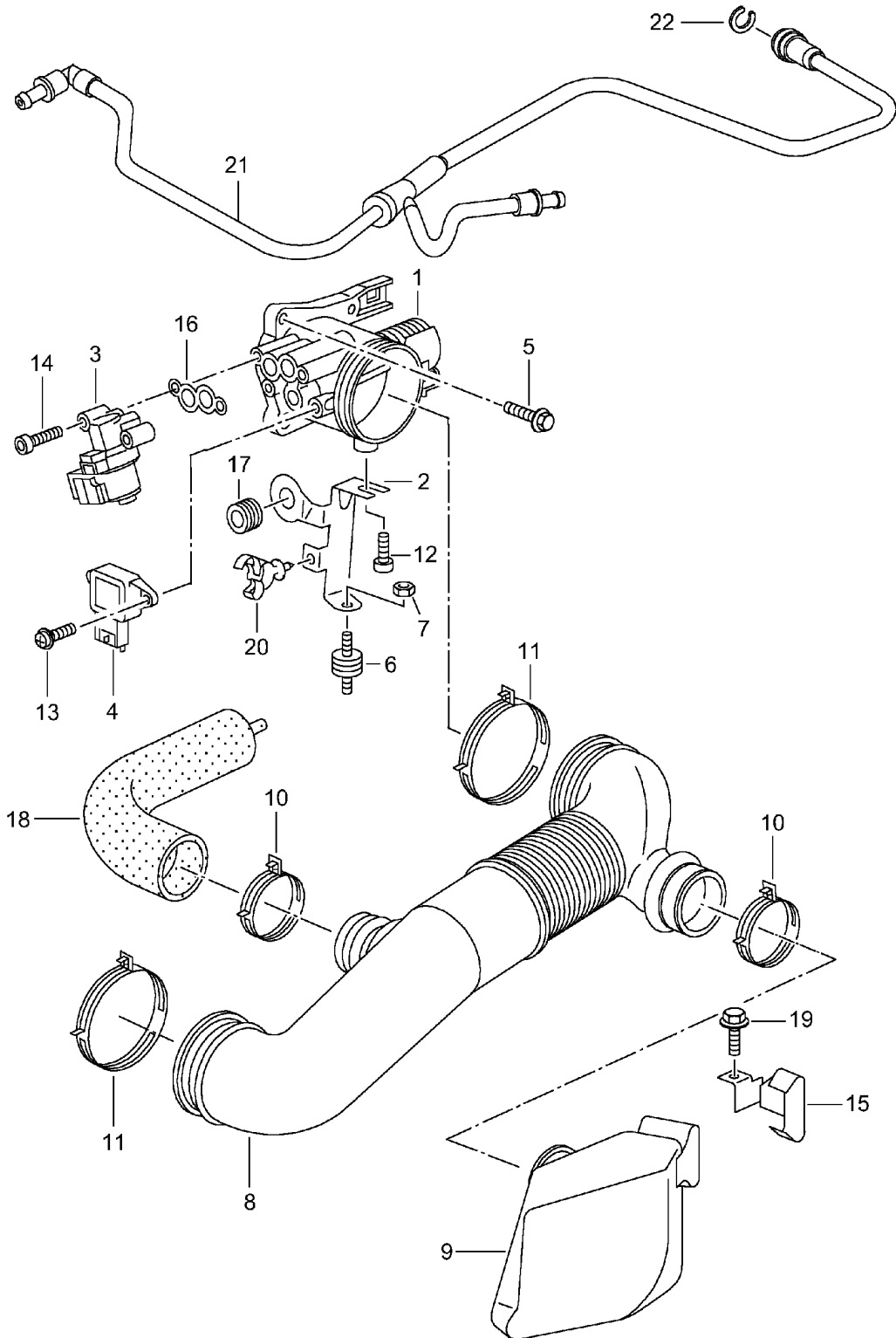
Model: 986 97

Model life 1997>>2004

Pos	Part Number	Description	Remark	Qty	Model
11	000 043 300 60	Spring clamp		2	
12	986 606 925 00	O-ring		1	
13	996 110 903 00	Cup		1	
14	996 110 905 00	Water drip pan	-97	1	
14	996 110 905 01	Water drip pan	98-	1	
15	996 110 907 00	Support		1	
16	900 377 001 02	Hexagon nut M 6		2	
17	996 110 297 01	Lid		1	M96.21
18	996 110 297 00	Water drain tube		1	M96.20/22
19	996 110 295 00	Washer		1	

Model: 986 97

Model life 1997>>2004



Model: 986 97 Model life 1997>>2004

Pos	Part Number	Description	Remark	Qty	Model
1	996 110 025 08	Throttle body		1	M96.20
1	986 605 115 01	Throttle body		1	M96.21/22 M96.23/24
2	996 110 223 01	Bracket		1	
(2)	996 110 223 03	Bracket		1	
3	996 606 160 01	Idle-speed adjuster		1	M96.20
-	999 650 089 40	Plug socket		1	M96.20
-	999 652 771 12	Connector		3	M96.20
-	999 704 161 40	Gasket		3	M96.20
4	996 606 116 00	Throttle-valve switch		1	
-	999 652 916 40	Plug socket		1	
-	999 652 886 22	Connector		3	
-	999 704 161 40	Gasket		3	
5	900 378 013 09	Hexagon-head bolt AM 6 X 25		4	
6	930 110 579 01	Bonded rubber buffer 20 X 15/M 6		1	
6	999 703 265 00	Bonded rubber buffer 20 X 15/M 6		1	
7	900 377 010 09	Hexagon nut M 6		1	
8	996 110 221 07	Air guide	-99	1	M249 M073/481
8	996 110 221 08	Air guide	-99	1	M481
(8)	996 110 027 03	Air guide with Muffler	00	1	M249
(8)	996 110 027 05	Air guide with Muffler	01-	1	M249
(8)	996 110 027 04	Air guide with Muffler	00-	1	M480/481
(8)	987 110 220 00	Air guide		1	M96.24 M091 M96.24 M091
-	987 110 260 00	Stopper		1	M96.24 M091/480
-	999 512 686 09	Air guide Hose clamp B 17 X 12 Mount Stopper Air guide		1	M96.24 M091/480
9	996 110 222 00	Muffler	-99	1	
10	999 512 669 09	Hose clamp 40 - 60 MM		2	
10	999 512 348 02	Hose clamp 53 X 12		2	
11	999 512 628 02	Hose clamp 86 X 12	-99	2	
11		Hose clamp 86 X 12 Air guide	00-	1	
(11)	999 512 542 00	Throttle body Hose clamp		1	M96.24 M091
		80 - 100 Air guide Throttle body			

Model: 986 97

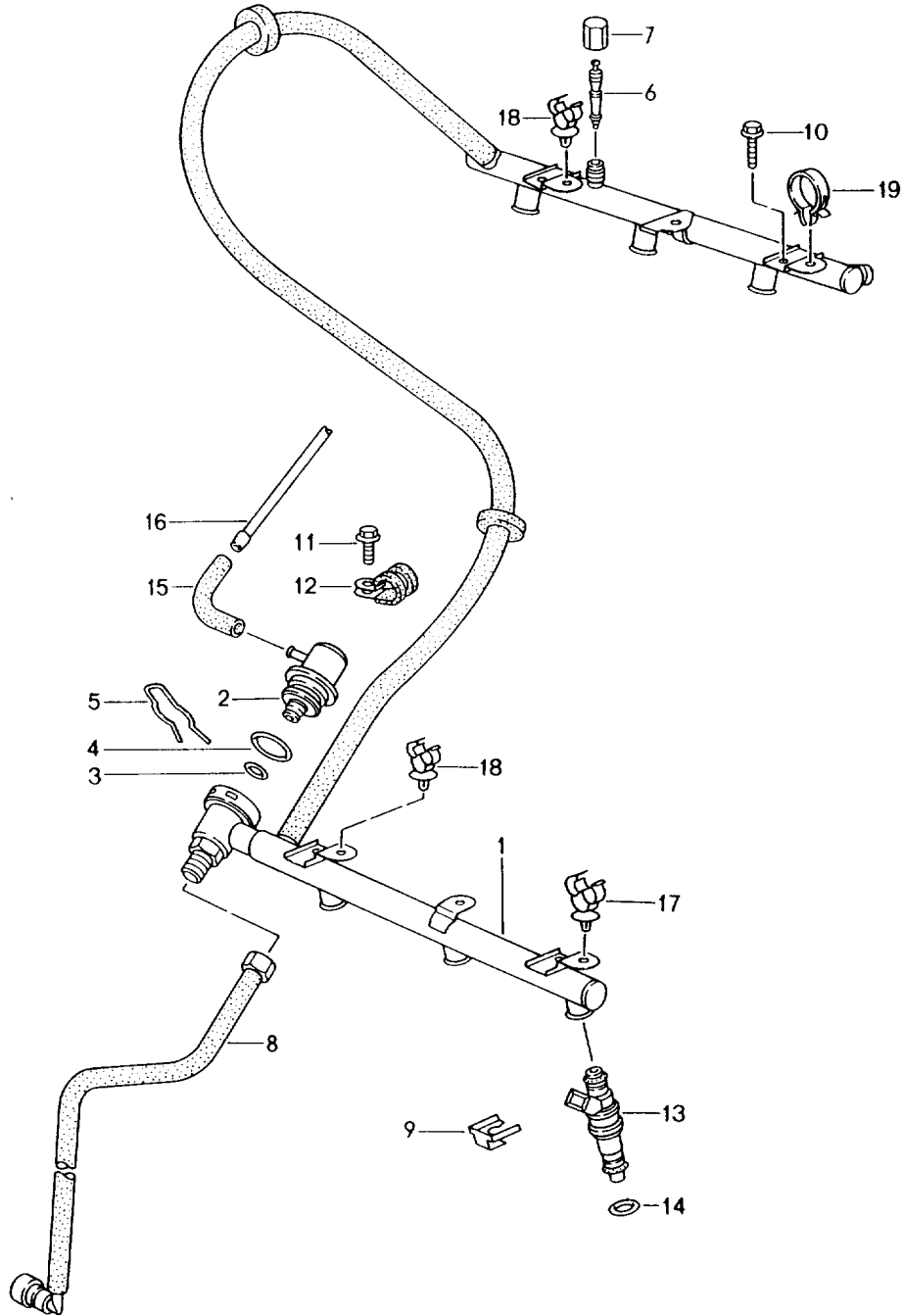
Model life 1997&gt;&gt;2004

Pos	Part Number	Description	Remark	Qty	Model
(11)	N 024 522 3	Hose clamp 60 X 80 Air guide Air cleaner	00-	1	
12		Pan-head screw		1	
13	900 146 150 02	Oval-head screw M 4 X 16		2	
14	996 110 965 00	Pan-head screw M 6 X 32		2	
15	996 110 212 01	Support		1	
16	996 110 310 50	Gasket		1	
17	999 702 246 40	Grommet 12,0 X 17,0 X 3		1	M249
18	996 110 242 00	Pipe		1	M249
19	900 378 163 09	Hexagon-head bolt M 6 X 16		1	
20	999 507 544 40	Cable holder 4,0 - 12,0		1	
21	996 110 170 00	Venturi tube	01-	1	M249
22	999 230 535 40	Lock		3	M249



Model: 986 97

Model life 1997>>2004

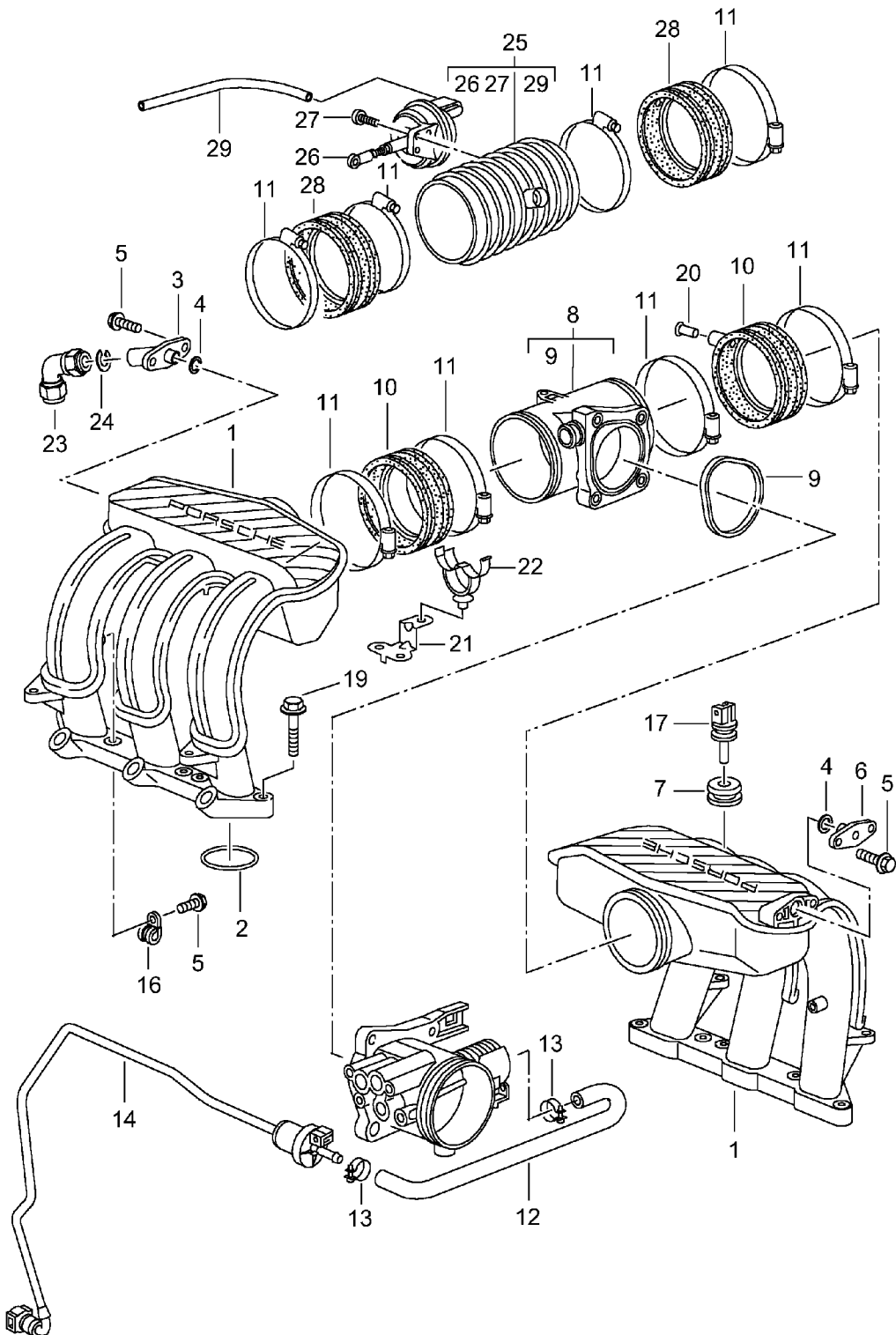


Model: 986 97 Model life 1997>>2004

Pos	Part Number	Description	Remark	Qty	Model
1	996 110 031 04	Fuel collection pipe		1	M96.20
1	996 110 031 05	Fuel collection pipe	-97	1	M96.20
1	996 110 031 07	Fuel collection pipe	98-	1	M96.20
1	996 110 035 01	Fuel collection pipe		1	M96.21
1	996 110 035 03	Fuel collection pipe	00	1	M96.21/22
(1)	996 110 035 04	Fuel collection pipe	01	1	M96.21/22
(1)	996 110 036 02	Fuel collection pipe	02-	1	M96.21/22 M96.23/24
(1)	996 110 036 05	Fuel collection pipe	02-	1	M96.21/22 M96.23/24
(1)	996 110 036 30	Fuel collection pipe	04	1	M96.24 M091
2	993 110 199 01	Pressure regulator	-01	1	
3	999 707 276 40	O-ring 5 X 2,5		1	
4	999 707 277 40	O-ring 20 X 2,5		1	
5	993 110 196 00	Retaining clip		1	
6	993 110 217 00	Valve		1	
7	993 110 218 01	Cap		1	
8	996 110 316 07	Fuel line	-97	1	
8	996 110 316 08	Fuel hose	-99	1	M96.20
(8)	996 110 316 10	Fuel hose	00-01	1	M96.21/22
9	996 110 113 52	Retaining clip		6	
10	900 378 036 09	Hexagon-head bolt M 6 X 12		4	
11	999 919 085 02	Combination screw M 6 X 22		1	
12	999 511 234 02	Clamp 16 X 15		1	
13	996 606 120 00	Injector valve	-99	6	
(13)	996 606 120 01	Injector valve	00	6	
(13)	996 606 122 00	Injector valve	01-	6	
-	999 652 840 40	Plug socket		6	
-	999 652 771 12	Connector		12	
-	999 704 161 40	Gasket		12	
14	944 110 901 01	O-ring 7,52 X 3,53		12	
15	928 574 717 03	Moulded hose		1	
-	000 043 205 01	Pipe 4 X 1 340 MM		*	
16				1	
17	999 511 240 40	Cable holder 11,0 - 18		2	
18	999 511 239 40	Cable holder 6,0 - 12		2	
19	321 971 847 B	Clip		2	

Model: 986 97

Model life 1997>>2004



Model: 986 97 Model life 1997>>2004

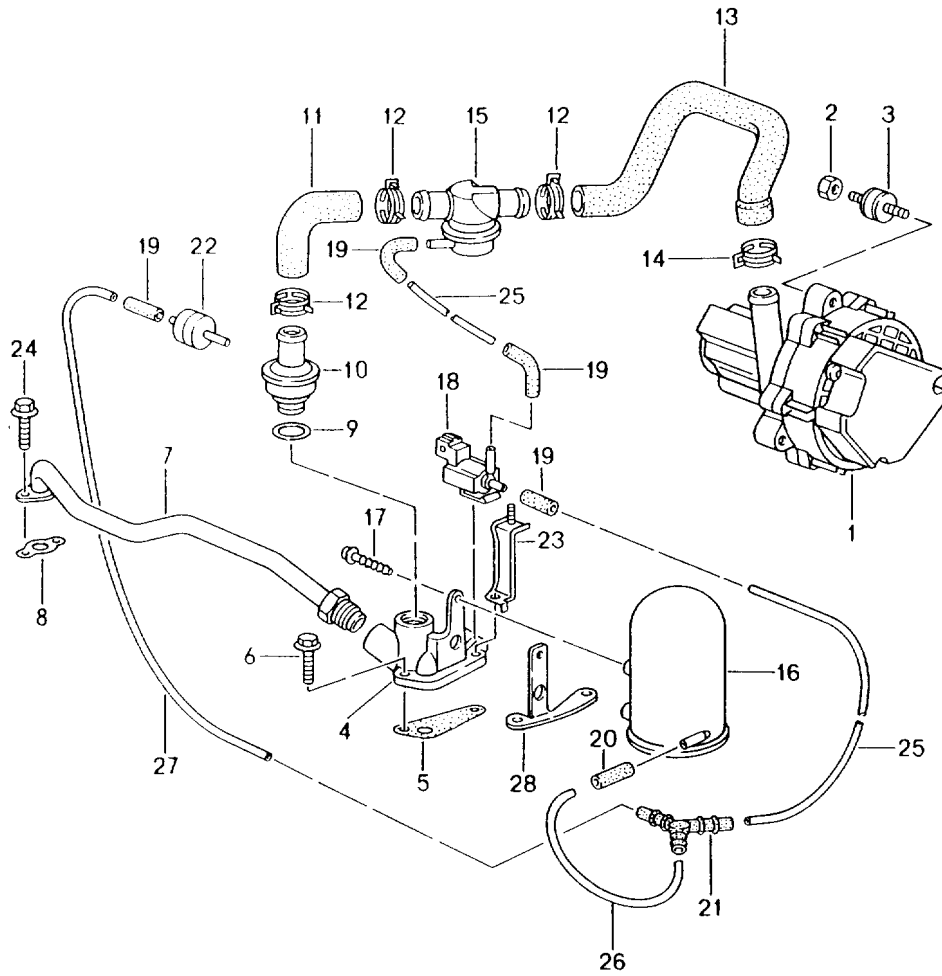
Pos	Part Number	Description	Remark	Qty	Model
1	996 110 015 03	Intake distributor		2	M96.20
(1)	996 110 045 01	Intake distributor		2	M96.21/22 M96.23/24
2	996 110 247 01	Gasket		6	M96.20
2	996 110 247 03	Gasket		6	M96.21/22 M96.23/24
3	996 110 151 00	Adapter		1	
(3)	996 110 151 51	Adapter	01-	1	M249
4	999 701 163 40	O-ring 11 X 2,5		2	
5	999 919 125 09	Hexagon-head bolt 6,0 X 16		5	
6	996 110 251 51	Lid		1	
7	993 110 530 00	Grommet		1	
8	996 110 215 53	Intermediate piece		1	M96.20
(8)	996 110 055 00	Intermediate piece		1	M96.21/22 M96.23/24
9	996 110 317 50	Sealing ring		1	
9	996 110 317 52	Sealing ring		1	
(9)	996 110 318 01	Gasket		1	M96.21/22 M96.23/24
(9)	996 110 318 02	Gasket		1	M96.21/22 M96.23/24 M96.23/24
10	996 110 685 51	Information available Rubber sleeve	-97	2	
10	996 110 685 52	Rubber sleeve	98-	2	
(10)	996 110 685 01	Information available Rubber sleeve	98-	2	M96.21/22 M96.23/24
11	999 512 539 00	Hose clamp 90 - 110/9		4	M96.20
11	999 512 539 01	Hose clamp 90 - 110/9		4	M96.20
(11)	999 512 350 02	Hose clamp 80 - 100/9		8	M96.21/22 M96.23/24
12	996 110 127 01	Vent line	-99	1	M96.20
(12)	996 110 137 01	Vent line	00-02	1	M96.21/22
(12)	996 110 137 02	Vent line	03- 00-01 03-	1	M96.23/24 M96.21/22 M96.23/24
13	999 512 427 02	Hose clamp 8 - 16/9		3	
14	996 110 129 04	Vent line		1	
14	996 110 129 05	Vent line		1	
14	996 110 129 06	Vent line		1	
-	999 652 839 40	Plug socket		1	
-	999 652 771 12	Connector		2	
-	999 704 161 40	Gasket		2	
16	999 511 116 02	Clamp 10 X 15		1	
16	999 511 116 03	Clamp 10 X 15		1	
17	996 606 113 00	Temperature sensor	-02	1	
17	996 606 113 01	Temperature sensor	03-	1	
-	999 650 167 40	Plug socket		1	
-	999 652 771 12	Connector		2	
-	999 704 161 40	Gasket		2	
19	900 378 172 09	Hexagon-head bolt M 6 X 35		12	
19	900 385 017 01	Torx screw M 6 X 35		12	

Model: 986 97 Model life 1997>>2004

Pos	Part Number	Description	Remark	Qty	Model
20	900 312 012 02	Stopper		1	
21	986 607 103 00	Support	-97	1	
21	986 607 103 01	Support	98-	1	
22	999 511 244 40	Cable holder		1	
23	999 230 498 40	Angled pipe		1	
24	999 230 535 40	Lock		1	
25	996 110 130 01	Resonance tube		1	M96.21/22
(25)	996 110 130 02	Resonance tube		1	M96.23/24
26	993 110 462 02	Vacuum unit		1	M96.21/22
27	900 146 123 02	Screw M 5 X 16		2	M96.23/24
28	996 110 686 01	Rubber sleeve		2	M96.21/22
-	000 043 204 99	Hose 3,5 X 2		*	M96.23/24
29		120 MM		1	

Model: 986 97

Model life 1997>>2004



Model: 986 97 Model life 1997>>2004

Pos	Part Number	Description	Remark	Qty	Model
		Air injection	-99		M96.20
1	986 624 103 00	Air pump	-97	1	
1	986 624 103 01	Air pump	-98	1	
1	986 624 104 00	Air pump	-99	1	
-	999 652 971 40	Plug socket		1	
-	999 652 776 22	Connector		2	
-	999 652 778 40	Gasket		2	
2	900 377 010 09	Hexagon nut M 6		3	
3	999 703 465 00	Bonded rubber buffer 20 X 20 / m6	99	3	
4	996 113 131 52	Distributor housing		1	
5	996 113 233 50	Gasket		1	
6	900 378 030 09	Hexagon-head bolt M 6 X 20		2	
7	996 113 117 55	Air tube		1	
8	996 113 213 51	Gasket		1	
9	900 123 011 30	Sealing ring A 22 X 27		1	
10	993 113 250 03	Check valve	99	1	
11	996 113 241 53	Hose		1	
12	999 512 603 09	Hose clamp 26 X 12	-98	3	
12	999 512 657 09	Hose clamp 26 X 12	99	3	
13	996 113 239 03	Hose F >>98WU6 20657 F >>98WS6 20860		1	
13	996 113 239 04	Hose F 98WU6 20658>> F 98WS6 20861>>		1	
14	999 512 605 09	Hose clamp 28 X 12	-98	1	
14	999 512 659 09	Hose clamp 28 X 12	99	1	
14	999 512 552 00	Hose clamp 28 X 12		1	
14	999 512 552 01	Hose clamp 28 X 12		1	
15	993 113 245 00	Change-over valve	99	1	
16	993 110 140 02	Vacuum reservoir	-97	1	
16	993 110 140 03	Vacuum tank	98-	1	
17	999 919 115 02	Oval-head screw 5 X 22		1	
18	993 605 123 00	Valve	-98	1	
18	996 605 123 01	Change-over valve	99	1	
18	7PP 906 270	Change-over valve	99-	1	
-	999 652 838 40	Plug socket		1	
-	999 652 771 12	Connector		2	
-	999 704 161 40	Gasket		2	
19	928 574 717 03	Moulded hose		4	
20	999 239 040 40	Connecting piece		1	
21	928 573 727 03	Distributing piece		1	
21	928 573 727 05	Distributing piece		1	
(21)	928 573 729 03	Distributing piece Fourfold		1	M249
(21)	928 573 729 05	Distributing piece Fourfold		1	M249
22	964 110 950 01	Check valve		1	
22	964 110 950 02	Check valve		1	
23	986 607 102 01	Support		1	
24	900 378 035 01	Hexagon-head bolt M 6 X 16		2	

Model: 986 97

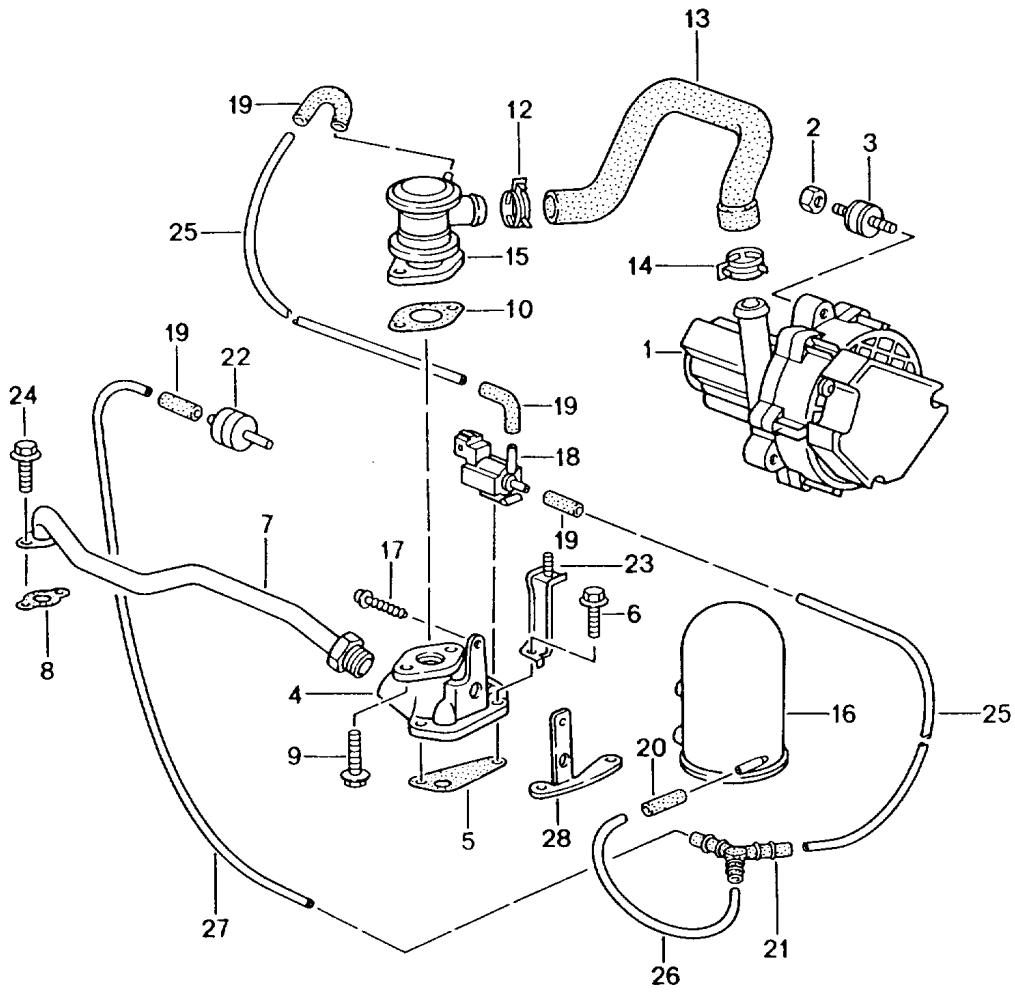
Model life 1997&gt;&gt;2004

Pos	Part Number	Description	Remark	Qty	Model
-	000 043 205 01	Pipe 4 X 1,0		*	
25		120 MM		2	
26		40 MM		1	
27		240 MM		1	
28	996 113 145 50	Support		1	
-	996 113 901 00	Stopper for cars without m 661		1	



Model: 986 97

Model life 1997>>2004



Model: 986 97 Model life 1997>>2004

Pos	Part Number	Description	Remark	Qty	Model
		Air injection	00-02 03-		M96.21/22 M96.23/24
1	996 605 104 00	Air pump		1	
1	996 605 104 01	Air pump		1	
-	999 652 971 40	Plug socket		1	
-	999 652 776 22	Connector		2	
-	999 652 778 40	Gasket		2	
2	900 377 010 09	Hexagon nut M 6		3	
3	999 703 477 40	Bonded rubber buffer 20 X 20 / M6		3	
3	999 703 465 00	Bonded rubber buffer 20 X 20 / M6		3	
4	996 113 131 01	Distributor housing		1	
5	996 113 233 50	Gasket		1	
6	900 378 030 09	Hexagon-head bolt M 6 X 20		2	
7	996 113 117 55	Air tube		1	
8	996 113 213 51	Gasket		1	
9	900 378 035 01	Hexagon-head bolt M 6 X 16		2	
10	993 113 258 51	Gasket		1	
12	999 512 657 09	Hose clamp 26 X 12		1	
13	996 113 239 06	Hose		1	M660/661
13	996 113 239 05	Hose		1	M661
(13)	996 113 164 00	Air hose		1	M661
14	999 512 659 09	Hose clamp 28 X 12		1	
14	999 512 552 00	Hose clamp 28 X 12		1	
14	999 512 552 01	Hose clamp 28 X 12		1	
15	996 113 249 01	Shut-off valve		1	
16	993 110 140 03	Vacuum tank		1	
17	999 919 115 02	Oval-head screw 5 X 22		1	
18	996 605 123 01	Change-over valve		1	
18	7PP 906 270	Change-over valve		1	
-	999 652 838 40	Plug socket		1	
-	999 652 771 12	Connector		2	
-	999 704 161 40	Gasket		2	
19	928 574 717 03	Moulded hose		4	
20	999 239 040 40	Connecting piece		1	
21	928 573 727 03	Distributing piece		1	
21	928 573 727 05	Distributing piece		1	
22	964 110 950 01	Check valve		1	
22	964 110 950 02	Check valve		1	
23	986 607 102 01	Support		1	
24	900 378 035 01	Hexagon-head bolt M 6 X 16		2	
-	000 043 205 01	Pipe 4 X 1,0		*	
25		120 MM		2	
26		40 MM		1	
27		240 MM		1	
28	996 113 145 50	Support		1	
-	911 101 185 00	Stopper for cars without M 661		1	
-	996 113 901 00	Stopper for cars without M 661		1	

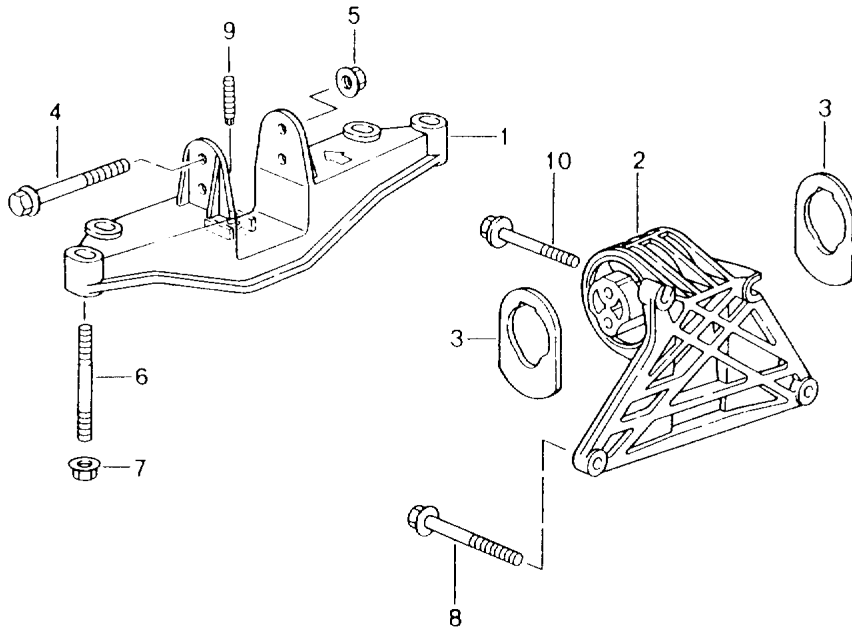
Model: 986 97

Model life 1997>>2004

Pos	Part Number	Description	Remark	Qty	Model
-	996 113 160 01	Damper		1	M661
-	999 507 726 40	Cable strap		1	

Model: 986 97

Model life 1997>>2004



Model: 986 97

Model life 1997>>2004

Pos	Part Number	Description	Remark	Qty	Model
		Engine suspension			
1	986 375 309 01	Engine carrier		1	
2	986 375 023 05	Engine bracket	-98	1	
2	986 375 023 07	Engine bracket	99-	1	
3	986 375 255 01	Stop		2	
4	900 378 167 09	Hexagon-head bolt M 10 X 110		2	
4	900 378 294 01	Hexagon-head bolt M 10 X 110		2	
5	900 380 008 09	Lock nut M 10		2	
6	999 061 101 09	Stud M 10 X 68	-97	4	
6	999 061 106 09	Stud M 10 X 83	98-	4	
7	999 076 053 09	Hexagon nut M 10		4	
8	999 072 027 09	Hexagon-head bolt M 10 X 120		3	
9	999 919 169 02	Stud 6,0 X 11/M6		1	
10	999 072 036 09	Hexagon-head bolt M 10 X 80		1	

Model: 986 97

Model life 1997>>2004



Model: 986 97 Model life 1997>>2004

Pos	Part Number	Description	Remark	Qty	Model
>>	986 100 905 00	Gasket set Repair kits Gasket set Engine Use also: 996 104 169 00 996 104 170 04 996 110 247 01		1	
-	996 101 361 51	Gasket		1	
-	996 101 363 50	Gasket		1	
-	999 701 789 40	O-ring 12 X 2		4	
-	996 101 331 50	Gasket		1	
-	996 101 336 50	Gasket		1	
-	900 123 147 30	Sealing ring A 27 X 32		4	
-	900 123 106 30	Sealing ring A 18 X 24		1	
-	996 113 233 50	Gasket		1	
-	996 113 213 51	Gasket		1	
-	999 113 475 40	Shaft sealing ring 40 X 62 X10		1	
-	999 113 490 40	Shaft sealing ring 85 X 105 X 11		1	
-	999 218 005 02	Pan-head screw M 6 X 16		6	
-	999 218 005 01	Pan-head screw M 6 X 16		6	
-	900 123 007 30	Sealing ring A 14 X 18		1	
-	996 105 223 52	Lid		2	
-	000 043 203 64	Assembly kit		1	
-	000 043 204 46	Sleeve		1	
-	999 707 343 40	O-ring 25,07 X 2,62		6	
-	999 707 215 40	O-ring 27,94 X 5,33		6	
-	996 104 215 54	Lid		6	
-	996 105 017 01	Housing 52 X 2,5		1	
-	999 707 346 40	O-ring 15 X 3		6	
-	999 707 344 40	O-ring 18,77 X 1,78		2	
-	996 107 103 51	O-ring		2	
-	996 107 261 50	Sealing ring		1	
-	996 106 316 51	Gasket		1	
-	996 106 321 50	Gasket		1	
-	900 123 144 30	Sealing ring A 10 X 13,5		1	
-	996 107 337 50	Gasket		1	
-	996 107 221 51	O-ring 95 X 2,5		2	
-	999 707 409 40	O-ring 26 X 3		2	
-	999 707 389 40	O-ring 35 X 4		2	
-	996 107 313 51	Sealing ring		1	
-	999 707 375 40	O-ring 30 X 3		1	
-	900 378 030 09	Hexagon-head bolt M 6 X 20		2	
-	999 707 369 40	O-ring		1	

Model: 986 97

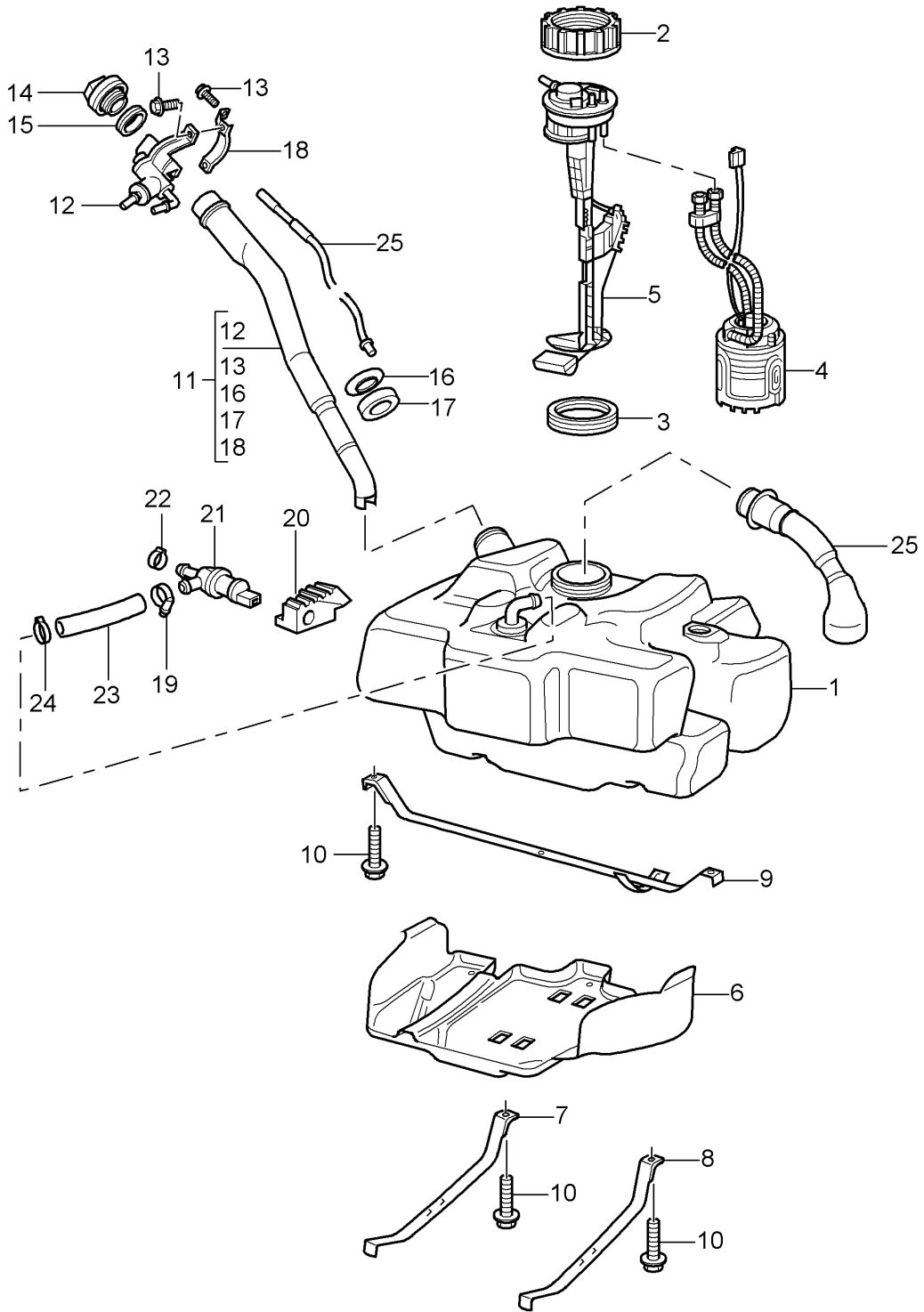
Model life 1997&gt;&gt;2004

Pos	Part Number	Description	Remark	Qty	Model
-	999 707 348 40	9,5 X 3,5 O-ring		2	
-	996 107 122 00	42 X 4 Sealing ring		1	
-	999 707 154 40	14 X 1,78 O-ring		1	
-	996 106 340 51	18,77 X 1,78 Gasket		1	
-	996 106 326 50	Gasket		1	
-	996 110 247 01	Gasket		6	
-	900 378 172 09	Hexagon-head bolt AM 6 X 35		12	
-	900 385 017 01	Torx screw AM 6 X 35		12	
-	900 123 011 30	Sealing ring A 22 X 27		1	
-	996 111 107 54	Gasket		2	
-	900 378 131 00	Hexagon-head bolt M 8 X 28		12	
-	900 378 163 09	Hexagon-head bolt M 6 X 16		3	
-	900 385 093 01	Hexagon-head bolt		3	
-	999 073 316 02	Round head screw		8	



Model: 986 97

Model life 1997>>2004

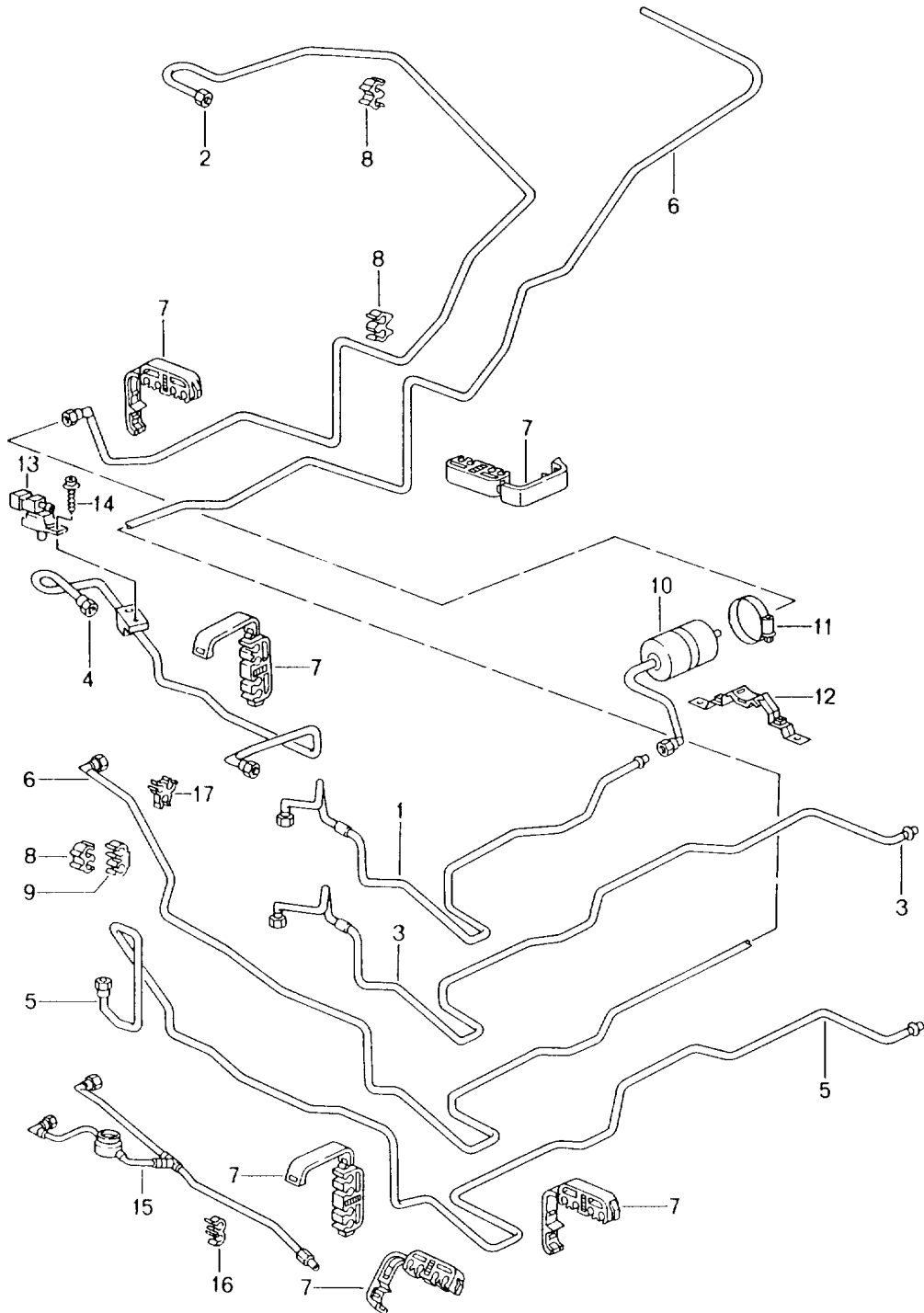


Model: 986 97 Model life 1997>>2004

Pos	Part Number	Description	Remark	Qty	Model
1	996 201 021 02	Fuel tank	/LL -01	1	
1	996 201 021 05	Fuel tank	/LL 02-	1	
1	996 201 021 03	Fuel tank	/LL -01	1	M664
1	996 201 021 06	Fuel tank	/LL 02-	1	M664
2	996 201 623 00	Union nut		1	
3	321 919 133	Sealing ring	-97	1	
3		Sealing ring	98-	1	
4	996 620 102 00	Fuel pump	-01	1	
4	996 620 132 00	Fuel pump	02-	1	
5	996 620 808 00	Tank gauge	-99	1	
(5)		Tank gauge	-01	1	
(5)	996 620 832 01	Tank gauge	02-	1	
6	996 201 331 00	Protective plate	/LL	1	
(6)	996 201 331 02	Protective plate	/RL	1	
7	996 201 105 02	Restraining strap		1	
8	996 201 106 02	Restraining strap		1	
9	996 201 107 02	Restraining strap	/LL	1	
9	996 201 108 00	Restraining strap	/RL	1	
10	900 075 479 09	Combination screw M 8 X 40		4	
11	996 201 043 09	Filler neck		1	M009
11	986 201 043 04	Filler neck		1	M009/150 M009/193
11	996 201 043 09	Filler neck	-00	1	M008
11		Filler neck	01-	1	M008
11	996 201 043 10	Filler neck	-00	1	M008/150 M193
11		Filler neck	01-	1	M008/150 M193
11	996 201 043 07	Filler neck		1	M664
12	996 201 143 01	Bleeder valve	-97	1	
12		Bleeder valve	98-	1	
13	900 378 036 09	Hexagon-head bolt M 6 X 12		3	
(14)	996 201 241 03	Fuel tank cap with Clip Information available		1	M660
-	999 507 499 40	Expansion rivet		1	
16	996 201 755 00	Support washer		1	
17	996 201 753 00	Gasket		1	
18	996 201 751 00	Support		1	
(18)	996 201 751 01	Support		1	M664
19	999 512 587 09	Hose clamp 21 X 12		1	M664
20	996 201 583 00	Foam part		1	M664
21	996 605 203 01	Valve		1	M664
22	999 512 456 00	Clamp 19,8 - 22,6		1	M664
23	996 201 761 00	Breather hose		1	M664
24	999 512 479 00	Clamp 21,3 - 24,1		1	M664
25	996 613 224 01	Contacts		1	M664
26	996 201 543 00	Pipe Tank filler neck Inner		1	M664
27	000 043 206 89	Additive Fuel 100 ml Behälter	99-04 CHINA	1	
27	000 043 209 02	Additive Fuel 100 ml Behälter	CHINA	1	

Model: 986 97

Model life 1997>>2004

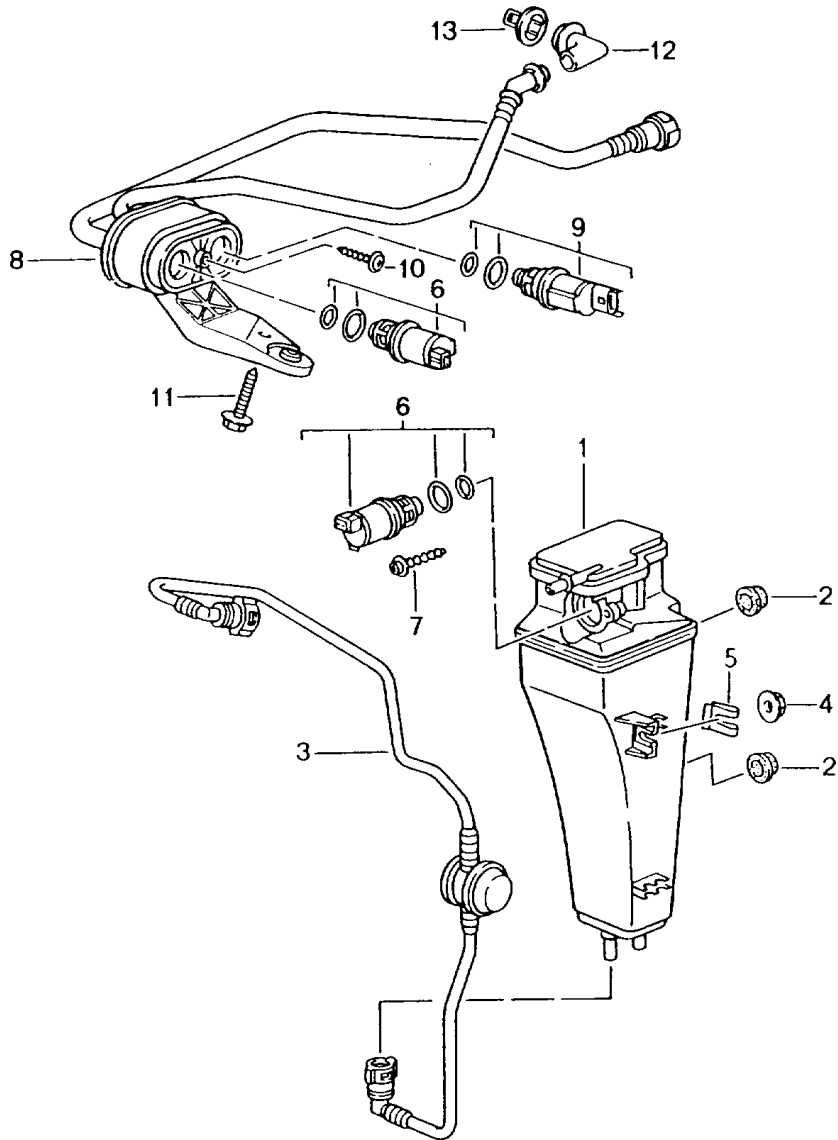


Model: 986 97 Model life 1997>>2004

Pos	Part Number	Description	Remark	Qty	Model
1	986 201 261 01	Fuel system Pressure line Front	-01	1	
1	986 201 261 02	Pressure line Front	02-	1	
1	986 201 261 03	Pressure line Front	02-	1	
2	986 201 267 00	Pressure line Rear	-01	1	
3	986 201 271 01	Return line		1	
4	996 201 251 01	Vent line Fuel pump for Filler neck		1	
4	996 201 251 03	Vent line Fuel pump for Filler neck	/LL	1	M660
4	996 201 251 05	Vent line Fuel pump for Filler neck	/LL	1	M664
5	986 201 353 00	Vent line Carbon canister for Engine		1	
5	986 201 353 01	Vent line Carbon canister for Engine	/LL	1	M664
6	986 201 361 00	Air tube Fresh-air intake system		1	
6	986 201 361 01	Air tube Fresh-air intake system	/LL	1	M664
7	999 507 554 40	Cable holder		9	
8	999 507 488 40	Cable holder		3	
9	999 507 487 40	Cable holder		1	
10	996 110 253 01	Fuel filter	-01	1	
11	999 512 635 00	Hose clamp 76 X 12		1	
12	996 504 517 00	Support		1	
13	996 606 205 00	Sensor	98-	1	M660
14	999 919 042 02	Oval-head screw 5,0 X 12	98-	1	M660
15	996 201 253 01	Vent line		1	M664
16	999 507 663 40	Hose holder		1	M664
17	999 507 664 40	Hose holder		1	M664

Model: 986 97

Model life 1997>>2004

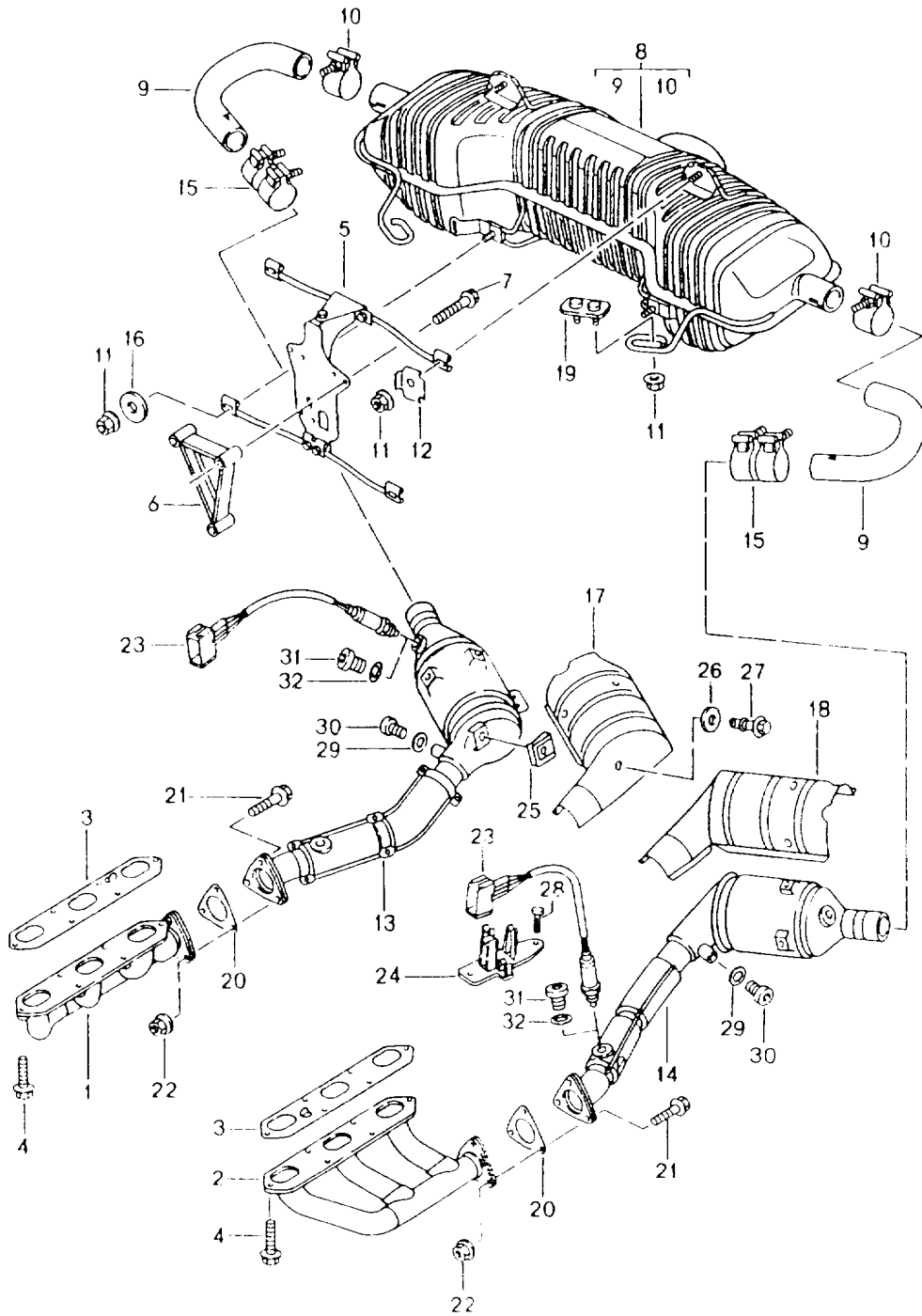


Model: 986 97 Model life 1997>>2004

Pos	Part Number	Description	Remark	Qty	Model
1	996 201 221 09	Carbon canister		1	
1	996 201 221 08	Carbon canister		1	
1	996 201 221 03	Carbon canister	98-	1	M660
(1)	996 201 221 06	Carbon canister	-98	1	M664
(1)	996 201 221 07	Carbon canister	99-	1	M664
2	999 702 221 40	Grommet		2	
3	996 201 255 07	Vent line		1	
3	996 201 255 09	Vent line		1	
3	996 201 255 06	Vent line	98-	1	M660
4	999 084 629 09	Hexagon nut M 6		1	
4	999 084 629 01	Hexagon nut M 6		1	
5	999 507 543 02	Clamp 2,00 - 3,00		1	
6	996 605 201 01	Shut-off valve		1	M660/664
6		Shut-off valve		1	M660
7	999 919 171 07	Oval-head screw 5,0 X 20	98-	1	M660
8	996 201 231 01	Valve housing Use also: 996.201.555.00		1	M664
		Clip		1	
9	996 605 213 01	Valve		1	M664
10	999 919 190 02	Oval-head screw		1	M664
11	900 378 154 09	Hexagon-head bolt AM 8 X 35		2	M664
12	996 201 551 00	Grommet To Use 996.201.231.01	-99	1	M664
13	996 201 555 00	Valve housing Clip		1	M664

Model: 986 97

Model life 1997>>2004



Model: 986 97

Model life 1997&gt;&gt;2004

Pos	Part Number	Description	Remark	Qty	Model
		Exhaust system M 96.20			
1	996 111 101 05	Exhaust manifold		1	M96.20
1	996 111 101 06	Exhaust manifold		1	M96.20
2	996 111 102 05	Exhaust manifold		1	M96.20
2	996 111 102 06	Exhaust manifold		1	M96.20
3	996 111 107 52	Gasket		2	
(3)	996 111 107 54	Gasket		2	
(3)	996 111 107 55	Gasket		2	
4	900 378 131 00	Hexagon-head bolt M 8 X 28		12	
5	996 111 024 01	Support		1	M96.20
6	996 111 223 00	Adapter		1	M481
7	900 378 022 09	Hexagon-head bolt M 8 X 25		3	M249
7	900 378 175 09	Hexagon-head bolt M 8 X 65		3	M481
8	996 111 121 06	Muffler	-97	1	
8	996 111 121 07	Muffler	-99	1	
9	996 111 313 01	Connecting tube	-99	2	
10	996 111 209 00	Clip		2	
11	900 380 005 09	Hexagon nut M 8		8	
12	996 111 311 01	Reinforcement plate		2	
13	996 113 921 01	Catalytic converter	-99	1	
13	996 113 921 AX	Catalytic converter		1	
13	996 113 931 00	Catalytic converter	99	1	M660
13	996 113 931 AX	Catalytic converter	99	1	M660
14	996 113 922 01	Catalytic converter	-99	1	
14	996 113 922 AX	Catalytic converter	-99	1	
14	996 113 932 00	Catalytic converter	99	1	M660
14	996 113 932 AX	Catalytic converter	99	1	M660
15	996 111 110 00	Sleeve	-99	2	
16	900 035 004 02	Washer R 9		2	
17	996 113 421 00	Heat shield		1	
18	996 113 422 00	Heat shield		1	
19	996 113 311 01	Retainer plate		2	
20	996 111 113 02	Gasket		2	
21	900 074 287 02	Hexagon-head bolt M 8 X 35		6	
22	999 084 052 02	Lock nut M 8		5	
23	986 606 126 00	Oxygen sensor	-97	4	
23	986 606 126 01	Oxygen sensor	-99	4	
-	000 043 207 07	Grease for oxygen sensor		1	
-	999 650 075 40	Pin connector socket		1	
-	999 652 820 12	Connector		4	
-	999 704 161 40	Gasket		4	
24	986 606 105 01	Support		2	
25	999 507 413 09	Retaining clip		6	
25	999 507 413 08	Retaining clip		6	
26	900 151 007 02	Washer 7,4		6	
26	900 151 007 03	Washer 7,4		6	
27	999 507 430 09	Locking bolt 6 X 12		6	
28	999 591 712 40	Expansion rivet 6,0 X 12,0		4	
29	900 123 050 20	Sealing ring 8 X 11,5		2	



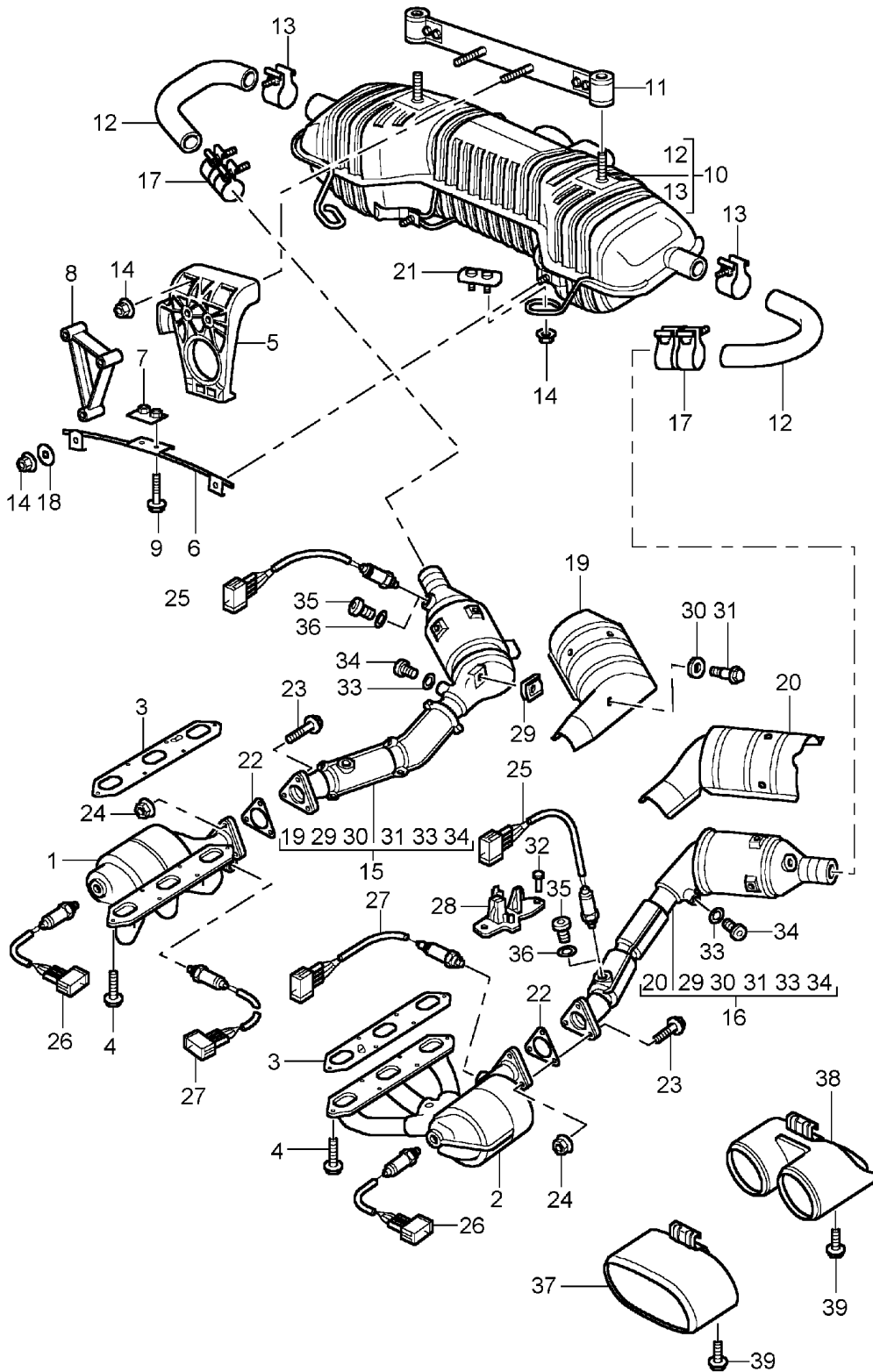
Model: 986 97

Model life 1997&gt;&gt;2004

Pos	Part Number	Description	Remark	Qty	Model
30	900 083 080 00	Hexagon-head bolt 8 X 1 X 10		2	
31	900 219 015 00	Screw plug 18 X 1,5		4	
32	900 123 009 20	Sealing ring 18 X 24		4	

Model: 986 97

Model life 1997>>2004



Model: 986 97 Model life 1997>>2004

Pos	Part Number	Description	Remark	Qty	Model
1	996 113 103 05	Exhaust system M 96.21/22 M 96.23/24 Exhaust manifold	00-02 03-	1	M008/009 M660
1	996 113 103 06	with Starter Catalytic converter Exhaust manifold	03- 03-	1 1	M008/009 M660
2	996 113 104 05	with Starter Catalytic converter Exhaust manifold		1	M008/009/660
2	996 113 104 06	with Starter Catalytic converter Exhaust manifold		1	M008/009 M660
3	996 111 107 52	Gasket		2	
(3)	996 111 107 54	Gasket		2	
(3)	996 111 107 55	Gasket		2	
4	900 378 131 00	Hexagon-head bolt M 8 X 28		12	
5	996 111 226 02	Support		1	M96.21 M249
(5)		Support		1	M96.22
(5)		Support		1	M96.23
(5)		Support		1	M96.24 M249
(5)	996 111 224 03	Support		1	M96.21 M480
(5)		Support		1	M96.24 M480
6	996 111 242 01	Support		1	M96.21
(6)		Support		1	M96.22 M249
(6)		Support		1	M96.23 M249
(6)		Support		1	M96.24
7	996 111 243 00	Retainer plate for Additional support		1	M96.21
(7)		Retainer plate		1	M96.22 M249
(7)		for Additional support		1	M96.23 M249
(7)		Retainer plate for Additional support		1	M96.24
8	996 111 223 00	Adapter		1	M009/481
9	900 378 022 09	Hexagon-head bolt M 8 X 25		3	M249
(9)	900 378 175 09	Hexagon-head bolt M 8 X 65		3	M481
(9)	900 378 212 09	Hexagon-head tapping screw		3	M481

Model: 986 97 Model life 1997>>2004

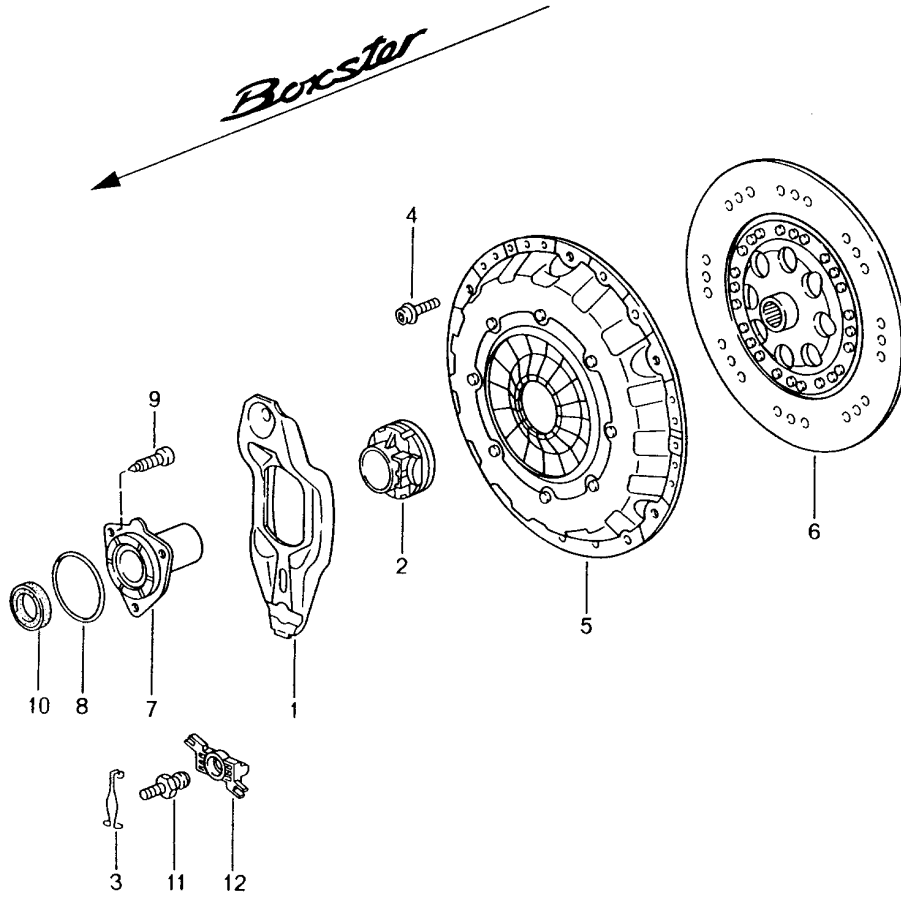
Pos	Part Number	Description	Remark	Qty	Model
10	996 111 141 05	M 8 X 75 Muffler	00-02	1	M008/660
10	996 111 141 11	Muffler	03-	1	M008/660 M009/660
(10)	996 111 142 02	Muffler	00-02	1	M008
(10)	996 111 151 01	Muffler	00-02	1	M009
(10)	996 111 152 02	Muffler	00-02	1	M009/660
11	996 111 241 00	Support Muffler	00-	1	
12	996 111 314 00	Connecting tube	00-	2	
13	996 111 209 00	Clip		2	
14	900 380 005 09	Hexagon nut M 8		8	
(15)	996 113 023 05	Catalytic converter		1	M660
(15)	996 113 023 06	Catalytic converter	-02	1	M660
(15)	996 113 023 AX	Catalytic converter	-02	1	M660
(15)	996 113 023 07	Catalytic converter	03-	1	M660
(15)	996 113 023 BX	Catalytic converter	03-	1	M660
(16)	996 113 024 05	Catalytic converter		1	M660
(16)	996 113 024 06	Catalytic converter	-02	1	M660
(16)	996 113 024 AX	Catalytic converter	-02	1	M660
(16)	996 113 024 07	Catalytic converter	03-	1	M660
(16)	996 113 024 BX	Catalytic converter	03-	1	M660
17	996 111 110 00	Sleeve		2	
18	900 035 004 02	Washer R 9		2	
19	996 113 421 00	Heat shield		1	
(19)	996 113 421 01	Heat shield	00-	1	M660
20	996 113 422 00	Heat shield		1	
(20)	996 113 422 01	Heat shield	00-	1	M660
21	996 113 311 01	Retainer plate		2	
22	996 113 113 00	Gasket		2	M96.21/22 M96.23/24
23	900 074 287 02	Hexagon-head bolt M 8 X 35		6	
24	999 084 052 02	Lock nut M 8		5	
25	986 606 126 01	Oxygen sensor	-02	4	
25	986 606 226 00	Oxygen sensor	03-	4	
-	000 043 207 07	Grease for oxygen sensor		1	
-	999 650 075 40	Pin connector socket		1	
-	999 652 820 12	Connector		4	
-	999 704 161 40	Gasket		4	
26	986 606 127 01	Oxygen sensor in front of Starter	-02	2	M660
(26)	986 606 227 00	Catalytic converter Oxygen sensor in front of Starter	03-	2	M660
27	986 606 128 01	Catalytic converter Oxygen sensor After Starter	-02	2	M660
(27)	986 606 228 00	Catalytic converter Oxygen sensor After Starter	03-	2	M660
-	000 043 207 07	Grease for oxygen sensor		1	
28	986 606 107 01	Support		1	M660

Model: 986 97 Model life 1997>>2004

Pos	Part Number	Description	Remark	Qty	Model
28	986 606 105 01	Support		2	
29	999 507 413 09	Retaining clip		6	
29	999 507 413 08	Retaining clip		6	
30	900 151 007 02	Washer 7,4		6	
30	900 151 007 03	Washer 7,4		6	
31	999 507 430 09	Locking bolt 6 X 12		6	
32	999 591 712 40	Expansion rivet 6,0 X 12,0		4	
33	900 123 050 20	Sealing ring 8 X 11,5		2	
34	900 083 080 00	Hexagon-head bolt 8 X 1 X 10		2	
35	900 219 015 00	Screw plug 18 X 1,5		4	
36	900 123 009 20	Sealing ring 18 X 24		4	
37	996 111 253 00	Ornamental exhaust pipe	03-	1	M009
37	996 111 253 01	Ornamental exhaust pipe	03-	1	M009
38	996 111 254 00	Ornamental exhaust pipe	03-	1	M008
39	900 378 074 09	Hexagon-head bolt M 8 X 16	03-	2	

Model: 986 97

Model life 1997>>2004

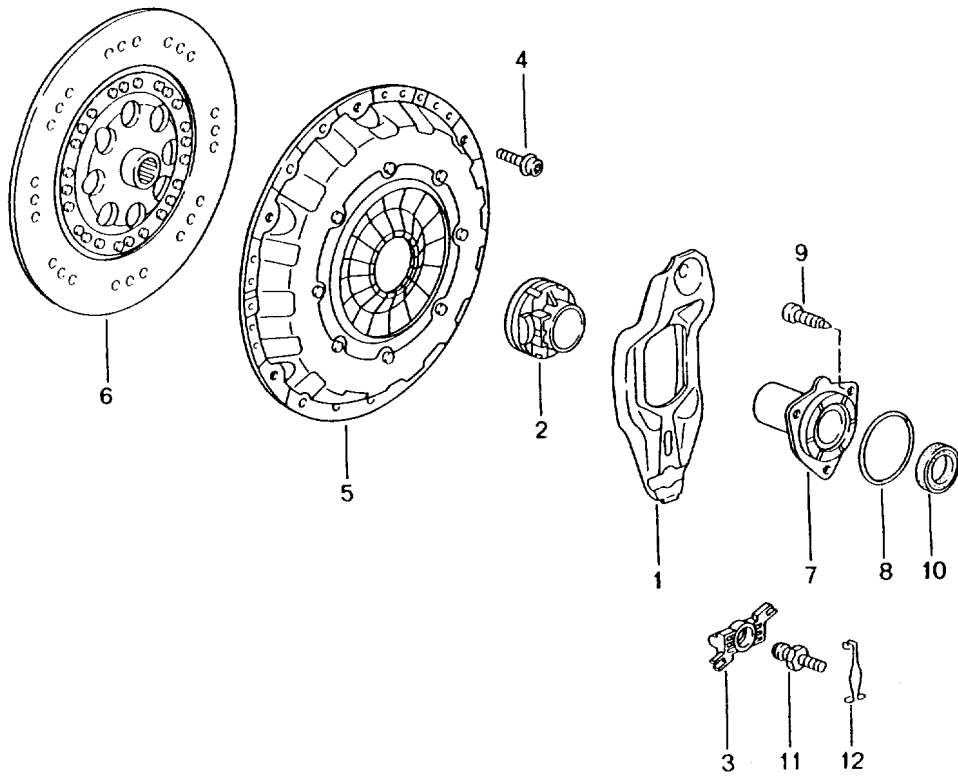


Model: 986 97 Model life 1997>>2004

Pos	Part Number	Description	Remark	Qty	Model
		Clutch			M96.20/22/23
1	012 141 719 B	Clutch release lever		1	
2	012 141 165 E	Clutch release bearing		1	
3	012 141 741	Retainer spring		1	
4	900 067 131 02	Pan-head screw M 8 X 16		6	
(4)	999 073 458 01	Screw M 8 X 16		6	
5	986 116 028 03	Pressure plate	-99	1	M96.20
5	986 116 028 04	Pressure plate	00-	1	M96.22/23
6	986 116 014 06	Clutch plate	-03	1	
6	986 116 014 08	Clutch plate		1	
7	012 141 180 B	Guide sleeve		1	
8	N 903 542 01	O-ring 56,8 X 2,6		1	
9	N 903 663 01	Pan-head screw M 8 X 22		3	
10	016 311 113 C	Radial shaft seal		1	
11	012 141 777 D	Ball pin		1	
12	012 141 751 A	Intermediate piece		1	
(12)	012 141 751 B	Intermediate piece		1	
-	986 116 911 00	Repair kit for Clutch		1	M96.20
-	986 116 028 03	Comprising: Pressure plate		1	
-	986 116 014 06	Clutch plate		1	
-	012 141 165 E	Clutch release bearing		1	
-	986 116 911 01	Repair kit for Clutch		1	M96.22 M96.23
-	986 116 028 04	Comprising: Pressure plate		1	
-	986 116 014 06	Clutch plate		1	
-	012 141 165 E	Clutch release bearing		1	

Model: 986 97

Model life 1997>>2004





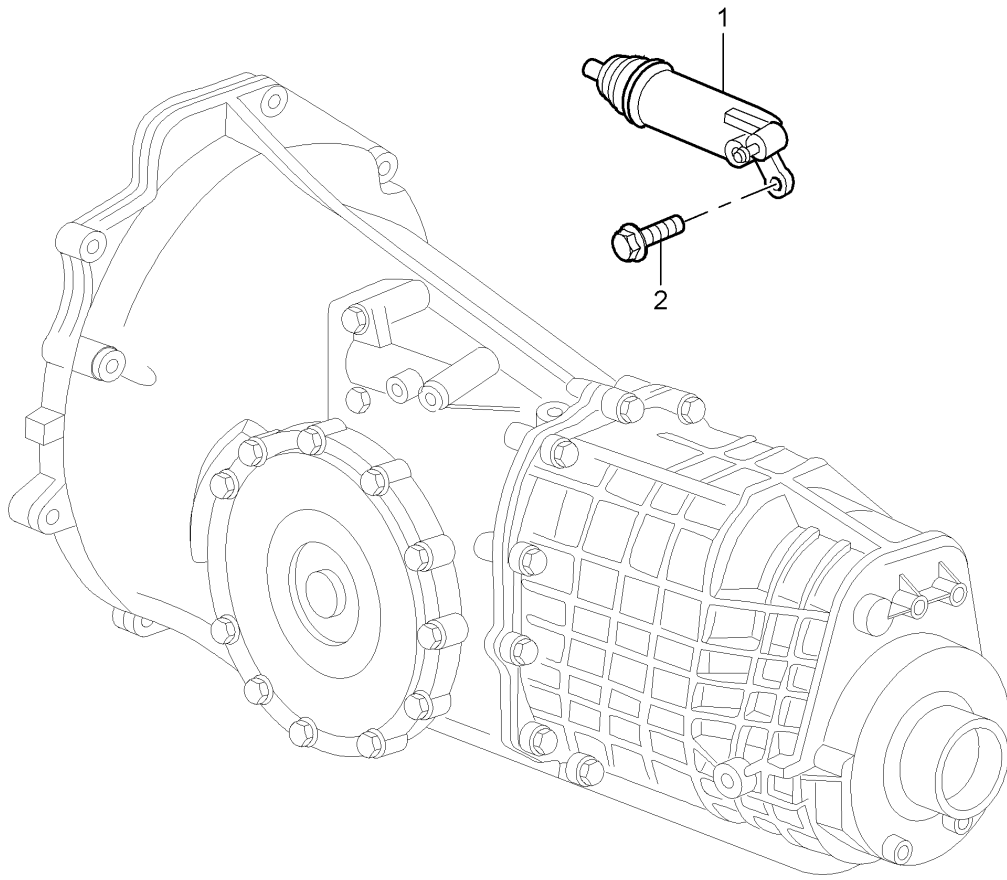
Model: 986 97

Model life 1997>>2004

Pos	Part Number	Description	Remark	Qty	Model
		Clutch			M96.21/24
1	996 116 712 03	Clutch release lever		1	
2	996 116 080 04	Clutch release bearing		1	
3	012 141 751 A	Intermediate piece		1	
3	012 141 751 B	Intermediate piece		1	
4	900 067 131 02	Pan-head screw M 8 X 16		6	
(4)	999 073 458 01	Screw M 8 X 16		6	
5	996 116 027 06	Pressure plate		1	
6	986 116 013 00	Clutch plate		1	
6	986 116 013 02	Clutch plate		1	
6	986 116 013 03	Clutch plate		1	
7	996 116 087 01	Guide sleeve		1	
8	N 903 542 01	O-ring 56,8 X 2,6		1	
9	N 903 663 01	Pan-head screw M 8 X 22		3	
10	016 311 113 C	Radial shaft seal		1	
11	996 116 716 02	Ball pin		1	
12	012 141 741	Retainer spring		1	
-	986 116 911 02	Repair kit Complete for Clutch Comprising:		1	
-	996 116 027 06	Pressure plate		1	
-	986 116 013 00	Clutch plate		1	
-	986 116 013 02	Clutch plate		1	
-	986 116 013 03	Clutch plate		1	
-	996 116 080 04	Clutch release bearing		1	

Model: 986 97

Model life 1997>>2004



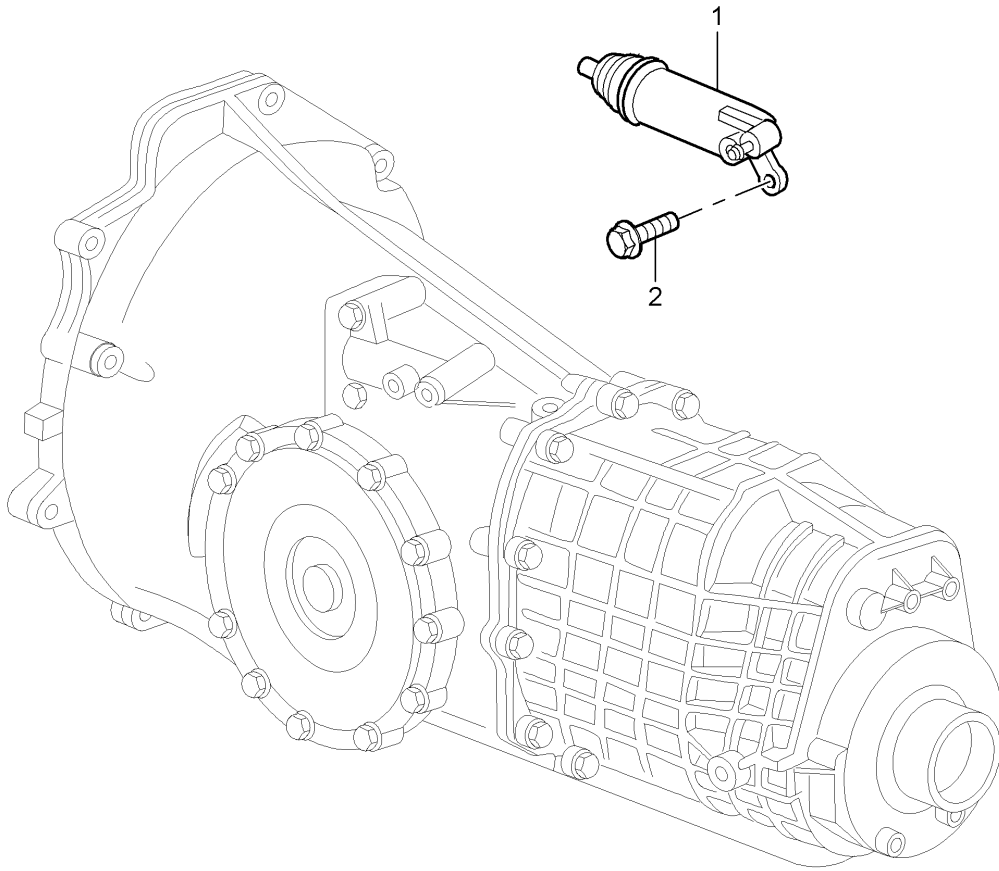
Model: 986 97

Model life 1997>>2004

Pos	Part Number	Description	Remark	Qty	Model
		Clutch release			G86.00/01
1	8E0 721 257 F	Clutch operating cylinder		1	
1	8E0 721 257 B	Clutch operating cylinder		1	
1	8E0 721 257 M	Clutch operating cylinder		1	
		Use also:			
		986 423 113 25			
		986 423 677 25			
2	N 090 316 5	Combination screw M 8 X 30 Z1		2	
2	900 075 506 01	Combination screw M 8 X 30 Z1		2	

Model: 986 97

Model life 1997>>2004



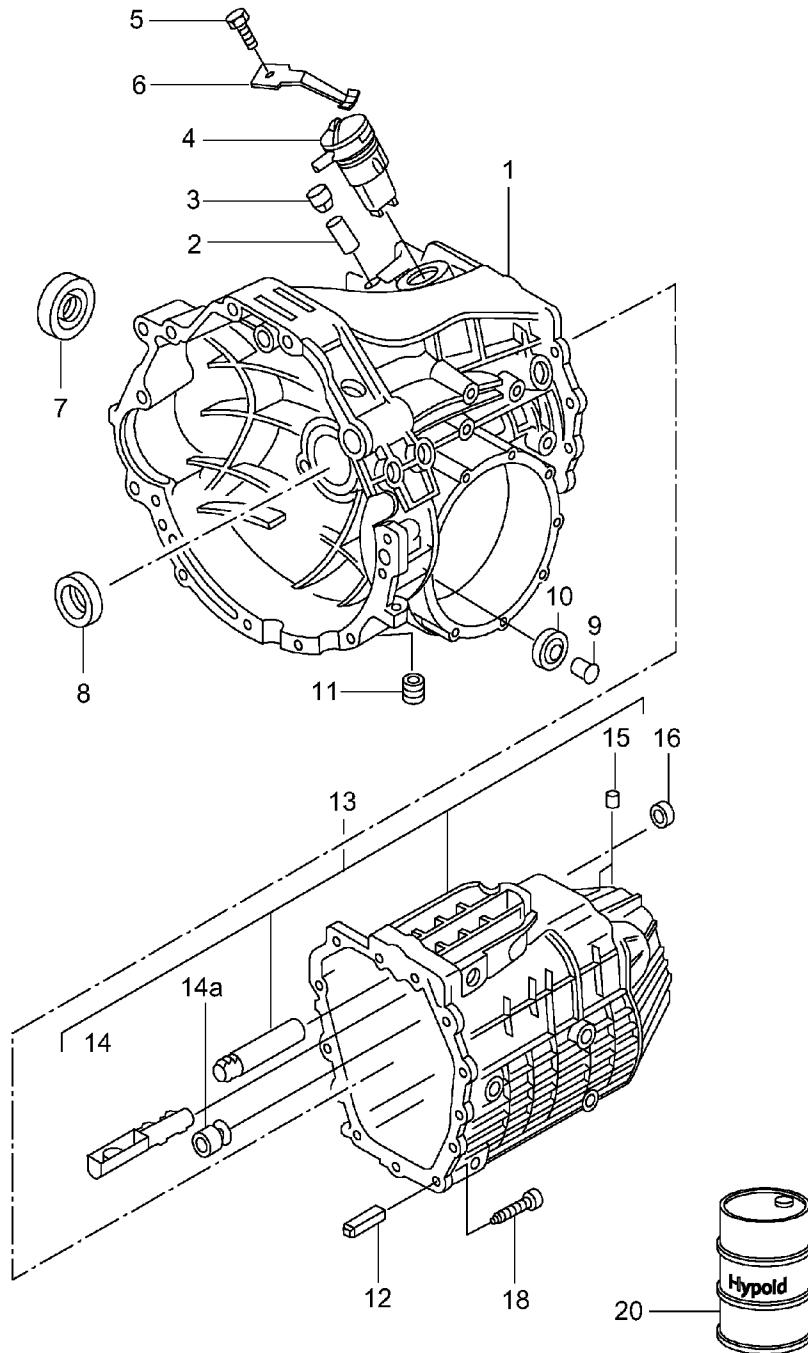
Model: 986 97

Model life 1997>>2004

Pos	Part Number	Description	Remark	Qty	Model
1	986 116 237 00	Clutch release Clutch operating cylinder	00-	1	G86.20
2	N 090 316 5	Combination screw M 8 X 30 Z1		1	
2	900 075 506 01	Combination screw M 8 X 30 Z1		1	

Model: 986 97

Model life 1997>>2004



Model: 986 97 Model life 1997>>2004

Pos	Part Number	Description	Remark	Qty	Model
		Replacement transmission			G86.00 M481 G86.01 M481
		Transmission case			
		Transmission			
		Classification letter			CWA/DVY/EFD
		Attention			GDW/GFW
-	986 300 910 00	Replacement transmission	97	1	CWA
-	986 300 010 00	Transmission	98	1	CWA
		G >> 10 05 8			
-	986 300 010 01	Transmission	99	1	DVY
		G 11 05 8 >> 10 01 9			
-	986 300 010 02	Transmission	99	1	DVY
		G 11 01 9 >>			
-	986 300 010 05	Transmission	00-	1	EFD
		G >> 09 02 3			
-	986 300 010 07	Transmission		1	GDW
		G 10 02 3 >>			
		F >>984S6 20409			
		F >>984U6 20928			
-	986 300 010 06	Transmission		1	GFW
		F 984S6 20410>>			
		F 984U6 20929>>			
1	012 301 103 AD	Transmission case		1	
2	014 301 473	Sleeve	-99	1	
		12 X 30			
2	0A2 301 473	Sleeve		1	
(2)	012 301 474 A	Sleeve	00-	1	
		12 X 30			
3	014 301 485	Cap		1	
4	012 919 823 F	Back-up light switch		1	
-	999 652 907 40	Plug socket		1	
-	999 652 694 12	Contact bush		2	
-	999 704 161 40	Gasket		2	
-	999 652 811 40	Stopper		3	
5	N 040 255 2	Hexagon-head bolt		1	
		M 8 X 14			
6	012 301 483 D	Leaf spring	-99	1	
(6)	012 301 483 G	Leaf spring	00-	1	
7	016 409 399 B	Radial shaft seal		1	
		45 X 60 X 8			
8	016 311 113 C	Radial shaft seal		1	CWA/DVY/EFD
		12 M 6 X 14			GDW
(8)	012 311 113 B	Radial shaft seal		1	GFW
9	012 301 183 A	Bush		1	
		BM 8 X 20			
10	012 301 143	Magnet		1	CWA/DVY/EFD
					GDW
(10)	01X 301 143	Magnet		1	GFW
11	111 301 127 E	Screw plug		1	CWA/DVY/EFD
		M 24 X 1,5			GDW
(11)	WHT 001 937	Screw plug		1	GFW
		M 24 X 1,5			
12	012 301 473	Sleeve		1	
		12 X 30			
13	012 301 205 P	Transmission cover		1	
		Use also:			
		012.311.429.P		1	
13	012 301 205 J	Transmission cover		1	
13	012 301 205 L	Transmission cover		1	
14	012 301 276	Cup		1	CWA/DVY/EFD
					GDW

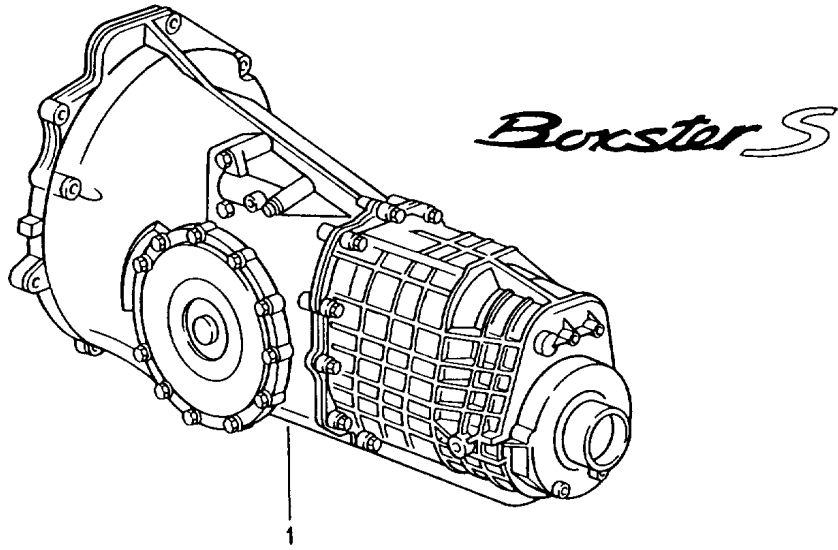
Model: 986 97 Model life 1997>>2004

Pos	Part Number	Description	Remark	Qty	Model
(14)	012 301 276 A	Cup		1	GFW
14A	012 311 429 M	Sleeve 23 X 37 X 28,3 Only for Transmission cover 012 301 205 N		1	
14A	012 311 429 P	Sleeve 23 X 39 X 28,3 Only for Transmission cover 012 301 205 P		1	
15	012 301 115	Stopper		2	
16	012 301 457 C	Shaft sealing ring 16 X 24 X 6		1	
18	012 301 268 E	Torx screw M 8 X 44	-02	13	
(18)	012 301 282 A	Torx screw M 8 X 48	03-	13	
(18)	9A7 002 079 00	Torx screw M 8 X 48	03-	13	
20	000 043 204 71	Transmission oil HYPOID 20 LTR. Container		X	



Model: 986 97

Model life 1997>>2004



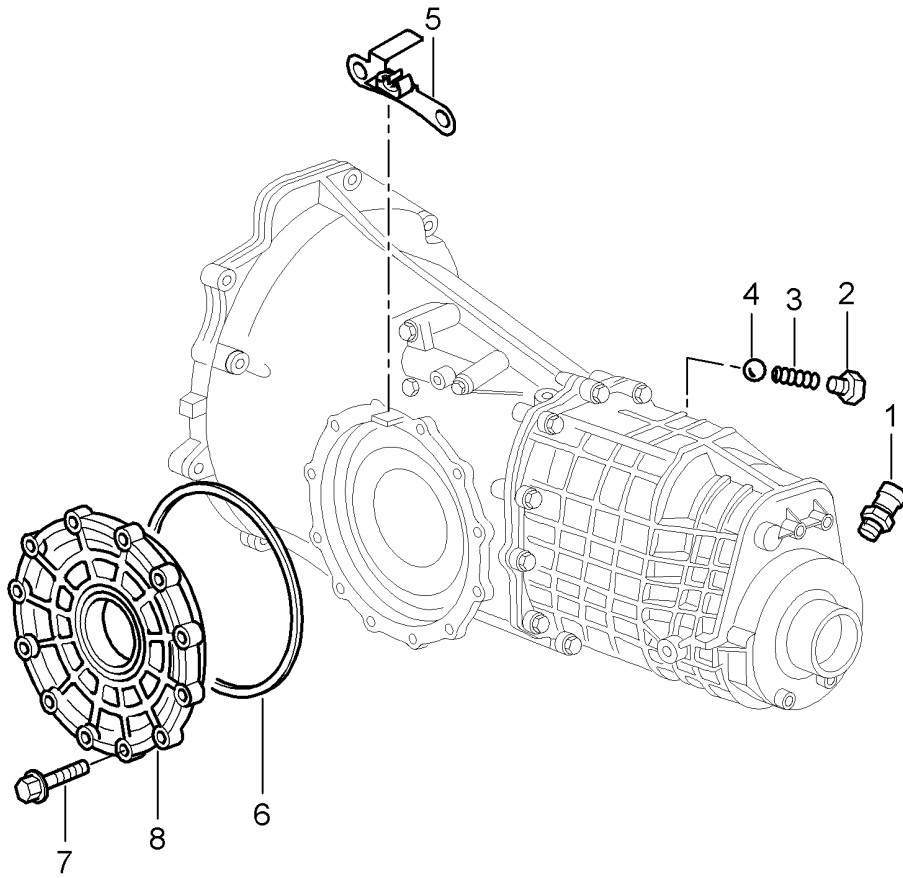
Model: 986 97

Model life 1997>>2004

Pos	Part Number	Description	Remark	Qty	Model
		Replacement transmission	00-		G86.20 M480
		Ready for installation			
		Use also:			
		996.424.165.02		1	
		999.073.209.09		2	
1	986 300 010 21	Transmission	-02	1	
1	986 300 010 22	Transmission	03-	1	

Model: 986 97

Model life 1997>>2004



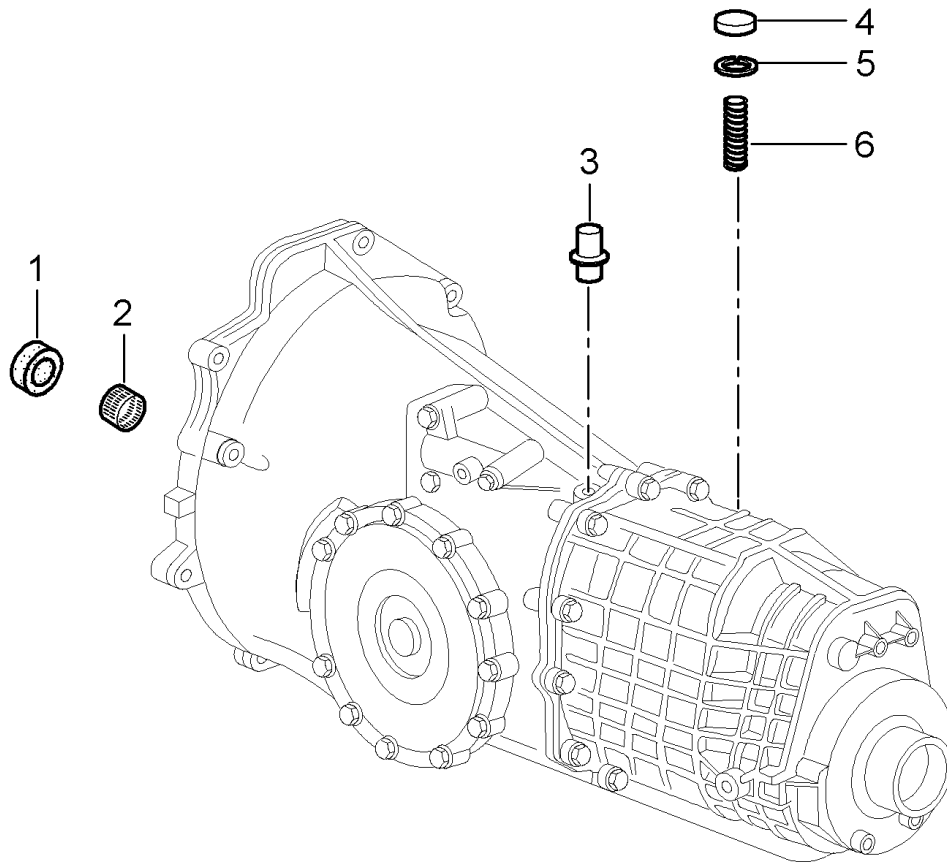
Model: 986 97

Model life 1997>>2004

Pos	Part Number	Description	Remark	Qty	Model
		Transmission	00-		G86.20
		Single parts			
1	996 606 133 00	Switch		1	
2	900 124 023 02	Screw plug M 10 X 1		4	
3	996 303 245 00	Compression spring		1	
4	900 108 064 00	Ball 8		4	
5	996 423 677 00	Support		1	
6	996 301 315 00	O-ring 190 X 3		1	
7	996 301 317 00	Hexagon-head bolt M 8 X 35		X	
-	000 043 010 00	Loctite 574		1	

Model: 986 97

Model life 1997>>2004



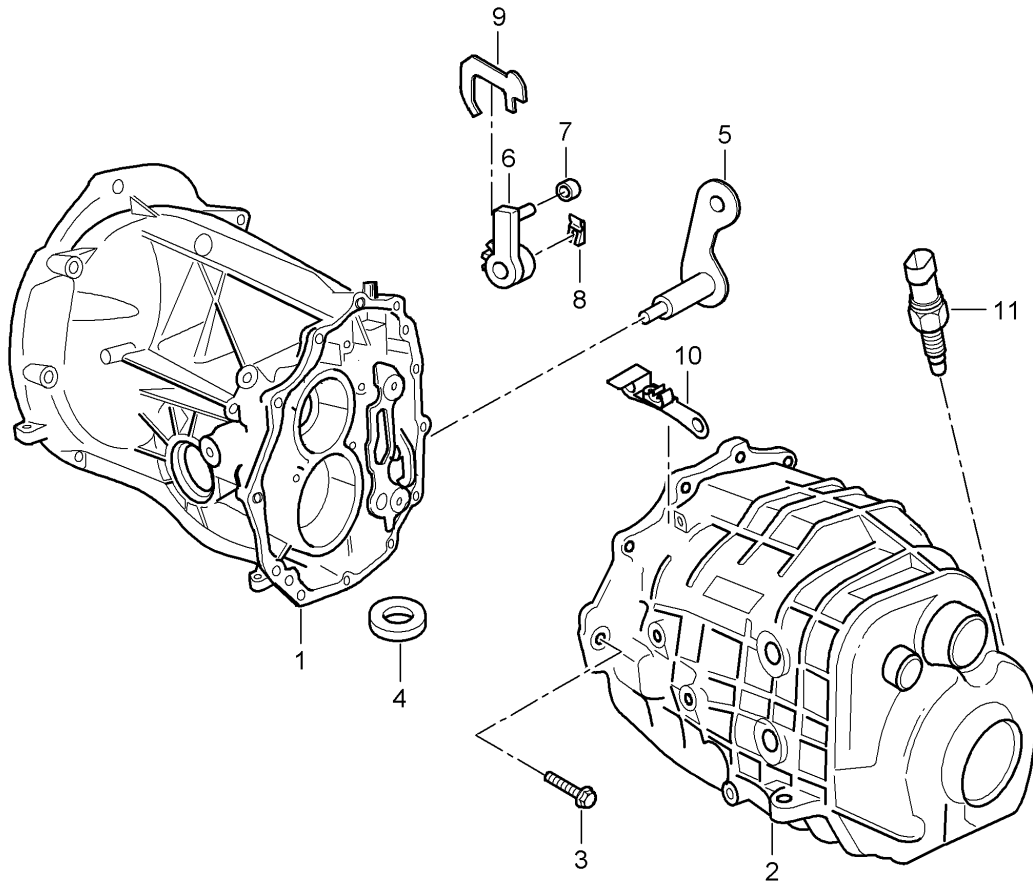
Model: 986 97

Model life 1997&gt;&gt;2004

Pos	Part Number	Description	Remark	Qty	Model
		Transmission	00-		G86.20
		Single parts			
1	996 302 131 00	Shaft sealing ring 28 X 40 X 7,5		1	
2	996 301 814 00	Needle sleeve 30 X 37 X 16		1	
3	996 301 071 00	Bleeder 17 X 12 X 28,1		1	
4	996 303 257 00	Lid 20 X 4		1	
5	900 042 003 01	Circlip 20 X 1		1	
6	996 303 255 00	Compression spring		1	

Model: 986 97

Model life 1997>>2004



Model: 986 97

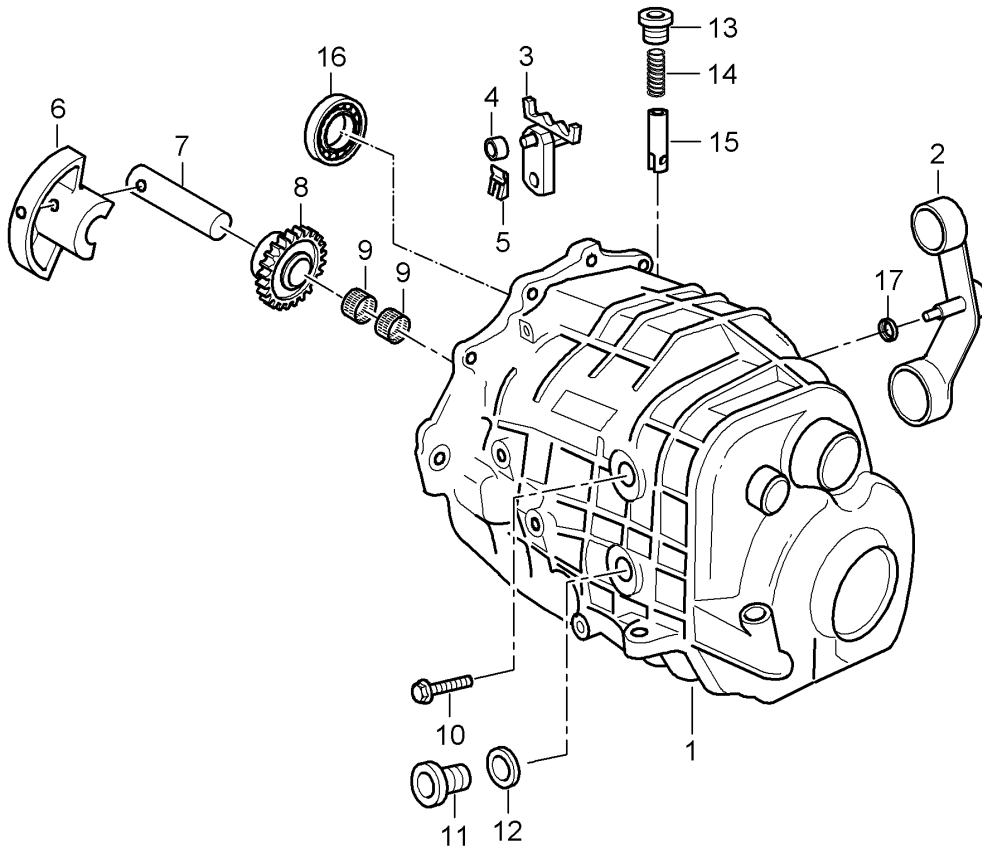
Model life 1997>>2004

Pos	Part Number	Description	Remark	Qty	Model
		Gear housing			G86.20
		Transmission cover			
1	986 301 020 00	Transmission case		1	
2		See illustrations		1	
		3/02/08			
3	996 301 317 00	Hexagon-head bolt		13	
		M 8 X 35			
4	996 301 804 00	Magnet		1	
5	996 303 055 01	Selector lever		1	
6	996 303 057 00	Pinion		1	
7	996 303 303 00	Roller		1	
		20 X 8 X 8			
8	996 303 383 00	Lock		1	
9	996 303 053 00	Selector lever		1	
10		See illustrations		1	
		7/02/08			
11		See illustrations		1	
		3/02/05			



Model: 986 97

Model life 1997>>2004



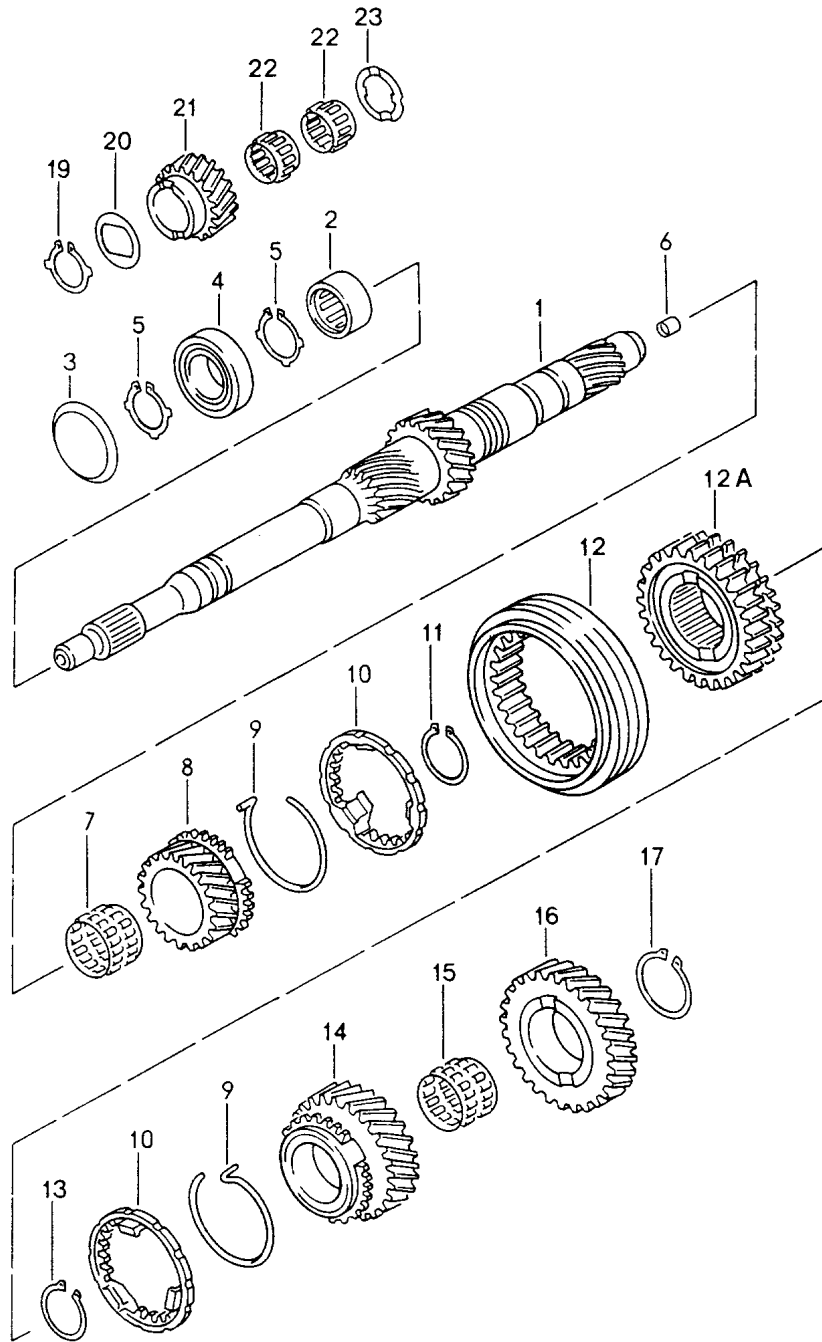
Model: 986 97

Model life 1997>>2004

Pos	Part Number	Description	Remark	Qty	Model
		Gear housing Transmission cover Transmission case Rear		1	G86.20
1	986 301 023 00				
2	986 303 041 00	Gearshift lever		1	
3	996 303 033 00	Shift segment		1	
4	996 303 303 00	Roller 20 X 8 X 8		1	
5	996 303 383 00	Lock 20 X 26 X 17		1	
6	986 302 225 00	Segment		1	
7	996 302 228 00	Bolt		1	
8	996 302 226 00	Reverse idler gear		1	
9	996 302 224 00	Needle cage 20 X 26 X 17		1	
10	996 302 223 00	Hexagon-head bolt M 8 X 55		1	
11	900 219 001 02	Screw plug M 22 X 1,5		1	
12	900 123 118 30	Sealing ring A22 X 27		1	
13	996 303 237 00	Screw plug M 18 X 1,5		1	
14	996 303 235 00	Compression spring		1	
15	996 303 035 00	Bolt		1	
16	996 301 808 00	Cylindrical-roller bearing Drive shaft		1	
17	996 303 517 01	Shaft sealing ring 15X21X7		1	
17	996 303 517 00	Shaft sealing ring 15X21X7		1	

Model: 986 97

Model life 1997>>2004



Model: 986 97 Model life 1997>>2004

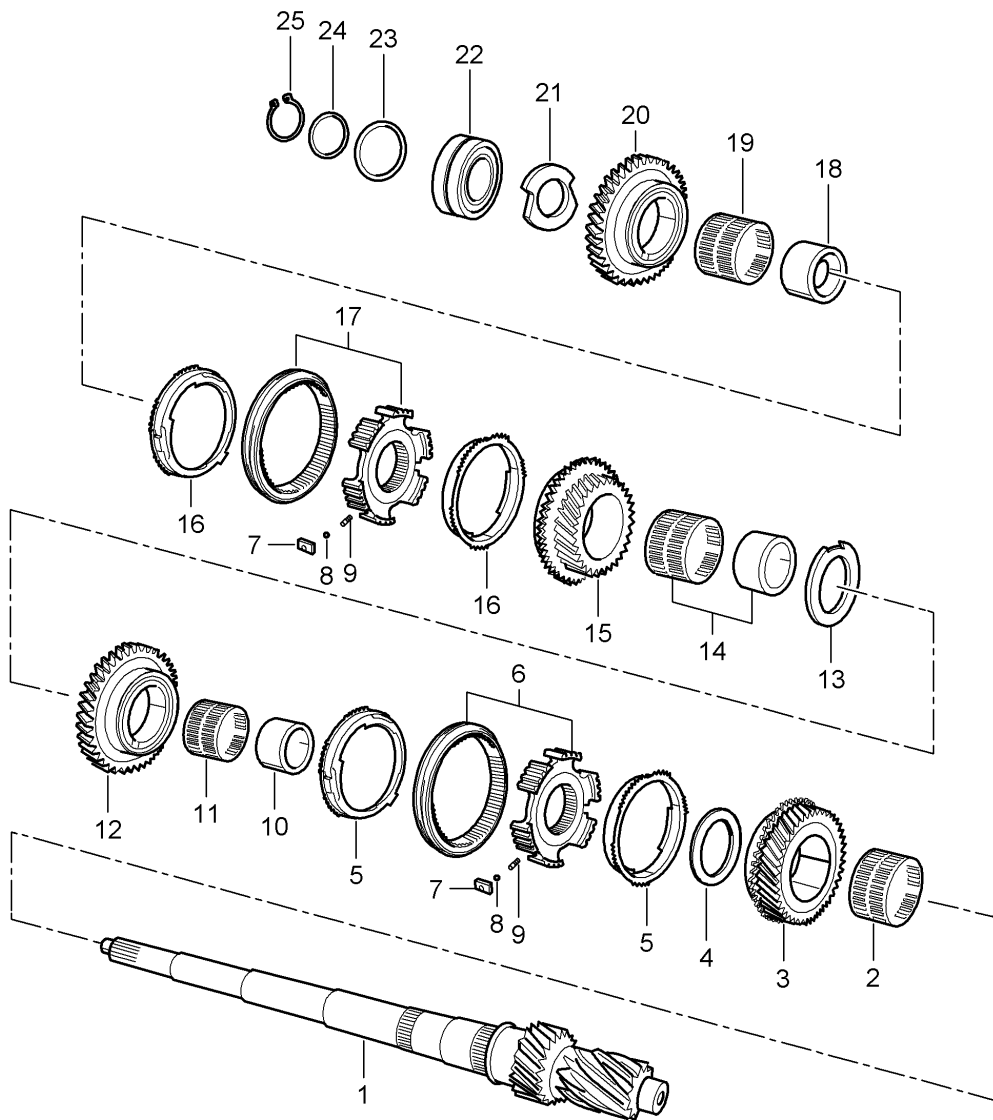
Pos	Part Number	Description	Remark	Qty	Model
		Gears and shafts	-99		G86.00
		Transmission	00-		G86.01
		Classification letter			CWA/DVY/EFD
		Attention			GDW/GFW
1	012 311 105 AG	Drive shaft		1	
2	012 311 123 D	Needle sleeve		1	
		27 X 41 X 23			
3	012 311 443	Cup spring		1	
		42 X 58 X 2			
4	012 311 445 E	Deep-groove ball bearing	-03	1	
		25 X 58 X 16			
(4)	012 311 445 G	Deep-groove ball bearing	04-	1	
		25 X 58 X 16			
5	N 902 941 02	Circlip		X	
		24,9 X 1,45			
(5)	N 902 941 14	Circlip		X	
		24,9 X 1,54			
(5)	N 902 941 15	Circlip		X	
		24,9 X 1,63			
(5)	N 902 941 16	Circlip		X	
		24,9 X 1,72			
(5)	N 902 941 17	Circlip		1	
		24,9 X 1,81			
(5)	N 902 941 18	Circlip		X	
		24,9 X 1,9			
(5)	N 902 941 19	Circlip		X	
		24,9 X 1,99			
(5)	N 902 941 20	Circlip		X	
		24,9 X 2,08			
(5)	N 902 941 11	Circlip		X	
		24,9 X 2,17			
6	012 311 111 A	Sleeve		1	
		13 X 14 X 10,8			
7	012 311 213 J	Needle cage		1	
		38 X 43 X 29,5			
8	012 311 285 BJ	Shifting gear		1	CWA/DVY/EFD
		3rd gear			GDW
		Z = 40 : 28			
(8)	012 311 131 CB	Shifting gear		1	GFW
		3rd gear			
		Z = 40 : 28			
9	012 311 312 A	Spring		2	CWA
		3rd/4th gear			
		G >> 10 05 8			
(9)	012 311 312 D	Spring		2	DVY/EFD/GDW
		3rd/4th gear			
		G 11 05 8 >>			
(9)	01X 311 312 A	Retaining spring		2	GFW
		3rd/4th gear			
10	012 311 295 D	Synchroniser ring		2	CWA
		3rd/4th gear			
		G >> 10 05 8			
(10)	012 311 295 F	Synchroniser ring		2	DVY/EFD/GDW
		3rd/4th gear			
		G 11 05 8 >>			
(10)	01X 311 295 J	Synchroniser ring		2	GFW
		3rd/4th gear			
11	N 902 945 01	Circlip		1	
		38 X 2			
12	012 311 315 B	Operating sleeve		1	CWA/DVY/EFD
		3rd/4th gear			GDW
(12)	01X 311 315	Operating sleeve		1	GFW

Model: 986 97 Model life 1997>>2004

Pos	Part Number	Description	Remark	Qty	Model
12A	012 311 309 B	3rd/4th gear Synchronising hub		1	CWA/DVY/EFD
(12A)	01X 311 309	3rd/4th gear Synchronising hub		1	GDW GFW
13	N 902 944 01	3rd/4th gear Circlip 37 X 1,9		X	
(13)	N 902 944 02	Circlip 37 X 1,93		X	
(13)	N 902 944 03	Circlip 37 X 1,96		X	
(13)	N 902 944 04	Circlip 37 X 1,99		X	
(13)	N 902 944 05	Circlip 37 X 2,02		X	
(13)	N 902 944 06	Circlip 37 X 2,05		X	
14	012 311 351 AH	Shifting gear 4th speed Z = 35 : 34		1	
(14)	012 311 351 AN	Shifting gear 4th speed Z = 35 : 34		1	CWA
(14)	012 311 351 AT	Shifting gear 4th speed Z = 35 : 34		1	DVY
(14)	012 311 351 BK	Shifting gear 4th speed Z = 36 : 33		1	EFD/GDW
(14)	012 311 149 CQ	Shifting gear 4th speed Z = 36 : 33		1	GFW
15	012 311 115 F	Needle cage 37 X 42 X 29,8		1	
16	012 311 159 DL	Gear wheel 5th gear Z = 30 : 38		1	CWA/DVY
(16)	012 311 159 CH	Gear wheel 5th gear Z = 31 ; 37		1	EFD/GDW/GFW
17	N 902 942 02	Circlip 36 X 1,9		X	
(17)	N 902 942 03	Circlip 36 X 1,93		X	
(17)	N 902 942 04	Circlip 36 X 1,96		X	
(17)	N 902 942 05	Circlip 36 X 1,99		X	
(17)	N 902 942 06	Circlip 36 X 2,02		X	
18	012 311 429 M	Sleeve 23 X 37 X 28,3		1	CWA/DVY/EFD
(18)	012 311 429 P	Sleeve 23 X 39 X 28,2		1	GDW GFW
19	N 902 951 01	Circlip 22 X 1,7		1	
20	012 311 518	4th speed Supporting plate 3rd gear		1	
21	012 311 531 E	Reverse idler gear		1	
22	012 311 523 G	Needle-roller bearing 22 X 30 X 16		2	
23	012 311 517	Thrust washer		1	

Model: 986 97

Model life 1997>>2004



Model: 986 97

Model life 1997&gt;&gt;2004

Pos	Part Number	Description	Remark	Qty	Model
		Gears and shafts			G86.20
1	986 302 101 00	Drive shaft		1	
		1st / 2nd gear			
2	996 302 811 00	Needle-roller bearing		1	
3	996 302 075 00	Loose gear wheel		1	
		5th gear			
4	996 302 295 00	Thrust washer		1	
		5th gear			
5	996 304 411 00	Synchroniser ring		2	
6	996 304 041 00	Guide sleeve		1	
		5th and 6th gear			
7	996 304 451 00	Stone		6	
8	900 108 058 00	Ball		6	
9	996 304 461 00	Compression spring		6	
10	996 302 266 00	Inner ring		1	
11	996 302 812 00	Needle-roller bearing		1	
		White			
(11)	996 302 812 01	Needle-roller bearing		1	
		Blue			
(11)	996 302 812 02	Needle-roller bearing		1	
		Green			
12	996 302 076 15	Loose gear wheel		1	
		6th gear			
13	996 302 296 00	Thrust washer		1	
		3. + 6. Gang			
14	996 302 813 00	Needle-roller bearing		1	
15	996 302 073 00	Loose gear wheel		1	
		3rd gear			
16	996 304 411 00	Synchroniser ring		2	
17	996 304 041 01	Guide sleeve		1	
18	996 302 264 00	Inner ring		1	
19	996 302 814 00	Needle-roller bearing		1	
		White			
(19)	996 302 814 01	Needle-roller bearing		1	
		Blue			
(19)	996 302 814 02	Needle-roller bearing		1	
		Green			
20	996 302 074 00	Loose gear wheel		1	
		4th speed			
21	996 302 267 00	Spacer ring		1	
22	996 302 807 00	Angular-contact bearing		1	
23	996 302 124 00	Shim		1	
		56 X 72 X 0,50			
(23)	996 302 124 01	Shim		1	
		56 X 72 X 0,55			
(23)	996 302 124 02	Shim		1	
		56 X 72 X 0,60			
(23)	996 302 124 03	Shim		1	
		56 X 72 X 0,65			
24	996 302 173 00	Shim		1	
		35 X 45 X 1,2			
(24)	996 302 173 01	Shim		1	
		35 X 45 X 1,3			
(24)	996 302 173 02	Shim		1	
		35 X 45 X 1,4			
(24)	996 302 173 03	Shim		1	
		35 X 45 X 1,5			
(24)	996 302 173 04	Shim		1	
		35 X 45 X 1,6			
(24)	996 302 173 05	Shim		1	
		35 X 45 X 1,7			
(24)	996 302 173 06	Shim		1	
		35 X 45 X 1,8			

Model: 986 97

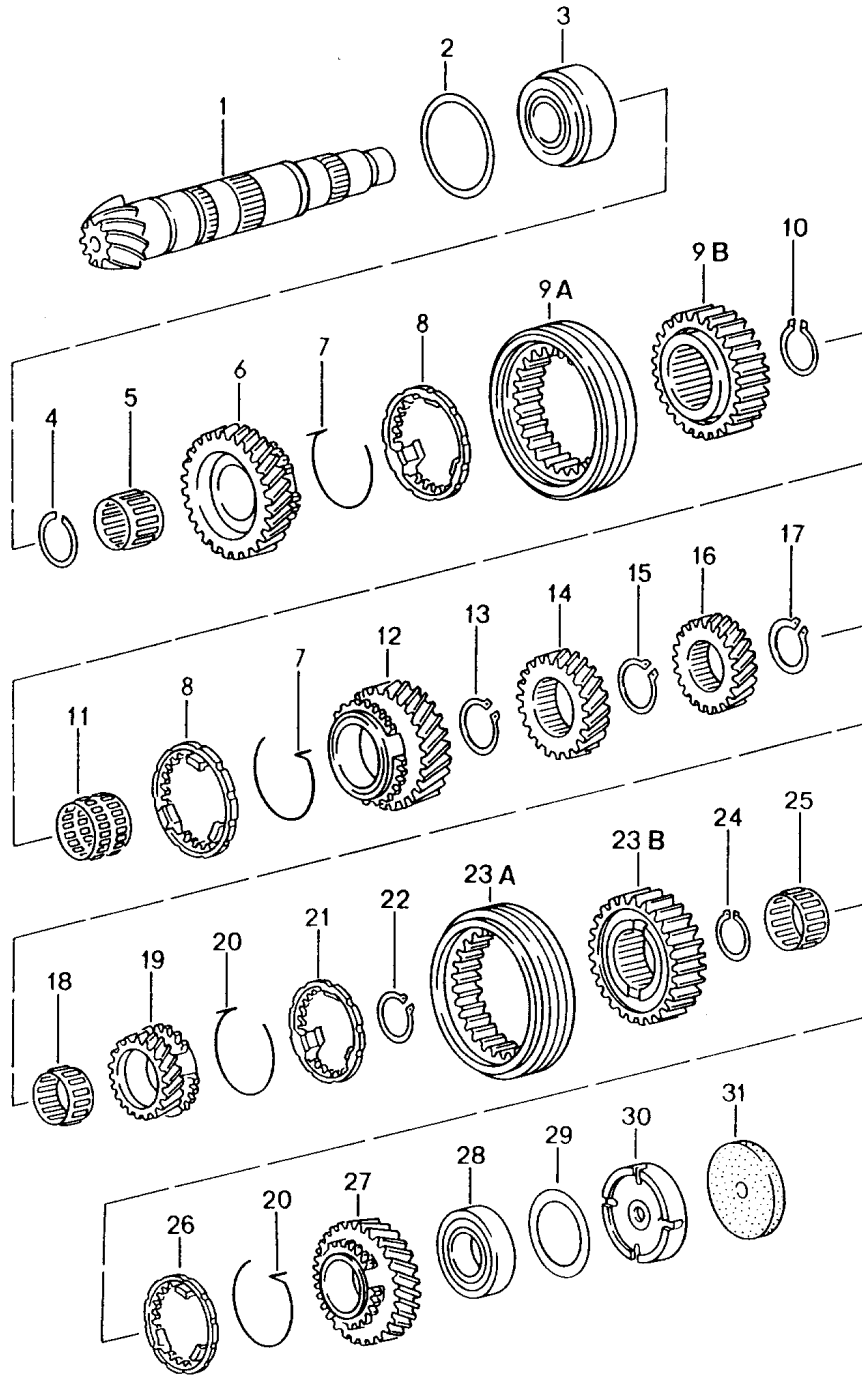
Model life 1997&gt;&gt;2004

Pos	Part Number	Description	Remark	Qty	Model
(24)	996 302 173 07	Shim 35 X 45 X 1,9		1	
(24)	996 302 173 08	Shim 35 X 45 X 2,0		1	
(24)	996 302 173 09	Shim 35 X 45 X 2,1		1	
(24)	996 302 173 10	Shim 35 X 45 X 2,2		1	
(24)	996 302 173 11	Shim 35 X 45 X 2,3		1	
(24)	996 302 173 12	Shim 35 X 45 X 2,4		1	
(24)	996 302 173 13	Shim 35 X 45 X 2,5		1	
25	996 302 810 00	Circlip 35 X 2,25		1	
(25)	996 302 810 01	Circlip 35 X 2,30		1	
(25)	996 302 810 02	Circlip 35 X 2,35		1	
(25)	996 302 810 03	Circlip 35 X 2,40		1	
(25)	996 302 810 04	Circlip 35 X 2,45		1	



Model: 986 97

Model life 1997>>2004



Model: 986 97 Model life 1997>>2004

Pos	Part Number	Description	Remark	Qty	Model
		Gears and shafts	-99 00-		G86.00 G86.01 M481
		Transmission			CWA/DVY/EPD GDW
		Classification letter			
		Attention			
1		Output shaft		1	
2	012 311 391	Adjusting shim 0,4		X	
(2)	012 311 391 A	Adjusting shim 0,45		X	
(2)	012 311 391 B	Adjusting shim 0,5		X	
(2)	012 311 391 C	Adjusting shim 0,55		X	
(2)	012 311 391 D	Adjusting shim 0,6		X	
(2)	012 311 391 E	Adjusting shim 0,65		X	
(2)	012 311 391 F	Adjusting shim 0,7		X	
(2)	012 311 391 G	Adjusting shim 0,75		X	
3	012 311 220 A	Taper roller bearing 48,6 X 88 X 21,5		1	
4	N 902 950 01	Circlip A 48,5 X 2,00		X	
(4)	N 902 950 08	Circlip A 48,5 X 2,03		X	
(4)	N 902 950 09	Circlip A 48,5 X 2,09		X	
(4)	N 902 950 10	Circlip A 48,5 X 2,12		X	
(4)	N 902 950 11	Circlip 48,5 X 2,15		X	
5	012 311 207 E	Needle cage 1st gear 48,5 X 52,5 X 26,4		1	
6	012 311 257 J	Shifting gear 1st gear Z = 35 : 10		1	
7	012 311 311 A	Spring 1st / 2nd gear G >> 10 05 8		2	
(7)	012 311 311 D	Spring 1st / 2nd gear G 11 05 8 >>		2	
8	012 311 247 E	Synchroniser ring 1st / 2nd gear G >> 10 05 8		2	
(8)	012 311 247 F	Synchroniser ring 1st / 2nd gear G 11 05 8 >>		2	
9A	012 311 255 A	Operating sleeve 1st / 2nd gear		1	
9B	012 311 243 A	Synchronising hub 1st / 2nd gear		1	
10	N 902 947 01	Circlip 47 X 1,9		X	
(10)	N 902 947 02	Circlip 47 X 1,93		X	
(10)	N 902 947 03	Circlip 47 X 1,96		X	

Model: 986 97 Model life 1997>>2004

Pos	Part Number	Description	Remark	Qty	Model
(10)	N 902 947 04	Circlip 47 X 1,99		X	
(10)	N 902 947 05	Circlip 47 X 2,02		X	
11	012 311 229 K	Needle cage 2nd gear 47 X 52 X 26,6		1	
12	012 311 271 F	Shifting gear 2nd gear Z = 36 : 17		1	
13	N 902 947 06	Circlip 47 X 2,5		1	
14	012 311 131 BJ	Gear wheel 3rd gear		1	
15	N 902 946 02	Circlip 46 X 1,9		X	
(15)	N 902 946 09	Circlip 46 X 1,94		X	
(15)	N 902 946 10	Circlip 46 X 1,98		X	
(15)	N 902 946 06	Circlip 46 X 2,02		X	
(15)	N 902 946 11	Circlip 46 X 2,06		X	
16	012 311 149 AH	Gear wheel 4th speed Z = 35 : 34		1	CWA
(16)	012 311 149 AT	Gear wheel 4th speed Z = 35 : 34		1	DVY
(16)	012 311 149 BT	Gear wheel 4th speed Z = 36 : 33		1	EFD/GDW
17	N 902 952 07	Circlip 42 X 1,86		X	CWA
(17)	N 902 952 02	Circlip 42 X 1,9		X	CWA
(17)	N 902 952 08	Circlip 42 X 1,94		X	CWA
(17)	N 902 952 09	Circlip 42 X 1,98		X	CWA
(17)	N 902 945 01	Circlip 38 X 2		X	DVY/EFD/GDW
(17)	N 902 945 02	Circlip 38 X 2,16		X	DVY/EFD/GDW
(17)	N 902 945 03	Circlip 38 X 2,20		X	DVY/EFD/GDW
(17)	N 902 945 04	Circlip 38 X 2,24		X	DVY/EFD/GDW
(17)	N 902 945 05	Circlip 38 X 2,28		X	DVY/EFD/GDW
18	012 311 116 F	Needle cage 5th gear 38 X 43 X 25		1	CWA
(18)	012 311 116 G	Needle cage 5th gear 38 X 43 X 27		1	DVY/EFD/GDW
19	012 311 361 DH	Shifting gear 5th gear Z = 30 : 38		1	CWA
(19)	012 311 361 CR	Shifting gear 5th gear Z = 30 : 38		1	DVY

Model: 986 97 Model life 1997&gt;&gt;2004

Pos	Part Number	Description	Remark	Qty	Model
(19)	012 311 361 DC	Shifting gear 5th gear Z = 31 : 37		1	EFD/GDW
20	012 311 312 A	Spring 5th gear And Reverse gear G >> 10 05 8		2	
(20)	012 311 312 D	Spring 5th gear And Reverse gear G 11 05 8 >>		2	
21	012 311 295 D	Synchroniser ring 5th gear G >> 10 05 8		1	
(21)	012 311 295 F	Synchroniser ring 5th gear G 11 05 8 >>		1	
22	N 902 945 01	Circlip 38 X 2		1	
23A	012 311 315 B	Operating sleeve		1	
23B	012 311 309 F	Synchronising hub		1	
24	N 902 944 01	Circlip 37 X 1,9		X	
(24)	N 902 944 02	Circlip 37 X 1,93		X	
(24)	N 902 944 03	Circlip 37 X 1,96		X	
(24)	N 902 944 04	Circlip 37 X 1,99		X	
(24)	N 902 944 05	Circlip 37 X 2,02		X	
(24)	N 902 944 06	Circlip 37 X 2,05		X	
25	012 311 234 E	Needle-roller bearing 37 X 42 X 24,5		1	
26	012 311 295 D	Synchroniser ring Reverse gear G >> 10 05 8		1	
(26)	012 311 295 F	Synchroniser ring Reverse gear G 11 05 8 >>		1	
27	012 311 217 K	Shifting gear Reverse gear		1	
28	012 311 375 C	Taper roller bearing 31,7 X 76,2 X 25,4		1	
29	012 311 393	Adjusting shim 0,45		X	
(29)	012 311 393 A	Adjusting shim 0,49		X	
(29)	012 311 393 B	Adjusting shim 0,53		X	
(29)	012 311 393 C	Adjusting shim 0,57		X	
(29)	012 311 393 D	Adjusting shim 0,61		X	
(29)	012 311 393 E	Adjusting shim 0,65		X	
(29)	012 311 393 F	Adjusting shim 0,69		X	
(29)	012 311 393 G	Adjusting shim 0,73		X	

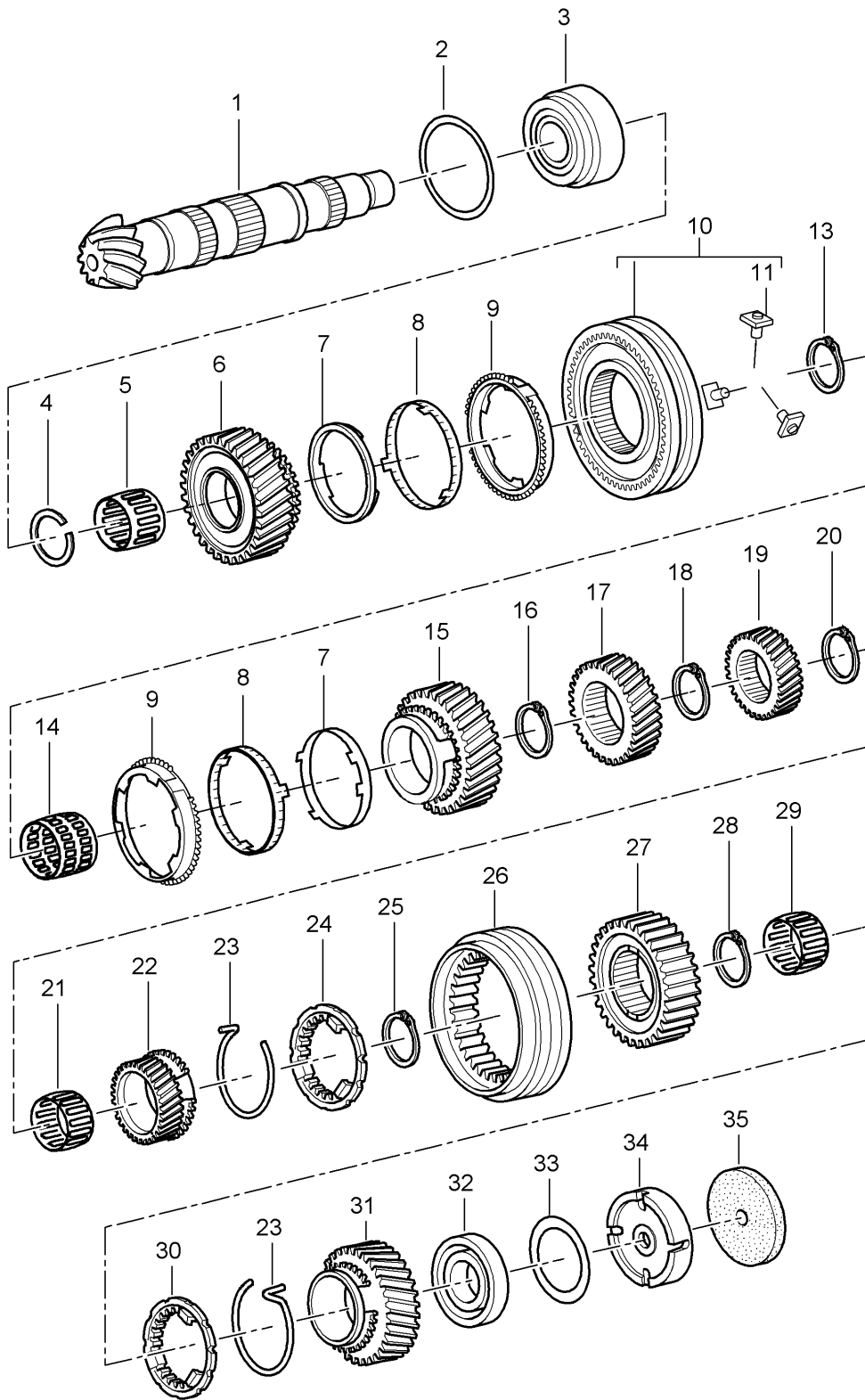
Model: 986 97

Model life 1997&gt;&gt;2004

Pos	Part Number	Description	Remark	Qty	Model
(29)	012 311 393 H	Adjusting shim 0,77		X	
(29)	012 311 393 J	Adjusting shim 0,81		X	
(29)	012 311 393 K	Adjusting shim 0,85		X	
(29)	012 311 393 L	Adjusting shim 0,89		X	
(29)	012 311 393 N	Adjusting shim 0,97		X	
30	012 301 251 B	Pressure plate 70,98 X 14,8		X	
(30)	012 301 251 C	Pressure plate 70,98 X 15,3		X	
31	012 301 193	Rubber washer 71 X 7		1	

Model: 986 97

Model life 1997>>2004



Model: 986 97

Model life 1997&gt;&gt;2004

Pos	Part Number	Description	Remark	Qty	Model
		Gears and shafts			G86.01 M481
		Transmission			GFW
		Classification letter			
		Attention			
1		Output shaft		1	
2	012 311 391	Adjusting shim 0,4		X	
(2)	012 311 391 A	Adjusting shim 0,45		X	
(2)	012 311 391 B	Adjusting shim 0,5		X	
(2)	012 311 391 C	Adjusting shim 0,55		X	
(2)	012 311 391 D	Adjusting shim 0,6		X	
(2)	012 311 391 E	Adjusting shim 0,65		X	
(2)	012 311 391 F	Adjusting shim 0,7		X	
(2)	012 311 391 G	Adjusting shim 0,75		X	
3	012 311 220 A	Taper roller bearing 48,6 X 88 X 21,5		1	
4	N 908 600 01	Circlip A 48,5 X 2,00		X	
(4)	N 908 600 07	Circlip A 48,5 X 2,03		X	
(4)	N 908 600 08	Circlip A 48,5 X 2,09		X	
(4)	N 908 600 09	Circlip A 48,5 X 2,12		X	
(4)	N 908 600 10	Circlip 48,5 X 2,15		X	
5	01X 311 325 A	Needle-roller bearing 1st gear 48,5 X 52,5 X 26,4		1	
6	012 311 250 H	Shifting gear 1st gear Z = 35 : 10		1	
7	01X 311 277 G	Inner ring 1st gear		1	
(7)	01X 311 277 B	Inner ring 2nd gear		1	
(7)	0B1 311 277	Inner ring 2nd gear		1	
8	01X 311 259 G	Intermediate ring 1st / 2nd gear		2	
9	01X 311 247 N	Synchroniser ring 1st / 2nd gear		2	
10	01X 311 239 B	Synchronising hub with Operating sleeve 1st / 2nd gear		1	
11	01X 311 314 B	Pressure piece		3	
13	N 902 947 01	Circlip 47 X 1,9		X	
(13)	N 902 947 02	Circlip 47 X 1,93		X	
(13)	N 902 947 03	Circlip 47 X 1,96		X	
(13)	N 902 947 04	Circlip		X	

Model: 986 97

Model life 1997&gt;&gt;2004

Pos	Part Number	Description	Remark	Qty	Model
(13)	N 902 947 05	47 X 1,99 Circlip		X	
14	012 311 229 K	47 X 2,02 Needle cage		1	
15	012 311 260 H	2nd gear 47 X 52 X 26,6 Shifting gear		1	
(15)	012 311 260 L	2nd gear Z = 36 : 17 Shifting gear		1	
16	012 311 317	2nd gear Z = 36 : 17 Circlip		1	
17	012 311 285 BT	47 X 2,5 Gear wheel		1	
18	01X 311 317	3rd gear Z = 40 : 28 Circlip		X	
(18)	01X 311 317 A	44,5 x 1,9 Circlip		X	
(18)	01X 311 317 B	44,5 x 1,94 Circlip		X	
(18)	01X 311 317 C	44,5 x 1,98 Circlip		X	
(18)	01X 311 317 D	44,5 x 2,02 Circlip		X	
(18)	01X 311 317 E	44,5 x 2,06 Circlip		X	
19	012 311 149 BT	44,5 x 2,10 Gear wheel		1	
20	N 902 945 01	4th speed Z = 36 : 33 Circlip		X	
(20)	N 902 945 02	38 X 2 Circlip		X	
(20)	N 902 945 03	38 X 2,16 Circlip		X	
(20)	N 902 945 04	38 X 2,20 Circlip		X	
(20)	N 902 945 05	38 X 2,24 Circlip		X	
21	012 311 116 G	38 X 2,28 Needle cage		1	
22	012 311 159 EJ	5th gear 38 X 43 X 27 Shifting gear		1	
23	01X 311 312 A	5th gear Z = 31 : 37 Retaining spring		2	
24	01X 311 295 J	Synchroniser ring		1	
25	N 902 945 01	5th gear And Reverse gear		1	
26	01X 311 315	Circlip 38 X 2 Operating sleeve		2	
27	01X 311 309	5th gear And Reverse gear Synchronising hub		1	
		5th gear And Reverse gear			



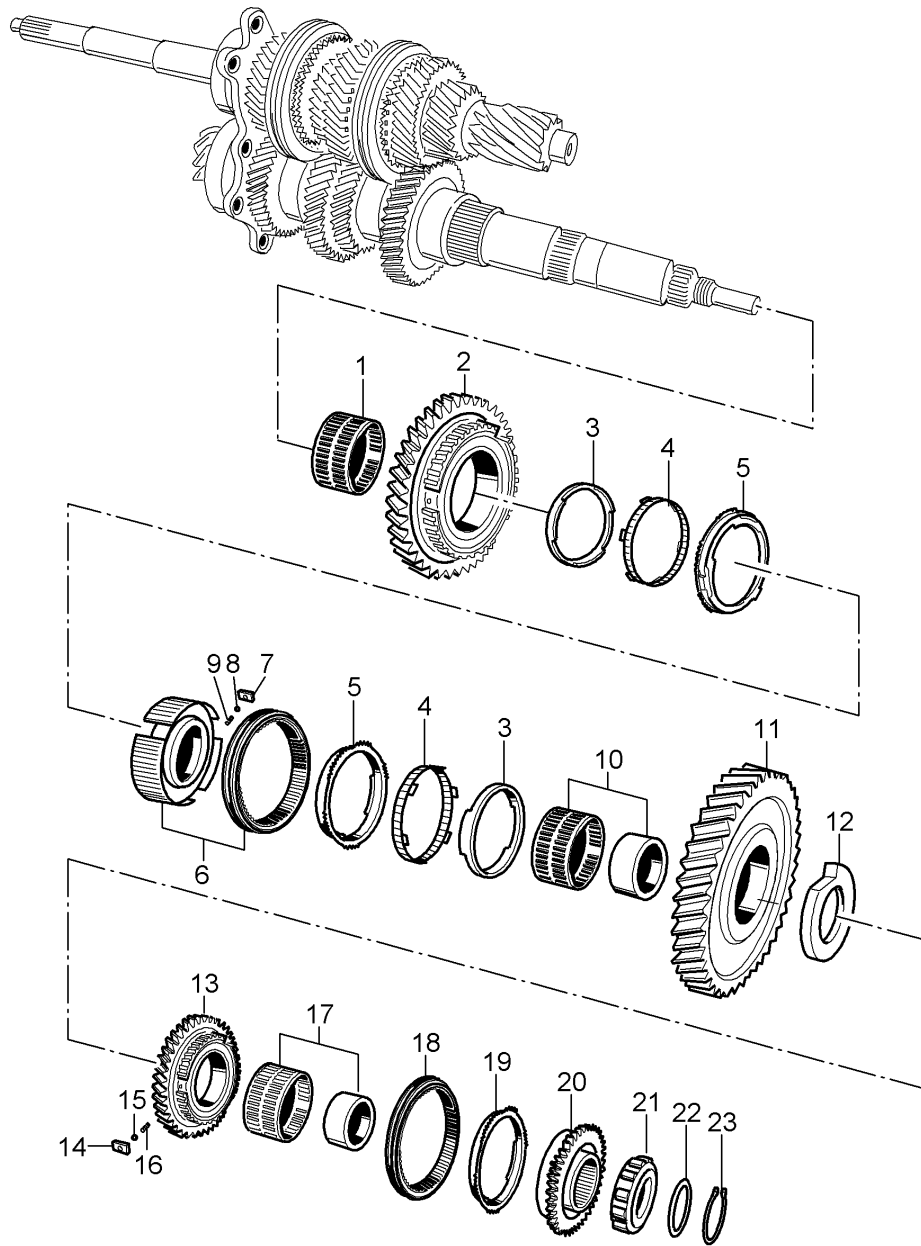
Model: 986 97

Model life 1997&gt;&gt;2004

Pos	Part Number	Description	Remark	Qty	Model
28	N 902 944 01	Circlip 37 X 1,9		X	
(28)	N 902 944 02	Circlip 37 X 1,93		X	
(28)	N 902 944 03	Circlip 37 X 1,96		X	
(28)	N 902 944 04	Circlip 37 X 1,99		X	
(28)	N 902 944 05	Circlip 37 X 2,02		X	
(28)	N 902 944 06	Circlip 37 X 2,05		X	
29	012 311 234 E	Needle-roller bearing 37 x 42 x 24,5		1	
30	01X 311 295 J	Synchroniser ring Reverse gear		1	
31	012 311 217 L	Shifting gear for Reverse gear		1	
32	012 311 375 C	Taper roller bearing 31,7 x 76,2 x 25,4		1	
33	012 311 393	Adjusting shim 0,45		X	
(33)	012 311 393 A	Adjusting shim 0,49		X	
(33)	012 311 393 B	Adjusting shim 0,53		X	
(33)	012 311 393 C	Adjusting shim 0,57		X	
(33)	012 311 393 D	Adjusting shim 0,61		X	
(33)	012 311 393 E	Adjusting shim 0,65		X	
(33)	012 311 393 F	Adjusting shim 0,69		X	
(33)	012 311 393 G	Adjusting shim 0,73		X	
(33)	012 311 393 H	Adjusting shim 0,77		X	
(33)	012 311 393 J	Adjusting shim 0,81		X	
(33)	012 311 393 K	Adjusting shim 0,85		X	
(33)	012 311 393 L	Adjusting shim 0,89		X	
34	012 301 251 B	Pressure plate 70,98 X 14,8		X	
(34)	012 301 251 C	Pressure plate 70,98 X 15,3		X	
35	012 301 193 C	Rubber washer 71 X 7		1	

Model: 986 97

Model life 1997>>2004



Model: 986 97 Model life 1997>>2004

Pos	Part Number	Description	Remark	Qty	Model
		Gears and shafts			G86.20
1	996 302 815 00	Needle-roller bearing White		1	
(1)	996 302 815 01	Needle-roller bearing Blue		1	
(1)	996 302 815 02	Needle-roller bearing Green		1	
(1)	996 302 815 03	Needle-roller bearing Brown		1	
2	996 302 042 00	Loose gear wheel 2nd gear		1	
2	996 302 942 00	Loose gear wheel 2nd gear		1	
3	950 304 617 20	Ring		2	
4	996 304 613 20	Cone ring		2	
5	996 304 611 00	Synchroniser ring		2	
6	996 304 061 02	Guide sleeve 1st / 2nd gear		1	
6	996 304 061 03	Guide sleeve 1st / 2nd gear		1	
7	996 304 651 00	Stone		3	
8	900 108 058 00	Ball		3	
9	996 304 661 00	Compression spring		3	
10	996 302 816 00	Needle cage		1	
11	996 302 041 00	Loose gear wheel 1st gear		1	
12	996 302 281 00	Thrust washer 1st gear		1	
13	996 302 094 00	Loose gear wheel Reverse gear		1	
14	996 304 451 01	Stone		3	
15	900 108 058 00	Ball		3	
16	996 304 461 00	Compression spring		3	
17	996 302 816 00	Needle cage		1	
18		Shift sleeve To Use 996.302.094.00		1	
19	996 304 411 00	Synchroniser ring		1	
20	996 304 401 00	Clutch hub Reverse gear wheel		1	
21	996 301 806 00	Cylindrical-roller bearing 35 X 72 X 10		1	
22	996 302 118 00	Shim 35 X 45 X 1,2		1	
(22)	996 302 118 01	Shim 35 X 45 X 1,3		1	
(22)	996 302 118 02	Shim 35 X 45 X 1,4		1	
(22)	996 302 118 03	Shim 35 X 45 X 1,5		1	
(22)	996 302 118 04	Shim 35 X 45 X 1,6		1	
(22)	996 302 118 05	Shim 35 X 45 X 1,7		1	
(22)	996 302 118 06	Shim 35 X 45 X 1,8		1	
(22)	996 302 118 07	Shim 35 X 45 X 1,9		1	
(22)	996 302 118 08	Shim 35 X 45 X 2,0		1	
(22)	996 302 118 09	Shim 35 X 45 X 2,1		1	

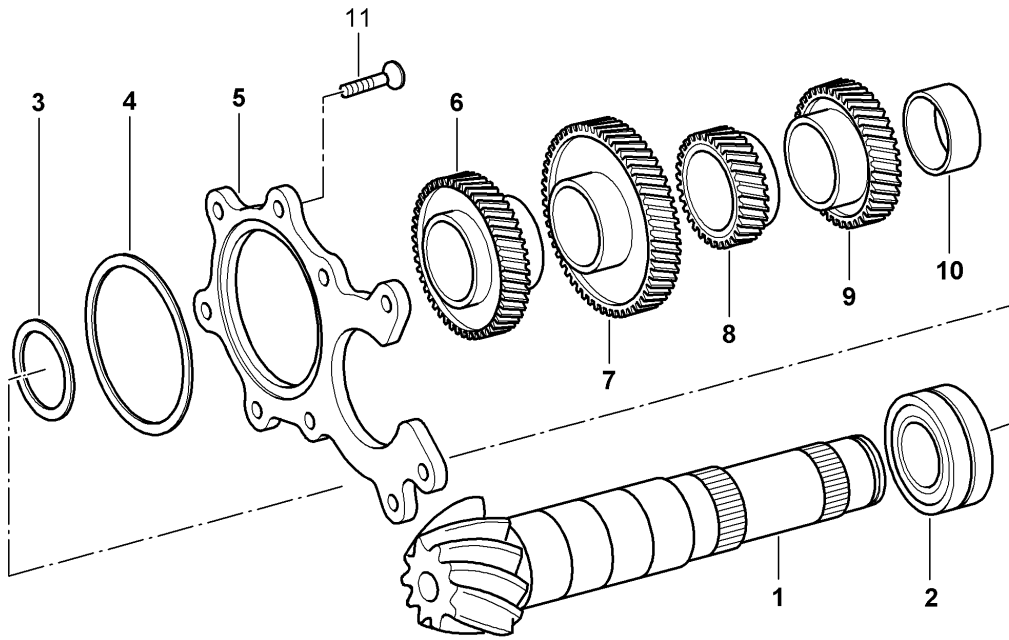
Model: 986 97

Model life 1997>>2004

Pos	Part Number	Description	Remark	Qty	Model
(22)	996 302 118 10	Shim 35 X 45 X 2,2		1	
(22)	996 302 118 11	Shim 35 X 45 X 2,3		1	
(22)	996 302 118 12	Shim 35 X 45 X 2,4		1	
(22)	996 302 118 13	Shim 35 X 45 X 2,5		1	
23	996 302 810 00	Circlip 35 X 2,25		1	
(23)	996 302 810 01	Circlip 35 X 2,30		1	
(23)	996 302 810 02	Circlip 35 X 2,35		1	
(23)	996 302 810 03	Circlip 35 X 2,40		1	
(23)	996 302 810 04	Circlip 35 X 2,45		1	

Model: 986 97

Model life 1997>>2004



Model: 986 97 Model life 1997>>2004

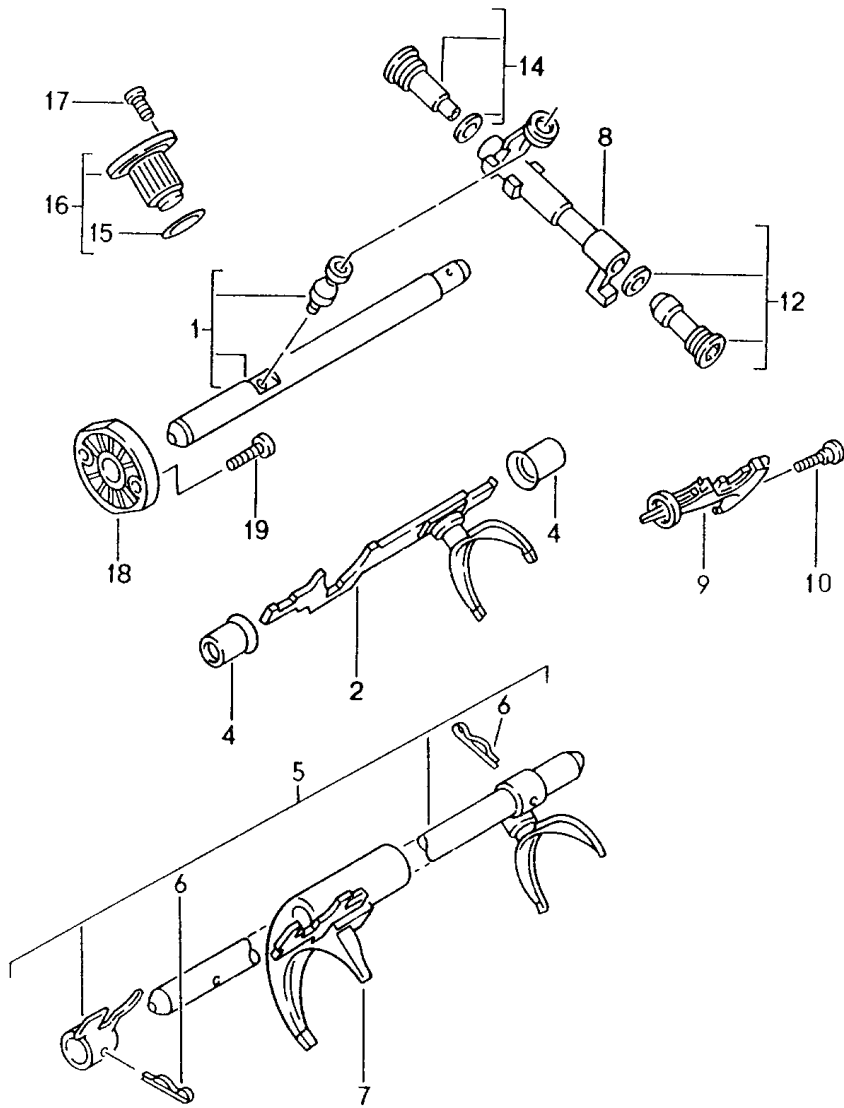
Pos	Part Number	Description	Remark	Qty	Model
1		Gears and shafts Pinion shaft See group 3/05/02		1	G86.20
2	996 302 808 00	Angular-contact bearing 48 X 93 X 37		1	
3	996 302 114 00	Shim 48 X 60 X 0,50		1	
(3)	996 302 114 01	Shim 48 X 60 X 0,55		1	
(3)	996 302 114 02	Shim 48 X 60 X 0,60		1	
(3)	996 302 114 03	Shim 48 X 60 X 0,65		1	
(3)	996 302 114 04	Shim 48 X 60 X 0,70		1	
(3)	996 302 114 05	Shim 48 X 60 X 0,75		1	
(3)	996 302 114 06	Shim 48 X 60 X 0,80		1	
(3)	996 302 114 07	Shim 48 X 60 X 0,85		1	
(3)	996 302 114 08	Shim 48 X 60 X 0,90		1	
(3)	996 302 114 09	Shim 48 X 60 X 0,95		1	
4	996 302 122 00	Shim 85,5 X 93 X 0,50		1	
(4)	996 302 122 01	Shim 85,5 X 93 X 0,55		1	
(4)	996 302 122 02	Shim 85,5 X 93 X 0,60		1	
(4)	996 302 122 03	Shim 85,5 X 93 X 0,65		1	
(4)	996 302 122 04	Shim 85,5 X 93 X 0,70		1	
(4)	996 302 122 05	Shim 85,5 X 93 X 0,75		1	
(4)	996 302 122 06	Shim 85,5 X 93 X 0,80		1	
(4)	996 302 122 07	Shim 85,5 X 93 X 0,85		1	
(4)	996 302 122 08	Shim 85,5 X 93 X 0,90		1	
(4)	996 302 122 09	Shim 85,5 X 93 X 0,95		1	
(4)	996 302 122 10	Shim 85,5 X 93 X 1,00		1	
(4)	996 302 122 11	Shim 85,5 X 93 X 1,05		1	
(4)	996 302 122 12	Shim 85,5 X 93 X 1,10		X	
(4)	996 302 122 13	Shim 85,5 X 93 X 1,15		X	
(4)	996 302 122 14	Shim 85,5 X 93 X 1,20		X	
(4)	996 302 122 15	Shim 85,5 X 93 X 1,25		1	
(4)	996 302 122 16	Shim 85,5 X 93 X 1,30		1	
(4)	996 302 122 17	Shim 85,5 X 93 X 1,35		1	
(4)	996 302 122 18	Shim		1	

Model: 986 97 Model life 1997>>2004

Pos	Part Number	Description	Remark	Qty	Model
(4)	996 302 122 19	85,5 X 93 X 1,40 Shim		1	
(4)	996 302 122 20	85,5 X 93 X 1,45 Shim		1	
(4)	996 302 122 21	85,5 X 93 X 1,50 Shim		1	
(4)	996 302 122 22	85,5 X 93 X 1,55 Shim		1	
5	986 302 121 00	85,5 X 93 X 1,60 Retainer plate		1	
6	996 302 214 00	Fixed gear wheel 4th speed		1	
7	996 302 213 00	Fixed gear wheel 3rd gear		1	
8	996 302 216 15	Fixed gear wheel 6th gear		1	
9	996 302 215 00	Fixed gear wheel 5th gear		1	
10	996 302 272 00	Inner ring		1	
11	996 302 817 00	Countersunk-head screw Mount Retainer plate		9	

Model: 986 97

Model life 1997>>2004



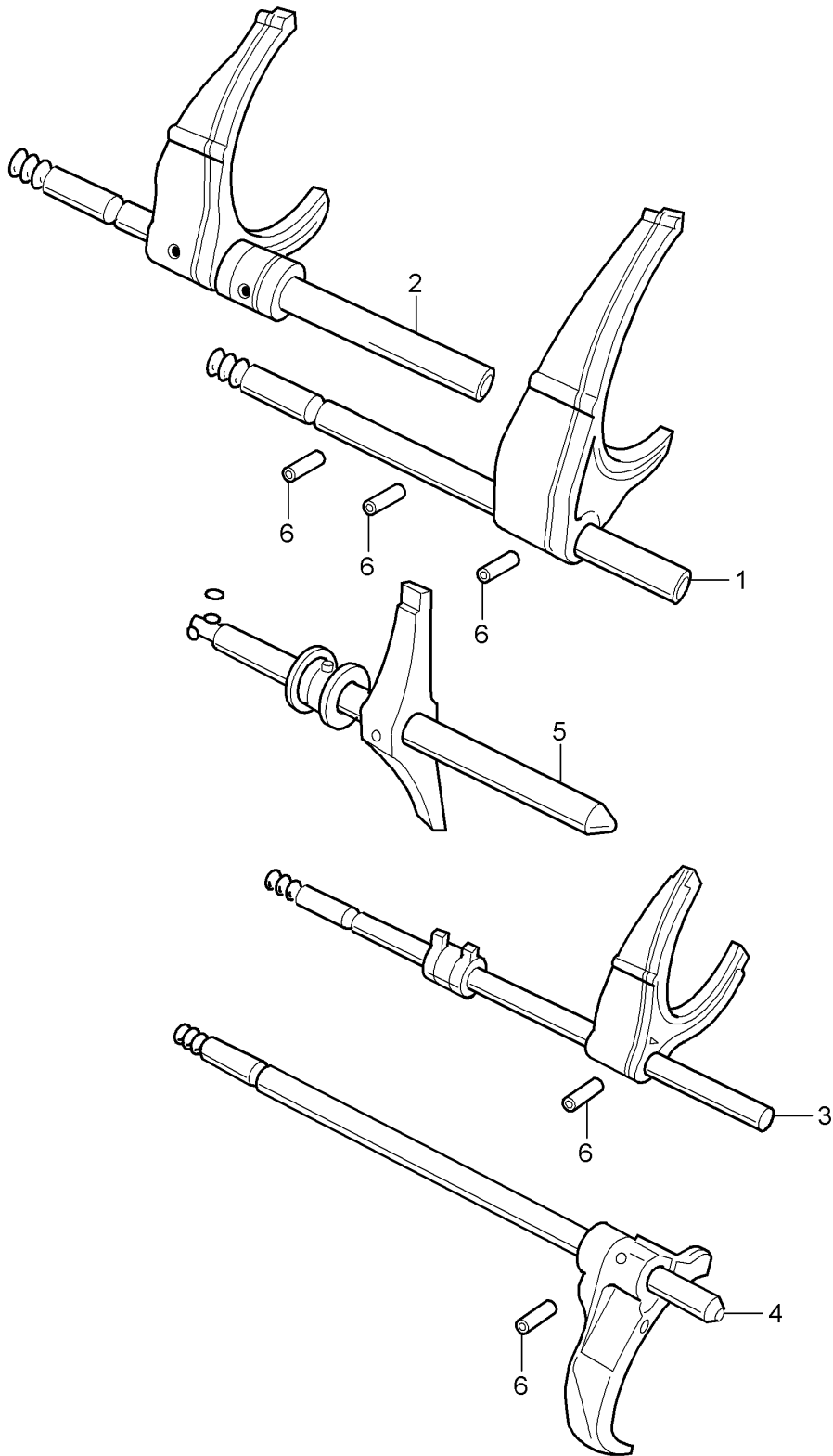


Model: 986 97 Model life 1997>>2004

Pos	Part Number	Description	Remark	Qty	Model
		Manual transmission	-99		G86.00
		Shift rods	00-		G86.01
		shift forks			
1	012 311 505	Shift rod		1	
2	012 311 559 D	Gear shift rod		1	
		3rd/4th gear			
4	012 301 120 C	Sleeve		2	
5	012 311 575 D	Gear shift rod		1	
		5th gear			
		And			
		Reverse gear			
6	N 023 332 1	Roll pin		2	
		6 X 24			
7	012 311 549	Shift fork		1	
		1st / 2nd gear			
8	012 311 617 D	Reverse lever	-99	1	
(8)	012 311 617 E	Reverse lever	00-	1	
9	012 311 628 A	Locking segment		1	CWA/DVY/EFD
(9)	012 311 741	Locking segment		1	GDW
10	012 301 291	Torx screw		1	GFW
		M 8 X 30			
12	012 311 718 A	Stop screw	-99	1	
		M 22 X 1,5			
(12)	012 311 718 D	Stop screw	00-	1	
		M 22 X 1,5			
14	012 311 720 A	Stop screw	-99	1	
		M 26 X 1,5			
(14)	012 311 720 D	Stop screw	00-	1	
		M 26 X 1,5			
15	N 903 541 01	O-ring		1	
		22 X 2			
16	012 311 691 A	Pawl		1	
17	N 903 663 03	Pan-head screw		2	
		M 8 X 22			
18	012 301 453 G	Lid		1	CWA/DVY/EFD
		for			
		Shift rod			
(18)	012 301 451	Lid		1	GDW/GFW/GAL
		for			
		Shift rod			
19	N 903 660 01	Torx screw		2	
		M 8 X 36			

Model: 986 97

Model life 1997>>2004



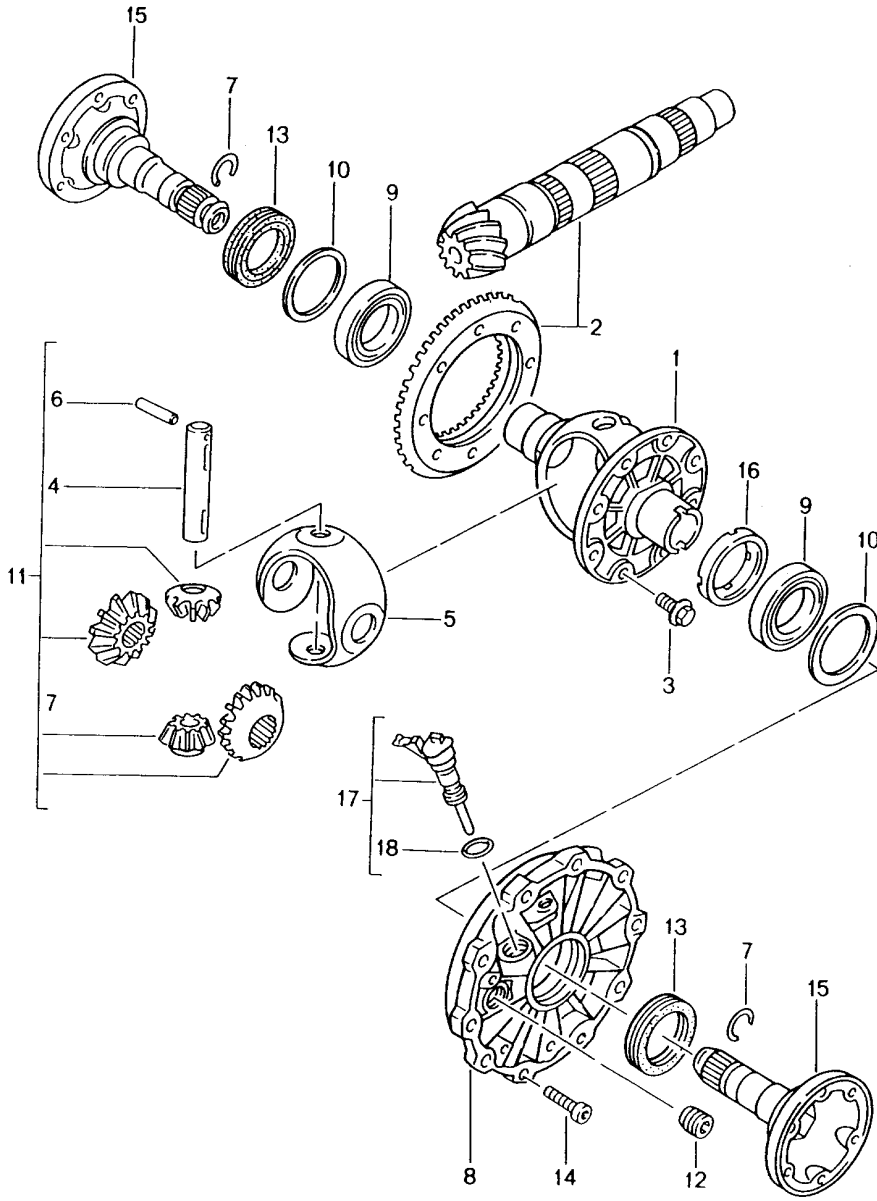
Model: 986 97

Model life 1997>>2004

Pos	Part Number	Description	Remark	Qty	Model
		Gear shift rod			G86.20
		Shift fork			
1	986 303 015 00	Gear shift rod		1	
		5./6. Gang			
2	986 303 013 00	Gear shift rod		1	
		3./4. Gang			
3	986 303 010 00	Gear shift rod		1	
		1st / 2nd gear			
4	986 303 016 00	Gear shift rod		1	
		Reverse gear			
5	986 303 021 00	Shift rod		1	
6	996 303 301 00	Spiral clamping pin		5	

Model: 986 97

Model life 1997>>2004



Model: 986 97 Model life 1997>>2004

Pos	Part Number	Description	Remark	Qty	Model
		Differential Transmission Classification letter Attention			G86.00/01 CWA/DVY/EFD GDW/GFW
1	012 409 121 M	Differential housing 90 MM		1	CWA
(1)		Differential housing 90 MM G >> 10 01 9		1	DVY
(1)	012 409 121 L	Differential housing 90 MM G 11 01 9 >>		1	DVY/EFD/GDW
(1)	01X 409 121 A	Differential housing 90 MM		1	GFW
2	012 409 143 AR	Ring gear and pinion shaft 35 : 9		1	CWA
2	012 409 143 CA	Ring gear and pinion shaft 35 : 9		1	DVY
2	012 409 143 CQ	Ring gear and pinion shaft 32 : 9		1	EFD/GDW
(2)	012 409 143 EJ	Ring gear and pinion shaft 32 : 9		1	GFW
3	N 903 614 01	Hexagon-head bolt M 10 X 1 X 22,8		10	
4	005 409 177 00	Differential bolt		1	
5	012 409 170 A	Thrust washer		1	CWA/DVY/EFD
(5)	02B 409 170 A	Thrust washer		1	GDW/GFW
(5)	02M 409 170 A	Thrust washer		1	GDW/GFW
6	N 100 726 01	Roll pin 5 X 36		1	
7	012 409 413	Circlip		2	
8	012 409 131 H	Lid		1	CWA
8		Lid G >> 10 01 9		1	DVY
(8)	012 409 131 L	Lid G 11 01 9 >>		1	DVY/EFD/GDW
(8)		Lid		1	GFW
9	002 517 185	Taper roller bearing 46 X 75 X 18		2	CWA
9	002 517 185 A	Taper roller bearing 46 X 75 X 18 G >> 10 01 9		2	DVY
9	002 517 185 M	Taper roller bearing 46 X 75 X 18 G >> 10 01 9		2	DVY
9	002 517 185 A	Taper roller bearing Right 46 X 75 X 18 G 11 01 9 >>		1	DVY/EFD/GDW
9	002 517 185 M	Taper roller bearing Right 46 X 75 X 18 G 11 01 9 >>		1	DVY/EFD/GDW
9	002 517 185 A	Taper roller bearing Right 46 X 75 X 18		1	GFW
9	002 517 185 M	Taper roller bearing Right 46 X 75 X 18		1	GFW
9	012 409 123	Taper roller bearing Left 50 X 80 X 20 G 11 01 9 >>		1	DVY/EFD/GDW

Model: 986 97 Model life 1997>>2004

Pos	Part Number	Description	Remark	Qty	Model
9	01X 409 123	Taper roller bearing Left 50 X 80 X 20		1	GFW
10	012 409 387	Shim 0,45		X	CWA
10		Shim 0,45 G >> 10 01 9		X	DVY
10	012 409 387 DM	Shim Left 0,45 G 11 01 9 >>		X	DVY/EFD/GDW GFW
10	012 409 387 AK	Shim Right 0,45 G 11 01 9 >>		X	DVY/EFD/GDW GFW
(10)	012 409 387 A	Shim 0,50		X	CWA
(10)		Shim 0,50 G >> 10 01 9		X	DVY
(10)	012 409 387 DN	Shim Left 0,49 G 11 01 9 >>		X	DVY/EFD/GDW GFW
(10)	012 409 387 AL	Shim Right 0,49 G 11 01 9 >>		X	DVY/EFD/GDW GFW
(10)	012 409 387 B	Shim 0,55		X	CWA
(10)		Shim 0,55 G >> 10 01 9		X	DVY
(10)	012 409 387 DP	Shim Left 0,53 G 11 01 9 >>		X	DVY/EFD/GDW GFW
(10)	012 409 387 AM	Shim Right 0,53 G 11 01 9 >>		X	DVY/EFD/GDW GFW
(10)	012 409 387 C	Shim 0,60		X	CWA
(10)		Shim 0,60 G >> 10 01 9		X	DVY
(10)	012 409 387 DQ	Shim Left 0,57 G 11 01 9 >>		X	DVY/EFD/GDW GFW
(10)	012 409 387 AN	Shim Right 0,57 G 11 01 9 >>		X	DVY/EFD/GDW GFW
(10)	012 409 387 D	Shim 0,65		X	CWA
(10)		Shim 0,65 G >> 10 01 9		X	DVY
(10)	012 409 387 DR	Shim Left 0,61		X	DVY/EFD/GDW GFW

Model: 986 97 Model life 1997>>2004

Pos	Part Number	Description	Remark	Qty	Model
(10)	012 409 387 AP	G 11 01 9 >> Shim Right 0,61		X	DVY/EFD/GDW GFW
(10)	012 409 387 E	G 11 01 9 >> Shim 0,70		X	CWA
(10)		Shim 0,70		X	DVY
(10)	012 409 387 DS	G >> 10 01 9 Shim Left 0,65		X	DVY/EFD/GDW GFW
(10)	012 409 387 AQ	G 11 01 9 >> Shim Right 0,65		X	DVY/EFD/GDW GFW
(10)	012 409 387 F	G 11 01 9 >> Shim 0,75		X	CWA
(10)		Shim 0,75		X	DVY
(10)	012 409 387 DT	G >> 10 01 9 Shim Left 0,69		X	DVY/EFD/GDW GFW
(10)	012 409 387 AR	G 11 01 9 >> Shim Right 0,69		X	DVY/EFD/GDW GFW
(10)	012 409 387 G	G 11 01 9 >> Shim 0,80		X	CWA
(10)		Shim 0,80		X	DVY
(10)	012 409 387 EA	G >> 10 01 9 Shim Left 0,73		X	DVY/EFD/GDW GFW
(10)	012 409 387 AS	G 11 01 9 >> Shim Right 0,73		X	DVY/EFD/GDW GFW
(10)	012 409 387 H	G 11 01 9 >> Shim 0,85		X	CWA
(10)		Shim 0,85		X	DVY
(10)	012 409 387 EB	G >> 10 01 9 Shim Left 0,77		X	DVY/EFD/GDW GFW
(10)	012 409 387 AT	G 11 01 9 >> Shim Right 0,77		X	DVY/EFD/GDW GFW
(10)	012 409 387 J	G 11 01 9 >> Shim 0,90		X	CWA
(10)		Shim 0,90		X	DVY
(10)	012 409 387 EC	G >> 10 01 9 Shim		X	DVY/EFD/GDW

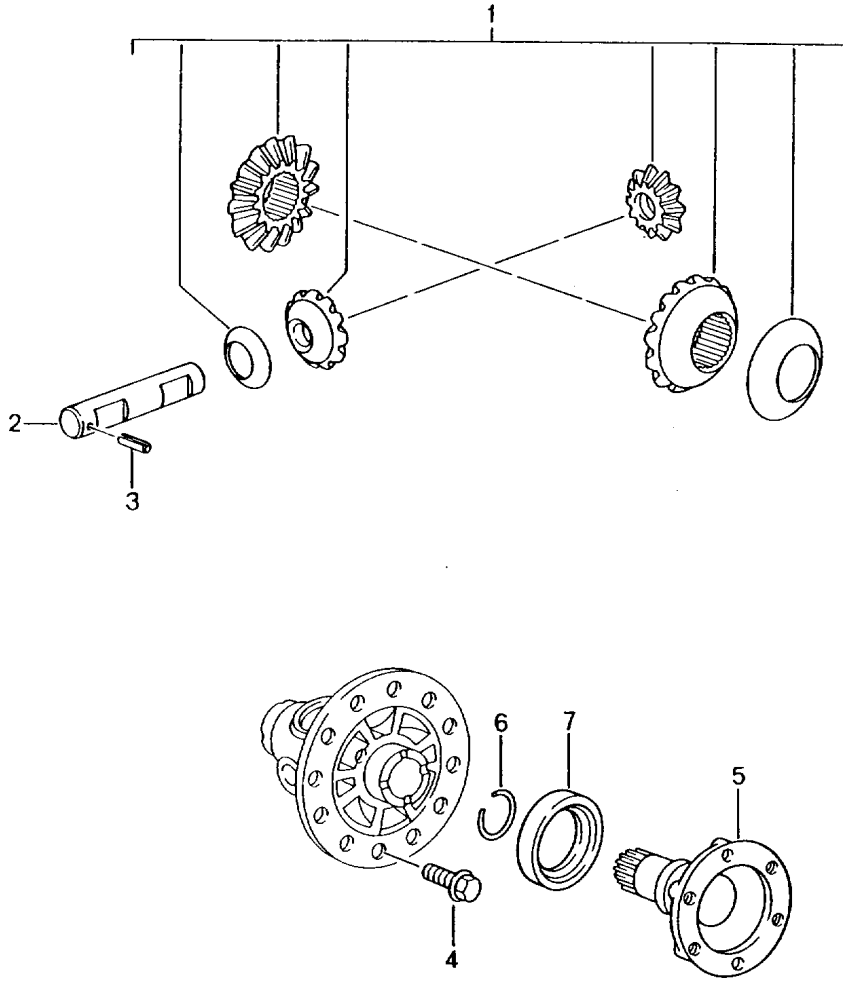
Model: 986 97 Model life 1997>>2004

Pos	Part Number	Description	Remark	Qty	Model
		Left 0,81 G 11 01 9 >>			GFW
(10)	012 409 387 BA	Shim Right 0,81 G 11 01 9 >>		X	DVY/EFD/GDW GFW
(10)	012 409 387 ED	Shim Left 0,85 G 11 01 9 >>		X	DVY/EFD/GDW GFW
(10)	012 409 387 BB	Shim Right 0,85 G 11 01 9 >>		X	DVY/EFD/GDW GFW
11	02M 498 081 A	Differential pinions 1 set		1	CWA/DVY/EFD GDW
(11)	01X 498 081	Differential pinions 1 set		1	GFW
12	111 301 127 E	Screw plug M 24 X 1,5	-02	1	
(12)	WHT 001 937	Screw plug M 24 X 1,5	03-	1	
13	016 409 399 B	Radial shaft seal 45 X 60 X 8		2	
14	N 903 660 01	Torx screw M 8 X 36		10	
15	012 409 343 K	Flanged shaft F >>983S6 20135 F >>983U6 24238		2	CWA/DVY/EFD
(15)	012 409 343 AA	Flanged shaft F 983S6 20136>> F 983U6 24239>>		2	CWA/DVY/EFD
(15)	012 409 343 AC	Flanged shaft		2	GDW/GFW
16	012 409 182 B	Drive wheel without Function-drive	-02	1	
(16)	012 409 182 C	Drive wheel without Function-drive	03-	1	
17	012 409 191 C	Sensor without Function-drive	-99	1	
(17)	012 409 191 D	Sensor without Function-drive	00-	1	
(17)	012 409 961	G >> 28 06 Stopper G 01 07 2 >>		1	
18	N 903 684 01	O-ring 14,5 X 2		1	



Model: 986 97

Model life 1997>>2004



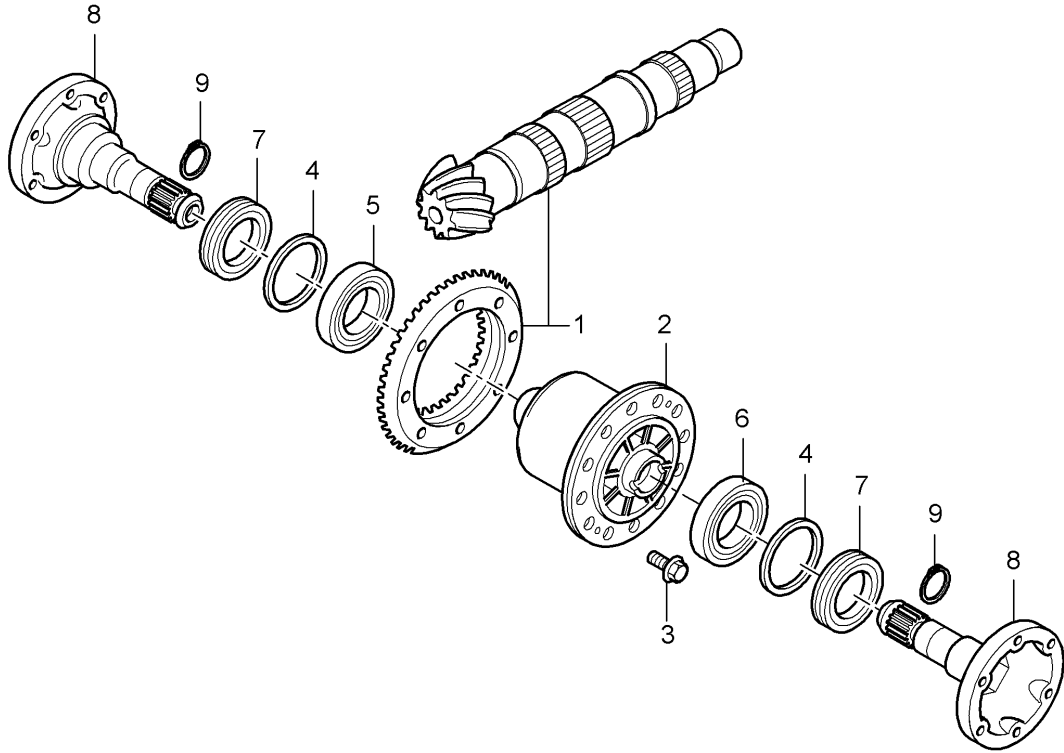
Model: 986 97

Model life 1997&gt;&gt;2004

Pos	Part Number	Description	Remark	Qty	Model
1	996 332 922 00	Differential Differential pinions 1 set	00-	1	G86.20
2	996 332 205 00	Differential bolt		1	
3	900 309 038 01	Pin 5 X 16		1	
4	996 332 276 00	Hexagon-head bolt M 12 X 1,25 X 22,5		12	
5	996 332 209 00	Joint flange		2	
6	996 332 249 00	Circlip 35 X 2,5		2	
7	999 113 347 40	Shaft sealing ring 48 X 68 X 10		2	

Model: 986 97

Model life 1997>>2004



Model: 986 97 Model life 1997&gt;&gt;2004

Pos	Part Number	Description	Remark	Qty	Model
		Differential			G86.20
		Rear axle			
1	996 302 911 00	Gear set		1	
2	996 332 005 00	Differential		1	
3	999 217 152 01	Hexagon-head bolt		12	
		M 12 X 1,25			
4	996 332 266 50	Adjusting ring		2	
		1,50 MM			
(4)	996 332 266 51	Adjusting ring		2	
		1,55 MM			
(4)	996 332 266 52	Adjusting ring		2	
		1,60 MM			
(4)	996 332 266 53	Adjusting ring		2	
		1,65 MM			
(4)	996 332 266 54	Adjusting ring		2	
		1,70 MM			
(4)	996 332 266 55	Adjusting ring		2	
		1,75 MM			
(4)	996 332 266 56	Adjusting ring		2	
		1,80 MM			
(4)	996 332 266 57	Adjusting ring		2	
		1,85 MM			
(4)	996 332 266 58	Adjusting ring		2	
		1,90 MM			
(4)	996 332 266 59	Adjusting ring		2	
		1,95 MM			
(4)	996 332 266 60	Adjusting ring		2	
		2,00 MM			
(4)	996 332 266 61	Adjusting ring		2	
		2,05 MM			
(4)	996 332 266 62	Adjusting ring		2	
		2,10 MM			
(4)	996 332 266 63	Adjusting ring		2	
		2,15 MM			
(4)	996 332 266 64	Adjusting ring		2	
		2,20 MM			
(4)	996 332 266 65	Adjusting ring		2	
		2,25 MM			
(4)	996 332 266 66	Adjusting ring		2	
		2,30 MM			
(4)	996 332 266 67	Adjusting ring		2	
		2,35 MM			
(4)	996 332 266 68	Adjusting ring		2	
		2,40 MM			
(4)	996 332 266 69	Adjusting ring		2	
		2,45 MM			
(4)	996 332 266 70	Adjusting ring		2	
		2,50 MM			
(4)	996 332 266 71	Adjusting ring		2	
		2,55 MM			
(4)	996 332 266 72	Adjusting ring		2	
		2,60 MM			
(4)	996 332 266 73	Adjusting ring		2	
		2,65 MM			
(4)	996 332 266 74	Adjusting ring		2	
		2,70 MM			
(4)	996 332 266 75	Adjusting ring		2	
		2,75 MM			
(4)	996 332 266 76	Adjusting ring		2	
		2,80 MM			
5	999 059 066 02	Taper roller bearing		1	
6	999 059 064 00	Taper roller bearing		1	
7	999 113 356 40	Shaft sealing ring		2	

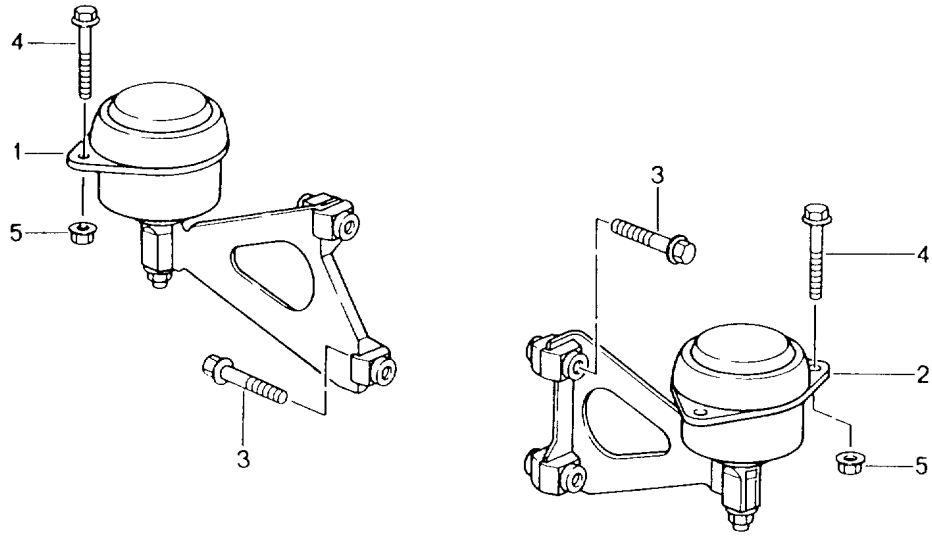
Model: 986 97

Model life 1997&gt;&gt;2004

Pos	Part Number	Description	Remark	Qty	Model
8	996 332 209 00	AS 48 X 68 X 10 Joint flange		2	
9	996 332 249 00	Circlip 35 X 2,5		2	

Model: 986 97

Model life 1997>>2004

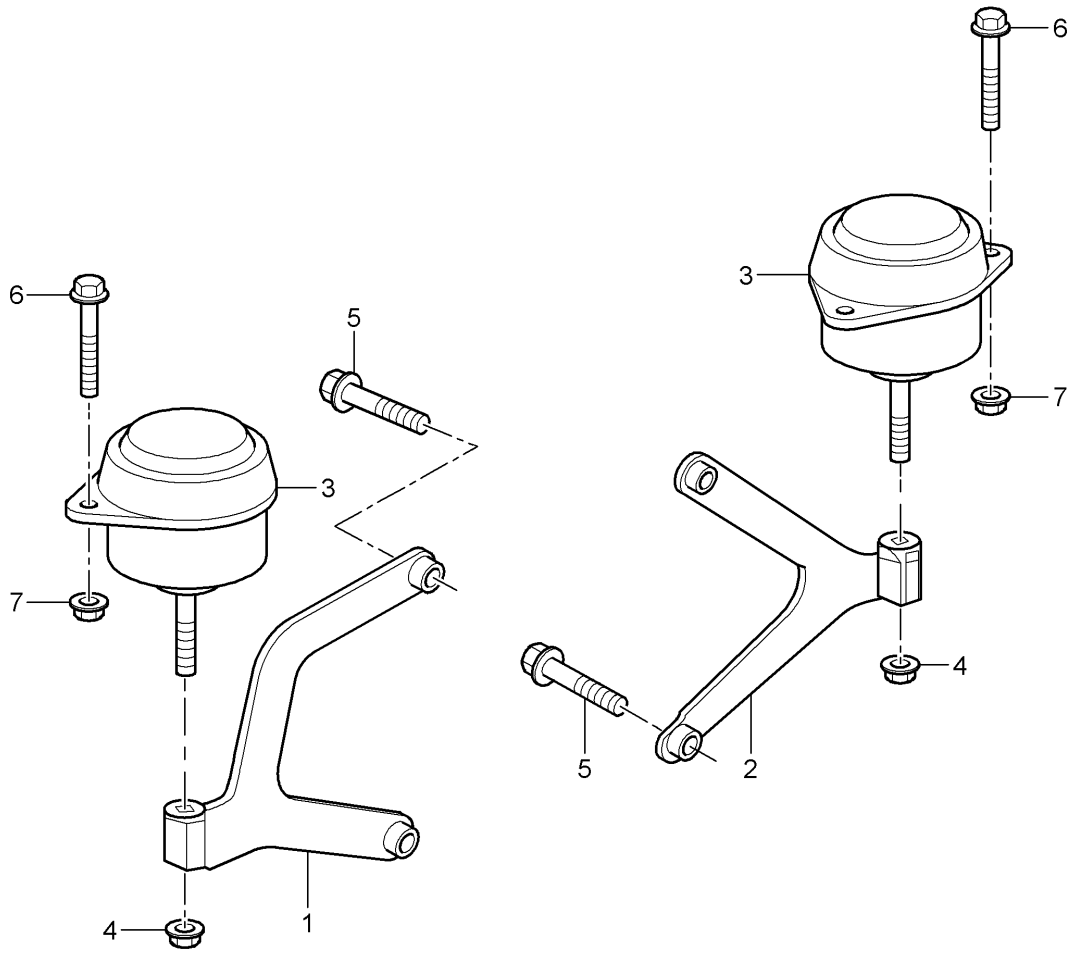


Model: 986 97 Model life 1997>>2004

Pos	Part Number	Description	Remark	Qty	Model
		Manual transmission	-99		G86.00
		Transmission suspension	00-		G86.01
		Threaded joint			
		Engine			
1	986 375 084 03	Transmission bracket		1	
		Right			
2	986 375 083 03	Transmission bracket		1	
		Left			
3	900 378 098 09	Hexagon-head bolt		4	
		M 10 X 60			
4	900 378 056 02	Hexagon-head bolt		4	
		M 8 X 60			
5	999 084 447 09	Hexagon nut		4	
		M 8			
6	999 072 008 09	Hexagon-head bolt		1	
		M 12 X 1,5 X 70			
6	999 072 008 01	Hexagon-head bolt		1	
		M 12 X 1,5 X 70			
7	999 072 009 09	Hexagon-head bolt		3	
		M 12 X 1,5 X 90			
7	999 072 009 01	Hexagon-head bolt		3	
		M 12 X 1,5 X 90			
8	999 218 088 09	Stud		1	
		M 10 X 30			
9	900 377 011 09	Hexagon nut		1	
		M 10			
9	900 377 011 01	Hexagon nut		1	
		M 10			
10	999 073 118 09	Pan-head screw		1	
		M 10 X 40			
11	N 905 028 02	Washer		1	
		15 X 28 X 3,5			
11	N 905 028 04	Washer		1	
		15 X 28 X 3,5			
12	999 072 010 09	Hexagon-head bolt		1	
		M 12 X 1,5 X 100			
12	999 072 010 01	Hexagon-head bolt		1	
		M 12 X 1,5 X 100			

Model: 986 97

Model life 1997>>2004



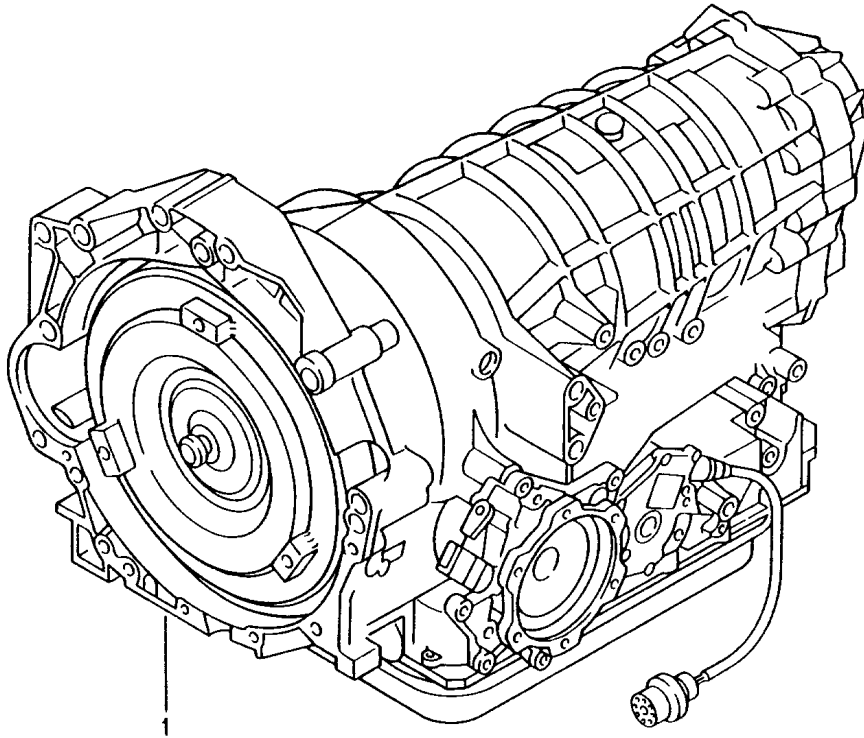


Model: 986 97 Model life 1997>>2004

Pos	Part Number	Description	Remark	Qty	Model
		Manual transmission	00-		G86.20
		Transmission suspension			
		Threaded joint			
		Engine			
1	986 375 166 03	Bracket		1	
		Right			
1	986 375 166 04	Bracket		1	
		Right			
2	986 375 165 03	Bracket		1	
		Left			
3	986 375 049 01	Bearing		2	
3	986 375 049 02	Bearing		2	
4	999 086 009 09	Nut		2	
		M 12 X 1,5			
5	900 378 092 09	Hexagon-head bolt		4	
		M 12 X 1,5 X 40			
(5)	900 378 092 01	Hexagon-head bolt		4	
		M 12 x 1,5 x 40			
6	900 378 159 09	Hexagon-head bolt		4	
		M 8 X 60			
7	900 380 005 09	Hexagon nut		4	
		M 8			
-	999 073 119 09	Pan-head screw		1	
		Inner			
		M 10 X 50			
-	999 072 010 09	Hexagon-head bolt		2	
		M12 X1,5 X 100			
-	999 072 010 01	Hexagon-head bolt		2	
		M12 X1,5 X 100			
-	999 072 008 09	Hexagon-head bolt		3	
		M12 X1,5 X 70			
-	999 072 008 01	Hexagon-head bolt		3	
		M12 X1,5 X 70			
-	900 378 061 09	Hexagon-head bolt		1	
		M12 X 1,5 X 50			
-	900 378 061 01	Hexagon-head bolt		1	
		M12 X 1,5 X 50			
-	900 378 076 09	Hexagon-head bolt		1	
		M10 X 50			
-	900 378 076 01	Hexagon-head bolt		1	
		M10 X 50			
-	900 377 011 09	Hexagon nut		1	
		M 10			
-	900 377 011 01	Hexagon nut		1	
		M 10			

Model: 986 97

Model life 1997>>2004

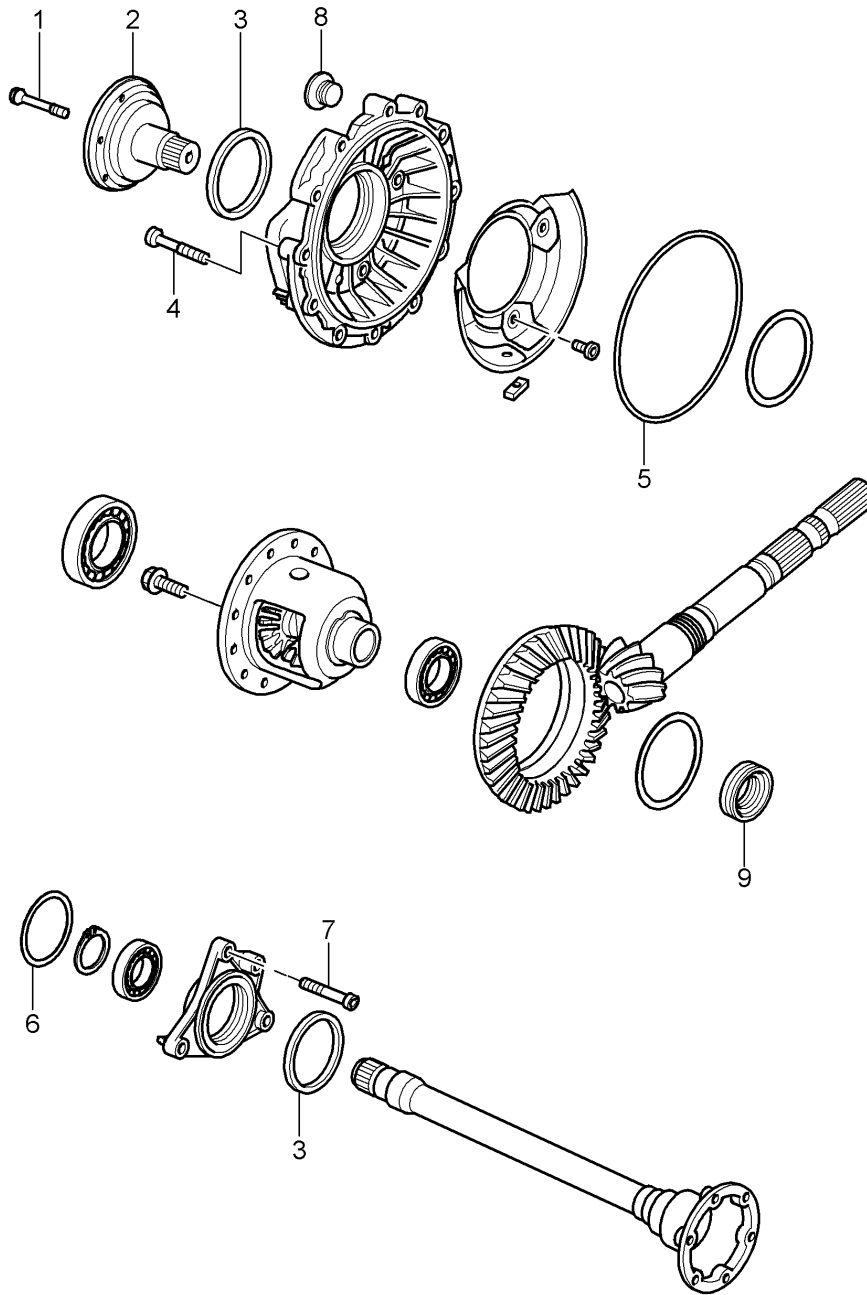


Model: 986 97 Model life 1997>>2004

Pos	Part Number	Description	Remark	Qty	Model
		Tiptronic	-99		A86.00
			00-		A86.05
			00-		A86.20
		See technical information Group 3 NR. 2 / 2A /98 Replacement transmission Not Ready for installation			
1	986 300 911 01	Transmission	-97	1	A86.00
(1)	986 300 011 02	Transmission	98	1	A86.00
(1)	986 300 011 03	Transmission	99	1	A86.00
		F >>98XS6 20196 F >>98XU6 21905 Use also: 986.618.225.04			
(1)	986 300 011 05	Transmission		1	A86.05
(1)	986 300 011 20	Transmission		1	A86.20
2	000 043 205 09	Transmission oil ATF 20 LTR. Container		X	
3	999 917 546 00	Transmission oil HYPOID 1 LTR. Container		X	

Model: 986 97

Model life 1997>>2004

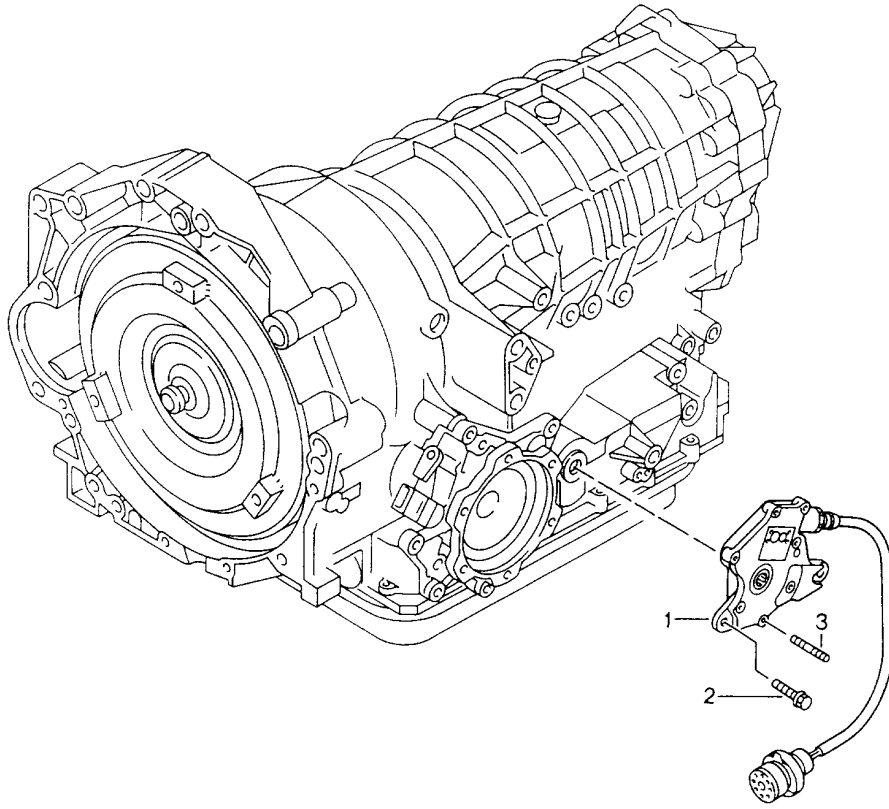


Model: 986 97 Model life 1997>>2004

Pos	Part Number	Description	Remark	Qty	Model
		Tiptronic	-99		A86.00
			00-		A86.05
			00-		A86.20
		Differential			
		Differential housing			
1	944 332 587 00	Elastic bolt		1	
		M 8			
2	986 332 201 00	Drive flange		1	
2	986 332 201 20	Drive flange		1	A86.20
3	986 397 027 00	Shaft sealing ring		1	
		for			
		Lid			
(3)	996 397 015 00	Shaft sealing ring		1	
		for			
		Flange			
4	986 397 029 00	Pan-head screw		12	
		M 8 X 45			
5	986 397 028 00	Round seal		1	
6	986 397 034 00	Round seal		1	
7	996 397 007 00	Pan-head screw		3	
		M 8 X 30			
8	986 397 026 00	Screw plug		1	
8	986 397 026 01	Screw plug		1	
9	986 397 039 00	Shaft sealing ring		1	
		34 X 46-37 X 12-16			

Model: 986 97

Model life 1997>>2004



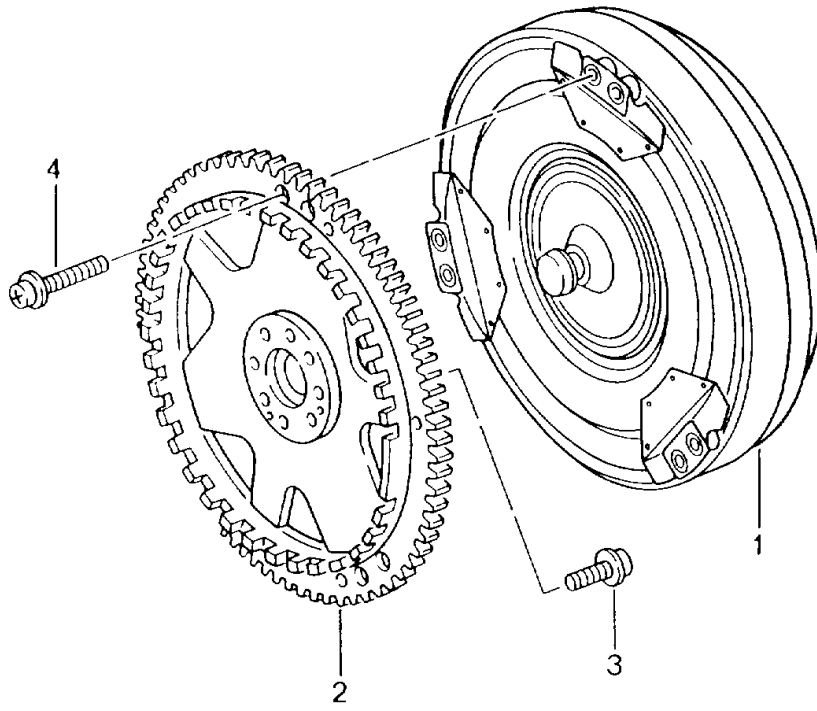
Model: 986 97

Model life 1997>>2004

Pos	Part Number	Description	Remark	Qty	Model
		Tiptronic	-99		A86.00
			00-		A86.05
			00-		A86.20
1	986 325 612 01	Selector switch		1	
2	986 397 025 00	Switch		2	
		Pan-head screw			
		M 6 X 15			
2	986 397 025 01	Pan-head screw		2	
		M 6 X 15			
3	986 397 024 00	Straight pin		1	
		M 6 X 14			

Model: 986 97

Model life 1997>>2004





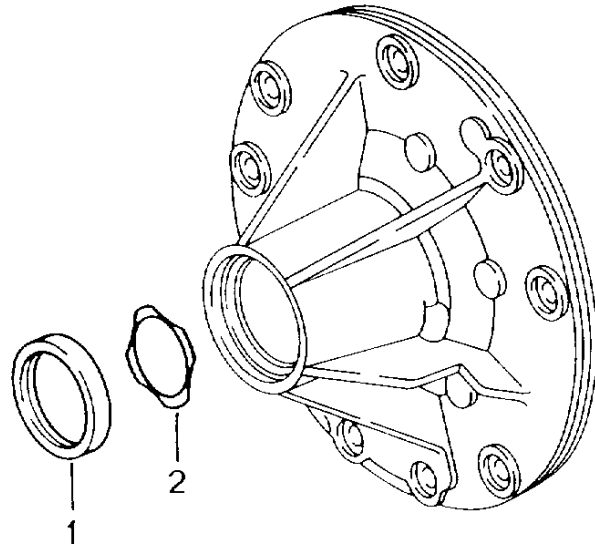
Model: 986 97

Model life 1997>>2004

Pos	Part Number	Description	Remark	Qty	Model
		Tiptronic	-99		A86.00
			00-		A86.05
			00-		A86.20
1	986 316 001 00	Torque converter		1	A86.00
(1)	986 316 001 05	Torque converter		1	A86.05
(1)	996 316 001 01	Torque converter		1	A86.20
2	996 116 075 07	Drive plate		1	
3	999 073 091 09	Pan-head screw M 10 X 1 X 25		8	
4	900 067 369 09	Pan-head screw M 8 X 20		6	

Model: 986 97

Model life 1997>>2004



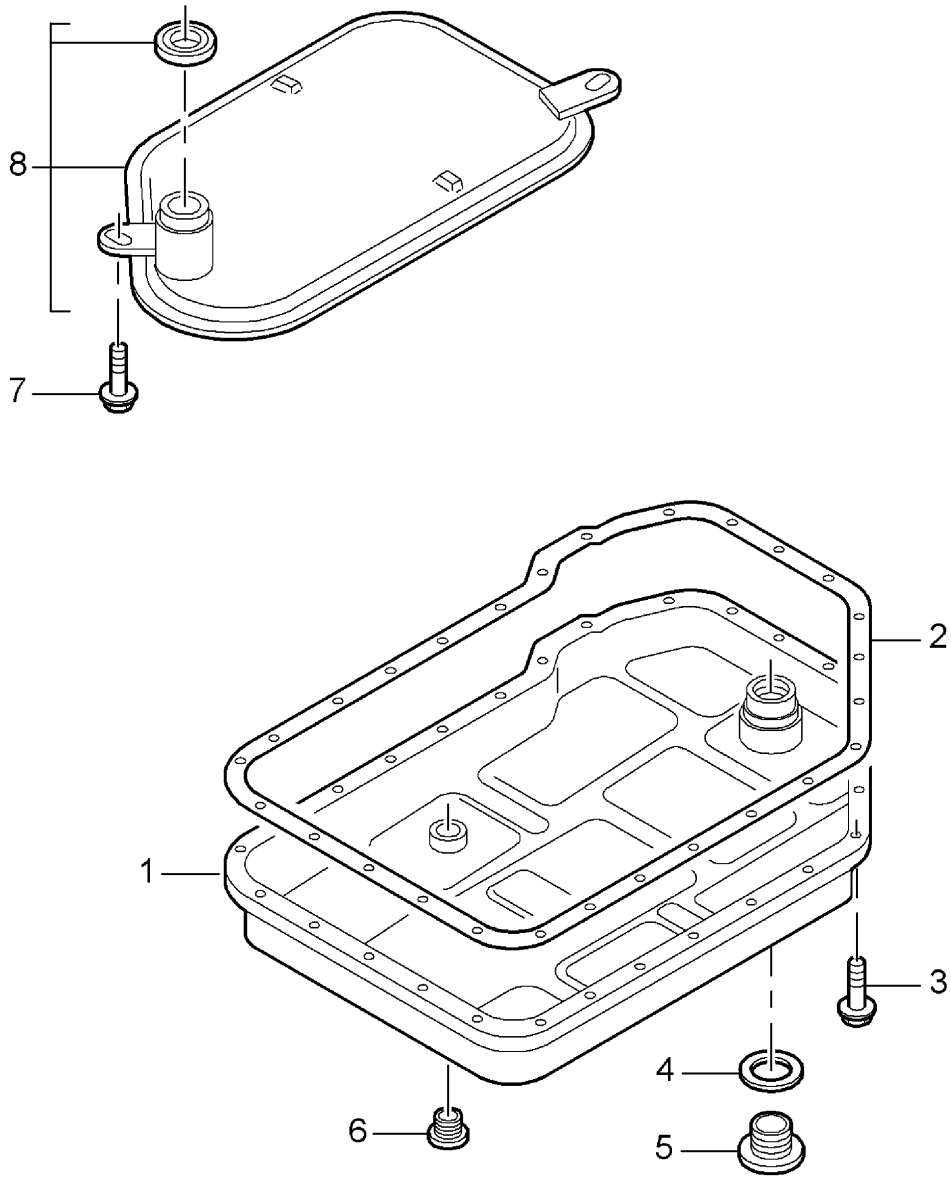
Model: 986 97

Model life 1997>>2004

Pos	Part Number	Description	Remark	Qty	Model
		Tiptronic	-99		A86.00
			00-		A86.05
			00-		A86.20
1	996 397 010 00	Oil pump		1	
2	986 397 012 00	Shaft sealing ring		1	
		Washer			

Model: 986 97

Model life 1997>>2004



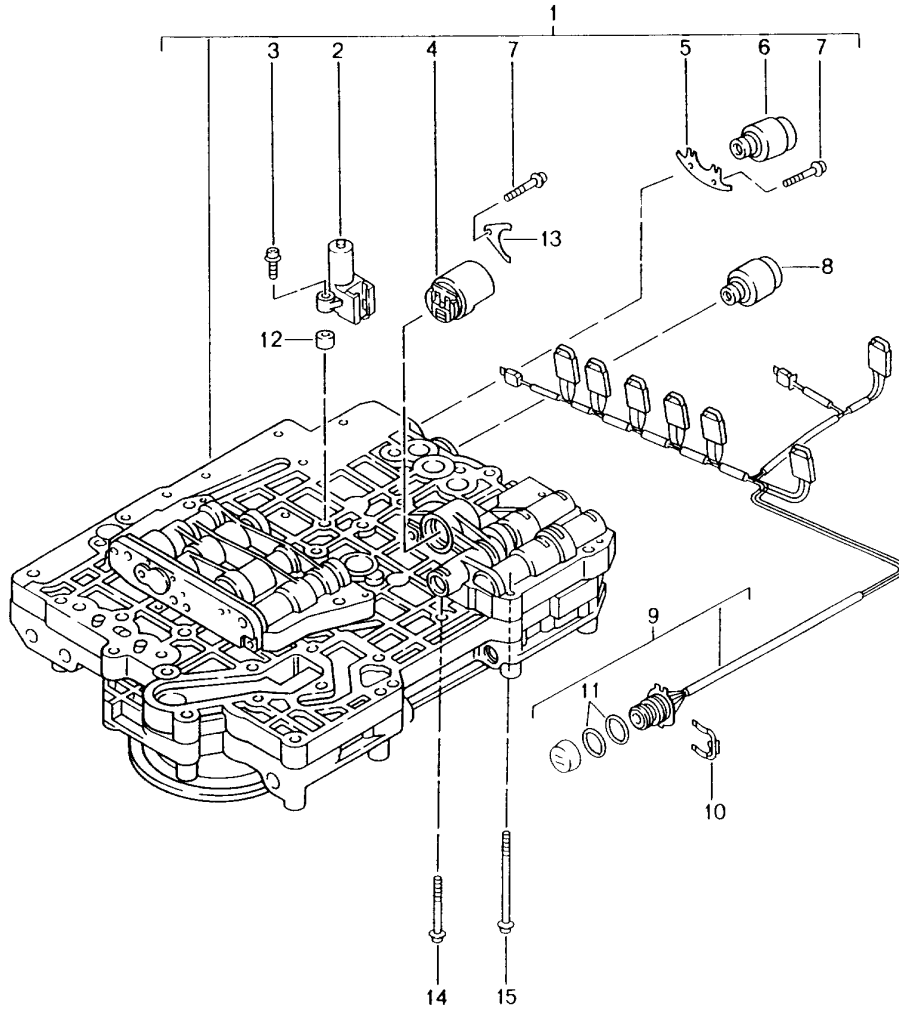
Model: 986 97

Model life 1997>>2004

Pos	Part Number	Description	Remark	Qty	Model
		Tiptronic	-99		A86.00
			00-		A86.05
			00-		A86.20
		Oil filter			
		Oil pan			
1	986 321 025 02	Oil pan		1	
2	986 397 016 00	Gasket		1	
3	943 397 039 00	Pan-head screw		27	
		M 6 X 20			
4	986 397 014 00	Round seal		1	
5	986 397 015 00	Screw plug		1	
		M 30 X 1,5			
5	986 397 015 01	Screw plug		1	
		M 30 X 1,5			
6	986 397 013 00	Screw plug		1	
		M 16 X 1,5			
7	943 397 045 00	Pan-head screw		2	
		M 5 X 12			
8	986 307 403 00	Filter		2	

Model: 986 97

Model life 1997>>2004

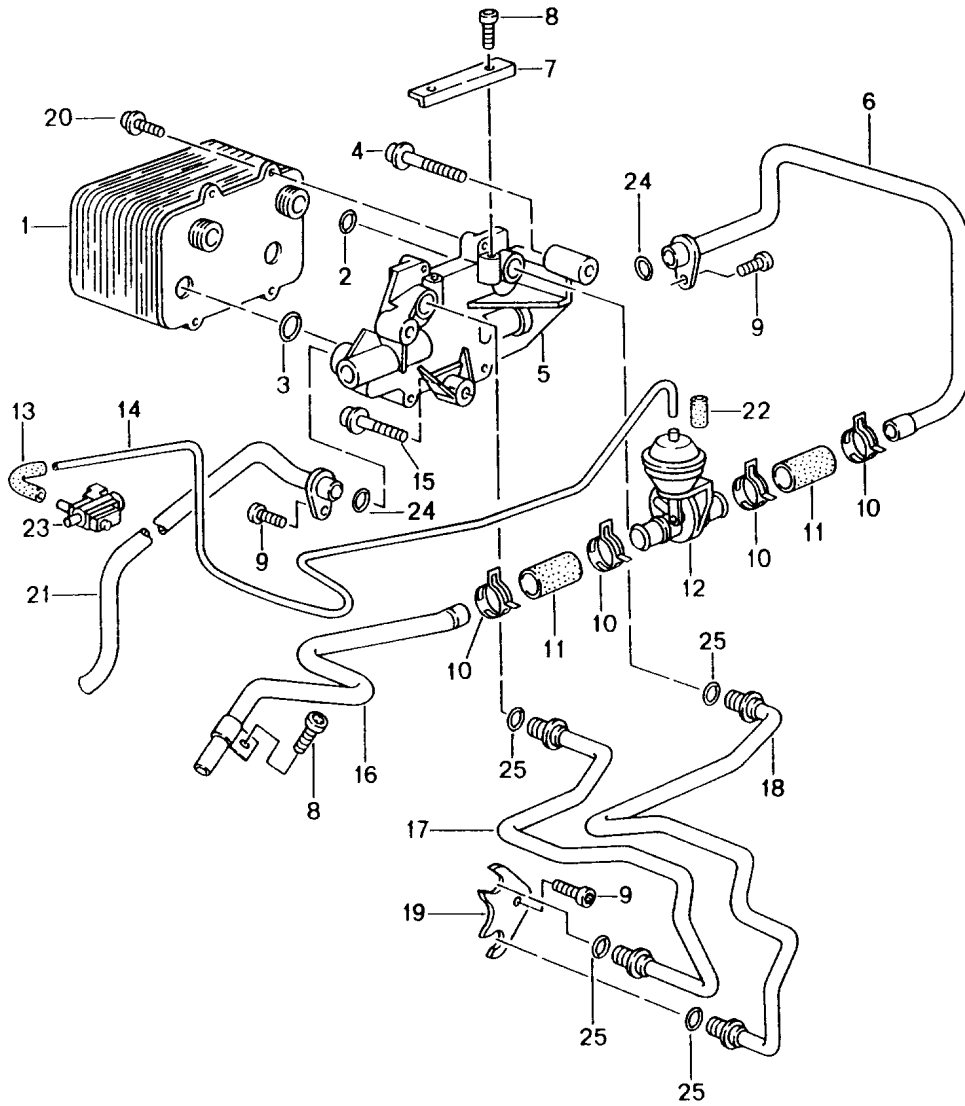


Model: 986 97 Model life 1997>>2004

Pos	Part Number	Description	Remark	Qty	Model
		Tiptronic	-99		A86.00
			00-		A86.05
			00-		A86.20
1	986 325 617 00	Switch unit Solenoid valve Pressure regulator Switch unit Type label Transmission case Attention 1060 030 031 >> 155 067		1	A86.00
1	986 325 617 01	Switch unit Type label Transmission case Attention 1060 030 053 << 155 068		1	A86.05/20
2	986 325 608 00	Inductive transmitter		1	
3	986 397 019 00	Pan-head screw M 5 X 40		2	
4	986 325 604 00	Pressure regulator Type label Transmission case Attention 1060 030 031 >> 155 067	-99	1	A86.00
4	986 325 604 01	Pressure regulator Type label Transmission case Attention 1060 030 053 << 155 068	00-	1	A86.05/20
5	986 325 615 00	Retaining bracket		2	
6	986 325 601 00	Solenoid valve		3	
7	943 397 045 00	Pan-head screw M 5 X 12		5	
8	986 325 603 00	Pressure regulator		3	
9	986 325 611 00	Wiring harness		1	
10	986 397 018 01	Clamp		1	
11	986 397 017 00	Round seal		2	
12	986 397 020 00	Spacer ring		2	
13	943 325 111 00	Retaining bracket		1	
14	943 397 013 00	Pan-head screw M 6 X 30		1	
15	943 397 005 00	Pan-head screw M 6 X 60		16	

Model: 986 97

Model life 1997>>2004





Model: 986 97 Model life 1997>>2004

Pos	Part Number	Description	Remark	Qty	Model
		Tiptronic	-99		A86.00
			00-		A86.05
			00-		A86.20
		Atf cooler			
		Atf lines			
1	996 307 017 01	Atf cooler		1	
2	999 707 388 40	O-ring		2	
		18,64 X 3,53			
3	900 331 034 40	O-ring		2	
		25,8 X 3,55			
4	999 073 116 09	Oval-head screw		1	
		M 8 X 55			
5	986 307 020 00	Port plate		1	
6	986 307 076 00	Water line		1	
		Supply	-00		
6	986 307 076 21	Water line		1	
		Supply	01-		
7	986 307 143 02	Latch		1	
8	999 073 103 09	Oval-head screw		2	
		M 6 X 16			
9	999 073 094 09	Oval-head screw		1	
		M 8 X 20			
10	999 512 552 00	Hose clamp		4	
		25 X 12			
10	999 512 552 01	Hose clamp		4	
		25 X 12			
11	900 181 060 50	Water hose		4	
		18 X 3,5 X 50			
(11)	900 181 062 50	Water hose		2	
		18 X 3,5 X 60			
12	928 574 573 03	Disc valve		1	
12	928 574 573 04	Disc valve		1	
		Use also:			
-	986 307 507 00	Cap		1	
13	928 574 717 03	Moulded hose		1	
-	999 181 742 40	Pipe		*	
		4 X 1			
14		650 MM		1	
15	999 073 105 09	Round head screw		2	
		M 8 X 40			
16	986 307 075 06	Water line	-00	1	
		Supply			
16	986 307 075 21	Water line	01-	1	
		Supply			
17	986 307 085 04	Oil pipe		1	
		Return line			
18	986 307 082 04	Oil pipe		1	
		Supply			
19	996 307 147 00	Support		1	
20	999 073 103 09	Oval-head screw		4	
		M 6 X 16			
21	986 307 077 06	Water line	-99	1	A86.00
		Return line			
(21)	986 307 077 21	Water line	00-	1	A86.05
		Return line	00-		A86.20
22	999 239 040 40	Connecting piece		1	
23	996 605 123 01	Change-over valve		1	
23	7PP 906 270	Change-over valve		1	
24	999 707 387 40	O-ring		2	
		15 X 2,5			
25	999 707 386 40	O-ring		4	
		12,37 X 2,62			
-	999 652 838 40	Plug socket		1	

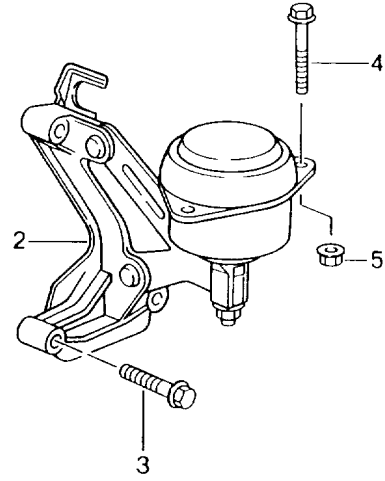
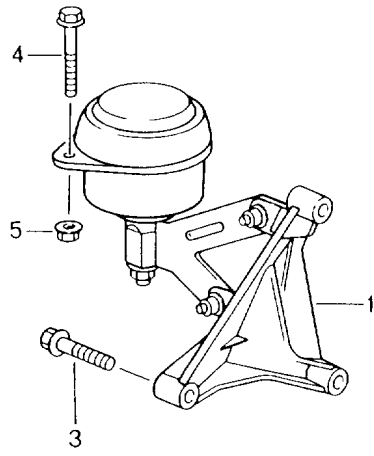
Model: 986 97

Model life 1997>>2004

Pos	Part Number	Description	Remark	Qty	Model
-	999 652 771 12	Connector		1	
-	999 704 161 40	Gasket		2	
-	999 181 389 40	Protective tube		1	

Model: 986 97

Model life 1997>>2004



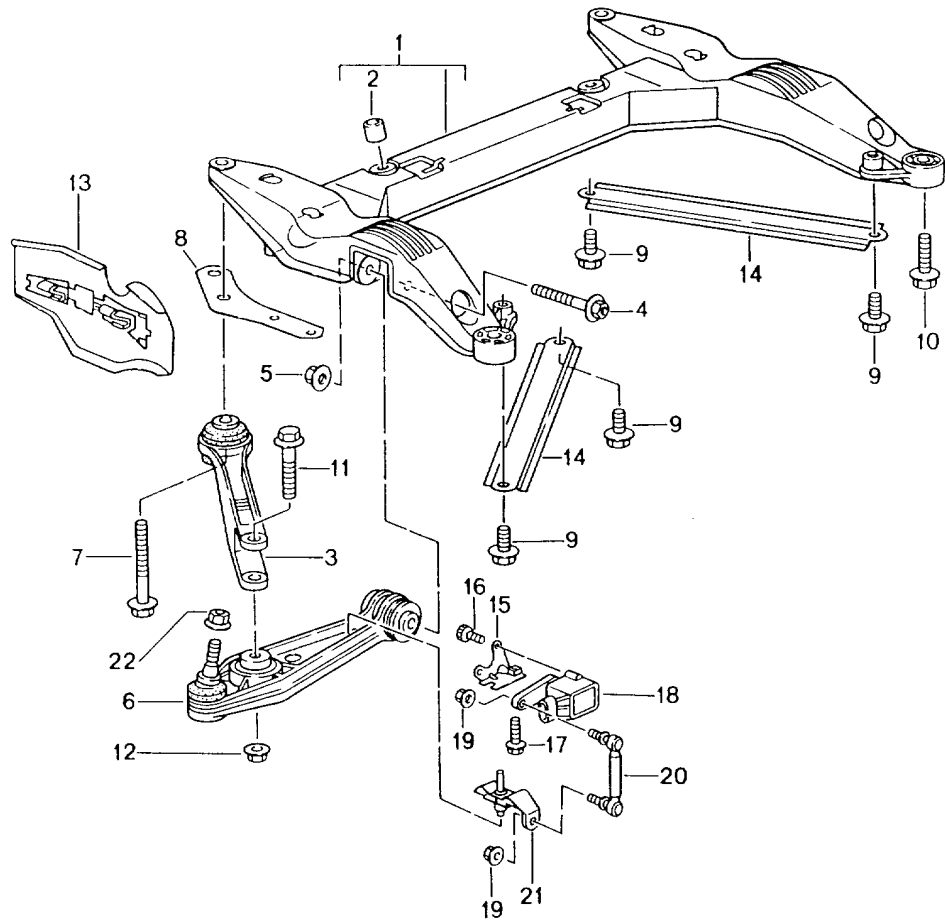
Model: 986 97

Model life 1997&gt;&gt;2004

Pos	Part Number	Description	Remark	Qty	Model
		Tiptronic	-99		A86.00
			00-		A86.05
			00-		A86.20
		Transmission suspension			
		Threaded joint			
		Engine			
1	986 375 094 02	Transmission bracket		1	
		Right			
2	986 375 093 02	Transmission bracket		1	
		Left			
2	986 375 093 04	Transmission bracket		1	
		Left			
3	900 378 076 09	Hexagon-head bolt		6	
		M 10 X 50			
3	900 378 076 01	Hexagon-head bolt		6	
		M 10 X 50			
4	900 378 056 02	Hexagon-head bolt		4	
		M 8 X 60			
5	999 084 447 09	Hexagon nut		4	
		M 8			
6	999 072 008 09	Hexagon-head bolt		1	
		M 12 X 1,5 X 70			
6	999 072 008 01	Hexagon-head bolt		1	
		M 12 X 1,5 X 70			
7	999 072 009 09	Hexagon-head bolt		3	
		M 12 X 1,5 X 90			
7	999 072 009 01	Hexagon-head bolt		3	
		M 12 X 1,5 X 90			
8	999 218 088 09	Stud		1	
		M 10 X 30			
9	900 377 011 09	Hexagon nut		1	
		M 10			
9	900 377 011 01	Hexagon nut		1	
		M 10			
10	999 073 118 09	Pan-head screw		1	
		M 10 X 40			
11	N 905 028 02	Washer		1	
		15 X 28 X 3,5			
11	N 905 028 04	Washer		1	
		15 X 28 X 3,5			
12	999 072 010 09	Hexagon-head bolt		1	
		M 12 X 1,5 X 100			
12	999 072 010 01	Hexagon-head bolt		1	
		M 12 X 1,5 X 100			

Model: 986 97

Model life 1997>>2004



Model: 986 97 Model life 1997>>2004

Pos	Part Number	Description	Remark	Qty	Model
1	996 341 081 05	Cross member Wishbone Cross member F >>98WS6 21398 F >>98WU6 24958		1	
(1)	996 341 081 10	Cross member F 98WS6 21399>> F 98WU6 24959>>	-01	1	
(1)	996 341 081 12	Cross member	02-	1	
(1)	996 341 081 14	Cross member	02-	1	
2	900 197 004 00	Guide sleeve 13 X 14		1	
3	996 341 043 06	Control arm		2	
4	900 378 165 09	Hexagon-head bolt M 12 X 1,5 X 95		2	
5	999 084 445 09	Lock nut M 12 X 1,5		2	
6	996 341 053 06	Wishbone	97	2	
(6)	996 341 053 07	Wishbone	-03	2	
(6)	996 341 053 16	Wishbone	04-	2	
(6)	996 341 941 00	Wishbone Adjustable with Eccentric screw Eccentric washer And Hexagon nut Not with M 601		X	
(6)	996 341 941 01	Wishbone Adjustable with Eccentric screw Eccentric washer And Hexagon nut		X	M601
7	900 378 146 09	Hexagon-head bolt M 14 X 1,5 X 110		2	
8	996 341 145 06	Plate		2	
9	900 378 094 09	Hexagon-head bolt M 12 X 1,5 X 25		4	
10	900 378 145 09	Hexagon-head bolt M 14 X 1,5 X 45 F >>98WS6 21398 F >>98WU6 24958		2	
(10)	900 378 192 09	Hexagon-head bolt M 14 X 1,5 X 50 F 98WS6 21399>> F 98WU6 24959>>	-01	2	
(10)	900 378 192 01	Hexagon-head bolt M 14 X 1,5 X 50 F 98WS6 21399>> F 98WU6 24959>>		2	
11	900 378 135 09	Hexagon-head bolt M 14 X 1,5 X 73		2	
11	900 378 135 01	Hexagon-head bolt M 14 X 1,5 X 73		2	
12	900 380 012 09	Hexagon nut M 14 X 1,5		2	
12	900 380 012 01	Hexagon nut M 14 X 1,5		2	
13	996 341 483 01	Spoiler	/L	1	

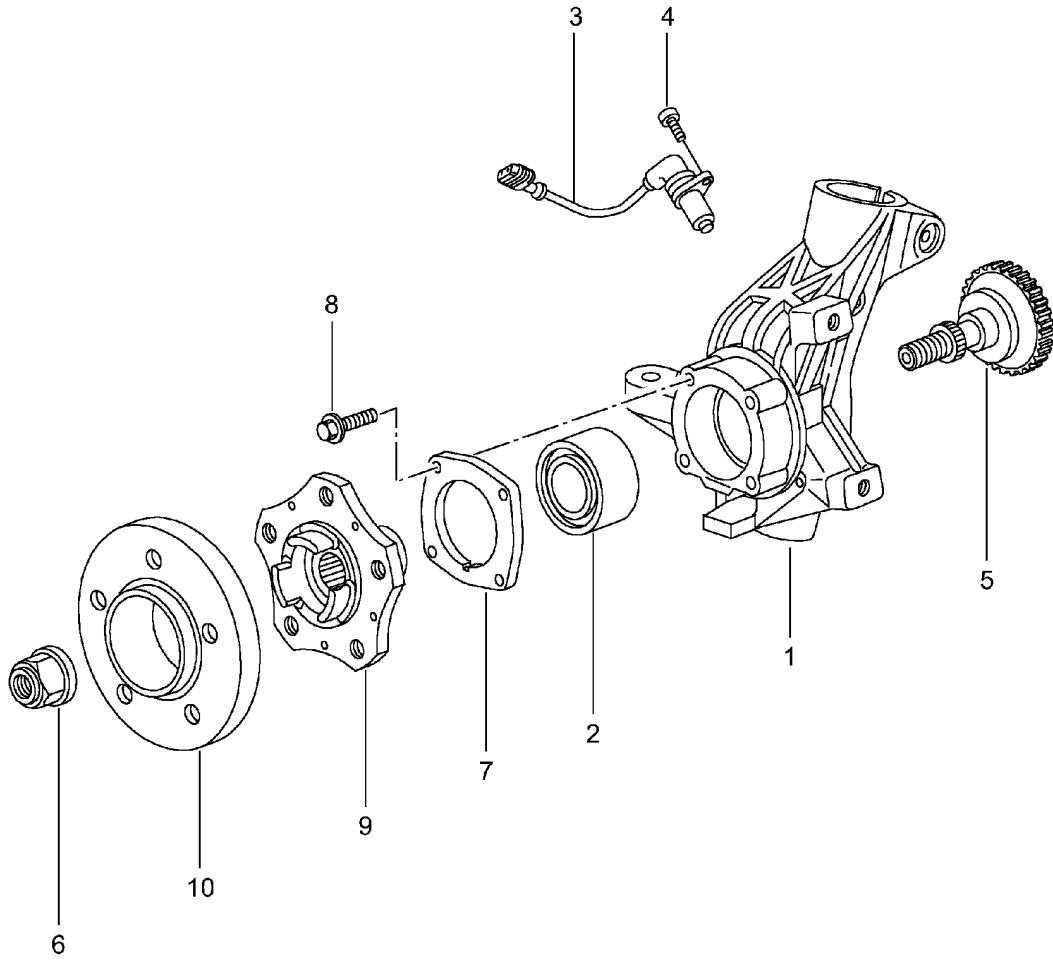
Model: 986 97

Model life 1997&gt;&gt;2004

Pos	Part Number	Description	Remark	Qty	Model
(13)	996 341 484 01	Spoiler	/R	1	
14	996 504 433 00	Strut		2	
15	996 341 511 01	Support	99	1	M601
15	996 341 511 02	Support	00-	1	M601
16	N 014 129 12	Oval-head screw M 5 X 10	99-	2	M601
17	900 378 177 09	Hexagon-head bolt M 6 X 30	99-	1	M601
18	996 631 121 00	Sensor	99-	1	M601
19	900 380 015 09	Hexagon nut VM 6	99-	2	M601
19	900 380 015 01	Hexagon nut VM 6	99-	2	M601
20	996 341 375 01	Strut	99-	1	M601
21	996 341 371 03	Support	99-	1	M601
22	999 084 449 09	Lock nut M 12 X 1,5		2	

Model: 986 97

Model life 1997>>2004



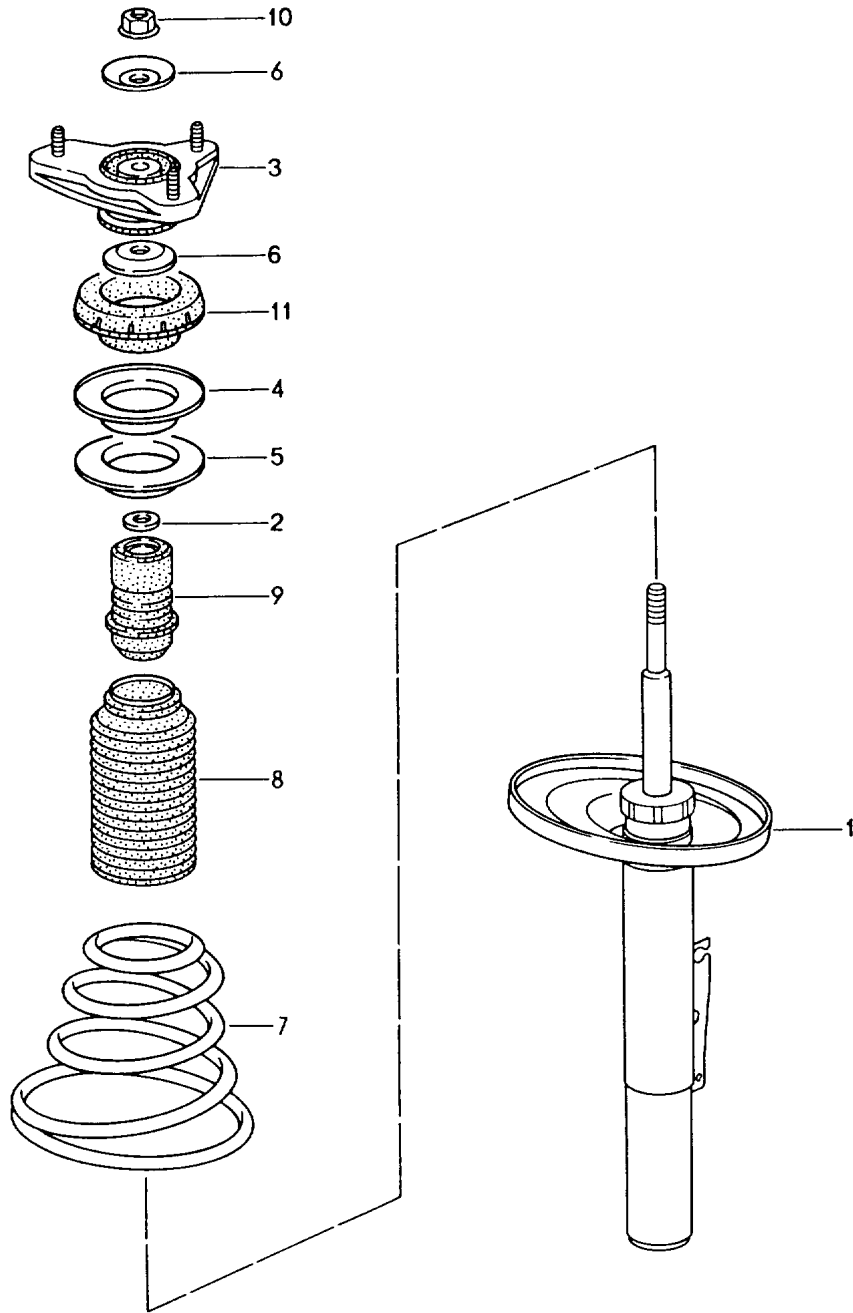


Model: 986 97 Model life 1997>>2004

Pos	Part Number	Description	Remark	Qty	Model
		Wheel carrier			
		Wheel hub			
1	996 341 157 09	Wheel carrier	/L	1	
(1)	996 341 157 11	Wheel carrier	/L	1	
(1)	996 341 957 11	Wheel carrier	/L -00	1	
(1)	996 341 957 12	Wheel carrier	/L	1	
(1)	996 341 158 09	Wheel carrier	/R	1	
(1)	996 341 158 11	Wheel carrier	/R	1	
(1)	996 341 958 11	Wheel carrier	/R -00	1	
(1)	996 341 958 12	Wheel carrier	/R	1	
2	999 053 043 02	Angular-contact bearing		2	
(2)	999 053 041 02	Angular-contact bearing	-00	2	
(2)	999 053 041 03	Angular-contact bearing	01-	2	
3	996 606 406 00	Speed sensor	-01	2	
(3)		Speed sensor	01	2	M476
(3)	996 606 407 02	Speed sensor	02-	2	
(3)	996 606 406 00	Speed sensor	02-	2	M476
-	964 094 400 99	Spacer		X	
		See technical information			
		Group 4			
		NR.1/97			
-	999 507 464 40	Support		2	
4	900 067 117 09	Pan-head screw		2	
		M 6 X 16			
5	996 341 131 01	Tension bolt		2	
6	999 084 634 09	Hexagon nut		2	
		M 22 X 1,5			
(6)	999 084 634 02	Lock nut		2	
		m 22 x 1,5			
7	964 341 661 01	Lid		2	
8	999 217 042 09	Hexagon-head bolt		8	
		M 8 X 35			
9	996 341 605 54	Wheel hub		2	
10	997 361 605 90	Spacer ring	01-	2	IXRP
(10)		Spacer ring	04	2	M091
		5 MM			
		See technical information			
		Group 4			
		NR.1/04			
		NR.2/04			

Model: 986 97

Model life 1997>>2004



Model: 986 97 Model life 1997>>2004

Pos	Part Number	Description	Remark	Qty	Model
		suspension			
		Shock absorber strut			
(1)	986 343 041 02	Shock absorber	-99	2	
		- bilstein -			
(1)	986 343 041 04	Shock absorber	-99	2	
		- bilstein -			
(1)	986 343 041 20	Shock absorber	00-	2	
		- bilstein -			
(1)	986 343 041 22	Shock absorber	00-	2	
		- bilstein -			
(1)	986 343 041 13	Shock absorber	-99	2	M030
		- bilstein -			
(1)	986 343 041 17	Shock absorber	-99	2	M030
		- bilstein -			
(1)	986 343 041 31	Shock absorber	00-	2	M030
		- bilstein -			
(1)	986 343 041 35	Shock absorber	00-	2	M030
		- bilstein -			
		Mount			
		Shock absorber			
-	900 378 138 09	Hexagon-head bolt		2	
		M 12 X 1,5 X 70			
-	900 378 138 01	Hexagon-head bolt		2	
		M 12 X 1,5 X 70			
-	999 084 445 09	Lock nut		2	
		M 12 X 1,5			
2	996 343 513 00	Washer		2	
3	996 343 018 04	Supporting mount	-03	2	
(3)	997 343 018 00	Supporting mount	04-	2	
(3)	997 343 018 01	Supporting mount	04-	2	
-	999 084 447 09	Hexagon nut		6	
		M 8			
-	999 084 447 01	Hexagon nut		6	
		M 8			
-	999 703 457 40	Lid		2	
4	996 343 517 01	Support ring		2	
5	996 343 511 00	Compensating plate		X	
		3,0 MM			
(5)	996 343 511 01	Compensating plate		X	
		6,5 MM			
6	996 343 107 02	Stop plate	-99	4	
(6)	996 343 107 03	Stop plate	00-	4	
7	986 343 531 02	Coil spring	-02	1	
		1 set			
	986 343 531 02 504	Identification			
		Blue			
		White			
(7)	986 343 531 06	Coil spring	03-	1	
		1 set			
	986 343 531 06 504	Identification			
		Blue			
		White			
(7)	986 343 531 12	Coil spring	-02	1	M030
		1 set			
	986 343 531 12 504	Identification			
		Yellow			
		White			
(7)	986 343 531 16	Coil spring	03-	1	M030
		1 set			
	986 343 531 16 504	Identification			
		Yellow			
		White			
8	996 343 505 00	Bellows		2	

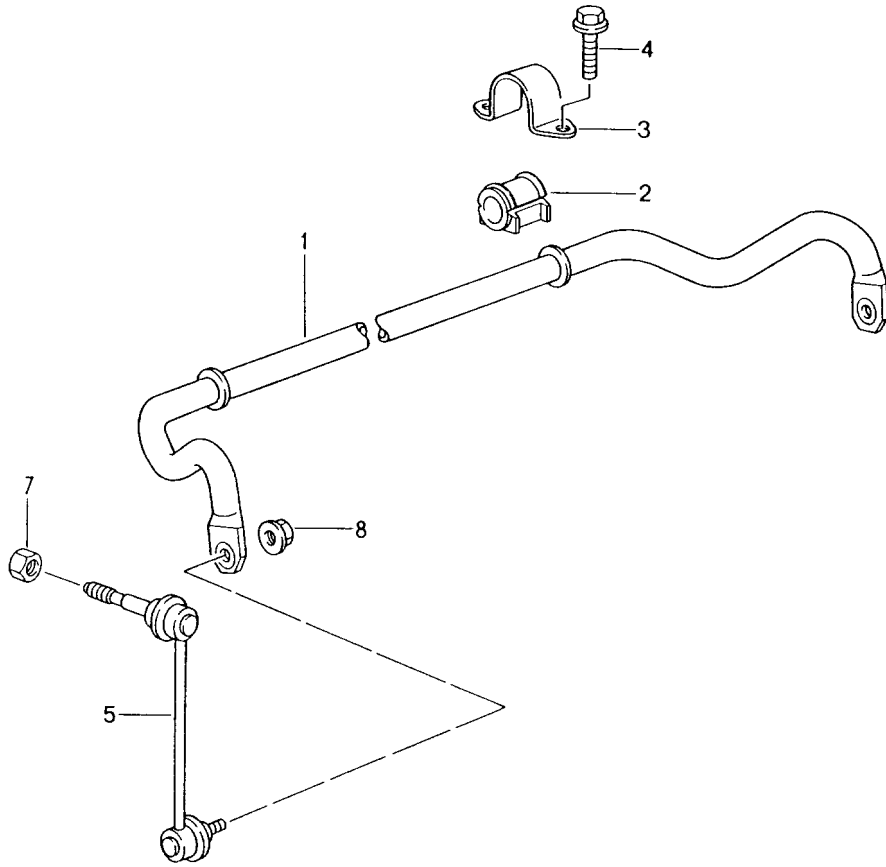
Model: 986 97

Model life 1997>>2004

Pos	Part Number	Description	Remark	Qty	Model
9	996 343 301 02	Additional spring		2	
10	900 380 012 09	Hexagon nut M 14 X 1,5		2	
10	900 380 012 01	Hexagon nut M 14 X 1,5		2	
11	996 343 515 03	Deep-groove ball bearing with housing	97	2	
(11)	996 343 515 04	Deep-groove ball bearing with housing	98-	2	
(11)	996 343 515 05	Deep-groove ball bearing with housing	00-	2	

Model: 986 97

Model life 1997>>2004



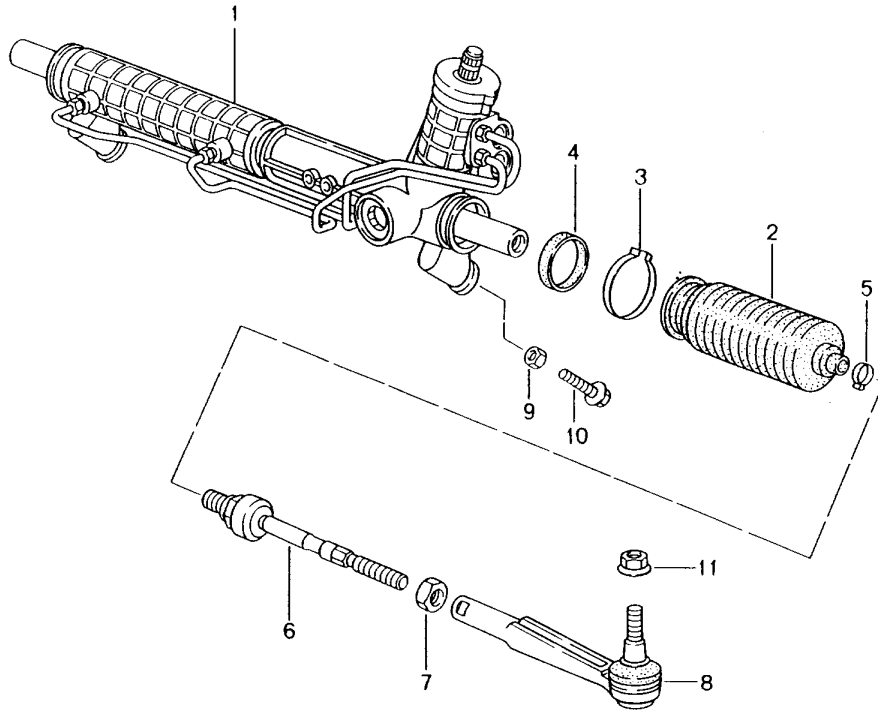
Model: 986 97

Model life 1997&gt;&gt;2004

Pos	Part Number	Description	Remark	Qty	Model
1	996 343 701 09	Stabiliser		1	
(1)	996 343 701 04	Stabiliser	-99	1	M030
(1)	996 343 701 21	Stabiliser	-99	1	M030
(1)	996 343 701 09	Stabiliser	00-	1	
(1)	996 343 701 04	Stabiliser	00-	1	M008
			00-	1	M030
(1)	996 343 701 21	Stabiliser	00-	1	M008
			00-	1	M030
(1)	996 343 701 10	Stabiliser	00-	1	M008/030
(1)	996 343 701 23	Stabiliser	00-	1	M008/030
2	996 343 792 14	Stabiliser mounting	-99	2	
(2)	996 343 792 12	Stabiliser mounting	-99	2	M030
(2)	996 343 792 14	Stabiliser mounting	00-	2	
(2)	996 343 792 12	Stabiliser mounting	00-	2	M008
			00-	2	M030
(2)	996 343 792 17	Stabiliser mounting	00-	2	M008/030
3	996 343 777 01	Clip		2	
4	900 378 070 09	Hexagon-head bolt M 10 X 30		4	
5	996 343 069 02	Stabiliser mounting	/L -99	1	
(5)	996 343 069 03	Stabiliser mounting	/L 00-	1	
(5)	996 343 069 04	Stabiliser mounting	/L 00-	1	
(5)	996 343 070 02	Stabiliser mounting	/R -99	1	
(5)	996 343 070 03	Stabiliser mounting	/R 00-	1	
(5)	996 343 070 04	Stabiliser mounting	/R 00-	1	
7	999 084 445 09	Lock nut M 12 X 1,5		2	
8	999 084 643 09	Hexagon nut M10		2	

Model: 986 97

Model life 1997>>2004



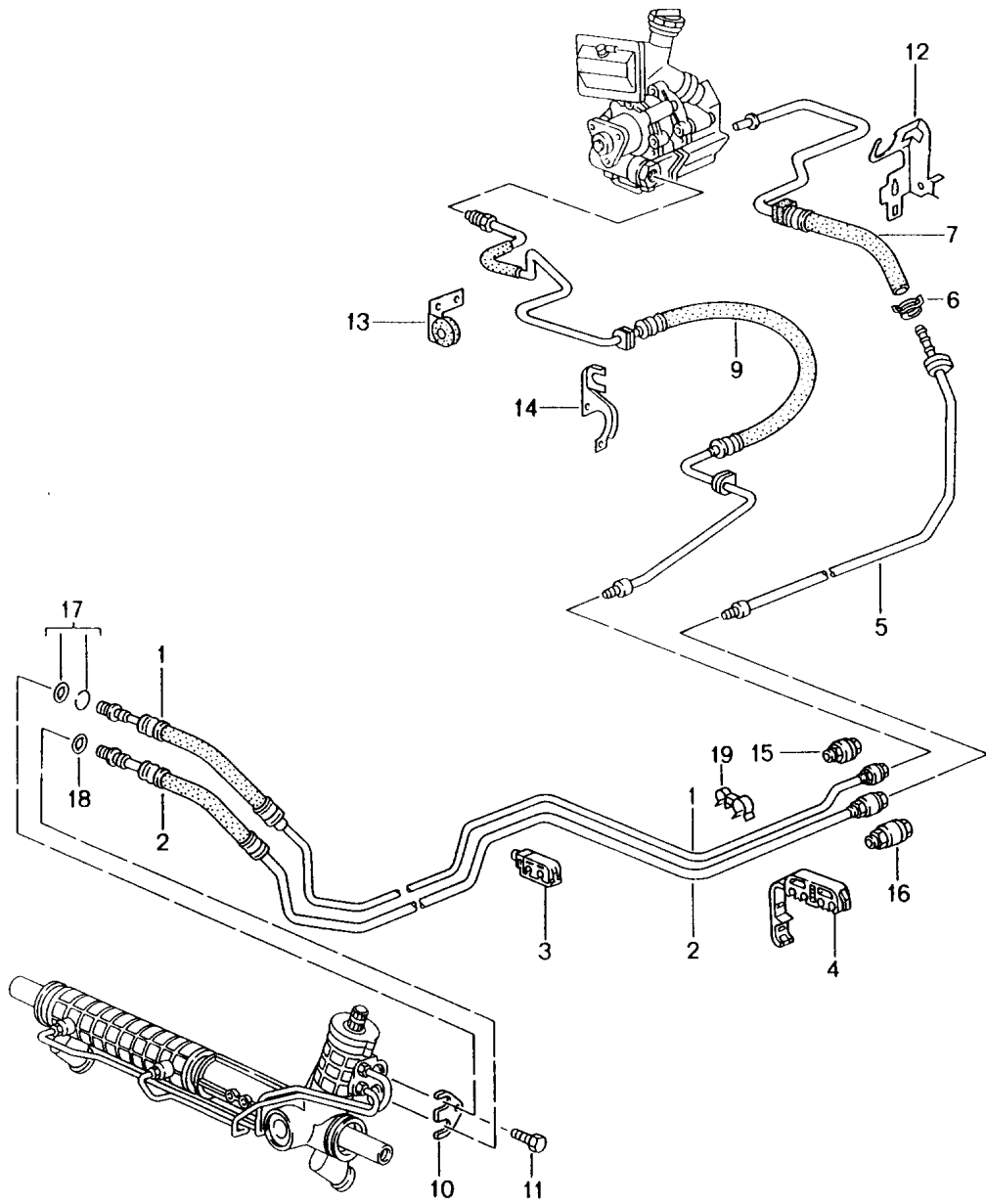
Model: 986 97 Model life 1997>>2004

Pos	Part Number	Description	Remark	Qty	Model
1	996 347 011 04	Power steering Steering gear Steering parts Steering gear	/LL 97	1	
(1)	996 347 011 05	Power steering Steering gear	/LL 98-	1	
(1)	996 347 011 06	Power steering Steering gear	/LL 98-	1	
(1)	996 347 011 07	Power steering Steering gear	/LL	1	
(1)	996 347 011 10	Power steering Steering gear	/LL	1	
-	996 347 110 01	Power steering Clip Pinion Steering gear	-03	1	
-	996 347 110 02	Clip Pinion Steering gear	04-	1	
2	996 347 191 02	Bellows for Steering gear 996.347.011.04 996.347.011.05		2	
(2)	996 347 191 04	Bellows for Steering gear 996.347.011.06/07		2	
3	996 347 293 03	Clamping ring for Steering gear 996.347.011.04 996.347.011.05		2	
(3)	996 347 293 04	Clamping ring for Steering gear 996.347.011.06/07		2	
4	996 347 373 00	Sealing ring		2	
(4)	997 347 373 00	Sealing ring for Steering gear 996.347.011.04 996.347.011.05		2	
(4)		Sealing ring for Steering gear 996.347.011.06/07		2	
5	999 512 645 09	Hose clamp		2	
6	996 347 322 03	Joint		2	
7	900 034 024 07	Hexagon nut M 14 X 1,5		2	
7	900 034 024 01	Hexagon nut M 14 X 1,5		2	
8	996 347 131 03	Track rod		2	
9		See illustrations 4/01/00 POS.2			
10	900 378 100 01	Hexagon-head bolt AM 10 X 45		2	
11	999 084 449 09	Lock nut M 12 X 1,5		2	



Model: 986 97

Model life 1997>>2004



Model: 986 97 Model life 1997>>2004

Pos	Part Number	Description	Remark	Qty	Model
		Power steering Lines			
1	996 347 451 08	Pressure line	/LL -01	1	
(1)	996 347 451 11	Pressure line	/LL -01	1	
(1)	996 347 451 09	Pressure line	/LL 02	1	
(1)	996 347 451 10	Pressure line	/LL 03-	1	
2	996 347 449 06	Return line	/LL -01	1	
(2)	996 347 449 09	Return line	/LL 02-	1	
3	996 347 543 00	Cable holder		X	
4	996 355 543 00	Support		1	
5	986 347 441 07	Return line	-98	1	
(5)	986 347 441 08	Return line	99-	1	
(5)	986 347 441 09	Return line	99-	1	
6	999 512 639 09	Spring clamp		1	
7	986 347 439 03	Return line	-99	1	
(7)	986 347 439 04	Return line	-02	1	
(7)	986 347 439 05	Return line	03-	1	
(7)	986 347 439 06	Return line	03-	1	
(7)	986 347 439 07	Return line	03-	1	
8	996 355 543 00	Support		1	
-	999 230 578 40	Circlip for Threaded joint Return line	04-	1	
9	986 347 443 09	Pressure line	-98	1	
(9)	986 347 443 10	Pressure line	99	1	
(9)	986 347 443 12	Pressure line	00-	1	
(9)	986 347 443 13	Pressure line	00-	1	
(9)	986 347 443 15	Pressure line	03-	1	
-	986 347 777 00	Bracket for Pressure line		1	
-	999 707 355 40	Sealing ring 7,65 X 1,65 for Pressure line 986.347.443.09/10/12/13		1	
-	999 707 503 40	Sealing ring 7,80 X 1,70 for Pressure line 986.347.443.14		1	
-	999 507 610 09	Support Return line	99-	1	
10	996 347 769 01	Pressure line		1	
11	900 067 063 02	Tension shackle Pan-head screw M 10 X 20		1	
12	986 347 759 01	Support		1	
13	986 347 739 03	Support	-02	1	
(13)	986 347 739 04	Support	03-	1	
14	986 347 749 02	Support	-02	1	
(14)	986 347 749 04	Support	03-	1	
		Mount Pressure line Return line Power steering			
-	996 347 671 01	Support Left	/RL	1	
-	996 347 672 01	Support Right	/RL	1	
15	999 230 539 10	Threaded joint		1	
(15)	999 230 552 10	Threaded joint		1	

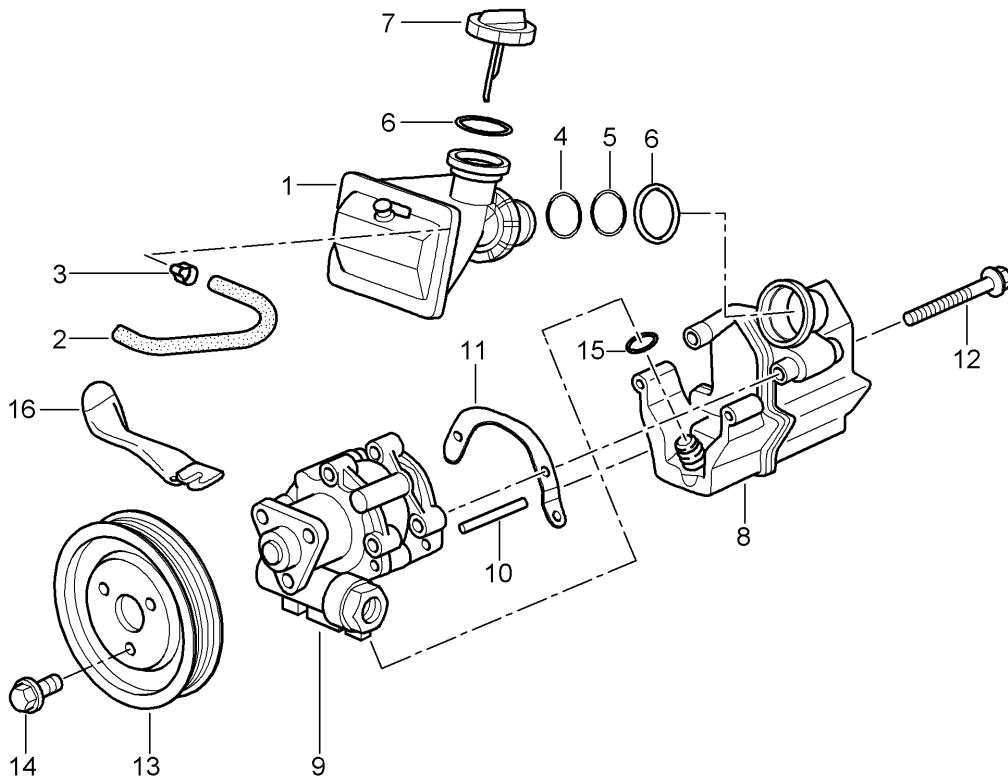
Model: 986 97

Model life 1997>>2004

Pos	Part Number	Description	Remark	Qty	Model
16	999 230 540 10	Threaded joint		1	
(16)	999 230 551 10	Threaded joint		1	
-	999 230 685 40	Circlip for Threaded joint		1	
17	999 230 543 40	Repair kit Gaskets		1	
18	999 230 542 40	O-ring		1	

Model: 986 97

Model life 1997>>2004

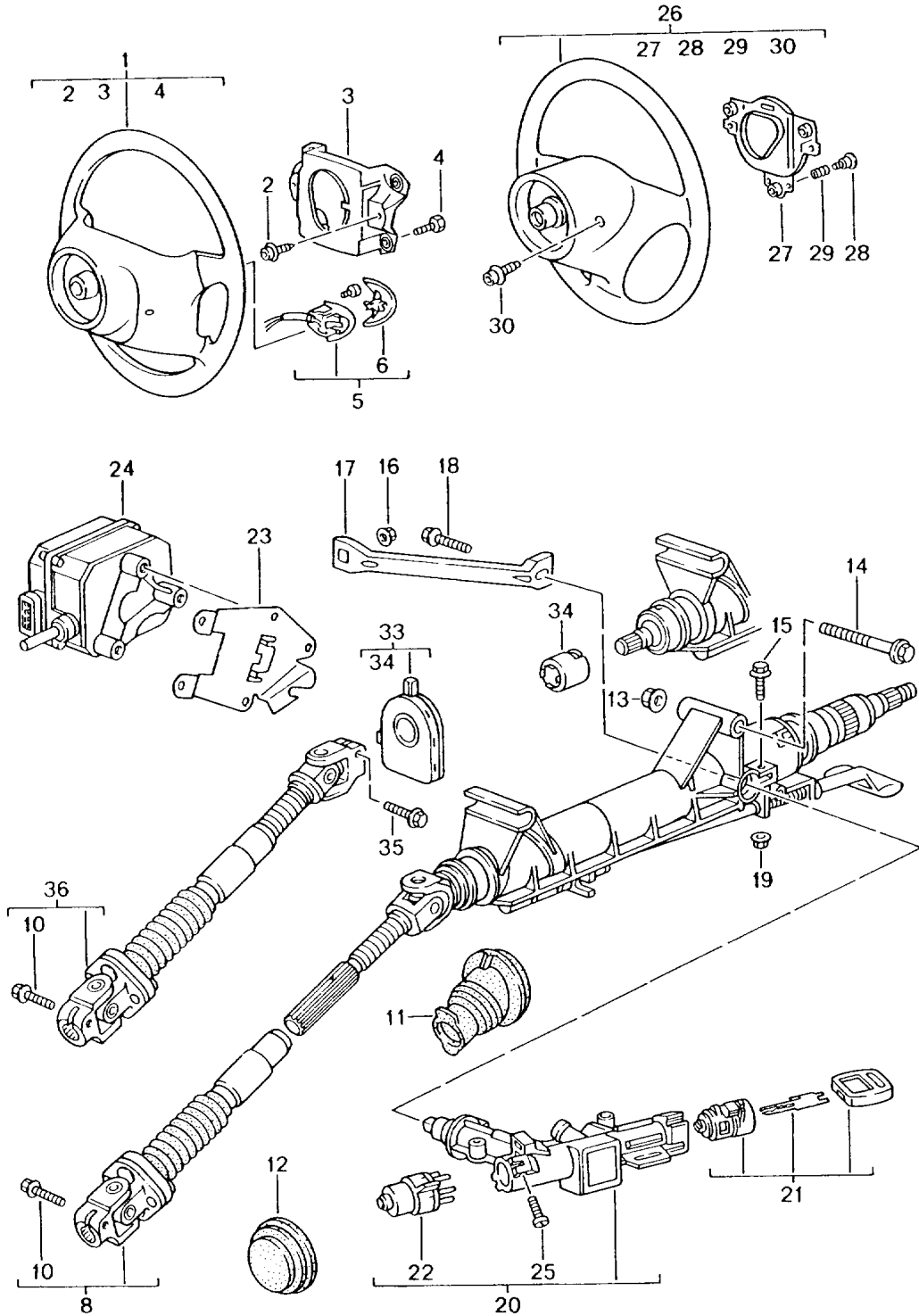


Model: 986 97 Model life 1997>>2004

Pos	Part Number	Description	Remark	Qty	Model
		Power steering Power-steering pump Container			
1	986 314 225 01	Expansion tank		1	
2	986 314 545 00	Breather hose		1	
3	999 512 527 00	Clamp		1	
4	999 707 362 40	Sealing ring		1	
5	999 707 363 40	Sealing ring		1	
6	999 701 154 40	Sealing ring		2	
7	986 314 223 00	Lid		1	
8	996 314 220 03	Oil tank	-02	1	
(8)	997 314 220 00	Oil tank		1	
9	996 314 050 02	Power-steering pump		1	
10	996 314 320 03	Straight pin		2	
11	996 314 431 05	Bracket		1	
12	900 378 105 09	Hexagon-head bolt AM 8 X 70		2	
13	996 147 223 60	Pulley	-99	1	M249
			-99	1	M480/574
(13)	996 147 223 53	Pulley	-99	1	M480/573
(13)	996 147 223 60	Pulley	00-	1	
14	900 378 123 09	Hexagon-head bolt M 8 X 12		3	
15	999 707 204 40	Sealing ring 12.5 X 2N		1	
16	986 426 287 02	Support F >>98WS6 20894		1	M249
-	000 043 203 33	Pentosin 1000 ML		X	
-	000 043 206 56	Pentosin 1000 ML		X	

Model: 986 97

Model life 1997>>2004



Model: 986 97 Model life 1997>>2004

Pos	Part Number	Description	Remark	Qty	Model
1	993 347 804 55	Steering outer tube Steering shaft Steering wheels Steering wheel		1	M481
	993 347 804 55 8YR	Black			
	993 347 804 55 A28	Black			
(1)	993 347 804 56	Steering wheel	98-01	1	M481
	993 347 804 56 8YR	Black	-00		
	993 347 804 56 A28	Black	01		
(1)	993 347 804 63	Steering wheel		1	M249
	993 347 804 63 8YR	Black			
	993 347 804 63 A28	Black			
(1)	993 347 804 64	Steering wheel	98-01	1	M249
	993 347 804 64 8YR	Black	-00		
	993 347 804 64 A28	Black	01		
		Mount Steering wheel Steering shaft			
-	N 012 238 1	Spring washer		1	
		B 16			
-	900 078 006 01	Hexagon nut		1	
		M 16 X 1,5			
2	999 073 134 02	Pan-head screw		2	
		M 6 X 9,1			
3	993 347 088 01	Retaining frame		1	
4	999 073 127 02	Hexagon-head bolt		2	
		M 5 X 20			
5	993 347 831 00	Switch without	98-	1	M249
		Lever		1	M432
6	993 347 835 00	Lever	/L	1	M249
			/L 98-	1	M432
	993 347 835 00 01C	Black			
(6)	993 347 836 00	Lever	/R	1	M249
			/R 98-	1	M432
	993 347 836 00 01C	Black			
7	900 146 016 02	Oval-head screw		4	M249
		M 3 X 6		4	M432
8	996 347 007 01	Steering column Complete with	97	1	
		Steering shaft			
(8)	996 347 007 04	Steering column Complete with	-99	1	
		Steering shaft			
(8)	996 347 007 05	Steering column Complete with	00-	1	
		Steering shaft			
(8)	996 347 007 09	Steering column Complete with	00-	1	
		Steering shaft			
(8)	996 347 007 02	Steering column Complete with Steering shaft	01-	1	M476

Model: 986 97 Model life 1997>>2004

Pos	Part Number	Description	Remark	Qty	Model
(8)	996 347 007 06	Steering column Complete with Steering shaft See technical manual Group 4 NR.45....	01-	1	M476
(8)	996 347 007 07	Steering column Complete with Steering shaft	03-	1	M476
(8)	996 347 007 08	Steering column Complete with Steering shaft	03-	1	M476
9	986 347 025 00	Universal joint		1	
10	999 217 042 09	Hexagon-head bolt M 8 X 35		1	
11	986 347 037 00	Bellows	-99	1	
(11)	986 347 037 01	Bellows Information available	00- 00-	1	
12	996 347 339 02	Rubber seal		1	
13	900 380 008 09	Lock nut M 10		1	
13	900 380 008 01	Hexagon nut M 10		1	
14	900 378 095 09	Hexagon-head bolt M 10 X 100		1	
15	900 378 157 09	Hexagon-head bolt AM 6 X 25		1	
16	999 076 055 09	Hexagon nut M 8		1	
17	996 347 243 01	Strut		1	
18	900 378 055 09	Hexagon-head bolt AM 8 X 40		1	
19	900 377 002 02	Hexagon nut M 6		1	
20	996 347 017 03	Steering lock		1	
(20)	996 347 017 04	Steering lock		1	
(20)	996 347 017 05	Steering lock housing		1	
(20)	996 347 017 06	Steering lock	-03	1	
(20)	996 347 017 07	Steering lock See technical information Group 2 NR.1/03	04-	1	
21	996 347 917 00	Lock cylinder with stipulated lock number	-01	1	
(21)	996 347 917 01	Lock cylinder with stipulated lock number	02-	1	
(21)	996 347 915 00	Lock cylinder W/o stipulated lock number	-01	1	
(21)	996 347 915 01	Lock cylinder W/o stipulated lock number	02-	1	
(21)	996 347 915 02	Lock cylinder W/o stipulated lock number		1	
22	4A0 905 849	Ignition starter switch		1	
(22)	4A0 905 849 B	Ignition starter switch	-03	1	
(22)	4B0 905 849	Ignition starter switch See technical information Group 2 NR.1/03	04-	1	
24	996 617 021 03	Control unit Cruise control	97	1	



Model: 986 97 Model life 1997>>2004

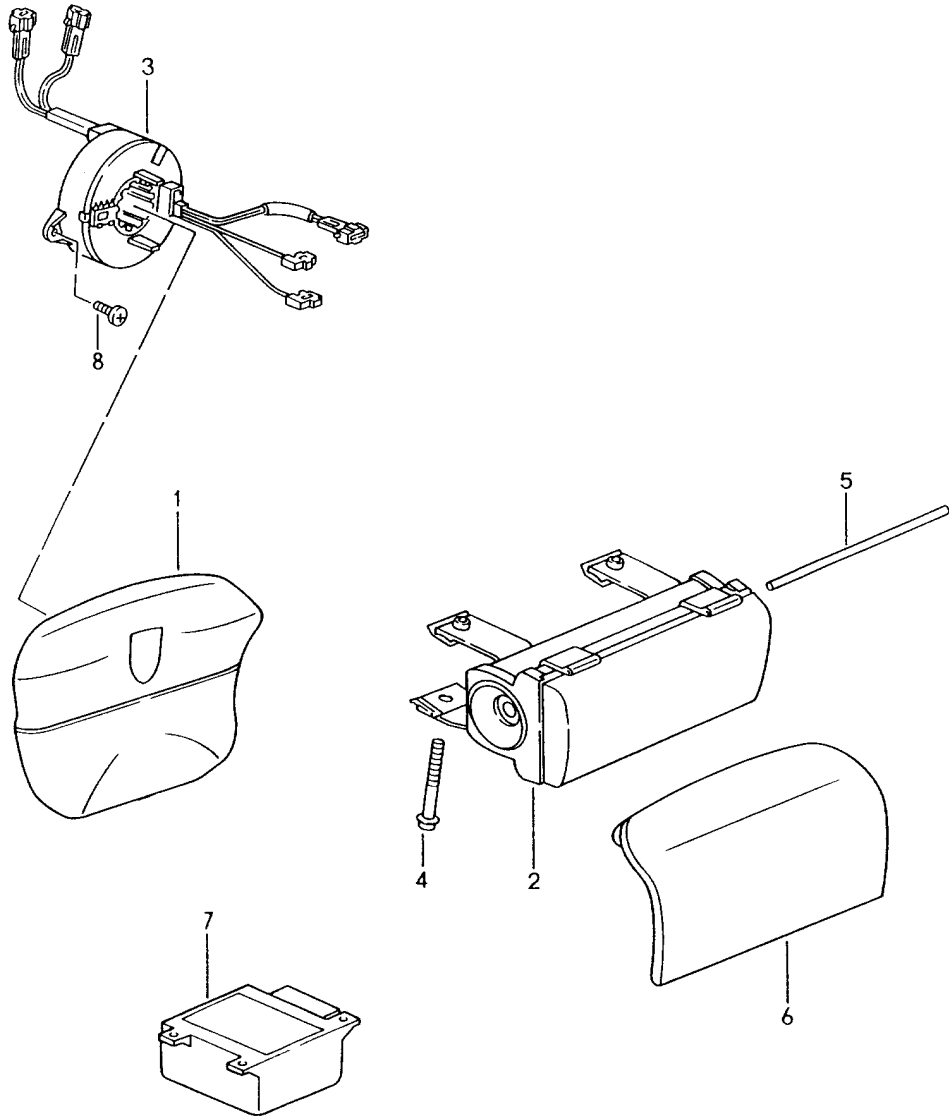
Pos	Part Number	Description	Remark	Qty	Model
(24)	996 617 021 04	Control unit Cruise control	98-	1	
25	996 347 901 00	Slotted screw		2	
26	996 347 804 52	Steering wheel	98-	1	M436
	996 347 804 52 8YR	Black			
	996 347 804 52 B50	Space grey			
	996 347 804 52 C50	Graphite grey			
	996 347 804 52 G10	Metropole blue			
	996 347 804 52 S30	Savanna			
(26)	996 347 804 53	Steering wheel	99	1	M436
	996 347 804 53 8YR	Black			
	996 347 804 53 B50	Space grey			
	996 347 804 53 C50	Graphite grey			
	996 347 804 53 G10	Metropole blue			
	996 347 804 53 S30	Savanna			
(26)	996 347 804 54	Steering wheel	00-	1	M436
	996 347 804 54 A08	Black	-00		
	996 347 804 54 A28	Black	01-		
	996 347 804 54 B50	Space grey			
	996 347 804 54 C56	Graphite grey	-00		
	996 347 804 54 C60	Graphite grey	01-		
	996 347 804 54 G16	Metropole blue	-00		
	996 347 804 54 G30	Metropole blue	01-		
	996 347 804 54 S36	Savanna	-00		
	996 347 804 54 S40	Savanna	01-		
	996 347 804 54 J40	Nephrite green	03		
	996 347 804 54 M40	Boxster red	03-		
	996 347 804 54 P20	Cinnamon brown	03-		
	996 347 804 54 D11	Dark grey/natural	03-		
	996 347 804 54 T11	Brown/natural	03-		
(26)	996 347 804 57	Steering wheel	04	1	M091/436
	996 347 804 57 EWE	Cocoa			
	996 347 804 57 VTB	Dark grey/natural			
(26)	996 347 983 28	3-spoke steering wheel	03-	1	IXPG
	996 347 983 28 A28	Black			
	996 347 983 28 C60	Graphite grey			
	996 347 983 28 S40	Savanna			
	996 347 983 28 G30	Metropole blue			
	996 347 983 28 J40	Nephrite green	03		
	996 347 983 28 M40	Boxster red			
	996 347 983 28 P20	Cinnamon brown			
	996 347 983 28 D11	Dark grey/natural			
	996 347 983 28 T11	Brown/natural			
(26)	996 347 804 62	Steering wheel	98-	1	M436 M432
	996 347 804 62 8YR	Black			
	996 347 804 62 B50	Space grey			
	996 347 804 62 C50	Graphite grey			
	996 347 804 62 G10	Metropole blue			
	996 347 804 62 S30	Savanna			
(26)	996 347 804 63	Steering wheel	99	1	M436 M432
	996 347 804 63 8YR	Black			
	996 347 804 63 B50	Space grey			
	996 347 804 63 C50	Graphite grey			
	996 347 804 63 G10	Metropole blue			
	996 347 804 63 S30	Savanna			
(26)	996 347 804 64	Steering wheel	00-	1	M436 M432
	996 347 804 64 A08	Black	-00		
	996 347 804 64 A28	Black	01-		
	996 347 804 64 B50	Space grey			
	996 347 804 64 C56	Graphite grey	-00		

Model: 986 97 Model life 1997>>2004

Pos	Part Number	Description	Remark	Qty	Model
	996 347 804 64 C60	Graphite grey	01-		
	996 347 804 64 G16	Metropole blue	-00		
	996 347 804 64 G30	Metropole blue	01-		
	996 347 804 64 S36	Savanna	-00		
	996 347 804 64 S40	Savanna	01-		
	996 347 804 64 J40	Nephrite green	03		
	996 347 804 64 M40	Boxster red	03-		
	996 347 804 64 P20	Cinnamon brown	03-		
	996 347 804 64 D11	Dark grey/natural	03-		
	996 347 804 64 T11	Brown/natural	03-		
(26)	996 347 804 67	Steering wheel	04	1	M091 M432/436
	996 347 804 67 EWE	Cocoa			
	996 347 804 67 VTB	Dark grey/natural			
(26)	996 347 983 29	3-spoke steering wheel	03-	1	IXPG/M432
	996 347 983 29 A28	Black			
	996 347 983 29 C60	Graphite grey			
	996 347 983 29 S40	Savanna			
	996 347 983 29 G30	Metropole blue			
	996 347 983 29 J40	Nephrite green	03		
	996 347 983 29 M40	Boxster red			
	996 347 983 29 P20	Cinnamon brown			
	996 347 983 29 D11	Dark grey/natural			
	996 347 983 29 T11	Brown/natural			
-	996 347 831 00	Switch without Lever	98-	1 1	M436 M432
-	996 347 835 00	Lever	98-	1	M436
	996 347 835 00 01C	Black			
-	996 347 836 00	Lever	98-	1	M436
	996 347 836 00 01C	Black Mount Steering wheel Steering shaft			
-	N 012 238 1	Spring washer		1	
-	900 078 006 01	Hexagon nut M 16 X 1,5		1	
27	996 347 880 00	Retaining frame	98-	1	M436
(27)	996 347 880 01	Retaining frame	99	1	
(27)	996 347 880 02	Retaining frame	00-	1	
28	999 073 184 02	Round head screw M 5 X 18,7	98-	2	M436
29	999 521 079 02	Compression spring	98-	2	M436
30	999 073 183 02	Pan-head screw M 6 X 10,5	98-	2	M436
33	996 606 109 02	Steering-angle sensor See technical manual Group 4 NR.45....	-02	1	M476
(33)	996 606 119 00	Steering-angle sensor	03-	1	M476
-	996 610 123 00	Cable guide for Steering-angle sensor	-02	1	M476
-	996 610 123 01	Cable guide for Steering-angle sensor	03-	1	M476
34	996 347 705 00	Adapter	01-	1	M476
35	999 217 042 09	Hexagon-head bolt	01-	1	M476
36	996 347 023 00	Steering shaft	01-	1	M476
36	996 347 023 01	Steering shaft	01-	1	M476

Model: 986 97

Model life 1997>>2004



Model: 986 97 Model life 1997>>2004

Pos	Part Number	Description	Remark	Qty	Model
1	996 803 089 01	Airbag Airbag unit Four-spoke steering wheel Plastic material		1	
(1)	996 803 089 01 1DB 996 803 089 03	Black Airbag unit Four-spoke steering wheel Plastic material		1	
(1)	996 803 089 03 8YR 996 803 089 03 A28	Black Black	-00 01-	1	
(1)	996 803 089 10	Airbag unit Four-spoke steering wheel Plastic material		1	
(1)	996 803 089 10 8YR 996 803 089 02	Black Airbag unit 3-spoke steering wheel Plastic material	-00 -99	1	M436
(1)	996 803 089 02 8YR 996 803 089 07	Black Airbag unit 3-spoke steering wheel Plastic material	-99	1	M436
(1)	996 803 089 07 A28 996 803 089 04	Black Airbag unit 3-spoke steering wheel Plastic material	00	1	M436
(1)	996 803 089 04 A08 996 803 089 08	Black Airbag unit 3-spoke steering wheel Plastic material	00	1	M436
(1)	996 803 089 08 A08 996 803 089 02	Black Airbag unit 3-spoke steering wheel Plastic material	01-02	1	M436
(1)	996 803 089 02 A28 996 803 089 07	Black Airbag unit 3-spoke steering wheel Plastic material	01-02	1	M436
(1)	996 803 089 07 A28 996 803 089 02	Black Airbag unit 3-spoke steering wheel Plastic material	03-	1	M436
(1)	996 803 089 02 A28 996 803 089 02 C60 996 803 089 02 S40 996 803 089 02 G30 996 803 089 02 J40 996 803 089 02 M40 996 803 089 02 P20 996 803 089 02 D11 996 803 089 02 T11 996 803 089 07	Black Graphite grey Savanna Metropole blue Nephrite green Boxster red Cinnamon brown Dark grey/natural Brown/natural Airbag unit 3-spoke steering wheel Plastic material	03	1	M436
(1)	996 803 089 07 A28 996 803 089 07 C60 996 803 089 07 S40 996 803 089 07 G30 996 803 089 07 J40 996 803 089 07 M40 996 803 089 07 P20 996 803 089 07 D11 996 803 089 07 T11 996 803 089 07	Black Graphite grey Savanna Metropole blue Nephrite green Boxster red Cinnamon brown Dark grey/natural Brown/natural Airbag unit	03	1	M436

Model: 986 97 Model life 1997>>2004

Pos	Part Number	Description	Remark	Qty	Model
(1)	996 803 089 07 J40 996 803 089 07 G30 996 803 089 05	3-spoke steering wheel Plastic material Nephrite green Metropole blue Airbag unit		17	M091
(1)	996 803 089 05 9Q3 996 803 089 05 D11 996 803 089 09	3-spoke steering wheel Cocoa Dark grey/natural Airbag unit		17	M091
(1)	996 803 089 09 9Q3 996 803 089 09 D11 996 803 980 02	3-spoke steering wheel Cocoa Dark grey/natural Airbag unit		1	XNT X26/X77 X30
		Four-spoke steering wheel Leather Crest Embossed	00-01		
	996 803 980 02 8YR 996 803 980 02 A28 996 803 980 02 C50 996 803 980 02 C60 996 803 980 02 S30 996 803 980 02 S40 996 803 980 02 G10 996 803 980 02 G30 996 803 980 02 J30 996 803 980 02 J40 996 803 980 02 M30 996 803 980 02 M40 996 803 980 02 P20 996 803 980 02 D11 996 803 980 02 T11	Black Black Graphite grey Graphite grey Savanna Savanna Metropole blue Metropole blue Nephrite green Nephrite green Boxster red Boxster red Cinnamon brown Dark grey/natural Brown/natural			
(1)	996 803 980 01	Airbag unit	98-99	1	IXPA/XPD XPE
		3-spoke steering wheel Leather Crest Coloured			
	996 803 980 01 8YR 996 803 980 01 C50 996 803 980 01 S30 996 803 980 01 G10 996 803 980 01 J30 996 803 980 01 M30	Black Graphite grey Savanna Metropole blue Nephrite green Boxster red			
(1)	996 803 980 03	Airbag unit	00	1	IXPA/XPD IXPC
		3-spoke steering wheel Leather Crest Silver			
	996 803 980 03 8YR 996 803 980 03 C50 996 803 980 03 S30 996 803 980 03 G10 996 803 980 03 J30 996 803 980 03 M30 996 803 980 03 D11 996 803 980 03 T11	Black Graphite grey Savanna Metropole blue Nephrite green Boxster red Dark grey/natural Brown/natural			
(1)	996 803 980 01	Airbag unit	01-	1	IXPA/XPD IXPC IXPG
		3-spoke steering wheel Leather Crest Coloured	03-		
	996 803 980 01 A28 996 803 980 01 C60	Black Graphite grey			

Model: 986 97 Model life 1997>>2004

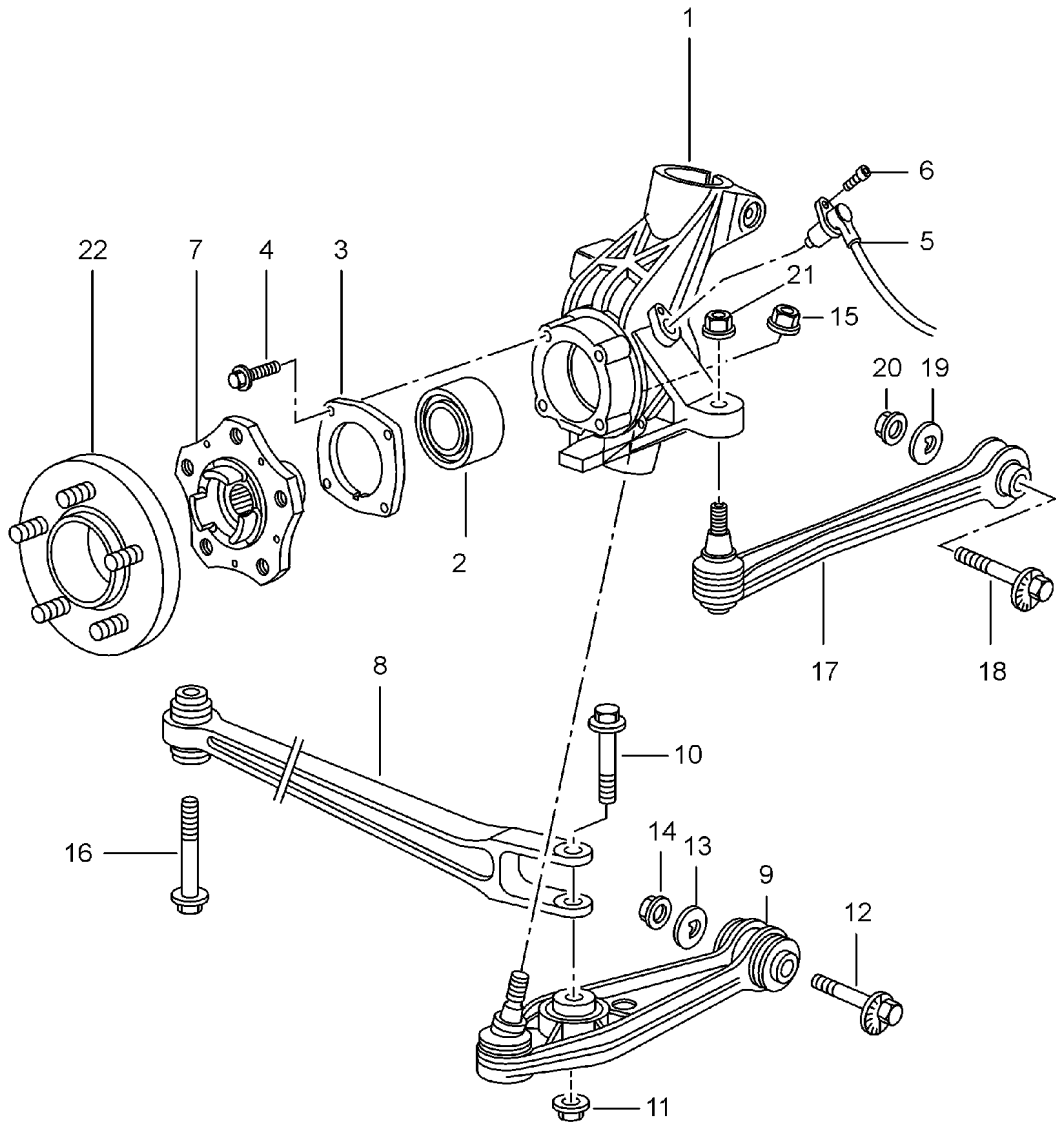
Pos	Part Number	Description	Remark	Qty	Model
	996 803 980 01 S40	Savanna			
	996 803 980 01 G30	Metropole blue			
	996 803 980 01 J40	Nephrite green	-03		
	996 803 980 01 M40	Boxster red			
	996 803 980 01 P20	Cinnamon brown			
	996 803 980 01 D11	Dark grey/natural			
	996 803 980 01 T11	Brown/natural			
2	996 803 071 04	Airbag unit	97	1	
(2)	996 803 071 05	Airbag unit	97	1	
(2)	996 803 071 06	Airbag unit	98-	1	
(2)	996 803 071 07	Airbag unit	-03	1	
		See technical information			
		GR.6 NR.1/03			
(2)	996 803 071 08	Airbag unit	03-	1	
		See technical information			
		GR.6 NR.1/03			
-	996 803 091 00	Airbag unit	/L 98-	1	M563
-	996 803 092 00	Airbag unit	/R 98-	1	M563
-	900 378 222 09	Hexagon-head bolt		8	M563
		M 6 X 16			
3	996 652 211 00	Support for contact		1	M481
				1	M480
(3)	996 652 213 00	Support for contact		1	M249
4	900 378 137 09	Hexagon-head bolt		2	
		AM 8 X 95			
5	996 803 611 00	Hinge pin		1	
6	996 803 173 00	Lid	97	1	
	996 803 173 00 A10	Black			
	996 803 173 00 C50	Graphite grey			
	996 803 173 00 S30	Savanna			
(6)	996 803 973 00	Lid	97	1	
	996 803 973 00 A10	Black			
	996 803 973 00 C50	Graphite grey			
	996 803 973 00 S30	Savanna			
(6)	986 803 973 00	Lid	97	1	
		Leatherette			
	986 803 973 00 A10	Black			
	986 803 973 00 C50	Graphite grey			
	986 803 973 00 S30	Savanna			
(6)	996 803 173 04	Lid	98-	1	
		Leatherette			
	996 803 173 04 A18	Black	-99		
	996 803 173 04 C18	Graphite grey	-99		
	996 803 173 04 S18	Savanna	-99		
	996 803 173 04 G18	Metropole blue	-99		
	996 803 173 04 S32	Savanna	00-		
	996 803 173 04 G12	Metropole blue	00-		
	996 803 173 04 A12	Black	00-		
	996 803 173 04 C52	Graphite grey	00-		
	996 803 173 04 J32	Nephrite green	01-03		
(6)	996 803 173 01	Lid	97	1	
		Leather			
	996 803 173 01 A11	Black			
	996 803 173 01 C51	Graphite grey			
	996 803 173 01 S31	Savanna			
	996 803 173 01 J31	Nephrite green			
	996 803 173 01 M31	Boxster red			
(6)	996 803 173 05	Lid	98-	1	
		Leather			
	996 803 173 05 A11	Black			
	996 803 173 05 C51	Graphite grey			
	996 803 173 05 G11	Metropole blue			
	996 803 173 05 J31	Nephrite green	-03		

Model: 986 97 Model life 1997>>2004

Pos	Part Number	Description	Remark	Qty	Model
	996 803 173 05 M31	Boxster red			
	996 803 173 05 S31	Savanna			
	996 803 173 05 A11	Black	99-		
	996 803 173 05 C51	Graphite grey	99-		
	996 803 173 05 S31	Savanna	99-		
	996 803 173 05 G11	Metropole blue	99-		
	996 803 173 05 J31	Nephrite green	99-03		
	996 803 173 05 M31	Boxster red	99-		
	996 803 173 05 A11	Black	00-		
	996 803 173 05 D12	Dark grey/natural	00-		
	996 803 173 05 T12	Brown/natural	00-		
	996 803 173 05 P12	Cinnamon brown	01-		
(6)	996 803 173 05	Lid	04	1	M091
	996 803 173 05 9V6	Cocoa			
	996 803 173 05 T12	Brown/natural			
7	996 618 217 01	Switch unit	97	1	
-	944 618 401 00	Nut	97	2	
		M 6			
-	900 377 010 09	Hexagon nut	97	1	
		M 6			
7	996 618 217 01	Switch unit	98-	1	M562
-	900 377 010 09	Hexagon nut	98-	1	M562
		M 6			
-	999 084 635 02	Shear-off nut	98-	2	M562
		M 6			
(7)	996 618 219 00	Control unit		1	M562/563
(7)	996 618 219 02	Switch unit		1	M562/563
-	900 377 010 09	Hexagon nut	98-	1	M562/563
		M 6			
-	996 618 221 00	Sensor	98-	2	M563
		Airbag			
-	996 618 221 01	Sensor	02-	2	M563
		Airbag			
-	999 073 152 09	Oval-head screw	98-	4	M563
		M 6 X 18			
8	900 146 024 07	Oval-head screw		2	
		M 5 X 8			

Model: 986 97

Model life 1997>>2004





Model: 986 97 Model life 1997>>2004

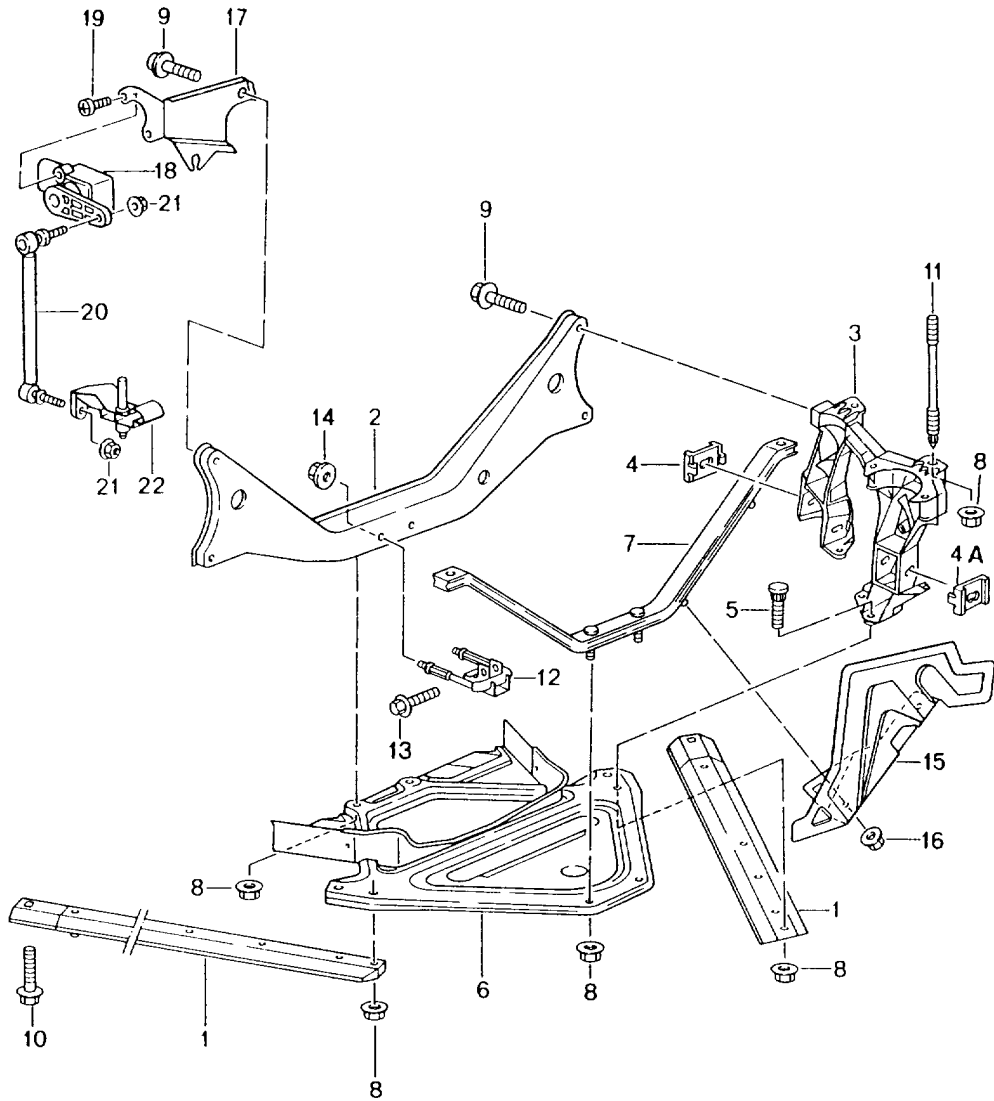
Pos	Part Number	Description	Remark	Qty	Model
1	996 341 158 09	Rear axle Wheel carrier Control arm Wheel hub Wheel carrier	/L	1	
(1)	996 341 158 10	F >>98XS6 20208 F >>98XU6 23385 Wheel carrier	/L -00	1	
(1)	996 341 958 12	F 98XS6 20209>> F 98XU6 23386>> Use also: 986.352.081.04 Wheel carrier	/L	1	
(1)	986 331 157 20	Wheel carrier	/L 00-	1	M008
(1)	996 341 157 09	Wheel carrier	/R	1	
(1)	996 341 157 10	F >>98XS6 20208 F >>98XU6 23385 Wheel carrier	/R -00	1	
(1)	996 341 957 12	F 98XS6 20209>> F 98XU6 23386>> Use also: 986.352.082.04 Wheel carrier	/R	1	
(1)	986 331 158 20	Wheel carrier	/R 00-	1	M008
2	999 053 041 02	Angular-contact bearing	-00	2	
(2)	999 053 041 03	Angular-contact bearing	01-	2	
(2)	999 053 042 07	Angular-contact bearing	-01	2	M008
(2)	999 053 054 05	Angular-contact bearing	02-	2	M008
3	964 341 661 01	Lid		2	
(3)	986 331 661 20	Lid	00-	2	M008
4	999 217 042 09	Hexagon-head bolt M 8 X 35		8	
5	996 606 406 00	Speed sensor	-01	2	
(5)		Speed sensor	01	2	M476
(5)	996 606 407 02	Speed sensor	02-	2	
(5)	996 606 406 00	Speed sensor	02-	2	M476
-	964 094 400 99	Spacer for Speed sensor See technical information Group 4 NR.1/97		X	
6	900 067 117 09	Pan-head screw M 6 X 16		2	
7	996 341 605 54	Wheel hub		2	
7	986 331 605 20	Wheel hub	00-	2	M008
8	986 331 043 04	Control arm	-01	2	
(8)	986 331 043 05	Control arm	02	2	
(8)	986 331 043 06	Control arm	03-	2	
(8)	986 331 043 07	Control arm	04	2	
9	996 341 053 05	Wishbone		2	
(9)	996 341 053 06	Wishbone	97	2	
(9)	996 341 053 07	Wishbone	-03	2	
(9)	996 341 053 16	Wishbone	04-	2	
10	900 378 135 09	Hexagon-head bolt M 14 X 1,5 X 75		2	
10	900 378 135 01	Hexagon-head bolt M 14 X 1,5 X 75		2	
11	900 380 012 09	Hexagon nut M 14 X 1,5		2	
11	900 380 012 01	Hexagon nut M 14 X 1,5		2	
12	996 331 217 03	Eccentric screw		2	

Model: 986 97 Model life 1997>>2004

Pos	Part Number	Description	Remark	Qty	Model
(12)	996 331 217 04	M 12 X 100 F >>98XU6 21359 F >>98XS6 20208 Eccentric screw M 12 X 105 F 98XU6 21360>> F 98XS6 20209>>		2	
13	996 331 219 00	Eccentric washer		2	
14	999 084 445 09	Lock nut M 12 X 1,5		4	
15	999 084 449 09	Lock nut M 12 X 1,5		2	
16	900 378 160 09	Hexagon-head bolt M 14 X 1,5 X 90		2	
(16)	900 378 199 09	Hexagon-head bolt M 14 X 1,5 X 90		2	
-	986 331 023 00	Nut lock		2	
17	996 331 045 06	Track rod F >>98WS6 20542 F >>98WU6 20301		2	
(17)	996 331 045 12	Track rod		2	
(17)	996 331 045 07	Track rod F 98WS6 20543>> F 98WS6 20302>>		2	
(17)	996 331 045 12	Track rod	00-	2	
(17)		Track rod	00-	2	M008
18	996 331 217 02	Eccentric screw M 12 X 83		2	
19	996 331 219 00	Eccentric washer		2	
20	999 084 445 09	Lock nut M 12 X 1,5		2	
21	999 084 449 09	Lock nut M 12 X 1,5		2	
22	996 361 617 00	Spacer ring 17 MM with Wheel bolt	01-	2	IXRN
(22)	997 361 605 90	Spacer ring	01-	2	IXRP
(22)	996 361 605 90	Spacer ring 5 MM See technical information Group 4 NR.1/04 NR.2/04	04	2	M091

Model: 986 97

Model life 1997>>2004



Model: 986 97 Model life 1997>>2004

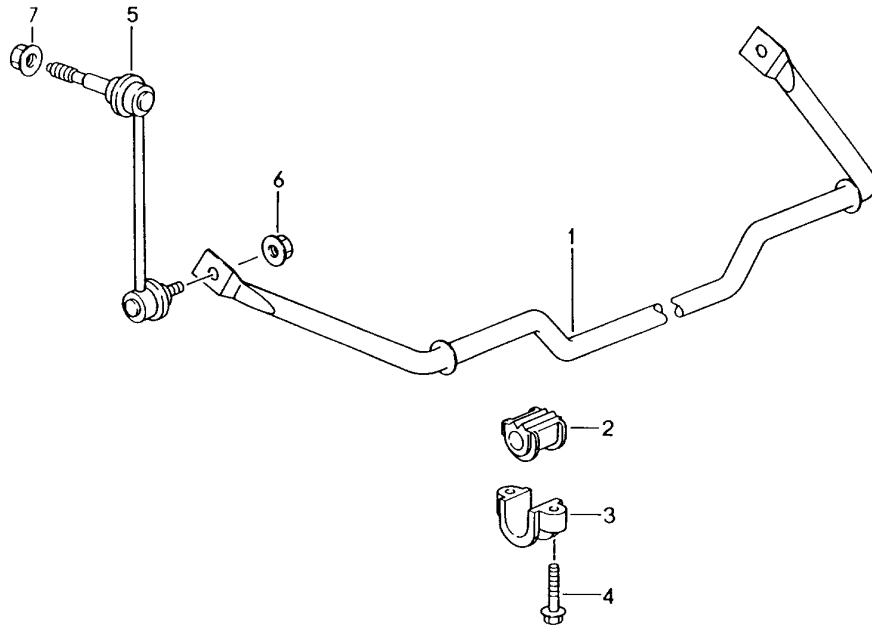
Pos	Part Number	Description	Remark	Qty	Model
		Rear axle			
		Side section			
		Bracket			
1	986 331 080 03	Strut	97	2	
(1)	986 331 031 00	Strut	/L 98-	1	
(1)	986 331 032 00	Strut	/R 98-	1	
2	986 331 071 07	Cross member		1	
(2)	986 331 071 09	Cross member	-03	1	
(2)	986 331 071 10	Cross member	04-	1	
-	999 072 024 09	Hexagon-head bolt M 10 X 25		2	
-	999 072 024 01	Hexagon-head bolt M 10 X 25		2	
		Cross member			
		Bracket			
3	986 331 051 06	Side section	/L	1	
		F >>98XS6 20208			
		F >>98XU6 21359			
(3)	986 331 051 08	Side section	/L	1	
		F 98XS6 20209>>			
		F 98XU6 21360>>			
		Use also:			
		999.072.037.09		1	
		996.331.217.04		1	
(3)	986 331 052 06	Side section	/R	1	
		F >>98XS6 20208			
		F >>98XU6 21359			
(3)	986 331 052 08	Side section	/R	1	
		F 98XS6 20209>>			
		F 98XU6 21360>>			
		Use also:			
		999.072.037.09		1	
		996.331.217.04		1	
4	986 331 351 01	Clip		2	
4A	986 331 351 03	Clip		4	
5	999 080 031 09	Fastening screw		8	
5	999 080 031 01	Fastening screw		8	
6	986 331 161 00	Bracket	97	1	
(6)	986 331 161 03	Bracket	-99	1	
(6)	986 331 161 04	Bracket	00-	1	M249
(6)	986 331 163 00	Bracket	00-	1	M480
			00-		M481
-	986 331 361 02	Spoiler	-00	2	
-	986 331 361 03	Spoiler	01-	2	
-	999 507 774 40	Push button A 3,9	01-	2	
-	999 507 775 40	Push button B 3,9	01-	2	
7	986 331 093 03	Strut		1	M249
(7)		Strut		1	M481
		F >>98VS6 23163			
(7)	986 331 093 04	Strut		1	M481
		F 98VS6 23164>>			
-	999 072 032 09	Hexagon-head bolt M 10 X 75		2	
		POS.7			
		Threaded joint			
		Body			
-	999 072 032 01	Hexagon-head bolt M 10 X 75		2	
		POS.7			
		Threaded joint			
		Body			

Model: 986 97 Model life 1997>>2004

Pos	Part Number	Description	Remark	Qty	Model
8	999 076 053 09	Hexagon nut M 10		14	
9	999 072 023 09	Hexagon-head bolt M 10 X 45 F >>98XS6 20208 F >>98XU6 21359		4	
(9)	999 072 037 09	Hexagon-head bolt M 10 X 45 F 98XS6 20209>> F 98XU6 21360>>		4	
-	999 076 058 09	Nut M 10		4	
10	999 072 031 09	Hexagon-head bolt M 10 X 45		2	
10	999 072 031 01	Hexagon-head bolt M 10 X 45		2	
11	999 061 108 09	Stud M 10 X 119		4	
11	999 061 108 01	Stud M 10 X 119		4	
12	986 331 181 01	Restraining cable		1	
13	900 378 107 09	Hexagon-head bolt M 8 X 45		1	
13	900 378 107 01	Hexagon-head bolt M 8 X 45		1	
14	900 380 005 09	Hexagon nut M 8		2	
15	986 331 098 00	Heat shield F 98VS6 23164>>		1	M481
16	900 380 015 09	Hexagon nut M 6 F 98VS6 23164>>		2	M481
16	900 380 015 01	Hexagon nut M 6 F 98VS6 23164>>		2	M481
17	986 331 611 02	Support	-99	2	M601
(17)	986 331 611 03	Support	00-	1	M601
18	996 631 121 00	Sensor	99-	1	M601
19	N 014 129 12	Oval-head screw M 5 X 10	99-	2	M601
20	996 331 375 01	Strut	99-	1	M601
21	900 380 015 09	Hexagon nut VM 6	99-	2	M601
21	900 380 015 01	Hexagon nut VM 6	99-	2	M601
22	996 341 371 03	Support	99-	1	M601

Model: 986 97

Model life 1997>>2004

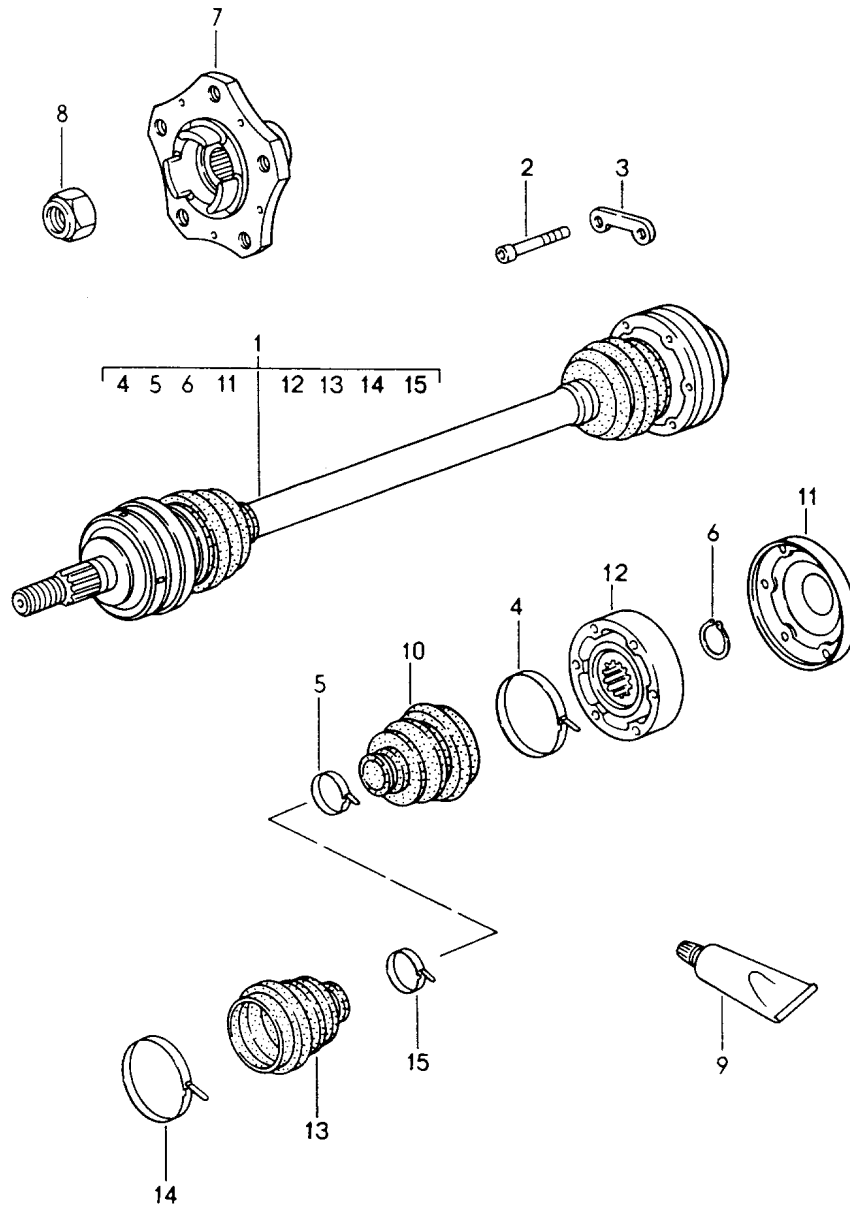


Model: 986 97 Model life 1997>>2004

Pos	Part Number	Description	Remark	Qty	Model
1	986 333 701 10	Stabiliser	-02	1	
(1)	986 333 701 11	Stabiliser	-02	1	M009/030
(1)	986 333 701 13	Stabiliser	-02	1	M008/030
(1)	986 333 701 10	Stabiliser	-04	1	M009
(1)	986 333 701 11	Stabiliser	-04	1	M009/030
			-04	1	M008
					M030/480
(1)	986 333 701 13	Stabiliser	-04	1	M008
			-04		M030/249
(1)	986 333 701 10	Stabiliser	-04	1	M008/480
(2)	996 333 792 24	Stabiliser mounting 18,7 MM	-02	2	M009
(2)	996 333 792 25	Stabiliser mounting 19,8 MM	-02	2	M009/030
(2)	996 333 792 28	Stabiliser mounting 19,2 MM	-02	2	M008
(2)	996 333 792 25	Stabiliser mounting 19,8 MM	-02	2	M008/030
(2)	996 333 792 24	Stabiliser mounting 18,7 MM	03-	2	M009
(2)	996 333 792 25	Stabiliser mounting 19,8 MM	03-	2	M009/030
(2)	996 333 792 28	Stabiliser mounting 19,2 MM	03-	2	M008/480
(2)	996 333 792 24	Stabiliser mounting 18,7 MM	03-	2	M008/249
(2)	996 333 792 25	Stabiliser mounting 19,8 MM	03-	2	M008
(2)	996 333 792 28	Stabiliser mounting 19,2 MM	03-	2	M030/480
					M008
					M030/249
3	996 333 777 01	Bearing clamp		2	
4	900 378 055 09	Hexagon-head bolt AM 8 X 40		4	
5	996 343 069 02	Stabiliser mounting	/L -99	1	
(5)	996 343 069 03	Stabiliser mounting	/L 00-	1	
(5)	996 343 069 04	Stabiliser mounting	/L 00-	1	
(5)	996 343 070 02	Stabiliser mounting	/R -99	1	
(5)	996 343 070 03	Stabiliser mounting	/R 00-	1	
(5)	996 343 070 04	Stabiliser mounting	/R 00-	1	
6	999 084 643 09	Hexagon nut M 10		2	
7	999 084 445 09	Lock nut M 12		2	

Model: 986 97

Model life 1997>>2004





Model: 986 97 Model life 1997>>2004

Pos	Part Number	Description	Remark	Qty	Model
		Drive shaft	-02		
		Wheel hub			
1	986 332 024 05	Drive shaft	-98	2	M249
(1)	986 332 024 08	Drive shaft	99-	2	M249
(1)	986 332 024 14	Drive shaft	99-	2	M249
(1)	986 332 024 04	Drive shaft	/L -98	1	M481
(1)	986 332 024 07	Drive shaft	/L 99-	1	M481
(1)	986 332 024 13	Drive shaft	/L 99-	1	M481
(1)	986 332 024 03	Drive shaft	/R -98	1	M481
(1)	986 332 024 06	Drive shaft	/R 99-	1	M481
(1)	986 332 024 12	Drive shaft	/R 99-	1	M481
(1)	986 332 024 50	Drive shaft	00-	2	M008/480
(1)	986 332 024 52	Drive shaft	00-	2	M008/480
(1)	986 332 024 53	Drive shaft	00-	2	M008/480
(1)	986 332 024 55	Drive shaft	00-	2	M008/480
(1)	986 332 024 51	Drive shaft	00-	2	M008/249
(1)	986 332 024 54	Drive shaft	00-	2	M008/249
2	900 067 211 09	Pan-head screw M 8 X 50		12	
(2)	900 067 123 09	Pan-head screw M 10 X 50	00-	12	M008
(2)	900 067 123 02	Pan-head screw M 10 X 50	00-	12	M008
3	993 349 191 00	Plate		6	
(3)	996 332 191 00	Plate		6	M008
4	911 332 257 00	Clip \$ 73 MM		2	
5	928 332 257 01	Clip \$ 34 MM		2	
6	900 041 013 01	Circlip		2	
(6)	900 041 014 00	Circlip	00-	2	M008
7	996 341 605 54	Wheel hub		2	
(7)	986 331 605 20	Wheel hub	00-	2	M008
8	999 084 641 02	Lock nut M 22 X 1,5	-01	2	
(8)		Lock nut M 22 X 1,5	02	2	
9	000 043 110 01	Grease 1 100-gramme tube		X	
(9)	000 043 205 36	Sealing compound Drive shaft 1 100-gramme tube		X	
10	928 332 293 02	Dust bellows		2	
-	951 332 259 00	Bellow support for Dust bellows for Drive shaft 986.332.024.03/04/05 986.332.024.06/07/08		2	
-	951 332 259 01	Bellow support for Dust bellows for Drive shaft 986.332.024.03/04/05 986.332.024.06/07/08 986.332.024.12/13/14		2	M008
-	911 332 259 01	Bellow support for Dust bellows for Drive shaft		2	M008

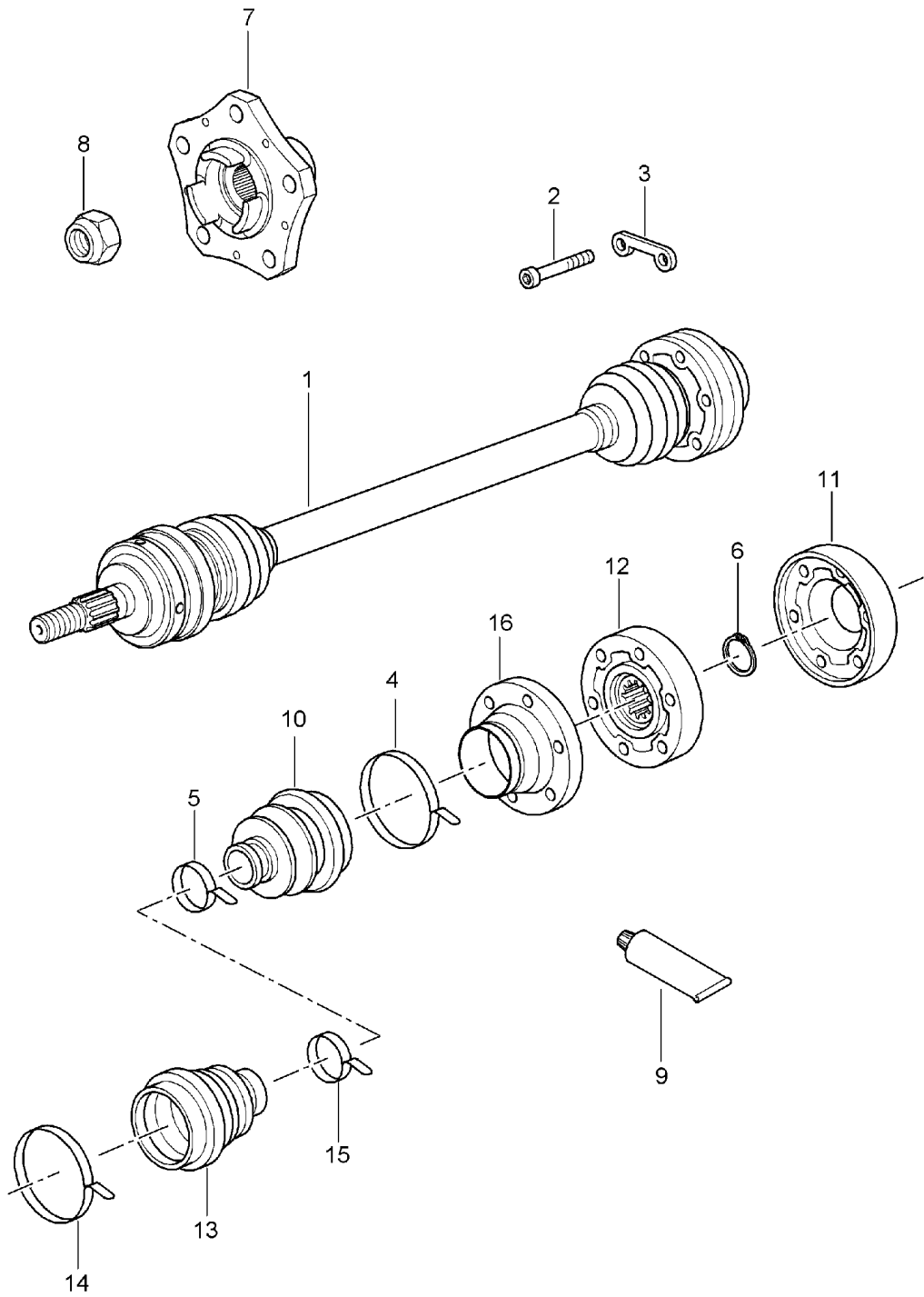
Model: 986 97

Model life 1997>>2004

Pos	Part Number	Description	Remark	Qty	Model
-	911 332 259 02	986.332.024.50/51 Bellow support for Dust bellows for Drive shaft 986.332.024.50/51		2	M008
11	964 332 267 00	Lid	-99	2	
(11)	964 332 267 01	Lid	00-	1	
(11)	928 332 267 01	Lid	00-	2	M008
12	951 332 030 00	Joint	-02	2	
(12)	986 332 030 00	Joint	03-	2	
(12)	911 332 030 01	Joint	00-	2	M008
13	928 332 293 02	Dust bellows		2	
14	911 332 257 00	Clip		2	
15	928 332 257 01	Clip		2	

Model: 986 97

Model life 1997>>2004



Model: 986 97 Model life 1997>>2004

Pos	Part Number	Description	Remark	Qty	Model
		Drive shaft	03-		
		Wheel hub			
1	986 332 024 09	Drive shaft	/L	1	M481
1	986 332 024 15	Drive shaft	/L	1	M481
(1)	986 332 024 10	Drive shaft	/R	1	M481
(1)	986 332 024 11	Drive shaft		2	M009/249
(1)	986 332 024 50	Drive shaft		2	M008/480
(1)	986 332 024 52	Drive shaft		2	M008/480
(1)	986 332 024 53	Drive shaft		2	M008/480
(1)	986 332 024 55	Drive shaft		2	M008/480
(1)	986 332 024 51	Drive shaft		2	M008/249
(1)	986 332 024 54	Drive shaft		2	M008/249
(2)	986 332 190 00	Pan-head screw M 8 F >>983S6 20135 F >>983U6 24238		12	M481
2	N 909 417 01	Pan-head screw M 10 X 45 F 983S6 20136>> F 983U6 24239>>		12	M481
(2)	986 332 190 00	Pan-head screw M 8 F 983U624274 F 983U624277 F 983U624280 F 983U624282		12	M481
(2)		Pan-head screw M 8		12	M009/249
(2)	900 067 229 09	Pan-head screw M 10 X 48		12	M008
(2)	900 067 229 01	Pan-head screw M 10 X 48		12	M008
3	986 332 191 00	Plate		6	M481
(3)		Plate		6	M009/249
(3)	996 332 191 00	Plate		6	M008
4	996 332 957 00	Clip		1	M009
(4)	911 332 257 00	Clip		1	M008
5	996 332 257 00	Clip		1	M009
(5)	928 332 257 01	Clip		1	M008
6	900 041 013 01	Circlip		1	
7	996 341 605 54	Wheel hub		2	M481
(7)	986 331 605 20	Wheel hub		2	M008
8	999 084 641 02	Lock nut M 22 X 1,5	-03	2	
(8)		Lock nut M 22 X 1,5	04-	2	
9	000 043 110 00	Grease for drive shaft 1 100-gramme tube		X	
(9)	000 043 205 36	Sealing compound Drive shaft 1 100-gramme tube		X	
10	996 332 293 00	Dust bellows Information available		2	M009 M009
(10)	928 332 293 02	Dust bellows		2	M008/249
(10)	986 332 293 00	Dust bellows		2	M008/480
11	986 332 267 00	Lid		2	M009
(11)	928 332 267 01	Lid		2	M008
12	986 332 030 00	Joint		2	M009
(12)	911 332 030 01	Joint		2	M008
13	996 332 293 00	Dust bellows Information available		2	M009 M009
(13)	928 332 293 02	Dust bellows		2	M008
14	996 332 957 00	Clip		2	M009

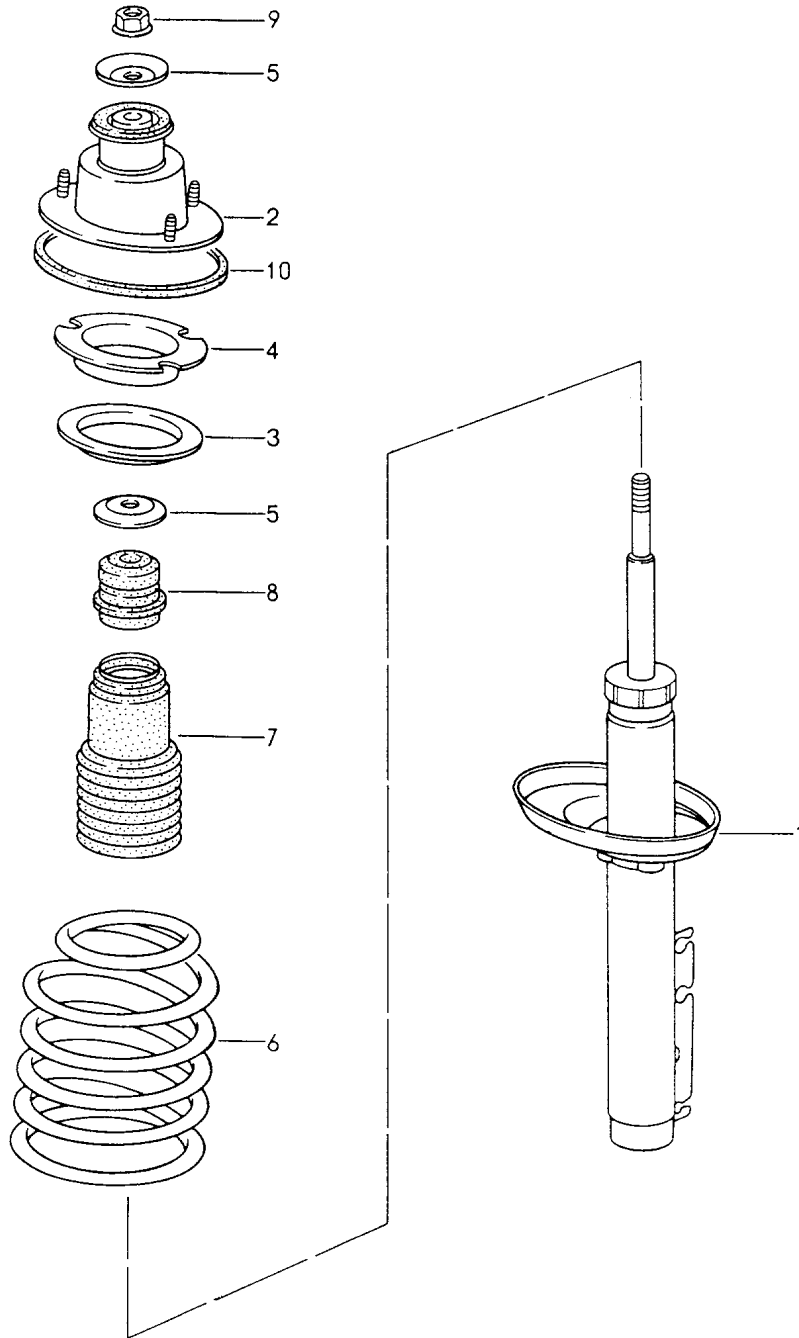
Model: 986 97

Model life 1997&gt;&gt;2004

Pos	Part Number	Description	Remark	Qty	Model
(14)	911 332 257 00	Clip		1	M008
15	996 332 257 00	Clip \$ 41,5 MM		1	M009
(15)	928 332 257 01	Clip		1	M008
16	986 332 259 00	Bellow support		X	M009
(16)	996 332 259 00	Bellow support		X	M008

Model: 986 97

Model life 1997>>2004



Model: 986 97 Model life 1997>>2004

Pos	Part Number	Description	Remark	Qty	Model
1	986 333 051 04	Shock absorber Coil spring		2	
(1)	986 333 051 06	Shock absorber - bilstein -	-99	2	
(1)	986 333 051 20	Shock absorber - bilstein -	00-	2	
(1)	986 333 051 15	Shock absorber - bilstein -		2	M030
(1)	986 333 051 19	Shock absorber - bilstein -	-99	2	M030
(1)	986 333 051 31	Shock absorber - bilstein - Mount	00-	2	M030
-	900 378 138 09	Shock absorber Hexagon-head bolt M 12 X 1,5 X 70		2	
-	900 378 138 01	Hexagon-head bolt M 12 X 1,5 X 70		2	
-	999 084 445 09	Lock nut M 12 X 1,5		2	
2	986 333 059 03	Supporting mount		2	
(2)	986 333 059 04	Supporting mount	-02	2	
(2)	986 333 059 06	Supporting mount	03-	2	
(2)	987 333 059 00	Supporting mount	03-	2	
-	900 380 005 09	Hexagon nut M 8		6	
-	803 803 583	Rubber sleeve		2	
-	999 703 195 40	Rubber sleeve		2	
3	986 333 504 02	Compensating plate 3,0 MM		X	
(3)	986 333 504 03	Compensating plate 6,0 MM		X	
4	986 333 509 02	Ring		2	
5	996 343 107 02	Stop plate	-99	4	
(5)	996 343 107 03	Stop plate	00-	4	
6	986 333 531 04	Coil spring 1 set	-02	1	M481
	986 333 531 04 504	Identification Blue Yellow			
(6)	986 333 531 34	Coil spring 1 set	03-	1	M481
	986 333 531 34 504	Identification Blue Yellow			
(6)	986 333 531 05	Coil spring 1 set	-02	1	M249
	986 333 531 05 504	Identification Blue White			
(6)	986 333 531 35	Coil spring 1 set	03-	1	M249
	986 333 531 35 504	Identification Blue White			
(6)	986 333 531 13	Coil spring 1 set	-02	1	M030/481
	986 333 531 13 504	Identification Red Brown			
(6)	986 333 531 36	Coil spring	03-	1	M030/481

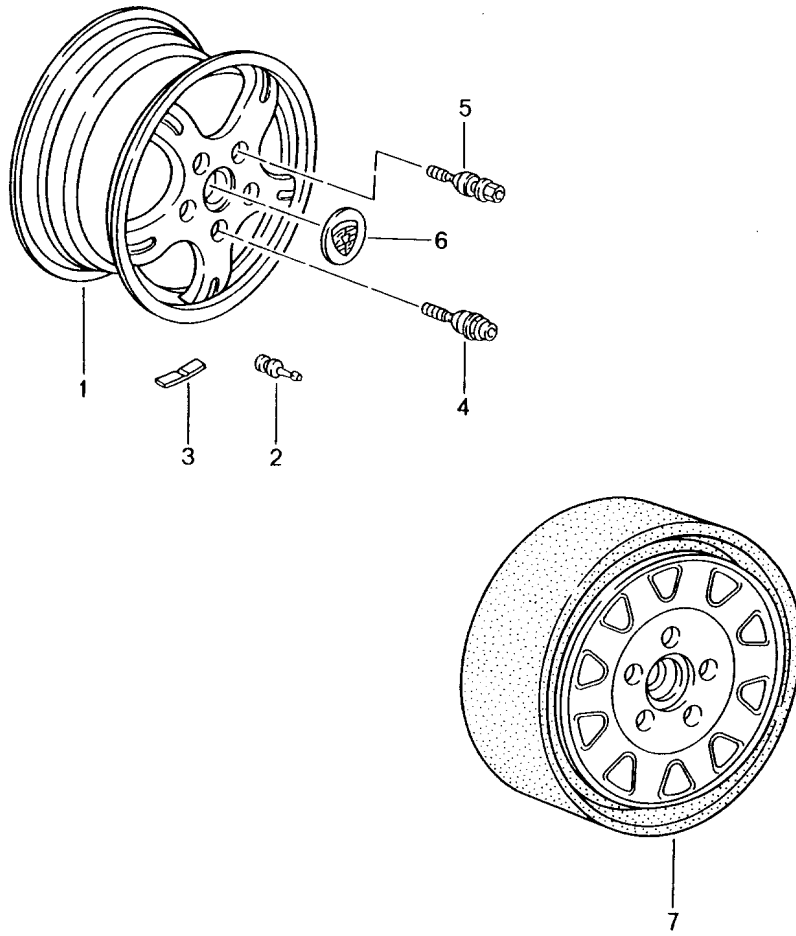
Model: 986 97 Model life 1997>>2004

Pos	Part Number	Description	Remark	Qty	Model
	986 333 531 36 504	1 set Identification Yellow Brown			
(6)	986 333 531 14	Coil spring 1 set	-02	1	M030/249
	986 333 531 14 504	Identification Red White			
(6)	986 333 531 37	Coil spring 1 set	03-	1	M030/249
	986 333 531 37 504	Identification Yellow White			
(6)	986 333 531 20	Coil spring 1 set	-02	1	M008/480
	986 333 531 20 504	Identification Violet Yellow			
(6)	986 333 531 38	Coil spring 1 set	03-	1	M008/480
	986 333 531 38 504	Identification Violet Yellow			
(6)	986 333 531 21	Coil spring 1 set	-02	1	M008/249
	986 333 531 21 504	Identification Violet White			
(6)	986 333 531 39	Coil spring 1 set	03-	1	M008/030
	986 333 531 39 504	Identification Violet White			
(6)	986 333 531 32	Coil spring 1 set	-02	1	M008/030 M480
	986 333 531 32 504	Identification Orange Brown			
(6)	986 333 531 40	Coil spring 1 set	03-	1	M008/030 M480
	986 333 531 40 504	Identification Orange Brown			
(6)	986 333 531 33	Coil spring 1 set	-02	1	M008/030 M249
	986 333 531 33 504	Identification Orange White			
(6)	986 333 531 41	Coil spring 1 set	03-	1	M008/030 M249
	986 333 531 41 504	Identification Orange White			
7	986 333 505 01	Bellows		1	
8	986 333 301 01	Additional spring		1	
9	900 380 012 09	Hexagon nut M 14 X 1,5		2	
9	900 380 012 01	Hexagon nut M 14 X 1,5		2	
10	986 333 285 01	Sealing ring		2	



Model: 986 97

Model life 1997>>2004



Model: 986 97

Model life 1997&gt;&gt;2004

Pos	Part Number	Description	Remark	Qty	Model
		Wheels See technical information Group 4 NR.1/04 NR.2/04			
1	996 362 112 00	Disc wheel 6 J X 16 ET 50	/V	2	M395
(1)		Disc wheel 6 J X 16 ET 50	/V	2	M008/009
(1)	996 362 124 00	for winter use Disc wheel 7 J X 17 ET 55	/V	2	M396
(1)	993 362 134 55	Disc wheel 8 J X 18 ET 50	/V	2	IXRB
(1)	986 362 124 00	Disc wheel 7 J X 17 ET 55	/V 00-	2	M400
(1)	993 362 134 06	Disc wheel 7,5 X 18 ET 50	/V 99-	2	M413
(1)	986 362 124 01	Disc wheel 7 J X 17 ET 55	/V 01-	2	M 391
(1)	993 362 124 51	Disc wheel 7 J X 17 ET 55	/V 01-	2	IXRA
(1)	993 362 134 08	Disc wheel 7,5 J X 18 ET 50	/V 01-	2	M414
(1)	996 362 136 51	Disc wheel 8 J X 18 ET50	/V 02-	2	IXRC
(1)	996 362 134 05	Disc wheel 7,5 J X 18 ET 50	/V 03-	2	M411
(1)	986 362 124 02	Disc wheel 7 J X 17 ET 55	/V 03-	2	M394
(1)	996 362 134 06	Disc wheel 7,5 J X 18 ET50	/V 03-	2	M415
(1)	996 362 134 05	Disc wheel 7,5 J X 18 ET 50	/V 04	2	M091/191
(1)	996 362 114 00	It is necessary to rework Paint Disc wheel 7 J X 16 ET 40	/H	2	M395
(1)		Disc wheel 7 J X 16 ET 40	/H	2	M008/009
(1)	996 362 126 05	for winter use Disc wheel 8,5 J X 17 ET 50	/H	2	M396
(1)	993 362 138 50	Disc wheel 9 J X 18 ET 52	/H	2	IXRB

Model: 986 97 Model life 1997>>2004

Pos	Part Number	Description	Remark	Qty	Model
(1)	986 362 126 05	Disc wheel 8,5 J X 17 ET 50	/H 00-	2	M400
(1)	993 362 138 01	Disc wheel 9 J X 18 ET 52	/H 99-	2	M413
(1)	986 362 126 06	Disc wheel 8,5 J X 17 ET 48	/H 01-	2	M 391
(1)	993 362 138 08	Disc wheel 9 J X 18 ET 52	/H 01-	2	M414
(1)	993 362 126 55	Disc wheel 8,5 X 17 ET 50	/H 01-	2	IXRA
(1)	996 362 140 51	Disc wheel 10 J X 18 ET 47	/H 02-03	2	IXRC
(1)	996 362 138 00	Use also: 999.651.230.02 Disc wheel 9 J X 18 ET 52	/H 03-	2	M411
(1)	986 362 126 07	Disc wheel 8,5 J X 17 ET 48	/H 03-	2	M394
(1)	996 362 138 01	Disc wheel 9 J X 18 ET 52	/H 03-	2	M415
(1)	996 362 138 00	Disc wheel 9 J X 18 ET 52 It is necessary to rework Paint	/H 04	2	M091/191
(1)	996 362 140 52	Disc wheel 10 J X 18 ET 47 Use also: 999.651.230.02	/H 04-	2	IXRC
2	900 265 001 50	Rubber valve Rubber		4	
2	900 265 001 51	Rubber valve Rubber		4	
(2)	993 361 073 00	Valve Steel	02-	4	IXRC
3	901 361 410 50	Balance stick-on weight 5 G.	-03	X	
(3)	1K0 601 178 C	Balance stick-on weight 5 G.	04-	X	
(3)	901 361 410 00	Balance stick-on weight 10 G.	-03	X	
(3)	1K0 601 179 C	Balance stick-on weight 10 G.	04-	X	
(3)	901 361 411 50	Balance stick-on weight 15 G.	-03	X	
(3)	1K0 601 181 C	Balance stick-on weight 15 G.	04-	X	
(3)	901 361 411 00	Balance stick-on weight 20 G.	-03	X	
(3)	1K0 601 182 C	Balance stick-on weight 20 G.	04-	X	
(3)	901 361 412 50	Balance stick-on weight 25 G.	-03	X	

Model: 986 97 Model life 1997>>2004

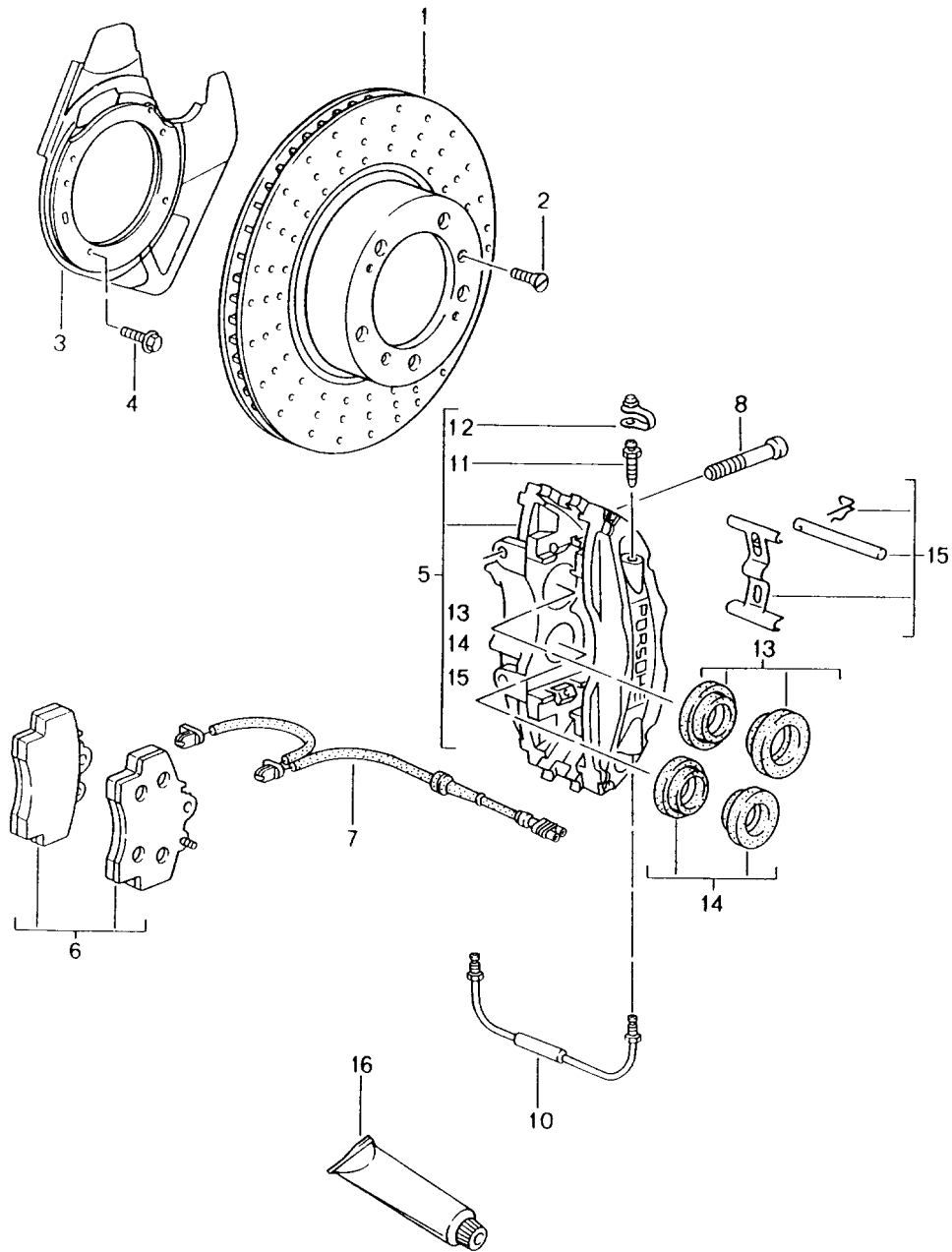
Pos	Part Number	Description	Remark	Qty	Model
(3)	1K0 601 183 C	Balance stick-on weight 25 G.	04-	X	
(3)	901 361 412 00	Balance stick-on weight 30 G.	-03	X	
(3)	1K0 601 184 C	Balance stick-on weight 30 G.	04-	X	
(3)	901 361 413 50	Balance stick-on weight 35 G.	-03	X	
(3)	1K0 601 185 C	Balance stick-on weight 35 G.	04-	X	
(3)	901 361 413 00	Balance stick-on weight 40 G.	-03	X	
(3)	1K0 601 186 C	Balance stick-on weight 40 G.	04-	X	
(3)	901 361 414 50	Balance stick-on weight 45 G.	-03	X	
(3)	1K0 601 187 C	Balance stick-on weight 45 G.	04-	X	
(3)	901 361 414 00	Balance stick-on weight 50 G.	-03	X	
(3)	1K0 601 188 C	Balance stick-on weight 50 G.	04-	X	
(3)	901 361 415 50	Balance stick-on weight 55 G.	-03	X	
(3)	1K0 601 189 C	Balance stick-on weight 55 G.	04-	X	
(3)	901 361 415 00	Balance stick-on weight 60 G.	-03	X	
(3)	1K0 601 190 C	Balance stick-on weight 60 G.	04-	X	
(3)	997 361 465 00	Balance stick-on weight 65 G.		X	
(3)	997 361 470 00	Balance stick-on weight 70 G.		X	
(3)	997 361 475 00	Balance stick-on weight 75 G.		X	
(3)	997 361 480 00	Balance stick-on weight 80 G.		X	
(3)	997 361 485 00	Balance stick-on weight 85 G.		X	
(3)	997 361 490 00	Balance stick-on weight 90 G.		X	
4	996 361 057 00	Wheel bolt Anti-theft protection 1 set		1	
(4)	996 361 057 01	Wheel bolt Anti-theft protection 1 set	-03	1	
(4)	996 361 057 02	Set Anti-theft protection 1 set	04-	1	
(4)	997 361 057 02	Set Wheel bolt Anti-theft protection	04-	1	
(4)	996 361 057 90	Wheel bolt Anti-theft protection 1 set	-03	1	IXRP
(4)	996 361 980 02	Wheel bolt Anti-theft protection 1 set	04-	1	IXRP
(4)		Wheel bolt Anti-theft protection 1 set	04	1	M091

Model: 986 97 Model life 1997>>2004

Pos	Part Number	Description	Remark	Qty	Model
5	996 361 203 00	Wheel bolt	-00	16	
(5)	996 361 203 01	Wheel bolt See technical information Group 4 NR.2/03	-03	16	
(5)	996 361 203 02	Wheel bolt See technical information Group 4 NR.2/03	04-	16	
(5)	996 361 203 90	Wheel bolt See technical information Group 4 NR.2/03	-03	16	IXRP
(5)	996 361 980 00	Wheel bolt See technical information Group 4 NR.2/03	04-	16	IXRP
(5)		Wheel bolt	04	16	M091
-	999 182 003 36	Wheel nut	01-	10	IXRN
-		Wheel nut	04	10	M091
6	993 361 303 05	Hub cap	-99	4	
(6)	993 361 303 05 61M	Silver			
(6)	993 361 303 11	Hub cap	00	4	
(6)	993 361 303 11 61M	Silver			
(6)	993 361 303 11	Hub cap	02-	4	
(6)	993 361 303 11 9A1	Silver			
(6)	993 361 303 09	Hub cap	-99	4	M446
(6)	993 361 303 09 92T	Arctic silver metallic Crest Coloured			
(6)	993 361 303 10	Hub cap	00-	4	M446
(6)	993 361 303 10 9A1	Silver Crest Coloured			
(6)	996 361 303 09	Hub cap		4	M414
(6)	993 361 303 10	Hub cap	04	4	M091/191
(6)	993 361 303 10 6B4	Seal grey metallic Crest Coloured			
7	996 362 030 00	Emergency wheel		1	

Model: 986 97

Model life 1997>>2004



Model: 986 97 Model life 1997>>2004

Pos	Part Number	Description	Remark	Qty	Model
		Disc brake			
		Front axle			
1	986 351 401 05	Brake disc		2	
(1)	996 351 405 01	Brake disc	/L 00-	1	M008
(1)	996 351 406 01	Brake disc	/R 00-	1	M008
2	900 269 047 09	Countersunk-head screw M 6 X 12		4	
2	900 269 047 01	Countersunk-head screw M 6 X 12		4	
(2)	900 269 106 09	Countersunk-head screw M 6 X 16	01-	4	IXRP
(2)	900 269 106 01	Countersunk-head screw M 6 X 16	01-	4	IXRP
(2)	900 269 106 90	Countersunk-head screw M 6 X 16 See technical information Group 4 NR.1/04 NR.2/04	04	4	M091
3	996 351 081 02	Cover plate	/L	1	
(3)	996 351 081 03	Cover plate F >>98XS6 20208 F >>98XU6 23385	/L	1	
(3)	996 351 801 04	Cover plate F 98XS6 20209>> F 98XU6 23386>>	/L	1	
(3)	996 351 082 02	Cover plate	/R	1	
(3)	996 351 082 03	Cover plate F >>98XS6 20208 F >>98XU6 22970	/R	1	
(3)	996 351 802 04	Cover plate F 98XS6 20209>> F 98XU6 22971>>		1	
4	999 217 116 09	Hexagon-head bolt M 6 X 16		X	
5	986 351 421 03	Fixed calliper without pad	/L	1	
(5)	996 351 425 11	Fixed calliper without pad	/L 00-	1	M008
(5)	996 351 425 22	Fixed calliper without pad	/L 04	1	M091
(5)	986 351 422 03	Fixed calliper without pad	/R	1	
(5)	996 351 426 11	Fixed calliper without pad	/R 00-	1	M008
(5)	996 351 426 22	Fixed calliper without pad	/R 04	1	M091
6	986 351 939 11	Brake pad repair set		1	
(6)	986 351 939 13	Brake pad repair set		1	
(6)	986 351 939 15	Brake pad repair set		1	
(6)	996 352 949 02	Brake pad repair set	-04	1	M008
(6)	996 352 949 03	Brake pad repair set Use also:		1	M008
-	996 351 088 02	Mounting parts Damping plate \$ 36/40 MM	00-	4	M008
7	996 612 365 00	Warning contact		2	
8	999 067 041 09	Pan-head screw M 12 X 1,5 X 72		4	
8	999 067 041 01	Pan-head screw M 12 X 1,5 X 72		4	
-	999 507 530 00	Cable holder for		2	

Model: 986 97

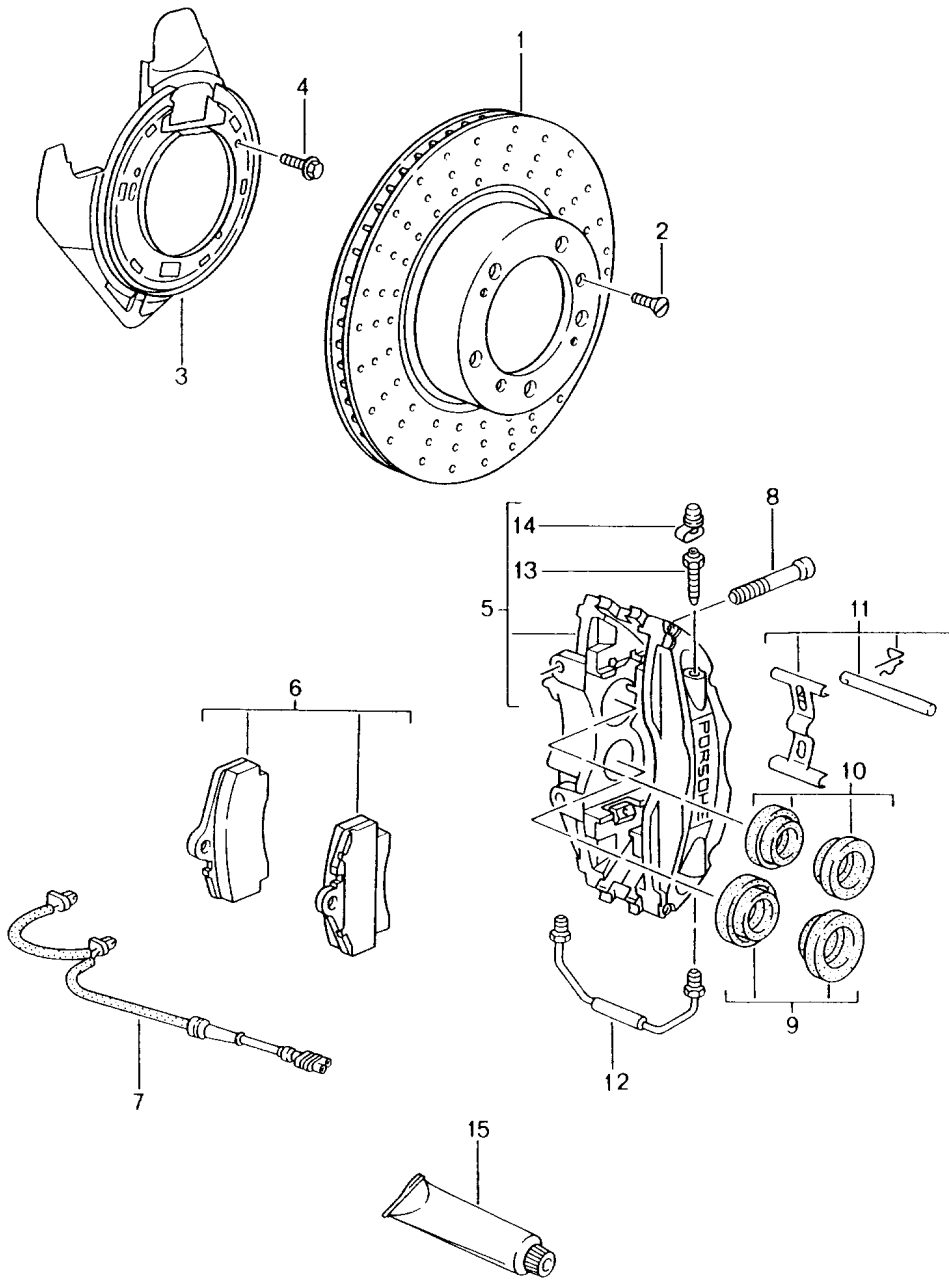
Model life 1997>>2004

Pos	Part Number	Description	Remark	Qty	Model
10	996 352 962 00	Warning contact		1	
		Connecting line	/L	1	
(10)	996 351 961 00	Connecting line	/L	1	M008
(10)	996 352 961 00	Connecting line	/R	1	
(10)	996 351 962 00	Connecting line	/R	1	M008
11	930 351 919 00	Ventilation valve		2	
12	930 351 927 00	Dust boot		2	
12	930 351 927 01	Dust boot		2	
13	951 351 917 01	Repair kit		2	
		Protection caps			
		40 MM \$			
14	951 351 917 00	Repair kit		2	
		Protection caps			
		36 MM \$			
15	996 352 959 01	Repair kit		1	
		Mounting parts			
		Bolt		2	
		Expanding spring		2	
		Securing clip		2	
(15)	996 351 959 01	Repair kit		1	M008
		Mounting parts			
		Bolt		2	
		Expanding spring		2	
		Securing clip		2	
16	000 043 117 00	Brake cylinder paste		X	
		50 G			
16	000 043 305 11	Brake cylinder paste		X	
		50 G			
(16)	000 043 020 00	Optimoly		X	
		100 G			



Model: 986 97

Model life 1997>>2004



Model: 986 97 Model life 1997>>2004

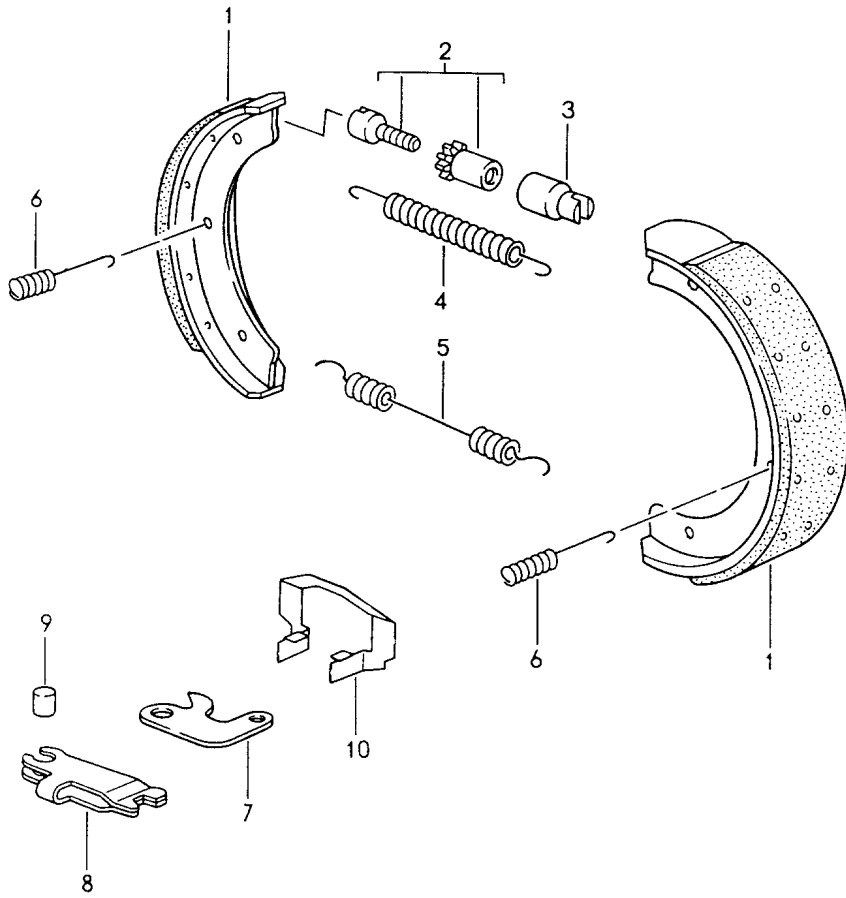
Pos	Part Number	Description	Remark	Qty	Model
		Disc brake			
		Rear axle			
1	986 352 401 04	Brake disc		2	
(1)	986 352 403 01	Brake disc	00-	2	M008
2	900 269 047 09	Countersunk-head screw		4	
		M 6 X 12			
2	900 269 047 01	Countersunk-head screw		4	
		M 6 X 12			
(2)	900 269 106 09	Countersunk-head screw	01-	4	IXRP
		M 6 X 16			
(2)	900 269 106 01	Countersunk-head screw	01-	4	IXRP
		M 6 X 16			
(2)	900 269 106 09	Countersunk-head screw	04	4	M091
		M 6 X 16			
		See technical information			
		Group 4			
		NR.1/04			
		NR.2/04			
(2)	900 269 106 01	Countersunk-head screw	04-	4	M091
		M 6 X 16			
		See technical information			
		Group 4			
		NR.1/04			
		NR.2/04			
3	986 352 081 03	Protective plate	/L	1	
		F >>98XS6 20208			
		F >>98XU6 23385			
(3)	986 352 081 04	Protective plate	/L	1	
		F 98XS6 20209>>			
		F 98XU6 23386>>			
(3)	986 352 082 03	Protective plate	/R	1	
		F >>98XS6 20208			
		F >>98XU6 22970			
(3)	986 352 082 04	Protective plate	/R	1	
		F 98XS6 20209>>			
		F 98XU6 22971>>			
(3)	986 352 801 00	Protective plate		2	M008
(3)	987 352 801 00	Protective plate		2	M008
4	999 217 116 09	Hexagon-head bolt		X	
		M 6 X 16			
5	986 352 423 01	Fixed calliper	/L	1	
		without pad			
(5)	996 352 421 13	Fixed calliper	/L 00-	1	M008
		without pad			
(5)	996 352 421 24	Fixed calliper	/L 04	1	M091
		without pad			
(5)	986 352 424 01	Fixed calliper	/R	1	
		without pad			
(5)	996 352 422 13	Fixed calliper	/R 00-	1	M008
		without pad			
(5)	996 352 422 24	Fixed calliper	/R 04	1	M091
		without pad			
(6)	986 352 939 10	Brake pad repair set		1	M009
6	996 352 939 00	Brake pad repair set		1	M008
(6)	996 352 939 03	Brake pad repair set		1	M008
		Use also:			
		Mounting parts			
(6)	986 352 939 10	Brake pad repair set		1	M008
		Use also:			
		Mounting parts			
7	986 612 365 00	Warning contact		2	
8	999 067 041 09	Pan-head screw		4	
		M 12 X 1,5 X 72			

Model: 986 97 Model life 1997>>2004

Pos	Part Number	Description	Remark	Qty	Model
8	999 067 041 01	Pan-head screw M 12 X 1,5 X 72		4	
-	944 612 627 00	Line bracket for Warning contact		2	
9	951 352 917 01	Repair kit Protection caps 30 MM \$		2	
10	951 352 917 00	Repair kit Protection caps 28 MM \$		2	
11	996 352 959 01	Repair kit Mounting parts Bolt		1 2	
		Expanding spring		2	
		Securing clip		2	
-	964 352 096 00	Damping plate 30 MM \$	00-	4	M008
-	996 352 086 00	Damping plate 30 mm	00-	4	M008
-	964 352 096 01	Damping plate 28 MM \$	00-	4	M008
12	996 352 961 00	Connecting line	/L	1	
(12)	996 352 962 00	Connecting line	/R	1	
13	930 351 919 00	Ventilation valve		4	
14	930 351 927 00	Dust boot		4	
14	930 351 927 01	Dust boot		4	
15	000 043 117 00	Brake cylinder paste 50 G		X	
15	000 043 305 11	Brake cylinder paste 50 G		X	
(15)	000 043 020 00	Optimoly 100 G		X	

Model: 986 97

Model life 1997>>2004

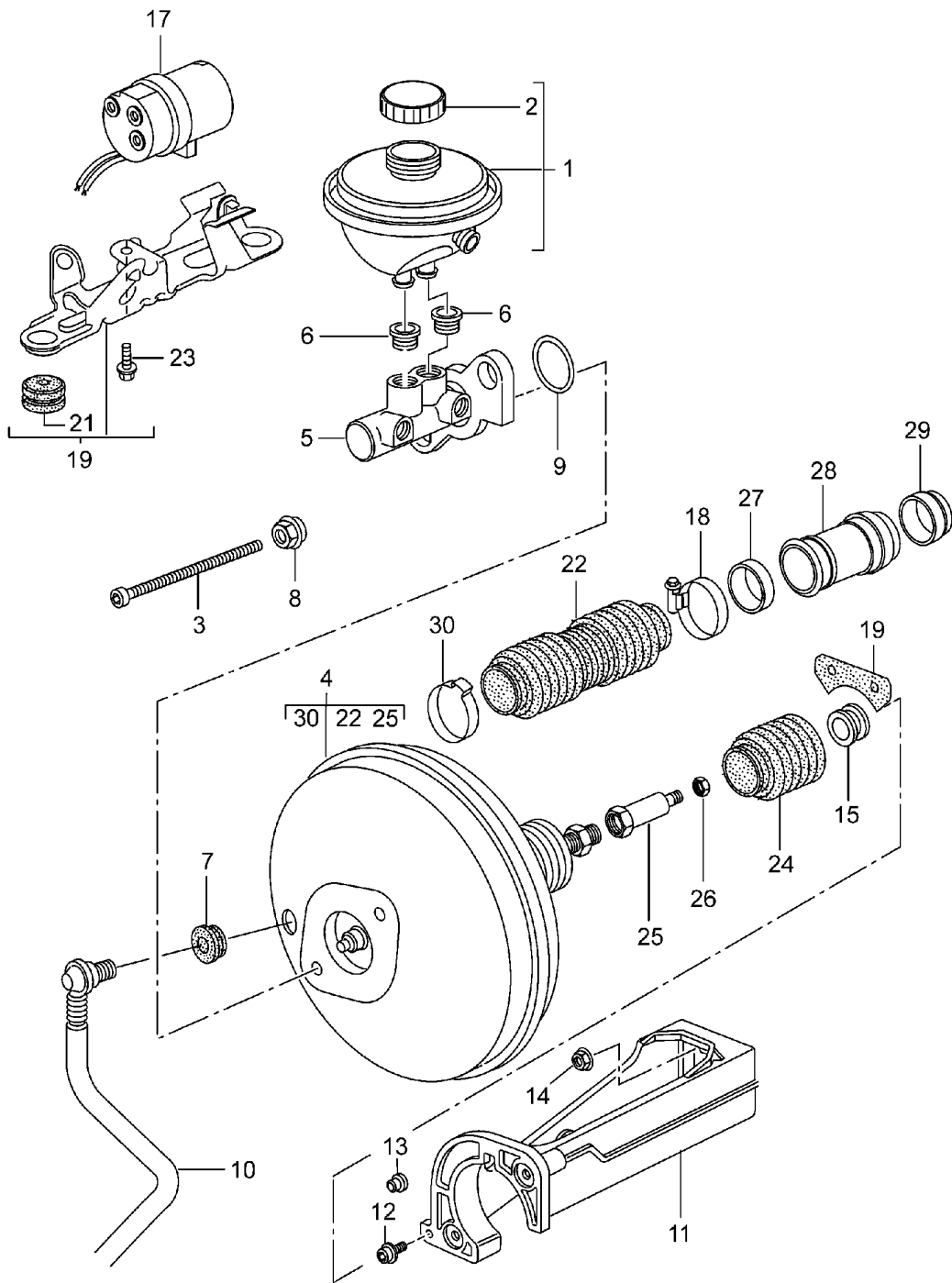


Model: 986 97 Model life 1997>>2004

Pos	Part Number	Description	Remark	Qty	Model
1	986 352 095 01	Handbrake	-02	4	
(1)	986 352 995 01	Brake shoe	03-	1	
(1)	928 352 097 10	1 set			
(1)	996 352 993 02	Brake shoe	-02	4	M008
(1)	996 352 993 02	Brake shoe	03-	1	M008
		Repair kit			
2	986 352 071 00	Adjusting screw		2	
(2)	993 352 071 00	Adjusting screw	00-	2	M008
(2)	298 609 723	Adjusting screw	00-	2	M008
3	986 352 715 00	Support bush		2	
(3)	911 352 944 00	Support bush	00	2	M008
4	986 352 721 00	Tension spring		2	
(4)	901 352 932 10	Return spring	00-	2	M008
5	986 352 723 01	Tension spring		2	
(5)	951 352 454 00	Return spring	00-	2	M008
(5)	996 352 723 00	Tension spring	00-	2	M008
6	986 352 741 00	Tension spring		4	
(6)	996 352 741 00	Compression spring	00-	4	M008
7	986 352 731 01	Actuating lever		2	
8	986 352 733 02	Clip		2	
9	986 352 735 00	Articulated bolt		2	
-	986 352 073 02	Expanding bow		2	
		Comprising:			
		Picture			
		7,8,9			
10	986 352 805 01	Supporting plate		2	
(10)	996 352 807 01	Supporting plate	00-	2	M008

Model: 986 97

Model life 1997>>2004



Model: 986 97 Model life 1997>>2004

Pos	Part Number	Description	Remark	Qty	Model
-	000 043 204 66	Brake master cylinder Brake booster Pre-charge pump Modification kit Seal Brake booster F >>98YS6 20321 F >>98YU6 21422 F >>98YS6 60089 F >>98YU6 60105 See technical information Group 4 NR.6/01 Comprising: 999.512.672.00 996.423.269.05 999.512.478.00 996.355.911.00 996.355.909.00 996.355.907.00 996.355.927.01 900.380.015.09		1	
1	996 355 013 00	Brake fluid reservoir	-03	1	M480/481
(1)	996 355 013 01	Brake fluid reservoir	04-	1	M480/481
(1)	996 355 013 20	Brake fluid reservoir	-03	1	M249
(1)	996 355 013 21	Brake fluid reservoir	04-	1	M249
(1)	996 355 013 44	Brake fluid reservoir	01	1	M476/481
(1)	996 355 013 46	Brake fluid reservoir	01	1	M476/480
(1)	996 355 013 48	Brake fluid reservoir	-03	1	M476/481
(1)	996 355 013 48	Brake fluid reservoir	-03	1	M476/481
(1)	996 355 013 45	Brake fluid reservoir	04-	1	M476/480
(1)	996 355 013 45	Brake fluid reservoir	01	1	M249/476
(1)	996 355 013 47	Brake fluid reservoir	01	1	M249/476
(1)	996 355 013 47	Brake fluid reservoir	-03	1	M249/476
(1)	996 355 013 49	Brake fluid reservoir	04-	1	M249/476
2	996 355 119 01	Catch		1	
-	996 355 125 00	Contacts for Container 996.355.013.00 996.355.013.20	-03	1	
-	996 355 125 02	Contacts for Container 996.355.013.00/01 996.355.013.20/21	04-	1	
-	996 355 125 01	Contacts for Container 996.355.013.44 996.355.013.45 996.355.013.46 996.355.013.47 996.355.013.48 996.355.013.49		1	
3	999 073 124 09	Pan-head screw M 8 X 154 X 80		2	
4	996 355 923 00	Brake booster		1	
-	996 355 137 00	Cap		1	
-	996 355 137 01	Catch Threaded joint		1	
5	996 355 910 00	Brake booster Brake master cylinder		1	

Model: 986 97 Model life 1997>>2004

Pos	Part Number	Description	Remark	Qty	Model
(5)	996 355 910 40	Brake master cylinder	01-	1	M476
6	993 355 922 00	Grommet		2	
7	999 702 182 40	Rubber bush		1	
8	997 355 925 00	Hexagon nut		2	
9	996 355 912 00	Sealing ring		1	
10	996 355 577 02	Vacuum line	/LL -99	1	
(10)	996 355 577 42	Vacuum line	/LL 00-	1	
(10)	996 355 577 43	Vacuum line	/LL 04-	1	
(10)	996 355 578 06	Vacuum line	/RL 04-	1	
11	996 423 251 01	Intermediate piece		1	
12	900 067 240 02	Combination screw M 6 X 12 Z1		2	
13	999 703 448 50	Stopper	/R	1	
14	900 380 005 09	Hexagon nut M 8		2	
15	996 355 221 00	Grommet F >>98YS6 20321 F >>98YU6 21422 F >>98YS6 60089 F >>98YU6 60105 See technical information Group 4 NR.6/01		1	
16	996 423 301 00	Gasket		1	
-	996 355 901 01	Gasket Brake booster Bulkhead		1	
17	996 355 975 41	Pre-charge pump	01-	1	M476
-	996 355 635 40	Adapter Feed line	01-	1	M476
-	999 512 390 00	Hose clamp	01-	1	M476
18	999 512 478 00	Hose clamp F 98YS6 20322>> F 98YU6 21423>> F 98YS6 60090>> F 98YU6 60106>> See technical information Group 4 NR.6/01		1	
19	996 355 183 40	Support	01-	1	M476
21	964 356 635 00	Rubber mounting	01-	2	M476
-	999 045 004 40	Hexagon nut	01-	3	M476
(22)	996 423 269 04	Bellows F >>98YS6 20321 F >>98YU6 21422 F >>98YS6 60089 F >>98YU6 60105 See technical information Group 4 NR.6/01		1	
(22)	996 423 269 05	Bellows F 98YS6 20322>> F 98YU6 21423>> F 98YS6 60090>> F 98YU6 60106>>		1	
23	900 378 036 09	Hexagon-head bolt M 6 X 12	01-	1	M476
24	996 355 930 00	Bellows F >>98YS6 20321 F >>98YU6 21422 F >>98YS6 60089 F >>98YU6 60105 See technical information		1	

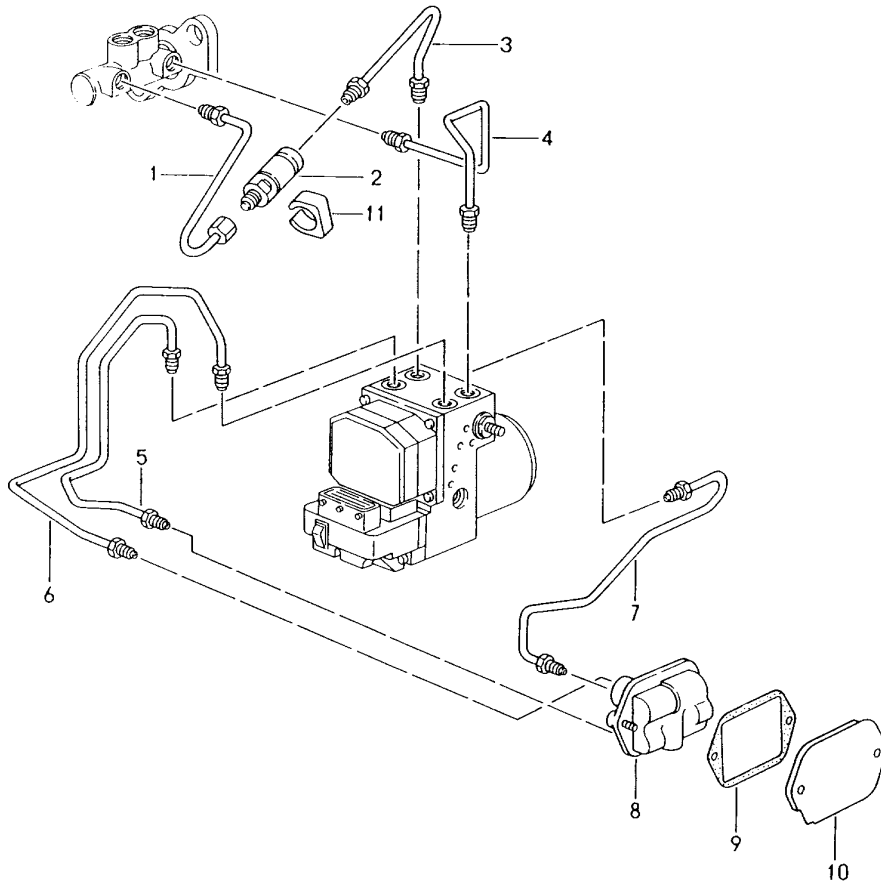


Model: 986 97 Model life 1997>>2004

Pos	Part Number	Description	Remark	Qty	Model
25	996 355 927 01	Group 4 NR.6/01 Connecting piece		1	
26	900 380 015 09	Hexagon nut M 6		1	
26	900 380 015 01	Hexagon nut M 6		1	
27	996 355 911 00	Sealing ring F >>98YS6 20321 F >>98YU6 21422 F >>98YS6 60089 F >>98YU6 60105 See technical information		1	
28	996 355 909 00	Group 4 NR.6/01 Connecting piece F >>98XS6 20321 F >>98XU6 21422 F >>98YS6 60089 F >>98YU6 60105 See technical information		1	
29	996 355 907 00	Group 4 NR.6/01 Sealing rubber F >>98YS6 20321 F >>98YU6 21422 F >>98YS6 60089 F >>98YU6 60105 Firewall See technical information		1	
30	999 512 672 00	Group 4 NR.6/01 Clamp F 98YS6 20322>> F 98YU6 21423>> F 98YS6 60090>> F 98YU6 60106>>		1	

Model: 986 97

Model life 1997>>2004



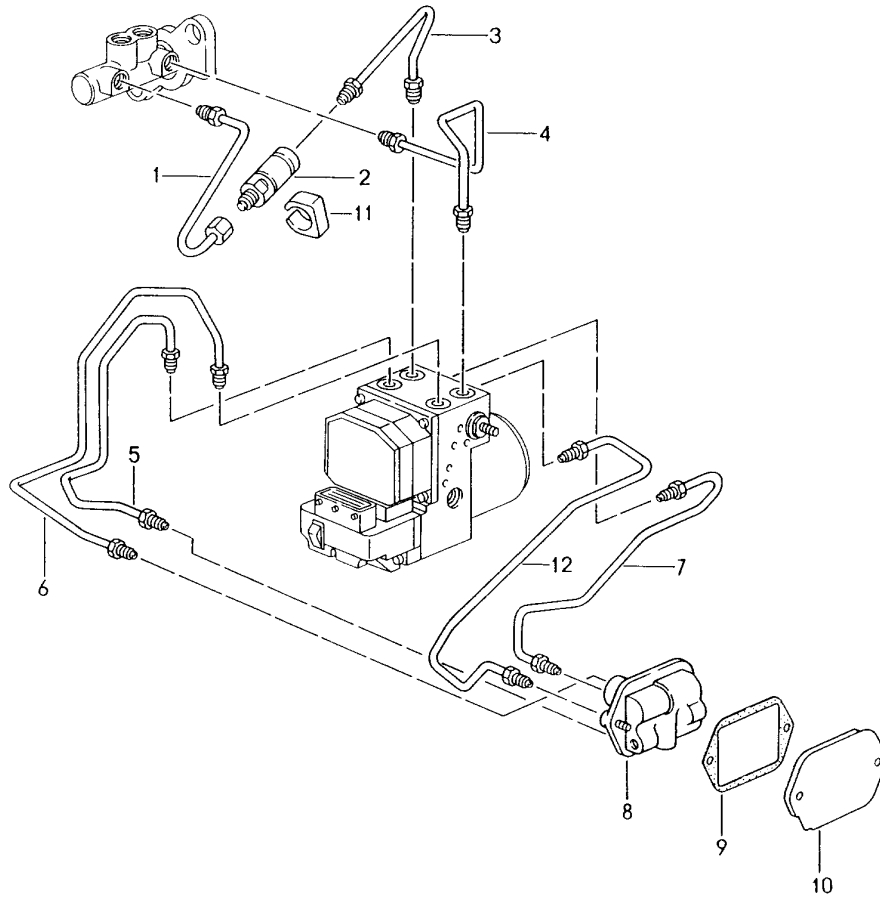
Model: 986 97

Model life 1997>>2004

Pos	Part Number	Description	Remark	Qty	Model
		Brake lines			
		Body front section			
1	996 355 309 01	Brake line	/LL -01	1	
2	986 355 305 00	Pressure regulator	-01	1	
3	996 355 311 02	Brake line	/LL -01	1	
(3)	996 355 311 03	Brake line	/LL -01	1	
(3)	996 355 311 42	Pressure line	/LL 02-	1	
4	996 355 313 02	Brake line	/LL -01	1	
(4)	996 355 313 04	Brake line	/LL -01	1	
(4)	996 355 313 03	Brake line	/LL 02-	1	
(4)	996 355 313 05	Brake line	/LL 02-	1	
5	996 355 315 02	Brake line	-01	1	
(5)	996 355 315 43	Brake line	02-	1	
6	996 355 327 03	Brake line	-01	1	
(6)	996 355 327 43	Brake line	02-	1	
7	996 355 326 04	Brake line	-01	1	
(7)	996 355 326 40	Brake line	02-	1	
8	996 355 650 02	Intermediate piece		1	
9	996 355 752 00	Gasket	-01	1	
(9)	996 355 752 01	Gasket	02-	1	
10	996 355 753 00	Reinforcement		1	
10	996 355 753 01	Reinforcement		1	
11	999 651 292 40	Support		1	

Model: 986 97

Model life 1997>>2004



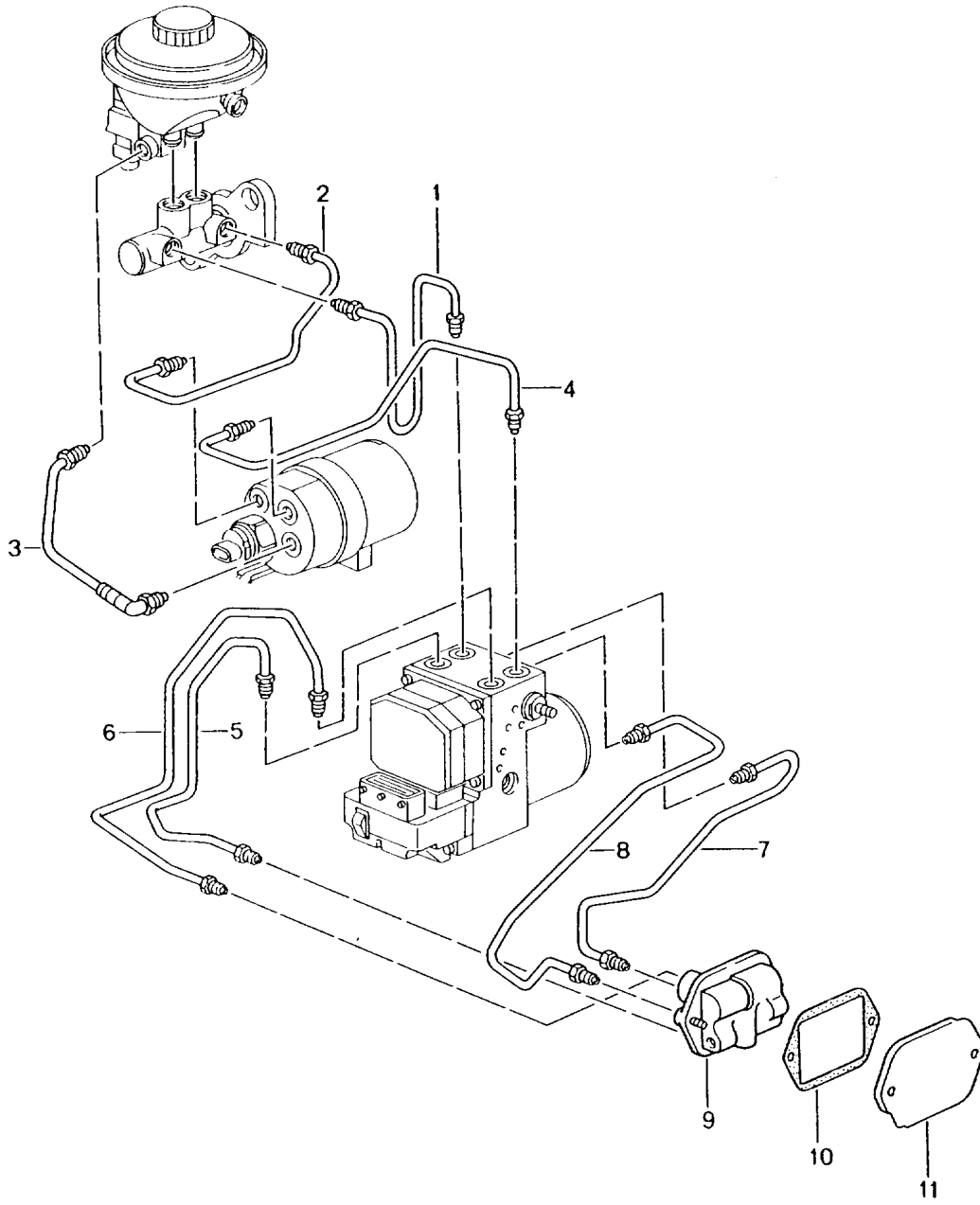
Model: 986 97

Model life 1997>>2004

Pos	Part Number	Description	Remark	Qty	Model
		Brake lines			M222/224
		Body front section	-01		
1	996 355 309 01	Brake line	/LL	1	
2	986 355 305 00	Pressure regulator		1	
3	996 355 311 02	Brake line	/LL	1	
(3)	996 355 311 03	Brake line	/LL	1	
4	996 355 313 02	Brake line	/LL	1	
(4)	996 355 313 04	Brake line	/LL	1	
5	996 355 315 02	Brake line		1	
6	996 355 327 03	Brake line		1	
7	996 355 326 04	Brake line		1	
8	996 355 650 27	Intermediate piece		1	
9	996 355 752 00	Gasket	-01	1	
10	996 355 753 00	Reinforcement		1	
10	996 355 753 01	Reinforcement		1	
11	999 651 292 40	Support		1	
12	996 355 316 04	Brake line		1	

Model: 986 97

Model life 1997>>2004



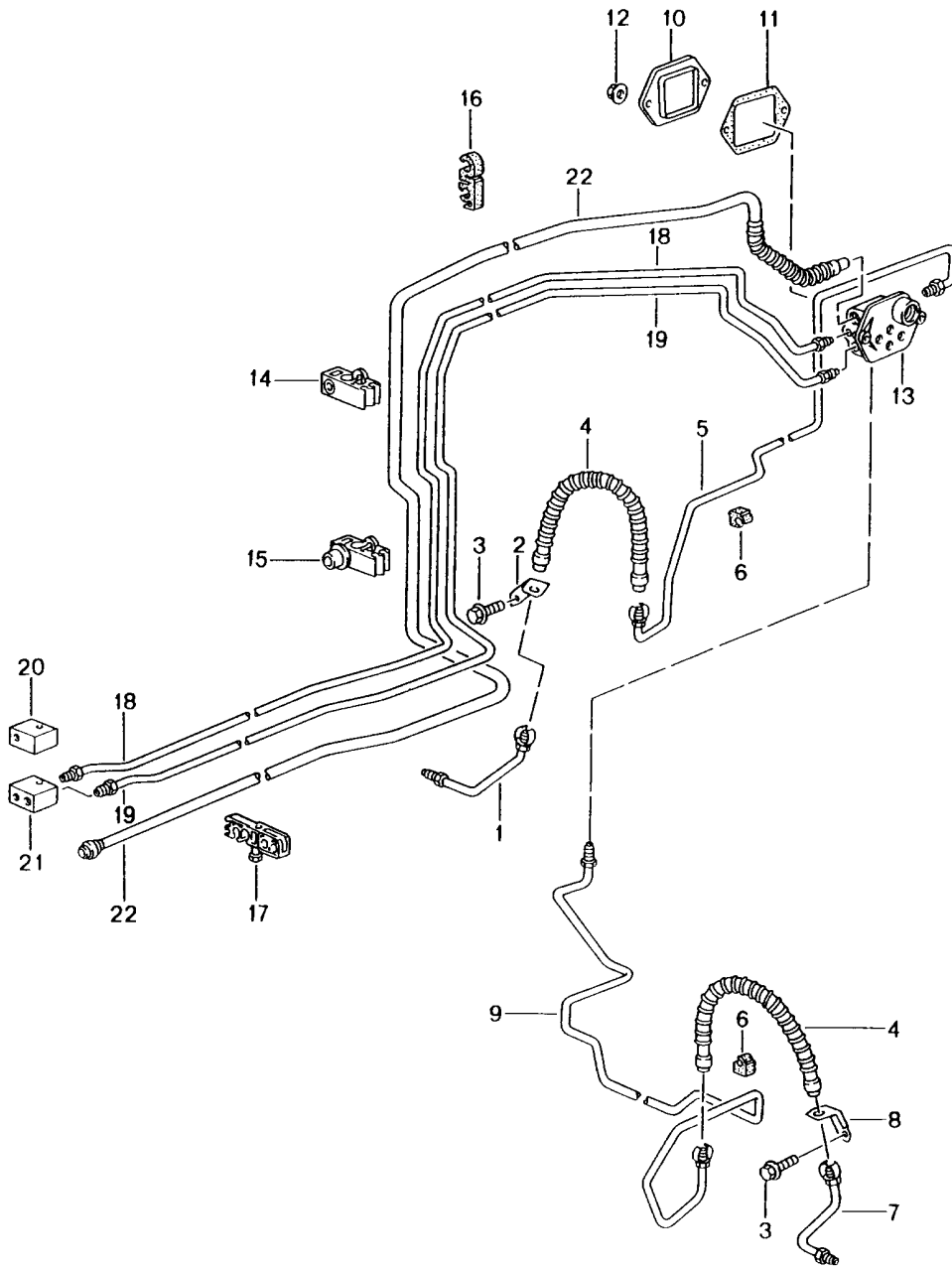
Model: 986 97

Model life 1997>>2004

Pos	Part Number	Description	Remark	Qty	Model
		Brake lines	01-		M476
		Body front section			
(1)	996 355 311 42	Pressure line	/LL	1	
(2)	996 355 353 45	Pressure line	/LL	1	
(3)	996 355 321 41	Feed line	/LL	1	
(4)	996 355 357 42	Pressure line	-02	1	
(4)	996 355 357 43	Pressure line	03-	1	
(4)	996 355 357 47	Pressure line	03-	1	
(5)	996 355 315 43	Brake line		1	
(6)	996 355 327 43	Brake line		1	
(7)	996 355 316 41	Brake line		1	
(8)	996 355 326 40	Brake line		1	
9	996 355 650 27	Intermediate piece		1	
10	996 355 752 00	Gasket	-01	1	
(10)	996 355 752 01	Gasket	02-	1	
11	996 355 753 00	Reinforcement		1	
11	996 355 753 01	Reinforcement		1	

Model: 986 97

Model life 1997>>2004



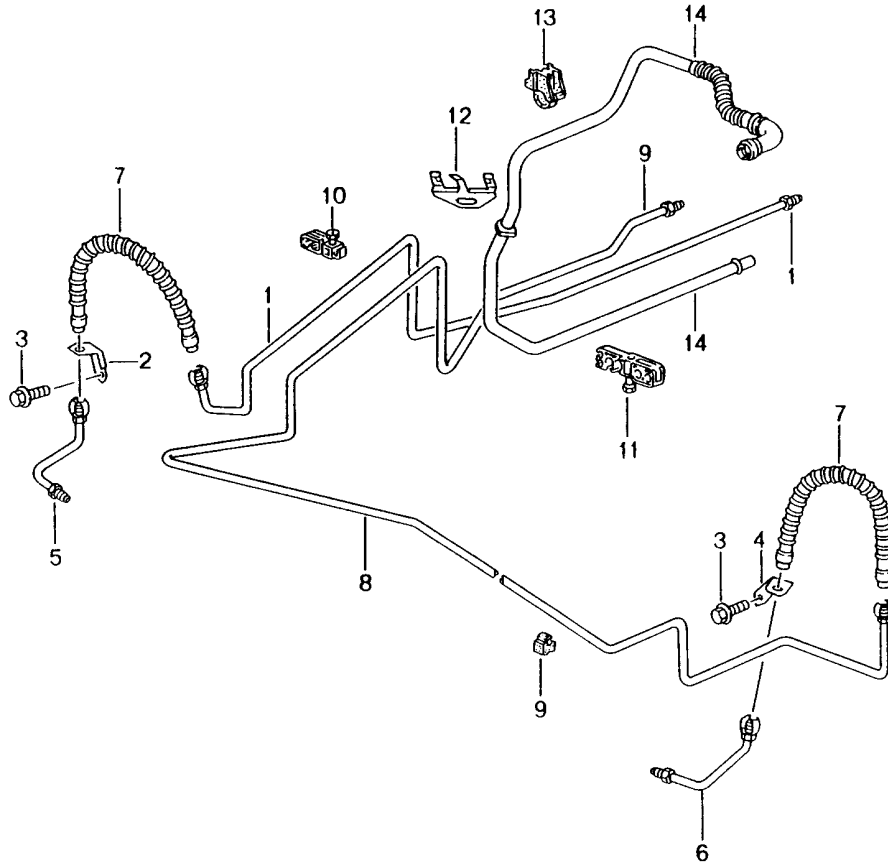


Model: 986 97 Model life 1997>>2004

Pos	Part Number	Description	Remark	Qty	Model
		Brake lines			
		Front axle			
		Underbody			
		Vacuum line			
1	996 355 581 06	Brake line	/L	1	
2	996 355 501 05	Brake hose bracket	/L -99	1	
(2)	996 355 501 06	Brake hose bracket	/L 00-	1	
3	900 075 355 01	Hexagon-head bolt	97	2	
		M 6 X 16			
(3)	900 067 117 09	Pan-head screw	98-	2	
		M 6 X 16			
4	996 355 139 00	Brake hose	97	2	
(4)	996 355 139 01	Brake hose	98-	2	
5	996 355 175 06	Brake line	/L 97	1	
(5)	996 355 175 07	Brake line	/L 98-	1	
		F >>98XU6 21174			
(5)	996 355 175 08	Brake line	/L 98-	1	
		F 98XU6 21175>>			
6	999 591 930 40	Support		X	
7	996 355 584 06	Brake line	/R	1	
8	996 355 502 05	Brake hose bracket	/R -99	1	
(8)	996 355 502 06	Brake hose bracket	/R 00-	1	
9	996 355 176 06	Brake line	/R -98	1	
		F >>98XU6 21174			
(9)	996 355 176 07	Brake line	/R 98-	1	
		F 98XU6 21175>>			
(9)	996 355 176 10	Brake line	/R 98-	1	
		F 98XU6 21175>>			
10	996 355 753 00	Reinforcement		1	
10	996 355 753 01	Reinforcement		1	
11	996 355 752 00	Gasket	-01	1	
(11)	996 355 752 01	Gasket	02-	1	
12	900 380 015 09	Hexagon nut		3	
		M 6			
12	900 380 015 01	Hexagon nut		3	
		M 6			
13	996 355 650 27	Intermediate piece		1	M222/224
(13)	996 355 650 02	Intermediate piece		1	
14	996 355 545 00	Support		3	
15	996 355 549 00	Support		1	
16	996 355 547 01	Support		2	
17	996 355 543 00	Support		1	
18	996 355 177 06	Brake line	-01	1	
(18)	996 355 177 07	Brake line	02	1	
(18)	996 355 177 08	Brake line	03-	1	
19	996 355 179 06	Brake line		1	M222/224
			01-	1	M476
(19)	996 355 179 07	Brake line	02	1	
(19)	996 355 179 08	Brake line	03-	1	
(19)	996 355 179 11	Brake line	03-	1	
20	996 355 660 04	Connecting piece		1	
(20)	996 355 660 05	Connecting piece		1	
21	996 355 760 29	Connecting piece		1	M222/224
			01-	1	M476
(21)	996 355 760 31	Connecting piece	03-	1	M476
-	900 378 115 01	Hexagon-head bolt		1	
		AM 6 X 35			
22	996 355 571 05	Vacuum line	-01	1	
(22)	996 355 571 07	Vacuum line	02-	1	
-	999 230 535 40	Lock		1	
		Connecting piece			
		Vacuum line			

Model: 986 97

Model life 1997>>2004

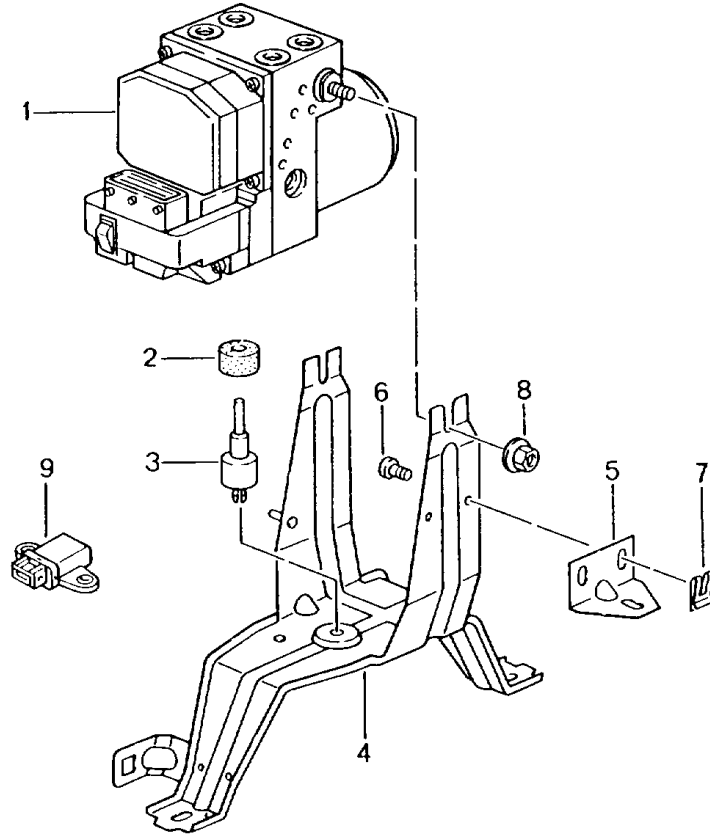


Model: 986 97 Model life 1997>>2004

Pos	Part Number	Description	Remark	Qty	Model
		Brake line			
		Underbody			
		Rear axle			
		Vacuum line			
1	986 355 189 06	Brake line	/L 97	1	
(1)	986 355 189 07	Brake line	/L 98-	1	
(1)	986 355 189 08	Brake line	/L 03-	1	
2	996 355 502 06	Brake hose bracket	/L	1	
3	900 075 355 01	Hexagon-head bolt	97	2	
		M 6 X 16			
(3)	900 067 117 09	Pan-head screw	98-	2	
		M 6 X 16			
4	996 355 501 06	Brake hose bracket	/R	1	
5	996 355 584 06	Brake line	/L	1	
6	996 355 581 06	Brake line	/R	1	
-	986 501 815 00	Support		2	
		Brake hose			
		F >>98XU6 21174			
-	996 501 815 02	Support		2	
		Brake hose			
		F 98XU6 21175>>			
7	996 355 637 01	Brake hose		2	
(7)	996 355 139 01	Brake hose		2	
8	986 355 190 07	Brake line	/R 97	1	
(8)	986 355 190 08	Brake line	/R 98-	1	
(8)	986 355 190 09	Brake line	/R 03-	1	
9	999 591 930 40	Support		2	
10	964 423 811 00	Support		2	
11	996 355 543 00	Support		1	
12	986 355 775 00	Retaining clip		1	
13	999 507 495 40	Support		1	
14	986 355 575 05	Vacuum line		1	
(14)	986 355 575 06	Vacuum line		1	

Model: 986 97

Model life 1997>>2004

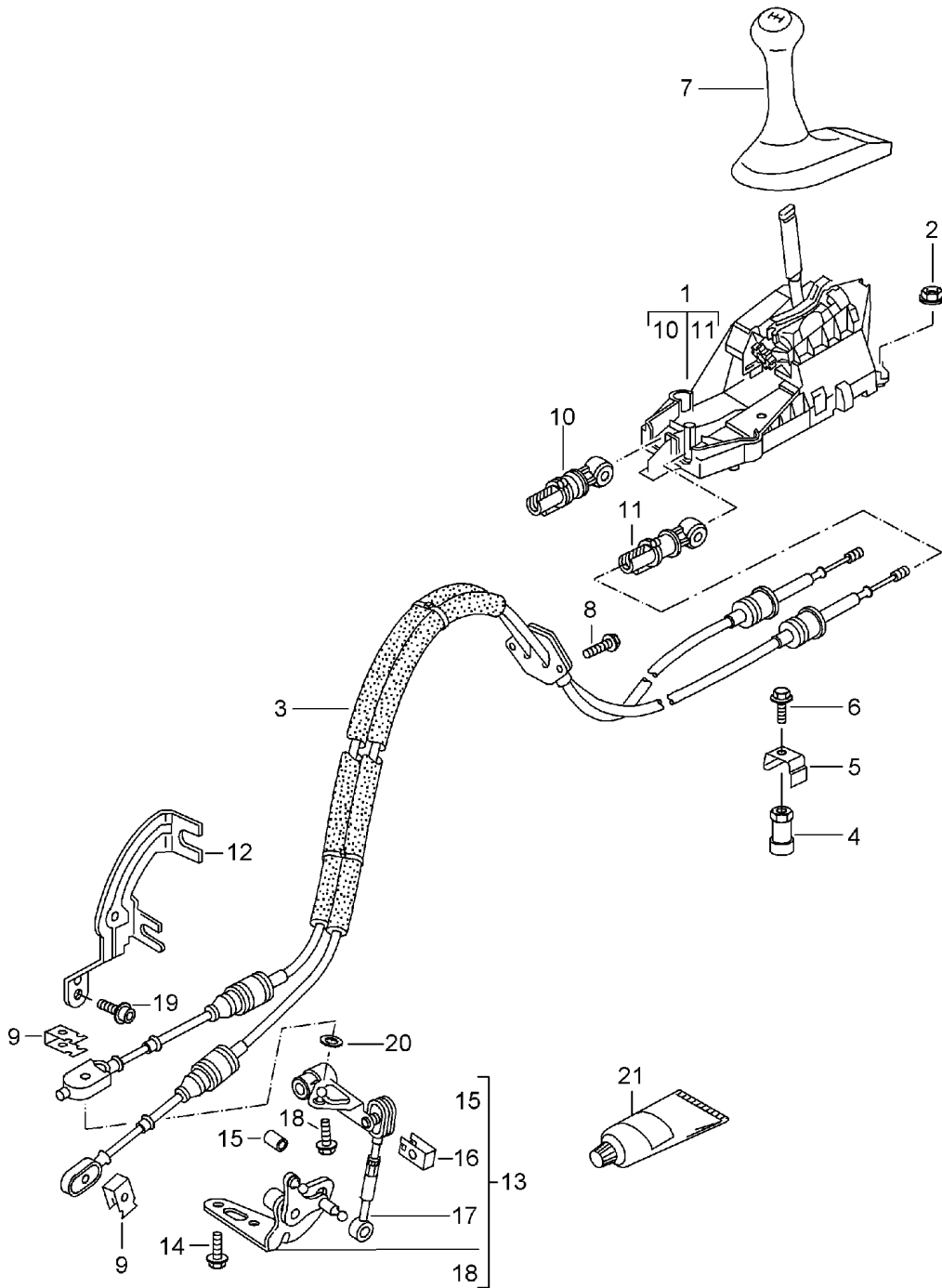


Model: 986 97 Model life 1997>>2004

Pos	Part Number	Description	Remark	Qty	Model
		Hydraulic unit Anti-lock brake system Control			
1	996 355 955 02	Hydraulic unit	-98	1	
(1)	996 355 955 03	Hydraulic unit	-98	1	
(1)	996 355 955 04	Hydraulic unit		1	
(1)	996 355 955 DX	Hydraulic unit		1	
(1)	996 355 955 27	Hydraulic unit	-98	1	M222/224
(1)	996 355 955 28	Hydraulic unit	-98	1	M222/224
(1)	996 355 955 29	Hydraulic unit	99	1	M222/224
(1)	996 355 955 31	Hydraulic unit	02-	1	M222/224
(1)	996 355 955 GX	Hydraulic unit	02-	1	M222/224
(1)	996 355 955 03	Hydraulic unit	-99	1	
(1)	996 355 955 04	Hydraulic unit	00	1	
		5.3			
(1)	996 355 955 DX	Hydraulic unit	00-	1	
		5.3			
(1)	986 355 955 26	Hydraulic unit	00	1	M224
		5.3			
(1)	986 355 955 27	Hydraulic unit	00	1	M224
		5.3			
(1)	986 355 955 28	Hydraulic unit	00	1	M224
		5.3			
(1)	986 355 955 JX	Hydraulic unit	00-	1	M224
		5.3			
(1)	986 355 955 00	Hydraulic unit	01	1	
		5.3			
(1)	986 355 955 X	Hydraulic unit	01-	1	
		5.3			
(1)	996 355 955 05	Hydraulic unit	02	1	
		5.7			
(1)	996 355 955 06	Hydraulic unit	03-	1	
		5.7			
(1)	996 355 955 FX	Hydraulic unit	03-	1	
		5.7			
(1)	986 355 955 41	Hydraulic unit	01	1	M476
		5.7			
(1)	986 355 955 42	Hydraulic unit	02-	1	M476
		5.7			
(1)	986 355 955 44	Hydraulic unit	02-	1	M476
		5.7			
(1)	986 355 955 EX	Hydraulic unit	02-	1	M476
		5.7			
2	996 355 945 00	Damping piece		3	
3	996 355 541 00	Spacer		1	
4	996 355 133 03	Support		1	
(4)	996 355 033 41	Support	01-	1	M476
		with Rubber mounting			
-	964 356 635 00	Rubber mounting	01-	2	M476
-	999 703 379 40	Stopper	01-	2	M476
-	999 084 629 09	Hexagon nut		3	
		M 6			
-	999 084 629 01	Hexagon nut		3	
		M 6			
5	996 355 535 02	Support		1	
6	996 355 559 00	Bolt		2	
7	999 166 080 02	Lock		2	
8	900 377 003 02	Hexagon nut		2	
		VM 8			
9	996 606 145 00	Sensor	01-	1	M476

Model: 986 97

Model life 1997>>2004



Model: 986 97 Model life 1997>>2004

Pos	Part Number	Description	Remark	Qty	Model
		Transmission control Manual transmission			
1	986 424 010 01	Gearshift bracket	-99	1	M481
(1)	986 424 010 02	Gearshift bracket	00-	1	M481
(1)	986 424 010 03	Gearshift bracket	03-	1	M481
(1)	996 424 010 04	Gearshift bracket	-02	1	M480
(1)	996 424 010 05	Gearshift bracket	03-	1	M480
(1)	986 424 010 04	Gearshift bracket	04	1	M091
(1)	996 424 983 00	Gearshift bracket	04	1	IXCZ
2	999 084 629 09	Hexagon nut M 6		4	
2	999 084 629 01	Hexagon nut M 6		4	
3	986 424 041 06	Cable F >>98VS6 23306		1	
(3)	986 424 041 07	Cable F 98VS6 23307>> Use also: 986.424.913.06	-99	1	
(3)	986 424 041 08	Cable	00	1	
(3)	986 424 041 09	Cable	-02	1	
(3)	986 424 041 10	Cable	03-	1	
(3)	986 424 042 05	Cable	00	1	M008
(3)	986 424 042 06	Cable	01	1	M008
(3)	986 424 042 07	Cable	02-	1	M008
(3)	986 424 042 08	Cable	04	1	M091
-	986 424 411 00	Retainer spring Mount Cable for Support		2	
4	986 424 221 00	Spacer		2	
5	986 424 211 00	Support	-99	1	
(5)	987 424 211 00	Support	00-	1	
6	900 075 023 02	Hexagon-head bolt M 8 X 12		1	
7	986 424 075 02	Gearshift knob	97	1	
	986 424 075 02 EAN	Satin black			
(7)	986 424 075 02	Gearshift knob	98-	1	M016
	986 424 075 02 EAN	Satin black			
(7)	986 424 075 03	Gearshift knob	98-	1	M011
	986 424 075 03 EMK	Ocean jade/black			
	986 424 075 03 EML	Zenith blue/black			
(7)	986 424 075 03	Gearshift knob	98-	1	M012
	986 424 075 03 EKP	Metal grey/black			
(7)	986 424 075 04	Gearshift knob	99-	1	M010
	986 424 075 04 EMM	Amber/black			
(7)	996 424 075 05	Gearshift knob	00-	1	M480
	996 424 075 05 EVZ	Black/Silver			
(7)	996 424 075 05	Gearshift knob	03-	1	M480
	996 424 075 05 FGT	Black Sport silver			
	996 424 075 05 FGU	Graphite grey Sport silver			
	996 424 075 05 FGV	Savanna Sport silver			
	996 424 075 05 FGW	Metropole blue Sport silver			
	996 424 075 05 FGX	Nephrite green Sport silver	03 03		
	996 424 075 05 FGY	Boxster red Sport silver			
	996 424 075 05 FGZ	Cinnamon brown			

Model: 986 97 Model life 1997>>2004

Pos	Part Number	Description	Remark	Qty	Model
	996 424 075 05 VSW	Sport silver Dark grey/natural			
	996 424 075 05 VSX	Sport silver Brown/natural			
(7)	986 424 075 21	Sport silver Gearshift knob	04	1	M091
	986 424 075 21 9Q3	Cocoa			
	986 424 075 21 D11	Dark grey/natural			
(7)	996 424 981 15	Gearshift knob		1	IX97/M480
	996 424 981 15 VRJ	Black			
	996 424 981 15 C50	Graphite grey			
	996 424 981 15 S30	Savanna			
	996 424 981 15 G10	Metropole blue			
	996 424 981 15 J30	Nephrite green			
	996 424 981 15 M30	Boxster red			
	996 424 981 15 P11	Cinnamon brown			
	996 424 981 15 D11	Dark grey/natural			
	996 424 981 15 T11	Brown/natural			
(7)	996 424 981 17	Gearshift knob		1	IXE8/M480
	996 424 981 17 VRJ	Black			
	996 424 981 17 C50	Graphite grey			
	996 424 981 17 S30	Savanna			
	996 424 981 17 G10	Metropole blue			
	996 424 981 17 J30	Nephrite green			
	996 424 981 17 M30	Boxster red			
	996 424 981 17 P11	Cinnamon brown			
	996 424 981 17 D11	Dark grey/natural			
	996 424 981 17 T11	Brown/natural			
(7)	996 424 981 18	Gearshift knob		1	IX47/M480
	996 424 981 18 VRJ	Black			
	996 424 981 18 C50	Graphite grey			
	996 424 981 18 S30	Savanna			
	996 424 981 18 G10	Metropole blue			
	996 424 981 18 J30	Nephrite green			
	996 424 981 18 M30	Boxster red			
	996 424 981 18 P11	Cinnamon brown			
	996 424 981 18 D11	Dark grey/natural			
	996 424 981 18 T11	Brown/natural			
(7)	996 424 981 22	Gearshift knob	03-	1	IX97/M480
	996 424 981 22 VRJ	Black			
	996 424 981 22 C50	Graphite grey			
	996 424 981 22 S30	Savanna			
	996 424 981 22 G10	Metropole blue			
	996 424 981 22 J30	Nephrite green	03		
	996 424 981 22 M30	Boxster red			
	996 424 981 22 P11	Cinnamon brown			
	996 424 981 22 D11	Dark grey/natural			
	996 424 981 22 T11	Brown/natural			
(7)	996 424 981 28	Gearshift knob	03-	1	IXE8/M480
	996 424 981 28 VRJ	Black			
	996 424 981 28 C50	Graphite grey			
	996 424 981 28 S30	Savanna			
	996 424 981 28 G10	Metropole blue			
	996 424 981 28 J30	Nephrite green	03		
	996 424 981 28 M30	Boxster red			
	996 424 981 28 P11	Cinnamon brown			
	996 424 981 28 D11	Dark grey/natural			
	996 424 981 28 T11	Brown/natural			
(7)	996 424 981 31	Gearshift knob	03-	1	IX47/M480
	996 424 981 31 VRJ	Black			
	996 424 981 31 C50	Graphite grey			
	996 424 981 31 S30	Savanna			
	996 424 981 31 G10	Metropole blue			



Model: 986 97 Model life 1997>>2004

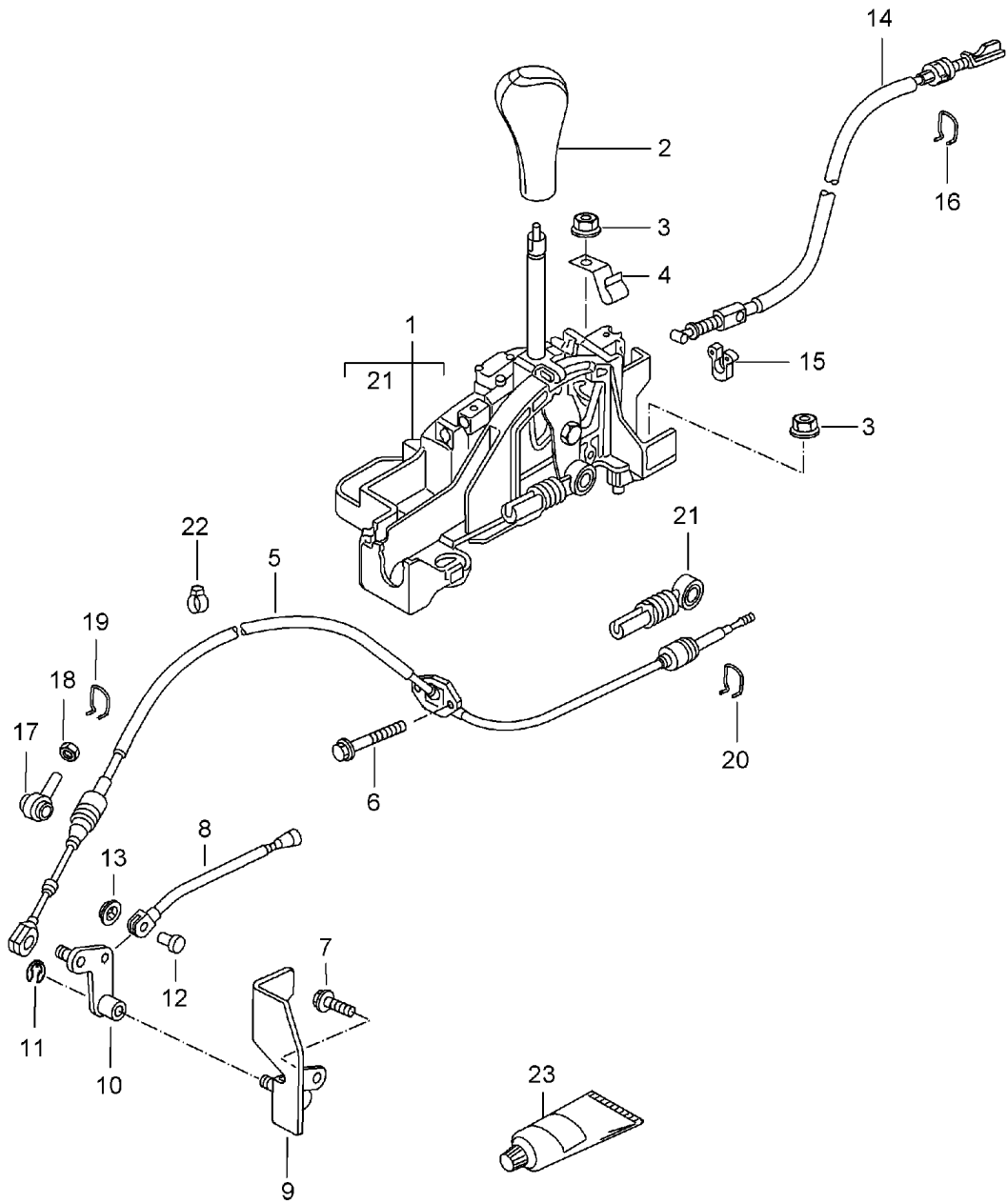
Pos	Part Number	Description	Remark	Qty	Model
	996 424 981 31 J30	Nephrite green	03		
	996 424 981 31 M30	Boxster red			
	996 424 981 31 P11	Cinnamon brown			
	996 424 981 31 D11	Dark grey/natural			
	996 424 981 31 T11	Brown/natural			
(7)	986 424 075 05	Gearshift knob	00-	1	M481
	986 424 075 05 EVZ	Black			
(7)	986 424 075 05	Gearshift knob	03-	1	M481
	986 424 075 05 EWA	Black			
		Metal grey			
	986 424 075 05 FGT	Black			
		Sport silver			
	986 424 075 05 FGU	Graphite grey			
		Sport silver			
	986 424 075 05 FGV	Savanna			
		Sport silver			
	986 424 075 05 FGW	Metropole blue			
		Sport silver			
	986 424 075 05 FGX	Nephrite green	03		
		Sport silver	03		
	986 424 075 05 FGY	Boxster red			
		Sport silver			
	986 424 075 05 FGZ	Cinnamon brown			
		Sport silver			
	986 424 075 05 VSW	Dark grey/natural			
		Sport silver			
	986 424 075 05 VSX	Brown/brown			
		Sport silver			
(7)	986 424 981 05	Gearshift knob	01-	1	IX97/M481
	986 424 981 05 VRJ	Black			
	986 424 981 05 C50	Graphite grey			
	986 424 981 05 S30	Savanna			
	986 424 981 05 G10	Metropole blue			
	986 424 981 05 J30	Nephrite green	-03		
	986 424 981 05 M30	Boxster red			
	986 424 981 05 P11	Cinnamon brown			
	986 424 981 05 D11	Dark grey/natural			
	986 424 981 05 T11	Brown/natural			
(7)	986 424 981 06	Gearshift knob	01-	1	IXE8/M481
	986 424 981 06 VRJ	Black			
	986 424 981 06 C50	Graphite grey			
	986 424 981 06 S30	Savanna			
	986 424 981 06 G10	Metropole blue			
	986 424 981 06 J30	Nephrite green	-03		
	986 424 981 06 M30	Boxster red			
	986 424 981 06 P11	Cinnamon brown			
	986 424 981 06 D11	Dark grey/natural			
	986 424 981 06 T11	Brown/natural			
(7)	986 424 981 07	Gearshift knob	01-	1	IX47/M481
	986 424 981 07 VRJ	Black			
	986 424 981 07 C50	Graphite grey			
	986 424 981 07 S30	Savanna			
	986 424 981 07 G10	Metropole blue			
	986 424 981 07 J30	Nephrite green	-03		
	986 424 981 07 M30	Boxster red			
	986 424 981 07 P11	Cinnamon brown			
	986 424 981 07 D11	Dark grey/natural			
	986 424 981 07 T11	Brown/natural			
8	900 378 152 09	Hexagon-head bolt M 6 X 20		2	
9	986 424 049 01	Safety clip F >>98VS6 23306		2	
-	000 043 203 82	Cotter pin		4	

Model: 986 97 Model life 1997>>2004

Pos	Part Number	Description	Remark	Qty	Model
-	900 021 055 00	2 X 25 F >>98VS6 23306 Cotter pin		4	
10	996 424 145 00	2 X 25 F >>98VS6 23306 Fastening part for Cable Adjustable	-99	1	
(10)	996 424 145 01	Fastening part for Cable Adjustable	00-	1	
-	996 424 445 00	Clip for Fastening part		1	
11	996 424 147 00	Fastening part for Cable Adjustable		1	
12	986 424 165 02	Support for Cable		1	
(12)	986 424 165 03	Support for Cable		1	
(12)	986 424 166 04	Support for Cable	00-	1	M008
13	986 424 913 05	Linkage Adjustable		1	
(13)	986 424 913 06	F >>98VS6 23306 Linkage Adjustable		1	
(13)	986 424 913 07	F 98VS6 23307>> Use also: 986.424.041.07 Linkage Adjustable		1 1	
14	900 075 085 02	Hexagon-head bolt M 8 X 20		2	
15	986 424 135 00	Cap		1	
16	986 424 049 00	Safety clip		1	
17	986 424 931 05	Joint rod Adjustable		1	
(17)	986 424 931 06	F >>98VS6 23306 Joint rod Adjustable		1	
(17)	986 424 931 07	F 98VS6 23307>> Use also: 986.424.041.07 986.424.913.06 Joint rod Adjustable		1 1 1	
18	N 901 239 02	Hexagon-head bolt M 8 X 26		1	
19	999 073 209 09	Pan-head screw M 10 X 20		2	
20	986 424 133 00	Washer		2	
21	000 043 205 93	Grease 1 100-gramme tube		X	

Model: 986 97

Model life 1997>>2004



Model: 986 97 Model life 1997>>2004

Pos	Part Number	Description	Remark	Qty	Model
1	996 426 011 04	Selector lever Tiptronic		1	
(1)	996 426 011 07	Selector lever with Housing	-99	1	
(1)	996 426 011 08	Selector lever with Housing	00-	1	
-	996 613 023 00	Switch		1	
-	996 624 223 00	Solenoid		1	
2	996 426 069 04	Gearshift knob		1	
	996 426 069 04 8YR	Black			
(2)	996 426 069 05	Gearshift knob		1	
	996 426 069 05 8YR	Black			
(2)	996 426 069 05	Gearshift knob	97	1	
	996 426 069 05 EKQ	Black			
(2)	996 426 069 05	Gearshift knob	98-	1	M016
	996 426 069 05 EKQ	Black			
(2)	996 426 069 06	Gearshift knob		1	
	996 426 069 06 EMN	Turquoise metallic	98-		
	996 426 069 06 EMO	Zenith blue metallic	98-		
	996 426 069 06 EMP	Metal grey	98-		
(2)	996 426 069 08	Gearshift knob	99-	1	M010
	996 426 069 08 EOL	Amber/black			
(2)	996 426 069 09	Gearshift knob	00	1	
	996 426 069 09 ERB	Black/Silver	00		
	996 426 069 09 EOO	Silver-black			
(2)	996 426 069 10	Gearshift knob	02	1	
	996 426 069 10 ERB	Black/Silver			
	996 426 069 10 EOO	Silver-black			
(2)	996 426 069 10	Gearshift knob	03-	1	
	996 426 069 10 FGJ	Black			
	996 426 069 10 FGK	Sport silver			
	996 426 069 10 FGK	Graphite grey			
	996 426 069 10 FGK	Sport silver			
	996 426 069 10 FGL	Savanna			
	996 426 069 10 FGM	Sport silver			
	996 426 069 10 FGM	Metropole blue			
	996 426 069 10 FGM	Sport silver			
	996 426 069 10 FGN	Nephrite green	03		
	996 426 069 10 FGN	Sport silver	03		
	996 426 069 10 FGO	Boxster red			
	996 426 069 10 FGO	Sport silver			
	996 426 069 10 FGQ	Black/metal grey			
	996 426 069 10 FGQ	Sport silver			
	996 426 069 10 FGP	Cinnamon brown			
	996 426 069 10 FGP	Sport silver			
	996 426 069 10 VSU	Dark grey/natural			
	996 426 069 10 VSU	Sport silver			
	996 426 069 10 VSV	Brown/natural			
	996 426 069 10 VSV	Sport silver			
(2)	996 426 069 10	Gearshift knob	04	1	M091
	996 426 069 10 FKN	Cocoa			
	996 426 069 10 FKN	Sport silver			
	996 426 069 10 FKO	Dark grey/natural			
	996 426 069 10 FKO	Sport silver			
-	996 426 275 01	Key	-99	1	
	996 426 275 01 A01	Black			

Model: 986 97 Model life 1997>>2004

Pos	Part Number	Description	Remark	Qty	Model
(2)	996 426 981 06	Gearshift knob	01-02	1	IX46
	996 426 981 06 8YR	Black			
	996 426 981 06 VRJ	Black			
	996 426 981 06 C50	Graphite grey			
	996 426 981 06 S30	Savanna			
	996 426 981 06 G10	Metropole blue			
	996 426 981 06 J30	Nephrite green			
	996 426 981 06 M30	Boxster red			
	996 426 981 06 P11	Cinnamon brown			
	996 426 981 06 D11	Dark grey/natural			
	996 426 981 06 T11	Brown/natural			
(2)	996 426 981 11	Gearshift knob	03-	1	IX46
	996 426 981 11 VRJ	Black			
	996 426 981 11 C50	Graphite grey			
	996 426 981 11 S30	Savanna			
	996 426 981 11 G10	Metropole blue			
	996 426 981 11 J30	Nephrite green	03		
	996 426 981 11 M30	Boxster red			
	996 426 981 11 P11	Cinnamon brown			
	996 426 981 11 D11	Dark grey/natural			
	996 426 981 11 T11	Brown/natural			
(2)	996 426 981 08	Gearshift knob	01-02	1	IX66
(2)	996 426 981 09	Gearshift knob	01-02	1	IX48
(2)	996 426 981 13	Gearshift knob	03-	1	IX66
(2)	996 426 981 14	Gearshift knob	03-	1	IX48
-	000 043 204 51	Repair kit Comprising: Key 996.426.275.01 A01 Compression spring 996.426.277.02 Roller 321.713.137	-99	1	
-	000 043 204 49	Repair kit Comprising: Key 996.426.275.02 V01 Compression spring 996.426.277.02 Roller 321.713.137	00-	1	
-	000 043 204 50	Repair kit	01	1	X 46/X 48 X 66
			02	1	X 46/X 48 X 66
-	000 043 204 57	Repair kit Comprising: Key 996.426.275.05 V01 Compression spring 996.426.277.02 Roller 321.713.137	02	1	
-	000 043 204 69	Repair kit Comprising: Key 996.426.275.05 V03	03-	1	

Model: 986 97 Model life 1997>>2004

Pos	Part Number	Description	Remark	Qty	Model
		Compression spring 996.426.277.02			
		Roller 321.713.137			
-	996 426 285 00	Fixing clip		1	
3	999 084 629 09	Hexagon nut M 6		4	
3	999 084 629 01	Hexagon nut M 6		4	
4	999 507 465 02	Cable holder		2	
5	986 426 033 02	Cable F >>98WS6 20894 F >>98WU6 21309		1	
(5)	986 426 033 03	Cable F 98WS6 20895>> F 98WU6 21310>> F >>981U6 20684 F >>981U6 60508 F >>981S6 20164 F >>981S6 60174	-01	1	
(5)	986 426 033 04	Cable F 981U6 20685>> F 981U6 60509>> F 981S6 20165>> F 981S6 60175>>	01	1	
(5)	986 426 033 05	Cable	02-	1	
-	987 424 211 01	Support for Cable		1	
6	900 378 152 09	Hexagon-head bolt M 6 X 20		2	
-	986 426 013 01	Reverse lever Set Comprising: POS 7 - 13		1	
7	999 073 094 09	Oval-head screw M 8 X 20		2	
8	986 426 043 01	Push rod		1	
9	986 426 041 05	Plate F >>981U6 20684 F >>981S6 20164		1	
9	986 426 041 07	Plate F >>981U6 20684 F >>981S6 20164		1	
(9)	986 426 041 06	Plate F >>981U6 60508 F >>981S6 60174	00-	1	M008
(9)		Plate F 981U6 20685>> F 981U6 60509>> F 981S6 20165>> F 981S6 60175>>		1	
10	986 426 045 03	Reverse lever		1	
(10)	986 426 045 04	Reverse lever		1	
(10)	986 426 045 05	Reverse lever F >>981U6 20684 F >>981U6 60508 F >>981S6 20164 F >>981S6 60174		1	
(10)	986 426 045 06	Reverse lever F 981U6 20685>> F 981U6 60509>> F 981S6 20165>>		1	

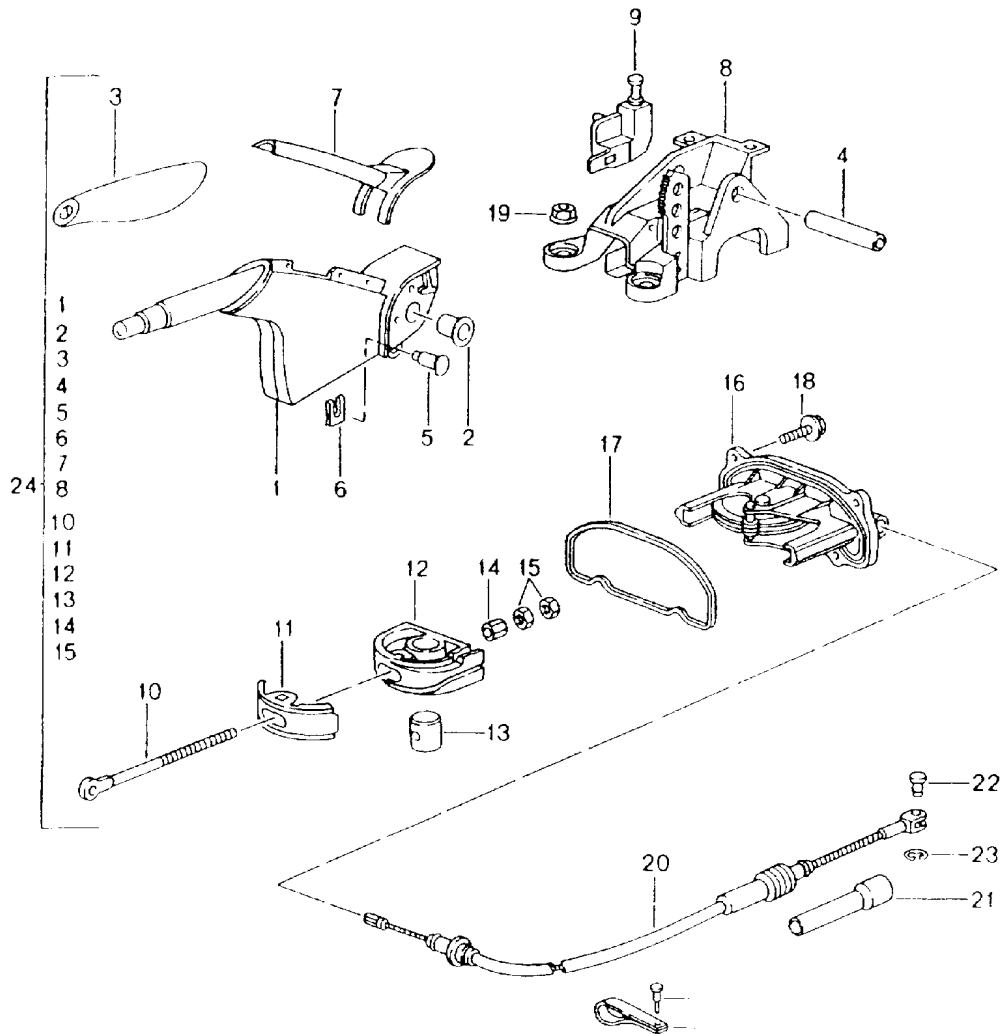
Model: 986 97

Model life 1997>>2004

Pos	Part Number	Description	Remark	Qty	Model
		F 981S6 60175>>			
11	900 116 007 09	Lock		1	
11	900 116 007 02	Lock		1	
12	986 426 415 02	Bolt		1	
13	999 507 057 02	Clamping washer		1	
13	999 507 057 03	Clamping washer		1	
14	996 426 073 03	Cable		1	
15	996 426 181 00	Clip		1	
16	996 426 711 00	Securing clip		1	
17	996 426 380 00	Connecting piece		1	
		F 98WS6 20895>>			
		F 98WU6 21310>>			
		F >>981U6 20684			
		F >>981U6 60508			
		F >>981S6 20164			
		F >>981S6 60174			
(17)	986 426 380 01	Connecting piece	01	1	
		F 981U6 20685>>			
		F 981U6 60509>>			
		F 981S6 20165>>			
		F 981S6 60175>>			
(17)	986 426 380 02	Connecting piece	02-	1	
18	900 076 010 02	Nut		1	
		M 6			
		F 98WS6 20895>>			
		F 98WU6 21310>>			
18	N 022 148 12	Lock nut		1	
		M 6			
		F 98WS6 20895>>			
		F 98WU6 21310>>			
19	996 426 335 00	Securing clip		1	
20	996 426 335 01	Securing clip		1	
21	996 426 035 00	Fastening part		1	
22	999 507 635 00	Support		1	
23	000 043 205 93	Grease		X	
		1 100-gramme tube			

Model: 986 97

Model life 1997>>2004





Model: 986 97 Model life 1997>>2004

Pos	Part Number	Description	Remark	Qty	Model
		Handbrake Actuator			
1	996 424 053 01	Parking-brake lever		1	
	996 424 053 01 EBS	Black			
2	996 424 573 01	Bearing sleeve		2	
3	996 424 251 01	Cover		1	
	996 424 251 01 8YR	Black			
4	996 424 571 01	Bearing tube		1	
5	996 424 569 01	Bolt		1	
6	999 166 079 02	Lock washer SLB 6		1	
7	986 424 155 00	Cover		1	
	986 424 155 00 B12	Black			
(7)	996 424 155 01	Cover		1	M012
	996 424 155 01 C02	Metal grey	99-		M010
(7)	996 424 155 01	Cover	00-	1	
	996 424 155 01 A03	Black			
	996 424 155 01 C02	Metal grey	01-		M010
(7)	996 424 155 02	Cover	04	1	M091
	996 424 155 02 M7Z	Silver metallic			
(7)	986 424 155 00	Cover	98-	1	M011/016
	986 424 155 00 B12	Black			
(7)	996 424 155 01	Cover	01-	1	IX98
			01-	1	IX58
			01-	1	IXE9
	996 424 155 01 A03	Black			
	996 424 155 01 C02	Metal grey			M010
8	996 424 161 01	Bracket		1	
9	996 613 112 01	Switch		1	
10	996 424 567 01	Pull rod		1	
11	964 424 570 00	Securing clip		1	
12	964 424 568 00	Turnbuckle		1	
13	996 424 574 00	Nipple		1	
14	996 424 572 00	Bush		1	
15	900 076 025 02	Hexagon nut M 8		2	
15	900 076 064 02	Hexagon nut M 8		2	
16	986 424 310 02	Housing		1	
17	986 424 480 02	Gasket		1	
18	900 378 035 01	Hexagon-head bolt M 6 X 16		4	
19	900 380 005 09	Hexagon nut M 8		2	
20	986 424 141 03	Parking-brake cable	-00	2	
(20)	986 424 141 04	Parking-brake cable	01-	2	
21	986 424 721 06	Guide tube	-00	2	
(21)	986 424 721 07	Guide tube	01-	2	
22	986 352 739 02	Bolt		2	
23	900 116 004 09	Lock washer B 5		2	
24	986 424 031 00	Parking-brake lever Complete		1	
	986 424 031 00 EBP	Black			
(24)	986 424 031 00	Parking-brake lever Complete	98-	1	M016
	986 424 031 00 EBP	Black			
(24)	986 424 031 01	Parking-brake lever Complete	98-	1	M011/016
	986 424 031 01 EBP	Black			
(24)	996 424 031 04	Parking-brake lever Complete	99-	1	M010
	996 424 031 04 EKH	Black/granite			

Model: 986 97 Model life 1997>>2004

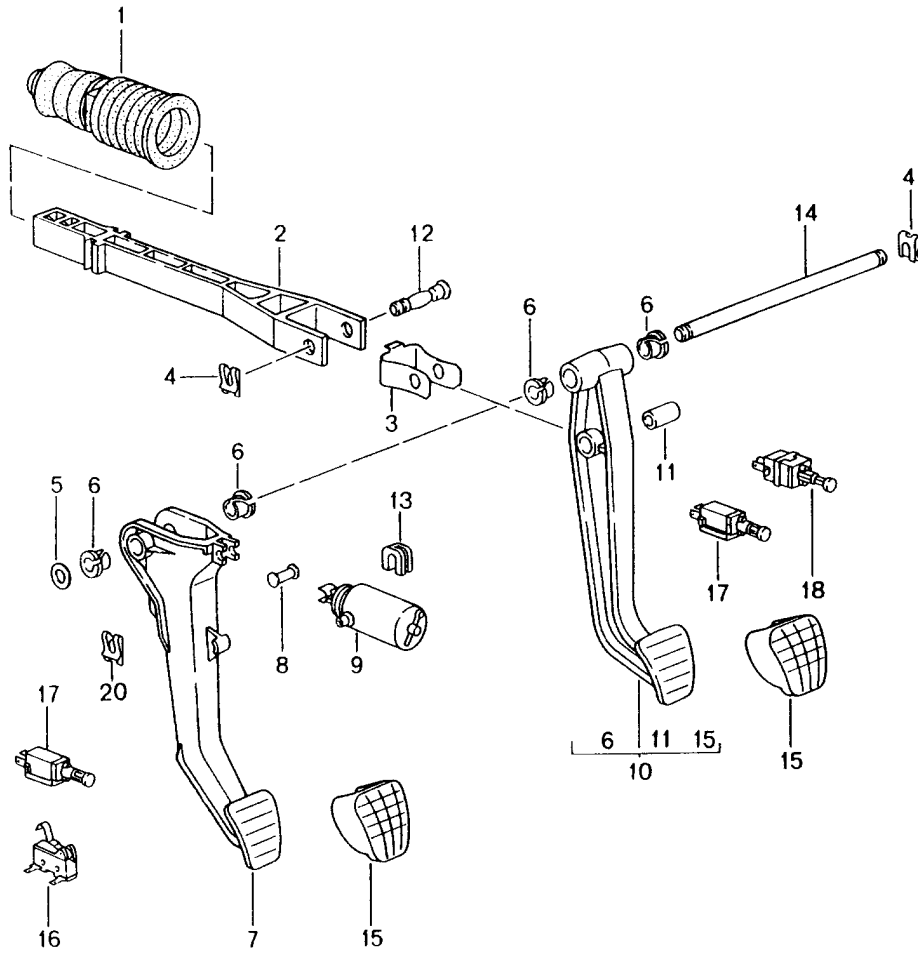
Pos	Part Number	Description	Remark	Qty	Model
(24)	996 424 031 04	Parking-brake lever Complete	98-	1	M012
	996 424 031 04 EMH	Metal grey/black			
(24)	996 424 031 05	Parking-brake lever Complete	00	1	
	996 424 031 05 EUK	Black			
	996 424 031 05 EPR	Black/metal grey			M012
(24)	996 424 031 06	Parking-brake lever Complete	01-02	1	
	996 424 031 06 EUK	Black			
	996 424 031 06 EPR	Black/metal grey			
(24)	996 424 031 07	Parking-brake lever Complete	03-	1	
	996 424 031 07 FFR	Black			
	996 424 031 07 FHD	Sport silver			
	996 424 031 07 FHD	Graphite grey			
	996 424 031 07 FHF	Sport silver			
	996 424 031 07 FHF	Metropole blue			
	996 424 031 07 FHE	Sport silver			
	996 424 031 07 FHE	Savanna			
	996 424 031 07 FHG	Sport silver			
	996 424 031 07 FHG	Nephrite green	03		
	996 424 031 07 FHJ	Sport silver			
	996 424 031 07 FHJ	Boxster red			
	996 424 031 07 FHK	Sport silver			
	996 424 031 07 FHK	Cinnamon brown			
	996 424 031 07 VSR	Sport silver			
	996 424 031 07 VSR	Dark grey/natural			
	996 424 031 07 VST	Sport silver			
	996 424 031 07 VST	Brown/natural			
	996 424 031 07 FGR	Sport silver			
	996 424 031 07 FGR	Black/metal grey			
(24)	996 424 031 08	Parking-brake lever Complete	04	1	M091
	996 424 031 08 EVY	Cocoa			
	996 424 031 08 VSZ	Dark grey/natural			
(24)	996 424 980 22	Parking-brake lever Complete	/LL 01-02	1	IX98
	996 424 980 22 VRJ	Black			
	996 424 980 22 C50	Graphite grey			
	996 424 980 22 S30	Savanna			
	996 424 980 22 G10	Metropole blue			
	996 424 980 22 J30	Nephrite green			
	996 424 980 22 M30	Boxster red			
	996 424 980 22 P11	Cinnamon brown			
	996 424 980 22 D11	Dark grey/natural			
	996 424 980 22 T11	Brown/natural			
(24)	996 424 980 24	Parking-brake lever Complete	/LL 01-02	1	IX58
	996 424 980 24 VRJ	Black			
	996 424 980 24 C50	Graphite grey			
	996 424 980 24 S30	Savanna			
	996 424 980 24 G10	Metropole blue			
	996 424 980 24 J30	Nephrite green			
	996 424 980 24 M30	Boxster red			
	996 424 980 24 P11	Cinnamon brown			
	996 424 980 24 D11	Dark grey/natural			
	996 424 980 24 T11	Brown/natural			
(24)	996 424 980 28	Parking-brake lever Complete	/LL 01-02	1	IXE9
	996 424 980 28 VRJ	Black			
	996 424 980 28 C50	Graphite grey			

Model: 986 97 Model life 1997>>2004

Pos	Part Number	Description	Remark	Qty	Model
	996 424 980 28 S30	Savanna			
	996 424 980 28 G10	Metropole blue			
	996 424 980 28 J30	Nephrite green			
	996 424 980 28 M30	Boxster red			
	996 424 980 28 P11	Cinnamon brown			
	996 424 980 28 D11	Dark grey/natural			
	996 424 980 28 T11	Brown/natural			
(24)	996 424 980 38	Parking-brake lever Complete	/LL 03-	1	IX98
	996 424 980 38 VRJ	Black			
	996 424 980 38 C50	Graphite grey			
	996 424 980 38 S30	Savanna			
	996 424 980 38 G10	Metropole blue			
	996 424 980 38 J30	Nephrite green	03		
	996 424 980 38 M30	Boxster red			
	996 424 980 38 P11	Cinnamon brown			
	996 424 980 38 D11	Dark grey/natural			
	996 424 980 38 T11	Brown/natural			
(24)	996 424 980 50	Parking-brake lever Complete	/LL 03-	1	IX58
	996 424 980 50 VRJ	Black			
	996 424 980 50 C50	Graphite grey			
	996 424 980 50 S30	Savanna			
	996 424 980 50 G10	Metropole blue			
	996 424 980 50 J30	Nephrite green	03		
	996 424 980 50 M30	Boxster red			
	996 424 980 50 P11	Cinnamon brown			
	996 424 980 50 D11	Dark grey/natural			
	996 424 980 50 T11	Brown/natural			
(24)	996 424 980 46	Parking-brake lever Complete	/LL 03-	1	IXE9
	996 424 980 46 VRJ	Black			
	996 424 980 46 C50	Graphite grey			
	996 424 980 46 S30	Savanna			
	996 424 980 46 G10	Metropole blue			
	996 424 980 46 J30	Nephrite green	03		
	996 424 980 46 M30	Boxster red			
	996 424 980 46 P11	Cinnamon brown			
	996 424 980 46 D11	Dark grey/natural			
	996 424 980 46 T11	Brown/natural			
-	986 424 201 01	Retaining strap		2	
-	999 190 435 30	Parking-brake cable Blind rivet Retaining strap		2	

Model: 986 97

Model life 1997>>2004



Model: 986 97 Model life 1997>>2004

Pos	Part Number	Description	Remark	Qty	Model
		Pedals See technical manual 46 05 19 30 05 19			
-	000 043 203 37	Grease		X	
		OPTITEMP LG2			
-	000 043 209 03	Grease		X	
		OPTITEMP LG2			
1		Bellows		1	
		See illustrations 6/04/00			
2	996 423 165 03	Push rod		1	
		See technical information Group 4 NR.6/01			
(2)	996 423 165 05	Push rod		1	
		See technical information Group 4 NR.6/01			
-	999 166 075 02	Safety clip		1	
		Push rod			
3	996 423 330 01	Brake booster		1	
		Clamp Group 4 NR.6/01			
4	999 166 077 02	Safety clip		3	M481
(4)		Safety clip		2	M249
5	900 025 009 02	Washer		X	M481
(5)	999 025 265 40	Washer		X	
6	996 423 399 01	Bush		4	M481
(6)		Bush		2	M249
7	996 423 139 05	Clutch pedal		1	M481
(7)	996 423 139 06	Clutch pedal		1	M481
(7)	996 423 139 10	Clutch pedal		1	M481
8	996 423 313 01	Bolt		1	M481
		for Clutch power spring 986.423.081.07			
(8)	996 423 315 06	Bolt		1	M481
		for Clutch power spring 986.423.081.12 Together with 996.423.139.06 996.423.139.10			
-	999 166 075 02	Safety clip		1	M481
		for Bolt 996.423.315.06 Together with 996.423.139.06			
-	999 166 022 02	K1-lock		1	M481
		for Bolt 996.423.315.06 Together with 996.423.139.10			
9	986 423 081 07	Clutch power spring		1	M481
(9)	986 423 081 12	Clutch power spring		1	
10	996 423 091 00	Brake pedal	/LL	1	M481
		See technical information Group 4 NR.6/01			

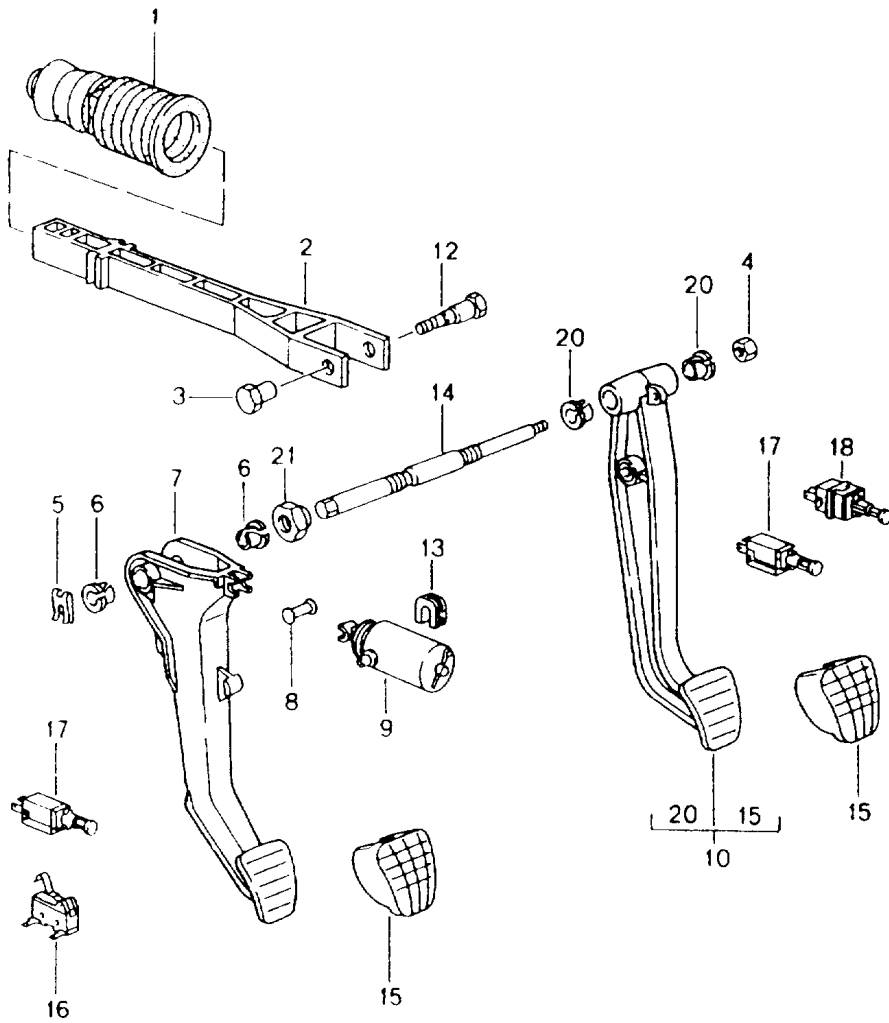
Model: 986 97

Model life 1997&gt;&gt;2004

Pos	Part Number	Description	Remark	Qty	Model
(10)	996 423 091 03	Brake pedal See technical information Group 4 NR.6/01	/LL	1	M481
(10)	996 423 093 00	Brake pedal See technical information Group 4 NR.6/01	/LL	1	M249
(10)	996 423 093 03	Brake pedal See technical information Group 4 NR.6/01	/LL	1	M249
11	999 924 120 00	Bush See technical information Group 4 NR.6/01		1	
12	996 423 310 03	Bolt See technical information Group 4 NR.6/01		1	
13	996 423 581 00	Bush		2	
14	996 423 281 04	Axle	/LL	1	M481
(14)	996 423 283 04	Axle	/LL	1	M249
-	996 423 275 03	Cap nut Axle		1	
-	996 423 275 07	Cap nut Axle		1	
15	996 423 210 03	Pedal cap		2	M481
(15)	996 423 212 03	Pedal cap		1	M249
16	997 613 109 00	Switch		1	M481
-	900 146 159 02	Round head screw M 3 X 20		1	
17	996 613 110 01	Switch	97	2	M454/481
(17)	996 613 114 01	Switch	98-	2	M454/481
(17)	996 613 110 01	Switch	97	1	M249/454
(17)	996 613 113 01	Switch	98-	1	M249/454
18	996 613 111 01	Switch	97	1	
(18)	996 613 113 01	Switch	98-	1	
19	964 613 211 00	Kickdown switch		1	M249
20	999 166 077 02	Safety clip		1	M481

Model: 986 97

Model life 1997>>2004



Model: 986 97 Model life 1997>>2004

Pos	Part Number	Description	Remark	Qty	Model
		Pedals	98-		
		See technical manual			
		46 05 19			
		30 05 19			
-	000 043 203 37	Grease		X	
		OPTITEMP LG2			
-	000 043 209 03	Grease		X	
		OPTITEMP LG2			
1		Bellows		1	
2	996 423 165 04	Push rod		1	
		F >>98YS6 20321			
		F >>98YU6 21422			
		F >>98YS6 60089			
		F >>98YU6 60105			
		See technical information			
		Group 4			
		NR.6/01			
(2)	996 423 165 05	Push rod		1	
		F 98YS6 20322>>			
		F 98YU6 21423>>			
		F 98YS6 60090>>			
		F 98YU6 60106>>			
-	999 166 075 02	Safety clip		1	
		Push rod			
		Brake booster			
3	996 423 307 00	Sleeve		1	
4	900 380 005 09	Hexagon nut		3	
		M 8		2	
5	999 507 601 01	Lock		1	M480/481
6	996 423 399 01	Bush		2	M480/481
7	996 423 139 08	Clutch pedal	98	1	M481
(7)	996 423 139 09	Clutch pedal	-99	1	M481
(7)	996 423 139 10	Clutch pedal		1	M480/481
		Use also:			
		986.423.881.06		X	M481
		996.423.081.12		X	M480
		996.423.315.06		X	
8	996 423 313 01	Bolt	-99	1	M481
(8)	996 423 315 06	Bolt	00-	1	M480/481
-	999 166 022 02	Kl-lock	00-	1	M480/481
		for			
		Bolt			
9	986 423 081 08	Clutch power spring	98	1	M481
(9)	986 423 081 11	Clutch power spring	-99	1	M481
		Use also:			
		996.423.139.09/10			
		996.423.315.06			
(9)	996 423 881 05	Clutch power spring	00-	1	M481
(9)	996 423 881 06	Clutch power spring	-02	1	M481
(9)	996 423 081 15	Clutch power spring	03	1	M481
(9)	996 423 081 18	Clutch power spring	04	1	M481
9	996 423 081 13	Clutch power spring	00-	1	M008
(9)	996 423 081 12	Clutch power spring	00-	1	M008
		F >>982S6 60245			
		F >>982U6 62315			
(9)	996 423 081 16	Clutch power spring	00-	1	M008
		F >>982S6 60245			
		F >>982U6 62315			
(9)	996 423 081 19	Clutch power spring	00-	1	M008
		F >>982S6 60245			
		F >>982U6 62315			
(9)	996 423 081 14	Clutch power spring	-02	1	M008
		F 982S6 60246>>			



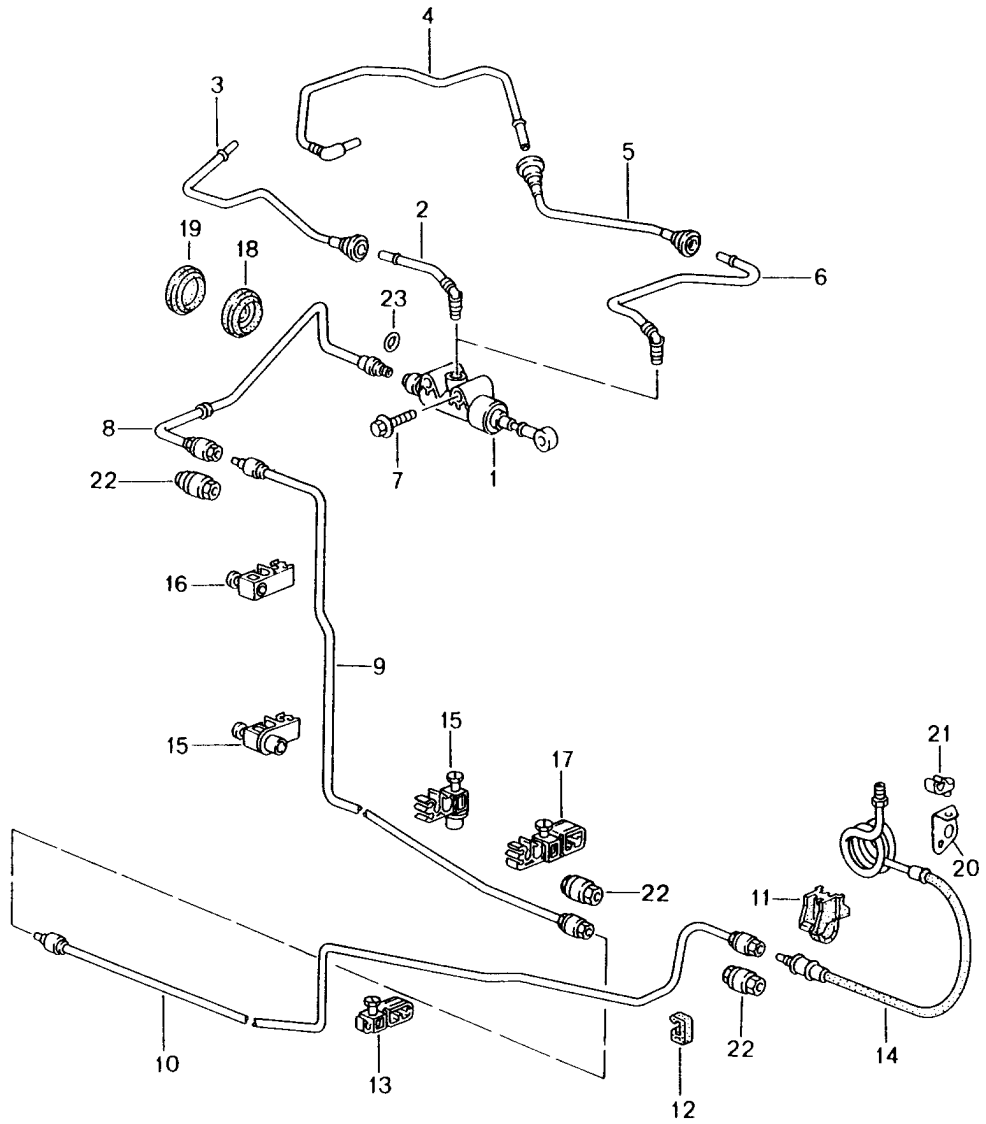
Model: 986 97

Model life 1997&gt;&gt;2004

Pos	Part Number	Description	Remark	Qty	Model
		F 982U6 62316>>			
(9)	996 423 081 17	Clutch power spring	03	1	M008
(9)	996 423 081 20	Clutch power spring	04	1	M008
-	986 423 571 00	Bracket for Clutch power spring		1	M481
-	996 423 571 02	Bracket for Clutch power spring		1	
10	996 423 091 03	Brake pedal	/LL	1	M480/481
(10)	996 423 093 03	Brake pedal	/LL	1	M249
-	999 522 033 00	Return spring		2	
-	996 423 101 00	Brake pedal Protective tube Return spring Brake pedal		1	
-	996 423 243 00	Bush Return spring	00-	1	
12	996 423 308 00	Bolt		1	
(12)	996 423 581 00	Bush		1	
14	996 423 281 05	Axle	/LL	1	M480/481
(14)	996 423 283 05	Axle	/LL	1	M249
15	996 423 210 03	Pedal cap		2	M480/481
(15)	996 423 212 03	Pedal cap		1	M249
16	997 613 109 00	Switch		1	M480/481
17	996 613 114 01	Switch		1	M454/481
(17)	996 613 113 01	Switch		1	M249/454
18		Switch		1	
19	964 613 211 00	Kickdown switch		1	M249
20	996 423 399 01	Bush	/LL	2	
21	996 423 275 04	Cap nut	-03	1	
(21)	996 423 275 05	Cap nut	04-	1	

Model: 986 97

Model life 1997>>2004



Model: 986 97 Model life 1997>>2004

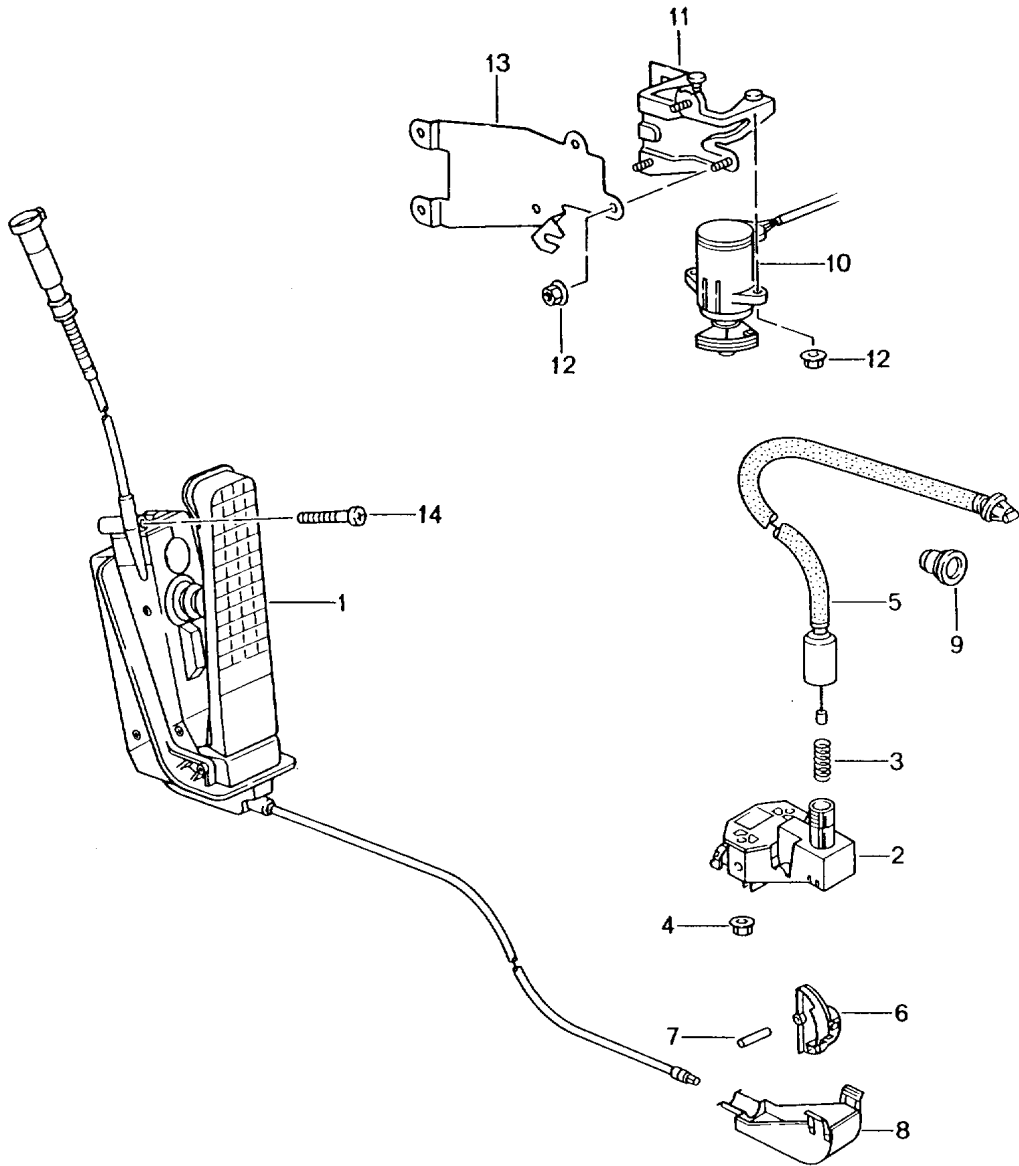
Pos	Part Number	Description	Remark	Qty	Model
		clutch actuation			
		Clutch master cylinder			
		Clutch pipeline			
1	996 423 171 04	Clutch master cylinder		1	
(1)	996 423 171 05	Clutch master cylinder	-02	1	
(1)	996 423 171 06	Clutch master cylinder	03-	1	
-	996 423 614 00	Circlip		1	
		Pressure line			
-	900 312 041 02	Bolt	97	1	
-	996 423 315 06	Bolt	98-	1	
-	999 021 008 02	Safety clip	97	1	
		for			
		Bolt			
-	999 166 022 02	Kl-lock	98-	1	
		for			
		Bolt			
2	996 423 147 00	Feed line	/LL -02	1	
(2)	996 423 147 01	Feed line	/LL 03-	1	
3	997 423 137 00	Feed line	/LL	1	
7	900 378 029 09	Hexagon-head bolt		2	
		M 6 X 40			
7	900 378 029 01	Hexagon-head bolt		2	
		M 6 X 40			
8	996 423 107 06	Clutch pipeline	/LL 97	1	
		See technical manual			
		Group 3			
		NR.30-21			
-	999 702 174 50	Grommet	/LL	X	
		See technical manual			
		Group			
		NR.30-21			
8	996 423 107 10	Clutch pipeline	/LL 98-	1	
9	996 423 109 07	Clutch pipeline	97	1	
		See technical manual			
		Group			
		NR.30-21			
(9)	996 423 109 10	Clutch pipeline	98-	1	
10	986 423 113 08	Clutch pipeline		1	
		F >>98XS6 20221			
		F >>98XU6 24362			
(10)	986 423 113 25	Clutch pipeline		1	
		F 98XS6 20222>>			
		F 98XU6 24363>>			
		Use also:			
		8E0.721.257A			
(10)	986 423 113 08	Clutch pipeline	00-	1	M008
11	999 591 964 40	Support		1	
12	999 591 922 40	Support		1	
13	964 423 811 00	Support		1	
14	986 423 377 08	Clutch hose		1	
		F >>98XS6 20221			
		F >>98XU6 24362			
(14)	986 423 113 25	Clutch pipeline		1	
		F 98XS6 20222>>			
		F 98XU6 24363>>			
		Use also:			
		8E0.721.257A			
(14)	986 423 377 11	Clutch hose	00-	2	M008
15	996 355 549 00	Support		2	
16	996 355 545 00	Support		3	
17	996 355 543 00	Support		1	
18	999 702 216 41	Grommet		1	M481
(18)	999 702 216 42	Grommet		1	

Model: 986 97 Model life 1997>>2004

Pos	Part Number	Description	Remark	Qty	Model
19	999 702 217 41	Grommet		1	M249
20	986 423 777 00	Bracket		1	
		F >>98XS6 20221			
		F >>98XU6 24362			
(20)	986 423 677 25	Bracket		1	
		F 98XS6 20222>>			
		F 98XU6 24363>>			
(20)	986 423 777 10	Bracket		1	
(20)	996 423 777 01	Bracket		1	
21	999 507 586 40	Cable holder		1	
22	999 230 522 10	Threaded joint		1	
(22)	999 230 541 10	Threaded joint		1	
-	999 230 685 40	Circlip		3	
		for			
		Threaded joint			
23	999 707 333 40	Sealing ring		1	

Model: 986 97

Model life 1997>>2004



Model: 986 97 Model life 1997>>2004

Pos	Part Number	Description	Remark	Qty	Model
		Pedals			
1	986 423 021 06	Accelerator control		1	M481
(1)	986 423 021 07	Accelerator control	97	1	M481
(1)	986 423 021 08	Accelerator control	98-	1	M481
(1)	986 423 023 06	Accelerator control		1	M249
(1)	986 423 023 07	Accelerator control	97	1	M249
(1)	986 423 023 08	Accelerator control	98-	1	M249
(1)	986 423 025 06	Accelerator control		1	M454/481
(1)	986 423 025 07	Accelerator control	97	1	M454/481
(1)	986 423 025 08	Accelerator control	98-	1	M454/481
(1)	986 423 027 06	Accelerator control		1	M249/454
(1)	986 423 027 07	Accelerator control	97	1	M249/454
(1)	986 423 027 08	Accelerator control	98-	1	M249/454
(1)	996 423 019 02	Accelerator control	-02	1	M480/481 M620
(1)	996 423 019 04	Accelerator control	03-	1	M480/481 M620
(1)	996 423 029 02	Accelerator control	-02	1	M249 M620
(1)	996 423 029 04	Accelerator control	03-	1	M249 M620
-	996 423 396 00	Circlip Connecting rod Accelerator pedal	03-	1	
2	986 423 131 04	Housing	-99	1	
3	996 423 133 00	Spring	-99	1	
4	999 591 839 40	Plastic nut T 5	-99	2	
5	986 423 229 04	Accelerator cable	-99	1	M481
(5)	986 423 279 04	Accelerator cable Mounting parts	-99	1	M249
-	999 507 569 40	Accelerator cable Hose holder 12,0/12,0	/LL -99	1	
-	999 511 116 02	Clamp 10 X 15	/LL -99	1	
-	999 511 116 03	Clamp 10 X 15	/LL	1	
6	986 423 145 04	Deflection roller	-99	1	
7	986 423 253 03	Bolt	-99	1	
8	986 423 135 04	Lid	-99	1	
9	986 423 331 00	Grommet	-99	1	
10	996 606 115 00	Pedal sensor	00-	1	
10	996 606 115 01	Pedal sensor	00-	1	
10	996 606 115 02	Pedal sensor	00-	1	
11	996 423 389 01	Support	00-	1	
12	900 377 010 09	Hexagon nut M 6	00-	5	
14	900 146 157 09	Round head screw M 5 X 55		1	

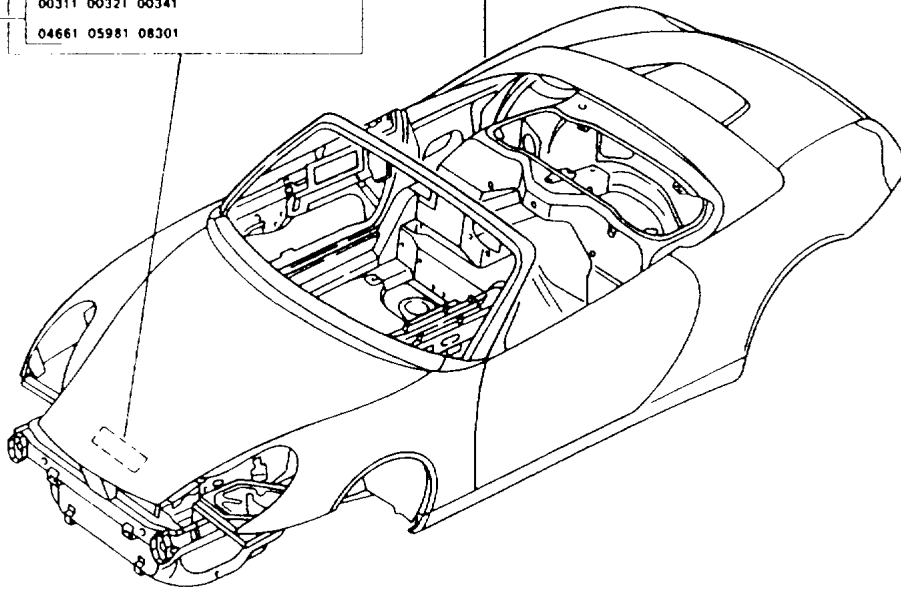
Model: 986 97

Model life 1997>>2004

**B** — wpozzz 98z VS 602477  
**C** — 986 310  
 M96 20 65W G8600  
**Z8V9 BL**  
**D** — coo071 211 271  
 425 488 197 231  
**E** — 273 320 396 421  
 441 573 581  
**F** — 00311 00321 00341  
 04661 05981 08301

A

1



Model: 986 97

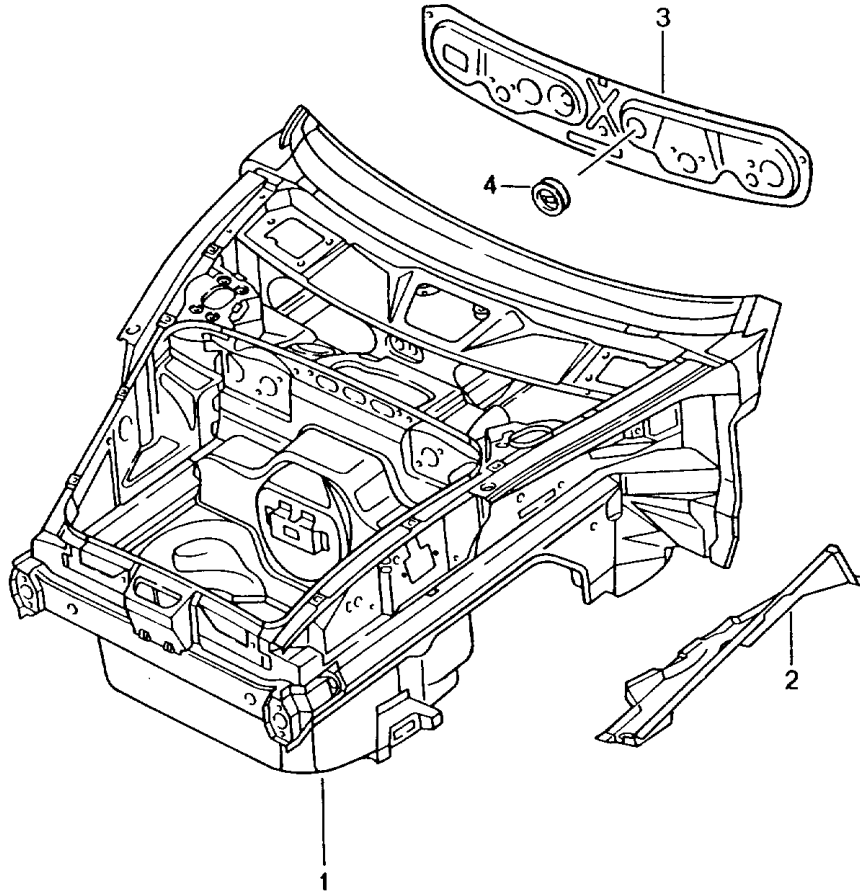
Model life 1997>>2004

Pos	Part Number	Description	Remark	Qty	Model
		Body in white Prime coated Sealed with Underbody protection with Doors/lids/wings BodysHELLS can only only available from current Model year available The data required for your order Can be found on the Vehicle data carrier Please indicate this data in your order A Vehicle data carrier B Vehicle Ident. No. C Order type D Country equipment E Optional extras F Additional applications			
1	986 500 900 00	Body in white		1	
	986 500 900 00 GRV	Prime coated			



Model: 986 97

Model life 1997>>2004



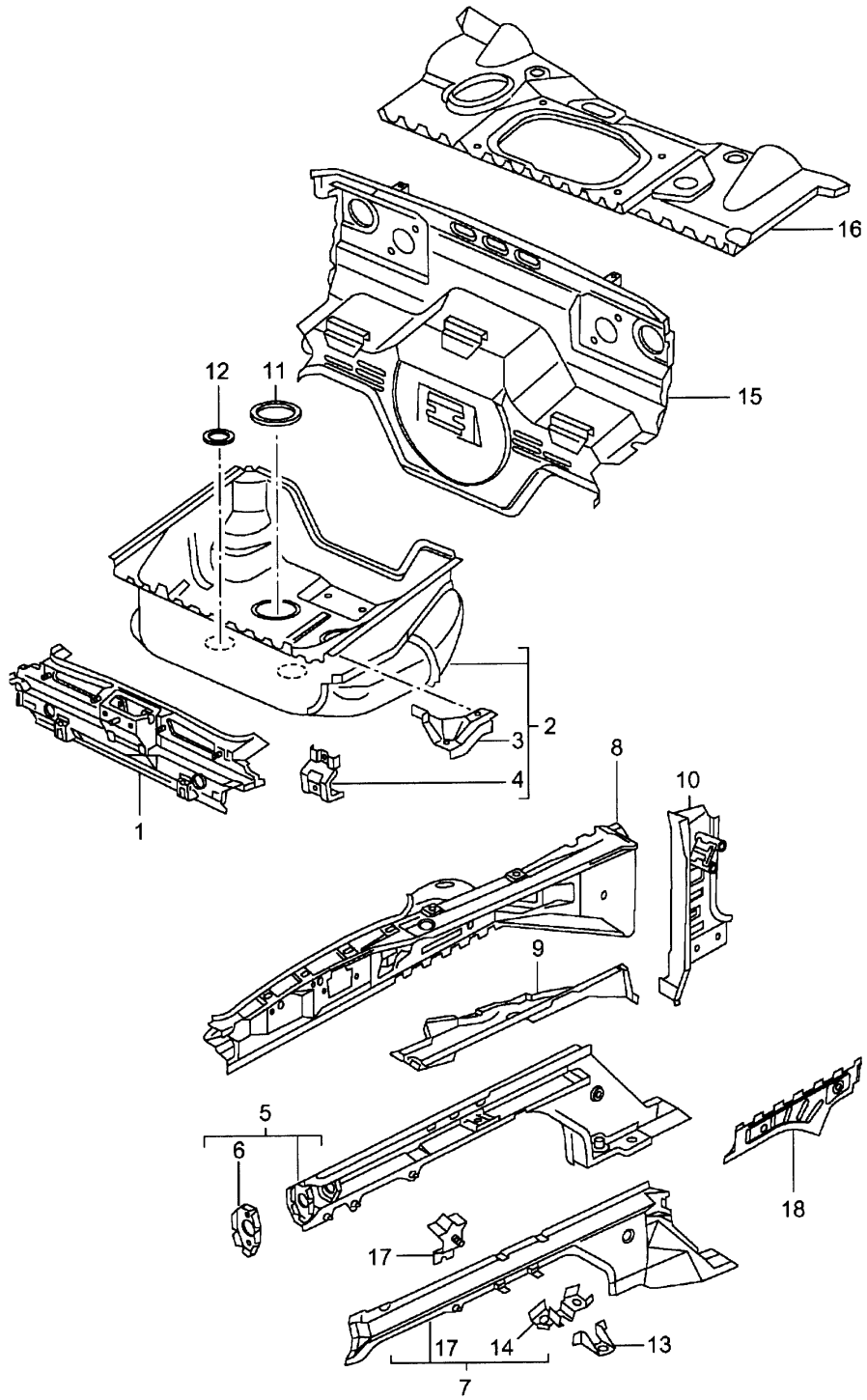
Model: 986 97

Model life 1997>>2004

Pos	Part Number	Description	Remark	Qty	Model
1	996 501 911 00	Body front section		1	
	996 501 911 00 GRV	Body front section Prime coated			
-	996 502 431 00	Cross member		1	
	996 502 431 00 GRV	Prime coated for Firewall			
-	996 502 131 07	Body front section Firewall		1	
	996 502 131 07 GRV	Prime coated for Body front section			
2	996 501 443 01	Use also: Lower part	/L	1	
	996 501 443 01 GRV	Prime coated			
(2)	996 501 444 02	Lower part	/R	1	
	996 501 444 02 GRV	Prime coated			
3	996 504 121 02	Lid	/LL	1	
		Use also:			
-	000 043 300 94	Adhesive set		1	
(3)	996 504 121 02	Lid	/LL	1	
		Use also:			
-	000 043 300 94	Adhesive set		1	
4	999 702 255 41	Lid 62,5 X 72,6		1	

Model: 986 97

Model life 1997>>2004



Model: 986 97 Model life 1997>>2004

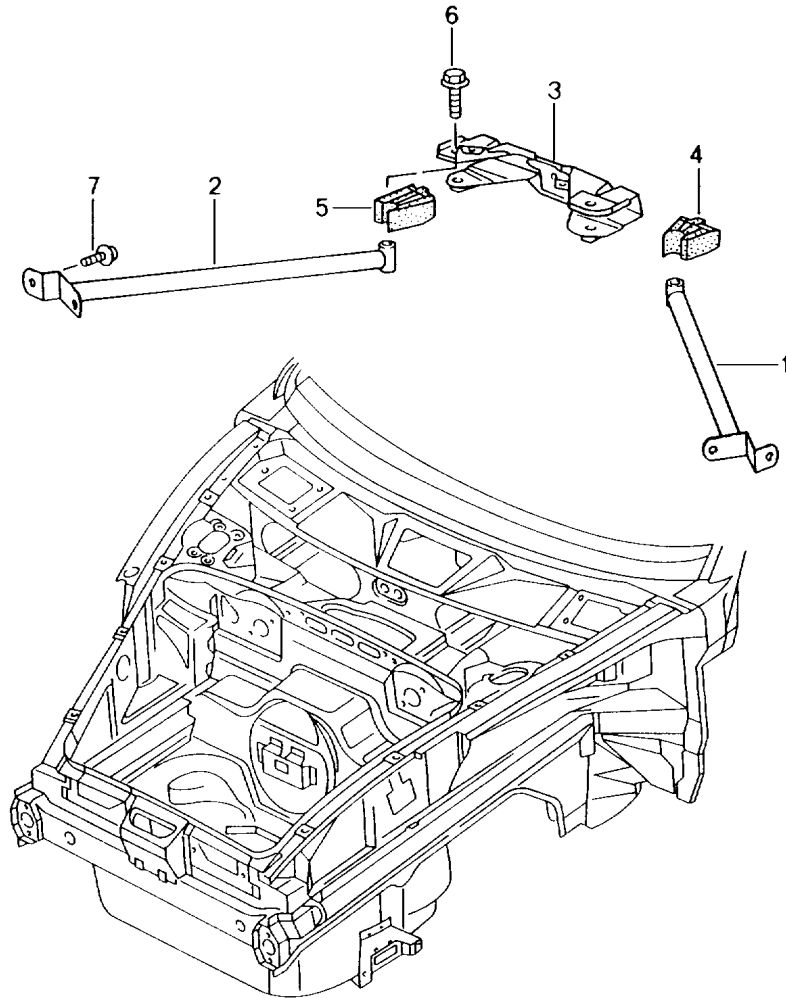
Pos	Part Number	Description	Remark	Qty	Model
		Body front section			
		Single parts			
1	996 501 231 02	Terminal piece		1	
	996 501 231 02 GRV	Prime coated			
1	996 501 231 03	Terminal piece		1	
	996 501 231 03 GRV	Prime coated			
2	996 501 979 00	Spare-wheel well		1	
	996 501 979 00 GRV	Prime coated			
3	996 501 649 00	Corner panel	/L	1	
	996 501 649 00 GRV	Prime coated			
(3)	996 501 650 00	Corner panel	/R	1	
	996 501 650 00 GRV	Prime coated			
4	996 501 621 00	Support		3	
	996 501 621 00 GRV	Prime coated			
5	996 501 305 04	Side member	/L -01	1	
	996 501 305 04 GRV	Prime coated			
(5)	996 501 306 04	Side member	/R -01	1	
	996 501 306 04 GRV	Prime coated			
(5)	996 501 305 05	Side member	/L 02	1	
	996 501 305 05 GRV	Prime coated			
(5)	996 501 306 05	Side member	/R 02	1	
	996 501 306 05 GRV	Prime coated			
(5)	996 501 305 06	Side member	/L 02-	1	
	996 501 305 06 GRV	Prime coated			
(5)	996 501 306 06	Side member	/R 03-	1	
	996 501 306 06 GRV	Prime coated			
6	996 501 377 01	Mounting		2	
	996 501 377 01 GRV	Prime coated			
7	996 501 915 00	Side member	/L	1	
	996 501 915 00 GRV	Prime coated			
		It is necessary to rework			
		Use also:			
		POS.13		1	
(7)	996 501 916 00	Side member	/R	1	
	996 501 916 00 GRV	Prime coated			
		It is necessary to rework			
		Use also:			
		POS.13		1	
8	996 501 935 01	Wheel housing	/L	1	
	996 501 935 01 GRV	Prime coated			
(8)	996 501 936 04	Wheel housing	/R	1	
	996 501 936 04 GRV	Prime coated			
9	996 501 443 01	Lower part	/L	1	
	996 501 443 01 GRV	Prime coated			
(9)	996 501 444 02	Lower part	/R	1	
	996 501 444 02 GRV	Prime coated			
10	996 501 937 01	Hinge pillar	/L	1	
	996 501 937 01 GRV	Prime coated			
(10)	996 501 938 01	Hinge pillar	/R	1	
	996 501 938 01 GRV	Prime coated			
11	996 504 201 01	Lid		2	
		\$ 145 MM			
12	996 504 213 01	Lid		2	
		\$ 85 MM			
13	996 501 815 00	Support		2	
	996 501 815 00 GRV	Prime coated			
		F >>98XU6 21174			
14	996 501 815 02	Support		2	
	996 501 815 02 GRV	Prime coated			
		F 98XU6 21175>>			
15	996 502 021 03	Bulkhead		1	
	996 502 021 03 GRV	Prime coated			
15	996 502 021 06	Bulkhead		1	

Model: 986 97 Model life 1997>>2004

Pos	Part Number	Description	Remark	Qty	Model
16	996 502 021 06 GRV	Prime coated			
	996 502 017 01	Cross panel	-99	1	
	996 502 017 01 GRV	Prime coated			
(16)	996 502 017 04	Cross panel	00-	1	
	996 502 017 04 GRV	Prime coated			
17	996 501 341 00	Support		2	
	996 501 341 00 GRV	Prime coated			
18	996 501 665 00	Separator	/L	1	
	996 501 665 00 GRV	Prime coated			
18	996 501 665 01	Separator	/L	1	
	996 501 665 01 GRV	Prime coated			
(18)	996 501 666 00	Separator	/R	1	
	996 501 666 00 GRV	Prime coated			
(18)	996 501 666 01	Separator	/R	1	
	996 501 666 01 GRV	Prime coated			
19	999 703 484 40	Water drain sleeve		X	

Model: 986 97

Model life 1997>>2004



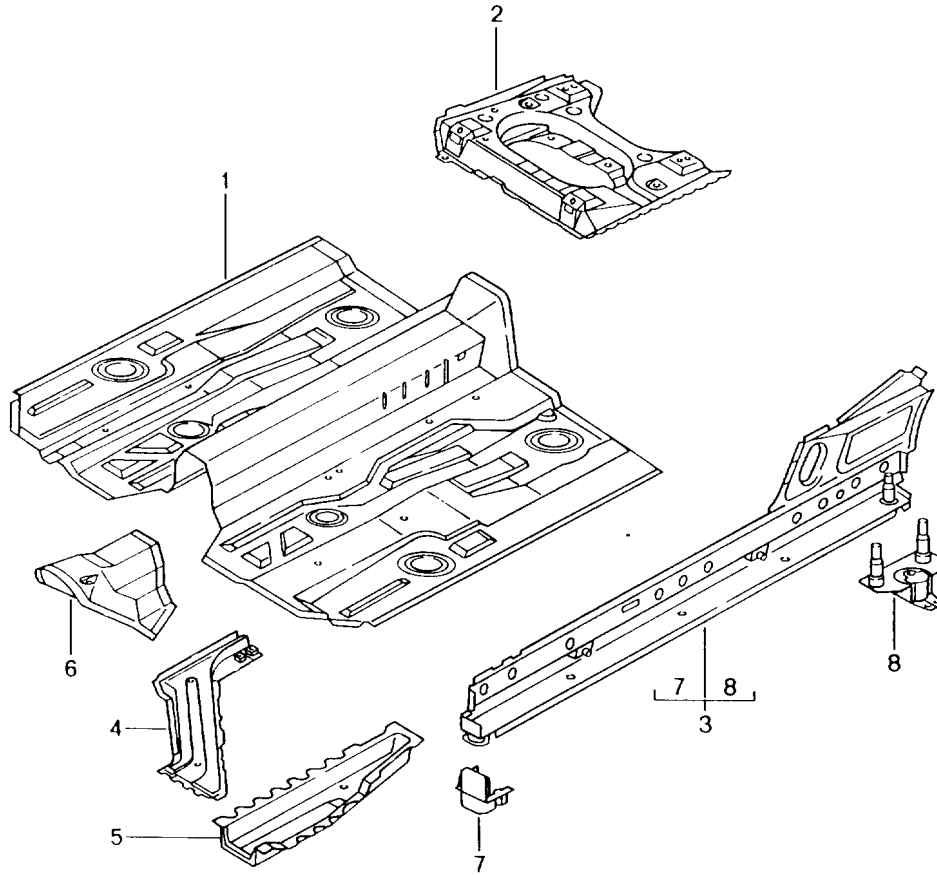
Model: 986 97

Model life 1997>>2004

Pos	Part Number	Description	Remark	Qty	Model
1	996 504 233 00	Dome strut	/L -02	1	
1	996 504 233 01	Dome strut	/L	1	
2	996 504 234 00	Dome strut	/R -02	1	
2	996 504 234 01	Dome strut	/R	1	
3	996 504 359 00	Bracket		1	
4	996 504 633 00	Filler piece	/L	1	
5	996 504 634 00	Filler piece	/R	1	
6	900 378 100 09	Hexagon-head bolt M 10 X 45		2	
7	900 075 010 09	Hexagon-head bolt M 6 X 12		4	

Model: 986 97

Model life 1997>>2004



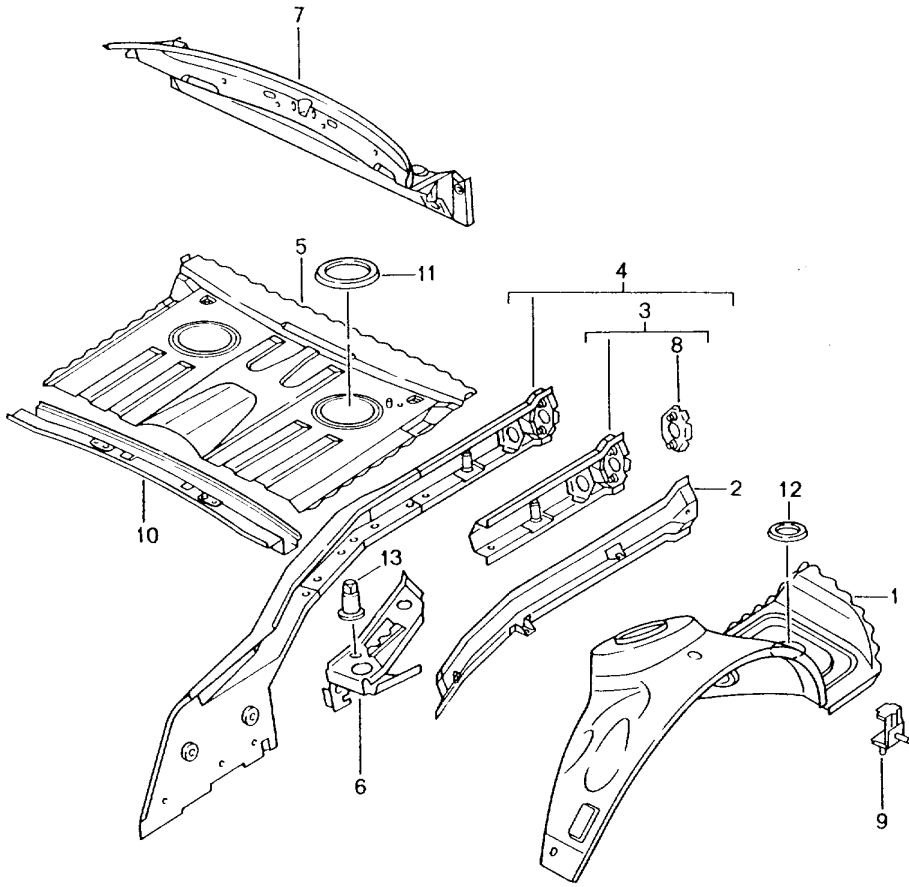


Model: 986 97 Model life 1997>>2004

Pos	Part Number	Description	Remark	Qty	Model
		Floor Centre			
1	986 501 551 00	Floor		1	
	986 501 551 00 GRV	Prime coated			
2	996 501 153 00	Seat support	/L	1	
	996 501 153 00 GRV	Prime coated			
(2)	996 501 154 00	Seat support	/R	1	
	996 501 154 00 GRV	Prime coated			
3	986 501 957 00	Side member	/L	1	
	986 501 957 00 GRV	Prime coated			
(3)	986 501 958 01	Side member	/R	1	
	986 501 958 01 GRV	Prime coated			
4	996 501 507 01	Reinforcement	/L	1	
	996 501 507 01 GRV	Prime coated			
4	996 501 507 02	Reinforcement	/L	1	
	996 501 507 02 GRV	Prime coated			
(4)	996 501 508 01	Reinforcement	/R	1	
	996 501 508 01 GRV	Prime coated			
(4)	996 501 508 02	Reinforcement	/R	1	
	996 501 508 02 GRV	Prime coated			
5	996 501 525 00	Side member	/L	1	
	996 501 525 00 GRV	Prime coated			
(5)	996 501 526 00	Side member	/R	1	
	996 501 526 00 GRV	Prime coated			
6	996 501 751 00	Extension		1	
	996 501 751 00 GRV	Prime coated			
7	996 501 785 00	Jacking point	/L /V	1	
	996 501 785 00 GRV	Prime coated			
(7)	996 501 786 00	Jacking point	/R /V	1	
	996 501 786 00 GRV	Prime coated			
8	996 501 481 01	Jacking point	/L /H	1	
	996 501 481 01 GRV	Prime coated			
(8)	996 501 482 01	Jacking point	/R /H	1	
	996 501 482 01 GRV	Prime coated			
-	996 504 201 01	Lid \$ 145 MM		X	
-	996 504 205 01	Lid \$ 130 MM		X	
-	996 504 207 01	Lid \$ 100 MM		X	

Model: 986 97

Model life 1997>>2004



Model: 986 97

Model life 1997&gt;&gt;2004

Pos	Part Number	Description	Remark	Qty	Model
		Rear end			
		Single parts			
1	986 501 983 02	Wheel housing	/L	1	
	986 501 983 02 GRV	Prime coated			
1	986 501 983 03	Wheel housing	/L	1	
	986 501 983 03 GRV	Prime coated			
1	986 501 983 05	Wheel housing	/L	1	
	986 501 983 05 GRV	Prime coated			
(1)	986 501 984 01	Wheel housing	/R	1	
	986 501 984 01 GRV	Prime coated			
(1)	986 501 984 02	Wheel housing	/R	1	
	986 501 984 02 GRV	Prime coated			
2	986 501 995 00	Side member	/L	1	
	986 501 995 00 GRV	Prime coated			
		Outer			
2	986 501 995 01	Side member	/L	1	
	986 501 995 01 GRV	Prime coated			
		Outer			
(2)	986 501 996 00	Side member	/R	1	
	986 501 996 00 GRV	Prime coated			
		Outer			
(2)	986 501 996 01	Side member	/R	1	
	986 501 996 01 GRV	Prime coated			
		Outer			
-	996 501 727 00	Support		1	
	996 501 727 00 GRV	Prime coated			
3	986 501 977 00	Side member	/L	1	
	986 501 977 00 GRV	Prime coated			
		Inner			
		Sub-part			
(3)	986 501 978 00	Side member	/R	1	
	986 501 978 00 GRV	Prime coated			
		Inner			
		Sub-part			
4	986 501 177 00	Side member	/L	1	
	986 501 177 00 GRV	Prime coated			
		Inner			
(4)	986 501 178 00	Side member	/R	1	
	986 501 178 00 GRV	Prime coated			
		Inner			
5	986 501 971 00	Boot floor plate		1	
	986 501 971 00 GRV	Prime coated			
-	986 501 471 00	Floor section		1	
	986 501 471 00 GRV	Prime coated			
6	986 501 569 01	Mounting	/L	1	
	986 501 569 01 GRV	Prime coated			
6	987 501 569 00	Mounting	/L	1	
	987 501 569 00 GRV	Prime coated			
(6)	986 501 570 01	Mounting	/R	1	
	986 501 570 01 GRV	Prime coated			
		Use also:			
		POS. 13			
7	986 501 243 00	Terminal piece		1	
	986 501 243 00 GRV	Prime coated			
8	996 501 377 00	Mounting		2	
	996 501 377 00 GRV	Prime coated			
8	996 501 377 01	Mounting		2	
	996 501 377 01 GRV	Prime coated			
9	986 501 613 00	Support		2	
	986 501 613 00 GRV	Prime coated			
10	986 502 675 00	Cross member		1	
	986 502 675 00 GRV	Prime coated			
11	996 504 201 01	Lid		2	

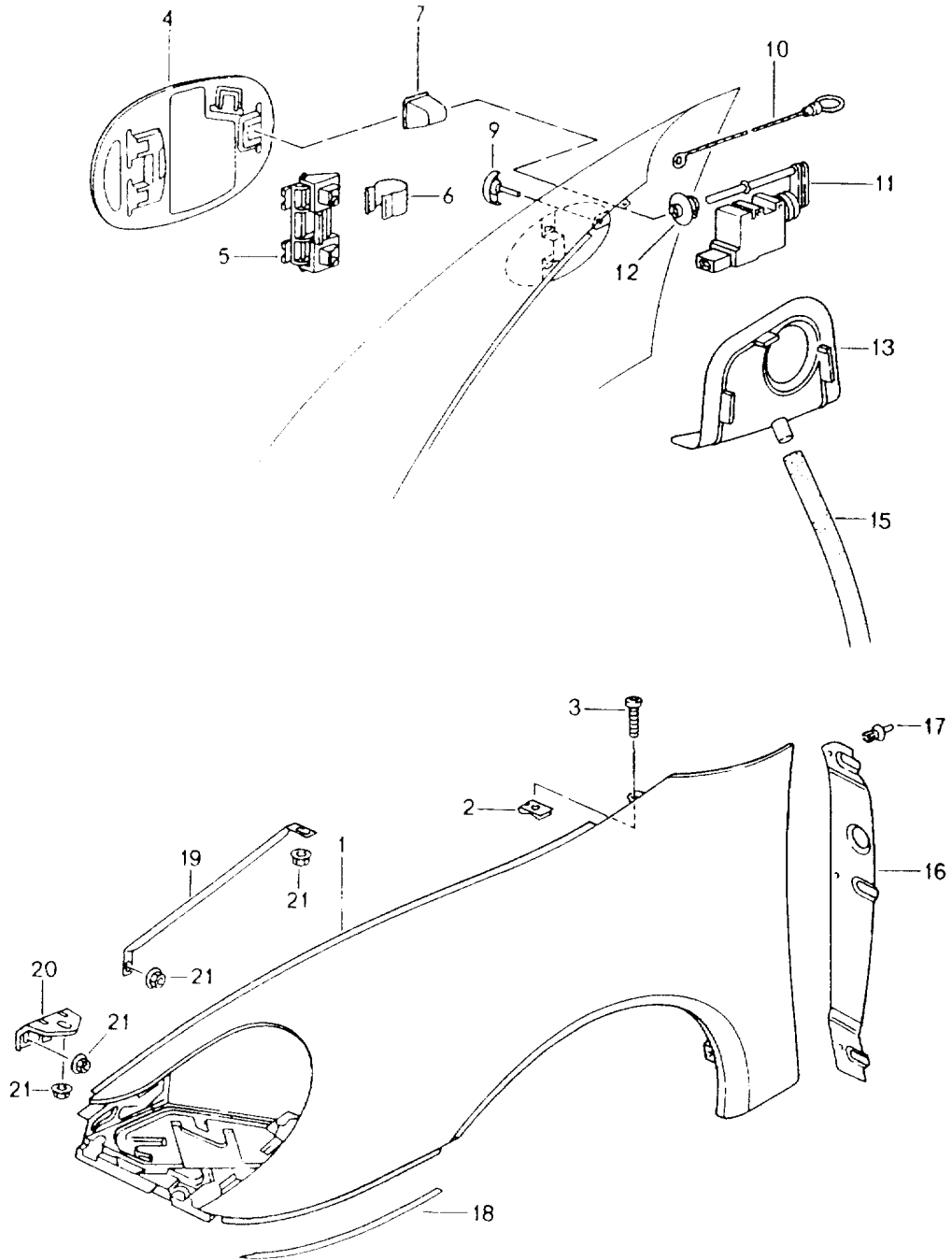
Model: 986 97

Model life 1997>>2004

Pos	Part Number	Description	Remark	Qty	Model
12	996 504 209 01	\$ 145 MM Lid		2	
13	999 048 004 02	\$ 100 MM Threaded bush		2	
14	986 501 575 00	Cross member		1	
	986 501 575 00 GRV	Prime coated Rear axle			
15	986 502 673 01	Cross member		1	
	986 502 673 01 GRV	Prime coated			

Model: 986 97

Model life 1997>>2004

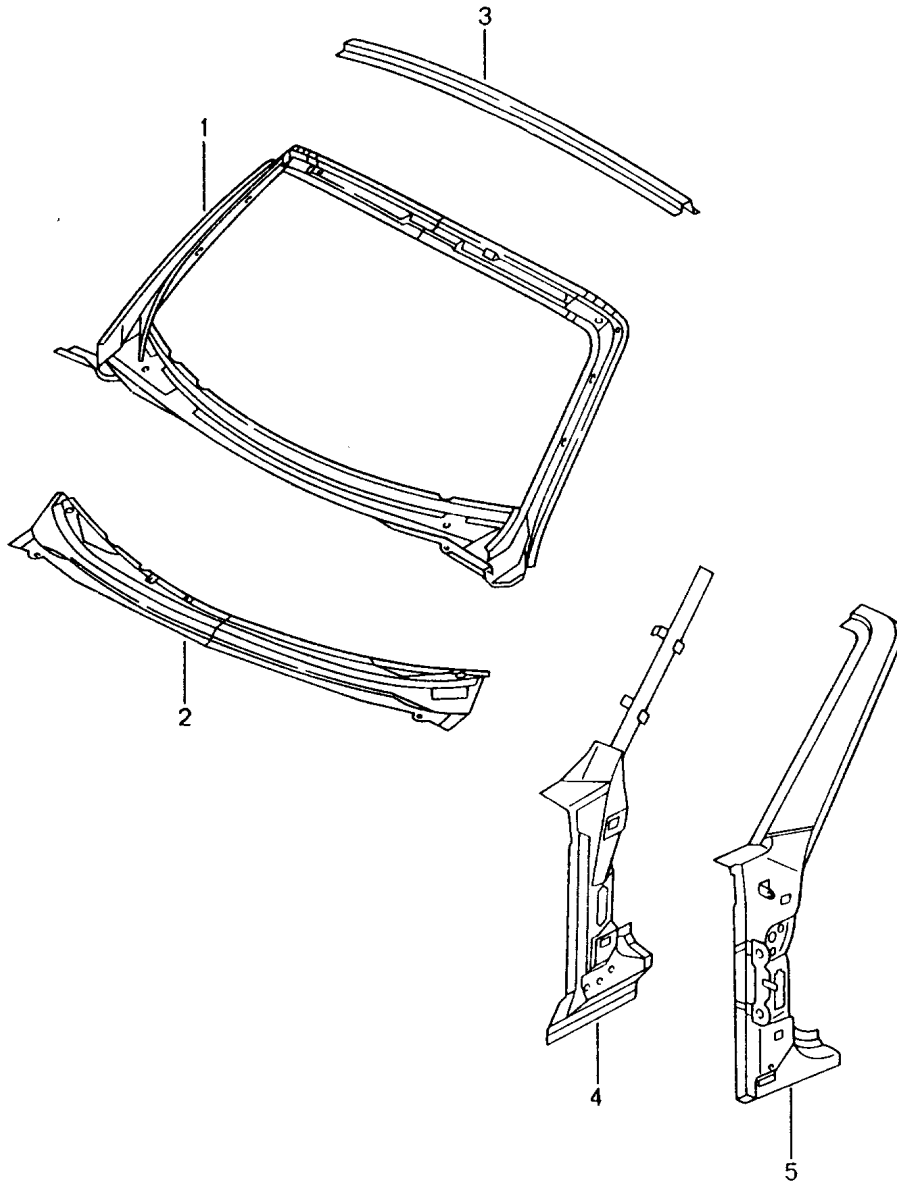


Model: 986 97 Model life 1997>>2004

Pos	Part Number	Description	Remark	Qty	Model
1	996 503 031 01	Wing		1	
	996 503 031 01 GRV	Wing	/L	1	
(1)	996 503 032 01	Prime coated		1	
	996 503 032 01 GRV	Wing	/R -98	1	
(1)	996 503 032 03	Prime coated		1	
	996 503 032 03 GRV	Wing	/R	1	
2	999 507 003 02	Speed nut		22	
		ST 6,3			
2	999 507 003 01	Speed nut		22	
		ST 6,3			
3	999 073 128 02	Tapping screw		22	
		ST 6,3 X 14			
4	996 504 133 00	Fuel filler flap		1	
	996 504 133 00 GRV	Prime coated			
4	996 504 133 02	Fuel filler flap		1	
	996 504 133 02 GRV	Prime coated			
5	996 201 063 00	Hinge		1	
6	996 201 413 01	Spring		1	
7	996 201 423 00	Cap		1	
9	996 201 513 00	Rubber stop		1	
10	996 201 493 00	Emergency operation		1	
11	996 624 113 00	Actuator		1	
12	996 624 505 01	Guide rose		1	
12	996 624 505 02	Guide rose		1	
13	996 201 667 01	Sleeve		1	
15	996 201 153 00	Hose		1	
16	996 504 641 01	Cover	/L	1	
	996 504 641 01 01C	Black			
(16)	996 504 642 01	Cover	/R	1	
	996 504 642 01 01C	Black			
17	999 591 712 40	Expansion rivet		6	
		A 6,0 X 12,0			
18	996 504 531 00	Protective film	/L	1	
(18)	996 504 532 00	Protective film	/R	1	
19	996 504 441 00	Strut		2	
	996 504 441 00 GRV	Prime coated			
20	996 504 555 00	Bracket		2	
	996 504 555 00 GRV	Prime coated			
21	900 377 010 09	Hexagon nut		X	
		M 6			
-	000 043 204 85	Cavity preservation		X	
		400 ML			

Model: 986 97

Model life 1997>>2004



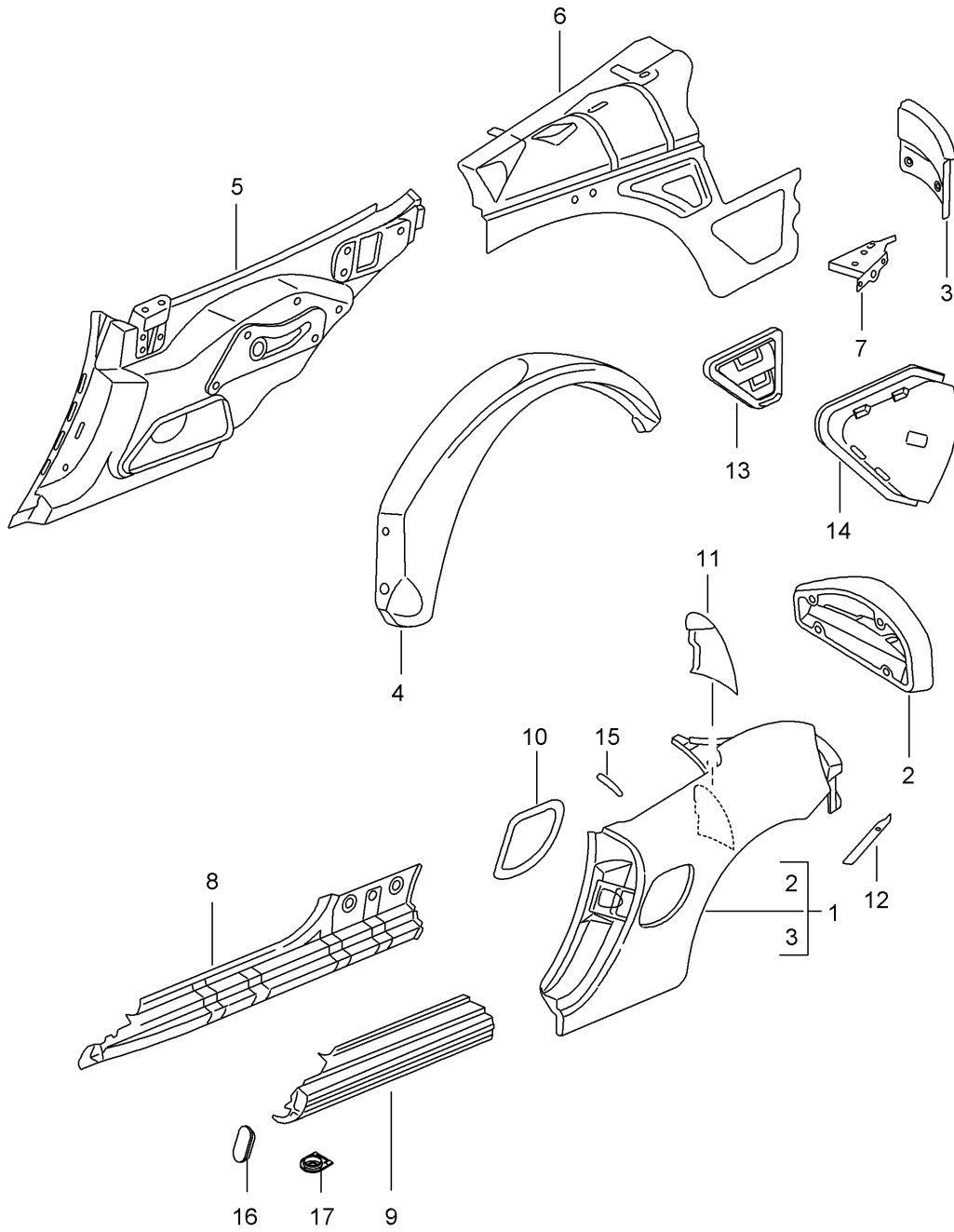
Model: 986 97 Model life 1997>>2004

Pos	Part Number	Description	Remark	Qty	Model
1	986 502 137 00	Cowl		1	
	986 502 137 00 GRV	Prime coated Inner			
1	986 502 137 01	Cowl		1	
	986 502 137 01 GRV	Prime coated Inner			
1	986 502 137 02	Cowl		1	
	986 502 137 02 GRV	Prime coated Inner			
2	996 502 527 00	Cowl		1	
	996 502 527 00 GRV	Prime coated Outer			
2	996 502 527 01	Cowl		1	
	996 502 527 01 GRV	Prime coated Outer			
3	986 502 529 00	Cowl		1	
	986 502 529 00 GRV	Prime coated Outer			
4	986 502 135 00	Reinforcement	/L	1	
	986 502 135 00 GRV	Prime coated Inner			
(4)	986 502 136 00	Reinforcement	/R	1	
	986 502 136 00 GRV	Prime coated Inner			
5	986 502 335 00	Hinge pillar	/L	1	
	986 502 335 00 GRV	Prime coated			
(5)	986 502 336 00	Hinge pillar	/R	1	
	986 502 336 00 GRV	Prime coated			
-	996 502 737 00	Speed nut M 6		2	
-	997 502 739 00	Cowl Speed nut M6 Cowl		1	



Model: 986 97

Model life 1997>>2004



Model: 986 97 Model life 1997&gt;&gt;2004

Pos	Part Number	Description	Remark	Qty	Model
1	986 503 961 00	Side section	/L	1	
	986 503 961 00 GRV	Prime coated			
1	986 503 961 01	Side section	/L	1	
	986 503 961 01 GRV	Prime coated			
(1)	986 503 962 00	Side section	/R	1	
	986 503 962 00 GRV	Prime coated			
		Use also:			
-	999 915 650 40	Adhesive		X	
		TEROMIX 6700			
-	000 043 300 48	Tool		X	
		See technical manual			
		Group 5			
		53 55 55			
2	986 502 161 00	Frame for light	/L	1	
	986 502 161 00 GRV	Prime coated			
(2)	986 502 162 00	Frame for light	/R	1	
	986 502 162 00 GRV	Prime coated			
3	986 501 651 00	Corner panel	/L	1	
	986 501 651 00 GRV	Prime coated			
(3)	986 501 652 00	Corner panel	/R	1	
	986 501 652 00 GRV	Prime coated			
4	986 502 515 00	Wheel housing	/L -01	1	
	986 502 515 00 GRV	Prime coated			
4	986 502 515 01	Wheel housing	/L 02-	1	
	986 502 515 01 GRV	Prime coated			
(4)	986 502 516 00	Wheel housing	/R	1	
	986 502 516 00 GRV	Prime coated			
5	986 502 083 00	Side section	/L	1	
	986 502 083 00 GRV	Prime coated			
(5)	986 502 084 00	Side section	/R	1	
	986 502 084 00 GRV	Prime coated			
6	986 502 085 00	Side section	/L	1	
	986 502 085 00 GRV	Prime coated			
(6)	986 502 106 00	Side section	/R	1	
	986 502 106 00 GRV	Prime coated			
7	986 502 615 00	Closing element	/L	1	
	986 502 615 00 GRV	Prime coated			
(7)	986 502 616 00	Closing element	/R	1	
	986 502 616 00 GRV	Prime coated			
8	986 502 163 00	Reinforcement	/L	1	
	986 502 163 00 GRV	Prime coated			
8	986 502 163 02	Reinforcement	/L	1	
	986 502 163 02 GRV	Prime coated			
(8)	986 502 164 00	Reinforcement	/R	1	
	986 502 164 00 GRV	Prime coated			
(8)	986 502 164 01	Reinforcement	/R	1	
	986 502 164 01 GRV	Prime coated			
9	986 503 963 00	Door sill	/L	1	
	986 503 963 00 GRV	Prime coated			
(9)	986 503 964 00	Door sill	/R	1	
	986 503 964 00 GRV	Prime coated			
10	986 504 907 00	Gasket		2	
		Air inlet			
11	986 504 967 01	Seal	/L	1	
(11)	986 504 968 01	Seal	/R	1	
		Side section			
		Wheel housing			
		See workshop manual			
12	986 504 635 00	Protective film	/L	1	
(12)	986 504 636 00	Protective film	/R	1	
13	986 572 043 02	Bleeding	/L	1	
(13)	986 572 044 00	Bleeding	/R	1	

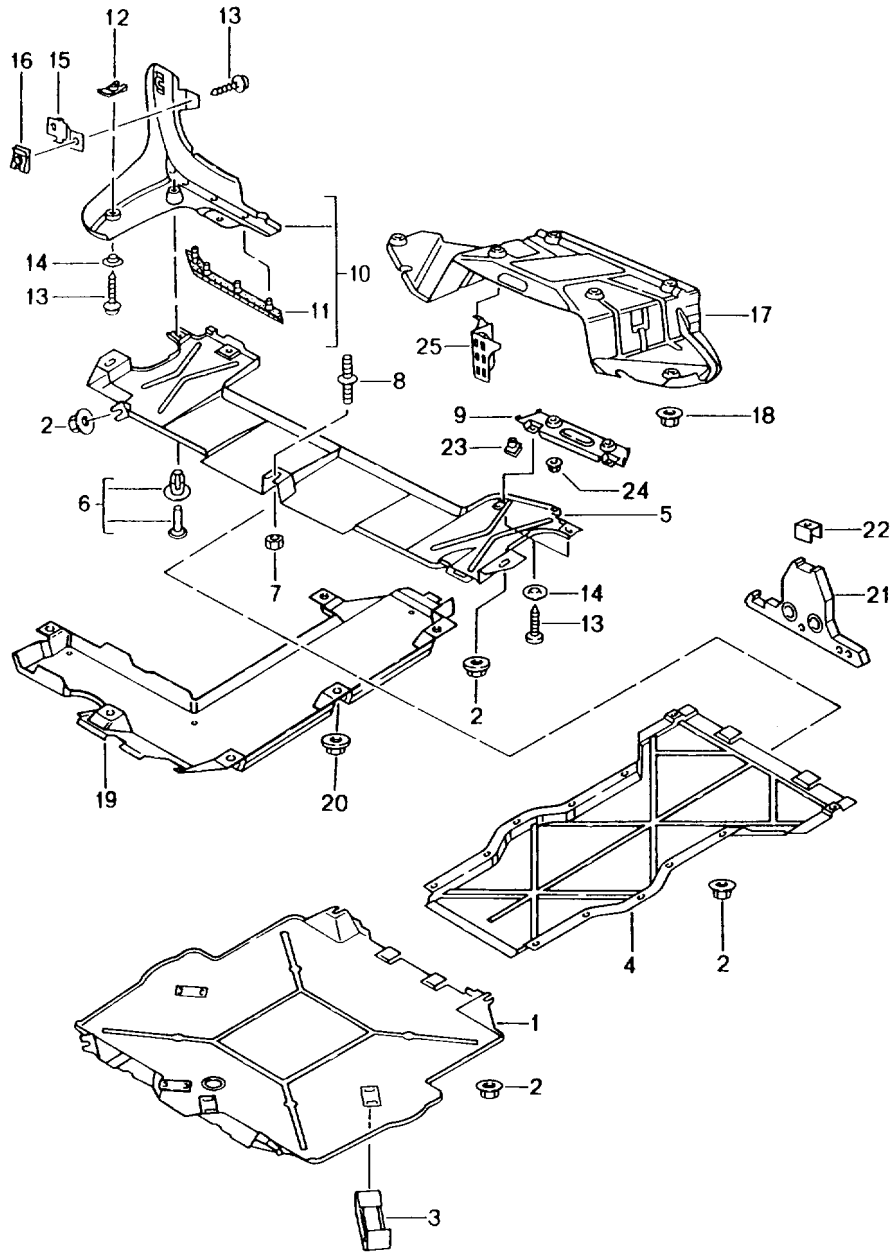
Model: 986 97

Model life 1997&gt;&gt;2004

Pos	Part Number	Description	Remark	Qty	Model
14	986 572 643 00	Air-guide cowl	/L	1	
(14)	986 572 644 00	Air-guide cowl	/R	1	
15	996 537 237 00	Protective film		2	
16	986 572 723 00	Cover plate		2	
		Door sill			
17	999 703 475 40	Water drain sleeve		2	
		Door sill			

Model: 986 97

Model life 1997>>2004

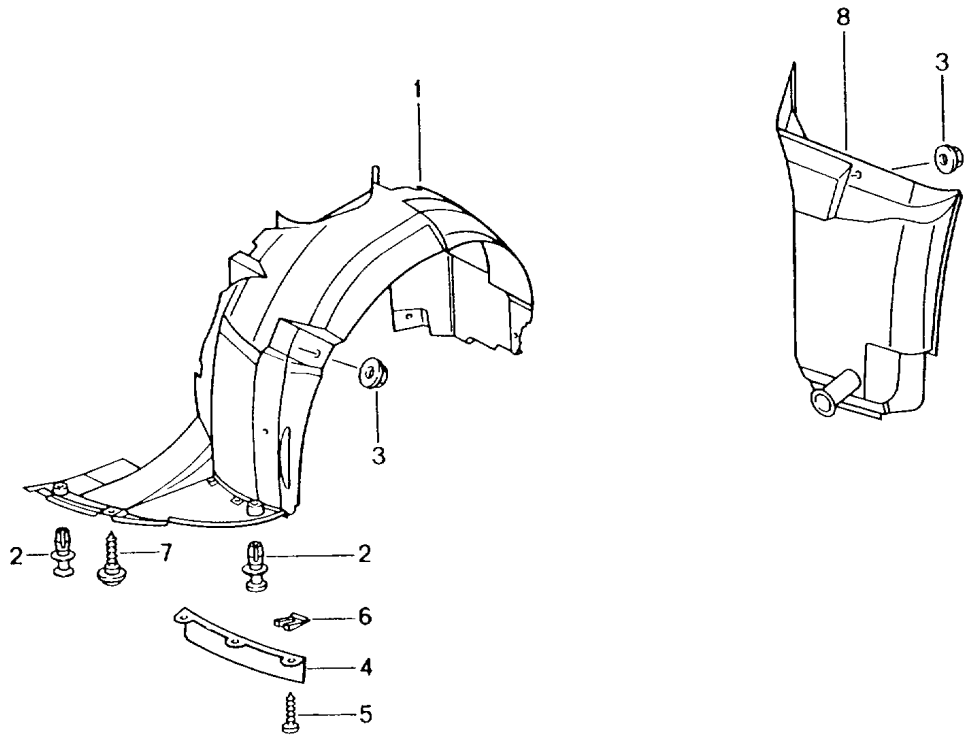


Model: 986 97 Model life 1997>>2004

Pos	Part Number	Description	Remark	Qty	Model
		Linings for Underbody			
1	996 504 527 02	Cover Front		1	
2	999 049 022 40	Plastic nut		21	
3	999 507 657 09	Clamp Centre		6	
4	996 504 043 02	Cover Centre		1	
5	986 504 119 00	Cover Rear		1	
6	999 507 497 40	Expansion rivet 8,0 X 14,0		X	
7	999 076 068 09	Hexagon nut M 6		1	
7	999 076 068 01	Hexagon nut M 6		1	
8	999 919 169 02	Stud M 6 X 11		1	
(9)	986 504 571 00	Support	97	2	
9	986 504 571 01	Support		2	
10	986 504 393 00	Cover	/L	1	
	986 504 393 00 01C	Satin black			
(10)	986 504 394 00	Cover	/R	1	
	986 504 394 00 01C	Satin black			
11	986 504 893 00	Rubber lip	/L	1	
(11)	986 504 894 00	Rubber lip	/R	1	
12	999 507 348 01	Speed nut ST 4,8		4	
12		Speed nut ST 4,8		4	
13	999 073 061 02	Tapping screw ST 4,8 X 16		X	
14	944 503 255 00	Spacer		X	
15	986 504 593 00	Support		2	
16	999 507 462 02	Speed nut ST 4,8		4	
16	999 507 462 09	Speed nut ST 4,8		4	
17	986 504 605 02	Heat protection		1	
18	999 049 017 09	Hexagon nut		7	
18	999 049 025 09	Collar nut		7	
19	996 504 561 00	Cover		1	
20	999 049 022 40	Plastic nut T5		6	
21	986 504 643 01	Seal	-03	1	
22	986 504 743 00	Support	-03	1	
23	999 591 699 02	Speed nut St 4,8		4	
23	999 591 699 01	Speed nut ST 4,8		4	
24	999 084 212 02	Hexagon nut M 6		2	
25	986 504 651 00	Heat protection	00-	1	M008

Model: 986 97

Model life 1997>>2004

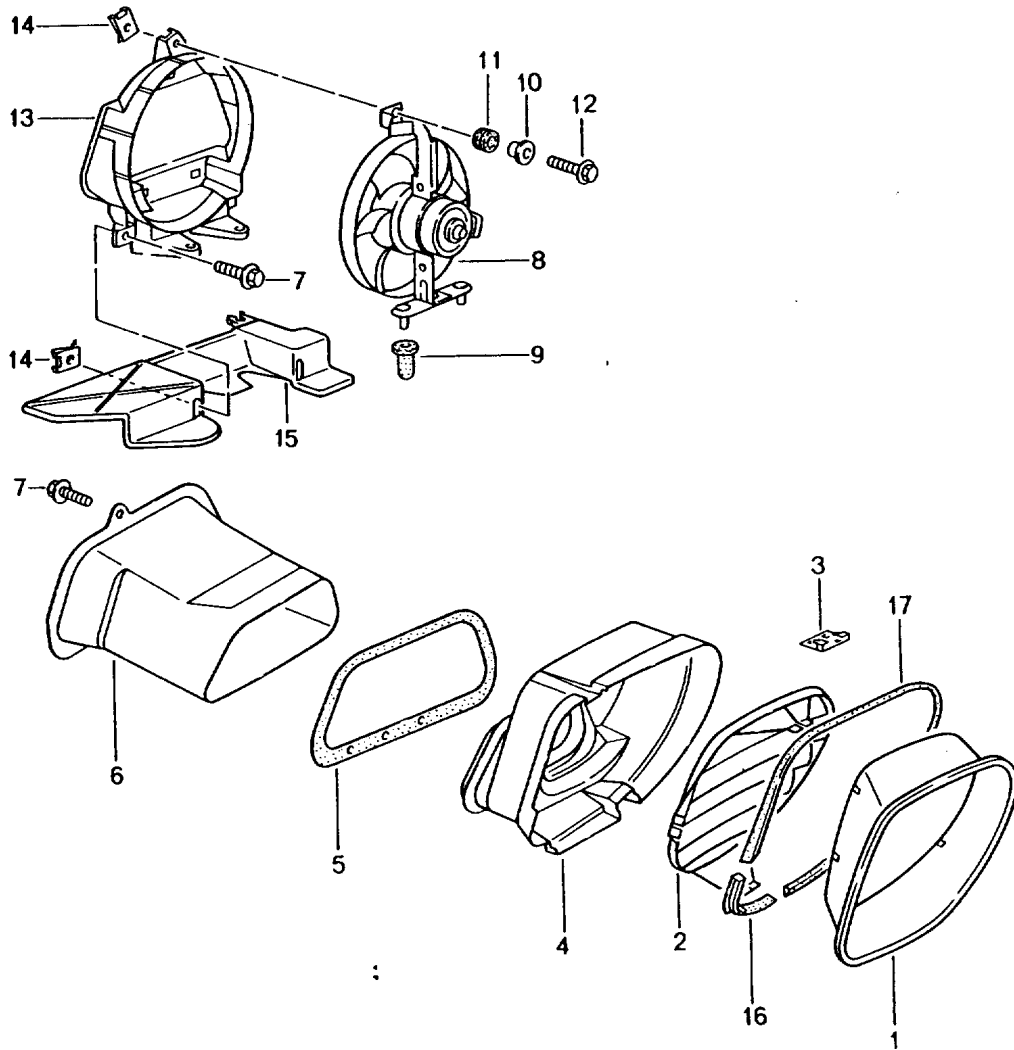


Model: 986 97 Model life 1997>>2004

Pos	Part Number	Description	Remark	Qty	Model
		Linings for Wheel housing			
1	996 504 203 06	Wheel-housing liner	/L	1	
(1)	996 504 204 06	Wheel-housing liner	/R	1	
2	999 507 497 40	Expansion rivet 8,0 X 14,0		13	
3	999 049 022 40	Plastic nut T5		10	
4	996 504 503 00	Rubber lip	/L	1	
(4)	996 504 504 00	Rubber lip	/R	1	
5	999 073 061 02	Tapping screw ST 4,8 X 16		6	
6	999 591 699 02	Speed nut St 4,8		12	
6	999 591 699 01	Speed nut ST 4,8		12	
7	999 073 198 09	Tapping screw		4	
7	999 073 227 09	Tapping screw ST 4,8 X 19		4	
8	986 504 573 00	Wheel-housing liner	/L	1	
8	986 504 573 01	Wheel-housing liner	/L	1	
(8)	986 504 574 00	Wheel-housing liner	/R	1	
(8)	986 504 574 01	Wheel-housing liner	/R	1	
-	996 504 603 00	Air guide	/L	1	M008
-	996 504 604 00	Air guide	/R	1	M008

Model: 986 97

Model life 1997>>2004





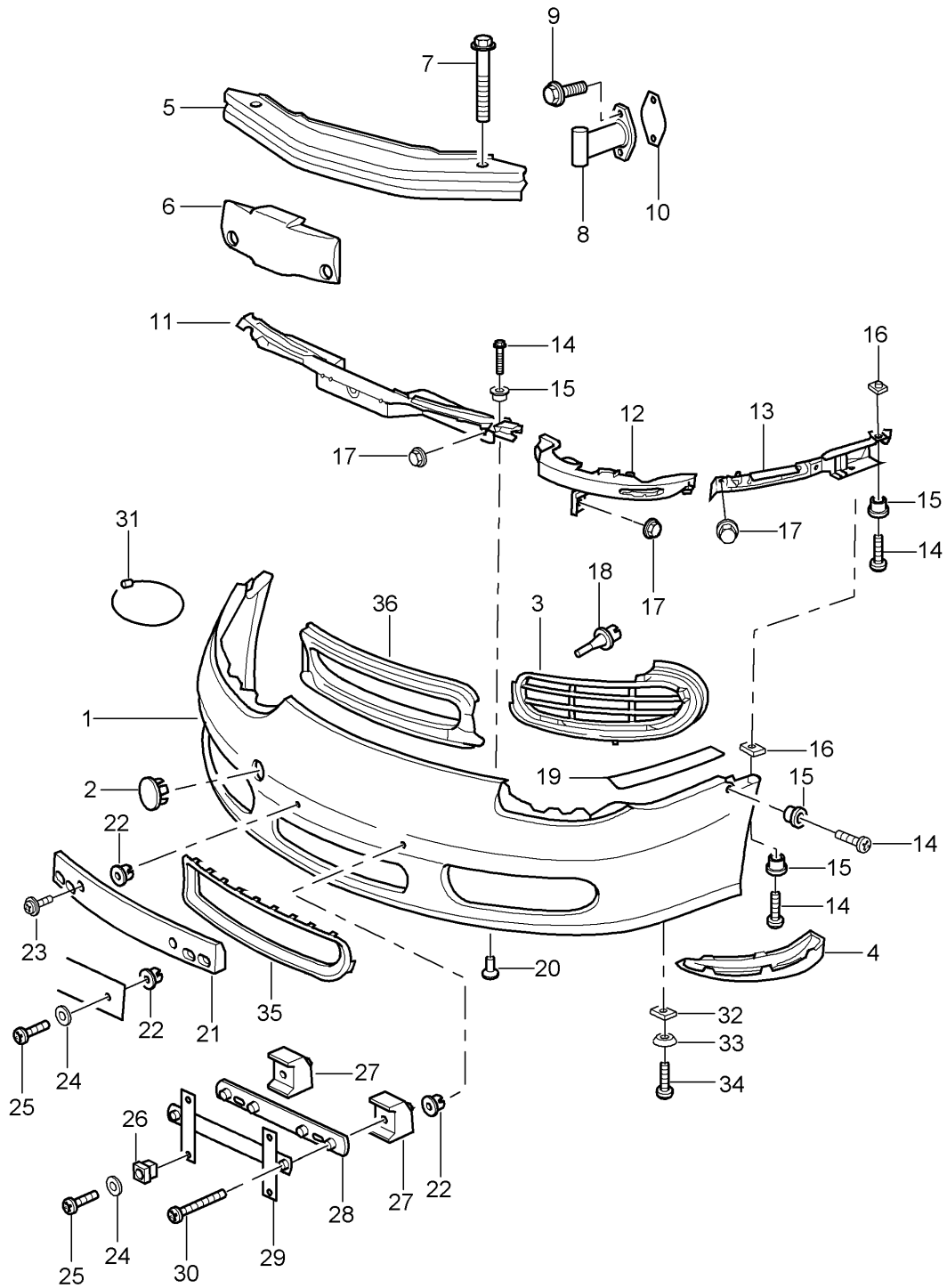
Model: 986 97

Model life 1997>>2004

Pos	Part Number	Description	Remark	Qty	Model
		Ventilation Engine compartment			
1	986 504 561 01	Air guide	/L -99	1	
	986 504 561 01 G2X	Prime coated			
1	986 504 561 02	Air guide	/L -02	1	
	986 504 561 02 G2X	Prime coated			
1	986 504 561 03	Air guide	/L 03-	1	
	986 504 561 03 G2X	Prime coated			
(1)	986 504 562 01	Air guide	/R -02	1	
	986 504 562 01 G2X	Prime coated			
(1)	986 504 562 03	Air guide	/R 03-	1	
	986 504 562 03 G2X	Prime coated			
2	986 504 747 00	Ventilation grille	/L	1	
(2)	986 504 748 00	Ventilation grille	/R	1	
3	986 504 847 00	Spring clamp		6	
4	986 575 657 00	Air guide	/L -02	1	
4	986 575 657 01	Air guide	/L	1	
(4)	986 575 658 00	Air guide	/R -02	1	
(4)	986 575 658 01	Air guide	/R 03-	1	
-	986 575 761 00	Grille		1	
5	986 575 655 00	Gasket		1	
6	986 575 559 01	Air duct		1	
7	900 075 413 09	Combination screw M 6 X 16		6	
8	986 624 036 00	Blower		1	
-	999 650 252 40	Plug socket		1	
-	999 650 253 22	Connector		2	
-	999 650 254 40	Locking device		1	
-	999 650 255 40	Gasket		2	
9	999 703 452 40	Rubber buffer		2	
10	999 209 049 02	Spacer sleeve		1	
11	999 703 451 40	Rubber sleeve		1	
12	900 378 030 09	Hexagon-head bolt M 6 X 20		1	
13	986 575 356 00	Airscoop		1	
14	999 507 550 02	Speed nut M 6		3	
15	986 575 756 01	Air guide		1	
16	986 504 563 01	Centring wedge	/L 00-	1	
17	986 504 565 01	Gasket	00-	1	
-	986 504 749 01	Frame	/L 03-	1	
-	986 504 750 00	Frame	/R 03-	1	
-	986 504 731 00	Water tube	03-	1	
-	986 504 831 00	Support Water tube		1	

Model: 986 97

Model life 1997>>2004



Model: 986 97 Model life 1997>>2004

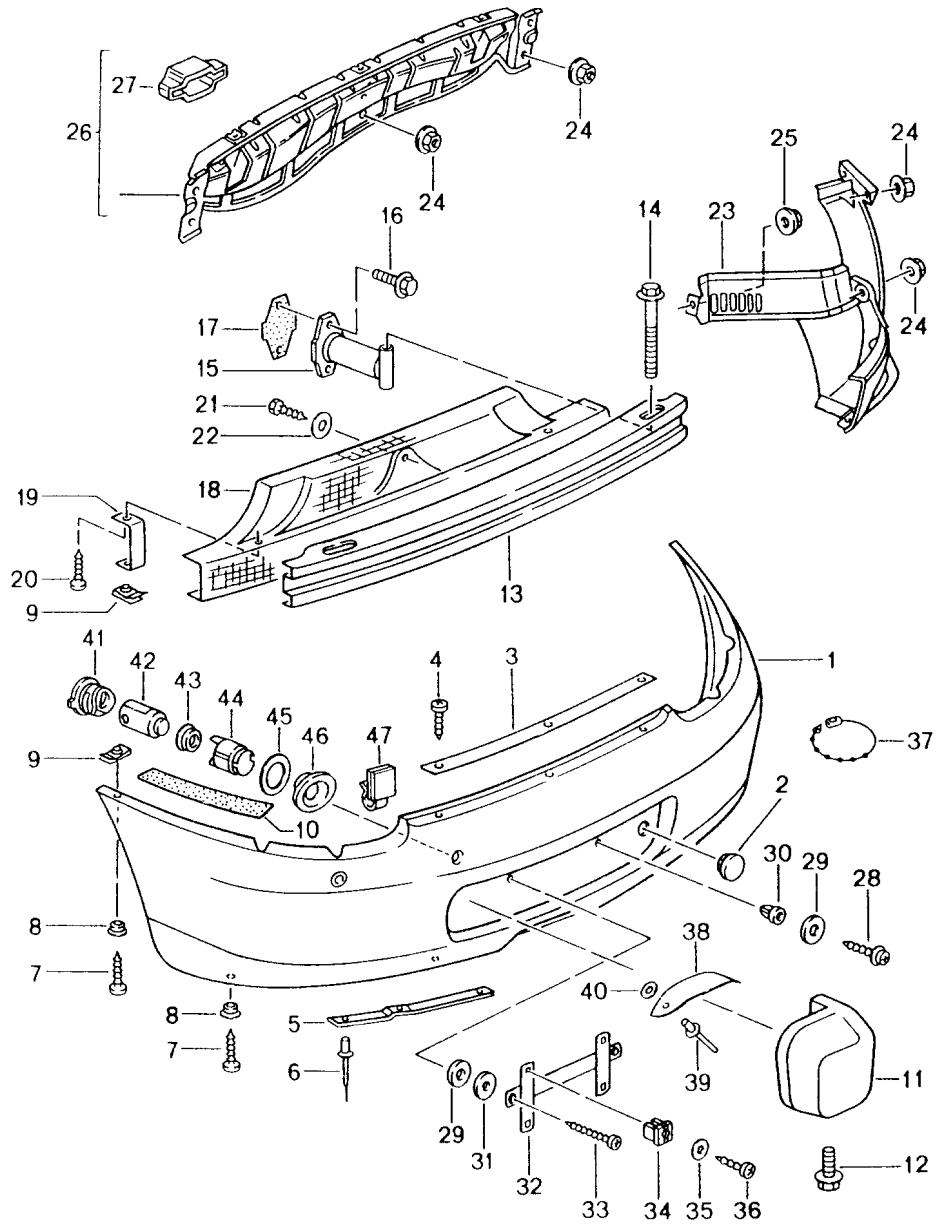
Pos	Part Number	Description	Remark	Qty	Model
		Bumper			
		Front			
1	986 505 311 03	Lining	-02	1	M009
	986 505 311 03 G2X	Prime coated			
(1)	986 505 311 04	Lining	-02	1	M008
	986 505 311 04 G2X	Prime coated			
(1)	986 505 311 05	Lining	03-	1	M009
	986 505 311 05 G2X	Prime coated			
(1)	986 505 311 06	Lining	03-	1	M008
	986 505 311 06 G2X	Prime coated			
2	964 505 103 00	Cap	-02	1	
	964 505 103 00 G2X	Prime coated			
(2)	986 505 511 00	Cap	03-	1	
	986 505 511 00 G2X	Prime coated			
3	986 505 553 01	Grille frame	/L -02	1	M009
	986 505 553 01 01C	Satin black			
3	986 505 553 03	Grille frame	/L 03-	1	
	986 505 553 03 01C	Satin black			
(3)	986 505 554 01	Grille frame	/R -02	1	M009
	986 505 554 01 01C	Satin black			
(3)	986 505 554 03	Grille frame	/R 03-	1	
	986 505 554 03 01C	Satin black			
-	986 505 531 00	Disc	/L 03-	1	
		Upper			
	986 505 531 00 G2X	Prime coated			
-	986 505 532 00	Disc	/R 03-	1	
		Upper			
	986 505 532 00 G2X	Prime coated			
-	986 505 533 00	Disc	/L 03-	1	
		Lower			
	986 505 533 00 G2X	Prime coated			
-	986 505 534 00	Disc	/R 03-	1	
		Lower			
	986 505 534 00 G2X	Prime coated			
-	999 507 708 09	Clamping washer		4	
(3)	986 505 553 02	Grille frame	/L -02	1	M008
	986 505 553 02 9A4	Titanium metallic			
(3)	986 505 554 02	Grille frame	/R -02	1	M008
	986 505 554 02 9A4	Titanium metallic			
4	996 505 525 00	Cover	/L	1	
	996 505 525 00 01C	Satin black			
(4)	996 505 526 00	Cover	/R	1	
	996 505 526 00 01C	Satin black			
(5)	996 505 031 00	Bumper reinforcement		1	
6	996 505 777 00	Foam part		1	
7	900 378 088 09	Hexagon-head bolt		2	
		M 12 X 100			
7	900 378 088 01	Hexagon-head bolt		2	
		M 12 x 100			
(8)	996 505 015 00	Impact absorber		2	
9	900 075 457 02	Combination screw		4	
		M 8 X 30			
(10)	993 505 775 00	Desk pad		2	
11	996 505 531 00	Retaining strip		1	
11	996 505 531 01	Retaining strip		1	
		Centre			
12	996 505 539 00	Bracket	/L	1	
(12)	996 505 540 00	Bracket	/R	1	
13	996 505 535 00	Retaining strip	/L	1	
(13)	996 505 536 00	Retaining strip	/R	1	
14	900 144 101 02	Tapping screw		X	
		B 4,8 X 19			
15	999 209 045 09	Spacer		X	

Model: 986 97 Model life 1997>>2004

Pos	Part Number	Description	Remark	Qty	Model
16	999 507 072 02	Speed nut B 4,8		X	
17	999 084 633 09	Hexagon nut M 6		X	
18	996 641 142 00	Temperature sensor		1	
18	958 505 535 00	Sensor		1	
-	999 652 911 40	Plug socket		1	
-	999 652 934 22	Contact bush		2	
-	999 650 127 40	Gasket		2	
19	999 911 606 40	Adhesive tape		X	
19	000 043 204 83	Adhesive tape		X	
		Roller 16,5 METER			
20	999 507 497 40	Expansion rivet 8 X 14		2	
22	999 507 040 40	Expander nut 4,2		X	
(22)	996 701 811 00	Cap		2	M218
	996 701 811 00 G2X	Prime coated			
23	900 143 151 02	Combination tapping screw 4,2 X 16		2	
24	900 025 024 40	Washer		X	
25	900 143 134 00	Tapping screw B 4,2 X 9,5		X	
26	999 591 498 40	Special nut		4	
27	996 701 801 00	Spacer	/L -02	1	
(27)	996 701 802 00	Spacer	/R -02	1	
(27)	986 701 801 00	Spacer	/L 03-	1	
(27)	986 701 802 00	Spacer	/R 03-	1	
(29)	996 701 107 00	Support		1	
30	900 145 012 07	Counters. head tapp. screw B 4,2 X 32		2	
31	999 651 225 40	Safety rope		1	
32	999 591 699 02	Speed nut St 4,8		4	
32	999 591 699 01	Speed nut ST 4,8		4	
34	999 073 198 09	Tapping screw		4	
34	999 073 227 09	Tapping screw ST 4,8 X 19		4	
35	986 505 551 00	Cover	-02	1	M008
	986 505 551 00 G2X	Prime coated			
35	986 505 551 01	Cover	03-	1	M008
	986 505 551 01 G2X	Prime coated			
36	986 505 555 00	Retaining frame	-02	1	M008
	986 505 555 00 01C	Satin black			
36	986 505 555 02	Retaining frame	03-	1	M008
	986 505 555 02 01C	Satin black			
-	999 507 707 00	U-clamp		19	M008
37	986 505 857 00	Heat protection Lower	/L	1	
(37)	986 505 858 00	Heat protection Lower	/R	1	

Model: 986 97

Model life 1997>>2004



Model: 986 97 Model life 1997>>2004

Pos	Part Number	Description	Remark	Qty	Model
1	986 505 411 00 986 505 411 00 G2X	Bumper Rear Lining Prime coated It is necessary to rework It is necessary to rework	-02	1	M635
(1)	986 505 411 08 986 505 411 08 G2X	Lining Prime coated	03-	1	
(1)	986 505 411 09 986 505 411 09 G2X	Lining Prime coated	03-	1	
(1)	986 505 411 11 986 505 411 11 G2X	Lining Prime coated	03-	1	M635
2	964 505 103 00 964 505 103 00 G2X	Cap Prime coated		1	
3	986 505 833 00	Retaining strip	-02	1	
(3)	986 505 833 01	Retaining strip	03-	1	
4	900 144 101 02	Tapping screw B 4,8 X 19		3	
5	986 505 837 00	Retaining strip	/L	1	
(5)	986 505 838 00	Retaining strip	/R	1	
-	986 505 647 00	Retaining frame	/L 03-	1	
-	986 505 648 00	Retaining frame	/R 03-	1	
-	986 505 647 01 986 505 647 01 M7Z	Retaining frame GT Silver Metallic	/L 04	1	M091
-	986 505 648 01 986 505 648 01 M7Z	Retaining frame GT Silver Metallic	/R 04	1	M091
6	999 190 104 30	Blind rivet 3,2 X 7,9		4	
7	999 073 198 09	Tapping screw		8	
7	999 073 227 09	Tapping screw ST 4,8 X 19		8	
8	944 503 255 00	Spacer		6	
9	999 507 072 02	Speed nut 4,8		4	
10	999 911 606 40	Adhesive tape		X	
10	000 043 204 83	Adhesive tape Roller 16,5 METER		X	
11	986 505 425 00 986 505 425 00 70C	Buffer Rally black	/L	1	
11	986 505 425 02	Buffer	/L	1	
(11)	986 505 426 00 986 505 426 00 70C	Buffer Rally black	/R	1	
(11)	986 505 426 02	Buffer	/R	1	
(11)	986 505 425 01 986 505 425 01 M7Z	Buffer GT Silver Metallic	/L	1	M 91
(11)	986 505 426 01 986 505 426 01 M7Z	Buffer GT Silver Metallic	/R	1	M 91
12	900 067 271 09	Combination screw M 8 X 20		2	
13	986 505 021 01	Bumper reinforcement		1	
14	900 378 088 09	Hexagon-head bolt M 12 X 100		2	
14	900 378 088 01	Hexagon-head bolt M 12 X 100		2	
(15)	996 505 015 00	Impact absorber		2	
16	900 075 457 02	Combination screw M 8 X 30		4	
(17)	964 505 775 00	Desk pad		2	
(17)	996 505 775 00	Desk pad		2	
18	986 505 475 00	Heat protection	-02	1	
18	986 505 475 01	Heat protection	03-	1	
19	986 505 639 00	Rear support	-02	2	

Model: 986 97 Model life 1997>>2004

Pos	Part Number	Description	Remark	Qty	Model
(19)	986 505 639 01	Rear support	03-	2	
20	999 075 048 02	Hexagon-head bolt M 6 X 22		2	
21	900 278 025 02	Hexagon-head bolt M 5 X 12		1	
22	999 025 243 02	Washer		1	
(23)	986 505 631 01	Wheel-housing liner	/L -02	1	
(23)	986 505 631 02	Wheel-housing liner	/L 03-	1	
(23)	986 505 632 01	Wheel-housing liner	/R -02	1	
(23)	986 505 632 02	Wheel-housing liner	/R 03-	1	
24	999 084 633 09	Hexagon nut M 6		11	
25	999 049 022 40	Plastic nut T 5		2	
26	986 505 641 00	Retaining strip	-02	1	
(26)	986 505 641 01	Retaining strip	03-	1	
27	986 505 851 00	Spacer		2	
29	999 025 235 40	Rubber washer		X	
30	999 507 040 40	Expander nut 4,2		2	
31	914 571 903 10	Sealing ring		2	
(32)	996 701 107 00	Support		1	
33	900 143 043 02	Tapping screw B 4,2 X 22		2	
33	900 143 096 01	Tapping screw B 4,2 X 22		2	
34	999 591 498 40	Special nut		X	
35	900 025 024 40	Washer 4,3 X 9		X	
36	900 143 134 00	Tapping screw BZ 4,2 X 9,5		X	
37	999 651 225 40	Safety rope		1	
38	986 505 811 01	Heat protection	-02	1	
(38)	986 505 811 02	Heat protection	03-	1	
39	999 190 463 30	Blind rivet A 4,0 X 13,0		2	
40	900 151 028 02	Washer 4,3		2	
41	996 505 669 00	Retainer spring Outer	-02	2	M635
(41)	986 505 869 00	Retainer spring Outer	03-	2	M635
(41)	986 505 667 00	Retainer spring Inner	-02	2	M635
(41)	986 505 867 01	Retainer spring Inner	03-	2	M635
42	996 606 171 00	Sensor	-02	4	M635
	996 606 171 00 9A4	Titanium metallic			
(42)	000 043 204 56	Sensor	03-	4	M635
43	996 606 471 00	Ring		4	M635
44	996 505 865 00	Housing	-02	4	M635
44	996 505 940 00	Housing	-02	4	M635
(44)	986 505 865 00	Housing	03-	4	M635
45	999 025 262 02	Washer 35 X 50 X 0,5		4	M635
46	986 505 859 00	Cover	/L -02	1	M635
	986 505 859 00 G2X	Prime coated Inner			
(46)	986 505 859 01	Cover	/L 03-	1	M635
	986 505 859 01 G2X	Prime coated Inner			
(46)	986 505 860 00	Cover	/R -02	1	M635
	986 505 860 00 G2X	Prime coated			

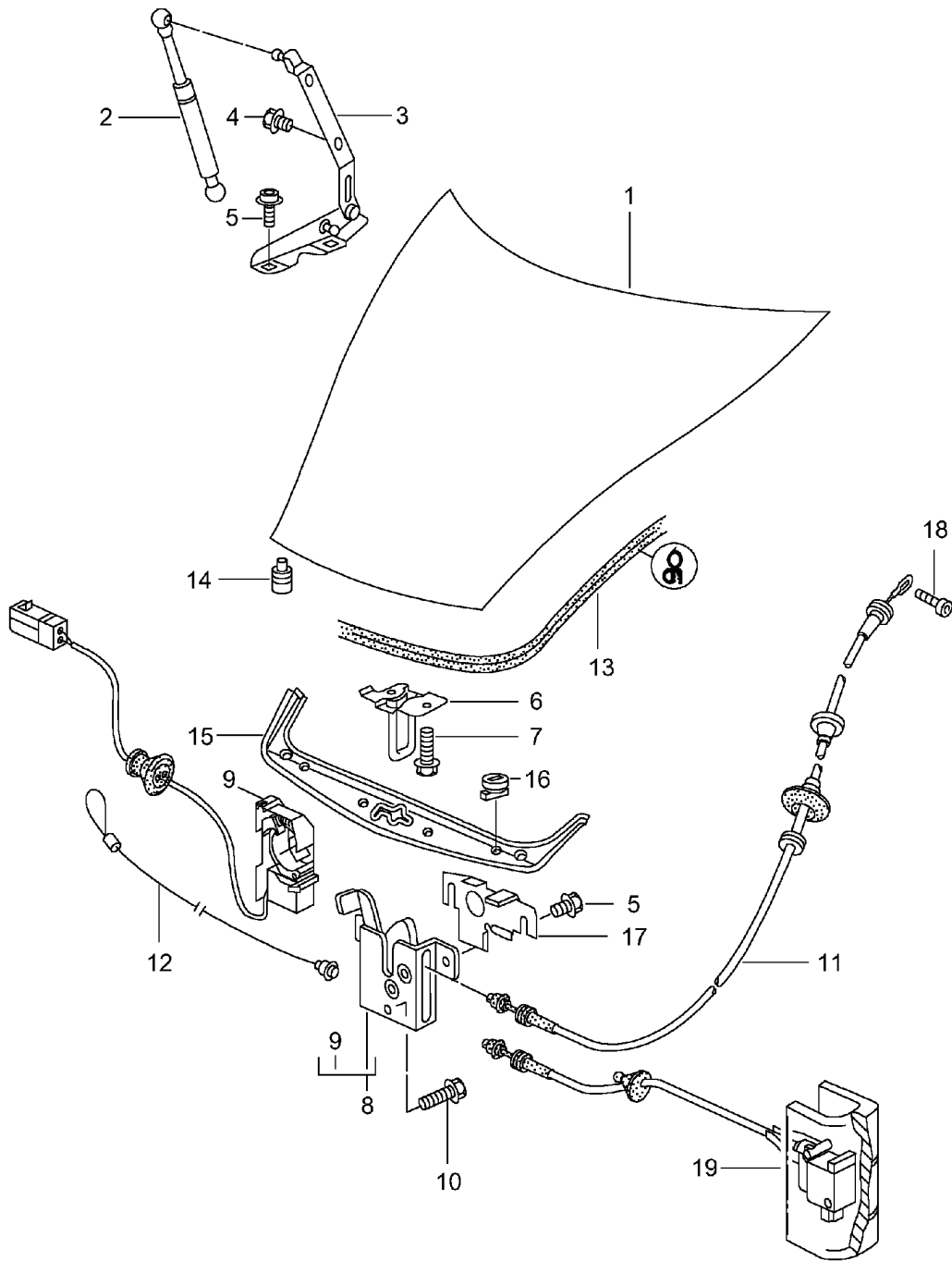
Model: 986 97 Model life 1997>>2004

Pos	Part Number	Description	Remark	Qty	Model
(46)	986 505 860 01 986 505 860 01 G2X	Inner Cover Prime coated	/R 03-	1	M635
(46)	986 505 861 00 986 505 861 00 G2X	Inner Cover Prime coated Outer	/L -02	1	M635
(46)	986 505 861 01 986 505 861 01 G2X	Cover Prime coated Outer	/L 03-	1	M635
(46)	986 505 862 00 986 505 862 00 G2X	Cover Prime coated Outer	/R -02	1	M635
(46)	986 505 862 01 986 505 862 01 G2X	Cover Prime coated Outer	/R 03-	1	M635
47	999 507 623 40	Cable holder		4	M635



Model: 986 97

Model life 1997>>2004



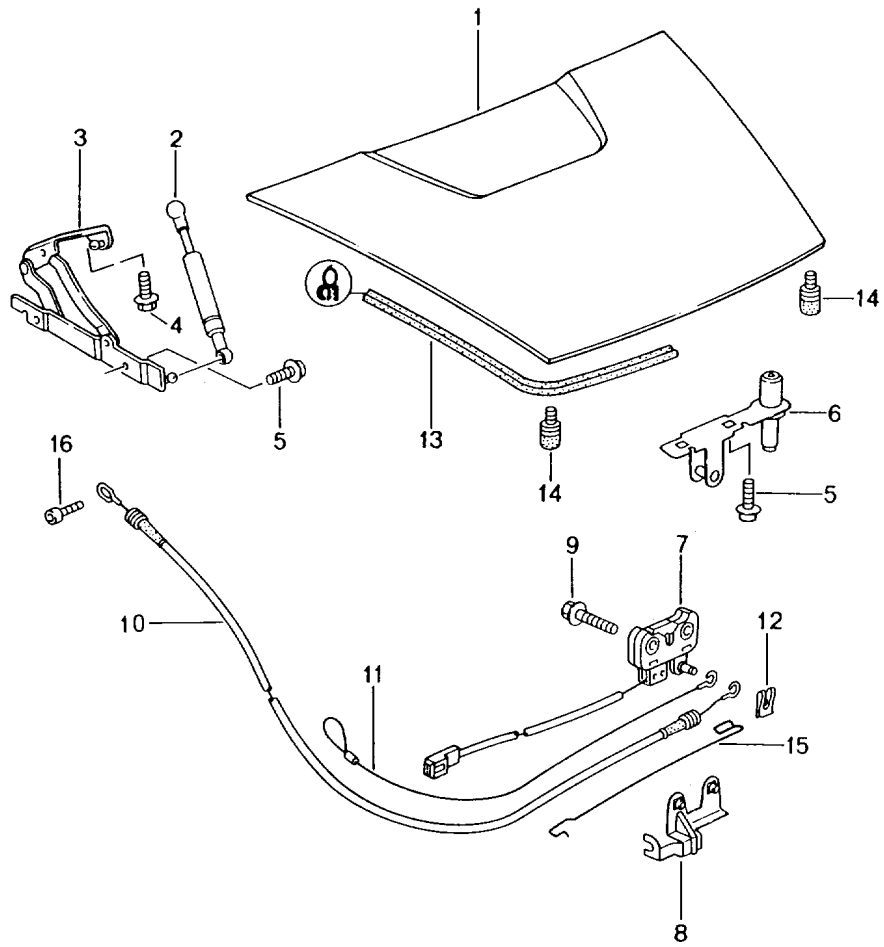
Model: 986 97

Model life 1997>>2004

Pos	Part Number	Description	Remark	Qty	Model
1	996 511 011 02	Lid Front		1	
	996 511 011 02 GRV	Lid Prime coated			
		Use also:			
-	000 043 204 38	Sealing compound		1	
2	996 511 551 01	Gas-pressure spring		2	
3	996 511 151 01	Hinge	/L	1	
(3)	996 511 152 01	Hinge	/R	1	
4	900 378 036 09	Hexagon-head bolt M 6 X 12		4	
5	900 075 466 09	Combination screw M 6 X 16		6	
6	996 511 051 02	Lock upper part		1	
7	900 378 173 09	Hexagon-head bolt M 6 X 20		2	
8	996 511 053 02	Lock lower part		1	
-	999 652 750 40	Plug socket		1	
-	999 652 567 22	Cylindrical socket		2	
9	996 613 206 00	Microswitch		1	
10	900 075 347 02	Combination screw M 6 X 30		1	
11	996 511 017 01	Lid-release cable	/LL -00	1	
(11)	996 511 017 02	Lid-release cable	01-	1	
12	996 511 521 00	Emergency operation		1	
13	996 511 611 00	Gasket		1	
14	999 703 140 40	Rubber buffer		2	
15	996 504 811 00	Trim cover		1	
	996 504 811 00 01C	Satin black			
16	999 590 036 40	Cap nut		4	
	999 590 036 40 01C	Satin black			
17	996 511 653 00	Cover		1	
18	900 119 121 09	Pan-head screw M 4 X 14		1	
19	996 511 127 00	Actuator	01-	1	
-	996 624 119 01	Actuator		1	
		Emergency operation			
-	996 511 489 00	Bracket		1	
		Actuator			
-	996 511 085 00	Cable		1	
		Emergency operation			

Model: 986 97

Model life 1997>>2004



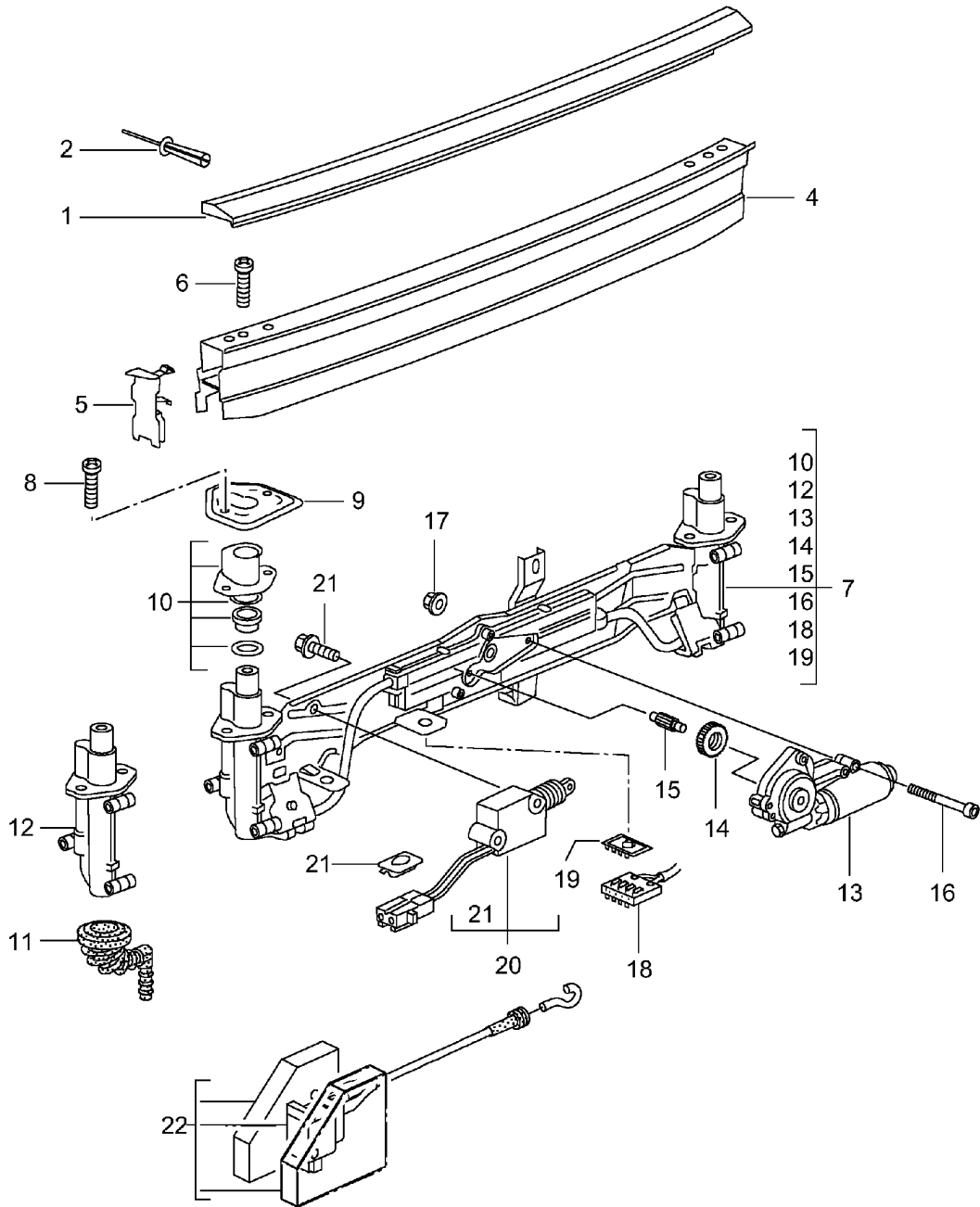
Model: 986 97

Model life 1997>>2004

Pos	Part Number	Description	Remark	Qty	Model
1	986 512 011 01 986 512 011 01 GRV	Lid Rear Lid Prime coated Use also:		1	
1	986 512 011 02 986 512 011 02 GRV	Lid Prime coated Use also:		1	
-	000 043 204 38	Sealing compound		1	
2	986 512 951 00	Gas-pressure spring		2	
3	986 512 151 01	Hinge	/L	1	
(3)	986 512 152 01	Hinge	/R	1	
4	900 075 466 09	Combination screw M 6 X 16		4	
5	900 378 155 09	Hexagon-head bolt M 6 X 16		6	
(6)	986 512 051 00	Lock upper part		1	
7	986 512 053 01	Lock lower part	-01	1	
7	986 512 053 02	Lock lower part		1	
-	999 652 750 40	Plug socket		1	
-	999 652 567 22	Cylindrical socket		2	
8	996 512 753 02	Mounting plate		1	
(8)	986 512 753 00	Mounting plate		1	
9	900 378 168 09	Hexagon-head bolt M 6 X 30		2	
10	986 512 017 01	Lid-release cable	/LL	1	
11	996 512 521 00	Emergency operation		1	
12	999 166 054 02	Sl-lock		1	
12	999 166 054 01	Sl-lock		1	
13	986 512 611 00	Gasket		1	
14	999 703 140 40	Rubber buffer		2	
15	986 504 719 00	Pull rod		1	M534/535
16	900 119 121 09	Pan-head screw M 4 X 14		1	

Model: 986 97

Model life 1997>>2004

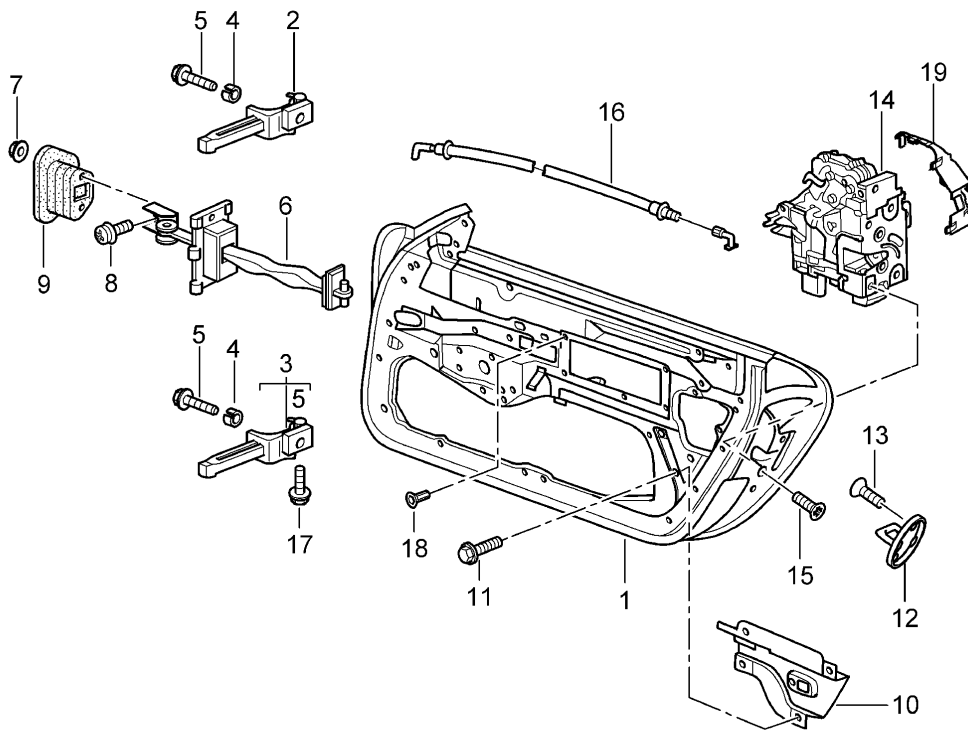


Model: 986 97 Model life 1997>>2004

Pos	Part Number	Description	Remark	Qty	Model
1	986 504 609 01	Rear spoiler			
		Upper part	-02	1	
	986 504 609 01 G2X	Prime coated			
1	986 504 609 02	Upper part	03-	1	
	986 504 609 02 G2X	Prime coated			
(2)	999 507 499 40	Expansion rivet		3	
		5,0 X 11,5			
4	986 504 613 01	Bracket	-02	1	
4	986 504 613 02	Bracket	03-	1	
5	986 504 615 01	Cover	/L -02	1	
5	986 504 615 02	Cover	/L 03-	1	
(5)	986 504 616 01	Cover	/R -02	1	
(5)	986 504 616 02	Cover	/R 03-	1	
6	999 218 016 02	Combination screw		2	
		M 6 X 16			
		Micro-self-locking			
6	999 218 016 01	Combination screw		2	
		M 6 X 16			
		Micro-self-locking			
7	986 504 109 00	Driving mechanism		1	
-	999 652 919 40	Plug socket		1	
-	999 652 567 22	Cylindrical socket		5	
8	999 218 016 02	Combination screw		4	
		M 6 X 16			
		Micro-self-locking			
8	999 218 016 01	Combination screw		4	
		M 6 X 16			
		Micro-self-locking			
9	986 504 251 00	Mounting plate		2	
10	986 504 913 00	Gasket set		2	
11	986 504 915 00	Water drain hose		1	
12	986 504 911 00	Hinge	/L	1	
(12)	986 504 912 00	Hinge	/R	1	
13	996 624 151 00	Electric motor		1	
14	986 504 261 00	Spur gear		1	
15	986 504 263 00	Axle		1	
16	900 074 364 02	Hexagon-head bolt		3	
		M 5 X 55			
		Micro-self-locking			
17	900 377 009 01	Hexagon nut		3	
		M 5			
18	999 652 918 40	Connector housing		1	
19	999 650 175 40	Support		1	
20	996 624 117 00	Actuator	-00	1	M534/535
-	999 652 749 40	Plug socket		1	
-	999 652 567 22	Cylindrical socket		2	
21	999 507 434 40	Support		1	M534/535
22	986 512 117 00	Actuator	01-	1	M534/535

Model: 986 97

Model life 1997>>2004



Model: 986 97 Model life 1997>>2004

Pos	Part Number	Description	Remark	Qty	Model
(1)	996 531 011 02 996 531 011 02 GRV	Door in white Installation parts Door lock Door in white Prime coated Use also: POS.17 See technical information Group 5 4/00	/L	1	
1	996 531 012 02 996 531 012 02 GRV	Door in white Prime coated Use also: POS.17 See technical information Group 5 4/00	/R	1	
-	000 043 204 38	Sealing compound		1	
(2)	996 531 321 04	Hinge	/L	1	
2	996 531 322 04	Hinge	/R	1	
(3)	996 531 319 03	Hinge	/L	1	
3	996 531 320 03	Hinge	/R	1	
4	996 531 831 00	Sleeve		4	
5	999 073 192 02	Pan-head screw M 8 X 33		2	
6	996 537 151 02	Door arrester		2	
7	999 084 212 02	Hexagon nut M 6		4	
8	999 073 138 09	Screw M 8 X 25		2	
9	996 537 751 00	Seal		2	
(10)	996 537 523 00 996 537 523 00 GRV	Bracket Prime coated	/L	1	
10	996 537 524 00 996 537 524 00 GRV	Bracket Prime coated	/R	1	
11	900 075 487 09	Combination screw M 6 X 16		10	
12	3B0 837 033 F	Door lock striker		2	
12	3B0 837 033 P	Door lock striker		2	
13	N 907 985 02	Countersunk-head screw M 8 X 16,5		4	
(14)	3B1 837 015 E	Door lock	/L 97	1	
(14)	8N1 837 015 A	Door lock	/L 98-	1	
(14)	8N1 837 015 C	Door lock	/L 98-	1	
14	3B1 837 016 D	Door lock	/R 97	1	
14	8N1 837 016 A	Door lock	/R 98-	1	
14	8N1 837 016 C	Door lock	/R 98-	1	
(14)	3B1 837 016 E	Door lock	/R 97	1	M535
(14)	3B1 837 016 P	Door lock	/R 98-	1	M535
15	N 908 005 01	Oval-head screw M 8 X 14		4	
16	996 537 320 03	Bowden cable See technical information Group 5 4/98		2	
17	999 072 043 09	Hexagon-head bolt M 6 X 12 Micro-self-locking		4	
18	999 500 066 02	Blind rivet nut M 6/0,5 - 3		6	M563
(19)	996 537 545 00	Cover Lock	/L	1	
19	996 537 546 00	Cover	/R	1	



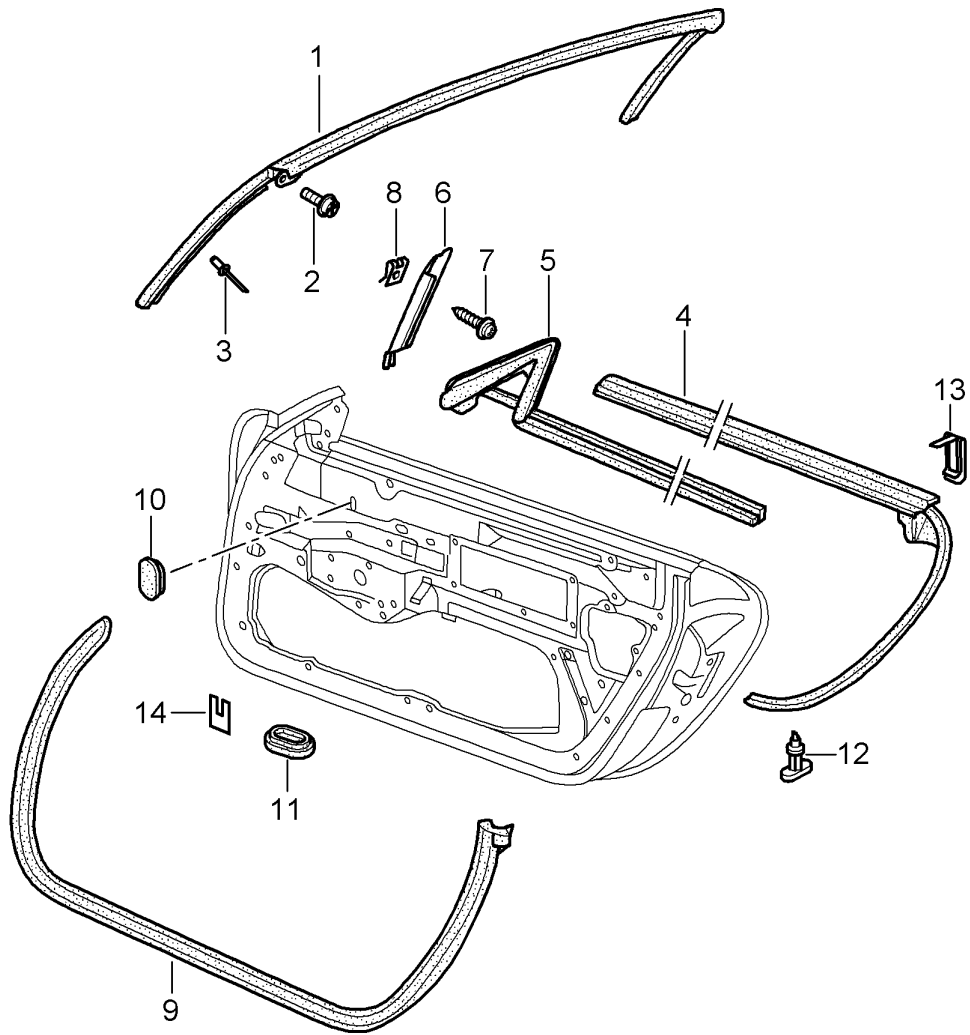
Model: 986 97

Model life 1997>>2004

Pos	Part Number	Description	Remark	Qty	Model
		Lock			

Model: 986 97

Model life 1997>>2004

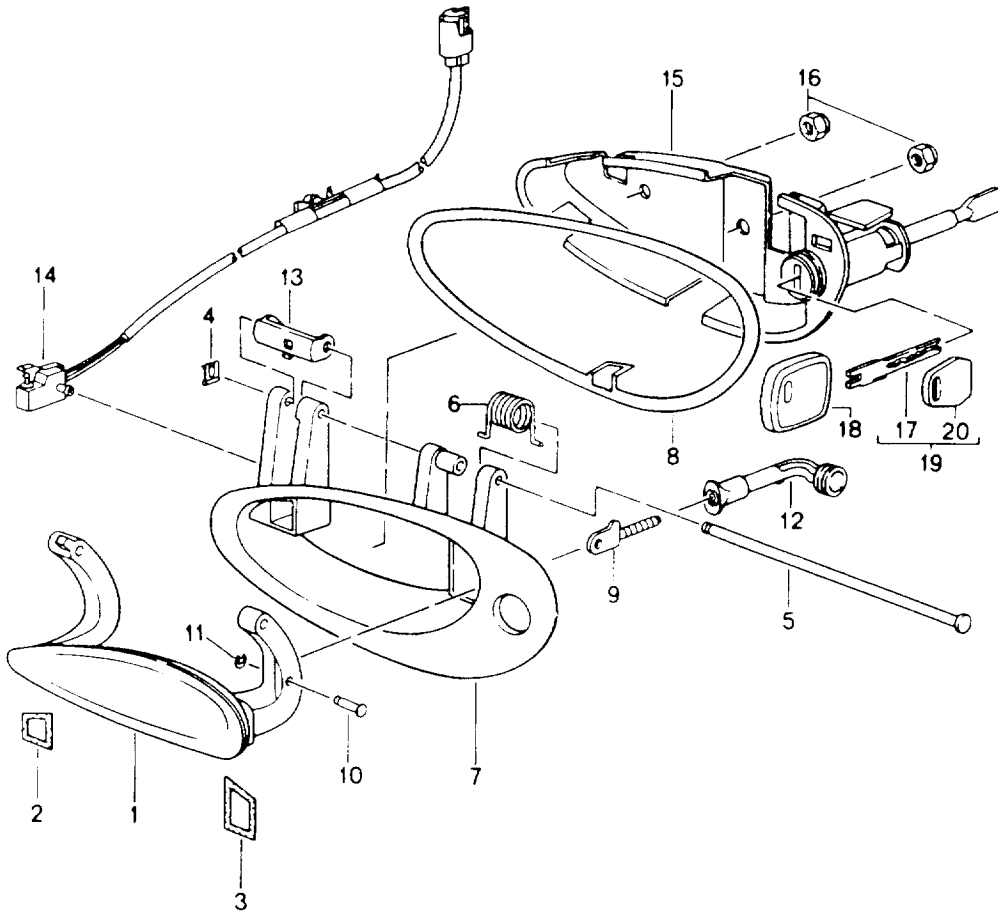


Model: 986 97 Model life 1997>>2004

Pos	Part Number	Description	Remark	Qty	Model
		Door seal			
		Gasket			
		Windscreen frame			
1	986 537 077 02	Gasket		1	
2	900 075 483 02	Combination screw		2	
		M 5 X 20			
3	999 190 426 37	Rivet		8	
		A 4,0 X 9,5			
3	999 190 445 37	Blind rivet		8	
		A 4,0 X 7,9			
(4)	996 537 085 06	Sealing for door slot	/L	1	
(4)	996 537 085 07	Sealing for door slot	/L	1	
		Outer			
4	996 537 086 06	Sealing for door slot	/R	1	
4	996 537 086 07	Sealing for door slot	/R	1	
		Outer			
(5)	996 537 531 05	Sealing for door slot	/L	1	
(5)	996 537 531 06	Sealing for door slot	/L	1	
		Inner			
5	996 537 532 05	Sealing for door slot	/R	1	
5	996 537 532 06	Sealing for door slot	/R	1	
		Inner			
(6)	996 537 725 01	Window guide	/L -02	1	
(6)	996 537 725 02	Window guide	/L	1	
6	996 537 726 01	Window guide	/R -02	1	
6	996 537 726 02	Window guide	/R	1	
7	999 073 047 02	Tapping screw		2	
		ST 3,5 X 9,5			
8	999 591 725 02	Speed nut		2	
		ST 3,5			
(9)	986 537 075 02	Gasket	/L	1	
(9)	986 537 901 00	Gasket	/L	1	
9	986 537 076 02	Gasket	/R	1	
9	986 537 902 00	Gasket	/R	1	
10	999 703 441 40	Lid		4	
		20 X 28 X 1			
11	999 703 417 40	Lid		8	
		24 X 39			
12	999 507 578 40	Clip		36	
		Gasket			
		Outer			
13	999 507 571 02	Clamp		2	
14	996 537 337 00	Protective film		4	

Model: 986 97

Model life 1997>>2004



Model: 986 97 Model life 1997>>2004

Pos	Part Number	Description	Remark	Qty	Model
1	996 537 613 00	Door handle			
		Handle	/L 97	1	
	996 537 613 00 G2X	Prime coated			
1	996 537 613 01	Handle	/L 98-	1	
	996 537 613 01 G2X	Prime coated			
(1)	996 537 614 00	Handle	/R 97	1	
	996 537 614 00 G2X	Prime coated			
(1)	996 537 614 01	Handle	/R 98-	1	
	996 537 614 01 G2X	Prime coated			
2	996 537 623 01	Buffer		2	
3	996 537 625 00	Buffer		2	
4	996 537 631 00	Sl-lock		2	
5	996 537 621 00	Axle		2	
6	996 537 611 00	Return spring	/L	1	
(6)	996 537 612 00	Return spring	/R	1	
7	996 537 645 00	Handle liner	/LL /L 97	1	
	996 537 645 00 G2X	Prime coated			
7	996 537 645 01	Handle liner	/LL /L	1	
	996 537 645 01 G2X	Prime coated			
(7)	996 537 646 00	Handle liner	/LL /R 97	1	M531
	996 537 646 00 G2X	Prime coated			
(7)	996 537 646 01	Handle liner	/LL /R	1	M531
	996 537 646 01 G2X	Prime coated			
(7)	996 537 648 00	Handle liner	/LL /R 97	1	M534/535
	996 537 648 00 G2X	Prime coated			
(7)	996 537 648 01	Handle liner	/LL /R	1	M534/535
	996 537 648 01 G2X	Prime coated			
8	996 537 637 00	Desk pad	/L	1	
(8)	996 537 638 00	Desk pad	/R	1	
9	996 537 627 00	Operating rod		2	
10	996 537 629 00	Bolt	97	2	
10	996 537 629 01	Bolt	98-	2	
11	996 537 641 00	Lock washer		2	
12	996 537 445 02	Connecting piece		2	
13	996 537 653 00	Eccentric	/L	1	
(13)	996 537 654 00	Eccentric	/R	1	
14	996 613 125 00	Microswitch	/L	1	
		Power windows			
(14)	996 613 126 00	Microswitch	/R	1	
		Power windows			
15	996 537 963 02	Support	/L	1	
		with lock cylinder			
		W/o stipulated lock number			
(15)	996 537 964 02	Support	/R	1	
		with lock cylinder			
		W/o stipulated lock number			
15	996 537 963 03	Support	/L	1	
		with lock cylinder			
		with stipulated lock number			
		State lock number			
(15)	996 537 964 03	Support	/R	1	
		with lock cylinder			
		with stipulated lock number			
		State lock number			
(15)	996 537 064 03	Support	/LL /R	1	
		without lock cylinder			
16	900 380 015 09	Hexagon nut		4	
		M 6			
17	996 538 531 00	Blank key		X	
18	996 538 423 00	Key cap	97	X	
18	996 538 423 01	Key cap	98-	X	
19	996 538 932 00	Replacement key		X	
		with stipulated lock number			

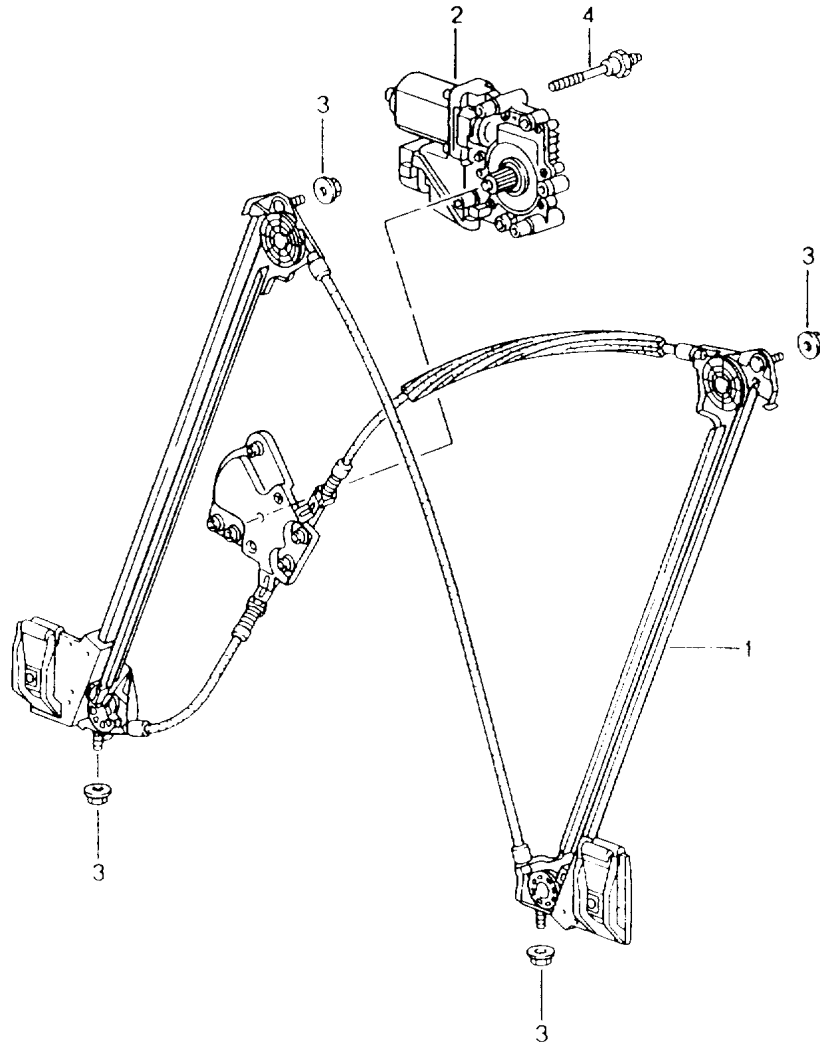
Model: 986 97

Model life 1997>>2004

Pos	Part Number	Description	Remark	Qty	Model
20	944 538 431 00	State lock number Information available Key cap		x	

Model: 986 97

Model life 1997>>2004



Model: 986 97

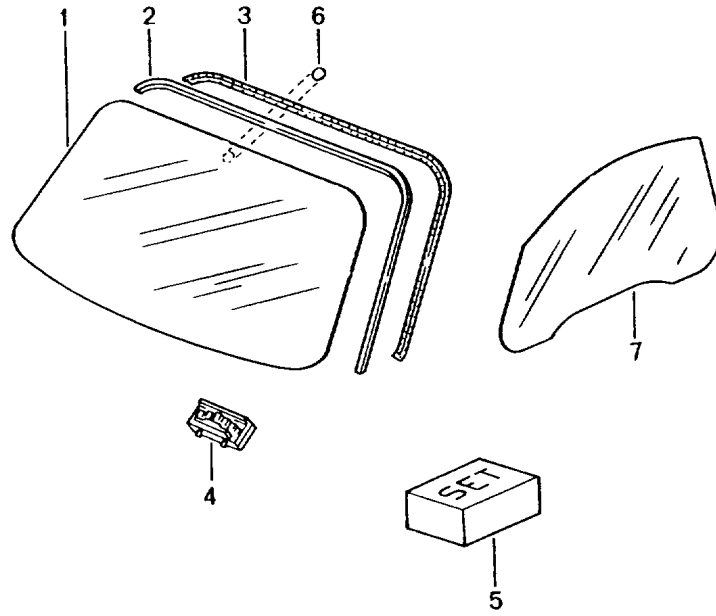
Model life 1997>>2004

Pos	Part Number	Description	Remark	Qty	Model
(1)	996 542 075 04	Power windows	/L	1	
1	996 542 076 04	Power windows	/R	1	
(2)	986 624 101 02	Electric motor	/L -02	1	
(2)	986 624 101 03	Electric motor	/L 03-	1	
2	986 624 102 02	Electric motor	/R -02	1	
2	986 624 102 03	Electric motor	/R 03-	1	
3	900 380 015 09	Hexagon nut M 6		14	
4	996 542 711 00	Threaded bolt Microswitch Lowering Door window glass See group 8/04/20 POS. 14		6	



Model: 986 97

Model life 1997>>2004

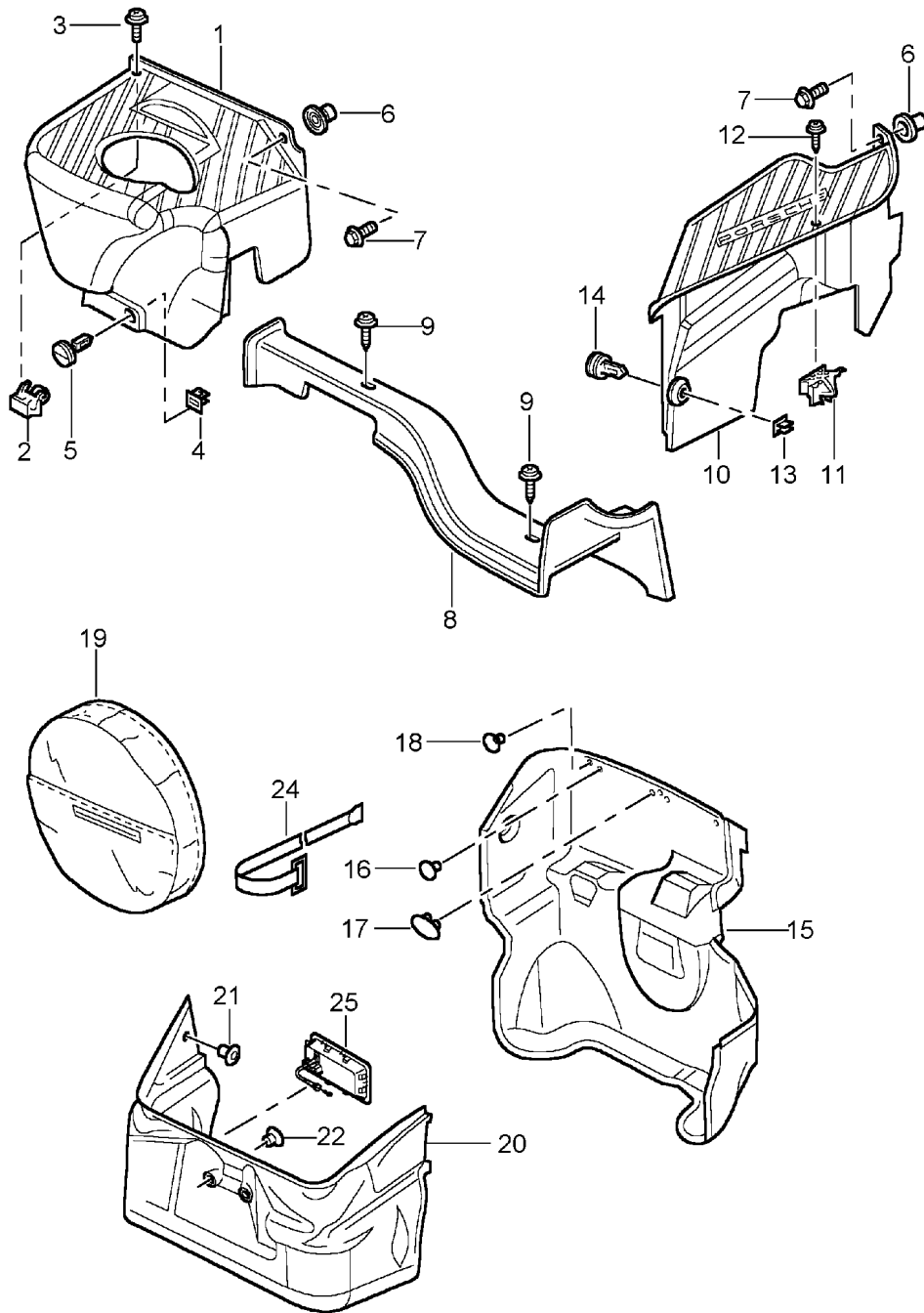


Model: 986 97 Model life 1997>>2004

Pos	Part Number	Description	Remark	Qty	Model
1	986 541 901 02	window glazing Windscreen Tinted		1	
1	986 541 901 04	Windscreen Tinted	01-	1	M265
(1)	986 541 901 03	Windscreen Tinted Green top tint		1	
(1)	986 541 901 05	Windscreen Tinted Green top tint	01-	1	M265
(1)	986 541 901 06	Windscreen Tinted	03-	1	M440
(1)	986 541 901 07	Windscreen Tinted Green top tint	03-	1	M440
(1)	986 541 901 08	Windscreen Tinted	03-	1	M265/440
(1)	986 541 901 09	Windscreen Tinted Green top tint	03-	1	M265/440
2	986 541 521 01	Sealing frame F >>98XS6 20224		1	
(2)	996 541 531 01	Sealing frame F 98XS6 20225>>		1	
(2)		Sealing frame	00-	1	M008
3	986 541 541 01	Trim frame F 98XS6 20225>>	-00	1	
3	986 541 541 03	Trim frame	01-	1	
(3)	986 541 541 00	Trim frame	-00	1	M008
(3)	986 541 541 00 9A4	Titanium metallic			
(3)	986 541 541 02	Trim frame	01-	1	M008
	986 541 541 02 9A4	Titanium metallic			
4	999 507 576 41	Support		2	
5	000 043 300 94	Adhesive set TEROSTAT 8593		1	
6	000 731 513 00	Adhesive plate for Interior mirror		1	
7	986 542 511 00	Door window glass	/L	1	
(7)	986 542 512 00	Door window glass	/R	1	

Model: 986 97

Model life 1997>>2004

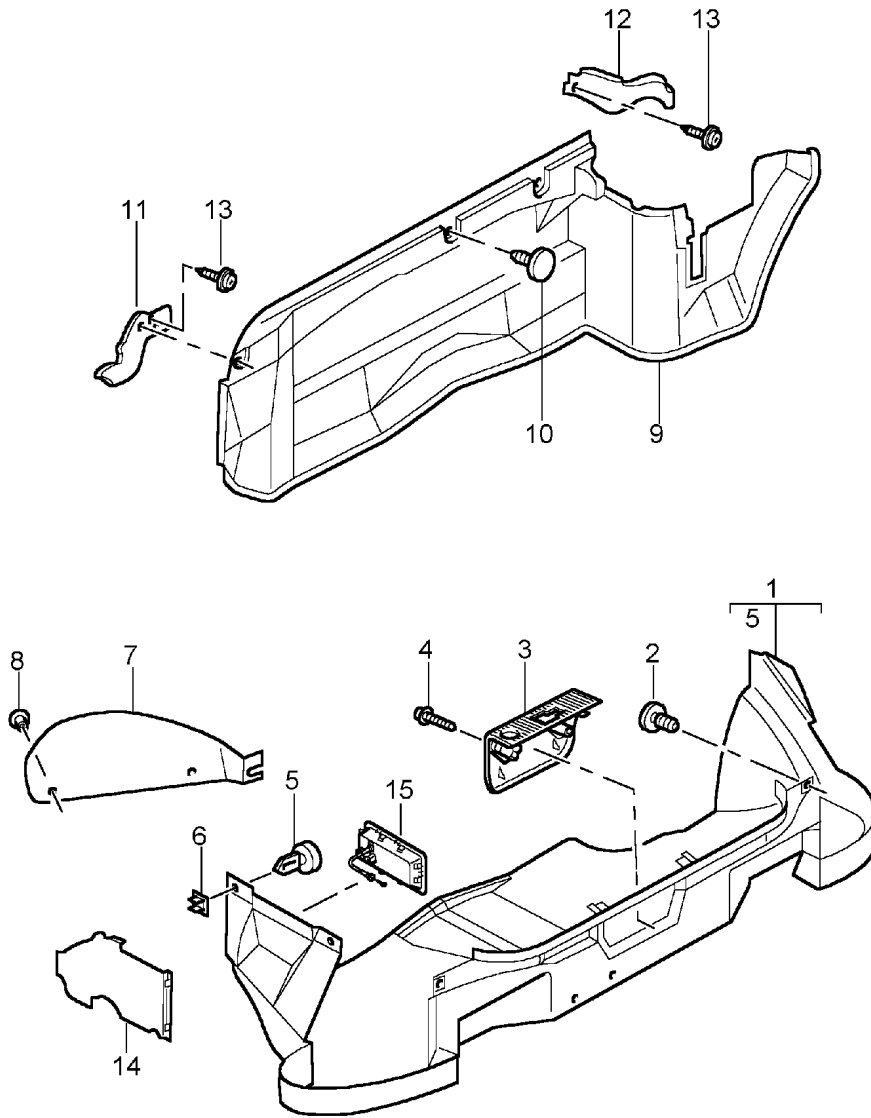


Model: 986 97 Model life 1997>>2004

Pos	Part Number	Description	Remark	Qty	Model
(1)	996 551 131 03	Luggage compartment Front Lining	/LL /L	1	
11	996 551 131 03 01C 999 507 512 40	Brake booster Satin black Support	/LL	3	
(11)	996 551 771 00	3,5 Support		1	
12	999 919 151 09	Oval-head screw	/LL	3	
13	999 590 046 40	3,5 X 18 Disc cam	/LL	2	
14	999 507 529 40	10,0 X 11,5 Catch	/LL	2	
15	996 551 051 02	18,0 Lining	97	1	
		Luggage compartment When used up Order also: 900.029.004.02	97		
15	996 551 051 02 C10 996 551 051 14	Grey Lining	-00	1	
15	996 551 051 14 C10 996 551 051 16	Luggage compartment Grey Lining	/LL 01-	1	
16	996 551 051 16 A31 999 703 432 40	Luggage compartment Black Stopper		8	
17	999 703 456 40	8,0 12,2 X 25 Cap		1	
18	999 703 455 40	49 X 26 12,2 X 25 Cap		2	
19	996 551 061 00	12,2 X 25 Lining		1	
20	996 551 045 01 996 551 045 01 C10	Lining Grey	-00	1	
(20)	996 551 045 06 996 551 045 06 A31	Lining Black	/V 01-02	1	
(20)	996 551 045 09 996 551 045 09 A31	Lining Black	02-	1	M553
21	999 703 432 40	Stopper		2	
22	999 507 565 40	8,0 Plastic nut		2	
(22)	999 507 566 40	T5/ 24,15 Plastic nut		1	
24	996 551 741 00	T5/ 39,70 Retaining strap		1	
(24)	996 551 725 00	First-aid kit Retaining strap		1	
25	996 504 087 00	Tool bag Emergency operation Luggage compartment Front	02-	1	M553

Model: 986 97

Model life 1997>>2004

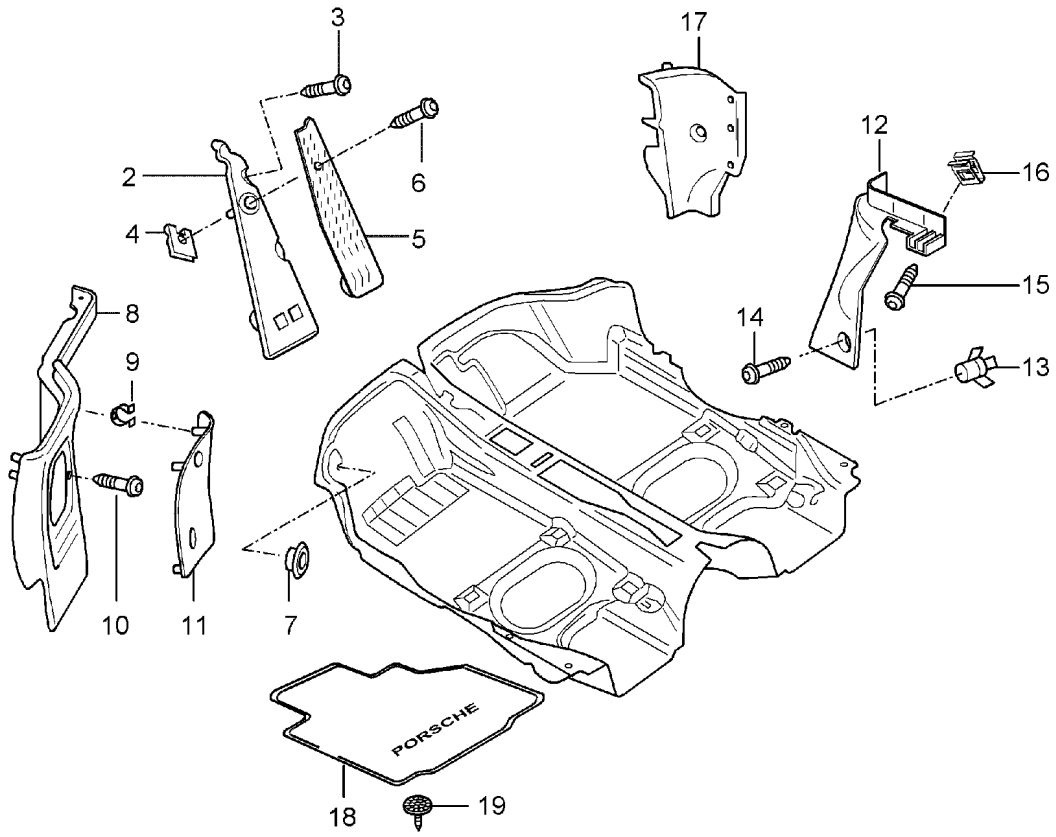


Model: 986 97 Model life 1997>>2004

Pos	Part Number	Description	Remark	Qty	Model
1	986 551 053 05	Luggage compartment Rear Lining	-00	1	
(1)	986 551 053 05 C10	Grey			
	986 551 053 06	Luggage compartment Lining	02-	1	
	986 551 053 06 A31	Black			
2	999 703 432 40	Stopper 8,0		3	
3	986 551 251 00	Luggage compartment Lining		1	
	986 551 251 00 01C	Lid lock Satin black			
4	900 143 187 09	Combination screw 4,8 X 32		2	
5	999 507 529 40	Catch 18,0		2	
6	999 590 046 40	Disc cam 10,0 X 11,5		2	
7	986 551 651 00	Cover Rear light	/L -00	1	
(7)	986 551 651 00 C10	Grey			
	986 551 652 00	Cover Rear light	/R -00	1	
	986 551 652 00 C10	Grey			
7	986 551 651 01	Cover Rear light	/L 01-	1	
(7)	986 551 651 01 A31	Black			
	986 551 652 01	Cover Rear light	/R 01-	1	
	986 551 652 01 A31	Black			
8	999 049 020 40	Plastic nut T5/30 X 5,1		6	
8	999 049 024 40	Plastic nut T5/40 X 8		2	
9	986 551 045 02	Luggage compartment Lining	-00	1	
	986 551 045 02 C10	Grey			
9	986 551 045 03	Luggage compartment Lining	01-	1	
	986 551 045 03 A31	Black			
10	999 703 432 40	Stopper 8,0		3	
(11)	986 551 321 01	Bleeding	/L -02	1	
(11)	986 551 723 00	Support	/L 03-	1	
(12)	986 551 322 01	Bleeding	/R -02	1	
(12)	986 551 723 00	Support	/R 03-	1	
13	999 073 061 02	Tapping screw 4,8 X 16		3	
14	986 551 763 01	Reinforcement	/L	1	
(14)	986 551 764 01	Reinforcement	/R	1	
(14)	986 551 761 00	Reinforcement Centre part		1	
15	986 504 067 00	Emergency operation Luggage compartment Rear	02-	1	M553

Model: 986 97

Model life 1997>>2004



Model: 986 97 Model life 1997>>2004

Pos	Part Number	Description	Remark	Qty	Model
1	986 551 011 02	Interior equipment Carpet Linings Carpet Carpet	/LL	1	
	986 551 011 02 EEW	Black			
	986 551 011 02 EEX	Graphite grey			
	986 551 011 02 EEY	Savanna			
	986 551 011 02 EFB	Nephrite green	-00		
	986 551 011 02 FAR	Nephrite green	01-		
	986 551 011 02 EFC	Boxster red			
	986 551 011 02 EEZ	Metropole blue	98-		
	986 551 011 02 VRL	Dark grey	00-		
	986 551 011 02 VRM	Brown/natural	00-		
	986 551 011 02 FAP	Cinnamon brown	01-		
	986 551 011 02 FKF	Cocoa	04		
-	996 551 813 00	Protective film	/LL	1	
2	996 551 211 00	Foot support	/LL	1	
3	999 073 062 02	Tapping screw 4,8 X 19	/LL	2	
5	996 551 611 00	Cover	/LL	1	
6	999 919 161 09	Oval-head screw 5,0 X 18	/LL	1	
7	803 803 583 A	Stopper 20,0 X 30,0		2	
7	999 703 196 40	Lid 20,0 X 30,0		2	
8	996 551 101 00	Lining Carpet	/LL	1	
	996 551 101 00 EAQ	Black			
	996 551 101 00 EAR	Graphite grey			
	996 551 101 00 EAS	Savanna			
	996 551 101 00 EAT	Nephrite green			
	996 551 101 00 EAU	Boxster red			
	996 551 101 00 EBU	Metropole blue	98-		
	996 551 101 00 VRN	Dark grey	00-		
	996 551 101 00 VRO	Brown/natural	00-		
	996 551 101 00 FBZ	Cinnamon brown	01-		
	996 551 101 00 FKJ	Cocoa	04		
9	999 507 552 01	Spring clamp 9,0 X 13		2	
10	999 919 161 09	Oval-head screw 5,0 X 18		4	
11	996 551 621 00	Lid	/LL	1	
	996 551 621 00 01C	Satin black			
(12)	986 551 215 00	Lining Seat belt Carpet	/L 97	1	
	986 551 215 00 EDX	Black			
	986 551 215 00 EDY	Graphite grey			
	986 551 215 00 EDZ	Savanna			
	986 551 215 00 EFJ	Nephrite green			
	986 551 215 00 EFK	Boxster red			
12	986 551 216 00	Lining Seat belt Carpet	/R 97	1	
	986 551 216 00 EDX	Black			
	986 551 216 00 EDY	Graphite grey			
	986 551 216 00 EDZ	Savanna			
	986 551 216 00 EFJ	Nephrite green			
	986 551 216 00 EFK	Boxster red			
(12)	986 551 215 00	Lining Seat belt	/L 98-99	1	M011/012/016



Model: 986 97 Model life 1997>>2004

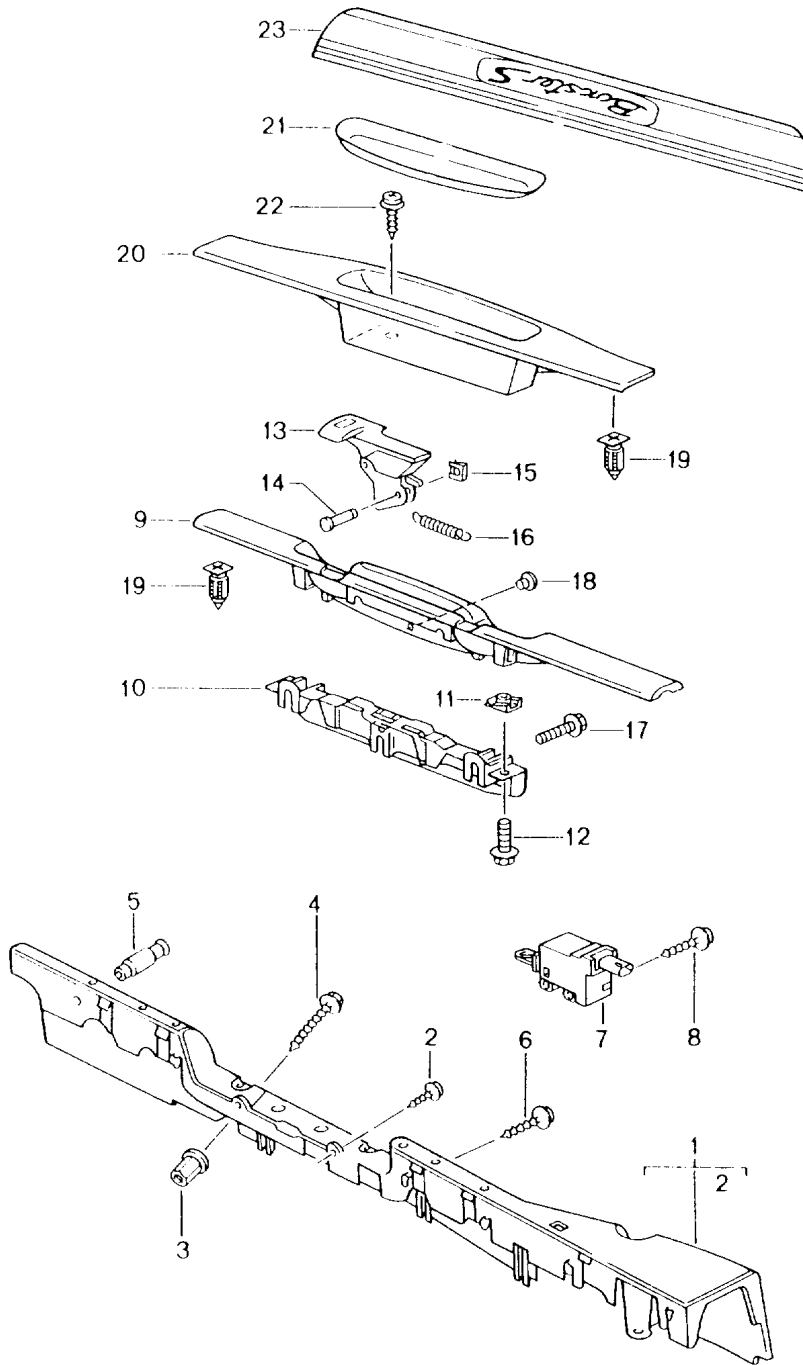
Pos	Part Number	Description	Remark	Qty	Model
		Carpet			
	986 551 215 00 EDX	Black			
	986 551 215 00 EDY	Graphite grey			
	986 551 215 00 EDZ	Savanna			
	986 551 215 00 EFJ	Nephrite green			
	986 551 215 00 EFK	Boxster red			
	986 551 215 00 EFH	Metropole blue	98-		
12	986 551 216 00	Lining	/R 98-99	1	M011/012/016
		Seat belt			
		Carpet			
	986 551 216 00 EDX	Black			
	986 551 216 00 EDY	Graphite grey			
	986 551 216 00 EDZ	Savanna			
	986 551 216 00 EFJ	Nephrite green			
	986 551 216 00 EFK	Boxster red			
	986 551 216 00 EFH	Metropole blue	98-		
(12)	986 551 215 01	Lining	/L 99	1	M010
		Seat belt			
	986 551 215 01 EMB	Black			
	986 551 215 01 EMC	Graphite grey			
	986 551 215 01 EMD	Savanna			
	986 551 215 01 EME	Metropole blue			
	986 551 215 01 EMF	Nephrite green			
	986 551 215 01 EMG	Boxster red			
12	986 551 216 01	Lining	/R 99	1	M010
		Seat belt			
	986 551 216 01 EMB	Black			
	986 551 216 01 EMC	Graphite grey			
	986 551 216 01 EMD	Savanna			
	986 551 216 01 EME	Metropole blue			
	986 551 216 01 EMF	Nephrite green			
	986 551 216 01 EMG	Boxster red			
(12)	986 551 215 01	Lining	/L 00-	1	
		Seat belt			
		Carpet			
	986 551 215 01 ERG	Black			
	986 551 215 01 ERH	Graphite grey			
	986 551 215 01 ERJ	Savanna			
	986 551 215 01 ERK	Metropole blue			
	986 551 215 01 ERL	Nephrite green			
	986 551 215 01 ERM	Boxster red			
	986 551 215 01 VSA	Dark grey			
	986 551 215 01 VSB	Brown/natural			
	986 551 215 01 FDP	Cinnamon brown	01-		
	986 551 215 01 FKH	Cocoa	04		
12	986 551 216 01	Lining	/R 00-	1	
		Seat belt			
		Carpet			
	986 551 216 01 ERG	Black			
	986 551 216 01 ERH	Graphite grey			
	986 551 216 01 ERJ	Savanna			
	986 551 216 01 ERK	Metropole blue			
	986 551 216 01 ERL	Nephrite green			
	986 551 216 01 ERM	Boxster red			
	986 551 216 01 VSA	Dark grey			
	986 551 216 01 VSB	Brown/natural			
	986 551 216 01 FDP	Cinnamon brown	01-		
	986 551 216 01 FKH	Cocoa	04		
13	999 507 438 40	Support		2	
		3,5			
		Carpet			
14	999 073 048 02	Tapping screw		2	
		3,5 X 13			

Model: 986 97 Model life 1997>>2004

Pos	Part Number	Description	Remark	Qty	Model
15	900 187 103 02	Carpet Combination screw 4,8 X 16		2	
16	999 591 724 02	Carpet Speed nut 5,5		2	
17	996 551 712 00	Carpet Support Valid up to: F >>98WS6 21260	/LL /R	1	
17	996 551 712 01	Carpet Support Valid from: F 98WS6 21261>>	/LL /R	1	
-	999 073 226 09	Carpet Tapping screw 4,2 X 16		1	
18	986 551 491 00	Floor mats Set Pearl velour	/LL 04	1	M091
(18)	986 551 491 00 R41 986 551 491 00 A41	Cocoa Black Floor mats Set Exclusive See group 8/07/02		1	
19	986 551 985 00	Tequipment catalogue Fastening plate for Floor mats	04	4	M091

Model: 986 97

Model life 1997>>2004



Model: 986 97 Model life 1997>>2004

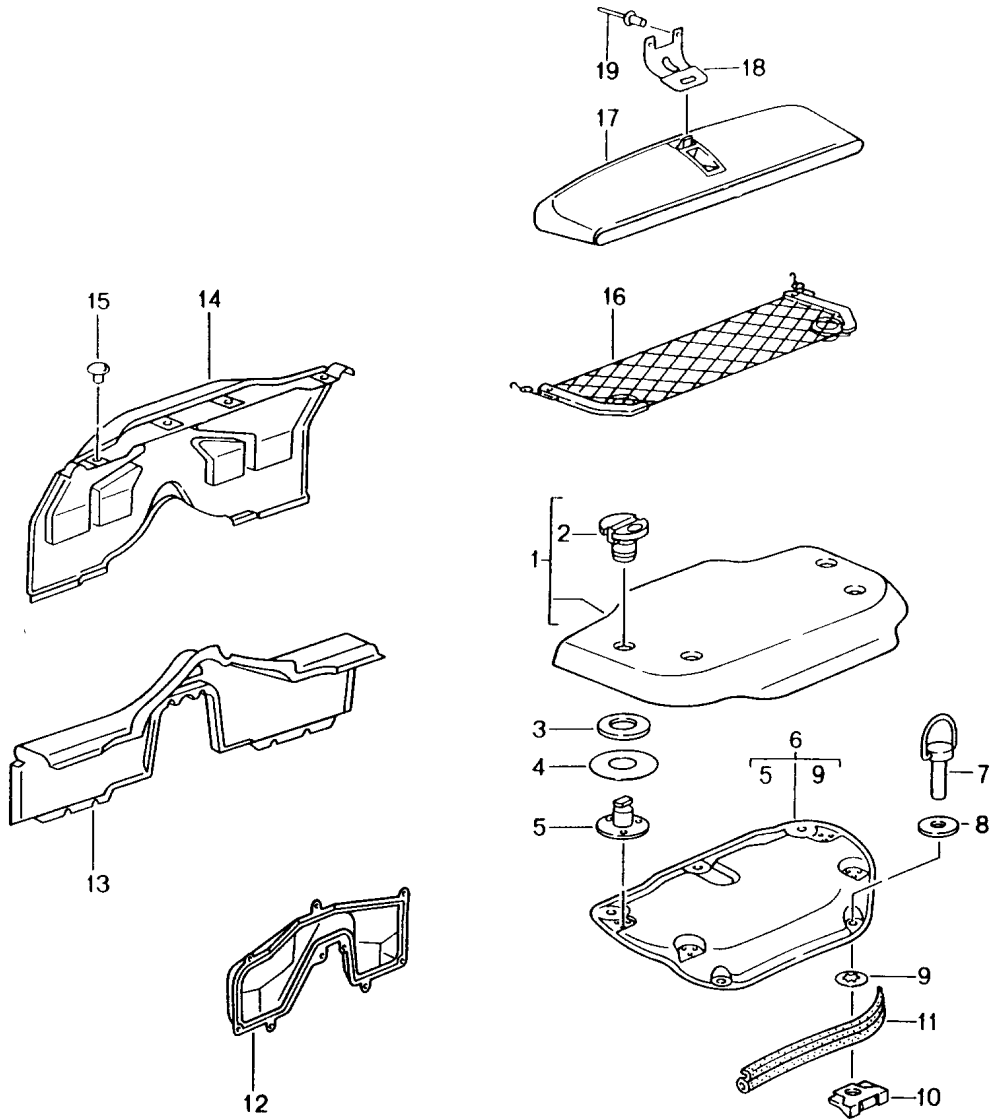
Pos	Part Number	Description	Remark	Qty	Model
		Lining			
		Door sill			
1	986 551 619 01	Support	/L	1	
(1)	986 551 620 01	Support	/R	1	
-	999 551 140 40	Felt strip		2	
2	900 143 082 02	Tapping screw 6,3 X 13		4	
3	999 500 078 00	Speed nut M 6		2	
(3)	999 049 022 40	Plastic nut		2	
4	900 378 029 09	Hexagon-head bolt M 6 X 40		2	
4	900 378 029 01	Hexagon-head bolt M 6 X 40		2	
5	996 551 873 00	Locating peg		2	
6	999 919 121 09	Oval-head screw 5,0 X 16		2	
7	996 624 115 01	Actuator	-00	1	
8	999 919 121 09	Oval-head screw 5,0 X 16	-00	2	
(9)	986 551 019 01	Lining with Handle	97	1	
	986 551 019 01 EDP	Black Lining Black-grey			
(9)	986 551 019 01	Lining with Handle	98-99	1	M011/012/016
	986 551 019 01 EDP	Black Lining Black-grey			
(9)	986 551 019 03	Lining with Handle	98-99	1	M537
	986 551 019 03 EDP	Black Lining Black-grey			
(9)	996 551 019 01	Lining with Handle	99	1	M010
	996 551 019 01 EDO	Black Lining Granite grey			
(9)	996 551 019 03	Lining with Handle	99	1	M010/537
	996 551 019 03 EDO	Black Lining Granite grey			
(9)	996 551 019 10	Lining with Handle	00	1	
	996 551 019 10 ERF	Silver Lining Black			
(9)	996 551 019 11	Lining with Handle	00	1	M537
	996 551 019 11 ERF	Silver Lining Black			
(9)	996 551 019 20	Lining	/LL 01	1	

Model: 986 97 Model life 1997>>2004

Pos	Part Number	Description	Remark	Qty	Model
		Complete			
	996 551 019 20 A03	Black			
(9)	996 551 019 28	Lining	/LL 02-	1	
		Complete			
	996 551 019 28 A03	Black			
(9)	996 551 019 22	Lining	/LL 01	1	M537
		Complete			
	996 551 019 22 A03	Black			
(9)	996 551 019 30	Lining	/LL 02-	1	M537
		Complete			
	996 551 019 30 A03	Black			
17	999 218 106 02	Combination screw	-00	3	
		M 6 X 25			
(17)	999 067 046 09	Pan-head screw	01-	3	
		M 6 X 20			
18	999 703 443 40	Stopper		3	
		8,0 X 11 X 7,2			
	999 703 443 40 01C	Satin black			
19	999 507 484 40	Expander nut		18	
20	986 551 120 00	Lining	97	1	
	986 551 120 00 B12	Black-grey			
20	986 551 120 00	Lining	98-99	1	M011/012/016
	986 551 120 00 B12	Black-grey			
20	996 551 120 00	Lining		1	
	996 551 120 00 D05	Granite grey	99		
	996 551 120 00 A03	Black	00-		
21	996 551 513 00	Mat		1	
22	999 919 164 09	Oval-head screw		2	
		5,0 X 12			
23	986 551 303 00	Scuff plate	00-	2	M008
	986 551 303 00 A03	Black			
(23)	986 551 303 01	Scuff plate	04	2	M091
		Lacquered			
	986 551 303 01 A03	Black			

Model: 986 97

Model life 1997>>2004



Model: 986 97 Model life 1997>>2004

Pos	Part Number	Description	Remark	Qty	Model
		Linings			
		Engine compartment			
(1)	986 551 039 01	Lining		1	
	986 551 039 01 ECC	Black			
	986 551 039 01 ECO	Graphite grey			
	986 551 039 01 EEB	Savanna			
	986 551 039 01 EED	Nephrite green			
	986 551 039 01 EEO	Boxster red			
	986 551 039 01 EFL	Metropole blue	98-		
	986 551 039 01 VRR	Dark grey	00-		
	986 551 039 01 VRZ	Brown/natural	00-		
	986 551 039 01 EVV	Cinnamon brown	01-		
	986 551 039 01 FKG	Cocoa			
(1)	986 551 039 02	Lining		1	
		Carpet			
	986 551 039 02 ECC	Black			
	986 551 039 02 ECO	Graphite grey			
	986 551 039 02 EEB	Savanna			
	986 551 039 02 EED	Nephrite green			
	986 551 039 02 EEO	Boxster red			
	986 551 039 02 EFL	Metropole blue			
	986 551 039 02 VRR	Dark grey/natural			
	986 551 039 02 VRZ	Brown/natural			
	986 551 039 02 EVV	Cinnamon brown			
	986 551 039 02 FKG	Cocoa	04		
2	986 551 339 00	Catch		4	
	986 551 339 00 01C	Satin black			
3	986 551 543 00	Thrust washer		4	
	986 551 543 00 01C	Satin black			
		40 X 3 X 24			
4	986 551 545 00	Lock washer		4	
		55 X 1 X 21			
5	986 551 547 00	Mounting		4	
6	986 513 011 01	Engine cover		1	
7	986 513 151 01	Catch		5	
8	999 025 264 02	Washer		5	
		10,5 X 25 X 1,25			
9	999 166 087 08	Lock washer		5	
		9,0			
10	986 513 153 01	Nut lock	-03	5	
10	999 507 792 09	Nut lock	04-	5	
11	986 513 611 00	Gasket		1	
12	986 504 181 00	Lid		1	
-	999 084 629 01	Hexagon nut		2	
		M6			
-	900 378 169 01	Hexagon-head bolt		4	
		M6X12			
13	986 551 033 00	Lining		1	
		Cross member			
		Carpet			
	986 551 033 00 A10	Black			
	986 551 033 00 C50	Graphite grey			
	986 551 033 00 S30	Savanna			
	986 551 033 00 J30	Nephrite green			
	986 551 033 00 M30	Boxster red			
	986 551 033 00 G10	Metropole blue	98-		
	986 551 033 00 D11	Dark grey	00-		
	986 551 033 00 T11	Brown/natural	00-		
	986 551 033 00 P11	Cinnamon brown	01-		
	986 551 033 00 R10	Cocoa	04		
(14)	986 551 035 01	Lining		1	
	986 551 035 01 A10	Black			
	986 551 035 01 C50	Graphite grey			

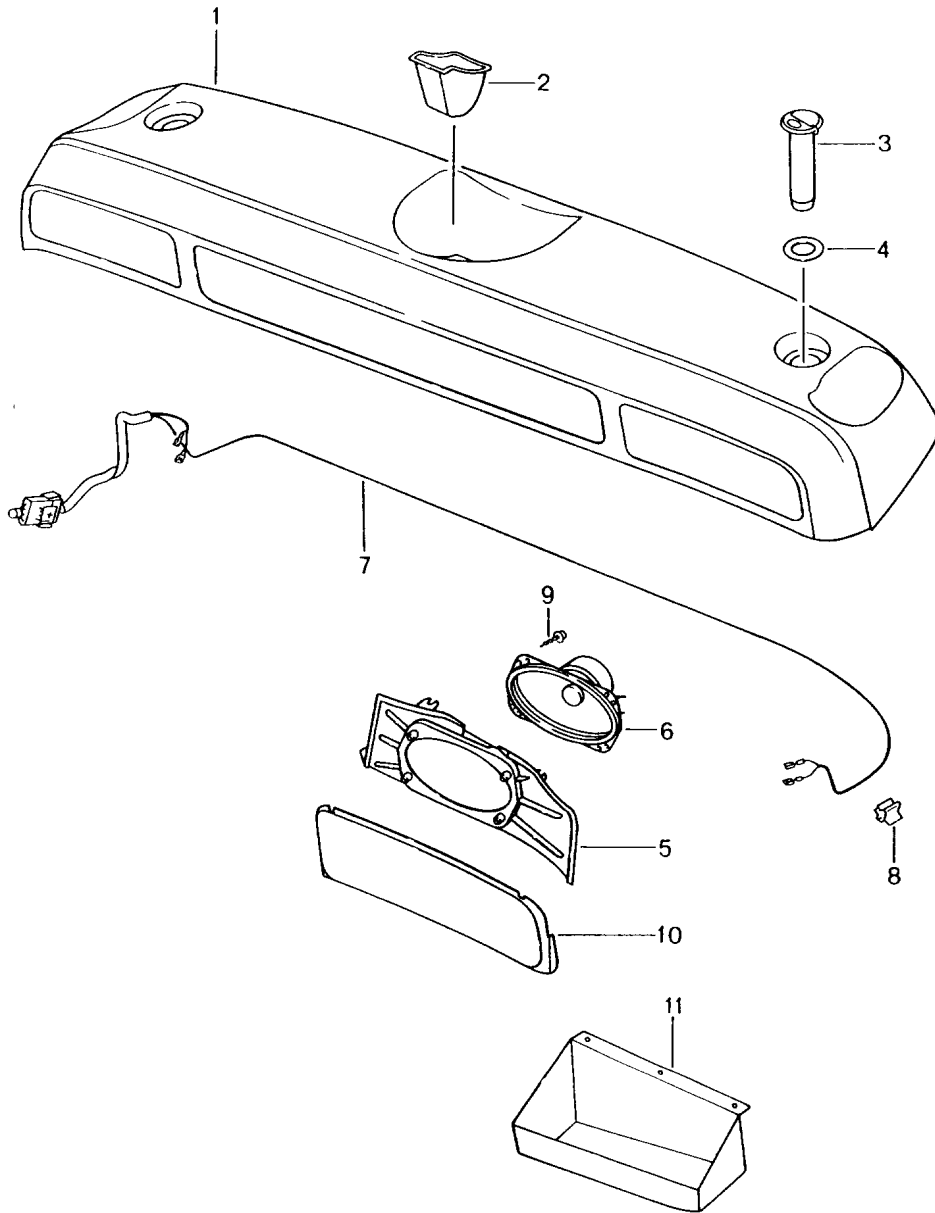
Model: 986 97 Model life 1997>>2004

Pos	Part Number	Description	Remark	Qty	Model
	986 551 035 01 S30	Savanna			
	986 551 035 01 J30	Nephrite green			
	986 551 035 01 M30	Boxster red			
	986 551 035 01 G10	Metropole blue	98-		
	986 551 035 01 D11	Dark grey	00-		
	986 551 035 01 T11	Brown/natural	00-		
	986 551 035 01 P11	Cinnamon brown	01-		
	986 551 035 01 R10	Cocoa	04		
15	999 049 020 40	Plastic nut T5/30 X 5,1		4	
16	986 551 633 01	Luggage net		1	
17	986 551 631 00	Storage pocket		1	M582
18	986 551 731 00	Support		1	M582
		Storage pocket			
19	000 043 203 91	Rivet 3,2 X 8		2	M582



Model: 986 97

Model life 1997>>2004

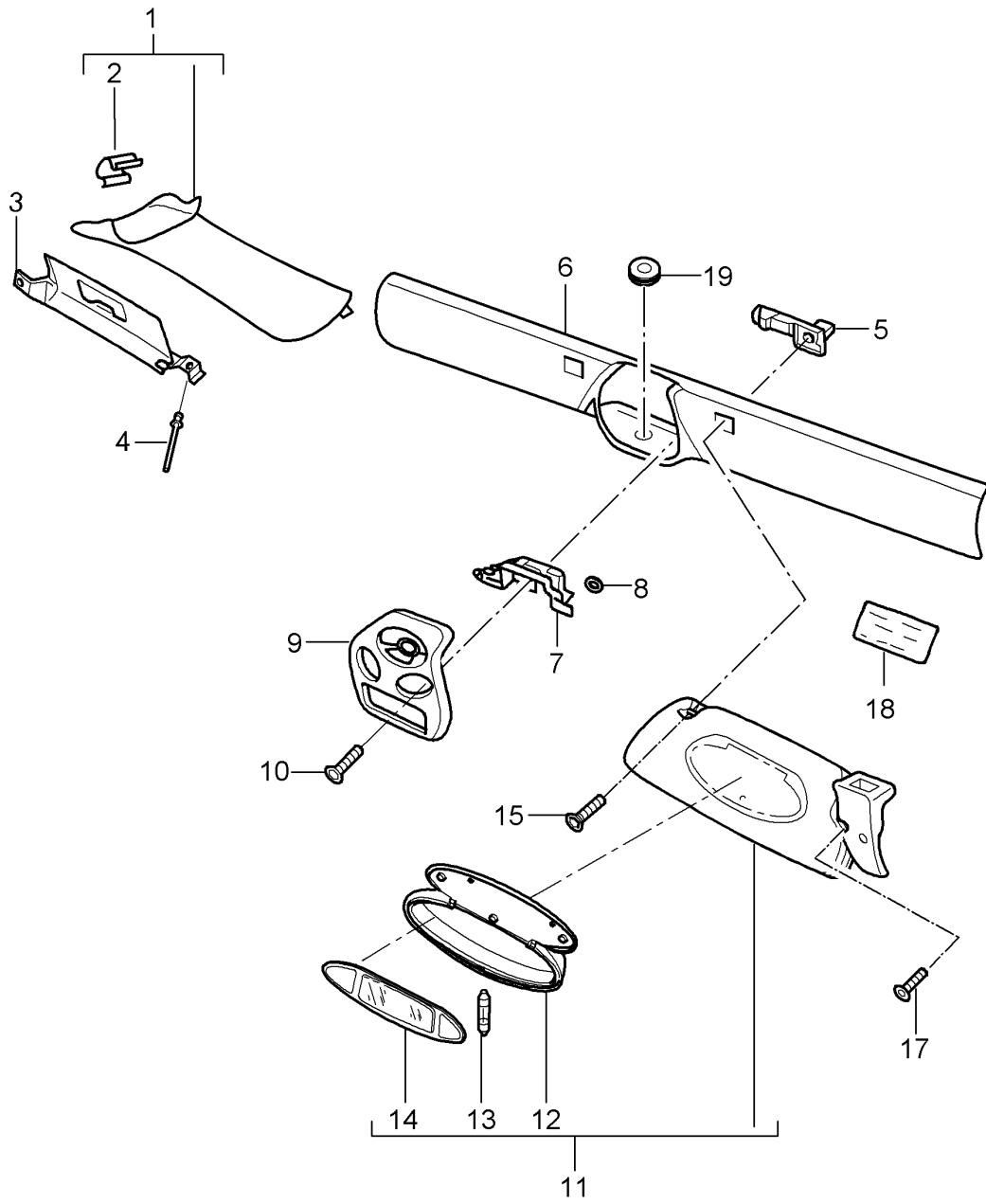


Model: 986 97 Model life 1997>>2004

Pos	Part Number	Description	Remark	Qty	Model
		Storage box	98-		M584
		F 98WS6 21398>>			
1	986 551 223 00	Tray	-02	1	
		Storage box			
	986 551 223 00 EMY	Black			
	986 551 223 00 EMZ	Graphite grey			
	986 551 223 00 ENB	Savanna			
	986 551 223 00 ENC	Metropole blue			
	986 551 223 00 END	Nephrite green			
	986 551 223 00 ENE	Boxster red			
	986 551 223 00 VSC	Dark grey	00-		
	986 551 223 00 VSD	Brown/natural	00-		
	986 551 223 00 FDQ	Cinnamon brown	01-		
(1)	986 551 223 02	Tray	03-	1	
		Storage box			
		Carpet			
	986 551 223 02 EMY	Black			
	986 551 223 02 EMZ	Graphite grey			
	986 551 223 02 ENB	Savanna			
	986 551 223 02 ENC	Metropole blue			
	986 551 223 02 END	Nephrite green	-03		
	986 551 223 02 ENE	Boxster red			
	986 551 223 02 VSC	Dark grey/natural			
	986 551 223 02 VSD	Brown/natural			
	986 551 223 02 FDQ	Cinnamon brown			
	986 551 223 02 FKJ	Cocoa	04		
-	986 551 511 00	Guide rail		2	
	986 551 511 00 01C	Satin black			
2	986 551 427 00	Rosette		1	
	986 551 427 00 01C	Satin black			
3	986 551 429 00	Catch		2	
	986 551 429 00 01C	Satin black			
4	986 551 543 00	Thrust washer		2	
	986 551 543 00 01C	Satin black			
5	986 551 431 00	Mounting	/L	1	
		Loudspeaker			
	986 551 431 00 01C	Satin black			
(5)	986 551 432 00	Mounting	/R	1	
		Loudspeaker			
	986 551 432 00 01C	Satin black			
6	986 645 503 00	Loudspeaker		4	
7	986 612 085 00	Wiring harness	-01	1	
8	999 651 286 02	Cable terminal		9	
9	999 919 164 09	Oval-head screw		24	
		50 X 12			
10	986 551 433 00	Cover	/L	1	
	986 551 433 00 01C	Satin black			
(10)	986 551 434 00	Cover	/R	1	
	986 551 434 00 01C	Satin black			
11	986 551 435 00	Tray	/L	1	
	986 551 435 00 01C	Satin black			
(11)	986 551 436 00	Tray	/R	1	
	986 551 436 00 01C	Satin black			

Model: 986 97

Model life 1997>>2004



Model: 986 97 Model life 1997>>2004

Pos	Part Number	Description	Remark	Qty	Model
1	986 555 181 00	Windscreen frame Sun visors Lining A-pillar	/L -97	1	
(1)	986 555 181 00 B12	Black-grey			
(1)	986 555 182 00	Lining A-pillar	/R -97	1	
(1)	986 555 182 00 B12	Black-grey			
(1)	986 555 181 01	Lining A-pillar	/L 98-	1	
(1)	986 555 181 01 B12	Black-grey			
(1)	986 555 182 01	Lining A-pillar	/R 98-	1	
(1)	986 555 182 01 B12	Black-grey			
(1)	986 555 181 01	Lining A-pillar	/L 98-99	1	M012/016
(1)	986 555 181 01 B12	Black-grey			
(1)	986 555 182 01	Lining A-pillar	/R 98-99	1	M012/016
1	986 555 182 01 B12	Black-grey			
	986 555 181 02	Lining A-pillar Lacquered	/L 98-99	1	M010/011
	986 555 181 02 D05	Granite grey			
	986 555 181 02 3AW	Zenith blue metallic			
	986 555 181 02 25H	Ocean jade metallic			
(1)	986 555 182 02	Lining A-pillar Lacquered	/R 98-99	1	M010/011
	986 555 182 02 D05	Granite grey			
	986 555 182 02 3AW	Zenith blue metallic			
	986 555 182 02 25H	Ocean jade metallic			
(1)	986 555 181 04	Lining A-pillar Lacquered	/L 00-	1	
(1)	986 555 181 04 A03	Black			
(1)	986 555 182 04	Lining A-pillar Lacquered	/R 00-	1	
2	986 555 182 04 A03	Black			
(2)	999 507 584 02	Clamp 8 X 10,2/2	-99	4	
(2)	999 507 681 09	Clamp 2,5/3,0		4	
3	986 555 291 00	Deformation element	/L 00-	1	
(3)	986 555 292 00	Deformation element	/R 00-	1	
4	999 190 167 30	Blind rivet 4,0 X 6,3		10	
5	986 731 541 00	Plate	-99	2	
5	986 731 541 01	Plate	98-99	2	M274
5		Plate	00-	2	
6	986 555 059 00	Lining	97	1	
6	986 555 059 00 B12	Black-grey			
6	986 555 059 00	Lining	98-99	1	M012/016
		Windscreen frame			
6	986 555 059 00 B12	Black-grey			
	986 555 059 01	Lining		1	
	986 555 059 01 A03	Black	00-		
	986 555 059 01 D05	Granite grey	99		
	986 555 059 01 3AW	Zenith blue metallic	-99		
	986 555 059 01 25H	Ocean jade metallic	-99		
(6)	986 555 059 03	Lining Windscreen frame		1	M265

Model: 986 97 Model life 1997>>2004

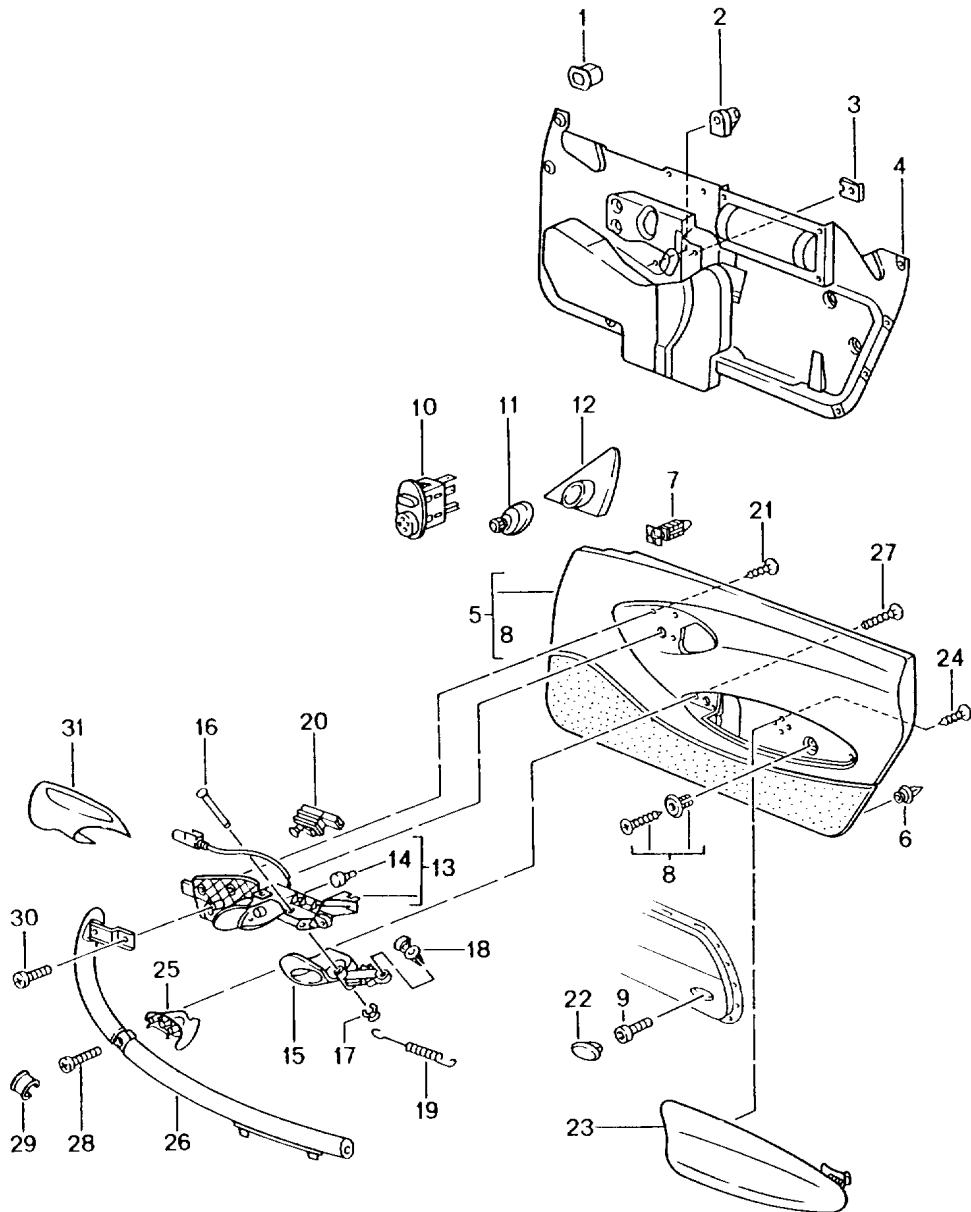
Pos	Part Number	Description	Remark	Qty	Model
	986 555 059 03 A03	Lacquered Black			
	986 555 059 03 D05	Granite grey			
6	986 555 059 03 3AW	Zenith blue metallic	-99		
	986 555 059 03 25H	Ocean jade metallic	-99		
	986 555 059 02	Lining Windscreen frame Lacquered		1	M011
	986 555 059 02 3AW	Zenith blue metallic			
	986 555 059 02 25H	Ocean jade metallic			
7	986 613 795 02	Microswitch	-99	1	
7	986 613 799 00	Microswitch	00-	1	
8	999 507 534 02	Clamping washer 2,5		2	
9	986 561 235 02	Mounting	-01	1	M439
	986 561 235 02 A09	Rally black			
9	986 561 235 03	Mounting	02-	1	M439
	986 561 235 03 A09	Rally black			
10	999 073 166 09	Countersunk-head screw M 6 X 25		2	
(11)	986 731 031 10	Sun visor	/L -99	1	M113
	986 731 031 10 EBY	Black			
(11)	986 731 032 10	Sun visor	/R -99	1	M113
	986 731 032 10 EBY	Black			
(11)	986 731 031 11	Sun visor	/L -99	1	M113/274
	986 731 031 11 EBY	Black			
11	986 731 032 11	Sun visor	/R -99	1	M113/274
	986 731 032 11 EBY	Black			
(11)	986 731 031 12	Sun visor	/L -99	1	M484
	986 731 031 12 EBY	Black			
(11)	986 731 032 12	Sun visor	/R -99	1	M484
	986 731 032 12 EBY	Black			
(11)	986 731 031 13	Sun visor	/L -99	1	M274/484
	986 731 031 13 EBY	Black			
11	986 731 032 13	Sun visor	/R -99	1	M274/484
	986 731 032 13 EBY	Black			
(11)	986 731 031 18	Sun visor	/L -02	1	M113/274
	986 731 031 18 A12	Black			
11	986 731 032 18	Sun visor	/R -02	1	M113/274
	986 731 032 18 A12	Black			
(11)	986 731 031 24	Sun visor	/L 03-	1	M113/274
	986 731 031 24 A12	Black			
		Information available			
11	986 731 032 24	Sun visor	/R 03-	1	M113/274
	986 731 032 24 A12	Black			
		Information available			
(11)	986 731 031 19	Sun visor	/L -02	1	M274/484
	986 731 031 19 A12	Black			
11	986 731 032 19	Sun visor	/R -02	1	M274/484
	986 731 032 19 A12	Black			
(11)	986 731 031 25	Sun visor	/L 03-	1	M274/484
	986 731 031 25 A12	Black			
		Information available			
11	986 731 032 25	Sun visor	/R 03-	1	M274/484
	986 731 032 25 A12	Black			
		Information available			
(11)	986 731 980 09	Sun visor	/L 01-	1	IXMR
		Leather			
	986 731 980 09 VRK	Black			
	986 731 980 09 C51	Graphite grey			
	986 731 980 09 S31	Savanna			
	986 731 980 09 J31	Nephrite green			

Model: 986 97 Model life 1997>>2004

Pos	Part Number	Description	Remark	Qty	Model
	986 731 980 09 M31	Boxster red			
	986 731 980 09 G11	Metropole blue			
	986 731 980 09 D12	Dark grey			
	986 731 980 09 T12	Brown/natural			
	986 731 980 09 P12	Cinnamon brown			
(11)	986 731 981 10	Sun visor	/R 01-	1	IXMR
		Leather			
	986 731 981 10 VRK	Black			
	986 731 981 10 C51	Graphite grey			
	986 731 981 10 S31	Savanna			
	986 731 981 10 J31	Nephrite green			
	986 731 981 10 M31	Boxster red			
	986 731 981 10 G11	Metropole blue			
	986 731 981 10 D12	Dark grey			
	986 731 981 10 T12	Brown/natural			
	986 731 981 10 P12	Cinnamon brown			
(12)	986 731 901 01	Mirror housing without illumination	-99	2	
	986 731 901 01 01C	Satin black			
12	986 731 903 00	Mirror housing with illumination	/LL	1	M484
	986 731 903 00 01C	Satin black			
12	986 731 903 01	Mirror housing with illumination	/LL	1	M113
	986 731 903 01 01C	Satin black			
13	999 631 137 90	Bulb	-01	4	M274
13	999 631 147 90	Bulb 3 W	02-	4	M274
14	996 731 531 01	Mirror glass with frame		2	M274
	996 731 531 01 01C	Satin black			
15	999 919 120 09	Oval-head screw 4,0 x 18		2	
17	999 073 166 09	Countersunk-head screw M 6 X 25		4	
18	986 701 401 07	Sticker	-03	1	M130
18	986 701 401 13	Sticker	04-	1	M130
		Convertible top control English			
19	996 555 619 00	Grommet	01-	1	M265
		Wiring harness			
20		Rain sensor		1	
		Sensor			
		Interior monitoring			
		See illustrations			
21		9/01/03		1	
		Trim cover			
		Alarm siren			
		See illustrations			
22		9/01/03		1	
		Interior light			
		See illustrations			
		9/03/04			

Model: 986 97

Model life 1997>>2004



Model: 986 97 Model life 1997>>2004

Pos	Part Number	Description	Remark	Qty	Model
		Door trim panel			
		Accessories			
1	191 853 615 A	Grommet		3	
2	999 920 013 40	Plug-in nut		4	
		5,0 X 1,0 X 8			
(2)	999 507 462 02	Speed nut	-02	1	
(2)	999 507 462 09	Speed nut		1	
(2)	999 591 499 02	Speed nut	03-	1	
		4,8			
3	999 591 882 02	Speed nut		2	
		M 6			
3	999 591 882 01	Speed nut		2	
		M 6			
(4)	996 555 831 04	Seal	/L	1	
4	996 555 832 04	Seal	/R	1	
(4)	996 555 831 05	Seal	/L	1	M490/680
(4)	996 555 832 05	Seal	/R	1	M490/680
		with			
		Repair work			
		Repair material			
		Use also:			
-	000 043 101 00	Sealing cord		1	
		in			
		Repair work			
-		Sealing cord		1	
		Automatic			
		Repair work			
		Use also:			
5		Door trim panel		X	
>>		Door trim panel		X	
>>		Leatherette		X	
>>		without		X	
>>		Sound system		X	
(5)	986 555 121 00	Door trim panel	/L 97	1	
		Leatherette			
	986 555 121 00 EAB	Black			
	986 555 121 00 EAD	Graphite grey			
	986 555 121 00 EAH	Savanna			
5	986 555 122 00	Door trim panel	/R 97	1	
		Leatherette			
	986 555 122 00 EAB	Black			
	986 555 122 00 EAD	Graphite grey			
	986 555 122 00 EAH	Savanna			
(5)	986 555 121 13	Door trim panel	/L -99	1	M010/011/016
		Leatherette			
	986 555 121 13 DHB	Black			
	986 555 121 13 DHC	Graphite grey			
	986 555 121 13 DHD	Savanna			
	986 555 121 13 DFE	Metropole blue			
5	986 555 122 13	Door trim panel	/R -99	1	M010/011/016
		Leatherette			
	986 555 122 13 DHB	Black			
	986 555 122 13 DHC	Graphite grey			
	986 555 122 13 DHD	Savanna			
	986 555 122 13 DFE	Metropole blue			
(5)	986 555 121 01	Door trim panel	/L 98-99	1	M012
		Leatherette			
	986 555 121 01 ELN	Black			
5	986 555 122 01	Door trim panel	/R 98-99	1	M012
		Leatherette			
	986 555 122 01 ELN	Black			
(5)	986 555 121 06	Door trim panel	/L 98-99	1	M011/016/563
		Leatherette			



Model: 986 97 Model life 1997>>2004

Pos	Part Number	Description	Remark	Qty	Model
	986 555 121 06 ELV	Black			
	986 555 121 06 ELW	Graphite grey			
	986 555 121 06 ELX	Savanna			
	986 555 121 06 ELY	Metropole blue			
(5)	986 555 121 06	Door trim panel Leatherette	99	1	M011/016/563
	986 555 121 06 ELV	Black			
	986 555 121 06 ELW	Graphite grey			
	986 555 121 06 ELX	Savanna			
	986 555 121 06 ELY	Metropole blue			
(5)	986 555 122 06	Door trim panel Leatherette	/R 98-99	1	M011/016/563
	986 555 122 06 ELV	Black			
	986 555 122 06 ELW	Graphite grey			
	986 555 122 06 ELX	Savanna			
	986 555 122 06 ELY	Metropole blue			
(5)	986 555 122 06	Door trim panel Leatherette	/R 99	1	M010/563
	986 555 122 06 ELV	Black			
	986 555 122 06 ELW	Graphite grey			
	986 555 122 06 ELX	Savanna			
	986 555 122 06 ELY	Metropole blue			
(5)	986 555 121 10	Door trim panel Leatherette	/L 98-99	1	M012/563
	986 555 121 10 ELR	Black			
(5)	986 555 122 10	Door trim panel Leatherette	/R 98-99	1	M012/563
	986 555 122 10 ELR	Black			
(5)	986 555 121 06	Door trim panel Leatherette	/L 00-	1	M0016 M563
	986 555 121 06 ESU	Black			
	986 555 121 06 ESV	Graphite grey			
	986 555 121 06 ESW	Savanna			
	986 555 121 06 ESX	Metropole blue			
	986 555 121 06 FET	Nephrite green	01-		
(5)	986 555 122 06	Door trim panel Leatherette	/R 00-	1	M016/563
	986 555 122 06 ESU	Black			
	986 555 122 06 ESV	Graphite grey			
	986 555 122 06 ESW	Savanna			
	986 555 122 06 ESX	Metropole blue			
	986 555 122 06 FET	Nephrite green	01-		
(5)	986 555 121 10	Door trim panel Leatherette	/L 00-	1	M012/563
	986 555 121 10 ETM	Black			
(5)	986 555 122 10	Door trim panel Leatherette	/R 00-	1	M012/563
	986 555 122 10 ETM	Black			
>>		Door trim panel		X	
>>		Leatherette		X	
>>		with		X	
>>		Sound system		X	
(5)	986 555 121 02	Door trim panel Leatherette	/L 97	1	M490
	986 555 121 02 EBZ	Black			
	986 555 121 02 ECA	Graphite grey			
	986 555 121 02 ECB	Savanna			
(5)	986 555 122 02	Door trim panel Leatherette	/R 97	1	M490
	986 555 122 02 EBZ	Black			
	986 555 122 02 ECA	Graphite grey			
	986 555 122 02 ECB	Savanna			

Model: 986 97 Model life 1997>>2004

Pos	Part Number	Description	Remark	Qty	Model
(5)	986 555 121 14	Door trim panel Leatherette	/L 98-99	1	M011/016/490
	986 555 121 14 DHH	Black			
	986 555 121 14 DHJ	Graphite grey			
	986 555 121 14 DHK	Savanna			
	986 555 121 14 EEH	Metropole blue			
(5)	986 555 122 14	Door trim panel Leatherette	/R 98-99	1	M011/016/490
	986 555 122 14 DHH	Black			
	986 555 122 14 DHJ	Graphite grey			
	986 555 122 14 DHK	Savanna			
	986 555 122 14 EEH	Metropole blue			
(5)	986 555 122 14	Door trim panel Leatherette	/R 99	1	M010/490
	986 555 122 14 DHH	Black			
	986 555 122 14 DHJ	Graphite grey			
	986 555 122 14 DHK	Savanna			
	986 555 122 14 EEH	Metropole blue			
(5)	986 555 121 05	Door trim panel Leatherette	/L 98-99	1	M012/490
	986 555 121 05 ELZ	Black			
(5)	986 555 122 05	Door trim panel Leatherette	/R 98-99	1	M012/490
	986 555 122 05 ELZ	Black			
(5)	986 555 121 07	Door trim panel Leatherette	/L 98-99 99 99	1	M011/016/490 M563 M010/490/563
	986 555 121 07 DGC	Black			
	986 555 121 07 DGD	Graphite grey			
	986 555 121 07 DGE	Savanna			
	986 555 121 07 DGF	Metropole blue			
(5)	986 555 122 07	Door trim panel Leatherette	/R 98-99 99	1	M011/016/490 M563 M010/490/563
	986 555 122 07 DGC	Black			
	986 555 122 07 DGD	Graphite grey			
	986 555 122 07 DGE	Savanna			
	986 555 122 07 DGF	Metropole blue			
(5)	986 555 121 11	Door trim panel Leatherette	/L 98-99	1	M012/490/563
	986 555 121 11 EMA	Black			
(5)	986 555 122 11	Door trim panel Leatherette	/R 98-99	1	M012/490/563
	986 555 122 11 EMA	Black			
(5)	986 555 121 17	Door trim panel Leatherette	/L 00-	1	M016/490/563
	986 555 121 17 ESY	Black			
	986 555 121 17 ESZ	Graphite grey			
	986 555 121 17 ETA	Savanna			
	986 555 121 17 ETB	Metropole blue			
	986 555 121 17 FEV	Nephrite green	01-		
(5)	986 555 121 17	Door trim panel Leatherette	/L	1	M016/563/680
	986 555 121 17 ESY	Black			
	986 555 121 17 ESZ	Graphite grey			
	986 555 121 17 ETA	Savanna			
	986 555 121 17 ETB	Metropole blue			
	986 555 121 17 FEV	Nephrite green			
(5)	986 555 122 17	Door trim panel Leatherette	/R 00-	1	M016/490/563
	986 555 122 17 ESY	Black			

Model: 986 97 Model life 1997>>2004

Pos	Part Number	Description	Remark	Qty	Model
	986 555 122 17 ESZ	Graphite grey			
	986 555 122 17 ETA	Savanna			
	986 555 122 17 ETB	Metropole blue			
	986 555 122 17 FEV	Nephrite green	01-		
(5)	986 555 121 20	Door trim panel	/L 00-	1	M012/490/563
		Leatherette			
	986 555 121 20 ETK	Black			
(5)	986 555 121 20	Door trim panel	/L 02-	1	M012/563/680
		Leatherette			
	986 555 121 20 ETK	Black			
(5)	986 555 122 20	Door trim panel	/R 00-	1	M012/490/563
		Leatherette			
	986 555 122 20 ETK	Black			
(5)	986 555 122 20	Door trim panel	/R 02-	1	M012/563/680
		Leatherette			
	986 555 122 20 ETK	Black			
>>		Door trim panel		X	
>>		Leather		X	
>>		without		X	
>>		Sound system		X	
(5)	986 555 121 03	Door trim panel	/L 97	1	
		Leather			
	986 555 121 03 ECJ	Black			
	986 555 121 03 ECK	Graphite grey			
	986 555 121 03 ECL	Savanna			
	986 555 121 03 ECM	Nephrite green			
	986 555 121 03 ECN	Boxster red			
5	986 555 122 03	Door trim panel	/R 97	1	
		Leather			
	986 555 122 03 ECJ	Black			
	986 555 122 03 ECK	Graphite grey			
	986 555 122 03 ECL	Savanna			
	986 555 122 03 ECM	Nephrite green			
	986 555 122 03 ECN	Boxster red			
(5)	986 555 121 03	Door trim panel	/L 98-99	1	M010/016
		Leather			
	986 555 121 03 ECJ	Black			
	986 555 121 03 ECK	Graphite grey			
	986 555 121 03 ECL	Savanna			
	986 555 121 03 ECM	Nephrite green			
	986 555 121 03 ECN	Boxster red			
	986 555 121 03 DFX	Metropole blue	98-		
5	986 555 122 03	Door trim panel	/R 98-99	1	M010/016
		Leather			
	986 555 122 03 ECJ	Black			
	986 555 122 03 ECK	Graphite grey			
	986 555 122 03 ECL	Savanna			
	986 555 122 03 ECM	Nephrite green			
	986 555 122 03 ECN	Boxster red			
	986 555 122 03 DFX	Metropole blue	98-		
(5)	986 555 121 08	Door trim panel	/L 98-99	1	M016/563
		Leather			
	986 555 121 08 ECJ	Black			
	986 555 121 08 ECK	Graphite grey			
	986 555 121 08 ECL	Savanna			
	986 555 121 08 DFX	Metropole blue			
	986 555 121 08 ECM	Nephrite green			
	986 555 121 08 ECN	Boxster red			
(5)	986 555 121 08	Door trim panel	/L 99	1	M010/563
		Leather			
	986 555 121 08 ECJ	Black			
	986 555 121 08 ECK	Graphite grey			
	986 555 121 08 ECL	Savanna			

Model: 986 97 Model life 1997>>2004

Pos	Part Number	Description	Remark	Qty	Model
	986 555 121 08 DFX	Metropole blue			
	986 555 121 08 ECM	Nephrite green			
	986 555 121 08 ECN	Boxster red			
(5)	986 555 122 08	Door trim panel Leather	/R 98-99	1	M016/563
	986 555 122 08 ECJ	Black			
	986 555 122 08 ECK	Graphite grey			
	986 555 122 08 ECL	Savanna			
	986 555 122 08 DFX	Metropole blue			
	986 555 122 08 ECM	Nephrite green			
	986 555 122 08 ECN	Boxster red			
(5)	986 555 122 08	Door trim panel Leather	99	1	M010/563
	986 555 122 08 ECJ	Black			
	986 555 122 08 ECK	Graphite grey			
	986 555 122 08 ECL	Savanna			
	986 555 122 08 DFX	Metropole blue			
	986 555 122 08 ECM	Nephrite green			
	986 555 122 08 ECN	Boxster red			
(5)	986 555 121 08	Door trim panel Leather	/L -02	1	M016/563/981
	986 555 121 08 ETL	Black			
	986 555 121 08 ECK	Graphite grey			
	986 555 121 08 ECL	Savanna			
	986 555 121 08 DFX	Metropole blue			
	986 555 121 08 ECM	Nephrite green			
	986 555 121 08 ECN	Boxster red			
	986 555 121 08 VSG	Dark grey			
	986 555 121 08 VSH	Brown/natural			
	986 555 121 08 FEU	Cinnamon brown	01-		
(5)	986 555 122 08	Door trim panel Leather	/R -02	1	M016/563/981
	986 555 122 08 ETL	Black			
	986 555 122 08 ECK	Graphite grey			
	986 555 122 08 ECL	Savanna			
	986 555 122 08 DFX	Metropole blue			
	986 555 122 08 ECM	Nephrite green			
	986 555 122 08 ECN	Boxster red			
	986 555 122 08 VSG	Dark grey			
	986 555 122 08 VSH	Brown/natural			
	986 555 122 08 FEU	Cinnamon brown	01-		
>>		Door trim panel		X	
>>		Leather		X	
>>		with		X	
>>		Sound system		X	
(5)	986 555 121 21	Door trim panel Airbag Leather	/L 03-	1	M016/563/981
	986 555 121 21 ETL	Black			
	986 555 121 21 ECK	Graphite grey			
	986 555 121 21 ECL	Savanna			
	986 555 121 21 DFX	Metropole blue			
	986 555 121 21 ECM	Nephrite green	-03		
	986 555 121 21 ECN	Boxster red			
	986 555 121 21 FEU	Cinnamon brown			
	986 555 121 21 VSG	Dark grey/natural			
	986 555 121 21 VSH	Brown/natural			
(5)	986 555 122 21	Door trim panel Airbag Leather	/R 03-	1	M016/563/981
	986 555 122 21 ETL	Black			
	986 555 122 21 ECK	Graphite grey			
	986 555 122 21 ECL	Savanna			

Model: 986 97 Model life 1997>>2004

Pos	Part Number	Description	Remark	Qty	Model
	986 555 122 21 DFX	Metropole blue			
	986 555 122 21 ECM	Nephrite green	-03		
	986 555 122 21 ECN	Boxster red			
	986 555 122 21 FEU	Cinnamon brown			
	986 555 122 21 VSG	Dark grey/natural			
	986 555 122 21 VSH	Brown/natural			
(5)	986 555 121 04	Door trim panel Leather	/L 97	1	M490
	986 555 121 04 ECP	Black			
	986 555 121 04 ECQ	Graphite grey			
	986 555 121 04 ECR	Savanna			
	986 555 121 04 ECS	Nephrite green			
	986 555 121 04 ECT	Boxster red			
(5)	986 555 122 04	Door trim panel Leather	/R 97	1	M490
	986 555 122 04 ECP	Black			
	986 555 122 04 ECQ	Graphite grey			
	986 555 122 04 ECR	Savanna			
	986 555 122 04 ECS	Nephrite green			
	986 555 122 04 ECT	Boxster red			
(5)	986 555 121 04	Door trim panel Leather	/L 98-99	1	M010/016/490
	986 555 121 04 ECP	Black			
	986 555 121 04 ECQ	Graphite grey			
	986 555 121 04 ECR	Savanna			
	986 555 121 04 ECS	Nephrite green			
	986 555 121 04 ECT	Boxster red			
(5)	986 555 122 04	Door trim panel Leather	98- /R 98-99	1	M010/016/490
	986 555 122 04 ECP	Black			
	986 555 122 04 ECQ	Graphite grey			
	986 555 122 04 ECR	Savanna			
	986 555 122 04 ECS	Nephrite green			
	986 555 122 04 ECT	Boxster red			
(5)	986 555 122 04	Door trim panel Leather	98- /L 98-99	1	M016/490/563
	986 555 121 09 ECP	Black			
	986 555 121 09 ECQ	Graphite grey			
	986 555 121 09 ECR	Savanna			
	986 555 121 09 DGB	Metropole blue			
	986 555 121 09 ECS	Nephrite green			
	986 555 121 09 ECT	Boxster red			
(5)	986 555 121 09	Door trim panel Leather	/L 99	1	M010/490/563
	986 555 121 09 ECP	Black			
	986 555 121 09 ECQ	Graphite grey			
	986 555 121 09 ECR	Savanna			
	986 555 121 09 DGB	Metropole blue			
	986 555 121 09 ECS	Nephrite green			
	986 555 121 09 ECT	Boxster red			
(5)	986 555 122 09	Door trim panel Leather	/R 98-99	1	M016/490/563
	986 555 122 09 ECP	Black			
	986 555 122 09 ECQ	Graphite grey			
	986 555 122 09 ECR	Savanna			
	986 555 122 09 DGB	Metropole blue			
	986 555 122 09 ECS	Nephrite green			
	986 555 122 09 ECT	Boxster red			
(5)	986 555 122 09	Door trim panel Leather	/R 99	1	M010/490/563
	986 555 122 09 ECP	Black			

Model: 986 97 Model life 1997>>2004

Pos	Part Number	Description	Remark	Qty	Model
	986 555 122 09 ECQ	Graphite grey			
	986 555 122 09 ECR	Savanna			
	986 555 122 09 DGB	Metropole blue			
	986 555 122 09 ECS	Nephrite green			
	986 555 122 09 ECT	Boxster red			
(5)	986 555 121 18	Door trim panel Leather	/L 00-01	1	M016/490/563
	986 555 121 18 ETC	Black			
	986 555 121 18 ETD	Graphite grey			
	986 555 121 18 ETE	Savanna			
	986 555 121 18 ETF	Metropole blue			
	986 555 121 18 ETG	Nephrite green			
	986 555 121 18 ETH	Boxster red			
	986 555 121 18 VSJ	Dark grey			
	986 555 121 18 VSK	Brown/natural			
	986 555 121 18 FEW	Cinnamon brown	01-		
(5)	986 555 121 18	Door trim panel Leather	/L 01-02	1	M016/563/680
	986 555 121 18 ETC	Black			
	986 555 121 18 ETD	Graphite grey			
	986 555 121 18 ETE	Savanna			
	986 555 121 18 ETF	Metropole blue			
	986 555 121 18 ETG	Nephrite green			
	986 555 121 18 ETH	Boxster red			
	986 555 121 18 VSJ	Dark grey			
	986 555 121 18 VSK	Brown/natural			
	986 555 121 18 FEW	Cinnamon brown	01-		
(5)	986 555 122 18	Door trim panel Leather	/R 00-01	1	M016/490/563
	986 555 122 18 ETC	Black			
	986 555 122 18 ETD	Graphite grey			
	986 555 122 18 ETE	Savanna			
	986 555 122 18 ETF	Metropole blue			
	986 555 122 18 ETG	Nephrite green			
	986 555 122 18 ETH	Boxster red			
	986 555 122 18 VSJ	Dark grey			
	986 555 122 18 VSK	Brown/natural			
	986 555 122 18 FEW	Cinnamon brown	01-		
(5)	986 555 122 18	Door trim panel Leather	/R 01-02	1	M016/563/680
	986 555 122 18 ETC	Black			
	986 555 122 18 ETD	Graphite grey			
	986 555 122 18 ETE	Savanna			
	986 555 122 18 ETF	Metropole blue			
	986 555 122 18 ETG	Nephrite green			
	986 555 122 18 ETH	Boxster red			
	986 555 122 18 VSJ	Dark grey			
	986 555 122 18 VSK	Brown/natural			
	986 555 122 18 FEW	Cinnamon brown	01-		
(5)	986 555 121 22	Door trim panel Leather	/L 03-	1	M016/490/563
	986 555 121 22 ETC	Black			
	986 555 121 22 ETD	Graphite grey			
	986 555 121 22 ETE	Savanna			
	986 555 121 22 ETF	Metropole blue			
	986 555 121 22 ETG	Nephrite green	-03		
	986 555 121 22 ETH	Boxster red			
	986 555 121 22 FEW	Cinnamon brown			
	986 555 121 22 VSJ	Dark grey/natural			
	986 555 121 22 VSK	Brown/natural			
(5)	986 555 121 22	Door trim panel Leather	/L 03-	1	M016/563/680
	986 555 121 22 ETC	Black			

Model: 986 97 Model life 1997&gt;&gt;2004

Pos	Part Number	Description	Remark	Qty	Model
	986 555 121 22 ETD	Graphite grey			
	986 555 121 22 ETE	Savanna			
	986 555 121 22 ETF	Metropole blue			
	986 555 121 22 ETG	Nephrite green	-03		
	986 555 121 22 ETH	Boxster red			
	986 555 121 22 FEW	Cinnamon brown			
	986 555 121 22 VSJ	Dark grey/natural			
	986 555 121 22 VSK	Brown/natural			
(5)	986 555 122 22	Door trim panel Leather	/R 03-	1	M016/490/563
	986 555 122 22 ETC	Black			
	986 555 122 22 ETD	Graphite grey			
	986 555 122 22 ETE	Savanna			
	986 555 122 22 ETF	Metropole blue			
	986 555 122 22 ETG	Nephrite green	-03		
	986 555 122 22 ETH	Boxster red			
	986 555 122 22 FEW	Cinnamon brown			
	986 555 122 22 VSJ	Dark grey/natural			
	986 555 122 22 VSK	Brown/natural			
(5)	986 555 122 22	Door trim panel Leather	/R 03-	1	M016/563/680
	986 555 122 22 ETC	Black			
	986 555 122 22 ETD	Graphite grey			
	986 555 122 22 ETE	Savanna			
	986 555 122 22 ETF	Metropole blue			
	986 555 122 22 ETG	Nephrite green	-03		
	986 555 122 22 ETH	Boxster red			
	986 555 122 22 FEW	Cinnamon brown			
	986 555 122 22 VSJ	Dark grey/natural			
	986 555 122 22 VSK	Brown/natural			
(5)	986 555 121 22	Door trim panel Leather	/L 04	1	M091/490/563
	986 555 121 22 FKR	Cocoa			
	986 555 121 22 VSJ	Dark grey/natural			
(5)	986 555 121 22	Door trim panel Leather	/L 04	1	M091/563/680
	986 555 121 22 FKR	Cocoa			
	986 555 121 22 VSJ	Dark grey/natural			
(5)	986 555 122 22	Door trim panel Leather	/R 04	1	M091/490/563
	986 555 122 22 FKR	Cocoa			
	986 555 122 22 VSJ	Dark grey/natural			
(5)	986 555 122 22	Door trim panel Leather	/R 04	1	M091/563/680
	986 555 122 22 FKR	Cocoa			
	986 555 122 22 VSJ	Dark grey/natural			
-	999 911 688 40	Adhesive tape 10 X 0,1 X 370		4	
6	999 507 505 40	Clip Grey		8	
6	999 507 582 40	Clip White		8	
7	999 507 651 40	8,0 X 0,9 Expander nut		2	
8	999 507 427 40	9,0 X 0,9 Expander nut	-04	2	
9	999 067 043 02	6,3 Pan-head screw 5 X 10		2	
10	996 613 241 00	Switch Door mirror Electrically adjustable		1	
	996 613 241 00 EAL	Gloss black			

Model: 986 97 Model life 1997>>2004

Pos	Part Number	Description	Remark	Qty	Model
(11)	986 555 751 00	Knob Door mirror Manually adjustable	/L 97	1	
	986 555 751 00 01C	Satin black			
11	986 555 752 00	Knob Door mirror Manually adjustable	/R 97	1	
	986 555 752 00 01C	Satin black			
(12)	986 555 651 00	Lining Door mirror Manually adjustable	/L 97	1	
	986 555 651 00 B12	Black-grey			
12	986 555 652 00	Lining Door mirror Manually adjustable	/R 97	1	
	986 555 652 00 B12	Black-grey			
(12)	996 555 651 00	Lining Door mirror Electrically adjustable	/LL /L 97	1	
	996 555 651 00 B12	Black-grey			
(12)	996 555 651 00	Lining Door mirror Electrically adjustable	/LL /L -99	1	M012/016
	996 555 651 00 B12	Black-grey			
(12)	996 555 652 01	Lining	/LL /R 97	1	
	996 555 652 01 B12	Black-grey			
(12)	996 555 652 01	Lining Door mirror Electrically adjustable	/LL /R -99	1	M011
	996 555 652 01 B12	Black-grey			
(12)	996 555 651 03	Lining Door mirror Electrically adjustable	/LL /L 99-	1	
	996 555 651 03 D05	Granite grey	99		
	996 555 651 03 A03	Black	00-		
(12)	996 555 652 02	Lining Door mirror Electrically adjustable	/LL /R 99-	1	
	996 555 652 02 D05	Granite grey	99		
	996 555 652 02 A03	Black	00-		
(12)	996 555 983 00	Lining	/LL /L	1	IXTC/XTE/XTK IXTR
	996 555 983 00 A11	Leather Black			
	996 555 983 00 C51	Graphite grey			
	996 555 983 00 S31	Savanna			
	996 555 983 00 G11	Metropole blue			
	996 555 983 00 J31	Nephrite green			
	996 555 983 00 M31	Boxster red			
	996 555 983 00 T12	Brown/natural			
	996 555 983 00 D12	Dark grey/natural			
	996 555 983 00 P12	Cinnamon brown	01-		
(12)	996 555 984 01	Lining	/LL /R	1	IXTC/XTE/XTK IXTR
	996 555 984 01 A11	Leather Black			
	996 555 984 01 C51	Graphite grey			
	996 555 984 01 S31	Savanna			
	996 555 984 01 G11	Metropole blue			
	996 555 984 01 J31	Nephrite green			
	996 555 984 01 M31	Boxster red			
	996 555 984 01 T12	Brown/natural			
	996 555 984 01 D12	Dark grey/natural			



Model: 986 97 Model life 1997>>2004

Pos	Part Number	Description	Remark	Qty	Model
(13)	996 555 984 01 P12 986 555 371 02	Cinnamon brown Inner door release Complete with Handle	01- /L -99	1	
(13)	986 555 371 02 EBC 986 555 372 02	Gloss black Inner door release Complete with Handle	/R -99	1	
(13)	986 555 372 02 EBC 986 555 271 00	Gloss black Inner door release Complete with Handle	/L -99	1	
(13)	986 555 271 00 EBC 986 555 272 00	Gloss black Inner door release Complete with Handle Order also: 996.537.320.03	/R -99	1	
(13)	986 555 272 00 EBC 986 555 371 03	Gloss black Inner door release Complete with Handle Order also: 996.537.320.03	/L 00	1	
(13)	986 555 371 03 ENP 986 555 372 03	Silver Inner door release Complete with Handle	/R 00	1	
(13)	986 555 372 03 ENP 986 555 371 04	Silver Inner door release Complete with Handle	/L 00	1	
(13)	986 555 371 04 ENP 986 555 372 04	Silver Inner door release Complete with Handle	/R 00	1	
(13)	986 555 372 04 ENP 986 555 271 00	Silver Inner door release Complete with Handle	/L 00	1	
(13)	986 555 271 00 ENP 986 555 272 00	Silver Inner door release Complete with Handle	/R 00	1	
(13)	986 555 272 00 ENP 986 555 271 01	Silver Inner door release Complete with Handle	/LL /L 01-02	1	
(13)	986 555 271 01 ENP 986 555 272 02	Silver Inner door release	/LL /R 01-02	1	

Model: 986 97 Model life 1997>>2004

Pos	Part Number	Description	Remark	Qty	Model
(13)	986 555 272 02 ENP 986 555 271 03	Complete with Handle Silver Inner door release	/LL /L 03-	1	
(13)	986 555 271 03 FGH 986 555 272 04	Complete with Handle Silver Inner door release	/LL /R 03-	1	
14	986 555 272 04 FGH 999 703 440 40	Complete with Handle Silver Buffer		2	
(15)	996 555 425 00	7 X 10 X 16 Handle	/L	1	
15	996 555 425 00 A02 996 555 426 00	Gloss black Handle	/R	1	
(15)	996 555 426 00 A02 996 555 425 02	Gloss black Handle	/L -99	1	
15	996 555 425 02 A02 996 555 426 02	Gloss black Handle	/R -99	1	
(15)	996 555 426 02 A02 996 555 425 03	Gloss black Handle	/L 00-02	1	
15	996 555 425 03 V01 996 555 426 03	Silver Handle	/R 00-02	1	
(15)	996 555 426 03 V01 996 555 425 04	Lacquered Silver Handle	/L 03-	1	
15	996 555 425 04 V03 996 555 426 04	Silver Handle	/R 03-	1	
16	996 555 426 04 V03 999 166 084 02	Lacquered Silver Bolt		2	
17	999 166 026 02	4 X 39 X 37 Lock		2	
18	999 507 568 40	4 Linkage clip		2	
(18)	999 702 281 40	Grommet		2	
19	999 522 015 00	Tension spring		2	
-	996 555 635 00	Hose		2	
20	996 613 123 00	Microswitch		2	
21	999 073 080 02	Combination screw		8	
22	996 555 623 00 996 555 623 00 01C	4,2 X 16 Cap Satin black	98-99	2	M563
22	996 555 623 01 996 555 623 01 V01	Cap Silver	00-02	2	
22	996 555 623 02 996 555 623 02 V03	Cap Sport silver	03-	2	
(23)	986 555 621 00 986 555 621 00 B12	Lid Black-grey	/L 97	1	
23	986 555 622 00 986 555 622 00 B12	Lid Black-grey	/R 97	1	
(23)	986 555 621 00 986 555 621 00 B12	Lid Black-grey	/L -99	1	M011/016
23	986 555 622 00 986 555 622 00 B12	Lid Black-grey	/R -99	1	M011/016
(23)	986 555 621 03 986 555 621 03 D05 986 555 621 03 C02	Lid Lacquered Granite grey Steel grey	/L 98- -99	1	

Model: 986 97 Model life 1997>>2004

Pos	Part Number	Description	Remark	Qty	Model			
23	986 555 621 03 A03	Black	00-	1				
	986 555 622 03	Lid	/R 98-					
	986 555 622 03 D05	Lacquered Granite grey	-99					
23	986 555 622 03 C02	Steel grey		1	IXTC/XTF/XTK			
	986 555 622 03 A03	Black	00-					
	986 555 990 00	Lid	/L 01-					
	986 555 990 00 A11	Leather Black						
	986 555 990 00 C51	Graphite grey						
	986 555 990 00 S31	Savanna						
	986 555 990 00 G11	Metropole blue						
	986 555 990 00 J31	Nephrite green						
	986 555 990 00 M31	Boxster red						
	986 555 990 00 D12	Dark grey						
	986 555 990 00 T12	Brown/natural						
	986 555 990 00 P12	Cinnamon brown						
	(23)	986 555 991 00	Lid			/R 01-	1	IXTC/XTF/XTK
24	986 555 991 00 A11	Leather Black		1	IXTC/XTF/XTK			
	986 555 991 00 C51	Graphite grey						
	986 555 991 00 S31	Savanna						
	986 555 991 00 G11	Metropole blue						
	986 555 991 00 J31	Nephrite green						
	986 555 991 00 M31	Boxster red						
	986 555 991 00 D12	Dark grey						
	986 555 991 00 T12	Brown/natural						
	986 555 991 00 P12	Cinnamon brown						
	24	999 073 081 02	Tapping screw 4,2 X 13				4	
	(25)	986 555 393 00	Mounting piece Handle			/L 97	1	
	25	986 555 393 00 B12	Black-grey				1	
		986 555 394 00	Mounting piece Handle			/R 97		
(25)	986 555 394 00 B12	Black-grey		1	M011/016			
	986 555 393 00	Mounting piece Handle	/L 98-99					
25	986 555 393 00 B12	Black-grey		1	M011/016			
	986 555 394 00	Mounting piece Handle	/R 98-99					
(25)	986 555 394 00 B12	Black-grey		1				
	986 555 393 01	Mounting piece Lacquered	/L					
25	986 555 393 01 D05	Granite grey	99	1				
	986 555 393 01 C02	Metal grey	98-					
	986 555 393 01 A03	Black	00-					
(26)	986 555 394 01	Mounting piece Lacquered	/R	1				
	986 555 394 01 D05	Granite grey	99					
	986 555 394 01 C02	Metal grey	98-					
(26)	986 555 394 01 A03	Black	00-	1				
	986 555 351 00	Handle Lacquered	/L 97					
	986 555 351 00 EAP	Leather Black						
26	986 555 352 00	Handle Lacquered	/R 97	1				
	986 555 352 00 EAP	Leather Black						
(26)	986 555 351 00	Handle Lacquered Leather	/L 98-99	1	M016			

Model: 986 97 Model life 1997>>2004

Pos	Part Number	Description	Remark	Qty	Model
26	986 555 351 00 EAP 986 555 352 00	Black Handle Lacquered Leather	/R 98-99	1	M016
(26)	986 555 352 00 EAP 986 555 351 01	Black Handle Lacquered	/L 98-99	1	M011/012
26	986 555 351 01 E JW 986 555 352 01	Metal grey Handle Lacquered	/R 98-99	1	M011/012
(26)	986 555 352 01 E JW 986 555 351 04	Metal grey Handle Lacquered	/L 99	1	M010
26	986 555 351 04 E JT 986 555 352 04	Granite grey Handle Lacquered	/R 99	1	M010
(26)	986 555 352 04 E JT 986 555 351 05	Granite grey Handle Black Lacquered Leather	/L 00-	1	M009
	986 555 351 05 ESK	Black			
	986 555 351 05 FHH	Graphite grey			
	986 555 351 05 FHI	Savanna			
	986 555 351 05 FHC	Metropole blue			
	986 555 351 05 FHN	Nephrite green			
	986 555 351 05 FHO	Boxster red			
	986 555 351 05 FHP	Cinnamon brown			
	986 555 351 05 FHQ	Dark grey/natural			
(26)	986 555 351 05 FHR 986 555 351 05	Brown/natural Handle Metal grey Lacquered Leather	/L 00-	1	M009
(26)	986 555 351 05 E VU 986 555 352 05	Black Handle Black Lacquered Leather	/R 00-	1	M009
	986 555 352 05 ESK	Black			
	986 555 352 05 FHH	Graphite grey			
	986 555 352 05 FHI	Savanna			
	986 555 352 05 FHC	Metropole blue			
	986 555 352 05 FHN	Nephrite green			
	986 555 352 05 FHO	Boxster red			
	986 555 352 05 FHP	Cinnamon brown			
	986 555 352 05 FHQ	Dark grey/natural			
(26)	986 555 352 05 FHR 986 555 352 05	Brown/natural Handle Metal grey Lacquered Leather	/R 00-	1	M009
(26)	986 555 352 05 E VU 986 555 351 06	Black Handle Lacquered Leather	/L -02	1	M008
(26)	986 555 351 06 EOB 986 555 351 06	Black Handle Lacquered Leather/ Embossed	/L 01	1	M008
(26)	986 555 351 06 FDE 986 555 352 06	Black Handle	/R -02	1	M008

Model: 986 97 Model life 1997>>2004

Pos	Part Number	Description	Remark	Qty	Model
(26)	986 555 352 06 EOB 986 555 352 06	Lacquered Leather Black Handle	/R 01	1	M008
(26)	986 555 352 06 FDE 986 555 351 07	Lacquered Leather/ Embossed Black Handle	/L 03-	1	M008
	986 555 351 07 FHA	Black			
	986 555 351 07 FHS	Graphite grey			
	986 555 351 07 FHT	Savanna			
	986 555 351 07 FHU	Metropole blue			
	986 555 351 07 FHV	Nephrite green	03		
	986 555 351 07 FHW	Boxster red			
	986 555 351 07 FHX	Cinnamon brown			
	986 555 351 07 FHY	Dark grey/natural			
(26)	986 555 351 07 FHZ 986 555 352 07	Brown/natural Handle	/R 03-	1	M008
	986 555 352 07 FHA	Lacquered Leather Black			
	986 555 352 07 FHS	Graphite grey			
	986 555 352 07 FHT	Savanna			
	986 555 352 07 FHU	Metropole blue			
	986 555 352 07 FHV	Nephrite green	03		
	986 555 352 07 FHW	Boxster red			
	986 555 352 07 FHX	Cinnamon brown			
	986 555 352 07 FHY	Dark grey/natural			
(26)	986 555 352 07 FHZ 986 555 351 08	Brown/natural Handle	/L 04	1	M091
	986 555 351 08 FKK	Lacquered Leather Cocoa			
(26)	986 555 351 08 FKL 986 555 352 08	Dark grey/natural Handle	/R 04	1	M091
	986 555 352 08 FKK	Lacquered Leather Cocoa			
(26)	986 555 352 08 FKL 986 555 987 01	Dark grey/natural Handle	/L 01-	1	IXTC
	986 555 987 01 A11	Leather with Logo Black			
	986 555 987 01 C51	Graphite grey			
	986 555 987 01 S31	Savanna			
	986 555 987 01 G11	Metropole blue			
	986 555 987 01 J31	Nephrite green			
	986 555 987 01 M31	Boxster red			
	986 555 987 01 D12	Dark grey			
	986 555 987 01 T12	Brown/natural			
	986 555 987 01 P12	Cinnamon brown			
(26)	986 555 988 01	Handle	/R 01-	1	IXTC
	986 555 988 01 A11	Leather with Logo Black			
	986 555 988 01 C51	Graphite grey			
	986 555 988 01 S31	Savanna			
	986 555 988 01 G11	Metropole blue			

Model: 986 97 Model life 1997>>2004

Pos	Part Number	Description	Remark	Qty	Model
	986 555 988 01 J31	Nephrite green			
	986 555 988 01 M31	Boxster red			
	986 555 988 01 D12	Dark grey			
	986 555 988 01 T12	Brown/natural			
	986 555 988 01 P12	Cinnamon brown			
(26)	986 555 987 03	Handle	/L 01-	1	IXTE
		Carbon			
	986 555 987 03 A11	Black			
	986 555 987 03 C51	Graphite grey			
	986 555 987 03 S31	Savanna			
	986 555 987 03 G11	Metropole blue			
	986 555 987 03 J31	Nephrite green	-03		
	986 555 987 03 M31	Boxster red			
	986 555 987 03 P12	Cinnamon brown			
	986 555 987 03 D12	Dark grey/natural			
	986 555 987 03 T12	Brown/natural			
(26)	986 555 988 03	Handle	/R 01-	1	IXTE
		Carbon			
	986 555 988 03 A11	Black			
	986 555 988 03 C51	Graphite grey			
	986 555 988 03 S31	Savanna			
	986 555 988 03 G11	Metropole blue			
	986 555 988 03 J31	Nephrite green	-03		
	986 555 988 03 M31	Boxster red			
	986 555 988 03 P12	Cinnamon brown			
	986 555 988 03 D12	Dark grey/natural			
	986 555 988 03 T12	Brown/natural			
26	986 555 987 04	Inner door release	/L 01-	1	IXTK
		Handle			
		Leather			
	986 555 987 04 A11	Black			
	986 555 987 04 C51	Graphite grey			
	986 555 987 04 S31	Savanna			
	986 555 987 04 G11	Metropole blue			
	986 555 987 04 J31	Nephrite green			
	986 555 987 04 M31	Boxster red			
	986 555 987 04 P12	Cinnamon brown			
	986 555 987 04 D12	Dark grey/natural			
	986 555 987 04 T12	Brown/natural			
26	986 555 988 04	Inner door release	/R 01-	1	IXTK
		Handle			
		Leather			
	986 555 988 04 A11	Black			
	986 555 988 04 C51	Graphite grey			
	986 555 988 04 S31	Savanna			
	986 555 988 04 G11	Metropole blue			
	986 555 988 04 J31	Nephrite green			
	986 555 988 04 M31	Boxster red			
	986 555 988 04 P12	Cinnamon brown			
	986 555 988 04 D12	Dark grey/natural			
	986 555 988 04 T12	Brown/natural			
(26)	986 555 987 06	Handle	/L 03-	1	IXTR
		Leather			
	986 555 987 06 A11	Black			
	986 555 987 06 C51	Graphite grey			
	986 555 987 06 S31	Savanna			
	986 555 987 06 G11	Metropole blue			
	986 555 987 06 J31	Nephrite green			
	986 555 987 06 M31	Boxster red			
	986 555 987 06 D12	Dark grey/natural			
	986 555 987 06 T12	Brown/natural			
	986 555 987 06 P12	Cinnamon brown			
26	986 555 988 06	Handle	/R 03-	1	IXTR

Model: 986 97 Model life 1997>>2004

Pos	Part Number	Description	Remark	Qty	Model
		Leather			
	986 555 988 06 A11	Black			
	986 555 988 06 C51	Graphite grey			
	986 555 988 06 S31	Savanna			
	986 555 988 06 G11	Metropole blue			
	986 555 988 06 J31	Nephrite green			
	986 555 988 06 M31	Boxster red			
	986 555 988 06 D12	Dark grey/natural			
	986 555 988 06 T12	Brown/natural			
	986 555 988 06 P12	Cinnamon brown			
27	999 919 182 09	Oval-head screw 4,0 X 20		4	
28	999 073 112 09	Oval-head screw M 6 X 80		2	
(29)	986 555 721 00	Covering Handle	/L 97	1	
	986 555 721 00 01C	Satin black			
29	986 555 722 00	Covering Handle	/R 97	1	
	986 555 722 00 01C	Satin black			
(29)	986 555 721 00	Covering Handle	/L 98-99	1	M016
	986 555 721 00 01C	Satin black			
29	986 555 722 00	Covering Handle	/R 98-99	1	M016
	986 555 722 00 01C	Satin black			
(29)	986 555 721 01	Covering Lacquered	/L 98-	1	
	986 555 721 01 25H	Ocean jade metallic	-99		
	986 555 721 01 3AW	Zenith blue metallic	-99		
	986 555 721 01 C02	Metal grey			
	986 555 721 01 D05	Granite grey	99		
	986 555 721 01 A03	Black	00-		
29	986 555 722 01	Covering Lacquered	/R 98-	1	
	986 555 722 01 25H	Ocean jade metallic	-99		
	986 555 722 01 3AW	Zenith blue metallic	-99		
	986 555 722 01 C02	Metal grey			
	986 555 722 01 D05	Granite grey	99		
	986 555 722 01 A03	Black	00-		
(29)	986 555 721 02	Covering Lacquered	/L 00-02	1	M008
	986 555 721 02 V01	Silver			
29	986 555 722 02	Covering Lacquered	/R 00-02	1	M008
	986 555 722 02 V01	Silver			
(29)	986 555 721 03	Covering	/L 03-	1	M008
	986 555 721 03 V03	Silver			
(29)	986 555 721 03	Covering	/L 03-	1	IXTC/XTE M009 MXTK IXTR
	986 555 721 03 V03	Silver			
29	986 555 722 03	Covering	/R 03-	1	M008
	986 555 722 03 V03	Silver			
29	986 555 722 03	Covering	/R 03-	1	IXTC/XTE M009 IXTK/XTR
	986 555 722 03 V03	Silver			
(29)	986 555 985 01	Covering Aluminium coloured	/L 00-02	1	IXTF/M009
29	986 555 986 01	Covering Aluminium coloured	/R 00-02	1	IXTF/M009

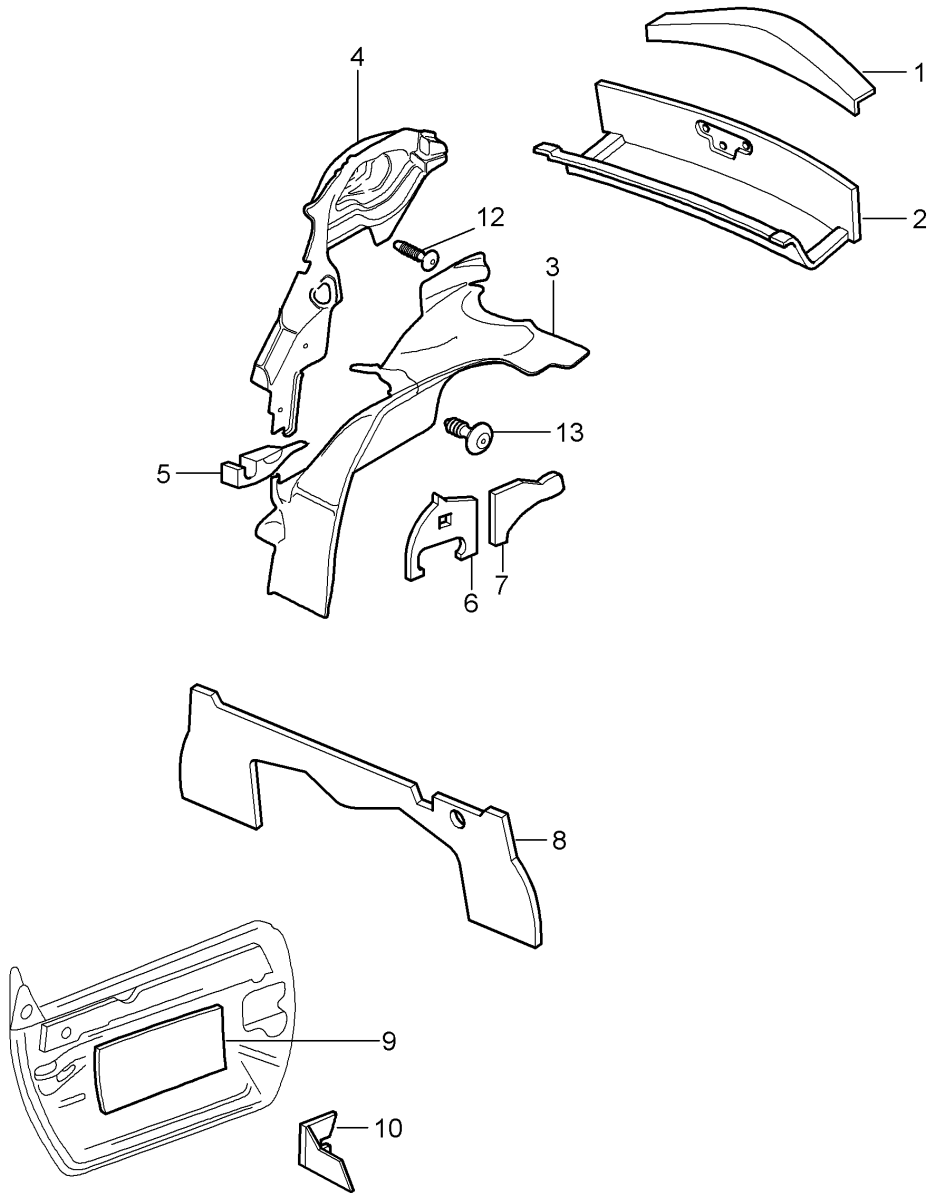
Model: 986 97 Model life 1997>>2004

Pos	Part Number	Description	Remark	Qty	Model
30	999 073 113 09	Oval-head screw M 6 X 50		2	
(31)	986 555 591 00	Cover	/L 97	1	
	986 555 591 00 B12	Black-grey			
31	986 555 592 00	Cover	/R 97	1	
	986 555 592 00 B12	Black-grey			
(31)	986 555 591 00	Cover	/L 98-99	1	M011/016
	986 555 591 00 B12	Black-grey			
31	986 555 592 00	Cover	/R 98-99	1	M011/016
	986 555 592 00 B12	Black-grey			
(31)	986 555 591 01	Cover	/L	1	
		Lacquered			
	986 555 591 01 C02	Metal grey	98-		
	986 555 591 01 D05	Granite grey	99		
	986 555 591 01 A03	Black	00-		
31	986 555 592 01	Cover	/R	1	
		Lacquered			
	986 555 592 01 C02	Metal grey	98-		
	986 555 592 01 D05	Granite grey	99		
	986 555 592 01 A03	Black	00-		
31	986 555 981 01	Cover	/L 01-	1	IXTC/XTF
		Leather			
	986 555 981 01 A11	Black			
	986 555 981 01 C51	Graphite grey			
	986 555 981 01 S31	Savanna			
	986 555 981 01 G11	Metropole blue			
	986 555 981 01 J31	Nephrite green			
	986 555 981 01 M31	Boxster red			
	986 555 981 01 D12	Dark grey			
	986 555 981 01 T12	Brown/natural			
	986 555 981 01 P12	Cinnamon brown			
(31)	986 555 982 01	Cover	/R 01-	1	IXTC/XTF
		Leather			
	986 555 982 01 A11	Black			
	986 555 982 01 C51	Graphite grey			
	986 555 982 01 S31	Savanna			
	986 555 982 01 G11	Metropole blue			
	986 555 982 01 J31	Nephrite green			
	986 555 982 01 M31	Boxster red			
	986 555 982 01 D12	Dark grey			
	986 555 982 01 T12	Brown/natural			
	986 555 982 01 P12	Cinnamon brown			



Model: 986 97

Model life 1997>>2004

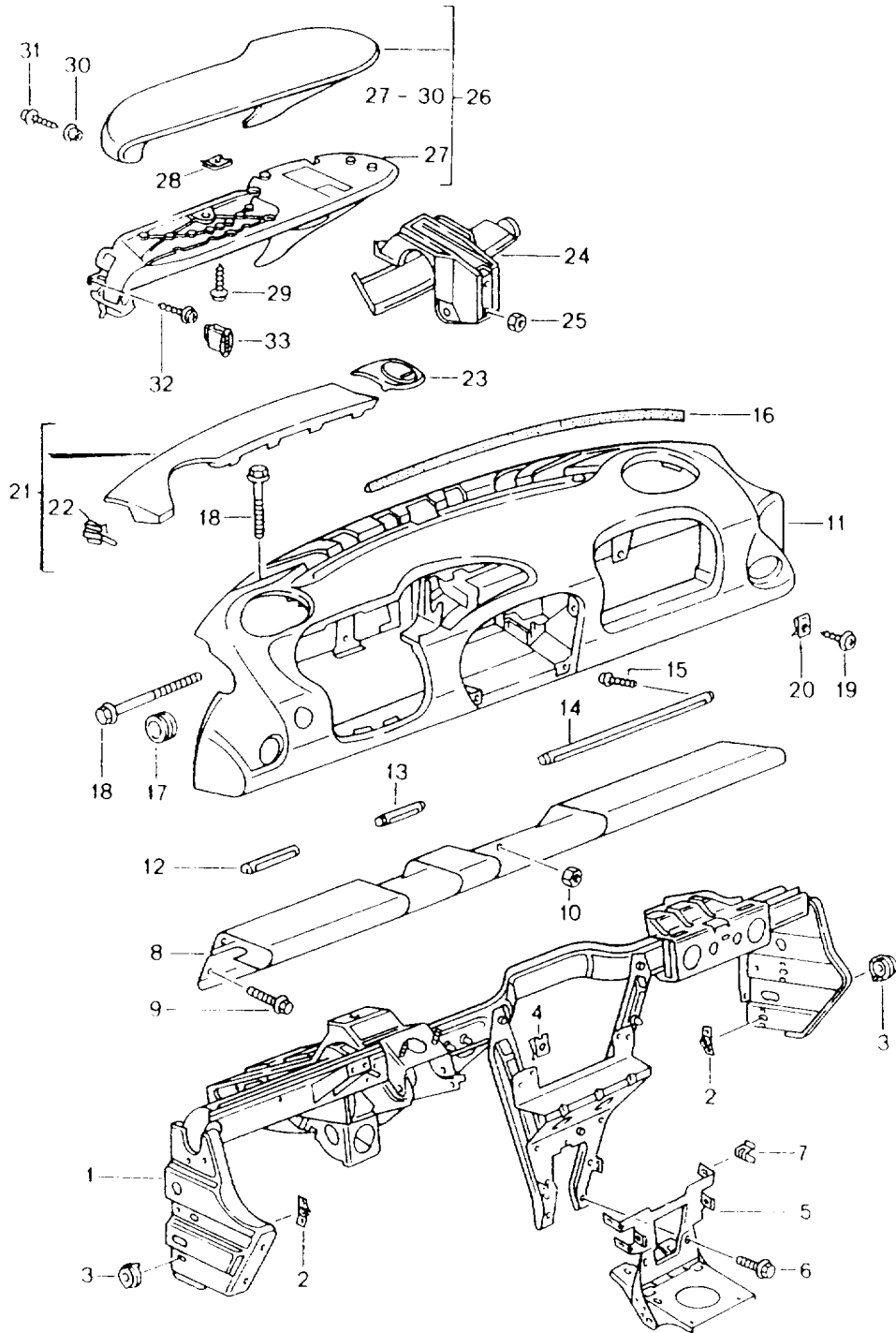


Model: 986 97 Model life 1997>>2004

Pos	Part Number	Description	Remark	Qty	Model
1	986 556 665 02	Body Sound proofing 1 Sound absorber Cross member		1	
2	986 556 621 01	Sound absorber	-03	1	
2	986 556 621 02	Sound absorber Tray Convertible top	04-	1	
-	999 507 581 40	Stopper 8,5		6	
(3)	986 556 623 01	Sound absorber Tray Convertible top It is necessary to rework	/L 97	1	
3	986 556 624 01	Sound absorber Tray Convertible top It is necessary to rework	/R 97	1	
(3)	986 556 623 03	Sound absorber Tray Convertible top	/L 98-	1	
(3)	986 556 624 02	Sound absorber Tray Convertible top	/R 98-	1	
(4)	986 556 663 02	Sound absorber	/L	1	
4	986 556 664 02	Sound absorber Rear bulkhead	/R	1	
(5)	986 556 671 01	Seal	/L -03	1	
5	986 556 672 01	Seal	/R -03	1	
(5)	986 556 671 02	Seal Roll-over bar	/L /R 04-	1	
(6)	986 556 721 02	Sound absorber	/L	1	
6	986 556 722 02	Sound absorber Engine compartment	/R	1	
7	986 556 724 01	Sound absorber Engine compartment	/R	1	
8	986 556 741 02	Sound absorber Engine compartment		1	
9	996 556 531 01	Insulation Door		2	
(10)	996 556 605 01	Sound absorber	/L	1	
10	996 556 606 01	Sound absorber Wheel housing panel	/R	1	
11	996 556 723 01	Sound absorber Firewall	/LL	1	
12	999 703 432 40	Stopper 8,0		2	
13	999 507 581 40	Stopper 8,5		4	
14	1H0 819 943	Screw		2	
(15)	996 572 511 06	Sound absorber Air conditioner	/LL 03-	1	
(15)	996 572 511 04	Sound absorber Air conditioner	/LL 03-	1	
15	996 572 511 02	Sound absorber Air conditioner	/LL -02	1	

Model: 986 97

Model life 1997>>2004



Model: 986 97 Model life 1997>>2004

Pos	Part Number	Description	Remark	Qty	Model
1	996 552 061 02	Dashboard trim with Retaining frame	/LL 97	1	
	996 552 061 02 GRV	Prime coated Retaining frame	/LL 98-	1	
1	996 552 061 12	Retaining frame		4	
2	996 552 805 00	Threaded plate		4	
3	996 552 545 00	Shim		9	
4	999 507 462 02	Speed nut 4,8		9	
4	999 507 462 09	Speed nut 4,8		1	
(5)	996 552 309 07	Support		1	M476
(5)	996 552 309 08	Support		6	
6	900 378 155 09	Hexagon-head bolt M 6 X 16		4	
7	999 507 574 02	Clamp 8 X 10/1,2		1	
8	996 552 191 02	Knee protection strip -02		1	
(8)	996 552 191 01	Knee protection strip	/L 03-	1	
(8)	996 552 192 00	Knee protection strip	/R 03-	1	
-	996 552 616 00	Support	03-	2	
-	900 075 468 09	Combination screw M 6 X 10	03-	4	
9	900 378 074 09	Hexagon-head bolt M 8 X 16		1	
10	999 076 055 09	Hexagon nut M 8		1	
11	996 552 081 04	Dashboard trim Leatherette/ Moulding	/LL 97	1	
	996 552 081 04 EJN	Black		1	
	996 552 081 04 EJO	Graphite grey		1	
	996 552 081 04 EJP	Savanna		1	
(11)	986 552 081 01	Dashboard trim Leatherette/ Moulding	/LL -98	1	M011/016
	986 552 081 01 DHN	Black		1	
	986 552 081 01 DHO	Graphite grey		1	
	986 552 081 01 DHP	Savanna		1	
	986 552 081 01 EJQ	Metropole blue		1	
11	996 552 109 00	Dashboard trim Leatherette without Moulding	/LL -99	1	M010/011/016
	996 552 109 00 A18	Black		1	
	996 552 109 00 C18	Graphite grey		1	
	996 552 109 00 S18	Savanna		1	
	996 552 109 00 G18	Metropole blue		1	
11	996 552 109 00	Dashboard trim Leatherette without Moulding	/LL	1	M016
	996 552 109 00 A12	Black		1	
	996 552 109 00 C52	Graphite grey		1	
	996 552 109 00 S32	Savanna		1	
	996 552 109 00 G12	Metropole blue		1	
	996 552 109 00 J32	Nephrite green		1	
(11)	996 552 109 02	Dashboard trim Leatherette without Moulding	/LL 03-	1	M016

Model: 986 97 Model life 1997>>2004

Pos	Part Number	Description	Remark	Qty	Model
	996 552 109 02 A12	Black			
	996 552 109 02 C52	Graphite grey			
	996 552 109 02 S32	Savanna			
	996 552 109 02 G12	Metropole blue			
	996 552 109 02 J32	Nephrite green	-03		
11	986 552 109 00	Dashboard trim Leatherette	/LL -02	1	M012
	986 552 109 00 A40	Black			
(11)	986 552 109 01	Dashboard trim Leatherette	/LL 03-	1	M012
	986 552 109 01 A40	Black			
11	996 552 101 00	Dashboard trim Leather/ without Moulding	/LL -01	1	M981
	996 552 101 00 A11	Black	-99		
	996 552 101 00 EVL	Black	00-		
	996 552 101 00 C51	Graphite grey			
	996 552 101 00 S31	Savanna			
	996 552 101 00 G11	Metropole blue			
	996 552 101 00 J31	Nephrite green			
	996 552 101 00 M31	Boxster red			
	996 552 101 00 D12	Dark grey/natural	00-		
	996 552 101 00 T12	Brown/natural	00-		
	996 552 101 00 P12	Cinnamon brown	01		
(11)	996 552 101 02	Dashboard trim Leather/ without Moulding	/LL 02	1	M981
	996 552 101 02 A11	Black			
	996 552 101 02 C51	Graphite grey			
	996 552 101 02 S31	Savanna			
	996 552 101 02 G11	Metropole blue			
	996 552 101 02 J31	Nephrite green			
	996 552 101 02 M31	Boxster red			
	996 552 101 02 P12	Cinnamon brown			
	996 552 101 02 D12	Dark grey/natural			
	996 552 101 02 T12	Brown/natural			
(11)	996 552 102 02	Dashboard trim Leather/ without Moulding	/RL 02	1	M981
	996 552 102 02 A11	Black			
	996 552 102 02 C51	Graphite grey			
	996 552 102 02 S31	Savanna			
	996 552 102 02 G11	Metropole blue			
	996 552 102 02 J31	Nephrite green			
	996 552 102 02 M31	Boxster red			
	996 552 102 02 P12	Cinnamon brown			
	996 552 102 02 D12	Dark grey/natural			
	996 552 102 02 T12	Brown/natural			
(11)	996 552 101 01	Dashboard trim Leather with Cut-outs Glove compartment	/LL	1	
	996 552 101 01 A11	Black			
	996 552 101 01 C51	Graphite grey			
	996 552 101 01 S31	Savanna			
	996 552 101 01 G11	Metropole blue			
	996 552 101 01 J31	Nephrite green	-03		
	996 552 101 01 M31	Boxster red			
	996 552 101 01 D12	Dark grey/natural			

Model: 986 97 Model life 1997>>2004

Pos	Part Number	Description	Remark	Qty	Model
	996 552 101 01 T12	Brown/natural			
	996 552 101 01 P12	Cinnamon brown			
	996 552 101 01 9V6	Cocoa	04-		
-	996 552 749 00	Reinforcement strip	/LL 03-	1	
-	996 552 753 00	Reinforcement strip	/LL 03-	1	M573
-	996 552 753 01	Reinforcement strip	/LL 03-	1	M574
-	999 073 169 07	Tapping screw 4,8 X 16	03-	1	
-	999 507 796 02	U-clamp 2,0	03-	3	
-	999 551 145 40	Lining strap 15 X 1,3 X 50		2	
-	999 507 768 02	Speed nut 4,2		18	
12	996 552 381 01	Moulding Driver's side	/LL /L -99	1	M011/012/016
	996 552 381 01 B12	Black-grey			
12	996 552 381 02	Moulding Driver's side Lacquered	/LL /L 99	1	M010
	996 552 381 02 D05	Granite grey			
12	996 552 381 02	Moulding Driver's side Lacquered	/LL /L 00-	1	
	996 552 381 02 A03	Black			
12	986 552 381 00	Moulding Driver's side Lacquered	/LL /L 04	1	M091
	986 552 381 00 M7Z	GT Silver Metallic			
12	996 552 996 00	Moulding Driver's side Leather	/LL /L 01-	1	IXNU
	996 552 996 00 A11	Black			
	996 552 996 00 C51	Graphite grey			
	996 552 996 00 S31	Savanna			
	996 552 996 00 G11	Metropole blue			
	996 552 996 00 J31	Nephrite green			
	996 552 996 00 M31	Boxster red			
	996 552 996 00 D12	Dark grey/natural			
	996 552 996 00 T12	Brown/natural			
	996 552 996 00 P12	Cinnamon brown			
12	996 552 996 04	Cover strip Driver's side Rootwood Light	/LL /L 01-	1	IXNV
12	996 552 996 05	Cover strip Driver's side Rootwood Dark	/LL /L 01-	1	IXNW
12	996 552 996 01	Cover strip Driver's side Carbon	/LL /L 01-	1	IXNX
12	996 552 996 03	Cover strip Driver's side Aluminium Arctic silver	/LL /L 01-02	1	IXNY
12	996 552 996 12	Moulding Aluminium Driver's side Silver	/LL /L 03-	1	IXCA
(12)	996 552 997 12	Moulding Aluminium	/RL /R 03-	1	IXCA

Model: 986 97 Model life 1997>>2004

Pos	Part Number	Description	Remark	Qty	Model
13	996 552 383 01	Driver's side Silver Moulding Centre	/LL -99	1	M011/012/016
13	996 552 383 01 B12 996 552 383 02	Black-grey Moulding Centre Lacquered	/LL 99	1	M010
13	996 552 383 02 D05 996 552 383 02	Granite grey Moulding Centre Lacquered	/LL 00-	1	
13	996 552 383 02 A03 986 552 383 00	Black Moulding Centre Lacquered	/LL 04	1	M091
13	986 552 383 00 M7Z 996 552 998 00	GT Silver Metallic Moulding Centre Leather	/LL 01-	1	IXNU
	996 552 998 00 A11	Black			
	996 552 998 00 C51	Graphite grey			
	996 552 998 00 S31	Savanna			
	996 552 998 00 J31	Nephrite green			
	996 552 998 00 M31	Boxster red			
	996 552 998 00 D12	Dark grey/natural			
	996 552 998 00 T12	Brown/natural			
	996 552 998 00 P12	Cinnamon brown			
13	996 552 998 10	Cover strip Centre Rootwood Dark	/LL 01-	1	IXNW
13	996 552 998 06	Cover strip Centre Aluminium Arctic silver	/LL 01-02	1	IXNY
13	996 552 998 14	Moulding Centre	/LL 03-	1	IXCA
(13)	996 552 998 15	Moulding Centre Silver	/RL 03-	1	IXCA
14	996 552 385 01	Moulding Passenger's side	/LL /R -99	1	M011/012/016
14	996 552 385 01 B12 996 552 385 02	Black-grey Moulding Passenger's side	/LL /R 99	1	M010
14	996 552 385 02 D05 996 552 385 03	Granite grey Moulding Passenger's side Lacquered	/LL /R 00-	1	
14	996 552 385 03 A03 986 552 385 00	Black Moulding Passenger's side Lacquered	/LL /L 04	1	M091
14	986 552 385 00 M7Z 996 552 959 00	GT Silver Metallic Moulding Passenger's side	/LL /R 00-	1	IXNU
	996 552 959 00 A11	Black			
	996 552 959 00 C51	Graphite grey			
	996 552 959 00 S31	Savanna			
	996 552 959 00 G11	Metropole blue			
	996 552 959 00 J31	Nephrite green			
	996 552 959 00 M31	Boxster red			

Model: 986 97 Model life 1997>>2004

Pos	Part Number	Description	Remark	Qty	Model
14	996 552 959 00 D12	Dark grey/natural			
	996 552 959 00 T12	Brown/natural			
	996 552 959 00 P12	Cinnamon brown	01-		
	996 552 959 04	Moulding Passenger's side Rootwood Dark	/LL /R 00-	1	IXNW
14	996 552 959 06	Moulding Passenger's side Carbon	/LL /R 00-	1	IXNX
14	996 552 959 08	Moulding Passenger's side Aluminium Arctic silver	/LL /R -02	1	IXNY
(14)	996 552 959 09	Moulding Passenger's side Aluminium Arctic silver	/RL /L -02	1	IXNY
14	996 552 959 10	Moulding Aluminium Passenger's side Silver	/LL /R 03-	1	IXCA
15	999 919 203 07	Oval-head screw 3 X 10		11	
16	996 552 645 00	Gasket Cowl Information available		1	
17	999 703 435 40	Lid 15,0 X 26,0		2	
18	999 074 057 09	Hexagon-head bolt M 8 X 125		4	
19	999 073 169 07	Tapping screw 4,8 X 16		11	
20	999 507 462 02	Speed nut		9	
20	999 507 462 09	Speed nut		9	
21	996 552 185 02	Defroster trim F >>98VS6 22753	/L	1	
(21)	996 552 185 02 B12	Black-grey			
	996 552 186 02	Defroster trim F >>98VS6 22753	/R	1	
21	996 552 186 02 B12	Black-grey			
	986 552 185 00	Defroster trim F 98VS6 22754>>	/L -98	1	
(21)	986 552 185 00 B12	Black-grey			
	986 552 186 00	Information available Defroster trim F 98VS6 22754>>	/R -98	1	
21	986 552 186 00 B12	Black-grey			
	986 552 185 00	Information available Defroster trim	/L 99	1	M011/012/016
(21)	986 552 185 00 B12	Black-grey			
	986 552 186 00	Information available Defroster trim	/R 99	1	M011/012/016
21	986 552 186 00 B12	Black-grey			
	986 552 185 04	Information available Defroster trim	/L	1	
(21)	996 552 185 04 D05	Granite grey	99		
	996 552 185 04 A03	Black	00-		
	996 552 186 04	Defroster trim	/R	1	
21	996 552 186 04 D05	Granite grey	99		
	996 552 186 04 A03	Black	00-		
	996 552 988 05	Defroster trim Leather	/L 01-	1	IXV1



Model: 986 97 Model life 1997>>2004

Pos	Part Number	Description	Remark	Qty	Model
	996 552 988 05 VRK	Black			
	996 552 988 05 C51	Graphite grey			
	996 552 988 05 S31	Savanna			
	996 552 988 05 J31	Nephrite green			
	996 552 988 05 M31	Boxster red			
	996 552 988 05 G11	Metropole blue			
	996 552 988 05 D12	Dark grey/natural			
	996 552 988 05 T12	Brown/natural			
	996 552 988 05 P12	Cinnamon brown			
(21)	996 552 989 05	Defroster trim Leather	/R 01-	1	IXV1
	996 552 989 05 VRK	Black			
	996 552 989 05 C51	Graphite grey			
	996 552 989 05 S31	Savanna			
	996 552 989 05 J31	Nephrite green			
	996 552 989 05 M31	Boxster red			
	996 552 989 05 G11	Metropole blue			
	996 552 989 05 D12	Dark grey/natural			
	996 552 989 05 T12	Brown/natural			
	996 552 989 05 P12	Cinnamon brown			
22	999 507 531 02	Clamp 1,8-2,8	-98	2	
22	999 507 685 02	Clamp 1,5-2,0	99-	2	
23	996 552 181 02	Cover F >>98VS6 22753		1	
(23)	996 552 181 02 B12	Black-grey		1	M573
	996 552 181 03	Cover F >>98VS6 22753		1	
(23)	996 552 181 03 B12	Black-grey		1	
(23)	986 552 181 00	Cover F 98VS6 22754>>	-98	1	
(23)	986 552 181 00 B12	Black-grey		1	M011/012/016
	986 552 181 00	Cover	99	1	
(23)	986 552 181 00 B12	Black-grey		1	
(23)	996 552 181 04	Cover		1	
	996 552 181 04 D05	Granite grey	99		
	996 552 181 04 A03	Black	00-		
(23)	996 552 990 02	Cover Light Leather	01-	1	IXV1
	996 552 990 02 VRK	Black			
	996 552 990 02 C51	Graphite grey			
	996 552 990 02 S31	Savanna			
	996 552 990 02 J31	Nephrite green			
	996 552 990 02 M31	Boxster red			
	996 552 990 02 G11	Metropole blue			
	996 552 990 02 D12	Dark grey/natural			
	996 552 990 02 T12	Brown/natural			
	996 552 990 02 P12	Cinnamon brown			
24	996 552 617 03	Support	/LL	1	
-	999 591 883 02	Speed nut 4,8		2	
-	999 591 883 01	Speed nut 4,8		2	
25	900 380 015 09	Hexagon nut M 6		2	
26	986 552 055 00	Cover Instruments	/LL 97	1	
	986 552 055 00 EJN	Black			
	986 552 055 00 EJO	Graphite grey			
	986 552 055 00 EJP	Savanna			
26	986 552 055 02	Cover	/LL 98-99	1	M011/016

Model: 986 97 Model life 1997>>2004

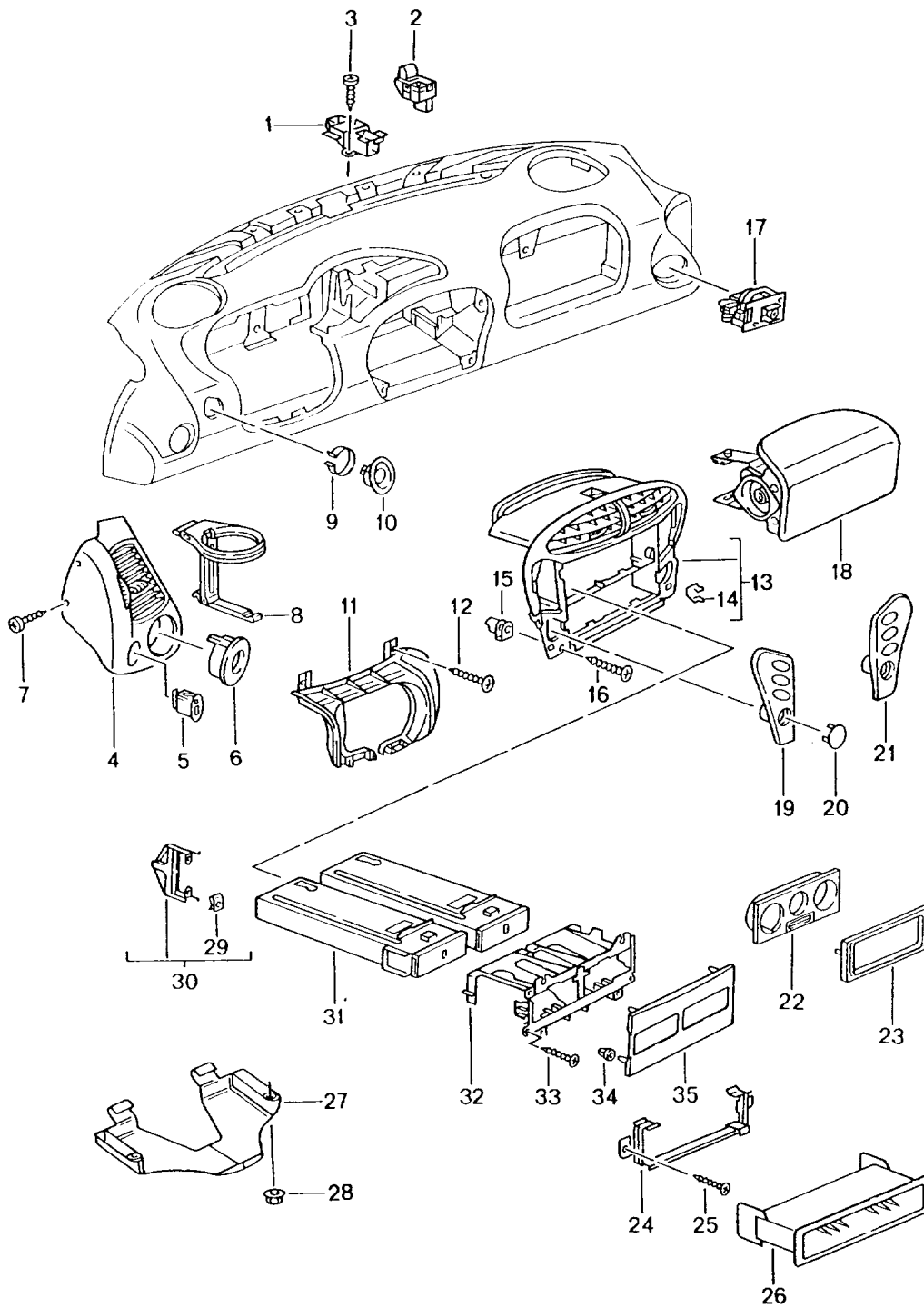
Pos	Part Number	Description	Remark	Qty	Model
		Leatherette Dashboard trim Black-grey			
	986 552 055 02 DHN	Black			
	986 552 055 02 DHO	Graphite grey			
	986 552 055 02 DHP	Savanna			
	986 552 055 02 EJQ	Metropole blue			
26	986 552 055 03	Cover Leatherette Dashboard trim Granite grey	/LL 99	1	M010
	986 552 055 03 DKO	Black			
	986 552 055 03 DKP	Graphite grey			
	986 552 055 03 DKQ	Savanna			
	986 552 055 03 DKR	Metropole blue			
26	986 552 055 03	Cover Leatherette Dashboard trim Black	/LL 00-	1	M016
	986 552 055 03 EUD	Black			
	986 552 055 03 EVC	Graphite grey			
	986 552 055 03 EVG	Savanna			
	986 552 055 03 EVH	Metropole blue			
	986 552 055 03 FES	Nephrite green			
26	986 552 035 02	Cover Instruments Leather Black Dashboard trim Lacquered	/LL 98-	1	M012
	986 552 035 02 DKN	Metal grey			
26	986 552 035 02	Cover Instruments Leather/ Dashboard trim Granite grey Lacquered	/LL 99	1	M010
	986 552 035 02 DKG	Black			
	986 552 035 02 DKH	Graphite grey			
	986 552 035 02 DKJ	Savanna			
	986 552 035 02 DKK	Metropole blue			
	986 552 035 02 DKL	Nephrite green			
	986 552 035 02 DKM	Boxster red			
26	986 552 035 00	Cover Instruments Leather Dashboard trim Black-grey	/LL 97	1	
	986 552 035 00 EBG	Black			
	986 552 035 00 EBH	Graphite grey			
	986 552 035 00 EBJ	Savanna			
	986 552 035 00 EBL	Boxster red			
	986 552 035 00 EBK	Nephrite green			
26	986 552 035 00	Cover Instruments Leather Dashboard trim Black-grey	/LL 98-99	1	M016
	986 552 035 00 EBG	Black			
	986 552 035 00 EBH	Graphite grey			
	986 552 035 00 EBJ	Savanna			
	986 552 035 00 EBL	Boxster red			
	986 552 035 00 EBK	Nephrite green			

Model: 986 97 Model life 1997>>2004

Pos	Part Number	Description	Remark	Qty	Model	
26	986 552 035 00 DKF	Metropole blue	98-	1	M016	
	986 552 035 02	Cover	/LL 00-			
		Instruments				
		Leather/				
		Dashboard trim				
		Black				
	986 552 035 02 EQH	Black				
	986 552 035 02 EQJ	Graphite grey				
	986 552 035 02 EQK	Savanna				
	986 552 035 02 EQL	Metropole blue				
26	986 552 035 02 EQM	Nephrite green	-03	1	M091	
	986 552 035 02 EQN	Boxster red				
	986 552 035 02 VSE	Dark grey				
	986 552 035 02 VSF	Brown/natural				
	986 552 035 02 FER	Cinnamon brown	01-			
	986 552 035 03	Cover	/LL 04			
		Instruments				
		Leather/				
		GT Silver Metallic				
27	986 552 035 03 FGF	Cocoa		1		
	986 552 035 03 FGG	Dark grey/natural				
	986 552 221 03	Cover	/LL 98-			
		Lower part				
27	986 552 221 03 D05	Granite grey	99	1	M091	
	986 552 221 03 C02	Metal grey	98-			
	986 552 221 03 A03	Black	00-			
	986 552 221 04	Cover	/LL 04			
		Lower part				
28	986 552 221 04 M7Z	GT Silver Metallic		11		
	999 591 349 02	Speed nut				
29	999 073 153 01	Tapping screw		11		
		3,5 X 14				
30	999 920 012 40	Plug-in nut		2		
		5,0 X 3,5 X 8				
32	999 919 188 09	Oval-head screw	-00	2		
		5,0 X 30				
(32)	999 073 220 09	Tapping screw	01-	2		
33	996 552 625 01	Cover	/LL 97	1		
		Microphone				
33	996 552 625 01 B12	Black-grey		1	M011/016	
	996 552 625 01	Cover	/LL 98-99			
(33)	996 552 625 01 B12	Black-grey		1	M011/016	
	996 552 626 01	Cover	/RL 98-99			
33	996 552 626 01 B12	Black-grey		1		
	996 552 625 02	Cover	/LL			
33	996 552 625 02 C02	Microphone		1	M091	
		Lacquered				
		996 552 625 02 D05	Metal grey			98-
		996 552 625 02 A03	Granite grey			99
		996 552 625 02 A03	Black			00-
		986 552 625 00	Cover			/LL 04
33	986 552 625 00 M7Z	Microphone		1		
		Lacquered				
		GT Silver Metallic				

Model: 986 97

Model life 1997>>2004



Model: 986 97 Model life 1997>>2004

Pos	Part Number	Description	Remark	Qty	Model
		Accessories	-02		
1	996 552 541 01	Dashboard trim		1	
		Mounting			
		Light			
		F >>98VS6 22753			
1	996 552 541 02	Mounting		1	
		Light			
		F 98VS6 22754>>			
2	8D0 907 539	Sensor		1	
		F >>98VS6 22753			
2	996 653 251 00	Sensor		1	
		F 98VS6 22754>>			
3	999 919 120 09	Oval-head screw		2	
		4,0 X 18			
4	996 552 225 04	Side vent	/L -99	1	M011/012/016
	996 552 225 04 B12	Black-grey			
(4)	996 552 228 04	Side vent	/R -99	1	M011/012/016
	996 552 228 04 B12	Black-grey			
4	996 552 225 05	Side vent	/L 99	1	M010
		Lacquered			
	996 552 225 05 D05	Granite grey			
(4)	996 552 228 05	Side vent	/R 99	1	M010
		Lacquered			
	996 552 228 05 D05	Granite grey			
4	996 552 225 05	Side vent	/L 00-	1	
	996 552 225 05 A03	Black			
(4)	996 552 228 05	Side vent	/R 00-	1	
		Lacquered			
	996 552 228 05 A03	Black			
4	996 552 984 00	Side vent	/L 01-	1	IXNH
	996 552 984 00 VRK	Black			
	996 552 984 00 C51	Graphite grey			
	996 552 984 00 S31	Savanna			
	996 552 984 00 G11	Metropole blue			
	996 552 984 00 J31	Nephrite green			
	996 552 984 00 M31	Boxster red			
	996 552 984 00 D12	Dark grey/natural			
	996 552 984 00 T12	Brown/natural			
	996 552 984 00 P12	Cinnamon brown			
(4)	996 552 985 00	Side vent	/R 01-	1	IXNH
		Leather			
	996 552 985 00 VRK	Black			
	996 552 985 00 C51	Graphite grey			
	996 552 985 00 S31	Savanna			
	996 552 985 00 G11	Metropole blue			
	996 552 985 00 J31	Nephrite green			
	996 552 985 00 M31	Boxster red			
	996 552 985 00 D12	Dark grey/natural			
	996 552 985 00 T12	Brown/natural			
	996 552 985 00 P12	Cinnamon brown			
4	996 552 984 05	Side vent	/L 01-	1	IXKE
		Arctic silver			
		Leather			
	996 552 984 05 VRK	Black			
	996 552 984 05 C51	Graphite grey			
	996 552 984 05 S31	Savanna			
	996 552 984 05 J31	Nephrite green			
	996 552 984 05 M31	Boxster red			
	996 552 984 05 G11	Metropole blue			
	996 552 984 05 D12	Dark grey			
	996 552 984 05 T12	Brown/natural			
	996 552 984 05 P12	Cinnamon brown			
(4)	996 552 985 05	Side vent	/R 01-	1	IXKE

Model: 986 97 Model life 1997>>2004

Pos	Part Number	Description	Remark	Qty	Model
		Arctic silver			
		Leather			
	996 552 985 05 VRK	Black			
	996 552 985 05 C51	Graphite grey			
	996 552 985 05 S31	Savanna			
	996 552 985 05 J31	Nephrite green			
	996 552 985 05 M31	Boxster red			
	996 552 985 05 G11	Metropole blue			
	996 552 985 05 D12	Dark grey			
	996 552 985 05 T12	Brown/natural			
	996 552 985 05 P12	Cinnamon brown			
5	996 552 621 00	Cover	97	1	
	996 552 621 00 B12	Black-grey			
5	996 552 621 00	Cover	98-99	1	M011/012/016
		Headlight levelling system			
	996 552 621 00 B12	Black-grey			
5	996 552 621 01	Cover	99	1	M010
		Headlight levelling system			
		Lacquered			
	996 552 621 01 D05	Granite grey			
5	996 552 621 01	Cover	00-	1	
		Headlight levelling system			
		Lacquered			
	996 552 621 01 A03	Black			
5	996 552 986 00	Cover	01-	1	IXNH
		Headlight levelling system			
		Leather			
	996 552 986 00 A11	Black			
	996 552 986 00 C51	Graphite grey			
	996 552 986 00 S31	Savanna			
	996 552 986 00 J31	Nephrite green			
	996 552 986 00 M31	Boxster red			
	996 552 986 00 G11	Metropole blue			
	996 552 986 00 D12	Dark grey/natural			
	996 552 986 00 T12	Brown/natural			
	996 552 986 00 P12	Cinnamon brown			
6	996 552 417 01	Rosette	97	1	
	996 552 417 01 B12	Black-grey			
6	996 552 417 01	Rosette	98-99	1	M011/012/016
		Interior sensor			
	996 552 417 01 B12	Black-grey			
6	996 552 417 02	Rosette	99	1	M010
		Interior sensor			
		Lacquered			
	996 552 417 02 D05	Granite grey			
6	996 552 417 02	Rosette	00-	1	
		Interior sensor			
		Lacquered			
	996 552 417 02 A03	Black			
6	996 552 987 00	Rosette	01-	1	IXNH
		Interior sensor			
		Leather			
	996 552 987 00 A11	Black			
	996 552 987 00 C51	Graphite grey			
	996 552 987 00 S31	Savanna			
	996 552 987 00 J31	Nephrite green			
	996 552 987 00 M31	Boxster red			
	996 552 987 00 G11	Metropole blue			
	996 552 987 00 D12	Dark grey/natural			
	996 552 987 00 T12	Brown/natural			
	996 552 987 00 P12	Cinnamon brown			
7	999 919 120 09	Oval-head screw	-00	4	
		4,0 X 18			

Model: 986 97 Model life 1997>>2004

Pos	Part Number	Description	Remark	Qty	Model
7	999 073 218 09	Tapping screw 4,2 X 16	01-	4	
8	986 552 183 00	Support	/L 97	1	
	986 552 183 00 01C	Satin black			
(8)	986 552 184 00	Support	/R 97	1	
	986 552 184 00 01C	Satin black			
9	944 552 452 00	Clip F >>98VS6 24398		1	
10	996 552 235 02	Rosette	97	1	
		Ignition starter lock			
	996 552 235 02 B12	Black-grey			
10	996 552 235 02	Rosette	/LL 98-99	1	M011/012/016
		Ignition starter lock			
	996 552 235 02 B12	Black-grey			
10	996 552 235 03	Rosette	/LL	1	
		Lacquered			
	996 552 235 03 D05	Granite grey	99		M010
	996 552 235 03 A03	Black	00-		
10	996 552 980 00	Rosette	/LL 01-	1	IXJ4
		Ignition starter lock			
		Leather			
	996 552 980 00 A11	Black			
	996 552 980 00 C51	Graphite grey			
	996 552 980 00 S31	Savanna			
	996 552 980 00 G11	Metropole blue			
	996 552 980 00 J31	Nephrite green			
	996 552 980 00 M31	Boxster red			
	996 552 980 00 P12	Cinnamon brown			
	996 552 980 00 D12	Dark grey/natural			
	996 552 980 00 T12	Brown/natural			
11	996 552 271 03	Cover		1	
		Steering			
	996 552 271 03 A03	Black			
	996 552 271 03 C53	Graphite grey			
	996 552 271 03 S33	Savanna			
	996 552 271 03 G13	Metropole blue			
	996 552 271 03 M33	Boxster red			
	996 552 271 03 J33	Nephrite green			
	996 552 271 03 P13	Cinnamon brown			
11	986 552 988 03	Cover	01-	1	IXNS
		Steering			
		Leather			
	986 552 988 03 VRK	Black			
	986 552 988 03 S31	Savanna			
	986 552 988 03 C51	Graphite grey			
	986 552 988 03 G11	Metropole blue			
	986 552 988 03 J31	Nephrite green			
	986 552 988 03 M31	Boxster red			
	986 552 988 03 D12	Dark grey/natural			
	986 552 988 03 T12	Brown/natural			
	986 552 988 03 P12	Cinnamon brown			
12	999 919 123 09	Oval-head screw 5,0 X 20		8	
13	986 552 131 04	Support frame	-99	1	M011/016
	986 552 131 04 EBO	Satin black			
(13)	986 552 131 05	Support frame	-99	1	M011/016/662
	986 552 131 05 EBO	Satin black			
13	986 552 131 08	Support frame		1	
		Lacquered			
	986 552 131 08 A03	Black	00-		
	986 552 131 08 C02	Metal grey			
	986 552 131 08 D05	Granite grey	99		
(13)	986 552 131 09	Support frame		1	M662

Model: 986 97 Model life 1997>>2004

Pos	Part Number	Description	Remark	Qty	Model
		Lacquered			
	986 552 131 09 A03	Black	00-		
	986 552 131 09 C02	Metal grey			
	986 552 131 09 D05	Granite grey	99		
(13)	986 552 980 18	Support frame	01-	1	IXNN
	986 552 980 18 A11	Black			
	986 552 980 18 C51	Graphite grey			
	986 552 980 18 S31	Savanna			
	986 552 980 18 G11	Metropole blue			
	986 552 980 18 J31	Nephrite green			
	986 552 980 18 M31	Boxster red			
	986 552 980 18 D12	Dark grey/natural			
	986 552 980 18 T12	Brown/natural			
	986 552 980 18 P12	Cinnamon brown	01		
(13)	986 552 980 22	Support frame	01-	1	IXNN/M662
		Leather			
	986 552 980 22 A11	Black			
	986 552 980 22 C51	Graphite grey			
	986 552 980 22 S31	Savanna			
	986 552 980 22 G11	Metropole blue			
	986 552 980 22 J31	Nephrite green			
	986 552 980 22 M31	Boxster red			
	986 552 980 22 D12	Dark grey/natural			
	986 552 980 22 T12	Brown/natural			
	986 552 980 22 P12	Cinnamon brown	01		
(13)	986 552 980 30	Support frame		1	IXKS
		Rootwood			
		Dark			
		Lacquered			
	986 552 980 30 01C	Satin black			
	986 552 980 30 C53	Graphite grey			
	986 552 980 30 S33	Savanna			
	986 552 980 30 G13	Metropole blue			
	986 552 980 30 J33	Nephrite green			
	986 552 980 30 M33	Boxster red			
	986 552 980 30 D12	Dark grey/natural			
	986 552 980 30 T12	Brown/natural			
	986 552 980 30 P13	Cinnamon brown	01		
(13)	986 552 980 31	Support frame		1	IXKS/M662
		Rootwood			
		Dark			
		Lacquered			
	986 552 980 31 01C	Satin black			
	986 552 980 31 C53	Graphite grey			
	986 552 980 31 S33	Savanna			
	986 552 980 31 G13	Metropole blue			
	986 552 980 31 J33	Nephrite green			
	986 552 980 31 M33	Boxster red			
	986 552 980 31 D12	Dark grey/natural			
	986 552 980 31 T12	Brown/natural			
	986 552 980 31 P13	Cinnamon brown	01		
(13)	986 552 980 20	Support frame		1	IXNR
		Carbon			
	986 552 980 20 01C	Satin black			
	986 552 980 20 C53	Graphite grey			
	986 552 980 20 S33	Savanna			
	986 552 980 20 G13	Metropole blue			
	986 552 980 20 J33	Nephrite green			
	986 552 980 20 M33	Boxster red			
	986 552 980 20 D12	Dark grey/natural			
	986 552 980 20 T12	Brown/natural			
	986 552 980 20 P13	Cinnamon brown	01		
(13)	986 552 980 24	Support frame		1	IXNR/M662



Model: 986 97 Model life 1997>>2004

Pos	Part Number	Description	Remark	Qty	Model
		Carbon			
	986 552 980 24 01C	Satin black			
	986 552 980 24 C53	Graphite grey			
	986 552 980 24 S33	Savanna			
	986 552 980 24 G13	Metropole blue			
	986 552 980 24 J33	Nephrite green			
	986 552 980 24 M33	Boxster red			
	986 552 980 24 D12	Dark grey/natural			
	986 552 980 24 T12	Brown/natural			
	986 552 980 24 P13	Cinnamon brown	01		
13	986 552 980 34	Support frame	01	1	IXKW
	986 552 980 34 92T	Arctic silver metallic			
(13)	986 552 980 35	Support frame	01	1	IXKW/M662
	986 552 980 35 92T	Arctic silver			
-	996 572 971 00	Foam part		1	
14	999 507 533 02	Clamp		4	
		8/2,5			
(15)	999 920 015 40	Plug-in nut	-99	11	
		4,0 X 4,0 X 9			
15	999 920 012 40	Plug-in nut		4	
		5,0 X 3,5 X 8			
(15)	999 507 744 01	Speed nut	-00	18	
		4,2			
(15)	999 507 768 02	Speed nut	01-	16	
		4,2			
(15)	999 507 767 02	Speed nut	01-	2	
		4,2			
16	999 919 123 09	Oval-head screw	-00	4	
		5,0 X 20			
16	999 073 218 09	Tapping screw	01-	4	
		4,2 X 16			
17	996 653 241 00	Interior sensor		1	M573
		Side vent			
18		See group		1	
		4/03/06			
19	986 552 233 00	Trim for switch	/L 97	1	
	986 552 233 00 B12	Black-grey			
19	986 552 233 00	Trim for switch	/L 98-99	1	M011/016
	986 552 233 00 B12	Black-grey			
19	986 552 233 01	Trim for switch	/L	1	
		Lacquered			
	986 552 233 01 C02	Metal grey	98-		M012
	986 552 233 01 D05	Granite grey	99		M010
	986 552 233 01 A03	Black	00-		
19	986 552 981 04	Trim for switch	/L 01-	1	IXKW
		Arctic silver			
20	986 552 543 00	Cover	97	1	
	986 552 543 00 B12	Black-grey			
20	986 552 543 00	Cover	98-99	1	M011/016
		Switch			
	986 552 543 00 B12	Black-grey			
20	986 552 543 01	Cover		1	
		Switch			
	986 552 543 01 D05	Granite grey	99		M010
	986 552 543 01 C02	Metal grey	98-		M012
	986 552 543 01 A03	Black	00-		
20	986 552 983 05	Cover	01-	1	IXKW
		Switch			
		Arctic silver			
21	986 552 234 00	Trim for switch	/R 97	1	
	986 552 234 00 B12	Black-grey			
21	986 552 234 00	Trim for switch	/R 98-99	1	M011/016
	986 552 234 00 B12	Black-grey			

Model: 986 97 Model life 1997>>2004

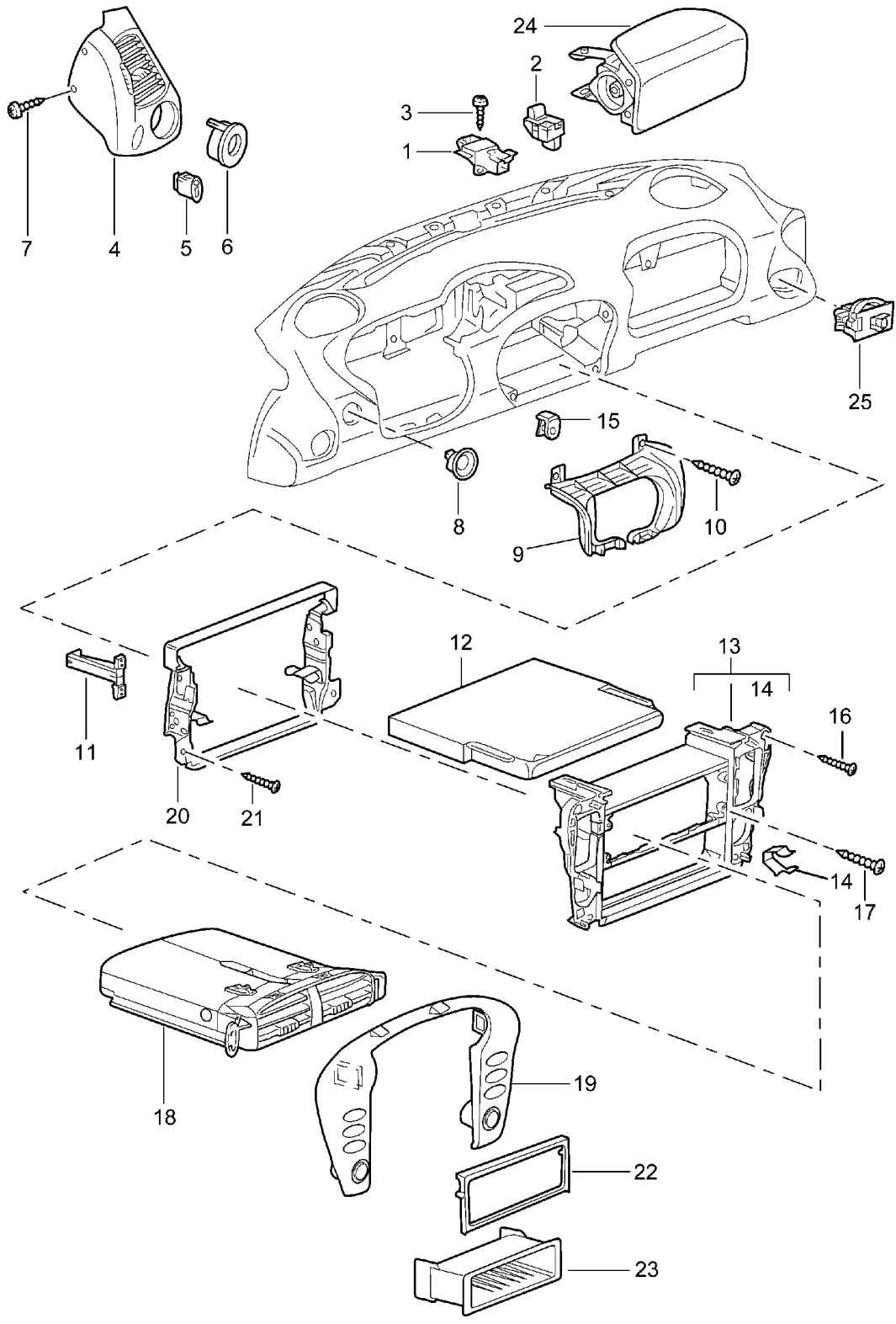
Pos	Part Number	Description	Remark	Qty	Model
21	986 552 234 01	Trim for switch Lacquered	/R	1	
	986 552 234 01 C02	Metal grey	98-		M012
	986 552 234 01 D05	Granite grey	99		M010
	986 552 234 01 A03	Black	00-		
21	986 552 982 04	Trim for switch Arctic silver	/R 01-	1	IXKW
22	996 552 153 01	Support frame Heating		1	
	996 552 153 01 01C	Satin black			
(22)	996 552 991 00	Support frame Heating Leather	01-	1	IXKW/XNN M574
	996 552 991 00 A11	Black			
	996 552 991 00 C51	Graphite grey			
	996 552 991 00 S31	Savanna			
	996 552 991 00 J31	Nephrite green			
	996 552 991 00 M31	Boxster red			
	996 552 991 00 G11	Metropole blue			
	996 552 991 00 D12	Dark grey			
	996 552 991 00 T12	Brown/natural			
	996 552 991 00 P12	Cinnamon brown			
23	996 552 677 00	Frame Air-conditioning switch		1	M573
	996 552 677 00 01C	Satin black			
24	996 552 673 02	Retaining bar Radio		1	
(24)	996 552 653 01	Retaining bar	98-	1	M662
25	999 919 123 09	Oval-head screw 5,0 X 20	-00	2	
25	999 073 218 09	Tapping screw 4,2 X 16	01-	2	
26	996 552 253 01	Shelf Instead of Radio		1	
	996 552 253 01 01C	Satin black			
27	996 552 173 00	Shelf Driver's side	98-99	1	
	996 552 173 00 01C	Satin black			
27	996 552 173 01	Shelf Driver's side	00-	1	
	996 552 173 01 A03	Black			
28	999 507 616 40	Expander nut 6,2/5,8-10	98	2	
(28)	999 591 712 40	Expansion rivet 6,0 X 12,0	99-	2	
29	999 507 439 02	Speed nut 4,2	01-	4	
30	996 552 593 00	Adapter	01-	2	
31	996 552 183 01	Support Beverages	01-	2	M573
31	996 552 956 00	Support Beverages Leather	01-	2	IXKS/M573
	996 552 956 00 A11	Black			
	996 552 956 00 C51	Graphite grey			
	996 552 956 00 S31	Savanna			
	996 552 956 00 J31	Nephrite green			
	996 552 956 00 M31	Boxster red			
	996 552 956 00 G11	Metropole blue			
	996 552 956 00 D12	Dark grey			
	996 552 956 00 T12	Brown/natural			

Model: 986 97 Model life 1997>>2004

Pos	Part Number	Description	Remark	Qty	Model
32	996 552 956 00 P12	Cinnamon brown			
	996 552 351 00	Retaining frame	01-	2	
		Beverages			
33	900 143 076 09	Tapping screw	01-	4	
		4,2 X 25			
34	191 853 615 A	Grommet	01-	4	
35	996 552 287 00	Trim cover	01-	1	M573
		Beverages			
	996 552 287 00 01C	Satin black			
35	996 552 957 00	Trim cover	01-	1	IXKS/M573
		Beverages			
		Leather			
	996 552 957 00 A11	Black			
	996 552 957 00 C51	Graphite grey			
	996 552 957 00 S31	Savanna			
	996 552 957 00 J31	Nephrite green			
	996 552 957 00 M31	Boxster red			
	996 552 957 00 G11	Metropole blue			
	996 552 957 00 T12	Brown/natural			
	996 552 957 00 D12	Dark grey			
	996 552 957 00 P12	Cinnamon brown			

Model: 986 97

Model life 1997>>2004



Model: 986 97 Model life 1997>>2004

Pos	Part Number	Description	Remark	Qty	Model
1	996 552 541 02	Accessories Dashboard trim Mounting Light	03-	1	
2	996 653 251 00	Sensor		1	M534/535
3	999 919 120 09	Oval-head screw 4,0 X 18		2	
4	996 552 225 06	Side vent Lacquered	/L	1	
(4)	996 552 225 06 A03	Black			
(4)	996 552 228 06	Side vent Lacquered	/R	1	
(4)	996 552 228 06 A03	Black			
4	996 552 984 00	Side vent Leather	/L	1	IXNH
	996 552 984 00 VRK	Black			
	996 552 984 00 C51	Graphite grey			
	996 552 984 00 S31	Savanna			
	996 552 984 00 G11	Metropole blue			
	996 552 984 00 J31	Nephrite green			
	996 552 984 00 M31	Boxster red			
	996 552 984 00 D12	Dark grey/natural			
	996 552 984 00 T12	Brown/natural			
	996 552 984 00 P12	Cinnamon brown			
(4)	996 552 985 00	Side vent Leather	/R	1	IXNH
	996 552 985 00 VRK	Black			
	996 552 985 00 C51	Graphite grey			
	996 552 985 00 S31	Savanna			
	996 552 985 00 G11	Metropole blue			
	996 552 985 00 J31	Nephrite green			
	996 552 985 00 M31	Boxster red			
	996 552 985 00 D12	Dark grey/natural			
	996 552 985 00 T12	Brown/natural			
	996 552 985 00 P12	Cinnamon brown			
4	996 552 984 05	Side vent Arctic silver Leather	/L	1	IXKE
	996 552 984 05 VRK	Black			
	996 552 984 05 C51	Graphite grey			
	996 552 984 05 S31	Savanna			
	996 552 984 05 J31	Nephrite green			
	996 552 984 05 M31	Boxster red			
	996 552 984 05 G11	Metropole blue			
	996 552 984 05 D12	Dark grey			
	996 552 984 05 T12	Brown/natural			
	996 552 984 05 P12	Cinnamon brown			
(4)	996 552 985 05	Side vent Arctic silver Leather	/R	1	IXKE
	996 552 985 05 VRK	Black			
	996 552 985 05 C51	Graphite grey			
	996 552 985 05 S31	Savanna			
	996 552 985 05 J31	Nephrite green			
	996 552 985 05 M31	Boxster red			
	996 552 985 05 G11	Metropole blue			
	996 552 985 05 D12	Dark grey			
	996 552 985 05 T12	Brown/natural			
	996 552 985 05 P12	Cinnamon brown			
4	996 552 984 07	Side vent Aluminium look Leather	/L 03-	1	IXCC
	996 552 984 07 VRK	Black			

Model: 986 97 Model life 1997>>2004

Pos	Part Number	Description	Remark	Qty	Model
	996 552 984 07 C51	Graphite grey			
	996 552 984 07 S31	Savanna			
	996 552 984 07 G11	Metropole blue			
	996 552 984 07 J31	Nephrite green			
	996 552 984 07 M31	Boxster red			
	996 552 984 07 P12	Cinnamon brown			
	996 552 984 07 D12	Dark grey/natural			
	996 552 984 07 T12	Brown/natural			
(4)	996 552 985 07	Side vent Aluminium look Leather	/R 03-	1	IXCC
	996 552 985 07 VRK	Black			
	996 552 985 07 C51	Graphite grey			
	996 552 985 07 S31	Savanna			
	996 552 985 07 G11	Metropole blue			
	996 552 985 07 J31	Nephrite green			
	996 552 985 07 M31	Boxster red			
	996 552 985 07 P12	Cinnamon brown			
	996 552 985 07 D12	Dark grey/natural			
	996 552 985 07 T12	Brown/natural			
5	996 552 621 01	Cover Headlight levelling system Lacquered		1	
	996 552 621 01 A03	Black			
5	996 552 986 00	Cover Headlight levelling system Leather		1	IXNU
	996 552 986 00 A11	Black			
	996 552 986 00 C51	Graphite grey			
	996 552 986 00 S31	Savanna			
	996 552 986 00 J31	Nephrite green			
	996 552 986 00 M31	Boxster red			
	996 552 986 00 G11	Metropole blue			
	996 552 986 00 D12	Dark grey/natural			
	996 552 986 00 T12	Brown/natural			
	996 552 986 00 P12	Cinnamon brown			
6	996 552 417 02	Rosette Interior sensor Lacquered		1	
	996 552 417 02 A03	Black			
6	996 552 987 00	Rosette Interior sensor Leather		1	IXCC/XKE/XNH
	996 552 987 00 A11	Black			
	996 552 987 00 C51	Graphite grey			
	996 552 987 00 S31	Savanna			
	996 552 987 00 J31	Nephrite green			
	996 552 987 00 M31	Boxster red			
	996 552 987 00 G11	Metropole blue			
	996 552 987 00 D12	Dark grey/natural			
	996 552 987 00 T12	Brown/natural			
	996 552 987 00 P12	Cinnamon brown			
7	999 073 218 09	Tapping screw 4,2 X 16		4	
8	996 552 235 03	Rosette Ignition starter lock	/LL	1	
	996 552 235 03 A03	Black			
8	996 552 980 00	Rosette Ignition starter lock Leather	/LL	1	IXJ4
	996 552 980 00 A11	Black			
	996 552 980 00 C51	Graphite grey			
	996 552 980 00 S31	Savanna			

Model: 986 97 Model life 1997>>2004

Pos	Part Number	Description	Remark	Qty	Model
	996 552 980 00 G11	Metropole blue			
	996 552 980 00 J31	Nephrite green			
	996 552 980 00 M31	Boxster red			
	996 552 980 00 P12	Cinnamon brown			
	996 552 980 00 D12	Dark grey/natural			
	996 552 980 00 T12	Brown/natural			
9	996 552 271 03	Cover		1	
		Steering			
	996 552 271 03 A03	Black			
	996 552 271 03 C53	Graphite grey			
	996 552 271 03 S33	Savanna			
	996 552 271 03 G13	Metropole blue			
	996 552 271 03 J33	Nephrite green			
	996 552 271 03 M33	Boxster red			
	996 552 271 03 P13	Cinnamon brown			
9	986 552 988 03	Cover		1	IXNS
		Steering			
		Leather			
	986 552 988 03 VRK	Black			
	986 552 988 03 S31	Savanna			
	986 552 988 03 G11	Metropole blue			
	986 552 988 03 J31	Nephrite green			
	986 552 988 03 M31	Boxster red			
	986 552 988 03 D12	Dark grey/natural			
	986 552 988 03 T12	Brown/natural			
	986 552 988 03 C51	Graphite grey			
	986 552 988 03 P12	Cinnamon brown			
10	999 919 123 09	Oval-head screw		8	
		5,0 X 20			
12	996 552 183 00	Support	/LL	1	
		Beverages			
	996 552 183 00 01C	Satin black			
12	996 552 183 02	Support	/LL	1	
		Beverages			
	996 552 183 02 01C	Satin black			
12	996 552 958 00	Support	/LL	1	IXCD/XKS/XNR
		Beverages			
		Leather			
	996 552 958 00 A11	Black			
	996 552 958 00 C51	Graphite grey			
	996 552 958 00 S31	Savanna			
	996 552 958 00 G11	Metropole blue			
	996 552 958 00 J31	Nephrite green			
	996 552 958 00 M31	Boxster red			
	996 552 958 00 P12	Cinnamon brown			
	996 552 958 00 D12	Dark grey/natural			
	996 552 958 00 T12	Brown/natural			
13	996 552 231 11	Support frame		1	
	996 552 231 11 01C	Satin black			
(13)	996 552 231 12	Support frame		1	M665
	996 552 231 12 01C	Satin black			
13	996 552 969 25	Support frame		1	IXNN
		Leather			
	996 552 969 25 A11	Black			
	996 552 969 25 C51	Graphite grey			
	996 552 969 25 S31	Savanna			
	996 552 969 25 G11	Metropole blue			
	996 552 969 25 J31	Nephrite green	03		
	996 552 969 25 M31	Boxster red			
	996 552 969 25 D12	Dark grey/natural			
	996 552 969 25 T12	Brown/natural			
	996 552 969 25 P12	Cinnamon brown			
(13)	996 552 969 26	Support frame		1	IXNN/M665

Model: 986 97 Model life 1997>>2004

Pos	Part Number	Description	Remark	Qty	Model
		Leather			
	996 552 969 26 A11	Black			
	996 552 969 26 C51	Graphite grey			
	996 552 969 26 S31	Savanna			
	996 552 969 26 G11	Metropole blue			
	996 552 969 26 J31	Nephrite green	03		
	996 552 969 26 M31	Boxster red			
	996 552 969 26 D12	Dark grey/natural			
	996 552 969 26 T12	Brown/natural			
	996 552 969 26 P12	Cinnamon brown			
13	996 552 969 31	Support frame Rootwood Dark	03-	1	IXKS
(13)	996 552 969 32	Support frame Rootwood Dark	03-	1	IXKS/M665
13	996 552 969 34	Support frame Carbon	03-	1	IXNR
(13)	996 552 969 35	Support frame Carbon	03-	1	IXNR/M665
14	999 507 533 02	Clamp 8/2,5		4	
15	999 507 768 02	Speed nut 4,2		16	
(15)	999 507 767 02	Speed nut 4,2		2	
16	999 073 218 09	Tapping screw 4,2 X 16		4	
17	900 143 076 09	Tapping screw 4,2 X 25		2	M573
18	996 552 263 01	Centre nozzle		1	
	996 552 263 01 01C	Satin black			
18	996 552 950 00	Centre nozzle Leather		1	IXKS/XNN/XNR
	996 552 950 00 A11	Black			
	996 552 950 00 C51	Graphite grey			
	996 552 950 00 S31	Savanna			
	996 552 950 00 G11	Metropole blue			
	996 552 950 00 J31	Nephrite green			
	996 552 950 00 M31	Boxster red			
	996 552 950 00 P12	Cinnamon brown			
	996 552 950 00 D12	Dark grey/natural			
	996 552 950 00 T12	Brown/natural			
18	996 552 951 00	Centre nozzle Aluminium look		1	IXCD
	996 552 951 00 A11	Black			
	996 552 951 00 C51	Graphite grey			
	996 552 951 00 S31	Savanna			
	996 552 951 00 G11	Metropole blue			
	996 552 951 00 J31	Nephrite green			
	996 552 951 00 M31	Boxster red			
	996 552 951 00 P12	Cinnamon brown			
	996 552 951 00 D12	Dark grey/natural			
	996 552 951 00 T12	Brown/natural			
19	996 552 233 06	Trim for switch Lacquered		1	
	996 552 233 06 A03	Black			
	996 552 233 06 C02	Metal grey			
19	986 552 233 02	Trim for switch Lacquered	04	1	M091
	986 552 233 02 M7Z	GT Silver Metallic			
19	996 552 967 08	Trim for switch Leather		1	IXCD/XNN

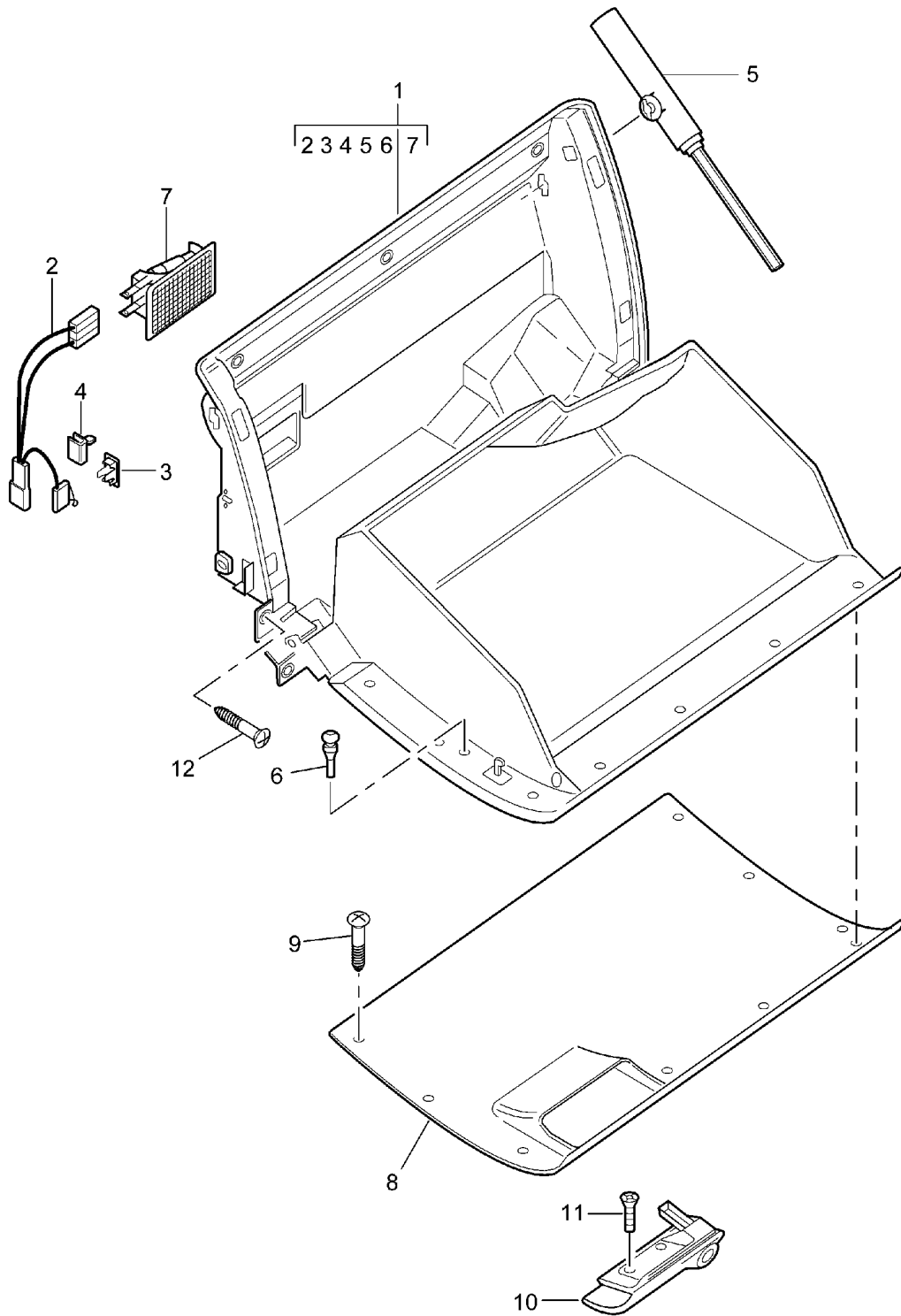


Model: 986 97 Model life 1997>>2004

Pos	Part Number	Description	Remark	Qty	Model
	996 552 967 08 A11	Black			
	996 552 967 08 C51	Graphite grey			
	996 552 967 08 S31	Savanna			
	996 552 967 08 G11	Metropole blue			
	996 552 967 08 J31	Nephrite green			
	996 552 967 08 M31	Boxster red			
	996 552 967 08 D12	Dark grey/natural			
	996 552 967 08 T12	Brown/natural			
	996 552 967 08 P12	Cinnamon brown			
19	996 552 967 09	Trim for switch Rootwood Light		1	IXKR
19	996 552 967 10	Trim for switch Rootwood Dark		1	IXKS
19	996 552 967 11	Trim for switch Carbon		1	IXNR
19	996 552 967 13	Trim for switch Arctic silver		1	IXKW
20	996 552 673 03	Retaining bar		1	
(20)	996 552 653 02	Retaining bar		1	M665
21	999 073 218 09	Tapping screw 4,2 X 16		2	
22	986 552 153 00	Frame		1	M574
	986 552 153 00 01C	Satin black			
22	996 552 677 01	Cover		1	M573
	996 552 677 01 01C	Satin black			
23	996 552 253 01	Shelf Instead of Radio		1	
	996 552 253 01 01C	Satin black			
23	996 552 994 01	Shelf Leather		1	IXMF
	996 552 994 01 A11	Black			
	996 552 994 01 C51	Graphite grey			
	996 552 994 01 S31	Savanna			
	996 552 994 01 J31	Nephrite green			
	996 552 994 01 M31	Boxster red			
	996 552 994 01 G11	Metropole blue			
	996 552 994 01 D12	Dark grey			
	996 552 994 01 T12	Brown/natural			
	996 552 994 01 P12	Cinnamon brown			
24		See group 4/03/06		1	
25	996 653 241 00	Interior sensor		1	

Model: 986 97

Model life 1997>>2004



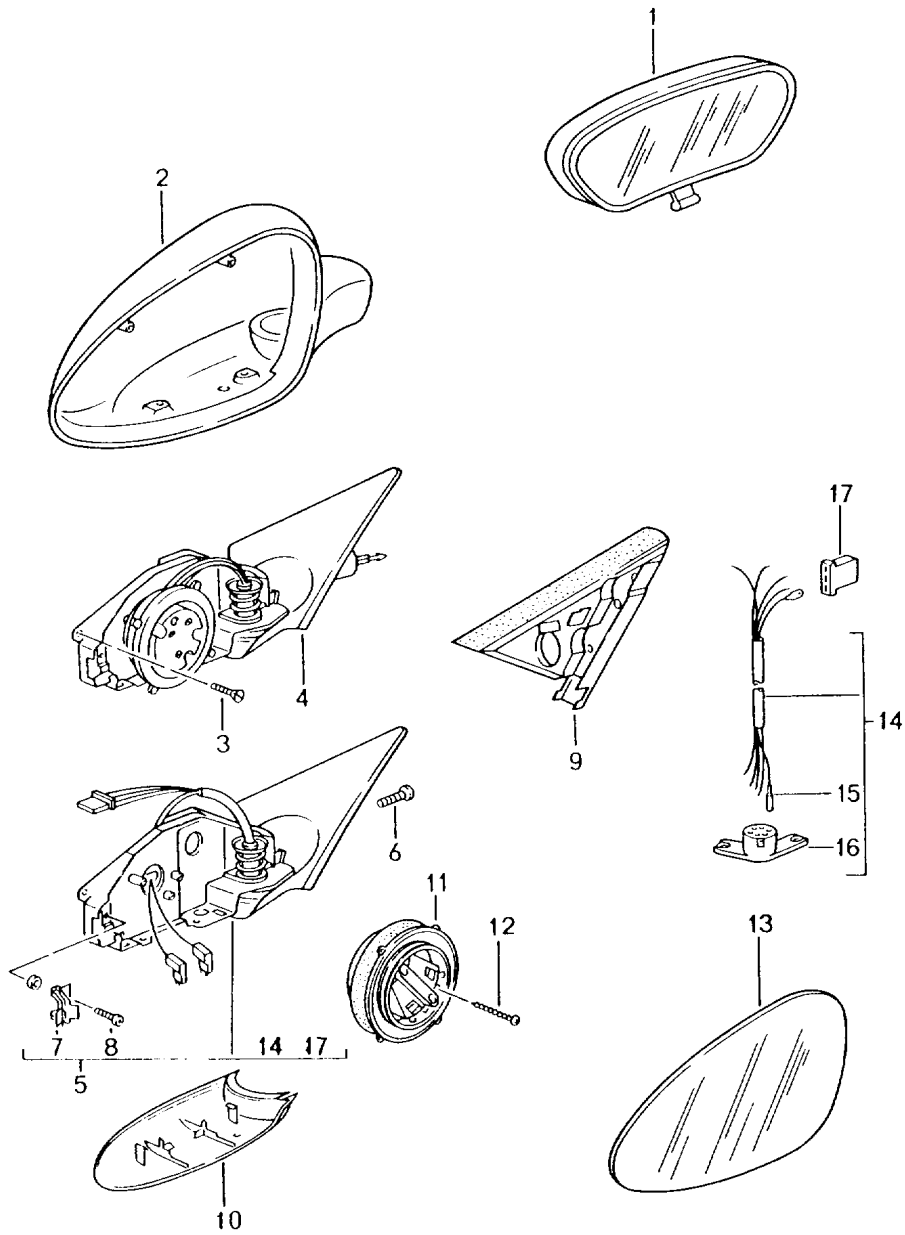
Model: 986 97

Model life 1997&gt;&gt;2004

Pos	Part Number	Description	Remark	Qty	Model
1	996 552 119 00	Glove compartment	03-	1	
	996 552 119 00 01C	Glove compartment Satin black	/LL	1	
2	996 622 501 00	Wiring harness		1	
3	999 650 564 40	Clip for Wiring harness Microswitch		1	
4	999 650 565 40	Clip for Wiring harness		1	
5	996 552 779 00	Damper		2	
6	999 703 491 50	Buffer 7 X 9,5 X 19,5		2	
7	928 632 101 00	Glove compartment light		1	
8	996 552 133 00	Glove compartment cover Leatherette	/LL	1	M016
	996 552 133 00 A12	Black			
	996 552 133 00 C52	Graphite grey			
	996 552 133 00 S32	Savanna			
	996 552 133 00 G12	Metropole blue			
	996 552 133 00 J32	Nephrite green			
8	996 552 133 01	Glove compartment cover Leather	/LL	1	M981
	996 552 133 01 A11	Black			
	996 552 133 01 C51	Graphite grey			
	996 552 133 01 S31	Savanna			
	996 552 133 01 G11	Metropole blue			
	996 552 133 01 J31	Nephrite green	03		
	996 552 133 01 M31	Boxster red			
	996 552 133 01 P12	Cinnamon brown			
	996 552 133 01 D12	Dark grey/natural			
	996 552 133 01 T12	Brown/natural			
	996 552 133 01 9V6	Cocoa	04-		
9	999 073 308 07	Tapping screw 3,5 X 12		11	
10	996 552 349 01	Handle	/LL	1	
	996 552 349 01 V03	Sport silver			
-	996 552 915 00	Lock cylinder Glove compartment Vehicle Ident. No. Indicate		1	
11	999 073 240 02	Screw M 4 X 10		2	
12	999 073 169 07	Tapping screw 4,8 X 16		7	
13	996 552 879 00	Adapter for Damper	03-	2	

Model: 986 97

Model life 1997>>2004



Model: 986 97 Model life 1997>>2004

Pos	Part Number	Description	Remark	Qty	Model
		Interior mirror			
		Door mirror			
1	996 731 511 00	Interior mirror		1	
	996 731 511 00 01C	Satin black			
(1)	996 731 511 02	Interior mirror	01-	1	M265
	996 731 511 02 01C	Satin black			
-	996 731 811 01	Cover	/L 01-	1	M265
	996 731 811 01 01C	Satin black			
-	996 731 812 01	Cover	/R 01-	1	M265
	996 731 812 01 01C	Satin black			
2	996 731 619 00	Housing	/L	1	
	996 731 619 00 G2L	Prime coated			
(2)	996 731 620 00	Housing	/R	1	
	996 731 620 00 G2L	Prime coated			
3	999 919 170 02	Countersunk-head screw		6	
		3,0 X 10			
4	986 731 219 00	Mirror base	/LL /L	1	
		Door mirror			
		Manually adjustable			
	986 731 219 00 G2L	Prime coated			
(4)	986 731 220 00	Mirror base	/LL /R	1	
		Door mirror			
		Manually adjustable			
	986 731 220 00 G2L	Prime coated			
5	996 731 219 00	Mirror base	/LL /L	1	
		Door mirror			
		Electrically adjustable			
	996 731 219 00 G2L	Prime coated			
5	996 731 219 04	Mirror base	/LL /L 01-	1	M266
		Door mirror			
		Electrically adjustable			
	996 731 219 04 G2L	Prime coated			
(5)	996 731 220 00	Mirror base	/LL /R	1	
		Door mirror			
		Electrically adjustable			
	996 731 220 00 G2L	Prime coated			
(5)	996 731 219 02	Mirror base	/LL /L 98-	1	M537
		Door mirror			
		Electrically adjustable			
	996 731 219 02 G2L	Prime coated			
(5)	996 731 219 05	Mirror base	/LL /L 01-	1	M266/537
		Door mirror			
		Electrically adjustable			
	996 731 219 05 G2L	Prime coated			
(5)	996 731 220 02	Mirror base	/LL /R 98-	1	M537
		Door mirror			
		Electrically adjustable			
	996 731 220 02 G2L	Prime coated			
6	999 073 125 02	Oval-head screw		6	
		M 5 X 14			
7	999 507 549 02	Spring clamp		2	
8	900 278 010 02	Oval-head screw		2	
9	996 537 731 00	Filler piece	/L	1	
(9)	996 537 732 00	Filler piece	/R	1	
		Outer			
(9)	996 537 733 00	Filler piece	/L	1	
(9)	996 537 734 00	Filler piece	/R	1	
		Inner			
10	996 731 719 00	Cover	/L	1	
		Lower			
	996 731 719 00 G2L	Prime coated			
(10)	996 731 720 00	Cover	/R	1	
		Lower			

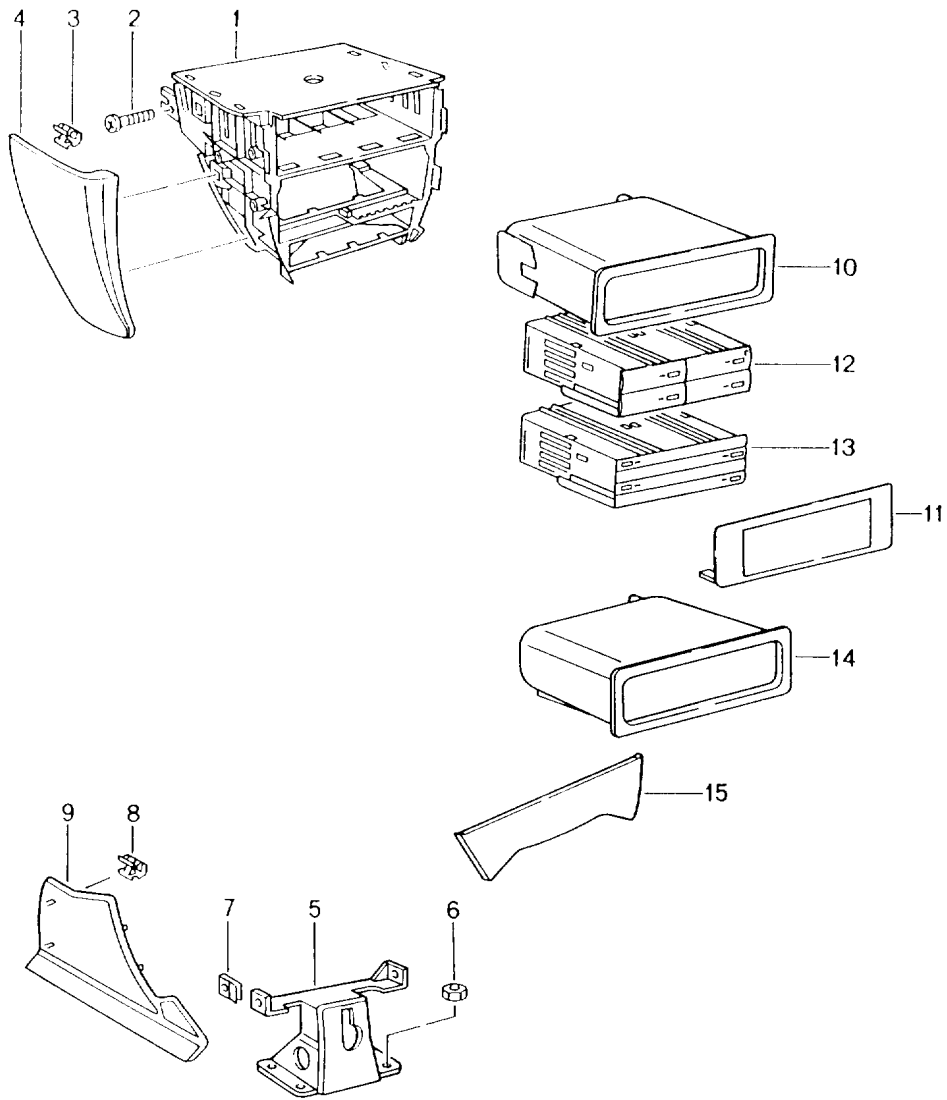
Model: 986 97

Model life 1997>>2004

Pos	Part Number	Description	Remark	Qty	Model
	996 731 720 00 G2L	Prime coated			
11	996 624 047 00	Adjusting motor		2	
11	996 624 048 00	Adjusting motor	98-	2	M537/538
12	900 278 013 02	Oval-head screw M 3 X 30		6	
13	996 731 035 01	Mirror glass	/L	1	M270
13	996 731 035 03	Mirror glass Plane	/L 01-	1	M266/270
(13)	996 731 035 02	Mirror glass	/L	1	M271
(13)	996 731 035 04	Mirror glass Aspherical	/L 01-	1	M266/271
(13)	996 731 038 03	Mirror glass Convex	/R	1	
(14)	996 612 674 00	Wiring harness		1	
15	999 652 710 10	Cylindrical socket		30	
16	999 650 173 40	Pin connector socket 15-pole		2	
17	311 906 231 B	Connector housing 3-pole		2	
(17)	999 650 177 40	Plug socket 8-pole	98-	2	M537/538
(17)	999 650 178 40	Slide 8-pole	98-	2	M537/538

Model: 986 97

Model life 1997>>2004



Model: 986 97 Model life 1997>>2004

Pos	Part Number	Description	Remark	Qty	Model
1	996 552 115 01	Centre console Front Bracket	-98	1	
	996 552 115 01 01C	Satin black Information available			
1	996 552 115 02	Bracket	99-	1	
	996 552 115 02 01C	Satin black			
1	996 552 973 01	Bracket		1	IXMF
		Leather			
	996 552 973 01 A11	Black			
	996 552 973 01 C51	Graphite grey			
	996 552 973 01 S31	Savanna			
	996 552 973 01 J31	Nephrite green			
	996 552 973 01 M31	Boxster red			
	996 552 973 01 D12	Dark grey/natural			
	996 552 973 01 T12	Brown/natural			
	996 552 973 01 P12	Cinnamon brown			
2	999 919 121 09	Oval-head screw 5,0 X 16		4	
3	999 507 476 01	Clamp 8,0 X 10,2		3	
(4)		Not for Preparation for telephone See group 9/11/10		1	M614/618/663
4	996 552 091 02	Cover	/L 97	1	
		Leatherette			
	996 552 091 02 A10	Black			
	996 552 091 02 C50	Graphite grey			
	996 552 091 02 S30	Savanna			
(4)	996 552 092 02	Cover	/R 97	1	
		Leatherette			
	996 552 092 02 A10	Black			
	996 552 092 02 C50	Graphite grey			
	996 552 092 02 S30	Savanna			
4	996 552 091 05	Cover	/L 98	1	M011/016
		Leatherette			
	996 552 091 05 A18	Black			
	996 552 091 05 C18	Graphite grey			
	996 552 091 05 S18	Savanna			
	996 552 091 05 G18	Metropole blue			
(4)	996 552 092 05	Cover	/R 98	1	M011/016
		Leatherette			
	996 552 092 05 A18	Black			
	996 552 092 05 C18	Graphite grey			
	996 552 092 05 S18	Savanna			
	996 552 092 05 G18	Metropole blue			
(4)	996 552 091 06	Cover	/L 99	1	M010/011/016
		Leatherette			
	996 552 091 06 A18	Black			
	996 552 091 06 C18	Graphite grey			
	996 552 091 06 S18	Savanna			
	996 552 091 06 G18	Metropole blue			
(4)	996 552 092 06	Cover	/R 99	1	M010/011/016
		Leatherette			
	996 552 092 06 A18	Black			
	996 552 092 06 C18	Graphite grey			
	996 552 092 06 S18	Savanna			
	996 552 092 06 G18	Metropole blue			
4	996 552 091 06	Cover	/L 00-	1	M011/016
		Leatherette			
	996 552 091 06 A12	Black			
	996 552 091 06 C52	Graphite grey			



Model: 986 97 Model life 1997>>2004

Pos	Part Number	Description	Remark	Qty	Model
(4)	996 552 091 06 S32	Savanna			
	996 552 091 06 G12	Metropole blue			
	996 552 091 06 J32	Nephrite green			
	996 552 092 06	Cover	/R 00-	1	M011/016
		Leatherette			
	996 552 092 06 A12	Black			
	996 552 092 06 C52	Graphite grey			
	996 552 092 06 S32	Savanna			
	996 552 092 06 G12	Metropole blue			
	996 552 092 06 J32	Nephrite green			
4	986 552 091 00	Cover	01- /L 98	1	M012
		Leatherette			
(4)	986 552 091 00 A40	Black			
	986 552 092 00	Cover	/R 98	1	M012
(4)		Leatherette			
	986 552 092 00 A40	Black			
(4)	986 552 091 01	Cover	/L 99-	1	M012
		Leatherette			
(4)	986 552 091 01 A40	Black			
	986 552 092 01	Cover	/R 99-	1	M012
4		Leatherette			
	986 552 092 01 A40	Black			
(4)	996 552 091 03	Cover	/L	1	
		Leather			
	996 552 091 03 A11	Black			
	996 552 091 03 C51	Graphite grey			
	996 552 091 03 S31	Savanna			
	996 552 091 03 J31	Nephrite green			
	996 552 091 03 M31	Boxster red			
	996 552 091 03 G11	Metropole blue			
	996 552 091 03 D12	Dark grey/natural	00-		
	996 552 091 03 T12	Brown/natural	00-		
	996 552 091 03 P12	Cinnamon brown	01-		
	996 552 091 03 9V6	Cocoa	04-		
	996 552 092 03	Cover	/R -98	1	
		Leather			
	996 552 092 03 A11	Black			
	996 552 092 03 C51	Graphite grey			
	996 552 092 03 S31	Savanna			
	996 552 092 03 J31	Nephrite green			
	996 552 092 03 M31	Boxster red			
	996 552 092 03 G11	Metropole blue			
996 552 092 03 D12	Dark grey/natural				
996 552 092 03 T12	Brown/natural				
996 552 092 03 P12	Cinnamon brown				
996 552 092 03 9V6	Cocoa				
4	996 552 091 07	Cover	/L 99-	1	
		Leather			
(4)	996 552 091 07 A11	Black			
	996 552 091 07 C51	Graphite grey			
	996 552 091 07 S31	Savanna			
	996 552 091 07 J31	Nephrite green			
	996 552 091 07 M31	Boxster red			
	996 552 091 07 G11	Metropole blue			
	996 552 091 07 D12	Dark grey/natural			
	996 552 091 07 T12	Brown/natural			
	996 552 091 07 P12	Cinnamon brown			
	996 552 091 07 9V6	Cocoa			
	996 552 092 07	Cover	/R 99-	1	
		Leather			
	996 552 092 07 A11	Black			
	996 552 092 07 C51	Graphite grey			
996 552 092 07 S31	Savanna				

Model: 986 97 Model life 1997>>2004

Pos	Part Number	Description	Remark	Qty	Model
	996 552 092 07 J31	Nephrite green	-03		
	996 552 092 07 M31	Boxster red			
	996 552 092 07 G11	Metropole blue			
	996 552 092 07 D12	Dark grey/natural	00-		
	996 552 092 07 T12	Brown/natural	00-		
	996 552 092 07 P12	Cinnamon brown	01-		
	996 552 092 07 9V6	Cocoa	04-		
(5)	996 552 267 05	Support Lower		1	M581
6	999 084 629 09	Hexagon nut M 6		4	
6	999 084 629 01	Hexagon nut M 6		4	
7	999 920 011 40	Plug-in nut 5,0 X 1,0 X 8		4	
8	999 507 476 01	Clamp 8,0 X 10,2		2	
9	996 552 113 01	Cover Carpet	/L 97	1	
	996 552 113 01 A10	Black			
	996 552 113 01 C50	Graphite grey			
	996 552 113 01 S30	Savanna			
	996 552 113 01 J30	Nephrite green			
	996 552 113 01 M30	Boxster red			
	996 552 113 01 G10	Metropole blue			
	996 552 113 01 D11	Dark grey			
	996 552 113 01 T11	Brown/natural			
	996 552 113 01 P11	Cinnamon brown			
	996 552 113 01 R10	Cocoa			
(9)	996 552 114 01	Cover Carpet	/R 97	1	
	996 552 114 01 A10	Black			
	996 552 114 01 C50	Graphite grey			
	996 552 114 01 S30	Savanna			
	996 552 114 01 J30	Nephrite green			
	996 552 114 01 M30	Boxster red			
	996 552 114 01 G10	Metropole blue			
	996 552 114 01 D11	Dark grey			
	996 552 114 01 T11	Brown/natural			
	996 552 114 01 P11	Cinnamon brown			
	996 552 114 01 R10	Cocoa			
9	996 552 113 02	Cover Carpet	/L 98-	1	
	996 552 113 02 A10	Black			
	996 552 113 02 C50	Graphite grey			
	996 552 113 02 S30	Savanna			
	996 552 113 02 J30	Nephrite green	-03		
	996 552 113 02 M30	Boxster red			
	996 552 113 02 G10	Metropole blue	98-		
	996 552 113 02 D11	Dark grey/natural	00-		
	996 552 113 02 T11	Brown/natural	00-		
	996 552 113 02 P11	Cinnamon brown	01-		
	996 552 113 02 R10	Cocoa	04-		
(9)	996 552 114 02	Cover Carpet	/R 98-	1	
	996 552 114 02 A10	Black			
	996 552 114 02 C50	Graphite grey			
	996 552 114 02 S30	Savanna			
	996 552 114 02 J30	Nephrite green	-03		
	996 552 114 02 M30	Boxster red			
	996 552 114 02 G10	Metropole blue	98-		
	996 552 114 02 D11	Dark grey/natural	00-		
	996 552 114 02 T11	Brown/natural	00-		

Model: 986 97 Model life 1997>>2004

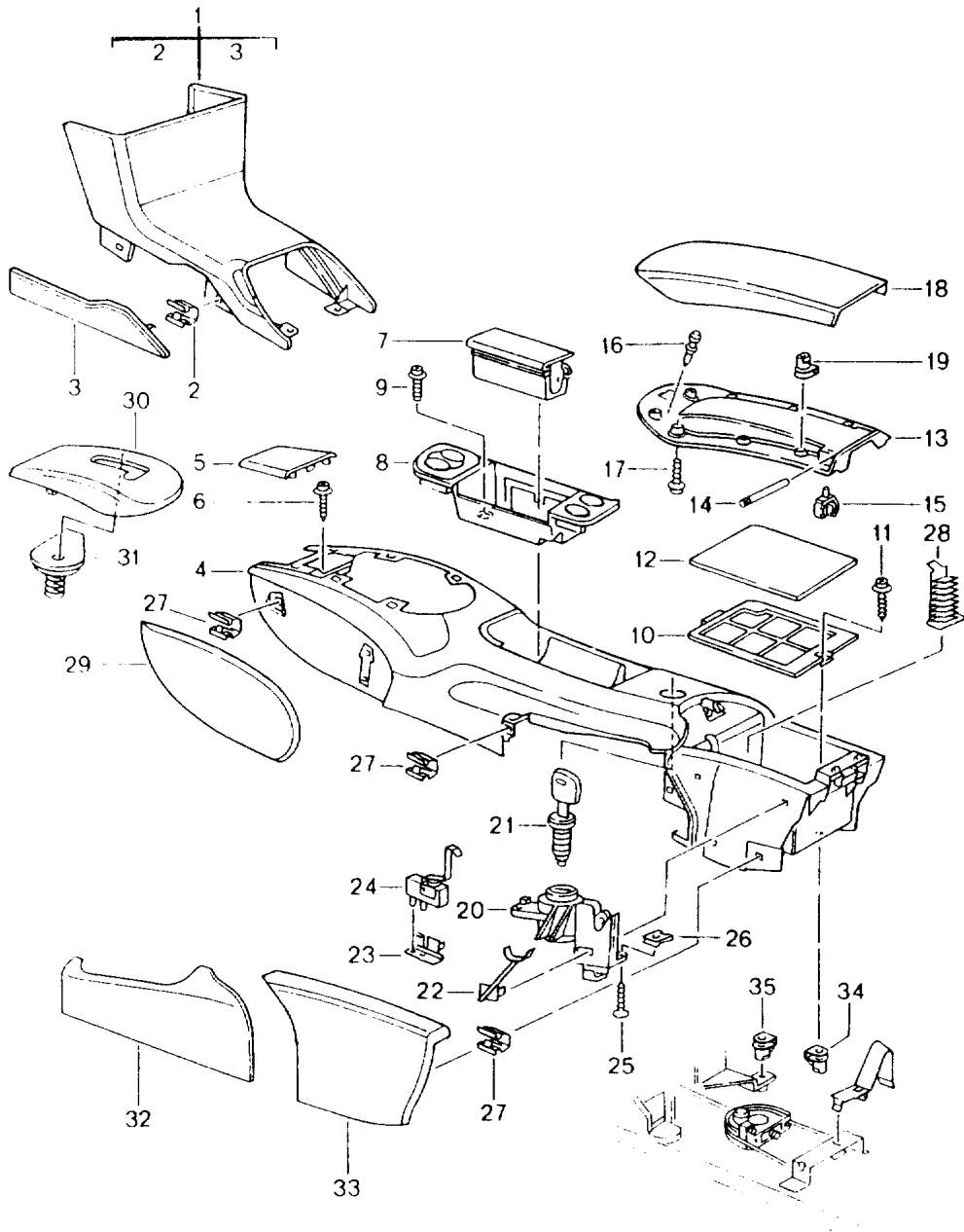
Pos	Part Number	Description	Remark	Qty	Model
	996 552 114 02 P11	Cinnamon brown	01-		
	996 552 114 02 R10	Cocoa	04-		
10	996 552 253 01	Shelf		1	
	996 552 253 01 01C	Satin black			
10	996 552 994 01	Shelf	01-	1	IXMF
		Leather			
	996 552 994 01 A11	Black			
	996 552 994 01 C51	Graphite grey			
	996 552 994 01 S31	Savanna			
	996 552 994 01 J31	Nephrite green			
	996 552 994 01 M31	Boxster red			
	996 552 994 01 G11	Metropole blue			
	996 552 994 01 D12	Dark grey			
	996 552 994 01 T12	Brown/natural			
	996 552 994 01 P12	Cinnamon brown			
11	996 552 443 00	Frame		1	
	996 552 443 00 01C	Satin black			
(11)	996 552 992 00	Frame	01-	1	IXKW/XNN
		Air-conditioning switch			
		Leather			
	996 552 992 00 A11	Black			
	996 552 992 00 C51	Graphite grey			
	996 552 992 00 S31	Savanna			
	996 552 992 00 G11	Metropole blue			
	996 552 992 00 J31	Nephrite green			
	996 552 992 00 M31	Boxster red			
	996 552 992 00 D12	Dark grey/natural			
	996 552 992 00 T12	Brown/natural			
	996 552 992 00 P12	Cinnamon brown			
12	996 552 763 00	Cassette box	-02	4	M421
(12)	996 552 981 01	Tray	01-02	4	XNF M421
		Cassette box			
		Leather			
	996 552 981 01 A11	Black			
	996 552 981 01 C51	Graphite grey			
	996 552 981 01 S31	Savanna			
	996 552 981 01 G11	Metropole blue			
	996 552 981 01 J31	Nephrite green			
	996 552 981 01 M31	Boxster red			
	996 552 981 01 D12	Dark grey/natural			
	996 552 981 01 T12	Brown/natural			
	996 552 981 01 P12	Cinnamon brown			
13	996 552 773 00	Box for cds		1	M424
(13)	996 552 981 00	Tray	01-	1	IXMF/M424
		Box for cds			
		Leather			
	996 552 981 00 A11	Black			
	996 552 981 00 C51	Graphite grey			
	996 552 981 00 S31	Savanna			
	996 552 981 00 G11	Metropole blue			
	996 552 981 00 J31	Nephrite green			
	996 552 981 00 M31	Boxster red			
	996 552 981 00 D12	Dark grey/natural			
	996 552 981 00 T12	Brown/natural			
	996 552 981 00 P12	Cinnamon brown			
14	996 552 243 01	Shelf		1	
	996 552 243 01 01C	Satin black			
14	996 552 982 01	Shelf	01-	1	IXMF
		Leather			
	996 552 982 01 A11	Black			
	996 552 982 01 C51	Graphite grey			
	996 552 982 01 S31	Savanna			

Model: 986 97 Model life 1997>>2004

Pos	Part Number	Description	Remark	Qty	Model
	996 552 982 01 J31	Nephrite green			
	996 552 982 01 M31	Boxster red			
	996 552 982 01 G11	Metropole blue			
	996 552 982 01 D12	Dark grey/natural			
	996 552 982 01 T12	Brown/natural			
	996 552 982 01 P12	Cinnamon brown			
(14)	996 552 963 00	Cover	01-	1	IXMF/XNN
		Leather			
	996 552 963 00 A11	Black			
	996 552 963 00 C51	Graphite grey			
	996 552 963 00 S31	Savanna			
	996 552 963 00 G11	Metropole blue			
	996 552 963 00 J31	Nephrite green			
	996 552 963 00 M31	Boxster red			
	996 552 963 00 D12	Dark grey			
	996 552 963 00 T12	Brown/natural			
	996 552 963 00 P12	Cinnamon brown			
(14)	996 552 963 01	Cover	01-	1	IXKR
		Rootwood			
		Light			
(14)	996 552 963 02	Frame	01-	1	IXKS
		Rootwood			
		Dark			
14	996 552 963 04	Cover	01-	1	IXNR
		Carbon			
15	996 552 335 00	Trim for switch	-99	1	
	996 552 335 00 01C	Satin black			
15	996 552 335 00	Trim for switch	00-	1	M009
	996 552 335 00 01C	Satin black			
(15)	986 552 335 00	Trim for switch	-02	1	M008
	986 552 335 00 01C	Satin black			
(15)	986 552 335 01	Trim for switch	03-	1	M008
		with			
		Logo			
	986 552 335 01 01C	Satin black			
(15)	986 552 335 02	Trim for switch	04	1	M091/581
	986 552 335 02 01C	Satin black			
(15)	986 552 974 00	Trim for switch	00-	1	M008
		Leather			
	986 552 974 00 A11	Black			
	986 552 974 00 C51	Graphite grey			
	986 552 974 00 S31	Savanna			
	986 552 974 00 G11	Metropole blue			
	986 552 974 00 J31	Nephrite green			
	986 552 974 00 M31	Boxster red			
	986 552 974 00 D12	Dark grey/natural			
	986 552 974 00 T12	Brown/natural			
	986 552 974 00 P12	Cinnamon brown			
15	996 552 983 00	Trim for switch	01-	1	M009
		Leather			
	996 552 983 00 A11	Black			
	996 552 983 00 C51	Graphite grey			
	996 552 983 00 S31	Savanna			
	996 552 983 00 J31	Nephrite green			
	996 552 983 00 M31	Boxster red			
	996 552 983 00 G11	Metropole blue			
	996 552 983 00 D12	Dark grey/natural			
	996 552 983 00 T12	Brown/natural			
	996 552 983 00 P12	Cinnamon brown			

Model: 986 97

Model life 1997>>2004



Model: 986 97 Model life 1997>>2004

Pos	Part Number	Description	Remark	Qty	Model
1	986 552 113 02	Centre console Centre Lining Carpet	-99	1	
	986 552 113 02 A10	Black			
	986 552 113 02 C50	Graphite grey			
	986 552 113 02 S30	Savanna			
	986 552 113 02 J30	Nephrite green			
	986 552 113 02 M30	Boxster red			
	986 552 113 02 G10	Metropole blue	98-		
1	986 552 113 03	Lining Carpet	04	1	M091
	986 552 113 03 D11	Dark grey/natural			
	986 552 113 03 R10	Cocoa			
2	999 507 533 02	Clamp	-99	26	
2		Clamp 8,0 X 10,2	04	8	M091
3	986 552 513 02	Lid Carpet	/L -99	1	
	986 552 513 02 A10	Black			
	986 552 513 02 C50	Graphite grey			
	986 552 513 02 S30	Savanna			
	986 552 513 02 J30	Nephrite green			
	986 552 513 02 M30	Boxster red			
	986 552 513 02 G10	Metropole blue	98-		
(3)	986 552 514 02	Lid Carpet	/R -99	1	
	986 552 514 02 A10	Black			
	986 552 514 02 C50	Graphite grey			
	986 552 514 02 S30	Savanna			
	986 552 514 02 J30	Nephrite green			
	986 552 514 02 M30	Boxster red			
	986 552 514 02 G10	Metropole blue	98-		
3	986 552 513 02	Lid Carpet	/L 04	1	M091
	986 552 513 02 D11	Dark grey/natural			
	986 552 513 02 R10	Cocoa			
(3)	986 552 514 02	Lid Carpet	/R 04	1	M091
	986 552 514 02 D11	Dark grey/natural			
	986 552 514 02 R10	Cocoa			
4	996 552 125 01	Centre console	97	1	
	996 552 125 01 B12	Black-grey			
4	996 552 125 01	Centre console	98-99	1	M011/016
	996 552 125 01 B12	Black-grey			
4	996 552 902 00	Centre console	97-99	1	M011/016
	996 552 902 00 B12	Black-grey			
4	996 552 125 02	Centre console	98-01	1	
	996 552 125 02 D05	Granite grey	99		M010
	996 552 125 02 C02	Metal grey	98-		M012
	996 552 125 02 A03	Black	00-		
4	996 552 125 03	Centre console Lacquered		1	
	996 552 125 03 D05	Granite grey	99		M010
	996 552 125 03 C02	Metal grey	98-		M012
	996 552 125 03 A03	Black	00-		
4	996 552 125 04	Centre console Lacquered	04	1	M091
	996 552 125 04 M7Z	GT Silver Metallic			
4	986 552 995 09	Centre console	-02	1	IXJB
	986 552 995 09 92U	Arctic silver metallic			
4	986 552 995 09	Centre console	01-	1	IXME
	986 552 995 09 39G	Violet metallic			

Model: 986 97 Model life 1997>>2004

Pos	Part Number	Description	Remark	Qty	Model
	986 552 995 09 746	Black-metallic	-01		
	986 552 995 09 3W7	Dark blue	-01		
	986 552 995 09 23I	Wimbledon green metallic	-01		
	986 552 995 09 9A3	Biarritz white	-01		
	986 552 995 09 2A2	Rainforest green metallic	-02		
	986 552 995 09 92U	Arctic silver metallic			
	986 552 995 09 041	Black			
	986 552 995 09 84A	Guards red			
	986 552 995 09 12H	Speed yellow			
	986 552 995 09 8A3	Orient red metallic			
	986 552 995 09 M5W	Lapis blue metallic			
	986 552 995 09 6A6	Meridian metallic			
	986 552 995 09 39C	Midnight Blue Metallic			
	986 552 995 09 6B4	Seal grey metallic			
	986 552 995 09 2B4	Forest green metallic			
	986 552 995 09 3C8	Cobalt blue metallic			
	986 552 995 09 92M	Polar silver metallic			
	986 552 995 09 23F	Slate grey metallic			
	986 552 995 09 1A8	Zanzibar red			
	986 552 995 09 B9A	Carrara white	02-		
	986 552 995 09 C9Z	Basalt black metallic	02-		
	986 552 995 09 M6W	Lagoon green metallic	03-		
4	986 552 995 09	Centre console	03-	1	IXCE
	986 552 995 09 V03	Sport silver			
4	986 552 995 01	Centre console		1	IXMZ
	986 552 995 01 VRK	Black			
	986 552 995 01 C51	Graphite grey			
	986 552 995 01 S31	Savanna			
	986 552 995 01 G11	Metropole blue			
	986 552 995 01 J31	Nephrite green			
	986 552 995 01 M31	Boxster red			
	986 552 995 01 D12	Dark grey/natural			
	986 552 995 01 T12	Brown/natural			
	986 552 995 01 P12	Cinnamon brown	01-		
4	986 552 995 05	Centre console		1	IXMZ
		Leather			
	986 552 995 05 VRK	Black			
	986 552 995 05 C51	Graphite grey			
	986 552 995 05 S31	Savanna			
	986 552 995 05 G11	Metropole blue			
	986 552 995 05 J31	Nephrite green			
	986 552 995 05 M31	Boxster red			
	986 552 995 05 D12	Dark grey/natural			
	986 552 995 05 T12	Brown/natural			
	986 552 995 05 P12	Cinnamon brown			
4	986 552 995 08	Centre console		1	IXMJ
		Carbon			
-	996 552 841 01	Sound absorber		1	
		Front			
-	996 552 841 02	Sound absorber		1	
		Front			
-	996 552 843 01	Sound absorber		1	
		Centre			
-	996 552 845 01	Sound absorber		1	
		Rear			
5	986 552 241 01	Cover	97	1	
	986 552 241 01 B12	Black-grey			
5	986 552 241 01	Cover	98-99	1	M011/016
	986 552 241 01 B12	Black-grey			
5	986 552 241 02	Cover		1	
		Lacquered			
	986 552 241 02 D05	Granite grey	99		M010
	986 552 241 02 C02	Metal grey	98-99		M012

Model: 986 97 Model life 1997>>2004

Pos	Part Number	Description	Remark	Qty	Model
5	986 552 241 04	Cover Lacquered	04	1	M091/249
	986 552 241 04 M7Z	GT Silver Metallic			
5	986 552 141 00	Cover Leather	04	1	M091/480
	986 552 141 00 9V6	Cocoa			
	986 552 141 00 D12	Dark grey/natural			
6	999 919 121 09	Oval-head screw 5,0 X 16		5	
7	996 552 595 00	Insert	97	1	
	996 552 595 00 B12	Black-grey			
7	996 552 595 00	Insert Ashtray	98-99	1	M011/016
	996 552 595 00 B12	Black-grey			
7	996 552 595 01	Insert Ashtray Lacquered		1	
	996 552 595 01 D05	Granite grey	99		M010
	996 552 595 01 C02	Metal grey	98-		M012
	996 552 595 01 A03	Black	00-		
7	996 552 595 02	Insert Ashtray Lacquered	04	1	M091
	996 552 595 02 M7Z	GT Silver Metallic			
7	986 552 997 01	Insert Ashtray Leather	01-	1	IXMZ
	986 552 997 01 A11	Black			
	986 552 997 01 C51	Graphite grey			
	986 552 997 01 S31	Savanna			
	986 552 997 01 G11	Metropole blue			
	986 552 997 01 J31	Nephrite green			
	986 552 997 01 M31	Boxster red			
	986 552 997 01 D12	Dark grey/natural			
	986 552 997 01 T12	Brown/natural			
	986 552 997 01 P12	Cinnamon brown			
7	986 552 997 02	Insert Ashtray Carbon	01-	1	IXMJ
7	986 552 997 00	Insert Ashtray	01-	1	IXJB
	986 552 997 00 92T	Arctic silver	-02		
	986 552 997 00 V03	Silver	03-		IXCE
	986 552 997 00 G2X	Prime coated			IXME
8	996 552 095 00	Ashtray	97	1	
	996 552 095 00 B12	Black-grey			
8	986 552 901 00	Ashtray	97	1	
	986 552 901 00 B12	Black-grey			
-	996 632 113 00	Ashtray light		1	
8	996 552 095 01	Ashtray Lacquered	98-00	1	
	996 552 095 01 D05	Granite grey	99		M010
	996 552 095 01 C02	Metal grey	98-		M012
	996 552 095 01 A03	Black	00-		
8	996 552 095 02	Ashtray Lacquered		1	
	996 552 095 02 D05	Granite grey			
	996 552 095 02 C02	Metal grey			M012
	996 552 095 02 A03	Black			
-	996 632 113 00	Ashtray light		1	
8	996 552 095 03	Ashtray Lacquered	04	1	M091
	996 552 095 03 M7Z	GT Silver Metallic			



Model: 986 97 Model life 1997>>2004

Pos	Part Number	Description	Remark	Qty	Model
8	986 552 996 05	Ashtray Leather		1	IXMZ
	986 552 996 05 A11	Black			
	986 552 996 05 C51	Graphite grey			
	986 552 996 05 S31	Savanna			
	986 552 996 05 G11	Metropole blue			
	986 552 996 05 J31	Nephrite green			
	986 552 996 05 M31	Boxster red			
	986 552 996 05 D12	Dark grey/natural			
	986 552 996 05 T12	Brown/natural			
	986 552 996 05 P12	Cinnamon brown	01-		
8	986 552 996 08	Ashtray Carbon	01-	1	IXMJ
8	986 552 996 09	Ashtray	01-	1	IXJB
	986 552 996 09 92T	Arctic silver	-02		
	986 552 996 09 V03	Silver	03-		IXCE
(8)	996 552 096 00	Shelf	97	1	M580
	996 552 096 00 B12	Black-grey			
(8)	996 552 096 00	Shelf	98-99	1	M011/016/580
	996 552 096 00 B12	Black-grey			
(8)	996 552 096 01	Shelf		1	M580
	996 552 096 01 C02	Metal grey	98-		M012
	996 552 096 01 D05	Granite grey	99		M010
	996 552 096 01 A03	Black	00-		
-	996 552 596 00	Insert		1	
(9)	999 591 941 40	Expansion rivet with Expander nut		2	
10	996 552 365 00	Floor Shelf		1	
11	999 919 121 09	Oval-head screw M 5 X 16		1	
12	996 552 665 00	Insert Shelf		1	
13	996 552 205 00	Lid		1	
	996 552 205 00 01C	Satin black			
14	996 552 605 00	Hinge pin		1	
15	996 552 813 00	Support		2	
16	996 552 833 00	Rubber stop		2	
17	999 919 175 09	Oval-head screw 3,5 X 12		8	
18	996 552 155 02	Lid Leatherette	97	1	
	996 552 155 02 A10	Black			
	996 552 155 02 C50	Graphite grey			
	996 552 155 02 S30	Savanna			
18	996 552 155 04	Lid Leatherette	98-99	1	
	996 552 155 04 A18	Black			
	996 552 155 04 C18	Graphite grey			
	996 552 155 04 S18	Savanna			
	996 552 155 04 G18	Metropole blue			
	996 552 155 04 B18	Space grey			
18	996 552 155 04	Lid Leatherette	00-	1	
	996 552 155 04 A12	Black			
	996 552 155 04 C52	Graphite grey			
	996 552 155 04 S32	Savanna			
	996 552 155 04 G12	Metropole blue			
	996 552 155 04 J32	Nephrite green	01-		
	996 552 155 04 B18	Space grey			
18	996 552 155 03	Lid Leather		1	

Model: 986 97 Model life 1997>>2004

Pos	Part Number	Description	Remark	Qty	Model
	996 552 155 03 A11	Black			
	996 552 155 03 C51	Graphite grey			
	996 552 155 03 S31	Savanna			
	996 552 155 03 J31	Nephrite green			
	996 552 155 03 M31	Boxster red			
	996 552 155 03 G11	Metropole blue			
	996 552 155 03 D12	Dark grey/natural	00-		
	996 552 155 03 T12	Brown/natural	00-		
	996 552 155 03 P12	Cinnamon brown	01-		
18	996 552 965 00	Lid	01-	1	IXMZ
		Leather			
	996 552 965 00 VRK	Black			
	996 552 965 00 C51	Graphite grey			
	996 552 965 00 S31	Savanna			
	996 552 965 00 G11	Metropole blue			
	996 552 965 00 J31	Nephrite green			
	996 552 965 00 M31	Boxster red			
	996 552 965 00 D12	Dark grey			
	996 552 965 00 T12	Brown/natural			
	996 552 965 00 P12	Cinnamon brown			
19	999 920 017 40	Plug-in nut		8	
		3,5 X 2,5 X 5			
20	996 552 097 01	Lock		1	
	996 552 097 01 01C	Satin black			
21	996 552 907 00	Lock cylinder		1	
		W/o stipulated lock number			
21	996 552 907 01	Lock cylinder		1	
		State lock number			
22	986 552 297 00	Cover	97	1	
	986 552 297 00 B12	Black-grey			
23	996 637 211 00	Support		1	
24	996 613 205 00	Microswitch		1	
25	999 919 121 09	Oval-head screw		3	
		5 X 16			
26	999 920 011 40	Plug-in nut		3	
		5,0 X 2,0 X 8			
27	999 507 476 01	Clamp		25	
		8,0 X 10,2			
28	996 552 695 00	Coin box		1	
	996 552 695 00 01C	Satin black			
29	986 552 087 00	Cover	/L 97	1	
	986 552 087 00 B12	Black-grey			
(29)	986 552 088 00	Cover	/R 97	1	
	986 552 088 00 B12	Black-grey			
29	986 552 087 00	Cover	/L 98-99	1	M016
	986 552 087 00 B12	Black-grey			
(29)	986 552 087 00	Cover	/R 98-99	1	M016
	986 552 087 00 B12	Black-grey			
29	986 552 087 01	Cover	/L 98-	1	M012
	986 552 087 01 A40	Black			
(29)	986 552 088 01	Cover	/R 98-	1	M012
	986 552 088 01 A40	Black			
29	996 552 087 02	Cover	/L 97	1	M581
		Leatherette			
	996 552 087 02 A10	Black			
	996 552 087 02 C50	Graphite grey			
	996 552 087 02 S30	Savanna			
(29)	996 552 088 02	Cover	/R 97	1	M581
		Leatherette			
	996 552 088 02 A10	Black			
	996 552 088 02 C50	Graphite grey			
	996 552 088 02 S30	Savanna			
29	996 552 087 05	Cover	/L 98-99	1	M581

Model: 986 97 Model life 1997>>2004

Pos	Part Number	Description	Remark	Qty	Model
		Leatherette			
	996 552 087 05 A18	Black			
	996 552 087 05 C18	Graphite grey			
	996 552 087 05 S18	Savanna			
	996 552 087 05 G18	Metropole blue			
(29)	996 552 088 05	Cover	/R 98-99	1	M581
		Leatherette			
	996 552 088 05 A18	Black			
	996 552 088 05 C18	Graphite grey			
	996 552 088 05 S18	Savanna			
	996 552 088 05 G18	Metropole blue			
29	996 552 087 05	Cover	/L 00-	1	
		Leatherette			
	996 552 087 05 A12	Black			
	996 552 087 05 C52	Graphite grey			
	996 552 087 05 S32	Savanna			
	996 552 087 05 G12	Metropole blue			
	996 552 087 05 J32	Nephrite green	01-		
(29)	996 552 088 05	Cover	/R 00-	1	
		Leatherette			
	996 552 088 05 A12	Black			
	996 552 088 05 C52	Graphite grey			
	996 552 088 05 S32	Savanna			
	996 552 088 05 G12	Metropole blue			
	996 552 088 05 J32	Nephrite green	01-		
(29)	996 552 087 03	Cover	/L -99	1	M581
		Leather			
	996 552 087 03 A11	Black			
	996 552 087 03 C51	Graphite grey			
	996 552 087 03 S31	Savanna			
	996 552 087 03 J31	Nephrite green			
	996 552 087 03 M31	Boxster red			
	996 552 087 03 G11	Metropole blue	98-		
(29)	996 552 088 03	Cover	/R -99	1	M581
		Leather			
	996 552 088 03 A11	Black			
	996 552 088 03 C51	Graphite grey			
	996 552 088 03 S31	Savanna			
	996 552 088 03 J31	Nephrite green			
	996 552 088 03 M31	Boxster red			
	996 552 088 03 G11	Metropole blue	98-		
(29)	996 552 087 03	Cover	/L	1	
		Leather			
	996 552 087 03 A11	Black			
	996 552 087 03 C51	Graphite grey			
	996 552 087 03 S31	Savanna			
	996 552 087 03 J31	Nephrite green			
	996 552 087 03 M31	Boxster red			
	996 552 087 03 G11	Metropole blue			
	996 552 087 03 D12	Dark grey/natural	00-		
	996 552 087 03 T12	Brown/natural	00-		
	996 552 087 03 P12	Cinnamon brown	01-		
(29)	996 552 088 03	Cover	/R	1	
		Leather			
	996 552 088 03 A11	Black			
	996 552 088 03 C51	Graphite grey			
	996 552 088 03 S31	Savanna			
	996 552 088 03 J31	Nephrite green			
	996 552 088 03 M31	Boxster red			
	996 552 088 03 G11	Metropole blue			
	996 552 088 03 D12	Dark grey/natural	00-		
	996 552 088 03 T12	Brown/natural	00-		
	996 552 088 03 P12	Cinnamon brown	01-		

Model: 986 97 Model life 1997>>2004

Pos	Part Number	Description	Remark	Qty	Model
(30)	996 552 655 01	Retaining frame		1	M480/481
30	996 552 257 01	Cover	/LL 97	1	M249
	996 552 257 01 EBO	Black			
30	996 552 257 01	Cover	/LL 98-99	1	M011/016/249
	996 552 257 01 EBO	Black			
30	996 552 257 02	Cover	/LL 98-99	1	M012/249
		Lacquered			
	996 552 257 02 EJS	Metal grey			
(30)	996 552 259 00	Cover	/LL 00-02	1	M249
	996 552 259 00 EOY	Black			
		Silver			
	996 552 259 00 EOX	Metal grey			M012
		Silver			
30	996 552 259 02	Cover	/LL 03-	1	M249
		Lacquered			
	996 552 259 02 EOU	Black/Silver			
	996 552 259 02 EOY	Metal grey			M012
		Silver			
30	986 552 259 02	Cover	/LL 04	1	M091/249
		Lacquered			
	986 552 259 02 M7Z	GT Silver Metallic			
(30)	996 552 977 20	Shift gate	/LL 01-02	1	IXY5/M249
		Cover			
		Leather			
	996 552 977 20 VRK	Black			
	996 552 977 20 C51	Graphite grey			
	996 552 977 20 S31	Savanna			
	996 552 977 20 J31	Nephrite green			
	996 552 977 20 M31	Boxster red			
	996 552 977 20 G11	Metropole blue			
	996 552 977 20 T12	Brown/natural			
	996 552 977 20 D12	Dark grey			
	996 552 977 20 P12	Cinnamon brown			
30	996 552 977 26	Cover	/LL 03-	1	IXY5/M249
		Leather			
	996 552 977 26 VRK	Black			
	996 552 977 26 C51	Graphite grey			
	996 552 977 26 S31	Savanna			
	996 552 977 26 G11	Metropole blue			
	996 552 977 26 J31	Nephrite green			
	996 552 977 26 M31	Boxster red			
	996 552 977 26 P12	Cinnamon brown			
	996 552 977 26 D12	Dark grey/natural			
	996 552 977 26 T12	Brown/natural			
31	996 552 687 00	Slide		1	M249
	996 552 687 00 01C	Satin black			
32	996 552 283 01	Cover	97	1	
	996 552 283 01 B12	Black-grey			
32	996 552 283 01	Cover	98-99	1	M011/016
		Handbrake			
	996 552 283 01 B12	Black-grey			
32	996 552 283 02	Cover		1	
		Handbrake			
		Lacquered			
	996 552 283 02 D05	Granite grey	99		M010
	996 552 283 02 C02	Metal grey	98-		M012
	996 552 283 02 A03	Black	00-		
32	996 552 283 03	Cover	04	1	M091
		Handbrake			
		Lacquered			
	996 552 283 03 M7Z	GT Silver Metallic			
32	996 552 993 02	Cover	01-	1	IXMJ
		Handbrake			

Model: 986 97 Model life 1997>>2004

Pos	Part Number	Description	Remark	Qty	Model
32	996 552 993 01	Carbon Cover Handbrake Lacquered	03-	1	IXCE
	996 552 993 01 V03	Sport silver			
33	986 552 089 00	Cover	/L 97	1	
	986 552 089 00 B12	Black-grey			
(33)	986 552 090 00	Cover	/R 97	1	
	986 552 090 00 B12	Black-grey			
33	986 552 089 00	Cover	/L 98-99	1	M011/016
	986 552 089 00 B12	Black-grey			
(33)	986 552 090 00	Cover	/R 98-99	1	M011/016
	986 552 090 00 B12	Black-grey			
33	996 552 089 05	Cover Lacquered	/L 98-	1	
	996 552 089 05 C02	Metal grey	98-		M012
	996 552 089 05 D05	Granite grey	99		M010
	996 552 089 05 A03	Black	00-		
(33)	996 552 090 05	Cover Lacquered	/R 98-	1	
	996 552 090 05 C02	Metal grey	98-		M012
	996 552 090 05 D05	Granite grey	99		M010
	996 552 090 05 A03	Black	00-		
33	996 552 089 04	Cover Leather	/L 01-	1	IXMJ
	996 552 089 04 A11	Black			
	996 552 089 04 C51	Graphite grey			
	996 552 089 04 S31	Savanna			
	996 552 089 04 G11	Metropole blue			
	996 552 089 04 J31	Nephrite green	-03		
	996 552 089 04 M31	Boxster red			
	996 552 089 04 P12	Cinnamon brown			
	996 552 089 04 D12	Dark grey/natural			
	996 552 089 04 T12	Brown/natural			
(33)	996 552 090 04	Cover Leather	/R 01-	1	IXMJ
	996 552 090 04 A11	Black			
	996 552 090 04 C51	Graphite grey			
	996 552 090 04 S31	Savanna			
	996 552 090 04 G11	Metropole blue			
	996 552 090 04 J31	Nephrite green	-03		
	996 552 090 04 M31	Boxster red			
	996 552 090 04 P12	Cinnamon brown			
	996 552 090 04 D12	Dark grey/natural			
	996 552 090 04 T12	Brown/natural			
33	996 552 089 04	Cover Leather	/L 01-	1	IXMZ
	996 552 089 04 A11	Black			
	996 552 089 04 C51	Graphite grey			
	996 552 089 04 S31	Savanna			
	996 552 089 04 G11	Metropole blue			
	996 552 089 04 J31	Nephrite green	-03		
	996 552 089 04 M31	Boxster red			
	996 552 089 04 P12	Cinnamon brown			
	996 552 089 04 D12	Dark grey/natural			
	996 552 089 04 T12	Brown/natural			
(33)	996 552 090 04	Cover Leather	/R 01-	1	IXMZ
	996 552 090 04 A11	Black			
	996 552 090 04 C51	Graphite grey			
	996 552 090 04 S31	Savanna			
	996 552 090 04 G11	Metropole blue			
	996 552 090 04 J31	Nephrite green	-03		

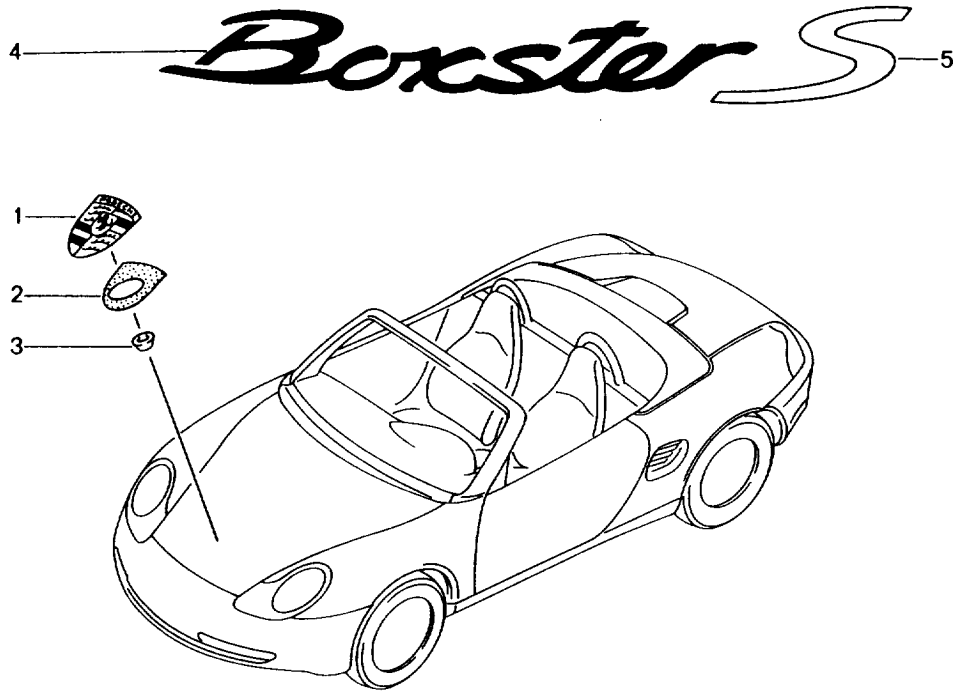
Model: 986 97

Model life 1997>>2004

Pos	Part Number	Description	Remark	Qty	Model
	996 552 090 04 M31	Boxster red			
	996 552 090 04 P12	Cinnamon brown			
	996 552 090 04 D12	Dark grey/natural			
	996 552 090 04 T12	Brown/natural			
33	996 552 089 04	Cover Leather	/L 04	1	M091
	996 552 089 04 D12	Dark grey/natural			
	996 552 089 04 9V6	Cocoa			
(33)	996 552 090 04	Cover Leather	/R 04	1	M091
	996 552 090 04 D12	Dark grey/natural			
	996 552 090 04 9V6	Cocoa			
34	999 920 013 40	Plug-in nut 5,0 X 1,0 X 8		1	
35	999 920 012 40	Plug-in nut 5,0 X 3,5 X 8		2	

Model: 986 97

Model life 1997>>2004



Model: 986 97

Model life 1997>>2004

Pos	Part Number	Description	Remark	Qty	Model
1	997 559 211 00	Insignias Lid emblem Information available		1	
(1)	996 559 211 01	Lid emblem Information available		1	
2	901 559 215 20	Desk pad		1	
(2)	7L5 853 611 B	Desk pad		1	
3	999 591 423 03	Tapping nut		2	
4	986 559 237 00	Logo		1	
	986 559 237 00 70C	Rally black			
(4)	986 559 237 01	Logo	00-	1	M008
	986 559 237 01 9A4	Titanium metallic			
(4)	986 559 237 02	Logo Chrome	04	1	M091
5	986 559 243 00	Logo	00-	1	M008
	986 559 243 00 9A4	Titanium metallic			
(5)	986 559 243 01	Logo Chrome	04	1	M091



Model: 986 97

Model life 1997>>2004



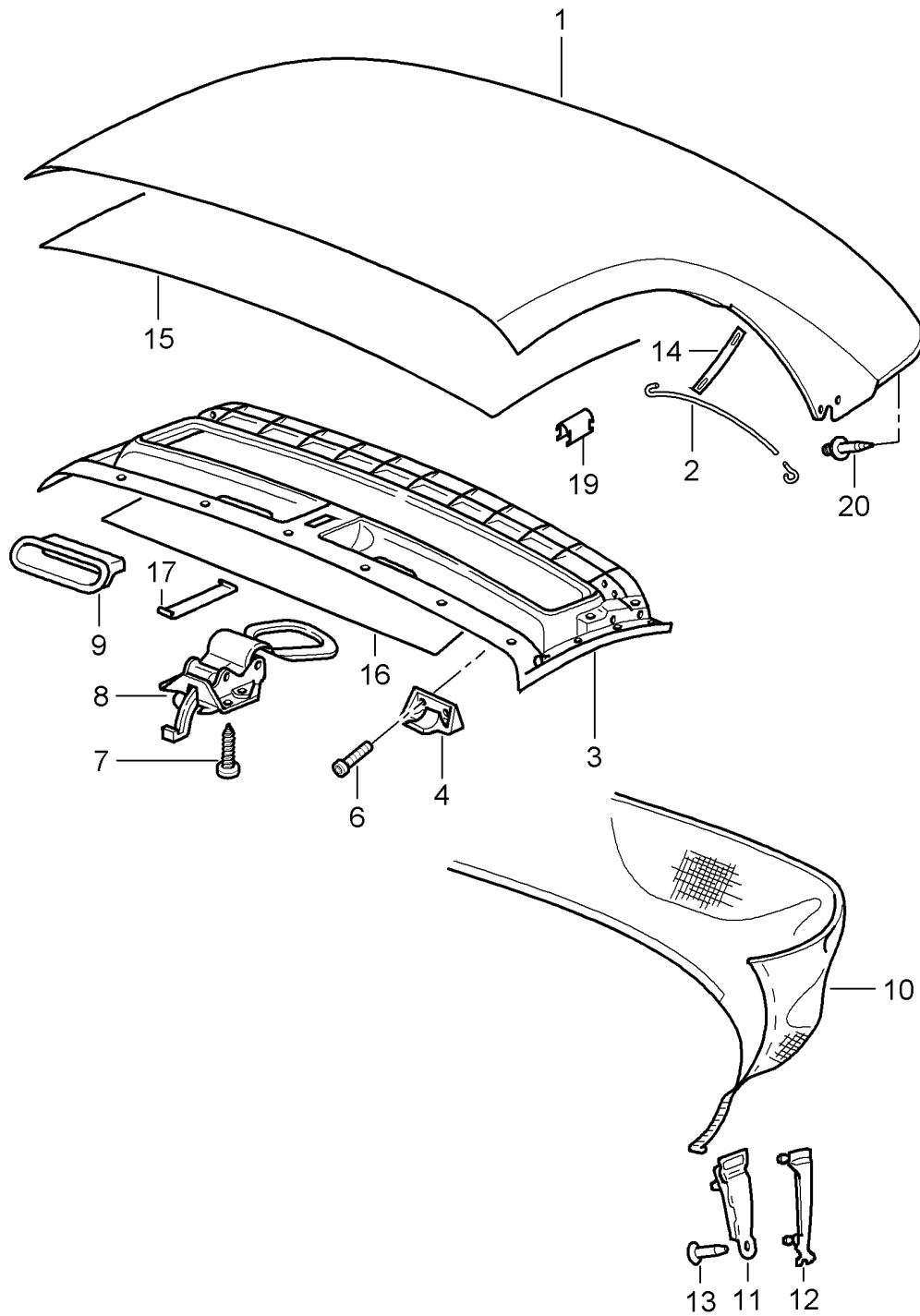
Model: 986 97

Model life 1997>>2004

Pos	Part Number	Description	Remark	Qty	Model
1	986 559 983 01	Sill cover	01-		IXAA/X76
	986 559 983 01 G2X	Sill cover	/L	1	
		Prime coated			
1	986 559 983 02	Sill cover	/L	1	
		Prime coated			
(1)	986 559 984 01	Sill cover	/R	1	
	986 559 984 01 G2X	Prime coated			
(1)	986 559 984 02	Sill cover	/R	1	
		Prime coated			
3	996 559 985 01	Adhesive film	/L	1	
(3)	996 559 986 01	Adhesive film	/R	1	
6	999 073 231 09	Tapping screw		20	
		4,8 X 16			

Model: 986 97

Model life 1997>>2004



Model: 986 97 Model life 1997>>2004

Pos	Part Number	Description	Remark	Qty	Model
1	986 561 915 03	Convertible top covering Roofliner Convertible top covering with Rear window And Installation parts	-02	1	
	986 561 915 03 A10	Black			
	986 561 915 03 C50	Graphite grey			
	986 561 915 03 G10	Metropole blue			
1	986 561 915 05	Convertible top covering with Rear window And Installation parts	03-	1	
	986 561 915 05 A10	Black			
	986 561 915 05 C50	Graphite grey			
	986 561 915 05 G02	Metropole blue			
	986 561 915 05 R17	Brown			
1	986 561 915 07	Convertible top covering with Rear window And Installation parts	03-	1	
	986 561 915 07 R17	Brown			
-	000 043 300 45	When required order also: Repair kit 26		1	
2	986 561 921 00	Tension rope		2	
3	986 561 933 00	Roof frame		1	
3	986 561 933 02	Roof frame		1	
4	986 561 605 01	Centring journal		2	
	986 561 605 01 A09	Black with			
5		Cap	99-	2	
		Black			
6	999 919 144 09	Oval-head screw		4	
7	999 919 148 09	Oval-head screw		4	
8	986 561 017 01	Catch		1	
	986 561 017 01 A09	Black			
8	986 561 017 02	Catch		1	
	986 561 017 02 A09	Black			
9	986 561 417 00	Finger plate		2	
	986 561 417 00 01C	Black			
10	986 561 085 00	Cloth	-02	1	
10	986 561 085 02	Cloth	03-	1	
11	986 561 669 03	Slide	/L	1	
(11)	986 561 670 02	Slide	/R	1	
(11)	986 561 670 03	Slide	/R	1	
12	986 561 559 01	Clamping piece	/L -02	1	
12	986 561 559 02	Clamping piece	/L 03-	1	
(12)	986 561 560 01	Clamping piece	/R -02	1	
(12)	986 561 560 02	Clamping piece	/R 03-	1	
13	986 561 597 00	Pin		2	
14	986 561 931 00	Traction noose		2	
15	986 561 025 02	Roofliner	-02	1	
	986 561 025 02 A21	Black			
15	986 561 025 03	Roofliner	03-	1	
	986 561 025 03 A21	Black			
16	986 561 902 00	Retaining strip		1	
16	986 561 902 01	Retaining strip		1	M008
17	986 561 903 00	Clamp		1	
-	986 563 855 01	Protective fleece cover		1	

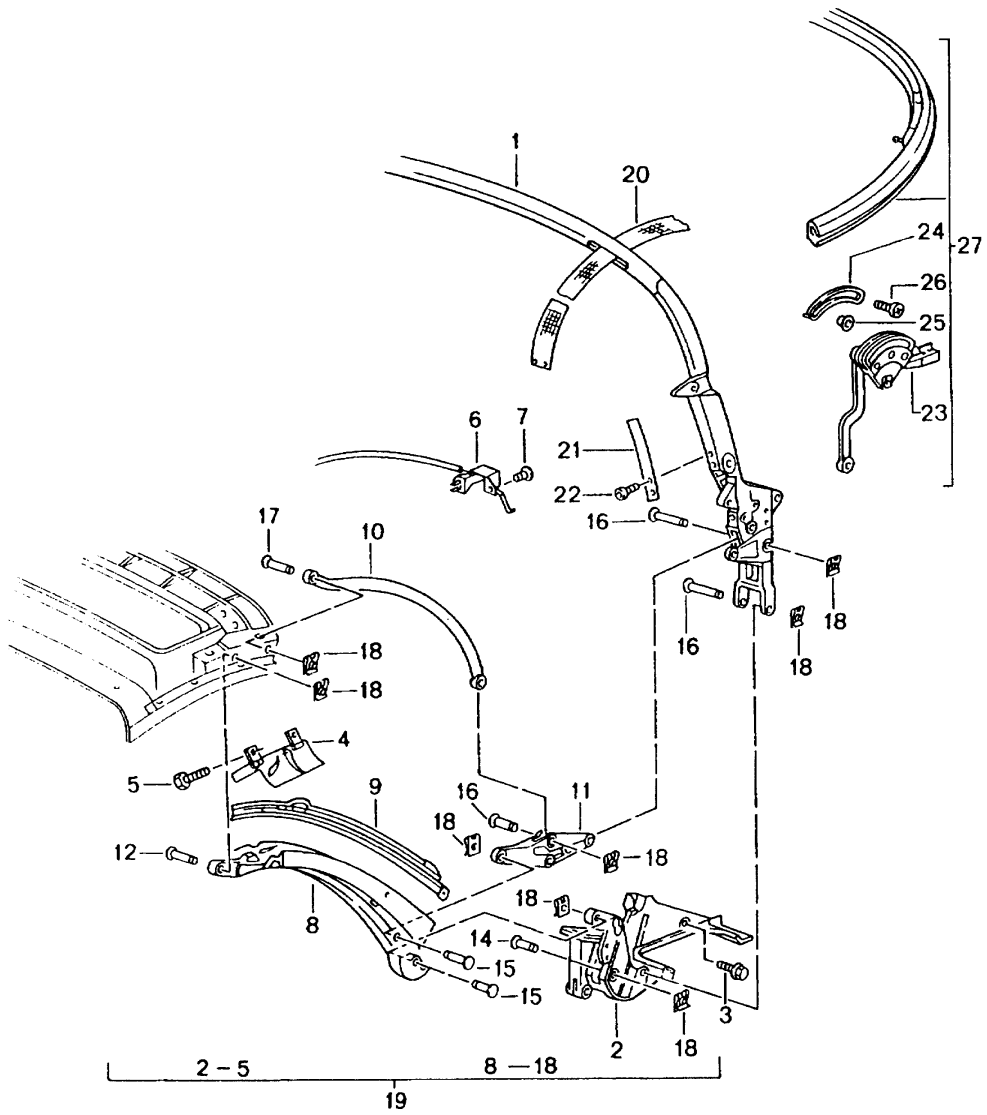
Model: 986 97

Model life 1997>>2004

Pos	Part Number	Description	Remark	Qty	Model
-	999 917 557 00	for Rear window Grease 30 ML		X	
20	999 591 941 40	Expansion rivet	03-	4	

Model: 986 97

Model life 1997>>2004



Model: 986 97 Model life 1997>>2004

Pos	Part Number	Description	Remark	Qty	Model
		Convertible top frame Single parts			
1	986 561 037 00	Main folding top bow		1	
	986 561 037 00 70C	Black			
1	986 561 037 01	Main folding top bow		1	M008
	986 561 037 01 70C	Black			
1	986 561 037 03	Main folding top bow	03-	1	
	986 561 037 03 A09	Black			
2	986 561 443 00	Convertible top support	/L	1	
	986 561 443 00 70C	Black			
(2)	986 561 444 00	Convertible top support	/R	1	
	986 561 444 00 70C	Black			
3	900 378 033 09	Hexagon-head bolt		6	
3	900 378 033 01	Hexagon-head bolt		6	
4	986 561 165 00	Flap		1	
	986 561 165 00 A09	Black			
4	986 561 166 00	Flap		1	
	986 561 166 00 A09	Black			
5	999 919 141 09	Oval-head screw		2	
6	986 613 101 02	Microswitch		1	
7	999 919 152 09	Oval-head screw		1	
8	986 561 935 00	B-pillar	/L	1	
	986 561 935 00 A09	Black			
(8)	986 561 936 00	B-pillar	/R	1	
	986 561 936 00 A09	Black			
-	986 561 646 00	Support for		2	
-	986 561 656 00	Tension rope		1	
9	986 561 909 00	Strip	/L	1	
		Clamping strip			
(9)	986 561 910 00	Strip	/R	1	
		Clamping strip			
10	986 561 039 00	Control arm	/L	1	
	986 561 039 00 70C	Black			
		Use also:			
-	999 924 118 40	Bush		4	
(10)	986 561 040 00	Control arm	/R	1	
	986 561 040 00 70C	Black			
		Use also:			
-	999 924 118 40	Bush		4	
11	986 561 345 00	Steering arm	/L	1	
		Lower			
(11)	986 561 346 00	Steering arm	/R	1	
		Lower			
12	999 088 042 30	Bolt		X	
		8M 6X25,8			
14		Bolt		X	
		8M 6X25,8			
15		Bolt		X	
		8M 6X25,8			
16	999 088 028 30	Bolt		X	
		8M 6X70,8			
17	999 088 030 30	Bolt		X	
		8M 6X45,8			
18	999 166 075 02	Safety clip		X	
19	986 561 911 03	Convertible top frame	-02	1	
	986 561 911 03 A09	Black			
19	986 561 911 04	Convertible top frame	03-	1	
	986 561 911 04 A09	Black without Roll-over bar			
20	986 561 971 01	Belt	/L -02	1	
20	986 561 971 03	Belt	/L 03-	1	

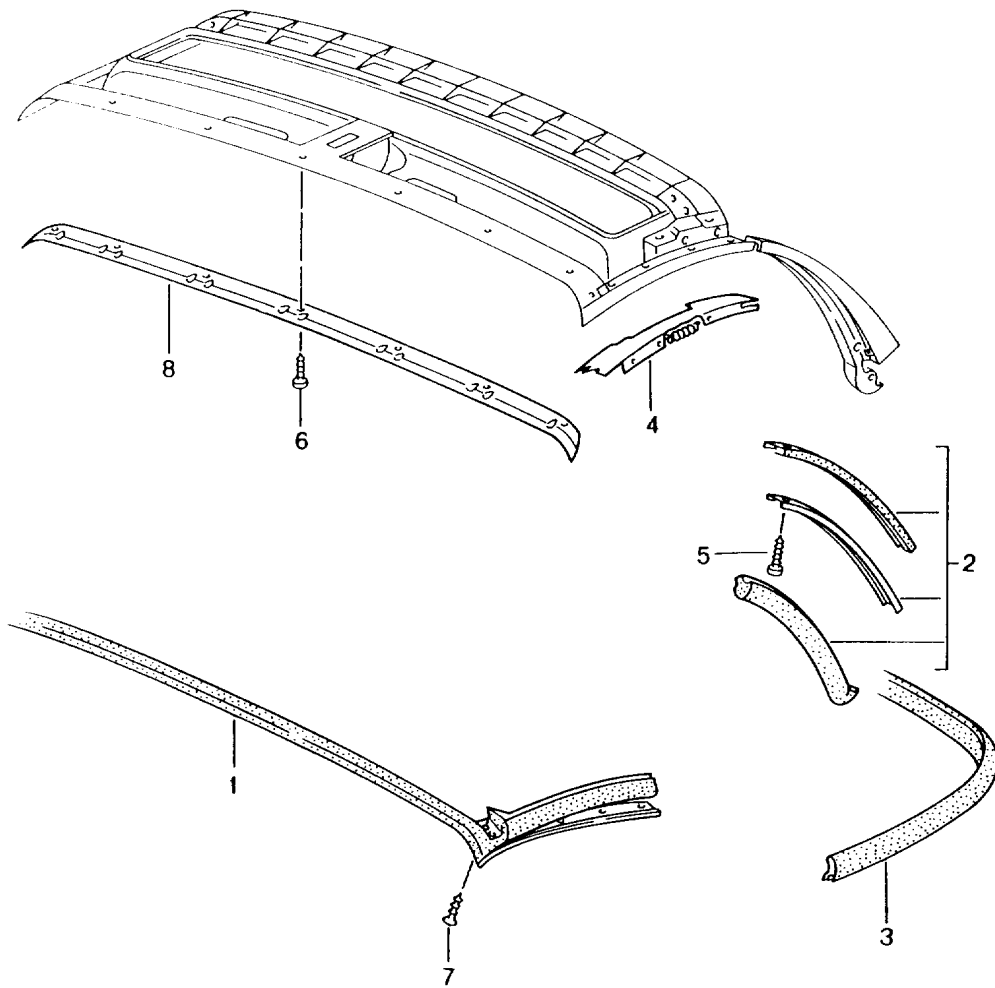
Model: 986 97 Model life 1997>>2004

Pos	Part Number	Description	Remark	Qty	Model
20	986 561 972 01	Belt	/R -02	1	
20	986 561 972 03	Belt	/R 03-	1	
-	900 333 001 30	Blind rivet		X	
21	986 561 769 00	Leaf spring		2	
22	999 919 139 09	Oval-head screw		4	
-	986 561 671 00	Cover	/L	1	
-	986 561 672 00	Cover	/R	1	
-	986 561 905 00	Piping	/L	1	
		B-pillar			
-	986 561 906 00	Piping	/R	1	
		B-pillar			
23	986 561 247 00	Connecting piece	/L -02	1	
	986 561 247 00 70C	Black			
23	986 561 248 00	Connecting piece	/R -02	1	
	986 561 248 00 70C	Black			
24	986 561 871 00	Guide	-02	4	
25	999 924 118 40	Bush	-02	X	
26	999 919 144 09	Oval-head screw	-02	4	
27	986 561 901 02	Roof strut	-02	1	
(27)	986 561 901 03	Roof strut	03-	1	
28	986 561 237 01	Roof strut	03-	1	
29	986 561 671 02	Cover	/L 03-	1	
(29)	986 561 672 02	Cover	/R 03-	1	
30	986 561 675 01	Cover	/L 03-	1	
(30)	986 561 676 01	Cover	/R 03-	1	
31	999 088 042 30	Bolt	03-	2	
32	999 088 043 30	Bolt	03-	2	
33	986 561 973 00	Restraining strap	03-	2	
34	986 612 315 00	Wiring harness	03-	1	



Model: 986 97

Model life 1997>>2004



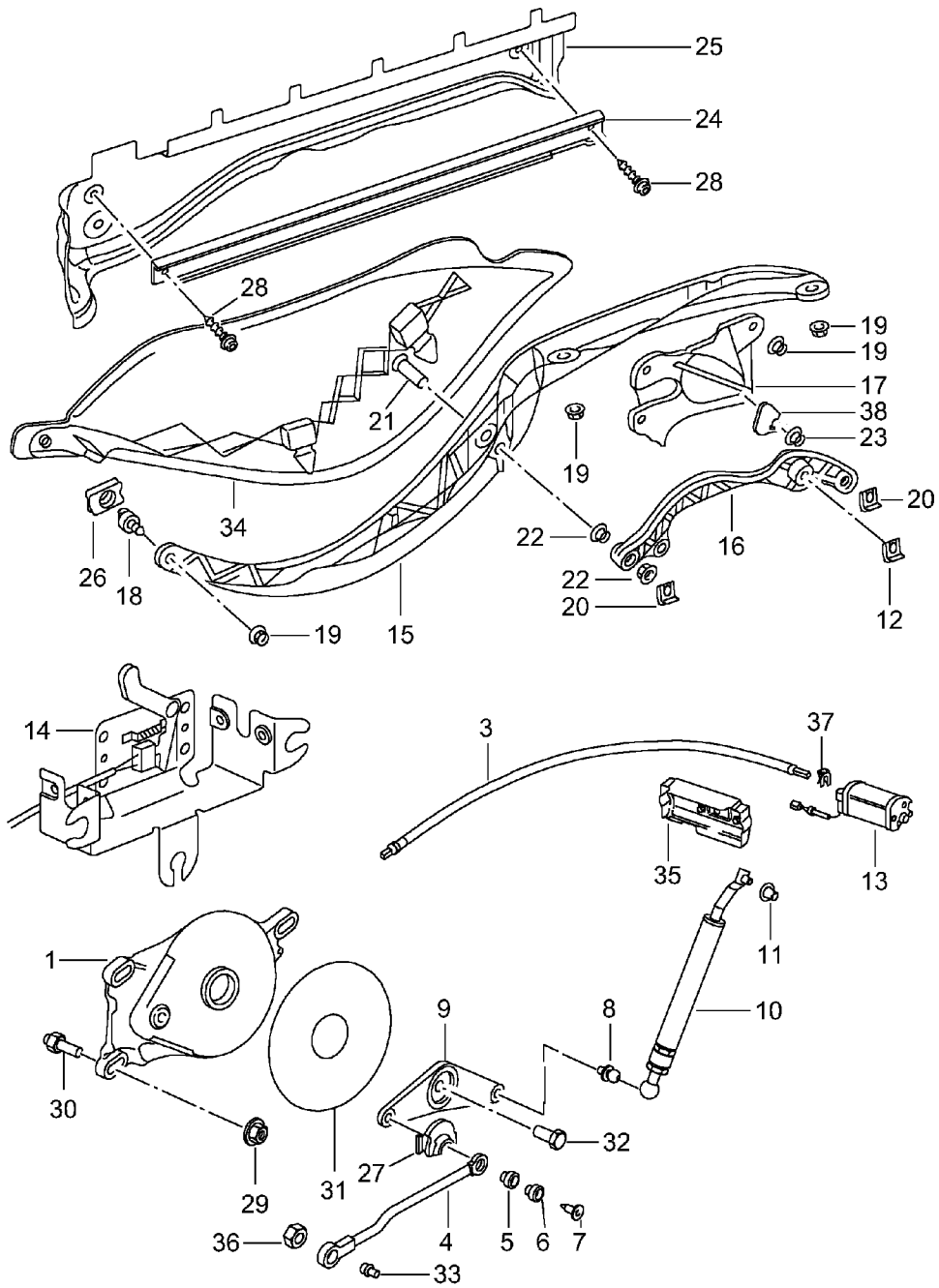
Model: 986 97

Model life 1997>>2004

Pos	Part Number	Description	Remark	Qty	Model
		Convertible top			
		Seal			
1	986 561 927 01	Roof frame seal	-02	1	
1	986 561 927 02	Roof frame seal	03-	1	
-	986 561 813 01	Filler piece	/L	1	
-	986 561 814 01	Filler piece	/R	1	
2	986 561 923 01	Gasket set	/L -02	1	
		B-pillar			
2	986 561 923 02	Gasket set	/L 03-	1	
		B-pillar			
(2)	986 561 924 01	Gasket set	/R -02	1	
		B-pillar			
(2)	986 561 924 02	Gasket set	/R 03-	1	
		B-pillar			
3	986 561 393 01	Gasket		1	
		Roof strut			
4	986 561 115 00	Retaining strip	/L	1	
(4)	986 561 116 00	Retaining strip	/R	1	
5	900 067 378 09	Pan-head screw		X	
6	999 919 139 09	Oval-head screw		X	
7	999 919 144 09	Oval-head screw		2	
8	986 561 501 01	Retaining strip		1	

Model: 986 97

Model life 1997>>2004



Model: 986 97 Model life 1997>>2004

Pos	Part Number	Description	Remark	Qty	Model
		Driving mechanism			
		Convertible top			
		Convertible top compartm.			
		Lid			
1	986 561 179 02	Transmission	/L -99	1	
1	986 561 179 03	Transmission	/L 00-	1	
1	986 561 180 02	Transmission	/R -99	1	
1	986 561 180 03	Transmission	/R 00-	1	
3	986 561 717 03	Pliable shaft		2	
4	986 561 279 02	Push rod		2	
5	999 924 039 00	Bush		2	
6	986 561 779 00	Spacer sleeve		2	
7	900 249 054 09	Countersunk-head screw		2	
8	986 561 689 00	Ball pin		2	
9	986 561 479 01	Lever	/L	1	
9	986 561 480 01	Lever	/R	1	
10	986 561 579 00	Push rod	/L	1	
10	986 561 580 00	Push rod	/R	1	
11	999 924 126 00	Bush		2	
12	999 166 075 02	Safety clip		2	
13	986 624 117 00	Electric motor	-03	1	
13	986 624 117 01	Electric motor	04-	1	
14	986 613 767 01	Microswitch		1	
		with			
		Support		1	
(14)	986 624 299 00	Support		1	
		without			
		Microswitch			
15	986 561 551 01	Guide arm	/L	1	
	986 561 551 01 GRV	Prime coated			
(15)	986 561 552 01	Guide arm	/R	1	
	986 561 552 01 GRV	Prime coated			
16	986 561 571 01	Hinge lever	/L	1	
	986 561 571 01 GRV	Prime coated			
16	986 561 572 01	Hinge lever	/R	1	
	986 561 572 01 GRV	Prime coated			
17	986 561 679 00	Bearing bracket	/L	1	
	986 561 679 00 GRV	Prime coated			
17	986 561 680 00	Bearing bracket	/R	1	
	986 561 680 00 GRV	Prime coated			
18	986 561 677 00	Ball pin		1	
19	900 377 010 09	Hexagon nut		12	
20	999 166 075 02	Safety clip		4	
(20)	986 561 873 00	Lock		2	
21	999 088 027 30	Bolt		2	
22	999 924 049 01	Bush		4	
23	999 924 069 00	Bearing sleeve		2	
24	986 561 253 01	Guide rail	/L	1	
24	986 561 254 01	Guide rail	/R	1	
25	986 561 761 02	Water drain plate	/L	1	
	986 561 761 02 GRV	Prime coated			
25	986 561 762 02	Water drain plate	/R	1	
	986 561 762 02 GRV	Prime coated			
26	986 561 577 01	Slide		2	
27	986 561 881 00	Rubber bush		2	
28	900 067 379 09	Pan-head screw		4	
29	999 076 055 09	Hexagon nut		6	
30	986 561 789 00	Spacer bolt	-99	6	
30	986 561 789 01	Spacer bolt	00-	6	
31	986 561 589 03	Washer		2	
32	999 217 095 02	Hexagon-head bolt		2	
32	900 378 288 01	Hexagon-head bolt		2	
33	986 561 879 00	Ball pin		2	

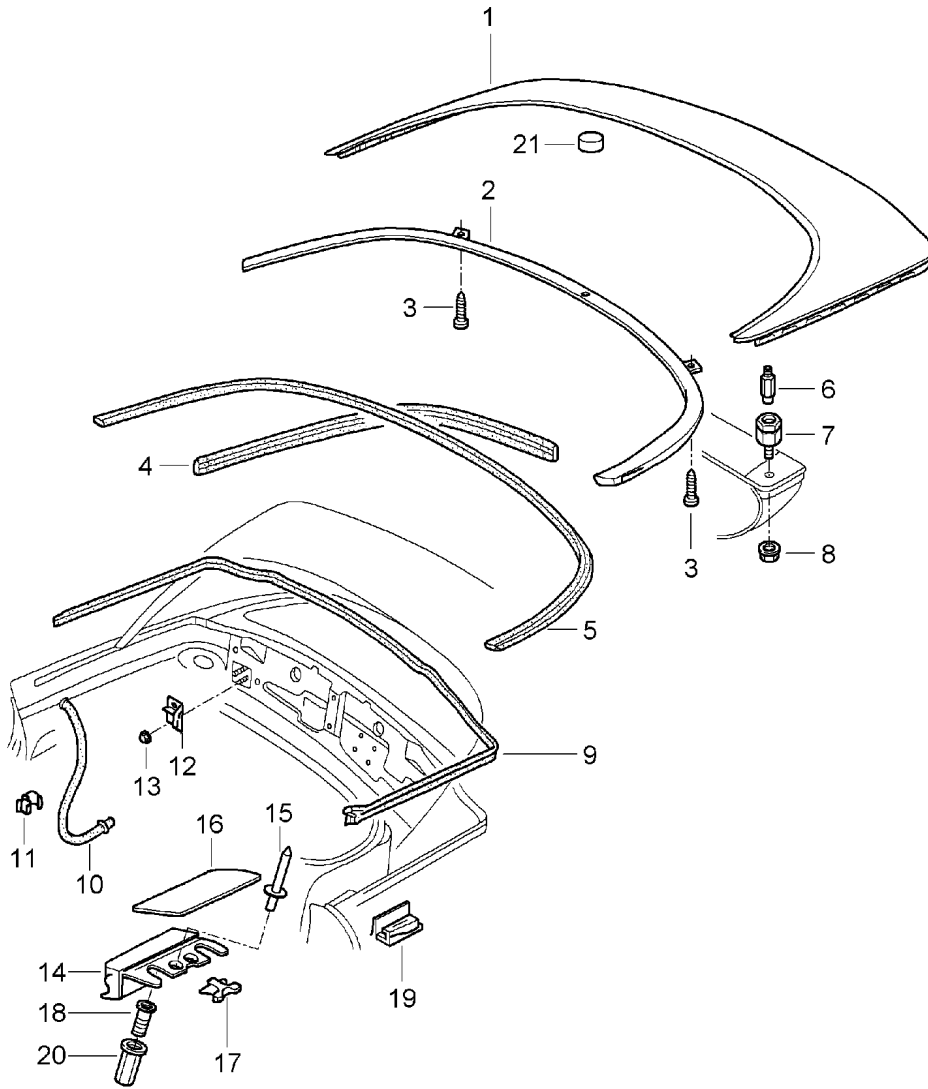
Model: 986 97

Model life 1997&gt;&gt;2004

Pos	Part Number	Description	Remark	Qty	Model
-	N 011 118 11	Use also: Hexagon nut		2	
-	900 034 001 05	Hexagon nut M8		2	
34	986 561 445 02	Trim cover	/L -02	1	
	986 561 445 02 01C	Black			
(34)	986 561 446 02	Trim cover	/R -02	1	
	986 561 446 02 01C	Black			
34	986 561 445 03	Trim cover	03-	1	
(34)	986 561 446 03	Trim cover	03-	1	
35	986 624 295 00	Cap		1	
36	N 011 118 11	Hexagon nut		2	
36	900 034 001 05	Hexagon nut M8		2	
37	911 561 643 65	Spring clamp		2	
37	987 561 643 00	Spring clamp		2	
38	986 561 657 00	Connection piece		2	

Model: 986 97

Model life 1997>>2004

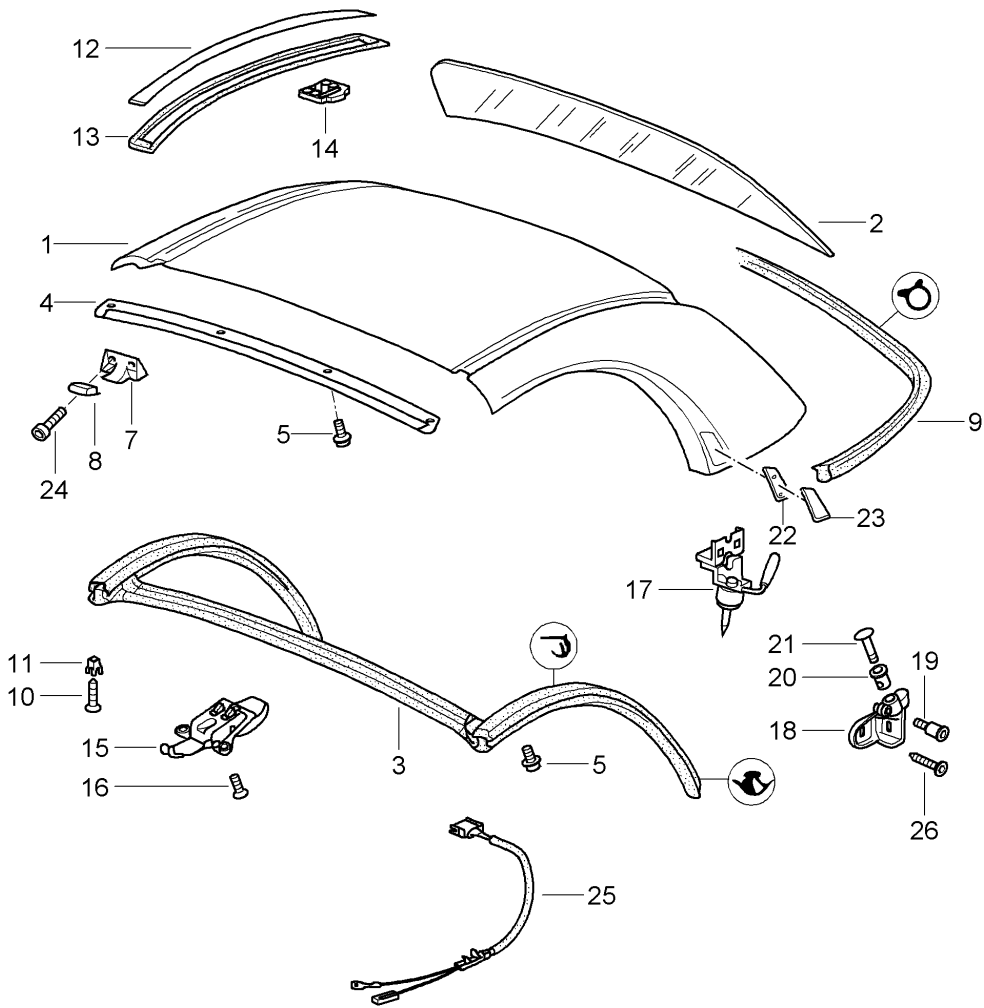


Model: 986 97 Model life 1997>>2004

Pos	Part Number	Description	Remark	Qty	Model
		Convertible top compartm. Lid Gaskets			
1	986 514 011 01	Lid		1	
	986 514 011 01 GRV	Prime coated			
2	986 514 631 00	Sealing strip		1	
3	999 073 047 02	Tapping screw		2	
4	986 514 714 01	Edge protection		2	
5	986 514 731 00	Gasket		1	
6	986 514 253 01	Centring journal		2	
7	986 514 251 01	Base		2	
8	999 076 061 09	Hexagon nut		4	
9	986 514 211 01	Gasket		1	
10	986 514 241 00	Water drain hose	/L	2	
11	999 507 551 09	Cable clamp		4	
12	986 561 786 02	Support Cloth	/R -00	1	
12	986 561 785 02	Support Cloth	/L -00	1	
(12)	986 561 505 00	Support Cloth	00-	2	
13	999 084 629 09	Hexagon nut	-00	4	
13	999 084 629 01	Hexagon nut		4	
14	986 514 633 02	Sealing strip	/L	1	
14	986 514 634 02	Sealing strip	/R	1	
15	999 190 445 37	Blind rivet		4	
16	986 504 861 00	Cover	/L	1	
	986 504 861 00 G2X	Prime coated			
16	986 504 862 00	Cover	/R	1	
	986 504 862 00 G2X	Prime coated			
17	986 504 833 00	Clamp		2	
18	996 504 855 01	Mounting		4	
19	986 561 407 02	Stop	/L	1	
(19)	986 561 408 02	Stop	/R	1	
20	999 500 084 02	Special nut		4	
20	999 500 084 01	Special nut		4	
21	986 561 633 01	Buffer	-97	5	
21		Buffer	98-	5	
-	000 043 205 38	Adhesive tape 3000X19 MM		1	

Model: 986 97

Model life 1997>>2004



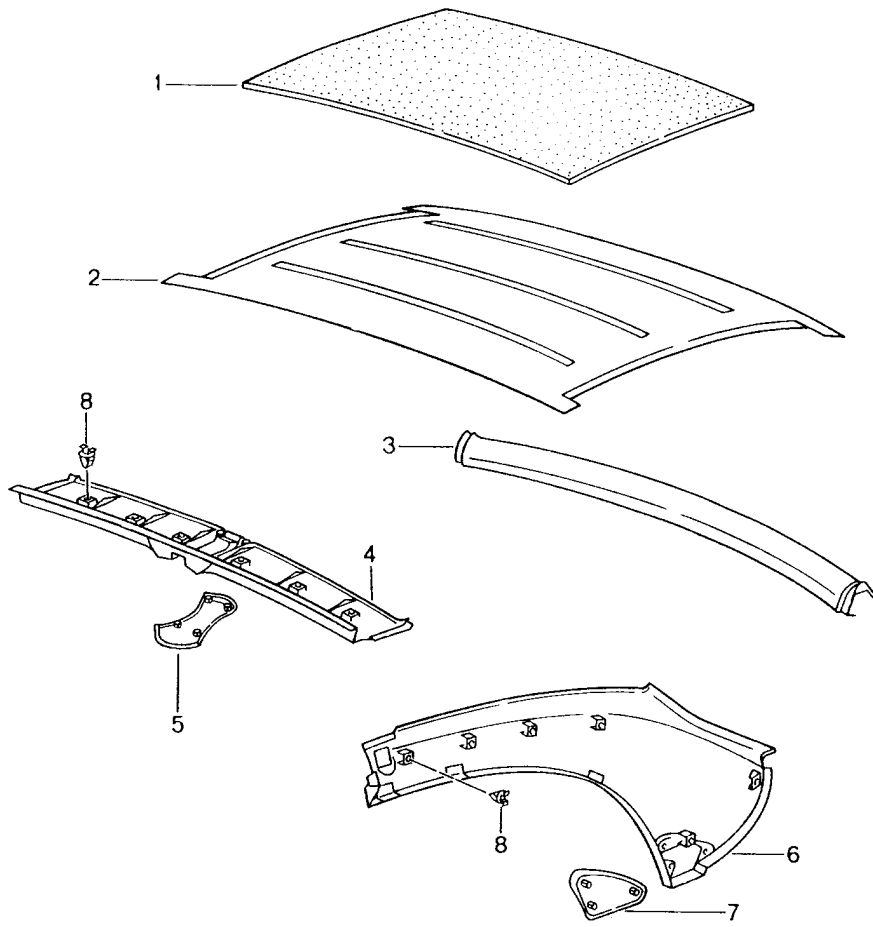


Model: 986 97 Model life 1997>>2004

Pos	Part Number	Description	Remark	Qty	Model
		Hardtop Accessories Gaskets			M550
1	986 563 911 01 986 563 911 01 GRV	Hardtop Prime coated without Accessories	97	1	
1	986 563 911 03 986 563 911 03 GRV	Hardtop Prime coated without Accessories	98-	1	
2	986 563 091 01	Rear window Ready for installation		1	
2	986 563 091 02	Rear window Ready for installation		1	M008
3	986 563 025 01	Gasket		1	
4	986 563 319 01	Retaining strip		1	
5	900 067 378 09	Pan-head screw		10	
-	000 043 203 29	Sealing strap NITTO		X	
7	986 561 605 00 986 561 605 00 A09	Centring journal Black		2	
8	986 563 625 03	Cap		2	
9	986 563 027 01	Gasket		1	
10	999 073 049 02	Tapping screw		14	
11	999 507 547 40	Expander nut		22	
12	986 563 707 00 986 563 707 00 GRV	Cover strip Prime coated	/L	1	
(12)	986 563 708 00 986 563 708 00 GRV	Cover strip Prime coated	/R	1	
13	986 563 361 00	Gasket	/L	1	
(13)	986 563 362 00	Gasket	/R	1	
14	986 563 721 00	Clip		8	
15	996 563 401 00	Catch		1	
16	900 249 055 09	Countersunk-head screw M 6X20		3	
17	986 563 403 02	Catch	/L	1	
(17)	986 563 404 02	Catch	/R	1	
-	900 067 378 09	Use also: Pan-head screw Micro-self-locking		2	
18	986 561 653 04	Mounting	/L	1	
(18)	986 561 654 04	Mounting	/R	1	
19	999 219 041 00	Fit bolt		2	
20	986 563 713 02	Insert	/L	1	
(20)	986 563 714 02	Insert	/R	1	
21	986 561 655 00	Cap		2	
22	986 563 341 01	Mounting	/L	1	
(22)	986 563 342 01	Mounting	/R	1	
23	986 563 803 01 986 563 803 01 G2X	Trim cover Prime coated	/L	1	
23	986 563 804 01 986 563 804 01 G2X	Trim cover Prime coated	/R	1	
24	900 119 122 09	Pan-head screw		4	
25	986 612 081 01	Wiring harness		1	
26	999 073 150 09	Oval-head screw		4	
-	986 563 309 00	Retaining strip	/L	1	
-	986 563 310 00	Retaining strip	/R	1	
-	986 563 021 00	Sealing strip	/L	1	
-	986 563 022 00	Sealing strip	/R	1	
-	999 703 447 40	Buffer		3	

Model: 986 97

Model life 1997>>2004



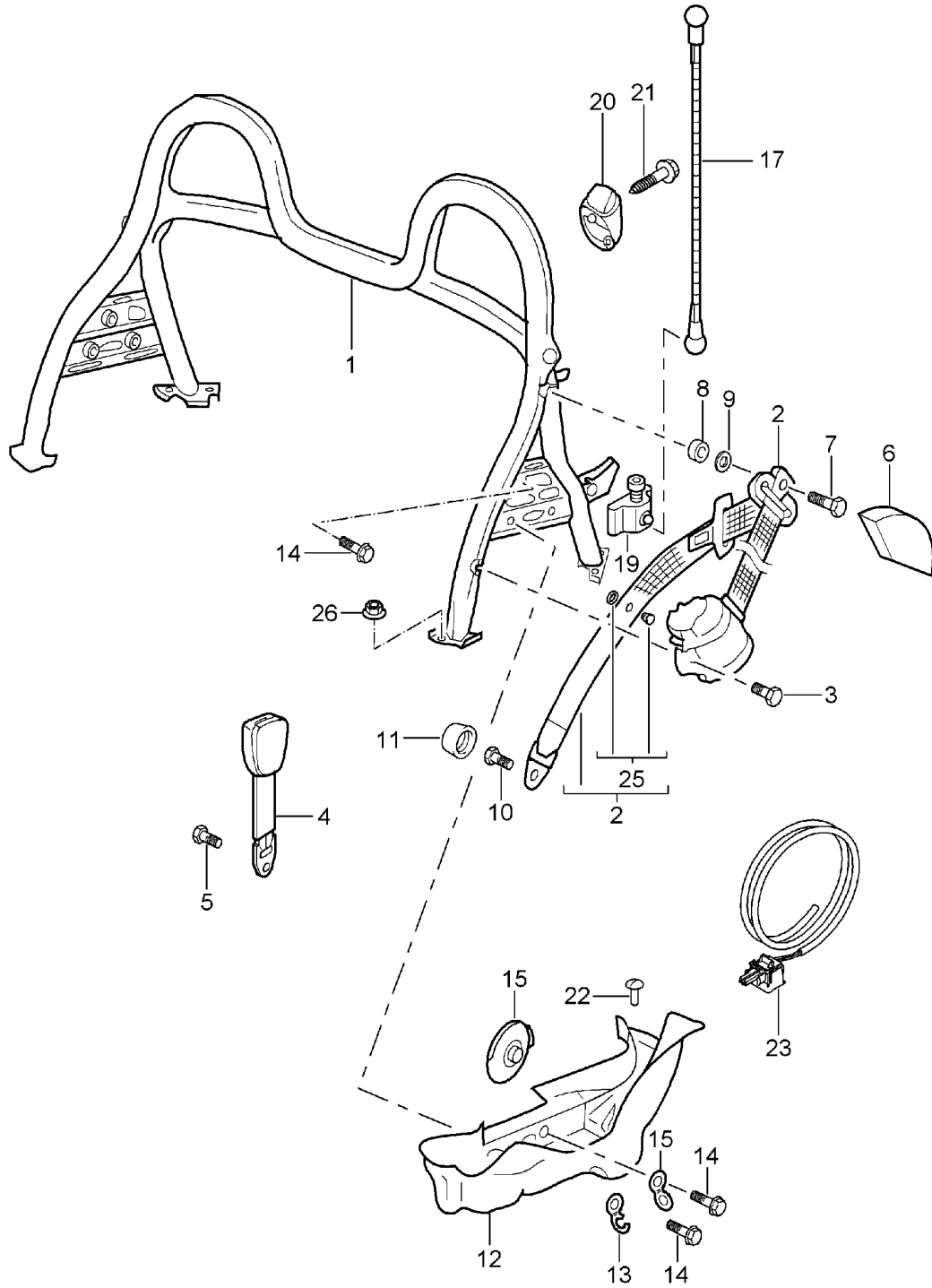
Model: 986 97

Model life 1997>>2004

Pos	Part Number	Description	Remark	Qty	Model
		Hardtop			
		Interior equipment			
1	986 563 523 00	Sound absorber		1	
2	986 563 111 00	Lining	-00	1	
	986 563 111 00 A10	Black			
2	986 563 111 01	Lining	01-	1	
	986 563 111 01 A21	Black			
3	986 563 505 00	Lining		1	
	986 563 505 00 B12	Black			
4	986 563 501 00	Lining		1	
	986 563 501 00 B12	Black			
5	986 563 551 00	Lid		1	
	986 563 551 00 B12	Black			
6	986 563 503 00	Lining	/L	1	
	986 563 503 00 B12	Black			
(6)	986 563 504 00	Lining	/R	1	
	986 563 504 00 B12	Black			
7	986 563 553 00	Lid	/L	1	
	986 563 553 00 B12	Black			
(7)	986 563 554 00	Lid	/R	1	
	986 563 554 00 B12	Black			
8	999 507 764 40	Clip		X	

Model: 986 97

Model life 1997>>2004



Model: 986 97 Model life 1997>>2004

Pos	Part Number	Description	Remark	Qty	Model
		Roll-over bar			
		Seat belt			
1	986 580 011 01	Roll-over bar		1	
	986 580 011 01 70C	Black			
2	986 803 033 02	Seat belt	/L -01	1	
2	986 803 033 03	Seat belt	/L 02-	1	
2	986 803 982 01	Seat belt	/L 02-	1	
	986 803 982 01 V02	Speed yellow			
	986 803 982 01 H03	Maritime blue			
	986 803 982 01 N13	Guards red			
(2)	986 803 034 03	Seat belt	/R -01	1	
(2)	986 803 034 05	Seat belt	/R 02-	1	
(2)	986 803 983 03	Seat belt	/R 02-	1	
	986 803 983 03 V02	Speed yellow			
	986 803 983 03 H03	Maritime blue			
	986 803 983 03 N13	Guards red			
3	911 803 150 00	Screw		2	
4	996 803 183 09	Seat-belt buckle	-01	1	
		Driver's side			
4		Seat-belt buckle	02-	1	
		Driver's side			
4	996 803 183 10	Seat-belt buckle	-01	1	
		Passenger's side			
4		Seat-belt buckle	02-	1	
		Passenger's side			
5	999 218 101 02	Hexagon-head bolt		2	
6	986 803 541 00	Cover		2	
	986 803 541 00 01C	Black			
7	914 803 468 10	Screw		2	
8	999 924 064 02	Spacer sleeve		2	
8	999 924 064 01	Spacer sleeve		2	
9	211 857 771	Washer		2	
10	803 019 811 B	Hexagon-head bolt		2	
11	811 857 845	Cap		2	
	811 857 845 01C	Satin black			
12	986 561 805 03	Water drip pan	/L	1	
(12)	986 561 806 03	Water drip pan	/R	1	
-	986 561 833 02	Water drain hose		1	
-	986 561 834 02	Water drain hose		1	
-	N 900 685 01	Push button		4	
-	987 561 487 00	Filter element		2	
		Water drip pan			
16	986 561 589 03	Washer		2	
17	986 561 191 02	Tension rope		2	
19	986 561 917 00	Threaded plate		2	
20	986 580 131 01	Bracket	/L	1	
20	986 580 132 01	Bracket	/R	1	
21	999 073 060 02	Tapping screw		2	
22	N 900 685 01	Push button		4	
-	986 580 513 00	Plate		X	
		Roll-over bar			
		1 MM			
-	986 580 613 00	Plate		X	
		Roll-over bar			
		1 MM			
-	000 043 300 07	Paint		1	
		Metal grey			
		1L			
23	996 612 991 10	Cable		X	
		Driver's side			
		for			
		Seat-belt tensioner			
23	996 612 991 00	Cable		X	

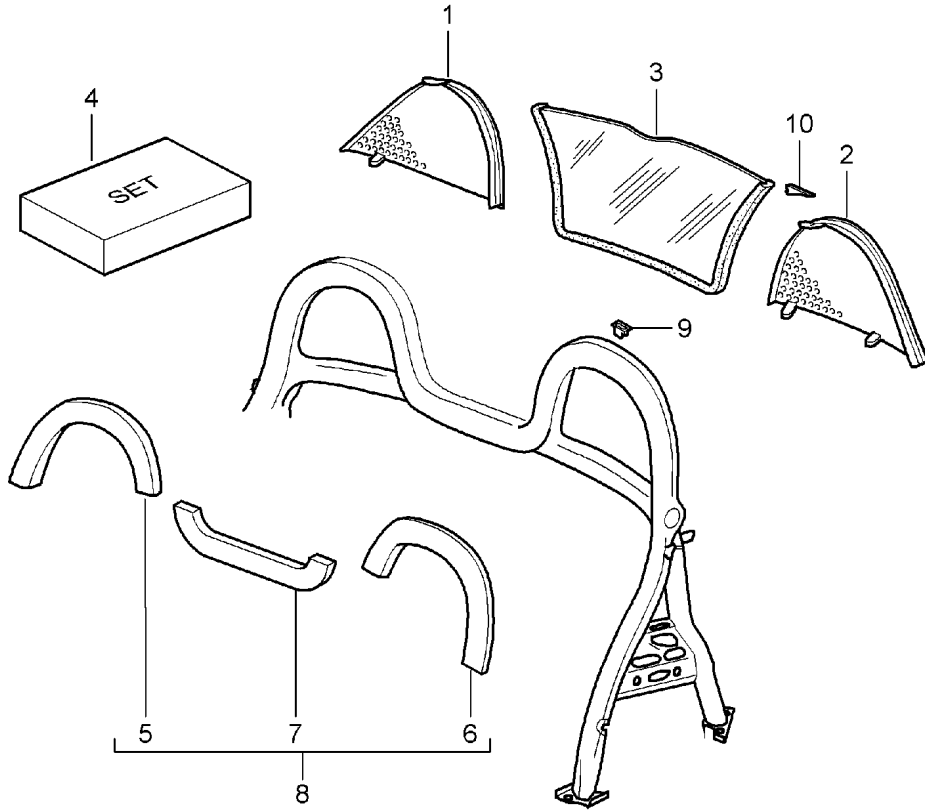
Model: 986 97

Model life 1997&gt;&gt;2004

Pos	Part Number	Description	Remark	Qty	Model
25	955 803 056 00	Passenger's side for Seat-belt tensioner Knob		2	
	955 803 056 00 HCP	Black			
26	999 076 065 02	Collar nut		8	

Model: 986 97

Model life 1997>>2004



Model: 986 97 Model life 1997>>2004

Pos	Part Number	Description	Remark	Qty	Model
		Wind deflector And Linings Roll-over bar			
1	986 561 584 00	Wind deflector	/R	1	
	986 561 584 00 01C	Black			
2	986 561 583 00	Wind deflector	/L	1	
	986 561 583 00 01C	Black			
3	986 561 321 00	Wind deflector		1	
	986 561 321 00 01C	Black			
3	986 561 321 01	Wind deflector		1	
	986 561 321 01 01C	Black			
4	986 561 323 00	Set of fastening parts for Wind deflector		1	
5	986 580 512 01	Lining	/R -97	1	
	986 580 512 01 A11	Black			
	986 580 512 01 C51	Graphite grey			
	986 580 512 01 J31	Nephrite green			
	986 580 512 01 M31	Boxster red			
	986 580 512 01 S31	Savanna			
5	986 580 512 03	Lining Leather	/R 98-	1	
	986 580 512 03 A11	Black			
	986 580 512 03 C51	Graphite grey			
	986 580 512 03 J31	Nephrite green			
	986 580 512 03 M31	Boxster red			
	986 580 512 03 S31	Savanna			
5	986 580 512 07	Lining	/L 01-	1	
	986 580 512 07 A17	Black			
	986 580 512 07 C57	Graphite grey			
	986 580 512 07 D12	Dark grey			
	986 580 512 07 G17	Metropole blue			
	986 580 512 07 J37	Nephrite green			
	986 580 512 07 M37	Boxster red			
	986 580 512 07 P17	Cinnamon brown			
	986 580 512 07 S37	Savanna			
	986 580 512 07 T12	Brown/natural			
6	986 580 511 01	Lining Leather Black	/L -97	1	
	986 580 511 01 C51	Graphite grey			
	986 580 511 01 J31	Nephrite green			
	986 580 511 01 M31	Boxster red			
	986 580 511 01 S31	Savanna			
6	986 580 511 03	Lining Leather Black	/L 98-	1	
	986 580 511 03 C51	Graphite grey			
	986 580 511 03 J31	Nephrite green			
	986 580 511 03 M31	Boxster red			
	986 580 511 03 S31	Savanna			
6	986 580 511 07	Lining Leather	/L -01	1	
	986 580 511 07 A17	Black			
	986 580 511 07 C57	Graphite grey			
	986 580 511 07 D12	Dark green			
	986 580 511 07 G17	Metropole blue			
	986 580 511 07 J37	Nephrite green			
	986 580 511 07 M37	Boxster red			
	986 580 511 07 P17	Cinnamon brown			
	986 580 511 07 S37	Savanna			
	986 580 511 07 T12	Brown/natural			

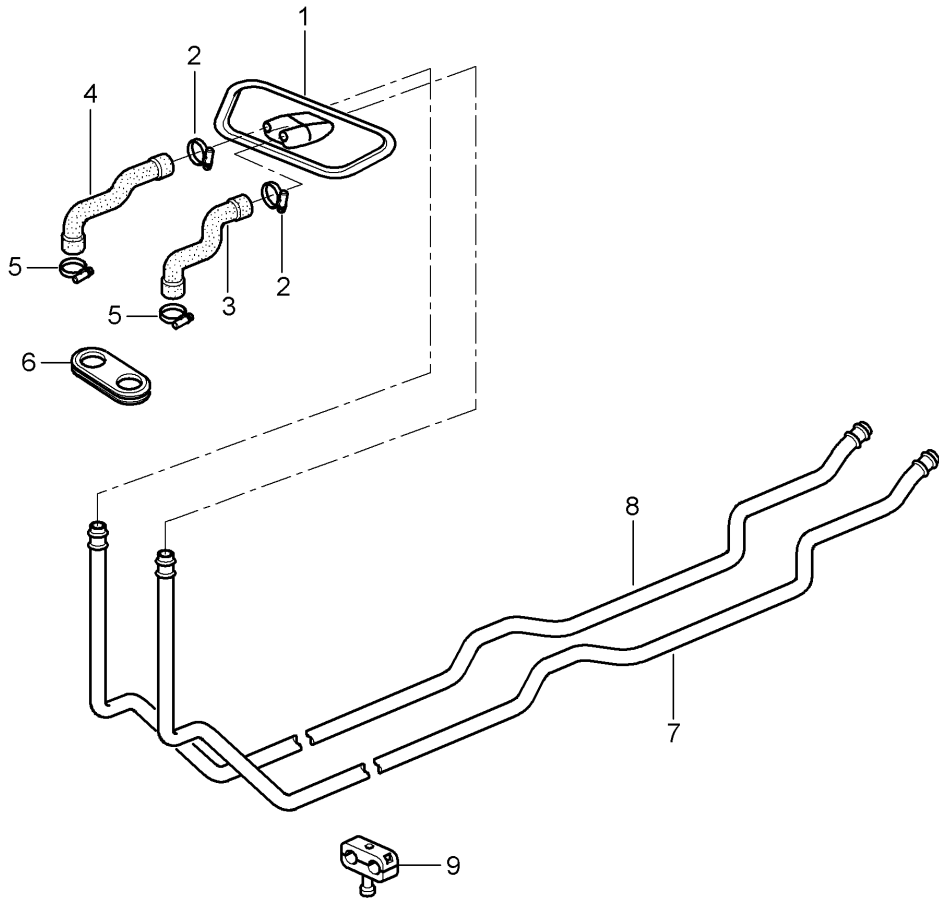


Model: 986 97 Model life 1997>>2004

Pos	Part Number	Description	Remark	Qty	Model
7	986 580 521 01	Lining Leather	-97	1	
	986 580 521 01 A11	Black			
	986 580 521 01 C51	Graphite grey			
	986 580 521 01 S31	Savanna			
	986 580 521 01 J31	Nephrite green			
	986 580 521 01 M31	Boxster red			
7	986 580 521 05	Lining Leather	98-	1	
	986 580 521 05 A11	Black			
	986 580 521 05 C51	Graphite grey			
	986 580 521 05 G11	Metropole blue	98-		
	986 580 521 05 S31	Savanna			
	986 580 521 05 J31	Nephrite green			
	986 580 521 05 M31	Boxster red			
7	986 580 521 05	Lining Leather		1	
	986 580 521 05 A17	Black			
	986 580 521 05 C57	Graphite grey			
	986 580 521 05 D12	Dark grey			
	986 580 521 05 G17	Metropole blue			
	986 580 521 05 J37	Nephrite green			
	986 580 521 05 M37	Boxster red			
	986 580 521 05 P17	Cinnamon brown			
	986 580 521 05 S37	Savanna			
	986 580 521 05 T12	Brown/natural			
8	986 580 311 13	Lining Set Leatherette		1	
	986 580 311 13 A12	Black			
	986 580 311 13 C52	Graphite grey			
	986 580 311 13 G12	Metropole blue			
	986 580 311 13 J32	Nephrite green			
	986 580 311 13 S32	Savanna			
(8)	986 580 311 16	Lining Set Leather		1	
	986 580 311 16 A11	Black			
	986 580 311 16 C51	Graphite grey			
	986 580 311 16 D12	Dark grey/natural			
	986 580 311 16 G11	Metropole blue			
	986 580 311 16 J31	Nephrite green			
	986 580 311 16 M31	Boxster red			
	986 580 311 16 P12	Cinnamon brown			
	986 580 311 16 S31	Savanna			
	986 580 311 16 T12	Brown			
	986 580 311 16 9V6	Cocoa			
9	986 580 751 00	Clip		8	
10	986 561 737 00	Latch		1	
	986 561 737 00 01C	Black Left			
(10)	986 561 738 00	Latch		1	
	986 561 738 00 01C	Black Right			

Model: 986 97

Model life 1997>>2004



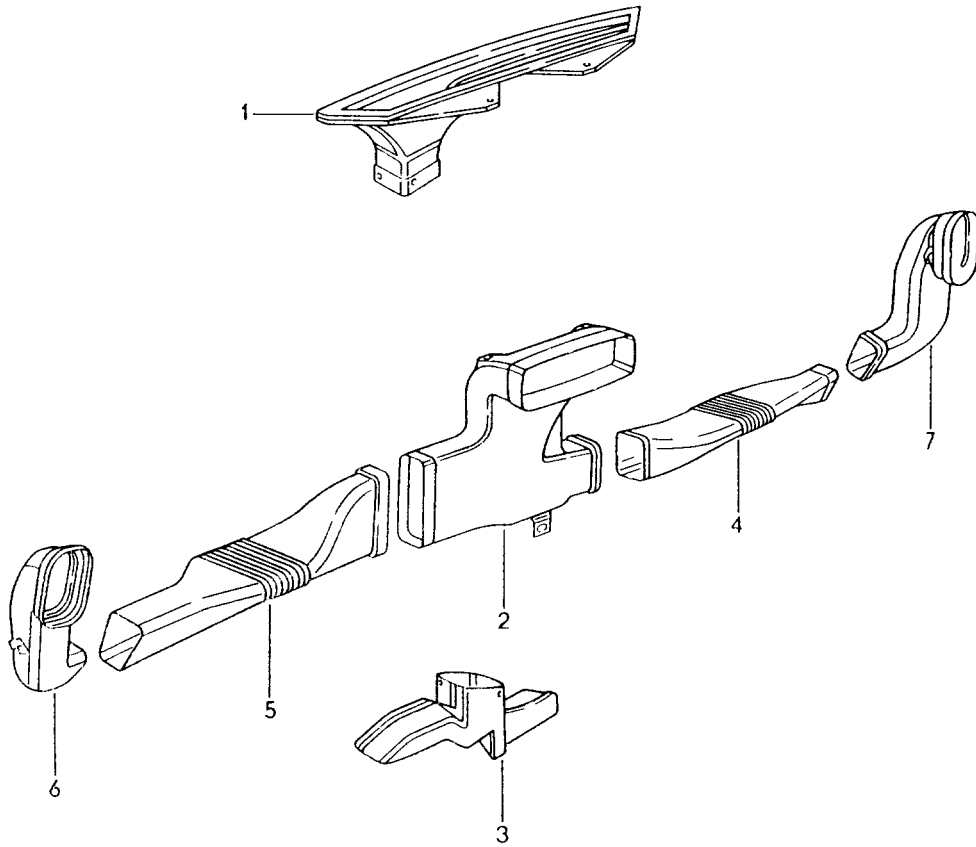
Model: 986 97

Model life 1997>>2004

Pos	Part Number	Description	Remark	Qty	Model
		Heating system 1			
		Feed line			
		Return line			
(1)	996 572 263 02	Gasket	/LL	1	
2	999 512 441 02	Hose clamp		1	
3	996 572 585 00	Heater hose	/LL	1	
3	996 572 585 04	Heater hose	/LL	1	
3	997 572 555 00	Heater hose	/LL	1	
4	996 572 583 00	Heater hose	/LL	1	
4	996 572 583 04	Heater hose	/LL	1	
4	997 572 553 00	Heater hose	/LL	1	
5	999 512 441 02	Hose clamp		1	
6	996 572 765 01	Grommet		1	
7	986 572 683 01	Hot air duct		1	
7	986 572 683 02	Hot air duct		1	
8	986 572 681 01	Hot air duct		1	
9	999 511 230 40	Cable holder		4	
-	999 511 232 41	Rubber mounting		4	

Model: 986 97

Model life 1997>>2004



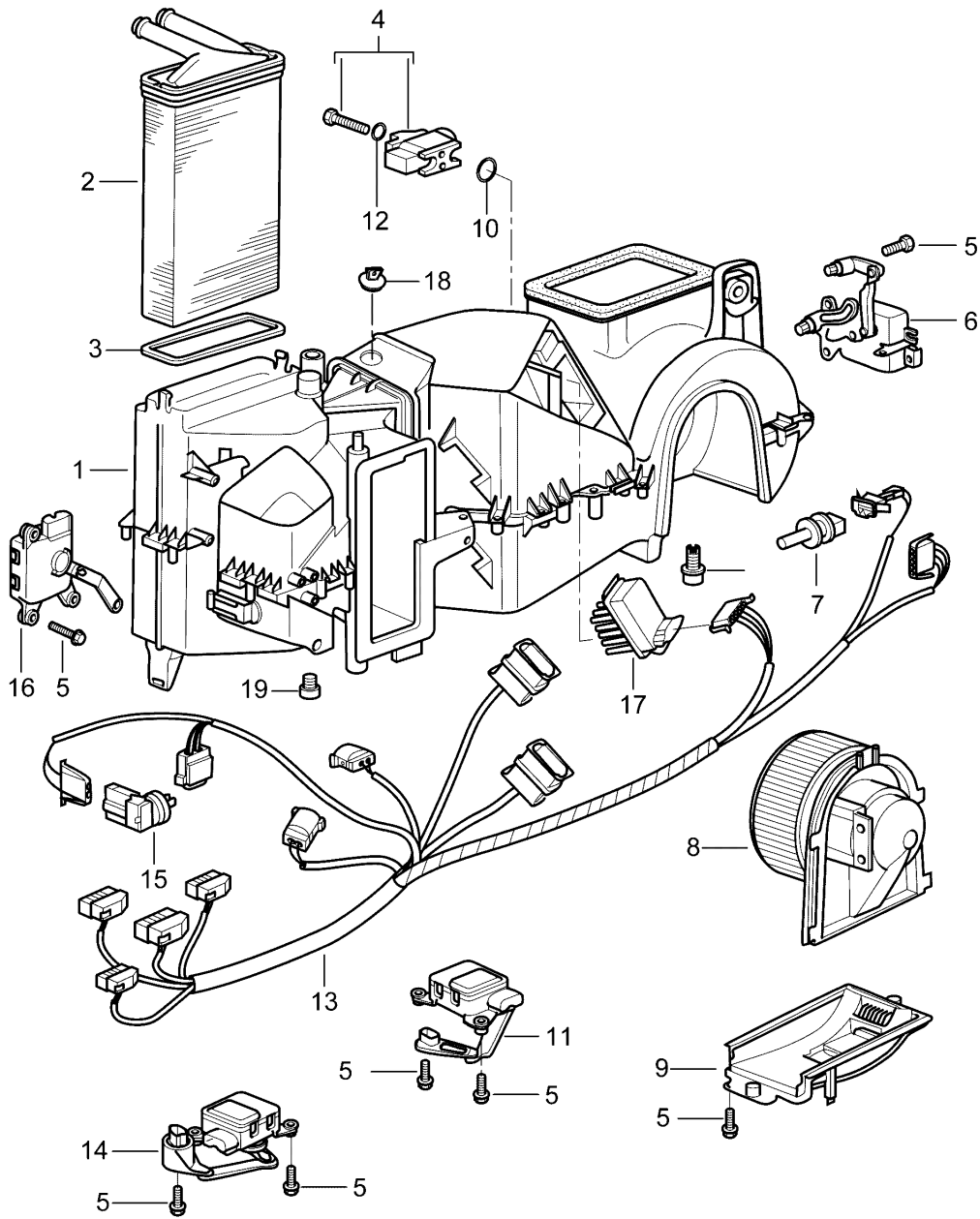
Model: 986 97

Model life 1997>>2004

Pos	Part Number	Description	Remark	Qty	Model
		Heating			
		Air distributor			
1	996 572 631 00	Defroster vent	/LL	1	
2	996 572 171 00	Air distributor	/LL -02	1	
(2)	996 572 171 04	Air distributor	/LL 03-	1	
3	996 572 793 02	Footwell outlet vent	/LL	1	
(3)	996 572 793 04	Footwell outlet vent	/LL	1	M680
4	996 572 464 02	Air guide	/LL /R	1	
5	996 572 463 00	Air guide	/LL /L	1	
6	996 572 767 00	Air guide	/LL /L	1	
(7)	996 572 768 01	Air guide	/LL /R	1	

Model: 986 97

Model life 1997>>2004



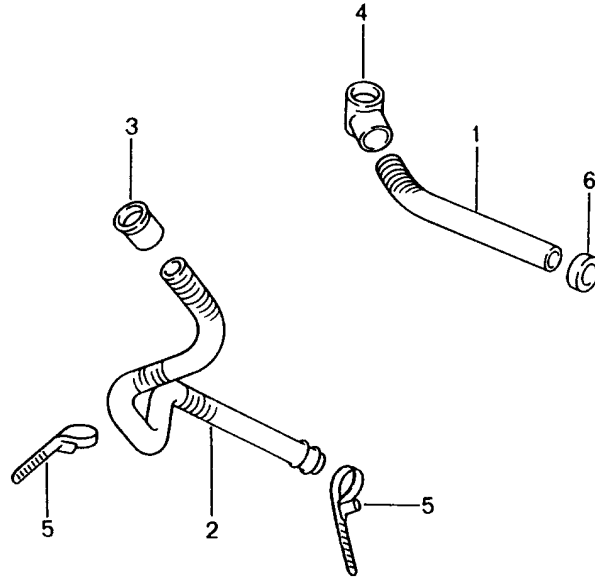
Model: 986 97

Model life 1997>>2004

Pos	Part Number	Description	Remark	Qty	Model
		Air conditioner Single parts			M573
1	996 573 901 02	Air conditioner without Heat exchanger with Evaporator	/LL	1	
2	996 572 129 00	Heat exchanger		1	
2	997 572 129 00	Heat exchanger		1	
3	996 572 913 00	Gasket		1	
4	996 573 929 01	Expansion valve		1	
5	900 143 093 01	Combination screw ST4,8X19-C		2	
6	996 573 915 00	Electric motor Central valve	/LL	1	
7	1J0 907 543 B	Temperature sensor		1	
8	996 572 903 02	Blower	/LL -99	1	
-	000 043 300 99	Use also: Parts kit		1	
8	996 624 107 01	Blower	/LL 00-	1	
9	996 573 905 00	Lid		1	
10	999 707 596 40	O-ring 14X1,82		1	
11	996 573 919 00	Electric motor Temperature valve	/LL	1	
12	999 707 534 41	O-ring 17X2,00		1	
13	996 612 047 00	Wiring harness	/LL -98	1	
13	996 612 047 01	Wiring harness	/LL 99-	1	
13	996 622 047 00	Wiring harness	01-	1	
14	996 573 917 00	Electric motor Defroster flap Green	/LL	1	
15	1H0 907 543 A	Temperature sensor		1	
16	996 573 921 00	Electric motor Air flow sensor plate Yellow	/LL	1	
17	996 573 923 00	Resistor		1	
18	997 573 935 00	Stopper		1	
19	996 573 927 00	Blower outlet sensor		1	

Model: 986 97

Model life 1997>>2004





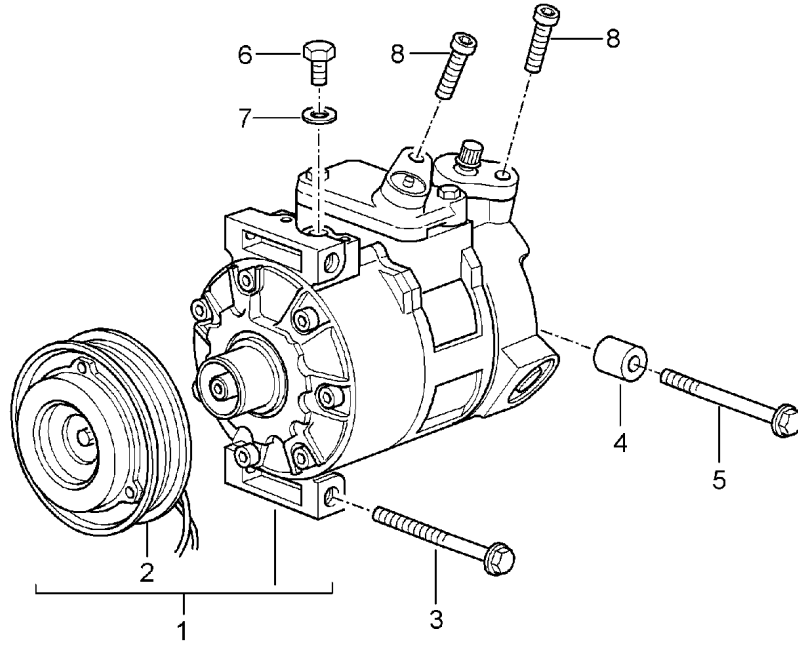
Model: 986 97

Model life 1997>>2004

Pos	Part Number	Description	Remark	Qty	Model
		Water drain tube			
		Mount			
		Heater			
		Air conditioner			
1	996 504 643 00	Water drain tube		1	
2	996 504 644 00	Water drain tube		1	
3	996 504 645 00	Grommet		1	
4	996 504 646 00	Grommet		1	
5	999 513 049 40	Tie-wrap		1	
6	999 702 156 40	Grommet		1	
-	996 573 797 02	Connecting piece		1	
-	996 573 795 01	Grommet		1	
-	996 573 793 01	Water drain tube	/LL	1	
-	996 573 794 01	Water drain tube	/RL	1	

Model: 986 97

Model life 1997>>2004



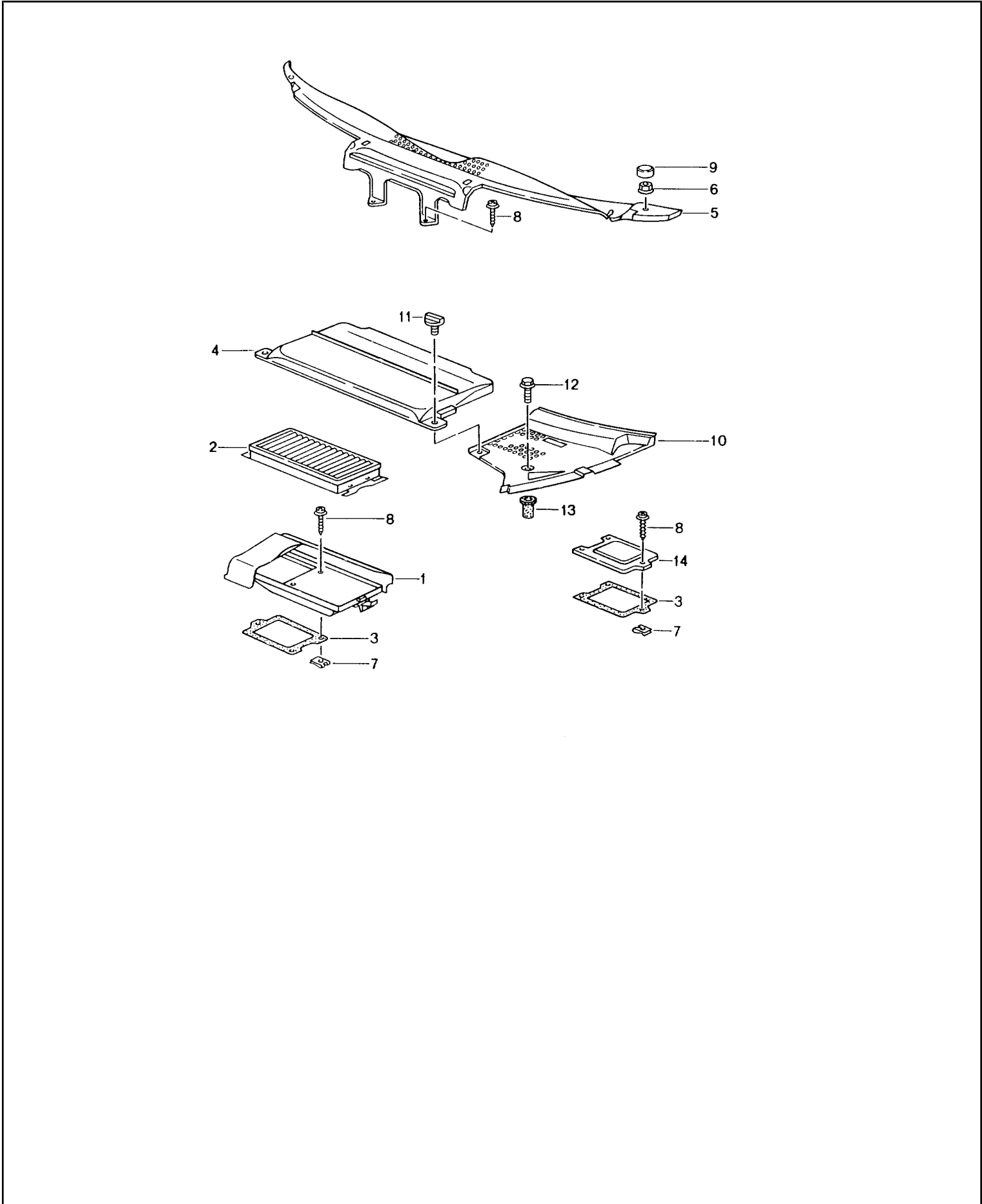
Model: 986 97

Model life 1997&gt;&gt;2004

Pos	Part Number	Description	Remark	Qty	Model
1	996 126 011 52	Compressor		1	
2	996 573 926 00	Compressor		1	
3	900 378 075 09	Magnetic clutch		1	
4	996 126 102 52	Hexagon-head bolt M 8X90		1	
5	900 378 136 09	Spacer		1	
6	996 573 926 01	Hexagon-head bolt M 8X120		1	
7	996 573 926 02	Oil filler screw		1	
8	900 067 252 02	Sealing ring		2	
-	996 126 101 51	Pan-head screw		1	
		Bracket		1	

Model: 986 97

Model life 1997>>2004

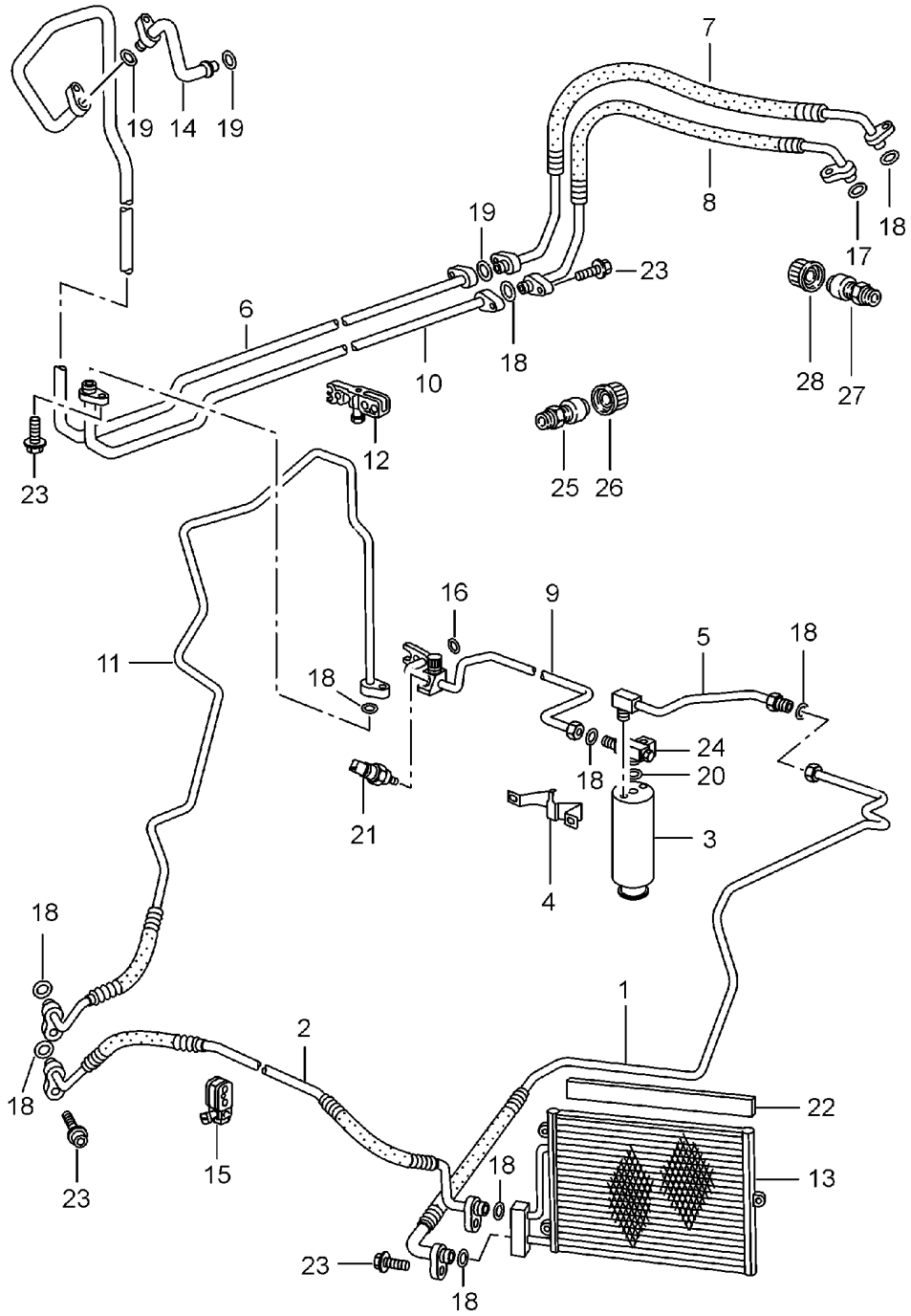


Model: 986 97 Model life 1997>>2004

Pos	Part Number	Description	Remark	Qty	Model
		Particle filter			
		Cowl panel covering			
1	996 572 029 01	Housing		1	
1	996 572 019 02	Housing	/LL	1	
2	996 572 219 01	Particle filter		1	-M571
2	996 572 219 02	Particle filter		1	-M571
2	996 571 219 03	Particle filter		1	M571
3	996 572 221 01	Gasket		1	
4	996 572 567 01	Cover		1	
	996 572 567 01 01C	Black			
		Battery			
(4)	996 572 729 00	Cover	/LL	1	
		Particle filter			
5	996 572 563 02	Cowl panel covering	/LL -00	1	
	996 572 563 02 01C	Black			
5	996 572 563 06	Cowl panel covering	/LL 01-	1	
	996 572 563 06 01C	Black			
		Use also:			
-	996 572 931 00	Gasket		1	
6	999 049 008 40	Plastic nut		2	
7	999 591 722 02	Speed nut		3	
8	999 073 142 09	Tapping screw		3	
9	996 572 569 00	Cap	-00	2	
	996 572 569 00 01C	Black			
(9)	996 572 569 01	Cap	/L 01-	1	
	996 572 569 01 01C	Black			
(9)	996 572 570 01	Cap	/R 01-	1	
	996 572 570 01 01C	Black			
10	996 572 561 01	Cover	/L	1	
	996 572 561 01 01C	Black			
(10)	996 572 562 01	Cover	/R	1	
	996 572 562 01 01C	Black			
11	999 590 045 40	Screw plug		X	
-	999 590 046 40	Disc cam		X	
12	999 073 143 09	Oval-head screw		2	
12	999 073 143 01	Oval-head screw		2	
13	999 500 092 00	Nut		2	
14	996 572 719 01	Lid	-03	1	
14	996 572 719 02	Lid	04	1	
15	999 591 742 02	Speed nut		2	
		ST 4,2			
15	999 591 742 01	Speed nut		2	
		ST 4,2			

Model: 986 97

Model life 1997>>2004



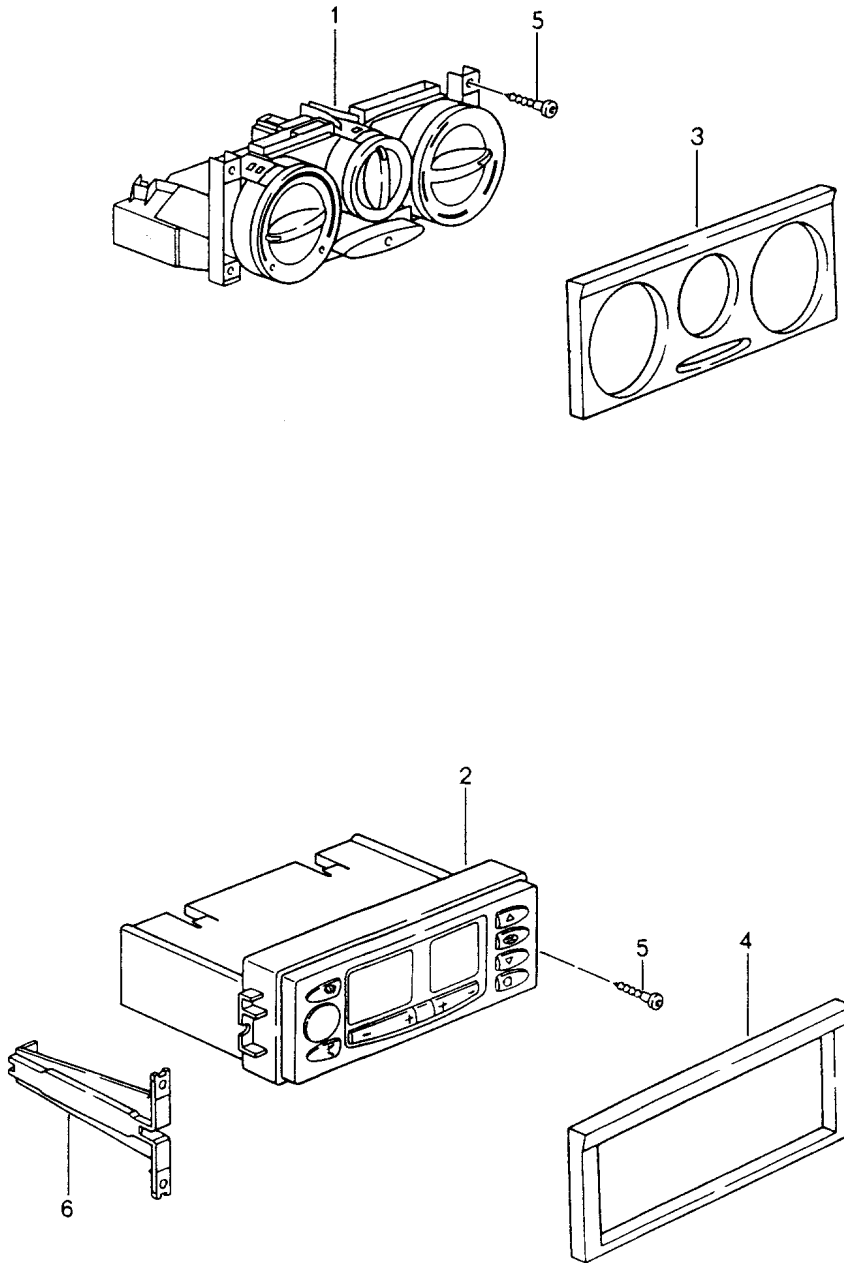
Model: 986 97

Model life 1997>>2004

Pos	Part Number	Description	Remark	Qty	Model
		Refrigerant circuit			
1	996 573 105 03	Refrigerant line	-97	1	
1		Refrigerant line	98-	1	
2	996 573 104 02	Refrigerant line	-97	1	
2		Refrigerant line	98-	1	
3	944 573 143 01	Desiccator		1	
4	996 573 451 00	Support		1	
5	996 573 106 00	Refrigerant line		1	
6	996 573 091 01	Intake pipe		1	
7	986 573 099 04	Intake pipe		1	M96.20
7	986 573 099 03	Intake pipe	98-	1	
8	986 573 097 01	Pressure line	-01	1	
8	986 573 097 02	Pressure line	02-	1	
9	996 573 108 02	Pressure line	/LL -01	1	
9	996 573 108 03	Pressure line	/LL 02	1	
10	996 573 092 01	Pressure line		1	
11	996 573 094 02	Refrigerant line		1	
12	996 347 543 00	Cable holder		2	
13	996 573 111 00	Condenser		2	
14	996 573 093 02	Intake pipe	/LL	1	
14	996 573 093 03	Intake pipe	/RL	1	
15	996 347 543 00	Cable holder		X	
16	999 707 247 40	O-ring		2	
		7,5X2			
17	999 707 382 40	O-ring		8	
		23,8X2,4			
18	999 707 250 40	O-ring		8	
		10,6X2			
18	999 707 434 41	O-ring		8	
		10,6X2			
19	999 707 252 40	O-ring		X	
		17X2			
20	999 707 262 40	O-ring		X	
		6,7X1,8			
21	964 613 137 01	Pressure switch		1	
22	996 573 711 00	Cover strip		2	
23	900 067 247 02	Combination screw		X	
23	900 067 247 01	Combination screw		X	
24	993 573 243 00	Distributing piece		1	
25	996 573 465 00	Valve		1	
		Intake pipe			
26	944 573 663 02	Cap		1	
27	996 573 466 00	Valve		1	
		Pressure line			
28	944 573 663 01	Cap		1	

Model: 986 97

Model life 1997>>2004



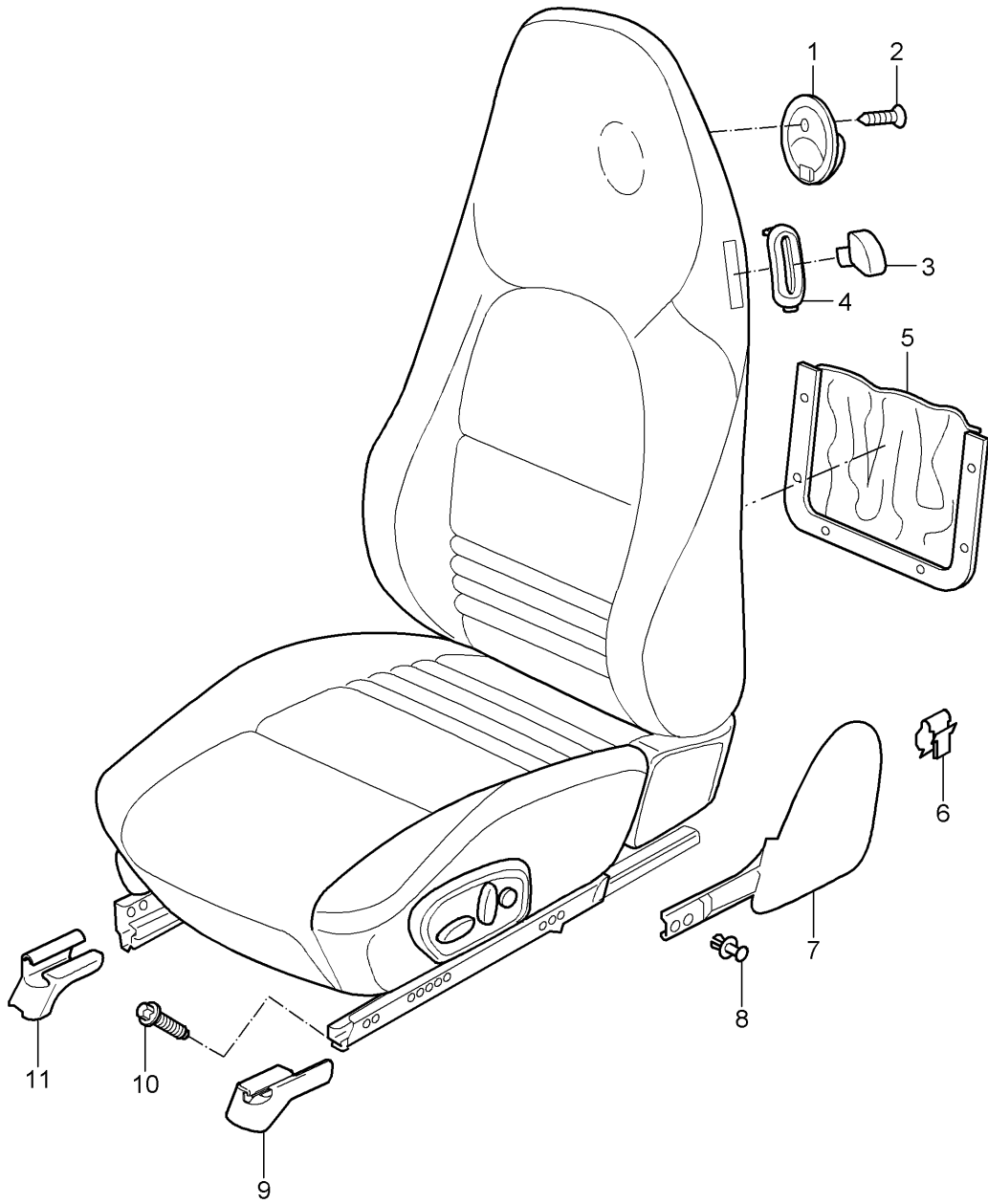


Model: 986 97 Model life 1997>>2004

Pos	Part Number	Description	Remark	Qty	Model
2	996 653 101 03	Control switch			
	996 653 101 03 EFR	Control part	-00	1	
	996 653 101 03 EFR	Black			
2	996 653 101 CX	Control part	-00	1	
	996 653 101 CX EFR	Black			
2	996 653 101 08	Control part	01-	1	
	996 653 101 08 EFR	Gloss black			
2	996 653 101 HX	Control part	01-	1	
	996 653 101 HX EFR	Gloss black			
2	996 653 101 06	Control part	02	1	
	996 653 101 06 EFR	Black mat			
2	996 653 101 09	Control part	02	1	
	996 653 101 09 EFR	Black mat			
2	996 653 101 IX	Control part	02	1	
	996 653 101 IX EFR	Black mat			
2	996 653 101 10	Control part	03-	1	
	996 653 101 10 FFA	Black mat			
2	996 653 101 JX	Control part	03-	1	
	996 653 101 JX FFA	Black mat			
4	996 552 677 00	Frame		1	M573
	996 552 677 00 01C	Black			
(4)	996 552 339 00	Frame		1	M573/581
	996 552 339 00 01C	Black			
5	900 143 076 09	Tapping screw		X	
6	996 573 501 00	Adapter		2	M573

Model: 986 97

Model life 1997>>2004



Model: 986 97 Model life 1997>>2004

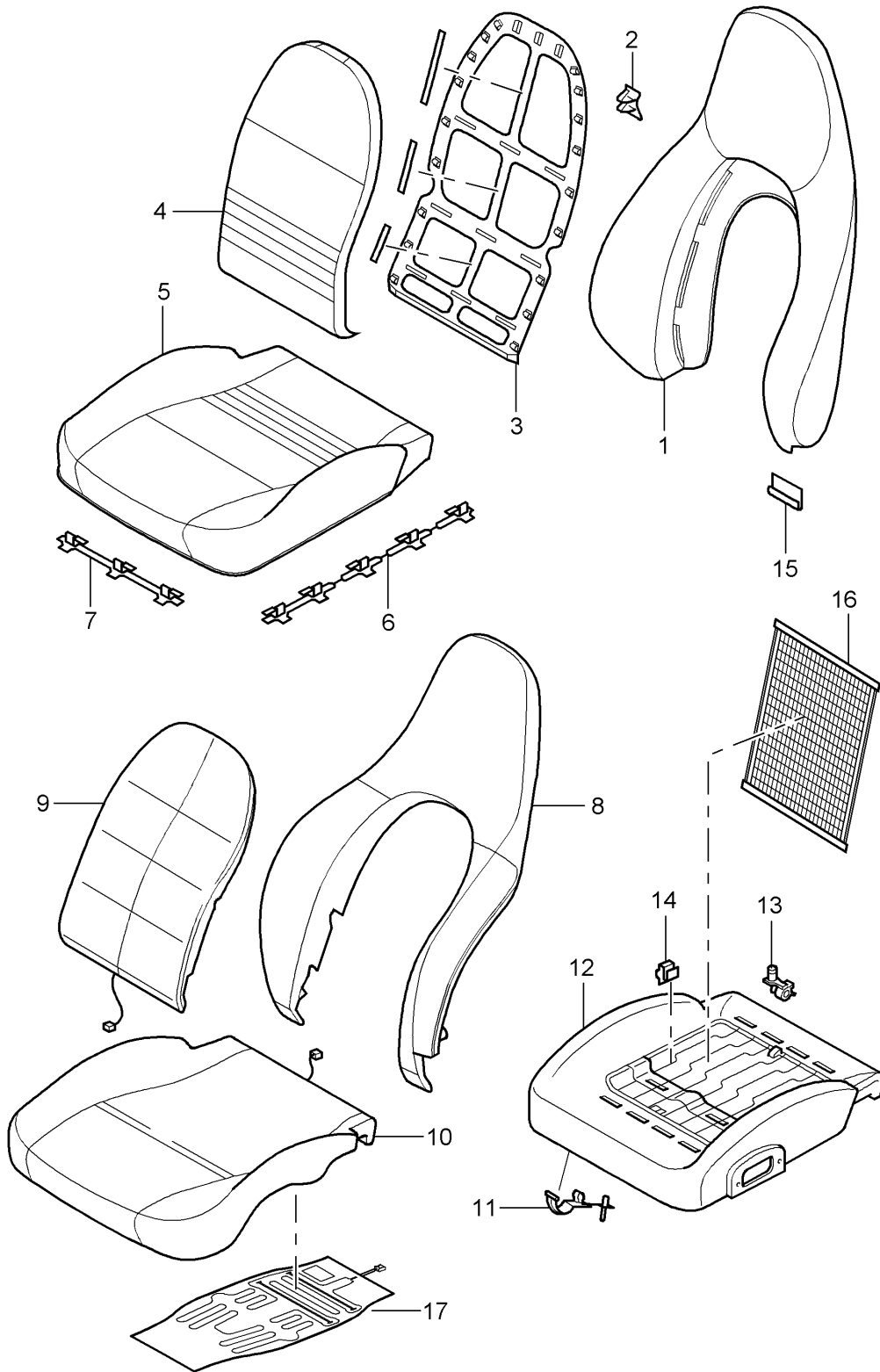
Pos	Part Number	Description	Remark	Qty	Model
		Front seat Standard seat Comfort seat Front seat Complete Not available			BOXSTER
1	986 521 363 00	Coat hook	-99	2	
(1)	996 521 373 00	Coat hook	00-	2	
	996 521 373 00 A03	Black			
2	999 919 180 07	Countersunk-head screw M 5 X 18	-99	2	
(2)	999 919 199 09	Countersunk-head screw M 5 X 25	00-	2	
3	996 521 321 00	Actuating lever	/L /R -98	4	
(3)	996 521 421 00	Control button	/L 99-	2	
(3)	996 521 422 00	Control button	/R 99-	2	
4	996 521 323 00	Rosette	/L -98	2	
		Satin black			
(4)	996 521 324 00	Rosette	/R -98	2	
		Satin black			
(4)	996 521 323 02	Rosette	/L 99-	2	
		Satin black			
(4)	996 521 324 02	Rosette	/R 99-	2	
		Satin black			
5	996 521 313 00	Bag		2	
		Leatherette			
	996 521 313 00 A10	Black	-99		
	996 521 313 00 A12	Black	00-		
5	996 521 313 01	Bag		2	M982/983
		Leather			
	996 521 313 01 8YR	Black			
6	999 507 592 01	Cable clamp Cover 1,0 - 6,0		2	
7	986 521 315 00	Cap	/L	1	M009/011/016
	986 521 315 00 B12	Black-grey	-99		
(7)	986 521 316 00	Cap	/R	1	M009/011/016
	986 521 316 00 B12	Black-grey	-99		
(7)	996 521 315 01	Cap	/L 99-	1	M010/016
	996 521 315 01 D05	Granite grey	-99		
	996 521 315 01 A03	Black	00-		
(7)	996 521 316 01	Cap	/R 99-	1	M010/016
	996 521 316 01 D05	Granite grey	-99		
	996 521 316 01 A03	Black	00-		
8	999 507 599 40	Expansion rivet 10		2	
9	996 521 362 00	Cover	/L	1	IXSE
	996 521 362 00 01C	Satin black			
(9)	996 521 362 01	Cover	/L	1	IXSE
		Right seat Inner			
	996 521 362 01 01C	Satin black			
(9)	996 521 363 00	Cover	/L	1	M437/438
		Right seat Inner			
	996 521 363 00 01C	Satin black			
(9)	996 521 363 01	Cover	/L	1	M437/438
		Right seat Inner			
	996 521 363 01 01C	Satin black			
(9)	996 521 361 00	Cover	/R	1	IXSF
		Left seat Inner			

Model: 986 97 Model life 1997>>2004

Pos	Part Number	Description	Remark	Qty	Model
(9)	996 521 361 00 01C 996 521 361 01	Satin black Cover Left seat Inner	/R	1	IXSF
(9)	996 521 361 01 01C 996 521 364 00	Satin black Cover Left seat Inner	/R	1	M438
(9)	996 521 364 00 01C 996 521 364 01	Satin black Cover Left seat Inner	/R	1	M437/438
10	996 521 364 01 01C 999 141 038 07	Satin black Torx screw M 10 X 26,5	-02	8	
(10)	999 141 039 07	Screw M 10 X 28	03-	8	IXSE/XSF
11	996 521 360 00	Cover Right seat Outer	/R -99	1	IXSF
(11)	996 521 360 00 01C 996 521 360 01	Satin black Cover Right seat Outer	/R 00-	1	IXSF
(11)	996 521 360 01 01C 996 521 364 00	Satin black Cover Right seat Outer	/R -99	1	M438
(11)	996 521 364 00 01C 996 521 364 01	Satin black Cover Right seat Outer	/R 00-	1	M437/438
(11)	996 521 364 01 01C 996 521 359 00	Satin black Cover Left seat Outer	/L -99	1	IXSE
(11)	996 521 359 00 01C 996 521 359 01	Satin black Cover Left seat Outer	/L 00-	1	IXSE
(11)	996 521 359 01 01C 996 521 363 00	Satin black Cover Left seat Outer	/L -99	1	M437
(11)	996 521 363 00 01C 996 521 363 01	Satin black Cover Left seat Outer	/L 00-	1	M437/438
	996 521 363 01 01C	Satin black			

Model: 986 97

Model life 1997>>2004



Model: 986 97 Model life 1997>>2004

Pos	Part Number	Description	Remark	Qty	Model
		Cover Foam part Standard seat Comfort seat			BOXSTER
1	986 521 141 01	Backrest cover Outer part Leatherette	-99	2	
	986 521 141 01 A10	Black			
	986 521 141 01 C50	Graphite grey			
	986 521 141 01 G10	Metropole blue			
	986 521 141 01 S30	Savanna			
(1)	986 521 141 01	Backrest cover Alcantara	00	2	
	986 521 141 01 A12	Black			
	986 521 141 01 C52	Graphite grey			
	986 521 141 01 S32	Savanna			
	986 521 141 01 G12	Metropole blue			
(1)	986 521 141 02	Backrest cover Outer part Leatherette/ Öçftrendðçø fabric	-99	2	M011
	986 521 141 02 C30	Graphite grey/anthracite			
(1)	986 521 141 03	Cover Backrest Outer part Alcantara	01-	2	
	986 521 141 03 A12	Black			
	986 521 141 03 C52	Graphite grey			
	986 521 141 03 S32	Savanna			
	986 521 141 03 G12	Metropole blue			
	986 521 141 03 J32	Nephrite green			
(1)	986 521 141 04	Cover Backrest Outer part	03-	2	M369/370 M437/438 M 950 IXSU
	986 521 141 04 A12	Black			
	986 521 141 04 S32	Savanna			
	986 521 141 04 G12	Metropole blue			
	986 521 141 04 J32	Nephrite green			
(1)	996 521 141 04	Cover Outer part Leather	03-	2	M369/370 M437/438 M982/983
	996 521 141 04 ERZ	Black			
	996 521 141 04 EEF	Graphite grey			
	996 521 141 04 EGF	Savanna			
	996 521 141 04 EFF	Metropole blue			
	996 521 141 04 ELA	Nephrite green			
	996 521 141 04 ENA	Boxster red			
	996 521 141 04 FEH	Cinnamon brown			
	996 521 141 04 VRA	Dark grey/natural			
	996 521 141 04 VRB	Brown/natural			
(1)	996 521 141 01	Backrest cover Outer part Leatherette/leather	-99	2	
	996 521 141 01 EAE	Black/black			
	996 521 141 01 EEE	Graphite grey/graphite gr.			
	996 521 141 01 EFE	Metropole bl./metrop. blue			
	996 521 141 01 EGE	Savanna/savanna			
(1)	996 521 141 01	Backrest cover Outer part Leatherette/leather	00-01	2	
	996 521 141 01 ESF	Graphite grey/graphite gr.			
	996 521 141 01 ESG	Savanna/savanna			

Model: 986 97 Model life 1997>>2004

Pos	Part Number	Description	Remark	Qty	Model
(1)	996 521 141 01 ESH	Metropole bl./metrop. blue	01-	2	M369/370 M437/438 M946
	996 521 141 01 ESE	Black/black			
	996 521 141 05	Cover			
		Backrest			
		Outer part			
		Leatherette			
	996 521 141 05 ESE	Black			
	996 521 141 05 ESF	Graphite grey			
	996 521 141 05 ESG	Savanna			
	996 521 141 05 ESH	Metropole blue			
(1)	996 521 141 05 FEP	Nephrite green	99-04	2	IXSC/369/370 I437/438/946
	996 521 993 00	Backrest cover			
		Outer part with Porsche Crest			
		Leatherette/leather			
	996 521 993 00 8YR	Black/black			
	996 521 993 00 C50	Graphite grey/graphite gr.			
	996 521 993 00 G10	Metropole bl./metrop. blue			
	996 521 993 00 S30	Savanna/savanna			
	996 521 993 00 ETO	Black			
	996 521 141 02	Backrest cover			
(1)		Outer part Leather	00- -01	2	M982/983
	996 521 141 02 EAF	Black			
	996 521 141 02 EEF	Graphite grey			
	996 521 141 02 EFF	Metropole blue			
	996 521 141 02 EGF	Savanna			
	996 521 141 02 ELA	Nephrite green			
	996 521 141 02 ENA	Boxster red			
	996 521 141 02 VRA	Dark grey			
	996 521 141 02 VRB	Brown/natural			
	996 521 141 02 ERZ	Black			
(1)	996 521 141 06	Cover	01-	2	M982/983
		Backrest			
		Outer part			
		Leather			
	996 521 141 06 ERZ	Black			
	996 521 141 06 EEF	Graphite grey			
	996 521 141 06 EGF	Savanna			
	996 521 141 06 EFF	Metropole blue			
	996 521 141 06 ELA	Nephrite green			
	996 521 141 06 ENA	Boxster red			
996 521 141 06 FEH	Cinnamon brown				
(1)	996 521 141 06 VRA	Dark grey/natural	99-	2	M982/983 IXSC
	996 521 141 06 VRB	Brown/natural			
	996 521 993 01	Backrest cover			
		Outer part with Porsche Crest			
		Leather			
		Draped leather			
	996 521 993 01 8YR	Black			
	996 521 993 01 C50	Graphite grey			
	996 521 993 01 G10	Metropole blue			
	996 521 993 01 S30	Savanna			
996 521 993 01 J30	Nephrite green				
996 521 993 01 M30	Boxster red				
996 521 993 01 T11	Brown/natural				
996 521 993 01 D11	Dark grey/natural				

Model: 986 97 Model life 1997>>2004

Pos	Part Number	Description	Remark	Qty	Model
	996 521 993 01 P11	Cinnamon brown			
	996 521 993 01 ETO	Black	00-		
2	999 507 666 40	Fixing clip		X	
3	996 521 551 00	Frame	-00	2	
		Backrest			
		Centre			
(3)	996 521 551 01	Frame	01-	2	
		Backrest			
		Centre			
4	986 521 151 01	Backrest cushion cover	-99	2	
		Cloth dunes			
	986 521 151 01 A10	Black			
	986 521 151 01 C50	Graphite grey			
	986 521 151 01 G10	Metropole blue	98-		
	986 521 151 01 S30	Savanna			
4	986 521 151 02	Backrest cushion cover	98-99	2	M011
		Ôçftrendôçø fabric			
(4)	986 521 151 02 C30	Graphite grey/anthracite			
	986 521 151 03	Backrest cushion cover	-00	2	
		Alcantara			
	986 521 151 03 EUZ	Black			
	986 521 151 03 C55	Graphite grey			
	986 521 151 03 G15	Metropole blue			
	986 521 151 03 S35	Savanna			
(4)	986 521 151 04	Backrest cover	01-	2	
		Centre part			
		Alcantara			
	986 521 151 04 EUZ	Black			
	986 521 151 04 C55	Graphite grey			
	986 521 151 04 S35	Savanna			
	986 521 151 04 G15	Metropole blue			
	986 521 151 04 J35	Nephrite green			
(4)	986 521 151 06	Backrest cushion cover	03-	2	M369/370 M437/438 M 950
		Centre part			
	986 521 151 06 EUZ	Black			
	986 521 151 06 C55	Graphite grey			
	986 521 151 06 S35	Savanna			
	986 521 151 06 G15	Metropole blue			
	986 521 151 06 J35	Nephrite green			
(4)	996 521 151 01	Backrest cushion cover	-00	2	
		Leatherette/leather			
	996 521 151 01 B50	Space grey			
(4)	996 521 151 05	Backrest cushion cover		2	M946/983
		Leather			
	996 521 151 05 8YR	Black	-99		
	996 521 151 05 ETO	Black			
	996 521 151 05 C50	Graphite grey			
	996 521 151 05 G10	Metropole blue			
	996 521 151 05 S30	Savanna			
	996 521 151 05 J30	Nephrite green			
	996 521 151 05 M30	Boxster red			
	996 521 151 05 D11	Dark grey			
	996 521 151 05 T11	Brown/natural			
	996 521 151 05 P11	Cinnamon brown	01-		
(4)	996 521 151 03	Backrest cushion cover	-00	2	
		Draped leather			
	996 521 151 03 8YR	Black	-99		
	996 521 151 03 C50	Graphite grey	98-		
	996 521 151 03 G10	Metropole blue	98-		
	996 521 151 03 S30	Savanna	98-		
	996 521 151 03 J30	Nephrite green	98-		
	996 521 151 03 M30	Boxster red	98-		
	996 521 151 03 D11	Dark grey	00-		



Model: 986 97 Model life 1997>>2004

Pos	Part Number	Description	Remark	Qty	Model			
(4)	996 521 151 03 T11	Brown/natural	00-	2	M982			
	996 521 151 03 ETO	Black	00-					
	996 521 151 06	Backrest cushion cover	01-					
		Centre part						
		Draped leather						
	996 521 151 06 ETO	Black						
	996 521 151 06 C50	Graphite grey						
	996 521 151 06 S30	Savanna						
	996 521 151 06 G10	Metropole blue						
	996 521 151 06 J30	Nephrite green						
(4)	996 521 151 06 M30	Boxster red		2	M369/370 M437/438 IXSU			
	996 521 151 06 P11	Cinnamon brown						
	996 521 151 06 D11	Dark grey/natural						
	996 521 151 06 T11	Brown/natural						
	996 521 151 08	Backrest cushion cover	02-					
		Centre part	03-					
		Draped leather	03-					
	996 521 151 08 ETO	Black						
	996 521 151 08 C50	Graphite grey						
	996 521 151 08 S30	Savanna						
-	996 521 151 08 G10	Metropole blue		2				
	996 521 151 08 J30	Nephrite green						
	996 521 151 08 M30	Boxster red						
	996 521 151 08 P11	Cinnamon brown						
	996 521 151 08 D11	Dark grey/natural						
	996 521 151 08 T11	Brown/natural						
	964 555 565 00	Felt strip	01-					
		Centre part						
		Backrest						
	5	986 521 161 06	Seat cover			00	2	
		Leatherette/						
		Centre part						
		Alcantara						
986 521 161 06 ESA		Black/black						
986 521 161 06 ESB		Graphite grey/graphite gr.						
986 521 161 06 ESC		Savanna/savanna						
986 521 161 06 ESD		Metropole bl./metrop. blue						
(5)		986 521 161 07	Cover	01-	2	M369/370		
			Alcantara					
	986 521 161 07 ESA	Black						
	986 521 161 07 ESB	Graphite grey						
	986 521 161 07 ESC	Savanna						
	986 521 161 07 ESD	Metropole blue						
	986 521 161 07 FAH	Nephrite green						
	(5)	986 521 161 08	Cover for cushion	03-			2	M369/370
		986 521 161 08 ESA	Black					
		986 521 161 08 ESB	Graphite grey					
986 521 161 08 ESC		Savanna						
986 521 161 08 ESD		Metropole blue						
986 521 161 08 FAH		Nephrite green						
(5)		986 521 161 05	Seat cover	97-99	2	M 950		
			Leatherette/					
			Centre part					
			Cloth dunes					
	986 521 161 05 EAJ	Black/black						
	986 521 161 05 EEJ	Graphite grey/graphite gr.						
	986 521 161 05 EFD	Metropole bl./metrop. blue	98-					
	986 521 161 05 EGG	Savanna/savanna						
	(5)	986 521 161 02	Seat cover	98-99			2	M011
			Leatherette/					
		Seat surface						
		Ôçftrendôçø fabric						
986 521 161 02 EEG		Graphite grey/anthracite	98-					

Model: 986 97 Model life 1997>>2004

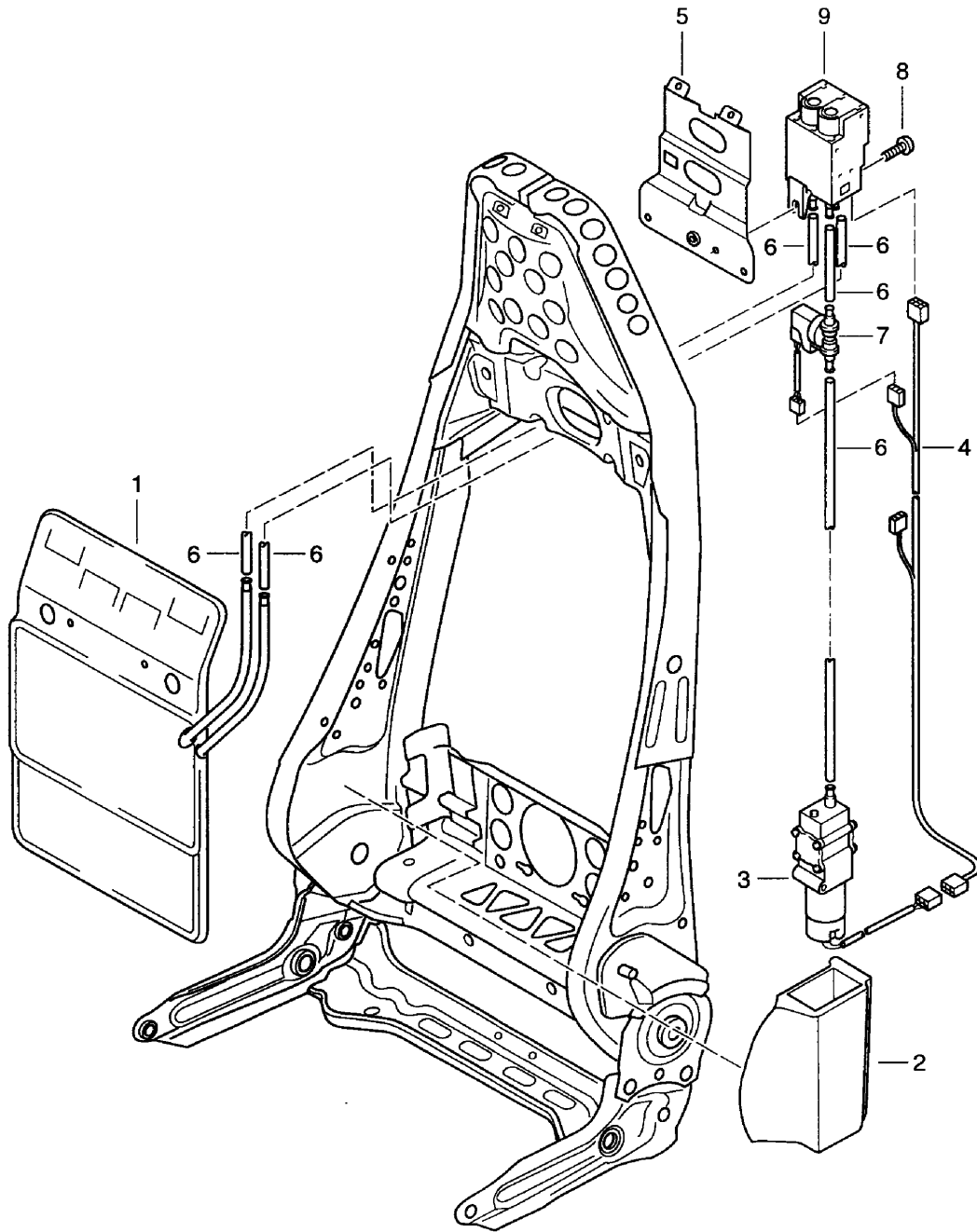
Pos	Part Number	Description	Remark	Qty	Model
(5)	996 521 161 01	Seat cover Leatherette/ Seat surface Leather	-00	2	M946
	996 521 161 01 EAE	Black/black	99		
	996 521 161 01 EEE	Graphite grey/graphite gr.			
	996 521 161 01 EFE	Metropole bl./metrop. blue	98-		
	996 521 161 01 EGE	Savanna/savanna			
	996 521 161 01 ESH	Metropole bl./metrop. blue	00-		
	996 521 161 01 ESE	Black/black	00		
(5)	996 521 161 05	Seat cover Leatherette/leather Seat surface	01-	2	
	996 521 161 05 ESF	Graphite grey/graphite gr.			
	996 521 161 05 ESG	Savanna/savanna			
	996 521 161 05 ESH	Metropole bl./metrop. blue			
	996 521 161 05 ESE	Black/black			
(5)	996 521 161 02	Seat cover Leather	-00	2	
	996 521 161 02 EAF	Black	-99		
	996 521 161 02 ERZ	Black	00-		
	996 521 161 02 EEF	Graphite grey			
	996 521 161 02 EGJ	Space grey/space grey	-00		
	996 521 161 02 EFF	Metropole bl./metrop. blue			
	996 521 161 02 EGF	Savanna			
	996 521 161 02 ELA	Nephrite green	97-		
	996 521 161 02 ENA	Boxster red			
	996 521 161 02 VRA	Dark grey	00-		
	996 521 161 02 VRB	Brown/natural	00-		
(5)	996 521 161 06	Cover for cushion Leather		2	
	996 521 161 06 EAF	Black	-99		
	996 521 161 06 ERZ	Black			
	996 521 161 06 EEF	Graphite grey			
	996 521 161 06 EGJ	Space grey/space grey	-00		
	996 521 161 06 EFF	Metropole bl./metrop. blue			
	996 521 161 06 EGF	Savanna			
	996 521 161 06 ELA	Nephrite green			
	996 521 161 06 ENA	Boxster red			
	996 521 161 06 VRA	Dark grey			
	996 521 161 06 VRB	Brown/natural			
	996 521 161 06 FEH	Cinnamon brown	01-		
(5)	996 521 161 03	Seat cover Draped leather	98-00	2	
	996 521 161 03 EAF	Black	-99		
	996 521 161 03 EEF	Graphite grey	98-		
	996 521 161 03 EFF	Metropole blue	98-		
	996 521 161 03 EGF	Savanna	98-		
	996 521 161 03 ELA	Nephrite green	98-		
	996 521 161 03 ENA	Boxster red	98-		
	996 521 161 03 VRA	Dark grey	00-		
	996 521 161 03 VRB	Brown/natural	00-		
	996 521 161 03 ERZ	Black	00-		
(5)	996 521 161 07	Seat cover Draped leather		2	
	996 521 161 07 EAF	Black	-99		
	996 521 161 07 EEF	Graphite grey			
	996 521 161 07 EFF	Metropole blue			
	996 521 161 07 EGF	Savanna			
	996 521 161 07 ELA	Nephrite green			
	996 521 161 07 ENA	Boxster red			
	996 521 161 07 VRA	Dark grey			
	996 521 161 07 VRB	Brown/natural			

Model: 986 97 Model life 1997>>2004

Pos	Part Number	Description	Remark	Qty	Model
	996 521 161 07 ERZ	Black			
	996 521 161 07 FAG	Cinnamon brown	01-		
6	996 521 543 00	Clamp	-00	4	
		Long			
7	996 521 541 00	Clamp	-00	6	
		Short			
8	996 521 535 04	Foam part		2	
		Backrest frame			
9	996 521 531 00	Foam part		2	
		Backrest cushion			
		without heating			
(9)	996 521 531 01	Foam part		2	M139/340
		Backrest cushion			
		with heating			
(9)	996 521 537 00	Foam part		2	IXSU
		Backrest cushion			
		without heating			
(9)	996 521 539 00	Foam part	03-	2	IXSU
		Backrest cushion			
		with heating			
(9)		Foam part	97-	2	/140 M139
		Backrest			
10	996 521 521 00	Foam part	-00	2	
		Seat cushion			
		without heating			
(10)	996 521 521 01	Foam part	-00	2	
		Seat cushion			
		with heating			
(10)	996 521 523 00	Foam part	03-	2	IXSU
		Seat cushion			
		without heating			
(10)	996 521 525 00	Foam part	03-	2	IXSU/M342
		Seat cushion			
		with heating			
(10)	996 521 571 00	Foam part	01-	2	
		Seat cushion			
11	996 521 597 00	Clip		4	
(11)	996 521 937 00	Clip	01-	10	
12	996 521 509 00	Cushion carrier	-00	2	
		Seat cushion			
		Front seat			
(12)	996 521 505 00	Cushion carrier	01-	2	
		Seat cushion			
		Front seat			
13	999 507 506 40	Cable holder		1	M539/540
		5,0			
		Seat adjuster			
		Mechanical			
14	999 651 314 01	Cable clamp		8	
		3,0 - 4,0			
15	996 521 515 00	Catch		4	
		Backrest cover			
16	996 521 507 01	Mat		1	
		Seat cushion			
		Padding			
17	996 653 105 01	Heating element	01-	1	
		Seat surface			

Model: 986 97

Model life 1997>>2004

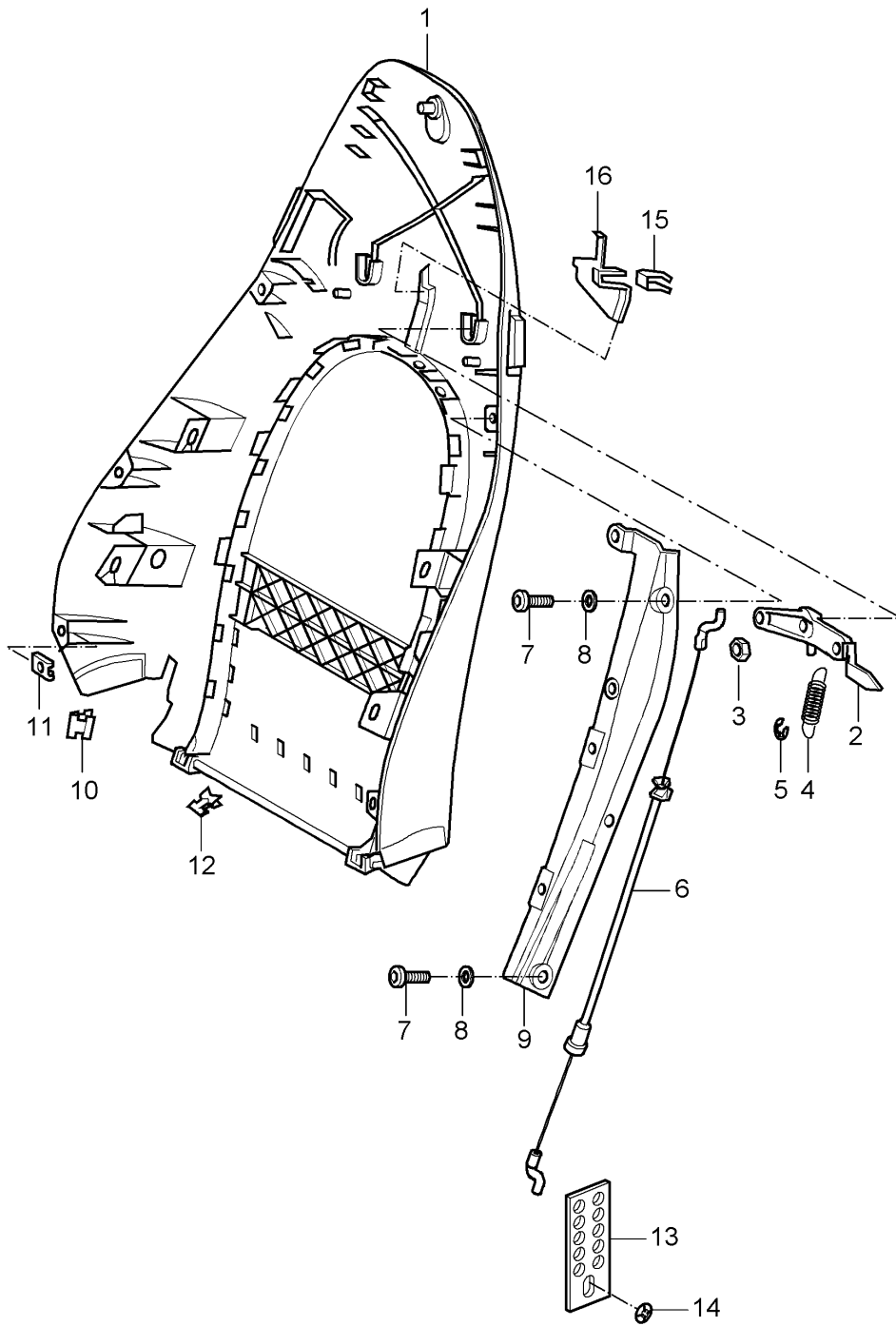


Model: 986 97 Model life 1997>>2004

Pos	Part Number	Description	Remark	Qty	Model
1	996 521 709 00	Lumbar support Lumbar support Complete		2	BOXSTER
2	996 521 719 00	Sound absorber Compressor		2	
3	996 620 725 00	Compressor		2	
4	996 612 541 00	Wiring harness Seating position control Lumbar support adjustment		2	
(4)	996 612 542 00	Wiring harness Seating position control Lumbar support adjustment		2	M537/538
5	996 521 721 00	Support Valve housing		2	
6	999 181 749 40	Air hose Seating position control		2	
7	996 613 725 00	Pressure switch		2	
8	900 067 051 02	Pan-head screw M 5 X 10		2	
9	996 617 725 00	Valve housing Seating position control		2	
(9)	996 617 726 00	Valve housing Seating position control		2	M537/538

Model: 986 97

Model life 1997>>2004

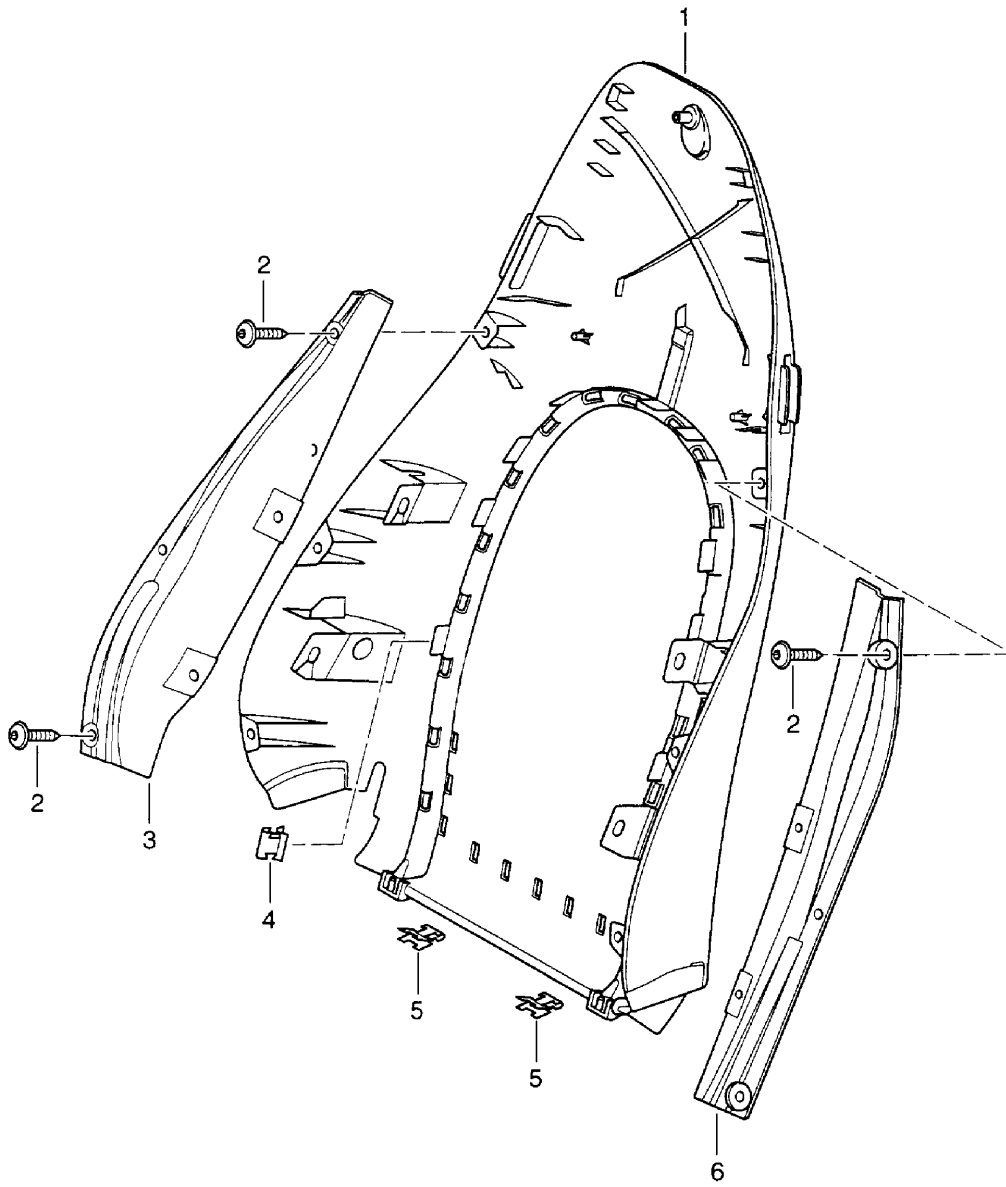


Model: 986 97 Model life 1997>>2004

Pos	Part Number	Description	Remark	Qty	Model
		Backrest shell Standard seat Comfort seat			BOXSTER
1	986 521 303 00	Backrest shell	-98	2	
	986 521 303 00 B12	Black-grey			
(1)	986 521 303 01	Backrest shell	-98	2	M010
		Leather			
	986 521 303 01 8YR	Black			
	986 521 303 01 C50	Graphite grey			
	986 521 303 01 G10	Metropole blue			
	986 521 303 01 S30	Savanna			
	986 521 303 01 J30	Nephrite green			
	986 521 303 01 M30	Boxster red	-98		
(1)	986 521 303 06	Backrest shell	99	2	M016
	986 521 303 06 B12	Black-grey			
(1)	986 521 303 07	Backrest shell	99	2	M010
		Leather			
	986 521 303 07 8YR	Black			
	986 521 303 07 C50	Graphite grey			
	986 521 303 07 G10	Metropole blue			
	986 521 303 07 S30	Savanna			
	986 521 303 07 J30	Nephrite green			
	986 521 303 07 M30	Boxster red			
2	996 521 311 00	Linkage lever	/L	2	
(2)	996 521 312 00	Linkage lever	/R	2	
3	996 521 339 00	Deflection roller		4	
4	999 522 032 00	Tension spring		4	
		0,7 X 7,5 X 15			
5	N 900 114 02	Clamping washer		4	
		4			
6	996 521 385 00	Cable	97	4	
(6)	986 521 385 00	Cable	98-	4	
7	999 143 009 01	Screw		4	
		M 5 X 16			
8	900 151 027 02	Washer		4	
		Backrest shell			
		5,3			
9	996 521 319 00	Bracket	/L -00	2	
(9)	996 521 319 01	Cup	/L 01-	2	
(9)	996 521 320 00	Bracket	/R -00	2	
(9)	996 521 320 01	Cup	/R 01-	2	
10	999 507 594 01	U-clamp		28	
		Backrest cover			
		1,0 - 2,0			
11	999 507 677 01	Speed nut		8	
		M 5			
12	311 881 247	Clip		4	
		Cover			
		Centre part			
13	996 521 377 00	Perforated plate		4	
14	N 900 151 01	Clamping washer		4	
		5			
15	999 507 596 01	U-clamp		2	
		1,00 - 1,50			
16	996 521 341 00	Relay lever		2	
-	996 521 903 00	Repair kit		2	
		Backrest locking lever			
		See technical information			
		GR. 7 BOXSTER NR. 1A/98			

Model: 986 97

Model life 1997>>2004



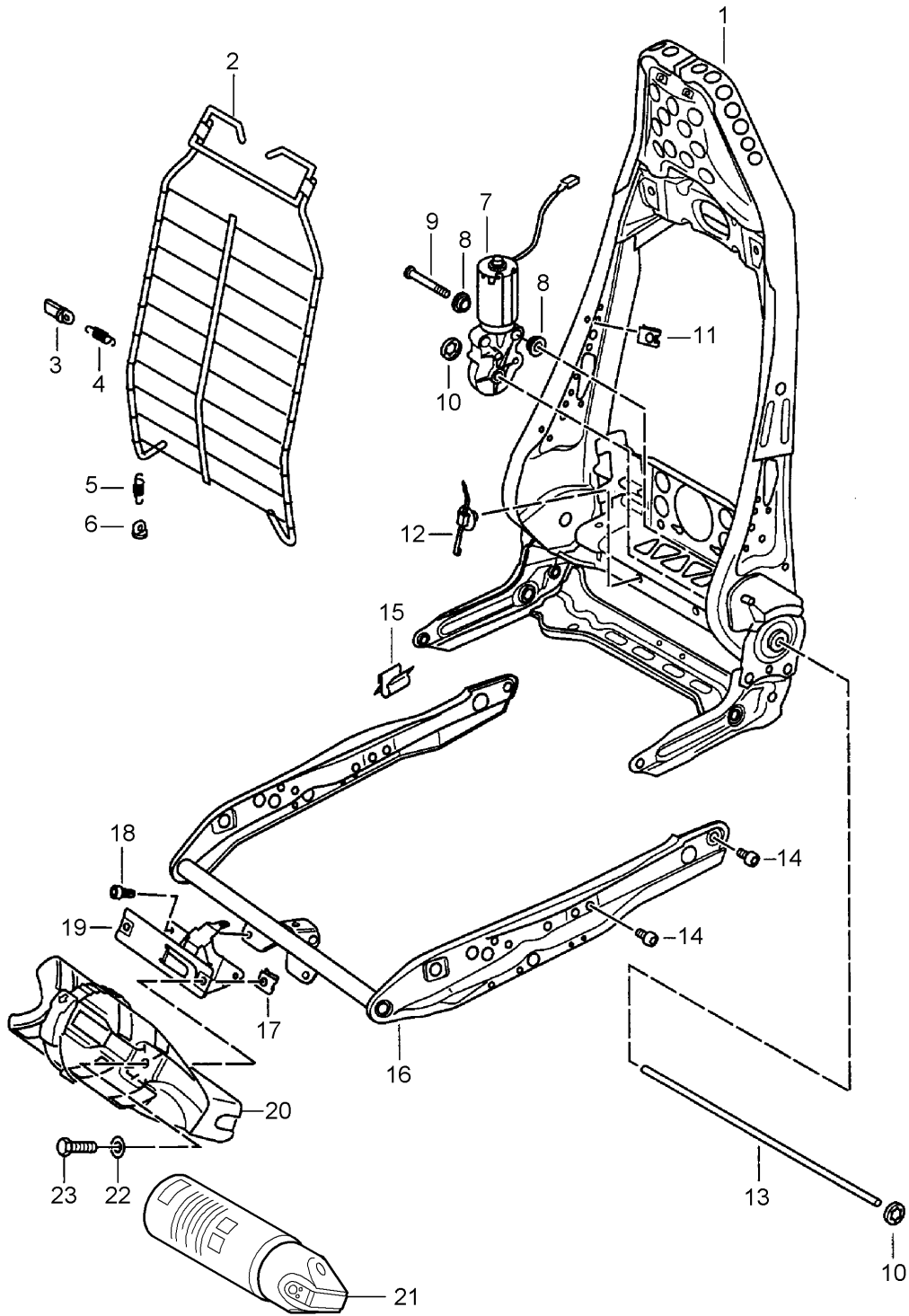


Model: 986 97 Model life 1997>>2004

Pos	Part Number	Description	Remark	Qty	Model
1	986 521 303 06	Backrest shell Standard seat Comfort seat	99	2	M016
1	986 521 303 06 B12	Black-grey			
1	986 521 303 06	Backrest shell Lacquered	00-	2	M016
2	986 521 303 06 01C	Satin black			
2	999 143 009 01	Screw		X	
-	900 151 027 02	Backrest shell M 5 X 16 Washer 5,3		4	
3	996 521 320 00	Bracket	/R -00	2	
3	996 521 320 01	Backrest side bolster Cup	/R 01-	2	
4	999 507 594 01	Backrest side bolster U-clamp		28	
5	311 881 247	Backrest cover 1,0 - 2,0 Clip Mount Cover		4	
6	996 521 319 00	Centre part Bracket	/L -00	2	
6	996 521 319 01	Backrest side bolster Cup Backrest side bolster	/L 01-	2	

Model: 986 97

Model life 1997>>2004

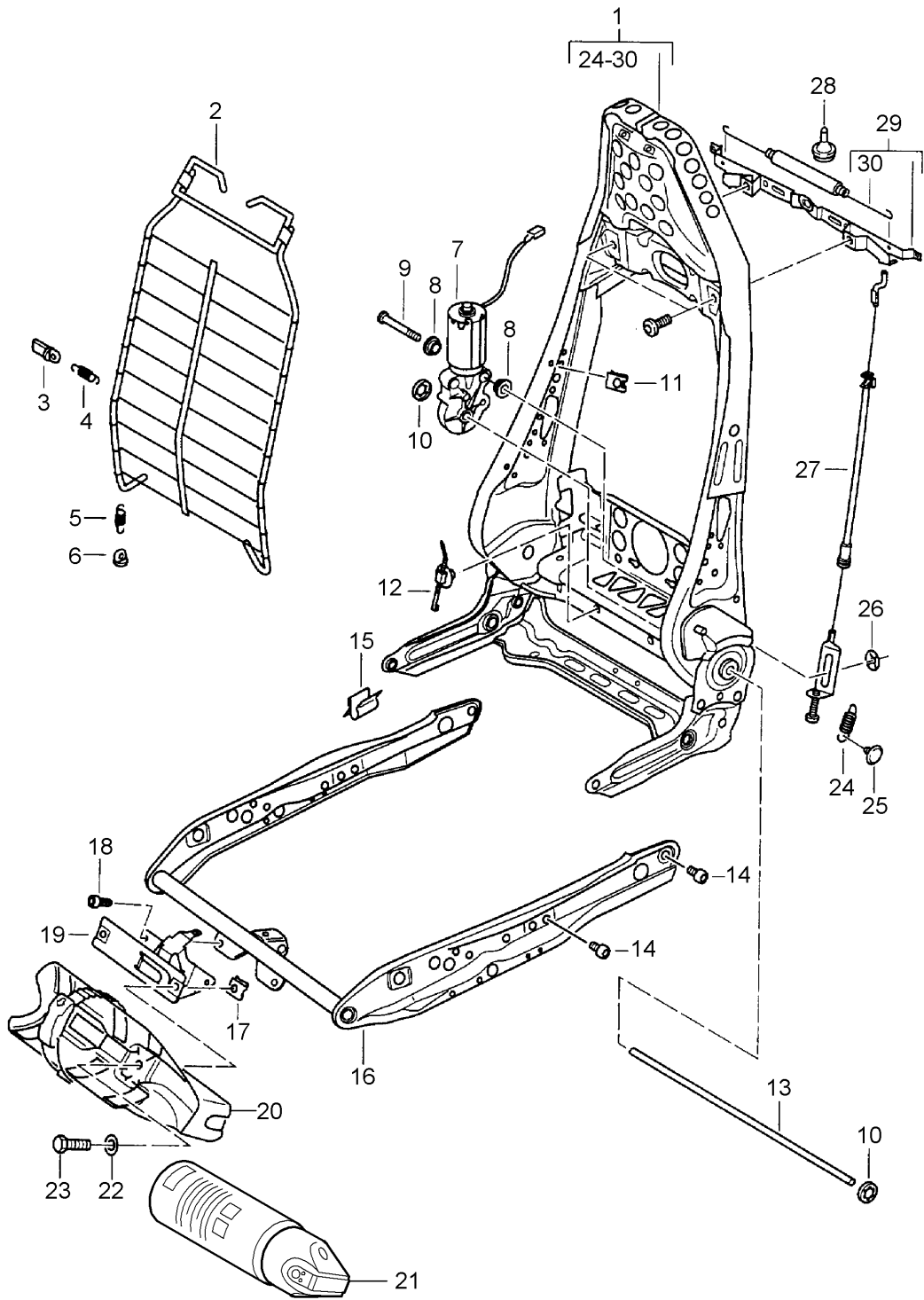


Model: 986 97 Model life 1997>>2004

Pos	Part Number	Description	Remark	Qty	Model
		Backrest frame			BOXSTER
		Seat frame			
		Standard seat			
		Comfort seat			
1	986 521 327 00	Backrest frame	97	2	
(1)	986 521 327 02	Backrest frame	-98	2	
2	996 521 355 00	Mat	97	2	
(2)	996 521 355 01	Mat	98	2	
3	996 521 367 00	Support		8	
4	996 521 333 00	Spring		4	
		Centre			
5	996 521 331 01	Spring	98-	4	
6	996 521 365 00	Support		4	
		Lower			
7	996 624 321 00	Engine		2	
		Seating position control for backrest adjustment			
(7)	996 624 331 00	Engine		2	M537/538
		Seating position control for backrest adjustment			
8	999 924 129 40	Bush		4	
		6 X 12 X 4,5			
9	999 073 141 02	Oval-head screw		2	
		M 6 X 42,5			
10	999 507 597 01	Clamping washer		4	
		10,0			
11	999 507 598 02	Speed nut		8	
		M 5			
12	999 513 063 40	Cable holder		4	
		12,0 - 35			
13	996 521 343 01	Drive shaft		2	
14	999 141 027 02	Oval-head screw		8	
		M 8 X 10			
15	999 651 313 07	Cable clamp		2	
		6,0			
16	986 521 227 00	Seat frame		2	
17	999 507 067 02	Speed nut		2	
		M 5			
18	999 141 028 02	Pan-head screw		3	
		M 5 X 10			
19	996 521 674 00	Support	/LL /R	1	M509
		Fire extinguisher			
20	996 521 607 00	Cup		1	M509
		Fire extinguisher			
21	996 722 115 00	Fire extinguisher		1	M509
		Information available			
		Information available			
22	900 151 027 02	Washer		2	
		5,3			
23	N 044 734 1	Pan-head screw		2	
		M 5 X 15			
23	900 067 137 01	Pan-head screw		2	
		M 5 X 15			

Model: 986 97

Model life 1997>>2004

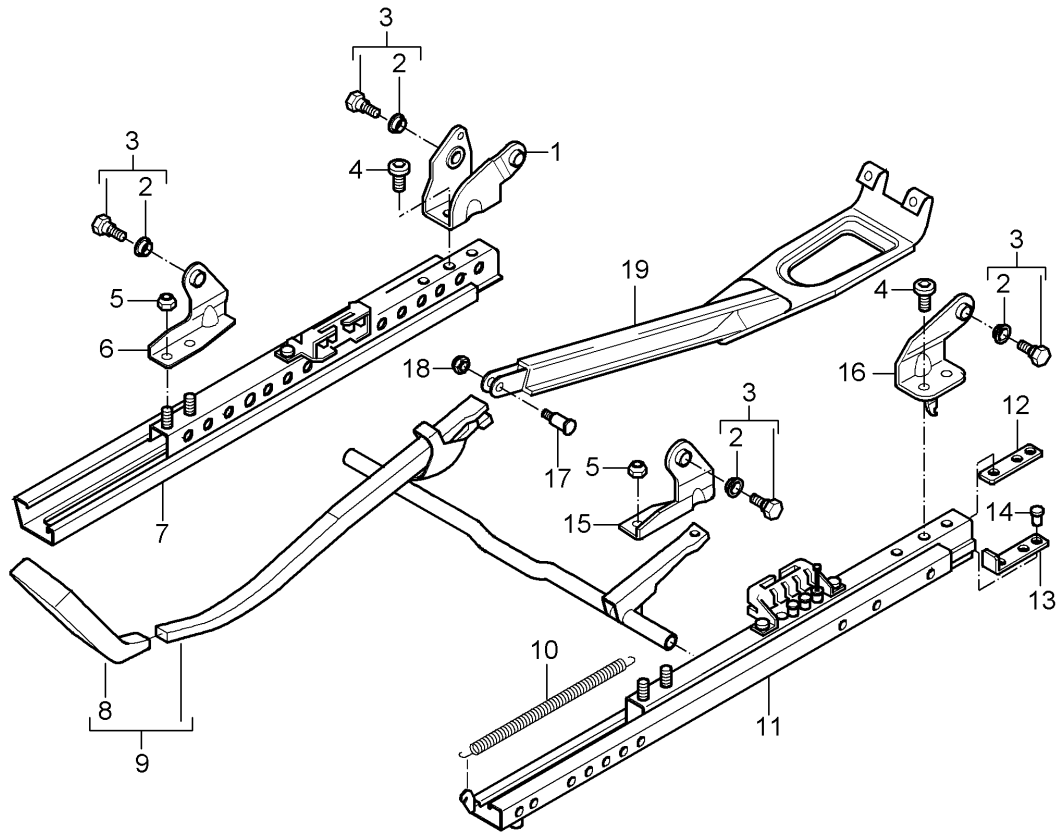


Model: 986 97 Model life 1997>>2004

Pos	Part Number	Description	Remark	Qty	Model
		Backrest frame			BOXSTER
		Seat frame			
		Standard seat			
		Comfort seat			
1	986 521 327 03	Backrest frame		2	
2	996 521 355 01	Mat		2	
3	996 521 367 00	Support		8	
4	996 521 333 00	Spring		4	
		Centre			
5	996 521 331 01	Spring		4	
6	996 521 365 00	Support		4	
		Lower			
7	996 624 321 00	Engine		2	
		Seating position control for backrest adjustment			
(7)	996 624 331 00	Engine		2	M537/538
		Seating position control for backrest adjustment			
8	999 924 129 40	Bush		4	
		6 X 12 X 4,5			
9	999 073 141 02	Oval-head screw		2	
		M 6 X 42,5			
10	999 507 597 01	Clamping washer		4	
		10,0			
11	999 507 598 02	Speed nut		8	
		M 5			
12	999 513 063 40	Cable holder		4	
		12,0 - 35			
13	996 521 343 01	Drive shaft		2	
14	999 141 027 02	Oval-head screw		8	
		M 8 X 10			
15	999 651 313 07	Cable clamp		2	
		6,0			
16	986 521 227 00	Seat frame		2	
17	999 507 067 02	Speed nut		2	
		M 5			
18	999 141 028 02	Pan-head screw		3	
		M 5 X 10			
(19)	996 521 674 00	Support	/LL /R	1	M509
		Fire extinguisher			
20	996 521 607 00	Cup		1	M509
21	996 722 115 00	Fire extinguisher		1	M509
		Information available			
		Information available			
22	900 151 027 02	Washer		2	
		5,3			
23	N 044 734 1	Pan-head screw		2	
		M 5 X 15			
23	900 067 137 01	Pan-head screw		2	
		M 5 X 15			
24	999 522 032 00	Tension spring		4	
		0,7 X 7,5 X 15			
25	999 703 474 40	Stopper		4	
26	N 900 114 02	Clamping washer		4	
		4			
27	996 521 185 00	Cable		4	
28	996 521 403 00	Rubber buffer		2	
29	996 521 175 00	Backrest locking lever		2	
30	996 521 195 00	Clutch power spring		2	

Model: 986 97

Model life 1997>>2004



Model: 986 97 Model life 1997>>2004

Pos	Part Number	Description	Remark	Qty	Model
		Seat adjuster Standard seat			BOXSTER
1	986 521 639 00	Adapter Seat-belt buckle Seat frame Inner rear	/L	1	
(1)	986 521 640 00	Adapter Seat-belt buckle Seat frame Inner rear	/R	1	
3	996 521 259 00	Screw	97	6	
(3)	996 521 259 02	Screw Complete		8	
4	986 521 659 00	Screw		8	
4	986 521 659 02	Screw		8	
5	900 910 003 07	Hexagon nut Adapter M 8		8	
6	986 521 692 00	Adapter Seat frame Front Right		2	
7	996 521 692 00	Seat rail	/R -98	1	
(7)	996 521 692 01	Seat rail Left seat Inner	/R 98-	1	
(7)	996 521 691 00	Seat rail Inner	/L -98	1	
(7)	996 521 691 01	Seat rail Right seat Inner	/L 98-	1	
8	996 521 617 00	Handle	/L 97	1	
(8)	996 521 617 01	Handle	/L 98-	1	
(8)	996 521 618 00	Handle	/R 97	1	
(8)	996 521 618 01	Handle	/R 98-	1	
9	996 521 621 00	Lever Complete	/L 97	1	
(9)	996 521 621 01	Lever Complete	/L 98-	1	
(9)	996 521 622 00	Lever Complete	/R 97	1	
(9)	996 521 622 01	Lever Complete	/R 98-	1	
10	996 521 645 00	Clutch power spring		2	
11	996 521 689 00	Seat rail	/L -97	1	
(11)	996 521 689 01	Seat rail Left seat Outer	/L 98-	1	
(11)	996 521 690 00	Seat rail Outer	/R -97	1	
(11)	996 521 690 01	Seat rail Right seat Outer	/R 98-	1	
12	986 521 643 00	Threaded plate		4	
13	996 521 603 00	Stop		4	
14	996 521 601 00	Fixing clip for Stop		4	
15	986 521 689 00	Adapter Seat frame Front Left		2	
16	986 521 691 00	Adapter	/L	1	

Model: 986 97

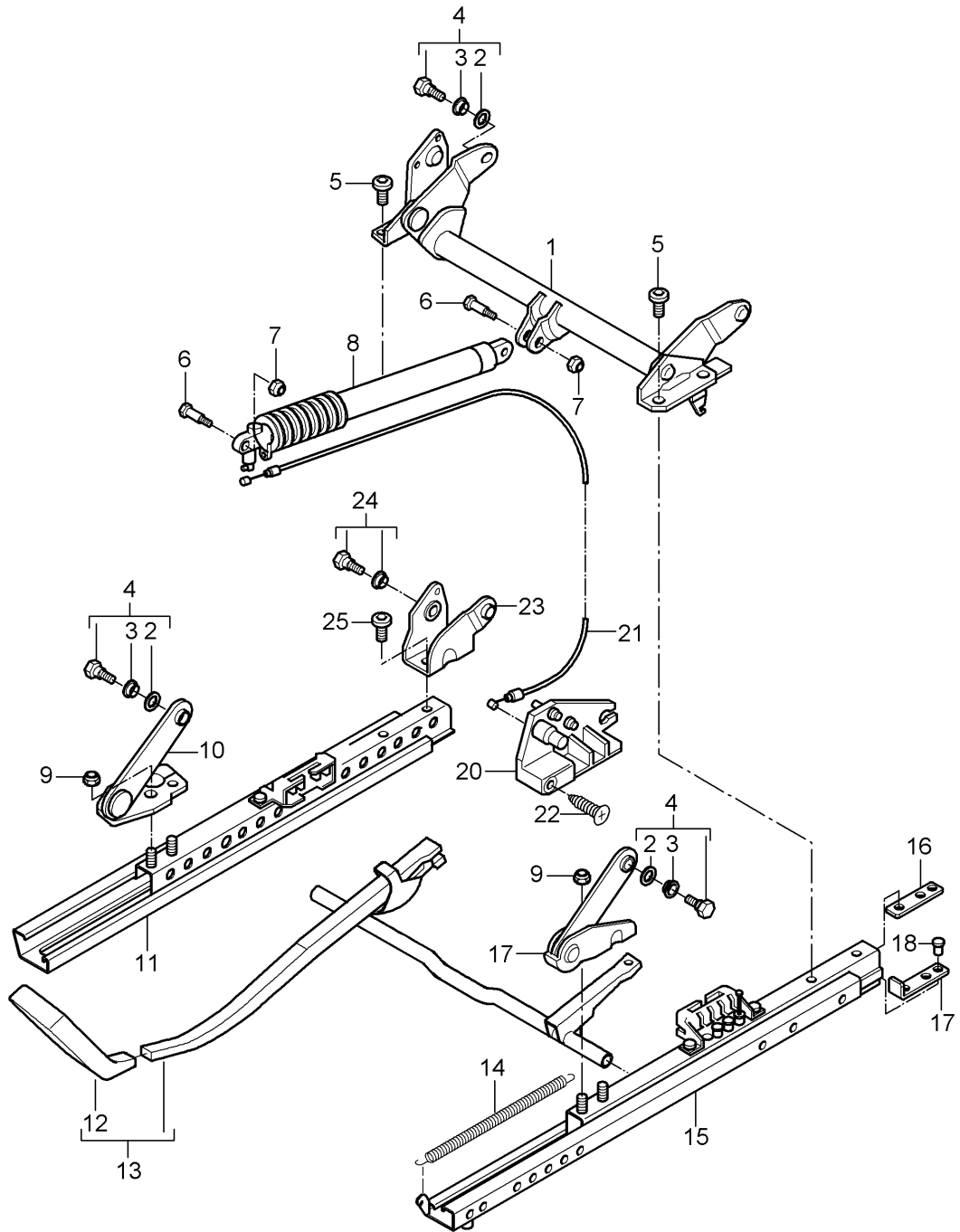
Model life 1997&gt;&gt;2004

Pos	Part Number	Description	Remark	Qty	Model
(16)	986 521 690 00	Seat frame Rear Outer Adapter	/R	1	
17	999 311 008 01	Seat frame Rear Outer Square screw M 5 X 23,6		1	
18	986 521 687 00	Nut		1	
19	986 521 667 00	Seat adjuster guard	/LL /R /RL /L	1	



Model: 986 97

Model life 1997>>2004



Model: 986 97 Model life 1997>>2004

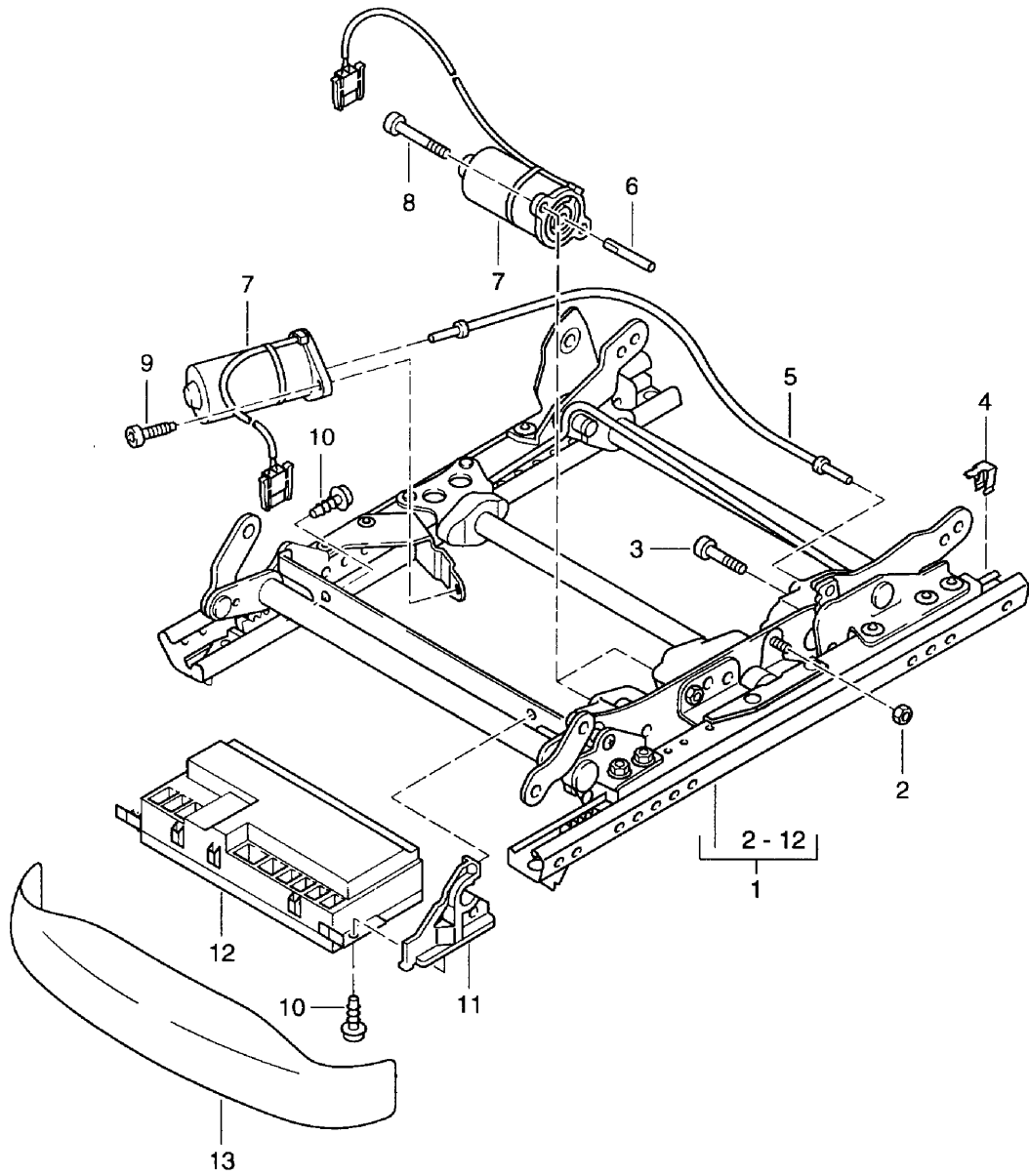
Pos	Part Number	Description	Remark	Qty	Model
		Seat adjuster Standard seat with Height adjustment			BOXSTER
1	986 521 641 00	Pipe	/L	1	
(1)	986 521 642 00	Rear Pipe	/R	1	
(4)	996 521 259 02	Rear Screw Complete		8	
5	986 521 659 00	Screw Adapter		8	
5	986 521 659 02	Screw Adapter		8	
6	999 311 008 01	Square screw M 5 X 23,6		2	
7	986 521 687 00	Nut		2	
8	996 521 615 01	Gas-pressure spring Seat adjuster Mechanical		2	M539/540
9	900 910 003 07	Hexagon nut Adapter M 8		8	
10	986 521 680 00	Adapter Seat frame Front Right		2	
11	996 521 692 00	Seat rail Left seat Inner	/R -98	1	
(11)	996 521 692 01	Seat rail Left seat Inner	/R 98-	1	
(11)	996 521 691 00	Seat rail Right seat Inner	/L -98	1	
(11)	996 521 691 01	Seat rail Right seat Inner	/L 98-	1	
12	996 521 617 00	Handle	/L 97	1	
(12)	996 521 617 01	Handle	/L 98-	1	
(12)	996 521 618 00	Handle	/R 97	1	
(12)	996 521 618 01	Handle	/R 98-	1	
13	996 521 621 00	Lever Complete	/L 97	1	
(13)	996 521 621 01	Lever Complete	/L 98-	1	
(13)	996 521 622 00	Lever Complete	/R 97	1	
(13)	996 521 622 01	Lever Complete	/R 98-	1	
14	996 521 645 00	Clutch power spring		2	
15	996 521 689 00	Seat rail Left seat Outer	/L -98	1	
15	996 521 689 01	Seat rail Left seat Outer	/L 98-	1	
(15)	996 521 690 00	Seat rail Right seat Outer	/R -98	1	
(15)	996 521 690 01	Seat rail Right seat	/R 98-	1	

Model: 986 97 Model life 1997>>2004

Pos	Part Number	Description	Remark	Qty	Model
16	986 521 643 00	Outer Threaded plate		4	
17	986 521 679 00	Adapter Seat frame Front Left		2	
18	996 521 603 00	Stop		4	
-	996 521 601 00	Fixing clip Stop		4	
20	986 521 675 00	Adjusting mechanism	/L -97	1	
(20)	996 521 675 00	Adjusting mechanism	/L 98-	1	
(20)	986 521 676 00	Adjusting mechanism	/R -97	1	
(20)	996 521 676 00	Adjusting mechanism	/R 98-	1	
21	986 521 683 00	Bowden cable		2	
22	999 919 180 07	Countersunk-head screw M 5 X 18		2	
23	986 521 639 00	Adapter Seat-belt buckle Seat frame Inner rear	/L	1	
(23)	986 521 640 00	Adapter Seat-belt buckle Seat frame Inner rear	/R	1	
(24)	996 521 259 02	Screw Complete Short		6	
25	986 521 659 00	Screw Adapter		8	
25	986 521 659 02	Screw Adapter		8	

Model: 986 97

Model life 1997>>2004

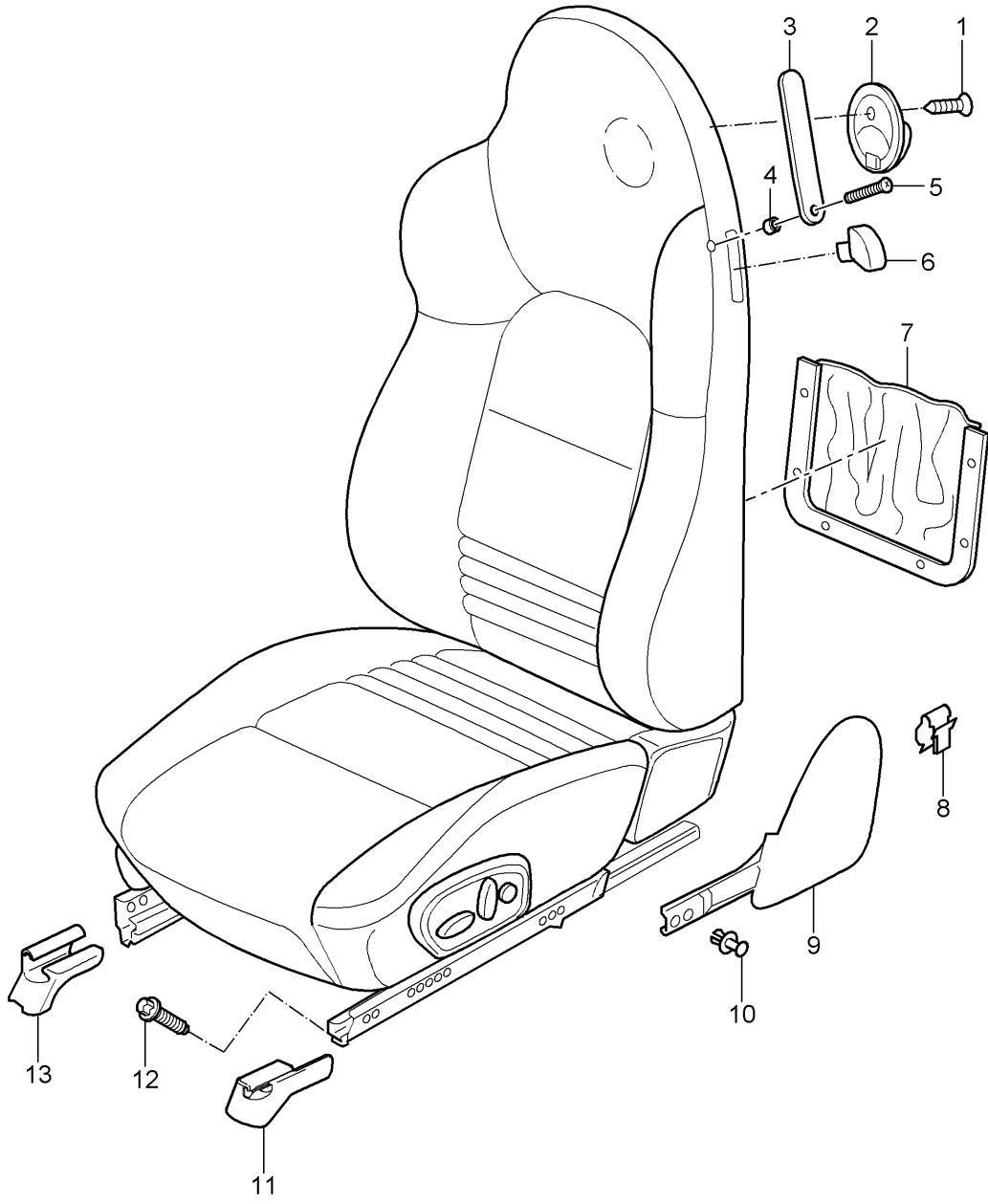


Model: 986 97 Model life 1997>>2004

Pos	Part Number	Description	Remark	Qty	Model
		Seat adjuster Comfort seat			BOXSTER
1	996 521 401 02	Seat adjuster Complete	/L	1	
(1)	996 521 402 02	Seat adjuster Complete	/R	1	
(1)	996 521 401 03	Seat adjuster Complete with Seating position control	/L -00	1	M537/538
(1)	996 521 402 03	Seat adjuster Complete with Seating position control	/R -00	1	M537/538
(1)	996 521 401 07	Seat adjuster Complete	/L	1	M437/537
(1)	996 521 402 07	Seat adjuster Complete	/R	1	M438/538
2	999 084 451 02	Hexagon nut M 5		4	
3	999 073 144 02	Pan-head screw M 5 X 39,3		4	
4	996 521 647 00	Stop for longitudinal adjustment		4	
5	996 521 609 00	Drive shaft Rear vertical adjustment		2	
6	996 521 611 00	Shaft		4	
7	996 624 322 00	Engine Seating position control		X	
(7)	996 624 332 00	Engine Seating position control		X	M537/538
8	999 073 147 02	Pan-head screw TORX M 5 X 58		8	
9	999 073 148 02	Oval-head screw M 5 X 14		4	
10	999 073 145 02	Oval-head screw M 5,0 X 12		X	
11	996 618 547 00	Support Control unit		4	M537/538
12	996 618 537 00	Control unit	-99	2	M537/538
(12)	996 618 537 02	Control unit	00	2	M537/538
(12)	996 618 537 01	Control unit	01	2	M537/538
(12)	996 618 537 03	Control unit	02-	2	M537/538
13	996 521 317 00	Cover Control unit Seating position control		2	
	996 521 317 00 01C	Black			

Model: 986 97

Model life 1997>>2004



Model: 986 97 Model life 1997>>2004

Pos	Part Number	Description	Remark	Qty	Model
		Sports seat			BOXSTER
		Sports seat Complete Not available			
1	999 919 180 07	Countersunk-head screw M 5 X 18	-99	2	
(1)	999 919 199 09	Countersunk-head screw M 5 X 25	00-	2	
2	986 521 363 00	Coat hook	-99	2	
(2)	996 521 373 00	Coat hook	00-	2	
	996 521 373 00 A03	Black			
3	986 521 345 00	Support for seatbelt	98-	2	
	986 521 345 00 8YR	Black			
	986 521 345 00 C50	Graphite grey			
	986 521 345 00 G10	Metropole blue			
	986 521 345 00 S30	Savanna			
	986 521 345 00 J30	Nephrite green			
	986 521 345 00 M30	Boxster red			
	986 521 345 00 D11	Dark grey	00-		
	986 521 345 00 T11	Brown/natural	00-		
	986 521 345 00 P11	Cinnamon brown			
	986 521 345 00 9Q3	Cocoa			
4	999 209 050 40	Spacer sleeve		2	
5	999 919 189 07	Countersunk-head screw 3,5 X 25		4	
-	999 507 669 40	Cone washer 4,3 X 12,8		2	
-	999 507 670 40	Cap 12,8 X 14,5		2	
-	999 507 671 17	Snap fastener lower part Lower part		2	
6	996 521 321 01	Control button	/L -98	2	
(6)	996 521 421 00	Control button	/L 99-	2	
(6)	996 521 322 01	Control button	/R -98	2	
(6)	996 521 422 00	Control button	/R 99-	2	
7	996 521 313 00	Bag Leatherette		2	
	996 521 313 00 A10	Black			
(7)	996 521 313 01	Bag Leather		2	M983
	996 521 313 01 8YR	Black			
8	999 507 592 01	Cable clamp Cap 1,0 - 6,0		2	
9	986 521 315 01	Cap	/L -99	1	M009/016/375
	986 521 315 01 B12	Black-grey			
(9)	986 521 316 01	Cap	/R -99	1	M009/016/376
	986 521 316 01 B12	Black-grey			
(9)	996 521 315 01	Cap	/L 00-	1	M009/016/375
	996 521 315 01 C02	Metal grey			
(9)	996 521 316 01	Cap	/R 00-	1	M009/016/376
	996 521 316 01 C02	Metal grey			
10	999 507 599 40	Expansion rivet 10		2	
11	996 521 362 00	Cover Right seat Inner	/L -99	1	
	996 521 362 00 01C	Satin black			
(11)	996 521 362 01	Cover Right seat Inner	/L 00-	1	
	996 521 362 01 01C	Satin black			

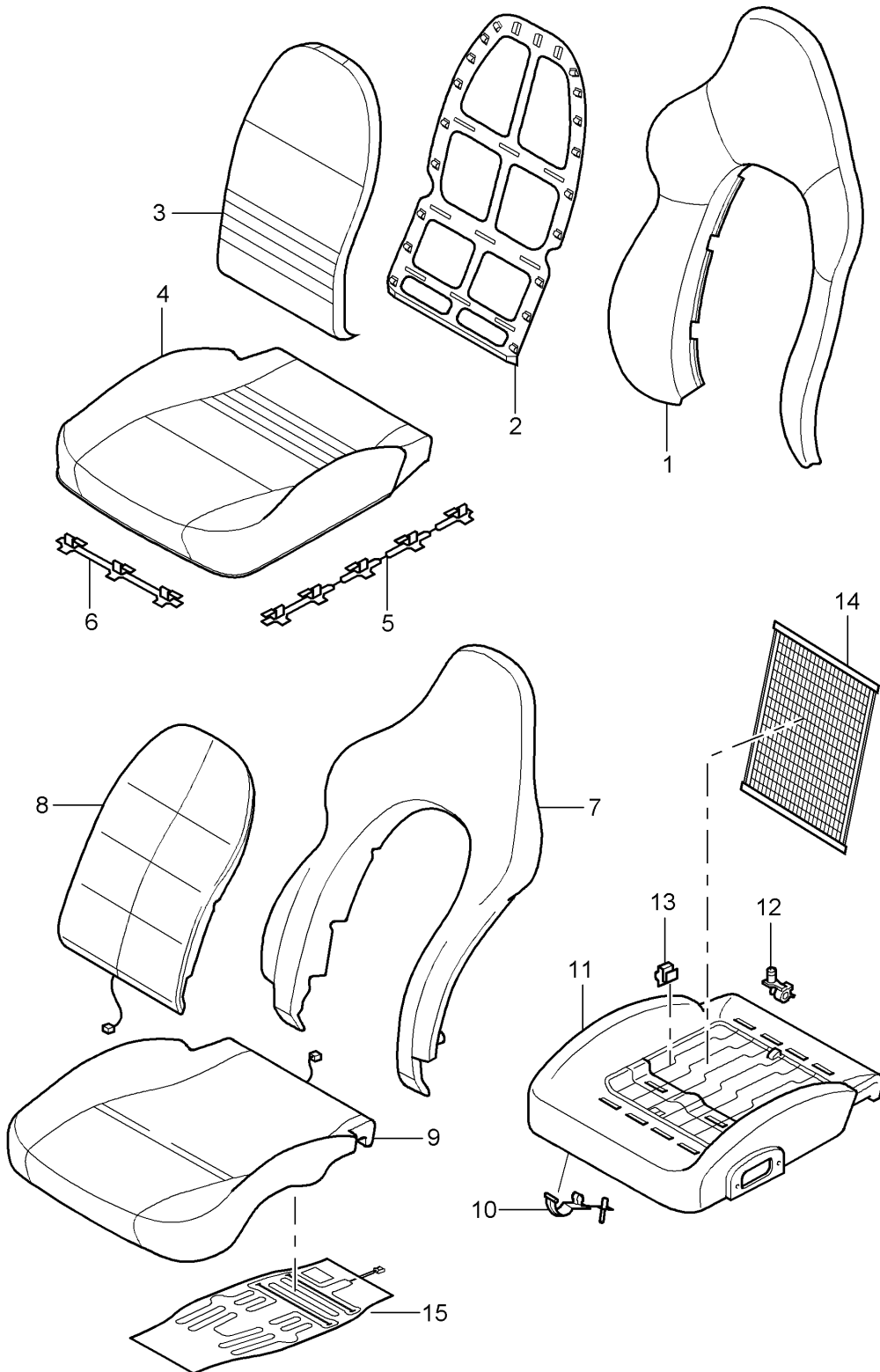
Model: 986 97 Model life 1997>>2004

Pos	Part Number	Description	Remark	Qty	Model
(11)	996 521 361 00	Cover Left seat Inner	/R -99	1	
	996 521 361 00 01C	Satin black			
(11)	996 521 361 01	Cover Left seat Inner	/R 00-	1	
	996 521 361 01 01C	Satin black			
12	999 141 038 07	Torx screw M 10 X 26,5	-02	8	
(12)	999 141 039 07	Screw M 10 X 28	03-	8	IXSE/XSF
13	996 521 360 00	Cover Right seat Outer	/R -99	1	
	996 521 360 00 01C	Satin black			
(13)	996 521 360 01	Cover Right seat Outer	/R 00-	1	
	996 521 360 01 01C	Satin black			
(13)	996 521 359 00	Cover Left seat Outer	/L -99	1	
	996 521 359 00 01C	Satin black			
(13)	996 521 359 01	Cover Left seat Outer	/L 00-	1	
	996 521 359 01 01C	Satin black			



Model: 986 97

Model life 1997>>2004



Model: 986 97 Model life 1997>>2004

Pos	Part Number	Description	Remark	Qty	Model
1	996 521 993 02	Cover Foam part Sports seat Backrest cover with Porsche Crest Outer part Leather	99-	2	BOXSTER
	996 521 993 02 8YR	Black	99		
	996 521 993 02 C50	Graphite grey			
	996 521 993 02 G10	Metropole blue			
	996 521 993 02 S30	Savanna			
	996 521 993 02 J30	Nephrite green			
	996 521 993 02 M30	Boxster red			
	996 521 993 02 T11	Brown/natural			
	996 521 993 02 D11	Dark grey/natural			
	996 521 993 02 P11	Cinnamon brown			
	996 521 993 02 ETO	Black	00-		
(1)	996 521 155 02	Backrest cover Outer part	98-00	2	M983
	996 521 155 02 8YR	Black			
	996 521 155 02 C50	Graphite grey			
	996 521 155 02 G10	Metropole blue			
	996 521 155 02 S30	Savanna			
	996 521 155 02 J30	Nephrite green			
	996 521 155 02 M30	Boxster red			
(1)	996 521 155 04	Backrest cover	01	2	M983
	996 521 155 04 EEF	Graphite grey			
	996 521 155 04 EGF	Savanna			
	996 521 155 04 EFF	Metropole blue			
	996 521 155 04 ELA	Nephrite green			
	996 521 155 04 ENA	Boxster red			
	996 521 155 04 ERZ	Black			
	996 521 155 04 VRA	Dark grey			
	996 521 155 04 VRB	Brown/natural			
(1)	996 521 155 06	Cover Backrest Outer part	01-	2	
	996 521 155 06 ERZ	Black			
	996 521 155 06 EEF	Graphite grey			
	996 521 155 06 EGF	Savanna			
	996 521 155 06 EFF	Metropole blue			
	996 521 155 06 ELA	Nephrite green			
	996 521 155 06 ENA	Boxster red			
	996 521 155 06 FEH	Cinnamon brown			
	996 521 155 06 VRA	Dark grey/natural			
	996 521 155 06 VRB	Brown/natural			
(1)	996 521 155 07	Cover Backrest Outer part Special model 550 spyder	04-	2	M091/375/376 M983
	996 521 155 07 VSY	Dark grey/natural			
2	996 521 551 00	Frame Backrest Centre	97-00	2	
(2)	996 521 551 01	Frame Backrest Centre	01-	2	
3	996 521 151 01	Backrest cushion cover Leather	97-00	2	M946/983
	996 521 151 01 8YR	Black	-99		

Model: 986 97 Model life 1997>>2004

Pos	Part Number	Description	Remark	Qty	Model
	996 521 151 01 ETO	Black	00-		
	996 521 151 01 C50	Graphite grey			
	996 521 151 01 G10	Metropole blue			
	996 521 151 01 S30	Savanna			
	996 521 151 01 J30	Nephrite green			
	996 521 151 01 M30	Boxster red			
	996 521 151 01 D11	Dark grey	00-		
	996 521 151 01 T11	Brown/natural	00-		
(3)	996 521 151 05	Backrest cushion cover Leather	01-	2	M946/983
	996 521 151 05 8YR	Black			
	996 521 151 05 ETO	Black			
	996 521 151 05 C50	Graphite grey			
	996 521 151 05 G10	Metropole blue			
	996 521 151 05 S30	Savanna			
	996 521 151 05 J30	Nephrite green			
	996 521 151 05 M30	Boxster red			
	996 521 151 05 D11	Dark grey			
	996 521 151 05 T11	Brown/natural			
(3)	996 521 151 05 P11	Cinnamon brown Cover	01- 04-	2	M375/376 M091/983
		Backrest Centre Special model 550 spyder			
	996 521 151 09 VTH	Cocoa			
	996 521 151 09 VSY	Dark grey/natural			
4	996 521 165 02	Seat cover Leather	98-00	2	M983
	996 521 165 02 EAF	Black	-99		
	996 521 165 02 EEF	Graphite grey			
	996 521 165 02 EFF	Metropole blue			
	996 521 165 02 EGF	Savanna			
	996 521 165 02 ELA	Nephrite green			
	996 521 165 02 ENA	Boxster red			
	996 521 165 02 ERZ	Black	00		
	996 521 165 02 VRA	Dark grey	00		
	996 521 165 02 VRB	Brown/natural	00		
(4)	996 521 165 04	Cover Seat cushion Leather without heating	01-	2	M983
	996 521 165 04 ERZ	Black			
	996 521 165 04 EEF	Graphite grey			
	996 521 165 04 EGF	Savanna			
	996 521 165 04 EFF	Metropole blue			
	996 521 165 04 ELA	Nephrite green			
	996 521 165 04 ENA	Boxster red			
	996 521 165 04 FEH	Cinnamon brown			
	996 521 165 04 VRA	Dark grey/natural			
(4)	996 521 165 04 VRB	Brown/natural Cover Seat cushion Leather with heating	02-	2	M375/376 IXSU/M983
	996 521 165 05 ERZ	Black			
	996 521 165 05 EEF	Graphite grey			
	996 521 165 05 EGF	Savanna			
	996 521 165 05 EFF	Metropole blue			
	996 521 165 05 ELA	Nephrite green			
	996 521 165 05 ENA	Boxster red			
	996 521 165 05 FEH	Cinnamon brown			
	996 521 165 05 VRA	Dark grey/natural			

Model: 986 97

Model life 1997&gt;&gt;2004

Pos	Part Number	Description	Remark	Qty	Model
(4)	996 521 165 05 VRB 996 521 165 06	Brown/natural Cover Seat cushion Leather Special model 50 JAHRE SPYDER	05	2	M091/375/376
5	996 521 165 06 VTH 996 521 165 06 VSY 996 521 543 00	Cocoa Dark grey/natural Clamp Long	97-00	4	
6	996 521 541 00	Clamp Short	97-00	6	
7	996 521 535 01	Foam part Backrest frame	98-99	2	
(7)	996 521 535 02	Foam part Backrest frame	00-	2	
(7)	996 521 535 03	Foam part Backrest frame	00-	2	
(8)	996 521 531 00	Foam part Backrest cushion without heating	03-	2	
8	996 521 531 01	Foam part Backrest cushion with heating	03-	2	M139/340/342
(8)	996 521 537 00	Foam part Backrest cushion without heating	03-	2	IXSU
(8)	996 521 539 00	Foam part Backrest cushion with heating	03-	2	IXSU/M342
(9)	996 521 521 04	Foam part Seat cushion without heating	-00	2	
9	996 521 521 05	Foam part Seat cushion with heating	-00	2	M139/340
(9)	996 521 523 01	Foam part Seat cushion without heating	03-	2	IXSU
(9)	996 521 525 01	Foam part Seat cushion with heating	03-	2	IXSU/M342
(9)	996 521 571 01	Foam part Seat cushion without heating	01-	2	
10	996 521 597 00	Clip Cushion carrier		8	
(10)	996 521 937 00	Clip Cushion carrier	01-	10	
11	996 521 509 00	Cushion carrier Seat cushion	-00	2	
(11)	996 521 505 00	Front seat Cushion carrier Seat cushion	01-	2	
12	999 507 506 40	Front seat Cable holder 5,0		1	M539/540
13	999 651 314 01	Cable clamp 3,0 - 4,0		8	
14	996 521 507 01	Mat Seat cushion		1	
15	996 653 105 01	Cushion carrier Heating element	01-	1	M139/340/342

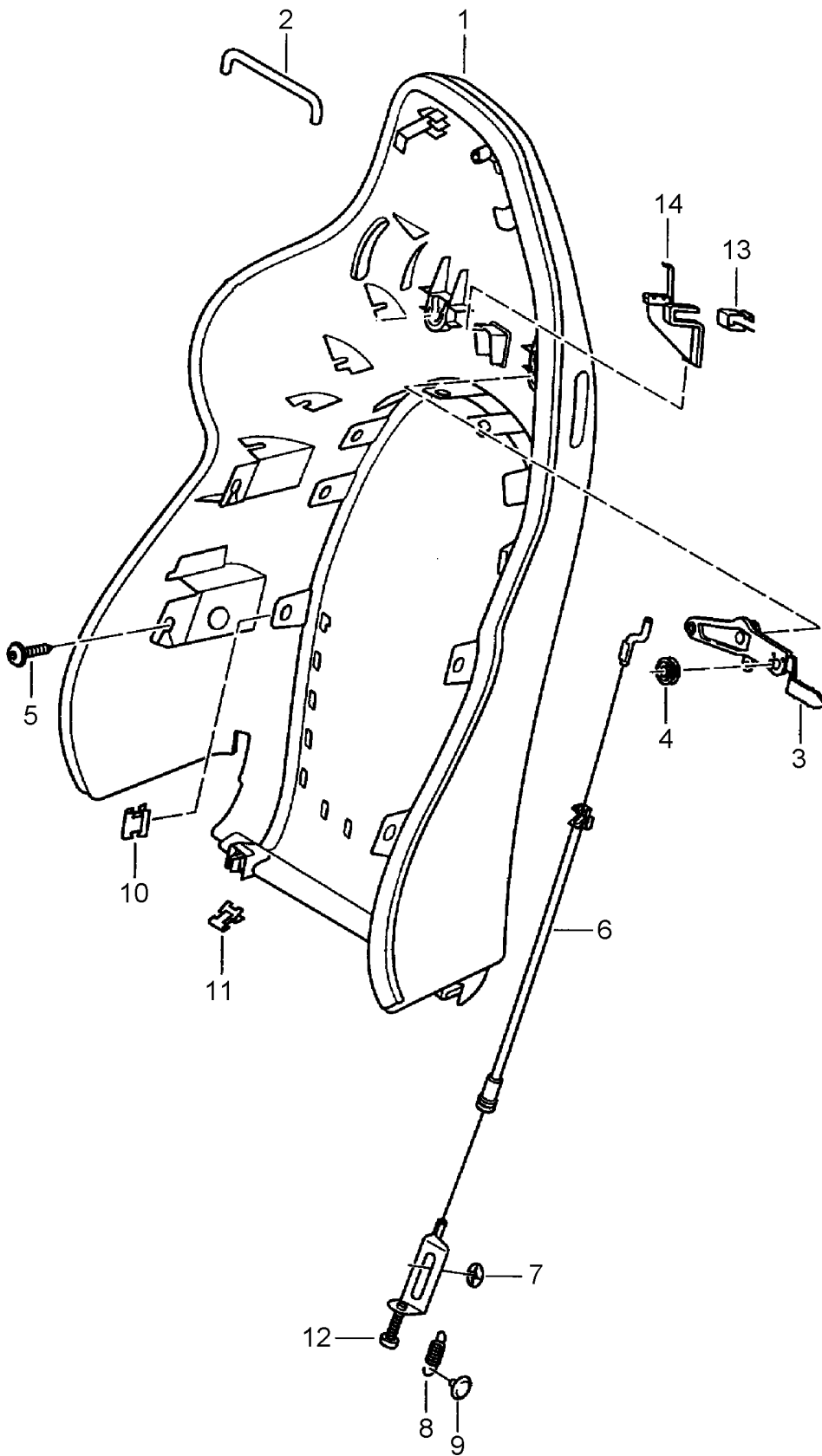
Model: 986 97

Model life 1997>>2004

Pos	Part Number	Description	Remark	Qty	Model
		Seat surface			

Model: 986 97

Model life 1997>>2004

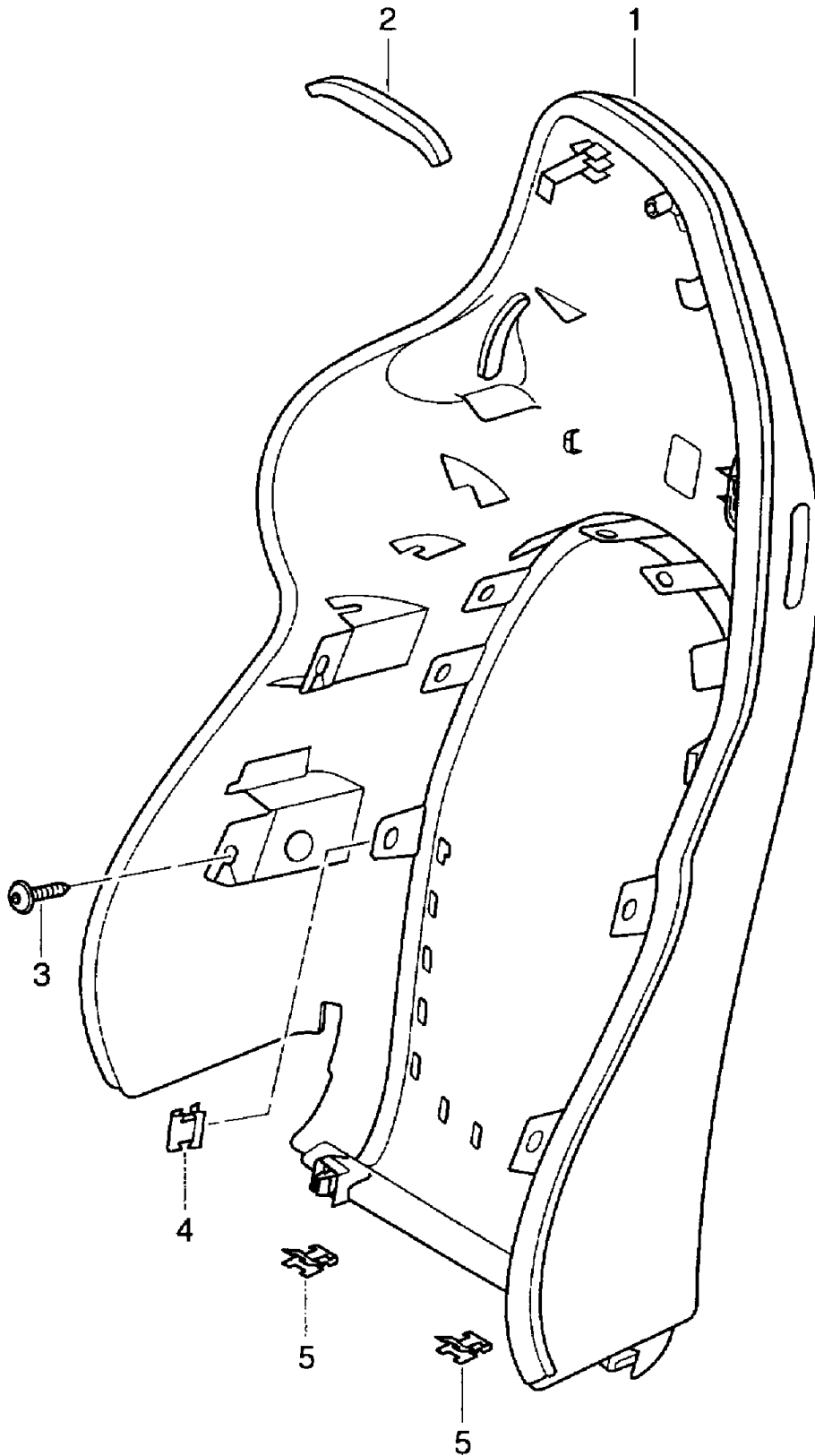


Model: 986 97 Model life 1997>>2004

Pos	Part Number	Description	Remark	Qty	Model
		Backrest shell			BOXSTER
		Sports seat	98		
1	986 521 303 02	Backrest shell		2	M016
	986 521 303 02 B12	Black-grey			
(1)	986 521 303 03	Backrest shell	-99	2	M012
		Lacquered			
	986 521 303 03 C02	Metal grey			
(1)	996 521 992 06	Backrest shell	04	2	M375/376
		Sports seat			IXCG
		Lacquered			
	996 521 992 06 V03	Sport silver			
2	996 521 885 00	Foam part		2	
3	996 521 311 00	Linkage lever	/L	2	
(3)	996 521 312 00	Linkage lever	/R	2	
4	996 521 339 00	Deflection roller		4	
5	999 143 009 01	Screw		X	
		Backrest shell			
		M 5 X 16			
-	900 151 027 02	Washer		4	
		Backrest shell			
		5,3			
6	986 521 385 00	Cable		4	
7	N 900 114 02	Clamping washer		4	
		4			
8	999 522 032 00	Tension spring		4	
		0,7 X 7,5 X 15			
9	999 703 474 40	Stopper		4	
10	999 507 594 01	U-clamp		28	
		Mount			
		Backrest cover			
		1,0 - 2,0			
11	311 881 247	Clip		4	
		Mount			
		Cover			
		Centre part			
-	N 900 151 01	Clamping washer		2	
		5			
13	999 507 596 01	U-clamp		2	
		1,00 - 1,50			
14	996 521 341 00	Relay lever		2	
-	996 521 903 00	Repair kit		2	
		Backrest locking lever			
		See technical information			
		GR. 7 BOXSTER NR. 1A/98			

Model: 986 97

Model life 1997>>2004



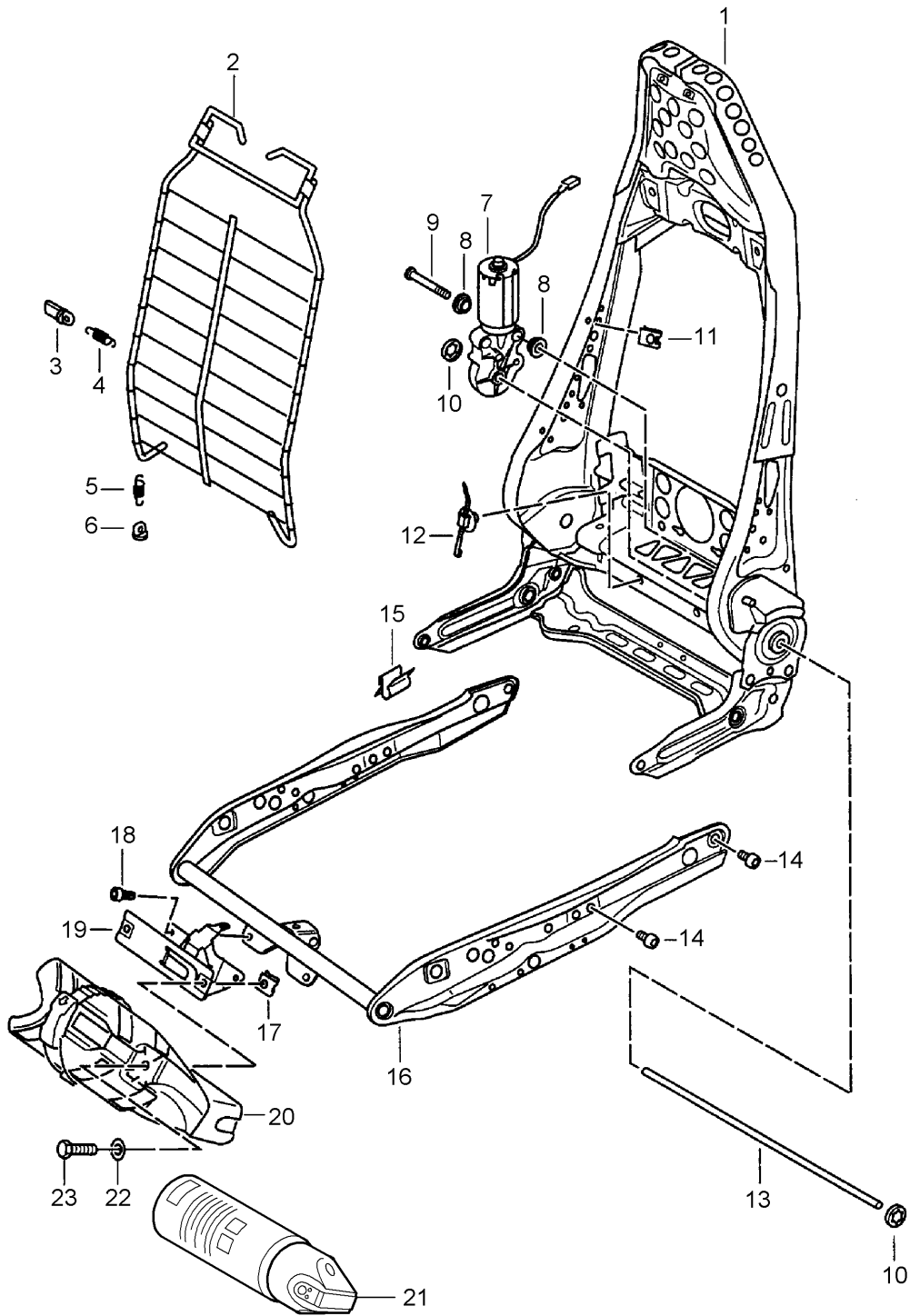


Model: 986 97 Model life 1997>>2004

Pos	Part Number	Description	Remark	Qty	Model
		Backrest shell			BOXSTER
		Sports seat	99-		
1	986 521 303 08	Backrest shell		2	M016
	986 521 303 08 B12	Black-grey	99		
(1)	986 521 303 09	Backrest shell	99	2	M012
		Lacquered			
	986 521 303 09 C02	Metal grey			
(1)	986 521 303 11	Backrest shell	00-	2	M012
		Lacquered			
	986 521 303 11 C02	Metal grey			
(1)	986 521 303 10	Backrest shell	00-	2	M016
		Lacquered			
	986 521 303 10 A03	Black			
2	996 521 885 00	Foam part		2	
3	999 143 009 01	Screw		X	
		Backrest shell			
		M 5 X 16			
-	900 151 027 02	Washer		4	
		Backrest shell			
		5,3			
4	999 507 594 01	U-clamp		28	
		Mount			
		Backrest cover			
		1,0 - 2,0			
5	311 881 247	Clip		4	
		Mount			
		Cover			
		Centre part			

Model: 986 97

Model life 1997>>2004

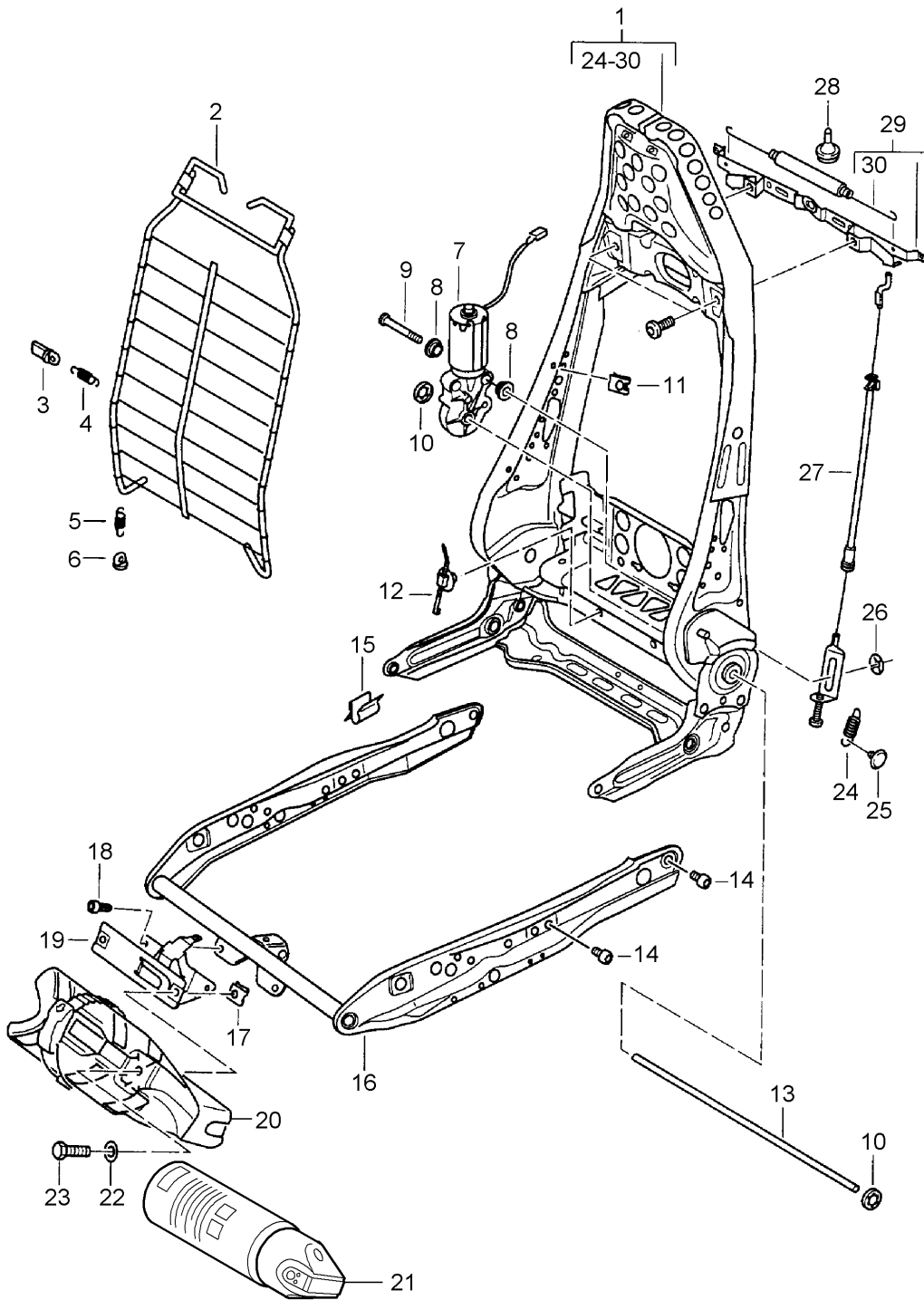


Model: 986 97 Model life 1997>>2004

Pos	Part Number	Description	Remark	Qty	Model
		Backrest frame			BOXSTER
		Seat frame	98		
		Sports seat			
1	986 521 327 02	Backrest frame		2	
2	996 521 355 01	Mat		2	
3	996 521 367 00	Support		8	
		Spring			
		Centre			
4	996 521 333 00	Spring		4	
		Centre			
5	996 521 331 01	Spring		4	
		Lower			
6	996 521 365 00	Support		4	
		Spring			
		Lower			
7	996 624 321 00	Engine		2	
		for backrest adjustment			
8	999 924 129 40	Bush		4	
		6 X 12 X 4,5			
9	999 073 141 02	Oval-head screw		2	
		M 6 X 42,5			
10	999 507 597 01	Clamping washer		4	
		10,0			
11	999 507 598 02	Speed nut		8	
		M 5			
12	999 513 063 40	Cable holder		4	
		12,0 - 35			
13	996 521 343 01	Drive shaft		2	
14	999 141 027 02	Oval-head screw		8	
		M 8 X 10			
15	999 651 313 07	Cable clamp		2	
		6,0			
16	986 521 227 00	Seat frame		2	
17	999 507 067 02	Speed nut		2	
		M 5			
18	999 141 028 02	Pan-head screw		3	
		M 5 X 10			
19	996 521 674 00	Support	/LL /R	1	M509
		Fire extinguisher			
20	996 521 607 00	Cup		1	M509
		Fire extinguisher			
21	996 722 115 00	Fire extinguisher		1	M509
		Information available			
		Information available			
22	900 151 027 02	Washer		2	
		5,3			
23	N 044 734 1	Pan-head screw		2	
		M 5 X 15			
23	900 067 137 01	Pan-head screw		2	
		M 5 X 15			

Model: 986 97

Model life 1997>>2004

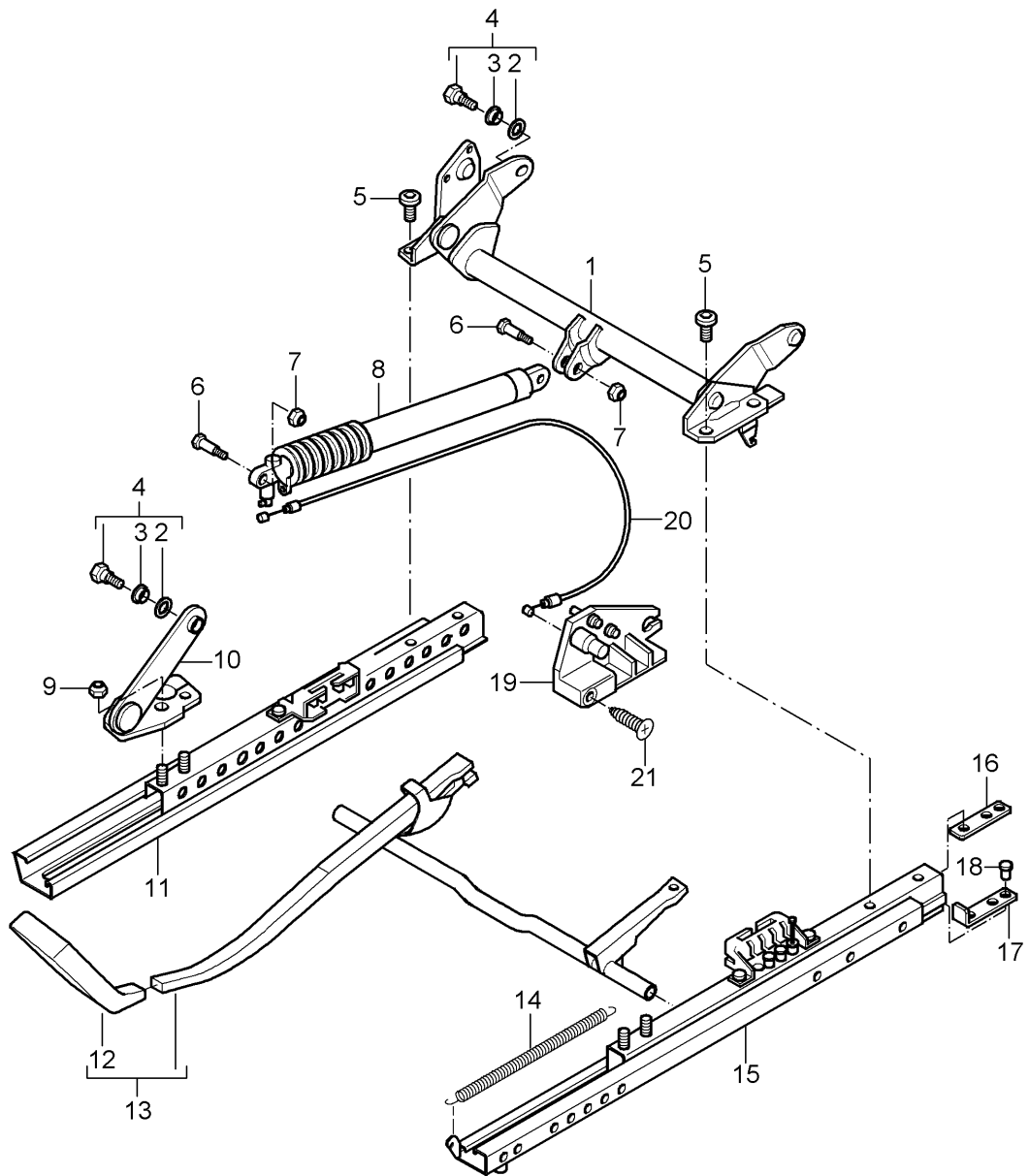


Model: 986 97 Model life 1997>>2004

Pos	Part Number	Description	Remark	Qty	Model
		Backrest frame			BOXSTER
		Seat frame			
		Sports seat			
1	986 521 327 03	Backrest frame		2	
2	996 521 355 01	Mat		2	
3	996 521 367 00	Support		8	
		Spring			
		Centre			
4	996 521 333 00	Spring		4	
		Centre			
5	996 521 331 01	Spring		4	
		Lower			
6	996 521 365 00	Support		4	
		Spring			
		Lower			
7	996 624 321 00	Engine		2	
		for backrest adjustment			
8	999 924 129 40	Bush		4	
		6 X 12 X 4,5			
9	999 073 141 02	Oval-head screw		2	
		M 6 X 42,5			
10	999 507 597 01	Clamping washer		4	
		10,0			
11	999 507 598 02	Speed nut		8	
		M 5			
12	999 513 063 40	Cable holder		4	
		12,0 - 35			
13	996 521 343 01	Drive shaft		2	
14	999 141 027 02	Oval-head screw		8	
		M 8 X 10			
15	999 651 313 07	Cable clamp		2	
		6,0			
16	986 521 227 00	Seat frame		2	
17	999 507 067 02	Speed nut		2	
		M 5			
18	999 141 028 02	Pan-head screw		3	
		M 5 X 10			
19	996 521 674 00	Support	/LL /R	1	M509
		Fire extinguisher			
20	996 521 607 00	Cup		1	M509
		Fire extinguisher			
21	996 722 115 00	Fire extinguisher		1	M509
		Information available			
		Information available			
22	900 151 027 02	Washer		2	
		5,3			
23	N 044 734 1	Pan-head screw		2	
		M 5 X 15			
23	900 067 137 01	Pan-head screw		2	
		M 5 X 15			
24	999 522 032 00	Tension spring		4	
		0,7 X 7,5 X 15			
25	999 703 474 40	Stopper		4	
26	N 900 114 02	Clamping washer		4	
		4			
27	996 521 185 00	Cable		4	
28	996 521 403 00	Rubber buffer		2	
29	996 521 175 00	Backrest locking lever		2	
30	996 521 195 00	Clutch power spring		2	

Model: 986 97

Model life 1997>>2004



Model: 986 97 Model life 1997>>2004

Pos	Part Number	Description	Remark	Qty	Model
		Seat adjuster Sports seat with Height adjustment			BOXSTER
1	986 521 641 00	Pipe	/L	1	
		Rear			
(1)	986 521 642 00	Pipe	/R	1	
		Rear			
(4)	996 521 259 02	Screw Complete		6	
		Short			
5	986 521 659 00	Screw		8	
		Adapter			
5	986 521 659 02	Screw		8	
		Adapter			
6	999 311 008 01	Square screw Gas-pressure spring M 5 X 23,6		2	
		Nut			
7	986 521 687 00	Nut Gas-pressure spring		2	
		Gas-pressure spring			
8	996 521 615 01	Gas-pressure spring		1	M539/540
9	900 910 003 07	Hexagon nut Adapter M 8		8	
(10)	986 521 679 00	Adapter	/L	2	
10	986 521 680 00	Adapter	/R	2	
		Seat frame Front			
11	996 521 692 00	Seat rail Left seat Inner	/R -98	1	
(11)	996 521 692 01	Seat rail Left seat Inner	/R 98-	1	
(11)	996 521 691 00	Seat rail Right seat Inner	/L -98	1	
(11)	996 521 691 01	Seat rail Right seat Inner	/L 98-	1	
12	996 521 617 01	Handle	/L	1	
(12)	996 521 618 01	Handle	/R	1	
13	996 521 621 01	Lever Complete	/L	1	
(13)	996 521 622 01	Lever Complete	/R	1	
14	996 521 645 00	Clutch power spring		2	
15	996 521 689 00	Seat rail Left seat Outer	/L -98	1	
15	996 521 689 01	Seat rail Left seat Outer	/L 98-	1	
(15)	996 521 690 00	Seat rail Right seat Outer	/R -98	1	
(15)	996 521 690 01	Seat rail Right seat Outer	98-	1	
16	986 521 643 00	Threaded plate		4	
17	996 521 603 00	Stop		4	(USA/CDN)
18	996 521 601 00	Fixing clip Stop		4	

Model: 986 97

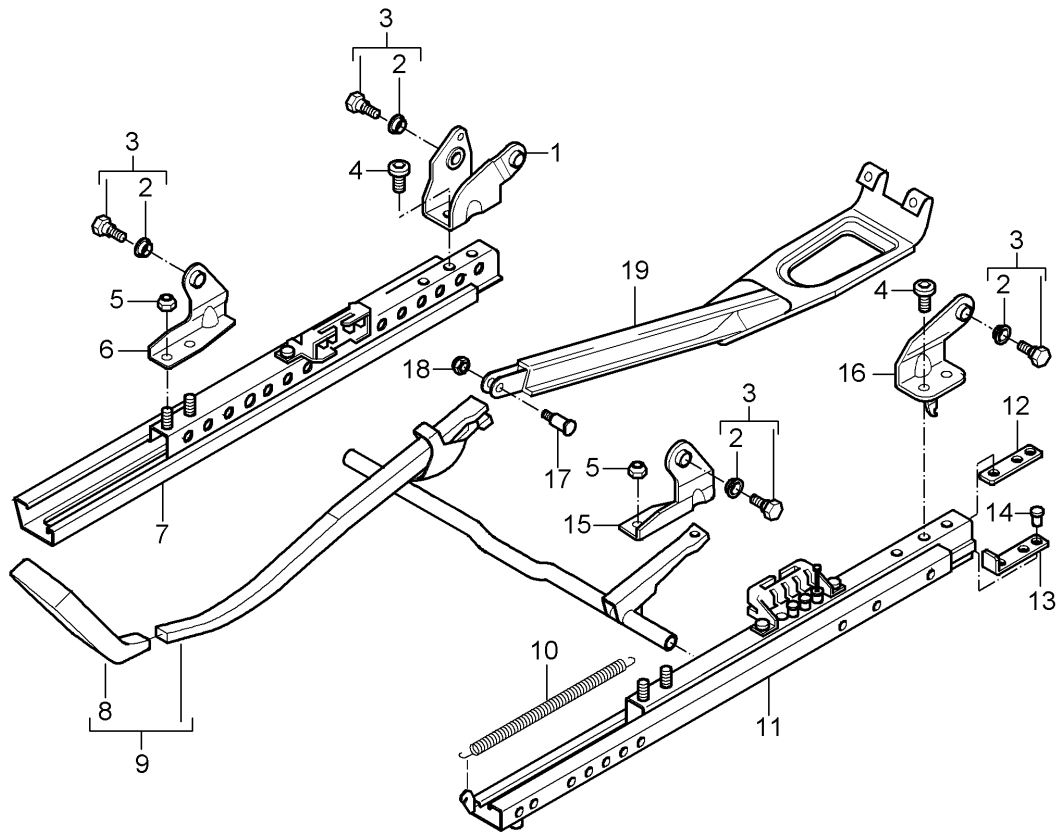
Model life 1997&gt;&gt;2004

Pos	Part Number	Description	Remark	Qty	Model
19	996 521 675 00	Adjusting mechanism	/L	1	
(19)	996 521 676 00	Adjusting mechanism	/R	1	
20	986 521 683 00	Bowden cable		2	
21	999 919 180 07	Countersunk-head screw M 5 X 18		2	



Model: 986 97

Model life 1997>>2004



Model: 986 97 Model life 1997>>2004

Pos	Part Number	Description	Remark	Qty	Model
		Seat adjuster Sports seat			BOXSTER
1	986 521 639 00	Adapter Seat-belt buckle Seat frame Inner rear	/L	1	
(1)	986 521 640 00	Adapter Seat-belt buckle Seat frame Inner rear	/R	1	
(3)	996 521 259 01	Screw Complete Short	-98	6	
(3)	996 521 259 02	Screw Complete Short	98-	6	
4	986 521 659 00	Screw Adapter		8	
4	986 521 659 02	Screw Adapter		8	
5	900 910 003 07	Hexagon nut Adapter M 8		8	
6	986 521 692 00	Adapter Seat frame Front Right		2	
7	996 521 692 00	Seat rail Left seat Inner	/R -98	1	M375
(7)	996 521 692 01	Seat rail Left seat Inner	/R 98-	1	M375
(7)	996 521 691 00	Seat rail Right seat Inner	/L -98	1	M376
(7)	996 521 691 01	Seat rail Right seat Inner	/L 98-	1	M376
8	996 521 617 01	Handle	/L	1	
(8)	996 521 618 01	Handle	/R	1	
9	996 521 621 01	Lever Complete	/L	1	
(9)	996 521 622 01	Lever Complete	/R	1	
10	996 521 645 00	Clutch power spring		2	
11	996 521 689 00	Seat rail Left seat Outer	/L -98	1	M375
(11)	996 521 689 01	Seat rail Left seat Outer	/L 98-	1	M375
(11)	996 521 690 00	Seat rail Right seat Outer	/R -98	1	M376
(11)	996 521 690 01	Seat rail Right seat Outer	/R 98-	1	M376
12	986 521 643 00	Threaded plate		4	
13	996 521 603 00	Stop		4	(USA/CDN)
14	996 521 601 00	Fixing clip Stop		4	
15	986 521 689 00	Adapter		2	

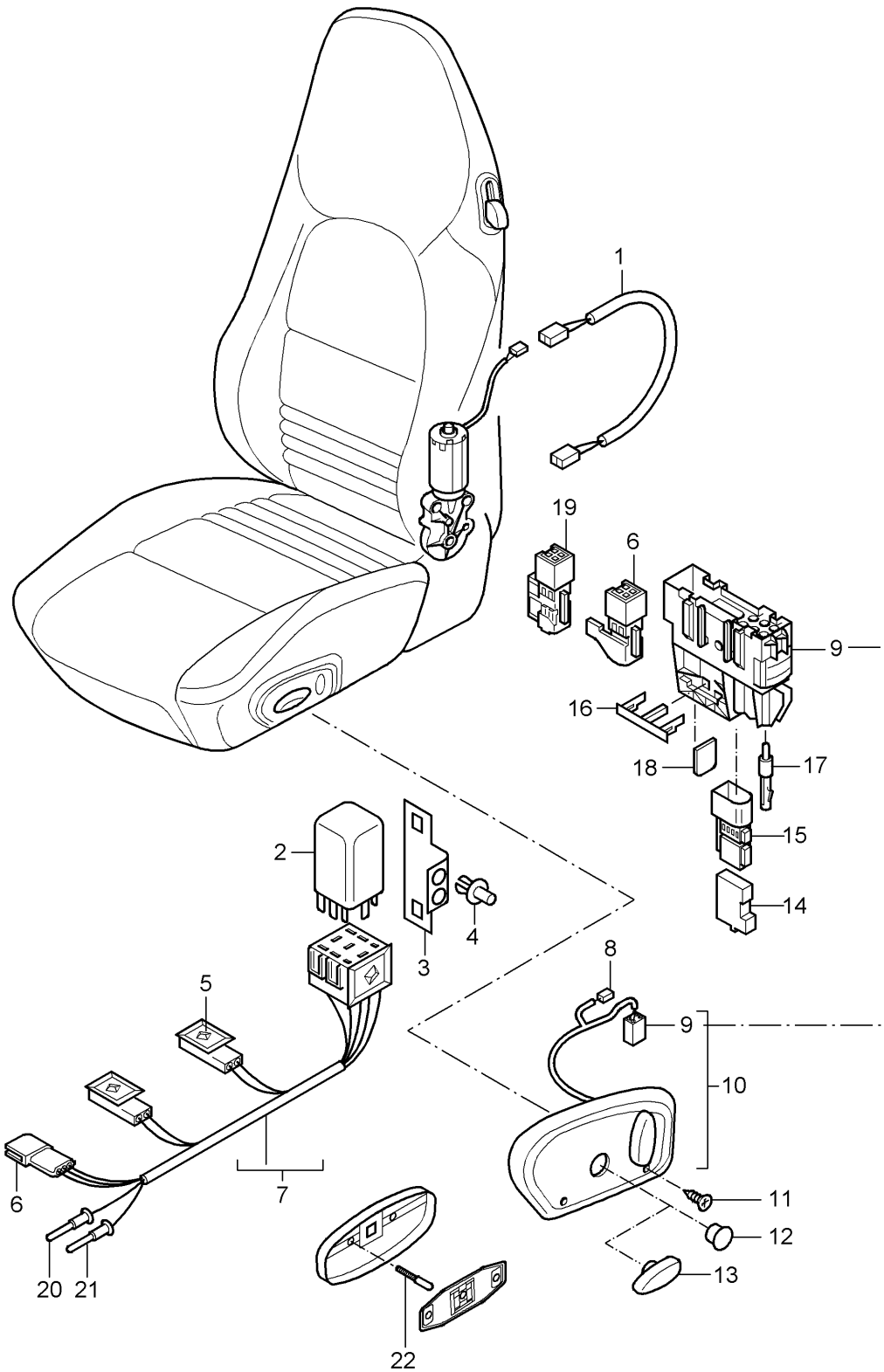
Model: 986 97

Model life 1997>>2004

Pos	Part Number	Description	Remark	Qty	Model
16	986 521 691 00	Seat frame Front Left Adapter	/L	1	
(16)	986 521 690 00	Seat frame Rear Outer Adapter	/R	1	
16	999 311 008 01	Square screw M 5 X 23,6		1	
17	986 521 687 00	Nut		1	
18	986 521 667 00	Seat adjuster guard	/LL /R /RL /L	1	

Model: 986 97

Model life 1997>>2004



Model: 986 97 Model life 1997>>2004

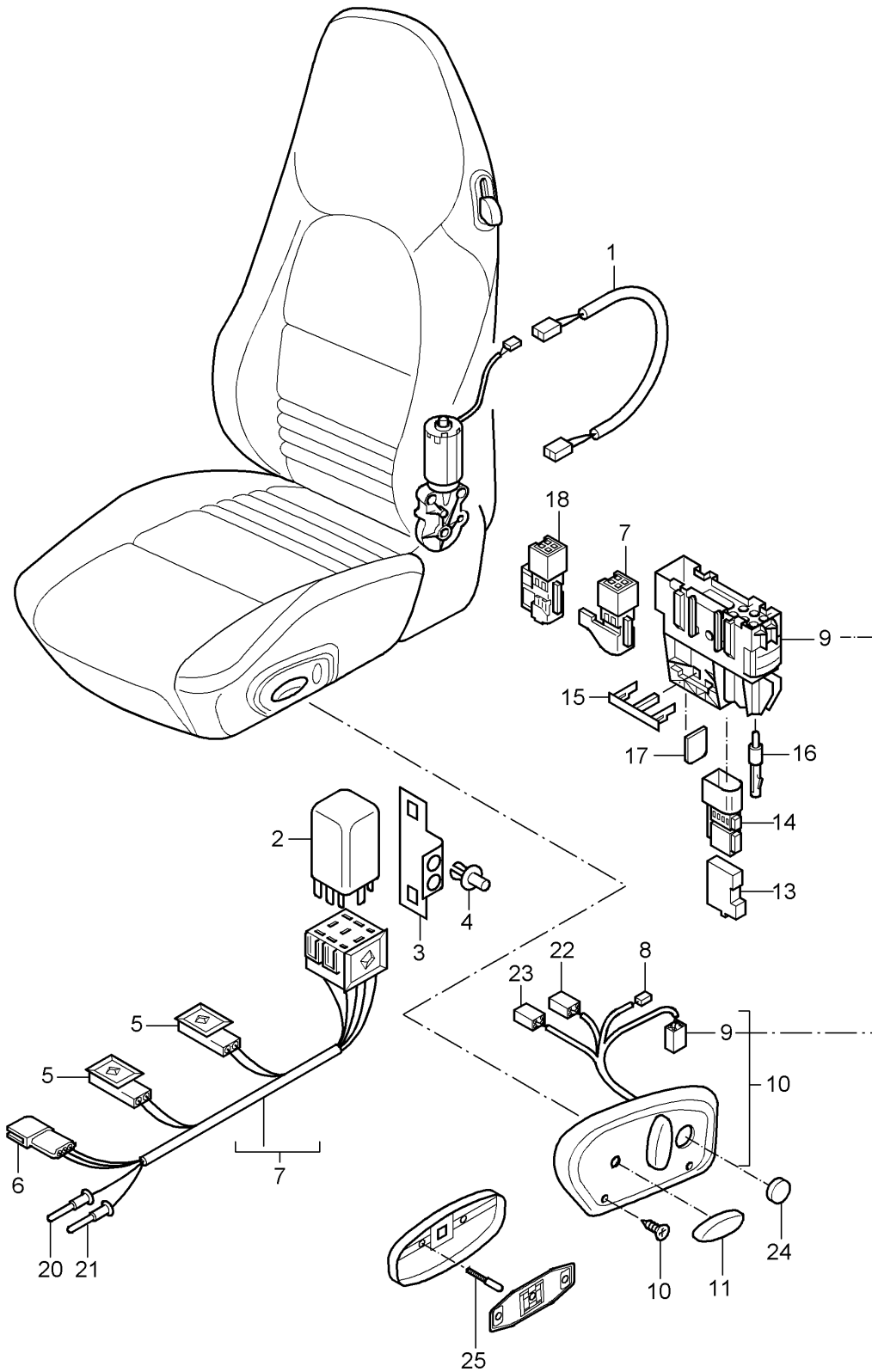
Pos	Part Number	Description	Remark	Qty	Model
		Wiring harnesses			BOXSTER
		Switch			
		Standard seat			
		Sports seat			
1	996 612 543 00	Wiring harness		2	
		for backrest adjustment			
-	999 513 052 40	Tie-wrap		1	
2	996 618 521 00	Control unit		2	M342
		Seat heater			
3	996 618 531 00	Support		2	M342
		Control unit			
4	999 591 712 40	Expansion rivet	-02	2	
		6,0 X 12,0			
(4)	900 143 191 02	Tapping screw	02-	4	M342
		Support		4	
5	999 652 748 40	Pin connector socket		2	
		2-pole			
		Seat heater			
6	999 650 216 40	Pin connector socket		1	
		4-pole			
		Black			
7	996 612 540 00	Wiring harness	-97	2	M139/340
		Seat heater			
(7)	996 612 540 01	Wiring harness	98-	2	M139/340/342
		Seat heater			
8	999 652 747 40	Pin connector socket		1	
		2-pole			
		for backrest adjustment			
9	999 650 180 40	Pin connector socket		2	
		6-pole			
		Wiring harness			
10	996 613 713 00	Passenger compartment	/L	1	IXSD/M011
		Switch			M016/369/375
		Standard seat			
		Sports seat			
		Complete			
		with			
		Handle			
		for backrest adjustment			
(10)	996 613 713 00 EBO	Satin black/black-grey	/R	1	IXSD/M011
	996 613 714 00	Switch			M016/370
		Standard seat			
		Sports seat			
		Complete			
		with			
		Handle			
		for backrest adjustment			
(10)	996 613 714 00 EBO	Satin black/black-grey	/L	1	M010/012/016
	996 613 713 01	Switch			
		Standard seat			
		Sports seat			
		Complete			
		with			
		Handle			
		for backrest adjustment			
	996 613 713 01 EJS	Metal grey/black	99-		
	996 613 713 01 EJM	Granite grey	99		
	996 613 713 01 ERR	Satin black	99		
	996 613 713 01 A03	Black	00-		
(10)	996 613 714 01	Switch	/R	1	M010/012/016
		Standard seat			

Model: 986 97 Model life 1997>>2004

Pos	Part Number	Description	Remark	Qty	Model
		Sports seat Complete with Handle for backrest adjustment			
	996 613 714 01 EJS	Metal grey/black	99-		
	996 613 714 01 EJM	Granite grey	99		
	996 613 714 01 ERR	Satin black	99		
	996 613 714 01 A03	Black	00-		
11	999 919 173 02	Countersunk-head screw 3,0 X 18		4	
12	996 613 711 00	Dummy plug Switch		2	
	996 613 711 00 01C	Satin black			
13	986 521 627 00	Handle Height adjustment	/L	1	M539
(13)	986 521 628 00	Handle Height adjustment	/R	1	M540
14	999 650 248 40	Cap		2	
15	999 650 250 40	Pin connector socket 8-pole		2	
16	999 650 247 40	Slide 6-pole		2	
17	999 650 225 40	Pin 2,5		2	
18	999 652 960 40	Lid		2	
19	999 650 218 40	Pin connector socket 4-pole White		2	
20	999 652 570 22	Connector 0.5 - 1.0 QMM		X	
21	999 652 571 22	Connector 1.0 - 2.5 QMM		X	
22	996 613 955 00	Control button Seat adjuster Repair kit	02-	1	M437/438

Model: 986 97

Model life 1997>>2004



Model: 986 97 Model life 1997>>2004

Pos	Part Number	Description	Remark	Qty	Model
		Wiring harnesses			BOXSTER
		Switch			
1	996 612 543 00	Comfort seat		2	
(1)	996 612 544 00	Wiring harness		2	M537/538
		for backrest adjustment			
-	999 513 052 40	Tie-wrap		1	
2	996 618 521 00	Control unit		2	M342
		Seat heater			
3	996 618 531 00	Support		2	M342
		Control unit			
4	999 591 712 40	Expansion rivet	-02	2	
		Support			
		6,0 X 12,0			
(4)	900 143 191 02	Tapping screw	02-	4	M342
		Support			
		ST 3,9 X 6,5			
5	999 652 748 40	Pin connector socket		2	
		2-pole			
		Seat heater			
6	999 650 216 40	Pin connector socket		1	
		4-pole			
		Black			
7	996 612 540 01	Wiring harness	98-	2	
		Seat heater			
8	999 652 747 40	Pin connector socket		1	
		2-pole			
		for backrest adjustment			
9	999 650 180 40	Pin connector socket		2	
		6-pole			
		Wiring harness			
10	996 613 715 00	Passenger compartment			
		Switch	/RL /L 98	1	M011/016
		Comfort seat			
		Complete			
	996 613 715 00 EBO	Satin black/black-grey			
(10)	996 613 715 00	Switch	/LL /R 98	1	M011/016
		Comfort seat			
		Complete			
	996 613 715 00 EBO	Satin black/black-grey			
(10)	996 613 715 01	Switch	/RL /L	1	
		Comfort seat			
	996 613 715 01 EJM	Granite grey	98-		
	996 613 715 01 A03	Black	00-		
(10)	996 613 716 01	Switch	/LL /R	1	
		Comfort seat			
		Complete			
	996 613 716 01 EJM	Granite grey	98-		
	996 613 716 01 A03	Black	00-		
	996 613 716 01 P13	Cinnamon brown	01-		
(10)	996 613 717 00	Switch	/RL /L -99	1	M011/016
		Comfort seat			
		Lumbar support			
		Complete			
	996 613 717 00 EBO	Satin black/black-grey			
(10)	996 613 718 00	Switch	/LL /R -99	1	M011/016
		Comfort seat			
		Lumbar support			
		Complete			
	996 613 718 00 EBO	Satin black/black-grey			
(10)	996 613 717 01	Switch	/RL /L	1	
		Comfort seat			
		Lumbar support			



Model: 986 97 Model life 1997&gt;&gt;2004

Pos	Part Number	Description	Remark	Qty	Model
		Complete			
	996 613 717 01 EJM	Granite grey	99		
	996 613 717 01 A03	Black	00-		
	996 613 717 01 B13	Space grey			
	996 613 717 01 J33	Nephrite green			
	996 613 717 01 M33	Boxster red			
	996 613 717 01 P13	Cinnamon brown			
(10)	996 613 718 01	Switch	/LL /R	1	
		Comfort seat			
		Lumbar support			
		Complete			
	996 613 718 01 EJM	Granite grey	99		
	996 613 718 01 A03	Black	00-		
	996 613 718 01 B13	Space grey			
	996 613 718 01 J33	Nephrite green			
(10)	996 613 719 00	Switch	/LL /L -99	1	M011/016
		Comfort seat			
		Seating position control			
		Complete			
	996 613 719 00 EBO	Satin black/black-grey			
(10)	996 613 720 00	Switch	/RL /R -99	1	M011/016
		Comfort seat			
		Seating position control			
		Complete			
	996 613 720 00 EBO	Satin black/black-grey			
(10)	996 613 719 01	Switch	/LL /L	1	M437/537
		Comfort seat			
		Seating position control			
		Complete			
	996 613 719 01 EJM	Granite grey	-99		
	996 613 719 01 A03	Black	00-		
(10)	996 613 720 01	Switch	/RL /R	1	M438/538
		Comfort seat			
		Seating position control			
		Complete			
	996 613 720 01 EJM	Granite grey	-99		
	996 613 720 01 A03	Black	00-		
(10)	996 613 721 00	Switch	/LL /L -99	1	M011/016
		Comfort seat			
		Seating position control			
		Lumbar support			
		Complete			
	996 613 721 00 EBO	Satin black/black-grey			
(10)	996 613 722 00	Switch	/RL /R -99	1	M011/016
		Comfort seat			
		Seating position control			
		Lumbar support			
		Complete			
	996 613 722 00 EBO	Satin black/black-grey			
(10)	996 613 721 01	Switch	/LL /L 00-	1	M016/437
	996 613 721 01 A03	Black			
(10)	996 613 722 01	Switch	/RL /R	1	
		Comfort seat			
		Seating position control			
		Lumbar support			
		Complete			
	996 613 722 01 EJM	Granite grey	-99		
	996 613 722 01 A03	Black	00-		
11	986 521 627 00	Handle	/L	1	
		for			
		Height adjustment			
(11)	986 521 628 00	Handle	/R	1	
		for			

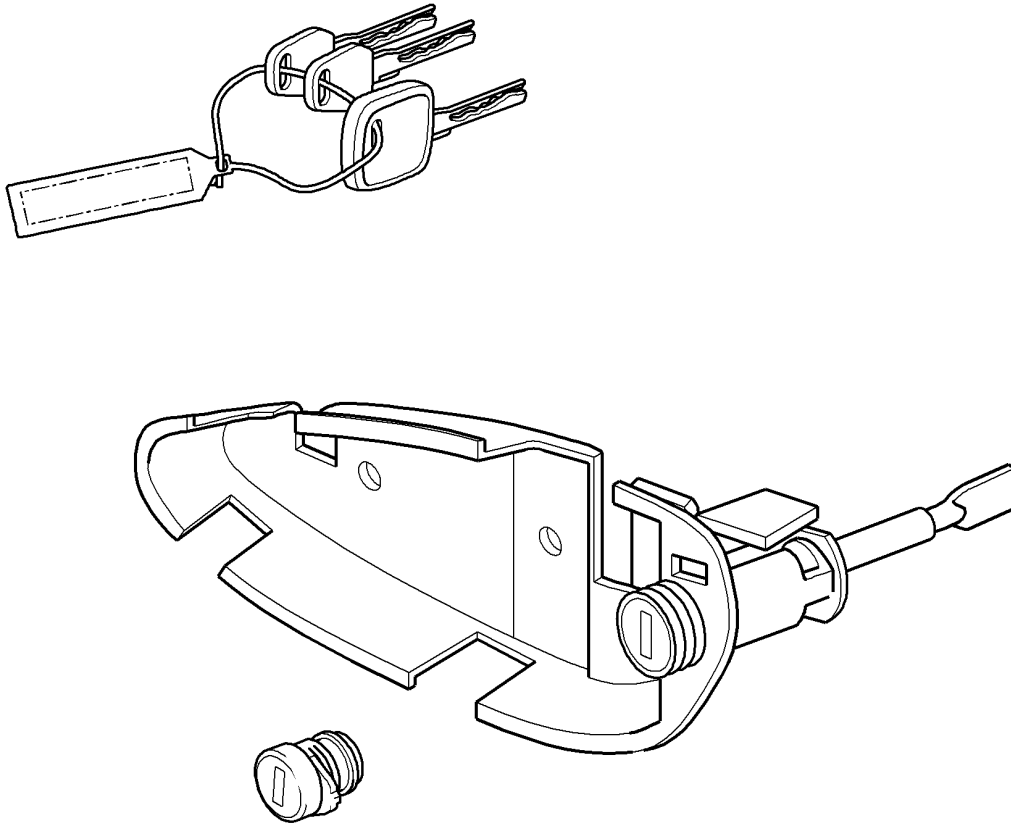
Model: 986 97

Model life 1997>>2004

Pos	Part Number	Description	Remark	Qty	Model
12	999 919 173 02	Height adjustment Countersunk-head screw 3,0 X 18		4	
13	999 650 248 40	Cap		2	
14	999 650 250 40	Pin connector socket 8-pole		2	
15	999 650 247 40	Slide 6-pole		2	
16	999 650 225 40	Pin 2,5		2	
17	999 652 960 40	Lid		2	
18	999 650 218 40	Pin connector socket 4-pole White		2	
20	999 652 570 22	Connector 0.5 - 1.0 QMM		X	
21	999 652 571 22	Connector 1.0 - 2.5 QMM		X	
22	999 652 918 40	Connector housing 6-pole for longitudinal adjustment And Height adjustment		2	
23	999 650 055 40	Pin connector socket 6-pole Lumbar support		2	
24	996 521 327 00	Cover Lumbar support Satin black		X	
25	996 613 955 00	Control button Seat adjuster Repair kit	02-	1	M437/438

Model: 986 97

Model life 1997>>2004



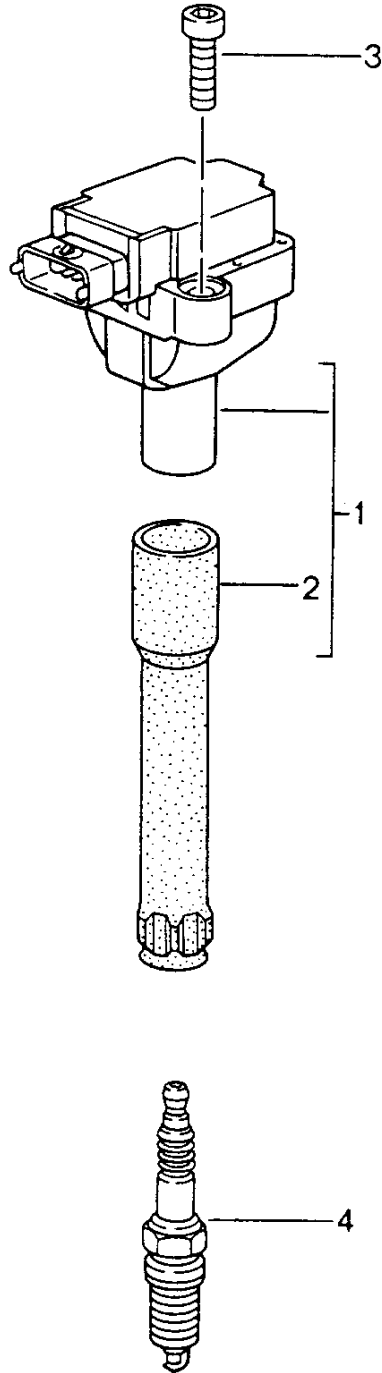
Model: 986 97

Model life 1997&gt;&gt;2004

Pos	Part Number	Description	Remark	Qty	Model
>>	996 538 001 00	Repair kits Set of locks Set of locks	-97	1	M531/532 M534
>>	996 538 001 01	Set of locks	/LL -97	1	M534/535
>>	996 538 001 03	Set of locks	98-	1	M531/532
>>	996 538 001 04	Set of locks	/LL 98-	1	M534/535
>>	996 538 001 06	Set of locks with Glove compartment lock	/LL 03-	1	M532
>>	996 538 001 07	Set of locks with Glove compartment lock	/LL 03-	1	M534/535

Model: 986 97

Model life 1997>>2004

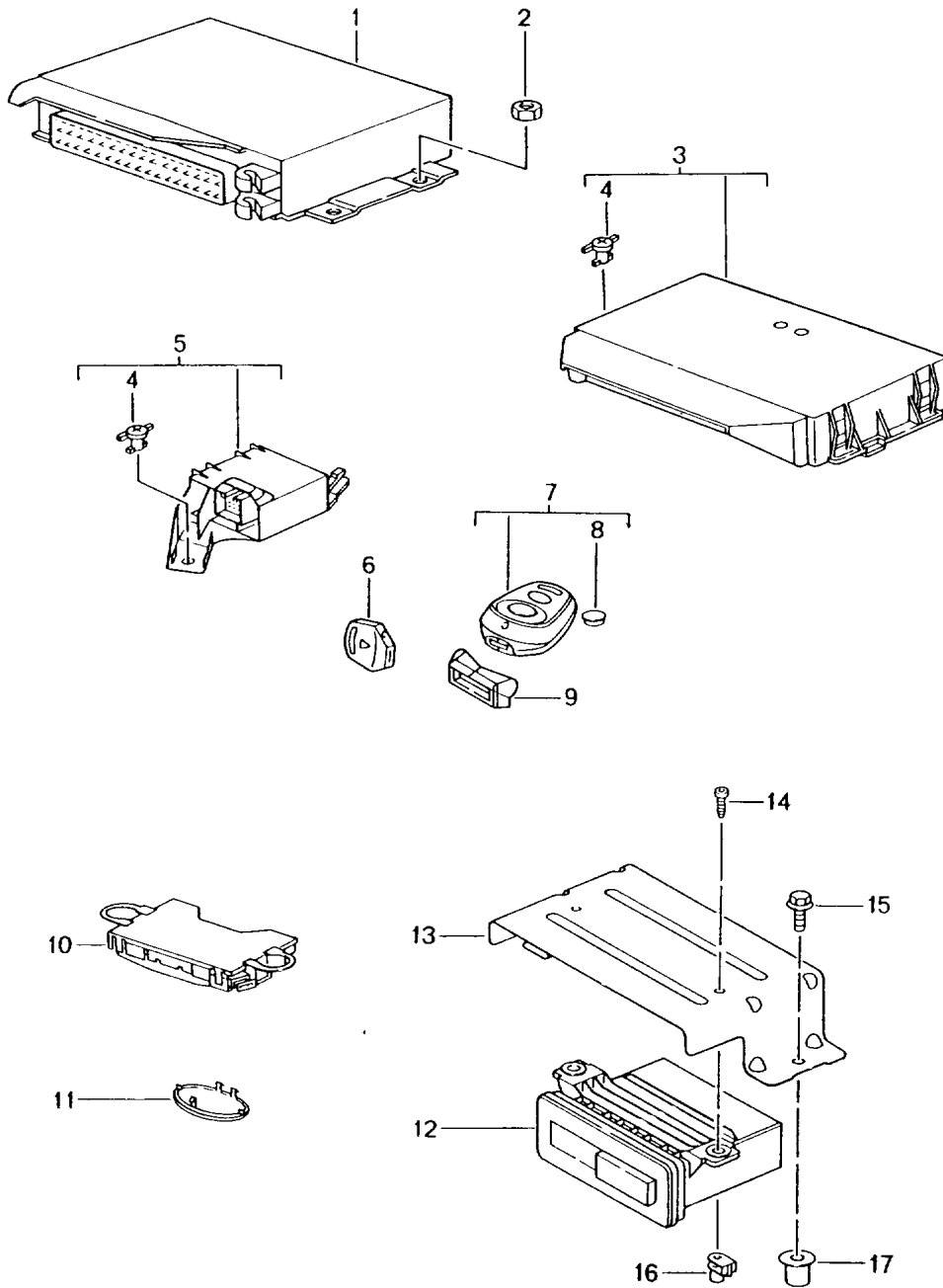


Model: 986 97 Model life 1997>>2004

Pos	Part Number	Description	Remark	Qty	Model
1	997 602 107 00	Ignition system Ignition coil	-99 -02 -02	6	M96.20 M96.21 M96.22
1	997 602 107 02	Ignition coil Use also: 900.385.025.01	-99 -02 -02	6	M96.20 M96.21 M96.22
-	900 385 025 01	Torx screw BM 6 X 40		12	
-	999 652 916 40	Plug socket		6	
-	999 650 052 12	Connector		18	
-	999 704 161 40	Gasket		18	
-	996 607 401 00	Rubber sleeve		6	
1	997 602 104 02	Ignition coil Use also: 900.385.025.01	03- 03-	6 12	M96.23 M96.24
2	996 602 103 01	Spark plug connector	-99 -02	6	M96.20 M96.21 M96.22
2	996 602 105 00	Spark plug connector	03-	6	M96.23 M96.24
3	900 067 089 09	Pan-head screw M 6 X 25 M >> 654 04059 M >> 674 03796		12	
3	900 067 089 01	Pan-head screw M 6 X 25 M >> 654 04059 M >> 674 03796		12	
3	900 387 008 01	Pan-head screw M 6 X 25 M 654 04060 >> M 674 03797 >>		12	M96.23 M96.24
4	999 170 201 90	Spark plug 14FR 7 LDU	-99	6	M96.20
4	999 170 207 91	Spark plug 14FGR 6KQU	00-02 00-02 03- 03-	6	M96.21 M96.22 M96.23 M96.24

Model: 986 97

Model life 1997>>2004



Model: 986 97 Model life 1997>>2004

Pos	Part Number	Description	Remark	Qty	Model
		Control units See technical information Tech. information memo TI-2-1A97-BOX			
1	996 618 601 04	Control unit - dme -	-99	1	M96.20
1	996 618 601 DX	Control unit - dme -	-99	1	M96.20
1	996 618 605 00	Control unit - dme -	-02 -02	1	M96.21 M96.22
1	996 618 605 X	Control unit - dme -	-02 -02	1	M96.21 M96.22
1	996 618 604 00	Control unit - dme - See technical information GR.2 NR.5/02	03-	1	M96.24 M96.23
1	996 618 604 X	Control unit - dme -	03-	1	M96.24 M96.23
-	986 618 129 00	Retainer plate Control unit - dme -	00-	1	
(1)	986 618 225 03	Control unit Tiptronic F >>98XS6 20195 F >>98XU6 21905	97-99	1	M009/249
(1)	986 618 225 04	Control unit Tiptronic F 98XS6 20196>> F 98XU6 21906>>	-99	1	M009/249
(1)	986 618 255 06	Control unit Tiptronic	-02	1	M009/249
(1)	986 618 256 00	Control unit Tiptronic	03-	1	M009/249
(1)	986 618 240 06	Control unit Tiptronic	-02	1	M008/249
(1)	986 618 241 00	Control unit Tiptronic	03-	1	M008/249
2	999 084 629 09	Hexagon nut M 6		7	
2	999 084 629 01	Hexagon nut M 6		7	
		Control units Immobiliser And Handheld transmitter See technical information Tech. information memo TI-9-0197-BOX TI-9-1A97-BOX			
3	986 618 260 00	Control unit Immobiliser	97	1	M531
3	986 618 260 03	Central locking system Control unit Immobiliser	98-00	1	M531
3	986 618 262 01	Central locking system Control unit Immobiliser	01-02	1	M531
(3)	996 618 260 01	Central locking system Control unit Immobiliser	97	1	M535
(3)	996 618 260 07	Central locking system Alarm system Control unit	98-00	1	M535



Model: 986 97 Model life 1997>>2004

Pos	Part Number	Description	Remark	Qty	Model
(3)	996 618 262 03	Immobiliser Central locking system Alarm system Control unit	01- 03-	1	M535 M525
-	996 612 035 00	Immobiliser Central locking system Alarm system See technical information GR.9 NR.6/01 Cable Antenna for POS. 3		1	M535
-	996 612 054 00	Connecting line Antenna booster Control unit POS. 3	03-	1	M665
-	999 607 064 00	Lock 15 A for POS. 3		1	
-	999 507 925 40	Fixing clip for Wiring harness Seat See technical information GR. 9 , NR. 01/02 Plug socket for POS. 3		1	
-	999 650 161 40	Plug socket		1	
-	999 650 099 12	Connector		X	
-	999 650 097 40	Cap White		1	
-	999 650 096 40	Cap Black		1	M531
-	999 650 102 40	Cap Blue		1	M535
-	999 650 113 40	Plug socket 12-pole Black		1	
-	N 903 353 04	Flat plug 2,5		X	
-	N 903 352 04	Connector 1,0		X	
4	996 618 261 00	Locking device		1	
5	996 618 159 00	Signal transducer	97	1	
5	996 618 159 01	Signal transducer	98-	1	
6	986 637 041 00	Key lamp	97	1	M531/532
6	996 637 041 00	Key lamp	98-02 03-	1	M531/532 M532
-	928 537 630 02	Bulb for Key lamp		X	
7	986 637 243 01	Handheld transmitter	97	1	M535
-	986 637 247 00	Handheld transmitter Upper part for 986.637.243.01	97	1	
7	986 637 243 04	Handheld transmitter	-00	1	M535
-	986 637 247 00	Handheld transmitter Upper part	-00	1	

Model: 986 97 Model life 1997>>2004

Pos	Part Number	Description	Remark	Qty	Model
7	986 637 244 14	for 986.637.243.04 Handheld transmitter	01- 03-	1	M535 M525
		See technical information GR.9 , NR. 8/01			
7	986 637 244 16	Handheld transmitter	01-03 03	1	M535 M525
7	986 637 244 18	Handheld transmitter	01- 03-	1	M535 M525
-	996 637 351 00	Handheld transmitter Upper part for 986.637.244.14/16/18	01-	1	
-	996 637 443 00	Crest Coloured for Key lamp And Handheld transmitter	02-	1	
8	999 611 108 00	Battery See technical information GR. 9 , NR. 17/03		1	
9	996 637 344 00	Identification ring Key 1 set Red Yellow	01-	1	
9	996 637 344 01	Identification ring Key 1 set Blue Green	01-	1	
(10)	996 618 210 02	Sensor Interior monitoring		1	M534/535
(10)	996 618 210 03	Sensor Interior monitoring for Leather paint Can-can-red Flamenco red Plum red Pearl white White Ferrari yellow Speed yellow Orchid metallic Magnolia		1	M534/535 M999
-	999 650 236 40	Plug socket		1	
-	999 650 256 22	Connector		4	
(11)	996 618 212 02	Trim cover		2	
12	996 618 171 01	Control unit ParkAssist Tech. information memo GR. 9 , NR. 07/98 BOX F >>98XU6 23209	98-99	1	M635
12	996 618 171 03	Control unit ParkAssist F 98XU6 23210>>	99-	1	M635
13	996 618 371 00	Support	-01	1	M635
(13)	996 618 371 01	Support	02-	1	M635
14	999 919 120 09	Oval-head screw 4,0 X 18		2	M635

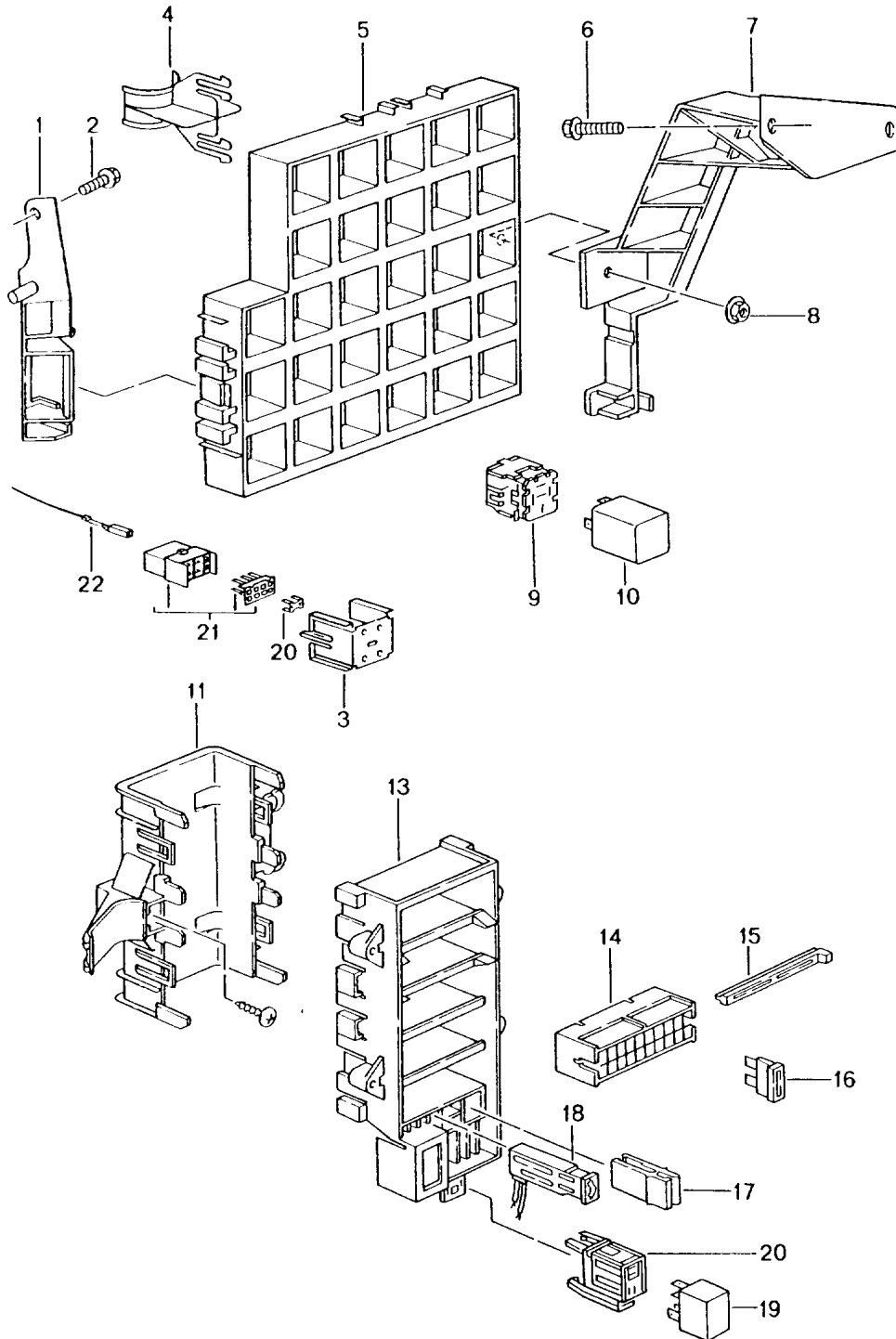
Model: 986 97

Model life 1997>>2004

Pos	Part Number	Description	Remark	Qty	Model
15	900 378 179 09	Hexagon-head bolt M 6 X 16		2	M635
16	999 920 015 40	Plug-in nut 4,0		2	M635
17	999 500 078 00	Speed nut M 6 Sensor See group 8/02/05		2	M635

Model: 986 97

Model life 1997>>2004



Model: 986 97 Model life 1997>>2004

Pos	Part Number	Description	Remark	Qty	Model
		Central electrical system			
		Dashboard			
1	996 610 117 00	Support	/LL /L	1	
2	900 378 155 09	Hexagon-head bolt M 6 X 16 ASP		3	
3	996 610 104 00	Retaining frame		X	
4	996 610 112 00	Cable holder		X	
5	996 610 109 00	Relay carrier Support frame		1	
6	900 378 155 09	Hexagon-head bolt M 6 X 16 ASP		3	
7	996 610 116 00	Support	/LL /R	1	
8	900 377 010 01	Hexagon nut M 6		1	
9	928 610 511 00	Relay carrier		X	
10		Relay			
(10)	1H0 953 227	Flasher relay		1	
		Relay socket/code:	S3		
(10)	996 615 117 00	Relay		1	
		Rear window heating			
		Relay socket/code:	S4		
(10)	999 657 005 90	Relay	-00	1	M614/618
		Relay socket/code:	S5		
(10)	996 615 119 01	Relay	03-	1	
		TRUNK ENTRAPMENT			
		Relay socket/code:	S5		
(10)	996 615 111 00	Relay		1	M606
		Relay socket/code:	S6/7		
(10)	996 618 113 00	Relay		1	M288
		Headlight washer system			
		Relay socket/code:	S8		
(10)	141 951 253 B	Relay		1	
		KL. XE			
		Relay socket/code:	S9		
(10)		Relay		1	
		Fanfare			
		Relay socket/code:	S10		
(10)	431 951 253 G	Relay	-98	1	
		Relay socket/code:	S12		
(10)	141 951 253 B	Relay	99-	1	
		Fog headlamp			
		Relay socket/code:	S12		
(10)	996 615 101 00	Relay		1	
		Fuel pump			
		Relay socket/code:	S13		
(10)	986 618 111 02	Relay	-99	1	S14/15 M439
		Convertible top control			
(10)	986 618 199 00	Relay	00-	1	S14/15 M439
		Convertible top control			
(10)	986 615 103 00	Relay		1	
		Relay socket/code:	S16		
(10)	996 615 103 00	Interval relay	00-	1	M008
		Relay socket/code:	S16		
(10)	141 951 253 B	Relay		1	
		Heating			
		Relay socket/code:	S18		
(10)		Relay		1	
		Radiator fan 1			
		Setting 1			
		Relay socket/code:	S19		
(10)		Relay		1	

Model: 986 97 Model life 1997>>2004

Pos	Part Number	Description	Remark	Qty	Model
(10)		Radiator fan 1 Setting2 Relay socket/code: Relay	S20	1	
(10)		Radiator fan 2 Setting 1 Relay socket/code: Relay	S21	1	
11	996 610 210 00	Radiator fan 2 Setting2 Relay socket/code: Lid	S22	1	
13	996 610 211 01	Bracket		1	
14	999 650 209 40	Fuse holder		X	
15	999 650 210 40	Slide		X	
16	999 607 004 00	Lock 5 A		X	
(16)	999 607 083 00	Lock 7 , 5 A		X	
(16)	999 607 085 00	Lock 15 A		X	
(16)	999 607 087 00	Lock 25 A		X	
(16)	999 607 010 00	Lock 30 A		X	
17	996 610 214 00	Tool		X	
-	986 610 217 00	Assignment sticker Lock F >>98VS6 01006	97	X	
-	986 610 217 01	Assignment sticker Lock F 98VS6 01007>>	97	X	
-	996 610 217 01	Assignment sticker Lock	-99	X	
-	996 610 217 02	Assignment sticker Lock	00	X	
-	996 610 217 03	Assignment sticker Lock	01	X	
-	996 610 217 04	Assignment sticker Lock	-02	X	
-	996 610 217 05	Assignment sticker Lock Emergency operation Lid	03- 01-	X	
18	996 610 240 00	Terminal clamp	01-	1	
19	999 657 006 90	Relay	01-	1	
20	999 650 538 40	Relay carrier 5-pole Tip switch Rear spoiler See group 9/03/05 Cover for Housing Lock See group 8/07/02	01-	1	
21	999 650 319 22	Contact bridge 4-pole		X	
(21)	999 650 318 22	Contact bridge 8-pole		X	
22	999 650 317 40	Plug socket		X	

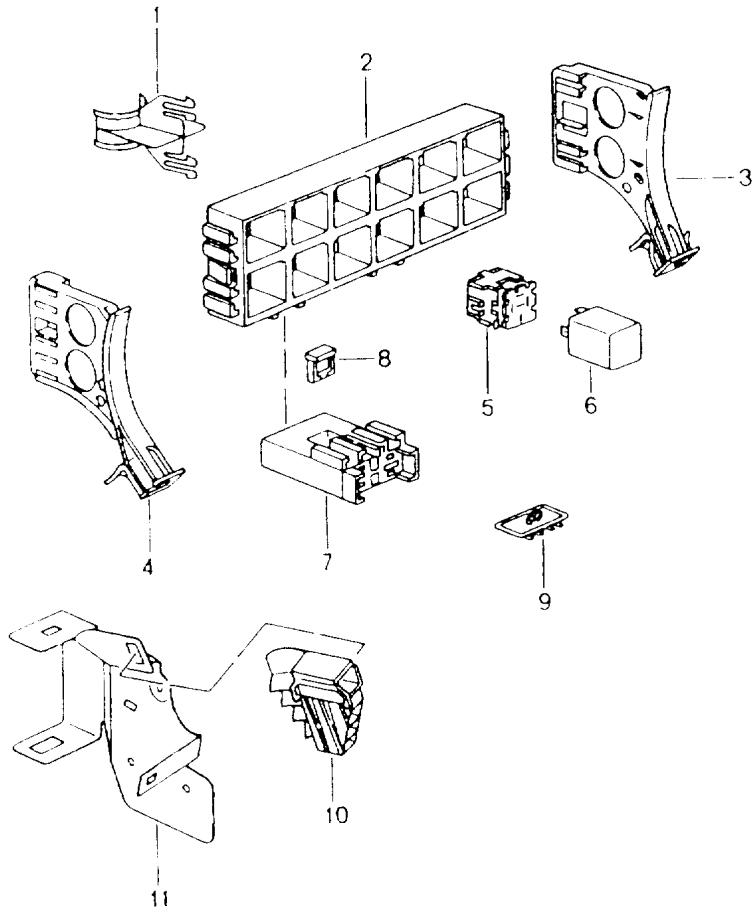
Model: 986 97

Model life 1997&gt;&gt;2004

Pos	Part Number	Description	Remark	Qty	Model
23	999 650 320 22	8-pole Contact bush 2,8 / 0,75		X	
(23)	999 650 321 22	Contact bush 2,8 / 2,5		X	

Model: 986 97

Model life 1997>>2004





Model: 986 97 Model life 1997>>2004

Pos	Part Number	Description	Remark	Qty	Model
		Central electrical system			
		Rear end			
1	996 610 112 00	Cable holder		X	
2	996 610 111 00	Relay carrier		1	
		Support frame			
3	986 610 126 00	Support	/R	1	
4	986 610 127 00	Support	/L	1	
5	928 610 511 00	Relay carrier		X	
6		Relay			
(6)	141 951 253 B	Relay		1	
		- dme -			
(6)		Relay socket/code:	S1		
		Relay		1	
		Ignition			
(6)	996 615 102 00	Relay socket/code:	S2		
		Relay		1	
		Spoiler			
(6)	964 615 215 00	Relay socket/code:	S3		M573
		Relay		1	
		Air conditioner			
(6)	999 657 018 90	Relay socket/code:	S4		M573
		Relay		1	
		Air conditioner			
(6)	141 951 253 B	Relay socket/code:	S4		
		Relay		1	
		Starter			
(6)	996 615 110 00	Relay socket/code:	S7		
		Relay		1	
		Starter			
(6)	141 951 253 B	Relay socket/code:	S7		
		Relay		1	
		Blower			
		Engine compartment			
(6)	996 615 102 00	Relay socket/code:	S8		
		Relay		1	
		Spoiler			
(6)	993 615 115 00	Relay socket/code:	S9		M661
		Relay		1	
		Secondary pump			
(6)	993 615 115 01	Relay socket/code:	S10		M661
		Relay		1	
		Secondary pump			
		Relay socket/code:	S10		
7	999 650 193 40	Fuse holder		1	M661
8	999 650 371 40	Locking device		1	M661
-	999 650 194 22	Contact bush		X	M661
-	999 607 073 00	Lock		1	M661
		40 A			
-	999 652 918 40	Connector housing		1	
		for			
		Emission control			
-	999 652 567 22	Cylindrical socket		X	
9	999 507 408 40	Fixing clip		X	
		for			
		Connector housing			
		Connection point			
10	986 610 181 00	Cable guide		1	
(11)	986 610 180 01	Disconnecting plug console		1	
-	999 084 629 09	Hexagon nut		1	
		VM 6 - SB			
		Mount			
		Disconnecting plug console			
-	999 084 629 01	Hexagon nut		1	

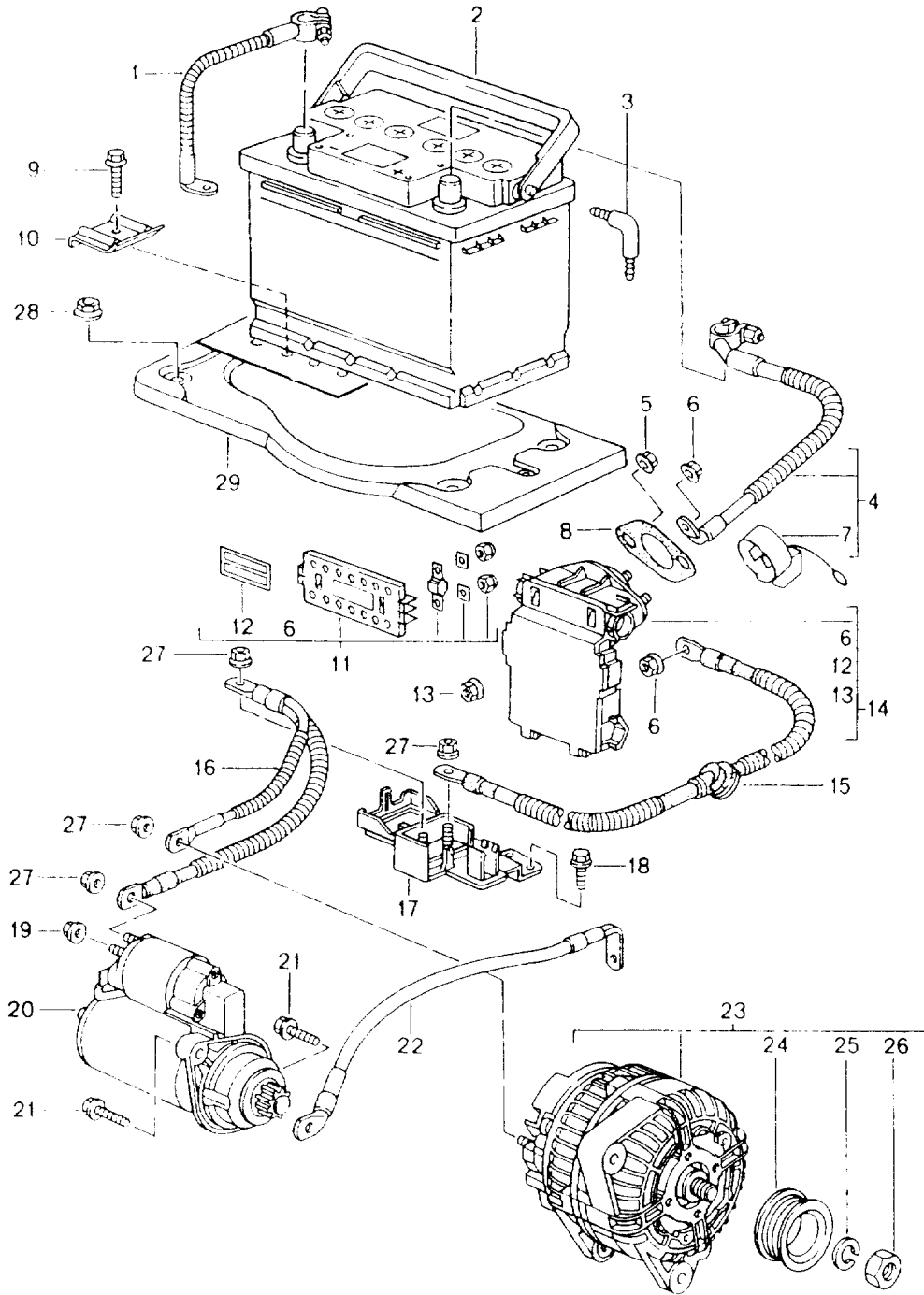
Model: 986 97

Model life 1997>>2004

Pos	Part Number	Description	Remark	Qty	Model
		VM 6 - SB Mount Disconnecting plug console			

Model: 986 97

Model life 1997>>2004



Model: 986 97 Model life 1997>>2004

Pos	Part Number	Description	Remark	Qty	Model
		Battery			
		Power distributor			
		Starter			
		Generator			
1	997 611 090 00	Ground strap	/LL	1	
(2)	999 611 070 20	Battery		1	
		12 V 70 AH			
(2)	999 611 070 21	Battery		1	
		12 V 70 AH			
(2)	999 611 080 20	Battery		1	M008/197
		12 V 80 AH			
(2)	999 611 080 21	Battery		1	M008/197
		12 V 80 AH			
3	893 915 507	Angled pipe		1	
4	996 612 090 09	Cable	/LL	1	
		Battery			
		Power distributor			
5	900 380 005 09	Hexagon nut		2	
		M 8			
6	900 084 030 02	Hexagon nut		2	
		M 8			
		for			
		Power distributor			
7	996 610 309 00	Protection cap		1	
		Terminal clamp			
		Power distributor			
8	996 610 302 00	Flange gasket		1	
		for			
		Power distributor			
9	900 378 017 01	Hexagon-head bolt		1	
		M 8 X 20			
10	996 611 209 00	Rail		1	
11	996 610 306 00	Repair kit		1	
		Replacement			
		Fuse element			
		Comprising:			
-		Fuse element		1	
		50 AMPERE			
-		Fuse element		1	
		80 AMPERE			
-		Hexagon nut		4	
		M 5			
6	900 084 030 02	Hexagon nut		1	
		M 8			
-		Intermediate layer		4	
-		Cover		1	
		Blue			
12	996 610 311 00	Seal label		2	
		Red			
12		Seal label		2	
		Red			
13	900 084 031 02	Hexagon nut		7	
		M 6			
		for			
		Power distributor			
14	996 610 308 00	Repair kit		1	
		Replacement			
		Power distributor			
		Comprising:			
-		Power distributor		1	
		Complete			
13	900 084 031 02	Hexagon nut		7	
		M 6			

Model: 986 97 Model life 1997>>2004

Pos	Part Number	Description	Remark	Qty	Model
6	900 084 030 02	Hexagon nut M 8		2	
12	996 610 311 00	Seal label Red Use also: POS. 8		2	
15	986 612 091 00	Cable Power distributor Connection point	97	1	
15	986 612 091 01	Cable Power distributor Connection point	98	1	
(15)	986 612 091 02	Cable Power distributor Connection point F >>981S6 20411 F >>981U6 23637 F >>981S6 60347 F >>981U6 62540	-01	1	BOXSTER BOXSTER BOXSTER S BOXSTER S
(15)	986 612 091 03	Cable Power distributor Connection point F 981S6 20412>> F 981U6 23638>> F 981S6 60348>> F 981U6 62541>> When required order also:	/LL 01-	1	BOXSTER BOXSTER BOXSTER S BOXSTER S
-	996 610 187 00	Cable holder F 981S6 20412>> F 981U6 23638>> F 981S6 60348>> F 981U6 62541>>		1	BOXSTER BOXSTER BOXSTER S BOXSTER S
-	999 919 172 09	Hexagon-head bolt 7,0 X 14 F 981S6 20412>> F 981U6 23638>> F 981S6 60348>> F 981U6 62541>>		1	BOXSTER BOXSTER BOXSTER S BOXSTER S
16	986 607 029 00	Wiring harness with Connection point Generator Starter	-98	1	
(16)	986 607 019 02	Wiring harness with Connection point Generator Starter	99-	1	
17	986 611 301 00	Connection point Complete	-98	1	
(17)	986 611 201 01	Connection point Complete	99-	1	
18	900 378 035 01	Hexagon-head bolt M 6 X 16		2	
19	900 377 010 01	Hexagon nut M 6		1	
20	986 604 104 00	Starter 1,2 KW		1	
20	986 604 104 X	Starter 1,2 KW		1	
(20)	996 604 104 00	Starter 1,8 KW		1	M249
(20)	996 604 103 00	Starter		1	M249

Model: 986 97 Model life 1997>>2004

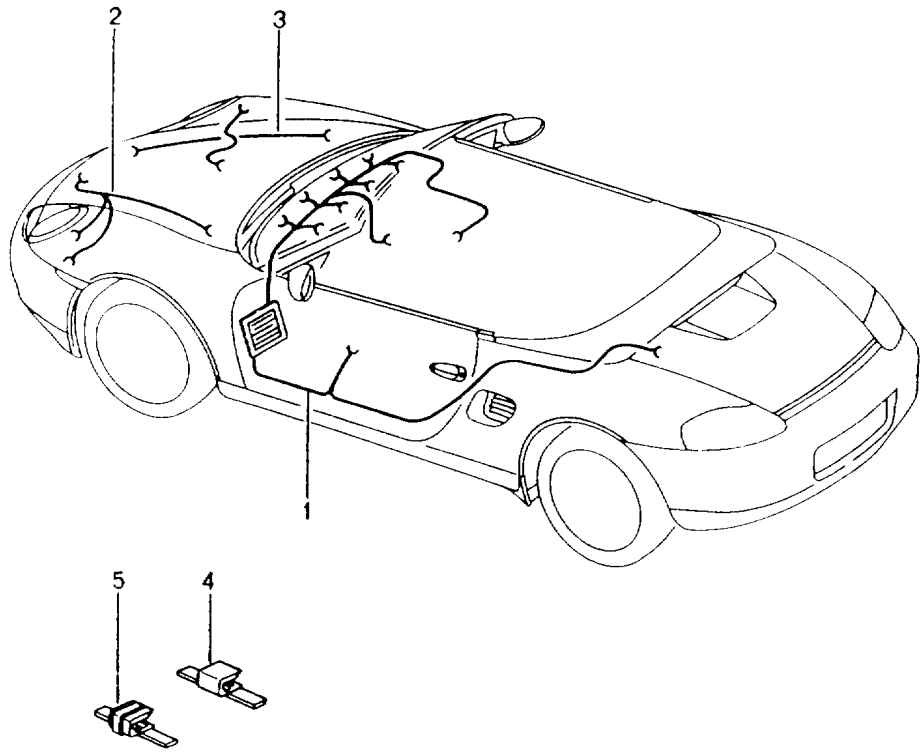
Pos	Part Number	Description	Remark	Qty	Model
		1,7 KW			M198
21	900 378 101 09	Hexagon-head bolt AM 10 X 35 M >> 654 04059 M >> 674 03796		2	
21	900 385 097 09	Torx screw BM 10 X 35 M 654 04060 >> M 674 03797 >>		2	M96.23 M96.24
22	986 607 030 00	Ground strap Engine Body		1	
(23)	996 603 012 01	Generator	-99	1	
(23)	996 603 012 03	Generator with Pulley without Free wheel lock M >> 654 06009 M >> 674 06125	00-	1	M249
(23)	996 603 012 05	Generator with Pulley without Free wheel lock M >> 654 06009 M >> 674 06125	00-	1	M249
(23)	997 603 012 06	Generator with Pulley without Free wheel lock M 654 06010 >> M 674 06126 >>		1	M249
(23)	996 603 012 02	Generator with Pulley Free wheel lock M >> 654 06009 M >> 674 06125	00-	1	M96.23 M96.24 M480/481
(23)	997 603 012 07	Generator with Pulley Free wheel lock M 654 06010 >> M 674 06126 >>		1	M480/481
(23)	997 603 012 09	Generator with Pulley Free wheel lock M 654 06010 >> M 674 06126 >>		1	M96.23 M96.24 M480/481
(23)	997 603 012 JX	Generator with Pulley Free wheel lock M 654 06010 >> M 674 06126 >>		1	M96.23 M96.24 M480/481
-	999 650 166 40	Plug socket		1	
-	999 652 694 12	Contact bush		1	
-	999 704 161 40	Gasket		1	
-	999 652 965 40	Gasket		1	

Model: 986 97 Model life 1997>>2004

Pos	Part Number	Description	Remark	Qty	Model
24	996 603 151 53	Pulley for Generator 996.603.012.00	97	1	
(24)	996 603 151 55	Pulley without Free wheel lock	98-	1	
(24)	996 603 152 50	Pulley with Free wheel lock Use also: 996.603.153.50	00-	1	
-	996 603 153 50	Protection cap for Pulley with Free wheel lock		1	
25	N 012 016 1	Lock ring B 16		1	
26	900 034 013 01	Hexagon nut M 16 X 1,5 Mounting parts Regulator Generator		1	
-	000 043 204 22	Oval-head screw M 4 X 19 Micro-self-locking		2	
-	000 043 204 23	Spring washer B4 Mounting parts Generator		2	
-	900 378 070 09	Hexagon-head bolt M 10 X 30	-01	1	
-	900 378 101 09	Hexagon-head bolt AM 10 X 35 M >> 654 04059 M >> 674 03796	02-	1	
-	900 385 097 09	Torx screw BM 10 X 35 M 654 04060 >> M 674 03797 >>		1	M96.23 M96.24
-	900 378 181 09	Hexagon-head bolt M 10 X 145 M >> 654 04059 M >> 674 03796		1	
-	900 385 092 04	Torx screw BM 10 X 145 M 654 04060 >> M 674 03797 >>		1	M96.23 M96.24
27	900 377 003 03	Hexagon nut M 8		4	
28	999 084 630 01	Hexagon nut VM 8 SB		4	
29	996 504 151 00	Carrier plate for battery		1	
-	996 504 622 00	Gasket Carrier plate for battery Information available		1	

Model: 986 97

Model life 1997>>2004





Model: 986 97 Model life 1997>>2004

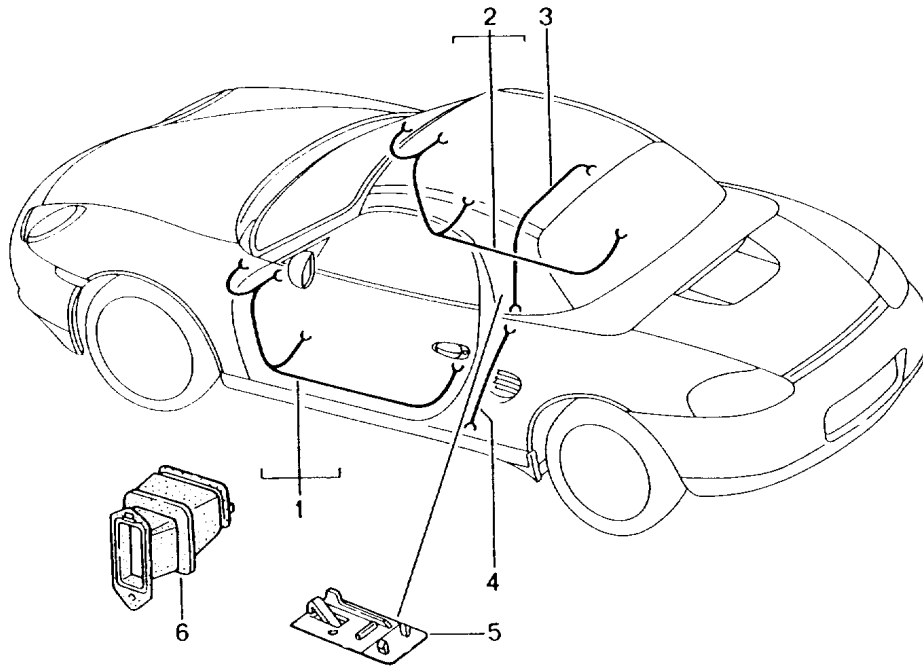
Pos	Part Number	Description	Remark	Qty	Model
		Wiring harnesses Passenger compartment Glove compartment FRONT luggage compartment Repair kit Anti-lock brake system Brake pad wear indicator Front axle			
1	986 612 903 00	Wiring harness Passenger compartment Vehicle Ident. No.		1	
-	996 610 120 00	Indicate Support Plug socket Diagnostic connector Connection point X 11 / 12		1	
-	999 652 931 40	Pin connector socket		2	
-	999 652 570 22	Connector Contact pin 2,5 - 1		X	
-	999 652 571 22	Connector 2,5 - 2,5		X	
-	999 652 932 40	Pin connector socket 10-pole Black		2	
-	999 652 923 40	Cap Black		2	
-	999 652 933 40	Pin connector socket 10-pole White		2	
-	999 652 922 40	Cap White		2	
-	999 652 921 40	Locking device Blue		4	
-	999 652 983 22	Contact pin 0,63 - 0,5		X	
-	996 622 501 00	Wiring harness Glove compartment	03-	1	
-	999 650 564 40	Clip Microswitch	03-	1	
-	999 650 565 40	Clip	03-	1	
2	996 612 307 01	Connector housing Wiring harness	/L -99	1	
2	996 612 307 05	FRONT luggage compartment Wiring harness	/L 00	1	
2	996 612 307 10	FRONT luggage compartment Wiring harness	/L 01	1	
2	986 612 307 15	FRONT luggage compartment Wiring harness	/L 02	1	
2	986 612 307 16	FRONT luggage compartment Wiring harness	/L 03-	1	
2	996 612 317 00	FRONT luggage compartment Wiring harness	/L 99	1	M601
2	996 612 317 05	FRONT luggage compartment Wiring harness	/L 00	1	M601
2	996 612 317 10	FRONT luggage compartment Wiring harness	/L 01	1	M601
2	986 612 317 15	FRONT luggage compartment Wiring harness	/L 02	1	M601
2	986 612 317 16	FRONT luggage compartment Wiring harness	/L 03-	1	M601

Model: 986 97 Model life 1997>>2004

Pos	Part Number	Description	Remark	Qty	Model
3	996 612 304 01	Wiring harness FRONT luggage compartment	/R -01	1	
3	996 612 314 00	Wiring harness FRONT luggage compartment	/R -01	1	M601
3		Wiring harness FRONT luggage compartment Is a component of Wiring harness Passenger compartment Connection point X 1/1 + X 1/2	/R 02-	1	
-	999 652 879 40	Plug socket White		1	
-	928 612 566 00	Plug socket Black		1	
-	999 652 568 22	Cylindrical socket		X	
-	999 650 117 40	Fixing clip for Plug socket		2	
(4)	999 507 471 40	Fixing clip		X	
5	999 651 302 40	Fixing clip Wiring harness Passenger compartment Door sill		X	
(5)	999 651 284 40	Fixing clip Wiring harness Passenger compartment Door sill		X	
-	999 650 323 40	Plug socket Diagnostic connector		1	
-	999 650 326 22	Contact bush for Plug socket Repair kit Wiring harness Anti-lock brake system Brake pad wear indicator Front axle		X	
-	996 612 951 00	Repair kit Wiring harness	/V /L -01	1	
-		Repair kit Wiring harness	/V /L 02-	1	M476
-	996 612 960 00	Repair kit Wiring harness	/V /L 02-	1	
-	996 612 952 00	Repair kit Wiring harness	/V /R -01	1	
-		Repair kit Wiring harness	/V /R 02-	1	M476
-	996 612 961 00	Repair kit Wiring harness Repair kit Wiring harness Rear axle See group 9/02/20	/V /R 02-	1	

Model: 986 97

Model life 1997>>2004



Model: 986 97 Model life 1997>>2004

Pos	Part Number	Description	Remark	Qty	Model
1	986 612 601 02	Wiring harnesses Driver's door Passenger's door Hardtop Wiring harness	97	2	
1	986 612 601 03	Driver's door Passenger's door F >>98VS6 20986 Wiring harness	97	2	
(1)	986 612 602 02	Driver's door Passenger's door F 98VS6 20987>> Wiring harness	97	2	M490
(1)	986 612 602 03	Driver's door Passenger's door F >>98VS6 20986 Wiring harness	97	2	M490
(1)	986 612 601 04	Driver's door Passenger's door F 98VS6 20987>> Wiring harness	98	2	
(1)	986 612 601 05	Driver's door Passenger's door Wiring harness	99	2	
(1)	986 612 602 04	Driver's door Passenger's door Wiring harness	98	2	M490
(1)	986 612 602 05	Driver's door Passenger's door Wiring harness	99	2	M490
(1)	986 612 641 04	Driver's door Passenger's door Wiring harness	98	2	M563
(1)	986 612 641 05	Driver's door Passenger's door Wiring harness	-00	2	M563
(1)	986 612 642 04	Driver's door Passenger's door Wiring harness	98	2	M490/563
(1)	986 612 642 05	Driver's door Passenger's door Wiring harness	-00	2	M490/563
(1)	986 612 612 02	Driver's door Passenger's door Wiring harness	97	1	M273
(1)	986 612 612 03	Driver's door Passenger's door F >>98VS6 20986 Wiring harness	97	1	M273
(1)	996 612 630 02	Driver's door Passenger's door F 98VS6 20987>> Wiring harness	97	1	M273/490
(1)	996 612 630 03	Driver's door Passenger's door F >>98VS6 20986 Wiring harness	97	1	M273/490
(1)	986 612 612 04	Driver's door Passenger's door F 98VS6 01526>> F 98VS6 20987>> Wiring harness	98	1	M273
(1)	986 612 612 05	Driver's door Passenger's door Wiring harness	99	1	M273
(1)	996 612 630 04	Driver's door Passenger's door Wiring harness	98	1	M273/490

Model: 986 97 Model life 1997>>2004

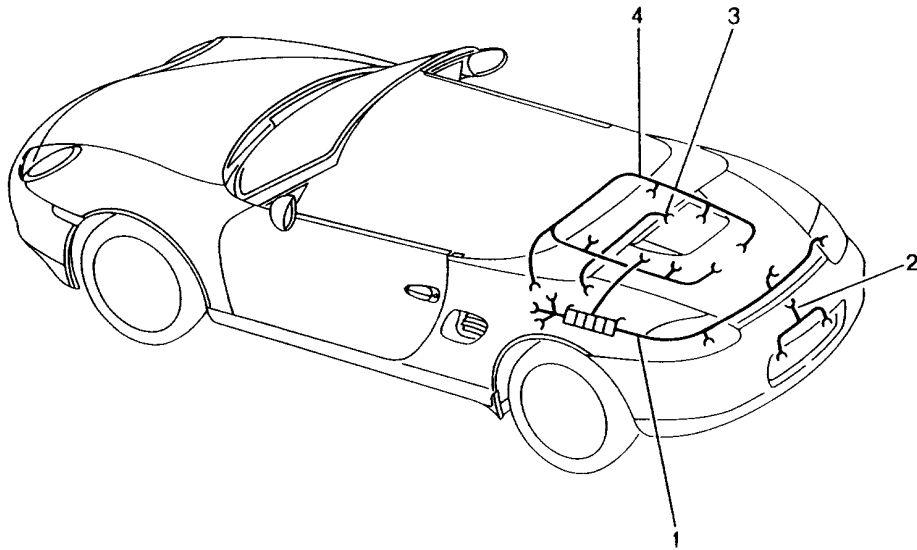
Pos	Part Number	Description	Remark	Qty	Model
(1)	996 612 630 05	Wiring harness Driver's door	99	1	M273/490
(1)	986 612 651 04	Wiring harness Driver's door	98	1	M273/563
(1)	986 612 651 05	Wiring harness Driver's door	-00	1	M273/563
(1)	996 612 634 02	Wiring harness Driver's door	98	1	M273/563 M490
(1)	996 612 634 03	Wiring harness Driver's door	-00	1	M273/563 M490
(1)	996 612 634 11	Wiring harness Driver's door	01-	1	
2	986 612 620 02	Wiring harness Passenger's door F >>98VS6 20986	97	1	M273
2	986 612 620 03	Wiring harness Passenger's door F 98VS6 20987>>	97	1	M273
2	996 612 632 02	Wiring harness Passenger's door F >>98VS6 20986	97	1	M273/490
2	996 612 632 03	Wiring harness Passenger's door F 98VS6 20987>>	97	1	M273/490
(2)	986 612 620 04	Wiring harness Passenger's door	98	1	M273
(2)	986 612 620 05	Wiring harness Passenger's door	99	1	M273
(2)	996 612 632 04	Wiring harness Passenger's door	98	1	M273/490
(2)	996 612 632 05	Wiring harness Passenger's door	99	1	M273/490
(2)	986 612 652 04	Wiring harness Passenger's door	98	1	M273/563
(2)	986 612 652 05	Wiring harness Passenger's door	-00	1	M273/563
(2)	996 612 635 02	Wiring harness Passenger's door	98	1	M273/563 M490
(2)	996 612 635 03	Wiring harness Passenger's door	-00	1	M273/563 M490
(2)	996 612 635 11	Wiring harness Passenger's door Connection point X 11 / 12	01-	1	
-	999 652 930 40	Plug socket		2	
-	999 652 567 22	Cylindrical socket 2,5 - 1		X	
-	999 652 568 22	Cylindrical socket 2,5 - 2,5		X	
-	999 652 927 40	Plug socket 10-pole White		2	
-	999 652 924 40	Cap White		2	
-	999 652 928 40	Plug socket 10-pole Black		2	
-	999 652 925 40	Cap Black		2	
-	999 652 921 40	Locking device Blue		4	
-	999 652 901 22	Connector 0,63 - 0,5		X	

Model: 986 97 Model life 1997>>2004

Pos	Part Number	Description	Remark	Qty	Model
		Mount			
		Wiring harness			
		Doors			
-	996 610 320 01	Cable guide		2	M273
-	999 703 470 40	Cable clamp		2	M273
-	999 507 627 02	Cable clamp		2	
3	986 612 081 01	Wiring harness		1	M550
		Hardtop			
4	986 612 083 00	Wiring harness		1	
		Adapter			
		Hardtop			
5	986 610 333 00	Cover	-02	1	
		Connector			
		Connection point			
		Hardtop			
6	996 610 141 00	Rubber boot	/L	1	
		A-pillar			
(6)	996 610 142 00	F 98VS6 20987>> Rubber boot	/R	1	
		A-pillar			
(6)	996 610 141 01	F 98VS6 20987>> Rubber boot		2	
		A-pillar			
		F 98WS6 20155>>			
-	996 610 144 00	Frame		2	
		Reinforcement			
		Rubber boot			
		Mount			
		Connection point			
		A-pillar			
		F 98WS6 20155>>			
-	999 919 237 00	Oval-head screw		2	
		5 X 20			
-	999 507 649 40	Expansion rivet		2	
		5,0			
-	996 610 321 00	Cable holder		2	
		Door arrester			

Model: 986 97

Model life 1997>>2004



Model: 986 97 Model life 1997>>2004

Pos	Part Number	Description	Remark	Qty	Model
(1)	986 612 057 03	Wiring harnesses Rear end License plate light Additional brake light Engine Repair kit Anti-lock brake system Brake pad wear indicator Rear axle Wiring harness	97-98	1	M573/660 M661
(1)	986 612 067 01	Rear end Wiring harness	98	1	M573/635 M660/661
(1)	986 612 905 00	Rear end Wiring harness Rear end Vehicle Ident. No. Indicate Connection point X 2/1	99-	1	
-	928 612 567 00	Plug socket Black		1	
-	999 652 570 22	Connector Contact pin 2,5 - 1 Connection point X 2/2		X	
-	999 650 041 40	Pin connector socket Yellow		1	
-	999 652 570 22	Connector Contact pin 2,5 - 1 Connection point X 59		X	
-	999 652 881 40	Pin connector socket White		1	
-	999 652 571 22	Connector 2,5 - 2,5 Connection point X 24		X	
-	999 652 920 40	Plug socket		1	
-	999 652 991 22	Contact bush 1,8 - 1,5		2	
-	999 652 989 40	Locking device		1	
-	999 652 987 40	Gasket		2	
-	999 650 013 40	Fixing clip Connection point Wiring harness License plate light		1	
-	999 652 920 40	Plug socket		1	
-	999 652 991 22	Contact bush 1,8 - 1,5		2	
-	999 652 989 40	Locking device		1	
-	999 652 987 40	Gasket		2	
-	999 650 013 40	Fixing clip Mount Wiring harness Rear end		1	
-	999 651 284 40	Fixing clip		6	
2	996 612 060 00	Wiring harness License plate light		1	
(2)	996 612 061 00	Wiring harness	-02	1	M635



Model: 986 97 Model life 1997>>2004

Pos	Part Number	Description	Remark	Qty	Model
(2)	996 612 063 00	License plate light			
		Wiring harness	03-	1	M635
3	986 612 041 00	License plate light			
		Wiring harness		1	M602
		Additional brake light			
		Wiring harness			
		Engine			
		M 96.20	-99		
(4)	986 607 002 09	Wiring harness	-99	1	M481/660
		Engine			M661
(4)	986 607 002 11	Wiring harness	-99	1	M249/660
		Engine			M661
		Wiring harness	-02		
		Engine			
		M 96.21			
4	986 607 010 06	Wiring harness	00	1	M480/660
		Engine			
4	986 607 010 08	Wiring harness	-02	1	M480/660
		Engine			
(4)	986 607 011 08	Wiring harness	00	1	M249/660
		Engine			
(4)	986 607 011 10	Wiring harness	-02	1	M249/660
		Engine			
		Wiring harness	-02		
		Engine			
		M 96.22			
4	986 607 020 01	Wiring harness	00	1	M481/660
		Engine			
4	986 607 020 03	Wiring harness	-02	1	M481/660
		Engine			
(4)	986 607 021 01	Wiring harness	00	1	M249/660
		Engine			
(4)	986 607 021 03	Wiring harness	-02	1	M249/660
		Engine			
		Wiring harness	03-		
		Engine			
		M 96.23/24			
4	986 607 020 11	Wiring harness	03-	1	M96.23
		Engine			M481/660
4	986 607 010 16	Wiring harness	03-	1	M96.24
		Engine			M480/660
(4)	986 607 011 18	Wiring harness	03-	1	M96.23/24
		Engine			M249/660
		Connection point			
		X 3/1			
-	928 612 568 00	Plug socket		1	
		Black			
-	999 652 658 12	Contact bush		X	
		2,5 - 2			
		Connection point			
		X 3/2			
-	999 650 011 40	Plug socket		1	
		Blue			
-	999 652 567 22	Cylindrical socket		X	
		2,5 - 1			
		Connection point			
		X 59			
-	999 652 879 40	Plug socket		1	
		White			
-	999 652 658 12	Contact bush		X	
		2,5 - 2			
		Repair kit			
		Wiring harness			

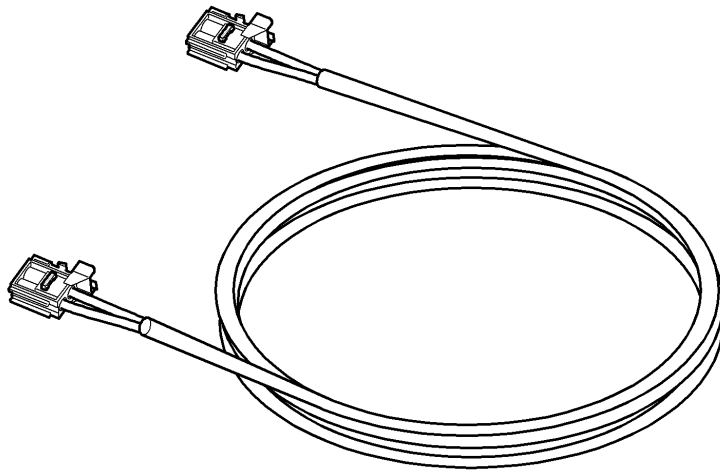
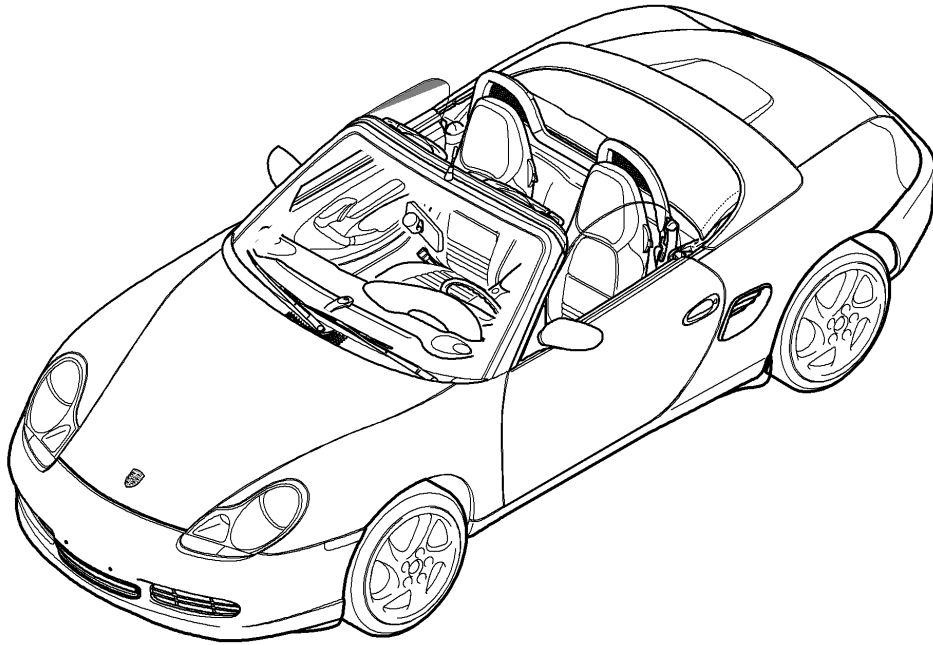
Model: 986 97

Model life 1997>>2004

Pos	Part Number	Description	Remark	Qty	Model
-	986 612 953 01	Anti-lock brake system Brake pad wear indicator Rear axle Repair kit	/H /L -01	1	
-		Wiring harness Repair kit	/H /L 02-	1	M476
-	986 612 960 00	Wiring harness Repair kit	/H /L 02-	1	
-	986 612 954 01	Wiring harness Repair kit	/H /R -01	1	
-		Wiring harness Repair kit	/H /R 02-	1	M476
-	986 612 961 00	Wiring harness Repair kit	/H /R 02-	1	
		Wiring harness Repair kit Wiring harness Front axle See group 9/02/10			

Model: 986 97

Model life 1997>>2004



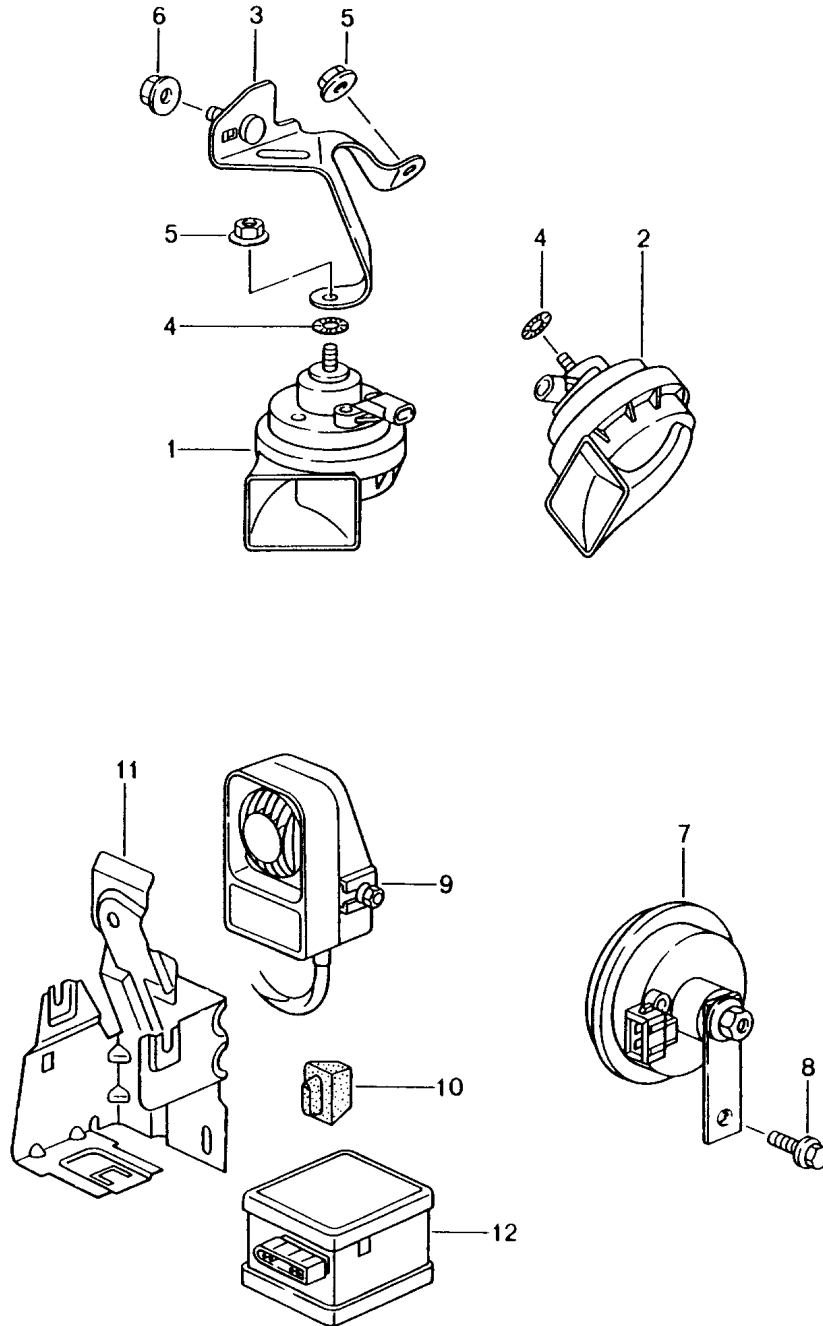
Model: 986 97

Model life 1997>>2004

Pos	Part Number	Description	Remark	Qty	Model
-	996 622 702 00	Optical waveguide Optical waveguide Module	03- /LL	1	M666
-	996 622 704 00	Optical waveguide Optical waveguide Module	/LL	1	M490/680
-	996 622 706 00	Optical waveguide Optical waveguide Module	/LL	1	M692
-	996 622 716 00	Optical waveguide Optical waveguide Module	/LL	1	M666/692
-	996 622 703 00	Optical waveguide Optical waveguide Module	/LL	1	M490/666 M680
-	996 622 705 00	Optical waveguide Optical waveguide Module	/LL	1	M490/680 M692
-	996 622 715 00	Optical waveguide Optical waveguide Module	/LL	1	M490/666 M680/692
-	996 610 122 00	Support Connection point Luggage compartment		1	
-	999 507 804 40	Expander nut Expander nut for Support		1	
-	996 610 132 00	Cable guide Cable guide T-piece Luggage compartment		1	

Model: 986 97

Model life 1997>>2004



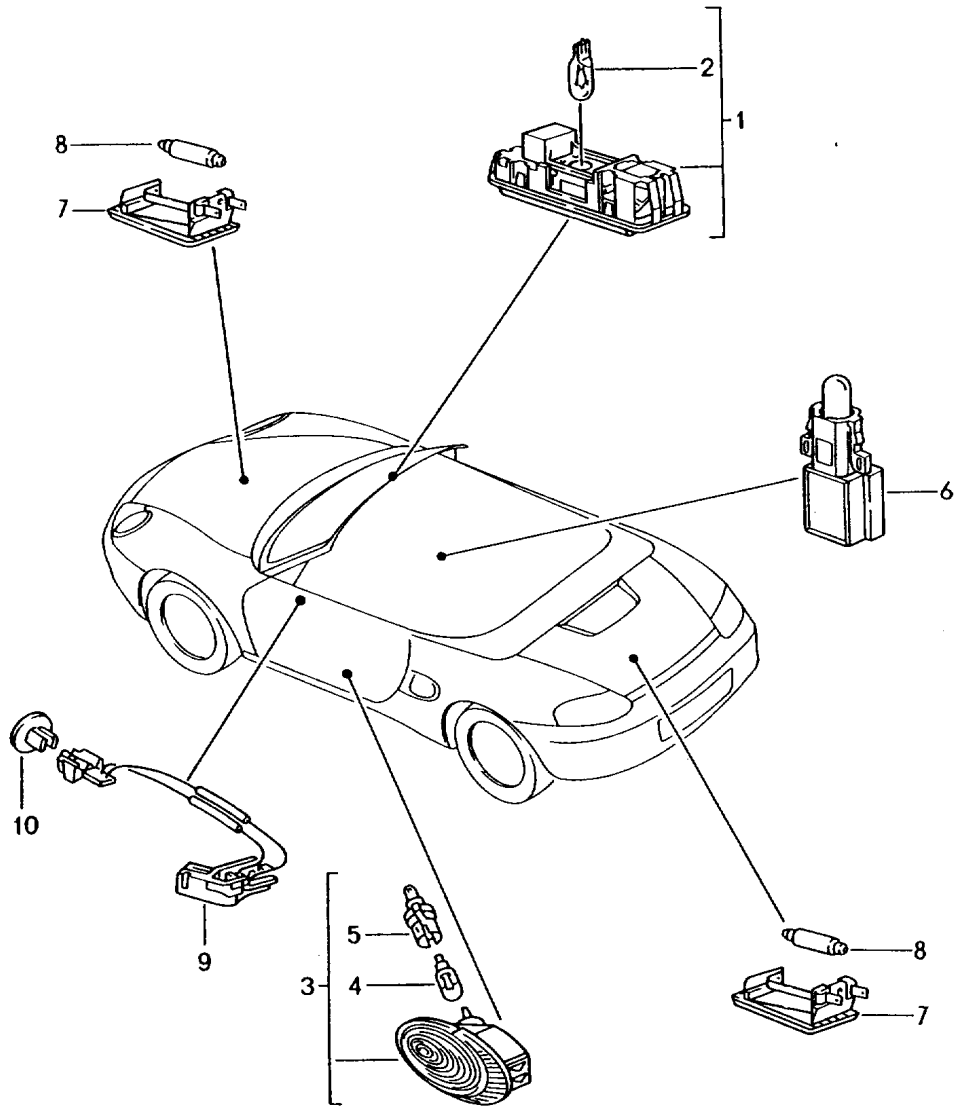
Model: 986 97

Model life 1997&gt;&gt;2004

Pos	Part Number	Description	Remark	Qty	Model
1	996 635 206 04	Fanfare Horn Fanfare		1	
1	996 635 206 07	High-pitched Fanfare		1	
2	996 635 205 04	High-pitched Fanfare		1	
2	996 635 205 07	Low-pitched Fanfare		1	
-	999 650 490 40	Plug socket		2	
-	999 650 135 22	Connector		4	
-	999 650 126 40	Gasket		4	
3	996 635 150 00	Support		1	
4	N 042 121 3	Shake-proof washer A 6,4		2	
5	900 380 015 01	Hexagon nut M 6		2	
6	900 377 003 03	Hexagon nut M 8		1	
7	996 637 117 02	Horn for Alarm system		1	
7	996 637 117 03	Horn for Alarm system		1	
8	900 075 459 09	Combination screw		1	
8	900 075 459 01	Combination screw M 6 X 12 Z2		1	

Model: 986 97

Model life 1997>>2004



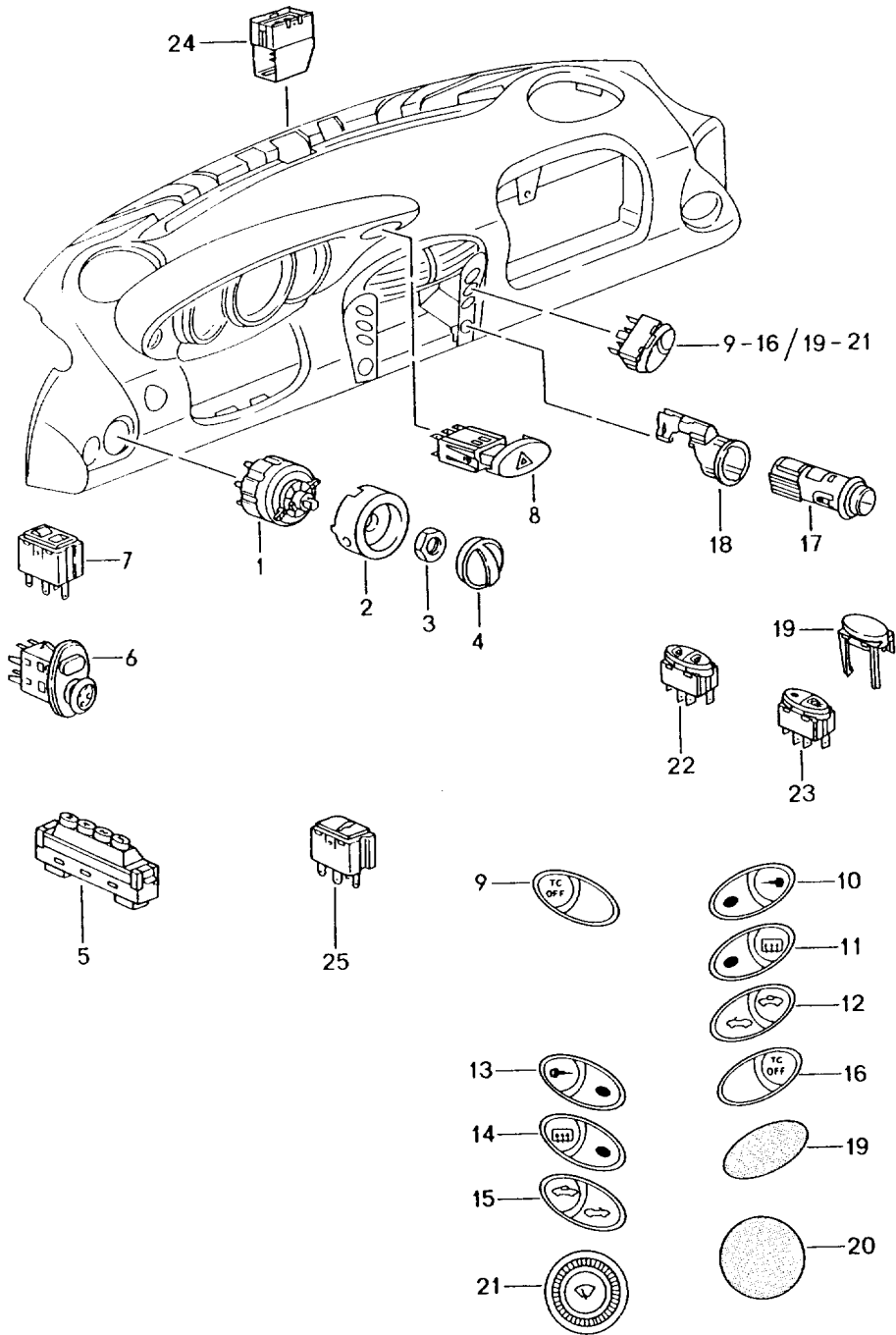
Model: 986 97 Model life 1997>>2004

Pos	Part Number	Description	Remark	Qty	Model
		Interior lights Luggage compartment lamp Engine compartment lamp Footwell light Combined lights Door opener			IXX2
1	986 632 051 00	Interior light	-00	1	
(1)	986 632 053 00	Interior light	01	1	
(1)	986 632 053 10	Interior light	02-	1	
1	986 632 051 00	Interior light	01-	1	M265
2	999 631 032 90	Bulb 5 W		1	
-	999 632 018 00	Bulb socket	01-	1	
3	996 632 132 01	Door guard light		2	M490
4	999 631 032 90	Bulb 5 W		2	M490
5	161 949 111	Bulb socket		2	M490
6	996 632 113 00	Ashtray light Luggage compartment lamp Engine compartment lamp Footwell light		1	
7	997 632 201 00	Light		2	IXX2
-	815 971 989 B	Flat receptacle		2	
-	N 017 490 6	Flat connector		4	
8	900 631 106 90	Linolite lamp 10 W		2	
-	996 632 980 00	Support Footwell light		2	IXX2
9	986 632 121 12	Combined lights Driver's door Door opener Ignition starter lock	/LL 01-	1	
(9)	996 632 122 02	Combined lights Passenger's door Door opener	/LL 01-	1	
10	986 632 125 00	Rosette Driver's door Combined lights Ignition starter lock	/LL 01-	1	



Model: 986 97

Model life 1997>>2004



Model: 986 97 Model life 1997>>2004

Pos	Part Number	Description	Remark	Qty	Model
1	996 613 535 00	Switch		1	
-	999 650 346 40	Light switch		1	
-	999 650 343 40	Terminal sleeve housing		1	
-	999 652 437 12	Lid		1	
-	999 652 437 12	Connector		X	
		\$ 4,0			
-	999 652 351 22	Contact bush		X	
		\$ 2,5			
2	996 613 631 01	Headlight unit	/LL	1	
2	996 613 631 02	Headlight unit	/LL	1	
-	999 652 972 40	Plug socket		1	
-	999 650 512 40	Plug socket		1	
-	999 652 973 40	Cap		1	
-	999 650 512 40	Plug socket		1	
-	999 652 901 22	Connector		5	
3	999 034 030 09	Hexagon nut		1	
		M 16 X 1			
4	996 613 533 01	Rotary knob	-01	1	
	996 613 533 01 A01	Gloss black			
4	996 613 533 10	Rotary knob	02-	1	
	996 613 533 10 A05	Black mat			
5	996 613 103 01	Memory switch	-01	1	M537/538
		Seat			
(5)	996 613 103 02	Door mirror			
		Memory switch	02-	1	M537/538
		Seat			
		Door mirror			
6	996 613 241 00	Switch	97	1	M273
	996 613 241 00 EAL	Gloss black			
		Door mirror			
6	996 613 241 00	Switch	98-	1	M273
	996 613 241 00 01C	Satin black			
		Door mirror			
-	993 612 501 00	Plug socket		1	
-	N 903 352 04	Connector		5	
-	999 652 790 12	Cylindrical socket		2	
7	996 613 102 00	Tip switch		1	
		Rear spoiler			
-	999 650 035 40	Plug socket		1	
-	999 650 330 00	Connector		5	
8	986 613 120 01	Hazard warning light sw.	/LL -01	1	
	986 613 120 01 A02	Gloss black			
(8)	986 613 120 10	Hazard warning light sw.	/LL 02-	1	
	986 613 120 10 A05	Black mat			
-	999 650 191 40	Plug socket		1	
-	999 650 192 40	Locking device		1	
-	999 652 475 22	Flat plug		9	
9	986 613 141 00	Tip switch	/LL -00	1	M222
	986 613 141 00 A02	Gloss black			
(9)	986 613 145 00	Tip switch	/LL 01	1	M476
	986 613 145 00 A02	Gloss black			
(9)	986 613 145 10	Tip switch	/LL 02	1	M476
	986 613 145 10 A05	Black mat			
(9)	996 613 145 10	Tip switch	/LL 03-	1	M476
	996 613 145 10 A05	Black mat			
-	999 650 107 40	Plug socket		1	
		Yellow			
-	999 650 103 12	Connector		5	
10	986 613 144 00	Tip switch	/LL -01	1	
	986 613 144 00 A02	Gloss black			
		Central locking system			
10	986 613 144 10	Tip switch	/LL 02	1	
	986 613 144 10 A05	Black mat			

Model: 986 97 Model life 1997>>2004

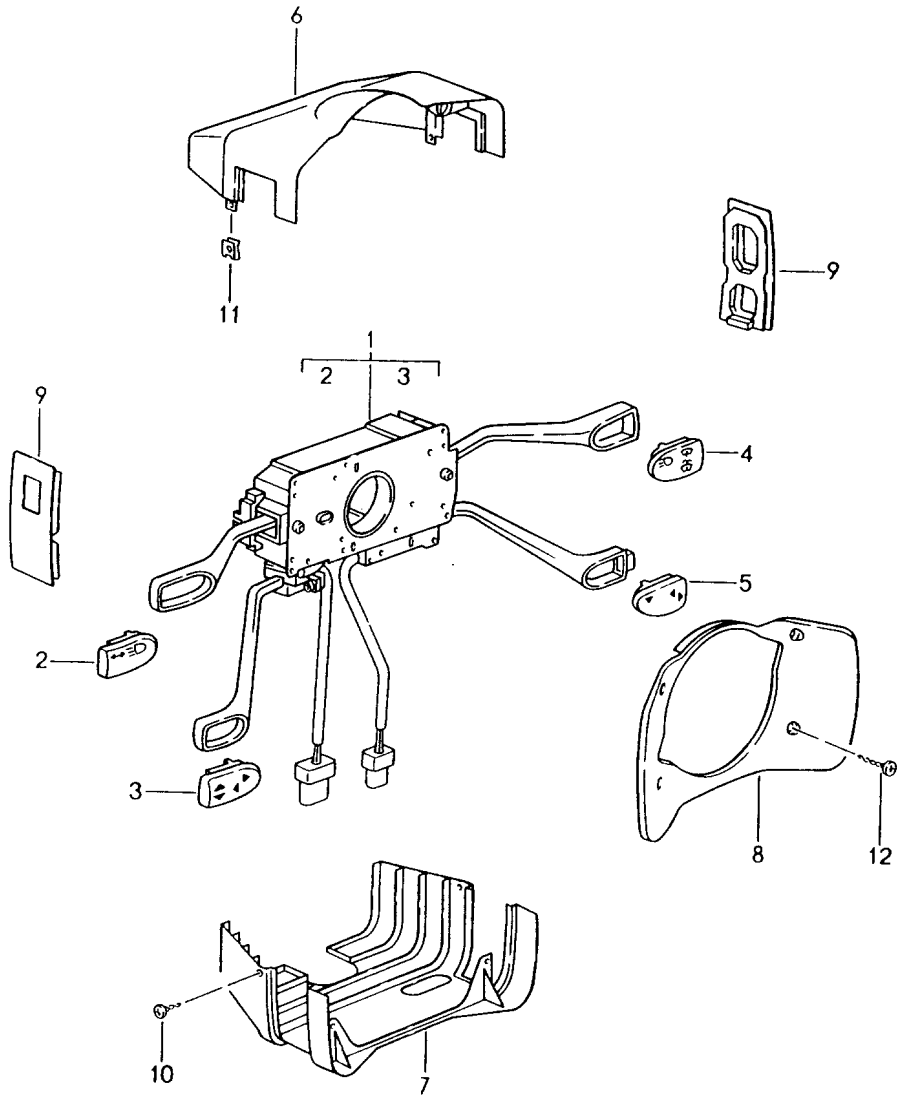
Pos	Part Number	Description	Remark	Qty	Model
(10)	996 613 144 10	Central locking system			
	996 613 144 10 A05	Tip switch	/LL 03-	1	
		Black mat			
		Central locking system			
-	999 650 107 40	Plug socket		1	
		Yellow			
-	999 650 330 00	Connector		5	
11	986 613 134 00	Tip switch	/LL -01	1	
	986 613 134 00 A02	Gloss black			
		Heating			
		Rear window			M550
		Door mirror			M273
11	986 613 134 10	Tip switch	/LL 02	1	
	986 613 134 10 A05	Black mat			
		Heating			
		Rear window			M550
		Door mirror			M273
(11)	996 613 134 10	Tip switch	/LL 03-	1	
	996 613 134 10 A05	Black mat			
		Heating			
		Rear window			
		Door mirror			
-	999 650 110 40	Plug socket		1	
-	999 650 103 12	Connector		5	
12	986 613 138 00	Tip switch	/LL -01	1	
	986 613 138 00 A02	Gloss black			
		Convertible top control			
12	986 613 138 10	Tip switch	/LL 02	1	
	986 613 138 10 A05	Black mat			
		Convertible top control			
(12)	996 613 138 10	Tip switch	/LL 03-	1	
	996 613 138 10 A05	Black mat			
		Convertible top control			
-	999 650 111 40	Plug socket		1	
-	999 650 330 00	Connector		5	
17	996 652 101 00	Cigarette lighter	-01	1	
17	997 652 101 00	Cigarette lighter	02-	1	
	997 652 101 00 A05	Black mat			
-	999 650 284 40	Plug socket		1	
-	999 652 735 12	Connector		3	
(17)	996 652 103 00	Plug socket		1	M580
	996 652 103 00 A01	Gloss black			
18	996 652 102 01	Headlight unit	-01	1	
18	996 652 102 10	Headlight unit	02-	1	
(18)	996 652 104 00	Tensioning sleeve		1	M580
19	996 552 425 00	Cover	-99	X	
	996 552 425 00 A01	Gloss black			
(19)	986 613 425 00	Cover	-01	X	
	986 613 425 00 A01	Gloss black			
		Switch			
		Display specimen			
(19)	996 613 425 10	Cover	02-	X	
	996 613 425 10 A05	Black mat			
		Switch			
		Display specimen			
(19)	996 613 980 06	Tip switch	02-	1	IXX2
	996 613 980 06 A05	Black mat			
		Footwell light			
20	986 552 543 00	Cover	97-	X	
	986 552 543 00 B12	Black-grey			
20	986 552 543 01	Cover	98-	X	
	986 552 543 01 D05	Granite grey			
	986 552 543 01 C02	Metal grey			

Model: 986 97 Model life 1997>>2004

Pos	Part Number	Description	Remark	Qty	Model
(20)	986 552 543 01 A03 986 552 983 05	Black Cover Arctic silver	00- 01	X	IXKW
21	996 613 115 00 996 613 115 00 A02	Potentiometer Gloss black Wipe interval	-01	1	M008
21	996 613 115 10 996 613 115 10 A05	Potentiometer Black mat Wipe interval	02-	1	M008
(21)	996 613 127 00 996 613 127 00 A02	Potentiometer Gloss black Wipe interval	01	1	M265
(21)	996 613 127 10 996 613 127 10 A05	Potentiometer Black mat Wipe interval	02-	1	M265
22	996 613 151 00 996 613 151 00 A02	Tip switch Gloss black Power windows	-01	2	
22	996 613 151 10 996 613 151 10 A05	Tip switch Black mat Power windows	02-	2	
-	999 650 109 40	Plug socket	/L	1	
-	999 650 330 00	Connector	/L	5	
-	999 650 035 40	Plug socket	/R	1	
-	999 650 330 00	Connector	/R	5	
23	986 613 152 00 986 613 152 00 A02	Tip switch Gloss black Seat heater	-01	2	M139/340
(23)	986 613 152 10 986 613 152 10 A05	Tip switch Black mat Seat heater	02 03-	2	M139/340 M342
-	999 650 109 40	Plug socket	/L	1	
-	999 650 330 00	Connector	/L	5	
-	999 650 035 40	Plug socket	/R	1	
-	999 650 330 00	Connector	/R	5	
24	996 637 137 00	Light Alarm system		1	M534/535
-	999 650 053 40	Plug socket		1	
-	N 903 352 04	Connector F >>98VS6 22753		2	
24	996 653 251 00	Sensor Alarm system with Light		1	M534/535 M573
-	999 650 221 40	Plug socket F 98VS6 22754>>		1	
25	996 613 105 10 996 613 105 10 A05	Tip switch Black mat Lid Front	01-	1	
(25)	996 613 106 10 996 613 106 10 A05	Tip switch Black mat Lid Rear	01-	1	

Model: 986 97

Model life 1997>>2004



Model: 986 97 Model life 1997>>2004

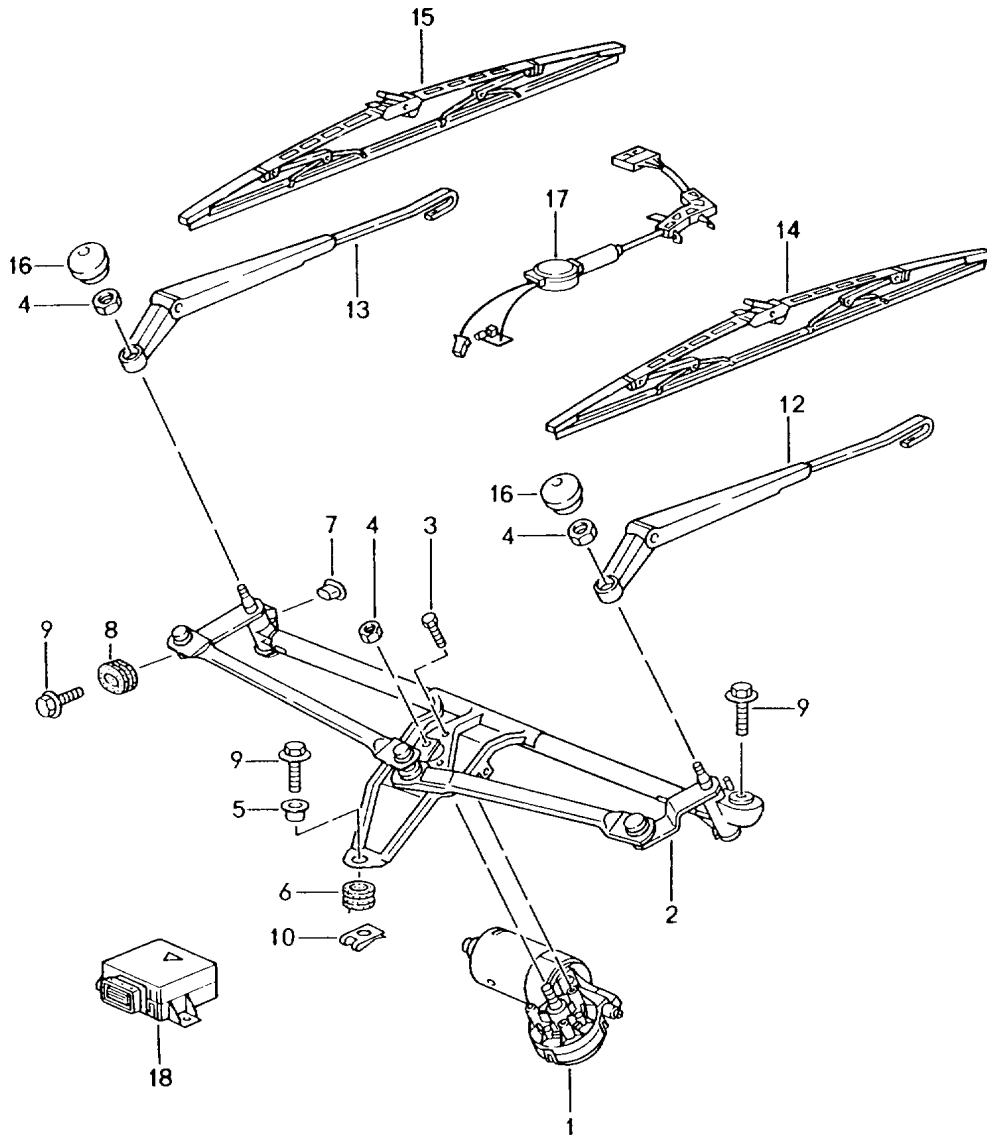
Pos	Part Number	Description	Remark	Qty	Model
1	996 613 219 10	Steering column switch		1	M454/659
1	996 613 219 10 EWC	Black mat/satin black		1	M454
1	996 613 217 10	Steering column switch		1	M659
1	996 613 217 10 EWC	Black mat/satin black		1	
1	996 613 215 10	Steering column switch		1	
1	996 613 215 10 EWC	Black mat/satin black		1	
1	996 613 213 10	Steering column switch		1	
1	996 613 213 10 EWC	Black mat/satin black		1	
-	999 652 640 40	Plug socket	/L	1	
-	999 652 639 22	Contact bush	/L	X	
-	999 652 641 40	Plug socket	/R	1	
-	999 652 639 22	Contact bush	/R	X	
-	999 650 056 40	Plug socket		1	M659
-	999 650 057 40	Cap		1	M659
-	999 652 901 22	Connector		X	M659
-	999 652 972 40	Plug socket		1	M454
-	999 650 512 40	Plug socket		1	M454
-	999 652 973 40	Cap		1	M454
-	999 650 512 40	Plug socket		1	M454
-	999 652 901 22	Connector		X	M454
2	996 613 509 00	When required order also: Cap with symbol	-01	1	
2	996 613 509 00 A01	Gloss black Direction indicator light High beam		1	
2	996 613 509 10	Cap with symbol	02-	1	
2	996 613 509 10 A05	Black mat Direction indicator light High beam		1	
3	996 613 503 01	Cap with symbol	-01	1	M659
3	996 613 503 01 A01	Gloss black		1	
3	996 613 503 10	Cap with symbol	02-	1	M659
3	996 613 503 10 A05	Black mat		1	
4	996 613 507 00	Cap with symbol	-01	1	M288
4	996 613 507 00 A01	Gloss black		1	
4	996 613 507 10	Cap with symbol	02-	1	M288
4	996 613 507 10 A05	Black mat		1	
(4)	996 613 508 00	Cap with symbol	-01	1	
(4)	996 613 508 00 A01	Gloss black		1	
(4)	996 613 508 10	Cap with symbol	02-	1	
(4)	996 613 508 10 A05	Black mat		1	
5	996 613 504 00	Cap with symbol	-01	1	M454
5	996 613 504 00 A01	Gloss black German		1	
5	996 613 504 10	Cap with symbol	02-	1	M454
5	996 613 504 10 A05	Black mat German		1	
(5)	996 613 505 00	Cap with symbol	-01	1	M454
(5)	996 613 505 00 A01	Gloss black English		1	
(5)	996 613 505 10	Cap with symbol	02-	1	M454
(5)	996 613 505 10 A05	Black mat English		1	
(5)	996 613 506 00	Cap with symbol	-01	1	M454
(5)	996 613 506 00 A01	Gloss black French		1	
(5)	996 613 506 10	Cap with symbol	02-	1	M454
(5)	996 613 506 10 A05	Black mat French		1	
6	996 552 273 00	Switch housing	-99	1	
6	996 552 273 00 01C	Satin black		1	
(6)	996 552 273 01	Switch housing	00-	1	

Model: 986 97 Model life 1997>>2004

Pos	Part Number	Description	Remark	Qty	Model
	996 552 273 01 A03	Black Lacquered			
7	996 552 275 00	Switch housing	-98	1	
	996 552 275 00 01C	Satin black			
7	996 552 275 02	Switch housing	99	1	
	996 552 275 02 01C	Satin black			
(7)	996 552 275 03	Switch housing	00-	1	
	996 552 275 03 A03	Black Lacquered			
-	996 610 206 00	Support for Connector housing		1	
8	993 552 277 00	Cover	-99	1	
	993 552 277 00 01C	Satin black			
(8)	996 552 277 00	Cover	00-	1	
	996 552 277 00 A03	Black Lacquered			
9	993 552 573 00	Cover		X	M454 M659
	993 552 573 00 01C	Satin black			
(9)	993 552 573 01	Cover		X	
	993 552 573 01 01C	Satin black			M454/659 M454 M659
10	900 143 002 07	Tapping screw B 2,9 X 9,5		2	
11	999 591 888 02	Speed nut B 2,9		2	
12	900 143 072 02	Oval-head sheetmetal screw B 3,5 X 19		4	

Model: 986 97

Model life 1997>>2004



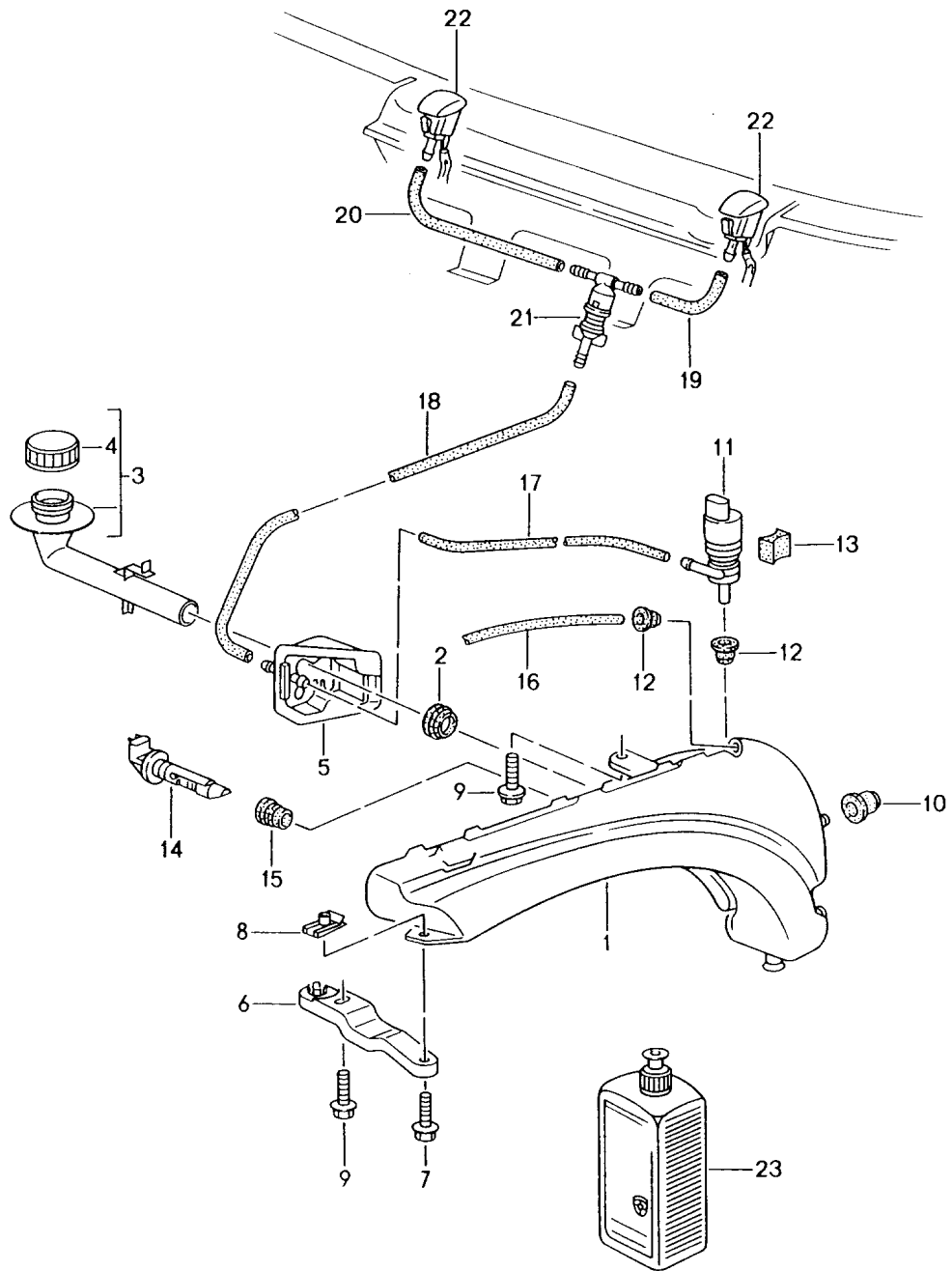


Model: 986 97 Model life 1997>>2004

Pos	Part Number	Description	Remark	Qty	Model
		Windscreen wiper system			
		Rain sensor			M265
1	997 624 105 01	Wiper motor	/LL	1	
2	997 628 235 01	Crank drive	/LL	1	
3	900 075 014 02	Hexagon-head bolt M 6 X 18		3	
3	900 075 014 03	Hexagon-head bolt M 6 X 18		3	
4	900 076 064 02	Hexagon nut M 8		3	
5	999 924 102 02	Bearing sleeve		1	
6	999 702 204 50	Rubber bush		1	
7	996 628 713 00	Bearing sleeve		1	
8	996 628 703 00	Rubber bush		1	
9	999 075 075 01	Combination screw M 6 X 22 SC		3	
10	999 507 246 01	Speed nut M 6		1	
12	987 628 027 00	Wiper arm Driver's side	/LL	1	
13	997 628 029 00	Wiper arm Passenger's side	/LL	1	
(14)	996 628 901 08	Wiper blade Set Driver's side Passenger's side See technical information GR. 9 , NR. 1/03	/LL	1	
16	944 628 305 01	Cap		2	
17	986 612 506 00	Rain sensor with Wiring harness		1	M265
-	000 043 204 65	Adhesive film for Rain sensor See technical manual GR. 9 / 92 12 19		1	M265
18	996 615 113 00	Control unit Rain sensor		1	M265

Model: 986 97

Model life 1997>>2004

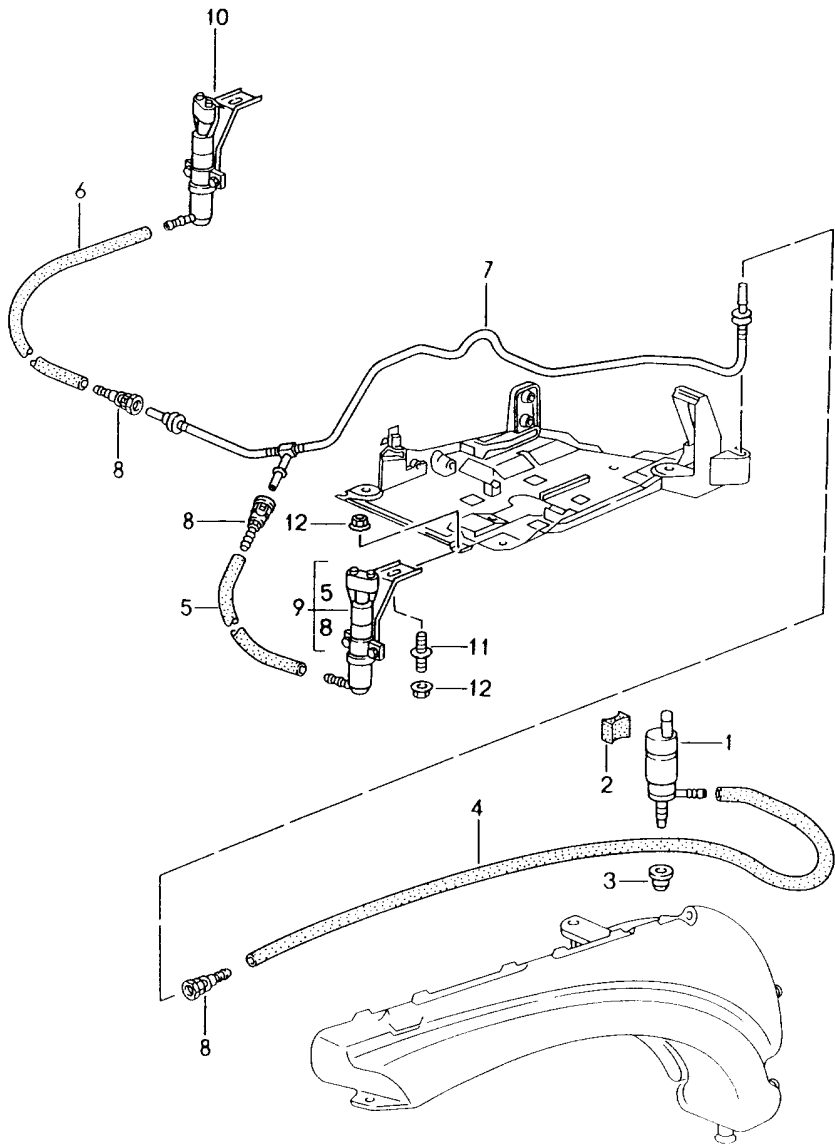


Model: 986 97 Model life 1997>>2004

Pos	Part Number	Description	Remark	Qty	Model
		Windscreen washer system			
1	996 528 701 00	Water reservoir		1	M288
(1)	996 528 701 01	Water reservoir		1	
2	996 528 711 00	Gasket		1	
3	996 528 605 00	Filler neck		1	
4	996 528 607 00	Lid		1	
5	996 528 615 01	Bracket		1	
-	999 137 091 40	Joining socket		X	
		Repair material for Bracket 996.528.615.00/01			
(6)	996 528 611 02	Support		1	M288
7	900 378 030 09	Hexagon-head bolt M 6 X 20		1	M288
8	999 591 882 02	Speed nut M 6		1	M288
8	999 591 882 01	Speed nut M 6		1	M288
9	900 378 154 01	Hexagon-head bolt AM 8 X 35 SB		1 2	M288
10	999 702 221 40	Grommet		2	
11	996 628 172 00	Pump		1	
12	431 955 465 B	Sealing ring		2	
13	993 628 213 00	Spacer		1	M288
14	996 628 105 00	Tank gauge switch		1	
15	996 528 721 00	Grommet		1	
16	999 181 347 40	Breather pipe 245 MM 640 MM		*	M288
-	999 181 815 40	Hose 5,0 X 2,5		*	
17		400 MM		1	
18		560 MM		1	
19		80 MM		1	
20		380 MM		1	
21	996 628 102 00	T-piece		1	
22	996 628 077 00	Nozzle Adjustable	97-98	2	
(22)	996 628 077 03	Nozzle Not Adjustable	99-	2	
-	997 612 976 00	When required order also: Repair kit		2	
23	999 901 017 41	Wiring harness Window cleaner 250 ML Summer		X	
23	999 901 017 42	Window cleaner 250 ML Summer		X	
23	000 044 000 87	Window cleaner 250 ML Summer		X	
23	999 901 033 40	Window cleaner 1000 ML Winter		X	

Model: 986 97

Model life 1997>>2004



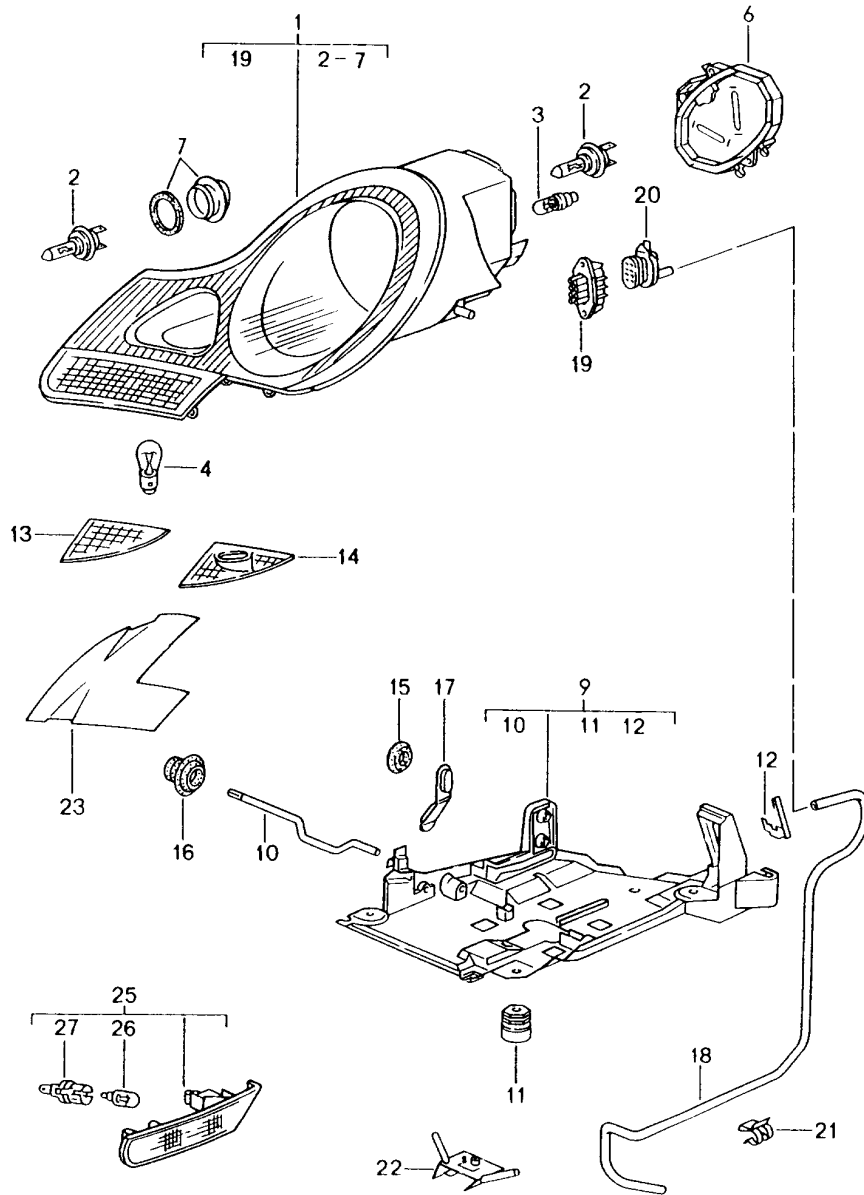
Model: 986 97

Model life 1997>>2004

Pos	Part Number	Description	Remark	Qty	Model
		Headlight washer system			M288
1	996 624 502 00	Pump		1	
2	993 628 213 00	Spacer		1	
3	928 628 193 00	Gasket without Strainer		1	
(3)	996 628 393 00	Gasket with Strainer		1	
-	000 043 204 79	Hose 8 X 3 1020 MM		*	
4		170 MM		1	
5		930 MM		1	
6	999 512 673 00	Hose clamp for POS. 1 + 8		X	
-	999 512 568 02	Clamp for POS. 5 + 6		X	
7	996 628 673 00	Line		1	
8	996 628 675 00	Clutch Quick-connecting lock		3	
9	996 628 333 00	Nozzle	/L	1	
10	996 628 334 00	Nozzle	/R	1	
11	996 628 335 00	Threaded bolt		2	
12	999 076 064 02	Hexagon nut M 6-S		4	

Model: 986 97

Model life 1997>>2004



Model: 986 97 Model life 1997>>2004

Pos	Part Number	Description	Remark	Qty	Model
(1)	986 631 131 04	Headlamp Direction indicator light	/L -02	1	
(1)	986 631 131 14	Headlamp without Spirit level	/L 03-	1	
(1)	986 631 132 04	Headlamp without Spirit level	/R -02	1	
(1)	986 631 132 14	Headlamp without Spirit level	/R 03-	1	
2	999 631 133 90	Halogen bulb H 7		2	
3	999 631 032 90	Bulb 5 W		2	
4	900 631 127 90	Bulb 21 W	-02	2	
4	999 631 038 90	Bulb MSCD 40	03-	2	
6	996 631 231 00	Protective cap Headlamp		2	
7	996 631 233 00	Protective cap Fog headlamp		2	
9	996 631 041 00	Mounting	/L	1	
(9)	996 631 042 00	Mounting	/R	1	
10	996 631 243 00	Clamping bow		2	
11	996 631 077 00	Fastening part		6	
12	996 631 245 00	Locking device Connector housing	/L	1	
(12)	996 631 246 00	Locking device Connector housing	/R	1	
13	996 631 035 00	Trim cover Orange	/L -02	1	
13	996 631 045 00	Trim cover White	/L 03-	1	
(13)	996 631 036 00	Trim cover Orange	/R -02	1	
(13)	996 631 046 00	Trim cover White	/R 03-	1	
14	996 631 035 01	Trim cover Orange	/L -02	1	M288
14	996 631 045 01	Trim cover White	/L 03-	1	M288
(14)	996 631 036 01	Trim cover Orange	/R -02	1	M288
(14)	996 631 046 01	Trim cover White	/R 03-	1	M288
-	996 631 299 00	When required order also: Only for Model year 03 Headlamp Right Retaining strip for Trim cover	/R 03	1	
15	803 803 583 A	Stopper		2	
15	999 703 196 40	Lid		2	
16	999 703 413 40	Stopper		2	

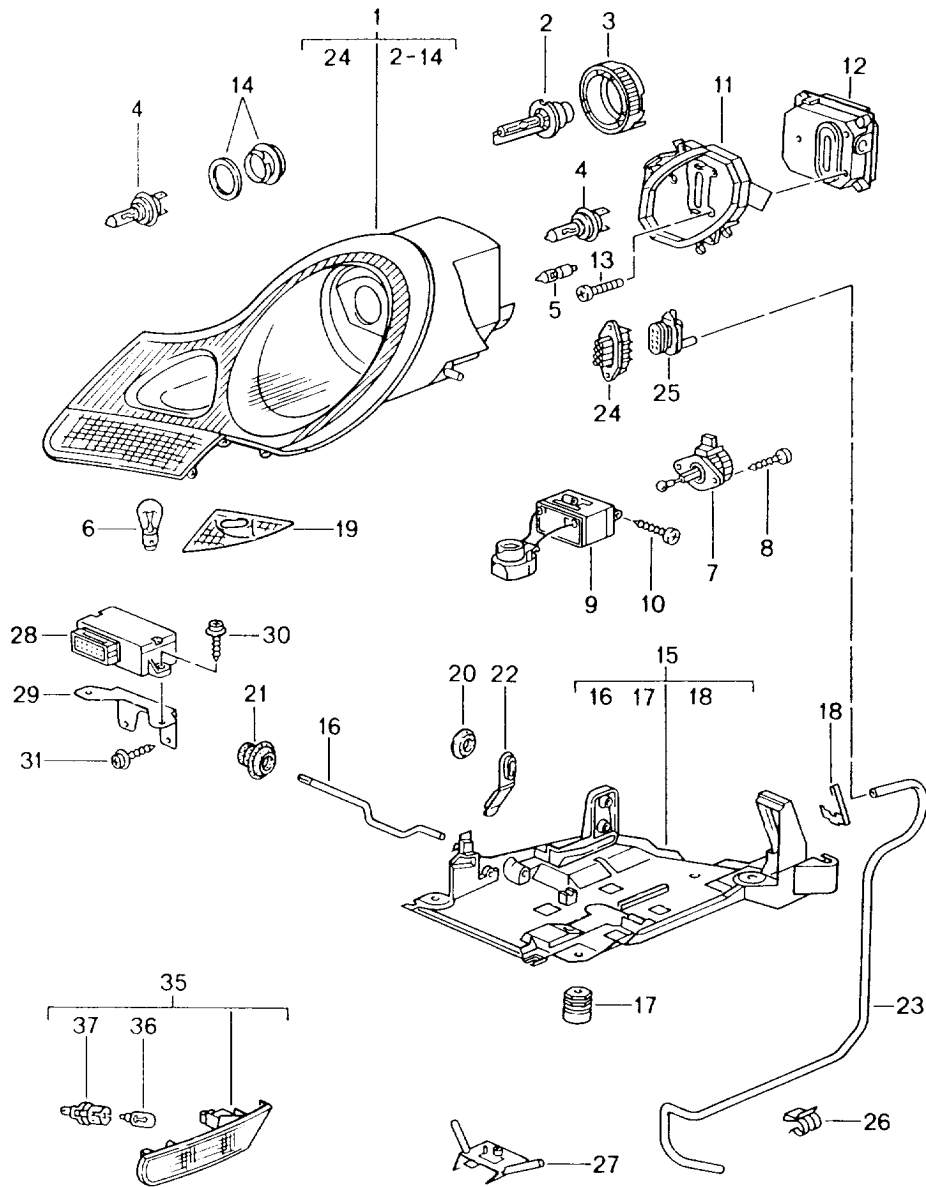
Model: 986 97 Model life 1997>>2004

Pos	Part Number	Description	Remark	Qty	Model
(17)	993 631 170 03	Stopper		6	
18	996 631 641 02	Breather pipe F >>98VS6 21578	/L	1	
(18)	996 631 641 03	Breather pipe F 98VS6 21579>>	/L	1	
(18)	996 631 642 02	Breather pipe F >>98VS6 21578	/R	1	
(18)	996 631 642 03	Breather pipe F 98VS6 21579>>	/R	1	
19	999 652 832 40	Connector housing Headlamp		2	
20	999 650 150 40	Connector housing Wiring harness		2	
-	999 652 744 20	Connector		16	
-	999 704 161 40	Gasket		16	
21	999 651 317 09	Fastening clamp Breather pipe		X	
(21)	999 651 276 40	Cable holder Breather pipe Wing strut		X	
(21)	999 651 282 40	Cable holder Breather pipe Front apron		X	
22	996 631 693 00	Support Mount Front apron F 98VS6 21579>>		1	
25	996 631 037 01	Side marker light Direction indicator light	/L	1	
(25)	996 631 037 02	Side marker light	/L	1	
25	996 631 038 01	Side marker light	/R	1	
(25)	996 631 038 02	Side marker light	/R	1	
-	999 652 838 40	Plug socket		2	
-	999 652 771 12	Connector		4	
-	999 704 161 40	Gasket		4	
26	999 631 032 90	Bulb 5 W		2	
27	996 631 133 00	Bulb socket		2	



Model: 986 97

Model life 1997>>2004



Model: 986 97 Model life 1997>>2004

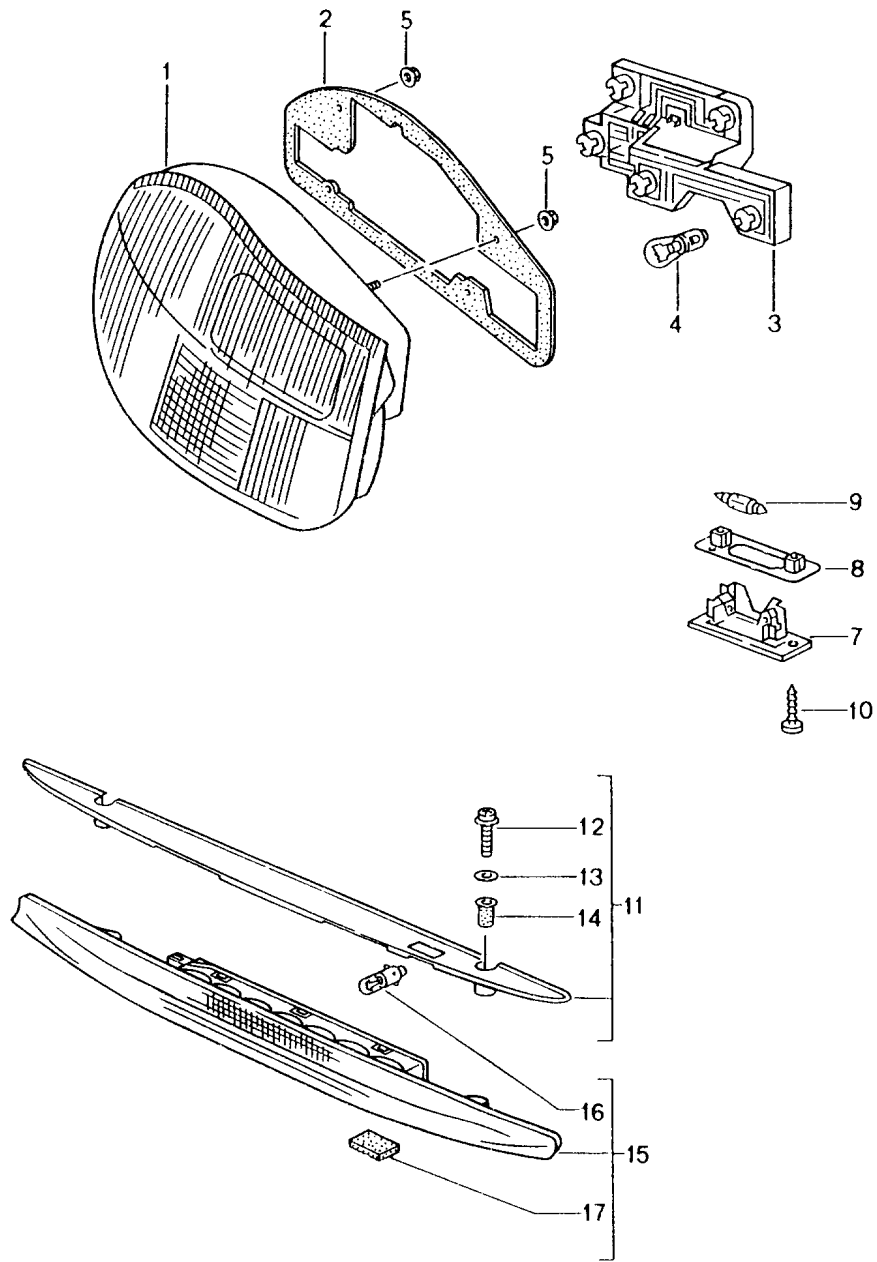
Pos	Part Number	Description	Remark	Qty	Model
		Headlamp	99-		M601
		Direction indicator light			
1	996 631 157 07	Headlamp	/L	1	
1	996 631 158 07	Headlamp	/R	1	
2	999 631 036 90	Bulb		2	
		- PHILIPS -			
3	996 631 189 00	Retainer		2	
4	999 631 133 90	Halogen bulb		4	
		H 7			
5	999 631 140 90	Bulb		2	
		H 6 W			
		Position light			
6	999 631 038 90	Bulb		2	
		MSCD 40			
		Direction indicator light			
7	996 631 125 00	Electric motor		2	
		Headlight levelling system			
8	996 631 199 00	Screw		4	
		3,9 X 16			
9	996 631 195 01	Ignition control unit		2	
10	996 631 199 00	Screw		4	
		3,9 X 16			
11	996 631 241 01	Protective cap	/L	1	
		Headlamp			
(11)	996 631 242 01	Protective cap	/R	1	
		Headlamp			
12	993 631 193 02	Control unit		2	
13	900 146 123 02	Screw		6	
		M 5 X 16			
14	996 631 233 00	Protective cap		2	
		Fog headlamp			
15	996 631 041 00	Mounting	/L	1	
(15)	996 631 042 00	Mounting	/R	1	
16	996 631 243 00	Clamping bow		2	
17	996 631 077 00	Fastening part		6	
18	996 631 245 00	Locking device	/L	1	
		Connector housing			
(18)	996 631 246 00	Locking device	/R	1	
		Connector housing			
19	996 631 045 01	Trim cover	/L	1	
(19)	996 631 046 01	Trim cover	/R	1	
20	803 803 583 A	Stopper		2	
20	999 703 196 40	Lid		2	
21	999 703 413 40	Stopper		2	
22	993 631 170 03	Stopper		6	
23	996 631 641 03	Breather pipe	/L	1	
(23)	996 631 642 03	Breather pipe	/R	1	
24	999 652 832 40	Connector housing		2	
		Headlamp			
25	999 650 150 40	Connector housing		2	
		Wiring harness			
-	999 652 744 20	Connector		16	
-	999 704 161 40	Gasket		16	
26	999 651 317 09	Fastening clamp		X	
		Breather pipe			
(26)	999 651 276 40	Cable holder		X	
		Breather pipe			
		Wing strut			
(26)	999 651 282 40	Cable holder		X	
		Breather pipe			
		Front apron			
27	996 631 693 00	Support		1	
		Mount			

Model: 986 97 Model life 1997>>2004

Pos	Part Number	Description	Remark	Qty	Model
28	996 618 151 15	Front apron Control unit		1	
29	996 618 155 00	Headlight levelling system Support	-01	1	
		F >>981S6 20501 F >>981U6 26005 F >>981S6 60400 F >>981U6 64332			
(29)	996 618 155 13	Support	-01	1	
		F 981S6 20502>> F 981U6 26006>> F 981S6 60401>> F 981U6 64333>>			
(29)	996 618 155 10	Support	02-	1	
30	900 143 157 07	Combination screw BZ 4,2 X 13 Z2		2	
31	999 073 169 07	Tapping screw ST 4,8 X 16	-01	2	
31	999 073 196 09	Tapping screw ST 4,8 X 9,5	02-	1	
-	999 591 855 02	Speed nut 4,8	02-	1	
-	999 591 855 01	Speed nut 4,8	02-	1	
		Sensor Headlight levelling system See group			
		4/01/00	/V		
		5/01/01	/H		
		Side marker light Direction indicator light			
35	996 631 037 01	Side marker light	/L	1	
(35)	996 631 037 02	Side marker light	/L	1	
(35)	996 631 038 01	Side marker light	/R	1	
(35)	996 631 038 02	Side marker light	/R	1	
-	999 652 838 40	Plug socket		2	
-	999 652 771 12	Connector		4	
-	999 704 161 40	Gasket		4	
36	999 631 032 90	Bulb 5 W		2	
37	996 631 133 00	Bulb socket		2	

Model: 986 97

Model life 1997>>2004



Model: 986 97 Model life 1997>>2004

Pos	Part Number	Description	Remark	Qty	Model
(1)	986 631 443 02	Rear light License plate light Additional brake light Housing with Lens Use also: 986.631.440.00	/L -98	1	M602
(1)	986 631 444 02	Housing with Lens Use also: 986.631.440.00	/R -98	1	
1	986 631 443 03	Housing with Lens Use also: 986.631.440.01	/L -02	1	
(1)	986 631 444 03	Housing with Lens Use also: 986.631.440.01	/R -02	1	
1	986 631 447 03	Tail light housing with Lens Use also: 986.631.440.01	/L 03-	1	
(1)	986 631 448 03	Tail light housing with Lens Use also: 986.631.440.01	/R 03-	1	
1	986 631 447 10	Tail light housing with Lens Use also: Gasket	/L 04	1	M091
(1)	986 631 448 10	Tail light housing with Lens Use also: 986.631.440.01	/R 04	1	M091
2	986 631 440 00	Gasket 6 MM	-98	2	
2	986 631 440 01	Gasket 9 MM	98-	2	
3	986 631 461 00	Bulb holder	/L -02	1	
3	986 631 455 02	Bulb holder	/L 03-	1	
(3)	986 631 462 00	Bulb holder	/R -02	1	
(3)	986 631 456 02	Bulb holder	/R 03-	1	
-	999 650 079 40	Plug socket		2	
-	N 903 352 04	Connector		12	
4	900 631 127 90	Bulb 21 W White		X	
4	900 631 131 90	Bulb 21 W Yellow	03-	X	
4	900 631 104 90	Bulb 5 W		X	
(4)	900 631 019 90	Glass-base bulb 3 W		X	

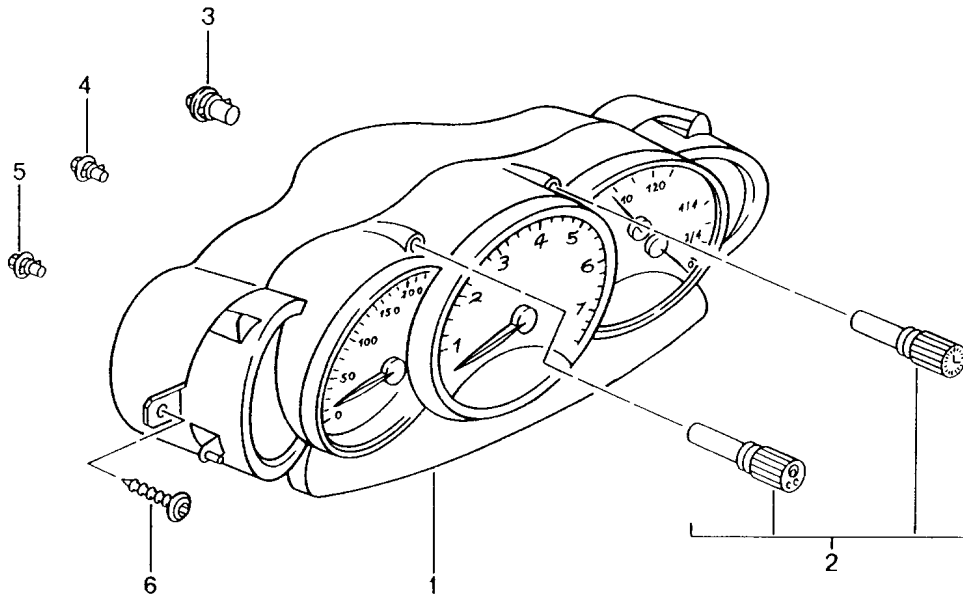
Model: 986 97

Model life 1997>>2004

Pos	Part Number	Description	Remark	Qty	Model
5	999 076 056 02	Hexagon nut M 5		8	
7	964 631 620 00 964 631 620 00 01C	License plate light Black		2	
8	993 631 166 00	Desk pad		2	
9	900 631 105 90	Bulb 5 W		2	
10	900 143 085 07	Tapping screw 4,2 X 16		4	
11	986 631 051 00	Trim cover		1	M602
12	900 146 049 02	Screw M 5 X 25		2	M602
13	900 025 080 01	Washer A 5.3		2	M602
14	999 500 128 00	Nut Sheetmetal press nut M 5		2	M602
15	986 631 050 00	Additional brake light		1	M602
15	986 631 050 01	Additional brake light		1	M602
15	986 631 050 02	Additional brake light		1	M602
16	900 631 019 90	Glass-base bulb 3 W		7	M602
17	996 631 105 00	Desk pad		2	M602

Model: 986 97

Model life 1997>>2004



Model: 986 97 Model life 1997>>2004

Pos	Part Number	Description	Remark	Qty	Model
(1)	986 641 103 09	Instruments Complete Instruments X45/X71 See group 9/06/02 Instrument cluster B O X S T E R Instrument cluster	01-  -00 (USA) -99	1	M481 M016
(1)	986 641 103 09 70C 986 641 103 05	Complete Rally black Instrument cluster	(USA) 00	1	M481 M016
(1)	986 641 103 05 70C 986 641 104 09	Complete Rally black Instrument cluster	(USA) -99	1	M249 M016
(1)	986 641 104 09 70C 986 641 104 05	Complete Rally black Instrument cluster	(USA) 00	1	M249 M016
(1)	986 641 104 05 70C 986 641 103 11	Complete Rally black Instrument cluster	(USA) -99	1	M481 M011
(1)	986 641 103 11 EMR 986 641 103 11 EBN 986 641 104 11	Complete Ocean jade/black Zenith blue/black Instrument cluster	(USA) -99	1	M249 M011
(1)	986 641 104 11 EMR 986 641 104 11 EBN 986 641 103 12	Complete Ocean jade/black Zenith blue/black Instrument cluster	(USA) -99	1	M481 M012
(1)	986 641 103 12 EMS 986 641 103 08	Complete Metal grey/black Instrument cluster	(USA) 00	1	M481 M012
(1)	986 641 103 08 EMS 986 641 104 12	Complete Metal grey/black Instrument cluster	(USA) -99	1	M249 M012
(1)	986 641 104 12 EMS 986 641 104 08	Complete Metal grey/black Instrument cluster	(USA) 00	1	M249 M012
(1)	986 641 104 08 EMS 986 641 105 01	Complete Metal grey/black Instrument cluster	(CDN) -99	1	M481 M016
(1)	986 641 105 01 70C 986 641 105 05	Complete Rally black Instrument cluster	(CDN) 00	1	M481 M016
(1)	986 641 105 05 70C 986 641 106 01	Complete Rally black Instrument cluster	(CDN) -99	1	M249 M016
(1)	986 641 106 01 70C 986 641 106 05	Complete Rally black Instrument cluster	(CDN) 00	1	M249



Model: 986 97 Model life 1997>>2004

Pos	Part Number	Description	Remark	Qty	Model
		Complete			M016
(1)	986 641 106 05 70C	Rally black			
	986 641 105 03	Instrument cluster	(CDN) 98-99	1	M481 M011
		Complete			
	986 641 105 03 EMR	Ocean jade/black			
	986 641 105 03 EBN	Zenith blue/black			
(1)	986 641 106 03	Instrument cluster	(CDN) 98-99	1	M249 M011
		Complete			
	986 641 106 03 EMR	Ocean jade/black			
	986 641 106 03 EBN	Zenith blue/black			
(1)	986 641 105 04	Instrument cluster	(CDN) 98-99	1	M481 M012
		Complete			
	986 641 105 04 EMS	Metal grey/black			
(1)	986 641 105 08	Instrument cluster	(CDN) 00	1	M481 M012
		Complete			
	986 641 105 08 EMS	Metal grey/black			
(1)	986 641 106 04	Instrument cluster	(CDN) 98-99	1	M249 M012
		Complete			
	986 641 106 04 EMS	Metal grey/black			
(1)	986 641 106 08	Instrument cluster	(CDN) 00	1	M249 M012
		Complete			
	986 641 106 08 EMS	Metal grey/black			
		Instrument cluster			
(1)	986 641 203 06	B O X S T E R Instrument cluster	01- (USA) 01-	1	M481 M016
		Complete			
	986 641 203 06 70C	Rally black			
(1)	986 641 223 04	Instrument cluster	(USA) 02-	1	M481 M016/659
		Complete			
	986 641 223 04 70C	Rally black			
(1)	986 641 204 06	Instrument cluster	(USA) 01-	1	M249 M016
		Complete			
	986 641 204 06 70C	Rally black			
(1)	986 641 224 04	Instrument cluster	(USA) 02-	1	M249 /9 M016/065
		Complete			
	986 641 224 04 70C	Rally black			
(1)	986 641 205 06	Instrument cluster	(CDN) 01-	1	M481 M016
		Complete			
	986 641 205 06 70C	Rally black			
(1)	986 641 225 04	Instrument cluster	(CDN) 02-	1	M481 M016/659
		Complete			
	986 641 225 04 70C	Rally black			
(1)	986 641 206 06	Instrument cluster	(CDN) 01-	1	M249 M016
		Complete			
	986 641 206 06 70C	Rally black			
(1)	986 641 226 04	Instrument cluster	(CDN) 02-	1	M249 M016/659
		Complete			

Model: 986 97 Model life 1997>>2004

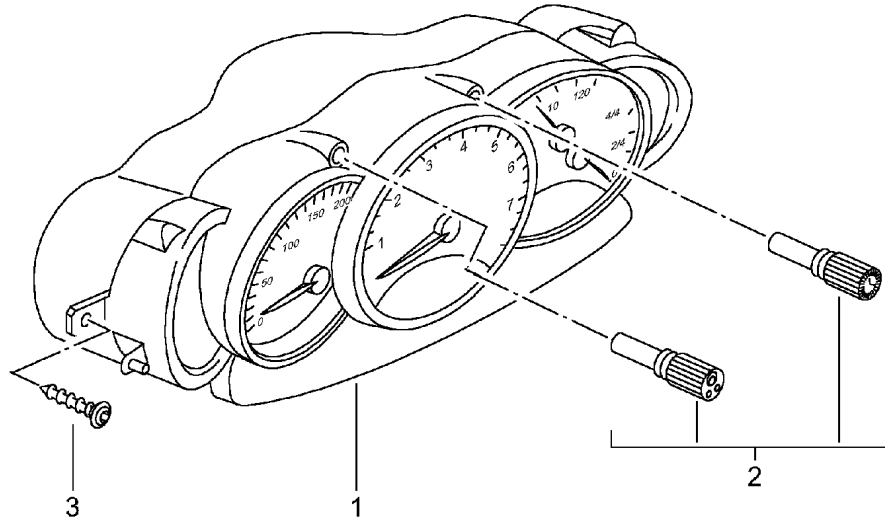
Pos	Part Number	Description	Remark	Qty	Model
(1)	986 641 226 04 70C 986 641 203 07	Rally black Instrument cluster  Complete	(USA) 01-	1	M481 M012
(1)	986 641 203 07 EMS 986 641 223 05	Metal grey/black Instrument cluster  Complete	(USA) 02-	1	M481 M012/659
(1)	986 641 223 05 EMS 986 641 204 07	Metal grey/black Instrument cluster  Complete	(USA) 01-	1	M249 M012
(1)	986 641 204 07 EMS 986 641 224 05	Metal grey/black Instrument cluster  Complete	(USA) 02-	1	M249 M012/659
(1)	986 641 224 05 EMS 986 641 205 07	Metal grey/black Instrument cluster  Complete	(CDN) 01-	1	M481 M012
(1)	986 641 205 07 EMS 986 641 225 05	Metal grey/black Instrument cluster  Complete	(CDN) 02-	1	M481 M012/659
(1)	986 641 225 05 EMS 986 641 206 07	Metal grey/black Instrument cluster  Complete	(CDN) 01-	1	M249 M012
(1)	986 641 206 07 EMS 986 641 226 05	Metal grey/black Instrument cluster  Complete	(CDN) 02-	1	M249 M012/659
(1)	986 641 226 05 EMS 986 641 113 00	Metal grey/black Instrument cluster B O X S T E R S Instrument cluster  Complete	(USA) 00	1	M008 M008 M480
(1)	986 641 113 00 EOD 986 641 114 00	Black/Silver Instrument cluster  Complete	(USA) 00	1	M008 M249
(1)	986 641 114 00 EOD 986 641 115 00	Black/Silver Instrument cluster  Complete	(CDN) 00	1	M008 M480
(1)	986 641 115 00 EOD 986 641 116 00	Black/Silver Instrument cluster  Complete	(CDN) 00	1	M008 M249
(1)	986 641 116 00 EOD 986 641 213 03	Black/Silver Instrument cluster  Complete	(USA) 01-	1	M008 M480
(1)	986 641 213 03 FHB 986 641 233 02	Black/Silver Instrument cluster  Complete	(USA) 02-	1	M008 M480/659
(1)	986 641 233 02 FHB 986 641 214 03	Black/Silver Instrument cluster  Complete	(USA) 01-	1	M008 M249
	986 641 214 03 FHB	Black/Silver			

Model: 986 97 Model life 1997>>2004

Pos	Part Number	Description	Remark	Qty	Model
(1)	986 641 234 02	Instrument cluster Complete	(USA) 02-	1	M008 M249/659
(1)	986 641 234 02 FHB 986 641 215 03	Black/Silver Instrument cluster Complete	(CDN) 01-	1	M008 M480
(1)	986 641 215 03 FHB 986 641 235 02	Black/Silver Instrument cluster Complete	(CDN) 02-	1	M008 M480/659
(1)	986 641 235 02 FHB 986 641 216 03	Black/Silver Instrument cluster Complete	(CDN) 01-	1	M008 M249
(1)	986 641 216 03 FHB 986 641 236 02	Black/Silver Instrument cluster Complete	(CDN) 02-	1	M008 M249/659
(1)	986 641 236 02 FHB 986 641 243 00	Black/Silver Instrument cluster Complete	(USA) 04	1	M008 M091/480 M659
(1)	986 641 243 00 70C 986 641 244 00	Rally black Instrument cluster Complete	(USA) 04	1	M008 M091/249 M659
(1)	986 641 244 00 70C 986 641 245 00	Rally black Instrument cluster Complete	(CDN) 04	1	M008 M091/480 M659
(1)	986 641 245 00 70C 986 641 246 00	Rally black Instrument cluster Complete	(CDN) 04	1	M008 M091/249 M659
(2)	986 641 246 00 70C 996 641 911 00	Rally black Knob Actuator Trip meter And Clock		1	
(3)	999 631 304 90	Glass-base bulb 12 V 3 W	-00	X	
(4)	999 631 303 90	Glass-base bulb 12 V 1,5 W	-00	X	
(5)	999 631 302 90	Glass-base bulb 12 V 1,2 W	-00	X	
(6)	999 919 119 09	Oval-head screw 5,0 X 22		2	
(6)	999 919 188 09	Oval-head screw 5,0 X 30		2	
-	999 920 012 40	Plug-in nut 5,0 X 3,5 X 8		2	

Model: 986 97

Model life 1997>>2004



Model: 986 97 Model life 1997>>2004

Pos	Part Number	Description	Remark	Qty	Model
		Instruments Complete	01-		IX45/X71
		Instrument cluster			IX45
		B O X S T E R			
		Dial			
		Lacquered			
		Interior colour			
(1)	986 641 980 62	Instrument cluster Complete	(USA) 01	1	M481
	986 641 980 62 J33	Nephrite green			
	986 641 980 62 C53	Graphite grey			
	986 641 980 62 S33	Savanna			
	986 641 980 62 G13	Metropole blue			
	986 641 980 62 M33	Boxster red			
	986 641 980 62 P13	Cinnamon brown			
	986 641 980 62 D12	Dark grey/natural			
	986 641 980 62 T12	Brown/natural			
(1)	986 641 981 23	Instrument cluster Complete	(USA) 02-	1	M481 M659
	986 641 981 23 J33	Nephrite green			
	986 641 981 23 C53	Graphite grey			
	986 641 981 23 S33	Savanna			
	986 641 981 23 G13	Metropole blue			
	986 641 981 23 M33	Boxster red			
	986 641 981 23 P13	Cinnamon brown			
	986 641 981 23 D12	Dark grey/natural			
	986 641 981 23 T12	Brown/natural			
(1)	986 641 980 63	Instrument cluster Complete	(USA) 01	1	M249
	986 641 980 63 J33	Nephrite green			
	986 641 980 63 C53	Graphite grey			
	986 641 980 63 S33	Savanna			
	986 641 980 63 G13	Metropole blue			
	986 641 980 63 M33	Boxster red			
	986 641 980 63 P13	Cinnamon brown			
	986 641 980 63 D12	Dark grey/natural			
	986 641 980 63 T12	Brown/natural			
(1)	986 641 981 24	Instrument cluster Complete	(USA) 02-	1	M249 M659
	986 641 981 24 J33	Nephrite green			
	986 641 981 24 C53	Graphite grey			
	986 641 981 24 S33	Savanna			
	986 641 981 24 G13	Metropole blue			
	986 641 981 24 M33	Boxster red			
	986 641 981 24 P13	Cinnamon brown			
	986 641 981 24 D12	Dark grey/natural			
	986 641 981 24 T12	Brown/natural			
(1)	986 641 980 64	Instrument cluster Complete	(CDN) 01	1	M481
	986 641 980 64 J33	Nephrite green			
	986 641 980 64 C53	Graphite grey			
	986 641 980 64 S33	Savanna			
	986 641 980 64 G13	Metropole blue			
	986 641 980 64 M33	Boxster red			
	986 641 980 64 P13	Cinnamon brown			
	986 641 980 64 D12	Dark grey/natural			
	986 641 980 64 T12	Brown/natural			
(1)	986 641 981 25	Instrument cluster Complete	(CDN) 02-	1	M481 M659
	986 641 981 25 J33	Nephrite green			

Model: 986 97 Model life 1997>>2004

Pos	Part Number	Description	Remark	Qty	Model
	986 641 981 25 C53	Graphite grey			
	986 641 981 25 S33	Savanna			
	986 641 981 25 G13	Metropole blue			
	986 641 981 25 M33	Boxster red			
	986 641 981 25 P13	Cinnamon brown			
	986 641 981 25 D12	Dark grey/natural			
	986 641 981 25 T12	Brown/natural			
(1)	986 641 980 65	Instrument cluster Complete	(CDN) 01	1	M249
	986 641 980 65 J33	Nephrite green			
	986 641 980 65 C53	Graphite grey			
	986 641 980 65 S33	Savanna			
	986 641 980 65 G13	Metropole blue			
	986 641 980 65 M33	Boxster red			
	986 641 980 65 P13	Cinnamon brown			
	986 641 980 65 D12	Dark grey/natural			
	986 641 980 65 T12	Brown/natural			
(1)	986 641 981 26	Instrument cluster  Complete	(CDN) 02-	1	M249 M659
	986 641 981 26 J33	Nephrite green			
	986 641 981 26 C53	Graphite grey			
	986 641 981 26 S33	Savanna			
	986 641 981 26 G13	Metropole blue			
	986 641 981 26 M33	Boxster red			
	986 641 981 26 P13	Cinnamon brown			
	986 641 981 26 D12	Dark grey/natural			
	986 641 981 26 T12	Brown/natural			
		Instrument cluster B O X S T E R Dial Aluminium			IX71
(1)	986 641 983 73	Instrument cluster Complete	(USA) 01-	1	M481
	986 641 983 73 70C	Rally black			
(1)	986 641 981 73	Instrument cluster  Complete	(USA) 02-	1	M481 M659
	986 641 981 73 70C	Rally black			
(1)	986 641 983 74	Instrument cluster Complete	(USA) 01-	1	M249
	986 641 983 74 70C	Rally black			
(1)	986 641 981 74	Instrument cluster  Complete	(USA) 02-	1	M249 M659
	986 641 981 74 70C	Rally black			
(1)	986 641 983 75	Instrument cluster Complete	(CDN) 01-	1	M481
	986 641 983 75 70C	Rally black			
(1)	986 641 981 75	Instrument cluster  Complete	(CDN) 02-	1	M481 M659
	986 641 981 75 70C	Rally black			
(1)	986 641 983 76	Instrument cluster Complete	(CDN) 01-	1	M249
	986 641 983 76 70C	Rally black			
(1)	986 641 981 76	Instrument cluster  Complete	(CDN) 02-	1	M249 M659
	986 641 981 76 70C	Rally black			
		Instrument cluster B O X S T E R S Dial			IX45 M008

Model: 986 97 Model life 1997>>2004

Pos	Part Number	Description	Remark	Qty	Model
(1)	986 641 980 88	Lacquered Interior colour Instrument cluster	(USA) 01	1	M008 M480
		Complete			
	986 641 980 88 A03	Black			
	986 641 980 88 J33	Nephrite green			
	986 641 980 88 C53	Graphite grey			
	986 641 980 88 S33	Savanna			
	986 641 980 88 G13	Metropole blue			
	986 641 980 88 M33	Boxster red			
	986 641 980 88 P13	Cinnamon brown			
	986 641 980 88 D12	Dark grey/natural			
	986 641 980 88 T12	Brown/natural			
(1)	986 641 982 23	Instrument cluster	(USA) 02-	1	M008 M480/659
		Complete			
	986 641 982 23 A03	Black			
	986 641 982 23 J33	Nephrite green			
	986 641 982 23 C53	Graphite grey			
	986 641 982 23 S33	Savanna			
	986 641 982 23 G13	Metropole blue			
	986 641 982 23 M33	Boxster red			
	986 641 982 23 P13	Cinnamon brown			
	986 641 982 23 D12	Dark grey/natural			
	986 641 982 23 T12	Brown/natural			
(1)	986 641 980 89	Instrument cluster	(USA) 01	1	M008 M249
		Complete			
	986 641 980 89 A03	Black			
	986 641 980 89 J33	Nephrite green			
	986 641 980 89 C53	Graphite grey			
	986 641 980 89 S33	Savanna			
	986 641 980 89 G13	Metropole blue			
	986 641 980 89 M33	Boxster red			
	986 641 980 89 P13	Cinnamon brown			
	986 641 980 89 D12	Dark grey/natural			
	986 641 980 89 T12	Brown/natural			
(1)	986 641 982 24	Instrument cluster	(USA) 02-	1	M008 M249/659
		Complete			
	986 641 982 24 A03	Black			
	986 641 982 24 J33	Nephrite green			
	986 641 982 24 C53	Graphite grey			
	986 641 982 24 S33	Savanna			
	986 641 982 24 G13	Metropole blue			
	986 641 982 24 M33	Boxster red			
	986 641 982 24 P13	Cinnamon brown			
	986 641 982 24 D12	Dark grey/natural			
	986 641 982 24 T12	Brown/natural			
(1)	986 641 980 90	Instrument cluster	(CDN) 01	1	M008 M480
		Complete			
	986 641 980 90 A03	Black			
	986 641 980 90 J33	Nephrite green			
	986 641 980 90 C53	Graphite grey			
	986 641 980 90 S33	Savanna			
	986 641 980 90 G13	Metropole blue			
	986 641 980 90 M33	Boxster red			
	986 641 980 90 P13	Cinnamon brown			
	986 641 980 90 D12	Dark grey/natural			
	986 641 980 90 T12	Brown/natural			
(1)	986 641 982 25	Instrument cluster	(CDN) 02-	1	M008

Model: 986 97 Model life 1997>>2004

Pos	Part Number	Description	Remark	Qty	Model
		Complete			M480/659
	986 641 982 25 A03	Black			
	986 641 982 25 J33	Nephrite green			
	986 641 982 25 C53	Graphite grey			
	986 641 982 25 S33	Savanna			
	986 641 982 25 G13	Metropole blue			
	986 641 982 25 M33	Boxster red			
	986 641 982 25 P13	Cinnamon brown			
	986 641 982 25 D12	Dark grey/natural			
	986 641 982 25 T12	Brown/natural			
(1)	986 641 980 91	Instrument cluster	(CDN) 01	1	M008 M249
		Complete			
	986 641 980 91 A03	Black			
	986 641 980 91 J33	Nephrite green			
	986 641 980 91 C53	Graphite grey			
	986 641 980 91 S33	Savanna			
	986 641 980 91 G13	Metropole blue			
	986 641 980 91 M33	Boxster red			
	986 641 980 91 P13	Cinnamon brown			
	986 641 980 91 D12	Dark grey/natural			
	986 641 980 91 T12	Brown/natural			
(1)	986 641 982 26	Instrument cluster	(CDN) 02-	1	M008 M249/659
		Complete			
	986 641 982 26 A03	Black			
	986 641 982 26 J33	Nephrite green			
	986 641 982 26 C53	Graphite grey			
	986 641 982 26 S33	Savanna			
	986 641 982 26 G13	Metropole blue			
	986 641 982 26 M33	Boxster red			
	986 641 982 26 P13	Cinnamon brown			
	986 641 982 26 D12	Dark grey/natural			
	986 641 982 26 T12	Brown/natural			
2	996 641 911 00	Knob Actuator Trip meter And		2	
3	999 919 188 09	Clock Oval-head screw 5,0 X 30		2	



Model: 986 97

Model life 1997>>2004



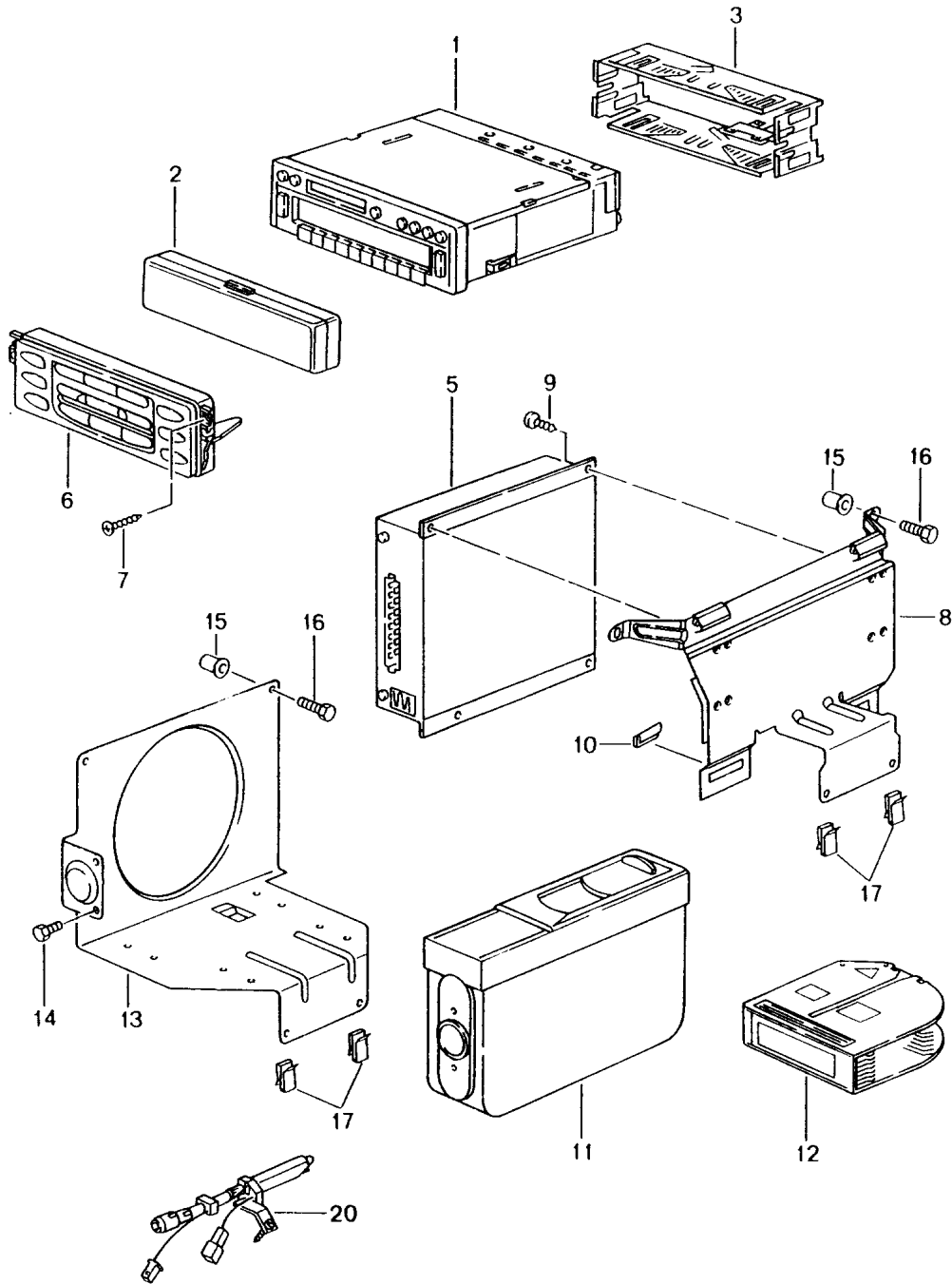
Model: 986 97

Model life 1997>>2004

Pos	Part Number	Description	Remark	Qty	Model
		Cruise control See group 4/03/05			

Model: 986 97

Model life 1997>>2004



Model: 986 97 Model life 1997>>2004

Pos	Part Number	Description	Remark	Qty	Model
		Radio Booster See technical information GR.9 , NR.2/00	-02 -02		
1	993 645 117 01	Radio CR - 210	-98	1	M329
1	993 645 120 01	Radio CDR - 210	-98	1	M688
2	993 645 190 00	Case for Control part Radio New design	-98   99-	1	
(2)	996 645 190 00	Radio See catalogue - EQUIPMENT - Case for Control part Radio	99-	1	
3	993 645 173 00	Retaining frame	-98	1	
-	996 645 106 00	Contact plate Alarm contact for Radio	99-	1	
5	986 645 301 03	Booster	-00	1	M490
(5)	986 645 323 00	Booster	01-	1	M490
-	996 610 149 00	Cap Connector housing Booster		1	M490
(5)	986 645 302 01	Booster Digital sound processing	98	1	M680
(5)	986 645 312 00	Booster Digital sound processing	-00	1	M680
(5)	986 645 324 01	Booster Digital sound processing	01	1	M680
(5)	986 645 338 00	Booster Bose	02	1	M680
(5)	996 645 341 00	Additional amplifier Bose	02	1	M680
-	996 610 151 00	Cover Connector housing Booster	/LL 02	1	M680
-	996 610 152 00	Cover Connector housing Additional amplifier	02	1	M680
6	996 645 201 02	Control part	-01	1	M680
	996 645 201 02 EFR	Gloss black			
7	999 919 182 09	Oval-head screw 4,0 X 20	-01	2	M680
8	996 646 025 01	Support	-01	1	M490/680
8		Support	02	1	M490
(8)	996 645 255 11	Support	02	1	M680
9	900 143 031 02	Oval-head sheetmetal screw 4,2 X 9,5		2	M490/680
10	999 507 510 02	U-clamp		2	M490/680
-	999 073 048 02	Tapping screw 3,5 X 13	02	1	M680
11	993 645 130 00	CD changer CDC - 3		1	M692
12	993 645 113 00	Magazine for CD changer		1	M692

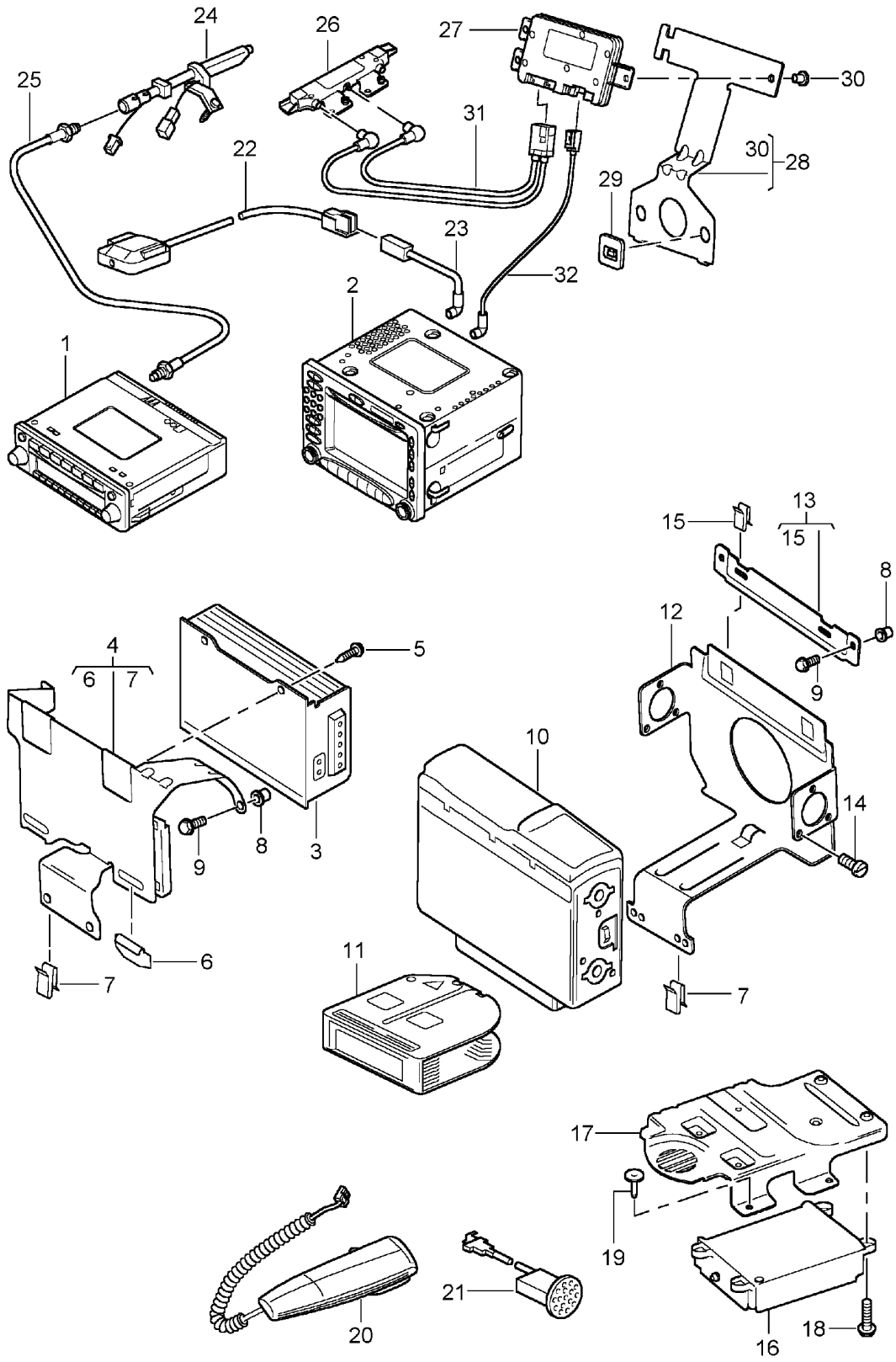
Model: 986 97

Model life 1997&gt;&gt;2004

Pos	Part Number	Description	Remark	Qty	Model
13	996 645 221 00	Support	/LL	1	M689/692
14	999 075 067 09	Combination screw M 4 X 8 KO		6	
15	999 500 078 00	Speed nut M 6		4	
16	900 378 188 09	Hexagon-head bolt M 6 X 20		4	
17	999 507 532 02	U-clamp		4	
17	999 507 532 01	U-clamp		4	
20	986 647 105 00	Antenna booster		1	
20	987 647 105 00	Antenna booster		1	
-	986 612 072 00	Connecting cable Antenna booster Radio		1	

Model: 986 97

Model life 1997>>2004



Model: 986 97 Model life 1997>>2004

Pos	Part Number	Description	Remark	Qty	Model
1		Radio Booster Navigation system Telephone Radio See catalogue Tequipment	03- 03- 03- 03-		
2	996 642 224 02 996 642 224 02 A05	Control part Black mat See technical information GR.9 , NR. 4/03 GR.9 , NR. 5/03	03	1	M665
2	996 642 224 03 996 642 224 03 A05	Control part Black mat See technical information GR.9 , NR. 4/03 GR.9 , NR. 5/03 GR.9 , NR.10/03	03	1	M665
2	996 642 224 04 996 642 224 04 A05	Control part Black mat See technical information GR.9 , NR. 4/03 GR.9 , NR. 5/03 GR.9 , NR.10/03	03	1	M665
2	996 642 224 05 996 642 224 05 A05	Control part Black mat See technical information GR.9 , NR. 10/03	03	1	M665
2	996 642 224 06 996 642 224 06 A05	Control part Black mat See technical information GR.9 , NR. 10/03	03	1	M665
2	996 642 224 07 996 642 224 07 A05	Control part Black mat See technical information GR.9 , NR. 10/03	04	1	M665
(2)	996 642 234 02 996 642 234 02 A05	Control part Black mat See technical information GR.9 , NR. 4/03 GR.9 , NR. 5/03	03	1	M490/665/680
(2)	996 642 234 03 996 642 234 03 A05	Control part Black mat See technical information GR.9 , NR. 4/03 GR.9 , NR. 5/03 GR.9 , NR.10/03	03	1	M490/665/680
(2)	996 642 234 04 996 642 234 04 A05	Control part Black mat See technical information GR.9 , NR. 4/03 GR.9 , NR. 5/03 GR.9 , NR.10/03	03	1	M490/665/680
(2)	996 642 234 05 996 642 234 05 A05	Control part Black mat See technical information GR.9 , NR. 10/03	03-	1	M490/665/680
(2)	996 642 234 06 996 642 234 06 A05	Control part Black mat See technical information GR.9 , NR. 10/03	03	1	M490/665/680
(2)	996 642 234 07 996 642 234 07 A05	Control part Black mat	04	1	M490/665/680

Model: 986 97 Model life 1997>>2004

Pos	Part Number	Description	Remark	Qty	Model
-	996 642 951 00	See technical information GR.9 , NR. 10/03 Rotary knob for POS. 2	/L 03-	1	
-	996 642 952 00	Rotary knob for POS. 2	/R 03-	1	
-	996 642 941 00	Cover Drawer SIM card for POS. 2	03-	1	
-	996 642 205 01	Module Navigation system	03	1	M670
-	996 642 205 02	Module Navigation system	03-	1	M670
3	996 645 331 01	Booster See technical information GR.9 , NR. 4/03 GR.9 , NR. 5/03	03	1	M490
3	996 645 331 02	Booster See technical information GR.9 , NR. 4/03 GR.9 , NR. 5/03	03	1	M490
3	996 645 331 CX	Booster See technical information GR.9 , NR. 4/03 GR.9 , NR. 5/03	03-	1	M490
3	996 645 331 03	Booster See technical information GR.9 , NR. 4/03 GR.9 , NR. 5/03	03-	1	M490
(3)	996 645 333 02	Booster See technical information GR.9 , NR. 4/03 GR.9 , NR. 5/03	/LL 03	1	M680
(3)	996 645 333 03	Booster See technical information GR.9 , NR. 4/03 GR.9 , NR. 5/03 GR.9 , NR.10/03	/LL 03	1	M680
(3)	996 645 333 04	Booster See technical information GR.9 , NR. 4/03 GR.9 , NR. 5/03 GR.9 , NR.10/03	/LL 03	1	M680
(3)	996 645 333 05	Booster	/LL 03-	1	M680
(3)	996 645 333 07	Booster See technical information GR.9 , NR. 14/03 GR.9 , NR. 10/03	/LL 03-	1	M680
-	996 610 151 00	Cover Connector housing Booster	/LL	1	M490/680
4	996 645 255 01	Support		1	M490/680
5	900 143 031 02	Oval-head sheetmetal screw 4,2 X 9,5		2	M490/680
6	999 507 510 02	U-clamp		2	M490/680
7	999 507 532 02	U-clamp		X	
7	999 507 532 01	U-clamp		X	
8	999 500 078 00	Speed nut M 6		X	



Model: 986 97 Model life 1997>>2004

Pos	Part Number	Description	Remark	Qty	Model
9	900 378 188 09	Hexagon-head bolt M 6 X 20		X	
10	997 645 140 02	CD changer CDC 4 Adjustment Installation Attention See technical information GR.9 , NR. 4/03 GR.9 , NR. 5/03		1	M692
10	997 645 140 03	CD changer CDC 4 Adjustment Installation Attention See technical information GR.9 , NR. 4/03 GR.9 , NR. 5/03		1	
11	996 645 113 00	Magazine CD changer		1	M692
12	996 645 225 00	Support		1	M692
13	996 645 227 00	Support		1	M692
14	N 014 128 13	Oval-head screw M 5 X 8		6	M692
15	999 591 954 09	U-clamp		2	M692
(21)	996 646 307 04	Microphone	/LL	1	M680
	996 646 307 04 A03	Black			
	996 646 307 04 C02	Metal grey			
	996 646 307 04 C53	Graphite grey			
	996 646 307 04 S33	Savanna			
	996 646 307 04 G13	Metropole blue			
	996 646 307 04 J33	Nephrite green			
	996 646 307 04 M33	Boxster red			
	996 646 307 04 P13	Cinnamon brown			
(21)	996 646 307 07	Microphone	/LL 04	1	M091/680
	996 646 307 07 M7Z	GT Silver Metallic			
22	996 642 206 00	Antenna GPS		1	M670
23	996 612 009 00	Connecting line Antenna Module Navigation system		1	M670
24	986 647 105 00	Antenna booster Radio		1	M441
25	986 612 072 01	Connecting line Antenna booster Radio		1	M441
26	986 647 117 00	Antenna booster	/L	1	M440
(26)	986 647 118 00	Antenna booster	/R	1	M440
27	996 647 124 00	Control unit		1	M440
28	996 647 202 00	Support		1	M440
29	999 507 772 40	Clip		1	M440
30	999 507 771 40	Stopper		1	M440
31	996 612 057 00	Connecting line Antenna booster Left Control unit	/LL	1	M665
(31)	996 612 056 00	Connecting line Antenna booster Right Control unit	/LL	1	M665
32	996 612 058 00	Connecting line Control unit	/LL	1	M665

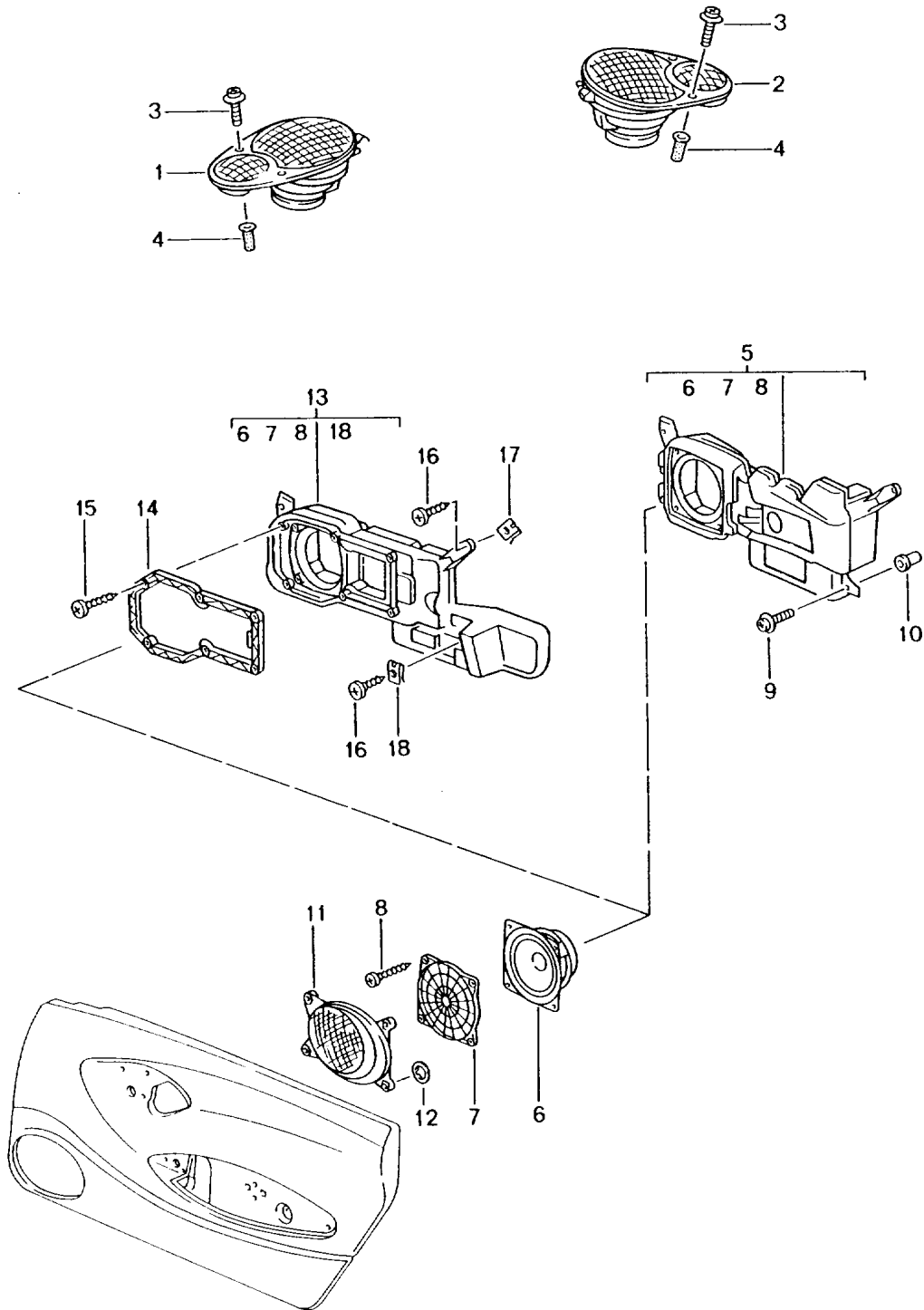
Model: 986 97

Model life 1997>>2004

Pos	Part Number	Description	Remark	Qty	Model
(32)	996 612 059 00	Control part Connector CURRY Connecting line Control unit Control part Connector Natural colours	/LL	1	M665

Model: 986 97

Model life 1997>>2004



Model: 986 97 Model life 1997>>2004

Pos	Part Number	Description	Remark	Qty	Model
		Loudspeaker			
		Loudspeaker			
		M 680/MJ.02-			
		See group			
		9/11/06			
1	996 645 037 02	Loudspeaker	/L	1	M490
	996 645 037 02 01C	Satin black			
(1)	996 645 035 02	Loudspeaker	/L	1	M441
	996 645 035 02 01C	Satin black			
2	996 645 038 02	Loudspeaker	/R	1	M490
	996 645 038 02 01C	Satin black			
(2)	996 645 036 02	Loudspeaker	/R	1	M441
	996 645 036 02 01C	Satin black			
(2)	996 645 049 02	Loudspeaker grille	/L /R	2	
	996 645 049 02 01C	Satin black			
3	999 919 166 07	Oval-head screw	-01	4	
		4,0 X 30			
(3)	999 073 224 09	Tapping screw	02-	4	
		4,2 X 25			
4	999 920 015 40	Plug-in nut	-01	4	
		4,0			
(4)	999 507 767 02	Speed nut	02-	2	
		4,2			
(4)	999 507 768 02	Speed nut	02-	2	
		4,2			
(5)	996 645 011 01	Loudspeaker	/L -00	1	M490
5	996 645 012 01	Loudspeaker	/R -00	1	M490
6	996 645 501 00	Woofers	-02	2	M490
6	996 645 502 00	Woofers	03-	2	M490
7	996 645 550 00	Protective grille		2	M490
(8)	999 919 176 07	Oval-head screw		8	M490
		4,0 X 16			
9	999 919 237 00	Oval-head screw	97	8	M490
		5,0 X 20			
(9)	999 073 061 02	Tapping screw	-00	8	M490
		ST 4,8 X 16			
10	999 920 013 40	Plug-in nut	97	8	M490
		5,0			
(10)	999 591 499 02	Speed nut	-00	8	M490
		ST 4,8			
		Only together with			
		999.073.061.02			
11	996 555 801 00	Loudspeaker grille	-99	2	M490
	996 555 801 00 01C	Satin black			
11	996 555 801 01	Loudspeaker grille	00-	2	M490
	996 555 801 01 A03	Black			
		Lacquered			
(11)	000 043 206 88	Loudspeaker grille		2	IXTR/M490
		Frame			
		Leather			
		Grille			
		Aluminium look			
	000 043 206 88 A10	Black			
	000 043 206 88 C50	Graphite grey			
	000 043 206 88 S30	Savanna			
	000 043 206 88 G10	Metropole blue			
	000 043 206 88 J30	Nephrite green			
	000 043 206 88 M30	Boxster red			
	000 043 206 88 P11	Cinnamon brown			
	000 043 206 88 D11	Dark grey/natural			
	000 043 206 88 T11	Brown/natural			
12	999 591 946 02	Clamping washer		8	M490
		5,0			

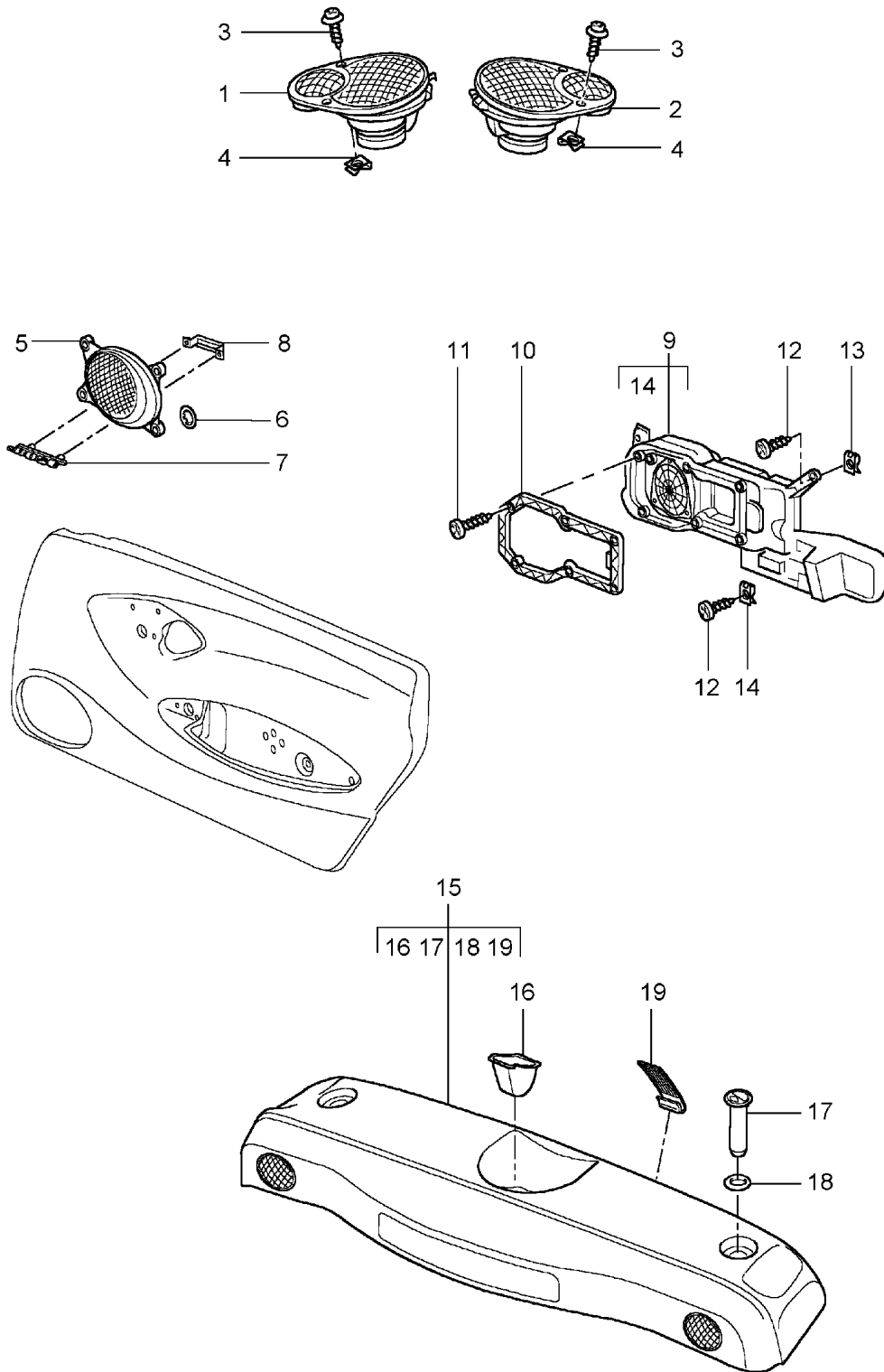
Model: 986 97

Model life 1997>>2004

Pos	Part Number	Description	Remark	Qty	Model
12	999 591 946 03	Clamping washer 5,0		8	M490
13	996 645 551 00	Loudspeaker	/L -02	1	M490
13	996 645 551 01	Loudspeaker	/L 03-	1	M490
(13)	996 645 552 00	Loudspeaker	/R -02	1	M490
(13)	996 645 552 01	Loudspeaker	/R 03-	1	M490
14	996 645 553 00	Frame	01-	2	M490
15	999 919 086 02	Oval-head screw 4,0 X 14	01-	12	M490
16	999 073 061 02	Tapping screw 4,8 X 16	01-	8	M490
17	999 591 499 02	Speed nut 4,8	01-	6	M490
18	999 507 759 09	Speed nut 4,8	01-	2	M490
-	986 645 503 00	Loudspeaker Storage box	-01	4	M584/680
-	986 612 085 00	Wiring harness Loudspeaker Single parts Storage box See group 8/07/07	-01	1	M584/680   M584/680

Model: 986 97

Model life 1997>>2004



Model: 986 97 Model life 1997>>2004

Pos	Part Number	Description	Remark	Qty	Model
1	996 645 033 01	Loudspeaker	02-		M680
	996 645 033 01 01C	Loudspeaker	/L	1	M680
2	996 645 034 01	Satin black			
	996 645 034 01 01C	Loudspeaker	/R	1	M680
	996 645 034 01 01C	Satin black			
1	996 645 033 00	Loudspeaker	/L	1	IXPP/M680
	996 645 033 00 C50	Graphite grey			
	996 645 033 00 S30	Savanna			
	996 645 033 00 G10	Metropole blue			
	996 645 033 00 J30	Nephrite green			
	996 645 033 00 M30	Boxster red			
	996 645 033 00 P10	Cinnamon brown			
2	996 645 034 00	Loudspeaker	/R	1	IXPP/M680
	996 645 034 00 C50	Graphite grey			
	996 645 034 00 S30	Savanna			
	996 645 034 00 G10	Metropole blue			
	996 645 034 00 J30	Nephrite green			
	996 645 034 00 M30	Boxster red			
	996 645 034 00 P10	Cinnamon brown			
(3)	999 073 224 09	Tapping screw		4	
		4,2 X 25			
(4)	999 507 767 02	Speed nut		2	
		4,2			
(4)	999 507 768 02	Speed nut		2	
		4,2			
5	996 555 801 01	Loudspeaker grille		2	M680
	996 555 801 01 A03	Black			
(5)	000 043 206 88	Loudspeaker grille		2	IXTR/M680
		Frame			
		Leather			
		Grille			
		Aluminium look			
	000 043 206 88 A10	Black			
	000 043 206 88 C50	Graphite grey			
	000 043 206 88 S30	Savanna			
	000 043 206 88 G10	Metropole blue			
	000 043 206 88 J30	Nephrite green			
	000 043 206 88 M30	Boxster red			
	000 043 206 88 P11	Cinnamon brown			
	000 043 206 88 D11	Dark grey/natural			
	000 043 206 88 T11	Brown/natural			
6	999 591 946 02	Clamping washer		8	M680
		5,0			
6	999 591 946 03	Clamping washer		8	M680
		5,0			
7	996 645 511 00	Logo		2	M680
8	996 645 512 00	Clip		2	M680
9	996 645 561 00	Loudspeaker	/L	1	M680
(9)	996 645 562 00	Loudspeaker	/R	1	M680
10	996 645 553 00	Frame		2	M680
11	999 919 086 02	Oval-head screw		12	M680
		4,0 X 14			
12	999 073 061 02	Tapping screw		8	M680
		4,8 X 16			
13	999 591 499 02	Speed nut		6	M680
		4,8			
14	999 507 759 09	Speed nut		2	M680
		4,8			
15	986 645 566 01	Subwoofer		1	M680
	986 645 566 01 A10	Black			
	986 645 566 01 C50	Graphite grey			
	986 645 566 01 S30	Savanna			
	986 645 566 01 G10	Metropole blue			

Model: 986 97

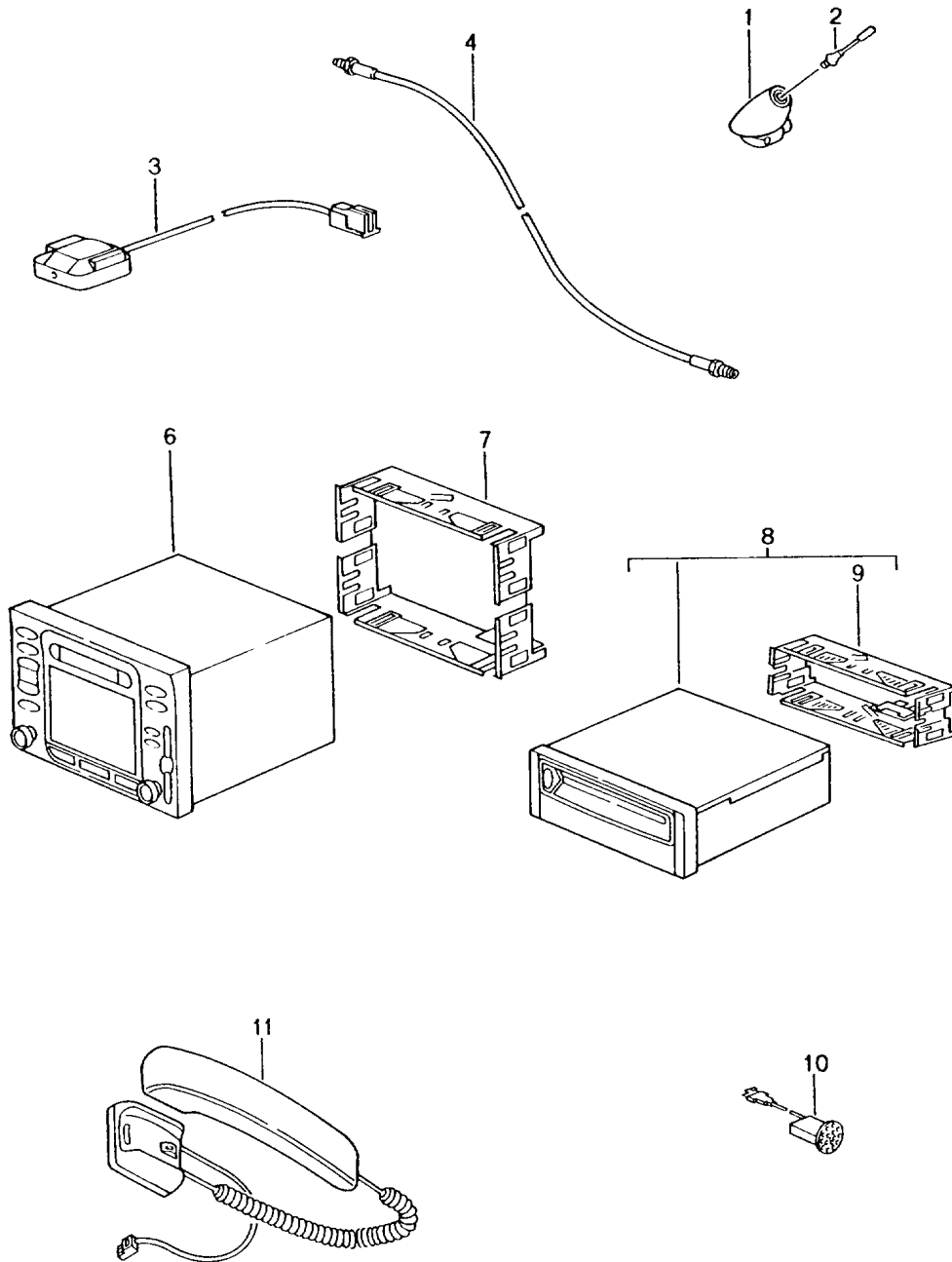
Model life 1997>>2004

Pos	Part Number	Description	Remark	Qty	Model
	986 645 566 01 J30	Nephrite green			
	986 645 566 01 M30	Boxster red			
	986 645 566 01 P11	Cinnamon brown			
	986 645 566 01 D11	Dark grey/natural			
	986 645 566 01 T11	Brown/natural			
	986 645 566 01 R10	Cocoa			
16	986 551 427 00	Rosette		1	M680
	986 551 427 00 01C	Satin black			
17	986 551 429 00	Catch		2	M680
	986 551 429 00 01C	Satin black			
18	986 551 543 00	Thrust washer		2	M680
	986 551 543 00 01C	Satin black			
19	986 551 511 00	Guide rail	03-	2	M680
	986 551 511 00 01C	Satin black			



Model: 986 97

Model life 1997>>2004



Model: 986 97 Model life 1997>>2004

Pos	Part Number	Description	Remark	Qty	Model
		Navigation system See technical information GR.0 , NR. 8/97 Tech. information memo GR.9 , NR. 8A/97 See technical information GR.9 , NR. 2/00 See technical information GR.9 , NR. 2/02	-02		M662
3	996 642 206 00	Antenna		1	
(4)	996 612 970 01	- GPS - Extension cable		1	
(6)	996 642 905 03	- GPS - Control part	-00	1	
	996 642 905 03 EFR	Gloss black Tech. information memo GR.9 , NR. 10/99			
(6)	996 642 905 04	Control part	-01	1	
	996 642 905 04 EFR	Gloss black See technical information GR. 9 NR. 14/01			
-	996 642 953 00	Rotary knob	/L -01	1	
-	996 642 954 00	Rotary knob	/R -01	1	
(6)	996 642 945 00	Control part	02	1	
	996 642 945 00 EWD	Black mat See technical information GR. 9 NR. 14/01			
-	996 642 955 00	Rotary knob	/L 02	1	
-	996 642 956 00	Rotary knob	/R 02	1	
7	996 642 103 01	Retaining frame		1	
(8)	996 642 122 01	Computer	-01	1	
	996 642 122 01 EFR	Gloss black F >>981S6 20383 F >>981U6 24689 F >>981S6 60332 F >>981U6 63060			
(8)	996 642 122 03	Computer	-01	1	
	996 642 122 03 EFR	Gloss black F 981S6 20384>> F 981U6 24690>> F 981S6 60333>> F 981U6 63061>>			
(8)	996 642 122 12	Computer	02	1	
	996 642 122 12 EWD	Black mat			
9	993 645 173 00	Retaining frame		1	