

Model: 971-17**Model life 2017>>**

ORDER-INFO

PET CONTAINS THE ORDERING DETAILS FOR ALL MODELS SHOWN IN THE MODEL OVERVIEW.

THE UPDATE SERVICE IS PERFORMED AUTOMATICALLY VIA INTERNET UPDATE.
THE VERSION IS SHOWN IN THE HEADER AS "UPDATE 123/12"

SEATS AND RELATED ITEMS FOR MODELS INTRODUCED BEFORE 1997 ARE SHOWN IN THE STZ CATALOGUE.

SEATS AND RELATED ITEMS FOR MODELS INTRODUCED AFTER 1997 ARE SHOWN IN THE CORRESPONDING VEHICLE CATALOGUES.

ALL ILLUSTRATIONS ARE NON-BINDING.
SUBJECT TO CHANGE.

Model: 971-17

Model life 2017>>

SUMMARY TYPES

VEHICLE TYPE	MY	VIN	ENGINE TYPE
PANAMERA /4	17 H	97HL1 00061>10000	
PANAMERA /4 (CN,MEX,BR,KOR)	17 H	97HL1 00061>10000	
PANAMERA /4 (USA,CDN)	17 H	A7HL1 00061>10000	
PANAMERA 4S	17 H	97HL1 20061>30000	
PANAMERA 4S (CN,MEX,BR,KOR)	17 H	97HL1 20061>30000	
PANAMERA 4S (USA,CDN)	17 H	A7HL1 20061>30000	
PANAMERA 4S Diesel	17 H	97HL1 30061>35000	
PANAMERA 4S D (CN,MEX,BR,KOR)	17 H	97HL1 30061>35000	
PANAMERA 4S D (USA,CDN)	17 H	A7HL1 30061>35000	
PANAMERA Turbo	17 H	97HL1 50061>55000	
PANAMERA Turbo (CN,MEX,BR,KOR)	17 H	97HL1 50061>55000	
PANAMERA Turbo (USA,CDN)	17 H	A7HL1 50061>55000	
PANAMERA 4 Exe.	17 H	97HL1 60061>75000	
PANAMERA 4 Exe (CN,MEX,BR,KOR)	17 H	97HL1 60061>75000	
PANAMERA 4 Exe. (USA,CDN)	17 H	A7HL1 60061>75000	
PANAMERA 4S Exe	17 H	97HL1 80061>85000	
PANAMERA 4S Ex (CN,MEX,BR,KOR)	17 H	97HL1 80061>85000	
PANAMERA 4S Exe (USA,CDN)	17 H	A7HL1 80061>85000	
Panamera Turbo Exe	17 H	97HL1 87061>89000	
Panamera T Exe (CN,MEX,BR,KOR)	17 H	97HL1 87061>89000	
Panamera T Exe (USA,CDN)	17 H	A7HL1 87061>89000	
PANAMERA /4	18 J	97JL1 00061>20000	
PANAMERA /4 (CN,MEX,BR,KOR)	18 J	97JL1 00061>20000	
PANAMERA /4 (USA,CDN)	18 J	A7JL1 00061>20000	
PANAMERA DIESEL	18 J	97JL1 20061>27000	
PANAMERA Diesel CN,MEX,BR,KOR	18 J	97JL1 20061>27000	
PANAMERA Hybrid	18 J	97JL1 27061>31000	
PANAMERA Hybrid CN,MEX,BR,KOR	18 J	97JL1 27061>31000	
PANAMERA Hybrid (USA,CDN)	18 J	A7JL1 27061>31000	
PANAMERA 4S	18 J	97JL1 31061>37000	
PANAMERA 4S (CN,MEX,BR,KOR)	18 J	97JL1 31061>37000	
PANAMERA 4S (USA,CDN)	18 J	A7JL1 31061>37000	
PANAMERA 4S Diesel	18 J	97JL1 37061>40000	
PANAMERA 4S D (CN,MEX,BR,KOR)	18 J	97JL1 37061>40000	
PANAMERA 4S D (USA,CDN)	18 J	A7JL1 37061>40000	
PANAMERA Turbo	18 J	97JL1 40061>44000	
PANAMERA Turbo CN,MEX,BR,KOR	18 J	97JL1 40061>44000	
PANAMERA Turbo (USA,CDN)	18 J	A7JL1 40061>44000	
PANAMERA Turbo S Hybrid	18 J	97JL1 44061>47000	
PANAMERA TS Hy. CN,MEX,BR,KOR	18 J	97JL1 44061>47000	
PANAMERA TS Hy. (USA,CDN)	18 J	A7JL1 44061>47000	
PANAMERA 4 Exe.	18 J	97JL1 50061>60000	
PANAMERA 4 Exe (CN,MEX,BR,KOR)	18 J	97JL1 50061>60000	
PANAMERA 4 Exe. (USA,CDN)	18 J	A7JL1 50061>60000	
PANAMERA 4H Exe	18 J	97JL1 60061>65000	
PANAMERA 4H Ex CN,MEX,BR,KOR	18 J	97JL1 60061>65000	
PANAMERA 4H Exe (USA,CDN)	18 J	A7JL1 60061>65000	

Model: 971-17

Model life 2017>>

SUMMARY TYPES

VEHICLE TYPE	MY	VIN	ENGINE TYPE
PANAMERA 4S Exe	18	J 97JL1 65061>70000	
PANAMERA 4S Ex (CN,MEX,BR,KOR)	18	J 97JL1 65061>70000	
PANAMERA 4S Exe (USA,CDN)	18	J A7JL1 65061>70000	
Panamera Turbo Exe	18	J 97JL1 70061>72000	
Panamera T Exe CN,MEX,BR,KOR	18	J 97JL1 70061>72000	
Panamera T Exe (USA,CDN)	18	J A7JL1 70061>72000	
Panamera Turbo S Hybrid Exe	18	J 97JL1 72061>74000	
Panamera TSHy Ex CN,MEX,BR,KOR	18	J 97JL1 72061>74000	
Panamera TS Hy Exe (USA,CDN)	18	J A7JL1 72061>74000	
Panamera 4 Sp. Turismo	18	J 97JL1 80061>83000	
Panamera 4 Sp.T CN,MEX,BR,KOR	18	J 97JL1 80061>83000	
Panamera 4 Sp. T (USA,CDN)	18	J A7JL1 80061>83000	
Panamera Diesel Sport Turismo	18	J 97JL1 83061>88000	
Panamera D Sp.T CN,MEX,BR,KOR	18	J 97JL1 83061>88000	
Panamera D Sp.T (USA,CDN)	18	J A7JL1 83061>88000	
Panamera Hybrid Sport Turismo	18	J 97JL1 88061>90000	
Panamera Hy.Sp.T CN,MEX,BR,KOR	18	J 97JL1 88061>90000	
Panamera Hy.Sp.T (USA,CDN)	18	J A7JL1 88061>90000	
Panamera S Sp. Turismo	18	J 97JL1 90061>92000	
Panamera S Sp.T CN,MEX,BR,KOR	18	J 97JL1 90061>92000	
Panamera S Sp.T (USA,CDN)	18	J A7JL1 90061>92000	
Panamera S Diesel Sp. Turismo	18	J 97JL1 92061>95000	
PanameraS D Sp.T CN,MEX,BR,KOR	18	J 97JL1 92061>95000	
Panamera S D Sp.T (USA,CDN)	18	J A7JL1 92061>95000	
Panamera Turbo Sp. Turismo	18	J 97JL1 95061>98000	
Panamera T Sp.T CN,MEX,BR,KOR	18	J 97JL1 95061>98000	
Panamera T Sp.T (USA,CDN)	18	J A7JL1 95061>98000	
Panamera TS Hybrid Sp. Turismo	18	J 97JL1 98061>99000	
PanameraTS Hy.SpT CN,MEX,BR,KO	18	J 97JL1 98061>99000	
Panamera TS Hy.Sp. T (USA,CDN)	18	J A7JL1 98061>99000	

Model: 971-17

Model life 2017>>

SUMMARY ENGINES

VEHICLE TYPE	ENGINE		ENGINE NO.	TECHNICAL DATA
	TYPE	MY		
PANAMERA V6 Bi Turbo	MCS.ZA	17 H CSZ	0001>999999	6Zy1/2,9L /324 KW
PANAMERA V6 Bi Turbo C33	MCS.Z	17 H CSZ	0001>999999	6Zy1/2,9L /324 KW
PANAMERA V6 Turbo	MCX.TA	17 H CXT	0001>999999	6Zy1/3,0L /243 KW
PANAMERA V6 Turbo C33	MCX.T	17 H CXT	0001>999999	6Zy1/3,0L /243 KW
PANAMERA V8 DIESEL	MDB.UC	17 H DBU	0001>999999	8Zy1/4,0L /310 KW
PANAMERA PHEV	MDG.PA	17 H DGP	0001>999999	6Zy1/2,9L /243 KW
PANAMERA PHEV C33	MDG.P	17 H DGP	0001>999999	6Zy1/2,9L /243 KW
PANAMERA V8 Bi TURBO 0K0	MCV.DA	17 H CVD	0001>999999	8ZYL/4,0L /404 KW
PANAMERA V6 Bi Turbo	MCS.ZA	18 J CSZ	0001>999999	6Zy1/2,9L /324 KW
PANAMERA V6 Turbo	MCX.TA	18 J CXT	0001>999999	6Zy1/3,0L /243 KW
PANAMERA V8 DIESEL	MDB.UC	18 J DBU	0001>999999	8Zy1/4,0L /310 KW
PANAMERA PHEV	MDG.PA	18 J DGP	0001>999999	6Zy1/2,9L /243 KW
PANAMERA V8 Bi TURBO 0K0	MCV.DA	18 J CVD	0001>999999	8ZYL/4,0L /404 KW
PANAMERA PHEV V8 Bi TURBO 0K3	MCV.DA	18 J CVD	0001>999999	8ZYL/4,0L /404 KW
PANAMERA PHEV V8 Bi TURBO 0K3	MCV.D	18 J CVD	0001>999999	8ZYL/4,0L /404 KW
PANAMERA Diesel	MDE.PA	18 J DEP	0001>999999	6Zy1/3,0L /221 KW
PANAMERA Diesel	MDE.PB	18 J DEP	0001>999999	6Zy1/3,0L /184 KW
PANAMERA Diesel	MDE.RC	18 J DEP	0001>999999	6Zy1/3,0L /155 KW
PANAMERA Diesel	MDE.RA	18 J DEP	0001>999999	6Zy1/3,0L /190 KW

Model: 971-17

Model life 2017>>

SUMM. TRANSMISS.

VEHICLE TYPE	TRANSM.		TRANSMISSION NO.	TECHNICAL DATA
	TYPE	MY		
PANAMERA 4/S4	COD.S1	17 H	C7130 1 002001>999999	8-GANG
PANAMERA Turbo/S Diesel	COD.S2	17 H	C7150 1 002001>999999	8-GANG
PANAMERA Basis	COD.SA	17 H	C7100 1 002001>999999	8-GANG
PANAMERA Diesel	COD.SB	17 H	C7110 1 002001>999999	8-GANG
PANAMERA V6D/GTS	COD.S4	17 H	C7140 1 002001>999999	8-GANG
PANAMERA 4/S4	COD.S1	18 J	C7130 1 002001>999999	8-GANG
PANAMERA Turbo/S Diesel	COD.S2	18 J	C7150 1 002001>999999	8-GANG
PANAMERA Basis	COD.SA	18 J	C7100 1 002001>999999	8-GANG
PANAMERA Diesel	COD.SB	18 J	C7110 1 002001>999999	8-GANG
PANAMERA V6D/GTS	COD.S4	18 J	C7140 1 002001>999999	8-GANG
PANAMERA PHEV/TS PHEV	COD.S3	18 J	C7160 1 002001>999999	8-GANG
PANAMERA V6 BT PHEV	COD.S5	18 J	C7170 1 002001>999999	8-GANG

Model: 971-17

Model life 2017>>

LEGENDS/NOTICES

LEGENDS AND NOTICES

=====

IN COLUMN -S- STATUS

- N NEW ADDITION
- P PART ALREADY IN PROGRAMME, BUT NEW AT THIS APPLICATION
- W DELETED AT THIS APPLICATION, BUT CONTINUED TO BE CARRIED
- K RACING PART: MARKETED FROM WEISSACH EMW
- A STOCK TO BE USED UP
- U DELETED WITHOUT REPLACEMENT
- * PART ALSO OR ONLY AVAILABLE IN REPAIR KIT
- > ALSO AVAILABLE IN EXCHANGE

IN COLUMN - ILL. -

- 1 IDENTIFICATION NO. IN ILLUSTRATION
- (1) PART ONLY SIMILAR AS ILLUSTRATED
- PART IS NOT ILLUSTRATED

FIG.-NUMBERS FOR WHICH THERE IS SHOWN NO TEXT ARE NOT VALID FOR THIS EDITION OF CATALOGUE

IN COLUMN -PART NUMBER/CODE-

000 000 000 00 PART NUMBER EQUALS ORDERING NO., IF A CODE IS SHOWN, IT WILL HAVE TO BE PART OF ORDERING NUMBER

01C COLOUR CODE

IN COLUMN -TEXT

INSTALLATION WITH ENGINE OR CHASSIS NUMBER-RANGE

EXAMPLE:

M 66W 00389>>

FROM ENGINE NO.

Model: 971-17

Model life 2017>>

F

>>99WS6 00889

UP TO CHASSIS NO.

Model: 971-17

Model life 2017>>

LEGENDS/NOTICES

IN COLUMN - QU - = NO. OF PIECES

1 NUMBER PER APPLICATION

X NUMBER AS NEEDED

* AVAILABLE ONLY IN RUNNING LENGTHS 1 = 1 METRE

IN COLUMN - MODEL/SYMBOL -

I650 OPTIONAL EQUIPMENT - SEE I-NO. LIST
-I650 COMPONENT NOT VALID FOR THIS I-NO.

-98 LIMITATION OF MODEL YEAR FOR INSTANCE: VALID UP TO
END OF MODEL YEAR 1997

/LL LHD

/RL RHD

-----+
/V FRONT I
I

/H REAR I
I----> APPLIES TO

/L LEFT I DIRECTION OF TRAVEL
I

/R RIGHT I
-----+

WW THE PART CAN BE USED INSTEAD OF THE
PRECEDING ONE.

Model: 971-17

Model life 2017>>

COUNTRY-EQIPM.

EQUIPMENT BY COUNTRY REGULATIONS

=====

(A)	AUSTRIA
(AG)	ARABIAN GULF STATES
(AUS)	AUSTRALIA
(B)	BELGIUM
(BR)	BRAZIL
(CDN)	CANADA
(CH)	SWITZERLAND
(CN)	PEOPLE'S REPUBLIC OF CHINA
(D)	FEDERAL REPUBLIC OF GERMANY
(DK)	DENMARK
(E)	SPAIN
(F)	FRANCE
(GB)	GREAT BRITAIN
(GR)	GREECE
(HK)	HONGKONG
(I)	ITALY
(J)	JAPAN
(L)	LUXEMBURG
(N)	NORWAY
(NL)	NETHERLANDS
(NZ)	NEW ZEALAND
(P)	PORTUGAL
(ROK)	KOREA
(RC)	TAIWAN
(THA)	THAILAND
(S)	SWEDEN
(SA)	SAUDI ARABIA
(SF)	FINLAND
(USA)	UNITED STATES OF AMERICA

Model: 971-17

Model life 2017>>

(ZA)

SOUTH AFRICA

Model: 971-17

Model life 2017>>

NR	Description
IA8C	"Standard" equipment
IA8F	"S" equipment
IA8H	"Turbo" equipment
IB0E	Component set for Canada
IB0L	Component set for Japan
IB0N	Component set for Great Britain
IB0R	Component set for Australia
IB0T	Component set for USA
IB1C	Component set for Mexico
IB1D	Component set for Brazil
IB1P	Component set for China
IB2A	Component set PAP LHD
IB2H	Component set for Korea
IDC4	6-cylinder biturbo engine, 2.9 l 316 kW
IDD7	6-cylinder diesel engine 3.0 l/190 kW TDI
IDJ4	8-cylinder diesel engine, 4.0 l 300 KW
IDJ5	6-Zylinder-Dieselmotor 3,0 L/220 KW TDI
IDJ7	8-cylinder diesel engine, 4.0 l 310 KW
IDT4	8-cylinder biturbo engine, 4.0 l 390 kW
IDT6	8-cylinder biturbo engine, 4.0 l 427 kW
IDW4	8-cylinder biturbo engine, 4.0 l 404 kW
ID0D	6-cylinder biturbo engine, 2.9 l 243 kW
ID09	6-cylinder turbo engine, 3.0 l 235 kW
ID1I	6-cylinder turbo engine, 3.0 l 243 kW
ID1V	6-cylinder diesel engine 3.0/155 kW TDI
ID29	6-cylinder biturbo engine, 2.9 l 324 kW
ID51	6-Zylinder-Dieselmotor 3,0 L/184 KW TDI
IEH1	Charging cable length: standard
IEH2	Charging cable length: 7.5 metres
IER1	Region code "ECE" for radio
IER2	Region code "RoW" for radio
IER3	Region code "USA" for radio
IER4	Region code "Mexico/NAR2" for radio
IER5	Region code Japan for radio
IER6	Region code "China" for radio
IER7	Region code "Korea" for radio
IER8	Region code "Taiwan" for radio
IER9	Region code "Rest of ASIA" for radio
IES1	Charging socket, AC type 1, mode 2-3 (NAR/Japan)
IES3	Charging socket, AC type 2, mode 2-3 (EU)
IES4	Charging socket, AC (China)
IE0A	No campaign version, basic equipment
IE0W	GTS version
IE8A	Turbo S version
IFI6	Seat belts in Bordeaux Red
IFI8	Seat belts in Chalk
IFZ0	Standard seat belts (G colour)

Model: 971-17

Model life 2017>>

NR	Description
IGH1	Without rear differential lock
IGH3	PTV Plus (controlled rear-diff. lock)
IGJ0	Without Traffic Jam Assist
IGJ1	Traffic Jam Assist
IGZ0	Without closing aid for doors
IGZ2	Closing aid for doors
IIY1	Model year period from week 22 to week 45
IIY2	Model year period from week 45 to week 22
IJ0B	Battery (92 Ah)Battery (92 Ah)
IKB1	Charger, 3.6 kW
IKB2	Charger, 7.2 kW
IKK1	Refrigerant R134A
IKK3	Refrigerant R1234YF
IKQ1	*
IKQ2	*
IK8D	*
IK8S	Sport saloon
IL0L	Left-hand drive version
IL0R	Right-hand drive version
INZ0	Without call function
INZ3	ERA/GLONASS (emergency call)
IN0K	Partial leather seat covering, embossed for A/C seat
IN0Q	Seat covers in leather, smooth-finish for A/C seats
IN1A	Seat covers in natural leather for A/C seats
IN1P	Full-leather seat coverings, natural leather
IN1V	Full-leather seat coverings, club leather for A/C seat
IN1W	Full-leather seat coverings, club leather
IN1X	Part-leather seat covers, grained
IN5U	Full-leather seat coverings, smooth-finish
IQE0	W/o storage comp. package / box
IQE1	Storage comp. package
IQG1	Maintenance interval extension
IQJ2	Aluminium package
IQJ4	Aluminium package, Black
IQJ5	Aluminium package, Matt Black (Blackline)
IQQ0	Interior lights, standard
IQQ1	Interior lights, standard + ambient
IQQ2	Interior lights, standard + ambient + rear orientation
IQR0	without compass/Sport Chrono/analogue clock
IQR3	Analogue clock on dashboard
IQR5	Sport Chrono Package Plus
IQU1	TV reception + digital radio reception (DAB) MIB
IQU8	SAT radio reception, USA
IQV0	Without TV/SAT/DAB reception
IQV1	With TV reception/TV tuner

Model: 971-17

Model life 2017>>

NR	Description
IQV3	Digital radio reception (DAB)
IQ1G	Standard front seats, 6/8-way
IQ1J	Sports seats, front, 18-way
IQ2J	Comfort seats, front
IUE4	*
IUI2	2 X USB/IPOD interface
IUI4	AUX-IN and USB/IPOD electric interface
IUX5	Standard valve
IUX6	TPM valve, Silver
IUX7	TPM valve, Black
IU5C	Instrument insert, mph indication, USA
IU5D	Instrument insert, km/h indication, Canada
IVC0	Without garage door opener
IVC1	Garage door opener, 433 MHz
IVC2	Garage door opener, 315 MHz
IVH0	*
IVH2	*
IVL0	Pedestrian protection, standard
IVL2	Pedestrian protection, enhanced
IVR4	Sill covers (Sport Design package)
IVT2	Door entry guards, aluminium, illuminated
IVW5	Insulating glass in rear
IVW6	Insulating glass, privacy from B-pillar, rear
IV57	19" Panamera standard wheel (9/10, 5X19)
IV58	19" Panamera S wheel (9/10, 5X19)
IXAF	Turbo aerokit
IXAJ	Painted sill covers
IXAP	Sport Design Package (Aerokit)
IXAR	Sill covers
IXCA	Dashboard trim strip (3-part) sports seats
IXCB	Instrument surround sports seats
IXCC	Side air vents sports seats
IXCD	Center air vent bracket sports seats
IXCE	Rear center console sports seats
IXCG	Sports seat backrest in Aluminium Look finish
IXCH	Side/centre air vent slats, sports seats
IXCK	Rear center console in Galvano Silver
IXCL	Instrument surround in Galvano Silver
IXCN	Side air vents in Aluminium Look finish (997)
IXCY	Center air vent in Aluminium Look finish
IXCZ	Short shifter
IXDG	Rims painted in high-gloss Black
IXDS	Ignition lock surround in leather
IXDV	Dashboard end-trim in leather
IXDZ	Selector lever cover in leather
IXD9	Wheel painted in body colour
IXEA	Passive handset in leather

Model: 971-17

Model life 2017>>

NR	Description
IXEP	Preparation for "Rear Seat Entertainment"
IXES	Preparation, illuminated door entry guard
IXET	Preparation for coolbox in rear
IXEX	Headlights, Black
IXEY	LED headlights, dynamic Cornering light
IXE8	Gear lever knob aluminium/dark burr maple/leather
IXE9	Handbrake lever aluminium/dark burr maple/leather
IXFD	Instrument dials in Sand Beige
IXFE	Instrument dials in Terracotta
IXFF	Instrument dials in Brown/Natural
IXFG	Instrument dials in Guards Red
IXFH	Instrument dials in Speed Yellow
IXFJ	Instrument dials in Carrara White
IXFL	Instrument dials painted in Luxor Beige
IXFY	20" Panamera Sport wheel, Platin.
IXGB	Decorative dashboard trim, carbon
IXGC	Dashboard carbon/Alcantara
IXGE	Handle recess insert, carbon
IXHA	Decorative inlays, leather
IXJL	Makassar Ebony side air vent
IXJM	Sycamore side air vent
IXJN	Makassar Ebony center air vent
IXJP	Sycamore center air vent
IXJR	Makassar Ebony windscreen defroster panel
IXJS	Sycamore windscreen defroster panel
IXJT	Makassar Ebony rear center console
IXJU	Sycamore rear center console
IXJ4	Leather cover for ignition lock surround
IXKB	Side air vent in light burr maple
IXKC	Side air vent in dark burr maple
IXKD	Side air vent in Carbon
IXKG	"Defroster trim in light burr maple; leather"
IXKH	"Defroster trim in dark burr maple; leather"
IXKJ	Defroster trim in Carbon/leather
IXKL	Leather speaker covers
IXKM	Speaker covers in light burr maple
IXKN	Speaker covers in dark burr maple
IXKP	Carbon speaker covers
IXKR	Center air vent bracket in light burr maple
IXKS	Center air vent bracket in dark burr maple
IXLF	Sports exhaust system
IXLG	Centre console storage bin cover in Alcantara, with logo
IXLP	Sports tailpipes, Black
IXLR	Sports tailpipes, Panamera
IXMA	Rooflining in leather

Model: 971-17

Model life 2017>>

NR	Description
IXME	Rear section of centre console painted
IXMF	Front center console including 2 storage bins, leather
IXMJ	Rear section of centre console in Carbon
IXML	Rear center console in light burr maple
IXMP	Leather sun visor, 2 illuminated vanity mirrors *
IXMR	Sun visor in leather, 2 illuminated vanity mirrors,
IXMZ	Rear section of centre console in leather
IXNB	Rear center console in dark burr maple
IXNG	Instrument surround in leather
IXNN	Center air vent bracket in leather
IXNR	Carbon center air vent bracket
IXNS	Leather steering column trim, 4-part
IXNU	Leather trim strip (dashboard)
IXNV	Trim strip (dashboard) in light burr maple
IXNW	Trim strip (dashboard) in dark burr maple
IXNX	Carbon trim strip (dashboard)
IXN3	Dashboard side air vent in leather
IXPA	3-spoke sports steering wheel in leather interior co
IXPB	3-spoke sports steering wheel, light burr maple, leather
IXPC	3-spoke sports steering wheel, dark burr maple, leather
IXPD	3-spoke sports steering wheel, Carbon/leather
IXPG	3-spoke sports steering wheel, sports seats
IXPT	Centre console storage bin lid with crest
IXPU	Multi-function steering wheel Galvano Silver, new generation
IXPV	Multi-function steering wheel, Galvano Silver
IXPW	Instrument surround in light burr maple
IXPX	Instrument surround in dark burr maple *
IXPY	Carbon instrument surround
IXRB	18-inch Sport Classic II wheel
IXRC	18-inch SportTechno wheel
IXRL	18-inch SportDesign wheel
IXRN	17-mm spacers, rear
IXRP	5-mm spacers, front/rear
IXRR	19-in. Carrera Sport wheel
IXRU	20" Sport Classic wheel
IXRW	Panamera Sport wheel, 20"
IXRX	Panamera Sport wheel 20" in body colour
IXRY	Panamera Sport wheel 20" in Black
IXRZ	20" Sport Classic wheel, Black
IXSC	Porsche Crest embossed in headrest
IXSD	Front seat controls in leather
IXSH	Silver seat belts

Model: 971-17

Model life 2017>>

NR	Description
IXST	Seat belts in Sand Beige
IXSU	Upholstered seat
IXSW	Seat belts in Maritime Blue
IXSX	Seat belts in Guards Red
IXSY	Seat belts in Speed Yellow
IXTG	Inner door sills in leather
IXTJ	Door panel parts in light burr maple
IXTK	Door panel parts in dark burr maple
IXTL	Door panel parts in Carbon
IXTR	Door panel parts in Aluminium Look finish
IXTT	Makassar Ebony door panel parts
IXTU	Sycamore door panel parts
IXTV	Leather door panel parts
IXTW	Door panel parts in Galvano Silver
IXUB	Cover on headlight cleaning system, painted
IXUF	SportDesign rear apron
IXUL	SportDesign rear apron, painted Black *
IXUV	Centre console storage bin lid with logo
IXVM	Leather center air vent
IXVP	Trim strip including cupholder cover in leather
IXVR	Side/centre air vent in leather
IXV1	Defroster trim in leather
IXWR	PDK gate frame in Aluminium Look
IXWS	PDK gate frame painted
IXWT	PDK gate frame painted Black
IXWU	PDK gate frame in leather
IXXB	Door entry guards, stainless steel, illuminated
IXXC	Door entry guards, aluminium, illuminated
IXXD	Door entry guards, carbon, illuminated
IXXF	Red tail lights
IXXP	Tail lights, darkened
IXXV	Sports-look pedals
IXXZ	Footrest
IXX1	Floor mats, logo, leather border
IXX2	Illuminated footwell
IXYA	PDK selector lever (EXC)
IXYB	Fuel tank cap in Aluminium Look
IXYR	Porsche Crest on armrest front
IXYS	Model logo on armrest front
IXYT	Porsche Crest on armrest front and rear
IXYU	Model logo on armrest

Model: 971-17

Model life 2017>>

NR	Description
	front and rear
IXYV	Porsche Crest on front headrest
IXYW	Porsche Crest on front and rear headrests
IXZB	Carbon centre air vent
IXZD	Interior light surround in leather
IXZY	Decorative inlays in Mahogany Yachting
IXZZ	Multi-function steering wheel, Mahogany Yachting
IX45	Instrument dial in interior color
IX47	Gear lever knob in Carbon/leather
IX54	Stainless steel tailpipes
IX69	Door entry guards in Carbon with logo
IX70	Door entry guards in stainless steel with logo
IX71	Instrument dial painted/Aluminium Look finish
IX72	Gear lever knob aluminium/light burr maple/leather
IX73	Turbo sports suspension
IX74	Sports suspension (exclusive)
IX75	Differential lock (exclusive)
IX76	Inner door sill guard, left/right
IX80	Panamera Turbo power kit
IX97	Gear lever knob in aluminium/leather
IX99	Natural leather
I0E1	Short wheelbase
I0E2	Long wheelbase
I0F5	Diesel fuel system
I0GG	Emissions compliance EU 4
I0JA	Weight class 1, front axle - 1170-1210 kg
I0JB	Weight class 2, front axle - 1211-1226 kg
I0JC	Weight class 3, front axle - 1227-1251 kg
I0JD	Weight class 4, front axle - 1252-1276 kg
I0JE	Weight class 5, front axle - 1277-1292 kg
I0JF	Weight class 6, front axle - 1293-1328 kg
I0JG	Weight class 7, front axle - 1329-1428 kg
I0J2	Load group 1 FA/1 RA
I0J3	Load group 1 FA/2 RA
I0J5	Load group 2 FA/2 RA
I0J8	Load group 2 FA/1 RA
I0K0	Without alternative drive system
I0K3	Hybrid drive system PHEV
I0M2	Fuel tank, 75 l
I0M4	Fuel tank, 90 l
I0N1	Without rear axle steering
I0N5	Rear axle steering
I0P0	Standard tailpipe
I0P3	Sport tailpipe covers, Silver
I0P6	Sports tailpipe covers, Black
I0P8	Sports exhaust system
I0P9	Sports exhaust system, Black tailpipe

Model: 971-17

Model life 2017>>

NR	Description
I0RC	With electric steering column lock
I0RZ	Without electric steering column lock
I0YA	Weight class 1, rear axle - 1039-1074 kg
I0YB	Weight class 2, rear axle - 1075-1128 kg
I0YC	Weight class 3, rear axle - 1129-1159 kg
I0YD	Weight class 4, rear axle - 1160-1215 kg
I0YE	Weight class 5, rear axle - 1216-1244 kg
I0Y1	Standard climatic zone
I0Y2	Tropical climatic zone
I0Y3	Cold climatic zone
I0Y5	Cold and tropical climate zone
I002	China Panamera, basic, long
I017	Basic equipment
I021	Instrument cluster dials in Black/Silver
I022	Black-coloured instrument dials, instrument cluster
I023	Silver -coloured instrument dials, instrument cluster
I024	Version for Greece
I025	Black-coloured instrument dials, stopwatch
I026	Silver-coloured instrument dials, stopwatch
I029	Standard chassis
I030	Sport-type chassis
I032	Touring suspension
I033	Panamera Edition
I034	Version for Italy
I05A	*
I05B	*
I05C	*
I05D	*
I058	Impact absorbers, front and rear
I060	Turkey version
I061	Version for Great Britain
I062	Version for Sweden
I063	Version Luxemburg
I064	Version for Netherlands
I065	Version for Denmark
I066	Version for Norway
I067	Version for Finland
I068	PAP right-hand drive version
I069	Other country version
I071	EU country version
I072	Version for Mexico
I073	Version for Russia
I074	PAP left-hand drive version
I075	China version
I080	Fuel tank, 80-litre

Model: 971-17

Model life 2017>>

NR	Description
I081	Fuel tank, 100-litre
I086	Korea version
I1A2	Petrol direct fuel injection (DFI)
I1A5	Engine variant with reduced compression
I1BH	Suspension/dampers, standard 2 PASM
I1BK	Air suspension with levelling system and height adjustment (PASM)
I1D0	Without towball
I1D3	Trailer hitch, electrically retractable, ECE R55
I1D7	Preparation for detachable trailer coupling
I1E1	Carbon canister
I1E9	without carbon canister with SCR
I1G6	Spare wheel, space-saving - 20 inch
I1KA	Rear disc brakes, disc diameter 19 inches, brake calliper painted Green
I1KB	Rear disc brakes, disc diameter 19 inches, Black brake callipers, (NAR)
I1KC	20" rear disc brakes, Red, NAR (Short Wheel Base)
I1KF	Rear brake discs, disc diameter 18 inches, Black brake callipers, (NAR)
I1KG	20" rear disc brakes, Red, Long Wheel Base USA
I1KJ	Rear disc brakes, disc diameter 19 inches, brake calliper painted Green
I1KQ	20" rear disc brakes, Yellow (PCCB)
I1KU	Rear disc brakes, disc diameter 19 inches, Black brake callipers,
I1KW	Rear disc brakes - disc diameter 17 inches, brake calliper painted black
I1KZ	Rear disc brakes, 18-inch disc diameter, brake calliper painted black
I1LC	*
I1LD	Front disc brake, 18-inch disc diameter, brake calliper painted silver, North America
I1LH	Rear disc brake - disc diameter 19 inches, brake calliper painted red
I1LI	*
I1LJ	20" front disc brakes, RED, RoW
I1LK	Front disc brake, disc diameter 19 inches, brake calliper painted Green
I1LL	Front disc brake, disc diameter 19 inches, brake calliper painted Green
I1LM	Front disc brake, disc diameter 19 inches,

Model: 971-17

Model life 2017>>

NR	Description
I1LN	brake calliper painted Black Front disc brake - 18-inch disc diameter, brake calliper painted Black
I1LP	Front disc brakes, disc diameter 19 inches, brake calliper painted Black
I1LU	Front disc brake - 18-inch disc diameter, brake calliper in anodised silver
I1LV	Front disc brake - 20-inch disc diameter plus brake calliper painted Yellow (PCCB)
I1LW	20" front disc brakes, Red (USA)
I1NE	Wheel centres STANDARD
I1NP	Wheel centres with full-colour Porsche Crest (concave)
I1N1	Power steering
I1N3	Speed-dependent power-assisted steering (servotronic)
I1PC	Wheel bolts with theft protection
I1PE	Wheel bolts with theft protection (Thatcham)
I1P0	Standard suspension
I1P7	PDCC/eAWS
I1U0	Without folding table
I1U1	*
I1XE	3-spoke multi-function steering wheel, wood, Anthracite Birch with radio controls
I1XG	Multi-function steering wheel, American Walnut, Brown, heated
I1X1	All-wheel drive
I1X2	Rear-wheel drive
I1ZL	Front disc brake, 19-inch disc diameter, brake calliper painted red, North America
I1ZQ	Front disc brake, disc diameter 20 inches, brake calliper painted Acid Green, PCCB
I1ZT	Front disc brake, 18-inch disc diameter, brake calliper painted black, North America
I111	Version for Austria
I113	Version for Canada
I114	Version for Taiwan
I119	Version for Spain
I124	Version for France
I126	Control and indications in French lettering
I127	Control and indications in Swedish lettering
I130	Control and indications in English lettering
I159	Curbed engine, 155 kW/211 bhp

Model: 971-17

Model life 2017>>

NR	Description
I160	Emissions concept EU 4 w/o OBD
I161	Emissions concept EU 4 with OBD
I162	Emissions concept LEV-2
I164	Emissions concept ULEV 2
I165	Emissions concept EU 5
I167	Emissions concept EU4, ethanol
I168	Emissions concept EU5, Japan (hybrid)
I170	Acoustic package RoW
I171	Acoustic package USA
I172	Acoustic package PAP, China, Korea
I176	Sports exhaust system
I182	Hot country
I186	Tailpipes, sports exhaust system Turbo S
I193	Version for Japan
I194	Battery, 60 Ah
I195	Battery, 70 Ah
I196	Battery, 80 Ah
I197	Stronger battery
I198	Enhanced starter motor (1.7 kW)
I199	Battery disconnection switch
I2C4	Steering column, reach + height adjustable with memory
I2C5	Steering column, reach + height adjustable, mechanical
I2D0	Without Sport Design package
I2D1	SportDesign package
I2D4	Sport Design package, exterior colour
I2D5	Sport Design package, Black
I2EA	19" rear disc brakes, Silver
I2ED	Rear brake discs, disc diameter 20 inches, brake calliper painted Acid Green
I2EE	Rear disc brakes - 18-inch disc diameter, brake calliper in anodised silver
I2EF	Rear disc brakes, disc diameter 19 inches, Silver brake callipers, (NAR)
I2EG	20" rear disc brakes, Red, Short Wheel Base
I2EH	Rear disc brakes - disc diameter 19 inch Brake calliper painted yellow (PCCB)
I2EJ	Rear disc brakes, disc diameter 18 inches, Silver brake callipers (NAR)
I2EM	20" rear disc brakes, Red, Long Wheel Base
I2EN	Rear brake discs, disc diameter 19-inches, Brake callipers, Red
I2FF	Multi-function steering wheel, Red Gum, heated
I2FG	Multi-function steering wheel, Paldao, heated

Model: 971-17

Model life 2017>>

NR	Description
I2FX	*
I2G0	Without insert for filling with diesel
I2G1	Insert for fuelling with unleaded petrol
I2G4	Insert for fuelling with unleaded petrol (CARB Diagnosis)
I2HB	Interior sound measures (shaker)
I2V1	Without ioniser
I2V4	Ioniser
I2ZH	3-spoke multi-function steering wheel, heated
I2ZM	3-spoke multi-function steering wheel
I200	95 Ah battery
I201	105 Ah battery
I206	Electrically extendable trailer hitch
I209	Licence plate holder version 1
I210	Licence plate holder version 2
I211	Licence plate holder version 3
I215	Version for Saudi Arabia
I218	Licence plate holder version 4
I219	Differential
I220	Locking differential 40 %
I221	PTV Plus, el. controlled rear-diff. lock
I225	Version for Belgium
I230	Tyres ZR 18" (245/50, 275/45)
I231	Tyres ZR 19" (255/45, 285/40)
I232	Tyres ZR 20" (255/40, 295/35)
I234	All-season ZR 20 Rolling resistance optimised
I235	All Season tyres, ZR 19" (255/45, 285/40)
I236	All-season tyres R19 (255/45, 285/40)
I237	All-season tyres ZR 19"
I250	PDK transmission (dual clutch)
I255	Manually retractable exterior mirrors with memory
I257	Manually retractable exterior mirrors, with automatic dimming and memory
I258	Electrically retractable exterior mirrors
I259	Electrically retractable ext. mirrors with memory
I260	Electrically retractable exterior mirrors with automatic dimming
I261	Electrically retractable exterior mirrors with automatic dimming and memory
I263	Left exterior mirror glass, flat
I264	Left exterior mirror glass, convex
I265	Left exterior mirror glass, aspherical

Model: 971-17

Model life 2017>>

NR	Description
I266	Automatic anti-dazzle door mirror
I267	Automatically dimmable interior and door mirrors
I268	Rain sensor
I270	Door mirrors -flat - driver's side, electrically adjustable and heatable
I271	Door mirrors -aspherical- driver's side, electrically adjustable and heatable
I273	Door mirrors, electrically adjustable and heatable
I274	Vanity mirror, illuminated
I275	Manual anti-dazzle interior mirror
I276	Automatic anti-dazzle interior mirror
I277	Version for Switzerland
I284	Right exterior mirror glass, convex
I285	Right exterior mirror glass, aspherical
I288	Headlamp washer
I3D1	Centre console STANDARD (PVC)
I3D5	Centre console Alcantara
I3D8	Centre console Leather, smooth
I3FA	Without roof insert
I3FU	Porsche large roof system
I3GA	without cargo management
I3GD	Level loadspace floor, rear
I3GN	*
I3I1	*
I3J4	Front headrests, standard
I3KG	Standard rear seats (40/60), Comfort
I3KH	Standard rear seats (40/60), Sport
I3KI	Premium rear seats (40/20/40), Comfort
I3KJ	Premium rear seats (40/20/40), Sport
I3KK	Premium rear seats (40/20/40), Comfort, electric
I3KL	Premium rear seats (40/20/40), Sport, electric
I3KN	Rear seat lumbar area (40/40) Comfort, electric
I3KR	Rear seat lumbar area (40/20/40), standard, electric
I3LD	Door & side trim panel - standard - PAG
I3LH	Door trim and side wall - all leather -- pillars/rooflining in Alcantara - PAG
I3LM	Door panel/side trim panel in natural leather
I3LT	Door, side trim panel in two-colour natural leather
I3L4	Front seat adjustment, electric, Driver's seat, memory (left)
I3L5	Front seat adjustment, electric
I3L6	Front seat adjustment, electric, Driver's seat, memory (right)

Model: 971-17

Model life 2017>>

NR	Description
I3PB	Front seat adjustment, left electrical, right manual
I3PH	Front seat adjustment, right electrical and memory, left manual
I3PN	Front seat adjustment, electric, both with memory
I3U4	Roll-up blind for luggage compartment cover
I3U7	Rear shelf (fixed luggage cover)
I3VI	ACC high with Innodrive
I3V1	ACC High with Innodrive
I3X1	Ski bag
I3Y0	without sun blind
I3Y2	Roll-up sunblind for rear window, electric
I3Y7	Roll-up sun blind, side windows, rear, electric
I3Y8	Electric roll-up sunblind for rear side window
I3Z6	Without business package
I3Z7	Business package
I301	Transmission ratio long
I325	Version for South Africa/New Zealand
I335	Automatic seat belt, 3-point, rear
I338	Rear-wheel drive
I339	All-wheel drive
I340	Wheel rims painted in basic colour
I342	Seat heating, left/right seat
I343	Adjustable heated seats, front and rear
I345	Heated steering wheel
I350	Air suspension
I351	Air suspension with PDCC
I352	Electronic damper control for PASM and PDCC
I354	Air suspension and PASM Comfort
I355	Air suspension and PASM, PDCC Comfort
I367	Standard seat, left, 8-way
I368	Standard seat, right, 8-way
I369	Standard seat, left
I370	Standard seat, right
I375	Sports seat, backrest shell, left
I376	Sports seat, backrest shell, right
I377	Sports seat, backrest shell, left, electrically adjustable
I378	Sports seat, backrest shell, right, electrically adjustable
I379	Power seat, left, 14-way
I380	Power seat, right, 14-way
I381	Seat upholstery, standard

Model: 971-17

Model life 2017>>

NR	Description
I382	Vertical seat adjustment, left
I383	Vertical seat adjustment, right
I388	Sports bucket seat, left
I389	Sports bucket seat, right
I390	Sports seat, left, 18-way
I391	Sports seat, right, 18-way
I4AA	*
I4AP	Door/side trim panel, standard two-colour
I4A0	Without seat heating
I4A3	Heated seats, front
I4A4	Heated seats, front/rear
I4D0	Without seat ventilation/massage seats
I4D1	Seat ventilation for A/C seat front and rear
I4D2	Seat ventilation/massage seats, front and rear
I4D3	Seat ventilation (front), a/c seat
I4D5	Seat ventilation/massage seats, front
I4D7	Massage seat, front
I4D9	Seat ventilation/massage seat, front and seat ventilation, rear
I4E6	Powerlift tailgate with virtual pedal (Powerliftgate)
I4E7	Power closing for rear lid
I4F2	Central locking, Keyless Entry, RoW
I4F6	Central locking, Keyless Entry, NAR
I4GC	Windscreen in heat-insulating glass, with top tint
I4GK	Windscreen, insulating glass with top tint
I4I6	Central locking, Keyless Go, RoW
I4I8	Central locking, Keyless Go, without Safe NAR
I4KC	Green heat-insulating glass in rear
I4KF	Dark tinted glass in rear
I4K0	Central-locking system with key remote and interior operation
I4K3	Central locking with remote control, inner release and safe lock system
I4M1	Cupholder closed
I4M3	Rear cup holder
I4N1	Padded dashboard
I4N5	Dashboard in natural leather
I4N6	*
I4N8	Dashboard in leather
I4SV	Vanity mirror in rear left
I4TV	Vanity mirror in rear right
I4UB	Airbag for NAR
I4UE	Driver/passenger airbag

Model: 971-17

Model life 2017>>

NR	Description
I4UF	Driver/passenger airbag (passenger deactivatable)
I4X3	Front side airbag with head airbag
I4X4	Front and rear side airbag with head airbag
I402	Carrera 3 wheel 18-inch
I403	Carrera S wheel 19-inch
I404	19" Turbo-1 wheel
I405	Carrera Classic wheel 19-inch
I406	Carrera GT wheel 19-inch/20-inch
I407	SportDesign wheel 19-inch
I410	18" Turbo-2/Panamera wheel
I411	18-inch Carrera wheel -->2005 19-inch Carrera wheel 2012-->
I413	Panamera S wheel, 18"
I414	Carrera S Facelift 18" wheel
I415	Panamera Turbo wheel, 19"
I416	Panamera Design wheel, 19"
I417	RS Spyder Design wheel, 20"
I418	911 Turbo 2 wheel, 20"
I419	Carrera S Facelift 19" wheel
I421	Turbo 2 wheel, 19"
I424	Cd compartment
I425	Rear window wiper
I426	Without rear window wiper
I429	20" 911 Turbo III wheel
I43S	21" Sport Design wheel (9.5/11.5X21) High-Gloss Black
I43T	21" Sport Design wheel (9.5/11.5X21) Gloss Platinum Silver
I43U	21" Sport Design wheel (9.5/11.5X21) Jet Black Metallic
I43V	*
I43W	*
I431	Multi-function steering wheel, touch + feel
I432	19" Carrera wheel (6)
I436	Panamera Sport Design wheel, 19"
I437	Comfort seat, left, electrically adjustable
I438	Comfort seat, right, electrically adjustable
I44A	21" Panamera Exclusive wheel (9.5/11.5X21) High-Gloss Black
I44B	21" Panamera Exclusive wheel (9.5/11.5X21) Jet Black
I44C	21" Panamera Exclusive wheel (9.5/11.5X21) Platinum
I44D	21" Panamera Sport Design wheel (9.5/11.5X 21)
I44E	21" Panamera 911 Turbo wheel (9.5/11.5)

Model: 971-17

Model life 2017>>

NR	Description
I44F	21" Panamera Exclusive wheel (9.5/11.5X21) Platinum Silver
I44G	20" Panamera Turbo wheel (9.5/11.5X20)
I44H	20" Panamera Design wheel (9.5/11.5X20)
I440	Antenna diversity
I444	Anti-theft lock, wheel bolts "THATCHAM"
I446	Concave wheel centers with full-colour Porsche Crest
I447	Emergency wheel
I448	Brake pad; sport version
I450	Ceramic brake (PCCB)
I451	Multi-function steering wheel, Makassar Ebony, touch + feel
I452	Multi-function steering wheel, Sycamore, touch + feel
I453	Multi-function steering wheel, Carbon, touch + feel
I454	Automatic speed control
I456	Automatic distance control (ACC)
I457	Lane Change Assist
I458	Lane departure warning
I459	3-spoke airbag steering wheel, touch + feel
I460	20" RS Spyder Design wheel
I461	External antenna
I462	Comfort air pressure, 270 km/h
I463	Comfort air pressure, 100 mph
I464	Comfort air pressure, low speed, USA
I465	Rear fog light, left
I466	Rear fog light, right
I471	19" Panamera Turbo II wheel
I472	19" Panamera Design II wheel
I475	"PASM" electronic damper control
I476	Porsche Stability Management (PSM)
I479	Version for Australia
I480	6-speed manual transmission
I482	Tire Pressure Monitoring TPM, 433 MHz
I483	315-MHz TPM, Tire Pressure Monitoring
I484	Version for USA
I488	Inscriptions in German language
I490	Sound system "ASK"
I492	Headlights for left-hand traffic
I498	Deletion of model designation on rear end
I499	Version for Germany
I5D1	Carrier frequency 433.92 MHz
I5D4	Carrier frequency 315 MHz without panic button
I5D8	Carrier frequency 434 MHz
I5KA	Rear seats, Comfort (40/20/40)
I5KH	Rear seats, Sport (40/20/40)

Model: 971-17

Model life 2017>>

NR	Description
I5MB	Decorative inlay in Swedish Birch Anthracite
I5MH	Carbon decorative inlays
I5MP	Decorative inlays in American Walnut, Brown
I5RQ	Door mirror, right, convex
I5RR	Door mirror, right, convex (US)
I5RT	Door mirror, right, convex (AGCC)
I5RV	Door mirror, right, aspherical
I5SG	Door mirror, left, flat
I5SJ	Door mirror, left, convex
I5SL	Door mirror, left, aspherical
I5TE	Aluminium decorative inlays (satin finish)
I5TL	Decorative inlay in Piano Look
I5ZF	Front/rear headrests with embossed crest
I5ZJ	Front/rear headrests with embossed logo
I501	Car cover
I509	Fire extinguisher
I513	Lumbar support, right seat
I516	Rear spoiler in Black
I519	Rear spoiler in Silver
I521	Tilt sensor
I523	Immobiliser, 434 MHz
I524	Immobilizer, central locking, 433 MHz
I525	Immobilizer, central locking, 315 MHz
I532	Alarm system remote control omitted
I534	Theft security system, 433 MHz
I535	Theft security system, 315 MHz
I536	-07 Alarm siren and tilt sensor 08- Alarm siren
I537	Seat position control for comfort seat, left
I538	Seat position control for comfort seat, right
I539	Mechanical seat height adjustment, left
I540	Mechanical seat height adjustment, right
I541	Active seat ventilation (incl. heated seats)
I542	Active seat ventilation, front and rear (incl. heated seats)
I544	Anti-theft protection without infrared monitoring, 433 MHz
I545	Anti-theft protection without infrared monitoring, 315 MHz
I549	Roof Transport System
I553	Version for USA, Canada
I555	Black seat belts
I556	Seat belts in basic colours

Model: 971-17

Model life 2017>>

NR	Description
I560	Advanced airbag
I562	Airbag, driver's side and front passenger's side
I563	Side airbag
I565	Thorax airbag in rear seat backrest
I566	Front fog lights, white
I567	Windscreen tinted, upper part darker coloured
I568	Windscreen without shade band
I569	Standard sill covers, painted
I571	Activated charcoal filter
I572	Manual air-conditioning system
I573	Air conditioner
I574	Without air conditioner
I575	Luggage compartment cooling system
I576	4-zone air conditioning system
I581	Centre console, front
I585	Cupholder
I586	Lumbar support, left seat
I592	Standard rooflining, fabric
I594	Alcantara rooflining
I597	Door sill trims, brushed aluminium
I598	Door entry guards, brushed aluminium
I6A7	With fire extinguisher
I6DQ	Sun visors, mirror (China)
I6E1	Centre armrest, standard
I6E2	*
I6E3	Centre armrest, front - PVC foam film
I6G2	CD/DVD changer (external)
I6I0	Without Lane Keep Assist
I6I1	Lane Keep Assist
I6NA	Roof lining, Alcantra (NAR)
I6NJ	Roof lining, standard fabric (RoW)
I6NN	Roof lining, Alcantra (RoW)
I6NQ	Roof lining, standard, fabric, USA
I6P1	Number-plate holder, rear (ECE)
I6W1	Number-plate holder, front, large (ECE)
I6W2	Number-plate holder, front, small (RoW)
I6W3	Number-plate holder, front (NAR)
I6W4	Front number plate bracket, Japan
I6W7	Number plate bracket, front, China
I6XP	Door mirrors, electrically retractable, electrically adjustable, separately heated
I6XQ	Exterior mirror with memory function, electr. retractable/adjustable, separately heated
I6XT	Door mirrors, automatically dimmable, electrically retractable/adjustable, separately heated + memory
I6XW	Door mirrors, automatically dimmable, electrically

Model: 971-17

Model life 2017>>

NR	Description
	retractable/adjustable, separately heated
I600	Bi-Xenon
I601	Xenon lighting system
I602	LED headlights with dynamic cornering light Plus (PDLs Plus)
I603	Xenon plus dynamic cornering light
I604	Bi-Xenon top and dynamic cornering light
I605	LED daytime driving lights
I606	Daytime driving lights
I607	Garage door opener "Homelink", 315 MHz
I608	Garage door opener "Homelink" 433 MHz
I610	DVD navigation, "Europe package"
I611	DVD navigation South Africa
I612	DVD navigation middle east
I613	DVD navigation australia
I614	DVD navigation asia-pacific
I615	DVD navigation system, North America
I616	DVD, Navigation Russia
I617	DVD Navigation China
I618	Preparation for telephone installation
I619	Mobile phone preparation (BLUETOOTH) without console
I620	Bi-Xenon plus dynamic cornering light, Black
I621	12-V socket, passenger's side, footwell
I625	"KESSY" Porsche Entry and Drive
I626	Charging tray in rear
I627	Bi-Xenon/static AHBA
I630	Interior light package
I631	Traffic sign recognition
I632	PDLs+ dynamic high beam
I633	ParkAssist (front and rear) plus real Topview
I634	ParkAssist (front and rear) with camera (LOW)
I635	Parking assistant
I636	ParkAssist, front and rear
I637	Rear ParkAssist and reversing camera
I638	ParkAssist, front, rear and reversing camera
I639	Sport Chrono package
I640	Sport Chrono Package Plus
I641	electronic logbook
I642	Start/Stop function
I644	Central locking button in rear
I645	Master control button in rear (seat adjustment)
I647	Steering column, mechanically reach/height-adjustable,

Model: 971-17

Model life 2017>>

NR	Description
I648	without ELV Steering column, electrically reach/height-adjustable, without ELV
I650	Electrical sliding roof
I651	Electric window opener
I652	Without sliding/tilting roof
I655	Steering column with mech. reach/height adjustment
I656	Steering column with electric reach/ height adjustment and memory
I657	Power assisted steering
I658	Servotronic
I659	On-board computer
I660	Obd 2
I661	Stricter emission-control concept
I663	Fuel pump activation
I664	Orvr
I665	-2008 PCM 2, 2009- PCM 3 basic module incl. radio
I666	-2008 PCM 2, 2009- PCM 3 telephone (GSM)
I669	PCM 3 - Telephone handset (BLUETOOTH)
I671	Voice control system
I672	-2008 PCM 2, 2009- PCM 3 Offroad navigation
I673	Navigation system preparation, China
I674	"Vehicle Tracking System" preparation
I675	Without radio preparation (Japan navigation system)
I676	TV tuner
I677	"Driver card" antenna
I678	Alarm system connection
I679	Restart inhibitor
I680	BOSE sound package
I682	Top Premium sound system
I685	Rear seats, split
I686	SAT radio reception XM (SDARS)
I688	HD radio reception
I689	Preperation for CD autochanger
I690	CD radio "Porsche Online Pro"
I691	Digital radio reception DAB
I692	CD autochanger "Porsche"
I693	Integrated CD/DVD autochanger
I694	CD radio "PORSCHE CDR 24"
I695	CD radio, Porsche CDR 30
I696	CD radio, Porsche CDR 31
I697	CD radio "Porsche CDR-23"
I7AA	Electronic immobiliser
I7AH	Alarm system, interior surveillance can be deactivated Backup horn
I7AK	Alarm system, interior surveillance,

Model: 971-17

Model life 2017>>

NR	Description
	Alarm horn, tilt sensor
I7AL	Alarm system, interior surveillance, Backup horn, tilt sensor
I7A0	Without CD autochanger/player
I7CA	*
I7CE	*
I7CF	*
I7CP	*
I7E0	Without heat accumulator
I7E6	Auxiliary heater
I7GH	EU4 emissions concept without EOBD
I7G0	Without VTS (Vehicle Tracking System) preparation
I7G5	Preparation, VTS (Vehicle Tracking System), with driver card, connection to alarm system, re-start inhibitor
I7G9	VTS preparation and Porsche Car Connect (pcc)
I7I0	VTS security package (incl. PCC) and keypad
I7I2	VTS security package (with PCC)
I7K3	Tire Pressure Monitoring, 433 MHz
I7K4	Tyre pressure monitoring system 315 MHz
I7MJ	Emissions concept EU 5J
I7MM	Emissions concept EU6 Plus
I7MU	Emissions concept LEV 3/ TIER 3 125
I7MV	Emissions concept EU 6, Japan (Greentax)
I7M3	Door entry guards, carbon
I7M4	Preparation for CT door entry guards, illuminated
I7M8	Door entry guards in Carbon, illuminated
I7M9	Door entry guards in aluminium
I7TC	Exclusive decorative inlays, Paldao wood type
I7TD	Decorative inlays, Red Gum wood type
I7TL	Exclusive decorative inlays, painted
I7TM	Exclusive decorative inlays, leather
I7UG	Navigation device, High
I7V0	Instrument dials in Black
I7V2	Instrument dials, Bordeaux Red
I7V3	Instrument dials in White
I7V4	Instrument dials in Luxor Beige
I7X2	Ultrasound parking aid, front and rear
I7X8	Ultrasound parking aid and reversing camera
I7Y0	Without Lane Change Assist
I7Y1	Lane Change Assist
I70A	Weight group 1, front axle (-950 kg)
I70B	Weight group 2, front axle

Model: 971-17

Model life 2017>>

NR	Description
	(951-965 kg)
I70C	Weight group 3, front axle
	(966-980 kg)
I70D	Weight group 4, front axle
	(981-995 kg)
I70E	Weight group 5, front axle
	(996-1025 kg)
I70F	Weight group 6, front axle
	(1026-1055 kg)
I70G	Weight group 7, front axle
	(1056-1070 kg)
I70H	Household charging cable, type N Brazil
I70L	Household charging cable, type N ZA South Africa
I70Q	Household charging cable, type N, Brazil
I70R	Household charging cable, type N, South Africa
I70S	Household charging cable, type L, Italy
I70T	Household charging cable, type E/F (D/F)
I70U	Household charging cable, type B (JP)
I70V	Household charging cable, type J (CH)
I70W	Household charging cable, type G (GB)
I70X	Household charging cable, type B (USA)
I70Y	Household charging cable, type K, Denmark
I70Z	Household charging cable, type I, Australia
I701	Springs of the next lowest weight group
I71A	Weight group 1, rear axle (-880 kg)
I71B	Weight group 2, rear axle (881-905 kg)
I71C	Weight group 3, rear axle (906-930 kg)
I71D	Weight group 4, rear axle (931-960 kg)
I71E	Weight group 5, rear axle (961-990 kg)
I71F	Weight group 6, rear axle (991-1020 kg)
I71G	Weight group 7, rear axle (1021-1050 kg)
I71Z	Without weight group specification Rear axle
I73B	Industrial charging cable, NEMA 6-30
I73C	Industrial charging cable, NEMA 6-50
I73D	Industrial charging cable, type NEMA 14-30
I73E	Industrial charging cable, NEMA 14-50
I73F	Industrial charging cable, Japan 200V
I73G	Industrial charging cable, CEE 16A/230V/6H

Model: 971-17

Model life 2017>>

NR	Description
I73H	Industrial charging cable, CEE 32A/230V/6H
I73J	Industrial charging cable, CEE 16A/400V/6H
I73K	Industrial charging cable, CEE 32A/400V/6H
I73L	Infrastructure charging cable, fixed (USA)
I73S	Industrial charging cable Japan YP-43
I73U	Industrial charging cable, GB1003
I750	Model year A -(2010) vehicle with technical design status Electric Model year B (2011)-
I77J	Navigation software Argentina
I77K	Navigation software Chile
I789	Colour to sample
I796	Full leather trim natural leather
I798	Full leather trim special leather
I799	Full leather trim by choice
I8A4	Ultrasound parking aid with Real Topview
I8G0	without High beam assist
I8G1	PDLS+ High beam assist
I8G4	PDLS+ incl. Matrix Beam
I8IS	LED headlights, l-h traffic + dyn. cornering light
I8IT	LED headlights (standard LED)
I8IU	LED headlights, PDLS+
I8M0	Without rear wiper
I8M1	Rear wiper
I8SA	side tail light standard design
I8SB	side tail light standard design, Black
I8SI	side tail light (USA, Canada), Black
I8SJ	side tail light (USA, Canada)
I8TC	Rear fog light, right-hand traffic
I8TD	Rear fog light, left-hand traffic
I8T1	Cruise control
I8T3	Automatic distance control (ADC)
I8T6	Cruise control with speed limiter
I8T8	*
I8X0	Without headlight washer system
I8X1	Headlight cleaning system
I8Y1	Standard horns
I8Y2	Horns for extreme driving situations
I801	Makassar Ebony wood package, dark (matt satin finish)
I802	Sycamore package, light (matt satin finish)
I803	Carbon package
I805	Lifestyle package

Model: 971-17

Model life 2017>>

NR	Description
I806	Aluminium package, Black (Blackline)
I810	Floor mats
I817	Decorative inlays in Piano Black
I818	Aluminium decorative inlays
I819	Carbon decorative inlays
I821	Decorative inlays in Dark Walnut
I822	Tineo decorative inlays
I823	Decorative inlays in Anthracite Birch
I824	Decorative inlays in Olive
I826	Decorative inlays in American Walnut
I827	Decorative inlays in American Walnut/Piano Black
I830	Basic rear seats (40/60), Comfort
I831	Basic rear seats (40/60), Sport
I832	Premium rear seats (40/20/40), Comfort
I833	Premium rear seats (40/20/40), Sport
I834	Premium rear seats (40/20/40), Comfort electric
I835	Premium rear seats (40/20/40), Sport electric
I836	Premium rear seats (40/40), Business
I837	Multi-function steering wheel in Walnut
I838	Business package
I840	Sports steering wheel (for PDK with paddle)
I841	Basic steering wheel Smooth leather
I842	Multi-function steering wheel, Dark Walnut
I843	Sports steering wheel in Alcantara
I844	Multi-function steering wheel Smooth leather
I845	Multi-function steering wheel Carbon
I847	Multi-function steering wheel Makassar
I848	Multi-function steering wheel, Anthracite Birch
I849	Multi-function steering wheel, Tineo
I850	Auxiliary/additional heater w/o remote control
I851	Auxiliary/additional heater with remote control
I852	PDLs+ High beam assist
I856	5-mm wheel spacers, rear
I861	Electric roll-up blind, rear side windows
I862	Electric roll-up blind on rear window
I863	Tinted heat-insulating glass
I864	"Privacy" heat-insulating glass
I865	"Clear" heat-insulating glass
I866	"Privacy" heat-insulating glass
I867	Powerlift for rear lid
I868	Roll-up blind for luggage compartment cover

Model: 971-17

Model life 2017>>

NR	Description
I869	Rear shelf (fixed luggage cover)
I870	Universal multimedia interface
I874	Horns for extreme driving situations
I885	Softclose (closing aid for doors)
I890	Folding table, left
I891	Folding table, right
I899	Isofix child-seat restraint on front passenger side
I9AD	Climatronic, free of CFCs
I9AH	4-zone Climatronic, 2 evaporators
I9G1	220 A generator
I9JA	Non-smoker package
I9JB	Smoker version; ashtrays at front and rear
I9M0	Without auxiliary/parking heater
I9M1	Auxiliary water heater with timer
I9M5	Preheater for diesel
I9M9	Auxiliary water heater with timer and remote control
I9P3	Belt control, visual and acoustic for driver and passenger
I9P7	Belt control, visual and acoustic only for driver
I9Q1	Without traffic sign recognition
I9Q6	Traffic sign recognition
I9R0	Without night vision system
I9R1	Night vision system
I9VJ	Burmester High-End sound system
I9VK	Sound package 1/sound package
I9VL	Bose Premium sound system
I9WM	Preparation for "Rear Seat Entertainment"
I9WT	MIRRORLINK (CARPLAY/NLB)
I9WU	MIRRORLINK + RSE PREPARATION
I9WY	MirrorLink with Smart RSE
I9ZC	Telephone module with connection box
I9ZK	Telephone module
I9ZX	Mobile phone preparation
I9Z0	Operating voltage 12 V without autochanger
I9Z2	Plug socket, 115 V/60 HZ
I9Z3	Plug socket, 230 V/50 HZ
I9Z4	Plug socket, 100 V/50 HZ
I911	Model designation 911
I912	without ID plate
I932	Rear seat covers in Alcantara/leather
I936	Seat covers, rear, leather
I937	Seat covers, rear, leatherette
I938	Seat covers rear, leather/leather/leatherette

Model: 971-17

Model life 2017>>

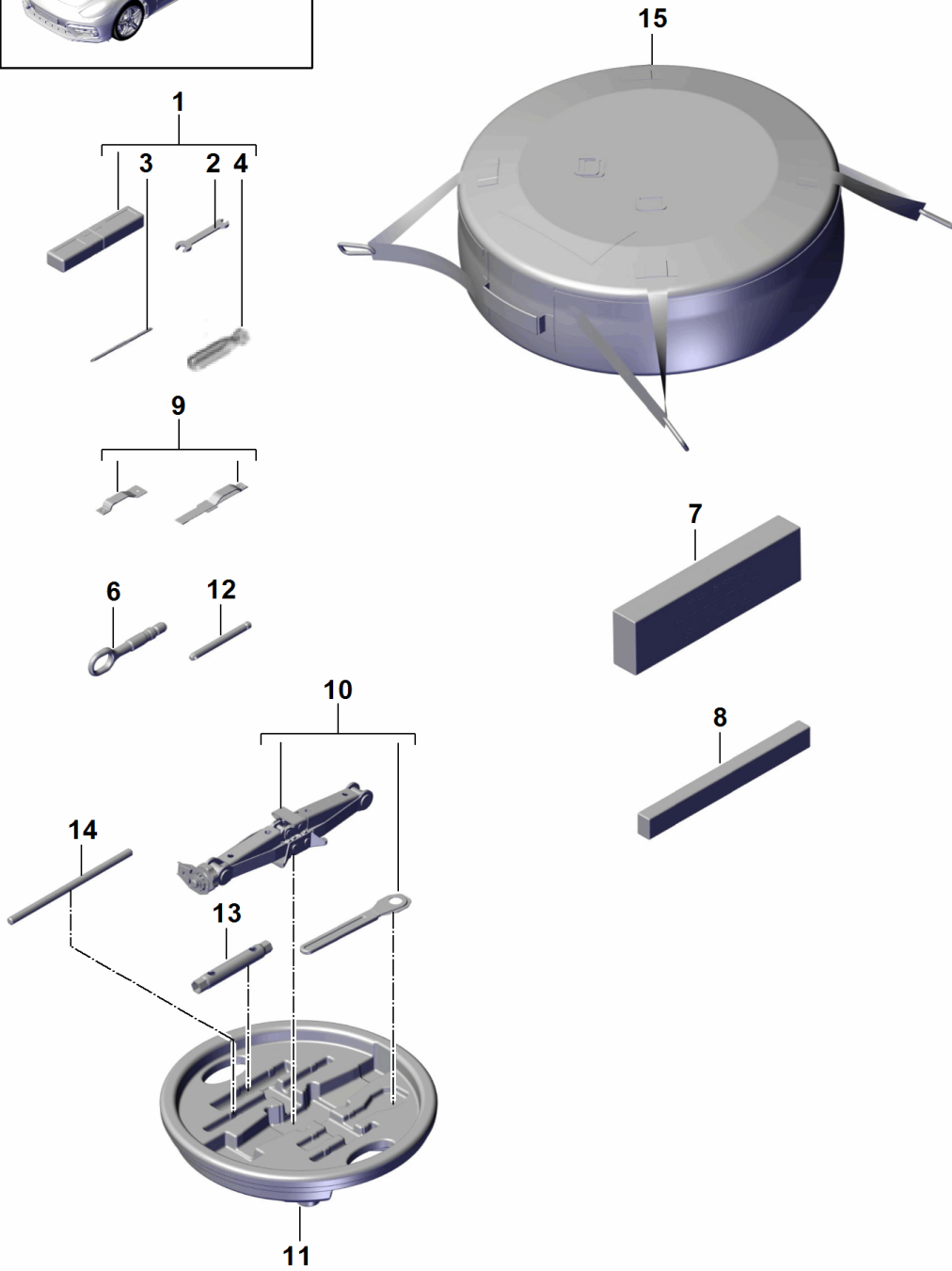
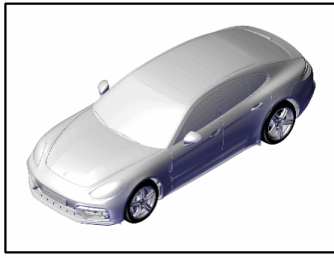
NR	Description
	Partially embossed
I939	Seat covers, rear, draped leather
I940	Seat covers rear, ruff.leather/leather/leatherette Soft ruffled leather, embossed
I941	Seat covers rear, ruffled leather/leather/leather Soft ruffled leather, smooth finish
I943	Seat covers rear, leather/leather/leather Full-leather, smooth finish
I946	Seat covers, front, leather/leather/leatherette
I947	Seat covers fr., ruff.leather/leather/leatherette Soft ruffled leather, embossed
I950	Alcantara seat covers, front
I951	Seat covers front, Alcantara/leather/leather
I970	Two-tone interior
I971	"TORO" embossed leather
I975	Alcantara interior
I980	Leather package
I981	Leather equipment, without seat covers
I982	Seat covers, front, draped leather/leather/leather
I983	Seat covers, front, leather
I985	Seat covers, leather/leather/leatherette, 2
I990	Seat covers, front, cloth/cloth/leatherette
I991	Steering wheel airbag module in leather
I998	Leather, natural
I999	Passenger compartment monitoring sensor for leather colour of choice

Model: 971-17

Model life 2017>>

Model: 971-17

Model life 2017>>



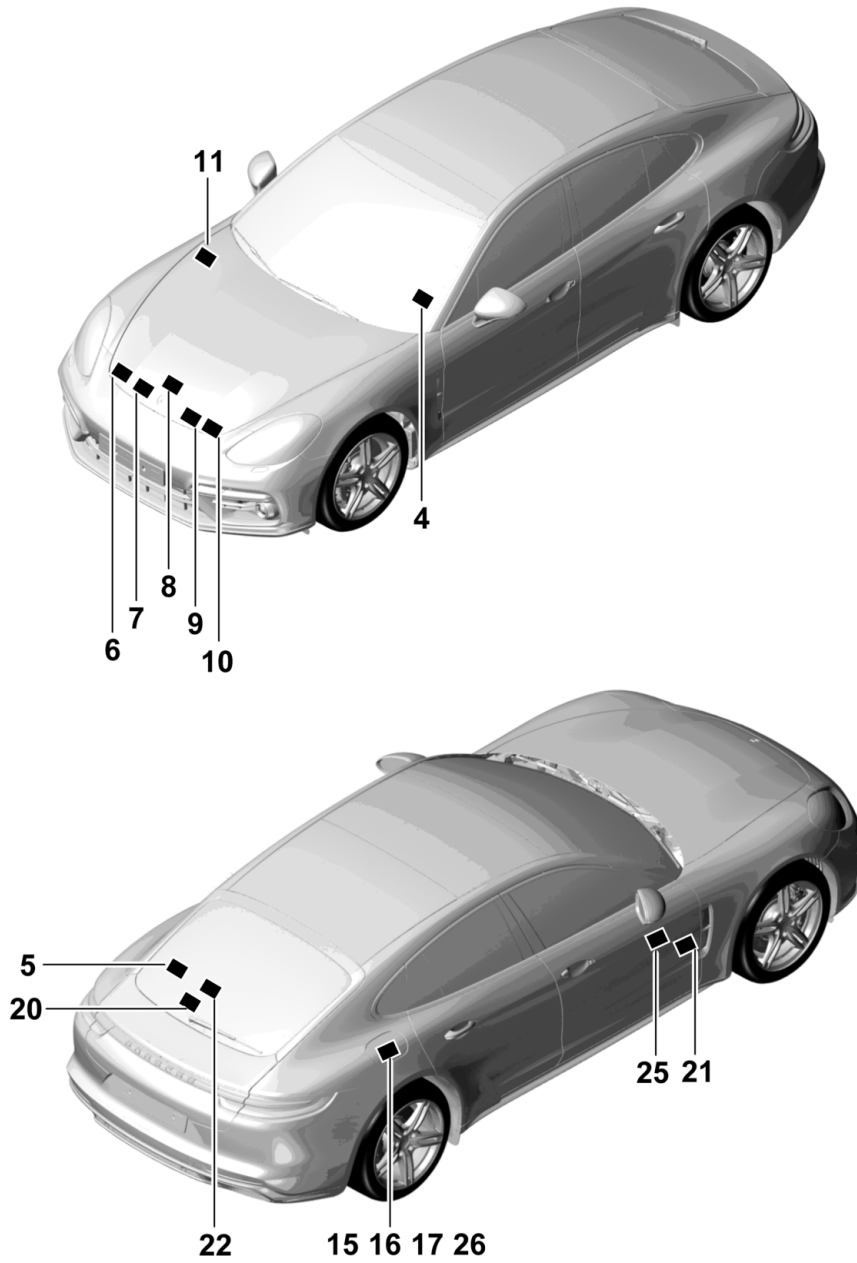
Model: 971-17

Model life 2017>>

Pos	Part Number	Description	Remark	Qty	Model
1	971 012 011	Tool Jack Tool kit with contents Comprising:		1	
2	971 012 383	Double-end spanner 10 X 13		1	
3	971 012 256	Screwdriver		1	
4	111 012 287	Handle for Screwdriver		1	
6	9A7 805 615 00	Towing lug		1	
7	971 860 258	First-aid kit		1	
8	971 860 251	Warning triangle Included Cover	-(ROK)	1	
(8)	8K0 860 251	Warning triangle Included Cover	(ROK)	1	
9	971 860 274	Retaining strap Tool		1	
10	971 011 031	Scissors type jack		1	I1G6
11	971 012 044	Insert Scissors type jack Bag		1	I1G6
12	9A7 007 733 00	Spare wheel Threaded bolt for Assembly Wheels		1	I1G6
13	971 012 219	Rim wrench		1	I1G6
14	9A7 007 844 00	Operating rod for Rim wrench		1	I1G6
15	971 860 829	Bag Emergency wheel with Belt		1	I1G6

Model: 971-17

Model life 2017>>



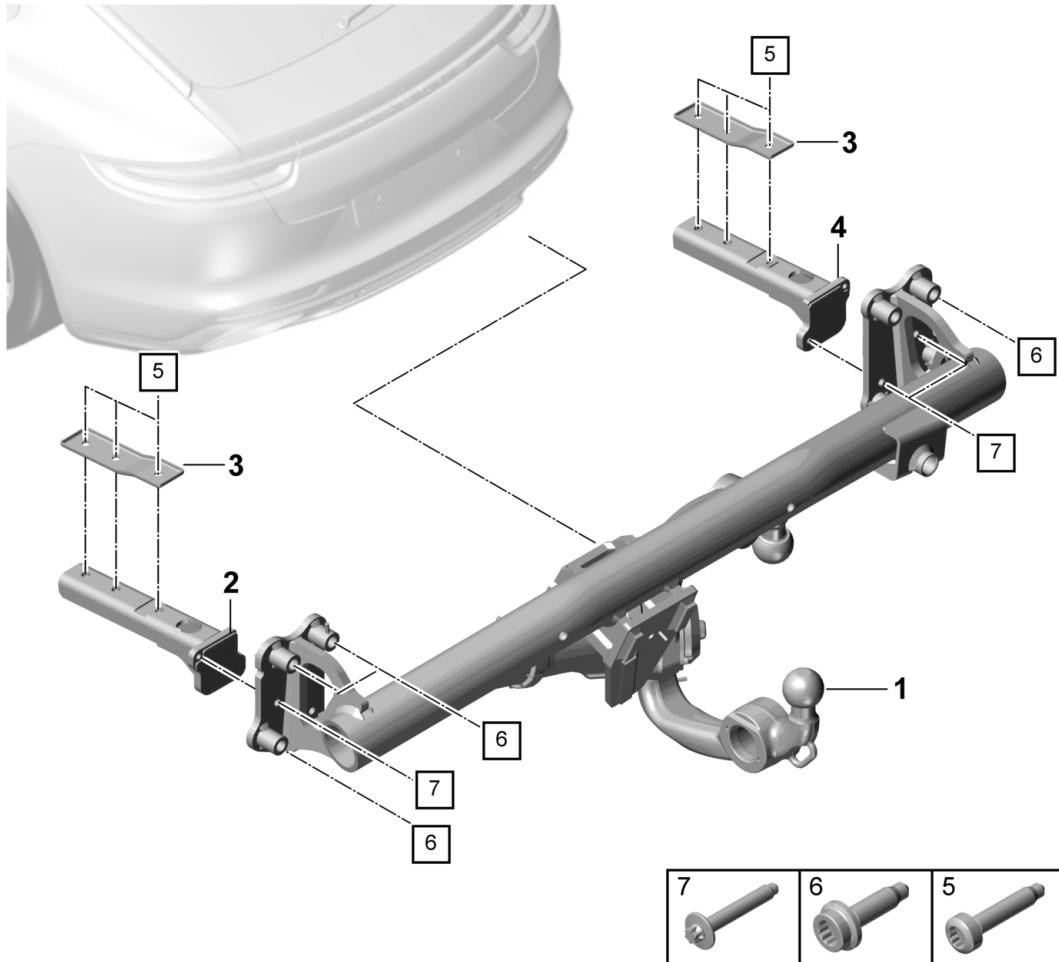
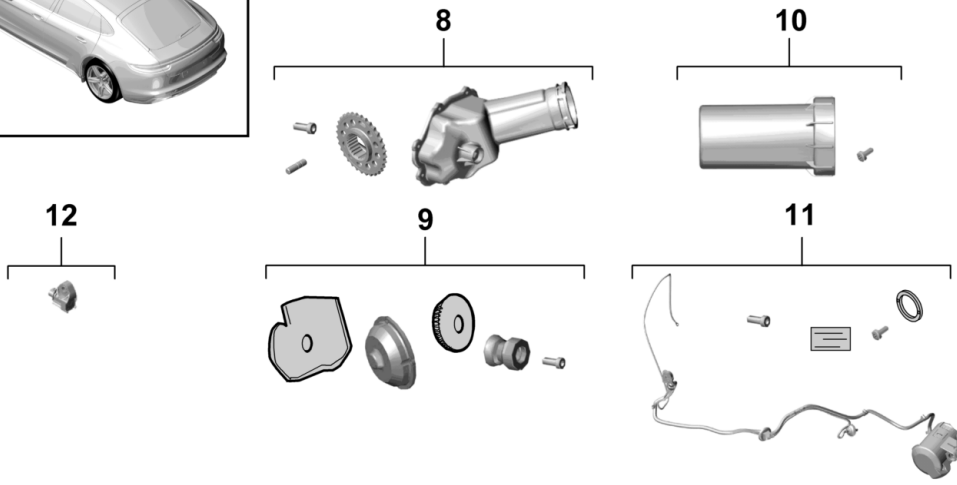
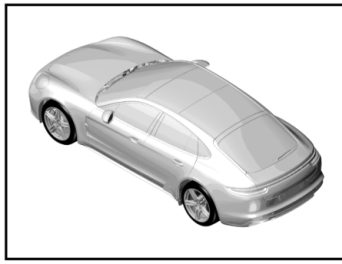
Model: 971-17

Model life 2017>>

Pos	Part Number	Description	Remark	Qty	Model
4	7PP 010 831 D	Stickers Sticker Top speed 240 KM/H		1	
(4)	7PP 010 831 E	Sticker Top speed 240 KM/H / 150MPH		1	
(4)	7PP 010 831 G	Sticker Top speed 150 MPH / 240 KM/H	(CN)	1	
5	7PP 010 006	Sticker Emergency wheel Stickers Engine compartment		1	
6	9A7 010 001 00	Sticker High voltage		1	
7	7PP 010 786 T	Sticker Engine oil - MOBIL 1 -		1	
10	955 006 675 00	Sticker Motor fan	(J)	1	
11	955 701 675 00	Sticker Expansion tank Stickers Type of fuel	(J)	1	
15	971 010 001	Sticker 98 ROZ Unleaded		1	
(15)	971 010 001 C	Sticker 95/97 ROZ	(CH)	1	
(15)	971 010 001 B	Sticker 96 ROZ	(AUS)	1	
(15)	971 010 001 D	Sticker 95 ROZ Unleaded	(J)	1	
(15)	971 010 001 E	Sticker Diesel		1	
16	955 701 676 15	Sticker Fuel Stickers General	(J)	1	
20	955 701 673 00	Sticker Battery	(J)	1	
21	971 010 036	Sticker Recycling	(J)	1	
22	955 701 675 15	Sticker Import Japan Stickers Airbag	(J)	1	
25	955 701 435 10	Warning sign Airbag		1	
(25)	955 701 435 20	Warning sign Airbag		1	I215
(25)	955 701 435 30	Warning sign Airbag		1	I479
26	971 010 534	Sticker Charging socket		1	I0K3

Model: 971-17

Model life 2017>>



Model: 971-17

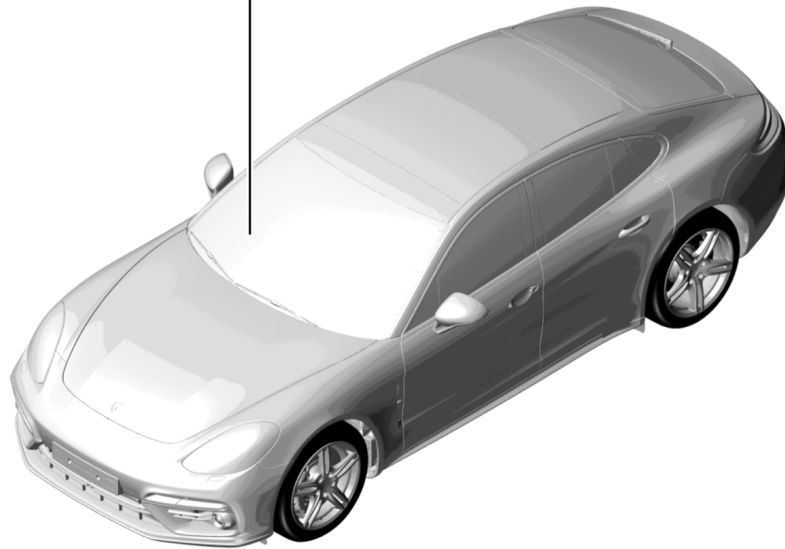
Model life 2017>>

Pos	Part Number	Description	Remark	Qty	Model
1	971 803 879 B	Trailer coupling Trailer coupling Complete		1	I1D3 I1D3
2	971 803 315	Reinforcement Outer Left	/L	1	I1D3
3	971 803 315 A	Reinforcement Inner	/L /R	2	I1D3
4	971 803 316	Reinforcement Outer Right	/R	1	I1D3
5	N 107 436 01	Outer hexagon round screw M8X42		6	I1D3
6	N 106 447 01	Pan-head screw M8X30		4	I1D3
7	9A7 007 444 00	Outer hexagon round screw M10X65		4	I1D3
(7)	N 105 607 02	Hexagon-head bolt M 10 X 70		4	
8	971 898 255	Electric motor Trailer coupling		1	
9	971 898 225	Assembly kit Electric motor Trailer coupling		1	
10	971 898 226	Assembly kit Housing Electric motor		1	
11	971 898 220	Wiring harness Trailer coupling Included		1	
12	971 898 209	Plug socket Microswitch Trailer coupling		1	

Model: 971-17

Model life 2017>>

PROD. NUMBER PROD. NUMBER	888 C815
FIN VIN	WP1ZZZ12345678912
TYP TYPE	9PAAG1
MOTORKB./GETR.KB ENG. CODE/TRANS. CODE	M5502/C7050
VERTRIEBSFARBCODE SALESNO.	G1
AUSSTATTUNGSCODE INTERIOR CODE	AT
FARBCODE COLOR CODE	EB8



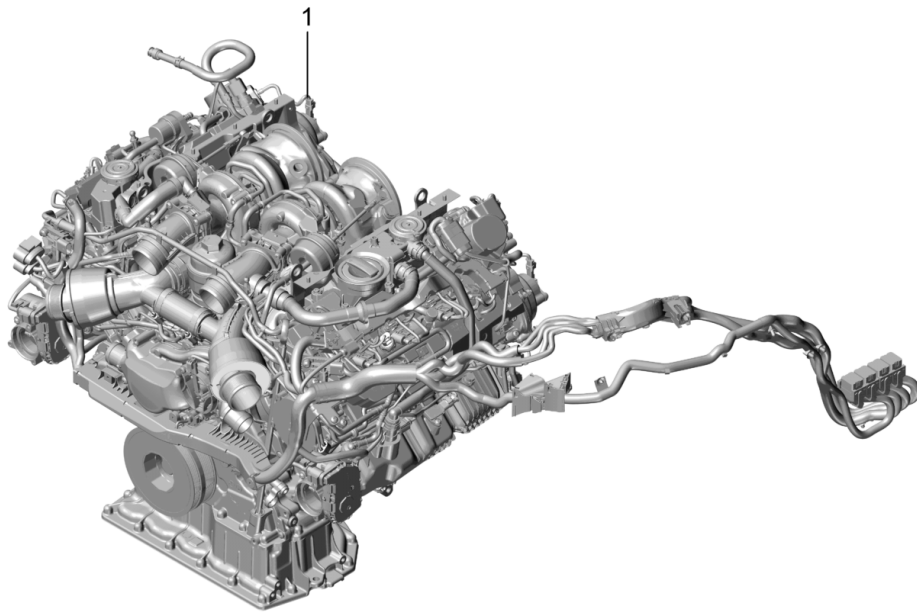
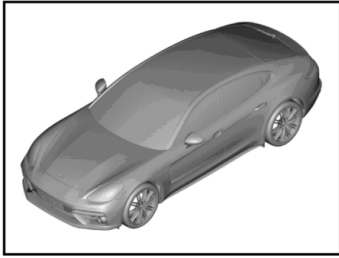
Model: 971-17

Model life 2017>>

Pos	Part Number	Description	Remark	Qty	Model
		Paint touch-up applicator Lacquers Paint identification label see On-board folder Vehicle data carrier			
1	911 095 932 21	Paint touch-up applicator		X	
	911 095 932 21 041	Black			A 1
	911 095 932 21 M3C	Carmine red			0 L
	911 095 932 21 C9A	White			0 Q
2	911 095 933 21	Paint touch-up applicator Set Comprising: Paint touch-up applicator Primer Paint touch-up applicator Clear lacquer		X	
	911 095 933 21 C9X	Jet Black Metallic			2 T
	911 095 933 21 M7R	Volcano Grey Metallic			2 H
	911 095 933 21 M5J	Sapphire Blue Metallic			N 1
	911 095 933 21 M5F	Midnight Blue Metallic			N 5
	911 095 933 21 M7S	Achat Grey Metallic			N 0
	911 095 933 21 M8Y	Mahogany Metallic			Y 8
	911 095 933 21 M4Z	Amethyst metallic			N 6
	911 095 933 21 M7Z	GT Silver Metallic			U 2
	911 095 933 21 C1Y	Palladium Metallic			D 2
	911 095 933 21 M7U	Rhodium Silver Metallic			S 2
	911 095 933 21 S9R	Carrara White metallic			2 Y
	911 095 933 21 M9A	Chalk			3 H

Model: 971-17

Model life 2017>>



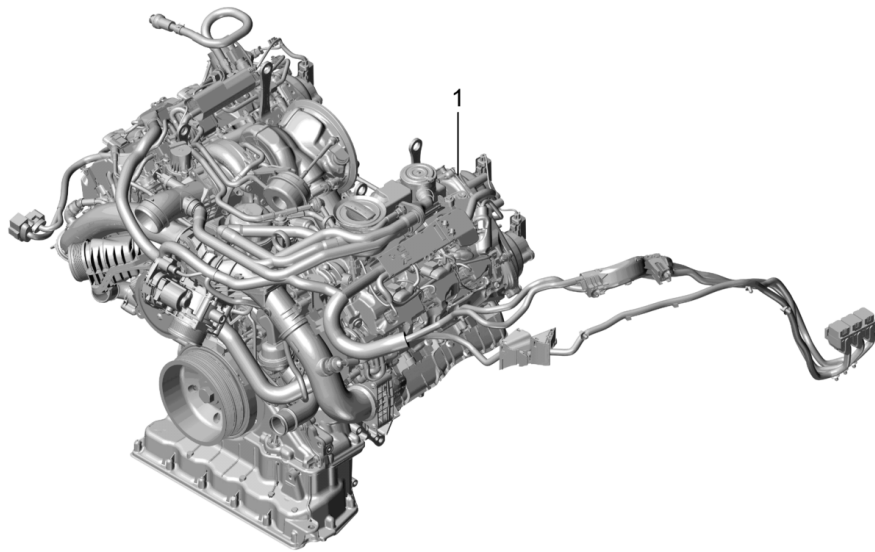
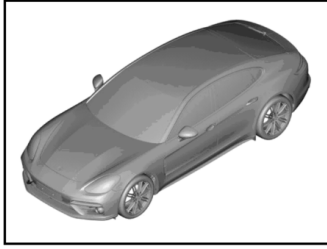
Model: 971-17

Model life 2017>>

Pos	Part Number	Description	Remark	Qty	Model
		Replacement engine without Compressor Air conditioner			MCV.DA
1	9A7 100 021 00	Replacement engine Not Ready for installation M >> CVD002300		1	I0K0
(1)	9A7 100 021 X	Replacement engine Not Ready for installation M >> CVD002300		1	I0K0
(1)	9A7 100 021 01	Replacement engine Not Ready for installation M >> CVD002300		1	I0K0
(1)	9A7 100 021 AX	Replacement engine Not Ready for installation M CVD002301 >>		1	I0K0
(1)	9A7 100 021 02	Replacement engine Not Ready for installation		1	I0K3
(1)	9A7 100 021 BX	Replacement engine Not Ready for installation		1	I0K3

Model: 971-17

Model life 2017>>



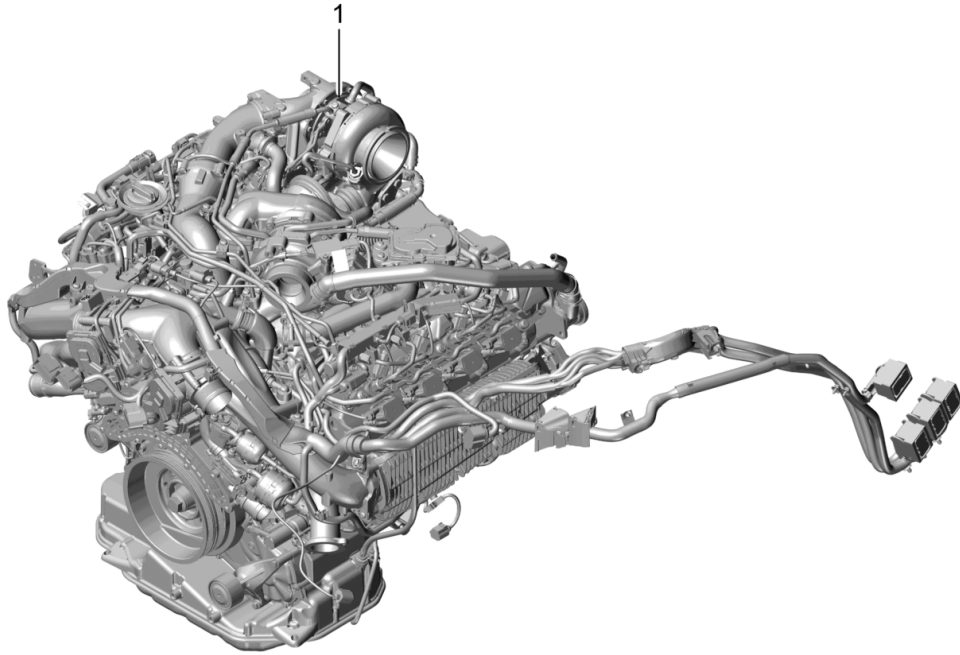
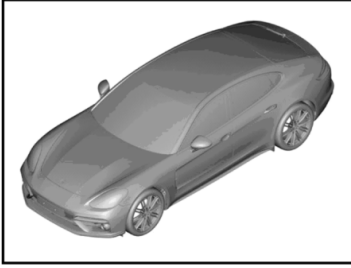
Model: 971-17

Model life 2017>>

Pos	Part Number	Description	Remark	Qty	Model
		Replacement engine			MCS.ZA MCX.TA MDG.PA
1	9A7 100 022 00	without Compressor Air conditioner Replacement engine		1	MCS.ZA I0Y1/0Y2/0Y3
(1)	9A7 100 022 X	Not Ready for installation Replacement engine		1	MCS.ZA I0Y1/0Y2/0Y3
(1)	9A7 100 022 01	Not Ready for installation Replacement engine		1	MCS.ZA I0Y5
(1)	9A7 100 022 AX	Not Ready for installation Replacement engine		1	MCS.ZA I0Y5
(1)	9A7 100 022 02	Not Ready for installation Replacement engine		1	MCX.TA I0Y1/0Y2/0Y3
(1)	9A7 100 022 BX	Not Ready for installation Replacement engine		1	MCX.TA I0Y1/0Y2/0Y3
(1)	9A7 100 022 03	Not Ready for installation Replacement engine		1	MCX.TA I0Y5
(1)	9A7 100 022 CX	Not Ready for installation Replacement engine		1	MCX.TA I0Y5
(1)	9A7 100 022 04	Not Ready for installation Replacement engine		1	MDG.PA I0Y1/0Y2/0Y3
(1)	9A7 100 022 DX	Not Ready for installation Replacement engine		1	MDG.PA I0Y1/0Y2/0Y3
		Not Ready for installation			

Model: 971-17

Model life 2017>>



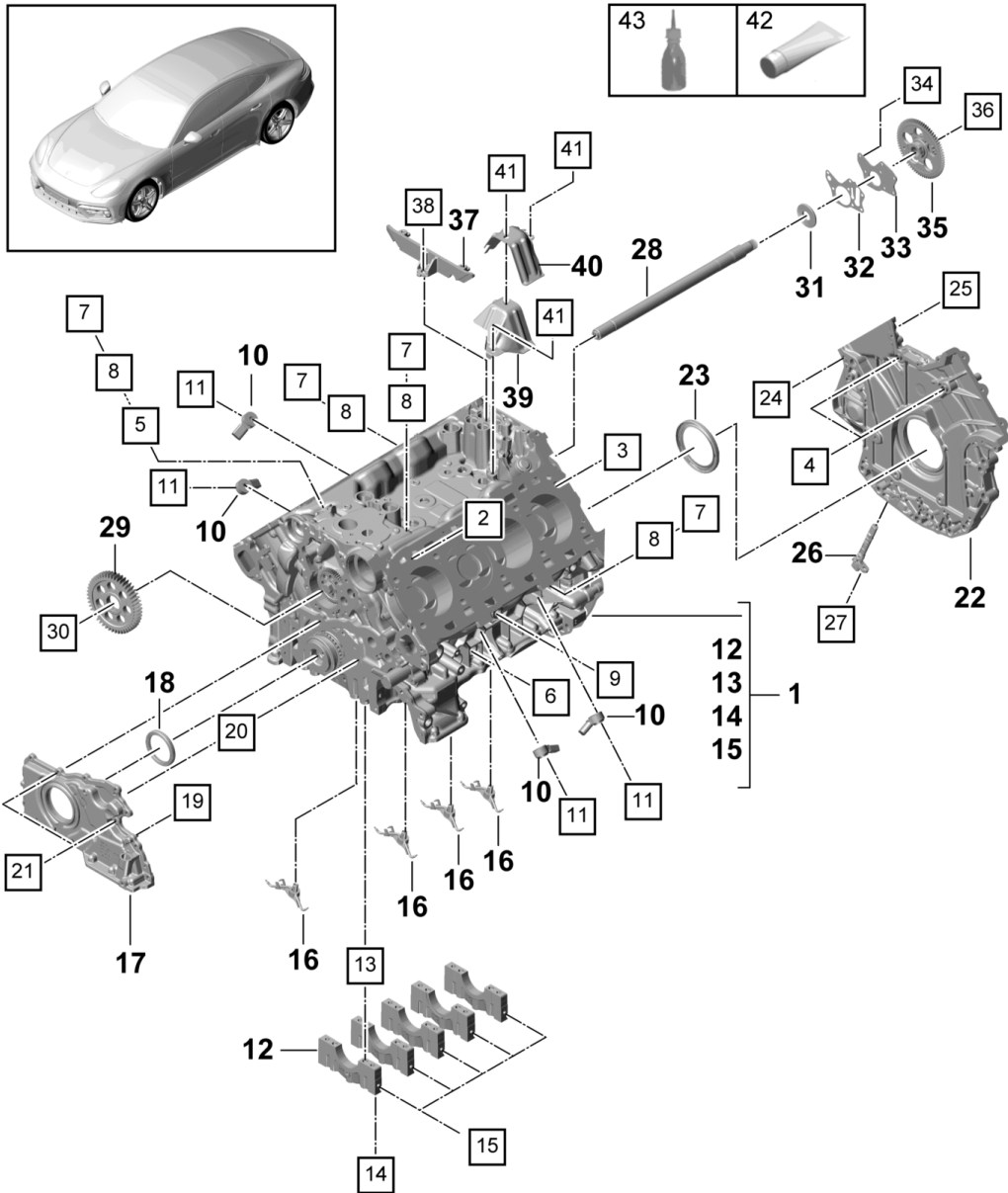
Model: 971-17

Model life 2017>>

Pos	Part Number	Description	Remark	Qty	Model
1	9A7 100 023 00	Replacement engine without Compressor Air conditioner		1	MDB.UC
(1)	9A7 100 023 X	Replacement engine Not Ready for installation		1	

Model: 971-17

Model life 2017>>



41	38	36	34	30	27	25
24	21	20	19	15	14	11
9	8	7	6	5	4	3
2						

Model: 971-17 Model life 2017>>

Pos	Part Number	Description	Remark	Qty	Model
1		Crankcase Single parts Crankcase without Piston Use also: 9A7.103.271.00 000.043.305.10 000.043.209.93		1 4 1 1	MCV.DA
2	9A7 103 271 00	Restrictor Pin		4	
3	955 102 277 00	Roll pin for Cylinder head		4	
4	955 101 139 01	6,2 X 22 Dowel sleeve Joint flange Rear 16 X 13,5		4	
5	9A7 103 035 00	Stopper Oil duct		1	
6	N 911 806 01	Screw plug M 14 X 1,5 X 12		1	
7	9A7 005 804 00	Screw plug M 22 X 1,5 Use also: N .013.827.2		4 1	
8	N 013 827 2	Sealing ring A 22 X 27		4	
9	9A7 008 060 00	Screw plug M 14 X 1,5 X 19 Use also: 958.107.444.00		1	
10	955 606 125 00	Knock sensor		4	
11	N 911 572 02	Multiple-tooth screw M 8 X 30		4	
12		Bearing saddles Single parts Not available		5	
13	9A7 115 143 00	Dowel sleeve		10	
14	9A7 008 091 00	Pan-head screw M 10 X 111		20	
15	9A7 008 054 00	Pan-head screw M 8 X 30		10	
16	9A7 103 158 00	Spray nozzle with Banjo bolt		4	
17	9A7 103 151 00	Joint flange Front Use also: 9A7.103.051.00 N .106.930.01 9A7.007.840.00 000.043.305.10 000.043.209.93		1 1 2 1 1 1	
17	9A7 103 153 02	Joint flange Of Use also: 9A7.103.051.00 N .106.930.01 9A7.007.840.00 000.043.305.10 000.043.209.93		1 1 2 1 1 1	

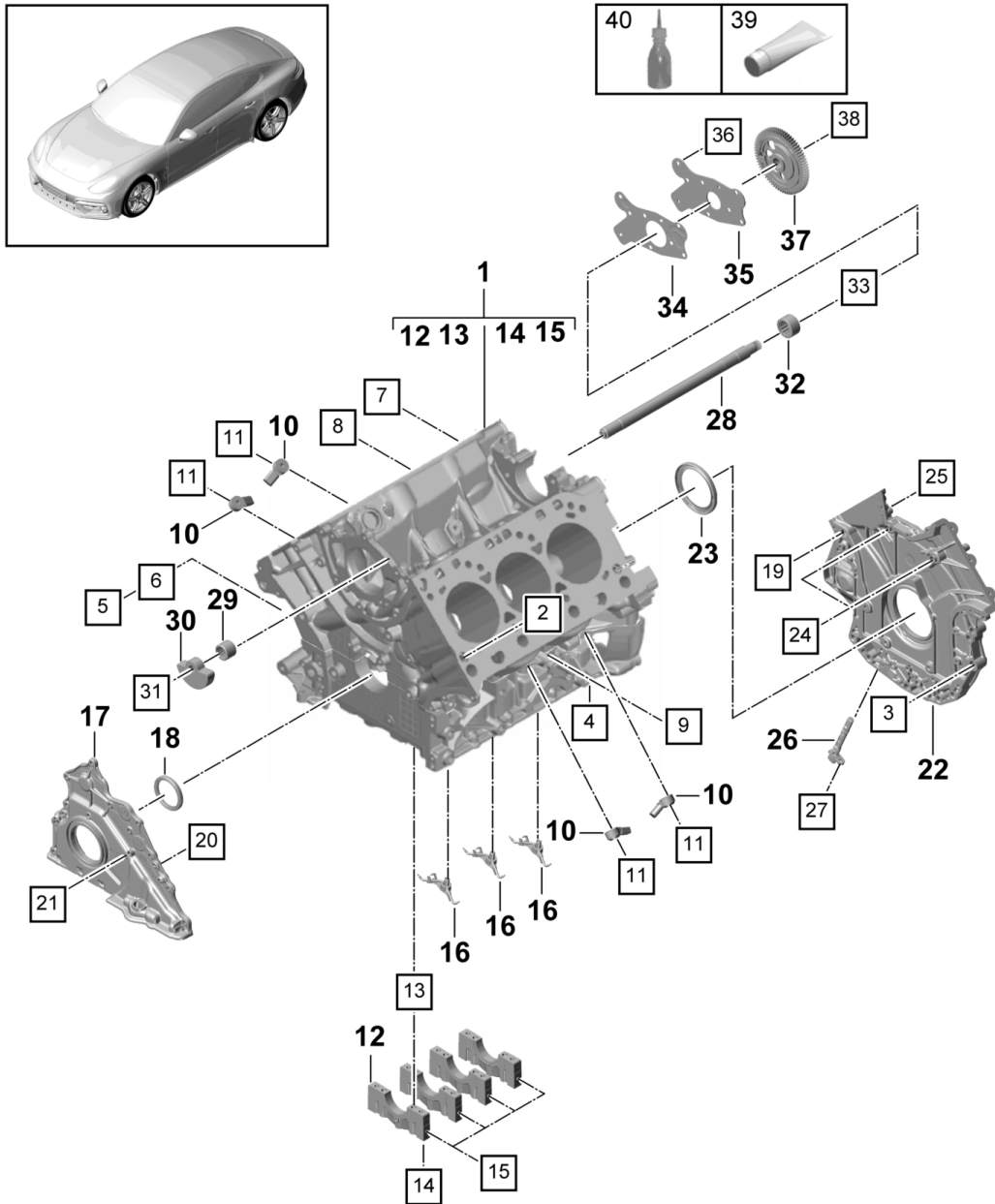
Model: 971-17

Model life 2017>>

Pos	Part Number	Description	Remark	Qty	Model
18	9A7 103 051 00	Shaft sealing ring Front		1	
19	N 106 930 01	55 X 8 X 70 Straight pin		2	
20	9A7 007 840 00	6M6 X 18 O-ring		1	
21	N 101 243 06	26 X 3 Oval-head screw		10	
22	9A7 103 171 10	M 6 X 20 Joint flange		1	
		Rear			
		Use also:			
		958.101.153.20		1	
		9A7.301.153.00		2	
		955.101.139.01		2	
		000.043.300.39		1	
		000.043.209.93		1	
22	9A7 103 173 00	Joint flange		1	
		Rear			
		Use also:			
		958.101.153.20		1	
		9A7.301.153.00		2	
		955.101.139.01		2	
		000.043.300.39		1	
		000.043.209.93		1	
23	958 101 153 20	Shaft sealing ring		1	
		Rear			
		85 X 8,8 X 105			
24	9A7 301 153 00	Dowel sleeve		2	
25	N 104 134 05	Outer hexagon round screw		19	
		M 6 X 25			
26	9A7 906 433 00	Pulse sender		1	
27	N 911 266 01	Outer hexagon round screw		1	
		M 6 X 16			
28	9A7 103 567 00	Intermediate shaft		1	
29	9A7 103 813 00	Gear wheel		1	
		Driving mechanism			
		Water pump			
30	N 107 682 01	Hexagon-head bolt		1	
		M 10 X 20			
31	9A7 103 323 00	Bearing		1	
32	9A7 103 147 00	Gasket		1	
33	9A7 103 407 00	Lid		1	
34	N 104 485 06	Countersunk-head screw		8	
		M 6 X 16			
35	9A7 103 293 10	Gear wheel		1	
36	9A7 103 448 10	Fastening part		1	
37	9A7 119 607 01	Heat protection		1	
38	N 911 266 01	Outer hexagon round screw		1	
		M 6 X 16			
39	9A7 119 529 01	Heat shield		1	
		Front part			
40	9A7 119 229 02	Heat shield		1	
		Rear			
41	N 103 352 06	Round head screw		3	
		M 6 X 12			
42	000 043 305 10	Sealing compound		X	
		1 tube			
		50 ML			
43	000 043 209 93	Cleaning agent		1	
		100ML			

Model: 971-17

Model life 2017>>



38	36	33	31	27	25
24	21	20	19	15	14
9	8	7	6	5	4
3	2				

Model: 971-17

Model life 2017>>

Pos	Part Number	Description	Remark	Qty	Model
		Crankcase			MCS.ZA MCX.TA MDG.PA
1		Single parts Crankcase		1	
		Use also:			
		000.043.300.39		1	
		000.043.209.93		1	
2	955 102 277 00	Roll pin for Cylinder head 6,2 X 22		4	
3	955 101 139 01	Dowel sleeve Joint flange Rear 16 X 13,5		2	
4	9A7 115 143 00	Dowel sleeve for Oil pan		2	
7	958 105 591 00	Stopper		1	
8	N 108 224 01	Screw plug M 14 X 1,5		1	
9	9A7 008 060 00	Screw plug M 14 X 1,5 X 19 Use also:		1	
		958.107.444.00			
10	955 606 125 00	Knock sensor		2	
11	N 106 886 01	Pan-head screw M 8 X 32		2	
17	9A7 103 151 04	Joint flange Front Use also:		1	
		9A7.103.051.00		1	
		9A7.103.121.00		2	
		000.043.300.39		1	
		000.043.209.93		1	
18	9A7 103 051 00	Shaft sealing ring Front 55 X 8 X 70		1	
19	9A7 115 143 00	Dowel sleeve for Joint flange Crankcase		2	
20	9A7 103 121 00	Gasket		2	
21	N 911 736 02	Round head screw M 6 X 22		11	
22	9A7 103 171 10	Joint flange Rear Use also:		1	
		958.101.153.20		1	
		9A7.301.153.00		2	
		955.101.139.01		2	
		000.043.300.39		1	
		000.043.209.93		1	
23	958 101 153 20	Shaft sealing ring Rear 85 X 8,8 X 105		1	
24	9A7 301 153 00	Dowel sleeve		2	
25	N 911 279 02	Round head screw M 6 X 25		19	
26	9A7 906 433 00	Pulse sender		1	
27	N 911 687 02	Round head screw M 6 X 18		1	

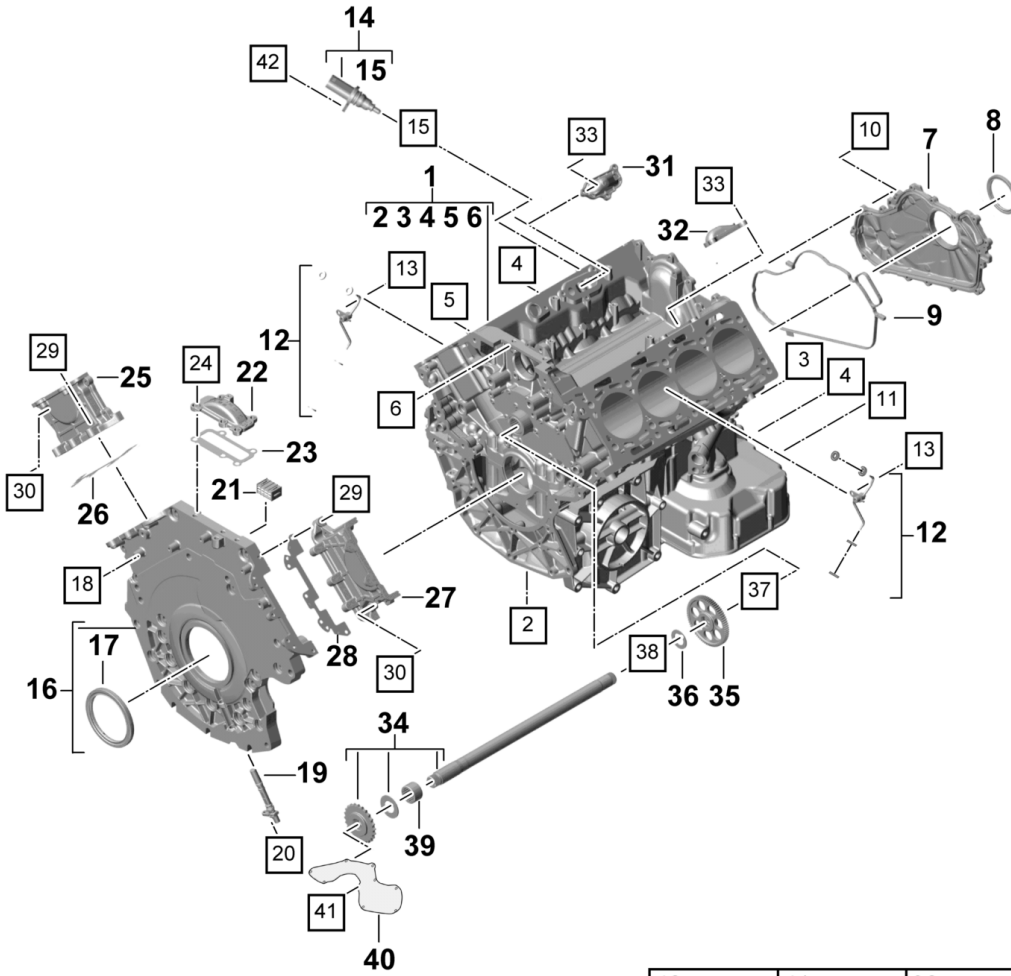
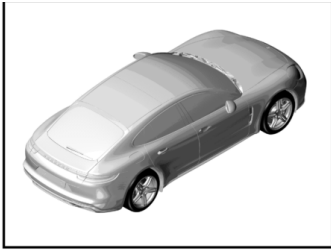
Model: 971-17

Model life 2017>>

Pos	Part Number	Description	Remark	Qty	Model
39	000 043 300 39	Sealing compound 1 tube 50 ML		X	
40	000 043 209 93	Cleaning agent 100ML		1	

Model: 971-17

Model life 2017>>



					42	41	38
37	33	30	29	24	20	18	15
13	11	10	6	5	4	3	2

Model: 971-17

Model life 2017>>

Pos	Part Number	Description	Remark	Qty	Model
		Crankcase Single parts			MDB.UC
1		Crankcase Not available			
2	WHT 003 959	Bearing screw M 11 X 1,5 X 107		20	
3	N 011 903 4	Lid A 16 MM		1	
4	N 011 904 7	Lid A 18 MM		4	
5	N 011 914 9	Lid A 24 MM		1	
6	955 101 139 01	Dowel sleeve 6,2 X 22		2	
7	9A7 103 150 02	Joint flange Use also: 955.101.052.00 9A7.103.161.07		1 1 1	
8	955 101 052 00	Shaft sealing ring		1	
9	9A7 103 161 07	Gasket		1	
10	N 101 961 03	Oval-head screw M 6 X 18		14	
11	955 102 277 00	Roll pin 6,2 X 22		2	
12	958 101 017 40	Spray nozzle		4	
13	N 910 547 01	Fit bolt M 6 X 6 X 12		4	
14	9A7 919 525 30	Temperature sensor Cooling		1	
15	WHT 002 287 B	Cylinder block O-ring 5,6 X 2-N-		1	
16	9A7 103 171 00	Joint flange		1	
17	958 101 153 01	Shaft sealing ring 85 X 105 X 8		1	
18	N 107 453 01	Outer hexagon round screw M 8 X 30		18	
19	9A7 906 433 00	Pulse sender		1	
20	N 104 056 04	Oval-head screw M 6 X 14		1	
21	955 101 147 00	Gasket		1	
22	9A7 103 708 03	Lid		1	
23	9A7 103 147 40	Gasket		1	
24	N 910 215 02	Pan-head screw M 8 X 25		4	
25	9A7 109 129 00	Cover Cylinders 5 - 8		1	
26	9A7 109 091 05	Gasket		1	
27	9A7 109 130 00	Cover Cylinders 1 - 4		1	
28	9A7 109 092 05	Gasket		1	
29	N 101 562 06	Oval-head screw M 6 X 30		6	
30	N 101 243 06	Oval-head screw M 6 X 20		8	
31	9A7 121 483 00	Lid with Gasket		1	
32	9A7 121 484 00	Cylinders 5 - 8 Lid with Gasket Cylinders 1 - 4		1	

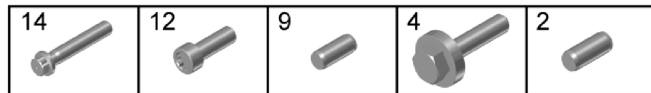
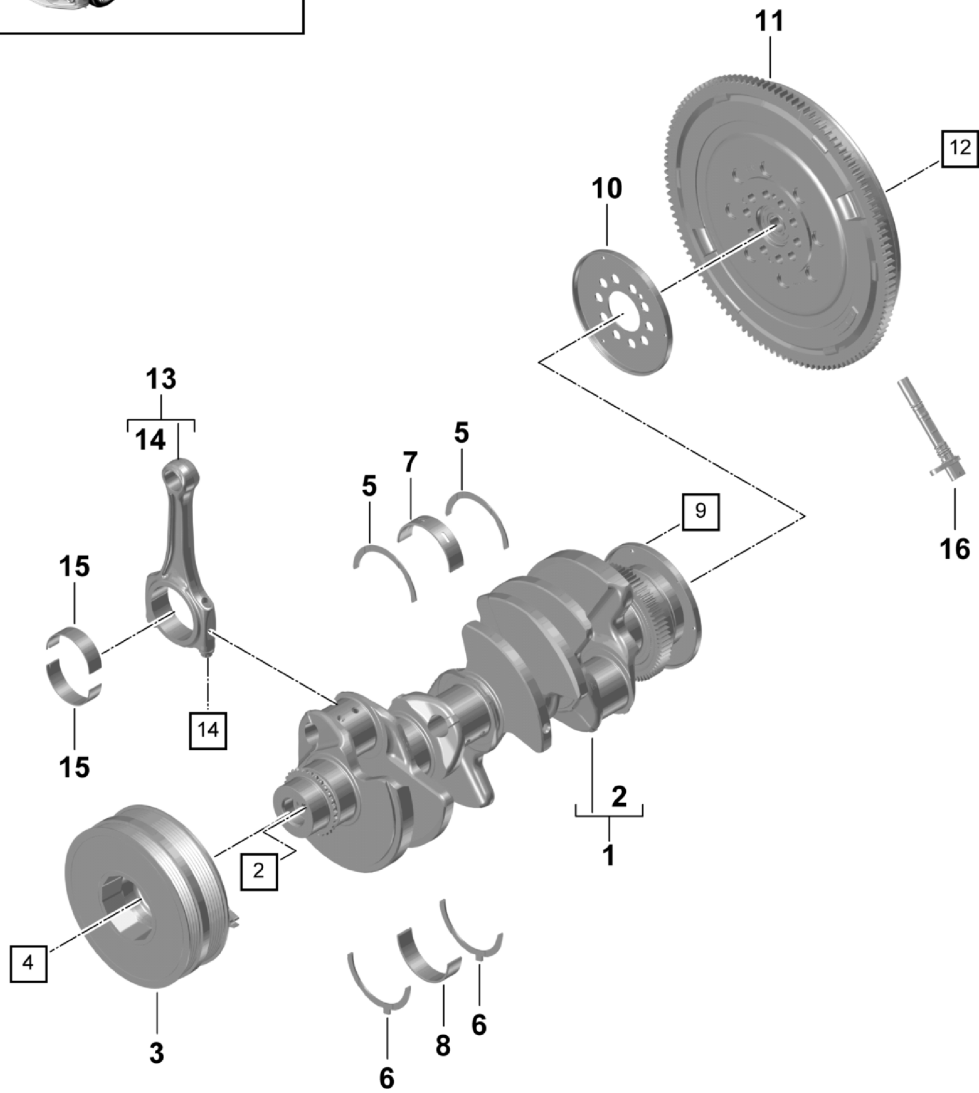
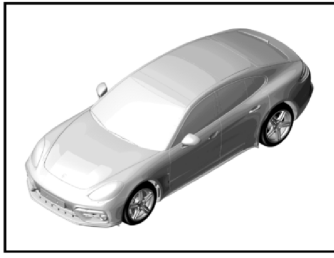
Model: 971-17

Model life 2017>>

Pos	Part Number	Description	Remark	Qty	Model
33	N 101 961 03	Oval-head screw M 6 X 18		6	
42	N 101 703 02	Oval-head screw M 6 X 10		1	
43	000 043 300 39	Sealing compound 1 tube 50 ML		X	
44	000 043 209 93	Cleaning agent 100ML		1	

Model: 971-17

Model life 2017>>



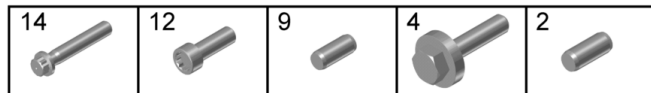
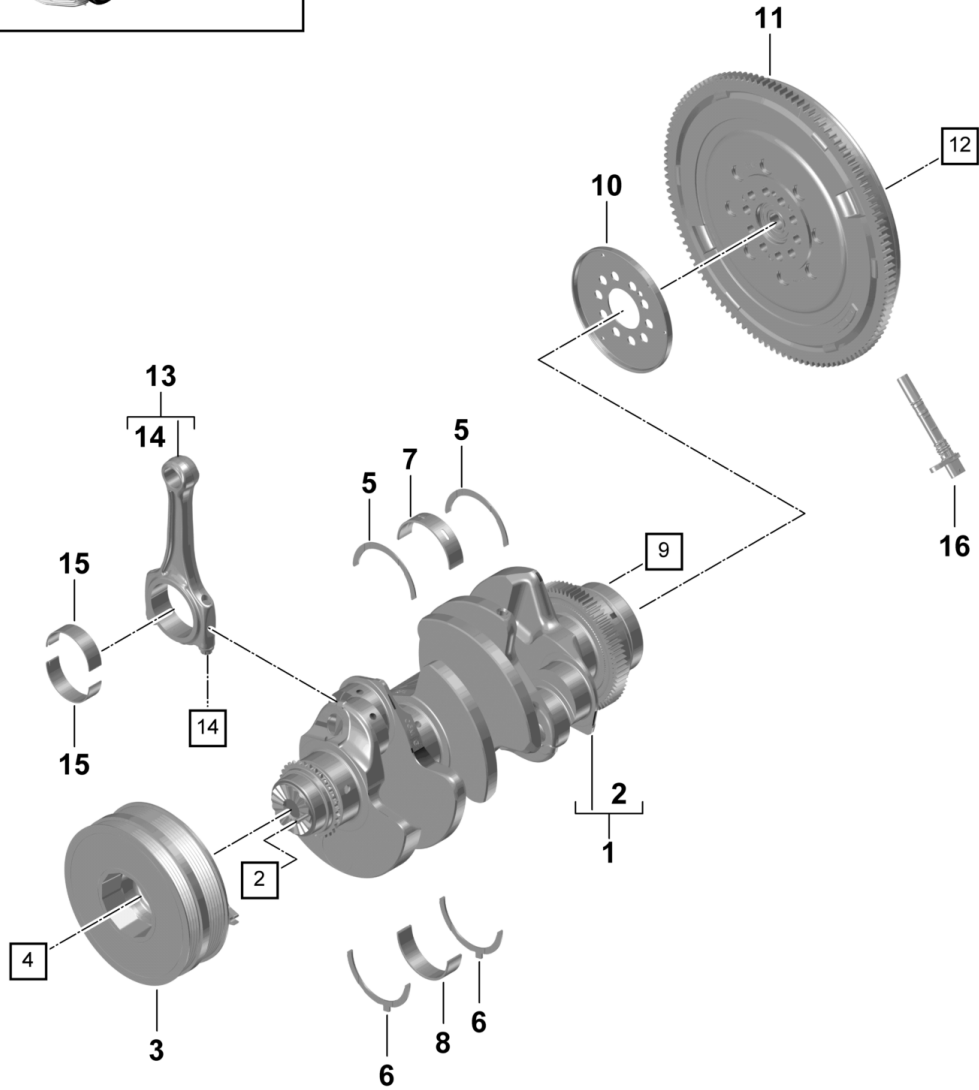
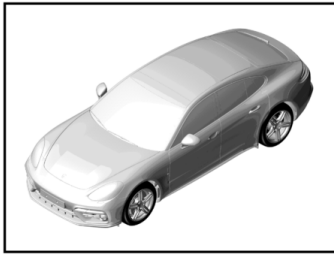
Model: 971-17

Model life 2017>>

Pos	Part Number	Description	Remark	Qty	Model
		Crankshaft Connecting rods Double-mass flywheel			MCV.DA
2	N 107 163 01	Straight pin 6 M 6 X 14 - B		1	
3	9A7 105 251 00	Vibration damper Use also:		1	
		N .107.740.02		1	
4	N 907 740 02	Multiple-tooth screw M16 X 1,5 X 75		1	
9	N 013 199 1	Straight pin 6 M 6 X 12		1	
10	958 102 189 00	Drive plate		1	
11	9A7 105 264 30	Double-mass flywheel Use also:		1	I0K0
		N .906.651.01		10	
(11)	9A7 105 266 10	Double-mass flywheel Use also:		1	I0K3
		N .906.651.01		10	
12	N 906 651 01	Pan-head screw M 10 X 1 X 29		10	
16		Pulse sender See illustrations 1/01/40 POS.26			

Model: 971-17

Model life 2017>>



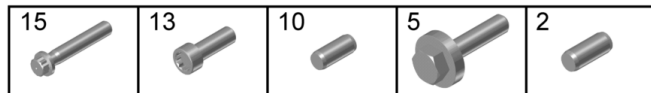
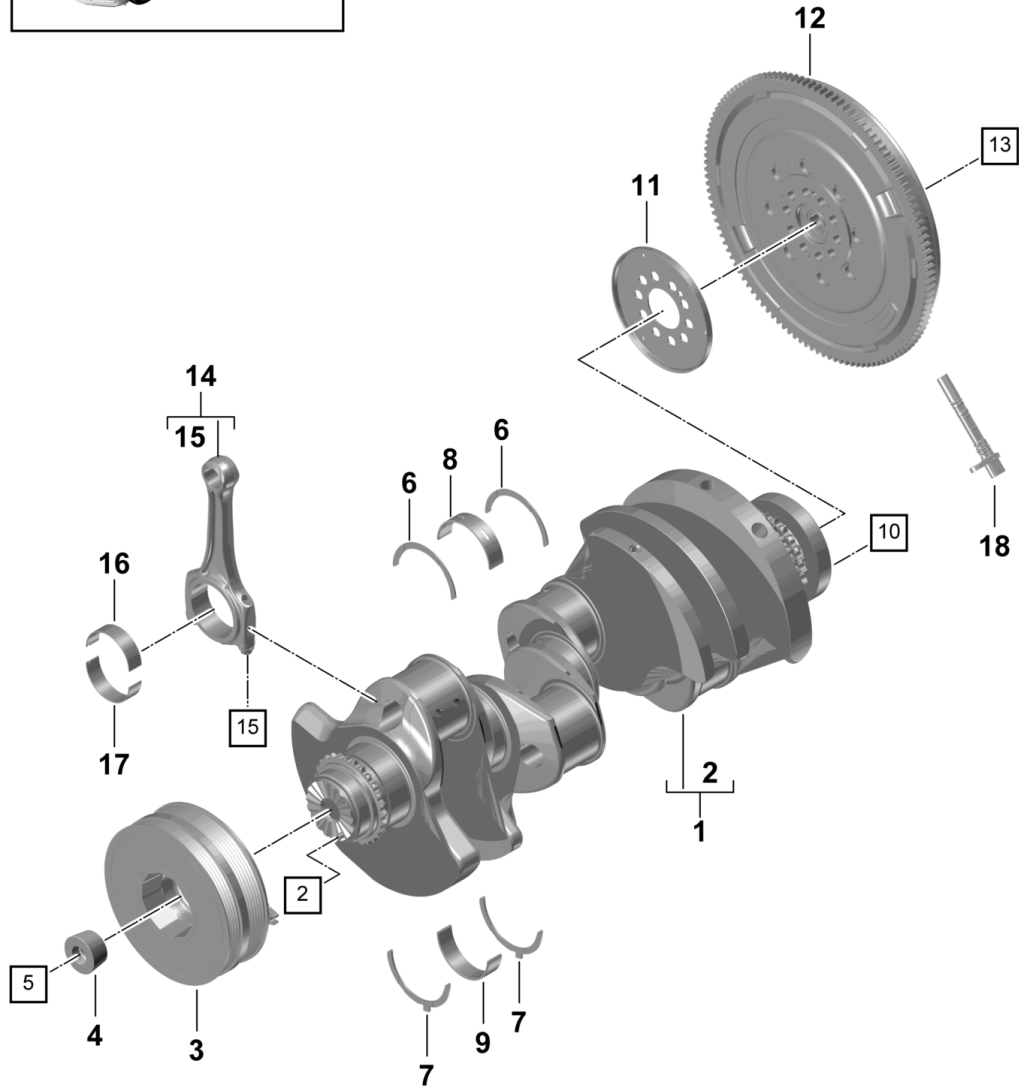
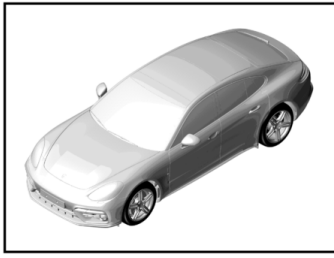
Model: 971-17

Model life 2017>>

Pos	Part Number	Description	Remark	Qty	Model
		Crankshaft			MCS.ZA MCX.TA MDG.PA
2	N 107 386 01	Connecting rod Double-mass flywheel		1	
3	9A7 105 251 10	Roll pin 4 X 20 Vibration damper		1	MCS.ZA MDG.PA
(3)	9A7 105 251 30	Use also: N .107.740.02 Vibration damper		1 1	MCX.TA
4	N 907 740 02	Use also: N .107.740.02 Multiple-tooth screw M16 X 1,5 X 75		1 1	
9	N 013 199 1	Straight pin 6 M 6 X 12		1	
10	958 102 189 00	Drive plate		1	
11	9A7 105 264 10	Double-mass flywheel		1	MCS.ZA MCX.TA
(11)	9A7 105 266 00	Use also: N .906.651.01 Double-mass flywheel		10 1	MDG.PA
12	N 906 651 01	Use also: N .906.651.01 Pan-head screw M 10 X 1 X 29		10 10	
16		Pulse sender See illustrations 1/01/45 POS.26			

Model: 971-17

Model life 2017>>



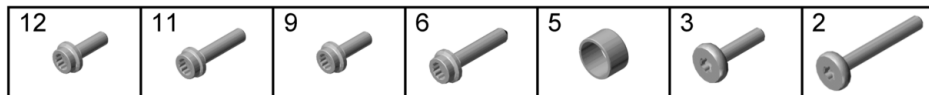
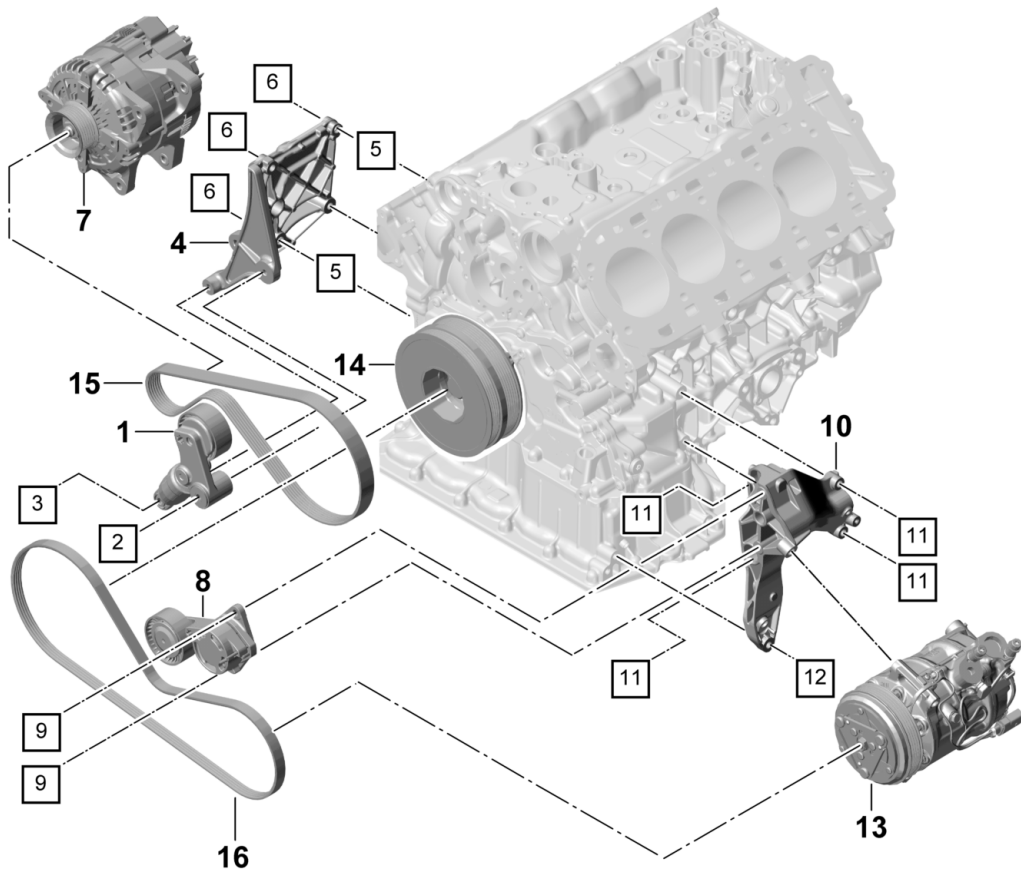
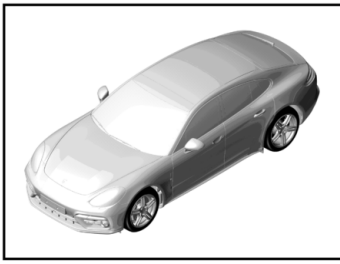
Model: 971-17

Model life 2017>>

Pos	Part Number	Description	Remark	Qty	Model
		Crankshaft Connecting rod Double-mass flywheel			MDB . UC
2	N 023 255 1	Roll pin 4 X 12		1	
3	9A7 105 251 20	Vibration damper		1	
4	9A7 105 159 03	Spacer sleeve		1	
5	9A7 007 570 00	Round head screw M16 X 1,5 X 75		1	
10	N 013 199 1	Straight pin 6 M 6 X 12		1	
11	958 102 189 00	Drive plate		1	
12	9A7 105 264 20	Double-mass flywheel Use also: N .906.651.01		1 10	
13	N 906 651 01	Pan-head screw M 10 X 1 X 29		10	
18		Pulse sender See illustrations 1/01/50 POS.19			

Model: 971-17

Model life 2017>>



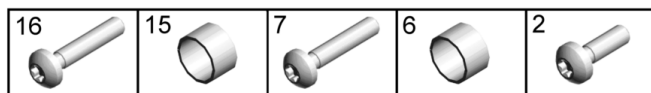
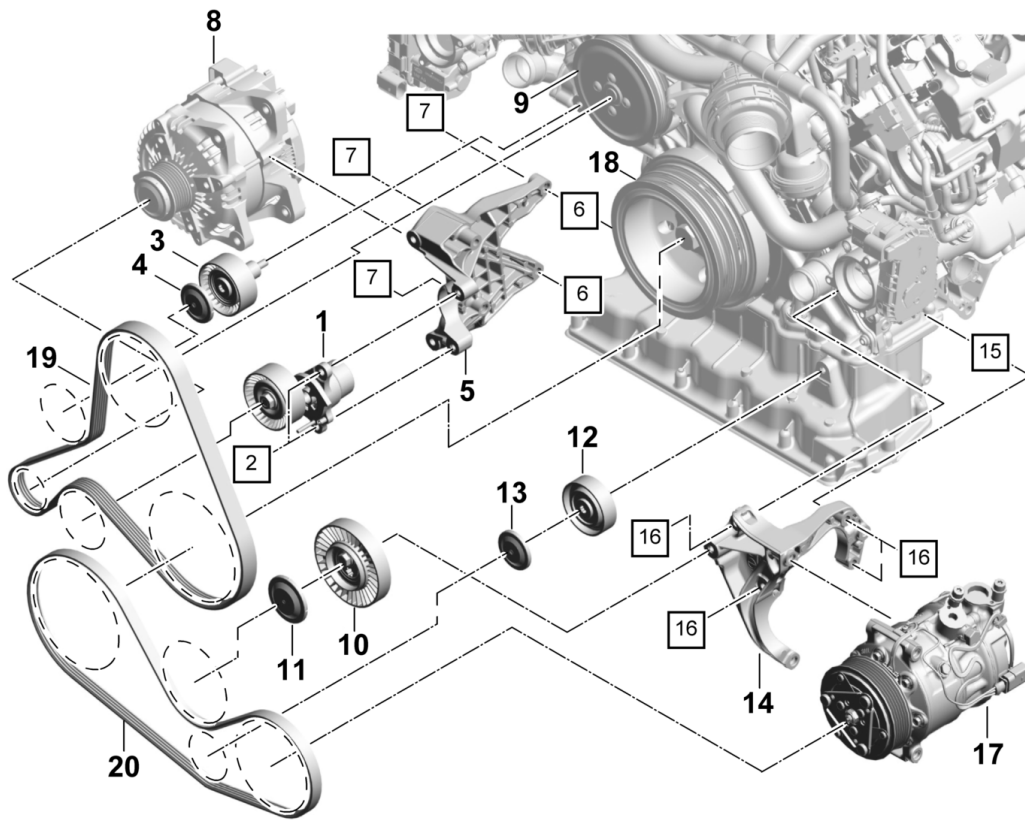
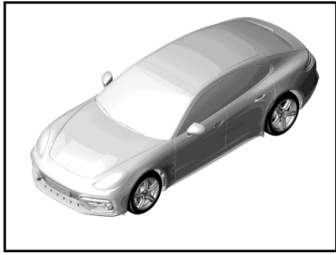
Model: 971-17

Model life 2017>>

Pos	Part Number	Description	Remark	Qty	Model
		Belt drive			MCV.DA IOKO
1	9A7 903 133 00	Belt tensioner		1	
2	999 073 411 01	Belt tensioner		1	
3	999 073 246 02	Outer hexagon round screw M 8 X 60		1	
4	9A7 903 143 00	Outer hexagon round screw M 8 X 33		1	
5	958 147 501 00	Bracket Generator		2	
6	N 106 730 01	Dowel sleeve 11,15 X 6,5		4	
7		Pan-head screw M 8 X 40		1	
		Generator See illustrations 9/02/05 POS.6			
8	9A7 260 938 01	Belt tensioner		1	
9	N 106 893 02	Pan-head screw M 8 X 25		2	
(9)		D >> 12.12.2016 Pan-head screw M 8 X 30		2	
10	9A7 260 885 00	D 12.12.2016>> Bracket Compressor		1	
11	N 911 046 01	Air conditioner Multiple-tooth screw M 8 X 35		4	
(11)	N 911 572 02	D >> 12.12.2016 Multiple-tooth screw M 8 X 30		4	
12	N 106 893 02	D 12.12.2016>> Pan-head screw M 8 X 25		1	
(12)	N 911 572 02	D >> 12.12.2016 Multiple-tooth screw M 8 X 30		1	
13		D 12.12.2016>> Compressor Air conditioner		1	
		See illustrations 8/14/10 POS.1			
14		Vibration damper See illustrations 1/02/00 POS.3		1	
15	9A7 903 137 00	Poly-rib belt Generator		1	
16	9A7 260 849 00	Poly-rib belt Compressor Air conditioner		1	

Model: 971-17

Model life 2017>>



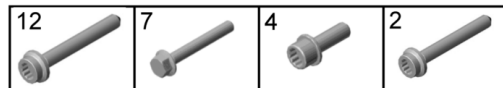
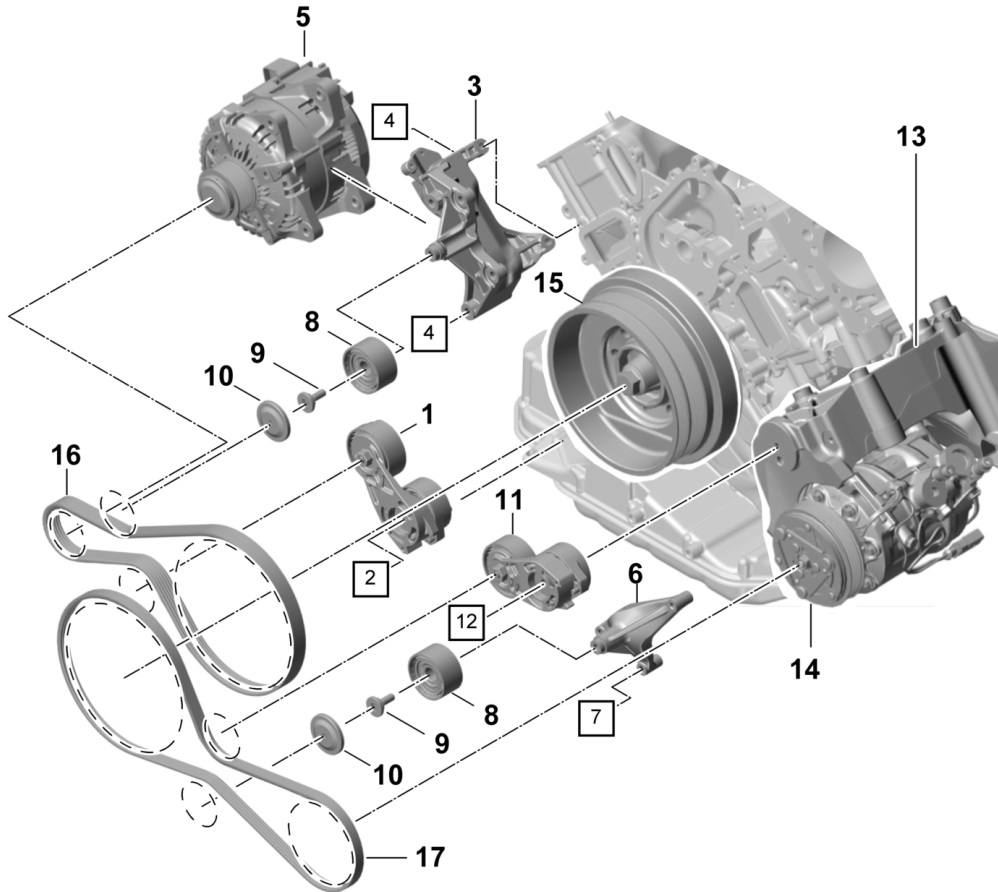
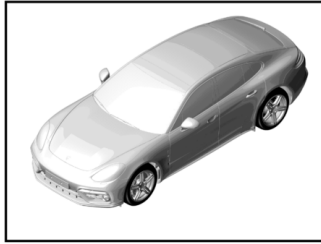
Model: 971-17

Model life 2017>>

Pos	Part Number	Description	Remark	Qty	Model
		Belt drive			MCS.ZA MCX.TA
1	9A7 903 133 10	Belt tensioner Belt tensioner Use also: N .107.427.02		1 2	
2	N 107 427 02	Outer hexagon round screw Aluminium M 8 X 25		2	
3	9A7 903 341 04	Deflection roller with Fastening screw		1 1	
4	955 102 839 01	Protection cap		1	
5	9A7 903 143 10	Bracket Generator Use also: N .108.264.01		1 4	
6	958 147 501 00	Dowel sleeve 11,15 X 6,5		2	
7	N 108 264 01	Outer hexagon round screw Aluminium M 8 X 40		4	
8		Generator See illustrations 9/02/05 POS.6		1	
9		Pulley Water pump See illustrations 1/05/05 POS.4		1	
10	9A7 903 315 05	Tensioner with Fastening screw		1	
11	9A7 903 343 00	Protection cap		1	
12	9A7 260 938 05	Deflection roller with Fastening screw		1	
13	955 102 839 01	Protection cap		1	
14	9A7 260 885 10	Bracket Compressor Air conditioner Use also: N .108.264.01		1 4	
15	958 147 501 00	Dowel sleeve 11,15 X 6,5		2	
16	N 108 264 01	Outer hexagon round screw Aluminium M 8 X 40		4	
17		Compressor Air conditioner See illustrations 8/14/10 POS.1		1	
18		Vibration damper See illustrations 1/02/05		1	
19	9A7 903 137 10	Poly-rib belt Generator		1	
20	9A7 260 849 10	Poly-rib belt Compressor Air conditioner		1	

Model: 971-17

Model life 2017>>



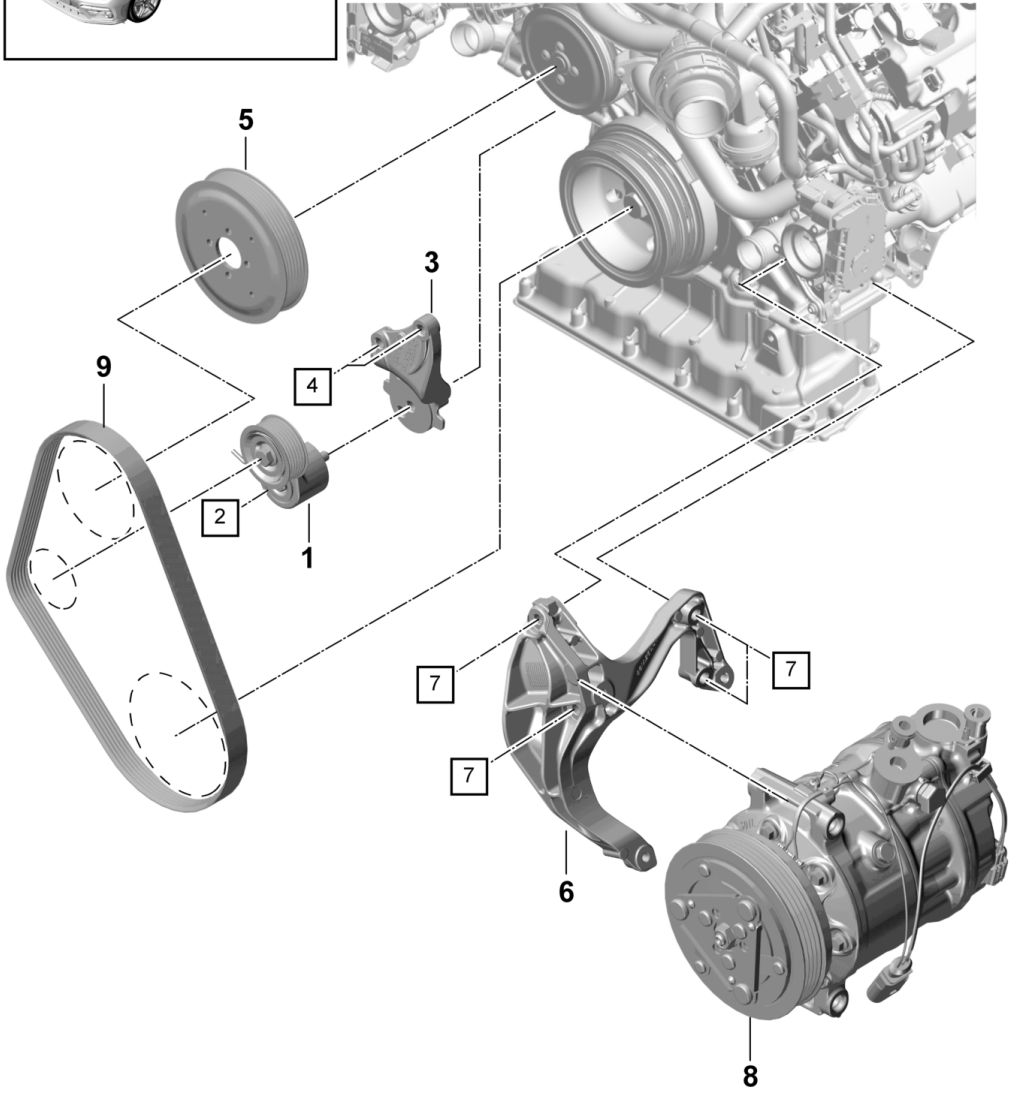
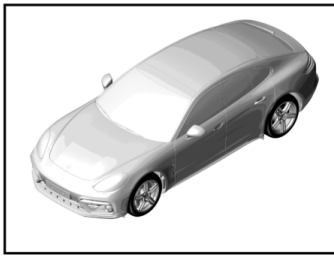
Model: 971-17

Model life 2017>>

Pos	Part Number	Description	Remark	Qty	Model
		Belt drive			MDB . UC
		Belt tensioner			
1	9A7 903 133 20	Belt tensioner		1	
2	N 106 651 01	Pan-head screw		1	
		M 8 X 60			
3	9A7 903 143 20	Bracket		1	
		Generator			
4	N 106 389 01	Combination screw		4	
		M 8 X 25			
5		Generator		1	
		See illustrations			
		9/02/05			
		POS.6			
6	9A7 903 417 06	Support		1	
		Deflection roller			
7	N 107 390 02	Hexagon-head bolt		3	
		M 6 X 45			
8	9A7 903 341 10	Deflection roller		2	
9	N 912 397 01	Fit bolt		2	
		M 8 X 16,5 X 25			
10	955 102 839 01	Protection cap		2	
11	9A7 903 133 30	Belt tensioner		1	
12	N 106 651 01	Pan-head screw		1	
		M 8 X 60			
13		Engine bracket		1	
		See illustrations			
		1/09/30			
		POS.1			
14		Compressor		1	
		Air conditioner			
		See illustrations			
		8/14/10			
		POS.1			
15		Vibration damper		1	
		See illustrations			
		1/02/10			
16	9A7 903 137 20	Poly-rib belt		1	
		Generator			
17	9A7 903 137 30	Poly-rib belt		1	
		Compressor			
		Air conditioner			

Model: 971-17

Model life 2017>>



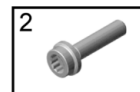
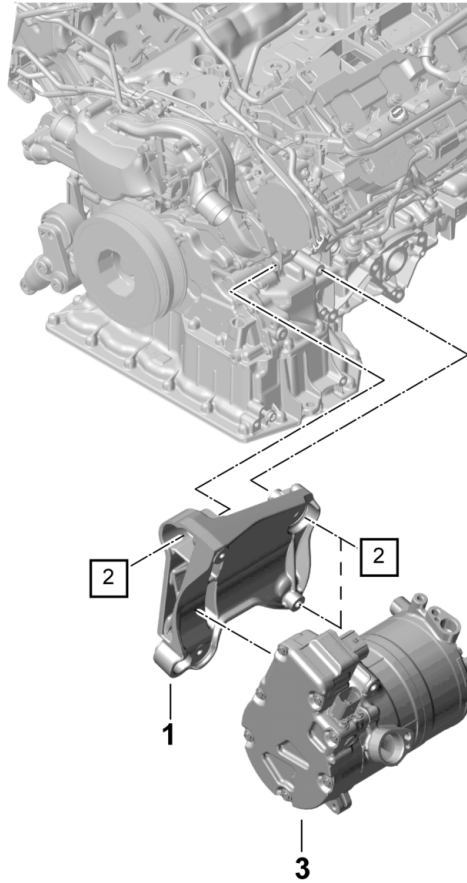
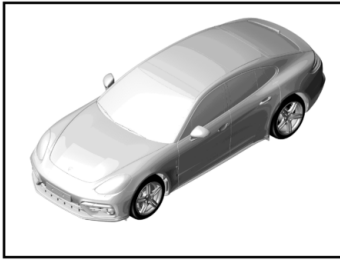
Model: 971-17

Model life 2017>>

Pos	Part Number	Description	Remark	Qty	Model
		Belt drive			MDG.PA
1	9A7 903 133 40	Belt tensioner Belt tensioner Use also: N .911.894.01		1	
2	N 911 894 01	Round head screw M 10 X 60		1	
3	9A7 903 417 07	Support Deflection roller		1	
4	N 107 427 02	Outer hexagon round screw Aluminium M 8 X 25		2	
5		Pulley Water pump See illustrations 1/05/05 POS.4		1	
6	9A7 260 885 20	Bracket Compressor Air conditioner Use also: N .108.264.01		1	
7	N 108 264 01	Outer hexagon round screw Aluminium M8 X 40		4	
8		Compressor Air conditioner See illustrations 8/15/55 POS.1		1	
9	9A7 903 137 40	Poly-rib belt Water pump		1	

Model: 971-17

Model life 2017>>



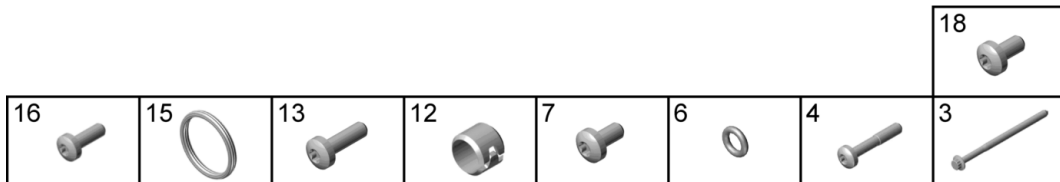
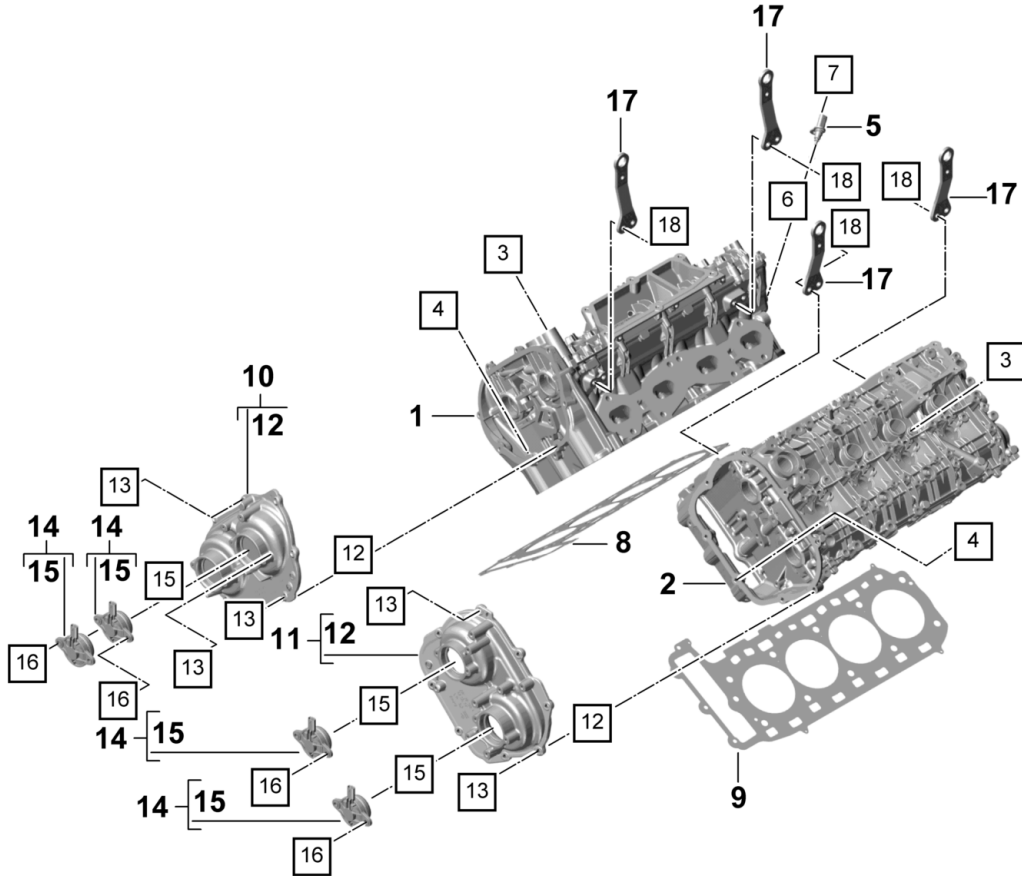
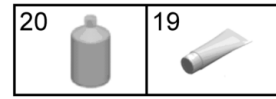
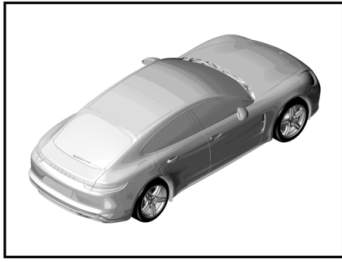
Model: 971-17

Model life 2017>>

Pos	Part Number	Description	Remark	Qty	Model
1	9A7 260 885 40	Belt drive Belt tensioner Bracket Compressor Air conditioner		1	MCV.DA I0K3
2	N 911 046 01	Multiple-tooth screw M 8 X 35		3	
3		Compressor Air conditioner See illustrations 8/15/50			

Model: 971-17

Model life 2017>>



Model: 971-17

Model life 2017>>

Pos	Part Number	Description	Remark	Qty	Model
4	N 105 540 05	Cylinder head Oval-head screw M 6 X 35		8	MCV.DA
5	958 606 623 20	Temperature sensor Use also: WHT.002.287.B		1	
6	WHT 002 287 B	O-ring		1	
7	N 911 266 01	Outer hexagon round screw M 6 X 16		1	
8		Cylinder head gasket Cylinders 5 - 8		1	
9		Cylinder head gasket Cylinders 1 - 4		1	
10	9A7 109 285 06	Lid Chain case Cylinders 5 - 8 Use also: 000.043.300.39 000.043.209.93		1	
11	9A7 109 286 06	Lid Chain case Cylinders 1 - 4 Use also: 000.043.300.39 000.043.209.93		1	
12	958 101 139 00	Dowel sleeve 8,2 X 6,5		4	
13	N 101 243 06	Oval-head screw M 6 X 22		16	
14	9A7 109 259 00	Solenoid valve		4	
15	9A7 906 145 00	Sealing ring		4	
16	N 911 266 01	Outer hexagon round screw M 6 X 16		8	
17	9A7 103 392 00	Shackle for transportation		4	
18	N 106 648 01	Pan-head screw M 8 X 20		8	
19	000 043 300 39	Sealing compound 1 tube 50 ML		X	
20	000 043 209 93	Cleaning agent 100ML		1	

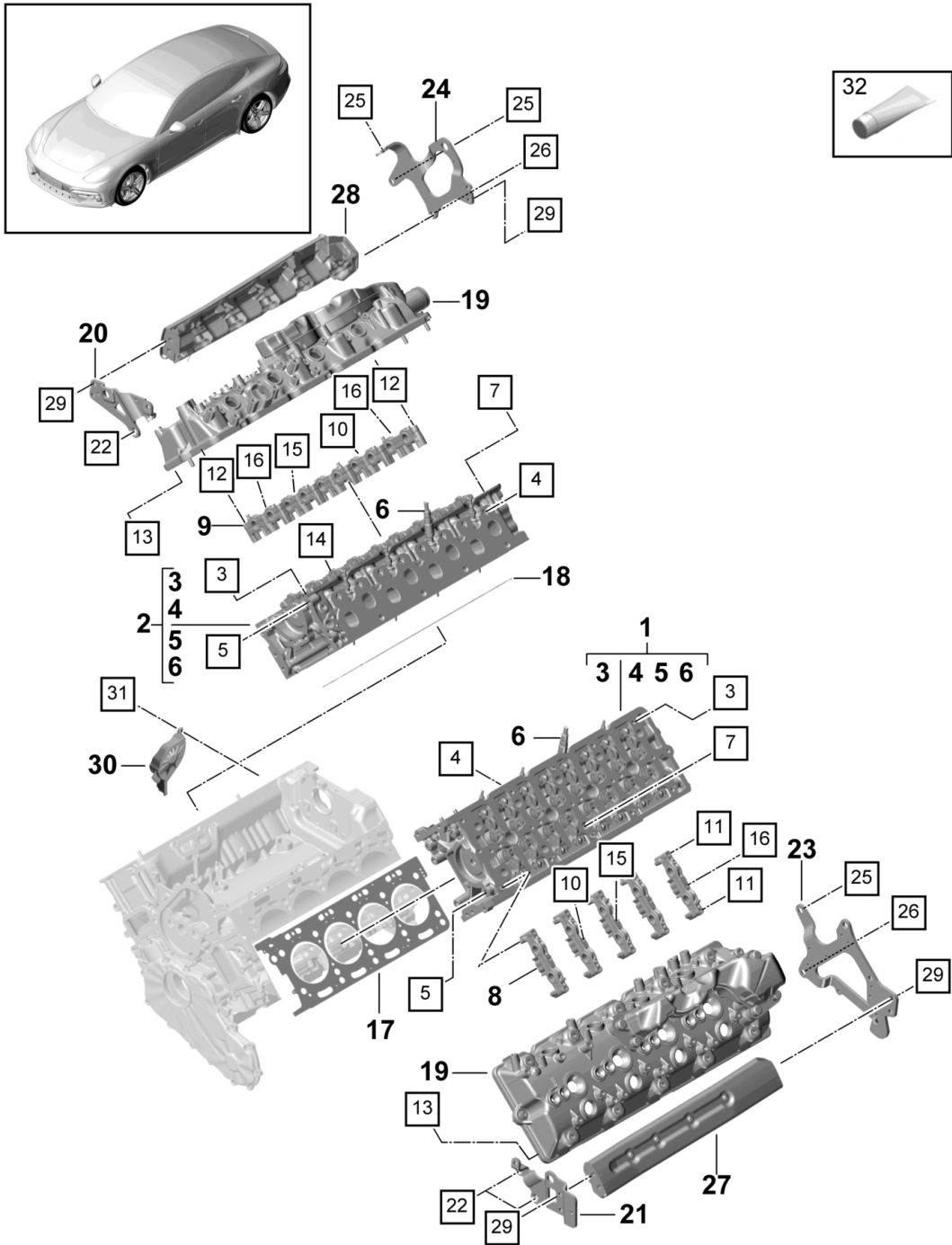
Model: 971-17

Model life 2017>>

Pos	Part Number	Description	Remark	Qty	Model
		Cylinder head			MCS.ZA MCX.TA MDG.PA
1		Cylinder head Complete without Camshaft Cyl. 4 - 6			
2		Cylinder head Complete without Camshaft Cyl. 1 - 3			
5	N 909 035 02	Multiple-tooth screw M 8 X 35		3	
6	9A7 121 349 01	Check valve		2	
7		Cylinder head gasket Cyl. 4 - 6		1	
8		Cylinder head gasket Cyl. 1 - 3		1	
9		Lid Chain case Cyl. 4 - 6 Use also: 000.043.300.39		1	
10		Lid Chain case Cyl. 1 - 3 Use also: 000.043.300.39		1	
11	958 101 139 00	Dowel sleeve 8,2 X 6,5		4	
12	N 101 243 06	Oval-head screw M 6 X 22		15	
13	N 910 048 02	Stud M 6 X 22 / M 6 X 12		1	
14	9A7 109 259 00	Solenoid valve		4	
15	9A7 906 145 00	Sealing ring		4	
16	9A7 103 555 03	Heat shield		3	
17	N 101 961 03	Oval-head screw M 6 X 18		8	
18	9A7 103 392 04	Shackle for transportation	/L	1	
19	9A7 103 390 00	Shackle for transportation	/L	1	
20	9A7 103 392 03	Shackle for transportation	/R	1	
21	9A7 103 390 01	Shackle for transportation	/R	1	
22	N 910 488 02	Pan-head screw M 8 X 20		4	
23	9A7 119 186 00	Support		2	
24	N 103 352 06	Round head screw M 6 X 12		2	
25	9A7 119 607 00	Heat protection		1	MCS.ZA MDG.PA
(25)	9A7 119 607 02	Heat protection		1	MCS.ZA MDG.PA
(25)	971 119 607 B	Heat protection		1	MCX.TA
(25)	971 119 607 D	Heat protection		1	MCX.TA
26	N 103 210 03	Combination screw M 6 X 16		2	
27	WHT 002 378	Ball screw		2	
28	000 043 300 39	Sealing compound 1 tube 50 ML		X	

Model: 971-17

Model life 2017>>



31	29	26	25	22	16	15	14
13	12	11	10	7	5	4	3

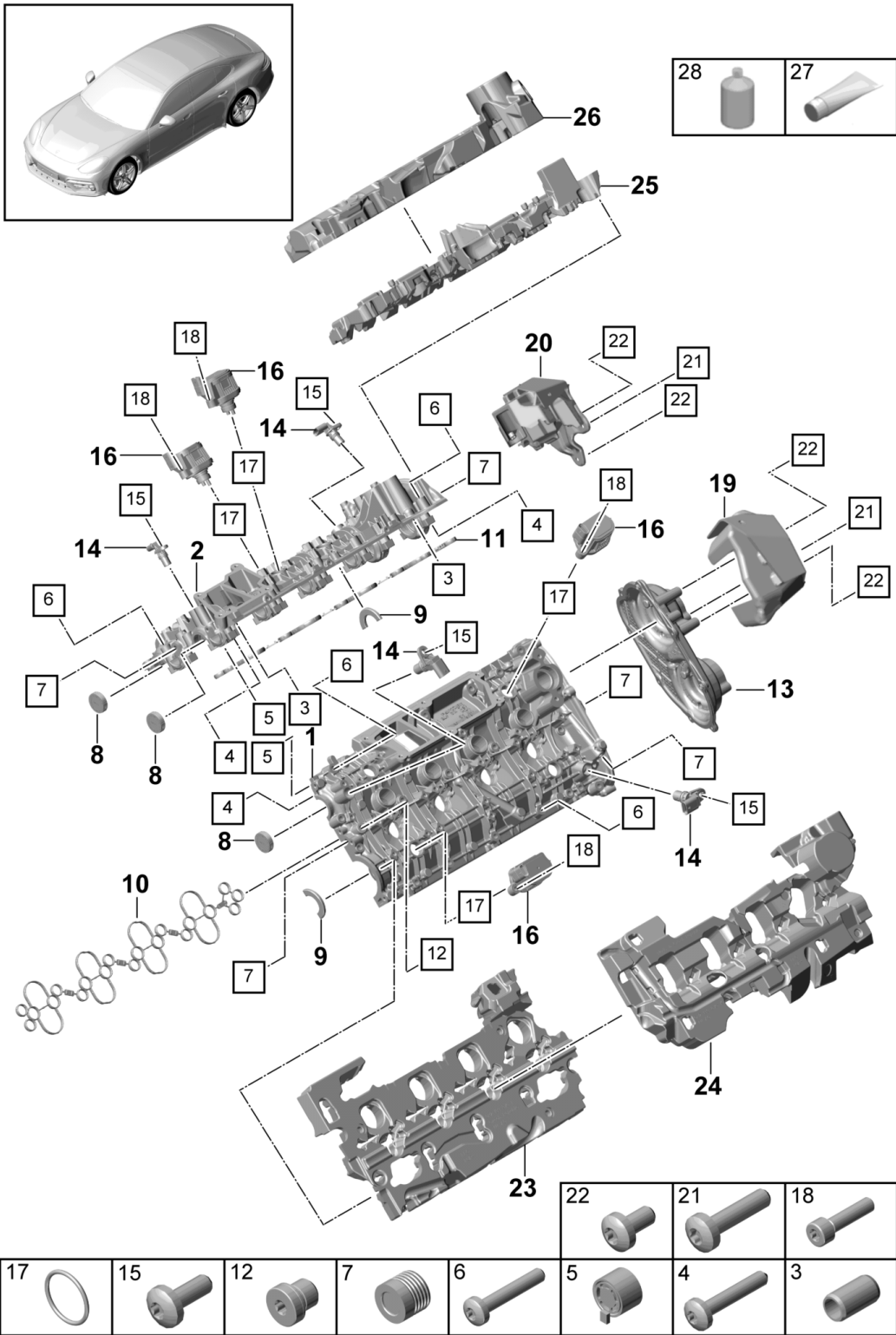
Model: 971-17

Model life 2017>>

Pos	Part Number	Description	Remark	Qty	Model
4	N 044 441 5	Cylinder head Stud M 8 X 40		16	MDB.UC
5	N 102 833 04	Screw plug M 8 X 1		2	
6	9A7 963 319 00	Glow plug		8	
20	9A7 103 075 04	Shackle for transportation Front Left		1	
21	9A7 103 392 11	Shackle for transportation Front Right		1	
22	N 105 860 01	Multiple-tooth screw M 8 X 18		4	
23	9A7 103 073 04	Shackle for transportation Rear Left		1	
24	9A7 103 390 07	Shackle for transportation Rear Right		1	
25	N 105 860 01	Multiple-tooth screw M 8 X 18		4	
26	N 911 650 01	Round head screw M 6 X 52		2	
27	9A7 133 685 02	Cover plate Cylinders 5 - 8		1	
28	9A7 133 685 03	Cover plate Cylinders 1 - 4		1	
29	N 106 649 01	Screw M 8 X 16		16	
30	971 103 565 A	Cover		1	
31	N 104 514 05	Round head screw M 6 X 16		1	
32	000 043 300 39	Sealing compound 1 tube 50 ML		X	

Model: 971-17

Model life 2017>>



Model: 971-17

Model life 2017>>

Pos	Part Number	Description	Remark	Qty	Model
		Valve cover Sound absorber Accessories Cylinder head cover Cylinders 5 - 8 Not available Cylinder head Use			MCV.DA
1					
2		Cylinder head cover Cylinders 1 - 4 Not available Cylinder head Use			
3	9A7 008 178 00	Dowel sleeve		4	
4	N 910 972 02	Lens-head screw M 6 X 35		40	
5	9A7 103 201 04	Valve Strainer		2	
6	N 105 540 05	Oval-head screw M 6 X 35		48	
7	958 105 591 00	Stopper		8	
8	9A7 103 113 01	Lid Use also: 000.043.300.39 000.043.209.93		3 1 1	
9	9A7 109 307 05	Bearing		4	
10	9A7 103 649 00	Gasket Cylinder head cover Cylinders 5 - 8		1	
11	9A7 103 650 00	Gasket Cylinder head cover Cylinders 1 - 4		1	
12	N 911 034 01	Screw plug M 10 X 1 X 10		1	
13		Lid See illustrations 1/03/00			
14	9A7 907 601 00	Pulse sender Camshaft with Sealing ring		4	
15	N 911 266 01	Outer hexagon round screw M 6 X 16		4	
16	9A7 906 048 00	Actuator		8	I0K0
(16)	9A7 109 152 00	Stopper		8	I0K3
17	9A7 008 638 00	O-ring 17,5 X 1,5		8	I0K0
(17)	N 908 091 03	O-ring 16 X 2		8	I0K3
18	N 106 706 01	Round head screw M 5 X 20		16	
19	9A7 133 919 05	Cover Left		1	
20	9A7 133 919 06	Cover Right		1	
21	N 104 134 05	Outer hexagon round screw M 6 X 25		2	
22	N 103 352 06	Round head screw M 6 X 12		4	
23	9A7 133 875 00	Sound absorber Lower Cylinders 5 - 8		1	
24	9A7 133 875 05	Sound absorber		1	

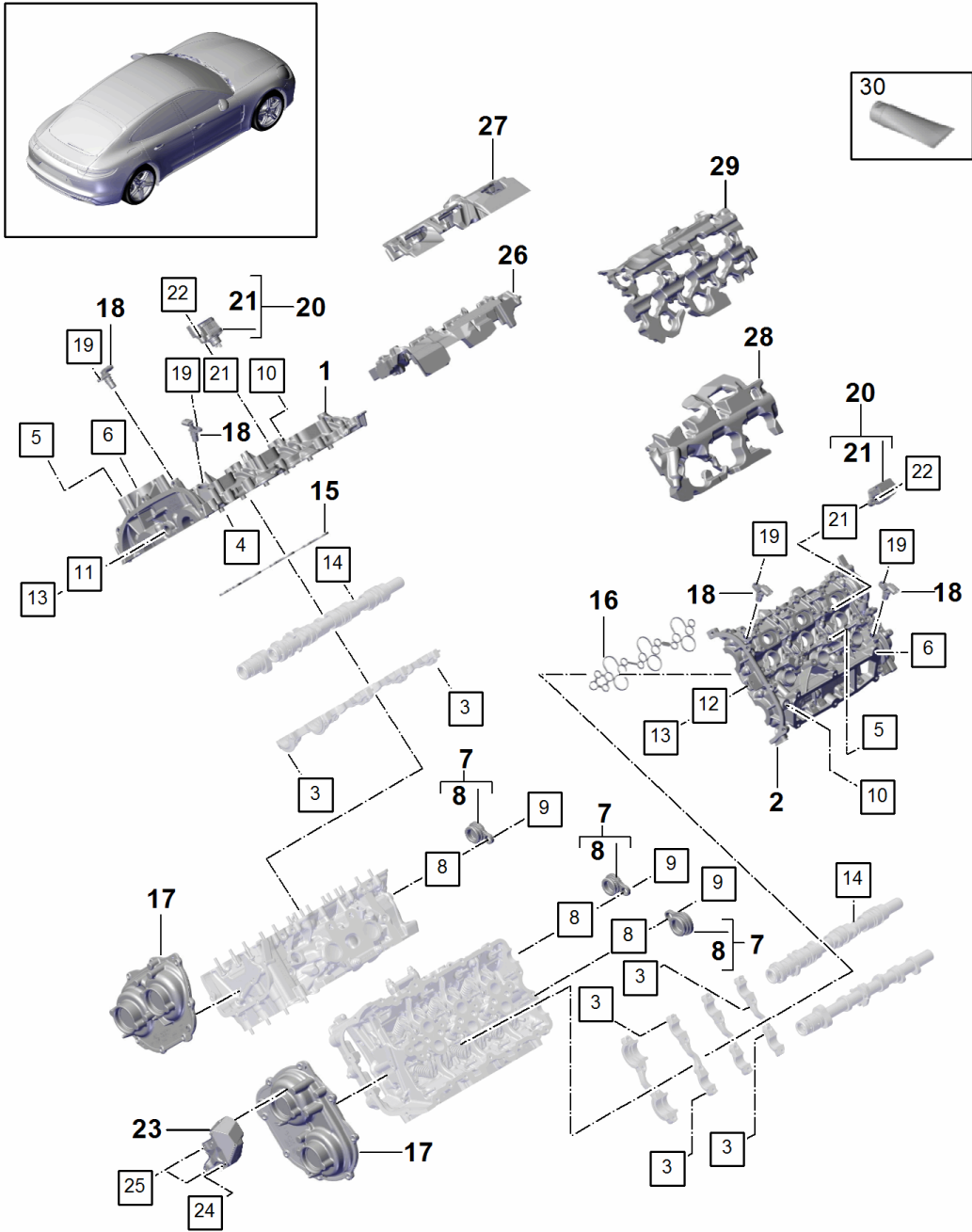
Model: 971-17

Model life 2017>>

Pos	Part Number	Description	Remark	Qty	Model
25	9A7 133 876 00	Upper Cylinders 5 - 8 Sound absorber		1	
26	9A7 133 876 05	Lower Cylinders 1 - 4 Sound absorber		1	
27	000 043 300 39	Upper Cylinders 1 - 4 Sealing compound 1 tube		X	
28	000 043 209 93	50 ML Cleaning agent 100ML		1	

Model: 971-17

Model life 2017>>



25	24	22	21	19	14	13	12
11	10	9	8	6	5	4	3

Model: 971-17

Model life 2017>>

Pos	Part Number	Description	Remark	Qty	Model
		Valve cover			MCS.ZA MCX.TA MDG.PA
1		Sound absorber Accessories Cylinder head cover Cyl. 4 - 6 Not available			
2		Cylinder head Use Cylinder head cover Cyl. 1 - 3 Not available			
3	N 911 276 02	Cylinder head Use Outer hexagon round screw M 6 X 35		32	
4	9A7 103 201 04	Valve Strainer		1	
5	N 911 276 02	Outer hexagon round screw M 6 X 35		32	
6	N 911 848 01	Double screw M 6 X 28 - M 6 X 10		7	
7	9A7 145 420 01	Lid		3	
8	N 028 222 2	Sealing ring 20 X 3,15		3	
9	N 104 514 05	Round head screw M 6 X 16		3	
10	N 911 315 01	Screw plug M 10 X 1		3	
11	9A7 103 271 03	Restrictor		1	
12	9A7 103 271 02	Restrictor		1	
13	N 911 679 01	Screw plug M 14 X 1,5		2	
14	9A7 109 307 05	Bearing		2	
15	9A7 103 649 10	Gasket		1	
16	9A7 103 650 10	Gasket		1	
17		Lid See illustrations 1/03/05			
18	9A7 907 601 00	Pulse sender Camshaft with Sealing ring		4	
19	N 101 961 03	Oval-head screw M 6 X 18		4	
20	9A7 906 048 00	Actuator		6	
21	9A7 008 638 00	O-ring 17,5 X 1,5		6	
22	N 106 706 01	Round head screw M 5 X 20		12	
23	9A7 133 919 04	Cover Right		1	
24	N 104 134 05	Outer hexagon round screw M 6 X 25		1	
25	N 103 352 06	Round head screw M 6 X 12		2	
26	9A7 133 875 20	Sound absorber Cylinder head cover Lower part		1	
27	9A7 133 875 25	Cyl. 4 - 6 Sound absorber Cylinder head cover		1	

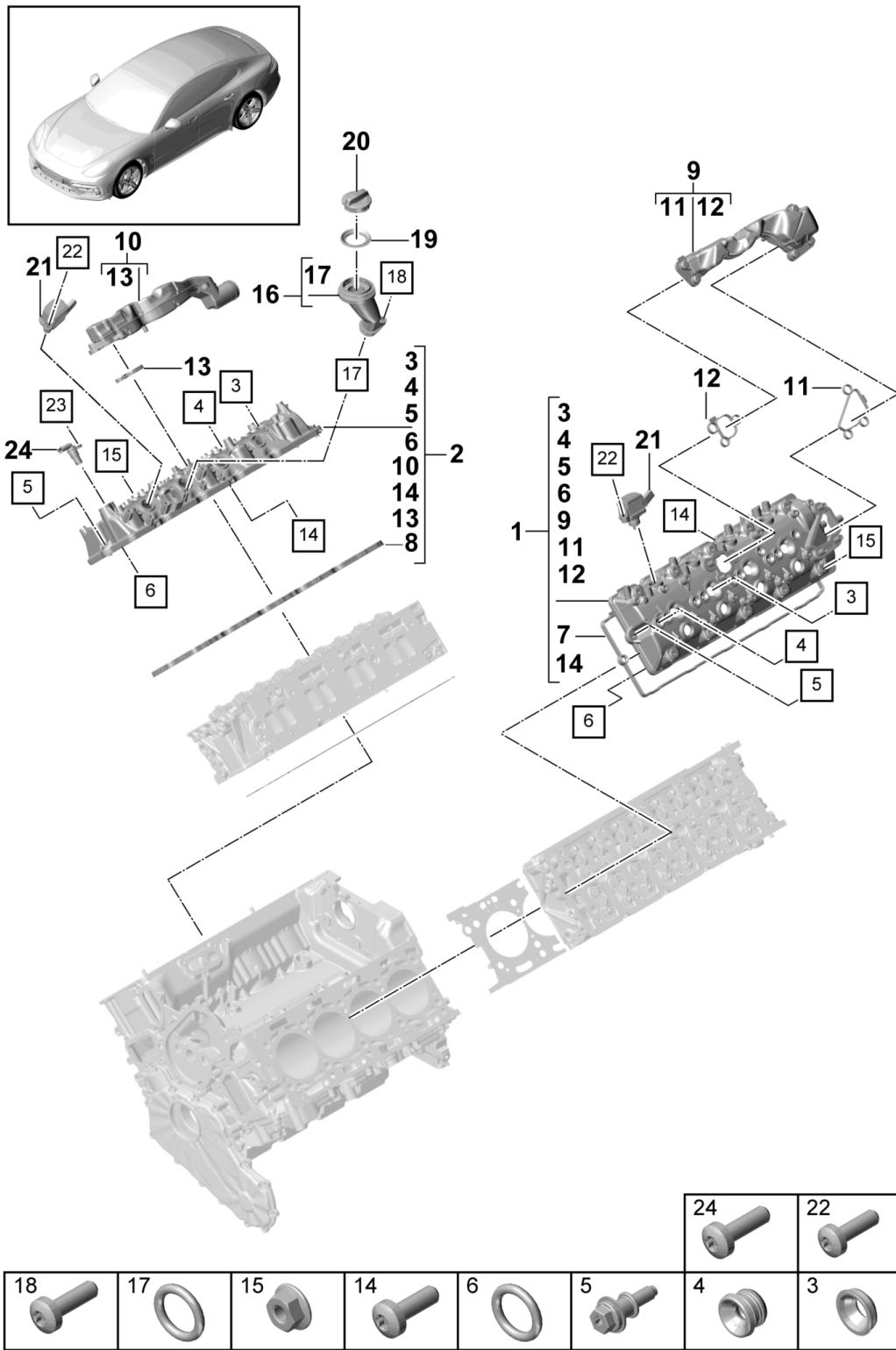
Model: 971-17

Model life 2017>>

Pos	Part Number	Description	Remark	Qty	Model
28	9A7 133 876 10	Upper part Cyl. 4 - 6 Sound absorber Cylinder head cover Lower part		1	
29	9A7 133 876 15	Upper part Cyl. 1 - 3 Sound absorber Cylinder head cover		1	
30	000 043 300 39	Sealing compound 1 tube 50 ML		X	

Model: 971-17

Model life 2017>>



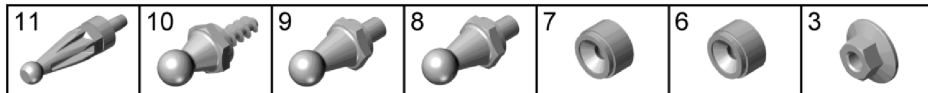
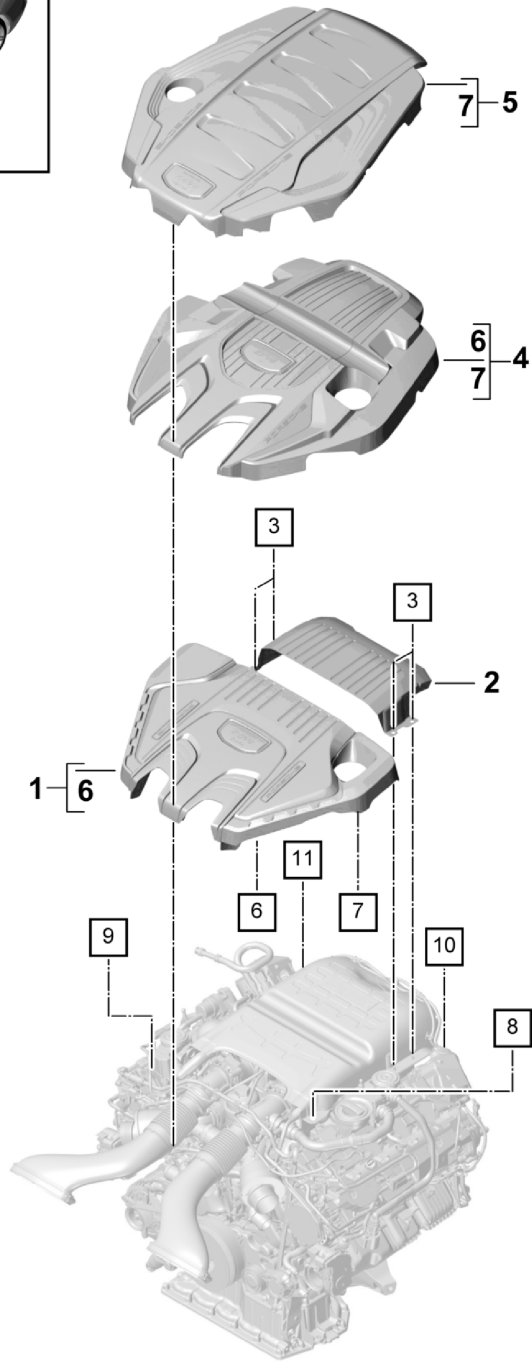
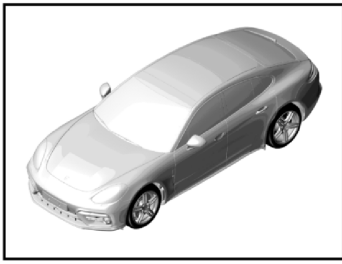
Model: 971-17

Model life 2017>>

Pos	Part Number	Description	Remark	Qty	Model
1		Valve cover Accessories Valve cover Cylinders 5 - 8 Not available Cylinder head Use		1	MDB.UC
2		Valve cover Cylinders 1 - 4 Not available Cylinder head Use		1	
3	958 105 585 00	Shaft sealing ring		8	
4	9A7 103 631 00	Grommet		16	
5	9A7 103 831 00	Fastening part		6	
6	9A7 103 196 01	Sealing ring		20	
7	9A7 103 483 00	Gasket Valve cover Cylinders 5 - 8		1	
8	9A7 103 484 00	Gasket Valve cover Cylinders 1 - 4		1	
9	9A7 103 547 02	Bleeding Cylinders 5 - 8		1	
10	9A7 103 566 02	Bleeding Cylinders 1 - 4		1	
11	9A7 103 737 03	Gasket Bleeding Cylinders 5 - 8		1	
12	9A7 103 737 02	Gasket Bleeding Cylinders 5 - 8		1	
13	9A7 103 738 01	Gasket Bleeding Cylinders 1 - 4		1	
14	N 101 961 03	Oval-head screw M 6 X 18		11	
15	N 015 082 13	Hexagon nut M 6		20	
16	9A7 103 482 00	Connecting piece		1	
17	N 903 084 02	O-ring 25 X 2,5		1	
18	N 101 243 06	Oval-head screw M 6 X 20		1	
20	958 103 485 00	Lid Oil		1	
21	9A7 906 048 05	Switch		16	
22	N 107 877 01	Round head screw M 5 X 18		32	
23	958 907 601 00	Pulse sender		1	
24	N 101 961 03	Oval-head screw M 6 X 18		1	

Model: 971-17

Model life 2017>>

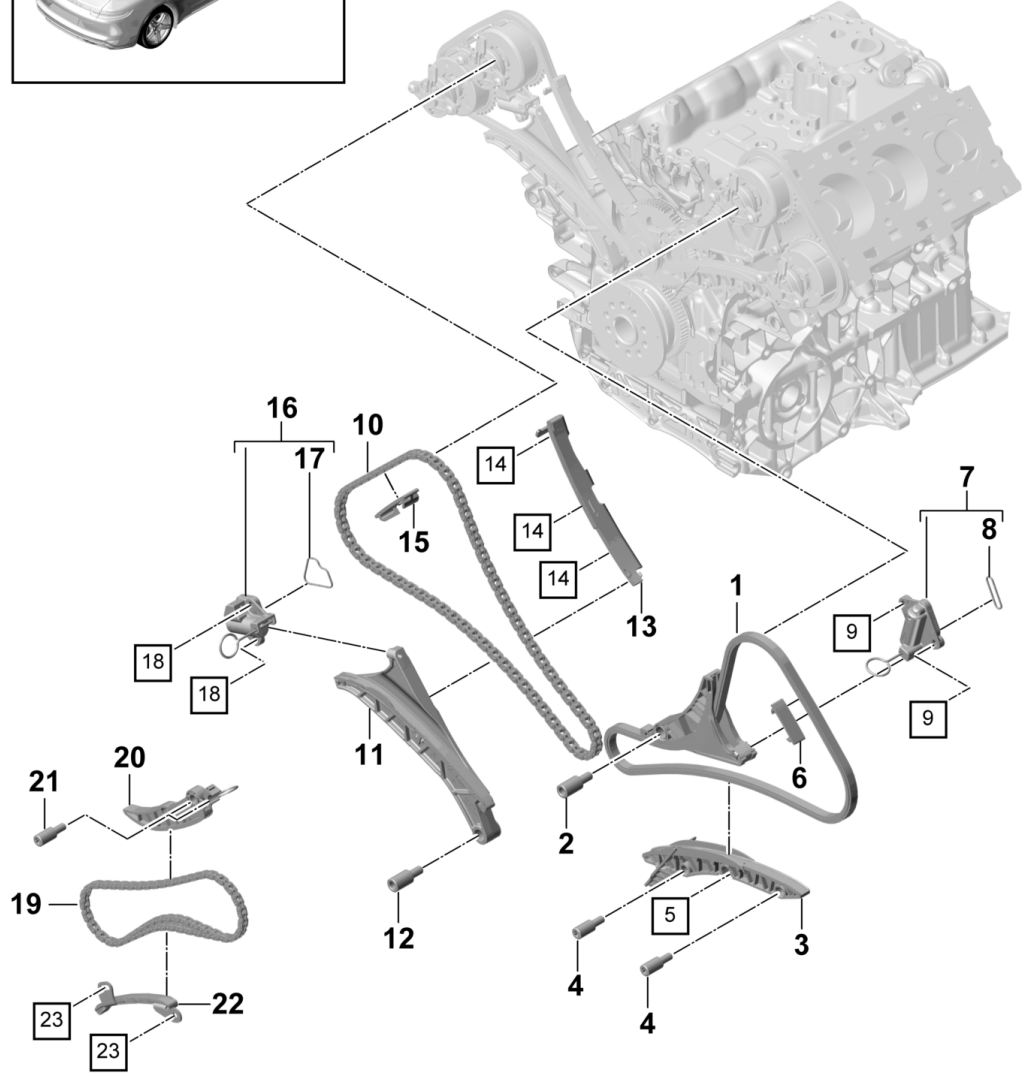
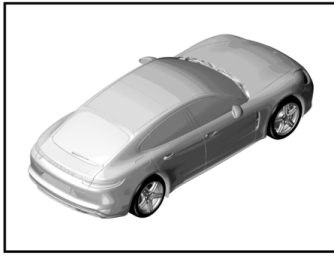


Model: 971-17 Model life 2017>>

Pos	Part Number	Description	Remark	Qty	Model
1	971 119 361 C	Engine cover Engine cover		1	MCV.DA I0K0
(1)	971 119 361 F	Front Engine cover		1	MCV.DA I0K3
2	971 119 261	Front Engine cover Rear		1	MCV.DA
3		Hexagon nut M 6 See illustrations 2/02/95 POS.5		4	MCV.DA
4	971 103 925 A	Engine cover		1	MCS.ZA
(4)	971 103 925	Engine cover		1	MCX.TA
(4)	971 103 925 B	Engine cover		1	MDG.PA
5	971 103 925 H	Engine cover		1	MDB.UC
8	9A7 000 341 00	Ball pin		1	MCS.ZA MCX.TA MDG.PA
(8)	WHT 000 351	Front Left Ball pin Front Left		1	MDB.UC
9	9A7 000 341 00	Ball pin		1	MCS.ZA MCX.TA MDG.PA
(9)	WHT 002 378	Front Right Ball screw Front Right		1	MDB.UC
10	WHT 005 593	Ball pin Left		1	MCV.DA
(10)	WHT 002 378	Ball screw		1	MCS.ZA MCX.TA MDG.PA
(10)	WHT 000 351	Left Ball pin Left		1	MDB.UC
11	WHT 005 404	Ball pin Right		1	MCV.DA
(11)	WHT 002 378	Ball screw		1	MCS.ZA MCX.TA MDG.PA
(11)	WHT 000 351	Right Ball pin Right		1	MDB.UC

Model: 971-17

Model life 2017>>



23	18	14	9	5
----	----	----	---	---

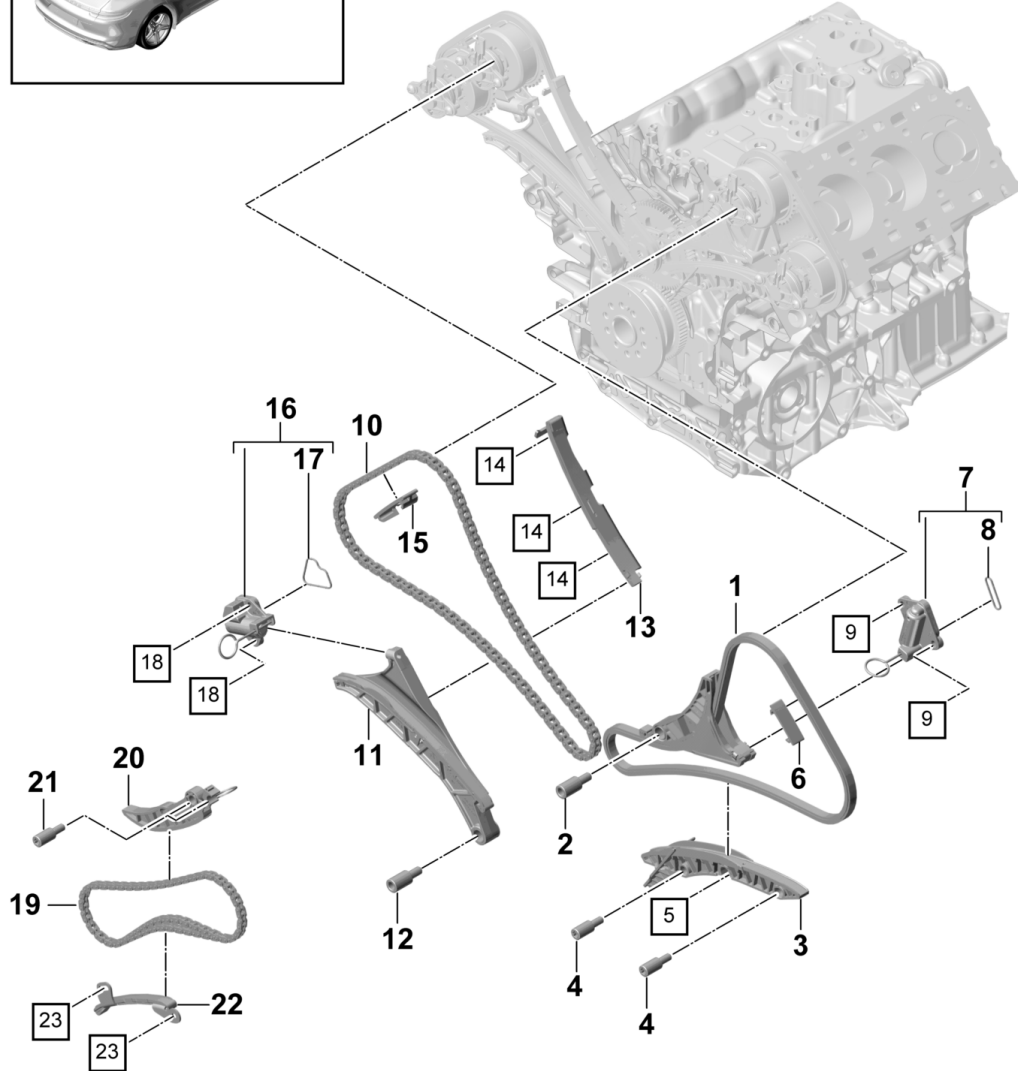
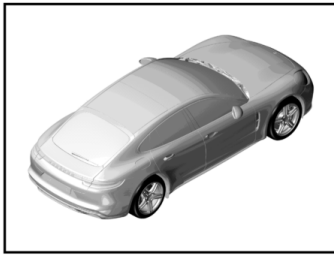
Model: 971-17

Model life 2017>>

Pos	Part Number	Description	Remark	Qty	Model
		Valve control Timing chain			MCV.DA
1	9A7 109 450 00	Timing chain with Tensioner blade		1	
2	9A7 109 426 00	Axle M 8		1	
3	9A7 109 514 00	Guide rail		1	
4	9A7 109 426 10	Axle for Guide rail M 6		2	
5	N 912 385 01	Fit bolt M 6 X 12 X 25		1	
6	958 105 470 00	Guide rail Chain adjuster		1	
7	9A7 109 218 00	Chain adjuster		1	
8	958 105 139 00	Gasket		1	
9	N 101 243 06	Oval-head screw M6 X 20		2	
10	9A7 109 229 00	Timing chain		1	
11	9A7 109 509 00	Tensioner blade		1	
12	9A7 109 426 00	Axle M 8		1	
13	9A7 109 513 00	Guide rail		1	
14	N 911 266 01	Outer hexagon round screw M 6 X 16		3	
15	958 105 470 00	Guide rail		1	
16	9A7 109 217 00	Chain adjuster		1	
17	9A7 109 139 00	Gasket		1	
18	N 101 243 06	Oval-head screw M 6 X 20		2	
19	9A7 109 229 10	Chain for Oil pump		1	
20	9A7 109 507 00	Chain adjuster Oil pump		1	
21	9A7 109 426 10	Axle M 6		2	
22	9A7 109 469 00	Guide rail		1	
23	N 911 266 01	Outer hexagon round screw M 6 X 16		2	

Model: 971-17

Model life 2017>>

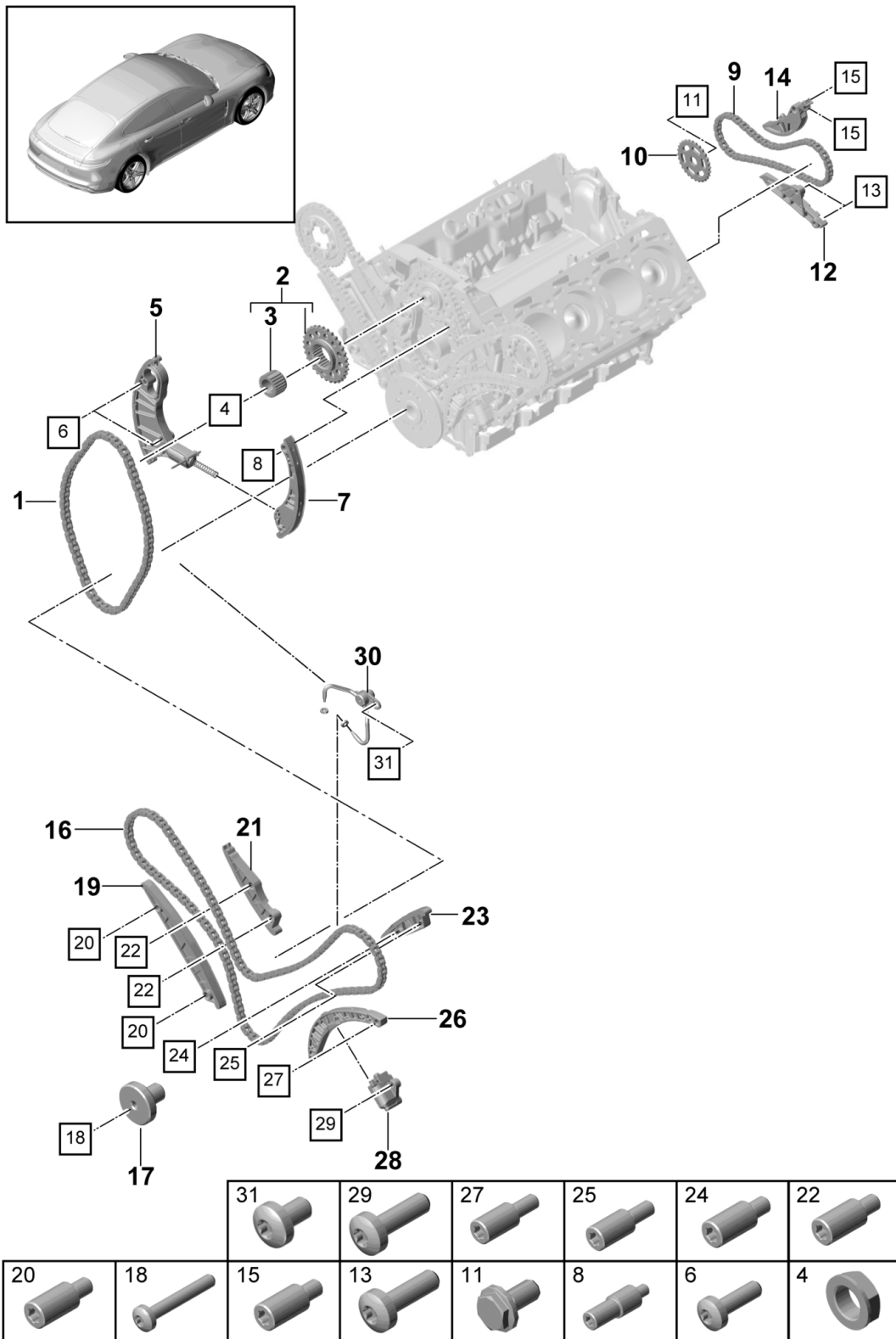


Model: 971-17 Model life 2017>>

Pos	Part Number	Description	Remark	Qty	Model
		Valve control			MCS.ZA MCX.TA MDG.PA
1	9A7 109 450 00	Timing chain Timing chain with Tensioner blade		1	
2	9A7 109 426 00	Axle M 8		1	
3	9A7 109 514 00	Guide rail		1	
4	9A7 109 426 10	Axle for Guide rail M 6		2	
5	N 912 385 01	Fit bolt M 6 X 12 X 25		1	
6	958 105 470 00	Guide rail Chain adjuster		1	
7	9A7 109 218 00	Chain adjuster		1	
8	958 105 139 00	Gasket		1	
9	N 101 243 06	Oval-head screw M6 X 20		2	
(9)	N 101 243 04	Oval-head screw M6 X 20		2	
10	9A7 109 229 00	Timing chain		1	
11	9A7 109 509 10	Tensioner blade		1	
12	9A7 109 426 00	Axle M 8		1	
13	9A7 109 513 00	Guide rail		1	
14	N 104 514 05	Round head screw M 6 X 16		3	
15	958 105 470 00	Guide rail		1	
16	9A7 109 217 00	Chain adjuster		1	
17	9A7 109 139 00	Gasket		1	
18	N 101 243 06	Oval-head screw M 6 X 20		2	
(18)	N 101 243 04	Oval-head screw M 6 X 20		2	
19	9A7 109 229 20	Chain for Oil pump		1	
20	9A7 109 507 00	Chain adjuster Oil pump		1	
21	9A7 109 426 10	Axle M 6		2	
22	9A7 109 469 00	Guide rail		1	
23	N 104 056 04	Oval-head screw M 6 X 14		2	

Model: 971-17

Model life 2017>>



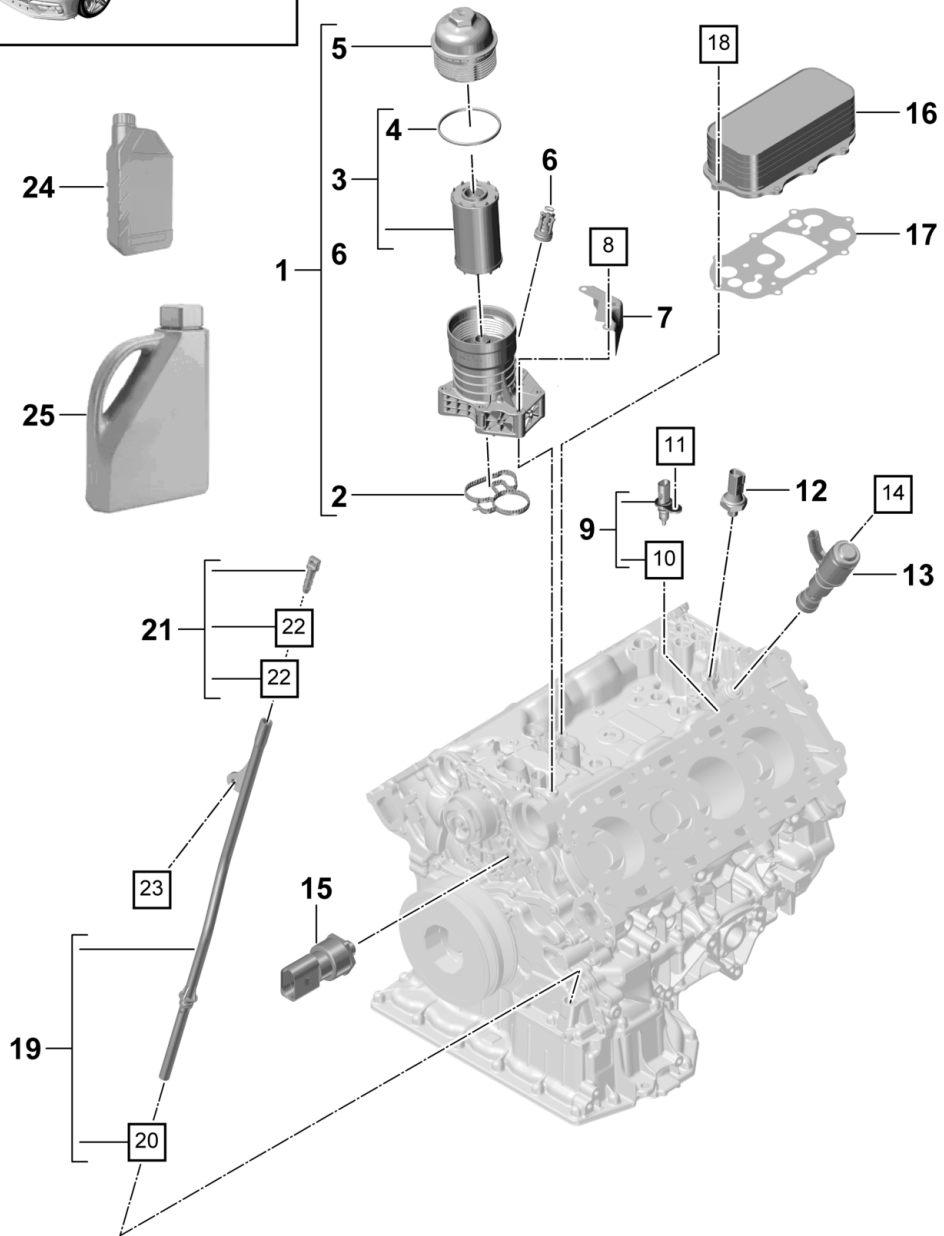
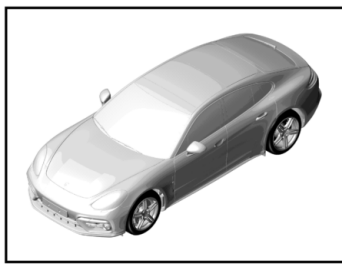
Model: 971-17

Model life 2017>>

Pos	Part Number	Description	Remark	Qty	Model
		Valve control			MDB.UC
		Timing chain			
1	9A7 109 252 02	Timing chain		1	
		high-pressure pump			
2	9A7 109 569 04	Sprocket		1	
		high-pressure pump			
(2)	9A7 109 569 06	Sprocket		1	
		high-pressure pump			
		Use also:			
		9A7.109.569.06		1	
		WHT.002.244		1	
3	958 110 541 10	Flange		1	
		Use also:			
		9A7.109.569.04		1	
		WHT.002.244		1	
(3)	9A7 130 141 00	Flange		1	
		Use also:			
		9A7.109.569.06		1	
		WHT.002.244		1	
4	WHT 002 244	Hexagon nut		1	
		M 18 X 1,5			
5	9A7 109 507 05	Chain adjuster		1	
6	N 910 680 01	Oval-head screw		3	
		M 6 X 28			
7	9A7 109 509 04	Tensioner blade		1	
8	9A7 109 426 01	Axle		1	
9	9A7 109 106 02	Timing chain		1	
		Oil pump			
10	9A7 109 590 00	Sprocket		1	
11	N 908 932 02	Hexagon-head bolt		1	
12	9A7 109 538 03	Guide rail		1	
13	N 101 243 06	Oval-head screw		2	
		M 6 X 20			
14	9A7 109 467 07	Chain adjuster		1	
15	9A7 109 426 20	Axle		2	
16	9A7 109 229 30	Timing chain		1	
17	057 109 135 03	Spacer sleeve		1	
(17)	9A7 109 135 03	Spacer sleeve		1	
18	N 105 821 03	Oval-head screw		1	
		M 6 X 40			
19	9A7 109 469 12	Guide rail		1	
20	9A7 109 426 20	Axle		2	
21	9A7 109 513 10	Guide rail		1	
22	9A7 109 426 20	Axle		2	
23	9A7 109 514 10	Guide rail		1	
24	9A7 109 426 20	Axle		1	
25	9A7 109 426 10	Axle		1	
26	9A7 109 510 00	Tensioner blade		1	
27	9A7 109 426 10	Axle		1	
28	9A7 109 467 00	Chain adjuster		1	
29	N 101 243 06	Oval-head screw		2	
		M 6 X 20			
30	9A7 109 429 04	Oil		2	
		Nozzle			
		Timing chain			
31	N 101 703 02	Oval-head screw		1	
		M 6 X 10			

Model: 971-17

Model life 2017>>



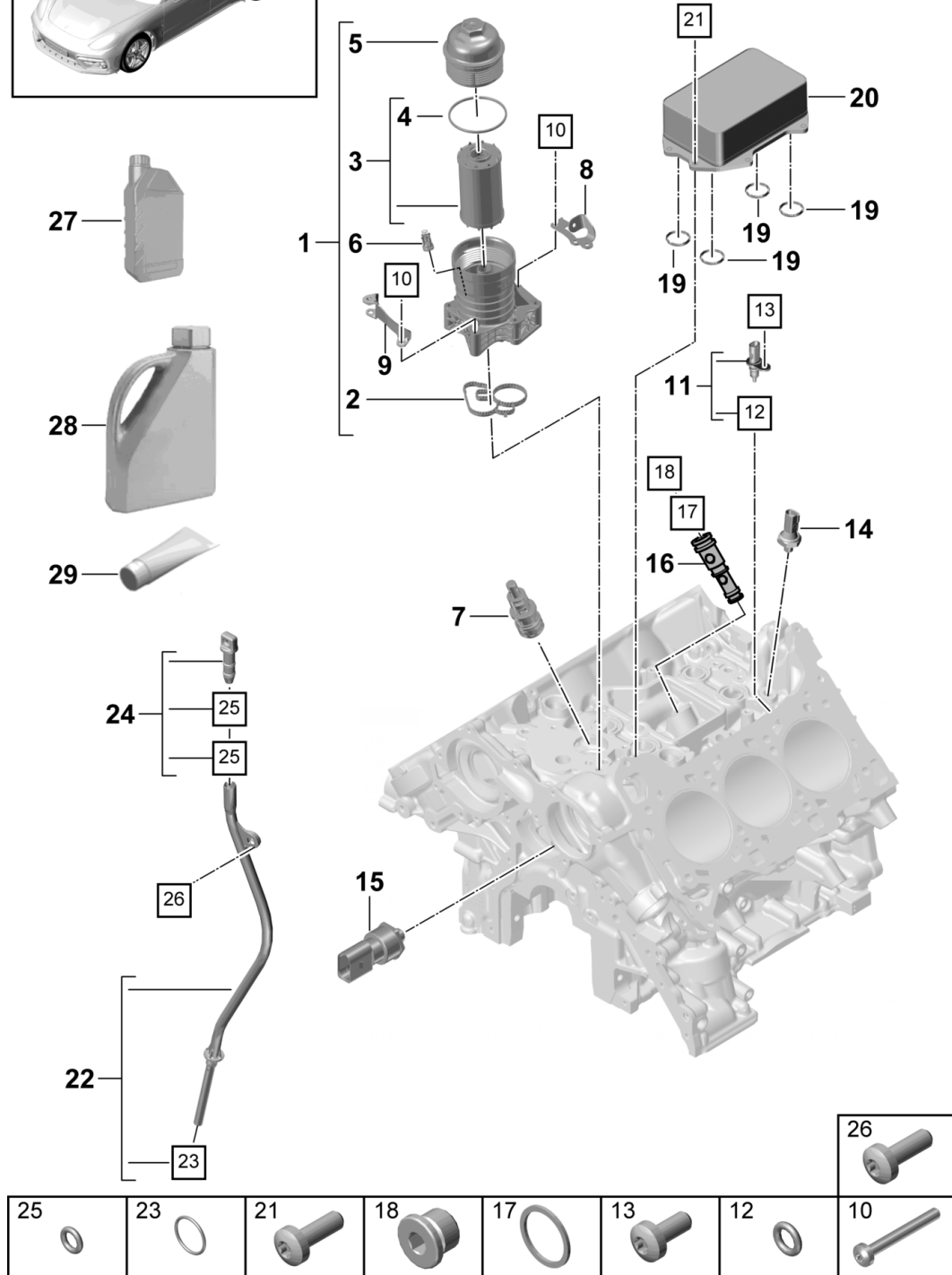
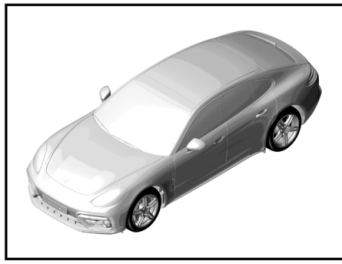
23	22	20	18	14	11	10	8
----	----	----	----	----	----	----	---

Model: 971-17 Model life 2017>>

Pos	Part Number	Description	Remark	Qty	Model
		Oil filter Bracket			MCV.DA
1	9A7 115 401 00	Oil cooler Oil filter		1	
(1)	9A7 115 401 05	Complete Oil filter		1	
2	9A7 115 441 00	Complete Gasket		1	
3	9A7 198 405 00	Filter element with		1	
4	9A7 115 331 00	Sealing ring Sealing ring		1	
5	9A7 115 311 00	72 X 3,9 Lid		1	
6	9A7 103 175 00	Check valve		1	
7	9A7 119 275 00	Heat shield		1	
8	N 104 707 03	Lens-head screw AM 6 X 50		6	
9	9A7 919 525 10	Temperature sensor Engine oil		1	
10	WHT 002 287 C	O-ring 5,6 X 2		1	
11	N 102 855 05	Pan-head screw M 6 X 12		1	
12	9A7 919 081 10	Oil pressure switch		1	
13	9A7 115 243 01	Control valve Spray nozzle		1	
14	N 102 855 05	Engine oil Pan-head screw		1	
15	9A7 906 054 07	M 6 X 12 Oil pressure sender		1	
16	9A7 117 015 00	Oil cooler Use also:		1	
17	9A7 103 161 01	9A7.103.161.01 Gasket		1	
18	N 101 243 06	Oval-head screw M 6 X 20		8	
19	9A7 115 609 02	Guide tube		1	
20	955 107 427 00	Round seal 12 X 2		1	
21	958 107 168 10	Stopper		1	
22	9A7 115 757 00	O-ring 5 X 1,9		2	
23	N 911 266 01	Outer hexagon round screw M 6 X 16		1	
24	000 043 305 21	Engine oil EXXON MOBIL 1 0W-40		X	
		1 LITER Container			
25	000 043 305 22	Information available Engine oil		X	
		EXXON MOBIL 1 0W-40 20 LITER Container Information available			

Model: 971-17

Model life 2017>>



Model: 971-17

Model life 2017>>

Pos	Part Number	Description	Remark	Qty	Model
		Oil filter			MCS.ZA MCX.TA MDG.PA
1	9A7 115 401 10	Bracket Oil cooler Oil filter		1	
(1)	9A7 115 401 05	Complete Oil filter		1	
2	9A7 115 441 00	Complete Gasket		1	
3	9A7 198 405 00	Filter element		1	
4	9A7 115 331 00	with Sealing ring Sealing ring 72 X 3,9		1	
5	9A7 115 311 00	Lid		1	
6	9A7 103 175 00	Check valve		1	
7	9A7 115 201 00	Thermostat		1	
8	9A7 103 320 00	Engine oil Support		1	MCS.ZA MDG.PA
(8)	9A7 103 320 10	Support		1	MCX.TA
9	9A7 133 034 00	Support		1	MCX.TA
10	N 104 707 03	Lens-head screw AM6 X 50		6	
11	9A7 919 525 10	Temperature sensor Engine oil		1	
12	WHT 002 287 C	O-ring 5,6 X 2		1	
13	N 104 056 04	Oval-head screw M 6 X 14		1	
14	9A7 919 081 10	Oil pressure switch		1	
15	9A7 906 054 07	Oil pressure sender		1	
16	9A7 103 208 00	Control valve		1	
17	900 123 118 30	Sealing ring A 22 X 27		1	
18	9A7 005 804 00	Screw plug M 22 X 1,5		1	
19	9A7 121 070 00	Gasket		4	
		Use also: 000.043.300.39		1	
		000.043.209.93		1	
20	9A7 117 015 10	Oil cooler		1	MCS.ZA MDG.PA
		Use also: 9A7.121.070.00		4	
		000.043.300.39		1	
		000.043.209.93		1	
(20)	9A7 117 015 30	Oil cooler		1	MCX.TA
		Use also: 9A7.121.070.00		4	
		000.043.300.39		1	
		000.043.209.93		1	
21	N 101 961 03	Oval-head screw M 6 X 18		8	
22	9A7 115 609 10	Guide tube		1	
23	955 107 427 00	Round seal 12 X 2		1	
24	958 107 168 10	Stopper		1	
25	9A7 115 757 00	O-ring 5 X 1,9		2	
26	N 101 961 03	Oval-head screw M 6 X 18		1	

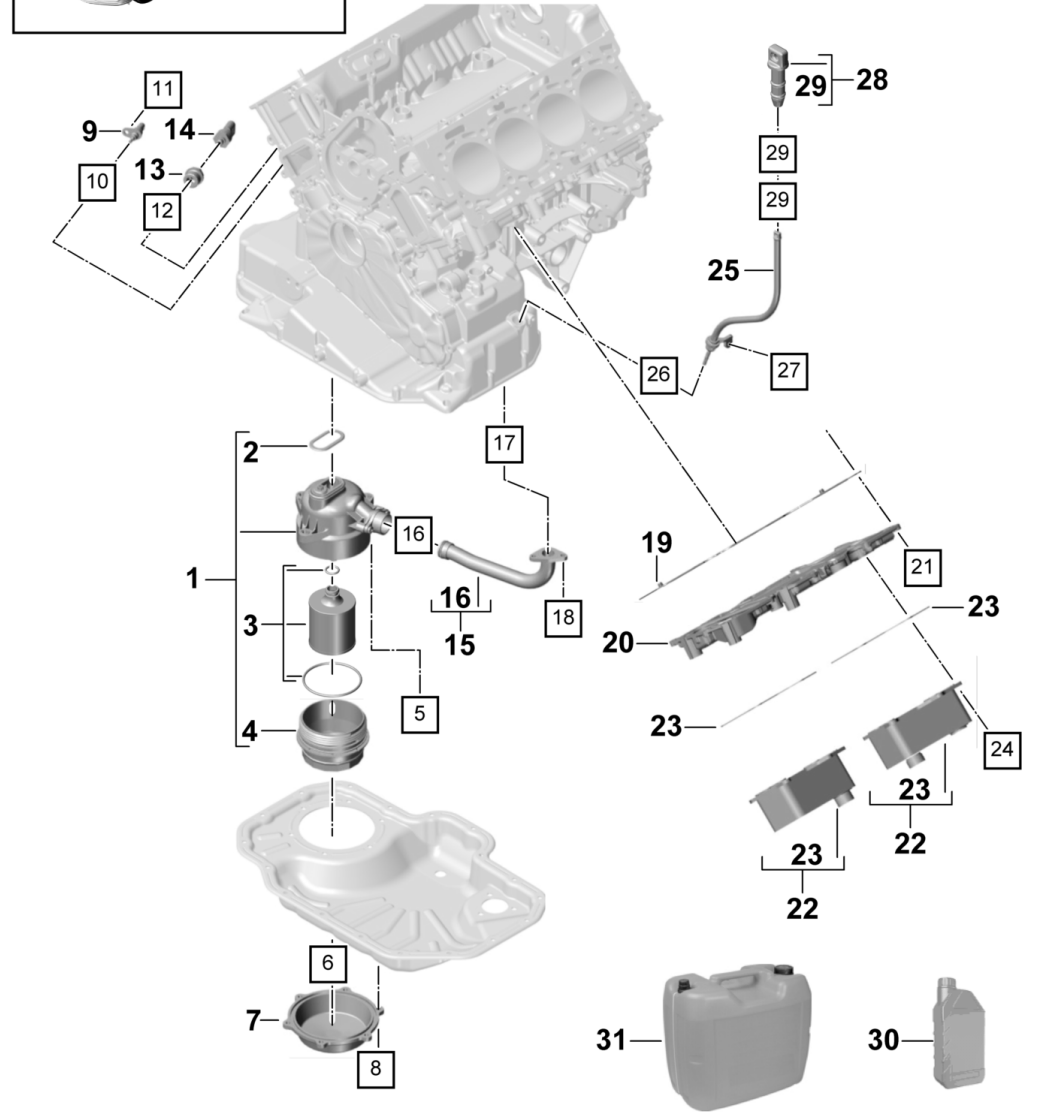
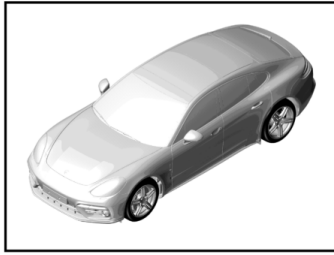
Model: 971-17

Model life 2017>>

Pos	Part Number	Description	Remark	Qty	Model
27	000 043 305 19	Engine oil EXXON MOBIL 1 ESP FORMULA 5W-30 1 LITER Container Information available	-(CN)	X	
(27)	000 043 210 46	Engine oil 0W-20 1 LITER Container Information available	-(CN)	X	MCX.TA
(27)	000 043 305 21	Engine oil EXXON MOBIL 1 0W-40 1 LITER Container Information available	(CN)	X	
28	000 043 301 17	Engine oil EXXON MOBIL 1 ESP FORMULA 5W-30 20 LITER Container Information available	-(CN)	X	
(28)	000 043 305 20	Engine oil EXXON MOBIL 1 ESP FORMULA 5W-30 20 LITER Container Information available	-(CN)	X	
(28)	000 043 305 22	Engine oil EXXON MOBIL 1 0W-40 20 LITER Container Information available	(CN)	X	
29	000 043 300 39	Sealing compound 1 tube 50 ML Seal Crankcase Oil cooler		X	

Model: 971-17

Model life 2017>>



			29	27	26	24	21	18
17	16	12	11	10	8	6	5	

Model: 971-17 Model life 2017>>

Pos	Part Number	Description	Remark	Qty	Model
		Oil filter Bracket Oil cooler Oil filter Complete Use also: 9A7.103.632.00		1	MDB.UC
1	9A7 115 389 03			1	
2	9A7 115 446 04	Gasket		1	
3	9A7 198 405 10	Filter element with Gasket Use also: 9A7.103.632.00		1	
4	9A7 115 433 05	Lid		1	
5	N 107 453 01	Outer hexagon round screw M 8 X 30		3	
6	9A7 103 632 00	Gasket		1	
7	9A7 103 707 00	Lid		1	
8	N 101 243 06	Oval-head screw M 6 X 20		6	
9	958 606 623 20	Temperature sensor Use also: WHT.002.287.C		1	
10	WHT 002 287 C	O-ring 5,6 X 2		1	
11	N 104 514 08	Lens-head screw M 6 X 16		1	
12	N 043 809 2	Sealing ring Aluminium 24 X 2 X 29		1	
13	9A7 115 406 03	Adapter		1	
14	9A7 906 054 07	Oil pressure sender		1	
15	9A7 115 228 04	Oil pipe		1	
16	N 904 650 04	O-ring 23 X 2,6		1	
17	9A7 115 685 00	Gasket		1	
18	N 101 961 03	Oval-head screw M 6 X 18		2	
19	9A7 117 201 03	Gasket		1	
20	9A7 117 187 02	Mounting plate		1	
21	N 104 514 05	Round head screw M 6 X 16		15	
22	9A7 117 015 20	Oil cooler		2	
23	9A7 117 070 00	Gasket		2	
24	N 101 961 03	Oval-head screw M 6 X 18		12	
25	9A7 115 630 00	Guide tube		1	
26	955 107 427 00	Round seal 12 X 2		1	
27	N 104 514 08	Lens-head screw M 6 X 16		1	
28	958 107 168 10	Stopper		1	
29	9A7 115 757 00	O-ring 5 X 1,9		2	
30	000 043 301 16	Engine oil EXXON MOBIL 1 ESP FORMULA 5W-30 1 LITER Container Information available		X	
31	000 043 301 17	Engine oil EXXON MOBIL 1 ESP FORMULA 5W-30		X	

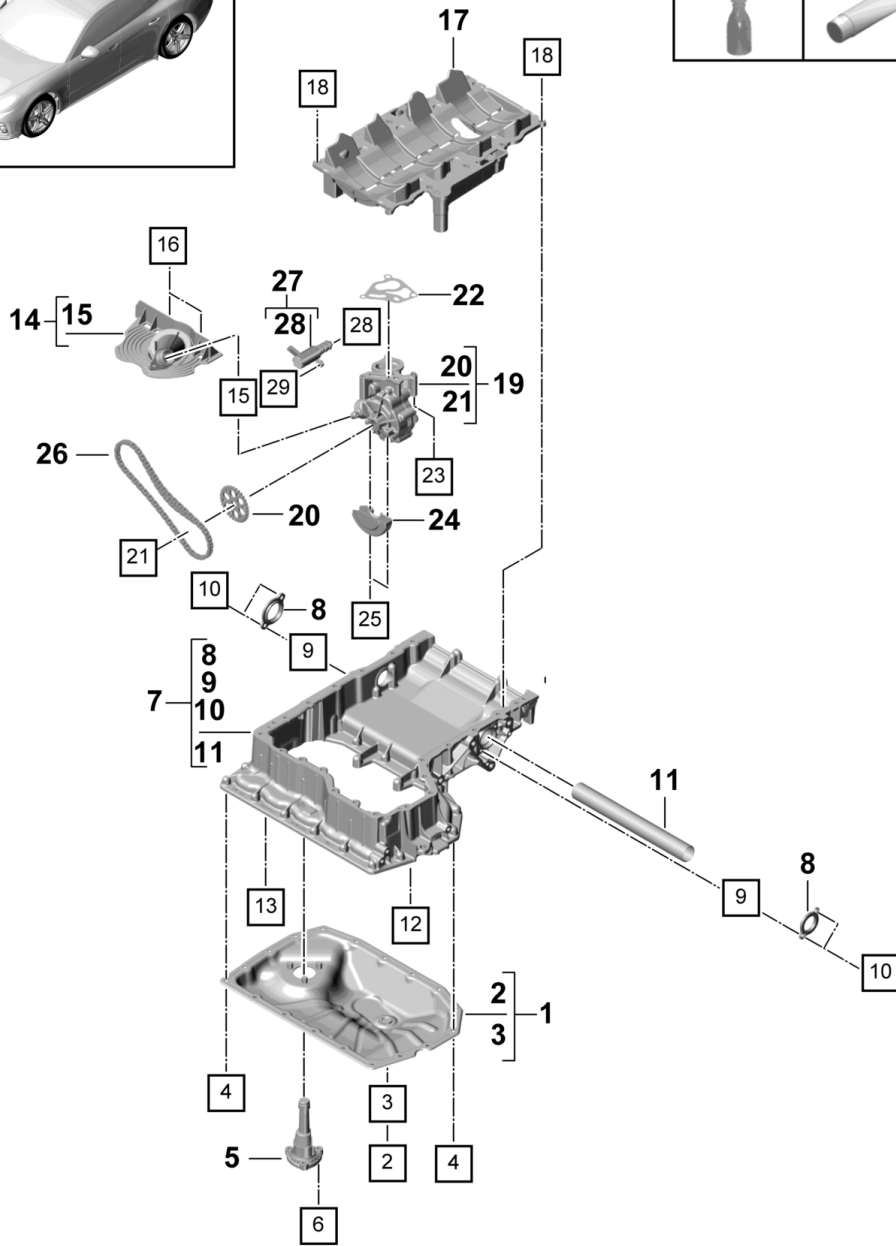
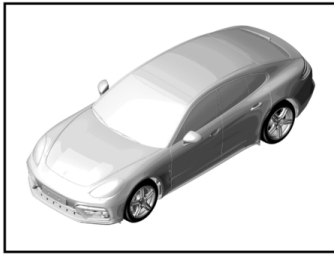
Model: 971-17

Model life 2017>>

Pos	Part Number	Description	Remark	Qty	Model
		20 LITER Container Information available			

Model: 971-17

Model life 2017>>



29	28	25	23	21	18	16	15
13	12	10	9	6	4	3	2

Model: 971-17

Model life 2017>>

Pos	Part Number	Description	Remark	Qty	Model
1	9A7 103 602 00	Oil-conducting housing Oil pump Oil pan Oil pan Lower part Comprising: Oil pan Lower part Screw plug Sealing ring Use also: 000.043.300.39 000.043.209.93		1	MCV.DA
2	N 911 679 01	Screw plug Use also: N .013.849.4		1	
3	N 013 849 4	Sealing ring A 14 X 1,5 X 20		1	
4	N 101 243 06	Oval-head screw M 6 X 20		18	
5	9A7 907 660 10	Oil-level sender Sensor		1	
6	N 104 134 05	Outer hexagon round screw M 6 X 25		3	
7	9A7 103 603 00	Oil pan Upper part Use also: 000.043.300.39 000.043.209.93		1	
8	9A7 103 708 10	Lid Pipe		2	
9	N 907 132 03	O-ring 31 X 3 N		2	
10	N 104 485 04	Countersunk-head screw M 6 X 16		4	
11	9A7 103 689 00	Pipe Drive shaft		1	
12	N 911 310 01	Round head screw M 6 X 80 X70		7	
13	N 101 243 06	Oval-head screw M 6 X 20		14	
14	9A7 115 155 00	Intake manifold Oil pump		1	
15	N 910 697 01	O-ring 26 X 2,5 N		1	
16	N 101 243 06	Oval-head screw M 6 X 20		2	
17	9A7 115 289 00	Oil return circuit		1	
18	N 101 243 06	Oval-head screw M 6 X 20		10	
19	9A7 115 103 20	Oil pump Complete		1	
20	9A7 115 121 00	Sprocket		1	
21	9A7 008 061 00	Lens-head screw M 8 X 22		1	
22	9A7 103 161 00	Gasket Oil pump		1	
23	N 105 626 03	Lens-head screw M 6 X 60		3	
24	9A7 115 132 00	Protective plate Sprocket		1	
25	N 101 243 06	Oval-head screw M 6 X 20		2	

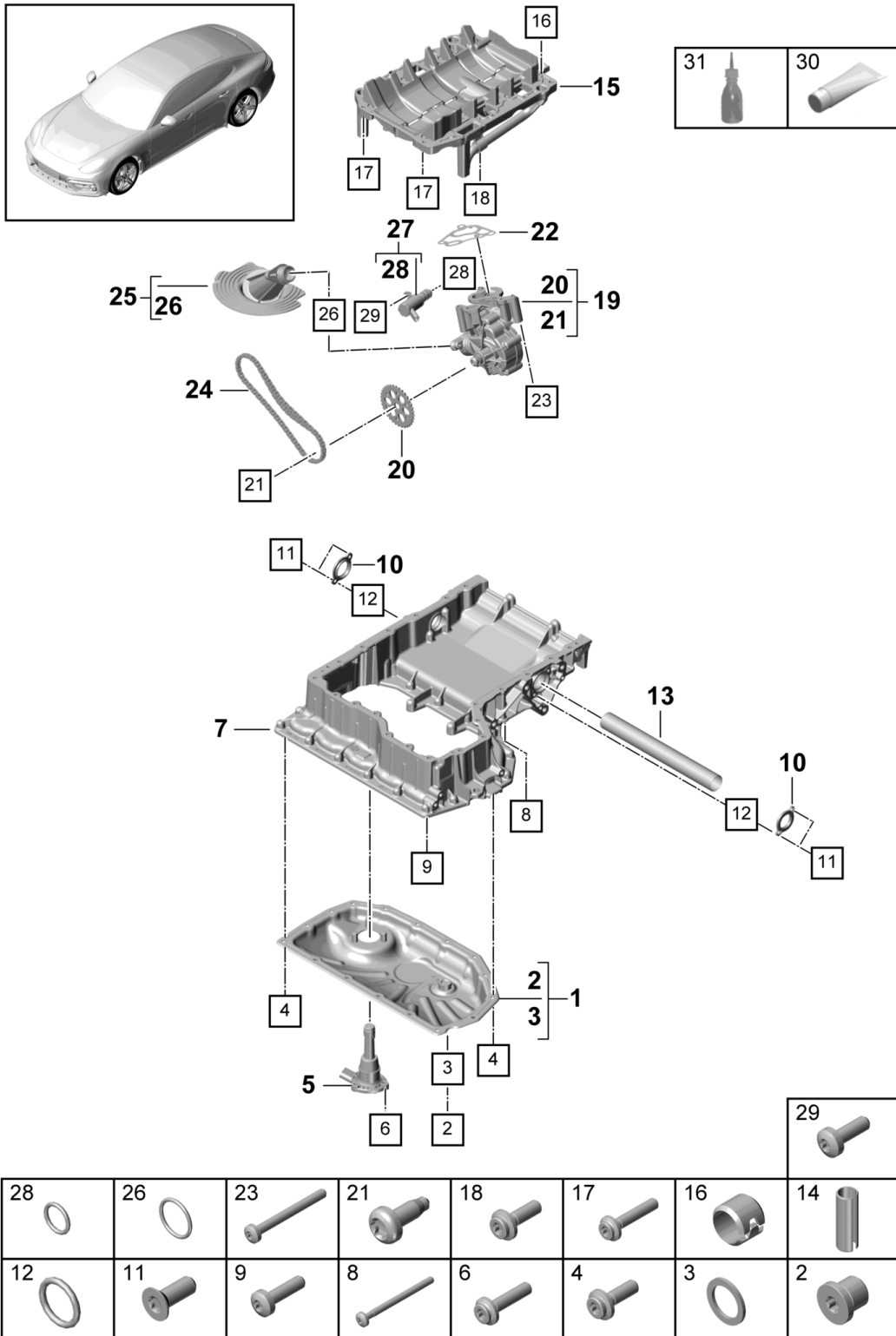
Model: 971-17

Model life 2017>>

Pos	Part Number	Description	Remark	Qty	Model
26		Chain See illustrations 1/03/65		1	
27	9A7 115 393 00	Control valve Oil pump		1	
28	N 101 961 03	Oval-head screw M 6 X 18		1	
29	000 043 300 39	Sealing compound 1 tube 50 ML		X	
30	000 043 209 93	Cleaning agent 100 ML		1	

Model: 971-17

Model life 2017>>



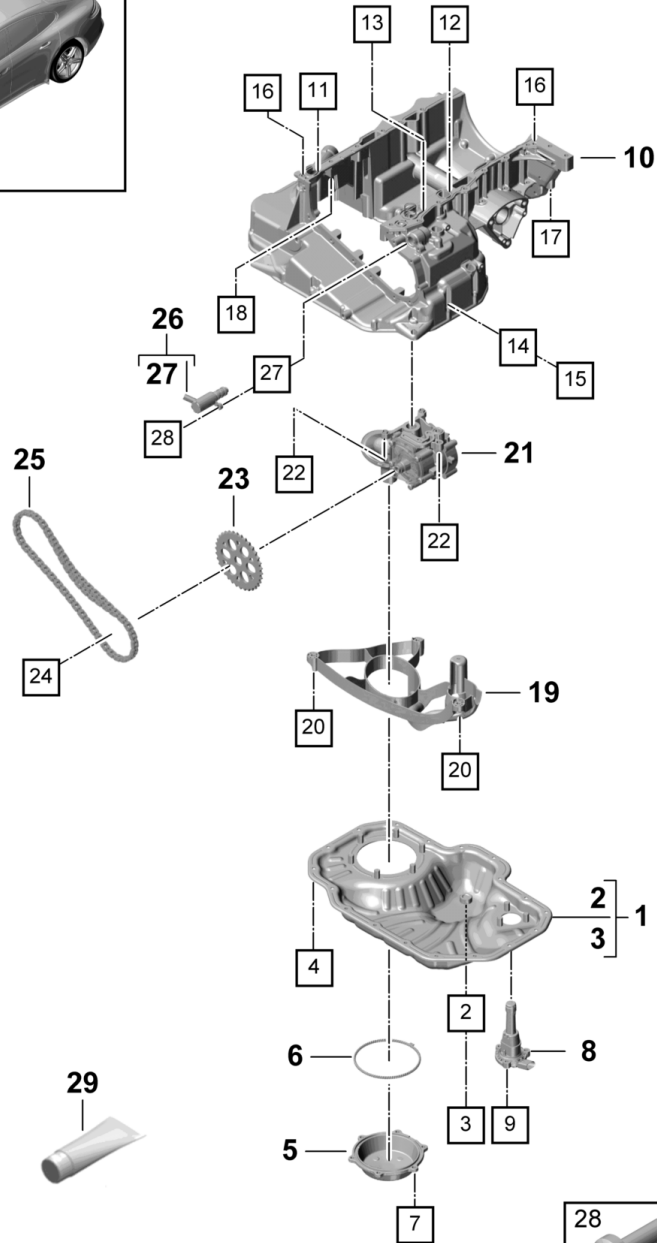
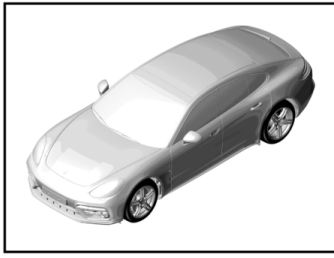
Model: 971-17

Model life 2017>>

Pos	Part Number	Description	Remark	Qty	Model
23	N 105 626 02	Oil pump Lens-head screw M 6 X 60		3	
24		Chain See illustrations 1/03/70		1	
25	9A7 115 155 10	Intake manifold Oil pump		1	
26	N 910 697 01	O-ring 26 X 2,5 N		1	
27	9A7 115 393 00	Control valve Oil pump		1	
28	9A7 115 475 00	O-ring 14 X 2		1	
29	N 101 961 03	Oval-head screw M 6 X 18		1	
30	000 043 300 39	Sealing compound 1 tube 50 ML		X	
31	000 043 209 93	Cleaning agent 100 ML		1	

Model: 971-17

Model life 2017>>



						28	27
24	22	20	18	17	16	15	14
13	12	11	9	7	4	3	2

Model: 971-17

Model life 2017>>

Pos	Part Number	Description	Remark	Qty	Model
		Oil-conducting housing			MDB.UC
1	9A7 103 602 20	Oil pump Oil pan Oil pan Lower part Comprising: Oil pan Lower part Screw plug Sealing ring Use also: 000.043.300.39		1	
2	N 911 679 01	Screw plug Use also: N .013.849.4		1	
3	N 013 849 4	Sealing ring A 14 X 1,5 X 20		1	
4	N 107 451 01	Outer hexagon round screw M 6 X 20		18	
5	9A7 103 707 00	Lid Use also: 9A7.103.632.00		1	
6	9A7 103 632 00	Gasket Lid		1	
7	N 101 243 06	Oval-head screw M 6 X 20		6	
8	9A7 907 660 10	Oil-level sender Sensor		1	
9	N 911 279 02	Round head screw M 6 X 25		3	
10	9A7 103 601 30	Oil-conducting housing Use also: 000.043.300.39		1	
11	9A7 103 611 10	Gasket		1	
12	9A7 103 610 30	Gasket		1	
13	9A7 103 609 40	Gasket		1	
14	N 013 832 6	Sealing ring A 18 X 22		1	
15	N 911 965 01	Screw plug M 18 X 1,5 X 16		1	
16	955 102 277 00	Roll pin 6,2 X 22		2	
17	WHT 004 873	Outer hexagon round screw M 7 X 40		7	
18	WHT 004 874	Outer hexagon round screw M 7 X 105		9	
19	9A7 103 138 00	Insert		1	
20	N 107 451 01	Outer hexagon round screw M 6 X 20		3	
21	9A7 115 105 00	Oil pump with Intake manifold		1	
22	N 107 453 01	Outer hexagon round screw M 8 X 30		3	
23	9A7 109 590 00	Sprocket		1	
24	N 908 932 02	Hexagon-head bolt M 10 X 20		1	
25		Chain Oil pump See illustrations 1/03/75			
26	9A7 115 393 00	Control valve		1	
27	9A7 115 475 00	O-ring		1	

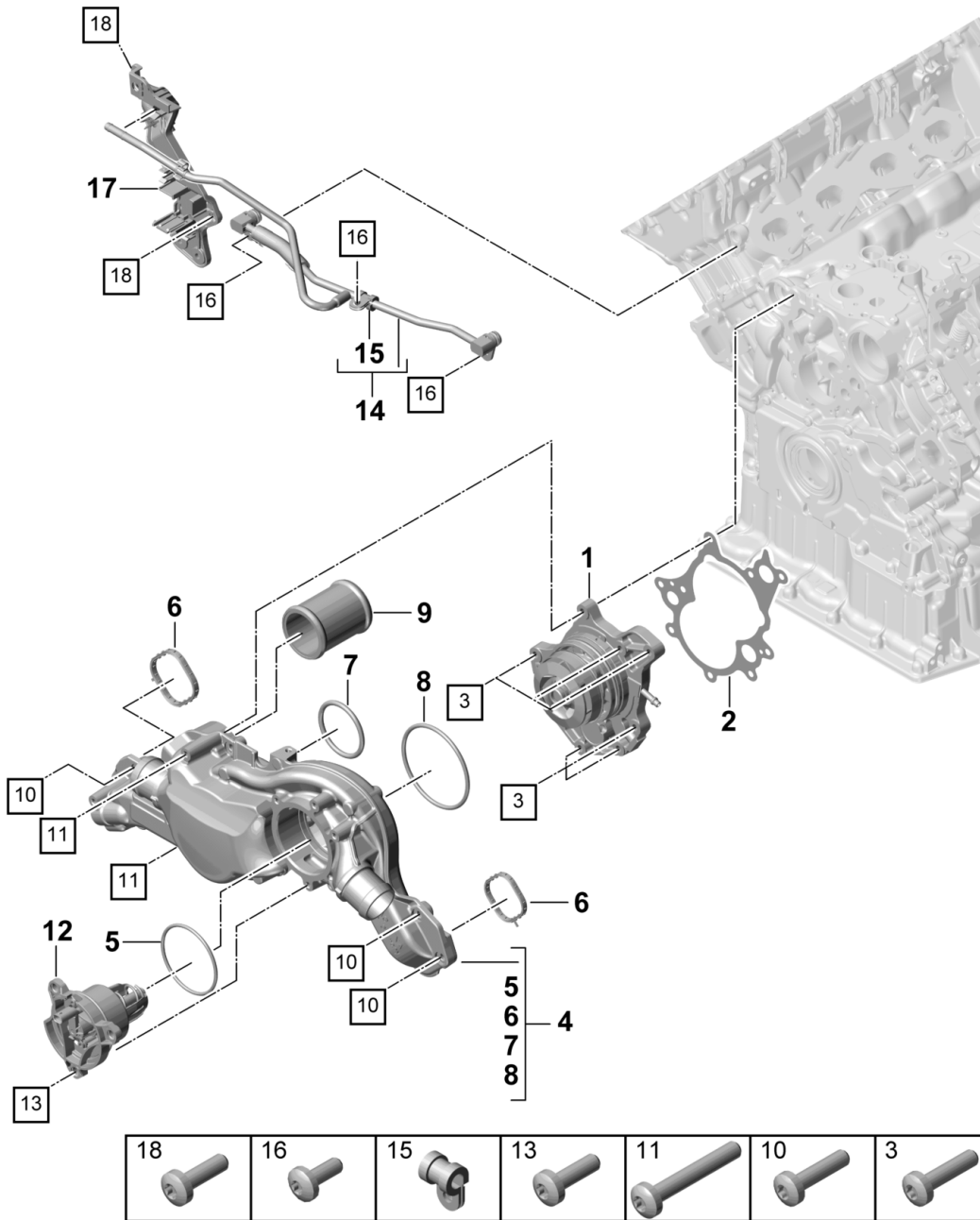
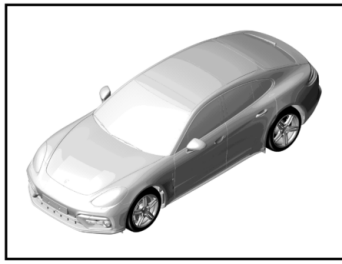
Model: 971-17

Model life 2017>>

Pos	Part Number	Description	Remark	Qty	Model
28	N 101 961 03	14 X 2 Oval-head screw		1	
29	000 043 300 39	M 6 X 16 Sealing compound 1 tube 50 ML		1	

Model: 971-17

Model life 2017>>



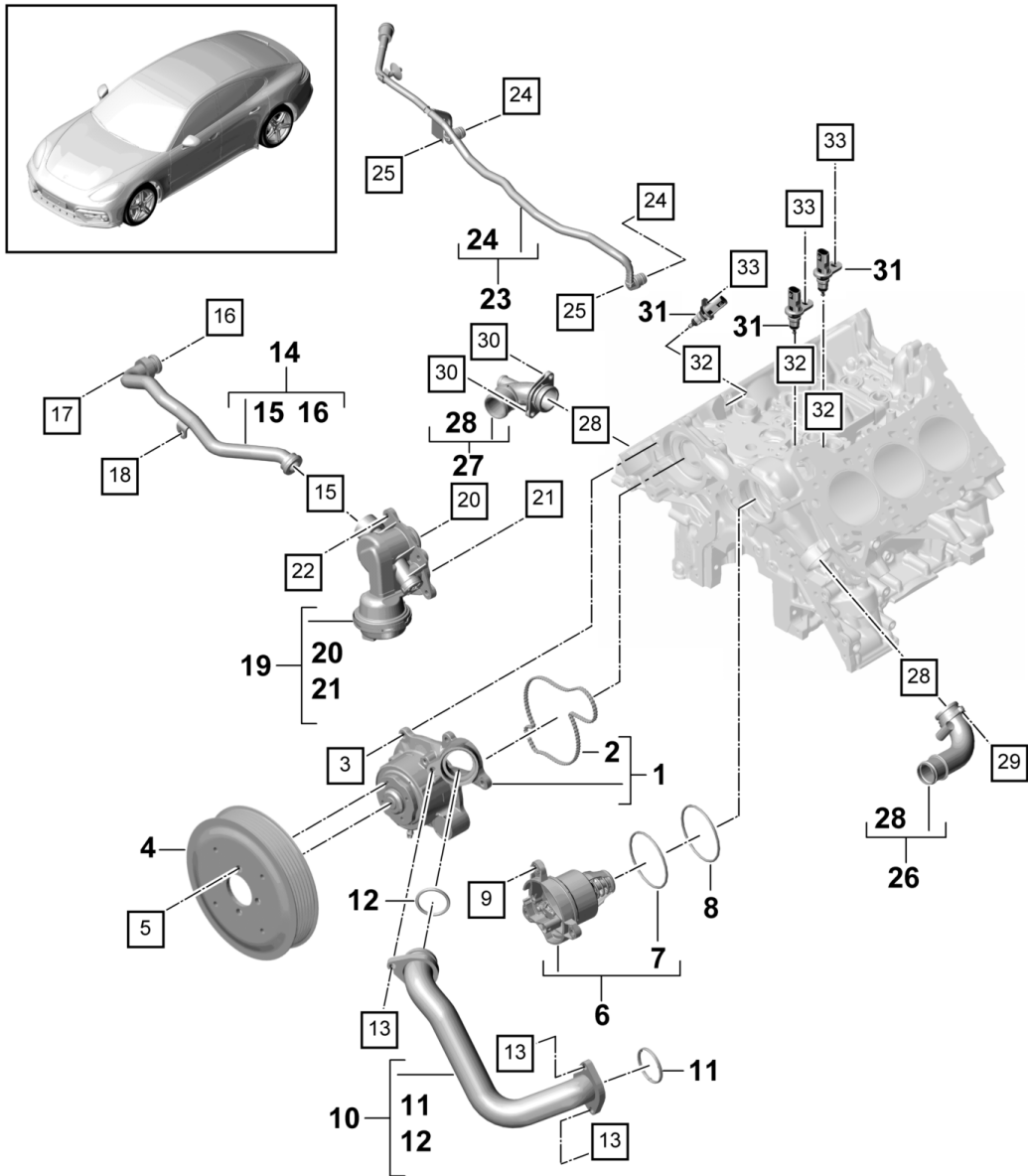
Model: 971-17

Model life 2017>>

Pos	Part Number	Description	Remark	Qty	Model
		Water pump			MCV.DA
		Thermostat housing			
		Vent line			
1	9A7 121 014 02	Water pump		1	
2	9A7 121 228 01	Gasket		1	
3	N 104 134 05	Outer hexagon round screw M 6 X 25		7	
4	9A7 121 406 02	Cool. water distrib. tube		1	
5	9A7 121 688 00	Sealing ring		1	
6	9A7 121 139 00	Gasket		2	
7	9A7 007 809 00	O-ring 80 X 4		1	
8	9A7 007 814 00	O-ring 55 X 5,33		1	
9	9A7 121 237 00	Connecting tube		1	
10	N 104 134 05	Outer hexagon round screw M 6 X 25		6	
11	N 105 821 03	Oval-head screw M 6 X 40		3	
12	9A7 121 115 00	Thermostat insert		1	
13	N 101 243 06	Oval-head screw M 6 X 20		3	
14	9A7 121 455 04	Vent line		1	
15	N 020 609 6	Clamp D 18 X 15		1	
16	N 911 266 01	Outer hexagon round screw M 6 X 16		3	
17	9A7 133 169 04	Support		1	
18	N 101 243 06	Oval-head screw M 6 X 20		2	

Model: 971-17

Model life 2017>>



						33	32
30	29	28	25	24	22	21	20
18	17	16	15	13	9	5	3

Model: 971-17

Model life 2017>>

Pos	Part Number	Description	Remark	Qty	Model
		Water pump			MCS.ZA MCX.TA MDG.PA
		Thermostat housing			
		Cooling water tube			
		Vent line			
1	9A7 121 013 03	Water pump		1	
2	9A7 121 119 03	Gasket		1	
3	N 101 243 06	Oval-head screw M 6 X 20		7	
4	9A7 121 031 04	Pulley		1	
		Use also:			
		N .108.325.01		4	
5	N 108 325 01	Oval-head screw M 6 X 10		4	
6	9A7 121 115 10	Thermostat insert		1	
7	9A7 008 508 00	O-ring		1	
8	9A7 121 688 00	Sealing ring		1	
9	N 101 243 06	Oval-head screw M 6 X 20		3	
10	9A7 121 481 00	Cooling water tube		1	MCS.ZA
(10)	9A7 121 481 01	Cooling water tube		1	MCX.TA MDG.PA
11	9A7 121 437 02	Sealing ring 41,8 X 1,85		1	
12	9A7 007 920 00	O-ring 31,34 X 3,53		1	
13	N 101 243 06	Oval-head screw M 6 X 20		3	
14	9A7 121 083 00	Cooling water tube		1	
15	9A7 121 171 00	Sealing ring		1	
16	9A7 005 652 00	O-ring 17 X 3		1	
17	N 101 243 06	Oval-head screw M 6 X 20		1	
18	N 104 056 04	Oval-head screw M 6 X 14		1	
19	9A7 121 678 00	Valve		1	
20	9A7 008 175 00	O-ring 27,5 X 3		1	
21	9A7 121 139 10	Gasket 24,3 X 3,35		1	
22	N 101 243 06	Oval-head screw M 6 X 20		4	
23	9A7 121 692 01	Vent line		1	
24	9A7 007 689 00	O-ring 9,7 X 2		2	
25	N 104 514 08	Lens-head screw M 6 X 16		2	
26	9A7 121 137 00	Adapter Supply		1	
27	9A7 121 132 01	Adapter Return line		1	
28	N 907 469 01	Sealing ring 36 X 3,15		2	
(28)	958 008 722 00	O-ring 35 X 3,2		2	
29	N 101 961 03	Oval-head screw M 6 X 18		2	
30	N 101 243 06	Oval-head screw M 6 X 20		2	
31	958 606 623 20	Temperature sensor Use also:		3	

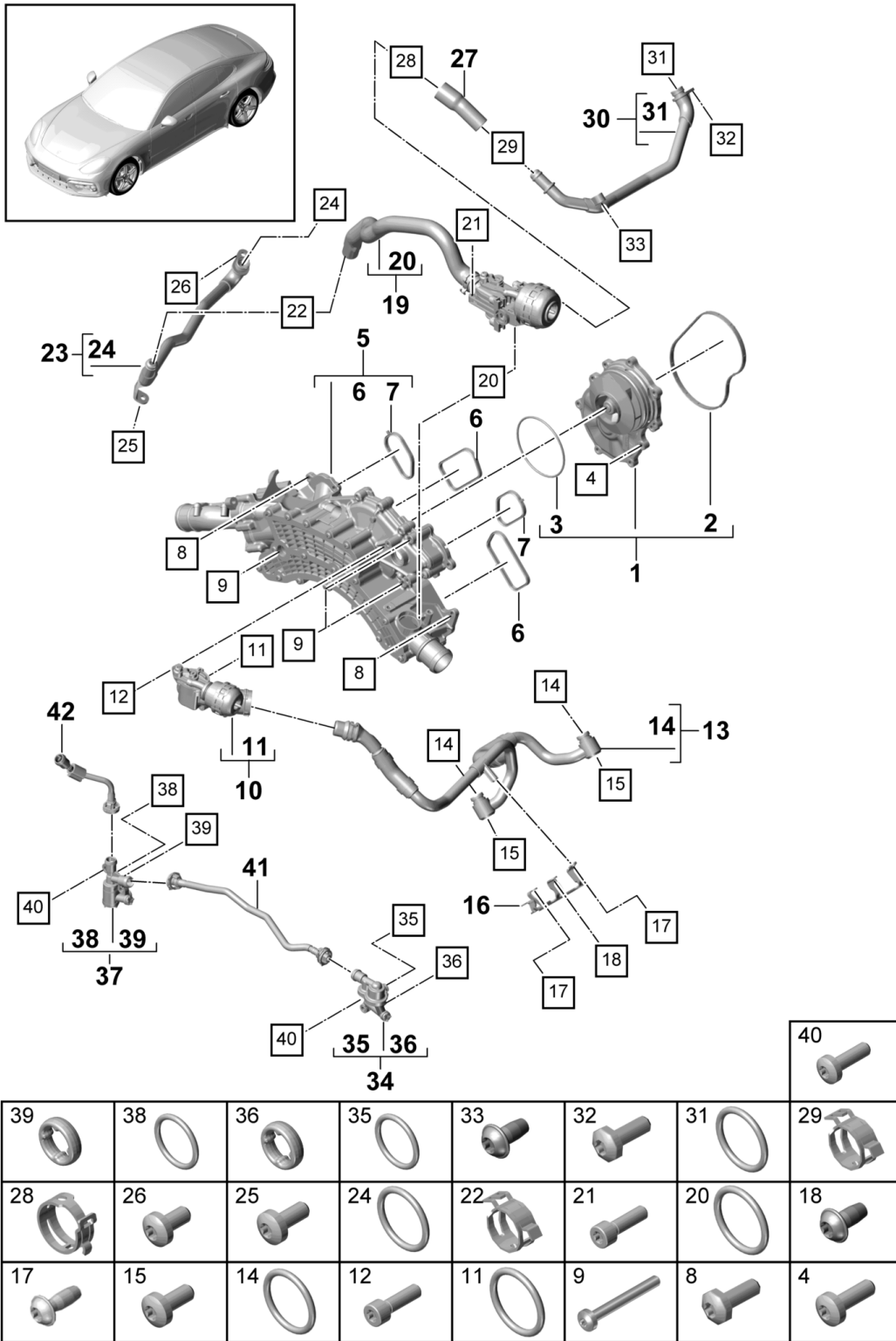
Model: 971-17

Model life 2017>>

Pos	Part Number	Description	Remark	Qty	Model
32	WHT 002 287 B	WHT.002.287.B O-ring		1	
33	N 104 056 04	Oval-head screw M 6 X 14		3	

Model: 971-17

Model life 2017>>



Model: 971-17

Model life 2017>>

Pos	Part Number	Description	Remark	Qty	Model
		Water pump Thermostat housing Cooling water tube Vent line			MDB.UC
1	9A7 121 008 00	Water pump		1	
2	9A7 121 228 10	Gasket		1	
3	9A7 121 119 10	O-ring 90 X 3		1	
4	N 101 961 03	Oval-head screw M 6 X 18		9	
5	9A7 121 111 00	Thermostat housing with Thermostat insert		1	
6	9A7 121 488 00	Gasket		2	
7	9A7 121 327 00	Gasket		2	
8	N 104 514 05	Round head screw M 6 X 16		10	
9	N 104 707 03	Lens-head screw AM 6 X 50		3	
10	9A7 121 689 00	Governor		1	
(10)	9A7 121 689 01	Governor		1	
11	9A7 121 669 00	Sealing ring 20 X 2,5		1	
12	N 106 536 03	Hexagon socket head bolt M 6 X 20		2	
13	9A7 121 444 00	Cooling water tube		1	
14	9A7 121 437 06	Sealing ring		2	
15	N 104 056 04	Oval-head screw M 6 X 14		2	
16	9A7 121 241 00	Support		1	
17	N 107 214 01	Oval-head screw M 6 X 16		2	
18	N 106 839 01	Oval-head screw M 6 X 12		1	
19	9A7 121 737 00	Governor with Water hose		1	
20	9A7 121 091 00	O-ring 27 X 2,5		1	
21	N 106 536 03	Hexagon socket head bolt M 6 X 20		2	
22	N 906 869 01	Hose clamp B 23 X 12		1	
23	9A7 121 610 00	Cooling water tube		1	
24	9A7 121 437 06	Sealing ring 16 X 2		1	
25	N 104 056 04	Oval-head screw M 6 X 14		1	
26	N 103 352 06	Round head screw M 6 X 16		1	
27	9A7 121 637 00	Hose		1	
28	N 906 870 01	Hose clamp B 27 X 12 X 1,7		1	
29	N 906 869 01	Hose clamp B 23 X 12		1	
30	9A7 121 609 00	Cooling water tube		1	
31	9A7 121 437 01	O-ring 16 X 1,5		1	
32	N 104 514 05	Round head screw M 6 X 16		1	
33	N 106 839 01	Oval-head screw TP 6 X 12		1	
34	9A7 121 671 20	Bleeder valve		1	

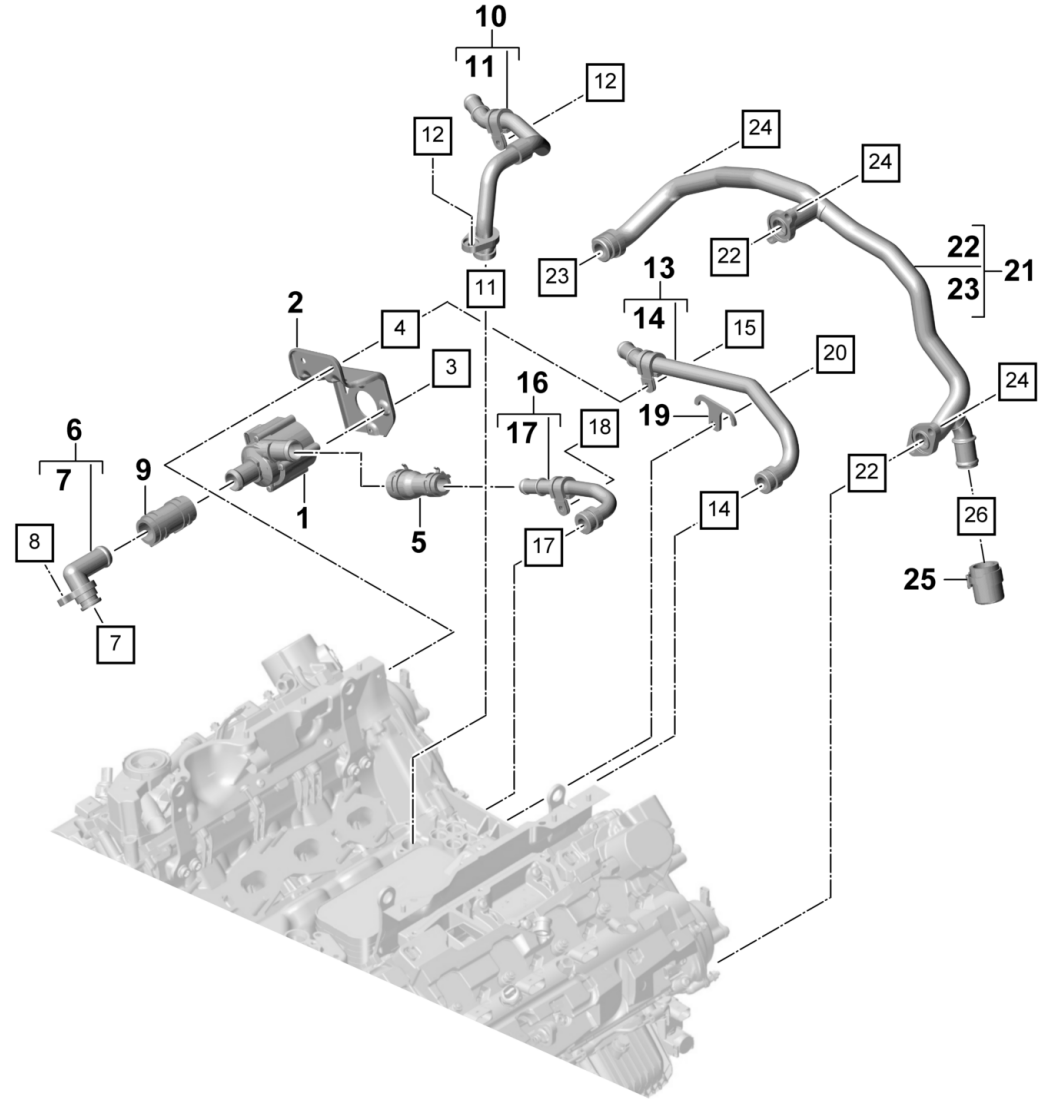
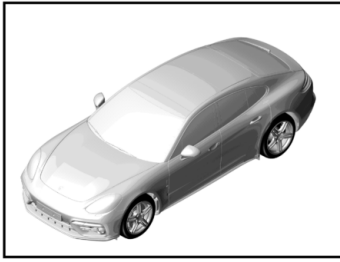
Model: 971-17

Model life 2017>>

Pos	Part Number	Description	Remark	Qty	Model
35	9A7 121 437 16	Left O-ring		1	
36	9A7 121 043 06	Sealing ring		1	
37	9A7 121 670 00	Bleeder valve		1	
38	9A7 121 437 16	Right O-ring		1	
39	9A7 121 043 06	Sealing ring		1	
40	N 101 243 06	Oval-head screw M 6 X 20		4	
41	9A7 121 081 00	Breather pipe		1	
42	9A7 121 439 00	Breather hose		1	

Model: 971-17

Model life 2017>>



	26	24	23	22	20	18	17
15		14	12	11	8	7	4
							3

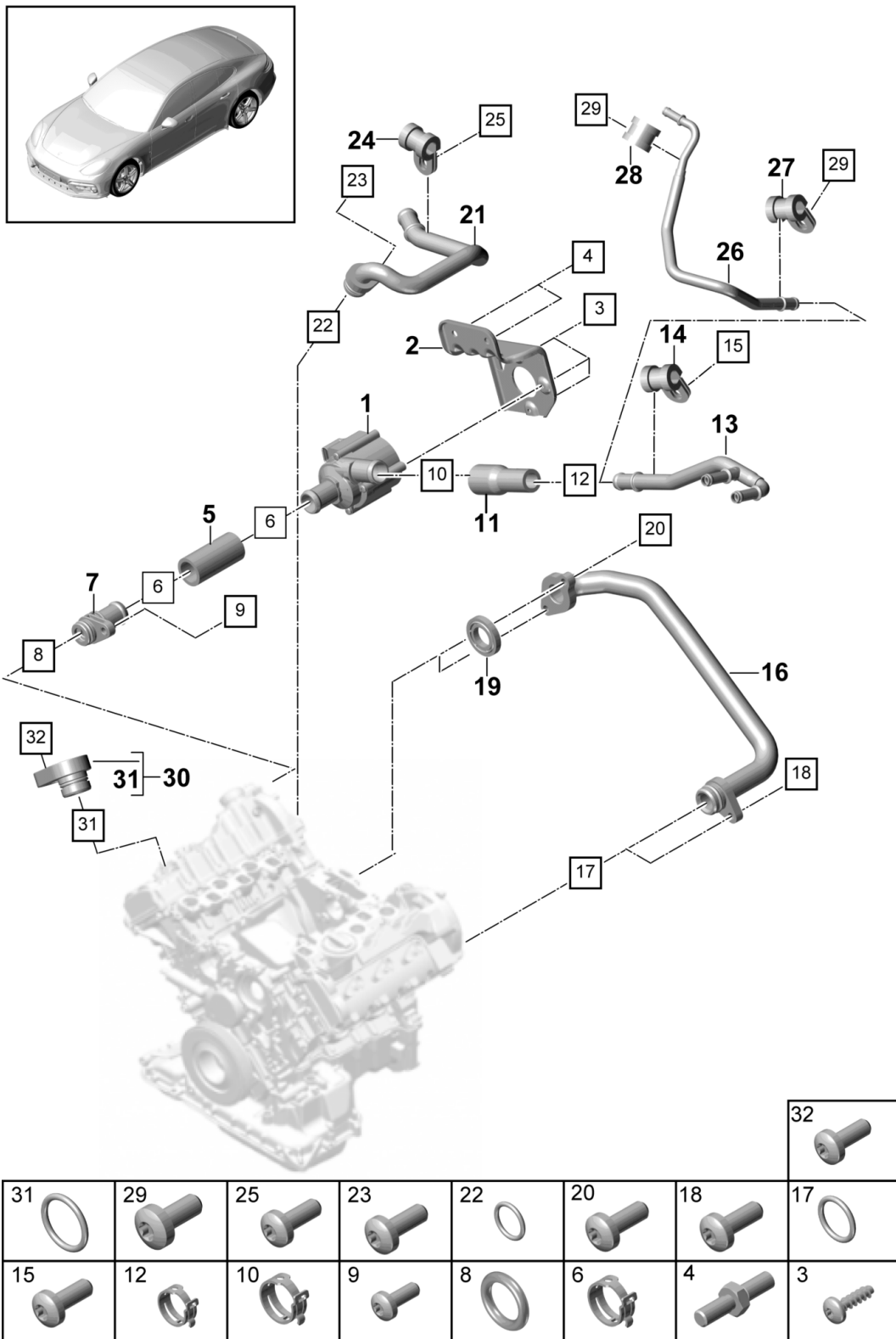
Model: 971-17

Model life 2017>>

Pos	Part Number	Description	Remark	Qty	Model
1	9A7 121 601 00	Water cooling 2 Water pump Electric		1	MCV.DA
2	9A7 121 093 00	Support		1	
(2)	9A7 121 093 01	Support with Heat protection		1	
3	WHT 002 306	Round head screw TP 3,5 X 12		3	
4	N 910 448 01	Double screw M 6 X 14 - M 6 X 14		2	
5	9A7 121 054 00	Hose		1	
6	9A7 121 089 00	Connection piece Supply		1	
7	N 909 250 01	O-ring 17 X 3 N		1	
8	N 101 243 06	Oval-head screw M 6 X20		1	
9	9A7 121 052 00	Hose		1	
10	9A7 121 075 00	Cooling water tube Supply		1	
11	N 909 250 01	O-ring 17 X 3 N		1	
12	N 911 266 01	Outer hexagon round screw M 6 X 16		2	
13	9A7 121 193 00	Cooling water tube		1	
14	N 909 250 01	O-ring 17 X 3 N		1	
15	N 022 148 12	Lock nut M 6		1	
16	9A7 121 164 00	Cooling water tube Supply		1	
17	N 909 250 01	O-ring 17 X 3 N		1	
18	N 911 266 01	Outer hexagon round screw M 6 X 16		1	
19	9A7 121 077 00	Support Cooling water tube		1	
20	N 911 266 01	Outer hexagon round screw M 6 X 16		1	
21	9A7 121 071 00	Cross tube		1	
22	999 707 517 41	O-ring 22 X 3		2	
23	N 903 653 04	O-ring 20 X 3		1	
24	N 101 243 06	Oval-head screw M 6 X 20		5	
25	9A7 121 324 00	Cap		1	IOKO
26	N 906 870 01	Hose clamp B 27 X 12 X 1,7		1	IOKO

Model: 971-17

Model life 2017>>



Model: 971-17

Model life 2017>>

Pos	Part Number	Description	Remark	Qty	Model
		Water cooling 2			MCS.ZA MCX.TA MDG.PA
1	9A7 121 601 00	Water pump		1	
		Electric			
2	9A7 121 093 00	Support		1	
(2)	9A7 121 093 02	Support		1	
		with			
		Heat protection			
3	WHT 002 306	Round head screw		3	
		TP 3,5 X 12			
		To			
		Use			
		for			
		Support			
		9A7.121.093.00			
(3)	9A7 003 361 00	Round head screw		3	
		TP 3,5 X 20			
		To			
		Use			
		for			
		Support			
		9A7.121.093.02			
4	N 910 448 01	Double screw		2	
		M 6 X 14 - M 6 X 14			
5	9A7 121 052 10	Hose		1	
6	N 906 870 01	Hose clamp		2	
		B 27 X 12 X 1,7			
7	9A7 121 159 00	Connection piece		1	
8	9A7 005 652 00	O-ring		1	
		17 X 3			
9	N 101 243 06	Oval-head screw		1	
		M 6 X 20			
10	N 906 870 01	Hose clamp		1	
		B 27 X 12 X 1,7			
11	9A7 121 054 10	Water hose		1	
12	958 106 517 10	Hose clamp		1	
		B 21 X 12			
13	9A7 121 085 00	Cooling water tube		1	MCS.ZA MDG.PA
14	N 102 599 03	Clip		1	MCS.ZA MDG.PA
		D 1 - 14 X 15			
15	N 104 056 04	Oval-head screw		1	MCS.ZA MDG.PA
		M 6 X 14			
16	9A7 121 071 10	Cooling water tube		1	MCS.ZA
(16)	9A7 121 071 20	Cooling water tube		1	MCS.ZA
		Use also:			
		9A7.121.324.00		1	
		N .906.870.01		1	
		To			
		Assembly			
		Use			
(16)		Cooling water tube		1	MCX.TA MDG.PA
17	N 903 653 02	O-ring		1	
		20 X 3			
18	N 101 243 06	Oval-head screw		1	
		M 6 X 20			
19	9A7 121 070 00	Gasket		1	
20	N 101 243 06	Oval-head screw		2	
		M 6 X 20			

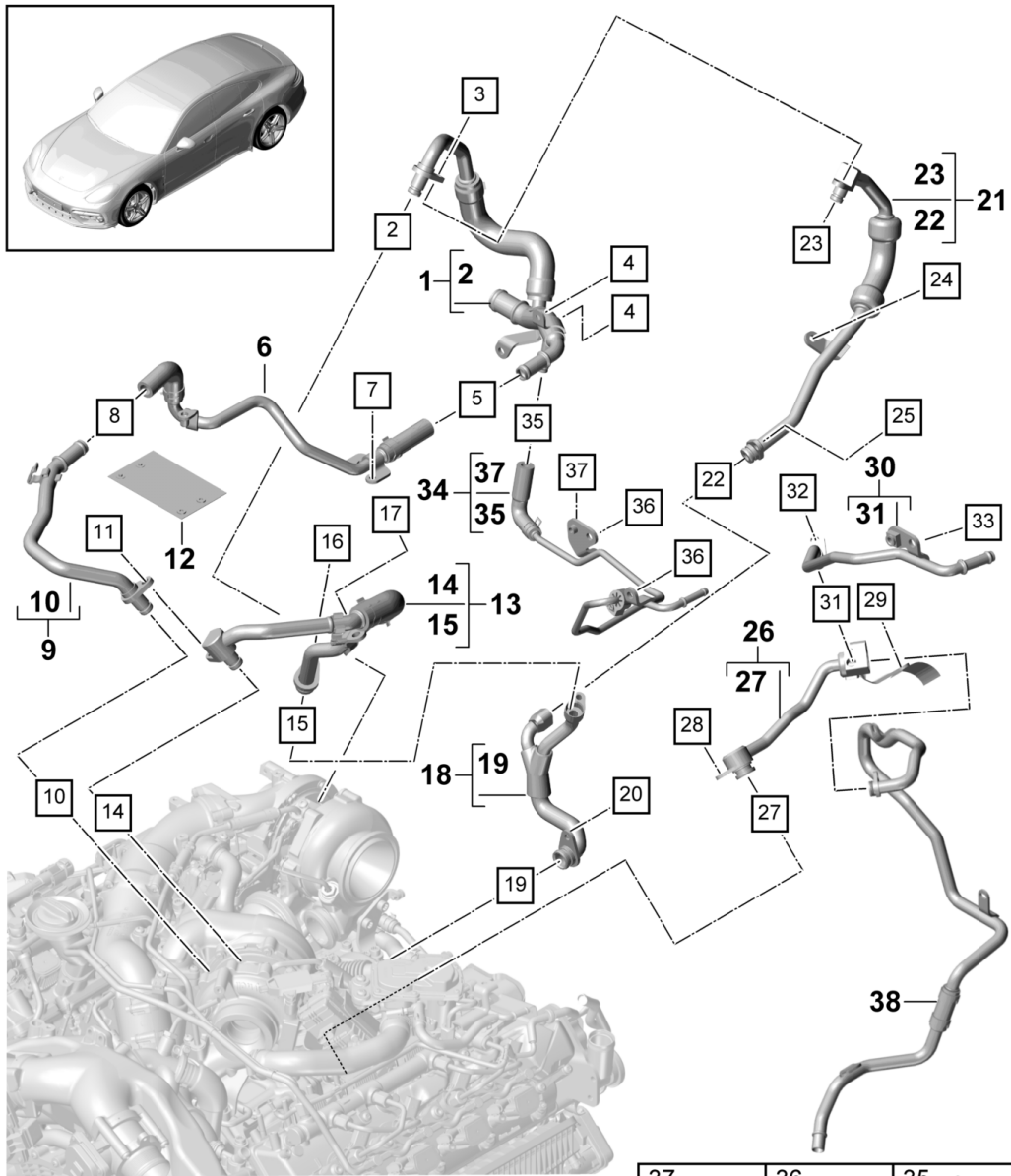
Model: 971-17

Model life 2017>>

Pos	Part Number	Description	Remark	Qty	Model
21	9A7 121 075 10	Cooling water tube		1	
22	9A7 005 652 00	O-ring 17 X 3		1	
23	N 101 243 06	Oval-head screw M 6 X 20		1	
24	N 020 626 7	Clamp D 1 - 16 X 15		1	
25	N 104 056 04	Oval-head screw M 6 X 14		1	
26	9A7 121 085 10	Cooling water tube		1	MCX.TA
27	N 108 452 01	Clip D1-14 X 15		1	MCX.TA
28	N 020 651 10	Clip		1	MCX.TA
29	N 104 056 04	Oval-head screw M 6 X 14		2	MCX.TA
30	9A7 121 418 00	Stopper		1	
31	9A7 001 011 00	O-ring 12,2 X 1,65		1	
32	N 104 514 08	Lens-head screw M 6 X 16		1	

Model: 971-17

Model life 2017>>



			37			36			35		
33	32	31	29	28	27	25	24				
23	22	20	19	17	16	15	14				
11	10	8	7	5	4	3	2				

Model: 971-17

Model life 2017>>

Pos	Part Number	Description	Remark	Qty	Model
		Water cooling 2			MDB.UC
1	9A7 121 065 00	Cooling water tube		1	
2	9A7 121 437 00	Sealing ring 9,1 X 1,5		1	
3	N 105 464 02	Hexagon socket head bolt M 6 X 16		1	
4	N 104 056 04	Oval-head screw M 6 X 14		2	
5	N 909 264 01	Hose clamp 19 X 12		1	
6	9A7 121 661 00	Cooling water tube		1	
7	N 103 352 06	Round head screw M 6 X 12		1	
8	N 909 264 01	Hose clamp 19 X 12		1	
9	9A7 121 498 00	Cooling water tube Return line		1	
10	9A7 121 437 00	Sealing ring 9,1 X 1,5		1	
11	N 105 464 02	Hexagon socket head bolt M 6 X 16		1	
12	9A7 121 651 00	Heat protection		1	
13	9A7 121 044 00	Cooling water tube Supply		1	
14	9A7 121 437 00	Sealing ring 9,1 X 1,5		1	
15	9A7 121 437 05	Sealing ring 13,1 X 1,5		1	
16	N 105 464 02	Hexagon socket head bolt M 6 X 16		1	
17	N 106 803 02	Round head screw M 6 X 8		1	
18	9A7 121 194 00	Cooling water tube		1	
19	9A7 121 437 06	Sealing ring 16 X 2		1	
20	N 104 056 04	Oval-head screw M 6 X 14		1	
21	9A7 121 667 00	Cooling water tube		1	
22	9A7 121 437 05	Sealing ring 13,1 X 1,5		1	
23	9A7 121 437 00	Sealing ring 9,1 X 1,6		1	
24	N 104 056 04	Oval-head screw M 6 X 14		1	
25	N 105 464 02	Hexagon socket head bolt M 6 X 16		1	
26	9A7 121 597 00	Cooling water tube Supply		1	
27	9A7 121 437 02	Sealing ring 17 X 3		1	
28	N 103 352 06	Round head screw M 6 X 12		1	
29	N 106 803 02	Round head screw M 6 X 8		1	
30	9A7 121 662 00	Cooling water tube		1	
31	9A7 121 437 15	Sealing ring 6,75 X 1,78		1	
32	N 101 703 02	Oval-head screw M 6 X 10		1	
33	N 104 056 04	Oval-head screw M 6 X 14		1	
34	9A7 121 491 00	Cooling water tube Return line		1	

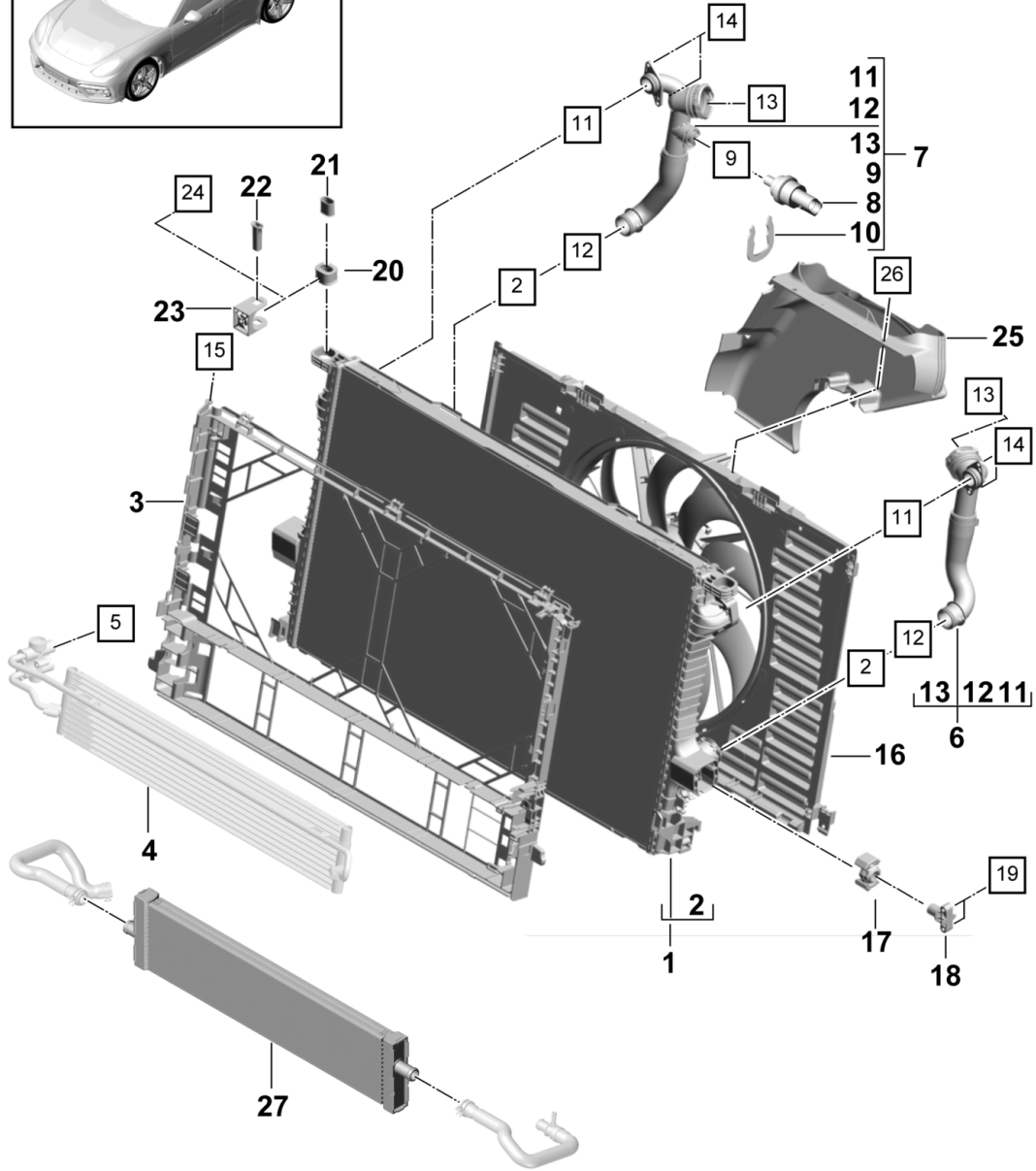
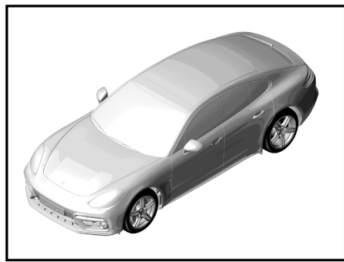
Model: 971-17

Model life 2017>>

Pos	Part Number	Description	Remark	Qty	Model
35	N 909 865 01	Hose clamp B 14,5 X 12		1	
36	N 104 056 04	Oval-head screw M 6 X 14		2	
(36)	N 103 352 06	Round head screw M 6 X 12		2	
37	N 105 823 01	Clip D5,5 X 9,2 X 0,3		1	
38		Cooling water tube See illustrations 1/05/55		1	

Model: 971-17

Model life 2017>>



Model: 971-17

Model life 2017>>

Pos	Part Number	Description	Remark	Qty	Model
		Water cooling 3			
		Radiator			
1	9A7 121 253 00	Radiator		1	IA8F/A8H
(1)		Radiator		1	IA8C/0K3
(1)	9A7 121 253 10	Radiator		1	IA8C/0K0
3	9A7 121 068 30	Retaining frame		1	IA8F/A8H
(3)	9A7 121 068 10	Retaining frame		1	IA8C
(3)	9A7 121 068 00	Retaining frame		1	IA8C/0K3
4		Transmission oil cooler			
		See illustrations			
		3/60/00			
		POS.1			
5	N 106 533 02	Hexagon-head bolt		1	
		M 6 X 20			
6	9A7 121 438 00	Distributor tube	/L	1	
7	9A7 121 438 10	Distributor tube	/R	1	
8	955 106 125 01	Temperature sensor		1	
9	N 903 168 01	O-ring		1	
		19,6 X 3,65			
10	955 106 143 00	Retainer spring		1	
14	N 104 734 02	Lens-head screw		4	
		TP 6 X 20			
15	N 104 420 03	Oval-head screw		2	
		TP 5 X 16			
16	9A7 121 203 01	Cooling air duct		1	IA8H/0K0
		with			
		Fan			
(16)		Cooling air duct		1	IA8C/0K0/1A2 I1D3/1D7
		with			
		Fan			
(16)		Cooling air duct		1	IA8C/0F5/1D3 I1D7
		with			
		Fan			
(16)		Cooling air duct	-(CN)	1	IA8C/0K3/1A2
		with			
		Fan			
(16)	9A7 121 203 02	Cooling air duct	(CN)	1	IA8C/0K3
		with			
		Fan			
(16)	9A7 121 203 11	Cooling air duct		1	IA8C/A8F
		with			
		Fan			
(16)	9A7 121 203 20	Cooling air duct	-(CN)	1	IA8H/0K3
		with			
		Fan			
(16)	9A7 121 203 21	Cooling air duct	(CN)	1	IA8H/0K3
		with			
		Fan			
17	7P0 121 275	Rubber mounting		2	
18	9A7 121 233 00	Support		2	
		Lower			
19	N 106 229 01	Round head screw		4	
		M 6 X 30			
20	958 106 651 00	Rubber buffer		2	
21	958 106 665 00	Bearing sleeve		2	
22	958 106 667 00	Fastening clamp		2	
23	9A7 121 079 10	Support		2	
		Upper			
24	N 107 254 01	Hexagon socket head bolt		2	
		M 6 X 20			
25	9A7 119 363 00	Air guide		1	IA8H/1A2

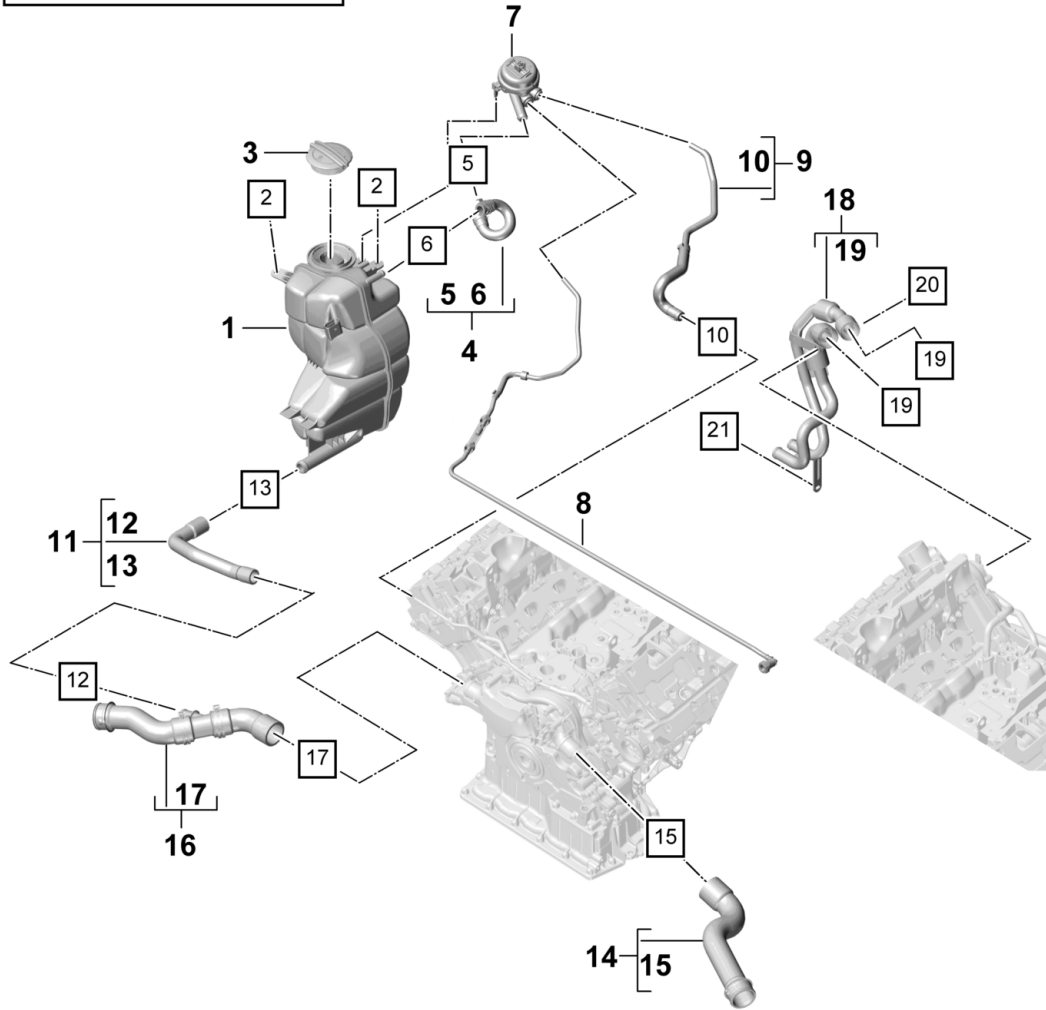
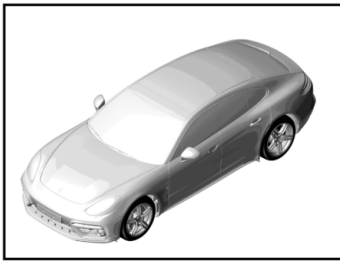
Model: 971-17

Model life 2017>>

Pos	Part Number	Description	Remark	Qty	Model
(25)	9A7 119 363 11	Air guide		1	IA8F/1A2
(25)		Air guide		1	IA8C/0K3/1A2
(25)	9A7 119 363 20	Air guide		1	IA8F/0F5
(25)	9A7 119 363 31	Air guide		1	IA8C/1A2
(25)	9A7 119 363 40	Air guide		1	IA8H/0K3/1A2
26	WHT 004 750	Expansion rivet 8,1 X 13		2	IA8F/A8H
(26)		Expansion rivet 8,1 X 13		2	IA8C/0K3/1A2
(26)		Expansion rivet 8,1 X 13		1	IA8C/1A2
27	958 106 212 10	Radiator for Hybrid		1	IA8C/A8H/0K3

Model: 971-17

Model life 2017>>



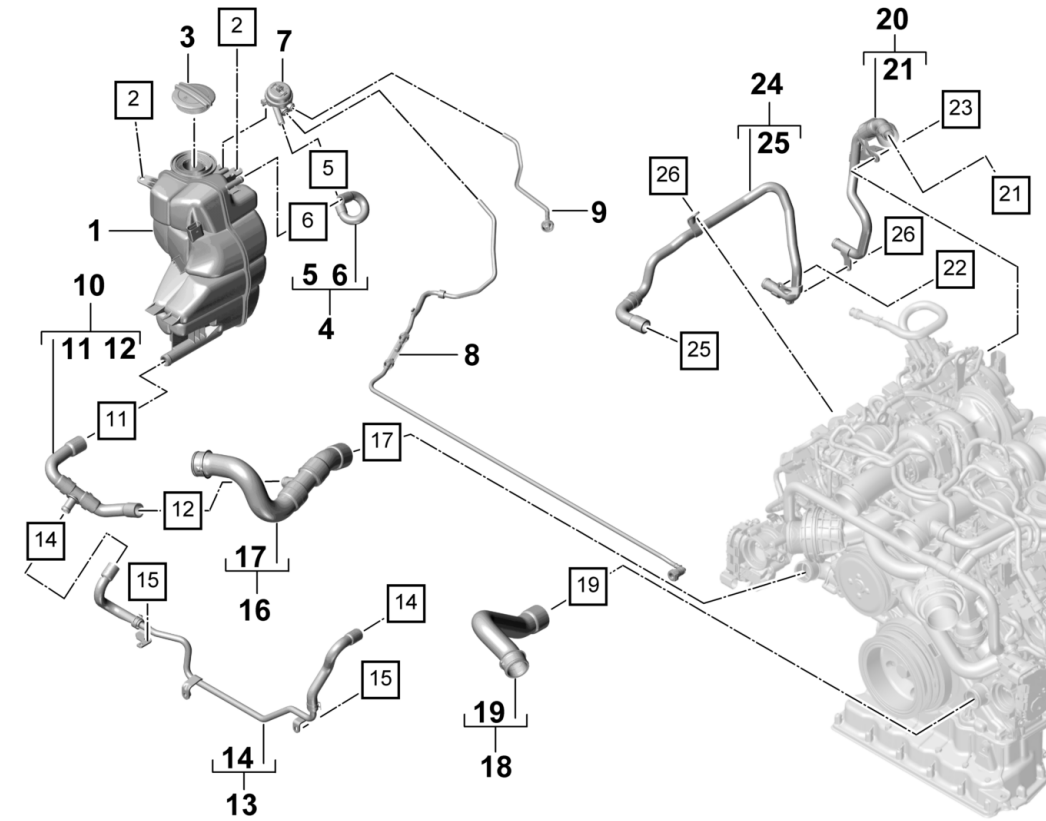
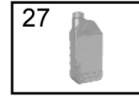
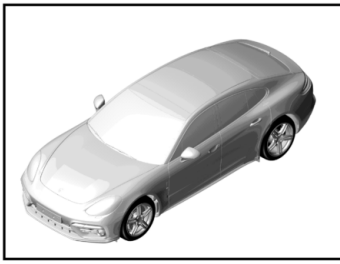
						21	20	19
17	15	13	12	10	6	5	2	

Model: 971-17 Model life 2017>>

Pos	Part Number	Description	Remark	Qty	Model
		Water cooling			MCV.DA IOKO
1	9A7 121 407 00	Water reservoir Expansion tank		1	
2	N 911 883 01	Water cooling Outer hexagon round screw M 6 X 20		2	
3	958 106 447 00	Lid Water reservoir		1	
4	9A7 121 447 00	Water hose		1	
5	N 912 104 01	Hose clamp C 19 X 12		1	
6	N 909 264 01	Hose clamp B 19 X 12		1	
7	9A7 121 671 00	Bleeder valve		1	
8	9A7 122 447 00	Water cooling Vent line Expansion tank		1	
9	9A7 122 447 30	Vent line Expansion tank		1	
10	N 906 867 01	Hose clamp B 14 X 12		1	
11	9A7 122 109 00	Water hose Lower Expansion tank		1	
12	N 906 870 01	Hose clamp B27 X 12		1	
13	955 512 405 00	Clip B 29 X 12		1	
14	9A7 122 101 00	Cooling water tube Radiator	/L	1	
15	9A7 121 530 00	Hose clamp B46 X 12		1	
16	9A7 122 051 00	Cooling water tube	/R	1	
17	9A7 121 530 00	Hose clamp B 46 X 12		1	
18	9A7 122 073 00	Cooling water tube with Retaining bar		1	
19	N 906 869 01	Hose clamp B 23 X 12		2	
20	N 023 002 13	Hexagon nut M 6		1	
21	N 106 320 03	Oval-head screw M 6 X 16		1	
22	000 043 305 15	Antifreeze 1 LTR. Container		X	
(22)	000 043 305 16	Antifreeze 20 LTR. Container		X	
(22)	000 043 305 64	Cleaning agent 20 LITER Container		X	

Model: 971-17

Model life 2017>>



		26	25	23	22	21	19
17	15	14	12	11	6	5	2

Model: 971-17

Model life 2017>>

Pos	Part Number	Description	Remark	Qty	Model
		Water cooling Water reservoir			MCS.ZA
1	9A7 121 407 00	Expansion tank		1	
2	N 911 883 01	Water cooling Outer hexagon round screw M 6 X 20		2	
3	958 106 447 00	Lid Expansion tank		1	
4	9A7 121 447 00	Water hose		1	
5	N 912 104 01	Hose clamp C 19 X 12		1	
6	N 909 264 01	Hose clamp B 19 X 12		1	
7	9A7 121 671 00	Bleeder valve		1	
8	9A7 122 447 00	Water cooling Vent line Expansion tank		1	
9	9A7 122 447 10	Vent line Expansion tank		1	
10	9A7 122 109 10	Water hose Lower Expansion tank		1	
11	955 512 405 00	Clip B 29 X 12		1	
12	N 906 870 01	Hose clamp B27 X 12		1	
13	9A7 121 050 00	Cooling water tube		1	
14	N 906 869 01	Hose clamp B 23 X 12		2	
15	N 106 320 03	Oval-head screw M 6 X 16		2	
16	9A7 122 051 11	Cooling water tube Radiator		1	
17	9A7 121 530 00	Hose clamp B 46 X 12		1	
18	9A7 122 101 10	Cooling water tube Radiator		1	
19	9A7 121 530 00	Hose clamp B 46 X 12		1	
20	9A7 122 073 10	Cooling water tube with Retaining bar		1	
21	N 906 869 01	Hose clamp B 23 X 12		1	
22	N 106 320 03	Oval-head screw M 6 X 16		1	
23	N 015 082 10	Hexagon nut M 6		1	
24	9A7 122 073 20	Cooling water tube with Retaining bar		1	
25	N 906 870 01	Hose clamp B 27 X 12		1	
26	N 106 320 03	Oval-head screw M 6 X 16		2	
27	000 043 305 15	Antifreeze 1 LTR. Container		X	
(27)	000 043 305 16	Antifreeze 20 LTR. Container		X	
(27)	000 043 305 64	Cleaning agent 20 LITER		X	

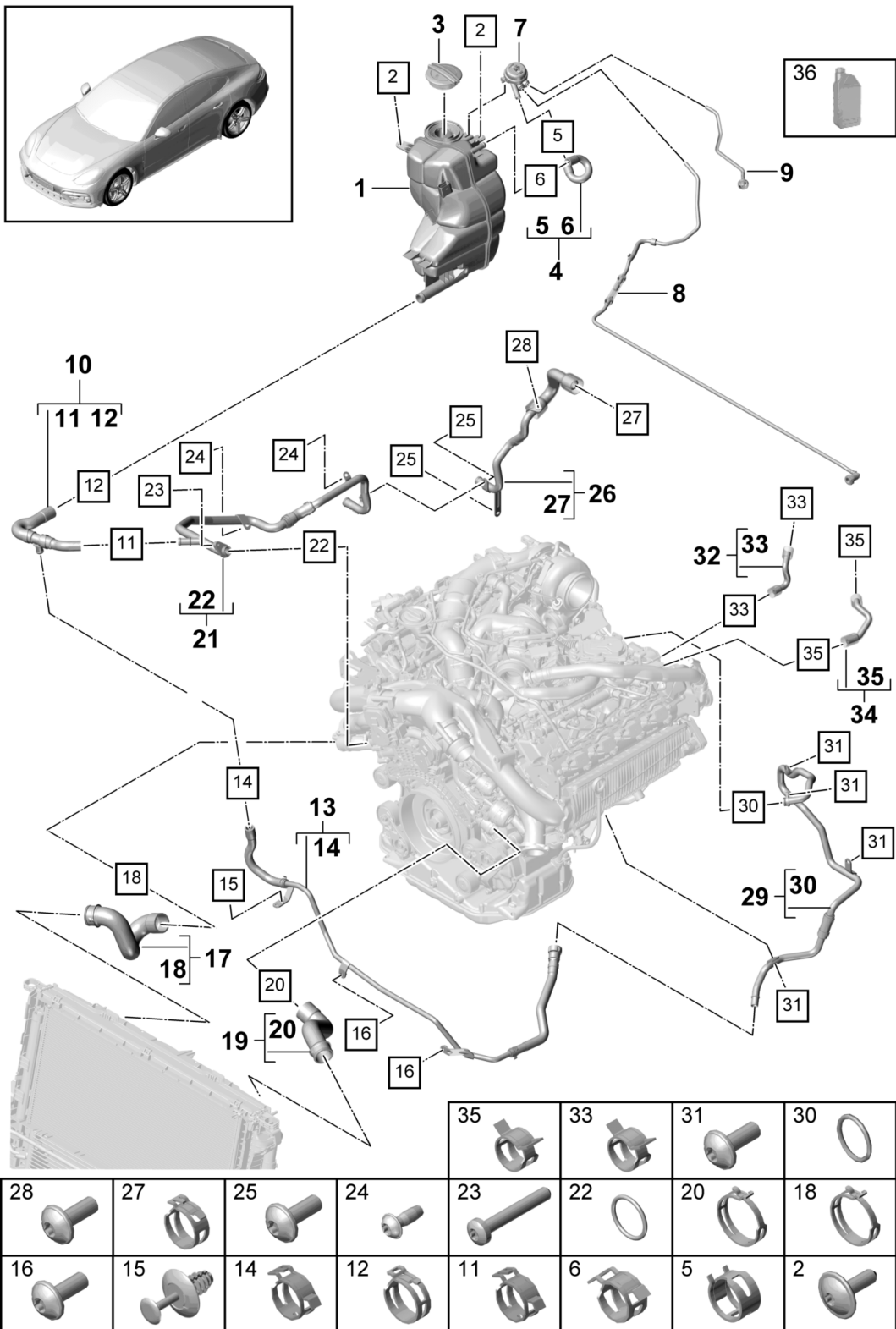
Model: 971-17

Model life 2017>>

Pos	Part Number	Description	Remark	Qty	Model
		Container			

Model: 971-17

Model life 2017>>



Model: 971-17

Model life 2017>>

Pos	Part Number	Description	Remark	Qty	Model
		Water cooling			MDB.UC I9M0
1	9A7 121 407 00	Water reservoir Expansion tank		1	
2	N 911 883 01	Water cooling Outer hexagon round screw M 6 X 20		2	
3	958 106 447 00	Lid		1	
4	9A7 121 447 00	Water hose		1	
5	N 912 104 01	Hose clamp C 19 X 12		1	
6	N 909 264 01	Hose clamp B 19 X 12		1	
7	9A7 121 671 10	Bleeder valve		1	
8	9A7 122 447 00	Water cooling Vent line		1	
9	9A7 122 447 20	Expansion tank Vent line		1	
10	9A7 122 109 10	Expansion tank Water hose Lower		1	
11	N 906 869 01	Expansion tank Hose clamp B23 X 12		1	
12	955 512 405 00	Clip B 29 X 12		1	
13	9A7 121 050 10	Cooling water tube		1	
14	N 906 869 01	Hose clamp B 23 X 12		1	
15	N 911 585 01	Expansion rivet B 6,5 X 12,3		1	
16	N 106 320 03	Oval-head screw M 6 X 16		2	
17	9A7 122 051 20	Cooling water tube Radiator		1	
18	9A7 121 530 00	Hose clamp B 46 X 12		1	
19	9A7 122 101 20	Cooling water tube Radiator		1	
20	9A7 121 530 00	Hose clamp B46 X 12		1	
21	9A7 121 064 00	Cooling water tube with Retaining bar		1	
22	N 909 031 02	O-ring 18 X 2		1	
23	N 105 821 03	Oval-head screw M 6 X 40		1	
24	N 107 214 01	Oval-head screw TP 6 X 16		2	
25	N 106 320 03	Oval-head screw M 6 X 16		2	
26	9A7 122 073 30	Cooling water tube Heating Supply		1	
27	955 512 407 00	Clip B 25 X 12		1	
28	N 106 320 03	Oval-head screw M 6 X 16		1	
29	9A7 121 050 20	Cooling water tube		1	
30	N 908 091 02	O-ring 16 X 2 N		1	
31	N 106 320 03	Oval-head screw		4	

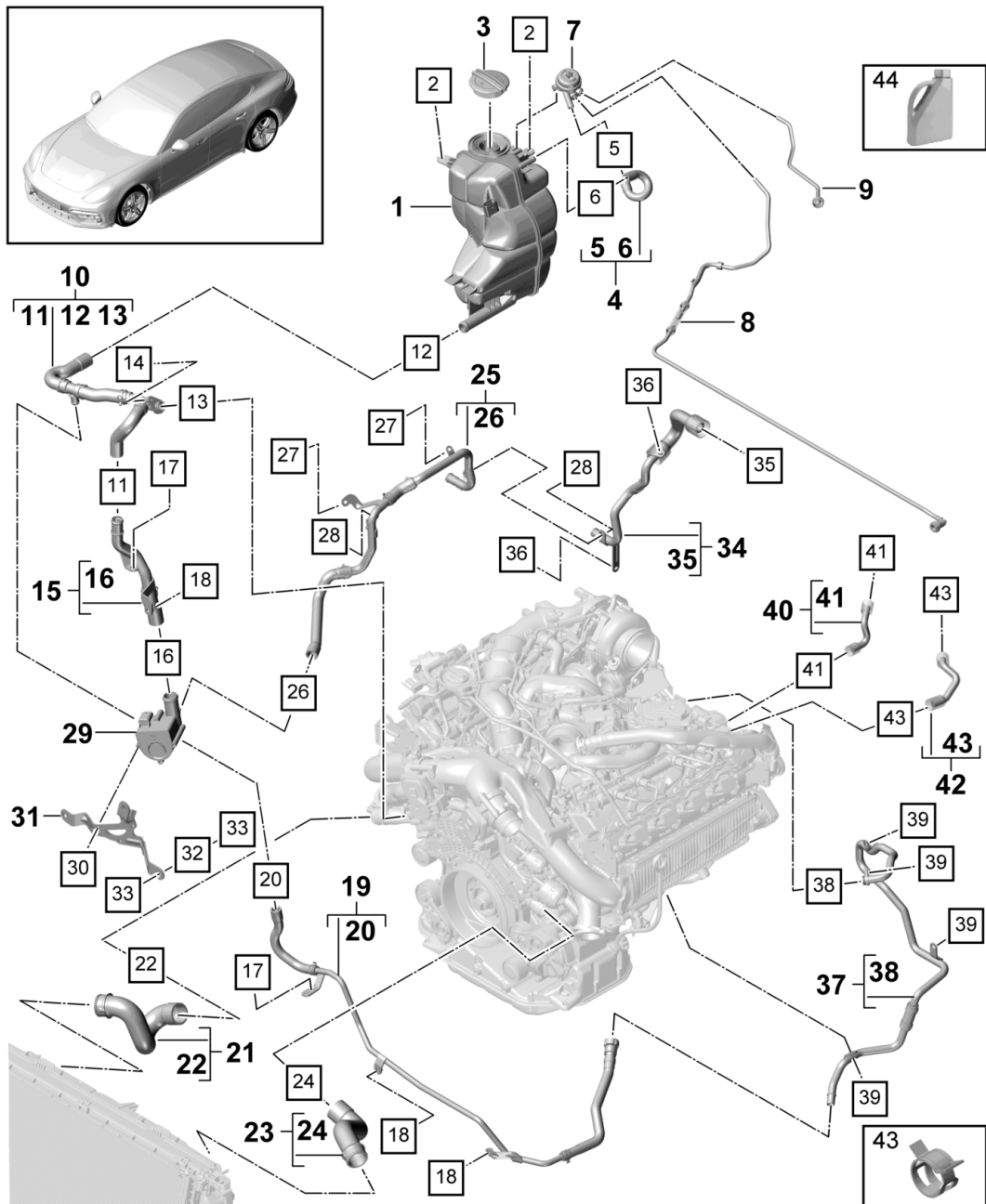
Model: 971-17

Model life 2017>>

Pos	Part Number	Description	Remark	Qty	Model
32	9A7 122 096 10	M 6 X 16 Water hose		1	
33	N 107 160 01	Clip B 12,5 X 8,4		2	
34	9A7 122 096 00	Water hose		1	
35	N 107 160 01	Clip B 12,5 X 8,4		2	
36	000 043 305 15	Antifreeze 1 LTR. Container		X	
(36)	000 043 305 16	Antifreeze 20 LTR. Container		X	
(36)	000 043 305 64	Cleaning agent 20 LITER Container		X	

Model: 971-17

Model life 2017>>



41	39	38	36	35	33	32	30
28	27	26	24	22	20	18	17
16	14	13	12	11	6	5	2

Model: 971-17

Model life 2017>>

Pos	Part Number	Description	Remark	Qty	Model
		Water cooling			MDB.UC I9M9
1	9A7 121 407 00	Water reservoir with Auxiliary heater Expansion tank		1	
2	N 911 883 01	Water cooling Outer hexagon round screw M 6 X 20		2	
3	958 106 447 00	Lid		1	
4	9A7 121 447 00	Water hose		1	
5	N 912 104 01	Hose clamp C 19 X 12		1	
6	N 909 264 01	Hose clamp B 19 X 12		1	
7	9A7 121 671 10	Bleeder valve		1	
8	9A7 122 447 00	Water cooling Vent line Expansion tank		1	
9	9A7 122 447 20	Vent line		1	
10	9A7 122 073 40	Expansion tank Cooling water tube Lower		1	
11	N 906 870 01	Expansion tank Hose clamp B 27 X 12		1	
12	955 512 405 00	Clip B 29 X 12		1	
13	N 909 031 02	O-ring 18 X 2		1	
14	N 105 821 03	Oval-head screw M 6 X 40		1	
15	9A7 121 050 30	Cooling water tube		1	
16	N 906 870 01	Hose clamp B 27 X 12		1	
17	N 911 585 01	Expansion rivet B 6,5 X 12,3		2	
18	N 106 320 03	Oval-head screw M 6 X 16		3	
19	9A7 121 050 10	Cooling water tube		1	
20	N 906 869 01	Hose clamp B 23 X 12		1	
21	9A7 122 051 20	Cooling water tube Radiator		1	
22	9A7 121 530 00	Hose clamp B 46 X 12		1	
23	9A7 122 101 20	Cooling water tube Radiator		1	
24	9A7 121 530 00	Hose clamp B46 X 12		1	
25	9A7 121 064 01	Cooling water tube with Retaining bar		1	
26	N 906 870 01	Hose clamp B 27 X 12		1	
27	N 107 214 01	Oval-head screw TP 6 X 16		2	
28	N 106 320 03	Oval-head screw M 6 X 16		2	
29	9A7 121 601 20	Water pump Electric		1	
30	WHT 002 306	Round head screw TP 3,5 X 12		3	

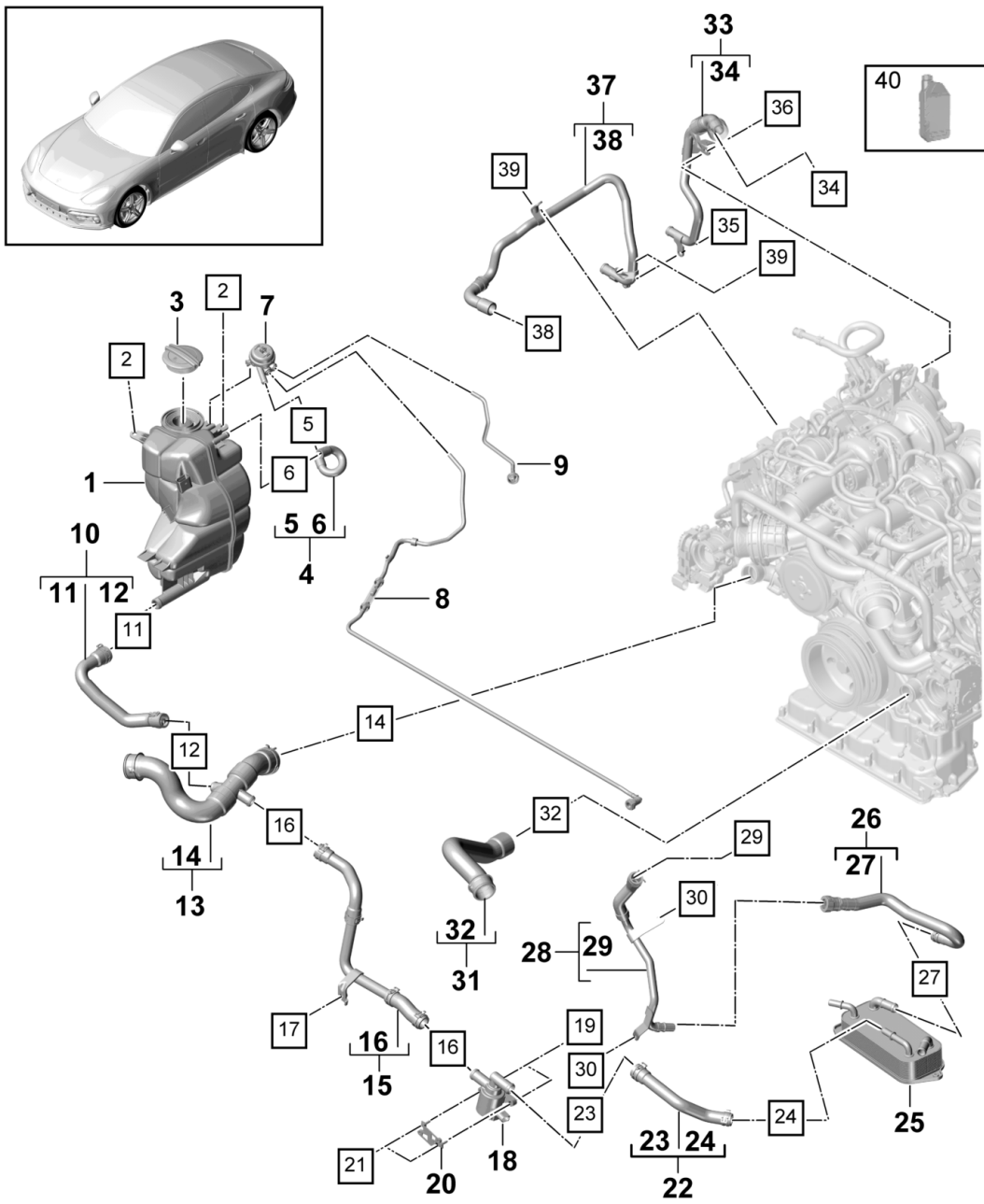
Model: 971-17

Model life 2017>>

Pos	Part Number	Description	Remark	Qty	Model
31	971 121 224	Support		1	
32	7L0 819 083	Buffer		3	
(32)	9A7 145 115 00	Buffer		3	
33	N 015 082 10	Hexagon nut M 6		6	
34	9A7 122 073 30	Cooling water tube Heating Supply		1	
35	955 512 407 00	Clip B 25 X 12		1	
36	N 106 320 03	Oval-head screw M 6 X 16		2	
37	9A7 121 050 20	Cooling water tube		1	
38	N 908 091 02	O-ring 16 X 2 N		1	
39	N 106 320 03	Oval-head screw M 6 X 16		4	
40	9A7 122 096 10	Water hose		1	
41	N 107 160 01	Clip B 12,5 X 8,4		2	
42	9A7 122 096 00	Water hose		1	
43	N 107 160 01	Clip B 12,5 X 8,4		2	
44	000 043 305 15	Antifreeze 1 LTR. Container		X	
(44)	000 043 305 16	Antifreeze 20 LTR. Container		X	
(44)	000 043 305 64	Cleaning agent 20 LITER Container		X	

Model: 971-17

Model life 2017>>



			39	38	36	35	34	
32	30	29	27	24	23	21	19	
17	16	14	12	11	6	5	2	

Model: 971-17

Model life 2017>>

Pos	Part Number	Description	Remark	Qty	Model
		Water cooling Water reservoir			MCX.TA
1	9A7 121 407 00	Expansion tank		1	
2	N 911 883 01	Water cooling Outer hexagon round screw M 6 X 20		2	
3	958 106 447 00	Lid Expansion tank		1	
4	9A7 121 447 00	Water hose		1	
5	N 912 104 01	Hose clamp C 19 X 12		1	
6	N 909 264 01	Hose clamp B 19 X 12		1	
7	9A7 121 671 00	Bleeder valve		1	
8	9A7 122 447 00	Water cooling Vent line Expansion tank		1	
9	9A7 122 447 10	Vent line Expansion tank		1	
10	971 122 109 E	Water hose Lower Expansion tank		1	
11	955 512 405 00	Clip B 29 X 12		1	
12	N 906 870 01	Hose clamp B27 X 12		1	
13	971 122 051 M	Cool. water distrib. tube		1	
14	9A7 121 530 00	Hose clamp B 46 X 12		1	
15	971 121 050 N	Cooling water tube		1	
16	N 906 870 01	Hose clamp B 27 X 12		2	
17	N 106 320 03	Oval-head screw M 6 X 16		1	
18	9A7 906 457 02	Actuator		1	
19	N 015 082 10	Hexagon nut M 6		2	
20	971 121 660	Support		1	
21	N 104 056 04	Oval-head screw M 6 X 14		2	
22	971 121 050 G	Water hose		1	
23	N 906 870 01	Hose clamp B 27 X 12		1	
24	N 906 869 01	Hose clamp B 23 X 12		1	
25		Oil cooler See illustrations 3/60/10 POS.1		1	
26	971 121 036 H	Water hose		1	
27	N 906 869 01	Hose clamp B 23 X 12		1	
28	971 121 036 A	Cooling water tube		1	
29	N 906 870 01	Hose clamp B 27 X 12		1	
30	N 106 320 03	Oval-head screw M 6 X 16		2	
31	9A7 122 101 10	Cooling water tube		1	
32	9A7 121 530 00	Hose clamp B 46 X 12		1	
33	9A7 122 073 10	Cooling water tube with Retaining bar		1	

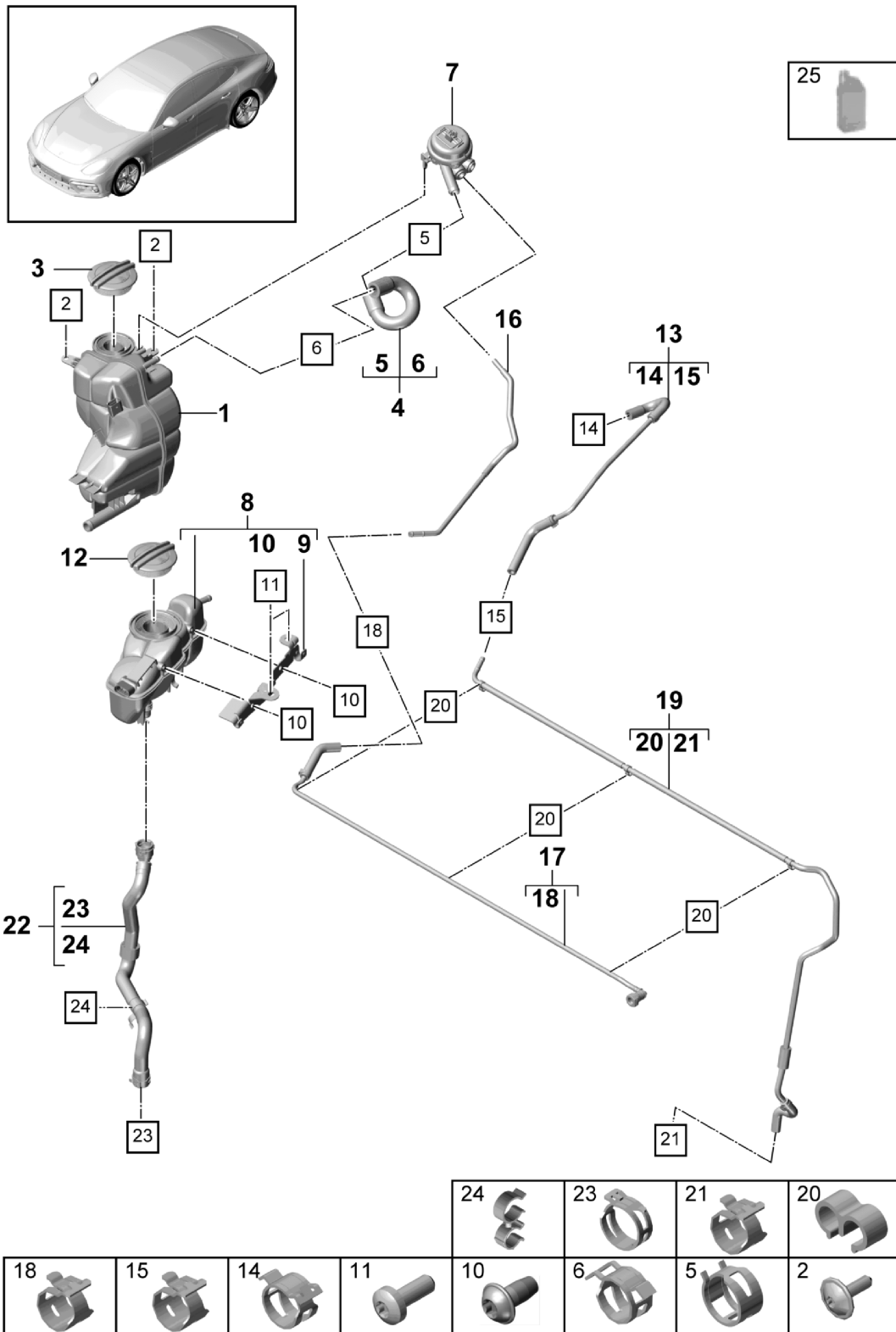
Model: 971-17

Model life 2017>>

Pos	Part Number	Description	Remark	Qty	Model
34	N 906 869 01	Hose clamp B 23 X 12		1	
35	N 106 320 03	Oval-head screw M 6 X 16		1	
36	N 015 082 10	Hexagon nut M 6		1	
37	9A7 122 073 20	Cooling water tube with Retaining bar		1	
38	N 906 870 01	Hose clamp B 27 X 12		1	
39	N 106 320 03	Oval-head screw M 6 X 16		2	
40	000 043 305 15	Antifreeze 1 LTR. Container		X	
(40)	000 043 305 16	Antifreeze 20 LTR. Container		X	
(40)	000 043 305 64	Cleaning agent 20 LITER Container		X	

Model: 971-17

Model life 2017>>



Model: 971-17

Model life 2017>>

Pos	Part Number	Description	Remark	Qty	Model
		Water cooling Expansion tank Vent line			MDG.PA
1	9A7 121 407 00	Expansion tank		1	
2	N 911 883 01	Water cooling Outer hexagon round screw M 6 X 20		2	
3	958 106 447 00	Lid Expansion tank		1	
4	9A7 121 447 00	Water hose		1	
5	N 912 104 01	Hose clamp C 19 X 12		1	
6	N 909 264 01	Hose clamp B 19 X 12		1	
7	9A7 121 671 00	Bleeder valve		1	
8	9A7 121 405 10	Water cooling Expansion tank		1	
9		Water cooling Hybrid Bracket Expansion tank Not available Expansion tank Order		1	
10	N 106 839 01	Oval-head screw TP 6 X 12		2	
11	N 104 514 05	Round head screw M 6 X 16		2	
12	958 106 447 00	Lid Expansion tank		1	
13	971 122 447 AA	Vent line Water cooling		1	
14	N 907 702 01	Hose clamp B 17 X 12		1	
15	N 906 867 01	Hose clamp B 14 X 12		1	
16	9A7 122 447 40	Vent line Expansion tank		1	
17	9A7 122 447 07	Use also: N .906.867.01 Vent line		1	
18	N 906 867 01	Expansion tank Hose clamp B 14 X 12		1	
19	9A7 122 447 06	Vent line Expansion tank		1	
20	N 105 887 01	Use also: N .906.867.01 Cable holder 8 X 8		3	
21	N 906 867 01	Hose clamp B 14 X 12		1	
22	9A7 121 109 00	Water hose		1	
23	N 906 870 01	Hose clamp B 27 X 12		1	
24	N 104 421 01	Support A 01 - 18 X C 01 - 22		1	
25	000 043 305 15	Antifreeze 1 LTR.		X	
(25)	000 043 305 16	Container Antifreeze 20 LTR. Container		X	

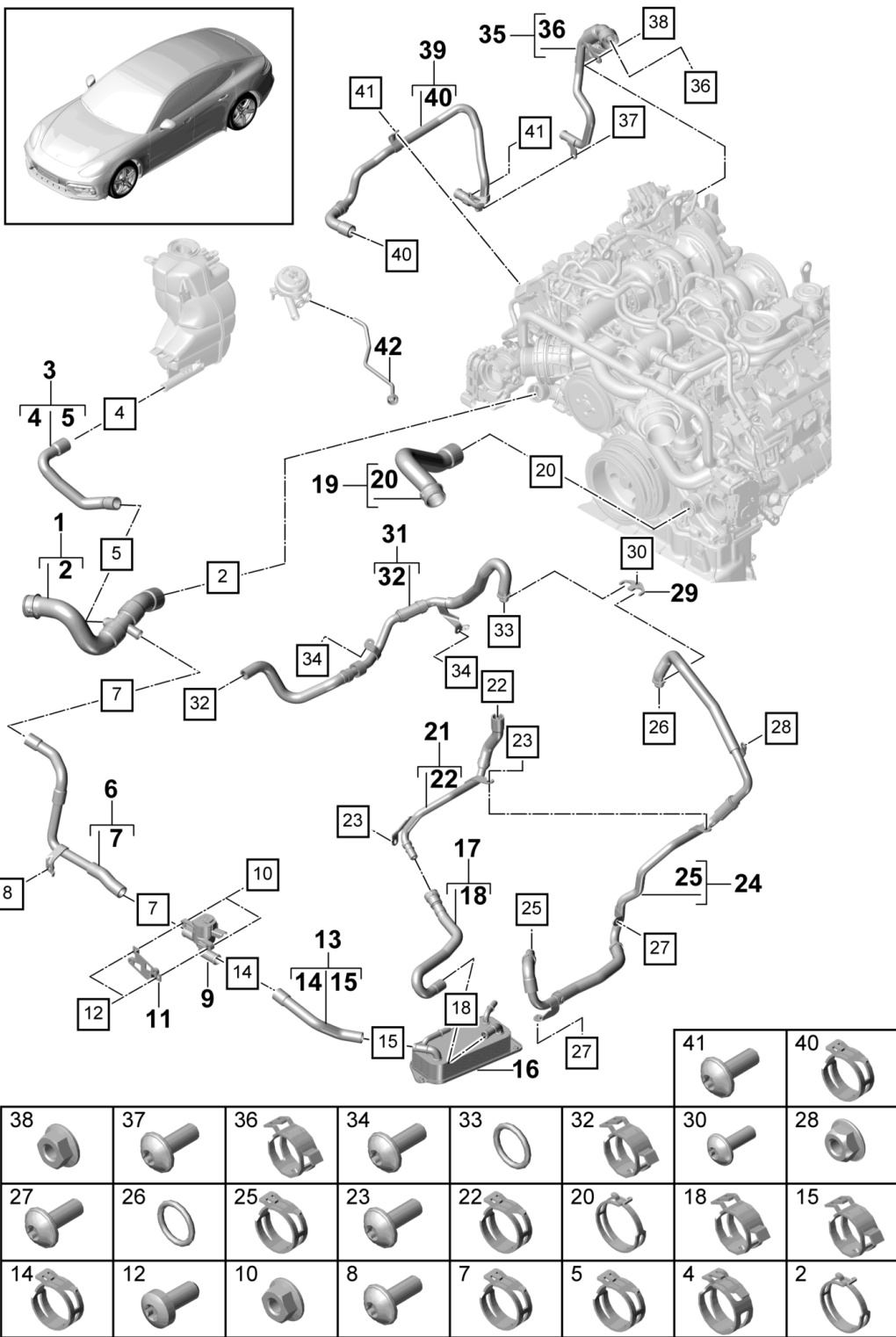
Model: 971-17

Model life 2017>>

Pos	Part Number	Description	Remark	Qty	Model
(25)	000 043 305 64	Cleaning agent 20 LITER Container		X	

Model: 971-17

Model life 2017>>



Model: 971-17

Model life 2017>>

Pos	Part Number	Description	Remark	Qty	Model
		Water cooling Hybrid			MDG.PA
1	9A7 122 051 30	Cooling water tube		1	
2	9A7 121 530 00	Hose clamp B 46 X 12		1	
3	971 122 109 E	Water hose		1	
4	955 512 405 00	Clip B 29 X 12		1	
5	N 906 870 01	Hose clamp B27 X 12		1	
6	971 121 050 N	Cooling water tube		1	
7	N 906 870 01	Hose clamp B 27 X 12		2	
8	N 106 320 03	Oval-head screw M 6 X 16		1	
9	9A7 906 457 02	Actuator Use also: N .906.870.01		1	
10	N 015 082 10	Hexagon nut M 6		2	
11	971 121 660	Support		1	
12	N 104 056 04	Oval-head screw M 6 X 14		2	
13	971 121 050 G	Water hose		1	
14	N 906 870 01	Hose clamp B 27 X 12		1	
15	N 906 869 01	Hose clamp B 23 X 12		1	
16		Oil cooler See illustrations 3/60/10		1	
17	971 121 036 H	Water hose		1	
18	N 906 869 01	Hose clamp B 23 X 12		1	
19	9A7 122 101 10	Cooling water tube		1	
20	9A7 121 530 00	Hose clamp B 46 X 12		1	
21	971 121 036 A	Cooling water tube		1	
22	N 906 870 01	Hose clamp B 27 X 12		1	
23	N 106 320 03	Oval-head screw M 6 X 16		2	
24	9A7 121 034 04	Cooling water tube		1	
25	N 906 870 01	Hose clamp B 27 X 12		1	
26	N 909 816 01	O-ring 15,8 X 2,4 X 20,6 - N		1	
27	N 106 320 03	Oval-head screw M 6 X 16		2	
28	N 023 002 13	Hexagon nut M 6		1	
29	9A7 121 214 00	Support		1	
30	N 107 148 01	Outer hexagon round screw M 6 X 18		1	
31	9A7 121 034 05	Cooling water tube		1	
32	N 906 869 01	Hose clamp B 23 X 12		1	
33	N 909 816 01	O-ring 15,8 X 2,4 X 20,6 - N		1	
34	N 106 320 03	Oval-head screw M 6 X 16		2	
35	9A7 122 073 10	Cooling water tube with		1	

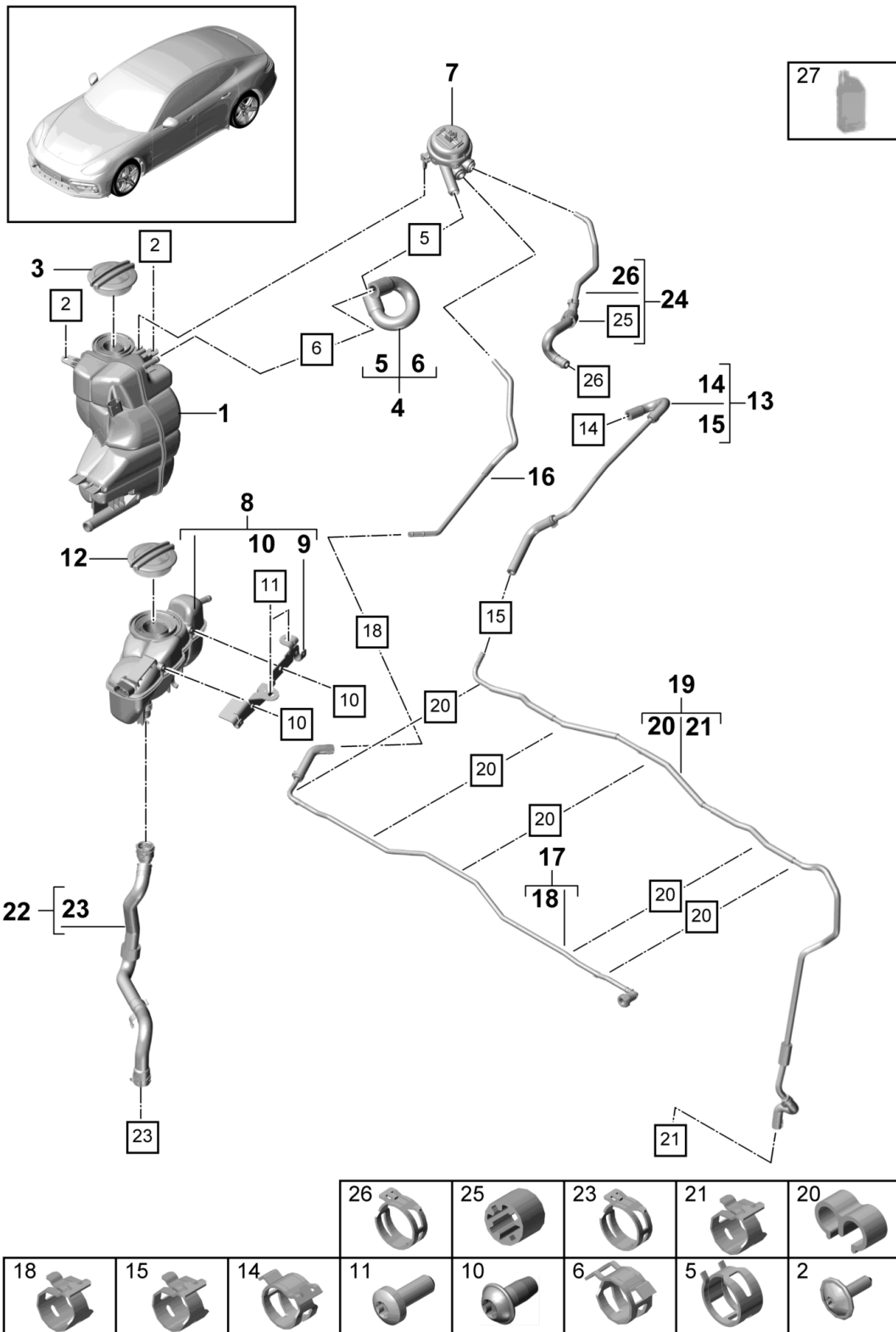
Model: 971-17

Model life 2017>>

Pos	Part Number	Description	Remark	Qty	Model
36	N 906 869 01	Retaining bar Hose clamp B 23 X 12		1	
37	N 106 320 03	Oval-head screw M 6 X 16		1	
38	N 015 082 10	Hexagon nut M 6		1	
39	9A7 122 073 20	Cooling water tube with Retaining bar		1	
40	N 906 870 01	Hose clamp B 27 X 12		1	
41	N 106 320 03	Oval-head screw M 6 X 16		2	
42	9A7 122 447 10	Vent line		1	

Model: 971-17

Model life 2017>>



Model: 971-17 Model life 2017>>

Pos	Part Number	Description	Remark	Qty	Model
		Water cooling			MCV.DA I0K3
1	9A7 121 407 00	Hybrid Expansion tank		1	
2	N 911 883 01	Water cooling Outer hexagon round screw M 6 X 20		2	
3	958 106 447 00	Lid Expansion tank		1	
4	9A7 121 447 00	Water hose		1	
5	N 912 104 01	Hose clamp C 19 X 12		1	
6	N 909 264 01	Hose clamp B 19 X 12		1	
7	9A7 121 671 00	Bleeder valve		1	
8	9A7 121 405 10	Water cooling Expansion tank		1	
9		Water cooling Hybrid Bracket Expansion tank Not available Expansion tank Order		1	
10	N 106 839 01	Oval-head screw TP 6 X 12		2	
11	N 104 514 05	Round head screw M 6 X 16		2	
12	958 106 447 00	Lid Expansion tank		1	
13	971 122 447 AA	Vent line Water cooling		1	
14	N 907 702 01	Hose clamp B 17 X 12		1	
15	N 906 867 01	Hose clamp B 14 X 12		1	
16	9A7 122 447 40	Vent line Expansion tank Use also: N .906.867.01		1	
17	9A7 122 447 45	Vent line Expansion tank		1	
18	N 906 867 01	Hose clamp B 14 X 12		1	
19	9A7 122 447 46	Vent line Expansion tank Use also: N .906.867.01		1	
20	N 105 887 01	Cable holder 8 X 8		5	
21	N 906 867 01	Hose clamp B 14 X 12		1	
22	9A7 121 109 01	Water hose		1	
23	N 906 870 01	Hose clamp B 27 X 12		1	
24	9A7 122 447 41	Vent line		1	
25	N 105 195 01	Spacer ring		1	
26	N 906 867 01	Hose clamp B 14 X 12		1	
27	000 043 305 15	Antifreeze 1 LTR. Container		X	
(27)	000 043 305 16	Antifreeze		X	

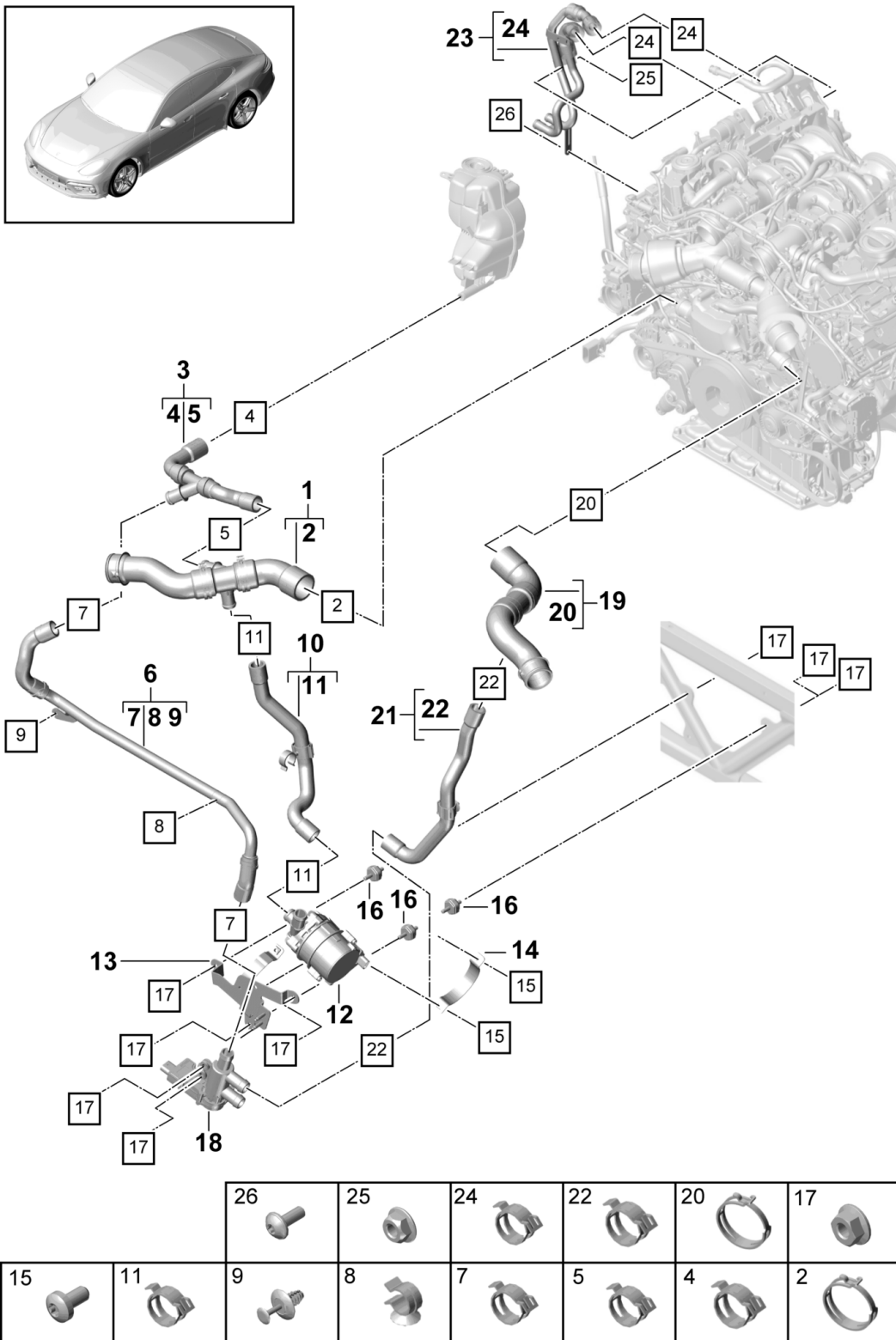
Model: 971-17

Model life 2017>>

Pos	Part Number	Description	Remark	Qty	Model
(27)	000 043 305 64	20 LTR. Container Cleaning agent 20 LTR. Container		x	

Model: 971-17

Model life 2017>>



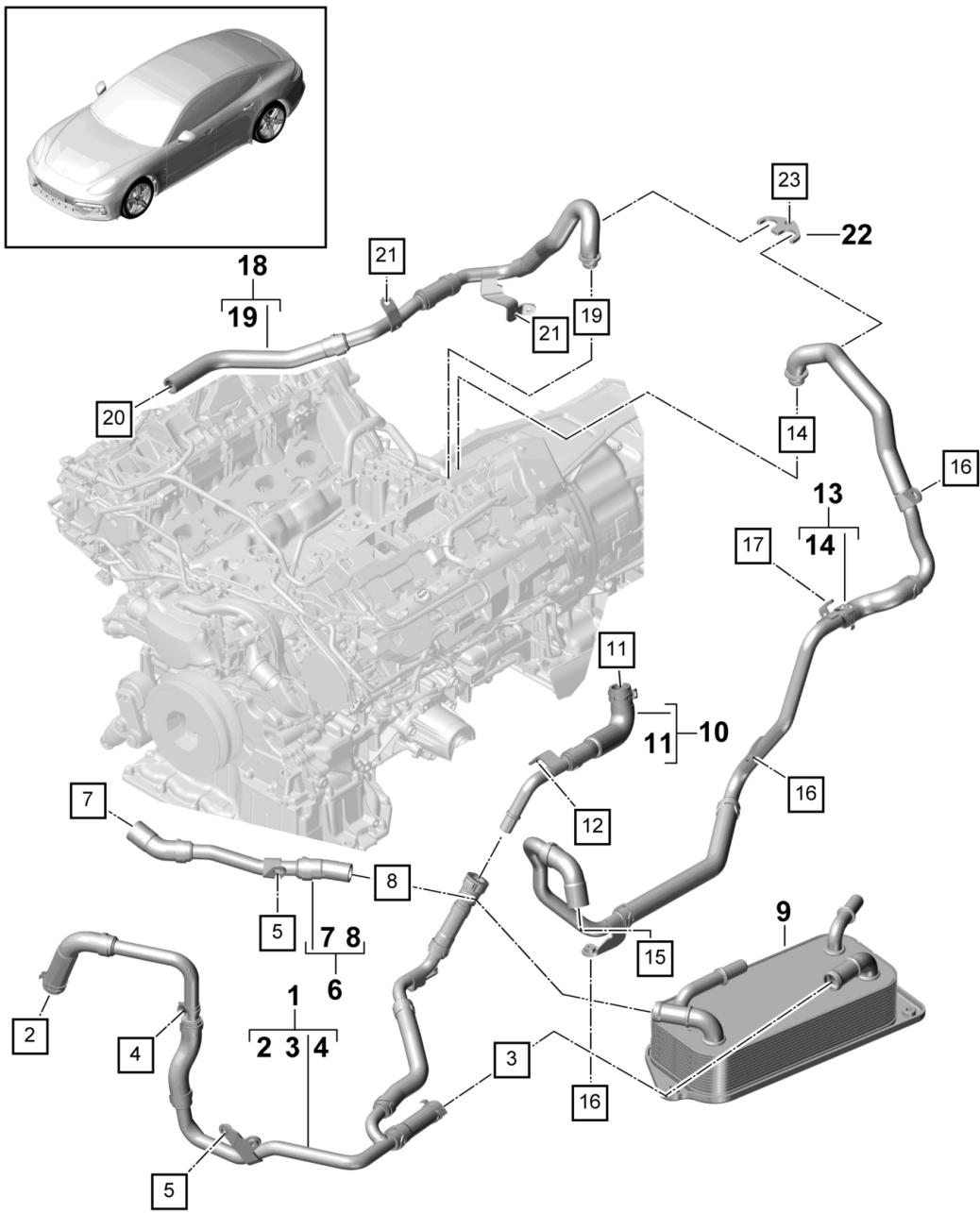
Model: 971-17

Model life 2017>>

Pos	Part Number	Description	Remark	Qty	Model
		Water cooling			MCV.DA I0K3
		Hybrid			
1	9A7 122 051 40	Cooling water tube		1	
2	9A7 121 530 00	Hose clamp B 46 X 12		1	
3	971 122 109 F	Water hose		1	
4	955 512 405 00	Clip B 29 X 12		1	
5	N 906 870 01	Hose clamp B 27 X 12		1	
6	9A7 121 086 00	Cooling water tube		1	
7	N 906 870 01	Hose clamp B 27 X 12		2	
8	N 106 491 01	Hose holder B 17,5		1	
9	N 911 585 01	Expansion rivet		1	
10	9A7 121 081 40	Water hose		1	
11	N 906 870 01	Hose clamp B 27 X 12		2	
12	9A7 965 567 40	Water pump Electric		1	
13	9A7 121 232 40	Support Water pump		1	
14	9A7 121 084 40	Brace		1	
15	N 103 352 06	Round head screw M 6 X 12		1	
16	7L0 819 083	Buffer		3	
17	N 015 082 10	Hexagon nut M 6		8	
18	9A7 819 809 00	Valve		1	
19	9A7 122 101 40	Cooling water tube		1	
20	9A7 121 530 00	Hose clamp B 46 X 12		1	
21	9A7 121 086 02	Water hose		1	
22	N 906 870 01	Hose clamp B 27 X 12		2	
23	9A7 122 073 00	Cooling water tube with Retaining bar		1	
24	N 906 869 01	Hose clamp B 23 X 12		2	
25	N 023 002 13	Hexagon nut M 6		1	
26	N 106 320 03	Oval-head screw M 6 X 16		1	

Model: 971-17

Model life 2017>>



23	21	20	19	17	16	15	14
12	11	8	7	5	4	3	2

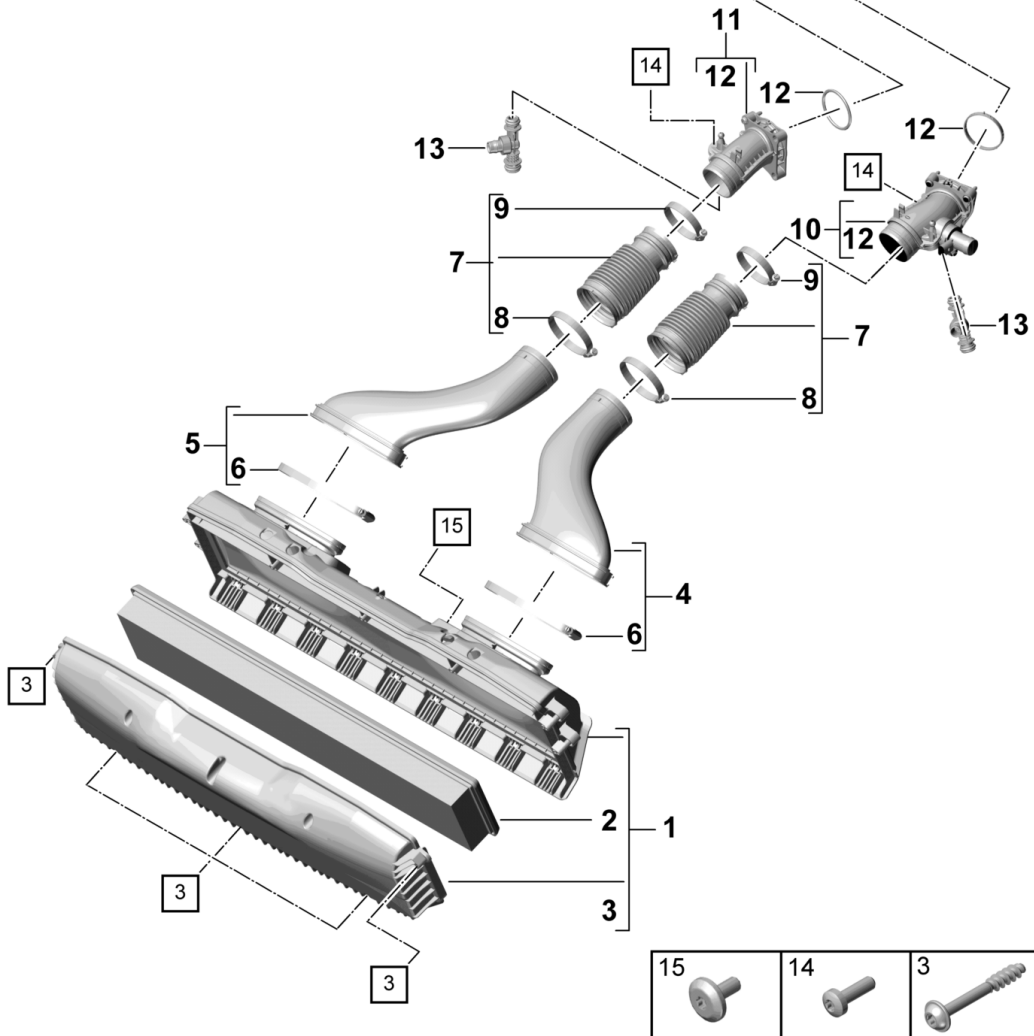
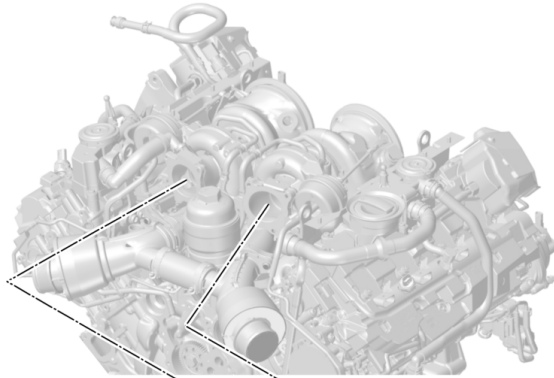
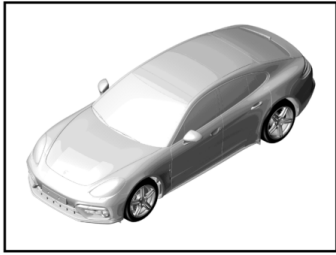
Model: 971-17

Model life 2017>>

Pos	Part Number	Description	Remark	Qty	Model
		Water cooling			MCV.DA I0K3
		Hybrid			
1	9A7 121 081 07	Cooling water tube		1	
2	N 906 870 01	Hose clamp B 27 X 12 X 1,7		1	
3	N 906 869 01	Hose clamp B 23 X 12		1	
4	N 106 491 01	Hose holder		1	
5	N 106 320 03	Oval-head screw M 6 X 16		3	
6	9A7 121 086 04	Cooling water tube		1	
7	N 906 870 01	Hose clamp B 27 X 12 X 1,7		1	
8	N 906 869 01	Hose clamp B 23 X 12		1	
9		Oil cooler See illustrations 3/60/10		1	
10	9A7 121 036 01	Cooling water tube		1	
11	N 906 870 01	Hose clamp		1	
12	N 106 320 03	Oval-head screw M 6 X 16		1	
13	9A7 121 034 07	Cooling water tube		1	
14	N 909 816 01	O-ring 15,8 X 2,4		1	
15	N 906 870 01	Hose clamp B 27 X 12		1	
16	N 106 320 03	Oval-head screw M 6 X 16		3	
17	N 909 292 02	Round head screw M 10 X 20		1	
18	9A7 121 034 06	Cooling water tube		1	
19	N 909 816 01	O-ring 15,8 X 2,4		1	
20	N 906 869 01	Hose clamp B 23 X 12		1	
21	N 106 320 03	Oval-head screw M 6 X 16		2	
22	9A7 121 214 00	Support		1	
23	N 107 148 01	Outer hexagon round screw M 6 X 18		1	

Model: 971-17

Model life 2017>>



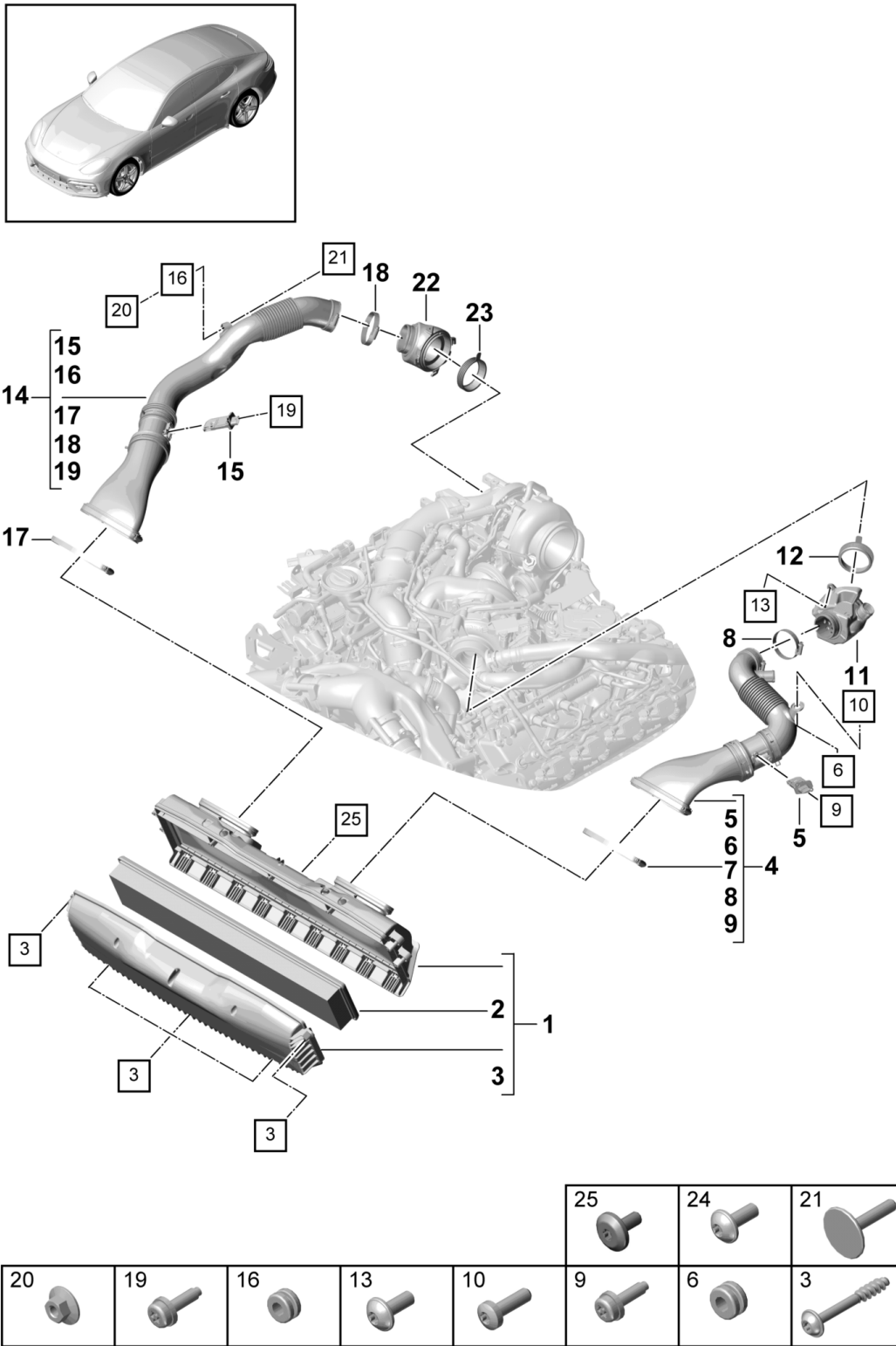
Model: 971-17

Model life 2017>>

Pos	Part Number	Description	Remark	Qty	Model
		Air cleaner system			MCS.ZA MCV.DA MDG.PA
		Suction hose			
		Intake manifold			
1	971 128 607 B	Air cleaner		1	
2	971 129 620	Air cleaner cartridge		1	
3	9A7 008 577 00	Lens-head screw TP 5 X 34		5	
4	971 128 533	Suction hose	/L	1	
5	971 129 533	Suction hose	/R	1	
7	971 129 627	Suction hose		2	
10	9A7 129 609 00	Intake manifold	/L	1	MCV.DA
(10)	9A7 129 665 00	Intake manifold	/L	1	MCS.ZA MDG.PA
11	9A7 129 606 00	Intake manifold	/R	1	MCV.DA
(11)	9A7 129 666 00	Intake manifold	/R	1	MCS.ZA MDG.PA
12	9A7 129 056 00	Gasket		2	MCV.DA
(12)	9A7 133 026 00	Gasket		2	MCS.ZA MDG.PA
13		Valve Venturi tube See illustrations 1/07/55		2	MCV.DA
14	N 101 243 06	Oval-head screw M 6 X 20		2	MCV.DA
15	9A7 007 931 00	Oval-head screw Aluminium M 6 X 14		4	

Model: 971-17

Model life 2017>>



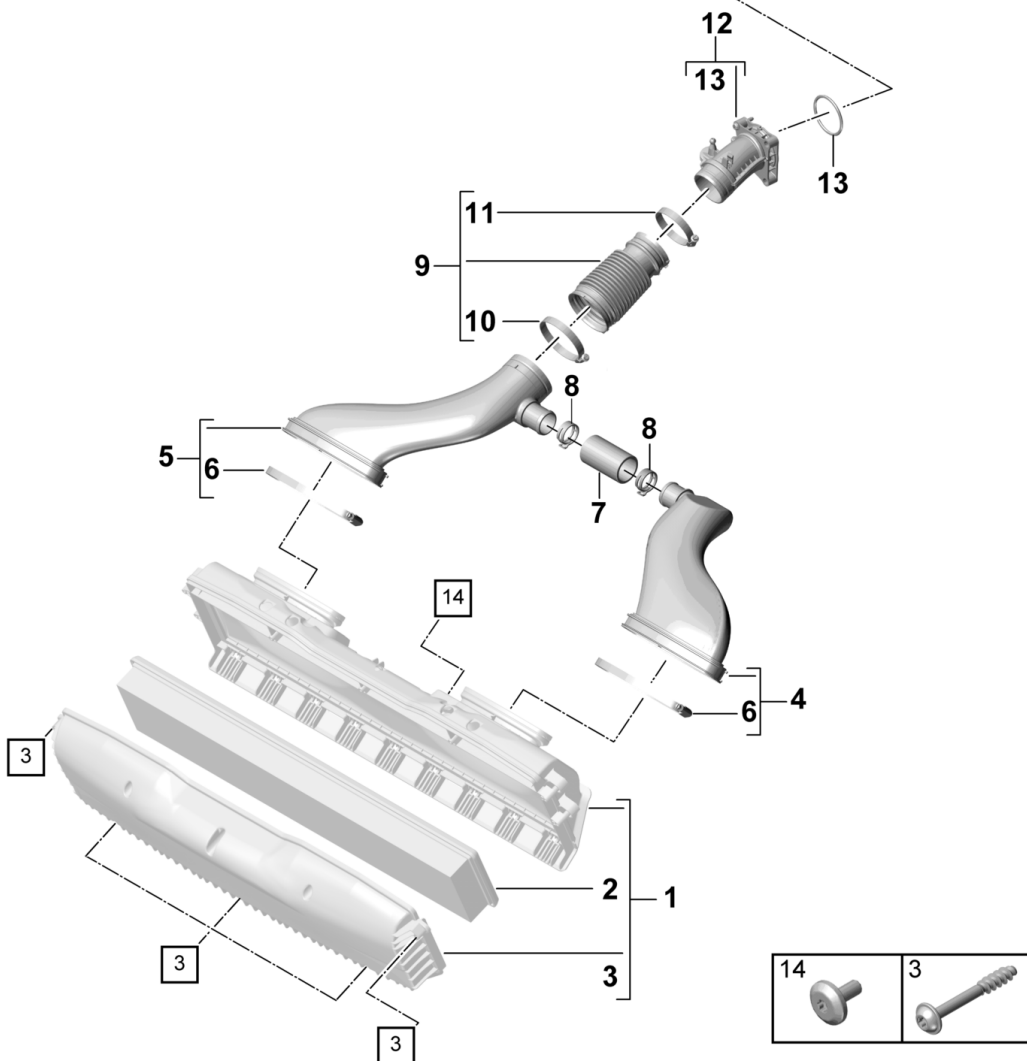
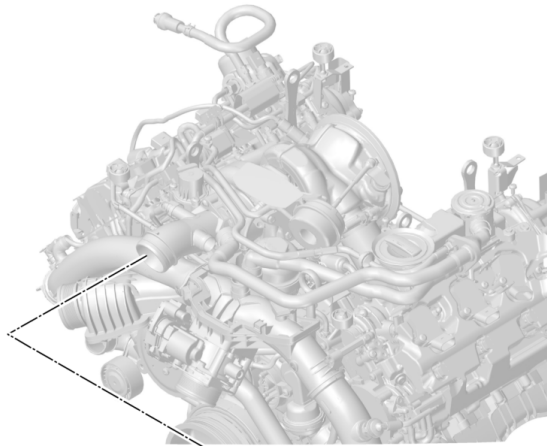
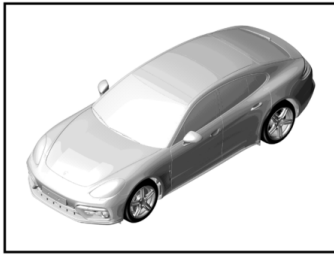
Model: 971-17

Model life 2017>>

Pos	Part Number	Description	Remark	Qty	Model
		Air cleaner system			MDB.UC
		Suction hose			
1	971 128 607 A	Air cleaner		1	
2	971 129 620	Air cleaner cartridge		1	
3	9A7 008 577 00	Lens-head screw TP 5 X 34		5	
4	971 128 532 B	Suction hose	/L	1	
5	9A7 133 471 00	Mass air flow meter		1	
6	955 110 669 00	Grommet		1	
10	N 101 243 06	Oval-head screw M6 X 20		1	
11	971 128 684 B	Connecting tube for Suction hose	/L	1	
12	9A7 129 213 00	Gasket		1	
13	N 106 320 03	Oval-head screw M 6 X 16		1	
14	971 129 532	Suction hose	/R	1	
15	9A7 133 471 00	Mass air flow meter		1	
16	955 110 669 00	Grommet		1	
20	N 911 893 03	Hexagon nut		1	
21	971 129 139	Support	/R	1	
22	971 129 684	Intake pipe Connecting tube for Suction hose	/R	1	
23	9A7 129 213 00	Gasket		1	
24	N 106 320 03	Oval-head screw M 6 X 16		1	
25	9A7 007 931 00	Oval-head screw Aluminium M 6 X 14		4	

Model: 971-17

Model life 2017>>



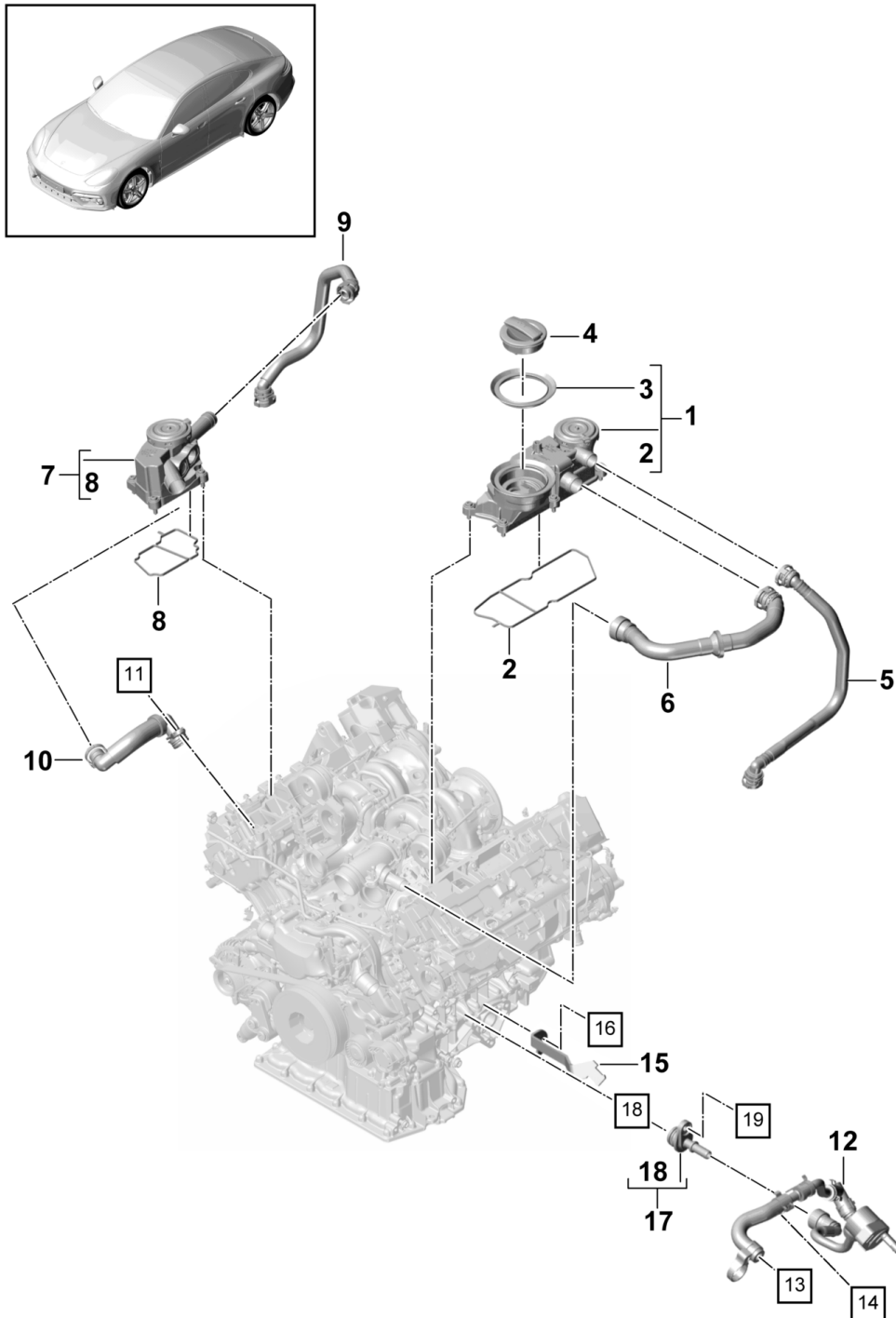
Model: 971-17

Model life 2017>>

Pos	Part Number	Description	Remark	Qty	Model
		Air cleaner system			MCX.TA
		Suction hose			
1	971 128 607 B	Air cleaner		1	
2	971 129 620	Air cleaner cartridge		1	
3	9A7 008 577 00	Lens-head screw TP 5 X 34		5	
4	971 128 629	Resonance tube	/L	1	
5	971 129 533 C	Suction hose	/R	1	
7	971 128 107	Connecting piece		1	
		Use also: 9A7.121.326.04		2	
8	9A7 121 326 04	Clip		2	
9	971 129 627	Suction hose		1	
12	9A7 129 665 10	Intake manifold		1	
13	9A7 133 026 01	Gasket		1	
14	9A7 007 931 00	Oval-head screw Aluminium M 6 X 14		4	

Model: 971-17

Model life 2017>>



19	18	16	14	13	11

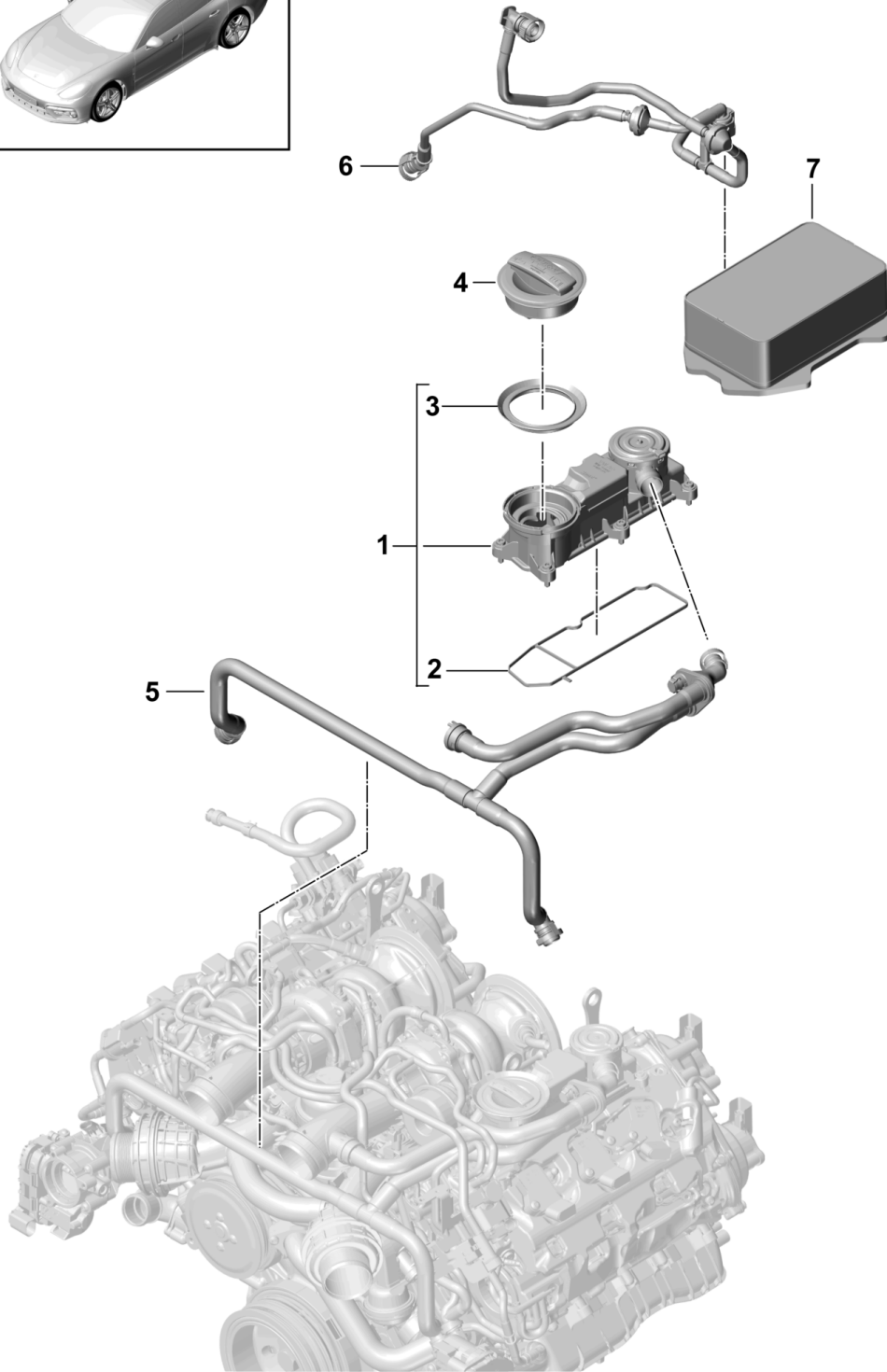
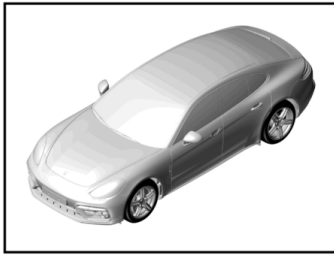
Model: 971-17

Model life 2017>>

Pos	Part Number	Description	Remark	Qty	Model
		Crankcase Bleeding			MCV.DA
1	9A7 103 495 01	Oil separator	/L	1	
2	9A7 103 517 00	Gasket	/L	1	
3	9A7 103 727 00	Gasket		1	
4	958 104 485 10	Lid		1	
5	9A7 103 282 00	Vent line		1	
6	9A7 103 210 00	Vent line		1	
		Use also: 9A7.129.609.00		1	
7	9A7 103 464 01	Oil separator	/R	1	
8	9A7 103 484 10	Gasket	/R	1	
9	9A7 103 283 02	Vent line		1	
10	9A7 103 211 00	Vent line		1	
		Use also: 9A7.103.448.00		1	
11	9A7 103 448 00	Fastening part for Vent line		1	
12	9A7 103 217 00	Breather pipe		1	
13	N 907 702 01	Hose clamp B 17 X 12		1	
14	N 103 352 06	Round head screw M 6 X 12		1	
15	9A7 103 370 00	Support		1	
16	N 911 266 01	Outer hexagon round screw M 6 X 16		1	
17	9A7 103 220 00	Connection piece		1	
18	N 909 250 02	O-ring 17 X 3		1	
19	N 911 266 01	Outer hexagon round screw M 16 X 16		1	

Model: 971-17

Model life 2017>>



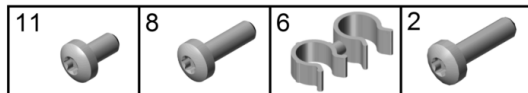
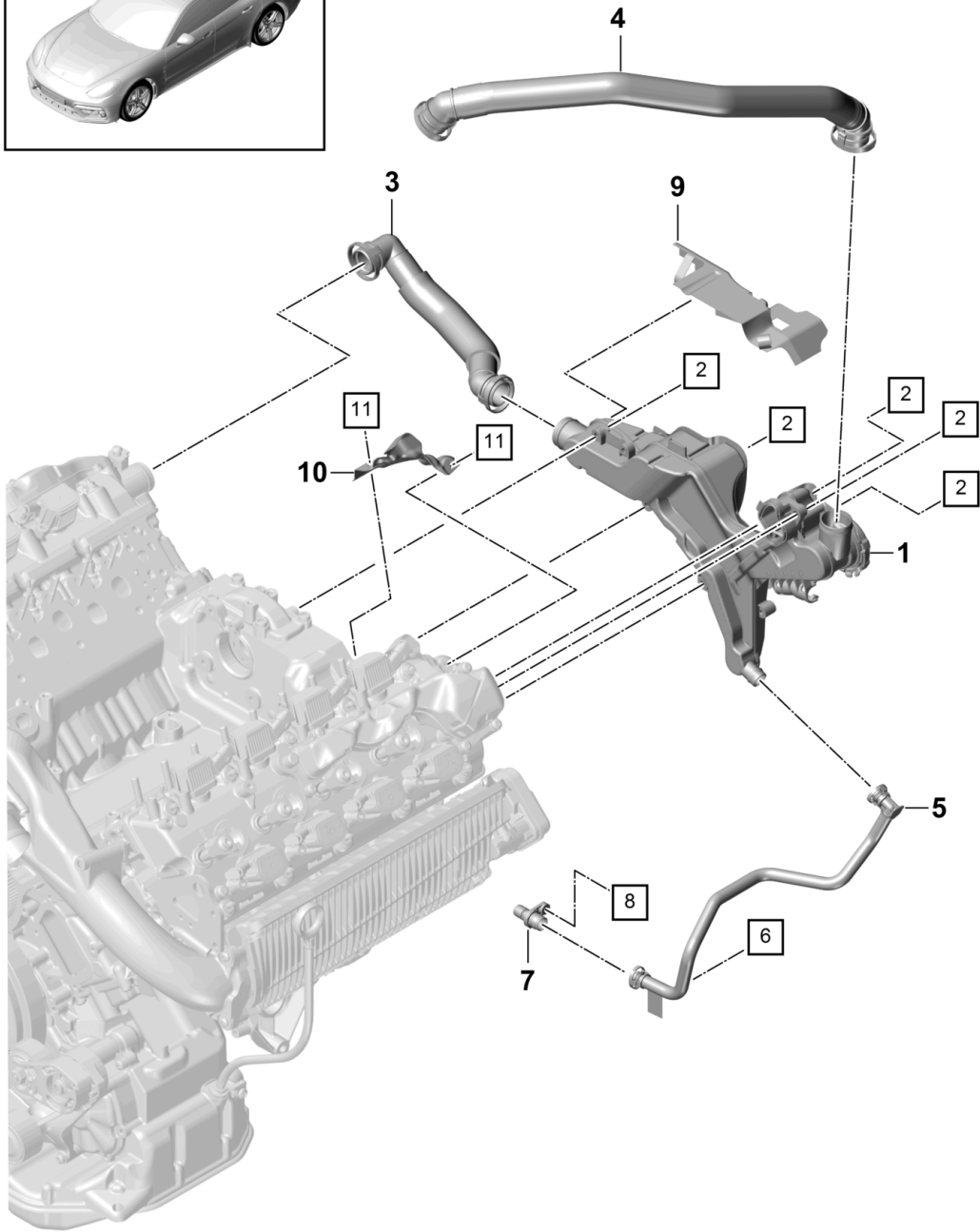
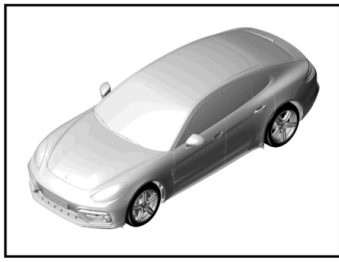
Model: 971-17

Model life 2017>>

Pos	Part Number	Description	Remark	Qty	Model
		Crankcase			MCS.ZA MDG.PA
		Bleeding			
1	9A7 103 495 10	Oil separator		1	
2	9A7 103 517 10	Gasket		1	
3	9A7 103 727 00	Gasket		1	
4	958 104 485 10	Lid		1	
		Engine oil			
(4)	9A7 103 485 00	Lid		1	
		Engine oil			
5	9A7 103 210 10	Vent line		1	
		Use also:			
		9A7.129.665.00		1	
6	9A7 103 217 10	Breather pipe		1	
		Use also:			
		9A7.117.015.10		1	
		000.043.300.39		1	
		9A7.121.070.00		4	
7		Oil cooler			
		See illustrations			
		1/04/05			
		POS.20			

Model: 971-17

Model life 2017>>



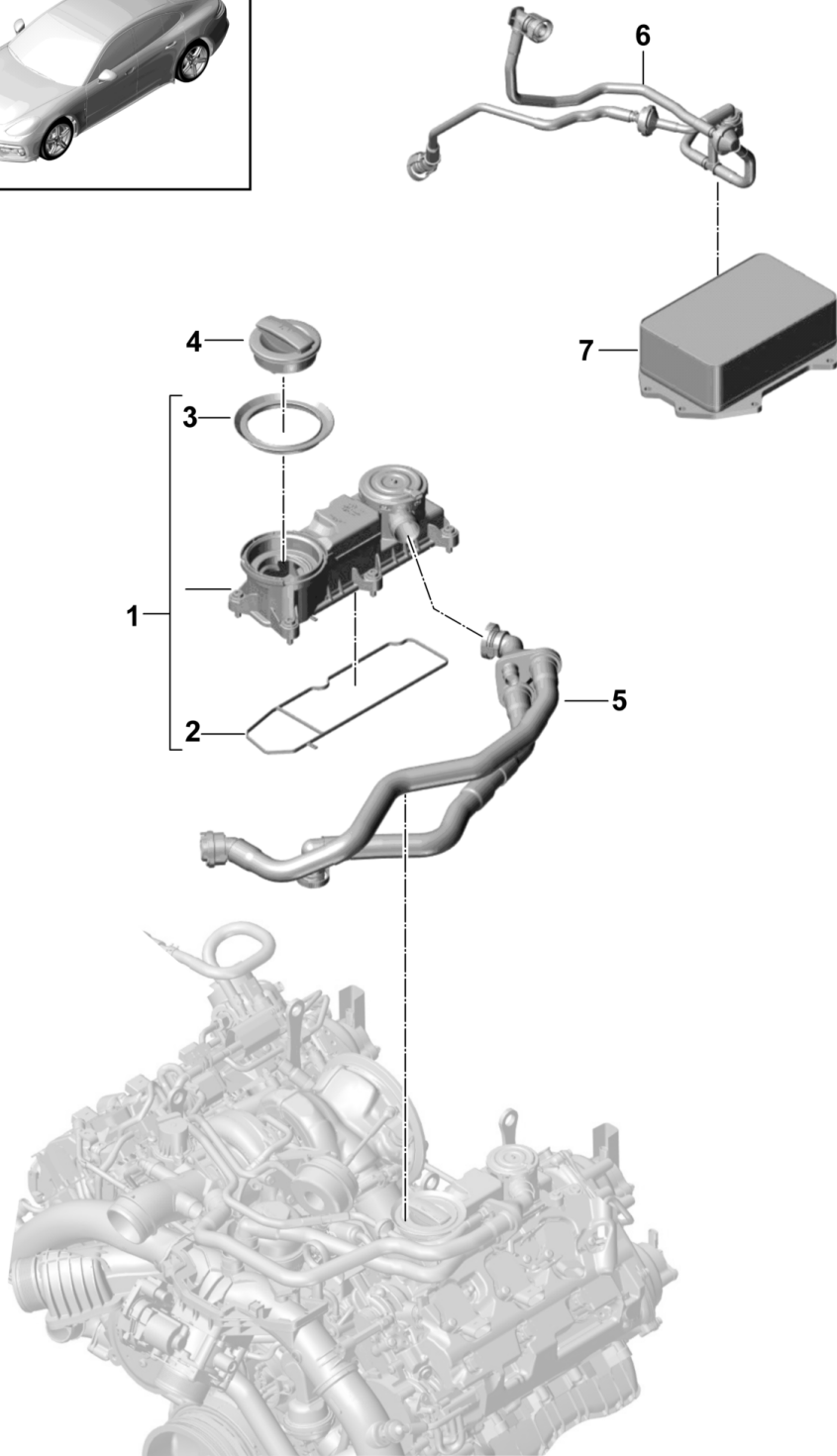
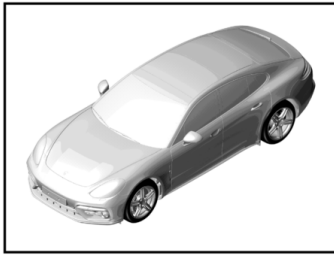
Model: 971-17

Model life 2017>>

Pos	Part Number	Description	Remark	Qty	Model
		Crankcase Bleeding			MDB . UC
1	9A7 103 772 00	Oil separator with ventilation		1	
2	N 107 002 01	Outer hexagon round screw M 6 X 22		5	
3	9A7 103 211 30	Vent line		1	
4	9A7 103 209 00	Vent line		1	
5	9A7 145 734 10	Oil return circuit		1	
6	N 105 212 03	Combination holder A 01-15 X C01-16		1	
7	9A7 409 079 00	Connection piece		1	
8	N 101 243 06	Oval-head screw M 6 X 20		1	
9	9A7 131 991 07	Heat protection		1	
10	9A7 103 555 00	Heat shield		1	
11	N 103 352 06	Round head screw M 6 X 12		2	

Model: 971-17

Model life 2017>>



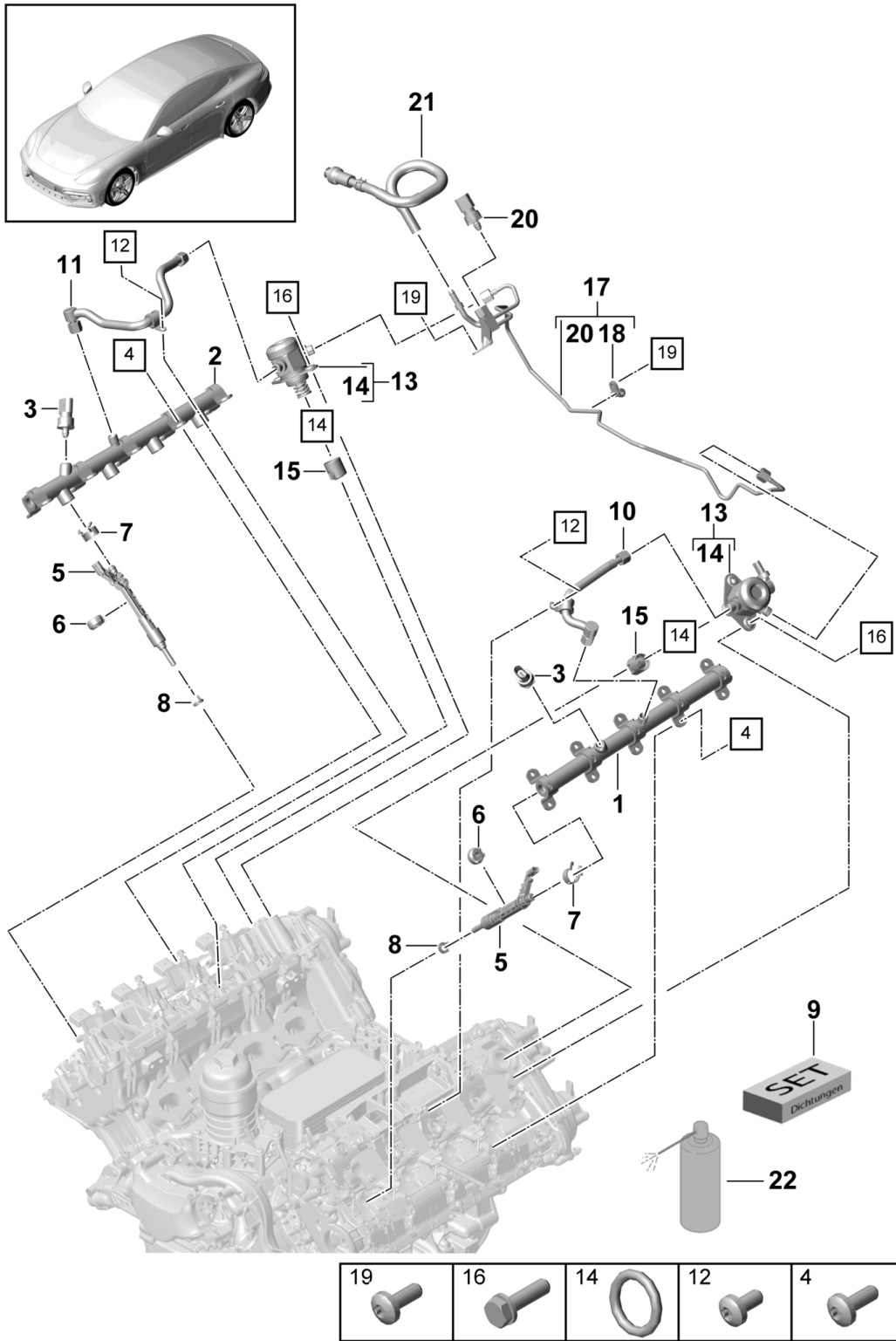
Model: 971-17

Model life 2017>>

Pos	Part Number	Description	Remark	Qty	Model
		Crankcase Bleeding			MCX.TA
1	9A7 103 495 10	Oil separator		1	
2	9A7 103 517 10	Gasket		1	
3	9A7 103 727 00	Gasket		1	
4	958 104 485 10	Lid		1	
		Engine oil			
(4)	9A7 103 485 00	Lid		1	
		Engine oil			
5	9A7 103 210 20	Vent line		1	
		Use also:			
		9A7.129.665.10		1	
6	9A7 103 217 20	Breather pipe		1	
		Use also:			
		9A7.117.015.30		1	
		000.043.300.39		1	
		9A7.121.070.00		4	
7		Oil cooler			
		See illustrations			
		1/04/05			
		POS.20			

Model: 971-17

Model life 2017>>



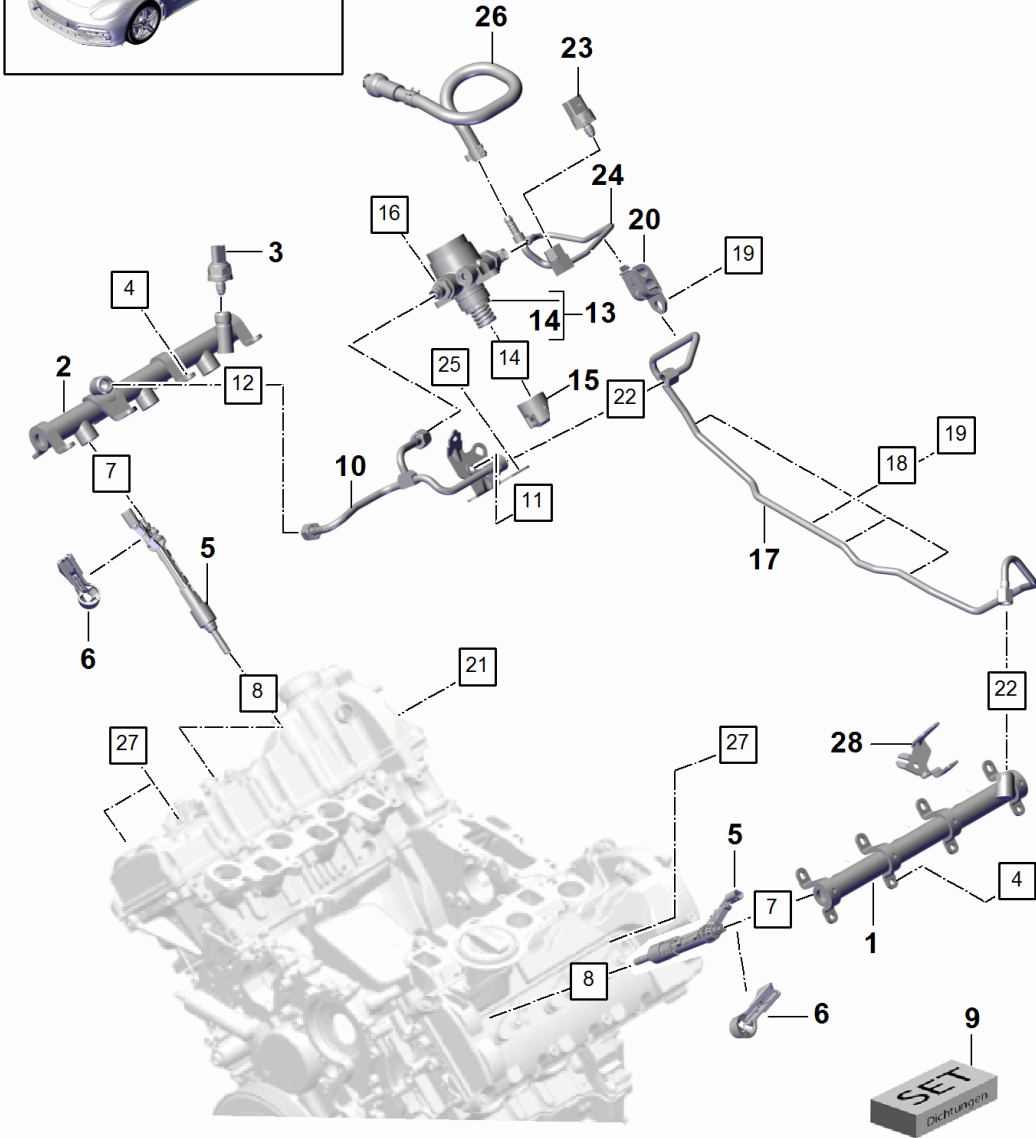
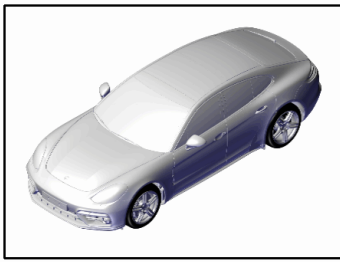
Model: 971-17

Model life 2017>>

Pos	Part Number	Description	Remark	Qty	Model
		Fuel collection pipe high-pressure injector high-pressure pump Tank ventilation			MCV.DA
1	9A7 133 315 00	Fuel collection pipe Cylinders 5 - 8		1	
2	9A7 133 316 00	Fuel collection pipe Cylinders 1 - 4		1	
3	9A7 906 054 00	Pressure sensor		2	
4	N 911 266 01	Outer hexagon round screw M 6 X 16		20	
5	9A7 906 036 00	high-pressure injector		8	
6	9A7 133 875 10	Sound absorber		8	
6	9A7 133 875 11	Sound absorber		8	
7	9A7 133 036 00	Supporting plate		8	
8	9A7 906 189 00	Intermediate ring		8	
9	9A7 998 907 00	Repair kit for high-pressure injector Comprising: O-ring Sealing ring Support washer		8	
10	9A7 127 507 00	Pressure line	/L	1	
11	9A7 127 507 10	Pressure line	/R	1	
12	N 103 352 06	Round head screw M 6 X 12		2	
13	9A7 127 026 00	high-pressure pump Use also: 9A7.109.311.00		2	
14	9A7 007 821 00	O-ring high-pressure pump		2	
15	9A7 109 311 00	Cam follower		2	
16	N 104 582 02	Hexagon-head bolt M 6 X 22		4	
17	9A7 127 503 00	Fuel line with Support Use also: 9A7.133.986.00		1	
18	9A7 127 233 00	Support		1	
19	N 911 266 01	Outer hexagon round screw M 6 X 16		5	
20	9A7 906 054 10	Pressure sensor Low pressure switch		6	
21	9A7 133 986 00	Fuel line		1	
22	000 043 209 35	Grease MICROGLEIT DF 977 S Spraying can 400ML for Fuel line Use		X	

Model: 971-17

Model life 2017>>



19	16	14	27	25	22	21	18
19	16	14	27	25	22	21	18
19	16	14	27	25	22	21	18

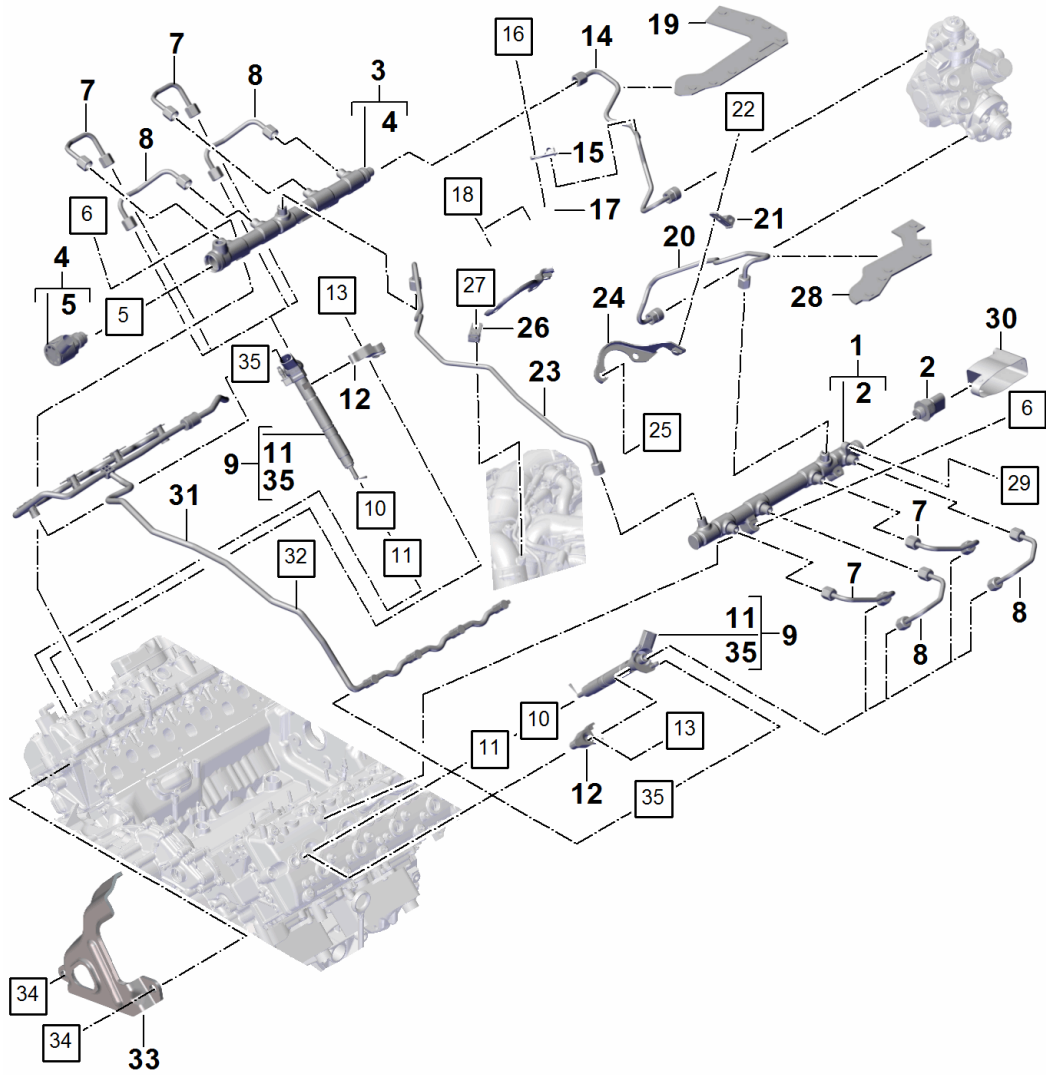
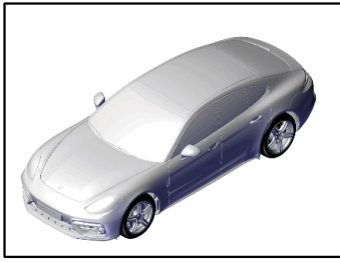
Model: 971-17

Model life 2017>>

Pos	Part Number	Description	Remark	Qty	Model
		Fuel collection pipe			MCS.ZA MCX.TA MDG.PA
1	9A7 133 315 10	high-pressure injector high-pressure pump Fuel collection pipe Cyl. 4 - 6		1	
2	9A7 133 316 10	Fuel collection pipe Cyl. 1 - 3		1	
3	9A7 906 054 00	Pressure sensor		1	
4	N 104 514 08	Lens-head screw M 6 X 16		16	
5	9A7 906 036 00	high-pressure injector		6	MCS.ZA MDG.PA
(5)	9A7 906 036 10	high-pressure injector		6	MCX.TA
6	9A7 133 875 30	Sound absorber		6	MCS.ZA MDG.PA
7	9A7 133 036 00	Supporting plate		6	
8	9A7 906 189 00	Intermediate ring		6	
9	9A7 998 907 00	Repair kit for high-pressure injector		6	
		Comprising:			
		O-ring		1	
		Sealing ring		1	
		Support washer		1	
10	9A7 127 507 20	Fuel line		1	
11	N 103 352 06	Round head screw M 6 X 12		1	
12	958 110 368 02	Adapter		1	
13	9A7 127 026 10	high-pressure pump		1	
14	WHT 005 184	O-ring		1	
15	9A7 109 311 10	high-pressure pump Cam follower		1	
16	N 910 842 01	Screw M 8 X 25		2	
17	9A7 127 507 30	Fuel line		1	
18	N 907 542 02	Clip 8 X 15		4	
19	N 104 514 08	Lens-head screw M 6 X 16		4	
20	9A7 127 411 00	Support Line		1	
21	N 910 448 01	Double screw M 6 X 16 - M 6 X 16		1	
22	958 110 368 02	Adapter		1	
23	9A7 906 054 10	Pressure sensor Low pressure switch		1	
24	9A7 127 503 10	Distributor line with Support		1	
		Use also: 9A7.133.986.00			
25	N 015 082 13	Hexagon nut M 6		2	
26	9A7 133 986 00	Fuel line		1	
27	9A7 000 695 10	Ball pin 10 - M6 X 12		3	
28	9A7 971 502 10	Support		1	

Model: 971-17

Model life 2017>>



		35	34	32	29	27	25
22	18	16	13	11	10	6	5

Model: 971-17

Model life 2017>>

Pos	Part Number	Description	Remark	Qty	Model
		Fuel collection pipe high-pressure injector Fuel line			MDB.UC
1	9A7 130 089 00	Fuel collection pipe Injection system Cylinders 5 - 8		1	
2	9A7 906 054 20	Pressure sensor		1	
3	9A7 130 090 00	Fuel collection pipe Injection system Cylinders 1 - 4		1	
4	9A7 130 764 00	Pressure regulator Fuel collection pipe		1	
5	955 110 319 00	O-ring		1	
6	N 105 540 05	Oval-head screw M 6 X 35		4	
7	9A7 130 241 00	Fuel line Cylinder 1 / 3 / 6 / 8		4	
8	9A7 130 241 10	Fuel line Cylinder 2 / 4 / 5 / 7		4	
9	9A7 130 277 00	high-pressure injector Use also: WHT.000.884		8	
10	WHT 000 884	O-ring		1	
11	958 110 519 01	Sealing ring		8	
12	958 110 216 01	Tensioning plate		8	
13	WHT 004 923 B	Pan-head screw M 6 X 93 X 18		8	
14	9A7 130 312 00	Fuel line		1	
15	9A7 130 401 10	Support		1	
16	N 104 056 04	Oval-head screw M 6 X 14		1	
17	9A7 130 381 00	Support		1	
18	N 104 056 04	Oval-head screw M 6 X 14		2	
19	9A7 131 991 00	Heat protection Mat		1	
20	9A7 130 309 00	Fuel line		1	
21	9A7 130 401 10	Support		1	
22	N 104 056 04	Oval-head screw M 6 X 14		1	
23	9A7 130 310 00	Fuel line		1	
24	9A7 130 381 10	Support		1	
25	N 104 056 04	Oval-head screw M 6 X 14		2	
26	9A7 130 401 00	Support		1	
27	N 104 056 04	Oval-head screw M 6 X 14		1	
28	9A7 131 991 10	Heat protection Mat		1	
29	N 104 056 04	Oval-head screw M 6 X 14		2	
30	9A7 131 991 20	Heat protection Mat		1	
31	9A7 130 218 00	Fuel hose Use also: 958.007.480.10		1	
32	955 111 694 10	Clip		8	
33	971 133 436	Cover plate Fuel line		2	
34	N 103 352 06	Round head screw M 6 X 12		1	
				2	

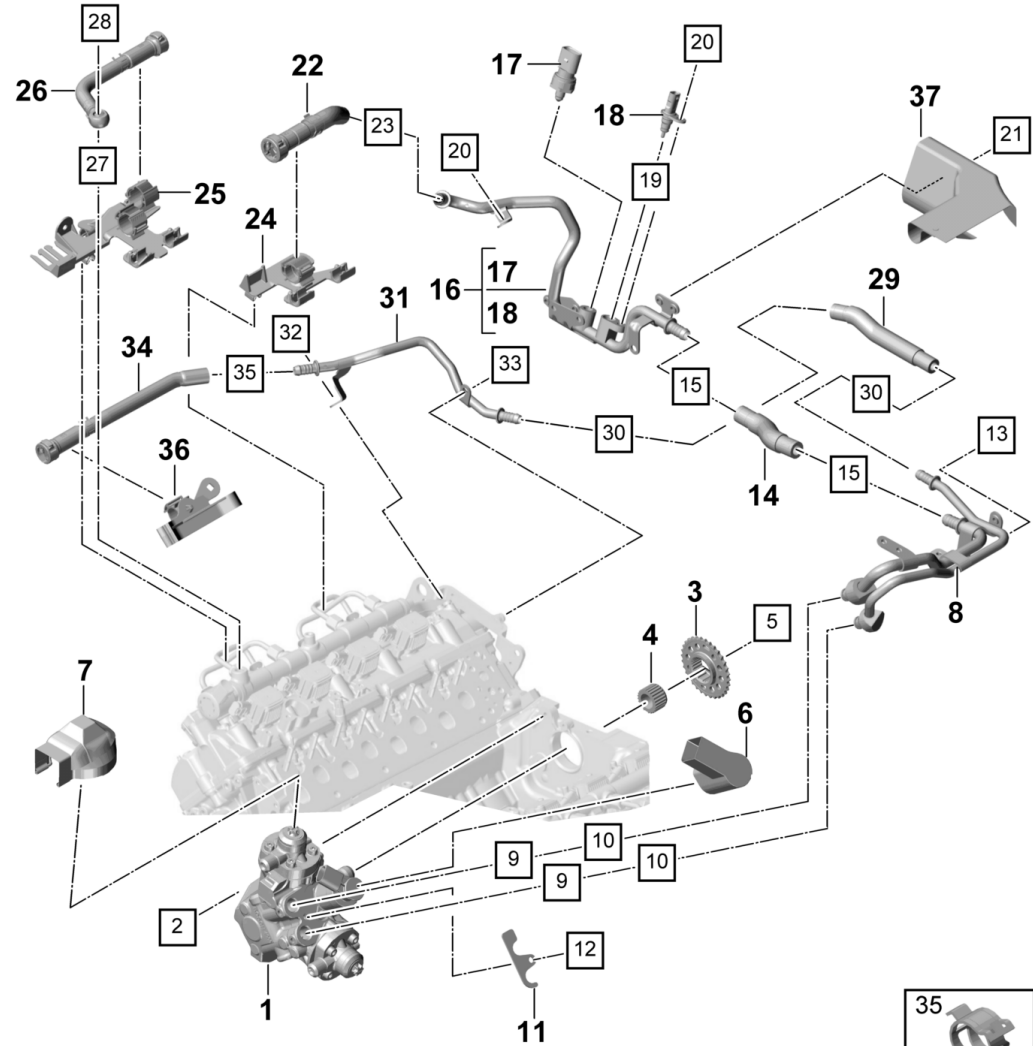
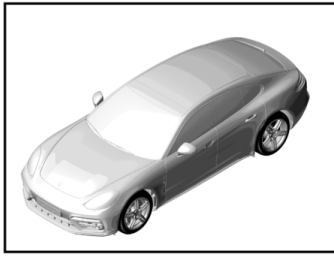
Model: 971-17

Model life 2017>>

Pos	Part Number	Description	Remark	Qty	Model
35	958 007 480 10	O-ring 2,8 X 1,5		8	

Model: 971-17

Model life 2017>>



33	32	30	28	27	23	21	20
19	15	13	12	10	9	5	2

Model: 971-17

Model life 2017>>

Pos	Part Number	Description	Remark	Qty	Model
		high-pressure pump			MDB.UC
1	9A7 130 755 00	Fuel line		1	
2	N 911 873 01	high-pressure pump		3	
		Pan-head screw			
		M 8 X 30			
3		Sprocket		1	
		Picture board			
		1/03/75			
4		Flange		1	
		Picture board			
		1/03/75			
5		Hexagon nut		1	
		Picture board			
		1/03/75			
6	9A7 131 991 60	Heat protection		1	
		high-pressure pump			
7	9A7 131 991 70	Heat protection		1	
		high-pressure pump			
8	9A7 130 300 00	Fuel line		1	
		Use also:			
		9A700697400		2	
		9A700697410		2	
9	9A7 006 974 00	O-ring		2	
10	9A7 006 974 10	O-ring		2	
11	9A7 130 319 00	Support		1	
12	N 104 056 04	Oval-head screw		1	
		M6 X 14			
13	N 107 002 01	Outer hexagon round screw		1	
		M 6 X 22			
14	9A7 130 313 00	Fuel hose		1	
		Use also:			
		N 90926401		2	
15	N 909 264 01	Hose clamp		2	
		19 X 12			
16	9A7 130 299 10	Fuel line		1	
17	9A7 906 054 10	Pressure sensor		1	
		Low pressure switch			
18	958 606 623 00	Temperature sensor		1	
		Use also:			
		WHT002287C		1	
		N 10405604		1	
19	WHT 002 287 C	O-ring		1	
20	N 104 056 04	Oval-head screw		3	
		M 6 X 14			
21	N 106 803 02	Round head screw		2	
		M 6 X 8			
22	9A7 130 299 00	Fuel line		1	
		Supply			
23	N 909 264 01	Hose clamp		1	
		19 X 12			
24	9A7 130 131 00	Support		1	
25	9A7 130 131 20	Support		1	
26	9A7 130 296 00	Fuel line		1	
		Return line			
		Use also:			
		9A7130120		1	
27	9A7 130 120 00	Sealing ring		1	
		12 X 17			
28	N 021 071 7	Banjo bolt		1	
29	9A7 130 314 00	Fuel hose		1	
30	N 907 702 01	Hose clamp		2	
		17 X 12			
31	9A7 130 297 00	Fuel line		1	

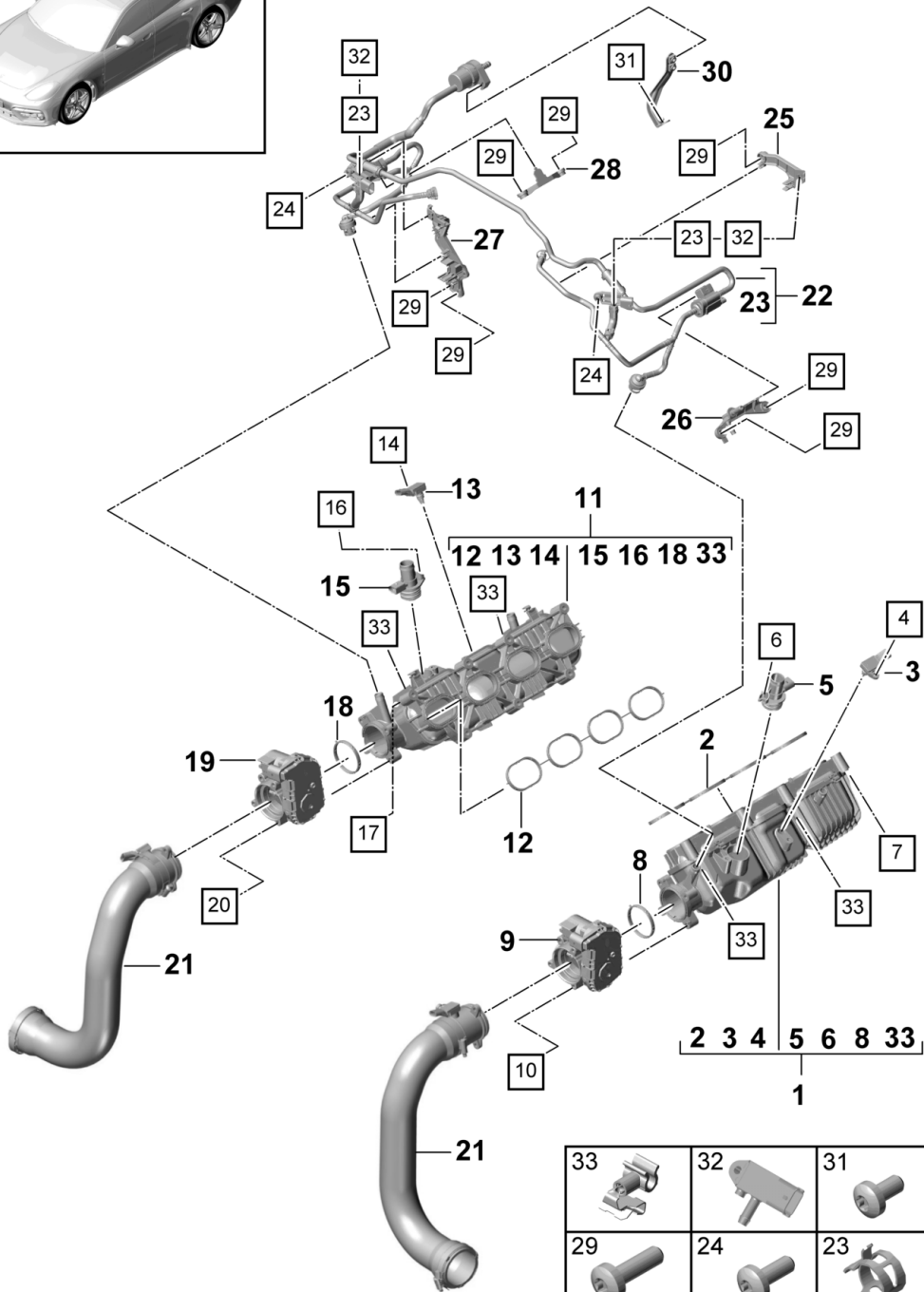
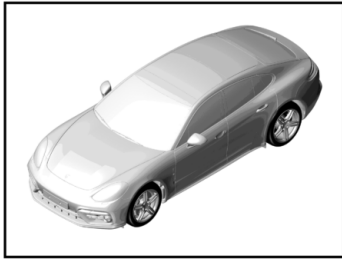
Model: 971-17

Model life 2017>>

Pos	Part Number	Description	Remark	Qty	Model
32	N 104 056 04	Return line Oval-head screw M 6 X 14		1	
33	N 106 803 02	Round head screw M 6 X 8		1	
34	9A7 130 297 10	Fuel hose Return line		1	
35	N 907 702 01	Hose clamp B 17 X 12		1	
36	9A7 130 131 10	Support		1	
37	9A7 131 991 80	Heat protection		1	

Model: 971-17

Model life 2017>>



20	17	16	14	10	7	6	4

33	32	31
29	24	23

Model: 971-17

Model life 2017>>

Pos	Part Number	Description	Remark	Qty	Model
		Intake distributor Tank ventilation			MCV.DA
1	9A7 129 711 00	Intake distributor Cylinders 5 - 8		1	
2	9A7 129 049 00	Gasket Cylinders 5 - 8		1	
3	9A7 906 051 10	Pressure sensor		1	
4	N 104 734 02	Lens-head screw TP 6 X 20		1	
5	9A7 103 202 00	Connection piece Heated		1	
6	N 104 734 02	Lens-head screw TP 6 X 20		1	
7	N 104 057 02	Outer hexagon round screw AM 6 X 45		7	
8	9A7 133 073 00	Gasket Throttle valve		1	
9	9A7 133 062 10	Throttle body Use also: 9A7.133.073.00		1	
10	N 106 261 01	Screw M 6 X 45		4	
11	9A7 129 712 00	Intake distributor Cylinders 1 - 4		1	
12	9A7 129 049 00	Gasket Cylinders 1 - 4		1	
13	9A7 906 051 10	Pressure sensor		1	
14	N 104 734 02	Lens-head screw TP 6 X 20		1	
15	9A7 103 202 00	Connection piece Heated		1	
16	N 104 734 02	Lens-head screw TP 6 X 20		1	
17	N 104 057 02	Outer hexagon round screw AM 6 X 45		7	
18	9A7 133 073 00	Gasket Throttle valve		1	
19	9A7 133 062 10	Throttle body Use also: 9A7.133.073.00		1	
20	N 106 261 01	Screw M 6 X 45		4	
21		Pressure pipe See illustrations 1/07/55 POS.18 / 19			
22	9A7 133 240 01	Vent line Tank ventilation		1	
23	999 512 651 09	Hose clamp B 15 X 12		2	
24	N 911 266 01	Outer hexagon round screw M 6 X16		2	
25	9A7 133 193 00	Support		1	
26	9A7 133 167 00	Support Valve		1	
27	9A7 133 169 04	Support		1	
28	9A7 133 519 00	Support Valve		1	
29	N 101 243 06	Oval-head screw M 6 X 20		8	
30	9A7 133 239 00	Support		1	
31	N 103 352 06	Round head screw M 6 X 12		1	

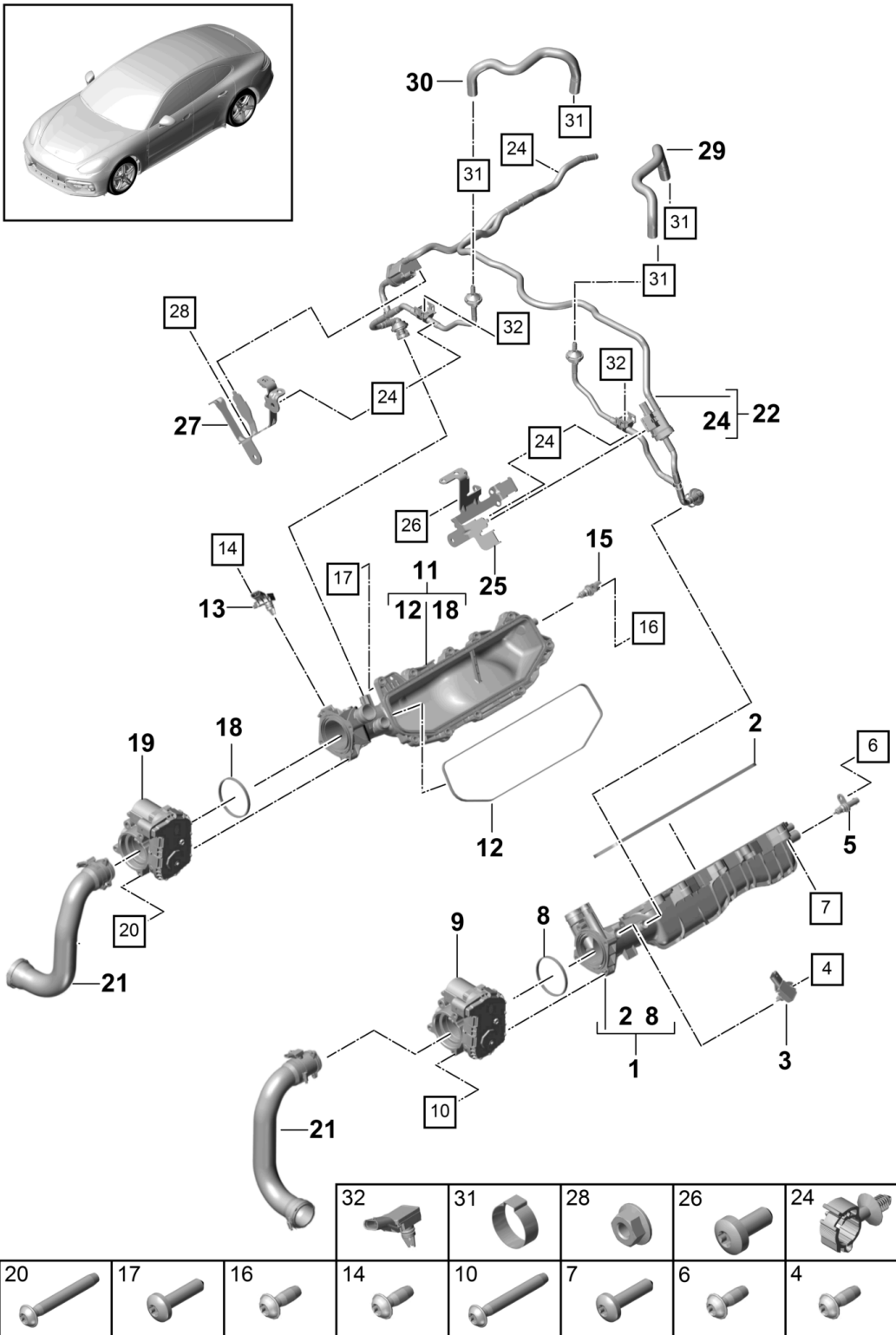
Model: 971-17

Model life 2017>>

Pos	Part Number	Description	Remark	Qty	Model
32	7P5 906 051	Pressure sensor		2	I7MU
(32)	9A7 906 094 10	Stopper		2	I7GH/7MV
33	9A7 129 667 00	Clip		4	

Model: 971-17

Model life 2017>>



Model: 971-17 Model life 2017>>

Pos	Part Number	Description	Remark	Qty	Model
		Intake distributor			MCS.ZA MDG.PA
1	9A7 133 267 00	Tank ventilation Intake distributor Cyl. 4 - 6		1	
2	9A7 133 198 02	Gasket Cyl. 4 - 6		1	
3	9A7 906 051 10	Pressure sensor		1	
4	N 107 214 01	Oval-head screw TP 6 X 16		1	
5	9A7 919 501 00	Temperature sensor		1	
6	N 107 214 01	Oval-head screw TP 6 X 16		1	
7	N 911 482 01	Round head screw AM 6 X 25		10	
8	9A7 133 237 01	Gasket Throttle valve		1	
9	9A7 133 062 20	Throttle body Use also: 9A7.133.237.01		1	
10	N 106 261 01	Screw M 6 X 45		4	
11	9A7 133 268 00	Intake distributor Cyl. 1 - 3		1	
12	9A7 133 198 02	Gasket Cyl. 1 - 3		1	
13	9A7 906 051 10	Pressure sensor		1	
14	N 107 214 01	Oval-head screw TP 6 X 16		1	
15	9A7 919 501 00	Temperature sensor		1	
16	N 107 214 01	Oval-head screw TP 6 X 16		1	
17	N 911 482 01	Round head screw AM 6 X 25		10	
18	9A7 133 237 01	Gasket Throttle valve		1	
19	9A7 133 062 20	Throttle body Use also: 9A7.133.237.01		1	
20	N 106 261 01	Screw M 6 X 45		4	
21		Pressure pipe See illustrations 1/07/55 POS.18 / 19			
22	9A7 133 240 10	Vent line Tank ventilation		1	
24	N 107 969 01	Clip A22-12.5 X C13-6.5 X 12.75		3	
25	9A7 130 407 00	Support		1	
26	N 104 056 04	Oval-head screw M 6 X 14		3	
27	9A7 130 407 10	Support		1	
28	N 015 082 13	Hexagon nut M 6		2	
29	9A7 133 394 05	Hose		1	
30	9A7 133 394 06	Hose		1	
31	N 101 083 01	Hose clamp		4	
32	9A7 906 094 00	Stopper		2	I7GH/7MJ/7MM I7MV
(32)		Stopper		2	-IB2H/I0GG
(32)	9A7 906 052 01	Pressure sensor		2	IB2H/7CE/7MU
(32)		Pressure sensor		2	IB2H/0GG

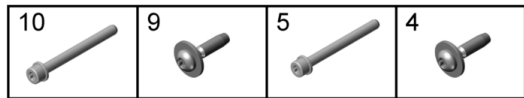
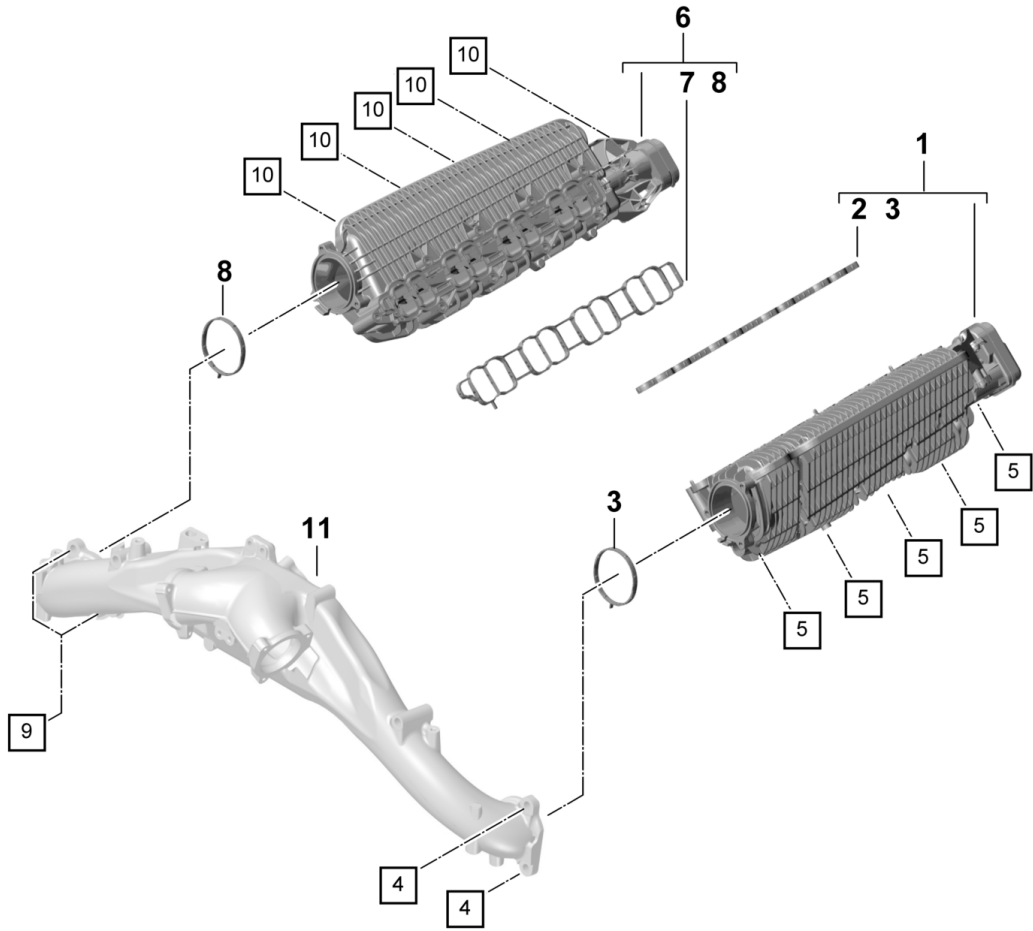
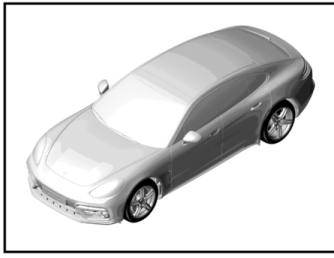
Model: 971-17

Model life 2017>>

Pos	Part Number	Description	Remark	Qty	Model
(32)	9A7 906 052 00	Pressure sensor		2	-IB2H/I7CE I7MU
(32)		Pressure sensor	(CDN) (USA)	2	-IB2H/I0GG

Model: 971-17

Model life 2017>>



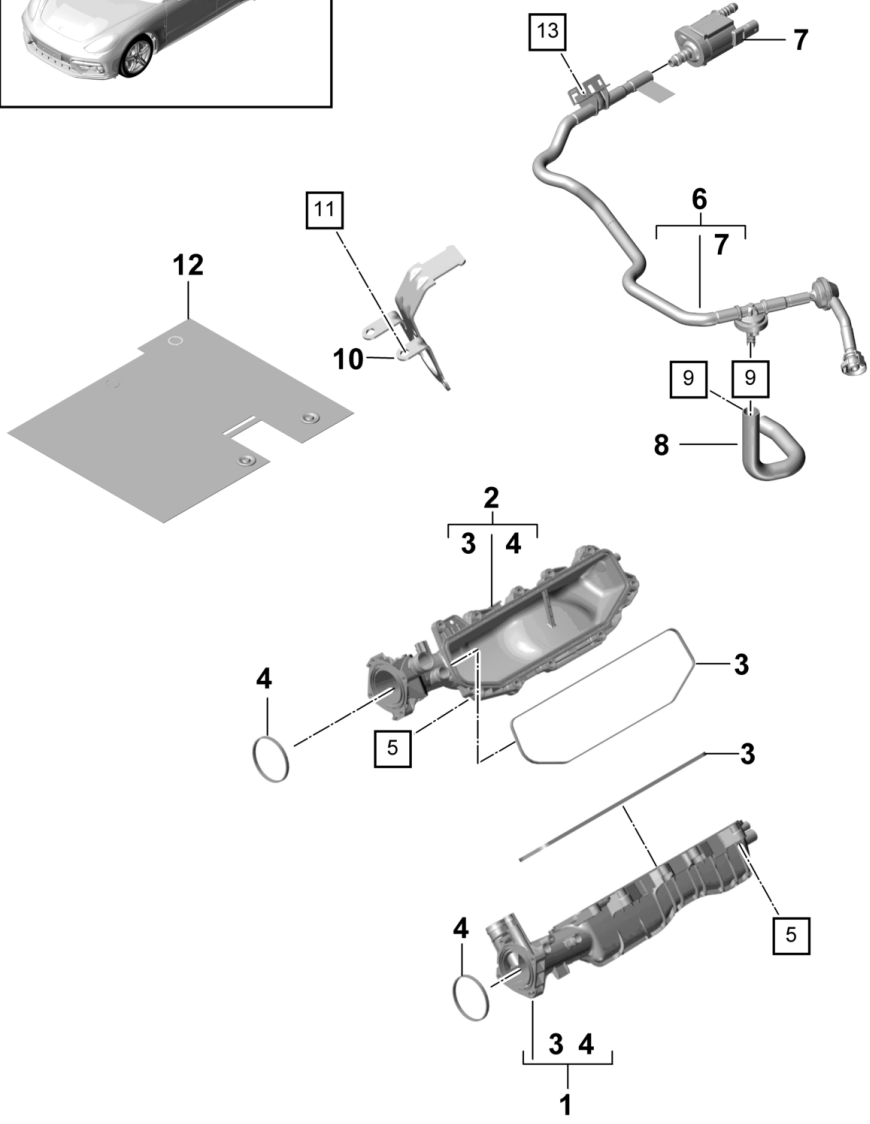
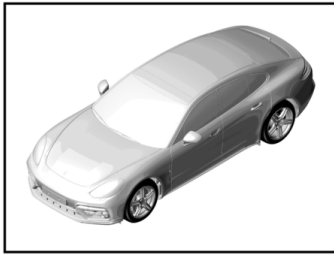
Model: 971-17

Model life 2017>>

Pos	Part Number	Description	Remark	Qty	Model
1	9A7 129 711 30	Intake distributor Intake manifold Cylinders 5 - 8		1	MDB.UC
2	9A7 129 707 00	Gasket Intake distributor		1	
3	9A7 145 215 00	Gasket		1	
4	N 105 622 02	Round head screw TP 6 X 25		3	
5	N 106 980 01	Torx screw AM 6 X 60		7	
6	9A7 129 712 30	Intake manifold Cylinders 1 - 4		1	
7	9A7 129 707 00	Gasket Intake distributor		1	
8	9A7 145 215 00	Gasket		1	
9	N 105 622 02	Round head screw TP 6 X 25		3	
10	N 106 980 01	Torx screw AM 6 X 60		7	
11		Pressure pipe See illustrations 1/07/65			

Model: 971-17

Model life 2017>>



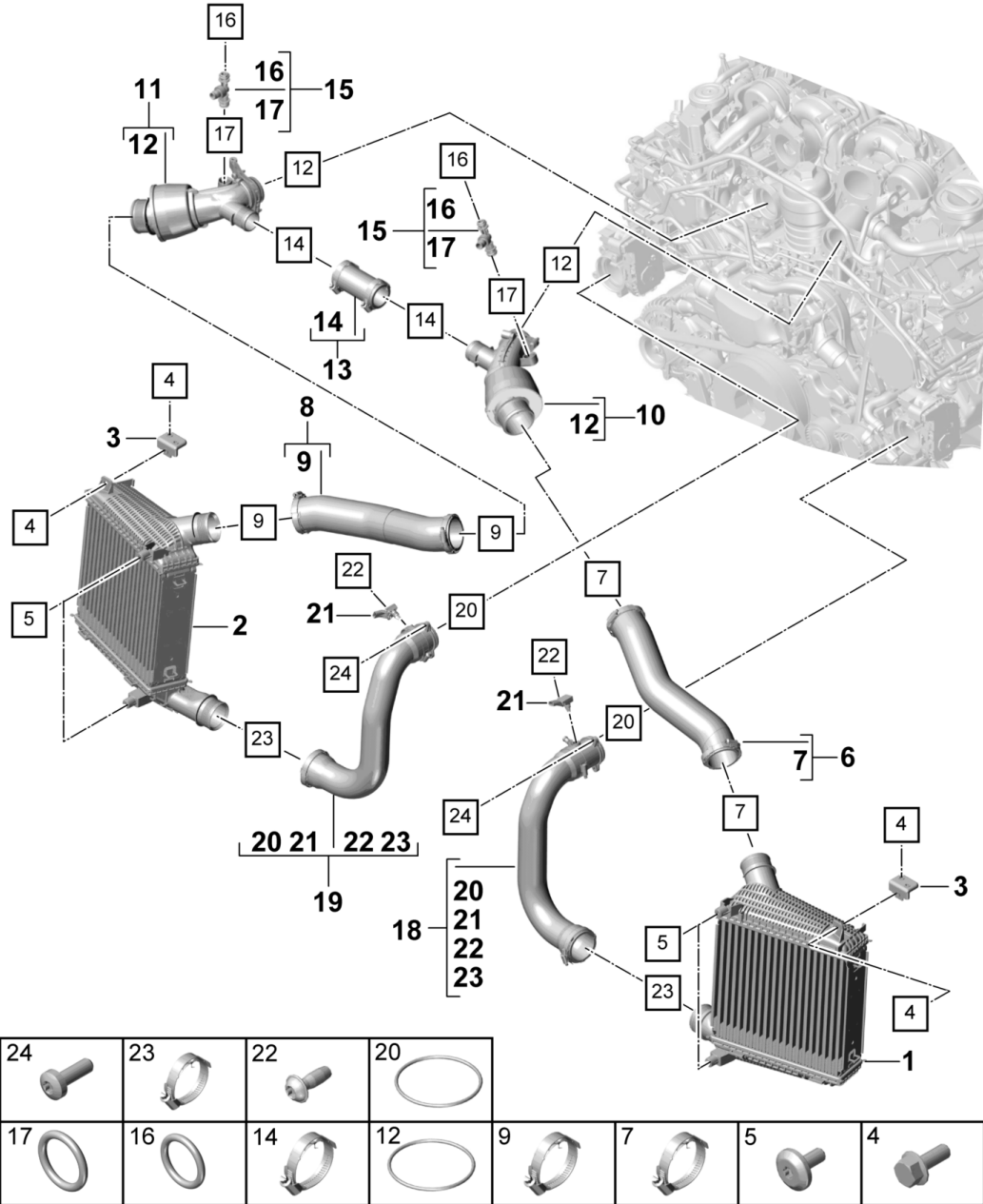
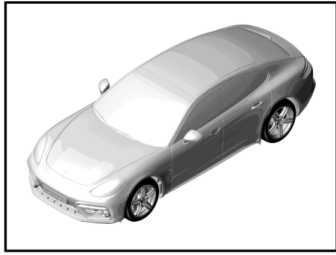
Model: 971-17

Model life 2017>>

Pos	Part Number	Description	Remark	Qty	Model
		Intake distributor Tank ventilation			MCX.TA
1	9A7 133 267 10	Intake distributor Cyl. 4 - 6		1	
2	9A7 133 268 10	Intake distributor Cyl. 1 - 3		1	
3	9A7 133 198 02	Gasket Intake distributor		1	
4	9A7 133 026 01	Gasket		2	
5	N 911 482 01	Round head screw AM 6 X 25		20	
6	9A7 133 240 20	Vent line for Tank ventilation		1	
7	9A7 906 517 01	Valve Tank ventilation		1	
8	9A7 133 394 00	Hose for Tank ventilation		1	
		Use also: N .101.083.01		2	
9	N 101 083 01	Hose clamp		2	
10	9A7 130 407 10	Support		1	
11	N 015 082 13	Hexagon nut M 6		2	
12	9A7 133 105 02	Heat protection		1	
13	9A7 906 094 00	Stopper		1	I7GH/7MJ/7MM I7MV
(13)	9A7 906 052 00	Pressure sensor	(CDN) (USA)	1	-IB2H/I7CE I7MU
(13)	9A7 906 052 01	Pressure sensor		1	IB2H/7CE/7MU

Model: 971-17

Model life 2017>>



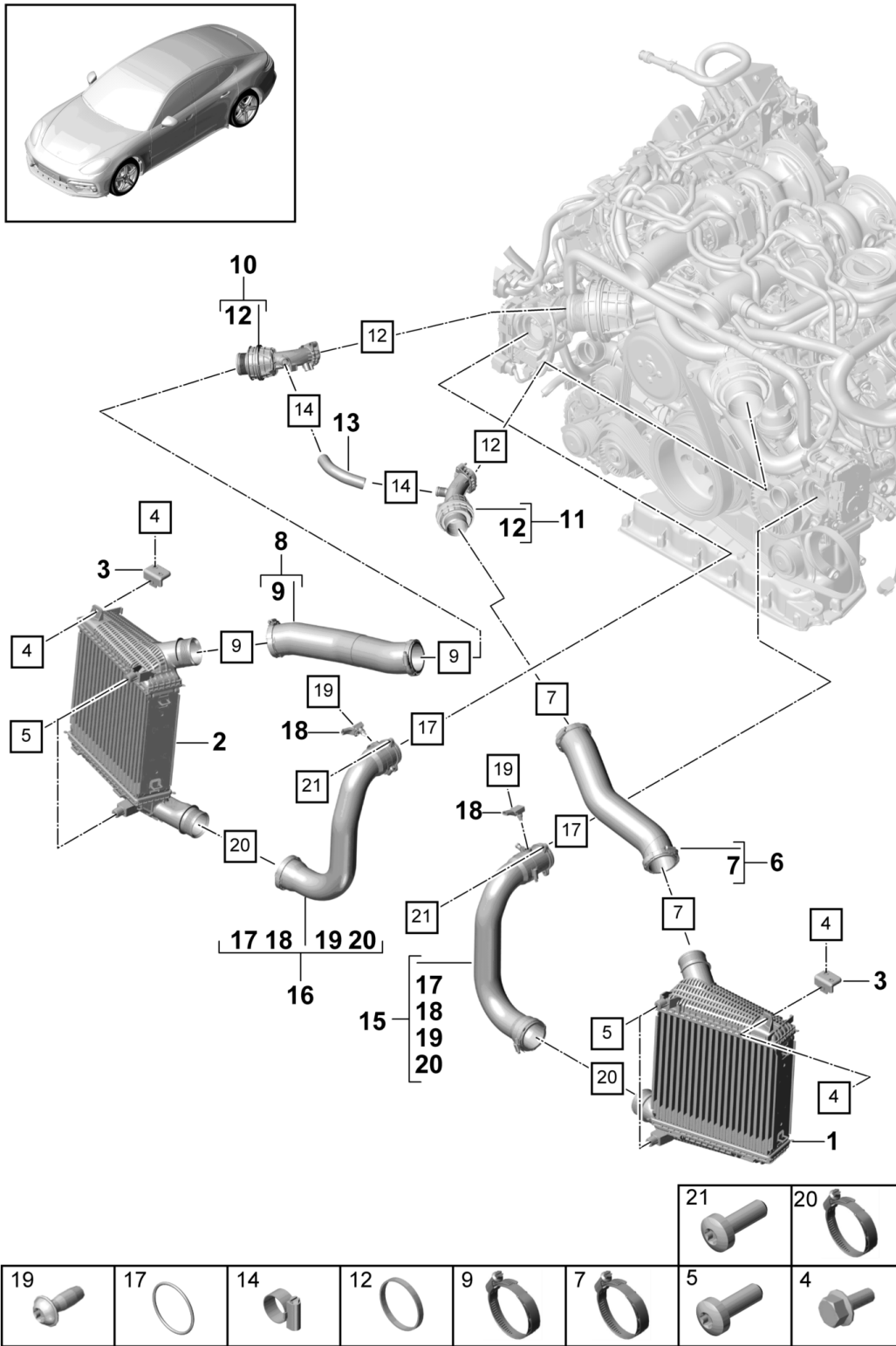
Model: 971-17

Model life 2017>>

Pos	Part Number	Description	Remark	Qty	Model
		Charge air cooler Pressure pipe			MCV.DA
1	971 145 803	Charge air cooler	/L	1	
2	971 145 804	Charge air cooler	/R	1	
3	971 145 842	Support		2	
4	N 107 188 01	Charge air cooler Hexagon-head bolt M 6 X 16		6	
5	9A7 007 931 00	Oval-head screw M 6 X 16		4	
6	971 145 709 A	Pressure hose Upper	/L	1	
8	971 145 708 N	Pressure hose Upper	/R	1	
10	9A7 145 673 00	Pressure pipe with Set of fastening parts	/L	1	
11	9A7 145 674 00	Pressure pipe with Set of fastening parts	/R	1	
12	N 903 445 01	O-ring 45 X 3		2	
13	9A7 145 405 00	Connecting tube		1	
15	9A7 133 434 00	Pressure pipe Valve Venturi tube		2	
16	9A7 008 729 00	O-ring 14 X 3		2	
17	9A7 008 730 00	O-ring 12 X 3		2	
18	971 145 709 L	Pressure hose Lower	/L	1	
19	971 145 708 S	Pressure hose Lower	/R	1	
20	N 905 216 04	O-ring 55 X 3 - N		2	
21	9A7 906 051 10	Pressure sensor		2	
22	N 107 214 01	Oval-head screw 6 X 16		2	
24	N 101 961 03	Oval-head screw M 6 X 20		6	

Model: 971-17

Model life 2017>>



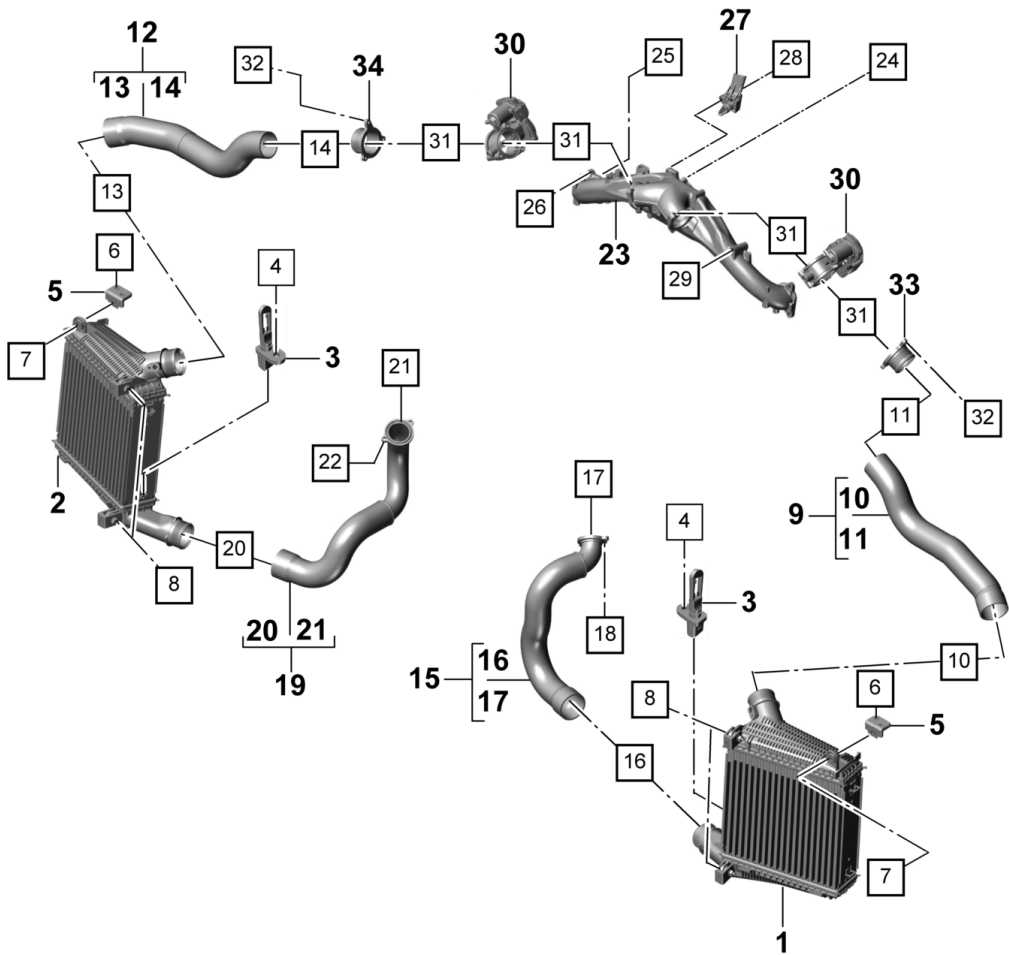
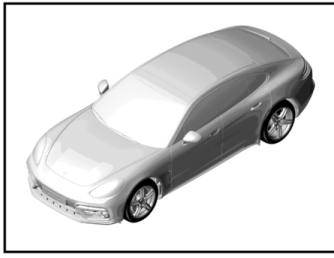
Model: 971-17

Model life 2017>>

Pos	Part Number	Description	Remark	Qty	Model
		Charge air cooler			MCS.ZA MDG.PA
1	971 145 803 C	Pressure pipe Charge air cooler	/L	1	
2	971 145 804 C	Charge air cooler	/R	1	
3	971 145 842	Support Charge air cooler		2	
4	N 107 188 01	Hexagon-head bolt M 6 X 16		6	
5	9A7 007 931 00	Oval-head screw M 6 X 16		4	
6	971 145 709	Pressure hose Upper	/L	1	
8	971 145 708	Pressure hose Upper	/R	1	
10	9A7 145 673 10	Pressure pipe with	/L	1	
11	9A7 145 674 10	Set of fastening parts Pressure pipe with	/R	1	
12	9A7 133 594 00	Set of fastening parts Gasket		2	
13	9A7 145 405 10	Connecting tube Pressure pipe		1	
14	N 912 554 01	Hose clamp A23 X 35 X 12 X 0,8		2	
15	971 145 709 K	Pressure hose Lower	/L	1	
16	971 145 708 R	Pressure hose Lower	/R	1	
17	N 910 191 01	O-ring 50 X 3 - N		2	
18	9A7 906 051 10	Pressure sensor		2	
19	N 107 214 01	Oval-head screw 6 X 16		2	
21	N 101 961 03	Oval-head screw M 6 X 20		6	

Model: 971-17

Model life 2017>>



			32	31	29	28	26
25	24	22	21	20	18	17	16
14	13	11	10	8	7	6	4

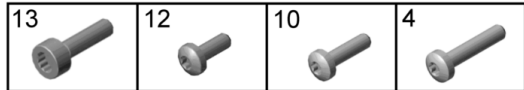
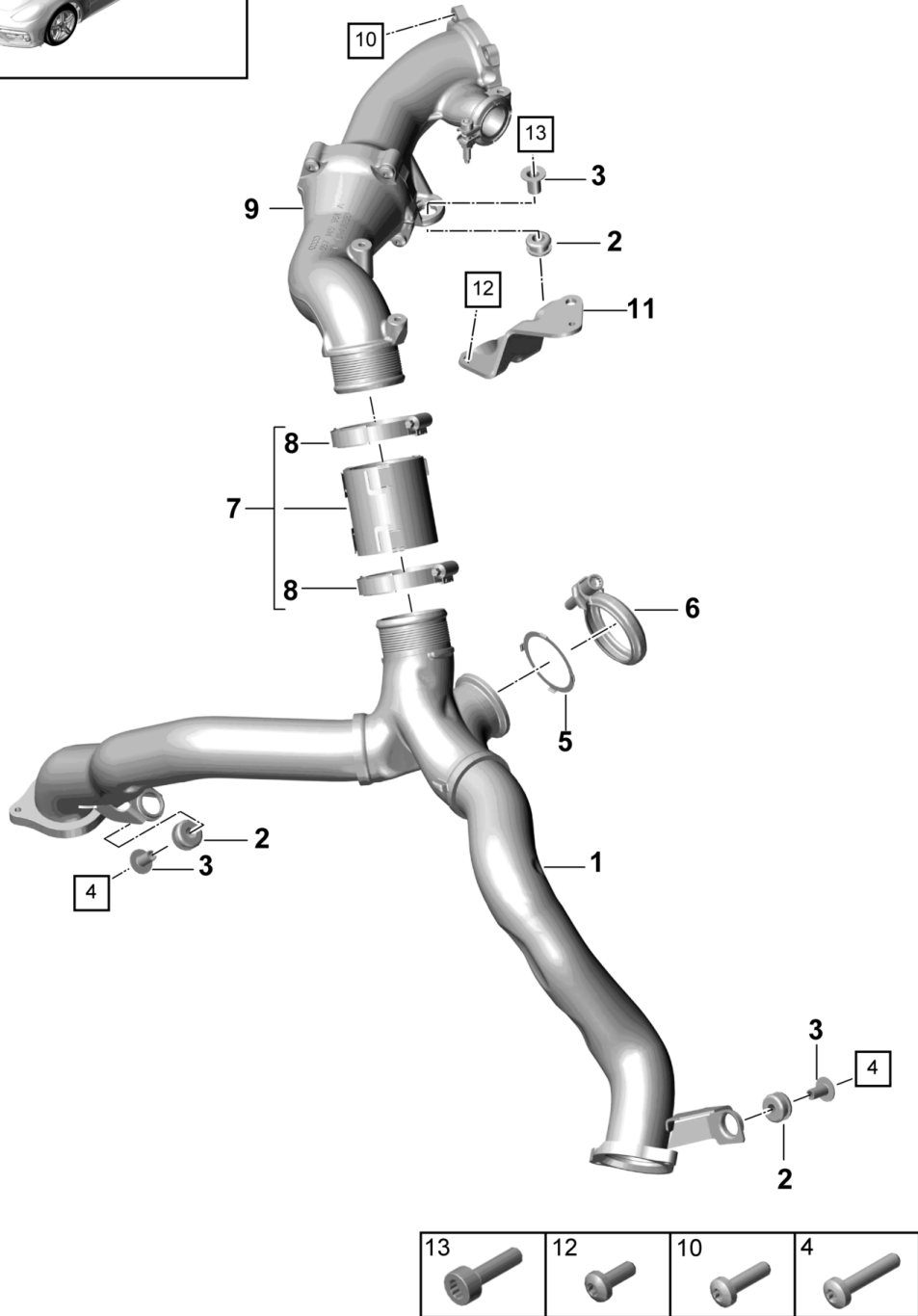
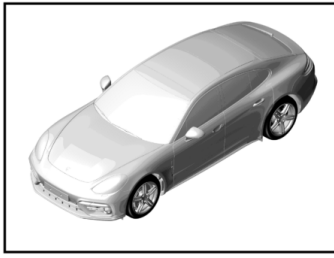
Model: 971-17

Model life 2017>>

Pos	Part Number	Description	Remark	Qty	Model
		Charge air cooler Pressure pipe			MDB . UC
1	971 145 803 A	Charge air cooler	/L	1	
2	971 145 804 A	Charge air cooler	/R	1	
3	9A7 905 379 00	Temperature sensor		2	
4	N 106 839 01	Oval-head screw 6 X 12 Q		2	
5	971 145 842	Support Charge air cooler		2	
6	N 107 188 01	Hexagon-head bolt M 6 X 16		4	
7	N 107 956 02	Hexagon-head bolt M 6 X 30		2	
8	9A7 007 931 00	Oval-head screw M6 X 14		4	
9	971 145 709 E	Pressure hose Upper	/L	1	
12	971 145 708 M	Pressure hose Upper	/R	1	
15	971 145 709 B	Pressure hose Lower	/L	1	
17	9A7 145 865 00	Sealing ring		1	
18	N 101 243 06	Oval-head screw M 6 X 20		2	
19	971 145 708 Q	Pressure hose Lower	/R	1	
21	9A7 145 865 00	Sealing ring		1	
22	N 101 243 06	Oval-head screw M 6 X 20		2	
23	9A7 145 770 00	Intake distributor		1	
24	9A7 131 815 00	Gasket		1	
25	9A7 145 215 00	Gasket Intake distributor		2	
26	N 105 622 02	Round head screw 6 X 25		6	
27	9A7 906 051 20	Pressure sensor		1	
28	N 104 514 08	Lens-head screw M 6 X 16		1	
29	N 910 455 02	Pan-head screw M 8 X 65		2	
30	9A7 145 950 00	Throttle body		2	
31	9A7 145 417 00	Gasket		4	
32	N 104 382 02	Round head screw M 6 X 65		6	
33	9A7 145 957 00	Pressure pipe		1	
34	9A7 145 958 00	Pressure pipe		1	

Model: 971-17

Model life 2017>>



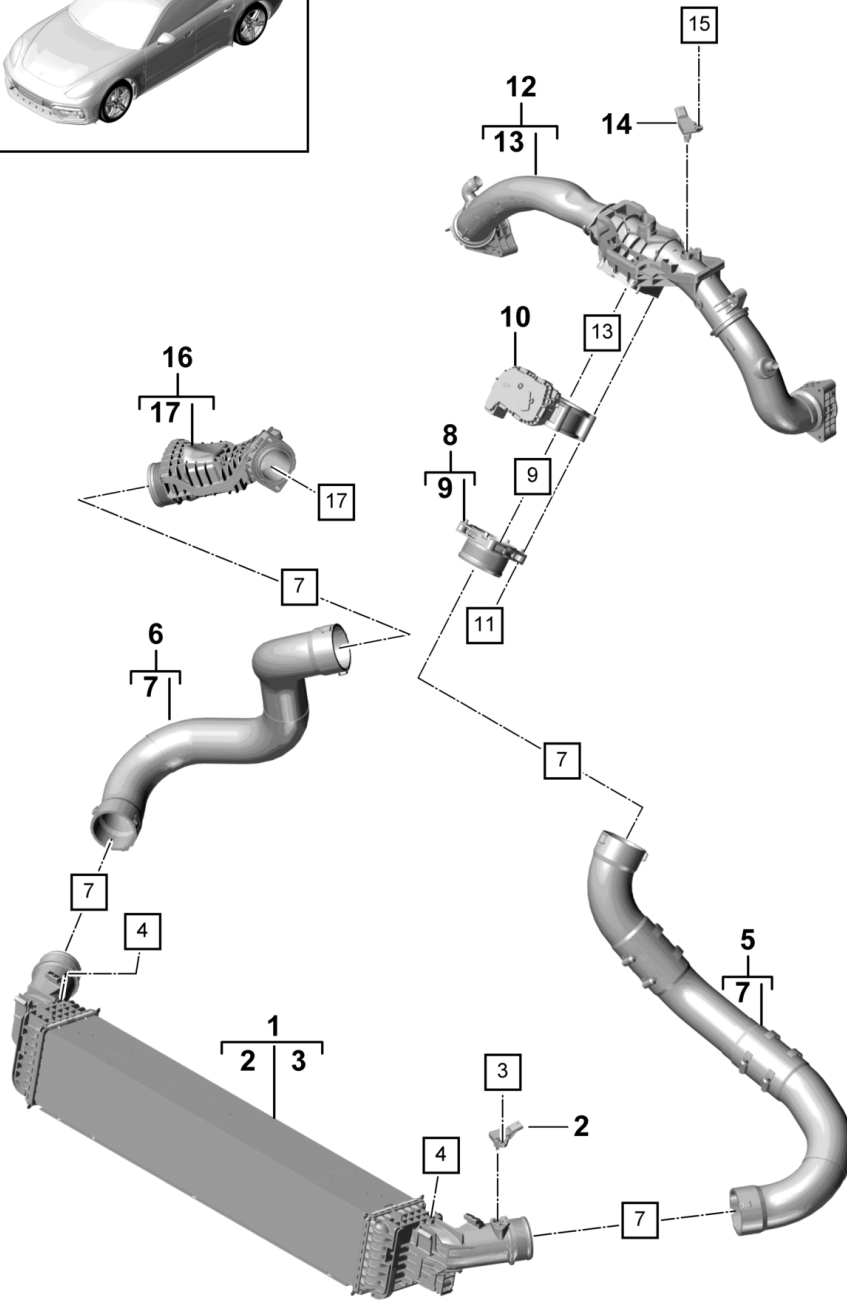
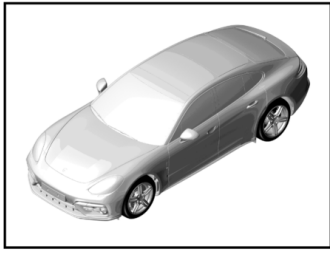
Model: 971-17

Model life 2017>>

Pos	Part Number	Description	Remark	Qty	Model
		Charge air cooler			MDB.UC
		Pressure pipe			
1	9A7 145 673 20	Pressure pipe		1	
2	9A7 131 887 00	Bearing		3	
3	9A7 129 734 03	Spacer		3	
4	N 101 562 06	Oval-head screw M 6 X 30		2	
5	9A7 145 113 00	Gasket		1	
6	9A7 253 139 10	Clamp		1	
7	9A7 145 555 00	Pressure hose		1	
8	N 106 198 01	Hose clamp A 45 - 65 X 12 X 0,8		2	
9	9A7 145 901 00	Wastegate		1	
10	N 107 002 01	Outer hexagon round screw M 6 X 22		3	
11	9A7 145 283 00	Support		1	
12	N 104 514 08	Lens-head screw M 6 X 16		2	
13	N 911 873 01	Pan-head screw M 8 X 30		1	

Model: 971-17

Model life 2017>>



17	15	13	11	9	7	4	3

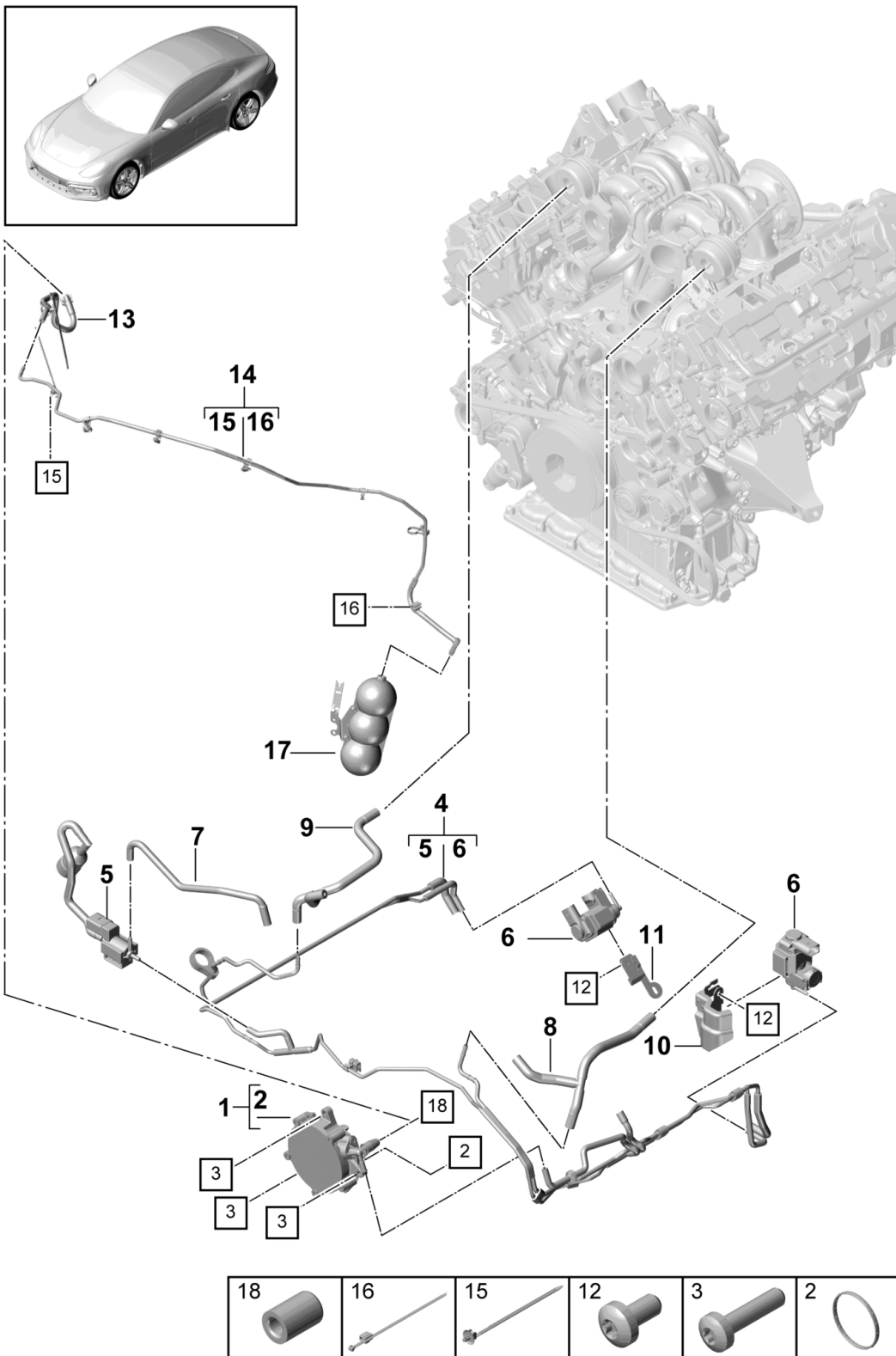
Model: 971-17

Model life 2017>>

Pos	Part Number	Description	Remark	Qty	Model
		Charge air cooler			MCX.TA
		Pressure pipe			
1	971 145 805 B	Charge air cooler		1	
2	9A7 906 051 10	Pressure sensor		1	
3	N 104 420 03	Oval-head screw		1	
		TP 5 X 16			
4	N 908 170 03	Oval-head screw		2	
		TP 6 X 17			
5	971 145 708 AF	Pressure hose	/L	1	
6	971 145 708 AH	Pressure hose	/R	1	
8	9A7 145 674 40	Pressure pipe		1	
9	9A7 133 237 01	Gasket		1	
10	9A7 133 062 08	Throttle body		1	
11	N 912 487 01	Round head screw		4	
		TP 6 X 75 X 16			
12	9A7 145 674 30	Pressure pipe		1	
13	9A7 133 237 01	Gasket		1	
14	9A7 906 051 10	Pressure sensor		1	
15	N 107 214 01	Oval-head screw		1	
16	9A7 145 673 40	Pressure pipe		1	
17	9A7 133 026 01	Gasket		1	

Model: 971-17

Model life 2017>>



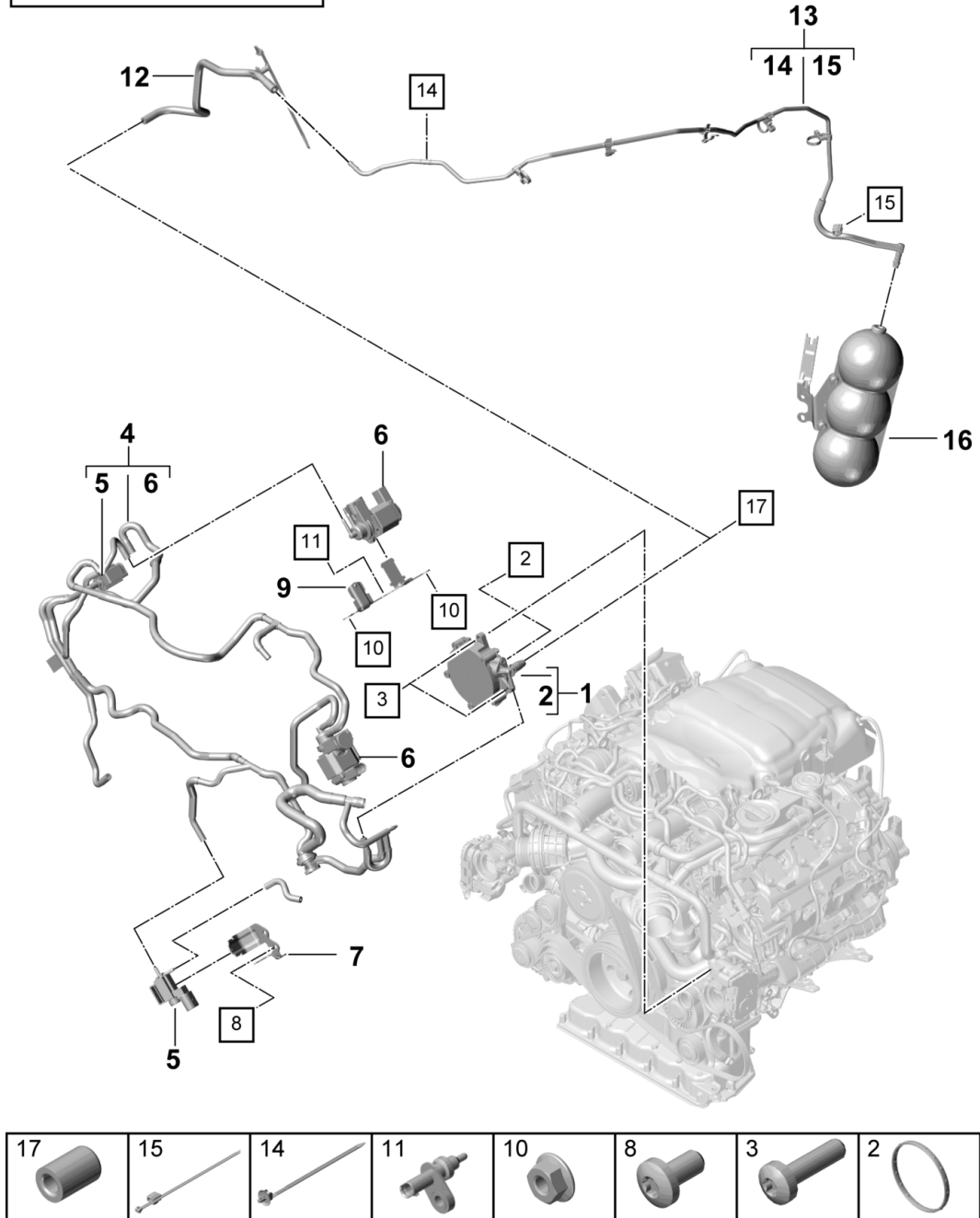
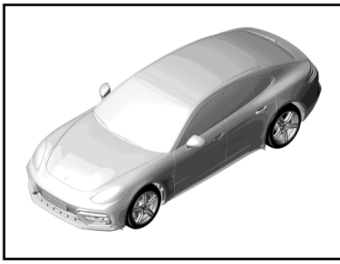
Model: 971-17

Model life 2017>>

Pos	Part Number	Description	Remark	Qty	Model
		Vacuum system			MCV.DA
		Vacuum pump			
1	9A7 145 100 08	Vacuum pump		1	
2	9A7 145 113 20	Gasket		1	
3	N 104 134 05	Outer hexagon round screw M 6 X 25		3	
4	9A7 131 055 00	Vacuum line		1	
5	06H 906 283 B	Solenoid valve		1	
6	9A7 906 609 00	Pressure converter		2	
7	9A7 131 057 00	Vacuum line		1	
8	9A7 131 611 00	Vacuum hose To Vacuum unit Turbocharger		1	
9	9A7 131 612 00	Vacuum hose To Vacuum unit Turbocharger		1	
10	9A7 130 405 00	Clip		1	
11	9A7 130 407 30	Clip		1	
12	N 103 352 06	Round head screw M 6 X 12		3	
13	9A7 145 739 03	Vacuum line		1	I0K0
(13)	9A7 145 739 07	Vacuum line		1	I0K3
14	9A7 145 739 00	Vacuum line		1	I0K0/0P0/0P3 I0P6
(14)	9A7 145 739 02	Vacuum line		1	I0K0/0P8/0P9
(14)	9A7 145 739 04	Vacuum line		1	I0K3/0P0/0P3 I0P6
(14)	9A7 145 739 05	Vacuum line		1	I0K3/0P8/0P9
15	9A7 971 850 00	Cable clamp		1	
16	9A7 971 838 01	Tie-wrap		1	
17	971 145 160 A	Vacuum tank		1	
18	9A7 133 369 00	Stopper		1	I0K3

Model: 971-17

Model life 2017>>



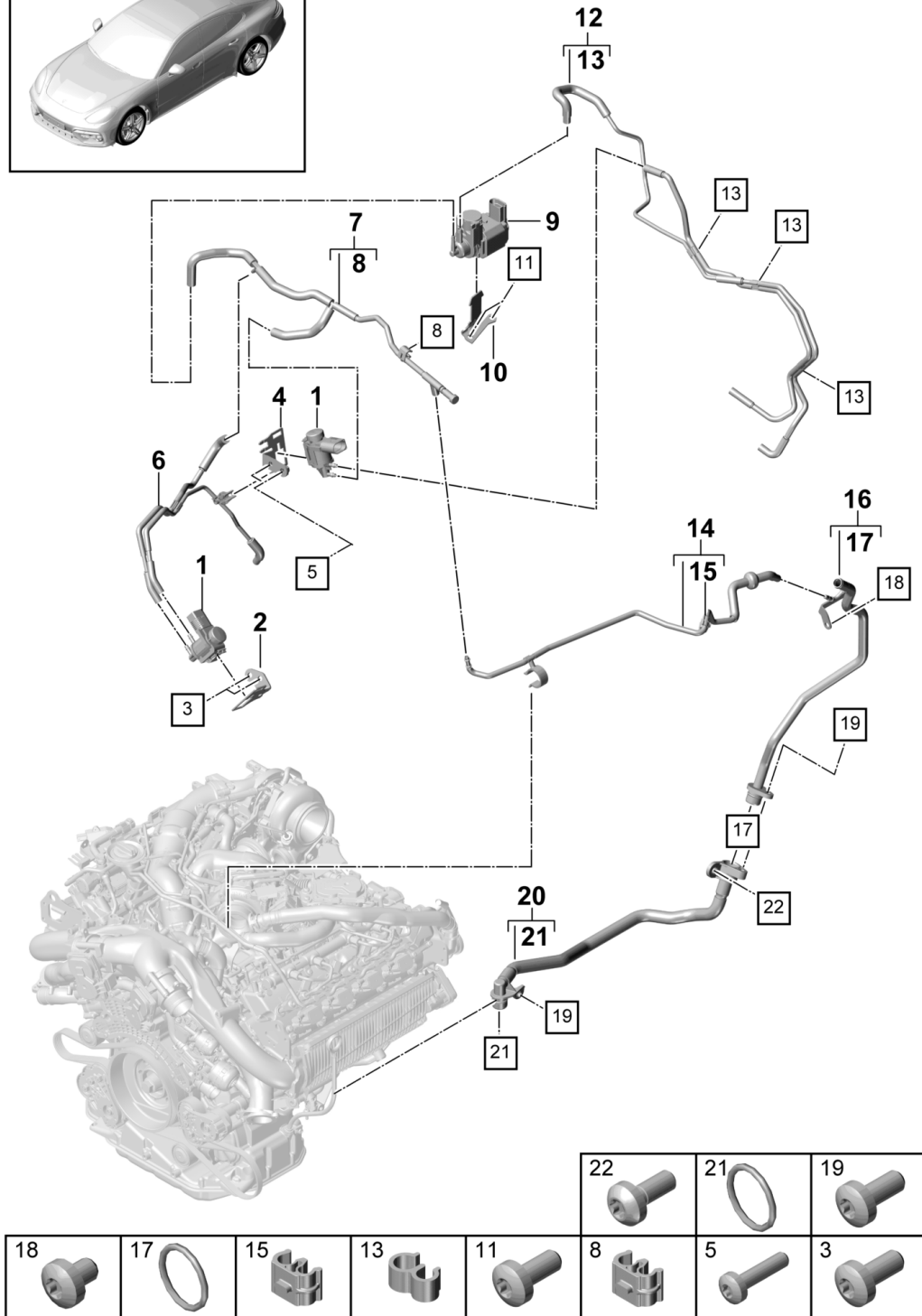
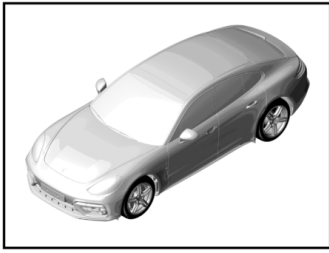
Model: 971-17

Model life 2017>>

Pos	Part Number	Description	Remark	Qty	Model
		Vacuum system			MCS.ZA MDG.PA
1	9A7 145 100 08	Vacuum pump		1	
2	9A7 145 113 20	Vacuum pump		1	
3	N 107 002 01	Gasket		1	
		Outer hexagon round screw		3	
		M 6 X 22			
4	9A7 131 055 10	Vacuum line		1	
5	955 605 123 30	Change-over valve		2	
		Electric			
6	9A7 906 609 00	Pressure converter		2	
7	9A7 131 087 05	Support		1	
		for			
		Connector housing			
		6-pole			
8	N 906 381 04	Lens-head screw		2	
		M 6 X 12			
9	9A7 130 407 20	Support		1	
10	N 015 082 13	Hexagon nut		3	
		M 6			
11	9A7 919 501 10	Temperature sensor		1	
12	971 145 739 A	Vacuum line		1	MCS.ZA
(12)	971 145 739 F	Vacuum line		1	MDG.PA
13	9A7 145 739 00	Vacuum line		1	MCS.ZA
(13)	9A7 145 739 04	Vacuum line		1	MDG.PA
14	9A7 971 850 00	Cable clamp		1	
15	9A7 971 838 01	Tie-wrap		1	
16	971 145 160 A	Vacuum tank		1	
17	9A7 133 369 00	Stopper		1	MDG.PA

Model: 971-17

Model life 2017>>



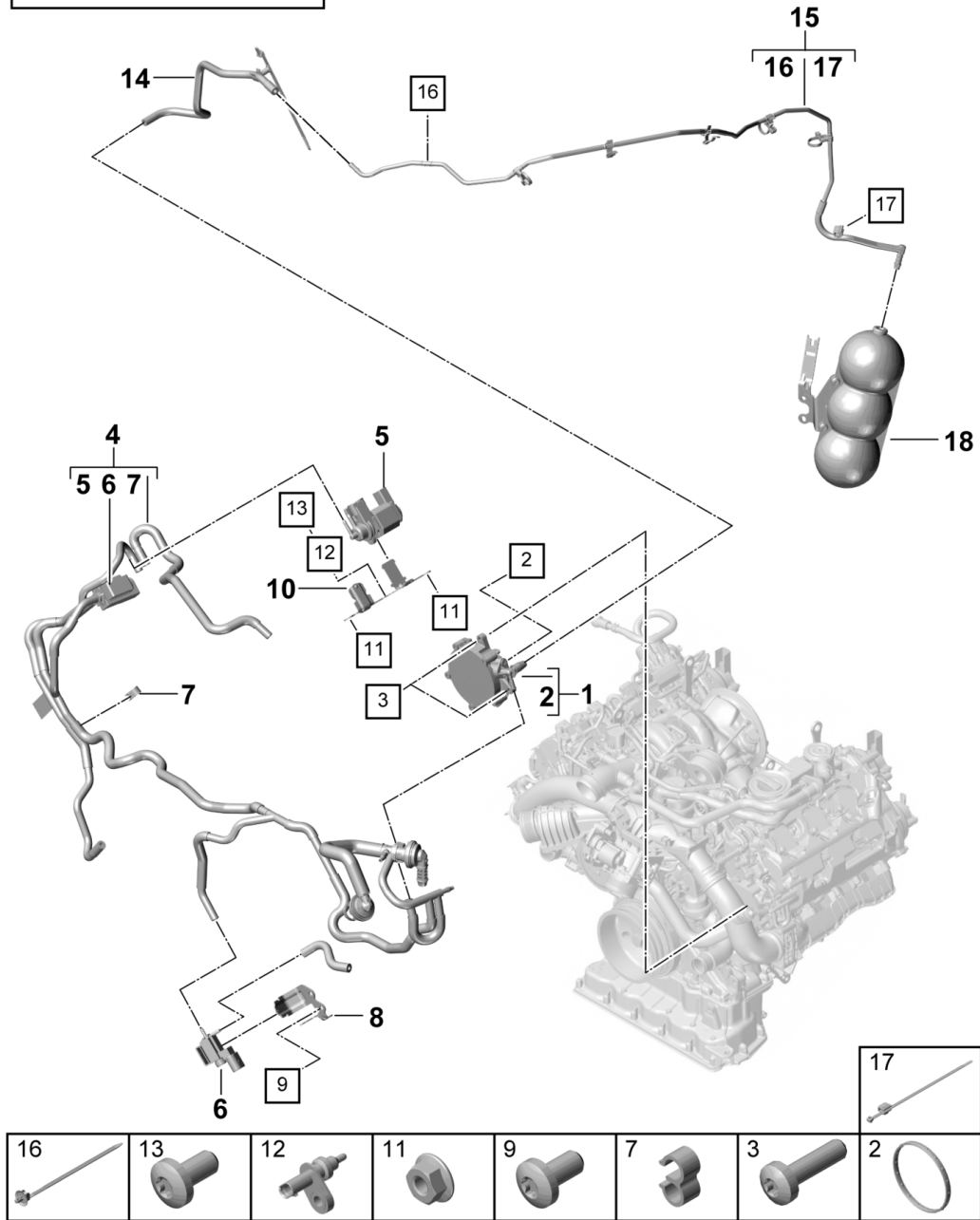
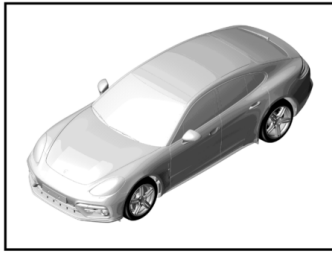
Model: 971-17

Model life 2017>>

Pos	Part Number	Description	Remark	Qty	Model
		Vacuum system Exhaust gas recirculation			MDB.UC
1	955 605 283 10	Change-over valve		2	
2	9A7 131 340 07	Support		1	
3	N 104 056 04	Oval-head screw M 6 X 14		2	
4	9A7 131 338 04	Support		1	
5	N 104 134 05	Outer hexagon round screw M 6 X 25		2	
6	9A7 131 377 00	Vacuum line		1	
7	9A7 131 493 00	Vacuum line		1	
8	955 111 694 00	Clip		1	
9	9A7 906 609 04	Pressure converter		1	
10	9A7 131 087 00	Support		1	
11	N 104 056 04	Oval-head screw M 6 X 14		2	
12	9A7 131 386 03	Control line		1	
13	9A7 131 694 08	Line bracket		3	
14	9A7 131 375 00	Vacuum line		1	
15	955 111 694 00	Clip		1	
16	9A7 131 058 00	Vacuum line		1	
17	N 908 091 02	Brake booster O-ring 16 X 2		1	
18	N 106 803 02	Round head screw M 6 X 8		1	
19	N 104 056 04	Oval-head screw M 6 X 14		2	
20	9A7 131 057 07	Vacuum line Brake booster		1	
21	N 908 091 02	O-ring 16 X 2		1	
22	N 107 663 01	Torx screw M 8 X 20		1	

Model: 971-17

Model life 2017>>



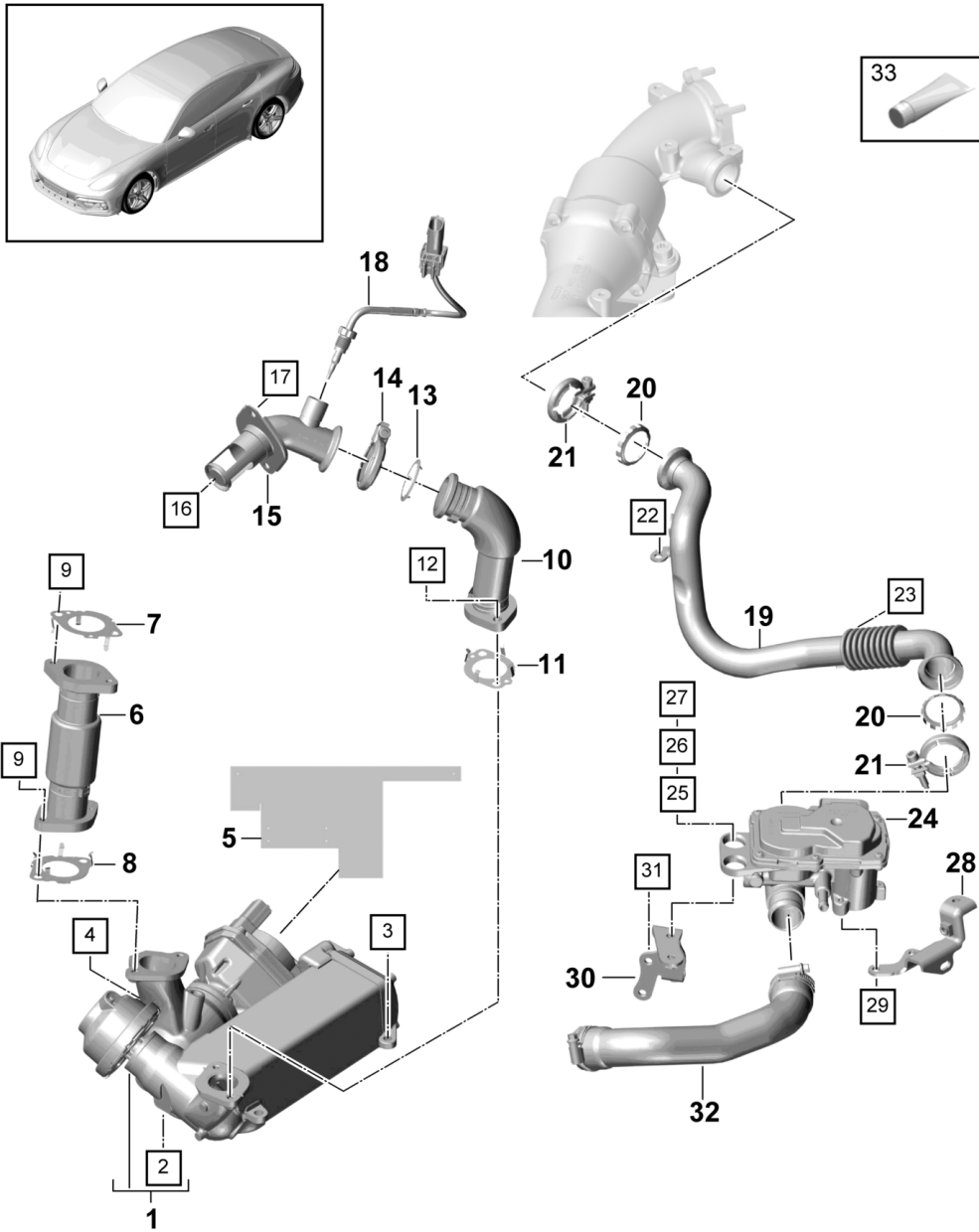
Model: 971-17

Model life 2017>>

Pos	Part Number	Description	Remark	Qty	Model
		Vacuum system			MCX.TA
		Vacuum pump			
1	9A7 145 100 08	Vacuum pump		1	
2	9A7 145 113 20	Gasket		1	
3	N 107 002 01	Outer hexagon round screw M 6 X 22		3	
4	9A7 131 055 20	Vacuum line		1	
5	9A7 906 609 00	Pressure converter		1	
6	955 605 123 30	Change-over valve		2	
7	N 105 887 01	Cable holder		1	
8	9A7 131 087 05	Support for Connector housing 6-pole		1	
9	N 906 381 04	Lens-head screw M 6 X 12		2	
10	9A7 130 407 20	Support		1	
11	N 015 082 13	Hexagon nut M 6		3	
12	9A7 919 501 10	Temperature sensor		1	
13	N 104 056 04	Oval-head screw M 6 X 14		1	
14	971 145 739 A	Vacuum line		1	
15	9A7 145 739 00	Vacuum line		1	
16	9A7 971 850 00	Cable clamp		1	
17	9A7 971 838 01	Tie-wrap		1	
18	971 145 160 A	Vacuum tank		1	

Model: 971-17

Model life 2017>>



		31	29	27	26	25	23
22	17	16	12	9	4	3	2

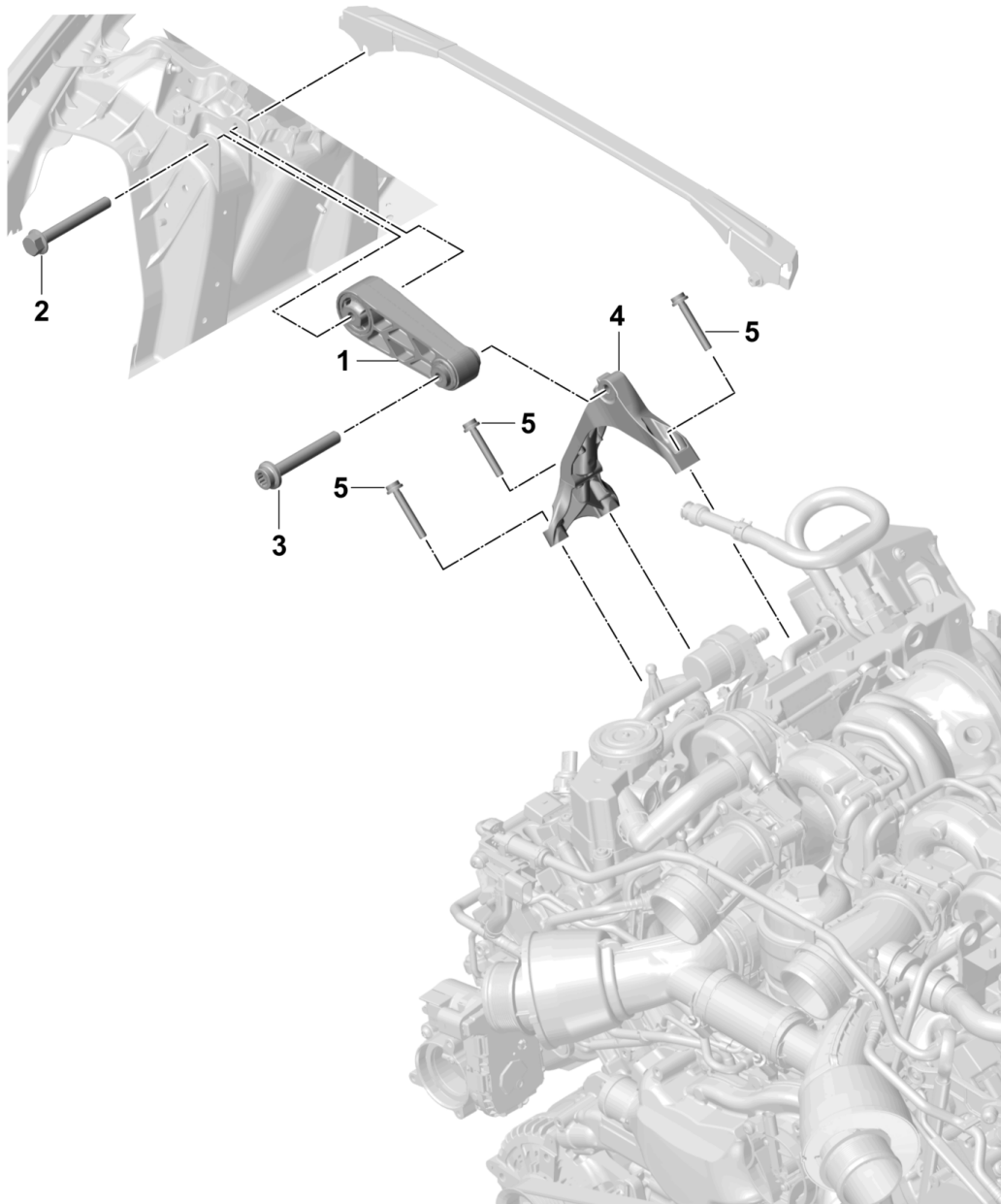
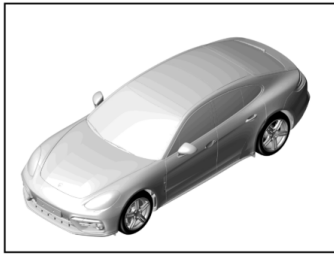
Model: 971-17

Model life 2017>>

Pos	Part Number	Description	Remark	Qty	Model
		Exhaust gas recirculation Vacuum system			MDB.UC
1	9A7 131 511 00	Cooling unit for Exhaust gas recirculation		1	I7MJ/7MV
2	N 908 091 02	O-ring 16 X 2		1	
3	N 104 514 08	Lens-head screw M6 X 16		2	
4	N 107 876 01	Lens-head screw AM 6 X 16		1	
5	9A7 131 531 00	Heat protection		1	
6	9A7 131 525 00	Connecting tube		1	
7	9A7 131 358 00	Gasket		1	
8	9A7 131 816 00	Gasket		1	
9	N 911 962 01	Pan-head screw		4	
10	9A7 131 530 00	Connecting tube		1	
11	9A7 131 599 00	Gasket		1	
12	N 104 514 08	Lens-head screw M 6 X 16		2	
13	958 111 547 10	Gasket		1	
14	958 111 725 00	Clip		1	
15	9A7 131 534 00	Exhaust line		1	
16	9A7 131 815 00	Gasket		1	
17	N 104 056 04	Oval-head screw M 6 X 14		2	
18	9A7 906 088 10	Temperature sensor Exhaust gas		1	
19	9A7 145 741 00	Exhaust pipe		1	
20	9A7 145 625 00	Gasket		2	
21	958 111 548 03	Clip		2	
22	N 104 514 05	Round head screw M 6 X 16		1	
23	N 101 703 02	Oval-head screw M 6 X 10		1	
24	9A7 145 829 00	Control valve		1	
25	9A7 131 887 00	Bearing		2	
26	9A7 129 734 00	Spacer		2	
27	N 107 002 01	Outer hexagon round screw M 6 X 22		2	
28	9A7 145 263 00	Support		1	
29	N 104 056 04	Oval-head screw M 6 X 14		3	
30	9A7 145 383 00	Support		1	
31	N 104 514 08	Lens-head screw M 6 X 16		2	
32	9A7 145 738 03	Pressure hose with Hose clamp		1	
33	000 043 306 18	Grease 1 tube 170 G		1	

Model: 971-17

Model life 2017>>



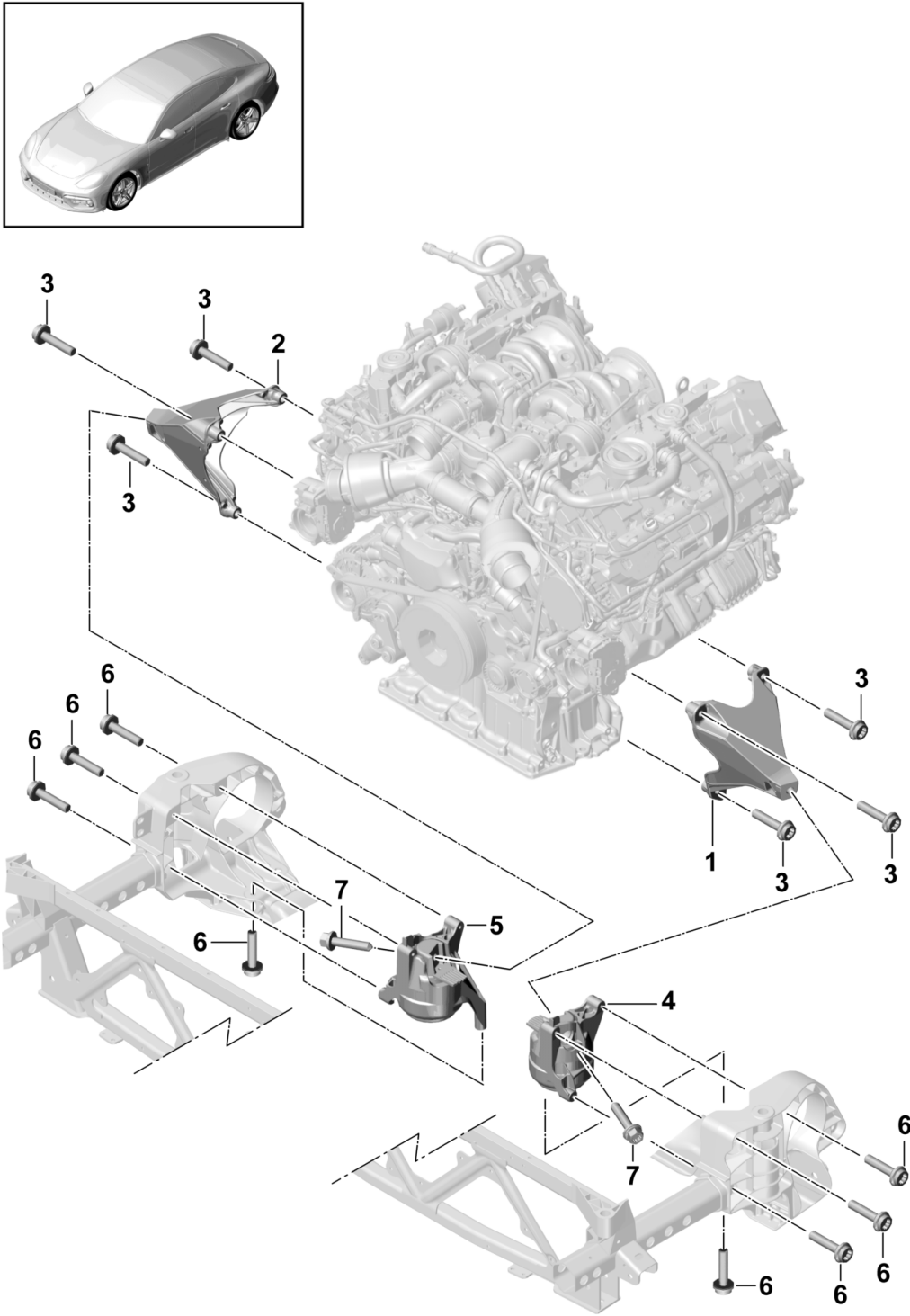
Model: 971-17

Model life 2017>>

Pos	Part Number	Description	Remark	Qty	Model
		Engine suspension			MCS.ZA MCV.DA MCX.TA MDG.PA
1	9A7 199 331 00	Engine carrier		1	
(2)	WHT 008 539	Engine carrier Upper		1	
3	N 106 259 01	Outer hexagon round screw M 10 X 80		1	
4	9A7 199 352 10	Pan-head screw M 10 X 70		1	MCV.DA
(4)	9A7 199 352 00	Bracket		1	MCS.ZA MCX.TA MDG.PA
5	N 107 418 01	Multiple-tooth screw M 8 X 55		3	MCV.DA
(5)	N 107 805 01	Pan-head screw M 8 X 45		3	MCS.ZA MCX.TA MDG.PA

Model: 971-17

Model life 2017>>



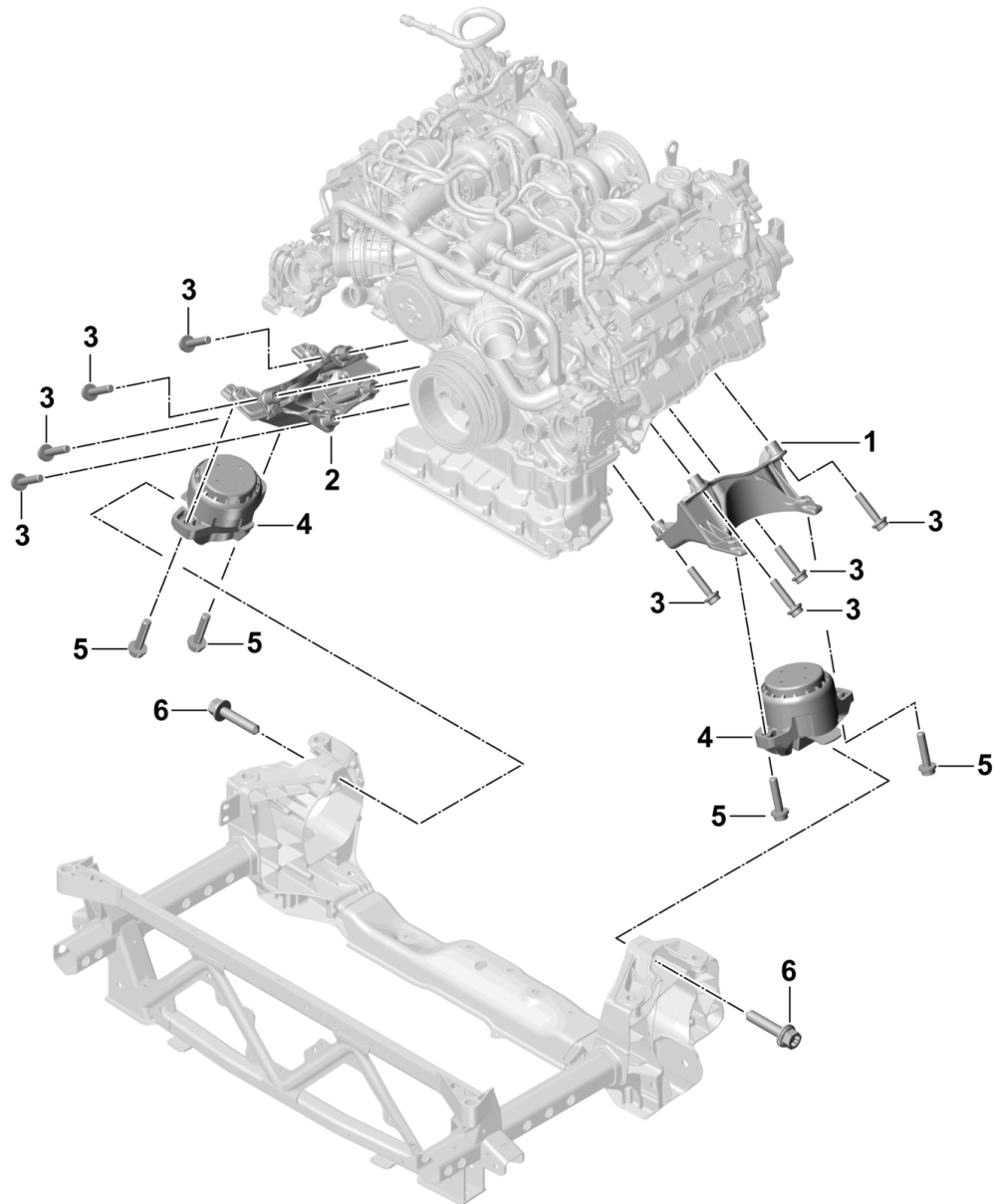
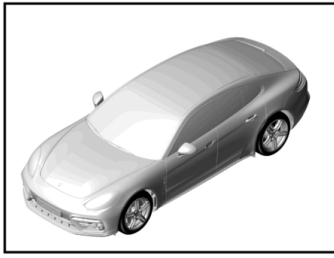
Model: 971-17

Model life 2017>>

Pos	Part Number	Description	Remark	Qty	Model
		Engine suspension Engine bracket Engine mounting			MCV.DA
1	9A7 199 307 00	Engine carrier Cylinders 5 - 8		1	
2	9A7 199 308 00	Engine carrier Cylinders 1 - 4		1	
3	N 106 872 01	Pan-head screw M 10 X 45		6	
4	9A7 199 383 00	Engine mounting Cylinders 5 - 8		1	
5	9A7 199 384 00	Engine mounting Cylinders 1 - 4		1	
6	N 911 744 01	Multiple-tooth screw M 8 X 35		8	
7	N 911 489 01	Combination screw M 12 X 60		2	

Model: 971-17

Model life 2017>>



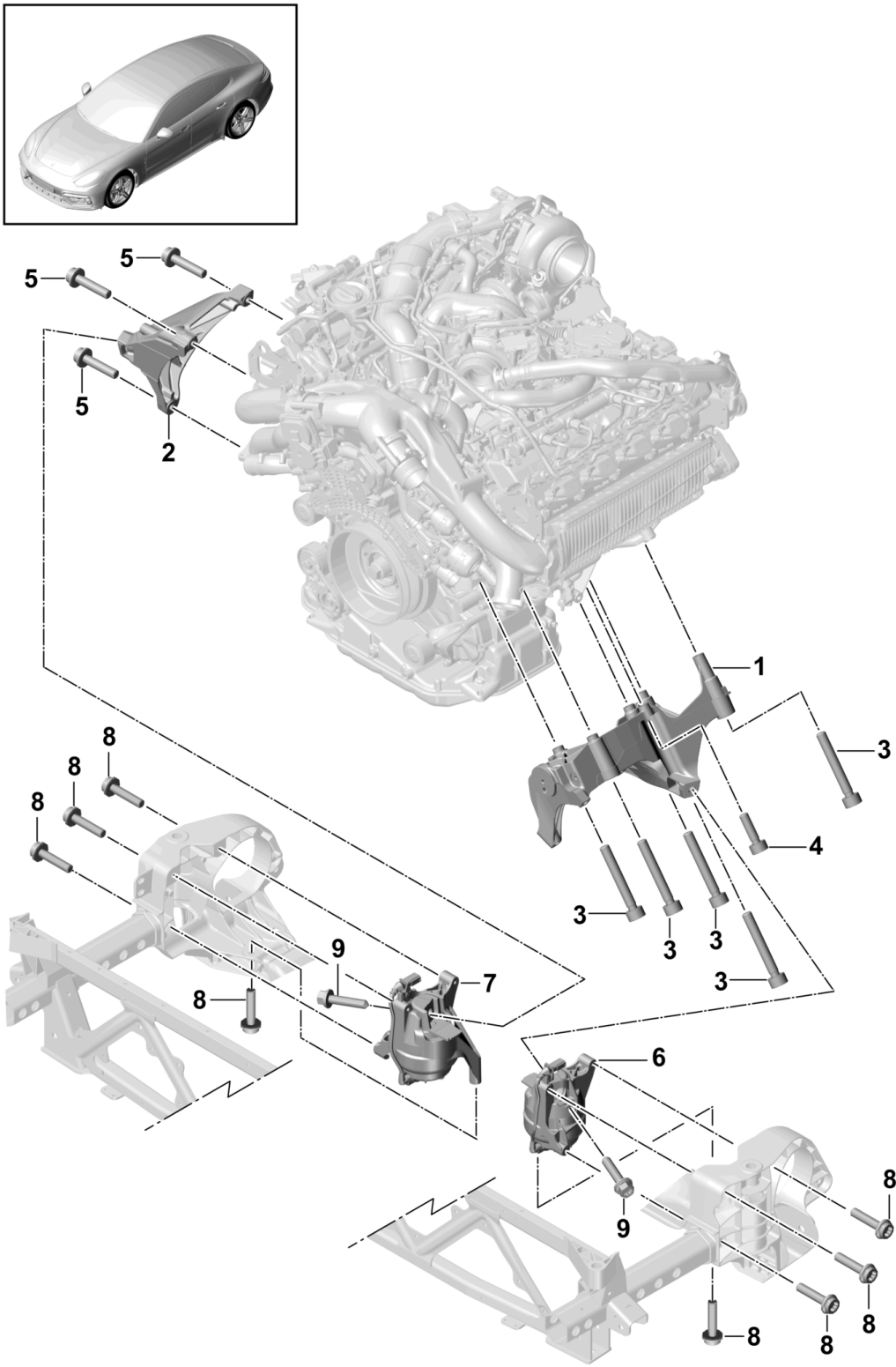
Model: 971-17

Model life 2017>>

Pos	Part Number	Description	Remark	Qty	Model
		Engine suspension			MCS.ZA MCX.TA MDG.PA
1	9A7 199 307 10	Engine bracket Engine mounting Engine carrier Cyl. 4 - 6		1	
2	9A7 199 308 10	Engine carrier Cyl. 1 - 3		1	
3	N 106 872 01	Pan-head screw M 10 X 45		8	
4	9A7 199 383 10	Engine mounting		2	
5	N 106 872 01	Pan-head screw M 10 X 45		4	
6	N 911 489 01	Combination screw M 12 X 60		2	

Model: 971-17

Model life 2017>>



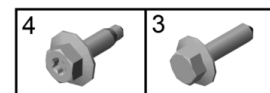
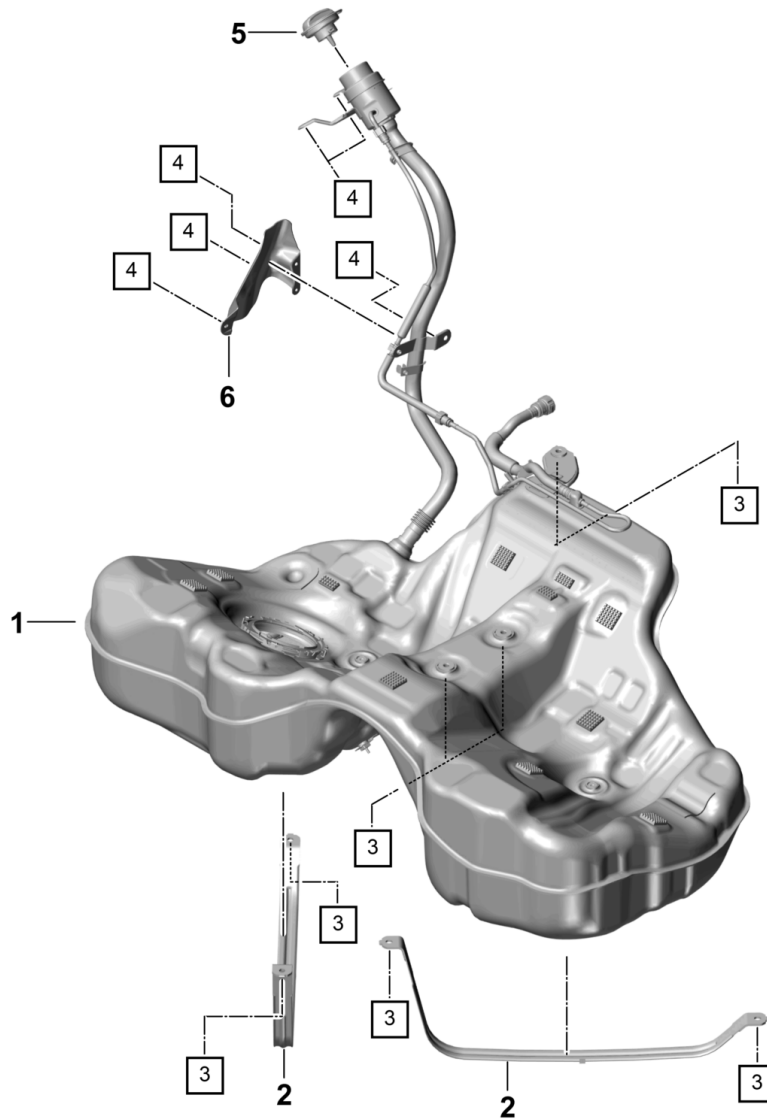
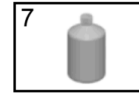
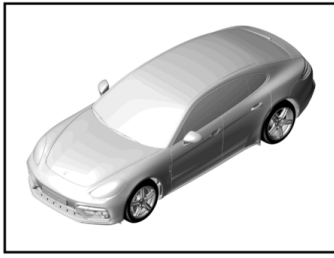
Model: 971-17

Model life 2017>>

Pos	Part Number	Description	Remark	Qty	Model
		Engine suspension Engine bracket Engine carrier			MDB . UC
1	9A7 199 307 20	Engine carrier Cylinders 5 - 8		1	
2	9A7 199 308 20	Engine carrier Cylinders 1 - 4		1	
3	N 909 901 02	Pan-head screw M 10 X 70 Cylinders 5 - 8		5	
4	N 910 214 03	Pan-head screw M 10 X 35 Cylinders 5 - 8		1	
5	N 106 872 01	Pan-head screw M 10 X 45 Cylinders 1 - 4		3	
6	971 199 383 E	Engine mounting Cylinders 5 - 8		1	
7	971 199 384 E	Engine mounting Cylinders 1 - 4		1	
8	N 911 744 01	Multiple-tooth screw M 8 X 35		8	
9	N 911 489 01	Combination screw M 12 X 60		2	

Model: 971-17

Model life 2017>>



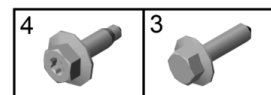
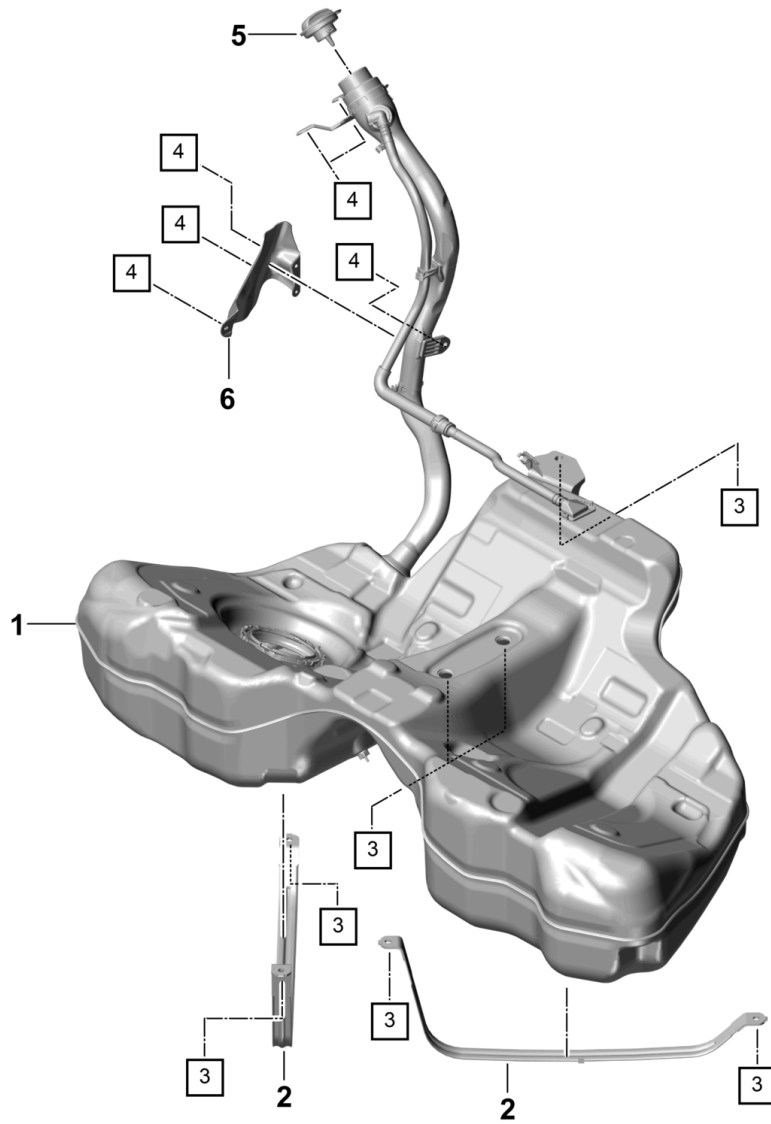
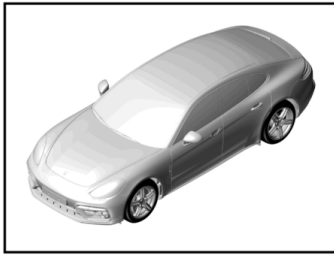
Model: 971-17

Model life 2017>>

Pos	Part Number	Description	Remark	Qty	Model
		Fuel tank with Accessories			I0K0/2G1/2G4
1	971 201 022	Fuel tank		1	I0M2/2G1
(1)	971 201 022 A	Fuel tank		1	I0M4/2G1
2	9A7 201 392 00	Restraining strap		2	
3	N 106 266 02	Hexagon-head bolt M 8 X 30		7	
4	N 910 799 01	Hexagon-head bolt M 6 X 20		7	
5	9A7 201 550 00	Lid with Retaining strap		1	I2G1
(5)	9A7 201 550 01	Lid with Retaining strap		1	I2G1
6	971 201 399 A	Protective plate		1	
7	000 043 209 02	Additive Fuel 100 ML Container		X	

Model: 971-17

Model life 2017>>



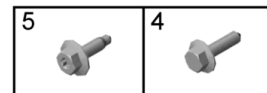
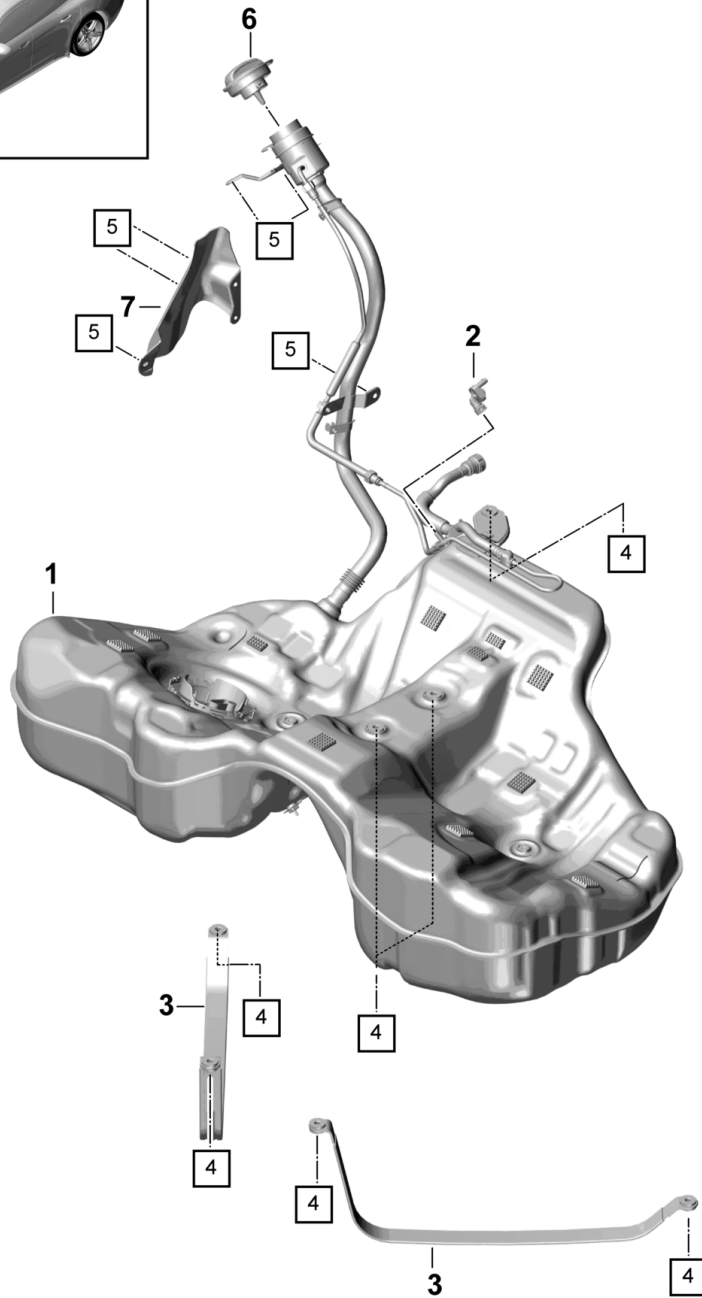
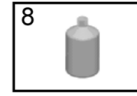
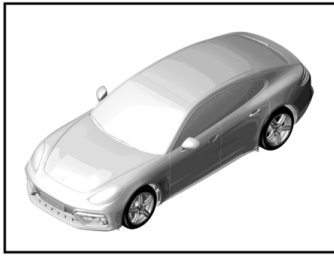
Model: 971-17

Model life 2017>>

Pos	Part Number	Description	Remark	Qty	Model
		Fuel tank with Accessories			I2G0
1	971 201 022 D	Fuel tank		1	IOM2
(1)	971 201 022 E	Fuel tank		1	IOM4
2	9A7 201 392 00	Restraining strap		2	
3	N 106 266 02	Hexagon-head bolt M 8 X 30		7	
4	N 910 799 01	Hexagon-head bolt M 6 X 20		7	
5	9A7 201 550 20	Lid with Retaining strap		1	
6	971 201 399 A	Protective plate		1	

Model: 971-17

Model life 2017>>



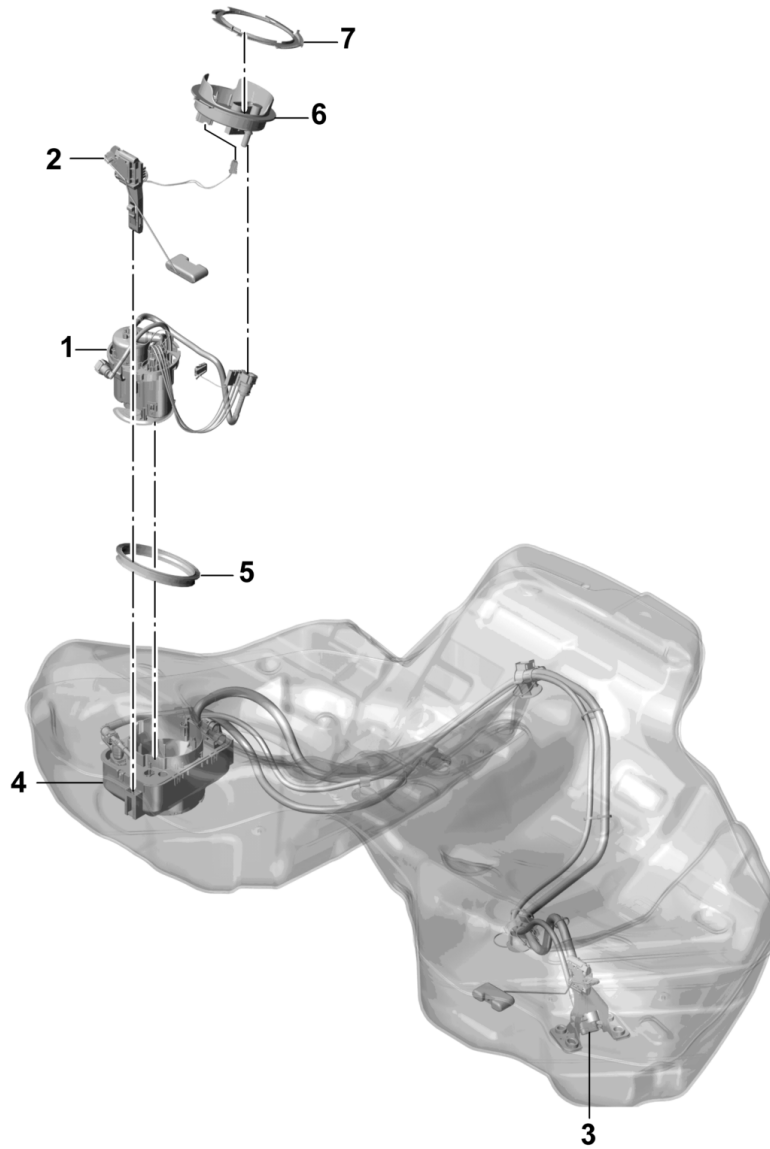
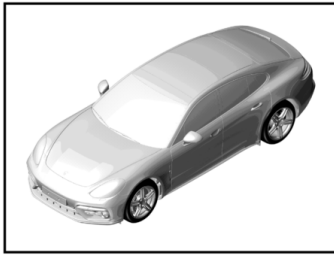
Model: 971-17

Model life 2017>>

Pos	Part Number	Description	Remark	Qty	Model
		Fuel tank with Accessories			I0K3/2G1/2G4
1	971 201 022 F	Fuel tank		1	I2G1
2	9A7 201 733 00	Pressure sensor		1	
3	9A7 201 392 10	Restraining strap		2	
4	N 106 266 02	Hexagon-head bolt M 8 X 30		7	
5	N 910 799 01	Hexagon-head bolt M 6 X 20		7	
6	9A7 201 550 31	Lid with Retaining strap		1	
7	971 201 399 A	Protective plate		1	
8	000 043 209 02	Additive Fuel 100 ML Container		X	

Model: 971-17

Model life 2017>>



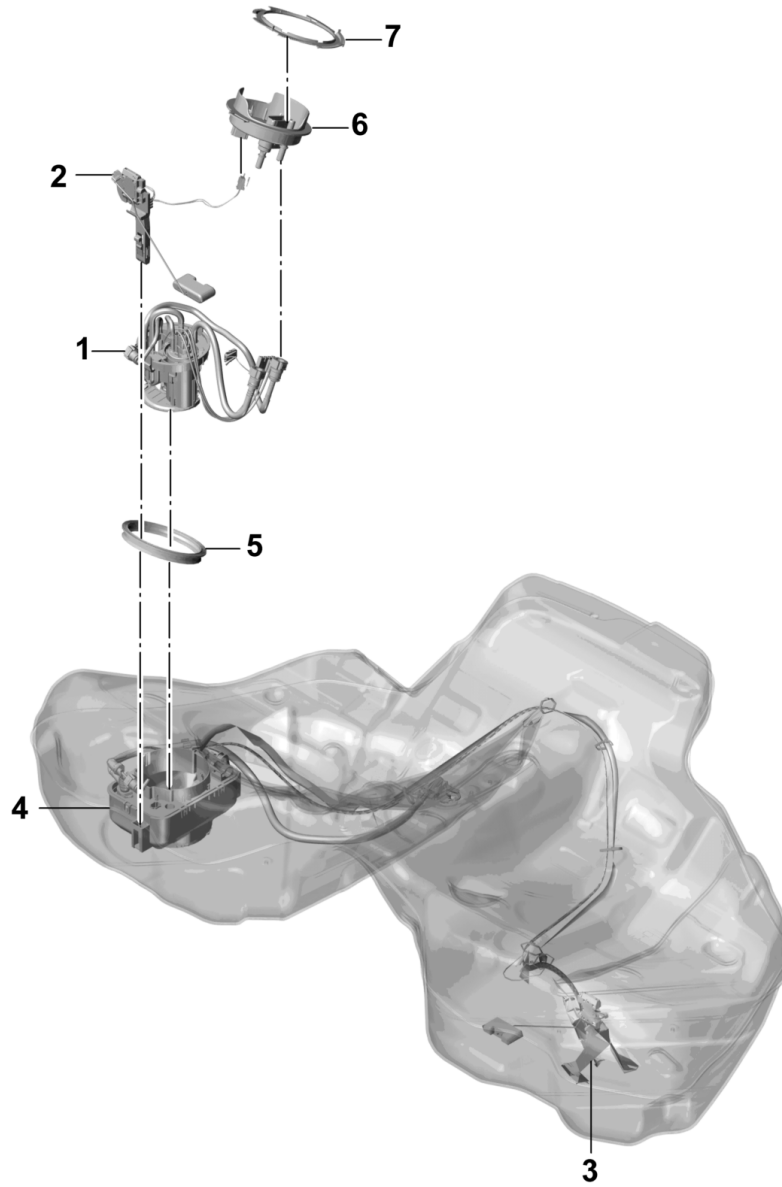
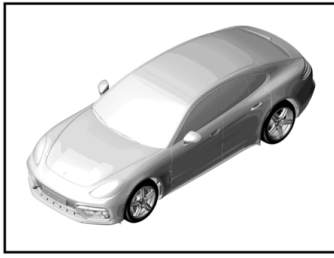
Model: 971-17

Model life 2017>>

Pos	Part Number	Description	Remark	Qty	Model
		Fuel pump			I0K0/2G1/2G4
		Venturi tube			
1	9A7 919 088 00	Fuel pump		1	I9M0
(1)	9A7 919 088 10	Fuel pump		1	I9M1/9M9
2	9A7 919 673 00	Tank gauge	/R	1	
3		Venturi tube	/L	1	
		And			
		Tank gauge			
		Not available			
		Fuel tank			
		Use			
4		Pot		1	
		Fuel pump			
		Not available			
		Fuel tank			
		Use			
5	9A7 919 133 40	Gasket		1	I2G1
6	9A7 919 679 20	Flange		1	I9M0
(6)	9A7 919 679 30	Flange		1	I9M1/9M9
7	955 201 623 01	Union nut		2	

Model: 971-17

Model life 2017>>



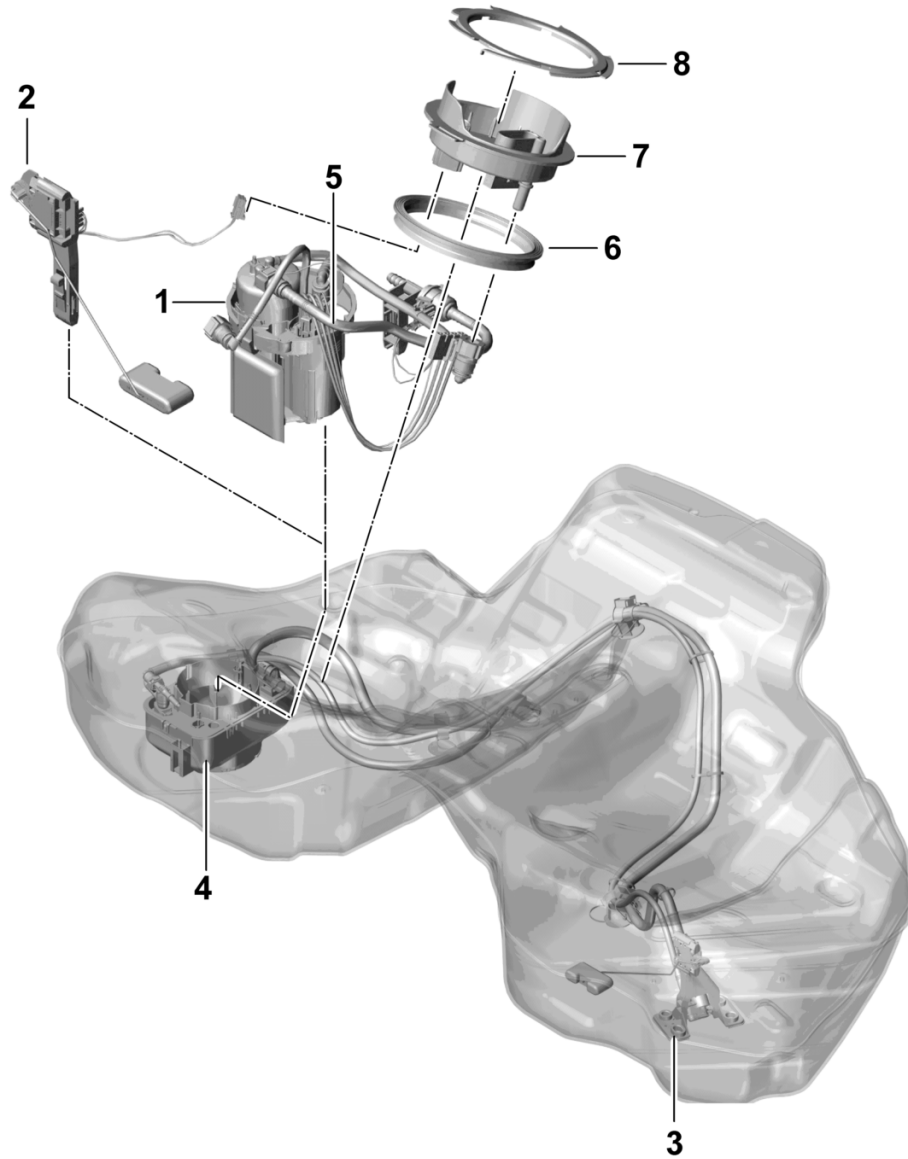
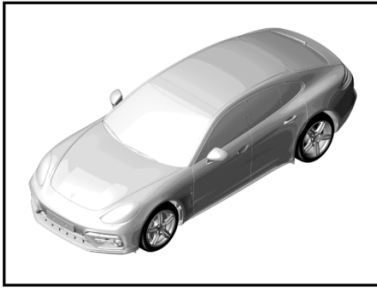
Model: 971-17

Model life 2017>>

Pos	Part Number	Description	Remark	Qty	Model
		Fuel pump			I2G0
		Venturi tube			
1	9A7 919 087 00	Fuel pump		1	I9M0
(1)	9A7 919 087 10	Fuel pump		1	I9M1/9M5/9M9
2	9A7 919 673 00	Tank gauge	/R	1	
3		Venturi tube	/L	1	
		And			
		Tank gauge			
		Not available			
		Fuel tank			
		Use			
4		Pot		1	
		Fuel pump			
		Not available			
		Fuel tank			
		Use			
5	9A7 919 133 40	Gasket		1	
6	9A7 919 679 00	Flange		1	I9M0
(6)	9A7 919 679 10	Flange		1	I9M1/9M5/9M9
7	955 201 623 01	Union nut		2	

Model: 971-17

Model life 2017>>



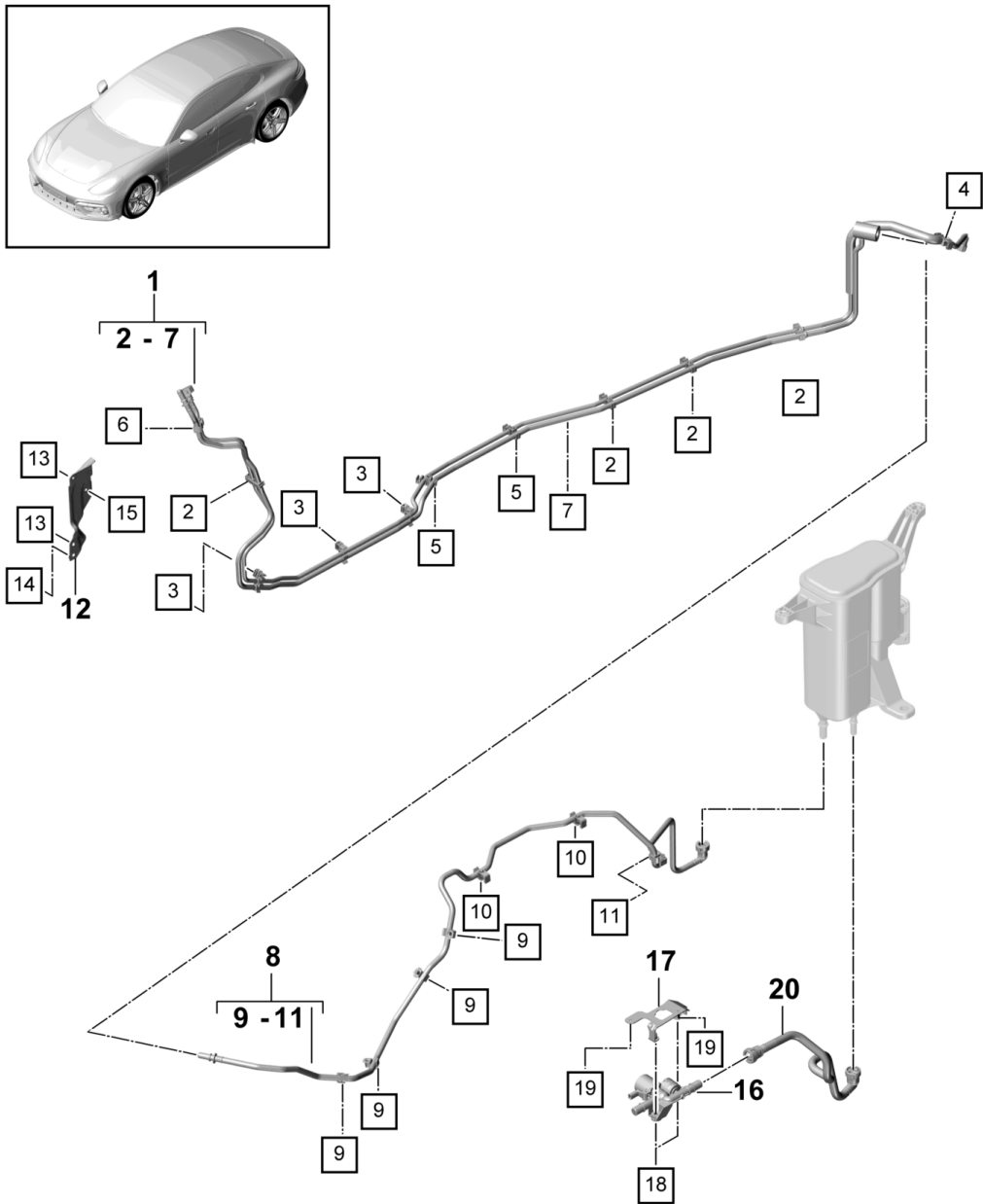
Model: 971-17

Model life 2017>>

Pos	Part Number	Description	Remark	Qty	Model
		Fuel pump			I0K3/2G1/2G4
		Venturi tube			
1	9A7 919 088 20	Fuel pump		1	
2	9A7 919 673 00	Tank gauge	/R	1	
3		Venturi tube	/L	1	
		And			
		Tank gauge			
		Not available			
		Fuel tank			
		Use			
4		Pot		1	
		Fuel pump			
		Not available			
		Fuel tank			
		Use			
5	9A7 919 845 00	Valve		1	
6	9A7 919 133 20	Gasket		1	
7	9A7 919 679 20	Flange		1	
8	955 201 623 01	Union nut		1	

Model: 971-17

Model life 2017>>



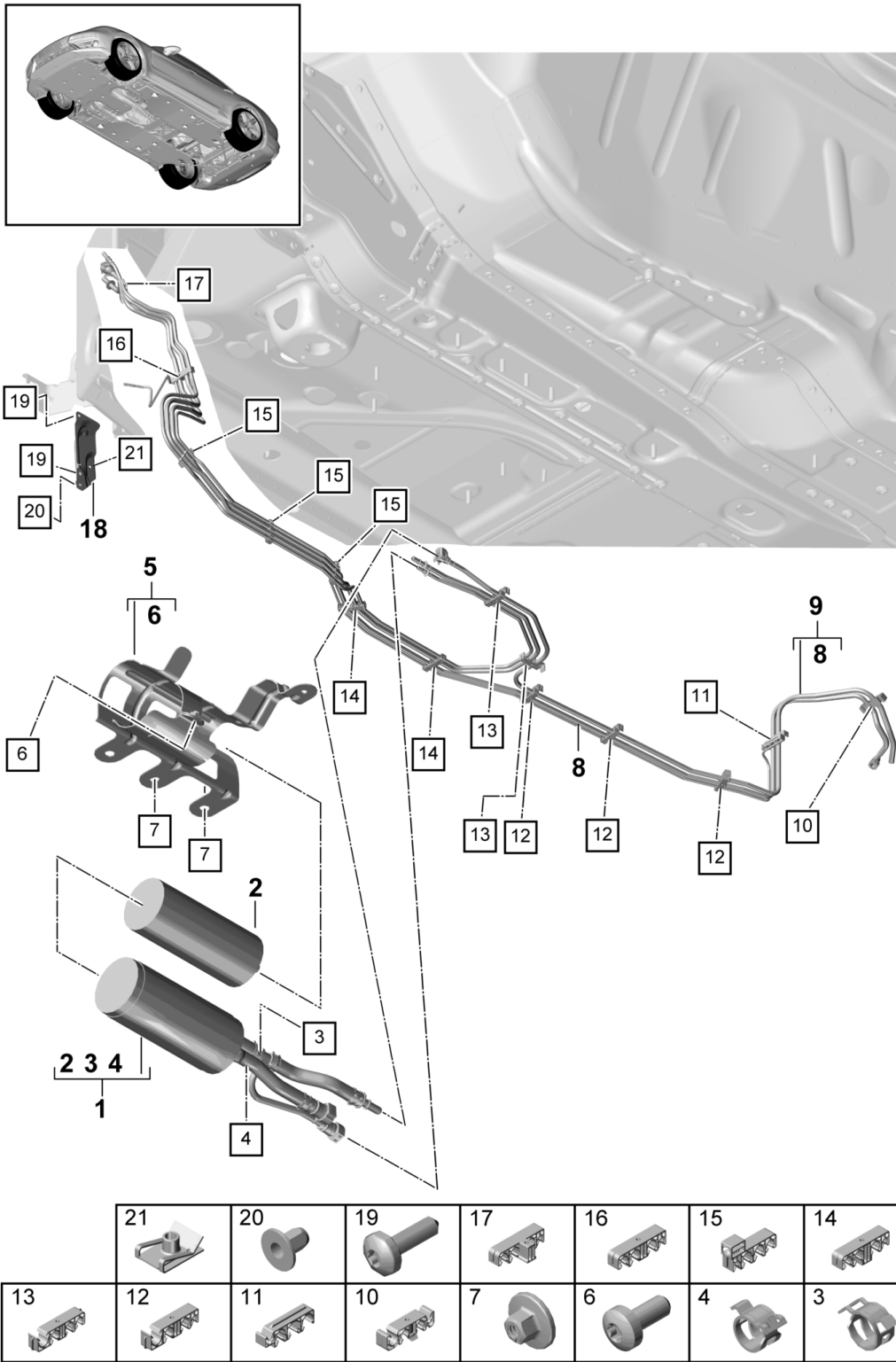
19	18	15	14	13	11
10	9	7	6	5	4
3	2				

Model: 971-17 Model life 2017>>

Pos	Part Number	Description	Remark	Qty	Model
		Fuel line			I2G1/2G4
		Underbody			
1	971 201 080 M	Fuel line		1	I0E1/9M0
		1 set			
(1)	971 201 080 N	Fuel line		1	I0E2/9M0
		1 set			
(1)	971 201 080 R	Fuel line		1	I0E1/9M1/9M5
		1 set			I9M9
(1)	971 201 080 S	Fuel line		1	I0E2/9M1/9M5
		1 set			I9M9
2	9A7 201 171 00	Line bracket		4	I0E1
(2)		Line bracket		5	I0E2
3	9A7 201 171 05	Line bracket		3	
4	9A7 201 171 10	Line bracket		1	
5	9A7 201 171 15	Line bracket		2	
6	9A7 201 171 20	Line bracket		1	
7	9A7 201 171 25	Line bracket		1	I9M1/9M5/9M9
8	971 201 851 C	Purge-air line		1	I0K0/2G1
(8)	971 201 851 E	Purge-air line		1	I0K3
9	9A7 201 171 30	Line bracket		4	
10	9A7 201 171 35	Line bracket		2	I0K0/2G1
(10)	9A7 201 171 30	Line bracket		2	I0K3
11	9A7 201 171 40	Line bracket		1	I0K0/2G1
(11)	9A7 201 171 55	Line bracket		1	I0K3
12	971 201 546 A	Protective plate		1	
13	N 910 968 01	Lens-head screw		3	
		M 6 X 20			
14	N 908 173 02	Blind rivet nut		1	
		M 6			
15	N 901 686 04	Speed nut		1	
		M 6 X 23,4 X 16			
16	958 201 559 00	Pressure regulator		1	I0K3
17	9A7 201 292 01	Support		1	I0K3
18	N 909 747 01	Oval-head sheetmetal screw		2	I0K3
		TP5 X 16			
19	N 911 406 01	Combination screw		2	I0K3
		M 6 X 30			
20	9A7 201 123 01	Vent line		1	I0K3

Model: 971-17

Model life 2017>>



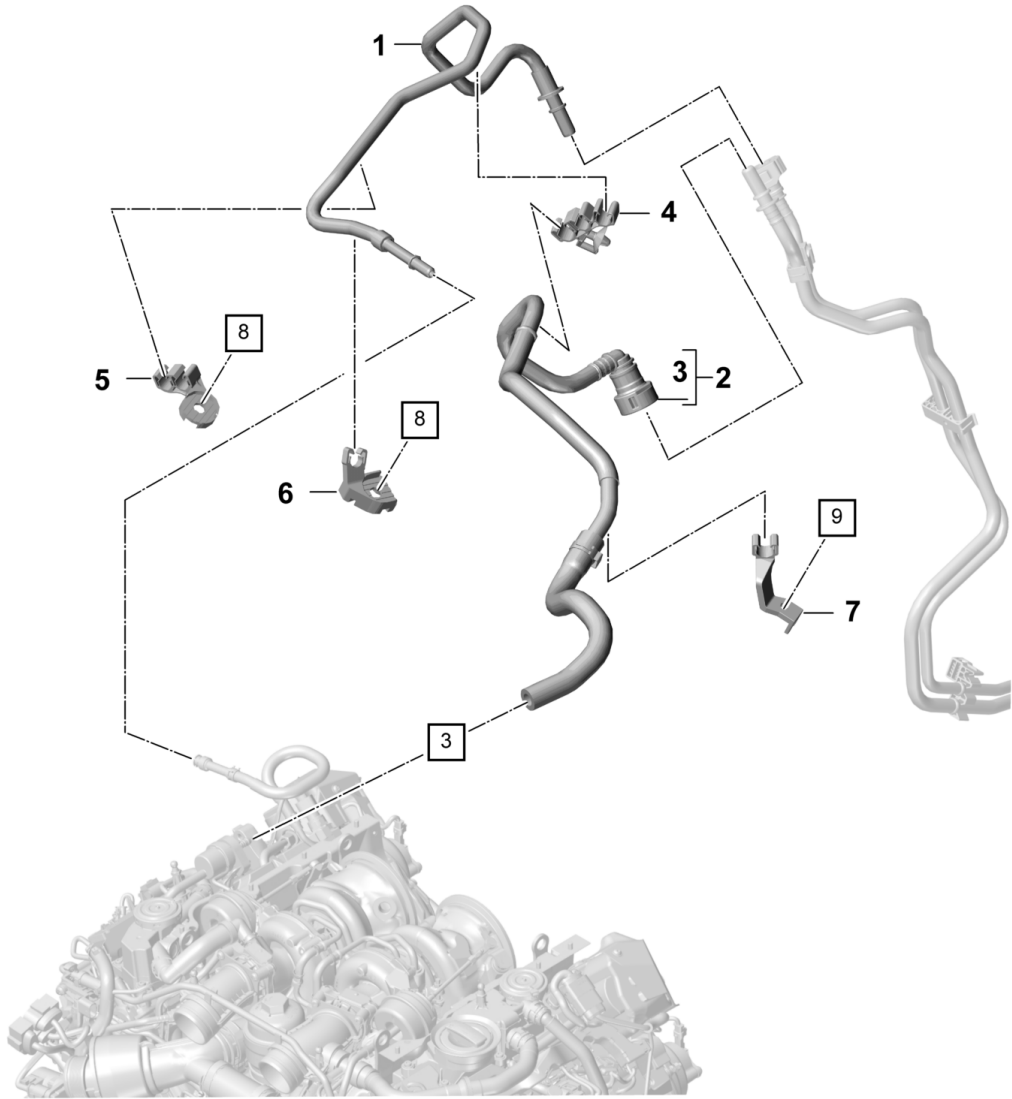
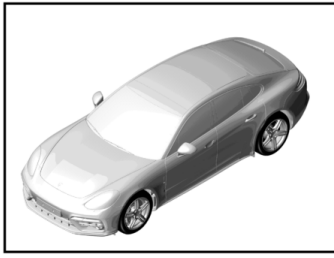
Model: 971-17

Model life 2017>>

Pos	Part Number	Description	Remark	Qty	Model
		Fuel system			MDB.UC
		Fuel line			
		Underbody			
1	971 127 400 B	Fuel filter with Lines		1	
2	971 127 401 A	Fuel filter		1	
3	N 909 264 01	Hose clamp B 19 X 12		1	
4	9A7 422 379 00	Hose clamp B 16 X 12		1	
5	971 127 421	Support		1	
6	N 104 514 05	Fuel filter Round head screw M 6 X 16		1	
7	N 912 428 01	Hexagon nut C 6		2	
(7)	999 049 032 40	Plastic nut C 6		2	
8	971 201 082 G	Fuel line 1 set		1	I9M0
9	971 201 082 H	Fuel line 1 set		1	I9M9
10	9A7 201 171 07	Line bracket		1	I2G0
11	9A7 201 171 25	Line bracket		1	
12	9A7 201 171 06	Line bracket		3	I0E1
13	9A7 201 171 60	Line bracket		2	
14	9A7 201 171 11	Line bracket		2	
15	9A7 201 171 04	Line bracket		3	
16	9A7 201 171 03	Line bracket		1	
17	9A7 201 171 65	Line bracket		1	
18	971 201 546 A	Protective plate		1	
19	N 910 968 01	Lens-head screw M 6 X 20		3	
20	N 908 173 02	Blind rivet nut M 6		1	
21	N 901 686 04	Speed nut M 6 X 23,4 X 16		1	

Model: 971-17

Model life 2017>>



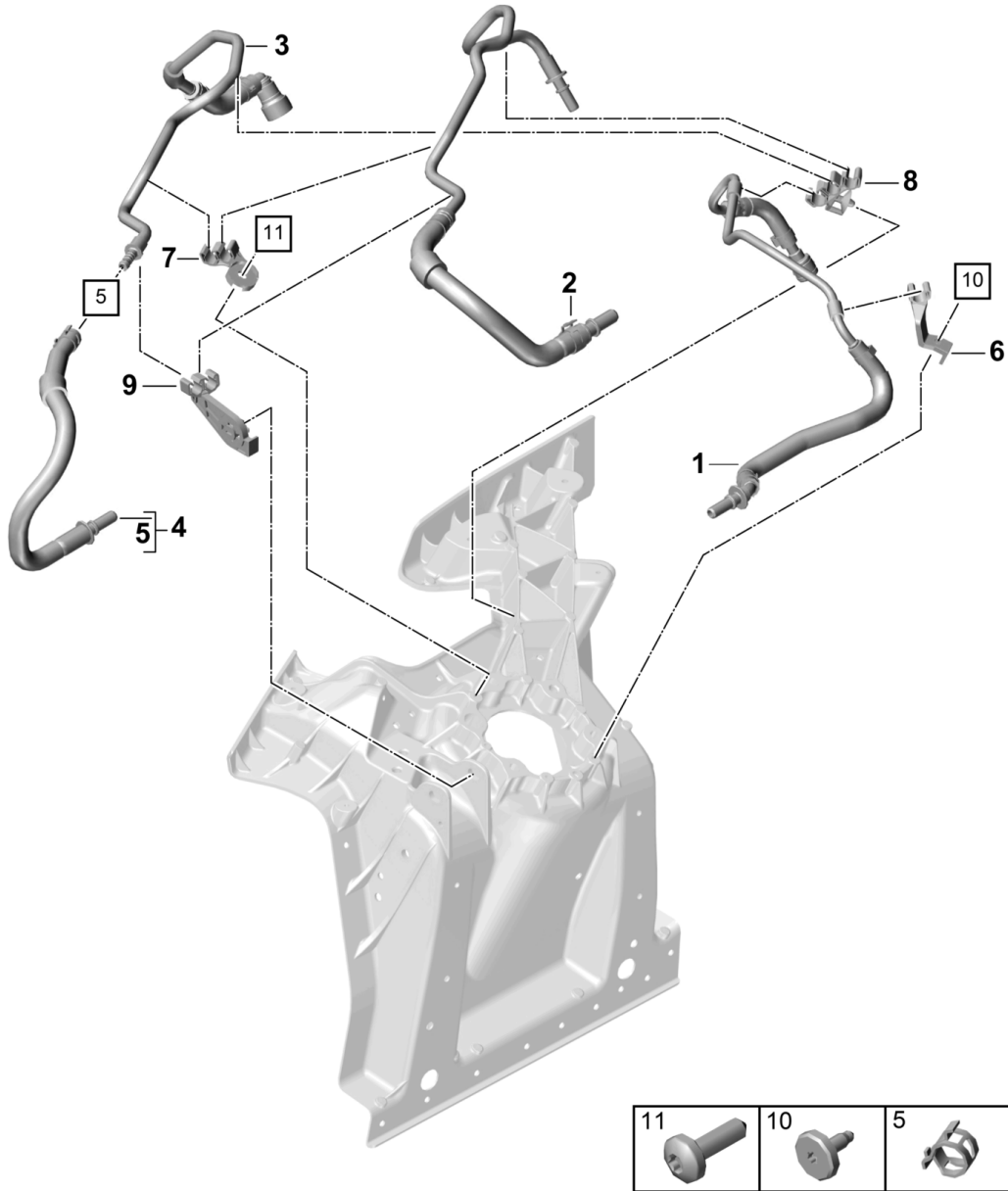
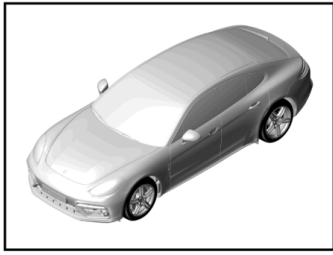
Model: 971-17

Model life 2017>>

Pos	Part Number	Description	Remark	Qty	Model
		Fuel line			I2G1/2G4
		Engine compartment			
1	9A7 130 296 10	Fuel line		1	
2	9A7 133 366 01	Vent line		1	IA8H
(2)	9A7 133 366 10	Vent line		1	IA8F
(2)		Vent line		1	IA8C/OK3
(2)	9A7 133 366 21	Vent line		1	IA8C/OK0
3	955 201 479 00	Hose clamp		1	IA8F/A8H
		B 16 X 12			
(3)		Hose clamp		1	IA8C/OK3
		B 16 X 12			
(3)	N 909 865 01	Hose clamp		1	IA8C/OK0
		B 14,5 X 12			
4	9A7 130 170 01	Line bracket		1	
5	9A7 130 163 01	Line bracket		1	
6	9A7 130 179 01	Line bracket		1	
7	9A7 130 389 00	Line bracket		1	IA8F/A8H
(7)		Line bracket		1	IA8C/OK3
(7)	9A7 130 389 01	Line bracket		1	IA8C/OK0
8	9A7 007 730 00	Round head screw		2	
		M 6 X 15			
9	N 910 968 01	Lens-head screw		1	
		M 6 X 20			

Model: 971-17

Model life 2017>>



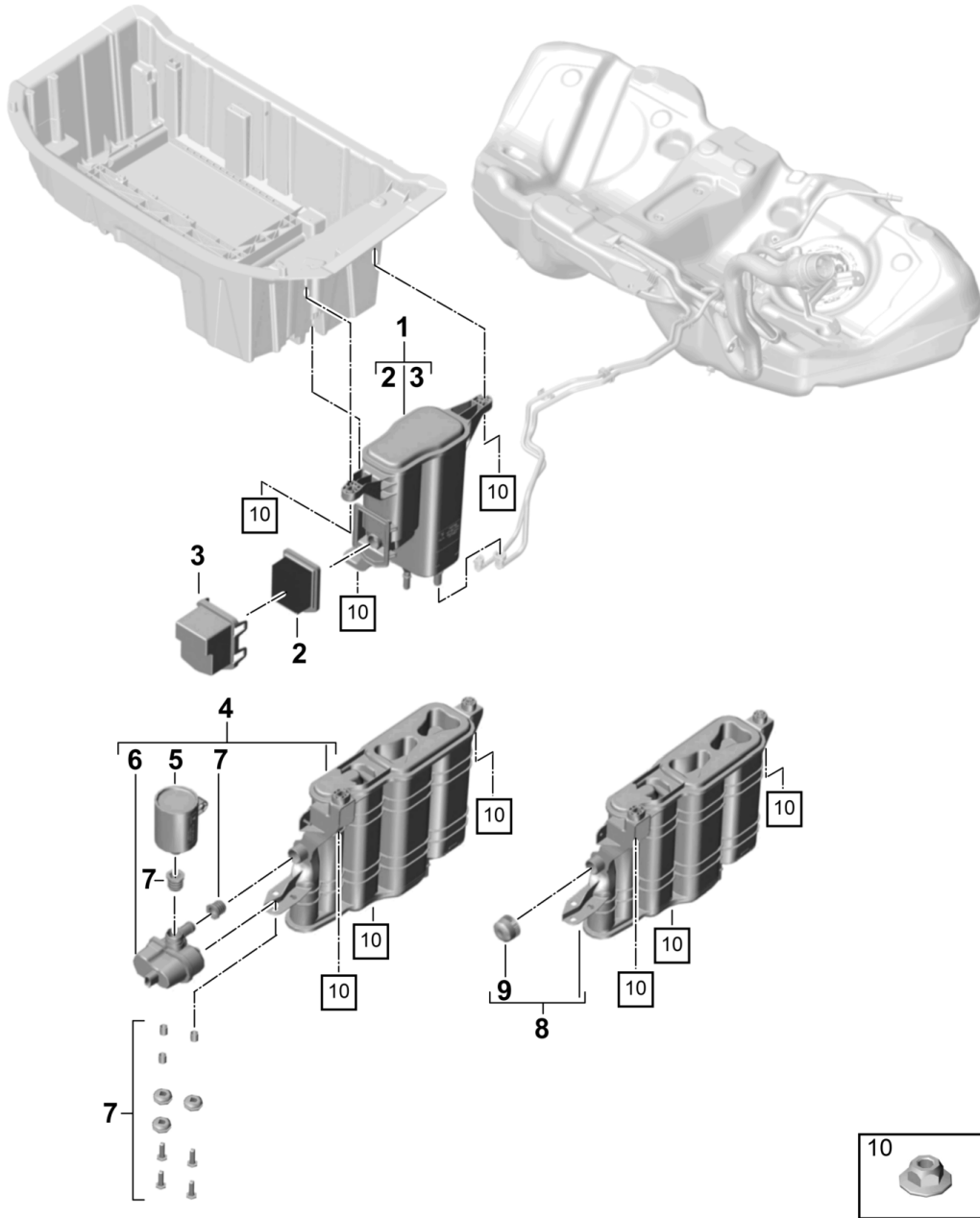
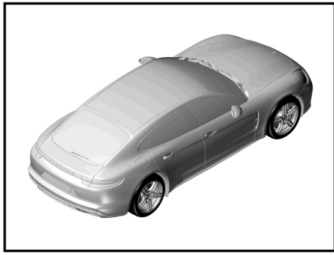
Model: 971-17

Model life 2017>>

Pos	Part Number	Description	Remark	Qty	Model
		Fuel line			MDB.UC I2G0
		Engine compartment			
1	971 130 307 A	Fuel line		1	
2	971 130 295 A	Fuel line		1	
3	971 130 300 A	Fuel line		1	
4	971 130 300 C	Fuel line		1	
5	N 909 865 01	Hose clamp B 14,5 X 12		1	
6	9A7 130 389 00	Line bracket		1	
7	9A7 130 163 01	Line bracket		1	
8	9A7 130 170 01	Line bracket		1	
9	9A7 130 181 00	Line bracket		1	
10	N 910 968 01	Lens-head screw M 6 X 20		1	
11	9A7 007 730 00	Round head screw M 6 X 15		1	

Model: 971-17

Model life 2017>>



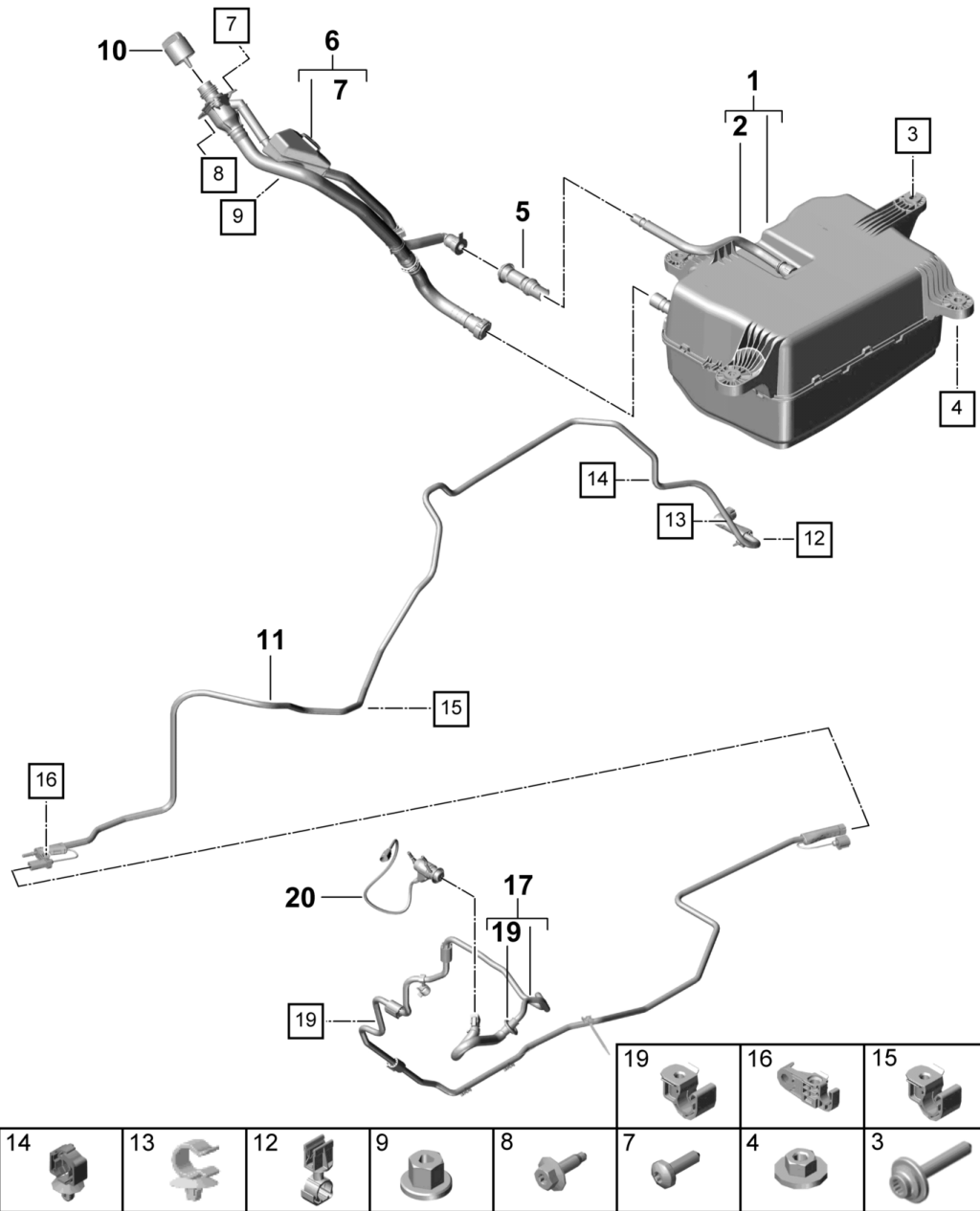
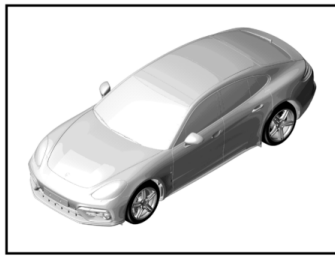
Model: 971-17

Model life 2017>>

Pos	Part Number	Description	Remark	Qty	Model
1	9A7 201 801 00	Carbon canister		1	I1E1/2G1/2G4
2	9A7 201 370 00	Carbon canister		1	I0K0/2G1
3	9A7 201 164 00	Filter element		1	I0K0/2G1
8	9A7 201 801 30	Lid		1	I0K0/2G1
9	9A7 201 469 00	Carbon canister		1	I0K3/2G1
10	N 908 877 03	Protection cap		1	I0K3/2G1
		Hexagon nut		3	
		M 6			

Model: 971-17

Model life 2017>>



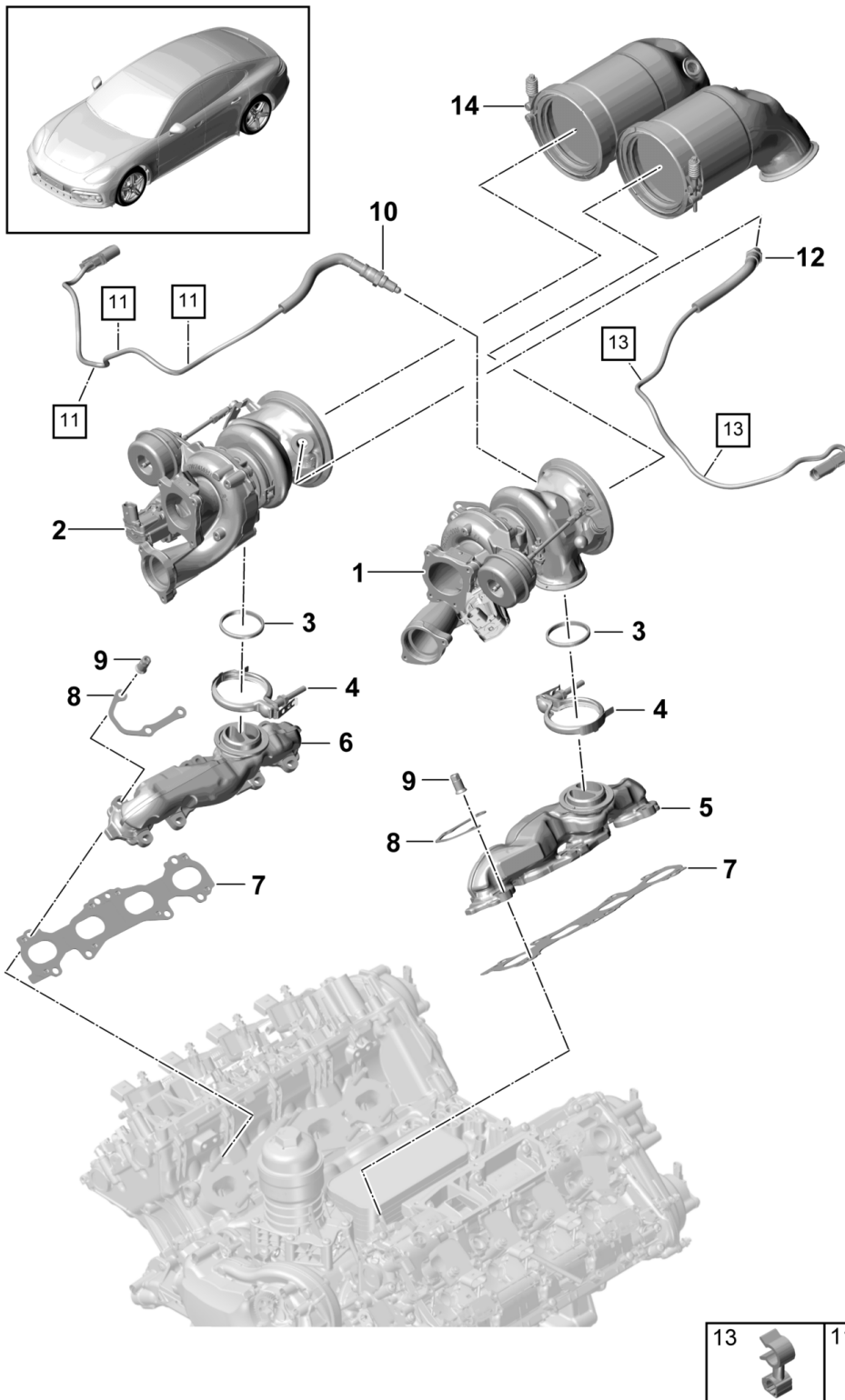
Model: 971-17

Model life 2017>>

Pos	Part Number	Description	Remark	Qty	Model
1	971 131 877 A	Emission control Container		1	MDB.UC
2	971 131 964	Urea solution Line		1	
3	N 912 473 01	Multiple-tooth screw M 8 X 50		3	
4	N 905 115 05	Combined nut M 8		1	
5	971 131 962 A	Line		1	
6	971 131 955 A	Filler neck Urea solution		1	
7	N 910 423 01	Oval-head screw M 6 X 16		1	
8	N 910 799 01	Hexagon-head bolt M 6 X 20		2	
9	N 100 151 01	Hexagon nut A 5		1	
10	9A7 131 980 02	Lid		1	
11	971 131 960 A	Line Urea solution Supply		1	
12	971 201 171 AC	Support		1	
13	9A7 067 813 00	Support		1	
14	971 201 171 AB	Support		1	
15	971 131 087	Support		6	
16	971 201 171 M	Support		1	
17	971 131 911 B	Line Urea solution		1	
17	971 131 911 F	Line Urea solution		1	
19	971 131 087	Support		3	
20		Injector valve Urea solution See illustrations 2/02/65			

Model: 971-17

Model life 2017>>



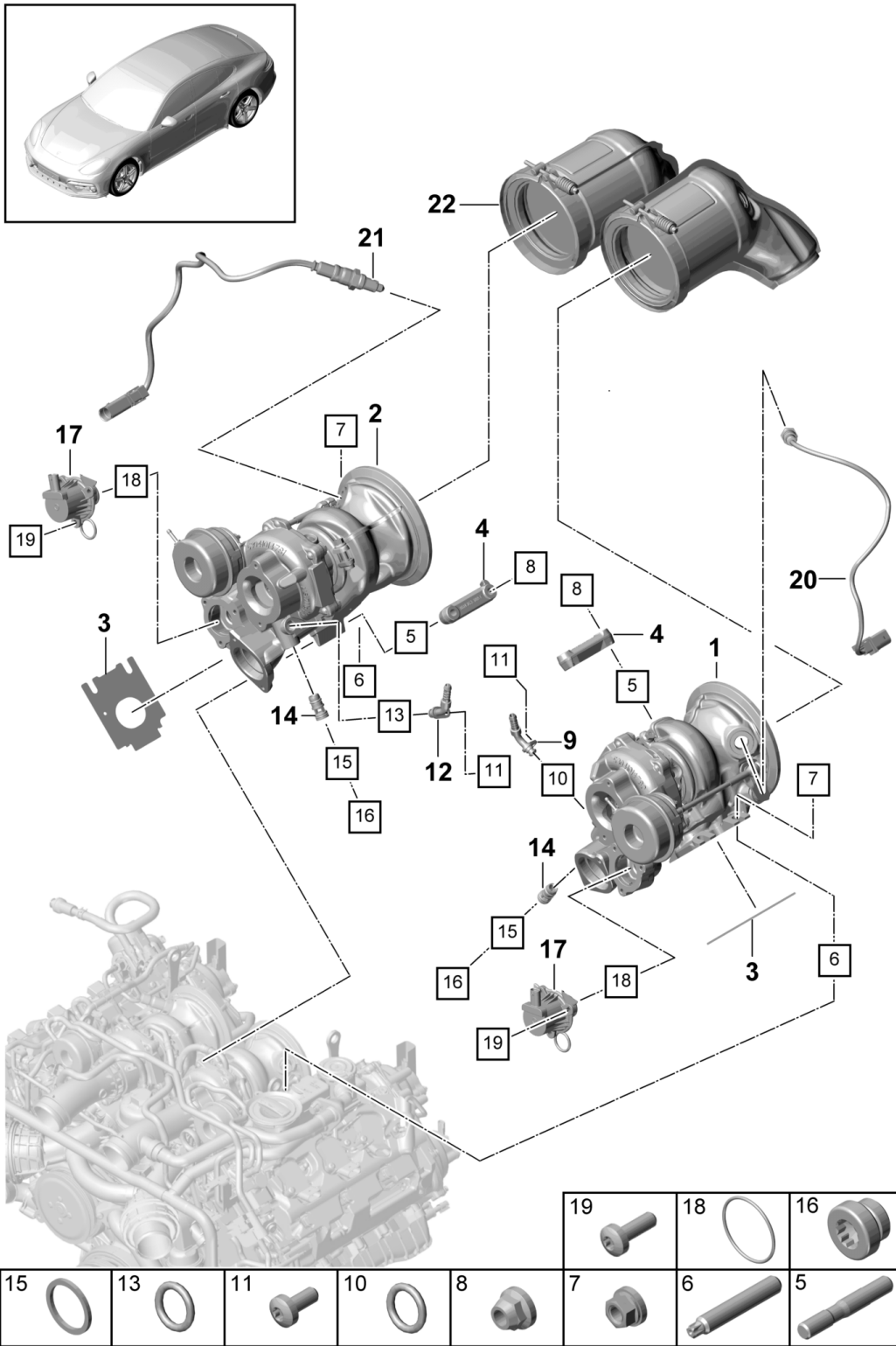
Model: 971-17

Model life 2017>>

Pos	Part Number	Description	Remark	Qty	Model
		Turbocharger Exhaust manifold Oxygen sensor Pre-catalytic converter			MCV.DA
1	9A7 145 703 00	Turbocharger Use also: 9A7.145.039.00	/L	1	
		9A7.253.725.00		1	
2	9A7 145 704 00	Turbocharger Use also: 9A7.253.039.00	/R	1	
		9A7.253.725.00		1	
3	9A7 145 039 00	Gasket Use also: 9A7.253.725.00		2	
				2	
4	9A7 253 725 01	Clip Use also: 9A7.253.039.00		2	
				2	
5	9A7 253 033 00	Exhaust manifold Use also: 9A7.253.039.00	/L	1	
		9A7.253.111.01		1	
6	9A7 253 034 00	Exhaust manifold Use also: 9A7.253.039.00	/R	8	
		9A7.253.111.01		1	
				8	
7	9A7 253 039 00	Gasket Exhaust manifold Use also: 9A7.253.111.01		2	
				16	
8	9A7 253 276 00	Plate		4	
9	9A7 253 111 00	Threaded bush M 8		16	
(9)	9A7 253 111 01	Threaded bush M 8		16	
10	9A7 906 265 00	Oxygen sensor Pre-catalytic converter Cable Brown	/L	1	
11	N 104 630 01	Combination holder	/L	3	
(11)	N 104 630 02	Combination holder	/L	3	
12	9A7 906 265 10	Oxygen sensor Pre-catalytic converter Cable Black	/R	1	
13	N 104 630 01	Combination holder		2	
(13)	N 104 630 02	Combination holder		2	
14		Catalytic converter See illustrations 2/02/55			

Model: 971-17

Model life 2017>>



Model: 971-17

Model life 2017>>

Pos	Part Number	Description	Remark	Qty	Model
		Turbocharger			MCS.ZA MDG.PA
1	9A7 145 701 00	Exhaust manifold Oxygen sensor Pre-catalytic converter Turbocharger Cyl. 4 - 6 Use also: 9A7.253.039.10 9A7.004.982.00		1	
2	9A7 145 702 00	N .908.946.01 Turbocharger Cyl. 1 - 3 Use also: 9A7.253.039.10 9A7.004.982.00 N .908.946.01		1	
3	9A7 253 039 10	Gasket Use also: 9A7.004.982.00 N .908.946.01		2	
4	9A7 253 709 00	Clamp		2	
5	9A7 001 258 00	Threaded bolt		4	
6	9A7 007 611 00	Stud M 8 X 50		4	
(6)	N 108 465 01	Threaded pin M 8 X 48		4	
7	WHT 007 210	Hexagon nut M 8		4	
(7)	9A7 004 982 00	Nut M 8		4	
8	N 908 946 01	Hexagon nut M 8		4	
9	9A7 133 383 00	Connecting pipe Cyl. 4 - 6		1	
10	9A7 007 923 00	O-ring 7,65 X 1,76		1	
11	N 104 056 04	Oval-head screw M 6 X 14		2	
12	9A7 133 382 00	Connecting pipe Cyl. 1 - 3		1	
13	9A7 007 923 00	O-ring 7,65 X 1,76		1	
14	9A7 133 554 00	Nozzle Use also: N .013.844.1		2	
15	N 013 844 1	Sealing ring A 16 X 20		2	
16	9A7 007 941 00	Screw plug M 16 X 1 X 7,5		2	
17	9A7 145 710 00	Shut-off valve Use also: N .101.961.03		2	
19	N 101 961 03	Oval-head screw M 6 X 18		6	
20	9A7 906 265 20	Oxygen sensor in front of Catalytic converter	/L	1	
21	9A7 906 265 30	Oxygen sensor in front of Catalytic converter	/R	1	
22		Catalytic converter See illustrations			

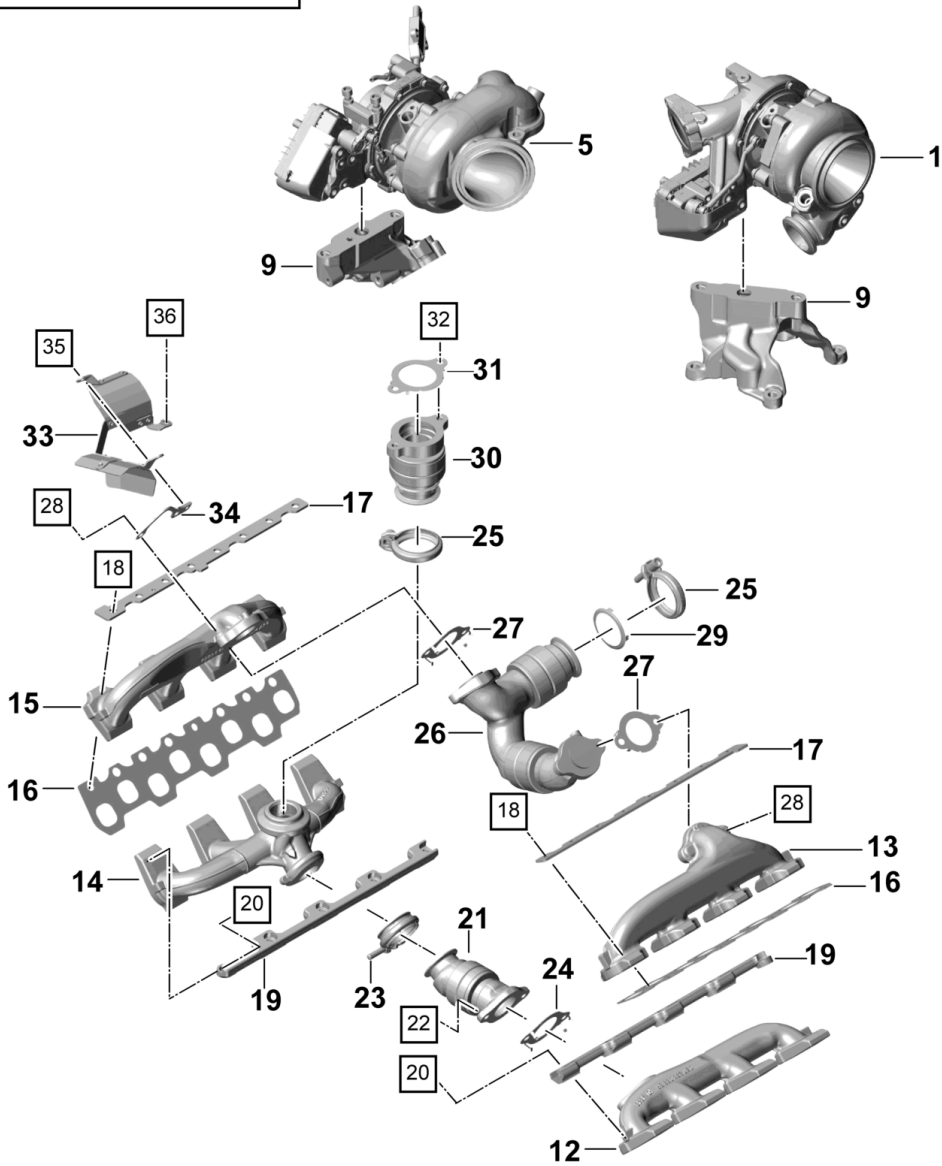
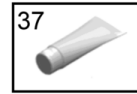
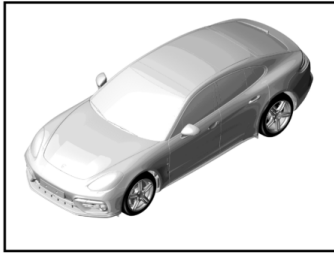
Model: 971-17

Model life 2017>>

Pos	Part Number	Description	Remark	Qty	Model
		2/02/55			

Model: 971-17

Model life 2017>>

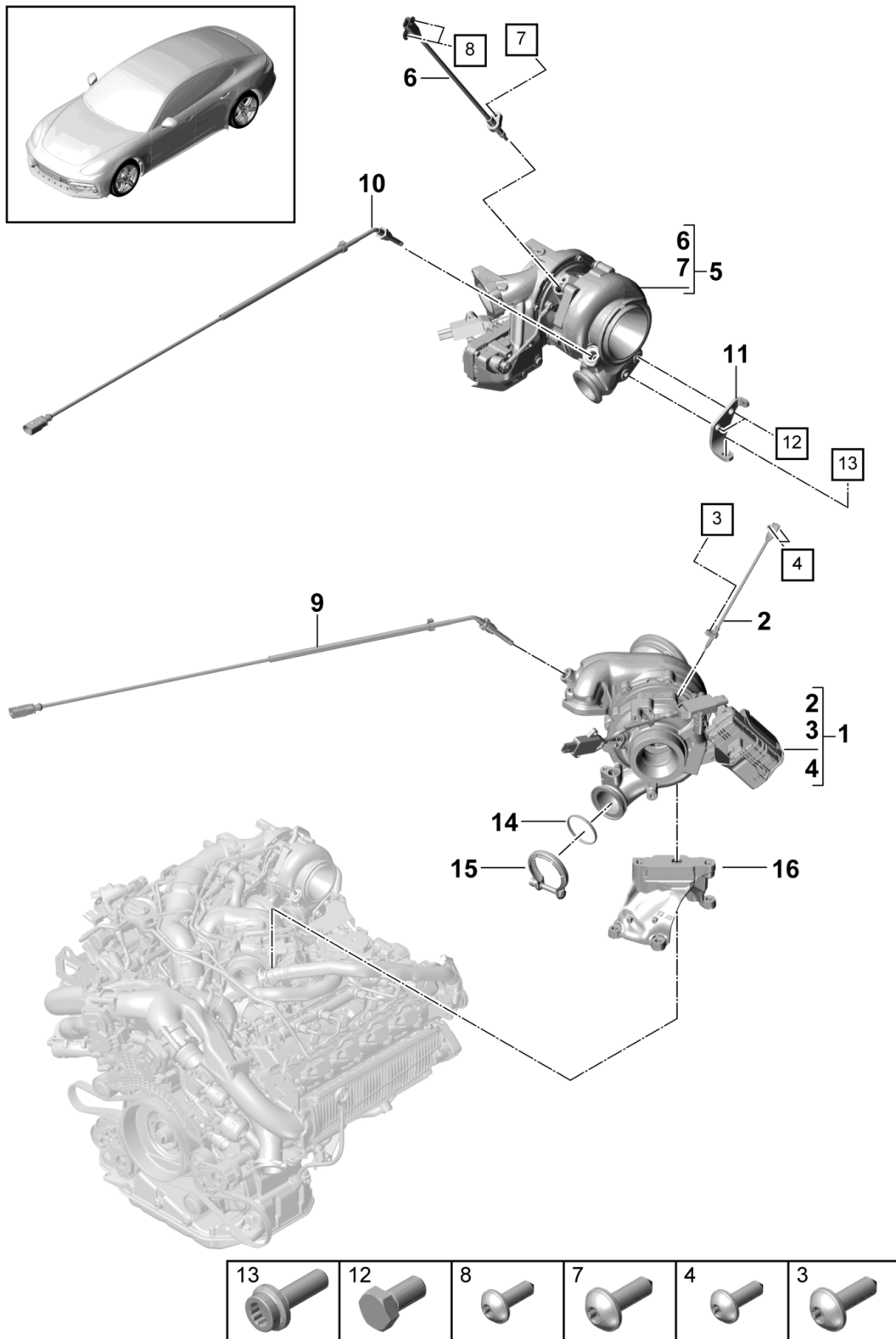


Model: 971-17 Model life 2017>>

Pos	Part Number	Description	Remark	Qty	Model
		Turbocharger Exhaust manifold Turbocharger See illustrations 2/02/15		1	MDB.UC
1					
5		Turbocharger See illustrations 2/02/15		1	
9		Support with Oil duct for Turbocharger See illustrations 2/02/40			
12	9A7 253 033 10	Exhaust manifold Cylinders 5 - 8		1	
13	9A7 253 171 00	Exhaust manifold Cylinders 5 - 8		1	
14	9A7 253 034 10	Exhaust manifold Cylinders 1 - 4		1	
15	9A7 253 172 00	Exhaust manifold Cylinders 1 - 4		1	
16	9A7 253 039 20	Gasket Exhaust manifold		2	
17	9A7 253 099 00	Support		2	
18	9A7 007 505 00	Clamping nut M 8		16	
19	9A7 253 709 00	Clamp		2	
20	9A7 007 499 00	Fit bolt M 9 X 10 X 26		10	
21	9A7 253 357 00	Exhaust pipe		1	
22	N 910 461 01	Pan-head screw M 8 X 22		2	
23	9A7 253 139 00	Clamp		1	
24	9A7 253 539 00	Gasket		1	
25	9A7 253 139 10	Clamp		2	
26	9A7 253 358 00	Exhaust pipe		1	
27	9A7 253 117 00	Gasket		2	
28	N 910 461 01	Pan-head screw M 8 X 22		4	
29	9A7 253 232 10	Gasket		1	
30	9A7 253 487 00	Exhaust pipe		1	
31	9A7 253 115 10	Gasket		1	
32	N 910 461 01	Pan-head screw M 8 X 22		2	
33	9A7 253 220 00	Heat shield		1	
34	9A7 253 198 00	Support		1	
35	N 106 803 03	Lens-head screw M 6 X 8		2	
36	N 104 056 04	Oval-head screw M 6 X 14		1	
37	000 043 306 18	Grease 170G		1	

Model: 971-17

Model life 2017>>



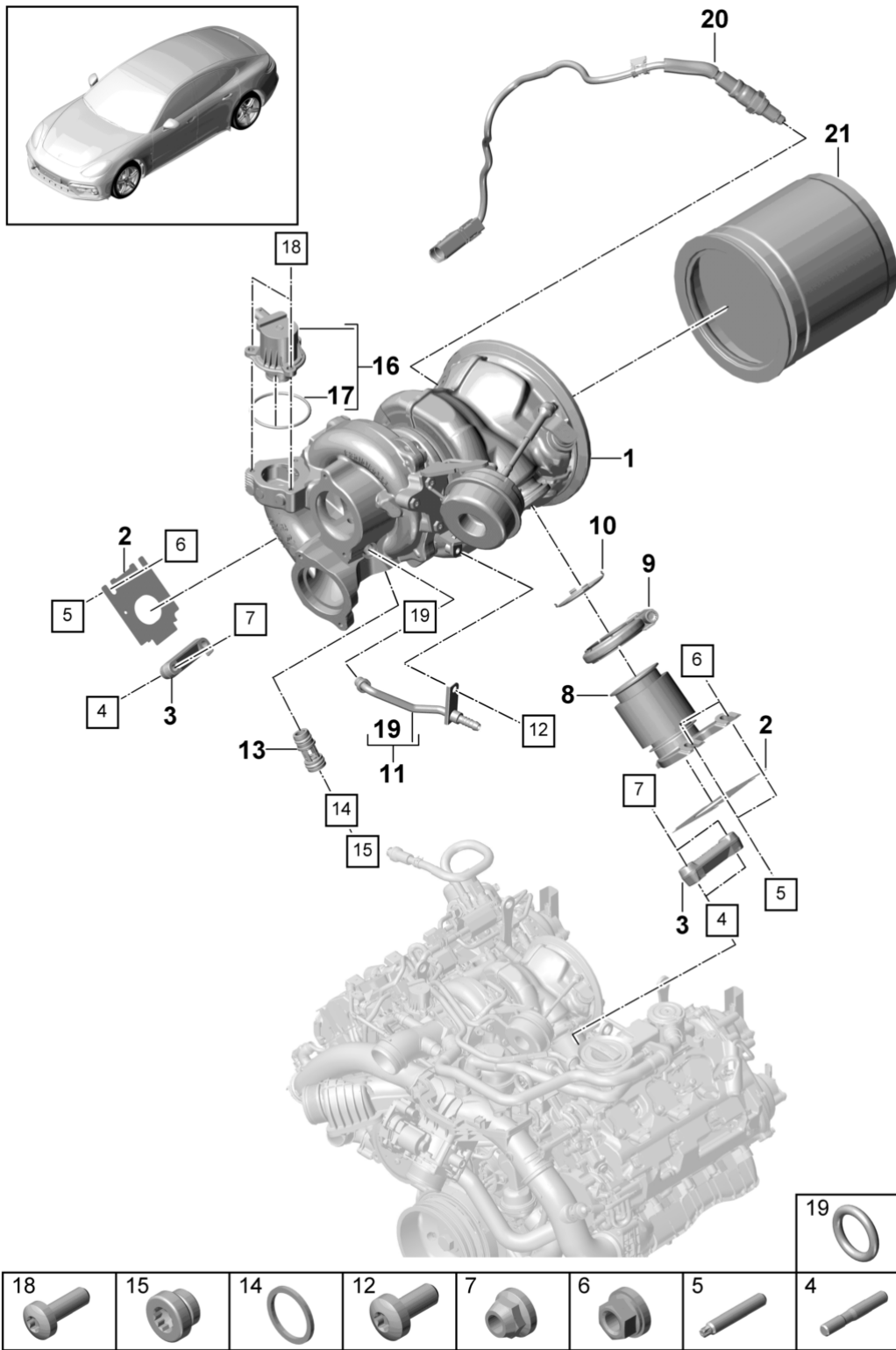
Model: 971-17

Model life 2017>>

Pos	Part Number	Description	Remark	Qty	Model
		Turbocharger Temperature sensor			MDB . UC
1	9A7 145 653 00	Turbocharger		1	
2	9A7 906 341 00	Speed sensor		1	
3		Turbocharger Fastening screw Not available		1	
4	N 910 742 01	Fastening screw M 5 X 16		2	
5	9A7 145 654 00	Turbocharger		1	
6	9A7 906 341 10	Speed sensor		1	
7		Turbocharger Fastening screw Not available		1	
8	N 910 742 01	Fastening screw M 5 X 16		2	
9	9A7 906 088 18	Temperature sensor 2-pole Brown		1	
10	9A7 906 088 19	Temperature sensor 2-pole Black		1	
11	9A7 145 195 00	Support		1	
12	N 010 293 19	Hexagon-head bolt M 8 X 16		2	
13	N 106 893 01	Multiple-tooth screw M 8 X 25		1	
14	9A7 145 113 00	Gasket		1	
15	9A7 253 139 10	Clamp		1	
16		Support with Oil duct for Turbocharger See illustrations 2/02/40			

Model: 971-17

Model life 2017>>

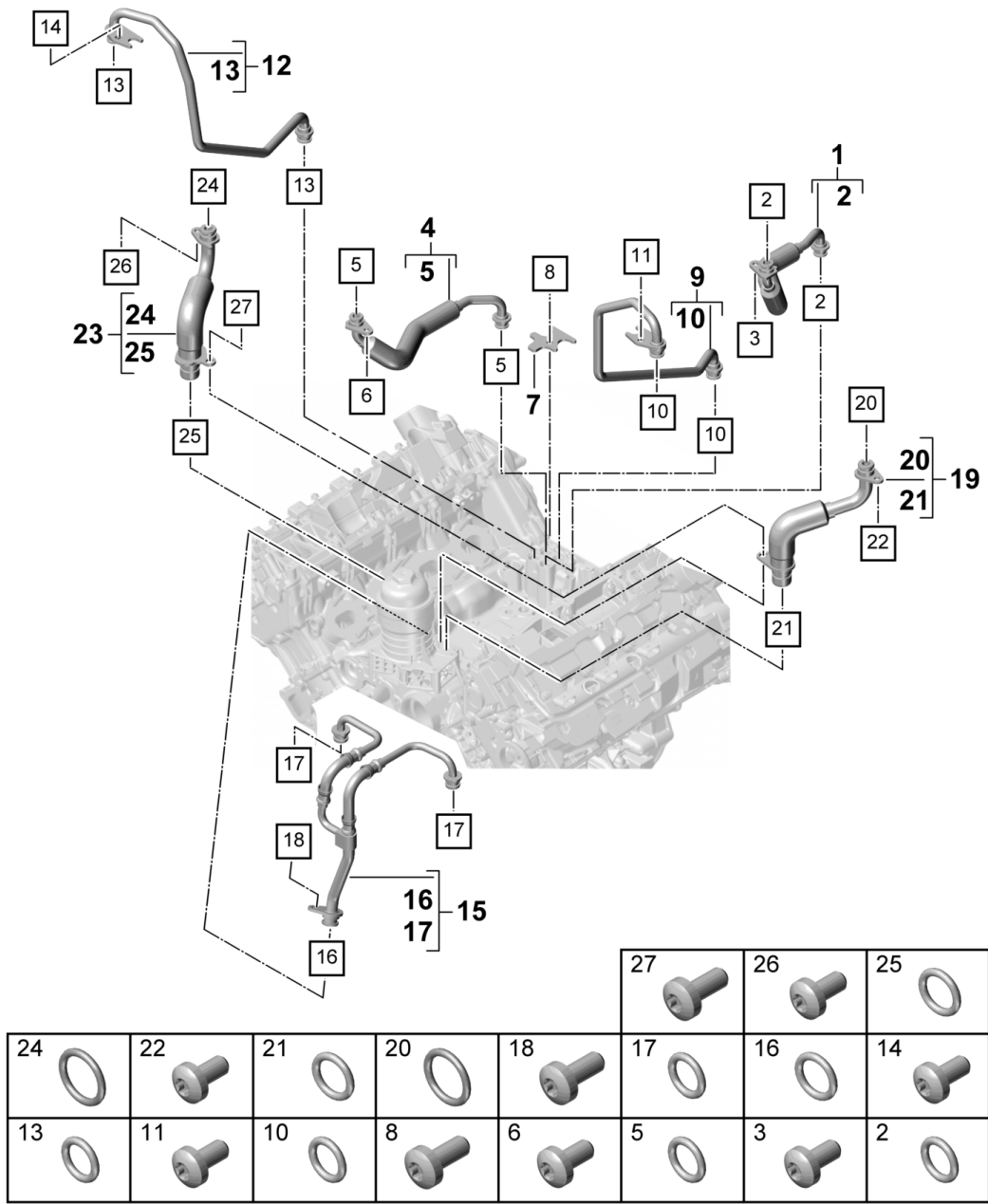
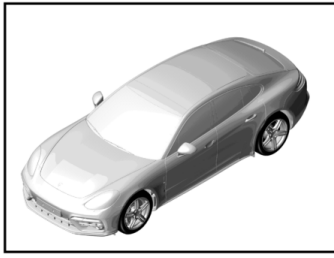


Model: 971-17 Model life 2017>>

Pos	Part Number	Description	Remark	Qty	Model
		Turbocharger Exhaust manifold Oxygen sensor			MCX.TA
1	9A7 145 689 00	Turbocharger Use also: 9A7.253.039.10 9A7.004.982.00 N .908.946.01 9A7.253.139.10 9A7.253.232.10		1	
2	9A7 253 039 10	Gasket Use also: 9A7.004.982.00 N .908.946.01		2	
3	9A7 253 709 00	Clamp		2	
4	9A7 001 258 00	Threaded bolt		4	
5	9A7 007 611 00	Stud M 8 X 50		4	
(5)	N 108 465 01	Threaded pin M 8 X 48		4	
6	WHT 007 210	Hexagon nut M 8		4	
(6)	9A7 004 982 00	Nut M 8		4	
7	N 908 946 01	Hexagon nut M 8		4	
8	9A7 253 082 00	Exhaust pipe		1	
9	9A7 253 139 10	Clamp Use also: 9A7.253.232.10		1	
10	9A7 253 232 10	Gasket		1	
11	9A7 133 380 01	Connecting pipe		1	
12	N 104 056 04	Oval-head screw M 6 X 14		1	
13	9A7 133 554 00	Nozzle Use also: N .013.844.1		1	
14	N 013 844 1	Sealing ring A 16 X 20		1	
15	9A7 007 941 00	Screw plug M 16 X 1 X 7,5		1	
16	9A7 145 710 00	Shut-off valve Use also: N .101.961.03		1	
18	N 101 961 03	Oval-head screw M 6 X 18		3	
19	9A7 007 923 00	O-ring 7,65 X 1,76		1	
20	9A7 906 265 20	Oxygen sensor in front of Catalytic converter		1	
21		Catalytic converter See illustrations 2/02/55			

Model: 971-17

Model life 2017>>



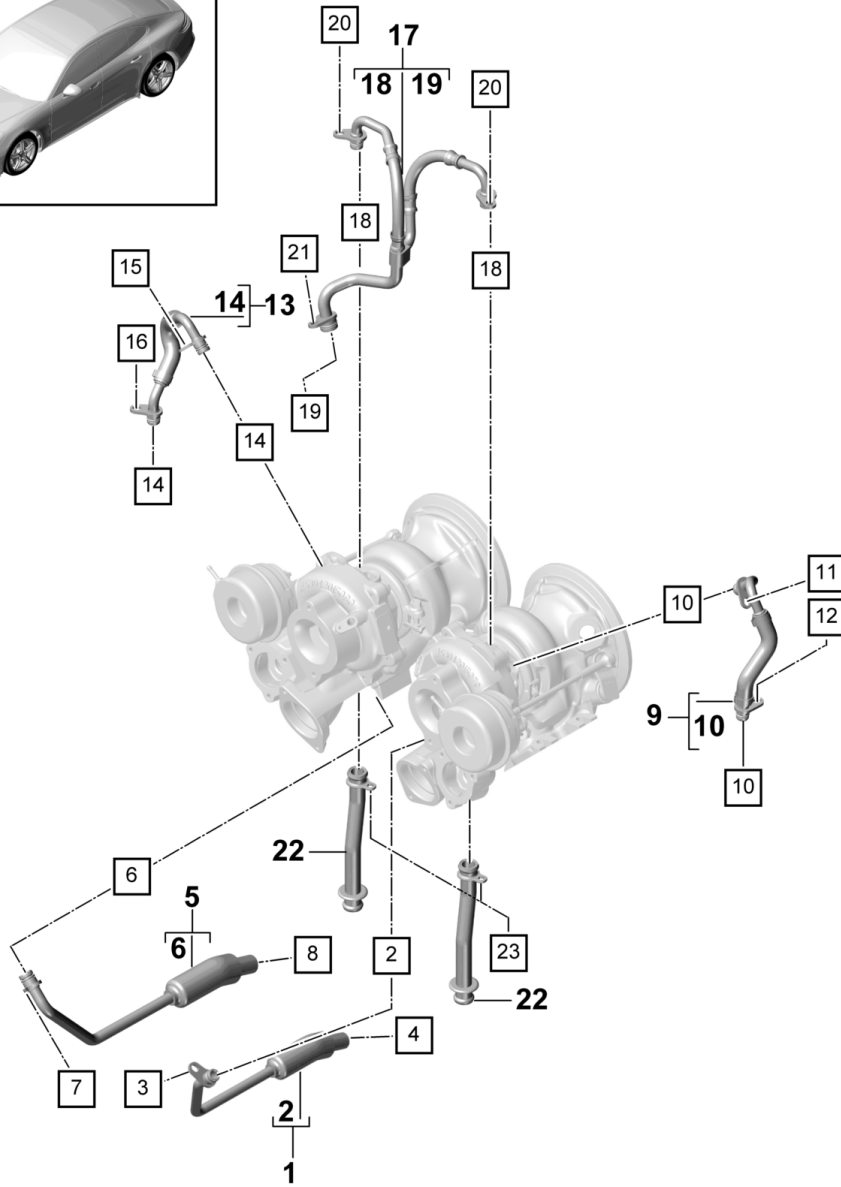
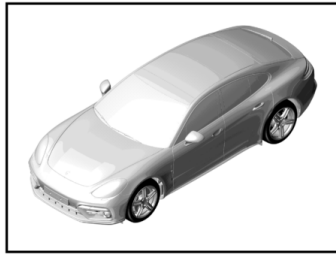
Model: 971-17

Model life 2017>>

Pos	Part Number	Description	Remark	Qty	Model
		Cooling for Turbocharger Water cooling Oil cooling			MCV.DA
1	9A7 145 909 00	Cooling water tube Supply		1	
2	9A7 006 537 00	O-ring 11 X 2,8		2	
3	N 103 352 06	Round head screw M 6 X 12		1	
4	9A7 145 910 00	Cooling water tube Supply		1	
5	9A7 006 537 00	O-ring 11 X 2,8		2	
6	N 103 352 06	Round head screw M 6 X 12		1	
7	9A7 145 337 00	Support		1	
8	N 911 266 01	Outer hexagon round screw M 6 X16		1	
(8)	N 103 352 06	Round head screw M 6 X12		1	
9	9A7 145 947 00	Cooling water tube Return line		1	
10	9A7 006 537 00	O-ring 11 X 2,8		2	
11	N 103 352 06	Round head screw M 6 X 12		1	
12	9A7 145 948 00	Cooling water tube Return line		1	
13	9A7 006 537 00	O-ring 11 X 2,8		2	
14	N 103 352 06	Round head screw M 6 X 12		1	
15	9A7 145 140 00	Distributor line Oil Supply		1	
16	N 910 079 01	O-ring 13 X 3		1	
17	9A7 006 537 00	O-ring 11 X 2,8		2	
18	N 911 266 01	Outer hexagon round screw M6 X 16		1	
19	9A7 145 771 00	Oil pipe Return line		1	
20	N 909 250 02	O-ring 17 X 3		1	
21	N 910 079 01	O-ring 13 X 3		1	
22	N 103 352 06	Round head screw M 6 X 12		1	
23	9A7 145 772 00	Oil pipe Return line		1	
24	999 707 567 40	O-ring 17 X 3		1	
25	999 707 582 41	O-ring 13 X 3		1	
26	N 103 352 06	Round head screw M 6 X 12		1	
27	N 911 266 01	Outer hexagon round screw M 6 X 16		1	

Model: 971-17

Model life 2017>>



								23
21	20	19	18	16	15	14	12	
11	10	8	7	6	4	3	2	

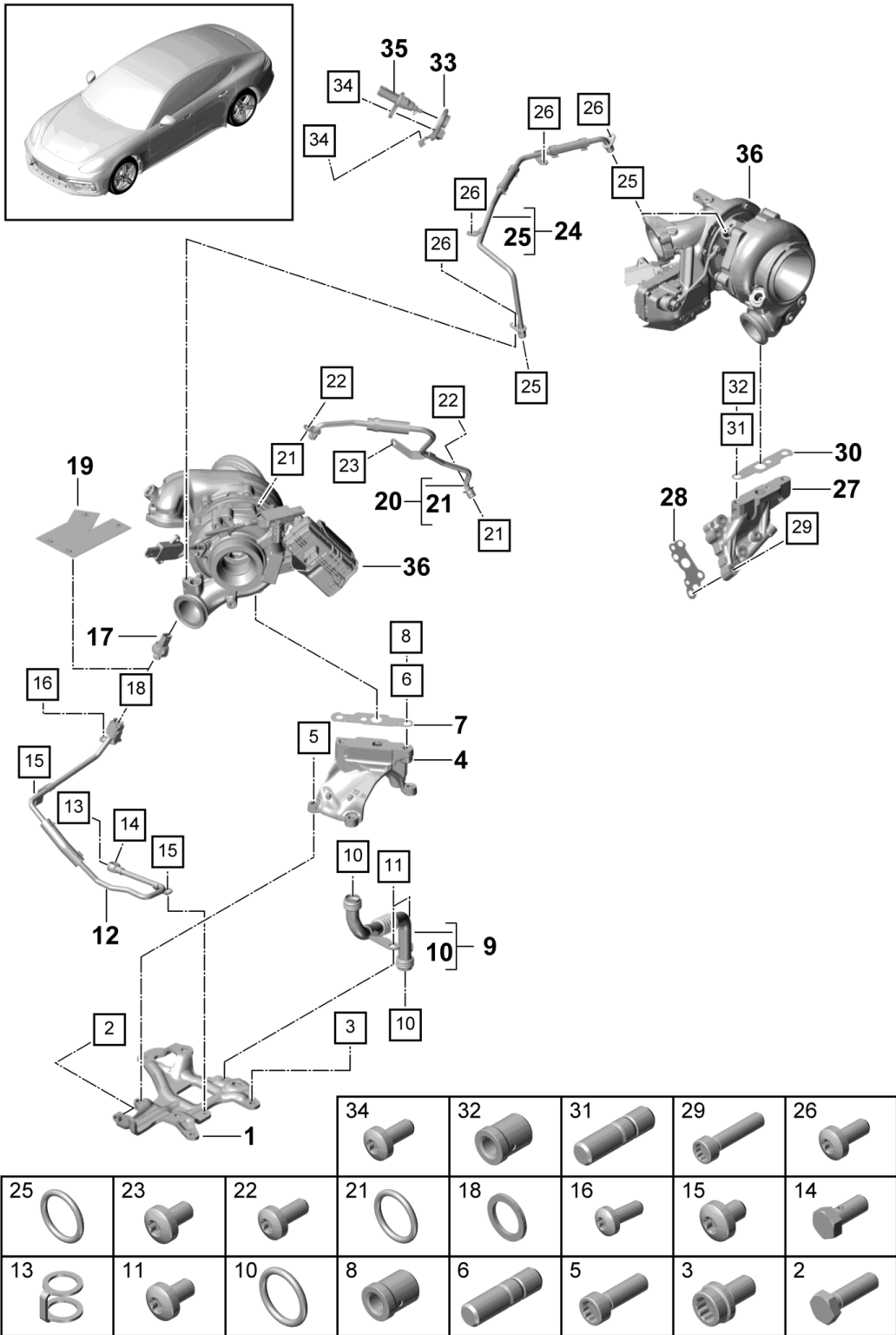
Model: 971-17

Model life 2017>>

Pos	Part Number	Description	Remark	Qty	Model
		Cooling for Turbocharger Water cooling Oil cooling			MCS.ZA MDG.PA
1	9A7 145 909 10	Cooling water tube Supply	/L	1	
		Use also: 9A7.422.379.00		1	
2	9A7 007 689 00	O-ring 9,7 X 2		1	
3	N 103 352 06	Round head screw M 6 X 12		1	
4	9A7 422 379 00	Hose clamp 15,7 X 12		1	
5	9A7 145 910 10	Cooling water tube Supply	/R	1	
		Use also: 9A7.422.379.00		1	
6	9A7 007 689 00	O-ring 9,7 X 2		1	
7	N 103 352 06	Round head screw M 6 X 12		1	
8	9A7 422 379 00	Hose clamp 15,7 X 12		1	
9	9A7 145 947 10	Cooling water tube Return line	/L	1	
10	9A7 007 689 00	O-ring 9,7 X 2		2	
11	N 103 352 06	Round head screw M 6 X 12		1	
12	N 104 514 08	Lens-head screw M 6 X 16		1	
13	9A7 145 948 10	Cooling water tube Return line	/R	1	
14	9A7 007 689 00	O-ring 9,7 X 2		2	
15	N 103 352 06	Round head screw M 6 X 12		1	
16	N 104 514 08	Lens-head screw M 6 X 16		1	
17	9A7 145 140 10	Oil Distributor line Supply		1	
18	9A7 007 689 00	O-ring 9,7 X 2		2	
19	9A7 006 901 00	O-ring 14,5 X 2 - N		1	
20	N 103 352 06	Round head screw M 6 X 12		2	
21	N 104 514 08	Lens-head screw M 6 X 16		1	
22	9A7 145 734 00	Return line Turbocharger		2	
		Use also: 9A7.145.263.00		2	
23	9A7 145 263 00	Support		2	

Model: 971-17

Model life 2017>>



Model: 971-17

Model life 2017>>

Pos	Part Number	Description	Remark	Qty	Model
		Cooling for Turbocharger			MDB.UC
1	9A7 145 191 00	Oil cooling Support Turbocharger		1	
2	N 010 217 23	Hexagon-head bolt M 6 X 20		1	
3	N 911 361 01	Pan-head screw M 8 X 14		3	
4	9A7 145 093 00	Support Turbocharger		1	
5	N 910 215 02	Pan-head screw M 8 X 25		4	
6	N 044 517 8	Stud M 10 X 25		2	
7	9A7 145 774 03	Gasket		1	
8	9A7 007 402 00	Fastening part M 10		2	
9	9A7 145 735 00	Oil return circuit		1	
10	9A7 145 117 00	O-ring 15 X 2,5		2	
11	N 101 703 02	Oval-head screw M 6 X 10		2	
12	9A7 145 826 00	Connecting tube		1	
13	9A7 145 119 00	Gasket		1	
14	9A7 007 566 00	Banjo bolt M 10 X 1		1	
15	N 106 803 02	Round head screw M 6 X 8		2	
16	N 104 514 08	Lens-head screw M 6 X 16		1	
17	958 111 526 11	Pressure sensor		1	
18	N 013 813 2	Sealing ring A 12 X 17		1	
19	9A7 131 991 01	Heat protection		1	
20	9A7 145 771 10	Oil tube		1	
21	9A7 145 119 10	O-ring 9,1 X 1,6		2	
22	N 104 056 04	Oval-head screw M 6 X 14		2	
23	N 101 703 02	Oval-head screw M 6 X 10		1	
24	9A7 145 825 00	Oil Connecting line		1	
25	9A7 145 119 10	O-ring 9,1 X 1,6		2	
26	N 104 056 04	Oval-head screw M 6 X 14		4	
27	9A7 145 094 03	Support Turbocharger		1	
28	9A7 103 147 30	Gasket		1	
29	N 909 035 02	Multiple-tooth screw M 8 X 35		4	
30	9A7 145 774 03	Gasket		1	
31	N 044 517 8	Stud M 10 X 25		2	
32	9A7 007 402 00	Fastening part M 10		2	
33	9A7 145 268 03	Support		1	
34	N 104 056 04	Oval-head screw M 6 X 14		2	
35	958 606 623 00	Temperature sensor		1	

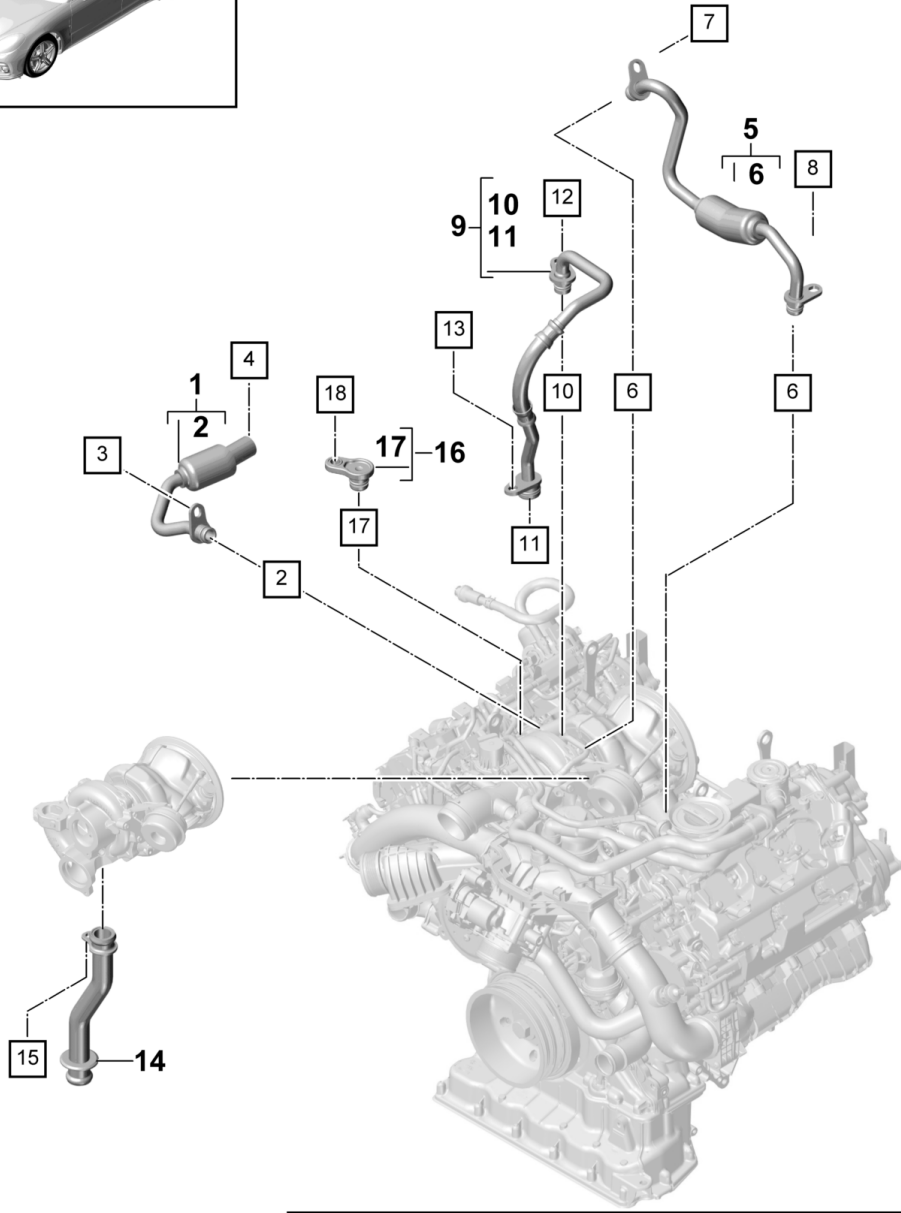
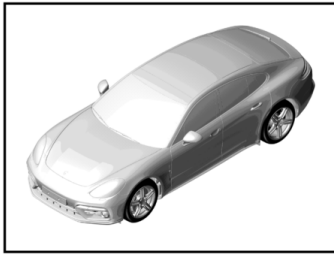
Model: 971-17

Model life 2017>>

Pos	Part Number	Description	Remark	Qty	Model
36		Turbocharger See illustrations 2/02/15			

Model: 971-17

Model life 2017>>



			18	17	15	13	12
13	10	8	7	6	4	3	2

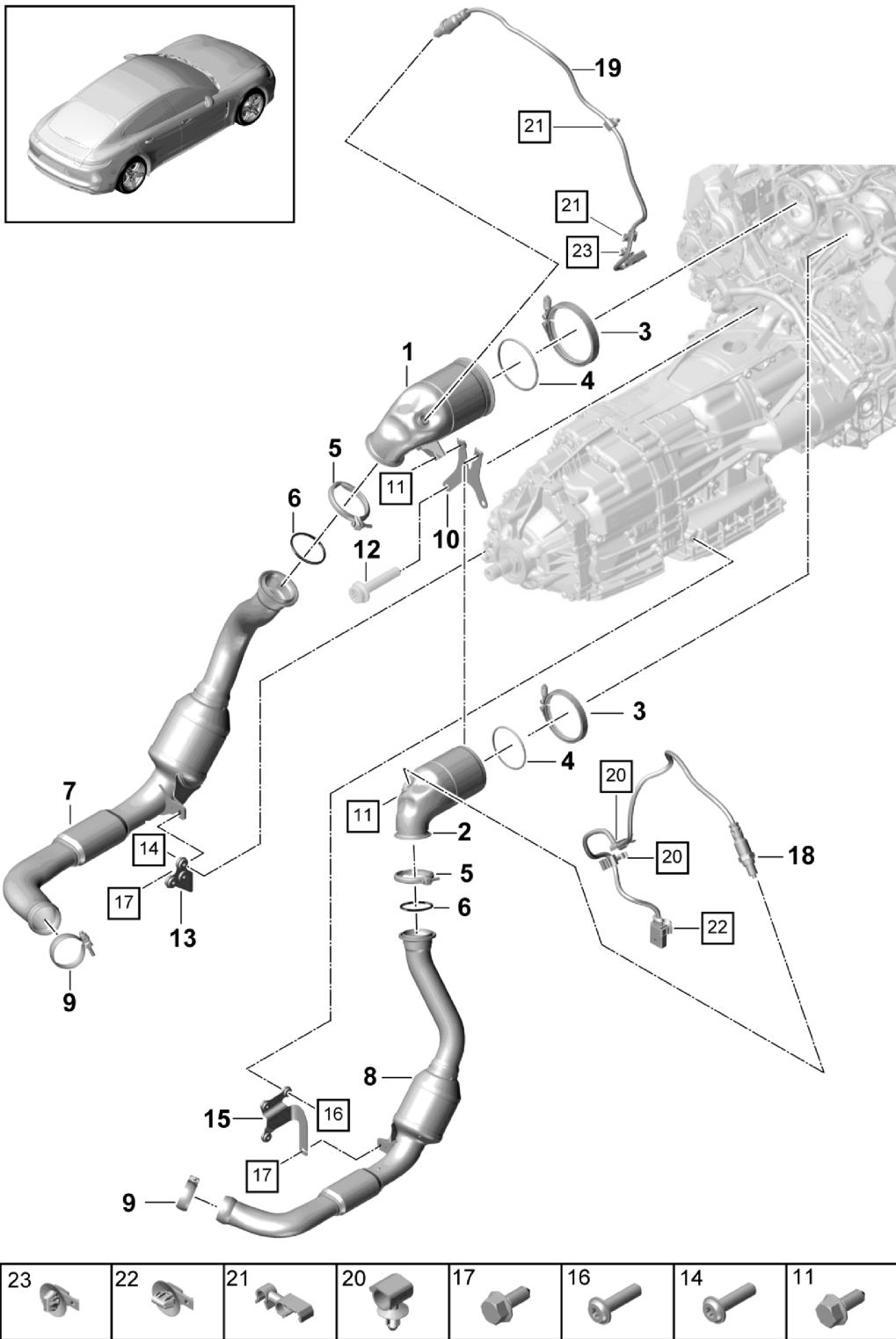
Model: 971-17

Model life 2017>>

Pos	Part Number	Description	Remark	Qty	Model
		Cooling for Turbocharger			MCX.TA
1	9A7 145 920 00	Cooling water tube Supply		1	
		Use also: 9A7.422.379.00		1	
2	9A7 007 689 00	O-ring 9,7 X 2		1	
3	N 103 352 06	Round head screw M 6 X 12		1	
4	9A7 422 379 00	Hose clamp 15,7 X 12		1	
5	9A7 145 963 05	Cooling water tube Return line		1	
6	9A7 007 689 00	O-ring 9,7 X 2		2	
7	N 103 352 06	Round head screw M 6 X 12		1	
8	N 104 514 08	Lens-head screw M 6 X 16		1	
9	9A7 145 144 05	Oil Line Supply		1	
10	9A7 007 689 00	O-ring 9,7 X 2		1	
11	9A7 006 901 00	O-ring 14,5 X 2 - N		1	
12	N 103 352 06	Round head screw M 6 X 12		1	
13	N 104 514 08	Lens-head screw M 6 X 16		1	
14	9A7 145 736 05	Return line Turbocharger		1	
		Use also: 9A7.145.263.00		1	
15	9A7 145 263 00	Support		2	
16	9A7 145 040 01	Catch		1	
17	9A7 007 689 00	O-ring		1	
18	N 104 514 08	Lens-head screw M 6 X 16		1	

Model: 971-17

Model life 2017>>



Model: 971-17

Model life 2017>>

Pos	Part Number	Description	Remark	Qty	Model
		Exhaust system Catalytic converter Oxygen sensor After Catalytic converter			MCV.DA
1	9A7 254 300 00	Exhaust pipe with Catalytic converter		1	
(1)	9A7 254 300 X	Upper left Exhaust pipe with Catalytic converter		1	
2	9A7 254 350 00	Upper left Exhaust pipe with Catalytic converter		1	
(2)	9A7 254 350 X	Upper right Exhaust pipe with Catalytic converter		1	
3	9A7 253 725 00	Upper right Clip Use also: 9A7.253.115.00		2	
4	9A7 253 115 00	Gasket		1	
(4)	9A7 253 115 01	Gasket		2	
5	5Q0 253 725 C	Clip		2	
6	5Q0 253 115 B	Gasket		2	
7	9A7 254 400 00	Exhaust pipe with Catalytic converter		1	
(7)	9A7 254 400 X	Lower Left Exhaust pipe with Catalytic converter		1	
8	9A7 254 450 00	Lower Left Exhaust pipe with Catalytic converter		1	
(8)	9A7 254 450 X	Lower Right Exhaust pipe with Catalytic converter		1	
9	955 111 108 30	Lower Right Clamp		2	
10	9A7 253 047 00	Support Use also: 9A7.008.396.00		1	
11	N 106 531 02	Hexagon-head bolt M 8 X 20		2	
12		Hexagon-head bolt M 12 X 100 X 30 See illustrations 3/06/00		2	
13	9A7 253 250 00	Support	/L	1	
14	9A7 007 959 00	Round head screw M 8 X 30		3	
15	9A7 253 251 00	Support	/R	1	
16	9A7 007 959 00	Round head screw		3	

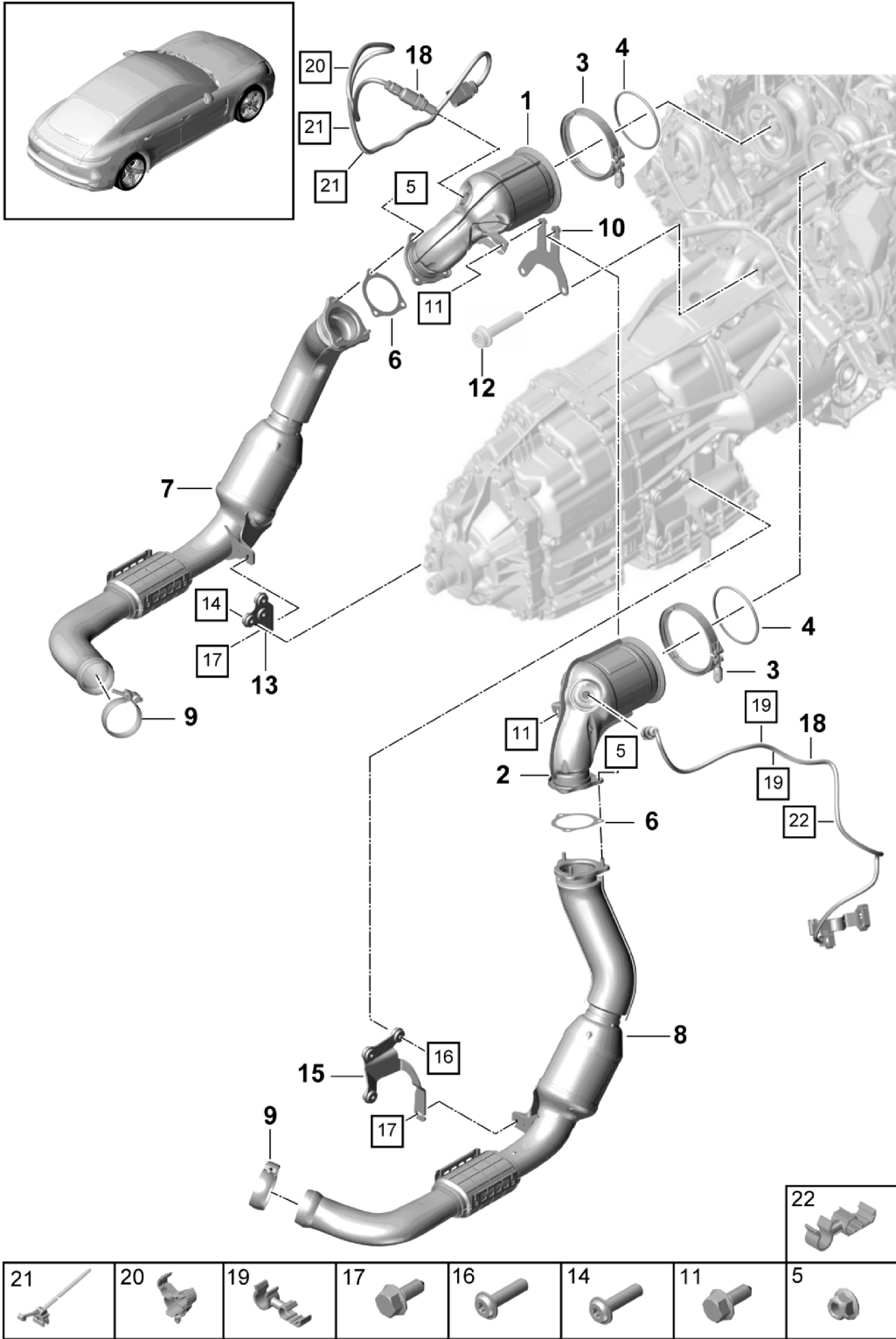
Model: 971-17

Model life 2017>>

Pos	Part Number	Description	Remark	Qty	Model
17	N 106 531 02	M 8 X 30 Hexagon-head bolt		2	
18	9A7 906 265 50	M 8 X 20 Oxygen sensor After Catalytic converter		1	I0K0
(18)	9A7 906 265 52	Oxygen sensor After Catalytic converter		1	I0K3
19	9A7 906 265 60	Oxygen sensor After Catalytic converter		1	I0K0
(19)	9A7 906 265 53	Oxygen sensor After Catalytic converter		1	I0K3
20	N 906 814 01	Hose holder		2	
21	N 104 593 01	Cable holder		2	
(21)	N 104 593 02	Cable holder		2	
22	958 572 830 00	Clip Oxygen sensor		1	
(22)	9A7 008 664 00	Clip Oxygen sensor		1	
23	9A7 971 830 00	Support Oxygen sensor		1	

Model: 971-17

Model life 2017>>



Model: 971-17

Model life 2017>>

Pos	Part Number	Description	Remark	Qty	Model
		Exhaust system			MCS.ZA MDG.PA
1	971 254 300 K	Catalytic converter Oxygen sensor After Catalytic converter Exhaust pipe with Catalytic converter Upper left		1	
(1)	971 254 300 KX	Exhaust pipe with Catalytic converter Upper left		1	
2	971 254 350 K	Exhaust pipe with Catalytic converter Upper right		1	
(2)	971 254 350 KX	Exhaust pipe with Catalytic converter Upper right		1	
3	9A7 253 725 00	Clip Use also: 9A7.253.115.00		2	
4	9A7 253 115 00	Gasket		1	
(4)	9A7 253 115 01	Gasket		2	
5	N 911 308 01	Hexagon nut M 8		2	
6	958 111 113 00	Gasket		6	
7	971 254 400 G	Exhaust pipe with Catalytic converter Lower Left		2	
(7)	971 254 400 GX	Exhaust pipe with Catalytic converter Lower Left		1	
8	971 254 450 G	Exhaust pipe with Catalytic converter Lower Right		1	
(8)	971 254 450 GX	Exhaust pipe with Catalytic converter Lower Right		1	
9	955 111 108 30	Clamp		2	
10	9A7 253 047 10	Support Use also: 9A7.008.396.00		1	
11	N 106 531 02	Hexagon-head bolt M 8 X 20		2	
12		Hexagon-head bolt M 12 X 100 X 30 See illustrations 3/06/00		2	
13	9A7 253 250 00	Support	/L	1	
14	9A7 007 959 00	Round head screw M 8 X 30		3	

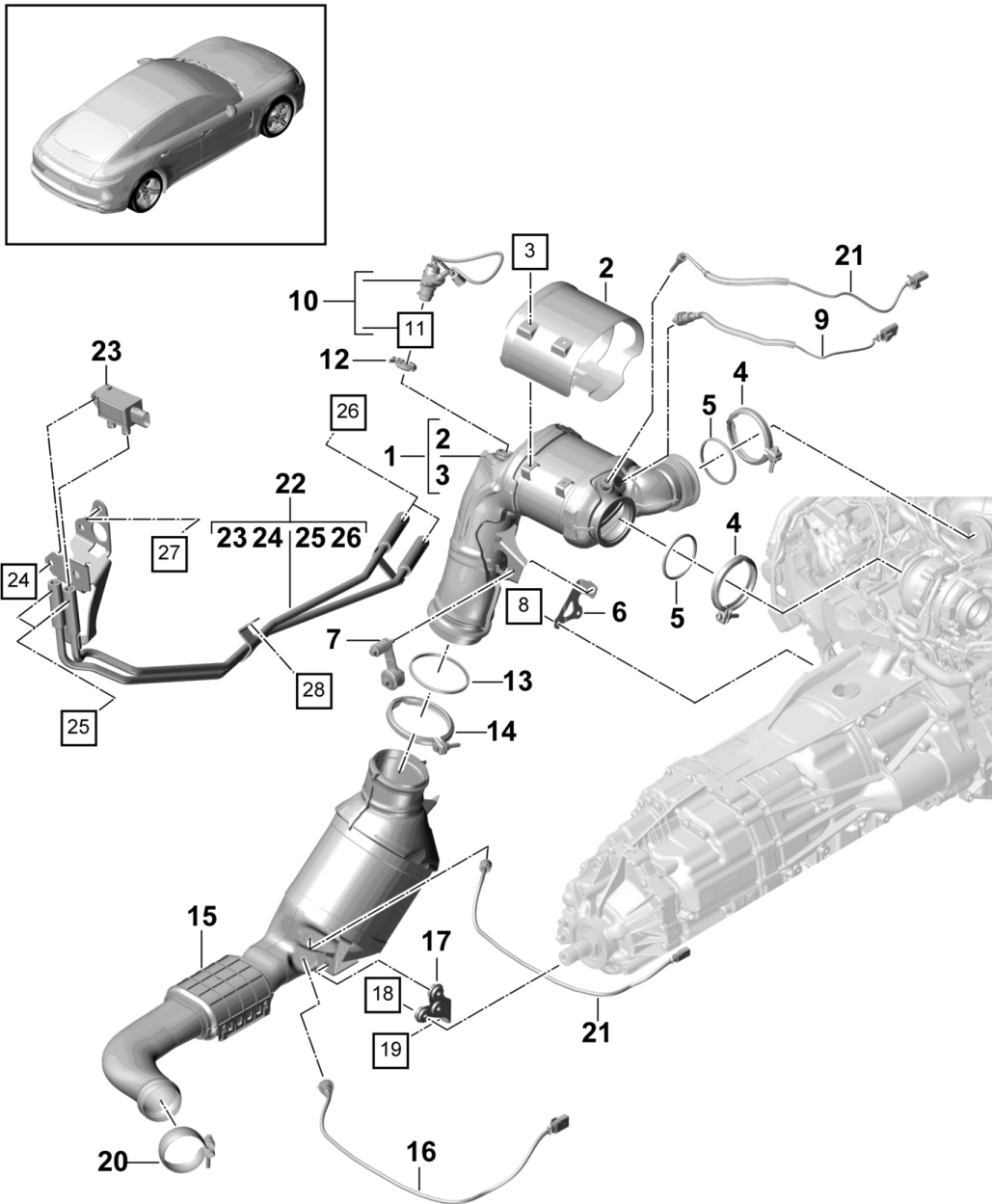
Model: 971-17

Model life 2017>>

Pos	Part Number	Description	Remark	Qty	Model
15	9A7 253 251 00	Support	/R	1	
16	9A7 007 959 00	Round head screw M 8 X 30		3	
17	N 106 531 02	Hexagon-head bolt M 8 X 20		2	
18	9A7 906 265 50	Oxygen sensor After Catalytic converter		2	MCS.ZA
(18)	9A7 906 265 52	Oxygen sensor After Catalytic converter		2	MDG.PA
19	N 104 630 01	Combination holder		2	
(19)	N 105 213 01	Combination holder		2	
(19)	N 104 630 02	Combination holder		2	
20	8E0 201 449 R	Cable holder		1	
21	958 606 838 10	Tie-wrap		2	
22	N 104 364 02	Combination holder		1	

Model: 971-17

Model life 2017>>



						28	27
26	25	24	19	18	11	8	3

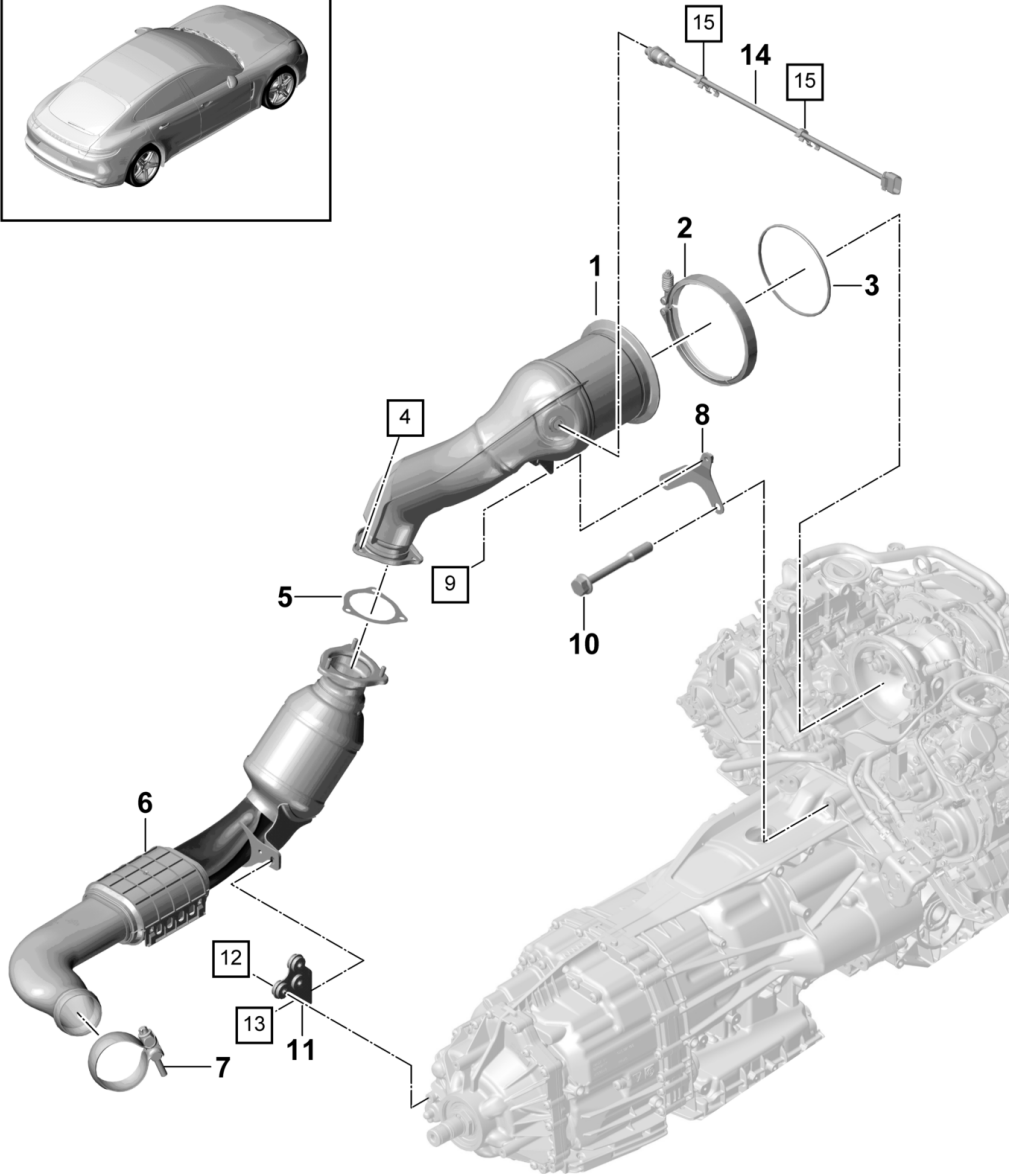
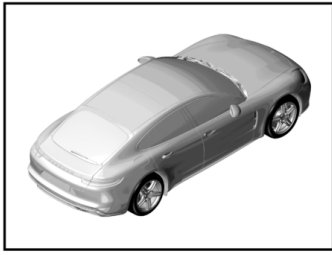
Model: 971-17

Model life 2017>>

Pos	Part Number	Description	Remark	Qty	Model
		Exhaust system Catalytic converter Oxygen sensor			MDB.UC
1	971 254 300 D	Exhaust pipe with Catalytic converter		1	
(1)	971 254 300 DX	Exhaust pipe with Catalytic converter		1	
2	9A7 253 233 00	Heat shield		1	
3	N 106 803 03	Lens-head screw M 6 X 8		3	
4	5Q0 253 725 C	Clip		2	
5	5Q0 253 115 B	Gasket		2	
6	9A7 253 250 03	Support		1	
7	9A7 253 230 00	Support		1	
8	N 106 531 02	Hexagon-head bolt M 8 X 20		2	
9	9A7 906 262 00	Oxygen sensor		1	
10	9A7 131 113 00	Pre-catalytic converter Injector valve		1	
(10)	9A7 131 113 02	Emission control Injector valve Emission control		1	
11	04L 253 115	Gasket		1	
12	958 111 625 10	Clip		1	
13	9A7 253 115 30	Gasket		1	
14	9A7 253 725 20	Clip		1	
15	971 254 800 D	Particle filter		1	
(15)	971 254 800 DX	Particle filter		1	
16	9A7 906 262 10	Oxygen sensor After Particle filter Use also: 958.606.838.10		4	
17	9A7 253 250 10	Support		1	
18	9A7 007 959 00	Round head screw M 8 X 30		3	
19	N 106 531 02	Hexagon-head bolt M8 X 20		1	
20	9A7 253 139 40	Clip		1	
21		Sensor See illustrations 2/02/85			
22	9A7 131 552 04	Control line for Particle filter		1	
23	9A7 906 051 30	Pressure sensor		1	
24	N 104 134 05	Outer hexagon round screw M 6 X 25		1	
25	N 107 694 01	Clamp B 13,5 X 8,4		2	
26	958 111 483 10	Clamp B 13,5 X 12		2	
27	N 104 514 05	Round head screw M 6 X 16		2	
28	N 106 839 01	Oval-head screw TP 6 X 12		1	

Model: 971-17

Model life 2017>>



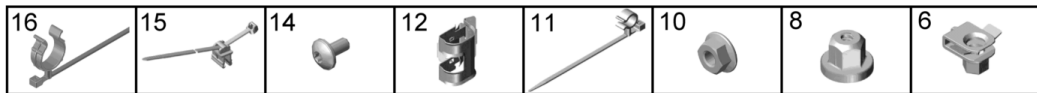
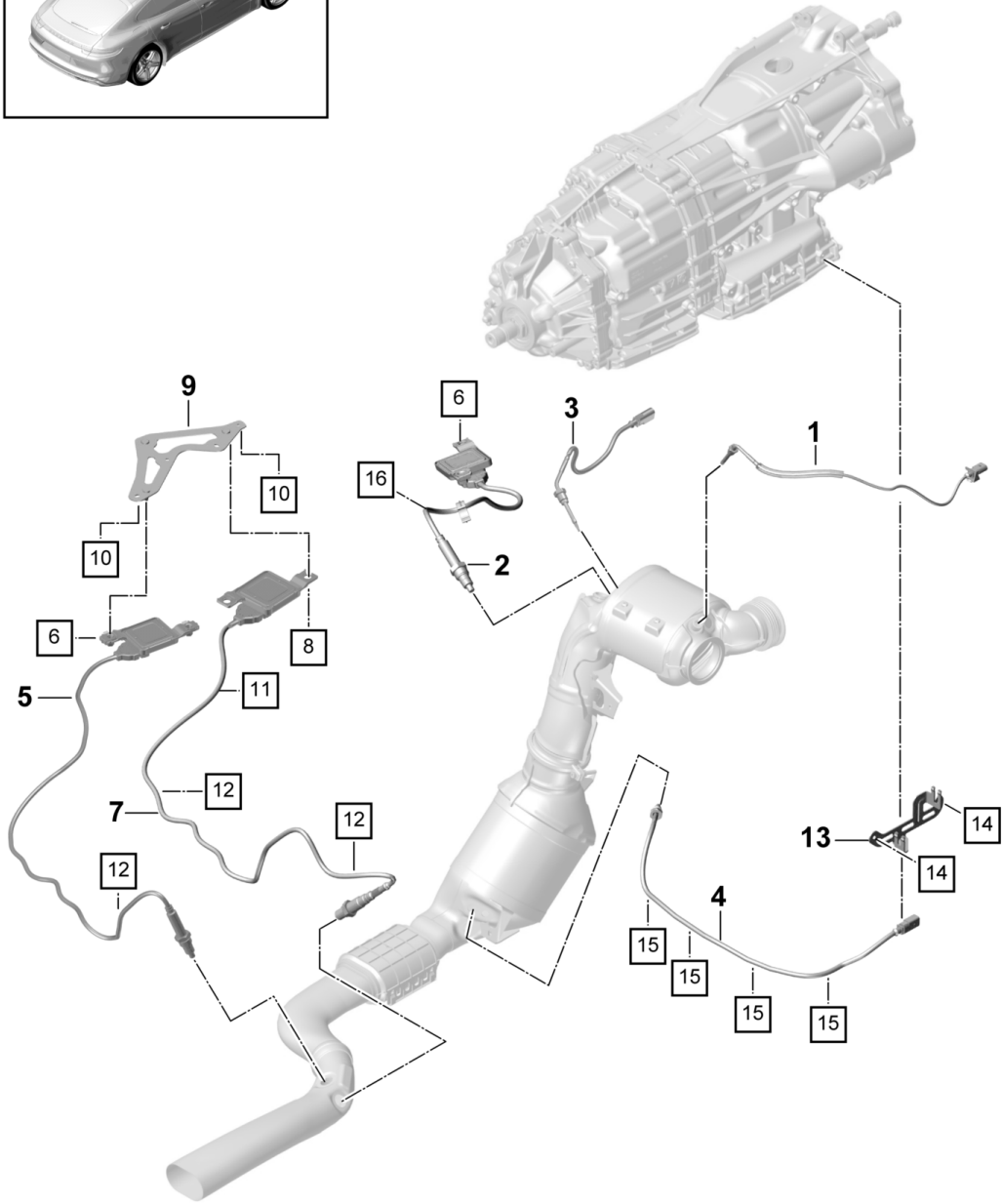
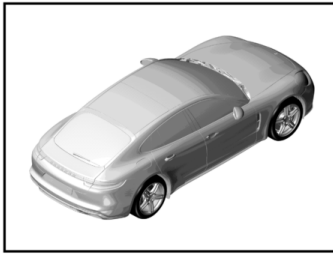
Model: 971-17

Model life 2017>>

Pos	Part Number	Description	Remark	Qty	Model
		Exhaust system Catalytic converter			MCX.TA
1	9A7 254 300 05	Exhaust pipe with Catalytic converter		1	
(1)	9A7 254 300 EX	Upper Exhaust pipe with Catalytic converter		1	
2	9A7 253 725 10	Upper left Clip		1	
3	9A7 253 115 07	Use also: 9A7.253.115.07 Gasket		1	
4	N 911 308 01	Hexagon nut M 8		3	
5	958 111 113 00	Gasket		1	
6	9A7 254 400 05	Exhaust pipe with Catalytic converter		1	
(6)	9A7 254 400 EX	Lower Left Exhaust pipe with Catalytic converter		1	
7	955 111 108 30	Left Clamp		1	
8	9A7 253 047 20	Support		1	
9	N 106 531 02	Use also: 9A7.008.396.00 Hexagon-head bolt M 8 X 20		2	
10		Hexagon-head bolt M 12 X 100 X 30 See illustrations 3/06/00		1	
11	9A7 253 250 00	Support		1	
12	9A7 007 959 00	Round head screw M 8 X 30		3	
13	N 106 531 02	Hexagon-head bolt M 8 X 20		1	
14	9A7 906 265 50	Oxygen sensor After Catalytic converter		1	
15	N 104 630 01	Combination holder		2	
(15)	N 104 364 02	Combination holder		4	

Model: 971-17

Model life 2017>>



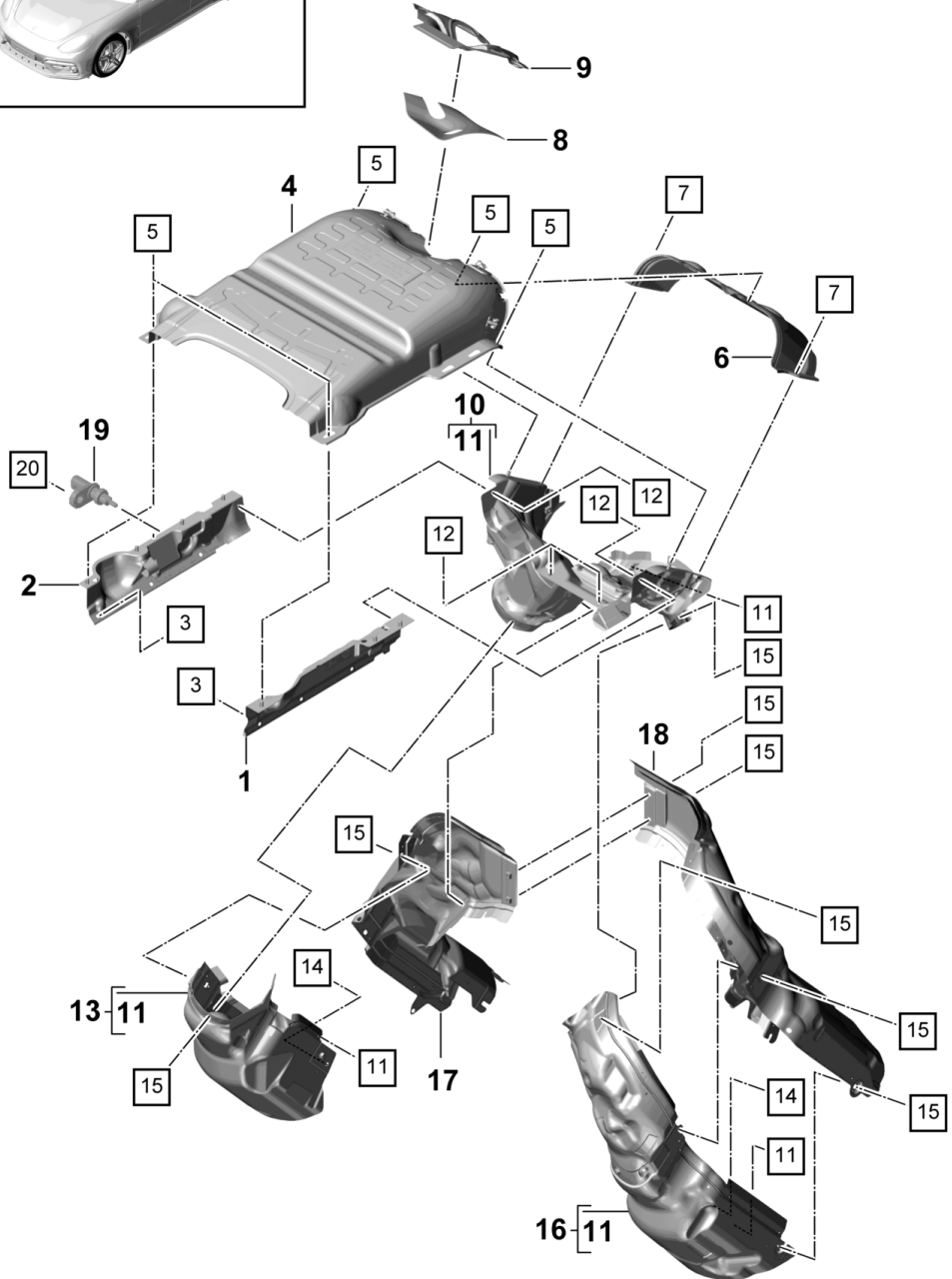
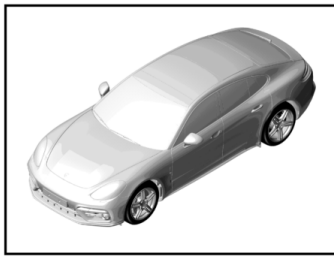
Model: 971-17

Model life 2017>>

Pos	Part Number	Description	Remark	Qty	Model
		Exhaust system Emission control Sensor			MDB.UC
1	9A7 906 088 24	Temperature sensor		1	
2	9A7 907 807 00	Sensor in front of Particle filter Use also: 958.606.407.00		1	
3	971 906 088 A	Temperature sensor		2	
4	9A7 906 088 00	Temperature sensor Use also: 958.606.838.10		1	
5	9A7 907 807 10	Sensor After Particle filter Use also: 958.606.407.00		4	
6	958 606 407 00	Support		1	
7	9A7 906 261 00	Sensor After Particle filter Use also: 999.076.081.40		4	
8	999 076 081 40	Plastic nut T 5		2	
9	971 971 453 D	Support		2	
10	N 015 082 10	Hexagon nut M 6		1	
11	N 107 800 01	Combination holder A 05-4.5 X 140 X C01-11		2	
12	9A7 971 848 03	Cable terminal		1	
13	971 971 453 C	Support		3	
14	N 910 733 01	Oval-head screw M 6 X 12		1	
15	958 606 838 10	Tie-wrap 193 X 1,0 - 45		2	
16	N 107 723 01	Cable holder		4	

Model: 971-17

Model life 2017>>



20	15	14	12	11	7	5	3
----	----	----	----	----	---	---	---

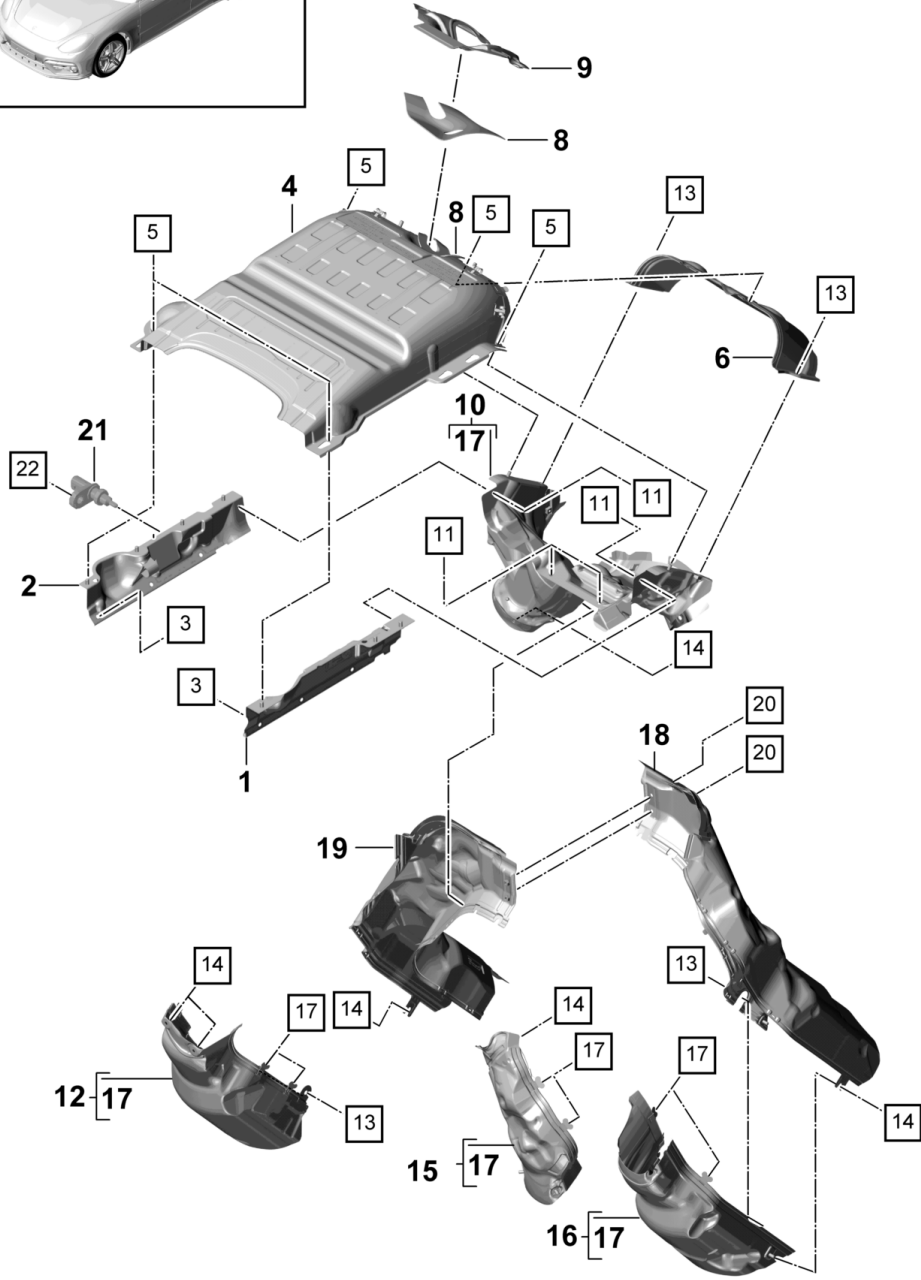
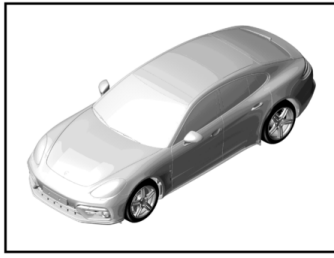
Model: 971-17

Model life 2017>>

Pos	Part Number	Description	Remark	Qty	Model
		Exhaust system Heat protection Air duct Supplier FA.THERMAMAX TMX M >> CVD002300			MCV.DA
1	9A7 119 363 03	Heat shield	/L	1	
2	9A7 119 364 03	Heat shield	/R	1	
3	N 103 352 07	Round head screw M 6 X 12		6	
4	9A7 119 369 01	Air guide Upper		1	
5	N 911 893 03	Hexagon nut M 6		13	
6	9A7 119 368 01	Air guide Rear		1	
7	N 107 591 01	Hexagon-head bolt M 6 X 12		2	
8	9A7 119 520 00	Gasket		2	
9	9A7 119 471 00	Lid		1	
10	9A7 119 213 00	Air duct Lower		1	
11	N 106 884 02	Hexagon-head bolt M 6 X 8		6	
12	N 910 966 01	Lens-head screw M 6 X 12		4	
13	9A7 119 213 10	Air duct Lower	/R	1	
14	N 910 793 01	Hexagon-head bolt M 8 X 16		2	
15	N 107 591 01	Hexagon-head bolt M 8 X 12		19	
16	9A7 119 213 20	Air duct Lower	/L	1	
17	9A7 119 364 00	Air guide Upper	/R	1	
18	9A7 119 364 10	Air guide Upper	/L	1	
19	9A7 919 501 10	Temperature sensor		1	
20	N 103 352 06	Round head screw M 6 X 12		1	

Model: 971-17

Model life 2017>>



22	20	17	14	13	11	5	3

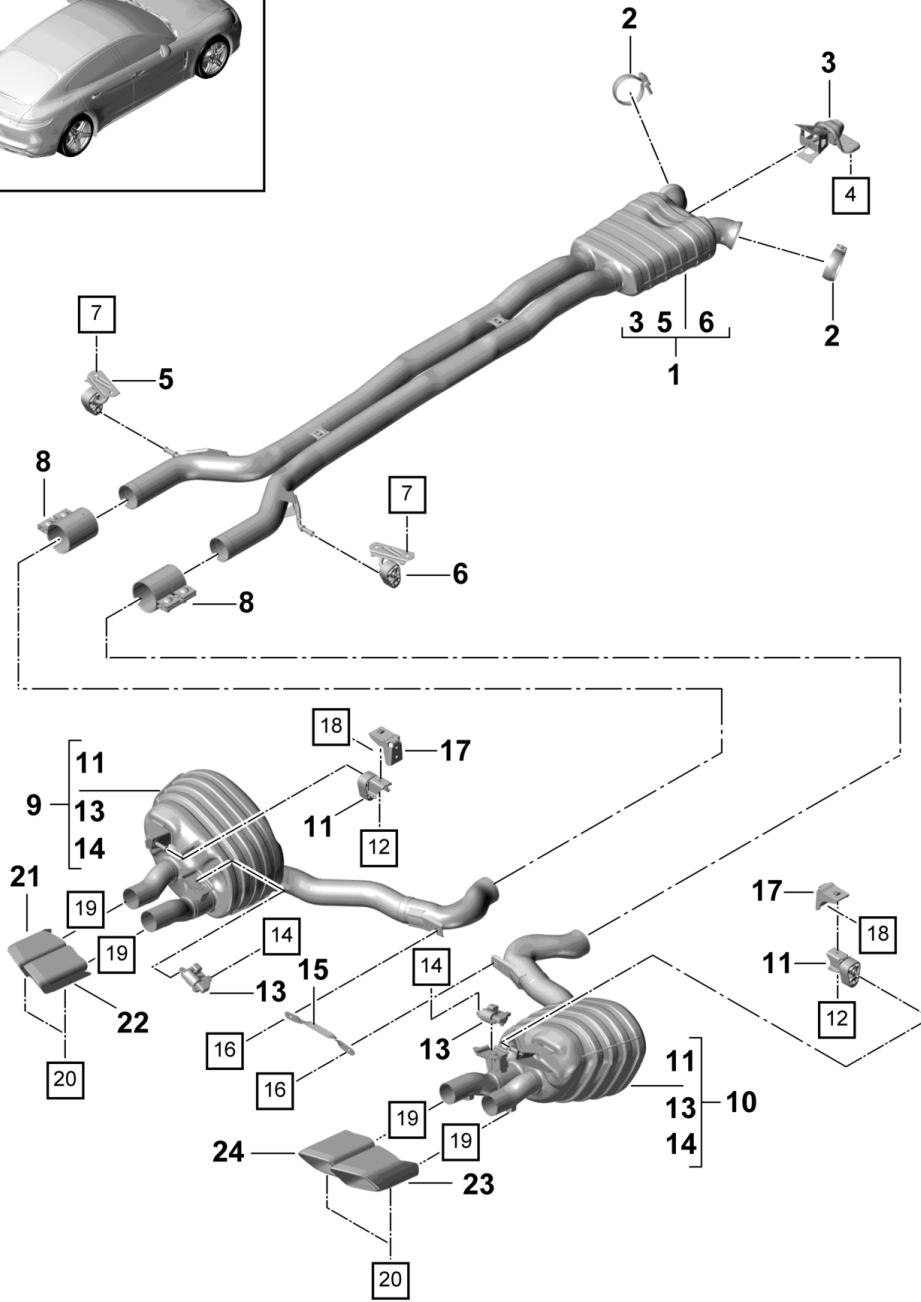
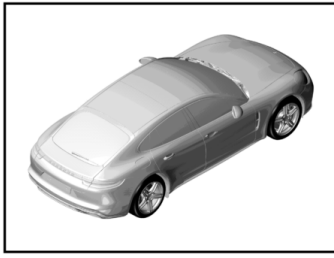
Model: 971-17

Model life 2017>>

Pos	Part Number	Description	Remark	Qty	Model
		Exhaust system Heat protection Air duct Supplier FA. ISOLITE GHJ M CVD002301 >>			MCV.DA
1	9A7 119 363 04	Heat shield	/L	1	
2	9A7 119 364 04	Heat shield	/R	1	
3	N 103 352 07	Round head screw M 6 X 12		6	
4	9A7 119 369 02	Air guide Upper		1	
5	N 911 893 03	Hexagon nut M 6		11	
6	9A7 119 368 02	Air guide Rear		1	
8	9A7 119 520 01	Gasket		2	
9	9A7 119 471 01	Lid		1	
10	9A7 119 213 01	Air duct Lower		1	
11	N 910 966 01	Lens-head screw M 6 X 12		4	
12	9A7 119 213 11	Air duct Lower	/R	1	
13	N 910 793 01	Hexagon-head bolt M 8 X 16		2	
14	N 015 082 15	Hexagon nut M 6		12	
(14)	N 908 877 03	F >>97HL1 53006 Hexagon nut M 6 F 97HL1 53007>>97HL1 53425		3	
(14)	N 015 082 15	Threaded joint POS.18 UND 19 Transmission Centre Upper Hexagon nut M 6 F 97HL1 53007>>97HL1 53425		9	
(14)		Hexagon nut M 6 F 97HL1 53426>>		12	
15	9A7 119 364 20	Air duct Lower	/L	1	
16	9A7 119 364 30	Air duct Lower	/L	1	
17	9A7 119 643 00	Terminal		14	
18	9A7 119 364 11	Air guide Upper	/L	1	
19	9A7 119 364 01	Air guide Upper	/R	1	
20	N 107 591 01	Hexagon-head bolt M 6 X 12		2	
21	9A7 919 501 10	Temperature sensor		1	
22	N 103 352 06	Round head screw M 6 X 12		1	

Model: 971-17

Model life 2017>>



20	19	18	16	14	12	7	4
----	----	----	----	----	----	---	---

Model: 971-17 Model life 2017>>

Pos	Part Number	Description	Remark	Qty	Model
		Exhaust system			MCV.DA IOP0/OP3/OP6
		Front muffler			
		Rear muffler			
		Tail pipe			
1	971 253 209 BY	Front muffler		1	IOE1
(1)	971 253 209 KY	Front muffler		1	IOE2
2	955 111 108 30	Clamp		2	
3	9A7 253 144 00	Support		1	
4	N 910 793 01	Hexagon-head bolt M 8 X 16		2	
5	9A7 253 245 00	Support	/L	1	
		Exhaust system with Rubber			
6	9A7 253 246 00	Support	/R	1	
		Exhaust system with Rubber			
7	N 910 793 01	Hexagon-head bolt M 8 X 16		4	
8	9A7 253 141 00	Clamping sleeve 70 X 79		2	
9	971 253 607 BY	Rear muffler	/L	1	
10	971 253 608 BY	Rear muffler	/R	1	
11	9A7 253 245 10	Support with Rubber		2	
12	N 910 793 01	Hexagon-head bolt M 8 X 16		2	
13	9A7 133 246 00	Electric motor Exhaust gas Flap		2	
(13)	9A7 133 246 05	Electric motor Exhaust gas Flap		2	
15	9A7 253 521 00	Strut		1	
16	N 910 793 01	Hexagon-head bolt M 8 X 16		2	
17	9A7 253 277 00	Support		2	
18	N 909 210 02	Hexagon-head bolt M 8 X 22		4	
19	N 903 425 02	Speed nut M 6 X 19,5 X 18		4	
20	9A7 008 019 00	Round head screw M 6 X 12		4	
21	9A7 253 823 00	Tail pipe Left Outer		1	IOP0
(21)	9A7 253 823 30	Tail pipe Left Outer		1	IOP3
(21)	9A7 253 823 40	Tail pipe Left Outer		1	IOP6
22	9A7 253 823 05	Tail pipe Left Inner		1	IOP0
(22)	9A7 253 823 35	Tail pipe Left Inner		1	IOP3
(22)	9A7 253 823 45	Tail pipe Left		1	IOP6

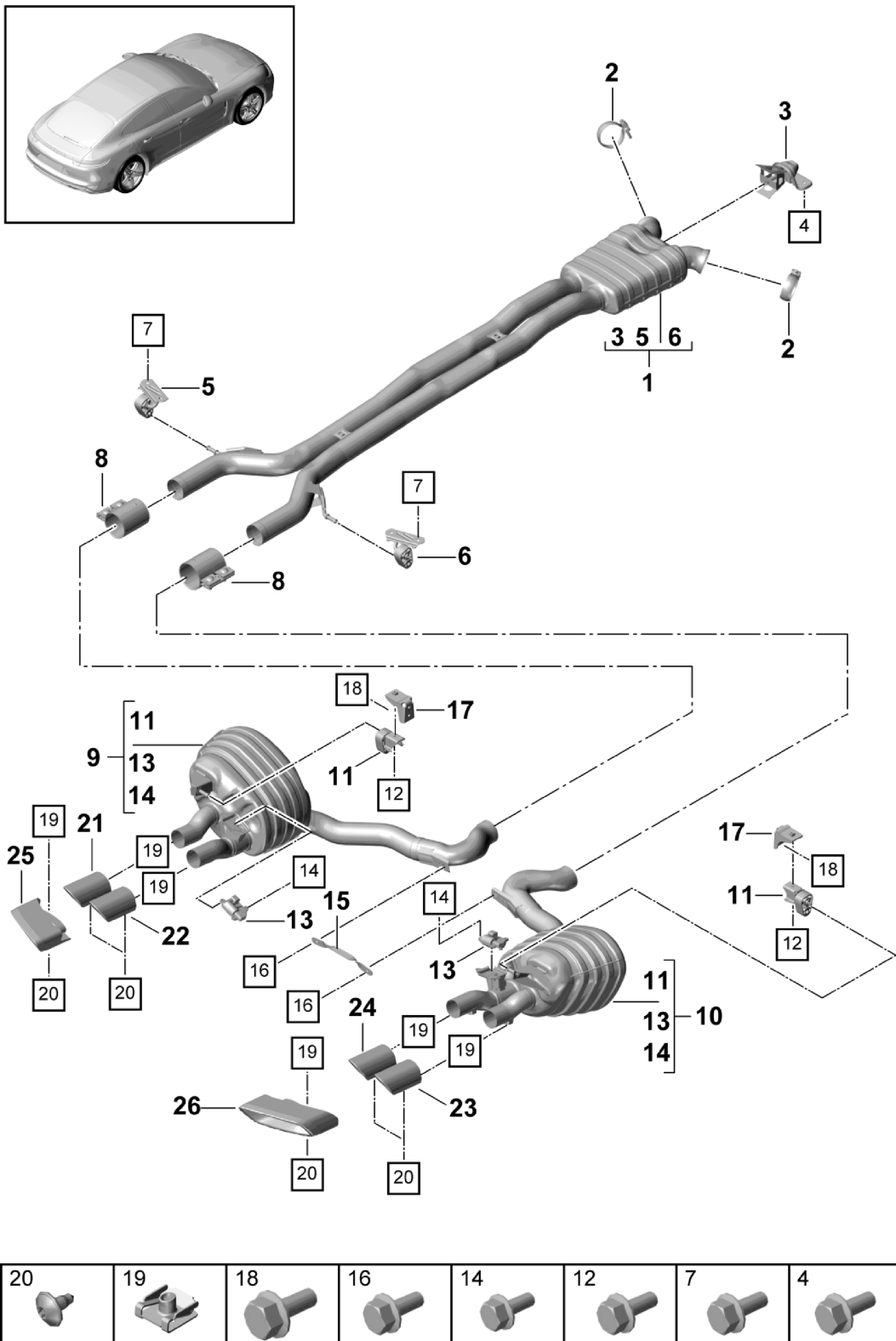
Model: 971-17

Model life 2017>>

Pos	Part Number	Description	Remark	Qty	Model
23	9A7 253 824 00	Inner Tail pipe Right		1	IOP0
(23)	9A7 253 824 30	Outer Tail pipe Right		1	IOP3
(23)	9A7 253 824 40	Outer Tail pipe Right		1	IOP6
24	9A7 253 824 05	Outer Tail pipe Right		1	IOP0
(24)	9A7 253 824 35	Inner Tail pipe Right		1	IOP3
(24)	9A7 253 824 45	Inner Tail pipe Right Inner		1	IOP6

Model: 971-17

Model life 2017>>



Model: 971-17

Model life 2017>>

Pos	Part Number	Description	Remark	Qty	Model
		Exhaust system			MCS.ZA MDG.PA IOP0/OP3/OP6
1	971 253 209 AY	Front muffler		1	IOE1
(1)	971 253 209 JY	Front muffler		1	IOE2
2	955 111 108 30	Clamp		2	
3	9A7 253 144 00	Support		1	
4	N 910 793 01	Hexagon-head bolt M 8 X 16		2	
5	9A7 253 245 00	Support	/L	1	
		Exhaust system with Rubber			
6	9A7 253 246 00	Support	/R	1	
		Exhaust system with Rubber			
7	N 910 793 01	Hexagon-head bolt M 8 X 16		4	
8	958 111 220 10	Clamping sleeve 65 X 88		2	
9	971 253 607 AY	Rear muffler	/L	1	IA8F/1A2
(9)	971 253 607 KY	Rear muffler	/L	1	IA8C/OK3/OP0
(9)	971 253 607 AY	Rear muffler	/L	1	IA8C/OK3/OP3 IOP6
10	971 253 608 AY	Rear muffler	/R	1	IA8F/1A2
(10)	971 253 608 KY	Rear muffler	/R	1	IA8C/OK3/OP0
(10)	971 253 608 AY	Rear muffler	/R	1	IA8C/OK3/OP3 IOP6
11	9A7 253 245 10	Support with Rubber		2	
12	N 910 793 01	Hexagon-head bolt M 8 X 16		2	
13	9A7 133 246 00	Electric motor Exhaust gas Flap		2	
(13)	9A7 133 246 05	Electric motor Exhaust gas Flap		2	
15	9A7 253 521 00	Strut		1	
16	N 910 793 01	Hexagon-head bolt M 8 X 16		2	
17	9A7 253 277 00	Support		2	
18	N 909 210 02	Hexagon-head bolt M 8 X 22		4	
19	N 903 425 02	Speed nut M 6 X 19,5 X 18		4	IA8F
(19)		Speed nut		4	IA8C/OK3/OP3 IOP6
(19)		M 6 X 19,5 X 18 Speed nut		2	IA8C/OK3/OP0
20	9A7 008 019 00	M 6 X 19,5 X 18 Round head screw M 6 X 12		4	IA8F
(20)		Round head screw		4	IA8C/OK3/OP3 IOP6
(20)		M 6 X 12 Round head screw M 6 X 12		2	IA8C/OK3/OP0

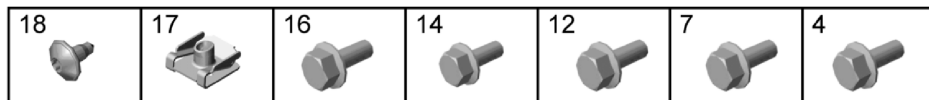
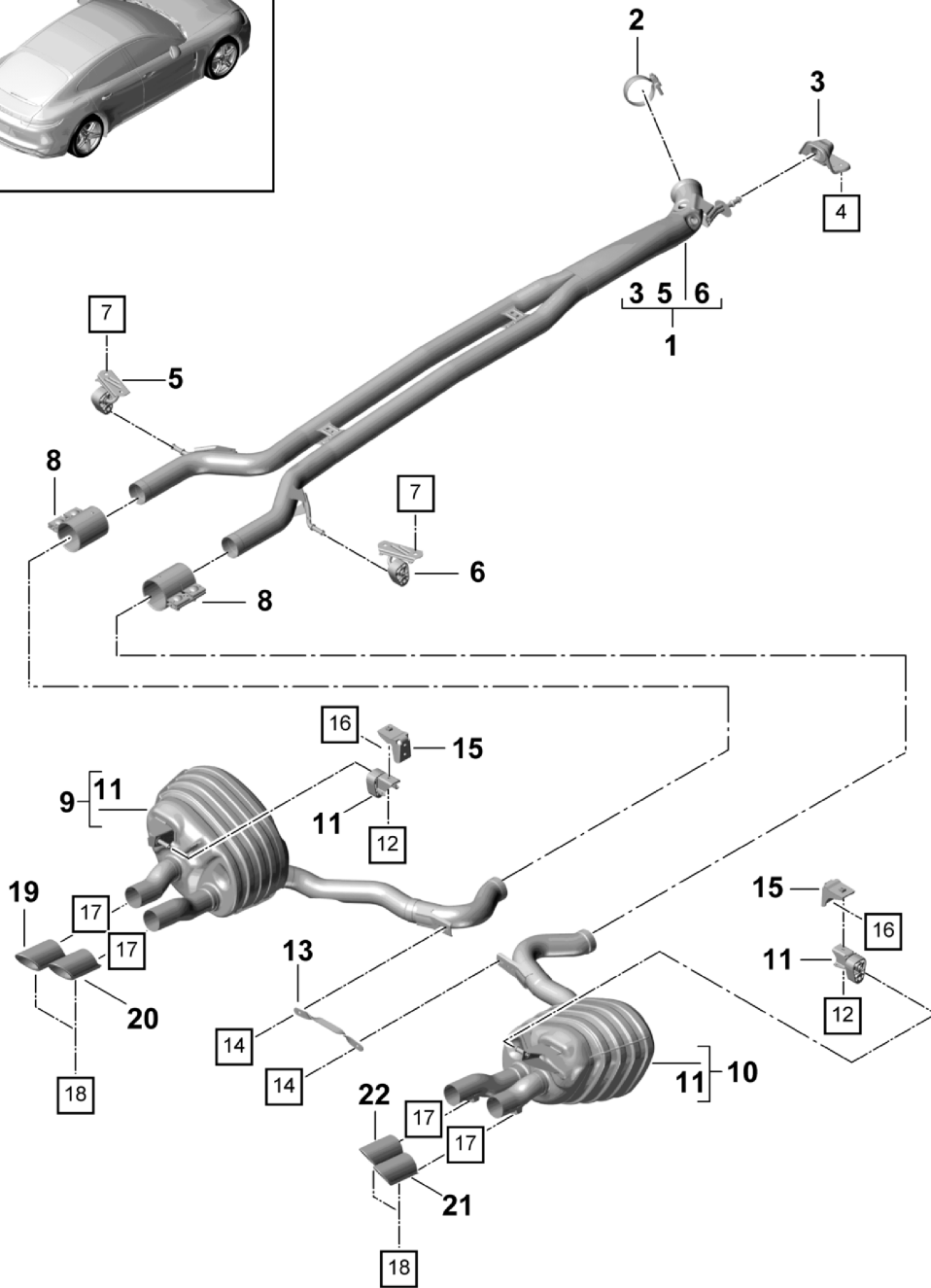
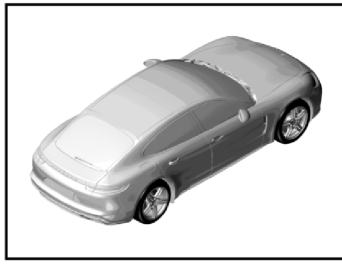
Model: 971-17

Model life 2017>>

Pos	Part Number	Description	Remark	Qty	Model
21	9A7 253 823 10	Tail pipe Left Outer		1	IA8F/0P0
(21)	9A7 253 823 30	Tail pipe Left Outer		1	I0P3
(21)	9A7 253 823 40	Tail pipe Left Outer		1	I0P6
22	9A7 253 823 10	Tail pipe Left Inner		1	IA8F/0P0
(22)	9A7 253 823 35	Tail pipe Left Inner		1	I0P3
(22)	9A7 253 823 45	Tail pipe Left Inner		1	I0P6
23	9A7 253 823 10	Tail pipe Right Outer		1	IA8F/0P0
(23)	9A7 253 824 30	Tail pipe Right Outer		1	I0P3
(23)	9A7 253 824 40	Tail pipe Right Outer		1	I0P6
24	9A7 253 823 10	Tail pipe Right Inner		1	IA8F/0P0
(24)	9A7 253 824 35	Tail pipe Right Inner		1	I0P3
(24)	9A7 253 824 45	Tail pipe Right Inner		1	I0P6
25	9A7 253 823 50	Tail pipe Left		1	IA8C/0K3/0P0
26	9A7 253 824 50	Tail pipe Right		1	IA8C/0K3/0P0

Model: 971-17

Model life 2017>>



Model: 971-17

Model life 2017>>

Pos	Part Number	Description	Remark	Qty	Model
		Exhaust system			MDB.UC IOP0/OP3/OP6
		Front muffler			
		Rear muffler			
		Tail pipe			
1	971 253 096 AY	Front muffler		1	
2	9A7 253 139 40	Clip		1	
3	9A7 253 144 00	Support		1	
4	N 910 793 01	Hexagon-head bolt M 8 X 16		2	
5	9A7 253 245 00	Support	/L	1	
		Exhaust system with Rubber			
6	9A7 253 246 00	Support	/R	1	
		Exhaust system with Rubber			
7	N 910 793 01	Hexagon-head bolt M 8 X 16		4	
8	958 111 220 00	Clamping sleeve 60 X 88		2	
9	971 253 607 DY	Rear muffler	/L	1	
10	971 253 608 DY	Rear muffler	/R	1	
11	9A7 253 245 10	Support with Rubber		2	
12	N 910 793 01	Hexagon-head bolt M 8 X 16		2	
13	9A7 253 521 00	Strut		1	
14	N 910 793 01	Hexagon-head bolt M 8 X 16		2	
15	9A7 253 277 00	Support		2	
16	N 909 210 02	Hexagon-head bolt M 8 X 22		4	
17	N 903 425 02	Speed nut M 6 X 19,5 X 18		4	
18	9A7 008 019 00	Round head screw M 6 X 12		4	
19	9A7 253 823 10	Tail pipe Left Outer		1	IOP0
(19)	9A7 253 823 30	Tail pipe Left Outer		1	IOP3
(19)	9A7 253 823 40	Tail pipe Left Outer		1	IOP6
20	9A7 253 823 10	Tail pipe Left Inner		1	IOP0
(20)	9A7 253 823 35	Tail pipe Left Inner		1	IOP3
(20)	9A7 253 823 45	Tail pipe Left Inner		1	IOP6
21	9A7 253 823 10	Tail pipe Right Outer		1	IOP0
(21)	9A7 253 824 30	Tail pipe Right Outer		1	IOP3

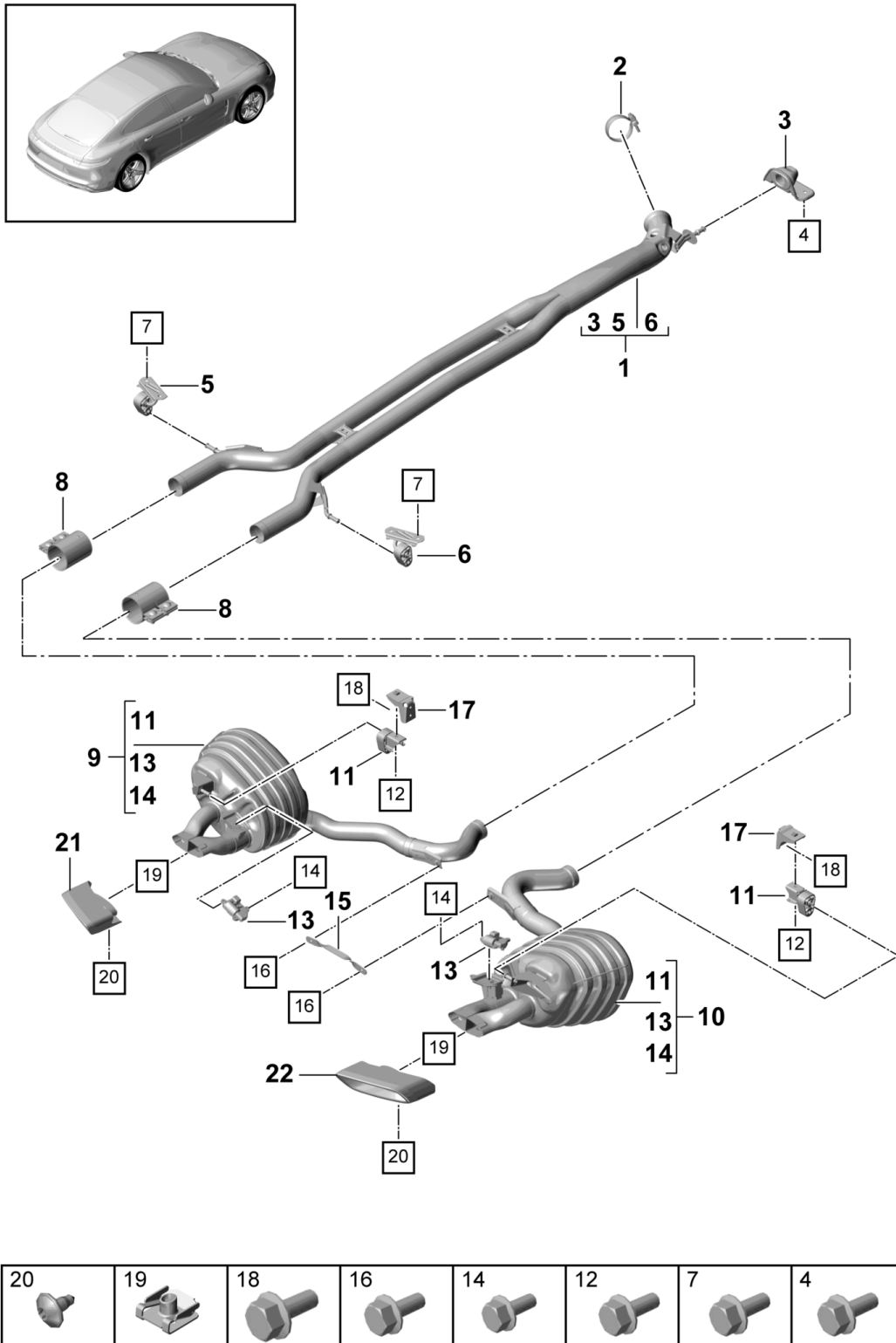
Model: 971-17

Model life 2017>>

Pos	Part Number	Description	Remark	Qty	Model
(21)	9A7 253 824 40	Tail pipe Right Outer		1	I0P6
22	9A7 253 823 10	Tail pipe Right Inner		1	I0P0
(22)	9A7 253 824 35	Tail pipe Right Inner		1	I0P3
(22)	9A7 253 824 45	Tail pipe Right Inner		1	I0P6

Model: 971-17

Model life 2017>>



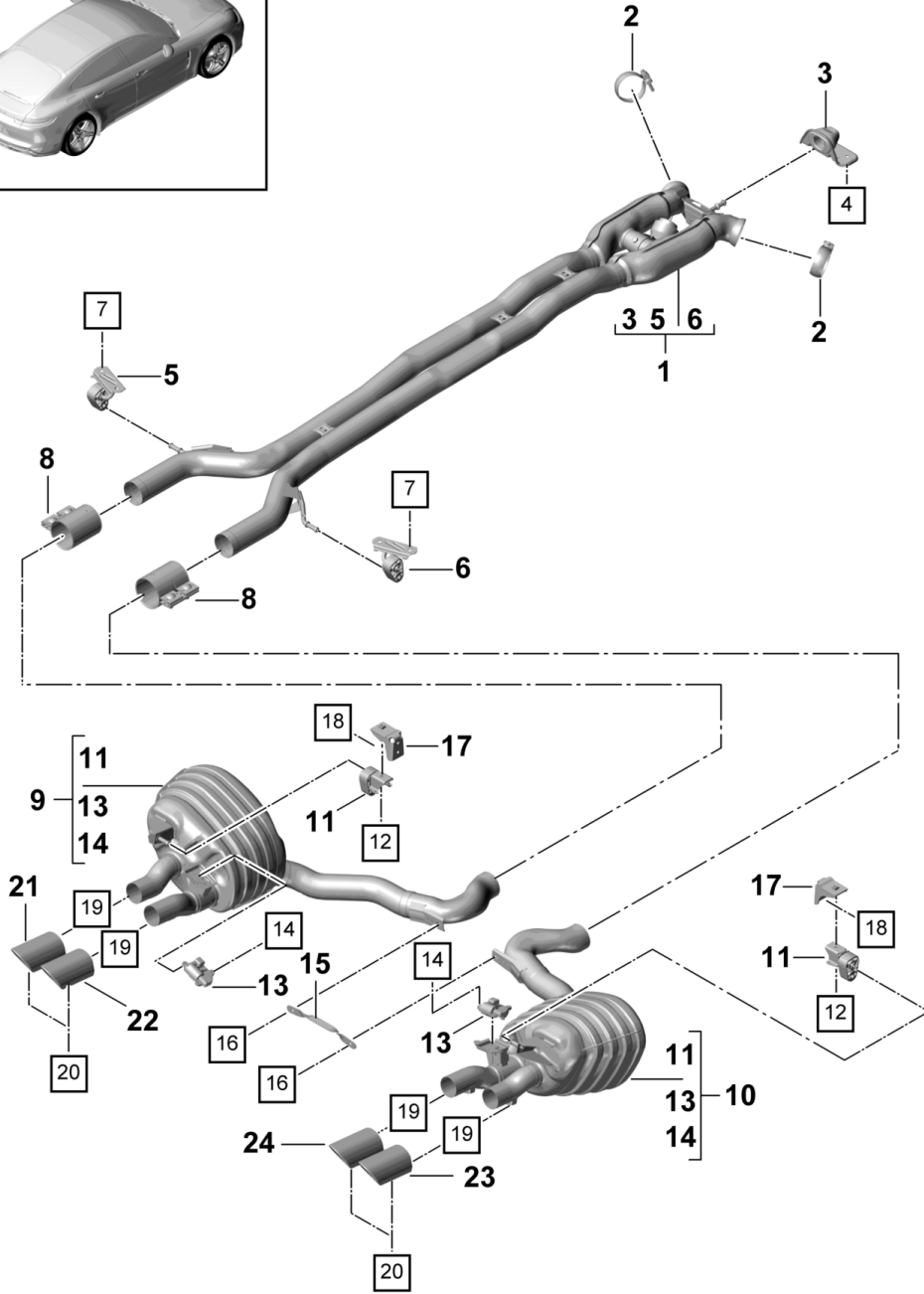
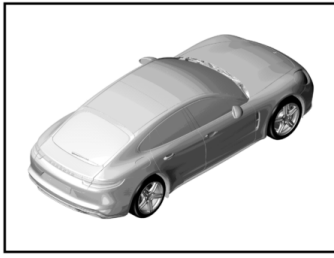
Model: 971-17

Model life 2017>>

Pos	Part Number	Description	Remark	Qty	Model
		Exhaust system			MCX.TA
		Front muffler			
		Rear muffler			
		Tail pipe			
1	971 253 209 Y	Front muffler		1	IOE1
(1)	971 253 209 HY	Front muffler		1	IOE2
2	955 111 108 30	Clamp		1	
3	9A7 253 144 00	Support		1	
4	N 910 793 01	Hexagon-head bolt M 8 X 16		2	
5	9A7 253 245 00	Support	/L	1	
		Exhaust system with Rubber			
6	9A7 253 246 00	Support	/R	1	
		Exhaust system with Rubber			
7	N 910 793 01	Hexagon-head bolt M 8 X 16		4	
8	958 111 220 00	Clamping sleeve 60 X 88		2	
9	971 253 607 Y	Rear muffler	/L	1	IOPO
10	971 253 608 Y	Rear muffler	/R	1	IOPO
11	9A7 253 245 10	Support with Rubber		2	
12	N 910 793 01	Hexagon-head bolt M 8 X 16		2	
13	9A7 133 246 00	Electric motor Exhaust gas Flap		2	
(13)	9A7 133 246 05	Electric motor Exhaust gas Flap		2	
15	9A7 253 521 00	Strut		1	
16	N 910 793 01	Hexagon-head bolt M 8 X 16		2	
17	9A7 253 277 00	Support		2	
18	N 909 210 02	Hexagon-head bolt M 8 X 22		4	
19	N 903 425 02	Speed nut M 6 X 19,5 X 18		2	
20	9A7 008 019 00	Round head screw M 6 X 12		2	
21	9A7 253 823 50	Tail pipe Left		1	IOPO
22	9A7 253 824 50	Tail pipe Right		1	IOPO

Model: 971-17

Model life 2017>>



20	19	18	16	14	12	7	4
----	----	----	----	----	----	---	---

Model: 971-17

Model life 2017>>

Pos	Part Number	Description	Remark	Qty	Model
		Exhaust system			MCV.DA IOP8/OP9
		Sport version			
		Front muffler			
		Rear muffler			
		Tail pipe			
1	971 253 209 GY	Front muffler		1	IOE1
		Sport version			
(1)	971 253 209 LY	Front muffler		1	IOE2
		Sport version			
2	955 111 108 30	Clamp		2	
3	9A7 253 144 00	Support		1	
4	N 910 793 01	Hexagon-head bolt M 8 X 16		2	
5	9A7 253 245 00	Support	/L	1	
		Exhaust system with			
		Rubber			
6	9A7 253 246 00	Support	/R	1	
		Exhaust system with			
		Rubber			
7	N 910 793 01	Hexagon-head bolt M 8 X 16		4	
8	9A7 253 141 00	Clamping sleeve 70 X 79		2	
9	971 253 607 BY	Rear muffler	/L	1	
10	971 253 608 BY	Rear muffler	/R	1	
11	9A7 253 245 10	Support		2	
		with			
		Rubber			
12	N 910 793 01	Hexagon-head bolt M 8 X 16		2	
13	9A7 133 246 00	Electric motor Exhaust gas Flap		2	
(13)	9A7 133 246 05	Electric motor Exhaust gas Flap		2	
15	9A7 253 521 00	Strut		1	
16	N 910 793 01	Hexagon-head bolt M 8 X 16		2	
17	9A7 253 277 00	Support		2	
18	N 909 210 02	Hexagon-head bolt M 8 X 22		4	
19	N 903 425 02	Speed nut M 6 X 19,5 X 18		4	
20	9A7 008 019 00	Round head screw M 6 X 12		4	
21	9A7 253 823 20	Tail pipe Left		1	IOP8
		Outer			
(21)	9A7 253 823 40	Tail pipe Left		1	IOP9
		Outer			
22	9A7 253 823 25	Tail pipe Left		1	IOP8
		Inner			
(22)	9A7 253 823 45	Tail pipe Left		1	IOP9
		Inner			
23	9A7 253 824 20	Tail pipe Right		1	IOP8

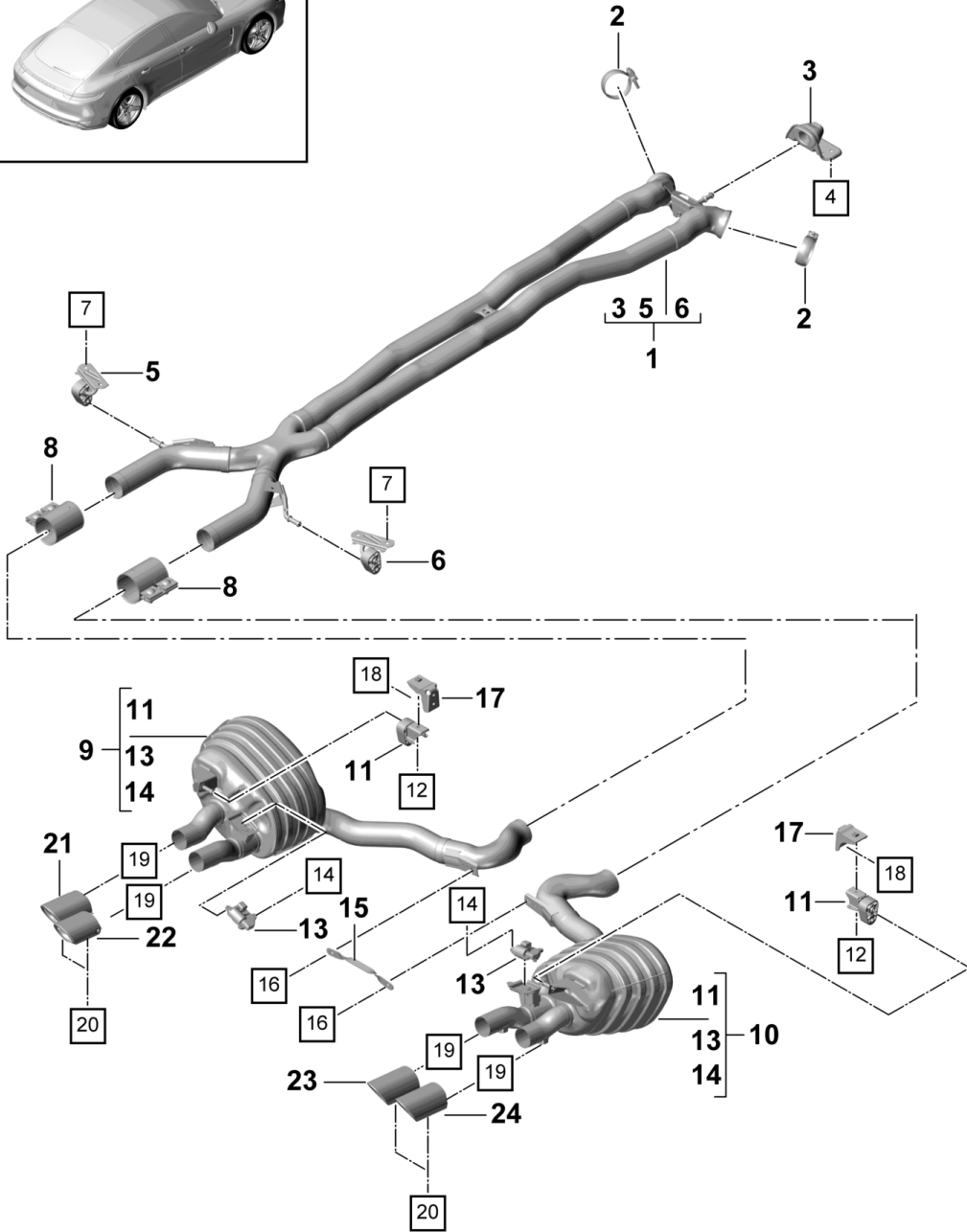
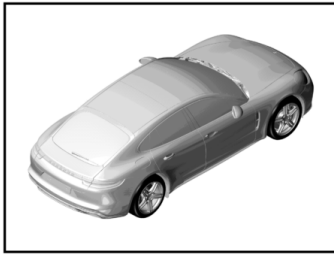
Model: 971-17

Model life 2017>>

Pos	Part Number	Description	Remark	Qty	Model
(23)	9A7 253 824 40	Outer Tail pipe Right		1	I0P9
24	9A7 253 824 25	Outer Tail pipe Right		1	I0P8
(24)	9A7 253 824 45	Inner Tail pipe Right Inner		1	I0P9

Model: 971-17

Model life 2017>>



20	19	18	16	14	12	7	4

Model: 971-17 Model life 2017>>

Pos	Part Number	Description	Remark	Qty	Model
		Exhaust system			MCS.ZA MDG.PA IOP8/OP9
1	971 253 209 FY	Sport version Front muffler		1	I0E1
(1)	971 253 209 JY	Rear muffler Tail pipe Front muffler		1	MCS.ZA I0E2
(1)	971 253 209 CA	Sport version Front muffler		1	MDG.PA I0E2
2	955 111 108 30	Sport version Clamp		2	
3	9A7 253 144 00	Support		1	
4	N 910 793 01	Hexagon-head bolt M 8 X 16		2	
5	9A7 253 245 00	Support	/L	1	
6	9A7 253 246 00	Exhaust system with Rubber Support	/R	1	
7	N 910 793 01	Exhaust system with Rubber Hexagon-head bolt M 8 X 16		4	
8	958 111 220 10	Clamping sleeve 65 X 88		2	
9	971 253 607 AY	Rear muffler	/L	1	
10	971 253 608 AY	Rear muffler	/R	1	
11	9A7 253 245 10	Support with Rubber		2	
12	N 910 793 01	Hexagon-head bolt M 8 X 16		2	
13	9A7 133 246 00	Electric motor Exhaust gas Flap		2	
(13)	9A7 133 246 05	Electric motor Exhaust gas Flap		2	
15	9A7 253 521 00	Strut		1	
16	N 910 793 01	Hexagon-head bolt M 8 X 16		2	
17	9A7 253 277 00	Support		2	
18	N 909 210 02	Hexagon-head bolt M 8 X 22		4	
19	N 903 425 02	Speed nut M 6 X 19,5 X 18		4	
20	9A7 008 019 00	Round head screw M 6 X 12		4	
21	9A7 253 823 20	Tail pipe Left Outer		1	IOP8
(21)	9A7 253 823 40	Tail pipe Left Outer		1	IOP9
22	9A7 253 823 25	Tail pipe Left Inner		1	IOP8

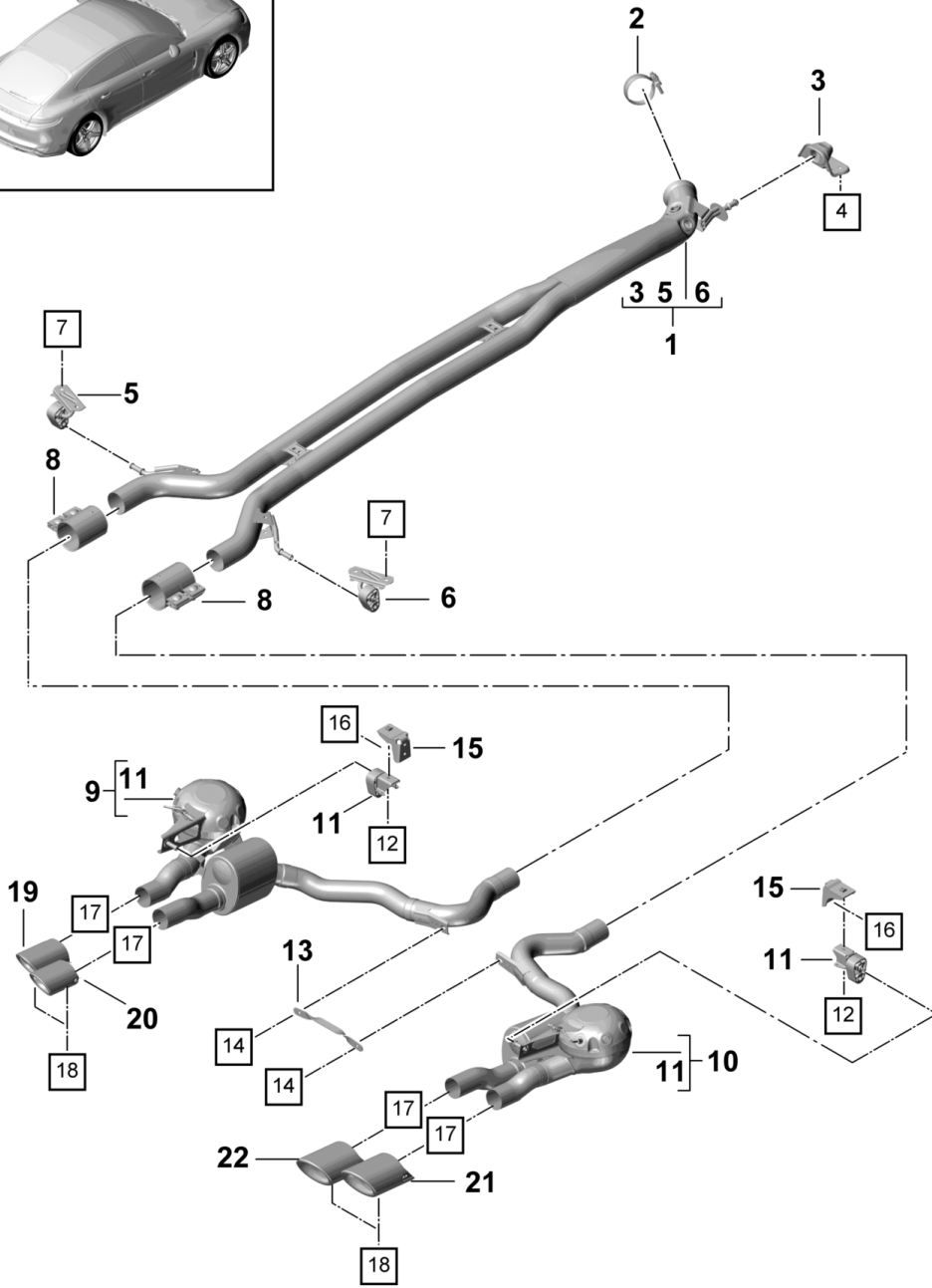
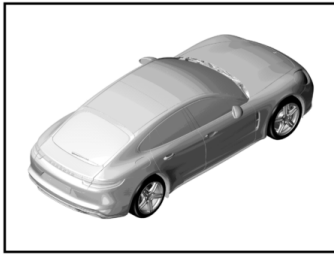
Model: 971-17

Model life 2017>>

Pos	Part Number	Description	Remark	Qty	Model
(22)	9A7 253 823 45	Tail pipe Left Inner		1	I0P9
23	9A7 253 824 20	Tail pipe Right Outer		1	I0P8
(23)	9A7 253 824 40	Tail pipe Right Outer		1	I0P9
24	9A7 253 824 25	Tail pipe Right Inner		1	I0P8
(24)	9A7 253 824 45	Tail pipe Right Inner		1	I0P9

Model: 971-17

Model life 2017>>



18	17	16	14	12	7	4

Model: 971-17 Model life 2017>>

Pos	Part Number	Description	Remark	Qty	Model
		Exhaust system			MDB.UC IOP8/OP9
		Sport version			
		Front muffler			
		Rear muffler			
		Tail pipe			
1	971 253 096 AY	Front muffler		1	
2	9A7 253 139 40	Clip		1	
3	9A7 253 144 00	Support		1	
4	N 910 793 01	Hexagon-head bolt M 8 X 16		2	
5	9A7 253 245 00	Support	/L	1	
		Exhaust system with Rubber			
6	9A7 253 246 00	Support	/R	1	
		Exhaust system with Rubber			
7	N 910 793 01	Hexagon-head bolt M 8 X 16		4	
8	958 111 220 00	Clamping sleeve 60 X 88		2	
9	971 253 607 MY	Rear muffler	/L	1	
		Sport version			
10	971 253 608 MY	Rear muffler	/R	1	
		Sport version			
11	9A7 253 245 10	Support		2	
		with Rubber			
12	N 910 793 01	Hexagon-head bolt M 8 X 16		2	
13	9A7 253 521 00	Strut		1	
14	N 910 793 01	Hexagon-head bolt M 8 X 16		2	
15	9A7 253 277 00	Support		2	
16	N 909 210 02	Hexagon-head bolt M 8 X 22		4	
17	N 903 425 02	Speed nut M 6 X 19,5 X 18		4	
18	9A7 008 019 00	Round head screw M 6 X 12		4	
19	9A7 253 823 20	Tail pipe Left		1	IOP8
		Outer			
(19)	9A7 253 823 40	Tail pipe Left		1	IOP9
		Outer			
20	9A7 253 823 25	Tail pipe Left		1	IOP8
		Inner			
(20)	9A7 253 823 45	Tail pipe Left		1	IOP9
		Inner			
21	9A7 253 824 20	Tail pipe Right		1	IOP8
		Outer			
(21)	9A7 253 824 40	Tail pipe Right		1	IOP9
		Outer			
22	9A7 253 824 25	Tail pipe Right		1	IOP8
		Inner			

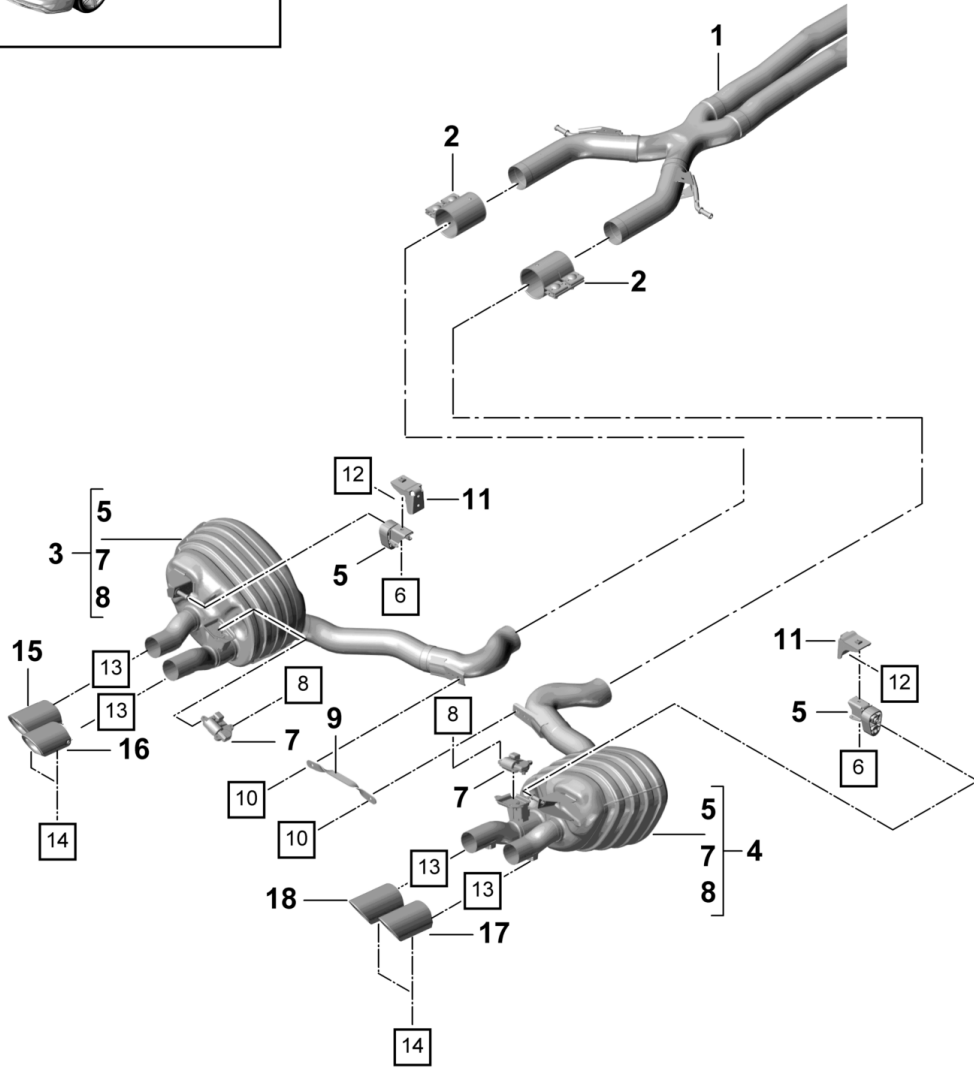
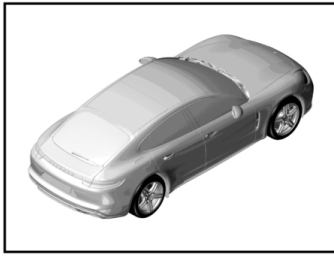
Model: 971-17

Model life 2017>>

Pos	Part Number	Description	Remark	Qty	Model
(22)	9A7 253 824 45	Tail pipe Right Inner		1	I0P9

Model: 971-17

Model life 2017>>



14	13	12	10	8	6

Model: 971-17

Model life 2017>>

Pos	Part Number	Description	Remark	Qty	Model
		Exhaust system			MCX.TA IOP3/OP6/OP8 IOP9
1		Sport version And Rear muffler with Exclusive Tail pipe Front muffler See illustrations 2/03/15		1	
2	958 111 220 00	Clamping sleeve 60 X 88		2	
(3)	971 253 607 JY	Rear muffler for Sports tailpipe Left		1	IOP3/OP6
(4)	971 253 608 JY	Rear muffler for Sports tailpipe Right		1	IOP3/OP6
5	9A7 253 245 10	Support with Rubber		2	
6	N 910 793 01	Hexagon-head bolt M 8 X 16		2	
7	9A7 133 246 00	Electric motor Exhaust gas Flap		2	
(7)	9A7 133 246 05	Electric motor Exhaust gas Flap		2	
9	9A7 253 521 00	Strut		1	
10	N 910 793 01	Hexagon-head bolt M 8 X 16		2	
11	9A7 253 277 00	Support		2	
12	N 909 210 02	Hexagon-head bolt M 8 X 22		4	
13	N 903 425 02	Speed nut M 6 X 19,5 X 18		4	
14	9A7 008 019 00	Round head screw M 6 X 12		4	
15	9A7 253 823 30	Tail pipe Left Outer		1	IOP3
(15)	9A7 253 823 40	Tail pipe Left Outer		1	IOP6
16	9A7 253 823 35	Tail pipe Left Inner		1	IOP3
(16)	9A7 253 823 45	Tail pipe Left Inner		1	IOP6
17	9A7 253 824 30	Tail pipe Right Outer		1	IOP3
(17)	9A7 253 824 40	Tail pipe Right Outer		1	IOP6
18	9A7 253 824 35	Tail pipe Right		1	IOP3

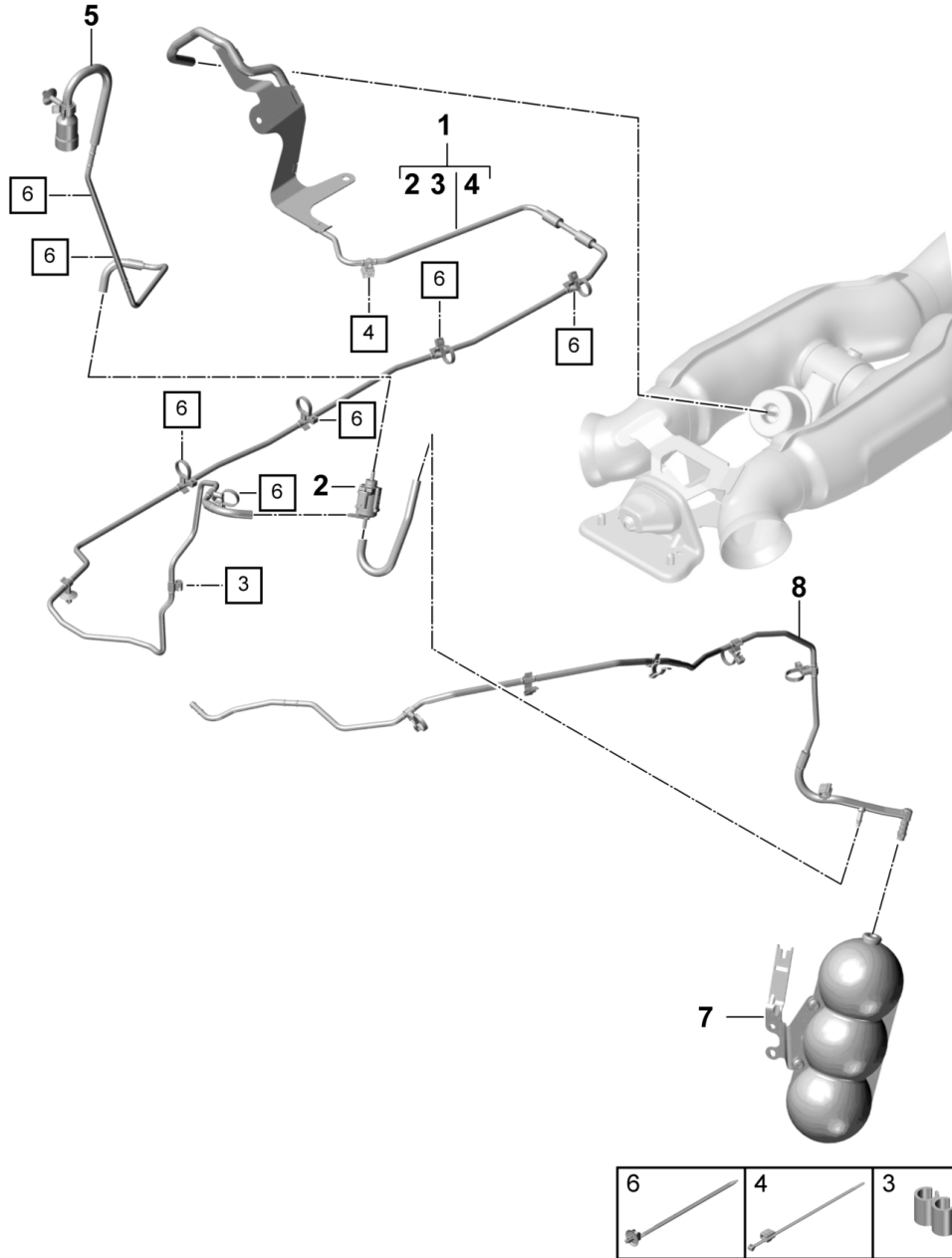
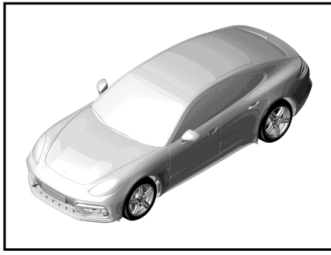
Model: 971-17

Model life 2017>>

Pos	Part Number	Description	Remark	Qty	Model
(18)	9A7 253 824 45	Inner Tail pipe Right Inner		1	IOP6

Model: 971-17

Model life 2017>>



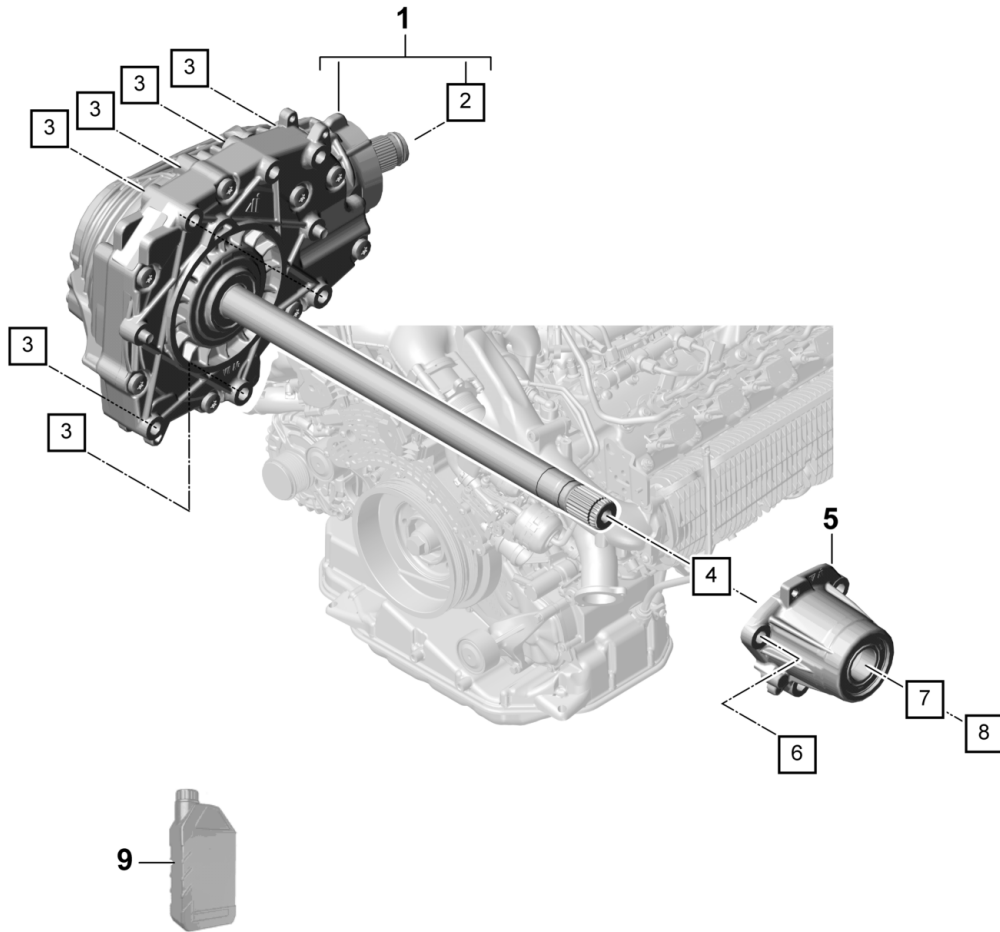
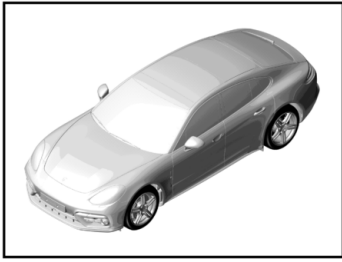
Model: 971-17

Model life 2017>>

Pos	Part Number	Description	Remark	Qty	Model
		Vacuum system			MCV.DA IOP8/OP9
1	971 253 760 B	Exhaust system Vacuum line with Bracket		1	IOK0
(1)	971 253 760 E	Vacuum line with Bracket		1	IOK3
2	7PP 906 283 F	Change-over valve		1	
3	955 358 547 00	Support		1	
4	9A7 971 838 01	Tie-wrap		1	
5	971 253 760 A	Vacuum line		1	
6	9A7 971 850 00	Cable clamp		2	
7		Vacuum tank See illustrations 1/08/00		1	
8		Vacuum line See illustrations 1/08/00		1	

Model: 971-17

Model life 2017>>



8	7	6	4	3	2

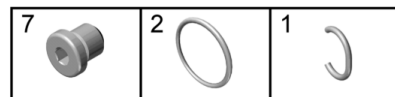
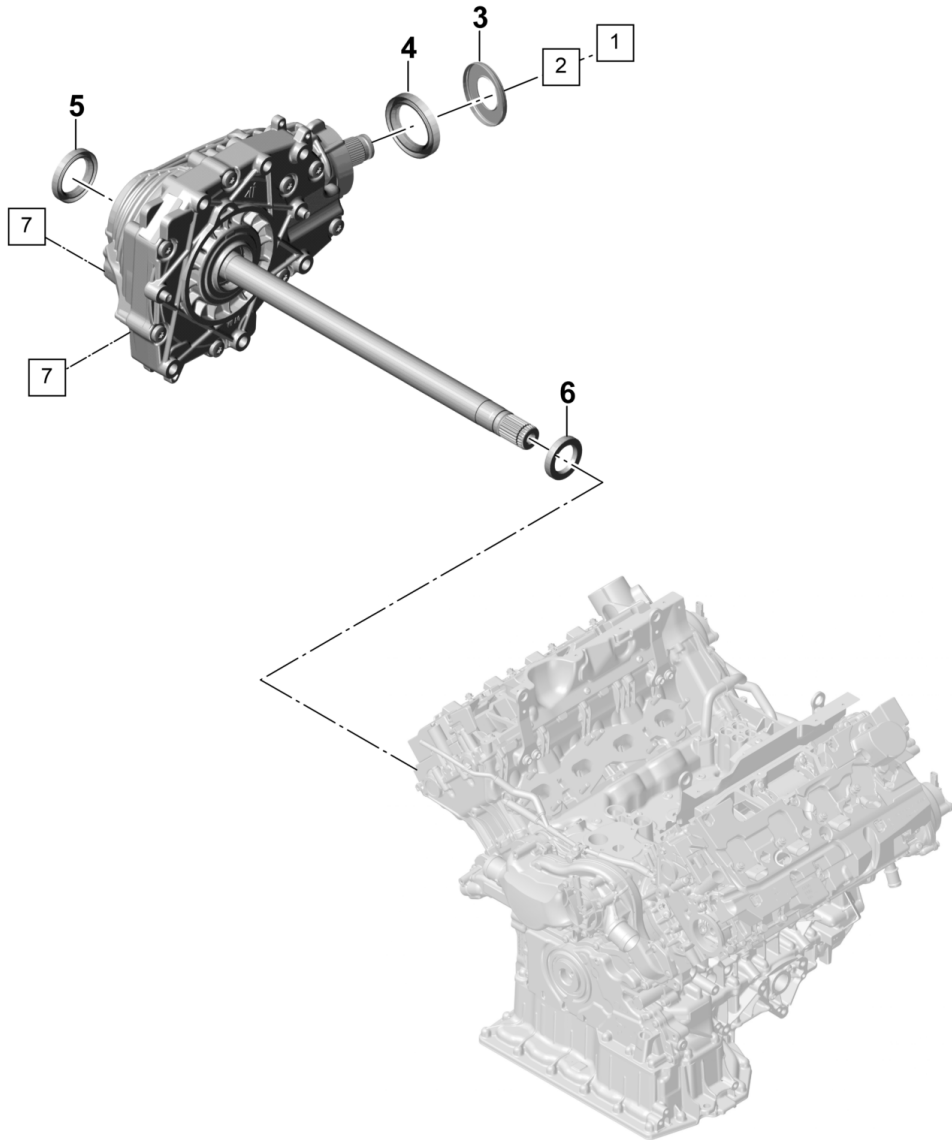
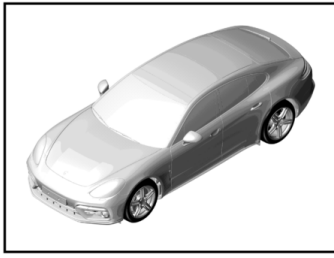
Model: 971-17

Model life 2017>>

Pos	Part Number	Description	Remark	Qty	Model
		Front-axle final drive Bracket			I1X1
1	9A7 409 505 00	Ready for installation Front-axle final drive Use also: N .012.374.1 WHT.005.157 9A7.407.635.00		1	IA8C/A8F/1A2
(1)	9A7 409 505 X	Front-axle final drive Use also: N .012.374.1 WHT.005.157 9A7.407.635.00		1	IA8C/A8F/1A2
(1)	9A7 409 505 10	Front-axle final drive Use also: N .012.374.1 WHT.005.157 9A7.407.635.00		1	IA8H/1A2
(1)	9A7 409 505 KX	Front-axle final drive Use also: N .012.374.1 WHT.005.157 9A7.407.635.00		1	IA8H/1A2
(1)	9A7 409 505 10	Front-axle final drive Use also: N .012.374.1 WHT.005.157 9A7.407.635.00		1	IA8F/0F5
(1)	9A7 409 505 KX	Front-axle final drive Use also: N .012.374.1 WHT.005.157 9A7.407.635.00		1	IA8F/0F5
2	012 409 413	Circlip		1	
3	N 106 259 01	Pan-head screw M 10 X 70		6	
4	N 012 374 1	Circlip 28 X 1,5		1	
5	9A7 409 019 01	Bracket Use also: N .012.374.1 WHT.005.157 9A7.407.635.00		1	
6	N 107 642 01	Pan-head screw M 10 X 32		3	
7	WHT 005 157	O-ring 23,52 X 1,78		1	
8	9A7 407 635 00	Circlip 23,5 X 1,6		1	
9	000 043 305 34	Transmission oil Front-axle final drive 1 LITER Container		X	

Model: 971-17

Model life 2017>>



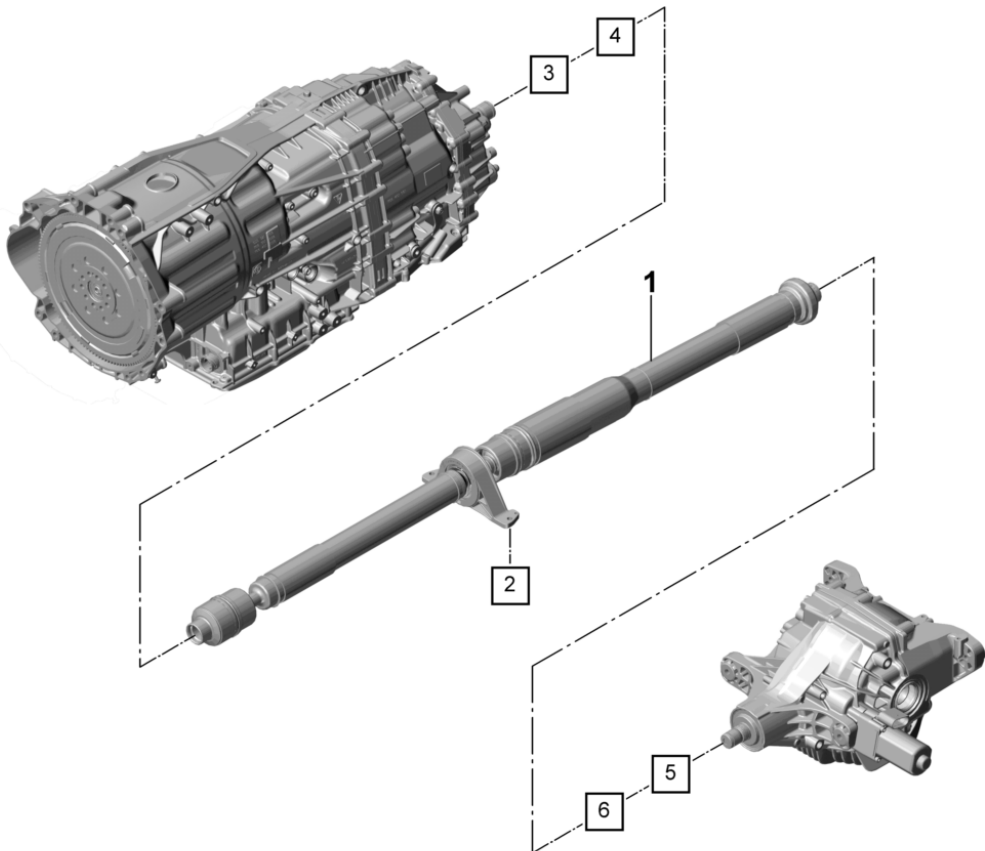
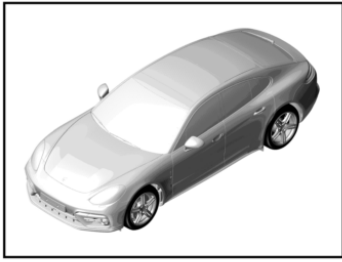
Model: 971-17

Model life 2017>>

Pos	Part Number	Description	Remark	Qty	Model
		Front-axle final drive			I1X1
		Single parts			
1	012 409 413	Circlip		1	
2	9A7 008 236 00	O-ring 26,3 X 1,9		1	
3	9A7 409 491 00	Protective ring		1	
4	9A7 409 189 00	Shaft sealing ring 30 X 68 X 8		1	
5	9A7 409 399 10	Shaft sealing ring 40 X 58,35 X 8		1	
7	N 902 818 02	Screw plug with Sealing ring M 10 X 1		2	

Model: 971-17

Model life 2017>>

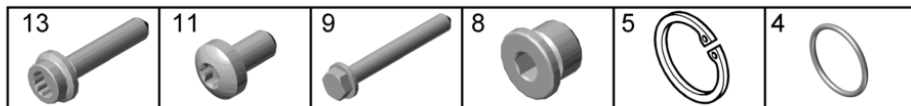
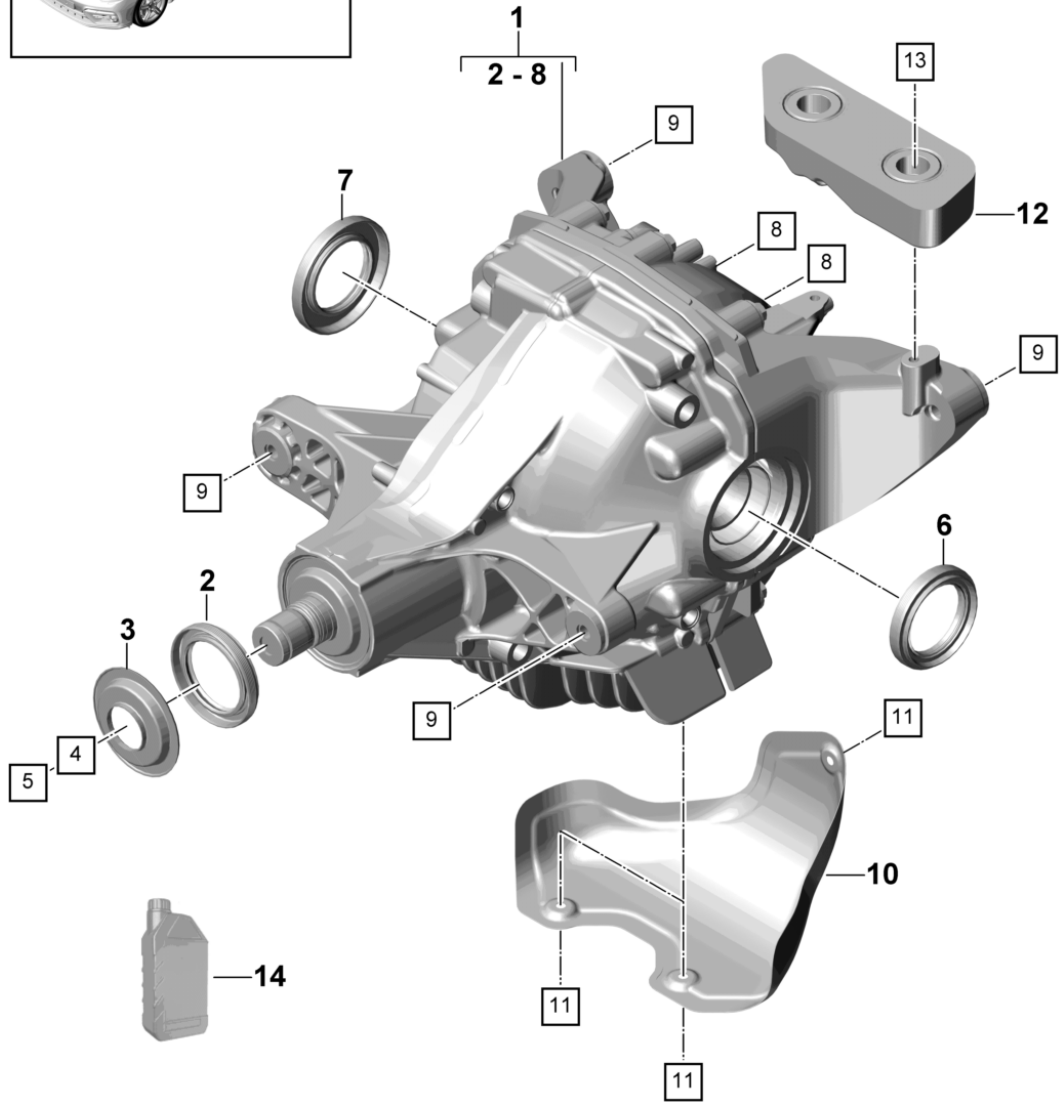
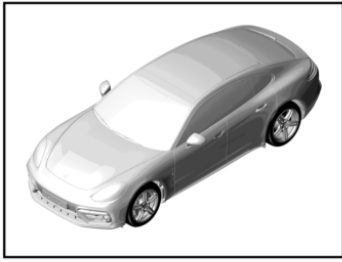


Model: 971-17 Model life 2017>>

Pos	Part Number	Description	Remark	Qty	Model
1	971 521 101 AA	Cardan shaft Cardan shaft Use also: 9A7.004.894.00 9A7.525.722.02 WHT.005.156 9A7.507.301.00		1	I0E1/1X1
(1)	971 521 101 AH	Cardan shaft Use also: 9A7.004.894.00 9A7.525.722.02 WHT.005.156 9A7.507.301.00		1	IA8H/0E1/0K3 I1X1
(1)	971 521 101 T	Cardan shaft Use also: 9A7.004.894.00 9A7.525.722.02 WHT.005.156 9A7.507.301.00		1	I0E1/1X2
(1)	971 521 101 AC	Cardan shaft Use also: 9A7.004.894.00 9A7.525.722.02 WHT.005.156 9A7.507.301.00		1	I0E2/1X1
(1)	971 521 101 AJ	Cardan shaft Use also: 9A7.004.894.00 9A7.525.722.02 WHT.005.156 9A7.507.301.00		1	IA8H/0E2/0K3 I1X1
(1)	971 521 101 AB	Cardan shaft Use also: 9A7.004.894.00 9A7.525.722.02 WHT.005.156 9A7.507.301.00		1	I0E2/1X2
2	N 908 706 02	Pan-head screw M 8 X 35		2	
3	9A7 004 894 00	O-ring 31,42 X 2,62		1	
4	9A7 525 722 02	Circlip 35,5 X 1,60		1	
5	WHT 005 156	O-ring 28 X 2,0		1	
6	9A7 507 301 00	Circlip 31,5		1	

Model: 971-17

Model life 2017>>



Model: 971-17

Model life 2017>>

Pos	Part Number	Description	Remark	Qty	Model
1	9A7 507 021 00	Rear axle differential		1	IGH1
(1)	9A7 507 021 X	Rear axle differential		1	IA8C/A8F/0K0 I1A2
(1)	9A7 507 021 05	Rear axle differential		1	IA8H
(1)	9A7 507 021 EX	Rear axle differential		1	IA8H
(1)	9A7 507 021 05	Rear axle differential		1	IA8F/0F5
(1)	9A7 507 021 EX	Rear axle differential		1	IA8F/0F5
(1)	9A7 507 021 10	Rear axle differential		1	IA8C/0K3
(1)	9A7 507 021 KX	Rear axle differential		1	IA8C/0K3
2	958 349 189 40	Shaft sealing ring		1	
3	958 332 375 60	Protective ring		1	
4	WHT 005 156	O-ring 28 X 2,0		1	
5	9A7 507 301 00	Circlip 31,5		1	
6	955 332 596 10	Shaft sealing ring 50 X 72 X 9		1	
7	955 332 596 00	Shaft sealing ring 50 X 82 X 9		1	
8	955 332 057 00	Screw plug M 16 X 1,5		2	
9	N 102 722 02	Combination screw M 12 X 1,5 X 95		4	
10	971 507 133	Heat shield		1	
11	N 103 352 06	Round head screw M 6 X 12		3	
12	971 507 633 A	Vibration damper		1	IA8F/0F5
13	N 106 730 01	Pan-head screw M 8 X 40		2	IA8F/0F5
14	000 043 305 04	Transmission oil 75 W 90 1 LITER Container		X	

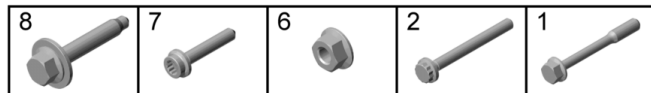
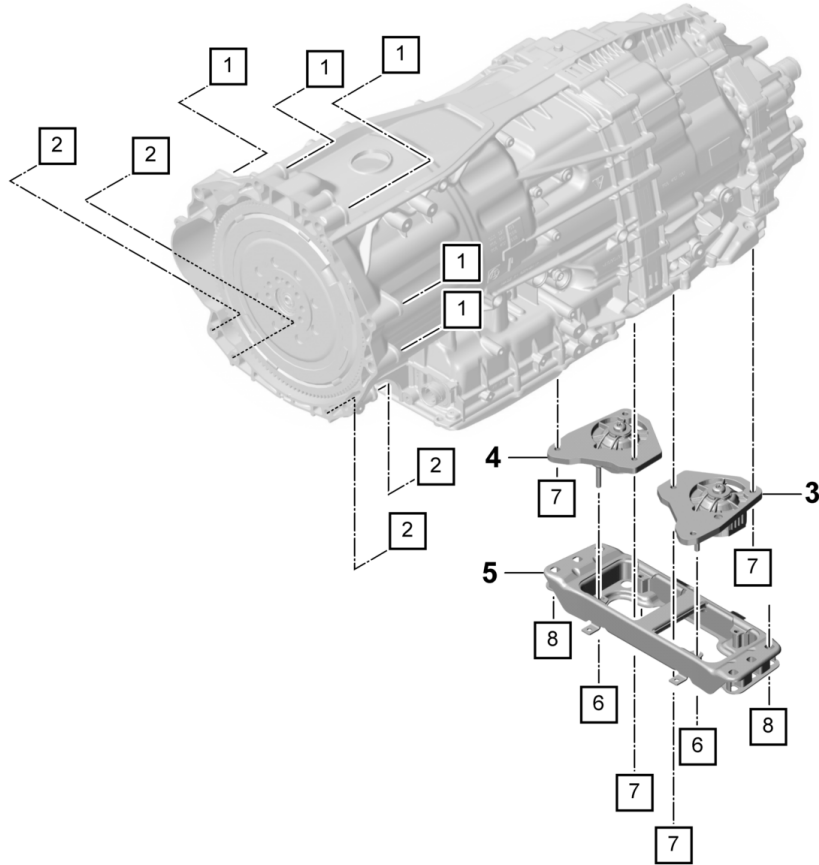
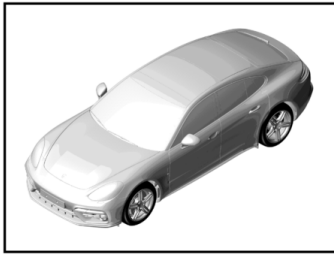
Model: 971-17

Model life 2017>>

Pos	Part Number	Description	Remark	Qty	Model
1	9A7 507 041 00	Rear axle differential		1	IGH3
(1)	9A7 507 041 X	Rear axle differential		1	IA8F/1A2
(1)	9A7 507 041 05	Rear axle differential		1	IA8F/1A2
(1)	9A7 507 041 EX	Rear axle differential		1	IA8H
(1)	9A7 507 041 05	Rear axle differential		1	IA8H
(1)	9A7 507 041 05	Rear axle differential		1	IA8F/0F5
(1)	9A7 507 041 EX	Rear axle differential		1	IA8F/0F5
2	958 349 189 40	Shaft sealing ring		1	
3	958 332 375 60	Protective ring		1	
4	WHT 005 156	O-ring		1	
		28 X 2,0			
5	9A7 507 301 00	Circlip		1	
		31,5			
6	955 332 596 10	Shaft sealing ring		1	
		50 X 72 X 9			
7	955 332 596 00	Shaft sealing ring		1	
		50 X 82 X 9			
8	955 332 057 00	Screw plug		2	
		M 16 X 1,5			
9	95B 341 601	Electric motor		1	
		Limited-slip differential			
		Use also:			
		955.332.649.00		1	
		O-ring			
10	955 332 649 00	O-ring		1	
		25 X 2			
11	N 106 869 01	Pan-head screw		4	
		AM 6 X 70			
12	N 102 722 02	Combination screw		4	
		M 12 X 1,5 X 95			
13	971 507 133	Heat shield		1	
14	N 103 352 06	Round head screw		3	
		M 6 X 12			
15	971 507 633 A	Vibration damper		1	IA8F/0F5
16	N 106 730 01	Pan-head screw		2	IA8F/0F5
		M 8 X 40			
17	000 043 210 48	Transmission oil		X	
		75 W 90			
		1 LITER			
		Container			

Model: 971-17

Model life 2017>>



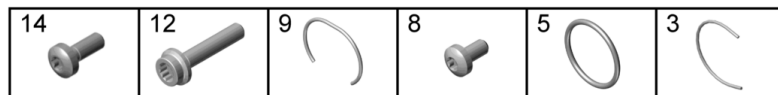
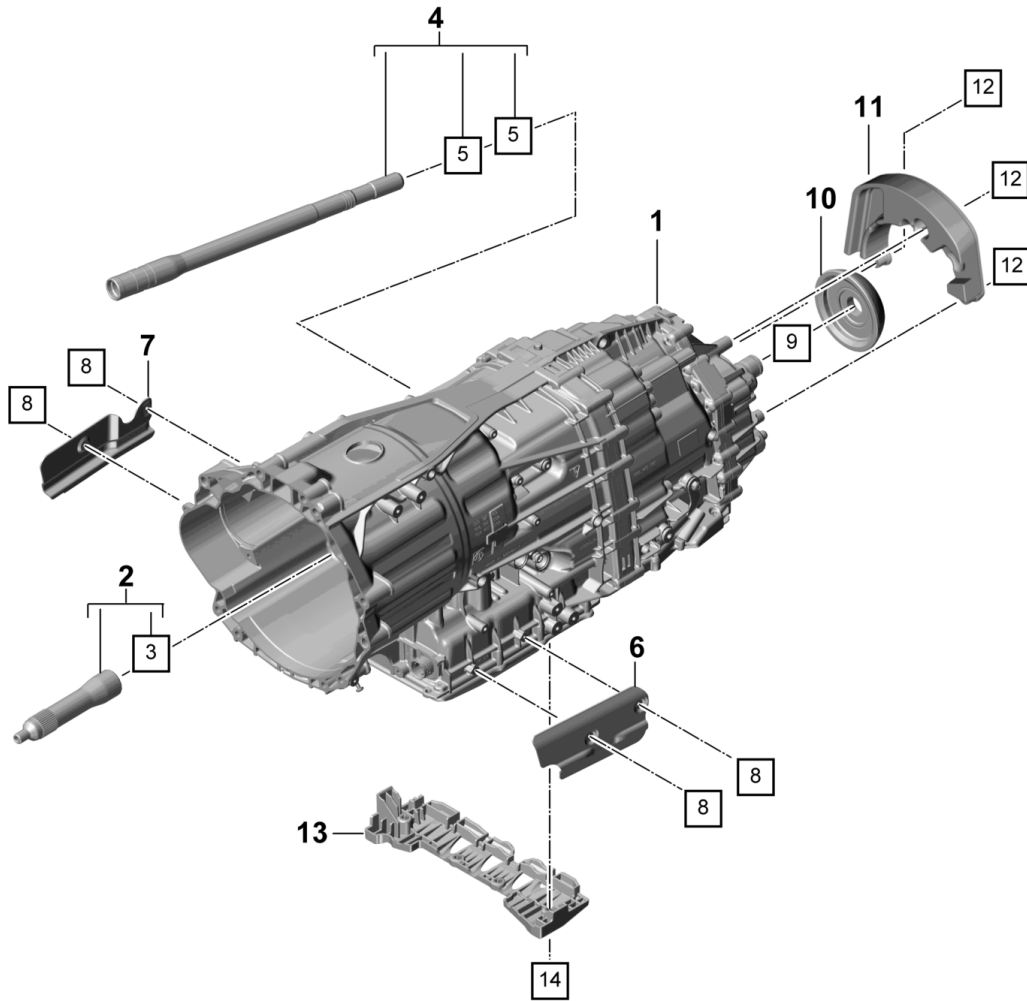
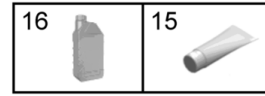
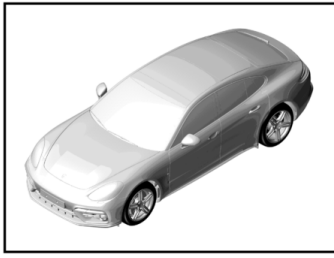
Model: 971-17

Model life 2017>>

Pos	Part Number	Description	Remark	Qty	Model
1	9A7 008 396 00	Threaded joint Engine and transmission Transmission carrier Hexagon-head bolt M 12 X 100 X 30		5	
2	N 911 532 02	12 point socket Aluminium AM 10 X 95		4	
3	9A7 399 151 03	Transmission mounting	/L	1	
4	9A7 399 152 03	Transmission mounting	/R	1	
5	9A7 399 227 01	Transmission carrier		1	
6	N 106 092 01	Hexagon nut M 8		4	
7	N 908 706 02	Pan-head screw M 8 X 35		6	
8	N 912 513 01	Combination screw M 10 X 60		6	

Model: 971-17

Model life 2017>>



Model: 971-17

Model life 2017>>

Pos	Part Number	Description	Remark	Qty	Model
		Replacement transmission PDK			
1	9A7 300 020 00	Replacement transmission		1	COD.S1
(1)	9A7 300 020 X	Replacement transmission		1	COD.S1
(1)	9A7 300 020 01	Replacement transmission		1	COD.S1
		Workshop manual Group 3 Document 373455 Attention			
(1)	9A7 300 020 AX	Replacement transmission Workshop manual Group 3 Document 373455 Attention		1	COD.S1
(1)	9A7 300 021 00	Replacement transmission		1	COD.S2
(1)	9A7 300 021 X	Replacement transmission		1	COD.S2
(1)	9A7 300 021 01	Replacement transmission Workshop manual Group 3 Document 373455 Attention		1	COD.S2
(1)	9A7 300 021 AX	Replacement transmission Workshop manual Group 3 Document 373455 Attention		1	COD.S2
(1)	9A7 300 023 00	Replacement transmission		1	COD.SA
(1)	9A7 300 023 X	Replacement transmission		1	COD.SA
(1)	9A7 300 023 01	Replacement transmission		1	COD.SA
(1)	9A7 300 023 AX	Replacement transmission		1	COD.SA
(1)	9A7 300 022 02	Replacement transmission with Hybrid Module		1	COD.S5
(1)	9A7 300 022 BX	Replacement transmission with Hybrid Module		1	COD.S5
(1)	9A7 300 024 01	Replacement transmission with Hybrid Module		1	COD.S3
(1)	9A7 300 024 AX	Replacement transmission with Hybrid Module		1	COD.S3
2	9A7 307 309 00	Shaft with Circlip		1	
3	9A7 311 321 00	Circlip		1	
4	9A7 307 203 00	Connecting shaft		1	
5	N 905 765 01	O-ring 23 X 2		2	
6	9A7 321 129 00	Heat shield	/L	1	IA8C/A8F
7	9A7 321 129 10	Heat shield	/R	1	IA8F/1A2
(7)		Heat shield	/R	1	IA8C/0K3
8	N 103 352 06	Round head screw M 6 X 12		4	
9	9A7 525 722 02	Circlip		1	

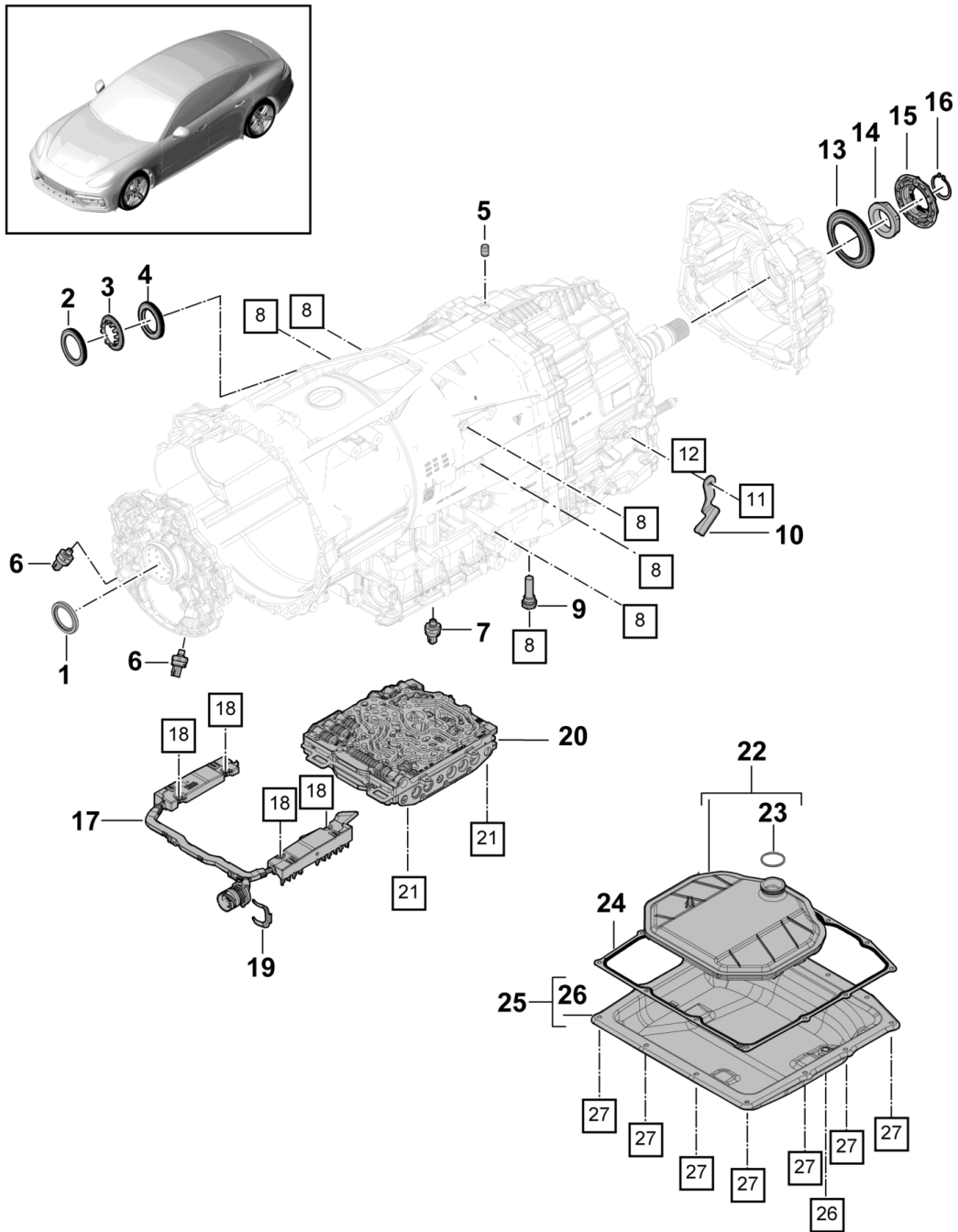
Model: 971-17

Model life 2017>>

Pos	Part Number	Description	Remark	Qty	Model
10	9A7 311 727 00	35,5 X 1,60 Vibration damper		1	IA8F/0F5
11	9A7 301 307 01	Vibration damper		1	I0F5
12	N 106 617 01	Pan-head screw M 8 X 40		3	I0F5
13	9A7 399 193 00	Protective plate Use also:		1	
14	N 107 500 01	N .107.500.01 Outer hexagon round screw Aluminium		4 4	
15	000 043 301 22	M 6 X 16 Mounting paste Metering pistol 10 GR. WEICON ANTI SEIZE AS 040 P for Connecting shaft POS.4 And Shaft POS.2		X	
16	000 043 210 44	Transmission oil Pentosin FFL-8 1 LTR. Container		X	

Model: 971-17

Model life 2017>>



27	26	21	18	12	11	8
----	----	----	----	----	----	---

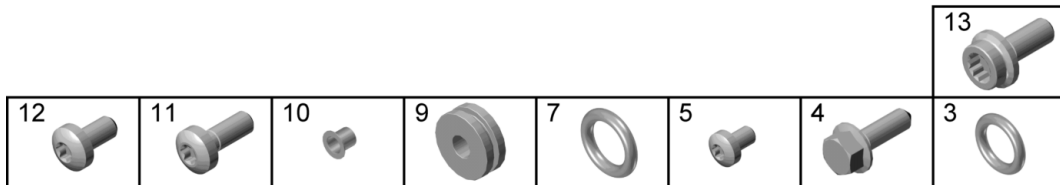
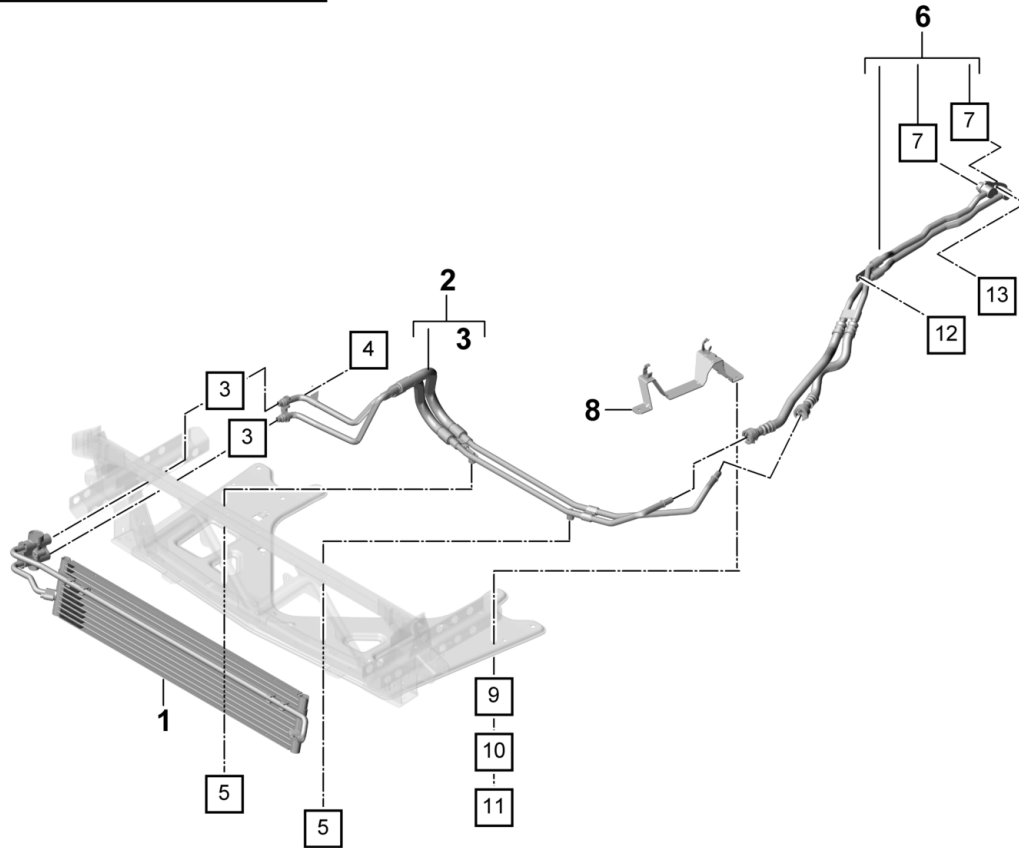
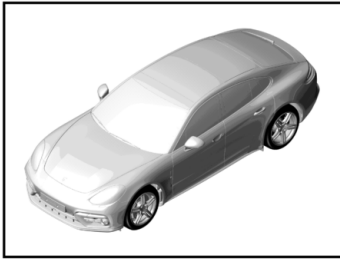
Model: 971-17

Model life 2017>>

Pos	Part Number	Description	Remark	Qty	Model
		PDK Transmission Single parts			
1	9A7 142 426 00	Shaft sealing ring		1	
2	9A7 321 073 00	Cap		1	COD.SA
3	9A7 008 519 00	Retaining ring		1	COD.S1/S2/S3 COD.S5
4	9A7 301 457 00	Shaft sealing ring		1	COD.S1/S2/S3 COD.S5
5	9A7 321 211 00	Breather pipe		1	
6	9A7 906 277 00	Pressure sensor with Sealing ring		2	
7		Pressure sensor with Sealing ring		1	COD.S1/S2/S3 COD.S5
8	9A7 008 526 00	Screw plug M 10 X 1		7	
9	9A7 321 475 00	Oil tube		1	COD.S1/S2/S3 COD.S5
(9)	9A7 321 475 01	Oil tube		1	COD.SA
10	9A7 301 243 00	Gearshift lever		1	
11	9A7 008 530 00	Hexagon nut M 8 X 1		1	
12	9A7 008 518 00	Shaft sealing ring D 10 X 18 X 5		1	
13	9A7 301 227 10	Shaft sealing ring		1	
14	9A7 008 532 00	Hexagon nut M 39 X 1		1	
15	9A7 008 632 00	Ring		1	
16	9A7 307 158 00	Circlip		1	
17	9A7 907 998 00	Wiring harness		1	COD.S1/S2/S3 COD.S5
(17)	9A7 907 998 01	Wiring harness		1	COD.SA
18	9A7 008 523 00	Round head screw M 5 X 16		4	
19	9A7 035 321 00	Retaining clip		1	
20	9A7 325 101 00	Switch unit		1	COD.S1/S2/S3 COD.S5
(20)	9A7 325 101 01	Switch unit		1	COD.SA
21	9A7 008 521 00	Round head screw M 6 X 65		22	
22	9A7 317 189 00	Oil filter		1	
23	9A7 317 100 00	Sealing ring		1	
24	9A7 317 070 00	Oil sump gasket		1	
25	9A7 317 165 00	Oil pan Use also: 9A7.317.070.00		1	
26	9A7 008 534 00	Screw plug M 10 X 1 X 10 with O-ring		1	
27	9A7 008 552 00	Round head screw M 6 X 16		13	

Model: 971-17

Model life 2017>>



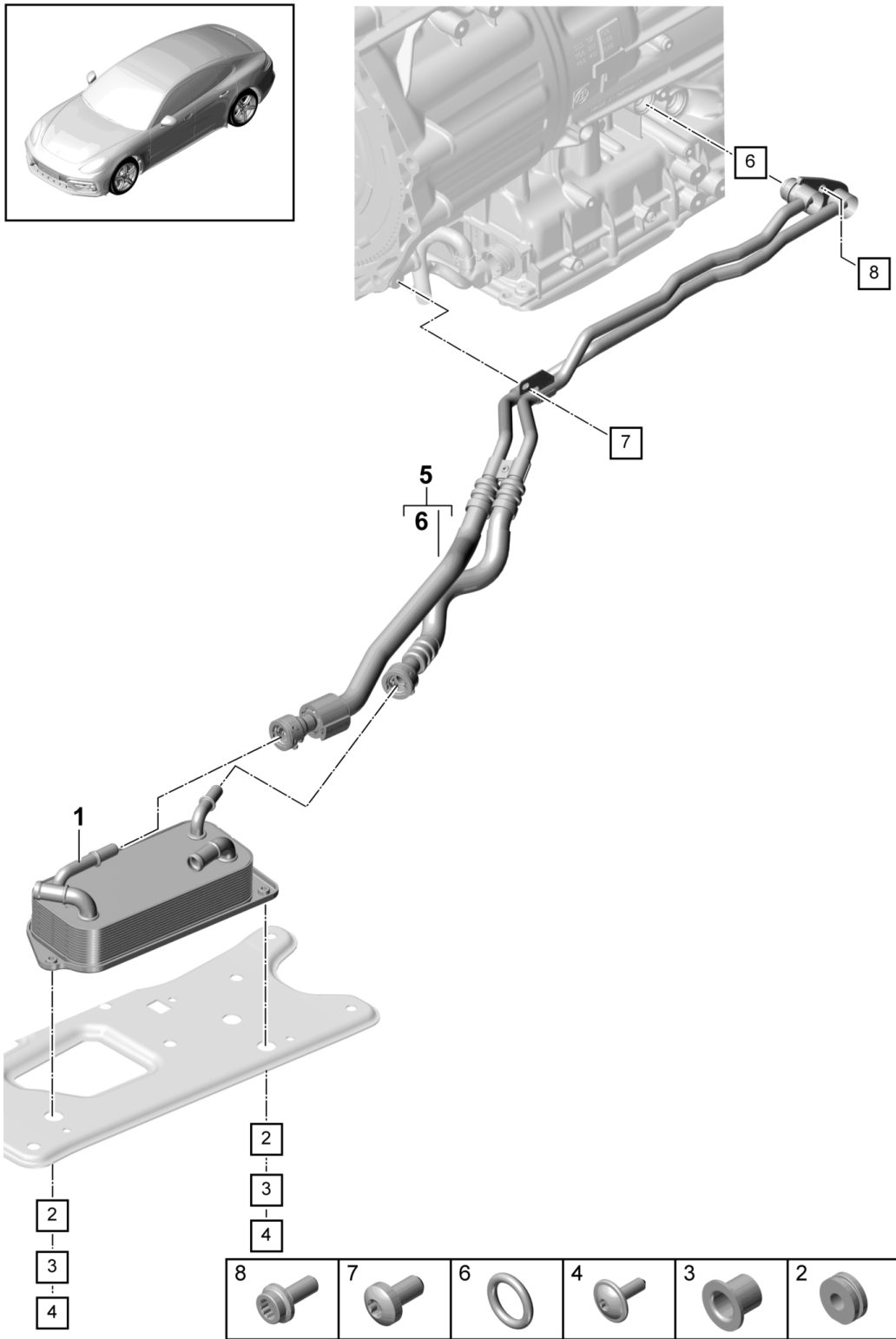
Model: 971-17

Model life 2017>>

Pos	Part Number	Description	Remark	Qty	Model
		Transmission oil cooler			MCS.ZA MCV.DA MDB.UC
1	971 317 020 B	Oil pipe PDK Transmission Transmission oil cooler		1	
2	0DS 317 801 B	Oil pipe Complete		1	
3	N 906 660 03	O-ring 11,5 X 3		2	
4	N 106 533 01	Hexagon-head bolt M 6 X 20		1	
5	N 104 066 04	Round head screw M 5 X 8		2	
6	0DS 317 760	Oil pipe Complete		1	IOKO
7	9A7 008 198 00	O-ring 15 X 3,6		2	
8	971 317 051	Support		1	
9	9A7 117 257 00	Rubber sleeve		3	
10	N 912 684 01	Tubular rivet		3	
11	N 911 883 01	Outer hexagon round screw M 6 X 20		3	
12	N 103 352 06	Round head screw M 6 X 12		1	
13	N 106 648 01	Pan-head screw M 8 X 20		1	

Model: 971-17

Model life 2017>>



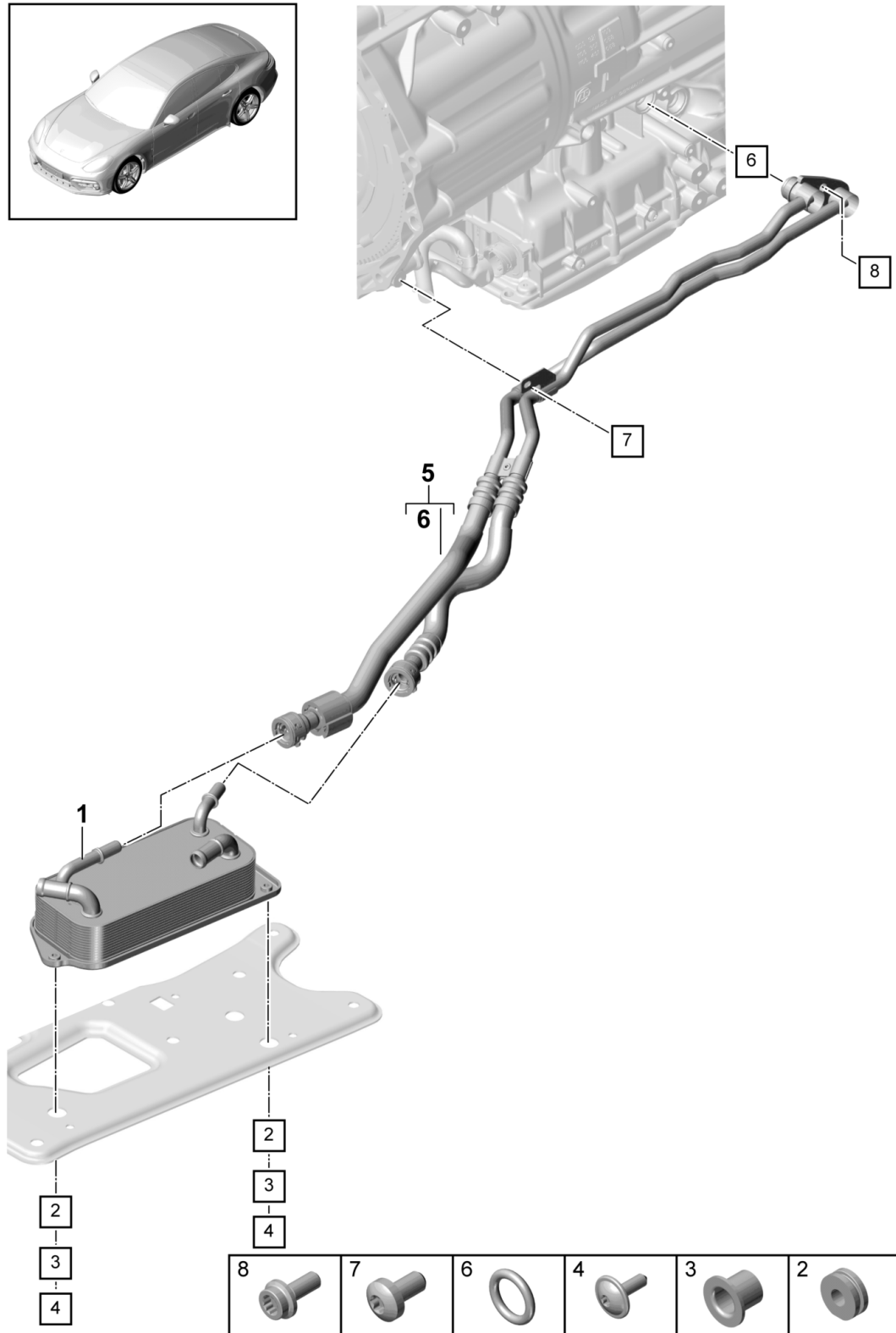
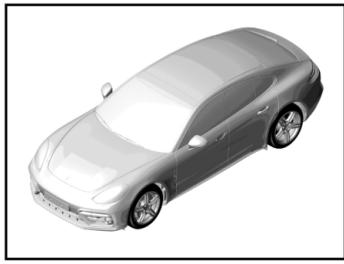
Model: 971-17

Model life 2017>>

Pos	Part Number	Description	Remark	Qty	Model
		Transmission oil cooler			MCX.TA MDG.PA
		Oil pipe			
		PDK			
		Transmission			
1	9A7 317 023 01	Transmission oil cooler		1	
2	9A7 117 257 00	Rubber sleeve		3	
3	N 912 684 01	Tubular rivet		3	
		A 9 X 1 X 8,5			
4	N 911 883 01	Outer hexagon round screw		3	
		M 6 X 20			
5	0DS 317 760	Oil pipe		1	MCX.TA
		Complete			
(5)	0DS 317 760 A	Oil pipe		1	MDG.PA
		Complete			
6	9A7 008 198 00	O-ring		2	
		15 X 3,6			
7	N 103 352 06	Round head screw		1	
		M 6 X 12			
8	N 106 648 01	Pan-head screw		1	
		M 8 X 20			

Model: 971-17

Model life 2017>>



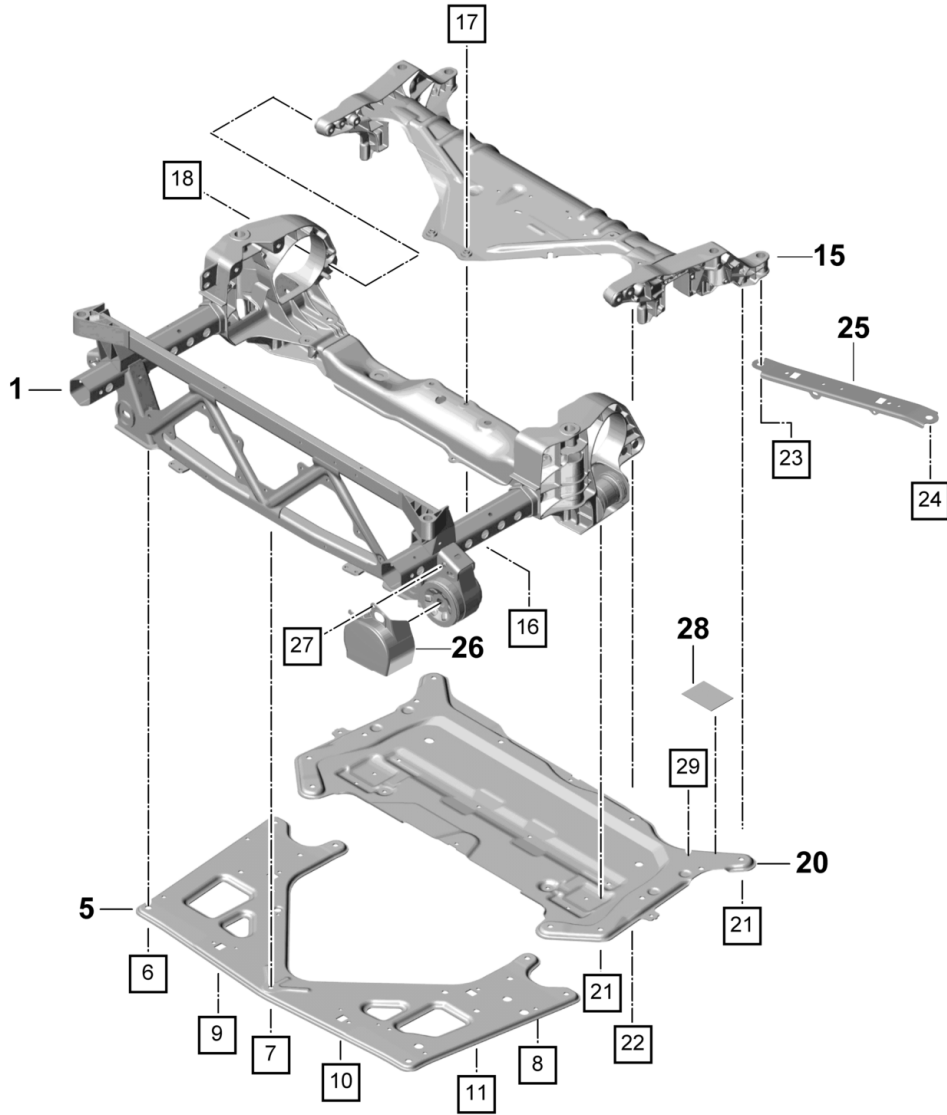
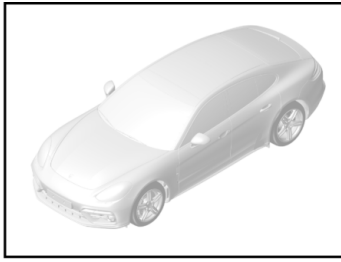
Model: 971-17

Model life 2017>>

Pos	Part Number	Description	Remark	Qty	Model
		Transmission oil cooler			MCV.DA I0K3
		Oil pipe			
		PDK			
		Transmission			
1	9A7 317 023 01	Transmission oil cooler		1	
2	9A7 117 257 00	Rubber sleeve		3	
3	N 912 684 01	Tubular rivet		3	
		A 9 X 1 X 8,5			
4	N 911 883 01	Outer hexagon round screw		3	
		M 6 X 20			
5	0DS 317 760 A	Oil pipe		1	
		Complete			
6	9A7 008 198 00	O-ring		2	
		15 X 3,6			
7	N 103 352 06	Round head screw		1	
		M 6 X 12			
8	N 106 648 01	Pan-head screw		1	
		M 8 X 20			

Model: 971-17

Model life 2017>>



	29	27	24	23	22	21	18
17	16	11	10	9	8	7	6

Model: 971-17 Model life 2017>>

Pos	Part Number	Description	Remark	Qty	Model
		Auxiliary support			
		Cross member			
		Heat shield			
(1)	971 400 048 AG	Auxiliary support		1	IA8H
(1)		Auxiliary support		1	IA8F/E0A/0F5
(1)	971 400 048 AH	Auxiliary support		1	IA8F/E0A/1A2
(1)		Auxiliary support		1	IA8C
5	971 407 129 N	Reinforcement		1	
		Front			
6	N 909 588 03	Combination screw		2	
		M 10 X 40			
7	N 912 437 01	Combination screw		5	
		M 8 X 30			
9	WHT 007 380	Clamping nut		4	
10	N 104 066 04	Round head screw		2	
		M 5 X 8			
11	N 103 352 06	Round head screw		3	
		M 6 X 12			
15	971 407 487 H	Reinforcement		1	IA8C/A8H
		Cross member			
		Use also:			
		N .912.598.01		2	
		N .106.092.07		2	
		D >> 28.10.2016			
(15)		Reinforcement		1	IA8C/A8H
		Cross member			
		D 31.10.2016>>			
(15)		Reinforcement		1	IA8F/1A2
		Cross member			
		Use also:			
		N .912.598.01		2	
		N .106.092.07		2	
		D >> 28.10.2016			
(15)		Reinforcement		1	IA8F/1A2
		Cross member			
		D 31.10.2016>>			
(15)	971 407 487 J	Reinforcement		1	IA8F/0F5
		Cross member			
		Use also:			
		N .912.598.01		2	
		N .106.092.07		2	
		D >> 28.10.2016			
(15)		Reinforcement		1	IA8F/0F5
		Cross member			
		D 31.10.2016>>			
16	N 912 598 01	Round head screw		2	
		M 8 X 20			
17	N 106 092 07	Lock nut		2	
18	N 106 296 02	Hexagon-head bolt		4	
		M 10 X 35			
20	971 407 129 J	Reinforcement plate		1	IA8C/A8H
		Rear			
(20)		Reinforcement plate		1	IA8F/1A2
		Rear			
(20)		Reinforcement plate		1	IA8F/0F5/1P0
		Rear			
(20)		Reinforcement plate		1	IA8F/L0R/0F5 I1P7
		Rear			
(20)	971 407 129 K	Reinforcement		1	IA8F/L0L/0F5 I1P7
		Rear			
21	N 912 437 01	Combination screw		10	

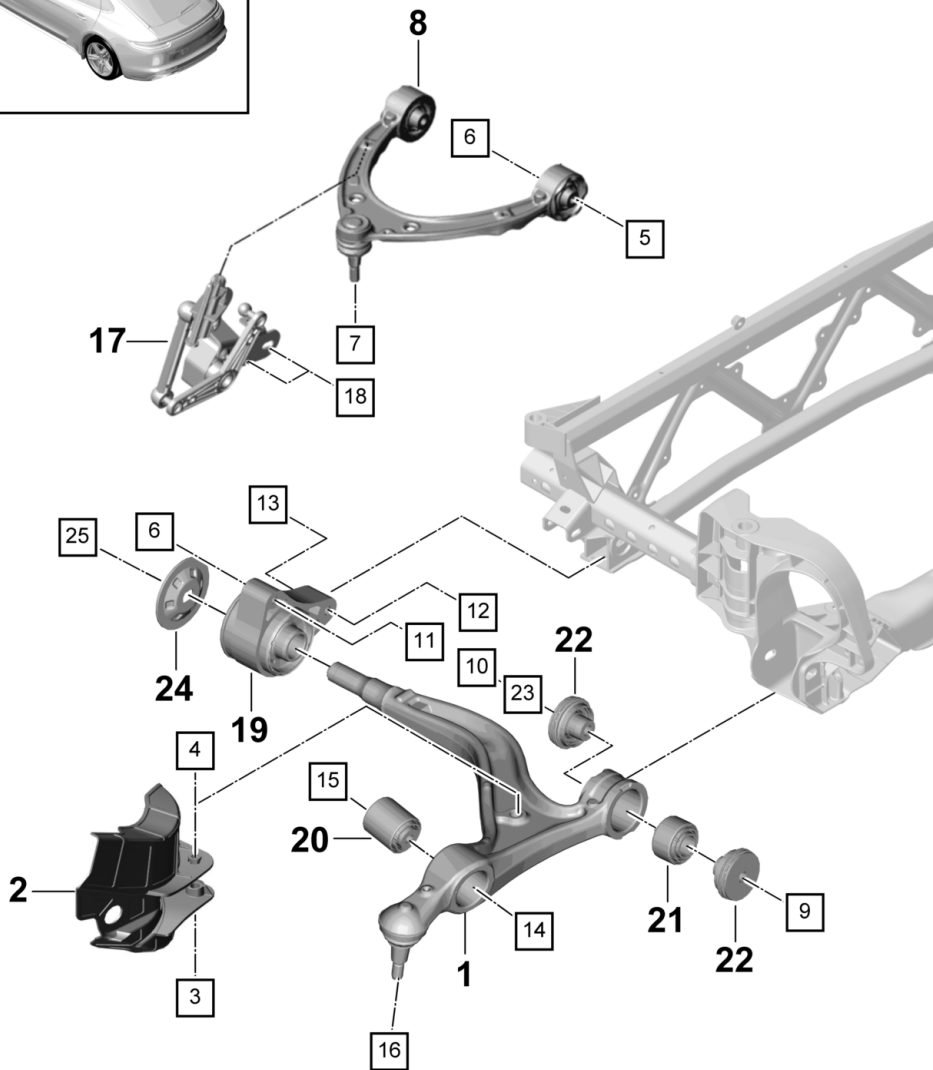
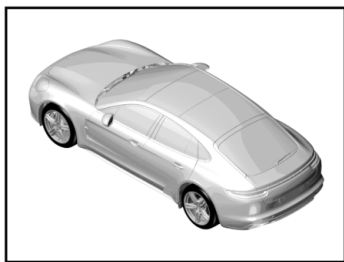
Model: 971-17

Model life 2017>>

Pos	Part Number	Description	Remark	Qty	Model
22	N 912 442 01	M 8 X 30 12 point socket		2	
23	N 912 443 01	M 8 X 20 Combination screw		8	
24	N 912 604 01	M 12 X 1,5 X 90 Combination screw		2	IA8C
(24)		M 10 X 45 Combination screw		2	IA8F/1A2
25		M 10 X 45 Strut		2	
26	971 825 611	Door sill See illustrations 8/01/15 Heat protection	/L	1	
(26)	971 825 611 A	Auxiliary support Heat protection	/R	1	
27	N 038 501 2	Auxiliary support Expansion rivet		2	
28	971 863 900	Insulation		4	IA8C/0F5
(28)		for Reinforcement plate Insulation		4	IA8F/0F5/1P0
(28)		for Reinforcement plate Insulation		4	IA8F/L0R/0F5 I1P7
(28)		for Reinforcement plate Insulation		2	IA8F/L0L/0F5 I1P7
29	N 104 581 01	for Reinforcement plate Buffer		2	I0F5

Model: 971-17

Model life 2017>>



	25	23	16	15	14	13	12
11	10	9	7	6	5	4	3

Model: 971-17 Model life 2017>>

Pos	Part Number	Description	Remark	Qty	Model
1	971 407 151 H	Wishbone Front axle Wishbone Lower Complete	/L	1	I0J2/0J3
(1)	971 407 151 J	Wishbone Lower Complete	/L	1	I0J5/0J8
(1)	971 407 152 H	Wishbone Lower Complete	/R	1	I0J2/0J3
(1)	971 407 152 J	Wishbone Lower Complete	/R	1	I0J5/0J8
2	971 407 125 A	Spoiler Wishbone Lower	/L	1	
(2)	971 407 126 A	Spoiler Wishbone Lower	/R	1	
3	N 107 458 01	Hexagon-head bolt Spoiler		2	
4	N 015 082 10	Hexagon nut Spoiler Wishbone		2	
5	N 106 802 01	Hexagon-head bolt Wishbone Upper		4	
6	N 102 861 10	Hexagon nut Screw Wishbone Upper		4	
7	WHT 005 819	Hexagon nut Wishbone Upper		1	
8	971 407 021 B	Wishbone Upper Complete		2	
(8)	971 407 021 C	D >> 13.11.2016 Wishbone Upper Complete D 14.11.2016>>		2	
9	N 912 531 01	Screw Wishbone		1	
9	9A7 008 425 00	Combination screw AM 14 X 1,5 X 105		2	
10	N 103 353 04	Hexagon nut Screw		2	
11	N 912 533 01	Screw Wishbone		1	
12	N 104 029 04	Hexagon nut Wishbone		1	
13	N 912 534 01	Screw Wishbone		1	
14	N 106 283 01	Hexagon-head bolt Wishbone		1	
15	N 104 029 04	Hexagon nut Wishbone		1	
16	WHT 005 633	12-point nut M 14 X 1,5		2	
17	971 616 213 A	Self-levelling sensor	/L	1	

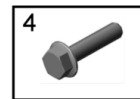
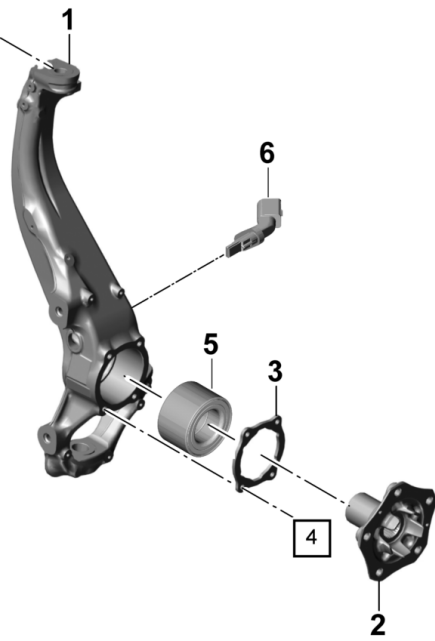
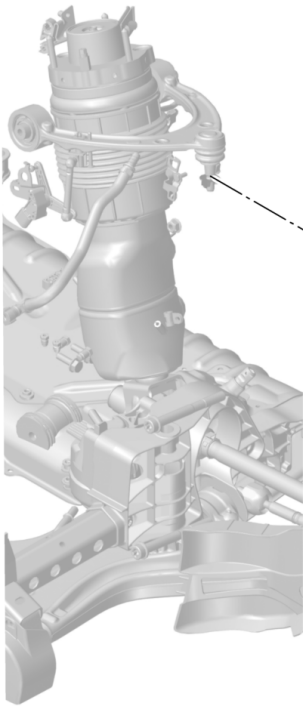
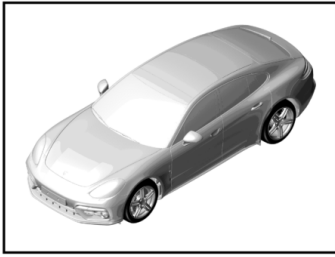
Model: 971-17

Model life 2017>>

Pos	Part Number	Description	Remark	Qty	Model
(17)	971 616 214 A	Self-levelling sensor	/R	1	
18	N 911 733 01	Combined nut M 6		2	
19	971 407 183 B	Hydraulic mount	/L	1	
(19)	971 407 182 B	Hydraulic mount	/R	1	
20	971 407 516	Suspension strut mounting		2	
23	9A7 008 423 00	Washer 30 X 41,6 X 3		2	
24	971 407 441 A	Stop washer		2	
25	9A7 008 424 00	12 point socket M 12 X 1,5 X 35		2	

Model: 971-17

Model life 2017>>



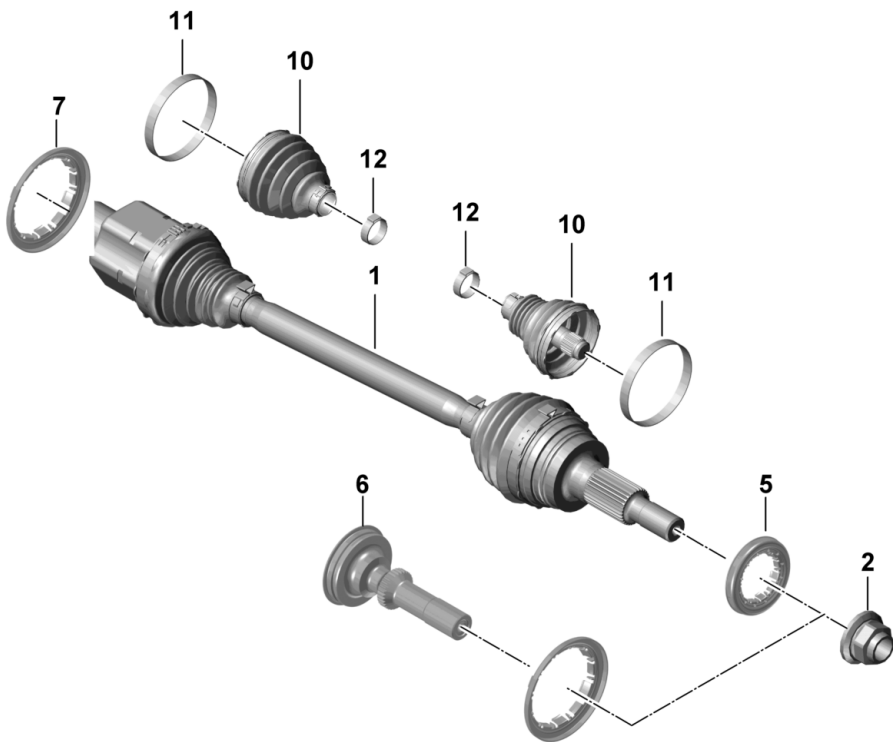
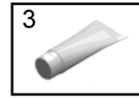
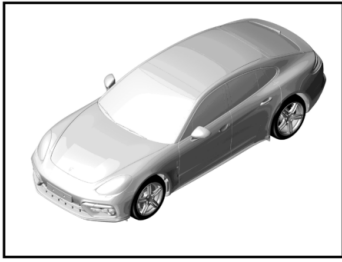
Model: 971-17

Model life 2017>>

Pos	Part Number	Description	Remark	Qty	Model
1	971 407 245 H	Wheel carrier Pivot bearing Wheel hub	/L	1	I0J2/0J3
1	971 407 245 J	Pivot bearing Complete	/L	1	I0J5/0J8
(1)	971 407 246 H	Pivot bearing Complete	/R	1	I0J2/0J3
(1)	971 407 246 J	Pivot bearing Complete	/R	1	I0J5/0J8
2	9P1 407 616	Wheel hub		2	I0J2/0J3
(2)	971 407 615 B	Front axle Wheel hub		2	I0J5/0J8
3	971 501 375	Front axle Plate		2	I0J2/0J3
(3)	971 501 375 A	Wheel hub Plate		2	I0J5/0J8
4	N 108 063 01	Wheel hub Hexagon-head bolt Plate		8	
5	971 407 621	Front axle Angular-contact bearing		2	I0J2/0J3
(5)	971 501 287 B	Angular-contact bearing		2	I0J5/0J8
6	971 927 807	Tachometer Sensor Anti-lock brake system		1	

Model: 971-17

Model life 2017>>



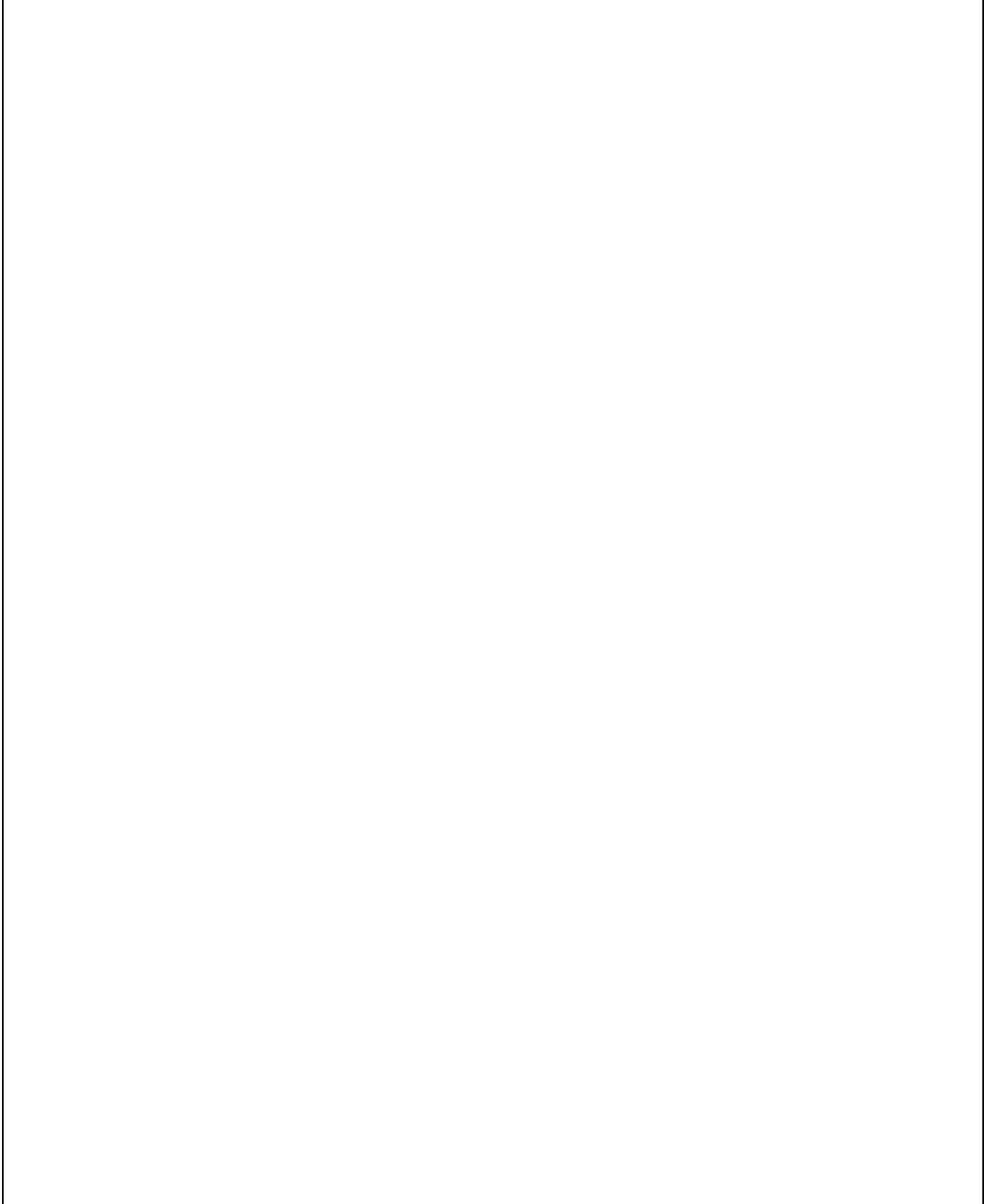
Model: 971-17

Model life 2017>>

Pos	Part Number	Description	Remark	Qty	Model
1	9A7 407 271 D	Drive shaft Front axle	/L	1	I0J2/0J3
(1)	9A7 407 271 E	Drive shaft Front axle	/R	1	I0J2/0J3
(1)	9A7 407 271 F	Drive shaft Front axle	/L	1	I0J5/0J8
(1)	9A7 407 271 G	Drive shaft Front axle	/R	1	I0J5/0J8
2	WHT 007 021	Hexagon nut Drive shaft		1	
3	000 043 305 08	Optimoly Drive shaft		1	
4	9A7 407 635 00	Circlip Drive shaft	/R	1	
5	298 407 475	Protective ring		2	I0J2/0J3/1X2
(5)	298 407 475 A	Protective ring		2	I0J2/0J3/1X1
6	298 407 313	Tension bolt		2	I0J2/0J3/1X2
7	971 407 623	Washer	/L	1	I1X1
(7)	971 407 624	Washer	/R	1	I1X1
10	971 407 283	Bellows Drive shaft		2	
11	N 108 392 01	Hose clamp Bellows		2	
12	N 107 845 01	Drive shaft Hose clamp Bellows Drive shaft		2	

Model: 971-17

Model life 2017>>



Model: 971-17 Model life 2017>>

Pos	Part Number	Description	Remark	Qty	Model
		suspension			I1BH
1	971 413 031 E	Shock absorber strut Shock absorber strut Use also: 971.413.047.C		2	
2	N 106 283 01	Hexagon-head bolt M12 X 1,5 X 90		2	
3	N 104 029 04	Hexagon nut M12 X 1,5		2	
4	971 411 189	Base Spring Lower		2	
5	971 411 105 971 411 105 504	Coil spring * Identification Orange Blue		1	I0JA
(5)	971 411 105 A 971 411 105 A 504	Coil spring * Identification Orange Green		1	I0JB
(5)	971 411 105 B 971 411 105 B 504	Coil spring * Identification Orange Pink		1	I0JC
(5)	971 411 105 C 971 411 105 C 504	Coil spring * Identification Orange Yellow		1	I0JD
(5)	971 411 105 D 971 411 105 D 504	Coil spring * Identification Orange Opal Green		1	I0JE
(5)	971 411 105 E 971 411 105 E 504	Coil spring * Identification Orange Brown		1	I0JF
(5)	971 411 105 F 971 411 105 F 504	Coil spring * Identification Orange Violet		1	I0JG
6	971 412 149	Base Spring Upper		2	
7	971 411 177	Shim Upper Tolerance range		2	
(7)	971 411 177 A	Beige Shim Upper Tolerance range		2	
(7)	971 411 177 B	Black Shim Upper Tolerance range		2	
8	971 412 137	Grey Bellows		2	

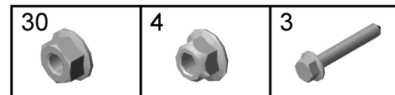
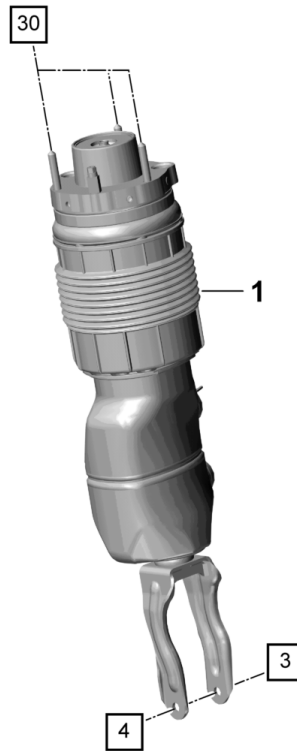
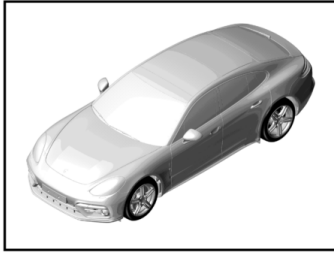
Model: 971-17

Model life 2017>>

Pos	Part Number	Description	Remark	Qty	Model
9	971 412 303	Rubber stop		2	
11	971 412 321 C	Concave support	/L	1	
(11)	971 412 322	Concave support	/R	1	
13	WHT 004 985	Hexagon nut M 14 X 1,5		2	
14	N 102 613 11	Hexagon nut M10		6	
15	971 413 047 C	Cap Shock absorber strut		2	

Model: 971-17

Model life 2017>>



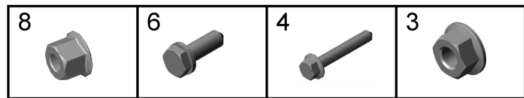
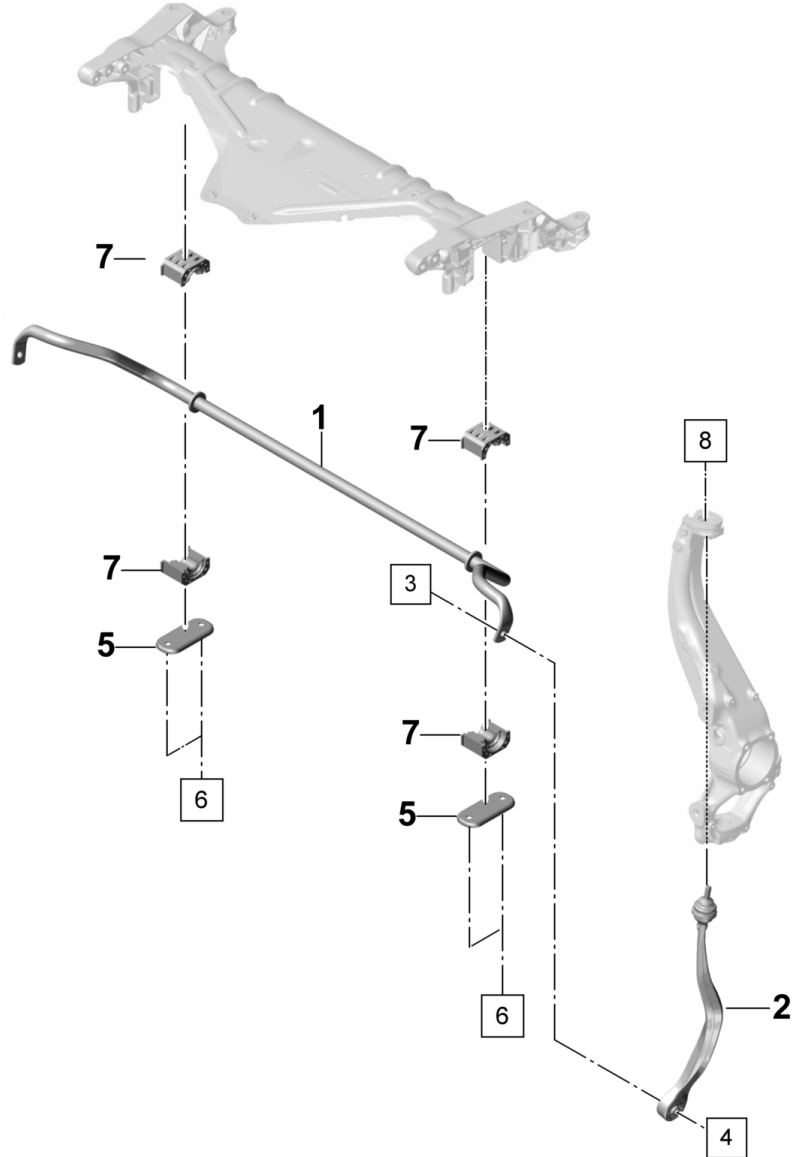
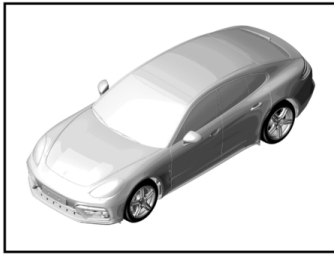
Model: 971-17

Model life 2017>>

Pos	Part Number	Description	Remark	Qty	Model
1	971 616 037 D	Air spring Spring strut Complete	/L	1	I1BK
(1)	971 616 038 D	Spring strut Complete	/R	1	
3	N 106 283 01	Hexagon-head bolt M12 X 1,5 X 90		2	
4	N 104 029 04	Hexagon nut M12 X 1,5		2	
30	N 102 613 11	Hexagon nut M10		6	

Model: 971-17

Model life 2017>>



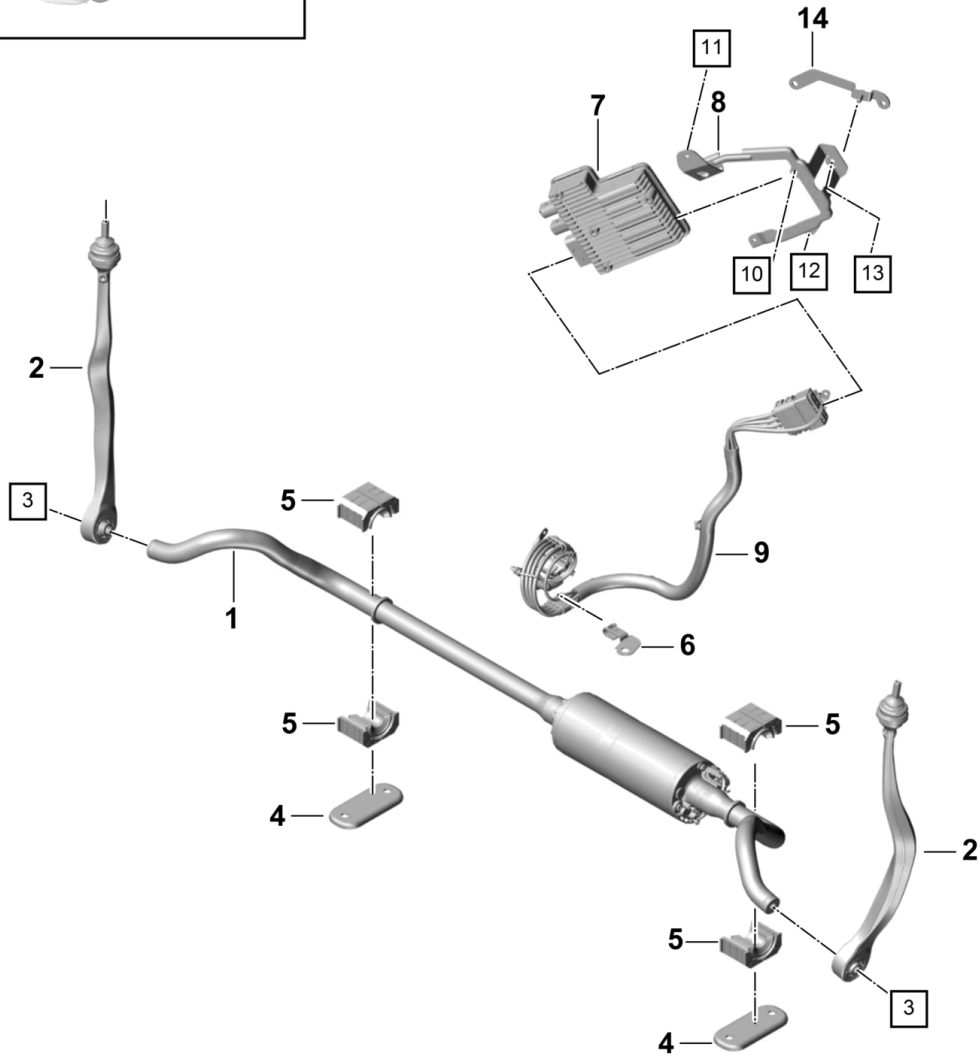
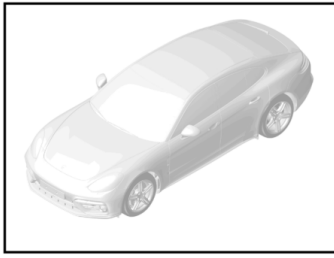
Model: 971-17

Model life 2017>>

Pos	Part Number	Description	Remark	Qty	Model
		Stabiliser			I1P0
		Front axle			
1	971 411 025 K	Stabiliser		1	I1BH
(1)	971 411 025 J	Stabiliser		1	I1BK
(1)		Stabiliser		1	I1BH
(1)	971 411 025 H	Stabiliser		1	I1BK
(1)	971 411 025 J	Stabiliser		1	I1BH
(1)	971 411 025 H	Stabiliser		1	I1BK
(1)	971 411 025 K	Stabiliser		1	I1BK
(1)	971 411 025 J	Stabiliser		1	I1BH
2	971 411 317	Stabiliser mounting	/L	1	
(2)	971 411 318	Stabiliser mounting	/R	1	
3	N 015 081 8	Hexagon nut M 12 X 1,5		2	
4	N 107 936 03	Hexagon-head bolt M 12 X 1,5 X 60		2	
5	971 411 055 A	Clip		2	
6	N 910 062 02	Hexagon-head bolt M 10 X 32		4	
7	971 411 313 G	Stabiliser mounting		4	I1BH
(7)		Stabiliser mounting		4	I1BK
(7)		Stabiliser mounting		4	I1BH
(7)	971 411 313 E	Stabiliser mounting		4	I1BK
(7)	971 411 313 G	Stabiliser mounting		4	I1BH
(7)	971 411 313 E	Stabiliser mounting		4	I1BK
(7)	971 411 313 G	Stabiliser mounting		4	I1BK
(7)		Stabiliser mounting		4	I1BH
8	N 102 723 02	Hexagon nut M 10		2	

Model: 971-17

Model life 2017>>



13	12	11	10	3

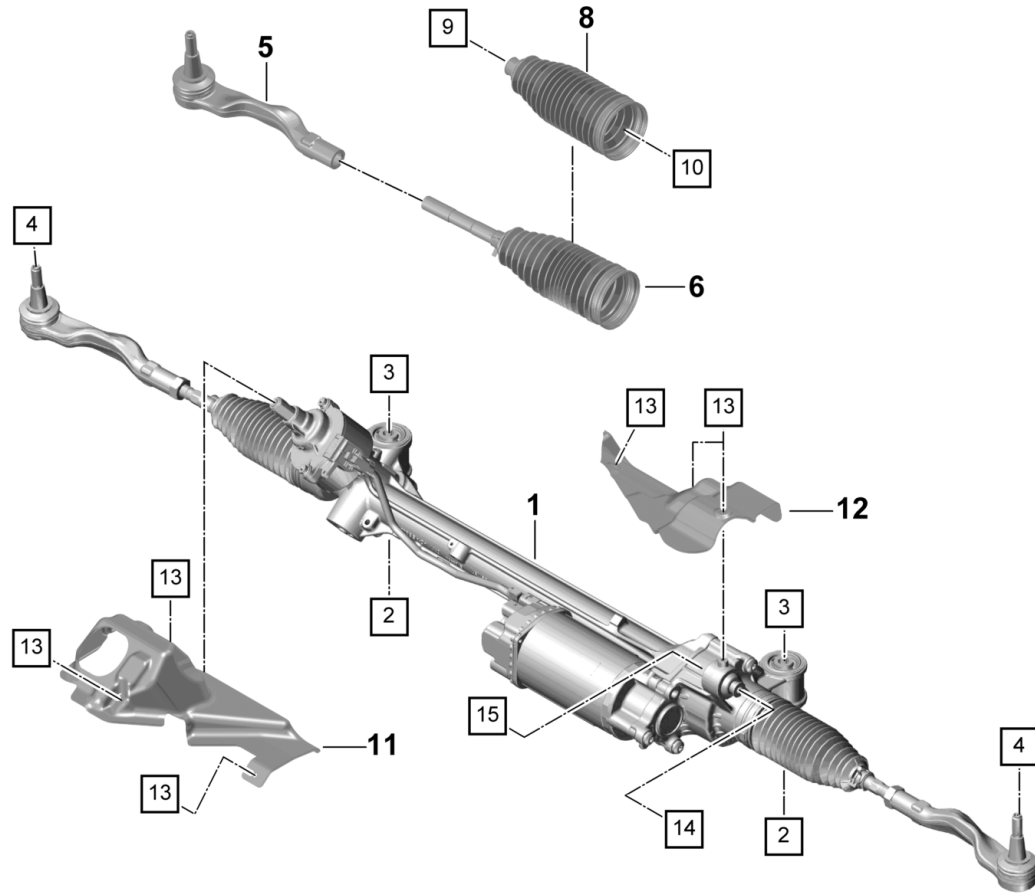
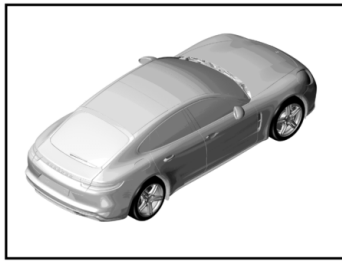
Model: 971-17

Model life 2017>>

Pos	Part Number	Description	Remark	Qty	Model
		Stabiliser			I1P7
		Roll stabilisation			
1	971 411 023 C	Stabiliser		1	IA8F/L0L/1A2
(1)	971 411 103 C	Stabiliser		1	IA8F/L0L/0F5
(1)	971 411 023 C	Stabiliser		1	IA8H/L0L
(1)	971 411 023 E	Stabiliser		1	IA8H/L0L/0K3
(1)	971 411 024 C	Stabiliser		1	IL0R
2	971 616 215	Stabiliser mounting	/L	1	
		D >> 20.11.2016			
(2)	971 411 317	Stabiliser mounting	/L	1	
		D 21.11.2016>>			
(2)	971 616 216	Stabiliser mounting	/R	1	
		D >> 20.11.2016			
(2)	971 411 318	Stabiliser mounting	/R	1	
		D 21.11.2016>>			
3	N 107 023 02	Hexagon-head bolt		2	
		M 12 X 1,5 X 50			
4	971 411 055 A	Clip		2	
		Stabiliser			
5	971 411 313 F	Stabiliser mounting		4	
5	971 411 313 J	Stabiliser mounting		4	-IA8H/-I0K3
5	971 411 313 K	Stabiliser mounting		4	IA8H/0K3
6	971 616 811	Support		1	IL0L
		Stabiliser mounting			
(6)	971 616 812	Support		1	IL0R
		Stabiliser mounting			
7	971 907 156 K	Control unit		2	
		Roll stabilisation			
8	971 907 113	Support		1	
		Control unit			
		Roll stabilisation			
9	971 972 357 D	Wiring harness		1	IA8F/L0L/1A2
		Stabiliser			
(9)	971 972 357 E	Wiring harness		1	IA8F/L0L/0F5
		Stabiliser			
(9)	971 972 357 D	Wiring harness		1	IA8H/L0L
		Stabiliser			
(9)	971 972 357 H	Wiring harness		1	IA8H/L0L/0K3
		Stabiliser			
(9)	971 972 358 B	Wiring harness		1	IL0R
		Stabiliser			
10	N 106 695 01	Oval-head screw		4	
		M 5 X 12			
11	N 106 532 01	Hexagon-head bolt		1	
12	N 015 082 10	Hexagon nut		1	
		M 6			
13	N 100 151 01	Hexagon nut		1	
		T 5			
14	971 907 492	Support		1	
		Control unit			
		Roll stabilisation			
15	N 104 134 05	Outer hexagon round screw	/R	2	IL0R
		M 6 X 25			

Model: 971-17

Model life 2017>>



							15
14	13	10	9	7	4	3	2

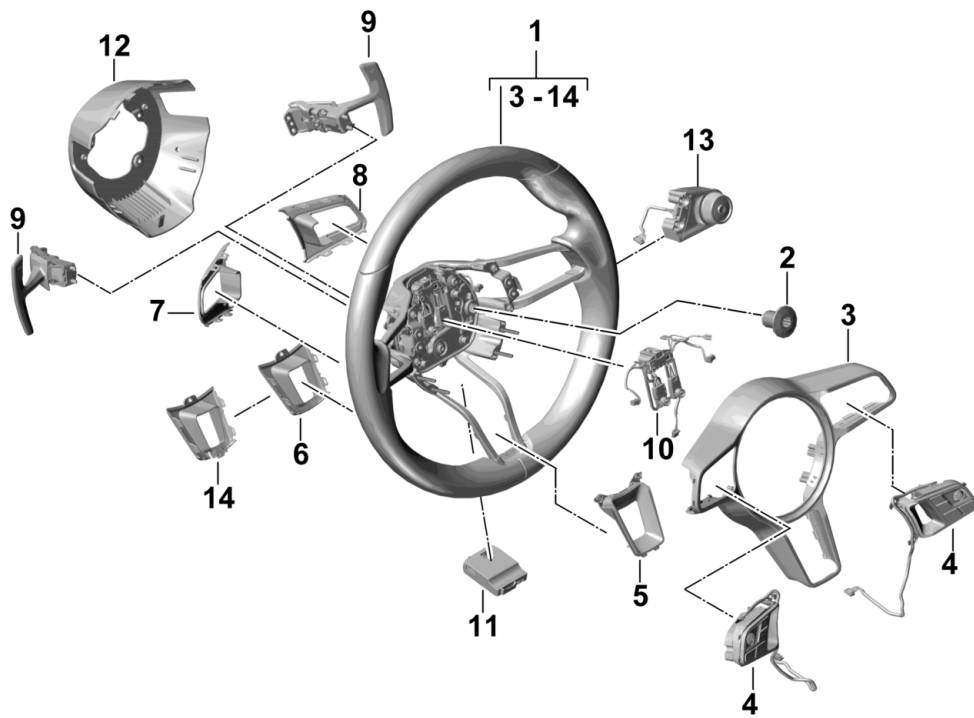
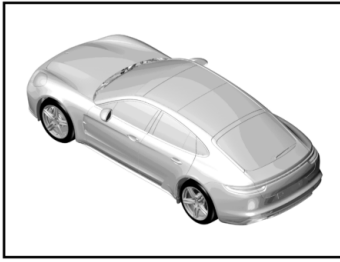
Model: 971-17

Model life 2017>>

Pos	Part Number	Description	Remark	Qty	Model
1	971 423 051 AM	Steering gear		1	IL0L/0N1
(1)	971 423 051 AN	Front axle Steering gear		1	IL0R/0N1
(1)	971 423 051 AP	Steering gear		1	IL0L/0N5
(1)	971 423 051 AQ	Steering gear		1	IL0R/0N5
2	N 107 847 02	Hexagon-head bolt Steering Front axle		2	
3	N 104 029 04	Hexagon nut Steering Front axle		2	
4	9A7 004 995 00	Hexagon nut M 12 X 1,5		2	
5	971 423 811 B	Track rod	/L	1	
(5)	971 423 812 B	Track rod	/R	1	
6	971 423 810	Joint		2	
7	9A7 008 571 00	Hexagon nut M 16 X 1,5		2	
8	971 423 815	Bellows		2	
9	N 912 022 01	Clip		2	
(9)	999 512 686 09	Hose clamp		2	
10	N 105 752 01	Hose clamp		2	
11	971 423 981 B	Heat protection	/L	1	IL0L/0K0
(11)	971 423 981 C	Heat protection	/L	1	IL0L/0K3
(11)	971 423 982 B	Heat protection D >> 28.05.2017	/L	1	IL0R/0K0
(11)	971 423 982 D	Heat protection D 29.05.2017>>	/L	1	IL0R/0K0
(11)	971 423 982 C	Heat protection D >> 28.05.2017	/L	1	IL0R/0K3
(11)	971 423 982 E	Heat protection D 29.05.2017>>	/L	1	IL0R/0K3
12	971 423 983 A	Heat protection	/R	1	IL0L
(12)	971 423 984 A	Heat protection D >> 28.05.2017	/R	1	IL0R
(12)	971 423 984 B	Heat protection D 29.05.2017>>	/R	1	IL0R
13	N 104 857 03	Round head screw M 5 X 12		6	
14	N 912 578 01	Hexagon-head bolt M 8 X 80		1	
15	N 104 355 06	Hexagon nut M 8		1	

Model: 971-17

Model life 2017>>



Model: 971-17 Model life 2017>>

Pos	Part Number	Description	Remark	Qty	Model
1	971 419 091 BJ	Steering wheels Steering wheel Leather		1	IQR5/0K0 I2ZM
	971 419 091 BJ A34	Black			AB, +PK+AC +BS, +BK, +BB
	971 419 091 BJ OE5	Agate Grey			DG, +DL
	971 419 091 BJ 9J9	Luxor Beige			UB, +UC
	971 419 091 BJ OK6	Saddle Tan			SB, +BP
	971 419 091 BJ 8U7	Marsala Red			PC, +BE, +A1
		D >> 29.01.2017			
(1)	971 419 091 DA	Steering wheel Leather		1	I2ZM
	971 419 091 DA A34	Black			AB, +PK+AC +BS, +BK, +BB +PL,
	971 419 091 DA OE5	Agate Grey			DG, +DL
	971 419 091 DA 9J9	Luxor Beige			UB, +UC
	971 419 091 DA OK6	Saddle Tan			SB, +BP
	971 419 091 DA 8U7	Marsala Red			PC, +BE, +A1
	971 419 091 DA OT2	Truffle Brown			+HD,
	971 419 091 DA ON1	Cohiba Brown			+HC,
		D 30.01.2017>>			
(1)	971 419 091 BK	Steering wheel Leather		1	I2ZH
	971 419 091 BK A34	Black			+AB, +PK, +AC +BB, +BS, +BK +DG, +DL,
	971 419 091 BK OE5	Agate Grey			+UB, +UC,
	971 419 091 BK 9J9	Luxor Beige			+SB, +BP,
	971 419 091 BK OK6	Saddle Tan			+PC, +BE, +A1
	971 419 091 BK 8U7	Marsala Red			
		D >> 29.01.2017			
(1)	971 419 091 DB	Steering wheel Leather		1	I2ZH
	971 419 091 DB A34	Black			+AB, +PK, +AC +BB, +BS, +BK +PL,
	971 419 091 DB OE5	Agate Grey			+DG, +DL,
	971 419 091 DB 9J9	Luxor Beige			+UB, +UC,
	971 419 091 DB OK6	Saddle Tan			+SB, +BP,
	971 419 091 DB 8U7	Marsala Red			+PC, +BE, +A1
	971 419 091 DB OT2	Truffle Brown			+HD,
	971 419 091 DB ON1	Cohiba Brown			+HC,
		D 30.01.2017>>			
(1)	971 419 091 BL	Steering wheel Carbon		1	I2FX
	971 419 091 BL A34	Black			+AB, +PK, +AC +BB, +BS, +BK +DG, +DL,
	971 419 091 BL OE5	Agate Grey			+UB, +UC,
	971 419 091 BL 9J9	Luxor Beige			+SB, +BP,
	971 419 091 BL OK6	Saddle Tan			+PC, +BE, +A1
	971 419 091 BL 8U7	Marsala Red			
		D >> 29.01.2017			
(1)	971 419 091 DC	Steering wheel Carbon		1	I2FX
	971 419 091 DC A34	Black			+AB, +PK, +AC +BB, +BS, +BK +PL,
	971 419 091 DC OE5	Agate Grey			+DG, +DL,
	971 419 091 DC 9J9	Luxor Beige			+UB, +UC,
	971 419 091 DC OK6	Saddle Tan			+SB, +BP,
	971 419 091 DC 8U7	Marsala Red			+PC, +BE, +A1
	971 419 091 DC OT2	Truffle Brown			+HD,
	971 419 091 DC ON1	Cohiba Brown			+HC,

Model: 971-17 Model life 2017>>

Pos	Part Number	Description	Remark	Qty	Model
(1)	971 419 091 BM	D 30.01.2017>> Steering wheel American Walnut		1	I1XG +AB,+PK,+AC +BB,+BS,+BK +DG,+DL, +UB,+UC, +SB,+BP, +PC,+BE,+A1
	971 419 091 BM A34	Black			
	971 419 091 BM OE5	Agate Grey			
	971 419 091 BM 9J9	Luxor Beige			
	971 419 091 BM OK6	Saddle Tan			
	971 419 091 BM 8U7	Marsala Red			
		D >> 29.01.2017			
(1)	971 419 091 DD	Steering wheel American Walnut		1	I1XG +AB,+PK,+AC +BB,+BS,+BK +PL, +DG,+DL, +UB,+UC, +SB,+BP, +PC,+BE,+A1 +HD, +HC,
	971 419 091 DD A34	Black			
	971 419 091 DD OE5	Agate Grey			
	971 419 091 DD 9J9	Luxor Beige			
	971 419 091 DD OK6	Saddle Tan			
	971 419 091 DD 8U7	Marsala Red			
	971 419 091 DD OT2	Truffle Brown			
(1)	971 419 091 DD ON1	Cohiba Brown			
	971 419 091 BN	D 30.01.2017>> Steering wheel Anthracite Birch		1	I1XE +AB,+PK,+AC +BB,+BS,+BK +DG,+DL, +UB,+UC, +SB,+PC,+BP +BE,+A1,+0L
	971 419 091 BN A34	Black			
	971 419 091 BN OE5	Agate Grey			
	971 419 091 BN 9J9	Luxor Beige			
	971 419 091 BN OK6	Saddle Tan			
	971 419 091 BN 8U7	Marsala Red			
	D >> 29.01.2017				
(1)	971 419 091 DE	Steering wheel Anthracite Birch		1	I1XE +AB,+PK,+AC +BB,+BS,+BK +PL, +DG,+DL, +UB,+UC, +SB,+PC,+BP +BE,+A1,+0L +HD, +HC,
	971 419 091 DE A34	Black			
	971 419 091 DE OE5	Agate Grey			
	971 419 091 DE 9J9	Luxor Beige			
	971 419 091 DE OK6	Saddle Tan			
	971 419 091 DE 8U7	Marsala Red			
	971 419 091 DE OT2	Truffle Brown			
(1)	971 419 091 DE ON1	Cohiba Brown			
	971 419 091 BP	D 30.01.2017>> Steering wheel Wood		1	I2FF +AB,+PK,+AC +BB,+BS,+BK +DG,+DL, +UB,+UC, +SB,+BP, +PC,+BE,+A1
	971 419 091 BP A34	Black			
	971 419 091 BP OE5	Agate Grey			
	971 419 091 BP 9J9	Luxor Beige			
	971 419 091 BP OK6	Saddle Tan			
	971 419 091 BP 8U7	Marsala Red			
	D >> 29.01.2017				
(1)	971 419 091 DF	Steering wheel Wood		1	I2FF +AB,+PK,+AC +BB,+BS,+BK +PL, +DG,+DL, +UB,+UC, +SB,+BP, +PC,+BE,+A1 +HD, +HC,
	971 419 091 DF A34	Black			
	971 419 091 DF OE5	Agate Grey			
	971 419 091 DF 9J9	Luxor Beige			
	971 419 091 DF OK6	Saddle Tan			
	971 419 091 DF 8U7	Marsala Red			
	971 419 091 DF OT2	Truffle Brown			
971 419 091 DF ON1	Cohiba Brown				

Model: 971-17 Model life 2017>>

Pos	Part Number	Description	Remark	Qty	Model
(1)	971 419 091 BQ	D 30.01.2017>> Steering wheel Wood		1	I2FG
	971 419 091 BQ A34	Black			+AB, +PK, +AC +BB, +BS, +BK
	971 419 091 BQ OE5	Agate Grey			+DG, +DL,
	971 419 091 BQ 9J9	Luxor Beige			+UB, +UC,
	971 419 091 BQ OK6	Saddle Tan			+SB, +BP,
	971 419 091 BQ 8U7	Marsala Red			+PC, +BE, +A1
(1)	971 419 091 DG	D >> 29.01.2017 Steering wheel Wood		1	I2FG
	971 419 091 DG A34	Black			+AB, +PK, +AC +BB, +BS, +BK +PL,
	971 419 091 DG OE5	Agate Grey			+DG, +DL,
	971 419 091 DG 9J9	Luxor Beige			+UB, +UC,
	971 419 091 DG OK6	Saddle Tan			+SB, +BP,
	971 419 091 DG 8U7	Marsala Red			+PC, +BE, +A1
	971 419 091 DG OT2	Truffle Brown			+HD,
	971 419 091 DG ON1	Cohiba Brown			+HC,
2	N 910 207 01	D 30.01.2017>> Screw M18 X 1,5 X 26 D >> 15.01.2017		1	
(2)	N 907 991 02	Multiple-tooth screw M18 X 1,5 X 18 D 16.01.2017>>		1	
3	95B 419 732 B	Cover Large		1	
4	95B 419 732 B GT8 971 959 537 Y	Steering wheel Galvano silver Switch Multi-function Set		1	
5	971 959 537 Y 6N3 95B 419 938 H	Steering wheel Black mat Cover Steering wheel Front		1	
6	95B 419 938 H 5Q0 95B 419 938 G	Black Cover Steering wheel Rear		1	I2ZM
7	95B 419 938 G 5Q0 971 419 937 A	Black Cover Steering wheel Rear		1	/L
8	971 419 936 A	Cover Steering wheel Rear		1	/R
9	971 998 540	Shifting paddle Set		1	
10	971 998 540 GT8 971 971 388 A	Galvano silver Wiring harness Steering wheel		1	
11	971 959 256 E	Control unit Steering wheel		1	
(11)	971 959 256 G	Control unit Steering wheel		1	
12	95B 419 798 D	Cover Rear Steering wheel		1	I2ZH/2ZM

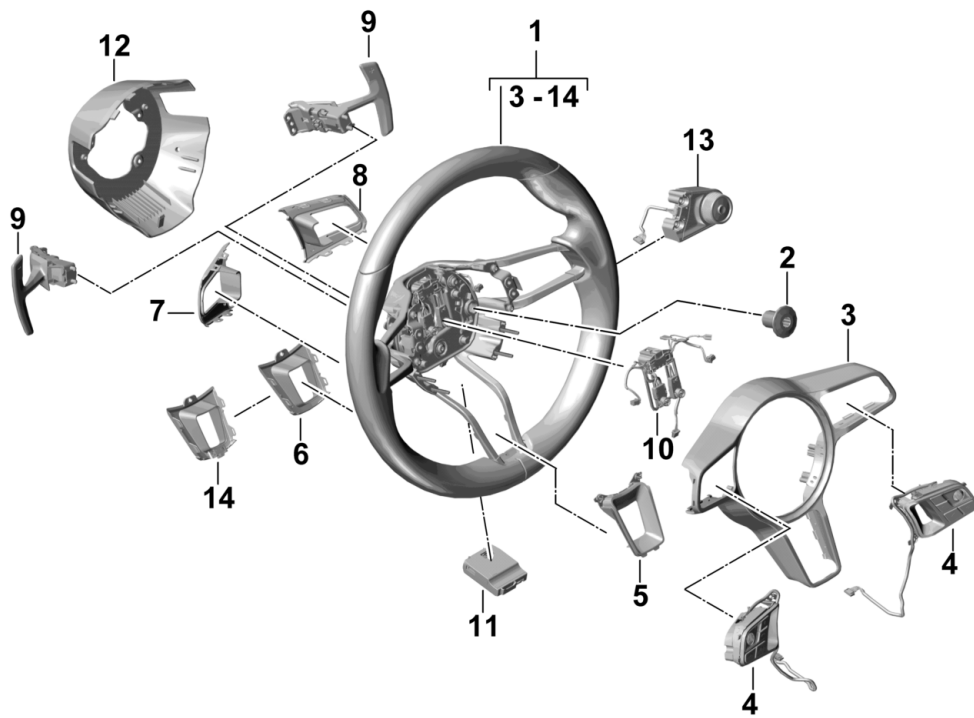
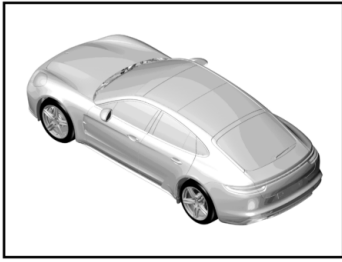
Model: 971-17

Model life 2017>>

Pos	Part Number	Description	Remark	Qty	Model
	95B 419 798 D 5Q0	Black			+AB, +PK, +AC, +BB, +BS, +BK, +PL, +DG, +DL, +UB, +UC, +SB, +BP +PC, +BE
	95B 419 798 D OA6	Agate Grey			
	95B 419 798 D 6W0	Luxor Beige			
	95B 419 798 D OL7	Saddle Tan			
	95B 419 798 D 7X0	Marsala Red			
	95B 419 798 D OS1	Truffle Brown			+HD, +HC,
	95B 419 798 D OB8	Cohiba Brown			
13	971 919 680 B	Switch Steering wheel		1	
14	95B 951 527 A	Switch Heating		1	

Model: 971-17

Model life 2017>>



Model: 971-17 Model life 2017>>

Pos	Part Number	Description	Remark	Qty	Model
1	971 419 091 BR	Steering wheels Steering wheel Leather		1	IQR5/0K3 I2ZM
	971 419 091 BR A34	Black			+AB,+PK,+AC +BB,+BS,+BK +DG,+DL, +UB,+UC, +SB,+BP, +PC,+BE,+A1
	971 419 091 BR OE5	Agate Grey			
	971 419 091 BR 9J9	Luxor Beige			
	971 419 091 BR OK6	Saddle Tan			
	971 419 091 BR 8U7	Marsala Red			
		D >> 29.01.2017			
(1)	971 419 091 DH	Steering wheel Leather		1	I2ZM
	971 419 091 DH A34	Black			+AB,+PK,+AC +BB,+BS,+BK +PL, +DG,+DL, +UB,+UC, +SB,+BP, +PC,+BE,+A1
	971 419 091 DH OE5	Agate Grey			
	971 419 091 DH 9J9	Luxor Beige			
	971 419 091 DH OK6	Saddle Tan			
	971 419 091 DH 8U7	Marsala Red			
	971 419 091 DH OT2	Truffle Brown			
	971 419 091 DH ON1	Cohiba Brown			
		D 30.01.2017>>			
(1)	971 419 091 BS	Steering wheel Leather		1	I2ZH
	971 419 091 BS A34	Black			AB+PK+AC +BB,+BS,+BK +DG,+DL +UB,+UC +SB,+BP +PC,+BE,+A1
	971 419 091 BS OE5	Agate Grey			
	971 419 091 BS 9J9	Luxor Beige			
	971 419 091 BS OK6	Saddle Tan			
	971 419 091 BS 8U7	Marsala Red			
		D >> 29.01.2017			
(1)	971 419 091 DJ	Steering wheel Leather		1	I2ZH
	971 419 091 DJ A34	Black			AB+PK+AC +BB,+BS,+BK +PL, +DG,+DL +UB,+UC +SB,+BP +PC,+BE,+A1
	971 419 091 DJ OE5	Agate Grey			
	971 419 091 DJ 9J9	Luxor Beige			
	971 419 091 DJ OK6	Saddle Tan			
	971 419 091 DJ 8U7	Marsala Red			
	971 419 091 DJ OT2	Truffle Brown			
	971 419 091 DJ ON1	Cohiba Brown			
		D 30.01.2017>>			
(1)	971 419 091 BT	Steering wheel Carbon		1	I2FX
	971 419 091 BT A34	Black			+AB,+PK,+AC +BB,+BS,+BK +DG,+DL +UB,+UC +SB,+BP, +PC,+BE,+A1
	971 419 091 BT OE5	Agate Grey			
	971 419 091 BT 9J9	Luxor Beige			
	971 419 091 BT OK6	Saddle Tan			
	971 419 091 BT 8U7	Marsala Red			
		D >> 29.01.2017			
(1)	971 419 091 DK	Steering wheel Carbon		1	I2FX
	971 419 091 DK A34	Black			+AB,+PK,+AC +BB,+BS,+BK +PL, +DG,+DL +UB,+UC +SB,+BP, +PC,+BE,+A1
	971 419 091 DK OE5	Agate Grey			
	971 419 091 DK 9J9	Luxor Beige			
	971 419 091 DK OK6	Saddle Tan			
	971 419 091 DK 8U7	Marsala Red			
	971 419 091 DK OT2	Truffle Brown			
	971 419 091 DK ON1	Cohiba Brown			

Model: 971-17 Model life 2017>>

Pos	Part Number	Description	Remark	Qty	Model
(1)	971 419 091 CA	D 30.01.2017>> Steering wheel American Walnut		1	I1XG +AB,+PK,+AC +BB,+BS,+BK +DG,+DL +UB,+UC +SB,+BP +PC,+BE,+A1
	971 419 091 CA A34	Black			
	971 419 091 CA OE5	Agate Grey			
	971 419 091 CA 9J9	Luxor Beige			
	971 419 091 CA OK6	Saddle Tan			
	971 419 091 CA 8U7	Marsala Red			
		D >> 29.01.2017			
(1)	971 419 091 DL	Steering wheel American Walnut		1	I1XG +AB,+PK,+AC +BB,+BS,+BK +PL, +DG,+DL +UB,+UC +SB,+BP +PC,+BE,+A1 +HD, +HC,
	971 419 091 DL A34	Black			
	971 419 091 DL OE5	Agate Grey			
	971 419 091 DL 9J9	Luxor Beige			
	971 419 091 DL OK6	Saddle Tan			
	971 419 091 DL 8U7	Marsala Red			
	971 419 091 DL OT2	Truffle Brown			
(1)	971 419 091 DL ON1	Cohiba Brown		1	I1XE +AB,+PK,+AC +BB,+BS,+BK +DG,+DL +UB,+UC +SB,+BP +PC,+BE,+A1 +HD, +HC,
	971 419 091 CB	D 30.01.2017>> Steering wheel Anthracite Birch			
	971 419 091 CB A34	Black			
	971 419 091 CB OE5	Agate Grey			
	971 419 091 CB 9J9	Luxor Beige			
	971 419 091 CB OK6	Saddle Tan			
	971 419 091 CB 8U7	Marsala Red			
(1)	971 419 091 DM	D >> 29.01.2017 Steering wheel Anthracite Birch		1	I1XE +AB,+PK,+AC +BB,+BS,+BK +PL, +DG,+DL +UB,+UC +SB,+BP +PC,+BE,+A1 +HD, +HC,
	971 419 091 DM A34	Black			
	971 419 091 DM OE5	Agate Grey			
	971 419 091 DM 9J9	Luxor Beige			
	971 419 091 DM OK6	Saddle Tan			
	971 419 091 DM 8U7	Marsala Red			
	971 419 091 DM OT2	Truffle Brown			
(1)	971 419 091 DM ON1	Cohiba Brown		1	I2FF +AB,+PK,+AC +BB,+BS,+BK +DG,+DL +UB,+UC +SB,+BP +PC,+BE,+A1
	971 419 091 CC	D 30.01.2017>> Steering wheel Wood			
	971 419 091 CC A34	Black			
	971 419 091 CC OE5	Agate Grey			
	971 419 091 CC 9J9	Luxor Beige			
	971 419 091 CC OK6	Saddle Tan			
	971 419 091 CC 8U7	Marsala Red			
(1)	971 419 091 DN	D >> 29.01.2017 Steering wheel Wood		1	I2FF +AB,+PK,+AC +BB,+BS,+BK +PL, +DG,+DL +UB,+UC +SB,+BP +PC,+BE,+A1 +HD, +HC,
	971 419 091 DN A34	Black			
	971 419 091 DN OE5	Agate Grey			
	971 419 091 DN 9J9	Luxor Beige			
	971 419 091 DN OK6	Saddle Tan			
	971 419 091 DN 8U7	Marsala Red			
	971 419 091 DN OT2	Truffle Brown			
971 419 091 DN ON1	Cohiba Brown				

Model: 971-17 Model life 2017>>

Pos	Part Number	Description	Remark	Qty	Model
(1)	971 419 091 CD	D 30.01.2017>> Steering wheel Wood		1	I2FG
	971 419 091 CD A34	Black			+AB, +PK, +AC +BB, +BS, +BK +DG, +DL
	971 419 091 CD OE5	Agate Grey			+UB, +UC
	971 419 091 CD 9J9	Luxor Beige			+SB, +BP
	971 419 091 CD OK6	Saddle Tan			+PC, +BE, +A1
	971 419 091 CD 8U7	Marsala Red			
		D >> 29.01.2017			
(1)	971 419 091 DP	Steering wheel Wood		1	I2FG
	971 419 091 DP A34	Black			+AB, +PK, +AC +BB, +BS, +BK +PL,
	971 419 091 DP OE5	Agate Grey			+DG, +DL
	971 419 091 DP 9J9	Luxor Beige			+UB, +UC
	971 419 091 DP OK6	Saddle Tan			+SB, +BP
	971 419 091 DP 8U7	Marsala Red			+PC, +BE, +A1
	971 419 091 DP OT2	Truffle Brown			+HD,
	971 419 091 DP ON1	Cohiba Brown			+HC,
		D 30.01.2017>>			
2	N 910 207 01	Screw M18 X 1,5 X 26		1	
		D >> 15.01.2017			
(2)	N 907 991 02	Multiple-tooth screw M18 X 1,5 X 18		1	
		D 16.01.2017>>			
3	95B 419 732 B	Cover Large		1	
	95B 419 732 B GT8	Galvano silver			
4	971 959 537 Y	Switch Multi-function Set		1	
	971 959 537 Y 6N3	Steering wheel Black mat			
5	95B 419 938 H	Cover Steering wheel Front		1	
	95B 419 938 H 5Q0	Black			
6	95B 419 938 G	Cover Steering wheel Rear		1	I2ZM
	95B 419 938 G 5Q0	Black			
7	971 419 937 A	Cover Steering wheel Rear		1	/L
8	971 419 936 A	Cover Steering wheel Rear		1	/R
9	971 998 540	Shifting paddle Set		1	
	971 998 540 GT8	Galvano silver			
10	971 971 388 A	Wiring harness Steering wheel		1	
11	971 959 256 E	Control unit Steering wheel		1	
(11)	971 959 256 G	Control unit Steering wheel		1	
12	95B 419 798 D	Cover Rear Steering wheel		1	I2ZH/2ZM

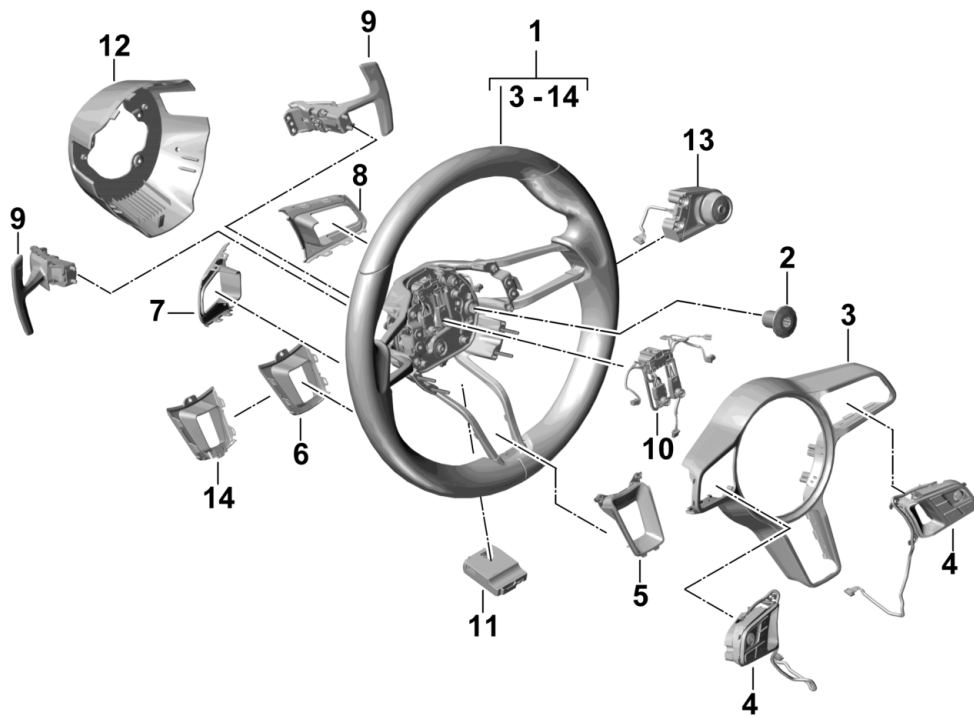
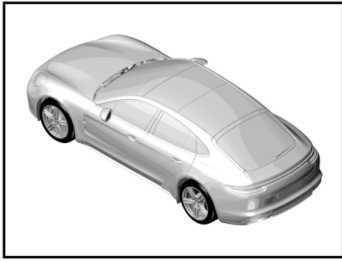
Model: 971-17

Model life 2017>>

Pos	Part Number	Description	Remark	Qty	Model
	95B 419 798 D 5Q0	Black			+AB, +PK, +AC, +BB, +BS, +BK, +PL, +DG, +DL, +UB, +UC, +SB, +BP +PC, +BE
	95B 419 798 D OA6	Agate Grey			
	95B 419 798 D 6W0	Luxor Beige			
	95B 419 798 D OL7	Saddle Tan			
	95B 419 798 D 7X0	Marsala Red			
	95B 419 798 D OS1	Truffle Brown			+HD, +HC,
	95B 419 798 D OB8	Cohiba Brown			
13	971 919 680 A	Switch Steering wheel		1	
14	95B 951 527 A	Switch Heating		1	

Model: 971-17

Model life 2017>>



Model: 971-17 Model life 2017>>

Pos	Part Number	Description	Remark	Qty	Model
1	971 419 091 CE	Steering wheels Steering wheel Leather		1	IQR0/QR3 I2ZM
	971 419 091 CE A34	Black			+AB,+PK,+AC +BB,+BS,+BK +DG,+DL
	971 419 091 CE OE5	Agate Grey			+UB,+UC
	971 419 091 CE 9J9	Luxor Beige			+SB,+BP
	971 419 091 CE OK6	Saddle Tan			+PC,+BE,+A1
	971 419 091 CE 8U7	Marsala Red			
		D >> 29.01.2017			
(1)	971 419 091 CM	Steering wheel Leather		1	I2ZM
	971 419 091 CM A34	Black			+AB,+PK,+AC +BB,+BS,+BK +PL,
	971 419 091 CM OE5	Agate Grey			+DG,+DL
	971 419 091 CM 9J9	Luxor Beige			+UB,+UC
	971 419 091 CM OK6	Saddle Tan			+SB,+BP
	971 419 091 CM 8U7	Marsala Red			+PC,+BE,+A1
	971 419 091 CM OT2	Truffle Brown			+HD,
	971 419 091 CM ON1	Cohiba Brown			+HC,
		D 30.01.2017>>			
(1)	971 419 091 CF	Steering wheel Leather		1	I2ZH
	971 419 091 CF A34	Black			+AB,+PK,+AC +BB,+BS,+BK +DG,+DL
	971 419 091 CF OE5	Agate Grey			+UB,+UC
	971 419 091 CF 9J9	Luxor Beige			+SB,+BP,
	971 419 091 CF OK6	Saddle Tan			+PC,+BE,+A1
	971 419 091 CF 8U7	Marsala Red			
		D >> 29.01.2017			
(1)	971 419 091 CN	Steering wheel Leather		1	I2ZH
	971 419 091 CN A34	Black			+AB,+PK,+AC +BB,+BS,+BK +PL,
	971 419 091 CN OE5	Agate Grey			+DG,+DL
	971 419 091 CN 9J9	Luxor Beige			+UB,+UC
	971 419 091 CN OK6	Saddle Tan			+SB,+BP,
	971 419 091 CN 8U7	Marsala Red			+PC,+BE,+A1
	971 419 091 CN OT2	Truffle Brown			+HD,
	971 419 091 CN ON1	Cohiba Brown			+HC,
		D 30.01.2017>>			
(1)	971 419 091 CG	Steering wheel Carbon		1	I2FX
	971 419 091 CG A34	Black			+AB,+PK,+AC +BB,+BS,+BK +DG,+DL
	971 419 091 CG OE5	Agate Grey			+UB,+UC
	971 419 091 CG 9J9	Luxor Beige			+SB,+BP
	971 419 091 CG OK6	Saddle Tan			+PC,+BE,+A1
	971 419 091 CG 8U7	Marsala Red			
		D >> 29.01.2017			
(1)	971 419 091 CP	Steering wheel Carbon		1	I2FX
	971 419 091 CP A34	Black			+AB,+PK,+AC +BB,+BS,+BK +PL,
	971 419 091 CP OE5	Agate Grey			+DG,+DL
	971 419 091 CP 9J9	Luxor Beige			+UB,+UC
	971 419 091 CP OK6	Saddle Tan			+SB,+BP
	971 419 091 CP 8U7	Marsala Red			+PC,+BE,+A1
	971 419 091 CP OT2	Truffle Brown			+HD,
	971 419 091 CP ON1	Cohiba Brown			+HC,

Model: 971-17 Model life 2017>>

Pos	Part Number	Description	Remark	Qty	Model
(1)	971 419 091 CH	D 30.01.2017>> Steering wheel American Walnut		1	I1XG +AB,+PK,+AC +BB,+BS,+BK +DG,+DL +UB,+UC +SB,+BP +PC,+BE,+A1
	971 419 091 CH A34	Black			
	971 419 091 CH OE5	Agate Grey			
	971 419 091 CH 9J9	Luxor Beige			
	971 419 091 CH OK6	Saddle Tan			
	971 419 091 CH 8U7	Marsala Red			
		D >> 29.01.2017			
(1)	971 419 091 CQ	Steering wheel American Walnut		1	I1XG +AB,+PK,+AC +BB,+BS,+BK +PL, +DG,+DL +UB,+UC +SB,+BP +PC,+BE,+A1 +HD, +HC,
	971 419 091 CQ A34	Black			
	971 419 091 CQ OE5	Agate Grey			
	971 419 091 CQ 9J9	Luxor Beige			
	971 419 091 CQ OK6	Saddle Tan			
	971 419 091 CQ 8U7	Marsala Red			
	971 419 091 CQ OT2	Truffle Brown			
	971 419 091 CQ ON1	Cohiba Brown			
(1)	971 419 091 CJ	D 30.01.2017>> Steering wheel Anthracite Birch		1	I1XE +AB,+PK,+AC +BB,+BS,+BK +DG,+DL +UB,+UC +SB,+BP +PC,+BE,+A1
	971 419 091 CJ A34	Black			
	971 419 091 CJ OE5	Agate Grey			
	971 419 091 CJ 9J9	Luxor Beige			
	971 419 091 CJ OK6	Saddle Tan			
	971 419 091 CJ 8U7	Marsala Red			
		D >> 29.01.2017			
(1)	971 419 091 CR	Steering wheel Anthracite Birch		1	I1XE +AB,+PK,+AC +BB,+BS,+BK +PL, +DG,+DL +UB,+UC +SB,+BP +PC,+BE,+A1 +HD, +HC,
	971 419 091 CR A34	Black			
	971 419 091 CR OE5	Agate Grey			
	971 419 091 CR 9J9	Luxor Beige			
	971 419 091 CR OK6	Saddle Tan			
	971 419 091 CR 8U7	Marsala Red			
	971 419 091 CR OT2	Truffle Brown			
	971 419 091 CR ON1	Cohiba Brown			
(1)	971 419 091 CK	D 30.01.2017>> Steering wheel Wood		1	I0K0/2FF +AB,+PK,+AC +BB,+BS,+BK +DG,+DL +UB,+UC +SB,+BP +PC,+BE,+A1
	971 419 091 CK A34	Black			
	971 419 091 CK OE5	Agate Grey			
	971 419 091 CK 9J9	Luxor Beige			
	971 419 091 CK OK6	Saddle Tan			
	971 419 091 CK 8U7	Marsala Red			
		D >> 29.01.2017			
(1)	971 419 091 CS	Steering wheel Wood		1	I0K0/2FF +AB,+PK,+AC +BB,+BS,+BK +PL, +DG,+DL +UB,+UC +SB,+BP +PC,+BE,+A1 +HD, +HC,
	971 419 091 CS A34	Black			
	971 419 091 CS OE5	Agate Grey			
	971 419 091 CS 9J9	Luxor Beige			
	971 419 091 CS OK6	Saddle Tan			
	971 419 091 CS 8U7	Marsala Red			
	971 419 091 CS OT2	Truffle Brown			
	971 419 091 CS ON1	Cohiba Brown			

Model: 971-17

Model life 2017>>

Pos	Part Number	Description	Remark	Qty	Model
(1)	971 419 091 CL	D 30.01.2017>> Steering wheel Wood		1	I0K0/2FG
	971 419 091 CL A34	Black			+AB, +PK, +AC +BB, +BS, +BK +DG, +DL
	971 419 091 CL OE5	Agate Grey			+UB, +UC
	971 419 091 CL 9J9	Luxor Beige			+SB, +BP
	971 419 091 CL OK6	Saddle Tan			+PC, +BE, +A1
	971 419 091 CL 8U7	Marsala Red			
(1)	971 419 091 CT	D >> 29.01.2017 Steering wheel Wood		1	I0K0/2FG
	971 419 091 CT A34	Black			+AB, +PK, +AC +BB, +BS, +BK +PL, +DG, +DL
	971 419 091 CT OE5	Agate Grey			+UB, +UC
	971 419 091 CT 9J9	Luxor Beige			+SB, +BP
	971 419 091 CT OK6	Saddle Tan			+PC, +BE, +A1
	971 419 091 CT 8U7	Marsala Red			+HD,
	971 419 091 CT OT2	Truffle Brown			+HC,
	971 419 091 CT ON1	Cohiba Brown			
2	N 910 207 01	D 30.01.2017>> Screw Steering wheel D >> 15.01.2017		1	
(2)	N 907 991 02	Multiple-tooth screw M18 X 1,5 X 18 D 16.01.2017>>		1	
3	95B 419 732 B	Cover Large Steering wheel		1	
4	95B 419 732 B GT8 971 959 537 Y	Galvano silver Switch Multi-function Set Steering wheel		1	
5	971 959 537 Y 6N3 95B 419 938 H	Black mat Cover Steering wheel Front		1	
6	95B 419 938 H 5Q0 95B 419 938 G	Black Cover Steering wheel Rear		1	I2ZM
7	95B 419 938 G 5Q0 971 419 937 A	Black Cover Steering wheel Rear		1	/L
8	971 419 936 A	Cover Steering wheel Rear		1	/R
9	971 998 540	Shifting paddle Set		1	
10	971 998 540 GT8 971 971 388 A	Galvano silver Wiring harness Steering wheel		1	
12	95B 419 798 D	Cover Rear Steering wheel		1	I2ZH/2ZM
	95B 419 798 D 5Q0	Black			+AB, +PK, +AC, +BB, +BS, +BK, +PL, +DG, +DL,
	95B 419 798 D OA6	Agate Grey			

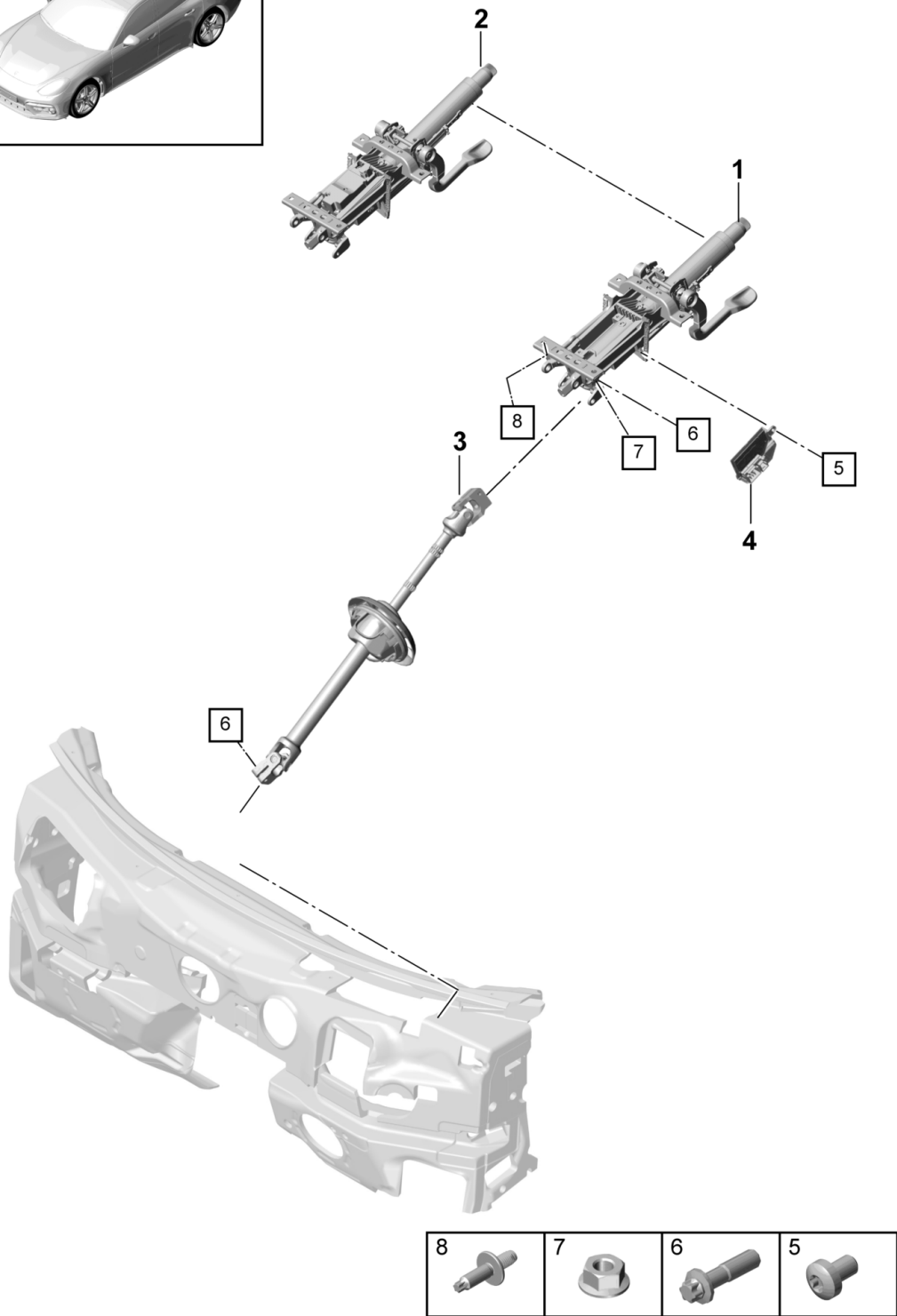
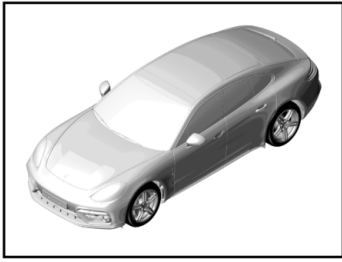
Model: 971-17

Model life 2017>>

Pos	Part Number	Description	Remark	Qty	Model
	95B 419 798 D 6W0	Luxor Beige			+UB, +UC,
	95B 419 798 D OL7	Saddle Tan			+SB, +BP
	95B 419 798 D 7X0	Marsala Red			+PC, +BE
	95B 419 798 D OS1	Truffle Brown			+HD,
	95B 419 798 D OB8	Cohiba Brown			+HC,
13	971 919 680 A	Switch		1	I0K3
		Steering wheel			
14	95B 951 527 A	Switch		1	
		Heating			

Model: 971-17

Model life 2017>>



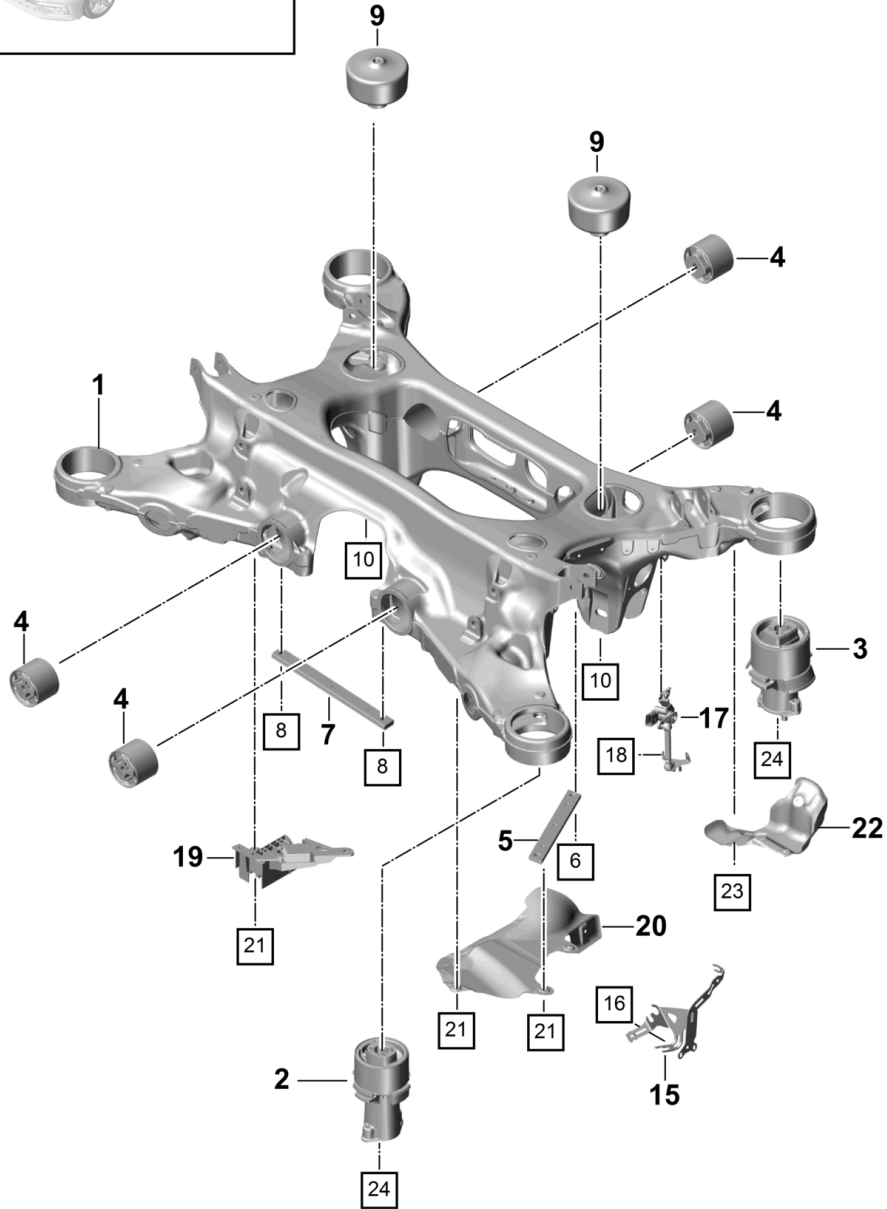
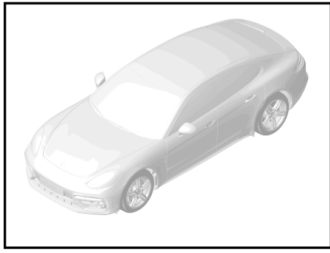
Model: 971-17

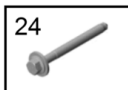
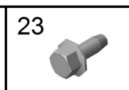


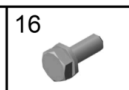
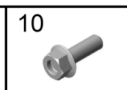
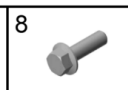
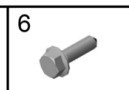
Model life 2017>>

Pos	Part Number	Description	Remark	Qty	Model
1	971 419 506 K	Steering column Steering shaft		1	I0RZ/2C5
(1)	971 419 506 M	Steering column Manually adjustable		1	I0RZ/2C4
(1)	971 419 506 P	Steering column Manually adjustable		1	I0RZ/2C4
2	971 419 506 J	Steering column Electrically adjustable		1	I0RC/2C5
(2)	971 419 506 L	Steering column Electrically adjustable		1	I0RC/2C4
(2)	971 419 506 N	Steering column Electrically adjustable		1	I0RC/2C4
(2)	971 419 506 S	Steering column Electrically adjustable		1	I0RC/2C4
3	971 419 753 B	Steering shaft		1	IL0L
(3)	971 419 753 C	Steering shaft		1	IL0R
4	9A7 607 705 A	Control unit		1	I2C4
5	N 104 066 04	Steering column Electrically adjustable Round head screw Control unit		1	IA8F/A8H/0K0
6	WHT 004 955 A	Steering column Electrically adjustable Torx screw		2	
7	N 907 988 05	Universal joint Steering column Collar nut		4	
8	WHT 007 033	M 8 Double screw Retaining frame Mount Steering column		4	

Model: 971-17

Model life 2017>>



							
---	---	---	---	---	--	---	---

Model: 971-17 Model life 2017>>

Pos	Part Number	Description	Remark	Qty	Model
		Suspension subframe with Accessories			
1	971 599 030 AA	Suspension subframe		1	I0J2/0J8/0N1
(1)	971 599 030 AB	Suspension subframe		1	I0J3/0J5/0N1
(1)	971 599 030 AC	Suspension subframe		1	I0N5
2	971 505 541 A	Bearing sleeve Front		2	
3	971 505 543 B	Bearing sleeve Rear		2	
4	971 599 381 A	Bearing Transmission D >> 02.04.2017		4	
(4)	971 599 381 B	Bearing Transmission D 03.04.2017>>		4	
5	971 505 477	Strut		2	
6	N 106 296 02	Suspension subframe Hexagon-head bolt M 10 X 35		4	
7	971 505 447	Cross member Transverse		1	I0N5
8	N 106 284 01	Hexagon-head bolt M 12 X 1,5 X 40		2	I0N5
10	9A7 008 258 00	Hexagon-head bolt M 10 X 30		2	I0F5
15	971 971 005 B	Cable holder	/L	1	
(15)	971 971 006 B	Cable holder	/R	1	
16	N 100 829 13	Hexagon-head bolt M 6 X 16		2	
17	971 616 571	Self-levelling sensor	/L	1	
(17)	971 616 572 A	Self-levelling sensor	/R	1	
18	N 911 687 01	Pan-head screw M 6 X 18		4	
19		Support Control unit Tyre pressure monitoring See illustrations 6/01/50			
20	971 825 729 F	Heat protection Drive shaft Left		1	IA8C/A8F
20	971 825 729 G	Heat protection Drive shaft Left		1	IA8C/A8F
20	971 825 729 D	Heat protection Drive shaft Left		1	IA8H
(20)	971 825 729 C	Heat protection Drive shaft Right		1	IA8C/A8F
(20)	971 825 729 H	Heat protection Drive shaft Right		1	IA8C/A8F
(20)	971 825 729 E	Heat protection Drive shaft Right		1	IA8H
21	N 103 352 06	Round head screw M 6 X 12		8	
21	N 910 966 01	Lens-head screw M 6 X 12		8	
22	971 825 613	Heat protection Suspension subframe		1	

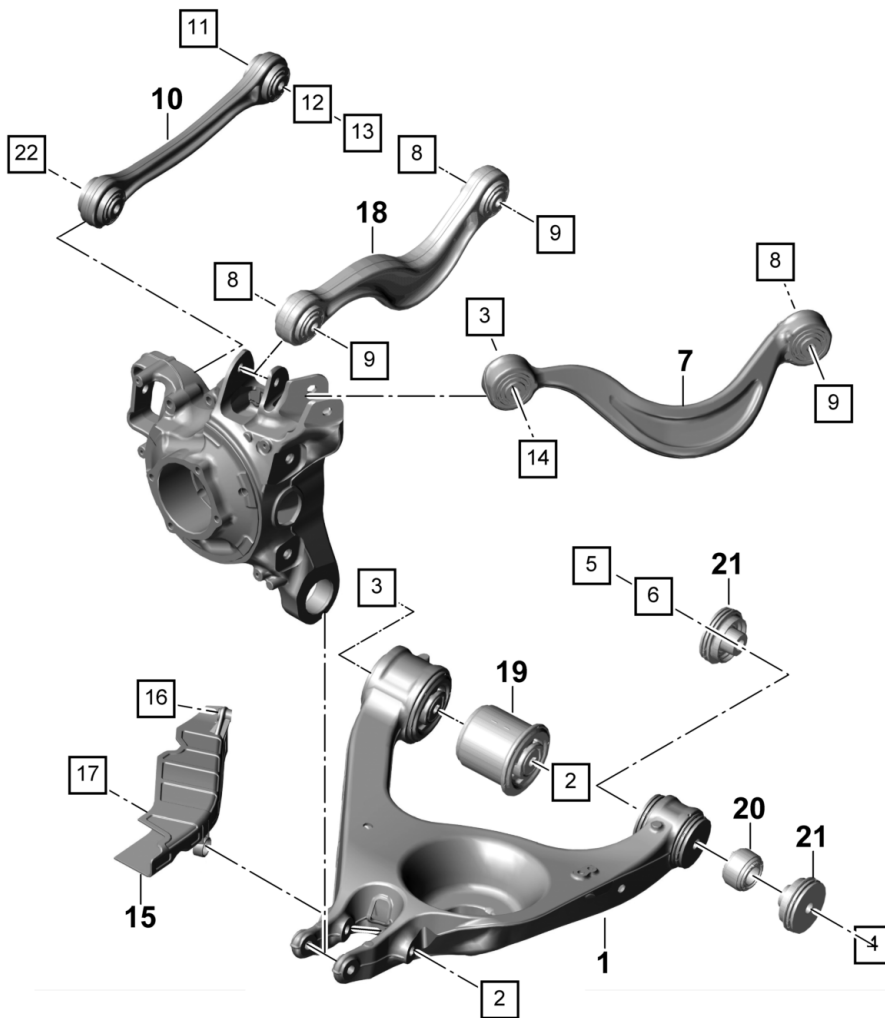
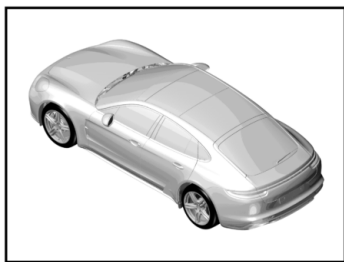
Model: 971-17

Model life 2017>>

Pos	Part Number	Description	Remark	Qty	Model
(22)	971 825 613 A	Bearing Rear Left Heat protection Suspension subframe Bearing Rear Right		1	
23	N 106 466 01	Hexagon-head bolt M 5 X 12		6	
24	N 912 280 01	Hexagon-head bolt BM 14 X 1,5 X 145		4	

Model: 971-17

Model life 2017>>



		22	17	16	14	13	12
11	9	8	6	5	4	3	2

Model: 971-17

Model life 2017>>

Pos	Part Number	Description	Remark	Qty	Model
1	971 505 311 E	Wishbone Rear axle	/L	1	
(1)	971 505 312 E	Wishbone Rear axle Lower	/R	1	
2	N 106 969 01	Hexagon-head bolt Wishbone		1	
3	N 104 029 04	Hexagon nut Screw Wishbone		1	
4	WHT 007 646	Eccentric screw Wishbone		2	
5	WHT 001 938	Lock nut Eccentric screw Wishbone		2	
6	WHT 001 796 A	Eccentric washer Clamping nut Eccentric screw Wishbone		2	
7	971 505 397	Wishbone Rear Upper	/L	1	
(7)	971 505 398	Wishbone Rear Upper	/R	1	
8	N 106 286 01	Hexagon-head bolt Wishbone Rear Upper		1	
9	N 104 029 04	Hexagon nut Wishbone Rear Upper		1	
10	971 501 529 A	Track rod		2	
11	WHT 007 497	Eccentric screw Track rod		1	
12	WHT 007 492	Eccentric washer Eccentric screw Track rod		1	
13	N 104 029 04	Hexagon nut Eccentric screw Track rod		1	
14	N 106 286 01	Hexagon-head bolt Mount Wishbone		1	
15	971 505 569 A	Air guide Wishbone	/L	1	-I1KQ/-I2ED
(15)	971 505 570 A	Air guide Wishbone	/R	1	-I1KQ/-I2ED
16	N 911 087 01	Hexagon-head bolt Mount Air baffle plate Wishbone		1	-I1KQ/-I2ED
17	N 104 029 04	Hexagon nut Mount Air baffle plate Wishbone		1	
18	971 505 323	Wishbone Wishbone Upper Front		2	

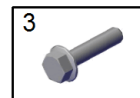
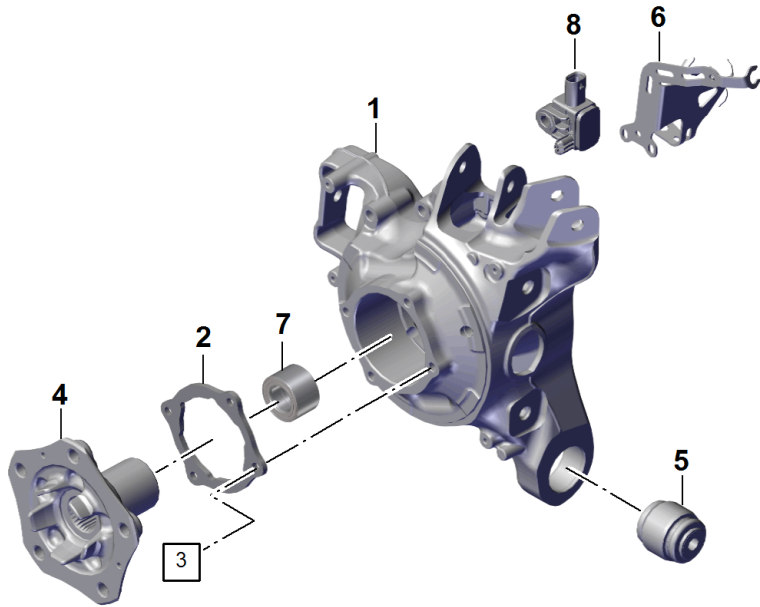
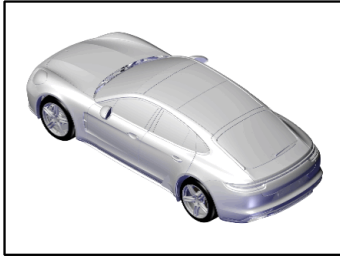
Model: 971-17

Model life 2017>>

Pos	Part Number	Description	Remark	Qty	Model
19	971 505 544	Hydraulic mount		2	
22	N 107 847 02	Hexagon-head bolt M 12 X 1,5 X 85		2	

Model: 971-17

Model life 2017>>

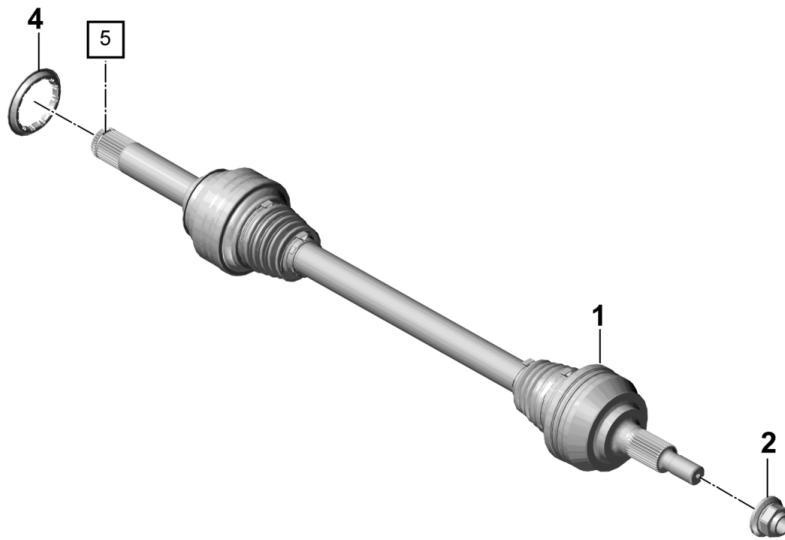
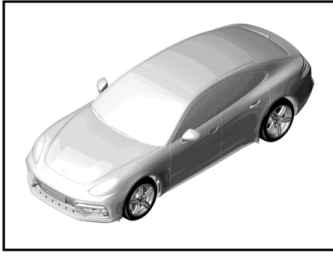


Model: 971-17 Model life 2017>>

Pos	Part Number	Description	Remark	Qty	Model
1	971 505 435 B	Wheel carrier Wheel hub Rear axle	/L	1	I0J2/0J8
(1)	971 505 435 F	Wheel carrier Rear axle	/L	1	I0J3/0J5
(1)	971 505 436 B	Wheel carrier Rear axle	/R	1	I0J2/0J8
(1)	971 505 436 F	Wheel carrier Rear axle	/R	1	I0J3/0J5
2	971 501 375	Plate Wheel hub		2	I0J2/0J8
(2)	971 501 375 A	Plate Wheel hub		2	I0J3/0J5
3	N 108 063 01	Hexagon-head bolt Plate Bearing		4	
4	9P1 407 616	Wheel carrier Wheel hub		2	I0J2/0J8
(4)	971 407 615 B	Wheel carrier Wheel hub		2	I0J3/0J5
5	298 501 341	Bearing sleeve Wheel carrier		2	
6	971 971 005 C	Cable holder Wheel carrier	/L	1	
6	971 971 005 D	Acceleration sensor Cable holder Wheel carrier	/L	1	
(6)	971 971 006 C	Acceleration sensor Cable holder Wheel carrier	/R	1	
(6)	971 971 006 D	Acceleration sensor Cable holder Wheel carrier	/R	1	
7	971 407 621	Acceleration sensor Angular-contact bearing		2	I0J2/0J8
(7)	971 501 287 B	Angular-contact bearing		2	I0J3/0J5
8	971 907 656	Acceleration sensor Wheel carrier		1	

Model: 971-17

Model life 2017>>



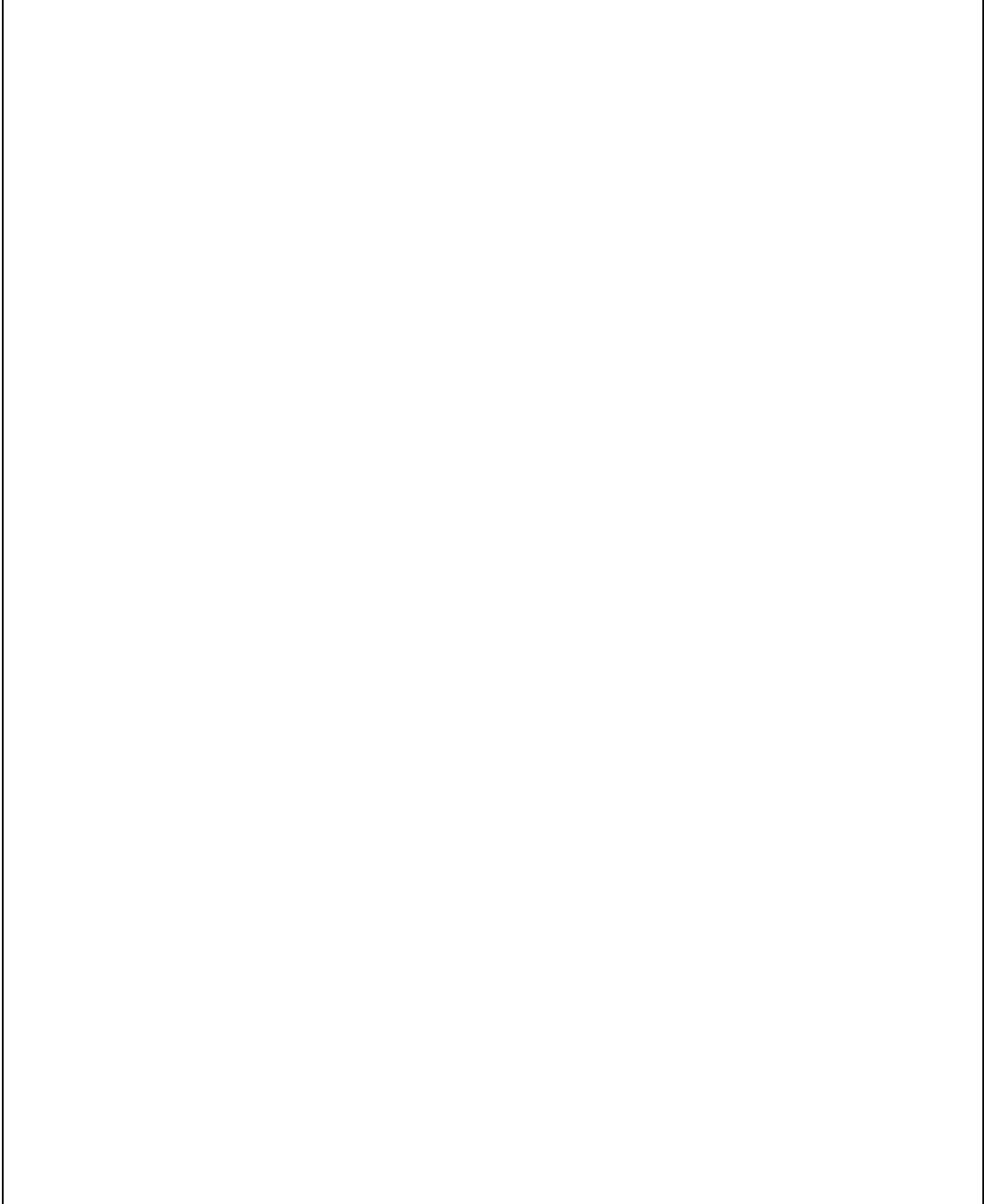
Model: 971-17

Model life 2017>>

Pos	Part Number	Description	Remark	Qty	Model
		Drive shaft			IE0A
		Rear axle			
1	971 501 201 F	Drive shaft		2	IA8C/A8F/GH1 I0K0/1A2
(1)	971 501 201 G	Drive shaft		2	IA8H/GH1/0K0
(1)		Drive shaft		2	IGH1/0F5/0K0
(1)	971 501 201 H	Drive shaft		2	IGH1/0K3
(1)	971 501 201 J	Drive shaft	/L	1	IGH3
(1)	971 501 201 K	Drive shaft	/R	1	IGH3
2	WHT 007 021	Hexagon nut		2	
3	000 043 305 08	Optimoly		1	
		Drive shaft			
4	7PP 501 811	Protective ring		1	
		Drive shaft			
5	955 332 125 00	Circlip		1	
		Drive shaft			

Model: 971-17

Model life 2017>>



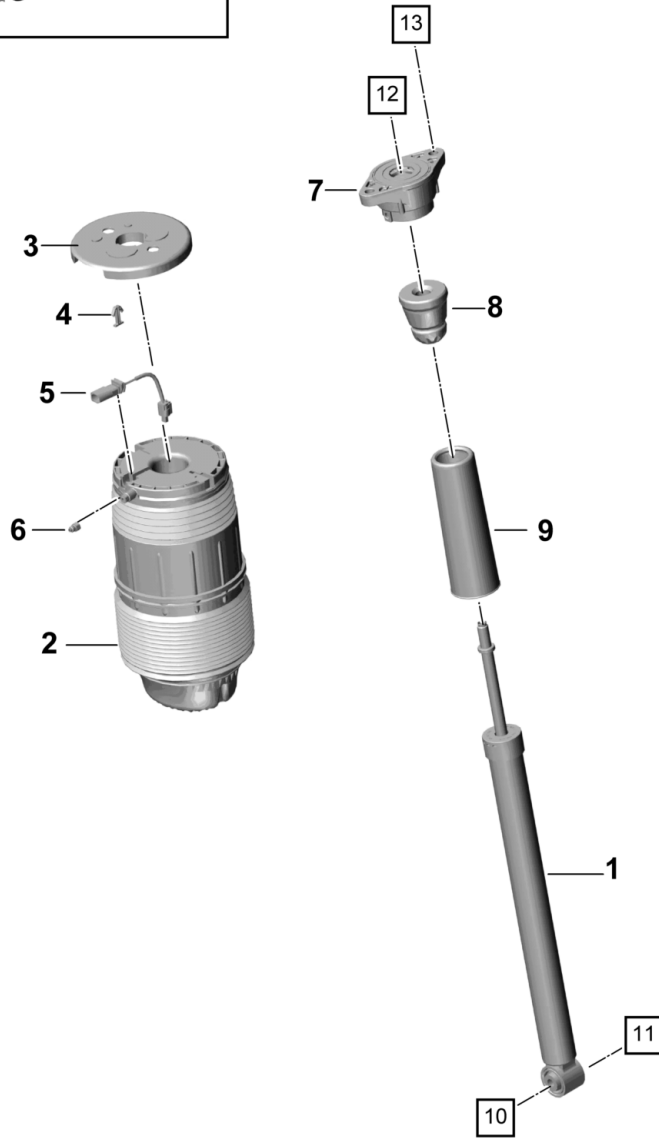
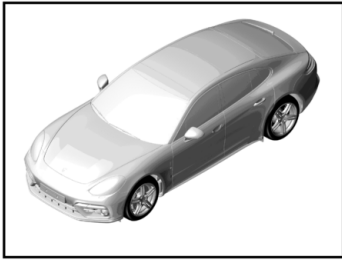
Model: 971-17

Model life 2017>>

Pos	Part Number	Description	Remark	Qty	Model
		suspension			I1BH
		Damper			
1	971 513 035 B	Damper		2	
2	971 512 137	Boot		2	
3	971 512 131	Rubber stop		2	
4	971 513 353	Mounting for absorber		2	
		Upper			
5	WHT 004 985	Hexagon nut		2	
6	971 511 115	Coil spring		1	I0YA
		Set			
		Identification			
	971 511 115 504	Red			
		Blue			
(6)	971 511 115 A	Coil spring		1	I0YB
		Set			
		Identification			
	971 511 115 A 504	Red			
		Green			
(6)	971 511 115 B	Coil spring		1	I0YC
		Set			
		Identification			
	971 511 115 B 504	Red			
		Violet			
(6)	971 511 115 C	Coil spring		1	I0YD
		Set			
		Identification			
	971 511 115 C 504	Red			
		Yellow			
(6)	971 511 115 D	Coil spring		1	I0YE
		Set			
		Identification			
	971 511 115 D 504	Red			
		Opal Green			
7	971 511 177	Shim		2	
		Upper			
8	971 511 178	Shim		2	
		Lower			
9	971 412 149	Base		4	
		Spring			
10	971 411 177	Shim		4	
		Tolerance range			
		Beige			
(10)	971 411 177 A	Shim		4	
		Tolerance range			
		Black			
(10)	971 411 177 B	Shim		4	
		Tolerance range			
		Grey			
11	N 107 169 01	Hexagon-head bolt		2	
		BM 12 X 1,5 X 170			
12	N 104 029 04	Hexagon nut		2	
		M 12 X 1,5			
13	N 107 285 02	Hexagon-head bolt		4	
		M 10 X 42			

Model: 971-17

Model life 2017>>



13	12	11	10

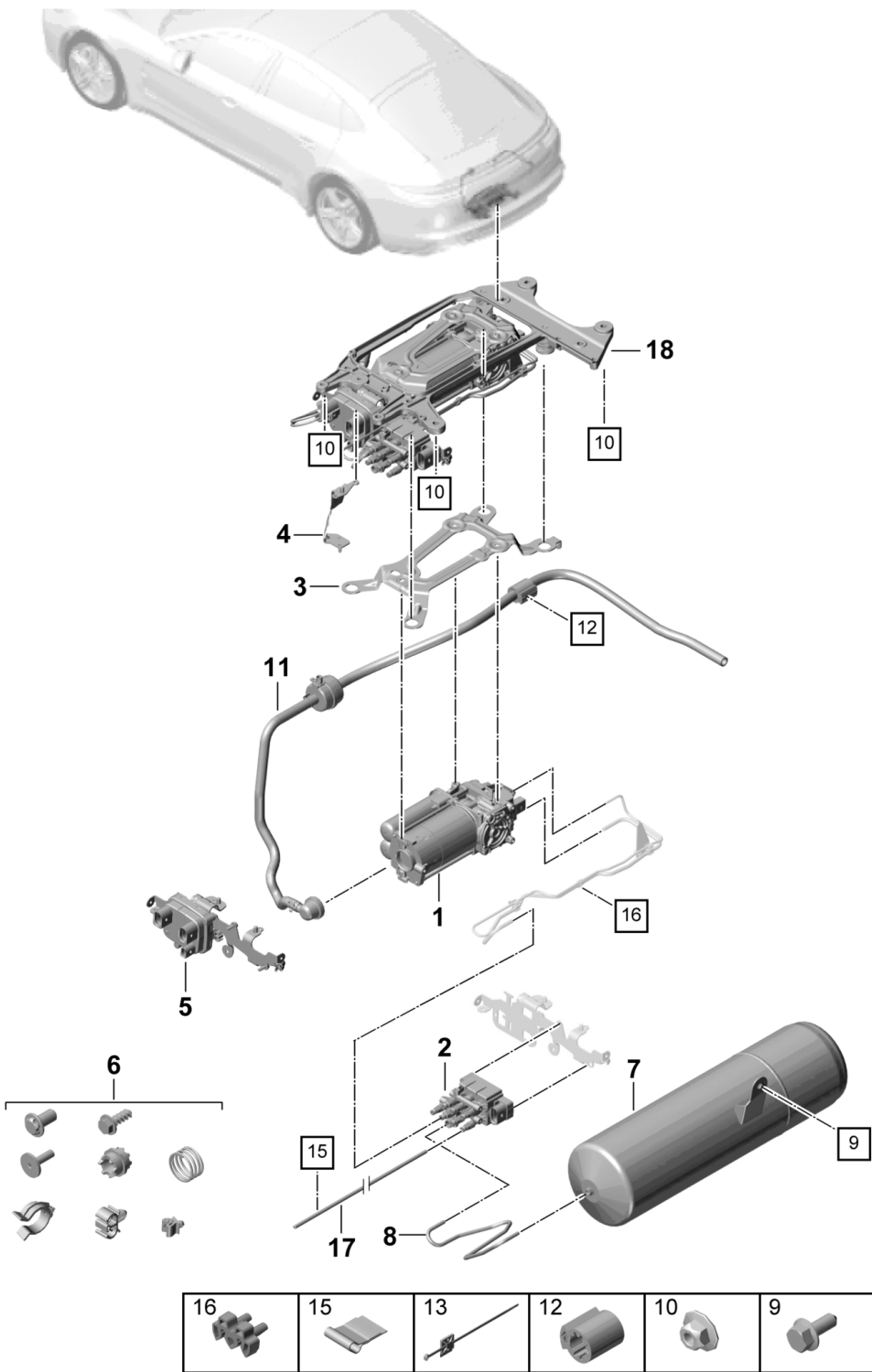
Model: 971-17

Model life 2017>>

Pos	Part Number	Description	Remark	Qty	Model
1	971 513 035 B	Air spring		2	I1BK
		Damper			
2	971 616 025 C	Suspension cylinder	/L	1	
(2)	971 616 026 C	Suspension cylinder	/R	1	
3	971 616 297 A	Base		2	
		Air spring			
		Upper			
4	971 616 819	Clip		2	
5	971 972 541	Cable		2	
		Valve			
		Air spring			
6	971 616 751	Air connection		4	
		Air tube			
7	971 513 353	Mounting for absorber		2	
		Upper			
8	971 512 131 B	Rubber stop		2	-IEOW
9	971 512 137	Boot		2	
10	WHT 004 985	Hexagon nut		2	
11	N 107 169 01	Hexagon-head bolt		2	
		BM 12 X 1,5 X 170			
12	N 104 029 04	Hexagon nut		2	
		M 12 X 1,5			
13	N 107 285 02	Hexagon-head bolt		4	
		M 10 X 42			

Model: 971-17

Model life 2017>>



Model: 971-17 Model life 2017>>

Pos	Part Number	Description	Remark	Qty	Model
		Compressor Pressure accumulator			I1BK
1	971 616 007 B	Compressor Repair kit		1	
2	971 616 056	Valve block		1	
3	971 616 199	Support Compressor		1	
4	971 616 199 A	Support		1	
5	971 616 591 A	Control mechanism with Support		1	
6	971 616 691	Mounting parts		1	
7	971 616 202	Pressure accumulator		1	I0K0
(7)		Pressure accumulator See illustrations 9/01/40		1	I0K3
8	971 616 711	Line Pressure accumulator To		1	I0K0
(8)	971 616 711 B	Valve block Line Pressure accumulator To		1	I0K3
9	N 106 532 01	Valve block Hexagon-head bolt M 6 X 16		3	
10	N 908 877 03	Hexagon nut M 6		4	
11	971 616 785 B	Intake pipe D >> 05.02.2017		1	I0F5/0K0
(11)	971 616 795 A	Hose D 06.02.2017>>		1	I0F5/0K0
(11)	971 616 785 C	Intake pipe D >> 05.02.2017		1	I0K0/1A2
(11)	971 616 795 B	Hose D 06.02.2017>>		1	I0K0/1A2
(11)	971 616 795	Hose		1	I0K3
12	N 107 729 01	Spacer ring		1	I0F5
(12)		Spacer ring		4	I0K3
15	7L5 827 925	Velcro strip Air tube Cross member Rear		2	
16	1K0 611 853	Support Air tube Cross member Rear		1	
17	971 616 675 D	Air tube Red Front Left 7135 MM		1	I0E1
(17)	971 616 675 E	Air tube Red Front Left 7285 MM		1	I0E2
(17)	971 616 715 B	Air tube Green Front Right 9695 MM		1	I0E1
(17)	971 616 715 C	Air tube		1	I0E2

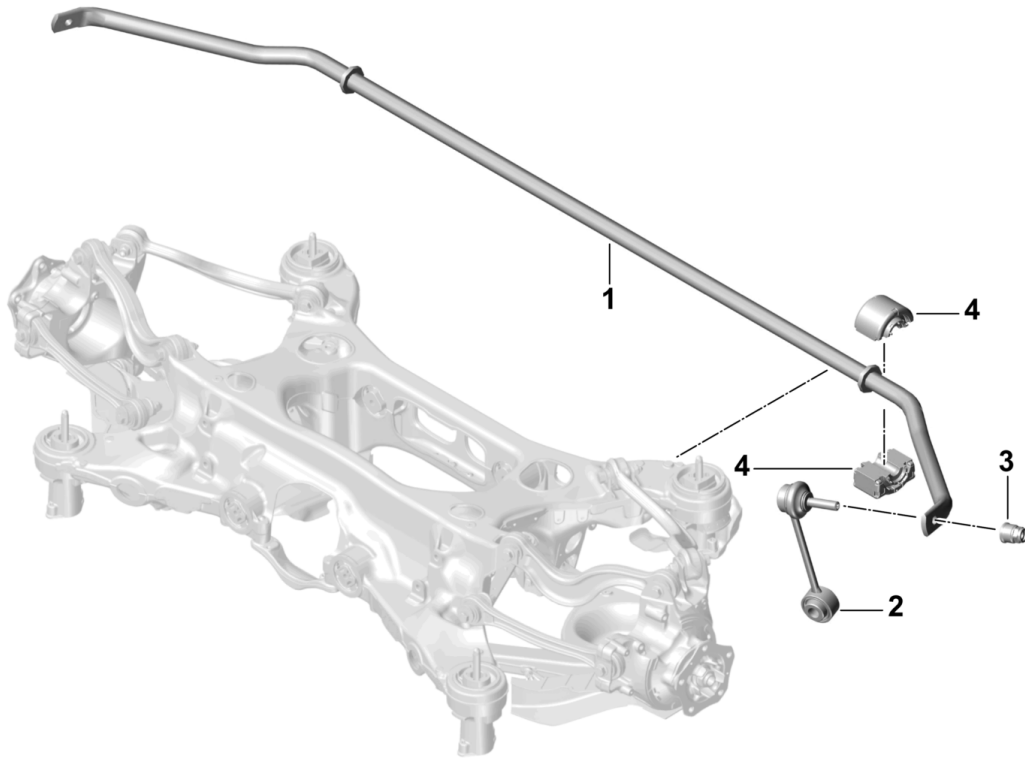
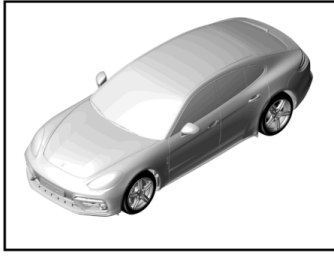
Model: 971-17

Model life 2017>>

Pos	Part Number	Description	Remark	Qty	Model
(17)	971 616 647 A	Green Front Right 9845 MM Air tube Black Rear Left 1305 MM		1	
(17)	971 616 649 B	Blue Rear Right 2030 MM		1	
18	971 616 006 B	Compressor Complete		1	

Model: 971-17

Model life 2017>>



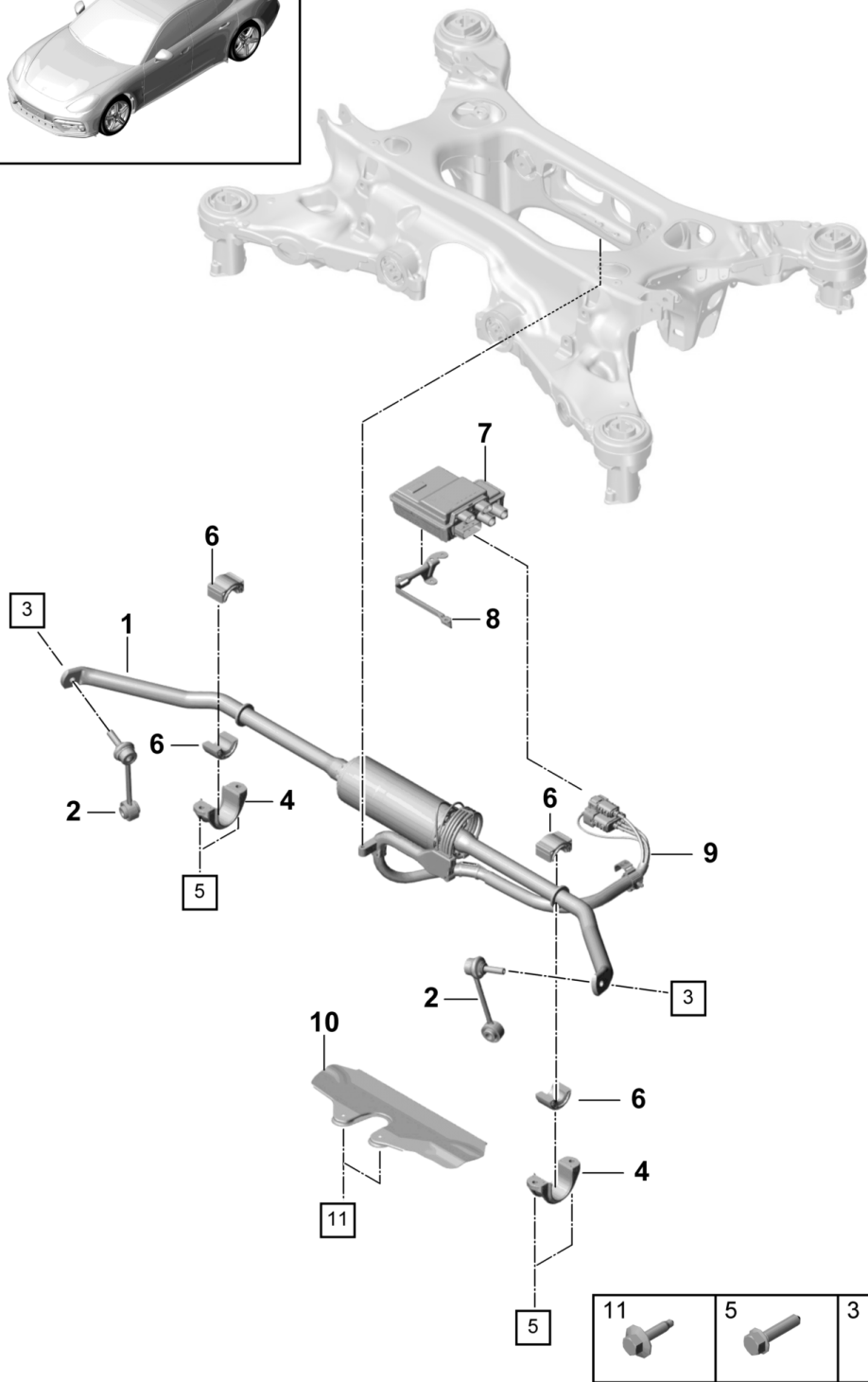
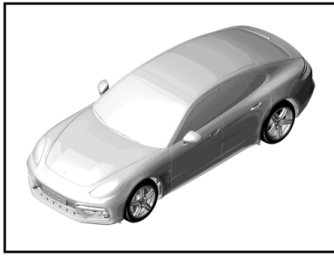
Model: 971-17

Model life 2017>>

Pos	Part Number	Description	Remark	Qty	Model
		Stabiliser Rear axle			I1P0
1	971 511 025 D	Stabiliser		1	I1BK
(1)	971 511 025 C	Stabiliser		1	I1BK
(1)	971 511 025 B	Stabiliser		1	
(1)	971 511 025 C	Stabiliser		1	I1BK
(1)	971 511 025 D	Stabiliser		1	I1BK
2	971 511 467 B	Stabiliser mounting		1	
3	WHT 007 957	Hexagon nut M 10		2	
4	971 511 036 E	Stabiliser mounting Top half		1	
5	971 511 035 E	Stabiliser mounting Bottom half		1	
6	N 107 169 01	Hexagon-head bolt M 12 X 1,5		2	

Model: 971-17

Model life 2017>>



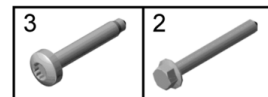
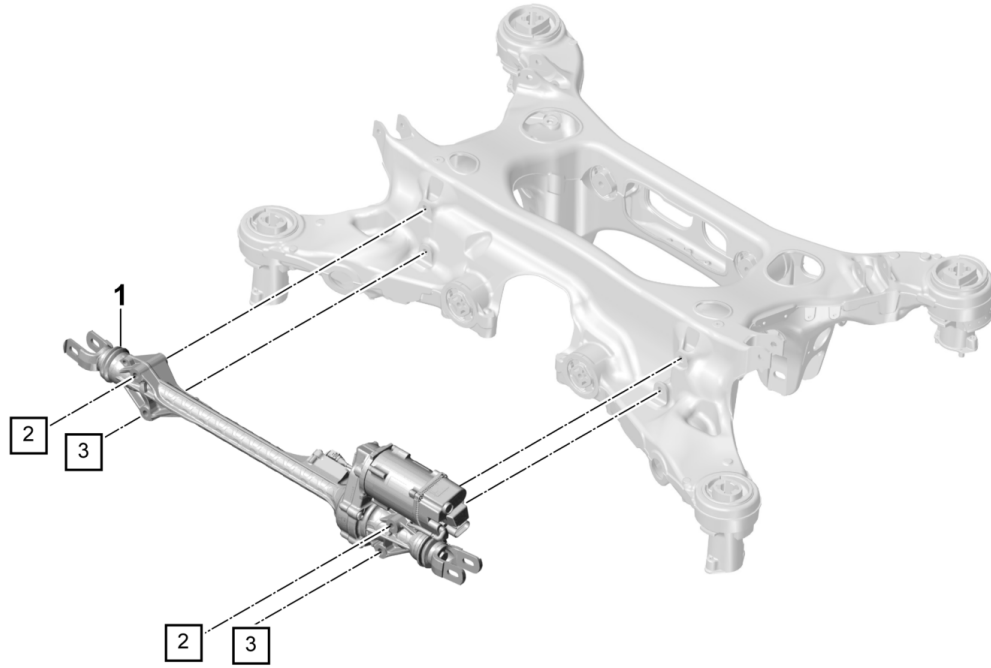
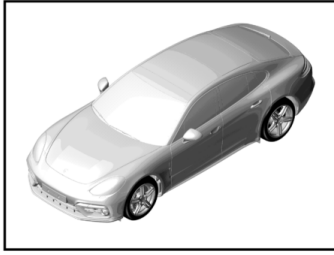
Model: 971-17

Model life 2017>>

Pos	Part Number	Description	Remark	Qty	Model
		Stabiliser Roll stabilisation			I1P7
1	971 511 023 C	Stabiliser		1	
2	971 511 467 C	Stabiliser mounting		2	
3	9A7 007 819 00	Hexagon nut M 12 X 1,5		2	
4	971 511 418	Clip Stabiliser		2	
5	N 106 756 03	Shouldered bolt M 8 X 35		4	
6	971 511 035 F	Rubber mounting Lower 30MM		2	
(6)	971 511 036 F	Rubber mounting Upper 30MM		2	
7	971 907 156 K	Control unit Roll stabilisation		2	
8	971 907 324 B	Support Control unit		1	
9	971 972 359 B	Wiring harness Stabiliser		1	
10	971 616 113	Protective plate		1	
11	N 909 995 02	Hexagon-head bolt M 6 X 25		2	
12	N 106 695 01	Oval-head screw M 5 X 12		3	
13	N 106 532 01	Hexagon-head bolt M 6 X 16		3	

Model: 971-17

Model life 2017>>



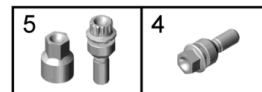
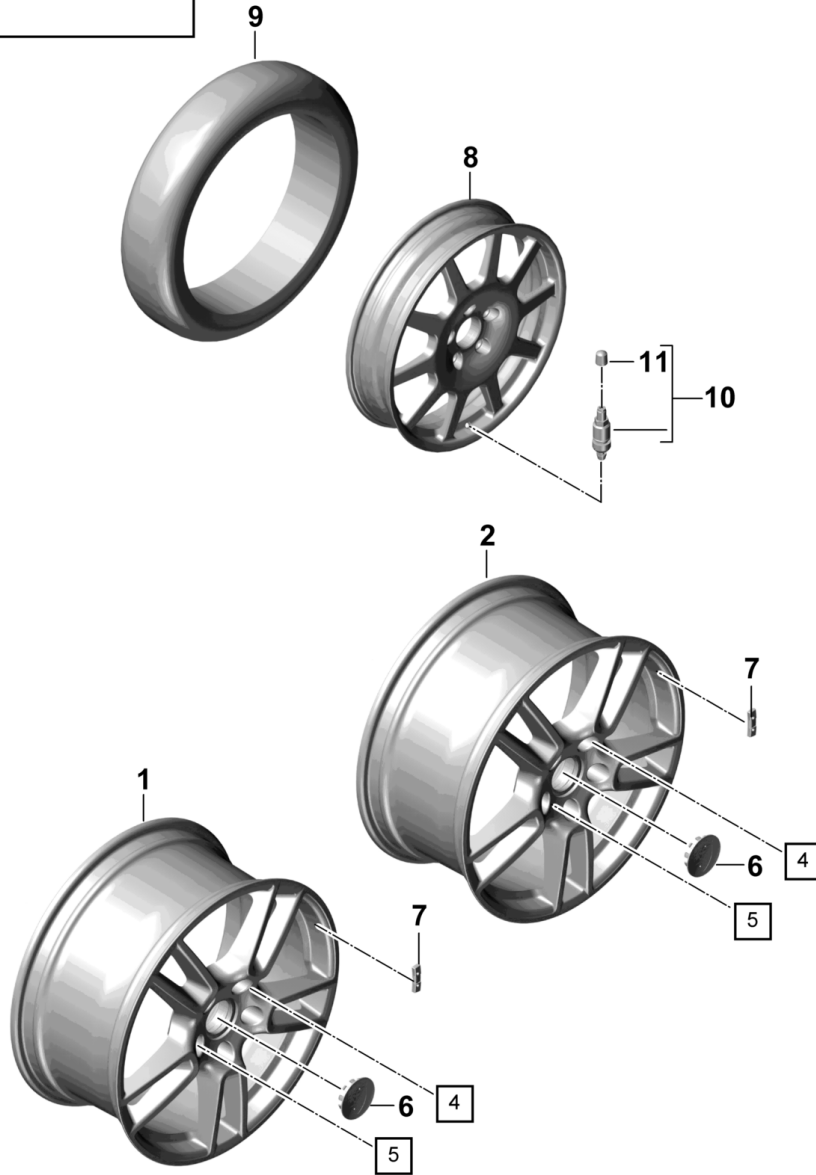
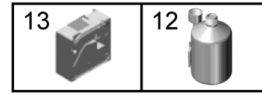
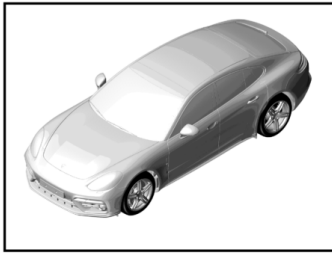
Model: 971-17

Model life 2017>>

Pos	Part Number	Description	Remark	Qty	Model
		Steering			I0N5
		Rear axle			
1	971 501 605 G	Steering		1	
2	N 106 403 01	Hexagon-head bolt		2	
		BM 12 X 1,5 X 100			
3	N 912 565 01	Multiple-tooth screw		2	
		M 12 X 1,5 X 75			

Model: 971-17

Model life 2017>>



Model: 971-17 Model life 2017>>

Pos	Part Number	Description	Remark	Qty	Model
		Wheels Part number Disc wheel without Hub cap And Wheel bolts			
1	971 601 025	Disc wheel 9J X 19 ET64	/V	2	IV57
	971 601 025 8Z8	Brilliant Silver			
(1)	971 601 025 A	Disc wheel 9J X 19 ET64	/V	2	IV58
	971 601 025 A 8Z8	Brilliant Silver			
(1)	971 601 025 B	Disc wheel 9,5J X 20 ET71	/V	2	I44G
	971 601 025 B 88Z	Brilliant chrome finish			
(1)	971 601 025 C	Disc wheel 9,5J X 20 ET71	/V	2	I44H
	971 601 025 C 88Z	Brilliant chrome finish			
(1)	971 601 025 D	Disc wheel 9,5J X 21 ET71	/V	2	I44D
	971 601 025 D 88Z	Brilliant chrome finish			
(1)	971 601 025 D	Disc wheel 9,5J X 21 ET71	/V	2	I43S/43T/43U
	971 601 025 D 041	Black			I43S
	971 601 025 D OB5	Platinum satin-matt			I43T
	971 601 025 D C9X	Jet Black Metallic			I43U
(1)	971 601 025 D	Disc wheel 9,5J X 21 ET71	/V	2	I43V
	971 601 025 D 88Z	Brilliant chrome finish			
(1)	971 601 025 E	It is necessary to rework Disc wheel 9,5J X 21 ET71	/V	2	-I05B/-I05C I44E
	971 601 025 E OC6	Titanium			
(1)	971 601 025 AB	Disc wheel 9,5J X 21 ET71	/V	2	I05B/44E
	971 601 025 AB OC6	Titanium			
(1)	971 601 025 AD	Disc wheel 9,5J X 21 ET71	/V	2	I05C/44E
	971 601 025 AD OC6	Titanium			
(1)	971 601 025 M	Disc wheel 9,5J X 21 ET71	/V	2	I44A/44C/44F
	971 601 025 M 041	Black			I44A
	971 601 025 M OB5	Platinum satin-matt			I44C
	971 601 025 M OU7	Platinum Silver Metallic			I44F
2	971 601 025 F	Disc wheel 10,5J X 19 ET62	/H	2	IV57
	971 601 025 F 8Z8	Brilliant Silver			
(2)	971 601 025 G	Disc wheel 10,5J X 19	/H	2	IV58

Model: 971-17

Model life 2017>>

Pos	Part Number	Description	Remark	Qty	Model
(2)	971 601 025 G 8Z8 971 601 025 H	ET62 Brilliant Silver Disc wheel Summer 11,5J X 20 ET68	/H	2	I44G
(2)	971 601 025 H 88Z 971 698 025	Brilliant chrome finish Disc wheel Winter 10,5J X 20 ET71	/H	2	I44G
(2)	971 698 025 88Z 971 601 025 J	Brilliant chrome finish Disc wheel 11,5J X 20 ET68	/H	2	I44H
(2)	971 601 025 J 88Z 971 601 025 K	Brilliant chrome finish Disc wheel Summer 11,5J X 21 ET69	/H	2	I44D
(2)	971 601 025 K 88Z 971 698 025 A	Brilliant chrome finish Disc wheel Winter 10,5J X 21 ET71	/H	2	I44D
(2)	971 698 025 A 88Z 971 601 025 K	Brilliant chrome finish Disc wheel 11,5J X 21 ET69	/H	2	I43S/43T/43U
(2)	971 601 025 K 041 971 601 025 K OB5 971 601 025 K C9X 971 601 025 K	Black Platinum satin-matt Jet Black Metallic Disc wheel 11,5J X 21 ET69	/H	2	I43S I43T I43U I43V
(2)	971 601 025 K 88Z 971 601 025 L	Brilliant chrome finish It is necessary to rework Disc wheel 11,5J X 21 ET69	/H	2	-I05B/-I05C I44E
(2)	971 601 025 L OC6 971 601 025 AC	Titanium Disc wheel 11,5J X 21 ET69	/H	2	I05B/44E
(2)	971 601 025 AC OC6 971 601 025 AE	Titanium Disc wheel 11,5J X 21 ET69	/H	2	I05C/44E
(2)	971 601 025 AE OC6 971 601 025 N	Titanium Disc wheel 11,5J X 21 ET69	/H	2	I44A/44C/44F
	971 601 025 N 041 971 601 025 N OB5 971 601 025 N OU7	Black Platinum satin-matt Platinum Silver Metallic			I44A I44C I44F
4	WHT 004 676 A	Wheel bolt		16	
5	971 698 030	Set Anti-theft protection		1	I1PC
(5)	971 698 030 A	Set Anti-theft protection		1	I1PE
6	9P1 601 147	Hub cap		4	IV57/1NE/44D I44G/44H

Model: 971-17

Model life 2017>>

Pos	Part Number	Description	Remark	Qty	Model
(6)	9P1 601 147 8Z8	Concave Brilliant Silver		4	IV57 I44D/44G/44H IV57/1NP/44D I44G/44H
	9P1 601 147 88Z	Brilliant chrome finish			
	9P1 601 147 A	Hub cap			
(6)	9P1 601 147 A 8Z8	Concave Crest Coloured Brilliant Silver		4	IV57 I44D/44G/44H IV58/1NE
	9P1 601 147 A 88Z	Brilliant chrome finish			
	9P1 601 149	Hub cap			
(6)	9P1 601 149 8Z8	Convex Brilliant Silver		4	IV58 IV58/1NP
	9P1 601 149 A	Hub cap			
		Convex Crest Coloured			
(6)	9P1 601 149 A 8Z8	Brilliant Silver		4	IV58 I1NP/44A/44C I44F
	7L5 601 151	Hub cap			
(6)	7L5 601 151 041	Concave Crest Coloured Black		4	I44A I44C/44F I1NP/43S/43T
	7L5 601 151 OU7	Platinum Silver Metallic			
	7L5 601 151	Hub cap			
(6)	7L5 601 151 041	Concave Crest Coloured Black		4	I43S I43T I1NP/43V
	7L5 601 151 OB5	Platinum satin-matt			
	9A7 601 151 00	Hub cap			
(6)	9A7 601 151 00 M7Z	Concave Crest Coloured GT Silver Metallic		4	I1NP/43U
	9A7 601 151 00	It is necessary to rework Hub cap			
		Concave Crest Coloured			
(6)	9A7 601 151 00 C9X	Jet Black Metallic		4	I43U I1NE/44E
	7PP 601 149 H	Hub cap			
(6)	7PP 601 149 J	Hub cap		4	I1NP/44E
7	997 361 405 00	Balance stick-on weight Silver 5.G.		X	
(7)	9P1 601 179	Balance stick-on weight Black 5.G.		X	
(7)	997 361 410 00	Balance stick-on weight Silver 10 G.		X	
(7)	9P1 601 181	Balance stick-on weight Black 10.G.		X	
(7)	997 361 415 00	Balance stick-on weight Silver 15 G.		X	
(7)	9P1 601 182	Balance stick-on weight Black 15.G.		X	
(7)	997 361 420 00	Balance stick-on weight		X	

Model: 971-17 Model life 2017>>

Pos	Part Number	Description	Remark	Qty	Model
(7)	9P1 601 183	Silver 20 G. Balance stick-on weight		X	
(7)	997 361 425 00	Black 20.G. Balance stick-on weight		X	
(7)	9P1 601 184	Silver 25 G. Balance stick-on weight		X	
(7)	997 361 430 00	Black 25.G. Balance stick-on weight		X	
(7)	9P1 601 185	Silver 30 G. Balance stick-on weight		X	
(7)	997 361 435 00	Black 30.G. Balance stick-on weight		X	
(7)	9P1 601 186	Silver 35 G. Balance stick-on weight		X	
(7)	997 361 440 00	Black 35.G. Balance stick-on weight		X	
(7)	9P1 601 187	Silver 40 G. Balance stick-on weight		X	
(7)	997 361 445 00	Black 40.G. Balance stick-on weight		X	
(7)	9P1 601 188	Silver 45 G. Balance stick-on weight		X	
(7)	997 361 450 00	Black 45.G. Balance stick-on weight		X	
(7)	9P1 601 189	Silver 50 G. Balance stick-on weight		X	
(7)	997 361 455 00	Black 50.G. Balance stick-on weight		X	
(7)	9P1 601 190	Silver 55 G. Balance stick-on weight		X	
(7)	997 361 460 00	Black 55.G. Balance stick-on weight		X	
(7)	9P1 601 191	Silver 60 G. Balance stick-on weight		X	
(7)	997 361 465 00	Black 60.G. Balance stick-on weight		X	
(7)	9P1 601 192	Silver 65 G. Balance stick-on weight		X	
(7)	997 361 470 00	Black 65.G. Balance stick-on weight		X	
(7)	9P1 601 193	Silver 70 G. Balance stick-on weight		X	

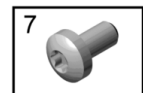
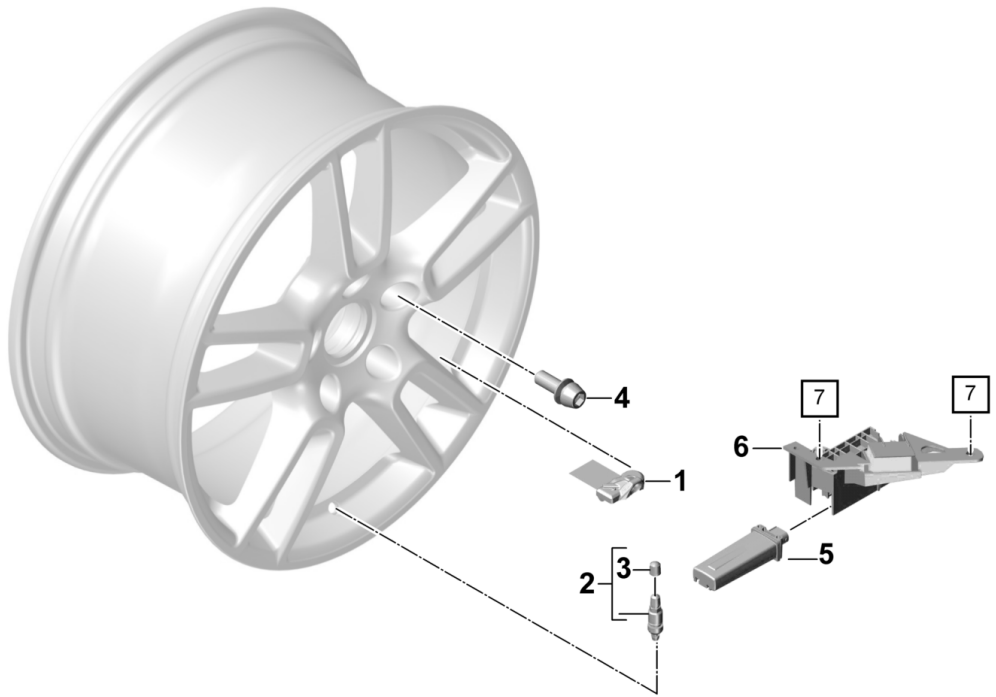
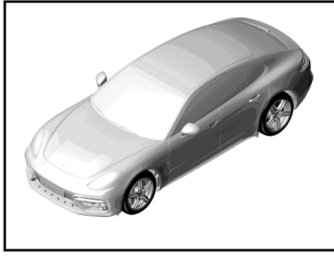
Model: 971-17

Model life 2017>>

Pos	Part Number	Description	Remark	Qty	Model
(7)	997 361 475 00	Black 70.G. Balance stick-on weight Silver		X	
(7)	9P1 601 194	75 G. Balance stick-on weight Black		X	
(7)	997 361 480 00	75.G. Balance stick-on weight Silver		X	
(7)	9P1 601 195	80 G. Balance stick-on weight Black		X	
(7)	997 361 485 00	80.G. Balance stick-on weight Silver		X	
(7)	9P1 601 196	85 G. Balance stick-on weight Black		X	
(7)	997 361 490 00	85.G. Balance stick-on weight Silver		X	
(7)	9P1 601 197	90 G. Balance stick-on weight Black		X	
8	971 601 017	90.G. Emergency wheel without Tyre		1	I1G6
9	971 601 324	4,5 B X 20 ET7 Tyre for Emergency wheel		1	I1G6
10	311 601 361	155/70 R20 115M Rubber valve for Emergency wheel		1	I1G6
11	955 361 163 00	Cap for Rubber valve		1	I1G6
12	4L0 012 619 B	Bottle of tyre sealant		1	
13	5N0 012 615 C	Compressor		1	

Model: 971-17

Model life 2017>>



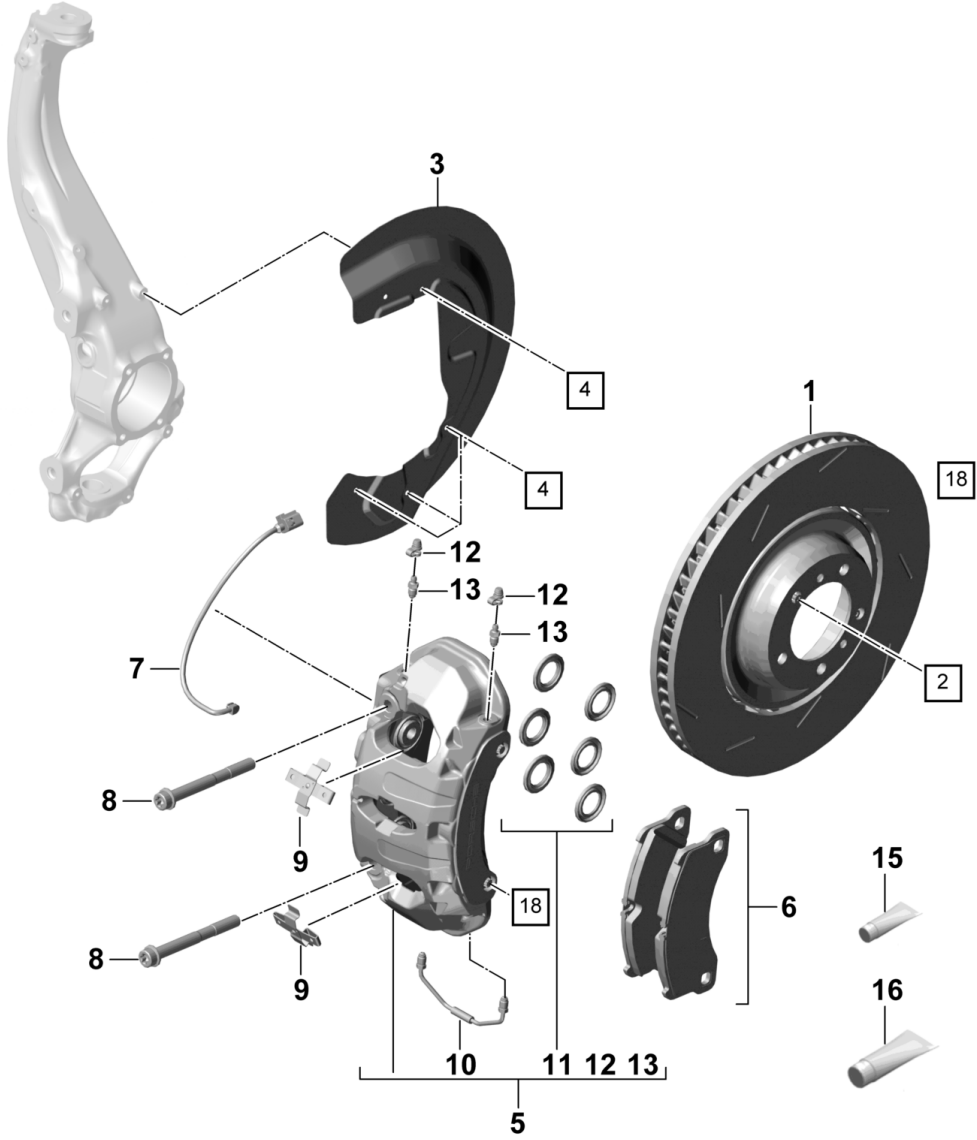
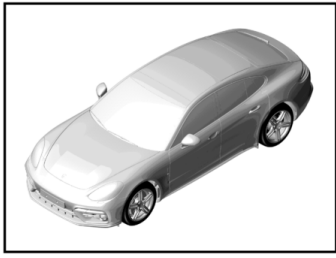
Model: 971-17

Model life 2017>>

Pos	Part Number	Description	Remark	Qty	Model
1	9A7 907 275 02	Tyre pressure monitoring Sensor		4	I7K3
(1)	9A7 907 275 03	Tyre pressure monitoring Use also: Valve Sensor		4	I7K4
2	9P1 601 361 B	Tyre pressure monitoring Use also: Valve		4	IUX7
(2)	9P1 601 361 C	Valve Tyre pressure monitoring Black		4	IUX6
3	WHT 006 913	Valve Tyre pressure monitoring Silver		4	IUX7
(3)	N 908 729 01	Cap Black		4	IUX6
4	4D0 601 365	Cap Silver		4	
5	971 907 273 H	Fastening screw Valve		4	
(5)	971 907 273 J	Control unit		1	I7K3
6	971 907 297 A	Tyre pressure monitoring Control unit		1	I7K4
7	N 103 352 06	Tyre pressure monitoring Support Control unit		1	
		Tyre pressure monitoring Round head screw M 6 X 12		8	

Model: 971-17

Model life 2017>>



Model: 971-17 Model life 2017>>

Pos	Part Number	Description	Remark	Qty	Model
1	971 615 301	Disc brake Front axle Brake disc Use also: 971.615.302 95B.698.151.E	/L	1	I1LD/1LN/1LU I1ZT 18" I1LN
(1)	971 615 302	Brake disc Use also: 971.615.301 95B.698.151.E	/R	1	I1LN
(1)	971 615 301	Brake disc Use also: 971.615.302 95B.698.151.G	/L	1	I1ZT
(1)	971 615 302	Brake disc Use also: 971.615.301 95B.698.151.G	/R	1	I1ZT
(1)	971 615 301 F	Brake disc Use also: 971.615.302.F 971.698.151.D	/L	1	I1LU
(1)	971 615 302 F	Brake disc Use also: 971.615.301.F 971.698.151.D	/R	1	I1LU
(1)	971 615 301 F	Brake disc Use also: 971.615.302.F 971.698.151.E	/L	1	I1LD
(1)	971 615 302 F	Brake disc Use also: 971.615.301.F 971.698.151.E	/R	1	I1LD
2	N 104 560 04	Countersunk-head screw M 6 X 12		4	
3	971 615 311 E	Cover plate	/L	1	
(3)	971 615 312 E	Cover plate	/R	1	
4	N 911 261 02	Pan-head screw M 6 X 14		10	
5	9A7 615 149 00	Fixed calliper Black D >> 05.02.2017	/L	1	I1LN/1ZT
5	971 615 123 Q	Fixed calliper Black D 06.02.2017>>	/L	1	I1LN/1ZT
(5)	9A7 615 150 00	Fixed calliper Black D >> 05.02.2017	/R	1	I1LN/1ZT
(5)	971 615 124 Q	Fixed calliper Black D 06.02.2017>>	/R	1	I1LN/1ZT
(5)	971 615 123 G	Fixed calliper Silver D >> 05.02.2017	/L	1	I1LD/1LU
(5)	971 615 123 N	Fixed calliper Silver D 06.02.2017>>	/L	1	I1LD/1LU
(5)	971 615 124 G	Fixed calliper Silver D >> 05.02.2017	/R	1	I1LD/1LU
(5)	971 615 124 N	Fixed calliper	/R	1	I1LD/1LU

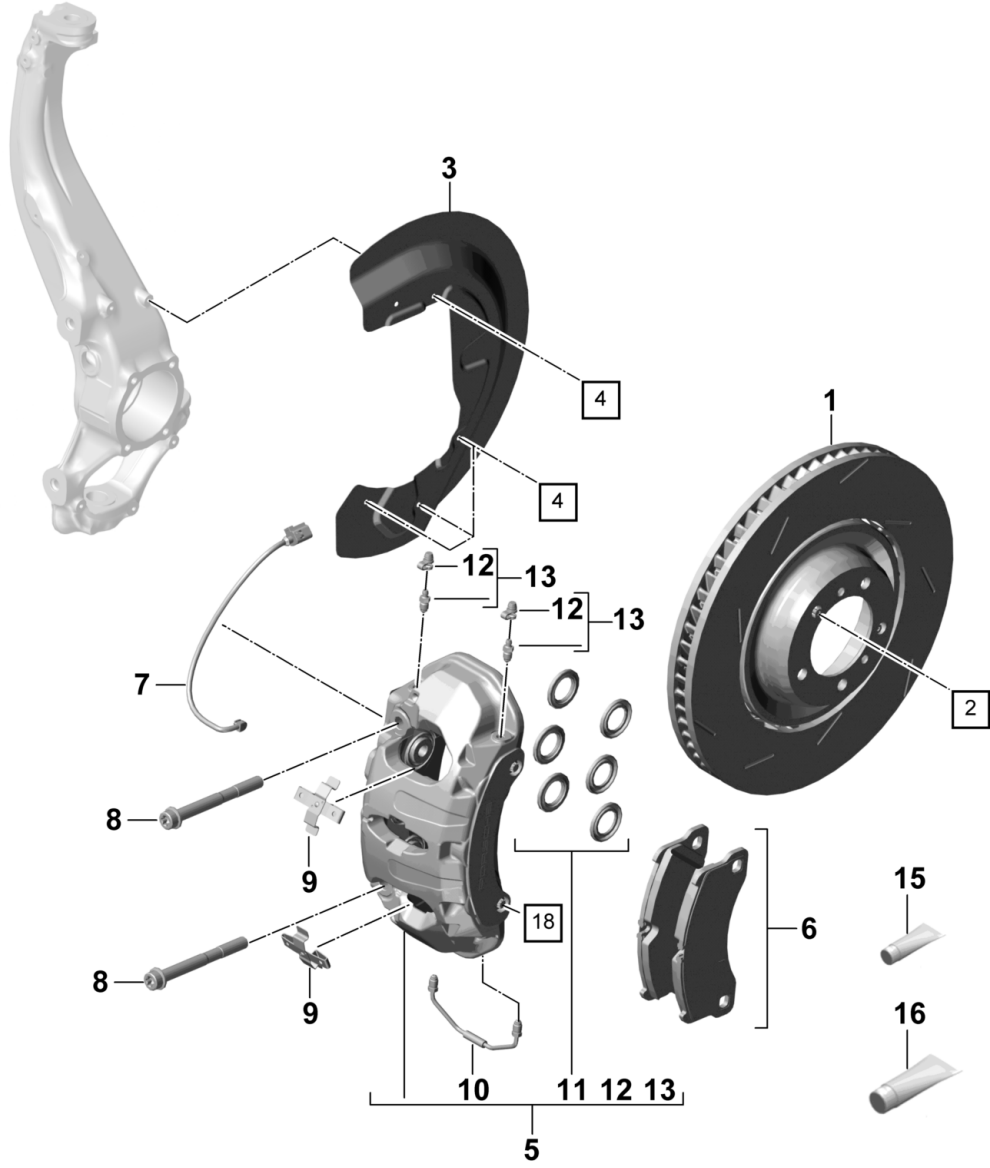
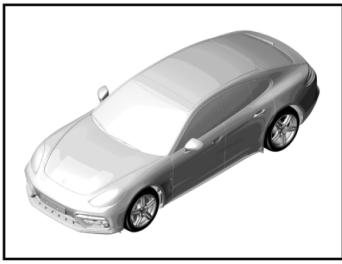
Model: 971-17

Model life 2017>>

Pos	Part Number	Description	Remark	Qty	Model
		Silver			
		D 06.02.2017>>			
6	95B 698 151 E	Brake pad repair set		1	I1LN
(6)	95B 698 151 G	Brake pad repair set		1	I1ZT
(6)	971 698 151 D	Brake pad repair set		1	I1LU
(6)	971 698 151 E	Brake pad repair set		1	I1LD
7	9A7 907 637 00	Warning contact		2	
		Brake pad			
8	WHT 004 571	Pan-head screw		4	
		Fixed calliper			
		M 14 X 1,5 X 115			
9	9A7 698 269 00	Retainer spring		2	
		Brake pad			
10	9A7 615 701 00	Connecting line	/L	1	
(10)	9A7 615 702 00	Connecting line	/R	1	
11	9A7 698 471 00	Set		2	
		Protection caps			
12	211 611 483	Dust boot		20	
13	8A0 615 273	Ventilation valve		2	
16	000 043 305 08	Optimoly		X	
		1 100-gramme tube			
18	9A7 008 689 00	Shouldered bolt		2	
		M 8 X 16			

Model: 971-17

Model life 2017>>

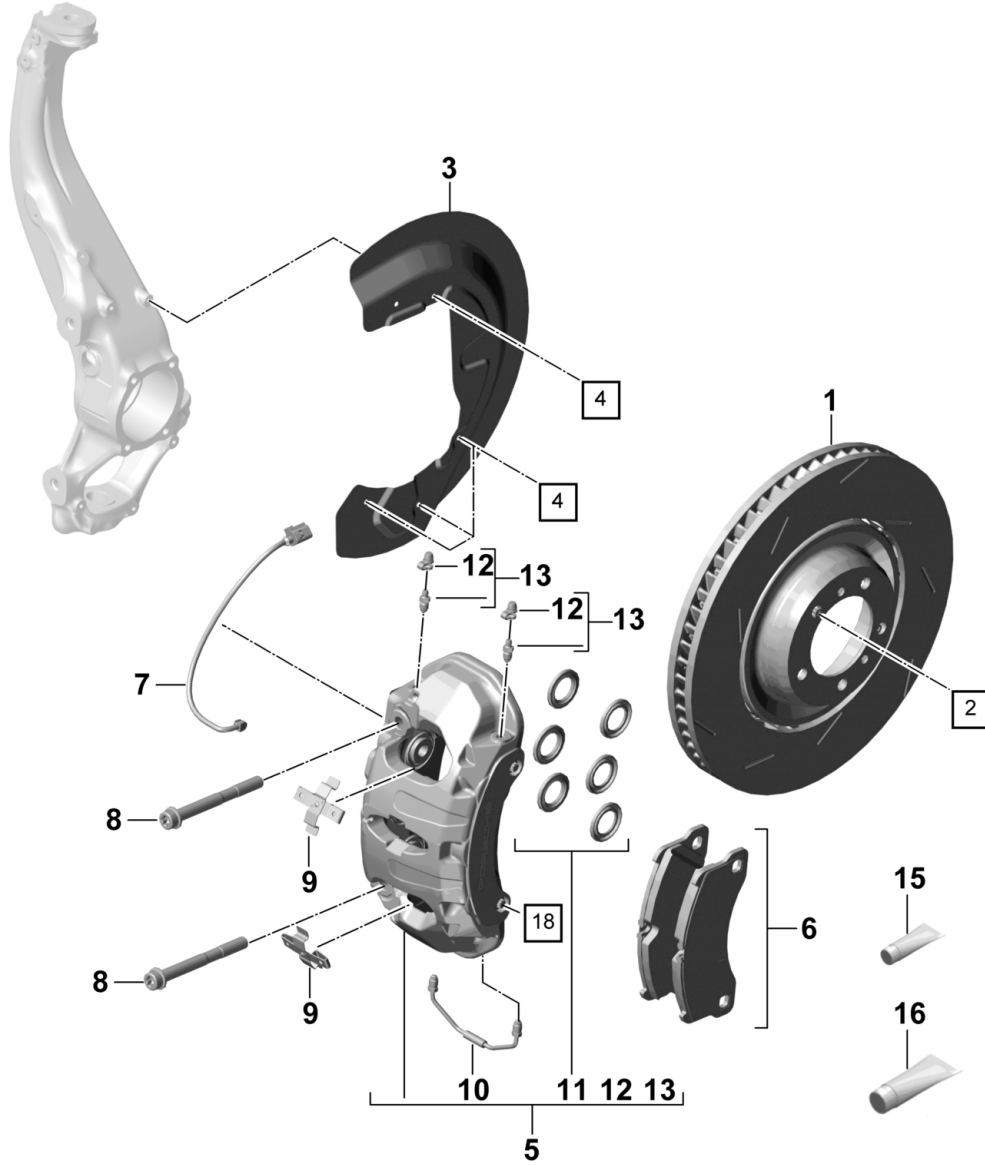
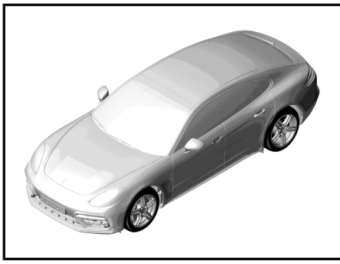


Model: 971-17 Model life 2017>>

Pos	Part Number	Description	Remark	Qty	Model
		Disc brake			I1LC/1LI/1LK I1LL/1LM/1LP 19"
1	971 615 301 J	Front axle Brake disc Use also: 971.615.302.J 971.698.151.D	/L	1	I1LC/1LK/1LM
(1)	971 615 302 J	Brake disc Use also: 971.615.301.J 971.698.151.D	/R	1	I1LC/1LK/1LM
(1)	971 615 301 J	Brake disc Use also: 971.615.302.J 971.698.151.E	/L	1	I1LI/1LL/1LP
(1)	971 615 302 J	Brake disc Use also: 971.615.301.J 971.698.151.E	/R	1	I1LI/1LL/1LP
2	N 104 560 04	Countersunk-head screw M 6 X 12		4	
3	971 615 311 F	Cover plate	/L	1	
(3)	971 615 312 F	Cover plate	/R	1	
4	N 911 261 02	Pan-head screw M 6 X 14		10	
5	971 615 123 J	Fixed calliper Black	/L	1	I1LM/1LP
(5)	971 615 124 J	Fixed calliper Black	/R	1	I1LM/1LP
(5)	971 615 123 E	Fixed calliper Acid Green	/L	1	I1LK/1LL
(5)	971 615 124 E	Fixed calliper Acid Green	/R	1	I1LK/1LL
(5)	971 615 123 P	Fixed calliper Silver	/L	1	I1LC/1LI
(5)	971 615 124 P	Fixed calliper Silver	/R	1	I1LC/1LI
6	971 698 151 D	Brake pad repair set		1	I1LC/1LK/1LM
(6)	971 698 151 E	Brake pad repair set		1	I1LI/1LL/1LP
7	9A7 907 637 00	Warning contact Brake pad		2	
8	WHT 004 572	Pan-head screw Fixed calliper M 14 X 1,5 X 135		4	
9	9A7 698 269 00	Retainer spring Brake pad		2	
10	9A7 615 701 20	Connecting line	/L	1	
(10)	9A7 615 702 20	Connecting line	/R	1	
11	9A7 698 471 00	Set Protection caps		2	
12	211 611 483	Dust boot		20	
13	8A0 615 273	Ventilation valve		2	
15	000 043 117 00	Brake cylinder paste 1 50-g tube		X	
16	000 043 305 08	Optimoly 1 100-gramme tube		X	
18	9A7 008 689 00	Shouldered bolt M 8 X 16		2	

Model: 971-17

Model life 2017>>



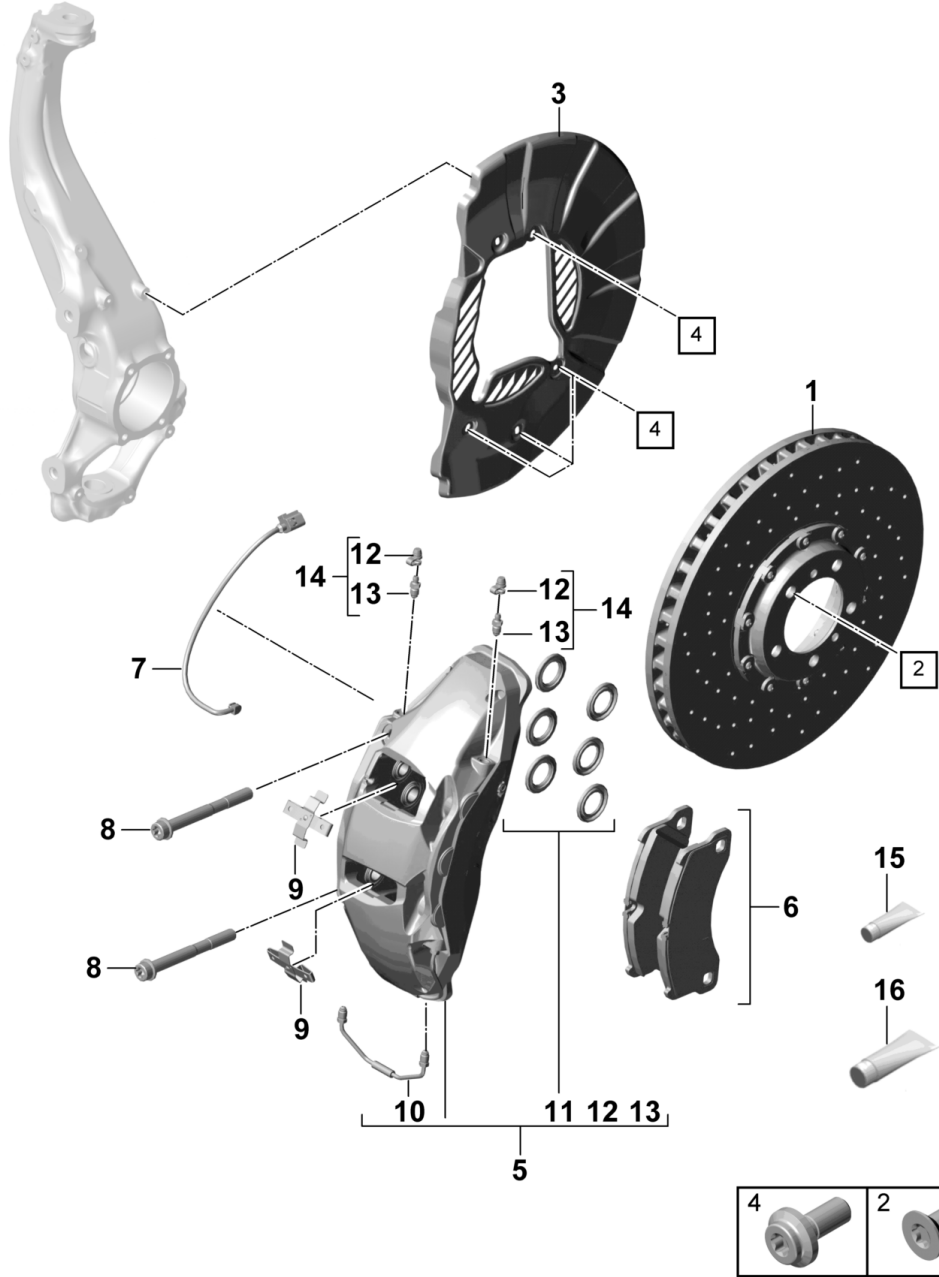
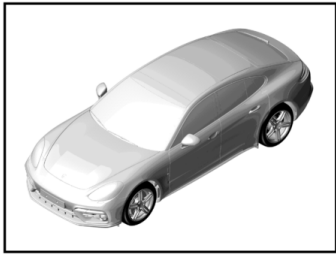
Model: 971-17

Model life 2017>>

Pos	Part Number	Description	Remark	Qty	Model
1	971 615 301 D	Disc brake Front axle Brake disc Use also: 971.615.302.D	/L	1	I1LJ/1LW 20" I1LJ
(1)	971 615 302 D	Brake disc Use also: 971.615.301.D 971.698.151.D	/R	1	I1LJ
(1)	971 615 301 D	Brake disc Use also: 971.615.302.D 971.698.151.E	/L	1	I1LW
(1)	971 615 302 D	Brake disc Use also: 971.615.301.D 971.698.151.E	/R	1	I1LW
2	N 104 560 04	Countersunk-head screw M 6 X 12		4	
(3)	971 615 311 F	Cover plate	/L	1	
(3)	971 615 312 F	Cover plate	/R	1	
4	N 911 261 02	Pan-head screw M 6 X 14		10	
(5)	971 615 123 H	Fixed calliper Red	/L	1	
(5)	971 615 124 H	Fixed calliper Red	/R	1	
6	971 698 151 D	Brake pad repair set		1	I1LJ
(6)	971 698 151 E	Brake pad repair set		1	I1LW
7	9A7 907 637 00	Warning contact Brake pad		2	
8	WHT 004 572	Pan-head screw Fixed calliper M 14 X 1,5 X 135		4	
9	9A7 698 269 00	Retainer spring Brake pad		2	
10	9A7 615 701 20	Connecting line	/L	1	
(10)	9A7 615 702 20	Connecting line	/R	1	
11	9A7 698 471 00	Set Protection caps		2	
12	211 611 483	Dust boot		20	
13	8A0 615 273	Ventilation valve		2	
15	000 043 117 00	Brake cylinder paste 1 50-g tube		X	
16	000 043 305 08	Optimoly 1 100-gramme tube		X	
18	9A7 008 689 00	Shouldered bolt M 8 X 16		2	

Model: 971-17

Model life 2017>>



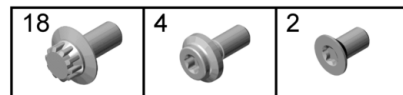
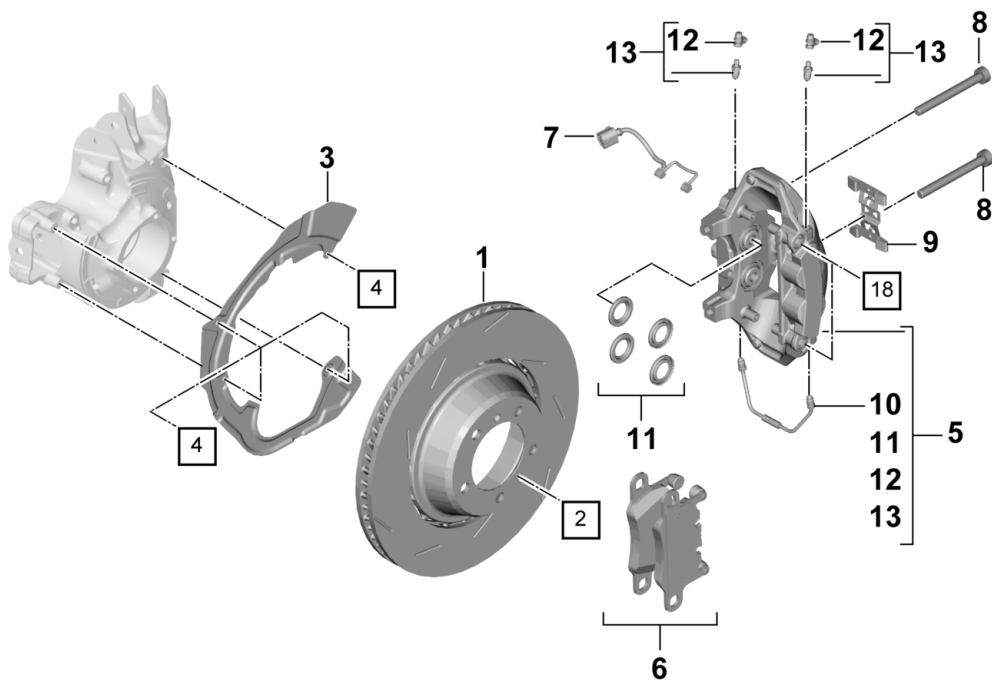
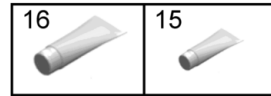
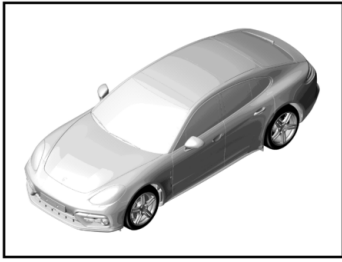
Model: 971-17

Model life 2017>>

Pos	Part Number	Description	Remark	Qty	Model
		Disc brake Front axle PCCB			I1LV/1ZQ
1	971 615 301 C	Brake disc	/L	1	20"
		Use also: 971.615.302.C		1	
		971.698.151.C		1	
(1)	971 615 302 C	Brake disc	/R	1	
		Use also: 971.615.301.C		1	
		971.698.151.C		1	
2	N 104 560 04	Countersunk-head screw M 6 X 12		4	
3	971 615 311 D	Cover plate	/L	1	
(3)	971 615 312 D	Cover plate	/R	1	
4	N 911 261 02	Pan-head screw M 6 X 14		10	
5	958 351 123 50	Fixed calliper Yellow	/L	1	I1LV
(5)	971 615 123 L	Fixed calliper Yellow	/L	1	I1LV
(5)	958 351 124 50	Fixed calliper Yellow	/R	1	I1LV
(5)	971 615 124 L	Fixed calliper Yellow	/R	1	I1LV
(5)	971 615 123 M	Fixed calliper Acid Green	/L	1	I1ZQ
(5)	971 615 124 M	Fixed calliper Acid Green	/R	1	I1ZQ
6	971 698 151 C	Brake pad repair set		1	
(7)	7PP 907 637	Warning contact Brake pad		2	
(7)	971 907 637	Warning contact Brake pad		2	
8	WHT 004 572	Pan-head screw Fixed calliper M 14 X 1,5 X 135		4	
9	958 351 231 00	Spring Repair kit		2	
10	958 351 327 00	Connecting line	/L	1	
(10)	958 351 328 00	Connecting line	/R	1	
11	958 351 313 00	Repair kit Protection caps		2	
12	958 351 207 00	Dust boot		1	
13	8A0 615 273	Ventilation valve		2	
14	958 351 121 00	Ventilation valve Set with Dust boot		1	
15	000 043 117 00	Brake cylinder paste 1 50-g tube		X	
16	000 043 305 08	Optimoly 1 100-gramme tube		X	

Model: 971-17

Model life 2017>>



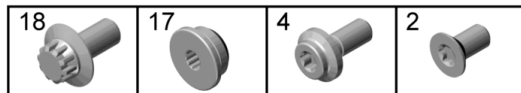
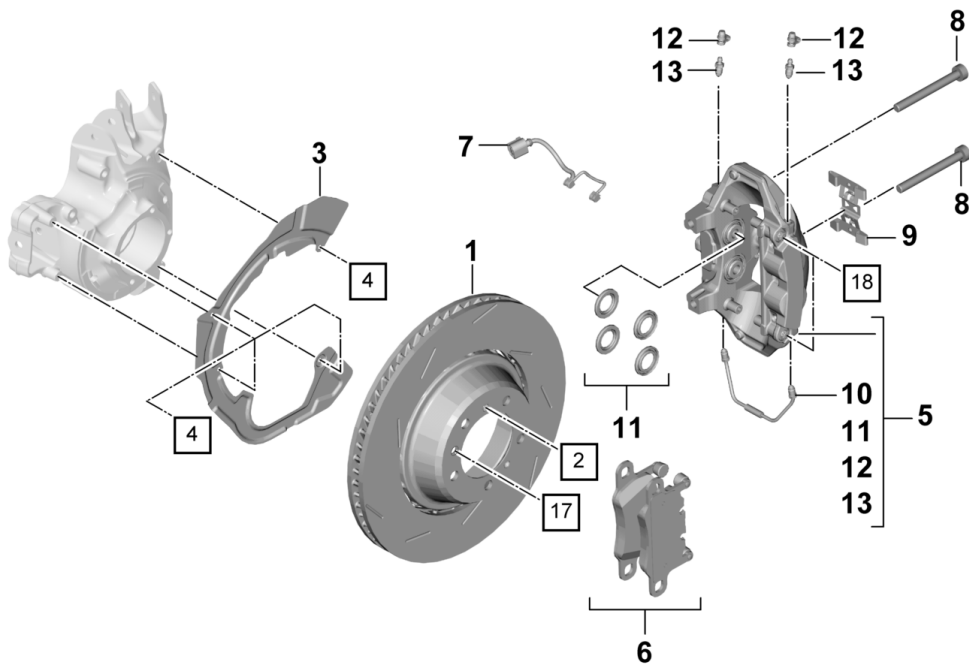
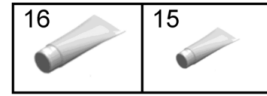
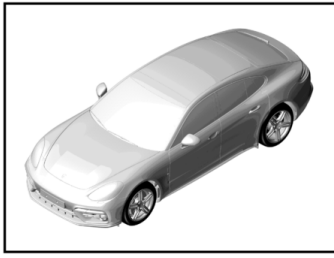
Model: 971-17

Model life 2017>>

Pos	Part Number	Description	Remark	Qty	Model
1	298 615 601 A	Disc brake Rear axle Brake disc Use also: 298.615.602.A 971.698.451.A	/L	1	I1KF/1KZ/2EE I2EJ 18" I2EE
(1)	298 615 602 A	Brake disc Use also: 298.615.601.A 971.698.451.A	/R	1	I2EE
(1)	298 615 601 A	Brake disc Use also: 298.615.602.A 971.698.451.D	/L	1	I2EJ
(1)	298 615 602 A	Brake disc Use also: 298.615.601.A 971.698.451.D	/R	1	I2EJ
(1)	971 615 601 F	Brake disc Use also: 971.615.602.F 971.698.451.D	/L	1	I1KF/1KZ
(1)	971 615 602 F	Brake disc Use also: 971.615.601.F 971.698.451.D	/R	1	I1KF/1KZ
2	N 104 560 04	Countersunk-head screw M 6 X 12		4	
3	971 615 611 D	Cover plate	/L	1	
(3)	971 615 612 D	Cover plate	/R	1	
4	N 911 261 02	Pan-head screw M 6 X 14		8	
5	971 615 423 F	Fixed calliper Silver	/L	1	I2EE/2EJ
(5)	971 615 424 F	Fixed calliper Silver	/R	1	I2EE/2EJ
(5)	298 615 149 H	Fixed calliper Black	/L	1	I1KF/1KZ
(5)	298 615 150 H	Fixed calliper Black	/R	1	I1KF/1KZ
6	971 698 451 A	Brake pad repair set		1	I2EE
(6)	971 698 451 D	Brake pad repair set		1	I1KF/1KZ/2EJ
7	7PP 907 637 A	Warning contact Brake pad		2	
8	9A7 007 585 00	Pan-head screw Fixed calliper M 12 X 1,5 X 85		4	
9	971 698 995	Spring Repair kit		2	
10	971 615 701	Connecting line		2	
11	9A7 698 671 00	Set Protection caps 32 MM		2	
12	211 611 483	Dust boot		20	
13	8A0 615 273	Ventilation valve		2	
15	000 043 117 00	Brake cylinder paste 1 50-g tube		X	
16	000 043 305 08	Optimoly 1 100-gramme tube		X	
18	9A7 008 689 00	Shouldered bolt M 8 X 16		2	

Model: 971-17

Model life 2017>>



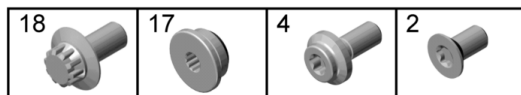
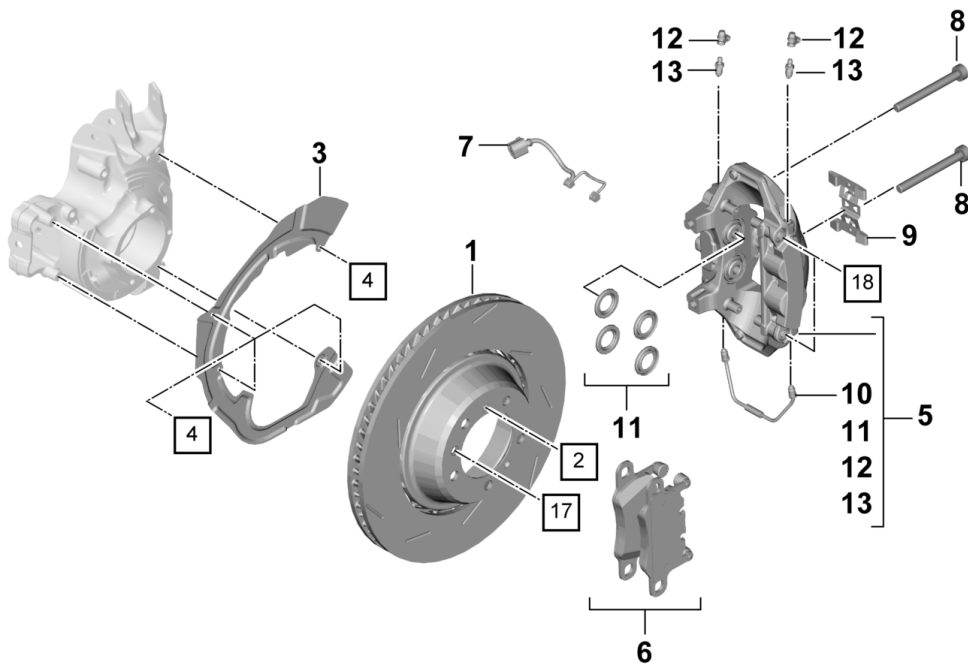
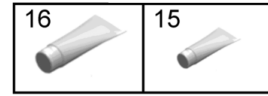
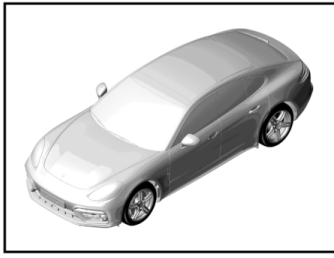
Model: 971-17

Model life 2017>>

Pos	Part Number	Description	Remark	Qty	Model
1	971 615 601 J	Disc brake Rear axle Brake disc Use also: 971.615.602.J 971.698.451.A	/L	1	I1KA/1KB/1KJ I1KU/2EA/2EF 19" I1KJ/1KU/2EA
(1)	971 615 602 J	Brake disc Use also: 971.615.601.J 971.698.451.A	/R	1	I1KJ/1KU/2EA
(1)	971 615 601 J	Brake disc Use also: 971.615.602.J 971.698.451.D	/L	1	I1KA/1KB/2EF
(1)	971 615 602 J	Brake disc Use also: 971.615.601.J 971.698.451.D	/R	1	I1KA/1KB/2EF
2	N 104 560 04	Countersunk-head screw M 6 X 12		4	
3	971 615 611 A	Cover plate	/L	1	
(3)	971 615 612 A	Cover plate	/R	1	
4	N 911 261 02	Pan-head screw M 6 X 14		8	
5	971 615 423 D	Fixed calliper Acid Green	/L	1	I1KA/1KJ
(5)	971 615 424 D	Fixed calliper Acid Green	/R	1	I1KA/1KJ
(5)	971 615 423 S	Fixed calliper Black	/L	1	I1KB/1KU
(5)	971 615 424 S	Fixed calliper Black	/R	1	I1KB/1KU
(5)	971 615 423 Q	Fixed calliper Silver	/L	1	I2EA/2EF
(5)	971 615 424 Q	Fixed calliper Silver	/R	1	I2EA/2EF
6	971 698 451 A	Brake pad repair set		1	I1KJ/1KU/2EA
(6)	971 698 451 D	Brake pad repair set		1	I1KA/1KB/2EF
7	7PP 907 637 A	Warning contact Brake pad		2	
8	N 911 837 01	Screw Fixed calliper AM 12 X 1,5 X 115		4	
9	971 698 995	Spring Repair kit		2	
10	971 615 701	Connecting line		2	
11	9A7 698 671 00	Set Protection caps 32 MM		2	
12	211 611 483	Dust boot		20	
13	8A0 615 273	Ventilation valve		2	
15	000 043 117 00	Brake cylinder paste 1 50-g tube		X	
16	000 043 305 08	Optimoly 1 100-gramme tube		X	
17	N 910 380 02	Screw plug M 12 X 1,5 X 5		2	
18	9A7 008 689 00	Shouldered bolt M 8 X 16		2	

Model: 971-17

Model life 2017>>



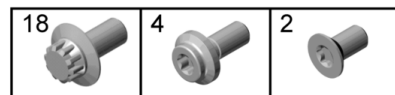
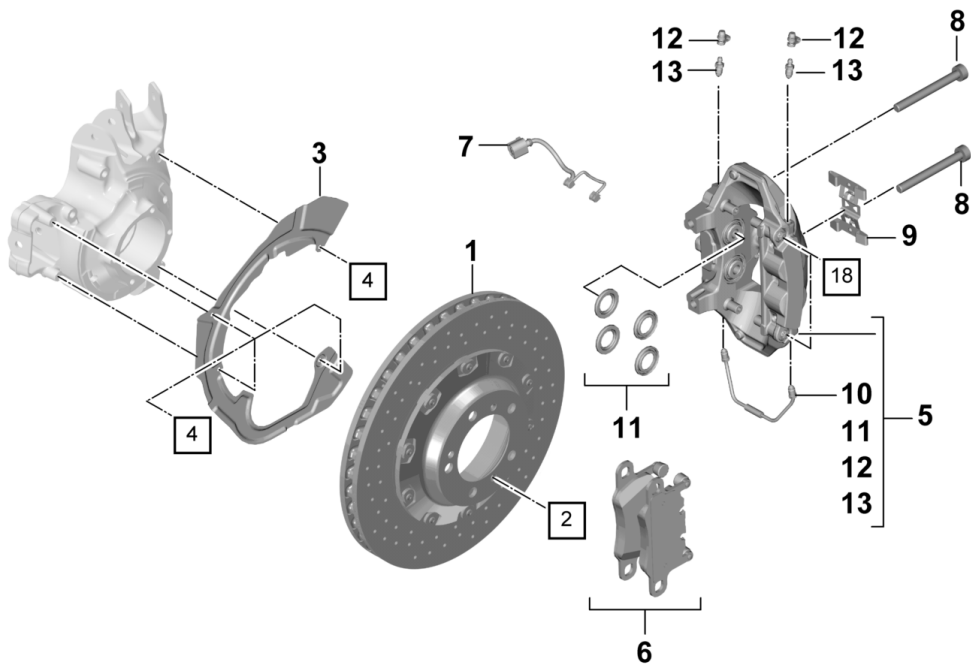
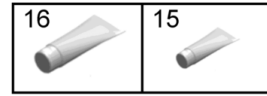
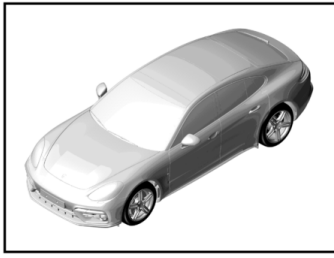
Model: 971-17

Model life 2017>>

Pos	Part Number	Description	Remark	Qty	Model
		Disc brake			I1KC/1KG/2EG
1	971 615 601 G	Rear axle Brake disc	/L	1	I2EM 20" I1KC/2EG
		Use also:		1	
		971.615.602.G		1	
		971.698.451.B		1	
(1)	971 615 602 G	Brake disc	/R	1	I1KC/2EG
		Use also:		1	
		971.615.601.G		1	
		971.698.451.B		1	
(1)	971 615 601	Brake disc	/L	1	I1KG/2EM
		Use also:		1	
		971.615.602		1	
		971.698.451.B		1	
(1)	971 615 602	Brake disc	/R	1	I1KG/2EM
		Use also:		1	
		971.615.601		1	
		971.698.451.B		1	
2	N 104 560 04	Countersunk-head screw M 6 X 12		4	
3	971 615 611 D	Cover plate	/L	1	I1KC/2EG
(3)	971 615 612 D	Cover plate	/R	1	I1KC/2EG
(3)	971 615 611 A	Cover plate	/L	1	I1KG/2EM
(3)	971 615 612 A	Cover plate	/R	1	I1KG/2EM
4	N 911 261 02	Pan-head screw M 6 X 14		8	
5	971 615 423 G	Fixed calliper Red	/L	1	I2EG/2EM
(5)	971 615 424 G	Fixed calliper Red	/R	1	I2EG/2EM
(5)	971 615 423 N	Fixed calliper Red	/L	1	I1KC/1KG
(5)	971 615 424 N	Fixed calliper Red	/R	1	I1KC/1KG
6	971 698 451 B	Brake pad repair set		1	
7	7PP 907 637 A	Warning contact Brake pad		2	
8	N 911 837 01	Screw Fixed calliper AM 12 X 1,5 X 115		4	
9	971 698 995 A	Spring		2	
10	971 615 701 A	Repair kit Connecting line		X	
11	9A7 698 671 00	Set Protection caps 32 MM		2	I2EG/2EM
(11)	971 698 671	Set Protection caps 30 MM		2	I1KC/1KG
12	211 611 483	Dust boot		20	
13	8A0 615 273	Ventilation valve		2	
15	000 043 117 00	Brake cylinder paste 1 50-g tube		X	
16	000 043 305 08	Optimoly 1 100-gramme tube		X	
17	N 910 380 02	Screw plug M 12 X 1,5 X 5		2	I1KG/2EM
18	9A7 008 689 00	Shouldered bolt M 8 X 16		2	

Model: 971-17

Model life 2017>>



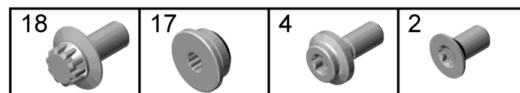
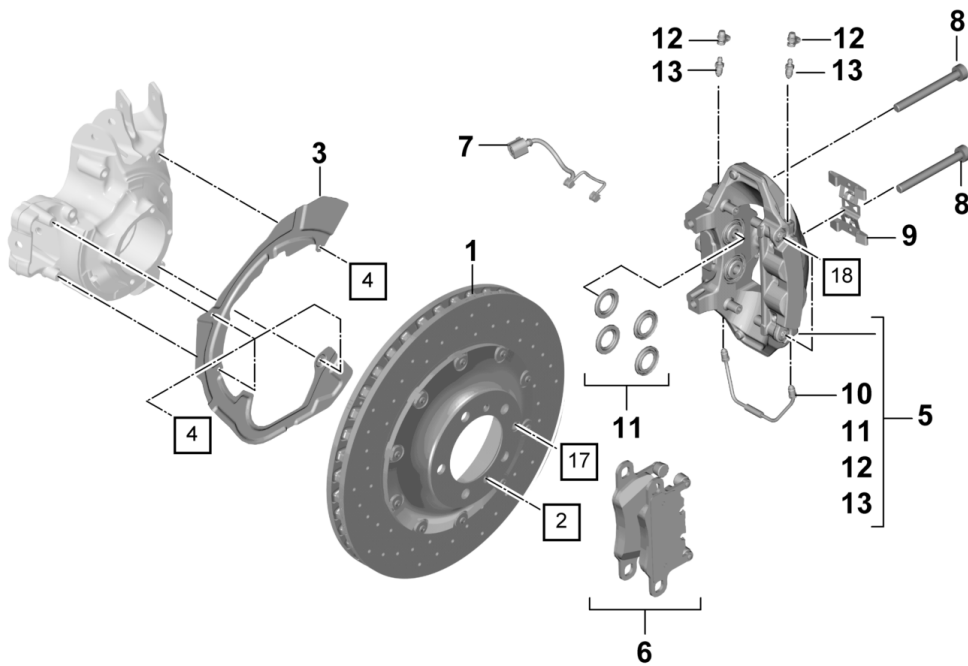
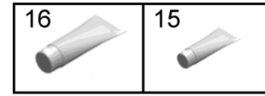
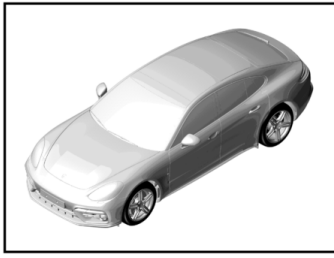
Model: 971-17

Model life 2017>>

Pos	Part Number	Description	Remark	Qty	Model
		Disc brake Rear axle PCCB			I2EH
1	971 615 601 C	Brake disc	/L	1	19"
		Use also: 971.615.602.C		1	
		971.698.451.E		1	
(1)	971 615 602 C	Brake disc	/R	1	
		Use also: 971.615.601.C		1	
		971.698.451.E		1	
2	N 104 560 04	Countersunk-head screw M 6 X 12		4	
3	971 615 611 B	Cover plate	/L	1	
(3)	971 615 612 B	Cover plate	/R	1	
4	N 911 261 02	Pan-head screw M 6 X 14		8	
5	971 615 423 J	Fixed calliper Yellow	/L	1	
(5)	971 615 424 J	Fixed calliper Yellow	/R	1	
6	971 698 451 E	Brake pad repair set		1	
7	7PP 907 637 A	Warning contact		2	
8	N 911 837 01	Brake pad Screw Fixed calliper AM 12 X 1,5 X 115		4	
9	971 698 995 A	Spring Repair kit		2	
10	971 615 701 A	Connecting line		X	
11	971 698 671	Set Protection caps 30 MM		2	
12	211 611 483	Dust boot		20	
13	8A0 615 273	Ventilation valve		2	
15	000 043 117 00	Brake cylinder paste 1 50-g tube		X	
16	000 043 305 08	Optimoly 1 100-gramme tube		X	
18	9A7 008 689 00	Shouldered bolt M 8 X 16		2	

Model: 971-17

Model life 2017>>



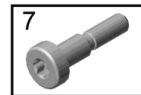
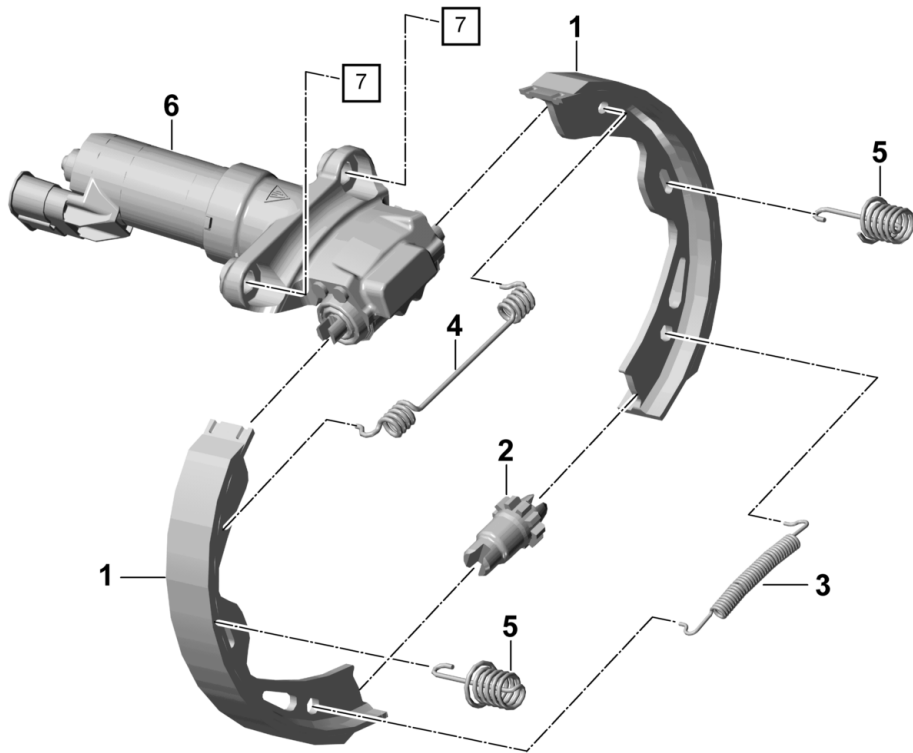
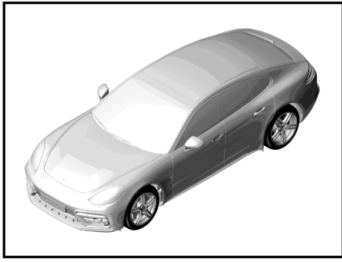
Model: 971-17

Model life 2017>>

Pos	Part Number	Description	Remark	Qty	Model
		Disc brake			I1KQ/2ED
		Rear axle			
		PCCB			20"
1	971 615 601 H	Brake disc	/L	1	
		Use also:			
		971.615.602.H		1	
		971.698.451.E		1	
(1)	971 615 602 H	Brake disc	/R	1	
		Use also:			
		971.615.601.H		1	
		971.698.451.E		1	
2	N 104 560 04	Countersunk-head screw		4	
		M 6 X 12			
(3)	971 615 611 C	Cover plate	/L	1	
(3)	971 615 612 C	Cover plate	/R	1	
4	N 911 261 02	Pan-head screw		8	
		M 6 X 14			
(5)	971 615 423 L	Fixed calliper	/L	1	I0K3/2ED
		Acid Green			
(5)	971 615 424 L	Fixed calliper	/R	1	I0K3/2ED
		Acid Green			
(5)	971 615 423 K	Fixed calliper	/L	1	I0K0/1KQ
		Yellow			
(5)	971 615 424 K	Fixed calliper	/R	1	I0K0/1KQ
		Yellow			
(6)	971 698 451 E	Brake pad repair set		1	
7	7PP 907 637 A	Warning contact		2	
		Brake pad			
(8)	N 912 522 01	Multiple-tooth screw		4	
		Fixed calliper			
		BM 12 X 1,5 X 130			
9	971 698 995 A	Spring		2	
		Repair kit			
10	971 615 701 A	Connecting line		X	
(11)	971 698 671	Set		2	
		Protection caps			
		30 MM			
12	211 611 483	Dust boot		20	
13	8A0 615 273	Ventilation valve		2	
15	000 043 117 00	Brake cylinder paste		X	
		1 50-g tube			
16	000 043 305 08	Optimoly		X	
		1 100-gramme tube			
17	N 910 380 02	Screw plug		2	
		M 12 X 1,5 X 5			

Model: 971-17

Model life 2017>>



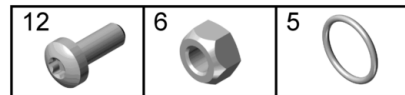
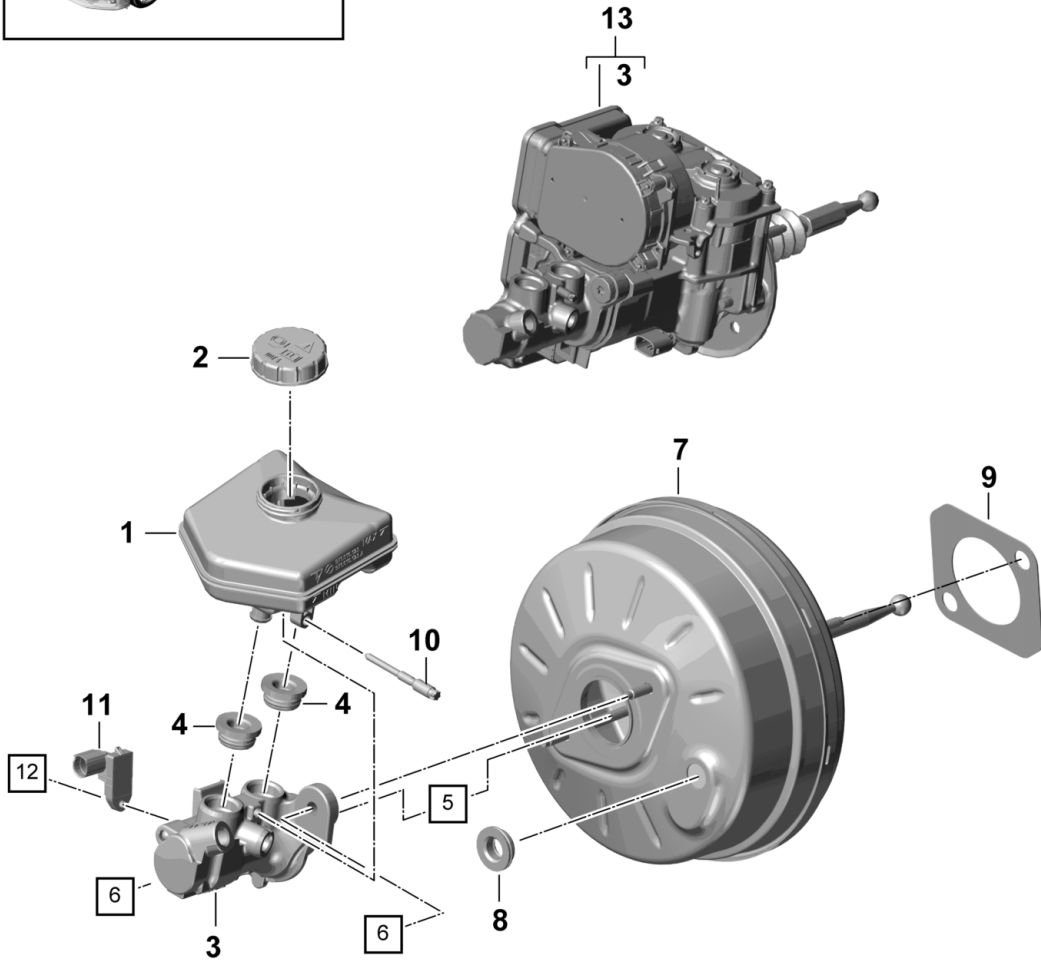
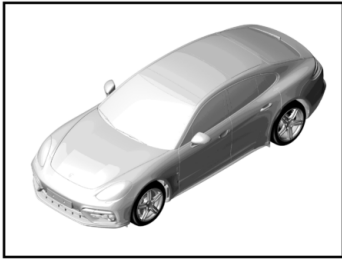
Model: 971-17

Model life 2017>>

Pos	Part Number	Description	Remark	Qty	Model
		Parking brake			I0J2/0J3/0J5 I0J8
1	971 698 533	Rear axle Brake shoe		1	I0J2/0J8
(1)	971 698 533 A	Repair kit Brake shoe		1	I0J3/0J5
		Repair kit			
2	298 609 723	Adjusting screw		2	
3	298 609 717	Tension spring		2	
4	298 609 715	Tension spring		2	I0J2/0J8
(4)	971 609 715	Tension spring		2	I0J3/0J5
5	298 609 583	Compression spring		4	
6	298 609 403	Electric motor	/L	1	I0J2/0J8
(6)	298 609 404	Electric motor	/R	1	I0J2/0J8
(6)	958 352 091 04	Electric motor	/L	1	I0J3/0J5
(6)	9A7 907 615 00	Electric motor	/L	1	I0J3/0J5
(6)	958 352 092 04	Electric motor	/R	1	I0J3/0J5
(6)	9A7 907 616 00	Electric motor	/R	1	I0J3/0J5
7	9A7 007 044 00	Fit bolt		4	
		M 8 X 38			I0J2/0J8
(7)	WHT 005 378	Fit bolt		4	I0J3/0J5
		M 10 X 40			

Model: 971-17

Model life 2017>>



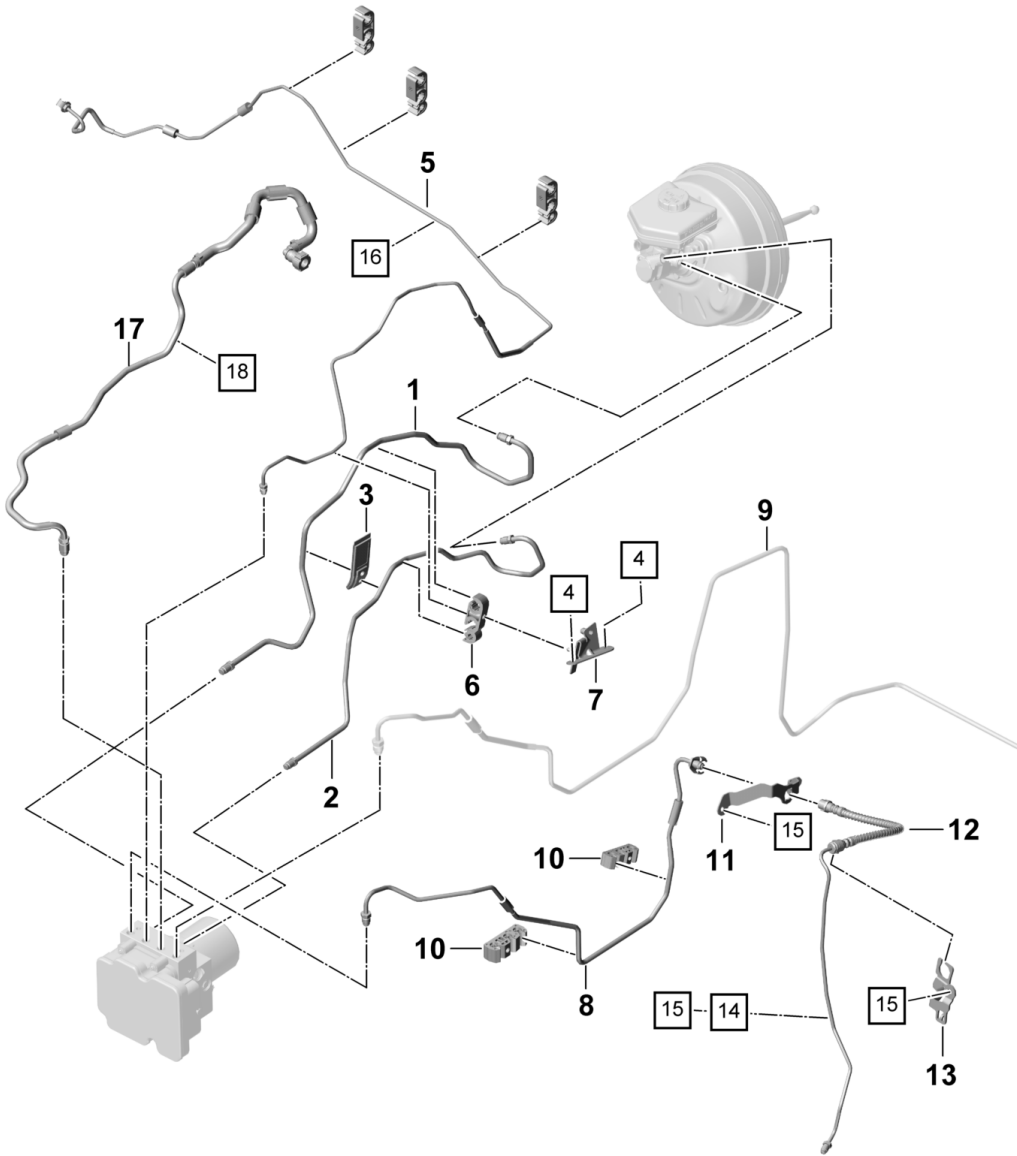
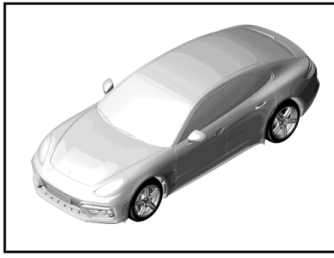
Model: 971-17

Model life 2017>>

Pos	Part Number	Description	Remark	Qty	Model
		Brake master cylinder			
		Brake booster			
1	971 616 123	Expansion tank		1	I0K0
(1)	971 616 123 A	Expansion tank		1	I0K3
2	5Q0 611 349 B	Lid		1	-IB0T
(2)	5Q0 611 349 A	Lid		1	IB0T
3	971 614 019 D	Brake master cylinder		1	I0K0
(3)	971 614 019 E	Brake master cylinder		1	I0K3
4	958 355 922 00	Rubber seal		2	
		Expansion tank			
		To			
		Brake master cylinder			
7	971 614 106	Brake booster		1	-I1LV/I0K0
(7)	971 614 106 C	Brake booster		1	I0K0/1LV
10	9A7 007 916 00	Outer hexagon round screw		1	
		M 5 X 51,2			
11	9A7 945 459 00	Sensor		1	
		Brake light switch			
13	971 614 106 B	Brake booster		1	I0K3
		with			
		Brake master cylinder			
20	000 043 305 52	Brake fluid		X	
		DOT 4			
		1 LTR.			

Model: 971-17

Model life 2017>>



19	18	16	15	14	4
----	----	----	----	----	---

Model: 971-17 Model life 2017>>

Pos	Part Number	Description	Remark	Qty	Model
		Brake lines			
		Body front section			
1	971 614 727	Brake line		1	IL0L/OK0
(1)	971 614 727 C	Brake line		1	IL0L/OK3
(1)	971 614 729 E	Brake line		1	IL0R/OK0
(1)	971 614 729 F	Brake line		1	IL0R/OK3
2	971 614 739 E	Brake line		1	IL0L/OK0
(2)	971 614 739 F	Brake line		1	IL0L/OK3
(2)	971 614 741 G	Brake line		1	IL0R/OK0
(2)	971 614 741 H	Brake line		1	IL0R/OK3
3	971 614 769 A	Grommet		1	
4	N 108 140 01	Hexagon-head bolt M 6 X 12		2	
5	971 614 721 B	Brake line		1	
6	4E0 611 797	Line bracket		3	IL0L
(6)		Line bracket		2	IL0R
7	971 614 514 A	Support		1	
8	971 614 717 A	Brake line		1	
9		Brake lines See illustrations 6/04/20			
10	8K0 611 797 F	Line bracket Information available		2	
11	971 611 845 B	Support Brake hose Left		1	
(11)	971 611 846 B	Support Brake hose Right		1	
12	971 611 707	Brake hose Left		1	I1LD/1LN/1LU I1ZT
(12)	971 611 707 A	Brake hose Left		1	I1LJ/1LK/1LL I1LM/1LP/1LW
(12)	971 611 707 E	Brake hose Left		1	I1LV/1ZQ
(12)	971 611 708	Brake hose Right		1	I1LD/1LN/1LU I1ZT
(12)	971 611 708 A	Brake hose Right		1	I1LJ/1LK/1LL I1LM/1LP/1LW
(12)	971 611 708 E	Brake hose Right		1	I1LV/1ZQ
13	971 611 845	Support Brake hose Left		1	
(13)	971 611 846	Support Brake hose Right		1	
14	N 911 711 01	Clip Brake hose D >> 20.11.2016		2	
(14)	N 911 711 03	Clamp Brake hose D 21.11.2016>>		2	
15	958 106 532 00	Hexagon-head bolt M 6 X 16		4	
16	958 355 797 05	Support		1	IL0R
17	971 614 724 B	Brake line Hydraulic unit To		1	IL0L/OK3

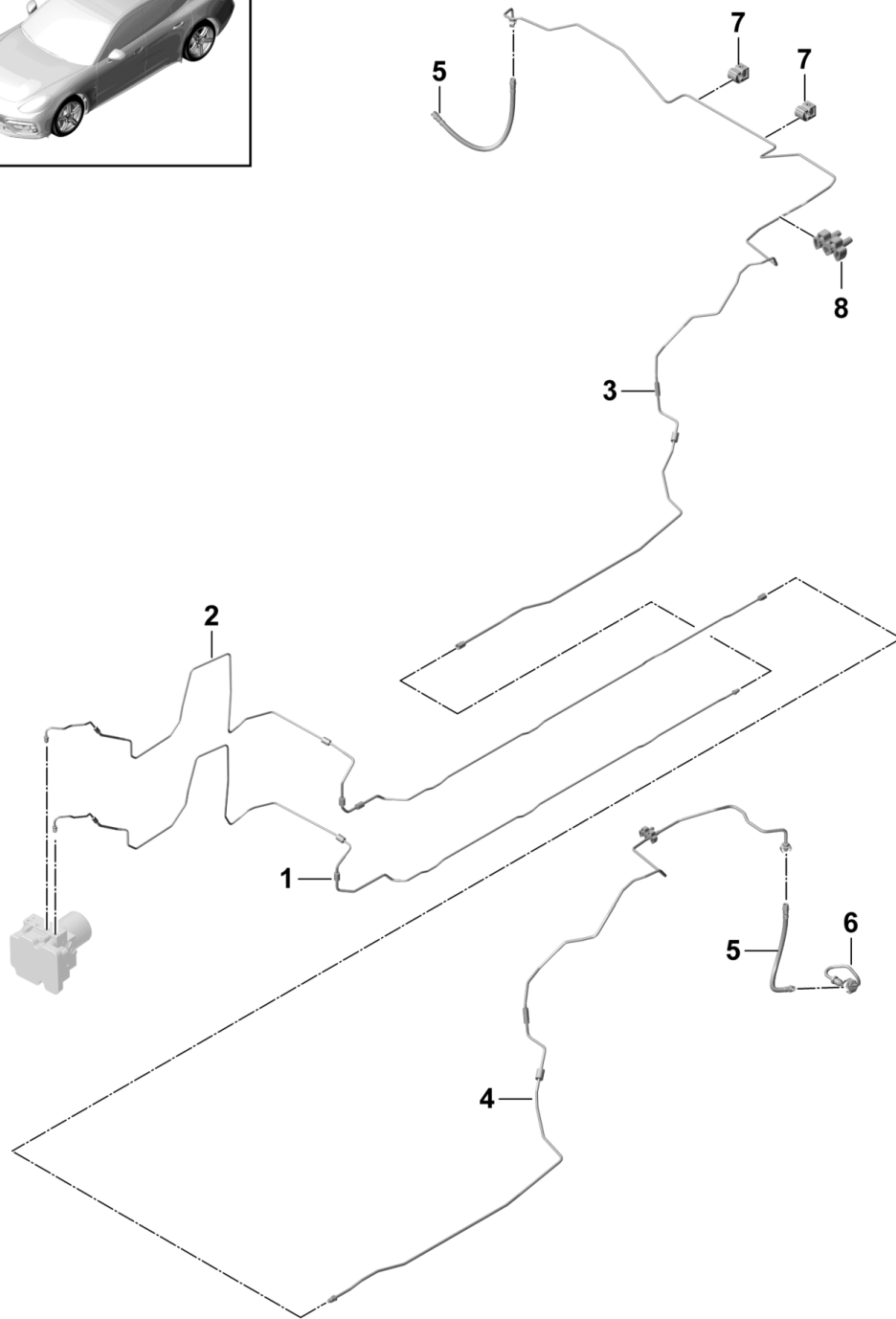
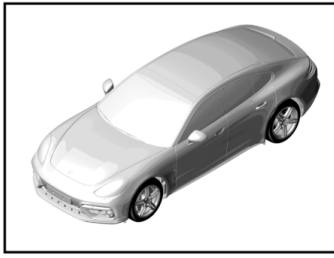
Model: 971-17

Model life 2017>>

Pos	Part Number	Description	Remark	Qty	Model
(17)	971 614 726 B	Expansion tank Brake line Hydraulic unit To		1	IL0R/0K3
18	N 105 887 01	Expansion tank		1	I0K3
19	N 105 839 01	Cable holder Hose holder		1	IL0R/0K3

Model: 971-17

Model life 2017>>



Model: 971-17 Model life 2017>>

Pos	Part Number	Description	Remark	Qty	Model
1	971 614 723 B	Brake line Underbody And Rear axle Brake line After Rear Right		1	
2	971 614 725 B	Brake line After Rear Left		1	
3	971 614 763 A	Brake line Rear Right		1	I0E1
(3)	971 614 771 B	Brake line Rear Right		1	I0E2
4	971 614 743 A	Brake line Rear Left		1	I0E1
(4)	971 614 745 A	Brake line Rear Left		1	I0E2
5	971 611 775	Brake hose D >> 06.11.2016		2	
(5)	971 611 775 A	Brake hose D 07.11.2016>>		2	
6	971 614 705	Brake line Left		1	I1KF/1KZ/2EE I2EJ
(6)	971 614 705 A	Brake line Left		1	I1KA/1KB/1KC I1KG/1KJ/1KU I2EG/2EH/2EM
(6)	971 614 705 D	Brake line Left		1	I1KQ/2ED
(6)	971 614 706	Brake line Right		1	I1KF/1KZ/2EE I2EJ
(6)	971 614 706 A	Brake line Right		1	I1KA/1KB/1KC I1KG/1KJ/1KU I2EG/2EH/2EM
(6)	971 614 706 D	Brake line Right		1	I1KQ/2ED
7	95B 611 797	Support		2	
8	1K0 611 853	Support		1	
9	8K0 611 797 F	Line bracket Information available		2	
(9)	8K0 611 797 G	Line bracket Information available		9	
10	971 611 797	Support	/L	1	I1KF/1KZ/2EE I2EJ
(10)	971 611 798	Brake hose Support	/R	1	I1KF/1KZ/2EE I2EJ
(10)	971 611 797 A	Brake hose Support	/L	1	I1KA/1KB/1KC I1KG/1KJ/1KU I2EA/2EF/2EG I2EH I2EM

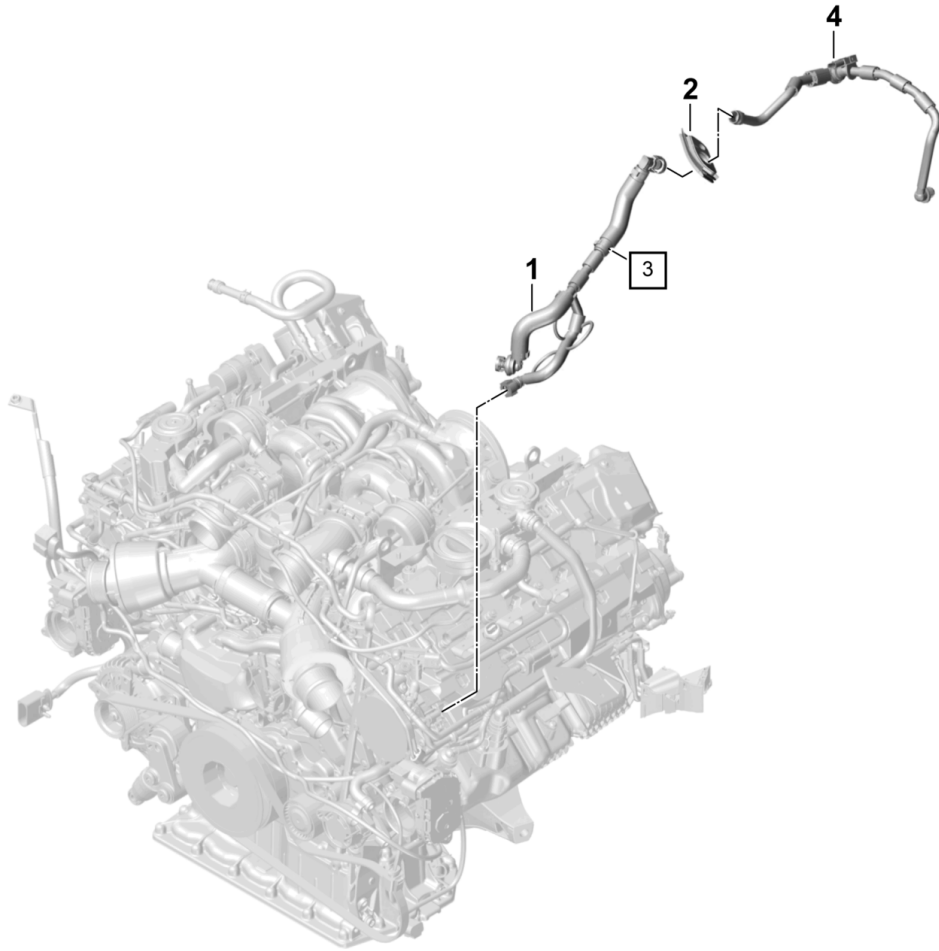
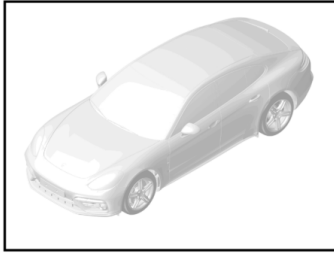
Model: 971-17

Model life 2017>>

Pos	Part Number	Description	Remark	Qty	Model
(10)	971 611 798 A	Support	/L	1	I1KA/1KB/1KC I1KG/1KJ/1KU I2EA/2EF/2EG I2EH I2EM
(10)	971 611 797 D	Brake hose Support	/L	1	I1KQ/2ED
(10)	971 611 798 D	Brake hose Support	/R	1	I1KQ/2ED
11	N 100 829 13	Hexagon-head bolt M 6 X 16		2	

Model: 971-17

Model life 2017>>

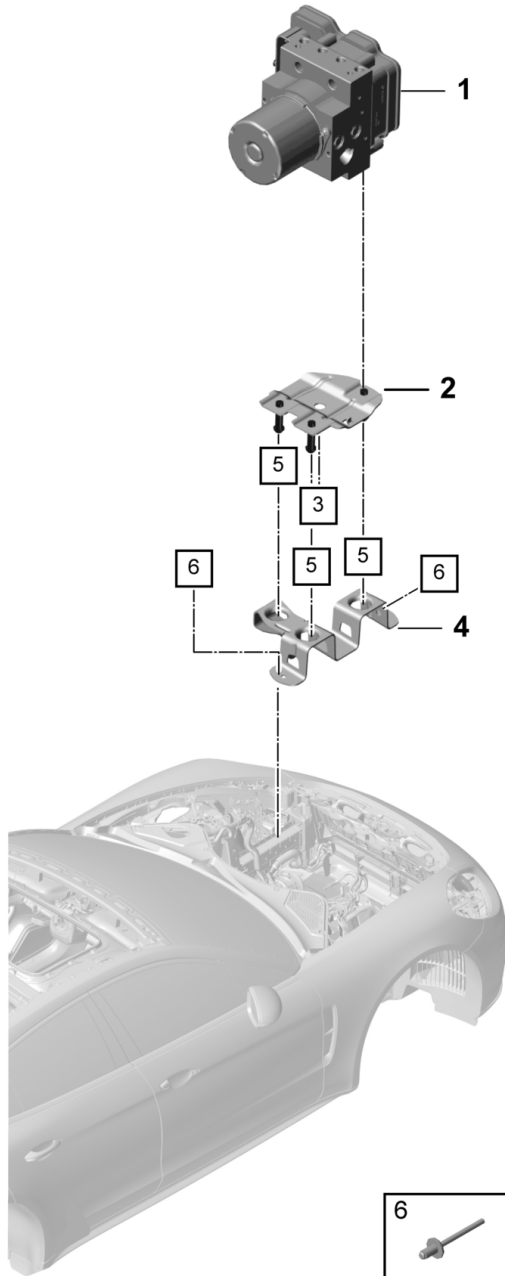
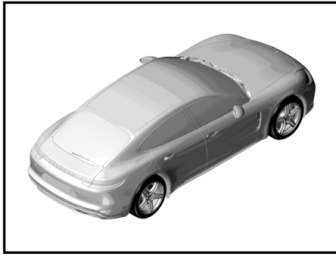


Model: 971-17 Model life 2017>>

Pos	Part Number	Description	Remark	Qty	Model
1	971 612 921	Vacuum line Vacuum hose		1	IA8C/A8F/0K0 I1A2
(1)	971 612 067 AP	D >> 19.02.2017 Vacuum line		1	IA8C/A8F/0K0 I1A2
(1)	971 612 921 A	D 20.02.2017>> Vacuum hose		1	-IDJ7/IA8C I0F5
(1)	971 612 921 B	Vacuum hose		1	IDJ7
(1)	971 612 067 AK	Vacuum line		1	IDW4/0K0
(1)	971 612 067 AN	D >> 19.02.2017 Vacuum line D 20.02.2017>>		1	IDW4/0K0
2	971 820 609 A	Grommet		1	
3	N 103 225 01	Combination holder		1	IL0R/0K0
4	971 612 067 AG	Vacuum line		1	IDW4/D0D/D1I ID29/L0L/0K0
4	971 612 067 AM	Plenum panel D >> 19.02.2017 Vacuum line		1	IDW4/D0D/D1I ID29/L0L/0K0
(4)	971 612 067 AJ	Plenum panel D 20.02.2017>> Vacuum line		1	IDD7/DJ5/DJ7 ID1V/D51/L0L
(4)	971 612 067 N	Plenum panel Vacuum line		1	IDW4/D0D/D1I ID29/L0R/0K0
(4)	971 612 067 AL	Plenum panel D >> 19.02.2017 Vacuum line		1	IDW4/D0D/D1I ID29/L0R/0K0
(4)	971 612 067 L	Plenum panel D 20.02.2017>> Vacuum line		1	IDD7/DJ5/DJ7 ID1V/D51/L0R
(4)	971 612 067 AQ	Plenum panel D >> 19.02.2017 Vacuum line Plenum panel D 20.02.2017>>		1	IDD7/DJ5/DJ7 ID1V/D51/L0R

Model: 971-17

Model life 2017>>



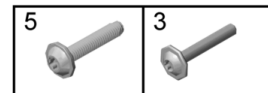
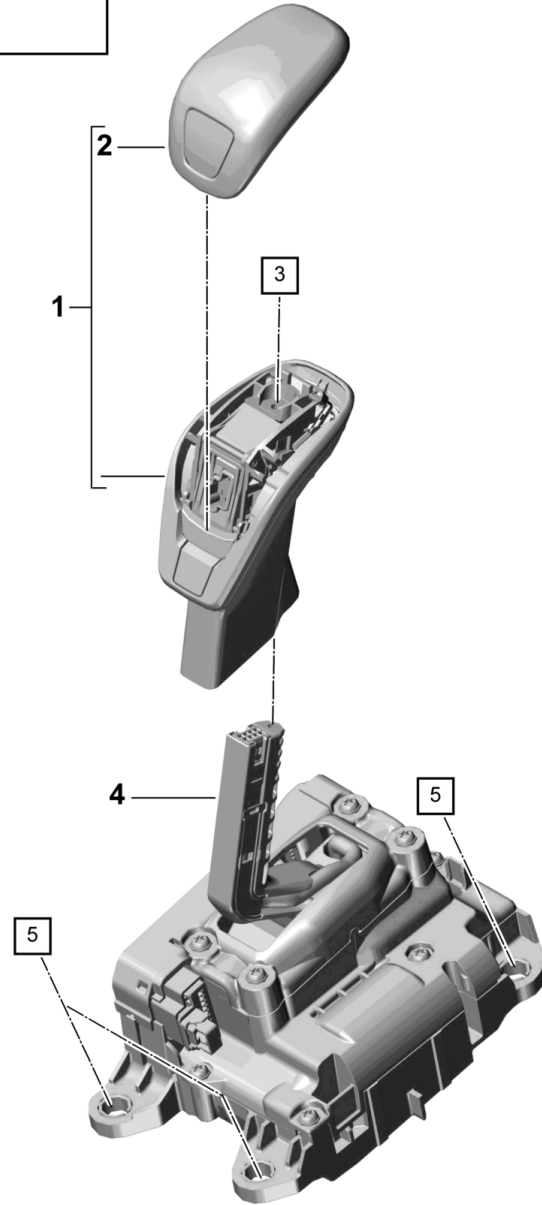
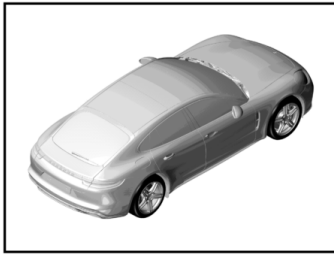
Model: 971-17

Model life 2017>>

Pos	Part Number	Description	Remark	Qty	Model
1	971 614 111 B	Hydraulic unit Anti-lock brake system Control		1	I0K0
1	971 614 111 E	Hydraulic unit D >> 28.05.2017		1	I0K0
1	971 614 111 G	Hydraulic unit D 29.05.2017>>		1	I0K0
1	971 614 111 F	Hydraulic unit		1	I0K3
2	971 614 513	Support		1	
3	N 906 916 01	Hydraulic unit Upper part Pan-head screw M 10 X 1 X 17		1	
4	971 614 335	Support		1	
5	958 355 177 10	Hydraulic unit Lower part Buffer		3	
6	N 902 876 01	Blind rivet		4	

Model: 971-17

Model life 2017>>

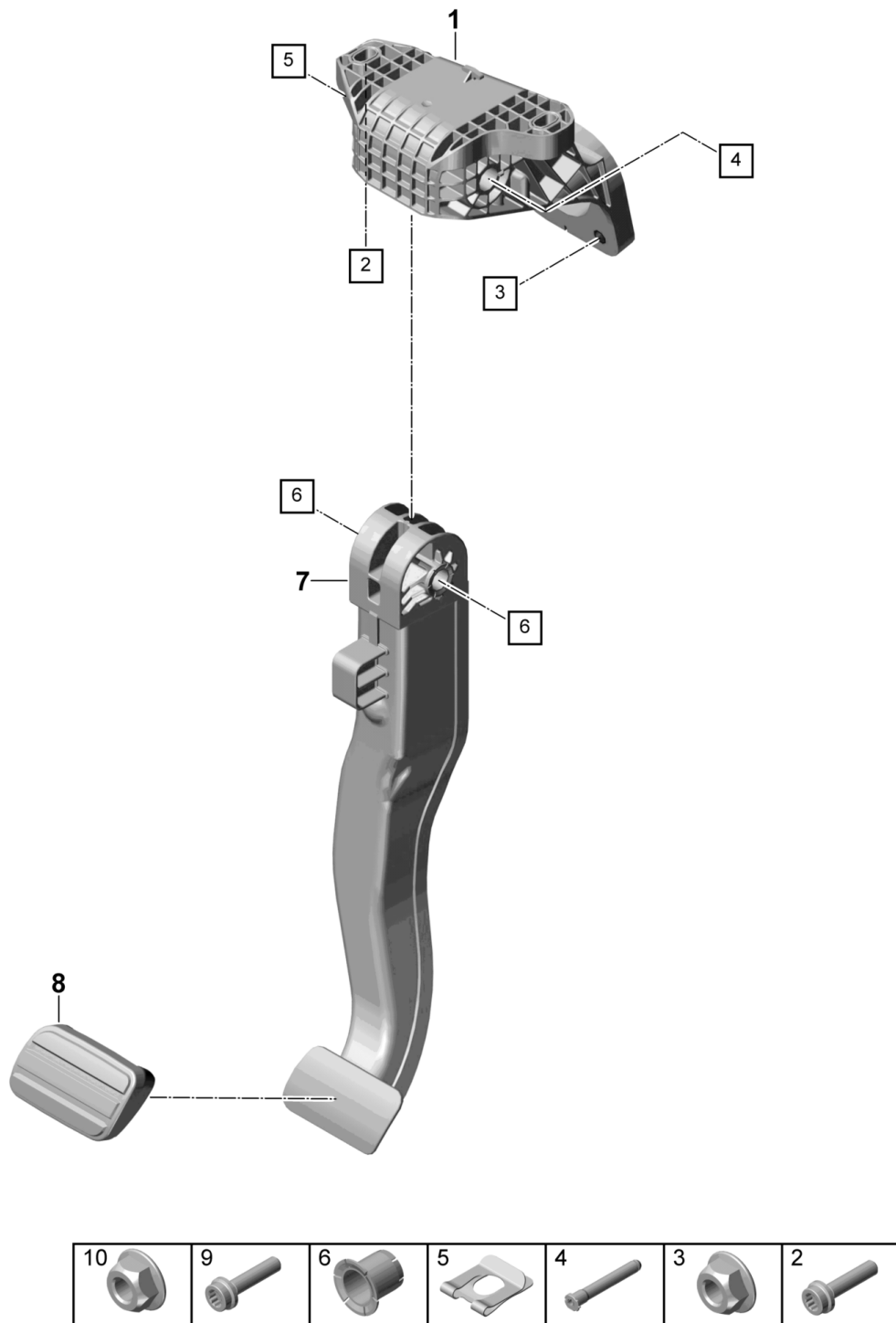


Model: 971-17 Model life 2017>>

Pos	Part Number	Description	Remark	Qty	Model
1	971 713 120	Selector lever Selector lever Complete Use also: N .910.796.02		1	
	971 713 120 8YR	Black		1	+AB,+AC,+PK, +BB,+BS,+BK, +DG,+DL, +UB,+UC, +SB,+BP, +PC,+BE, +HD, +HC,
	971 713 120 PL1	Agate Grey			
	971 713 120 9H6	Luxor Beige			
	971 713 120 OK6	Saddle Tan			
	971 713 120 8M8	Marsala Red			
	971 713 120 OT2	Truffle Brown			
	971 713 120 ON1	Cohiba Brown			
2	971 713 139	Selector lever Upper part		1	
	971 713 139 8YR	Black			+AB,+AC,+PK, +BB,+BS,+BK, +DG,+DL, +UB,+UC, +SB,+BP, +PC,+BE, +HD, +HC,
	971 713 139 PL1	Agate Grey			
	971 713 139 9H6	Luxor Beige			
	971 713 139 OK6	Saddle Tan			
	971 713 139 8M8	Marsala Red			
	971 713 139 OT2	Truffle Brown			
	971 713 139 ON1	Cohiba Brown			
3	N 910 796 02	Round head screw M 4 X 25		1	
4	971 713 033	Gearshift bracket D >> 22.01.2017		1	
(4)	971 713 033 A	Gearshift bracket D 23.01.2017>>		1	
5	9A7 007 463 00	Round head screw M 6 X 30		4	

Model: 971-17

Model life 2017>>



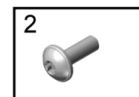
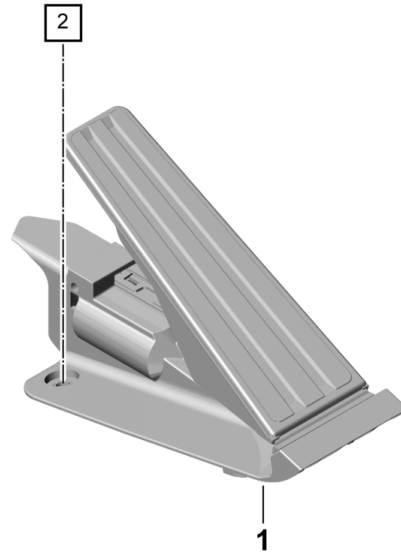
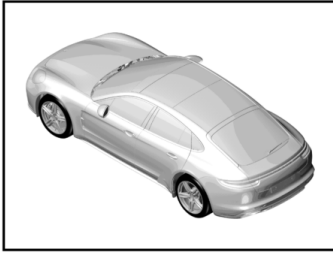
Model: 971-17

Model life 2017>>

Pos	Part Number	Description	Remark	Qty	Model
		Pedals			
		PDK			
1	971 721 115 B	Bearing bracket		1	IL0L
(1)	971 721 115 C	Bearing bracket		1	IL0R
2	N 911 046 01	Multiple-tooth screw M 8 X 35		2	
3	N 023 003 14	Hexagon nut M 8		2	
4	971 721 325 A	Bearing pin		1	
5	N 108 428 01	Lock washer		1	
6	7PP 721 113 A	Bush		2	
7	971 721 141 B	Brake pedal		1	IL0L
(7)	971 721 141 C	Brake pedal		1	IL0R
8	9P1 721 647 C	Pedal cap		1	IA8C
(8)	9P1 721 173 A	Pedal cap		1	IA8F/A8H
9	N 911 046 01	Multiple-tooth screw M 8 X 35		2	
10	N 023 003 14	Hexagon nut M 8		2	

Model: 971-17

Model life 2017>>



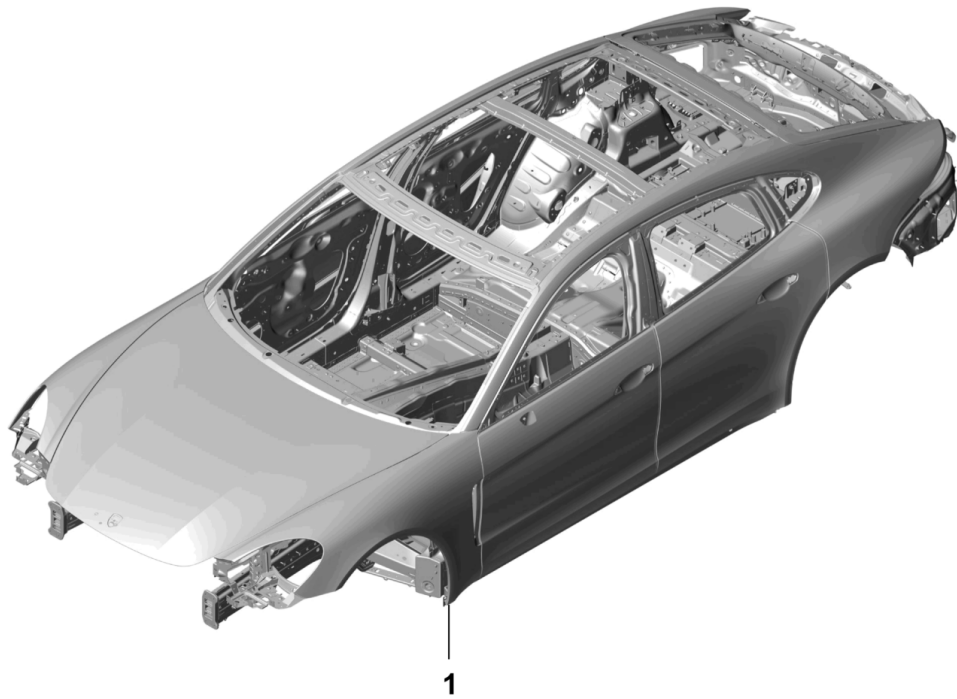
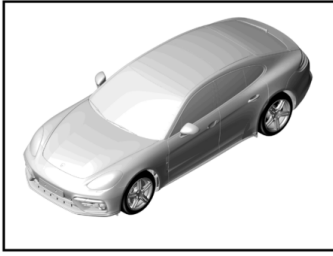
Model: 971-17

Model life 2017>>

Pos	Part Number	Description	Remark	Qty	Model
1	298 721 507 K	Pedals Accelerator control Accelerator control		1	-I0K3/IA8F IA8H
(1)	971 723 507 A	Accelerator control		1	I0K3
(1)	982 723 507 A	Accelerator control		1	IA8C/0K0
2	N 107 148 01	Outer hexagon round screw M 6 X 18		1	

Model: 971-17

Model life 2017>>



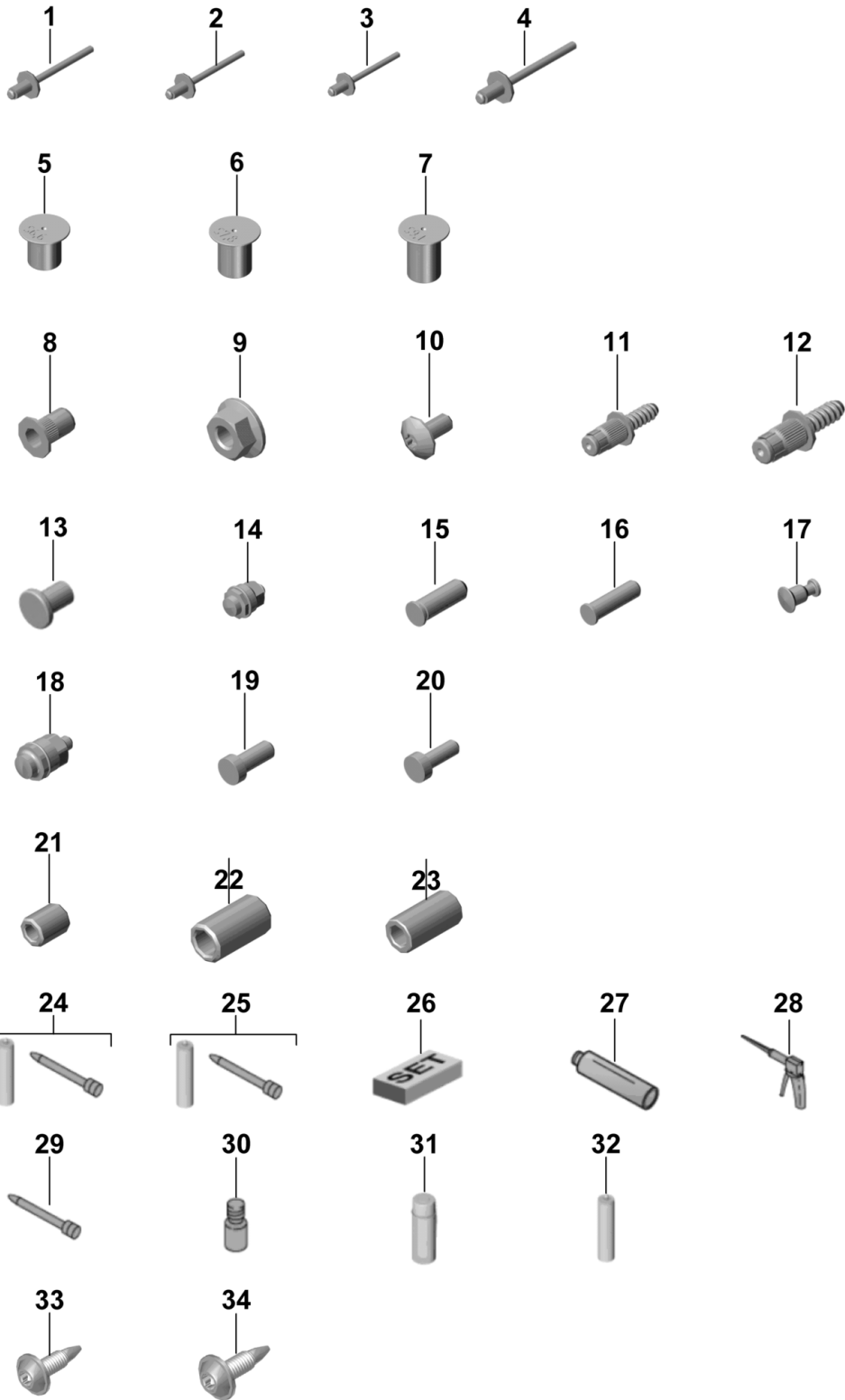
Model: 971-17

Model life 2017>>

Pos	Part Number	Description	Remark	Qty	Model
A		Body in white			
B		Prime coated			
C		Sealed			
D		with			
E		Underbody protection			
F		with			
G		Doors/lids/wings			
1	971 800 701 Y	Bodyshells can only			
	971 800 701 Y GRV	only available from current			
		Model year available			
		The data required			
		for your order			
		Can be found on the			
		Vehicle data carrier			
		in			
		On-board folder			
		Please indicate this data			
		in your order			
		Vehicle data carrier			
		Vehicle Ident. No.			
		Order type			
		Country equipment			
		Optional extras			
		Additional applications			
		Indicate colour			
		Body in white		1	
		Prime coated			

Model: 971-17

Model life 2017>>



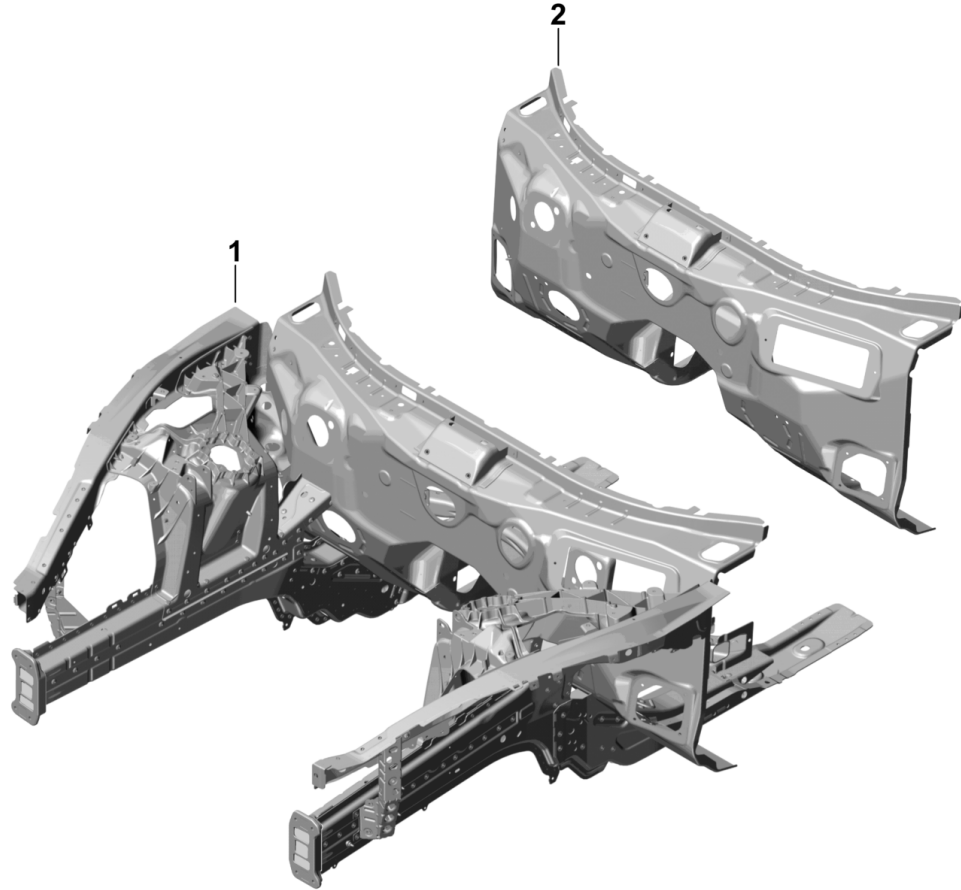
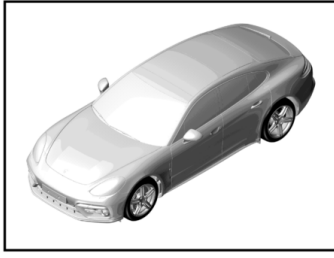
Model: 971-17

Model life 2017>>

Pos	Part Number	Description	Remark	Qty	Model
		Mounting parts			
		Bodyshell			
1	999 190 227 01	Blind rivet 6,5 X 12,5		X	
2	999 190 228 01	Blind rivet 6,5 X 11,5		X	
3	999 190 229 01	Blind rivet 6,5 X 10,5		X	
4	999 190 230 01	Blind rivet 6,5 X 14,5		X	
5	9A7 008 473 00	Rivet S 6.6		X	
6	9A7 008 606 00	Rivet S 7.8		X	
7	9A7 008 607 00	Rivet S 9.1		X	
8	999 500 196 01	Nut		X	
9	900 377 003 01	Hexagon nut		X	
10	999 073 549 01	Lens-head screw		X	
11	999 190 342 01	Threaded bolt T 5		X	
12	999 190 501 01	Bolt T 6		X	
13	N 014 032 5	Pin		X	
14	999 516 032 01	Hexagon nut Ground strap M6X13		X	
15	N 108 101 01	Threaded bolt T6		X	
16	N 902 466 01	Threaded bolt T5		X	
17	9A7 003 680 00	Locking segment Aluminium		X	
18	9A7 004 062 00	Weld screw Ground strap M8X19		X	
19	N 912 527 01	Threaded bolt T6		X	
20	N 912 530 01	Threaded bolt T5		X	
21	999 504 262 01	Threaded insert M8 X 15		X	
22	999 504 266 01	Threaded insert M12 X 1,5X28		X	
23	999 504 267 01	Threaded insert M10 X 27		X	
24	000 043 305 65	Adhesive set Outer roof panel		X	
25	000 043 305 35	Adhesive set Washer		X	
26	000 043 206 29	Adhesive set		1	
27	000 043 206 30	Adhesive		1	
28	000 043 206 31	Tool		1	
29	000 043 206 32	Mixing tube		1	
30	000 043 206 33	Activator		1	
31	000 043 305 51	Cavity preservation		1	
32	000 043 207 67	Sealing compound		1	
33	999 073 917 01	Lens-head screw M5X20		X	
34	999 073 541 01	Torx screw M6X20		X	

Model: 971-17

Model life 2017>>



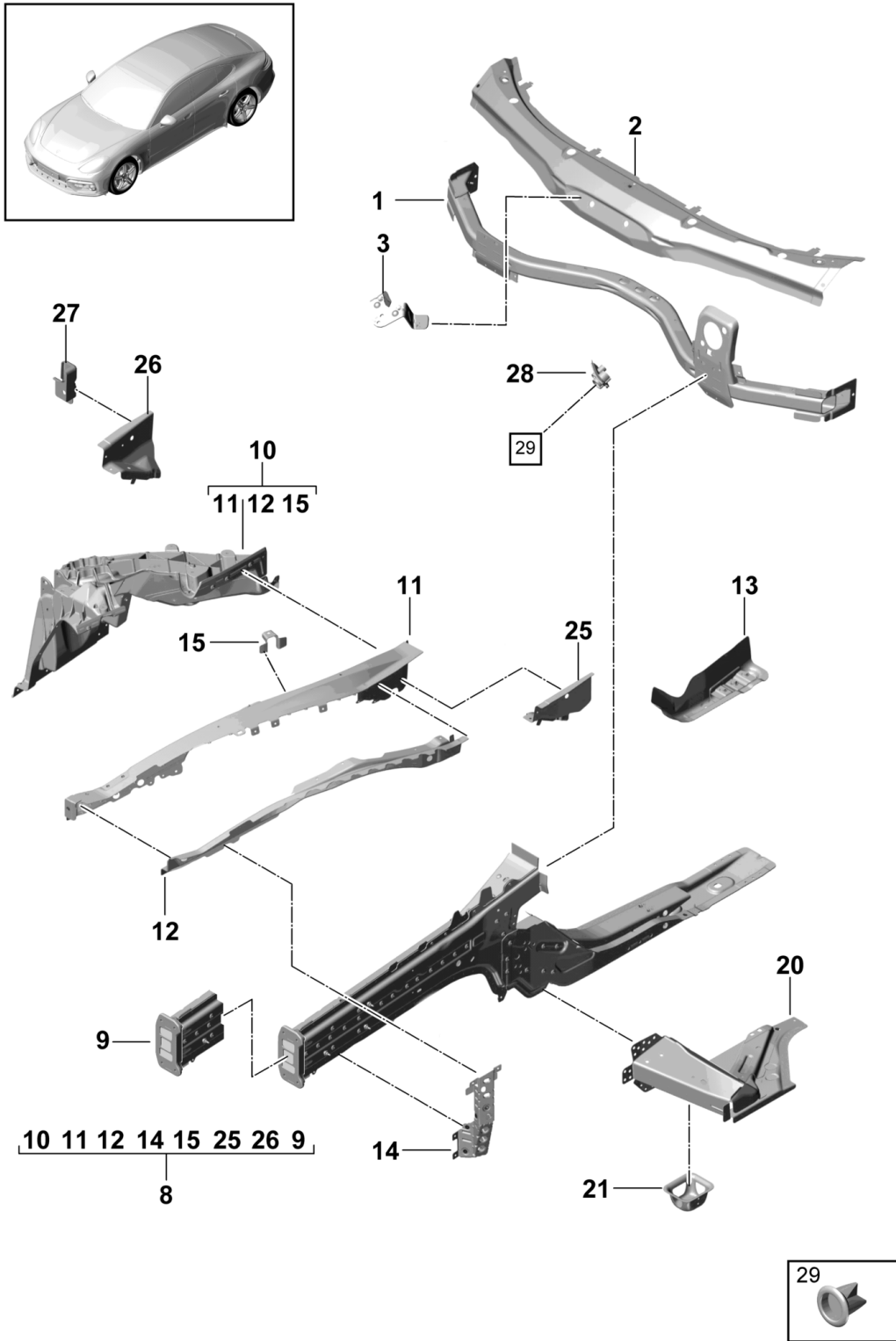
Model: 971-17

Model life 2017>>

Pos	Part Number	Description	Remark	Qty	Model
		Body front section Mounting parts See illustrations 8/01/01			
1	971 805 011 Y	Body front section		1	IL0L
	971 805 011 Y GRV	Prime coated			
(1)	971 805 011 AY	Body front section		1	IL0R
	971 805 011 AY GRV	Prime coated			
2	9A7 806 430 Y	Firewall		1	IL0L
	9A7 806 430 Y GRV	Prime coated			
(2)	9A7 806 430 AY	Firewall		1	IL0R
	9A7 806 430 AY GRV	Prime coated			

Model: 971-17

Model life 2017>>



Model: 971-17 Model life 2017>>

Pos	Part Number	Description	Remark	Qty	Model
1	9A7 805 253 00	Body front section Single parts Mounting parts See illustrations 8/01/01 Cross member Firewall Use also: 000.043.305.51 000.043.305.32		1	IL0L
(1)	9A7 805 253 00 GRV 9A7 805 253 01	Prime coated Cross member Firewall Use also: 000.043.305.51 000.043.305.32		1	IL0R
2	9A7 805 253 01 GRV 971 806 713 Y	Prime coated Cowl Cross member Use also: 000.043.305.51 000.043.305.32		1	
3	971 806 713 Y GRV 971 805 201 Y	Prime coated Support Cross member		1	IL0R
(3)	971 805 201 Y GRV 971 805 202 Y	Prime coated Support Cross member		1	IL0L
8	971 805 202 Y GRV 971 803 091 Y	Prime coated Side member Front Complete Use also: 000.043.305.51 000.043.305.32	/L	1	
(8)	971 803 091 Y GRV 971 803 092 Y	Prime coated Side member Front Complete Use also: 000.043.305.51 000.043.305.32	/R	1	
9	971 803 092 Y GRV 971 803 819 Y	Prime coated Side member Front Sub-part Use also: 000.043.305.51 000.043.305.32	/L	1	
(9)	971 803 819 Y GRV 971 803 820 Y	Prime coated Side member Front Sub-part Use also: 000.043.305.51 000.043.305.32	/R	1	
10	971 803 820 Y GRV 971 803 441 Y	Prime coated Spring strut Mounting Use also: Use also: 000.043.305.51 000.043.305.32	/L	1	

Model: 971-17 Model life 2017>>

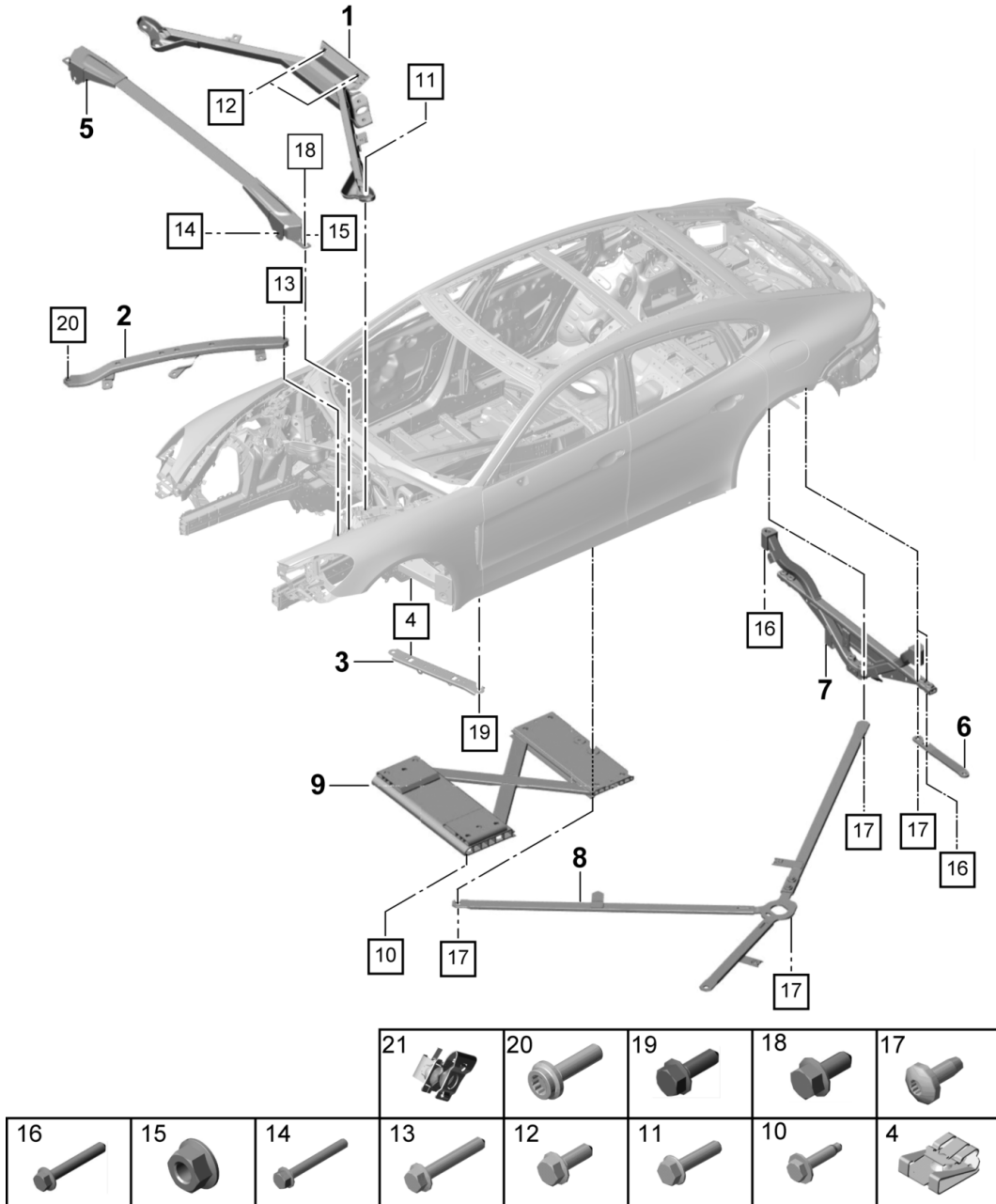
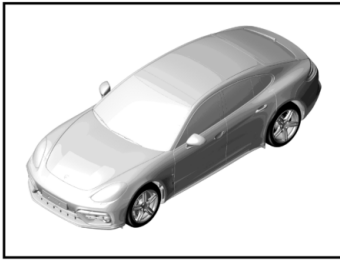
Pos	Part Number	Description	Remark	Qty	Model
(10)	971 803 441 Y GRV 971 803 442 Y	Prime coated Spring strut Mounting Use also: 000.043.305.51 000.043.305.32	/R	1 1 1	
11	971 803 442 Y GRV 971 805 171 Y	Prime coated Side member Front Upper Sub-part Use also: 000.043.305.51	/L	1 1	
(11)	971 805 171 Y GRV 971 805 172 Y	Prime coated Side member Front Upper Sub-part Use also: 000.043.305.51	/R	1 1	
12	971 805 172 Y GRV 971 805 161 Y	Prime coated Side member Front Complete Use also: 000.043.305.51 000.043.305.32	/L	1 1 1	
(12)	971 805 161 Y GRV 971 805 162 Y	Prime coated Side member Front Complete Use also: 000.043.305.51 000.043.305.32	/R	1 1 1	
13	971 805 162 Y GRV 9A7 801 771 02	Prime coated Mounting Transmission Use also: 000.043.305.51 000.043.305.32	/L	1 1 1	
(13)	9A7 801 771 02 GRV 9A7 801 772 02	Prime coated Mounting Transmission Use also: 000.043.305.51 000.043.305.32	/R	1 1 1	
14	9A7 801 772 02 GRV 971 804 221 Y	Prime coated Mounting Wing	/L	1	
(14)	971 804 221 Y GRV 971 804 222 Y	Prime coated Mounting Wing	/R	1	
15	971 804 222 Y GRV 971 803 041 Y	Prime coated Support Wing	/L	1	
(15)	971 803 041 Y GRV 971 803 042 Y	Prime coated Support Wing	/R	1	
20	971 803 042 Y GRV 9A7 804 087 01	Prime coated Gusset plate Use also: 000.043.305.51 000.043.305.32	/L	1 1 2	

Model: 971-17 Model life 2017>>

Pos	Part Number	Description	Remark	Qty	Model
(20)	9A7 804 087 01 GRV 9A7 804 088 01	Prime coated Gusset plate Use also: 000.043.305.51 000.043.305.32	/R	1 1 2	
21	9A7 804 088 01 GRV 971 802 772 Y	Prime coated Jacking point Use also: 000.043.305.51		4 1	
25	971 802 772 Y GRV 971 805 143 Y	Prime coated Closing element Reinforcement Use also: 000.043.305.51 000.043.305.32	/L	1 1 1	
26	971 805 143 Y GRV 971 809 770 Y	Prime coated Closing element Reinforcement Use also: 000.043.305.51 000.043.305.32	/R	1 1	
27	971 809 770 Y GRV 971 819 545 Y	Prime coated Support Upper	/R	1	
28	971 819 545 Y GRV	Prime coated		1	
29	971 820 609 A	Grommet		1	
29	958 572 419 00	Water drain valve		1	
30	N 106 185 01	Blind rivet nut		5	

Model: 971-17

Model life 2017>>



			21	20	19	18	17
16	15	14	13	12	11	10	4

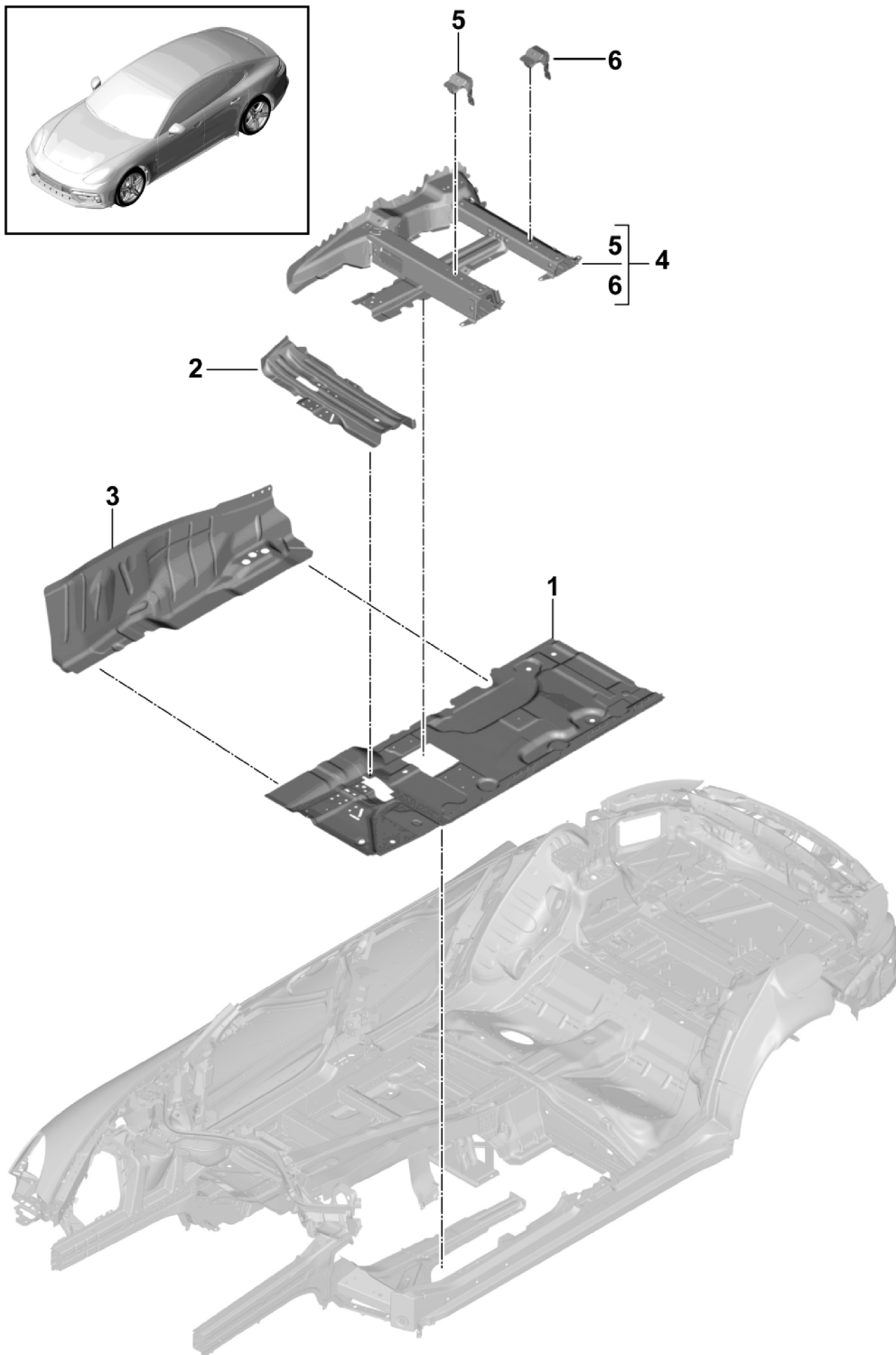
Model: 971-17

Model life 2017>>

Pos	Part Number	Description	Remark	Qty	Model
		Dome strut Mounting parts See illustrations 8/01/01			
1	9A7 805 475 00	Dome strut		1	ILOL
(1)	9A7 805 475 01	Dome strut		1	ILOL
2	9A7 805 477 01	Reinforcement Front	/L	1	
(2)	9A7 805 478 01	Reinforcement Front	/R	1	
3	9A7 801 223 00	Strut Door sill	/L	1	
(3)	9A7 801 224 00	Strut Door sill	/R	1	
4	WHT 007 380	Clamping nut		4	
5	9A7 806 303 01	Strut		1	
6	9A7 803 227 00	Strut Rear end	/L	1	IOK0
(6)	9A7 803 228 00	Strut Rear end	/R	1	IOK0
(6)	9A7 803 227 01	Strut Rear end	/L	1	IOK3
(6)	9A7 803 228 01	Strut Rear end	/R	1	IOK3
7	9A7 814 667 00	Strut		1	
8	9A7 814 587 01	Strut Rear end	/L	1	
(8)	9A7 814 588 01	Strut Rear end	/R	1	
9	971 802 019	Tunnel Bridge		1	IOE1
(9)	971 802 019 A	Tunnel Bridge		1	IOE2
10	N 912 490 01	Combination screw M10X45		10	
11	N 904 400 03	Combination screw M8X35		2	
12	N 105 519 01	Round head screw M10X30		2	
13	N 106 645 03	Hexagon-head bolt M8X45		2	
14	WHT 008 539	Outer hexagon round screw M10X80		2	
15	N 102 613 11	Hexagon nut M10		2	
16	N 107 847 01	Hexagon-head bolt M12X85		2	
17	N 019 530 7	Hexagon-head bolt M8X25		2	
18	N 912 351 01	Multiple-tooth screw M8X20		8	
19	N 912 443 01	Combination screw M12X90		2	
20	N 911 572 02	Multiple-tooth screw M8X30		2	
21	971 825 259 A	Air guide for Brake ventilation	/L	1	
(21)	971 825 260 A	Air guide for Brake ventilation	/R	1	

Model: 971-17

Model life 2017>>



Model: 971-17 Model life 2017>>

Pos	Part Number	Description	Remark	Qty	Model
1	971 802 205 Y	Floor Centre Seat Mounting parts See illustrations 8/01/01 Floor section Front Use also: 000.043.207.67	/L	1	I0E1
(1)	971 802 205 Y GRV 971 802 206 Y	Prime coated Floor section Front Use also: 000.043.207.67	/R	1	I0E1
(1)	971 802 206 Y GRV 9A7 802 205 01	Prime coated Floor section Front Use also: 000.043.207.67	/L	1	I0E2
(1)	9A7 802 205 01 GRV 9A7 802 206 01	Prime coated Floor section Front Use also: 000.043.207.67	/R	1	I0E2
2	9A7 802 206 01 GRV 9A7 802 443 00	Prime coated Reinforcement Floor Front Use also: 000.043.207.67	/L	1	
(2)	9A7 802 443 00 GRV 9A7 802 444 00	Prime coated Reinforcement Floor Front Use also: 000.043.207.67	/R	1	
3	9A7 802 444 00 GRV 9A7 803 299 00	Prime coated Tunnel Lateral Use also: 000.043.207.67	/L	1	
(3)	9A7 803 299 00 GRV 9A7 803 300 00	Prime coated Tunnel Lateral Use also: 000.043.207.67	/R	1	
4	9A7 803 300 00 GRV 971 802 225 Y	Prime coated Mounting Seat Use also: 000.043.207.67	/L	1	
(4)	971 802 225 Y GRV 971 802 226 Y	Prime coated Mounting Seat Use also: 000.043.207.67	/R	1	
5	971 802 226 Y GRV 971 804 865 Y	Prime coated Mounting Seat Front		1	
6	971 804 865 Y GRV 971 802 569 Y	Prime coated Mounting		1	

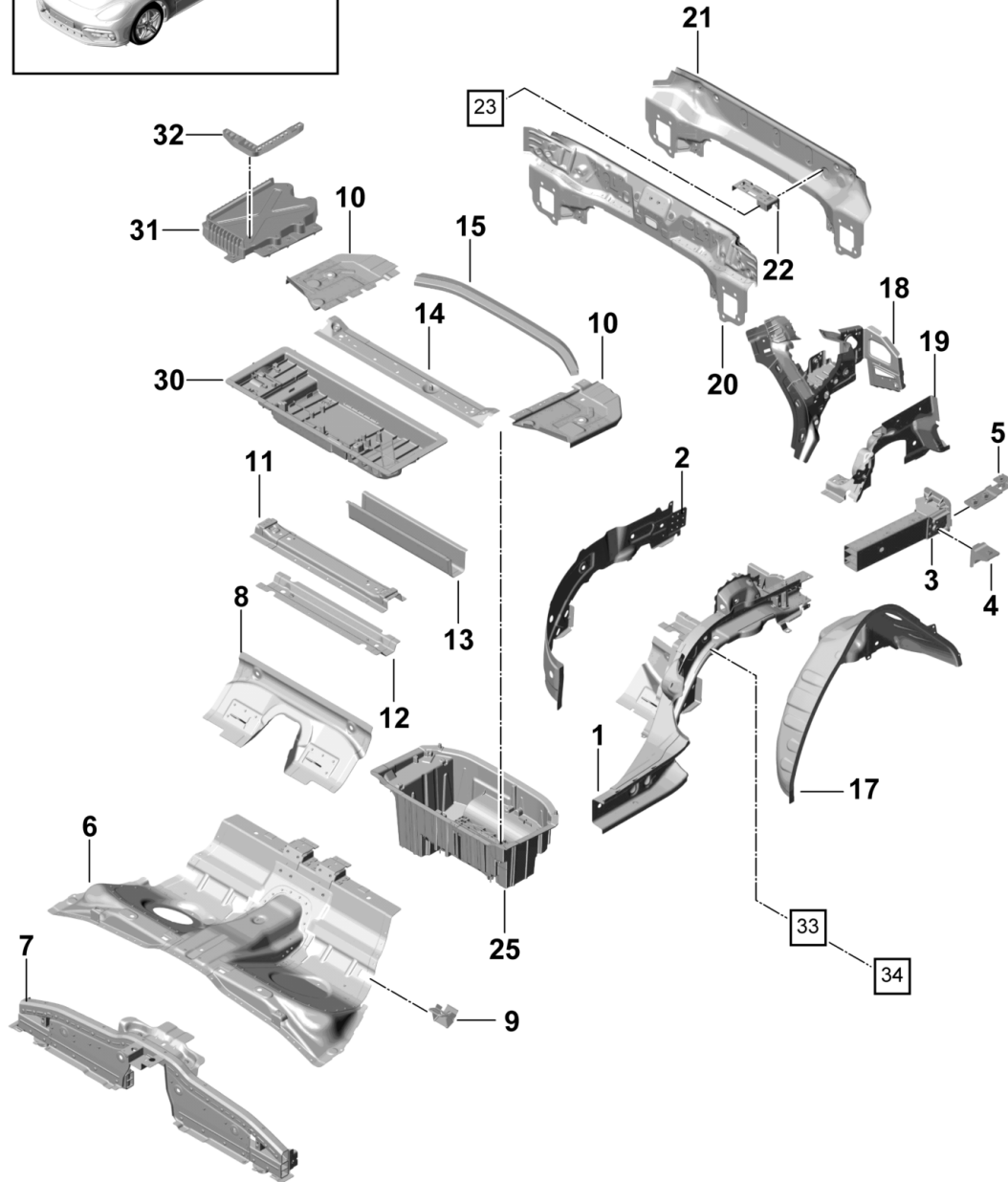
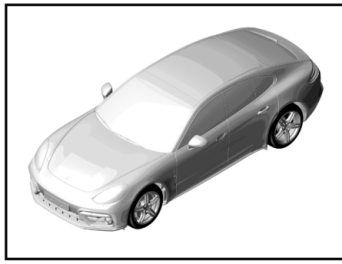
Model: 971-17

Model life 2017>>

Pos	Part Number	Description	Remark	Qty	Model
	971 802 569 Y GRV	Seat Rear Prime coated			

Model: 971-17

Model life 2017>>



Model: 971-17 Model life 2017>>

Pos	Part Number	Description	Remark	Qty	Model
1	971 813 077 Y	Rear end Side member Mounting parts See illustrations 8/01/01 Side member Complete Use also: 000.043.207.67	/L	1	
(1)	971 813 077 Y GRV 971 813 078 Y	Prime coated Side member Complete Use also: 000.043.207.67	/R	1	
2	971 813 078 Y GRV 971 814 257 Y	Prime coated Closing element Closing element Use also: 000.043.305.51 000.043.207.67	/L	1	
(2)	971 814 257 Y GRV 971 814 258 Y	Prime coated Closing element Closing element Use also: 000.043.305.51 000.043.207.67	/R	1	
3	971 814 258 Y GRV 9A7 814 907 00	Prime coated Side member Extension Use also: 000.043.305.51 000.043.207.67	/L	1	
(3)	9A7 814 907 00 GRV 9A7 814 908 00	Prime coated Side member Extension Use also: 000.043.305.51 000.043.207.67	/R	1	
4	9A7 814 908 00 GRV	Prime coated		1	
5	9A7 253 277 00	Support		2	
6	971 814 341	Reinforcement plate		2	I0K3
6	971 802 215 Y	Floor section Rear Use also: 000.043.207.67		1	
7	971 802 215 Y GRV 971 813 149 Y	Prime coated Cross member Rear Use also: 000.043.207.67		2	
8	971 813 149 Y GRV 971 813 518 Y	Prime coated Cross member Rear ISO FIX Use also: 000.043.207.67		1	
9	971 813 518 Y GRV 971 813 987 Y	Prime coated Support ISO FIX Use also: 000.043.207.67		1	I0E2
10	971 813 987 Y GRV 971 802 091 Y	Prime coated Floor section	/L	1	

Model: 971-17 Model life 2017>>

Pos	Part Number	Description	Remark	Qty	Model
		Lateral Use also: 000.043.207.67		1	
(10)	971 802 091 Y GRV	Prime coated			
	971 802 092 Y	Floor section	/R	1	
		Lateral Use also: 000.043.207.67		1	
11	971 802 092 Y GRV	Prime coated			
	971 803 181 Y	Cross member		1	
		Rear Upper Use also: 000.043.207.67		1	
12	971 803 181 Y GRV	Prime coated			
	971 803 291 Y	Cross member		1	
		Rear Use also: 000.043.207.67		1	
13	971 803 291 Y GRV	Prime coated			
	971 803 173 Y	Cross member		1	
		Spare-wheel well Lower Use also: 000.043.207.67		1	
14	971 803 173 Y GRV	Prime coated			
	971 814 150 Y	Cross member		1	
		Spare-wheel well Upper Use also: 000.043.207.67		1	
15	971 814 150 Y GRV	Prime coated			
	9A7 814 161 00	Cross member		1	
		Rear end Use also: 000.043.207.67		1	
17	9A7 814 161 00 GRV	Prime coated			
	971 813 791 Y	Wheel housing	/L	1	
		Rear Inner Use also: 000.043.207.67		1	
(17)	971 813 791 Y GRV	Prime coated			
	971 813 792 Y	Wheel housing	/R	1	
		Rear Inner Use also: 000.043.207.67		1	
18	971 813 792 Y GRV	Prime coated			
	971 810 417 Y	Reinforcement	/L	1	
		Side section Use also: 000.043.207.67		1	
(18)	971 810 417 Y GRV	Prime coated			
	971 810 418 Y	Reinforcement	/R	1	
		Side section Use also: 000.043.207.67		1	
19	971 810 418 Y GRV	Prime coated			
	971 803 151 Y	Bracket	/L	1	
		C-pillar Use also: 000.043.305.51		1	

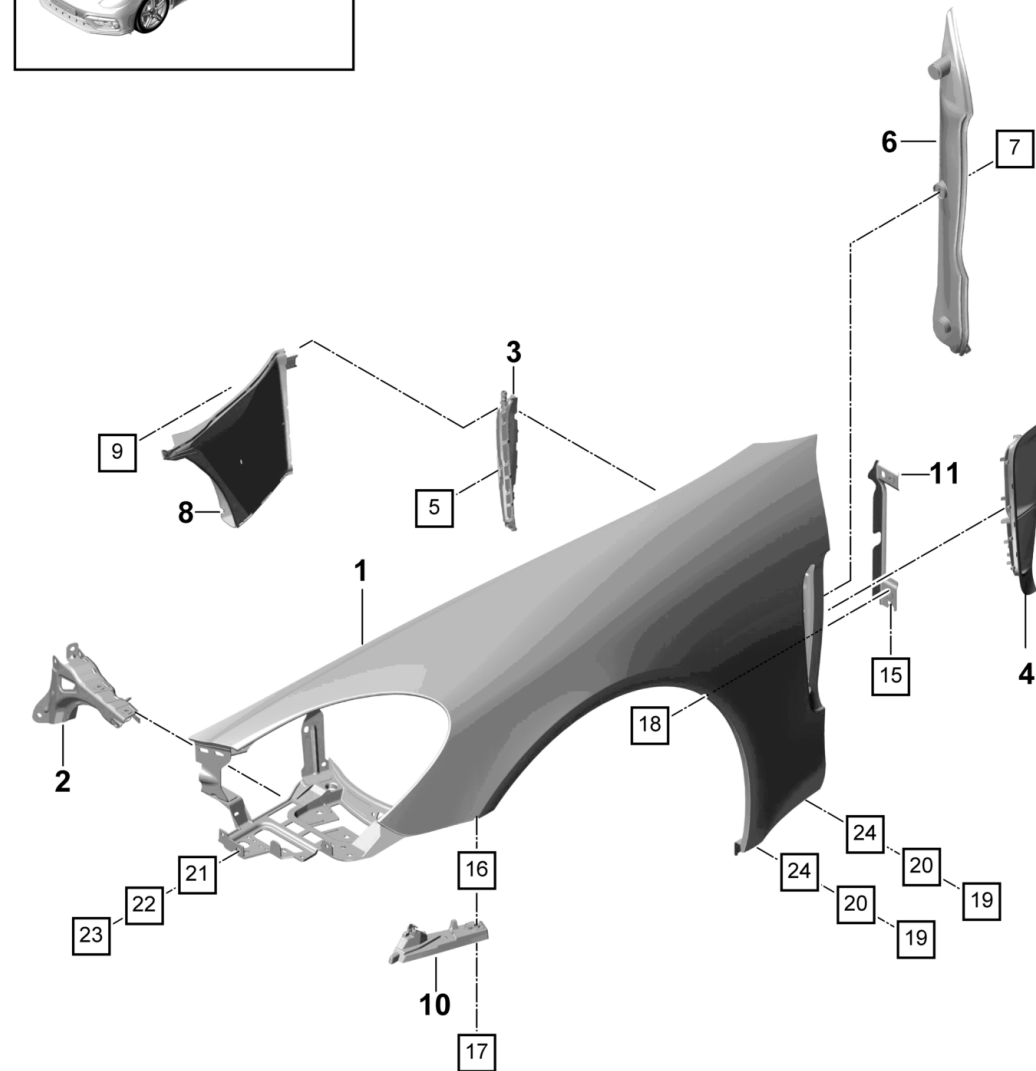
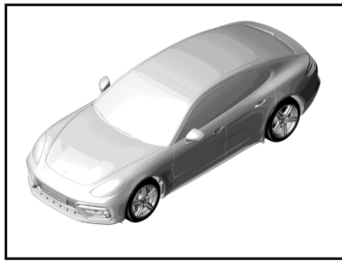
Model: 971-17

Model life 2017>>

Pos	Part Number	Description	Remark	Qty	Model
		000.043.207.67		1	
(19)	971 803 151 Y GRV	Prime coated			
	971 803 152 Y	Bracket	/R	1	
		C-pillar			
		Use also:			
		000.043.305.51		1	
		000.043.207.67		1	
20	971 803 152 Y GRV	Prime coated			
	971 813 295 Y	End plate		1	
		Inner			
		Use also:			
		000.043.207.67		1	
21	971 813 295 Y GRV	Prime coated			
	971 813 303 Y	End plate		1	
		Outer			
		Use also:			
		000.043.207.67		1	
22	971 813 303 Y GRV	Prime coated			
	971 813 549	Support		2	
		End plate			
23	N 911 883 01	Outer hexagon round screw		3	
25	9A7 804 825 03	Luggage compartment liner		1	I0K0/1A2
		Battery			
(25)	9A7 804 825 04	Luggage compartment liner		1	I0F5/0K0
		Battery			
(25)	9A7 804 825 02	Luggage compartment liner		1	I0K3
		Battery			
30	9A7 813 105 10	Luggage compartment		1	
		Floor			
31	971 813 930 Y	Mounting		1	I0K3
32	971 915 731 Y	Support		1	I0K3
		Support			
33	971 813 160 Y	Guide tube		2	
	971 813 160 Y GRV	Prime coated			
34	N 909 210 02	Hexagon-head bolt		2	

Model: 971-17

Model life 2017>>



			24	23	22	21	20
19	18	17	16	15	9	7	5

Model: 971-17 Model life 2017>>

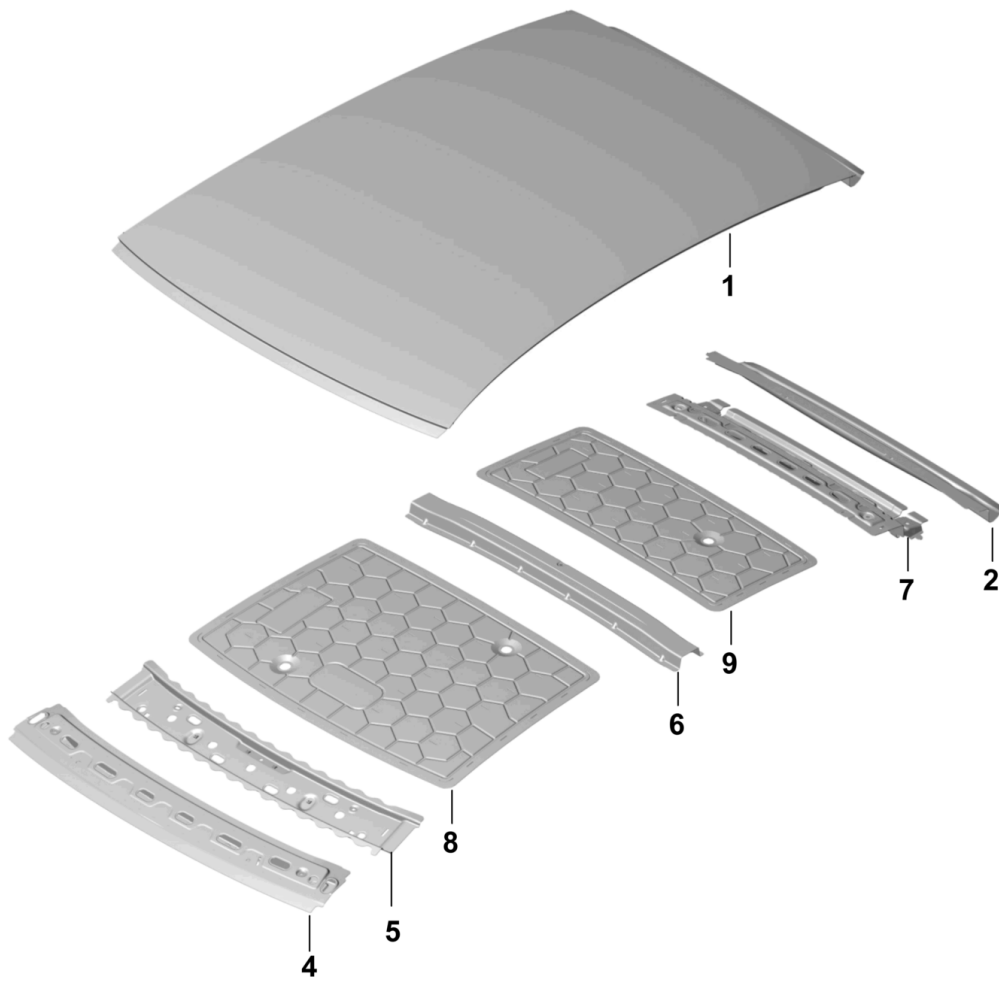
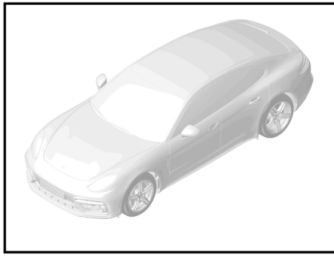
Pos	Part Number	Description	Remark	Qty	Model
1	971 821 101 Y	Wing Wing Use also: 9A7.007.866.00 9A7.007.865.00 N .912.509.01	/L	1	
(1)	971 821 101 Y GRV 971 821 102 Y	Prime coated Wing Use also: 9A7.007.866.00 9A7.007.865.00 N .912.509.01	/R	1	
2	971 821 102 Y GRV 971 805 373 Y	Prime coated Bracket Wing	/L	1	
(2)	971 805 373 Y GRV 971 805 374 Y	Prime coated Bracket Wing	/R	1	
3	971 805 374 Y GRV 971 854 895	Prime coated Closing element	/L	1	MCS.ZA MCV.DA MCX.TA MDG.PA -I9M1/-I9M5 -I9M9
(3)	971 854 895 OK1 971 854 896	Cover Inner Black mat Closing element	/R	1	MCS.ZA MCV.DA MCX.TA MDG.PA -I9M1/-I9M5 -I9M9
(3)	971 854 896 OK1 971 854 895 A	Cover Inner Black mat Closing element	/L	1	MCS.ZA MCV.DA MCX.TA MDG.PA I9M1/9M5/9M9
(3)	971 854 895 A OK1 971 854 896 A	Cover Inner Black mat Closing element	/R	1	MCS.ZA MCV.DA MCX.TA MDG.PA I9M1/9M5/9M9
(3)	971 854 896 A OK1 971 854 895 A	Cover Inner Black mat Closing element	/L	1	MDB.UC
(3)	971 854 895 A OK1 971 854 896 A	Cover Inner Black mat Closing element	/R	1	MDB.UC
4	971 854 896 A OK1 971 854 775 A	Cover Inner Black mat Cover Wing	/L	1	

Model: 971-17 Model life 2017>>

Pos	Part Number	Description	Remark	Qty	Model
(4)	971 854 775 A G2X 971 854 776 A	Prime coated Cover Wing	/R	1	
(4)	971 854 776 A G2X 971 854 775 B	Prime coated Cover Wing	/L	1	
(4)	971 854 775 B V09 971 854 776 B	Alushine Cover Wing	/R	1	
5	971 854 776 B V09	Alushine			
6	N 911 329 01	Outer hexagon round screw		2	
	971 854 777	Cover	/L	1	
	971 854 777 OK1	A-pillar Black mat			
(6)	971 854 778	Cover A-pillar	/R	1	
	971 854 778 OK1	Black mat			
7	N 038 549 4	Expansion rivet		3	
8	971 809 963	Air guide	/L	1	MCS.ZA MCV.DA MCX.TA MDG.PA I9M0
(8)	971 809 964	Wheel housing Air guide	/R	1	MCS.ZA MCV.DA MCX.TA MDG.PA I9M0
9	N 038 501 2	Wheel housing Expansion rivet		2	
10	971 807 283	Guide rail	/L	1	
(10)	971 807 284	Guide rail	/R	1	
11	971 809 573 Y	Rail	/L	1	
	971 809 573 Y GRV	Prime coated			
(11)	971 809 574 Y	Rail	/R	1	
	971 809 574 Y GRV	Prime coated			
15	WHT 007 380	Clamping nut		3	
16	WHT 004 935	Expander nut		4	
17	N 907 750 01	Tapping screw		3	
18	N 910 423 02	Lens-head screw		13	
19	N 015 082 10	Hexagon nut		2	
20	N 902 227 01	Washer		4	
		Wing			
21	9A7 007 866 00	Blind rivet nut		1	
22	9A7 007 865 00	Adjusting nut		1	
23	N 912 509 01	Outer hexagon round screw		1	
24	N 107 711 01	Double screw		2	

Model: 971-17

Model life 2017>>



Model: 971-17 Model life 2017>>

Pos	Part Number	Description	Remark	Qty	Model
1	971 817 111 EY 971 817 111 EY GRV	Roof Cowl Mounting parts See illustrations 8/01/01 Outer roof panel Prime coated Use also: 000.043.305.65 000.043.305.35		1	-IK8D/I3FA
1	974 817 111 CY 974 817 111 CY GRV	Outer roof panel Prime coated Use also: 000.043.305.65 000.043.305.35		1	IK8D/3FA
2	971 817 111 BY 971 817 111 BY GRV	Roof Outer part Rear Prime coated Use also: 000.043.305.41		1	-IK8D/I3FU
(2)	974 817 111 DY 974 817 111 DY GRV	Roof Outer part Rear Prime coated Use also: 000.043.305.41		1	IK8D/3FU
3	971 817 113 AY 971 817 113 AY GRV	Roof Prime coated Use also: 000.043.305.41		1	I3FU
3	971 817 113 CY 971 817 113 CY GRV	Roof Outer part Front Prime coated Use also: 000.043.305.41		1	I3FU
4	971 817 121 BY 971 817 121 BY GRV	Cross member Roof Front Upper part Prime coated		1	I3FA
(4)	971 817 121 CY 971 817 121 CY GRV	Cross member Roof Front Upper part Prime coated		1	I3FU
5	971 817 122 BY 971 817 122 BY GRV	Roof Cross member Front Lower part Prime coated		1	
6	971 817 161 Y 971 817 161 Y GRV	Cross member Roof Rear Prime coated		1	-IK8D/I3FA
6	974 817 161 Y 974 817 161 Y GRV	Cross member Roof Rear Prime coated		1	IK8D/3FA
(6)	971 817 161 AY 971 817 161 AY GRV	Cross member Roof Rear Prime coated		1	-IK8D/I3FU

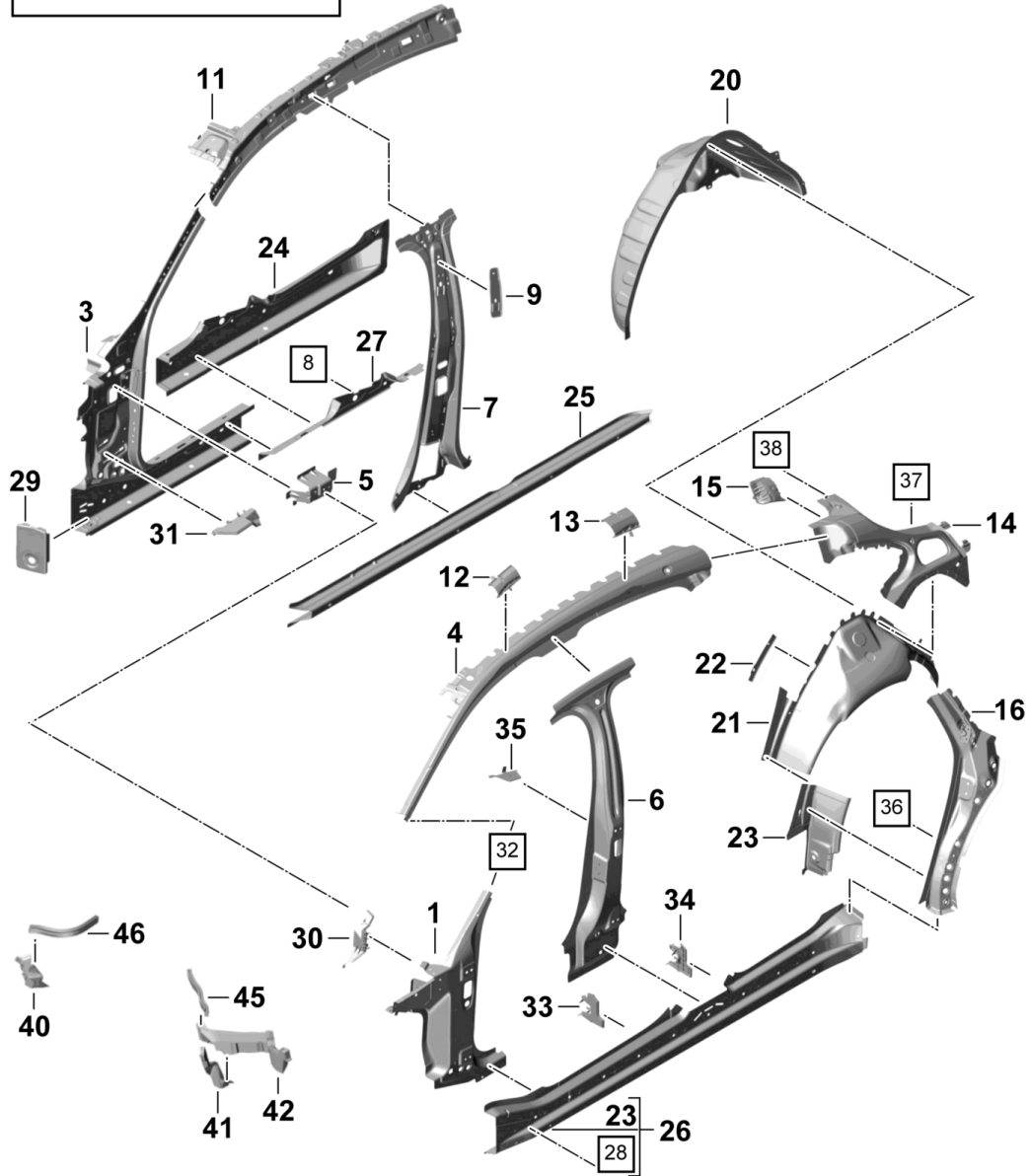
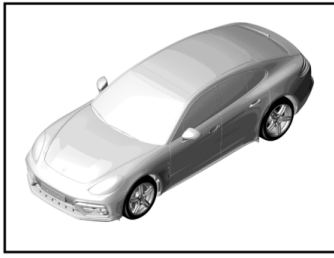
Model: 971-17

Model life 2017>>

Pos	Part Number	Description	Remark	Qty	Model
(6)	971 817 161 AY GRV 974 817 161 AY	Prime coated Cross member Roof Rear		1	IK8D/3FU
7	974 817 161 AY GRV 971 817 287 Y	Prime coated Roof frame Cross member Rear		1	-IK8D/I3FA
7	971 817 287 Y GRV 974 817 287 Y	Prime coated Roof frame Cross member Rear		1	IK8D/3FA
(7)	974 817 287 Y GRV 971 817 287 AY	Prime coated Roof frame Cross member Rear		1	-IK8D/I3FU
(7)	971 817 287 AY GRV 974 817 287 AY	Prime coated Roof frame Cross member Rear		1	IK8D/3FU
8	974 817 287 AY GRV 971 817 285	Prime coated Reinforcement Front		1	I3FA
9	971 817 120	Reinforcement Rear		1	I3FA
10	974 810 825 A	Reinforcement Roof rack Front	/L	1	IK8D
(10)	974 810 826 A	Reinforcement Roof rack Front	/R	1	IK8D
(10)	974 810 827	Reinforcement Roof rack Rear	/L	1	IK8D
(10)	974 810 828	Reinforcement Roof rack Rear	/R	1	IK8D
11	974 810 605	Reinforcement bracket C-pillar	/L	1	IK8D
(11)	974 810 606	Reinforcement bracket C-pillar	/R	1	IK8D
12	000 043 305 35	Adhesive set for Reinforcement POS 8+9		1	

Model: 971-17

Model life 2017>>



38	37	36	32	28	8
----	----	----	----	----	---

Model: 971-17 Model life 2017>>

Pos	Part Number	Description	Remark	Qty	Model
		Side section Inner Mounting parts See illustrations 8/01/01			
1	971 809 203 Y	A-pillar Use also: 000.043.207.67	/L	1	
	971 809 203 Y GRV	Prime coated		1	
(1)	971 809 204 Y	A-pillar Use also: 000.043.207.67	/R	1	
	971 809 204 Y GRV	Prime coated		1	
3	971 810 007 Y	A-pillar Door sill Reinforcement Use also: 000.043.207.67	/L	1	
	971 810 007 Y GRV	Prime coated		1	
(3)	971 810 008 Y	A-pillar Door sill Reinforcement Use also: 000.043.207.67	/R	1	
	971 810 008 Y GRV	Prime coated		1	
4	971 809 199 CY	A-pillar Reinforcement Use also: 000.043.207.67	/L	1	IOE1
	971 809 199 CY GRV	Prime coated		1	
(4)	971 809 200 CY	A-pillar Reinforcement Use also: 000.043.207.67	/R	1	IOE1
	971 809 200 CY GRV	Prime coated		1	
(4)	971 809 199 DY	A-pillar Reinforcement Use also: 000.043.207.67	/L	1	IOE2
	971 809 199 DY GRV	Prime coated		1	
(4)	971 809 200 DY	A-pillar Reinforcement Use also: 000.043.207.67	/R	1	IOE2
	971 809 200 DY GRV	Prime coated		1	
(4)	974 809 199 Y	A-pillar Reinforcement Use also: 000.043.207.67	/L	1	IK8D
	974 809 199 Y GRV	Prime coated		1	
(4)	974 809 200 Y	A-pillar Reinforcement Use also: 000.043.207.67	/L	1	IK8D
	974 809 200 Y GRV	Prime coated		1	
5	971 809 627 AY	Hinge reinforcement Reinforcement Upper	/L	1	
	971 809 627 AY GRV	Prime coated			
(5)	971 809 628 AY	Hinge reinforcement Reinforcement Upper	/R	1	
	971 809 628 AY GRV	Prime coated			

Model: 971-17 Model life 2017>>

Pos	Part Number	Description	Remark	Qty	Model
6	971 809 607 Y	Reinforcement plate B-pillar Outer Use also: 000.043.305.51 000.043.207.67	/L	1	
(6)	971 809 607 Y GRV	Prime coated		1	
	971 809 608 Y	Reinforcement plate B-pillar Outer Use also: 000.043.305.51 000.043.207.67	/R	1	
	971 809 608 Y GRV	Prime coated		1	
7	971 809 223 Y	Reinforcement plate B-pillar Inner Use also: 000.043.207.67	/L	1	
(7)	971 809 223 Y GRV	Prime coated		1	
	971 809 224 Y	Reinforcement plate B-pillar Inner Use also: 000.043.207.67	/R	1	
	971 809 224 Y GRV	Prime coated		1	
8	971 809 565 Y	Support B-pillar Inner		2	
9	971 809 525 Y	Reinforcement Belt Prime coated		4	
11	971 817 361 Y	Roof frame Inner Use also: 000.043.207.67	/L	1	I0E1
(11)	971 817 361 Y GRV	Prime coated		1	
	971 817 362 Y	Roof frame Inner Use also: 000.043.207.67	/R	1	I0E1
(11)	971 817 362 Y GRV	Prime coated		1	
	971 817 361 AY	Roof frame Inner Use also: 000.043.207.67	/L	1	I0E2
(11)	971 817 361 AY GRV	Prime coated		1	
	971 817 362 AY	Roof frame Inner Use also: 000.043.207.67	/R	1	I0E2
(11)	971 817 362 AY GRV	Prime coated		1	
	974 817 361 Y	Roof frame Inner Use also: 000.043.207.67	/L	1	IK8D
(11)	974 817 361 Y GRV	Prime coated		1	
	974 817 362 Y	Roof frame Inner Use also: 000.043.207.67	/R	1	IK8D
(11)	974 817 362 Y GRV	Prime coated		1	

Model: 971-17 Model life 2017>>

Pos	Part Number	Description	Remark	Qty	Model
12	971 810 825	Reinforcement Roof rack Front	/L	1	IOE1
(12)	971 810 826	Reinforcement Roof rack Front	/R	1	IOE1
13	971 810 827	Reinforcement Roof rack Rear	/L	1	IOE1
(13)	971 810 828	Reinforcement Roof rack Rear	/R	1	IOE1
14	971 809 263 Y	Reinforcement plate C-pillar Use also: 000.043.305.51 000.043.207.67	/L	1 1	
(14)	971 809 263 Y GRV 971 809 264 Y	Prime coated Reinforcement plate C-pillar Use also: 000.043.305.51 000.043.207.67	/R	1 1	
(14)	971 809 264 Y GRV 974 809 263 Y	Prime coated Reinforcement plate C-pillar Use also: 000.043.305.51 000.043.207.67	/L	1 1	IK8D
(14)	974 809 263 Y GRV 974 809 264 Y	Prime coated Reinforcement plate C-pillar Use also: 000.043.305.51 000.043.207.67	/R	1 1	IK8D
15	971 810 605	Reinforcement bracket C-pillar	/L	1	
(15)	971 810 606	Reinforcement bracket C-pillar	/R	1	
16	971 810 521 Y	Reinforcement plate Door Rear Use also: 000.043.305.51 000.043.207.67	/L	1 1	
(16)	971 810 521 Y GRV 971 810 522 Y	Prime coated Reinforcement plate Door Rear Use also: 000.043.305.51 000.043.207.67	/R	1 1	
(16)	971 810 522 Y GRV 974 810 521 Y	Prime coated Reinforcement plate Door Rear Use also: 000.043.305.51 000.043.207.67	/L	1 1	IK8D
(16)	974 810 521 Y GRV 974 810 522 Y	Prime coated Reinforcement plate Door	/R	1 1	IK8D

Model: 971-17 Model life 2017>>

Pos	Part Number	Description	Remark	Qty	Model
		Rear			
		Use also:			
		000.043.305.51		1	
		000.043.207.67		1	
20	974 810 522 Y GRV	Prime coated			
	971 813 791 Y	Wheel housing	/L	1	
		Inner			
		Use also:			
		000.043.207.67		1	
(20)	971 813 791 Y GRV	Prime coated			
	971 813 792 Y	Wheel housing	/R	1	
		Inner			
		Use also:			
		000.043.207.67		1	
21	971 813 792 Y GRV	Prime coated			
	971 809 411 Y	Wheel housing	/L	1	
		Outer			
		Use also:			
		000.043.207.67		1	
(21)	971 809 411 Y GRV	Prime coated			
	971 809 313 Y	Wheel housing	/R	1	I0K0
		Outer			
		Use also:			
		000.043.207.67		1	
(21)	971 809 313 Y GRV	Prime coated			
	971 809 156 Y	Wheel housing	/R	1	I0K3
		Outer			
		Hybrid			
		Use also:			
		000.043.207.67		1	
22	971 809 156 Y GRV	Prime coated			
	971 810 005 Y	Connecting piece	/L	1	
		Wheel housing			
(22)	971 810 005 Y GRV	Prime coated			
	971 810 006 Y	Connecting piece	/R	1	
		Wheel housing			
23	971 810 006 Y GRV	Prime coated			
	971 809 553 Y	Connecting piece	/L	1	
		Wheel housing			
		Lower			
		Use also:			
		000.043.305.51		2	
		000.043.207.67		2	
(23)	971 809 553 Y GRV	Prime coated			
	971 809 554 Y	Connecting piece	/R	1	
		Wheel housing			
		Lower			
		Use also:			
		000.043.305.51		2	
		000.043.207.67		2	
24	971 809 554 Y GRV	Prime coated			
	971 809 529 Y	Door sill	/L	1	I0E1
		Inner part			
		Use also:			
		000.043.305.51		1	
		000.043.207.67		1	
(24)	971 809 529 Y GRV	Prime coated			
	971 809 530 Y	Door sill	/R	1	I0E1
		Inner part			
		Use also:			
		000.043.305.51		1	
		000.043.207.67		1	
	971 809 530 Y GRV	Prime coated			

Model: 971-17 Model life 2017>>

Pos	Part Number	Description	Remark	Qty	Model
(24)	971 809 529 AY	Door sill Inner part Use also: 000.043.305.51 000.043.207.67	/L	1	I0E2
(24)	971 809 529 AY GRV 971 809 530 AY	Prime coated Door sill Inner part Use also: 000.043.305.51 000.043.207.67	/R	1	I0E2
25	971 809 530 AY GRV 971 809 629 Y	Prime coated Separator Door sill Reinforcement Inner part Use also: 000.043.207.67	/L	1	I0E1
(25)	971 809 629 Y GRV 971 809 630 Y	Prime coated Separator Door sill Reinforcement Inner part Use also: 000.043.207.67	/R	1	I0E1
(25)	971 809 630 Y GRV 971 809 629 AY	Prime coated Separator Door sill Reinforcement Inner part Use also: 000.043.207.67	/L	1	I0E2
(25)	971 809 629 AY GRV 971 809 630 AY	Prime coated Separator Door sill Reinforcement Inner part Use also: 000.043.207.67	/R	1	I0E2
26	971 809 630 AY GRV 971 809 751 Y	Prime coated Reinforcement Door sill Outer Use also: 000.043.207.67	/L	1	I0E1
(26)	971 809 751 Y GRV 971 809 752 Y	Prime coated Reinforcement Door sill Outer Use also: 000.043.207.67	/R	1	I0E1
(26)	971 809 752 Y GRV 971 809 751 AY	Prime coated Reinforcement Door sill Outer Use also: 000.043.207.67	/L	1	I0E2
(26)	971 809 751 AY GRV 971 809 752 AY	Prime coated Reinforcement Door sill Outer Use also: 000.043.207.67	/R	1	I0E2

Model: 971-17 Model life 2017>>

Pos	Part Number	Description	Remark	Qty	Model
27	971 809 752 AY GRV 971 810 105 Y	Prime coated Supporting plate Door sill Use also: 000.043.207.67	/L	1	
(27)	971 810 105 Y GRV 971 810 106 Y	Prime coated Supporting plate Door sill Use also: 000.043.207.67	/R	1	
28	971 810 106 Y GRV 971 810 679 Y	Prime coated Support Wing	/L	1	
(28)	971 810 679 Y GRV 971 810 680 Y	Prime coated Support Wing	/R	1	
29	971 810 680 Y GRV 971 809 341 Y	Prime coated Closing element Front Use also: 000.043.207.67	/L	1	
(29)	971 809 341 Y GRV 971 809 342 Y	Prime coated Closing element Front Use also: 000.043.207.67	/R	1	
30	971 809 342 Y GRV 971 810 241	Prime coated Bulkhead A-pillar Centre	/L	1	
(30)	971 810 242	Bulkhead A-pillar Centre	/R	1	
31	971 810 719	Bulkhead A-pillar Lower	/L	1	
(31)	971 810 720	Bulkhead A-pillar Lower	/R	1	
32	971 810 715	Bulkhead A-pillar Upper	/L	1	
(32)	971 810 716	Bulkhead A-pillar Upper	/R	1	
33	971 810 331	Bulkhead Door sill Front	/L	1	
(33)	971 810 332	Bulkhead Door sill Front	/R	1	
34	971 810 729	Bulkhead Door sill Rear	/L	1	
(34)	971 810 730	Bulkhead Door sill Rear	/R	1	
35	971 810 261	Bulkhead B-pillar Centre	/L	1	
(35)	971 810 262	Bulkhead B-pillar Centre	/R	1	

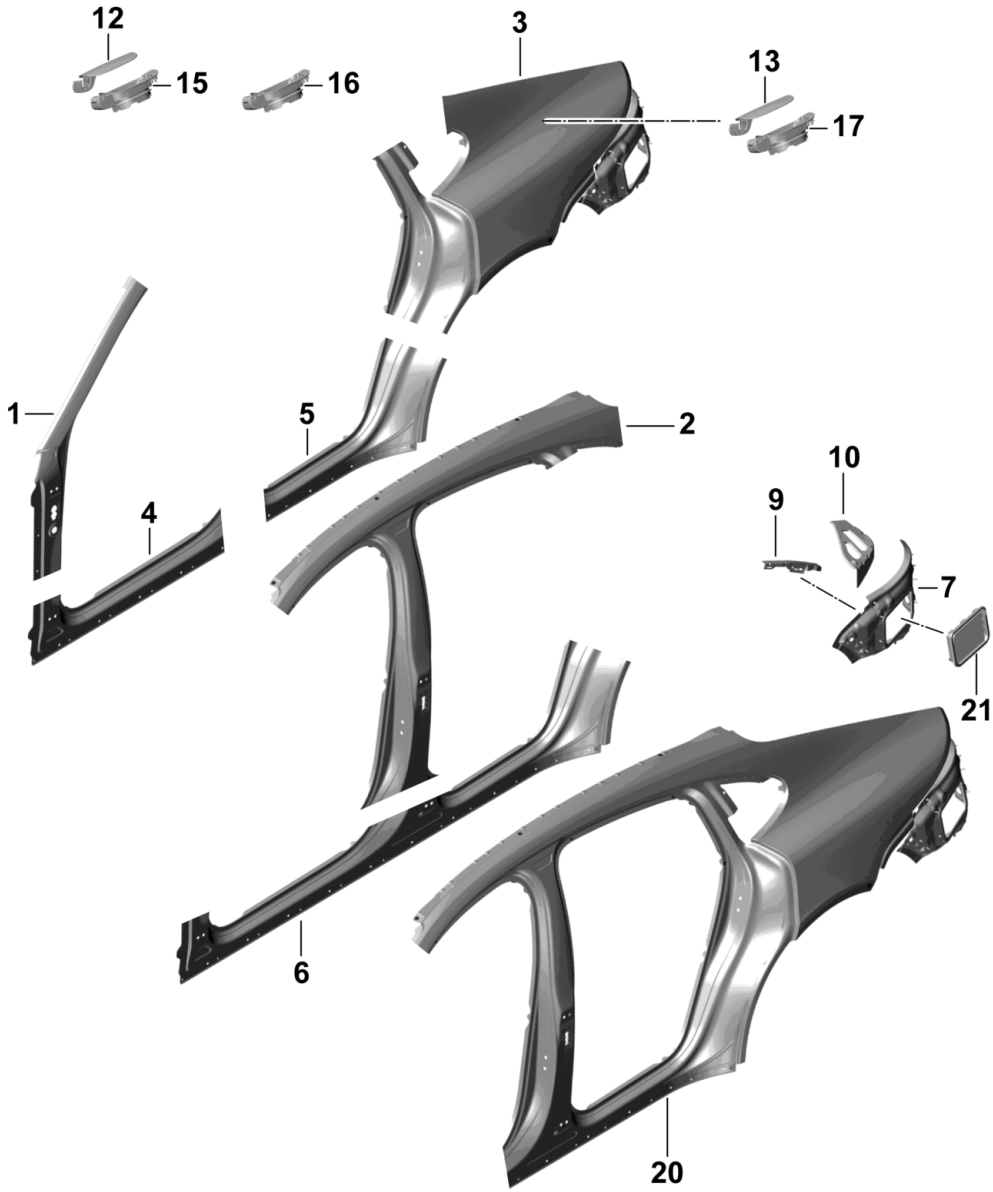
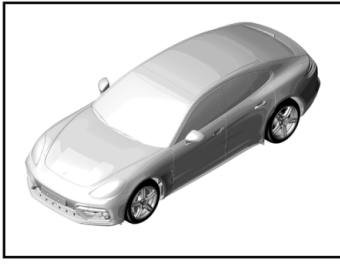
Model: 971-17

Model life 2017>>

Pos	Part Number	Description	Remark	Qty	Model
36	971 809 647	Bulkhead Wheel housing panel	/L	1	
(36)	971 809 648	Bulkhead Wheel housing panel	/R	1	
37	971 810 375	Bulkhead D-pillar	/L	1	
(37)	971 810 376	Bulkhead D-pillar	/R	1	
38	971 810 847	Bulkhead Side section	/L	1	
(38)	971 810 848	Bulkhead Side section	/R	1	
40	971 819 997	Foam part Plenum panel		1	
41	971 819 239 A	Foam part Plenum panel		1	
42	971 819 236	Foam part Plenum panel		1	
45	971 819 531	Gasket Plenum panel	/L	1	
46	971 819 532	Gasket Plenum panel	/R	1	

Model: 971-17

Model life 2017>>



Model: 971-17 Model life 2017>>

Pos	Part Number	Description	Remark	Qty	Model
		Side section Outer Mounting parts See illustrations 8/01/01			
1	971 810 047 Y	A-pillar Use also: 000.043.305.51	/L	1	
	971 810 047 Y GRV	Prime coated		1	
(1)	971 810 048 Y	A-pillar Use also: 000.043.305.51	/R	1	
	971 810 048 Y GRV	Prime coated		1	
2	971 809 431 Y	B-pillar Use also: 000.043.305.51	/L	1	I0E1
	971 809 431 Y GRV	Prime coated		1	
(2)	971 809 432 Y	B-pillar Use also: 000.043.305.51	/R	1	I0E1
	971 809 432 Y GRV	Prime coated		1	
(2)	971 809 555 Y	B-pillar Use also: 000.043.305.51	/L	1	I0E2
	971 809 555 Y GRV	Prime coated		1	
(2)	971 809 556 Y	B-pillar Use also: 000.043.305.51	/R	1	I0E2
	971 809 556 Y GRV	Prime coated		1	
3	971 809 405 Y	C-pillar Use also: 000.043.305.51	/L	1	-I0K3
	971 809 405 Y GRV	Prime coated		1	
(3)	971 809 406 Y	C-pillar Use also: 000.043.305.51	/R	1	
	971 809 406 Y GRV	Prime coated		1	
(3)	971 809 405 AY	Side section C-pillar Use also: 000.043.305.51	/L	1	I0K3
	971 809 405 AY GRV	Prime coated		1	
4	971 809 403 Y	Door sill Use also: 000.043.305.51	/L /V	1	
	971 809 403 Y GRV	Prime coated		1	
(4)	971 809 404 Y	Door sill Use also: 000.043.305.51	/R /V	1	
	971 809 404 Y GRV	Prime coated		1	
5	971 810 037 Y	Door sill Use also: 000.043.305.51	/L /H	1	I0E1
	971 810 037 Y GRV	Prime coated		1	
(5)	971 810 038 Y	Door sill Use also: 000.043.305.51	/R /H	1	I0E1
	971 810 038 Y GRV	Prime coated		1	
(5)	971 810 037 AY	Door sill Use also: 000.043.305.51	/L /H	1	I0E2
	971 810 037 AY GRV	Prime coated		1	
(5)	971 810 038 AY	Door sill	/R /H	1	I0E2

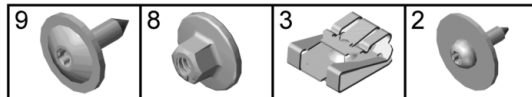
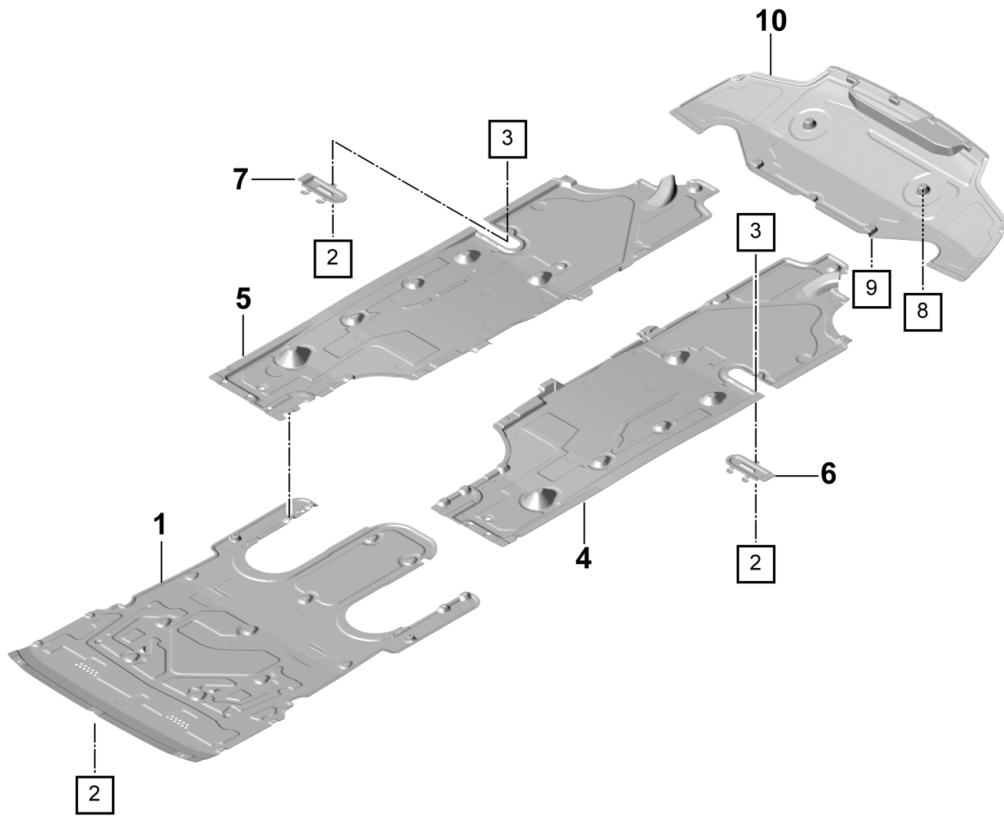
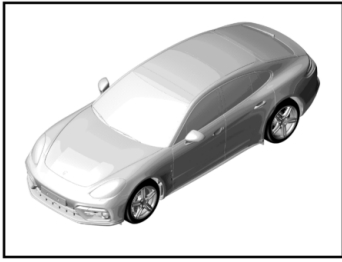
Model: 971-17

Model life 2017>>

Pos	Part Number	Description	Remark	Qty	Model
6	971 810 038 AY GRV	Use also: 000.043.305.51 Prime coated		1	
	971 809 029 Y	Door sill	/L	1	I0E1
(6)	971 809 029 Y GRV	Use also: 000.043.305.51 Prime coated		1	
	971 809 030 Y	Door sill	/R	1	I0E1
(6)	971 809 030 Y GRV	Use also: 000.043.305.51 Prime coated		1	
	971 809 029 AY	Door sill	/L	1	I0E2
(6)	971 809 029 AY GRV	Use also: 000.043.305.51 Prime coated		1	
	971 809 030 AY	Door sill	/R	1	I0E2
7	971 809 030 AY GRV	Use also: 000.043.305.51 Prime coated		1	
	971 813 515 Y	Luggage compartment Frame	/L	1	
(7)	971 813 515 Y GRV	Use also: 000.043.207.67 Prime coated		1	
	971 813 516 Y	Luggage compartment Frame	/R	1	
9	971 813 516 Y GRV	Use also: 000.043.207.67 Prime coated		1	
	971 813 317 Y	Mounting	/L	1	
(9)	971 813 317 Y GRV	Prime coated		1	
	971 813 318 Y	Mounting	/R	1	
10	971 813 318 Y GRV	Prime coated		1	
	971 813 755 Y	Support	/L	1	
(10)	971 813 755 Y GRV	Prime coated		1	
	971 813 756 Y	Support	/R	1	
11	971 813 756 Y GRV	Prime coated		1	
	971 809 419 AY	Corner reinforcement Inner	/L	1	
(11)	971 809 419 AY GRV	Prime coated		1	
	971 809 420 AY	Corner reinforcement Inner	/R	1	
12	971 809 420 AY GRV	Prime coated		1	
13	971 809 909	Fuel filler flap	/R	1	
15	971 809 920	Fuel filler flap	/L	1	I0K3
	971 809 857	Cup		1	I1A2
(15)	971 809 857 A	Tank filler neck Cup		1	IK8S/0F5
	971 809 857 B	Tank filler neck Cup		1	IK8S/0K3
16	971 809 857 B	Tank filler neck Hybrid		1	
	971 809 858 A	Vehicle Cup		1	IK8S/0K3
20	971 809 858 A	Charging socket Hybrid		1	
	971 810 027 Y	Side section	/L	1	
(20)	971 810 027 Y GRV	Prime coated		1	
	971 810 028 Y	Side section	/R	1	
21	971 810 028 Y GRV	Prime coated		1	
	9A7 819 181 01	Frame Bleeding		2	

Model: 971-17

Model life 2017>>



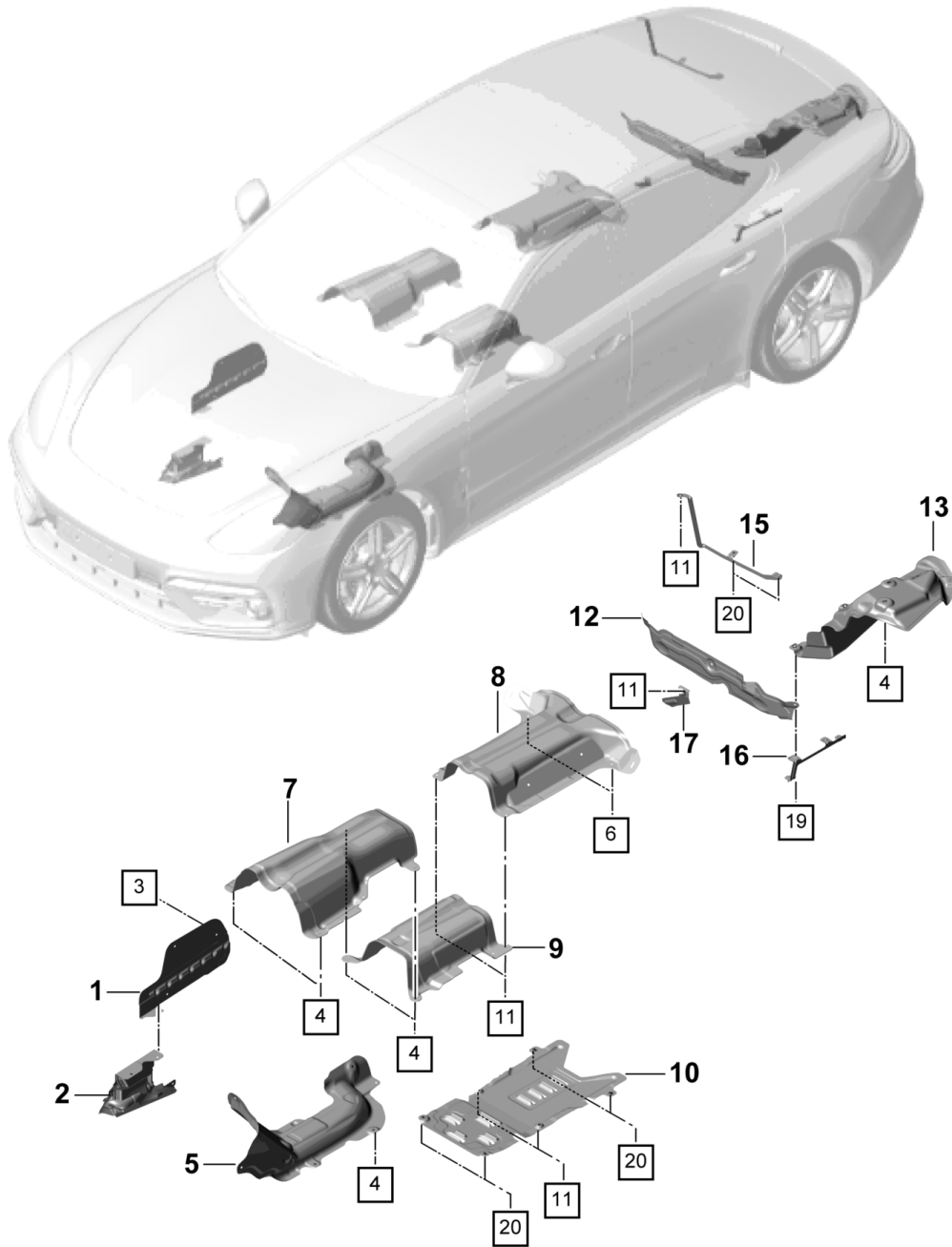
Model: 971-17

Model life 2017>>

Pos	Part Number	Description	Remark	Qty	Model
1	971 825 311 F	Lining Underbody Lining		1	MCS.ZA MCV.DA MDG.PA
(1)	971 825 311 J	Front Lining		1	MDB.UC
(1)	971 825 311 K	Front Lining		1	MCX.TA
2	9A7 912 516 01	Front Tapping screw ST 4,8X18		X	
3	9A7 007 380 00	Speed nut ST 4,8		X	
4	971 825 521 C	Lining	/L	1	I0E1/0K0
(4)	971 825 521 E	Lining	/L	1	I0E1/0K3
(4)	971 825 521 D	Lining	/L	1	I0E2
5	971 825 522 F	Lining	/R	1	I0E1/9M0
(5)	971 825 522 G	Lining	/R	1	I0E2/0K0/9M0
(5)	971 825 522 H	Lining	/R	1	I0E1/9M1/9M5 I9M9
(5)	971 825 522 J	Lining	/R	1	I0E2/9M1/9M5 I9M9
(5)	971 825 522 K	Lining	/R	1	I0E1/0K3
(5)	971 825 522 L	Lining	/R	1	I0E2/0K3
6	971 825 357	Cover	/L	1	
7	971 825 358	Cover	/R	1	
8	999 049 032 40	Plastic nut		X	
9	9A7 007 698 00	Tapping screw ST4,8X16		X	
10	971 825 505	Lining		1	-I1D3
		Use also: 999.049.032.40		4	
(10)	971 825 505 A	Lining		1	I1D3
		Use also: 999.049.032.40		4	

Model: 971-17

Model life 2017>>



Model: 971-17

Model life 2017>>

Pos	Part Number	Description	Remark	Qty	Model
		Linings			
		Heat protection			
		Underbody			
1	971 804 171 A	Heat protection	/L	1	MDB.UC
		Side member			
		Upper			
(1)	971 804 172 A	Heat protection	/R	1	MDB.UC
		Side member			
		Upper			
2	971 804 173 B	Heat protection	/L	1	MDB.UC
		Side member			
		Lower			
(2)	971 804 174	Heat protection	/R	1	MDB.UC
		Side member			
		Lower			
3	8K0 863 203	Clip		3	
4	N 912 475 01	Speed nut		X	
5	971 804 161 A	Heat shield	/L	1	MDB.UC
		Tunnel			
		Front			
(5)	971 804 161 B	Heat shield	/L	1	MCV.DA
		Tunnel			
		Front			
(5)	971 804 162 B	Heat shield	/R	1	MCV.DA
		Tunnel			
		Front			
6	N 906 431 01	Speed nut		X	
7	971 804 163	Heat shield		1	
		Tunnel			
		Centre			
8	971 804 164	Heat shield		1	I0E1
		Tunnel			
		Cardan shaft			
(8)	971 804 164 A	Heat shield		1	I0E2
		Tunnel			
		Cardan shaft			
9	971 804 165	Heat shield		1	
		Tunnel			
		Rear			
10	971 804 166	Heat shield		1	I0E1
		Tunnel			
		Rear			
(10)	971 804 166 A	Heat shield		1	I0E2
		Tunnel			
		Rear			
11	9A7 007 698 00	Round head screw		X	
		ST4,8X16			
12	9A7 804 167 02	Heat shield		1	-I0K3
		Luggage compartment			
		Centre			
(12)	9A7 804 167 03	Heat shield		1	I0K3
		Luggage compartment			
		Centre			
13	971 804 169	Heat shield	/L	1	I0K0
		Luggage compartment			
(13)	971 804 170	Heat shield	/R	1	I0K0
		Luggage compartment			
(13)	971 804 169 C	Heat shield	/L	1	I0K3
		Luggage compartment			
(13)	971 804 158 A	Heat shield	/R	1	I0K3
		Luggage compartment			
15	971 804 674 B	Support		1	MDB.UC
		Rear			

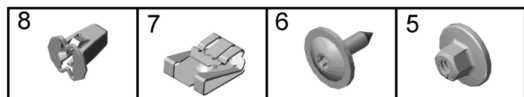
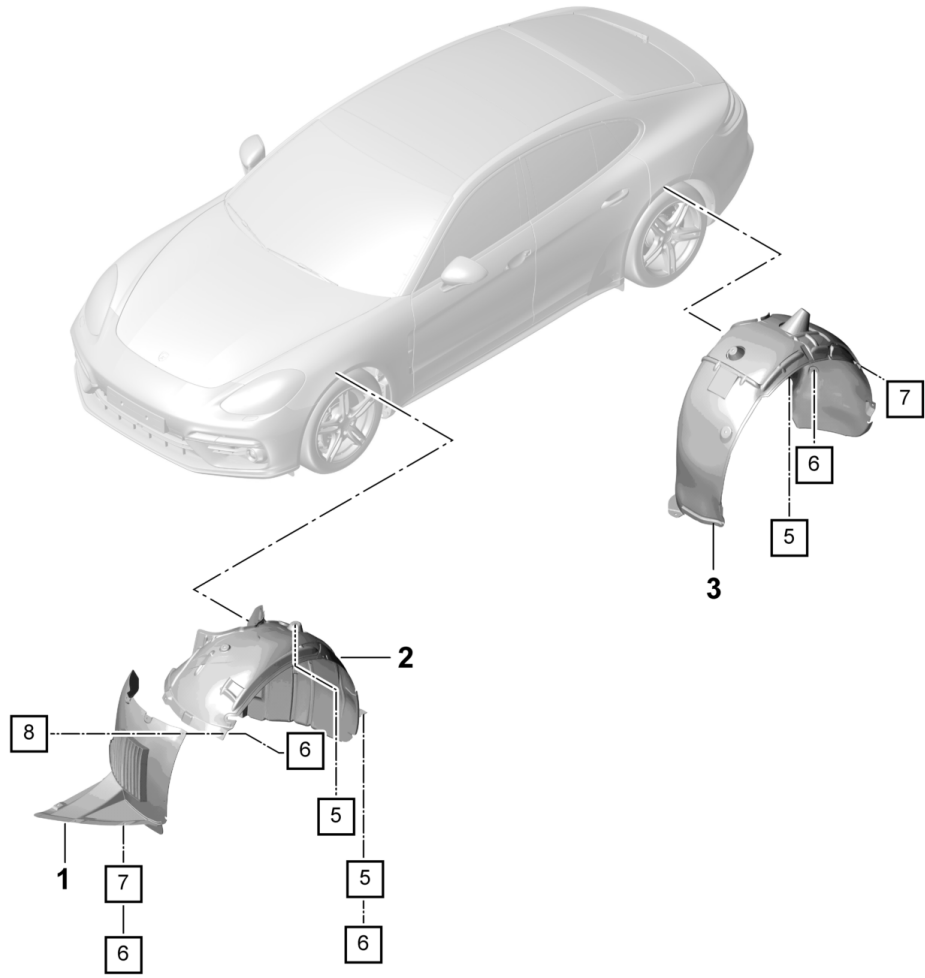
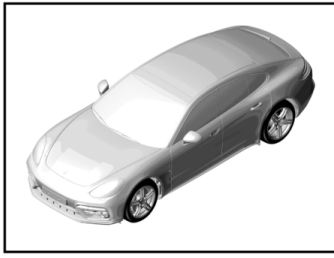
Model: 971-17

Model life 2017>>

Pos	Part Number	Description	Remark	Qty	Model
16	971 804 593 A	Right Support Front		1	MDB.UC
17	971 804 594	Right Support Front Right		1	MDB.UC
18	N 107 188 01	Hexagon-head bolt M6X16		X	
19	999 049 032 40	Plastic nut		X	
20	N 908 877 03	Hexagon nut		X	

Model: 971-17

Model life 2017>>



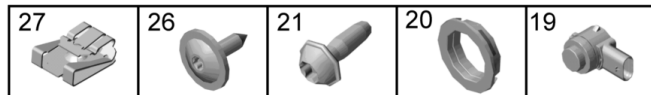
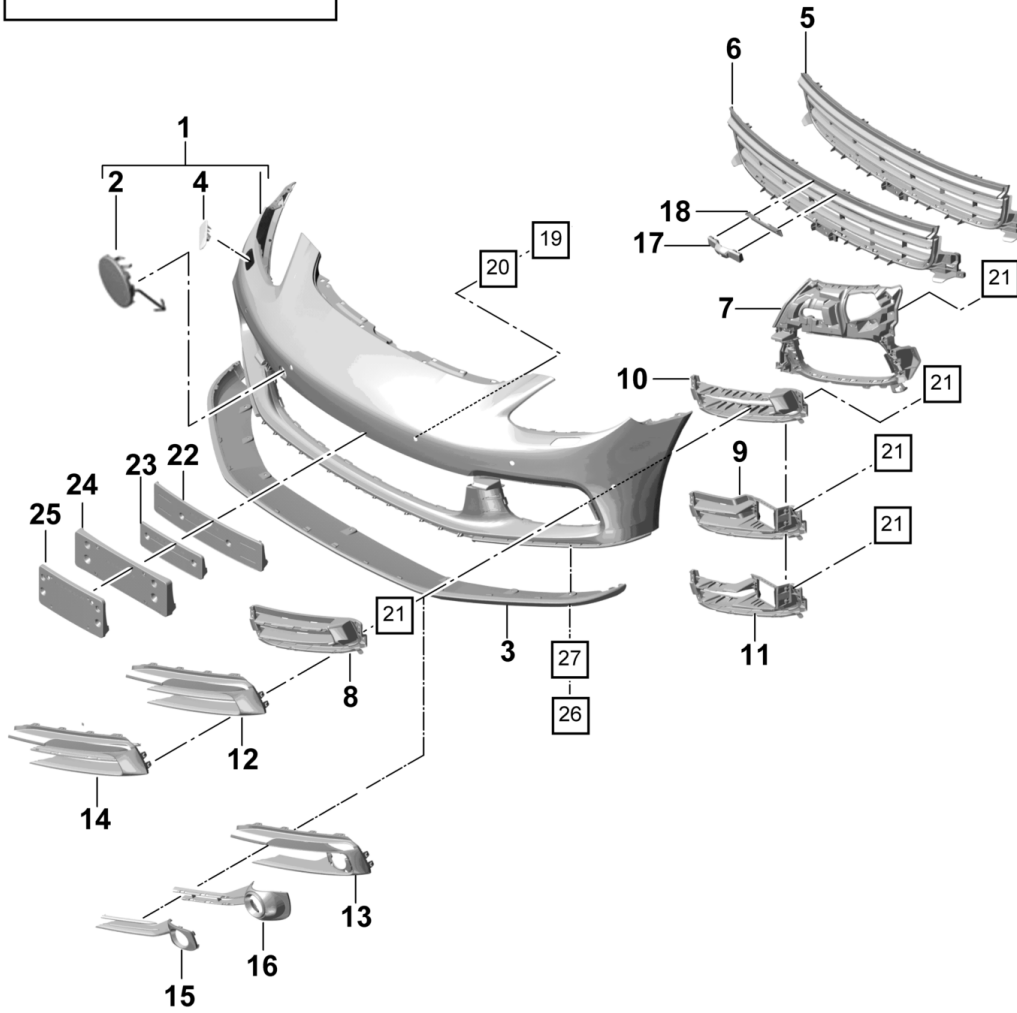
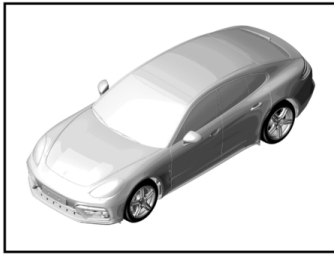
Model: 971-17

Model life 2017>>

Pos	Part Number	Description	Remark	Qty	Model
1	971 809 957	Lining Wheel-housing liner	/L	1	ID09/D1I
(1)	971 809 958	Front Wheel-housing liner	/R	1	ID09/D1I
(1)	971 809 957 A	Front Wheel-housing liner	/L	1	-ID09/-ID1I
(1)	971 809 958 A	Front Wheel-housing liner	/R	1	-ID09/-ID1I
2	971 810 907	Front Wheel-housing liner	/L	1	I0E1/1A2
(2)	971 810 908	Front Wheel-housing liner	/R	1	I0E1/1A2
(2)	971 810 907 A	Front Wheel-housing liner	/L	1	I0E1/0F5
(2)	971 810 908 A	Front Wheel-housing liner	/R	1	I0E1/0F5
(2)	971 810 907 B	Front Wheel-housing liner	/L	1	I0E2/1A2/9M0
(2)	971 810 908 B	Front Wheel-housing liner	/R	1	I0E2/1A2/9M0
(2)	971 810 907 C	Front Wheel-housing liner	/L	1	I0E2/0F5/9M1 I9M5/9M9
(2)	971 810 908 C	Front Wheel-housing liner	/R	1	I0E2/0F5/9M1 I9M5/9M9
3	971 810 971	Front Wheel-housing liner	/L	1	
(3)	971 810 972	Rear Wheel-housing liner	/R	1	
5	999 049 032 40	Rear Plastic nut		X	
6	9A7 007 698 00	Round head screw ST4,8X16		X	
7	9A7 007 380 00	Speed nut		X	
8	WHT 004 935	Expander nut		X	

Model: 971-17

Model life 2017>>



Model: 971-17

Model life 2017>>

Pos	Part Number	Description	Remark	Qty	Model
		Bumper			IDD7/DJ5/DJ7 ID0D/D1I/D29 I2D0
1	971 898 010	Of Basic Lining Bumper Front		1	-I8X1
(1)	971 898 010 A	Use also: 971.807.155. .G2X Lining Bumper Front		1	I8X1
2	971 807 155	Use also: 971.807.155. .G2X Cap Towing lug		1	
3	971 807 541	971 807 155 G2X Prime coated Spoiler Front Lower		1	
4	971 807 541 OK1 971 807 753	Black mat Lid	/L	1	I8X1
(4)	971 807 753 G2X 971 807 754	Headlight washer system Prime coated Lid	/R	1	I8X1
5	971 807 754 G2X 971 807 683	Headlight washer system Prime coated Grille Centre		1	I7X2/7X8
6	971 807 683 OK1 971 807 683 B	Black mat Grille Centre RTV		1	I8A4
7	971 807 683 B OK1 971 807 681	Black mat Grille	/L	1	
(7)	971 807 681 OK1 971 807 682	Black mat Grille	/R	1	
8	971 807 682 OK1 971 807 485	Black mat Insert Cover	/L	1	I8T1
(8)	971 807 485 OK1 971 807 486	Black mat Insert Cover	/R	1	I8T1
9	971 807 486 OK1 971 807 485 A	Black mat Insert Cover ACC	/L	1	I3V1/8T3
(9)	971 807 485 A OK1 971 807 486 A	Black mat Insert Cover ACC	/R	1	I3V1/8T3
10	971 807 486 A OK1 971 807 985	Black mat Bracket Disc	/L	1	I8T1
(10)	971 807 985 OK1 971 807 986	Black mat Bracket Disc	/R	1	I8T1
11	971 807 986 OK1 971 807 985 B	Black mat Bracket Disc ACC	/L	1	I3V1/8T3
	971 807 985 B OK1	Black mat			

Model: 971-17 Model life 2017>>

Pos	Part Number	Description	Remark	Qty	Model
(11)	971 807 986 B	Bracket Disc ACC	/R	1	I3V1/8T3
12	971 807 986 B OK1	Black mat			
	971 807 877	Disc	/L	1	I8T1
	971 807 877 OK1	Black mat			
(12)	971 807 878	Disc	/R	1	I8T1
	971 807 878 OK1	Black mat			
13	971 807 877 B	Disc ACC	/L	1	I3V1/8T3
	971 807 877 B OK1	Black mat			
(13)	971 807 878 B	Disc ACC	/R	1	I3V1/8T3
	971 807 878 B OK1	Black mat			
14	971 807 413	Disc with Moulding	/L	1	I0E2/8T1
	971 807 413 OK1	Black mat			
(14)	971 807 414	Disc with Moulding	/R	1	I0E2/8T1
	971 807 414 OK1	Black mat			
15	971 807 833	Cover ACC	/L	1	I3V1/8T3
	971 807 833 OK1	Black mat			
(15)	971 807 834	Cover ACC	/R	1	I3V1/8T3
	971 807 834 OK1	Black mat			
16	971 807 579	Cover ACC with Moulding	/L	1	I0E2/3V1/8T3
	971 807 579 OK1	Black mat			
(16)	971 807 580	Cover ACC with Moulding Executive	/R	1	I0E2/3V1/8T3
	971 807 580 OK1	Black mat			
17	971 807 762	Housing Camera		1	I8A4
	971 807 762 OK1	Black mat			
18	971 807 997	Support Camera		1	I8A4
19	5Q0 919 275 B	Sensor ParkAssist		6	
	5Q0 919 275 B G2X	Prime coated			
20	5Q0 919 133	Sealing ring Sensor		6	
	5Q0 919 133 9B9	Satin black			
21	N 104 734 02	Oval-head screw TP6X20-Q		X	
22	971 807 999	Assembly kit		1	ECE I6W1
		Number plate Bracket			
	971 807 999 OK1	Black mat			
23	971 807 999 B	Assembly kit		1	RDW I6W2
		Number plate Bracket			
	971 807 999 B OK1	Black mat			

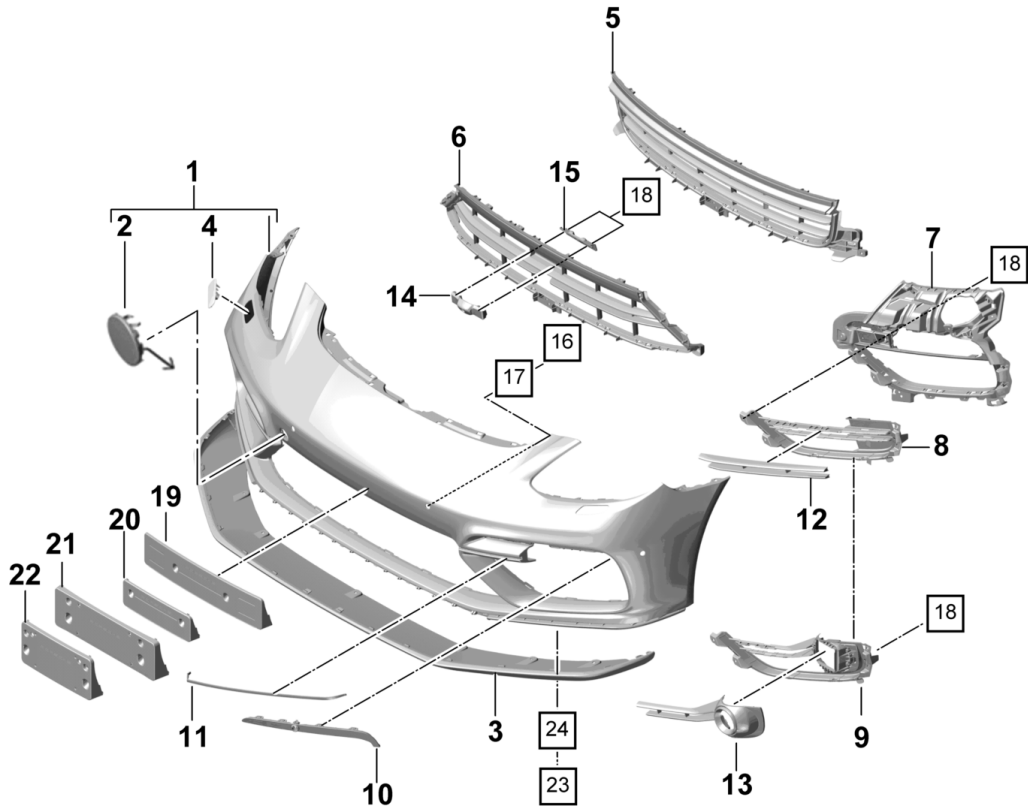
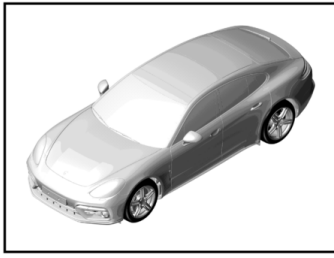
Model: 971-17

Model life 2017>>

Pos	Part Number	Description	Remark	Qty	Model
24	971 807 999 D	Assembly kit Number plate Bracket	(CN)	1	China I6W7
(25)	971 807 999 D OK1	Black mat	(J)	1	Japan I6W4
	971 807 999 C	Assembly kit Number plate Bracket			
	971 807 999 C OK1	Black mat			

Model: 971-17

Model life 2017>>



Model: 971-17 Model life 2017>>

Pos	Part Number	Description	Remark	Qty	Model
		Bumper			V8 IDW4/2D0
1	971 898 010 D	Front Top Lining		1	
2	971 807 155 A	Front Prime coated Cap		1	
3	971 807 155 A G2X 971 807 541 A	Towing lug Prime coated Spoiler		1	
4	971 807 541 A OK1 971 807 753	Front Lower Black mat Lid	/L	1	
(4)	971 807 753 G2X 971 807 754	Headlight washer system Prime coated Lid	/R	1	
5	971 807 754 G2X 971 807 683 A	Headlight washer system Prime coated Grille		1	I7X2/7X8/9R0
(5)	971 807 683 A OK1 971 807 683 C	Centre Black mat Grille		1	I8A4/9R0
6	971 807 683 C OK1 971 807 683 D	Centre RTV Black mat Grille		1	I7X2/7X8/9R1
(6)	971 807 683 D OK1 971 807 683 E	Centre Night vision system Black mat Grille		1	I8A4/9R1
7	971 807 683 E OK1 971 807 681 A	Centre RTV Night vision system Black mat Grille	/L	1	
(7)	971 807 681 A OK1 971 807 682 A	Black mat Grille	/R	1	
8	971 807 682 A OK1 971 807 985 A	Black mat Bracket	/L	1	I8T1
(8)	971 807 985 A OK1 971 807 986 A	Disc Black mat Bracket	/R	1	I8T1
(8)	971 807 986 A OK1 971 807 985 G	Disc Black mat Bracket	/L	1	I0E2/8T1
(8)	971 807 985 G OK1 971 807 986 G	Disc Executive Black mat Bracket	/R	1	I0E2/8T1
9	971 807 986 G OK1 971 807 985 C	Disc Executive Black mat Bracket	/L	1	I0E1/3V1/8T3
(9)	971 807 985 C OK1 971 807 986 C	Disc ACC Black mat Bracket	/R	1	I0E1/3V1/8T3
(9)	971 807 986 C OK1 971 807 985 H	Disc ACC Black mat Bracket	/L	1	I0E2/3V1/8T3

Model: 971-17 Model life 2017>>

Pos	Part Number	Description	Remark	Qty	Model
(9)	971 807 985 H OK1 971 807 986 H	Disc Executive ACC Black mat Bracket	/R	1	I0E2/3V1/8T3
10	971 807 986 H OK1 971 807 485 B	Disc Executive ACC Black mat Insert	/L	1	
(10)	971 807 485 B OK1 971 807 486 B	Cover ACC Black mat Insert	/R	1	
11	971 807 486 B OK1 971 853 323	Cover ACC Black mat Moulding	/L	1	
(11)	971 853 323 OK1 971 853 324	Black mat Moulding	/R	1	
12	971 853 324 OK1 971 807 877 A	Black mat Disc	/L	1	I0E1/8T1
(12)	971 807 877 A OK1 971 807 878 A	Black mat Disc	/R	1	I0E1/8T1
(12)	971 807 878 A OK1 971 807 413 A	Black mat Disc	/L	1	I0E2/8T1
(12)	971 807 413 A OK1 971 807 414 A	Executive Black mat Disc	/R	1	I0E2/8T1
13	971 807 414 A OK1 971 807 877 C	Executive Black mat Disc	/L	1	I0E1/3V1/8T3
(13)	971 807 877 C OK1 971 807 878 C	ACC Black mat Disc	/R	1	I0E1/3V1/8T3
(13)	971 807 878 C OK1 971 807 579 A	ACC Black mat Cover	/L	1	I0E2/3V1/8T3
(13)	971 807 579 A OK1 971 807 580 A	Disc Executive ACC Black mat Cover	/R	1	I0E2/3V1/8T3
14	971 807 580 A OK1 971 807 762 A	Disc Executive ACC Black mat Cover		1	I8A4
15	971 807 762 A OK1 971 807 997 A	Camera Black mat Support		1	I8A4
16	5Q0 919 275 B	Camera Sensor		4	
(16)	5Q0 919 275 B G2X 5Q0 919 275 C	ParkAssist Prime coated Sender		2	
17	5Q0 919 275 C G2X 5Q0 919 133	ParkAssist Prime coated Sealing ring		6	
18	5Q0 919 133 9B9 N 104 734 02	Sensor Satin black Oval-head screw TP6X20-Q		X	

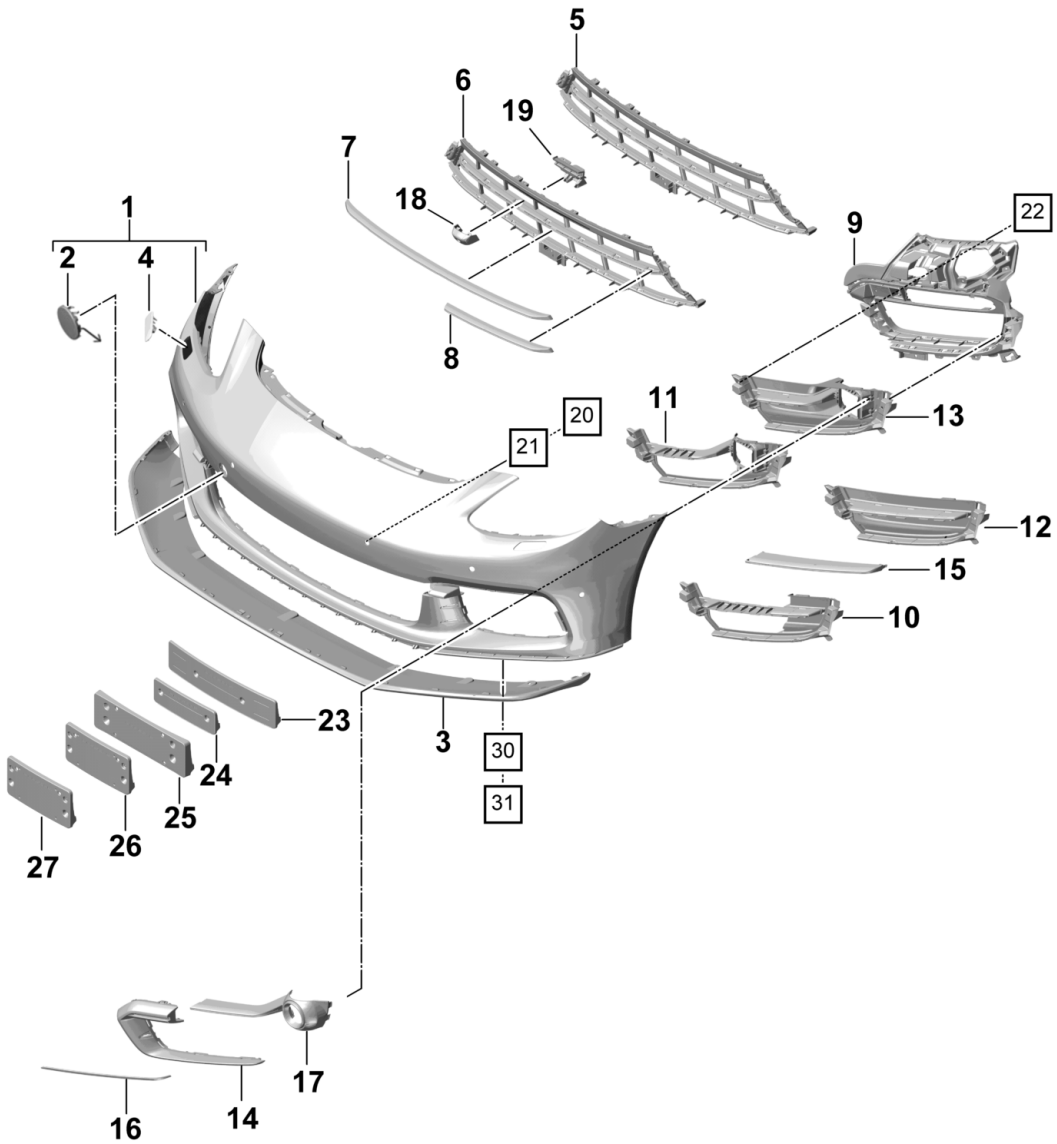
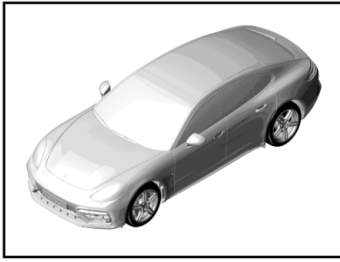
Model: 971-17

Model life 2017>>

Pos	Part Number	Description	Remark	Qty	Model
19	971 807 999 E	Assembly kit Number plate Bracket		1	ECE I6W1
20	971 807 999 E OK1	Black mat		1	RDW I6W2
	971 807 999 G	Assembly kit Number plate Bracket			
21	971 807 999 G OK1	Black mat		1	China I6W7
	971 807 999 J	Assembly kit	(CN)		
(22)	971 807 999 J OK1	Number plate Bracket		1	Japan I6W4
	971 807 999 H	Black mat	(J)		
	971 807 999 H OK1	Assembly kit Number plate Bracket Black mat			

Model: 971-17

Model life 2017>>



Model: 971-17

Model life 2017>>

Pos	Part Number	Description	Remark	Qty	Model
1	971 807 079 Y	Bumper Front Sport Design package Lining		1	I2D1/2D5 I7X2/7X8/8A4 I8X0
(1)	971 807 079 AY	Front Prime coated Use also: 971.807.155.B G2X Lining		1	I7X2/7X8/8A4 I8X1
2	971 807 155 B	Front Prime coated Use also: 971.807.155.B G2X Cap		1	
3	971 807 155 B G2X 971 807 541 B	Towing lug Prime coated Spoiler		1	
4	971 807 541 B G2X 971 807 753	Front Lower Prime coated Lid	/L	1	I8X1
(4)	971 807 753 G2X 971 807 754	Headlight washer system Prime coated Lid	/R	1	I8X1
5	971 807 754 G2X 971 807 683 F	Headlight washer system Prime coated Grille		1	I2D1/7X2/7X8 I9R0
(5)	971 807 683 F OK1 971 807 683 F	Centre Black mat Grille		1	I2D5/7X2/7X8 I9R0
(5)	971 807 683 F 041 971 807 683 G	Centre Black Grille		1	I2D1/7X2/7X8 I9R1
(5)	971 807 683 G OK1 971 807 683 G	Centre Night vision system Black mat Grille		1	I2D5/7X2/7X8 I9R1
6	971 807 683 G 041 971 807 683 H	Centre Night vision system Black Grille		1	I2D1/8A4/9R0
(6)	971 807 683 H OK1 971 807 683 H	Centre RTV Black mat Grille		1	I2D5/8A4/9R0
(6)	971 807 683 H 041 971 807 683 J	Centre RTV Black Grille		1	I2D1/8A4/9R1
(6)	971 807 683 J OK1 971 807 683 J	Centre Night vision system RTV Black mat Grille		1	I2D5/8A4/9R1
		Centre Night vision system RTV			

Model: 971-17 Model life 2017>>

Pos	Part Number	Description	Remark	Qty	Model
7	971 807 683 J 041 971 807 686	Black Disc Grille Centre		1	I2D1/7X2/7X8
(7)	971 807 686 OK1 971 807 686	Black mat Disc Grille Centre		1	I2D5/7X2/7X8
8	971 807 686 041 971 807 973	Black Disc Grille Centre	/L	1	I2D1/8A4
(8)	971 807 973 OK1 971 807 973	Black mat Disc Grille Centre	/L	1	I2D5/8A4
(8)	971 807 973 041 971 807 974	Black Disc Grille Centre	/R	1	I2D1/8A4
(8)	971 807 974 OK1 971 807 974	Black mat Disc Grille Centre	/R	1	I2D5/8A4
9	971 807 974 041 971 807 681 C	Black Grille	/L	1	I2D1
(9)	971 807 681 C OK1 971 807 681 C	Black mat Grille	/L	1	I2D5
(9)	971 807 681 C 041 971 807 682 C	Black Grille	/R	1	I2D1
(9)	971 807 682 C OK1 971 807 682 C	Black mat Grille	/R	1	I2D5
10	971 807 682 C 041 971 807 985 E	Black Bracket Disc	/L	1	I8T1
(10)	971 807 985 E OK1 971 807 986 E	Black mat Bracket Disc	/R	1	I8T1
11	971 807 986 E OK1 971 807 985 F	Black mat Bracket Disc ACC	/L	1	I3V1/8T3
(11)	971 807 985 F OK1 971 807 986 F	Black mat Bracket Disc ACC	/R	1	I3V1/8T3
12	971 807 986 F OK1 971 807 485 C	Black mat Insert Cover	/L	1	I8T1
(12)	971 807 485 C OK1 971 807 486 C	Black mat Insert Cover	/R	1	I8T1
13	971 807 486 C OK1 971 807 485 D	Black mat Insert Cover ACC	/L	1	I3V1/8T3
(13)	971 807 485 D OK1 971 807 486 D	Black mat Insert Cover ACC	/R	1	I3V1/8T3
14	971 807 486 D OK1 971 807 877 E	Black mat Disc Lateral	/L	1	I2D1

Model: 971-17 Model life 2017>>

Pos	Part Number	Description	Remark	Qty	Model
(14)	971 807 877 E OK1 971 807 877 E	Black mat Disc Lateral	/L	1	I2D5
(14)	971 807 877 E 041 971 807 878 E	Black Disc Lateral	/R	1	I2D1
(14)	971 807 878 E OK1 971 807 878 E	Black mat Disc Lateral	/R	1	I2D5
15	971 807 878 E 041 971 807 877 F	Black Disc Lateral	/L	1	I2D1/8T1
(15)	971 807 877 F OK1 971 807 877 F	Black mat Disc Lateral	/L	1	I2D5/8T1
(15)	971 807 877 F 041 971 807 878 F	Black Disc Lateral	/R	1	I2D1/8T1
(15)	971 807 878 F OK1 971 807 878 F	Black mat Disc Lateral	/R	1	I2D5/8T1
16	971 807 878 F 041 971 853 323 A	Black Moulding	/L	1	I2D1
16	971 853 323 A OK1 971 853 323 A	Black mat Moulding	/L	1	I2D5
(16)	971 853 323 A 041 971 853 324 A	Black Moulding	/R	1	I2D1
(16)	971 853 324 A OK1 971 853 324 A	Black mat Moulding	/R	1	I2D5
17	971 853 324 A 041 971 807 833 A	Black Cover ACC	/L	1	I2D1/3V1/8T3
17	971 807 833 A OK1 971 807 833 A	Black mat Cover ACC	/L	1	I2D5/3V1/8T3
(17)	971 807 833 A 041 971 807 834 A	Black Cover ACC	/R	1	I2D1/3V1/8T3
(17)	971 807 834 A OK1 971 807 834 A	Black mat Cover ACC	/R	1	I2D5/3V1/8T3
18	971 807 834 A 041 971 807 762 B	Black Cover Camera		1	I2D1/8A4
18	971 807 762 B OK1 971 807 762 B	Black mat Cover Camera		1	I2D5/8A4
19	971 807 762 B 041 971 807 997 B	Black Support Camera		1	I8A4
20	5Q0 919 275 B	Sensor ParkAssist		6	
21	5Q0 919 275 B G2X 5Q0 919 133	Prime coated Sealing ring Sensor		6	
22	5Q0 919 133 9B9 N 104 734 02	Satin black Lens-head screw TP6X20-Q		X	
23	971 807 999 L	Assembly kit		1	ECE I6W1
	971 807 999 L G2X	Number plate Bracket Prime coated			

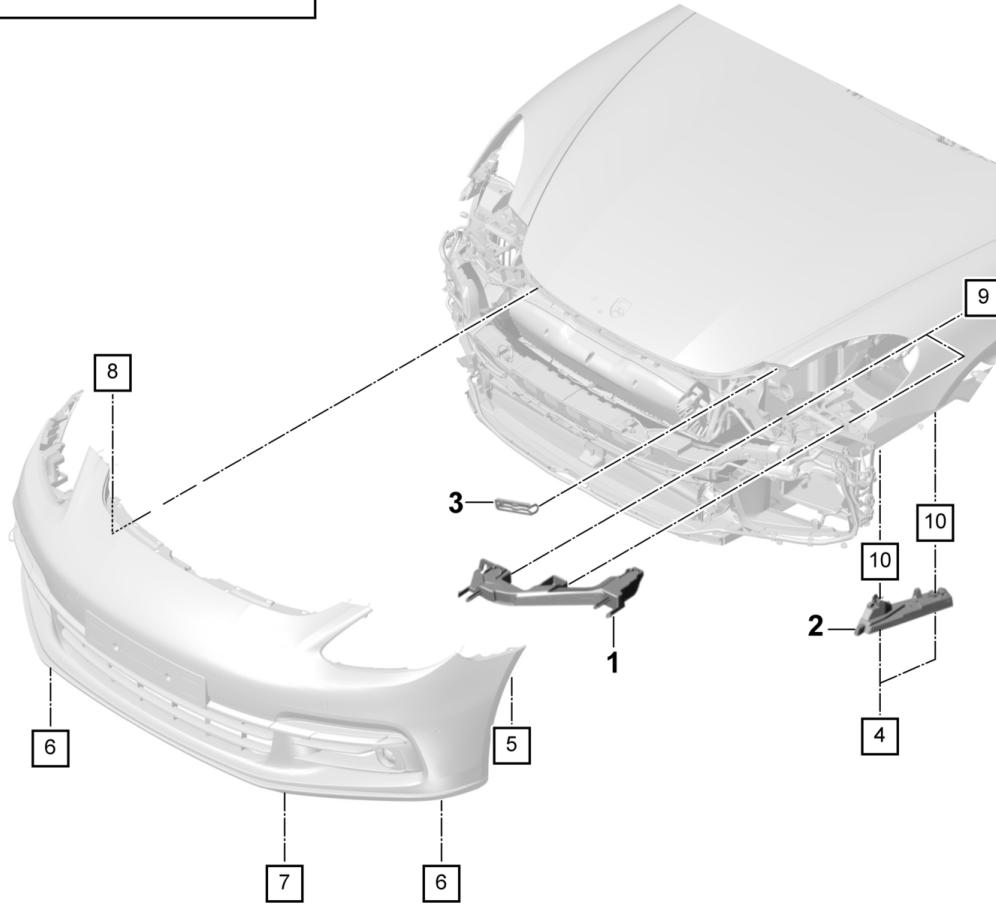
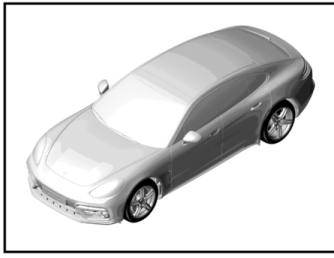
Model: 971-17

Model life 2017>>

Pos	Part Number	Description	Remark	Qty	Model
24	971 807 999 Q	Assembly kit Number plate Bracket		1	RDW I6W2
25	971 807 999 Q G2X 971 807 999 P	Prime coated Assembly kit Number plate Bracket	(CN)	1	China I6W7
27	971 807 999 P G2X 971 807 999 N	Prime coated Assembly kit Number plate Bracket	(J)	1	Japan I6W4
30	971 807 999 N G2X 9A7 007 698 00	Prime coated Round head screw ST4,8X16		X	
31	9A7 007 380 00	Speed nut ST 4,8		X	

Model: 971-17

Model life 2017>>



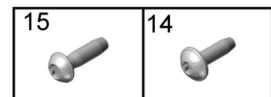
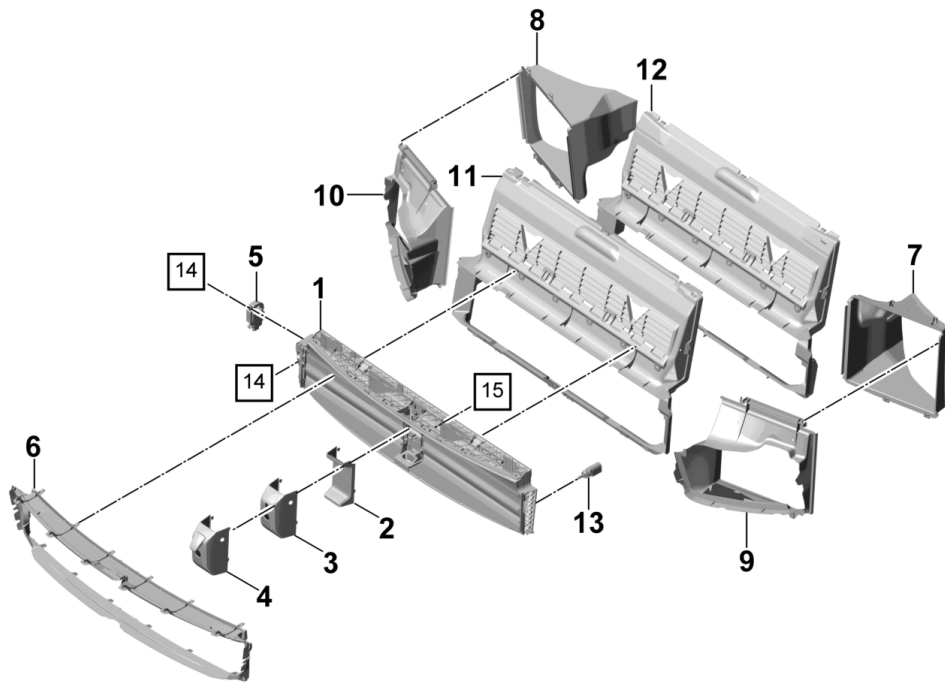
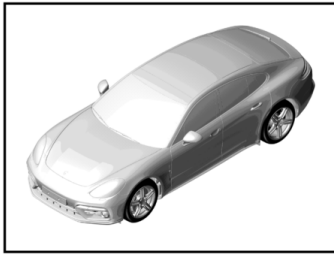
Model: 971-17

Model life 2017>>

Pos	Part Number	Description	Remark	Qty	Model
		Mounting parts			
		Bumper			
		Front			
1	971 807 347	Support	/L	1	
		Headlamp			
(1)	971 807 348	Support	/R	1	
		Headlamp			
2	971 807 283	Guide rail	/L	1	
		Front			
(2)	971 807 284	Guide rail	/R	1	
		Front			
3	971 807 180	Clamp		2	
		Fixing device			
		Bumper			
4	N 907 750 01	Tapping screw		4	
		ST 4,8*16			
5	999 073 241 09	Tapping screw		2	
		ST4,8X19-C			
6	999 073 505 01	Tapping screw		8	
		ST4,8X16-C			
7	9A7 912 516 01	Tapping screw		3	
		ST4,8X18			
8	999 073 448 01	Outer hexagon round screw		4	
		M6X15.8			
9	9A7 911 669 01	Hexagon socket head bolt		4	
		M6X14-TC			
10	999 507 309 02	Speed nut		10	
		ST 4,8			

Model: 971-17

Model life 2017>>



Model: 971-17 Model life 2017>>

Pos	Part Number	Description	Remark	Qty	Model
1	971 121 257 B	Air guide And Disc carrier Disc carrier Centre		1	
2	971 121 257 B OK1 971 805 699	Black mat Cover without Night vision system		1	I9R0
3	971 805 699 OK1 971 805 699 C	Black mat Cover Night vision system		1	I2D0/9R1
(3)	971 805 699 C OK1 971 805 699 C	Black mat Cover Night vision system		1	I2D1/2D5/8A4 I9R1
4	971 805 699 C OK1 971 805 503	Black mat Cover Night vision system		1	I2D1/2D4/2D5 I7X2/7X8/9R1
5	971 805 503 OK1 95B 965 501 H	Sport Design package Black mat Electric motor		1	
6	971 121 710	Disc carrier Air guide Front Basic		1	IDC4/DJ4/D09
(6)	971 121 710 F	Air guide Front Top		1	IDW4
(6)	971 121 710 G	Air guide Front Sport Design package		1	I2D1/2D5
7	971 121 673	Air guide	/L	1	ID0D/D29
7	971 121 673 E	Air guide ABLUF	/L	1	IDJ7/DW4
8	971 121 674	Air guide ABLUF	/R	1	ID0D/D29
(8)	971 121 674 E	Air guide ABLUF	/R	1	IDJ7/DW4
9	971 121 333	Air guide Lateral Basic	/L	1	IDJ7/D0D/D29 I2D0
(9)	971 121 333 A	Air guide Lateral Top	/L	1	IDW4/2D0
(9)	971 121 333 B	Air guide Lateral Sport Design package	/L	1	IDJ7/DW4/D0D ID29/2D1/2D4 I2D5
10	971 121 334	Air guide Lateral Basic	/R	1	IDJ7/D0D/D29 I2D0
(10)	971 121 334 A	Air guide Lateral Top	/R	1	IDW4/2D0
(10)	971 121 334 B	Air guide Lateral	/R	1	IDJ7/DW4/D0D ID29/2D1/2D4 I2D5

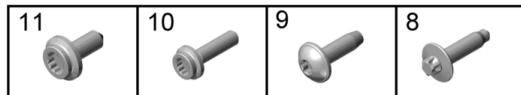
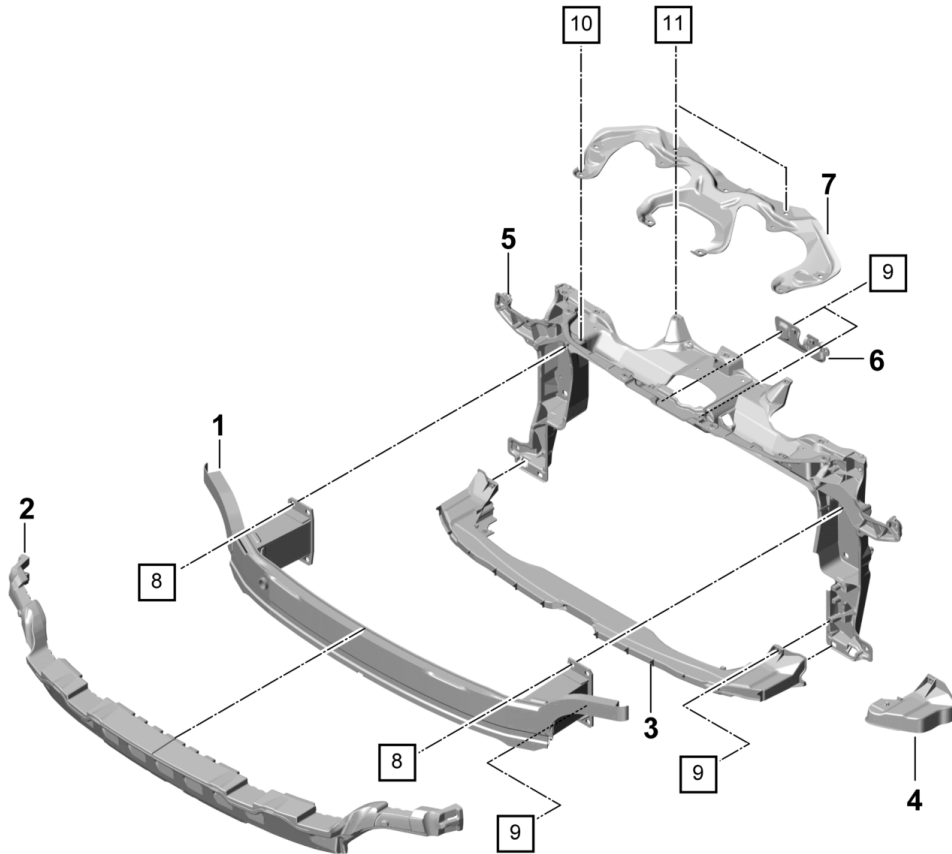
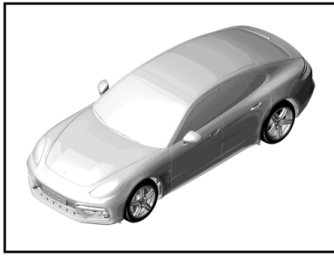
Model: 971-17

Model life 2017>>

Pos	Part Number	Description	Remark	Qty	Model
11	971 121 707	Sport Design package Air guide Centre Rear		1	ID1I
12	971 121 707 A	Air guide Centre Rear		1	IDJ7/DW4/D29 I0K0
13	8Z0 820 535 A	Outer sensor		1	
14	N 105 263 02	Oval-head screw 4,0X14,0-Q		4	
15	N 107 254 01	Hexagon socket head bolt M6GFX20		4	

Model: 971-17

Model life 2017>>



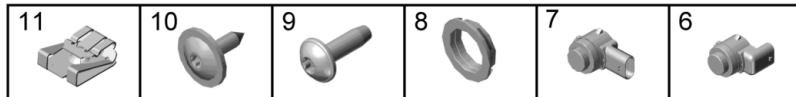
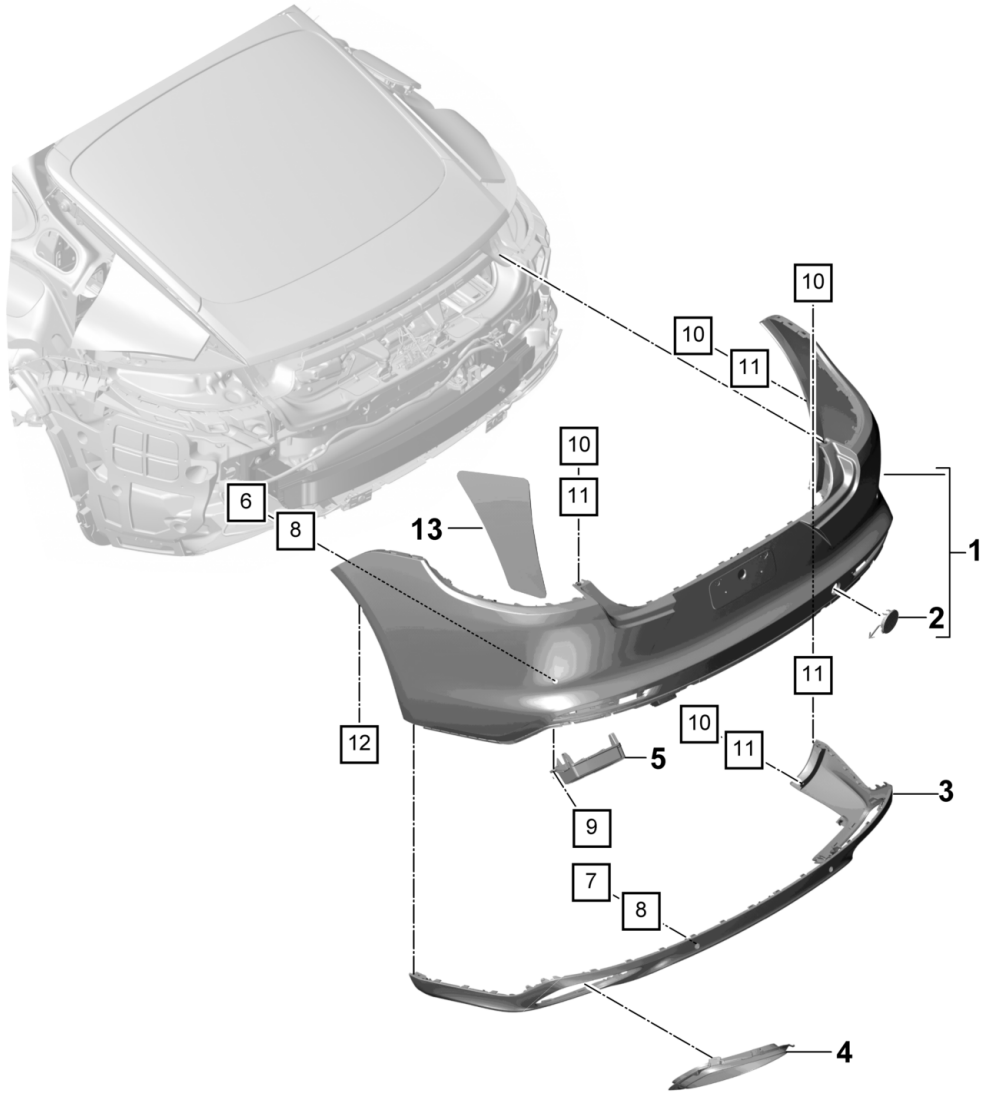
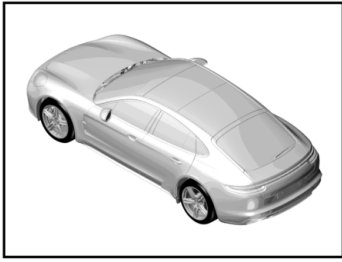
Model: 971-17

Model life 2017>>

Pos	Part Number	Description	Remark	Qty	Model
1	971 805 241 B	Bumper reinforcement And Mounting bracket Front Bumper reinforcement		1	RDW IVL2
2	971 807 549 C	Front Plastic foam strip		1	IDJ7/D0D/D1I ID29/VL2/2D0
(2)	971 807 549 D	Pedestrian protection Basic Plastic foam strip Pedestrian protection		1	IDW4/VL2/2D0
(2)	971 807 549 E	Top Plastic foam strip Pedestrian protection		1	IVL2/2D1/2D5
(2)	971 807 550	Sport Design package Plastic foam strip		1	IVL0
3	971 803 821	Support		1	IVL2
(3)	971 803 821 B	Support		1	IVL0
4	971 807 771	Support	/L	1	IVL0
(4)	971 807 772	Front apron Support	/R	1	IVL0
5	971 805 931	Front apron Bracket		1	
(5)	971 805 931 A	Bracket		1	
6	971 805 360	Reinforcement Lid lock		1	
7	971 805 561	Reinforcement		1	
8	9A7 007 443 00	Outer hexagon round screw M10X40-PA		8	
9	N 107 254 01	Hexagon socket head bolt M6GFX20		4	
10	N 911 572 02	IN-VI-ZA-FLSH-SHR M8X30		2	
11	9A7 911 946 02	Pan-head screw M 8X20-MKL		7	

Model: 971-17

Model life 2017>>

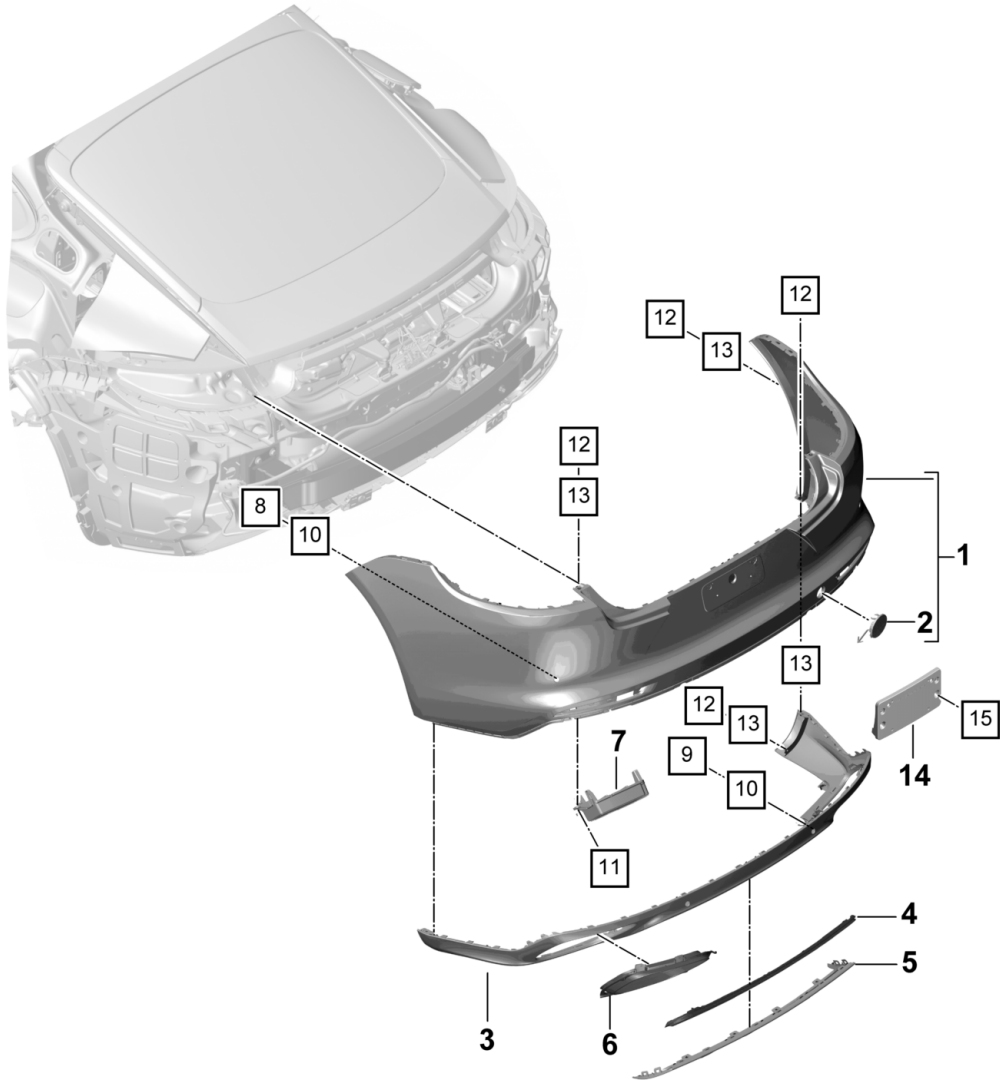
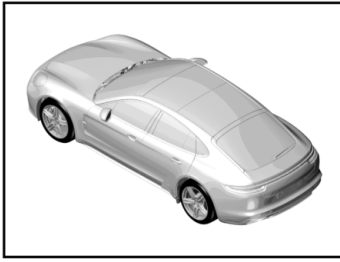


Model: 971-17 Model life 2017>>

Pos	Part Number	Description	Remark	Qty	Model
1	971 807 983 Y	Bumper Rear Lining Rear Prime coated		1	I2D0 IK8S
(1)	971 807 983 AY	Lining Rear Prime coated	(J)	1	IK8S
(1)	971 807 983 BY	Lining Rear Prime coated	(CN)	1	IK8S
2	971 807 442	Cover Towing lug		1	IK8S
3	971 807 442 G2X 971 807 514 Y	Prime coated Spoiler Rear Lower		1	
4	971 807 951	Black mat Cover Exhaust system	/L	1	
(4)	971 807 951 OK1 971 807 952	Black mat Cover Exhaust system	/R	1	
5	971 807 952 OK1 971 807 773	Black mat Support KOMFORTÖFFNER Rear lid		1	I4E6
6	5Q0 919 275 B	Sensor ParkAssist Outer		2	
7	5Q0 919 275 B G2X 5Q0 919 275 C	Prime coated Sender ParkAssist Inner		2	
8	5Q0 919 275 C G2X 5Q0 919 133	Prime coated Sealing ring Sensor		4	
9	5Q0 919 133 9B9 N 104 420 03	Satin black Oval-head screw TP5X16-Q		2	
10	9A7 007 517 00	Tapping screw ST4,8X19-C		2	
11	999 507 309 02	Speed nut ST 4,8		2	
12	N 911 883 01	Outer hexagon round screw M6X20		2	
13	971 825 477	Sound absorber Acoustics	/L	1	
13	971 825 478	Sound absorber Acoustics	/R	1	

Model: 971-17

Model life 2017>>



Model: 971-17 Model life 2017>>

Pos	Part Number	Description	Remark	Qty	Model
		Bumper Rear			I2D1/2D4/2D5
1	971 807 983 Y	Sport Design package Lining Rear		1	IK8S
(1)	971 807 983 AY	Prime coated Lining Rear	(J)	1	IK8S
(1)	971 807 983 BY	Prime coated Lining Rear	(CN)	1	IK8S
2	971 807 442	Prime coated Cover		1	IK8S
		Towing lug			
3	971 807 442 G2X 971 807 521 A	Prime coated Spoiler Rear		1	
		Lower			
4	971 807 521 A G2X 971 807 684	Prime coated Grille Centre		1	
		Rear			
5	971 807 684 OK1 971 807 568	Black mat Diffusor Lower		1	I2D1
5	971 807 568 OK1 971 807 568	Black mat Diffusor Lower		1	I2D4/2D5
6	971 807 568 041 971 807 951 A	Black Cover	/L	1	
(6)	971 807 951 A OK1 971 807 952 A	Exhaust system Black mat Cover	/R	1	
		Exhaust system			
7	971 807 952 A OK1 971 807 773 A	Black mat Support		1	
		KOMFORTÖFFNER			
8	5Q0 919 275 B	Rear lid Sensor		2	
		ParkAssist Outer			
9	5Q0 919 275 B G2X 5Q0 919 275 C	Prime coated Sender		2	
		ParkAssist Inner			
10	5Q0 919 275 C G2X 5Q0 919 133	Prime coated Sealing ring		4	
		Sensor			
11	5Q0 919 133 9B9 N 104 420 03	Satin black Oval-head screw		2	
12	9A7 007 517 00	TP5X16-Q Tapping screw		2	
13	999 507 309 02	ST4,8X19-C Speed nut		2	
14	971 807 287 K	ST 4,8 Support		1	I6P1
		Number plate			
		Use also: 999.919.243.01		2	
15	971 807 287 K OK1 999 919 243 01	Black mat Screw		2	
		Support Number plate		2	

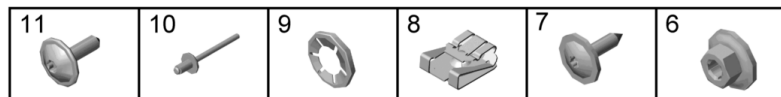
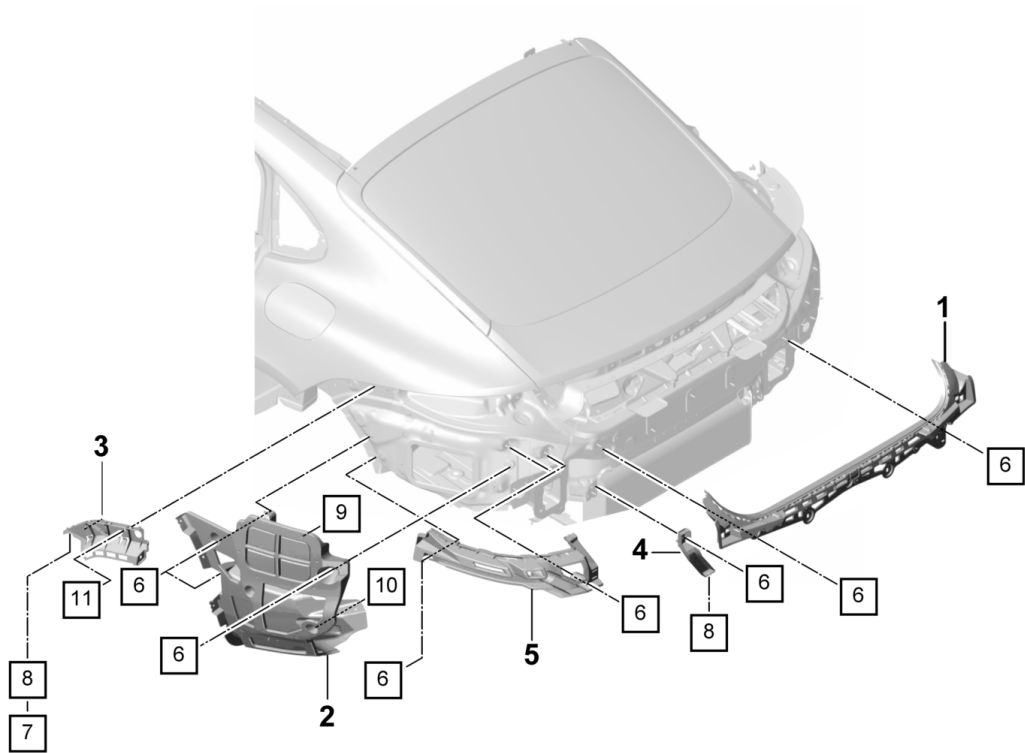
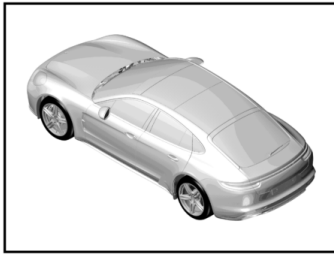
Model: 971-17

Model life 2017>>

Pos	Part Number	Description	Remark	Qty	Model
		5,0X13			

Model: 971-17

Model life 2017>>

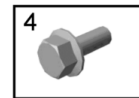
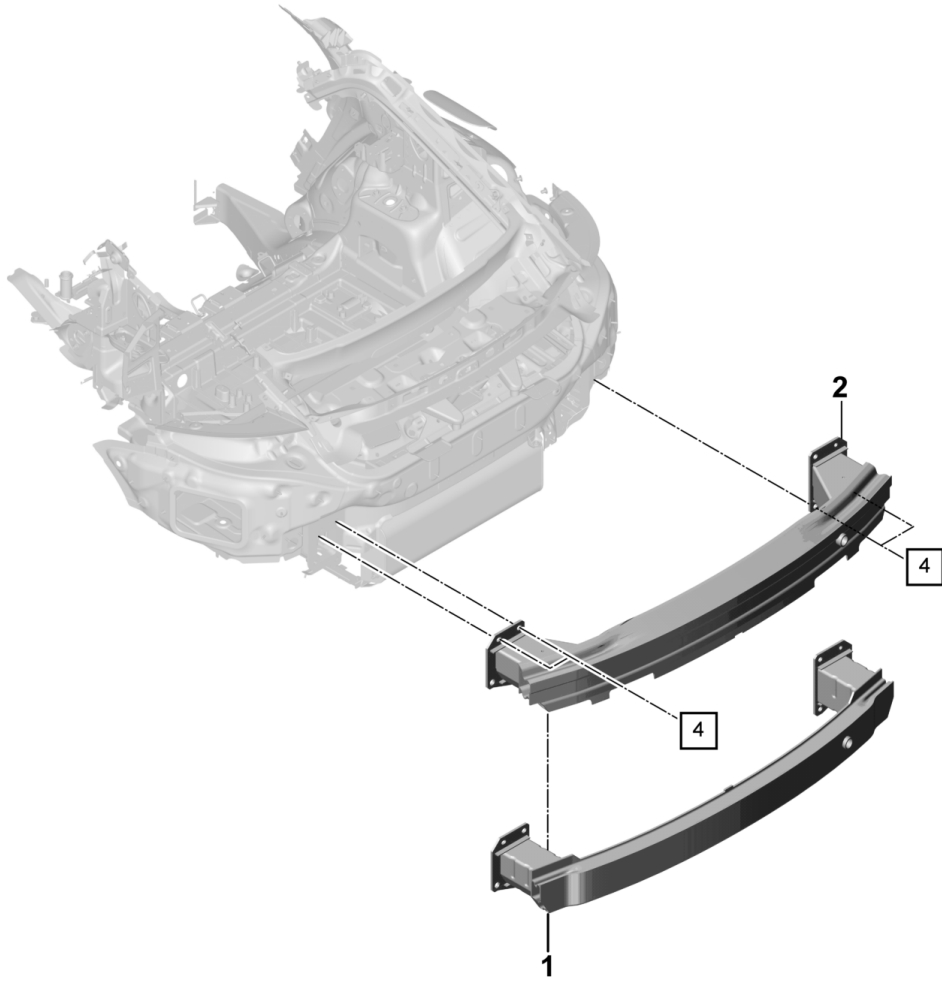
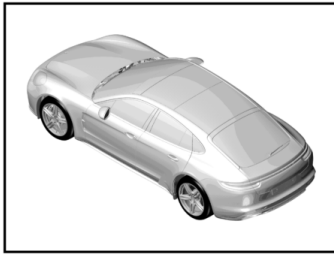


Model: 971-17 Model life 2017>>

Pos	Part Number	Description	Remark	Qty	Model
1	971 807 863	Mounting parts Bumper Rear Attachment strip Centre		1	
2	971 807 331	Support Bumper Lateral with Sound absorber	/L	1	
(2)	971 807 332	Support Bumper Lateral with Sound absorber	/R	1	
3	971 807 253	Guide piece Bumper	/L	1	I0E1
3	971 807 253 A	Guide piece Bumper	/L	1	I0E2
(3)	971 807 254	Guide piece Bumper	/R	1	I0E1
(3)	971 807 254 A	Guide piece Bumper	/R	1	I0E2
4	971 825 199	Support Underbody protection	/L	1	
(4)	971 825 200	Support Underbody protection	/L	1	
5	971 807 125	Support Rear light	/L	1	
(5)	971 807 126	Support Rear light	/R	1	
6	999 076 042 01	Hexagon nut M6		X	
7	9A7 007 517 00	Tapping screw ST4,8X19-C		X	
8	999 507 309 02	Speed nut ST 4,8		10	
9	9A7 107 308 01	Clamping washer 8,0		12	
10	9A7 911 603 01	Blind rivet A6.4X10.0		12	
11	N 911 883 01	Outer hexagon round screw M6X20		4	

Model: 971-17

Model life 2017>>



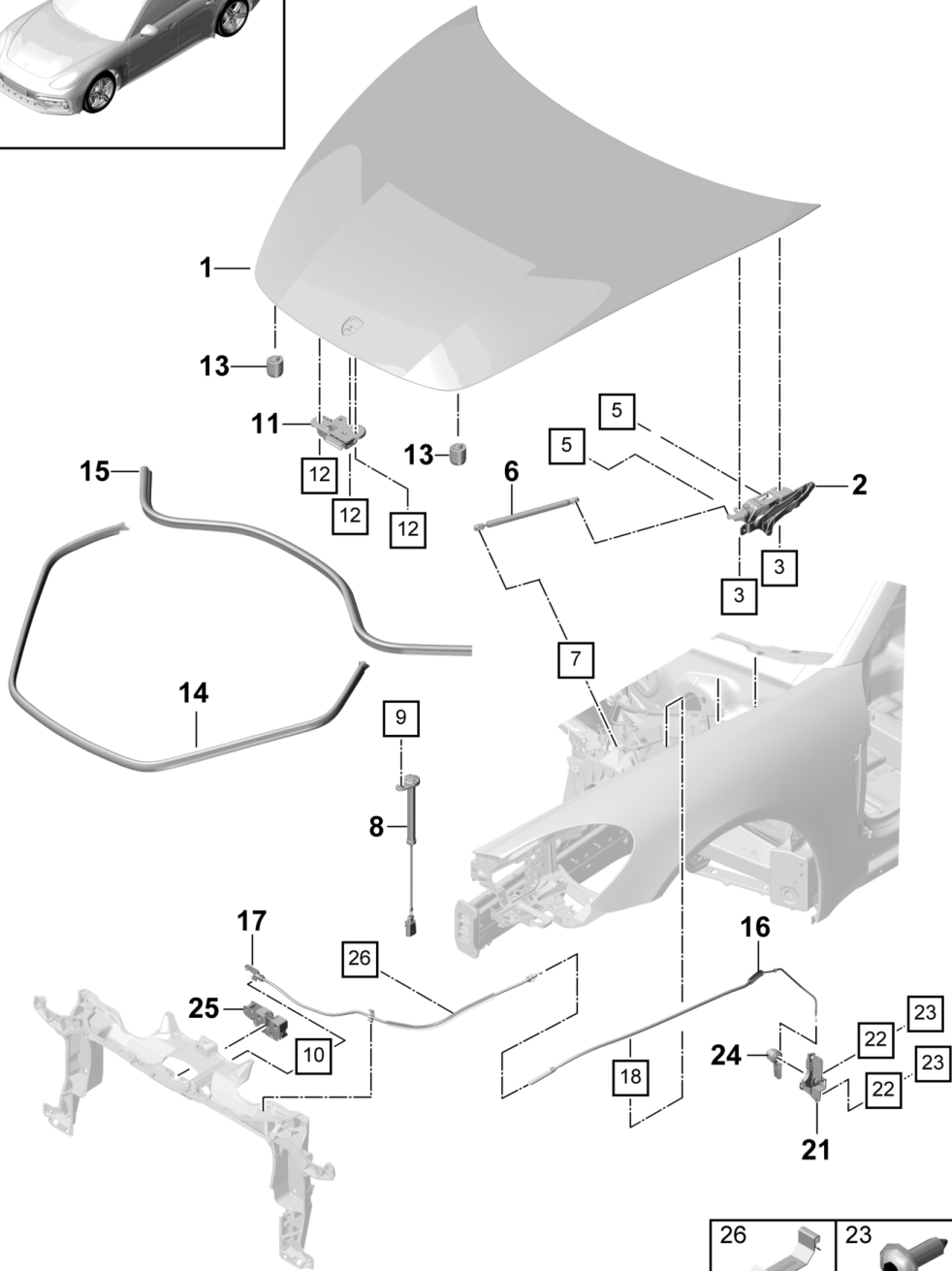
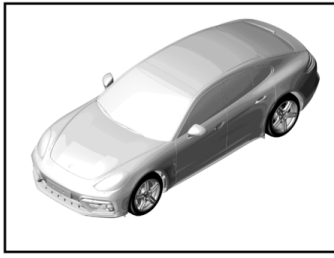
Model: 971-17

Model life 2017>>

Pos	Part Number	Description	Remark	Qty	Model
1	971 803 184	Bumper reinforcement Rear Bracket		1	I0K0/1D0/1D7
2	971 803 184 A	Rear Bracket		1	Hybrid I0K3/1D0
4	9A7 911 964 02	Rear Hexagon-head bolt M10X35		8	

Model: 971-17

Model life 2017>>



22	18	12	10	9	7	5	3
						26	23

Model: 971-17

Model life 2017>>

Pos	Part Number	Description	Remark	Qty	Model
1	971 823 031 BY	Lid Front Lid Use also: WHT.004.974 000.043.305.51		1 2 1	
2	971 823 031 BY GRV	Prime coated		1	
(2)	971 823 295 Y	Hinge	/L	1	
	971 823 295 Y GRV	Prime coated		1	
	971 823 296 Y	Hinge	/R	1	
	971 823 296 Y GRV	Prime coated		1	
3	N 907 611 03	Nut M 8		4	
5	N 912 056 01	Hexagon-head bolt M 8		8	
6	298 823 359	Gas-pressure spring	/L /R	2	
7	9A7 827 439	Ball pin	/L /R	2	
8	971 823 823 A	Actuator	/L /R	2	
9	N 106 532 01	Hexagon-head bolt M6X16	/L /R	2	
10	9A7 971 830 00	Support 12,20X6,20	/L /R	2	
11	1T0 823 480 B	Hook		1	
12	N 908 877 03	Hexagon nut		3	
13	971 823 499	Rubber buffer		2	
14	971 823 727	Gasket		1	
15	971 823 737	Engine compartment Gasket		1	
16	971 823 531	Lid-release cable	/LL	1	ILOL
(16)	971 823 532	Lid-release cable	/RL	1	ILOL
17	971 823 535 A	Bowden cable	/LL	1	ILOL
(17)	971 823 536 A	Bowden cable	/RL	1	ILOL
18	N 105 079 01	Cable holder		X	
21	971 823 633	Bearing bracket	/LL	1	ILOL
21	971 823 633 A	Lid-release cable Bearing bracket	/RL	1	ILOL
22	N 909 946 01	Expander nut Bearing bracket		2	
23	N 106 795 01	4,8X10 Oval-head sheetmetal screw		2	
24	971 823 533	ST 4,8 X 16 Actuating lever	/LL	1	ILOL
	971 823 533 1E0	Black			+AB, +AC
	971 823 533 OP1	Agate Grey			+DG, +DL
	971 823 533 4H0	Luxor Beige			+UB, +PK, +BP
	971 823 533 OM8	Saddle Tan			+UC
	971 823 533 3G0	Marsala Red			+SB, +BS
	971 823 533 OG6	Bordeaux Red			+PC
	971 823 533 OL8	Chalk			+BB
	971 823 533 5J0	Cream			+BK
(24)	971 823 533 A	Actuating lever	/RL	1	ILOL
	971 823 533 A 1E0	Black			+AB, +AC
	971 823 533 A OP1	Agate Grey			+DG, +DL
	971 823 533 A 4H0	Luxor Beige			+UB, +PK, +BP
	971 823 533 A OM8	Saddle Tan			+UC
	971 823 533 A 3G0	Marsala Red			+SB, +BS
	971 823 533 A OG6	Bordeaux Red			+PC
	971 823 533 A OL8	Chalk			+BB
					+BK

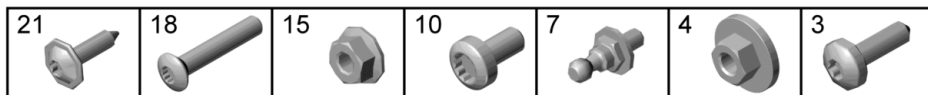
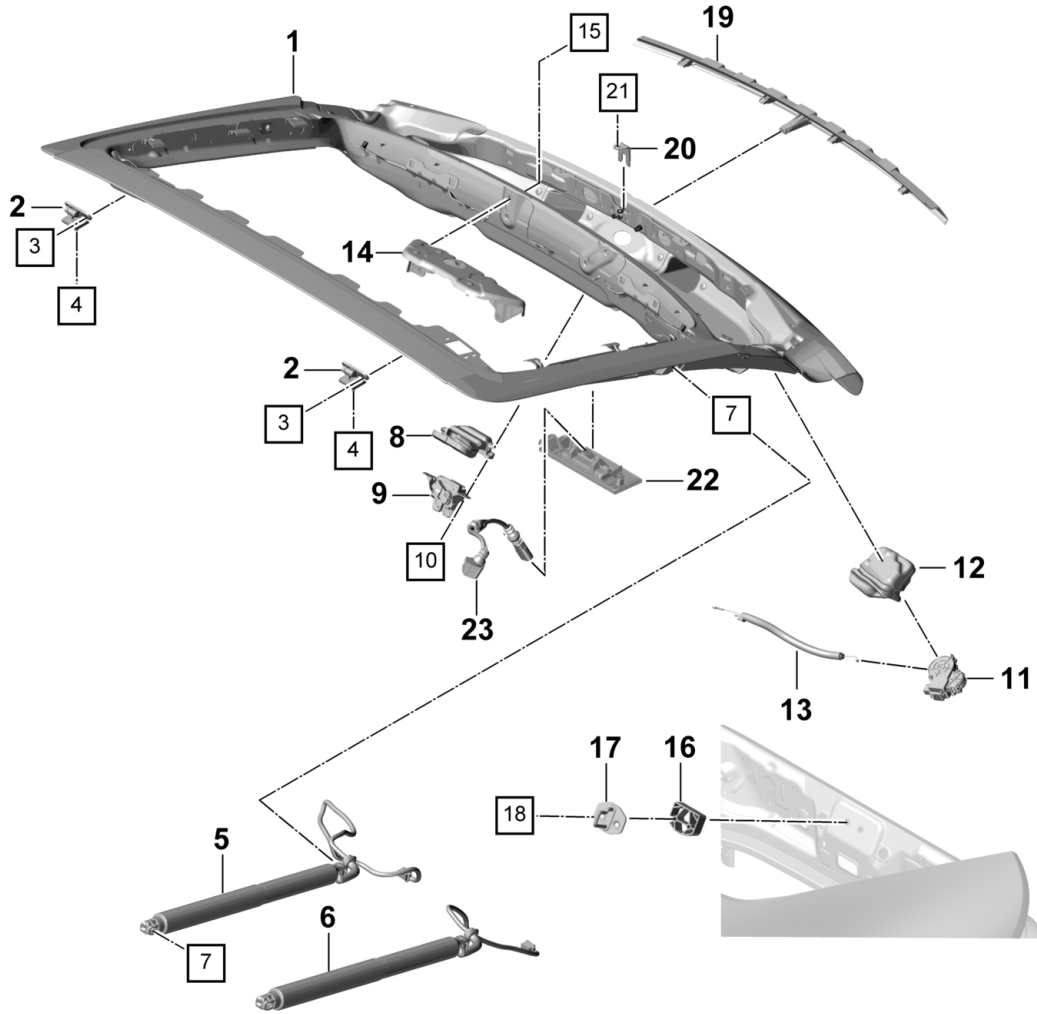
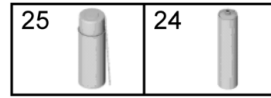
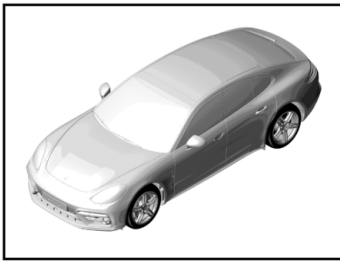
Model: 971-17

Model life 2017>>

Pos	Part Number	Description	Remark	Qty	Model
	971 823 533 A 5J0	Cream			+BE
25	1K1 823 509 E	Lock lower part		1	
26	999 507 903 01	Cable clamp Lid-release cable		1	

Model: 971-17

Model life 2017>>



Model: 971-17 Model life 2017>>

Pos	Part Number	Description	Remark	Qty	Model
1	971 827 025 Y	Rear lid Lid Rear lid Use also: 971.853.041 971.854.327.A 9A7.007.983 971.827.459 971.827.460 000.043.305.51 000.043.305.32		1	IK8S
2	971 827 025 Y GRV 971 827 299	Prime coated Hinge		2	
3	N 910 968 01	Lens-head screw M 8 X 20		4	
4	N 905 115 05	Combined nut M 8		4	
5	971 827 851	Actuator Damper		2	IA8C/A8F
6	971 827 851 A	Actuator Damper		2	IA8H/8M1
7	9A7 827 850	Ball pin		X	
8	971 827 379	Insulation Lock		1	
9	971 827 447	Lock		1	
10	N 909 624 01	Screw M8X16		2	
11	971 827 888	Driving mechanism Closing aid		1	
12	971 827 227	Protection cap Closing aid		1	
13	971 827 535	Bowden cable Closing aid		1	
14	971 827 055 A	Support Wiper motor		1	
15	N 015 082 10	Hexagon nut M 6		4	
16	971 813 499 A	Adapter Catch bar		1	
17	971 827 517 A	Catch bar		1	
18	N 106 585 01	Multiple-tooth screw M 8 X 45		4	
19	971 827 044 A	Cover Rear lid Black		1	
20	971 827 649	Use also: 971.827.649. Clamp Anti-theft protection		1	
21	N 909 747 01	Oval-head sheetmetal screw TP 5 X 16		4	
22	971 959 539	Frame Tip switch Rear lid Outer		1	I7X2
(22)	971 959 539 1E0 971 959 539 A	Black Frame Tip switch Rear lid Outer		1	I7X8
	971 959 539 A 1E0	Black without Spray nozzle			

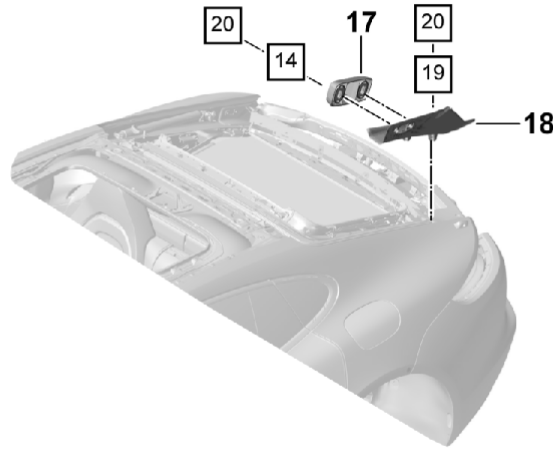
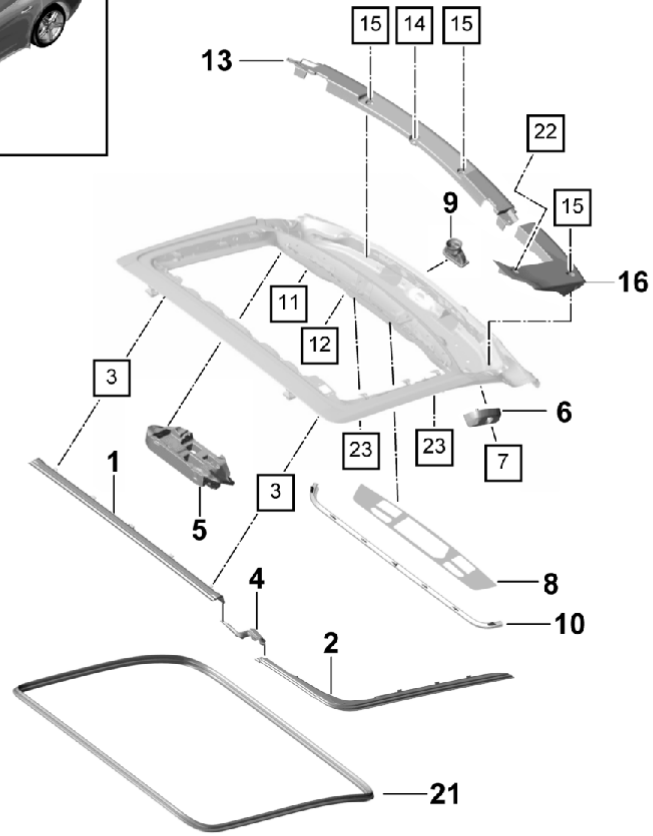
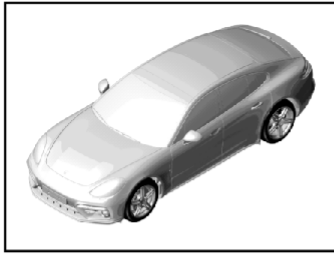
Model: 971-17

Model life 2017>>

Pos	Part Number	Description	Remark	Qty	Model
(22)	971 959 539 C	D >> 05.09.2016 Frame Tip switch Rear lid Outer		1	I8A4
	971 959 539 C 1E0	Black without Spray nozzle			
(22)	971 959 539 D	D >> 05.09.2016 Frame Tip switch Rear lid Outer		1	I7X8
	971 959 539 D 1E0	Black with Spray nozzle			
(22)	971 959 539 E	Frame Tip switch Rear lid Outer		1	I8A4
	971 959 539 E 1E0	Black with Spray nozzle			
23	000 043 990 17	Adapter Cable Tip switch Rear lid See technical information SY 4316		1	
24	000 043 305 32	Sealing compound 300 ML		1	
25	000 043 305 51	Cavity preservation Spraying can 400 ML		X	

Model: 971-17

Model life 2017>>



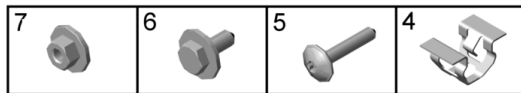
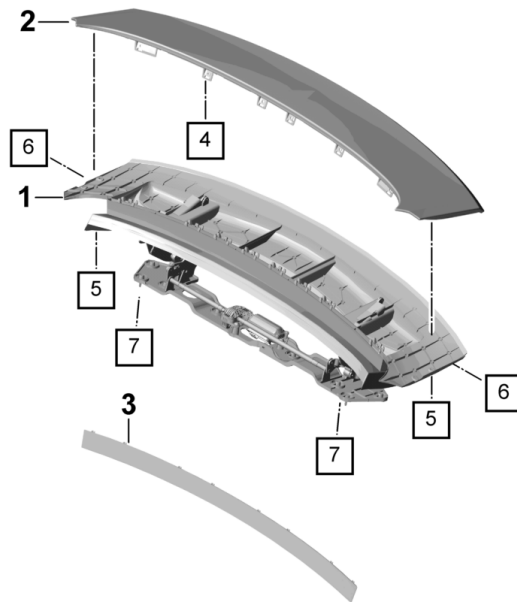
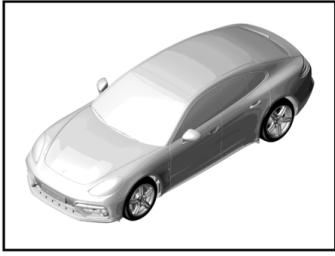
20	19	15	14	12	11	23	22
						7	3

Model: 971-17 Model life 2017>>

Pos	Part Number	Description	Remark	Qty	Model
1	971 827 594	Gaskets Sound absorber Rear lid Gasket Centre Upper		1	
2	971 827 459 A	Gasket Left		1	
(2)	971 827 460 A	Gasket Right		1	
3	9A7 007 983	Stopper 6,0X13,7		X	
4	971 827 785	Damping piece Left		1	
(4)	971 827 786	Damping piece Right		1	
5	971 827 715	Damping piece		1	
6	971 827 683	Guide piece Left		1	
(6)	971 827 684	Guide piece Right		1	
7	N 104 514 12	Screw M6X16		X	
8	971 853 041 A 971 853 041 A OK1	Decorative film Black mat		1	
9	9A7 512 267 00	Water drain sleeve	/L	1	
(9)	9A7 512 268 00	Water drain sleeve	/R	1	
10	971 854 327 A	Water drain strip Centre		1	
11	971 827 069	Sound absorber Stopper		2	
12	298 805 822	Mounting		2	
13	971 827 344	Cover Rear lid Centre		1	
14	N 910 540 01	Combination screw M6X22		1	
15	N 911 585 01	Expansion rivet 6,5X12,3		X	
16	971 827 339 A	Cover Left		1	
(16)	971 827 340 A	Cover Right		1	
17	971 827 679 A	Guide wedge Right		1	
18	971 827 597 A	Cover Lateral Left		1	
(18)	971 827 598 A	Cover Lateral Right		1	
19	N 104 056 04	Oval-head screw M6X14		4	
20	971 827 751	Cover M6X14		4	
21	971 827 705 A	Gasket Rear lid		1	
22	N 910 742 01	Fastening screw M6X14		2	
23	298 804 676	Locking segment Buffer		2	

Model: 971-17

Model life 2017>>



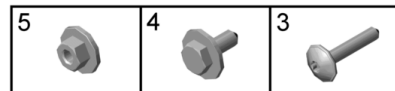
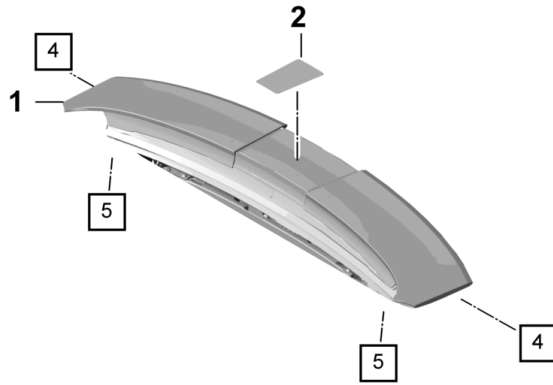
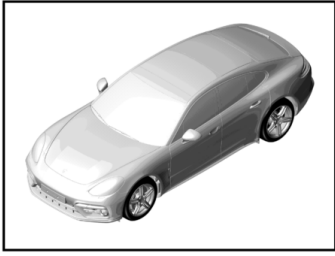
Model: 971-17

Model life 2017>>

Pos	Part Number	Description	Remark	Qty	Model
1	971 827 677	Rear spoiler Rear spoiler Complete with Driving mechanism without Upper part		1	IA8C/A8F IA8C/A8F
2	971 827 933 Y 971 827 933 Y G2X	Upper part Upper part Prime coated		1	IA8C/A8F
3	971 827 257 B	Trim cover		1	IA8C/A8F
4	958 555 190 00	Clamp for Trim cover		8	
5	N 911 821 01	Oval-head screw M6X 32		2	
6	N 103 210 03	Combination screw M6X16		7	
7	N 911 733 01	Combined nut M6		2	

Model: 971-17

Model life 2017>>



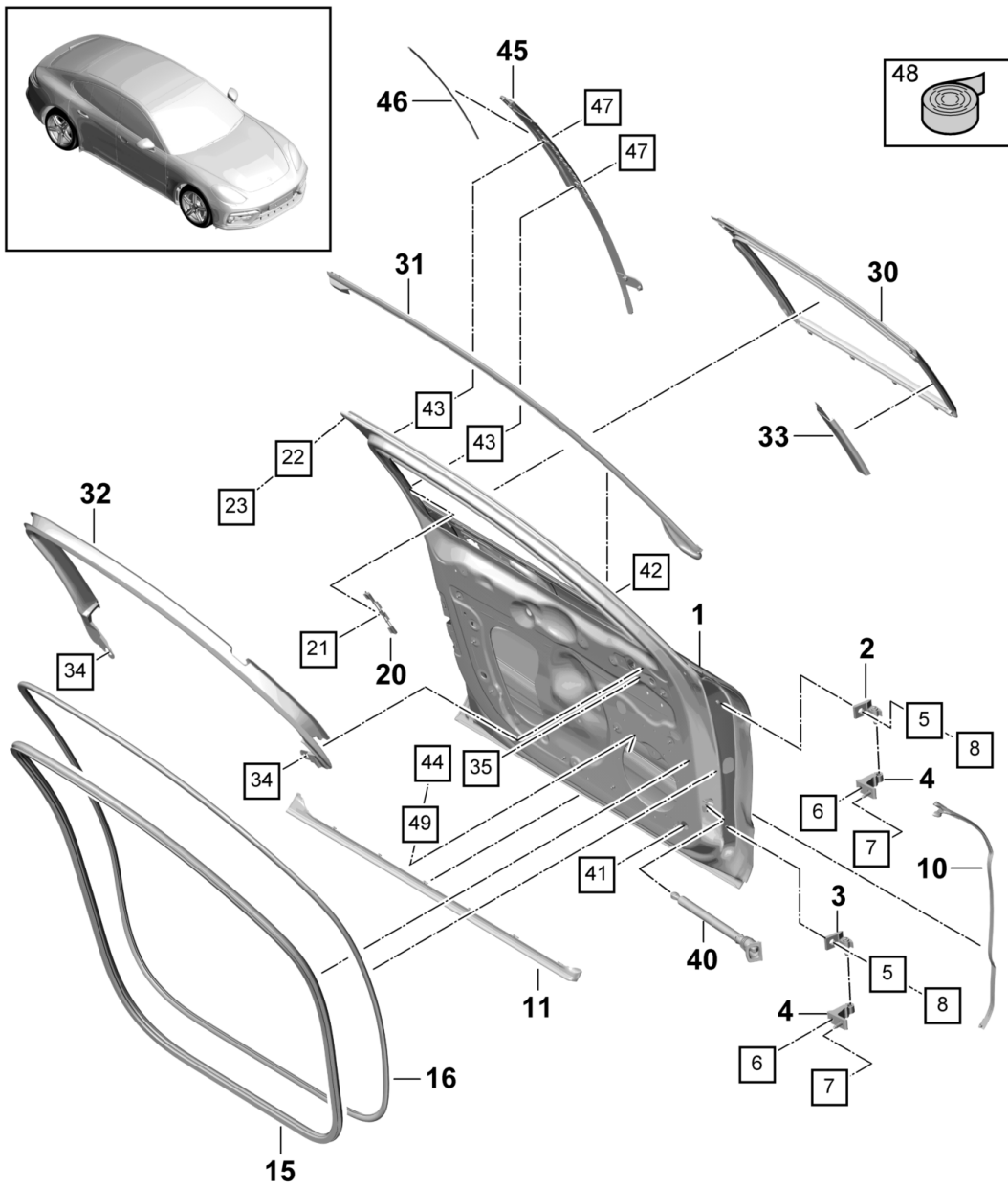
Model: 971-17

Model life 2017>>

Pos	Part Number	Description	Remark	Qty	Model
1	971 827 678 AY 971 827 678 AY G2X	Rear spoiler 2D+ SPOILER Rear spoiler Prime coated Complete with Accessories		1	IA8H
2	971 853 405 Y	Protective film for Centre part Upper		1	IA8H
3	N 911 821 01	Oval-head screw M6X 32		2	
4	N 103 210 03	Combination screw M6X16		7	
5	N 911 733 01	Combined nut M6		2	

Model: 971-17

Model life 2017>>



	49	47	44	43	42	41	35
34	23	22	21	8	7	6	5

Model: 971-17 Model life 2017>>

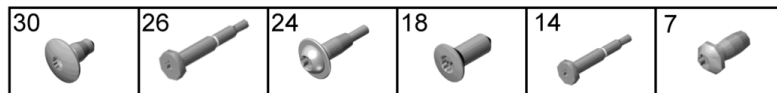
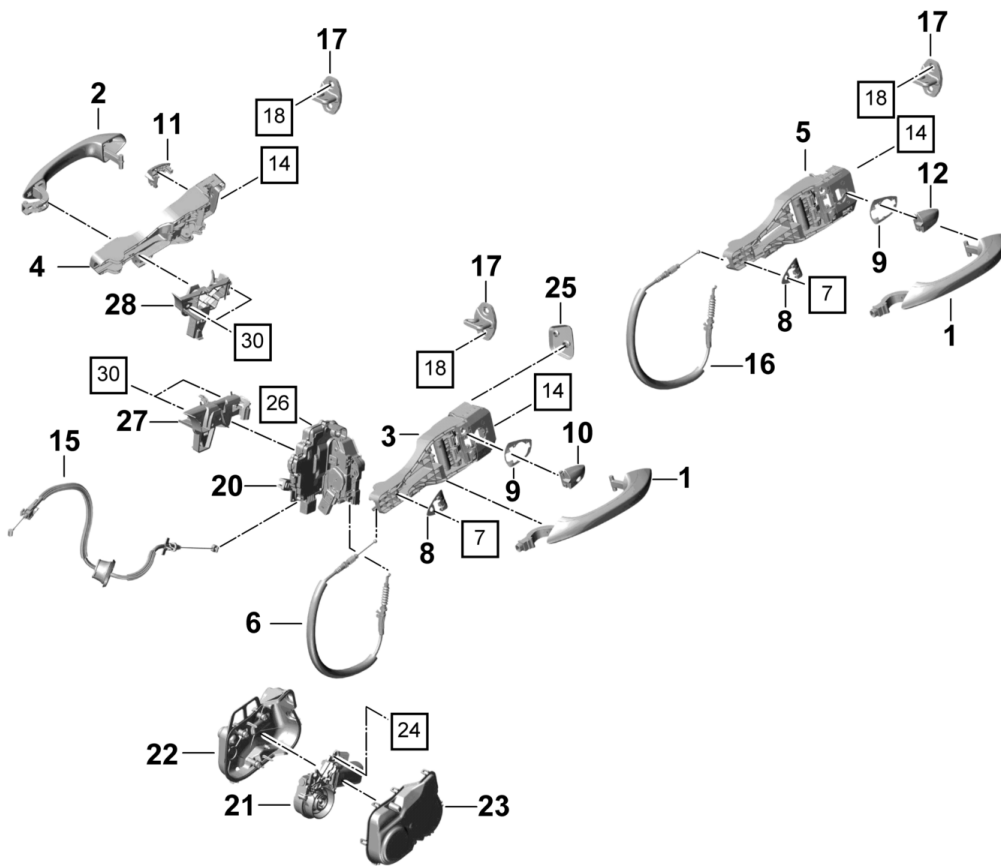
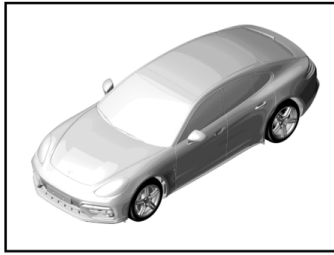
Pos	Part Number	Description	Remark	Qty	Model
1	971 831 021 Y	Gasket Door in white Front Door Front Use also: N .906.531.01 N .910.167.02 N .912.336.01 971.837.911 971.837.773 000.043.305.51 958.537.437.40	/L	1	
(1)	971 831 021 Y GRV 971 831 022 Y	Prime coated Door Front Use also: N .906.531.01 N .910.167.02 N .912.336.01 971.837.911 971.837.774 000.043.305.51 958.537.437.40	/R	1	
2	971 831 022 Y GRV 9A7 833 407 01	Prime coated Hinge Door Upper	/L	2	
(2)	9A7 833 408 01	Hinge Door Upper	/R	2	
3	9A7 833 405 01	Hinge Door Lower	/L	2	
(3)	9A7 833 406 01	Hinge Door Lower	/R	2	
4	9A7 831 403 00	Hinge Bodyshell	/L	2	
(4)	9A7 831 404 00	Hinge Bodyshell	/R	2	
5	9A7 831 701 00	Screw M 10 X 34		8	
6	9A7 001 234 00	Hexagon-head bolt M 10 X 34		4	
7	9A7 004 869 00	Combined nut		4	
8	958 537 947 00	Cap		4	
10	971 837 773	Gasket Door Front	/L	1	
(10)	971 837 774	Gasket Door Front	/R	1	
11	971 837 511	Gasket Door Lower	/L	1	
(11)	971 837 512	Gasket Door Lower	/R	1	
15	971 831 721 A	Door seal Inner	/L	1	
(15)	971 831 722 A	Door seal Inner	/R	1	

Model: 971-17 Model life 2017>>

Pos	Part Number	Description	Remark	Qty	Model
16	971 837 911	Door seal Outer Information available		1	
20	971 837 073	Clamp		2	
21	N 906 531 01	Rivet		2	
22	N 910 167 02	Blind rivet nut		4	
23	N 107 760 01	Hexagon socket head bolt		6	
30	971 837 431	Window guide Door Front	/L	1	
(30)	971 837 432	Window guide Door Front	/R	1	
31	971 837 119 A	Gasket Moulding Outer	/L	1	
(31)	971 837 120 A	Gasket Moulding Outer	/R	1	
32	971 867 321	Lining Window frame	/L	1	
(32)	971 867 321 1E0	Black			
	971 867 322	Lining Window frame	/R	1	
	971 867 322 1E0	Black			
33	971 867 587	Lining Window frame Bar	/L	1	
(33)	971 867 587 1E0	Black			
	971 867 588	Lining Window frame Bar	/R	1	
(34)	971 867 588 1E0	Black			
35	N 905 417 01	Clip		2	
40	9A7 860 385 00	Stop		1	
(40)	971 837 179	Door arrester	/L	1	
	971 837 180	Door arrester	/R	1	
41	9A7 007 989 00	Round head screw		1	
42	N 910 167 02	Blind rivet nut M5		1	
43	N 912 336 01	Blind rivet nut M5		2	
44	9A7 007 864 00	Ball pin M8		1	
45	971 853 183	Cover B-pillar	/L	1	
(45)	971 853 184	Cover B-pillar	/R	1	
46	971 837 565	Gasket B-pillar	/L	1	
(46)	971 837 566	Gasket B-pillar	/R	1	
47	N 106 847 01	Oval-head screw		6	
48	958 537 437 40	Adhesive tape		1	
49	N 906 312 02	Blind rivet nut M8		1	

Model: 971-17

Model life 2017>>



Model: 971-17

Model life 2017>>

Pos	Part Number	Description	Remark	Qty	Model
1	971 837 205	Door handle Door lock Front and rear Door handle	/L	1	-IQJ2/-IQJ4 -IQJ5/-I4F2 -I4F6
(1)	971 837 205 G2X 971 837 205 AY	Prime coated Door handle	/L	1	IQJ2/QJ5/4F2 I4F6
(1)	971 837 205 AY G2X 971 837 205 BY 971 837 205 BY G2X	Prime coated Door handle Prime coated	/L	1	IQJ4/4F2/4F6
2	971 837 206	Door handle	/R	1	-IQJ2/-IQJ4 -IQJ5/-I4F2 -I4F6
(2)	971 837 206 G2X 971 837 206 AY	Prime coated Door handle	/R	1	IQJ2/QJ5/4F2 I4F6
(2)	971 837 206 AY G2X 971 837 206 BY 971 837 206 BY G2X	Prime coated Door handle Prime coated	/R	1	IQJ4/4F2/4F6
3	971 800 375 DY	Set of locks Supporting bow with stipulated lock number with lock cylinder with keys Chassis number Indicate		1	IL0L/4I6/4I8
(3)	971 800 375 FY	Set of locks Supporting bow with stipulated lock number with lock cylinder with keys Chassis number Indicate		1	IL0L/4F2/4F6
(3)	971 800 375 EY	Set of locks Supporting bow with stipulated lock number with lock cylinder with keys Chassis number Indicate		1	IL0R/4I6/4I8
(3)	971 800 375 GY	Set of locks Supporting bow with stipulated lock number with lock cylinder with keys Chassis number Indicate		1	IL0R/4F2/4F6
4	971 839 886 B	Supporting bow Passenger's side		1	IL0L/4I6/4I8
(4)	971 839 885 B	Supporting bow Passenger's side		1	IL0R/4I6/4I8
(4)	971 839 886 C	Supporting bow Passenger's side		1	IL0L/4F2/4F6
(4)	971 839 885 C	Supporting bow Passenger's side		1	IL0R/4F2/4F6
5	971 839 885 B	Supporting bow Rear	/L	1	I4I6/4I8
(5)	971 839 886 B	Supporting bow Rear	/R	1	I4I6/4I8
(5)	971 839 885 C	Supporting bow Rear	/L	1	I4F2/4F6

Model: 971-17 Model life 2017>>

Pos	Part Number	Description	Remark	Qty	Model
(5)	971 839 886 C	Supporting bow Rear	/R	1	I4F2/4F6
6	971 837 017	Bowden cable Supporting bow		1	
7	N 911 768 01	Screw		2	
8	971 837 209	Desk pad Front	/L	2	
(8)	971 837 210	Desk pad Front	/R	2	
9	971 837 277	Desk pad Rear	/L	2	
(9)	971 837 278	Desk pad Rear	/R	2	
10	971 837 329	Protection cap Door lock Driver's side	/LL /L	1	IL0L
(10)	971 837 330	Protection cap Door lock Driver's side	/RL /R	1	IL0R
11	971 839 329	Protection cap Door lock	/LL /R	1	IL0L
(11)	971 839 330	Protection cap Door lock Passenger's side	/RL /L	1	IL0R
12	971 839 329	Protection cap Door lock Rear	/L	1	
(12)	971 839 330	Protection cap Door lock Rear	/R	1	
14	WHT 003 688	Combination screw		8	
15	971 837 085	Bowden cable Front		2	
16	971 839 085	Bowden cable Rear		2	I0E1
(16)	971 839 085 A	Bowden cable Rear		2	I0E2
17	9A7 837 033 00	Catch bar		4	
18	N 910 174 02	Countersunk-head screw		8	
20	9A7 837 315 00	Door lock Driver's side Front		1	IGZ0/L0L/3V1 I4F2/4I6/8T3
(20)	9A7 837 215 05	Door lock Driver's side Front		1	-I3V1/-I8T3 IGZ0/L0L/4F6 I4I8
(20)	971 837 015 C	Door lock Driver's side Front		1	IGZ2/L0L/4F2 I4I6
(20)	9A7 837 216 05	Door lock Passenger's side Front		1	IGZ0/L0L/4F2 I4I6
(20)	971 837 016 C	Door lock Passenger's side Front		1	IGZ2/L0L/4F2 I4I6
(20)	9A7 839 115 06	Door lock		1	IGZ0/L0L/4F2 I4I6

Model: 971-17 Model life 2017>>

Pos	Part Number	Description	Remark	Qty	Model
(20)	971 839 015 B	Driver's side Rear Door lock		1	IGZ2/L0L/4F2 I4I6
(20)	9A7 839 116 06	Driver's side Rear Door lock		1	IGZ0/L0L/4F2 I4I6
(20)	971 839 016 B	Passenger's side Rear Door lock		1	IGZ2/L0L/4F2 I4I6
(20)	9A7 837 616 00	Passenger's side Rear Door lock		1	IGZ0/L0R/3V1 I4F2/4I6/8T3
(20)	9A7 837 416 05	Driver's side Front Door lock		1	-I3V1/-I8T3 IGZ0/L0R/4F2 I4I6
(20)	971 837 016 D	Driver's side Front Door lock		1	IGZ2/L0R/4F2 I4I6
(20)	9A7 837 415 05	Driver's side Front Door lock		1	IGZ0/L0R/4F2 I4I6
(20)	971 837 015 D	Passenger's side Front Door lock		1	IGZ2/L0R/4F6 I4I8
(20)	9A7 839 116 06	Passenger's side Front Door lock		1	IGZ0/L0R/4F2 I4I6
(20)	971 839 016 B	Driver's side Rear Door lock		1	IGZ2/L0R/4F2 I4I6
(20)	9A7 839 115 06	Driver's side Rear Door lock		1	IGZ0/L0R/4F2 I4I6
(20)	971 839 015 B	Passenger's side Rear Door lock		1	IGZ2/L0R/4F2 I4I6
21	4F0 837 059	Passenger's side Rear Driving mechanism	/L	1	IGZ2
(21)	4F0 837 060	Driving mechanism	/R	1	IGZ2
22	971 837 101	Plate	/L	1	IGZ2
(22)	971 837 102	Plate	/R	1	IGZ2
23	971 837 877	Lid Plate	/L	1	IGZ2
(23)	971 837 878	Lid Plate	/R	1	IGZ2
24	N 908 170 03	Oval-head screw		6	IGZ2
25	971 837 111	Cap Door latch	/L	1	
(25)	971 837 112	Cap	/R	1	

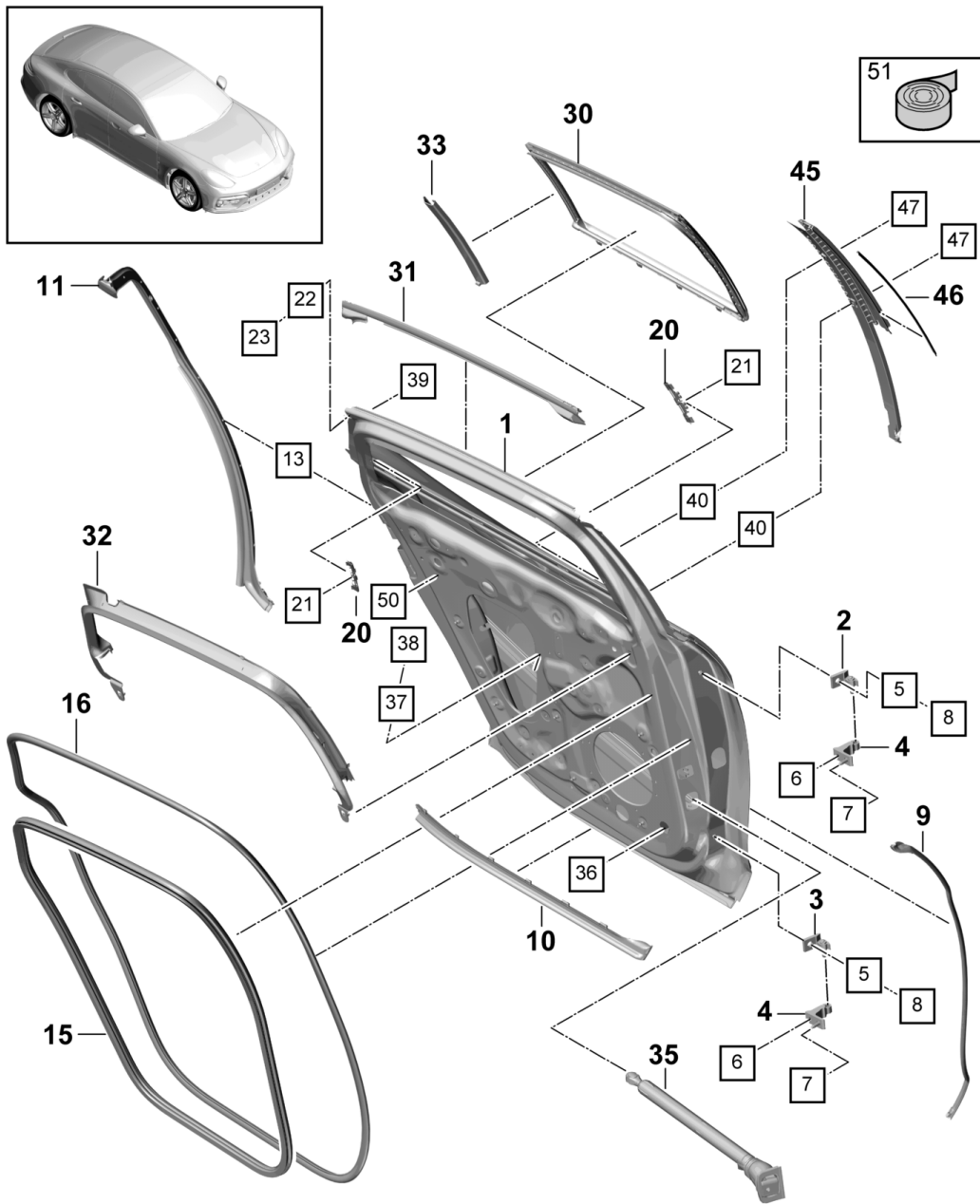
Model: 971-17

Model life 2017>>

Pos	Part Number	Description	Remark	Qty	Model
26	9A7 004 084 00	Door latch Combination screw Door handle Driver's side		1	
27	971 837 895 A	Support	/L	1	
28	971 837 896 A	Support	/R	1	
30	WHT 003 688	Combination screw		2	

Model: 971-17

Model life 2017>>



50	47	40	39	38	37	36
23	22	21	13	8	7	6
5	4	3	2	1	10	15
9	6	7	5	8	5	8

Model: 971-17 Model life 2017>>

Pos	Part Number	Description	Remark	Qty	Model
1	971 833 021 Y	Gasket Door in white Rear Door Rear Use also: N .906.531.01 N .910.167.02 N .912.336.01 971.839.911 971.853.823 971.839.773 000.043.305.51 958.537.437.40 N .105.977.01	/L	1	-IK8D/I0E1
(1)	971 833 021 Y GRV 971 833 022 Y	Prime coated Door Rear Use also: N .906.531.01 N .910.167.02 N .912.336.01 971.839.911 971.853.823 971.839.773 000.043.305.51 958.537.437.40 N .105.977.01	/R	1	-IK8D/I0E1
(1)	971 833 022 Y GRV 971 833 021 AY	Prime coated Door Rear Use also: N .906.531.01 N .910.167.02 N .912.336.01 971.839.911.A 971.853.823 971.839.773 000.043.305.51 958.537.437.40 N .105.977.01	/L	1	-IK8D/I0E2
(1)	971 833 021 AY GRV 971 833 022 AY	Prime coated Door Rear Use also: N .906.531.01 N .910.167.02 N .912.336.01 971.839.911.A 971.853.823 971.839.773 000.043.305.51 958.537.437.40 N .105.977.01	/R	1	-IK8D/I0E2
1	971 833 022 AY GRV 974 833 021 Y	Prime coated Door Rear Use also: N .906.531.01 N .910.167.02 N .912.336.01 971.839.911 971.853.823	/L	1	IK8D

Model: 971-17 Model life 2017>>

Pos	Part Number	Description	Remark	Qty	Model
		971.839.773		1	
		000.043.305.51		1	
		958.537.437.40		1	
		N .105.977.01		3	
(1)	974 833 021 Y GRV	Prime coated			
	974 833 022 Y	Door	/R	1	IK8D
		Rear			
		Use also:			
		N .906.531.01		2	
		N .910.167.02		1	
		N .912.336.01		2	
		971.839.911		1	
		971.853.823		1	
		971.839.773		1	
		000.043.305.51		1	
		958.537.437.40		1	
		N .105.977.01		3	
	974 833 022 Y GRV	Prime coated			
2	9A7 833 407 01	Hinge	/L	2	
		Door			
(2)	9A7 833 408 01	Upper Hinge	/R	2	
		Door			
3	9A7 833 405 01	Upper Hinge	/L	2	
		Door			
(3)	9A7 833 406 01	Lower Hinge	/R	2	
		Door			
4	9A7 831 403 00	Lower Hinge	/L	2	
(4)	9A7 831 404 00	Bodyshell Hinge	/R	2	
		Bodyshell			
5	9A7 831 701 00	Screw		8	
		M 10 X 34			
6	9A7 001 234 00	Hexagon-head bolt		4	
		M 8 X 20			
7	9A7 004 869 00	Combined nut		4	
8	958 537 947 00	Cap		8	
9	971 839 773	Gasket	/L	1	
		Door			
(9)	971 839 774	Front Gasket	/R	1	
		Door			
10	971 839 863	Front Gasket	/L	1	I0E1
		Door			
(10)	971 839 864	Lower Gasket	/R	1	I0E1
		Door			
(10)	971 839 863 A	Lower Gasket	/L	1	I0E2
		Door			
(10)	971 839 864 A	Lower Gasket	/R	1	I0E2
		Door			
(11)	971 839 775	Lower Gasket	/L	1	
		Door			
(11)	971 839 776	Rear Gasket	/R	1	
		Door			

Model: 971-17 Model life 2017>>

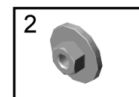
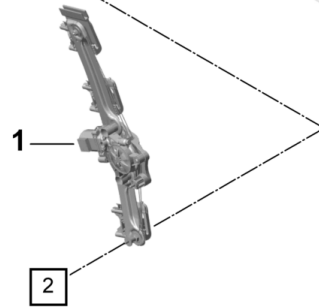
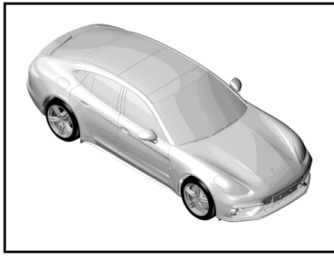
Pos	Part Number	Description	Remark	Qty	Model
13	971 839 199	Rear Clip		X	
15	971 833 721 A	Door seal Inner	/L	1	IOE1
(15)	971 833 722 A	Door seal Inner	/R	1	IOE1
15	971 833 721 C	Door seal Inner	/L	1	IOE2
(15)	971 833 722 C	Door seal Inner	/R	1	IOE2
16	971 839 911	Door seal Outer		1	IOE1
(16)	971 839 911 A	Information available Door seal Outer Information available		1	IOE2
20	971 837 073	Clamp		2	
21	N 906 531 01	Rivet		2	
22	N 910 167 02	Blind rivet nut		4	
23	N 107 760 01	Hexagon socket head bolt		6	
30	971 839 431	Window guide	/L	1	IOE1
(30)	971 839 432	Window guide	/R	1	IOE1
(30)	971 839 431 A	Window guide	/L	1	IOE2
(30)	971 839 432 A	Window guide	/R	1	IOE2
(30)	974 839 431 A	Window guide	/L	1	IK8D
(30)	974 839 432 A	Window guide	/R	1	IK8D
31	971 839 119 B	Gasket Moulding Upper	/L	1	IOE1
(31)	971 839 120 B	Gasket Moulding Upper	/R	1	IOE1
(31)	971 839 119 C	Gasket Moulding Upper	/L	1	IOE2
(31)	971 839 120 C	Gasket Moulding Upper	/R	1	IOE2
32	971 867 455	Lining Window frame	/L	1	IOE1
(32)	971 867 455 1E0	Black			
(32)	971 867 456	Lining Window frame	/R	1	IOE1
(32)	971 867 456 1E0	Black			
(32)	971 867 455 A	Lining Window frame	/L	1	IOE2
(32)	971 867 455 A 1E0	Black			
(32)	971 867 456 A	Lining Window frame	/R	1	IOE2
(32)	971 867 456 A 1E0	Black			
(32)	974 867 455	Lining Window frame	/L	1	IK8D
(32)	974 867 455 1E0	Black			
(32)	974 867 456	Lining Window frame	/R	1	IK8D
(32)	974 867 456 1E0	Black			
33	971 867 603	Lining Window frame	/L	1	IOE1
(33)	971 867 603 1E0	Black			
(33)	971 867 604	Lining Window frame	/R	1	IOE1
(33)	971 867 604 1E0	Black			
(33)	971 867 603 A	Lining	/L	1	-I3Y7/-I3Y8

Model: 971-17 Model life 2017>>

Pos	Part Number	Description	Remark	Qty	Model
		Window frame			I0E2
	971 867 603 A 1E0	Black			
(33)	971 867 604 A	Lining	/R	1	-I3Y7/-I3Y8 I0E2
		Window frame			
	971 867 604 A 1E0	Black			
33	971 867 603 B	Lining	/L	1	I0E2/3Y7/3Y8
		Window frame			
	971 867 603 B 1E0	Black			
33	971 867 604 B	Lining	/r	1	I0E2/3Y7/3Y8
		Window frame			
	971 867 604 B 1E0	Black			
35	971 839 179 A	Door arrester	/L	1	
(35)	971 839 180 A	Door arrester	/R	1	
36	WHT 007 989	Round head screw		1	
37	N 906 312 02	Blind rivet nut M8		1	
38	9A7 007 864 00	Ball pin M8		1	
39	N 910 167 02	Blind rivet nut M5		1	
40	N 912 336 01	Blind rivet nut M5		2	
45	971 853 289	Cover	/L	1	
		B-pillar			
(45)	971 853 290	Cover	/R	1	
		B-pillar			
46	971 839 671	Gasket	/L	1	
		B-pillar			
(46)	971 839 672	Gasket	/R	1	
		B-pillar			
47	N 106 847 01	Oval-head screw		6	
50	971 839 111	Grommet		1	
51	958 537 437 40	Adhesive tape		1	
52	971 839 793 A	Reinforcement	/L	1	I0E1
(52)	971 839 794 A	Reinforcement	/R	1	I0E1
(52)	971 839 793 B	Reinforcement	/L	1	I0E2
(52)	971 839 794 B	Reinforcement	/R	1	I0E2
53	N 909 101 02	Hexagon socket head bolt	/R	3	
54	N 105 977 01	Blind rivet nut		3	

Model: 971-17

Model life 2017>>



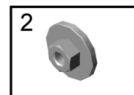
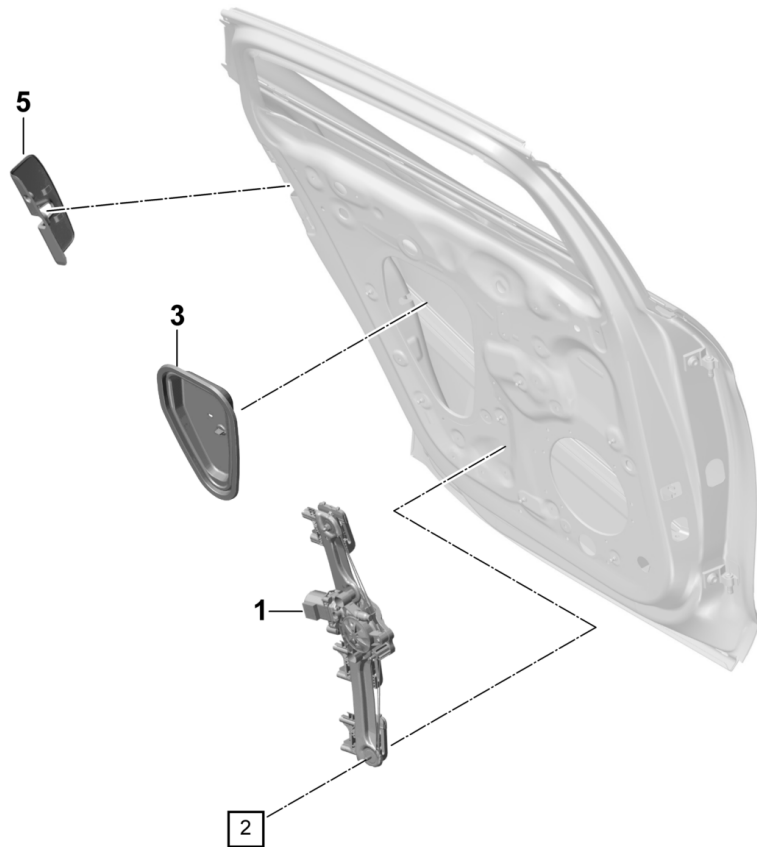
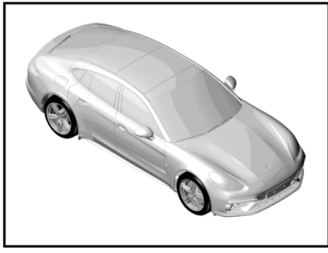
Model: 971-17

Model life 2017>>

Pos	Part Number	Description	Remark	Qty	Model
		Power windows			
		Door			
		Front			
1	971 837 401	Power windows	/L	1	
(1)	971 837 402	Power windows	/R	1	
2	N 905 708 02	Hexagon nut		4	
3	971 837 915	Cover	/L	1	
		Door			
(3)	971 837 916	Cover	/R	1	
		Door			
4	958 537 437 40	Adhesive tape		1	
		40 X 4000 MM			
		Black			
5	971 837 349	Cover	/L	1	
		Door lock			
(5)	971 837 350	Cover	/R	1	
		Door lock			

Model: 971-17

Model life 2017>>



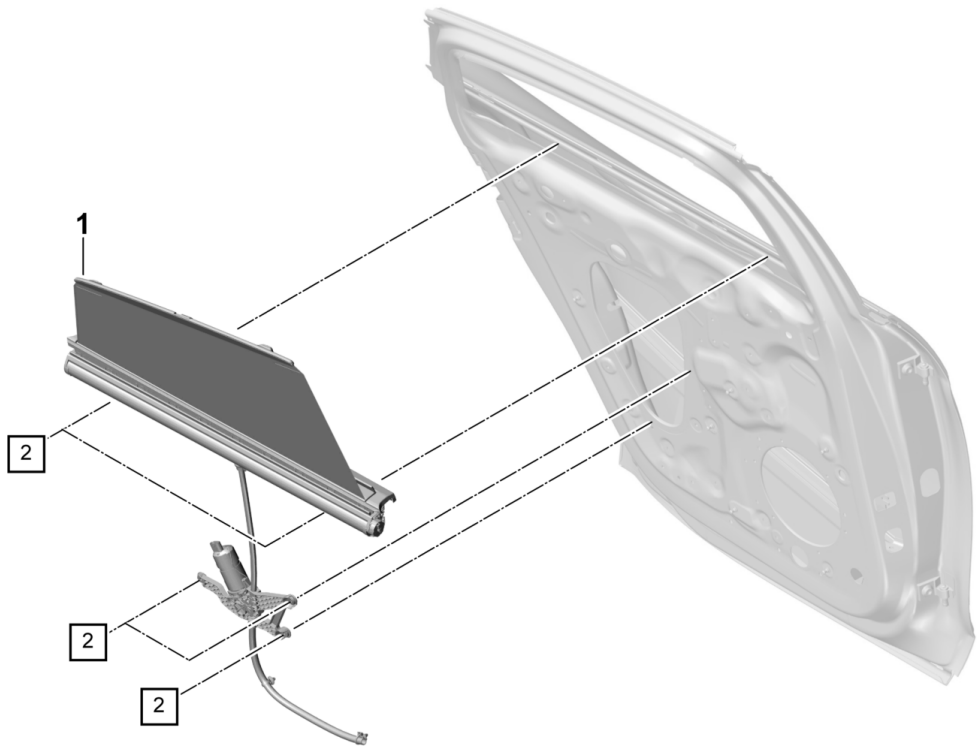
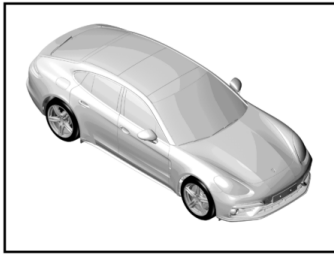
Model: 971-17

Model life 2017>>

Pos	Part Number	Description	Remark	Qty	Model
		Power windows			
		Door			
		Rear			
1	971 839 401	Power windows	/L	1	
(1)	971 839 402	Power windows	/R	1	
2	N 905 708 02	Hexagon nut		4	
3	971 839 349	Cover	/L	1	IGZ2
		Door			
(3)	971 839 350	Cover	/R	1	IGZ2
		Door			
(3)	971 839 349 A	Cover	/L	1	IGZ0
		Door			
(3)	971 839 350 A	Cover	/R	1	IGZ0
		Door			
4	958 537 437 40	Adhesive tape		1	
		40 X 4000 MM			
		Black			
5	971 839 349	Cover	/L	1	
		Door lock			
(5)	971 839 350	Cover	/R	1	
		Door lock			

Model: 971-17

Model life 2017>>



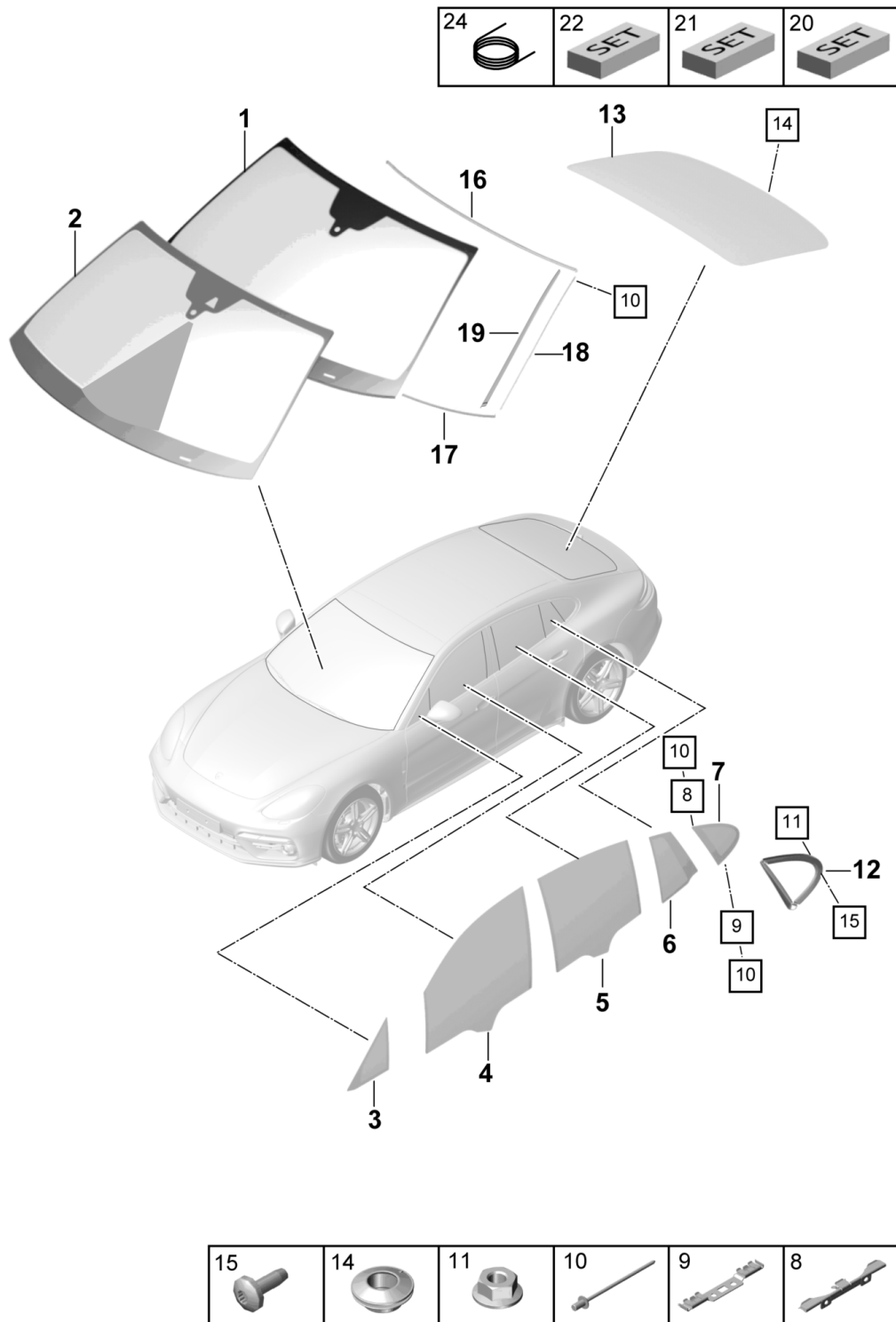
Model: 971-17

Model life 2017>>

Pos	Part Number	Description	Remark	Qty	Model
		Shade			I3Y7/3Y8
1	971 861 333 B	Rear window			
		Shade	/L	1	I0E1
	971 861 333 B 5Q0	Rear window			+AB +PK +AC
		Black			+BB +BS +BK
	971 861 333 B OA6	Agate Grey			+DG +DL
	971 861 333 B 6W0	Luxor Beige			+UB +UC
	971 861 333 B OL7	Saddle Tan			+SB +BP
	971 861 333 B 7X0	Marsala Red			+PC +BE
(1)	971 861 334 B	Shade	/R	1	I0E1
		Rear window			
	971 861 334 B 5Q0	Black			+AB +PK +AC
					+BB +BS +BK
	971 861 334 B OA6	Agate Grey			+DG +DL
	971 861 334 B 6W0	Luxor Beige			+UB +UC
	971 861 334 B OL7	Saddle Tan			+SB +BP
	971 861 334 B 7X0	Marsala Red			+PC +BE
(1)	971 861 333 A	Shade	/L	1	I0E2
		Rear window			
	971 861 333 A 5Q0	Black			+AB +PK +AC
					+BB +BS +BK
	971 861 333 A OA6	Agate Grey			+DG +DL
	971 861 333 A 6W0	Luxor Beige			+UB +UC
	971 861 333 A OL7	Saddle Tan			+SB +BP
	971 861 333 A 7X0	Marsala Red			+PC +BE
(1)	971 861 334 A	Shade	/R	1	I0E2
		Rear window			
	971 861 334 A 5Q0	Black			+AB +PK +AC
					+BB +BS +BK
	971 861 334 A OA6	Agate Grey			+DG +DL
	971 861 334 A 6W0	Luxor Beige			+UB +UC
	971 861 334 A OL7	Saddle Tan			+SB +BP
	971 861 334 A 7X0	Marsala Red			+PC +BE
2	N 911 809 01	Oval-head screw		5	
		M5X20			

Model: 971-17

Model life 2017>>



Model: 971-17 Model life 2017>>

Pos	Part Number	Description	Remark	Qty	Model
1		window glazing Windscreen without Camera			
1	971 845 099 R	Windscreen without Camera Use also: 000.043.305.35		1	I4GC
(1)	971 845 099 S	Windscreen without Camera Use also: 000.043.305.35		1	I4GK
2		Windscreen with Camera		1	
2	971 845 099 T	Windscreen with Camera Use also: 000.043.305.35		1	I4GC
(2)	971 845 099 AA	Windscreen with Camera Use also: 000.043.305.35		1	I4GK
(2)	971 845 099 AB	Windscreen with Camera Use also: 000.043.305.35		1	IB0L/4GK
3		Triangular plate Door Front		1	
3	971 845 113	Side window Door Front	/L	1	I4KC/4KF
(3)	971 845 114	Side window Door Front	/R	1	I4KC/4KF
3	971 845 113 A	Side window Door Front	/L	1	IVW5/VW6
(3)	971 845 114 A	Side window Door Front	/R	1	IVW5/VW6
4		Side window Doors Front			
4	971 845 019	Door window glass	/L	1	I4KC/4KF
(4)	971 845 020	Door window glass	/R	1	I4KC/4KF
4	971 845 019 A	Door window glass	/L	1	IVW5/VW6
(4)	971 845 020 A	Door window glass	/R	1	IVW5/VW6
5		Side window Doors Rear			
5	971 845 317	Door window glass	/L	1	I0E1/4KC
5	971 845 318	Door window glass	/R	1	I0E1/4KC
5	971 845 317 A	Door window glass	/L	1	IVW5/0E1
5	971 845 318 A	Door window glass	/R	1	IVW5/0E1
5	971 845 317 B	Door window glass	/L	1	IVW6/0E1
5	971 845 318 B	Door window glass	/R	1	IVW6/0E1

Model: 971-17

Model life 2017>>

Pos	Part Number	Description	Remark	Qty	Model
5	971 845 317 C	Door window glass	/L	1	IOE1/4KF
5	971 845 318 C	Door window glass	/R	1	IOE1/4KF
5	971 845 317 D	Door window glass	/L	1	IOE2/4KC
5	971 845 318 D	Door window glass	/R	1	IOE2/4KC
5	971 845 317 E	Door window glass	/L	1	IVW5/0E2
5	971 845 318 E	Door window glass	/R	1	IVW5/0E2
5	971 845 317 J	Door window glass	/L	1	IVW6/0E2
5	971 845 318 J	Door window glass	/R	1	IVW6/0E2
5	971 845 317 G	Door window glass	/L	1	IOE2/4KF
5	971 845 318 G	Door window glass	/R	1	IOE2/4KF
6		Triangular plate Door Rear			
6	971 845 025	Side window Door Rear	/L	1	IOE1/4KC
6	971 845 026	Side window Door Rear	/R	1	IOE1/4KC
6	971 845 025 A	Side window Door Rear	/L	1	IVW5/0E1
6	971 845 026 A	Side window Door Rear	/R	1	IVW5/0E1
6	971 845 025 B	Side window Door Rear	/L	1	IVW6/0E1
6	971 845 026 B	Side window Door Rear	/R	1	IVW6/0E1
6	971 845 025 C	Side window Door Rear	/L	1	IOE1/4KF
6	971 845 026 C	Side window Door Rear	/R	1	IOE1/4KF
6	971 845 025 D	Side window Door Rear	/L	1	IOE2/4KC
6	971 845 026 D	Side window Door Rear	/R	1	IOE2/4KC
6	971 845 025 E	Side window Door Rear	/L	1	IVW5/0E2
6	971 845 026 E	Side window Door Rear	/R	1	IVW5/0E2
6	971 845 025 J	Side window Door Rear	/L	1	IVW6/0E2
6	971 845 026 J	Side window Door Rear	/R	1	IVW6/0E2
6	971 845 025 G	Side window Door Rear	/L	1	IOE2/4KF
6	971 845 026 G	Side window Door Rear	/R	1	IOE2/4KF
7		Rear window Left			

Model: 971-17

Model life 2017>>

Pos	Part Number	Description	Remark	Qty	Model
7	971 845 297 D	Right Side window	/L	1	I4KC
(7)	971 845 298 D	Side window	/R	1	I4KC
(7)	971 845 297 E	Side window	/L	1	IVW5
(7)	971 845 298 E	Side window	/R	1	IVW5
(7)	971 845 297 H	Side window	/L	1	IVW6
(7)	971 845 298 H	Side window	/R	1	IVW6
(7)	971 845 297 G	Side window	/L	1	I4KF
(7)	971 845 298 G	Side window	/R	1	I4KF
8	971 853 910	Clamp Upper		4	
9	971 853 730	Clamp Lower		4	
10	N 906 531 01	Rivet A 3,2 X 6,5		X	
11	N 015 082 10	Hexagon nut M6		X	
12	971 854 699 971 854 699 V09	Cover strip Alushine Anodised	/L	1	IQJ2
(12)	971 854 700 971 854 700 V09	Cover strip Alushine Anodised	/R	1	IQJ2
(12)	971 854 699 A 971 854 699 A 03C	Cover strip Rally black Matte	/L	1	IQJ5
(12)	971 854 700 A 971 854 700 A 03C	Cover strip Rally black Matte	/R	1	IQJ5
(12)	971 854 699 B 971 854 699 B 041	Cover strip High-Gloss Black	/L	1	IQJ4
(12)	971 854 700 B 971 854 700 B 041	Cover strip High-Gloss Black	/R	1	IQJ4
13		Rear window			
13	971 845 051 H	Rear window Use also: 000.043.305.35		1	I4KC/8M0
(13)	971 845 051 J	Rear window Use also: 000.043.305.35		1	I4KC/8M1
(13)	971 845 051 K	Rear window Use also: 000.043.305.35		1	I4KF/8M0
(13)	971 845 051 L	Rear window Use also: 000.043.305.35		1	I4KF/8M1
(13)	971 845 051 M	Rear window Use also: 000.043.305.35		1	IVW5/8M0
(13)	971 845 051 N	Rear window Use also: 000.043.305.35		1	IVW5/8M1
(13)	971 845 051 P	Rear window Use also: 000.043.305.35		1	IVW6/8M0
(13)	971 845 051 Q	Rear window Use also: 000.043.305.35		1	IVW6/8M1
14	971 955 754	Grommet Rear window wiper		1	
15	N 106 847 01	Oval-head screw M5X18		X	
16	971 845 521	Gasket		1	

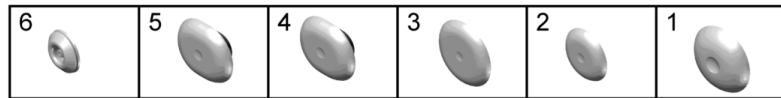
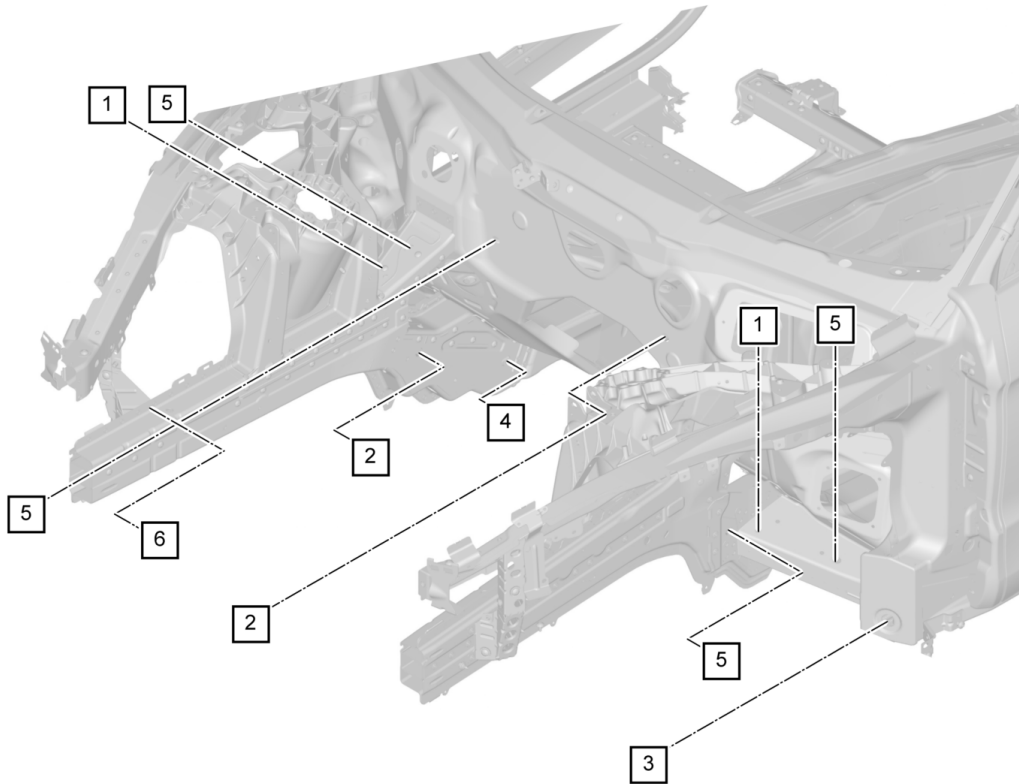
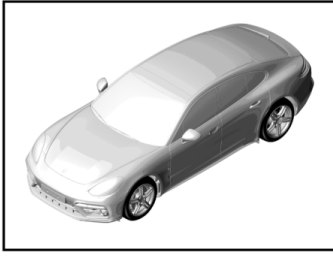
Model: 971-17

Model life 2017>>

Pos	Part Number	Description	Remark	Qty	Model
17	971 845 522	Windscreen Upper Frame Surround		1	
18	971 845 453 A	Windscreen Clamping strip	/L	1	
(18)	971 845 454 A	Windscreen Clamping strip	/R	1	
19	971 854 335 B	Windscreen Water drain strip	/L	1	
(19)	971 854 336 B	Water drain strip	/R	1	
20	000 043 305 35	Adhesive set		1	
21	000 043 205 37	Mixing tube		X	
22	000 043 206 47	Supplement set Car care set		X	
24	000 043 303 32	Side window See technical manual Wire		1	

Model: 971-17

Model life 2017>>



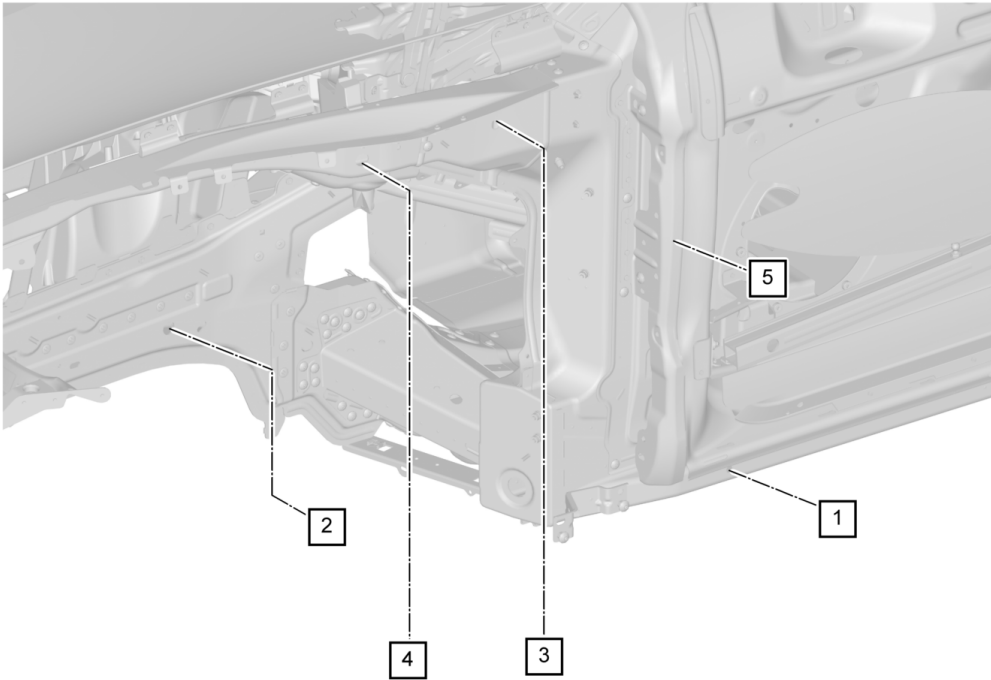
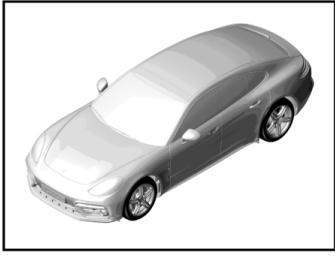
Model: 971-17

Model life 2017>>

Pos	Part Number	Description	Remark	Qty	Model
1	955 504 281 00	Stopper Body front section		X	
2	955 504 182 00	Stopper D10		X	
3	955 504 183 01	Stopper D20		X	
4	955 504 184 00	Stopper D30		X	
5	955 504 185 00	Stopper D20X25		X	
6	9A7 899 182 10	Stopper D15X20		X	
		Stopper D15			

Model: 971-17

Model life 2017>>



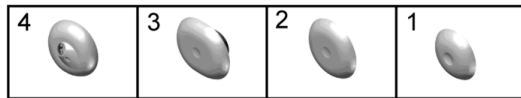
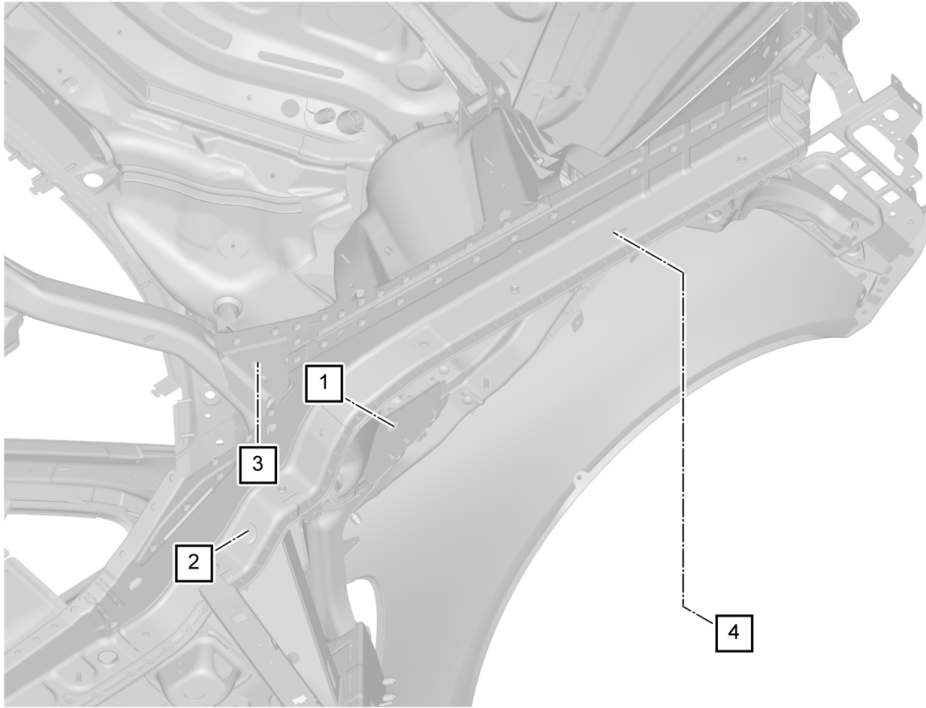
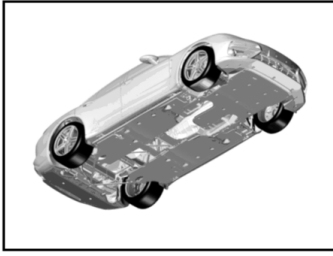
Model: 971-17

Model life 2017>>

Pos	Part Number	Description	Remark	Qty	Model
1	955 504 281 00	Stopper Body front section Lateral		X	
2	955 504 182 00	Stopper D10		X	
3	9A7 899 182 10	Stopper D15		X	
4	955 504 187 00	Stopper D15		X	
5	N 105 151 01	Stopper D25		X	

Model: 971-17

Model life 2017>>



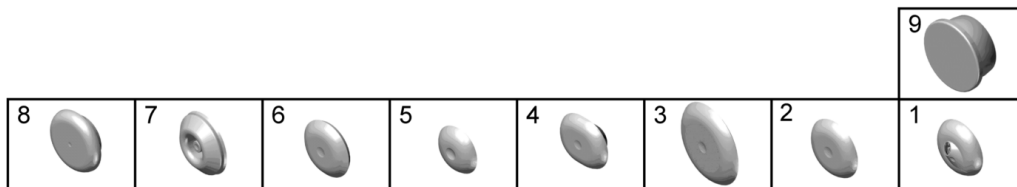
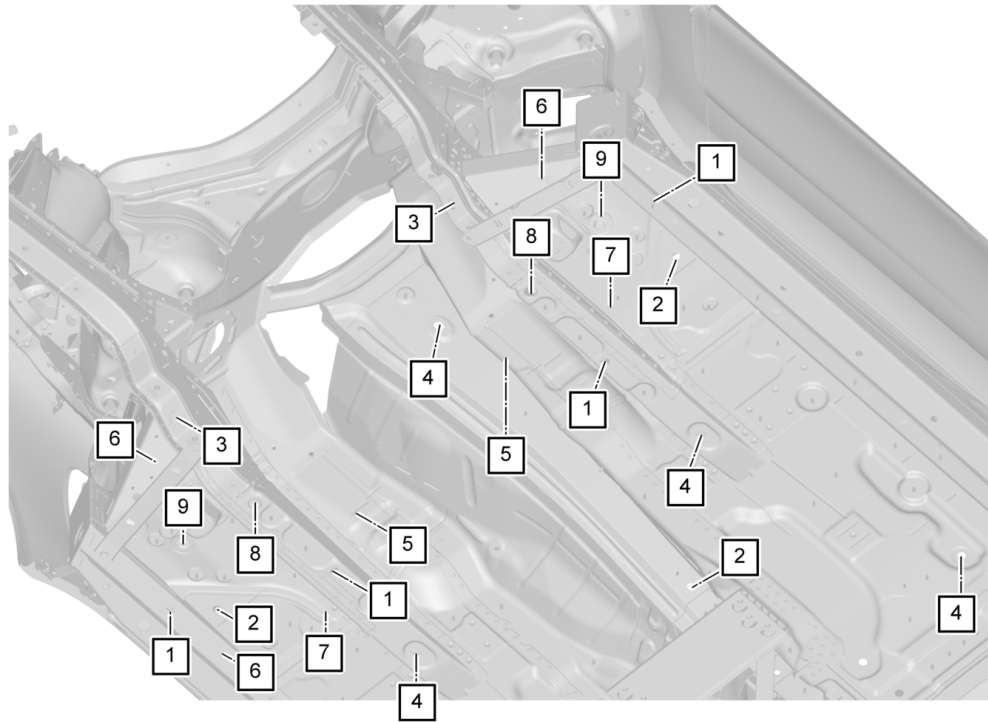
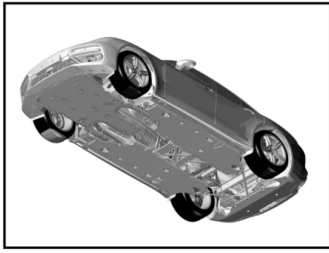
Model: 971-17

Model life 2017>>

Pos	Part Number	Description	Remark	Qty	Model
1	955 504 182 00	Stopper Body front section Inner		X	
2	955 504 183 01	Stopper D10		X	
3	955 504 185 00	Stopper D15X20		X	
4	955 512 188 00	Water drain valve D15		X	

Model: 971-17

Model life 2017>>



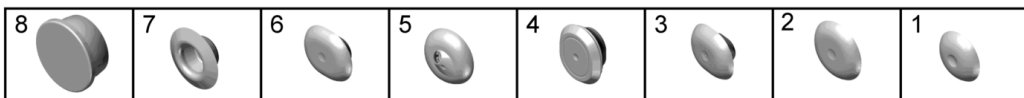
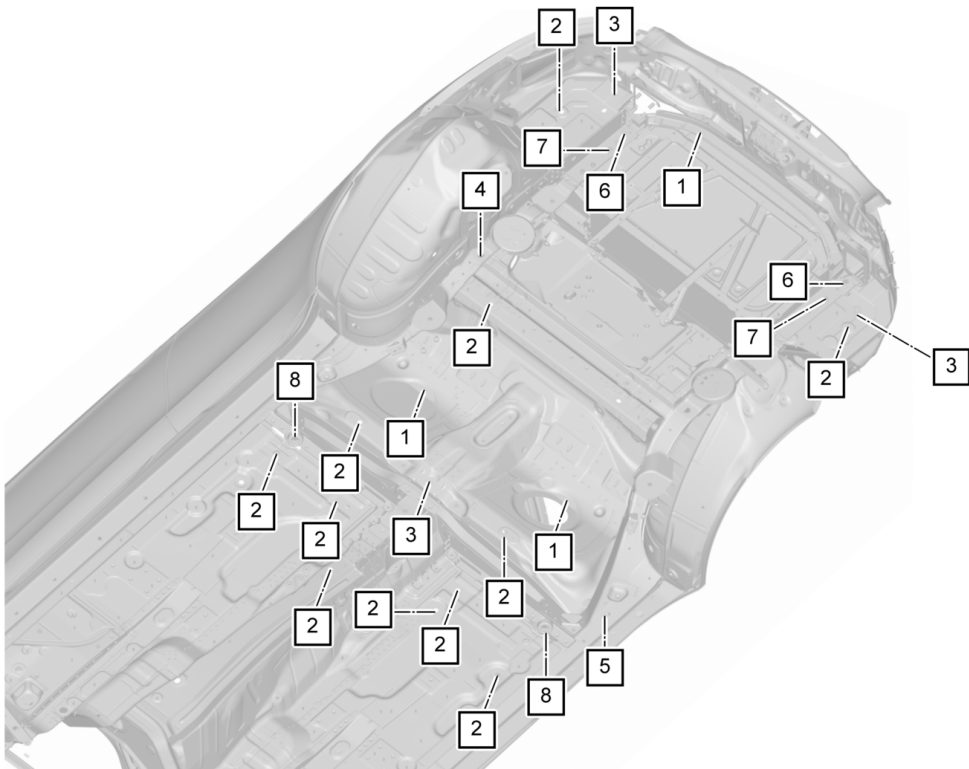
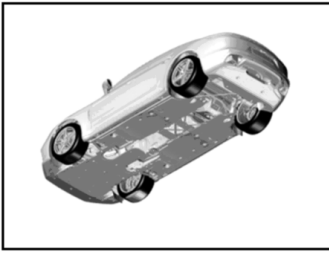
Model: 971-17

Model life 2017>>

Pos	Part Number	Description	Remark	Qty	Model
1	955 512 188 00	Stopper Underbody Front Water drain valve D15		X	
2	955 504 182 00	Stopper D20		X	
3	955 504 183 01	Stopper D30		X	
4	955 504 184 00	Stopper D20X25		X	
5	955 504 281 00	Stopper D10		X	
6	955 504 187 00	Stopper D15		X	
7	9A7 899 182 10	Stopper D15		X	
8	N 105 151 01	Stopper D25		X	
9	N 100 411 01	Lid D30		X	

Model: 971-17

Model life 2017>>



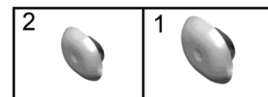
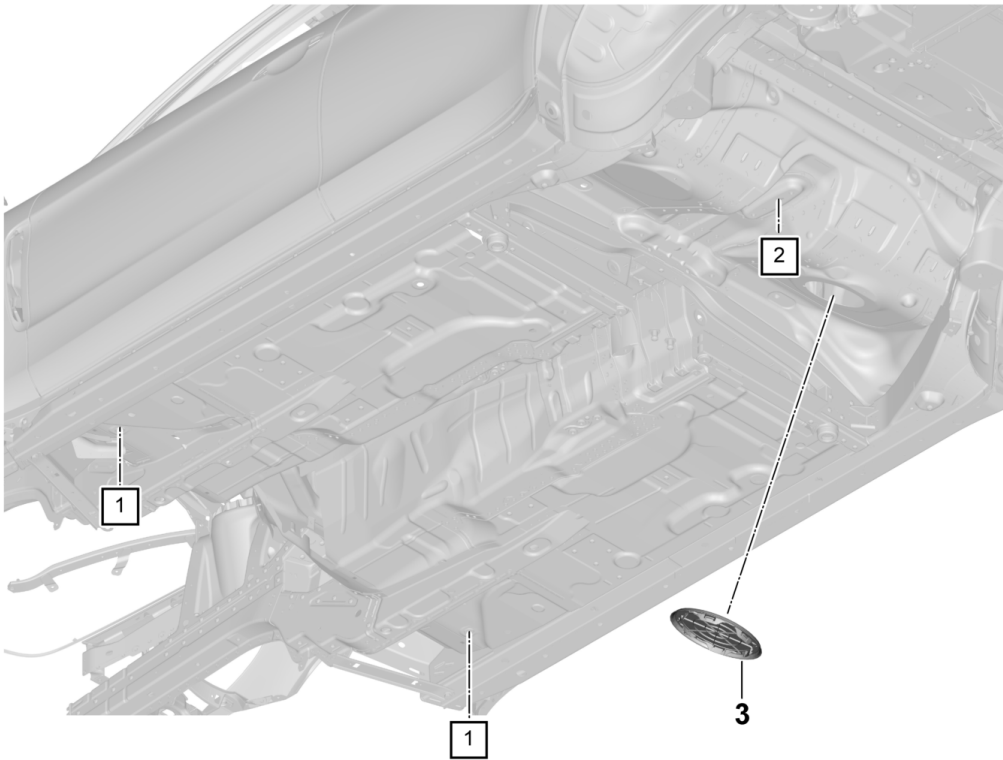
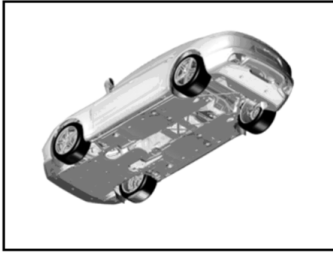
Model: 971-17

Model life 2017>>

Pos	Part Number	Description	Remark	Qty	Model
1	955 504 281 00	Stopper Underbody Rear		X	
2	955 504 182 00	Stopper D10		X	
3	955 504 185 00	Stopper D15X20		X	
4	9A7 008 121 00	Lid D25X30		X	
5	955 512 188 00	Water drain valve D15		X	
6	955 504 184 00	Stopper D20X25		X	
7	9A7 007 758 00	Stopper D25X30		X	
8	N 100 411 01	Lid D30		X	

Model: 971-17

Model life 2017>>



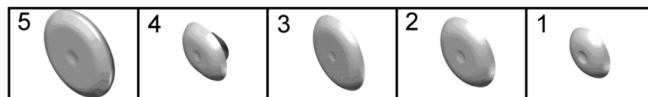
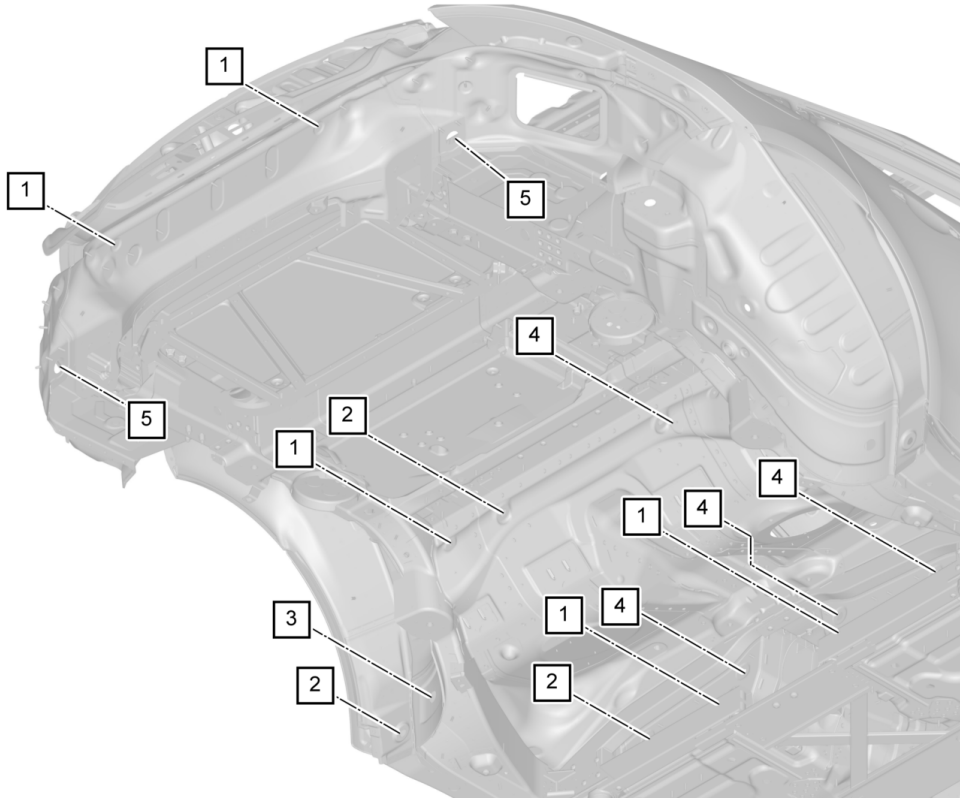
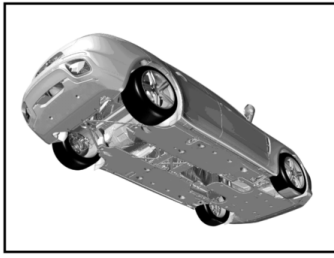
Model: 971-17

Model life 2017>>

Pos	Part Number	Description	Remark	Qty	Model
1	955 504 184 00	Stopper Vehicle Inner Stopper D20X25		X	
2	955 504 185 00	Stopper D15X20		X	
3	298 201 063	Lid		X	

Model: 971-17

Model life 2017>>



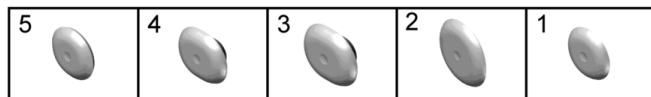
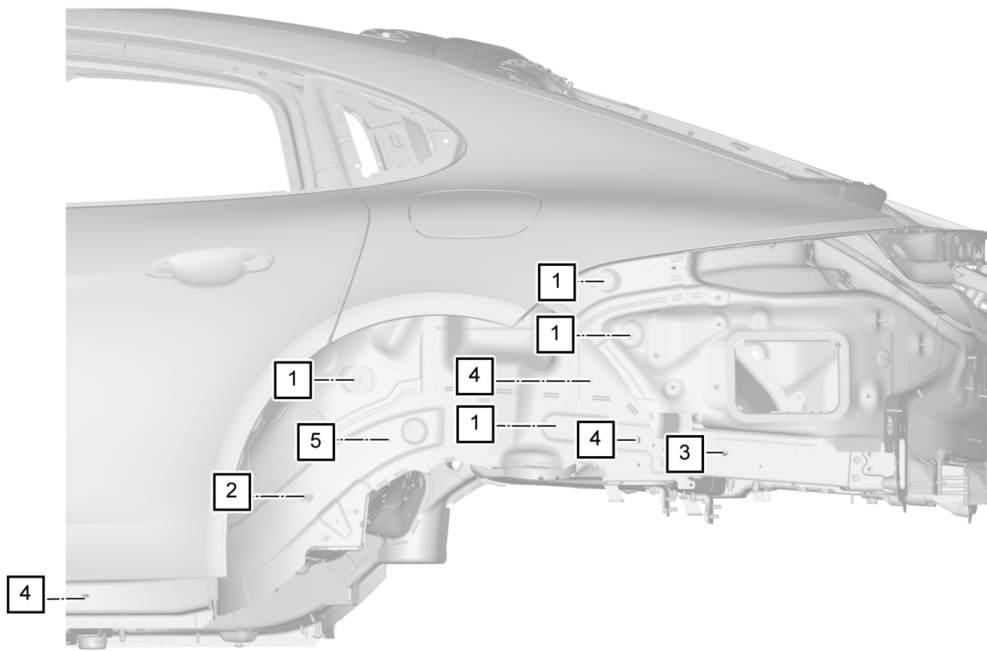
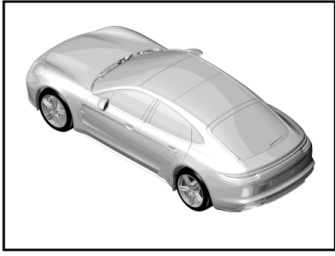
Model: 971-17

Model life 2017>>

Pos	Part Number	Description	Remark	Qty	Model
1	955 504 281 00	Stopper Rear end		X	
2	955 504 182 00	Stopper D10		X	
3	955 504 183 01	Stopper D20		X	
4	955 504 185 00	Stopper D30		X	
5	9A7 899 191 00	Stopper D15X20		X	
		Lid D40			

Model: 971-17

Model life 2017>>



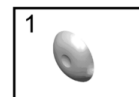
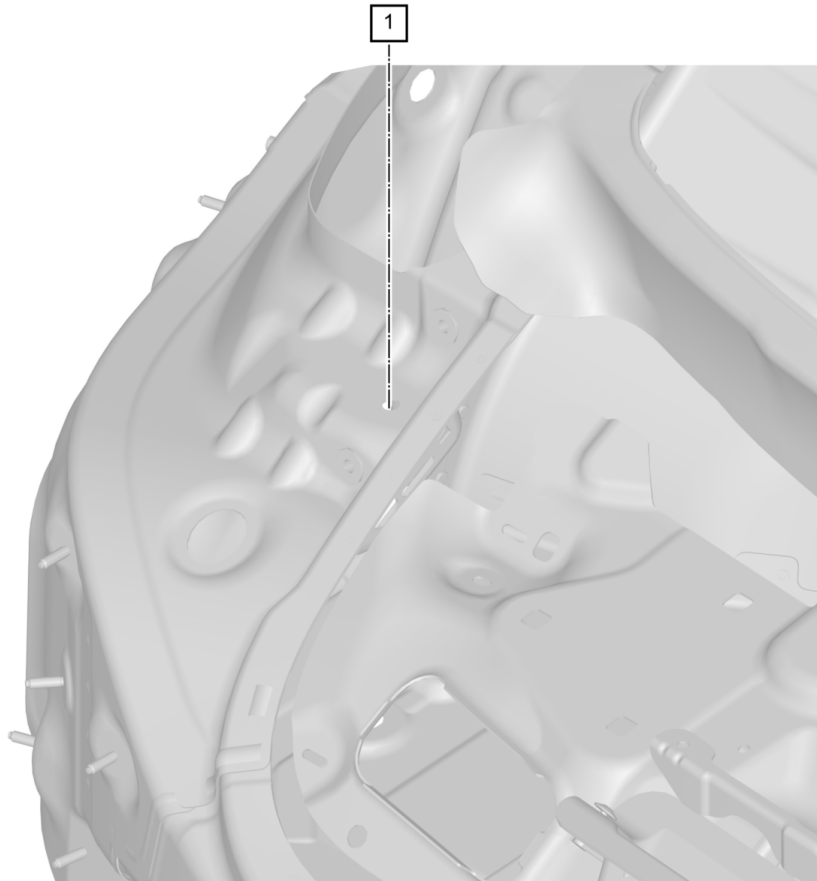
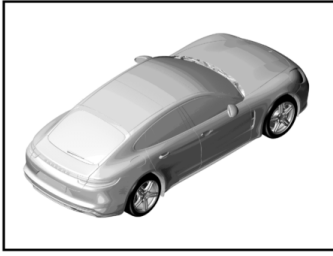
Model: 971-17

Model life 2017>>

Pos	Part Number	Description	Remark	Qty	Model
1	955 504 182 00	Stopper Body front section		X	
2	955 504 183 01	Stopper D20		X	
3	955 504 184 00	Stopper D30		X	
4	955 504 185 00	Stopper D20X25		X	
5	955 504 187 00	Stopper D15X20		X	
		Stopper D15			

Model: 971-17

Model life 2017>>



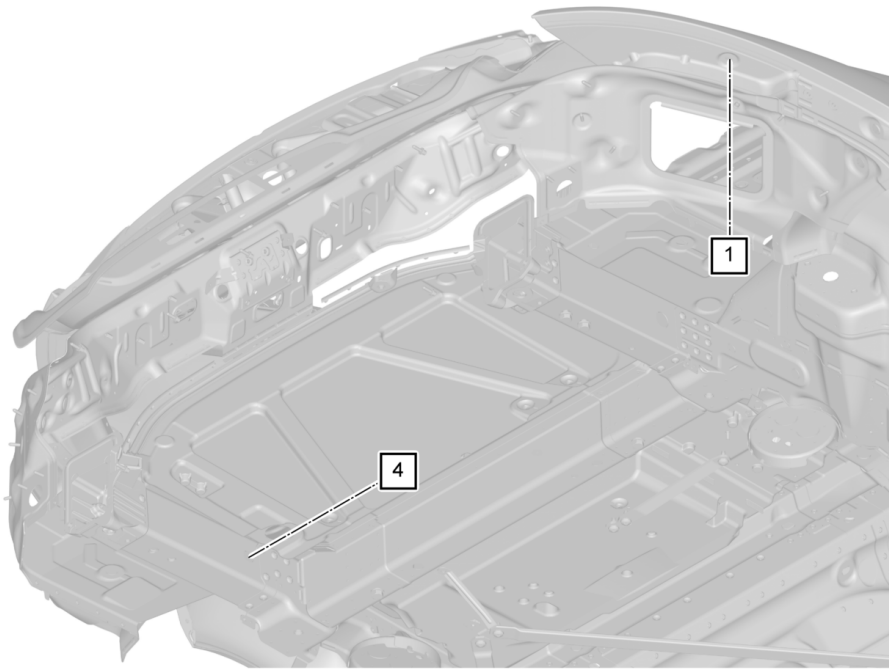
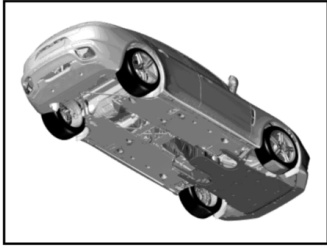
Model: 971-17

Model life 2017>>

Pos	Part Number	Description	Remark	Qty	Model
1	955 504 281 00	Stopper Rear end Upper Stopper D10		x	

Model: 971-17

Model life 2017>>



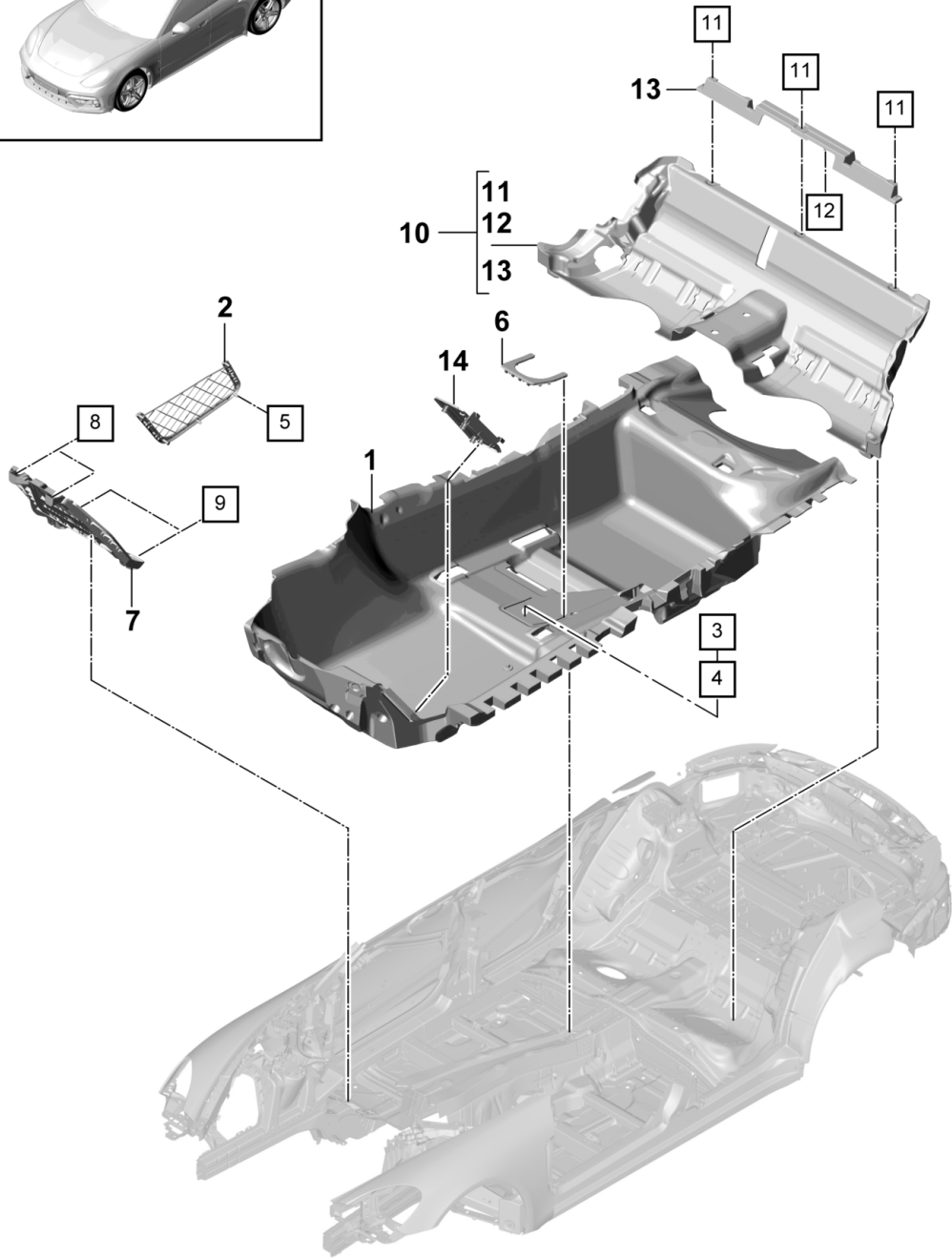
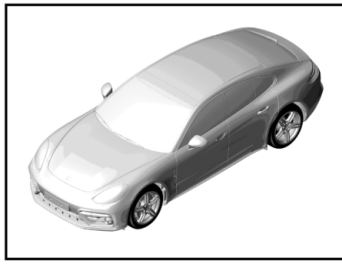
Model: 971-17

Model life 2017>>

Pos	Part Number	Description	Remark	Qty	Model
1	955 504 281 00	Stopper Rear end Upper		X	
4	955 504 184 00	Stopper D10 D20X25		X	

Model: 971-17

Model life 2017>>



Model: 971-17 Model life 2017>>

Pos	Part Number	Description	Remark	Qty	Model
1	971 863 101 T	Carpet Carpet	/LL /L	1	IL0L/0E1/0K0 I1A2
	971 863 101 T 9M0	Left Black			+AB,+PK,+AC +BB,+BS,+BK +DG,+DL
	971 863 101 T OK2	Agate Grey			+UB,+UC
	971 863 101 T 3E0	Luxor Beige			+SB,+BP
	971 863 101 T BP1	Saddle Tan			+PC,+BE
(1)	971 863 101 T 2D0	Marsala Red			
	971 863 102 AM	Carpet	/LL /R	1	IL0L/QE0/0E1 I0K0/1A2
	971 863 102 AM 9M0	Right without Net Black			+AB,+PK,+AC +BB,+BS,+BK +DG,+DL
	971 863 102 AM OK2	Agate Grey			+UB,+UC
	971 863 102 AM 3E0	Luxor Beige			+SB,+BP
	971 863 102 AM BP1	Saddle Tan			+PC,+BE
(1)	971 863 102 AM 2D0	Marsala Red			
	971 863 102 AR	Carpet	/LL /R	1	IL0L/QE1/0E1 I0K0/1A2
	971 863 102 AR 9M0	Right with Net Black			+AB,+PK,+AC +BB,+BS,+BK +DG,+DL
	971 863 102 AR OK2	Agate Grey			+UB,+UC
	971 863 102 AR 3E0	Luxor Beige			+SB,+BP
	971 863 102 AR BP1	Saddle Tan			+PC,+BE
(1)	971 863 102 AR 2D0	Marsala Red			
	971 863 101 AB	Carpet	/LL /L	1	IL0L/0E1/0F5 I0K3
	971 863 101 AB 9M0	Left Black			+AB,+PK,+AC +BB,+BS,+BK +DG,+DL
	971 863 101 AB OK2	Agate Grey			+UB,+UC
	971 863 101 AB 3E0	Luxor Beige			+SB,+BP
	971 863 101 AB BP1	Saddle Tan			+PC,+BE
(1)	971 863 101 AB 2D0	Marsala Red			
	971 863 102 AP	Carpet	/LL /R	1	IL0L/QE0/0E1 I0F5/0K3
	971 863 102 AP 9M0	Right without Net Black			+AB,+PK,+AC +BB,+BS,+BK +DG,+DL
	971 863 102 AP OK2	Agate Grey			+UB,+UC
	971 863 102 AP 3E0	Luxor Beige			+SB,+BP
	971 863 102 AP BP1	Saddle Tan			+PC,+BE
(1)	971 863 102 AP 2D0	Marsala Red			
	971 863 102 AS	Carpet	/LL /R	1	IL0L/QE1/0E1
	971 863 102 AS 9M0	Right with Net Black			+AB,+PK,+AC +BB,+BS,+BK +DG,+DL
	971 863 102 AS OK2	Agate Grey			+UB,+UC
	971 863 102 AS 3E0	Luxor Beige			+SB,+BP
	971 863 102 AS BP1	Saddle Tan			+PC,+BE
(1)	971 863 102 AS 2D0	Marsala Red			
	971 863 102 AN	Carpet	/RL/R	1	IL0R/0E1/0K0

Model: 971-17 Model life 2017>>

Pos	Part Number	Description	Remark	Qty	Model
		Right			I1A2
	971 863 102 AN 9M0	Black			+AB, +PK, +AC +BB, +BS, +BK +DG, +DL
	971 863 102 AN OK2	Agate Grey			+UB, +UC
	971 863 102 AN 3E0	Luxor Beige			+SB, +BP
	971 863 102 AN BP1	Saddle Tan			+PC, +BE
(1)	971 863 102 AN 2D0	Marsala Red	/RL /L	1	IL0R/QE0/0E1 I0K0/1A2
	971 863 101 AA	Carpet			
		Left			
		without			
		Net			
	971 863 101 AA 9M0	Black			+AB, +PK, +AC +BB, +BS, +BK +DG, +DL
	971 863 101 AA OK2	Agate Grey			+UB, +UC
	971 863 101 AA 3E0	Luxor Beige			+SB, +BP
	971 863 101 AA BP1	Saddle Tan			+PC, +BE
(1)	971 863 101 AA 2D0	Marsala Red	/RL /L	1	IL0R/QE1/0E1 I1A2
	971 863 101 AD	Carpet			
		Left			
		with			
		Net			
	971 863 101 AD 9M0	Black			+AB, +PK, +AC +BB, +BS, +BK +DG, +DL
	971 863 101 AD OK2	Agate Grey			+UB, +UC
	971 863 101 AD 3E0	Luxor Beige			+SB, +BP
	971 863 101 AD BP1	Saddle Tan			+PC, +BE
(1)	971 863 101 AD 2D0	Marsala Red	/RL /R	1	IL0R/0E1/0F5
	971 863 102 AQ	Carpet			
		Right			
	971 863 102 AQ 9M0	Black			+AB, +PK, +AC +BB, +BS, +BK +DG, +DL
	971 863 102 AQ OK2	Agate Grey			+UB, +UC
	971 863 102 AQ 3E0	Luxor Beige			+SB, +BP
	971 863 102 AQ BP1	Saddle Tan			+PC, +BE
(1)	971 863 102 AQ 2D0	Marsala Red	/RL /L	1	IL0R/QE0/0E1
	971 863 101 AC	Carpet			
		Left			
		without			
		Net			
	971 863 101 AC 9M0	Black			+AB, +PK, +AC +BB, +BS, +BK +DG, +DL
	971 863 101 AC OK2	Agate Grey			+UB, +UC
	971 863 101 AC 3E0	Luxor Beige			+SB, +BP
	971 863 101 AC BP1	Saddle Tan			+PC, +BE
(1)	971 863 101 AC 2D0	Marsala Red	/RL /L	1	IL0R/QE1/0E1 I0F5
	971 863 101 AE	Carpet			
		Left			
		with			
		Net			
	971 863 101 AE 9M0	Black			+AB, +PK, +AC +BB, +BS, +BK +DG, +DL
	971 863 101 AE OK2	Agate Grey			+UB, +UC
	971 863 101 AE 3E0	Luxor Beige			+SB, +BP
	971 863 101 AE BP1	Saddle Tan			+PC, +BE
(1)	971 863 101 AE 2D0	Marsala Red	/LL /L	1	IL0L/0E2
	971 863 101 AM	Carpet			
		Left			
	971 863 101 AM 9M0	Black			+AB, +PK, +AC +BB, +BS, +BK

Model: 971-17 Model life 2017>>

Pos	Part Number	Description	Remark	Qty	Model
(1)	971 863 101 AM OK2	Agate Grey	/LL /R	1	+DG, +DL
	971 863 101 AM 3E0	Luxor Beige			+UB, +UC
	971 863 101 AM BP1	Saddle Tan			+SB, +BP
	971 863 101 AM 2D0	Marsala Red			+PC, +BE
	971 863 102 BK	Carpet Right without Net			IL0L/QE0/0E2
	971 863 102 BK 9M0	Black			+AB, +PK, +AC +BB, +BS, +BK
	971 863 102 BK OK2	Agate Grey			+DG, +DL
	971 863 102 BK 3E0	Luxor Beige			+UB, +UC
	971 863 102 BK BP1	Saddle Tan			+SB, +BP
	971 863 102 BK 2D0	Marsala Red			+PC, +BE
(1)	971 863 102 BM	Carpet Right with Net	/LL /R	1	IL0L/QE1/0E2
	971 863 102 BM 9M0	Black	+AB, +PK, +AC +BB, +BS, +BK		
	971 863 102 BM OK2	Agate Grey	+DG, +DL		
	971 863 102 BM 3E0	Luxor Beige	+UB, +UC		
	971 863 102 BM BP1	Saddle Tan	+SB, +BP		
	971 863 102 BM 2D0	Marsala Red	+PC, +BE		
	971 863 102 BL	Carpet Right	/RL /R	1	IL0R/0E2
	971 863 102 BL 9M0	Black	+AB, +PK, +AC +BB, +BS, +BK		
	971 863 102 BL OK2	Agate Grey	+DG, +DL		
	971 863 102 BL 3E0	Luxor Beige	+UB, +UC		
(1)	971 863 102 BL BP1	Saddle Tan	+SB, +BP		
	971 863 102 BL 2D0	Marsala Red	+PC, +BE		
	971 863 101 AN	Carpet Left without Net	/RL /L	1	IL0R/QE0/0E2
	971 863 101 AN 9M0	Black	+AB, +PK, +AC +BB, +BS, +BK		
	971 863 101 AN OK2	Agate Grey	+DG, +DL		
	971 863 101 AN 3E0	Luxor Beige	+UB, +UC		
	971 863 101 AN BP1	Saddle Tan	+SB, +BP		
	971 863 101 AN 2D0	Marsala Red	+PC, +BE		
	971 863 101 AP	Carpet Left with Net	/RL /L	1	IL0R/QE1/0E2
	971 863 101 AP 9M0	Black	+AB, +PK, +AC +BB, +BS, +BK		
2	971 863 101 AP OK2	Agate Grey	+DG, +DL		
	971 863 101 AP 3E0	Luxor Beige	+UB, +UC		
	971 863 101 AP BP1	Saddle Tan	+SB, +BP		
	971 863 101 AP 2D0	Marsala Red	+PC, +BE		
	971 861 690	Luggage net	/LL	1	IL0L/QE1
	971 861 690 6B0	Black	+AB, +PK, +AC +BB, +BS, +BK		
	971 861 690 9C0	Agate Grey	+DG, +DL		
	971 861 690 7K0	Luxor Beige	+UB, +UC		
	971 861 690 BW3	Saddle Tan	+SB, +BP		
	971 861 690 7G0	Marsala Red	+PC, +BE		
(2)	971 861 690 A	Luggage net	/RL	1	IL0R/QE1
	971 861 690 A 6B0	Black	+AB, +PK, +AC +BB, +BS, +BK		

Model: 971-17 Model life 2017>>

Pos	Part Number	Description	Remark	Qty	Model
	971 861 690 A 9C0	Agate Grey			+DG, +DL +BB
	971 861 690 A 7K0	Luxor Beige			+UB, +UC
	971 861 690 A BW3	Saddle Tan			+SB, +BP
	971 861 690 A 7G0	Marsala Red			+PC, +BE
3	955 551 227 02	Support for Luggage net		2	IQE1
4	955 551 229 02	Cap Luggage net		2	IQE1
	955 551 229 02 1E0	Black			+AB, +PK, +AC +BB, +BS, +BK
	955 551 229 02 OP1	Agate Grey			+DG, +DL
	955 551 229 02 4H0	Luxor Beige			+UB, +UC
	955 551 229 02 OM8	Saddle Tan			+SB, +BP
(4)	8E0 864 229	Cap Luggage net		2	IQE1
	8E0 864 229 3G0	Marsala Red			+PC, +BE
5	9A7 107 264 01	Clamping washer Carpet		5	
6	9A7 863 751 00	Lid Relay carrier Left		1	
	9A7 863 751 00 1E0	Black			+AB, +PK, +AC +BB, +BS, +BK
	9A7 863 751 00 OP1	Agate Grey			+DG, +DL
	9A7 863 751 00 4H0	Luxor Beige			+UB, +UC
	9A7 863 751 00 OM8	Saddle Tan			+SB, +BP
	9A7 863 751 00 3G0	Marsala Red			+PC, +BE
(6)	9A7 863 752 00	Lid Relay carrier Right		1	
	9A7 863 752 00 1E0	Black			+AB, +PK, +AC +BB, +BS, +BK
	9A7 863 752 00 OP1	Agate Grey			+DG, +DL
	9A7 863 752 00 4H0	Luxor Beige			+UB, +UC
	9A7 863 752 00 OM8	Saddle Tan			+SB, +BP
	9A7 863 752 00 3G0	Marsala Red			+PC, +BE
7	971 861 411 D	Floor plate Footwell Passenger's side	/LL	1	IL0L/9VK
(7)	971 861 411 E	Floor plate Footwell Passenger's side	/LL	1	IL0L/9VJ/9VL
(7)	971 861 411 A	Floor plate Footwell Passenger's side	/RL	1	IL0R/9VK
(7)	971 861 411 C	Floor plate Footwell Passenger's side	/RL	1	IL0L/9VJ/9VL
8	9A7 912 613 01	Hexagon socket head bolt Mount Floor plate		2	
9	N 907 579 01	Nut T5 22 X 11		2	
10	971 863 007 B	Lining Seat well Carpet		1	IVH0/3KG/3KH I3KI/3KJ/3KK I3KL/3Z6
	971 863 007 B 9M0	Black			+AB, +PK, +AC +BB, +BS, +BK
	971 863 007 B OK2	Agate Grey			+DG, +DL

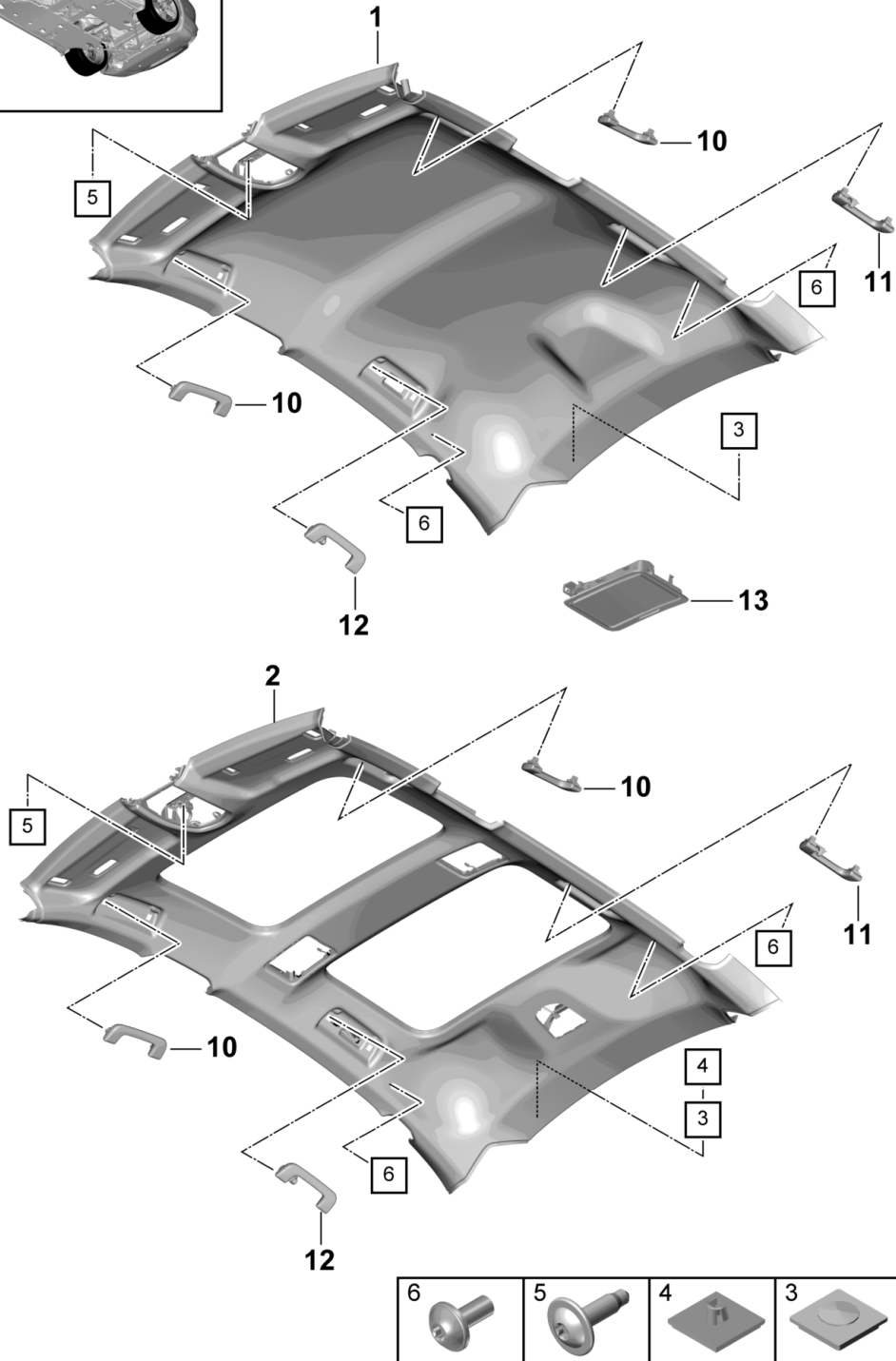
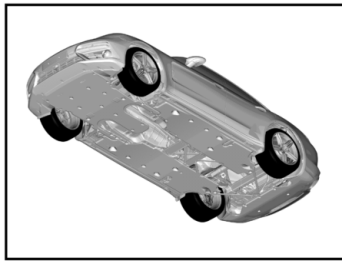
Model: 971-17

Model life 2017>>

Pos	Part Number	Description	Remark	Qty	Model
(10)	971 863 007 B 3E0	Luxor Beige		1	+UB,+UC
	971 863 007 B BP1	Saddle Tan			+SB,+BP
	971 863 007 B 2D0	Marsala Red			+BE
	971 863 007 C	Lining			IVH0/3Z7
		Seat well			
		Carpet			
	971 863 007 C 9M0	Black			+AB,+PK,+AC
(10)	971 863 007 C OK2	Agate Grey		1	+BB,+BS,+BK
	971 863 007 C 3E0	Luxor Beige			+DG,+DL
	971 863 007 C BP1	Saddle Tan			+UB,+UC
	971 863 007 C 2D0	Marsala Red			+SB,+BP
	971 863 007 D	Lining			+BE
		Seat well			IVH2/3KG/3KH
		Carpet			I3KI/3KJ/3KK
		Black			I3KL/3Z6
	971 863 007 D 9M0	Black			+AB,+PK,+AC
	971 863 007 D OK2	Agate Grey			+BB,+BS,+BK
(10)	971 863 007 D 3E0	Luxor Beige		1	+DG,+DL
	971 863 007 D BP1	Saddle Tan			+UB,+UC
	971 863 007 D 2D0	Marsala Red			+SB,+BP
	971 863 007 E	Lining			+BE
		Seat well			IVH2/3Z7
		Carpet			
	971 863 007 E 9M0	Black			+AB,+PK,+AC
	971 863 007 E OK2	Agate Grey			+BB,+BS,+BK
	971 863 007 E 3E0	Luxor Beige			+DG,+DL
	971 863 007 E BP1	Saddle Tan			+UB,+UC
11	9A7 007 013 00	Fastening plug		4	
12	9A7 006 988 00	Stopper		4	
13	971 863 377	Support		1	I3Z6
(13)	971 863 377 A	Support		1	I3Z7
(13)	971 863 377 B	Support		1	IVH2/3Z6
14	9A7 864 777 00	Cover	/LL	1	IL0L
14		Foot support			
	9A7 864 777 00 1E0	Black			
	9A7 864 778 00	Cover	/RL	1	IL0R
		Foot support			
	9A7 864 778 00 1E0	Black			

Model: 971-17

Model life 2017>>



Model: 971-17 Model life 2017>>

Pos	Part Number	Description	Remark	Qty	Model
1	971 867 501 BD	Rooflining Accessories Rooflining		1	IQQ0/QQ1/3FA I6NJ +AB +AC +SB +PC +BB +BS +DG +DL +UB +PK +UC +BP +BE +BK
	971 867 501 BD OL4	Black			
	971 867 501 BD OM5	Agate Grey			
	971 867 501 BD ON6	Luxor Beige			
	971 867 501 BD OP7	Cream			
	971 867 501 BD OL8	Chalk			
(1)	971 867 501 BF	Rooflining		1	IQQ2/3FA/6NJ +AB +AC +SB +PC +BB +BS +DG +DL +UB +PK +UC +BP +BE +BK
	971 867 501 BF OL4	Black			
	971 867 501 BF OM5	Agate Grey			
	971 867 501 BF ON6	Luxor Beige			
	971 867 501 BF OP7	Cream			
	971 867 501 BF OL8	Chalk			
(1)	971 867 501 BH	Rooflining		1	IQQ0/QQ1/3FU I6NJ +AB +AC +SB +PC +BB +BS +DG +DL +UB +PK +UC +BP +BE +BK
	971 867 501 BH OL4	Black			
	971 867 501 BH OM5	Agate Grey			
	971 867 501 BH ON6	Luxor Beige			
	971 867 501 BH OP7	Cream			
	971 867 501 BH OL8	Chalk			
(1)	971 867 501 BM	Rooflining		1	IQQ2/3FU/6NJ +AB +AC +SB +PC +BB +BS +DG +DL +UB +PK +UC +BP +BE +BK
	971 867 501 BM OL4	Black			
	971 867 501 BM OM5	Agate Grey			
	971 867 501 BM ON6	Luxor Beige			
	971 867 501 BM OP7	Cream			
	971 867 501 BM OL8	Chalk			
(1)	971 867 501 BE	Rooflining		1	IQQ0/QQ1/3FA I6NN +AB +AC +SB +PC +BB +BS +DG +DL +UB +PK +UC +BP +BE +BK
	971 867 501 BE 2W0	Black			
	971 867 501 BE OU5	Agate Grey			
	971 867 501 BE 9U1	Luxor Beige			
	971 867 501 BE OL8	Chalk			
	971 867 501 BE 8U9	Cream			
(1)	971 867 501 BG	Rooflining		1	IQQ2/3FA/6NN +AB +AC +SB +PC +BB +BS +DG +DL +UB +PK +UC +BP +BE +BK
	971 867 501 BG 2W0	Black			
	971 867 501 BG OU5	Agate Grey			
	971 867 501 BG 9U1	Luxor Beige			
	971 867 501 BG OL8	Chalk			
	971 867 501 BG 8U9	Cream			
(1)	971 867 501 BJ	Rooflining		1	IQQ0/QQ1/3FU I6NN +AB +AC +SB +PC +BB +BS +DG +DL +UB +PK +UC +BP +BE +BK
	971 867 501 BJ 2W0	Black			
	971 867 501 BJ OU5	Agate Grey			
	971 867 501 BJ 9U1	Luxor Beige			
	971 867 501 BJ OL8	Chalk			
	971 867 501 BJ 8U9	Cream			
(1)	971 867 501 BN	Rooflining		1	IQQ2/3FU/6NN

Model: 971-17 Model life 2017>>

Pos	Part Number	Description	Remark	Qty	Model
	971 867 501 BN 2W0	Black			+AB +AC +SB +PC +BB +BS
	971 867 501 BN OU5	Agate Grey			+DG +DL
	971 867 501 BN 9U1	Luxor Beige			+UB +PK +UC +BP
	971 867 501 BN OL8	Chalk			+BK
	971 867 501 BN 8U9	Cream			+BE
(2)	971 867 505 D	Rooflining		1	IQQ2/0E2/3FU I6NJ
	971 867 505 D OL4	Black			+AB +AC +SB +PC +BB +BS
	971 867 505 D OM5	Agate Grey			+DG +DL
	971 867 505 D ON6	Luxor Beige			+UB +PK +UC +BP
	971 867 505 D OP7	Cream			+BE
	971 867 505 D OL8	Chalk			+BK
(2)	971 867 505	Rooflining		1	IQQ0/QQ1/0E2 I3FU/6NJ
	971 867 505 OL4	Black			+AB +AC +SB +PC +BB +BS
	971 867 505 OM5	Agate Grey			+DG +DL
	971 867 505 ON6	Luxor Beige			+UB +PK +UC +BP
	971 867 505 OP7	Cream			+BE
	971 867 505 OL8	Chalk			+BK
(2)	971 867 505 E	Rooflining		1	IQQ2/0E2/3FU I6NN
	971 867 505 E 2W0	Black			+AB +AC +SB +PC +BB +BS
	971 867 505 E OU5	Agate Grey			+DG +DL
	971 867 505 E 9U1	Luxor Beige			+UB +PK +UC +BP
	971 867 505 E OL8	Chalk			+BK
	971 867 505 E 8U9	Cream			+BE
(2)	971 867 505 A	Rooflining		1	IQQ0/QQ1/0E2 I3FU/6NN
	971 867 505 A 2W0	Black			+AB +AC +SB +PC +BB +BS
	971 867 505 A OU5	Agate Grey			+DG +DL
	971 867 505 A 9U1	Luxor Beige			+UB +PK +UC +BP
	971 867 505 A OL8	Chalk			+BK
	971 867 505 A 8U9	Cream			+BE
(2)	971 867 505 C	Rooflining		1	IQQ0/QQ1/0E2 I3FU/6NA
	971 867 505 C 2W0	Black			+AB +AC +SB +PC +BB +BS
	971 867 505 C OU5	Agate Grey			+DG +DL
	971 867 505 C 9U1	Luxor Beige			+UB +PK +UC +BP
	971 867 505 C OL8	Chalk			+BK
	971 867 505 C 8U9	Cream			+BE
3	971 867 300	Clip		3	
4	971 867 300 A	Clip		3	
5	N 909 101 02	Hexagon socket head bolt		2	
6	N 907 378 03	Round head screw		4	
10	9A7 857 607 00	Grab handle	/L /R	2	
	9A7 857 607 00 1E0	Front Black			+AB +AC +SB +PC +BB +BS
	9A7 857 607 00 OP1	Agate Grey			+DG +DL
	9A7 857 607 00 4H0	Luxor Beige			+UB +PK +UC +BP

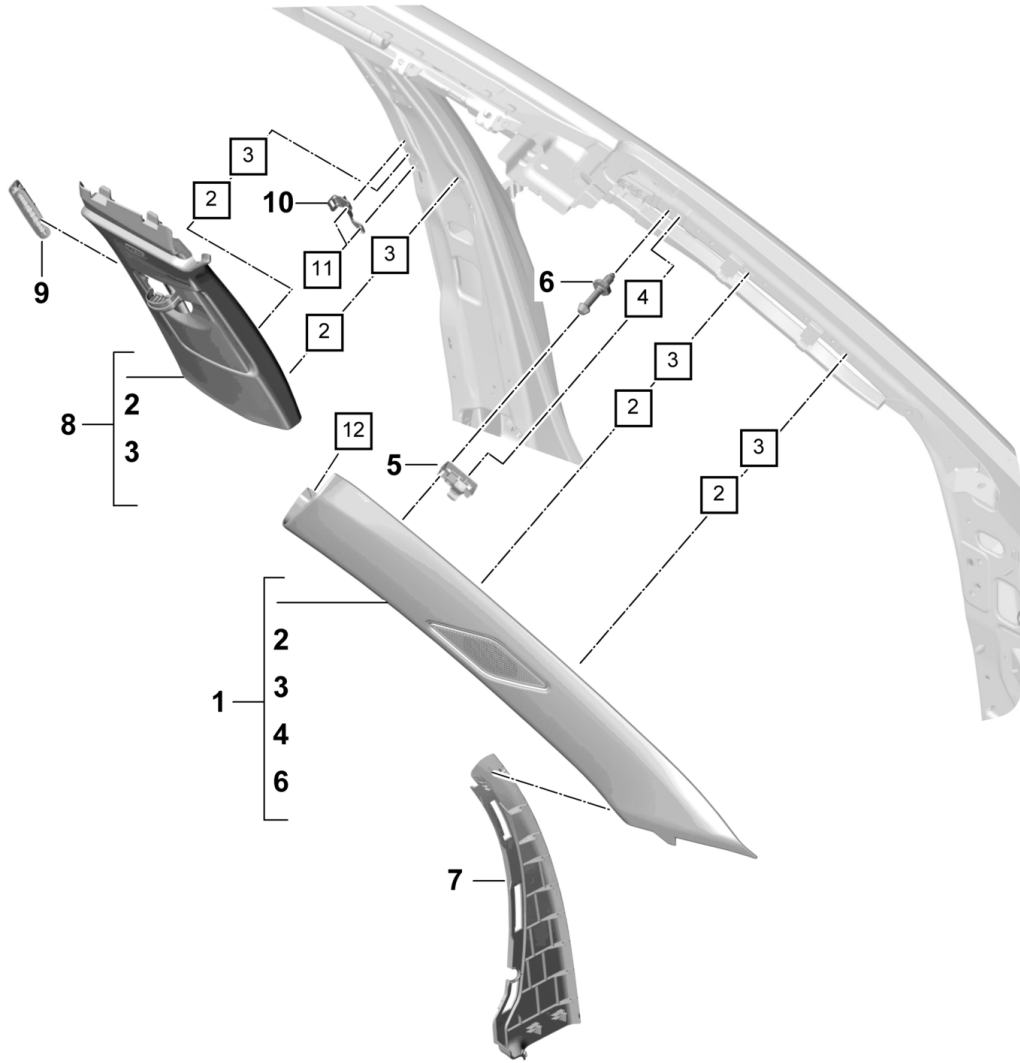
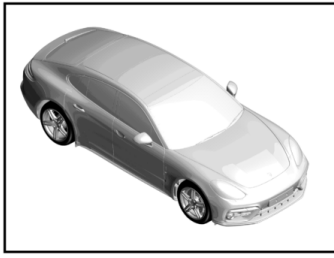
Model: 971-17

Model life 2017>>

Pos	Part Number	Description	Remark	Qty	Model
11	9A7 857 607 00 OL8	Chalk	/L	2	+BK
	9A7 857 607 00 5J0	Cream			+BE
	9A7 857 607 01	Grab handle Rear			
	9A7 857 607 01 1E0	Black			+AB +AC +SB +PC +BB +BS
	9A7 857 607 01 OP1	Agate Grey			+DG +DL
(12)	9A7 857 607 01 4H0	Luxor Beige	/R	2	+UB +PK +UC +BP
	9A7 857 607 01 OL8	Chalk			+BK
	9A7 857 607 01 5J0	Cream			+BE
	9A7 857 608 00	Grab handle Rear			
	9A7 857 608 00 1E0	Black			+AB +AC +SB +PC +BB +BS
	9A7 857 608 00 OP1	Agate Grey			+DG +DL
	9A7 857 608 00 4H0	Luxor Beige			+UB +PK +UC +BP
	9A7 857 608 00 OL8	Chalk			+BK
	9A7 857 608 00 5J0	Cream			+BE

Model: 971-17

Model life 2017>>



Model: 971-17 Model life 2017>>

Pos	Part Number	Description	Remark	Qty	Model
1	971 867 233 P	Lining A-pillar B-pillar Upper	/L -17	1	I6NJ/6NQ/9VJ
	971 867 233 P OL4	Left Black			+AB,+AC,+SB +PC,+BB,+BS
	971 867 233 P OM5	Agate Grey			+DG,+DL
	971 867 233 P ON6	Luxor Beige			+UB,+PK,+UC +BP
	971 867 233 P OL8	Chalk			+BK
	971 867 233 P OP7	Cream			+BE
1	971 867 233 AM	Lining A-pillar Cloth Left	/L 18-	1	I6NJ/6NQ/9VJ
	971 867 233 AM OL4	Black			+AB,+AC,+SB +PC,+BB,+BS
	971 867 233 AM OM5	Agate Grey			+DG,+DL
	971 867 233 AM ON6	Luxor Beige			+UB,+PK,+UC +BP,+PL
	971 867 233 AM OL8	Chalk			+BK
	971 867 233 AM OP7	Cream			+BE
	971 867 233 AM OS1	Truffle Brown			+HD
	971 867 233 AM OB8	Cohiba Brown			+HC
(1)	971 867 234 P	Lining A-pillar Cloth Right	/R -17	1	I6NJ/6NQ/9VJ
	971 867 234 P OL4	Black			+AB,+AC,+SB +PC,+BB,+BS
	971 867 234 P OM5	Agate Grey			+DG,+DL
	971 867 234 P ON6	Luxor Beige			+UB,+PK,+UC +BP
	971 867 234 P OL8	Chalk			+BK
	971 867 234 P OP7	Cream			+BE
(1)	971 867 234 AM	Lining A-pillar Cloth Right	/R 18-	1	I6NJ/6NQ/9VJ
	971 867 234 AM OL4	Black			+AB,+AC,+SB +PC,+BB,+BS
	971 867 234 AM OM5	Agate Grey			+DG,+DL
	971 867 234 AM ON6	Luxor Beige			+UB,+PK,+UC +BP,+PL
	971 867 234 AM OL8	Chalk			+BK
	971 867 234 AM OP7	Cream			+BE
	971 867 234 AM OS1	Truffle Brown			+HD
	971 867 234 AM OB8	Cohiba Brown			+HC
(1)	971 867 233 Q	Lining A-pillar Alcantara Left	/L	1	I6NA/6NN/9VJ
	971 867 233 Q 2W0	Black			+AB,+AC,+SB +PC,+BB,+BS
	971 867 233 Q OU5	Agate Grey			+DG,+DL
	971 867 233 Q 9U1	Luxor Beige			+UB,+PK,+UC +BP
	971 867 233 Q OL8	Chalk			+BK
	971 867 233 Q 8U9	Cream			+BE

Model: 971-17 Model life 2017>>

Pos	Part Number	Description	Remark	Qty	Model
(1)	971 867 234 Q	Lining A-pillar Alcantara Right	/R	1	I6NA/6NN/9VJ
	971 867 234 Q 2W0	Black			+AB,+AC,+SB +PC,+BB,+BS +DG,+DL
	971 867 234 Q OU5	Agate Grey			+UB,+PK,+UC +BP
	971 867 234 Q 9U1	Luxor Beige			+BK +BE
	971 867 234 Q OL8	Chalk			
	971 867 234 Q 8U9	Cream			
(1)	971 867 233 M	Lining	/L	1	I6NJ/6NQ/9VK I9VL
		A-pillar Cloth Left			
	971 867 233 M OL4	Black			+AB,+AC,+SB +PC,+BB,+BS +DG,+DL
	971 867 233 M OM5	Agate Grey			+UB,+PK,+UC +BP
	971 867 233 M ON6	Luxor Beige			+BK +BE
	971 867 233 M OL8	Chalk			
	971 867 233 M OP7	Cream			
(1)	971 867 234 M	Lining	/R	1	I6NJ/6NQ/9VK I9VL
		A-pillar Cloth Right			
	971 867 234 M OL4	Black			+AB,+AC,+SB +PC,+BB,+BS +DG,+DL
	971 867 234 M OM5	Agate Grey			+UB,+PK,+UC +BP
	971 867 234 M ON6	Luxor Beige			+BK +BE
	971 867 234 M OL8	Chalk			
	971 867 234 M OP7	Cream			
(1)	971 867 233 N	Lining	/L	1	I6NA/6NN/9VK I9VL
		A-pillar Alcantara Left			
	971 867 233 N 2W0	Black			+AB,+AC,+SB +PC,+BB,+BS +DG,+DL
	971 867 233 N OU5	Agate Grey			+UB,+PK,+UC +BP
	971 867 233 N 9U1	Luxor Beige			+BK +BE
	971 867 233 N OL8	Chalk			
	971 867 233 N 8U9	Cream			
(1)	971 867 234 N	Lining	/R	1	I6NA/6NN/9VK I9VL
		A-pillar Alcantara Right			
	971 867 234 N 2W0	Black			+AB,+AC,+SB +PC,+BB,+BS +DG,+DL
	971 867 234 N OU5	Agate Grey			+UB,+PK,+UC +BP
	971 867 234 N 9U1	Luxor Beige			+BK +BE
	971 867 234 N OL8	Chalk			
	971 867 234 N 8U9	Cream			
2	955 555 279 00	Fixing clip		X	
3	9A7 007 207 00	Spacer		2	
4	9A7 006 988 00	Stopper		1	
5	9A7 867 276 00	Clamp		1	

Model: 971-17 Model life 2017>>

Pos	Part Number	Description	Remark	Qty	Model
6	9A7 007 506 00	Screw bolt		1	
7	971 868 239	Lining	/L	1	
		A-pillar			
		Centre			
		Left			
	971 868 239 1E0	Black			+AB, +AC,
	971 868 239 OP1	Agate Grey			+DG, +DL
	971 868 239 4H0	Luxor Beige			+UB, +PK, +UC
					+BP, +PL
	971 868 239 OM8	Saddle Tan			+SB, +BS
	971 868 239 3G0	Marsala Red			+PC
	971 868 239 OG6	Bordeaux Red			+BB
	971 868 239 OL8	Chalk			+BK
	971 868 239 5J0	Cream			+BE
	971 868 239 OS1	Truffle Brown			+HD
	971 868 239 OB8	Cohiba Brown			+HC
(7)	971 868 240	Lining	/R	1	
		A-pillar			
		Centre			
		Right			
	971 868 240 1E0	Black			+AB, +AC,
	971 868 240 OP1	Agate Grey			+DG, +DL
	971 868 240 4H0	Luxor Beige			+UB, +PK, +UC
					+BP, +PL
	971 868 240 OM8	Saddle Tan			+SB, +BS
	971 868 240 3G0	Marsala Red			+PC
	971 868 240 OG6	Bordeaux Red			+BB
	971 868 240 OL8	Chalk			+BK
	971 868 240 5J0	Cream			+BE
	971 868 240 OS1	Truffle Brown			+HD
	971 868 240 OB8	Cohiba Brown			+HC
8	971 867 243 B	Lining	/L -17	1	I6NJ/6NQ
		B-pillar			
		Upper			
		Cloth			
		Left			
	971 867 243 B OL4	Black			+AB, +AC, +SB
					+PC, +BB, +BS
	971 867 243 B OM5	Agate Grey			+DG, +DL
	971 867 243 B ON6	Luxor Beige			+UB, +PK, +UC
					+BP
	971 867 243 B OL8	Chalk			+BK
	971 867 243 B OP7	Cream			+BE
8	971 867 243 D	Lining	/L 18-	1	I6NJ/6NQ
		B-pillar			
		Upper			
		Cloth			
		Left			
	971 867 243 D OL4	Black			+AB, +AC, +SB
					+PC, +BB, +BS
	971 867 243 D OM5	Agate Grey			+DG, +DL
	971 867 243 D ON6	Luxor Beige			+UB, +PK, +UC
					+BP, +PL
	971 867 243 D OL8	Chalk			+BK
	971 867 243 D OP7	Cream			+BE
	971 867 243 D OS1	Truffle Brown			+HD
	971 867 243 D OB8	Cohiba Brown			+HC
(8)	971 867 244 B	Lining	/R -17	1	I6NJ/6NQ
		B-pillar			
		Upper			
		Cloth			
		Right			
	971 867 244 B OL4	Black			+AB, +AC, +SB

Model: 971-17 Model life 2017>>

Pos	Part Number	Description	Remark	Qty	Model
(8)	971 867 244 B OM5	Agate Grey	/R 18-	1	+PC,+BB,+BS +DG,+DL +UB,+PK,+UC +BP +BK +BE I6NJ/6NQ
	971 867 244 B ON6	Luxor Beige			
	971 867 244 B OL8	Chalk			
	971 867 244 B OP7	Cream			
	971 867 244 D	Lining B-pillar Upper Cloth Right			
	971 867 244 D OL4	Black			
	971 867 244 D OM5	Agate Grey			
	971 867 244 D ON6	Luxor Beige			
	971 867 244 D OL8	Chalk			
	971 867 244 D OP7	Cream			
(8)	971 867 244 D OS1	Truffle Brown	/L	1	+AB,+AC,+SB +PC,+BB,+BS +DG,+DL +UB,+PK,+UC +BP,+PL +BK +BE +HD +HC I6NA/6NN
	971 867 244 D OB8	Cohiba Brown			
	971 867 243 C	Lining B-pillar Alcantara Left			
	971 867 243 C 2W0	Black			
	971 867 243 C OU5	Agate Grey			
	971 867 243 C 9U1	Luxor Beige			
	971 867 243 C OL8	Chalk			
	971 867 243 C 8U9	Cream			
	971 867 244 C	Lining B-pillar Alcantara Right			
	971 867 244 C 2W0	Black			
9	971 867 244 C OU5	Agate Grey	/R	1	+AB,+AC,+SB +PC,+BB,+BS +DG,+DL +UB,+PK,+UC +BP +BK +BE I6NA/6NN
	971 867 244 C 9U1	Luxor Beige			
	971 867 244 C OL8	Chalk			
	971 867 244 C 8U9	Cream			
	9A7 868 903 00	Air vent B-pillar Upper Left			
	9A7 868 903 00 5Q0	Black			
	9A7 868 903 00 OA6	Agate Grey			
	9A7 868 903 00 6W0	Luxor Beige			
	9A7 868 903 00 OL8	Chalk			
	9A7 868 903 00 5V0	Cream			
(9)	9A7 868 903 00 OS1	Truffle Brown	/R	1	+AB,+AC,+SB +PC,+BB,+BS +DG,+DL +UB,+PK,+UC +BP,+PL +BK +BE +HD +HC
	9A7 868 903 00 OB8	Cohiba Brown			
	9A7 868 904 00	Air vent B-pillar Upper Right			
	9A7 868 904 00 5Q0	Black			
	9A7 868 904 00 OA6	Agate Grey			
	9A7 868 904 00 6W0	Luxor Beige			

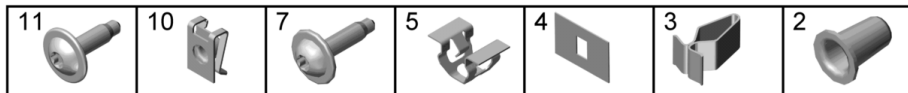
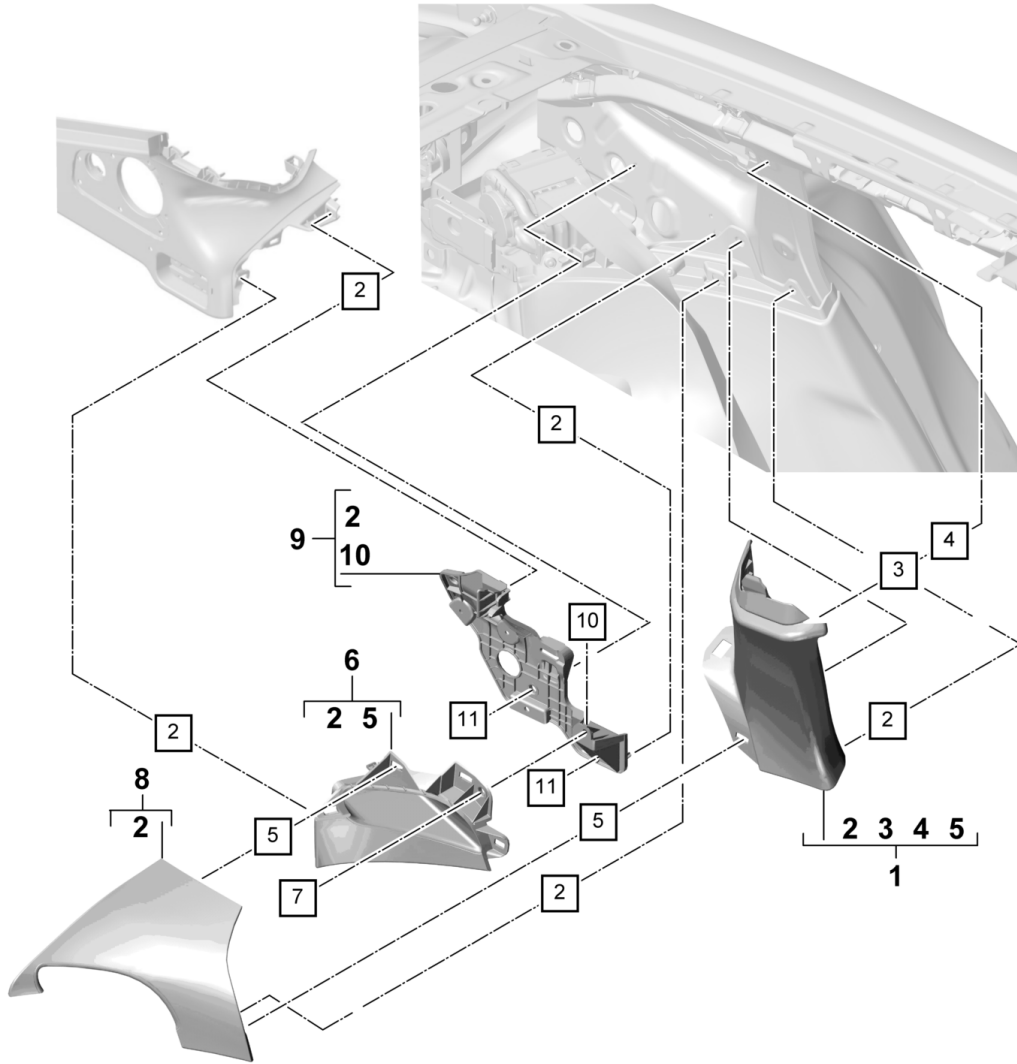
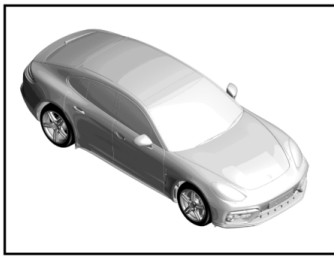
Model: 971-17

Model life 2017>>

Pos	Part Number	Description	Remark	Qty	Model
	9A7 868 904 00 OL8	Chalk			+BP , +PL
	9A7 868 904 00 5V0	Cream			+BK
	9A7 868 904 00 OS1	Truffle Brown			+BE
	9A7 868 904 00 OB8	Cohiba Brown			+HD
10	971 867 191	Support for Lining B-pillar Upper	/L	1	+HC
(10)	971 867 192	Support for Lining B-pillar Upper	/R	1	
11	N 909 101 02	Hexagon socket head bolt		2	
12	N 107 009 01	Expansion rivet		1	

Model: 971-17

Model life 2017>>



Model: 971-17 Model life 2017>>

Pos	Part Number	Description	Remark	Qty	Model
1	971 867 287	Lining C-pillar	/L	1	IK8S/6NJ/6NQ
	971 867 287 OL4	Lining C-pillar Cloth Left Black			+AB,+AC,+SB +PC,+BB,+BS +DG,+DL +UB,+PK,+UC +BP,+PL
	971 867 287 OM5	Agate Grey			+BK
	971 867 287 ON6	Luxor Beige			+BE
	971 867 287 OL8	Chalk			+HD
	971 867 287 OP7	Cream			+HC
	971 867 287 OS1	Truffle Brown			
	971 867 287 OB8	Cohiba Brown			
(1)	974 867 287 D	Lining C-pillar	/L	1	IK8D/6NJ/6NQ
	974 867 287 D OL4	Lining C-pillar Cloth Left Black			+AB,+AC,+SB +PC,+BB,+BS +DG,+DL +PK,+UC +BP,+PL
	974 867 287 D OM5	Agate Grey			+BK
	974 867 287 D ON6	Luxor Beige			+BE
	974 867 287 D OL8	Chalk			+HD
	974 867 287 D OP7	Cream			+HC
	974 867 287 D OS1	Truffle Brown			
	974 867 287 D OB8	Cohiba Brown			
(1)	971 867 288	Lining C-pillar	/R	1	IK8S/6NJ/6NQ
	971 867 288 OL4	Lining C-pillar Cloth Right Black			+AB,+AC,+SB +PC,+BB,+BS +DG,+DL +UB,+PK,+UC +BP,+PL
	971 867 288 OM5	Agate Grey			+BK
	971 867 288 ON6	Luxor Beige			+BE
	971 867 288 OL8	Chalk			+HD
	971 867 288 OP7	Cream			+HC
	971 867 288 OS1	Truffle Brown			
	971 867 288 OB8	Cohiba Brown			
(1)	974 867 288 D	Lining C-pillar	/R	1	IK8D/6NJ/6NQ
	974 867 288 D OL4	Lining C-pillar Cloth Right Black			+AB,+AC,+SB +PC,+BB,+BS +DG,+DL +PK,+UC +BP,+PL
	974 867 288 D OM5	Agate Grey			+BK
	974 867 288 D ON6	Luxor Beige			+BE
	974 867 288 D OL8	Chalk			+HD
	974 867 288 D OP7	Cream			+HC
	974 867 288 D OS1	Truffle Brown			
	974 867 288 D OB8	Cohiba Brown			
(1)	971 867 287 A	Lining C-pillar Alcantara	/L	1	IK8S/6NA/6NN
	971 867 287 A 2W0	Lining C-pillar Alcantara Left Black			+AB,+AC,+SB +PC,+BB,+BS +DG,+DL +UB,+PK,+UC +BP,+PL
	971 867 287 A OU5	Agate Grey			
	971 867 287 A 9U1	Luxor Beige			

Model: 971-17 Model life 2017>>

Pos	Part Number	Description	Remark	Qty	Model
(1)	971 867 287 A OL8	Chalk	/L	1	+BK
	971 867 287 A 8U9	Cream			+BE
	971 867 287 A OS1	Truffle Brown			+HD
	971 867 287 A OB8	Cohiba Brown			+HC
	974 867 287 E	Lining			IK8D/6NA/6NN
		C-pillar			
		Alcantara			
		Left			
	974 867 287 E 2W0	Black			+AB,+AC,+SB
	974 867 287 E OU5	Agate Grey			+PC,+BB,+BS
974 867 287 E 9U1	Luxor Beige	+DG,+DL			
		+UB,+PK,+UC			
		+BP,+PL			
(1)	974 867 287 E OL8	Chalk	/R	1	+BK
	974 867 287 E 8U9	Cream			+BE
	974 867 287 E OS1	Truffle Brown			+HD
	974 867 287 E OB8	Cohiba Brown			+HC
	971 867 288 A	Lining			IK8S/6NA/6NN
		C-pillar			
		Alcantara			
		Right			
	971 867 288 A 2W0	Black			+AB,+AC,+SB
	971 867 288 A OU5	Agate Grey			+PC,+BB,+BS
971 867 288 A 9U1	Luxor Beige	+DG,+DL			
		+UB,+PK,+UC			
		+BP,+PL			
(1)	971 867 288 A OL8	Chalk	/R	1	+BK
	971 867 288 A 8U9	Cream			+BE
	971 867 288 A OS1	Truffle Brown			+HD
	971 867 288 A OB8	Cohiba Brown			+HC
	974 867 288 E	Lining			IK8D/6NA/6NN
		C-pillar			
		Alcantara			
		Right			
	974 867 288 E 2W0	Black			+AB,+AC,+SB
	974 867 288 E OU5	Agate Grey			+PC,+BB,+BS
974 867 288 E 9U1	Luxor Beige	+DG,+DL			
		+UB,+PK,+UC			
		+BP,+PL			
		+BK			
		+BE			
		+HD			
		+HC			
2	9A7 006 988 00	Stopper		X	
3	999 507 681 01	Clamp		2	
4	9A7 007 207 00	Spacer		2	
5	958 555 190 00	Clamp		2	
(6)	971 867 261	Rosette	/L	1	IK8S
		Belt			
		Left			
	971 867 261 1E0	Black			+AB,+PK,+AC
					+BB,+BS,+BK
					+PL
	971 867 261 OP1	Agate Grey			+DG,+DL
	971 867 261 4H0	Luxor Beige			+UB,+UC
	971 867 261 OM8	Saddle Tan			+SB,+BP
	971 867 261 3G0	Marsala Red			+PC,+BE
971 867 261 OS1	Truffle Brown	+HD			
971 867 261 OB8	Cohiba Brown	+HC			
974 867 261	Rosette	IK8D			
	Belt				
	Left				
974 867 261 1E0	Black	+AB,+PK,+AC			

Model: 971-17 Model life 2017>>

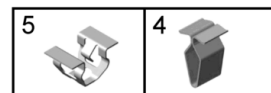
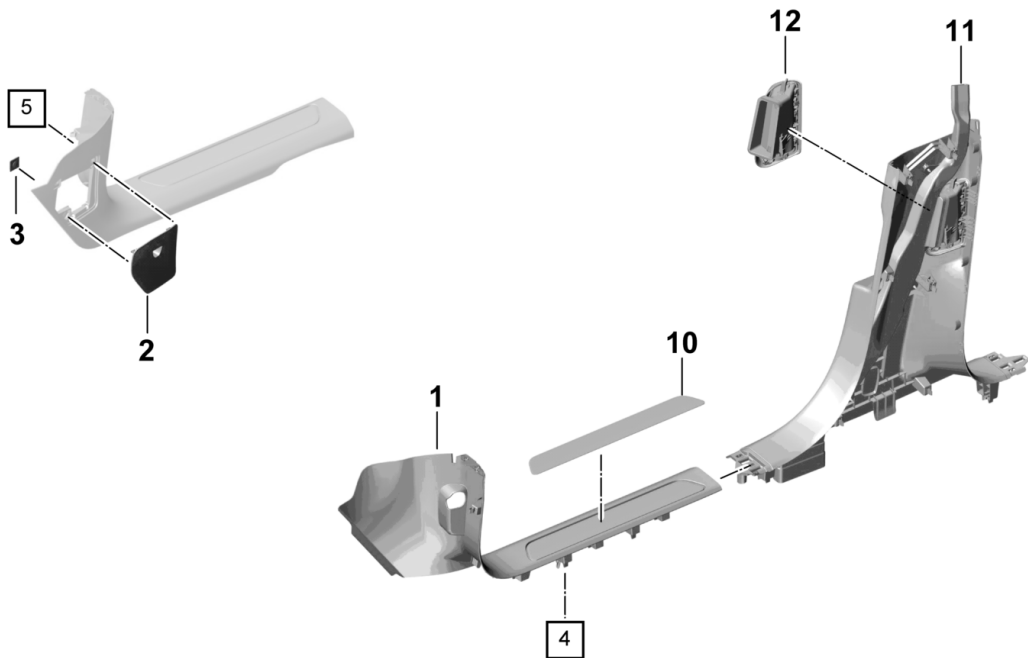
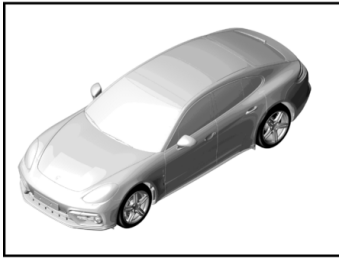
Pos	Part Number	Description	Remark	Qty	Model
					+BB, +BS, +BK +PL +DG, +DL +UC +SB, +BP +PC, +BE +HD +HC IK8S
(6)	974 867 261 OP1	Agate Grey			
	974 867 261 4H0	Luxor Beige			
	974 867 261 OM8	Saddle Tan			
	974 867 261 3G0	Marsala Red			
	974 867 261 OS1	Truffle Brown			
	974 867 261 OB8	Cohiba Brown			
	971 867 262	Rosette	/R	1	
		Belt			
		Right			
	971 867 262 1E0	Black			+AB, +PK, +AC +BB, +BS, +BK +PL +DG, +DL +UB, +UC +SB, +BP +PC, +BE +HD +HC IK8S
	971 867 262 OP1	Agate Grey			
	971 867 262 4H0	Luxor Beige			
	971 867 262 OM8	Saddle Tan			
	971 867 262 3G0	Marsala Red			
	971 867 262 OS1	Truffle Brown			
	971 867 262 OB8	Cohiba Brown			
(6)	974 867 262	Rosette	/R	1	
		Belt			
		Right			
	974 867 262 1E0	Black			+AB, +PK, +AC +BB, +BS, +BK +PL +DG, +DL +UB, +UC +SB, +BP +PC, +BE +HD +HC IK8S
	974 867 262 OP1	Agate Grey			
	974 867 262 4H0	Luxor Beige			
	974 867 262 OM8	Saddle Tan			
	974 867 262 3G0	Marsala Red			
	974 867 262 OS1	Truffle Brown			
	974 867 262 OB8	Cohiba Brown			
7	N 911 809 01	Oval-head screw M5X20		1	
8	971 867 403	Lining	/L	1	IK8S
		Left			
	971 867 403 1E0	Black			+AB, +PK, +AC +BB, +BS, +BK +PL +DG, +DL +UB, +UC +SB, +BP +PC, +BE +HD +HC IK8S
	971 867 403 OP1	Agate Grey			
	971 867 403 4H0	Luxor Beige			
	971 867 403 OM8	Saddle Tan			
	971 867 403 3G0	Marsala Red			
	971 867 403 OS1	Truffle Brown			
	971 867 403 OB8	Cohiba Brown			
(8)	974 867 403	Lining	/L	1	IK8S
		Left			
	974 867 403 1E0	Black			+AB, +PK, +AC +BB, +BS, +BK +PL +DG, +DL +UB, +UC +SB, +BP +PC, +BE +HD +HC IK8S
	974 867 403 OP1	Agate Grey			
	974 867 403 4H0	Luxor Beige			
	974 867 403 OM8	Saddle Tan			
	974 867 403 3G0	Marsala Red			
	974 867 403 OS1	Truffle Brown			
	974 867 403 OB8	Cohiba Brown			
(8)	971 867 404	Lining	/R	1	IK8S
		Right			
	971 867 404 1E0	Black			+AB, +PK, +AC +BB, +BS, +BK +PL +DG, +DL +UB, +UC +SB, +BP +PC, +BE +HD +HC IK8S
	971 867 404 OP1	Agate Grey			
	971 867 404 4H0	Luxor Beige			

Model: 971-17 Model life 2017>>

Pos	Part Number	Description	Remark	Qty	Model	
(8)	971 867 404 OM8	Saddle Tan			+SB, +BP	
	971 867 404 3G0	Marsala Red			+PC, +BE	
	971 867 404 OS1	Truffle Brown			+HD	
	971 867 404 OB8	Cohiba Brown			+HC	
	974 867 404	Lining	/R	1	IK8D	
		Right				
	974 867 404 1E0	Black			+AB, +PK, +AC +BB, +BS, +BK +PL	
	974 867 404 OP1	Agate Grey			+DG, +DL	
	974 867 404 4H0	Luxor Beige			+UB, +UC	
	974 867 404 OM8	Saddle Tan			+SB, +BP	
9	974 867 404 3G0	Marsala Red			+PC, +BE	
	974 867 404 OS1	Truffle Brown			+HD	
	974 867 404 OB8	Cohiba Brown			+HC	
	971 868 973	Support	/L	1	IK8S	
		Rosette				
		Belt				
		Left				
	(9)	974 868 973	Support	/L	1	IK8D
		Rosette				
		Belt				
(9)	971 868 974	Support	/R	1	IK8S	
	Rosette					
	Belt					
	Right					
(9)	974 868 974	Support	/R	1	IK8D	
	Rosette					
	Belt					
	Right					
10	9A7 007 624 00	Speed nut		1		
11	N 909 101 02	Hexagon socket head bolt M5X18		3		

Model: 971-17

Model life 2017>>



Model: 971-17

Model life 2017>>

Pos	Part Number	Description	Remark	Qty	Model
1	971 863 483 C	Entrance lining Insert Front Lining A-pillar Lower	/L	1	IL0L
	971 863 483 C 1E0	Black			+AB +PK
	971 863 483 C OP1	Agate Grey			+DG +AC +DL
	971 863 483 C 4H0	Luxor Beige			+UB +UC +BP
	971 863 483 C OM8	Saddle Tan			+SB +BS
	971 863 483 C 3G0	Marsala Red			+PC
	971 863 483 C OG6	Bordeaux Red			+BB
	971 863 483 C OL8	Chalk			+BK
	971 863 483 C 5J0	Cream			+BE
(1)	971 863 484 C	Lining A-pillar Lower	/R	1	IL0L
	971 863 484 C 1E0	Black			+AB +PK
	971 863 484 C OP1	Agate Grey			+DG +AC +DL
	971 863 484 C 4H0	Luxor Beige			+UB +UC +BP
	971 863 484 C OM8	Saddle Tan			+SB +BS
	971 863 484 C 3G0	Marsala Red			+PC
	971 863 484 C OG6	Bordeaux Red			+BB
	971 863 484 C OL8	Chalk			+BK
	971 863 484 C 5J0	Cream			+BE
(1)	971 863 483 B	Lining A-pillar Lower	/L	1	IL0R
	971 863 483 B 1E0	Black			+AB +PK
	971 863 483 B OP1	Agate Grey			+DG +AC +DL
	971 863 483 B 4H0	Luxor Beige			+UB +UC +BP
	971 863 483 B OM8	Saddle Tan			+SB +BS
	971 863 483 B 3G0	Marsala Red			+PC
	971 863 483 B OG6	Bordeaux Red			+BB
	971 863 483 B OL8	Chalk			+BK
	971 863 483 B 5J0	Cream			+BE
(1)	971 863 484 B	Lining A-pillar Lower	/R	1	IL0R
	971 863 484 B 1E0	Black			+AB +PK
	971 863 484 B OP1	Agate Grey			+DG +AC +DL
	971 863 484 B 4H0	Luxor Beige			+UB +UC +BP
	971 863 484 B OM8	Saddle Tan			+SB +BS
	971 863 484 B 3G0	Marsala Red			+PC
	971 863 484 B OG6	Bordeaux Red			+BB
	971 863 484 B OL8	Chalk			+BK
	971 863 484 B 5J0	Cream			+BE
2	971 863 565	Lid A-pillar Lower		1	
	971 863 565 1E0	Black			+AB +PK
	971 863 565 OP1	Agate Grey			+DG +AC +DL
	971 863 565 4H0	Luxor Beige			+UB +UC +BP
	971 863 565 OM8	Saddle Tan			+SB +BS
	971 863 565 3G0	Marsala Red			+PC
	971 863 565 OG6	Bordeaux Red			+BB
	971 863 565 OL8	Chalk			+BK
	971 863 565 5J0	Cream			+BE
3	971 867 300 A	Clip		X	
4	955 551 276 00	Clip		X	
5	958 555 190 01	Clamp		1	
10	971 853 467	Scuff plate		X	IA8C/0E1/1X2 I7M9

Model: 971-17 Model life 2017>>

Pos	Part Number	Description	Remark	Qty	Model
(10)	971 853 467 A	Aluminium Panamera Scuff plate		X	IA8C/0E1/1X1 I7M9
(10)	971 853 467 C	Aluminium Panamera 4 Scuff plate		X	IA8F/0E1/1X1 I7M9
(10)	971 853 467 E	Aluminium Panamera 4S Scuff plate		X	IA8H/E0A/0E1 I1X1/7M9
(10)	971 853 467 F	Aluminium Panamera Turbo Scuff plate		X	IA8H/E8A/0E1 I1X1/7M9
(10)	971 853 467 H	Aluminium Panamera Turbo S Scuff plate		X	IA8C/0E1/1X2 I7M3
(10)	971 853 467 J	Carbon Panamera Scuff plate		X	IA8C/0E1/1X1 I7M3
(10)	971 853 467 K	Carbon Panamera 4 Scuff plate		X	IA8F/0E1/1X1 I7M3
(10)	971 853 467 M	Carbon Panamera 4S Scuff plate		X	IA8H/E0A/0E1 I1X1/7M3
(10)	971 853 467 N	Carbon Panamera Turbo Scuff plate		X	IA8H/E8A/0E1 I1X1/7M3
(10)	971 853 467 P	Carbon Panamera Turbo S Scuff plate		X	IA8C/0E1/1X2 I7M8
(10)	971 853 467 Q	Carbon Illumination Panamera Scuff plate		X	IA8C/0E1/1X1 I7M8
(10)	971 853 467 S	Carbon Illumination Panamera 4 Scuff plate		X	IA8F/0E1/7M8
(10)	971 853 467 AA	Carbon Illumination Panamera 4S Scuff plate		X	IA8H/E0A/0E1 I1X1/7M8
(10)	971 853 467 AC	Carbon Illumination Panamera Turbo Scuff plate		X	IA8C/VT2/0E1 I1X2
(10)	971 853 467 AD	Aluminium Illumination Panamera Scuff plate		X	IA8C/VT2/0E1

Model: 971-17 Model life 2017>>

Pos	Part Number	Description	Remark	Qty	Model
(10)	971 853 467 AF	Aluminium Illumination Panamera 4 Scuff plate		X	I1X1 IA8F/VT2/0E1 I1X1
(10)	971 853 467 AH	Aluminium Illumination Panamera 4S Scuff plate		X	IA8H/E0A/VT2 I0E1/1X1
(10)	971 853 467 G	Aluminium Illumination Panamera Turbo Scuff plate		X	I0E2/7M9
(10)	971 853 467 AK	Aluminium Executive Scuff plate Carbon		X	I0E2/7M3
(10)	971 853 467 AN	Executive Scuff plate Aluminium		X	IVT2/0E2/0K0
(10)	971 853 467 AP	Illumination Executive Scuff plate Aluminium		X	IVT2/0E2/0K3
(10)	971 853 467 AL	Illumination Executive Scuff plate Carbon		X	I0E2/0K0/7M8
(10)	971 853 467 AM	Executive Scuff plate Carbon		X	I0E2/0K3/7M8
(10)	971 853 467 AE	Executive Scuff plate Aluminium		X	IA8C/VT2/0K3
(10)	971 853 467 AJ	Illumination Acid Green Panamera 4 Scuff plate		X	IA8H/E8A/VT2 I0K3
(10)	971 853 467 R	Aluminium Illumination Acid Green Panamera Turbo S Scuff plate Carbon		X	IA8C/0K3/7M8
(10)	971 853 467 AB	Illumination Acid Green Panamera 4 Scuff plate		X	IA8H/E8A/0K3 I7M8
11	971 867 239 B	Carbon Illumination Acid Green Panamera Turbo S Lining B-pillar Lower	/L	1	-I7AH
	971 867 239 B 1E0	Black			+AB +PK
	971 867 239 B OP1	Agate Grey			+DG +AC +DL
	971 867 239 B 4H0	Luxor Beige			+UB +UC +BP
	971 867 239 B OM8	Saddle Tan			+SB +BS

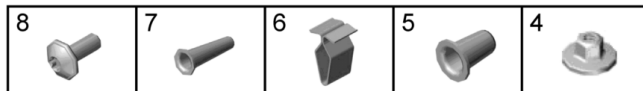
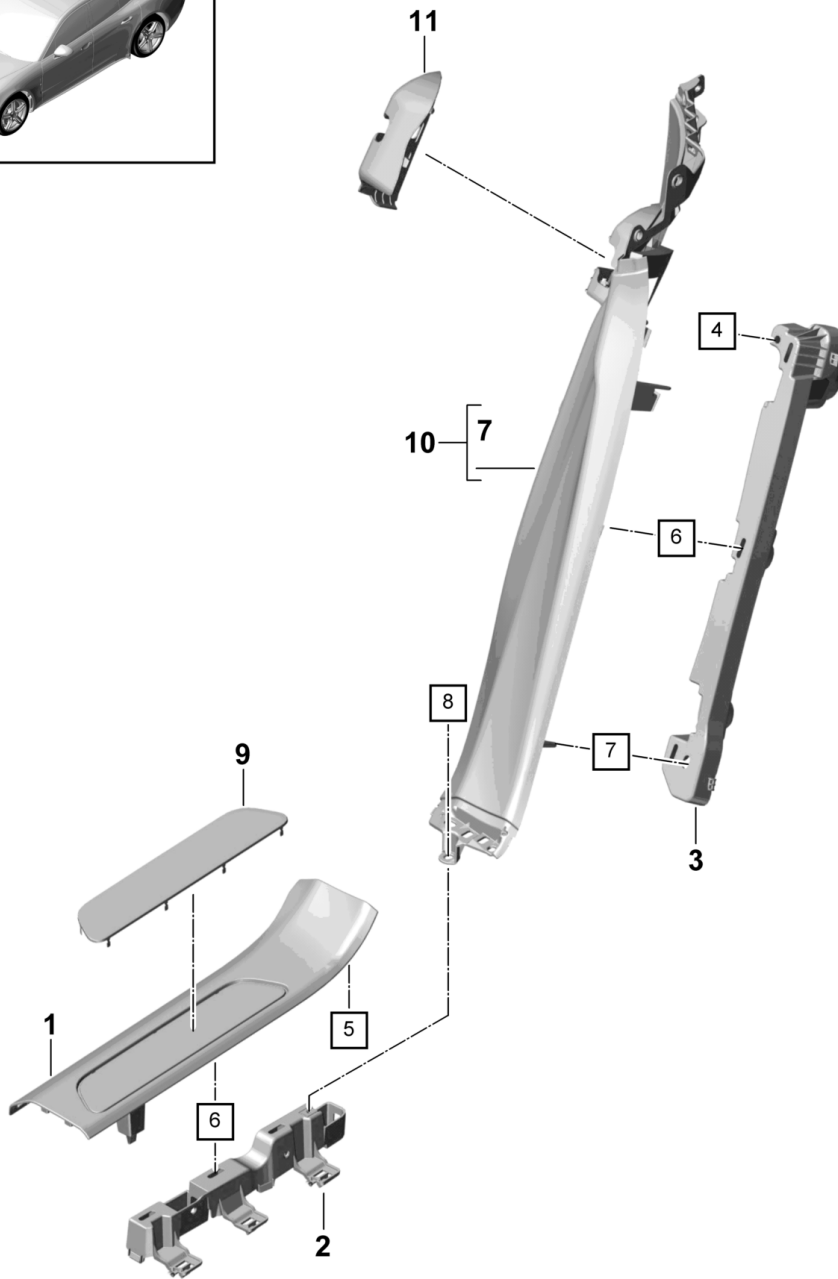
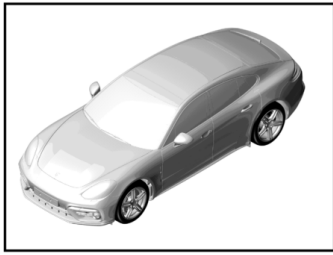
Model: 971-17

Model life 2017>>

Pos	Part Number	Description	Remark	Qty	Model
(11)	971 867 239 B 3G0	Marsala Red	/L	1	+PC
	971 867 239 B OG6	Bordeaux Red			+BB
	971 867 239 B OL8	Chalk			+BK
	971 867 239 B 5J0	Cream			+BE
	971 867 239 C	Lining			I7AH
		B-pillar			
		Lower			
	971 867 239 C 1E0	Black			+AB +PK
	971 867 239 C OP1	Agate Grey			+DG +AC +DL
	971 867 239 C 4H0	Luxor Beige			+UB +UC +BP
(11)	971 867 239 C OM8	Saddle Tan	/R	1	+SB +BS
	971 867 239 C 3G0	Marsala Red			+PC
	971 867 239 C OG6	Bordeaux Red			+BB
	971 867 239 C OL8	Chalk			+BK
	971 867 239 C 5J0	Cream			+BE
	971 867 240 A	Lining			
		B-pillar			
		Lower			
	971 867 240 A 1E0	Black			+AB +PK
	971 867 240 A OP1	Agate Grey			+DG +AC +DL
12	971 867 240 A 4H0	Luxor Beige	/L	1	+UB +UC +BP
	971 867 240 A OM8	Saddle Tan			+SB +BS
	971 867 240 A 3G0	Marsala Red			+PC
	971 867 240 A OG6	Bordeaux Red			+BB
	971 867 240 A OL8	Chalk			+BK
	971 867 240 A 5J0	Cream			+BE
	971 819 203 C	Air vent			
		B-pillar			
		Lower			
	971 819 203 C DAP	Galvano silver			
(12)	971 819 204 C	Air vent	/R	1	
		B-pillar			
		Lower			
	971 819 204 C DAP	Galvano silver			

Model: 971-17

Model life 2017>>



Model: 971-17

Model life 2017>>

Pos	Part Number	Description	Remark	Qty	Model
1	971 863 405 B	Entrance lining Insert Rear Lining Lower	/L	1	I0E1
	971 863 405 B 1E0	Black			+AB +PK
	971 863 405 B OP1	Agate Grey			+DG +AC +DL
	971 863 405 B 4H0	Luxor Beige			+UB +UC +BP
	971 863 405 B OM8	Saddle Tan			+SB +BS
	971 863 405 B 3G0	Marsala Red			+PC
	971 863 405 B OG6	Bordeaux Red			+BB
	971 863 405 B OL8	Chalk			+BK
	971 863 405 B 5J0	Cream			+BE
(1)	971 863 406 B	Lining Lower	/R	1	I0E1
	971 863 406 B 1E0	Black			+AB +PK
	971 863 406 B OP1	Agate Grey			+DG +AC +DL
	971 863 406 B 4H0	Luxor Beige			+UB +UC +BP
	971 863 406 B OM8	Saddle Tan			+SB +BS
	971 863 406 B 3G0	Marsala Red			+PC
	971 863 406 B OG6	Bordeaux Red			+BB
	971 863 406 B OL8	Chalk			+BK
	971 863 406 B 5J0	Cream			+BE
(1)	971 863 405 C	Lining Lower	/L	1	I0E2
	971 863 405 C 1E0	Black			+AB +PK
	971 863 405 C OP1	Agate Grey			+DG +AC +DL
	971 863 405 C 4H0	Luxor Beige			+UB +UC +BP
	971 863 405 C OM8	Saddle Tan			+SB +BS
	971 863 405 C 3G0	Marsala Red			+PC
	971 863 405 C OG6	Bordeaux Red			+BB
	971 863 405 C OL8	Chalk			+BK
	971 863 405 C 5J0	Cream			+BE
(1)	971 863 406 C	Lining Lower	/R	1	I0E2
	971 863 406 C 1E0	Black			+AB +PK
	971 863 406 C OP1	Agate Grey			+DG +AC +DL
	971 863 406 C 4H0	Luxor Beige			+UB +UC +BP
	971 863 406 C OM8	Saddle Tan			+SB +BS
	971 863 406 C 3G0	Marsala Red			+PC
	971 863 406 C OG6	Bordeaux Red			+BB
	971 863 406 C OL8	Chalk			+BK
	971 863 406 C 5J0	Cream			+BE
2	971 868 553	Support	/L	1	
(2)	971 868 554	Lining Support	/R	1	
3	971 867 729 A	Lining Support	/L	1	
(3)	971 867 730 A	Lining Support	/R	1	
4	N 912 428 01	Hexagon nut		X	
5	9A7 006 988 00	Stopper		X	
6	9A7 867 267 01	Stopper		X	
7	996 555 857 00	Grommet		X	
8	N 909 446 04	Fastening screw		X	
9	971 853 173 A	Scuff plate Carbon Rear		X	I0E1/7M3/7M8
(9)	971 853 173 B	Scuff plate Aluminium, brushed Rear		X	I0E1/7M9
(9)	971 853 467 AK	Scuff plate		1	I0E2/7M3

Model: 971-17 Model life 2017>>

Pos	Part Number	Description	Remark	Qty	Model
(9)	971 853 467 AL	Carbon Executive Scuff plate Carbon, fine high-gloss		1	I0E2/0K0/7M8
(9)	971 853 467 AN	Executive Scuff plate Aluminium Illumination		1	IVT2/0E2/0K0
(9)	971 853 467 AM	Executive Scuff plate Carbon, fine high-gloss Illumination		1	I0E2/0K3/7M8
(9)	971 853 467 AP	in Green Executive Scuff plate Aluminium Illumination		1	IVT2/0E2/0K3
10	971 867 765 C	in Green Executive Lining Wheel housing	/L	1	I3LD/4AP
	971 867 765 C 7P8	Black			+AB
	971 867 765 C OK2	Agate Grey			+DG
	971 867 765 C 8ED	Luxor Beige			+UB +PK
(10)	971 867 766 C	Lining Wheel housing	/R	1	I3LD/4AP
	971 867 766 C 7P8	Black			+AB
	971 867 766 C OK2	Agate Grey			+DG
	971 867 766 C 8ED	Luxor Beige			+UB +PK
(10)	971 867 765 D	Lining Wheel housing	/L	1	I3LH/3LT
	971 867 765 D A11	Leather Black			+AC
	971 867 765 D OA1	Agate Grey			+DL
	971 867 765 D OK6	Saddle Tan			+SB
	971 867 765 D 7J0	Luxor Beige			+UC +BP
	971 867 765 D 7H0	Marsala Red			+PC
	971 867 765 D OG6	Bordeaux Red			+BB
	971 867 765 D OK6	Saddle Tan			+BS
	971 867 765 D OL8	Chalk			+BK
	971 867 765 D 8D0	Cream			+BE
(10)	971 867 766 D	Lining Wheel housing Leather	/R	1	I3LH/3LT
	971 867 766 D A11	Black			+AC
	971 867 766 D OA1	Agate Grey			+DL
	971 867 766 D OK6	Saddle Tan			+SB
	971 867 766 D 7J0	Luxor Beige			+UC +BP
	971 867 766 D 7H0	Marsala Red			+PC
	971 867 766 D OG6	Bordeaux Red			+BB
	971 867 766 D OK6	Saddle Tan			+BS
	971 867 766 D OL8	Chalk			+BK
	971 867 766 D 8D0	Cream			+BE
11	971 867 347 A	Cover Catch bar Rear	/L	1	
	971 867 347 A 1E0	Black			+AB +PK
	971 867 347 A OP1	Agate Grey			+DG +AC +DL
	971 867 347 A 4H0	Luxor Beige			+UB +UC +BP
	971 867 347 A OM8	Saddle Tan			+SB +BS
	971 867 347 A 3G0	Marsala Red			+PC

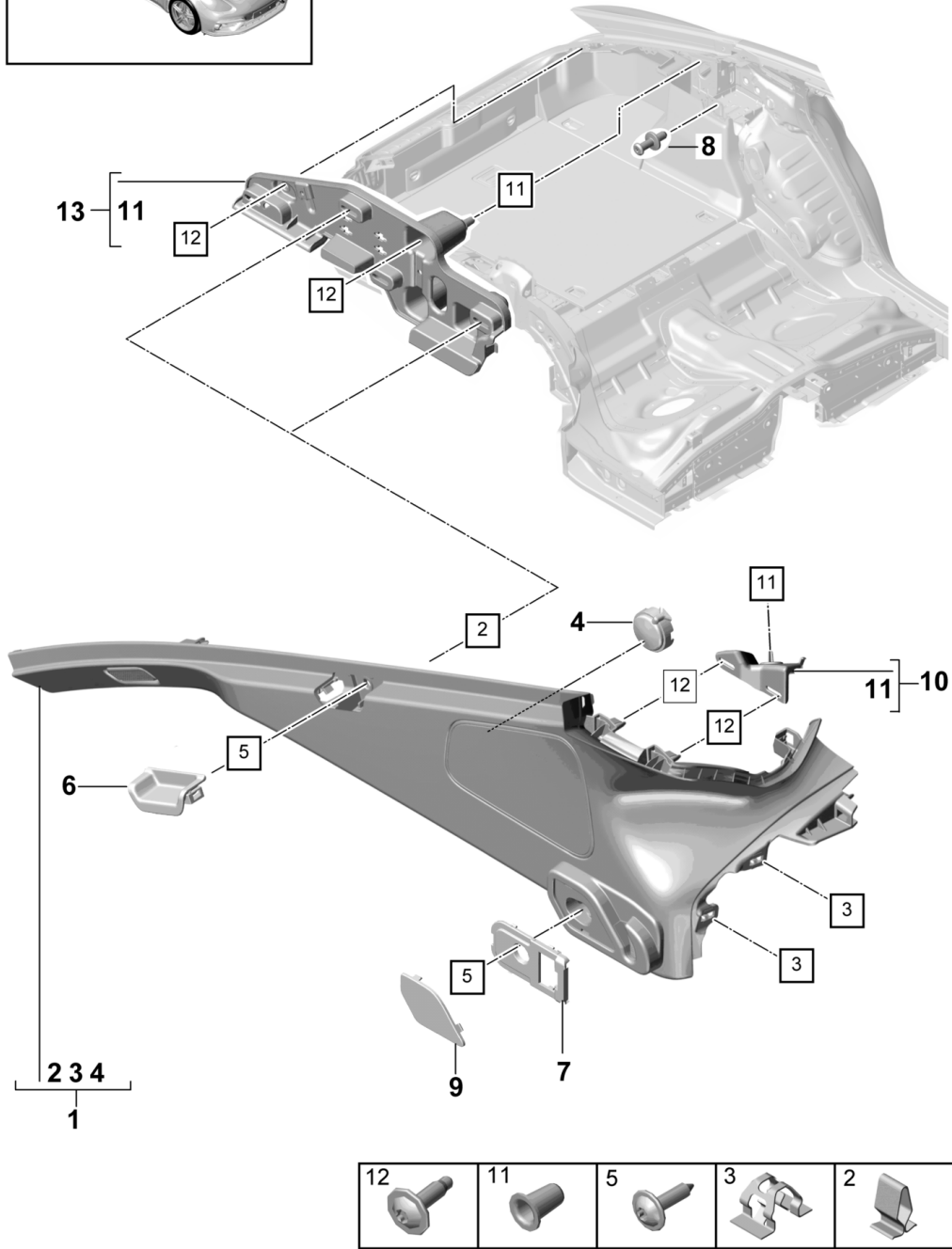
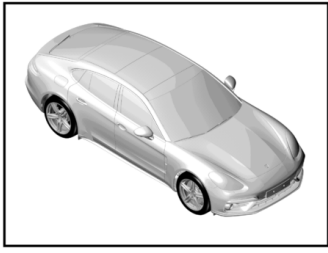
Model: 971-17

Model life 2017>>

Pos	Part Number	Description	Remark	Qty	Model
(11)	971 867 347 A OG6	Bordeaux Red	/R	1	+BB
	971 867 347 A OL8	Chalk			+BK
	971 867 347 A 5J0	Cream			+BE
	971 867 348 A	Cover			
		Catch bar			
		Rear			
	971 867 348 A 1E0	Black			+AB +PK
	971 867 348 A OP1	Agate Grey			+DG +AC +DL
	971 867 348 A 4H0	Luxor Beige			+UB +UC +BP
	971 867 348 A OM8	Saddle Tan			+SB +BS
	971 867 348 A 3G0	Marsala Red			+PC
971 867 348 A OG6	Bordeaux Red	+BB			
971 867 348 A OL8	Chalk	+BK			
971 867 348 A 5J0	Cream	+BE			

Model: 971-17

Model life 2017>>



Model: 971-17 Model life 2017>>

Pos	Part Number	Description	Remark	Qty	Model
		Linings D-pillar Luggage compartment Lateral Lining	/L	1	IK8S IK8S/3U7/3Y0 I3Y7
	971 867 245 1E0	D-pillar Left Black			+AB, +PK, +AC +BB, +BS, +BK +DG, +DL +UB, +UC +SB, +BP +PC, +BE
	971 867 245 OP1	Agate Grey			
	971 867 245 4H0	Luxor Beige			
	971 867 245 OM8	Saddle Tan			
	971 867 245 3G0	Marsala Red			
(1)	971 867 246	Lining	/R	1	IK8S/3U7/3Y0 I3Y7
		D-pillar Right Black			+AB, +PK, +AC +BB, +BS, +BK +DG, +DL +UB, +UC +SB, +BP +PC, +BE
	971 867 246 1E0	D-pillar Right Black			
	971 867 246 OP1	Agate Grey			
	971 867 246 4H0	Luxor Beige			
	971 867 246 OM8	Saddle Tan			
	971 867 246 3G0	Marsala Red			
(1)	971 867 245 C	Lining	/L	1	IK8S/3U4
		D-pillar Left Black			+AB, +PK, +AC +BB, +BS, +BK +DG, +DL +UB, +UC +SB, +BP +PC, +BE
	971 867 245 C 1E0	D-pillar Left Black			
	971 867 245 C OP1	Agate Grey			
	971 867 245 C 4H0	Luxor Beige			
	971 867 245 C OM8	Saddle Tan			
	971 867 245 C 3G0	Marsala Red			
(1)	971 867 246 C	Lining	/R	1	IK8S/3U4
		D-pillar Right Black			+AB, +PK, +AC +BB, +BS, +BK +DG, +DL +UB, +UC +SB, +BP +PC, +BE
	971 867 246 C 1E0	D-pillar Right Black			
	971 867 246 C OP1	Agate Grey			
	971 867 246 C 4H0	Luxor Beige			
	971 867 246 C OM8	Saddle Tan			
	971 867 246 C 3G0	Marsala Red			
(1)	971 867 245 F	Lining	/L	1	IK8S/3U7/3Y2 I3Y8
		D-pillar Left Black			+AB, +PK, +AC +BB, +BS, +BK +DG, +DL +UB, +UC +SB, +BP +PC, +BE
	971 867 245 F 1E0	D-pillar Left Black			
	971 867 245 F OP1	Agate Grey			
	971 867 245 F 4H0	Luxor Beige			
	971 867 245 F OM8	Saddle Tan			
	971 867 245 F 3G0	Marsala Red			
(1)	971 867 246 F	Lining	/R	1	IK8S/3U7/3Y2 I3Y8
		D-pillar Right Black			+AB, +PK, +AC +BB, +BS, +BK +DG, +DL +UB, +UC +SB, +BP +PC, +BE
	971 867 246 F 1E0	D-pillar Right Black			
	971 867 246 F OP1	Agate Grey			
	971 867 246 F 4H0	Luxor Beige			
	971 867 246 F OM8	Saddle Tan			
	971 867 246 F 3G0	Marsala Red			
2	999 507 681 01	Clamp		9	

Model: 971-17 Model life 2017>>

Pos	Part Number	Description	Remark	Qty	Model
3	958 555 190 00	Clamp		2	
4	971 867 597	Stopper		1	I9VL
5	N 911 809 01	Oval-head screw M5X20		2	
6	971 867 763	Base Tray Hat		2	IK8S/3U7
	971 867 763 1E0	Black			+AB, +PK, +AC +BB, +BS, +BK +DG, +DL
	971 867 763 OP1	Agate Grey			+UB, +UC
	971 867 763 4H0	Luxor Beige			+SB, +BP
	971 867 763 OM8	Saddle Tan			+PC, +BE
	971 867 763 3G0	Marsala Red			
7	971 867 393	Cover	/L	1	I3U4/3U7/3Y2 I3Y8
		Mounting Left			
	971 867 393 1E0	Black			+AB, +PK, +AC +BB, +BS, +BK +DG, +DL
	971 867 393 OP1	Agate Grey			+UB, +UC
	971 867 393 4H0	Luxor Beige			+SB, +BP
	971 867 393 OM8	Saddle Tan			+PC, +BE
	971 867 393 3G0	Marsala Red			
(7)	971 867 393 A	Cover	/L	1	I3U4/3Y0/3Y7
		Mounting Left			
	971 867 393 A 1E0	Black			+AB, +PK, +AC +BB, +BS, +BK +DG, +DL
	971 867 393 A OP1	Agate Grey			+UB, +UC
	971 867 393 A 4H0	Luxor Beige			+SB, +BP
	971 867 393 A OM8	Saddle Tan			+PC, +BE
	971 867 393 A 3G0	Marsala Red			
(7)	971 867 394	Cover	/R	1	I3U4/3U7/3Y2 I3Y8
		Mounting Right			
	971 867 394 1E0	Black			+AB, +PK, +AC +BB, +BS, +BK +DG, +DL
	971 867 394 OP1	Agate Grey			+UB, +UC
	971 867 394 4H0	Luxor Beige			+SB, +BP
	971 867 394 OM8	Saddle Tan			+PC, +BE
	971 867 394 3G0	Marsala Red			
8	9A7 007 942 00	Bearing pin		2	I3U4/3Y0/3Y2 I3Y8
9	971 868 965	Cover	/L	1	IK8S/3U7/3Y0 I3Y7
		Mounting Left			
	971 868 965 1E0	Black			+AB, +PK, +AC +BB, +BS, +BK +DG, +DL
	971 868 965 OP1	Agate Grey			+UB, +UC
	971 868 965 4H0	Luxor Beige			+SB, +BP
	971 868 965 OM8	Saddle Tan			+PC, +BE
	971 868 965 3G0	Marsala Red			
(9)	971 868 966	Cover	/R	1	IK8S/3U7/3Y0 I3Y7
		Mounting Right			
	971 868 966 1E0	Black			+AB, +PK, +AC +BB, +BS, +BK +DG, +DL
	971 868 966 OP1	Agate Grey			+UB, +UC
	971 868 966 4H0	Luxor Beige			+SB, +BP
	971 868 966 OM8	Saddle Tan			

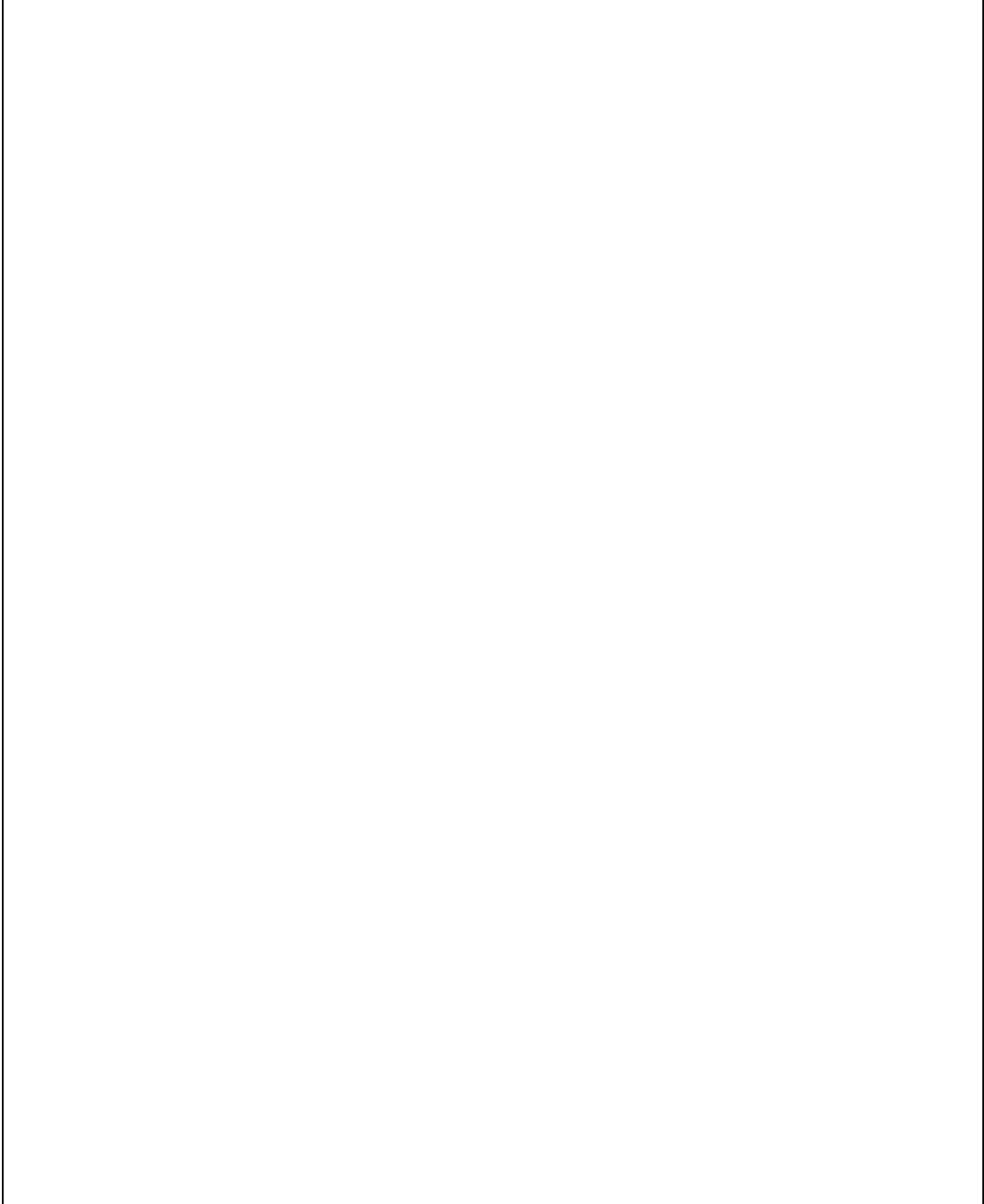
Model: 971-17

Model life 2017>>

Pos	Part Number	Description	Remark	Qty	Model
10	971 868 966 3G0 971 867 891	Marsala Red Support Left	/L	1	+PC, +BE IK8S
(10)	971 867 892	Support Right	/R	1	IK8S
11	9A7 006 988 00	Stopper		1	
12	N 909 101 02	Hexagon socket head bolt M5X18		2	
13	971 868 891	Support Rear	/L	1	IK8S/0E1
(13)	971 868 892	Support Rear	/R	1	IK8S/0E1

Model: 971-17

Model life 2017>>



Model: 971-17 Model life 2017>>

Pos	Part Number	Description	Remark	Qty	Model
1	974 867 245 F	Linings D-pillar Luggage compartment Lateral Lining D-pillar Upper Left		1	IK8D
	974 867 245 F 1E0	Black			+AB, +PK, +AC +BB, +BS, +BK +PL +DG, +DL +UB, +UC +SB, +BP +PC, +BE +HD +HC
	974 867 245 F OP1	Agate Grey			+DG, +DL
	974 867 245 F 4H0	Luxor Beige			+UB, +UC
	974 867 245 F OM8	Saddle Tan			+SB, +BP
	974 867 245 F 3G0	Marsala Red			+PC, +BE
	974 867 245 F OS1	Truffle Brown			+HD
	974 867 245 F OB8	Cohiba Brown			+HC
(1)	974 867 246 F	Lining D-pillar Upper Left		1	
	974 867 246 F 1E0	Black			+AB, +PK, +AC +BB, +BS, +BK +PL +DG, +DL +UB, +UC +SB, +BP +PC, +BE +HD +HC
	974 867 246 F OP1	Agate Grey			+DG, +DL
	974 867 246 F 4H0	Luxor Beige			+UB, +UC
	974 867 246 F OM8	Saddle Tan			+SB, +BP
	974 867 246 F 3G0	Marsala Red			+PC, +BE
	974 867 246 F OS1	Truffle Brown			+HD
	974 867 246 F OB8	Cohiba Brown			+HC
2	955 555 279 00	Fixing clip		7	
3	971 867 597	Stopper		1	I9VL
4	974 867 627	Lining D-pillar Lower Left		1	I3KK/3KL
	974 867 627 1E0	Black			+AB, +PK, +AC +BB, +BS, +BK +PL +DG, +DL +UB, +UC +SB, +BP +PC, +BE +HD +HC
	974 867 627 OP1	Agate Grey			+DG, +DL
	974 867 627 4H0	Luxor Beige			+UB, +UC
	974 867 627 OM8	Saddle Tan			+SB, +BP
	974 867 627 3G0	Marsala Red			+PC, +BE
	974 867 627 OS1	Truffle Brown			+HD
	974 867 627 OB8	Cohiba Brown			+HC
(4)	974 867 627 A	Lining D-pillar Lower Left		1	I5KA
	974 867 627 A 1E0	Black			+AB, +PK, +AC +BB, +BS, +BK +PL +DG, +DL +UB, +UC +SB, +BP +PC, +BE +HD +HC
	974 867 627 A OP1	Agate Grey			+DG, +DL
	974 867 627 A 4H0	Luxor Beige			+UB, +UC
	974 867 627 A OM8	Saddle Tan			+SB, +BP
	974 867 627 A 3G0	Marsala Red			+PC, +BE
	974 867 627 A OS1	Truffle Brown			+HD
	974 867 627 A OB8	Cohiba Brown			+HC
(4)	974 867 628	Lining D-pillar Lower Right		1	I3KK/3KL
	974 867 628 1E0	Black			+AB, +PK, +AC

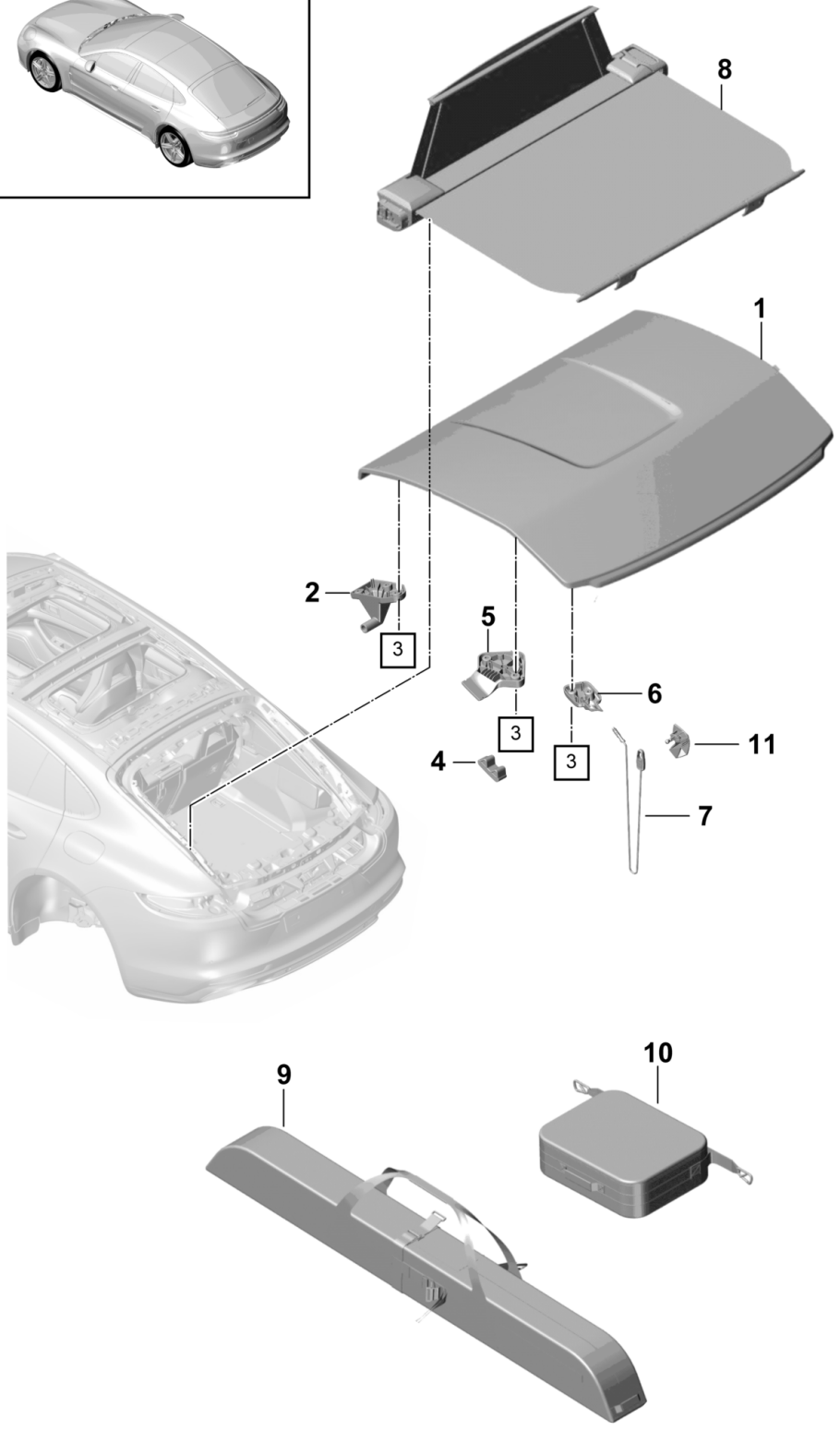
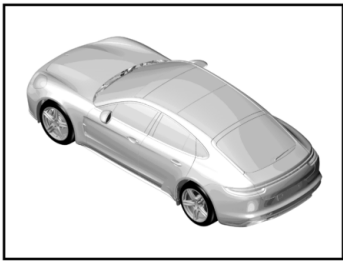
Model: 971-17

Model life 2017>>

Pos	Part Number	Description	Remark	Qty	Model
	974 867 628 OP1	Agate Grey			+BB, +BS, +BK
	974 867 628 4H0	Luxor Beige			+PL
	974 867 628 OM8	Saddle Tan			+DG, +DL
	974 867 628 3G0	Marsala Red			+UB, +UC
	974 867 628 OS1	Truffle Brown			+SB, +BP
	974 867 628 OB8	Cohiba Brown			+PC, +BE
(4)	974 867 628 A	Lining		1	+HD
		D-pillar			+HC
		Lower			I5KA
		Right			
	974 867 628 A 1E0	Black			+AB, +PK, +AC
					+BB, +BS, +BK
					+PL
	974 867 628 A OP1	Agate Grey			+DG, +DL
	974 867 628 A 4H0	Luxor Beige			+UB, +UC
	974 867 628 A OM8	Saddle Tan			+SB, +BP
	974 867 628 A 3G0	Marsala Red			+PC, +BE
	974 867 628 A OS1	Truffle Brown			+HD
	974 867 628 A OB8	Cohiba Brown			+HC
5	9A7 864 215 00	U-clamp		3	
6	958 555 190 00	Clamp		X	
7	9A7 007 617 00	Retaining washer		X	
8	9A7 007 798 00	Retaining washer		1	
9	N 911 809 01	Oval-head screw		1	
10	9A7 007 942 00	Bearing pin		1	
11	974 868 891 A	Support	/L	1	
		Rear			
(11)	974 868 892 A	Support	/R	1	
		Rear			
12	9A7 006 988 00	Stopper		2	
13	N 909 101 02	Hexagon socket head bolt		5	

Model: 971-17

Model life 2017>>



Model: 971-17 Model life 2017>>

Pos	Part Number	Description	Remark	Qty	Model
1	971 867 360 B	Cover Tray Hat Shade Ski bag Tray		1	I3KG/3KH/3KI I3KJ/3U7/3Y0 I3Y7
	971 867 360 B OL4	Hat without Shade Black			+AB,+PK,+AC +BB,+BS,+BK +DG,+DL, +UB,+UC
	971 867 360 B OM5	Agate Grey			+DG,+DL, +UB,+UC
	971 867 360 B ON6	Luxor Beige			+BP,+SB
	971 867 360 B OJ2	Saddle Tan			+BC,+BE
(1)	971 867 360 B OK3	Marsala Red		1	I3KG/3KH/3KI I3KJ/3KK/3KL I3KN/3KR/3Y2 I3Y8
	971 867 360 C	Tray			
	971 867 360 C OL4	Hat with Shade Black			+AB,+PK,+AC +BB,+BS,+BK +DG,+DL, +UB,+UC +BP,+SB +BC,+BE
	971 867 360 C OM5	Agate Grey			+DG,+DL, +UB,+UC
	971 867 360 C ON6	Luxor Beige			+BP,+SB
	971 867 360 C OJ2	Saddle Tan			+BC,+BE
	971 867 360 C OK3	Marsala Red			
2	971 867 777	Hinge	/L	1	I3U7/3Y0
	971 867 777 1E0	Left Black			
(2)	971 867 777 A	Hinge	/L	1	I3U7/3Y2/3Y8
	971 867 777 A 1E0	Left Black			
(2)	971 867 778	Hinge	/R	1	I3U7/3Y0
	971 867 778 1E0	Right Black			
(2)	971 867 778 A	Hinge	/R	1	I3U7/3Y7/3Y8
	971 867 778 A 1E0	Right Black			
3	N 911 768 01	Lens-head screw		16	
4	971 867 815	Buffer		2	
5	971 868 253	Base	/L	1	
	971 868 253 1E0	Left Black			
(5)	971 868 254	Base	/R	1	
	971 868 254 1E0	Right Black			
(6)	971 867 785	Cord	/L	1	I3U7
	971 867 785 1E0	Mount Left Black			
(6)	971 867 786	Cord	/R	1	I3U7
	971 867 786 1E0	Mount Right Black			
7	971 864 057	Cord	/L	1	I3U7
	971 864 057 1E0	Left Black			
(7)	971 864 058	Cord	/R	1	I3U7
	971 864 058 1E0	Right Black			

Model: 971-17

Model life 2017>>

Pos	Part Number	Description	Remark	Qty	Model
8	971 861 313 C	Luggage compartment cover without Shade Electric		1	I3KG/3KH/3U7 I3Y2/3Y8
	971 861 313 C 5Q0	Black			+AB,+PK,+AC +BB,+BS,+BK +DG,+DL +UB,+UC +SB,+BP +PC,+BE
	971 861 313 C OK2	Agate Grey			
	971 861 313 C 6W0	Luxor Beige			
	971 861 313 C BP1	Saddle Tan			
	971 861 313 C 7X0	Marsala Red			
(8)	971 861 313 D	Luggage compartment cover with Shade Electric		1	I3KI/3KJ/3KK I3KL/3KN/3KR I3U7/3Y2/3Y8
	971 861 313 D 5Q0	Black			+AB,+PK,+AC +BB,+BS,+BK +DG,+DL +UB,+UC +SB,+BP +PC,+BE
	971 861 313 D OK2	Agate Grey			
	971 861 313 D 6W0	Luxor Beige			
	971 861 313 D BP1	Saddle Tan			
	971 861 313 D 7X0	Marsala Red			
(8)	971 861 317 C	Luggage compartment cover with Shade Electric		1	I3KG/3KH/3U4 I3Y2/3Y8
	971 861 317 C 5Q0	Black			+AB,+PK,+AC +BB,+BS,+BK +DG,+DL +UB,+UC +SB,+BP +PC,+BE
	971 861 317 C OK2	Agate Grey			
	971 861 317 C 6W0	Luxor Beige			
	971 861 317 C BP1	Saddle Tan			
	971 861 317 C 7X0	Marsala Red			
(8)	971 861 317 D	Luggage compartment cover with Shade Electric		1	I3KI/3KJ/3KK I3KL/3KN/3KR I3U4/3Y2/3Y8
	971 861 317 D 5Q0	Black			+AB,+PK,+AC +BB,+BS,+BK +DG,+DL +UB,+UC +SB,+BP +PC,+BE
	971 861 317 D OK2	Agate Grey			
	971 861 317 D 6W0	Luxor Beige			
	971 861 317 D BP1	Saddle Tan			
	971 861 317 D 7X0	Marsala Red			
9	971 860 837	Ski bag with Bag		1	I3X1
10	9A7 860 811 00	Bag Connecting line		1	I0K3
11	971 868 995	Adapter Cord Left		1	I3U7
	971 868 995 1E0	Black			+AB,+PK,+AC +BB,+BS,+PL +BK +DG,+DL +SB,+BP +UC +PC,+BE +HD +HC
	971 868 995 OP1	Agate Grey			
	971 868 995 OM8	Saddle Tan			
	971 868 995 4H0	Luxor Beige			
	971 868 995 3G0	Marsala Red			
	971 868 995 OS1	Truffle Brown			
	971 868 995 OB8	Cohiba Brown			

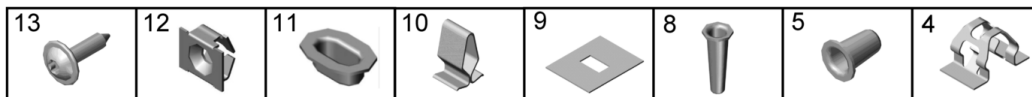
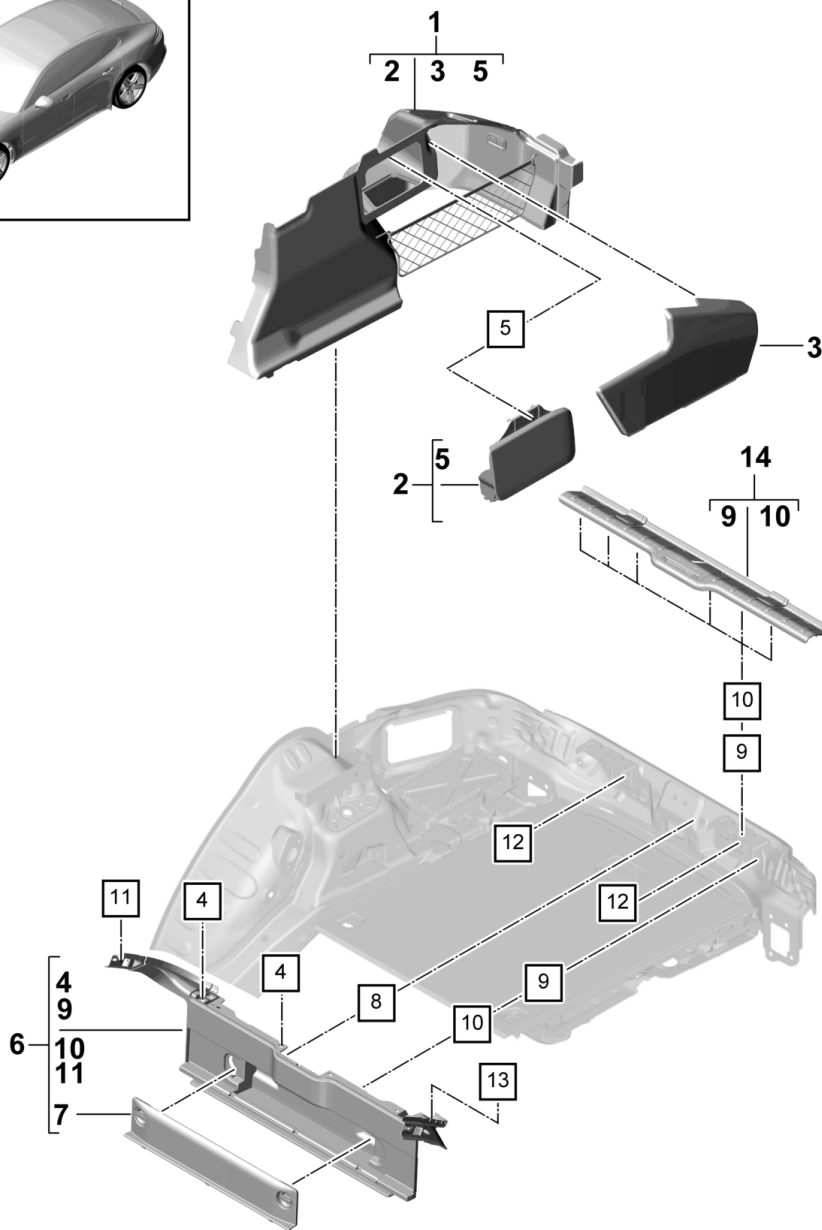
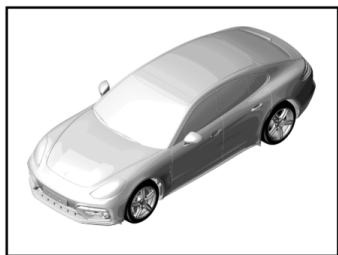
Model: 971-17

Model life 2017>>

Pos	Part Number	Description	Remark	Qty	Model
(11)	971 868 996	Adapter		1	I3U7
	971 868 996 1E0	Cord Right Black			+AB, +PK, +AC +BB, +BS, +PL +BK
	971 868 996 OP1	Agate Grey			+DG, +DL
	971 868 996 OM8	Saddle Tan			+SB, +BP
	971 868 996 4H0	Luxor Beige			+UC
	971 868 996 3G0	Marsala Red			+PC, +BE
	971 868 996 OS1	Truffle Brown			+HD
	971 868 996 OB8	Cohiba Brown			+HC

Model: 971-17

Model life 2017>>



Model: 971-17 Model life 2017>>

Pos	Part Number	Description	Remark	Qty	Model
		Luggage compartment trim			IK8S
1	971 868 224 E	Lateral Lining	/R	1	IQE1/0K0/1D3 I6G2 +AB,+PK,+AC +BB,+BS,+BK +PL +DG,+DL +UB,+UC +SB,+BP +PC,+BE
	971 868 224 E 6B0	Black			+HD +HC
	971 868 224 E 9C0	Agate Grey			
	971 868 224 E 7K0	Luxor Beige			
	971 868 224 E BW3	Saddle Tan			
	971 868 224 E 7G0	Marsala Red			
	971 868 224 E OS1	Truffle Brown			
	971 868 224 E OB8	Cohiba Brown			
(1)	971 868 224	Lining	/R	1	IQE1/QU8/QV0 IQV3/0K0/1D0 I1D7/7A0 +AB,+PK,+AC +BB,+BS,+BK +PL +DG,+DL +UB,+UC +SB,+BP +PC,+BE +HD +HC
	971 868 224 6B0	Black			
	971 868 224 9C0	Agate Grey			
	971 868 224 7K0	Luxor Beige			
	971 868 224 BW3	Saddle Tan			
	971 868 224 7G0	Marsala Red			
	971 868 224 OS1	Truffle Brown			
	971 868 224 OB8	Cohiba Brown			
(1)	971 868 224 A	Lining	/R	1	I0K3/7A0 +AB,+PK,+AC +BB,+BS,+BK +PL +DG,+DL +UB,+UC +SB,+BP +PC,+BE +HD +HC
	971 868 224 A 6B0	Black			
	971 868 224 A 9C0	Agate Grey			
	971 868 224 A 7K0	Luxor Beige			
	971 868 224 A BW3	Saddle Tan			
	971 868 224 A 7G0	Marsala Red			
	971 868 224 A OS1	Truffle Brown			
	971 868 224 A OB8	Cohiba Brown			
(1)	971 868 224 B	Lining	/R	1	IQE1/0K0/1D0 I1D7/6G2 +AB,+PK,+AC +BB,+BS,+BK +PL +DG,+DL +UB,+UC +SB,+BP +PC,+BE +HD +HC
	971 868 224 B 6B0	Black			
	971 868 224 B 9C0	Agate Grey			
	971 868 224 B 7K0	Luxor Beige			
	971 868 224 B BW3	Saddle Tan			
	971 868 224 B 7G0	Marsala Red			
	971 868 224 B OS1	Truffle Brown			
	971 868 224 B OB8	Cohiba Brown			
(1)	971 868 224 C	Lining	/R	1	I0K3/6G2 +AB,+PK,+AC +BB,+BS,+BK +PL +DG,+DL +UB,+UC +SB,+BP +PC,+BE +HD +HC
	971 868 224 C 6B0	Black			
	971 868 224 C 9C0	Agate Grey			
	971 868 224 C 7K0	Luxor Beige			
	971 868 224 C BW3	Saddle Tan			
	971 868 224 C 7G0	Marsala Red			
	971 868 224 C OS1	Truffle Brown			
	971 868 224 C OB8	Cohiba Brown			
(1)	971 868 224 D	Lining	/R	1	IQE1/QU8/QV0 IQV3/0K0/1D3 I7A0 +AB,+PK,+AC +BB,+BS,+BK +PL +DG,+DL
	971 868 224 D 6B0	Black			
	971 868 224 D 9C0	Agate Grey			

Model: 971-17 Model life 2017>>

Pos	Part Number	Description	Remark	Qty	Model
(1)	971 868 224 D 7K0	Luxor Beige	/R	1	+UB,+UC
	971 868 224 D BW3	Saddle Tan			+SB,+BP
	971 868 224 D 7G0	Marsala Red			+PC,+BE
	971 868 224 D OS1	Truffle Brown			+HD
	971 868 224 D OB8	Cohiba Brown			+HC
	971 868 224 F	Lining			IQE1/QU1/QV1
	971 868 224 F 6B0	Black			I0K0/1D0/1D7
	971 868 224 F 9C0	Agate Grey			I7A0
	971 868 224 F 7K0	Luxor Beige			+AB,+PK,+AC
	971 868 224 F BW3	Saddle Tan			+BB,+BS,+BK
(1)	971 868 224 F 7G0	Marsala Red	/R	1	+PL
	971 868 224 F OS1	Truffle Brown			+DG,+DL
	971 868 224 F OB8	Cohiba Brown			+UB,+UC
	971 868 224 G	Lining			+SB,+BP
	971 868 224 G 6B0	Black			+PC,+BE
	971 868 224 G 9C0	Agate Grey			+HD
	971 868 224 G 7K0	Luxor Beige			+HC
	971 868 224 G BW3	Saddle Tan			IQE1/QU1/QV1
	971 868 224 G 7G0	Marsala Red			I0K0/1D3
	971 868 224 G OS1	Truffle Brown			+AB,+PK,+AC
(1)	971 868 224 G OB8	Cohiba Brown	/R	1	+BB,+BS,+BK
	971 868 224 H	Lining			+PL
	971 868 224 H 6B0	Black			+DG,+DL
	971 868 224 H 9C0	Agate Grey			+UB,+UC
	971 868 224 H 7K0	Luxor Beige			+SB,+BP
	971 868 224 H BW3	Saddle Tan			+PC,+BE
	971 868 224 H 7G0	Marsala Red			+HD
	971 868 224 H OS1	Truffle Brown			+HC
	971 868 224 H OB8	Cohiba Brown			IQE0/QU8/QV0
	971 868 224 J	Lining			IQV3/0K0/1D0
(1)	971 868 224 J 6B0	Black	/R	1	I1D7/7A0
	971 868 224 J 9C0	Agate Grey			+AB,+PK,+AC
	971 868 224 J 7K0	Luxor Beige			+BB,+BS,+BK
	971 868 224 J BW3	Saddle Tan			+PL
	971 868 224 J 7G0	Marsala Red			+DG,+DL
	971 868 224 J OS1	Truffle Brown			+UB,+UC
	971 868 224 J OB8	Cohiba Brown			+SB,+BP
	971 868 224 K	Lining			+PC,+BE
	971 868 224 K 6B0	Black			+HD
	971 868 224 K 9C0	Agate Grey			+HC
(1)	971 868 224 K 7K0	Luxor Beige	/R	1	IQE0/QU8/QV0
	971 868 224 K BW3	Saddle Tan			IQV3/0K0/1D3
	971 868 224 K 7G0	Marsala Red			I7A0
	971 868 224 K OS1	Truffle Brown			+AB,+PK,+AC
	971 868 224 K OB8	Cohiba Brown			+BB,+BS,+BK
	971 868 224 K 9C0	Agate Grey			+PL
	971 868 224 K 7K0	Luxor Beige			+DG,+DL
	971 868 224 K BW3	Saddle Tan			+UB,+UC
	971 868 224 K 7G0	Marsala Red			+SB,+BP
	971 868 224 K OS1	Truffle Brown			+PC,+BE
971 868 224 K OB8	Cohiba Brown	+HD			

Model: 971-17 Model life 2017>>

Pos	Part Number	Description	Remark	Qty	Model
(1)	971 868 224 L	Lining	/R	1	IQE0/0K0/1D3 I6G2
	971 868 224 L 6B0	Black			+AB,+PK,+AC +BB,+BS,+BK +PL
	971 868 224 L 9C0	Agate Grey			+DG,+DL
	971 868 224 L 7K0	Luxor Beige			+UB,+UC
	971 868 224 L BW3	Saddle Tan			+SB,+BP
	971 868 224 L 7G0	Marsala Red			+PC,+BE
	971 868 224 L OS1	Truffle Brown			+HD
	971 868 224 L OB8	Cohiba Brown			+HC
(1)	971 868 224 M	Lining	/R	1	IQE0/QU1/QV1 I0K0/1D0/1D7 I7A0
	971 868 224 M 6B0	Black			+AB,+PK,+AC +BB,+BS,+BK +PL
	971 868 224 M 9C0	Agate Grey			+DG,+DL
	971 868 224 M 7K0	Luxor Beige			+UB,+UC
	971 868 224 M BW3	Saddle Tan			+SB,+BP
	971 868 224 M 7G0	Marsala Red			+PC,+BE
	971 868 224 M OS1	Truffle Brown			+HD
	971 868 224 M OB8	Cohiba Brown			+HC
(1)	971 868 224 N	Lining	/R	1	IQE0/QU1/QV1 I0K0/1D3/7A0
	971 868 224 N 6B0	Black			+AB,+PK,+AC +BB,+BS,+BK +PL
	971 868 224 N 9C0	Agate Grey			+DG,+DL
	971 868 224 N 7K0	Luxor Beige			+UB,+UC
	971 868 224 N BW3	Saddle Tan			+SB,+BP
	971 868 224 N 7G0	Marsala Red			+PC,+BE
	971 868 224 N OS1	Truffle Brown			+HD
	971 868 224 N OB8	Cohiba Brown			+HC
(1)	971 868 223	Lining	/L	1	IQE1/0F5/0K0 I1A2/9VK
	971 868 223 6B0	Black			+AB,+PK,+AC +BB,+BS,+BK +PL
	971 868 223 9C0	Agate Grey			+DG,+DL
	971 868 223 7K0	Luxor Beige			+UB,+UC
	971 868 223 BW3	Saddle Tan			+SB,+BP
	971 868 223 7G0	Marsala Red			+PC,+BE
	971 868 223 OS1	Truffle Brown			+HD
	971 868 223 OB8	Cohiba Brown			+HC
(1)	971 868 223 A	Lining	/L	1	IQE1/0F5/0K3 I9VJ/9VL
	971 868 223 A 6B0	Black			+AB,+PK,+AC +BB,+BS,+BK +PL
	971 868 223 A 9C0	Agate Grey			+DG,+DL
	971 868 223 A 7K0	Luxor Beige			+UB,+UC
	971 868 223 A BW3	Saddle Tan			+SB,+BP
	971 868 223 A 7G0	Marsala Red			+PC,+BE
	971 868 223 A OS1	Truffle Brown			+HD
	971 868 223 A OB8	Cohiba Brown			+HC
(1)	971 868 223 B	Lining	/L	1	IQE0/0F5/0K0 I1A2/9VK
	971 868 223 B 6B0	Black			+AB,+PK,+AC +BB,+BS,+BK +PL
	971 868 223 B 9C0	Agate Grey			+DG,+DL
	971 868 223 B 7K0	Luxor Beige			+UB,+UC

Model: 971-17 Model life 2017>>

Pos	Part Number	Description	Remark	Qty	Model
(1)	971 868 223 B BW3	Saddle Tan	/L	1	+SB,+BP
	971 868 223 B 7G0	Marsala Red			+PC,+BE
	971 868 223 B OS1	Truffle Brown			+HD
	971 868 223 B OB8	Cohiba Brown			+HC
	971 868 223 C	Lining			IQE0/0F5/0K3
	971 868 223 C 6B0	Black			I9VJ/9VL
	971 868 223 C 9C0	Agate Grey			+AB,+PK,+AC
	971 868 223 C 7K0	Luxor Beige			+BB,+BS,+BK
	971 868 223 C BW3	Saddle Tan			+PL
	971 868 223 C 7G0	Marsala Red			+DG,+DL
2	971 868 223 C OS1	Truffle Brown	/R	1	+UB,+UC
	971 868 223 C OB8	Cohiba Brown			+SB,+BP
	971 868 828	Lid			+PC,+BE
	971 868 828 1E0	Black			+HD
	971 868 828 OP1	Agate Grey			+HC
	971 868 828 4H0	Luxor Beige			I6G2
	971 868 828 OM8	Saddle Tan			+AB,+PK,+AC
	971 868 828 3G0	Marsala Red			+BB,+BS,+BK
	971 868 828 OS1	Truffle Brown			+PL
	971 868 828 OB8	Cohiba Brown			+DG,+DL
3	971 868 886	Lid	/R	1	+UB,+UC
	971 868 886 6B0	Black			+SB,+BP
	971 868 886 9C0	Agate Grey			+PC,+BE
	971 868 886 7K0	Luxor Beige			+HD
	971 868 886 BW3	Saddle Tan			+HC
	971 868 886 7G0	Marsala Red			I0K3
	971 868 886 OS1	Truffle Brown			+AB,+PK,+AC
	971 868 886 OB8	Cohiba Brown			+BB,+BS,+BK
	971 868 886 OP1	Agate Grey			+PL
	971 868 886 4H0	Luxor Beige			+DG,+DL
4	958 555 190 00	Clamp		X	
5	9A7 006 988 00	Stopper		2	
6	971 867 707	Lining		1	
	971 867 707 1E0	Lock			
	971 867 707 OP1	Rear			
	971 867 707 4H0	Lower			
	971 867 707 OM8	Black			+AB,+PK,+AC
	971 867 707 3G0	Marsala Red			+BB,+BS,+BK
	971 867 707 OS1	Truffle Brown			+PL
	971 867 707 OB8	Cohiba Brown			+DG,+DL
	971 867 707 OP1	Agate Grey			+UB,+UC
	971 867 707 4H0	Luxor Beige			+SB,+BP
7	971 863 761	Lid		1	+PC,+BE
	971 863 761 1E0	Warning triangle			+HD
	971 863 761 OP1	Agate Grey			+HC
	971 863 761 4H0	Luxor Beige			+AB,+PK,+AC
	971 863 761 OM8	Saddle Tan			+BB,+BS,+BK
	971 863 761 3G0	Marsala Red			+PL
	971 863 761 OS1	Truffle Brown			+DG,+DL
	971 863 761 OB8	Cohiba Brown			+UB,+UC
	971 863 761 OP1	Agate Grey			+SB,+BP
	971 863 761 4H0	Luxor Beige			+PC,+BE
8	971 867 972	Grommet		1	
9	9A7 007 207 00	Spacer		X	

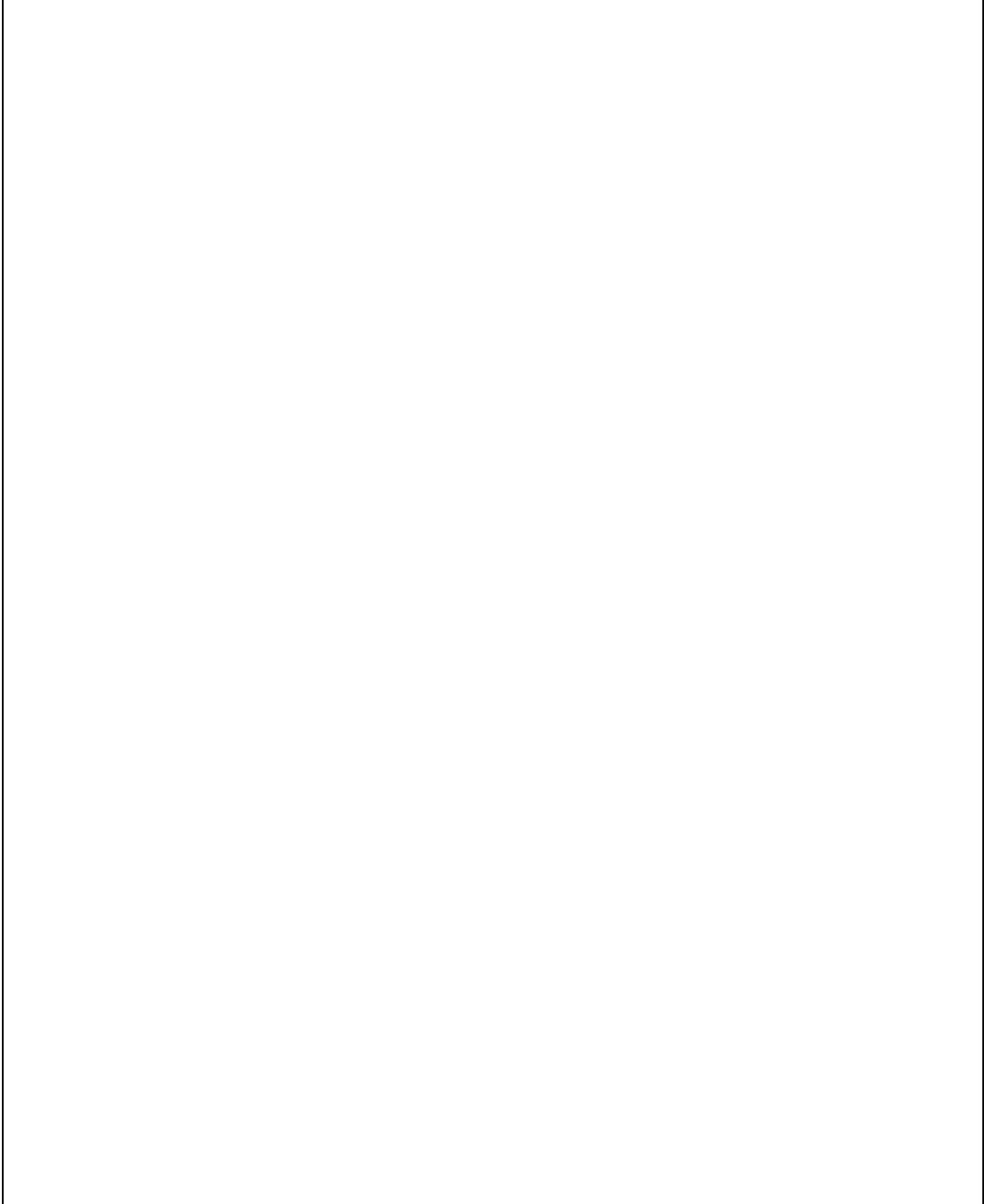
Model: 971-17

Model life 2017>>

Pos	Part Number	Description	Remark	Qty	Model
10	999 507 681 01	Clamp		X	
11	9A7 006 995 00	Retaining washer		4	
12	N 910 384 01	Speed nut		2	
13	N 906 986 05	Tapping screw		4	
14	971 864 483 A	Lining		1	IK8S
		Reinforcement			
		Upper			
	971 864 483 A 5R5	Stainless steel			

Model: 971-17

Model life 2017>>



Model: 971-17

Model life 2017>>

Pos	Part Number	Description	Remark	Qty	Model
1	974 868 224 E	Luggage compartment trim Lateral Lining		1	IK8D /R IK8D/QE1/0K0 I1D3/6G2 +AB,+PK,+AC +BB,+BS,+PL +BK +DG,+DL +SB,+BP +UC +PC,+BE +HD +HC
	974 868 224 E 6B0	Black			
	974 868 224 E 9C0	Agate Grey			
	974 868 224 E BW3	Saddle Tan			
	974 868 224 E 7K0	Luxor Beige			
	974 868 224 E 7G0	Marsala Red			
	974 868 224 E OS1	Truffle Brown			
	974 868 224 E OB8	Cohiba Brown			
(1)	974 868 224	Lining		1	/R IK8D/QE1/QU8 IQV0/QV3/0K0 I1D0/1D7/7A0 +AB,+PK,+AC +BB,+BS,+PL +BK +DG,+DL +SB,+BP +UC +PC,+BE +HD +HC
	974 868 224 6B0	Black			
	974 868 224 9C0	Agate Grey			
	974 868 224 BW3	Saddle Tan			
	974 868 224 7K0	Luxor Beige			
	974 868 224 7G0	Marsala Red			
	974 868 224 OS1	Truffle Brown			
	974 868 224 OB8	Cohiba Brown			
(1)	974 868 224 A	Lining		1	/R IK8D/0K3/7A0 +AB,+PK,+AC +BB,+BS,+PL +BK +DG,+DL +SB,+BP +UC +PC,+BE +HD +HC
	974 868 224 A 6B0	Black			
	974 868 224 A 9C0	Agate Grey			
	974 868 224 A BW3	Saddle Tan			
	974 868 224 A 7K0	Luxor Beige			
	974 868 224 A 7G0	Marsala Red			
	974 868 224 A OS1	Truffle Brown			
	974 868 224 A OB8	Cohiba Brown			
(1)	974 868 224 B	Lining		1	/R IK8D/QE1/0K0 I1D0/1D7/6G2 +AB,+PK,+AC +BB,+BS,+PL +BK +DG,+DL +SB,+BP +UC +PC,+BE +HD +HC
	974 868 224 B 6B0	Black			
	974 868 224 B 9C0	Agate Grey			
	974 868 224 B BW3	Saddle Tan			
	974 868 224 B 7K0	Luxor Beige			
	974 868 224 B 7G0	Marsala Red			
	974 868 224 B OS1	Truffle Brown			
	974 868 224 B OB8	Cohiba Brown			
(1)	974 868 224 C	Lining		1	/R IK8D/0K3/6G2 +AB,+PK,+AC +BB,+BS,+PL +BK +DG,+DL +SB,+BP +UC +PC,+BE +HD +HC
	974 868 224 C 6B0	Black			
	974 868 224 C 9C0	Agate Grey			
	974 868 224 C BW3	Saddle Tan			
	974 868 224 C 7K0	Luxor Beige			
	974 868 224 C 7G0	Marsala Red			
	974 868 224 C OS1	Truffle Brown			
	974 868 224 C OB8	Cohiba Brown			
(1)	974 868 224 D	Lining		1	/R IK8D/QE1/QU8

Model: 971-17

Model life 2017>>

Pos	Part Number	Description	Remark	Qty	Model
	974 868 224 D 6B0	Black			IQV0/QV3/0K0 I1D3/7A0 +AB,+PK,+AC +BB,+BS,+PL +BK
	974 868 224 D 9C0	Agate Grey			+DG,+DL
	974 868 224 D BW3	Saddle Tan			+SB,+BP
	974 868 224 D 7K0	Luxor Beige			+UC
	974 868 224 D 7G0	Marsala Red			+PC,+BE
	974 868 224 D OS1	Truffle Brown			+HD
	974 868 224 D OB8	Cohiba Brown			+HC
(1)	974 868 224 H	Lining		1	/R IK8D/QE0/QU8 IQV0/QV3/0K0 I1D0/1D7/7A0 +AB,+PK,+AC +BB,+BS,+PL +BK +DG,+DL +SB,+BP +UC +PC,+BE +HD +HC
	974 868 224 H 6B0	Black			
	974 868 224 H 9C0	Agate Grey			+DG,+DL
	974 868 224 H BW3	Saddle Tan			+SB,+BP
	974 868 224 H 7K0	Luxor Beige			+UC
	974 868 224 H 7G0	Marsala Red			+PC,+BE
	974 868 224 H OS1	Truffle Brown			+HD
	974 868 224 H OB8	Cohiba Brown			+HC
(1)	974 868 224 J	Lining		1	/R IK8D/QE0/0K0 I1D0/1D7/6G2 +AB,+PK,+AC +BB,+BS,+PL +BK +DG,+DL +SB,+BP +UC +PC,+BE +HD +HC
	974 868 224 J 6B0	Black			
	974 868 224 J 9C0	Agate Grey			+DG,+DL
	974 868 224 J BW3	Saddle Tan			+SB,+BP
	974 868 224 J 7K0	Luxor Beige			+UC
	974 868 224 J 7G0	Marsala Red			+PC,+BE
	974 868 224 J OS1	Truffle Brown			+HD
	974 868 224 J OB8	Cohiba Brown			+HC
(1)	974 868 224 K	Lining		1	/R IK8D/QE0/QU8 IQV0/QV3/0K0 I1D3/7A0 +AB,+PK,+AC +BB,+BS,+PL +BK +DG,+DL +SB,+BP +UC +PC,+BE +HD +HC
	974 868 224 K 6B0	Black			
	974 868 224 K 9C0	Agate Grey			+DG,+DL
	974 868 224 K BW3	Saddle Tan			+SB,+BP
	974 868 224 K 7K0	Luxor Beige			+UC
	974 868 224 K 7G0	Marsala Red			+PC,+BE
	974 868 224 K OS1	Truffle Brown			+HD
	974 868 224 K OB8	Cohiba Brown			+HC
(1)	974 868 224 L	Lining		1	/R IK8D/QE0/0K0 I1D3/6G2 +AB,+PK,+AC +BB,+BS,+PL +BK +DG,+DL +SB,+BP +UC +PC,+BE +HD +HC
	974 868 224 L 6B0	Black			
	974 868 224 L 9C0	Agate Grey			+DG,+DL
	974 868 224 L BW3	Saddle Tan			+SB,+BP
	974 868 224 L 7K0	Luxor Beige			+UC
	974 868 224 L 7G0	Marsala Red			+PC,+BE
	974 868 224 L OS1	Truffle Brown			+HD
	974 868 224 L OB8	Cohiba Brown			+HC
(1)	974 868 224 M	Lining		1	/R IK8D/QE0/QU1

Model: 971-17 Model life 2017>>

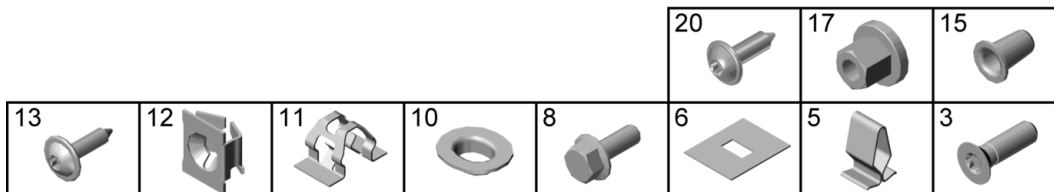
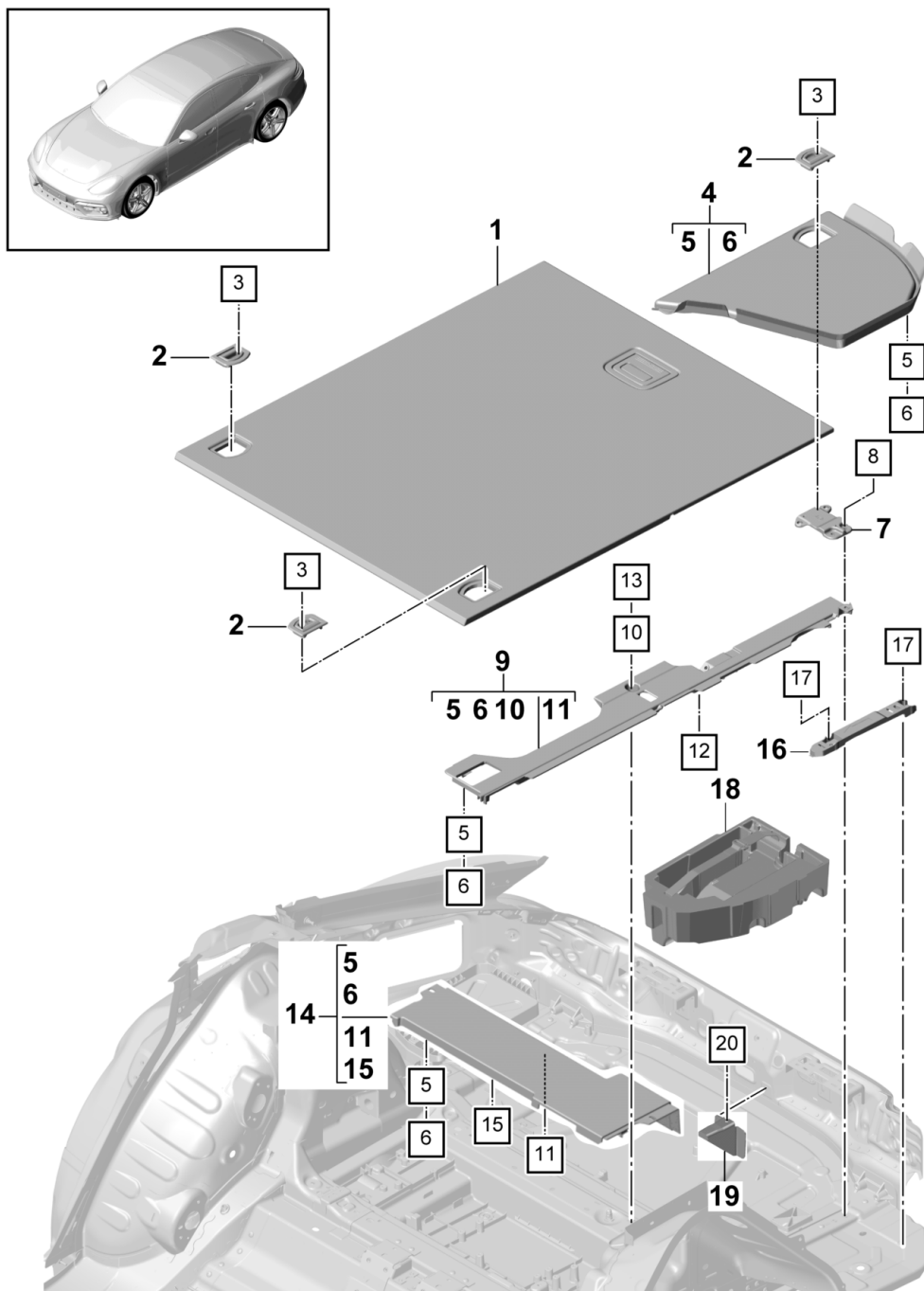
Pos	Part Number	Description	Remark	Qty	Model
	974 868 224 M 6B0	Black			IQV1/0K0/1D0 I1D7/7A0 +AB,+PK,+AC +BB,+BS,+PL +BK
	974 868 224 M 9C0	Agate Grey			+DG,+DL
	974 868 224 M BW3	Saddle Tan			+SB,+BP
	974 868 224 M 7K0	Luxor Beige			+UC
	974 868 224 M 7G0	Marsala Red			+PC,+BE
	974 868 224 M OS1	Truffle Brown			+HD
	974 868 224 M OB8	Cohiba Brown			+HC
(1)	974 868 224 N	Lining		1	/R IK8D/QE0/QU1 IQV1/0K0/1D3 I7A0 +AB,+PK,+AC +BB,+BS,+PL +BK +DG,+DL +SB,+BP +UC +PC,+BE +HD +HC
	974 868 224 N 6B0	Black			+AB,+PK,+AC +BB,+BS,+PL +BK +DG,+DL +SB,+BP +UC +PC,+BE +HD +HC
	974 868 224 N 9C0	Agate Grey			+DG,+DL
	974 868 224 N BW3	Saddle Tan			+SB,+BP
	974 868 224 N 7K0	Luxor Beige			+UC
	974 868 224 N 7G0	Marsala Red			+PC,+BE
	974 868 224 N OS1	Truffle Brown			+HD
	974 868 224 N OB8	Cohiba Brown			+HC
(1)	974 868 223	Lining		1	/L IK8D/QE1/0F5 I0K0/1A2/9VK I9Z0 +AB,+PK,+AC +BB,+BS,+PL +BK +DG,+DL +SB,+BP +UC +PC,+BE +HD +HC
	974 868 223 6B0	Black			+AB,+PK,+AC +BB,+BS,+PL +BK +DG,+DL +SB,+BP +UC +PC,+BE +HD +HC
	974 868 223 9C0	Agate Grey			+DG,+DL
	974 868 223 BW3	Saddle Tan			+SB,+BP
	974 868 223 7K0	Luxor Beige			+UC
	974 868 223 7G0	Marsala Red			+PC,+BE
	974 868 223 OS1	Truffle Brown			+HD
	974 868 223 OB8	Cohiba Brown			+HC
(1)	974 868 223 A	Lining		1	/L IK8D/QE1/0F5 I0K3/9VJ/9VL I9Z0 +AB,+PK,+AC +BB,+BS,+PL +BK +DG,+DL +SB,+BP +UC +PC,+BE +HD +HC
	974 868 223 A 6B0	Black			+AB,+PK,+AC +BB,+BS,+PL +BK +DG,+DL +SB,+BP +UC +PC,+BE +HD +HC
	974 868 223 A 9C0	Agate Grey			+DG,+DL
	974 868 223 A BW3	Saddle Tan			+SB,+BP
	974 868 223 A 7K0	Luxor Beige			+UC
	974 868 223 A 7G0	Marsala Red			+PC,+BE
	974 868 223 A OS1	Truffle Brown			+HD
	974 868 223 A OB8	Cohiba Brown			+HC
(1)	974 868 223 B	Lining		1	/L IK8D/QE0/0F5 I0K0/1A2/9VK I9Z0 +AB,+PK,+AC +BB,+BS,+PL +BK +DG,+DL +SB,+BP +UC +PC,+BE +HD +HC
	974 868 223 B 6B0	Black			+AB,+PK,+AC +BB,+BS,+PL +BK +DG,+DL +SB,+BP +UC +PC,+BE +HD +HC
	974 868 223 B 9C0	Agate Grey			+DG,+DL
	974 868 223 B BW3	Saddle Tan			+SB,+BP
	974 868 223 B 7K0	Luxor Beige			+UC
	974 868 223 B 7G0	Marsala Red			+PC,+BE
	974 868 223 B OS1	Truffle Brown			+HD
	974 868 223 B OB8	Cohiba Brown			+HC

Model: 971-17 Model life 2017>>

Pos	Part Number	Description	Remark	Qty	Model
(1)	974 868 223 C	Lining		1	/L IK8D/QE0/0F5 I0K3/9VJ/9VL I9Z0
	974 868 223 C 6B0	Black			+AB, +PK, +AC +BB, +BS, +PL +BK
	974 868 223 C 9C0	Agate Grey			+DG, +DL
	974 868 223 C BW3	Saddle Tan			+SB, +BP
	974 868 223 C 7K0	Luxor Beige			+UC
	974 868 223 C 7G0	Marsala Red			+PC, +BE
	974 868 223 C OS1	Truffle Brown			+HD
	974 868 223 C OB8	Cohiba Brown			+HC
2	974 868 886	Lid		1	IK8D/0K3
	974 868 886 6B0	Black			+AB, +PK, +AC +BB, +BS, +PL +BK
	974 868 886 9C0	Agate Grey			+DG, +DL
	974 868 886 BW3	Saddle Tan			+SB, +BP
	974 868 886 7K0	Luxor Beige			+UC
	974 868 886 7G0	Marsala Red			+PC, +BE
	974 868 886 OS1	Truffle Brown			+HD
	974 868 886 OB8	Cohiba Brown			+HC
3	958 555 190 00	Clamp		3	I0K3
4	N 909 113 01	Fastening plug		1	
5	974 867 707	Lining		1	IK8D
		Lock			
		Rear			
	974 867 707 1E0	Black			+AB, +PK, +AC +BB, +BS, +PL +BK
	974 867 707 OP1	Agate Grey			+DG, +DL
	974 867 707 OM8	Saddle Tan			+SB, +BP
	974 867 707 4H0	Luxor Beige			+UC
	974 867 707 3G0	Marsala Red			+PC, +BE
	974 867 707 OS1	Truffle Brown			+HD
	974 867 707 OB8	Cohiba Brown			+HC
6	9A7 007 207 00	Spacer		10	
7	955 555 279 00	Fixing clip		10	
8	9A7 006 995 00	Retaining washer		2	
9	N 910 384 01	Speed nut		1	
10	N 906 986 05	Tapping screw		1	

Model: 971-17

Model life 2017>>



Model: 971-17 Model life 2017>>

Pos	Part Number	Description	Remark	Qty	Model
1	971 861 531	Linings Luggage compartment Floor Lining Floor Centre		1	I3GA
	971 861 531 6B0	Black			+AB,+PK,+AC +BB,+BS,+BK +DG,+DL +UB,+UC +SB,+BP +PC,+BE
	971 861 531 9C0	Agate Grey			
	971 861 531 7K0	Luxor Beige			
	971 861 531 BW3	Saddle Tan			
	971 861 531 7G0	Marsala Red			
2	9A7 864 203 00	Eye		4	
	9A7 864 203 00 2ZZ	Chrome			
3	N 107 115 01	Countersunk-head screw		8	
4	971 867 427	Lining	/L	1	IQE1/0F5/0K0 I1A2/9VK
		Floor Left			
	971 867 427 6B0	Black			+AB,+PK,+AC +BB,+BS,+BK +DG,+DL +UB,+UC +SB,+BP +PC,+BE
	971 867 427 9C0	Agate Grey			
	971 867 427 7K0	Luxor Beige			
	971 867 427 BW3	Saddle Tan			
	971 867 427 7G0	Marsala Red			
(4)	971 867 428	Lining	/R	1	IQE1/0K0/1A2
		Floor Right			
	971 867 428 6B0	Black			+AB,+PK,+AC +BB,+BS,+BK +DG,+DL +UB,+UC +SB,+BP +PC,+BE
	971 867 428 9C0	Agate Grey			
	971 867 428 7K0	Luxor Beige			
	971 867 428 BW3	Saddle Tan			
	971 867 428 7G0	Marsala Red			
5	999 507 681 01	Clamp		X	
6	9A7 007 207 00	Spacer		X	
7	971 868 741 B	Support	/L	1	I0F5/0K0/1A2
		Eye			
(7)	971 868 742 B	Support	/R	1	I0F5/0K0/1A2
		Eye			
8	N 107 188 01	Hexagon-head bolt		4	
9	971 864 595 B	Retaining strip	/L	1	I0K0/0K3/3GA
		Left			
	971 864 595 B 1E0	Black			
(9)	971 864 596 B	Retaining strip	/R	1	I3GA
		Right			
	971 864 596 B 1E0	Black			
10	9A7 006 993 00	Retaining washer		2	
11	958 555 190 00	Clamp		2	I0K0
12	N 910 384 01	Speed nut		1	
13	N 906 986 05	Tapping screw		2	
14	971 864 599 A	Retaining strip		1	I0K3
		Centre			
	971 864 599 A 1E0	Black			
(14)	971 864 599 B	Retaining strip		1	I0K0
		Centre			
	971 864 599 B 1E0	Black			
15	9A7 006 988 00	Stopper		3	
16	971 867 159	Support		2	I0F5/0K0/1A2 I9VJ/9VK/9VL
17	N 910 189 01	Plastic nut		X	I0F5/0K0/1A2 I9VJ/9VK/9VL
18	971 864 475 B	Foam part		1	I0K0

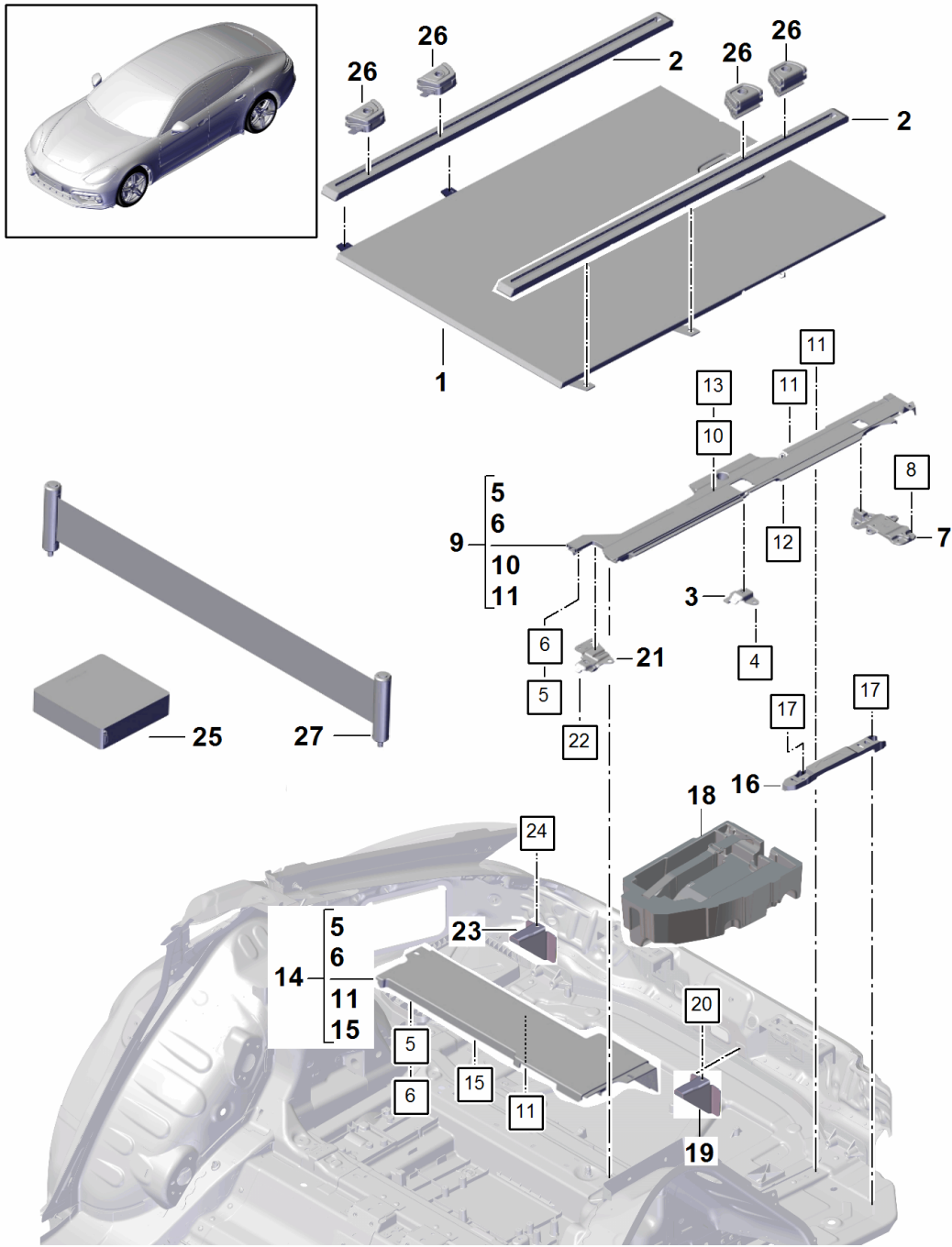
Model: 971-17

Model life 2017>>

Pos	Part Number	Description	Remark	Qty	Model
19	971 861 350	Support		1	IOKO
20	N 106 795 01	Oval-head sheetmetal screw ST 4.2X16		1	

Model: 971-17

Model life 2017>>



13	12	11	10	8	6	5	4
24	22	20	17	15	13	11	9
26	25	23	21	19	18	16	14

Model: 971-17 Model life 2017>>

Pos	Part Number	Description	Remark	Qty	Model
1	974 861 531	Linings Luggage compartment Floor Loadspace system Lining Floor Centre	18-	1	I3GN
	974 861 531 6B0	Black			+AB, +PK, +AC +BB, +BS, +BK +PL
	974 861 531 9C0	Agate Grey			+DG, +DL
	974 861 531 7K0	Luxor Beige			+UB, +UC
	974 861 531 BW3	Saddle Tan			+SB, +BP
	974 861 531 7G0	Marsala Red			+PC, +BE
	974 861 531 OS1	Truffle Brown			+HD
	974 861 531 OB8	Cohiba Brown			+HC
2	974 867 775	Rail Left Including Screw		1	
(2)	974 867 776	Rail Right Including Screw		3	
3	974 861 839	Support Rail Centre	/L	1	
(3)	974 861 840	Support Rail Centre	/R	1	
4	N 911 883 01	Outer hexagon round screw M6X20		X	
5	999 507 681 01	Clamp		X	
6	9A7 007 207 00	Spacer		X	
7	974 868 741	Support Rail	/L	1	
(7)	974 868 742	Support Rail	/R	1	
8	N 107 188 01	Hexagon-head bolt M6X16		4	
9	974 864 595	Retaining strip Left	/L	1	I0K0
(9)	974 864 595 1E0	Black			
	974 864 596	Retaining strip Right	/R	1	
	974 864 596 1E0	Black			
10	9A7 006 993 00	Retaining washer		2	
11	958 555 190 00	Clamp		2	
12	N 910 384 01	Speed nut		1	
13	N 906 986 05	Tapping screw		2	
14	971 864 599 A	Retaining strip Centre		1	I0K3
(14)	971 864 599 A 1E0	Black			
	971 864 599 B	Retaining strip Centre		1	I0K0
	971 864 599 B 1E0	Black			
15	9A7 006 988 00	Stopper		3	
16	971 867 159	Support		2	I0F5/0K0/1A2 I9VJ/9VK/9VL
17	N 910 189 01	Plastic nut		X	I0F5/0K0/1A2 I9VJ/9VK/9VL
18	971 864 475 B	Foam part		1	I0K0
19	971 861 350	Support		1	I0K0

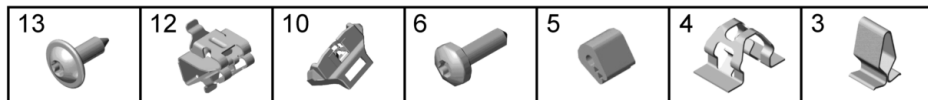
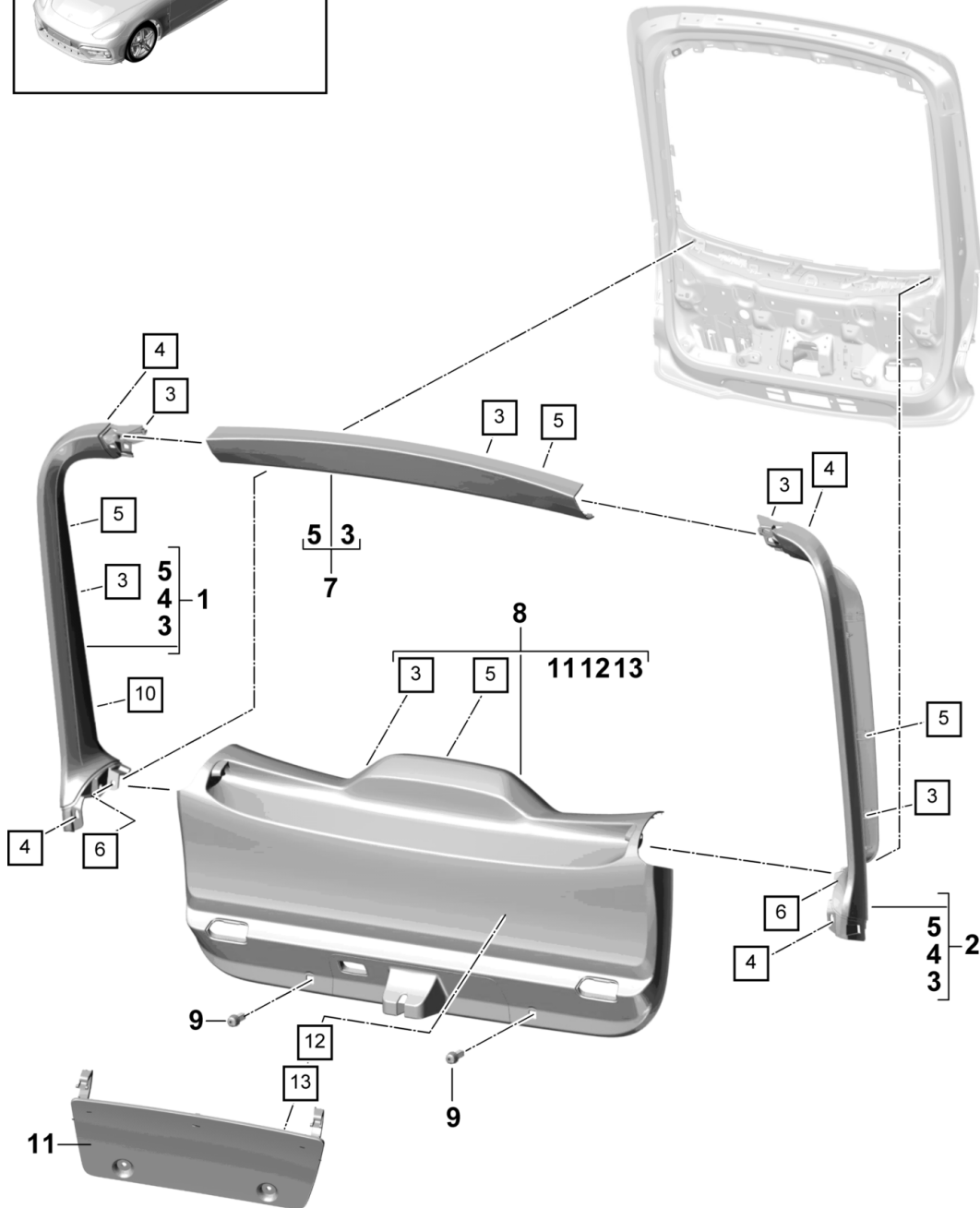
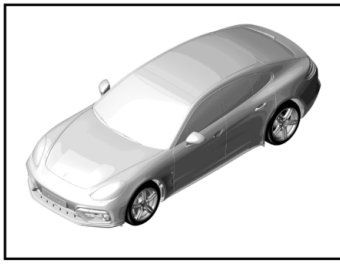
Model: 971-17

Model life 2017>>

Pos	Part Number	Description	Remark	Qty	Model
20	N 106 795 01	Oval-head sheetmetal screw ST 4.2X16		1	
21	974 861 821	Support Rail Front	/L	1	
(21)	974 861 822	Support Rail Front	/R	1	
22	N 908 173 02	Blind rivet nut M6		2	
23	971 861 350	Support		1	IOKO
24	N 106 795 01	Oval-head sheetmetal screw ST 4.2X16		1	
25	974 860 099	Bag Loadspace system Complete		1	
26	9A7 863 539 00 9A7 863 539 00 4PK	Eye Soul		4	
27	9A7 860 378 00 9A7 860 378 00 4PK	Fixing device Soul		1	

Model: 971-17

Model life 2017>>



Model: 971-17 Model life 2017>>

Pos	Part Number	Description	Remark	Qty	Model
1	971 867 602	Linings Rear lid Inner Lining Right		1	IK8S
	971 867 602 1E0	Black			+AB,+PK,+AC +BB,+BS,+BK +PL
	971 867 602 OP1	Agate Grey			+DG,+DL
	971 867 602 4H0	Luxor Beige			+UB,+UC
	971 867 602 OM8	Saddle Tan			+SB,+BP
	971 867 602 3G0	Marsala Red			+PC,+BE
	971 867 602 OS1	Truffle Brown			+HD
	971 867 602 OB8	Cohiba Brown			+HC
	(1) 974 867 602 A	Lining Right		1	IK8D
	974 867 602 A 1E0	Black			+AB,+PK,+AC +BB,+BS,+BK +PL
	974 867 602 A OP1	Agate Grey			+DG,+DL
	974 867 602 A 4H0	Luxor Beige			+UB,+UC
	974 867 602 A OM8	Saddle Tan			+SB,+BP
	974 867 602 A 3G0	Marsala Red			+PC,+BE
974 867 602 A OS1	Truffle Brown			+HD	
974 867 602 A OB8	Cohiba Brown			+HC	
2	971 867 601	Lining Left		1	IK8S
	971 867 601 1E0	Black			+AB,+PK,+AC +BB,+BS,+BK +PL
	971 867 601 OP1	Agate Grey			+DG,+DL
	971 867 601 4H0	Luxor Beige			+UB,+UC
	971 867 601 OM8	Saddle Tan			+SB,+BP
	971 867 601 3G0	Marsala Red			+PC,+BE
	971 867 601 OS1	Truffle Brown			+HD
	971 867 601 OB8	Cohiba Brown			+HC
	(2) 974 867 601 A	Lining Left		1	IK8D
	974 867 601 A 1E0	Black			+AB,+PK,+AC +BB,+BS,+BK +PL
	974 867 601 A OP1	Agate Grey			+DG,+DL
	974 867 601 A 4H0	Luxor Beige			+UB,+UC
	974 867 601 A OM8	Saddle Tan			+SB,+BP
	974 867 601 A 3G0	Marsala Red			+PC,+BE
974 867 601 A OS1	Truffle Brown			+HD	
974 867 601 A OB8	Cohiba Brown			+HC	
3	8X0 867 276 A	Clamp		X	
4	955 552 208 00	Clamp		X	
5	971 867 816	Buffer		X	
6	N 910 968 01	Lens-head screw M6X20		2	
7	971 867 973	Lining Upper		1	IK8S
	971 867 973 1E0	Black			+AB,+PK,+AC +BB,+BS,+BK +PL
	971 867 973 OP1	Agate Grey			+DG,+DL
	971 867 973 4H0	Luxor Beige			+UB,+UC
	971 867 973 OM8	Saddle Tan			+SB,+BP
	971 867 973 3G0	Marsala Red			+PC,+BE
	971 867 973 OS1	Truffle Brown			+HD
	971 867 973 OB8	Cohiba Brown			+HC

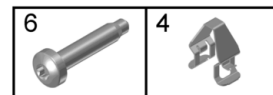
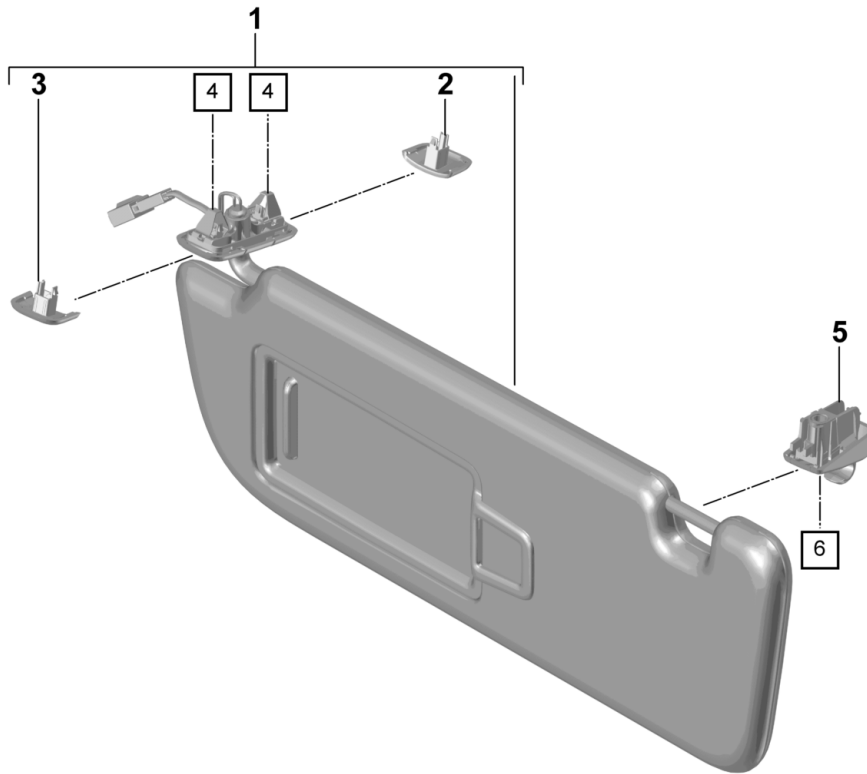
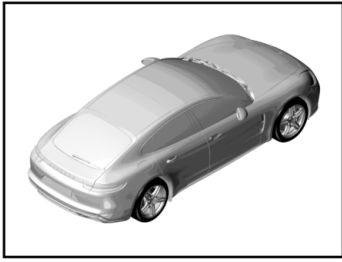
Model: 971-17

Model life 2017>>

Pos	Part Number	Description	Remark	Qty	Model
(7)	974 867 973	Lining		1	IK8D
	974 867 973 1E0	Upper Black			+AB, +PK, +AC +BB, +BS, +BK +PL
	974 867 973 OP1	Agate Grey			+DG, +DL
	974 867 973 4H0	Luxor Beige			+UB, +UC
	974 867 973 OM8	Saddle Tan			+SB, +BP
	974 867 973 3G0	Marsala Red			+PC, +BE
	974 867 973 OS1	Truffle Brown			+HD
	974 867 973 OB8	Cohiba Brown			+HC
8	971 867 605	Lining		1	IK8S/8M0
	971 867 605 1E0	Lower Black			+AB, +PK, +AC +BB, +BS, +BK +PL
	971 867 605 OP1	Agate Grey			+DG, +DL
	971 867 605 4H0	Luxor Beige			+UB, +UC
	971 867 605 OM8	Saddle Tan			+SB, +BP
	971 867 605 3G0	Marsala Red			+PC, +BE
	971 867 605 OS1	Truffle Brown			+HD
	971 867 605 OB8	Cohiba Brown			+HC
(8)	971 867 605 A	Lining		1	IK8S/8M1
	971 867 605 A 1E0	Lower Black			+AB, +PK, +AC +BB, +BS, +BK +PL
	971 867 605 A OP1	Agate Grey			+DG, +DL
	971 867 605 A 4H0	Luxor Beige			+UB, +UC
	971 867 605 A OM8	Saddle Tan			+SB, +BP
	971 867 605 A 3G0	Marsala Red			+PC, +BE
	971 867 605 A OS1	Truffle Brown			+HD
	971 867 605 A OB8	Cohiba Brown			+HC
(8)	974 867 605	Lining		1	IK8D
	974 867 605 1E0	Lower Black			+AB, +PK, +AC +BB, +BS, +BK +PL
	974 867 605 OP1	Agate Grey			+DG, +DL
	974 867 605 4H0	Luxor Beige			+UB, +UC
	974 867 605 OM8	Saddle Tan			+SB, +BP
	974 867 605 3G0	Marsala Red			+PC, +BE
	974 867 605 OS1	Truffle Brown			+HD
	974 867 605 OB8	Cohiba Brown			+HC
9		Buffer		2	
		See illustrations			
		8/03/10			
10	974 867 159	Support		4	IK8D
11	974 863 761	Lining		1	IK8D
	974 863 761 1E0	Lid Black			+AB, +PK, +AC +BB, +BS, +BK +PL
	974 863 761 OP1	Agate Grey			+DG, +DL
	974 863 761 4H0	Luxor Beige			+UB, +UC
	974 863 761 OM8	Saddle Tan			+SB, +BP
	974 863 761 3G0	Marsala Red			+PC, +BE
	974 863 761 OS1	Truffle Brown			+HD
	974 863 761 OB8	Cohiba Brown			+HC
12	958 731 633 00	Clamp		2	
13	N 909 868 03	Round head screw		2	

Model: 971-17

Model life 2017>>



Model: 971-17 Model life 2017>>

Pos	Part Number	Description	Remark	Qty	Model
1	971 857 551 D	Sun visors			
		Sun visor	/LL /L -17	1	IL0L/6NJ
	971 857 551 D OL4	Left			
		Black			+AB,+AC,+SB
	971 857 551 D OM5	Agate Grey			+PC,+BB,+BS
	971 857 551 D ON6	Luxor Beige			+DG,+DL
					+UB,+PK,+UC
	971 857 551 D OL8	Chalk			+BP
	971 857 551 D OP7	Cream			+BK
					+BE
1	971 857 551 T	Sun visor	/LL /L 18-	1	IL0L/6NJ
		Left			
	971 857 551 T OL4	Black			+AB,+AC,+SB
					+PC,+BB,+BS
	971 857 551 T OM5	Agate Grey			+DG,+DL
	971 857 551 T ON6	Luxor Beige			+UB,+PK,+UC
					+BP,+PL
	971 857 551 T OL8	Chalk			+BK
	971 857 551 T OP7	Cream			+BE
	971 857 551 T OS1	Truffle Brown			+HD
	971 857 551 T OB8	Cohiba Brown			+HC
(1)	971 857 552	Sun visor	/LL /R -17	1	IL0L/6NJ
		Right			
	971 857 552 OL4	Black			+AB,+AC,+SB
					+PC,+BB,+BS
	971 857 552 OM5	Agate Grey			+DG,+DL
	971 857 552 ON6	Luxor Beige			+UB,+PK,+UC
					+BP
	971 857 552 OL8	Chalk			+BK
	971 857 552 OP7	Cream			+BE
(1)	971 857 552 T	Sun visor	/LL /R 18-	1	IL0L/6NJ
		Right			
	971 857 552 T OL4	Black			+AB,+AC,+SB
					+PC,+BB,+BS
	971 857 552 T OM5	Agate Grey			+DG,+DL
	971 857 552 T ON6	Luxor Beige			+UB,+PK,+UC
					+BP,+PL
	971 857 552 T OL8	Chalk			+BK
	971 857 552 T OP7	Cream			+BE
	971 857 552 T OS1	Truffle Brown			+HD
	971 857 552 T OB8	Cohiba Brown			+HC
(1)	971 857 552 F	Sun visor	/R (CH) -17	1	I6DQ/6NJ
		Right			
	971 857 552 F OL4	Black			+AB,+AC,+SB
					+PC,+BB,+BS
	971 857 552 F OM5	Agate Grey			+DG,+DL
	971 857 552 F ON6	Luxor Beige			+UB,+PK,+UC
					+BP
	971 857 552 F OL8	Chalk			+BK
	971 857 552 F OP7	Cream			+BE
(1)	971 857 552 AF	Sun visor	/R (CH) 18-	1	I6DQ/6NJ
		Right			
	971 857 552 AF OL4	Black			+AB,+AC,+SB
					+PC,+BB,+BS
	971 857 552 AF OM5	Agate Grey			+DG,+DL
	971 857 552 AF ON6	Luxor Beige			+UB,+PK,+UC
					+BP,+PL
	971 857 552 AF OL8	Chalk			+BK
	971 857 552 AF OP7	Cream			+BE
	971 857 552 AF OS1	Truffle Brown			+HD
	971 857 552 AF OB8	Cohiba Brown			+HC
(1)	971 857 551	Sun visor	/RL /L -17	1	IL0R/6NJ
		Left			

Model: 971-17 Model life 2017>>

Pos	Part Number	Description	Remark	Qty	Model
	971 857 551 OL4	Black			+AB,+AC,+SB +PC,+BB,+BS
	971 857 551 OM5	Agate Grey			+DG,+DL
	971 857 551 ON6	Luxor Beige			+UB,+PK,+UC +BP
	971 857 551 OL8	Chalk			+BK
	971 857 551 OP7	Cream			+BE
(1)	971 857 551 P	Sun visor Left	/RL /L 18-	1	IL0R/6NJ
	971 857 551 P OL4	Black			+AB,+AC,+SB +PC,+BB,+BS
	971 857 551 P OM5	Agate Grey			+DG,+DL
	971 857 551 P ON6	Luxor Beige			+UB,+PK,+UC +BP,+PL
	971 857 551 P OL8	Chalk			+BK
	971 857 551 P OP7	Cream			+BE
	971 857 551 P OS1	Truffle Brown			+HD
	971 857 551 P OB8	Cohiba Brown			+HC
(1)	971 857 552 D	Sun visor Right	/RL /R -17	1	IL0R/6NJ
	971 857 552 D OL4	Black			+AB,+AC,+SB +PC,+BB,+BS
	971 857 552 D OM5	Agate Grey			+DG,+DL
	971 857 552 D ON6	Luxor Beige			+UB,+PK,+UC +BP
	971 857 552 D OL8	Chalk			+BK
	971 857 552 D OP7	Cream			+BE
(1)	971 857 552 AD	Sun visor Right	/RL /R 18-	1	IL0R/6NJ
	971 857 552 AD OL4	Black			+AB,+AC,+SB +PC,+BB,+BS
	971 857 552 AD OM5	Agate Grey			+DG,+DL
	971 857 552 AD ON6	Luxor Beige			+UB,+PK,+UC +BP,+PL
	971 857 552 AD OL8	Chalk			+BK
	971 857 552 AD OP7	Cream			+BE
	971 857 552 AD OS1	Truffle Brown			+HD
	971 857 552 AD OB8	Cohiba Brown			+HC
(1)	971 857 551 E	Sun visor Alcantara Left	/LL /L	1	IL0L/6NN
	971 857 551 E 2W0	Black			+AB,+AC,+SB +PC,+BB,+BS
	971 857 551 E OU5	Agate Grey			+DG,+DL
	971 857 551 E 9U1	Luxor Beige			+UB,+PK,+UC +BP
	971 857 551 E OL8	Chalk			+BK
	971 857 551 E 8U9	Cream			+BE
(1)	971 857 551 AA	Sun visor Alcantara Left	/LL /L 18-	1	IL0L/6NN
	971 857 551 AA 2W0	Black			+AB,+AC,+SB +PC,+BB,+BS
	971 857 551 AA OU5	Agate Grey			+DG,+DL
	971 857 551 AA 9U1	Luxor Beige			+UB,+PK,+UC +BP,+PL
	971 857 551 AA OL8	Chalk			+BK
	971 857 551 AA 8U9	Cream			+BE
	971 857 551 AA OS1	Truffle Brown			+HD
	971 857 551 AA OB8	Cohiba Brown			+HC
(1)	971 857 552 A	Sun visor Alcantara Right	/LL /R -17	1	IL0L/6NN

Model: 971-17 Model life 2017>>

Pos	Part Number	Description	Remark	Qty	Model
	971 857 552 A 2W0	Black			+AB,+AC,+SB +PC,+BB,+BS
	971 857 552 A OU5	Agate Grey			+DG,+DL
	971 857 552 A 9U1	Luxor Beige			+UB,+PK,+UC +BP
	971 857 552 A OL8	Chalk			+BK
	971 857 552 A 8U9	Cream			+BE
(1)	971 857 552 AA	Sun visor Alcantara Right	/LL /R 18-	1	IL0L/6NN
	971 857 552 AA 2W0	Black			+AB,+AC,+SB +PC,+BB,+BS
	971 857 552 AA OU5	Agate Grey			+DG,+DL
	971 857 552 AA 9U1	Luxor Beige			+UB,+PK,+UC +BP,+PL
	971 857 552 AA OL8	Chalk			+BK
	971 857 552 AA 8U9	Cream			+BE
	971 857 552 AA OS1	Truffle Brown			+HD
	971 857 552 AA OB8	Cohiba Brown			+HC
(1)	971 857 552 G	Sun visor Alcantara Right	/R (CH) -17	1	I6DQ/6NN
	971 857 552 G 2W0	Black			+AB,+AC,+SB +PC,+BB,+BS
	971 857 552 G OU5	Agate Grey			+DG,+DL
	971 857 552 G 9U1	Luxor Beige			+UB,+PK,+UC +BP
	971 857 552 G OL8	Chalk			+BK
	971 857 552 G 8U9	Cream			+BE
(1)	971 857 552 AG	Sun visor Alcantara Right	/R (CH) 18-	1	I6DQ/6NN
	971 857 552 AG 2W0	Black			+AB,+AC,+SB +PC,+BB,+BS
	971 857 552 AG OU5	Agate Grey			+DG,+DL
	971 857 552 AG 9U1	Luxor Beige			+UB,+PK,+UC +BP,+PL
	971 857 552 AG OL8	Chalk			+BK
	971 857 552 AG 8U9	Cream			+BE
	971 857 552 AG OS1	Truffle Brown			+HD
	971 857 552 AG OB8	Cohiba Brown			+HC
(1)	971 857 551 A	Sun visor Alcantara Left	/RL /L -17	1	IL0R/6NN
	971 857 551 A 2W0	Black			+AB,+AC,+SB +PC,+BB,+BS
	971 857 551 A OU5	Agate Grey			+DG,+DL
	971 857 551 A 9U1	Luxor Beige			+UB,+PK,+UC +BP
	971 857 551 A OL8	Chalk			+BK
	971 857 551 A 8U9	Cream			+BE
(1)	971 857 552 E	Sun visor Alcantara Right	/RL /R	1	IL0R/6NN
	971 857 552 E 2W0	Black			+AB,+AC,+SB +PC,+BB,+BS
	971 857 552 E OU5	Agate Grey			+DG,+DL
	971 857 552 E 9U1	Luxor Beige			+UB,+PK,+UC +BP
	971 857 552 E OL8	Chalk			+BK
	971 857 552 E 8U9	Cream			+BE
(1)	971 857 552 AE	Sun visor Alcantara	/RL /R 18-	1	IL0R/6NN

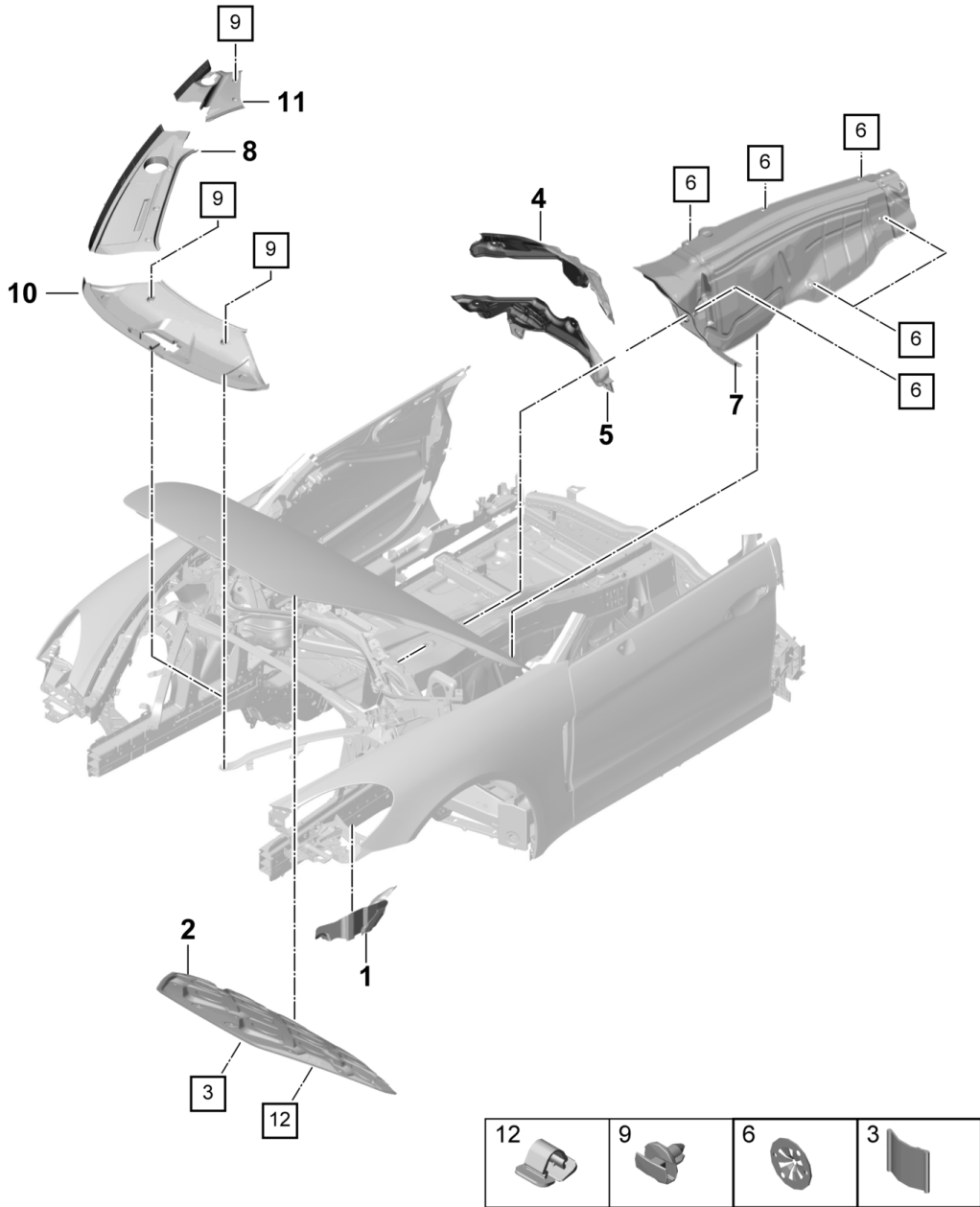
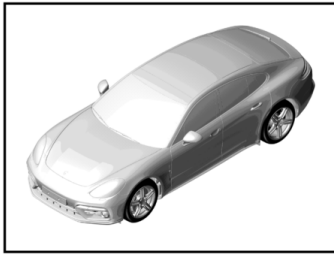
Model: 971-17

Model life 2017>>

Pos	Part Number	Description	Remark	Qty	Model
	971 857 552 AE 2W0	Right Black			+AB, +AC, +SB +PC, +BB, +BS
	971 857 552 AE OU5	Agate Grey			+DG, +DL
	971 857 552 AE 9U1	Luxor Beige			+UB, +PK, +UC +BP, +PL
	971 857 552 AE OL8	Chalk			+BK
	971 857 552 AE 8U9	Cream			+BE
	971 857 552 AE OS1	Truffle Brown			+HD
	971 857 552 AE OB8	Cohiba Brown			+HC
2	971 858 133	Cap		2	
	971 858 133 1E0	Black			+AB, +AC, +SB +PC, +BB, +BS
	971 858 133 OP1	Agate Grey			+DG, +DL
	971 858 133 4H0	Luxor Beige			+UB, +PK, +UC +BP, +PL
	971 858 133 OL8	Chalk			+BK
	971 858 133 5J0	Cream			+BE
	971 858 133 OS1	Truffle Brown			+HD
	971 858 133 OB8	Cohiba Brown			+HC
3	971 858 633	Cap		2	
	971 858 633 1E0	Black			+AB, +AC, +SB +PC, +BB, +BS
	971 858 633 OP1	Agate Grey			+DG, +DL
	971 858 633 4H0	Luxor Beige			+UB, +PK, +UC +BP, +PL
	971 858 633 OL8	Chalk			+BK
	971 858 633 5J0	Cream			+BE
	971 858 633 OS1	Truffle Brown			+HD
	971 858 633 OB8	Cohiba Brown			+HC
4	9A7 867 633 01	Clamp		2	
5	971 857 561	Bearing		2	
		Inner			
	971 857 561 1E0	Black			+AB, +AC, +SB +PC, +BB, +BS
	971 857 561 OP1	Agate Grey			+DG, +DL
	971 857 561 4H0	Luxor Beige			+UB, +PK, +UC +BP, +PL
	971 857 561 OL8	Chalk			+BK
	971 857 561 5J0	Cream			+BE
	971 857 561 OS1	Truffle Brown			+HD
	971 857 561 OB8	Cohiba Brown			+HC
6	N 105 963 02	Screw M5X25		2	

Model: 971-17

Model life 2017>>



Model: 971-17 Model life 2017>>

Pos	Part Number	Description	Remark	Qty	Model
1	971 864 587	Sound absorber Engine compartment Body front section Trim cover Insulation Wheel housing Front Left	/L	1	I0F5
(1)	971 864 588	Insulation Wheel housing Front Right	/R	1	I0F5
2	971 863 650	Insulation Bonnet Including Clip		1	
3	9A7 007 766 00	Fastening clamp		3	
4	971 863 829 A	Sound absorber Plenum panel Engine compartment Upper		1	I0K0/1A2
(4)	971 863 829 B	Sound absorber Plenum panel Engine compartment Upper		1	I0F5/0K3
5	971 863 830 C	Sound absorber Plenum panel Engine compartment Lower		1	I0K0/1A2
(5)	971 863 830 D	Sound absorber Plenum panel Engine compartment Lower		1	I0F5/0K3
6	N 903 350 05	Clamping washer Sound absorber Plenum panel		11	
7	971 863 979 C	Sound absorber Engine compartment Tunnel Left	/L	1	
(7)	971 863 980 B	Sound absorber Engine compartment Tunnel Right	/R	1	
(8)	971 806 583	Trim cover Wing Flange Left	/L	1	
8	971 806 583 OK1 971 806 441	Black mat Trim cover Wing Flange Right	/R	1	
9	971 806 441 OK1 WHT 004 750	Black mat Expansion rivet Wing		12	
10	971 805 806	Cover Lock Engine compartment		1	IDW4/D0D/D29
(10)	971 805 806 OK1 971 805 806 A	Black mat Cover Lock Engine compartment		1	IDJ7

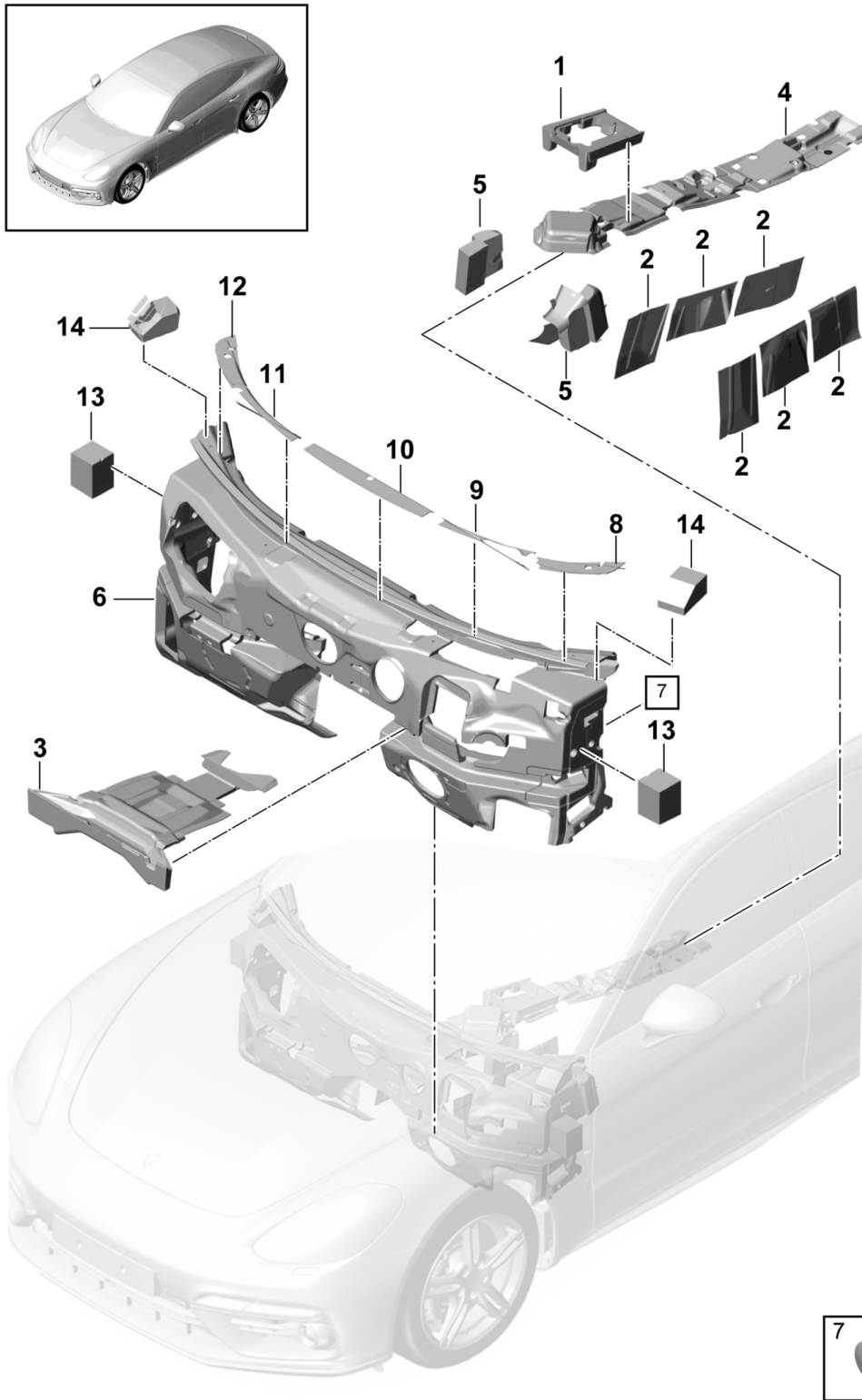
Model: 971-17

Model life 2017>>

Pos	Part Number	Description	Remark	Qty	Model
(10)	971 805 806 A OK1 971 805 806 B	Black mat Cover Lock Engine compartment		1	ID1I
(10)	971 805 806 B OK1 971 805 806 C	Black mat Cover Lock Engine compartment		1	IDD7/DJ5
(11)	971 805 806 C OK1 971 805 283	Black mat Cover Wishbone Engine compartment Left	/L	1	
11	971 805 283 OK1 971 805 284	Black Cover Wishbone Engine compartment Right	/R	1	
	971 805 284 OK1	Black			

Model: 971-17

Model life 2017>>

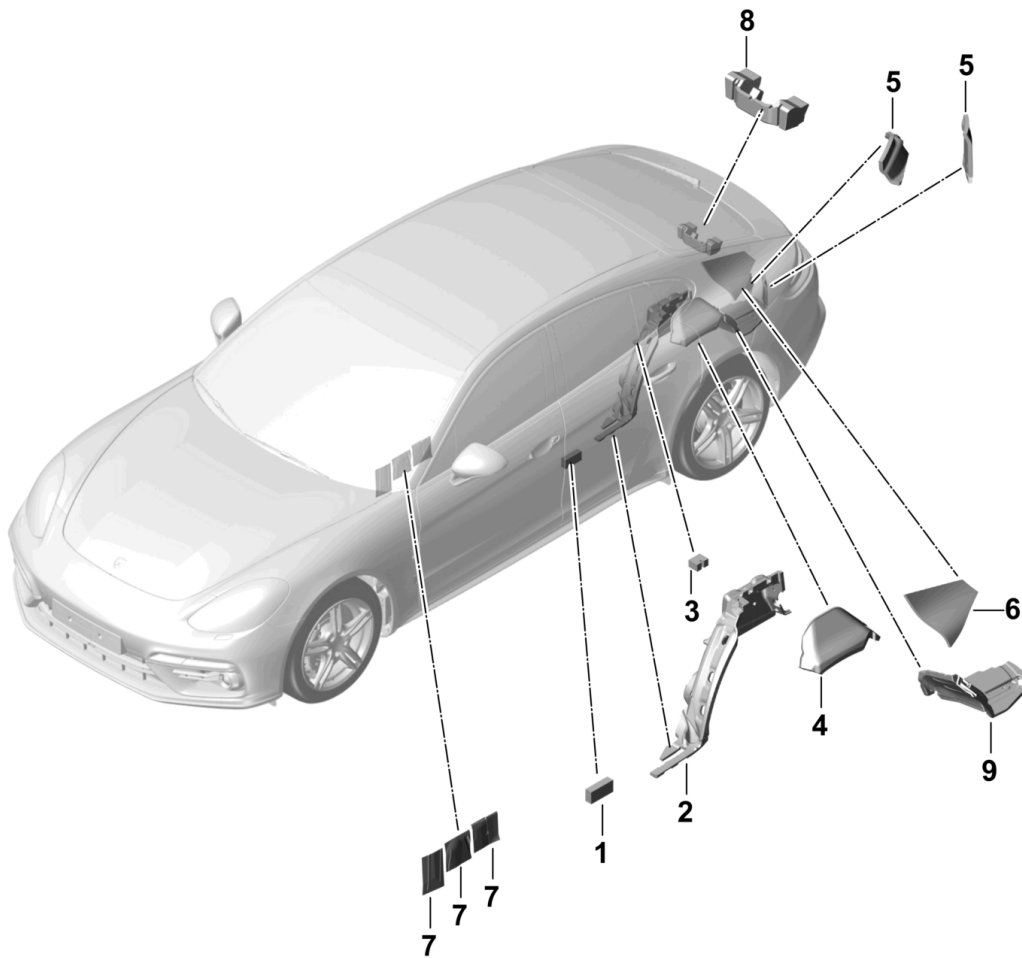


Model: 971-17 Model life 2017>>

Pos	Part Number	Description	Remark	Qty	Model
1	971 863 807	Sound absorber Passenger compartment Body front section Underbody		1	
2	971 863 815	Sound absorber Gearshift bracket		6	
3	9A7 864 825 00	Insulation Tunnel		1	
4	971 863 873 B	Sound absorber Firewall Inner		1	IOE1
(4)	971 863 873 A	Sound absorber Tunnel Short Inner		1	IOE2
6	971 863 947 D	Sound absorber Firewall	/LL	1	IL0L
(6)	971 863 947 C	Sound absorber Firewall	/RL	1	IL0R
7	N 902 016 01	Stopper Sound absorber Firewall		5	
8	971 863 839	Insulation Firewall Outer Left	/L	1	
9	971 863 855	Insulation Firewall Left	/L	1	
10	971 863 840	Insulation Firewall Centre		1	
11	971 863 856	Insulation Firewall Right	/R	1	
12	971 863 838	Insulation Firewall Outer Right	/R	1	
13	971 864 616	Sound absorber A-pillar		2	
14	971 864 826	Sound absorber Firewall		2	

Model: 971-17

Model life 2017>>

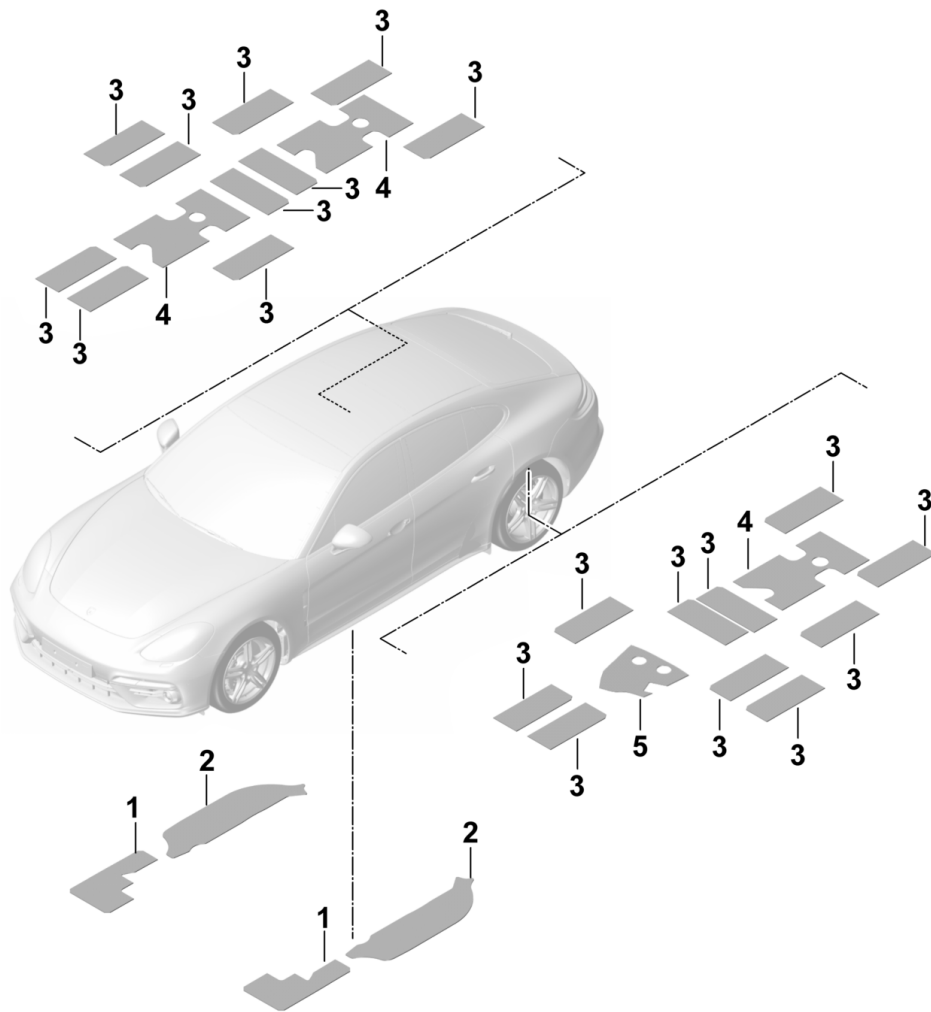
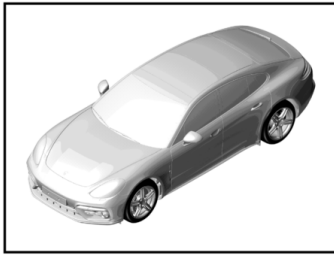


Model: 971-17 Model life 2017>>

Pos	Part Number	Description	Remark	Qty	Model
1	971 864 406	Sound absorber Side trim panel Luggage compartment Sound absorber Seat belt Rear		2	I0K0
2	971 864 929	Sound absorber Wheel housing Rear	/L	1	
(2)	971 864 930	Sound absorber Wheel housing Rear Left	/R	1	
3	971 863 559	Stopper Sound absorber Wheel housing	/L /R	2	
4	971 864 773	Sound absorber Wheel housing Rear	/L	1	I0F5/0K0/1A2
(4)	971 864 773 A	Sound absorber Wheel housing Rear Left	/L	1	I0K3
(4)	971 864 774	Sound absorber Wheel housing Rear	/R	1	
5	971 863 861	Fuel filler flap Insulation Side section Rear	/L /R	4	
6	971 863 837	Insulation Luggage compartment Corner panel	/L /R	2	
7	971 863 815	Insulation Side trim panel Upper	/L /R	2	
8	971 864 799 A	Sound absorber Lock carrier Rear		1	
9	971 864 785	Sound absorber Boot floor plate Rear Left	/L	1	I0F5/0K0/1A2 I9VK
(9)	971 864 786	Sound absorber Boot floor plate Rear	/R	1	I0K0
(9)	971 864 785 A	Sound absorber Boot floor plate Rear Left	/L	1	I0F5/0K3/9VJ I9VL
(9)	971 864 786 A	Sound absorber Boot floor plate Rear Right	/R	1	I0K3

Model: 971-17

Model life 2017>>



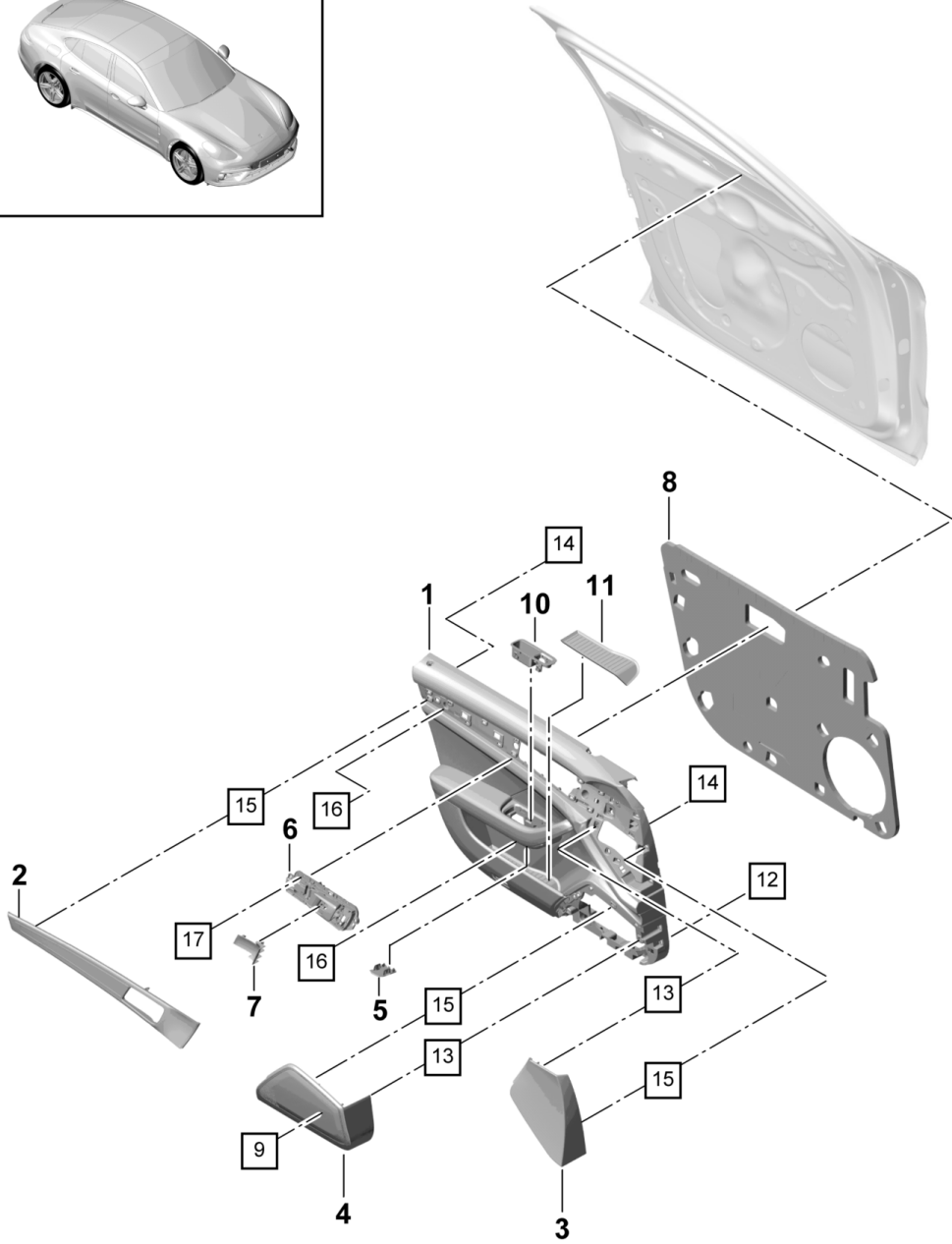
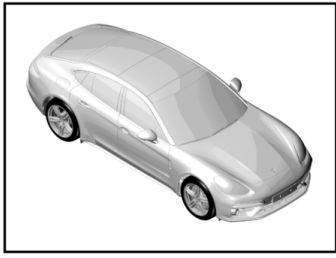
Model: 971-17

Model life 2017>>

Pos	Part Number	Description	Remark	Qty	Model
1	971 863 777	Sound absorber Outer Adhesive plate Insulation Door sill Underbody Left	/L	1	I0E2
(1)	971 863 778	Insulation Door sill Underbody Right	/R	1	I0E2
2	971 863 983	Insulation Underbody Tunnel transmission Left	/L	1	I0E2
(2)	971 863 984	Insulation Underbody Tunnel transmission Right	/R	1	I0E2
3	971 863 827	Insulation Wheel housing Rear		14	
4	971 863 826	Insulation Wheel housing Rear		4	
5	971 863 828	Insulation Wheel housing Rear Right	/R	4	

Model: 971-17

Model life 2017>>



Model: 971-17 Model life 2017>>

Pos	Part Number	Description	Remark	Qty	Model
		Door trim panel Leatherette Front			I3LD/4AP
1	971 867 011	Door trim panel	/L	1	I3LD
	971 867 011 7P8	Black			+AB
	971 867 011 OK2	Agate Grey			+DG
	971 867 011 8ED	Luxor Beige			+UB
(1)	971 867 011 D	Door trim panel two-colour	/L	1	I4AP
	971 867 011 D DQZ	Black/Luxor Beige			+PK
(1)	971 867 012	Door trim panel	/R	1	I3LD
	971 867 012 7P8	Black			+AB
	971 867 012 OK2	Agate Grey			+DG
	971 867 012 8ED	Luxor Beige			+UB
(1)	971 867 012 D	Door trim panel two-colour	/R	1	I4AP
	971 867 012 D DQZ	Black/Luxor Beige			+PK
2	971 867 061 K	Moulding	/L	1	I5TL
	971 867 061 K OV3	High-Gloss Black			
(2)	971 867 062 K	Moulding	/R	1	I5TL
	971 867 062 K OV3	High-Gloss Black			
(2)	971 867 061 L	Moulding	/L	1	I5MB
	971 867 061 L CK6	Swedish Birch Anthracite			
(2)	971 867 062 L	Moulding	/R	1	I5MB
	971 867 062 L CK6	Swedish Birch Anthracite			
(2)	971 867 061 M	Moulding	/L	1	I5MP
	971 867 061 M OE9	American Walnut Brown			
(2)	971 867 062 M	Moulding	/R	1	I5MP
	971 867 062 M OE9	American Walnut Brown			
(2)	971 867 061 N	Moulding	/L	1	I5TE
	971 867 061 N U03	Aluminium, brushed			
(2)	971 867 062 N	Moulding	/R	1	I5TE
	971 867 062 N U03	Aluminium, brushed			
(2)	971 867 061 J	Moulding	/L	1	I5MH
	971 867 061 J BX3	Carbon, fine high-gloss			
(2)	971 867 062 J	Moulding	/R	1	I5MH
	971 867 062 J BX3	Carbon, fine high-gloss			
(2)	971 867 061 Q	Moulding	/L	1	I7TD
	971 867 061 Q OF4	Red Gum			
(2)	971 867 062 Q	Moulding	/R	1	I7TD
	971 867 062 Q OF4	Red Gum			
(2)	971 867 061 R	Moulding	/L	1	I7TC
	971 867 061 R OK5	Light Paldao			
(2)	971 867 062 R	Moulding	/R	1	I7TC
	971 867 062 R OK5	Light Paldao			
(2)	971 867 061 S	Moulding	/L	1	I7TL
	971 867 061 S G2X	Prime coated			
(2)	971 867 062 S	Moulding	/R	1	I7TL
	971 867 062 S G2X	Prime coated			
(2)	971 867 061 T	Moulding Leather	/L	1	I7TM
	971 867 061 T A11	Black			+AB, +PK
	971 867 061 T OA1	Agate Grey			+DG
	971 867 061 T 7J0	Luxor Beige			+UB
(2)	971 867 062 T	Moulding Leather	/R	1	I7TM
	971 867 062 T A11	Black			+AB, +PK
	971 867 062 T OA1	Agate Grey			+DG
	971 867 062 T 7J0	Luxor Beige			+UB

Model: 971-17

Model life 2017>>

Pos	Part Number	Description	Remark	Qty	Model
3	971 868 019	Lid	/L	1	
	971 868 019 5Q0	Black			
	971 868 019 OA6	Agate Grey			
	971 868 019 6W0	Luxor Beige			
(3)	971 868 020	Lid	/R	1	
	971 868 020 5Q0	Black			
	971 868 020 OA6	Agate Grey			
	971 868 020 6W0	Luxor Beige			
4	971 035 419	Loudspeaker grille	/L	1	IQQ0/9VK/9VL
		Basic			
	971 035 419 5Q0	Black			
	971 035 419 OA6	Agate Grey			
(4)	971 035 419 6W0	Luxor Beige		1	IQQ0/9VK/9VL
	971 035 420	Loudspeaker grille	/R		
		Basic			
	971 035 420 5Q0	Black			
(4)	971 035 420 OA6	Agate Grey		1	IQQ0/9VK/9VL
	971 035 420 6W0	Luxor Beige			
	971 035 143 B	Loudspeaker grille	/L		
		Burmester			
(4)		with		1	I9VJ
		Light guide			
	971 035 143 B 5Q0	Black			
	971 035 143 B OA6	Agate Grey			
(4)	971 035 143 B 6W0	Luxor Beige		1	I9VJ
	971 035 144 B	Loudspeaker grille	/R		
		Burmester			
		with			
(4)		Light guide		1	I9VJ
	971 035 144 B 5Q0	Black			
	971 035 144 B OA6	Agate Grey			
	971 035 144 B 6W0	Luxor Beige			
(4)	971 035 143 C	Loudspeaker grille	/L	1	IQQ1/QQ2/9VK I9VL
		Ambient light			
		Basic			
	971 035 143 C 5Q0	Black			
(4)	971 035 143 C OA6	Agate Grey		1	IQQ1/QQ2/9VK I9VL
	971 035 143 C 6W0	Luxor Beige			
	971 035 144 C	Loudspeaker grille	/R		
		Ambient light			
(4)		Basic		1	IQQ1/QQ2/9VK I9VL
	971 035 144 C 5Q0	Black			
	971 035 144 C OA6	Agate Grey			
	971 035 144 C 6W0	Luxor Beige			
5	971 867 585	Cover	/L	1	
		Armrest			
		Front			
	971 867 585 5Q0	Black			
6	971 867 585 OA6	Agate Grey		1	+AB +DG +PK
	971 867 585 6W0	Luxor Beige			
	971 837 019	Inner door release	/L		
	971 837 019 CZO	Galvano silver			
(6)	971 837 020	Inner door release	/R	1	
	971 837 020 CZO	Galvano silver			
7	971 837 307	Cover	/LL/L	1	I3L5/3L6
		Inner door release			
(7)	971 837 307 6N3	Black mat		1	I3L4/3L5
	971 837 308	Cover	/LL/R		
(7)		Inner door release		1	I3L4/3PN
	971 837 308 6N3	Black mat			
	971 837 307 A	Cover	/RL/L	1	

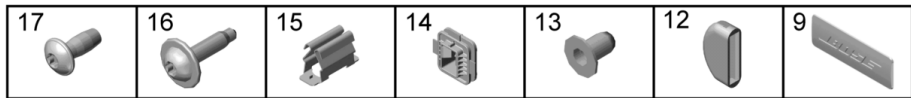
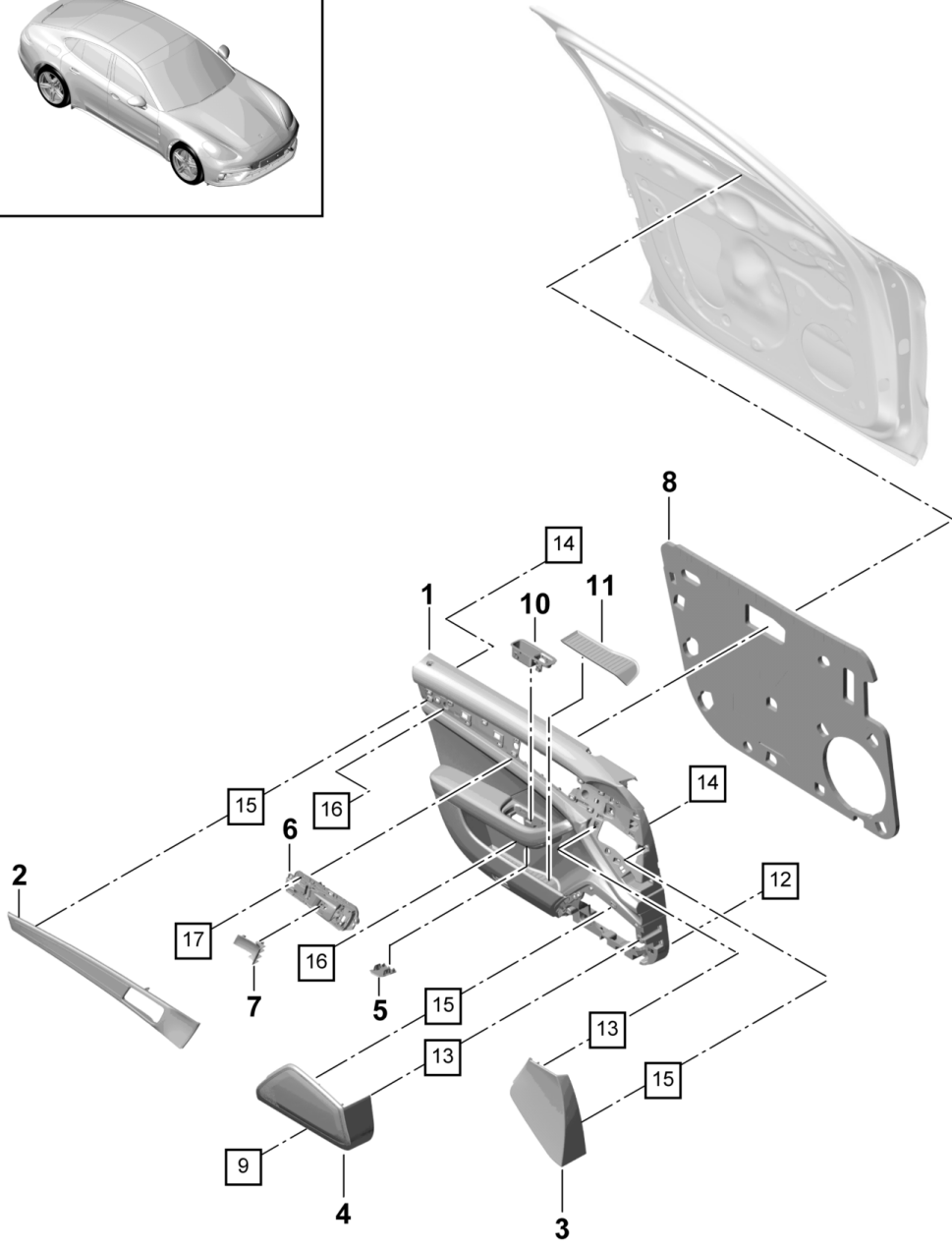
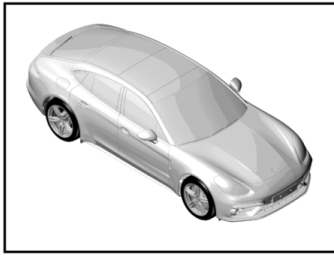
Model: 971-17

Model life 2017>>

Pos	Part Number	Description	Remark	Qty	Model
(7)	971 837 307 A 6N3	Inner door release Black mat			
	971 837 308 A	Cover	/RL/R	1	I3L6/3PN
8	971 837 308 A 6N3	Inner door release Black mat			
	971 863 981	Insulation		1	
9	971 945 699	Logo		1	I9VL
10	971 868 355	Bose			
		Switch housing Passenger's side		1	
11	971 868 355 6N3	Black mat			
	971 858 165	Insert	/L	1	
(11)	971 858 166	Mat			
		Insert	/R	1	
12	95B 867 084	Mat			
		Buffer		4	
13	958 552 900 00	Connection piece			
		Grommet		4	
14	9A7 868 243 00	Fixing clip		9	
15	955 552 107 00	Fixing clip		29	
16	N 911 809 01	Oval-head screw		4	
17	N 104 718 02	M5X20-W			
		Oval-head screw		6	
		5,0X12,0-Q			

Model: 971-17

Model life 2017>>



Model: 971-17 Model life 2017>>

Pos	Part Number	Description	Remark	Qty	Model
		Door trim panel Leather Front			I3LH/3LM/3LT
1	971 867 011 A	Door trim panel	/L	1	I3LH
	971 867 011 A A11	Black			+AC
	971 867 011 A OA1	Agate Grey			+DL
	971 867 011 A OK6	Saddle Tan			+SB
	971 867 011 A 7J0	Luxor Beige	-17		+UC
	971 867 011 A 7H0	Marsala Red			+PC
1	971 867 011 B	Door trim panel	/L	1	I3LM
	971 867 011 B OT2	Truffle Brown			+HD
	971 867 011 B ON1	Cohiba Brown			+HC
(1)	971 867 011 C	Door trim panel two-colour	/L 18-	1	I3LT
	971 867 011 C GUG	Black/Bordeaux Red			+BB
	971 867 011 C HAD	Black/Saddle Tan			+BS
	971 867 011 C GUH	Black/Chalk			+BK
	971 867 011 C HAF	Saddle Tan/Luxor Beige			+BP
	971 867 011 C DMJ	Marsala Red/Cream			+BE
	971 867 011 C DTO	Black/Luxor Beige			+PL
(1)	971 867 012 A	Door trim panel	/R	1	I3LH
	971 867 012 A A11	Black			+AC
	971 867 012 A OA1	Agate Grey			+DL
	971 867 012 A OK6	Saddle Tan			+SB
	971 867 012 A 7J0	Luxor Beige	-17		+UC
	971 867 012 A 7H0	Marsala Red			+PC
1	971 867 012 B	Door trim panel	/R	1	I3LM
	971 867 012 B OT2	Truffle Brown			+HD
	971 867 012 B ON1	Cohiba Brown			+HC
(1)	971 867 012 C	Door trim panel two-colour	/R	1	I3LT
	971 867 012 C GUG	Black/Bordeaux Red			+BB
	971 867 012 C HAD	Black/Saddle Tan			+BS
	971 867 012 C GUH	Black/Chalk			+BK
	971 867 012 C HAF	Saddle Tan/Luxor Beige			+BP
	971 867 012 C DMJ	Marsala Red/Cream			+BE
	971 867 012 C DTO	Black/Luxor Beige	18-		+PL
2	971 867 061 K	Moulding	/L	1	I5TL
	971 867 061 K OV3	High-Gloss Black			
(2)	971 867 062 K	Moulding	/R	1	I5TL
	971 867 062 K OV3	High-Gloss Black			
(2)	971 867 061 L	Moulding	/L	1	I5MB
	971 867 061 L CK6	Swedish Birch Anthracite			
(2)	971 867 062 L	Moulding	/R	1	I5MB
	971 867 062 L CK6	Swedish Birch Anthracite			
(2)	971 867 061 M	Moulding	/L	1	I5MP
	971 867 061 M OE9	American Walnut			
(2)	971 867 062 M	Moulding	/R	1	I5MP
	971 867 062 M OE9	American Walnut			
(2)	971 867 061 N	Moulding	/L	1	I5TE
	971 867 061 N U03	Aluminium, brushed			
(2)	971 867 062 N	Moulding	/R	1	I5TE
	971 867 062 N U03	Aluminium, brushed			
(2)	971 867 061 J	Moulding	/L	1	I5MH
	971 867 061 J BX3	Carbon, fine high-gloss			
(2)	971 867 062 J	Moulding	/R	1	I5MH
	971 867 062 J BX3	Carbon, fine high-gloss			
(2)	971 867 061 Q	Moulding	/L	1	I7TD
	971 867 061 Q OF4	Red Gum			
(2)	971 867 062 Q	Moulding	/R	1	I7TD
	971 867 062 Q OF4	Red Gum			

Model: 971-17 Model life 2017>>

Pos	Part Number	Description	Remark	Qty	Model
(2)	971 867 061 R	Moulding	/L	1	I7TC
	971 867 061 R OK5	Light Paldao			
(2)	971 867 062 R	Moulding	/R	1	I7TC
	971 867 062 R OK5	Light Paldao			
(2)	971 867 061 S	Moulding	/L	1	I7TL
	971 867 061 S G2X	Prime coated			
(2)	971 867 062 S	Moulding	/R	1	I7TL
	971 867 062 S G2X	Prime coated			
(2)	971 867 061 T	Moulding	/L	1	I7TM
		Leather			
	971 867 061 T A11	Black			+AC, +BB, +BS +BK +DL +UC
	971 867 061 T OA1	Agate Grey			+SB, +BP +PC, +BE
	971 867 061 T 7J0	Luxor Beige			
	971 867 061 T OK6	Saddle Tan			
	971 867 061 T 7H0	Marsala Red			
(2)	971 867 062 T	Moulding	/R	1	I7TM
		Leather			
	971 867 062 T A11	Black			+AC, +BB, +BS +BK +DL +UC
	971 867 062 T OA1	Agate Grey			+SB, +BP +PC, +BE
	971 867 062 T 7J0	Luxor Beige			
	971 867 062 T OK6	Saddle Tan			
	971 867 062 T 7H0	Marsala Red			
3	971 868 019	Lid	/L	1	+AB +DG
	971 868 019 5Q0	Black			+SB, +BS +UB, +PK +PC +BB +BK +5V0
	971 868 019 OA6	Agate Grey			
	971 868 019 OL7	Saddle Tan			
	971 868 019 6W0	Luxor Beige			
	971 868 019 7X0	Marsala Red			
	971 868 019 OG6	Bordeaux Red			
	971 868 019 OL8	Chalk			
	971 868 019 5V0	Cream			
(3)	971 868 020	Lid	/R	1	+AC +DL
	971 868 020 5Q0	Black			+SB, +BS +UC, +BP +PC +BB +BK +5V0
	971 868 020 OA6	Agate Grey			
	971 868 020 OL7	Saddle Tan			
	971 868 020 6W0	Luxor Beige			
	971 868 020 7X0	Marsala Red			
	971 868 020 OG6	Bordeaux Red			
	971 868 020 OL8	Chalk			
	971 868 020 5V0	Cream			
4	971 035 419	Loudspeaker grille	/L	1	IQQ0/9VK/9VL
		Basic			
	971 035 419 5Q0	Black			+AC +DL
	971 035 419 OA6	Agate Grey			+SB, +BS +UC, +BP +PC +BB +BK +5V0
	971 035 419 OL7	Saddle Tan			
	971 035 419 6W0	Luxor Beige			
	971 035 419 7X0	Marsala Red			
	971 035 419 OG6	Bordeaux Red			
	971 035 419 OL8	Chalk			
	971 035 419 5V0	Cream			
(4)	971 035 420	Loudspeaker grille	/R	1	IQQ0/9VK/9VL
		Basic			
	971 035 420 5Q0	Black			+AC +DL
	971 035 420 OA6	Agate Grey			+SB, +BS +UC, +BP +PC +BB +BK +5V0
	971 035 420 OL7	Saddle Tan			
	971 035 420 6W0	Luxor Beige			
	971 035 420 7X0	Marsala Red			
	971 035 420 OG6	Bordeaux Red			
	971 035 420 OL8	Chalk			
	971 035 420 5V0	Cream			
(4)	971 035 143 B	Loudspeaker grille	/L	1	IQQ0/9VJ

Model: 971-17

Model life 2017>>

Pos	Part Number	Description	Remark	Qty	Model
		Burmester with Light guide			
	971 035 143 B 5Q0	Black			+AC
	971 035 143 B OA6	Agate Grey			+DL
	971 035 143 B OL7	Saddle Tan			+SB, +BS
	971 035 143 B 6W0	Luxor Beige			+UC, +BP
	971 035 143 B 7X0	Marsala Red			+PC
	971 035 143 B OG6	Bordeaux Red			+BB
	971 035 143 B OL8	Chalk			+BK
	971 035 143 B 5V0	Cream			+5V0
(4)	971 035 144 B	Loudspeaker grille	/R	1	IQQ0/9VJ
		Burmester with Light guide			
	971 035 144 B 5Q0	Black			+AC
	971 035 144 B OA6	Agate Grey			+DL
	971 035 144 B OL7	Saddle Tan			+SB, +BS
	971 035 144 B 6W0	Luxor Beige			+UC, +BP
	971 035 144 B 7X0	Marsala Red			+PC
	971 035 144 B OG6	Bordeaux Red			+BB
	971 035 144 B OL8	Chalk			+BK
	971 035 144 B 5V0	Cream			+5V0
(4)	971 035 143 C	Loudspeaker grille	/L	1	IQQ1/QQ2/9VK I9VL
		Ambient light Basic			
	971 035 143 C 5Q0	Black			+AC
	971 035 143 C OA6	Agate Grey			+DL
	971 035 143 C OL7	Saddle Tan			+SB, +BS
	971 035 143 C 6W0	Luxor Beige			+UC, +BP
	971 035 143 C 7X0	Marsala Red			+PC
	971 035 143 C OG6	Bordeaux Red			+BB
	971 035 143 C OL8	Chalk			+BK
	971 035 143 C 5V0	Cream			+5V0
(4)	971 035 144 C	Loudspeaker grille	/R	1	IQQ1/QQ2/9VK I9VL
		Ambient light Basic			
	971 035 144 C 5Q0	Black			+AC
	971 035 144 C OA6	Agate Grey			+DL
	971 035 144 C OL7	Saddle Tan			+SB, +BS
	971 035 144 C 6W0	Luxor Beige			+UC, +BP
	971 035 144 C 7X0	Marsala Red			+PC
	971 035 144 C OG6	Bordeaux Red			+BB
	971 035 144 C OL8	Chalk			+BK
	971 035 144 C 5V0	Cream			+5V0
5	971 867 585	Cover Armrest Front	/L	1	
	971 867 585 5Q0	Black			+AB
	971 867 585 OA6	Agate Grey			+DG
	971 867 585 6W0	Luxor Beige			+UB
6	971 837 019	Inner door release	/L	1	
	971 837 019 CZO	Galvano silver			
(6)	971 837 020	Inner door release	/R	1	
	971 837 020 CZO	Galvano silver			
7	971 837 307	Cover Inner door release	/LL/L	1	I3L5/3L6
	971 837 307 6N3	Black mat			
(7)	971 837 308	Cover Inner door release	/LL/R	1	I3L4/3L5
	971 837 308 6N3	Black mat			

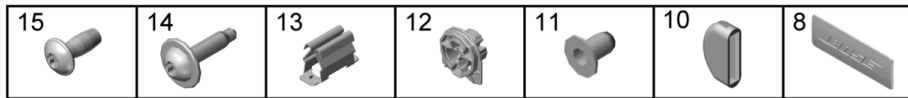
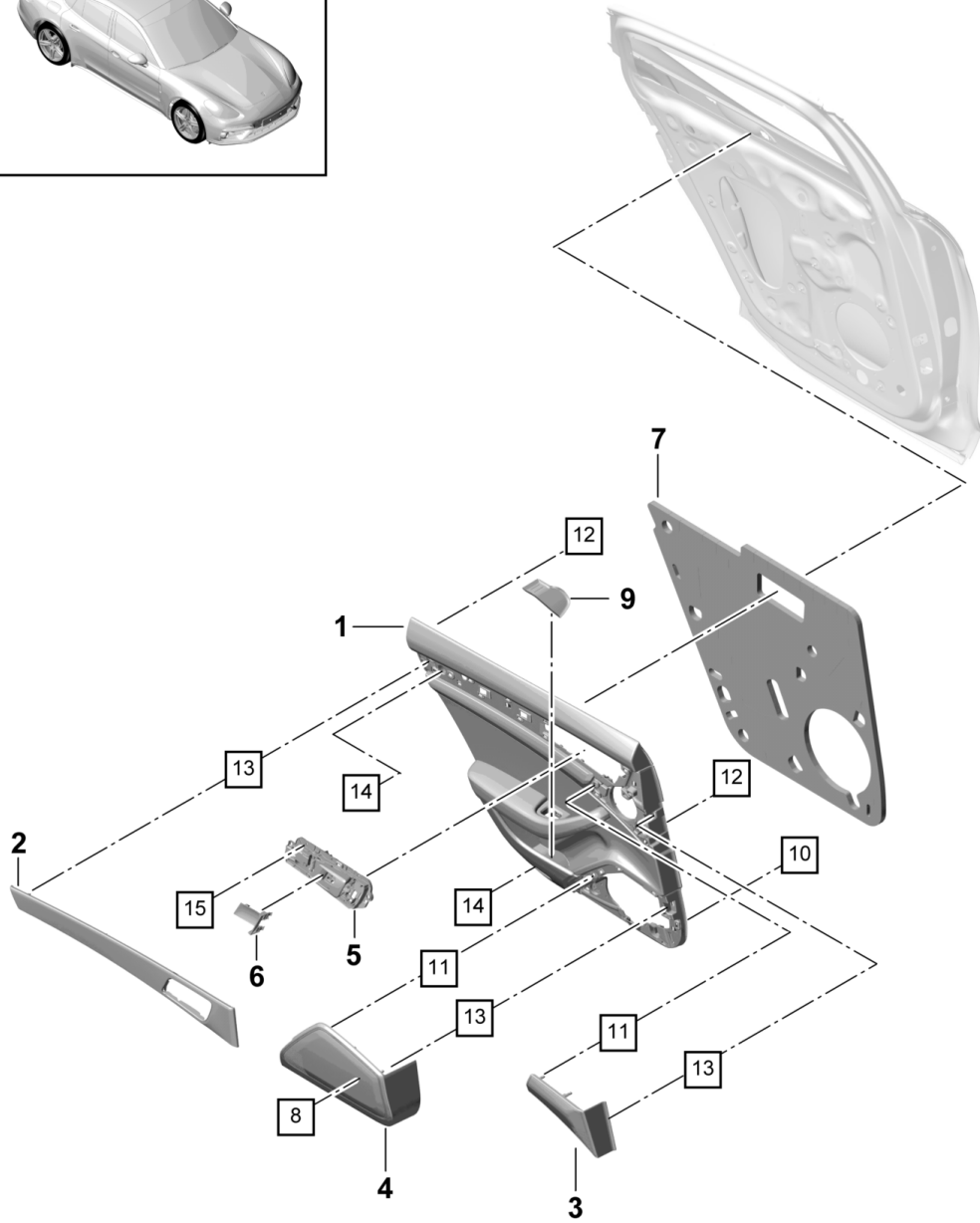
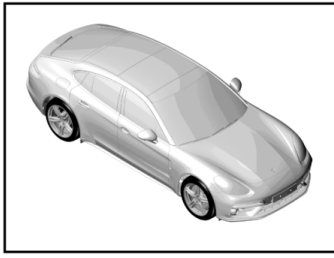
Model: 971-17

Model life 2017>>

Pos	Part Number	Description	Remark	Qty	Model
(7)	971 837 307 A	Cover Inner door release	/RL/L	1	I3L4/3PN
	971 837 307 A 6N3	Black mat			
(7)	971 837 308 A	Cover Inner door release	/RL/R	1	I3L6/3PN
	971 837 308 A 6N3	Black mat			
8	971 863 981	Insulation		1	
9	971 945 699	Logo Bose		1	I9VL
10	971 868 355	Switch housing Passenger's side		1	
	971 868 355 6N3	Black mat			
11	971 858 165	Insert Mat	/L	1	
(11)	971 858 166	Insert Mat	/R	1	
12	95B 867 084	Buffer Connection piece		4	
13	958 552 900 00	Grommet		4	
14	9A7 868 243 00	Fixing clip		9	
15	955 552 107 00	Fixing clip		29	
16	N 911 809 01	Oval-head screw M5X20-W		4	
17	N 104 718 02	Oval-head screw 5,0X12,0-Q		6	

Model: 971-17

Model life 2017>>



Model: 971-17

Model life 2017>>

Pos	Part Number	Description	Remark	Qty	Model
		Door trim panel			IK8S/0E1/3LD I4AP
		Leatherette			
		Rear			
1	971 867 211	Door trim panel	/L	1	I3LD/3Y0/3Y2 +AB
	971 867 211 7P8	Black			+DG
	971 867 211 OK2	Agate Grey			+UB
	971 867 211 8ED	Luxor Beige	-17		
(1)	971 867 211 D	Door trim panel	/L	1	I3Y0/3Y2/4AP
		two-colour			
	971 867 211 D DQZ	Black/Luxor Beige			+PK
(1)	971 867 211 M	Door trim panel	/L	1	I3LD/3Y7/3Y8 +AB
	971 867 211 M 7P8	Black			+DG
	971 867 211 M OK2	Agate Grey			+UB
	971 867 211 M 8ED	Luxor Beige	-17		
(1)	971 867 211 L	Door trim panel	/L	1	I3Y7/3Y8/4AP
		two-colour			
	971 867 211 L DQZ	Black/Luxor Beige			+PK
(1)	971 867 212	Door trim panel	/R	1	I3LD/3Y0/3Y2 +AB
	971 867 212 7P8	Black			+DG
	971 867 212 OK2	Agate Grey			+UB
	971 867 212 8ED	Luxor Beige	-17		
(1)	971 867 212 D	Door trim panel	/R	1	I3Y0/3Y2/4AP
		two-colour			
	971 867 212 D DQZ	Black/Luxor Beige			+PK
(1)	971 867 212 M	Door trim panel	/R	1	I3LD/3Y7/3Y8 +AB
	971 867 212 M 7P8	Black			+DG
	971 867 212 M OK2	Agate Grey			+UB
	971 867 212 M 8ED	Luxor Beige	-17		
(1)	971 867 212 L	Door trim panel	/R	1	I3Y7/3Y8/4AP
		two-colour			
	971 867 212 L DQZ	Black/Luxor Beige			+PK
2	971 867 067 AB	Moulding	/L	1	I5TL
	971 867 067 AB OV3	High-Gloss Black			
(2)	971 867 068 AB	Moulding	/R	1	I5TL
	971 867 068 AB OV3	High-Gloss Black			
(2)	971 867 067 AC	Moulding	/L	1	I5MB
	971 867 067 AC CK6	Swedish Birch			
		Anthracite			
(2)	971 867 068 AC	Moulding	/R	1	I5MB
	971 867 068 AC CK6	Swedish Birch			
		Anthracite			
(2)	971 867 067 AD	Moulding	/L	1	I5MP
	971 867 067 AD OE9	American Walnut			
(2)	971 867 068 AD	Moulding	/R	1	I5MP
	971 867 068 AD OE9	American Walnut			
(2)	971 867 067 AE	Moulding	/L	1	I5TE
	971 867 067 AE U03	Aluminium, brushed			
(2)	971 867 068 AE	Moulding	/R	1	I5TE
	971 867 068 AE U03	Aluminium, brushed			
(2)	971 867 067 AF	Moulding	/L	1	I5MH
	971 867 067 AF BX3	Carbon, fine high-gloss			
(2)	971 867 068 AF	Moulding	/R	1	I5MH
	971 867 068 AF BX3	Carbon, fine high-gloss			
(2)	971 867 067 AG	Moulding	/L	1	I7TD
	971 867 067 AG OF4	Red Gum			
(2)	971 867 068 AG	Moulding	/R	1	I7TD
	971 867 068 AG OF4	Red Gum			
(2)	971 867 067 AS	Moulding	/L	1	I7TC
	971 867 067 AS OK5	Light Paldao			
(2)	971 867 068 AS	Moulding	/R	1	I7TC
	971 867 068 AS OK5	Light Paldao			
(2)	971 867 067 BA	Moulding	/L	1	I7TM

Model: 971-17

Model life 2017>>

Pos	Part Number	Description	Remark	Qty	Model
	971 867 067 BA A11	Leather Black			+AB, +PK
	971 867 067 BA OA1	Agate Grey			+DG
	971 867 067 BA 7J0	Luxor Beige			+UB
(2)	971 867 068 BA	Moulding Leather	/R	1	I7TM
	971 867 068 BA A11	Black			+AB, +PK
	971 867 068 BA OA1	Agate Grey			+DG
	971 867 068 BA 7J0	Luxor Beige			+UB
3	971 035 793	Loudspeaker grille MID-RANGE speaker	/L	1	
	971 035 793 5Q0	Black			+AB
	971 035 793 OA6	Agate Grey			+DG
	971 035 793 6W0	Luxor Beige			+UB, +PK
(3)	971 035 794	Loudspeaker grille MID-RANGE speaker	/R	1	
	971 035 794 5Q0	Black			+AB
	971 035 794 OA6	Agate Grey			+DG
	971 035 794 6W0	Luxor Beige			+UB, +PK
4	971 035 435	Loudspeaker grille Basic	/L	1	IQQ0/9VK/9VL
	971 035 435 5Q0	Black			+AB
	971 035 435 OA6	Agate Grey			+DG
	971 035 435 6W0	Luxor Beige			+UB, +PK
(4)	971 035 436	Loudspeaker grille Basic	/R	1	IQQ0/9VK/9VL
	971 035 436 5Q0	Black			+AB
	971 035 436 OA6	Agate Grey			+DG
	971 035 436 6W0	Luxor Beige			+UB, +PK
(4)	971 035 293 B	Loudspeaker grille Burmester	/L	1	I9VJ
	971 035 293 B 5Q0	Black			+AB
	971 035 293 B OA6	Agate Grey			+DG
	971 035 293 B 6W0	Luxor Beige			+UB, +PK
(4)	971 035 294 B	Loudspeaker grille Burmester with Light guide	/R	1	I9VJ
	971 035 294 B 5Q0	Black			+AB
	971 035 294 B OA6	Agate Grey			+DG
	971 035 294 B 6W0	Luxor Beige			+UB, +PK
(4)	971 035 293 C	Loudspeaker grille	/L	1	IQQ0/QQ2/9VK I9VL
		Ambient light Basic			
	971 035 293 C 5Q0	Black			+AB
	971 035 293 C OA6	Agate Grey			+DG
	971 035 293 C 6W0	Luxor Beige			+UB, +PK
(4)	971 035 294 C	Loudspeaker grille	/R	1	IQQ0/QQ2/9VK I9VL
		Ambient light Basic			
	971 035 294 C 5Q0	Black			+AB
	971 035 294 C OA6	Agate Grey			+DG
	971 035 294 C 6W0	Luxor Beige			+UB, +PK
5	971 837 019	Inner door release	/L	1	
	971 837 019 CZO	Galvano silver			
(5)	971 837 020	Inner door release	/R	1	
	971 837 020 CZO	Galvano silver			
6	971 837 307	Cover	/L	1	I3KG/3KH/3KI I3KJ
		Inner door release			
	971 837 307 6N3	Black mat			

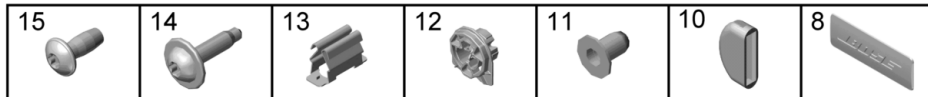
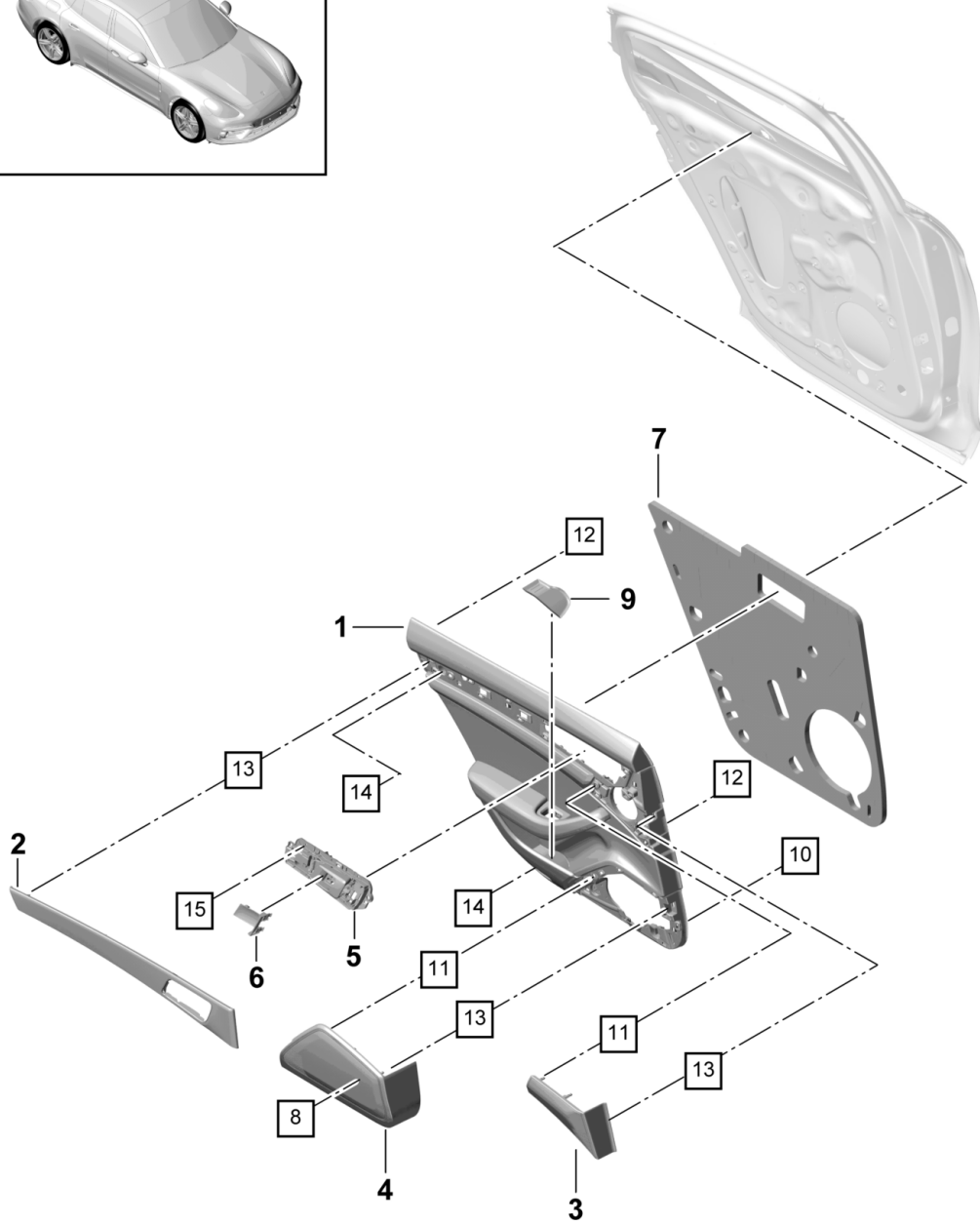
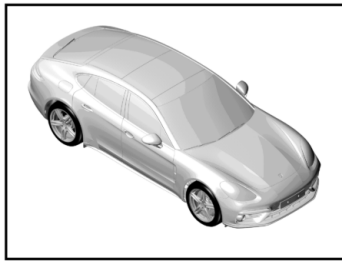
Model: 971-17

Model life 2017>>

Pos	Part Number	Description	Remark	Qty	Model
(6)	971 837 308	Cover	/R	1	I3KG/3KH/3KI I3KJ
	971 837 308 6N3	Inner door release Black mat			
(6)	971 837 307 A	Cover	/L	1	I3KK/3KL/3KN I3KR
	971 837 307 A 6N3	Inner door release Black mat			
(6)	971 837 308 A	Cover	/R	1	I3KK/3KL/3KN I3KR
	971 837 308 A 6N3	Inner door release Black mat			
7	971 863 935	Insulation		1	
8	971 945 699	Logo		1	I9VL
		Bose			
9	971 858 169	Insert	/L	1	
		Mat			
(9)	971 858 170	Insert	/R	1	
		Mat			
10	95B 867 084	Buffer		5	
		Connection piece			
11	958 552 900 00	Grommet		4	
12	9A7 868 243 00	Fixing clip		9	
13	955 552 107 00	Fixing clip		26	
14	N 911 809 01	Oval-head screw		3	
		M5X20-W			
15	N 104 718 02	Oval-head screw		6	
		5,0X12,0-Q			

Model: 971-17

Model life 2017>>



Model: 971-17

Model life 2017>>

Pos	Part Number	Description	Remark	Qty	Model
		Door trim panel			IK8D/0E1/3LD I4AP
		Leatherette			
		Rear			
		*			
1	974 867 211	Door trim panel	/L	1	I3LD/3Y0/3Y2 +AB
	974 867 211 7P8	Black			+DG
	974 867 211 OK2	Agate Grey			
(1)	974 867 211 H	Door trim panel	/L	1	I3Y0/3Y2/4AP
		two-colour			
	974 867 211 H DQZ	Black/Luxor Beige			+PK
(1)	974 867 211 D	Door trim panel	/L	1	I3LD/3Y7/3Y8 +AB
	974 867 211 D 7P8	Black			+DG
	974 867 211 D OK2	Agate Grey			
(1)	974 867 211 J	Door trim panel	/L	1	I3Y7/3Y8/4AP
		two-colour			
	974 867 211 J DQZ	Black/Luxor Beige			+PK
(1)	974 867 212	Door trim panel	/R	1	I3LD/3Y0/3Y2 +AB
	974 867 212 7P8	Black			+DG
	974 867 212 OK2	Agate Grey			
(1)	974 867 212 H	Door trim panel	/R	1	I3Y0/3Y2/4AP
		two-colour			
	974 867 212 H DQZ	Black/Luxor Beige			+PK
(1)	974 867 212 D	Door trim panel	/R	1	I3LD/3Y7/3Y8 +AB
	974 867 212 D 7P8	Black			+DG
	974 867 212 D OK2	Agate Grey			
(1)	974 867 212 J	Door trim panel	/R	1	I3Y7/3Y8/4AP
		two-colour			
	974 867 212 J DQZ	Black/Luxor Beige			+PK
2	971 867 067 AB	Moulding	/L	1	I5TL
	971 867 067 AB OV3	High-Gloss Black			
(2)	971 867 068 AB	Moulding	/R	1	I5TL
	971 867 068 AB OV3	High-Gloss Black			
(2)	971 867 067 AC	Moulding	/L	1	I5MB
	971 867 067 AC CK6	Swedish Birch			
		Anthracite			
(2)	971 867 068 AC	Moulding	/R	1	I5MB
	971 867 068 AC CK6	Swedish Birch			
		Anthracite			
(2)	971 867 067 AD	Moulding	/L	1	I5MP
	971 867 067 AD OE9	American Walnut			
(2)	971 867 068 AD	Moulding	/R	1	I5MP
	971 867 068 AD OE9	American Walnut			
(2)	971 867 067 AE	Moulding	/L	1	I5TE
	971 867 067 AE U03	Aluminium, brushed			
(2)	971 867 068 AE	Moulding	/R	1	I5TE
	971 867 068 AE U03	Aluminium, brushed			
(2)	971 867 067 AF	Moulding	/L	1	I5MH
	971 867 067 AF BX3	Carbon, fine high-gloss			
(2)	971 867 068 AF	Moulding	/R	1	I5MH
	971 867 068 AF BX3	Carbon, fine high-gloss			
(2)	971 867 067 AG	Moulding	/L	1	I7TD
	971 867 067 AG OF4	Red Gum			
(2)	971 867 068 AG	Moulding	/R	1	I7TD
	971 867 068 AG OF4	Red Gum			
(2)	971 867 067 AS	Moulding	/L	1	I7TC
	971 867 067 AS OK5	Light Paldao			
(2)	971 867 068 AS	Moulding	/R	1	I7TC
	971 867 068 AS OK5	Light Paldao			
(2)	971 867 067 AT	Moulding	/L	1	I7TL
	971 867 067 AT G2X	Prime coated			
(2)	971 867 068 AT	Moulding	/R	1	I7TL
	971 867 068 AT G2X	Prime coated			

Model: 971-17 Model life 2017>>

Pos	Part Number	Description	Remark	Qty	Model
(2)	971 867 067 BA	Moulding Leather	/L	1	I7TM
	971 867 067 BA A11	Black			+AB, +PK
	971 867 067 BA OA1	Agate Grey			+DG
(2)	971 867 068 BA	Moulding Leather	/R	1	I7TM
	971 867 068 BA A11	Black			+AB, +PK
	971 867 068 BA OA1	Agate Grey			+DG
3	971 035 793	Loudspeaker grille MID-RANGE speaker	/L	1	
	971 035 793 5Q0	Black			+AB
	971 035 793 OA6	Agate Grey			+DG
	971 035 793 6W0	Luxor Beige			+PK
(3)	971 035 794	Loudspeaker grille MID-RANGE speaker	/R	1	
	971 035 794 5Q0	Black			+AB
	971 035 794 OA6	Agate Grey			+DG
	971 035 794 6W0	Luxor Beige			+PK
4	971 035 435	Loudspeaker grille Basic	/L	1	IQQ0/9VK/9VL
	971 035 435 5Q0	Black			+AB
	971 035 435 OA6	Agate Grey			+DG
	971 035 435 6W0	Luxor Beige			+PK
(4)	971 035 436	Loudspeaker grille Basic	/R	1	IQQ0/9VK/9VL
	971 035 436 5Q0	Black			+AB
	971 035 436 OA6	Agate Grey			+DG
	971 035 436 6W0	Luxor Beige			+PK
(4)	971 035 293 B	Loudspeaker grille Burmester	/L	1	I9VJ
	971 035 293 B 5Q0	Black			+AB
	971 035 293 B OA6	Agate Grey			+DG
	971 035 293 B 6W0	Luxor Beige			+PK
(4)	971 035 294 B	Loudspeaker grille Burmester with Light guide	/R	1	I9VJ
	971 035 294 B 5Q0	Black			+AB
	971 035 294 B OA6	Agate Grey			+DG
	971 035 294 B 6W0	Luxor Beige			+PK
(4)	971 035 293 C	Loudspeaker grille Ambient light Basic	/L	1	IQQ0/QQ2/9VK I9VL
	971 035 293 C 5Q0	Black			+AB
	971 035 293 C OA6	Agate Grey			+DG
	971 035 293 C 6W0	Luxor Beige			+PK
(4)	971 035 294 C	Loudspeaker grille Ambient light Basic	/R	1	IQQ0/QQ2/9VK I9VL
	971 035 294 C 5Q0	Black			+AB
	971 035 294 C OA6	Agate Grey			+DG
	971 035 294 C 6W0	Luxor Beige			+PK
5	971 837 019	Inner door release	/L	1	
	971 837 019 CZO	Galvano silver			
(5)	971 837 020	Inner door release	/R	1	
	971 837 020 CZO	Galvano silver			
6	971 837 307	Cover	/L	1	I3KG/3KH/3KI I3KJ/5KA
	971 837 307 6N3	Inner door release Black mat			
(6)	971 837 308	Cover	/R	1	I3KG/3KH/3KI

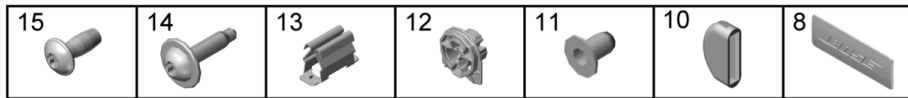
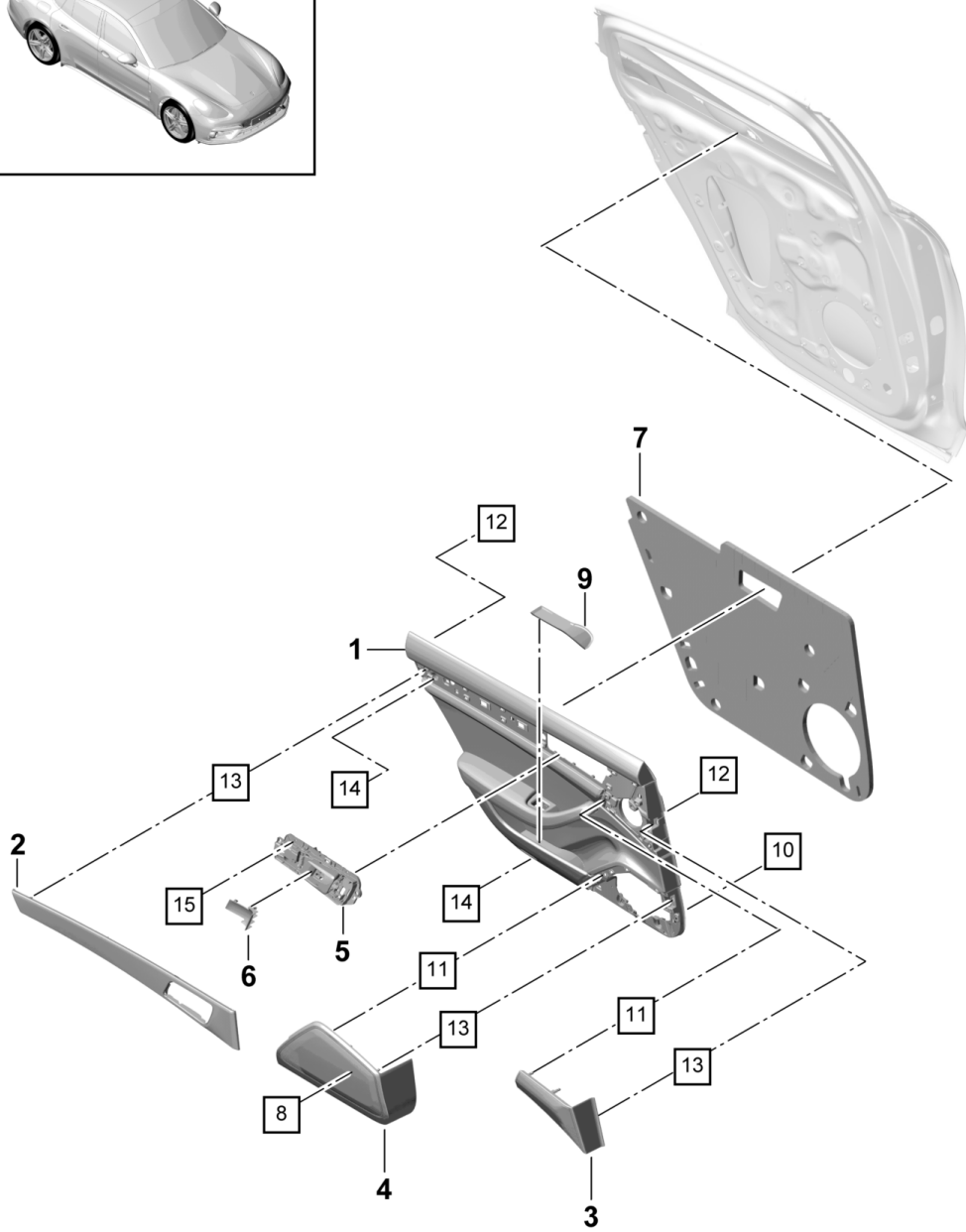
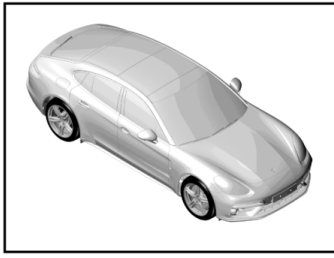
Model: 971-17

Model life 2017>>

Pos	Part Number	Description	Remark	Qty	Model
		Inner door release			I3KJ/5KA
(6)	971 837 308 6N3	Black mat			
	971 837 307 A	Cover	/L	1	I3KK/3KL/3KN I3KR
		Inner door release			
(6)	971 837 307 A 6N3	Black mat			
	971 837 308 A	Cover	/R	1	I3KK/3KL/3KN I3KR
		Inner door release			
7	971 837 308 A 6N3	Black mat		1	
8	971 863 935	Insulation		1	
	971 945 699	Logo		1	I9VL
		Bose			
9	971 858 169	Insert	/L	1	
		Mat			
(9)	971 858 170	Insert	/R	1	
		Mat			
10	95B 867 084	Buffer		5	
		Connection piece			
11	958 552 900 00	Grommet		4	
12	9A7 868 243 00	Fixing clip		9	
13	955 552 107 00	Fixing clip		26	
14	N 911 809 01	Oval-head screw		3	
		M5X20-W			
15	N 104 718 02	Oval-head screw		6	
		5,0X12,0-Q			

Model: 971-17

Model life 2017>>



Model: 971-17 Model life 2017>>

Pos	Part Number	Description	Remark	Qty	Model
		Door trim panel Leatherette Rear			I0E2/3LD/4AP
1	971 867 211 AB	Door trim panel	/L	1	I3Y0/3Y2
	971 867 211 AB 7P8	Black			+AB
	971 867 211 AB OK2	Agate Grey			+DG
(1)	971 867 211 AF	Door trim panel	/L	1	I3Y0/3Y2/4AP
		two-colour			
	971 867 211 AF DQZ	Black/Luxor Beige			+PK
(1)	971 867 211 R	Door trim panel	/L	1	I3Y7/3Y8
	971 867 211 R 7P8	Black			+AB
	971 867 211 R OK2	Agate Grey			+DG
(1)	971 867 211 AG	Door trim panel	/L	1	I3Y7/3Y8/4AP
		two-colour			
	971 867 211 AG DQZ	Black/Luxor Beige			+PK
(1)	971 867 212 AB	Door trim panel	/R	1	I3Y0/3Y2
	971 867 212 AB 7P8	Black			+AB
	971 867 212 AB OK2	Agate Grey			+DG
(1)	971 867 212 AF	Door trim panel	/R	1	I3Y0/3Y2/4AP
		two-colour			
	971 867 212 AF DQZ	Black/Luxor Beige			+PK
(1)	971 867 212 R	Door trim panel	/R	1	I3Y7/3Y8
	971 867 212 R 7P8	Black			+AB
	971 867 212 R OK2	Agate Grey			+DG
(1)	971 867 212 AG	Door trim panel	/R	1	I3Y7/3Y8/4AP
		two-colour			
	971 867 212 AG DQZ	Black/Luxor Beige			+PK
2	971 867 067 AH	Moulding	/L	1	I5TL
	971 867 067 AH OV3	High-Gloss Black			
(2)	971 867 068 AH	Moulding	/R	1	I5TL
	971 867 068 AH OV3	High-Gloss Black			
(2)	971 867 067 AJ	Moulding	/L	1	I5MB
	971 867 067 AJ CK6	Swedish Birch			
		Anthracite			
(2)	971 867 068 AJ	Moulding	/R	1	I5MB
	971 867 068 AJ CK6	Swedish Birch			
		Anthracite			
(2)	971 867 067 AK	Moulding	/L	1	I5MP
	971 867 067 AK OE9	American Walnut			
(2)	971 867 068 AK	Moulding	/R	1	I5MP
	971 867 068 AK OE9	American Walnut			
(2)	971 867 067 AL	Moulding	/L	1	I5TE
	971 867 067 AL U03	Aluminium, brushed			
(2)	971 867 068 AL	Moulding	/R	1	I5TE
	971 867 068 AL U03	Aluminium, brushed			
(2)	971 867 067 AM	Moulding	/L	1	I5MH
	971 867 067 AM BX3	Carbon, fine high-gloss			
(2)	971 867 068 AM	Moulding	/R	1	I5MH
	971 867 068 AM BX3	Carbon, fine high-gloss			
(2)	971 867 067 AN	Moulding	/L	1	I7TD
	971 867 067 AN OF4	Red Gum			
(2)	971 867 068 AN	Moulding	/R	1	I7TD
	971 867 068 AN OF4	Red Gum			
(2)	971 867 067 AP	Moulding	/L	1	I7TC
	971 867 067 AP OK5	Light Paldao			
(2)	971 867 068 AP	Moulding	/R	1	I7TC
	971 867 068 AP OK5	Light Paldao			
(2)	971 867 067 AR	Moulding	/L	1	I7TM
		Leather			
	971 867 067 AR A11	Black			+AB, +PK
	971 867 067 AR OA1	Agate Grey			+DG
(2)	971 867 068 AR	Moulding	/R	1	I7TM
		Leather			

Model: 971-17

Model life 2017>>

Pos	Part Number	Description	Remark	Qty	Model
3	971 867 068 AR A11	Black			+AB, +PK
	971 867 068 AR OA1	Agate Grey			+DG
	971 035 793 A	Loudspeaker grille MID-RANGE speaker	/L	1	
(3)	971 035 793 A 5Q0	Black			+AB
	971 035 793 A OA6	Agate Grey			+DG
	971 035 793 A 6W0	Luxor Beige			+UB, +PK
4	971 035 794 A	Loudspeaker grille MID-RANGE speaker	/R	1	
	971 035 794 A 5Q0	Black			+AB
	971 035 794 A OA6	Agate Grey			+DG
(4)	971 035 794 A 6W0	Luxor Beige			+UB, +PK
	971 035 435	Loudspeaker grille Basic	/L	1	IQQ0/9VK/9VL
	971 035 435 5Q0	Black			+AB
(4)	971 035 435 OA6	Agate Grey			+DG
	971 035 435 6W0	Luxor Beige			+UB, +PK
	971 035 436	Loudspeaker grille Basic	/R	1	IQQ0/9VK/9VL
(4)	971 035 436 5Q0	Black			+AB
	971 035 436 OA6	Agate Grey			+DG
	971 035 436 6W0	Luxor Beige			+UB, +PK
(4)	971 035 293 B	Loudspeaker grille Burmester with Light guide	/L	1	I9VJ
	971 035 293 B 5Q0	Black			+AB
	971 035 293 B OA6	Agate Grey			+DG
(4)	971 035 293 B 6W0	Luxor Beige			+UB, +PK
	971 035 294 B	Loudspeaker grille Burmester with Light guide	/R	1	I9VJ
	971 035 294 B 5Q0	Black			+AB
(4)	971 035 294 B OA6	Agate Grey			+DG
	971 035 294 B 6W0	Luxor Beige			+UB, +PK
	971 035 293 C	Loudspeaker grille	/L	1	IQQ0/QQ2/9VK I9VL
(4)	971 035 293 C 5Q0	Black			+AB
	971 035 293 C OA6	Agate Grey			+DG
	971 035 293 C 6W0	Luxor Beige			+UB, +PK
(4)	971 035 294 C	Loudspeaker grille AMBIENTE Basic	/R	1	IQQ0/QQ2/9VK I9VL
	971 035 294 C 5Q0	Black			+AB
	971 035 294 C OA6	Agate Grey			+DG
5	971 035 294 C 6W0	Luxor Beige			+UB, +PK
	971 837 019	Inner door release	/L	1	
	971 837 019 CZ0	Galvano silver			
(5)	971 837 020	Inner door release	/R	1	
	971 837 020 CZ0	Galvano silver			
6	971 837 307	Cover	/L	1	I3KG/3KH/3KI I3KJ
	971 837 307 6N3	Inner door release Black mat			
(6)	971 837 308	Cover	/R	1	I3KG/3KH/3KI I3KJ
	971 837 308 6N3	Inner door release Black mat			
(6)	971 837 307 A	Cover	/L	1	I3KK/3KL/3KN

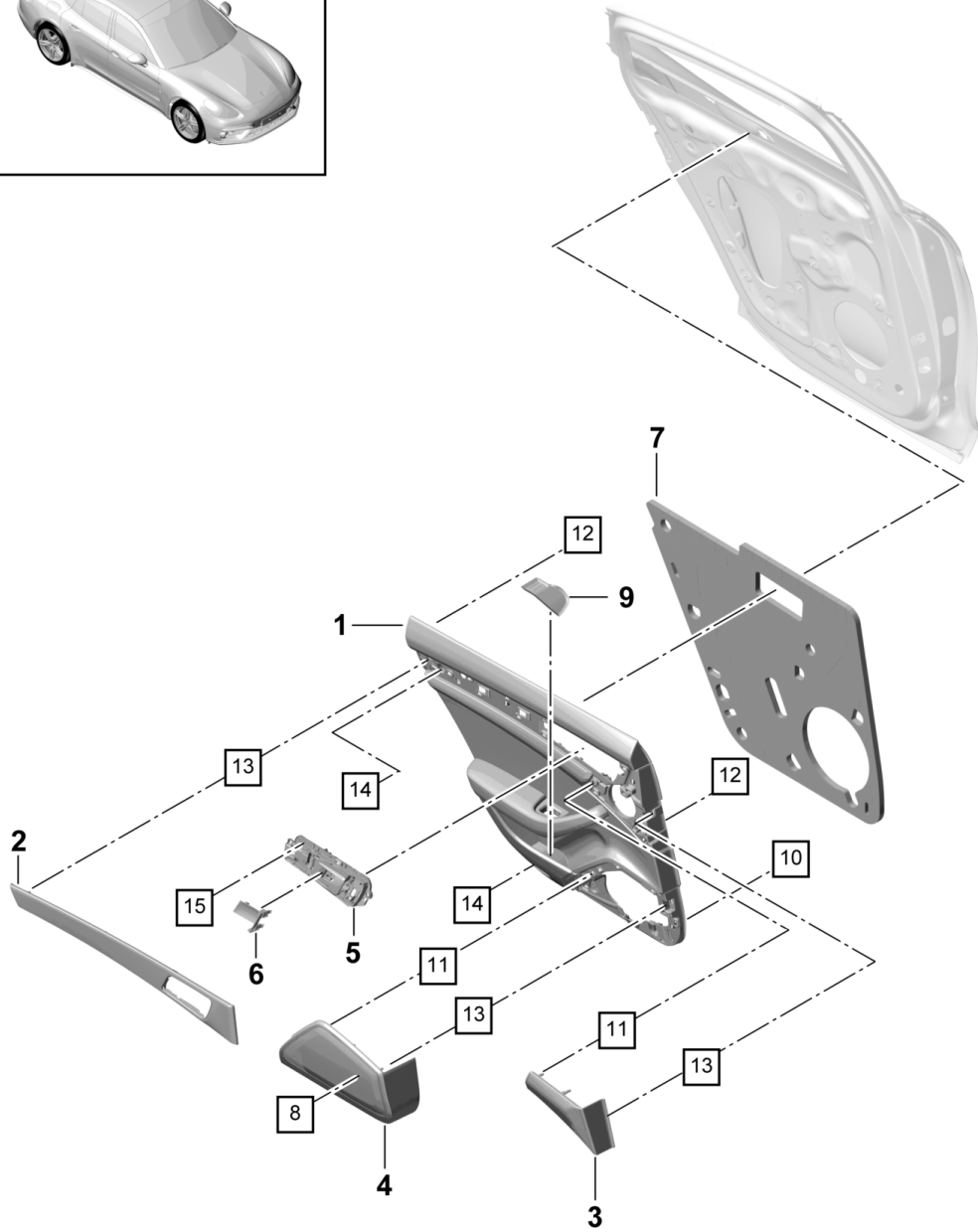
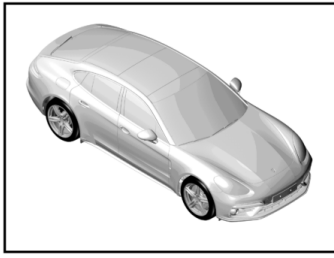
Model: 971-17

Model life 2017>>

Pos	Part Number	Description	Remark	Qty	Model
		Inner door release			I3KR
	971 837 307 A 6N3	Black mat			
(6)	971 837 308 A	Cover	/R	1	I3KK/3KL/3KN I3KR
		Inner door release			
	971 837 308 A 6N3	Black mat			
7	971 863 935 A	Insulation		1	
8	971 945 699	Logo		1	I9VL
		Bose			
9	971 858 169 A	Insert	/L	1	
		Mat			
(9)	971 858 170 A	Insert	/R	1	
		Mat			
10	95B 867 084	Buffer		4	
		Connection piece			
11	958 552 900 00	Grommet		4	
12	9A7 868 243 00	Fixing clip		7	
13	955 552 107 00	Fixing clip		28	
14	N 911 809 01	Oval-head screw		3	
		M5X20-W			
15	N 104 718 02	Oval-head screw		6	
		5,0X12,0-Q			

Model: 971-17

Model life 2017>>



Model: 971-17 Model life 2017>>

Pos	Part Number	Description	Remark	Qty	Model
		Door trim panel			IK8S/0E1/3LH I3LT
		Leather			
		Rear			
1	971 867 211 A	Door trim panel	/L	1	I3LH/3Y0/3Y2
	971 867 211 A A11	Black			+AC
	971 867 211 A OA1	Agate Grey			+DL
	971 867 211 A OK6	Saddle Tan			+SB
	971 867 211 A 7J0	Luxor Beige			+UC
	971 867 211 A 7H0	Marsala Red			+PC
1	971 867 211 B	Door trim panel	/L	1	I3Y0/3Y2/4AA
	971 867 211 B OT2	Truffle Brown			+HD
	971 867 211 B ON1	Cohiba Brown			+HC
(1)	971 867 211 C	Door trim panel	/L	1	I3LT/3Y0/3Y2
		two-colour			
	971 867 211 C GUG	Black/Bordeaux Red			+BB
	971 867 211 C HAD	Black/Saddle Tan			+BS
	971 867 211 C GUH	Black/Chalk			+BK
	971 867 211 C HAF	Saddle Tan/Luxor Beige			+BP
	971 867 211 C DMJ	Marsala Red/Cream			+BE
	971 867 211 C DTO	Black/Luxor Beige			+PL
(1)	971 867 211 N	Door trim panel	/L	1	I3LH/3Y7/3Y8
	971 867 211 N A11	Black			+AC
	971 867 211 N OA1	Agate Grey			+DL
	971 867 211 N OK6	Saddle Tan			+SB
	971 867 211 N 7J0	Luxor Beige			+UC
	971 867 211 N 7H0	Marsala Red			+PC
1	971 867 211 P	Door trim panel	/L	1	I3Y7/3Y8/4AA
	971 867 211 P OT2	Truffle Brown			+HD
	971 867 211 P ON1	Cohiba Brown			+HC
(1)	971 867 211 Q	Door trim panel	/L	1	I3LT/3Y7/3Y8
		two-colour			
	971 867 211 Q GUG	Black/Bordeaux Red			+BB
	971 867 211 Q HAD	Black/Saddle Tan			+BS
	971 867 211 Q GUH	Black/Chalk			+BK
	971 867 211 Q HAF	Saddle Tan/Luxor Beige			+BP
	971 867 211 Q DMJ	Marsala Red/Cream			+BE
	971 867 211 Q DTO	Black/Luxor Beige			+PL
(1)	971 867 212 A	Door trim panel	/R	1	I3LH/3Y0/3Y2
	971 867 212 A A11	Black			+AC
	971 867 212 A OA1	Agate Grey			+DL
	971 867 212 A OK6	Saddle Tan			+SB
	971 867 212 A 7J0	Luxor Beige			+UC
	971 867 212 A 7H0	Marsala Red			+PC
(1)	971 867 212 C	Door trim panel	/R	1	I3LT/3Y0/3Y2
		two-colour			
	971 867 212 C GUG	Black/Bordeaux Red			+BB
	971 867 212 C HAD	Black/Saddle Tan			+BS
	971 867 212 C GUH	Black/Chalk			+BK
	971 867 212 C HAF	Saddle Tan/Luxor Beige			+BP
	971 867 212 C DMJ	Marsala Red/Cream			+BE
	971 867 212 C DTO	Black/Luxor Beige			+PL
(1)	971 867 212 N	Door trim panel	/R	1	I3LH/3Y7/3Y8
	971 867 212 N A11	Black			+AC
	971 867 212 N OA1	Agate Grey			+DL
	971 867 212 N OK6	Saddle Tan			+SB
	971 867 212 N 7J0	Luxor Beige			+UC
	971 867 212 N 7H0	Marsala Red			+PC
1	971 867 212 P	Door trim panel	/L	1	I3Y7/3Y8/4AA
	971 867 212 P OT2	Truffle Brown			+HD
	971 867 212 P ON1	Cohiba Brown			+HC
(1)	971 867 212 Q	Door trim panel	/R	1	I3LT/3Y7/3Y8
		two-colour			

Model: 971-17 Model life 2017>>

Pos	Part Number	Description	Remark	Qty	Model
	971 867 212 Q GUG	Black/Bordeaux Red			+BB
	971 867 212 Q HAD	Black/Saddle Tan			+BS
	971 867 212 Q GUH	Black/Chalk			+BK
	971 867 212 Q HAF	Saddle Tan/Luxor Beige			+BP
	971 867 212 Q DMJ	Marsala Red/Cream			+BE
	971 867 212 Q DTO	Black/Luxor Beige			+PL
2	971 867 067 AB	Moulding	/L	1	I5TL
	971 867 067 AB OV3	High-Gloss Black			
(2)	971 867 068 AB	Moulding	/R	1	I5TL
	971 867 068 AB OV3	High-Gloss Black			
(2)	971 867 067 AC	Moulding	/L	1	I5MB
	971 867 067 AC CK6	Swedish Birch			
		Anthracite			
(2)	971 867 068 AC	Moulding	/R	1	I5MB
	971 867 068 AC CK6	Swedish Birch			
		Anthracite			
(2)	971 867 067 AD	Moulding	/L	1	I5MP
	971 867 067 AD OE9	American Walnut			
(2)	971 867 068 AD	Moulding	/R	1	I5MP
	971 867 068 AD OE9	American Walnut			
(2)	971 867 067 AE	Moulding	/L	1	I5TE
	971 867 067 AE U03	Aluminium, brushed			
(2)	971 867 068 AE	Moulding	/R	1	I5TE
	971 867 068 AE U03	Aluminium, brushed			
(2)	971 867 067 AF	Moulding	/L	1	I5MH
	971 867 067 AF BX3	Carbon, fine high-gloss			
(2)	971 867 068 AF	Moulding	/R	1	I5MH
	971 867 068 AF BX3	Carbon, fine high-gloss			
(2)	971 867 067 AG	Moulding	/L	1	I7TD
	971 867 067 AG OF4	Red Gum			
(2)	971 867 068 AG	Moulding	/R	1	I7TD
	971 867 068 AG OF4	Red Gum			
(2)	971 867 067 AS	Moulding	/L	1	I7TC
	971 867 067 AS OK5	Light Paldao			
(2)	971 867 068 AS	Moulding	/R	1	I7TC
	971 867 068 AS OK5	Light Paldao			
(2)	971 867 067 AT	Moulding	/L	1	I7TL
	971 867 067 AT G2X	Prime coated			
(2)	971 867 068 AT	Moulding	/R	1	I7TL
	971 867 068 AT G2X	Prime coated			
(2)	971 867 067 BA	Moulding	/L	1	I7TM
		Leather			
	971 867 067 BA A11	Black			+AB, +PK
	971 867 067 BA OA1	Agate Grey			+DG
	971 867 067 BA 7J0	Luxor Beige			+UB
	971 867 067 BA OK6	Saddle Tan			+SB
	971 867 067 BA 7H0	Marsala Red			+PC
(2)	971 867 068 BA	Moulding	/R	1	I7TM
		Leather			
	971 867 068 BA A11	Black			+AB, +PK
	971 867 068 BA OA1	Agate Grey			+DG
	971 867 068 BA 7J0	Luxor Beige			+UB
	971 867 068 BA OK6	Saddle Tan			+SB
	971 867 068 BA 7H0	Marsala Red			+PC
3	971 035 793	Loudspeaker grille	/L	1	
		MID-RANGE speaker			
	971 035 793 5Q0	Black			+AC
	971 035 793 OA6	Agate Grey			+DL
	971 035 793 OL7	Saddle Tan			+SB, +BS
	971 035 793 6W0	Luxor Beige			+UC, +BP
	971 035 793 7X0	Marsala Red			+PC
	971 035 793 OG6	Bordeaux Red			+BB
	971 035 793 OL8	Chalk			+BK

Model: 971-17

Model life 2017>>

Pos	Part Number	Description	Remark	Qty	Model
(3)	971 035 793 5V0	Cream			+BE
	971 035 794	Loudspeaker grille	/R	1	
		MID-RANGE speaker			
	971 035 794 5Q0	Black			+AC
	971 035 794 OA6	Agate Grey			+DL
	971 035 794 OL7	Saddle Tan			+SB, +BS
	971 035 794 6W0	Luxor Beige			+UC, +BP
	971 035 794 7X0	Marsala Red			+PC
	971 035 794 OG6	Bordeaux Red			+BB
	971 035 794 OL8	Chalk			+BK
4	971 035 794 5V0	Cream			+BE
	971 035 419	Loudspeaker grille	/L	1	IQQ0/9VK/9VL
		Basic			
	971 035 419 5Q0	Black			+AC
	971 035 419 OA6	Agate Grey			+DL
	971 035 419 OL7	Saddle Tan			+SB, +BS
	971 035 419 6W0	Luxor Beige			+UC, +BP
	971 035 419 7X0	Marsala Red			+PC
	971 035 419 OG6	Bordeaux Red			+BB
	971 035 419 OL8	Chalk			+BK
(4)	971 035 419 5V0	Cream			+BE
	971 035 420	Loudspeaker grille	/R	1	IQQ0/9VK/9VL
		Basic			
	971 035 420 5Q0	Black			+AC
	971 035 420 OA6	Agate Grey			+DL
	971 035 420 OL7	Saddle Tan			+SB, +BS
	971 035 420 6W0	Luxor Beige			+UC, +BP
	971 035 420 7X0	Marsala Red			+PC
	971 035 420 OG6	Bordeaux Red			+BB
	971 035 420 OL8	Chalk			+BK
(4)	971 035 420 5V0	Cream			+BE
	971 035 143 B	Loudspeaker grille	/L	1	I9VJ
		Burmester			
	971 035 143 B 5Q0	Black			+AC
	971 035 143 B OA6	Agate Grey			+DL
	971 035 143 B OL7	Saddle Tan			+SB, +BS
	971 035 143 B 6W0	Luxor Beige			+UC, +BP
	971 035 143 B 7X0	Marsala Red			+PC
	971 035 143 B OG6	Bordeaux Red			+BB
	971 035 143 B OL8	Chalk			+BK
(4)	971 035 143 B 5V0	Cream			+BE
	971 035 144 B	Loudspeaker grille	/R	1	I9VJ
		Burmester			
	971 035 144 B 5Q0	Black			+AC
	971 035 144 B OA6	Agate Grey			+DL
	971 035 144 B OL7	Saddle Tan			+SB, +BS
	971 035 144 B 6W0	Luxor Beige			+UC, +BP
	971 035 144 B 7X0	Marsala Red			+PC
	971 035 144 B OG6	Bordeaux Red			+BB
	971 035 144 B OL8	Chalk			+BK
(4)	971 035 144 B 5V0	Cream			+BE
	971 035 143 C	Loudspeaker grille	/L	1	IQQ0/QQ2/9VK I9VL
		Ambient light			
		Basic			
	971 035 143 C 5Q0	Black			+AC
	971 035 143 C OA6	Agate Grey			+DL
	971 035 143 C OL7	Saddle Tan			+SB, +BS
	971 035 143 C 6W0	Luxor Beige			+UC, +BP
	971 035 143 C 7X0	Marsala Red			+PC
	971 035 143 C OG6	Bordeaux Red			+BB
971 035 143 C OL8	Chalk			+BK	
971 035 143 C 5V0	Cream			+BE	

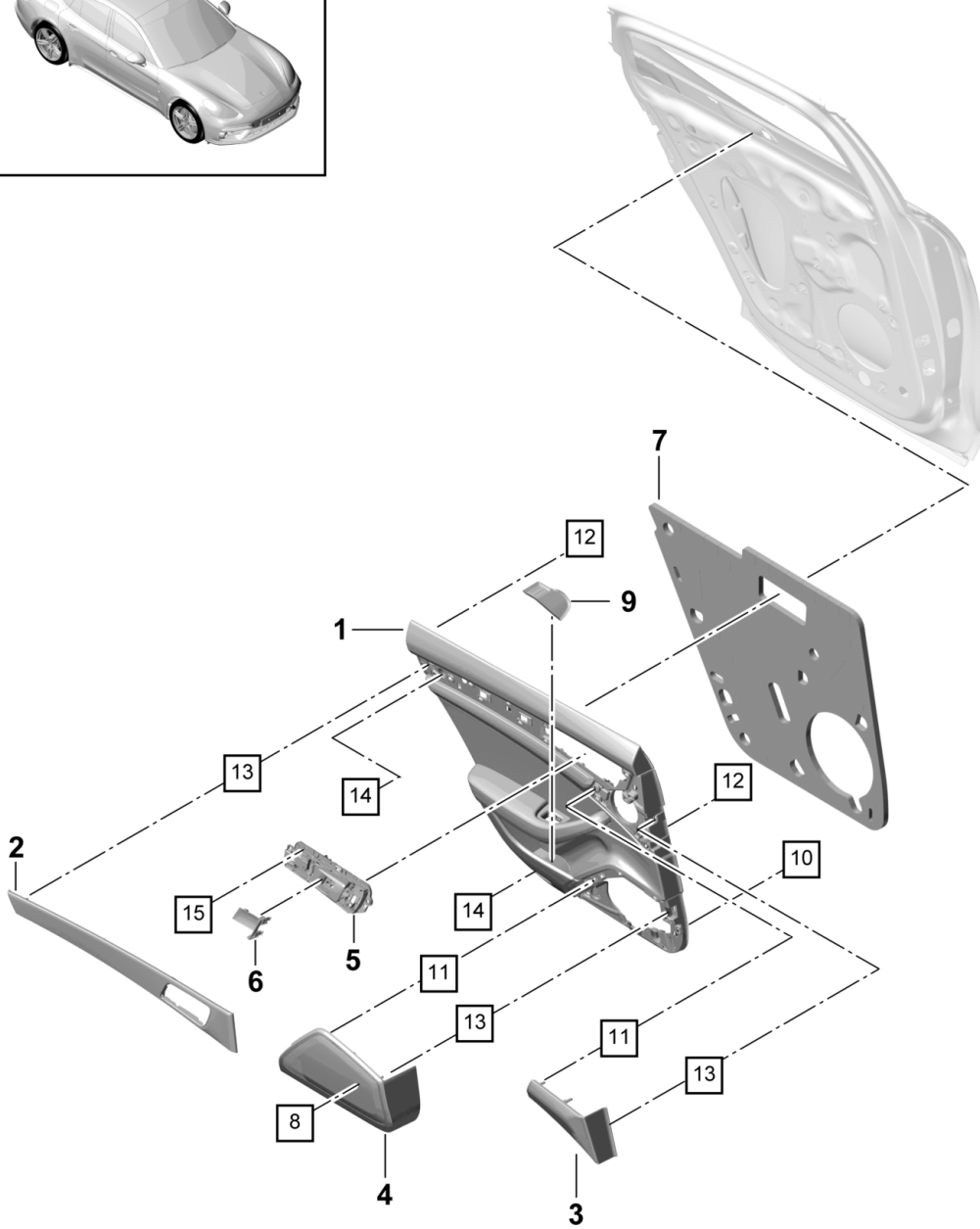
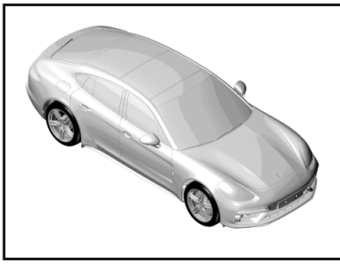
Model: 971-17

Model life 2017>>

Pos	Part Number	Description	Remark	Qty	Model
(4)	971 035 144 C	Loudspeaker grille	/R	1	IQQ0/QQ2/9VK I9VL
		Ambient light			
		Basic			
	971 035 144 C 5Q0	Black			+AC
	971 035 144 C OA6	Agate Grey			+DL
	971 035 144 C OL7	Saddle Tan			+SB, +BS
	971 035 144 C 6W0	Luxor Beige			+UC, +BP
	971 035 144 C 7X0	Marsala Red			+PC
	971 035 144 C OG6	Bordeaux Red			+BB
	971 035 144 C OL8	Chalk			+BK
	971 035 144 C 5V0	Cream			+BE
5	971 837 019	Inner door release	/L	1	
	971 837 019 CZO	Galvano silver			
(5)	971 837 020	Inner door release	/R	1	
	971 837 020 CZO	Galvano silver			
6	971 837 307	Cover	/L	1	I3KG/3KH/3KI I3KJ
		Inner door release			
	971 837 307 6N3	Black mat			
(6)	971 837 308	Cover	/R	1	I3KG/3KH/3KI I3KJ
		Inner door release			
	971 837 308 6N3	Black mat			
(6)	971 837 307 A	Cover	/L	1	I3KK/3KL/3KN I3KR
		Inner door release			
	971 837 307 A 6N3	Black mat			
(6)	971 837 308 A	Cover	/R	1	I3KK/3KL/3KN I3KR
		Inner door release			
	971 837 308 A 6N3	Black mat			
7	971 863 935	Insulation		1	
8	971 945 699	Logo		1	I9VL
		Bose			
9	971 858 165	Insert	/L	1	
		Mat			
(9)	971 858 166	Insert	/R	1	
		Mat			
10	95B 867 084	Buffer		5	
		Connection piece			
11	958 552 900 00	Grommet		4	
12	9A7 868 243 00	Fixing clip		7	
13	955 552 107 00	Fixing clip		26	
14	N 911 809 01	Oval-head screw		3	
		M5X20-W			
15	N 104 718 02	Oval-head screw		6	
		5,0X12,0-Q			

Model: 971-17

Model life 2017>>



Model: 971-17

Model life 2017>>

Pos	Part Number	Description	Remark	Qty	Model
		Door trim panel			IK8D/0E1/3LH I3LT/4AA
		Leather			
		Rear			
		*			
1	974 867 211 A	Door trim panel	/L	1	I3LH/3Y0/3Y2
	974 867 211 A A11	Black			+AC
	974 867 211 A OA1	Agate Grey			+DL
	974 867 211 A OK6	Saddle Tan			+SB
	974 867 211 A 7J0	Luxor Beige			+UC
	974 867 211 A 7H0	Marsala Red			+PC
(1)	974 867 211 B	Door trim panel	/L	1	I3Y0/3Y2/4AA
	974 867 211 B OT2	Truffle Brown			+HD
	974 867 211 B ON1	Cohiba Brown			+HC
(1)	974 867 211 C	Door trim panel	/L	1	I3LT/3Y0/3Y2
		two-colour			
	974 867 211 C GUG	Black/Bordeaux Red			+BB
	974 867 211 C HAD	Black/Saddle Tan			+BS
	974 867 211 C GUH	Black/Chalk			+BK
	974 867 211 C HAF	Saddle Tan/Luxor Beige			+BP
	974 867 211 C DMJ	Marsala Red/Cream			+BE
	974 867 211 C DTO	Black/Luxor Beige			+PL
(1)	974 867 211 E	Door trim panel	/L	1	I3LH/3Y7/3Y8
	974 867 211 E A11	Black			+AC
	974 867 211 E OA1	Agate Grey			+DL
	974 867 211 E OK6	Saddle Tan			+SB
	974 867 211 E 7J0	Luxor Beige			+UC
	974 867 211 E 7H0	Marsala Red			+PC
(1)	974 867 211 F	Door trim panel	/L	1	I3Y7/3Y8/4AA
	974 867 211 F OT2	Truffle Brown			+HD
	974 867 211 F ON1	Cohiba Brown			+HC
(1)	974 867 211 G	Door trim panel	/L	1	I3LT/3Y7/3Y8
		two-colour			
	974 867 211 G GUG	Black/Bordeaux Red			+BB
	974 867 211 G HAD	Black/Saddle Tan			+BS
	974 867 211 G GUH	Black/Chalk			+BK
	974 867 211 G HAF	Saddle Tan/Luxor Beige			+BP
	974 867 211 G DMJ	Marsala Red/Cream			+BE
	974 867 211 G DTO	Black/Luxor Beige			+PL
(1)	974 867 212 A	Door trim panel	/R	1	I3LH/3Y0/3Y2
	974 867 212 A A11	Black			+AC
	974 867 212 A OA1	Agate Grey			+DL
	974 867 212 A OK6	Saddle Tan			+SB
	974 867 212 A 7J0	Luxor Beige			+UC
	974 867 212 A 7H0	Marsala Red			+PC
(1)	974 867 212 B	Door trim panel	/R	1	I3Y0/3Y2/4AA
	974 867 212 B OT2	Truffle Brown			+HD
	974 867 212 B ON1	Cohiba Brown			+HC
(1)	974 867 212 C	Door trim panel	/R	1	I3LT/3Y0/3Y2
		two-colour			
	974 867 212 C GUG	Black/Bordeaux Red			+BB
	974 867 212 C HAD	Black/Saddle Tan			+BS
	974 867 212 C GUH	Black/Chalk			+BK
	974 867 212 C HAF	Saddle Tan/Luxor Beige			+BP
	974 867 212 C DMJ	Marsala Red/Cream			+BE
	974 867 212 C DTO	Black/Luxor Beige			+PL
(1)	974 867 212 E	Door trim panel	/R	1	I3LH/3Y7/3Y8
	974 867 212 E A11	Black			+AC
	974 867 212 E OA1	Agate Grey			+DL
	974 867 212 E OK6	Saddle Tan			+SB
	974 867 212 E 7J0	Luxor Beige			+UC
	974 867 212 E 7H0	Marsala Red			+PC
(1)	974 867 212 F	Door trim panel	/L	1	I3Y7/3Y8/4AA

Model: 971-17

Model life 2017>>

Pos	Part Number	Description	Remark	Qty	Model
(1)	974 867 212 F OT2	Truffle Brown			+HD
	974 867 212 F ON1	Cohiba Brown			+HC
	974 867 212 G	Door trim panel two-colour	/R	1	I3LT/3Y7/3Y8
	974 867 212 G GUG	Black/Bordeaux Red			+BB
	974 867 212 G HAD	Black/Saddle Tan			+BS
	974 867 212 G GUH	Black/Chalk			+BK
	974 867 212 G HAF	Saddle Tan/Luxor Beige			+BP
	974 867 212 G DMJ	Marsala Red/Cream			+BE
	974 867 212 G DTO	Black/Luxor Beige			+PL
	2	971 867 067 AB	Moulding	/L	1
(2)	971 867 067 AB OV3	High-Gloss Black			
	971 867 068 AB	Moulding	/R	1	I5TL
(2)	971 867 068 AB OV3	High-Gloss Black			
	971 867 067 AC	Moulding	/L	1	I5MB
(2)	971 867 067 AC CK6	Swedish Birch Anthracite			
	971 867 068 AC	Moulding	/R	1	I5MB
(2)	971 867 068 AC CK6	Swedish Birch Anthracite			
	971 867 067 AD	Moulding	/L	1	I5MP
(2)	971 867 067 AD OE9	American Walnut			
	971 867 068 AD	Moulding	/R	1	I5MP
(2)	971 867 068 AD OE9	American Walnut			
	971 867 067 AE	Moulding	/L	1	I5TE
(2)	971 867 067 AE U03	Aluminium, brushed			
	971 867 068 AE	Moulding	/R	1	I5TE
(2)	971 867 068 AE U03	Aluminium, brushed			
	971 867 067 AF	Moulding	/L	1	I5MH
(2)	971 867 067 AF BX3	Carbon, fine high-gloss			
	971 867 068 AF	Moulding	/R	1	I5MH
(2)	971 867 068 AF BX3	Carbon, fine high-gloss			
	971 867 067 AG	Moulding	/L	1	I7TD
(2)	971 867 067 AG OF4	Red Gum			
	971 867 068 AG	Moulding	/R	1	I7TD
(2)	971 867 068 AG OF4	Red Gum			
	971 867 067 AS	Moulding	/L	1	I7TC
(2)	971 867 067 AS OK5	Light Paldao			
	971 867 068 AS	Moulding	/R	1	I7TC
(2)	971 867 068 AS OK5	Light Paldao			
	971 867 067 AT	Moulding	/L	1	I7TL
(2)	971 867 067 AT G2X	Prime coated			
	971 867 068 AT	Moulding	/R	1	I7TL
(2)	971 867 068 AT G2X	Prime coated			
	971 867 067 BA	Moulding Leather	/L	1	I7TM
(2)	971 867 067 BA A11	Black			+AB, +PK
	971 867 067 BA OA1	Agate Grey			+DG
	971 867 067 BA 7J0	Luxor Beige			+UB
	971 867 067 BA OK6	Saddle Tan			+SB
	971 867 067 BA 7H0	Marsala Red			+PC
	971 867 068 BA	Moulding Leather	/R	1	I7TM
	971 867 068 BA A11	Black			+AB, +PK
	971 867 068 BA OA1	Agate Grey			+DG
	971 867 068 BA 7J0	Luxor Beige			+UB
	971 867 068 BA OK6	Saddle Tan			+SB
3	971 867 068 BA 7H0	Marsala Red			+PC
	971 035 793	Loudspeaker grille MID-RANGE speaker	/L	1	
	971 035 793 5Q0	Black			+AC
	971 035 793 OA6	Agate Grey			+DL
	971 035 793 OL7	Saddle Tan			+SB, +BS

Model: 971-17 Model life 2017>>

Pos	Part Number	Description	Remark	Qty	Model	
(3)	971 035 793 6W0	Luxor Beige		1	+UC, +BP	
	971 035 793 7X0	Marsala Red			+PC	
	971 035 793 OG6	Bordeaux Red			+BB	
	971 035 793 OL8	Chalk			+BK	
	971 035 793 5V0	Cream			+BE	
	971 035 794	Loudspeaker grille MID-RANGE speaker	/R			
	971 035 794 5Q0	Black			+AC	
	971 035 794 OA6	Agate Grey			+DL	
	971 035 794 OL7	Saddle Tan			+SB, +BS	
	971 035 794 6W0	Luxor Beige			+UC, +BP	
4	971 035 794 7X0	Marsala Red		1	+PC	
	971 035 794 OG6	Bordeaux Red			+BB	
	971 035 794 OL8	Chalk			+BK	
	971 035 794 5V0	Cream			+BE	
	971 035 419	Loudspeaker grille Basic	/L			IQQ0/9VK/9VL
	971 035 419 5Q0	Black			+AC	
	971 035 419 OA6	Agate Grey			+DL	
	971 035 419 OL7	Saddle Tan			+SB, +BS	
	971 035 419 6W0	Luxor Beige			+UC, +BP	
	971 035 419 7X0	Marsala Red			+PC	
(4)	971 035 419 OG6	Bordeaux Red		1	+BB	
	971 035 419 OL8	Chalk			+BK	
	971 035 419 5V0	Cream			+BE	
	971 035 420	Loudspeaker grille Basic	/R			IQQ0/9VK/9VL
	971 035 420 5Q0	Black			+AC	
	971 035 420 OA6	Agate Grey			+DL	
	971 035 420 OL7	Saddle Tan			+SB, +BS	
	971 035 420 6W0	Luxor Beige			+UC, +BP	
	971 035 420 7X0	Marsala Red			+PC	
	971 035 420 OG6	Bordeaux Red			+BB	
(4)	971 035 420 OL8	Chalk		1	+BK	
	971 035 420 5V0	Cream			+BE	
	971 035 143 B	Loudspeaker grille Burmester	/L			I9VJ
	971 035 143 B 5Q0	Black			+AC	
	971 035 143 B OA6	Agate Grey			+DL	
	971 035 143 B OL7	Saddle Tan			+SB, +BS	
	971 035 143 B 6W0	Luxor Beige			+UC, +BP	
	971 035 143 B 7X0	Marsala Red			+PC	
	971 035 143 B OG6	Bordeaux Red			+BB	
	971 035 143 B OL8	Chalk			+BK	
(4)	971 035 143 B 5V0	Cream		1	+BE	
	971 035 144 B	Loudspeaker grille Burmester	/R			I9VJ
	971 035 144 B 5Q0	Black			+AC	
	971 035 144 B OA6	Agate Grey			+DL	
	971 035 144 B OL7	Saddle Tan			+SB, +BS	
	971 035 144 B 6W0	Luxor Beige			+UC, +BP	
	971 035 144 B 7X0	Marsala Red			+PC	
	971 035 144 B OG6	Bordeaux Red			+BB	
	971 035 144 B OL8	Chalk			+BK	
	971 035 144 B 5V0	Cream			+BE	
(4)	971 035 143 C	Loudspeaker grille	/L	1	IQQ0/QQ2/9VK I9VL	
		Ambient light Basic				
	971 035 143 C 5Q0	Black			+AC	
	971 035 143 C OA6	Agate Grey			+DL	
	971 035 143 C OL7	Saddle Tan			+SB, +BS	
	971 035 143 C 6W0	Luxor Beige			+UC, +BP	

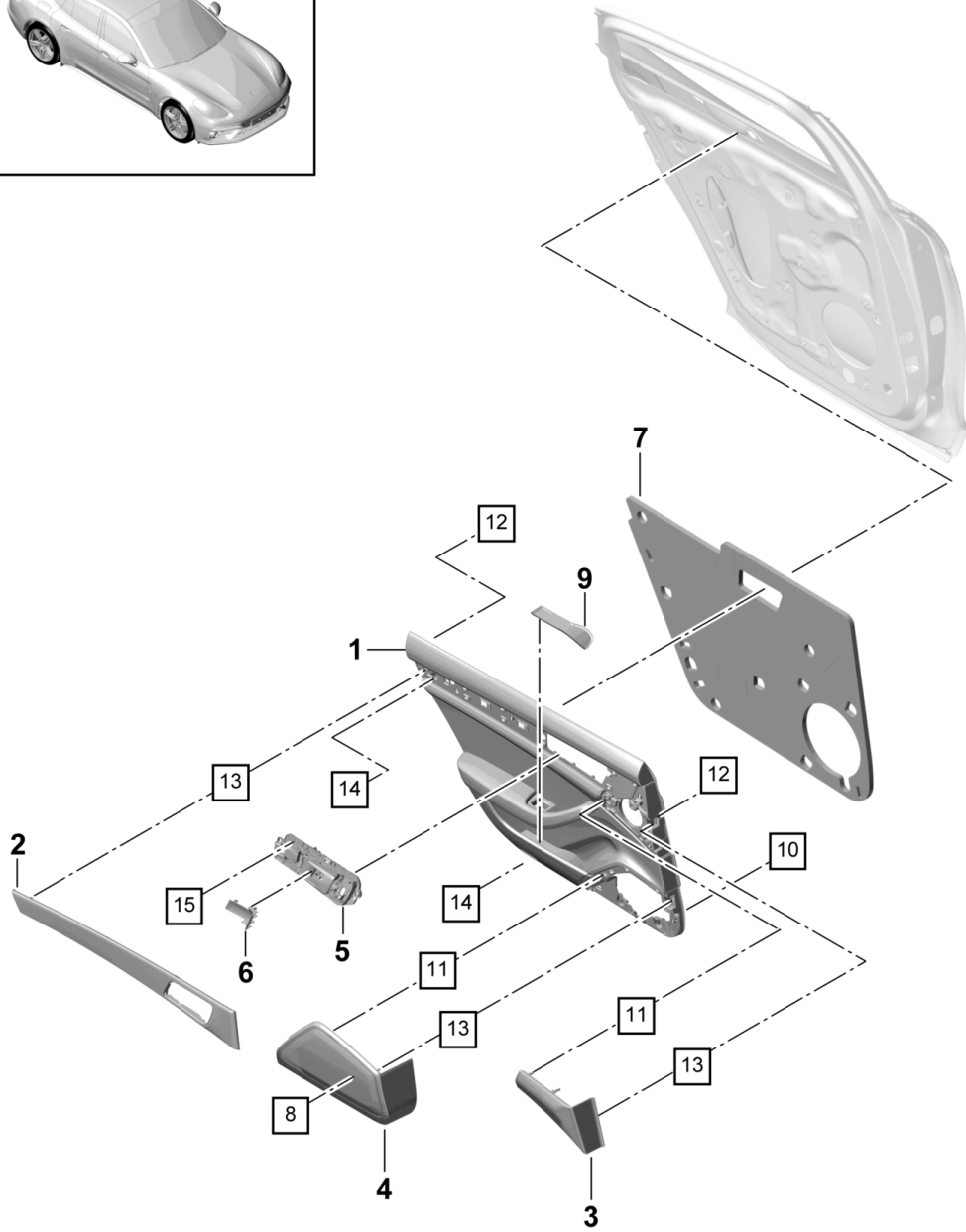
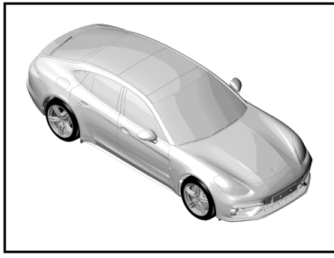
Model: 971-17

Model life 2017>>

Pos	Part Number	Description	Remark	Qty	Model
(4)	971 035 143 C 7X0	Marsala Red			+PC
	971 035 143 C OG6	Bordeaux Red			+BB
	971 035 143 C OL8	Chalk			+BK
	971 035 143 C 5V0	Cream			+BE
	971 035 144 C	Loudspeaker grille	/R	1	IQQ0/QQ2/9VK I9VL
		Ambient light			
		Basic			
	971 035 144 C 5Q0	Black			+AC
	971 035 144 C OA6	Agate Grey			+DL
	971 035 144 C OL7	Saddle Tan			+SB, +BS
	971 035 144 C 6W0	Luxor Beige			+UC, +BP
	971 035 144 C 7X0	Marsala Red			+PC
	971 035 144 C OG6	Bordeaux Red			+BB
	971 035 144 C OL8	Chalk			+BK
971 035 144 C 5V0	Cream			+BE	
5	971 837 019	Inner door release	/L	1	
	971 837 019 CZO	Galvano silver			
(5)	971 837 020	Inner door release	/R	1	
	971 837 020 CZO	Galvano silver			
6	971 837 307	Cover	/L	1	I3KG/3KH/3KI I3KJ
		Inner door release			
	971 837 307 6N3	Black mat			
(6)	971 837 308	Cover	/R	1	I3KG/3KH/3KI I3KJ
		Inner door release			
	971 837 308 6N3	Black mat			
(6)	971 837 307 A	Cover	/L	1	I3KK/3KL/3KN I3KR
		Inner door release			
	971 837 307 A 6N3	Black mat			
(6)	971 837 308 A	Cover	/R	1	I3KK/3KL/3KN I3KR
		Inner door release			
	971 837 308 A 6N3	Black mat			
7	971 863 935	Insulation		1	
8	971 945 699	Logo		1	I9VL
		Bose			
9	971 858 165	Insert	/L	1	
		Mat			
(9)	971 858 166	Insert	/R	1	
		Mat			
10	95B 867 084	Buffer		5	
		Connection piece			
10	95B 867 084 A	Buffer		5	
		Connection piece			
11	958 552 900 00	Grommet		4	
12	9A7 868 243 00	Fixing clip		7	
13	955 552 107 00	Fixing clip		26	
14	N 911 809 01	Oval-head screw		3	
		M5X20-W			
15	N 104 718 02	Oval-head screw		6	
		5,0X12,0-Q			

Model: 971-17

Model life 2017>>



Model: 971-17 Model life 2017>>

Pos	Part Number	Description	Remark	Qty	Model
		Door trim panel			I0E2/3LH/3LT I4AA
1	971 867 211 AC	Leather Rear Door trim panel	/L	1	I3LH/3Y0/3Y2
	971 867 211 AC A11	Black			+AC
	971 867 211 AC OA1	Agate Grey			+DL
	971 867 211 AC OK6	Saddle Tan			+SB
	971 867 211 AC 7J0	Luxor Beige			+UC
	971 867 211 AC 7H0	Marsala Red			+PC
(1)	971 867 211 AD	Door trim panel two-colour	/L	1	I3LT/3Y0/3Y2
	971 867 211 AD GUG	Black/Bordeaux Red			+BB
	971 867 211 AD HAD	Black/Saddle Tan			+BS
	971 867 211 AD GUH	Black/Chalk			+BK
	971 867 211 AD HAF	Saddle Tan/Luxor Beige			+BP
	971 867 211 AD DMJ	Marsala Red/Cream			+BE
	971 867 211 AD DTO	Black/Luxor Beige			+PL
1	971 867 211 AE	Door trim panel	/L	1	I3Y0/3Y2/4AA
	971 867 211 AE OT2	Truffle Brown			+HD
	971 867 211 AE ON1	Cohiba Brown			+HC
(1)	971 867 211 S	Door trim panel	/L	1	I3LH/3Y7/3Y8
	971 867 211 S A11	Black			+AC
	971 867 211 S OA1	Agate Grey			+DL
	971 867 211 S OK6	Saddle Tan			+SB
	971 867 211 S 7J0	Luxor Beige			+UC
	971 867 211 S 7H0	Marsala Red			+PC
1	971 867 211 T	Door trim panel	/L	1	I3Y7/3Y8/4AA
	971 867 211 T OT2	Truffle Brown			+HD
	971 867 211 T ON1	Cohiba Brown			+HC
(1)	971 867 211 AA	Door trim panel two-colour	/L	1	I3LT/3Y7/3Y8
	971 867 211 AA GUG	Black/Bordeaux Red			+BB
	971 867 211 AA HAD	Black/Saddle Tan			+BS
	971 867 211 AA GUH	Black/Chalk			+BK
	971 867 211 AA HAF	Saddle Tan/Luxor Beige			+BP
	971 867 211 AA DMJ	Marsala Red/Cream			+BE
	971 867 211 AA DTO	Black/Luxor Beige			+PL
(1)	971 867 212 AC	Door trim panel	/R	1	I3LH/3Y0/3Y2
	971 867 212 AC A11	Black			+AC
	971 867 212 AC OA1	Agate Grey			+DL
	971 867 212 AC OK6	Saddle Tan			+SB
	971 867 212 AC 7J0	Luxor Beige			+UC
	971 867 212 AC 7H0	Marsala Red			+PC
(1)	971 867 212 AD	Door trim panel two-colour	/R	1	I3LT/3Y0/3Y2
	971 867 212 AD GUG	Black/Bordeaux Red			+BB
	971 867 212 AD HAD	Black/Saddle Tan			+BS
	971 867 212 AD GUH	Black/Chalk			+BK
	971 867 212 AD HAF	Saddle Tan/Luxor Beige			+BP
	971 867 212 AD DMJ	Marsala Red/Cream			+BE
	971 867 212 AD DTO	Black/Luxor Beige			+PL
1	971 867 212 AE	Door trim panel	/R	1	I3Y0/3Y2/4AA
	971 867 212 AE OT2	Truffle Brown			+HD
	971 867 212 AE ON1	Cohiba Brown			+HC
(1)	971 867 212 S	Door trim panel	/R	1	I3LH/3Y7/3Y8
	971 867 212 S A11	Black			+AC
	971 867 212 S OA1	Agate Grey			+DL
	971 867 212 S OK6	Saddle Tan			+SB
	971 867 212 S 7J0	Luxor Beige			+UC
	971 867 212 S 7H0	Marsala Red			+PC
1	971 867 212 T	Door trim panel	/L	1	I3Y7/3Y8/4AA
	971 867 212 T OT2	Truffle Brown			+HD

Model: 971-17 Model life 2017>>

Pos	Part Number	Description	Remark	Qty	Model
(1)	971 867 212 T ON1	Cohiba Brown			+HC
	971 867 212 AA	Door trim panel	/R	1	I3LT/3Y7/3Y8
		two-colour			
	971 867 212 AA GUG	Black/Bordeaux Red			+BB
	971 867 212 AA HAD	Black/Saddle Tan			+BS
	971 867 212 AA GUH	Black/Chalk			+BK
	971 867 212 AA HAF	Saddle Tan/Luxor Beige			+BP
	971 867 212 AA DMJ	Marsala Red/Cream			+BE
	971 867 212 AA DTO	Black/Luxor Beige			+PL
2	971 867 067 AH	Moulding	/L	1	I5TL
	971 867 067 AH OV3	High-Gloss Black			
(2)	971 867 068 AH	Moulding	/R	1	I5TL
	971 867 068 AH OV3	High-Gloss Black			
(2)	971 867 067 AJ	Moulding	/L	1	I5MB
	971 867 067 AJ CK6	Swedish Birch			
		Anthracite			
(2)	971 867 068 AJ	Moulding	/R	1	I5MB
	971 867 068 AJ CK6	Swedish Birch			
		Anthracite			
(2)	971 867 067 AK	Moulding	/L	1	I5MP
	971 867 067 AK OE9	American Walnut			
(2)	971 867 068 AK	Moulding	/R	1	I5MP
	971 867 068 AK OE9	American Walnut			
(2)	971 867 067 AL	Moulding	/L	1	I5TE
	971 867 067 AL U03	Aluminium, brushed			
(2)	971 867 068 AL	Moulding	/R	1	I5TE
	971 867 068 AL U03	Aluminium, brushed			
(2)	971 867 067 AM	Moulding	/L	1	I5MH
	971 867 067 AM BX3	Carbon, fine high-gloss			
(2)	971 867 068 AM	Moulding	/R	1	I5MH
	971 867 068 AM BX3	Carbon, fine high-gloss			
(2)	971 867 067 AN	Moulding	/L	1	I7TD
	971 867 067 AN OF4	Red Gum			
(2)	971 867 068 AN	Moulding	/R	1	I7TD
	971 867 068 AN OF4	Red Gum			
(2)	971 867 067 AP	Moulding	/L	1	I7TC
	971 867 067 AP OK5	Light Paldao			
(2)	971 867 068 AP	Moulding	/R	1	I7TC
	971 867 068 AP OK5	Light Paldao			
(2)	971 867 067 AQ	Moulding	/L	1	I7TL
	971 867 067 AQ G2X	Prime coated			
(2)	971 867 068 AQ	Moulding	/R	1	I7TL
	971 867 068 AQ G2X	Prime coated			
(2)	971 867 067 AR	Moulding	/L	1	I7TM
		Leather			
	971 867 067 AR A11	Black			+AC, +BB, +BS
					+BK
	971 867 067 AR OA1	Agate Grey			+DL
	971 867 067 AR 7J0	Luxor Beige			+UC
	971 867 067 AR OK6	Saddle Tan			+SB, +BP
	971 867 067 AR 7H0	Marsala Red			+PC, +BE
(2)	971 867 068 AR	Moulding	/R	1	I7TM
		Leather			
	971 867 068 AR A11	Black			+AC, +BB, +BS
					+BK
	971 867 068 AR OA1	Agate Grey			+DL
	971 867 068 AR 7J0	Luxor Beige			+UC
	971 867 068 AR OK6	Saddle Tan			+SB, +BP
	971 867 068 AR 7H0	Marsala Red			+PC, +BE
3	971 035 793 A	Loudspeaker grille	/L	1	
		MID-RANGE speaker			
	971 035 793 A 5Q0	Black			+AC
	971 035 793 A OA6	Agate Grey			+DL

Model: 971-17

Model life 2017>>

Pos	Part Number	Description	Remark	Qty	Model
	971 035 793 A OL7	Saddle Tan			+SB,+BS
	971 035 793 A 6W0	Luxor Beige			+UC,+BP
	971 035 793 A 7X0	Marsala Red			+PC
	971 035 793 A OG6	Bordeaux Red			+BB
	971 035 793 A OL8	Chalk			+BK
	971 035 793 A 5V0	Cream			+BE
(3)	971 035 794 A	Loudspeaker grille MID-RANGE speaker	/R	1	
	971 035 794 A 5Q0	Black			+AC
	971 035 794 A OA6	Agate Grey			+DL
	971 035 794 A OL7	Saddle Tan			+SB,+BS
	971 035 794 A 6W0	Luxor Beige			+UC,+BP
	971 035 794 A 7X0	Marsala Red			+PC
	971 035 794 A OG6	Bordeaux Red			+BB
	971 035 794 A OL8	Chalk			+BK
	971 035 794 A 5V0	Cream			+BE
4	971 035 419	Loudspeaker grille Basic	/L	1	IQQ0/9VK/9VL
	971 035 419 5Q0	Black			+AC
	971 035 419 OA6	Agate Grey			+DL
	971 035 419 OL7	Saddle Tan			+SB,+BS
	971 035 419 6W0	Luxor Beige			+UC,+BP
	971 035 419 7X0	Marsala Red			+PC
	971 035 419 OG6	Bordeaux Red			+BB
	971 035 419 OL8	Chalk			+BK
	971 035 419 5V0	Cream			+BE
(4)	971 035 420	Loudspeaker grille Basic	/R	1	IQQ0/9VK/9VL
	971 035 420 5Q0	Black			+AC
	971 035 420 OA6	Agate Grey			+DL
	971 035 420 OL7	Saddle Tan			+SB,+BS
	971 035 420 6W0	Luxor Beige			+UC,+BP
	971 035 420 7X0	Marsala Red			+PC
	971 035 420 OG6	Bordeaux Red			+BB
	971 035 420 OL8	Chalk			+BK
	971 035 420 5V0	Cream			+BE
(4)	971 035 143 B	Loudspeaker grille Burmester with Light guide	/L	1	I9VJ
	971 035 143 B 5Q0	Black			+AC
	971 035 143 B OA6	Agate Grey			+DL
	971 035 143 B OL7	Saddle Tan			+SB,+BS
	971 035 143 B 6W0	Luxor Beige			+UC,+BP
	971 035 143 B 7X0	Marsala Red			+PC
	971 035 143 B OG6	Bordeaux Red			+BB
	971 035 143 B OL8	Chalk			+BK
	971 035 143 B 5V0	Cream			+BE
(4)	971 035 144 B	Loudspeaker grille Burmester with Light guide	/R	1	I9VJ
	971 035 144 B 5Q0	Black			+AC
	971 035 144 B OA6	Agate Grey			+DL
	971 035 144 B OL7	Saddle Tan			+SB,+BS
	971 035 144 B 6W0	Luxor Beige			+UC,+BP
	971 035 144 B 7X0	Marsala Red			+PC
	971 035 144 B OG6	Bordeaux Red			+BB
	971 035 144 B OL8	Chalk			+BK
	971 035 144 B 5V0	Cream			+BE
(4)	971 035 144 C	Loudspeaker grille AMBIENTE	/R	1	IQQ0/QQ2/9VK I9VL

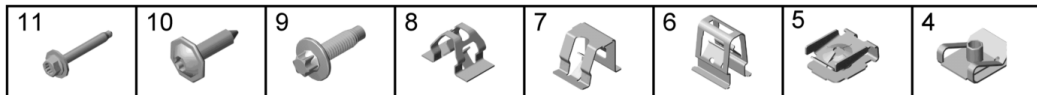
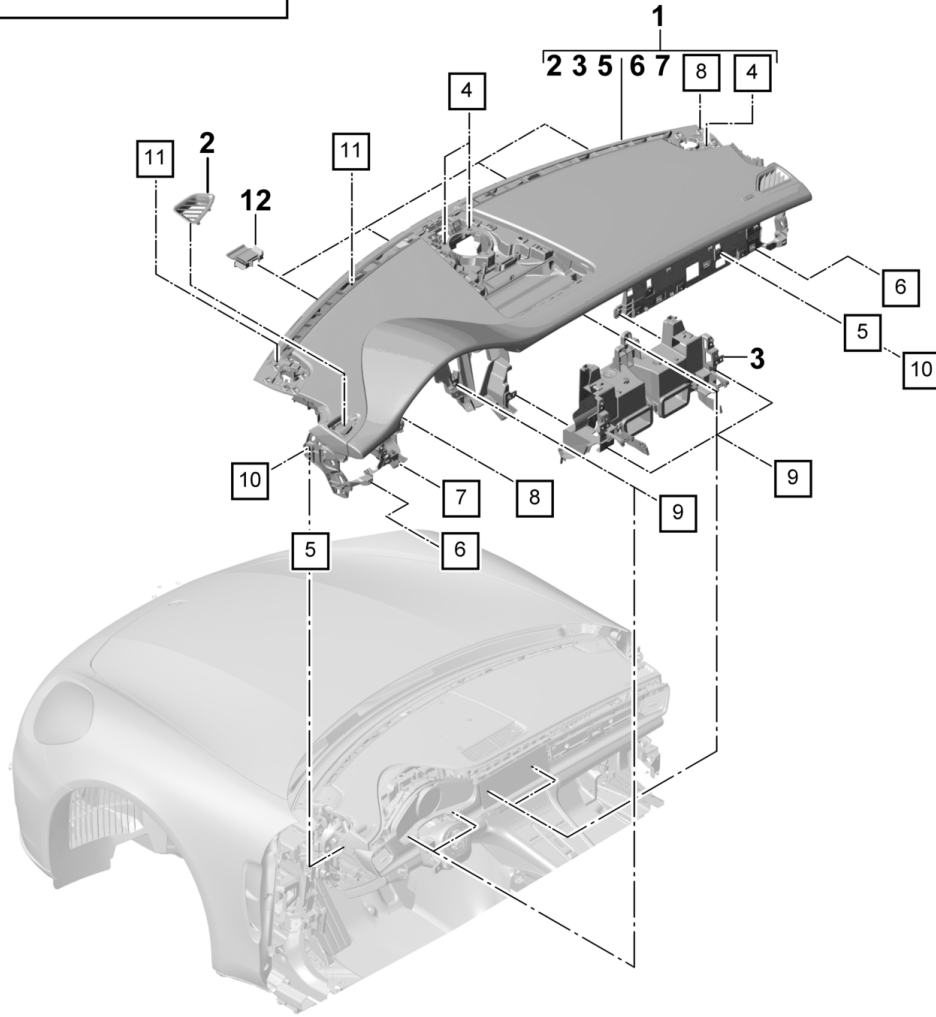
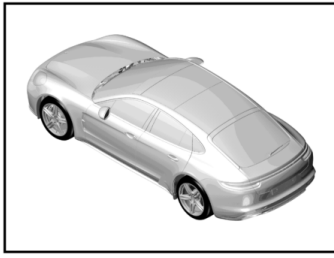
Model: 971-17

Model life 2017>>

Pos	Part Number	Description	Remark	Qty	Model
		Basic			
	971 035 144 C 5Q0	Black			+AC
	971 035 144 C OA6	Agate Grey			+DL
	971 035 144 C OL7	Saddle Tan			+SB, +BS
	971 035 144 C 6W0	Luxor Beige			+UC, +BP
	971 035 144 C 7X0	Marsala Red			+PC
	971 035 144 C OG6	Bordeaux Red			+BB
	971 035 144 C OL8	Chalk			+BK
	971 035 144 C 5V0	Cream			+BE
5	971 837 019	Inner door release	/L	1	
	971 837 019 CZO	Galvano silver			
(5)	971 837 020	Inner door release	/R	1	
	971 837 020 CZO	Galvano silver			
6	971 837 307	Cover	/L	1	I3KG/3KH/3KI I3KJ
		Inner door release			
	971 837 307 6N3	Black mat			
(6)	971 837 308	Cover	/R	1	I3KG/3KH/3KI I3KJ
		Inner door release			
	971 837 308 6N3	Black mat			
(6)	971 837 307 A	Cover	/L	1	I3KK/3KL/3KN I3KR
		Inner door release			
	971 837 307 A 6N3	Black mat			
(6)	971 837 308 A	Cover	/R	1	I3KK/3KL/3KN I3KR
		Inner door release			
	971 837 308 A 6N3	Black mat			
7	971 863 935 A	Insulation		1	
8	971 945 699	Logo		1	I9VL
		Bose			
9	971 858 169 A	Insert	/L	1	
		Mat			
(9)	971 858 170 A	Insert	/R	1	
		Mat			
10	95B 867 084	Buffer		4	
		Connection piece			
11	958 552 900 00	Grommet		4	
12	9A7 868 243 00	Fixing clip		7	
13	955 552 107 00	Fixing clip		28	
14	N 911 809 01	Oval-head screw		3	
		M5X20-W			
15	N 104 718 02	Oval-head screw		6	
		5,0X12,0-Q			

Model: 971-17

Model life 2017>>



Model: 971-17

Model life 2017>>

Pos	Part Number	Description	Remark	Qty	Model
1	971 857 003 K	Dashboard Upper part with Mounting parts	/LL	1	IL0L/4N1
	971 857 003 K 7P8	Black			+AB, +PK
	971 857 003 K OK2	Agate Grey			+DG
	971 857 003 K 8ED	Luxor Beige			+UB
(1)	971 857 003 S	Dashboard Upper part	/RL	1	IL0R/4N1
	971 857 003 S 7P8	Black			+AB, +PK
	971 857 003 S OK2	Agate Grey			+DG
	971 857 003 S 8ED	Luxor Beige			+UB
(1)	971 857 003 T	Dashboard Upper part Leather	/LL	1	IL0L/4N8
	971 857 003 T A11	Black			+AC,
	971 857 003 T OA1	Agate Grey			+DL
	971 857 003 T OK6	Saddle Tan			+SB
	971 857 003 T 7J0	Luxor Beige			+UC
	971 857 003 T 7H0	Marsala Red			+PC
	971 857 003 T GUF	Black/Bordeaux Red			+BB
	971 857 003 T DUQ	Black/Saddle Tan			+BS
	971 857 003 T GUJ	Black/Chalk			+BK
	971 857 003 T HAU	Saddle Tan/Luxor Beige			+BP
	971 857 003 T DPH	Marsala Red/Cream			+BE
	971 857 003 T DTK	Black/Luxor Beige			+PL
(1)	971 857 003 AA	Dashboard Upper part Leather	/RL	1	IL0R/4N8
	971 857 003 AA A11	Black			+AC,
	971 857 003 AA OA1	Agate Grey			+DL
	971 857 003 AA OK6	Saddle Tan			+SB
	971 857 003 AA 7J0	Luxor Beige			+UC
	971 857 003 AA 7H0	Marsala Red			+PC
	971 857 003 AA GUF	Black/Bordeaux Red			+BB
	971 857 003 AA DUQ	Black/Saddle Tan			+BS
	971 857 003 AA GUJ	Black/Chalk			+BK
	971 857 003 AA HAU	Saddle Tan/Luxor Beige			+BP
	971 857 003 AA DPH	Marsala Red/Cream			+BE
	971 857 003 AA DTK	Black/Luxor Beige			+PL
(1)	971 857 003 AB	Dashboard Upper part *	/LL	1	IL0L/4N6
	971 857 003 AB OT2	Truffle Brown			+HD
	971 857 003 AB ON1	Cohiba Brown			+HC
(1)	971 857 003 AC	Dashboard Upper part *	/RL	1	IL0R/4N6
	971 857 003 AC OT2	Truffle Brown			+HD
	971 857 003 AC ON1	Cohiba Brown			+HC
2	971 819 705	Side vent Left	/LL	1	IL0L
	971 819 705 5Q0	Black			+AB, +PK, +AC +BB, +BS, +BK +PL
	971 819 705 OA6	Agate Grey			+DG, +DL
	971 819 705 6W0	Luxor Beige			+UB, +UC
	971 819 705 OL7	Saddle Tan			+SB, +BP
	971 819 705 7X0	Marsala Red			+PC, +BE
	971 819 705 OS1	Truffle Brown			+HD
	971 819 705 OB8	Cohiba Brown			+HC

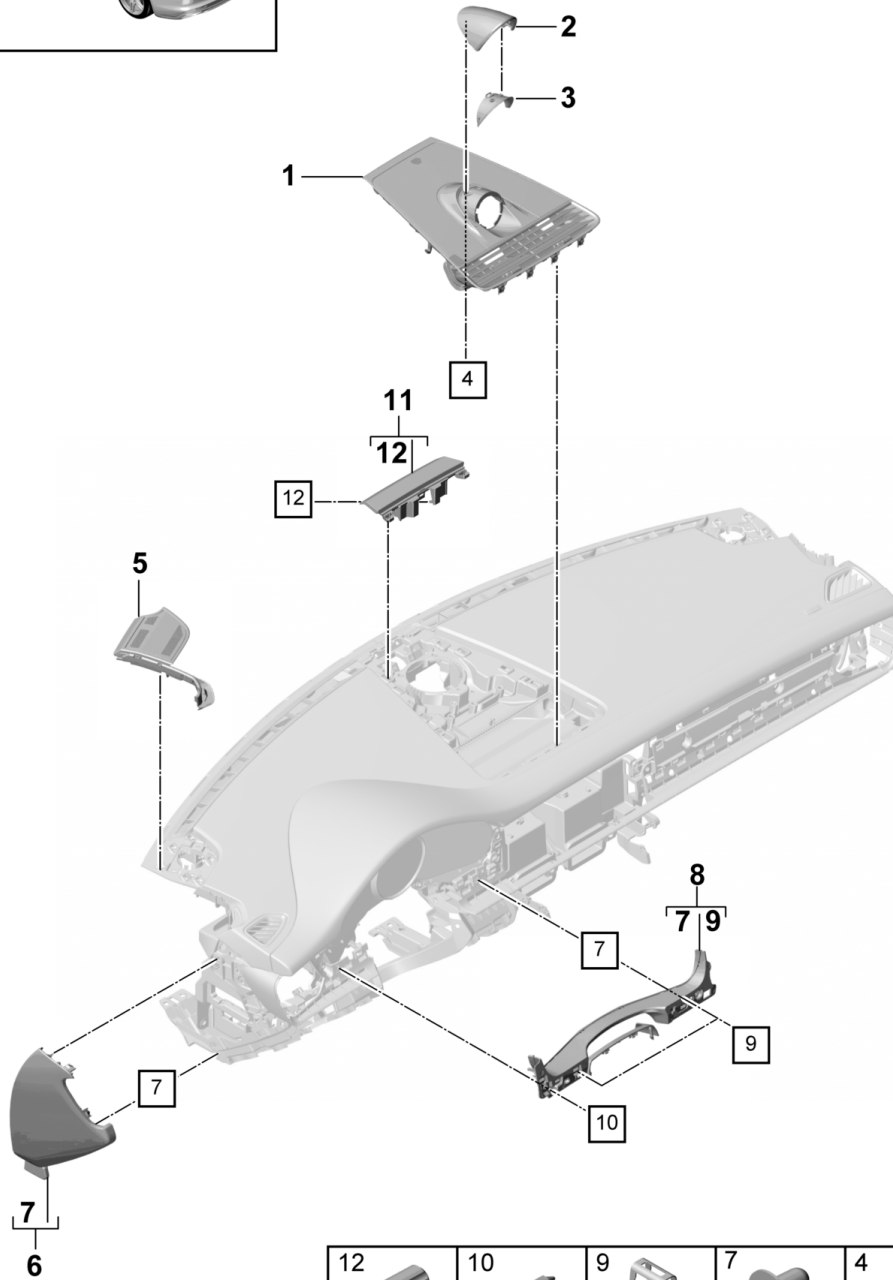
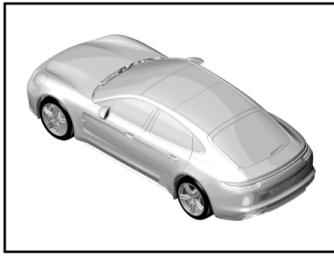
Model: 971-17

Model life 2017>>

Pos	Part Number	Description	Remark	Qty	Model
(2)	971 819 706	Side vent Right	/LL	1	IL0L
	971 819 706 5Q0	Black			+AB, +PK, +AC +BB, +BS, +BK +PL
	971 819 706 OA6	Agate Grey			+DG, +DL
	971 819 706 6W0	Luxor Beige			+UB, +UC
	971 819 706 OL7	Saddle Tan			+SB, +BP
	971 819 706 7X0	Marsala Red			+PC, +BE
	971 819 706 OS1	Truffle Brown			+HD
	971 819 706 OB8	Cohiba Brown			+HC
(2)	971 819 705 A	Side vent Left	/RL	1	IL0R
	971 819 705 A 5Q0	Black			+AB, +PK, +AC +BB, +BS, +BK +PL
	971 819 705 A OA6	Agate Grey			+DG, +DL
	971 819 705 A 6W0	Luxor Beige			+UB, +UC
	971 819 705 A OL7	Saddle Tan			+SB, +BP
	971 819 705 A 7X0	Marsala Red			+PC, +BE
	971 819 705 A OS1	Truffle Brown			+HD
	971 819 705 A OB8	Cohiba Brown			+HC
(2)	971 819 706 A	Side vent Right	/RL	1	IL0R
	971 819 706 A 5Q0	Black			+AB, +PK, +AC +BB, +BS, +BK +PL
	971 819 706 A OA6	Agate Grey			+DG, +DL
	971 819 706 A 6W0	Luxor Beige			+UB, +UC
	971 819 706 A OL7	Saddle Tan			+SB, +BP
	971 819 706 A 7X0	Marsala Red			+PC, +BE
	971 819 706 A OS1	Truffle Brown			+HD
	971 819 706 A OB8	Cohiba Brown			+HC
3	971 857 289	Mounting Bracket Centre		1	
4	N 904 559 02	Speed nut M5		2	
5	N 906 988 01	Speed nut		X	
6	8T0 853 107	Clamp		10	
7	8E0 853 107	Clip		2	
8	9A7 008 031 00	Clamp		10	
9	9A7 007 404 00	Screw M6X20		5	
10	N 906 986 06	Tapping screw ST4, 2X16		6	
11	N 108 103 01	Combination screw M8X60		X	
12	4D0 857 949 A	Grommet		4	

Model: 971-17

Model life 2017>>



12	10	9	7	4

Model: 971-17 Model life 2017>>

Pos	Part Number	Description	Remark	Qty	Model
1	971 858 122 A	Accessories Dashboard Upper Cover Centre		1	IQR3/QR5
	971 858 122 A 5Q0	Black			+AB, +PK, +AC +BB, +BS, +BK +DG, +DL +UB, +UC +SB, +BP +PC, +BE
	971 858 122 A OA6	Agate Grey			
	971 858 122 A 6W0	Luxor Beige			
	971 858 122 A OL7	Saddle Tan			
	971 858 122 A 7X0	Marsala Red			
1	971 858 122 E	Cover Centre		1	IQR3/QR5
	971 858 122 E 5Q0	Black			+AB, +PK, +AC +BB, +BS, +BK +PL +HD +HC
	971 858 122 E OS1	Truffle Brown			
	971 858 122 E OB8	Cohiba Brown			
(1)	971 858 122 D	Cover Centre		1	IQR0
	971 858 122 D 5Q0	Black			+AB, +PK, +AC +BB, +BS, +BK +PL +DG, +DL +UB, +UC +SB, +BP +PC, +BE +HD +HC
	971 858 122 D OA6	Agate Grey			
	971 858 122 D 6W0	Luxor Beige			
	971 858 122 D OL7	Saddle Tan			
	971 858 122 D 7X0	Marsala Red			
	971 858 122 D OS1	Truffle Brown			
	971 858 122 D OB8	Cohiba Brown			
2	971 857 303	Air guide Stopwatch		1	IQR3/QR5/4N1
	971 857 303 5Q0	Black			+AB, +PK +DG +UB
	971 857 303 OA6	Agate Grey			
	971 857 303 6W0	Luxor Beige			
(2)	971 857 303 A	Air guide Stopwatch Leather		1	IQR3/QR5/4N8
	971 857 303 A A11	Black			+AC, +BB, +BS +BK, +PL +DL +SB, +BP +UC +PC, +BE
	971 857 303 A OA6	Agate Grey			
	971 857 303 A OK6	Saddle Tan			
	971 857 303 A 7J0	Luxor Beige			
	971 857 303 A 7H0	Marsala Red			
(2)	971 857 303 B	Air guide Stopwatch *		1	IQR3/QR5/4N5 I4N6
	971 857 303 B OT2	Truffle Brown			+HD +HC
	971 857 303 B ON1	Cohiba Brown			
3	971 857 602	Cover Inner		1	IQR3/QR5
	971 857 602 5Q0	Black			+AB, +PK, +AC +BB, +BS, +BK +PL +DG, +DL +UB, +UC +SB, +BP +PC, +BE +HD +HC
	971 857 602 OA6	Agate Grey			
	971 857 602 6W0	Luxor Beige			
	971 857 602 OL7	Saddle Tan			
	971 857 602 7X0	Marsala Red			
	971 857 602 OS1	Truffle Brown			
	971 857 602 OB8	Cohiba Brown			
4	N 106 258 02	Oval-head screw		2	
5	971 868 147	Loudspeaker grille Left	/L	1	I9VK/9VL

Model: 971-17

Model life 2017>>

Pos	Part Number	Description	Remark	Qty	Model
	971 868 147 5Q0	Black			+AB,+PK,+AC +BB,+BS,+BK +PL
	971 868 147 OA6	Agate Grey			+DG,+DL
	971 868 147 6W0	Luxor Beige			+UB,+UC
	971 868 147 OL7	Saddle Tan			+SB,+BP
	971 868 147 7X0	Marsala Red			+PC,+BE
	971 868 147 OS1	Truffle Brown			+HD
	971 868 147 OB8	Cohiba Brown			+HC
(5)	971 868 148	Loudspeaker grille Right	/R	1	I9VK/9VL
	971 868 148 5Q0	Black			+AB,+PK,+AC +BB,+BS,+BK +PL
	971 868 148 OA6	Agate Grey			+DG,+DL
	971 868 148 6W0	Luxor Beige			+UB,+UC
	971 868 148 OL7	Saddle Tan			+SB,+BP
	971 868 148 7X0	Marsala Red			+PC,+BE
	971 868 148 OS1	Truffle Brown			+HD
	971 868 148 OB8	Cohiba Brown			+HC
(5)	971 868 817	Loudspeaker grille Left	/L	1	I9VJ
	971 868 817 5Q0	Black			+AB,+PK,+AC +BB,+BS,+BK +PL
	971 868 817 OA6	Agate Grey			+DG,+DL
	971 868 817 6W0	Luxor Beige			+UB,+UC
	971 868 817 OL7	Saddle Tan			+SB,+BP
	971 868 817 7X0	Marsala Red			+PC,+BE
	971 868 817 OS1	Truffle Brown			+HD
	971 868 817 OB8	Cohiba Brown			+HC
(5)	971 868 818	Loudspeaker grille Right	/R	1	I9VJ
	971 868 818 5Q0	Black			+AB,+PK,+AC +BB,+BS,+BK +PL
	971 868 818 OA6	Agate Grey			+DG,+DL
	971 868 818 6W0	Luxor Beige			+UB,+UC
	971 868 818 OL7	Saddle Tan			+SB,+BP
	971 868 818 7X0	Marsala Red			+PC,+BE
	971 868 818 OS1	Truffle Brown			+HD
	971 868 818 OB8	Cohiba Brown			+HC
6	971 857 175	Closing element Left	/L	1	
	971 857 175 5Q0	Black			+AB,+AC
	971 857 175 OA6	Agate Grey			+DG,+DL
	971 857 175 6W0	Luxor Beige			+UB,+PK,+UC +BP,+PL
	971 857 175 OL7	Saddle Tan			+SB,+BP
	971 857 175 7X0	Marsala Red			+PC,+BE
	971 857 175 OL7	Saddle Tan			+BS
	971 857 175 OG6	Bordeaux Red			+BB
	971 857 175 OL8	Chalk			+BK
	971 857 175 5V0	Cream			+BE
	971 857 175 OS1	Truffle Brown			+HD
	971 857 175 OB8	Cohiba Brown			+HC
(6)	971 857 176	Closing element Right	/R	1	
	971 857 176 5Q0	Black			+AB,+AC
	971 857 176 OA6	Agate Grey			+DG,+DL
	971 857 176 6W0	Luxor Beige			+UB,+PK,+UC +BP,+PL
	971 857 176 OL7	Saddle Tan			+SB,+BP

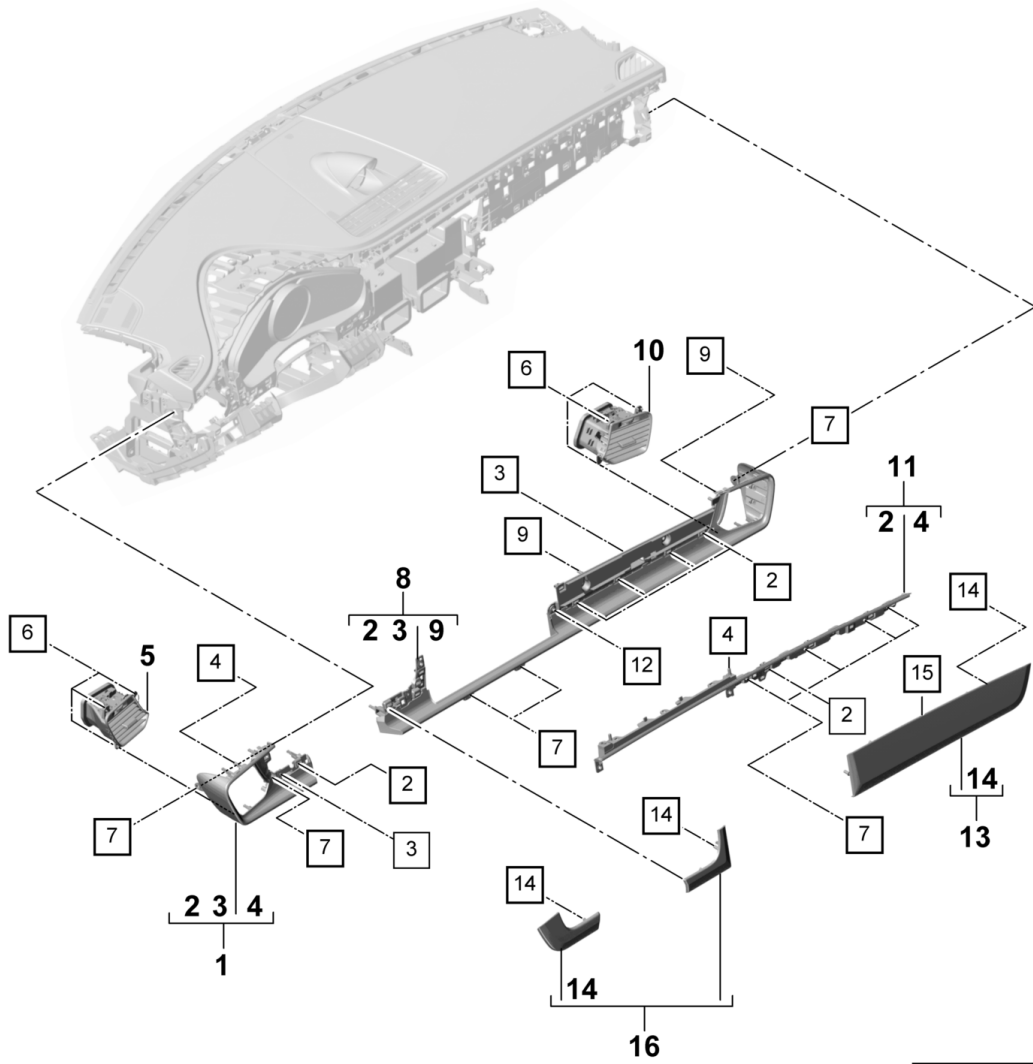
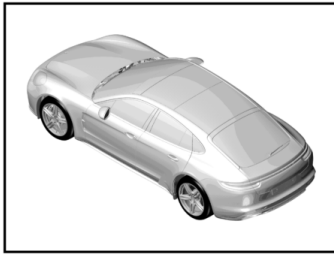
Model: 971-17

Model life 2017>>

Pos	Part Number	Description	Remark	Qty	Model
	971 857 176 7X0	Marsala Red			+PC, +BE
	971 857 176 OL7	Saddle Tan			+BS
	971 857 176 OG6	Bordeaux Red			+BB
	971 857 176 OL8	Chalk			+BK
	971 857 176 5V0	Cream			+BE
	971 857 176 OS1	Truffle Brown			+HD
	971 857 176 OB8	Cohiba Brown			+HC
7	9A7 007 831 00	Stopper		3	
8	971 857 054	Dashboard trim	/LL	1	IL0L
	971 857 054 5Q0	Black			
(8)	971 857 054 A	Dashboard trim	/RL	1	IL0R
	971 857 054 A 5Q0	Black			
9	8T0 853 107	Clamp		4	
10	N 906 986 06	Tapping screw		2	
		ST4,2 X 16			
11	971 857 346	Mounting		1	
		Sensor			
12	9A7 007 849 00	Grommet		4	

Model: 971-17

Model life 2017>>



14	12	9	7	6	4	3	2	15

Model: 971-17 Model life 2017>>

Pos	Part Number	Description	Remark	Qty	Model
1	971 857 715 D	Accessories Dashboard Front Moulding Bracket Complete		1	IL0L
(1)	971 857 715 D V08	Galvano silver			
	971 857 715 E	Bracket		1	IL0R
	971 857 715 E V08	Galvano silver			
2	8T0 853 107	Clamp		2	
3	N 906 988 01	Speed nut		1	
4	9A7 007 849 01	Grommet		X	
5	971 819 701 B	Side vent Left	/L	1	
	971 819 701 B 6N3	Black mat			
6	N 106 021 01	Oval-head screw Plastic material		4	
7	N 906 986 06	Tapping screw ST4,2X16		X	
8	971 857 716 F	Bracket Passenger's side		1	IL0L
	971 857 716 F V08	Galvano silver			
(8)	971 857 716 G	Bracket Passenger's side		1	IL0R
	971 857 716 G V08	Galvano silver			
9	9A7 007 849 01	Grommet		4	
10	971 819 702 B	Side vent Right	/R	1	
	971 819 702 B 6N3	Black mat			
11	971 858 860 B	Bracket Strip		1	IL0L
(11)	971 858 860 C	Bracket Strip		1	IL0R
12	N 912 519 01	Tapping screw ST4,2X19		2	
13	971 854 377 A	Moulding		1	IL0L/5TL
	971 854 377 A OV3	High-Gloss Black			
(13)	971 854 378 A	Moulding		1	IL0R/5TL
	971 854 378 A OV3	High-Gloss Black			
(13)	971 854 377 B	Moulding		1	IL0L/5MH
	971 854 377 B BX3	Carbon, fine high-gloss			
(13)	971 854 378 B	Moulding		1	IL0R/5MH
	971 854 378 B BX3	Carbon, fine high-gloss			
(13)	971 854 377 C	Moulding		1	IL0L/5MP
	971 854 377 C OE9	American Walnut			
(13)	971 854 378 C	Moulding		1	IL0R/5MP
	971 854 378 C OE9	American Walnut			
(13)	971 854 377 D	Moulding		1	IL0L/5MB
	971 854 377 D CK6	Swedish Birch			
(13)	971 854 378 D	Moulding		1	IL0R/5MB
	971 854 378 D CK6	Swedish Birch			
(13)	971 854 377 E	Moulding		1	IL0L/5TE
	971 854 377 E U03	Aluminium, brushed			
(13)	971 854 378 E	Moulding		1	IL0R/5TE
	971 854 378 E U03	Aluminium, brushed			
(13)	971 854 377 F	Moulding		1	IL0L/7TC
	971 854 377 F OK5	Light Paldao			
(13)	971 854 378 F	Moulding		1	IL0R/7TC
	971 854 378 F OK5	Light Paldao			
(13)	971 854 377 G	Moulding		1	IL0L/7TD
	971 854 377 G OF4	Red Gum			
(13)	971 854 378 G	Moulding		1	IL0R/7TD
	971 854 378 G OF4	Red Gum			

Model: 971-17 Model life 2017>>

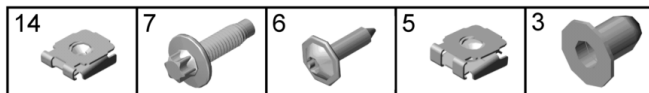
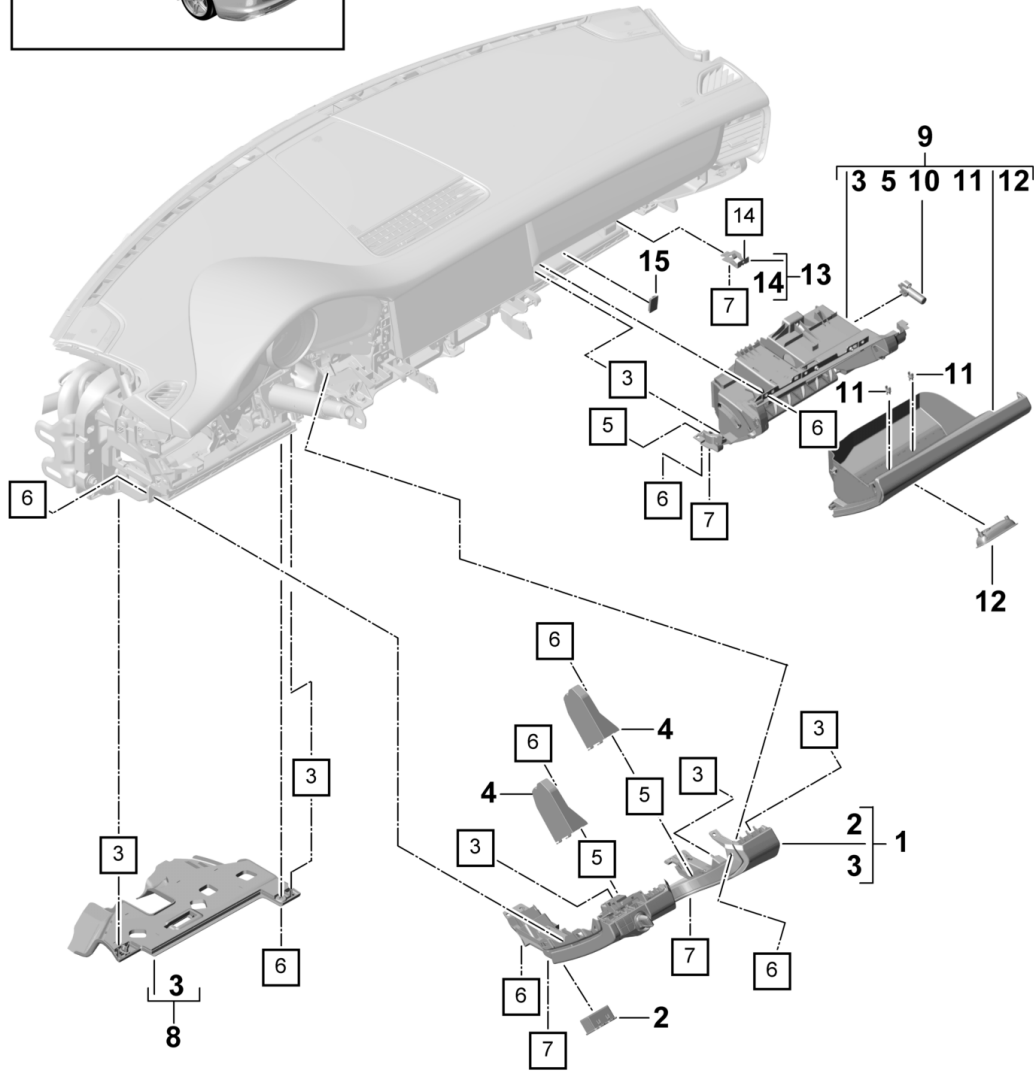
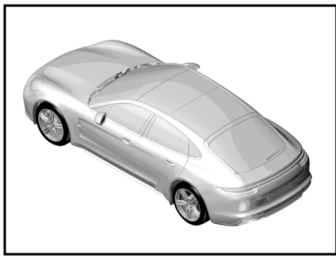
Pos	Part Number	Description	Remark	Qty	Model
(13)	971 854 377 H	Moulding		1	IL0L/7TL
	971 854 377 H G2X	Prime coated			
(13)	971 854 378 H	Moulding		1	IL0R/7TL
	971 854 378 H G2X	Prime coated			
(13)	971 854 377 J	Moulding		1	IL0L/7TM
	971 854 377 J A11	Black			+AB, +PK, +AC
					+BB, +BS, +BK
	971 854 377 J OA1	Agate Grey			+DG, +DL
	971 854 377 J 7J0	Luxor Beige			+UB, +UC
	971 854 377 J OK6	Saddle Tan			+SB, +BP
	971 854 377 J 7H0	Marsala Red			+PC, +BE
(13)	971 854 378 J	Moulding		1	IL0R/7TM
	971 854 378 J A11	Black			+AB, +PK, +AC
					+BB, +BS, +BK
	971 854 378 J OA1	Agate Grey			+DG, +DL
	971 854 378 J 7J0	Luxor Beige			+UB, +UC
	971 854 378 J OK6	Saddle Tan			+SB, +BP
	971 854 378 J 7H0	Marsala Red			+PC, +BE
14	9A7 007 849 01	Grommet		1	
15	N 107 120 01	Oval-head sheetmetal screw		1	
		ST 4,2 X 32 R			
16	971 898 405	Moulding		1	IL0L/5TL
		Set			
	971 898 405 OV3	High-Gloss Black			
(16)	971 898 406	Moulding		1	IL0R/5TL
		Set			
	971 898 406 OV3	High-Gloss Black			
(16)	971 898 405 A	Moulding		1	IL0L/5MH
		Set			
	971 898 405 A BX3	Carbon, fine high-gloss			
(16)	971 898 406 A	Moulding		1	IL0R/5MH
		Set			
	971 898 406 A BX3	Carbon, fine high-gloss			
(16)	971 898 405 B	Moulding		1	IL0L/5MP
		Set			
	971 898 405 B OE9	American Walnut			
(16)	971 898 406 B	Moulding		1	IL0R/5MP
		Set			
	971 898 406 B OE9	American Walnut			
(16)	971 898 405 C	Moulding		1	IL0L/5MB
		Set			
	971 898 405 C CK6	Swedish Birch			
(16)	971 898 406 C	Moulding		1	IL0R/5MB
		Set			
	971 898 406 C CK6	Swedish Birch			
(16)	971 898 405 D	Moulding		1	IL0L/5TE
		Set			
	971 898 405 D U03	Aluminium, brushed			
(16)	971 898 406 D	Moulding		1	IL0R/5TE
		Set			
	971 898 406 D U03	Aluminium, brushed			
(16)	971 898 405 E	Moulding		1	IL0L/7TC
		Set			
	971 898 405 E OK5	Light Paldao			
(16)	971 898 406 E	Moulding		1	IL0R/7TC
		Set			
	971 898 406 E OK5	Light Paldao			
(16)	971 898 405 F	Moulding		1	IL0L/7TD
		Set			
	971 898 405 F OF4	Red Gum			
(16)	971 898 406 F	Moulding		1	IL0R/7TD
		Set			
	971 898 406 F OF4	Red Gum			

Model: 971-17 Model life 2017>>

Pos	Part Number	Description	Remark	Qty	Model
(16)	971 898 405 G	Moulding Set		1	IL0L/7TL
	971 898 405 G G2X	Prime coated			
(16)	971 898 406 G	Moulding Set		1	IL0R/7TL
	971 898 406 G G2X	Prime coated			
(16)	971 898 405 H	Moulding Set		1	IL0L/7TM
	971 898 405 H A11	Black			+AB, +PK, +AC +BB, +BS, +BK
	971 898 405 H OA1	Agate Grey			+DG, +DL
	971 898 405 H 7J0	Luxor Beige			+UB, +UC
	971 898 405 H OK6	Saddle Tan			+SB, +BP
	971 898 405 H 7H0	Marsala Red			+PC, +BE
(16)	971 898 406 H	Moulding Set		1	IL0R/7TM
	971 898 406 H A11	Black			+AB, +PK, +AC +BB, +BS, +BK
	971 898 406 H OA1	Agate Grey			+DG, +DL
	971 898 406 H 7J0	Luxor Beige			+UB, +UC
	971 898 406 H OK6	Saddle Tan			+SB, +BP
	971 898 406 H 7H0	Marsala Red			+PC, +BE

Model: 971-17

Model life 2017>>



Model: 971-17 Model life 2017>>

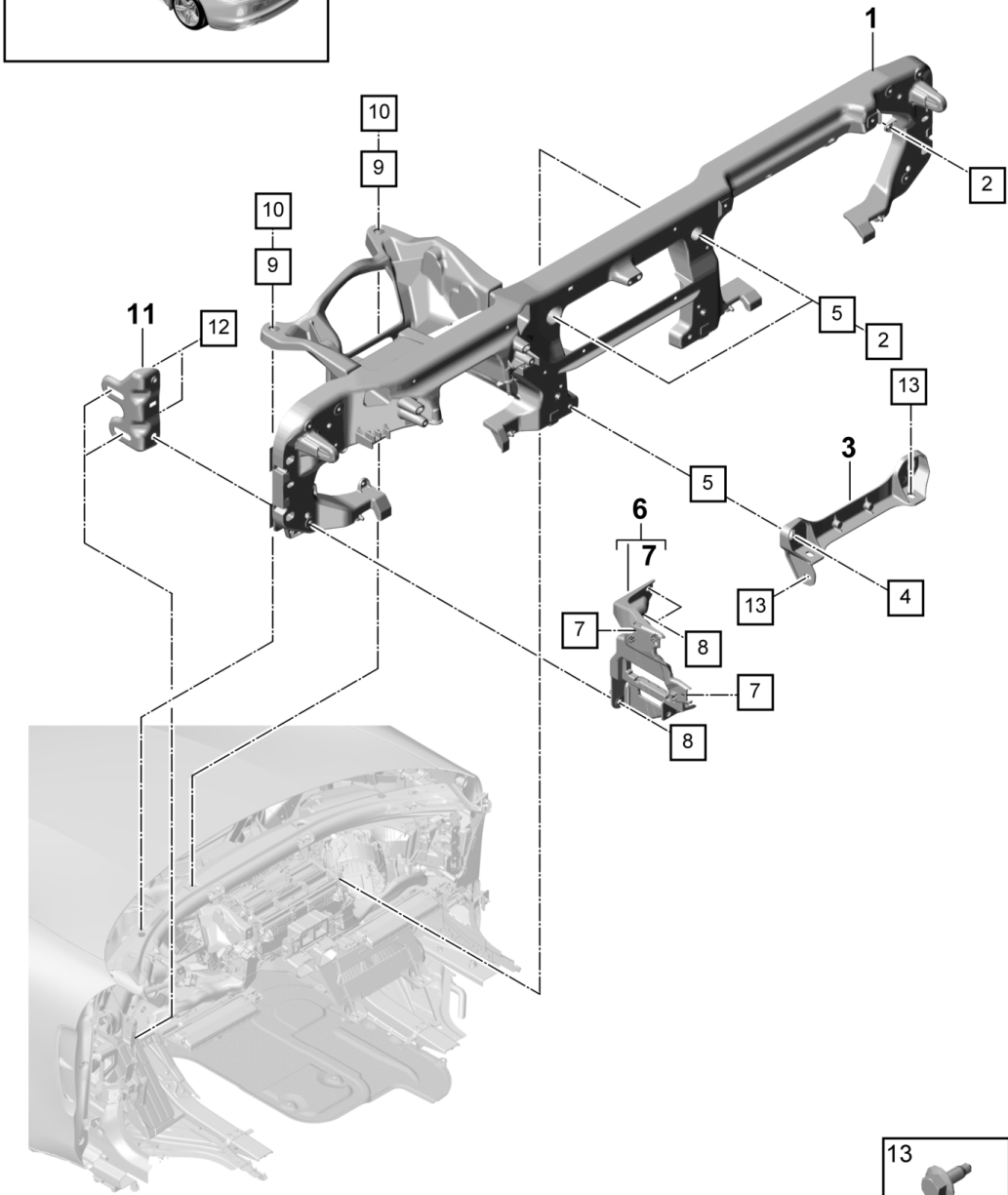
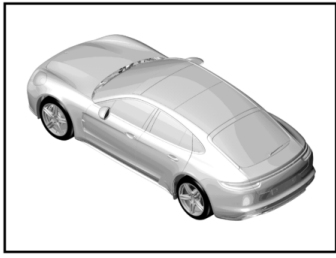
Pos	Part Number	Description	Remark	Qty	Model
1	971 858 903 M	Accessories Dashboard trim Lower Lining Driver's side	/LL	1	IL0L/4N1
	971 858 903 M 7P8	Black			+AB, +PK
	971 858 903 M OK2	Agate Grey			+DG
	971 858 903 M 8ED	Luxor Beige			+UB
(1)	971 858 903 N	Lining Driver's side	/RL	1	IL0R/4N1
	971 858 903 N 7P8	Black			+AB, +PK
	971 858 903 N OK2	Agate Grey			+DG
	971 858 903 N 8ED	Luxor Beige			+UB
(1)	971 858 903 P	Lining Driver's side Lower	/LL	1	IL0L/4N8
	971 858 903 P A11	Black			+AC,
	971 858 903 P OA1	Agate Grey			+DL
	971 858 903 P OK6	Saddle Tan			+SB
	971 858 903 P 7J0	Luxor Beige			+UC, +BP
	971 858 903 P 7H0	Marsala Red			+PL
	971 858 903 P OG6	Bordeaux Red			+PC
	971 858 903 P OK6	Saddle Tan			+BB
	971 858 903 P OL8	Chalk			+BS, +SB
	971 858 903 P 8D0	Cream			+BK
(1)	971 858 903 Q	Lining Driver's side Lower	/RL	1	IL0R/4N8
	971 858 903 Q A11	Black			+AC,
	971 858 903 Q OA1	Agate Grey			+DL
	971 858 903 Q OK6	Saddle Tan			+SB
	971 858 903 Q 7J0	Luxor Beige			+UC, +BP
	971 858 903 Q 7H0	Marsala Red			+PL
	971 858 903 Q OG6	Bordeaux Red			+PC
	971 858 903 Q OK6	Saddle Tan			+BB
	971 858 903 Q OL8	Chalk			+BS, +SB
	971 858 903 Q 8D0	Cream			+BK
(1)	971 858 903 AD	Lining Driver's side Lower	/LL	1	IL0L/4N6
	971 858 903 AD OT2	Truffle Brown			+HD
	971 858 903 AD ON1	Cohiba Brown			+HC
(1)	971 858 903 AR	Lining Driver's side Lower	/RL	1	IL0R/4N6
	971 858 903 AR OT2	Truffle Brown			+HD
	971 858 903 AR ON1	Cohiba Brown			+HC
2	9P1 937 552	Support for Plug socket		1	
3	958 552 900 00	Diagnostic Grommet		3	
6	N 906 986 06	Tapping screw		X	
7	9A7 007 404 00	Screw M6X20		2	
8	971 815 173 B	Lining Footwell Driver's side		1	IL0L
(8)	971 815 174 B	Lining Footwell Passenger's side		1	IL0L

Model: 971-17 Model life 2017>>

Pos	Part Number	Description	Remark	Qty	Model
9	971 857 095 F	Glove compartment	/LL	1	IL0L/4N1
	971 857 095 F 7P8	Black			+AB
	971 857 095 F OK2	Agate Grey			+DG
	971 857 095 F 8ED	Luxor Beige			+UB, +PK
(9)	971 857 095 G	Glove compartment	/RL	1	IL0R/4N1
	971 857 095 G 7P8	Black			+AB
	971 857 095 G OK2	Agate Grey			+DG
	971 857 095 G 8ED	Luxor Beige			+UB, +PK
(9)	971 857 095 H	Glove compartment	/LL	1	IL0L/4N8
		Leather			
	971 857 095 H A11	Black			+AC
	971 857 095 H OA1	Agate Grey			+DL
	971 857 095 H OK6	Saddle Tan			+SB
	971 857 095 H 7J0	Luxor Beige			+UC, +BP
					+PL
	971 857 095 H 7H0	Marsala Red			+PC
	971 857 095 H OG6	Bordeaux Red			+BB
	971 857 095 H OK6	Saddle Tan			+BS, +SB
	971 857 095 H OL8	Chalk			+BK
	971 857 095 H 8D0	Cream			+BE
(9)	971 857 095 J	Glove compartment	/RL	1	IL0R/4N8
		Leather			
	971 857 095 J A11	Black			+AC
	971 857 095 J OA1	Agate Grey			+DL
	971 857 095 J OK6	Saddle Tan			+SB
	971 857 095 J 7J0	Luxor Beige			+UC, +BP
					+PL
	971 857 095 J 7H0	Marsala Red			+PC
	971 857 095 J OG6	Bordeaux Red			+BB
	971 857 095 J OK6	Saddle Tan			+BS, +SB
	971 857 095 J OL8	Chalk			+BK
	971 857 095 J 8D0	Cream			+BE
(9)	971 857 095 K	Glove compartment	/LL	1	IL0L/4N6
		*			
	971 857 095 K OT2	Truffle Brown			+HD
	971 857 095 K ON1	Cohiba Brown			+HC
(9)	971 857 095 L	Glove compartment	/RL	1	IL0R/4N6
		*			
	971 857 095 L OT2	Truffle Brown			+HD
	971 857 095 L ON1	Cohiba Brown			+HC
10	95B 880 324	Damper		1	IL0L
(10)	95B 880 324 A	Damper		1	IL0R
11	958 552 223 00	Support		2	
		Pin			
13	971 857 156	Support		1	
		Glove compartment			
14	N 906 987 03	Speed nut		1	
15	9P1 857 115	Cover		1	I4UB/4UE
		Airbag			

Model: 971-17

Model life 2017>>



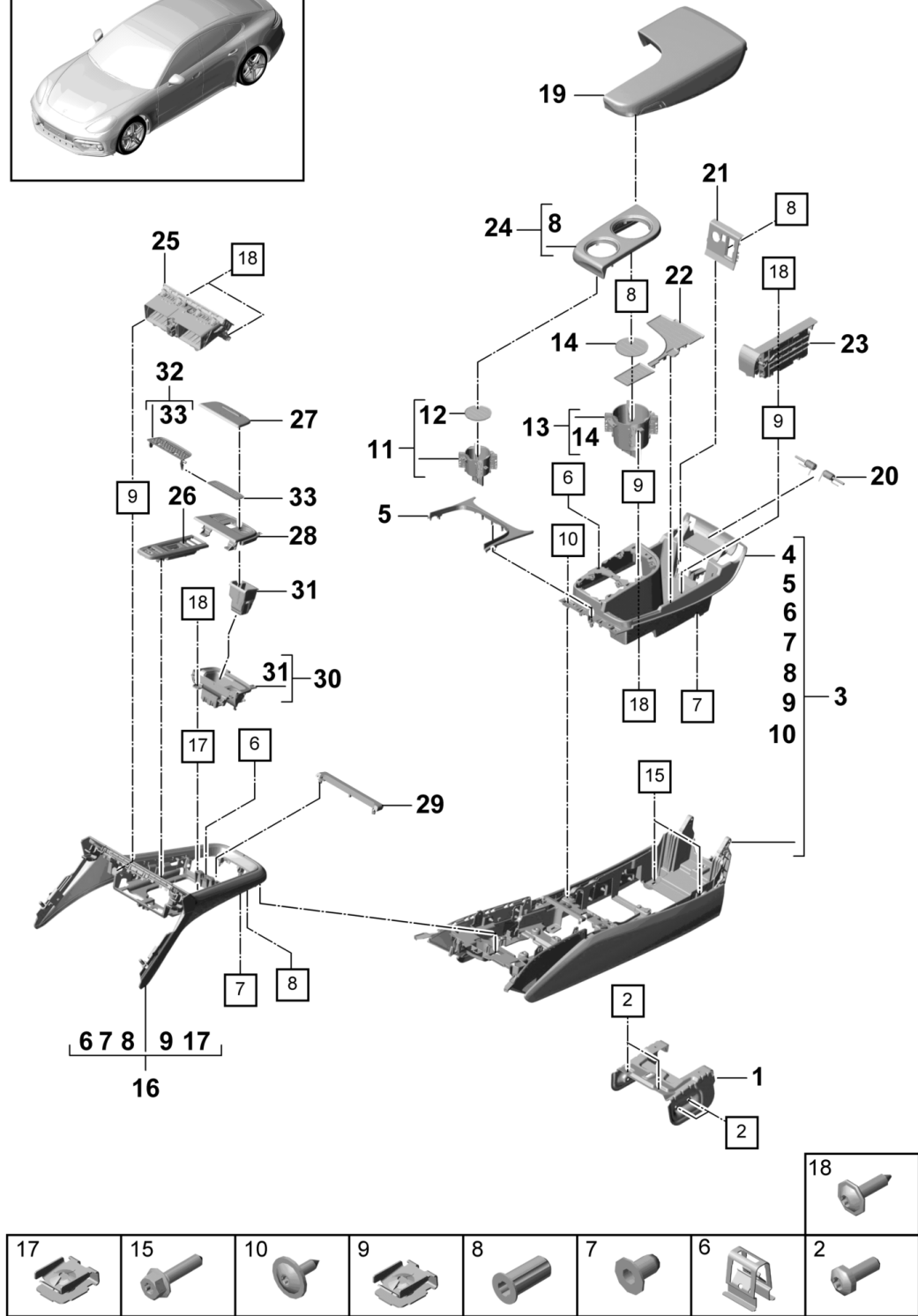
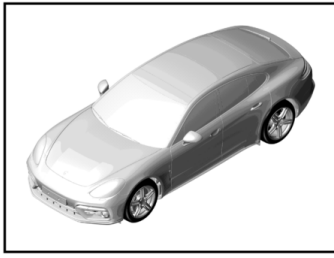
12	10	9	8	7	5	4	2	13

Model: 971-17 Model life 2017>>

Pos	Part Number	Description	Remark	Qty	Model
		Mounting bracket			
		Support			
		Dashboard trim			
1	9A7 857 011 00	Mounting bracket		1	IL0L
(1)	9A7 857 011 10	Mounting bracket		1	IL0R
2	N 015 082 10	Hexagon nut		2	
3	9A7 857 689 20	Support		1	IL0L
		Centre			
(3)	9A7 857 689 10	Support		1	IL0R
		Centre			
4	9A7 007 491 00	Screw		2	
		TP8 X 32			
5	9A7 721 526 10	Bush		2	
6	971 857 779	Support		1	
		Left			
(6)	971 857 780	Support		1	
		Right			
7	N 906 988 01	Speed nut		3	
8	9A7 007 404 00	Screw		3	
		6 X 20			
9	9A7 721 526 10	Bush		2	
10	N 108 103 01	Combination screw		2	
		M8 X 60			
11	9A7 857 953 00	Support		1	
		Left			
		Outer			
(11)	9A7 857 954 00	Support		1	
		Right			
		Outer			
12	N 106 266 02	Hexagon-head bolt		2	
		M8 X 30			
13	N 100 455 04	Hexagon flat nut		3	
		M8 X 22			

Model: 971-17

Model life 2017>>



Model: 971-17

Model life 2017>>

Pos	Part Number	Description	Remark	Qty	Model
1	971 858 522 B	Centre console Front Support		1	
2	N 104 514 05	Round head screw M6X16		6	
3	971 863 239 F	Centre console Front	/LL	1	IL0L/3D1
	971 863 239 F 7P8	Black			+AB,
	971 863 239 F OK2	Agate Grey			+DG
	971 863 239 F 8ED	Luxor Beige			+UB,+PK
(3)	971 863 240 F	Centre console Front	/RL	1	IL0R/3D1
	971 863 240 F 7P8	Black			+AB,
	971 863 240 F OK2	Agate Grey			+DG
	971 863 240 F 8ED	Luxor Beige			+UB,+PK
(3)	971 863 239 G	Centre console Front Leather	/LL -17	1	IL0L/3D8
	971 863 239 G A11	Black			+AC,
	971 863 239 G OA1	Agate Grey			+DL
	971 863 239 G OK6	Saddle Tan			+SB,+BS
	971 863 239 G 7J0	Luxor Beige			+UC,+BP
	971 863 239 G 7H0	Marsala Red			+PC
	971 863 239 G OG6	Bordeaux Red			+BB
	971 863 239 G OL8	Chalk			+BK
	971 863 239 G 8D0	Cream			+BE
(3)	971 863 239 K	Centre console Front Leather	/LL 18-	1	IL0L/3D8
	971 863 239 K A11	Black			+AC,
	971 863 239 K OA1	Agate Grey			+DL
	971 863 239 K OK6	Saddle Tan			+SB,+BS
	971 863 239 K 7J0	Luxor Beige			+UC,+BP,+PL
	971 863 239 K 7H0	Marsala Red			+PC
	971 863 239 K OG6	Bordeaux Red			+BB
	971 863 239 K OL8	Chalk			+BK
	971 863 239 K 8D0	Cream			+BE
(3)	971 863 240 G	Centre console Front Leather	/RL -17	1	IL0R/3D8
	971 863 240 G A11	Black			+AC,
	971 863 240 G OA1	Agate Grey			+DL
	971 863 240 G OK6	Saddle Tan			+SB,+BS
	971 863 240 G 7J0	Luxor Beige			+UC,+BP
	971 863 240 G 7H0	Marsala Red			+PC
	971 863 240 G OG6	Bordeaux Red			+BB
	971 863 240 G OL8	Chalk			+BK
	971 863 240 G 8D0	Cream			+BE
(3)	971 863 240 K	Centre console Front Leather	/RL 18-	1	IL0R/3D8
	971 863 240 K A11	Black			+AC,
	971 863 240 K OA1	Agate Grey			+DL
	971 863 240 K OK6	Saddle Tan			+SB,+BS
	971 863 240 K 7J0	Luxor Beige			+UC,+BP,+PL
	971 863 240 K 7H0	Marsala Red			+PC
	971 863 240 K OG6	Bordeaux Red			+BB
	971 863 240 K OL8	Chalk			+BK
	971 863 240 K 8D0	Cream			+BE
(3)	971 863 239 L	Centre console Front *	/LL	1	IL0L/3I1
	971 863 239 L OT2	Truffle Brown			+HD

Model: 971-17 Model life 2017>>

Pos	Part Number	Description	Remark	Qty	Model
(3)	971 863 239 L ON1	Cohiba Brown			+HC
	971 863 240 L	Centre console	/RL	1	IL0R/3I1
		Front			
		*			
	971 863 240 L OT2	Truffle Brown			+HD
	971 863 240 L ON1	Cohiba Brown			+HC
4	971 858 021 A	Package box	/LL	1	IL0L
(4)	971 858 022 A	Package box	/RL	1	IL0R
5	971 863 505	Cover		1	
		Front			
	971 863 505 1E0	Black			
6	8T0 853 107	Clamp		8	
7	958 552 900 00	Grommet		X	
8	9A7 007 849 00	Grommet		X	
		6X8			
9	N 906 988 01	Speed nut		9	
10	N 909 868 03	Round head screw		2	
		4,2X13			
		Lateral			
11	971 858 569 E	Support		1	I4M3
		Beverages			
		Front			
	971 858 569 E 1E0	Black			
(11)	971 858 569 C	Support		1	IL0L/4M1
		Beverages			
		Front			
	971 858 569 C 1E0	Black			+AB, +AC
	971 858 569 C OP1	Agate Grey			+DG, +DL
	971 858 569 C 4H0	Luxor Beige			+UB, +PK, +UC
					+BP, +PL
	971 858 569 C OM8	Saddle Tan			+SB, +BS
	971 858 569 C 3G0	Marsala Red			+PC
	971 858 569 C OG6	Bordeaux Red			+BB
	971 858 569 C OL8	Chalk			+BK
	971 858 569 C 5J0	Cream			+BE
	971 858 569 C OS1	Truffle Brown			+HD
	971 858 569 C OB8	Cohiba Brown			+HC
(11)	971 858 569 D	Support		1	IL0R/4M1
		Beverages			
		Front			
	971 858 569 D 1E0	Black			+AB, +AC
	971 858 569 D OP1	Agate Grey			+DG, +DL
	971 858 569 D 4H0	Luxor Beige			+UB, +PK, +UC
					+BP, +PL
	971 858 569 D OM8	Saddle Tan			+SB, +BS
	971 858 569 D 3G0	Marsala Red			+PC
	971 858 569 D OG6	Bordeaux Red			+BB
	971 858 569 D OL8	Chalk			+BK
	971 858 569 D 5J0	Cream			+BE
	971 858 569 D OS1	Truffle Brown			+HD
	971 858 569 D OB8	Cohiba Brown			+HC
12	971 857 531	Insert		1	I4M3
		Front			
13	971 858 570 E	Support		1	I4M3
		Beverages			
		Rear			
	971 858 570 E 1E0	Black			
(13)	971 858 570 C	Support		1	IL0L/4M1
		Beverages			
		Rear			
	971 858 570 C 1E0	Black			+AB, +AC
	971 858 570 C OP1	Agate Grey			+DG, +DL
	971 858 570 C 4H0	Luxor Beige			+UB, +PK, +UC

Model: 971-17

Model life 2017>>

Pos	Part Number	Description	Remark	Qty	Model
	971 858 570 C OM8	Saddle Tan			+BP, +PL
	971 858 570 C 3G0	Marsala Red			+SB, +BS
	971 858 570 C OG6	Bordeaux Red			+PC
	971 858 570 C OL8	Chalk			+BB
	971 858 570 C 5J0	Cream			+BK
	971 858 570 C OS1	Truffle Brown			+BE
	971 858 570 C OB8	Cohiba Brown			+HD
(13)	971 858 570 D	Support		1	+HC
		Beverages			IL0R/4M1
		Rear			
	971 858 570 D 1E0	Black			+AB, +AC
	971 858 570 D OP1	Agate Grey			+DG, +DL
	971 858 570 D 4H0	Luxor Beige			+UB, +PK, +UC
					+BP
	971 858 570 D OM8	Saddle Tan			+SB, +BS
	971 858 570 D 3G0	Marsala Red			+PC
	971 858 570 D OG6	Bordeaux Red			+BB
	971 858 570 D OL8	Chalk			+BK
	971 858 570 D 5J0	Cream			+BE
	971 858 570 D OS1	Truffle Brown			+HD
	971 858 570 D OB8	Cohiba Brown			+HC
14	971 857 532	Insert		1	I4M3
		Rear			
15	N 911 087 01	Hexagon-head bolt		6	
		M6X25			
16	971 863 162 C	Mounting		1	I3D1
		Centre console			
		Front			
	971 863 162 C 7P8	Black			+AB
	971 863 162 C OK2	Agate Grey			+DG
	971 863 162 C 8ED	Luxor Beige			+UB, +PK
(16)	971 863 162 D	Mounting		1	I3D8
		Centre console			
		Front			
		Leather			
	971 863 162 D A11	Black			+AC,
	971 863 162 D OA1	Agate Grey			+DL
	971 863 162 D OK6	Saddle Tan			+SB, +BS
	971 863 162 D 7J0	Luxor Beige			+UC, +BP, +PL
	971 863 162 D 7H0	Marsala Red			+PC
	971 863 162 D OG6	Bordeaux Red			+BB
	971 863 162 D OL8	Chalk			+BK
	971 863 162 D 8D0	Cream			+BE
(16)	971 863 162 E	Mounting		1	I3I1
		Centre console			
		Front			
		*			
	971 863 162 E OT2	Truffle Brown			+HD
	971 863 162 E ON1	Cohiba Brown			+HC
17	N 906 988 01	Speed nut		4	
18	N 906 986 06	Tapping screw		X	
19	971 867 165 AC	Armrest	/LL	1	IL0L/3D1/6E1
	971 867 165 AC 21U	Black			+AB
	971 867 165 AC OF6	Agate Grey			+DG
	971 867 165 AC 32X	Luxor Beige			+UB, +PK
(19)	971 867 166 AC	Armrest	/RL	1	IL0R/3D1/6E1
	971 867 166 AC 21U	Black			+AB
	971 867 166 AC OF6	Agate Grey			+DG
	971 867 166 AC 32X	Luxor Beige			+UB, +PK
(19)	971 867 165 AD	Armrest	/LL	1	IL0L/3D8/6E1
		Leather			
	971 867 165 AD A11	Black			+AC,

Model: 971-17 Model life 2017>>

Pos	Part Number	Description	Remark	Qty	Model
	971 867 165 AD OA1	Agate Grey			+DL
	971 867 165 AD OK6	Saddle Tan			+SB, +BS
	971 867 165 AD 7J0	Luxor Beige			+UC, +BP, +PL
	971 867 165 AD 7H0	Marsala Red			+PC
	971 867 165 AD OG6	Bordeaux Red			+BB
	971 867 165 AD OL8	Chalk			+BK
	971 867 165 AD 8D0	Cream			+BE
(19)	971 867 166 AD	Armrest Leather	/RL	1	IL0R/3D8/6E1
	971 867 166 AD A11	Black			+AC,
	971 867 166 AD OA1	Agate Grey			+DL
	971 867 166 AD OK6	Saddle Tan			+SB, +BS
	971 867 166 AD 7J0	Luxor Beige			+UC, +BP, +PL
	971 867 166 AD 7H0	Marsala Red			+PC
	971 867 166 AD OG6	Bordeaux Red			+BB
	971 867 166 AD OL8	Chalk			+BK
	971 867 166 AD 8D0	Cream			+BE
(19)	971 867 165 AE	Armrest *	/LL	1	IL0L/3I1/6E1
	971 867 165 AE OT2	Truffle Brown			+HD
	971 867 165 AE ON1	Cohiba Brown			+HC
(19)	971 867 166 AE	Armrest *	/RL	1	IL0R/3I1/6E1
	971 867 166 AE OT2	Truffle Brown			+HD
	971 867 166 AE ON1	Cohiba Brown			+HC
20	971 860 255 A	Assembly kit for Armrest		1	
21	971 863 797 C	Mounting		1	
	971 863 797 C 9B9	Satin black			
22	971 863 135 B	Mat		1	IL0L/9ZK/9ZX
(22)	971 863 135 C	Mat		1	IL0L/9ZC
(22)	971 863 136 B	Mat		1	IL0R/9ZK/9ZX
(22)	971 863 136 C	Mat		1	IL0R/9ZC
23	971 863 584 A	Support Mobile phone		1	IL0L/9ZC
(23)	971 863 583 A	Support Mobile phone		1	IL0R/9ZC
24	971 863 487 C	Cover Support Beverages		1	IL0L/3D1
	971 863 487 C 21U	Black			+AB
	971 863 487 C OF6	Agate Grey			+DG
	971 863 487 C 32X	Luxor Beige			+UB, +PK
(24)	971 863 487 D	Cover Support Beverages		1	IL0L/3D8
	971 863 487 D A11	Black			+AC,
	971 863 487 D OA1	Agate Grey			+DL
	971 863 487 D OK6	Saddle Tan			+SB, +BS
	971 863 487 D 7J0	Luxor Beige			+UC, +BP, +PL
	971 863 487 D 7H0	Marsala Red			+PC
	971 863 487 D OG6	Bordeaux Red			+BB
	971 863 487 D OL8	Chalk			+BK
	971 863 487 D 8D0	Cream			+BE
(24)	971 863 487 E	Cover Support Beverages		1	IL0L/3I1
	971 863 487 E OT2	Truffle Brown			+HD
	971 863 487 E ON1	Cohiba Brown			+HC
(24)	971 863 488 C	Cover Support Beverages		1	IL0R/3D1

Model: 971-17

Model life 2017>>

Pos	Part Number	Description	Remark	Qty	Model
(24)	971 863 488 C 21U	Black		1	+AB
	971 863 488 C OF6	Agate Grey			+DG
	971 863 488 C 32X	Luxor Beige			+UB, +PK
	971 863 488 D	Cover			IL0R/3D8
		Support			
		Beverages			
	971 863 488 D A11	Black			+AC,
	971 863 488 D OA1	Agate Grey			+DL
	971 863 488 D OK6	Saddle Tan			+SB, +BS
	971 863 488 D 7J0	Luxor Beige			+UC, +BP, +PL
(24)	971 863 488 D 7H0	Marsala Red		1	+PC
	971 863 488 D OG6	Bordeaux Red			+BB
	971 863 488 D OL8	Chalk			+BK
	971 863 488 D 8D0	Cream			+BE
	971 863 488 E	Cover			IL0R/3I1
		Support			
		Beverages			
	971 863 488 E OT2	Truffle Brown			+HD
	971 863 488 E ON1	Cohiba Brown			+HC
	25	971 819 110 C	Air vent		
26	971 819 110 C OV3	High-Gloss Black		1	
	971 858 401 B	Cover			
27	971 858 401 B G0B	Galvano silver		1	
	971 858 417 AD	Cover			
(27)	971 858 417 AD OV3	High-Gloss Black		1	INZ0/5TL
	971 858 417 AE	Cover			
(27)	971 858 417 AE U03	Aluminium, brushed		1	INZ0/5TE
	971 858 417 AF	Cover			
(27)	971 858 417 AF BX3	Carbon, fine high-gloss		1	INZ0/5MH
	971 858 417 AG	Cover			
(27)	971 858 417 AG CK6	Swedish Birch		1	INZ0/5MB
	971 858 417 AH	Cover			
(27)	971 858 417 AH OE9	American Walnut		1	INZ0/5MP
	971 858 417 AJ	Cover			
(27)	971 858 417 AJ OK5	Light Paldao		1	INZ0/7TC
	971 858 417 AK	Cover			
(27)	971 858 417 AK OF4	Red Gum		1	INZ0/7TD
	971 858 417 AM	Cover			
28	971 858 417 AM A11	Black		1	INZ0/7TM
					+AB, +PK, +AC
					+BB, +BS, +BK
					+DG, +DL
					+UB, +UC
					+SB, +BP
					+PC, +BE
					INZ3
29	971 858 417 AM OA1	Agate Grey		1	
	971 858 417 AM 7J0	Luxor Beige			
(29)	971 858 417 AM OK6	Saddle Tan		1	
	971 858 417 AM 7H0	Marsala Red			
(29)	971 858 082	Cover		1	
	971 858 082 OV3	High-Gloss Black			
(29)	971 858 415 R	Cover		1	INZ0/5TL
	971 858 415 R OV3	High-Gloss Black			
(29)	971 858 415 S	Cover		1	INZ0/5TE
	971 858 415 S U03	Aluminium, brushed			
(29)	971 858 415 T	Cover		1	INZ0/5MH
	971 858 415 T BX3	Carbon, fine high-gloss			
(29)	971 858 415 AA	Cover		1	INZ0/5MB
	971 858 415 AA CK6	Swedish Birch			
(29)	971 858 415 AB	Cover		1	INZ0/5MP
	971 858 415 AB OE9	American Walnut			
(29)	971 858 415 AC	Cover		1	INZ0/7TC
	971 858 415 AC OK5	Light Paldao			
(29)	971 858 415 AD	Cover		1	INZ0/7TD
	971 858 415 AD OF4	Red Gum			
(29)	971 858 415 AF	Cover		1	INZ0/7TM

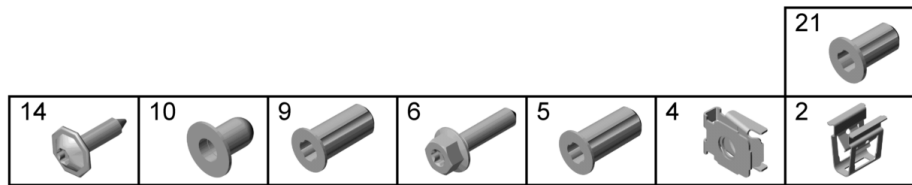
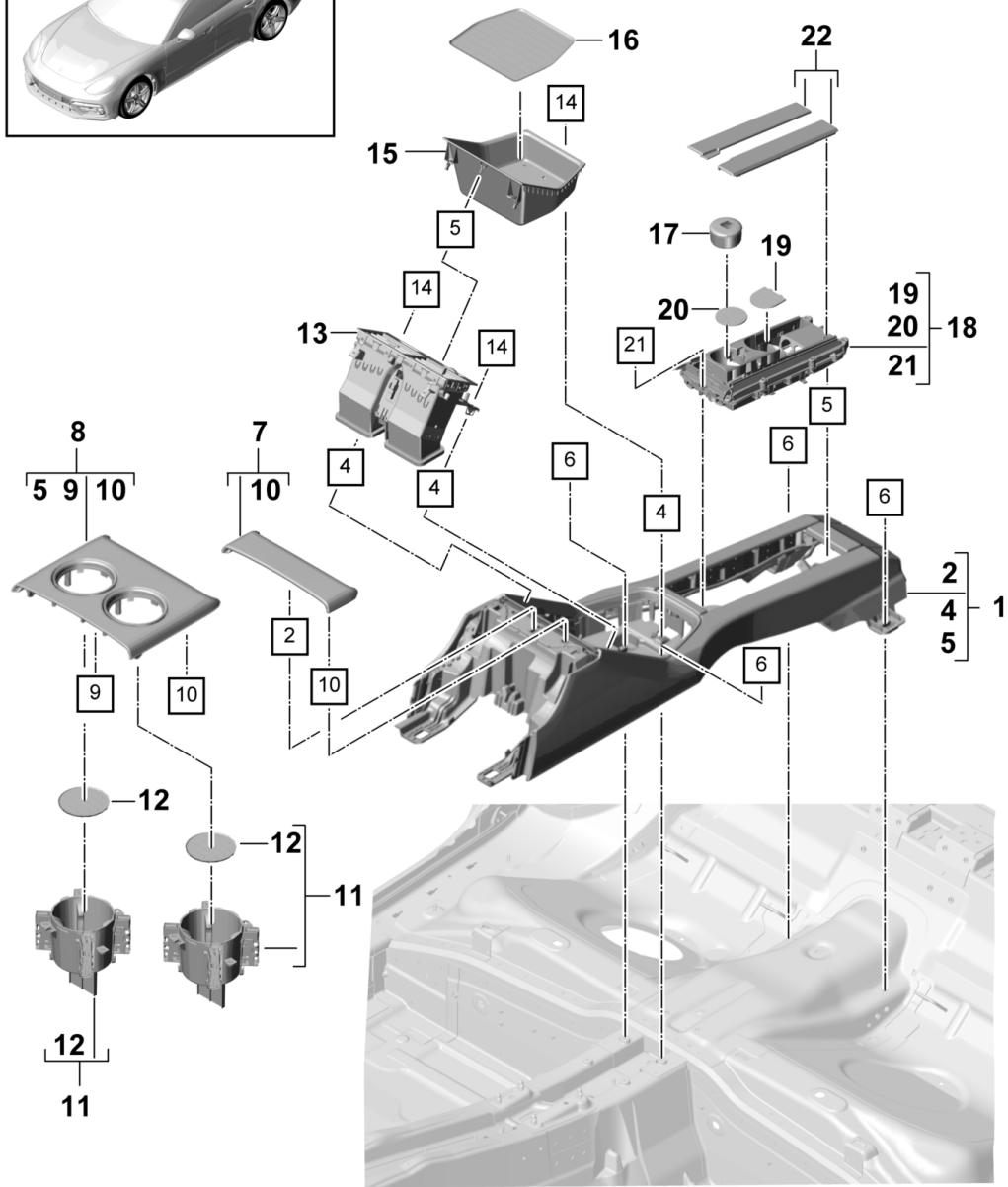
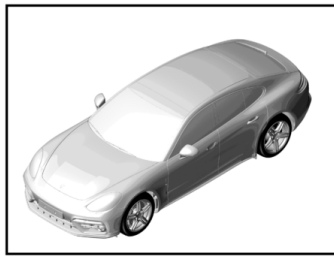
Model: 971-17

Model life 2017>>

Pos	Part Number	Description	Remark	Qty	Model
	971 858 415 AF A11	Black			+AB, +PK, +AC +BB, +BS, +BK
	971 858 415 AF OA1	Agate Grey			+DG, +DL
	971 858 415 AF 7J0	Luxor Beige			+UB, +UC
	971 858 415 AF OK6	Saddle Tan			+SB, +BP
	971 858 415 AF 7H0	Marsala Red			+PC, +BE
30	971 857 335 A	Ashtray		1	INZ0/9JB
		Insert			
	971 857 335 A 1E0	Black			
31	971 857 459	Ashtray		1	INZ0/9JB
		Pot			
32	971 858 331 A	Shelf		1	INZ0/9JA
	971 858 331 A 1E0	Black			
33	971 857 494 A	Insert		1	INZ0/9JA
		Shelf			

Model: 971-17

Model life 2017>>



Model: 971-17 Model life 2017>>

Pos	Part Number	Description	Remark	Qty	Model
1	971 863 241 AQ	Centre console Rear		1	I0E1/3D1/3Z6
	971 863 241 AQ 7P8	Black			+AB
	971 863 241 AQ OK2	Agate Grey			+DG
	971 863 241 AQ 8ED	Luxor Beige			+UB, +PK
(1)	971 863 241 AR	Centre console Leather	-17	1	I0E1/3D8/3Z6
	971 863 241 AR A11	Black			+AC,
	971 863 241 AR OA1	Agate Grey			+DL
	971 863 241 AR OK6	Saddle Tan			+SB, +BS
	971 863 241 AR 7J0	Luxor Beige			+UC, +BP
	971 863 241 AR 7H0	Marsala Red			+PC
	971 863 241 AR OG6	Bordeaux Red			+BB
	971 863 241 AR OL8	Chalk			+BK
	971 863 241 AR 8D0	Cream			+BE
(1)	971 863 241 BG	Centre console Leather	18-	1	I0E1/3D8/3Z6
	971 863 241 BG A11	Black			+AC,
	971 863 241 BG OA1	Agate Grey			+DL
	971 863 241 BG OK6	Saddle Tan			+SB, +BS
	971 863 241 BG 7J0	Luxor Beige			+UC, +BP, +PL
	971 863 241 BG 7H0	Marsala Red			+PC
	971 863 241 BG OG6	Bordeaux Red			+BB
	971 863 241 BG OL8	Chalk			+BK
	971 863 241 BG 8D0	Cream			+BE
(1)	971 863 241 BH	Centre console		1	I0E1/3I1/3KG I3KH/3KI/3KJ I3KK/3KL/3KR I3Z6
	971 863 241 BH OT2	Truffle Brown			+HD
	971 863 241 BH ON1	Cohiba Brown			+HC
(1)	971 863 241 BC	Centre console		1	I0E2/3D1/3Z6
	971 863 241 BC 7P8	Black			+AB
	971 863 241 BC OK2	Agate Grey			+DG
	971 863 241 BC 8ED	Luxor Beige			+UB, +PK
(1)	971 863 241 BD	Centre console Leather	-17	1	I0E2/3D8/3Z6
	971 863 241 BD A11	Black			+AC,
	971 863 241 BD OA1	Agate Grey			+DL
	971 863 241 BD OK6	Saddle Tan			+SB, +BS
	971 863 241 BD 7J0	Luxor Beige			+UC, +BP
	971 863 241 BD 7H0	Marsala Red			+PC
	971 863 241 BD OG6	Bordeaux Red			+BB
	971 863 241 BD OL8	Chalk			+BK
	971 863 241 BD 8D0	Cream			+BE
(1)	971 863 241 BN	Centre console Leather	18-	1	I0E2/3D8/3Z6
	971 863 241 BN A11	Black			+AC,
	971 863 241 BN OA1	Agate Grey			+DL
	971 863 241 BN OK6	Saddle Tan			+SB, +BS
	971 863 241 BN 7J0	Luxor Beige			+UC, +BP, +PL
	971 863 241 BN 7H0	Marsala Red			+PC
	971 863 241 BN OG6	Bordeaux Red			+BB
	971 863 241 BN OL8	Chalk			+BK
	971 863 241 BN 8D0	Cream			+BE
(1)	971 863 241 BP	Centre console		1	I0E2/3I1/3Z6
	971 863 241 BP OT2	Truffle Brown			+HD
	971 863 241 BP ON1	Cohiba Brown			+HC
(1)	971 863 241 AT	Centre console		1	I3D1/3Z7
	971 863 241 AT 7P8	Black			+AB

Model: 971-17 Model life 2017>>

Pos	Part Number	Description	Remark	Qty	Model
(1)	971 863 241 AT OK2	Agate Grey		1	+DG
	971 863 241 AT 8ED	Luxor Beige			+UB, +PK
	971 863 241 BJ	Centre console			IK8S/0E2/3D1 I3Z7
(1)	971 863 241 BJ 7P8	Black		1	+AB
	971 863 241 BJ OK2	Agate Grey			+DG
	971 863 241 BJ 8ED	Luxor Beige			+UB, +PK
	971 863 241 BA	Centre console			IK8S/3D8/3Z7
	971 863 241 BA A11	Leather			
	971 863 241 BA OA1	Black			+AC,
	971 863 241 BA OK6	Agate Grey			+DL
	971 863 241 BA 7J0	Saddle Tan			+SB, +BS
	971 863 241 BA 7H0	Luxor Beige			+UC, +BP, +PL
	971 863 241 BA 7H0	Marsala Red			+PC
	971 863 241 BA OG6	Bordeaux Red			+BB
	971 863 241 BA OL8	Chalk			+BK
(1)	971 863 241 BA 8D0	Cream		1	+BE
	971 863 241 BL	Centre console			IK8S/0E2/3I1 I3Z7
(1)	971 863 241 BL OT2	*		1	
	971 863 241 BL ON1	Truffle Brown			+HD
	971 863 241 BK	Cohiba Brown			+HC
	971 863 241 BK	Centre console			IK8S/0E2/3D8 I3Z7
	971 863 241 BK A11	Leather			
	971 863 241 BK OA1	Black			+AC,
	971 863 241 BK OK6	Agate Grey			+DL
	971 863 241 BK 7J0	Saddle Tan			+SB, +BS
	971 863 241 BK 7H0	Luxor Beige			+UC, +BP, +PL
	971 863 241 BK 7H0	Marsala Red			+PC
	971 863 241 BK OG6	Bordeaux Red			+BB
	971 863 241 BK OL8	Chalk			+BK
971 863 241 BK 8D0	Cream		+BE		
2	8T0 853 107	Clamp		X	
4	N 906 988 01	Speed nut		3	
5	9A7 007 849 00	Grommet		X	I3Z6
(5)	958 552 900 00	Grommet		X	I3Z7
6	N 911 087 01	Hexagon-head bolt		X	
(7)	971 863 289 F	Cover		1	I0E1/3D1/3Z6
	971 863 289 F 7P8	Black			+AB
	971 863 289 F OK2	Agate Grey			+DG
	971 863 289 F 8ED	Luxor Beige			+UB, +PK
	971 863 289 G	Cover			I0E1/3D8/3Z6
	971 863 289 G A11	Leather			
	971 863 289 G OA1	Black			+AC,
	971 863 289 G OK6	Agate Grey			+DL
	971 863 289 G 7J0	Saddle Tan			+SB, +BS
	971 863 289 G 7J0	Luxor Beige			+UC, +BP, +PL
	971 863 289 G 7H0	Marsala Red			+PC
	971 863 289 G OG6	Bordeaux Red			+BB
971 863 289 G OL8	Chalk		+BK		
971 863 289 G 8D0	Cream		+BE		
(7)	971 863 289 H	Cover		1	I0E1/3I1/3Z6
	971 863 289 H	*			
8	971 863 289 H OT2	Truffle Brown		1	+HD
	971 863 289 H ON1	Cohiba Brown			+HC
	971 868 361 F	Cover			I0E2/3D1
(8)	971 868 361 F 7P8	Black		1	+AB
	971 868 361 F OK2	Agate Grey			+DG
	971 868 361 F 8ED	Luxor Beige			+UB, +PK
	971 868 361 G	Cover			I0E2/3D8
	971 868 361 G A11	Leather			
	971 868 361 G A11	Black			+AC,

Model: 971-17 Model life 2017>>

Pos	Part Number	Description	Remark	Qty	Model
	971 868 361 G OA1	Agate Grey			+DL
	971 868 361 G OK6	Saddle Tan			+SB, +BS
	971 868 361 G 7J0	Luxor Beige			+UC, +BP
	971 868 361 G 7H0	Marsala Red			+PC
	971 868 361 G OG6	Bordeaux Red			+BB
	971 868 361 G OL8	Chalk			+BK
	971 868 361 G 8D0	Cream			+BE
(8)	971 868 361 L	Cover *		1	I0E2/3I1
	971 868 361 L OT2	Truffle Brown			+HD
	971 868 361 L ON1	Cohiba Brown			+HC
9	9A7 007 849 00	Grommet		X	
10	958 552 900 00	Grommet		X	
11	971 858 569 E	Support Beverages		2	I0E2/4M3
	971 858 569 E 1E0	Black			
(11)	971 858 603 A	Support Beverages Left		1	I0E2/4M1
	971 858 603 A 1E0	Black			+AB, +AC
	971 858 603 A OP1	Agate Grey			+DG, +DL
	971 858 603 A 4H0	Luxor Beige			+UB, +PK, +UC
	971 858 603 A OM8	Saddle Tan			+BP, +PL
	971 858 603 A 3G0	Marsala Red			+SB, +BS
	971 858 603 A OG6	Bordeaux Red			+PC
	971 858 603 A OL8	Chalk			+BB
	971 858 603 A 5J0	Chalk			+BK
	971 858 603 A 5J0	Cream			+BE
	971 858 603 A OS1	Truffle Brown			+HD
	971 858 603 A OB8	Cohiba Brown			+HC
(11)	971 858 601 A	Support Beverages Right		1	I0E2/4M1
	971 858 601 A 1E0	Black			+AB, +AC
	971 858 601 A OP1	Agate Grey			+DG, +DL
	971 858 601 A 4H0	Luxor Beige			+UB, +PK, +UC
	971 858 601 A OM8	Saddle Tan			+BP, +PL
	971 858 601 A 3G0	Marsala Red			+SB, +BS
	971 858 601 A OG6	Bordeaux Red			+PC
	971 858 601 A OL8	Chalk			+BB
	971 858 601 A 5J0	Chalk			+BK
	971 858 601 A 5J0	Cream			+BE
	971 858 601 A OS1	Truffle Brown			+HD
	971 858 601 A OB8	Cohiba Brown			+HC
12	971 857 531	Insert Front		2	I4M3
13	971 819 201 B	Air vent		1	I9AD
	971 819 201 B 6N3	Black mat			
(13)	971 819 201 F	Air vent		1	I9AH
	971 819 201 F 6N3	Black mat			
14	N 906 986 06	Tapping screw ST 4,2 X 16		2	
15	971 864 131 A	Shelf		1	I3Z6/9AD
	971 864 131 A 6N3	Black mat			
16	971 863 014	Insert Shelf		1	I9AD
17	971 857 311 A	Insert		1	I3Z6/9JB
	971 857 311 A HVO	Black/Galvano Silver			
18	971 858 329 E	Shelf		1	IUI4/0E1/3Z6
	971 858 329 E 1E0	Black			
(18)	971 858 329 F	Shelf		1	IUI2/0E1/3Z6
	971 858 329 F 1E0	Black			
(18)	971 858 329 C	Shelf		1	IUI4/0E2/3Z6

Model: 971-17 Model life 2017>>

Pos	Part Number	Description	Remark	Qty	Model
(18)	971 858 329 C 1E0	Black		1	IUI2/0E2/3Z6
	971 858 329 D	Shelf			
	971 858 329 D 1E0	Black			
19	971 858 857	Insert		1	IUI2/UI4/0E1 I3Z6
		Rear			
20	971 858 858	Insert		1	IUI2/UI4/0E1 I3Z6
		Front			
21	997 553 627 00	Rubber sleeve 4 MM		1	I0E1
22	971 864 366 Y	Set		1	I3Z6/5TL
		Cover			
		Shelf			
(22)	971 864 366 Y OV3	High-Gloss Black		1	I3Z6/5TE
	971 864 366 AY	Set			
		Cover			
		Shelf			
(22)	971 864 366 AY U03	Aluminium, brushed		1	I3Z6/5MH
	971 864 366 BY	Set			
		Cover			
		Shelf			
(22)	971 864 366 BY BX3	Carbon, fine high-gloss		1	I3Z6/5MB
	971 864 366 CY	Set			
		Cover			
		Shelf			
(22)	971 864 366 CY CK6	Swedish Birch		1	I3Z6/5MP
	971 864 366 DY	Set			
		Cover			
		Shelf			
(22)	971 864 366 DY OE9	American Walnut		1	I3Z6/7TC
	971 864 366 EY	Set			
		Cover			
		Shelf			
(22)	971 864 366 EY OK5	Light Paldao		1	I3Z6/7TD
	971 864 366 FY	Set			
		Cover			
		Shelf			
(22)	971 864 366 FY OF4	Red Gum		1	I3Z6/7TL
	971 864 366 GY	Set			
		Cover			
		Shelf			
	971 864 366 GY 041	Black			
	971 864 366 GY M3C	Carmine red			
	971 864 366 GY M9A	Chalk			
	971 864 366 GY C9A	White			
	971 864 366 GY C9X	Jet Black Metallic			
	971 864 366 GY M7R	Volcano Grey Metallic			
	971 864 366 GY M7S	Achat Grey Metallic			
	971 864 366 GY M8Y	Mahogany Metallic			
	971 864 366 GY M4Z	Amethyst metallic			
	971 864 366 GY M5F	Midnight Blue Metallic			
	971 864 366 GY M5J	Sapphire Blue Metallic			
	971 864 366 GY C1Y	Palladium Metallic			
	971 864 366 GY M7Z	GT Silver Metallic			
	971 864 366 GY M7U	Rhodium Silver Metallic			
	971 864 366 GY S9R	Carrara White metallic			
(22)	971 864 366 HY	Set		1	I3Z6/7TM
		Cover			
		Shelf			
	971 864 366 HY A11	Black			+AB, +PK, +AC +BB, +BS, +BK +DG, +DL
	971 864 366 HY OA1	Agate Grey			

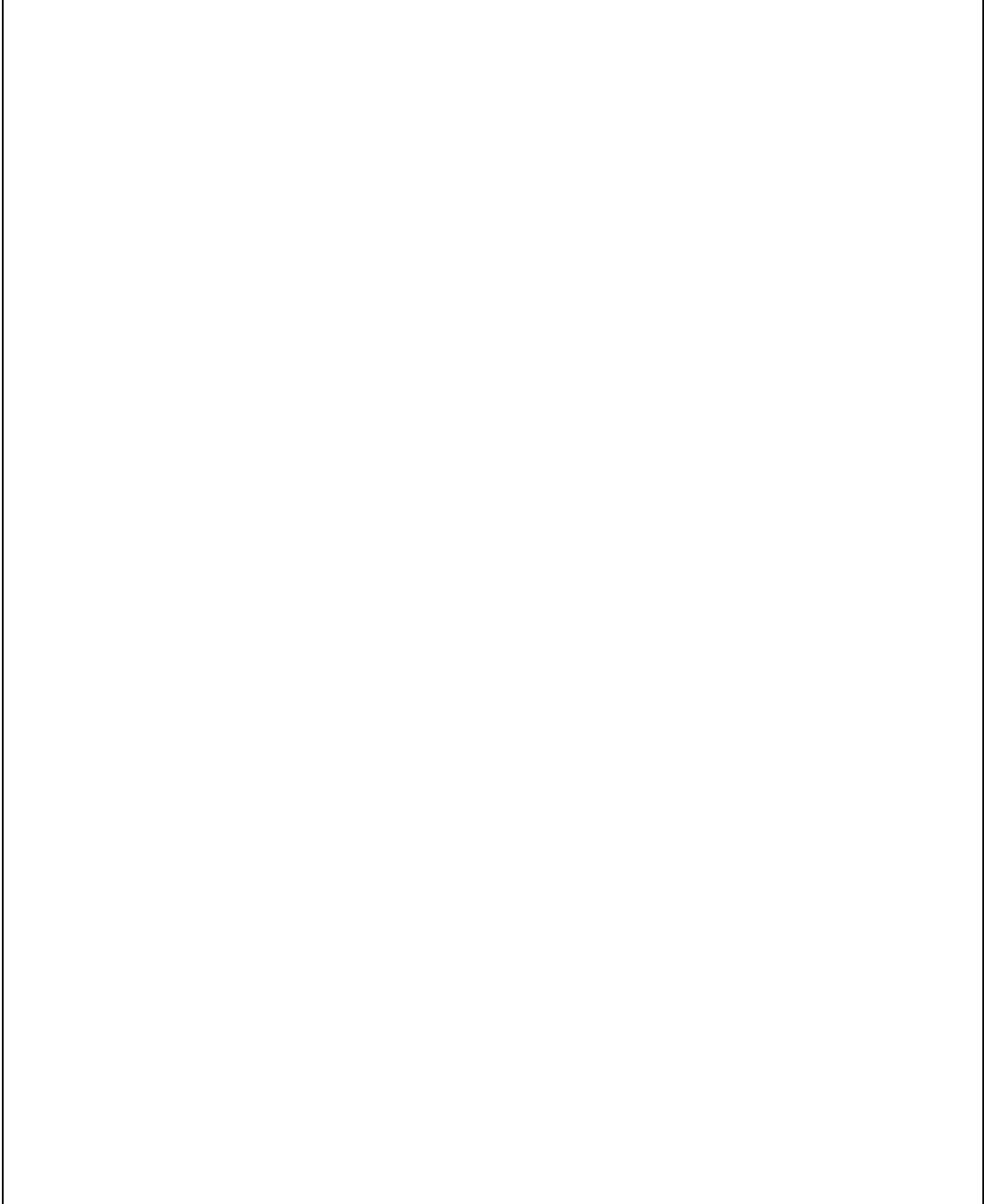
Model: 971-17

Model life 2017>>

Pos	Part Number	Description	Remark	Qty	Model
	971 864 366 HY 7J0	Luxor Beige			+UB, +UC
	971 864 366 HY OK6	Saddle Tan			+SB, +BP
	971 864 366 HY 7H0	Marsala Red			+PC, +BE

Model: 971-17

Model life 2017>>



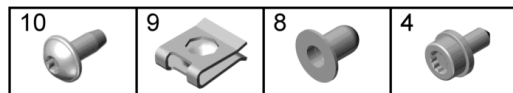
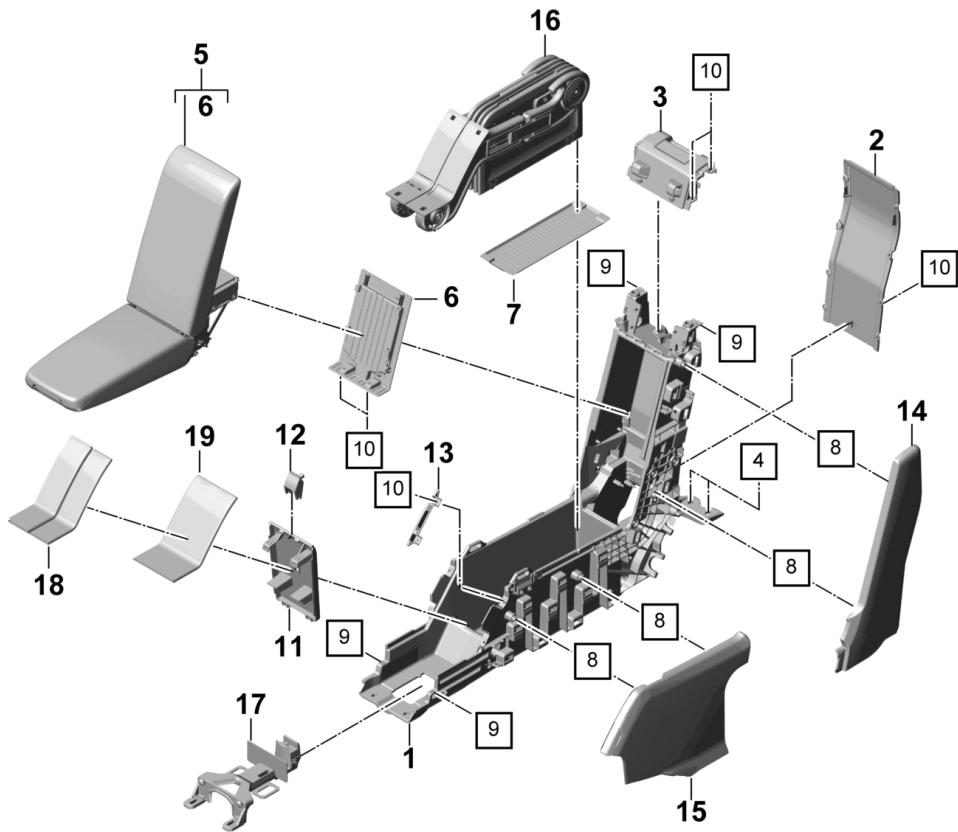
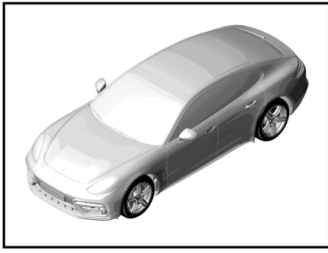
Model: 971-17

Model life 2017>>

Pos	Part Number	Description	Remark	Qty	Model
		Centre console Rear			I5KA/5KH
1	974 863 241	Centre console		1	I3D1/5KA/5KH
	974 863 241 7P8	Black			+AB,
	974 863 241 OK2	Agate Grey			+DG
	974 863 241 8ED	Luxor Beige			+PK
(1)	974 863 241 D	Centre console		1	I3D5/3D8/5KA I5KH
		Leather			
	974 863 241 D A11	Black			+AC,
	974 863 241 D OA1	Agate Grey			+DL
	974 863 241 D OK6	Saddle Tan			+SB,+BS
	974 863 241 D 7J0	Luxor Beige			+UC,+PL,+BP
	974 863 241 D 7H0	Marsala Red			+PC
	974 863 241 D OG6	Bordeaux Red			+BB
	974 863 241 D OL8	Chalk			+BK
	974 863 241 D 8D0	Cream			+BE
(1)	974 863 241 E	Centre console *		1	I3I1/5KA/5KH
	974 863 241 E OT2	Truffle Brown			+HD
	974 863 241 E ON1	Cohiba Brown			+HC
2	974 864 298	Cover		1	I5KA/5KH
	974 864 298 V08	Galvano silver			
2		Together with Position 1		1	
3	8T0 853 107	Clamp		X	
4	N 906 968 03	Speed nut		2	
5	N 911 087 01	Hexagon-head bolt		2	
6	974 863 276	Lid		1	IUI4/0E1/5KA I5KH/9JA/9JB
	974 863 276 5Q0	Black			
(6)	974 863 276 A	Lid		1	IUI2/0E1/5KA I5KH/9JA/9JB
	974 863 276 A 5Q0	Black			
7	9A7 007 849 00	Grommet		X	
8	974 863 014	Insert		1	I5KA/5KH/9AD
9	974 864 131	Shelf		1	I5KA/5KH/9AD
	974 864 131 6N3	Black mat			
10	958 552 900 00	Grommet		2	
11	974 863 014	Insert		1	I5KA/5KH/9AD
12	974 863 324	Cover		1	I3FA/4A0/4A3 I5KA/5KH/9AD
	974 863 324 6N3	Black mat			

Model: 971-17

Model life 2017>>



Model: 971-17 Model life 2017>>

Pos	Part Number	Description	Remark	Qty	Model
		Centre console			I3Z7
		Rear			
		Business			
1	971 864 089 A	Bracket		1	
2	971 864 075	Cover		1	
		Rear			
	971 864 075 6B0	Black			+AB, +PK, +AC +BB, +BS, +BK +DG, +DL
	971 864 075 9C0	Agate Grey			+UB, +UC
	971 864 075 7K0	Luxor Beige			+SB, +BP
	971 864 075 BW3	Saddle Tan			+PC, +BE
	971 864 075 7G0	Marsala Red			
3	971 863 225	Closing element		1	
		Business			
	971 863 225 5Q0	Black			+AB, +AC
	971 863 225 OA6	Agate Grey			+DG, +DL
	971 863 225 6W0	Luxor Beige			+UB, +PK, +UC +BP
	971 863 225 OL7	Saddle Tan			+SB, +BS
	971 863 225 7X0	Marsala Red			+PC
	971 863 225 OG6	Bordeaux Red			+BB
	971 863 225 OL8	Chalk			+BK
	971 863 225 5V0	Cream			+BE
4	N 910 507 01	Screw		4	
		M8 X 20			
5	971 863 764	Lid		1	I3D1/6E1
	971 863 764 21U	Black			+AB
	971 863 764 OF6	Agate Grey			+DG
	971 863 764 32X	Luxor Beige			+UB, +PK
(5)	971 863 764 A	Lid		1	I3D8/6E1
		Leather			
	971 863 764 A A11	Black			+AC,
	971 863 764 A OA1	Agate Grey			+DL
	971 863 764 A OK6	Saddle Tan			+SB, +BS
	971 863 764 A 7J0	Luxor Beige			+UC, +BP
	971 863 764 A 7H0	Marsala Red			+PC
	971 863 764 A OG6	Bordeaux Red			+BB
	971 863 764 A OL8	Chalk			+BK
	971 863 764 A 8D0	Cream			+BE
(5)	971 863 764 C	Lid		1	I3D1/6E2
		with			
		Crest			
	971 863 764 C 21U	Black			+AB
	971 863 764 C OF6	Agate Grey			+DG
	971 863 764 C 32X	Luxor Beige			+UB, +PK
(5)	971 863 764 D	Lid		1	I3D8/6E2
		Leather			
		with			
		Crest			
	971 863 764 D A11	Black			+AC,
	971 863 764 D OA1	Agate Grey			+DL
	971 863 764 D OK6	Saddle Tan			+SB, +BS
	971 863 764 D 7J0	Luxor Beige			+UC, +BP
	971 863 764 D 7H0	Marsala Red			+PC
	971 863 764 D OG6	Bordeaux Red			+BB
	971 863 764 D OL8	Chalk			+BK
	971 863 764 D 8D0	Cream			+BE
(5)	971 863 764 L	Lid		1	IL0R/3D8/6E3
		*			
		with			
		Logo			
	971 863 764 L OT2	Truffle Brown			+HC
	971 863 764 L ON1	Cohiba Brown			+HC

Model: 971-17 Model life 2017>>

Pos	Part Number	Description	Remark	Qty	Model
6	971 864 199	Support Mobile phone		1	
7	971 864 477 A	Insert Rear		1	I1U1
8	958 552 900 00	Grommet		X	
9	999 591 772 01	Speed nut		X	
10	N 106 695 01	Oval-head screw		X	
11	971 858 081	Cover		1	I1U0
	971 858 081 1E0	Black			
12	970 553 775 00	Adapter Illumination		1	
13	971 858 987 Y	Set Bracket Cover		1	I1U1
14	971 863 305 A	Side trim panel Left		1	
	971 863 305 A 5Q0	Black			+AB, +AC
	971 863 305 A OA6	Agate Grey			+DG, +DL
	971 863 305 A 6W0	Luxor Beige			+UB, +PK, +UC
					+BP
	971 863 305 A OL7	Saddle Tan			+SB, +BS
	971 863 305 A 7X0	Marsala Red			+PC
	971 863 305 A OG6	Bordeaux Red			+BB
	971 863 305 A OL8	Chalk			+BK
	971 863 305 A 5V0	Cream			+BE
(14)	971 863 306 A	Side trim panel Right		1	
	971 863 306 A 5Q0	Black			+AB, +AC
	971 863 306 A OA6	Agate Grey			+DG, +DL
	971 863 306 A 6W0	Luxor Beige			+UB, +PK, +UC
					+BP
	971 863 306 A OL7	Saddle Tan			+SB, +BS
	971 863 306 A 7X0	Marsala Red			+PC
	971 863 306 A OG6	Bordeaux Red			+BB
	971 863 306 A OL8	Chalk			+BK
	971 863 306 A 5V0	Cream			+BE
15	971 864 069 C	Side section Left		1	I3D1
	971 864 069 C 7P8	Black			+AB
	971 864 069 C OK2	Agate Grey			+DG
	971 864 069 C 8ED	Luxor Beige			+UB, +PK
(15)	971 864 069 D	Side section Left		1	I3D8
	971 864 069 D A11	Black			+AC
	971 864 069 D OA1	Agate Grey			+DL
	971 864 069 D OK6	Saddle Tan			+SB, +BS
	971 864 069 D 7J0	Luxor Beige			+UC, +BP
	971 864 069 D 7H0	Marsala Red			+PC
	971 864 069 D OG6	Bordeaux Red			+BB
	971 864 069 D OL8	Chalk			+BK
	971 864 069 D 8D0	Cream			+BE
(15)	971 864 070 C	Side section Right		1	I3D1
	971 864 070 C 7P8	Black			+AB
	971 864 070 C OK2	Agate Grey			+DG
	971 864 070 C 8ED	Luxor Beige			+UB, +PK
(15)	971 864 070 D	Side section Right		1	I3D8
	971 864 070 D A11	Black			+AC
	971 864 070 D OA1	Agate Grey			+DL
	971 864 070 D OK6	Saddle Tan			+SB, +BS
	971 864 070 D 7J0	Luxor Beige			+UC, +BP
	971 864 070 D 7H0	Marsala Red			+PC

Model: 971-17 Model life 2017>>

Pos	Part Number	Description	Remark	Qty	Model
16	971 864 070 D OG6	Bordeaux Red			+BB
	971 864 070 D OL8	Chalk			+BK
	971 864 070 D 8D0	Cream			+BE
17	971 862 851	Folding table		1	I1U1
	971 862 851 A11	Black			
18	971 857 099	Mounting bracket		1	I1U1
	971 858 079 JY	Folding table			
		Set			1
(18)	971 858 079 JY OV3	Cover			
	971 858 079 KY	Folding table			
		High-Gloss Black			1
(18)	971 858 079 KY U03	Set			
	971 858 079 LY	Cover			
		Aluminium, brushed			1
(18)	971 858 079 LY BX3	Set			
	971 858 079 MY	Cover			
		Carbon, fine high-gloss			1
(18)	971 858 079 MY CK6	Folding table			
	971 858 079 NY	Swedish Birch			
		Set			1
(18)	971 858 079 NY OE9	Cover			
	971 858 079 PY	Folding table			
		American Walnut			1
(18)	971 858 079 PY OK5	Set			
	971 858 079 QY	Cover			
		Light Paldao			1
(18)	971 858 079 QY OF4	Folding table			
	971 858 079 RY	Red Gum			
		Set			1
(18)	971 858 079 RY G2X	Cover			
	971 858 079 SY	Folding table			
		Prime coated			1
19	971 858 079 SY A11	Set			+AB, +AC
	971 858 079 SY OA1	Black			+DG, +DL
	971 858 079 SY 7J0	Agate Grey			+UB, +PK, +UC
(19)	971 858 079 SY OK6	Luxor Beige			+BP
	971 858 079 SY 7H0	Saddle Tan			+SB, +BS
	971 858 079 SY OL8	Marsala Red			+PC
(19)	971 858 079 SY 8D0	Bordeaux Red			+BB
	971 858 357 P	Chalk			+BK
	971 858 357 P OV3	Cream			+BE
(19)	971 858 357 Q	Cover		1	I1U0/5TL
	971 858 357 Q U03	High-Gloss Black			
	971 858 357 R	Cover		1	I1U0/5TE
(19)	971 858 357 R BX3	Aluminium, brushed			
	971 858 357 S	Cover			
	971 858 357 S CK6	Carbon, fine high-gloss			
(19)	971 858 357 T	Cover		1	I1U0/5MH
	971 858 357 T OE9	Swedish Birch			
	971 858 357 AA	Cover			
(19)	971 858 357 AA OK5	American Walnut		1	I1U0/5MP
		Cover		1	I1U0/7TC
		Light Paldao			

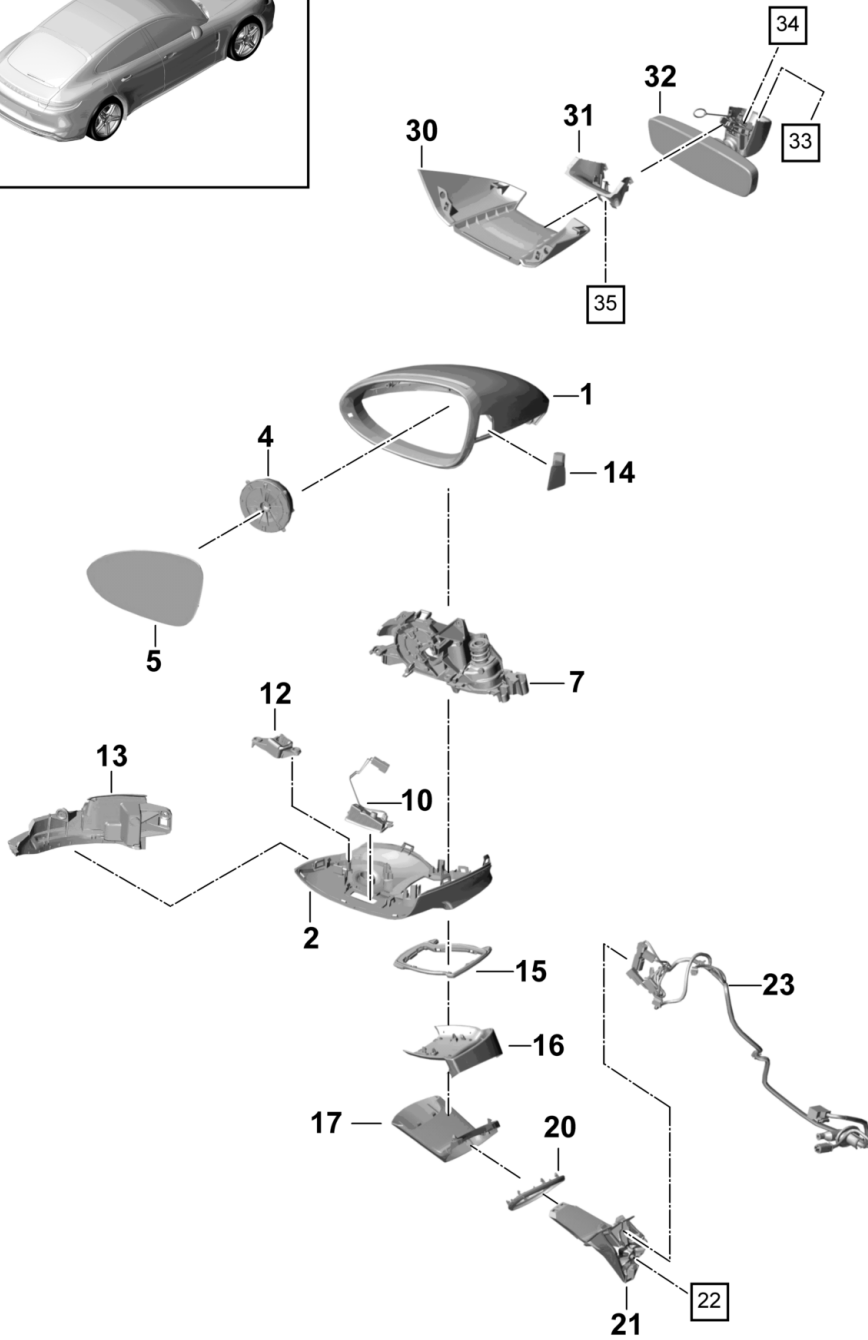
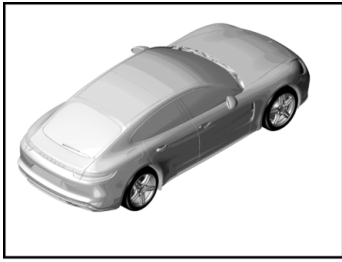
Model: 971-17

Model life 2017>>

Pos	Part Number	Description	Remark	Qty	Model
(19)	971 858 357 AB	Cover		1	I1U0/7TD
	971 858 357 AB OF4	Red Gum			
(19)	971 858 357 AC	Cover		1	I1U0/7TL
	971 858 357 AC G2X	Prime coated			
(19)	971 858 357 AD	Cover		1	I1U0/7TM
	971 858 357 AD A11	Black			+AB, +AC
	971 858 357 AD OA1	Agate Grey			+DG, +DL
	971 858 357 AD 7J0	Luxor Beige			+UB, +PK, +UC
					+BP
	971 858 357 AD OK6	Saddle Tan			+SB, +BS
	971 858 357 AD 7H0	Marsala Red			+PC,
	971 858 357 AD OG6	Bordeaux Red			+BB
	971 858 357 AD OL8	Chalk			+BK
	971 858 357 AD 8D0	Cream			+BE

Model: 971-17

Model life 2017>>



Model: 971-17 Model life 2017>>

Pos	Part Number	Description	Remark	Qty	Model
1	971 857 527	Door mirror Rear-view mirror Accessories Mirror housing Outer Left	/L	1	IL0L/7Y0
(1)	971 857 527 G2X 971 857 528	Prime coated Mirror housing Outer Right	/R	1	IL0L/7Y0
(1)	971 857 528 G2X 971 857 527 A	Prime coated Mirror housing Outer Left	/L	1	IL0R/7Y0
(1)	971 857 527 A G2X 971 857 528 A	Prime coated Mirror housing Outer Right	/R	1	IL0R/7Y0
(1)	971 857 528 A G2X 971 857 527 B	Prime coated Mirror housing Outer Left	/L	1	IL0L/7Y1
(1)	971 857 527 B G2X 971 857 528 B	Prime coated Mirror housing Outer Right	/R	1	IL0L/7Y1
(1)	971 857 528 B G2X 971 857 527 C	Prime coated Mirror housing Outer Left	/L	1	IL0R/7Y1
(1)	971 857 527 C G2X 971 857 528 C	Prime coated Mirror housing Outer Right	/R	1	IL0R/7Y1
2	971 857 528 C G2X 971 857 185 H	Prime coated Cover Lower	/L	1	-I8A4/IL0L
(2)	971 857 185 H 041 971 857 186 H	Black Cover Lower	/R	1	-I8A4/IL0L
(2)	971 857 186 H 041 971 857 185 J	Black Cover Lower	/L	1	-I8A4/IL0R
(2)	971 857 185 J 041 971 857 186 J	Black Cover Lower	/R	1	-I8A4/IL0R
(2)	971 857 186 J 041 971 857 185 K	Black Cover Lower	/L	1	IL0L/8A4
(2)	971 857 185 K 041 971 857 186 K	Black Cover Lower	/R	1	IL0L/8A4
(2)	971 857 186 K 041 971 857 185 L	Black Cover Lower	/L	1	IL0R/8A4
(2)	971 857 185 L 041 971 857 186 L	Black Cover Lower	/R	1	IL0R/8A4
4	971 857 186 L 041 7PP 959 578 D	Black Adjusting motor Door mirror without Memory		2	I6XP/6XW

Model: 971-17 Model life 2017>>

Pos	Part Number	Description	Remark	Qty	Model
(4)	7PP 959 578 E	Adjusting motor		2	I6XQ/6XT
5	971 857 521	Door mirror with Memory Mirror glass	//LL /L	1	IL0L/5SG/6XP I6XQ
(5)	971 857 521 A	Plane Mirror glass	//LL /L	1	IL0L/5SL/6XP I6XQ
(5)	971 857 521 B	Aspherical Mirror glass	//RL /L	1	IL0R/5SJ/6XP I6XQ
(5)	971 857 521 C	Convex Mirror glass	//LL /L	1	IL0L/5SG/6XT I6XW
(5)	971 857 521 D	Plane Mirror glass	//LL /L	1	IL0L/5SL/6XT I6XW
(5)	971 857 521 E	Aspherical Mirror glass	//RL /L	1	IL0R/5SJ/6XT I6XW
(5)	971 857 522	Aspherical Mirror glass	//LL /R	1	IL0L/5RQ/6XP I6XQ
(5)	971 857 522 B	Convex Mirror glass	//LL /R	1	IL0L/5RT/6XP I6XQ
(5)	971 857 522 C	Convex Mirror glass	//LL /R	1	IL0L/5RQ/6XT I6XW
(5)	971 857 522 E	Convex Mirror glass	//LL /R	1	IL0L/5RT/6XT I6XW
(5)	971 857 522 F	Convex Mirror glass	//RL /R	1	IL0R/5RV/6XP I6XQ
(5)	971 857 522 G	Aspherical Mirror glass	//RL /R	1	IL0R/5RV/6XT I6XW
6	971 858 689	Aspherical Repair kit		1	
		Screw		3	
		M3X17		1	
		M3X38		9	
		M3X12		1	
7	971 857 411	Mirror base Upper part Left	/L	1	IL0L
(7)	971 857 412	Mirror base Upper part Right	/R	1	IL0L
(7)	971 857 411 A	Mirror base Upper part Left	/L	1	IL0R
(7)	971 857 412 A	Mirror base Upper part Right	/R	1	IL0R
10	971 949 133	Light	/L	1	
(10)	971 949 134	Door mirror Light	/R	1	
12	971 857 117	Door mirror Clamp Camera	/L	1	IL0L/8A4

Model: 971-17 Model life 2017>>

Pos	Part Number	Description	Remark	Qty	Model
(12)	971 857 118	Door mirror Clamp Camera	/R	1	IL0L/8A4
(12)	971 857 117 A	Door mirror Clamp Camera	/L	1	IL0R/8A4
(12)	971 857 118 A	Door mirror Clamp Camera	/R	1	IL0R/8A4
13	971 949 101	Direction indicator light	/L	1	IL0L
(13)	971 949 102	Direction indicator light	/R	1	IL0L
(13)	971 949 101 A	Direction indicator light	/L	1	IL0R
(13)	971 949 102 A	Direction indicator light	/R	1	IL0R
14	971 953 039 D	Warning light Lane Change Assistant	/L	1	IL0L/7Y1
(14)	971 953 040 D	Warning light Lane Change Assistant	/R	1	IL0L/7Y1
(14)	971 953 039 E	Warning light Lane Change Assistant	/L	1	IL0R/7Y1
(14)	971 953 040 E	Warning light Lane Change Assistant	/R	1	IL0R/7Y1
15	971 857 555 A	Gasket Upper	/L	1	
(15)	971 857 556 A	Gasket Upper	/R	1	
16	971 857 085	Cap Mirror base Inner	/L	1	
(16)	971 857 085 041	Black			
(16)	971 857 086	Cap Mirror base Inner	/R	1	
(16)	971 857 086 041	Black			
17	971 857 019	Cap Mirror base Outer	/L	1	
(17)	971 857 019 041	Black			
(17)	971 857 020	Cap Mirror base Outer	/R	1	
(17)	971 857 020 041	Black			
20	971 857 679	Gasket Lower	/L	1	
(20)	971 857 680	Gasket Lower	/R	1	
21	971 857 539	Mirror base Lower part	/L	1	
(21)	971 857 540	Mirror base Lower part	/R	1	
22	N 912 595 01	Multiple-tooth screw Mirror base		2	
23	971 972 235 S	Wiring harness Door mirror		1	-I6XT/-I8A4
(23)	971 972 235 AE	Wiring harness Door mirror		1	-I6XT/I8A4
(23)	971 972 235 B	Wiring harness Door mirror		1	-I8A4/I6XT
(23)	971 972 235 P	Wiring harness Door mirror		1	I6XT/8A4
30	971 863 081	Cover Antenna		1	
	971 863 081 4PK	Black			

Model: 971-17

Model life 2017>>

Pos	Part Number	Description	Remark	Qty	Model
31	971 857 593	Cover		1	
	971 857 593 4PK	Black			
32	971 857 511	Interior mirror		1	
	971 857 511 HJC	Black			
33	N 106 530 01	Screw		2	
34	9A7 857 945 00	Spring clamp		1	
35	N 107 009 01	Expansion rivet		1	

Model: 971-17

Model life 2017>>

13 — P O R S C H E

4 — *Panamera*

8 — *Panamera*

5 — *S*

9 — *S*

6 — *4*

10 — *4*

7 — *turbo*

11 — *turbo*

17 — *executive*

25

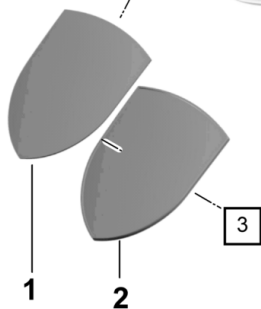
26

25

27

16 — *e-hybrid*

15 — *diesel*



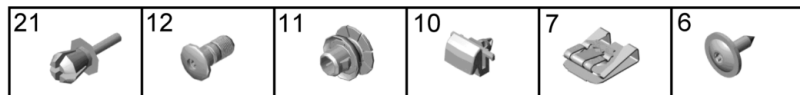
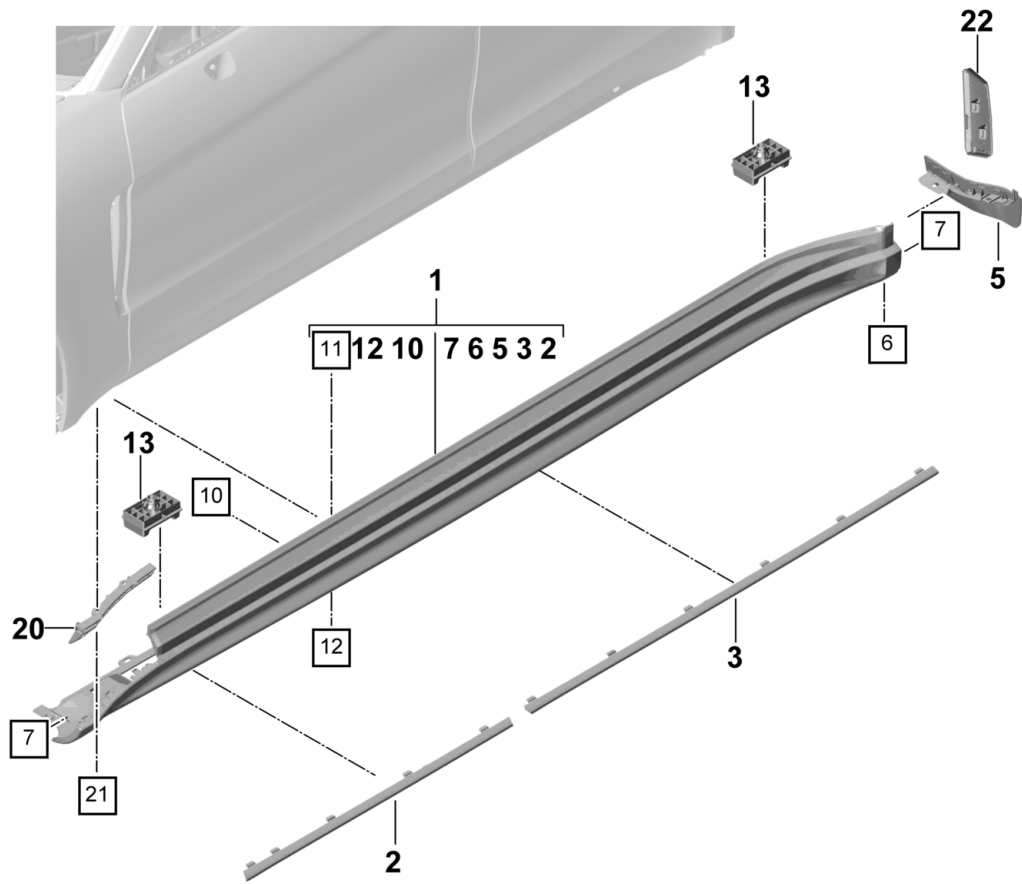
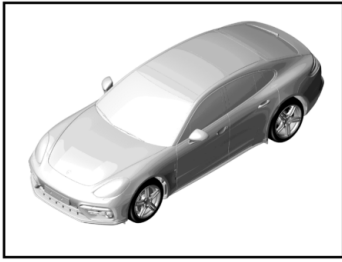
Model: 971-17

Model life 2017>>

Pos	Part Number	Description	Remark	Qty	Model
		Insignias			
		Stone guard film			
1	958 559 601 02	Porsche crest		1	
2	958 559 611 00	Desk pad		1	
3	WHT 004 974	Nut		2	
4	971 853 675	Logo		1	I0K0
		Panamera			
5	971 853 675 A	Logo		1	I0K0
		S			
6	971 853 675 B	Logo		1	I0K0
		4			
7	971 853 675 C	Logo		1	I0K0
		Turbo			
8	971 853 675 D	Logo		1	I0K3
		Panamera			
9	971 853 675 E	Logo		1	I0K3
		S			
10	971 853 675 F	Logo		1	I0K3
		4			
11	971 853 675 G	Logo		1	I0K3
		Turbo			
13	971 853 687	Logo		1	
		Porsche			
15	971 854 499	Logo	/L	1	MDB.UC
		Diesel			
(15)	971 854 500	Logo	/R	1	MDB.UC
		Diesel			
16	971 854 499 A	Logo	/L	1	I0K3
		e-hybrid			
(16)	971 854 500 A	Logo	/R	1	I0K3
		e-hybrid			
17	971 854 499 B	Logo	/L	1	I0E2
		EXECUTIVE			
(17)	971 854 500 B	Logo	/R	1	I0E2
		EXECUTIVE			
25	971 853 823	Stone guard film	/L	1	
		Side section			
		Information available			
(25)	971 853 824	Stone guard film	/R	1	
		Side section			
		Information available			
26	971 853 025	Wheel cover		1	
		Version for japan			
	971 853 025 G2X	Prime coated			
27	971 807 637	Protective film	/L	1	
		Side section			
(27)	971 807 638	Protective film	/R	1	
		Side section			

Model: 971-17

Model life 2017>>



Model: 971-17

Model life 2017>>

Pos	Part Number	Description	Remark	Qty	Model
1	971 854 883	Sill cover	/L	1	I0E1/2D0
	971 854 883 OK1	Black mat			
(1)	971 854 884	Sill cover	/R	1	I0E1/2D0
	971 854 884 OK1	Black mat			
(1)	971 854 883 A	Sill cover	/L	1	I0E2/2D0
	971 854 883 A OK1	Black mat			
(1)	971 854 884 A	Sill cover	/R	1	I0E2/2D0
	971 854 884 A OK1	Black mat			
(1)	971 854 883 B	Sill cover	/L	1	IVR4/0E1/2D1 I2D4/2D5
	971 854 883 B G2X	Prime coated			
(1)	971 854 884 B	Sill cover	/R	1	IVR4/0E1/2D1 I2D4/2D5
	971 854 884 B G2X	Prime coated			
(1)	971 854 883 C	Sill cover	/L	1	IVR4/0E2/2D1 I2D4/2D5
	971 854 883 C G2X	Prime coated			
(1)	971 854 884 C	Sill cover	/R	1	IVR4/0E2/2D1 I2D4/2D5
	971 854 884 C G2X	Prime coated			
2	971 853 457	Moulding	/L	1	I0E2/2D0
		Sill cover			
		Front			
	971 853 457 GS1	Chrome			
(2)	971 853 458	Moulding	/R	1	I0E2/2D0
		Sill cover			
		Front			
	971 853 458 GS1	Chrome			
3	971 853 459	Moulding	/L	1	I0E2/2D0
		Sill cover			
		Rear			
	971 853 459 GS1	Chrome			
(3)	971 853 460	Moulding	/R	1	I0E2/2D0
		Sill cover			
		Rear			
	971 853 460 GS1	Chrome			
5	971 854 827	Wheel cover	/L	1	
		Sill cover			
		Rear			
	971 854 827 OK1	Black mat			
(5)	971 854 828	Wheel cover	/R	1	
		Sill cover			
		Rear			
	971 854 828 OK1	Black mat			
6	9A7 007 698 00	Round head screw		X	
		ST4,8X16			
7	WHT 007 380	Clamping nut		X	
10	971 853 755	Fixing clip		9	
		Sill cover			
		Upper			
11	971 853 802	Expansion rivet		18	
		Sill cover			
		Lower			
12	971 854 297	Stopper		9	
		Sill cover			
		Lower			
13	9A7 802 819 00	Jacking point		4	
20	971 854 943	Retaining strip	/L	1	
		Front			
		Sill cover			
(20)	971 854 944	Retaining strip	/R	1	
		Front			

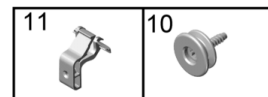
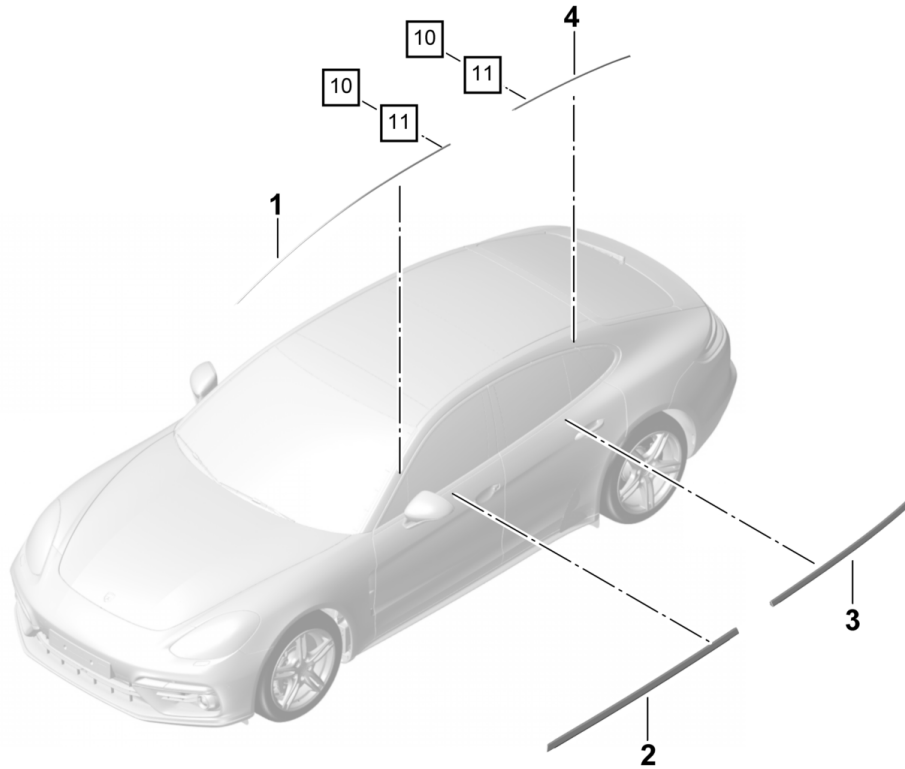
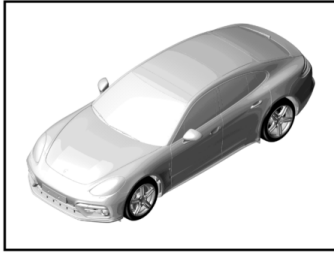
Model: 971-17

Model life 2017>>

Pos	Part Number	Description	Remark	Qty	Model
21	N 104 179 01	Sill cover Expansion rivet Retaining strip		4	
22	971 853 609	Wheel cover	/L	1	IVR4/2D1/2D4 I2D5
(22)	971 853 609 OK1	Sill cover Rear Black mat			
	971 853 610	Wheel cover	/R	1	IVR4/2D1/2D4 I2D5
	971 853 610 OK1	Sill cover Rear Black mat			

Model: 971-17

Model life 2017>>



Model: 971-17 Model life 2017>>

Pos	Part Number	Description	Remark	Qty	Model
		Moulding			
		Doors			
		Front and rear			
1	971 853 101 C	Moulding	/L	1	IQJ2
	971 853 101 C V09	Alushine			
(1)	971 853 101 D	Moulding	/L	1	IQJ5
	971 853 101 D 03C	Rally black			
(1)	971 853 101 E	Moulding	/L	1	IQJ4
	971 853 101 E 041	High-Gloss Black			
(1)	971 853 102 C	Moulding	/R	1	IQJ2
	971 853 102 C V09	Alushine			
(1)	971 853 102 D	Moulding	/R	1	IQJ5
	971 853 102 D 03C	Rally black			
(1)	971 853 102 E	Moulding	/R	1	IQJ4
	971 853 102 E 041	High-Gloss Black			
2	971 837 475	Moulding	/L	1	IQJ2
	971 837 475 V09	Alushine			
(2)	971 837 475 A	Moulding	/L	1	IQJ5
	971 837 475 A 03C	Rally black			
(2)	971 837 475 B	Moulding	/L	1	IQJ4
	971 837 475 B 041	High-Gloss Black			
(2)	971 837 476	Moulding	/R	1	IQJ2
	971 837 476 V09	Alushine			
(2)	971 837 476 A	Moulding	/R	1	IQJ5
	971 837 476 A 03C	Rally black			
(2)	971 837 476 B	Moulding	/R	1	IQJ4
	971 837 476 B 041	High-Gloss Black			
3	971 839 475	Moulding	/L	1	IQJ2/0E1
	971 839 475 V09	Alushine			
(3)	971 839 475 A	Moulding	/L	1	IQJ5/0E1
	971 839 475 A 03C	Rally black			
(3)	971 839 475 B	Moulding	/L	1	IQJ4/0E1
	971 839 475 B 041	High-Gloss Black			
(3)	971 839 476	Moulding	/R	1	IQJ2/0E1
	971 839 476 V09	Alushine			
(3)	971 839 476 A	Moulding	/R	1	IQJ5/0E1
	971 839 476 A 03C	Rally black			
(3)	971 839 476 B	Moulding	/R	1	IQJ4/0E1
	971 839 476 B 041	High-Gloss Black			
(3)	971 839 475 C	Moulding	/L	1	IQJ2/0E2
	971 839 475 C V09	Alushine			
(3)	971 839 475 D	Moulding	/L	1	IQJ5/0E2
	971 839 475 D 03C	Rally black			
(3)	971 839 475 E	Moulding	/L	1	IQJ4/0E2
	971 839 475 E 041	High-Gloss Black			
(3)	971 839 476 C	Moulding	/R	1	IQJ2/0E2
	971 839 476 C V09	Alushine			
(3)	971 839 476 D	Moulding	/R	1	IQJ5/0E2
	971 839 476 D 03C	Rally black			
(3)	971 839 476 E	Moulding	/L	1	IQJ4/0E2
	971 839 476 E 041	High-Gloss Black			
(3)	974 839 475	Moulding		1	IK8D/QJ2
	974 839 475 V09	Alushine			
(3)	974 839 475 A	Moulding		1	IK8D/QJ5
	974 839 475 A 03C	Rally black			
(3)	974 839 475 B	Moulding		1	IK8D/QJ4
	974 839 475 B 041	High-Gloss Black			
(3)	974 839 476	Moulding		1	IK8D/QJ2
	974 839 476 V09	Alushine			
(3)	974 839 476 A	Moulding		1	IK8D/QJ5
	974 839 476 A 03C	Rally black			
(3)	974 839 476 B	Moulding		1	IK8D/QJ4
	974 839 476 B 041	High-Gloss Black			

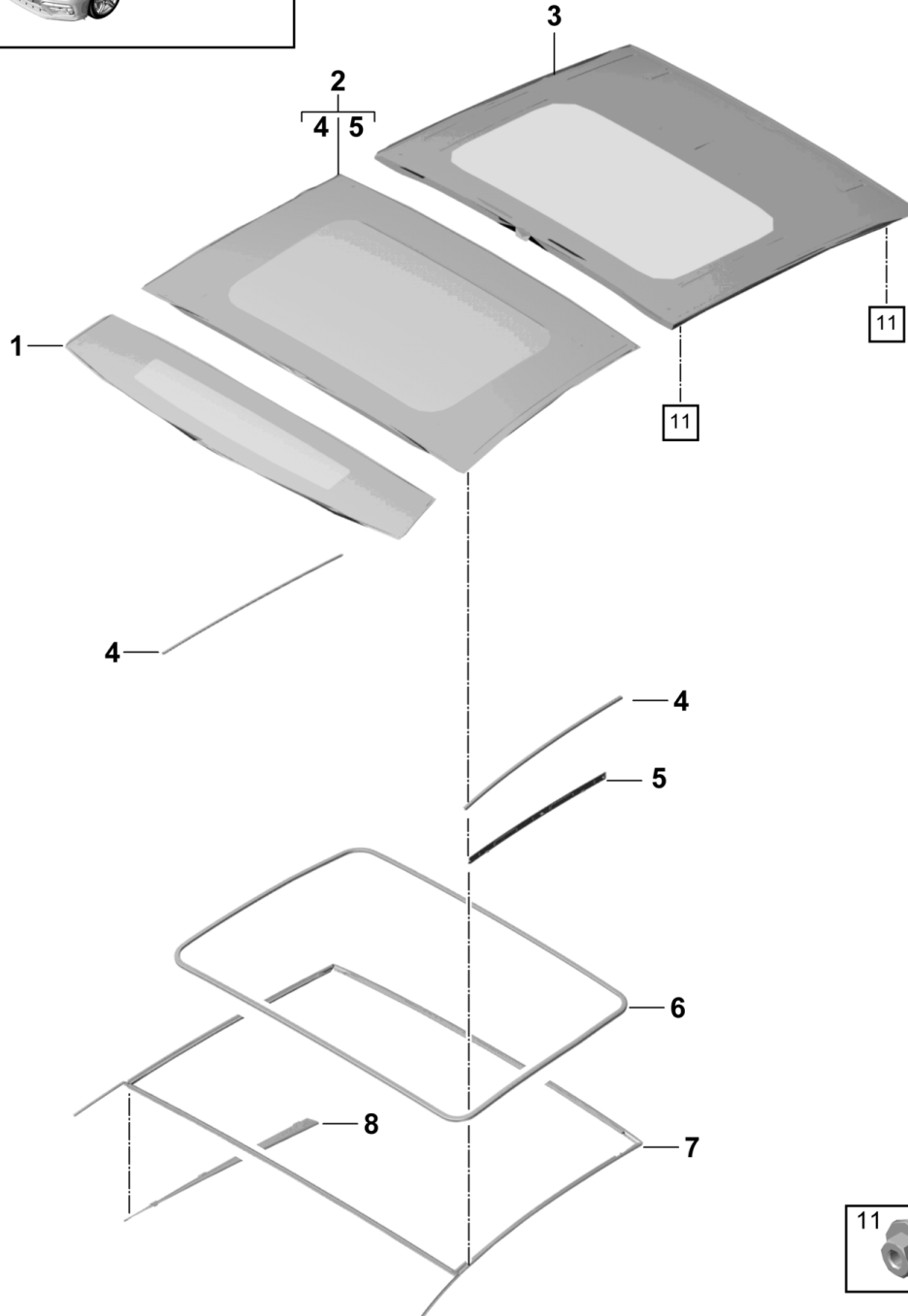
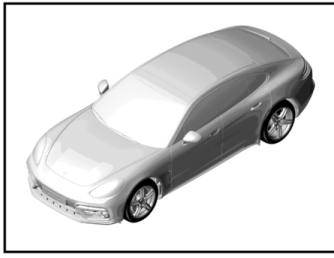
Model: 971-17

Model life 2017>>

Pos	Part Number	Description	Remark	Qty	Model
4	971 853 053 F	Moulding	/L	1	IQJ2/0E1
	971 853 053 F V09	Alushine			
(4)	971 853 053 G	Moulding	/L	1	IQJ5/0E1
	971 853 053 G 03C	Rally black			
(4)	971 853 053 H	Moulding	/L	1	IQJ4/0E1
	971 853 053 H 041	High-Gloss Black			
(4)	971 853 054 F	Moulding	/R	1	IQJ2/0E1
	971 853 054 F V09	Alushine			
(4)	971 853 054 G	Moulding	/R	1	IQJ5/0E1
	971 853 054 G 03C	Rally black			
(4)	971 853 054 H	Moulding	/R	1	IQJ4/0E1
	971 853 054 H 041	High-Gloss Black			
(4)	971 853 053 J	Moulding	/L	1	IQJ2/0E2
	971 853 053 J V09	Alushine			
(4)	971 853 053 K	Moulding	/L	1	IQJ5/0E2
	971 853 053 K 03C	Rally black			
(4)	971 853 053 L	Moulding	/L	1	IQJ4/0E2
	971 853 053 L 041	High-Gloss Black			
(4)	971 853 054 J	Moulding	/R	1	IQJ2/0E2
	971 853 054 J V09	Alushine			
(4)	971 853 054 K	Moulding	/R	1	IQJ5/0E2
	971 853 054 K 03C	Rally black			
(4)	971 853 054 L	Moulding	/R	1	IQJ4/0E2
	971 853 054 L 041	High-Gloss Black			
(4)	974 853 053	Moulding		1	IK8D/QJ2
	974 853 053 V09	Alushine			
(4)	974 853 053 A	Moulding		1	IK8D/QJ5
	974 853 053 A 03C	Rally black			
(4)	974 853 053 B	Moulding		1	IK8D/QJ4
	974 853 053 B 041	High-Gloss Black			
(4)	974 853 054	Moulding		1	IK8D/QJ2
	974 853 054 V09	Alushine			
(4)	974 853 054 A	Moulding		1	IK8D/QJ5
	974 853 054 A 03C	Rally black			
(4)	974 853 054 B	Moulding		1	IK8D/QJ4
	974 853 054 B 041	High-Gloss Black			
10	9A7 007 962 00	Screw		X	
11	971 837 171	Clip		2	
		Moulding			

Model: 971-17

Model life 2017>>



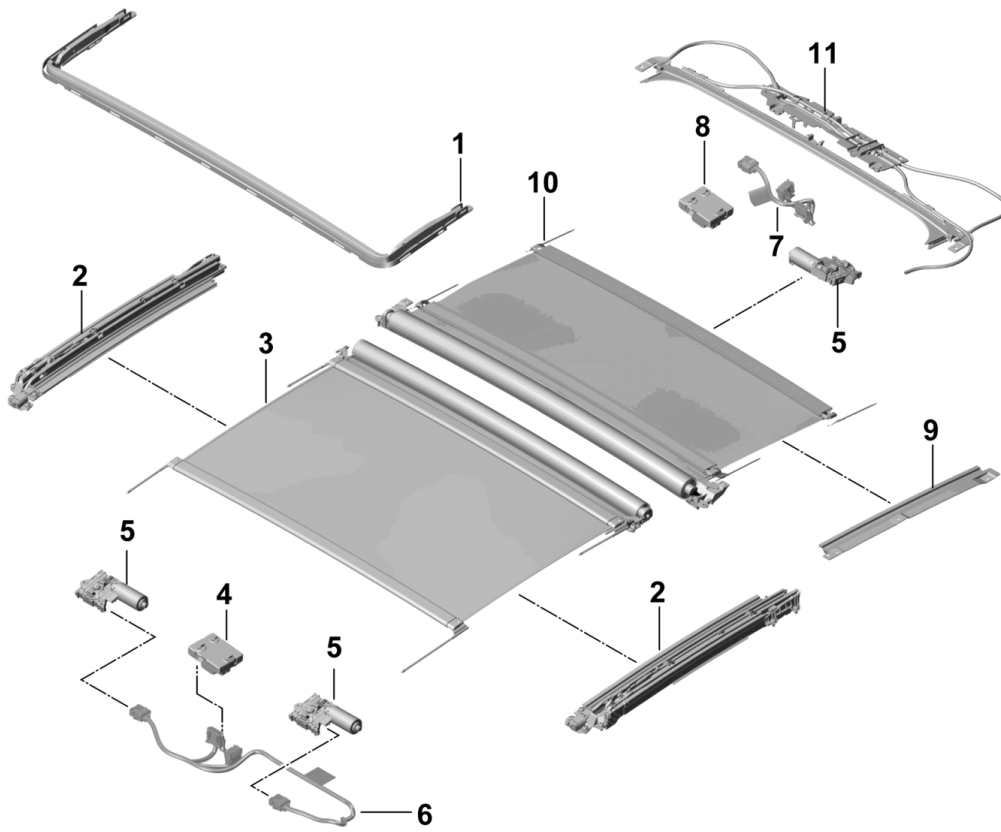
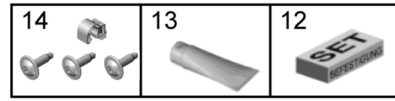
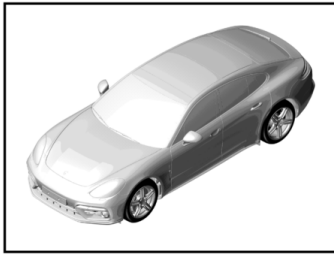
Model: 971-17

Model life 2017>>

Pos	Part Number	Description	Remark	Qty	Model
1	971 877 055	Sunroof Accessories Lid Front Use also: 000.043.305.35		1	I3FU
2	971 877 056	Repair kit Lid Centre Including Gaskets Use also: 9A7.898.057.00		1	
3	971 877 058	Lid Rear Use also: 000.043.305.35		1	IK8S/0E1
(3)	971 877 058 A	Lid Rear Use also: 000.043.305.35		1	I0E2
(3)	974 877 058 A	Lid Rear Use also: 000.043.305.35		1	IK8D/0E1
4	971 877 467	Set Gaskets Lid Centre Lower Use also: 000.043.305.72		1	
5	971 877 229	Set Cover		1	
6	971 877 223	Gasket		1	
7	971 877 439	Gasket Frame Use also: 000.043.305.72		1	
8	971 877 781	Set Cover		1	
9	000 043 305 72	Primer PRIMER for Mount Gasket		1	
10	000 043 305 35	Adhesive set		X	
11	N 911 733 01	Combined nut M6		4	
12	9A7 898 057 00	Set of fastening parts Lid Centre		1	

Model: 971-17

Model life 2017>>



Model: 971-17

Model life 2017>>

Pos	Part Number	Description	Remark	Qty	Model
1	971 877 651	Sunroof Accessories Air deflector Complete Including Fastening screw		1	I3FU
2	971 898 021	Repair kit Guide rail Gate guide Holders Including Cable for Driving mechanism Lid And Shade Front		1	
3	971 877 307	Repair kit Shade Front Complete		1	
	971 877 307 OU1	Black			+AB, +AC, +SB +PC, +BB, +BS +DG, +DL +UB, +PK, +UC +BP, +PL +BK +BE +HD +HC
	971 877 307 OW2	Agate Grey			
	971 877 307 OS3	Luxor Beige			
	971 877 307 OL8	Chalk			
	971 877 307 5J0	Cream			
	971 877 307 OS1	Truffle Brown			
	971 877 307 OB8	Cohiba Brown			
4	9A7 907 594 00	Control unit Sunroof Front		1	
5	9A7 959 591 00	Driving mechanism Use also: 9A789899400		3	
6	971 971 642	Wiring harness Front		1	
7	971 971 648	Wiring harness Rear		1	
8	9A7 907 594 10	Control unit Sunroof Rear		1	
9	971 898 029	Repair kit Guide rail Including Cable Shade Rear		1	IK8S/0E1
(9)	971 898 029 A	Repair kit Guide rail Including Cable Shade Rear		1	IK8S/0E2
(9)	974 898 029	Repair kit Guide rail Including Cable Shade Rear		1	IK8D/0E1
10	971 877 306	Repair kit		1	IK8S

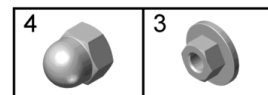
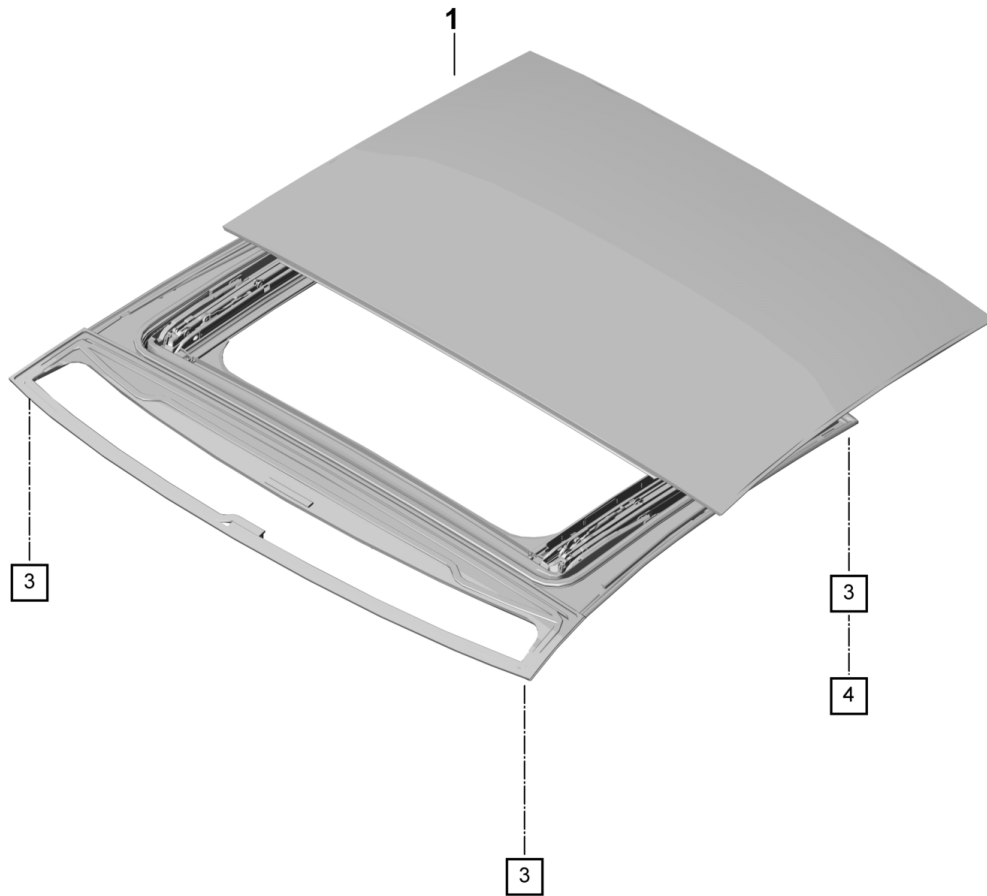
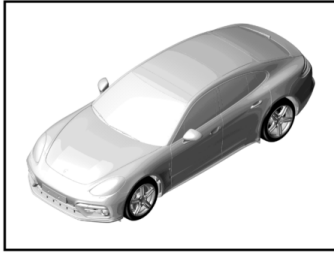
Model: 971-17

Model life 2017>>

Pos	Part Number	Description	Remark	Qty	Model
	971 877 306 OU1	Shade Rear Complete Black			+AB,+AC,+SB +PC,+BB,+BS
	971 877 306 OW2	Agate Grey			+DG,+DL
	971 877 306 OS3	Luxor Beige			+UB,+PK,+UC +BP,+PL
	971 877 306 OL8	Chalk			+BK
	971 877 306 5J0	Cream			+BE
	971 877 306 OS1	Truffle Brown			+HD
	971 877 306 OB8	Cohiba Brown			+HC
(10)	974 877 306	Repair kit		1	IK8D
	974 877 306 OU1	Shade Rear Complete Black			+AB,+AC,+SB +PC,+BB,+BS
	974 877 306 OW2	Agate Grey			+DG,+DL
	974 877 306 OS3	Luxor Beige			+PK,+UC +BP,+PL
	974 877 306 OL8	Chalk			+BK
	974 877 306 5J0	Cream			+BE
	974 877 306 OS1	Truffle Brown			+HD
	974 877 306 OB8	Cohiba Brown			+HC
11	971 877 991	Plate Including Screw		1	IK8S/0E1
(11)	971 877 991 A	Plate Including Screw		1	I0E2
(11)	974 877 991	Plate Including Screw		1	IK8D
12	971 898 011	Mounting parts		1	
13	N 052 567 GB	Grease		1	
14	9A7 898 994 00	Set of fastening parts Driving mechanism		1	

Model: 971-17

Model life 2017>>



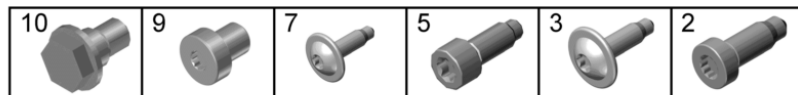
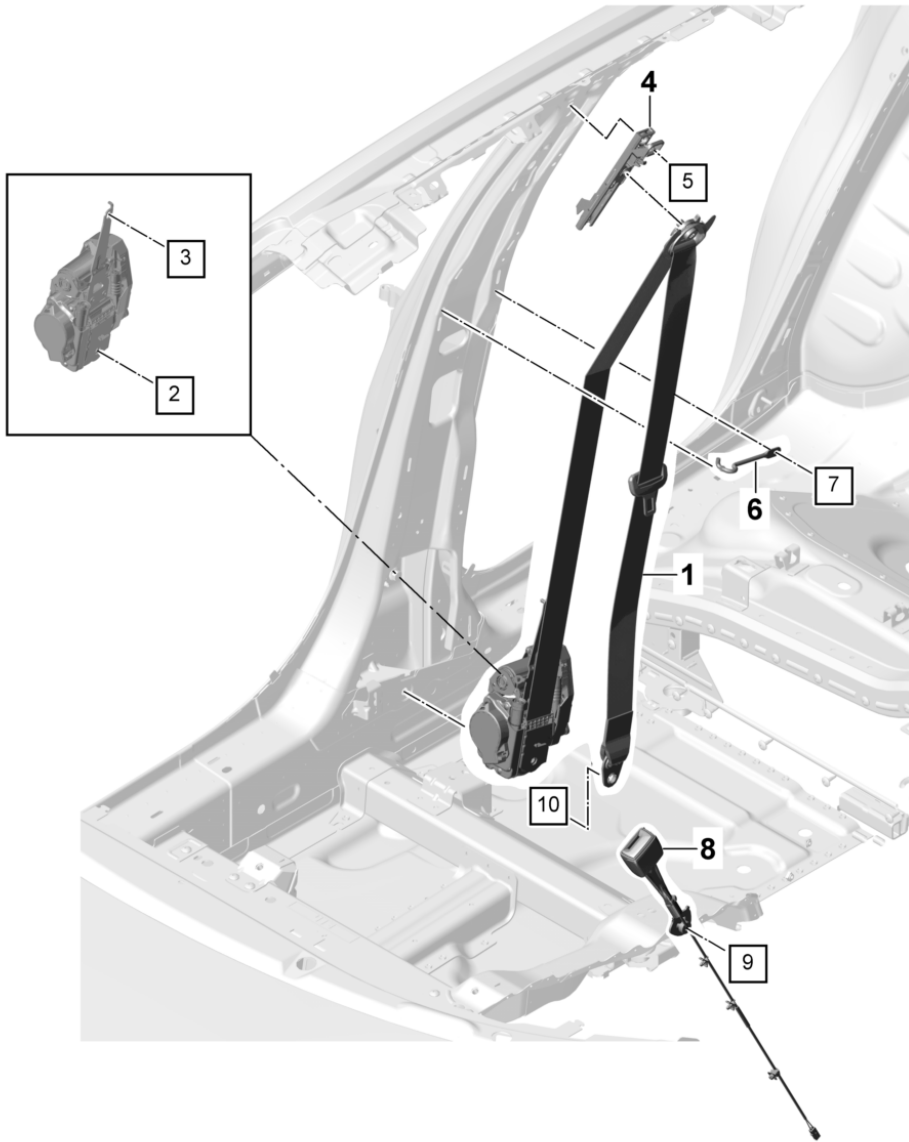
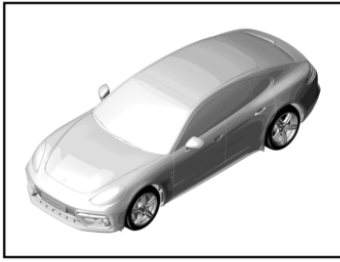
Model: 971-17

Model life 2017>>

Pos	Part Number	Description	Remark	Qty	Model
1	971 877 043 Y	Sunroof Frame Complete with Lid without Shade And Driving mechanism Use also: 000.043.305.35		1	I3FU
2	000 043 305 35	Adhesive set		X	
3	N 911 733 01	Combined nut M6		X	
4	N 011 121 7	Cap nut M6		2	

Model: 971-17

Model life 2017>>

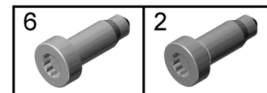
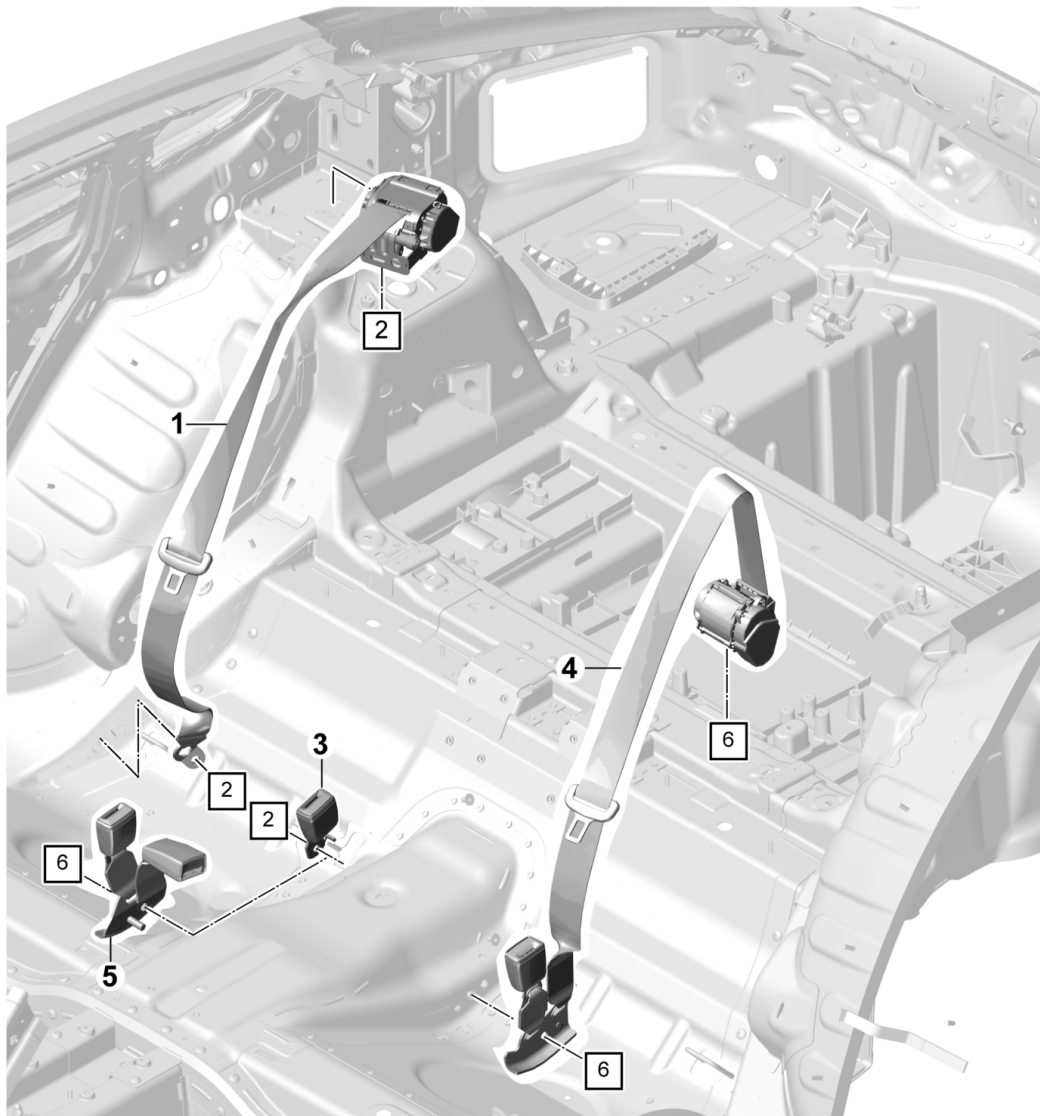
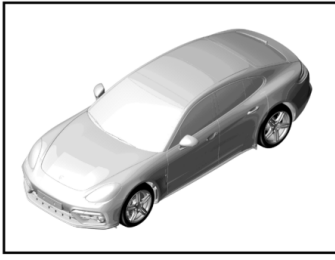


Model: 971-17 Model life 2017>>

Pos	Part Number	Description	Remark	Qty	Model
1	971 857 706	Seat belt Front	/R	1	I8T1
	971 857 706 A23	Black			IFZ0
	971 857 706 OR1	Agate Grey			IFZ0
	971 857 706 62S	Luxor Beige			IFZ0
	971 857 706 OP2	Saddle Tan			IFZ0
	971 857 706 3M0	Marsala Red			IFZ0
	971 857 706 OS1	Truffle Brown			IFZ0
	971 857 706 OB8	Cohiba Brown			IFZ0
	971 857 706 OG6	Bordeaux Red			IFI6
	971 857 706 OL8	Chalk			IFI8
(1)	971 857 705	Seat belt Left	/L	1	I8T1
	971 857 705 A23	Black			IFZ0
	971 857 705 OR1	Agate Grey			IFZ0
	971 857 705 62S	Luxor Beige			IFZ0
	971 857 705 OP2	Saddle Tan			IFZ0
	971 857 705 3M0	Marsala Red			IFZ0
	971 857 705 OS1	Truffle Brown			IFZ0
	971 857 705 OB8	Cohiba Brown			IFZ0
	971 857 705 OG6	Bordeaux Red			IFI6
	971 857 705 OL8	Chalk			IFI8
(1)	971 857 705 B	Seat belt Left	/L	1	I3V1/8T3
	971 857 705 B A23	Black			IFZ0
	971 857 705 B OR1	Agate Grey			IFZ0
	971 857 705 B 62S	Luxor Beige			IFZ0
	971 857 705 B OP2	Saddle Tan			IFZ0
	971 857 705 B 3M0	Marsala Red			IFZ0
	971 857 705 B OS1	Truffle Brown			IFZ0
	971 857 705 B OB8	Cohiba Brown			IFZ0
	971 857 705 B OG6	Bordeaux Red			IFI6
	971 857 705 B OL8	Chalk			IFI8
(1)	971 857 706 B	Seat belt Right	/R	1	I3V1/8T3
	971 857 706 B A23	Black			IFZ0
	971 857 706 B OR1	Agate Grey			IFZ0
	971 857 706 B 62S	Luxor Beige			IFZ0
	971 857 706 B OP2	Saddle Tan			IFZ0
	971 857 706 B 3M0	Marsala Red			IFZ0
	971 857 706 B OS1	Truffle Brown			IFZ0
	971 857 706 B OB8	Cohiba Brown			IFZ0
	971 857 706 B OG6	Bordeaux Red			IFI6
	971 857 706 B OL8	Chalk			IFI8
2	N 989 261 02	Fastening screw		1	
3	N 909 101 02	Hexagon socket head bolt		1	I3V1/8T3
4	9A7 857 819 00	Seat belt Height adjustment		2	
5	9A7 003 307 00	Pan-head screw M8X20,5		1	
6	971 857 817	Clip		2	
7	N 909 101 02	Hexagon socket head bolt M5X18		2	
8	971 857 755	Seat-belt buckle Driver's side		1	
(8)	971 857 755 A	Seat-belt buckle Passenger's side		1	I8T1
(8)	971 857 755 B	Seat-belt buckle Passenger's side		1	I3V1/8T3
9	N 989 237 01	Fastening screw		2	
10	9A7 007 915 00	Hexagon-head bolt		2	

Model: 971-17

Model life 2017>>



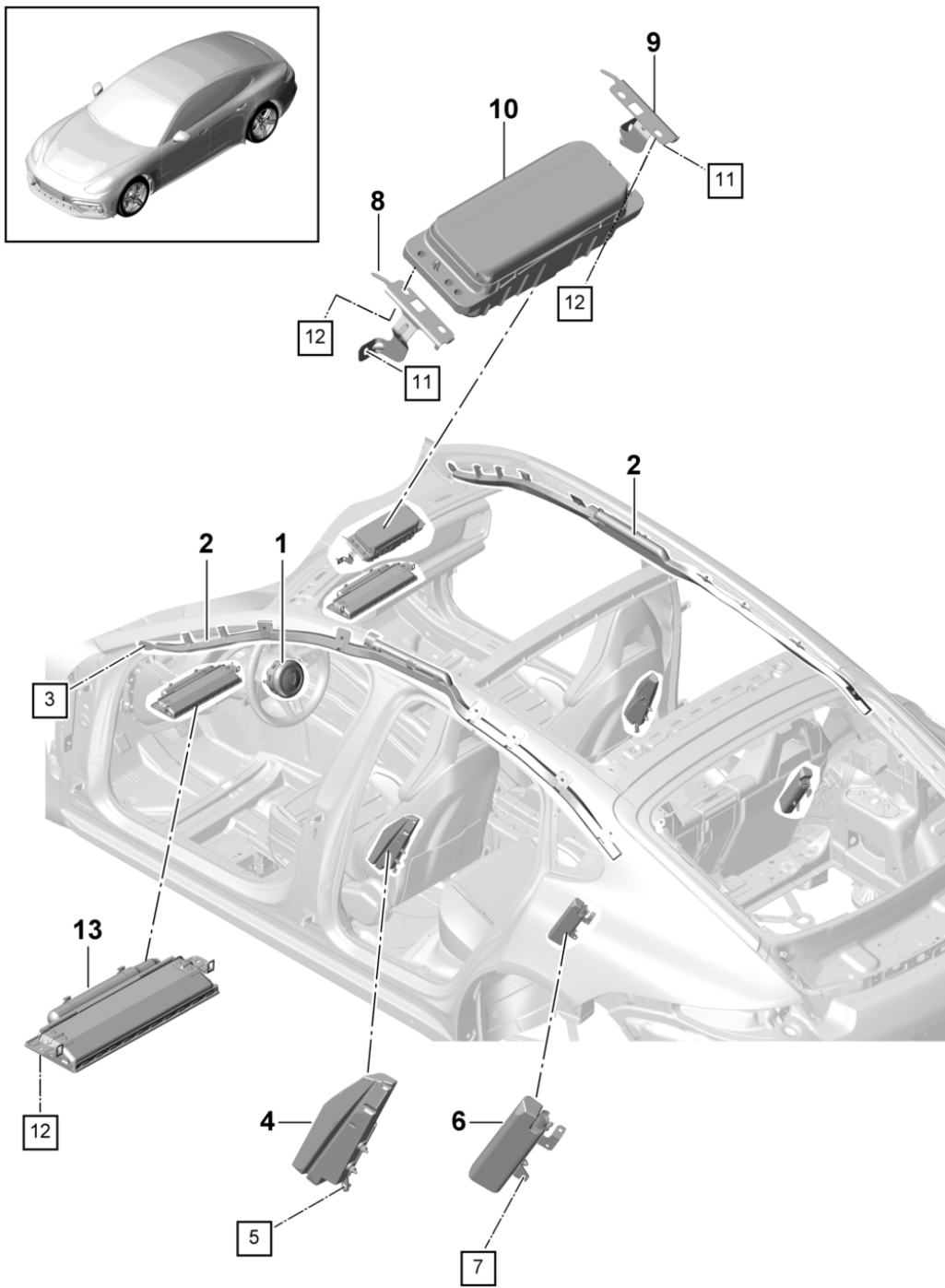
Model: 971-17

Model life 2017>>

Pos	Part Number	Description	Remark	Qty	Model
1	971 857 805	Seat belt Rear		2	
	971 857 805 A23	Black			IFZ0
	971 857 805 OR1	Agate Grey			IFZ0
	971 857 805 62S	Luxor Beige			IFZ0
	971 857 805 OP2	Saddala Tan			IFZ0
	971 857 805 3M0	Marsala Red			IFZ0
	971 857 805 OS1	Truffle Brown			IFZ0
	971 857 805 OB8	Cohiba Brown			IFZ0
	971 857 805 OG6	Bordeaux Red			IFI6
	971 857 805 OL8	Chalk			IFI8
2	N 989 261 02	Fastening screw		X	
3	971 857 739	Seat-belt buckle		2	I0E1
(3)	971 857 753	Seat-belt buckle Left	/L	1	I0E2
(3)	971 857 754	Seat-belt buckle Right	/R	1	I0E2
4	974 857 807 B	Seat belt Centre with Seat-belt buckle		1	I5KA/5KH
	974 857 807 B A23	Black			IFZ0
	974 857 807 B OR1	Agate Grey			IFZ0
	974 857 807 B 62S	Luxor Beige			IFZ0
	974 857 807 B OP2	Saddala Tan			IFZ0
	974 857 807 B 3M0	Marsala Red			IFZ0
	974 857 807 B OS1	Truffle Brown			IFZ0
	974 857 807 B OB8	Cohiba Brown			IFZ0
	974 857 807 B OG6	Bordeaux Red			IFI6
	974 857 807 B OL8	Chalk			IFI8
5	974 857 739 A	Seat-belt buckle Centre		1	I5KA/5KH
6	N 912 695 01	Screw		X	

Model: 971-17

Model life 2017>>



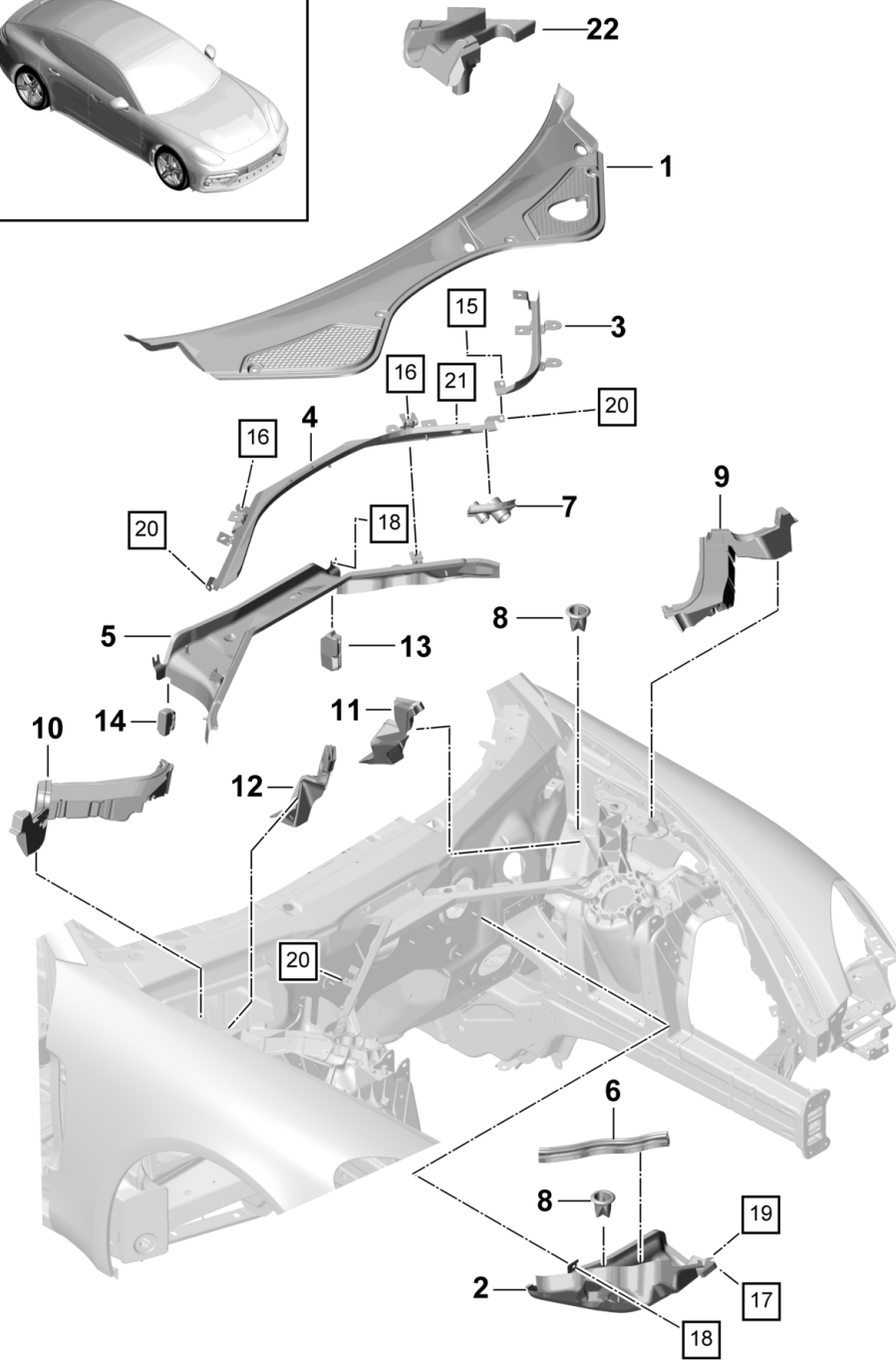
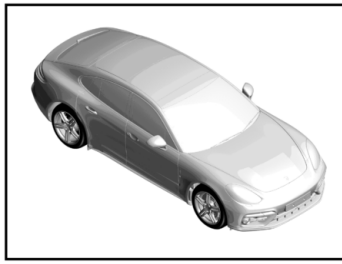
Model: 971-17

Model life 2017>>

Pos	Part Number	Description	Remark	Qty	Model
1	971 880 201 H	Airbag Airbag unit Steering wheel		1	I4N1
	971 880 201 H 5Q0	Black			+AB, +PK
	971 880 201 H OA6	Agate Grey			+DG
	971 880 201 H 6W0	Luxor Beige			+UB
(1)	971 880 201 J	Airbag unit Steering wheel Leather		1	I4N5/4N8
	971 880 201 J A34	Black			+AC, +BB, +BS
	971 880 201 J OE5	Agate Grey			+BK
	971 880 201 J OK6	Saddle Tan			+DL
	971 880 201 J 9J9	Luxor Beige			+SB, +BP
	971 880 201 J 8U7	Marsala Red			+UC
2	971 880 741	Head airbag Left	/L	1	I0E1
(2)	971 880 742	Head airbag Right	/R	1	I0E1
(2)	971 880 741 A	Head airbag Left	/L	1	I0E2
(2)	971 880 742 A	Head airbag Right	/R	1	I0E2
3	N 910 742 01	Fastening screw M5X16		4	
4	971 880 241 B	Side airbag Front Left	/V /L	1	
(4)	971 880 242 B	Side airbag Front Right	/V /R	1	
5	N 910 733 01	Oval-head screw M6X12		2	
6	971 880 441	Side airbag Rear Left	/H /L	1	
(6)	971 880 442	Side airbag Rear Right	/H /R	1	
7	N 015 082 10	Hexagon nut		4	
8	971 880 571	Support Left	/L	1	
9	971 880 572	Support Right	/R	1	
10	971 880 204	Airbag unit Passenger's side		1	
11	N 910 935 02	Round head screw		4	
12	9A7 007 404 00	Screw		X	
13	971 880 841	Knee airbag		2	

Model: 971-17

Model life 2017>>



21	20	19	18	17	16	15

Model: 971-17 Model life 2017>>

Pos	Part Number	Description	Remark	Qty	Model
1	971 819 401 B	Plenum panel Cover	/LL	1	IL0L
(1)	971 819 401 B OK1	Plenum panel Black mat			
	971 819 401 C	Cover	/RL	1	IL0R
	971 819 401 C OK1	Plenum panel Black mat			
2	9A7 819 510 00	Plenum panel Firewall Lower Left	/L	1	
(2)	9A7 819 530 00	Plenum panel Firewall Lower Right	/R	1	IL0L
(2)	9A7 819 530 10	Plenum panel Firewall Lower Right	/R	1	IL0R
3	9A7 819 511 00	Plenum panel Firewall Lower	/L	1	
(3)	9A7 819 512 00	Plenum panel Firewall Lower	/R	1	
4	9A7 815 517 00	Plenum panel Firewall Upper		1	
5	9A7 819 523 00	Plenum panel Firewall Centre		1	
6	9A7 819 531 00	Gasket	/L	1	
(6)	9A7 819 532 00	Plenum panel Gasket	zu Pos.2 /R	1	
7	9A7 820 609 00	Plenum panel Grommet	zu Pos.2	1	
8	958 572 419 00	Refrigerant line Water drain valve		X	
9	971 819 236	Foam part		1	
10	971 819 238	Plenum panel Foam part		1	
11	9A7 819 239 00	Plenum panel Foam part		1	
12	9A7 819 997 00	Plenum panel Foam part		1	
13	9A7 815 361 00	Plenum panel Foam part		1	
14	9A7 815 362 00	Plenum panel Foam part		1	
15	N 104 301 04	Plenum panel Lens-head screw M5X16		2	
16	N 910 423 01	Oval-head screw M6X16 -TC		6	
17	N 911 914 01	Round head screw M6X18 -W		2	
18	N 904 953 01	Hexagon nut Plastic nut T5/16,5X11		4	
19	N 906 271 02	Speed nut M6X24,5X16,5		4	
20	N 904 759 03	Speed nut M5X13,6X11,5		2	

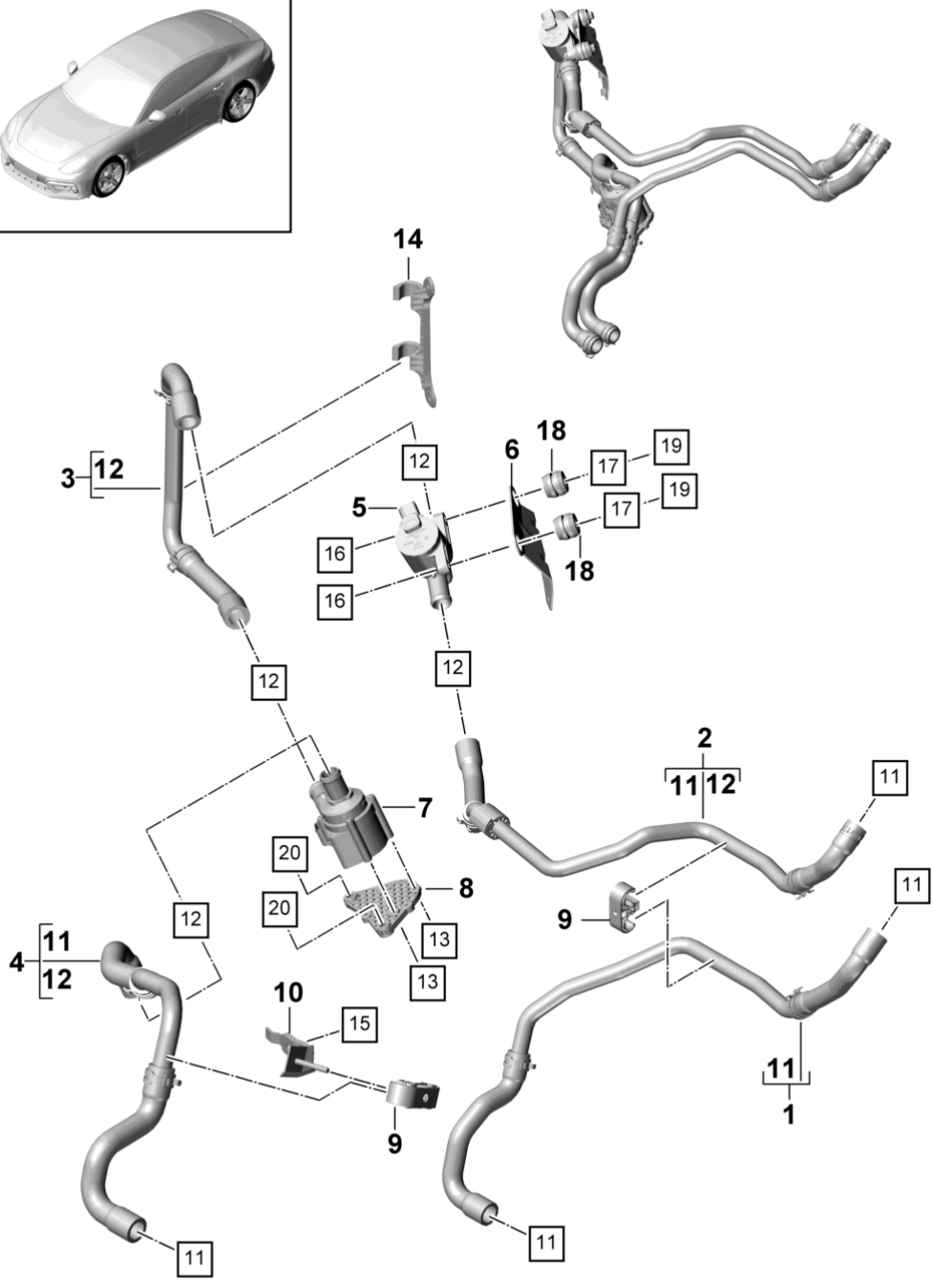
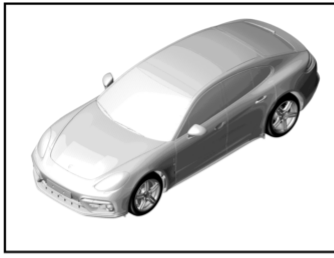
Model: 971-17

Model life 2017>>

Pos	Part Number	Description	Remark	Qty	Model
21	N 908 572 02	Stopper		1	IA8C/A8F/A8H I1A2
22	971 863 931	A26 Insulation Cover Plenum panel Left	/L	1	
(22)	971 863 932	Insulation Cover Plenum panel Left	/R	1	

Model: 971-17

Model life 2017>>



20	19	17	16	15	13	12	11

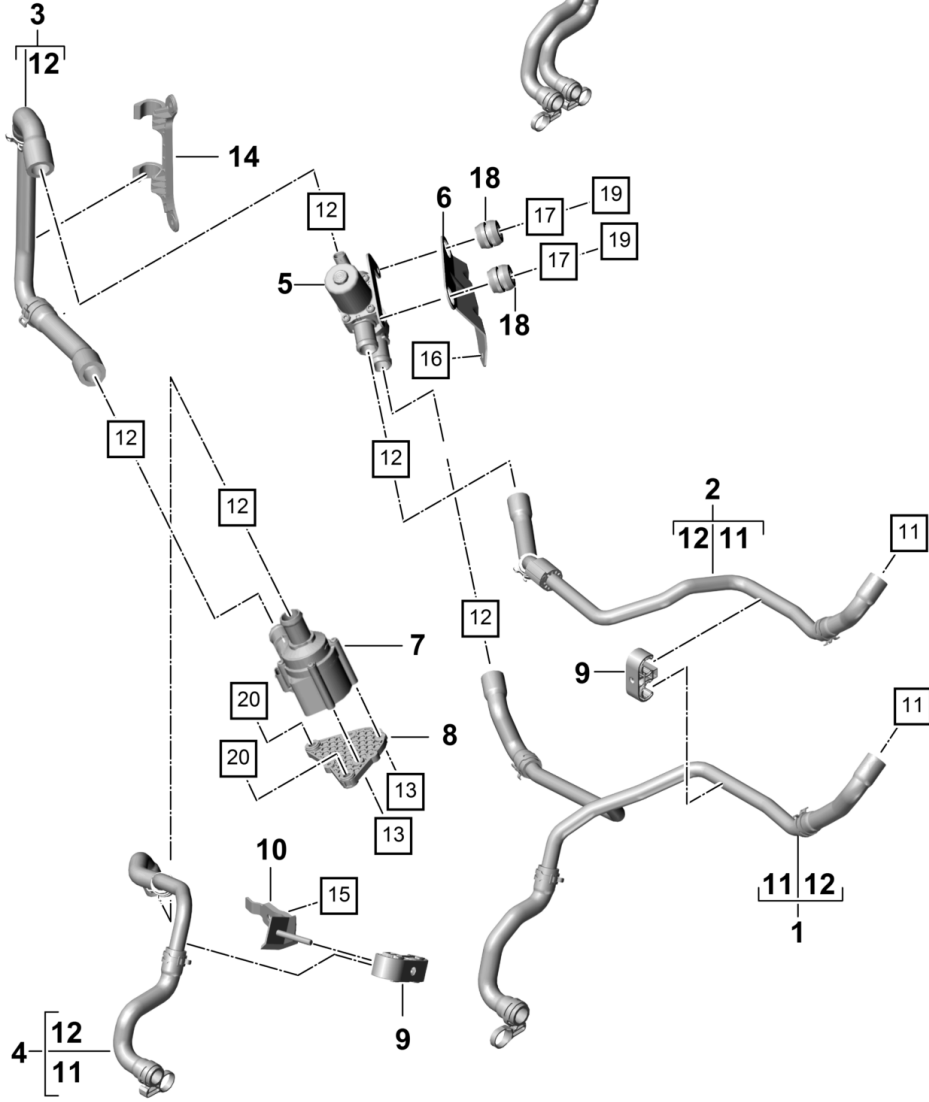
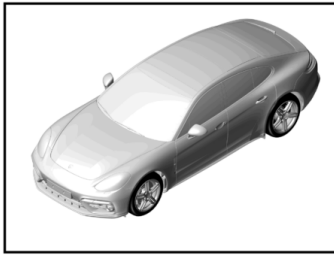
Model: 971-17

Model life 2017>>

Pos	Part Number	Description	Remark	Qty	Model
		Heating Petrol			I0K0/1A2/9M0
1	9A7 819 316 00	Heater hose with Hose clamp Bonded		1	
2	9A7 819 350 00	Heater hose		1	
3	9A7 819 334 00	Heater hose		1	
4	9A7 819 314 00	Heater hose with Hose clamp Bonded		1	
5	9A7 907 624 00	Solenoid valve		1	
6	9A7 819 134 00	Support Valve		1	
7	958 106 313 00	Water pump Information available		1	
8	9A7 819 595 01	Support Water pump		1	
9	955 572 055 03	Clip Heater hose		2	
10	9A7 819 565 00	Support		1	
11	999 512 656 09	Hose clamp B25X12		X	
12	999 512 658 09	Hose clamp B27X12		X	
13	WHT 002 306	Round head screw TP3.5X12.0		3	
14	9A7 819 259 00	Support Hot air line		1	
15	4F0 857 784	Expansion rivet		1	
16	N 015 082 10	Hexagon nut M6		2	
17	N 905 636 02	Washer 6,4X22X1,6		2	
18	4D0 614 177 A	Rubber stop Information available		2	
19	N 106 554 01	Hexagon-head bolt M 6 X 40		2	
20	N 911 087 01	Hexagon-head bolt M 6 X 25		2	

Model: 971-17

Model life 2017>>



20	19	17	16	15	13	12	11

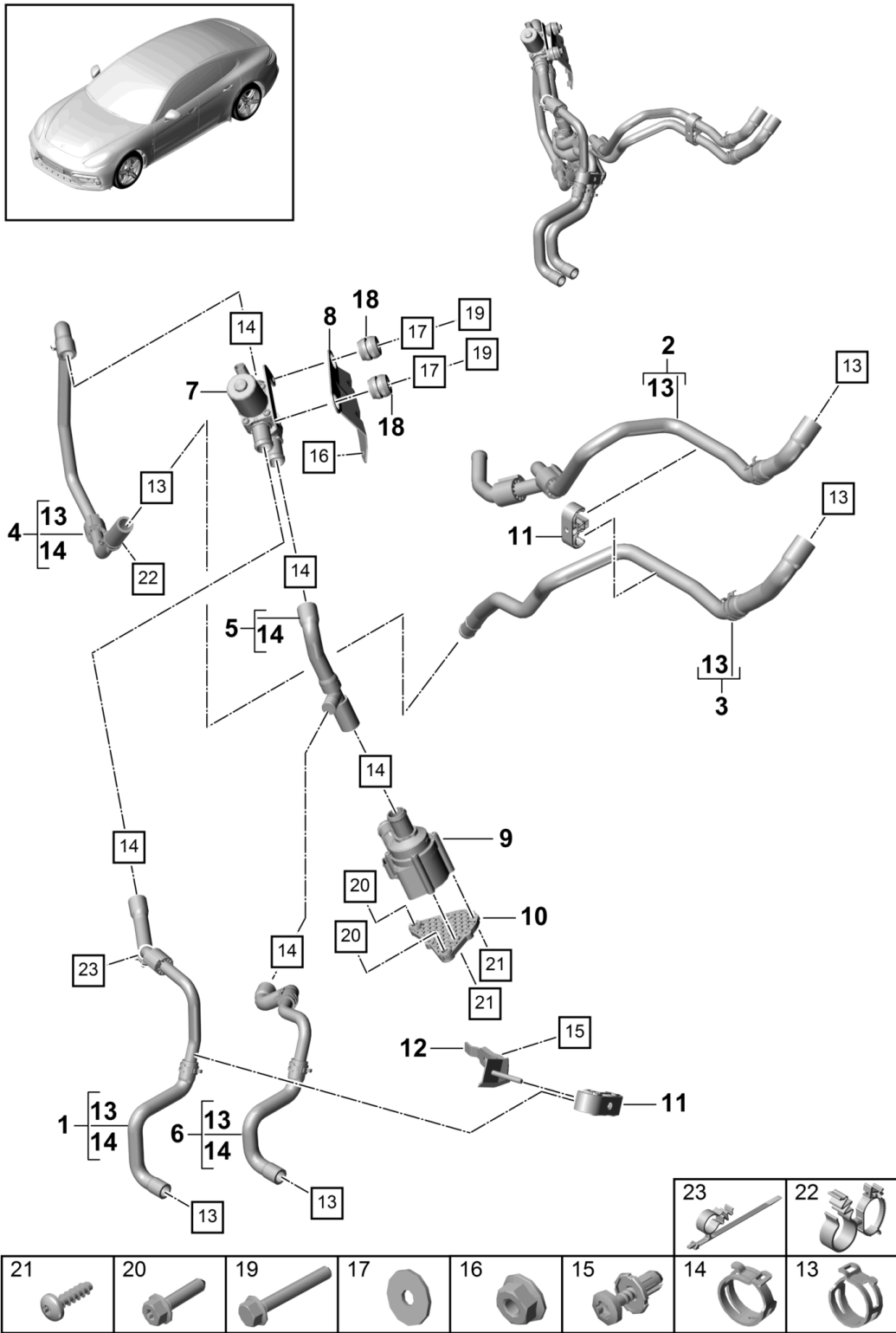
Model: 971-17

Model life 2017>>

Pos	Part Number	Description	Remark	Qty	Model
		Heating Diesel			I0F5/0K0/9M0
1	971 819 316 J	Heater hose with Hose clamp Bonded		1	
2	971 819 350 F	Heater hose		1	
3	971 819 334 B	Heater hose		1	
4	9A7 819 314 00	Heater hose with Hose clamp Bonded		1	
5	9A7 906 457 10	Shut-off valve		1	
6	9A7 819 134 00	Support Valve		1	
7	9A7 121 601 10	Water pump		1	
8	9A7 819 595 10	Support Water pump		1	
9	955 572 055 03	Clip Heater hose		2	
10	9A7 819 565 00	Support		1	
11	999 512 656 09	Hose clamp B25X12		X	
12	999 512 658 09	Hose clamp B27X12		X	
13	WHT 002 306	Round head screw TP3.5X12.0		3	
14	9A7 819 259 00	Support Hot air line		1	
15	4F0 857 784	Expansion rivet		1	
16	N 015 082 10	Hexagon nut M6		2	
17	N 905 636 02	Washer 6,4X22X1,6		2	
18	4D0 614 177 A	Rubber stop Information available		2	
19	N 106 554 01	Hexagon-head bolt M 6 X 40		2	
20	N 911 087 01	Hexagon-head bolt M 6 X 25		2	

Model: 971-17

Model life 2017>>



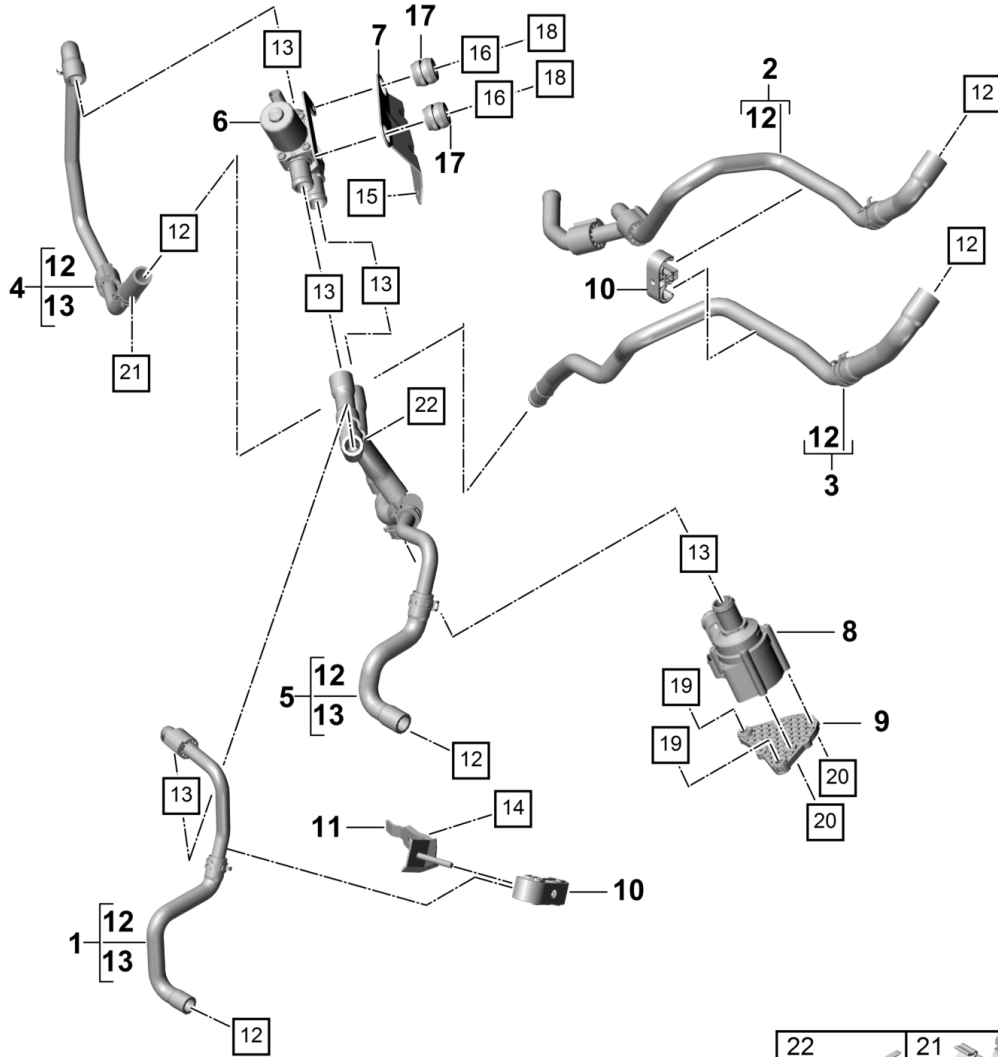
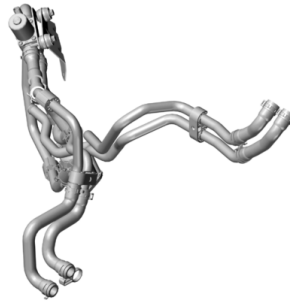
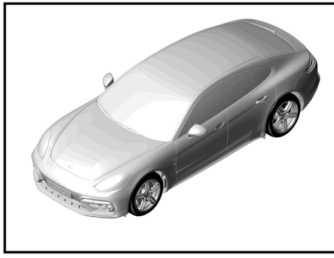
Model: 971-17

Model life 2017>>

Pos	Part Number	Description	Remark	Qty	Model
		Heating			I0K0/1A2/9M1 I9M9
1	9A7 819 316 10	Petrol with Auxiliary heater Heater hose with Hose clamp Bonded		1	
2	9A7 815 554 10	Heater hose		1	
3	9A7 819 334 20	Heater hose		1	
4	9A7 815 555 00	Heater hose		1	
5	9A7 819 452 00	Heater hose		1	
6	9A7 819 314 10	Heater hose with Hose clamp Bonded		1	
7	9A7 907 624 00	Solenoid valve		1	
8	9A7 819 134 00	Support Valve		1	
9	9A7 121 601 10	Water pump		1	
10	9A7 819 595 10	Support		1	
11	955 572 055 03	Water pump Clip		2	
12	9A7 819 565 00	Heater hose Support		1	
13	999 512 656 09	Hose clamp B25X12		X	
14	999 512 658 09	Hose clamp B27X12		X	
15	4F0 857 784	Expansion rivet		1	
16	N 015 082 10	Hexagon nut M6		2	
17	N 905 636 02	Washer 6,4X22X1,6		2	
18	4D0 614 177 A	Rubber stop Information available		2	
19	N 106 554 01	Hexagon-head bolt M 6 X 40		2	
20	N 911 087 01	Hexagon-head bolt M 6 X 25		2	
21	WHT 002 306	Round head screw TP3.5X12.0		3	
22	N 104 508 01	Support		1	
23	N 104 782 01	A 12-16 X C 05-22 Hose holder A 05-7 X 140 X C 05-22		1	

Model: 971-17

Model life 2017>>



						22	21
20	19	18	16	15	14	13	12

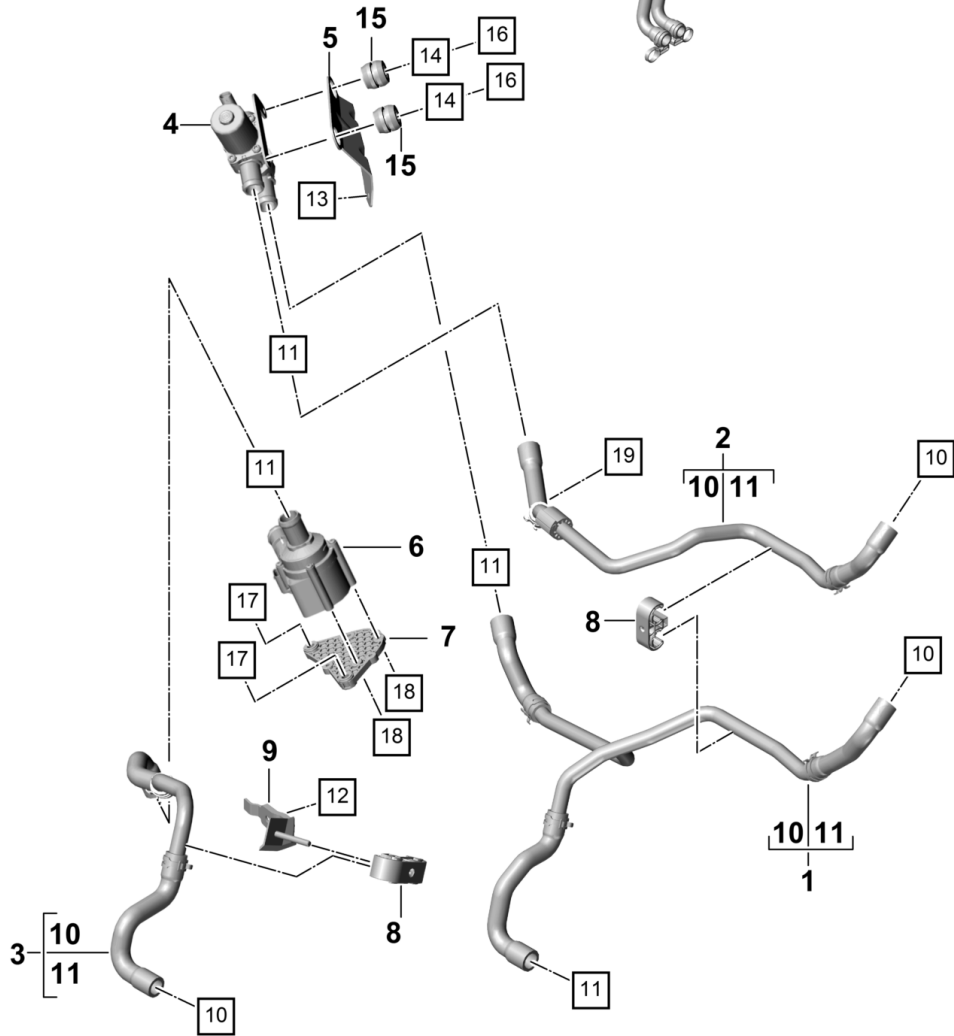
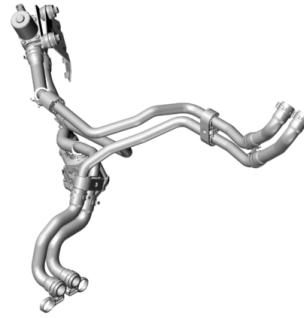
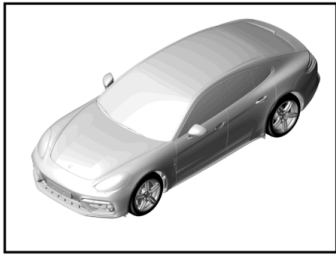
Model: 971-17

Model life 2017>>

Pos	Part Number	Description	Remark	Qty	Model
		Heating			I0F5/0K0/9M1 I9M9
1	9A7 819 316 20	Diesel with Auxiliary heater Heater hose with Hose clamp Bonded		1	
2	9A7 819 350 10	Heater hose		1	
3	9A7 819 334 20	Heater hose		1	
4	9A7 819 334 10	Heater hose		1	
5	971 819 452 B	Heater hose with Check valve		1	
6	9A7 907 624 00	Solenoid valve		1	
7	9A7 819 134 00	Support Valve		1	
8	9A7 121 601 10	Water pump		1	
9	9A7 819 595 10	Support		1	
10	955 572 055 03	Water pump Clip		2	
11	9A7 819 565 00	Heater hose Support		1	
12	999 512 656 09	Hose clamp B25X12		X	
13	999 512 658 09	Hose clamp B27X12		X	
14	4F0 857 784	Expansion rivet		1	
15	N 015 082 10	Hexagon nut M6		2	
16	N 905 636 02	Washer 6,4X22X1,6		2	
17	4D0 614 177 A	Rubber stop Information available		2	
18	N 106 554 01	Hexagon-head bolt M 6 X 40		2	
19	N 911 087 01	Hexagon-head bolt M 6 X 25		2	
20	WHT 002 306	Round head screw TP3.5X12.0		3	
21	N 104 508 01	Support A 12-16 X C 05-22		1	
22	N 104 782 01	Hose holder A 05-7 X 140 X C 05-22		1	

Model: 971-17

Model life 2017>>



								19
18 	17 	16 	14 	13 	12 	11 	10 	

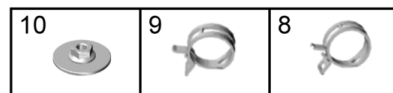
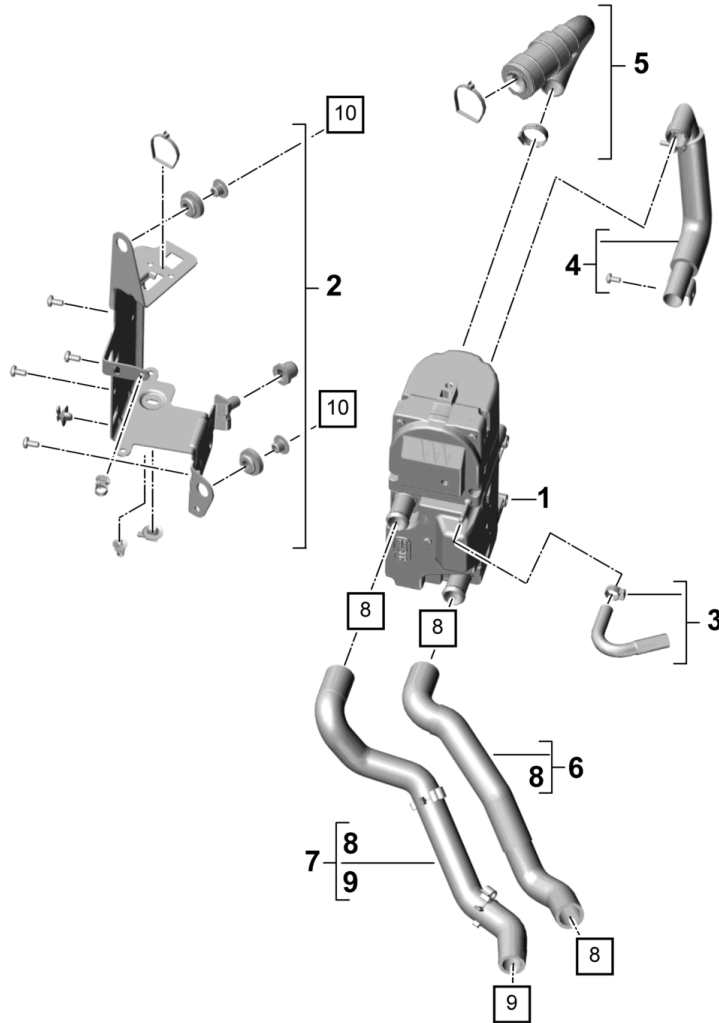
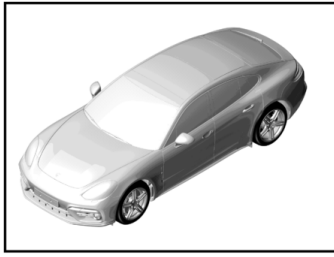
Model: 971-17

Model life 2017>>

Pos	Part Number	Description	Remark	Qty	Model
		Heating Diesel with Auxiliary heater			I0F5/0K0/9M5
1	971 819 316 J	Heater hose with Hose clamp Bonded		1	
2	971 819 350 F	Heater hose		1	
3	9A7 819 314 00	Heater hose with Hose clamp Bonded		1	
4	9A7 907 624 00	Solenoid valve		1	
5	9A7 819 134 00	Support Valve		1	
6	9A7 121 601 10	Water pump		1	
7	9A7 819 595 10	Support Water pump		1	
8	955 572 055 03	Clip Heater hose		2	
9	9A7 819 565 00	Support		1	
10	999 512 656 09	Hose clamp B25X12		X	
11	999 512 658 09	Hose clamp B27X12		X	
12	4F0 857 784	Expansion rivet		1	
13	N 015 082 10	Hexagon nut M6		2	
14	N 905 636 02	Washer 6,4X22X1,6		2	
15	4D0 614 177 A	Rubber stop Information available		2	
16	N 106 554 01	Hexagon-head bolt M 6 X 40		2	
17	N 911 087 01	Hexagon-head bolt M 6 X 25		2	
18	WHT 002 306	Round head screw TP3.5X12.0		3	
19	N 104 782 01	Hose holder A 05-7 X 140 X C 05-22		1	

Model: 971-17

Model life 2017>>



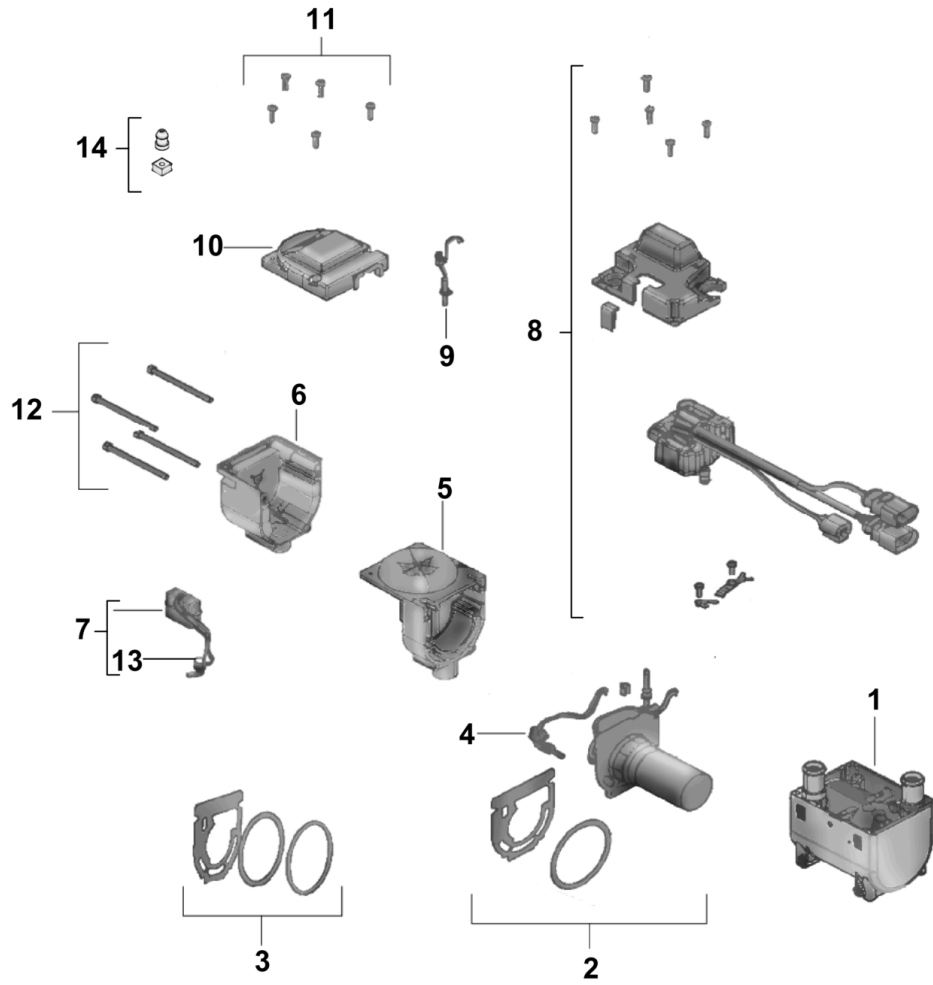
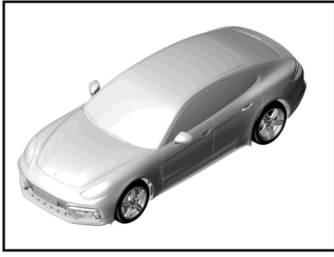
Model: 971-17

Model life 2017>>

Pos	Part Number	Description	Remark	Qty	Model
		Auxiliary heater And Accessories			I9M1 / 9M5 / 9M9
1	9A7 265 105 00	Auxiliary heater Petrol		1	I1A2
(1)	9A7 265 105 10	Auxiliary heater Diesel		1	
2	971 898 101	Repair kit Support Auxiliary heater with Bearing sleeve Screw Clip		1	
3	971 898 118	Repair kit Fuel line with Line bracket Pipe clamp		1	
4	971 898 106	Repair kit Exhaust pipe		1	
5	971 898 105	Repair kit Air intake		1	
6	971 819 332	Heater hose Set		1	
7	971 819 337 A	Heater hose Set		1	
8	999 512 658 09	Hose clamp B27X12		3	
9	999 512 589 09	Hose clamp A25X12		1	
10	N 911 431 01	Hexagon nut M 6-S		2	

Model: 971-17

Model life 2017>>



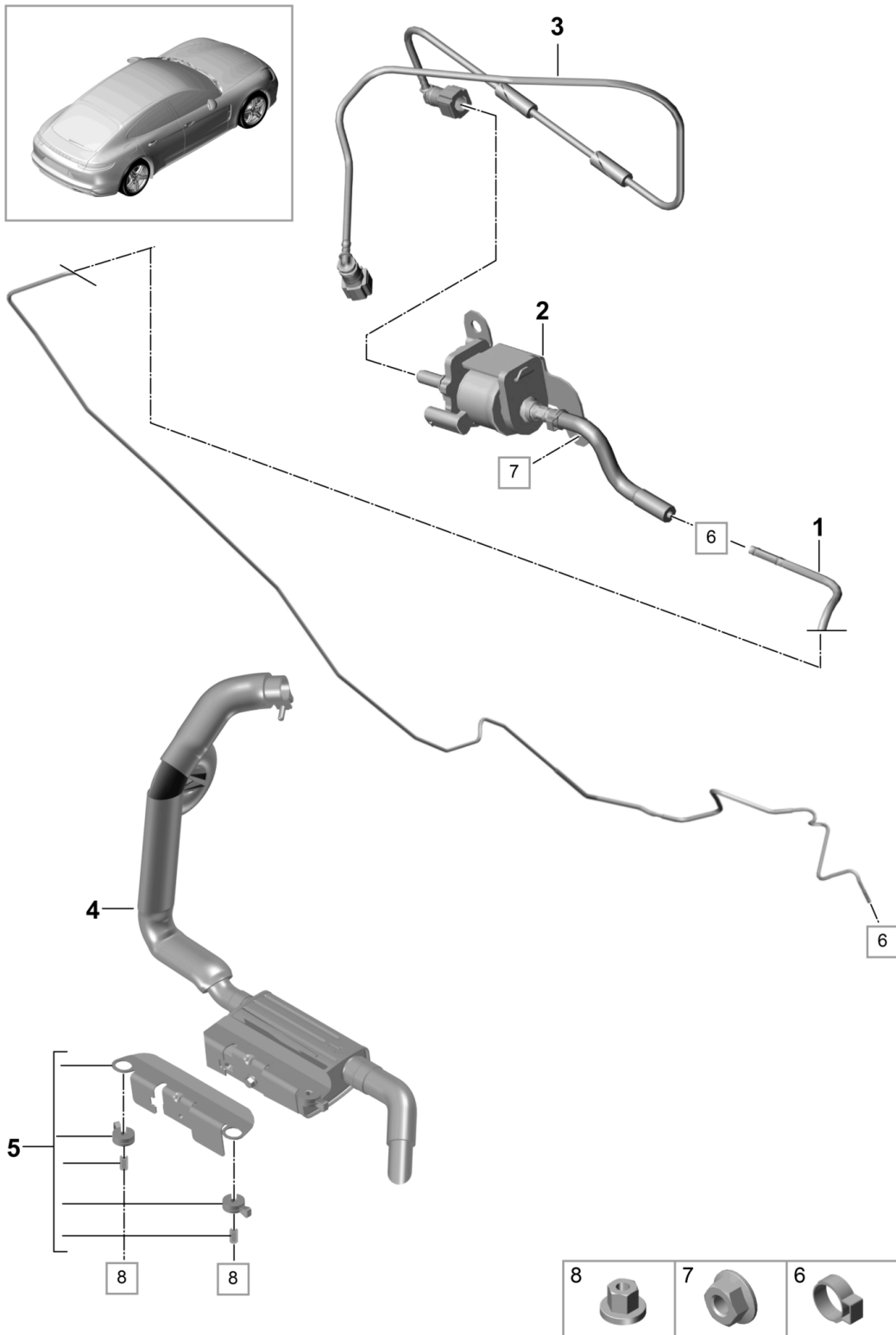
Model: 971-17

Model life 2017>>

Pos	Part Number	Description	Remark	Qty	Model
1	4H0 819 061 A	Auxiliary heater Heater Repair kit Housing Heat exchanger		1	I9M1/9M5/9M9
(2)	4H0 898 919 D	Diesel Repair kit	/LL	1	Benzin MCS.ZA MCV.DA MCX.TA MDG.PA
3	8K0 898 003	Combustion chamber with Gaskets Gasket set	/LL	1	Diesel MDB.UC
4	4H0 963 319 A	Combustion chamber Heat exchanger		1	
5	4H0 963 031	Glow plug Blower		1	
6	8K0 815 713	Engine Lid		1	
7	4H0 971 411	Electric motor Wiring harness		1	
9	8K0 963 533	Flame sensor with Gasket		1	
10	8K0 819 915 A	Lid Blower with Gasket		1	
11	4H0 898 919	Repair kit Screw M4X16		1	
12	8K0 898 919	Repair kit Screw M5X80		1	

Model: 971-17

Model life 2017>>



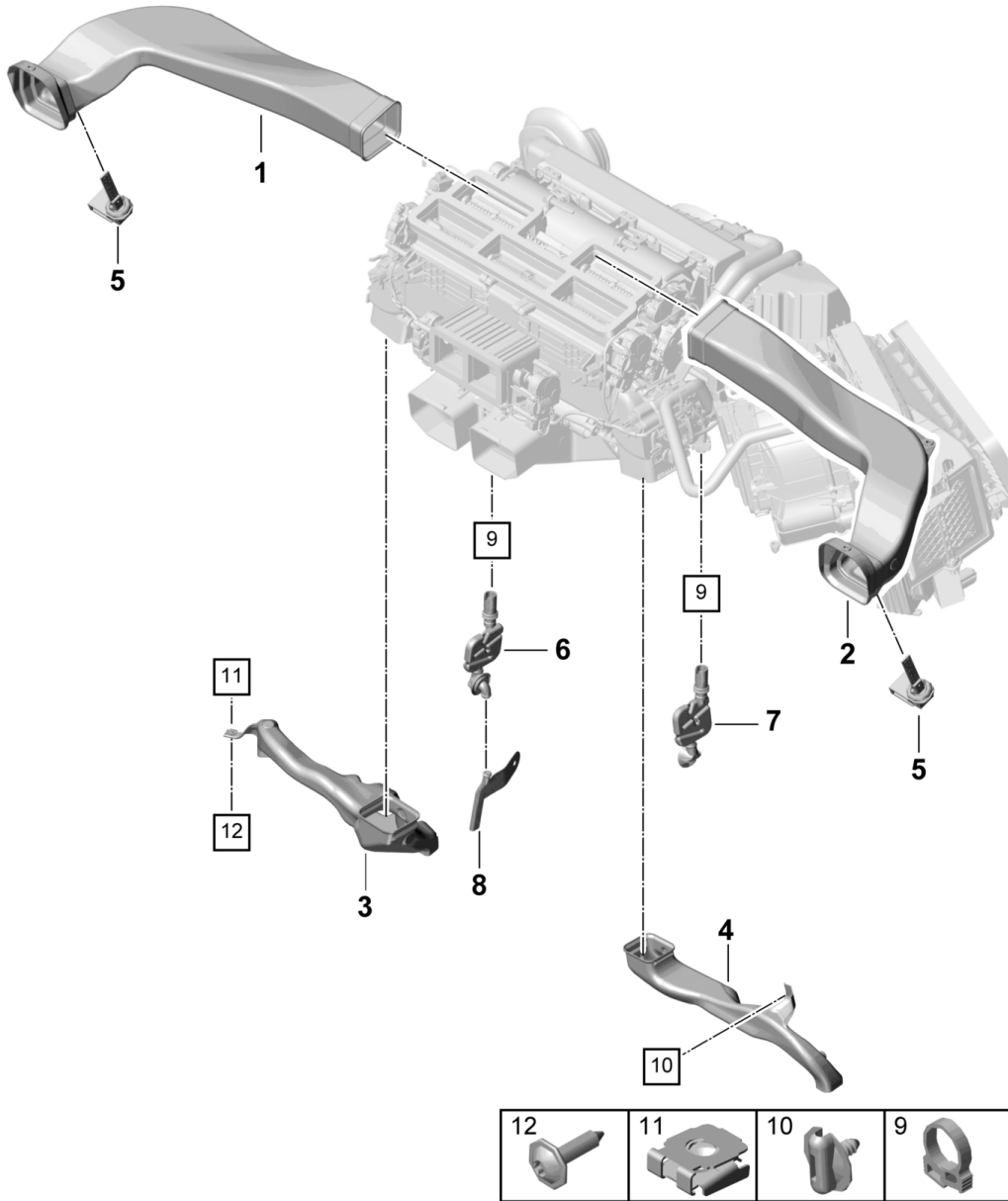
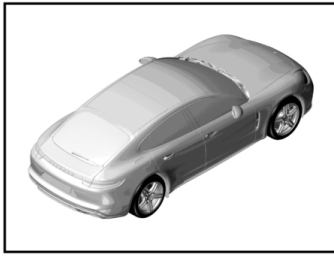
Model: 971-17

Model life 2017>>

Pos	Part Number	Description	Remark	Qty	Model
		Auxiliary heater			I9M1/9M5/9M9
		Fuel system			
		And			
		Exhaust system			
1	971 261 191 F	Fuel line		1	I0E1/0K0
		Underbody			
(1)	971 261 191 G	Fuel line		1	I0E2/0K0
		Underbody			
2	9A7 261 173 00	Fuel pump		1	
3	9A7 261 490 00	Fuel line		1	
		Fuel tank cap			
		To			
		Pump			
4	971 898 119	Repair kit		1	
		Exhaust silencer			
5	971 898 100	Repair kit		1	
		Support			
6	N 102 035 01	Clip		2	
		11.3X5X0.5			
7	N 015 082 10	Hexagon nut		2	
		M6			
8	N 904 953 01	Hexagon nut		2	
		T5			

Model: 971-17

Model life 2017>>



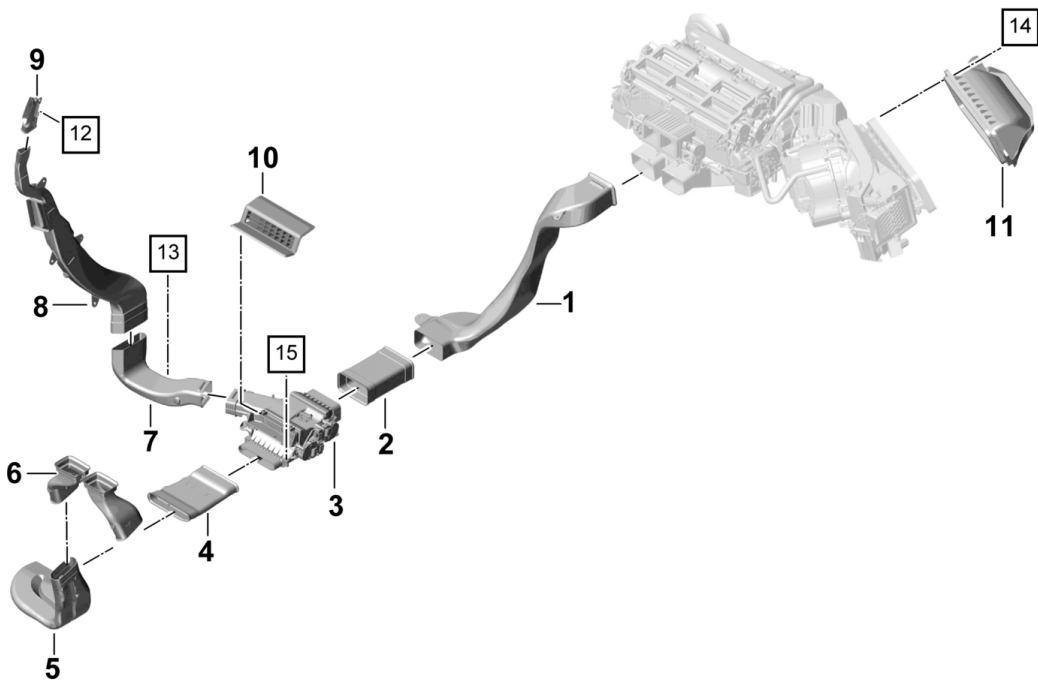
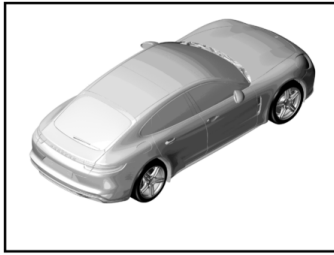
Model: 971-17

Model life 2017>>

Pos	Part Number	Description	Remark	Qty	Model
1	971 820 157 A	Air guide Air conditioner Dashboard Air guide Upper left Driver's side	/LL/L	1	
(1)	971 820 715 A	Air guide Upper left Passenger's side	/RL/L	1	
2	971 820 716 A	Air guide Upper right Passenger's side	/LL/R	1	
(2)	971 820 158 A	Air guide Upper right Driver's side	/RL/R	1	
3	9A7 819 151 00	Footwell outlet vent Left	/LL/L	1	
(3)	9A7 819 152 10	Footwell outlet vent Right	/RL/R	1	
4	9A7 819 152 00	Footwell outlet vent Right	/LL/R	1	
(4)	9A7 819 151 10	Footwell outlet vent Left	/RL/L	1	
5	958 572 304 00	Temperature sensor Upper		2	
6	9A7 820 637 00	Water drain sleeve Air conditioner	/L	1	
7	9A7 820 638 00	Water drain sleeve Air conditioner	/R	1	
8	9A7 820 693 00	Water drain hose		2	
9	9A7 819 089 00	Hose clamp SNP14		2	
10	WHT 000 155	Wing screw		1	
11	N 906 988 01	Speed nut ST 4,2-MR		1	
12	N 906 986 06	Tapping screw ST4,2X16		1	

Model: 971-17

Model life 2017>>



Model: 971-17

Model life 2017>>

Pos	Part Number	Description	Remark	Qty	Model
1	9A7 815 259 00	Air guide Air conditioner Passenger compartment	/L	1	
(1)	9A7 815 260 00	Air guide Front	/R	1	
2	9A7 819 081 00	Intermediate piece Front		2	
3	9A7 815 325 10	Air distributor Left 2-zone	/L	1	I9AD
(3)	9A7 815 325 01	Air distributor Left 4-zone	/L	1	I9AH
(3)	9A7 815 326 10	Air distributor Left 2-zone	/R	1	I9AD
(3)	9A7 815 326 01	Air distributor Left 4-zone	/R	1	I9AH
4	9A7 819 347 00	Intermediate piece Rear	/L	1	
(4)	9A7 819 348 00	Intermediate piece Rear	/R	1	
5	971 815 265	Air guide Centre console Rear	/L	1	I0E1
(5)	971 815 266	Air guide Centre console Rear	/R	1	I0E1
6	971 819 902	Air guide Centre console Bridge		1	I2V1
(6)	971 819 902 A	Air guide Centre console Bridge		1	I2V4
7	9A7 819 633 00	Air guide B-pillar Lower	/L	1	
(7)	9A7 819 634 00	Air guide B-pillar Lower	/R	1	
8		Air guide B-pillar Centre See illustrations 8/07/30 POS.11		1	
9	971 815 681	Air guide B-pillar Upper left	/L	1	
(9)	971 815 682	Air guide B-pillar Upper left	/R	1	
10	9A7 819 923 00	Air exhaust Grille Carpet	/L	1	
(10)	9A7 819 924 00	Air exhaust Grille Carpet	/R	1	
11	9A7 815 129 00	Air intake		1	
12	9A7 907 658 00	Sensor		1	

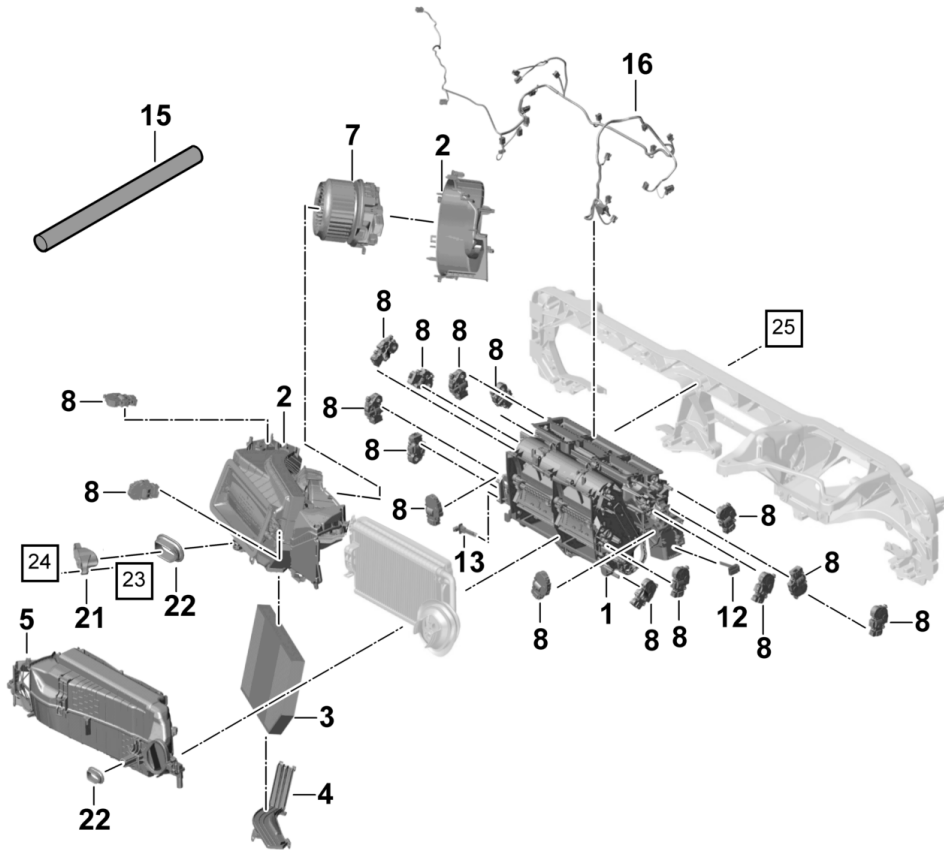
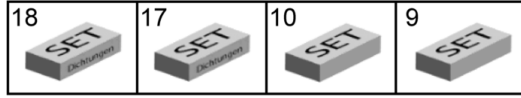
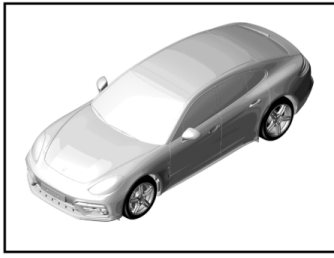
Model: 971-17

Model life 2017>>

Pos	Part Number	Description	Remark	Qty	Model
13	N 909 101 02	Air intake Hexagon socket head bolt M5X18		2	
14	N 910 189 01	Plastic nut T6/16,5		2	
15	N 015 082 10	Hexagon nut M6		2	
16	4F0 857 784	Expansion rivet		4	

Model: 971-17

Model life 2017>>



Model: 971-17 Model life 2017>>

Pos	Part Number	Description	Remark	Qty	Model
1	971 819 353	Air conditioner Air distributor Housing 2-zone without PTC	/LL	1	IL0L/7E0/9AD
(1)	971 819 353 A	Air distributor Housing 2-zone with PTC	/LL	1	IL0L/7E6/9AD
(1)	9A7 819 353 00	Air distributor Housing 4-zone without PTC	/LL	1	IL0L/7E0/9AH
(1)	971 819 353 C	Air distributor Housing 4-zone with PTC	/LL	1	IL0L/7E6/9AH
(1)	971 819 353 D	Air distributor Housing 2-zone without PTC	/RL	1	IL0R/7E0/9AD
(1)	971 819 353 E	Air distributor Housing 2-zone with PTC	/RL	1	IL0R/7E6/9AD
(1)	9A7 819 353 10	Air distributor Housing 4-zone without PTC	/RL	1	IL0R/7E0/9AH
(1)	971 819 353 G	Air distributor Housing 4-zone with PTC	/RL	1	IL0R/7E6/9AH
2	971 820 155	Fan housing 2-zone without PTC	/LL	1	IL0L/7E0/9AD
(2)	971 820 155 A	Fan housing 2-zone with PTC	/LL	1	IL0L/7E6/9AD
(2)	9A7 820 155 00	Fan housing 4-zone without PTC	/LL	1	IL0L/7E0/9AH
(2)	971 820 155 C	Fan housing 4-zone with PTC	/LL	1	IL0L/7E6/9AH
(2)	971 820 155 D	Fan housing 2-zone without PTC	/RL	1	IL0R/7E0/9AD
(2)	971 820 155 E	Fan housing 2-zone	/RL	1	IL0R/7E6/9AD

Model: 971-17 Model life 2017>>

Pos	Part Number	Description	Remark	Qty	Model
(2)	9A7 820 155 10	with PTC Fan housing 4-zone without PTC	/RL	1	IL0R/7E0/9AH
(2)	971 820 155 G	Fan housing 4-zone with PTC	/RL	1	IL0R/7E6/9AH
3	971 819 429	Filter element	/LL	1	
(3)	971 819 429 A	Filter element	/RL	1	
4	9A7 819 422 00	Lid Filter element	/LL	1	IL0L
(4)	9A7 819 424 00	Lid Filter element	/RL	1	IL0R
5	9A7 260 122 00	Evaporator housing	/LL	1	IL0L
(5)	9A7 260 123 00	Evaporator housing	/RL	1	IL0R
6	9A7 816 126 00	Grommet Heater pipeline		1	
7	9A7 907 521 00	Blower Regulator	/LL	1	IL0L
(7)	9A7 907 521 10	Blower Regulator	/RL	1	
8	9A7 820 511 00	Electric motor		X	
9	9A7 820 679 00	Expansion valve Kit		1	
10	9A7 857 291 00	Gasket set Expansion valve		1	
11	9A7 819 011 00	Heating element PTC		1	
12	955 572 311 00	Temperature sensor Air exhaust		1	
13	9A7 907 543 00	Temperature sensor Evaporator		1	
14	9A7 963 535 00	Temperature sensor Water cooling HWT		1	
15	9A7 858 609 00	Hose Glove compartment	/LL	1	
(15)	9A7 858 610 00	Hose Glove compartment	/RL	1	
16	971 971 565 D	Wiring harness 2-zone with Auxiliary heater	/LL	1	I7E6/9AD
(16)	971 971 565 E	Wiring harness 4-zone with Auxiliary heater	/LL	1	I7E6/9AH
(16)	971 971 565 F	Wiring harness 2-zone with Auxiliary heater	/RL	1	I7E6/9AD
(16)	971 971 565 G	Wiring harness 4-zone with Auxiliary heater	/RL	1	I7E6/9AH
17	9A7 068 117 00	Gasket set Suction housing		1	
18	9A7 068 117 10	Gasket set Air vent		1	
19	9A7 857 340 00	Clamp		1	

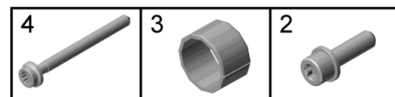
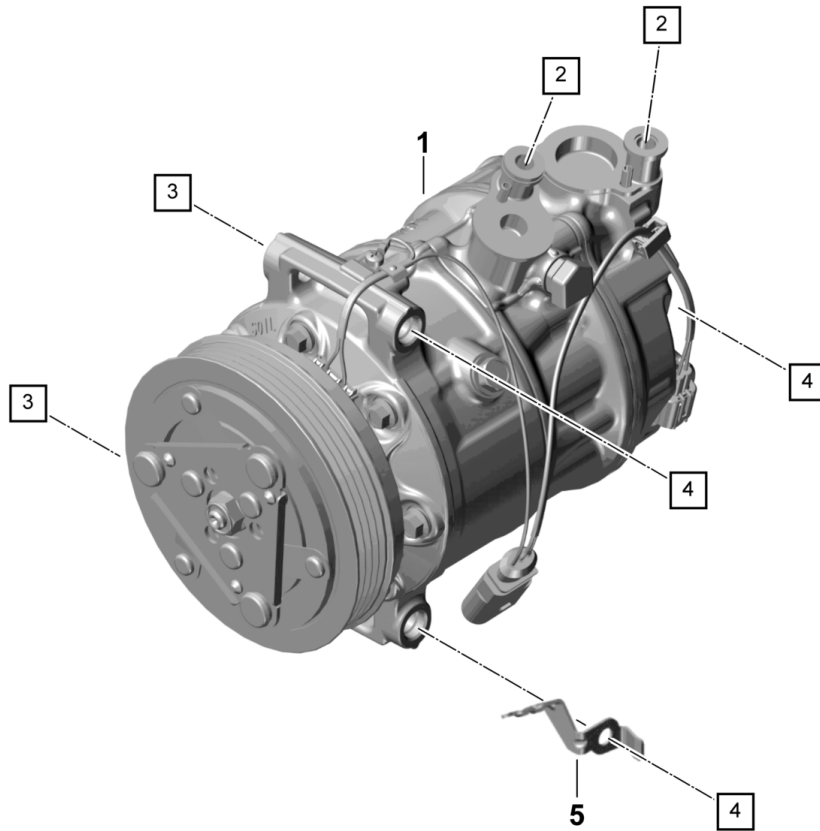
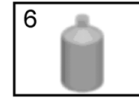
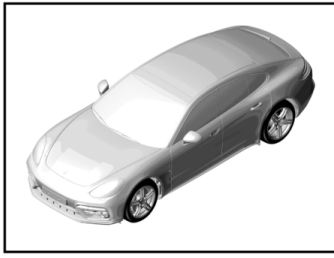
Model: 971-17

Model life 2017>>

Pos	Part Number	Description	Remark	Qty	Model
20	9A7 858 283 00	Support Pipeline		1	
21	9A7 820 769 00	Support Air conditioner	/LL	1	IL0L
(21)	9A7 820 769 10	Support Air conditioner	/RL	1	IL0R
22	9A7 820 751 00	Grommet Air conditioner		2	
23	9A7 816 126 10	Grommet Expansion valve		1	
24	N 911 883 01	Outer hexagon round screw M6X20		2	
25	N 906 271 02	Speed nut M6X23.4X16		2	
26	N 015 082 10	Hexagon nut M6		3	

Model: 971-17

Model life 2017>>



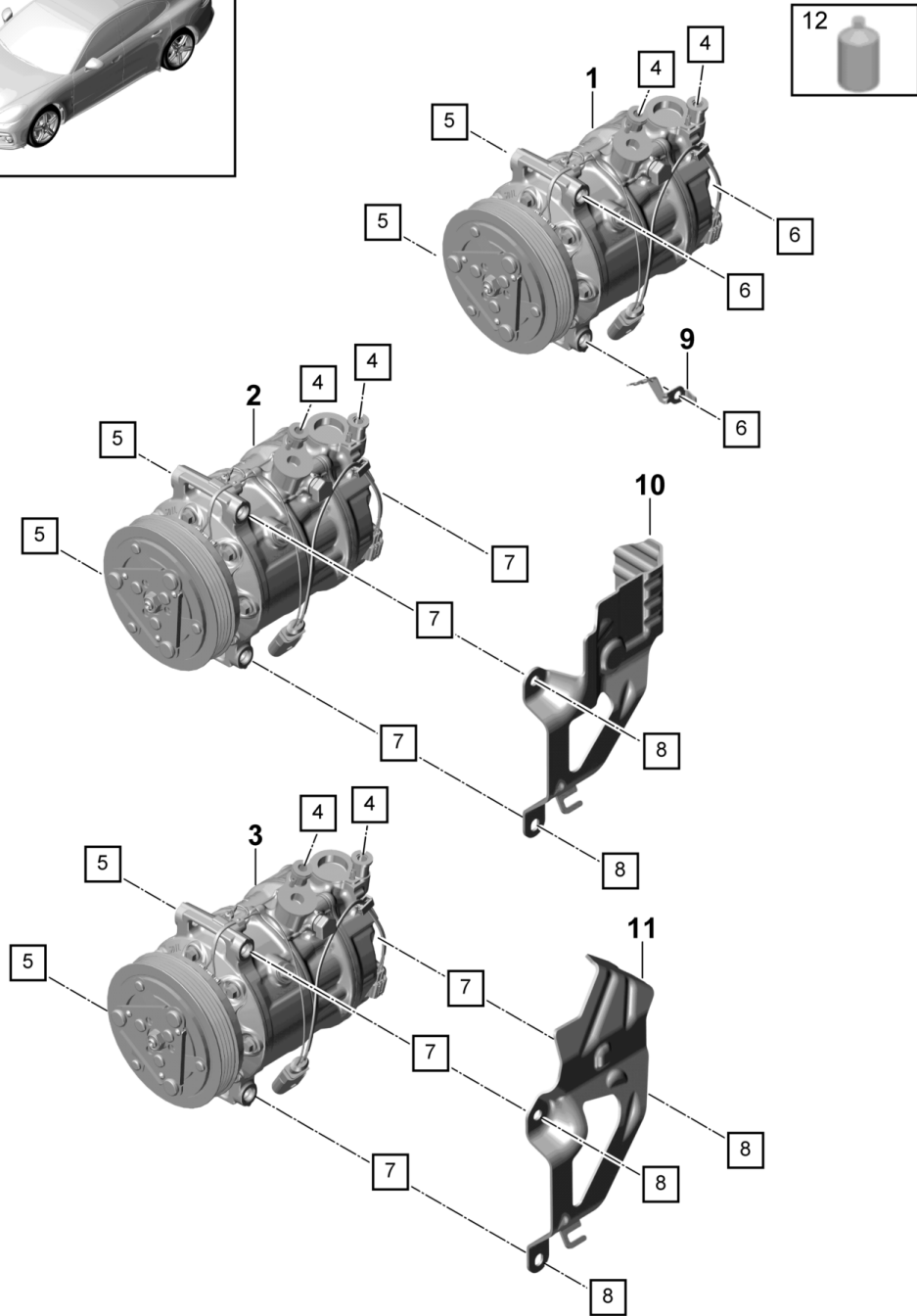
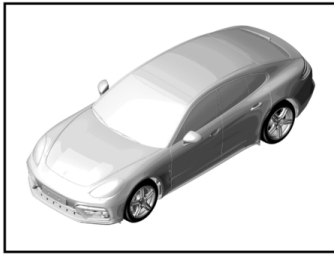
Model: 971-17

Model life 2017>>

Pos	Part Number	Description	Remark	Qty	Model
		Compressor Air conditioner R134A			IKK1/0K0
1	971 260 601 H	Compressor		1	V6 Turbo ID1I
(1)	971 260 601 J	Compressor		1	V8 TDI IDJ7
(1)	9A7 260 601 01	Compressor		1	V8 Turbo IDW4
2	N 104 144 02	Pan-head screw M8 X 28		2	
3	958 147 501 00	Dowel sleeve 11,15 X 6,5		2	
4	N 107 145 01	Pan-head screw BM8X90X80		3	
5	9A7 819 567 00	Support		1	
6	9A7 573 900 00	Refrigerant Oil Compressor 250 ML		1	

Model: 971-17

Model life 2017>>

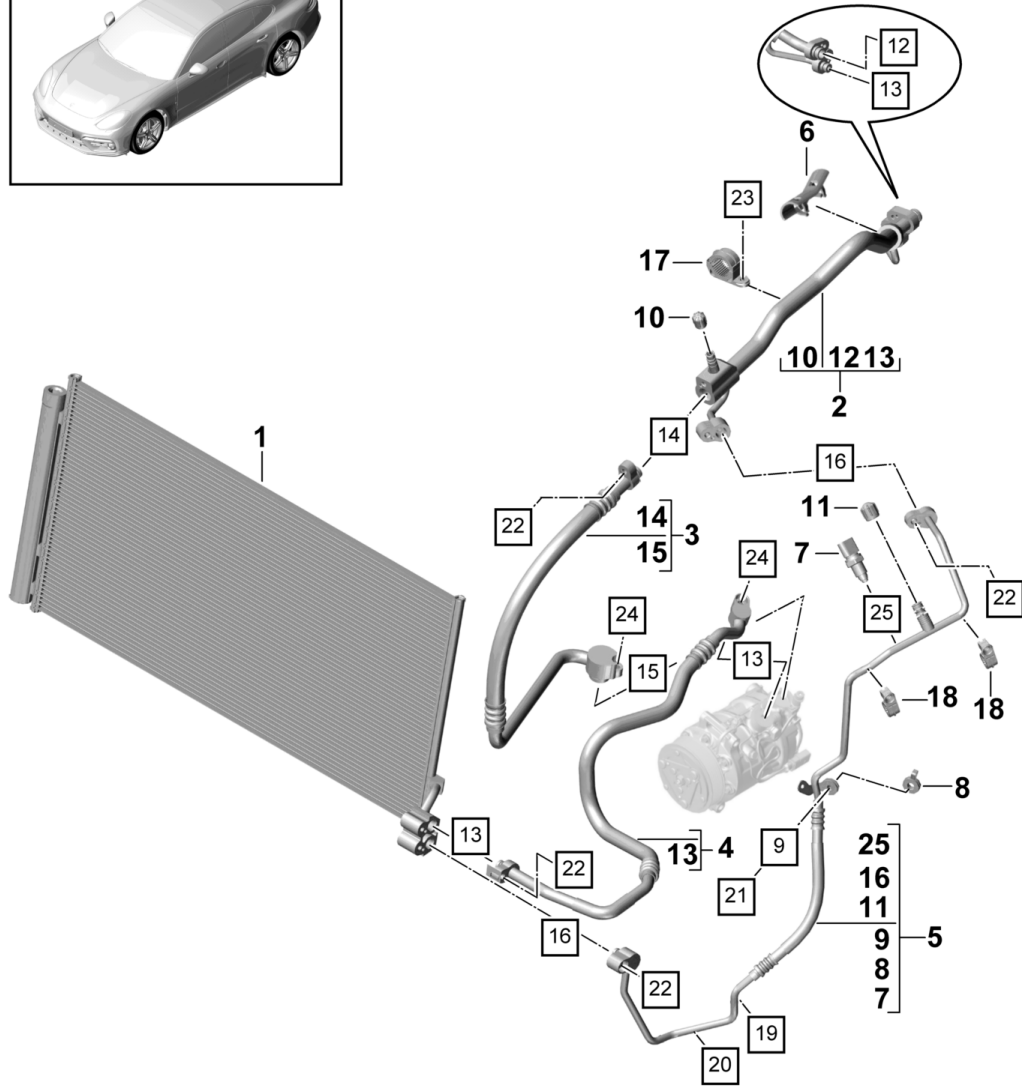
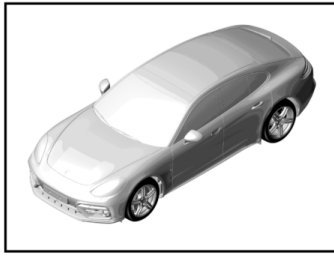


Model: 971-17 Model life 2017>>

Pos	Part Number	Description	Remark	Qty	Model
		Compressor Air conditioner R1234YF			IKK3/0K0
1	971 260 601 H	Compressor		1	V6 Turbo ID1I
1	971 260 601 HX	Compressor		1	V6 Turbo ID1I
2	971 260 601 J	Compressor		1	V8 TDI IDJ7
2	971 260 601 JX	Compressor		1	V8 TDI IDJ7
3	9A7 260 601 01	Compressor		1	V8 Turbo IDW4
3	9A7 260 601 X	Compressor		1	V8 Turbo IDW4
4	N 104 144 02	Pan-head screw M8 X 28		2	
5	958 147 501 00	Dowel sleeve 11,15 X 6,5		2	
6	N 107 145 01	Pan-head screw BM8X90X80		3	
7	N 107 976 01	Stud AM8X90-M8X12		3	
8	N 023 003 16	Hexagon nut M8		X	
9	9A7 819 567 00	Support		1	
10	9A7 260 199 00	Protective plate		1	IDW4/KK3
11	9A7 260 199 10	Protective plate		1	IDJ7/KK3
12	9A7 573 900 00	Refrigerant Oil Compressor 250 ML Refrigerant for R1234YF 5 KG See workshop manual 8X00IN		1	
(12)					

Model: 971-17

Model life 2017>>



25	24	23	22	21			
20	19	16	15	14	13	12	9

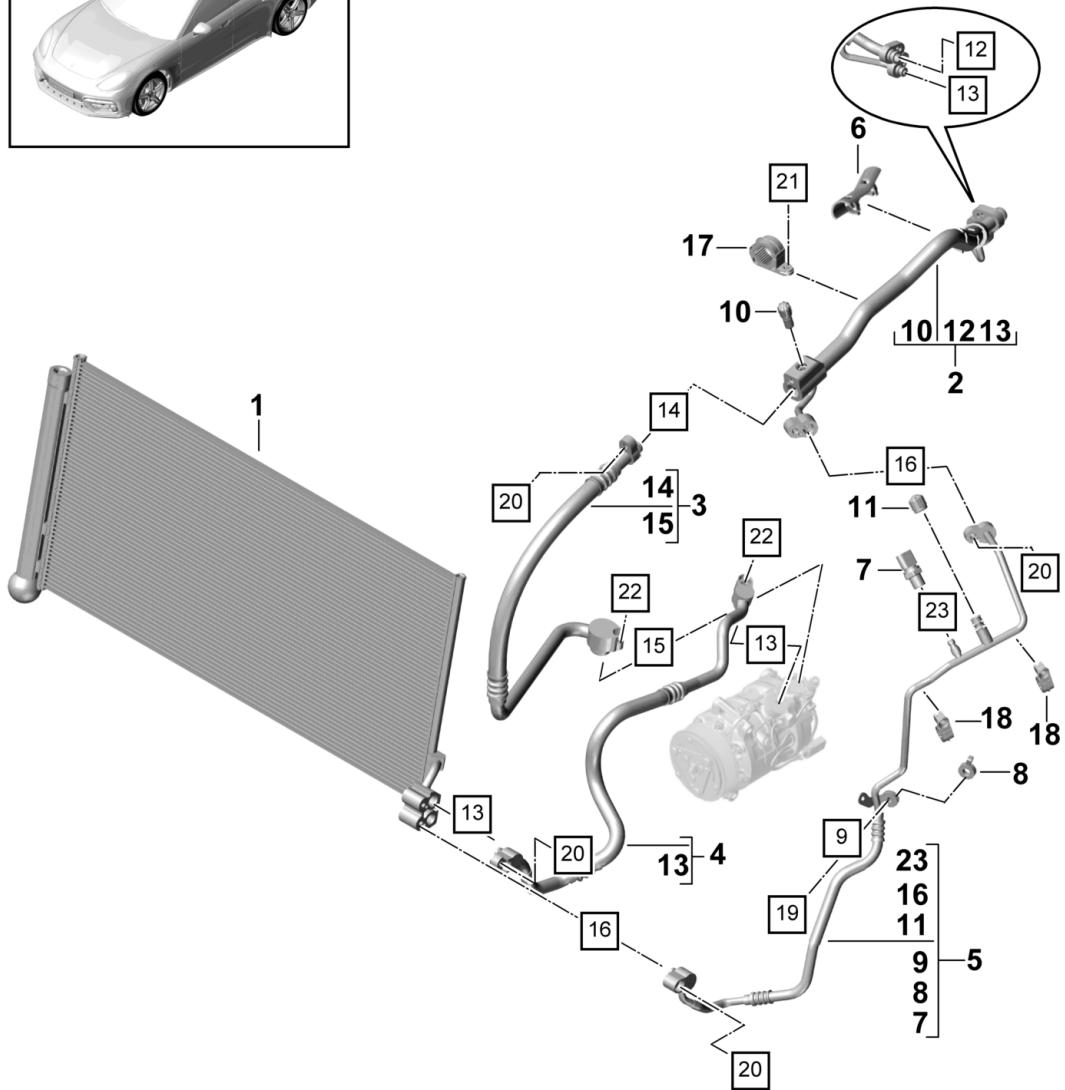
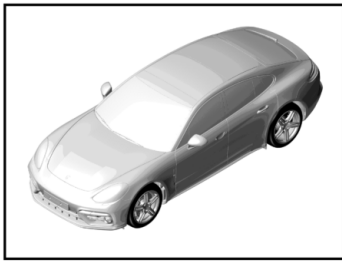
Model: 971-17

Model life 2017>>

Pos	Part Number	Description	Remark	Qty	Model
		Refrigerant circuit			IKK1/KK3/OK0
		V6 MT			ID1I
1	9A7 260 399 00	Condenser		1	
2	9A7 260 704 00	Refrigerant line		1	IKK1
		Heat exchanger			
(2)	9A7 260 840 00	Refrigerant line		1	IKK3
		Heat exchanger			
3	971 260 707 M	Refrigerant line		1	IKK1/1A2
		Intake pipe			
(3)	971 260 707 N	Refrigerant line		1	IKK3
		Intake pipe			
4	971 260 710	Refrigerant line		1	IKK1
		Pressure line			
(4)	971 260 710 N	Refrigerant line		1	IKK3
		Pressure line			
5	971 260 702 F	Refrigerant line		1	IKK1
		Pressure line			
(5)	971 260 702 G	Refrigerant line		1	IKK3
		Pressure line			
6	9A7 260 689 00	Protective strip		1	IKK3
		Refrigerant line			
7	4H0 959 126 B	Pressure transmitter		1	
		Air conditioner			
		Use also:			
		9A7.820.896.00			
8	955 572 828 00	Bearing		1	
		Exhaust pipe			
9	955 572 827 01	Bush		1	
10	3C0 820 231	Protection cap		1	IKK1
		Valve			
(10)	9A7 816 231 00	Cover		1	IKK3
		Valve cap			
11	3C0 820 581	Protection cap		1	IKK1
		Valve cap			
(11)	9A7 816 581 00	Cover		1	IKK3
		Valve			
12	9A7 573 749 03	O-ring		1	
		16,25X2,5			
13	999 707 557 41	O-ring		3	
		11X2.5			
14	955 573 749 02	Round seal		1	
		13.7X2.5-N			
15	955 573 749 03	O-ring		1	
		23,8 X 2,4			
16	955 573 749 00	Round seal		X	
		9,5 X 2,5			
17	9A7 260 513 00	Support		1	
		Refrigerant line			
18	971 260 197	Support		2	
		Refrigerant line			
19	9A7 971 847 00	Cable terminal		1	
20	9A7 121 191 00	Clip		1	
21	N 911 930 03	Hexagon socket head bolt		3	
		M6X28-S11			
22	N 107 209 01	Hexagon socket head bolt		4	
		M8X28-S13-S			
23	N 910 967 01	Round head screw		1	
		M 6 X 16			
24	N 104 144 02	Pan-head screw		2	
		M8 X 28			
25	9A7 820 896 00	O-ring		1	
		7.6X1.82-N			

Model: 971-17

Model life 2017>>



					23	22	21
20	19	16	15	14	13	12	9

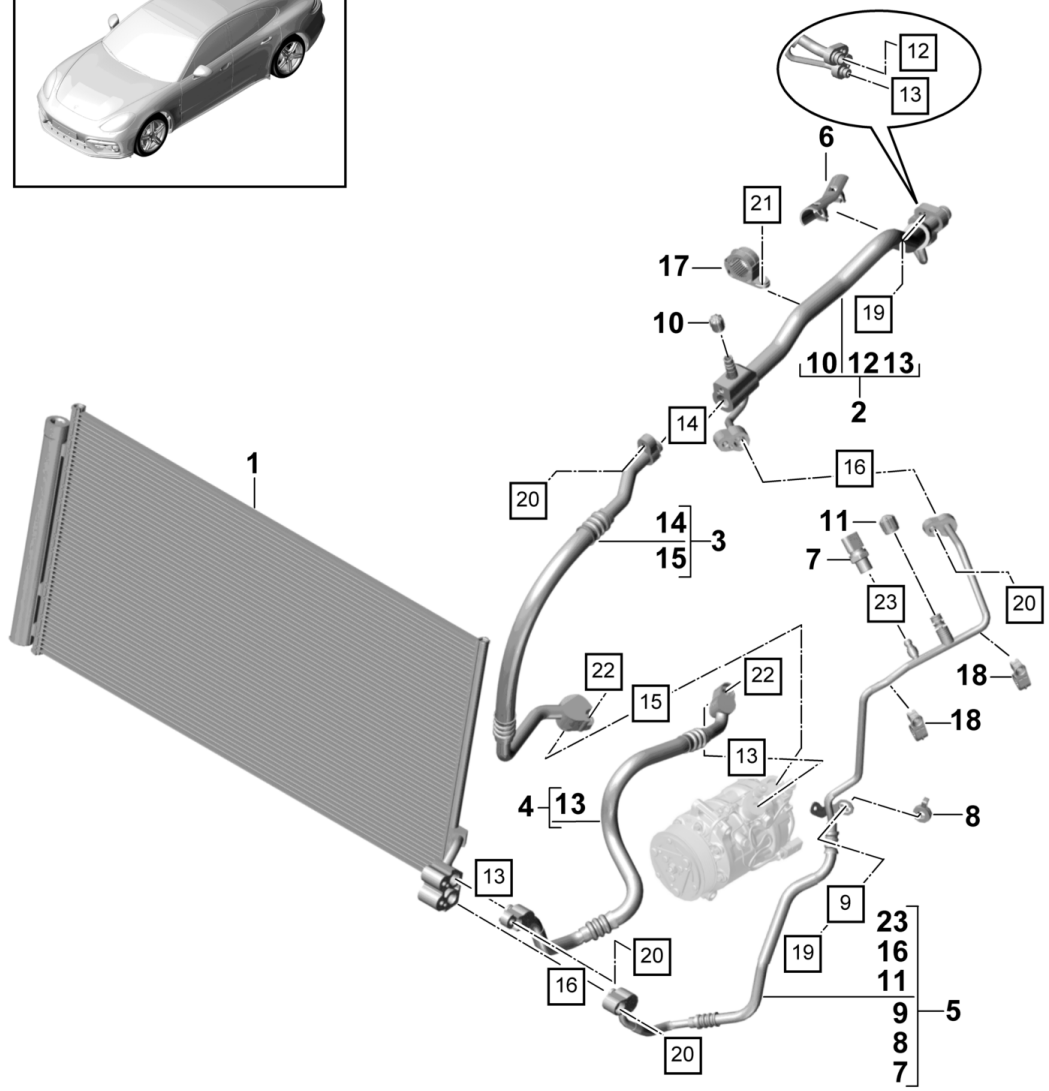
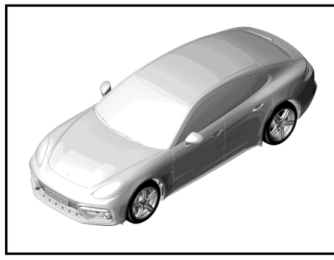
Model: 971-17

Model life 2017>>

Pos	Part Number	Description	Remark	Qty	Model
		Refrigerant circuit V6 BT			IKK1/KK3/OK0 ID29
1	9A7 260 399 00	Condenser		1	
2	9A7 260 704 00	Refrigerant line		1	IKK1
		Heat exchanger			
(2)	9A7 260 840 00	Refrigerant line		1	IKK3
		Heat exchanger			
3	971 260 707 M	Refrigerant line		1	IKK1/1A2
		Intake pipe			
(3)	971 260 707 N	Refrigerant line		1	IKK3
		Intake pipe			
4	971 260 710 A	Refrigerant line		1	IKK1
		Pressure line			
(4)	971 260 710 G	Refrigerant line		1	IKK3
		Pressure line			
5	971 260 702 D	Refrigerant line		1	IKK1
		Pressure line			
(5)	971 260 702 E	Refrigerant line		1	IKK3
		Pressure line			
6	9A7 260 689 00	Protective strip		1	IKK3
		Refrigerant line			
7	4H0 959 126 B	Pressure transmitter		1	
		Air conditioner			
		Use also:			
		9A7.820.896.00			
8	955 572 828 00	Bearing		1	
		Exhaust pipe			
9	955 572 827 01	Bush		1	
10	3C0 820 231	Protection cap		1	IKK1
		Valve			
(10)	3C0 820 581	Protection cap		1	IKK1
		Valve cap			
11	9A7 816 581 00	Cover		1	IKK3
		Valve			
11	9A7 816 231 00	Cover		1	IKK3
		Valve cap			
12	9A7 573 749 03	O-ring		3	
		16,25X2,5			
13	999 707 557 41	O-ring		4	
		11X2.5			
14	955 573 749 02	Round seal		1	
		13.7X2.5-N			
15	955 573 749 03	O-ring		1	
		23,8 X 2,4			
16	955 573 749 00	Round seal		X	
		9,5 X 2,5			
17	9A7 260 513 00	Support		1	
		Refrigerant line			
18	971 260 197	Support		2	
		Refrigerant line			
19	N 911 930 03	Hexagon socket head bolt		3	
		M6X28-S11			
20	N 107 209 01	Combination screw		4	
		M8X28-S13-S			
21	N 910 967 01	Round head screw		1	
		M 6 X 16			
22	N 104 144 02	Pan-head screw		2	
		M8 X 28			
23	9A7 820 896 00	O-ring		1	
		7.6X1.82-N			

Model: 971-17

Model life 2017>>



20	19	16	15	14	23	22	21
					13	12	9

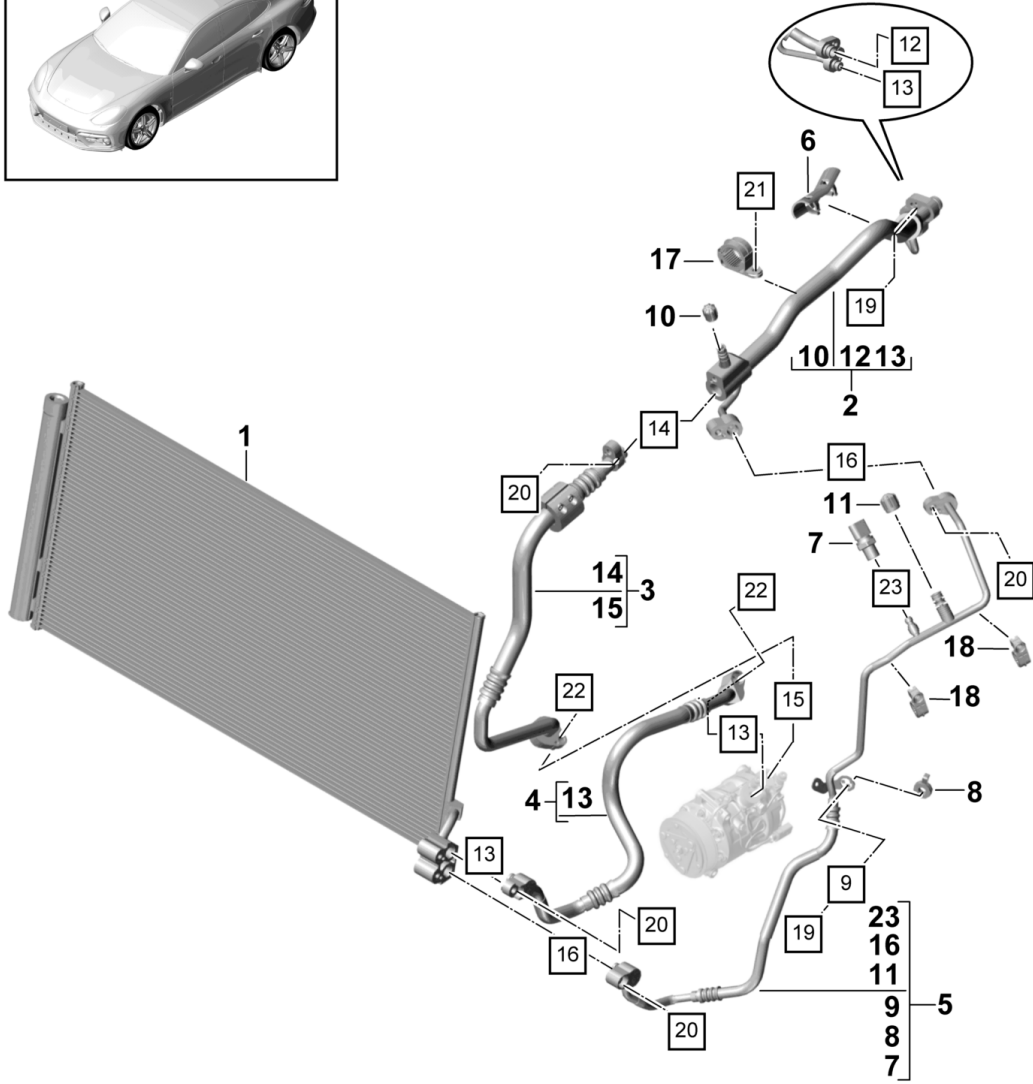
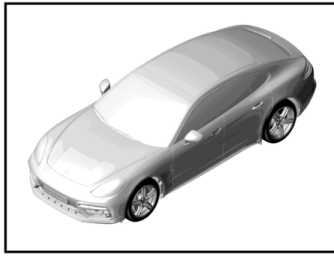
Model: 971-17

Model life 2017>>

Pos	Part Number	Description	Remark	Qty	Model
		Refrigerant circuit V8 BT			IKK1/KK3/OK0 IDW4
1	9A7 260 399 00	Condenser		1	
2	9A7 260 704 00	Refrigerant line Heat exchanger		1	IKK1
(2)	9A7 260 840 00	Refrigerant line Heat exchanger		1	IKK3
3	9A7 260 707 00	Refrigerant line Intake pipe		1	IKK1
(3)	9A7 260 707 10	Refrigerant line Intake pipe		1	IKK3
4	971 260 710 B	Refrigerant line Pressure line		1	IKK1
(4)	971 260 710 H	Refrigerant line Pressure line		1	IKK3
5	971 260 702 D	Refrigerant line Pressure line		1	IKK1
(5)	971 260 702 E	Refrigerant line Pressure line		1	IKK3
6	9A7 260 689 00	Protective strip Refrigerant line		1	IKK3
7	4H0 959 126 B	Pressure transmitter Air conditioner Use also: 9A7.820.896.00		1	
8	955 572 828 00	Bearing		1	
9	955 572 827 01	Bush		1	
10	3C0 820 231	Protection cap Valve		1	IKK1
(10)	9A7 816 231 00	Cover Valve cap		1	IKK3
11	3C0 820 581	Protection cap Valve cap		1	IKK1
(11)	9A7 816 581 00	Cover Valve		1	IKK3
12	9A7 573 749 03	O-ring 16,25X2,5		3	
13	999 707 557 41	O-ring 11X2.5		4	
14	955 573 749 02	Round seal 13.7X2.5-N		1	
15	955 573 749 03	O-ring 23,8 X 2,4		1	
16	955 573 749 00	Round seal 9,5 X 2,5		X	
17	9A7 260 513 00	Support Refrigerant line		1	
18	971 260 197	Support Refrigerant line		2	
19	N 911 930 03	Hexagon socket head bolt M6X28-S11		3	
20	N 107 209 01	Hexagon socket head bolt M8X28-S13-S		4	
21	N 910 967 01	Round head screw M 6 X 16		1	
22	N 104 144 02	Pan-head screw M8 X 28		2	
23	9A7 820 896 00	O-ring 7.6X1.82-N		1	

Model: 971-17

Model life 2017>>



20	19	16	15	14	23	22	21
					13	12	9

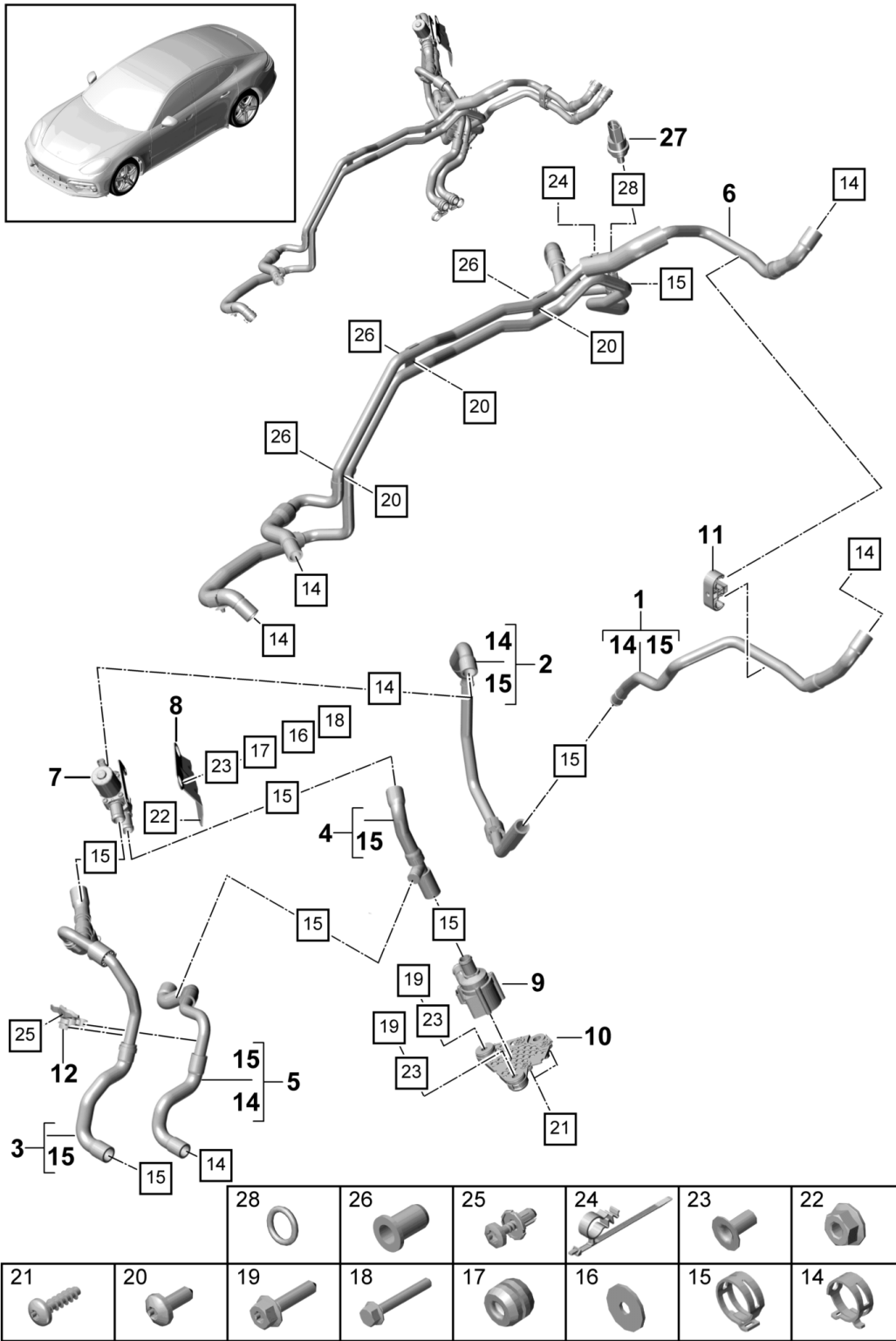
Model: 971-17

Model life 2017>>

Pos	Part Number	Description	Remark	Qty	Model
		Refrigerant circuit V8 TDI			IKK1/KK3/OK0 IDJ7
1	9A7 260 399 00	Condenser		1	
2	9A7 260 704 00	Refrigerant line		1	IKK1
		Heat exchanger			
(2)	9A7 260 840 00	Refrigerant line		1	IKK3
		Heat exchanger			
3	971 260 707 R	Refrigerant line		1	IKK1
		Intake pipe			
(3)	971 260 707 S	Refrigerant line		1	IKK3
		Intake pipe			
4	971 260 710 D	Refrigerant line		1	IKK1
		Pressure line			
(4)	971 260 710 J	Refrigerant line		1	IKK3
		Pressure line			
5	971 260 702 D	Refrigerant line		1	IKK1
		Pressure line			
(5)	971 260 702 E	Refrigerant line		1	IKK3
		Pressure line			
6	9A7 260 689 00	Protective strip		1	IKK3
		Refrigerant line			
7	4H0 959 126 B	Pressure transmitter		1	
		Air conditioner			
		Use also:			
		9A7.820.896.00			
8	955 572 828 00	Bearing		1	
9	955 572 827 01	Bush		1	
10	3C0 820 231	Protection cap		1	IKK1
		Valve			
(10)	9A7 816 231 00	Cover		1	IKK3
		Valve cap			
11	3C0 820 581	Protection cap		1	IKK1
		Valve cap			
(11)	9A7 816 581 00	Cover		1	IKK3
		Valve			
12	9A7 573 749 03	O-ring		3	
		16,25X2,5			
13	999 707 557 41	O-ring		4	
		11X2.5			
14	955 573 749 02	Round seal		1	
		13.7X2.5-N			
15	955 573 749 03	O-ring		1	
		23,8 X 2,4			
16	955 573 749 00	Round seal		X	
		9,5 X 2,5			
17	9A7 260 513 00	Support		1	
		Refrigerant line			
18	971 260 197	Support		2	
		Refrigerant line			
19	N 911 930 03	Hexagon socket head bolt		3	
		M6X28-S11			
20	N 107 209 01	Hexagon socket head bolt		4	
		M8X28-S13-S			
21	N 910 967 01	Round head screw		1	
		M 6 X 16			
22	N 104 144 02	Pan-head screw		2	
		M8 X 28			
23	9A7 820 896 00	O-ring		1	
		7.6X1.82-N			

Model: 971-17

Model life 2017>>



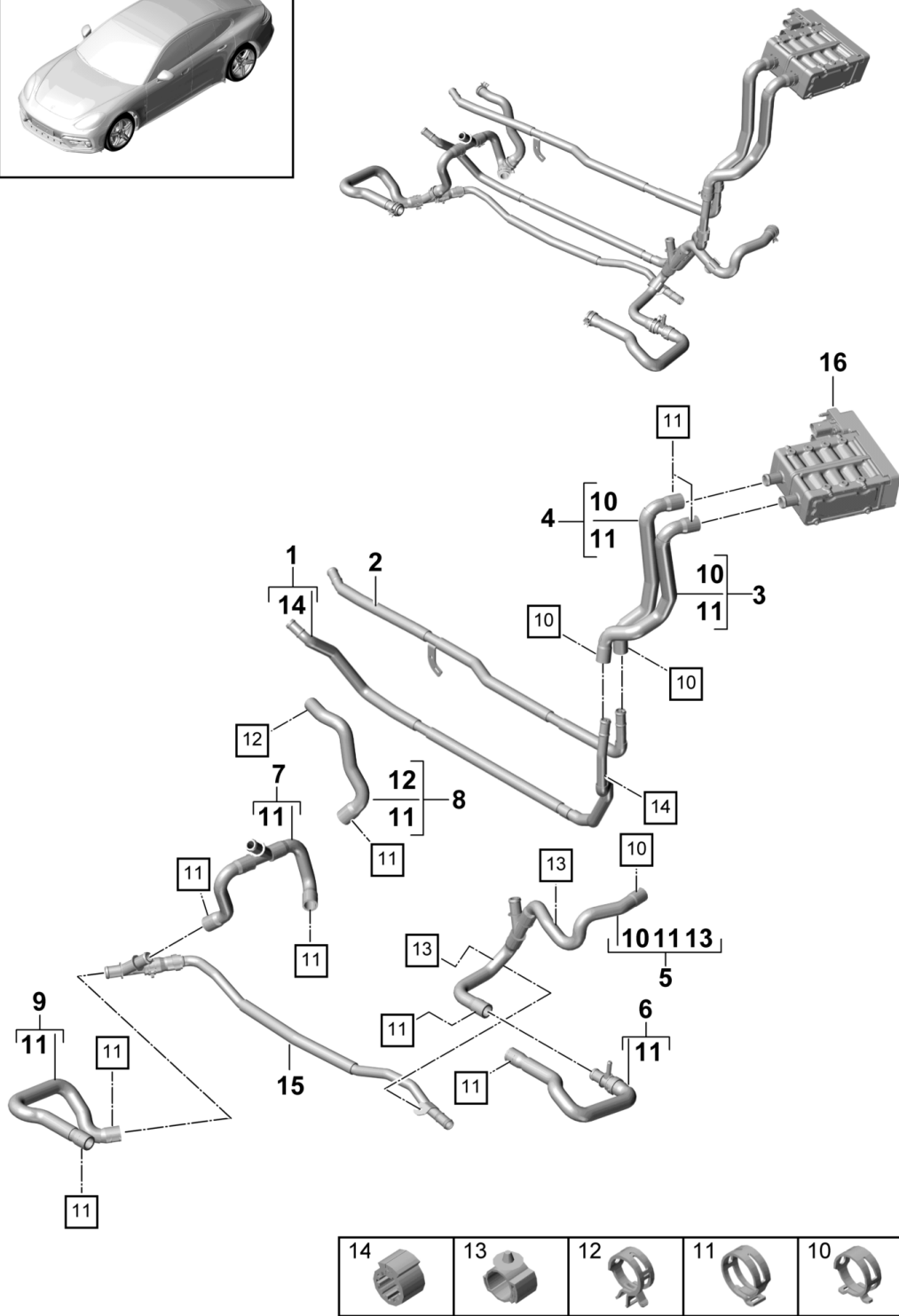
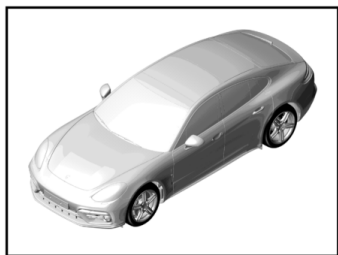
Model: 971-17

Model life 2017>>

Pos	Part Number	Description	Remark	Qty	Model
		Hybrid Heating Side member Right			I0K3/1A2/9M0
1	9A7 819 334 20	Heater hose		1	
2	9A7 815 555 00	Heater hose		1	
3	9A7 819 375 00	Heater hose with Temperature sensor		1	
4	9A7 819 452 00	Heater hose		1	
5	9A7 819 314 10	Heater hose		1	
6	9A7 815 553 00	Hot air line with Temperature sensor		1	
7	9A7 906 457 10	Shut-off valve		1	
8	9A7 819 134 00	Support Valve		1	
9	9A7 121 601 10	Water pump		1	
10	9A7 819 595 10	Support Water pump		1	
11	955 572 055 03	Clip Heater hose		2	
12	9A7 819 565 00	Support		1	
14	999 512 656 09	Hose clamp B25X12		X	
15	999 512 658 09	Hose clamp B27X12		X	
16	N 905 636 02	Washer 6,4X22X1,6		2	
17	4D0 614 177 A	Rubber stop Information available		2	
18	N 106 554 01	Hexagon-head bolt M 6 X 40		2	
19	N 911 087 01	Hexagon-head bolt M 6 X 25		2	
20	N 910 967 01	Round head screw M 6 X 16 -TC		3	
21	WHT 002 306	Round head screw TP3.5X12.0		3	
22	N 015 082 10	Hexagon nut M6		2	
23	4D0 614 173 B	Bearing sleeve		2	
24	N 104 782 01	Hose holder A 05-7 X 140 X C 05-22		1	
25	4F0 857 784	Expansion rivet		1	
26	N 906 313 03	Blind rivet nut M 6/0,5-3		3	
27	955 106 125 01	Temperature sensor		2	
28	N 903 168 01	O-ring 19,6 X 3,65		2	

Model: 971-17

Model life 2017>>



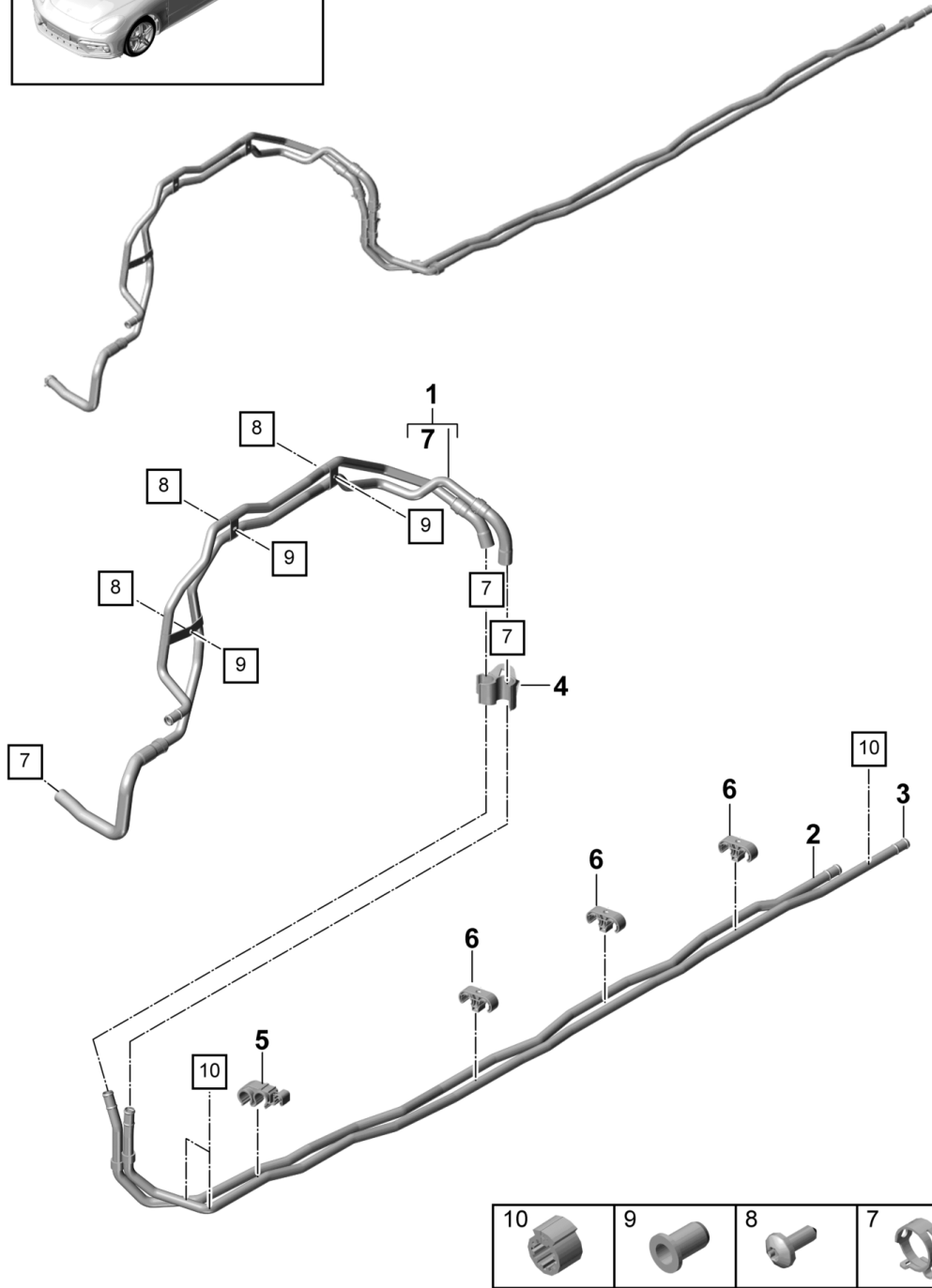
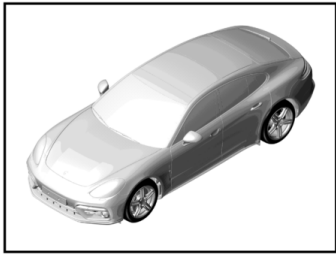
Model: 971-17

Model life 2017>>

Pos	Part Number	Description	Remark	Qty	Model
		Hybrid Heating Front			I0K3
1	9A7 815 551 00	Hot air line		1	
2	9A7 815 552 00	Hot air line		1	
3	9A7 820 525 00	Heater hose HV-PTC		1	
4	9A7 820 527 00	Heater hose		1	
5	9A7 820 590 00	Water hose		1	
6	9A7 820 589 00	Water hose with Hose clamp Bonded		1	
7	9A7 820 596 00	Water hose with Hose clamp Bonded		1	
8	9A7 820 595 00	Water hose with Hose clamp Bonded		1	
9	9A7 820 556 00	Water hose with Hose clamp Bonded		1	
10	999 512 656 09	Hose clamp B25X12		X	
11	999 512 658 09	Hose clamp B27X12		X	
12	999 512 601 09	Hose clamp 23 X 12		1	
13	999 507 793 40	Hose holder 23,0-C		1	
14	N 107 278 01	Spacer		1	
15	9A7 820 444 00	Hot air line		1	
16		Heat exchanger See illustrations 9/01/35		1	

Model: 971-17

Model life 2017>>



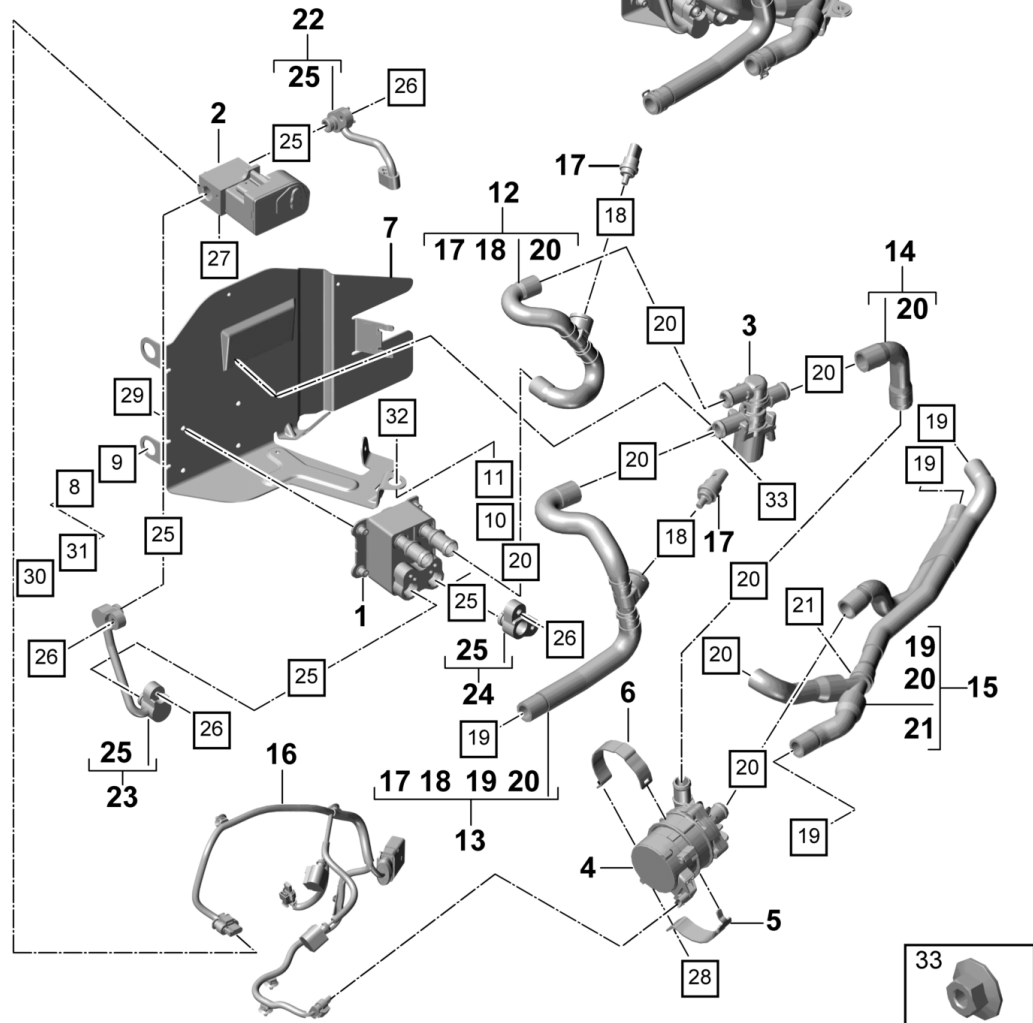
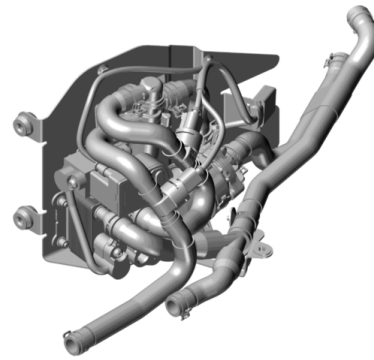
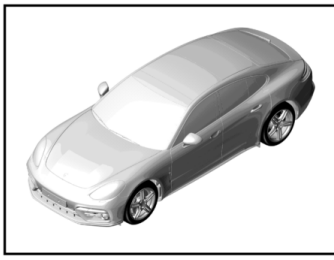
Model: 971-17

Model life 2017>>

Pos	Part Number	Description	Remark	Qty	Model
		Hybrid Hot air line Side member Left And Underbody			I0K3
1	9A7 820 443 00	Water line Side member with Check valve		1	
2	971 820 028	Water line Underbody Inner		1	I0E1
(2)	971 820 028 A	Water line Underbody Inner		1	I0E2
3	971 820 029	Water line Underbody Outer		1	I0E1
(3)	971 820 029 A	Water line Underbody Outer		1	I0E2
4	9A7 820 761 00	Support Water line		1	
5	9A7 820 056 00	Clip		1	
6	955 572 055 03	Clip		3	
8	N 910 967 01	Round head screw M 6 X 16 -TC		3	
9	N 906 313 03	Blind rivet nut M 6/0,5-3		3	
10	N 107 278 01	Spacer		1	

Model: 971-17

Model life 2017>>



32	31	30	29	28	27	26	25
21	20	19	18	11	10	9	8

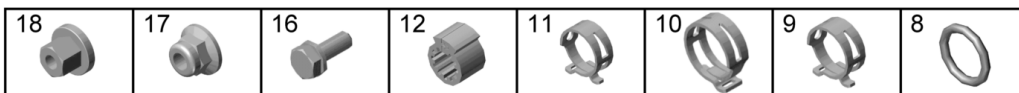
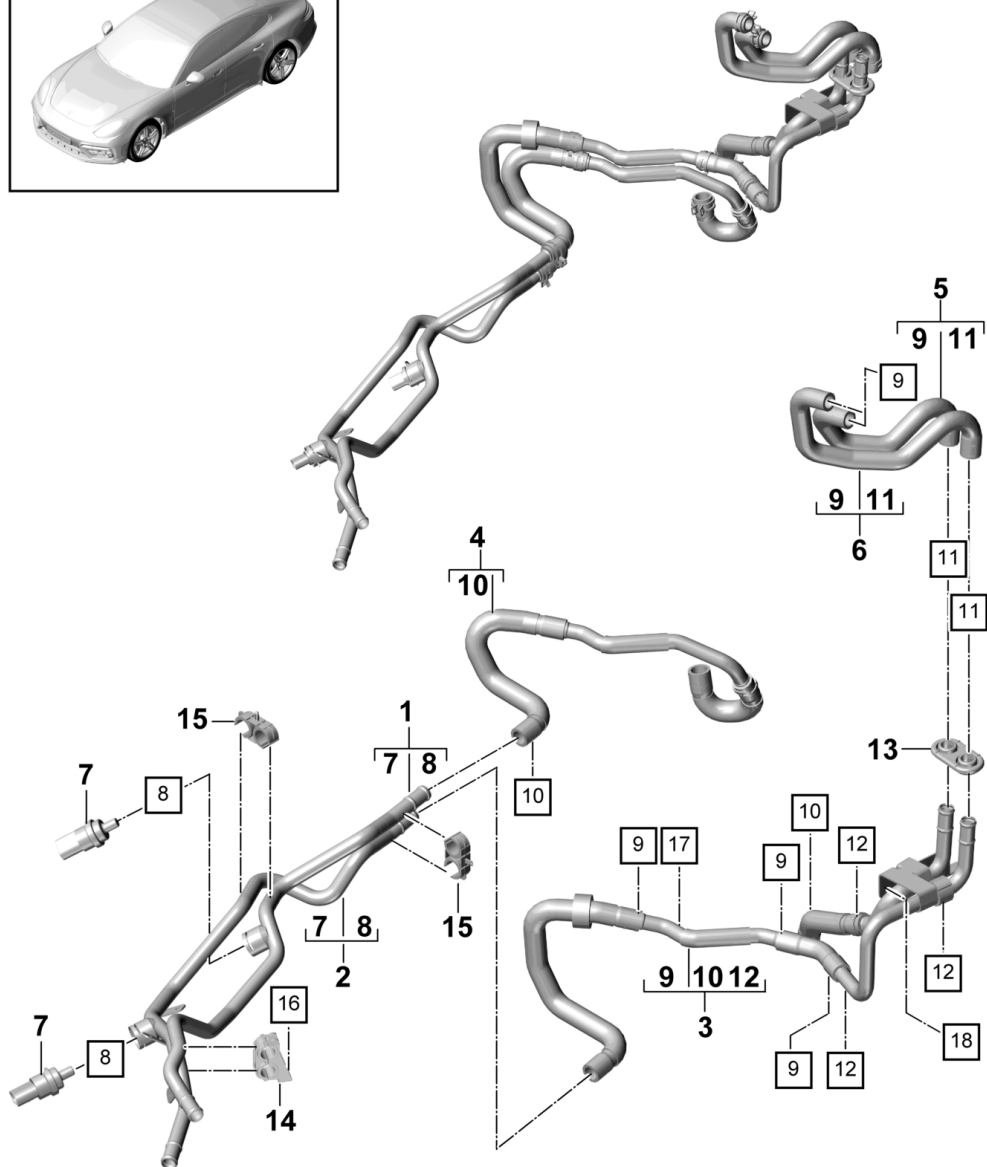
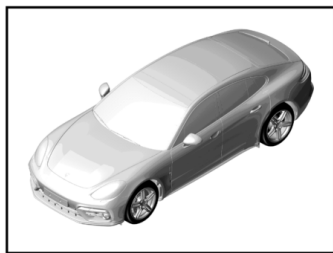
Model: 971-17

Model life 2017>>

Pos	Part Number	Description	Remark	Qty	Model
		Hybrid Evaporator Battery Cooling Heat exchanger with Flange		1	I0K3
1	9A7 816 115 00				
2	9A7 816 682 00	Expansion valve		1	
3	9A7 906 457 10	Shut-off valve		1	
4	9A7 965 567 10	Water pump		1	
5	9A7 260 420 00	Electric Support		1	
6	9A7 260 419 00	Clip Support		1	
7	9A7 260 089 00	Clip Support		1	IA8C/A8F/A8H I1A2
8	4D0 614 173 B	Evaporator Bearing sleeve		2	
9	4D0 614 177 A	Rubber stop Information available		2	
10	955 572 121 00	Bush		1	
11	955 572 095 00	Rubber sleeve		1	
12	9A7 820 928 00	Water hose with Temperature sensor		1	
13	9A7 820 452 00	Water hose with Temperature sensor		1	
14	9A7 820 930 00	Water hose		1	
15	9A7 820 450 00	Water hose Double line		1	
16	971 971 033	Wiring harness		1	
17	955 106 125 01	Temperature sensor		2	
18	N 903 168 01	O-ring 19,6 X 3,65		2	
19	999 512 656 09	Hose clamp B25X12		X	
20	999 512 658 09	Hose clamp B27X12		X	
21	999 507 793 40	Hose holder 23,0-C		1	
22	9A7 260 714 00	Refrigerant line		1	
23	9A7 260 335 00	Refrigerant line Pressure line		1	
24	9A7 260 752 00	Refrigerant line		1	
25	955 573 749 02	Round seal 13,7 X 2,5		4	
26	N 103 472 04	Combination screw		4	
27	N 103 352 06	Round head screw M 6 X 12		2	
28	N 910 967 01	Round head screw M 6 X 16 -TC		3	
29	N 107 148 01	Outer hexagon round screw M 6 X 18		4	
30	N 010 221 7	Hexagon-head bolt M 6X35		2	
31	N 905 436 02	Washer 6.4X22X3		2	
32	N 904 953 01	Hexagon nut Plastic nut T5/16,5X11		1	
33	N 911 893 02	Hexagon nut		2	

Model: 971-17

Model life 2017>>



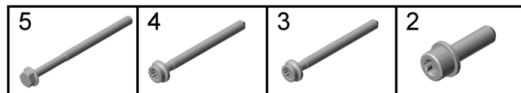
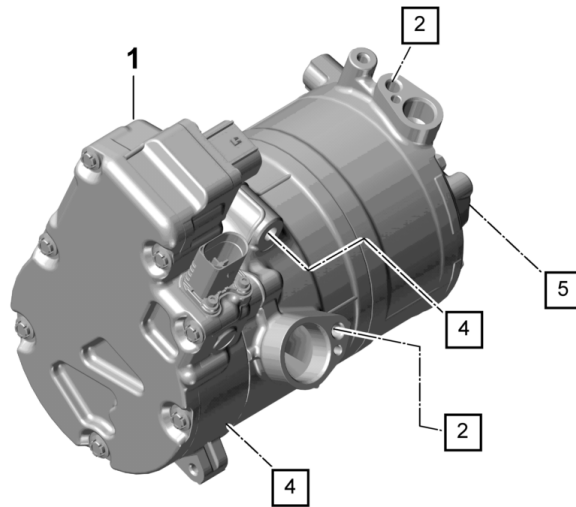
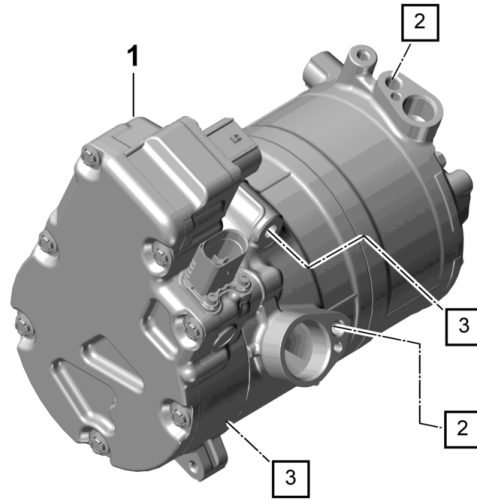
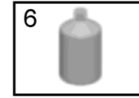
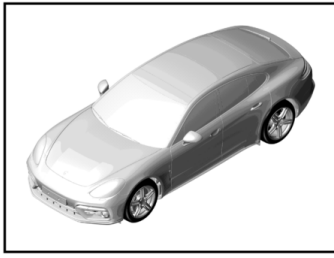
Model: 971-17

Model life 2017>>

Pos	Part Number	Description	Remark	Qty	Model
		Hybrid Battery Cooling			I0K3
1	9A7 820 440 00	Water line with Temperature sensor		1	
2	9A7 820 442 00	Water line with Temperature sensor		1	
3	9A7 820 823 00	Water hose Double line		1	
4	9A7 820 824 00	Water hose		1	
5	971 820 453 B	Water hose		1	
6	971 820 454 B	Water hose		1	
7	955 106 125 01	Temperature sensor		2	
8	N 903 168 01	O-ring 19,6 X 3,65		2	
9	999 512 656 09	Hose clamp B25X12		X	
10	999 512 658 09	Hose clamp B27X12		X	
11	999 512 683 09	Hose clamp 23 X 12		2	
12	N 107 278 01	Spacer		1	
13	9A7 816 182 00	Grommet		1	
14	9A7 816 570 00	Support		1	
15	9A7 820 055 00	Clip		2	
16	N 100 829 13	Hexagon-head bolt M 6 X 16		1	
17	N 101 181 04	Hexagon nut M5		1	
18	N 904 953 01	Hexagon nut Plastic nut T5/16,5X11		1	

Model: 971-17

Model life 2017>>



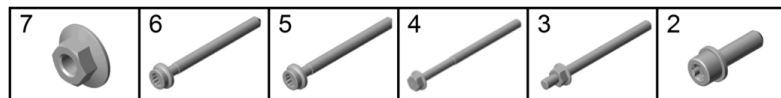
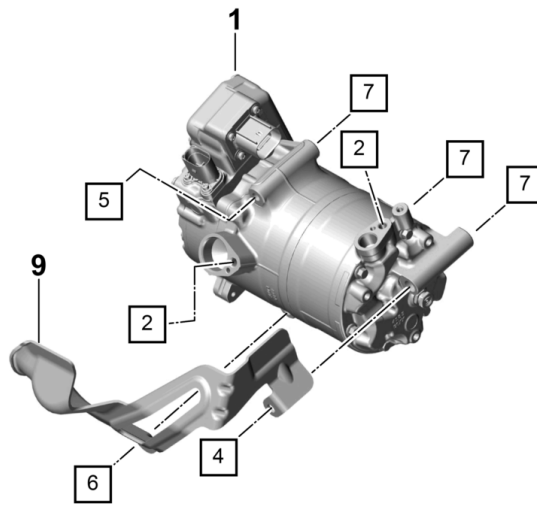
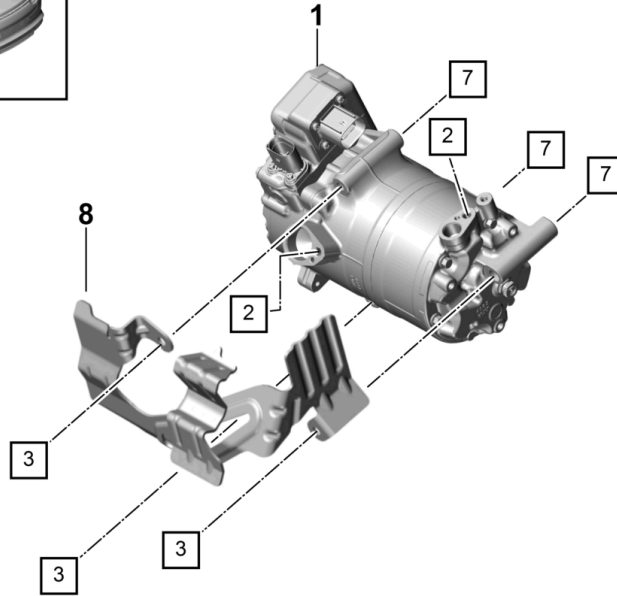
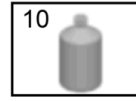
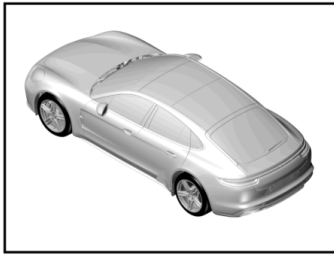
Model: 971-17

Model life 2017>>

Pos	Part Number	Description	Remark	Qty	Model
		Hybrid Air conditioner Compressor R134A			IKK1/0K3
1	9A7 816 797 00	Compressor Electric		1	
2	N 104 144 02	Pan-head screw M8 X 28		2	
3	N 107 145 01	Pan-head screw BM8X90X80		3	ID0D
4		Pan-head screw BM8X90X80		2	IDW4
5	N 107 094 01	Hexagon-head bolt BM8X120X80		1	IDW4
6	9A7 573 900 00	Refrigerant Oil Compressor 250 ML		1	

Model: 971-17

Model life 2017>>



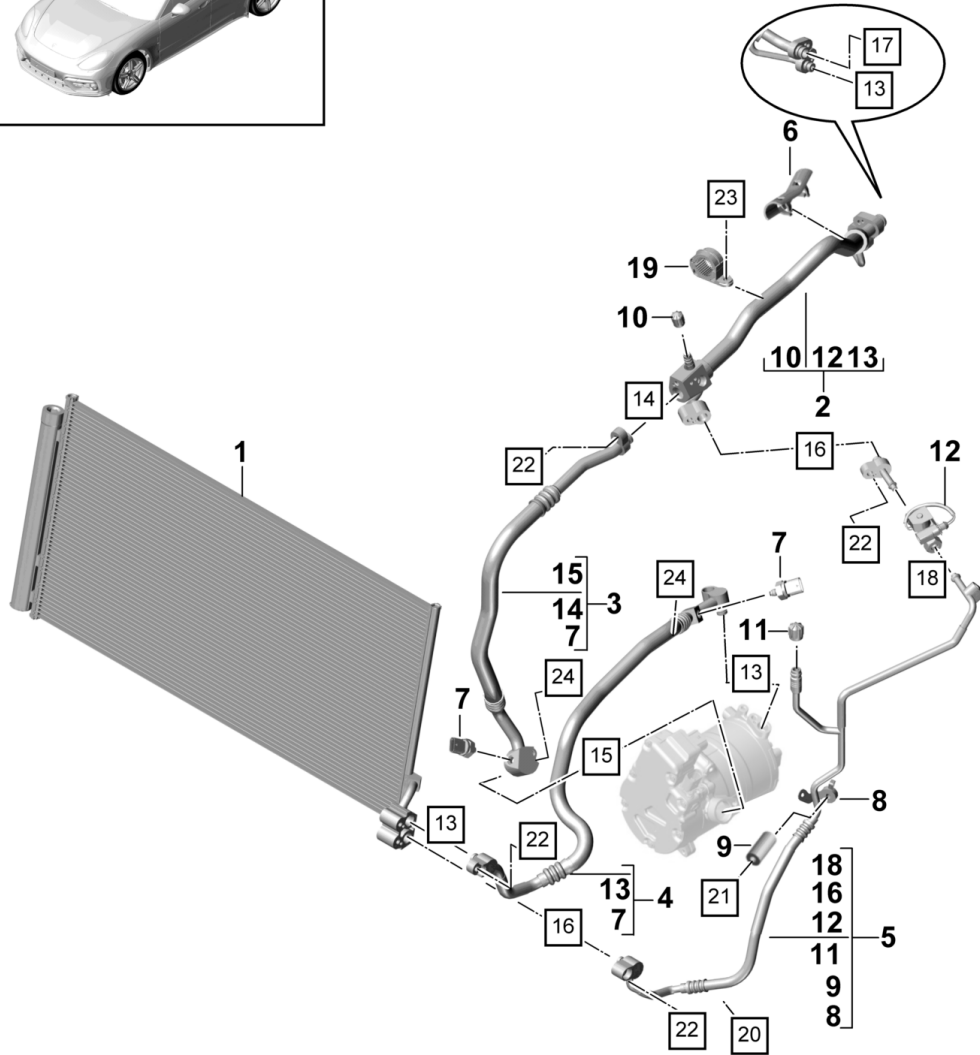
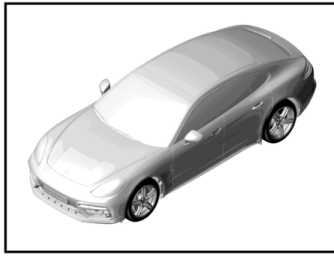
Model: 971-17

Model life 2017>>

Pos	Part Number	Description	Remark	Qty	Model
		Hybrid Air conditioner Compressor R1234YF			IKK3/0K3
1	9A7 816 797 00	Compressor		1	
2	N 104 144 02	Pan-head screw M8 X 28		2	
3	N 107 976 01	Stud AM8X90-M8X12		3	ID0D
4	N 107 094 01	Hexagon-head bolt BM8X120X80		1	IDW4
5	N 107 145 01	Pan-head screw BM8X90X80		3	IDW4
6	N 107 976 01	Stud Double screw AM8X90-M8X12		3	IDW4
7	N 023 003 16	Hexagon nut M8		X	
8	9A7 260 199 20	Protective plate		1	ID0D/KK3
9	9A7 260 199 30	Protective plate		1	IDW4/KK3
10	9A7 573 900 00	Refrigerant Oil Compressor 250 ML Refrigerant for R1234YF 5 KG See workshop manual 8X00IN		1	
(10)					

Model: 971-17

Model life 2017>>



21	20	18	17	16	24	23	22
					15	14	13

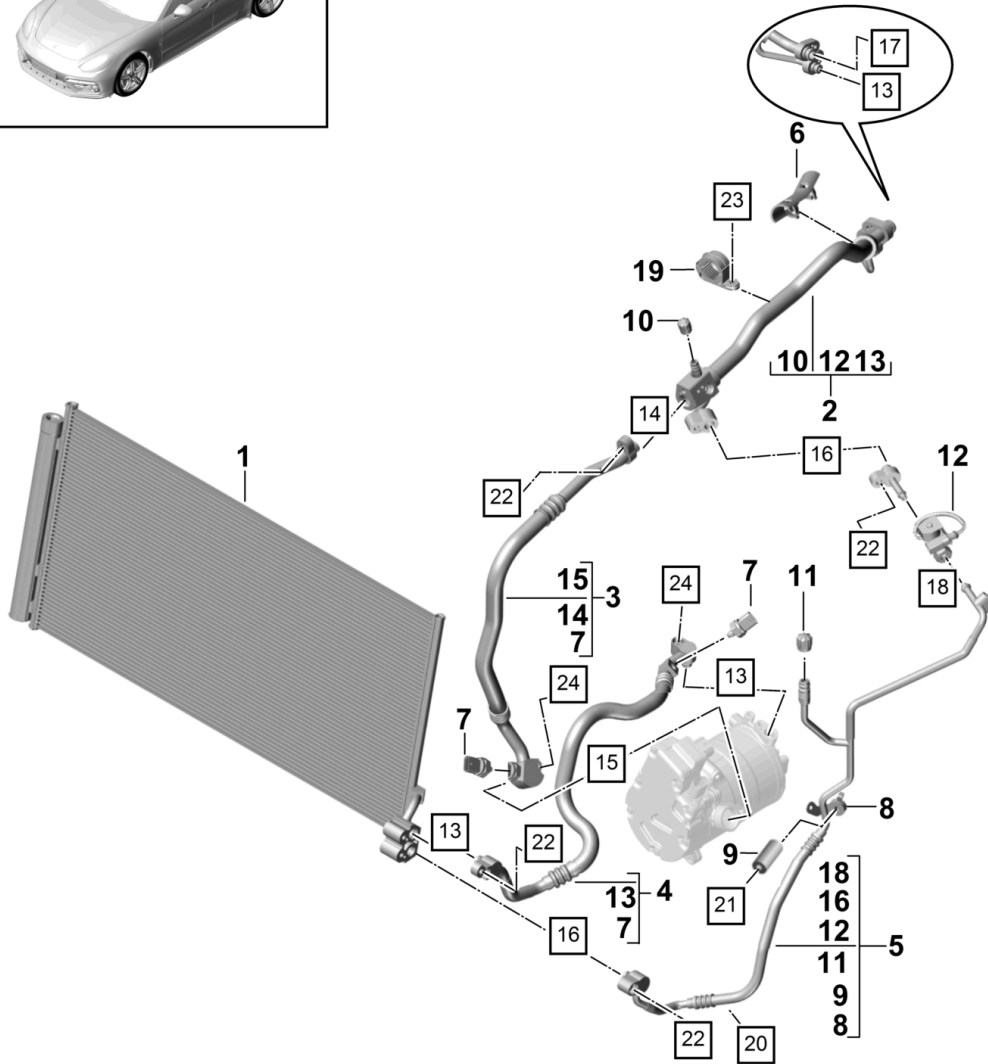
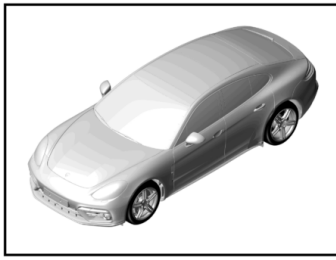
Model: 971-17

Model life 2017>>

Pos	Part Number	Description	Remark	Qty	Model
		Hybrid Refrigerant circuit Front V6 2,9L TURBO			ID0D/0K3
1	9A7 260 399 00	Condenser		1	
2	9A7 260 701 00	Refrigerant line		1	IKK1
(2)	9A7 260 855 00	Refrigerant line		1	IKK3
3	9A7 260 758 00	Refrigerant line		1	IA8C/KK1
(3)	9A7 260 758 10	Refrigerant line		1	IA8C/KK3
4	9A7 260 841 00	Refrigerant line		1	IA8C/KK1
(4)	9A7 260 841 10	Refrigerant line		1	IA8C/KK3
5	971 260 757 C	Refrigerant line		1	IKK1
(5)	971 260 757 D	Refrigerant line		1	IKK3
6	9A7 260 689 00	Protective strip Refrigerant line		1	IKK3
7	9A7 959 603 00	Pressure sensor Air conditioner		1	
8	955 572 828 00	Bearing		1	
9	955 572 827 01	Bush		1	
10	3C0 820 231	Protection cap Valve cap		1	IKK1
(10)	9A7 816 231 00	Cover Valve cap		1	IKK3
11	3C0 820 581	Protection cap Valve cap		1	IKK1
(11)	9A7 816 581 00	Cover Valve		1	IKK3
12	9A7 260 696 00	Shut-off valve		1	
13	999 707 557 41	O-ring 11X2.5		4	
14	955 573 749 02	Round seal 13.7X2.5-N		1	
15	955 573 749 03	O-ring 23,8 X 2,4		1	
16	955 573 749 00	Round seal 9,5 X 2,5		2	
17	9A7 573 749 03	O-ring 16,25X2,5		3	
18	9A7 820 896 00	O-ring 7.6X1.82-N		2	
19	9A7 260 513 00	Support Refrigerant line		1	
20	9A7 816 579 00	Support Refrigerant line		1	
21	N 911 930 03	Hexagon socket head bolt M6X28-S11		3	
22	N 107 209 01	Hexagon socket head bolt M8X28-S13-S		4	
23	N 910 967 01	Round head screw M 6 X 16		1	
24	N 104 144 02	Pan-head screw M8 X 28		2	

Model: 971-17

Model life 2017>>



21	20	18	17	16	24	23	22

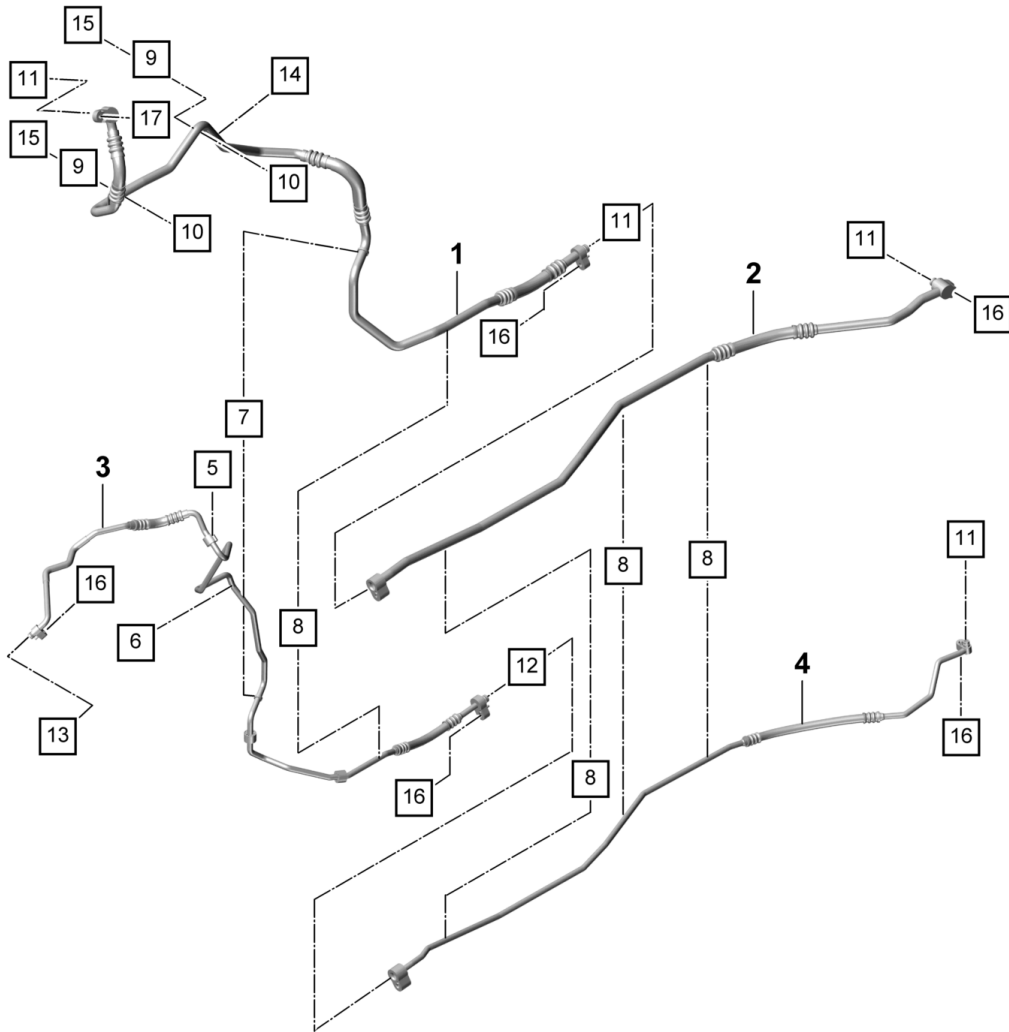
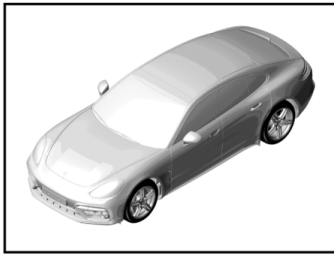
Model: 971-17

Model life 2017>>

Pos	Part Number	Description	Remark	Qty	Model
		Hybrid Refrigerant circuit Front V8 4,0L BT			IDW4/0K3
1	9A7 260 399 00	Condenser		1	
2	9A7 260 701 00	Refrigerant line		1	IKK1
(2)	9A7 260 701 10	Refrigerant line		1	IKK3
3	9A7 260 758 20	Refrigerant line Intake pipe		1	IA8H/KK1
(3)	9A7 260 758 30	Refrigerant line Intake pipe		1	IA8H/KK3
4	9A7 260 841 20	Refrigerant line		1	IA8H/KK1
(4)	9A7 260 841 30	Refrigerant line		1	IA8H/KK3
(5)	971 260 757 C	Refrigerant line		1	IKK1
(5)	971 260 757 D	Refrigerant line		1	IKK3
6	9A7 260 689 00	Protective strip Refrigerant line		1	IKK3
7	9A7 959 603 00	Pressure sensor Air conditioner		1	
8	955 572 828 00	Bearing		1	
9	955 572 827 01	Bush		1	
10	3C0 820 231	Protection cap Valve		1	IKK1
(10)	9A7 816 231 00	Cover Valve cap		1	IKK3
11	3C0 820 581	Protection cap Valve cap		1	IKK1
(11)	9A7 816 581 00	Cover Valve		1	IKK3
12	9A7 260 696 00	Shut-off valve		1	
13	999 707 557 41	O-ring 11X2.5		4	
14	955 573 749 02	Round seal 13.7X2.5-N		1	
15	955 573 749 03	O-ring 23,8 X 2,4		1	
16	955 573 749 00	Round seal 9,5 X 2,5		X	2
17	9A7 573 749 03	O-ring 16,25X2,5		3	
18	9A7 820 896 00	O-ring 7.6X1.82-N		2	2
19	9A7 260 513 00	Support Refrigerant line		1	
20	9A7 816 579 00	Support Refrigerant line		1	
21	N 911 930 03	Hexagon socket head bolt M6X28-S11		3	
22	N 107 209 01	Hexagon socket head bolt M8X28-S13-S		4	
23	N 910 967 01	Round head screw M 6 X 16		1	
24	N 104 144 02	Pan-head screw M8 X 28		2	

Model: 971-17

Model life 2017>>



			17	16	15	14	13
12	11	10	9	8	7	6	5

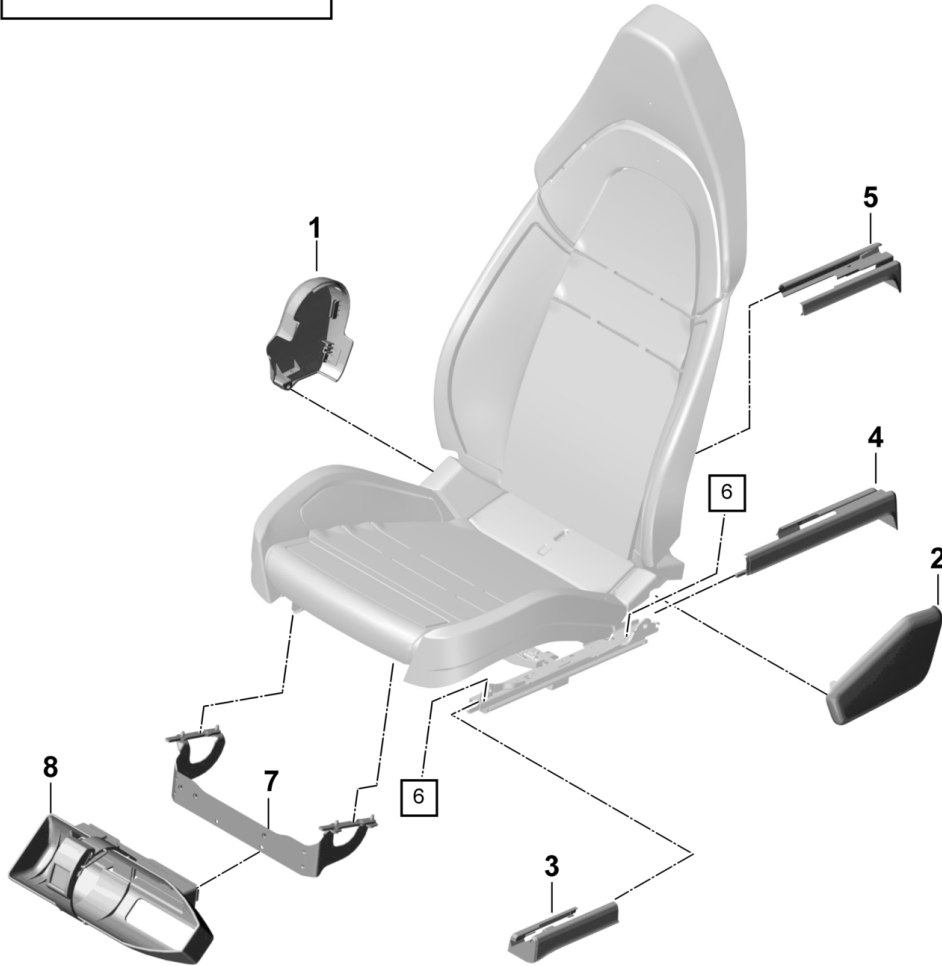
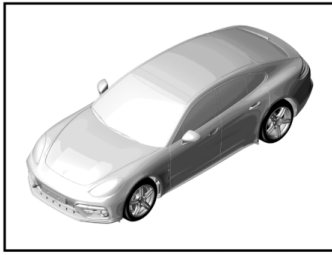
Model: 971-17

Model life 2017>>

Pos	Part Number	Description	Remark	Qty	Model
		Hybrid Refrigerant circuit Underbody			I0K3
1	9A7 260 349 01	for Evaporator Refrigerant line Intake pipe		1	
(2)	971 260 709 D	Front Refrigerant line Intake pipe Underbody		1	I0E1
(2)	971 260 709 E	Refrigerant line Intake pipe Underbody		1	I0E2
(3)	9A7 260 336 01	Refrigerant line Front		1	
(4)	971 260 705 D	Refrigerant line Underbody		1	I0E1
(4)	971 260 705 E	Refrigerant line Underbody		1	I0E2
5	N 105 840 01	Fixing clip		1	
6	971 260 197	Support Refrigerant line		1	
7	971 260 761	Support		2	
8	9A7 260 759 00	Support		8	
9	1T0 805 179 A	Sleeve 7,5X1,5-A		4	
10	955 572 095 00	Rubber sleeve		4	
11	999 707 557 41	O-ring 11X2.5		3	
12	955 573 749 00	Round seal 9,5 X 2,5		1	2
13	999 707 531 41	O-ring 7,50X2,00		1	
14	N 020 626 7	Clamp D1 15 X 16		2	
15	N 904 953 01	Hexagon nut T5 X 16,5 X 11		2	
16	N 911 930 03	Hexagon socket head bolt M6X28-S11		5	
17	N 910 540 01	Combination screw M 6 X 22		1	

Model: 971-17

Model life 2017>>



Model: 971-17 Model life 2017>>

Pos	Part Number	Description	Remark	Qty	Model
		Front seat Complete Not available Standard seat			IQ1G
1	971 881 327	Trim cover Mounting component Inner Left	/L	1	
	971 881 327 5Q0	Black			+AB, +AC
	971 881 327 OA6	Agate Grey			+DG, +DL
	971 881 327 6W0	Luxor Beige			+UB, +PK, +UC +BP
	971 881 327 OL7	Saddle Tan			+SB, +BS
	971 881 327 7X0	Marsala Red			+PC
	971 881 327 OG6	Bordeaux Red			+BB
	971 881 327 OL8	Chalk			+BK
	971 881 327 5V0	Cream			+BE
(1)	971 881 328	Trim cover Mounting component Inner Right	/R	1	
	971 881 328 5Q0	Black			+AB, +AC
	971 881 328 OA6	Agate Grey			+DG, +DL
	971 881 328 6W0	Luxor Beige			+UB, +PK, +UC +BP
	971 881 328 OL7	Saddle Tan			+SB, +BS
	971 881 328 7X0	Marsala Red			+PC
	971 881 328 OG6	Bordeaux Red			+BB
	971 881 328 OL8	Chalk			+BK
	971 881 328 5V0	Cream			+BE
(1)	971 881 317 B	Trim cover Mounting component Outer Left	/L	1	
	971 881 317 B 5Q0	Black			+AB, +AC
	971 881 317 B OA6	Agate Grey			+DG, +DL
	971 881 317 B 6W0	Luxor Beige			+UB, +PK, +UC +BP
	971 881 317 B OL7	Saddle Tan			+SB, +BS
	971 881 317 B 7X0	Marsala Red			+PC
	971 881 317 B OG6	Bordeaux Red			+BB
	971 881 317 B OL8	Chalk			+BK
	971 881 317 B 5V0	Cream			+BE
(1)	971 881 318 B	Trim cover Mounting component Outer Right	/R	1	
	971 881 318 B 5Q0	Black			+AB, +AC
	971 881 318 B OA6	Agate Grey			+DG, +DL
	971 881 318 B 6W0	Luxor Beige			+UB, +PK, +UC +BP
	971 881 318 B OL7	Saddle Tan			+SB, +BS
	971 881 318 B 7X0	Marsala Red			+PC
	971 881 318 B OG6	Bordeaux Red			+BB
	971 881 318 B OL8	Chalk			+BK
	971 881 318 B 5V0	Cream			+BE
2	971 881 793	Trim cover Mounting component Left	/L	1	
	971 881 793 5Q0	Black			+AB, +AC
	971 881 793 OA6	Agate Grey			+DG, +DL
	971 881 793 6W0	Luxor Beige			+UB, +PK, +UC +BP

Model: 971-17

Model life 2017>>

Pos	Part Number	Description	Remark	Qty	Model
(2)	971 881 793 OL7	Saddle Tan	/R	1	+SB,+BS
	971 881 793 7X0	Marsala Red			+PC
	971 881 793 OG6	Bordeaux Red			+BB
	971 881 793 OL8	Chalk			+BK
	971 881 793 5V0	Cream			+BE
	971 881 794	Trim cover			
		Mounting component			
		Right			
	971 881 794 5Q0	Black			+AB,+AC
	971 881 794 OA6	Agate Grey			+DG,+DL
971 881 794 6W0	Luxor Beige	+UB,+PK,+UC			
3	971 881 794 OL7	Saddle Tan	/L	1	+BP
	971 881 794 7X0	Marsala Red			+SB,+BS
	971 881 794 OG6	Bordeaux Red			+PC
	971 881 794 OL8	Chalk			+BB
	971 881 794 5V0	Cream			+BK
	971 881 477 A	Rail			+BE
		Seat rail			
		Front			
		Left			
	971 881 477 A 1E0	Black			+AB,+PK,+AC
(3)	971 881 477 A OP1	Agate Grey	/R	1	+BB,+BS,+BK
	971 881 477 A 4H0	Luxor Beige			+DG,+DL
	971 881 477 A OM8	Saddle Tan			+UB,+UC
	971 881 477 A 3G0	Marsala Red			+SB,+BP
	971 881 478 A	Rail			+PC,+BE
		Seat rail			
		Front			
		Right			
	971 881 478 A 1E0	Black			+AB,+PK,+AC
	971 881 478 A OP1	Agate Grey			+BB,+BS,+BK
4	971 881 478 A 4H0	Luxor Beige	/L	1	+DG,+DL
	971 881 478 A OM8	Saddle Tan			+UB,+UC
	971 881 478 A 3G0	Marsala Red			+SB,+BP
	971 881 479 A	Rail			+PC,+BE
		Seat rail			
		Left			
		Rear			
		Outer			
	971 881 479 A 1E0	Black			+AB,+PK,+AC
	971 881 479 A OP1	Agate Grey			+BB,+BS,+BK
(4)	971 881 479 A 4H0	Luxor Beige	/R	1	+DG,+DL
	971 881 479 A OM8	Saddle Tan			+UB,+UC
	971 881 479 A 3G0	Marsala Red			+SB,+BP
	971 881 480 A	Rail			+PC,+BE
		Seat rail			
		Right			
		Rear			
		Outer			
	971 881 480 A 1E0	Black			+AB,+PK,+AC
	971 881 480 A OP1	Agate Grey			+BB,+BS,+BK
5	971 881 480 A 4H0	Luxor Beige	/L	1	+DG,+DL
	971 881 480 A OM8	Saddle Tan			+UB,+UC
	971 881 480 A 3G0	Marsala Red			+SB,+BP
	971 881 171 A	Rail			+PC,+BE
		Seat rail			
		Left			
		Rear			

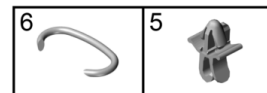
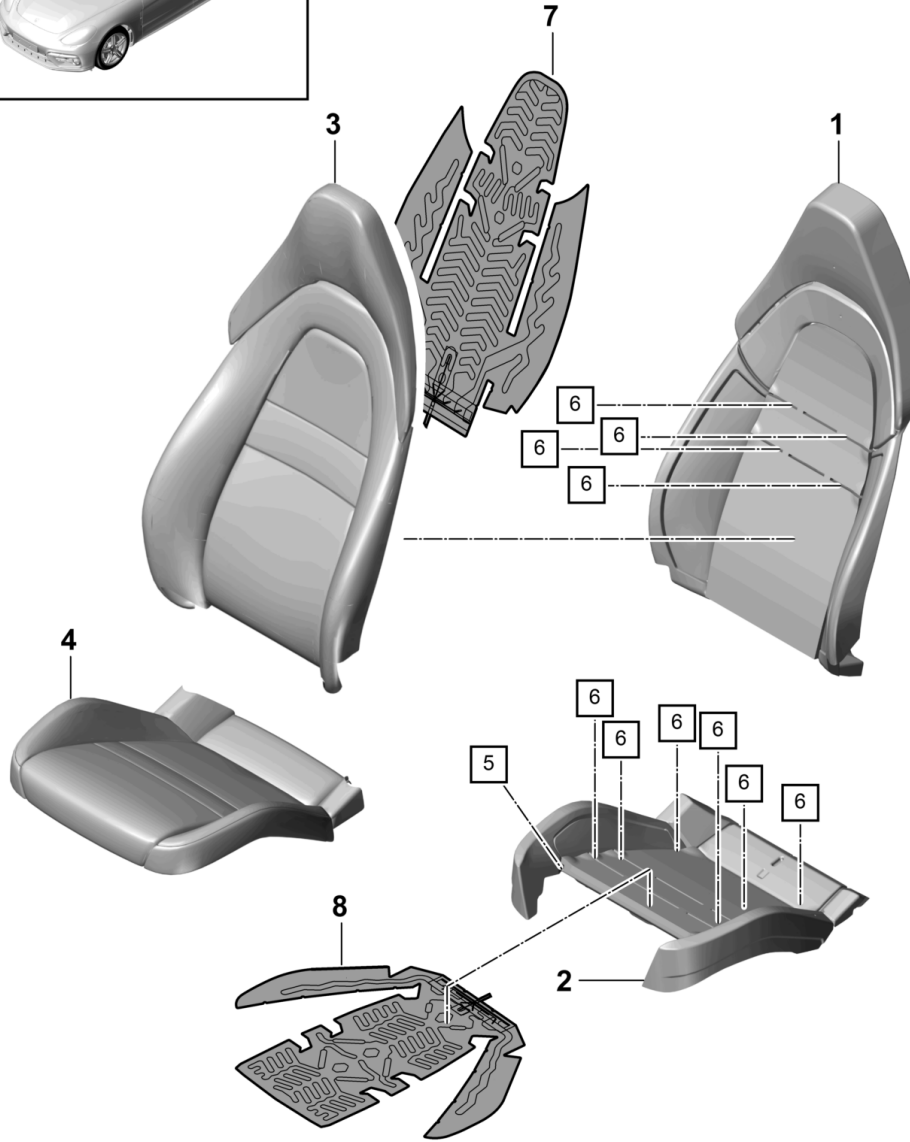
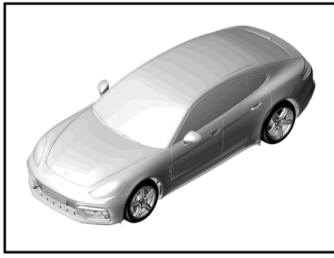
Model: 971-17

Model life 2017>>

Pos	Part Number	Description	Remark	Qty	Model
	971 881 171 A 1E0	Inner Black			+AB, +PK, +AC +BB, +BS, +BK
	971 881 171 A OP1	Agate Grey			+DG, +DL
	971 881 171 A 4H0	Luxor Beige			+UB, +UC
	971 881 171 A OM8	Saddle Tan			+SB, +BP
	971 881 171 A 3G0	Marsala Red			+PC, +BE
(5)	971 881 172 A	Rail Seat rail Right Rear Inner	/R	1	
	971 881 172 A 1E0	Black			+AB, +PK, +AC +BB, +BS, +BK
	971 881 172 A OP1	Agate Grey			+DG, +DL
	971 881 172 A 4H0	Luxor Beige			+UB, +UC
	971 881 172 A OM8	Saddle Tan			+SB, +BP
	971 881 172 A 3G0	Marsala Red			+PC, +BE
6	WHT 007 691	Outer hexagon round screw Mount Seat rail		4	
7	971 881 146	Mount Set		1	IL0L/L0R/6A7
8	971 881 150	Fire extinguisher Support Fire extinguisher Set		1	I6A7

Model: 971-17

Model life 2017>>



Model: 971-17 Model life 2017>>

Pos	Part Number	Description	Remark	Qty	Model
		Foam part Cover Standard seat			IQ1G/4D0
1	971 881 551 G	Foam part Backrest		1	
2	971 881 375 F	Foam part Seat cushion		1	
3	971 881 805 AQ	Backrest cover without Crest Left	/L	1	IN1X/3J4
	971 881 805 AQ GDB	Black			+AB
	971 881 805 AQ GHB	Agate Grey			+DG
	971 881 805 AQ GFB	Luxor Beige			+UB
	971 881 805 AQ DWF	Luxor Beige/Black D >> 12.02.2017			+PK
(3)	971 881 806 AQ	Backrest cover without Crest Right	/R	1	IN1X/3J4
	971 881 806 AQ GDB	Black			+AB
	971 881 806 AQ GHB	Agate Grey			+DG
	971 881 806 AQ GFB	Luxor Beige			+UB
	971 881 806 AQ DWF	Luxor Beige/Black D >> 12.02.2017			+PK
(3)	971 881 805 BB	Backrest cover without Crest Left	/L	1	IN5U/3J4
	971 881 805 BB GDC	Black			+AC
	971 881 805 BB GHC	Agate Grey			+DL
	971 881 805 BB DUE	Saddle Tan			+SB
	971 881 805 BB GFC	Luxor Beige			+UC
	971 881 805 BB DAK	Marsala Red			+PC
	971 881 805 BB DWA	Black/Bordeaux Red			+BB
	971 881 805 BB DWB	Saddle Tan/Black			+BS
	971 881 805 BB DWC	Black/Chalk			+BK
	971 881 805 BB DWD	Luxor Beige/Saddle Tan			+BP
	971 881 805 BB DWE	Marsala Red/Cream D >> 12.02.2017			+BE
(3)	971 881 806 BB	Backrest cover without Crest Right	/R	1	IN5U/3J4
	971 881 806 BB GDC	Black			+AC
	971 881 806 BB GHC	Agate Grey			+DL
	971 881 806 BB DUE	Saddle Tan			+SB
	971 881 806 BB GFC	Luxor Beige			+UC
	971 881 806 BB DAK	Marsala Red			+PC
	971 881 806 BB DWA	Black/Bordeaux Red			+BB
	971 881 806 BB DWB	Saddle Tan/Black			+BS
	971 881 806 BB DWC	Black/Chalk			+BK
	971 881 806 BB DWD	Luxor Beige/Saddle Tan			+BP
	971 881 806 BB DWE	Marsala Red/Cream D >> 12.02.2017			+BE
(3)	971 881 805 BQ	Backrest cover with Crest Left	/L	1	IN1X/5ZF
	971 881 805 BQ GDB	Black			+AB
	971 881 805 BQ GHB	Agate Grey			+DG
	971 881 805 BQ GFB	Luxor Beige			+UB
	971 881 805 BQ DWF	Luxor Beige/Black			+PK

Model: 971-17 Model life 2017>>

Pos	Part Number	Description	Remark	Qty	Model
(3)	971 881 806 BQ	D >> 12.02.2017 Backrest cover with Crest Right	/R	1	IN1X/5ZF
	971 881 806 BQ GDB	Black			+AB
	971 881 806 BQ GHB	Agate Grey			+DG
	971 881 806 BQ GFB	Luxor Beige			+UB
	971 881 806 BQ DWF	Luxor Beige/Black			+PK
(3)	971 881 805 BN	D >> 12.02.2017 Backrest cover with Crest Left	/L	1	IN5U/5ZF
	971 881 805 BN GDC	Black			+AC
	971 881 805 BN GHC	Agate Grey			+DL
	971 881 805 BN DUE	Saddle Tan			+SB
	971 881 805 BN GFC	Luxor Beige			+UC
	971 881 805 BN DAK	Marsala Red			+PC
	971 881 805 BN DWA	Black/Bordeaux Red			+BB
	971 881 805 BN DWB	Saddle Tan/Black			+BS
	971 881 805 BN DWC	Black/Chalk			+BK
	971 881 805 BN DWD	Luxor Beige/Saddle Tan			+BP
	971 881 805 BN DWE	Marsala Red/Cream			+BE
(3)	971 881 806 BN	D >> 12.02.2017 Backrest cover with Crest Right	/R	1	IN5U/5ZF
	971 881 806 BN GDC	Black			+AC
	971 881 806 BN GHC	Agate Grey			+DL
	971 881 806 BN DUE	Saddle Tan			+SB
	971 881 806 BN GFC	Luxor Beige			+UC
	971 881 806 BN DAK	Marsala Red			+PC
	971 881 806 BN DWA	Black/Bordeaux Red			+BB
	971 881 806 BN DWB	Saddle Tan/Black			+BS
	971 881 806 BN DWC	Black/Chalk			+BK
	971 881 806 BN DWD	Luxor Beige/Saddle Tan			+BP
	971 881 806 BN DWE	Marsala Red/Cream			+BE
4	971 881 405 AS	D >> 12.02.2017 Cover for cushion Left	/L	1	IN1X
	971 881 405 AS GDB	Black			+AB
	971 881 405 AS GHB	Agate Grey			+DG
	971 881 405 AS GFB	Luxor Beige			+UB, +PK
(4)	971 881 406 AS	Cover for cushion Right	/R	1	IN1X
	971 881 406 AS GDB	Black			+AB
	971 881 406 AS GHB	Agate Grey			+DG
	971 881 406 AS GFB	Luxor Beige			+UB, +PK
(4)	971 881 405 BN	Cover for cushion Left	/L	1	IN5U
	971 881 405 BN GDC	Black			+AC
	971 881 405 BN GHC	Agate Grey			+DL
	971 881 405 BN DUE	Saddle Tan			+SB, +BS
	971 881 405 BN GFC	Luxor Beige			+UC, +BP
	971 881 405 BN DAK	Marsala Red			+PC
	971 881 405 BN GUC	Bordeaux Red			+BB
	971 881 405 BN GVC	Chalk			+BK
	971 881 405 BN DAL	Cream			+BE
(4)	971 881 406 BN	Cover for cushion Right	/R	1	IN5U
	971 881 406 BN GDC	Black			+AC

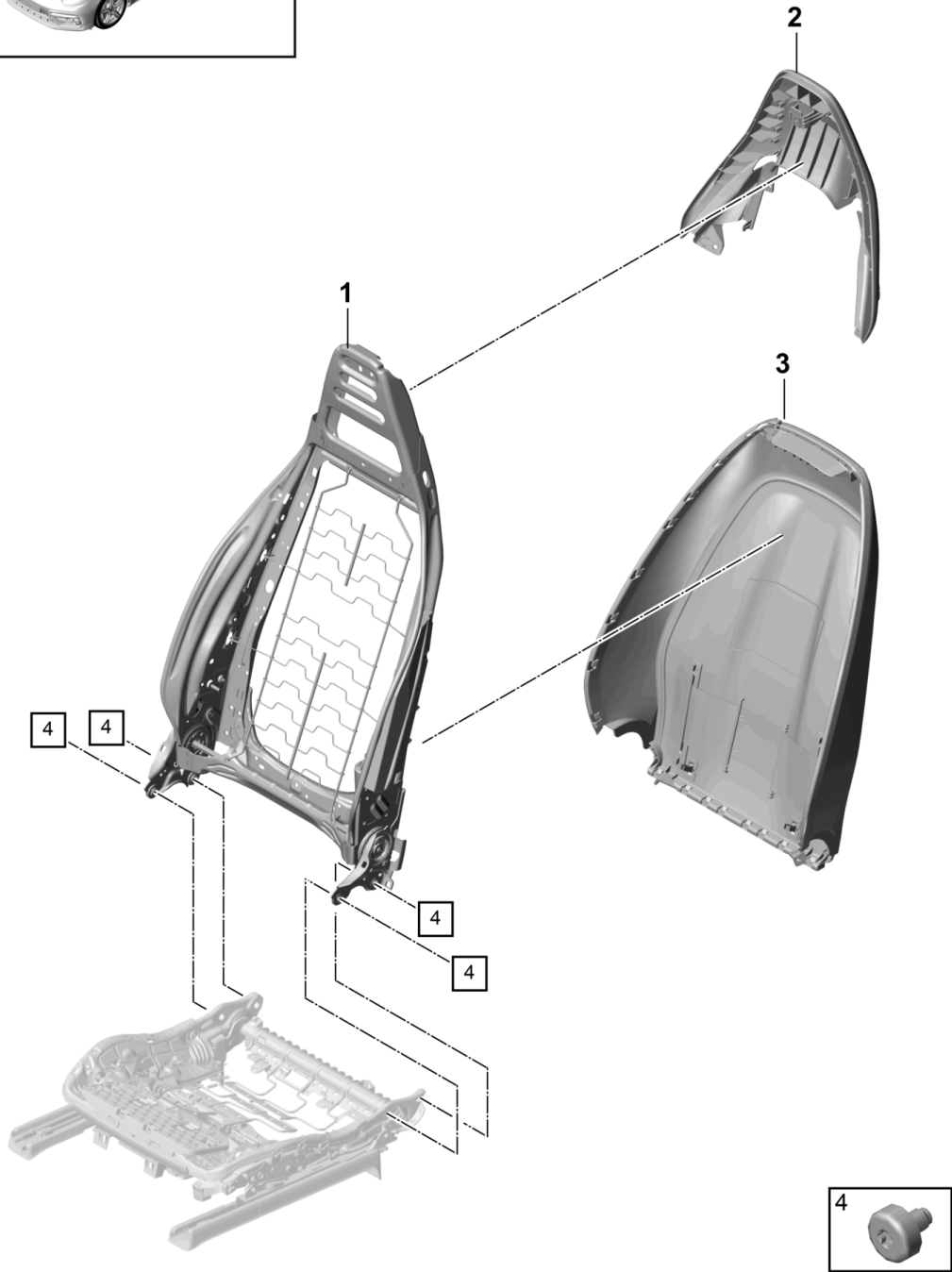
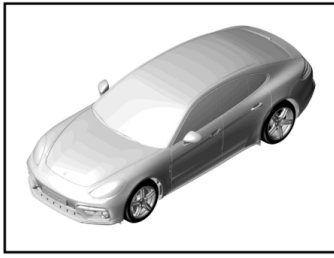
Model: 971-17

Model life 2017>>

Pos	Part Number	Description	Remark	Qty	Model
	971 881 406 BN GHC	Agate Grey			+DL
	971 881 406 BN DUE	Saddle Tan			+SB, +BS
	971 881 406 BN GFC	Luxor Beige			+UC, +BP
	971 881 406 BN DAK	Marsala Red			+PC
	971 881 406 BN GUC	Bordeaux Red			+BB
	971 881 406 BN GVC	Chalk			+BK
	971 881 406 BN DAL	Cream			+BE
5	971 881 280	Clip		1	
6	N 015 261 2	Clamp		16	
		Mount			
		Cover for cushion			
7	971 963 557 B	Heating element	/L /R	1	I4A3/4A4
		Seat			
		Backrest			
8	971 963 555 C	Heating element	/L /R	1	I4A3/4A4
		Seat			
		Seat surface			

Model: 971-17

Model life 2017>>



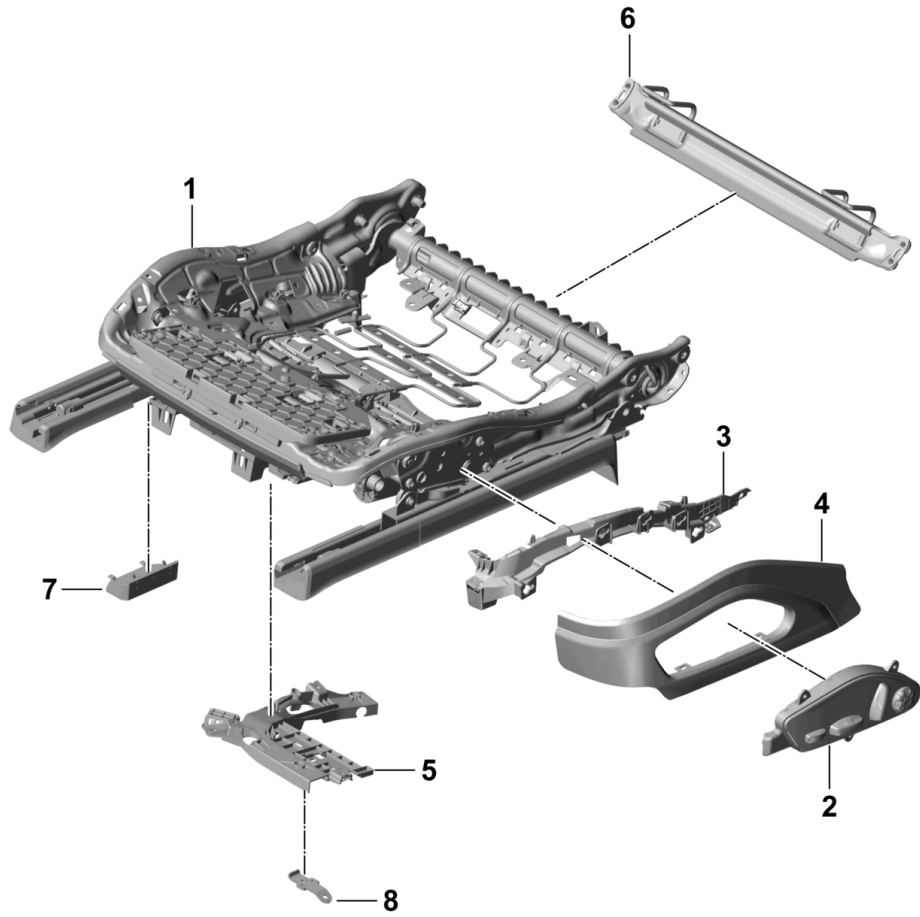
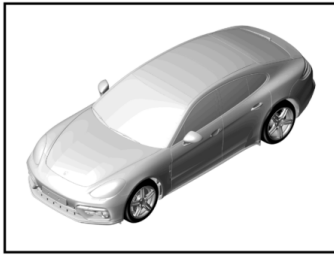
Model: 971-17

Model life 2017>>

Pos	Part Number	Description	Remark	Qty	Model
		Backrest frame			IQ1G
		Backrest shell			
		Standard seat			
1	971 881 045 B	Backrest frame	/L /R	1	
2	971 882 774 B	Padding	/L /R	1	
		Upper part			
3	971 881 971 R	Backrest shell	/L /R	1	IN0Q/N1A/N1P IN5U/9WT
		Lower part			
		Leather			
	971 881 971 R A80	Black			+AC
	971 881 971 R C85	Agate Grey			+DL
	971 881 971 R OK6	Saddle Tan			+SB, +BS
	971 881 971 R Q80	Luxor Beige			+UC, +BP
	971 881 971 R P80	Marsala Red			+PC
	971 881 971 R OG6	Bordeaux Red			+BB
	971 881 971 R OL8	Chalk			+BK
	971 881 971 R V80	Cream			+BE
3	971 881 971 T	Backrest shell	/L /R	1	IN0Q/N1A/N1P IN5U/9WM
		Lower part			
		Leather			
		Rear Seat Entertainment			
	971 881 971 T A80	Black			+AC
	971 881 971 T C85	Agate Grey			+DL
	971 881 971 T OK6	Saddle Tan			+SB, +BS
	971 881 971 T Q80	Luxor Beige			+UC, +BP
	971 881 971 T P80	Marsala Red			+PC
	971 881 971 T OG6	Bordeaux Red			+BB
	971 881 971 T OL8	Chalk			+BK
	971 881 971 T V80	Cream			+BE
(3)	971 881 971 S	Backrest shell	/L /R	1	IN0K/N1X/9WT
		Lower part			
		Leatherette			
	971 881 971 S 1D0	Black			+AB
	971 881 971 S OW7	Agate Grey			+DG
	971 881 971 S 2E0	Luxor Beige			+UB, +PK
(3)	971 881 971 AA	Backrest shell	/L /R	1	IN0K/N1X/9WU
		Lower part			
		Leatherette			
		Rear Seat Entertainment			
	971 881 971 AA 1D0	Black			+AB
	971 881 971 AA OW7	Agate Grey			+DG
	971 881 971 AA 2E0	Luxor Beige			+UB, +PK
4	9A7 007 867	Hexagon socket head bolt		4	
		Backrest			

Model: 971-17

Model life 2017>>

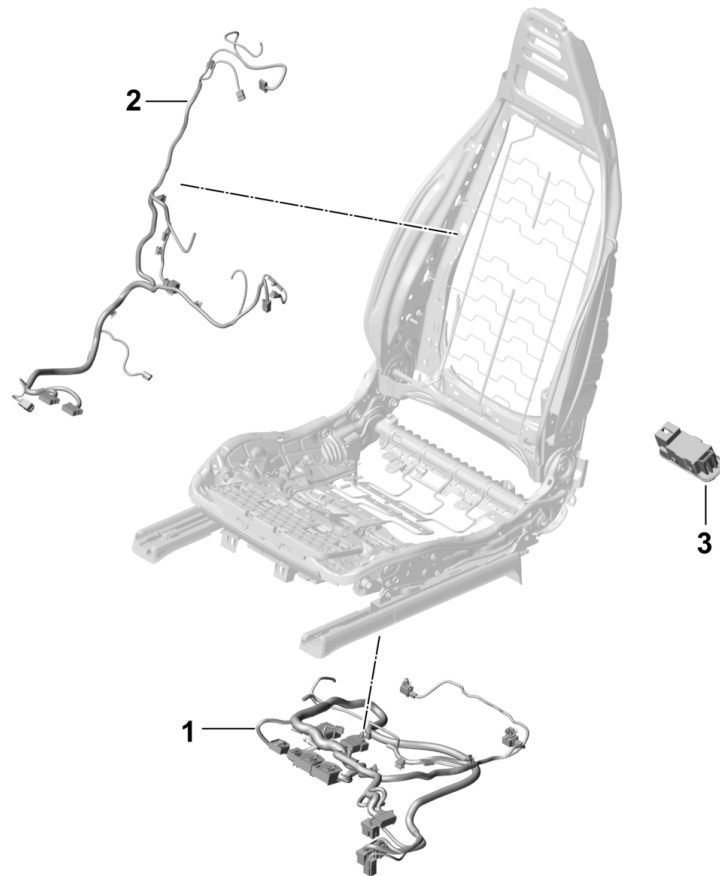
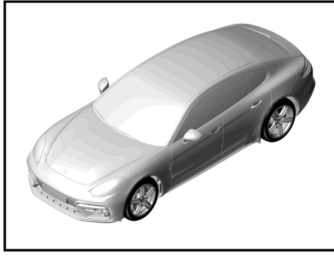


Model: 971-17 Model life 2017>>

Pos	Part Number	Description	Remark	Qty	Model
		Seat adjuster Standard seat			IQ1G
1	971 881 105 F	Seat adjuster Left	/L	1	
(1)	971 881 106 F	Seat adjuster Right	/R	1	
2	971 959 747 Q	Switch insert Left	/L	1	I3L5/3L6
	971 959 747 Q HVO	Black/Galvano Silver			
(2)	971 959 748 Q	Switch insert Right	/R	1	I3L4/3L5
	971 959 748 Q HVO	Black/Galvano Silver			
(2)	971 959 747 R	Switch insert Left	/L	1	I3L4/3PN
	971 959 747 R HVO	Black/Galvano Silver			
(2)	971 959 748 R	Switch insert Right	/R	1	I3L6/3PN
	971 959 748 R HVO	Black/Galvano Silver			
3	971 881 507	Support Trim for switch Left	/L	1	
(3)	971 881 508	Support Trim for switch Right	/R	1	
4	971 881 317	Trim for switch Left	/L	1	
	971 881 317 5Q0	Black			+AB, +AC
	971 881 317 OA6	Agate Grey			+DG, +DL
	971 881 317 6W0	Luxor Beige			+UB, +PK, +UC
	971 881 317 OL7	Saddle Tan			+BP
	971 881 317 7X0	Marsala Red			+SB, +BS
	971 881 317 OG6	Bordeaux Red			+PC
	971 881 317 OL8	Chalk			+BB
	971 881 317 5V0	Cream			+BK
(4)	971 881 318	Trim for switch Right	/R	1	+BE
	971 881 318 5Q0	Black			+AB, +AC
	971 881 318 OA6	Agate Grey			+DG, +DL
	971 881 318 6W0	Luxor Beige			+UB, +PK, +UC
	971 881 318 OL7	Saddle Tan			+BP
	971 881 318 7X0	Marsala Red			+SB, +BS
	971 881 318 OG6	Bordeaux Red			+PC
	971 881 318 OL8	Chalk			+BB
	971 881 318 5V0	Cream			+BK
5	971 881 744	Cable guide		1	+BE
6	971 881 545 B	Retaining bow Child car seat		1	
7	9A7 959 994 00	Counterplate		1	
8	971 881 561	Cable guide		1	

Model: 971-17

Model life 2017>>



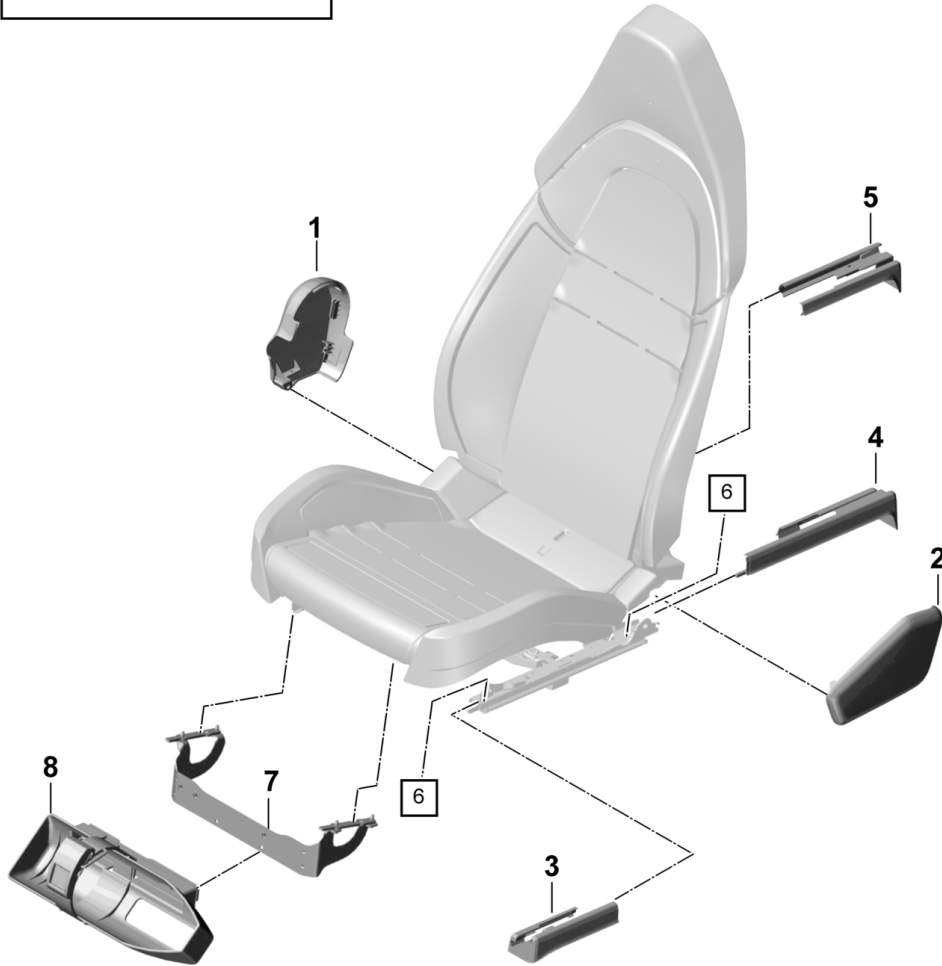
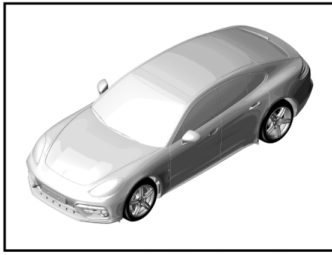
Model: 971-17

Model life 2017>>

Pos	Part Number	Description	Remark	Qty	Model
		Wiring harnesses Seat Backrest Basic			IQ1G
1	971 971 365 S	Wiring harness Seat Left Basic	/L	1	-I3L4
(1)	971 971 365 AA	It is necessary to rework Wiring harness Seat Left Basic	/L	1	I3L4
(1)	971 971 366 AG	It is necessary to rework Wiring harness Seat Right Basic	/R	1	-I3L6/I9P3
(1)	971 971 366 AL	It is necessary to rework Wiring harness Seat Right Basic	/R	1	-I3L6/I9P7
(1)	971 971 366 AJ	It is necessary to rework Wiring harness Seat Right Basic	/R	1	I3L6
2	971 971 399 EF	It is necessary to rework Wiring harness Backrest Left Basic	/L	1	
(2)	971 974 369 CQ	It is necessary to rework Wiring harness Backrest Right Basic	/R	1	
3	9A7 947 415 10	It is necessary to rework Light Rear Left	/L	1	IQQ2
(3)	9A7 947 415 20	Footwell Light Rear Right Footwell	/R	1	IQQ2

Model: 971-17

Model life 2017>>



Model: 971-17 Model life 2017>>

Pos	Part Number	Description	Remark	Qty	Model
1	971 881 327	Front seat Complete Not available Comfort seat Trim cover Mounting component Left Inner	/L	1	IQ2J
	971 881 327 5Q0	Black			+AB, +AC
	971 881 327 OA6	Agate Grey			+DG, +DL
	971 881 327 6W0	Luxor Beige			+UB, +PK, +UC
	971 881 327 OL7	Saddle Tan			+BP
	971 881 327 7X0	Marsala Red			+SB, +BS
	971 881 327 OG6	Bordeaux Red			+PC
	971 881 327 OL8	Chalk			+BB
	971 881 327 5V0	Cream			+BK
(1)	971 881 328	Trim cover Mounting component Right Inner	/R	1	+BE
	971 881 328 5Q0	Black			+AB, +AC
	971 881 328 OA6	Agate Grey			+DG, +DL
	971 881 328 6W0	Luxor Beige			+UB, +PK, +UC
	971 881 328 OL7	Saddle Tan			+BP
	971 881 328 7X0	Marsala Red			+SB, +BS
	971 881 328 OG6	Bordeaux Red			+PC
	971 881 328 OL8	Chalk			+BB
	971 881 328 5V0	Cream			+BK
(1)	971 881 317 B	Trim cover Mounting component Left Outer	/L	1	+BE
	971 881 317 B 5Q0	Black			+AB, +AC
	971 881 317 B OA6	Agate Grey			+DG, +DL
	971 881 317 B 6W0	Luxor Beige			+UB, +PK, +UC
	971 881 317 B OL7	Saddle Tan			+BP
	971 881 317 B 7X0	Marsala Red			+SB, +BS
	971 881 317 B OG6	Bordeaux Red			+PC
	971 881 317 B OL8	Chalk			+BB
	971 881 317 B 5V0	Cream			+BK
(1)	971 881 318 B	Trim cover Mounting component Right Outer	/R	1	+BE
	971 881 318 B 5Q0	Black			+AB, +AC
	971 881 318 B OA6	Agate Grey			+DG, +DL
	971 881 318 B 6W0	Luxor Beige			+UB, +PK, +UC
	971 881 318 B OL7	Saddle Tan			+BP
	971 881 318 B 7X0	Marsala Red			+SB, +BS
	971 881 318 B OG6	Bordeaux Red			+PC
	971 881 318 B OL8	Chalk			+BB
	971 881 318 B 5V0	Cream			+BK
2	971 881 793	Trim cover Mounting component Left	/L	1	+BE
	971 881 793 5Q0	Black			+AB, +AC
	971 881 793 OA6	Agate Grey			+DG, +DL
	971 881 793 6W0	Luxor Beige			+UB, +PK, +UC
					+BP

Model: 971-17

Model life 2017>>

Pos	Part Number	Description	Remark	Qty	Model
(2)	971 881 793 OL7	Saddle Tan	/R	1	+SB,+BS
	971 881 793 7X0	Marsala Red			+PC
	971 881 793 OG6	Bordeaux Red			+BB
	971 881 793 OL8	Chalk			+BK
	971 881 793 5V0	Cream			+BE
	971 881 794	Trim cover			
		Mounting component			
		Right			
	971 881 794 5Q0	Black			+AB,+AC
	971 881 794 OA6	Agate Grey			+DG,+DL
971 881 794 6W0	Luxor Beige	+UB,+PK,+UC			
3	971 881 794 OL7	Saddle Tan	/L	1	+BP
	971 881 794 7X0	Marsala Red			+SB,+BS
	971 881 794 OG6	Bordeaux Red			+PC
	971 881 794 OL8	Chalk			+BB
	971 881 794 5V0	Cream			+BK
	971 881 477 A	Rail			+BE
		Seat rail			
		Left			
		Front			
	971 881 477 A 1E0	Black			+AB,+PK,+AC
(3)	971 881 477 A OP1	Agate Grey	/R	1	+BB,+BS,+BK
	971 881 477 A 4H0	Luxor Beige			+DG,+DL
	971 881 477 A OM8	Saddle Tan			+UB,+UC
	971 881 477 A 3G0	Marsala Red			+SB,+BP
	971 881 478 A	Rail			+PC,+BE
		Seat rail			
		Right			
		Front			
	971 881 478 A 1E0	Black			+AB,+PK,+AC
	971 881 478 A OP1	Agate Grey			+BB,+BS,+BK
4	971 881 478 A 4H0	Luxor Beige	/L	1	+DG,+DL
	971 881 478 A OM8	Saddle Tan			+UB,+UC
	971 881 478 A 3G0	Marsala Red			+SB,+BP
	971 881 479 A	Rail			+PC,+BE
		Seat rail			
		Left			
		Rear			
		Outer			
	971 881 479 A 1E0	Black			+AB,+PK,+AC
	971 881 479 A OP1	Agate Grey			+BB,+BS,+BK
(4)	971 881 479 A 4H0	Luxor Beige	/R	1	+DG,+DL
	971 881 479 A OM8	Saddle Tan			+UB,+UC
	971 881 479 A 3G0	Marsala Red			+SB,+BP
	971 881 480 A	Rail			+PC,+BE
		Seat rail			
		Right			
		Rear			
		Outer			
	971 881 480 A 1E0	Black			+AB,+PK,+AC
	971 881 480 A OP1	Agate Grey			+BB,+BS,+BK
5	971 881 480 A 4H0	Luxor Beige	/L	1	+DG,+DL
	971 881 480 A OM8	Saddle Tan			+UB,+UC
	971 881 480 A 3G0	Marsala Red			+SB,+BP
	971 881 171 A	Rail			+PC,+BE
		Seat rail			
		Left			
		Rear			

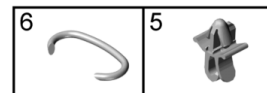
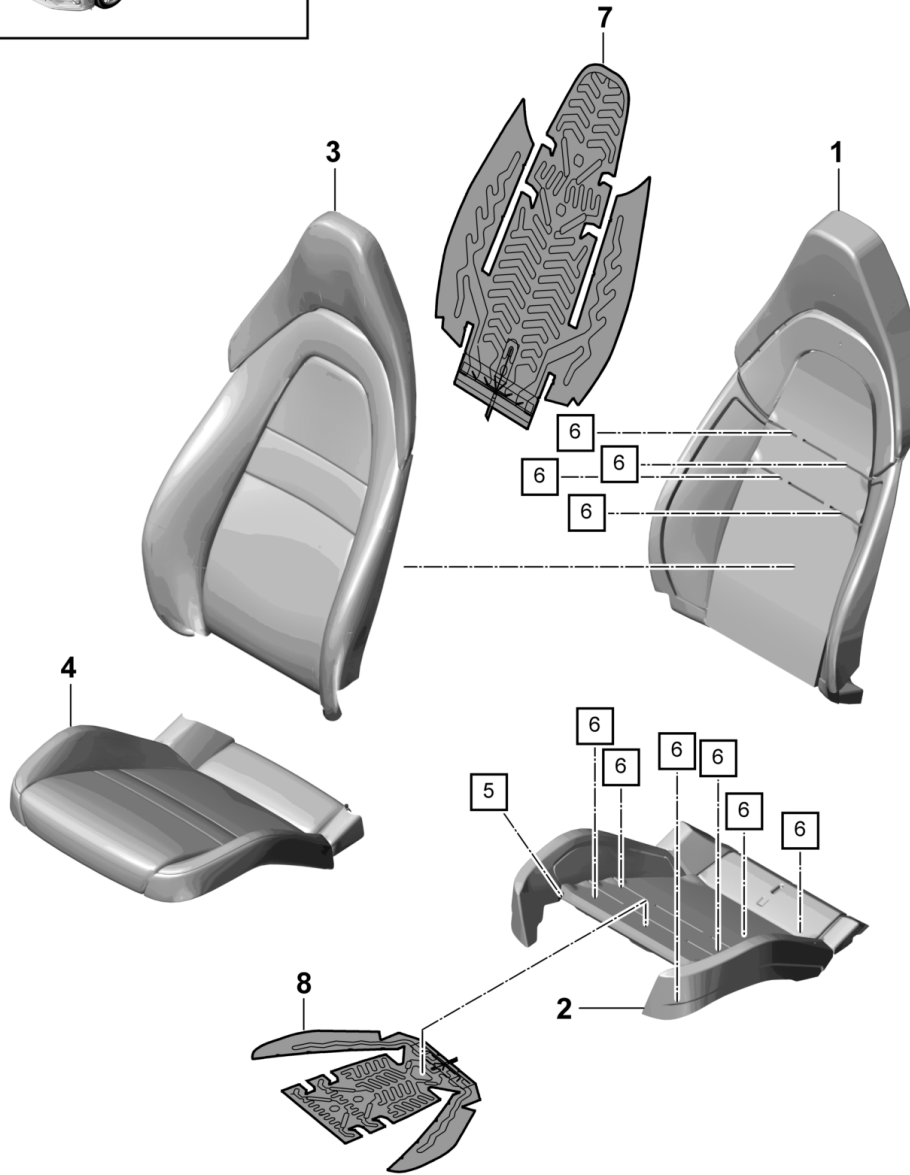
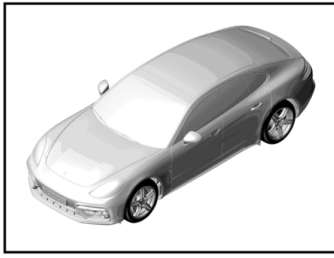
Model: 971-17

Model life 2017>>

Pos	Part Number	Description	Remark	Qty	Model
(5)	971 881 171 A 1E0	Inner Black	/R	1	+AB, +PK, +AC +BB, +BS, +BK +DG, +DL +UB, +UC +SB, +BP +PC, +BE
	971 881 171 A OP1	Agate Grey			
	971 881 171 A 4H0	Luxor Beige			
	971 881 171 A OM8	Saddle Tan			
	971 881 171 A 3G0	Marsala Red			
	971 881 172 A	Rail Seat rail Right Rear Inner			
	971 881 172 A 1E0	Black			
	971 881 172 A OP1	Agate Grey			
	971 881 172 A 4H0	Luxor Beige			
	971 881 172 A OM8	Saddle Tan			
6	WHT 007 691	Outer hexagon round screw Mount Seat rail		4	
7	971 881 146	Mount Set Fire extinguisher		1	IL0L/L0R/6A7
8	971 881 150	Support Fire extinguisher Set		1	

Model: 971-17

Model life 2017>>



Model: 971-17 Model life 2017>>

Pos	Part Number	Description	Remark	Qty	Model
		Foam part Cover Comfort seat without Ventilation component			IQ2J/4D0
1	971 881 551 H	Foam part Backrest		1	
2	971 881 375 G	Foam part Seat cushion		1	
3	971 881 805 AR	Backrest cover without Crest Left	/L	1	IN1X/3J4
	971 881 805 AR GDB	Black			+AB
	971 881 805 AR GHB	Agate Grey			+DG
	971 881 805 AR GFB	Luxor Beige			+UB
	971 881 805 AR DWF	Luxor Beige/Black D >> 12.02.2017			+PK
3	971 881 806 AR	Backrest cover without Crest Right	/R	1	IN1X/3J4
	971 881 806 AR GDB	Black			+AB
	971 881 806 AR GHB	Agate Grey			+DG
	971 881 806 AR GFB	Luxor Beige			+UB
	971 881 806 AR DWF	Luxor Beige/Black D >> 12.02.2017			+PK
(3)	971 881 805 BC	Backrest cover without Crest Left	/L	1	IN5U/3J4
	971 881 805 BC GDC	Black			+AC
	971 881 805 BC GHC	Agate Grey			+DL
	971 881 805 BC DUE	Saddle Tan			+SB
	971 881 805 BC GFC	Luxor Beige			+UC
	971 881 805 BC DAK	Marsala Red			+PC
	971 881 805 BC DWA	Black/Bordeaux Red			+BB
	971 881 805 BC DWB	Saddle Tan/Black			+BS
	971 881 805 BC DWC	Black/Chalk			+BK
	971 881 805 BC DWD	Luxor Beige/Saddle Tan			+BP
	971 881 805 BC DWE	Marsala Red/Cream D >> 12.02.2017			+BE
(3)	971 881 806 BC	Backrest cover without Crest Right	/R	1	IN5U/3J4
	971 881 806 BC GDC	Black			+AC
	971 881 806 BC GHC	Agate Grey			+DL
	971 881 806 BC DUE	Saddle Tan			+SB
	971 881 806 BC GFC	Luxor Beige			+UC
	971 881 806 BC DAK	Marsala Red			+PC
	971 881 806 BC DWA	Black/Bordeaux Red			+BB
	971 881 806 BC DWB	Saddle Tan/Black			+BS
	971 881 806 BC DWC	Black/Chalk			+BK
	971 881 806 BC DWD	Luxor Beige/Saddle Tan			+BP
	971 881 806 BC DWE	Marsala Red/Cream D >> 12.02.2017			+BE
(3)	971 881 805 BM	Backrest cover with Crest Left	/L	1	IN1X/5ZF
	971 881 805 BM GDB	Black			+AB
	971 881 805 BM GHB	Agate Grey			+DG

Model: 971-17 Model life 2017>>

Pos	Part Number	Description	Remark	Qty	Model
	971 881 805 BM GFB	Luxor Beige			+UB
	971 881 805 BM DWF	Luxor Beige/Black			+PK
(3)	971 881 806 BM	D >> 12.02.2017 Backrest cover with Crest Right	/R	1	IN1X/5ZF
	971 881 806 BM GDB	Black			+AB
	971 881 806 BM GHB	Agate Grey			+DG
	971 881 806 BM GFB	Luxor Beige			+UB
	971 881 806 BM DWF	Luxor Beige/Black			+PK
(3)	971 881 805 BS	D >> 12.02.2017 Backrest cover with Crest Left	/L	1	IN5U/5ZF
	971 881 805 BS GDC	Black			+AC
	971 881 805 BS GHC	Agate Grey			+DL
	971 881 805 BS DUE	Saddle Tan			+SB
	971 881 805 BS GFC	Luxor Beige			+UC
	971 881 805 BS DAK	Marsala Red			+PC
	971 881 805 BS DWA	Black/Bordeaux Red			+BB
	971 881 805 BS DWB	Saddle Tan/Black			+BS
	971 881 805 BS DWC	Black/Chalk			+BK
	971 881 805 BS DWD	Luxor Beige/Saddle Tan			+BP
	971 881 805 BS DWE	Marsala Red/Cream			+BE
(3)	971 881 806 BS	Backrest cover with Crest Right	/R	1	IN5U/5ZF
	971 881 806 BS GDC	Black			+AC
	971 881 806 BS GHC	Agate Grey			+DL
	971 881 806 BS DUE	Saddle Tan			+SB
	971 881 806 BS GFC	Luxor Beige			+UC
	971 881 806 BS DAK	Marsala Red			+PC
	971 881 806 BS DWA	Black/Bordeaux Red			+BB
	971 881 806 BS DWB	Saddle Tan/Black			+BS
	971 881 806 BS DWC	Black/Chalk			+BK
	971 881 806 BS DWD	Luxor Beige/Saddle Tan			+BP
	971 881 806 BS DWE	Marsala Red/Cream			+BE
4	971 881 405 AT	Cover for cushion Left	/L	1	IN1X
	971 881 405 AT GDB	Black			+AB
	971 881 405 AT GHB	Agate Grey			+DG
	971 881 405 AT GFB	Luxor Beige			+UB, +PK
(4)	971 881 406 AT	Cover for cushion Right	/R	1	IN1X
	971 881 406 AT GDB	Black			+AB
	971 881 406 AT GHB	Agate Grey			+DG
	971 881 406 AT GFB	Luxor Beige			+UB, +PK
(4)	971 881 405 BD	Cover for cushion Left	/L	1	IN5U
	971 881 405 BD GDC	Black			+AC
	971 881 405 BD GHC	Agate Grey			+DL
	971 881 405 BD DUE	Saddle Tan			+SB, +BS
	971 881 405 BD GFC	Luxor Beige			+UC, +BP
	971 881 405 BD DAK	Marsala Red			+PC
	971 881 405 BD GUC	Bordeaux Red			+BB
	971 881 405 BD GVC	Chalk			+BK
	971 881 405 BD DAL	Cream			+BE
(4)	971 881 406 BD	Cover for cushion Right	/R	1	IN5U
	971 881 406 BD GDC	Black			+AC

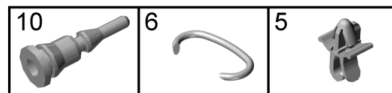
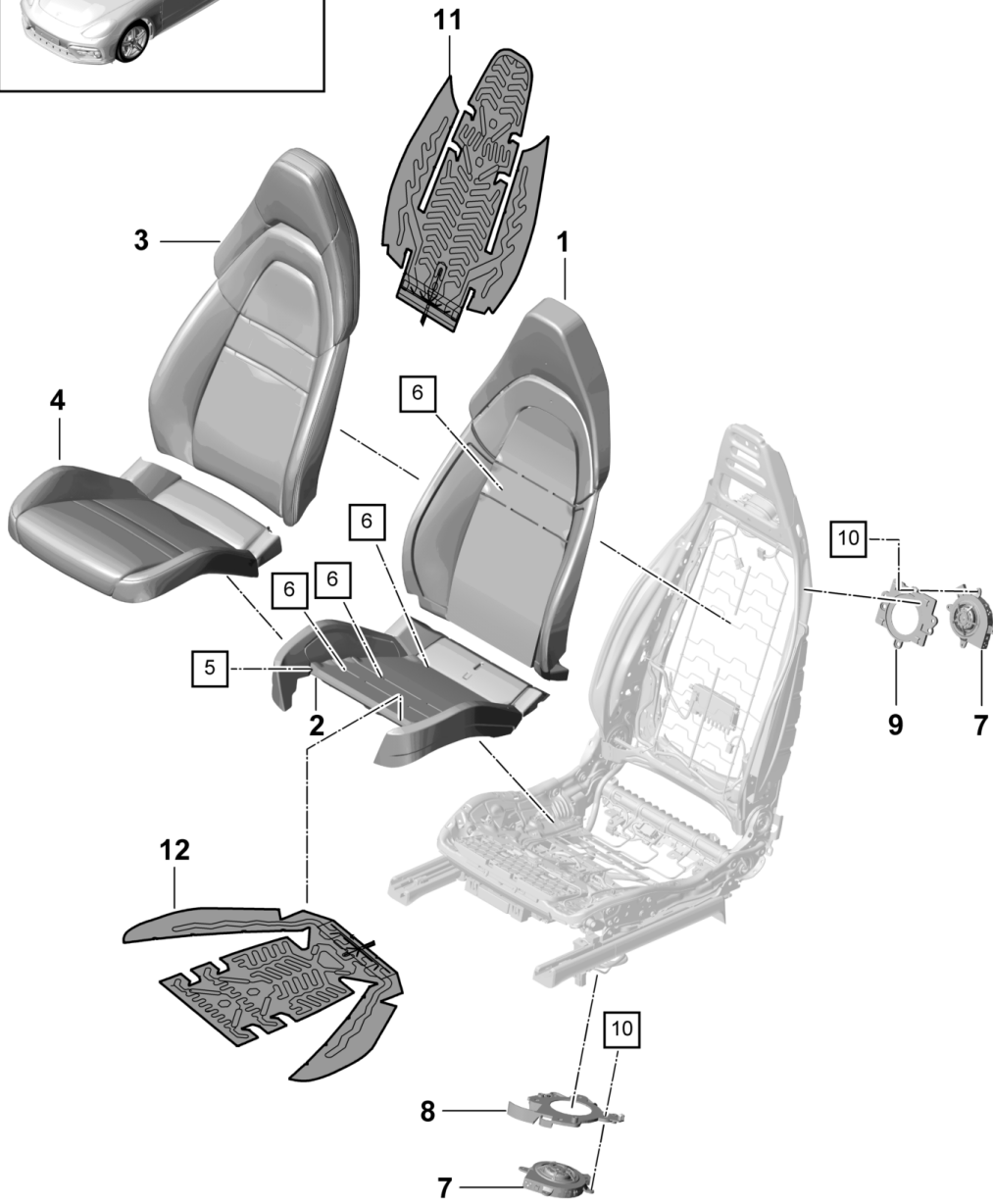
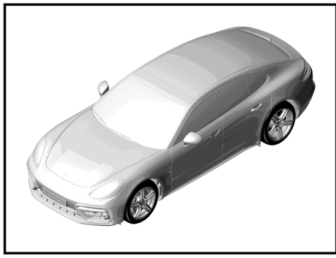
Model: 971-17

Model life 2017>>

Pos	Part Number	Description	Remark	Qty	Model
	971 881 406 BD GHC	Agate Grey			+DL
	971 881 406 BD DUE	Saddle Tan			+SB, +BS
	971 881 406 BD GFC	Luxor Beige			+UC, +BP
	971 881 406 BD DAK	Marsala Red			+PC
	971 881 406 BD GUC	Bordeaux Red			+BB
	971 881 406 BD GVC	Chalk			+BK
	971 881 406 BD DAL	Cream			+BE
5	971 881 280	Clip		1	
6	N 015 261 2	Clamp		16	
		Mount			
		Cover for cushion			
7	971 963 557 B	Heating element	/L /R	1	I4A3/4A4
		Seat			
		Backrest			
8	971 963 555 D	Heating element	/L /R	1	I4A3/4A4
		Seat			
		Seat surface			

Model: 971-17

Model life 2017>>



Model: 971-17 Model life 2017>>

Pos	Part Number	Description	Remark	Qty	Model
		Foam part			IQ2J/4D1/4D2 I4D3/4D5/4D9
		Cover			
		Comfort seat			
		Ventilation component			
1	971 881 551 J	Foam part		1	
		Backrest			
2	971 881 375 H	Foam part		1	
		Seat cushion			
3	971 881 805 BA	Backrest cover	/L	1	IN0K/3J4
		without			
		Crest			
		Left			
	971 881 805 BA GDB	Black			+AB
	971 881 805 BA GHB	Agate Grey			+DG
	971 881 805 BA GFB	Luxor Beige			+UB
	971 881 805 BA DWF	Luxor Beige/Black			+PK
		D >> 12.02.2017			
(3)	971 881 806 BA	Backrest cover	/R	1	IN0K/3J4
		without			
		Crest			
		Right			
	971 881 806 BA GDB	Black			+AB
	971 881 806 BA GHB	Agate Grey			+DG
	971 881 806 BA GFB	Luxor Beige			+UB
	971 881 806 BA DWF	Luxor Beige/Black			+PK
		D >> 12.02.2017			
(3)	971 881 805 BF	Backrest cover	/L	1	IN0Q/3J4
		without			
		Crest			
		Left			
	971 881 805 BF GDC	Black			+AC
	971 881 805 BF GHC	Agate Grey			+DL
	971 881 805 BF DUE	Saddle Tan			+SB
	971 881 805 BF GFC	Luxor Beige			+UC
	971 881 805 BF DAK	Marsala Red			+PC
	971 881 805 BF DWA	Black/Bordeaux Red			+BB
	971 881 805 BF DWB	Saddle Tan/Black			+BS
	971 881 805 BF DWC	Black/Chalk			+BK
	971 881 805 BF DWD	Luxor Beige/Saddle Tan			+BP
	971 881 805 BF DWE	Marsala Red/Cream			+BE
		D >> 12.02.2017			
(3)	971 881 806 BF	Backrest cover	/R	1	IN0Q/3J4
		without			
		Crest			
		Right			
	971 881 806 BF GDC	Black			+AC
	971 881 806 BF GHC	Agate Grey			+DL
	971 881 806 BF DUE	Saddle Tan			+SB
	971 881 806 BF GFC	Luxor Beige			+UC
	971 881 806 BF DAK	Marsala Red			+PC
	971 881 806 BF DWA	Black/Bordeaux Red			+BB
	971 881 806 BF DWB	Saddle Tan/Black			+BS
	971 881 806 BF DWC	Black/Chalk			+BK
	971 881 806 BF DWD	Luxor Beige/Saddle Tan			+BP
	971 881 806 BF DWE	Marsala Red/Cream			+BE
		D >> 12.02.2017			
(3)	971 881 805 BR	Backrest cover	/L	1	IN0K/5ZF
		with			
		Crest			
		Left			
	971 881 805 BR GDB	Black			+AB
	971 881 805 BR GHB	Agate Grey			+DG

Model: 971-17 Model life 2017>>

Pos	Part Number	Description	Remark	Qty	Model
(3)	971 881 805 BR GFB	Luxor Beige			+UB
	971 881 805 BR DWF	Luxor Beige/Black			+PK
	971 881 806 BR	Backrest cover with Crest Right	/R	1	IN0K/5ZF
	971 881 806 BR GDB	Black			+AB
	971 881 806 BR GHB	Agate Grey			+DG
	971 881 806 BR GFB	Luxor Beige			+UB
(3)	971 881 806 BR DWF	Luxor Beige/Black			+PK
	971 881 805 BT	Backrest cover with Crest Left	/L	1	IN0Q/5ZF
	971 881 805 BT GDC	Black			+AC
	971 881 805 BT GHC	Agate Grey			+DL
	971 881 805 BT DUE	Saddle Tan			+SB
	971 881 805 BT GFC	Luxor Beige			+UC
	971 881 805 BT DAK	Marsala Red			+PC
	971 881 805 BT DWA	Black/Bordeaux Red			+BB
	971 881 805 BT DWB	Saddle Tan/Black			+BS
	971 881 805 BT DWC	Black/Chalk			+BK
	971 881 805 BT DWD	Luxor Beige/Saddle Tan			+BP
	971 881 805 BT DWE	Marsala Red/Cream			+BE
	971 881 805 BT DWF	Luxor Beige/Black			+PK
	971 881 805 BT D >> 12.02.2017				
(3)	971 881 806 BT	Backrest cover with Crest Right	/R	1	IN0Q/5ZF
	971 881 806 BT GDC	Black			+AC
	971 881 806 BT GHC	Agate Grey			+DL
	971 881 806 BT DUE	Saddle Tan			+SB
	971 881 806 BT GFC	Luxor Beige			+UC
	971 881 806 BT DAK	Marsala Red			+PC
	971 881 806 BT DWA	Black/Bordeaux Red			+BB
	971 881 806 BT DWB	Saddle Tan/Black			+BS
	971 881 806 BT DWC	Black/Chalk			+BK
	971 881 806 BT DWD	Luxor Beige/Saddle Tan			+BP
	971 881 806 BT DWE	Marsala Red/Cream			+BE
	971 881 806 BT DWF	Luxor Beige/Black			+PK
	971 881 806 BT D >> 12.02.2017				
	4	971 881 405 BA	Cover for cushion Left	/L	1
971 881 405 BA GDB		Black			+AB
971 881 405 BA GHB		Agate Grey			+DG
(4)	971 881 405 BA GFB	Luxor Beige			+UB, +PK
	971 881 406 BA	Cover for cushion Right	/R	1	IN0K
	971 881 406 BA GDB	Black			+AB
(4)	971 881 406 BA GHB	Agate Grey			+DG
	971 881 406 BA GFB	Luxor Beige			+UB, +PK
	971 881 405 BE	Cover for cushion Left	/L	1	IN0Q
(4)	971 881 405 BE GDC	Black			+AC
	971 881 405 BE GHC	Agate Grey			+DL
	971 881 405 BE DUE	Saddle Tan			+SB, +BS
	971 881 405 BE GFC	Luxor Beige			+UC, +BP
	971 881 405 BE DAK	Marsala Red			+PC
	971 881 405 BE GUC	Bordeaux Red			+BB
	971 881 405 BE GVC	Chalk			+BK
	971 881 405 BE DAL	Cream			+BE
	971 881 406 BE	Cover for cushion	/R	1	IN0Q

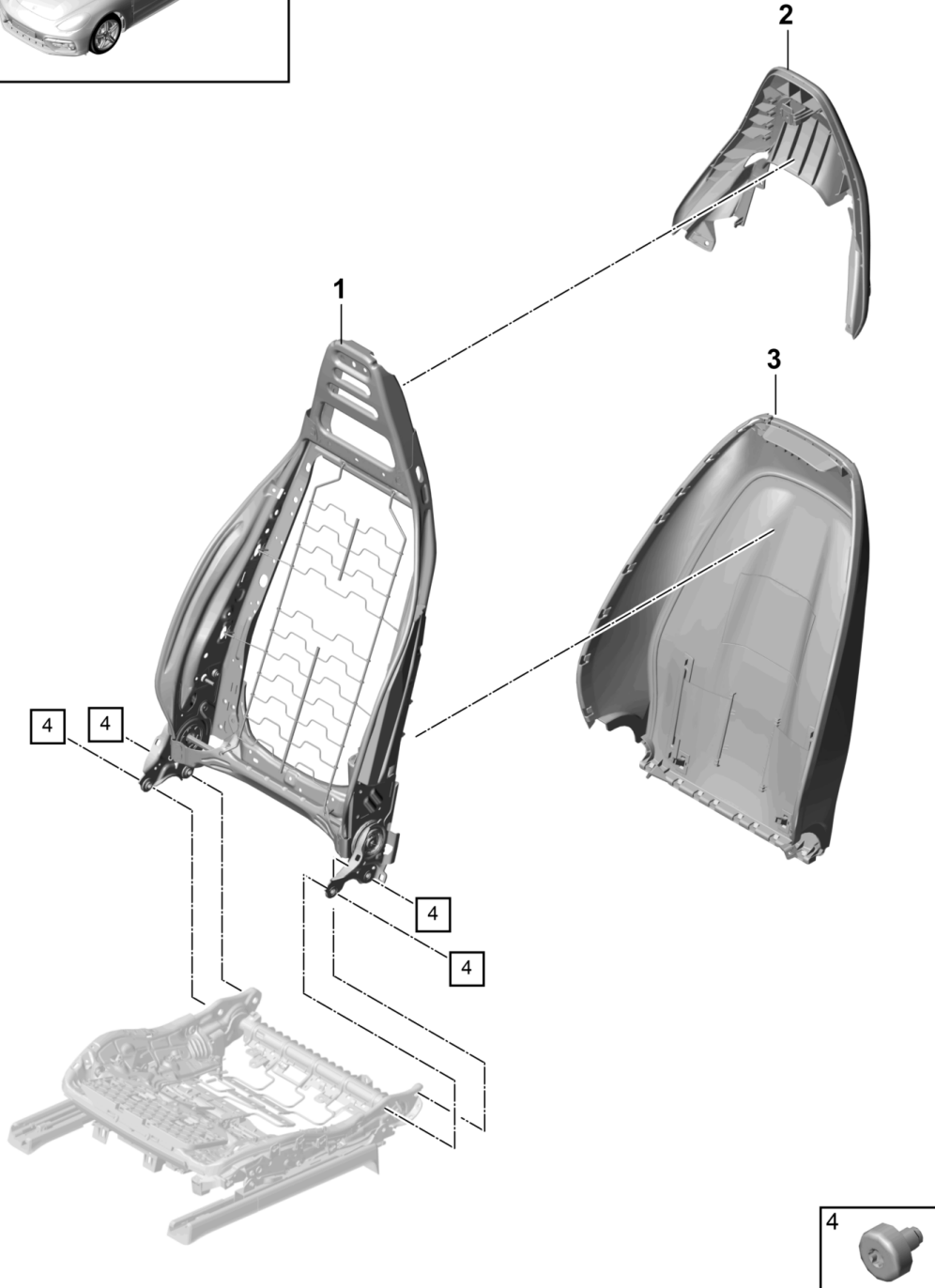
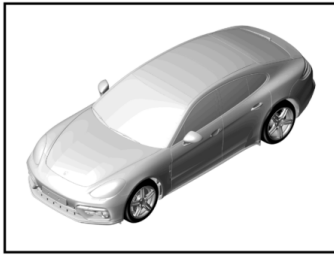
Model: 971-17

Model life 2017>>

Pos	Part Number	Description	Remark	Qty	Model
		Right			
	971 881 406 BE GDC	Black			+AC
	971 881 406 BE GHC	Agate Grey			+DL
	971 881 406 BE DUE	Saddle Tan			+SB, +BS
	971 881 406 BE GFC	Luxor Beige			+UC, +BP
	971 881 406 BE DAK	Marsala Red			+PC
	971 881 406 BE GUC	Bordeaux Red			+BB
	971 881 406 BE GVC	Chalk			+BK
	971 881 406 BE DAL	Cream			+BE
5	971 881 280	Clip		1	
6	N 015 261 2	Clamp		16	
		Mount			
		Cover for cushion			
7	9A7 963 575 00	Fan		2	
		Ventilation component			
8	971 881 538	Support		1	
		Fan			
		Cushion			
9	971 881 537	Support		1	
		Fan			
		Backrest			
11	971 963 557 B	Heating element	/L /R	1	I4A3/4A4
		Seat			
		Backrest			
12	971 963 555 D	Heating element	/L /R	1	I4A3/4A4
		Seat			
		Seat surface			

Model: 971-17

Model life 2017>>



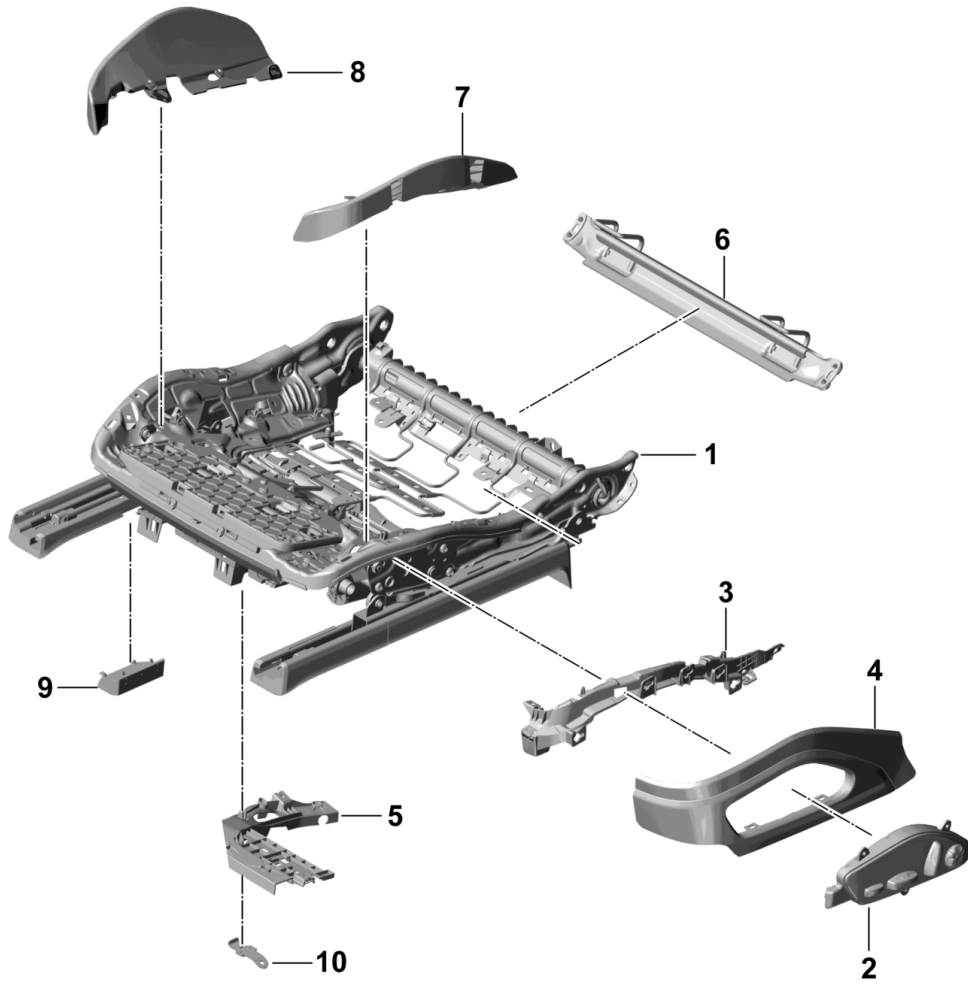
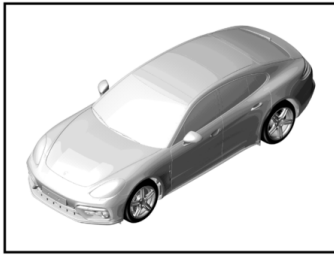
Model: 971-17

Model life 2017>>

Pos	Part Number	Description	Remark	Qty	Model
		Backrest frame			IQ2J
		Backrest shell			
		Comfort seat			
1	971 881 045 B	Backrest frame	/L /R	1	
2	971 882 774 B	Padding	/L /R	1	
		Upper part			
3	971 881 971 A	Backrest shell	/L /R	1	IN0K/N1X/9WT
		Lower part			
		Leatherette			
	971 881 971 A 1D0	Black			+AB
	971 881 971 A OW7	Agate Grey			+DG
	971 881 971 A 2E0	Luxor Beige			+UB, +PK
(3)	971 881 971	Backrest shell	/L /R	1	IN0Q/N5U/9WT
		Lower part			
		Leather			
	971 881 971 A80	Black			+AC
	971 881 971 C85	Agate Grey			+DL
	971 881 971 OK6	Saddle Tan			+SB, +BS
	971 881 971 Q80	Luxor Beige			+UC, +BP
	971 881 971 P80	Marsala Red			+PC
	971 881 971 OG6	Bordeaux Red			+BB
	971 881 971 OL8	Chalk			+BK
	971 881 971 V80	Cream			+BE
(3)	971 881 971 B	Backrest shell	/L /R	1	IN0K/N1X/9WU I9WY
		Lower part			
		Leather			
		Rear Seat Entertainment			
	971 881 971 B A80	Black			+AC
	971 881 971 B C85	Agate Grey			+DL
	971 881 971 B OK6	Saddle Tan			+SB, +BS
	971 881 971 B Q80	Luxor Beige			+UC, +BP
	971 881 971 B P80	Marsala Red			+PC
	971 881 971 B OG6	Bordeaux Red			+BB
	971 881 971 B OL8	Chalk			+BK
	971 881 971 B V80	Cream			+BE
(3)	971 881 971 C	Backrest shell	/L /R	1	IN0K/N1X/9WU I9WY
		Lower part			
		Leatherette			
		Rear Seat Entertainment			
	971 881 971 C 1D0	Black			+AB
	971 881 971 C OW7	Agate Grey			+DG
	971 881 971 C 2E0	Luxor Beige			+UB, +PK
4	9A7 007 867	Hexagon socket head bolt		4	
		Backrest			

Model: 971-17

Model life 2017>>



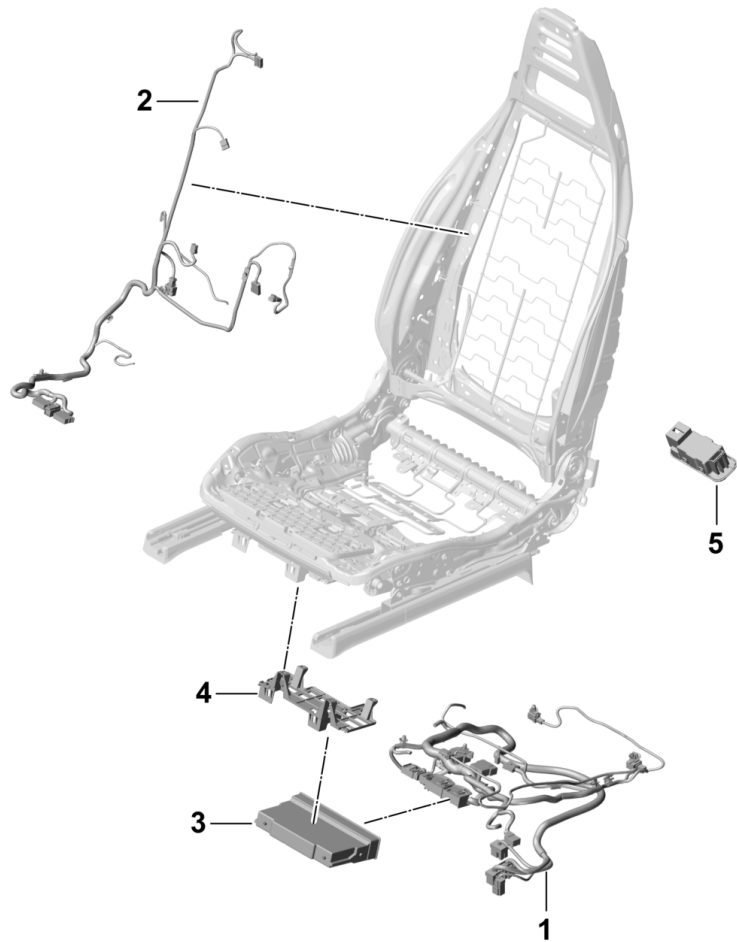
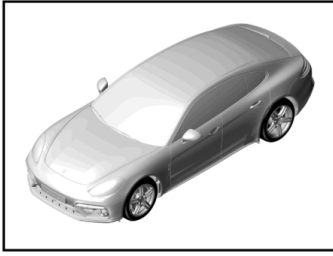
Model: 971-17

Model life 2017>>

Pos	Part Number	Description	Remark	Qty	Model
		Seat adjuster Comfort seat			IQ2J
1	971 881 105 G	Seat adjuster Left	/L	1	
(1)	971 881 106 G	Seat adjuster Right	/R	1	
2	971 959 747 S	Switch insert Left	/L	1	I4D0/4D1/4D3
	971 959 747 S HVO	Black/Galvano Silver			
(2)	971 959 748 S	Switch insert Right	/R	1	I4D0/4D1/4D3
	971 959 748 S HVO	Black/Galvano Silver			
(2)	971 959 747 T	Switch insert Left	/L	1	I4D2/4D5/4D7 I4D9
	971 959 747 T HVO	Black/Galvano Silver			
(2)	971 959 748 T	Switch insert Right	/R	1	I4D2/4D5/4D7 I4D9
	971 959 748 T HVO	Black/Galvano Silver			
3	971 881 507	Support Trim for switch	/L	1	
(3)	971 881 508	Support Trim for switch	/R	1	
4	971 881 317	Trim for switch	/L	1	
	971 881 317 5Q0	Black			+AB, +AC
	971 881 317 OA6	Agate Grey			+DG, +DL
	971 881 317 6W0	Luxor Beige			+UB, +PK, +UC
	971 881 317 OL7	Saddle Tan			+BP
	971 881 317 7X0	Marsala Red			+SB, +BS
	971 881 317 OG6	Bordeaux Red			+PC
	971 881 317 OL8	Chalk			+BB
	971 881 317 5V0	Cream			+BK
(4)	971 881 318	Trim for switch	/R	1	+BE
	971 881 318 5Q0	Black			+AB, +AC
	971 881 318 OA6	Agate Grey			+DG, +DL
	971 881 318 6W0	Luxor Beige			+UB, +PK, +UC
	971 881 318 OL7	Saddle Tan			+BP
	971 881 318 7X0	Marsala Red			+SB, +BS
	971 881 318 OG6	Bordeaux Red			+PC
	971 881 318 OL8	Chalk			+BB
	971 881 318 5V0	Cream			+BK
5	971 881 744	Cable guide		1	+BE
6	971 881 545 B	Retaining bow		1	
		Child car seat			
7	971 882 349 A	Supporting plate Left	/L	1	
		Seat cushion			
8	971 882 350 A	Supporting plate Right	/R	1	
		Seat cushion			
9	9A7 959 994 00	Counterplate		1	
10	971 881 561	Cable guide		1	

Model: 971-17

Model life 2017>>



Model: 971-17 Model life 2017>>

Pos	Part Number	Description	Remark	Qty	Model
		Wiring harnesses Seat Backrest Comfort seat			IQ2J
1	971 974 415 CE	Wiring harness Seat Left Comfort seat	/L	1	-I4D1/-I4D3
1	971 974 415 CS	It is necessary to rework Wiring harness Seat Left Comfort seat	/L	1	I4D1/4D3
(1)	971 974 416 CL	It is necessary to rework Wiring harness Seat Right Comfort seat	/R	1	I9P7
(1)	971 974 416 DE	It is necessary to rework Wiring harness Seat Right Comfort seat	/R	1	-I9P3/-I9P7
(1)	971 974 416 DS	It is necessary to rework Wiring harness Seat Right Comfort seat	/R	1	I9P3
(2)	971 971 399 EE	It is necessary to rework Wiring harness Backrest Left Comfort seat	/L	1	I4D1/4D3
(2)	971 971 399 EF	It is necessary to rework Wiring harness Backrest Left Comfort seat	/L	1	I4D2/4D5/4D7 I4D9
(2)	971 974 369 CP	It is necessary to rework Wiring harness Backrest Right Comfort seat	/R	1	I4D0/4D1/4D3
(2)	971 974 369 CQ	It is necessary to rework Wiring harness Backrest Right Comfort seat	/R	1	-I4D0/-I4D1 -I4D3
3	9A7 959 760 00	It is necessary to rework Control unit Memory Seat adjuster Front Comfort seat		1	I3PN
4	971 959 729	Support Control unit Front seat Comfort seat		1	I3PN
5	9A7 947 415 10	Light Rear Left	/L	1	IQQ2

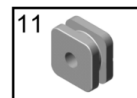
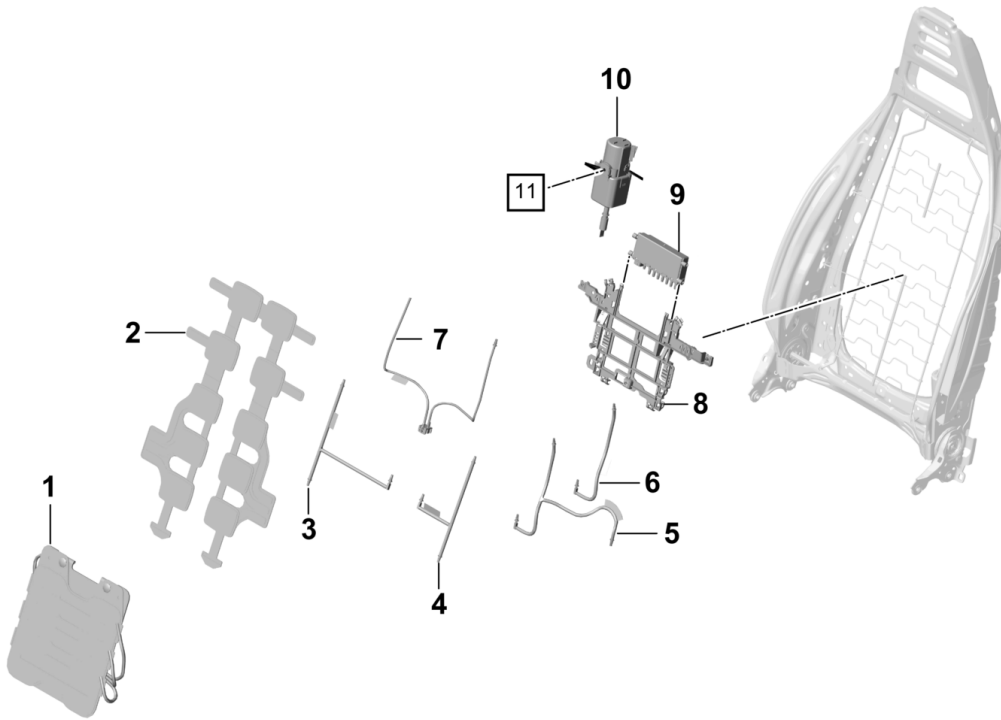
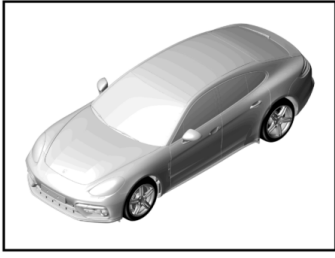
Model: 971-17

Model life 2017>>

Pos	Part Number	Description	Remark	Qty	Model
(5)	9A7 947 415 20	Footwell Light Rear Right Footwell	/R	1	IQQ2

Model: 971-17

Model life 2017>>



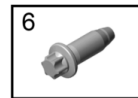
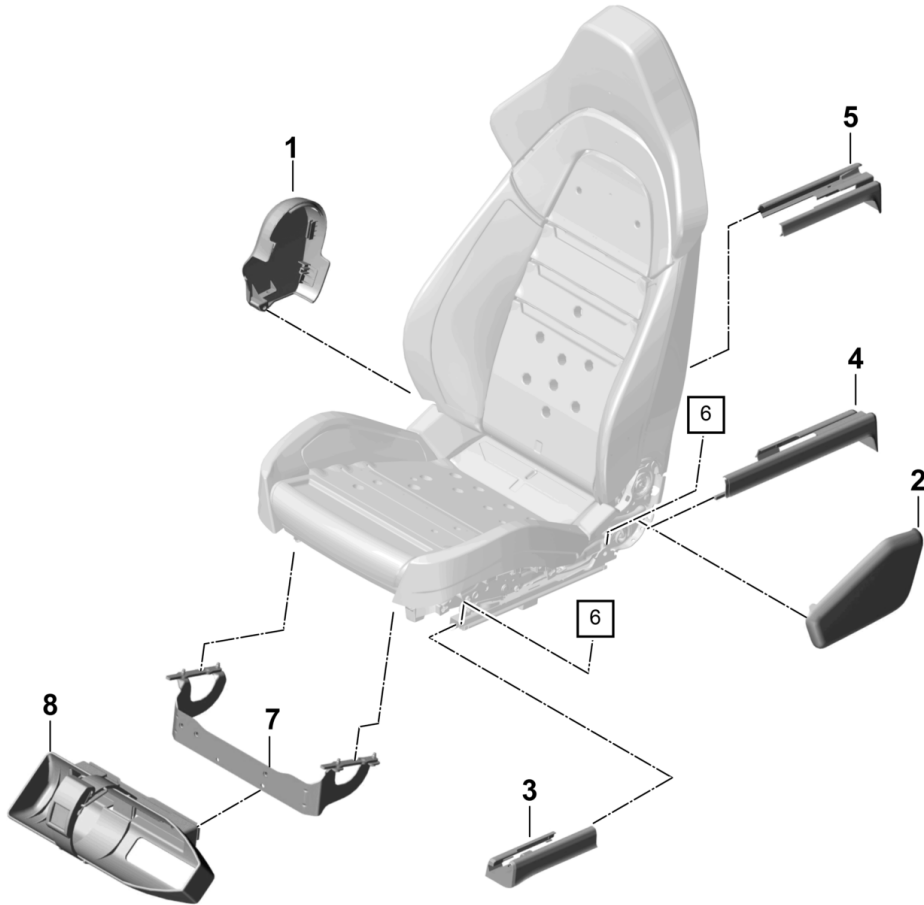
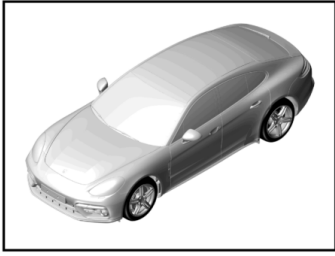
Model: 971-17

Model life 2017>>

Pos	Part Number	Description	Remark	Qty	Model
1	971 881 710	Lumbar Massage Front seat Comfort seat Airbag Lumbar support with Control unit		2	IQ2J
2	971 881 709	Airbag		2	I4D2/4D5/4D7 I4D9
3	971 886 751	Massage Air hose		2	I4D2
4	971 886 752	Massage Air hose		2	I4D2
5	971 882 702	Massage Air hose		2	I4D2/4D5/4D7 I4D9
6	971 882 122	Massage Air duct Hose line		2	
7	971 882 701	Air hose		2	I4D2/4D5/4D7 I4D9
8	971 882 607	Massage Support Valve block		2	
9	9A7 907 182 00	Control unit		2	I4D2/4D5/4D7 I4D9
10	971 881 073	Valve block Massage Compressor Lumbar support		2	
11	971 881 867	Buffer Compressor		1	

Model: 971-17

Model life 2017>>



Model: 971-17

Model life 2017>>

Pos	Part Number	Description	Remark	Qty	Model
		Front seat Complete Not available Sports seat Trim cover Mounting component Left Inner			IQ1J
1	971 881 327	Black	/L	1	+AB, +AC
	971 881 327 5Q0	Black			+DG, +DL
	971 881 327 OA6	Agate Grey			+UB, +PK, +UC
	971 881 327 6W0	Luxor Beige			+BP
	971 881 327 OL7	Saddle Tan			+SB, +BS
	971 881 327 7X0	Marsala Red			+PC
	971 881 327 OG6	Bordeaux Red			+BB
	971 881 327 OL8	Chalk			+BK
	971 881 327 5V0	Cream			+BE
(1)	971 881 328	Trim cover Mounting component Right Inner	/R	1	
	971 881 328 5Q0	Black			+AB, +AC
	971 881 328 OA6	Agate Grey			+DG, +DL
	971 881 328 6W0	Luxor Beige			+UB, +PK, +UC
	971 881 328 OL7	Saddle Tan			+BP
	971 881 328 7X0	Marsala Red			+SB, +BS
	971 881 328 OG6	Bordeaux Red			+PC
	971 881 328 OL8	Chalk			+BB
	971 881 328 5V0	Cream			+BK
(1)	971 881 317 B	Trim cover Mounting component Left Outer	/L	1	
	971 881 317 B 5Q0	Black			+AB, +AC
	971 881 317 B OA6	Agate Grey			+DG, +DL
	971 881 317 B 6W0	Luxor Beige			+UB, +PK, +UC
	971 881 317 B OL7	Saddle Tan			+BP
	971 881 317 B 7X0	Marsala Red			+SB, +BS
	971 881 317 B OG6	Bordeaux Red			+PC
	971 881 317 B OL8	Chalk			+BB
	971 881 317 B 5V0	Cream			+BK
(1)	971 881 318 B	Trim cover Mounting component Right Outer	/R	1	
	971 881 318 B 5Q0	Black			+AB, +AC
	971 881 318 B OA6	Agate Grey			+DG, +DL
	971 881 318 B 6W0	Luxor Beige			+UB, +PK, +UC
	971 881 318 B OL7	Saddle Tan			+BP
	971 881 318 B 7X0	Marsala Red			+SB, +BS
	971 881 318 B OG6	Bordeaux Red			+PC
	971 881 318 B OL8	Chalk			+BB
	971 881 318 B 5V0	Cream			+BK
2	971 881 793	Trim cover Mounting component Left	/L	1	
	971 881 793 5Q0	Black			+AB, +AC
	971 881 793 OA6	Agate Grey			+DG, +DL
	971 881 793 6W0	Luxor Beige			+UB, +PK, +UC
					+BP

Model: 971-17

Model life 2017>>

Pos	Part Number	Description	Remark	Qty	Model
(2)	971 881 793 OL7	Saddle Tan	/R	1	+SB,+BS
	971 881 793 7X0	Marsala Red			+PC
	971 881 793 OG6	Bordeaux Red			+BB
	971 881 793 OL8	Chalk			+BK
	971 881 793 5V0	Cream			+BE
	971 881 794	Trim cover			
		Mounting component			
		Right			
	971 881 794 5Q0	Black			+AB,+AC
	971 881 794 OA6	Agate Grey			+DG,+DL
971 881 794 6W0	Luxor Beige	+UB,+PK,+UC			
3	971 881 794 OL7	Saddle Tan	/L	1	+BP
	971 881 794 7X0	Marsala Red			+SB,+BS
	971 881 794 OG6	Bordeaux Red			+PC
	971 881 794 OL8	Chalk			+BB
	971 881 794 5V0	Cream			+BK
	971 881 477 A	Rail			+BE
		Seat rail			
		Front			
		Left			
	971 881 477 A 1E0	Black			+AB,+PK,+AC
(3)	971 881 477 A OP1	Agate Grey	/R	1	+BB,+BS,+BK
	971 881 477 A 4H0	Luxor Beige			+DG,+DL
	971 881 477 A OM8	Saddle Tan			+UB,+UC
	971 881 477 A 3G0	Marsala Red			+SB,+BP
	971 881 478 A	Rail			+PC,+BE
		Seat rail			
		Front			
		Right			
	971 881 478 A 1E0	Black			+AB,+PK,+AC
	971 881 478 A OP1	Agate Grey			+BB,+BS,+BK
4	971 881 478 A 4H0	Luxor Beige	/L	1	+DG,+DL
	971 881 478 A OM8	Saddle Tan			+UB,+UC
	971 881 478 A 3G0	Marsala Red			+SB,+BP
	971 881 479 A	Rail			+PC,+BE
		Seat rail			
		Left			
		Rear			
		Outer			
	971 881 479 A 1E0	Black			+AB,+PK,+AC
	971 881 479 A OP1	Agate Grey			+BB,+BS,+BK
(4)	971 881 479 A 4H0	Luxor Beige	/R	1	+DG,+DL
	971 881 479 A OM8	Saddle Tan			+UB,+UC
	971 881 479 A 3G0	Marsala Red			+SB,+BP
	971 881 480 A	Rail			+PC,+BE
		Seat rail			
		Right			
		Rear			
		Outer			
	971 881 480 A 1E0	Black			+AB,+PK,+AC
	971 881 480 A OP1	Agate Grey			+BB,+BS,+BK
5	971 881 480 A 4H0	Luxor Beige	/L	1	+DG,+DL
	971 881 480 A OM8	Saddle Tan			+UB,+UC
	971 881 480 A 3G0	Marsala Red			+SB,+BP
	971 881 171 A	Rail			+PC,+BE
		Seat rail			
		Left			
		Rear			

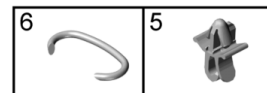
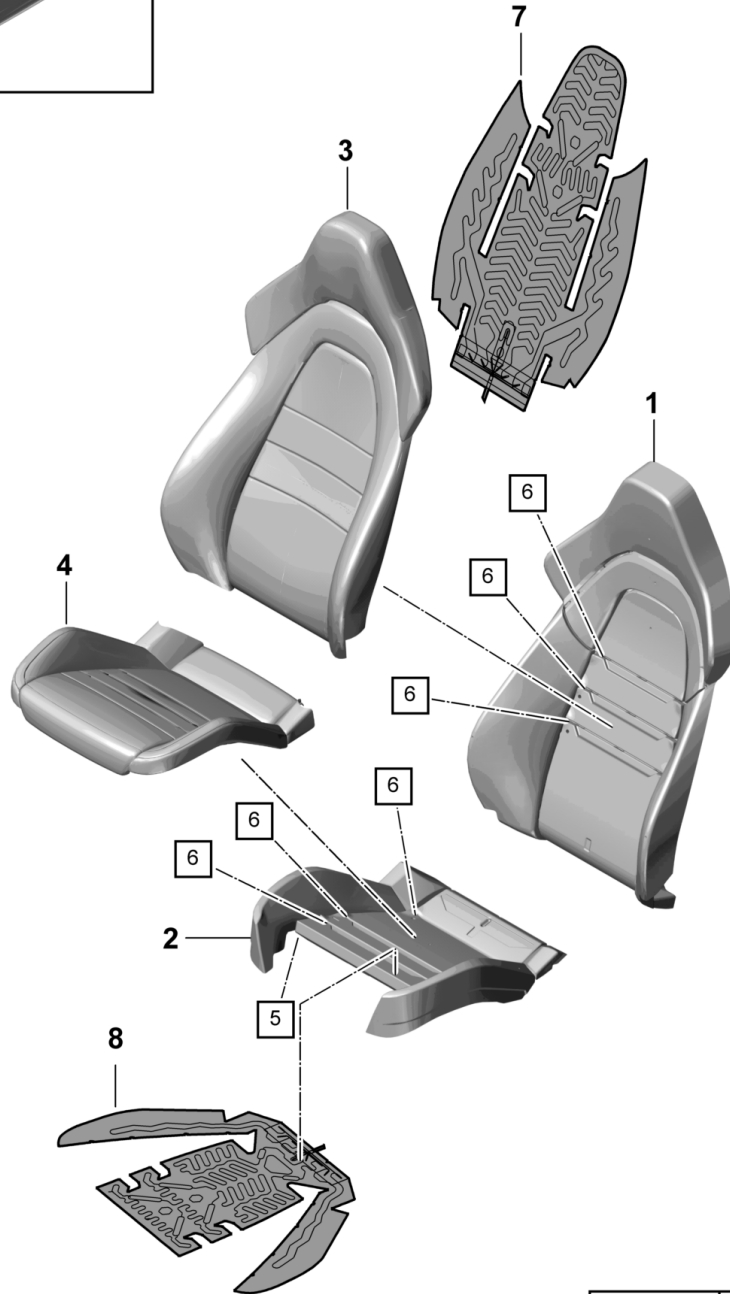
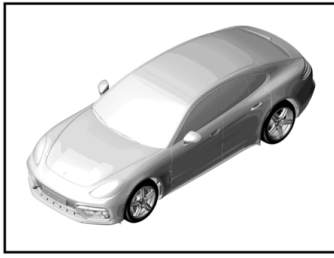
Model: 971-17

Model life 2017>>

Pos	Part Number	Description	Remark	Qty	Model
	971 881 171 A 1E0	Inner Black			+AB, +PK, +AC +BB, +BS, +BK
	971 881 171 A OP1	Agate Grey			+DG, +DL
	971 881 171 A 4H0	Luxor Beige			+UB, +UC
	971 881 171 A OM8	Saddle Tan			+SB, +BP
	971 881 171 A 3G0	Marsala Red			+PC, +BE
(5)	971 881 172 A	Rail Seat rail Right Rear Inner	/R	1	
	971 881 172 A 1E0	Black			+AB, +PK, +AC +BB, +BS, +BK
	971 881 172 A OP1	Agate Grey			+DG, +DL
	971 881 172 A 4H0	Luxor Beige			+UB, +UC
	971 881 172 A OM8	Saddle Tan			+SB, +BP
	971 881 172 A 3G0	Marsala Red			+PC, +BE
6	WHT 007 691	Outer hexagon round screw Mount Seat rail		4	
7	971 881 146	Mount Set		1	IL0L/L0R/6A7
8	971 881 150	Fire extinguisher Support Fire extinguisher Set		1	

Model: 971-17

Model life 2017>>



Model: 971-17 Model life 2017>>

Pos	Part Number	Description	Remark	Qty	Model
		Foam part Cover Sports seat without Ventilation component			IQ1J/4D0
1	971 881 551 K	Foam part Backrest		1	
2	971 881 375 J	Foam part Seat cushion		1	
3	971 881 805 AS	Backrest cover without Crest Left	/L	1	IN1X/3J4
	971 881 805 AS GDB	Black			+AB
	971 881 805 AS GHB	Agate Grey			+DG
	971 881 805 AS GFB	Luxor Beige			+UB
	971 881 805 AS DWF	Luxor Beige/Black D >> 12.02.2017			+PK
(3)	971 881 806 AS	Backrest cover without Crest Right	/R	1	IN1X/3J4
	971 881 806 AS GDB	Black			+AB
	971 881 806 AS GHB	Agate Grey			+DG
	971 881 806 AS GFB	Luxor Beige			+UB
	971 881 806 AS DWF	Luxor Beige/Black D >> 12.02.2017			+PK
(3)	971 881 805 BD	Backrest cover without Crest Left	/L	1	IN5U/3J4
	971 881 805 BD GDC	Black			+AC
	971 881 805 BD GHC	Agate Grey			+DL
	971 881 805 BD DUE	Saddle Tan			+SB
	971 881 805 BD GFC	Luxor Beige			+UC
	971 881 805 BD DAK	Marsala Red			+PC
	971 881 805 BD DWA	Black/Bordeaux Red			+BB
	971 881 805 BD DWB	Saddle Tan/Black			+BS
	971 881 805 BD DWC	Black/Chalk			+BK
	971 881 805 BD DWD	Luxor Beige/Saddle Tan			+BP
	971 881 805 BD DWE	Marsala Red/Cream D >> 12.02.2017			+BE
(3)	971 881 806 BD	Backrest cover without Crest Right	/R	1	IN5U/3J4
	971 881 806 BD GDC	Black			+AC
	971 881 806 BD GHC	Agate Grey			+DL
	971 881 806 BD DUE	Saddle Tan			+SB
	971 881 806 BD GFC	Luxor Beige			+UC
	971 881 806 BD DAK	Marsala Red			+PC
	971 881 806 BD DWA	Black/Bordeaux Red			+BB
	971 881 806 BD DWB	Saddle Tan/Black			+BS
	971 881 806 BD DWC	Black/Chalk			+BK
	971 881 806 BD DWD	Luxor Beige/Saddle Tan			+BP
	971 881 806 BD DWE	Marsala Red/Cream D >> 12.02.2017			+BE
(3)	971 881 805 CC	Backrest cover with Crest Left	/L	1	IN1X/5ZF
	971 881 805 CC GDB	Black			+AB
	971 881 805 CC GHB	Agate Grey			+DG

Model: 971-17 Model life 2017>>

Pos	Part Number	Description	Remark	Qty	Model
	971 881 805 CC GFB	Luxor Beige			+UB
	971 881 805 CC DWF	Luxor Beige/Black			+PK
(3)	971 881 806 CC	D >> 12.02.2017 Backrest cover with Crest Right	/R	1	IN1X/5ZF
	971 881 806 CC GDB	Black			+AB
	971 881 806 CC GHB	Agate Grey			+DG
	971 881 806 CC GFB	Luxor Beige			+UB
	971 881 806 CC DWF	Luxor Beige/Black			+PK
(3)	971 881 805 CE	D >> 12.02.2017 Backrest cover with Crest Left	/L	1	IN5U/5ZF
	971 881 805 CE GDC	Black			+AC
	971 881 805 CE GHC	Agate Grey			+DL
	971 881 805 CE DUE	Saddle Tan			+SB
	971 881 805 CE GFC	Luxor Beige			+UC
	971 881 805 CE DAK	Marsala Red			+PC
	971 881 805 CE DWA	Black/Bordeaux Red			+BB
	971 881 805 CE DWB	Saddle Tan/Black			+BS
	971 881 805 CE DWC	Black/Chalk			+BK
	971 881 805 CE DWD	Luxor Beige/Saddle Tan			+BP
	971 881 805 CE DWE	Marsala Red/Cream			+BE
(3)	971 881 806 CE	D >> 12.02.2017 Backrest cover with Crest Right	/R	1	IN5U/5ZF
	971 881 806 CE GDC	Black			+AC
	971 881 806 CE GHC	Agate Grey			+DL
	971 881 806 CE DUE	Saddle Tan			+SB
	971 881 806 CE GFC	Luxor Beige			+UC
	971 881 806 CE DAK	Marsala Red			+PC
	971 881 806 CE DWA	Black/Bordeaux Red			+BB
	971 881 806 CE DWB	Saddle Tan/Black			+BS
	971 881 806 CE DWC	Black/Chalk			+BK
	971 881 806 CE DWD	Luxor Beige/Saddle Tan			+BP
	971 881 806 CE DWE	Marsala Red/Cream			+BE
(3)	971 881 805 CL	D >> 12.02.2017 Backrest cover with Turbo Logo Left	/L	1	IA8H/N5U/5ZJ
	971 881 805 CL GDC	Black			+AC
	971 881 805 CL GHC	Agate Grey			+DL
	971 881 805 CL DUE	Saddle Tan			+SB
	971 881 805 CL GFC	Luxor Beige			+UC
	971 881 805 CL DAK	Marsala Red			+PC
	971 881 805 CL DWA	Black/Bordeaux Red			+BB
	971 881 805 CL DWB	Saddle Tan/Black			+BS
	971 881 805 CL DWC	Black/Chalk			+BK
	971 881 805 CL DWD	Luxor Beige/Saddle Tan			+BP
	971 881 805 CL DWE	Marsala Red/Cream			+BE
(3)	971 881 806 CL	D >> 12.02.2017 Backrest cover with Turbo Logo Right	/R	1	IA8H/N5U/5ZJ
	971 881 806 CL GDC	Black			+AC

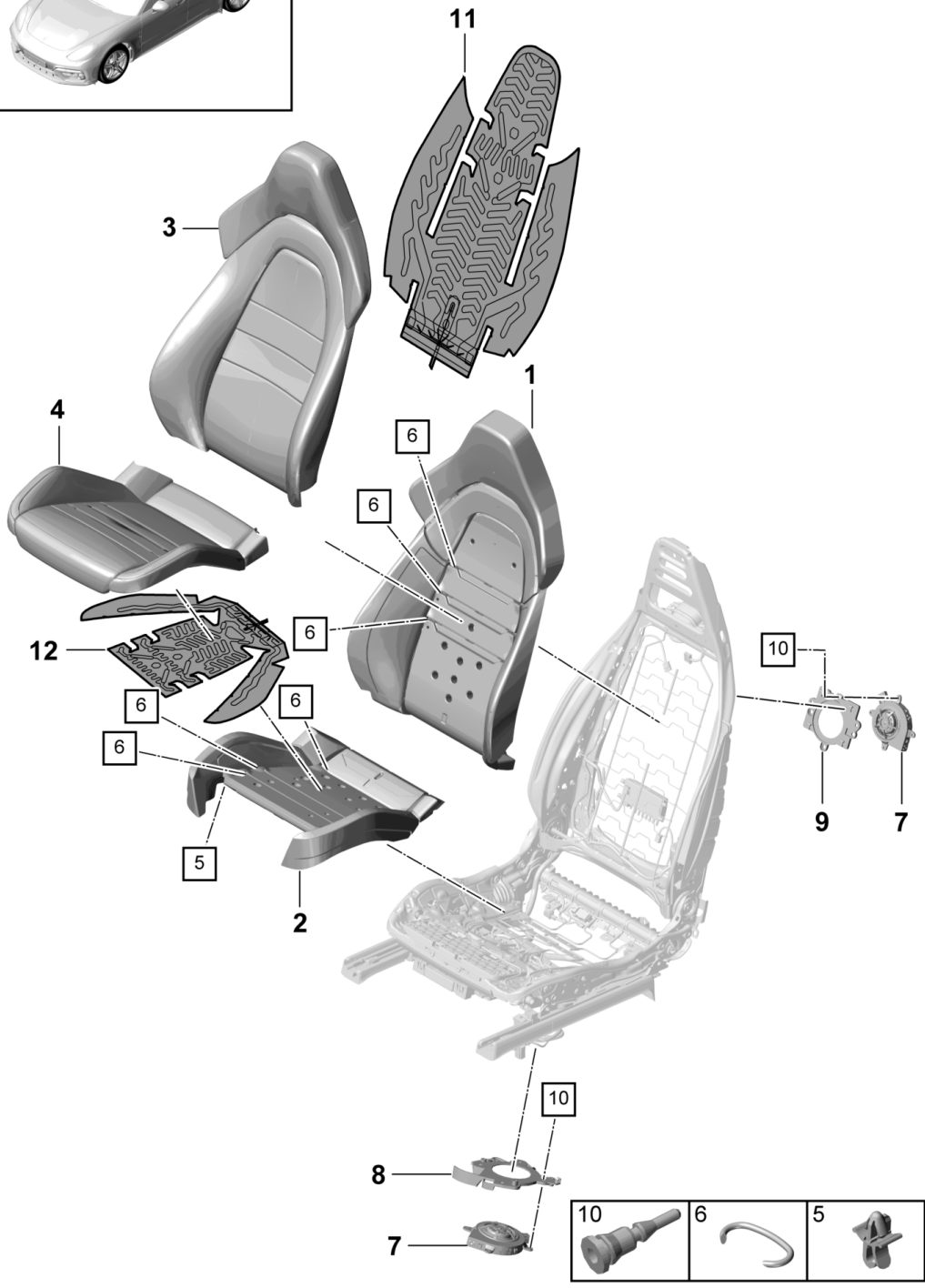
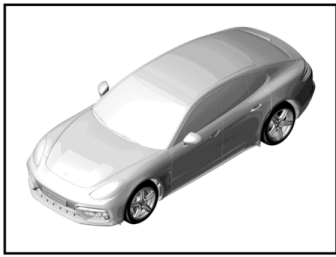
Model: 971-17

Model life 2017>>

Pos	Part Number	Description	Remark	Qty	Model
	971 881 806 CL GHC	Agate Grey			+DL
	971 881 806 CL DUE	Saddle Tan			+SB
	971 881 806 CL GFC	Luxor Beige			+UC
	971 881 806 CL DAK	Marsala Red			+PC
	971 881 806 CL DWA	Black/Bordeaux Red			+BB
	971 881 806 CL DWB	Saddle Tan/Black			+BS
	971 881 806 CL DWC	Black/Chalk			+BK
	971 881 806 CL DWD	Luxor Beige/Saddle Tan			+BP
	971 881 806 CL DWE	Marsala Red/Cream			+BE
4	971 881 405 BB	Cover for cushion Left	/L	1	IN1X
	971 881 405 BB GDB	Black			+AB
	971 881 405 BB GHB	Agate Grey			+DG
	971 881 405 BB GFB	Luxor Beige			+UB, +PK
(4)	971 881 406 BB	Cover for cushion Right	/R	1	IN1X
	971 881 406 BB GDB	Black			+AB
	971 881 406 BB GHB	Agate Grey			+DG
	971 881 406 BB GFB	Luxor Beige			+UB, +PK
(4)	971 881 405 BF	Cover for cushion Left seat	/L	1	IN5U
	971 881 405 BF GDC	Black			+AC
	971 881 405 BF GHC	Agate Grey			+DL
	971 881 405 BF DUE	Saddle Tan			+SB, +BS
	971 881 405 BF GFC	Luxor Beige			+UC, +BP
	971 881 405 BF DAK	Marsala Red			+PC
	971 881 405 BF GUC	Bordeaux Red			+BB
	971 881 405 BF GVC	Chalk			+BK
	971 881 405 BF DAL	Cream			+BE
(4)	971 881 406 BF	Cover for cushion Right	/R	1	IN5U
	971 881 406 BF GDC	Black			+AC
	971 881 406 BF GHC	Agate Grey			+DL
	971 881 406 BF DUE	Saddle Tan			+SB, +BS
	971 881 406 BF GFC	Luxor Beige			+UC, +BP
	971 881 406 BF DAK	Marsala Red			+PC
	971 881 406 BF GUC	Bordeaux Red			+BB
	971 881 406 BF GVC	Chalk			+BK
	971 881 406 BF DAL	Cream			+BE
5	971 881 280	Clip		1	
6	N 015 261 2	Clamp Mount		16	
7	971 963 557 C	Cover for cushion Heating element Seat Backrest	/L /R	1	I4A3/4A4
8	971 963 555 E	Heating element Seat Seat surface	/L /R	1	I4A3/4A4

Model: 971-17

Model life 2017>>



Model: 971-17 Model life 2017>>

Pos	Part Number	Description	Remark	Qty	Model
1	971 881 551 L	Foam part Cover Sports seat Ventilation component		1	IQ1J/4D1/4D3
2	971 881 375 K	Foam part Backrest		1	
3	971 881 805 AT	Foam part Seat cushion Backrest cover without Crest Left	/L	1	IN0K/3J4 +AB +DG +UB +PK
	971 881 805 AT GDB	Black			+AB
	971 881 805 AT GHB	Agate Grey			+DG
	971 881 805 AT GFB	Luxor Beige			+UB
	971 881 805 AT DWF	Luxor Beige/Black D >> 12.02.2017			+PK
(3)	971 881 806 AT	Backrest cover without Crest Right	/R	1	IN0K/3J4 +AB +DG +UB +PK
	971 881 806 AT GDB	Black			+AB
	971 881 806 AT GHB	Agate Grey			+DG
	971 881 806 AT GFB	Luxor Beige			+UB
	971 881 806 AT DWF	Luxor Beige/Black D >> 12.02.2017			+PK
(3)	971 881 805 BE	Backrest cover without Crest Left	/L	1	IN0Q/3J4 +AC +DL +SB +UC +PC +BB +BS +BK +BP +BE
	971 881 805 BE GDC	Black			+AC
	971 881 805 BE GHC	Agate Grey			+DL
	971 881 805 BE DUE	Saddle Tan			+SB
	971 881 805 BE GFC	Luxor Beige			+UC
	971 881 805 BE DAK	Marsala Red			+PC
	971 881 805 BE DWA	Black/Bordeaux Red			+BB
	971 881 805 BE DWB	Saddle Tan/Black			+BS
	971 881 805 BE DWC	Black/Chalk			+BK
	971 881 805 BE DWD	Luxor Beige/Saddle Tan			+BP
	971 881 805 BE DWE	Marsala Red/Cream D >> 12.02.2017			+BE
(3)	971 881 806 BE	Backrest cover without Crest Right	/R	1	IN0Q/3J4 +AC +DL +SB +UC +PC +BB +BS +BK +BP +BE
	971 881 806 BE GDC	Black			+AC
	971 881 806 BE GHC	Agate Grey			+DL
	971 881 806 BE DUE	Saddle Tan			+SB
	971 881 806 BE GFC	Luxor Beige			+UC
	971 881 806 BE DAK	Marsala Red			+PC
	971 881 806 BE DWA	Black/Bordeaux Red			+BB
	971 881 806 BE DWB	Saddle Tan/Black			+BS
	971 881 806 BE DWC	Black/Chalk			+BK
	971 881 806 BE DWD	Luxor Beige/Saddle Tan			+BP
	971 881 806 BE DWE	Marsala Red/Cream D >> 12.02.2017			+BE
(3)	971 881 805 CD	Backrest cover with Crest Left	/L	1	IN0K/5ZF +AB +DG +UB
	971 881 805 CD GDB	Black			+AB
	971 881 805 CD GHB	Agate Grey			+DG
	971 881 805 CD GFB	Luxor Beige			+UB

Model: 971-17 Model life 2017>>

Pos	Part Number	Description	Remark	Qty	Model
	971 881 805 CD DWF	Luxor Beige/Black D >> 12.02.2017			+PK
(3)	971 881 806 CD	Backrest cover with Crest Right	/R	1	IN0K/5ZF
	971 881 806 CD GDB	Black			+AB
	971 881 806 CD GHB	Agate Grey			+DG
	971 881 806 CD GFB	Luxor Beige			+UB
	971 881 806 CD DWF	Luxor Beige/Black D >> 12.02.2017			+PK
(3)	971 881 805 CF	Backrest cover with Crest Left	/L	1	IN0Q/5ZF
	971 881 805 CF GDC	Black			+AC
	971 881 805 CF GHC	Agate Grey			+DL
	971 881 805 CF DUE	Saddle Tan			+SB
	971 881 805 CF GFC	Luxor Beige			+UC
	971 881 805 CF DAK	Marsala Red			+PC
	971 881 805 CF DWA	Black/Bordeaux Red			+BB
	971 881 805 CF DWB	Saddle Tan/Black			+BS
	971 881 805 CF DWC	Black/Chalk			+BK
	971 881 805 CF DWD	Luxor Beige/Saddle Tan			+BP
	971 881 805 CF DWE	Marsala Red/Cream D >> 12.02.2017			+BE
(3)	971 881 806 CF	Backrest cover with Crest Right	/R	1	IN0Q/5ZF
	971 881 806 CF GDC	Black			+AC
	971 881 806 CF GHC	Agate Grey			+DL
	971 881 806 CF DUE	Saddle Tan			+SB
	971 881 806 CF GFC	Luxor Beige			+UC
	971 881 806 CF DAK	Marsala Red			+PC
	971 881 806 CF DWA	Black/Bordeaux Red			+BB
	971 881 806 CF DWB	Saddle Tan/Black			+BS
	971 881 806 CF DWC	Black/Chalk			+BK
	971 881 806 CF DWD	Luxor Beige/Saddle Tan			+BP
	971 881 806 CF DWE	Marsala Red/Cream D >> 12.02.2017			+BE
(3)	971 881 805 CM	Backrest cover with Turbo Logo Left	/L	1	IA8H/N0Q/5ZJ
	971 881 805 CM GDC	Black			+AC
	971 881 805 CM GHC	Agate Grey			+DL
	971 881 805 CM DUE	Saddle Tan			+SB
	971 881 805 CM GFC	Luxor Beige			+UC
	971 881 805 CM DAK	Marsala Red			+PC
	971 881 805 CM DWA	Black/Bordeaux Red			+BB
	971 881 805 CM DWB	Saddle Tan/Black			+BS
	971 881 805 CM DWC	Black/Chalk			+BK
	971 881 805 CM DWD	Luxor Beige/Saddle Tan			+BP
	971 881 805 CM DWE	Marsala Red/Cream			+BE
(3)	971 881 806 CM	Backrest cover with Turbo Logo Right	/R	1	IA8H/N0Q/5ZJ
	971 881 806 CM GDC	Black			+AC
	971 881 806 CM GHC	Agate Grey			+DL

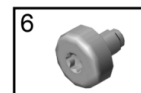
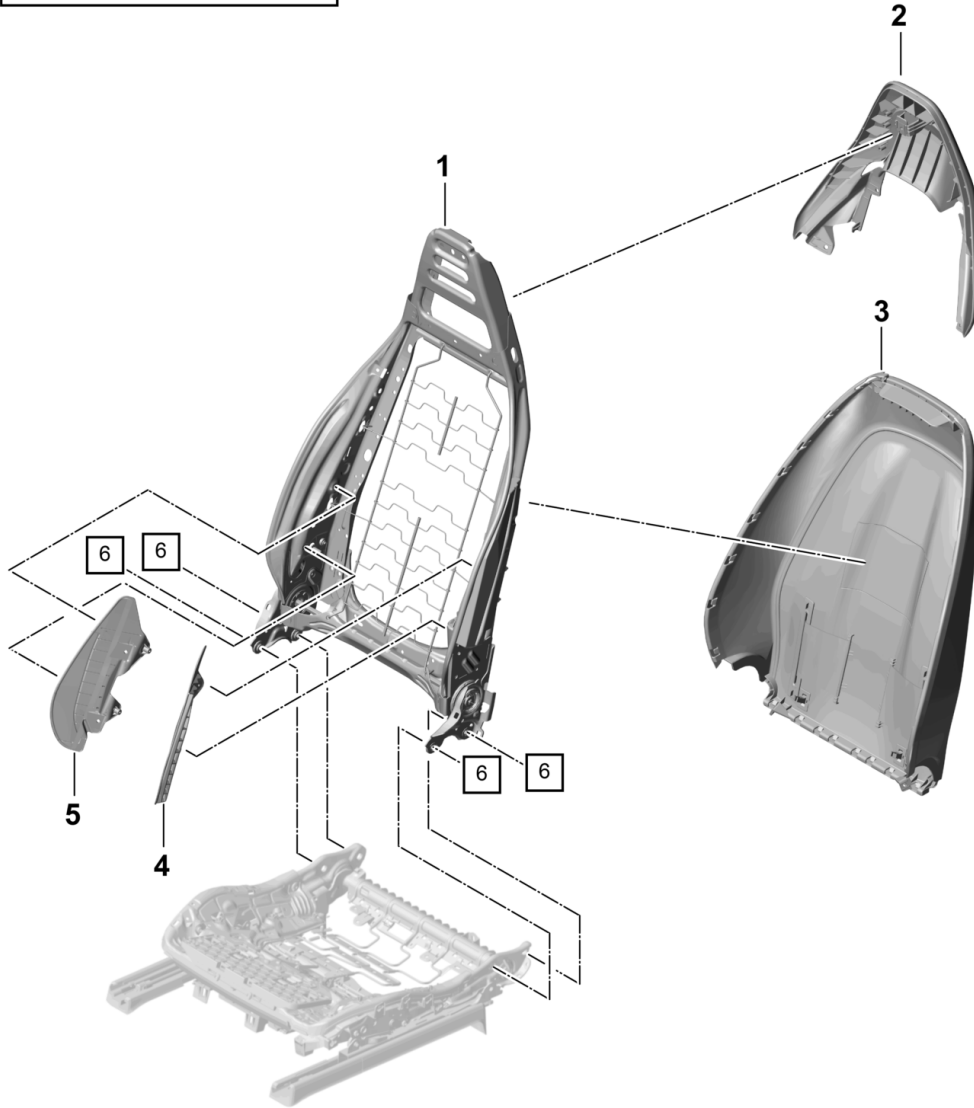
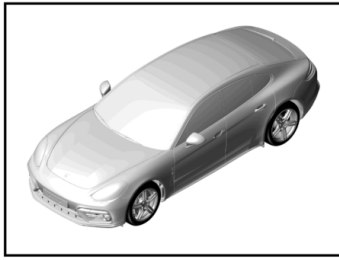
Model: 971-17

Model life 2017>>

Pos	Part Number	Description	Remark	Qty	Model
	971 881 806 CM DUE	Saddle Tan			+SB
	971 881 806 CM GFC	Luxor Beige			+UC
	971 881 806 CM DAK	Marsala Red			+PC
	971 881 806 CM DWA	Black/Bordeaux Red			+BB
	971 881 806 CM DWB	Saddle Tan/Black			+BS
	971 881 806 CM DWC	Black/Chalk			+BK
	971 881 806 CM DWD	Luxor Beige/Saddle Tan			+BP
	971 881 806 CM DWE	Marsala Red/Cream			+BE
4	971 881 405 BC	Cover for cushion Left	/L	1	INOK
	971 881 405 BC GDB	Black			+AB
	971 881 405 BC GHB	Agate Grey			+DG
	971 881 405 BC GFB	Luxor Beige			+UB, +PK
(4)	971 881 406 BC	Cover for cushion Right	/R	1	INOK
	971 881 406 BC GDB	Black			+AB
	971 881 406 BC GHB	Agate Grey			+DG
	971 881 406 BC GFB	Luxor Beige			+UB, +PK
(4)	971 881 405 BG	Cover for cushion Left	/L	1	INOQ
	971 881 405 BG GDC	Black			+AC
	971 881 405 BG GHC	Agate Grey			+DL
	971 881 405 BG DUE	Saddle Tan			+SB, +BS
	971 881 405 BG GFC	Luxor Beige			+UC, +BP
	971 881 405 BG DAK	Marsala Red			+PC
	971 881 405 BG GUC	Bordeaux Red			+BB
	971 881 405 BG GVC	Chalk			+BK
	971 881 405 BG DAL	Cream			+BE
(4)	971 881 406 BG	Cover for cushion Right	/R	1	INOQ
	971 881 406 BG GDC	Black			+AC
	971 881 406 BG GHC	Agate Grey			+DL
	971 881 406 BG DUE	Saddle Tan			+SB, +BS
	971 881 406 BG GFC	Luxor Beige			+UC, +BP
	971 881 406 BG DAK	Marsala Red			+PC
	971 881 406 BG GUC	Bordeaux Red			+BB
	971 881 406 BG GVC	Chalk			+BK
	971 881 406 BG DAL	Cream			+BE
5	971 881 280	Clip		1	
6	N 015 261 2	Clamp Mount Cover for cushion		16	
7	9A7 963 575 00	Fan Ventilation component		2	
8	971 881 538	Support Fan Cushion		1	
9	971 881 537	Support Fan Backrest		1	
11	971 963 557 C	Heating element Seat Backrest	/L /R	1	I4A3/4A4
12	971 963 555 E	Heating element Seat Seat surface	/L /R	1	I4A3/4A4

Model: 971-17

Model life 2017>>



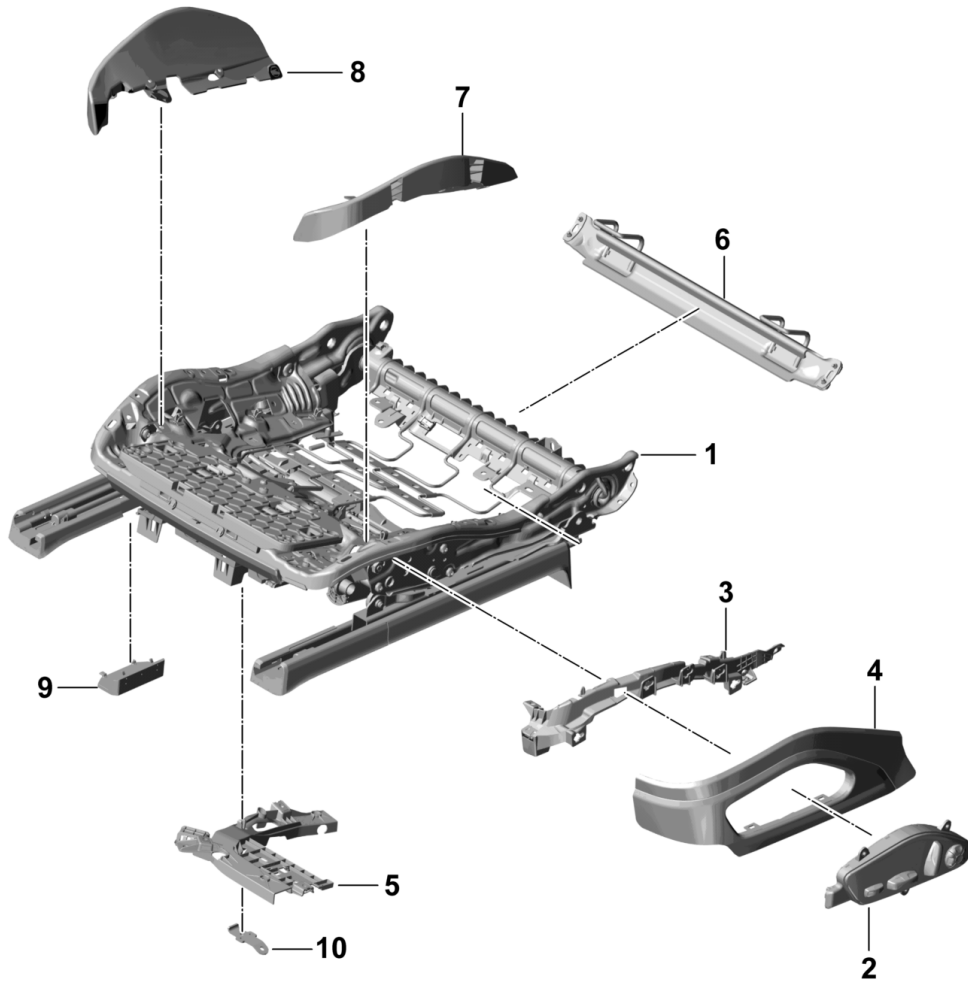
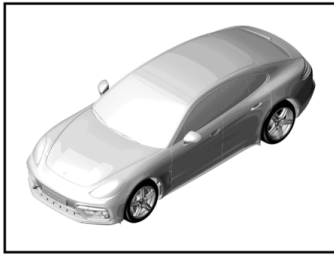
Model: 971-17

Model life 2017>>

Pos	Part Number	Description	Remark	Qty	Model
		Backrest frame			IQ1J
		Backrest shell			
		Sports seat			
1	971 881 045 B	Backrest frame	/L /R	1	
2	971 882 774 A	Padding	/L /R	1	
		Upper part			
3	971 881 971 A	Backrest shell	/L /R	1	IN0K/N1X/9WT
		Lower part			
		Leatherette			
	971 881 971 A 1D0	Black			+AB
	971 881 971 A OW7	Agate Grey			+DG
	971 881 971 A 2E0	Luxor Beige			+UB, +PK
(3)	971 881 971	Backrest shell	/L /R	1	IN0Q/N1A/N1P IN5U/9WT
		Lower part			
		Leather			
	971 881 971 A80	Black			+AC
	971 881 971 C85	Agate Grey			+DL
	971 881 971 OK6	Saddle Tan			+SB, +BS
	971 881 971 Q80	Luxor Beige			+UC, +BP
	971 881 971 P80	Marsala Red			+PC
	971 881 971 OG6	Bordeaux Red			+BB
	971 881 971 OL8	Chalk			+BK
	971 881 971 V80	Cream			+BE
(3)	971 881 971 C	Backrest shell	/L /R	1	IN0K/N1X/9WU I9WY
		Lower part			
		Leatherette			
		Rear Seat Entertainment			
	971 881 971 C 1D0	Black			+AB
	971 881 971 C OW7	Agate Grey			+DG
	971 881 971 C 2E0	Luxor Beige			+UB, +PK
(3)	971 881 971 B	Backrest shell	/L /R	1	IN0Q/N1A/N1P IN5U/9WU/9WY
		Lower part			
		Leather			
		Rear Seat Entertainment			
	971 881 971 B A80	Black			+AC
	971 881 971 B C85	Agate Grey			+DL
	971 881 971 B OK6	Saddle Tan			+SB, +BS
	971 881 971 B Q80	Luxor Beige			+UC, +BP
	971 881 971 B P80	Marsala Red			+PC
	971 881 971 B OG6	Bordeaux Red			+BB
	971 881 971 B OL8	Chalk			+BK
	971 881 971 B V80	Cream			+BE
4	971 882 351	Supporting plate	/L	1	
		Backrest			
		Left			
5	971 882 352	Supporting plate	/R	1	
		Backrest			
		Right			
6	9A7 007 867	Hexagon socket head bolt		4	
		Backrest			

Model: 971-17

Model life 2017>>

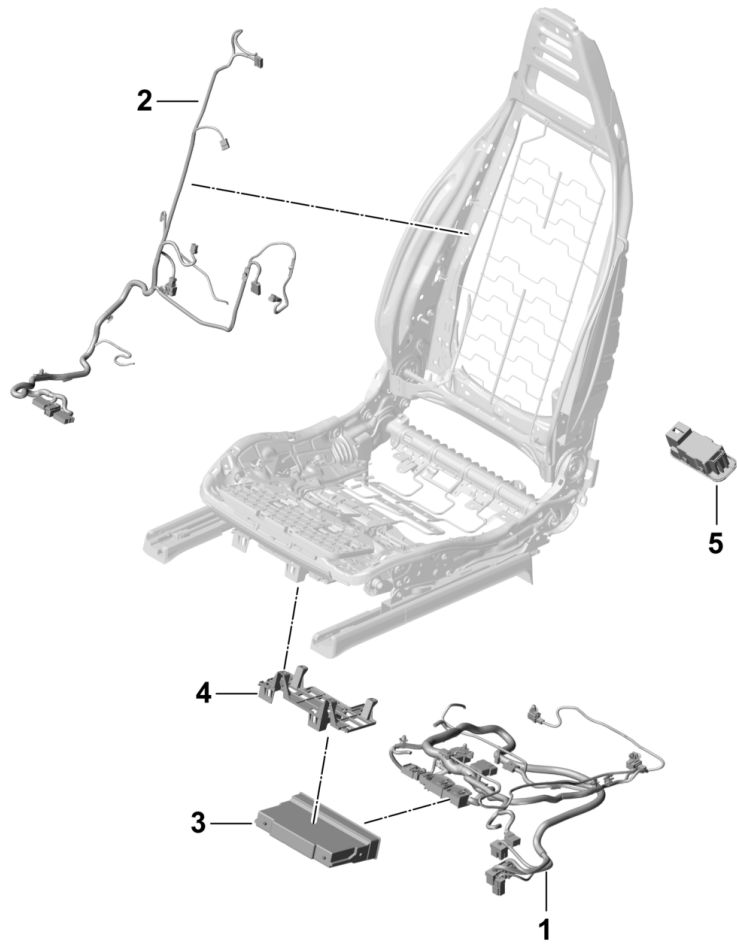
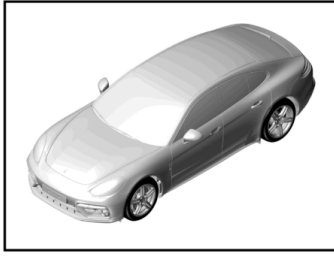


Model: 971-17 Model life 2017>>

Pos	Part Number	Description	Remark	Qty	Model
		Seat adjuster Sports seat			IQ1J
1	971 881 105 G	Seat adjuster Left with Height adjustment	/L	1	
(1)	971 881 106 G	Seat adjuster Right with Height adjustment	/R	1	
2	971 959 747 AA	Switch insert Left	/L	1	
(2)	971 959 747 AA HVO	Black/Galvano Silver			
	971 959 748 AA	Switch insert Right	/R	1	
	971 959 748 AA HVO	Black/Galvano Silver			
3	971 881 507	Support Trim for switch	/L	1	
(3)	971 881 508	Support Trim for switch	/R	1	
4	971 881 317	Trim for switch Left	/L	1	
	971 881 317 5Q0	Black			+AB, +AC
	971 881 317 OA6	Agate Grey			+DG, +DL
	971 881 317 6W0	Luxor Beige			+UB, +PK, +UC
	971 881 317 OL7	Saddle Tan			+BP
	971 881 317 7X0	Marsala Red			+SB, +BS
	971 881 317 OG6	Bordeaux Red			+PC
	971 881 317 OL8	Chalk			+BB
	971 881 317 5V0	Cream			+BK
(4)	971 881 318	Trim for switch Right	/R	1	+BE
	971 881 318 5Q0	Black			+AB, +AC
	971 881 318 OA6	Agate Grey			+DG, +DL
	971 881 318 6W0	Luxor Beige			+UB, +PK, +UC
	971 881 318 OL7	Saddle Tan			+BP
	971 881 318 7X0	Marsala Red			+SB, +BS
	971 881 318 OG6	Bordeaux Red			+PC
	971 881 318 OL8	Chalk			+BB
	971 881 318 5V0	Cream			+BK
5	971 881 744	Cable guide		1	+BE
6	971 881 545 B	Retaining bow Child car seat		1	
7	971 882 349 A	Supporting plate Left	/L	1	
8	971 882 350 A	Seat cushion Supporting plate Right	/R	1	
9	9A7 959 994 00	Seat cushion Counterplate		1	
10	971 881 561	Cable guide		1	

Model: 971-17

Model life 2017>>



Model: 971-17

Model life 2017>>

Pos	Part Number	Description	Remark	Qty	Model
		Wiring harnesses Seat Backrest Sports seat Airbag Lumbar			IQ1J
1	971 974 415 CE	Wiring harness Seat Left Sports seat	/L	1	-I4D1/-I4D3
1	971 974 415 CS	It is necessary to rework Wiring harness Seat Left Sports seat	/L	1	I4D1/4D3
(1)	971 974 416 EH	It is necessary to rework Wiring harness Seat Right Sports seat	/R	1	I9P3
(1)	971 974 416 EL	It is necessary to rework Wiring harness Seat Right Sports seat	/R	1	I9P7
(1)	971 974 416 ES	It is necessary to rework Wiring harness Seat Right Sports seat	/R	1	-I9P3/-I9P7
2	971 971 399 EE	It is necessary to rework Wiring harness Backrest Left Sports seat	/L	1	I4D1/4D3
2	971 971 399 EF	It is necessary to rework Wiring harness Backrest Left Sports seat	/L	1	I4D2/4D5/4D7 I4D9
(2)	971 974 369 CP	It is necessary to rework Wiring harness Backrest Right Sports seat	/R	1	I4D0/4D1/4D3
(2)	971 974 369 CQ	It is necessary to rework Wiring harness Backrest Right Sports seat	/R	1	-I4D0/-I4D1 -I4D3
3	9A7 959 760 00	It is necessary to rework Control unit Memory Seat adjuster Front Sports seat		1	I3PN
4	971 959 729	Support Control unit Front seat Sports seat		1	I3PN
5	9A7 947 415 10	Light	/L	1	IQQ2

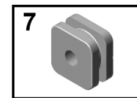
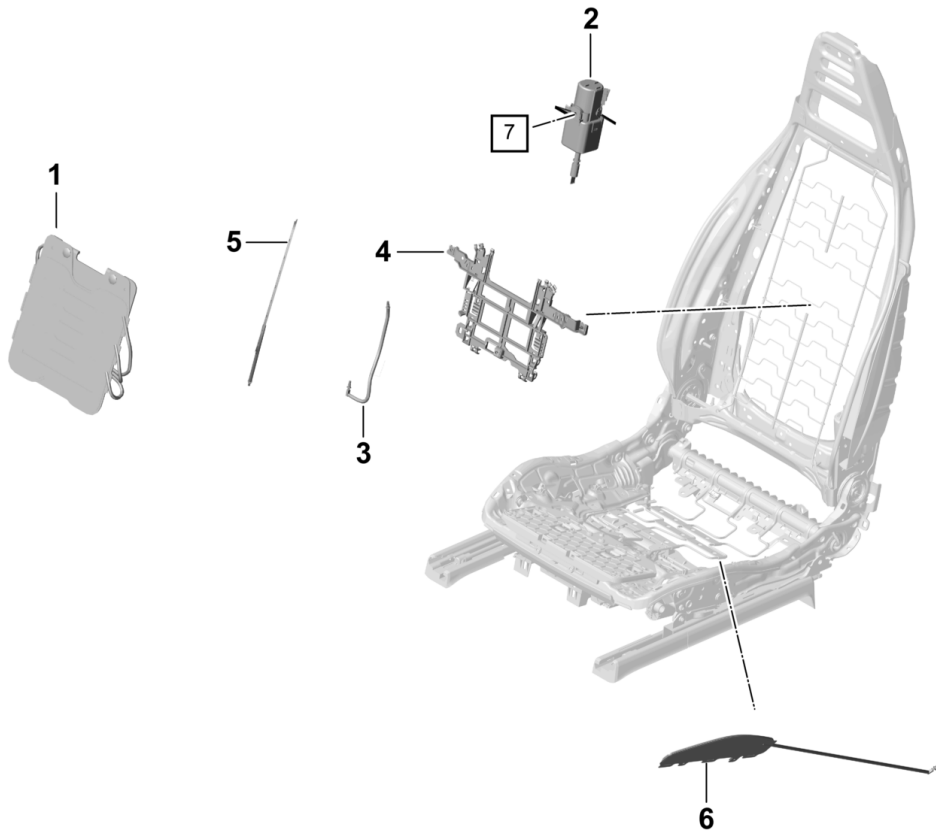
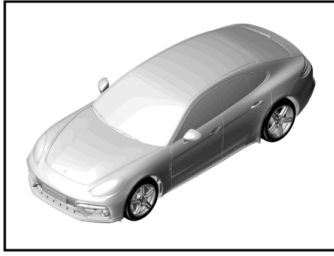
Model: 971-17

Model life 2017>>

Pos	Part Number	Description	Remark	Qty	Model
(5)	9A7 947 415 20	Rear Left Footwell Light Rear Right Footwell	/R	1	IQQ2

Model: 971-17

Model life 2017>>



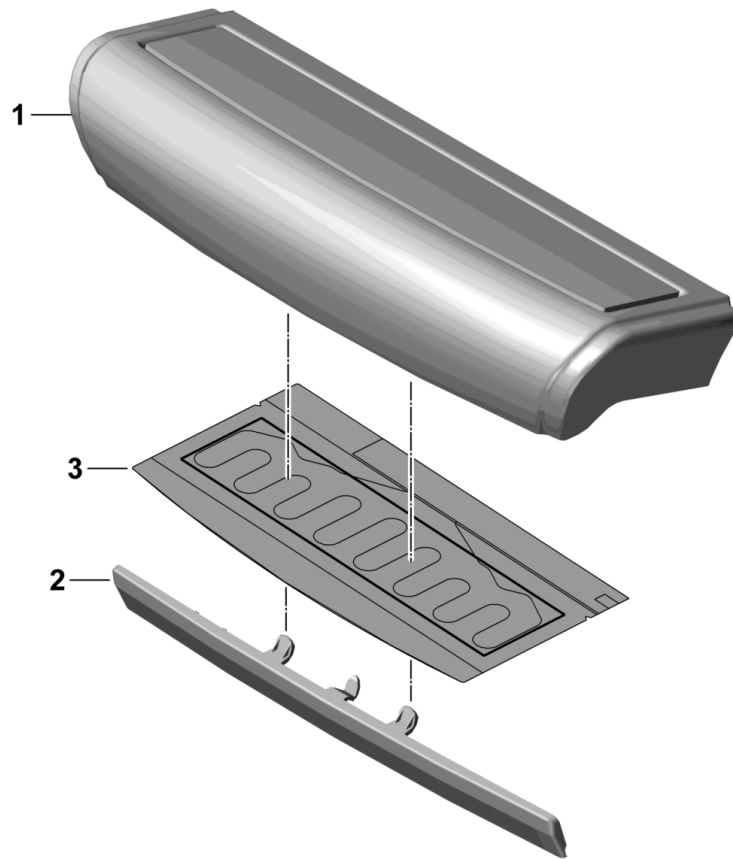
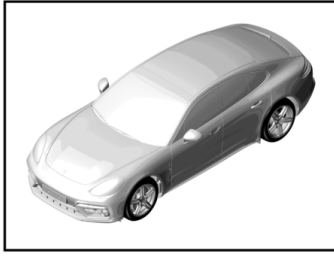
Model: 971-17

Model life 2017>>

Pos	Part Number	Description	Remark	Qty	Model
1	971 881 710 C	Lumbar Front seat Sports seat Airbag Lumbar support with Control unit		1	IQ1J
2	971 881 073	Compressor Lumbar support		2	
3	971 882 122	Air duct Hose line		2	
4	971 882 607	Support Valve block		2	
5	971 882 771	Container Air distributor Backrest side bolster Left	/L	1	
(5)	971 882 772	Container Air distributor Backrest side bolster Right	/R	1	
6	971 882 385	Insert Container Air distributor Seat side bolster Left	/L	1	
(6)	971 882 386	Insert Container Air distributor Seat side bolster Right	/R	1	
7	971 881 867	Buffer Compressor		1	

Model: 971-17

Model life 2017>>



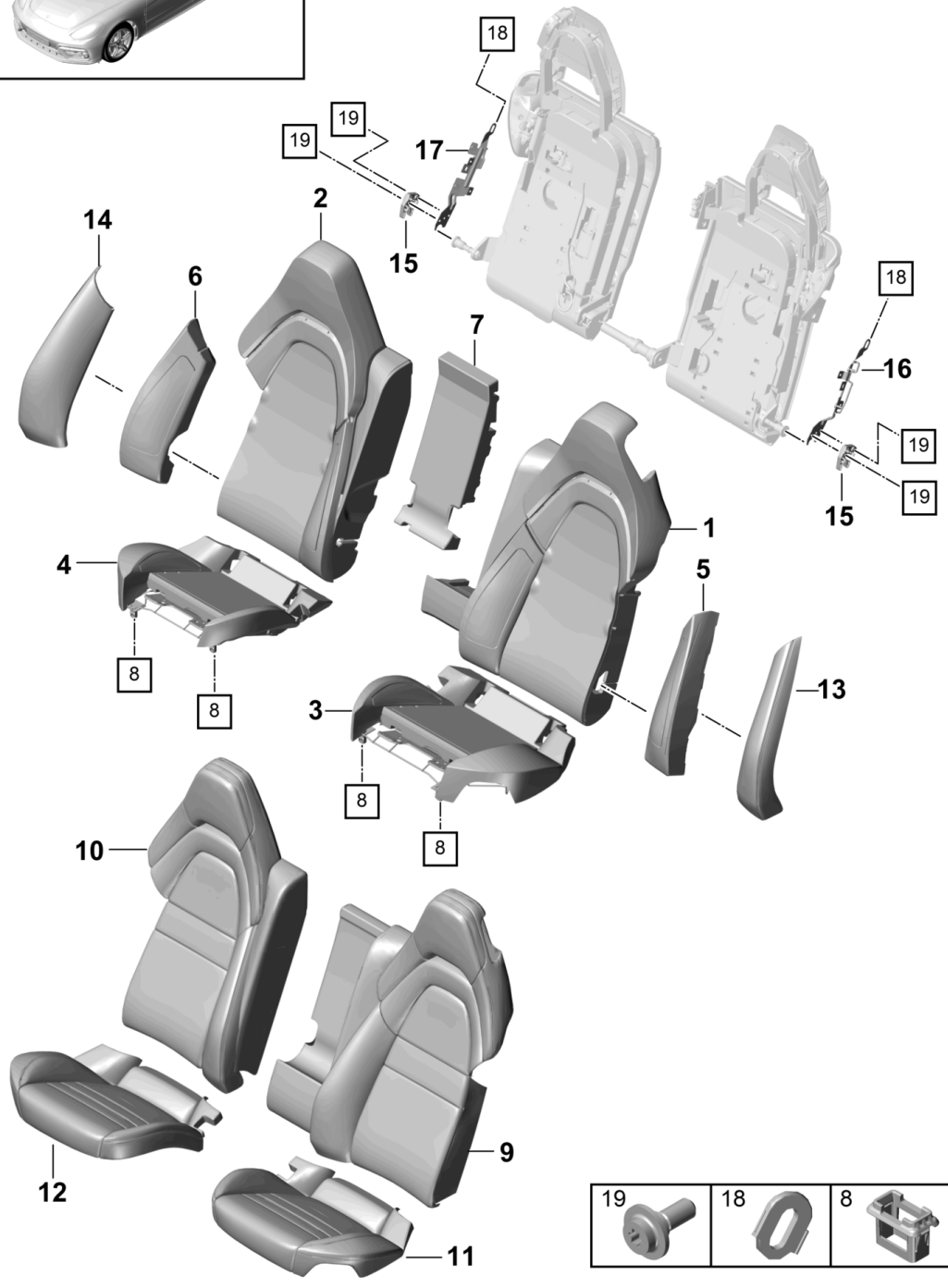
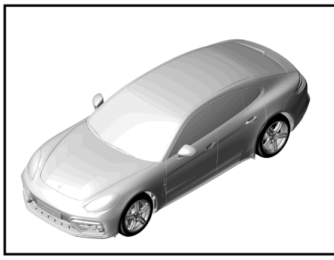
Model: 971-17

Model life 2017>>

Pos	Part Number	Description	Remark	Qty	Model
1	971 881 373	Seat cushion Front vertical adjustment Cover Accessories Cushion carrier Foam part		1	IQ1J/Q2J IQ2J/4D0
(1)	971 881 373 A	Front vertical adjustment Comfort seat Not Vented Foam part		1	IQ1J/Q2J/4D1 I4D2/4D3/4D5 I4D7/4D9
(1)	971 881 373 B	Front vertical adjustment Comfort seat Sports seat Vented Foam part Front vertical adjustment Sports seat Not Vented		1	IQ1J/4D0
2	971 881 607	Cover		1	
	971 881 607 1E0	Black			
3	971 963 549	Heating element	/L /R	1	I4A3/4A4/9P3 I9P7
		Front vertical adjustment Comfort seat Sports seat			

Model: 971-17

Model life 2017>>



Model: 971-17 Model life 2017>>

Pos	Part Number	Description	Remark	Qty	Model
		Seat Rear Basic Comfort version			I3KG
1	971 885 775 BL	Foam part Cover Foam part	/L	1	I4D0/4D3/4D5 I4D7
2	971 885 776 AD	Backrest Left Comfort version Foam part	/R	1	I4D0/4D3/4D5 I4D7
3	971 885 375 AA	Backrest Right Comfort version Foam part	/L	1	I4D0/4D3/4D5 I4D7
4	971 885 376 AA	Seat cushion Left Comfort version Foam part Seat cushion Right Comfort version	/R	1	I4D0/4D3/4D5
5	971 885 891 N	Foam part	/L	1	I4D0/4D3/4D5 I4D7/4X3
(5)	971 885 891 P	Side section Seat Left Comfort version without Airbag Foam part	/L	1	I4D0/4D3/4D5 I4D7/4X4
6	971 885 892 N	Side section Seat Left Comfort version with Airbag Foam part	/R	1	I4D0/4D3/4D5 I4D7/4X3
(6)	971 885 892 P	Side section Seat Right Comfort version without Airbag Foam part	/R	1	I4D0/4D3/4D5 I4D7/4X4
7	971 885 883 A	Side section Seat Right Comfort version with Airbag Foam part Centre part		1	
8	971 885 313 A	Seat Clip Seat cushion		4	
9	971 885 805 GE	Cover	/L	1	IN1X/3J4/4D0

Model: 971-17

Model life 2017>>

Pos	Part Number	Description	Remark	Qty	Model
		Backrest Left Comfort version without Crest			I4D7
	971 885 805 GE GDB	Black			+AB
	971 885 805 GE GHB	Agate Grey			+DG
	971 885 805 GE GFB	Luxor Beige			+UB, +PK
(9)	971 885 805 GF	Cover	/L	1	IN5U/3J4/4D0 I4D7
		Backrest Left Comfort version without Crest			
	971 885 805 GF GDC	Black			+AC
	971 885 805 GF GHC	Agate Grey			+DL
	971 885 805 GF DUE	Saddle Tan			+SB, +BS
	971 885 805 GF GFC	Luxor Beige			+UC, +BP
	971 885 805 GF DAK	Marsala Red			+PC
	971 885 805 GF GUC	Bordeaux Red			+BB
	971 885 805 GF GVC	Chalk			+BK
	971 885 805 GF DAL	Cream			+BE
(9)	971 885 805 GH	Cover	/L	1	IN0K/3J4/4D1 I4D3/4D5/4D9
		Backrest Left Comfort version without Crest			
	971 885 805 GH GDB	Black			+AB
	971 885 805 GH GHB	Agate Grey			+DG
	971 885 805 GH GFB	Luxor Beige			+UB, +PK
(9)	971 885 805 GJ	Cover	/L	1	IN0Q/3J4/4D1 I4D3/4D5/4D9
		Backrest Left Comfort version without Crest			
	971 885 805 GJ GDC	Black			+AC
	971 885 805 GJ GHC	Agate Grey			+DL
	971 885 805 GJ DUE	Saddle Tan			+SB, +BS
	971 885 805 GJ GFC	Luxor Beige			+UC, +BP
	971 885 805 GJ DAK	Marsala Red			+PC
	971 885 805 GJ GUC	Bordeaux Red			+BB
	971 885 805 GJ GVC	Chalk			+BK
	971 885 805 GJ DAL	Cream			+BE
(9)	971 885 805 GL	Cover	/L	1	IN1X/4D0/4D7 I5ZF
		Backrest Left Comfort version with Crest			
	971 885 805 GL GDB	Black			+AB
	971 885 805 GL GHB	Agate Grey			+DG
	971 885 805 GL GFB	Luxor Beige			+UB, +PK
(9)	971 885 805 GM	Cover	/L	1	IN5U/4D0/4D7 I5ZF

Model: 971-17

Model life 2017>>

Pos	Part Number	Description	Remark	Qty	Model		
(9)	971 885 805 GM GDC	Backrest Left Comfort version with Crest Black	/L	1	+AC		
	971 885 805 GM GHC	Agate Grey			+DL		
	971 885 805 GM DUE	Saddle Tan			+SB, +BS		
	971 885 805 GM GFC	Luxor Beige			+UC, +BP		
	971 885 805 GM DAK	Marsala Red			+PC		
	971 885 805 GM GUC	Bordeaux Red			+BB		
	971 885 805 GM GVC	Chalk			+BK		
	971 885 805 GM DAL	Cream			+BE		
	971 885 805 GP	Cover			IN0K/4D1/4D3 I4D5/4D9/5ZF		
	(9)	971 885 805 GP GDB			Backrest Left Comfort version with Crest Perforated Black	/L	1
971 885 805 GP GHB		Agate Grey	+DG				
971 885 805 GP GFB		Luxor Beige	+UB, +PK				
971 885 805 GQ		Cover	IN0Q/4D1/4D3 I4D5/4D9/5ZF				
971 885 805 GQ GDC		Backrest Left Comfort version with Crest Perforated Black	/L	1	+AC		
971 885 805 GQ GHC	Agate Grey	+DL					
971 885 805 GQ DUE	Saddle Tan	+SB, +BS					
971 885 805 GQ GFC	Luxor Beige	+UC, +BP					
971 885 805 GQ DAK	Marsala Red	+PC					
(9)	971 885 805 GQ GUC	Bordeaux Red	/L	1	+BB		
	971 885 805 GQ GVC	Chalk			+BK		
	971 885 805 GQ DAL	Cream			+BE		
	971 885 805 KL	Cover			IA8H/N5U/4D0 I4D7/5ZJ		
	971 885 805 KL GDC	Backrest Left Comfort version Turbo Logo Black			/L	1	+AC
	971 885 805 KL GHC	Agate Grey					+DL
	971 885 805 KL DUE	Saddle Tan					+SB, +BS
	971 885 805 KL GFC	Luxor Beige					+UC, +BP
	971 885 805 KL DAK	Marsala Red					+PC
	971 885 805 KL GUC	Bordeaux Red					+BB
971 885 805 KL GVC	Chalk	+BK					
971 885 805 KL DAL	Cream	+BE					
971 885 805 KM	Cover	IA8H/N0Q/4D1 I4D3/4D5/4D9 I5ZJ					
(9)	971 885 805 KL GDC	Backrest Left Comfort version Turbo Logo	/L	1			+AC
	971 885 805 KL GHC	Agate Grey			+DL		
	971 885 805 KL DUE	Saddle Tan			+SB, +BS		
	971 885 805 KL GFC	Luxor Beige			+UC, +BP		
	971 885 805 KL DAK	Marsala Red			+PC		

Model: 971-17 Model life 2017>>

Pos	Part Number	Description	Remark	Qty	Model
	971 885 805 KM GDC	Perforated Black			+AC
	971 885 805 KM GHC	Agate Grey			+DL
	971 885 805 KM DUE	Saddle Tan			+SB, +BS
	971 885 805 KM GFC	Luxor Beige			+UC, +BP
	971 885 805 KM DAK	Marsala Red			+PC
	971 885 805 KM GUC	Bordeaux Red			+BB
	971 885 805 KM GVC	Chalk			+BK
	971 885 805 KM DAL	Cream			+BE
10	971 885 806 EA	Cover	/R	1	IN1X/3J4/4D0 I4D7
		Backrest Right Comfort version without Crest			
	971 885 806 EA GDB	Black			+AB
	971 885 806 EA GHB	Agate Grey			+DG
(10)	971 885 806 EA GFB	Luxor Beige			+UB, +PK
	971 885 806 EB	Cover	/R	1	IN5U/3J4/4D0 I4D7
		Backrest Right Comfort version without Crest			
	971 885 806 EB GDC	Black			+AC
	971 885 806 EB GHC	Agate Grey			+DL
	971 885 806 EB DUE	Saddle Tan			+SB, +BS
	971 885 806 EB GFC	Luxor Beige			+UC, +BP
	971 885 806 EB DAK	Marsala Red			+PC
	971 885 806 EB GUC	Bordeaux Red			+BB
	971 885 806 EB GVC	Chalk			+BK
	971 885 806 EB DAL	Cream			+BE
(10)	971 885 806 ED	Cover	/R	1	IN0K/3J4/4D1 I4D3/4D5
		Backrest Right Comfort version without Crest			
	971 885 806 ED GDB	Perforated Black			+AB
	971 885 806 ED GHB	Agate Grey			+DG
	971 885 806 ED GFB	Luxor Beige			+UB, +PK
(10)	971 885 806 EE	Cover	/R	1	IN0Q/3J4/4D1 I4D3/4D5
		Backrest Right Comfort version without Crest			
	971 885 806 EE GDC	Perforated Black			+AC
	971 885 806 EE GHC	Agate Grey			+DL
	971 885 806 EE DUE	Saddle Tan			+SB, +BS
	971 885 806 EE GFC	Luxor Beige			+UC, +BP
	971 885 806 EE DAK	Marsala Red			+PC
	971 885 806 EE GUC	Bordeaux Red			+BB
	971 885 806 EE GVC	Chalk			+BK
	971 885 806 EE DAL	Cream			+BE
(10)	971 885 806 EG	Cover	/R	1	IN1X/4D0/4D7 I5ZF

Model: 971-17

Model life 2017>>

Pos	Part Number	Description	Remark	Qty	Model
(10)	971 885 806 EG GDB	Backrest Right Comfort version with Crest Black	/R	1	+AB +DG +UB, +PK IN5U/4D0/4D7 I5ZF
	971 885 806 EG GHB	Agate Grey			
	971 885 806 EG GFB	Luxor Beige			
	971 885 806 EH	Cover			
(10)	971 885 806 EH GDC	Backrest Right Comfort version with Crest Black	/R	1	+AC +DL +SB, +BS +UC, +BP +PC +BB +BK +BE IN0K/4D3/4D5 I5ZF
	971 885 806 EH GHC	Agate Grey			
	971 885 806 EH DUE	Saddle Tan			
	971 885 806 EH GFC	Luxor Beige			
	971 885 806 EH DAK	Marsala Red			
	971 885 806 EH GUC	Bordeaux Red			
	971 885 806 EH GVC	Chalk			
	971 885 806 EH DAL	Cream			
	971 885 806 EK	Cover			
	(10)	971 885 806 EK GDB			
971 885 806 EK GHB		Agate Grey			
971 885 806 EK GFB		Luxor Beige			
971 885 806 EL		Cover			
(10)	971 885 806 EL GDC	Backrest Right Comfort version with Crest Perforated Black	/R	1	+AC +DL +SB, +BS +UC, +BP +PC +BB +BK +BE IA8H/N5U/4D0 I4D7/5ZJ
	971 885 806 EL GHC	Agate Grey			
	971 885 806 EL DUE	Saddle Tan			
	971 885 806 EL GFC	Luxor Beige			
	971 885 806 EL DAK	Marsala Red			
	971 885 806 EL GUC	Bordeaux Red			
	971 885 806 EL GVC	Chalk			
	971 885 806 EL DAL	Cream			
	971 885 806 GN	Cover			
	(10)	971 885 806 GN GDC			
971 885 806 GN GHC		Agate Grey			
971 885 806 GN DUE		Saddle Tan			
971 885 806 GN GFC		Luxor Beige			
971 885 806 GN DAK		Marsala Red			
971 885 806 GN GUC		Bordeaux Red			
971 885 806 GN GUC		Bordeaux Red			

Model: 971-17 Model life 2017>>

Pos	Part Number	Description	Remark	Qty	Model
(10)	971 885 806 GN GVC	Chalk	/R	1	+BK +BE IA8H/N0Q/4D3 I4D5/5ZJ
	971 885 806 GN DAL	Cream			
	971 885 806 GP	Cover			
		Backrest			
		Right			
		Comfort version			
		Turbo			
		Logo			
		Perforated			
		971 885 806 GP GDC			
	971 885 806 GP GHC	Agate Grey	+DL		
	971 885 806 GP DUE	Saddle Tan	+SB, +BS		
	971 885 806 GP GFC	Luxor Beige	+UC, +BP		
	971 885 806 GP DAK	Marsala Red	+PC		
	971 885 806 GP GUC	Bordeaux Red	+BB		
	971 885 806 GP GVC	Chalk	+BK		
	971 885 806 GP DAL	Cream	+BE		
11	971 885 405 BB	Cover	/L	1	IN1X/4D0/4D7
		Seat cushion			
		Left			
		Comfort version			
	971 885 405 BB GDB	Black			+AB
	971 885 405 BB GHB	Agate Grey			+DG
	971 885 405 BB GFB	Luxor Beige			+UB, +PK
(11)	971 885 405 BC	Cover	/L	1	IN5U/4D0/4D7
		Seat cushion			
		Left			
		Comfort version			
	971 885 405 BC GDC	Black			+AC
	971 885 405 BC GHC	Agate Grey			+DL
	971 885 405 BC DUE	Saddle Tan			+SB, +BS
	971 885 405 BC GFC	Luxor Beige			+UC, +BP
	971 885 405 BC DAK	Marsala Red			+PC
	971 885 405 BC GUC	Bordeaux Red			+BB
	971 885 405 BC GVC	Chalk			+BK
	971 885 405 BC DAL	Cream			+BE
(11)	971 885 405 BL	Cover	/L	1	IN0K/4D1/4D3 I4D5/4D9
		Seat cushion			
		Left			
		Comfort version			
		Perforated			
	971 885 405 BL GDB	Black			+AB
	971 885 405 BL GHB	Agate Grey			+DG
	971 885 405 BL GFB	Luxor Beige			+UB, +PK
(11)	971 885 405 BM	Cover	/L	1	IN0Q/4D1/4D3 I4D5/4D9
		Seat cushion			
		Left			
		Comfort version			
		Perforated			
	971 885 405 BM GDC	Black			+AC
	971 885 405 BM GHC	Agate Grey			+DL
	971 885 405 BM DUE	Saddle Tan			+SB, +BS
	971 885 405 BM GFC	Luxor Beige			+UC, +BP
	971 885 405 BM DAK	Marsala Red			+PC
	971 885 405 BM GUC	Bordeaux Red			+BB
	971 885 405 BM GVC	Chalk			+BK
	971 885 405 BM DAL	Cream			+BE
12	971 885 406 BB	Cover	/R	1	IN1X/4D0/4D7
		Seat cushion			
		Right			

Model: 971-17

Model life 2017>>

Pos	Part Number	Description	Remark	Qty	Model
(12)	971 885 406 BB GDB	Comfort version Black	/R	1	+AB +DG +UB, +PK IN5U/4D0/4D7
	971 885 406 BB GHB	Agate Grey			
	971 885 406 BB GFB	Luxor Beige			
	971 885 406 BC	Cover			
		Seat cushion Right			
		Comfort version			
	971 885 406 BC GDC	Black			
	971 885 406 BC GHC	Agate Grey			
	971 885 406 BC DUE	Saddle Tan			
	971 885 406 BC GFC	Luxor Beige			
	971 885 406 BC DAK	Marsala Red			
	971 885 406 BC GUC	Bordeaux Red			
(12)	971 885 406 BC GVC	Chalk	/R	1	+AC +DL +SB, +BS +UC, +BP +PC +BB +BK +BE IN0K/4D1/4D3 I4D5/4D9
	971 885 406 BC DAL	Cream			
	971 885 406 BL	Cover			
		Seat cushion Right			
		Comfort version			
		Perforated			
	971 885 406 BL GDB	Black			
	971 885 406 BL GHB	Agate Grey			
	971 885 406 BL GFB	Luxor Beige			
	971 885 406 BM	Cover			
		Seat cushion Right			
		Comfort version			
	Perforated				
13	971 885 406 BM GDC	Black	/L	1	+AC +DL +SB, +BS +UC, +BP +PC +BB +BK +BE IN1X/4D0/4D7 I4X3
	971 885 406 BM GHC	Agate Grey			
	971 885 406 BM DUE	Saddle Tan			
	971 885 406 BM GFC	Luxor Beige			
	971 885 406 BM DAK	Marsala Red			
	971 885 406 BM GUC	Bordeaux Red			
	971 885 406 BM GVC	Chalk			
	971 885 406 BM DAL	Cream			
	971 885 406 BM DAL	Cream			
	971 885 406 BM DAL	Cream			
	971 885 406 BM DAL	Cream			
	971 885 406 BM DAL	Cream			
(13)	971 885 745 DD	Cover	/L	1	+AB +DG +UB, +PK IN5U/4D0/4D7 I4X3
		Side section Left			
		Comfort version without			
		Airbag			
	971 885 745 DD 21U	Black			
	971 885 745 DD OF6	Agate Grey			
	971 885 745 DD 32X	Luxor Beige			
	971 885 745 DE	Cover			
		Side section Left			
		Comfort version without			
		Airbag			
	971 885 745 DE 8YR	Black			
971 885 745 DE PL1	Agate Grey				
971 885 745 DE OK6	Saddle Tan				
971 885 745 DE 9H6	Luxor Beige				
971 885 745 DE 8M8	Marsala Red				
971 885 745 DE OG6	Bordeaux Red				
971 885 745 DE OL8	Chalk				

Model: 971-17

Model life 2017>>

Pos	Part Number	Description	Remark	Qty	Model
(13)	971 885 745 DE 6G0 971 885 745 DQ	Cream Cover Side section Left Comfort version without Airbag Perforated	/L	1	+BE IN0K/4D1/4D2 I4D3/4D5/4D9 I4X3
(13)	971 885 745 DQ 21U 971 885 745 DQ OF6 971 885 745 DQ 32X 971 885 745 DR	Black Agate Grey Luxor Beige Cover Side section Left Comfort version without Airbag Perforated	/L	1	+AB +DG +UB, +PK IN0Q/4D1/4D2 I4D3/4D5/4D9 I4X3
(13)	971 885 745 DR 8YR 971 885 745 DR PL1 971 885 745 DR OK6 971 885 745 DR 9H6 971 885 745 DR 8M8 971 885 745 DR OG6 971 885 745 DR OL8 971 885 745 DR 6G0 971 885 745 DJ	Black Agate Grey Saddle Tan Luxor Beige Marsala Red Bordeaux Red Chalk Cream Cover Side section Left Comfort version with Airbag	/L	1	+AC +DL +SB, +BS +UC, +BP +PC +BB +BK +BE IN1X/4D0/4D7 I4X4
(13)	971 885 745 DJ 21U 971 885 745 DJ OF6 971 885 745 DJ 32X 971 885 745 DK	Black Agate Grey Luxor Beige Cover Side section Left Comfort version with Airbag	/L	1	+AB +DG +UB, +PK IN5U/4D0/4D7 I4X4
(13)	971 885 745 DK 8YR 971 885 745 DK PL1 971 885 745 DK OK6 971 885 745 DK 9H6 971 885 745 DK 8M8 971 885 745 DK OG6 971 885 745 DK OL8 971 885 745 DK 6G0 971 885 745 DS	Black Agate Grey Saddle Tan Luxor Beige Marsala Red Bordeaux Red Chalk Cream Cover Side section Left Comfort version with Airbag	/L	1	+AC +DL +SB, +BS +UC, +BP +PC +BB +BK +BE IN0K/4D1/4D2 I4D3/4D5/4D9 I4X4

Model: 971-17 Model life 2017>>

Pos	Part Number	Description	Remark	Qty	Model
(13)	971 885 745 DS 21U	Perforated Black	/L	1	+AB +DG +UB, +PK IN0Q/4D1/4D2 I4D3/4D5/4D9 I4X4
	971 885 745 DS OF6	Agate Grey			
	971 885 745 DS 32X	Luxor Beige			
	971 885 745 DT	Cover			
		Side section Left Comfort version with Airbag Perforated			
	971 885 745 DT 8YR	Black			
	971 885 745 DT PL1	Agate Grey			
	971 885 745 DT OK6	Saddle Tan			
	971 885 745 DT 9H6	Luxor Beige			
	971 885 745 DT 8M8	Marsala Red			
	971 885 745 DT OG6	Bordeaux Red			
	971 885 745 DT OL8	Chalk			
	971 885 745 DT 6G0	Cream			
	971 885 746 DD	Cover			
14		Side section Right Comfort version without Airbag	/R	1	+AC +DL +SB, +BS +UC, +BP +PC +BB +BK +BE IN1X/4D0/4D7 I4X3
	971 885 746 DD 21U	Black			
	971 885 746 DD OF6	Agate Grey			
	971 885 746 DD 32X	Luxor Beige			
	971 885 746 DE	Cover			
		Side section Right Comfort version without Airbag			
	971 885 746 DE 8YR	Black			
	971 885 746 DE PL1	Agate Grey			
	971 885 746 DE OK6	Saddle Tan			
	971 885 746 DE 9H6	Luxor Beige			
	971 885 746 DE 8M8	Marsala Red			
	971 885 746 DE OG6	Bordeaux Red			
	971 885 746 DE OL8	Chalk			
	971 885 746 DE 6G0	Cream			
(14)	971 885 746 DQ	Cover	/R	1	+AC +DL +SB, +BS +UC, +BP +PC +BB +BK +BE IN0K/4D1/4D2 I4D3/4D5/4D9 I4X3
		Side section Right Comfort version without Airbag Perforated			
	971 885 746 DQ 21U	Black			
	971 885 746 DQ OF6	Agate Grey			
	971 885 746 DQ 32X	Luxor Beige			
	971 885 746 DR	Cover			
		Side section Right			

Model: 971-17

Model life 2017>>

Pos	Part Number	Description	Remark	Qty	Model
(14)	971 885 746 DR 8YR	Comfort version without Airbag Perforated Black	/R	1	+AC +DL +SB, +BS +UC, +BP +PC +BB +BK +BE
	971 885 746 DR PL1	Agate Grey			
	971 885 746 DR OK6	Saddle Tan			
	971 885 746 DR 9H6	Luxor Beige			
	971 885 746 DR 8M8	Marsala Red			
	971 885 746 DR OG6	Bordeaux Red			
	971 885 746 DR OL8	Chalk			
	971 885 746 DR 6G0	Cream			
	971 885 746 DJ	Cover			
	(14)	971 885 746 DJ 21U			Side section Right Comfort version with Airbag Black
971 885 746 DJ OF6		Agate Grey			
971 885 746 DJ 32X		Luxor Beige			
971 885 746 DK		Cover			
971 885 746 DK 8YR		Side section Right Comfort version with Airbag Black			
971 885 746 DK PL1		Agate Grey			
971 885 746 DK OK6		Saddle Tan			
971 885 746 DK 9H6		Luxor Beige			
971 885 746 DK 8M8		Marsala Red			
971 885 746 DK OG6		Bordeaux Red			
(14)	971 885 746 DK OL8	Chalk	/R	1	+BK +BE
	971 885 746 DK 6G0	Cream			
	971 885 746 DS	Cover			
	971 885 746 DS 21U	Side section Right Comfort version with Airbag Perforated Black			
	971 885 746 DS OF6	Agate Grey			
	971 885 746 DS 32X	Luxor Beige			
	971 885 746 DT	Cover			
	971 885 746 DT 8YR	Side section Right Comfort version with Airbag Perforated Black			
	971 885 746 DT PL1	Agate Grey			
	971 885 746 DT OK6	Saddle Tan			
971 885 746 DT 9H6	Luxor Beige				
971 885 746 DT 8M8	Marsala Red				
(14)	971 885 746 DT 8YR	Side section Right Comfort version with Airbag Perforated Black	/R	1	+AC +DL +SB, +BS +UC, +BP +PC
	971 885 746 DT PL1	Agate Grey			
	971 885 746 DT OK6	Saddle Tan			
	971 885 746 DT 9H6	Luxor Beige			
	971 885 746 DT 8M8	Marsala Red			
	971 885 746 DT 8YR	Side section Right Comfort version with Airbag Perforated Black			
	971 885 746 DT PL1	Agate Grey			
	971 885 746 DT OK6	Saddle Tan			
	971 885 746 DT 9H6	Luxor Beige			
	971 885 746 DT 8M8	Marsala Red			

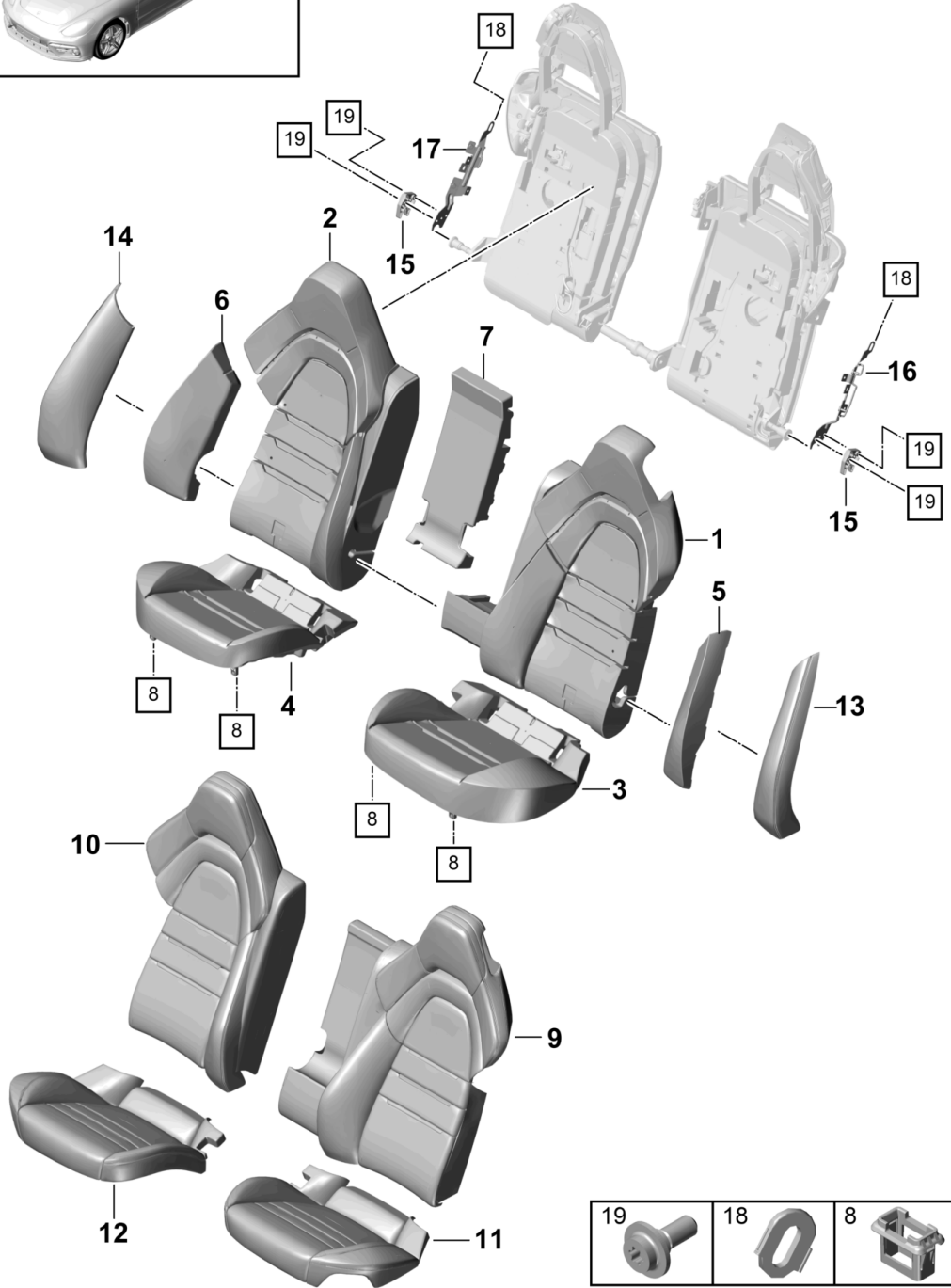
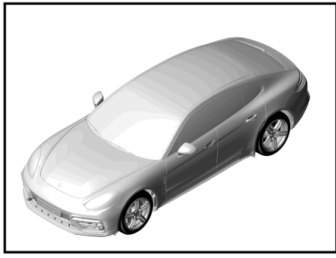
Model: 971-17

Model life 2017>>

Pos	Part Number	Description	Remark	Qty	Model
15	971 885 746 DT OG6	Bordeaux Red			+BB
	971 885 746 DT OL8	Chalk			+BK
	971 885 746 DT 6G0	Cream			+BE
	971 885 585	Bracket		2	
16	971 885 189 A	Side section			
		Retainer plate	/L	1	
		Side section			
17	971 885 190 A	Left			
		Retainer plate	/R	1	
		Side section			
18	971 885 939 A	Right			
		Guide piece		2	
19	9A7 008 033 00	Side section			
		Hexagon socket head bolt		4	M6x16

Model: 971-17

Model life 2017>>



Model: 971-17 Model life 2017>>

Pos	Part Number	Description	Remark	Qty	Model
		Seat Rear Basic Sport version			I3KH
1	971 885 775 BM	Foam part Cover Foam part Backrest Left	/L	1	I4D0/4D3
2	971 885 776 AE	Sport version Foam part Backrest Right	/R	1	I4D0/4D3
3	971 885 375 AC	Sport version Foam part Seat cushion Left	/L	1	I4D0/4D3
4	971 885 376 AC	Sport version Foam part Seat cushion Right	/R	1	I4D0/4D3
5	971 885 891 S	Sport version Foam part Side section Seat Left	/L	1	I4D0/4D1/4X3
(5)	971 885 891 T	Sport version without Airbag Foam part	/L	1	I4D0/4D1/4D3 I4X4
6	971 885 892 S	Side section Seat Left Sport version with Airbag Foam part Side section Seat Right	/R	1	I4D0/4D1/4X3
(6)	971 885 892 T	Sport version without Airbag Foam part	/R	1	I4D0/4D1/4D3 I4X4
7	971 885 883 A	Side section Seat Right Sport version with Airbag Foam part Centre part		1	
8	971 885 313 A	Seat Clip Seat cushion		4	
9	971 885 805 GS	Cover Backrest Left Sport version without	/L	1	IN1X/3J4/4D0 I4D7

Model: 971-17

Model life 2017>>

Pos	Part Number	Description	Remark	Qty	Model
(9)	971 885 805 GS GDB	Crest Black	/L	1	+AB +DG +UB, +PK IN5U/3J4/4D0 I4D7
	971 885 805 GS GHB	Agate Grey			
	971 885 805 GS GFB	Luxor Beige			
	971 885 805 GT	Cover			
(9)		Backrest Left Sport version without Crest	/L	1	+AC +DL +SB, +BS +UC, +BP +PC +BB +BK +BE IN0K/3J4/4D1 I4D3/4D5/4D9
	971 885 805 GT GDC	Black			
	971 885 805 GT GHC	Agate Grey			
	971 885 805 GT DUE	Saddle Tan			
	971 885 805 GT GFC	Luxor Beige			
	971 885 805 GT DAK	Marsala Red			
	971 885 805 GT GUC	Bordeaux Red			
	971 885 805 GT GVC	Chalk			
	971 885 805 GT DAL	Cream			
	971 885 805 HB	Cover			
		Backrest Left Sport version without Crest			
		Perforated			
(9)	971 885 805 HB GDB	Black	/L	1	+AB +DG +UB, +PK IN0Q/3J4/4D1 I4D3/4D5/4D9
	971 885 805 HB GHB	Agate Grey			
	971 885 805 HB GFB	Luxor Beige			
	971 885 805 HC	Cover			
(9)		Backrest Left Sport version without Crest	/L	1	+AC +DL +SB, +BS +UC, +BP +PC +BB +BK +BE IN1X/4D0/4D7 I5ZF
		Perforated			
	971 885 805 HC GDC	Black			
	971 885 805 HC GHC	Agate Grey			
	971 885 805 HC DUE	Saddle Tan			
	971 885 805 HC GFC	Luxor Beige			
	971 885 805 HC DAK	Marsala Red			
	971 885 805 HC GUC	Bordeaux Red			
	971 885 805 HC GVC	Chalk			
	971 885 805 HC DAL	Cream			
	971 885 805 HE	Cover			
		Backrest Left Sport version with Crest			
(9)	971 885 805 HE GDB	Black	/L	1	+AB +DG +UB, +PK IN5U/4D0/4D7 I5ZF
	971 885 805 HE GHB	Agate Grey			
	971 885 805 HE GFB	Luxor Beige			
	971 885 805 HF	Cover			
	Backrest Left Sport version with Crest				

Model: 971-17 Model life 2017>>

Pos	Part Number	Description	Remark	Qty	Model
(9)	971 885 805 HF GDC	Black	/L	1	+AC
	971 885 805 HF GHC	Agate Grey			+DL
	971 885 805 HF DUE	Saddle Tan			+SB, +BS
	971 885 805 HF GFC	Luxor Beige			+UC, +BP
	971 885 805 HF DAK	Marsala Red			+PC
	971 885 805 HF GUC	Bordeaux Red			+BB
	971 885 805 HF GVC	Chalk			+BK
	971 885 805 HF DAL	Cream			+BE
	971 885 805 HH	Cover			IN0K/4D1/4D3 I4D5/4D9/5ZF
(9)		Backrest Left Sport version with Crest Perforated	/L	1	+AB
	971 885 805 HH GDB	Black			+DG
	971 885 805 HH GHB	Agate Grey			+UB, +PK
	971 885 805 HH GFB	Luxor Beige			IN0Q/4D1/4D3 I4D5/4D9/5ZF
	971 885 805 HJ	Cover			
		Backrest Left Sport version with Crest Perforated			
	971 885 805 HJ GDC	Black			+AC
	971 885 805 HJ GHC	Agate Grey			+DL
	971 885 805 HJ DUE	Saddle Tan			+SB, +BS
(9)	971 885 805 HJ GFC	Luxor Beige	+UC, +BP		
	971 885 805 HJ DAK	Marsala Red	+PC		
	971 885 805 HJ GUC	Bordeaux Red	+BB		
	971 885 805 HJ GVC	Chalk	+BK		
	971 885 805 HJ DAL	Cream	+BE		
	971 885 805 KN	Cover	IA8H/N5U/4D0 I5ZJ		
		Backrest Left Sport version Turbo Logo			
	971 885 805 KN GDC	Black	+AC		
	971 885 805 KN GHC	Agate Grey	+DL		
(9)	971 885 805 KN DUE	Saddle Tan	+SB, +BS		
	971 885 805 KN GFC	Luxor Beige	+UC, +BP		
	971 885 805 KN DAK	Marsala Red	+PC		
	971 885 805 KN GUC	Bordeaux Red	+BB		
	971 885 805 KN GVC	Chalk	+BK		
	971 885 805 KN DAL	Cream	+BE		
	971 885 805 KP	Cover	IA8H/N0Q/4D1 I4D3/4D5/4D9 I5ZJ		
		Backrest Left Sport version Turbo Logo Perforated			
	971 885 805 KP GDC	Black	+AC		
971 885 805 KP GHC	Agate Grey	+DL			
971 885 805 KP DUE	Saddle Tan	+SB, +BS			
971 885 805 KP GFC	Luxor Beige	+UC, +BP			

Model: 971-17 Model life 2017>>

Pos	Part Number	Description	Remark	Qty	Model
10	971 885 805 KP DAK	Marsala Red	/R	1	+PC
	971 885 805 KP GUC	Bordeaux Red			+BB
	971 885 805 KP GVC	Chalk			+BK
	971 885 805 KP DAL	Cream			+BE
	971 885 806 GA	Cover			IN1X/3J4/4D0 I4D7
(10)		Backrest Right Sport version without Crest	/R	1	+AB +DG +UB, +PK IN5U/3J4/4D0 I4D7
	971 885 806 GA GDB	Black			
	971 885 806 GA GHB	Agate Grey			
	971 885 806 GA GFB	Luxor Beige			
	971 885 806 GB	Cover			
		Backrest Right Sport version without Crest			
	971 885 806 GB GDC	Black			+AC
	971 885 806 GB GHC	Agate Grey			+DL
	971 885 806 GB DUE	Saddle Tan			+SB, +BS
	971 885 806 GB GFC	Luxor Beige			+UC, +BP
(10)	971 885 806 GB DAK	Marsala Red	/R	1	+PC
	971 885 806 GB GUC	Bordeaux Red			+BB
	971 885 806 GB GVC	Chalk			+BK
	971 885 806 GB DAL	Cream			+BE
	971 885 806 GD	Cover			IN0K/3J4/4D1 I4D3/4D5/4D9
		Backrest Right Sport version without Crest Perforated			
	971 885 806 GD GDB	Black			+AB
	971 885 806 GD GHB	Agate Grey			+DG
	971 885 806 GD GFB	Luxor Beige			+UB, +PK
	971 885 806 GE	Cover			IN0Q/3J4/4D1 I4D3/4D5/4D9
(10)		Backrest Right Sport version without Crest Perforated	/R	1	+AC +DL +SB, +BS +UC, +BP
	971 885 806 GE GDC	Black			+PC
	971 885 806 GE GHC	Agate Grey			+BB
	971 885 806 GE DUE	Saddle Tan			+BK
	971 885 806 GE GFC	Luxor Beige			+BE
	971 885 806 GE DAK	Marsala Red			IN1X/4D0/4D7 I5ZF
	971 885 806 GE GUC	Bordeaux Red			
	971 885 806 GE GVC	Chalk			
	971 885 806 GE DAL	Cream			
	971 885 806 GG	Cover			
	Backrest Right Sport version with Crest				

Model: 971-17 Model life 2017>>

Pos	Part Number	Description	Remark	Qty	Model
(10)	971 885 806 GG GDB	Black	/R	1	+AB
	971 885 806 GG GHB	Agate Grey			+DG
	971 885 806 GG GFB	Luxor Beige			+UB, +PK
	971 885 806 GH	Cover			IN5U/4D0/4D7
		Backrest			I5ZF
		Right			
		Sport version			
		with			
		Crest			
		971 885 806 GH GDC			Black
	971 885 806 GH GHC	Agate Grey	+DL		
	971 885 806 GH DUE	Saddle Tan	+SB, +BS		
	971 885 806 GH GFC	Luxor Beige	+UC, +BP		
	971 885 806 GH DAK	Marsala Red	+PC		
	971 885 806 GH GUC	Bordeaux Red	+BB		
	971 885 806 GH GVC	Chalk	+BK		
	971 885 806 GH DAL	Cream	+BE		
(10)	971 885 806 GK	Cover	/R	1	IN1X/4D1/4D3
		Backrest			I4D5/4D9/5ZF
		Right			
		Sport version			
		with			
		Crest			
		Perforated			
	971 885 806 GK GDB	Black	/R	1	+AB
	971 885 806 GK GHB	Agate Grey			+DG
	971 885 806 GK GFB	Luxor Beige			+UB, +PK
(10)	971 885 806 GL	Cover			IN5U/4D1/4D3
		Backrest			I4D5/4D9/5ZF
		Right			
		Sport version			
		with			
		Crest			
		Perforated			
	971 885 806 GL GDC	Black	+AC		
	971 885 806 GL GHC	Agate Grey	+DL		
	971 885 806 GL DUE	Saddle Tan	+SB, +BS		
	971 885 806 GL GFC	Luxor Beige	+UC, +BP		
	971 885 806 GL DAK	Marsala Red	+PC		
	971 885 806 GL GUC	Bordeaux Red	+BB		
	971 885 806 GL GVC	Chalk	+BK		
	971 885 806 GL DAL	Cream	+BE		
(10)	971 885 806 GQ	Cover	/R	1	IA8H/N5U/4D0
		Backrest			I5ZJ
		Right			
		Sport version			
		Turbo			
		Logo			
	971 885 806 GQ GDC	Black	/R	1	+AC
	971 885 806 GQ GHC	Agate Grey			+DL
	971 885 806 GQ DUE	Saddle Tan			+SB, +BS
	971 885 806 GQ GFC	Luxor Beige			+UC, +BP
	971 885 806 GQ DAK	Marsala Red			+PC
	971 885 806 GQ GUC	Bordeaux Red			+BB
	971 885 806 GQ GVC	Chalk			+BK
	971 885 806 GQ DAL	Cream			+BE
(10)	971 885 806 GP	Cover			IA8H/N0Q/4D3
		Backrest			I4D5/4D9/5ZJ

Model: 971-17 Model life 2017>>

Pos	Part Number	Description	Remark	Qty	Model
		Right Sport version Turbo Logo Perforated			
	971 885 806 GP GDC	Black			+AC
	971 885 806 GP GHC	Agate Grey			+DL
	971 885 806 GP DUE	Saddle Tan			+SB, +BS
	971 885 806 GP GFC	Luxor Beige			+UC, +BP
	971 885 806 GP DAK	Marsala Red			+PC
	971 885 806 GP GUC	Bordeaux Red			+BB
	971 885 806 GP GVC	Chalk			+BK
	971 885 806 GP DAL	Cream			+BE
11	971 885 405 BG	Cover	/L	1	IN1X/4D0/4D7
		Seat cushion Left			
		Sport version			
	971 885 405 BG GDB	Black			+AB
	971 885 405 BG GHB	Agate Grey			+DG
	971 885 405 BG GFB	Luxor Beige			+UB, +PK
(11)	971 885 405 BH	Cover	/L	1	IN5U/4D0/4D7
		Seat cushion Left			
		Sport version			
	971 885 405 BH GDC	Black			+AC
	971 885 405 BH GHC	Agate Grey			+DL
	971 885 405 BH DUE	Saddle Tan			+SB, +BS
	971 885 405 BH GFC	Luxor Beige			+UC, +BP
	971 885 405 BH DAK	Marsala Red			+PC
	971 885 405 BH GUC	Bordeaux Red			+BB
	971 885 405 BH GVC	Chalk			+BK
	971 885 405 BH DAL	Cream			+BE
(11)	971 885 405 BN	Cover	/L	1	IN0K/4D1/4D3 I4D5/4D9
		Seat cushion Left			
		Sport version			
		Perforated			
	971 885 405 BN GDB	Black			+AB
	971 885 405 BN GHB	Agate Grey			+DG
	971 885 405 BN GFB	Luxor Beige			+UB, +PK
(11)	971 885 405 BP	Cover	/L	1	IN0Q/4D1/4D3 I4D5/4D9
		Seat cushion Left			
		Sport version			
		Perforated			
	971 885 405 BP GDC	Black			+AC
	971 885 405 BP GHC	Agate Grey			+DL
	971 885 405 BP DUE	Saddle Tan			+SB, +BS
	971 885 405 BP GFC	Luxor Beige			+UC, +BP
	971 885 405 BP DAK	Marsala Red			+PC
	971 885 405 BP GUC	Bordeaux Red			+BB
	971 885 405 BP GVC	Chalk			+BK
	971 885 405 BP DAL	Cream			+BE
12	971 885 406 BG	Cover	/R	1	IN1X/4D0/4D7
		Seat cushion Right			
		Sport version			
	971 885 406 BG GDB	Black			+AB
	971 885 406 BG GHB	Agate Grey			+DG
	971 885 406 BG GFB	Luxor Beige			+UB, +PK
(12)	971 885 406 BH	Cover	/R	1	IN5U/4D0/4D7

Model: 971-17 Model life 2017>>

Pos	Part Number	Description	Remark	Qty	Model			
(12)	971 885 406 BH GDC	Seat cushion Right Sport version Black	/R	1	+AC			
	971 885 406 BH GHC	Agate Grey			+DL			
	971 885 406 BH DUE	Saddle Tan			+SB, +BS			
	971 885 406 BH GFC	Luxor Beige			+UC, +BP			
	971 885 406 BH DAK	Marsala Red			+PC			
	971 885 406 BH GUC	Bordeaux Red			+BB			
	971 885 406 BH GVC	Chalk			+BK			
	971 885 406 BH DAL	Cream			+BE			
	971 885 406 BN	Cover			IN0K/4D1/4D3 I4D5/4D9			
	(12)	971 885 406 BN GDB			Seat cushion Right Sport version Perforated Black	/R	1	+AB
971 885 406 BN GHB		Agate Grey	+DG					
971 885 406 BN GFB		Luxor Beige	+UB, +PK					
971 885 406 BP		Cover	IN0Q/4D1/4D3 I4D5/4D9					
971 885 406 BP GDC		Seat cushion Right Sport version Perforated Black	/L	1	+AC			
971 885 406 BP GHC	Agate Grey	+DL						
971 885 406 BP DUE	Saddle Tan	+SB, +BS						
971 885 406 BP GFC	Luxor Beige	+UC, +BP						
971 885 406 BP DAK	Marsala Red	+PC						
(13)	971 885 406 BP GUC	Bordeaux Red	/L	1	+BB			
	971 885 406 BP GVC	Chalk			+BK			
	971 885 406 BP DAL	Cream			+BE			
	971 885 745 DL	Cover			IN1X/4D0/4X3			
	(13)	971 885 745 DL 21U			Side section Left Sport version without Airbag Black	/L	1	+AB
		971 885 745 DL OF6			Agate Grey			+DG
		971 885 745 DL 32X			Luxor Beige			+UB, +PK
		971 885 745 DM			Cover			IN5U/4D0/4X3
		971 885 745 DM 8YR			Side section Left Sport version without Airbag Black			/L
	971 885 745 DM PL1	Agate Grey			+DL			
	971 885 745 DM OK6	Saddle Tan			+SB, +BS			
	971 885 745 DM 9H6	Luxor Beige			+UC, +BP			
	971 885 745 DM 8M8	Marsala Red			+PC			
971 885 745 DM OG6	Bordeaux Red	+BB						
971 885 745 DM OL8	Chalk	+BK						
971 885 745 DM 6G0	Cream	+BE						
971 885 745 EA	Cover	IN0K/4D1/4D3 I4D5/4D9/4X3						
(13)	971 885 745 DM 8YR	Side section Left Sport version without	/L	1	+AC			
	971 885 745 DM PL1	Agate Grey			+DL			
	971 885 745 DM OK6	Saddle Tan			+SB, +BS			

Model: 971-17

Model life 2017>>

Pos	Part Number	Description	Remark	Qty	Model
(13)	971 885 745 EA 21U	Airbag Perforated Black	/L	1	+AB +DG +UB, +PK IN0Q/4D1/4D3 I4D5/4D9/4X3
	971 885 745 EA OF6	Agate Grey			
	971 885 745 EA 32X	Luxor Beige			
	971 885 745 DF	Cover			
		Side section Left Sport version without Airbag Perforated			
	971 885 745 DF 8YR	Black			
	971 885 745 DF PL1	Agate Grey			
	971 885 745 DF OK6	Saddle Tan			
	971 885 745 DF 9H6	Luxor Beige			
	971 885 745 DF 8M8	Marsala Red			
(13)	971 885 745 DF OG6	Bordeaux Red	/L	1	+AC +DL +SB, +BS +UC, +BP +PC +BB +BK +BE IN1X/4D0/4X4
	971 885 745 DF OL8	Chalk			
	971 885 745 DF 6G0	Cream			
	971 885 745 DN	Cover			
		Side section Left Sport version with Airbag			
	971 885 745 DN 21U	Black			
	971 885 745 DN OF6	Agate Grey			
	971 885 745 DN 32X	Luxor Beige			
	971 885 745 DP	Cover			
		Side section Left Sport version with Airbag			
(13)	971 885 745 DP 8YR	Black	/L	1	+AC +DL +SB, +BS +UC, +BP +PC +BB +BK +BE IN0K/4D1/4D3 I4D5/4D9/4X4
	971 885 745 DP PL1	Agate Grey			
	971 885 745 DP OK6	Saddle Tan			
	971 885 745 DP 9H6	Luxor Beige			
	971 885 745 DP 8M8	Marsala Red			
	971 885 745 DP OG6	Bordeaux Red			
	971 885 745 DP OL8	Chalk			
	971 885 745 DP 6G0	Cream			
	971 885 745 DG	Cover			
		Side section Left Sport version with Airbag Perforated			
(13)	971 885 745 DG 21U	Black	/L	1	+AB +DG +UB, +PK IN0Q/4D1/4D3 I4D5/4D9/4X4
	971 885 745 DG OF6	Agate Grey			
	971 885 745 DG 32X	Luxor Beige			
	971 885 745 DH	Cover			
		Side section Left Sport version with Airbag Perforated			

Model: 971-17 Model life 2017>>

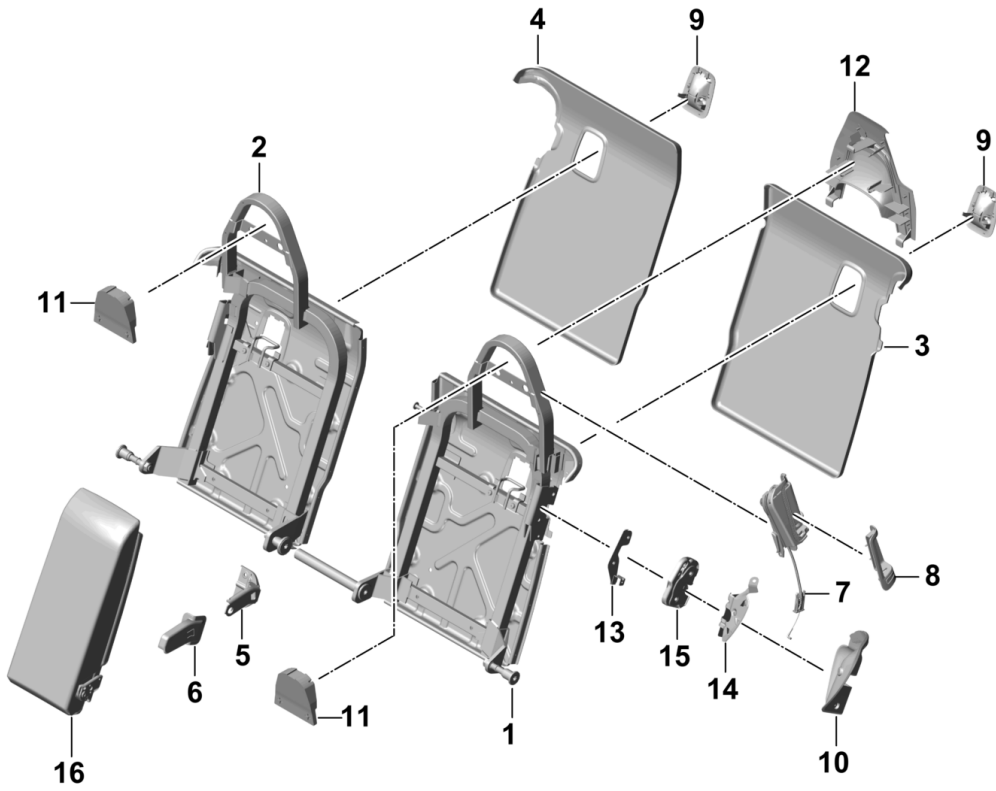
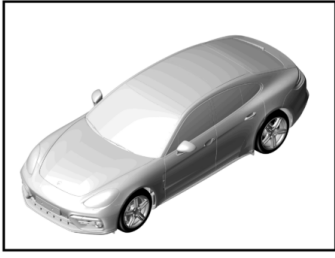
Pos	Part Number	Description	Remark	Qty	Model
14	971 885 745 DH 8YR	Black			+AC
	971 885 745 DH PL1	Agate Grey			+DL
	971 885 745 DH OK6	Saddle Tan			+SB, +BS
	971 885 745 DH 9H6	Luxor Beige			+UC, +BP
	971 885 745 DH 8M8	Marsala Red			+PC
	971 885 745 DH OG6	Bordeaux Red			+BB
	971 885 745 DH OL8	Chalk			+BK
	971 885 745 DH 6G0	Cream			+BE
	971 885 746 DL	Cover Side section Right Sport version without Airbag	/R	1	IN1X/4D0/4X3
(14)	971 885 746 DL 21U	Black			+AB
	971 885 746 DL OF6	Agate Grey			+DG
	971 885 746 DL 32X	Luxor Beige			+UB, +PK
	971 885 746 DM	Cover Side section Right Sport version without Airbag	/R	1	IN5U/4D0/4X3
	971 885 746 DM 8YR	Black			+AC
	971 885 746 DM PL1	Agate Grey			+DL
	971 885 746 DM OK6	Saddle Tan			+SB, +BS
	971 885 746 DM 9H6	Luxor Beige			+UC, +BP
	971 885 746 DM 8M8	Marsala Red			+PC
(14)	971 885 746 DM OG6	Bordeaux Red			+BB
	971 885 746 DM OL8	Chalk			+BK
	971 885 746 DM 6G0	Cream			+BE
	971 885 746 DG	Cover Side section Right Sport version without Airbag Perforated	/R	1	IN0K/4D1/4D3 I4D5/4D9/4X3
	971 885 746 DG 21U	Black			+AB
	971 885 746 DG OF6	Agate Grey			+DG
	971 885 746 DG 32X	Luxor Beige			+UB, +PK
	971 885 746 DF	Cover Side section Right Sport version without Airbag Perforated	/R	1	IN0Q/4D1/4D3 I4D5/4D9/4X3
	971 885 746 DF 8YR	Black			+AC
(14)	971 885 746 DF PL1	Agate Grey			+DL
	971 885 746 DF OK6	Saddle Tan			+SB, +BS
	971 885 746 DF 9H6	Luxor Beige			+UC, +BP
	971 885 746 DF 8M8	Marsala Red			+PC
	971 885 746 DF OG6	Bordeaux Red			+BB
	971 885 746 DF OL8	Chalk			+BK
	971 885 746 DF 6G0	Cream			+BE
	971 885 746 DN	Cover Side section Right Sport version with	/R	1	IN1X/4D0/4X4

Model: 971-17 Model life 2017>>

Pos	Part Number	Description	Remark	Qty	Model				
(14)	971 885 746 DN 21U	Airbag Black	/R	1	+AB +DG +UB, +PK IN5U/4D0/4X4				
	971 885 746 DN OF6	Agate Grey							
	971 885 746 DN 32X	Luxor Beige							
	971 885 746 DP	Cover							
		Side section							
		Right							
		Sport version with							
		Airbag							
	971 885 746 DP 8YR	Black							
	971 885 746 DP PL1	Agate Grey							
	971 885 746 DP OK6	Saddle Tan							
	971 885 746 DP 9H6	Luxor Beige							
	971 885 746 DP 8M8	Marsala Red							
	971 885 746 DP OG6	Bordeaux Red							
(14)	971 885 746 DP OL8	Chalk	/R	1	+AC +DL +SB, +BS +UC, +BP +PC +BB +BK +BE IN0K/4D1/4D3 I4D5/4D9/4X4				
	971 885 746 DP 6G0	Cream							
	971 885 746 DG	Cover							
		Side section							
		Right							
		Sport version with							
		Airbag							
		Perforated							
	971 885 746 DG 21U	Black							
	971 885 746 DG OF6	Agate Grey							
	971 885 746 DG 32X	Luxor Beige							
	(14)	971 885 746 DH				Cover	/R	1	+AB +DG +UB, +PK IN0Q/4D1/4D3 I4D5/4D9/4X4
						Side section			
						Right			
		Sport version with							
		Airbag							
		Perforated							
971 885 746 DH 8YR		Black							
971 885 746 DH PL1		Agate Grey							
971 885 746 DH OK6		Saddle Tan							
971 885 746 DH 9H6		Luxor Beige							
971 885 746 DH 8M8		Marsala Red							
971 885 746 DH OG6		Bordeaux Red							
971 885 746 DH OL8		Chalk							
971 885 746 DH 6G0		Cream							
15	971 885 585	Bracket		2					
16	971 885 189 A	Side section	/L	1					
		Retainer plate							
17	971 885 190 A	Side section	/R	1					
		Retainer plate							
18	971 885 939 A	Side section		2					
		Guide piece							
19	9A7 008 033 00	Side section Hexagon socket head bolt		4	M6x16				

Model: 971-17

Model life 2017>>



Model: 971-17 Model life 2017>>

Pos	Part Number	Description	Remark	Qty	Model
		Back seat backrest Cover Accessories Basic package Comfort version Sport version			I3KG/3KH
1	971 885 045 C	Backrest frame Left Complete	/L	1	
2	971 885 046 A	Backrest frame Right Complete	/R	1	
3	971 885 753	Pad Rear wall Backrest Left	/L	1	
	971 885 753 6B0	Black			+AB, +PK, +AC +BB, +BS, +BK +DG, +DL
	971 885 753 9C0	Agate Grey			+UB, +UC
	971 885 753 7K0	Luxor Beige			+SB, +BP
	971 885 753 BW3	Saddle Tan			+PC, +BE
4	971 885 753 7G0	Marsala Red			
	971 885 754	Pad Rear wall Backrest	/R	1	
	971 885 754 6B0	Black			+AB, +PK, +AC +BB, +BS, +BK +DG, +DL
	971 885 754 9C0	Agate Grey			+UB, +UC
	971 885 754 7K0	Luxor Beige			+SB, +BP
	971 885 754 BW3	Saddle Tan			+PC, +BE
5	971 885 754 7G0	Marsala Red			
	971 885 711	Support Medium Armrest Left	/L	1	
(5)	971 885 712	Support Medium Armrest Right	/R	1	
6	971 885 739	Cover Support Medium Armrest Left	/L	1	
	971 885 739 1E0	Black			+AB, +AC
	971 885 739 OP1	Agate Grey			+DG, +DL
	971 885 739 4H0	Luxor Beige			+UB, +PK, +UC +BP +SB, +BS
	971 885 739 OM8	Saddle Tan			+PC
	971 885 739 3G0	Marsala Red			+BB
	971 885 739 OG6	Bordeaux Red			+BK
	971 885 739 OL8	Chalk			+BE
	971 885 739 5J0	Cream			
(6)	971 885 740	Cover Support Medium Armrest Right	/R	1	
	971 885 740 1E0	Black			+AB, +AC
	971 885 740 OP1	Agate Grey			+DG, +DL
	971 885 740 4H0	Luxor Beige			+UB, +PK, +UC +BP +SB, +BS
	971 885 740 OM8	Saddle Tan			

Model: 971-17 Model life 2017>>

Pos	Part Number	Description	Remark	Qty	Model
7	971 885 740 3G0	Marsala Red		1	+PC
	971 885 740 OG6	Bordeaux Red			+BB
	971 885 740 OL8	Chalk			+BK
	971 885 740 5J0	Cream			+BE
	971 885 681 A	Release Backrest Left	/L		
(7)	971 885 681 A GT8	Galvano silver		1	
	971 885 682 A	Release Backrest Right	/R		
8	971 885 682 A GT8	Galvano silver		1	
	971 885 249 A	Cover Release Backrest Left	/L		
(8)	971 885 249 A 5Q0	Black		1	+AB, +AC
	971 885 249 A OA6	Agate Grey			+DG, +DL
	971 885 249 A 6W0	Luxor Beige			+UB, +PK, +UC
					+BP
	971 885 249 A OL7	Saddle Tan			+SB, +BS
	971 885 249 A 7X0	Marsala Red			+PC
	971 885 249 A OG6	Bordeaux Red			+BB
	971 885 249 A OL8	Chalk			+BK
	971 885 249 A 5V0	Cream			+BE
	971 885 250 A	Cover Release Backrest Right	/R		
	971 885 250 A 5Q0	Black			+AB, +AC
	971 885 250 A OA6	Agate Grey			+DG, +DL
	971 885 250 A 6W0	Luxor Beige			+UB, +PK, +UC
					+BP
	971 885 250 A OL7	Saddle Tan			+SB, +BS
971 885 250 A 7X0	Marsala Red		+PC		
971 885 250 A OG6	Bordeaux Red		+BB		
971 885 250 A OL8	Chalk		+BK		
971 885 250 A 5V0	Cream		+BE		
9	971 885 943	Cover Backrest Rear		2	
	971 885 943 1E0	Black			+AB, +PK, +AC
10	971 885 943 OP1	Agate Grey		1	+BB, +BS, +BK
	971 885 943 4H0	Luxor Beige			+DG, +DL
	971 885 943 OM8	Saddle Tan			+UB, +UC
	971 885 943 3G0	Marsala Red			+SB, +BP
	971 885 933 A	Covering for lock Left Rear	/L		+PC
	971 885 933 A 1E0	Black			+AB, +PK, +AC
	971 885 933 A OP1	Agate Grey			+BB, +BS, +BK
	971 885 933 A 4H0	Luxor Beige			+DG, +DL
971 885 933 A OM8	Saddle Tan		+UB, +UC		
(10)	971 885 933 A 3G0	Marsala Red		1	+SB, +BP
	971 885 934 A	Covering for lock Right Rear	/R		+PC
	971 885 934 A 1E0	Black			+AB, +PK, +AC
	971 885 934 A OP1	Agate Grey			+BB, +BS, +BK
	971 885 934 A 4H0	Luxor Beige			+DG, +DL
	971 885 934 A OM8	Saddle Tan		+UB, +UC	
	971 885 934 A 3G0	Marsala Red		+SB, +BP	
	971 885 934 A 1E0	Black		+PC	
	971 885 934 A OP1	Agate Grey		+AB, +PK, +AC	
	971 885 934 A 4H0	Luxor Beige		+BB, +BS, +BK	
				+DG, +DL	
				+UB, +UC	

Model: 971-17

Model life 2017>>

Pos	Part Number	Description	Remark	Qty	Model
11	971 885 934 A OM8	Saddle Tan		2	+SB, +BP +PC
	971 885 934 A 3G0	Marsala Red			
	971 885 913	Foam part Head rest Rear			
12	971 885 727	Frame Head rest Rear Left	/L	1	
(12)	971 885 728	Frame Head rest Rear Right	/R	1	
13	971 885 281	Mounting plate Lock Rear Left	/L	1	
(13)	971 885 282	Mounting plate Lock Rear Right	/R	1	
14	971 885 573 A	Reinforcement Seat and backrest surface Rear Left	/L	1	
(14)	971 885 574 A	Reinforcement Seat and backrest surface Rear Right	/R	1	
15	971 886 481	Lock Backrest Rear Left	/L	1	
(15)	971 886 482	Lock Backrest Rear Right	/R	1	
16	971 885 081	Armrest without Crest		1	IN0K/N1X/6E1
(16)	971 885 081 GDB	Black		1	+AB +DG +UB, +PK IN0Q/N1P/N5U I6E1
	971 885 081 GHB	Agate Grey			
	971 885 081 GFB	Luxor Beige			
	971 885 081 A	Armrest without Crest			
	971 885 081 A GDC	Black			
	971 885 081 A GHC	Agate Grey			
	971 885 081 A DUE	Saddle Tan			
	971 885 081 A GFC	Luxor Beige			
	971 885 081 A DAK	Marsala Red			
	971 885 081 A GUC	Bordeaux Red			
(16)	971 885 081 A GVC	Chalk		1	+AC +DL +SB, +BS +UC, +BP +PC +BB +BK +BE IN0K/N1X/6E2
	971 885 081 A DAL	Cream			
(16)	971 885 081 C	Armrest with Crest		1	+AB +DG +UB, +PK IN0Q/N5U/6E2
	971 885 081 C GDB	Black			
	971 885 081 C GHB	Agate Grey			
	971 885 081 C GFB	Luxor Beige			
(16)	971 885 081 R	Armrest with		1	

Model: 971-17 Model life 2017>>

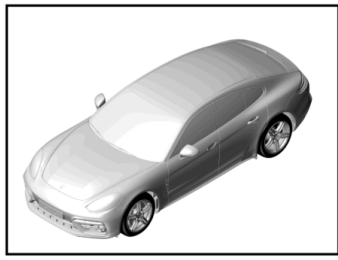
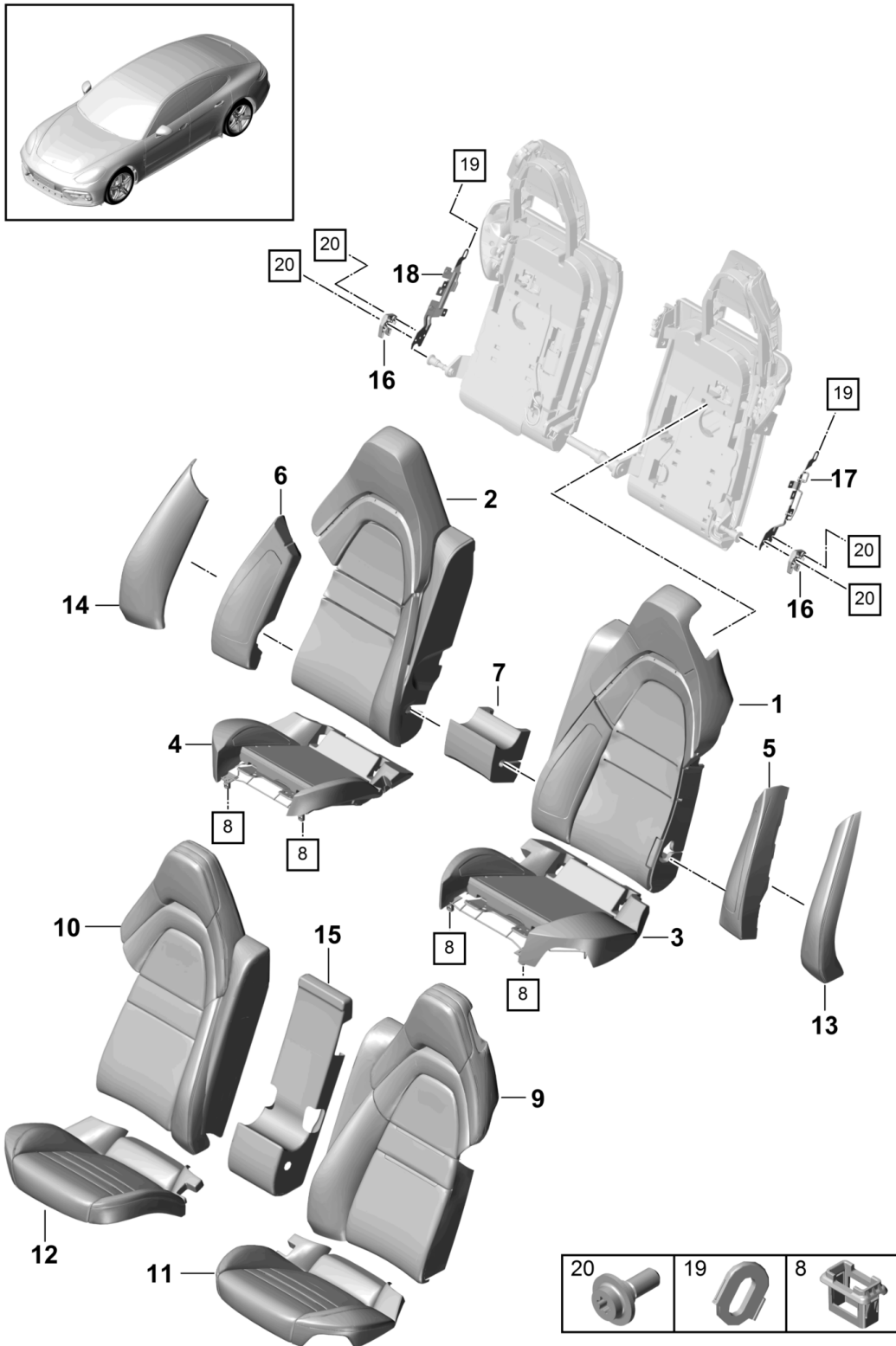
Pos	Part Number	Description	Remark	Qty	Model
		Crest			
	971 885 081 R GDC	Black			+AC
	971 885 081 R GHC	Agate Grey			+DL
	971 885 081 R DUE	Saddle Tan			+SB, +BS
	971 885 081 R GFC	Luxor Beige			+UC, +BP
	971 885 081 R DAK	Marsala Red			+PC
	971 885 081 R GUC	Bordeaux Red			+BB
	971 885 081 R GVC	Chalk			+BK
	971 885 081 R DAL	Cream			+BE
(16)	971 885 081 F	Armrest		1	IA8F/L0L/N0K IN1X/0E1/1X1 I6E3
		with Panamera 4S Logo			
	971 885 081 F GDB	Black			+AB
	971 885 081 F GHB	Agate Grey			+DG
	971 885 081 F GFB	Luxor Beige			+UB, +PK
(16)	971 885 081 AA	Armrest		1	IA8F/L0L/N0Q IN5U/0E1/1X1 I6E3
		with Panamera 4S Logo			
	971 885 081 AA GDC	Black			+AC
	971 885 081 AA GHC	Agate Grey			+DL
	971 885 081 AA DUE	Saddle Tan			+SB, +BS
	971 885 081 AA GFC	Luxor Beige			+UC, +BP
	971 885 081 AA DAK	Marsala Red			+PC
	971 885 081 AA GUC	Bordeaux Red			+BB
	971 885 081 AA GVC	Chalk			+BK
	971 885 081 AA DAL	Cream			+BE
(16)	971 885 081 G	Armrest		1	IA8H/E0A/L0L IN0K/N1X/0E1 I6E3
		with Panamera Turbo Logo			
	971 885 081 G GDB	Black			+AB
	971 885 081 G GHB	Agate Grey			+DG
	971 885 081 G GFB	Luxor Beige			+UB, +PK
(16)	971 885 081 AB	Armrest		1	IA8H/E0A/L0L IN0Q/N5U/0E1 I6E3
		with Panamera Turbo Logo			
	971 885 081 AB GDC	Black			+AC
	971 885 081 AB GHC	Agate Grey			+DL
	971 885 081 AB DUE	Saddle Tan			+SB, +BS
	971 885 081 AB GFC	Luxor Beige			+UC, +BP
	971 885 081 AB DAK	Marsala Red			+PC
	971 885 081 AB GUC	Bordeaux Red			+BB
	971 885 081 AB GVC	Chalk			+BK
	971 885 081 AB DAL	Cream			+BE
(16)	971 885 081 M	Armrest		1	IA8F/L0R/N0K IN1X/0E1/1X1 I6E3
		with Panamera 4S Logo			
	971 885 081 M GDB	Black			+AB
	971 885 081 M GHB	Agate Grey			+DG

Model: 971-17 Model life 2017>>

Pos	Part Number	Description	Remark	Qty	Model
(16)	971 885 081 M GFB	Luxor Beige		1	+UB, +PK IA8F/L0R/N0Q IN5U/0E1/1X1 I6E3
	971 885 081 AG	Armrest			
		with			
		Panamera 4S			
		Logo			
	971 885 081 AG GDC	Black			
	971 885 081 AG GHC	Agate Grey			
	971 885 081 AG DUE	Saddle Tan			
	971 885 081 AG GFC	Luxor Beige			
	971 885 081 AG DAK	Marsala Red			
(16)	971 885 081 AG GUC	Bordeaux Red		1	+AC +DL +SB, +BS +UC, +BP +PC +BB +BK +BE
	971 885 081 AG GVC	Chalk			
	971 885 081 AG DAL	Cream			
	971 885 081 N	Armrest			
		with			
		Panamera Turbo			
		Logo			
	971 885 081 N GDB	Black			
	971 885 081 N GHB	Agate Grey			
	971 885 081 N GFB	Luxor Beige			
(16)	971 885 081 AH	Armrest		1	+AB +DG +UB, +PK IA8H/E0A/L0R IN0Q/N1X/0E1 I6E3
		with			
		Panamera Turbo			
		Logo			
	971 885 081 AH GDC	Black			
	971 885 081 AH GHC	Agate Grey			
	971 885 081 AH DUE	Saddle Tan			
	971 885 081 AH GFC	Luxor Beige			
	971 885 081 AH DAK	Marsala Red			
	971 885 081 AH GUC	Bordeaux Red			
971 885 081 AH GVC	Chalk				
971 885 081 AH DAL	Cream				

Model: 971-17

Model life 2017>>



Model: 971-17

Model life 2017>>

Pos	Part Number	Description	Remark	Qty	Model
		Seat Rear Comfort seat Comfort version Foam part Cover			I3KI
1	971 885 775 BN	Foam part	/L	1	I4D0/4D3/4D5 I4D7
		Backrest Left Comfort version Foam part	/R	1	I4D0/4D3/4D5 I4D7
2	971 885 776 AF				
		Backrest Right Comfort version Foam part	/L	1	I4D0/4D3/4D5 I4D7
3	971 885 375 AB				
		Seat cushion Left Comfort version Foam part	/R	1	I4D0/4D3/4D5 I4D7
4	971 885 376 AB				
		Seat cushion Right Comfort version Foam part	/L	1	I4X3
5	971 885 891 Q				
		Side section Seat Left Comfort version without Airbag	/L	1	I4X4
(5)	971 885 891 R				
		Foam part Side section Seat Left Comfort version with Airbag	/R	1	I4X3
6	971 885 892 Q				
		Foam part Side section Seat Right Comfort version without Airbag	/R	1	I4X4
(6)	971 885 892 R				
		Foam part Side section Seat Right Comfort version with Airbag		1	
7	971 885 385 B				
		Foam part Centre part Seat		4	
8	971 885 313 A				
		Clip Seat cushion Cover	/L	1	IN1X/3J4/4D0 I4D7
9	971 885 805 HL				
		Backrest Left			

Model: 971-17

Model life 2017>>

Pos	Part Number	Description	Remark	Qty	Model
(9)	971 885 805 HL GDB	Comfort version without Crest Black	/L	1	+AB +DG +UB, +PK IN5U/3J4/4D0 I4D7
	971 885 805 HL GHB	Agate Grey			
	971 885 805 HL GFB	Luxor Beige			
	971 885 805 HM	Cover			
		Backrest Left			
		Comfort version without Crest			
	971 885 805 HM GDC	Black			
	971 885 805 HM GHC	Agate Grey			
	971 885 805 HM DUE	Saddle Tan			
	971 885 805 HM GFC	Luxor Beige			
(9)	971 885 805 HM DAK	Marsala Red	/L	1	+AC +DL +SB, +BS +UC, +BP +PC +BB +BK +BE IN0K/3J4/4D1 I4D3/4D5
	971 885 805 HM GUC	Bordeaux Red			
	971 885 805 HM GVC	Chalk			
	971 885 805 HM DAL	Cream			
	971 885 805 HP	Cover			
		Backrest Left			
		Comfort version without Crest			
	971 885 805 HP GDB	Black			
	971 885 805 HP GHB	Agate Grey			
	971 885 805 HP GFB	Luxor Beige			
(9)	971 885 805 HQ	Cover	/L	1	+AB +DG +UB, +PK IN0Q/3J4/4D1 I4D3/4D5/4D9
		Backrest Left			
		Comfort version without Crest			
		Perforated			
	971 885 805 HQ GDC	Black			
	971 885 805 HQ GHC	Agate Grey			
	971 885 805 HQ DUE	Saddle Tan			
	971 885 805 HQ GFC	Luxor Beige			
	971 885 805 HQ DAK	Marsala Red			
	971 885 805 HQ GUC	Bordeaux Red			
(9)	971 885 805 HQ GVC	Chalk	/L	1	+AC +DL +SB, +BS +UC, +BP +PC +BB +BK +BE IN1X/4D0/4D7 I5ZF
	971 885 805 HQ DAL	Cream			
	971 885 805 HS	Cover			
		Backrest Left			
		Comfort version with Crest			
	971 885 805 HS GDB	Black			
	971 885 805 HS GHB	Agate Grey			
	971 885 805 HS GFB	Luxor Beige			
	971 885 805 HT	Cover			
		Backrest Left			
	Comfort version				

Model: 971-17 Model life 2017>>

Pos	Part Number	Description	Remark	Qty	Model		
(9)	971 885 805 HT GDC	with Crest Black	/L	1	+AC		
	971 885 805 HT GHC	Agate Grey			+DL		
	971 885 805 HT DUE	Saddle Tan			+SB, +BS		
	971 885 805 HT GFC	Luxor Beige			+UC, +BP		
	971 885 805 HT DAK	Marsala Red			+PC		
	971 885 805 HT GUC	Bordeaux Red			+BB		
	971 885 805 HT GVC	Chalk			+BK		
	971 885 805 HT DAL	Cream			+BE		
	971 885 805 JB	Cover			IN0K/4D1/4D3 I4D5/4D9/5ZF		
(9)	971 885 805 JB GDB	Backrest Left Comfort version with Crest Perforated Black	/L	1	+AB		
	971 885 805 JB GHB	Agate Grey			+DG		
	971 885 805 JB GFB	Luxor Beige			+UB, +PK		
	971 885 805 JC	Cover			IN0Q/4D1/4D3 I4D5/4D9/5ZF		
	971 885 805 JC GDC	Backrest Left Comfort version with Crest Perforated Black			/R	1	+AC
	971 885 805 JC GHC	Agate Grey					+DL
	971 885 805 JC DUE	Saddle Tan					+SB, +BS
	971 885 805 JC GFC	Luxor Beige					+UC, +BP
	971 885 805 JC DAK	Marsala Red					+PC
971 885 805 JC GUC	Bordeaux Red	+BB					
971 885 805 JC GVC	Chalk	+BK					
971 885 805 JC DAL	Cream	+BE					
971 885 806 EN	Cover	IN1X/3J4/4D0 I4D7					
(10)	971 885 806 EN GDB	Backrest Right Comfort version without Crest Black	/R	1	+AB		
	971 885 806 EN GHB	Agate Grey			+DG		
	971 885 806 EN GFB	Luxor Beige			+UB, +PK		
	971 885 806 EP	Cover			IN5U/3J4/4D0 I4D7		
	971 885 806 EP GDC	Backrest Right Comfort version without Crest Black			/R	1	+AC
	971 885 806 EP GHC	Agate Grey					+DL
	971 885 806 EP DUE	Saddle Tan					+SB, +BS
	971 885 806 EP GFC	Luxor Beige					+UC, +BP
	971 885 806 EP DAK	Marsala Red					+PC
971 885 806 EP GUC	Bordeaux Red	+BB					
971 885 806 EP GVC	Chalk	+BK					
971 885 806 EP DAL	Cream	+BE					
971 885 806 ER	Cover	IN0K/3J4/4D1					

Model: 971-17

Model life 2017>>

Pos	Part Number	Description	Remark	Qty	Model
		Backrest Right Comfort version without Crest Perforated			I4D3/4D5/4D9
	971 885 806 ER GDB	Black			+AB
	971 885 806 ER GHB	Agate Grey			+DG
	971 885 806 ER GFB	Luxor Beige			+UB, +PK
(10)	971 885 806 ES	Cover	/R	1	IN0Q/3J4/4D1 I4D3/4D5/4D9
		Backrest Right Comfort version without Crest Perforated			
	971 885 806 ES GDC	Black			+AC
	971 885 806 ES GHC	Agate Grey			+DL
	971 885 806 ES DUE	Saddle Tan			+SB, +BS
	971 885 806 ES GFC	Luxor Beige			+UC, +BP
	971 885 806 ES DAK	Marsala Red			+PC
	971 885 806 ES GUC	Bordeaux Red			+BB
	971 885 806 ES GVC	Chalk			+BK
	971 885 806 ES DAL	Cream			+BE
(10)	971 885 806 FA	Cover	/R	1	IN1X/4D0/4D7 I5ZF
		Backrest Right Comfort version with Crest			
	971 885 806 FA GDB	Black			+AB
	971 885 806 FA GHB	Agate Grey			+DG
	971 885 806 FA GFB	Luxor Beige			+UB, +PK
(10)	971 885 806 FB	Cover	/R	1	IN5U/4D0/4D7 I5ZF
		Backrest Right Comfort version with Crest			
	971 885 806 FB GDC	Black			+AC
	971 885 806 FB GHC	Agate Grey			+DL
	971 885 806 FB DUE	Saddle Tan			+SB, +BS
	971 885 806 FB GFC	Luxor Beige			+UC, +BP
	971 885 806 FB DAK	Marsala Red			+PC
	971 885 806 FB GUC	Bordeaux Red			+BB
	971 885 806 FB GVC	Chalk			+BK
	971 885 806 FB DAL	Cream			+BE
(10)	971 885 806 FD	Cover	/R	1	IN0K/4D3/4D5 I5ZF
		Backrest Right Comfort version with Crest Perforated			
	971 885 806 FD GDB	Black			+AB
	971 885 806 FD GHB	Agate Grey			+DG
	971 885 806 FD GFB	Luxor Beige			+UB, +PK
(10)	971 885 806 FE	Cover	/R	1	IN0Q/4D3/4D5

Model: 971-17

Model life 2017>>

Pos	Part Number	Description	Remark	Qty	Model
		Backrest Right Comfort version with Crest Perforated			I5ZF
	971 885 806 FE GDC	Black			+AC
	971 885 806 FE GHC	Agate Grey			+DL
	971 885 806 FE DUE	Saddle Tan			+SB, +BS
	971 885 806 FE GFC	Luxor Beige			+UC, +BP
	971 885 806 FE DAK	Marsala Red			+PC
	971 885 806 FE GUC	Bordeaux Red			+BB
	971 885 806 FE GVC	Chalk			+BK
	971 885 806 FE DAL	Cream			+BE
11	971 885 405 CB	Cover Seat cushion Left Comfort version	/L	1	IN1X/4D0/4D7
	971 885 405 CB GDB	Black			+AB
	971 885 405 CB GHB	Agate Grey			+DG
	971 885 405 CB GFB	Luxor Beige			+UB, +PK
(11)	971 885 405 CC	Cover Seat cushion Left Comfort version	/L	1	IN5U/4D0/4D7
	971 885 405 CC GDC	Black			+AC
	971 885 405 CC GHC	Agate Grey			+DL
	971 885 405 CC DUE	Saddle Tan			+SB, +BS
	971 885 405 CC GFC	Luxor Beige			+UC, +BP
	971 885 405 CC DAK	Marsala Red			+PC
	971 885 405 CC GUC	Bordeaux Red			+BB
	971 885 405 CC GVC	Chalk			+BK
	971 885 405 CC DAL	Cream			+BE
(11)	971 885 405 CD	Cover Seat cushion Left Comfort version Perforated	/L	1	IN0K/4D1/4D3 I4D5/4D9
	971 885 405 CD GDB	Black			+AB
	971 885 405 CD GHB	Agate Grey			+DG
	971 885 405 CD GFB	Luxor Beige			+UB, +PK
(11)	971 885 405 CE	Cover Seat cushion Left Comfort version Perforated	/L	1	IN0Q/4D1/4D3 I4D5/4D9
	971 885 405 CE GDC	Black			+AC
	971 885 405 CE GHC	Agate Grey			+DL
	971 885 405 CE DUE	Saddle Tan			+SB, +BS
	971 885 405 CE GFC	Luxor Beige			+UC, +BP
	971 885 405 CE DAK	Marsala Red			+PC
	971 885 405 CE GUC	Bordeaux Red			+BB
	971 885 405 CE GVC	Chalk			+BK
	971 885 405 CE DAL	Cream			+BE
12	971 885 406 CB	Cover Seat cushion Right Comfort version	/R	1	IN1X/4D0/4D7
	971 885 406 CB GDB	Black			+AB
	971 885 406 CB GHB	Agate Grey			+DG

Model: 971-17 Model life 2017>>

Pos	Part Number	Description	Remark	Qty	Model
(12)	971 885 406 CB GFB	Luxor Beige	/R	1	+UB, +PK IN5U/4D0/4D7
	971 885 406 CC	Cover			
		Seat cushion			
		Right			
		Comfort version			
	971 885 406 CC GDC	Black			
	971 885 406 CC GHC	Agate Grey			
	971 885 406 CC DUE	Saddle Tan			
	971 885 406 CC GFC	Luxor Beige			
	971 885 406 CC DAK	Marsala Red			
(12)	971 885 406 CC GUC	Bordeaux Red	/R	1	+AC +DL +SB, +BS +UC, +BP +PC +BB +BK +BE IN0K/4D1/4D3 I4D5/4D9
	971 885 406 CC GVC	Chalk			
	971 885 406 CC DAL	Cream			
	971 885 406 CD	Cover			
		Seat cushion			
		Right			
		Comfort version			
		Perforated			
	971 885 406 CD GDB	Black			
	971 885 406 CD GHB	Agate Grey			
(12)	971 885 406 CD GFB	Luxor Beige	/R	1	+UB, +PK IN0Q/4D1/4D3 I4D5/4D9
	971 885 406 CE	Cover			
		Seat cushion			
		Right			
		Comfort version			
		Perforated			
	971 885 406 CE GDC	Black			
	971 885 406 CE GHC	Agate Grey			
	971 885 406 CE DUE	Saddle Tan			
	971 885 406 CE GFC	Luxor Beige			
13	971 885 406 CE DAK	Marsala Red	/L	1	+AC +DL +SB, +BS +UC, +BP +PC +BB +BK +BE IN1X/4D0/4D7 I4X3
	971 885 406 CE GUC	Bordeaux Red			
	971 885 406 CE GVC	Chalk			
	971 885 406 CE DAL	Cream			
	971 885 745 DD	Cover			
		Side section			
		Left			
		Comfort version			
		without			
		Airbag			
(13)	971 885 745 DD 21U	Black	/L	1	+AB +DG +UB, +PK IN5U/4D0/4D7 I4X3
	971 885 745 DD OF6	Agate Grey			
	971 885 745 DD 32X	Luxor Beige			
	971 885 745 DE	Cover			
		Side section			
		Left			
		Comfort version			
		without			
		Airbag			
		Black			
(13)	971 885 745 DE 8YR	Black	/L	1	+AC +DL +SB, +BS +UC, +BP +PC +BB +BK +BE IN0K/4D1/4D2 I4D3/4D5/4D9
	971 885 745 DE PL1	Agate Grey			
	971 885 745 DE OK6	Saddle Tan			
	971 885 745 DE 9H6	Luxor Beige			
	971 885 745 DE 8M8	Marsala Red			
	971 885 745 DE OG6	Bordeaux Red			
	971 885 745 DE OL8	Chalk			
	971 885 745 DE 6G0	Cream			
	971 885 745 DQ	Cover			

Model: 971-17

Model life 2017>>

Pos	Part Number	Description	Remark	Qty	Model
		Side section Left Comfort version without Airbag Perforated			I4X3
	971 885 745 DQ 21U	Black			+AB
	971 885 745 DQ OF6	Agate Grey			+DG
	971 885 745 DQ 32X	Luxor Beige			+UB, +PK
(13)	971 885 745 DR	Cover	/L	1	IN0Q/4D1/4D2 I4D3/4D5/4D9 I4X3
		Side section Left Comfort version without Airbag Perforated			
	971 885 745 DR 8YR	Black			+AC
	971 885 745 DR PL1	Agate Grey			+DL
	971 885 745 DR OK6	Saddle Tan			+SB, +BS
	971 885 745 DR 9H6	Luxor Beige			+UC, +BP
	971 885 745 DR 8M8	Marsala Red			+PC
	971 885 745 DR OG6	Bordeaux Red			+BB
	971 885 745 DR OL8	Chalk			+BK
	971 885 745 DR 6G0	Cream			+BE
(13)	971 885 745 DJ	Cover	/L	1	IN1X/4D0/4D7 I4X4
		Side section Left Comfort version with Airbag			
	971 885 745 DJ 21U	Black			+AB
	971 885 745 DJ OF6	Agate Grey			+DG
	971 885 745 DJ 32X	Luxor Beige			+UB, +PK
(13)	971 885 745 DK	Cover	/L	1	IN5U/4D0/4D7 I4X4
		Side section Left Comfort version with Airbag			
	971 885 745 DK 8YR	Black			+AC
	971 885 745 DK PL1	Agate Grey			+DL
	971 885 745 DK OK6	Saddle Tan			+SB, +BS
	971 885 745 DK 9H6	Luxor Beige			+UC, +BP
	971 885 745 DK 8M8	Marsala Red			+PC
	971 885 745 DK OG6	Bordeaux Red			+BB
	971 885 745 DK OL8	Chalk			+BK
	971 885 745 DK 6G0	Cream			+BE
(13)	971 885 745 DS	Cover	/L	1	IN0K/4D1/4D2 I4D3/4D5/4D9 I4X4
		Side section Left Comfort version with Airbag Perforated			
	971 885 745 DS 21U	Black			+AB
	971 885 745 DS OF6	Agate Grey			+DG

Model: 971-17 Model life 2017>>

Pos	Part Number	Description	Remark	Qty	Model
(13)	971 885 745 DS 32X 971 885 745 DT	Luxor Beige Cover Side section Left Comfort version with Airbag Perforated	/L	1	+UB, +PK IN0Q/4D1/4D2 I4D3/4D5/4D9 I4X4
	971 885 745 DT 8YR	Black			+AC
	971 885 745 DT PL1	Agate Grey			+DL
	971 885 745 DT OK6	Saddle Tan			+SB, +BS
	971 885 745 DT 9H6	Luxor Beige			+UC, +BP
	971 885 745 DT 8M8	Marsala Red			+PC
	971 885 745 DT OG6	Bordeaux Red			+BB
	971 885 745 DT OL8	Chalk			+BK
	971 885 745 DT 6G0	Cream			+BE
14	971 885 746 DD	Cover Side section Right Comfort version without Airbag	/R	1	IN1X/4D0/4D7 I4X3
	971 885 746 DD 21U	Black			+AB
	971 885 746 DD OF6	Agate Grey			+DG
(14)	971 885 746 DD 32X 971 885 746 DE	Luxor Beige Cover Side section Right Comfort version without Airbag	/R	1	+UB, +PK IN5U/4D0/4D7 I4X3
	971 885 746 DE 8YR	Black			+AC
	971 885 746 DE PL1	Agate Grey			+DL
	971 885 746 DE OK6	Saddle Tan			+SB, +BS
	971 885 746 DE 9H6	Luxor Beige			+UC, +BP
	971 885 746 DE 8M8	Marsala Red			+PC
	971 885 746 DE OG6	Bordeaux Red			+BB
	971 885 746 DE OL8	Chalk			+BK
	971 885 746 DE 6G0	Cream			+BE
(14)	971 885 746 DQ	Cover Side section Right Comfort version without Airbag Perforated	/R	1	IN0K/4D1/4D2 I4D3/4D5/4D9 I4X3
	971 885 746 DQ 21U	Black			+AB
	971 885 746 DQ OF6	Agate Grey			+DG
(14)	971 885 746 DQ 32X 971 885 746 DR	Luxor Beige Cover Side section Right Comfort version without Airbag	/R	1	+UB, +PK IN0Q/4D1/4D2 I4D3/4D5/4D9 I4X3

Model: 971-17

Model life 2017>>

Pos	Part Number	Description	Remark	Qty	Model
	971 885 746 DR 8YR	Perforated Black			+AC
	971 885 746 DR PL1	Agate Grey			+DL
	971 885 746 DR OK6	Saddle Tan			+SB, +BS
	971 885 746 DR 9H6	Luxor Beige			+UC, +BP
	971 885 746 DR 8M8	Marsala Red			+PC
	971 885 746 DR OG6	Bordeaux Red			+BB
	971 885 746 DR OL8	Chalk			+BK
	971 885 746 DR 6G0	Cream			+BE
(14)	971 885 746 DJ	Cover	/R	1	IN1X/4D0/4D7 I4X4
		Side section Right Comfort version with Airbag			
	971 885 746 DJ 21U	Black			+AB
	971 885 746 DJ OF6	Agate Grey			+DG
	971 885 746 DJ 32X	Luxor Beige			+UB, +PK
(14)	971 885 746 DK	Cover	/R	1	IN5U/4D0/4D7 I4X4
		Side section Right Comfort version with Airbag			
	971 885 746 DK 8YR	Black			+AC
	971 885 746 DK PL1	Agate Grey			+DL
	971 885 746 DK OK6	Saddle Tan			+SB, +BS
	971 885 746 DK 9H6	Luxor Beige			+UC, +BP
	971 885 746 DK 8M8	Marsala Red			+PC
	971 885 746 DK OG6	Bordeaux Red			+BB
	971 885 746 DK OL8	Chalk			+BK
	971 885 746 DK 6G0	Cream			+BE
(14)	971 885 746 DS	Cover	/R	1	IN0K/4D1/4D2 I4D3/4D5/4D9 I4X4
		Side section Right Comfort version with Airbag			
	971 885 746 DS 21U	Perforated Black			+AB
	971 885 746 DS OF6	Agate Grey			+DG
	971 885 746 DS 32X	Luxor Beige			+UB, +PK
(14)	971 885 746 DT	Cover	/R	1	IN0Q/4D1/4D2 I4D3/4D5/4D9 I4X4
		Side section Right Comfort version with Airbag			
	971 885 746 DT 8YR	Perforated Black			+AC
	971 885 746 DT PL1	Agate Grey			+DL
	971 885 746 DT OK6	Saddle Tan			+SB, +BS
	971 885 746 DT 9H6	Luxor Beige			+UC, +BP
	971 885 746 DT 8M8	Marsala Red			+PC
	971 885 746 DT OG6	Bordeaux Red			+BB
	971 885 746 DT OL8	Chalk			+BK
	971 885 746 DT 6G0	Cream			+BE

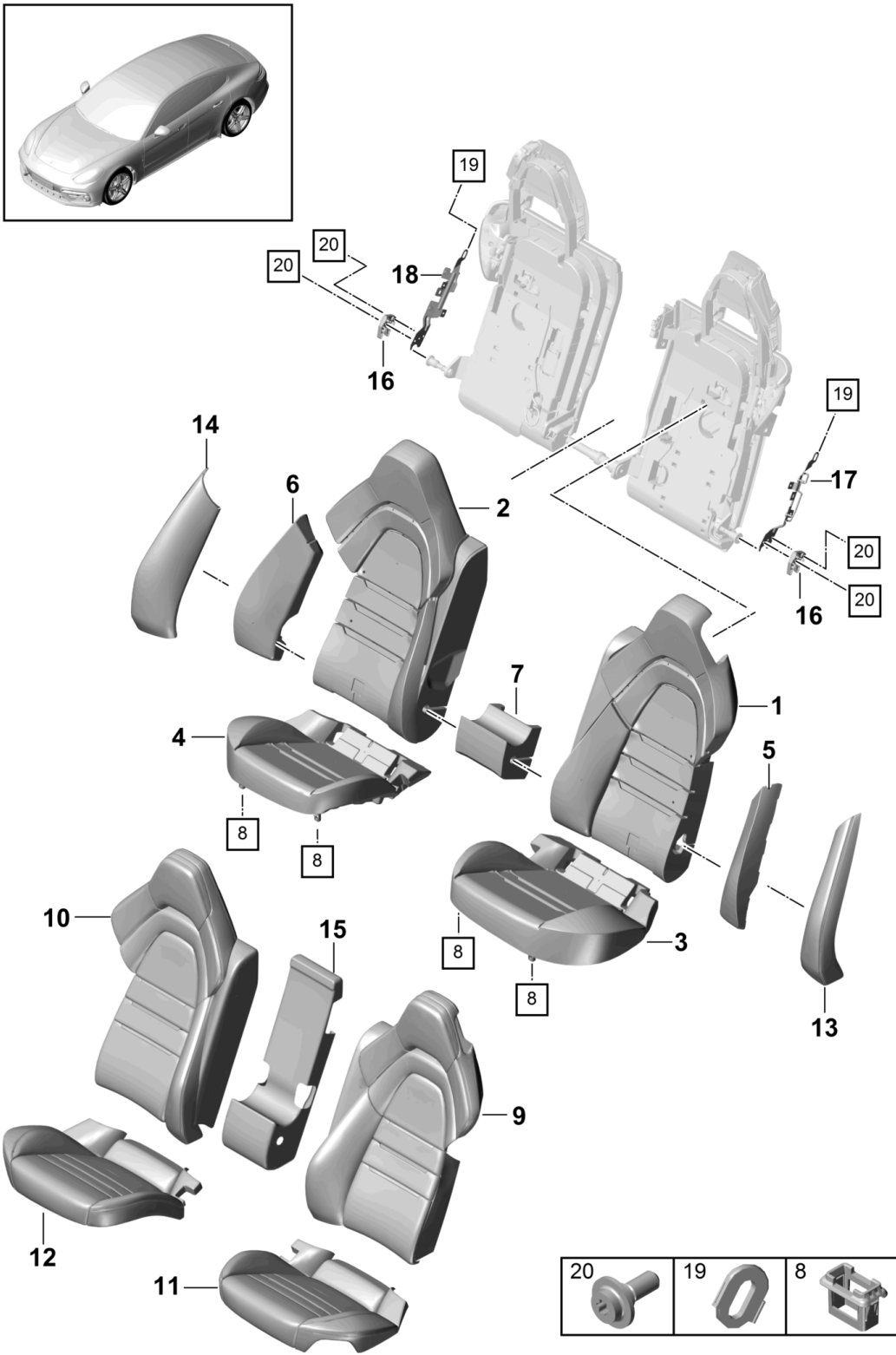
Model: 971-17

Model life 2017>>

Pos	Part Number	Description	Remark	Qty	Model
15	971 885 723 F	Cover Centre part Backrest		1	IN0K/N1X
	971 885 723 F GDB	Black			+AB
	971 885 723 F GHB	Agate Grey			+DG
	971 885 723 F GFB	Luxor Beige			+UB, +PK
(15)	971 885 723 G	Cover Centre part Backrest		1	IN0Q/N5U
	971 885 723 G GDC	Black			+AC
	971 885 723 G GHC	Agate Grey			+DL
	971 885 723 G DUE	Saddle Tan			+SB, +BS
	971 885 723 G GFC	Luxor Beige			+UC, +BP
	971 885 723 G DAK	Marsala Red			+PC
	971 885 723 G GUC	Bordeaux Red			+BB
	971 885 723 G GVC	Chalk			+BK
	971 885 723 G DAL	Cream			+BE
16	971 885 585	Bracket Side section		2	
17	971 885 189 A	Retainer plate Side section Left	/L	1	
18	971 885 190 A	Retainer plate Side section Right	/R	1	
19	971 885 939 A	Guide piece Side section		2	
20	9A7 008 033 00	Hexagon socket head bolt		4	M6x16

Model: 971-17

Model life 2017>>



Model: 971-17 Model life 2017>>

Pos	Part Number	Description	Remark	Qty	Model
		Seat Rear Comfort seat Sport version Foam part Cover			I3KJ
1	971 885 775 BP	Foam part Backrest Left Sport version	/L	1	I4D0/4D3
2	971 885 776 AE	Foam part Backrest Right Sport version	/R	1	I4D0/4D3
3	971 885 375 AC	Foam part Seat cushion Left Sport version	/L	1	I4D0/4D3
4	971 885 376 AC	Foam part Seat cushion Right Sport version	/R	1	I4D0/4D3
5	971 885 891 S	Foam part Side section Seat Left Sport version	/L	1	I4D0/4D1/4X3
(5)	971 885 891 T	Foam part Side section Seat Left Sport version	/L	1	I4D0/4D1/4D3 I4X4
6	971 885 892 S	Foam part Side section Seat Right Sport version	/R	1	I4D0/4D1/4X3
(6)	971 885 892 T	Foam part Side section Seat Right Sport version	/R	1	I4D0/4D1/4D3 I4X4
7	971 885 385 B	Foam part Centre part Seat		1	
8	971 885 313 A	Clip Seat cushion		4	
9	971 885 805 JS	Cover Backrest Left Sport version without Crest	/L	1	IN1X/3J4/4D0 I4D7
	971 885 805 JS GDB	Black			+AB
	971 885 805 JS GHB	Agate Grey			+DG
	971 885 805 JS GFB	Luxor Beige			+UB, +PK
(9)	971 885 805 JT	Cover Backrest Left	/L	1	IN5U/3J4/4D0 I4D7

Model: 971-17 Model life 2017>>

Pos	Part Number	Description	Remark	Qty	Model
		Sport version without Crest			
	971 885 805 JT GDC	Black			+AC
	971 885 805 JT GHC	Agate Grey			+DL
	971 885 805 JT DUE	Saddle Tan			+SB, +BS
	971 885 805 JT GFC	Luxor Beige			+UC, +BP
	971 885 805 JT DAK	Marsala Red			+PC
	971 885 805 JT GUC	Bordeaux Red			+BB
	971 885 805 JT GVC	Chalk			+BK
	971 885 805 JT DAL	Cream			+BE
(9)	971 885 805 KB	Cover	/L	1	IN0K/3J4/4D1 I4D3/4D5/4D9
		Backrest Left			
		Sport version without Crest			
		Perforated			
	971 885 805 KB GDB	Black			+AB
	971 885 805 KB GHB	Agate Grey			+DG
	971 885 805 KB GFB	Luxor Beige			+UB, +PK
(9)	971 885 805 KC	Cover	/L	1	IN0Q/3J4/4D1 I4D3/4D5/4D9
		Backrest Left			
		Sport version without Crest			
		Perforated			
	971 885 805 KC GDC	Black			+AC
	971 885 805 KC GHC	Agate Grey			+DL
	971 885 805 KC DUE	Saddle Tan			+SB, +BS
	971 885 805 KC GFC	Luxor Beige			+UC, +BP
	971 885 805 KC DAK	Marsala Red			+PC
	971 885 805 KC GUC	Bordeaux Red			+BB
	971 885 805 KC GVC	Chalk			+BK
	971 885 805 KC DAL	Cream			+BE
(9)	971 885 805 KE	Cover	/L	1	IN1X/4D0/4D7 I5ZF
		Backrest Left			
		Sport version with Crest			
	971 885 805 KE GDB	Black			+AB
	971 885 805 KE GHB	Agate Grey			+DG
	971 885 805 KE GFB	Luxor Beige			+UB, +PK
(9)	971 885 805 KF	Cover	/L	1	IN5U/4D0/4D7 I5ZF
		Backrest Left			
		Sport version with Crest			
	971 885 805 KF GDC	Black			+AC
	971 885 805 KF GHC	Agate Grey			+DL
	971 885 805 KF DUE	Saddle Tan			+SB, +BS
	971 885 805 KF GFC	Luxor Beige			+UC, +BP
	971 885 805 KF DAK	Marsala Red			+PC
	971 885 805 KF GUC	Bordeaux Red			+BB
	971 885 805 KF GVC	Chalk			+BK
	971 885 805 KF DAL	Cream			+BE

Model: 971-17 Model life 2017>>

Pos	Part Number	Description	Remark	Qty	Model
(9)	971 885 805 KH	Cover	/L	1	IN0K/4D1/4D3 I4D5/4D9/5ZF
		Backrest Left Sport version with Crest Perforated			
	971 885 805 KH GDB	Black			+AB
	971 885 805 KH GHB	Agate Grey			+DG
	971 885 805 KH GFB	Luxor Beige			+UB, +PK
(9)	971 885 805 KJ	Cover	/L	1	IN0Q/4D1/4D3 I4D5/4D9/5ZF
		Backrest Left Sport version with Crest Perforated			
	971 885 805 KJ GDC	Black			+AC
	971 885 805 KJ GHC	Agate Grey			+DL
	971 885 805 KJ DUE	Saddle Tan			+SB, +BS
	971 885 805 KJ GFC	Luxor Beige			+UC, +BP
	971 885 805 KJ DAK	Marsala Red			+PC
	971 885 805 KJ GUC	Bordeaux Red			+BB
	971 885 805 KJ GVC	Chalk			+BK
	971 885 805 KJ DAL	Cream			+BE
10	971 885 806 GA	Cover	/R	1	IN1X/3J4/4D0 I4D7
		Backrest Right Sport version without Crest			
	971 885 806 GA GDB	Black			+AB
	971 885 806 GA GHB	Agate Grey			+DG
	971 885 806 GA GFB	Luxor Beige			+UB, +PK
(10)	971 885 806 GB	Cover	/R	1	IN5U/3J4/4D0 I4D7
		Backrest Right Sport version without Crest			
	971 885 806 GB GDC	Black			+AC
	971 885 806 GB GHC	Agate Grey			+DL
	971 885 806 GB DUE	Saddle Tan			+SB, +BS
	971 885 806 GB GFC	Luxor Beige			+UC, +BP
	971 885 806 GB DAK	Marsala Red			+PC
	971 885 806 GB GUC	Bordeaux Red			+BB
	971 885 806 GB GVC	Chalk			+BK
	971 885 806 GB DAL	Cream			+BE
(10)	971 885 806 GD	Cover	/R	1	IN0K/3J4/4D1 I4D3/4D5/4D9
		Backrest Right Sport version without Crest Perforated			
	971 885 806 GD GDB	Black			+AB
	971 885 806 GD GHB	Agate Grey			+DG
	971 885 806 GD GFB	Luxor Beige			+UB, +PK

Model: 971-17 Model life 2017>>

Pos	Part Number	Description	Remark	Qty	Model
(10)	971 885 806 GE	Cover Backrest Right Sport version without Crest Perforated	/R	1	IN0Q/3J4/4D1 I4D3/4D5/4D9
	971 885 806 GE GDC	Black			+AC
	971 885 806 GE GHC	Agate Grey			+DL
	971 885 806 GE DUE	Saddle Tan			+SB, +BS
	971 885 806 GE GFC	Luxor Beige			+UC, +BP
	971 885 806 GE DAK	Marsala Red			+PC
	971 885 806 GE GUC	Bordeaux Red			+BB
	971 885 806 GE GVC	Chalk			+BK
	971 885 806 GE DAL	Cream			+BE
(10)	971 885 806 GG	Cover Backrest Right Sport version with Crest	/R	1	IN1X/4D0/4D7 I5ZF
	971 885 806 GG GDB	Black			+AB
	971 885 806 GG GHB	Agate Grey			+DG
	971 885 806 GG GFB	Luxor Beige			+UB, +PK
(10)	971 885 806 GH	Cover Backrest Right Sport version with Crest	/R	1	IN5U/4D0/4D7 I5ZF
	971 885 806 GH GDC	Black			+AC
	971 885 806 GH GHC	Agate Grey			+DL
	971 885 806 GH DUE	Saddle Tan			+SB, +BS
	971 885 806 GH GFC	Luxor Beige			+UC, +BP
	971 885 806 GH DAK	Marsala Red			+PC
	971 885 806 GH GUC	Bordeaux Red			+BB
	971 885 806 GH GVC	Chalk			+BK
	971 885 806 GH DAL	Cream			+BE
(10)	971 885 806 GK	Cover Backrest Right Sport version with Crest Perforated	/R	1	IN1X/4D1/4D3 I4D5/4D9/5ZF
	971 885 806 GK GDB	Black			+AB
	971 885 806 GK GHB	Agate Grey			+DG
	971 885 806 GK GFB	Luxor Beige			+UB, +PK
(10)	971 885 806 GL	Cover Backrest Right Sport version with Crest Perforated	/R	1	IN5U/4D1/4D3 I4D5/4D9/5ZF
	971 885 806 GL GDC	Black			+AC
	971 885 806 GL GHC	Agate Grey			+DL
	971 885 806 GL DUE	Saddle Tan			+SB, +BS

Model: 971-17

Model life 2017>>

Pos	Part Number	Description	Remark	Qty	Model	
11	971 885 806 GL GFC	Luxor Beige		1	+UC, +BP	
	971 885 806 GL DAK	Marsala Red			+PC	
	971 885 806 GL GUC	Bordeaux Red			+BB	
	971 885 806 GL GVC	Chalk			+BK	
	971 885 806 GL DAL	Cream			+BE	
	971 885 405 BG	Cover	/L		IN1X/4D0/4D7	
		Seat cushion				
		Left				
		Sport version				
		971 885 405 BG GDB	Black			+AB
(11)	971 885 405 BG GHB	Agate Grey		1	+DG	
	971 885 405 BG GFB	Luxor Beige			+UB, +PK	
	971 885 405 BH	Cover	/L		IN5U/4D0/4D7	
		Seat cushion				
		Left				
		Sport version				
		971 885 405 BH GDC	Black			+AC
		971 885 405 BH GHC	Agate Grey			+DL
		971 885 405 BH DUE	Saddle Tan			+SB, +BS
		971 885 405 BH GFC	Luxor Beige			+UC, +BP
(11)	971 885 405 BH DAK	Marsala Red		1	+PC	
	971 885 405 BH GUC	Bordeaux Red			+BB	
	971 885 405 BH GVC	Chalk			+BK	
	971 885 405 BH DAL	Cream			+BE	
	971 885 405 BN	Cover	/L		IN0K/4D1/4D3 I4D5/4D9	
		Seat cushion				
		Left				
		Sport version				
		Perforated				
		971 885 405 BN GDB	Black			+AB
(11)	971 885 405 BN GHB	Agate Grey		1	+DG	
	971 885 405 BN GFB	Luxor Beige			+UB, +PK	
	971 885 405 BP	Cover	/L		IN0Q/4D1/4D3 I4D5/4D9	
		Seat cushion				
		Left				
		Sport version				
		Perforated				
		971 885 405 BP GDC	Black			+AC
		971 885 405 BP GHC	Agate Grey			+DL
		971 885 405 BP DUE	Saddle Tan			+SB, +BS
12	971 885 405 BP GFC	Luxor Beige		1	+UC, +BP	
	971 885 405 BP DAK	Marsala Red			+PC	
	971 885 405 BP GUC	Bordeaux Red			+BB	
	971 885 405 BP GVC	Chalk			+BK	
	971 885 405 BP DAL	Cream			+BE	
	971 885 406 BG	Cover	/R		IN1X/4D0/4D7	
		Seat cushion				
		Right				
		Sport version				
		971 885 406 BG GDB	Black			+AB
(12)	971 885 406 BG GHB	Agate Grey		1	+DG	
	971 885 406 BG GFB	Luxor Beige			+UB, +PK	
	971 885 406 BH	Cover	/R		IN5U/4D0/4D7	
		Seat cushion				
		Right				
		Sport version				
		971 885 406 BH GDC	Black			+AC
		971 885 406 BH GHC	Agate Grey			+DL
		971 885 406 BH DUE	Saddle Tan			+SB, +BS
		971 885 406 BH GFC	Luxor Beige			+UC, +BP
	971 885 406 BH DAK	Marsala Red		+PC		

Model: 971-17

Model life 2017>>

Pos	Part Number	Description	Remark	Qty	Model
		Left Sport version without Airbag Perforated			
	971 885 745 DF 8YR	Black			+AC
	971 885 745 DF PL1	Agate Grey			+DL
	971 885 745 DF OK6	Saddle Tan			+SB, +BS
	971 885 745 DF 9H6	Luxor Beige			+UC, +BP
	971 885 745 DF 8M8	Marsala Red			+PC
	971 885 745 DF OG6	Bordeaux Red			+BB
	971 885 745 DF OL8	Chalk			+BK
	971 885 745 DF 6G0	Cream			+BE
(13)	971 885 745 DN	Cover	/L	1	IN1X/4D0/4X4
		Side section Left			
		Sport version with Airbag			
	971 885 745 DN 21U	Black			+AB
	971 885 745 DN OF6	Agate Grey			+DG
	971 885 745 DN 32X	Luxor Beige			+UB, +PK
(13)	971 885 745 DP	Cover	/L	1	IN5U/4D0/4X4
		Side section Left			
		Sport version with Airbag			
	971 885 745 DP 8YR	Black			+AC
	971 885 745 DP PL1	Agate Grey			+DL
	971 885 745 DP OK6	Saddle Tan			+SB, +BS
	971 885 745 DP 9H6	Luxor Beige			+UC, +BP
	971 885 745 DP 8M8	Marsala Red			+PC
	971 885 745 DP OG6	Bordeaux Red			+BB
	971 885 745 DP OL8	Chalk			+BK
	971 885 745 DP 6G0	Cream			+BE
(13)	971 885 745 EA	Cover	/L	1	IN0K/4D1/4D3 I4D5/4D9/4X4
		Side section Left			
		Sport version with Airbag Perforated			
	971 885 745 EA 21U	Black			+AB
	971 885 745 EA OF6	Agate Grey			+DG
	971 885 745 EA 32X	Luxor Beige			+UB, +PK
(13)	971 885 745 DH	Cover	/L	1	IN0Q/4D1/4D3 I4D5/4D9/4X4
		Side section Left			
		Sport version with Airbag Perforated			
	971 885 745 DH 8YR	Black			+AC
	971 885 745 DH PL1	Agate Grey			+DL
	971 885 745 DH OK6	Saddle Tan			+SB, +BS
	971 885 745 DH 9H6	Luxor Beige			+UC, +BP
	971 885 745 DH 8M8	Marsala Red			+PC
	971 885 745 DH OG6	Bordeaux Red			+BB
	971 885 745 DH OL8	Chalk			+BK
	971 885 745 DH 6G0	Cream			+BE

Model: 971-17 Model life 2017>>

Pos	Part Number	Description	Remark	Qty	Model
14	971 885 746 DL	Cover Side section Right Sport version without Airbag	/R	1	IN1X/4D0/4X3
	971 885 746 DL 21U	Black			+AB
	971 885 746 DL OF6	Agate Grey			+DG
	971 885 746 DL 32X	Luxor Beige			+UB, +PK
(14)	971 885 746 DM	Cover Side section Right Sport version without Airbag	/R	1	IN5U/4D0/4X3
	971 885 746 DM 8YR	Black			+AC
	971 885 746 DM PL1	Agate Grey			+DL
	971 885 746 DM OK6	Saddle Tan			+SB, +BS
	971 885 746 DM 9H6	Luxor Beige			+UC, +BP
	971 885 746 DM 8M8	Marsala Red			+PC
	971 885 746 DM OG6	Bordeaux Red			+BB
	971 885 746 DM OL8	Chalk			+BK
	971 885 746 DM 6G0	Cream			+BE
(14)	971 885 746 EA	Cover Side section Right Sport version without Airbag	/R	1	IN0K/4D1/4D3 I4D5/4D9/4X3
	971 885 746 EA 21U	Black			+AB
	971 885 746 EA OF6	Agate Grey			+DG
	971 885 746 EA 32X	Luxor Beige			+UB, +PK
(14)	971 885 746 DF	Cover Side section Right Sport version without Airbag	/R	1	IN0Q/4D1/4D3 I4D5/4D9/4X3
	971 885 746 DF 8YR	Black			+AC
	971 885 746 DF PL1	Agate Grey			+DL
	971 885 746 DF OK6	Saddle Tan			+SB, +BS
	971 885 746 DF 9H6	Luxor Beige			+UC, +BP
	971 885 746 DF 8M8	Marsala Red			+PC
	971 885 746 DF OG6	Bordeaux Red			+BB
	971 885 746 DF OL8	Chalk			+BK
	971 885 746 DF 6G0	Cream			+BE
(14)	971 885 746 DN	Cover Side section Right Sport version with Airbag	/R	1	IN1X/4D0/4X4
	971 885 746 DN 21U	Black			+AB
	971 885 746 DN OF6	Agate Grey			+DG
	971 885 746 DN 32X	Luxor Beige			+UB, +PK
(14)	971 885 746 DP	Cover Side section Right Sport version	/R	1	IN5U/4D0/4X4

Model: 971-17 Model life 2017>>

Pos	Part Number	Description	Remark	Qty	Model
		with			
	971 885 746 DP 8YR	Airbag			
	971 885 746 DP PL1	Black			+AC
	971 885 746 DP OK6	Agate Grey			+DL
	971 885 746 DP 9H6	Saddle Tan			+SB, +BS
	971 885 746 DP 8M8	Luxor Beige			+UC, +BP
	971 885 746 DP OG6	Marsala Red			+PC
	971 885 746 DP OL8	Bordeaux Red			+BB
	971 885 746 DP 6G0	Chalk			+BK
(14)	971 885 746 DG	Cream			+BE
		Cover	/R	1	IN0K/4D1/4D3 I4D5/4D9/4X4
		Side section			
		Right			
		Sport version			
		with			
		Airbag			
		Perforated			
	971 885 746 DG 21U	Black			+AB
	971 885 746 DG OF6	Agate Grey			+DG
	971 885 746 DG 32X	Luxor Beige			+UB, +PK
(14)	971 885 746 DH	Cover	/R	1	IN0Q/4D1/4D3 I4D5/4D9/4X4
		Side section			
		Right			
		Sport version			
		with			
		Airbag			
		Perforated			
	971 885 746 DH 8YR	Black			+AC
	971 885 746 DH PL1	Agate Grey			+DL
	971 885 746 DH OK6	Saddle Tan			+SB, +BS
	971 885 746 DH 9H6	Luxor Beige			+UC, +BP
	971 885 746 DH 8M8	Marsala Red			+PC
	971 885 746 DH OG6	Bordeaux Red			+BB
	971 885 746 DH OL8	Chalk			+BK
	971 885 746 DH 6G0	Cream			+BE
15	971 885 723 F	Cover		1	IN0K/N1X
		Centre part			
		Backrest			
	971 885 723 F GDB	Black			+AB
	971 885 723 F GHB	Agate Grey			+DG
	971 885 723 F GFB	Luxor Beige			+UB, +PK
(15)	971 885 723 G	Cover		1	IN0Q/N5U
		Centre part			
		Backrest			
	971 885 723 G GDC	Black			+AC
	971 885 723 G GHC	Agate Grey			+DL
	971 885 723 G DUE	Saddle Tan			+SB, +BS
	971 885 723 G GFC	Luxor Beige			+UC, +BP
	971 885 723 G DAK	Marsala Red			+PC
	971 885 723 G GUC	Bordeaux Red			+BB
	971 885 723 G GVC	Chalk			+BK
	971 885 723 G DAL	Cream			+BE
16	971 885 585	Bracket		2	
		Side section			
17	971 885 189 A	Retainer plate	/L	1	
		Side section			
		Left			
18	971 885 190 A	Retainer plate	/R	1	
		Side section			
		Right			
19	971 885 939 A	Guide piece		2	

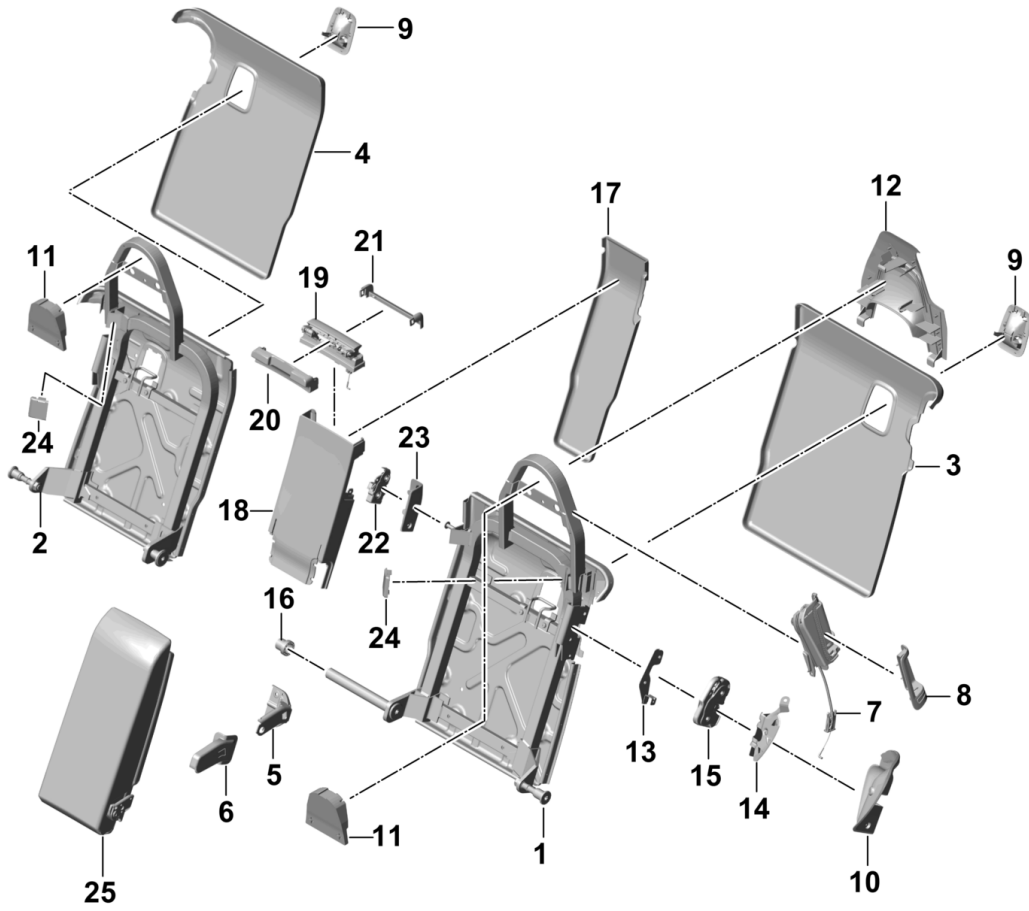
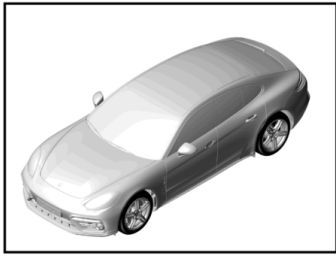
Model: 971-17

Model life 2017>>

Pos	Part Number	Description	Remark	Qty	Model
20	9A7 008 033 00	Side section Hexagon socket head bolt		4	M6x16

Model: 971-17

Model life 2017>>



Model: 971-17 Model life 2017>>

Pos	Part Number	Description	Remark	Qty	Model
		Back seat backrest Cover Accessories Comfort version Sport version			I3KI/3KJ
1	971 885 045 D	Backrest frame Left Complete	/L	1	
2	971 885 046 A	Backrest frame Right Complete	/R	1	
3	971 885 753 A	Pad Rear wall Backrest Left	/L	1	
	971 885 753 A 6B0	Black			+AB,+PK,+AC +BB,+BS,+BK +DG,+DL
	971 885 753 A 9C0	Agate Grey			+UB,+UC
	971 885 753 A 7K0	Luxor Beige			+SB,+BP
	971 885 753 A BW3	Saddle Tan			+PC,+BE
	971 885 753 A 7G0	Marsala Red			
4	971 885 754	Pad Rear wall Backrest Right	/R	1	
	971 885 754 6B0	Black			+AB,+PK,+AC +BB,+BS,+BK +DG,+DL
	971 885 754 9C0	Agate Grey			+UB,+UC
	971 885 754 7K0	Luxor Beige			+SB,+BP
	971 885 754 BW3	Saddle Tan			+PC,+BE
	971 885 754 7G0	Marsala Red			
5	971 885 711	Support Medium Armrest Left	/L	1	
(5)	971 885 712	Support Medium Armrest Right	/R	1	
6	971 885 739	Cover Support Medium Armrest Left	/L	1	
	971 885 739 1E0	Black			+AB,+AC +DG,+DL
	971 885 739 OP1	Agate Grey			+UB,+PK,+UC +BP
	971 885 739 4H0	Luxor Beige			+SB,+BS +PC
	971 885 739 OM8	Saddle Tan			+BB
	971 885 739 3G0	Marsala Red			+BK
	971 885 739 OG6	Bordeaux Red			+BE
	971 885 739 OL8	Chalk			
	971 885 739 5J0	Cream			
(6)	971 885 740	Cover Support Medium Armrest Right	/R	1	
	971 885 740 1E0	Black			+AB,+AC +DG,+DL
	971 885 740 OP1	Agate Grey			+UB,+PK,+UC +BP
	971 885 740 4H0	Luxor Beige			+SB,+BS
	971 885 740 OM8	Saddle Tan			

Model: 971-17 Model life 2017>>

Pos	Part Number	Description	Remark	Qty	Model		
7	971 885 740 3G0	Marsala Red		1	+PC		
	971 885 740 OG6	Bordeaux Red			+BB		
	971 885 740 OL8	Chalk			+BK		
	971 885 740 5J0	Cream			+BE		
	971 885 681 A	Release Backrest Left	/L				
(7)	971 885 681 A GT8	Galvano silver		1			
	971 885 682 A	Release Backrest Right	/R				
8	971 885 682 A GT8	Galvano silver		1			
	971 885 249 A	Cover Release Backrest Left	/L				
(8)	971 885 249 A 5Q0	Black		1	+AB, +AC		
	971 885 249 A OA6	Agate Grey			+DG, +DL		
	971 885 249 A 6W0	Luxor Beige			+UB, +PK, +UC		
					+BP		
	971 885 249 A OL7	Saddle Tan			+SB, +BS		
	971 885 249 A 7X0	Marsala Red			+PC		
	971 885 249 A OG6	Bordeaux Red			+BB		
	971 885 249 A OL8	Chalk			+BK		
	971 885 249 A 5V0	Cream			+BE		
	971 885 250 A	Cover Release Backrest Right	/R				
						+AB, +AC	
						+DG, +DL	
						+UB, +PK, +UC	
						+BP	
						+SB, +BS	
				+PC			
				+BB			
				+BK			
				+BE			
9	971 885 943	Cover Backrest Rear		2			
	971 885 943 1E0	Black			+AB, +PK, +AC		
					+BB, +BS, +BK		
	971 885 943 OP1	Agate Grey			+DG, +DL		
	971 885 943 4H0	Luxor Beige			+UB, +UC		
	971 885 943 OM8	Saddle Tan			+SB, +BP		
	971 885 943 3G0	Marsala Red			+PC		
	10	971 885 933 A	Covering for lock Left Rear		/L	1	
		971 885 933 A 1E0	Black				+AB, +PK, +AC
							+BB, +BS, +BK
971 885 933 A OP1		Agate Grey		+DG, +DL			
971 885 933 A 4H0		Luxor Beige		+UB, +UC			
971 885 933 A OM8		Saddle Tan		+SB, +BP			
971 885 933 A 3G0		Marsala Red		+PC			
971 885 934 A		Covering for lock Right Rear	/R				
971 885 934 A 1E0		Black		+AB, +PK, +AC			
				+BB, +BS, +BK			
			+DG, +DL				
			+UB, +UC				
			+SB, +BP				
			+PC				
(10)	971 885 934 A	Covering for lock Right Rear	/R	1			
	971 885 934 A 1E0	Black			+AB, +PK, +AC		
					+BB, +BS, +BK		
				+DG, +DL			
				+UB, +UC			

Model: 971-17 Model life 2017>>

Pos	Part Number	Description	Remark	Qty	Model
11	971 885 934 A OM8	Saddle Tan		2	+SB,+BP +PC
	971 885 934 A 3G0	Marsala Red			
	971 885 913	Foam part Head rest Rear			
12	971 885 727	Frame Head rest Rear Left	/L	1	
(12)	971 885 728	Frame Head rest Rear Right	/R	1	
13	971 885 281	Mounting plate Lock Rear Left	/L	1	
(13)	971 885 282	Mounting plate Lock Rear Right	/R	1	
14	971 885 573 A	Reinforcement Seat and backrest surface Rear Left	/L	1	
(14)	971 885 574 A	Reinforcement Seat and backrest surface Rear Right	/R	1	
15	971 886 481	Lock Backrest Rear Left	/L	1	
(15)	971 886 482	Lock Backrest Rear Right	/R	1	
16	971 885 511	Backrest frame Centre piece		1	
17	971 885 611	Pad Rear wall Backrest Centre piece		1	
	971 885 611 6B0	Black			+AB,+PK,+AC +BB,+BS,+BK +DG,+DL +UB,+UC +SB,+BP +PC,+BE
	971 885 611 9C0	Agate Grey			
	971 885 611 7K0	Luxor Beige			
	971 885 611 BW3	Saddle Tan			
	971 885 611 7G0	Marsala Red			
18	971 885 527	Bracket Centre piece		1	
19	971 886 165 A	Release Centre piece		1	
	971 886 165 A GT8	Galvano silver			
20	971 886 744	Cover Release Front		1	
	971 886 744 5Q0	Black			+AB,+AC +DG,+DL +UB,+PK,+UC +BP +SB,+BS +PC
	971 886 744 OA6	Agate Grey			
	971 886 744 6W0	Luxor Beige			
	971 886 744 OL7	Saddle Tan			
	971 886 744 7X0	Marsala Red			

Model: 971-17 Model life 2017>>

Pos	Part Number	Description	Remark	Qty	Model		
21	971 886 744 OG6	Bordeaux Red		1	+BB		
	971 886 744 OL8	Chalk			+BK		
	971 886 744 5V0	Cream			+BE		
	971 886 743	Cover					
		Release					
		Rear					
	971 886 743 5Q0	Black			+AB, +AC		
	971 886 743 OA6	Agate Grey			+DG, +DL		
	971 886 743 6W0	Luxor Beige			+UB, +PK, +UC		
					+BP		
22	971 886 743 OL7	Saddle Tan		1	+SB, +BS		
	971 886 743 7X0	Marsala Red			+PC		
	971 886 743 OG6	Bordeaux Red			+BB		
	971 886 743 OL8	Chalk			+BK		
	971 886 743 5V0	Cream			+BE		
	971 883 481	Lock					
		Centre piece					
	23	971 886 748	Cover			1	
			Lock				
			Centre piece				
971 886 748 1E0		Black		+AB, +PK, +AC			
				+BB, +BS, +BK			
971 886 748 OP1		Agate Grey		+DG, +DL			
971 886 748 4H0		Luxor Beige		+UB, +UC			
971 886 748 OM8		Saddle Tan		+SB			
971 886 748 3G0		Marsala Red		+PC, +BE			
25		971 885 081	Armrest without Crest		1		IN0K/N1X/6E1
	971 885 081 GDB	Black		+AB			
	971 885 081 GHB	Agate Grey		+DG			
	971 885 081 GFB	Luxor Beige		+UB, +PK			
	(25) 971 885 081 A	Armrest without Crest		IN0Q/N1P/N5U I6E1			
	971 885 081 A GDC	Black		+AC			
	971 885 081 A GHC	Agate Grey		+DL			
	971 885 081 A DUE	Saddle Tan		+SB, +BS			
	971 885 081 A GFC	Luxor Beige		+UC, +BP			
	971 885 081 A DAK	Marsala Red		+PC			
(25)	971 885 081 A GUC	Bordeaux Red		1	+BB		
	971 885 081 A GVC	Chalk			+BK		
	971 885 081 A DAL	Cream			+BE		
	971 885 081 C	Armrest with Crest			IN0K/N1X/6E2		
	971 885 081 C GDB	Black			+AB		
	971 885 081 C GHB	Agate Grey			+DG		
	971 885 081 C GFB	Luxor Beige			+UB, +PK		
	(25) 971 885 081 R	Armrest with Crest			IN0Q/N5U/6E2		
	971 885 081 R GDC	Black			+AC		
	971 885 081 R GHC	Agate Grey			+DL		
(25)	971 885 081 R DUE	Saddle Tan		1	+SB, +BS		
	971 885 081 R GFC	Luxor Beige			+UC, +BP		
	971 885 081 R DAK	Marsala Red			+PC		
	971 885 081 R GUC	Bordeaux Red			+BB		
	971 885 081 R GVC	Chalk			+BK		
	971 885 081 R DAL	Cream			+BE		
	971 885 081 F	Armrest			IA8F/L0L/N0K IN1X/0E1/1X1		

Model: 971-17

Model life 2017>>

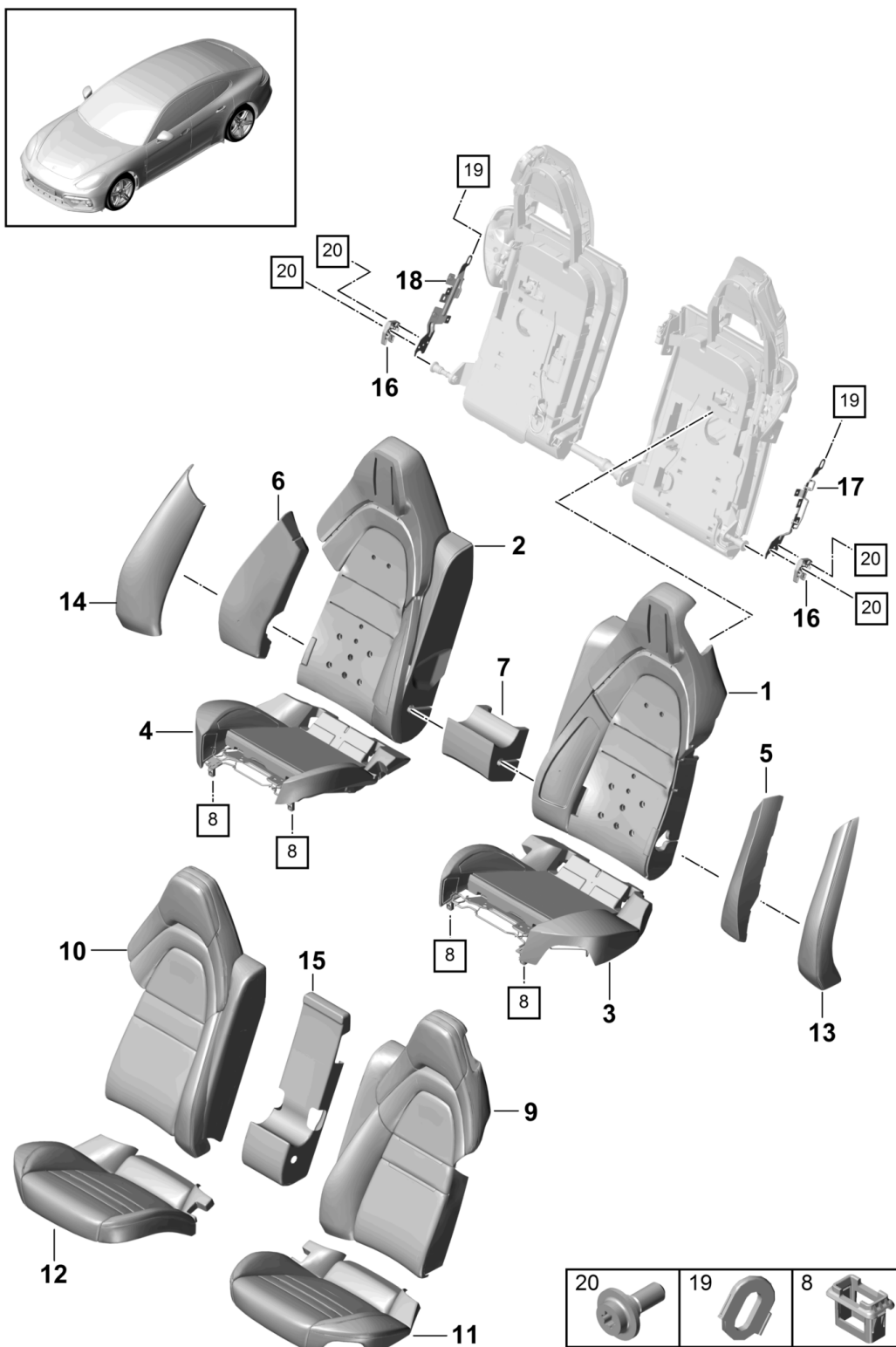
Pos	Part Number	Description	Remark	Qty	Model
		with Panamera 4S Logo			I6E3
(25)	971 885 081 F GDB	Black		1	+AB
	971 885 081 F GHB	Agate Grey			+DG
	971 885 081 F GFB	Luxor Beige			+UB, +PK
	971 885 081 AA	Armrest			IA8F/L0L/N0Q IN5U/0E1/1X1 I6E3
		with Panamera 4S Logo			
(25)	971 885 081 AA GDC	Black		1	+AC
	971 885 081 AA GHC	Agate Grey			+DL
	971 885 081 AA DUE	Saddle Tan			+SB, +BS
	971 885 081 AA GFC	Luxor Beige			+UC, +BP
	971 885 081 AA DAK	Marsala Red			+PC
	971 885 081 AA GUC	Bordeaux Red			+BB
	971 885 081 AA GVC	Chalk			+BK
	971 885 081 AA DAL	Cream			+BE
	971 885 081 G	Armrest			IA8H/E0A/L0L IN0K/N1X/0E1 I6E3
		with Panamera Turbo Logo			
(25)	971 885 081 G GDB	Black		1	+AB
	971 885 081 G GHB	Agate Grey			+DG
	971 885 081 G GFB	Luxor Beige			+UB, +PK
	971 885 081 AB	Armrest			IA8H/E0A/L0L IN0Q/N5U/0E1 I6E3
		with Panamera Turbo Logo			
(25)	971 885 081 AB GDC	Black		1	+AC
	971 885 081 AB GHC	Agate Grey			+DL
	971 885 081 AB DUE	Saddle Tan			+SB, +BS
	971 885 081 AB GFC	Luxor Beige			+UC, +BP
	971 885 081 AB DAK	Marsala Red			+PC
	971 885 081 AB GUC	Bordeaux Red			+BB
	971 885 081 AB GVC	Chalk			+BK
	971 885 081 AB DAL	Cream			+BE
	971 885 081 M	Armrest			IA8F/L0R/N0K IN1X/0E1/1X1 I6E3
		with Panamera 4S Logo			
(25)	971 885 081 M GDB	Black		1	+AB
	971 885 081 M GHB	Agate Grey			+DG
	971 885 081 M GFB	Luxor Beige			+UB, +PK
	971 885 081 AG	Armrest			IA8F/L0R/N0Q IN5U/0E1/1X1 I6E3
		with Panamera 4S Logo			
	971 885 081 AG GDC	Black			+AC
	971 885 081 AG GHC	Agate Grey			+DL
	971 885 081 AG DUE	Saddle Tan			+SB, +BS
	971 885 081 AG GFC	Luxor Beige			+UC, +BP

Model: 971-17 Model life 2017>>

Pos	Part Number	Description	Remark	Qty	Model	
(25)	971 885 081 AG DAK	Marsala Red		1	+PC	
	971 885 081 AG GUC	Bordeaux Red			+BB	
	971 885 081 AG GVC	Chalk			+BK	
	971 885 081 AG DAL	Cream			+BE	
	971 885 081 N	Armrest			IA8H/E0A/L0R IN0K/N1X/0E1 I6E3	
		with Panamera Turbo Logo				
(25)	971 885 081 N GDB	Black		1	+AB	
	971 885 081 N GHB	Agate Grey			+DG	
	971 885 081 N GFB	Luxor Beige			+UB, +PK	
	971 885 081 AH	Armrest			IA8H/E0A/L0R IN0Q/N5U/0E1 I6E3	
			with Panamera Turbo Logo			
	971 885 081 AH GDC	Black			+AC	
	971 885 081 AH GHC	Agate Grey			+DL	
	971 885 081 AH DUE	Saddle Tan			+SB, +BS	
	971 885 081 AH GFC	Luxor Beige			+UC, +BP	
	971 885 081 AH DAK	Marsala Red			+PC	
971 885 081 AH GUC	Bordeaux Red		+BB			
971 885 081 AH GVC	Chalk		+BK			
971 885 081 AH DAL	Cream		+BE			

Model: 971-17

Model life 2017>>



Model: 971-17

Model life 2017>>

Pos	Part Number	Description	Remark	Qty	Model
		Seat Rear Premium Comfort version			I3KK
1	971 885 775 BR	Foam part Cover Foam part	/L	1	I4D0/4D3/4D5 I4D7
(1)	971 885 775 BQ	Backrest Left Comfort version Foam part	/L	1	I4D1/4D2/4D9
		Backrest Left Vented Massage Comfort version			
2	971 885 776 AG	Foam part	/R	1	I4D0/4D3/4D5 I4D7
		Backrest Right Comfort version			
(2)	971 885 776 AH	Foam part Backrest Right Vented Massage Comfort version	/R	1	I4D1/4D2/4D9
		Foam part			
3	971 885 375 AD	Foam part	/L	1	I4D0/4D3/4D5 I4D7
		Seat cushion Left Comfort version			
(3)	971 885 375 AE	Foam part Seat cushion Left Vented Massage Comfort version	/L	1	I4D1/4D2/4D9
		Foam part			
4	971 885 376 AD	Foam part	/R	1	I4D0/4D3/4D5 I4D7
		Seat cushion Right Comfort version			
(4)	971 885 376 AE	Foam part Seat cushion Right Vented Massage Comfort version	/R	1	I4D1/4D2/4D9
		Foam part			
5	971 885 891 Q	Foam part Side section Seat Left Comfort version without Airbag	/L	1	I4X3
		Foam part Side section Seat Left Comfort version with			
(5)	971 885 891 R	Foam part Side section Seat Left Comfort version with	/L	1	I4X4

Model: 971-17 Model life 2017>>

Pos	Part Number	Description	Remark	Qty	Model
6	971 885 892 Q	Airbag Foam part Side section Seat Right Comfort version without Airbag	/R	1	I4X3
(6)	971 885 892 R	Foam part Side section Seat Right Comfort version with Airbag	/R	1	I4X4
7	971 885 385 B	Foam part Centre part Seat		1	
8	971 885 313 A	Clip Seat cushion		4	
9	971 885 805 HL	Cover Backrest Left Comfort version without Crest	/L	1	IN1X/3J4/4D0 I4D7
	971 885 805 HL GDB	Black			+AB
	971 885 805 HL GHB	Agate Grey			+DG
	971 885 805 HL GFB	Luxor Beige			+UB, +PK
(9)	971 885 805 HM	Cover Backrest Left Comfort version without Crest	/L	1	IN5U/3J4/4D0 I4D7
	971 885 805 HM GDC	Black			+AC
	971 885 805 HM GHC	Agate Grey			+DL
	971 885 805 HM DUE	Saddle Tan			+SB, +BS
	971 885 805 HM GFC	Luxor Beige			+UC, +BP
	971 885 805 HM DAK	Marsala Red			+PC
	971 885 805 HM GUC	Bordeaux Red			+BB
	971 885 805 HM GVC	Chalk			+BK
	971 885 805 HM DAL	Cream			+BE
(9)	971 885 805 HP	Cover Backrest Left Comfort version without Crest Perforated	/L	1	IN0K/3J4/4D3 I4D5
	971 885 805 HP GDB	Black			+AB
	971 885 805 HP GHB	Agate Grey			+DG
	971 885 805 HP GFB	Luxor Beige			+UB, +PK
(9)	971 885 805 HQ	Cover Backrest Left Comfort version without Crest	/L	1	IN0Q/3J4/4D3 I4D5

Model: 971-17

Model life 2017>>

Pos	Part Number	Description	Remark	Qty	Model
	971 885 805 HQ GDC	Perforated Black			+AC
	971 885 805 HQ GHC	Agate Grey			+DL
	971 885 805 HQ DUE	Saddle Tan			+SB, +BS
	971 885 805 HQ GFC	Luxor Beige			+UC, +BP
	971 885 805 HQ DAK	Marsala Red			+PC
	971 885 805 HQ GUC	Bordeaux Red			+BB
	971 885 805 HQ GVC	Chalk			+BK
	971 885 805 HQ DAL	Cream			+BE
(9)	971 885 805 JH	Cover	/L	1	IN0K/3J4/4D1 I4D2/4D9
		Backrest Left Comfort version without Crest Perforated			
	971 885 805 JH GDB	Black			+AB
	971 885 805 JH GHB	Agate Grey			+DG
	971 885 805 JH GFB	Luxor Beige			+UB, +PK
(9)	971 885 805 JJ	Cover	/L	1	IN0Q/3J4/4D1 I4D2/4D9
		Backrest Left Comfort version without Crest Perforated			
	971 885 805 JJ GDC	Black			+AC
	971 885 805 JJ GHC	Agate Grey			+DL
	971 885 805 JJ DUE	Saddle Tan			+SB, +BS
	971 885 805 JJ GFC	Luxor Beige			+UC, +BP
	971 885 805 JJ DAK	Marsala Red			+PC
	971 885 805 JJ GUC	Bordeaux Red			+BB
	971 885 805 JJ GVC	Chalk			+BK
	971 885 805 JJ DAL	Cream			+BE
(9)	971 885 805 HS	Cover	/L	1	IN1X/4D0/4D7 I5ZF
		Backrest Left Comfort version with Crest			
	971 885 805 HS GDB	Black			+AB
	971 885 805 HS GHB	Agate Grey			+DG
	971 885 805 HS GFB	Luxor Beige			+UB, +PK
(9)	971 885 805 HT	Cover	/L	1	IN5U/4D0/4D7 I5ZF
		Backrest Left Comfort version with Crest			
	971 885 805 HT GDC	Black			+AC
	971 885 805 HT GHC	Agate Grey			+DL
	971 885 805 HT DUE	Saddle Tan			+SB, +BS
	971 885 805 HT GFC	Luxor Beige			+UC, +BP
	971 885 805 HT DAK	Marsala Red			+PC
	971 885 805 HT GUC	Bordeaux Red			+BB
	971 885 805 HT GVC	Chalk			+BK
	971 885 805 HT DAL	Cream			+BE
(9)	971 885 805 JB	Cover	/L	1	IN0K/4D1/4D3 I4D5/5ZF

Model: 971-17 Model life 2017>>

Pos	Part Number	Description	Remark	Qty	Model
(9)	971 885 805 JB GDB	Backrest Left Comfort version with Crest Perforated Black	/L	1	+AB +DG +UB, +PK IN0Q/4D3/4D5 I5ZF
	971 885 805 JB GHB	Agate Grey			
	971 885 805 JB GFB	Luxor Beige			
	971 885 805 JC	Cover			
(9)	971 885 805 JC GDC	Backrest Left Comfort version with Crest Perforated Black	/L	1	+AC +DL +SB, +BS +UC, +BP +PC +BB +BK +BE IN0K/4D1/4D2 I4D9/5ZF
	971 885 805 JC GHC	Agate Grey			
	971 885 805 JC DUE	Saddle Tan			
	971 885 805 JC GFC	Luxor Beige			
	971 885 805 JC DAK	Marsala Red			
	971 885 805 JC GUC	Bordeaux Red			
	971 885 805 JC GVC	Chalk			
	971 885 805 JC DAL	Cream			
	971 885 805 JP	Cover			
	(9)	971 885 805 JP GDB			
971 885 805 JP GHB		Agate Grey			
971 885 805 JP GFB		Luxor Beige			
971 885 805 JQ		Cover			
10	971 885 805 JQ GDC	Backrest Left Comfort version with Crest Perforated Black	/R	1	+AC +DL +SB, +BS +UC, +BP +PC +BB +BK +BE IN1X/3J4/4D0 I4D7
	971 885 805 JQ GHC	Agate Grey			
	971 885 805 JQ DUE	Saddle Tan			
	971 885 805 JQ GFC	Luxor Beige			
	971 885 805 JQ DAK	Marsala Red			
	971 885 805 JQ GUC	Bordeaux Red			
	971 885 805 JQ GVC	Chalk			
	971 885 805 JQ DAL	Cream			
	971 885 806 EN	Cover			
	(10)	971 885 806 EN GDB			
971 885 806 EN GHB		Agate Grey			
971 885 806 EN GFB		Luxor Beige			
971 885 806 EP		Cover			

Model: 971-17

Model life 2017>>

Pos	Part Number	Description	Remark	Qty	Model
		Backrest Right Comfort version without Crest			I4D7
	971 885 806 EP GDC	Black			+AC
	971 885 806 EP GHC	Agate Grey			+DL
	971 885 806 EP DUE	Saddle Tan			+SB, +BS
	971 885 806 EP GFC	Luxor Beige			+UC, +BP
	971 885 806 EP DAK	Marsala Red			+PC
	971 885 806 EP GUC	Bordeaux Red			+BB
	971 885 806 EP GVC	Chalk			+BK
	971 885 806 EP DAL	Cream			+BE
(10)	971 885 806 ER	Cover	/R	1	IN0K/3J4/4D3 I4D5
		Backrest Right Comfort version without Crest Perforated			
	971 885 806 ER GDB	Black			+AB
	971 885 806 ER GHB	Agate Grey			+DG
	971 885 806 ER GFB	Luxor Beige			+UB, +PK
(10)	971 885 806 ES	Cover	/R	1	IN0Q/3J4/4D3 I4D5
		Backrest Right Comfort version without Crest Perforated			
	971 885 806 ES GDC	Black			+AC
	971 885 806 ES GHC	Agate Grey			+DL
	971 885 806 ES DUE	Saddle Tan			+SB, +BS
	971 885 806 ES GFC	Luxor Beige			+UC, +BP
	971 885 806 ES DAK	Marsala Red			+PC
	971 885 806 ES GUC	Bordeaux Red			+BB
	971 885 806 ES GVC	Chalk			+BK
	971 885 806 ES DAL	Cream			+BE
(10)	971 885 806 FK	Cover	/R	1	IN0K/3J4/4D1 I4D2/4D9
		Backrest Right Comfort version without Crest Perforated			
	971 885 806 FK GDB	Black			+AB
	971 885 806 FK GHB	Agate Grey			+DG
	971 885 806 FK GFB	Luxor Beige			+UB, +PK
(10)	971 885 806 FL	Cover	/R	1	IN0Q/3J4/4D1 I4D2/4D9
		Backrest Right Comfort version without Crest Perforated			
	971 885 806 FL GDC	Black			+AC
	971 885 806 FL GHC	Agate Grey			+DL
	971 885 806 FL DUE	Saddle Tan			+SB, +BS

Model: 971-17 Model life 2017>>

Pos	Part Number	Description	Remark	Qty	Model
(10)	971 885 806 FL GFC	Luxor Beige	/R	1	+UC, +BP
	971 885 806 FL DAK	Marsala Red			+PC
	971 885 806 FL GUC	Bordeaux Red			+BB
	971 885 806 FL GVC	Chalk			+BK
	971 885 806 FL DAL	Cream			+BE
	971 885 806 FA	Cover			IN1X/4D0/4D7
		Backrest			I5ZF
		Right			
		Comfort version			
		with			
(10)	971 885 806 FA GDB	Black	/R	1	+AB
	971 885 806 FA GHB	Agate Grey			+DG
	971 885 806 FA GFB	Luxor Beige			+UB, +PK
	971 885 806 FB	Cover			IN5U/4D0/4D7
		Backrest			I5ZF
		Right			
		Comfort version			
		with			
		Crest			
		Black			+AC
(10)	971 885 806 FB GDC	Black	/R	1	+DL
	971 885 806 FB GHC	Agate Grey			+SB, +BS
	971 885 806 FB DUE	Saddle Tan			+UC, +BP
	971 885 806 FB GFC	Luxor Beige			+PC
	971 885 806 FB DAK	Marsala Red			+BB
	971 885 806 FB GUC	Bordeaux Red			+BK
	971 885 806 FB GVC	Chalk			+BE
	971 885 806 FB DAL	Cream			IN0K/4D3/4D5
	971 885 806 FD	Cover			I5ZF
		Backrest			
(10)	971 885 806 FD GDB	Black	/R	1	+AB
	971 885 806 FD GHB	Agate Grey			+DG
	971 885 806 FD GFB	Luxor Beige			+UB, +PK
	971 885 806 FE	Cover			IN0Q/4D3/4D5
		Backrest			I5ZF
		Right			
		Comfort version			
		with			
		Crest			
		Perforated			
(10)	971 885 806 FE GDC	Black	/R	1	+AC
	971 885 806 FE GHC	Agate Grey			+DL
	971 885 806 FE DUE	Saddle Tan			+SB, +BS
	971 885 806 FE GFC	Luxor Beige			+UC, +BP
	971 885 806 FE DAK	Marsala Red			+PC
	971 885 806 FE GUC	Bordeaux Red			+BB
	971 885 806 FE GVC	Chalk			+BK
	971 885 806 FE DAL	Cream			+BE
	971 885 806 FR	Cover			IN0K/4D1/4D2
		Backrest			I4D9/5ZF
	Right				
	Comfort version				
	with				

Model: 971-17 Model life 2017>>

Pos	Part Number	Description	Remark	Qty	Model				
(10)	971 885 806 FR GDB	Crest Perforated Black	/R	1	+AB +DG +UB, +PK IN0Q/4D1/4D2 I4D9/5ZF				
	971 885 806 FR GHB	Agate Grey							
	971 885 806 FR GFB	Luxor Beige							
	971 885 806 FS	Cover							
		Backrest Right Comfort version with Crest Perforated							
	971 885 806 FS GDC	Black							
	971 885 806 FS GHC	Agate Grey							
	971 885 806 FS DUE	Saddle Tan							
	971 885 806 FS GFC	Luxor Beige							
	971 885 806 FS DAK	Marsala Red							
11	971 885 806 FS GUC	Bordeaux Red	/L	1	+AC +DL +SB, +BS +UC, +BP +PC +BB +BK +BE				
	971 885 806 FS GVC	Chalk							
	971 885 806 FS DAL	Cream							
	971 885 405 BD	Cover Seat cushion Left Comfort version							
	971 885 405 BD GDB	Black							
	971 885 405 BD GHB	Agate Grey							
	971 885 405 BD GFB	Luxor Beige							
	(11)	971 885 405 BE				Cover Seat cushion Left Comfort version	/L	1	+AB +DG +UB, +PK IN5U/4D0/4D7
		971 885 405 BE GDC				Black			
		971 885 405 BE GHC				Agate Grey			
971 885 405 BE DUE		Saddle Tan							
971 885 405 BE GFC		Luxor Beige							
971 885 405 BE DAK		Marsala Red							
971 885 405 BE GUC		Bordeaux Red							
971 885 405 BE GVC		Chalk							
971 885 405 BE DAL		Cream							
(11)		971 885 405 BQ	Cover Seat cushion Left Comfort version Perforated	/L	1	+AB +DG +UB, +PK IN0K/4D1/4D2 I4D3/4D5/4D9			
	971 885 405 BQ GDB	Black							
	971 885 405 BQ GHB	Agate Grey							
	971 885 405 BQ GFB	Luxor Beige							
	971 885 405 BR	Cover Seat cushion Left Comfort version Perforated							
	971 885 405 BR GDC	Black							
	971 885 405 BR GHC	Agate Grey							
	971 885 405 BR DUE	Saddle Tan							
	971 885 405 BR GFC	Luxor Beige							
	971 885 405 BR DAK	Marsala Red							
971 885 405 BR GUC	Bordeaux Red								
971 885 405 BR GVC	Chalk								
971 885 405 BR DAL	Cream								

Model: 971-17

Model life 2017>>

Pos	Part Number	Description	Remark	Qty	Model
12	971 885 406 BD	Cover Seat cushion Right Comfort version	/R	1	IN1X/4D0/4D7
	971 885 406 BD GDB	Black			+AB
	971 885 406 BD GHB	Agate Grey			+DG
	971 885 406 BD GFB	Luxor Beige			+UB, +PK
(12)	971 885 406 BE	Cover Seat cushion Right Comfort version	/R	1	IN5U/4D0/4D7
	971 885 406 BE GDC	Black			+AC
	971 885 406 BE GHC	Agate Grey			+DL
	971 885 406 BE DUE	Saddle Tan			+SB, +BS
	971 885 406 BE GFC	Luxor Beige			+UC, +BP
	971 885 406 BE DAK	Marsala Red			+PC
	971 885 406 BE GUC	Bordeaux Red			+BB
	971 885 406 BE GVC	Chalk			+BK
	971 885 406 BE DAL	Cream			+BE
(12)	971 885 406 BQ	Cover Seat cushion Right Comfort version Perforated	/R	1	IN0K/4D1/4D2 I4D3/4D5/4D9
	971 885 406 BQ GDB	Black			+AB
	971 885 406 BQ GHB	Agate Grey			+DG
	971 885 406 BQ GFB	Luxor Beige			+UB, +PK
(12)	971 885 406 BR	Cover Seat cushion Right Comfort version Perforated	/R	1	IN0Q/4D1/4D2 I4D3/4D5/4D9
	971 885 406 BR GDC	Black			+AC
	971 885 406 BR GHC	Agate Grey			+DL
	971 885 406 BR DUE	Saddle Tan			+SB, +BS
	971 885 406 BR GFC	Luxor Beige			+UC, +BP
	971 885 406 BR DAK	Marsala Red			+PC
	971 885 406 BR GUC	Bordeaux Red			+BB
	971 885 406 BR GVC	Chalk			+BK
	971 885 406 BR DAL	Cream			+BE
13	971 885 745 DD	Cover Side section Left Comfort version without Airbag	/L	1	IN1X/4D0/4D7 I4X3
	971 885 745 DD 21U	Black			+AB
	971 885 745 DD OF6	Agate Grey			+DG
	971 885 745 DD 32X	Luxor Beige			+UB, +PK
(13)	971 885 745 DE	Cover Side section Left Comfort version without Airbag	/L	1	IN5U/4D0/4D7 I4X3
	971 885 745 DE 8YR	Black			+AC
	971 885 745 DE PL1	Agate Grey			+DL
	971 885 745 DE OK6	Saddle Tan			+SB, +BS
	971 885 745 DE 9H6	Luxor Beige			+UC, +BP

Model: 971-17 Model life 2017>>

Pos	Part Number	Description	Remark	Qty	Model		
(13)	971 885 745 DE 8M8	Marsala Red	/L	1	+PC		
	971 885 745 DE OG6	Bordeaux Red			+BB		
	971 885 745 DE OL8	Chalk			+BK		
	971 885 745 DE 6G0	Cream			+BE		
	971 885 745 DQ	Cover			IN0K/4D1/4D2 I4D3/4D5/4D9 I4X3		
(13)	971 885 745 DQ 21U	Side section Left Comfort version without Airbag Perforated Black	/L	1	+AB		
	971 885 745 DQ OF6	Agate Grey			+DG		
	971 885 745 DQ 32X	Luxor Beige			+UB, +PK		
	971 885 745 DR	Cover			IN0Q/4D1/4D2 I4D3/4D5/4D9 I4X3		
	971 885 745 DR 8YR	Black			+AC		
(13)	971 885 745 DR PL1	Agate Grey	/L	1	+DL		
	971 885 745 DR OK6	Saddle Tan			+SB, +BS		
	971 885 745 DR 9H6	Luxor Beige			+UC, +BP		
	971 885 745 DR 8M8	Marsala Red			+PC		
	971 885 745 DR OG6	Bordeaux Red			+BB		
	971 885 745 DR OL8	Chalk			+BK		
	971 885 745 DR 6G0	Cream			+BE		
	971 885 745 DJ	Cover			IN1X/4D0/4D7 I4X4		
	971 885 745 DJ 21U	Side section Left Comfort version with Airbag			/L	1	+AB
	971 885 745 DJ OF6	Black					+DG
971 885 745 DJ 32X	Agate Grey	+UB, +PK					
971 885 745 DK	Luxor Beige	IN5U/4D0/4D7 I4X4					
971 885 745 DK 8YR	Cover	+AC					
971 885 745 DK PL1	Side section Left Comfort version with Airbag	+DL					
971 885 745 DK OK6	Black	+SB, +BS					
971 885 745 DK 9H6	Agate Grey	+UC, +BP					
971 885 745 DK 8M8	Saddle Tan	+PC					
971 885 745 DK OG6	Luxor Beige	+BB					
(13)	971 885 745 DK OL8	Marsala Red	/L	1	+BK		
	971 885 745 DK 6G0	Bordeaux Red			+BE		
	971 885 745 DS	Cream			IN0K/4D1/4D2 I4D3/4D5/4D9 I4X4		
	971 885 745 DS	Cover					
	971 885 745 DK 8YR	Side section Left					
	971 885 745 DK PL1	Black					
	971 885 745 DK OK6	Agate Grey					
	971 885 745 DK 9H6	Saddle Tan					
	971 885 745 DK 8M8	Luxor Beige					
	971 885 745 DK OG6	Marsala Red					

Model: 971-17 Model life 2017>>

Pos	Part Number	Description	Remark	Qty	Model
(13)	971 885 745 DS 21U	Comfort version with Airbag Perforated Black	/L	1	+AB +DG +UB, +PK IN0Q/4D1/4D2 I4D3/4D5/4D9 I4X4
	971 885 745 DS OF6	Agate Grey			
	971 885 745 DS 32X	Luxor Beige			
	971 885 745 DT	Cover			
14		Side section Left Comfort version with Airbag Perforated	/R	1	+AC +DL +SB, +BS +UC, +BP +PC +BB +BK +BE IN1X/4D0/4D7 I4X3
	971 885 745 DT 8YR	Black			
	971 885 745 DT PL1	Agate Grey			
	971 885 745 DT OK6	Saddle Tan			
	971 885 745 DT 9H6	Luxor Beige			
	971 885 745 DT 8M8	Marsala Red			
	971 885 745 DT OG6	Bordeaux Red			
	971 885 745 DT OL8	Chalk			
	971 885 745 DT 6G0	Cream			
	971 885 746 DD	Cover			
(14)		Side section Right Comfort version without Airbag	/R	1	+AB +DG +UB, +PK IN5U/4D0/4D7 I4X3
	971 885 746 DD 21U	Black			
	971 885 746 DD OF6	Agate Grey			
	971 885 746 DD 32X	Luxor Beige			
(14)		Side section Right Comfort version Airbag without	/R	1	+AC +DL +SB, +BS +UC, +BP +PC +BB +BK +BE IN0K/4D1/4D2 I4D3/4D5/4D9 I4X3
	971 885 746 DE 8YR	Black			
	971 885 746 DE PL1	Agate Grey			
	971 885 746 DE OK6	Saddle Tan			
	971 885 746 DE 9H6	Luxor Beige			
	971 885 746 DE 8M8	Marsala Red			
	971 885 746 DE OG6	Bordeaux Red			
	971 885 746 DE OL8	Chalk			
	971 885 746 DE 6G0	Cream			
	971 885 746 DQ	Cover			
(14)		Side section Right Comfort version without Airbag Perforated	/R	1	+AB +DG +UB, +PK IN0Q/4D1/4D2 I4D3/4D5/4D9
	971 885 746 DQ 21U	Black			
	971 885 746 DQ OF6	Agate Grey			
	971 885 746 DQ 32X	Luxor Beige			
971 885 746 DR	Cover				

Model: 971-17

Model life 2017>>

Pos	Part Number	Description	Remark	Qty	Model
		Side section Right Comfort version without Airbag Perforated			I4X3
	971 885 746 DR 8YR	Black			+AC
	971 885 746 DR PL1	Agate Grey			+DL
	971 885 746 DR OK6	Saddle Tan			+SB, +BS
	971 885 746 DR 9H6	Luxor Beige			+UC, +BP
	971 885 746 DR 8M8	Marsala Red			+PC
	971 885 746 DR OG6	Bordeaux Red			+BB
	971 885 746 DR OL8	Chalk			+BK
	971 885 746 DR 6G0	Cream			+BE
(14)	971 885 746 DJ	Cover	/R	1	IN1X/4D0/4D7 I4X4
		Side section Right Comfort version with Airbag			
	971 885 746 DJ 21U	Black			+AB
	971 885 746 DJ OF6	Agate Grey			+DG
	971 885 746 DJ 32X	Luxor Beige			+UB, +PK
(14)	971 885 746 DK	Cover	/R	1	IN5U/4D0/4D7 I4X4
		Side section Right Comfort version with Airbag			
	971 885 746 DK 8YR	Black			+AC
	971 885 746 DK PL1	Agate Grey			+DL
	971 885 746 DK OK6	Saddle Tan			+SB, +BS
	971 885 746 DK 9H6	Luxor Beige			+UC, +BP
	971 885 746 DK 8M8	Marsala Red			+PC
	971 885 746 DK OG6	Bordeaux Red			+BB
	971 885 746 DK OL8	Chalk			+BK
	971 885 746 DK 6G0	Cream			+BE
(14)	971 885 746 DS	Cover	/R	1	IN0K/4D1/4D2 I4D3/4D5/4D9 I4X4
		Side section Right Comfort version with Airbag Perforated			
	971 885 746 DS 21U	Black			+AB
	971 885 746 DS OF6	Agate Grey			+DG
	971 885 746 DS 32X	Luxor Beige			+UB, +PK
(14)	971 885 746 DT	Cover	/R	1	IN0Q/4D1/4D2 I4D3/4D5/4D9 I4X4
		Side section Right Comfort version with Airbag Perforated			
	971 885 746 DT 8YR	Black			+AC
	971 885 746 DT PL1	Agate Grey			+DL

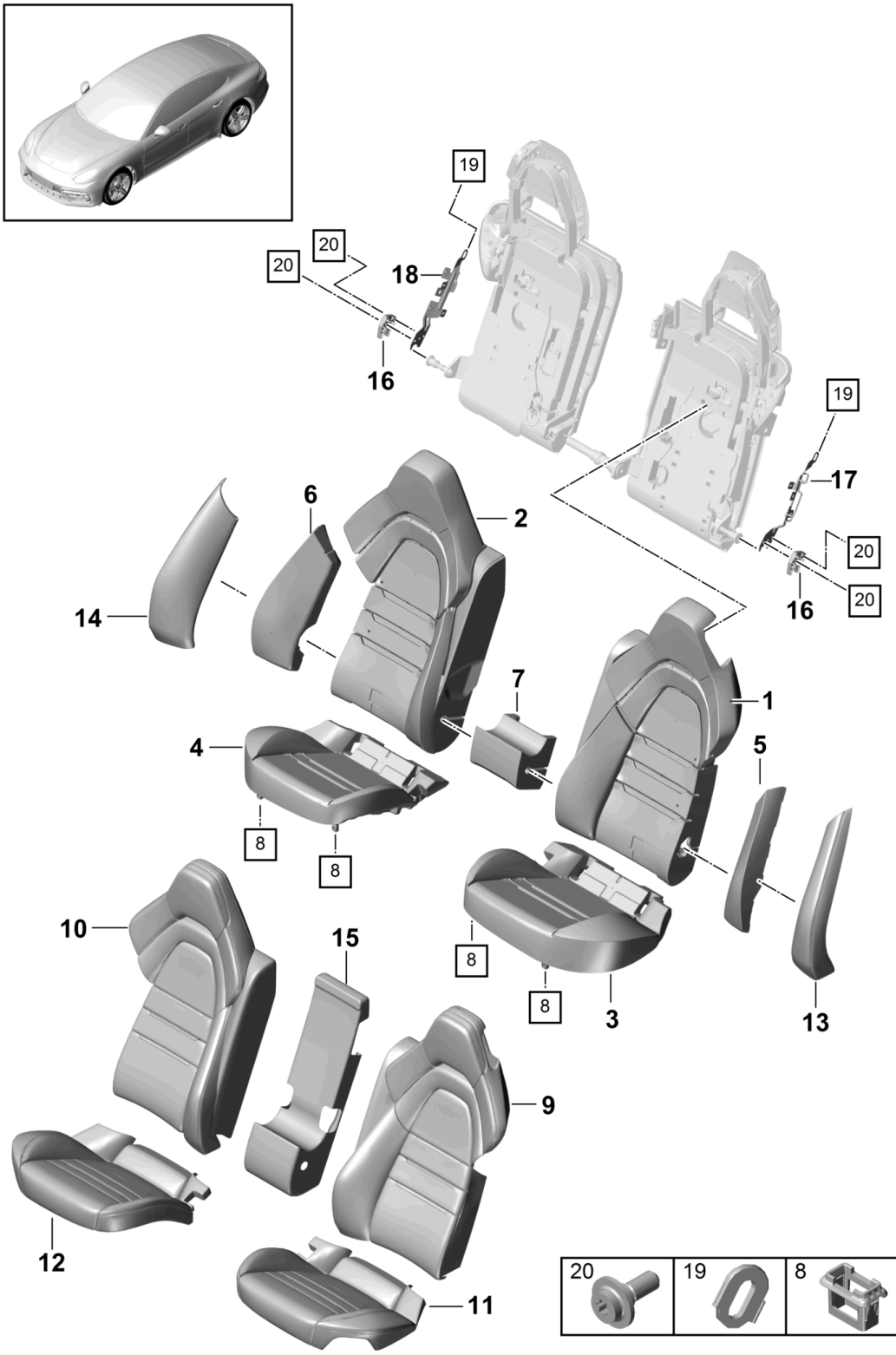
Model: 971-17

Model life 2017>>

Pos	Part Number	Description	Remark	Qty	Model
15	971 885 746 DT OK6	Saddle Tan		1	+SB, +BS
	971 885 746 DT 9H6	Luxor Beige			+UC, +BP
	971 885 746 DT 8M8	Marsala Red			+PC
	971 885 746 DT OG6	Bordeaux Red			+BB
	971 885 746 DT OL8	Chalk			+BK
	971 885 746 DT 6G0	Cream			+BE
	971 885 723 F	Cover			IN0K/N1X
		Centre part			
		Backrest			
	971 885 723 F GDB	Black			+AB
	971 885 723 F GHB	Agate Grey			+DG
	971 885 723 F GFB	Luxor Beige			+UB, +PK
	(15) 971 885 723 G	Cover			IN0Q/N5U
		Centre part			
		Backrest			
971 885 723 G GDC	Black		+AC		
971 885 723 G GHC	Agate Grey		+DL		
971 885 723 G DUE	Saddle Tan		+SB, +BS		
971 885 723 G GFC	Luxor Beige		+UC, +BP		
971 885 723 G DAK	Marsala Red		+PC		
971 885 723 G GUC	Bordeaux Red		+BB		
971 885 723 G GVC	Chalk		+BK		
971 885 723 G DAL	Cream		+BE		
16	971 885 585	Bracket		2	
		Side section			
17	971 885 189 A	Retainer plate	/L	1	
		Side section			
		Left			
18	971 885 190 A	Retainer plate	/R	1	
		Side section			
		Right			
19	971 885 939 A	Guide piece		2	
		Side section			
20	9A7 008 033 00	Hexagon socket head bolt		4	M6x16

Model: 971-17

Model life 2017>>



Model: 971-17 Model life 2017>>

Pos	Part Number	Description	Remark	Qty	Model
		Seat Rear Premium Sport version Foam part Cover			I3KL
1	971 885 775 BT	Foam part Backrest Left	/L	1	I4D0/4D3
(1)	971 885 775 BS	Sport version Foam part Backrest Left Vented Massage Sport version	/L	1	I4D1/4D9
2	971 885 776 AK	Foam part Backrest Right	/R	1	I4D0/4D3
(2)	971 885 776 AL	Sport version Foam part Backrest Right Vented Massage Sport version	/R	1	I4D1/4D9
3	971 885 375 AF	Foam part Seat cushion Left	/L	1	I4D0/4D3
(3)	971 885 375 AG	Sport version Foam part Seat cushion Left Vented Massage Sport version	/L	1	I4D1/4D9
4	971 885 376 AF	Foam part Seat cushion Right	/R	1	I4D0/4D3
(4)	971 885 376 AG	Sport version Foam part Seat cushion Right Vented Massage Sport version	/R	1	I4D1/4D9
5	971 885 891 S	Foam part	/L	1	I4D0/4D1/4D3 I4X3
(5)	971 885 891 T	Side section Seat Left Sport version without Airbag Foam part	/L	1	I4D0/4D1/4D3 I4X4
6	971 885 892 S	Side section Seat Left Sport version with Airbag Foam part	/R	1	I4D0/4D1/4D3

Model: 971-17 Model life 2017>>

Pos	Part Number	Description	Remark	Qty	Model
		Side section Seat Right Sport version without Airbag Foam part	/R	1	I4X3 I4D0/4D1/4D3 I4X4
(6)	971 885 892 T				
7	971 885 385 B	Side section Seat Right Sport version with Airbag Foam part Centre part		1	
8	971 885 313 A	Seat Clip Seat cushion		4	
9	971 885 805 JS	Cover	/L	1	IN1X/3J4/4D0 I4D7
		Backrest Left Sport version without Crest			
	971 885 805 JS GDB	Black			+AB
	971 885 805 JS GHB	Agate Grey			+DG
	971 885 805 JS GFB	Luxor Beige			+UB, +PK
(9)	971 885 805 JT	Cover	/L	1	IN5U/3J4/4D0 I4D7
		Backrest Left Sport version without Crest			
	971 885 805 JT GDC	Black			+AC
	971 885 805 JT GHC	Agate Grey			+DL
	971 885 805 JT DUE	Saddle Tan			+SB, +BS
	971 885 805 JT GFC	Luxor Beige			+UC, +BP
	971 885 805 JT DAK	Marsala Red			+PC
	971 885 805 JT GUC	Bordeaux Red			+BB
	971 885 805 JT GVC	Chalk			+BK
	971 885 805 JT DAL	Cream			+BE
(9)	971 885 805 KB	Cover	/L	1	IN0K/3J4/4D1 I4D3/4D5/4D9
		Backrest Left Sport version without Crest			
	971 885 805 KB GDB	Black			+AB
	971 885 805 KB GHB	Agate Grey			+DG
	971 885 805 KB GFB	Luxor Beige			+UB, +PK
(9)	971 885 805 KC	Cover	/L	1	IN0Q/3J4/4D1 I4D3/4D5/4D9
		Backrest Left Sport version without Crest			

Model: 971-17

Model life 2017>>

Pos	Part Number	Description	Remark	Qty	Model			
(9)	971 885 805 KC GDC	Perforated Black	/L	1	+AC			
	971 885 805 KC GHC	Agate Grey			+DL			
	971 885 805 KC DUE	Saddle Tan			+SB, +BS			
	971 885 805 KC GFC	Luxor Beige			+UC, +BP			
	971 885 805 KC DAK	Marsala Red			+PC			
	971 885 805 KC GUC	Bordeaux Red			+BB			
	971 885 805 KC GVC	Chalk			+BK			
	971 885 805 KC DAL	Cream			+BE			
	971 885 805 KE	Cover			IN1X/4D0/4D7 I5ZF			
	(9)	971 885 805 KE GDB			Backrest Left Sport version with Crest Black	/L	1	+AB
971 885 805 KE GHB		Agate Grey	+DG					
971 885 805 KE GFB		Luxor Beige	+UB, +PK					
971 885 805 KF		Cover	IN5U/4D0/4D7 I5ZF					
(9)		971 885 805 KF GDC	Backrest Left Sport version with Crest Black	/L	1			+AC
		971 885 805 KF GHC	Agate Grey					+DL
		971 885 805 KF DUE	Saddle Tan					+SB, +BS
		971 885 805 KF GFC	Luxor Beige					+UC, +BP
		971 885 805 KF DAK	Marsala Red					+PC
		971 885 805 KF GUC	Bordeaux Red					+BB
	971 885 805 KF GVC	Chalk	+BK					
	971 885 805 KF DAL	Cream	+BE					
	971 885 805 KH	Cover	IN0K/4D1/4D3 I4D5/4D9/5ZF					
	(9)	971 885 805 KH GDB	Backrest Left Sport version with Crest Perforated Black			/L	1	+AB
971 885 805 KH GHB		Agate Grey	+DG					
971 885 805 KH GFB		Luxor Beige	+UB, +PK					
971 885 805 KJ		Cover	IN0Q/4D1/4D3 I4D5/4D9/5ZF					
10		971 885 805 KJ GDC	Backrest Left Sport version with Crest Perforated Black	/R	1			+AC
		971 885 805 KJ GHC	Agate Grey					+DL
		971 885 805 KJ DUE	Saddle Tan					+SB, +BS
		971 885 805 KJ GFC	Luxor Beige					+UC, +BP
		971 885 805 KJ DAK	Marsala Red					+PC
		971 885 805 KJ GUC	Bordeaux Red					+BB
	971 885 805 KJ GVC	Chalk	+BK					
	971 885 805 KJ DAL	Cream	+BE					
	971 885 806 GA	Cover	IN1X/3J4/4D0 I4D7					

Model: 971-17 Model life 2017>>

Pos	Part Number	Description	Remark	Qty	Model
(10)	971 885 806 GA GDB 971 885 806 GA GHB 971 885 806 GA GFB 971 885 806 GB	Backrest Right Sport version without Crest Black Agate Grey Luxor Beige Cover	/R	1	+AB +DG +UB, +PK IN5U/3J4/4D0 I4D7
(10)	971 885 806 GB GDC 971 885 806 GB GHC 971 885 806 GB DUE 971 885 806 GB GFC 971 885 806 GB DAK 971 885 806 GB GUC 971 885 806 GB GVC 971 885 806 GB DAL 971 885 806 GD	Backrest Right Sport version without Crest Black Agate Grey Saddle Tan Luxor Beige Marsala Red Bordeaux Red Chalk Cream Cover	/R	1	+AC +DL +SB, +BS +UC, +BP +PC +BB +BK +BE IN0K/3J4/4D1 I4D3/4D5/4D9
(10)	971 885 806 GD GDB 971 885 806 GD GHB 971 885 806 GD GFB 971 885 806 GE	Backrest Right Sport version without Crest Perforated Black Agate Grey Luxor Beige Cover	/R	1	+AB +DG +UB, +PK IN0Q/3J4/4D1 I4D3/4D5/4D9
(10)	971 885 806 GE GDC 971 885 806 GE GHC 971 885 806 GE DUE 971 885 806 GE GFC 971 885 806 GE DAK 971 885 806 GE GUC 971 885 806 GE GVC 971 885 806 GE DAL 971 885 806 GG	Backrest Right Sport version without Crest Perforated Black Agate Grey Saddle Tan Luxor Beige Marsala Red Bordeaux Red Chalk Cream Cover	/R	1	+AC +DL +SB, +BS +UC, +BP +PC +BB +BK +BE IN1X/4D0/4D7 I5ZF
(10)	971 885 806 GG GDB 971 885 806 GG GHB 971 885 806 GG GFB 971 885 806 GH	Backrest Right Sport version with Crest Black Agate Grey Luxor Beige Cover	/R	1	+AB +DG +UB, +PK IN5U/4D0/4D7 I5ZF
		Backrest			

Model: 971-17

Model life 2017>>

Pos	Part Number	Description	Remark	Qty	Model	
(10)	971 885 806 GH GDC	Right Sport version with Crest Black	/R	1	+AC	
	971 885 806 GH GHC	Agate Grey			+DL	
	971 885 806 GH DUE	Saddle Tan			+SB, +BS	
	971 885 806 GH GFC	Luxor Beige			+UC, +BP	
	971 885 806 GH DAK	Marsala Red			+PC	
	971 885 806 GH GUC	Bordeaux Red			+BB	
	971 885 806 GH GVC	Chalk			+BK	
	971 885 806 GH DAL	Cream			+BE	
	971 885 806 GK	Cover			IN1X/4D1/4D3 I4D5/4D9/5ZF	
(10)	971 885 806 GK GDB	Backrest Right Sport version with Crest Perforated Black	/R	1	+AB	
	971 885 806 GK GHB	Agate Grey			+DG	
	971 885 806 GK GFB	Luxor Beige			+UB, +PK	
	971 885 806 GL	Cover			IN5U/4D1/4D3 I4D5/4D9/5ZF	
	971 885 806 GL GDC	Backrest Right Sport version with Crest Perforated Black			+AC	
	971 885 806 GL GHC	Agate Grey			+DL	
	971 885 806 GL DUE	Saddle Tan			+SB, +BS	
	971 885 806 GL GFC	Luxor Beige			+UC, +BP	
	971 885 806 GL DAK	Marsala Red			+PC	
11	971 885 806 GL GUC	Bordeaux Red	+BB			
	971 885 806 GL GVC	Chalk	+BK			
	971 885 806 GL DAL	Cream	+BE			
	971 885 405 BJ	Cover	IN1X/4D0/4D7			
	971 885 405 BJ GDB	Seat cushion Left Sport version Black	+AB			
	971 885 405 BJ GHB	Agate Grey	+DG			
	971 885 405 BJ GFB	Luxor Beige	+UB, +PK			
	(11)	971 885 405 BK	Cover	/L	1	IN5U/4D0/4D7
		971 885 405 BK GDC	Seat cushion Left Sport version Black	+AC		
971 885 405 BK GHC		Agate Grey	+DL			
971 885 405 BK DUE		Saddle Tan	+SB, +BS			
971 885 405 BK GFC		Luxor Beige	+UC, +BP			
971 885 405 BK DAK		Marsala Red	+PC			
971 885 405 BK GUC		Bordeaux Red	+BB			
971 885 405 BK GVC		Chalk	+BK			
971 885 405 BK DAL		Cream	+BE			
(11)	971 885 405 BS	Cover	/L	1	IN0K/4D1/4D3 I4D5/4D9	
	971 885 405 BK GDC	Seat cushion Left Sport version				

Model: 971-17 Model life 2017>>

Pos	Part Number	Description	Remark	Qty	Model
(11)	971 885 405 BS GDB	Perforated Black	/L	1	+AB +DG +UB, +PK IN0Q/4D1/4D3 I4D5/4D9
	971 885 405 BS GHB	Agate Grey			
	971 885 405 BS GFB	Luxor Beige			
	971 885 405 BT	Cover			
		Seat cushion Left			
		Sport version Perforated			
	971 885 405 BT GDC	Black			
	971 885 405 BT GHC	Agate Grey			
	971 885 405 BT DUE	Saddle Tan			
	971 885 405 BT GFC	Luxor Beige			
	971 885 405 BT DAK	Marsala Red			
12	971 885 405 BT GUC	Bordeaux Red	/R	1	+AC +DL +SB, +BS +UC, +BP +PC +BB +BK +BE IN1X/4D0/4D7
	971 885 405 BT GVC	Chalk			
	971 885 405 BT DAL	Cream			
	971 885 406 BJ	Cover			
		Seat cushion Right			
		Sport version			
	971 885 406 BJ GDB	Black			
	971 885 406 BJ GHB	Agate Grey			
	971 885 406 BJ GFB	Luxor Beige			
	(12) 971 885 406 BK	Cover			
		Seat cushion Right			
	Sport version				
(12)	971 885 406 BK GDC	Black	/R	1	+AC +DL +SB, +BS +UC, +BP +PC +BB +BK +BE IN0K/4D1/4D3 I4D5/4D9
	971 885 406 BK GHC	Agate Grey			
	971 885 406 BK DUE	Saddle Tan			
	971 885 406 BK GFC	Luxor Beige			
	971 885 406 BK DAK	Marsala Red			
	971 885 406 BK GUC	Bordeaux Red			
	971 885 406 BK GVC	Chalk			
	971 885 406 BK DAL	Cream			
	(12) 971 885 406 BS	Cover			
		Seat cushion Right			
		Sport version Perforated			
(12)	971 885 406 BS GDB	Black	/R	1	+AB +DG +UB, +PK IN0Q/4D1/4D3 I4D5/4D9
	971 885 406 BS GHB	Agate Grey			
	971 885 406 BS GFB	Luxor Beige			
	971 885 406 BT	Cover			
		Seat cushion Right			
		Sport version Perforated			
	971 885 406 BT GDC	Black			
	971 885 406 BT GHC	Agate Grey			
	971 885 406 BT DUE	Saddle Tan			
	971 885 406 BT GFC	Luxor Beige			
	13	971 885 406 BT DAK			
971 885 406 BT GUC		Bordeaux Red			
971 885 406 BT GVC		Chalk			
971 885 406 BT DAL		Cream			
971 885 745 DL		Cover			
		Side section Left			

Model: 971-17

Model life 2017>>

Pos	Part Number	Description	Remark	Qty	Model
(13)	971 885 745 DL 21U	Sport version without Airbag Black	/L	1	+AB +DG +UB, +PK IN5U/4D0/4X3
	971 885 745 DL OF6	Agate Grey			
	971 885 745 DL 32X	Luxor Beige			
	971 885 745 DM	Cover Side section Left Sport version without Airbag			
	971 885 745 DM 8YR	Black			
	971 885 745 DM PL1	Agate Grey			
	971 885 745 DM OK6	Saddle Tan			
	971 885 745 DM 9H6	Luxor Beige			
	971 885 745 DM 8M8	Marsala Red			
	971 885 745 DM OG6	Bordeaux Red			
	971 885 745 DM OL8	Chalk			
	971 885 745 DM 6G0	Cream			
	(13)	971 885 745 EA			
971 885 745 EA 21U		Black			
971 885 745 EA OF6		Agate Grey			
971 885 745 EA 32X		Luxor Beige			
971 885 745 DF		Cover Side section Left Sport version without Airbag Perforated			
971 885 745 DF 8YR		Black			
971 885 745 DF PL1		Agate Grey			
971 885 745 DF OK6		Saddle Tan			
971 885 745 DF 9H6		Luxor Beige			
971 885 745 DF 8M8		Marsala Red			
971 885 745 DF OG6		Bordeaux Red			
971 885 745 DF OL8		Chalk			
971 885 745 DF 6G0		Cream			
(13)	971 885 745 DN	Cover Side section Left Sport version with Airbag	/L	1	+AC +DL +SB, +BS +UC, +BP +PC +BB +BK +BE IN1X/4D0/4X4
	971 885 745 DN 21U	Black			
	971 885 745 DN OF6	Agate Grey			
	971 885 745 DN 32X	Luxor Beige			
	971 885 745 DP	Cover Side section Left Sport version with Airbag			
	971 885 745 DP 8YR	Black			

Model: 971-17

Model life 2017>>

Pos	Part Number	Description	Remark	Qty	Model
(13)	971 885 745 DP PL1	Agate Grey	/L	1	+DL
	971 885 745 DP OK6	Saddle Tan			+SB, +BS
	971 885 745 DP 9H6	Luxor Beige			+UC, +BP
	971 885 745 DP 8M8	Marsala Red			+PC
	971 885 745 DP OG6	Bordeaux Red			+BB
	971 885 745 DP OL8	Chalk			+BK
	971 885 745 DP 6G0	Cream			+BE
	971 885 745 DG	Cover			IN0K/4D1/4D3 I4D5/4D9/4X4
		Side section			
		Left			
		Sport version			
		with			
		Airbag			
	Perforated				
(13)	971 885 745 DG 21U	Black	/L	1	+AB
	971 885 745 DG OF6	Agate Grey			+DG
	971 885 745 DG 32X	Luxor Beige			+UB, +PK
	971 885 745 DH	Cover			IN0Q/4D1/4D3 I4D5/4D9/4X4
		Side section			
		Left			
		Sport version			
		with			
		Airbag			
		Perforated			
		Black			
		Agate Grey			
		Luxor Beige			
	DH 8YR	Black	+AC		
	DH PL1	Agate Grey	+DL		
	DH OK6	Saddle Tan	+SB, +BS		
	DH 9H6	Luxor Beige	+UC, +BP		
	DH 8M8	Marsala Red	+PC		
	DH OG6	Bordeaux Red	+BB		
	DH OL8	Chalk	+BK		
	DH 6G0	Cream	+BE		
14	971 885 746 DL	Cover	/R	1	IN1X/4D0/4X3
		Side section			
		Right			
		Sport version			
		without			
		Airbag			
	971 885 746 DL 21U	Black			+AB
	971 885 746 DL OF6	Agate Grey			+DG
	971 885 746 DL 32X	Luxor Beige			+UB, +PK
(14)	971 885 746 DM	Cover	/R	1	IN5U/4D0/4X3
		Side section			
		Right			
		Sport version			
		without			
		Airbag			
	971 885 746 DM 8YR	Black			+AC
	971 885 746 DM PL1	Agate Grey			+DL
	971 885 746 DM OK6	Saddle Tan			+SB, +BS
	971 885 746 DM 9H6	Luxor Beige			+UC, +BP
	971 885 746 DM 8M8	Marsala Red			+PC
	971 885 746 DM OG6	Bordeaux Red			+BB
	971 885 746 DM OL8	Chalk			+BK
	971 885 746 DM 6G0	Cream			+BE
(14)	971 885 746 EA	Cover	/R	1	IN0K/4D1/4D3 I4D5/4D9/4X3
		Side section			
		Right			
		Sport version			
		without			

Model: 971-17 Model life 2017>>

Pos	Part Number	Description	Remark	Qty	Model
(14)	971 885 746 EA 21U	Airbag Perforated Black	/R	1	+AB +DG +UB, +PK IN0Q/4D1/4D3 I4D5/4D9/4X3
	971 885 746 EA OF6	Agate Grey			
	971 885 746 EA 32X	Luxor Beige			
	971 885 746 DF	Cover			
		Side section Right Sport version without Airbag Perforated			
	971 885 746 DF 8YR	Black			
	971 885 746 DF PL1	Agate Grey			
	971 885 746 DF OK6	Saddle Tan			
	971 885 746 DF 9H6	Luxor Beige			
	971 885 746 DF 8M8	Marsala Red			
(14)	971 885 746 DF OG6	Bordeaux Red	/R	1	+AC +DL +SB, +BS +UC, +BP +PC +BB +BK +BE IN1X/4D0/4X4
	971 885 746 DF OL8	Chalk			
	971 885 746 DF 6G0	Cream			
	971 885 746 DN	Cover			
		Side section Right Sport version with Airbag			
	971 885 746 DN 21U	Black			
	971 885 746 DN OF6	Agate Grey			
	971 885 746 DN 32X	Luxor Beige			
	971 885 746 DP	Cover			
		Side section Right Sport version with Airbag			
(14)	971 885 746 DP 8YR	Black	/R	1	+AC +DL +SB, +BS +UC, +BP +PC +BB +BK +BE IN0K/4D1/4D3 I4D5/4D9/4X4
	971 885 746 DP PL1	Agate Grey			
	971 885 746 DP OK6	Saddle Tan			
	971 885 746 DP 9H6	Luxor Beige			
	971 885 746 DP 8M8	Marsala Red			
	971 885 746 DP OG6	Bordeaux Red			
	971 885 746 DP OL8	Chalk			
	971 885 746 DP 6G0	Cream			
	971 885 746 DG	Cover			
		Side section Right Sport version with Airbag Perforated			
(14)	971 885 746 DG 21U	Black	/R	1	+AB +DG +UB, +PK IN0Q/4D1/4D3 I4D5/4D9/4X4
	971 885 746 DG OF6	Agate Grey			
	971 885 746 DG 32X	Luxor Beige			
	971 885 746 DH	Cover			
		Side section Right Sport version with Airbag Perforated			

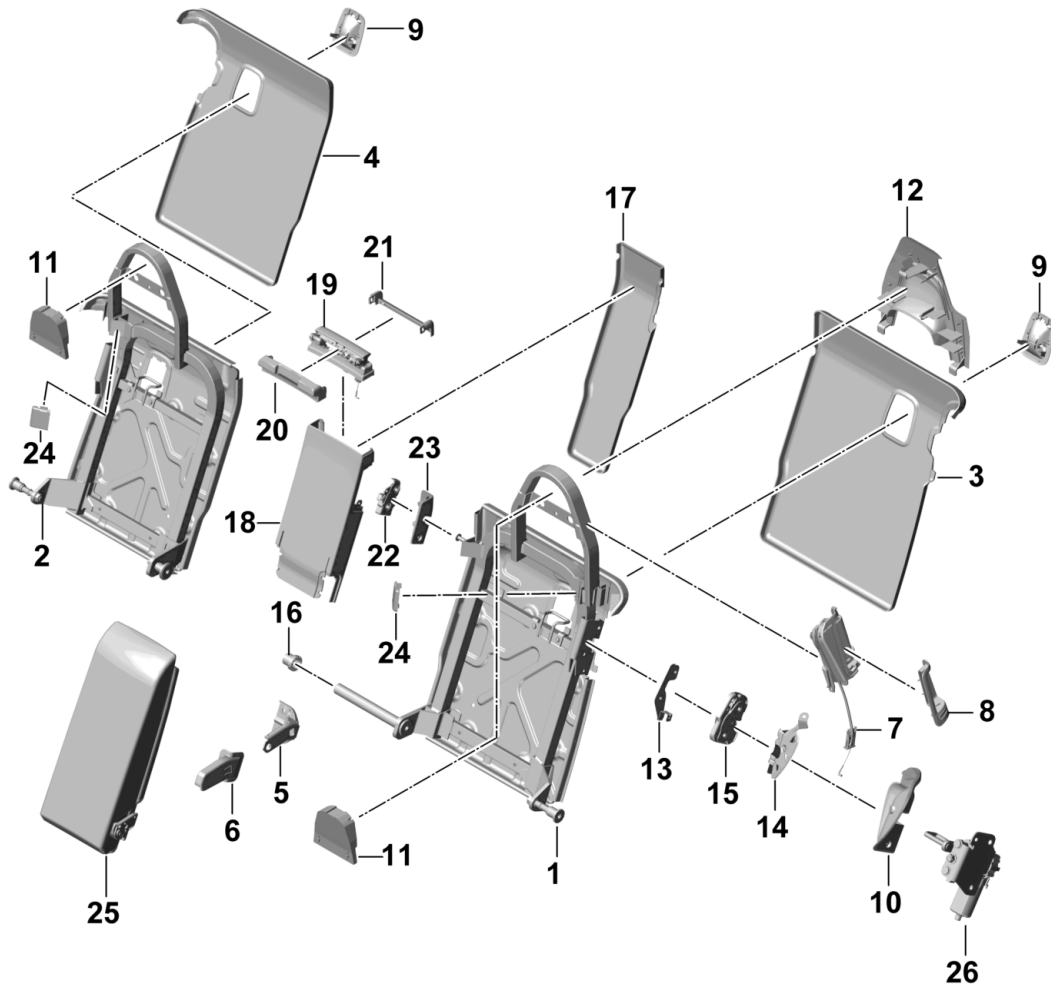
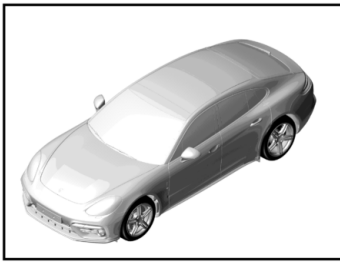
Model: 971-17

Model life 2017>>

Pos	Part Number	Description	Remark	Qty	Model
	971 885 746 DH 8YR	Black			+AC
	971 885 746 DH PL1	Agate Grey			+DL
	971 885 746 DH OK6	Saddle Tan			+SB, +BS
	971 885 746 DH 9H6	Luxor Beige			+UC, +BP
	971 885 746 DH 8M8	Marsala Red			+PC
	971 885 746 DH OG6	Bordeaux Red			+BB
	971 885 746 DH OL8	Chalk			+BK
	971 885 746 DH 6G0	Cream			+BE
15	971 885 723 F	Cover		1	IN0K/N1X
		Centre part			
		Backrest			
	971 885 723 F GDB	Black			+AB
	971 885 723 F GHB	Agate Grey			+DG
	971 885 723 F GFB	Luxor Beige			+UB, +PK
(15)	971 885 723 G	Cover		1	IN0Q/N5U
		Centre part			
		Backrest			
	971 885 723 G GDC	Black			+AC
	971 885 723 G GHC	Agate Grey			+DL
	971 885 723 G DUE	Saddle Tan			+SB, +BS
	971 885 723 G GFC	Luxor Beige			+UC, +BP
	971 885 723 G DAK	Marsala Red			+PC
	971 885 723 G GUC	Bordeaux Red			+BB
	971 885 723 G GVC	Chalk			+BK
	971 885 723 G DAL	Cream			+BE
16	971 885 585	Bracket		2	
		Side section			
17	971 885 189 A	Retainer plate	/L	1	
		Side section			
		Left			
18	971 885 190 A	Retainer plate	/R	1	
		Side section			
		Right			
19	971 885 939 A	Guide piece		2	
		Side section			
20	9A7 008 033 00	Hexagon socket head bolt		4	M6x16

Model: 971-17

Model life 2017>>



Model: 971-17 Model life 2017>>

Pos	Part Number	Description	Remark	Qty	Model
		Back seat backrest Cover Accessories Premium Comfort version Sport version			I3KK/3KL
1	971 885 045 D	Backrest frame Left Complete	/L	1	
2	971 885 046 A	Backrest frame Right Complete	/R	1	
3	971 885 753 A	Pad Rear wall Backrest Left	/L	1	
	971 885 753 A 6B0	Black			+AB,+PK,+AC +BB,+BS,+BK +DG,+DL
	971 885 753 A 9C0	Agate Grey			+UB,+UC
	971 885 753 A 7K0	Luxor Beige			+SB,+BP
	971 885 753 A BW3	Saddle Tan			+PC,+BE
	971 885 753 A 7G0	Marsala Red			
4	971 885 754	Pad Rear wall Backrest Right	/R	1	
	971 885 754 6B0	Black			+AB,+PK,+AC +BB,+BS,+BK +DG,+DL
	971 885 754 9C0	Agate Grey			+UB,+UC
	971 885 754 7K0	Luxor Beige			+SB,+BP
	971 885 754 BW3	Saddle Tan			+PC,+BE
	971 885 754 7G0	Marsala Red			
5	971 885 711	Support Medium Armrest Left	/L	1	
(5)	971 885 712	Support Medium Armrest Right	/R	1	
6	971 885 739	Cover Support Medium Armrest Left	/L	1	
	971 885 739 1E0	Black			+AB,+AC
	971 885 739 OP1	Agate Grey			+DG,+DL
	971 885 739 4H0	Luxor Beige			+UB,+PK,+UC +BP
	971 885 739 OM8	Saddle Tan			+SB,+BS
	971 885 739 3G0	Marsala Red			+PC
	971 885 739 OG6	Bordeaux Red			+BB
	971 885 739 OL8	Chalk			+BK
	971 885 739 5J0	Cream			+BE
(6)	971 885 740	Cover Support Medium Armrest Right	/R	1	
	971 885 740 1E0	Black			+AB,+AC
	971 885 740 OP1	Agate Grey			+DG,+DL
	971 885 740 4H0	Luxor Beige			+UB,+PK,+UC +BP

Model: 971-17 Model life 2017>>

Pos	Part Number	Description	Remark	Qty	Model
	971 885 740 OM8	Saddle Tan			+SB, +BS
	971 885 740 3G0	Marsala Red			+PC
	971 885 740 OG6	Bordeaux Red			+BB
	971 885 740 OL8	Chalk			+BK
	971 885 740 5J0	Cream			+BE
7	971 885 681 A	Release Backrest Left	/L	1	
(7)	971 885 681 A GT8	Galvano silver			
	971 885 682 A	Release Backrest Right	/R	1	
8	971 885 682 A GT8	Galvano silver			
	971 885 249 A	Cover Release Backrest Left	/L	1	
(8)	971 885 249 A 5Q0	Black			+AB, +AC
	971 885 249 A OA6	Agate Grey			+DG, +DL
	971 885 249 A 6W0	Luxor Beige			+UB, +PK, +UC
					+BP
	971 885 249 A OL7	Saddle Tan			+SB, +BS
	971 885 249 A 7X0	Marsala Red			+PC
	971 885 249 A OG6	Bordeaux Red			+BB
	971 885 249 A OL8	Chalk			+BK
	971 885 249 A 5V0	Cream			+BE
	971 885 250 A	Cover Release Backrest Right	/R	1	
9	971 885 250 A 5Q0	Black			+AB, +AC
	971 885 250 A OA6	Agate Grey			+DG, +DL
	971 885 250 A 6W0	Luxor Beige			+UB, +PK, +UC
					+BP
	971 885 250 A OL7	Saddle Tan			+SB, +BS
	971 885 250 A 7X0	Marsala Red			+PC
	971 885 250 A OG6	Bordeaux Red			+BB
	971 885 250 A OL8	Chalk			+BK
	971 885 250 A 5V0	Cream			+BE
	971 885 943	Cover Backrest Rear		2	
10	971 885 943 1E0	Black			+AB, +PK, +AC
					+BB, +BS, +BK
	971 885 943 OP1	Agate Grey			+DG, +DL
	971 885 943 4H0	Luxor Beige			+UB, +UC
	971 885 943 OM8	Saddle Tan			+SB, +BP
	971 885 943 3G0	Marsala Red			+PC
	971 885 933 A	Covering for lock Left Rear	/L	1	
	971 885 933 A 1E0	Black			+AB, +PK, +AC
					+BB, +BS, +BK
					+DG, +DL
(10)	971 885 933 A OP1	Agate Grey			+UB, +UC
	971 885 933 A 4H0	Luxor Beige			+SB, +BP
	971 885 933 A OM8	Saddle Tan			+PC
	971 885 933 A 3G0	Marsala Red			
	971 885 934 A	Covering for lock Right Rear	/R	1	
	971 885 934 A 1E0	Black			+AB, +PK, +AC
					+BB, +BS, +BK
					+DG, +DL
					+UB, +UC
					+SB, +BP
				+PC	
	971 885 934 A OP1	Agate Grey			+AB, +PK, +AC
					+BB, +BS, +BK
					+DG, +DL

Model: 971-17 Model life 2017>>

Pos	Part Number	Description	Remark	Qty	Model
11	971 885 934 A 4H0	Luxor Beige		2	+UB,+UC +SB,+BP +PC
	971 885 934 A OM8	Saddle Tan			
	971 885 934 A 3G0	Marsala Red			
	971 885 913	Foam part Head rest Rear			
12	971 885 727	Frame Head rest Rear Left	/L	1	
(12)	971 885 728	Frame Head rest Rear Right	/R	1	
13	971 885 281	Mounting plate Lock Rear Left	/L	1	
(13)	971 885 282	Mounting plate Lock Rear Right	/R	1	
14	971 885 573 A	Reinforcement Seat and backrest surface Rear Left	/L	1	
(14)	971 885 574 A	Reinforcement Seat and backrest surface Rear Right	/R	1	
15	971 886 481	Lock Backrest Rear Left	/L	1	
(15)	971 886 482	Lock Backrest Rear Right	/R	1	
16	971 885 511	Backrest frame Centre piece		1	
17	971 885 611	Pad Rear wall Backrest Centre piece		1	
	971 885 611 6B0	Black			+AB,+PK,+AC +BB,+BS,+BK +DG,+DL
	971 885 611 9C0	Agate Grey			+UB,+UC
	971 885 611 7K0	Luxor Beige			+SB,+BP
	971 885 611 BW3	Saddle Tan			+PC,+BE
18	971 885 611 7G0	Marsala Red		1	
	971 885 527	Bracket Centre piece			
19	971 886 165 A	Release Centre piece		1	
	971 886 165 A GT8	Galvano silver		1	
20	971 886 744	Cover Release Front			
	971 886 744 5Q0	Black			
	971 886 744 OA6	Agate Grey			
	971 886 744 6W0	Luxor Beige			
	971 886 744 OL7	Saddle Tan			+AB,+AC +DG,+DL +UB,+PK,+UC +BP +SB,+BS

Model: 971-17 Model life 2017>>

Pos	Part Number	Description	Remark	Qty	Model		
21	971 886 744 7X0	Marsala Red		1	+PC		
	971 886 744 OG6	Bordeaux Red			+BB		
	971 886 744 OL8	Chalk			+BK		
	971 886 744 5V0	Cream			+BE		
	971 886 743	Cover					
		Release					
		Rear					
	971 886 743 5Q0	Black			+AB, +AC		
	971 886 743 OA6	Agate Grey			+DG, +DL		
	971 886 743 6W0	Luxor Beige			+UB, +PK, +UC		
22	971 886 743 OL7	Saddle Tan		1	+BP		
	971 886 743 7X0	Marsala Red			+SB, +BS		
	971 886 743 OG6	Bordeaux Red			+PC		
	971 886 743 OL8	Chalk			+BB		
	971 886 743 5V0	Cream			+BK		
	971 883 481	Lock			+BE		
		Centre piece					
	23	971 886 748	Cover			1	
			Lock				
			Centre piece				
971 886 748 1E0		Black		+AB, +PK, +AC			
971 886 748 OP1		Agate Grey		+BB, +BS, +BK			
971 886 748 4H0		Luxor Beige		+DG, +DL			
971 886 748 OM8		Saddle Tan		+UB, +UC			
971 886 748 3G0		Marsala Red		+SB			
971 885 081		Armrest		+PC, +BE			
(25)		971 885 081	without		1		IN0K/N1X/6E1
		Crest					
	971 885 081 GDB	Black		+AB			
	971 885 081 GHB	Agate Grey		+DG			
	971 885 081 GFB	Luxor Beige		+UB, +PK			
	971 885 081 A	Armrest		IN0Q/N1P/N5U			
		without		I6E1			
		Crest					
	971 885 081 A GDC	Black		+AC			
	971 885 081 A GHC	Agate Grey		+DL			
(25)	971 885 081 A DUE	Saddle Tan		1	+SB, +BS		
	971 885 081 A GFC	Luxor Beige			+UC, +BP		
	971 885 081 A DAK	Marsala Red			+PC		
	971 885 081 A GUC	Bordeaux Red			+BB		
	971 885 081 A GVC	Chalk			+BK		
	971 885 081 A DAL	Cream			+BE		
	971 885 081 C	Armrest			IN0K/N1X/6E2		
		with					
		Crest					
	971 885 081 C GDB	Black			+AB		
(25)	971 885 081 C GHB	Agate Grey		1	+DG		
	971 885 081 C GFB	Luxor Beige			+UB, +PK		
	971 885 081 R	Armrest			IN0Q/N5U/6E2		
		with					
		Crest					
	971 885 081 R GDC	Black			+AC		
	971 885 081 R GHC	Agate Grey			+DL		
	971 885 081 R DUE	Saddle Tan			+SB, +BS		
	971 885 081 R GFC	Luxor Beige			+UC, +BP		
	971 885 081 R DAK	Marsala Red			+PC		
(25)	971 885 081 R GUC	Bordeaux Red		1	+BB		
	971 885 081 R GVC	Chalk			+BK		
	971 885 081 R DAL	Cream			+BE		
	971 885 081 F	Armrest			IA8F/L0L/N0K		

Model: 971-17

Model life 2017>>

Pos	Part Number	Description	Remark	Qty	Model
		with Panamera 4S Logo			IN1X/0E1/1X1 I6E3
(25)	971 885 081 F GDB	Black		1	+AB +DG +UB, +PK IA8F/L0L/N0Q IN5U/0E1/1X1 I6E3
	971 885 081 F GHB	Agate Grey			
	971 885 081 F GFB	Luxor Beige			
	971 885 081 AA	Armrest			
		with Panamera 4S Logo			
(25)	971 885 081 AA GDC	Black		1	+AC +DL +SB, +BS +UC, +BP +PC +BB +BK +BE IA8H/E0A/L0L IN0K/N1X/0E1 I6E3
	971 885 081 AA GHC	Agate Grey			
	971 885 081 AA DUE	Saddle Tan			
	971 885 081 AA GFC	Luxor Beige			
	971 885 081 AA DAK	Marsala Red			
	971 885 081 AA GUC	Bordeaux Red			
	971 885 081 AA GVC	Chalk			
	971 885 081 AA DAL	Cream			
	971 885 081 G	Armrest			
		with Panamera Turbo Logo			
(25)	971 885 081 G GDB	Black		1	+AB +DG +UB, +PK IA8H/E0A/L0L IN0Q/N5U/0E1 I6E3
	971 885 081 G GHB	Agate Grey			
	971 885 081 G GFB	Luxor Beige			
	971 885 081 AB	Armrest			
		with Panamera Turbo Logo			
(25)	971 885 081 AB GDC	Black		1	+AC +DL +SB, +BS +UC, +BP +PC +BB +BK +BE IA8F/L0R/N0K IN1X/0E1/1X1 I6E3
	971 885 081 AB GHC	Agate Grey			
	971 885 081 AB DUE	Saddle Tan			
	971 885 081 AB GFC	Luxor Beige			
	971 885 081 AB DAK	Marsala Red			
	971 885 081 AB GUC	Bordeaux Red			
	971 885 081 AB GVC	Chalk			
	971 885 081 AB DAL	Cream			
	971 885 081 M	Armrest			
		with Panamera 4S Logo			
(25)	971 885 081 M GDB	Black		1	+AB +DG +UB, +PK IA8F/L0R/N0Q IN5U/0E1/1X1 I6E3
	971 885 081 M GHB	Agate Grey			
	971 885 081 M GFB	Luxor Beige			
	971 885 081 AG	Armrest			
		with Panamera 4S Logo			
	971 885 081 AG GDC	Black			+AC
	971 885 081 AG GHC	Agate Grey			+DL
	971 885 081 AG DUE	Saddle Tan			+SB, +BS

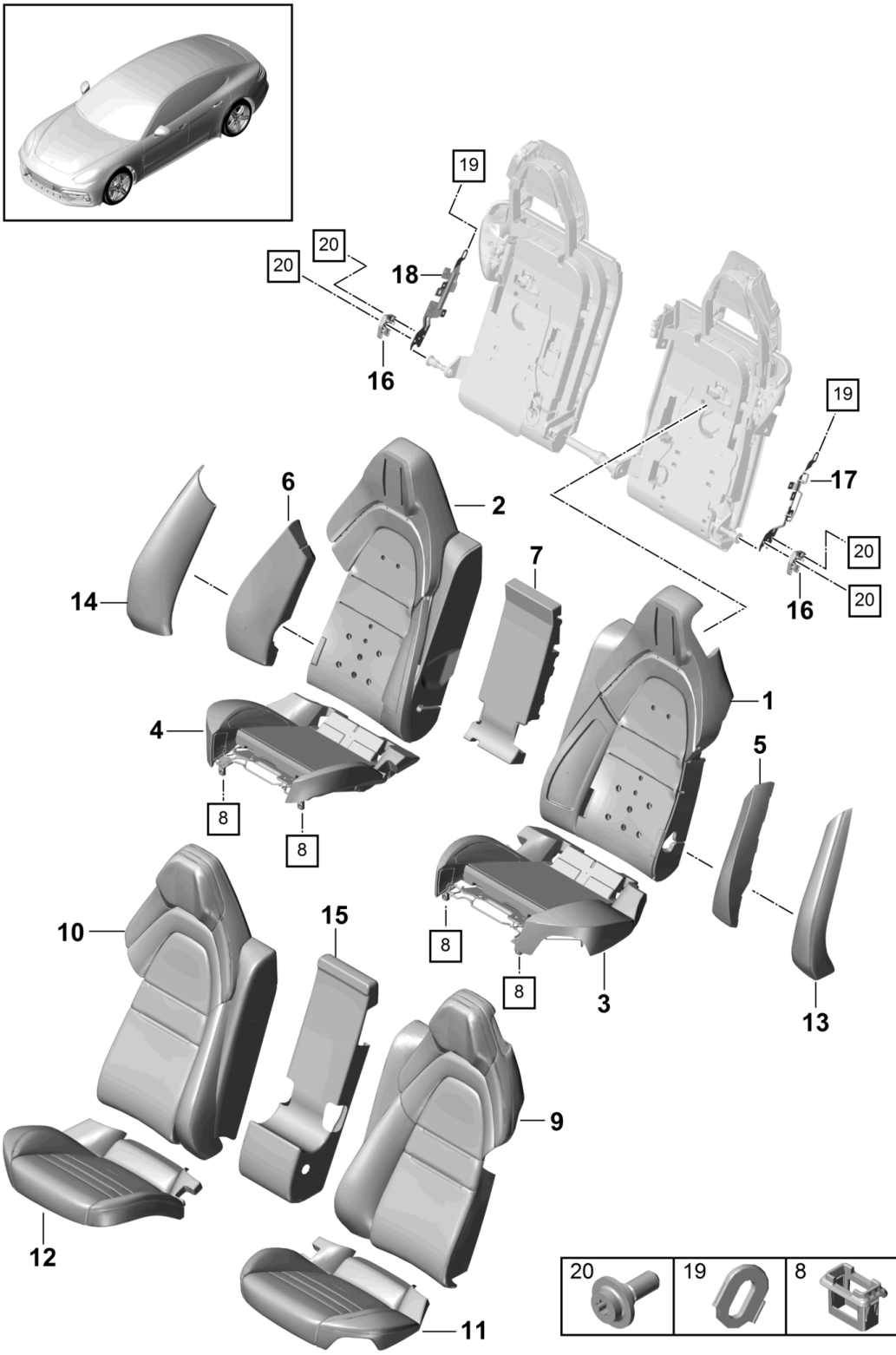
Model: 971-17

Model life 2017>>

Pos	Part Number	Description	Remark	Qty	Model
(25)	971 885 081 AG GFC	Luxor Beige		1	+UC, +BP
	971 885 081 AG DAK	Marsala Red			+PC
	971 885 081 AG GUC	Bordeaux Red			+BB
	971 885 081 AG GVC	Chalk			+BK
	971 885 081 AG DAL	Cream			+BE
	971 885 081 N	Armrest			IA8H/E0A/L0R IN0K/N1X/0E1 I6E3
		with Panamera Turbo Logo			
	971 885 081 N GDB	Black			+AB
	971 885 081 N GHB	Agate Grey			+DG
	971 885 081 N GFB	Luxor Beige			+UB, +PK
(25)	971 885 081 AH	Armrest		1	IA8H/E0A/L0R IN0Q/N5U/0E1 I6E3
		with Panamera Turbo Logo			
	971 885 081 AH GDC	Black			+AC
	971 885 081 AH GHC	Agate Grey			+DL
	971 885 081 AH DUE	Saddle Tan			+SB, +BS
	971 885 081 AH GFC	Luxor Beige			+UC, +BP
	971 885 081 AH DAK	Marsala Red			+PC
	971 885 081 AH GUC	Bordeaux Red			+BB
	971 885 081 AH GVC	Chalk			+BK
	971 885 081 AH DAL	Cream			+BE
26	971 886 315	Adjusting motor Left	/L	1	
(26)	971 886 316	Adjusting motor Right	/R	1	

Model: 971-17

Model life 2017>>



Model: 971-17 Model life 2017>>

Pos	Part Number	Description	Remark	Qty	Model
1	971 885 775 AA	Seat Rear Basic Executive Comfort version Foam part Cover Foam part	/L	1	I3KR I4D0/4D3/4D5 I4D7
(1)	971 885 775 R	Backrest Left Comfort version Foam part Backrest Left Vented Massage Comfort version Foam part	/L	1	I4D1/4D2/4D9
2	971 885 776 M	Backrest Right Comfort version Foam part Backrest Right Vented Massage Comfort version Foam part	/R	1	I4D0/4D3/4D5 I4D7
(2)	971 885 776 L	Backrest Right Comfort version Foam part Backrest Right Vented Massage Comfort version Foam part	/R	1	I4D1/4D2/4D9
3	971 885 375 L	Seat cushion Left Comfort version Foam part Seat cushion Left Vented Massage Comfort version Foam part	/L	1	I4D0/4D3/4D5 I4D7
(3)	971 885 375 K	Seat cushion Left Comfort version Foam part Seat cushion Left Vented Massage Comfort version Foam part	/L	1	I4D1/4D2/4D9
4	971 885 376 L	Seat cushion Right Comfort version Foam part Seat cushion Right Vented Massage Comfort version Foam part	/R	1	I4D0/4D3/4D5 I4D7
(4)	971 885 376 K	Seat cushion Right Comfort version Foam part Seat cushion Right Vented Massage Comfort version Foam part	/R	1	I4D1/4D2/4D9
5	971 885 891 H	Seat Left Comfort version with Airbag Foam part Side section Seat Left Comfort version with Airbag Foam part Side section Seat Right Comfort version	/L	1	I4X4
6	971 885 892 H	Foam part Side section Seat Right Comfort version	/R	1	I4X4

Model: 971-17

Model life 2017>>

Pos	Part Number	Description	Remark	Qty	Model
7	971 885 385 A	with Airbag Foam part Centre part Seat		1	
8	971 885 313 A	Clip Seat cushion		4	
9	971 885 805 CN	Cover	/L	1	IN1X/3J4/4D0 I4D7
		Backrest Left Comfort version without Crest			
	971 885 805 CN GDB	Black			+AB
	971 885 805 CN GHB	Agate Grey			+DG
	971 885 805 CN GFB	Luxor Beige			+UB, +PK
(9)	971 885 805 CP	Cover	/L	1	IN5U/3J4/4D0 I4D7
		Backrest Left Comfort version without Crest			
	971 885 805 CP GDC	Black			+AC
	971 885 805 CP GHC	Agate Grey			+DL
	971 885 805 CP DUE	Saddle Tan			+SB, +BS
	971 885 805 CP GFC	Luxor Beige			+UC, +BP
	971 885 805 CP DAK	Marsala Red			+PC
	971 885 805 CP GUC	Bordeaux Red			+BB
	971 885 805 CP GVC	Chalk			+BK
	971 885 805 CP DAL	Cream			+BE
(9)	971 885 805 CA	Cover	/L	1	IN0K/3J4/4D1 I4D2/4D3/4D5 I4D9
		Backrest Left Comfort version without Crest			
	971 885 805 CA GDB	Black			+AB
	971 885 805 CA GHB	Agate Grey			+DG
	971 885 805 CA GFB	Luxor Beige			+UB, +PK
(9)	971 885 805 CB	Cover	/L	1	IN0Q/3J4/4D1 I4D2/4D3/4D5 I4D9
		Backrest Left Comfort version without Crest			
	971 885 805 CB GDC	Black			+AC
	971 885 805 CB GHC	Agate Grey			+DL
	971 885 805 CB DUE	Saddle Tan			+SB, +BS
	971 885 805 CB GFC	Luxor Beige			+UC, +BP
	971 885 805 CB DAK	Marsala Red			+PC
	971 885 805 CB GUC	Bordeaux Red			+BB
	971 885 805 CB GVC	Chalk			+BK
	971 885 805 CB DAL	Cream			+BE
(9)	971 885 805 CR	Cover	/L	1	IN1X/4D0/4D7 I5ZF

Model: 971-17

Model life 2017>>

Pos	Part Number	Description	Remark	Qty	Model
(9)	971 885 805 CR GDB	Backrest Left Comfort version with Crest Black	/L	1	+AB +DG +UB, +PK IN5U/4D0/4D7 I5ZF
	971 885 805 CR GHB	Agate Grey			
	971 885 805 CR GFB	Luxor Beige			
	971 885 805 CS	Cover			
(9)	971 885 805 CS GDC	Backrest Left Comfort version with Crest Black	/L	1	+AC +DL +SB, +BS +UC, +BP +PC +BB +BK +BE IN0K/4D1/4D2 I4D3/4D5/4D9 I5ZF
	971 885 805 CS GHC	Agate Grey			
	971 885 805 CS DUE	Saddle Tan			
	971 885 805 CS GFC	Luxor Beige			
	971 885 805 CS DAK	Marsala Red			
	971 885 805 CS GUC	Bordeaux Red			
	971 885 805 CS GVC	Chalk			
	971 885 805 CS DAL	Cream			
	971 885 805 CD	Cover			
(9)	971 885 805 CD GDB	Backrest Comfort version with Crest Perforated Black	/L	1	+AB +DG +UB, +PK IN0Q/4D1/4D2 I4D3/4D5/4D9 I5ZF
	971 885 805 CD GHB	Agate Grey			
	971 885 805 CD GFB	Luxor Beige			
	971 885 805 CE	Cover			
10	971 885 805 CE GDC	Backrest Left Comfort version with Crest Perforated Black	/R	1	+AC +DL +SB, +BS +UC, +BP +PC +BB +BK +BE IN1X/3J4/4D0 I4D7
	971 885 805 CE GHC	Agate Grey			
	971 885 805 CE DUE	Saddle Tan			
	971 885 805 CE GFC	Luxor Beige			
	971 885 805 CE DAK	Marsala Red			
	971 885 805 CE GUC	Bordeaux Red			
	971 885 805 CE GVC	Chalk			
	971 885 805 CE DAL	Cream			
	971 885 806 C	Cover			
(10)	971 885 806 C GDB	Backrest Right Comfort version without Crest Black	/R	1	+AB +DG +UB, +PK IN5U/3J4/4D0 I4D7
	971 885 806 C GHB	Agate Grey			
	971 885 806 C GFB	Luxor Beige			
	971 885 806 D	Cover			

Model: 971-17

Model life 2017>>

Pos	Part Number	Description	Remark	Qty	Model			
(10)	971 885 806 D GDC	Backrest Right Comfort version without Crest Black	/R	1	+AC			
	971 885 806 D GHC	Agate Grey			+DL			
	971 885 806 D DUE	Saddle Tan			+SB, +BS			
	971 885 806 D GFC	Luxor Beige			+UC, +BP			
	971 885 806 D DAK	Marsala Red			+PC			
	971 885 806 D GUC	Bordeaux Red			+BB			
	971 885 806 D GVC	Chalk			+BK			
	971 885 806 D DAL	Cream			+BE			
	971 885 806 F	Cover			IN0K/3J4/4D1 I4D2/4D3/4D5 I4D9			
	(10)	971 885 806 F GDB			Backrest Right Comfort version without Crest Perforated Black	/R	1	+AB
971 885 806 F GHB		Agate Grey	+DG					
971 885 806 F GFB		Luxor Beige	+UB, +PK					
971 885 806 AP		Cover	IN0Q/3J4/4D1 I4D2/4D3/4D5 I4D9					
971 885 806 AP GDC		Backrest Right Comfort version without Crest Perforated Black	/R	1	+AC			
971 885 806 AP GHC	Agate Grey	+DL						
971 885 806 AP DUE	Saddle Tan	+SB, +BS						
971 885 806 AP GFC	Luxor Beige	+UC, +BP						
971 885 806 AP DAK	Marsala Red	+PC						
(10)	971 885 806 AP GUC	Bordeaux Red	/R	1	+BB			
	971 885 806 AP GVC	Chalk			+BK			
	971 885 806 AP DAL	Cream			+BE			
	971 885 806 L	Cover			IN1X/4D0/4D7 I5ZF			
	(10)	971 885 806 L GDB			Backrest Right Comfort version with Crest Black	/R	1	+AB
		971 885 806 L GHB			Agate Grey			+DG
		971 885 806 L GFB			Luxor Beige			+UB, +PK
		971 885 806 M			Cover			IN5U/4D0/4D7 I5ZF
		971 885 806 M GDC			Backrest Right Comfort version with Crest Black			/R
	971 885 806 M GHC	Agate Grey			+DL			
971 885 806 M DUE	Saddle Tan	+SB, +BS						
971 885 806 M GFC	Luxor Beige	+UC, +BP						

Model: 971-17 Model life 2017>>

Pos	Part Number	Description	Remark	Qty	Model
(10)	971 885 806 M DAK	Marsala Red	/R	1	+PC
	971 885 806 M GUC	Bordeaux Red			+BB
	971 885 806 M GVC	Chalk			+BK
	971 885 806 M DAL	Cream			+BE
	971 885 806 AR	Cover			IN0K/4D1/4D2 I4D3/4D5/4D9 I5ZF
(10)	971 885 806 AR GDB	Backrest Right Comfort version with Crest Perforated Black	/R	1	+AB
	971 885 806 AR GHB	Agate Grey			+DG
	971 885 806 AR GFB	Luxor Beige			+UB, +PK
	971 885 806 AS	Cover			IN0Q/4D1/4D2 I4D3/4D5/4D9 I5ZF
	971 885 806 AS GDC	Black			+AC
11	971 885 806 AS GHC	Agate Grey	/L	1	+DL
	971 885 806 AS DUE	Saddle Tan			+SB, +BS
	971 885 806 AS GFC	Luxor Beige			+UC, +BP
	971 885 806 AS DAK	Marsala Red			+PC
	971 885 806 AS GUC	Bordeaux Red			+BB
	971 885 806 AS GVC	Chalk			+BK
	971 885 806 AS DAL	Cream			+BE
	971 885 405 CF	Cover			IN1X/4D0/4D7
	971 885 405 CF GDB	Seat cushion Left Comfort version Black			+AB
	971 885 405 CF GHB	Agate Grey			+DG
	971 885 405 CF GFB	Luxor Beige			+UB, +PK
(11)	971 885 405 CG	Cover	/L	1	IN5U/4D0/4D7
	971 885 405 CG GDC	Black			+AC
	971 885 405 CG GHC	Agate Grey			+DL
	971 885 405 CG DUE	Saddle Tan			+SB, +BS
	971 885 405 CG GFC	Luxor Beige			+UC, +BP
	971 885 405 CG DAK	Marsala Red			+PC
	971 885 405 CG GUC	Bordeaux Red			+BB
	971 885 405 CG GVC	Chalk			+BK
	971 885 405 CG DAL	Cream			+BE
	971 885 405 BF	Cover			IN0K/4D1/4D2 I4D3/4D5/4D9
	971 885 405 BF GDB	Seat cushion Left Comfort version Perforated Black			+AB
971 885 405 BF GHB	Agate Grey	+DG			
971 885 405 BF GFB	Luxor Beige	+UB, +PK			
(11)	971 885 405 CA	Cover	/L	1	IN0Q/4D1/4D2 I4D3/4D5/4D9

Model: 971-17

Model life 2017>>

Pos	Part Number	Description	Remark	Qty	Model	
12		Seat cushion Left Comfort version Perforated				
	971 885 405 CA GDC	Black			+AC	
	971 885 405 CA GHC	Agate Grey			+DL	
	971 885 405 CA DUE	Saddle Tan			+SB, +BS	
	971 885 405 CA GFC	Luxor Beige			+UC, +BP	
	971 885 405 CA DAK	Marsala Red			+PC	
	971 885 405 CA GUC	Bordeaux Red			+BB	
	971 885 405 CA GVC	Chalk			+BK	
	971 885 405 CA DAL	Cream			+BE	
	971 885 406 CF	Cover	/R	1	IN1X/4D0/4D7	
		Seat cushion Right Comfort version				
	(12)	971 885 406 CF GDB	Black			+AB
971 885 406 CF GHB		Agate Grey			+DG	
971 885 406 CF GFB		Luxor Beige			+UB, +PK	
971 885 406 CG		Cover	/R	1	IN5U/4D0/4D7	
		Seat cushion Right Comfort version				
971 885 406 CG GDC		Black			+AC	
971 885 406 CG GHC		Agate Grey			+DL	
971 885 406 CG DUE		Saddle Tan			+SB, +BS	
971 885 406 CG GFC		Luxor Beige			+UC, +BP	
971 885 406 CG DAK		Marsala Red			+PC	
971 885 406 CG GUC		Bordeaux Red			+BB	
971 885 406 CG GVC		Chalk			+BK	
(12)	971 885 406 CG DAL	Cream			+BE	
	971 885 406 BF	Cover	/R	1	IN0K/4D1/4D2 I4D3/4D5/4D9	
		Seat cushion Right Comfort version Perforated				
	971 885 406 BF GDB	Black			+AB	
	971 885 406 BF GHB	Agate Grey			+DG	
	971 885 406 BF GFB	Luxor Beige			+UB, +PK	
	971 885 406 CA	Cover	/R	1	IN0Q/4D1/4D2 I4D3/4D5/4D9	
		Seat cushion Right Comfort version Perforated				
	971 885 406 CA GDC	Black			+AC	
	971 885 406 CA GHC	Agate Grey			+DL	
	971 885 406 CA DUE	Saddle Tan			+SB, +BS	
	971 885 406 CA GFC	Luxor Beige			+UC, +BP	
971 885 406 CA DAK	Marsala Red			+PC		
971 885 406 CA GUC	Bordeaux Red			+BB		
971 885 406 CA GVC	Chalk			+BK		
13	971 885 406 CA DAL	Cream			+BE	
	971 885 745 BN	Cover	/L	1	IN1X/4D0/4D7 I4X4	
		Side section Left Comfort version with Airbag				
	971 885 745 BN 21U	Black			+AB	
	971 885 745 BN OF6	Agate Grey			+DG	

Model: 971-17 Model life 2017>>

Pos	Part Number	Description	Remark	Qty	Model
(13)	971 885 745 BN 32X 971 885 745 BP	Luxor Beige Cover Side section Left Comfort version with Airbag	/L	1	+UB, +PK IN5U/4D0/4D7 I4X4
	971 885 745 BP 8YR 971 885 745 BP PL1 971 885 745 BP OK6 971 885 745 BP 9H6 971 885 745 BP 8M8 971 885 745 BP OG6 971 885 745 BP OL8 971 885 745 BP 6G0	Black Agate Grey Saddle Tan Luxor Beige Marsala Red Bordeaux Red Chalk Cream			+AC +DL +SB, +BS +UC, +BP +PC +BB +BK +BE
(13)	971 885 745 AF	Cover Side section Left Comfort version with Airbag Perforated	/L	1	IN0K/4D1/4D2 I4D3/4D5/4D9 I4X4
	971 885 745 AF 21U 971 885 745 AF OF6 971 885 745 AF 32X	Black Agate Grey Luxor Beige			+AB +DG +UB, +PK
(13)	971 885 745 AG	Cover Side section Left Comfort version with Airbag Perforated	/L	1	IN0Q/4D1/4D2 I4D3/4D5/4D9 I4X4
	971 885 745 AG 8YR 971 885 745 AG PL1 971 885 745 AG OK6 971 885 745 AG 9H6 971 885 745 AG 8M8 971 885 745 AG OG6 971 885 745 AG OL8 971 885 745 AG 6G0	Black Agate Grey Saddle Tan Luxor Beige Marsala Red Bordeaux Red Chalk Cream			+AC +DL +SB, +BS +UC, +BP +PC +BB +BK +BE
14	971 885 746 BN	Cover Side section Right Comfort version with Airbag	/R	1	IN1X/4D0/4D7 I4X4
	971 885 746 BN 21U 971 885 746 BN OF6 971 885 746 BN 32X	Black Agate Grey Luxor Beige			+AB +DG +UB, +PK
(14)	971 885 746 BP	Cover Side section Right Comfort version with Airbag	/R	1	IN5U/4D0/4D7 I4X4
	971 885 746 BP 8YR	Black			+AC

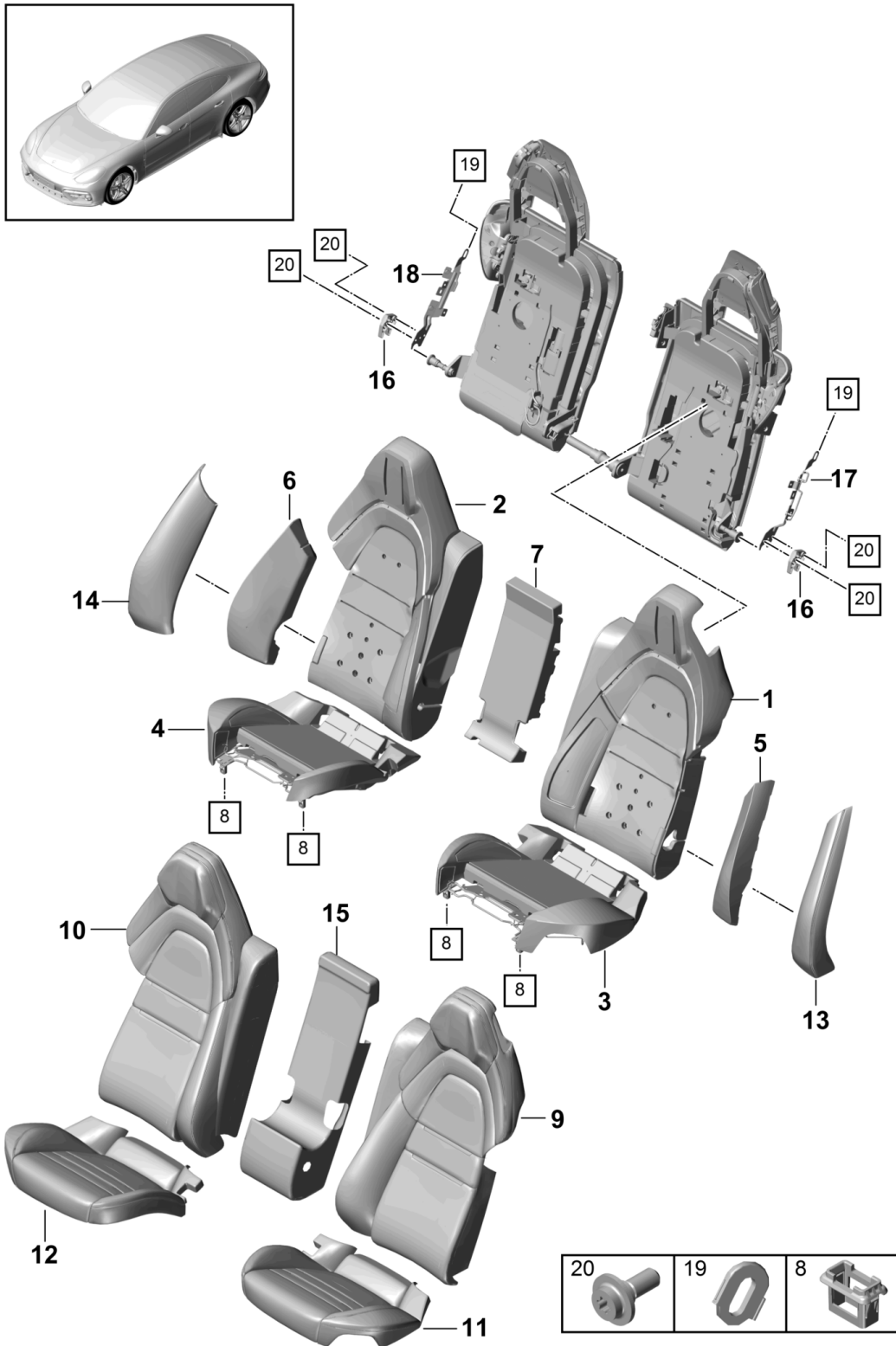
Model: 971-17

Model life 2017>>

Pos	Part Number	Description	Remark	Qty	Model
	971 885 746 BP PL1	Agate Grey			+DL
	971 885 746 BP OK6	Saddle Tan			+SB, +BS
	971 885 746 BP 9H6	Luxor Beige			+UC, +BP
	971 885 746 BP 8M8	Marsala Red			+PC
	971 885 746 BP OG6	Bordeaux Red			+BB
	971 885 746 BP OL8	Chalk			+BK
	971 885 746 BP 6G0	Cream			+BE
(14)	971 885 746 AF	Cover	/R	1	IN0K/4D1/4D2 I4D3/4D5/4D9 I4X4
		Side section Right Comfort version with Airbag Perforated			
	971 885 746 AF 21U	Black			+AB
	971 885 746 AF OF6	Agate Grey			+DG
	971 885 746 AF 32X	Luxor Beige			+UB, +PK
(14)	971 885 746 AG	Cover	/R	1	IN0Q/4D1/4D2 I4D3/4D5/4D9 I4X4
		Side section Right Comfort version with Airbag Perforated			
	971 885 746 AG 8YR	Black			+AC
	971 885 746 AG PL1	Agate Grey			+DL
	971 885 746 AG OK6	Saddle Tan			+SB, +BS
	971 885 746 AG 9H6	Luxor Beige			+UC, +BP
	971 885 746 AG 8M8	Marsala Red			+PC
	971 885 746 AG OG6	Bordeaux Red			+BB
	971 885 746 AG OL8	Chalk			+BK
	971 885 746 AG 6G0	Cream			+BE
15	971 885 723 H	Cover		1	IN0K/N1X
		Centre part Backrest			
	971 885 723 H GDB	Black			+AB
	971 885 723 H GHB	Agate Grey			+DG
	971 885 723 H GFB	Luxor Beige			+UB, +PK
(15)	971 885 723 J	Cover		1	IN0Q/N5U
		Centre part Backrest			
	971 885 723 J GDC	Black			+AC
	971 885 723 J GHC	Agate Grey			+DL
	971 885 723 J DUE	Saddle Tan			+SB, +BS
	971 885 723 J GFC	Luxor Beige			+UC, +BP
	971 885 723 J DAK	Marsala Red			+PC
	971 885 723 J GUC	Bordeaux Red			+BB
	971 885 723 J GVC	Chalk			+BK
	971 885 723 J DAL	Cream			+BE
16	971 885 585	Bracket		2	
		Side section			
17	971 885 189 A	Retainer plate	/L	1	
		Side section			
18	971 885 190 A	Retainer plate	/R	1	
		Side section			
19	971 885 939 A	Guide piece		2	
		Side section			
20	9A7 008 033 00	Hexagon socket head bolt		4	M6x16

Model: 971-17

Model life 2017>>



Model: 971-17 Model life 2017>>

Pos	Part Number	Description	Remark	Qty	Model
1	971 885 775 S	Seat Rear Executive Comfort version Foam part Cover Foam part	/L	1	I3KN I4D0/4D3/4D5 I4D7
(1)	971 885 775 Q	Backrest Left Comfort version Foam part Backrest Left Vented Massage Comfort version Foam part	/L	1	I4D1/4D2/4D9
2	971 885 776 M	Backrest Right Comfort version Foam part Backrest Right Vented Massage Comfort version Foam part	/R	1	I4D0/4D3/4D5 I4D7
(2)	971 885 776 L	Backrest Right Comfort version Foam part Backrest Right Vented Massage Comfort version Foam part	/R	1	I4D1/4D2/4D9
3	971 885 375 L	Seat cushion Left Comfort version Foam part Seat cushion Left Vented Massage Comfort version Foam part	/L	1	I4D0/4D3/4D5 I4D7
(3)	971 885 375 K	Seat cushion Left Comfort version Foam part Seat cushion Left Vented Massage Comfort version Foam part	/L	1	I4D1/4D2/4D9
4	971 885 376 L	Seat cushion Right Comfort version Foam part Seat cushion Right Vented Massage Comfort version Foam part	/R	1	I4D0/4D3/4D5 I4D7
(4)	971 885 376 K	Seat cushion Right Comfort version Foam part Seat cushion Right Vented Massage Comfort version Foam part	/R	1	I4D1/4D2/4D9
5	971 885 891 H	Seat Left Comfort version with Airbag Foam part Side section Seat Left Comfort version with Airbag	/L	1	I4X4
6	971 885 892 H	Foam part Side section Seat Right Comfort version with Airbag	/R	1	I4X4

Model: 971-17 Model life 2017>>

Pos	Part Number	Description	Remark	Qty	Model
8	971 885 313 A	Airbag Clip		4	
9	971 885 805 DA	Seat cushion Cover	/L	1	IN1X/3J4/4D0 I4D7
		Backrest Left Comfort version without Crest			
	971 885 805 DA GDB	Black			+AB
	971 885 805 DA GHB	Agate Grey			+DG
	971 885 805 DA GFB	Luxor Beige			+UB, +PK
(9)	971 885 805 DB	Cover	/L	1	IN5U/3J4/4D0 I4D7
		Backrest Left Comfort version without Crest			
	971 885 805 DB GDC	Black			+AC
	971 885 805 DB GHC	Agate Grey			+DL
	971 885 805 DB DUE	Saddle Tan			+SB, +BS
	971 885 805 DB GFC	Luxor Beige			+UC, +BP
	971 885 805 DB DAK	Marsala Red			+PC
	971 885 805 DB GUC	Bordeaux Red			+BB
	971 885 805 DB GVC	Chalk			+BK
	971 885 805 DB DAL	Cream			+BE
(9)	971 885 805 F	Cover	/L	1	IN0K/3J4/4D1 I4D2/4D3/4D5 I4D9
		Backrest Left Comfort version without Crest Perforated			
	971 885 805 F GDB	Black			+AB
	971 885 805 F GHB	Agate Grey			+DG
	971 885 805 F GFB	Luxor Beige			+UB, +PK
(9)	971 885 805 BP	Cover	/L	1	IN0Q/3J4/4D1 I4D2/4D3/4D5 I4D9
		Backrest Left Comfort version without Crest Perforated			
	971 885 805 BP GDC	Black			+AC
	971 885 805 BP GHC	Agate Grey			+DL
	971 885 805 BP DUE	Saddle Tan			+SB, +BS
	971 885 805 BP GFC	Luxor Beige			+UC, +BP
	971 885 805 BP DAK	Marsala Red			+PC
	971 885 805 BP GUC	Bordeaux Red			+BB
	971 885 805 BP GVC	Chalk			+BK
	971 885 805 BP DAL	Cream			+BE
(9)	971 885 805 DD	Cover	/L	1	IN1X/4D0/4D7 I5ZF
		Backrest Left Comfort version with			

Model: 971-17 Model life 2017>>

Pos	Part Number	Description	Remark	Qty	Model
(9)	971 885 805 DD GDB	Crest Black	/L	1	+AB +DG +UB, +PK IN5U/4D0/4D7 I5ZF
	971 885 805 DD GHB	Agate Grey			
	971 885 805 DD GFB	Luxor Beige			
	971 885 805 DE	Cover			
		Backrest Left Comfort version with Crest			
	971 885 805 DE GDC	Black			
	971 885 805 DE GHC	Agate Grey			
	971 885 805 DE DUE	Saddle Tan			
	971 885 805 DE GFC	Luxor Beige			
	971 885 805 DE DAK	Marsala Red			
(9)	971 885 805 DE GUC	Bordeaux Red	/L	1	+AC +DL +SB, +BS +UC, +BP +PC +BB +BK +BE IN0K/4D1/4D2 I4D3/4D5/4D9 I5ZF
	971 885 805 DE GVC	Chalk			
	971 885 805 DE DAL	Cream			
	971 885 805 BR	Cover			
		Backrest Left Comfort version with Crest Perforated			
	971 885 805 BR GDB	Black			
	971 885 805 BR GHB	Agate Grey			
	971 885 805 BR GFB	Luxor Beige			
	971 885 805 BS	Cover			
		Backrest Left Comfort version with Crest Perforated			
10	971 885 805 BS GDC	Black	/R	1	+AC +DL +SB, +BS +UC, +BP +PC +BB +BK +BE IN1X/3J4/4D0 I4D7
	971 885 805 BS GHC	Agate Grey			
	971 885 805 BS DUE	Saddle Tan			
	971 885 805 BS GFC	Luxor Beige			
	971 885 805 BS DAK	Marsala Red			
	971 885 805 BS GUC	Bordeaux Red			
	971 885 805 BS GVC	Chalk			
	971 885 805 BS DAL	Cream			
	971 885 806 C	Cover			
		Backrest Right Comfort version without Crest			
(10)	971 885 806 C GDB	Black	/R	1	+AB +DG +UB, +PK IN5U/3J4/4D0 I4D7
	971 885 806 C GHB	Agate Grey			
	971 885 806 C GFB	Luxor Beige			
	971 885 806 D	Cover			
		Backrest Right Comfort version			

Model: 971-17 Model life 2017>>

Pos	Part Number	Description	Remark	Qty	Model
		without Crest			
	971 885 806 D GDC	Black			+AC
	971 885 806 D GHC	Agate Grey			+DL
	971 885 806 D DUE	Saddle Tan			+SB, +BS
	971 885 806 D GFC	Luxor Beige			+UC, +BP
	971 885 806 D DAK	Marsala Red			+PC
	971 885 806 D GUC	Bordeaux Red			+BB
	971 885 806 D GVC	Chalk			+BK
	971 885 806 D DAL	Cream			+BE
(10)	971 885 806 F	Cover	/R	1	IN0K/3J4/4D1 I4D2/4D3/4D5 I4D9
		Backrest Right Comfort version without Crest Perforated			
	971 885 806 F GDB	Black			+AB
	971 885 806 F GHB	Agate Grey			+DG
	971 885 806 F GFB	Luxor Beige			+UB, +PK
(10)	971 885 806 AP	Cover	/R	1	IN0Q/3J4/4D1 I4D2/4D3/4D5 I4D9
		Backrest Right Comfort version without Crest Perforated			
	971 885 806 AP GDC	Black			+AC
	971 885 806 AP GHC	Agate Grey			+DL
	971 885 806 AP DUE	Saddle Tan			+SB, +BS
	971 885 806 AP GFC	Luxor Beige			+UC, +BP
	971 885 806 AP DAK	Marsala Red			+PC
	971 885 806 AP GUC	Bordeaux Red			+BB
	971 885 806 AP GVC	Chalk			+BK
	971 885 806 AP DAL	Cream			+BE
(10)	971 885 806 L	Cover	/R	1	IN1X/4D0/4D7 I5ZF
		Backrest Right Comfort version with Crest			
	971 885 806 L GDB	Black			+AB
	971 885 806 L GHB	Agate Grey			+DG
	971 885 806 L GFB	Luxor Beige			+UB, +PK
(10)	971 885 806 M	Cover	/R	1	IN5U/4D0/4D7 I5ZF
		Backrest Right Comfort version with Crest			
	971 885 806 M GDC	Black			+AC
	971 885 806 M GHC	Agate Grey			+DL
	971 885 806 M DUE	Saddle Tan			+SB, +BS
	971 885 806 M GFC	Luxor Beige			+UC, +BP
	971 885 806 M DAK	Marsala Red			+PC
	971 885 806 M GUC	Bordeaux Red			+BB
	971 885 806 M GVC	Chalk			+BK

Model: 971-17 Model life 2017>>

Pos	Part Number	Description	Remark	Qty	Model
(10)	971 885 806 M DAL 971 885 806 AR	Cream Cover	/R	1	+BE IN0K/4D1/4D2 I4D3/4D5/4D9 I5ZF
		Backrest Right Comfort version with Crest Perforated			
(10)	971 885 806 AR GDB 971 885 806 AR GHB 971 885 806 AR GFB 971 885 806 AS	Black Agate Grey Luxor Beige Cover	/R	1	+AB +DG +UB, +PK IN0Q/4D1/4D2 I4D3/4D5/4D9 I5ZF
		Backrest Right Comfort version with Crest Perforated			
	971 885 806 AS GDC 971 885 806 AS GHC 971 885 806 AS DUE 971 885 806 AS GFC 971 885 806 AS DAK 971 885 806 AS GUC 971 885 806 AS GVC 971 885 806 AS DAL	Black Agate Grey Saddle Tan Luxor Beige Marsala Red Bordeaux Red Chalk Cream			+AC +DL +SB, +BS +UC, +BP +PC +BB +BK +BE
11	971 885 405 CF	Cover	/L	1	IN1X/4D0/4D7
		Seat cushion Left Comfort version			
	971 885 405 CF GDB 971 885 405 CF GHB 971 885 405 CF GFB	Black Agate Grey Luxor Beige			+AB +DG +UB, +PK
(11)	971 885 405 CG	Cover	/L	1	IN5U/4D0/4D7
		Seat cushion Left Comfort version			
	971 885 405 CG GDC 971 885 405 CG GHC 971 885 405 CG DUE 971 885 405 CG GFC 971 885 405 CG DAK 971 885 405 CG GUC 971 885 405 CG GVC 971 885 405 CG DAL	Black Agate Grey Saddle Tan Luxor Beige Marsala Red Bordeaux Red Chalk Cream			+AC +DL +SB, +BS +UC, +BP +PC +BB +BK +BE
(11)	971 885 405 BF	Cover	/L	1	IN0K/4D1/4D2 I4D3/4D5/4D9
		Seat cushion Left Comfort version Perforated			
	971 885 405 BF GDB 971 885 405 BF GHB 971 885 405 BF GFB	Black Agate Grey Luxor Beige			+AB +DG +UB, +PK
(11)	971 885 405 CA	Cover	/L	1	IN0Q/4D1/4D2 I4D3/4D5/4D9
		Seat cushion Left Comfort version			

Model: 971-17 Model life 2017>>

Pos	Part Number	Description	Remark	Qty	Model	
12	971 885 405 CA GDC	Perforated Black	/R	1	+AC	
	971 885 405 CA GHC	Agate Grey			+DL	
	971 885 405 CA DUE	Saddle Tan			+SB, +BS	
	971 885 405 CA GFC	Luxor Beige			+UC, +BP	
	971 885 405 CA DAK	Marsala Red			+PC	
	971 885 405 CA GUC	Bordeaux Red			+BB	
	971 885 405 CA GVC	Chalk			+BK	
	971 885 405 CA DAL	Cream			+BE	
	971 885 406 CF	Cover			IN1X/4D0/4D7	
		Seat cushion Right Comfort version				
		971 885 406 CF GDB			Black	+AB
	(12)	971 885 406 CF GHB			Agate Grey	+DG
971 885 406 CF GFB		Luxor Beige	+UB, +PK			
971 885 406 CG		Cover	IN5U/4D0/4D7			
		Seat cushion Right Comfort version				
		971 885 406 CG GDC	Black	+AC		
		971 885 406 CG GHC	Agate Grey	+DL		
		971 885 406 CG DUE	Saddle Tan	+SB, +BS		
		971 885 406 CG GFC	Luxor Beige	+UC, +BP		
		971 885 406 CG DAK	Marsala Red	+PC		
		971 885 406 CG GUC	Bordeaux Red	+BB		
		971 885 406 CG GVC	Chalk	+BK		
(12)		971 885 406 CG DAL	Cream	+BE		
	971 885 406 BF	Cover	IN0K/4D1/4D2 I4D3/4D5/4D9			
		Seat cushion Right Comfort version				
		Perforated				
		971 885 406 BF GDB	Black	+AB		
		971 885 406 BF GHB	Agate Grey	+DG		
		971 885 406 BF GFB	Luxor Beige	+UB, +PK		
	971 885 406 CA	Cover	IN0Q/4D1/4D2 I4D3/4D5/4D9			
		Seat cushion Right Comfort version				
		Perforated				
		971 885 406 CA GDC	Black	+AC		
	13	971 885 406 CA GHC	Agate Grey	+DL		
971 885 406 CA DUE		Saddle Tan	+SB, +BS			
971 885 406 CA GFC		Luxor Beige	+UC, +BP			
971 885 406 CA DAK		Marsala Red	+PC			
971 885 406 CA GUC		Bordeaux Red	+BB			
971 885 406 CA GVC		Chalk	+BK			
971 885 406 CA DAL		Cream	+BE			
971 885 745 BN		Cover	IN1X/4D0/4D7 I4X4			
		Side section Left Comfort version with Airbag				
		971 885 745 BN 21U	Black	+AB		
		971 885 745 BN OF6	Agate Grey	+DG		
		971 885 745 BN 32X	Luxor Beige	+UB, +PK		
(13)	971 885 745 BP	Cover	IN5U/4D0/4D7 I4X4			

Model: 971-17

Model life 2017>>

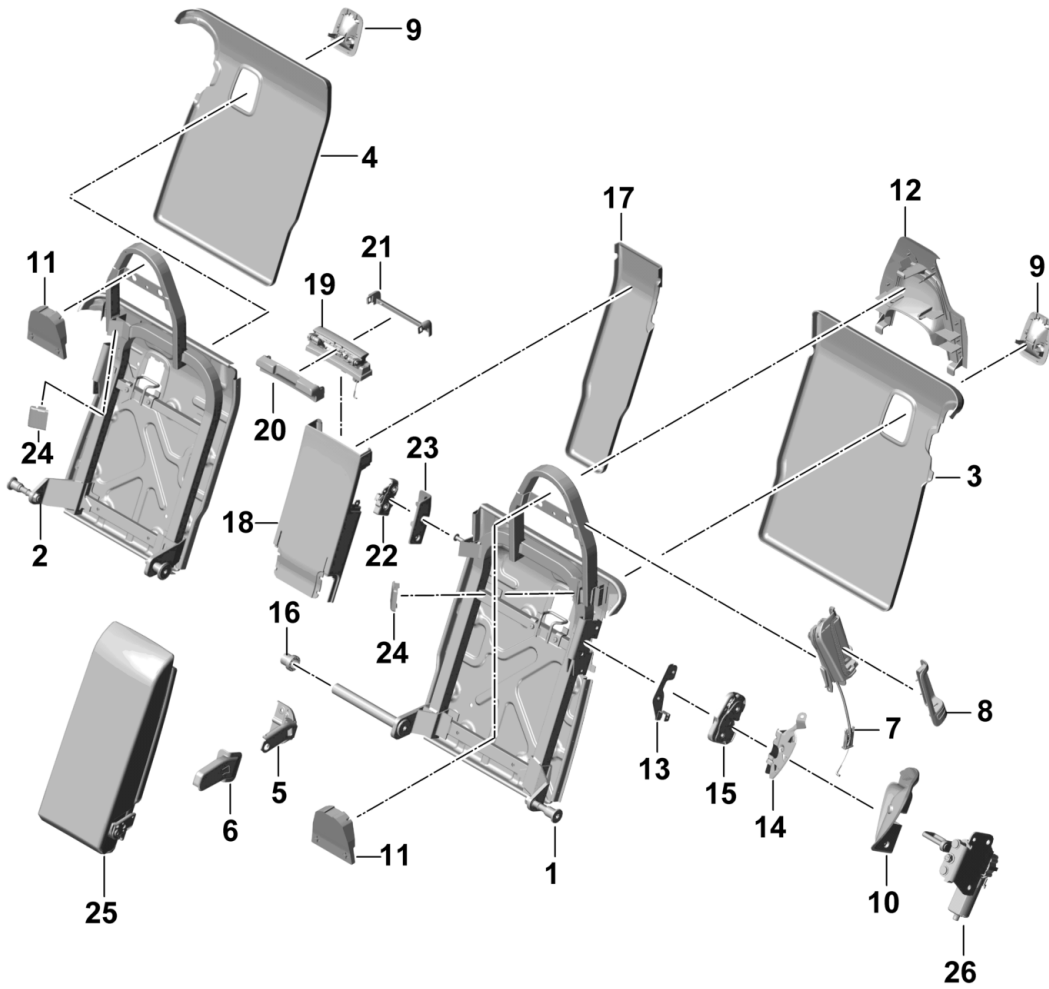
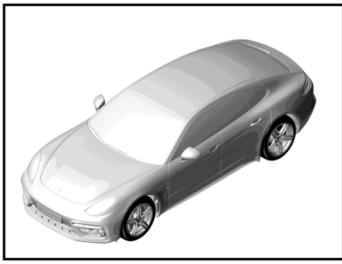
Pos	Part Number	Description	Remark	Qty	Model
(13)		Side section Left Comfort version with Airbag	/L	1	+AC +DL +SB, +BS +UC, +BP +PC +BB +BK +BE IN0K/4D1/4D2 I4D3/4D5/4D9 I4X4
	971 885 745 BP 8YR	Black			
	971 885 745 BP PL1	Agate Grey			
	971 885 745 BP OK6	Saddle Tan			
	971 885 745 BP 9H6	Luxor Beige			
	971 885 745 BP 8M8	Marsala Red			
	971 885 745 BP OG6	Bordeaux Red			
	971 885 745 BP OL8	Chalk			
	971 885 745 BP 6G0	Cream			
	971 885 745 AF	Cover			
(13)		Side section Left Comfort version with Airbag Perforated	/L	1	+AB +DG +UB, +PK IN0Q/4D1/4D2 I4D3/4D5/4D9 I4X4
	971 885 745 AF 21U	Black			
	971 885 745 AF OF6	Agate Grey			
	971 885 745 AF 32X	Luxor Beige			
	971 885 745 AG	Cover			
14		Side section Left Comfort version with Airbag Perforated	/R	1	+AC +DL +SB, +BS +UC, +BP +PC +BB +BK +BE IN1X/4D0/4D7 I4X4
	971 885 745 AG 8YR	Black			
	971 885 745 AG PL1	Agate Grey			
	971 885 745 AG OK6	Saddle Tan			
	971 885 745 AG 9H6	Luxor Beige			
	971 885 745 AG 8M8	Marsala Red			
	971 885 745 AG OG6	Bordeaux Red			
	971 885 745 AG OL8	Chalk			
	971 885 745 AG 6G0	Cream			
	971 885 746 BN	Cover			
(14)		Side section Right Comfort version with Airbag	/R	1	+AB +DG +UB, +PK IN5U/4D0/4D7 I4X4
	971 885 746 BN 21U	Black			
	971 885 746 BN OF6	Agate Grey			
	971 885 746 BN 32X	Luxor Beige			
	971 885 746 BP	Cover			
		Side section Right Comfort version with Airbag			+AC +DL +SB, +BS +UC, +BP
	971 885 746 BP 8YR	Black			
	971 885 746 BP PL1	Agate Grey			
	971 885 746 BP OK6	Saddle Tan			
	971 885 746 BP 9H6	Luxor Beige			

Model: 971-17 Model life 2017>>

Pos	Part Number	Description	Remark	Qty	Model			
(14)	971 885 746 BP 8M8	Marsala Red	/R	1	+PC			
	971 885 746 BP OG6	Bordeaux Red			+BB			
	971 885 746 BP OL8	Chalk			+BK			
	971 885 746 BP 6G0	Cream			+BE			
	971 885 746 AF	Cover			IN0K/4D1/4D2 I4D3/4D5/4D9 I4X4			
(14)	971 885 746 AF 21U	Side section Right Comfort version with Airbag Perforated Black	/R	1	+AB			
	971 885 746 AF OF6	Agate Grey			+DG			
	971 885 746 AF 32X	Luxor Beige			+UB, +PK			
	971 885 746 AG	Cover			IN0Q/4D1/4D2 I4D3/4D5/4D9 I4X4			
	971 885 746 AG 8YR	Side section Right Comfort version with Airbag Perforated Black			+AC			
15	971 885 746 AG PL1	Agate Grey		1	+DL			
	971 885 746 AG OK6	Saddle Tan			+SB, +BS			
	971 885 746 AG 9H6	Luxor Beige			+UC, +BP			
	971 885 746 AG 8M8	Marsala Red			+PC			
	971 885 746 AG OG6	Bordeaux Red			+BB			
	971 885 746 AG OL8	Chalk			+BK			
	971 885 746 AG 6G0	Cream			+BE			
	971 885 723 H	Cover			IN0K/N1X			
	(15)	971 885 723 H GDB			Centre part Backrest Black		1	+AB
		971 885 723 H GHB			Agate Grey			+DG
		971 885 723 H GFB			Luxor Beige			+UB, +PK
		971 885 723 J			Cover			IN0Q/N5U
		971 885 723 J GDC			Centre part Backrest Black			+AC
		971 885 723 J GHC			Agate Grey			+DL
		971 885 723 J DUE			Saddle Tan			+SB, +BS
971 885 723 J GFC		Luxor Beige	+UC, +BP					
971 885 723 J DAK		Marsala Red	+PC					
971 885 723 J GUC		Bordeaux Red	+BB					
971 885 723 J GVC		Chalk	+BK					
971 885 723 J DAL		Cream	+BE					
16		971 885 585	Bracket		2			
17		971 885 189 A	Side section Retainer plate Side section Left	/L	1			
18		971 885 190 A	Side section Retainer plate Side section Right	/R	1			
19	971 885 939 A	Guide piece Side section		2				
20	9A7 008 033 00	Hexagon socket head bolt		4	M6x16			

Model: 971-17

Model life 2017>>



Model: 971-17 Model life 2017>>

Pos	Part Number	Description	Remark	Qty	Model
		Back seat backrest Cover Accessories Executive Basic Comfort version			I3KN/3KR
1	971 885 045 D	Backrest frame Left Complete	/L	1	I3KR
1	971 885 045 E	Backrest frame Left Complete	/L	1	I3KN
2	971 885 046 A	Backrest frame Right Complete	/R	1	
3	971 885 753 A	Pad Rear wall Backrest Left	/L	1	
	971 885 753 A 6B0	Black			+AB,+PK,+AC +BB,+BS,+BK +DG,+DL +UB,+UC +SB,+BP +PC,+BE
	971 885 753 A 9C0	Agate Grey			
	971 885 753 A 7K0	Luxor Beige			
	971 885 753 A BW3	Saddle Tan			
	971 885 753 A 7G0	Marsala Red			
4	971 885 754	Pad Rear wall Backrest Right	/R	1	
	971 885 754 6B0	Black			+AB,+PK,+AC +BB,+BS,+BK +DG,+DL +UB,+UC +SB,+BP +PC,+BE
	971 885 754 9C0	Agate Grey			
	971 885 754 7K0	Luxor Beige			
	971 885 754 BW3	Saddle Tan			
	971 885 754 7G0	Marsala Red			
5	971 885 711	Support Medium Armrest Left	/L	1	-I3KN
(5)	971 885 712	Support Medium Armrest Right	/R	1	-I3KN
6	971 885 739	Cover Support Medium Armrest Left	/L	1	-I3KN
	971 885 739 1E0	Black			+AB,+AC +DG,+DL +UB,+PK,+UC +BP +SB,+BS +PC +BB +BK +BE
	971 885 739 OP1	Agate Grey			
	971 885 739 4H0	Luxor Beige			
	971 885 739 OM8	Saddle Tan			
	971 885 739 3G0	Marsala Red			
	971 885 739 OG6	Bordeaux Red			
	971 885 739 OL8	Chalk			
	971 885 739 5J0	Cream			
(6)	971 885 740	Cover Support Medium Armrest Right	/R	1	-I3KN
	971 885 740 1E0	Black			+AB,+AC

Model: 971-17 Model life 2017>>

Pos	Part Number	Description	Remark	Qty	Model
	971 885 740 OP1	Agate Grey			+DG, +DL
	971 885 740 4H0	Luxor Beige			+UB, +PK, +UC
	971 885 740 OM8	Saddle Tan			+BP
	971 885 740 3G0	Marsala Red			+SB, +BS
	971 885 740 OG6	Bordeaux Red			+PC
	971 885 740 OL8	Chalk			+BB
	971 885 740 5J0	Cream			+BK
7	971 885 681 A	Release Backrest Left	/L	1	+BE
(7)	971 885 681 A GT8	Galvano silver			
	971 885 682 A	Release Backrest Right	/R	1	
8	971 885 682 A GT8	Galvano silver			
	971 885 249 A	Cover Release Backrest Left	/L	1	
	971 885 249 A 5Q0	Black			+AB, +AC
	971 885 249 A OA6	Agate Grey			+DG, +DL
	971 885 249 A 6W0	Luxor Beige			+UB, +PK, +UC
	971 885 249 A OL7	Saddle Tan			+BP
	971 885 249 A 7X0	Marsala Red			+SB, +BS
	971 885 249 A OG6	Bordeaux Red			+PC
	971 885 249 A OL8	Chalk			+BB
	971 885 249 A 5V0	Cream			+BK
(8)	971 885 250 A	Cover Release Backrest Right	/R	1	+BE
	971 885 250 A 5Q0	Black			+AB, +AC
	971 885 250 A OA6	Agate Grey			+DG, +DL
	971 885 250 A 6W0	Luxor Beige			+UB, +PK, +UC
	971 885 250 A OL7	Saddle Tan			+BP
	971 885 250 A 7X0	Marsala Red			+SB, +BS
	971 885 250 A OG6	Bordeaux Red			+PC
	971 885 250 A OL8	Chalk			+BB
	971 885 250 A 5V0	Cream			+BK
9	971 885 943	Cover Backrest Rear		2	+BE
	971 885 943 1E0	Black			+AB, +PK, +AC
	971 885 943 OP1	Agate Grey			+BB, +BS, +BK
	971 885 943 4H0	Luxor Beige			+DG, +DL
	971 885 943 OM8	Saddle Tan			+UB, +UC
	971 885 943 3G0	Marsala Red			+SB, +BP
10	971 885 933 A	Covering for lock Left Rear	/L	1	+PC
	971 885 933 A 1E0	Black			+AB, +PK, +AC
	971 885 933 A OP1	Agate Grey			+BB, +BS, +BK
	971 885 933 A 4H0	Luxor Beige			+DG, +DL
	971 885 933 A OM8	Saddle Tan			+UB, +UC
	971 885 933 A 3G0	Marsala Red			+SB, +BP
(10)	971 885 934 A	Covering for lock Right Rear	/R	1	+PC

Model: 971-17 Model life 2017>>

Pos	Part Number	Description	Remark	Qty	Model
	971 885 934 A 1E0	Black			+AB, +PK, +AC +BB, +BS, +BK
	971 885 934 A OP1	Agate Grey			+DG, +DL
	971 885 934 A 4H0	Luxor Beige			+UB, +UC
	971 885 934 A OM8	Saddle Tan			+SB, +BP
	971 885 934 A 3G0	Marsala Red			+PC
11	971 885 913	Foam part Head rest Rear		2	
12	971 885 727	Frame Head rest Rear Left	/L	1	
(12)	971 885 728	Frame Head rest Rear Right	/R	1	
13	971 885 281	Mounting plate Lock Rear Left	/L	1	
(13)	971 885 282	Mounting plate Lock Rear Right	/R	1	
14	971 885 573 A	Reinforcement Seat and backrest surface Rear Left	/L	1	
(14)	971 885 574 A	Reinforcement Seat and backrest surface Rear Right	/R	1	
15	971 886 481	Lock Backrest Rear Left	/L	1	
(15)	971 886 482	Lock Backrest Rear Right	/R	1	
16	971 885 511	Backrest frame Centre piece		1	-I3KN
17	971 885 611	Pad Rear wall Backrest Centre piece		1	-I3KN
	971 885 611 6B0	Black			+AB, +PK, +AC +BB, +BS, +BK
	971 885 611 9C0	Agate Grey			+DG, +DL
	971 885 611 7K0	Luxor Beige			+UB, +UC
	971 885 611 BW3	Saddle Tan			+SB, +BP
	971 885 611 7G0	Marsala Red			+PC, +BE
18	971 885 527	Bracket Centre piece		1	-I3KN
19	971 886 165 A	Release Centre piece		1	-I3KN
	971 886 165 A GT8	Galvano silver			
20	971 886 744	Cover Release Front		1	-I3KN
	971 886 744 5Q0	Black			+AB, +AC
	971 886 744 OA6	Agate Grey			+DG, +DL

Model: 971-17 Model life 2017>>

Pos	Part Number	Description	Remark	Qty	Model
	971 886 744 6W0	Luxor Beige			+UB,+PK,+UC
	971 886 744 OL7	Saddle Tan			+BP
	971 886 744 7X0	Marsala Red			+SB,+BS
	971 886 744 OG6	Bordeaux Red			+PC
	971 886 744 OL8	Chalk			+BB
	971 886 744 5V0	Cream			+BK
21	971 886 743	Cover		1	+BE
		Release			-I3KN
		Rear			
	971 886 743 5Q0	Black			+AB,+AC
	971 886 743 OA6	Agate Grey			+DG,+DL
	971 886 743 6W0	Luxor Beige			+UB,+PK,+UC
					+BP
	971 886 743 OL7	Saddle Tan			+SB,+BS
	971 886 743 7X0	Marsala Red			+PC
	971 886 743 OG6	Bordeaux Red			+BB
	971 886 743 OL8	Chalk			+BK
	971 886 743 5V0	Cream			+BE
22	971 883 481	Lock		1	-I3KN
		Centre piece			
23	971 886 748	Cover		1	-I3KN
		Lock			
		Centre piece			
	971 886 748 1E0	Black			+AB,+PK,+AC
					+BB,+BS,+BK
	971 886 748 OP1	Agate Grey			+DG,+DL
	971 886 748 4H0	Luxor Beige			+UB,+UC
	971 886 748 OM8	Saddle Tan			+SB
	971 886 748 3G0	Marsala Red			+PC,+BE
25	971 885 081	Armrest		1	IN0K/N1X/6E1
		without			
		Crest			
	971 885 081 GDB	Black			+AB
	971 885 081 GHB	Agate Grey			+DG
	971 885 081 GFB	Luxor Beige			+UB,+PK
(25)	971 885 081 A	Armrest		1	IN0Q/N1P/N5U
		without			I6E1
		Crest			
	971 885 081 A GDC	Black			+AC
	971 885 081 A GHC	Agate Grey			+DL
	971 885 081 A DUE	Saddle Tan			+SB,+BS
	971 885 081 A GFC	Luxor Beige			+UC,+BP
	971 885 081 A DAK	Marsala Red			+PC
	971 885 081 A GUC	Bordeaux Red			+BB
	971 885 081 A GVC	Chalk			+BK
	971 885 081 A DAL	Cream			+BE
(25)	971 885 081 C	Armrest		1	IN0K/N1X/6E2
		with			
		Crest			
	971 885 081 C GDB	Black			+AB
	971 885 081 C GHB	Agate Grey			+DG
	971 885 081 C GFB	Luxor Beige			+UB,+PK
(25)	971 885 081 R	Armrest		1	IN0Q/N5U/6E2
		with			
		Crest			
	971 885 081 R GDC	Black			+AC
	971 885 081 R GHC	Agate Grey			+DL
	971 885 081 R DUE	Saddle Tan			+SB,+BS
	971 885 081 R GFC	Luxor Beige			+UC,+BP
	971 885 081 R DAK	Marsala Red			+PC
	971 885 081 R GUC	Bordeaux Red			+BB

Model: 971-17 Model life 2017>>

Pos	Part Number	Description	Remark	Qty	Model		
(25)	971 885 081 R GVC	Chalk		1	+BK		
	971 885 081 R DAL	Cream			+BE		
	971 885 081 D	Armrest			IL0L/N0K/N1X I0E1/1X2/6E3		
		with Panamera Logo					
(25)	971 885 081 D GDB	Black		1	+AB		
	971 885 081 D GHB	Agate Grey			+DG		
	971 885 081 D GFB	Luxor Beige			+UB, +PK		
(25)	971 885 081 S	Armrest		1	IL0L/N0Q/N5U I0E1/1X2/6E3		
		with Panamera					
(25)	971 885 081 S GDC	Black		1	+AC		
	971 885 081 S GHC	Agate Grey			+DL		
	971 885 081 S DUE	Saddle Tan			+SB, +BS		
	971 885 081 S GFC	Luxor Beige			+UC, +BP		
	971 885 081 S DAK	Marsala Red			+PC		
	971 885 081 S GUC	Bordeaux Red			+BB		
	971 885 081 S GVC	Chalk			+BK		
	971 885 081 S DAL	Cream			+BE		
	(25)	971 885 081 E	Armrest			1	IA8C/L0L/N0K IN1X/0E1/1X1 I6E3
			with Panamera 4 Logo				
(25)	971 885 081 E GDB	Black		1	+AB		
	971 885 081 E GHB	Agate Grey			+DG		
	971 885 081 E GFB	Luxor Beige			+UB, +PK		
(25)	971 885 081 T	Armrest		1	IA8C/L0L/N0Q IN5U/0E1/1X1 I6E3		
		with Panamera 4					
(25)	971 885 081 T GDC	Black		1	+AC		
	971 885 081 T GHC	Agate Grey			+DL		
	971 885 081 T DUE	Saddle Tan			+SB, +BS		
	971 885 081 T GFC	Luxor Beige			+UC, +BP		
	971 885 081 T DAK	Marsala Red			+PC		
	971 885 081 T GUC	Bordeaux Red			+BB		
	971 885 081 T GVC	Chalk			+BK		
	971 885 081 T DAL	Cream			+BE		
	(25)	971 885 081 F	Armrest			1	IA8F/L0L/N0K IN1X/0E1/1X1 I6E3
			with Panamera 4S Logo				
(25)	971 885 081 F GDB	Black		1	+AB		
	971 885 081 F GHB	Agate Grey			+DG		
	971 885 081 F GFB	Luxor Beige			+UB, +PK		
(25)	971 885 081 AA	Armrest		1	IA8F/L0L/N0Q IN5U/0E1/1X1 I6E3		
		with Panamera 4S Logo					
(25)	971 885 081 AA GDC	Black		1	+AC		
	971 885 081 AA GHC	Agate Grey			+DL		
	971 885 081 AA DUE	Saddle Tan			+SB, +BS		
	971 885 081 AA GFC	Luxor Beige			+UC, +BP		

Model: 971-17 Model life 2017>>

Pos	Part Number	Description	Remark	Qty	Model
(25)	971 885 081 AA DAK	Marsala Red		1	+PC
	971 885 081 AA GUC	Bordeaux Red			+BB
	971 885 081 AA GVC	Chalk			+BK
	971 885 081 AA DAL	Cream			+BE
	971 885 081 G	Armrest			IA8H/E0A/L0L IN0K/N1X/0E1 I6E3
(25)		with Panamera Turbo Logo		1	+AB
	971 885 081 G GDB	Black			+DG
	971 885 081 G GHB	Agate Grey			+UB, +PK
	971 885 081 G GFB	Luxor Beige			IA8H/E0A/L0L IN0Q/N5U/0E1 I6E3
	971 885 081 AB	Armrest			
(25)		with Panamera Turbo Logo		1	+AC
	971 885 081 AB GDC	Black			+DL
	971 885 081 AB GHC	Agate Grey			+SB, +BS
	971 885 081 AB DUE	Saddle Tan			+UC, +BP
	971 885 081 AB GFC	Luxor Beige			+PC
(25)	971 885 081 AB DAK	Marsala Red		1	+BB
	971 885 081 AB GUC	Bordeaux Red			+BK
	971 885 081 AB GVC	Chalk			+BE
	971 885 081 AB DAL	Cream			IA8H/E8A/L0L IN0K/N1X/0E1 I6E3
	971 885 081 H	Armrest			
(25)		with Panamera Turbo S Logo		1	+AB
	971 885 081 H GDB	Black			+DG
	971 885 081 H GHB	Agate Grey			+UB, +PK
	971 885 081 H GFB	Luxor Beige			IA8H/E8A/L0L IN0Q/N5U/0E1 I6E3
	971 885 081 AC	Armrest			
(25)		with Panamera Turbo S Logo		1	+AC
	971 885 081 AC GDC	Black			+DL
	971 885 081 AC GHC	Agate Grey			+SB, +BS
	971 885 081 AC DUE	Saddle Tan			+UC, +BP
	971 885 081 AC GFC	Luxor Beige			+PC
(25)	971 885 081 AC DAK	Marsala Red		1	+BB
	971 885 081 AC GUC	Bordeaux Red			+BK
	971 885 081 AC GVC	Chalk			+BE
	971 885 081 AC DAL	Cream			IL0R/N0K/N1X I0E1/1X2/6E3
	971 885 081 K	Armrest			
(25)		with Panamera Logo		1	+AB
	971 885 081 K GDB	Black			+DG
	971 885 081 K GHB	Agate Grey			+UB, +PK
	971 885 081 K GFB	Luxor Beige			IL0R/N0Q/N5U I0E1/1X2/6E3
	971 885 081 AE	Armrest			
		with Panamera Logo			

Model: 971-17 Model life 2017>>

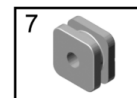
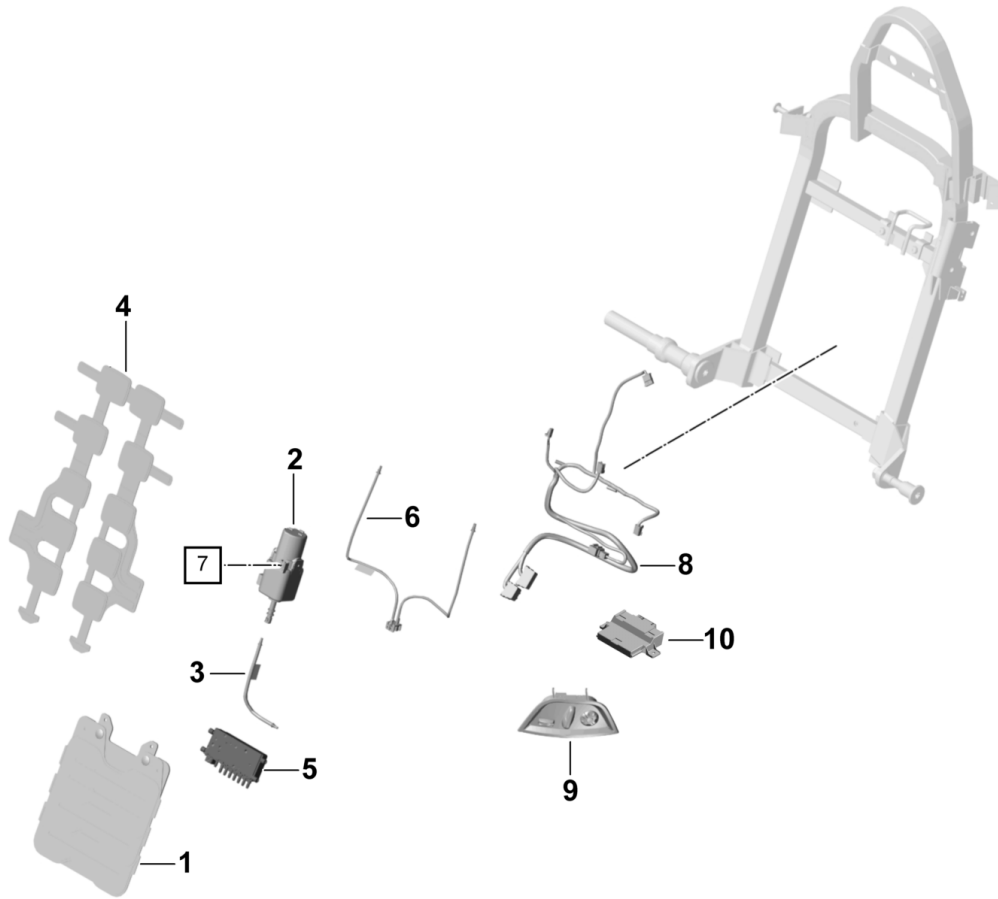
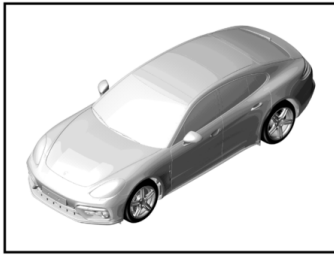
Pos	Part Number	Description	Remark	Qty	Model
(25)	971 885 081 AE GDC	Black		1	+AC
	971 885 081 AE GHC	Agate Grey			+DL
	971 885 081 AE DUE	Saddle Tan			+SB, +BS
	971 885 081 AE GFC	Luxor Beige			+UC, +BP
	971 885 081 AE DAK	Marsala Red			+PC
	971 885 081 AE GUC	Bordeaux Red			+BB
	971 885 081 AE GVC	Chalk			+BK
	971 885 081 AE DAL	Cream			+BE
	971 885 081 L	Armrest			IA8C/L0R/N0K IN1X/0E1/1X1 I6E3
		with Panamera 4 Logo			
(25)	971 885 081 L GDB	Black		1	+AB
	971 885 081 L GHB	Agate Grey			+DG
	971 885 081 L GFB	Luxor Beige			+UB, +PK
	971 885 081 AF	Armrest			IA8C/L0R/N0Q IN5U/0E1/1X1 I6E3
		with Panamera 4 Logo			
	971 885 081 AF GDC	Black			+AC
	971 885 081 AF GHC	Agate Grey			+DL
	971 885 081 AF DUE	Saddle Tan			+SB, +BS
	971 885 081 AF GFC	Luxor Beige			+UC, +BP
	971 885 081 AF DAK	Marsala Red			+PC
(25)	971 885 081 AF GUC	Bordeaux Red		1	+BB
	971 885 081 AF GVC	Chalk			+BK
	971 885 081 AF DAL	Cream			+BE
	971 885 081 M	Armrest			IA8F/L0R/N0K IN1X/0E1/1X1 I6E3
		with Panamera 4S Logo			
	971 885 081 M GDB	Black			+AB
	971 885 081 M GHB	Agate Grey			+DG
	971 885 081 M GFB	Luxor Beige			+UB, +PK
	971 885 081 AG	Armrest			IA8F/L0R/N0Q IN5U/0E1/1X1 I6E3
		with Panamera 4S Logo			
(25)	971 885 081 AG GDC	Black		1	+AC
	971 885 081 AG GHC	Agate Grey			+DL
	971 885 081 AG DUE	Saddle Tan			+SB, +BS
	971 885 081 AG GFC	Luxor Beige			+UC, +BP
	971 885 081 AG DAK	Marsala Red			+PC
	971 885 081 AG GUC	Bordeaux Red			+BB
	971 885 081 AG GVC	Chalk			+BK
	971 885 081 AG DAL	Cream			+BE
	971 885 081 N	Armrest			IA8H/E0A/L0R IN0K/N1X/0E1 I6E3
		with Panamera Turbo Logo			
971 885 081 N GDB	Black		+AB		
971 885 081 N GHB	Agate Grey		+DG		
971 885 081 N GFB	Luxor Beige		+UB, +PK		

Model: 971-17 Model life 2017>>

Pos	Part Number	Description	Remark	Qty	Model
(25)	971 885 081 AH	Armrest		1	IA8H/E0A/L0R IN0Q/N5U/0E1 I6E3
		with Panamera Turbo Logo			
	971 885 081 AH GDC	Black			+AC
	971 885 081 AH GHC	Agate Grey			+DL
	971 885 081 AH DUE	Saddle Tan			+SB, +BS
	971 885 081 AH GFC	Luxor Beige			+UC, +BP
	971 885 081 AH DAK	Marsala Red			+PC
	971 885 081 AH GUC	Bordeaux Red			+BB
	971 885 081 AH GVC	Chalk			+BK
	971 885 081 AH DAL	Cream			+BE
(25)	971 885 081 P	Armrest		1	IA8H/E8A/L0R IN0K/N1X/0E1 I6E3
		with Panamera Turbo S Logo			
	971 885 081 P GDB	Black			+AB
	971 885 081 P GHB	Agate Grey			+DG
	971 885 081 P GFB	Luxor Beige			+UB, +PK
(25)	971 885 081 AJ	Armrest		1	IA8H/E8A/L0R IN0Q/N5U/0E1 I6E3
		with Panamera Turbo S Logo			
	971 885 081 AJ GDC	Black			+AC
	971 885 081 AJ GHC	Agate Grey			+DL
	971 885 081 AJ DUE	Saddle Tan			+SB, +BS
	971 885 081 AJ GFC	Luxor Beige			+UC, +BP
	971 885 081 AJ DAK	Marsala Red			+PC
	971 885 081 AJ GUC	Bordeaux Red			+BB
	971 885 081 AJ GVC	Chalk			+BK
	971 885 081 AJ DAL	Cream			+BE
26	971 886 315	Adjusting motor Left	/L	1	
(26)	971 886 316	Adjusting motor Right	/R	1	

Model: 971-17

Model life 2017>>

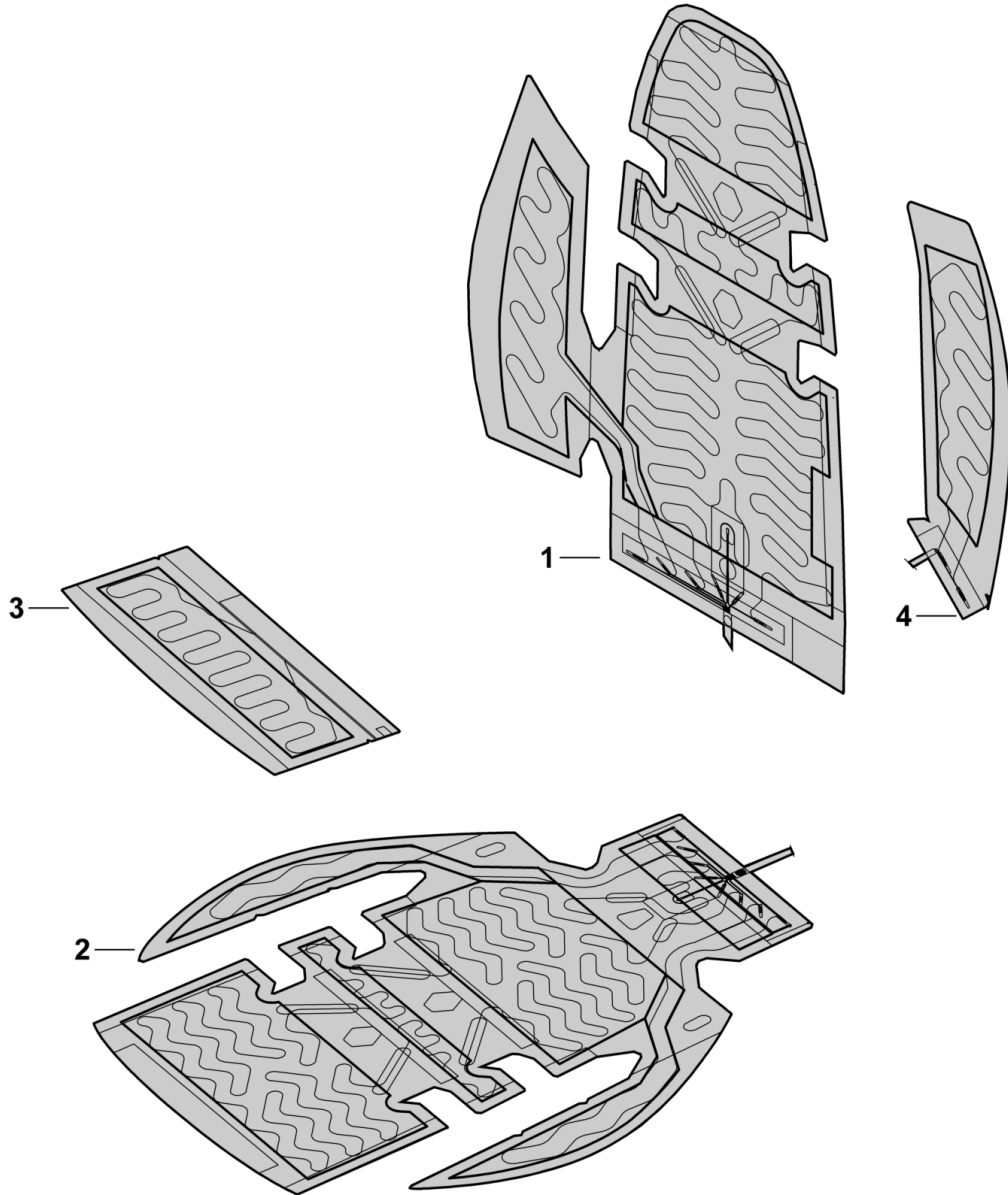
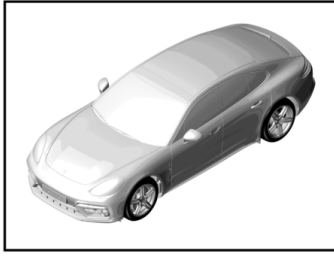


Model: 971-17 Model life 2017>>

Pos	Part Number	Description	Remark	Qty	Model
1	971 881 710 A	Lumbar Massage Wiring harness Switch insert Airbag	/L	1	I3KK/3KL/3KN I3KR
(1)	971 881 710 B	Lumbar support with Control unit Left Airbag Lumbar support with Control unit Right	/R	1	I3KK/3KL/3KN I3KR
2	971 881 073	Compressor		2	I3KK/3KL/3KN I3KR
3	971 886 113	Lumbar support Air duct Hose line Left	/L	2	
4	971 881 709	Airbag		2	I4D2/4D5/4D7 I4D9
5	9A7 907 182 00	Massage Control unit		2	I3KK/3KL/3KN I3KR/4D2/4D5 I4D7/4D9
6	971 882 701	Valve block Massage Air hose		2	I4D2/4D5/4D7 I4D9
7	971 881 867	Massage Buffer Compressor		1	
8	971 971 389 AF	Wiring harness Seat Rear Left	/L	1	-I4D2
(8)	971 971 389 AG	Wiring harness Seat Rear Left	/L	1	I4D2
(8)	971 974 389 AF	Wiring harness Seat Rear Right	/R	1	-I4D2
(8)	971 974 389 AG	Wiring harness Seat Rear Right	/R	1	I4D2
9	971 959 765 B	Switch insert	/L	1	I3KK/3KL/3KN I3KR
(9)	971 959 765 B HVO	Left Black/Galvano Silver			
	971 959 766 B	Switch insert	/R	1	I3KK/3KL/3KN I3KR
10	971 959 766 B HVO	Right Black/Galvano Silver			
	9A7 959 772 00	Control unit Seat heater Rear		1	I4A4

Model: 971-17

Model life 2017>>



Model: 971-17

Model life 2017>>

Pos	Part Number	Description	Remark	Qty	Model
1	971 963 567 D	Heating element Backrest Seat cushion Side section Heating element	/L	1	I4A4 I0E1/3KG/3KI I3KK
(1)	971 963 568 D	Comfort seat Package Backrest Standard seat Comfort seat Premium Left Heating element	/R	1	I0E1/3KG/3KI I3KK
(1)	971 963 567 E	Comfort seat Package Backrest Standard seat Comfort seat Premium Right Heating element	/L	1	I0E1/3KH/3KJ I3KL
(1)	971 963 568 E	Sports seat Package Backrest Standard seat Comfort seat Premium Left Heating element	/R	1	I0E1/3KH/3KJ I3KL
2	971 963 561 F	Sports seat Package Backrest Standard seat Comfort seat Premium Right Heating element		1	I0E1/3KG/3KH I3KI/3KJ
(2)	971 963 561 G	Seat cushion Basic Comfort seat Sports seat Premium Comfort seat Sports seat Heating element Seat cushion Premium		1	I0E1/3KK/3KL
3	971 963 550 A	Package Heating element		1	I3KK/3KL/3KN I3KR
4	971 963 573 G	Seat cushion Deep Adjustment Heating element	/L	1	I0E1/3KG/3KI I3KK
		Comfort seat Package Side section			

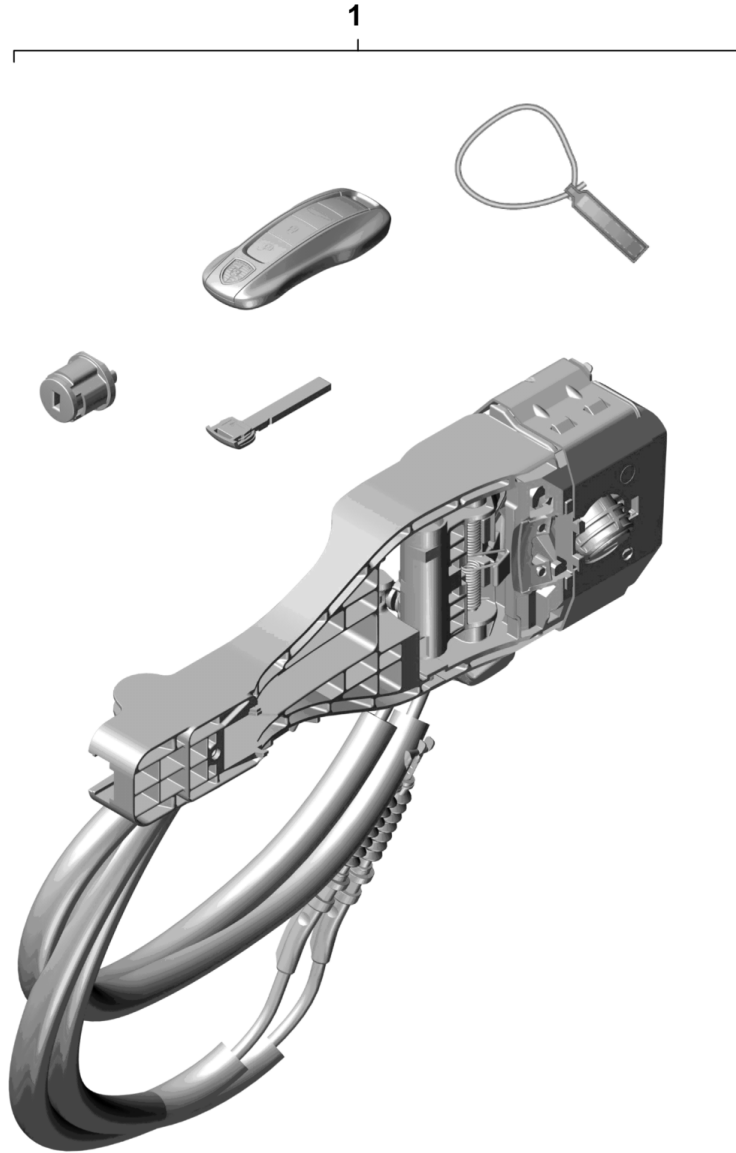
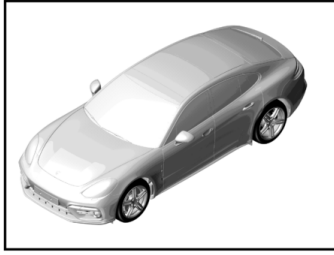
Model: 971-17

Model life 2017>>

Pos	Part Number	Description	Remark	Qty	Model
(4)	971 963 574 G	Standard seat Comfort seat Premium Left Heating element	/R	1	I0E1/3KG/3KI I3KK
(4)	971 963 573 F	Comfort seat Package Side section Standard seat Comfort seat Premium Right Heating element	/L	1	I0E1/3KH/3KJ I3KL
(4)	971 963 574 F	Sports seat Package Side section Standard seat Comfort seat Premium Left Heating element	/R	1	I0E1/3KH/3KJ I3KL
		Sports seat Package Side section Standard seat Comfort seat Premium Right			

Model: 971-17

Model life 2017>>



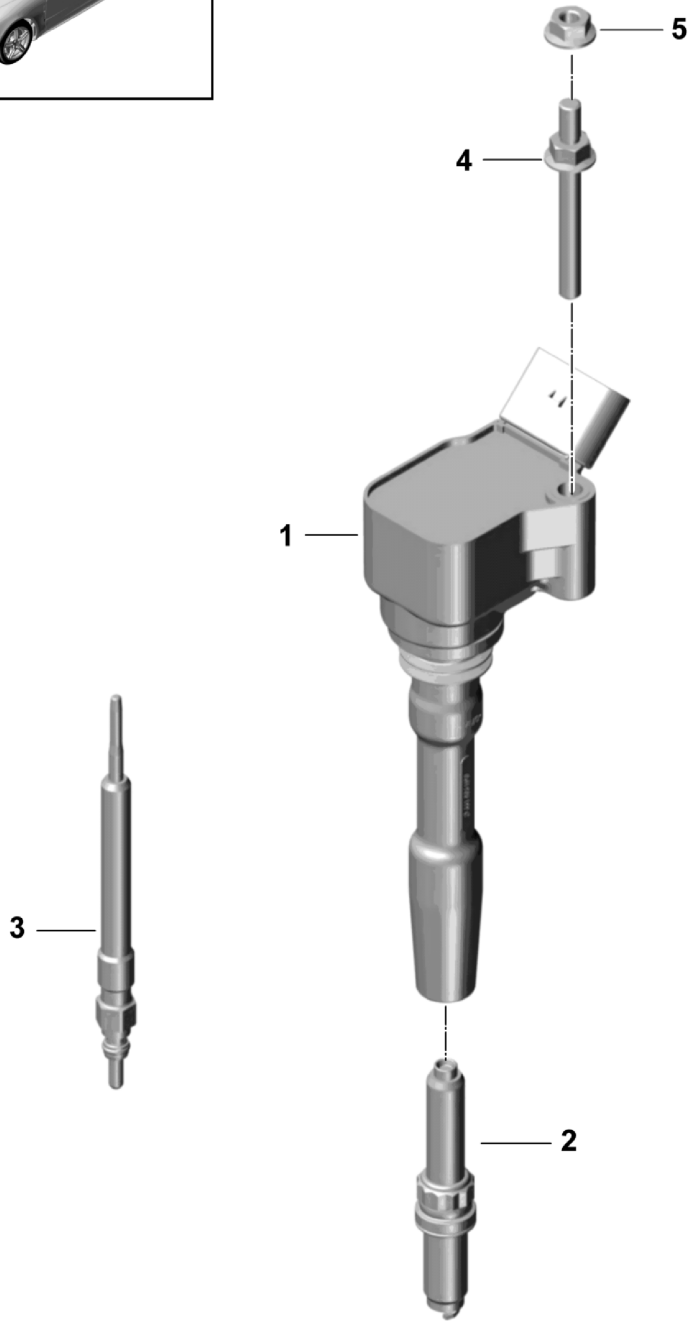
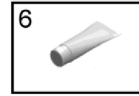
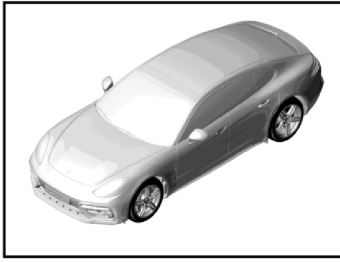
Model: 971-17

Model life 2017>>

Pos	Part Number	Description	Remark	Qty	Model
1	971 898 374	Set of locks Set of locks Comprising: Glove compartment lock Support Outer door handle Emergency key Key tag Handheld transmitter		1	IL0L/4I6/4I8 I5D1
(1)	971 898 374 A	Set of locks		1	IL0L/4F2/4F6 I5D1
(1)	971 898 374 B	Set of locks		1	IL0R/4I6/4I8 I5D1
(1)	971 898 374 C	Set of locks		1	IL0R/4F2/4F6 I5D1
(1)	971 898 374 F	Set of locks		1	IL0R/4I6/4I8 I5D8
(1)	971 898 374 H	Set of locks		1	IL0L/4I6/4I8 I5D4
(1)	971 898 374 J	Set of locks		1	IL0L/4F2/4F6 I5D4
(1)	971 898 374 K	Set of locks		1	IL0R/4I6/4I8 I5D4
(1)	971 898 374 L	Set of locks		1	IL0R/4F2/4F6 I5D4

Model: 971-17

Model life 2017>>



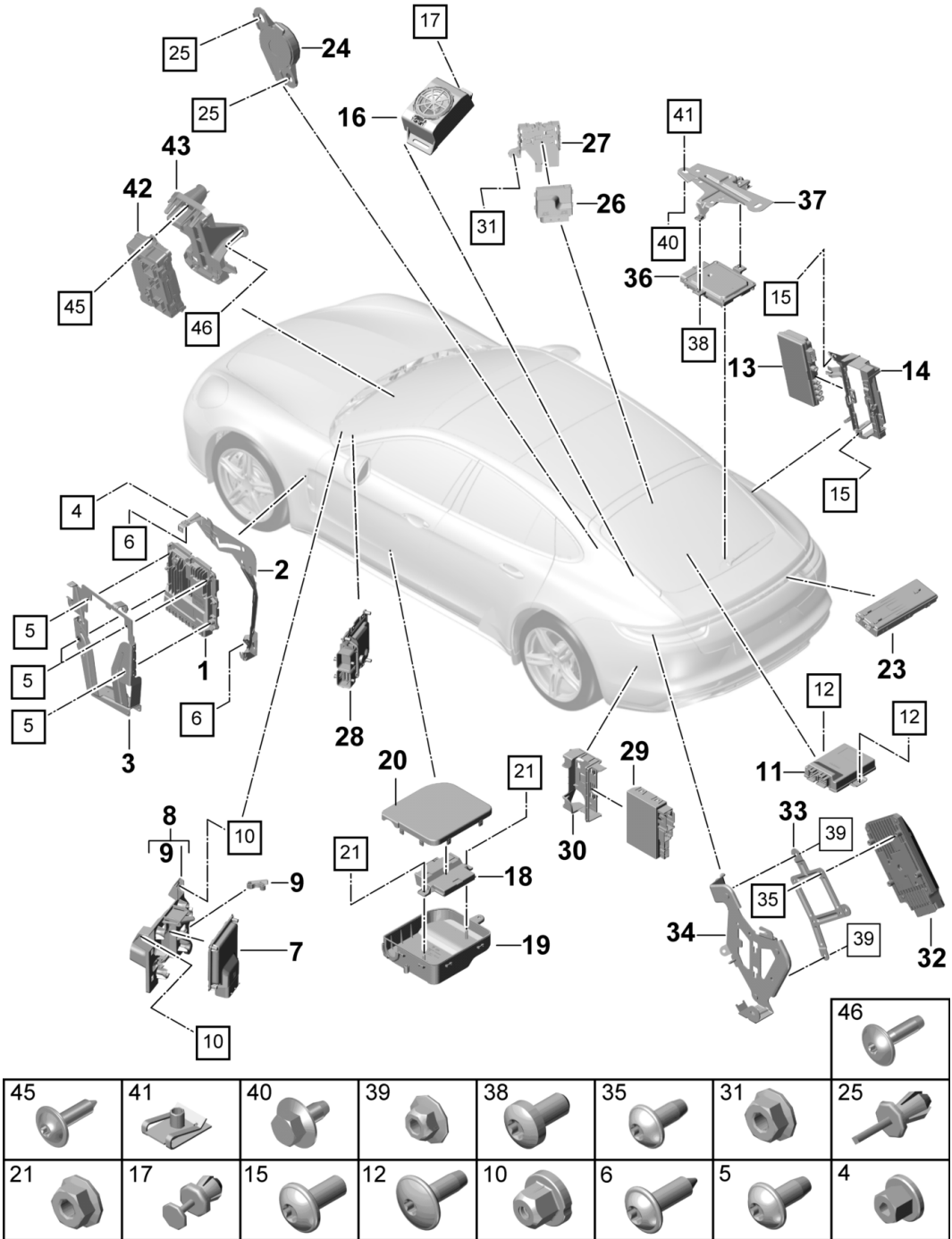
Model: 971-17

Model life 2017>>

Pos	Part Number	Description	Remark	Qty	Model
1	958 905 110 01	Ignition system		8	MCV.DA
(1)		Ignition coil		6	MCS.ZA
		Ignition coil			MCX.TA
					MDG.PA
2	9A7 905 601 00	Spark plug		8	MCV.DA
		NGK 8			
		Use also:		X	
		000.043.210.83			
(2)	9A7 905 601 50	Spark plug		6	MCS.ZA
					MCX.TA
					MDG.PA
		NGK		X	
		Use also:			
		000.043.210.83		7	DIESEL
3	9A7 963 319 00	Glow plug			MDB.UC
(3)	9A7 963 319 50	Glow plug		1	DIESEL
					MDB.UC
		with			
		Pressure sensor		8	MCV.DA
4	N 108 251 01	Double screw			
		M 6 X 45		6	MCS.ZA
(4)	N 104 057 02	Outer hexagon round screw			MCX.TA
					MDG.PA
		M 6 X 45		8	MCV.DA
5	N 015 082 10	Hexagon nut			
		M 6		1	MCS.ZA
6	000 043 210 83	Grease			MCV.DA
					MCX.TA
					MDG.PA
		for			
		Ignition coil			

Model: 971-17

Model life 2017>>



Model: 971-17

Model life 2017>>

Pos	Part Number	Description	Remark	Qty	Model
		Control units Engine and transmission Lock control Trailer coupling ParkAssist Gateway Rear lid Fuel pump Start/Stop Electric parking brake			
1	9A7 907 309 00	Control unit		1	IDT4/DW4/OK0
(1)	9A7 907 309 20	- dme - Control unit		1	ID29/OK0
(1)	9A7 907 309 30	- dme - Control unit		1	ID0D/OK3
(1)	9A7 907 309 40	- dme - Control unit		1	ID1I
(1)	9A7 907 309 50	- dme - Control unit		1	IDJ7
2	971 906 216 A	Support		1	IDJ7/DT4/DW4 ID0D/D1I/D29
3	971 906 204 A	Support		1	IDT4/DW4/D0D ID1I/D29
(3)	971 906 214 A	Support		1	IDJ7
4	N 100 151 01	Hexagon nut T5		1	
5	N 106 695 01	Oval-head screw M 5 X 12		4	
6	N 106 795 01	Oval-head sheetmetal screw ST 4,8 X 16		2	
7	9A7 927 156 01	Control unit		1	
8	971 927 335 A	PDK Support		1	IL0L
(8)	971 927 329 A	Control unit PDK Support		1	IL0R
9	971 907 354	Retaining bar Control unit		2	
10	999 076 081 40	PDK Plastic nut T5		3	
11	971 927 771 E	Control unit Rear differential lock		1	IGH3
12	N 909 747 01	Oval-head sheetmetal screw TP5X16		2	IGH3
13	971 907 428 E	Control unit Camera system		1	I8A4
14	971 907 372 A	RTV Support		1	I8A4
(14)		Control unit RTV Support		1	I3Z7/7X2/7X8 I9ZC
15	N 909 446 04	Control unit RTV Fastening screw		2	I3Z7/7X2/7X8 I9ZC
16	7PP 035 709 A	M5 X 12 Loudspeaker ParkAssist		1	

Model: 971-17

Model life 2017>>

Pos	Part Number	Description	Remark	Qty	Model
17	N 104 420 03	Rear Oval-head screw TP5X16		3	INZ3
(17)	N 907 794 01	Expansion rivet BD 6,2X9,3		1	-INZ3
18	9A7 907 467 00	Control unit Gateway D >> 04.11.2016		1	
(18)	9A7 907 468 00	Control unit Gateway D 07.11.2016>>		1	
19	971 907 583 B	Housing Gateway Lower part		1	
20	971 907 613 B	Housing cover Gateway		1	
21	N 015 082 10	Hexagon nut M6		2	
23	9A7 959 107 00	Control unit Rear lid		1	
24	9A7 919 279 00	Loudspeaker		1	
25	N 905 369 01	Expansion rivet Control unit Door See illustrations 9/02/15		2	
26	971 906 093	Control unit Fuel pump		1	
27	971 906 129 A	Support Control unit Fuel pump		1	
28	971 907 183 D	Control unit Cruise control		1	I3V1
29	9A7 907 383 00	Control unit Trailer coupling		1	I1D3
30	971 907 371	Support Control unit Trailer coupling		1	I1D3/1D7
31	N 015 082 10	Hexagon nut M 6		1	
32	971 907 553 AA	Control unit Chassis control		1	I1BK
(32)	971 907 553 AB	Control unit Chassis control		1	I1BH
33	971 907 114	Support Control unit Chassis control		1	I1BH/1BK
34	971 907 515	Support Control unit Chassis control		1	I1BH/1BK
35	N 106 695 01	Oval-head screw M5X12		4	I1BH/1BK
36	9A7 907 355 10	Control unit Urea solution		1	MDB.UC
37	971 907 331	Support Control unit Urea solution		1	MDB.UC
38	N 103 352 07	Round head screw M 6 X 12 -K		2	MDB.UC
39	N 908 877 03	Hexagon nut M 6		2	MDB.UC
40	N 108 140 01	Hexagon-head bolt M 6 X 12		1	MDB.UC

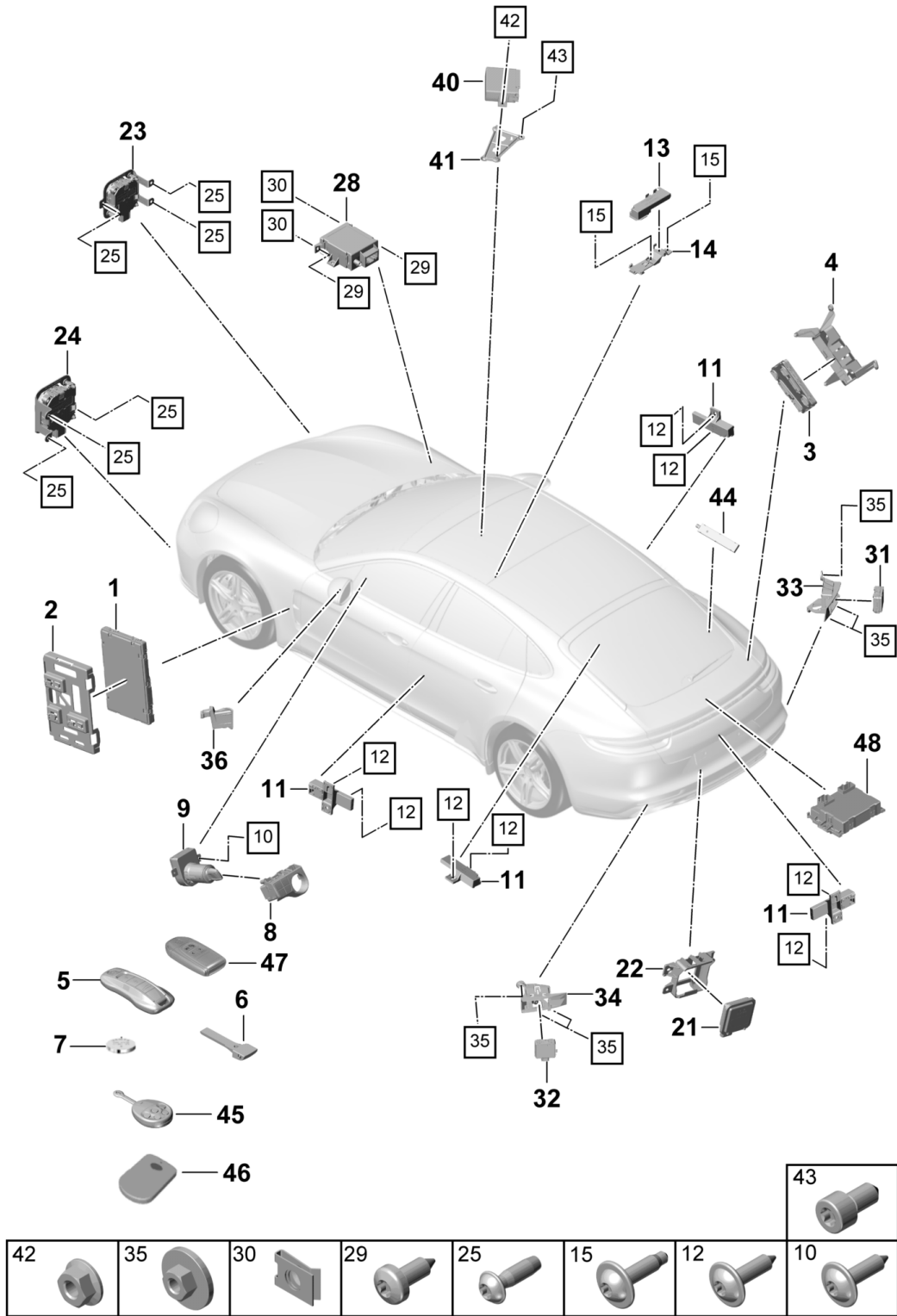
Model: 971-17

Model life 2017>>

Pos	Part Number	Description	Remark	Qty	Model
41	N 906 271 02	Speed nut M 6		1	MDB.UC
42	971 907 040 H	Control unit Air conditioner		1	IA8F/A8H
(42)	971 907 040 L	Control unit Air conditioner		1	IA8C/E8A
43	971 907 102	Support Control unit Air conditioner		1	IL0L
(43)	971 907 647	Support Control unit Air conditioner		1	IL0R
45	N 906 986 06	Tapping screw 4,2 X 16		1	
46	N 910 907 01	Screw 5,0 X 20		3	

Model: 971-17

Model life 2017>>



Model: 971-17 Model life 2017>>

Pos	Part Number	Description	Remark	Qty	Model
		Control units Electronics Body front section Rear end Ignition starter switch Handheld transmitter Garage door opener Receiving part Auxiliary heater Antenna Distance sensor Lane Change Assistant Spoiler			
1	971 907 063 B	Control unit Electronics Body front section		1	
2	971 907 286	Support Control unit		1	
3	971 907 064 CK	Control unit Electronics Rear end		1	I5D1/5D8
(3)	971 907 064 CT	Control unit Electronics Rear end		1	I5D4
4	971 907 461	Support Control unit Electronics Rear end		1 1	
5	9A7 959 953 00	Handheld transmitter Key cover Vehicle Ident. No. Indicate		1	I5D1
(5)	9A7 959 953 10	Handheld transmitter Key cover Vehicle Ident. No. Indicate		1	I5D4
(5)	9A7 959 953 20	Handheld transmitter Key cover Vehicle Ident. No. Indicate		1	I5D8
6	9A7 837 216 00	Emergency key with stipulated lock number Vehicle Ident. No. Indicate		1	
7	999 611 108 00	Battery Handheld transmitter		1	
8	972 941 209 B	Strip for switches Light switch		1	IL0L
(8)	972 941 209 B HJD 973 941 209 B	Black/Galvano Silver Strip for switches Light switch		1	IL0R
9	973 941 209 B HJD 971 905 865 B	Black/Galvano Silver Ignition starter switch		1	
10	N 906 986 06	Tapping screw		2	
11	9A7 907 247 00	Antenna Kessy Inner		3	I4F2/4F6
(11)		Antenna Kessy Inner		4	I0E2/4F2/4F6
(11)		Antenna Kessy Inner		1	I4I6/4I8

Model: 971-17 Model life 2017>>

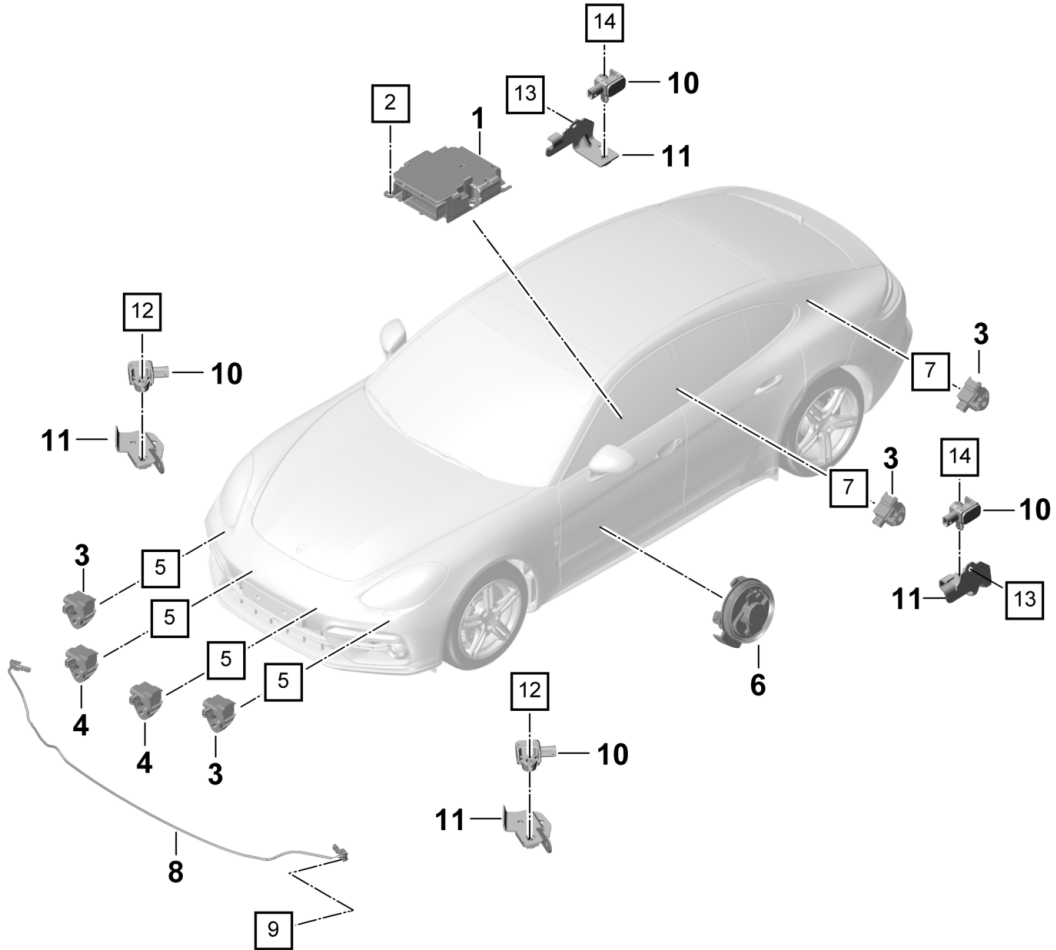
Pos	Part Number	Description	Remark	Qty	Model
12	N 906 986 06	Tapping screw ST4,2X16		8	
13	9A7 907 247 10	Antenna Kessy Centre console		1	I4F2/4F6
(13)		Antenna Kessy Centre console		1	I4I6/4I8
14	971 907 741	Support Antenna Kessy		1	
15	N 911 809 01	Oval-head screw M5X20		4	
21	9A7 907 410 00	Control unit Garage door opener		1	IVC1
(21)	9A7 907 410 10	Control unit Garage door opener		1	IVC2
22	971 907 681 A	Support Control unit Garage door opener		1	IVC1/VC2
23	971 907 561 B	Control unit Distance sensor Master Included Support		1	I3V1/8T3
24	971 907 541 B	Control unit Distance sensor Slave Included Support		1	I3V1/8T3
25	N 104 734 02	Lens-head screw TP6 X 20		2	
28	9A7 963 271 00	Control unit Receiving part Auxiliary heater		1	I9M9
29	N 106 562 02	Tapping screw 3,5 X 9,5		2	I9M9
30	N 911 680 01	Speed nut 3,5		2	I9M9
31	9A7 907 566 00	Control unit Lane Change Assistant Master		1	I7Y1
32	9A7 907 590 00	Control unit Lane Change Assistant Slave		1	I7Y1
33	971 907 510 A	Support Lane Change Assistant Master		1	I7Y1
34	971 907 509 A	Support Lane Change Assistant Slave		1	I7Y1
35	N 905 708 03	Hexagon nut M 6		6	I7Y1
36		Warning light Lane Change Assistant Door mirror See illustrations 8/09/50	/LL /L	1	IL0L/7Y1
40	9A7 035 620 00	Control unit VTS vehicle tracking		1	I7G9/7I0/7I2
41	971 035 317	Support Control unit VTS vehicle tracking		1	I7I0/7I2

Model: 971-17 Model life 2017>>

Pos	Part Number	Description	Remark	Qty	Model
42	N 015 082 10	Hexagon nut M6		1	I7I0/7I2
43	N 106 507 01	Pan-head screw M6X12		1	I7I0/7I2
44		Antenna VTS vehicle tracking See illustrations 9/11/02		1	
45	9P1 862 423	Handheld transmitter VTS vehicle tracking Information available		1	I7I0/7I2
46	7PP 862 077	System Card VTS vehicle tracking Information available		1	I7I0/7I2
47	971 963 511	Handheld transmitter Auxiliary heater		1	I9M9
48	971 907 479 F	Control unit Rear spoiler		1	IA8C/A8F/K8S
(48)	971 907 483 F	Control unit Rear spoiler		1	IA8H/E8A/K8S
(48)	974 907 479 F	Control unit Rear spoiler		1	IK8D/5KA/5KH
(48)	PAB 907 479 10	Control unit		1	IK8D/3KG/3KH I3KI/3KJ/3KK I3KL/3KN/3KR
49	974 907 298	Rear spoiler Support Control unit Rear spoiler		1	IK8D
50	N 910 189 01	Plastic nut T6 Antenna booster Auxiliary heater See illustrations 9/11/10 Alarm siren Control unit Tilt sensor See illustrations 9/03/00		2	IK8D

Model: 971-17

Model life 2017>>



Model: 971-17

Model life 2017>>

Pos	Part Number	Description	Remark	Qty	Model
		Control unit Sensor Airbag Pressure sensor Pedestrian protection Airbag unit See illustrations 8/12/50 Switch Airbag See illustrations 9/03/10			
1	971 959 655 C	Control unit Airbag		1	
2	N 015 082 10	Hexagon nut M 6		3	
3	9A7 959 651 00	Front sensor		6	I0K0
(3)		Front sensor		7	I0K3
4	9A7 959 651 10	Front sensor Centre		2	IVL2
5	N 910 717 02	Outer hexagon round screw M6X25		4	
6	9A7 959 354 00	Pressure sensor Side airbag Doors		2	
7	N 107 370 01	Clamping nut M6		4	
8	971 959 109	Pressure sensor Pedestrian protection Included Hose		1	IVL2
9	N 107 254 01	Hexagon socket head bolt M6 X 20		4	IVL2
10	971 907 651	Acceleration sensor		4	
11	971 907 175 F	Support Acceleration sensor Front		2	IL0L
(11)	971 907 175 D	Support Acceleration sensor Front		2	IL0R
(11)	971 907 176 C	Support Acceleration sensor Rear Right		1	
(11)	971 907 176 B	Support Acceleration sensor Rear Left		1	
12	N 910 423 01	Oval-head screw M6 X 16 Acceleration sensor Front		2	
(12)	N 101 243 06	Oval-head screw M6 X 20 Acceleration sensor Front		2	
13	9A7 201 441 00	Speed nut T5 Acceleration sensor Rear		2	
14	N 015 082 10	Hexagon nut M6 Acceleration sensor		1	

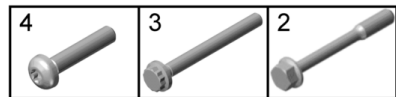
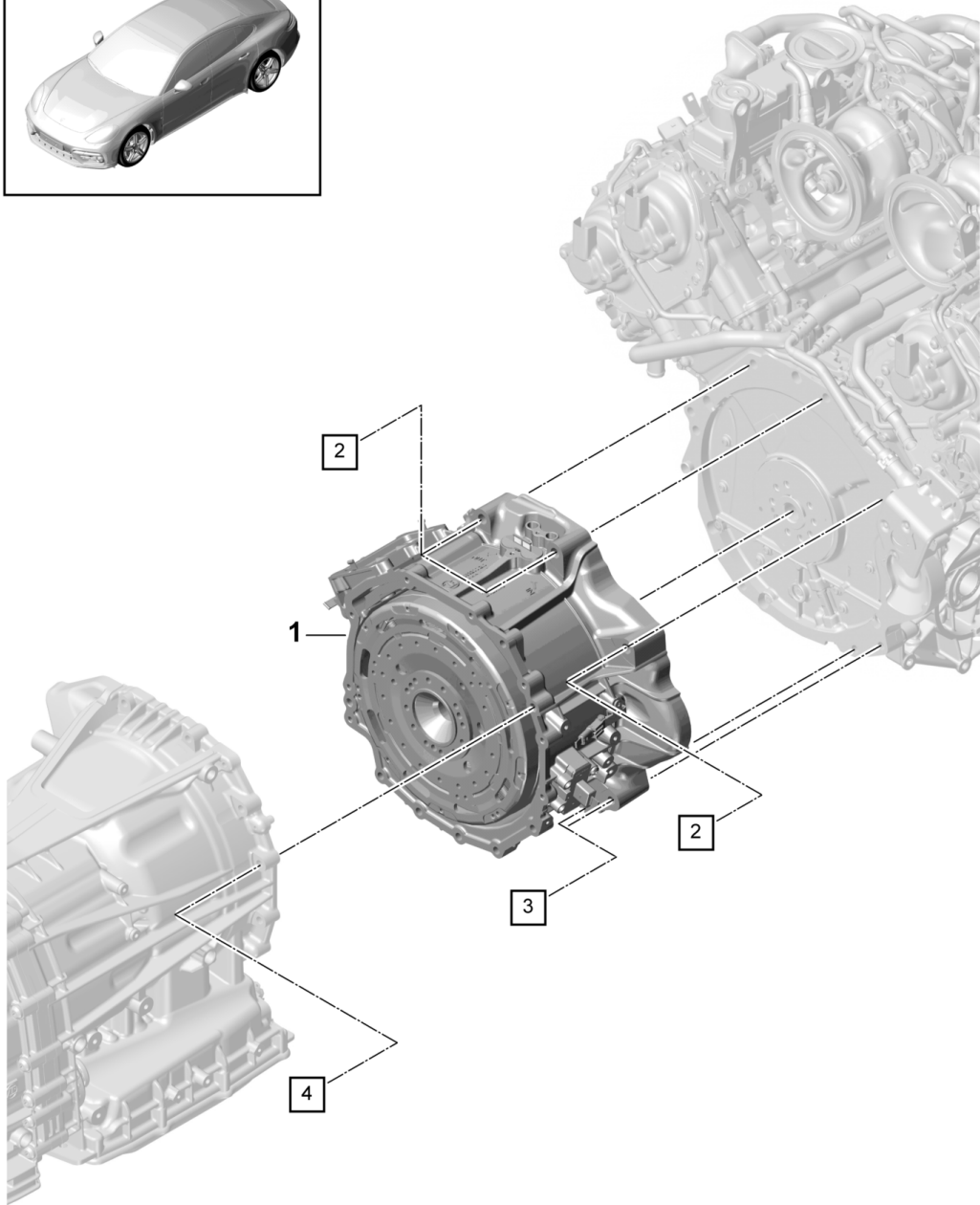
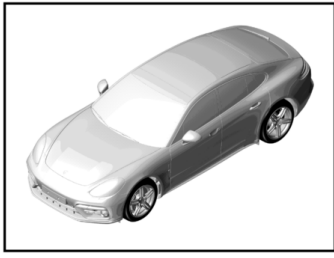
Model: 971-17

Model life 2017>>

Pos	Part Number	Description	Remark	Qty	Model
		Rear			

Model: 971-17

Model life 2017>>



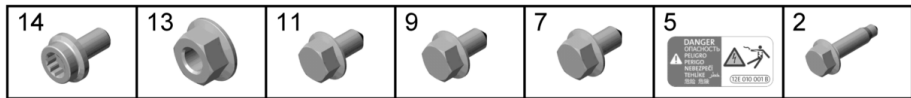
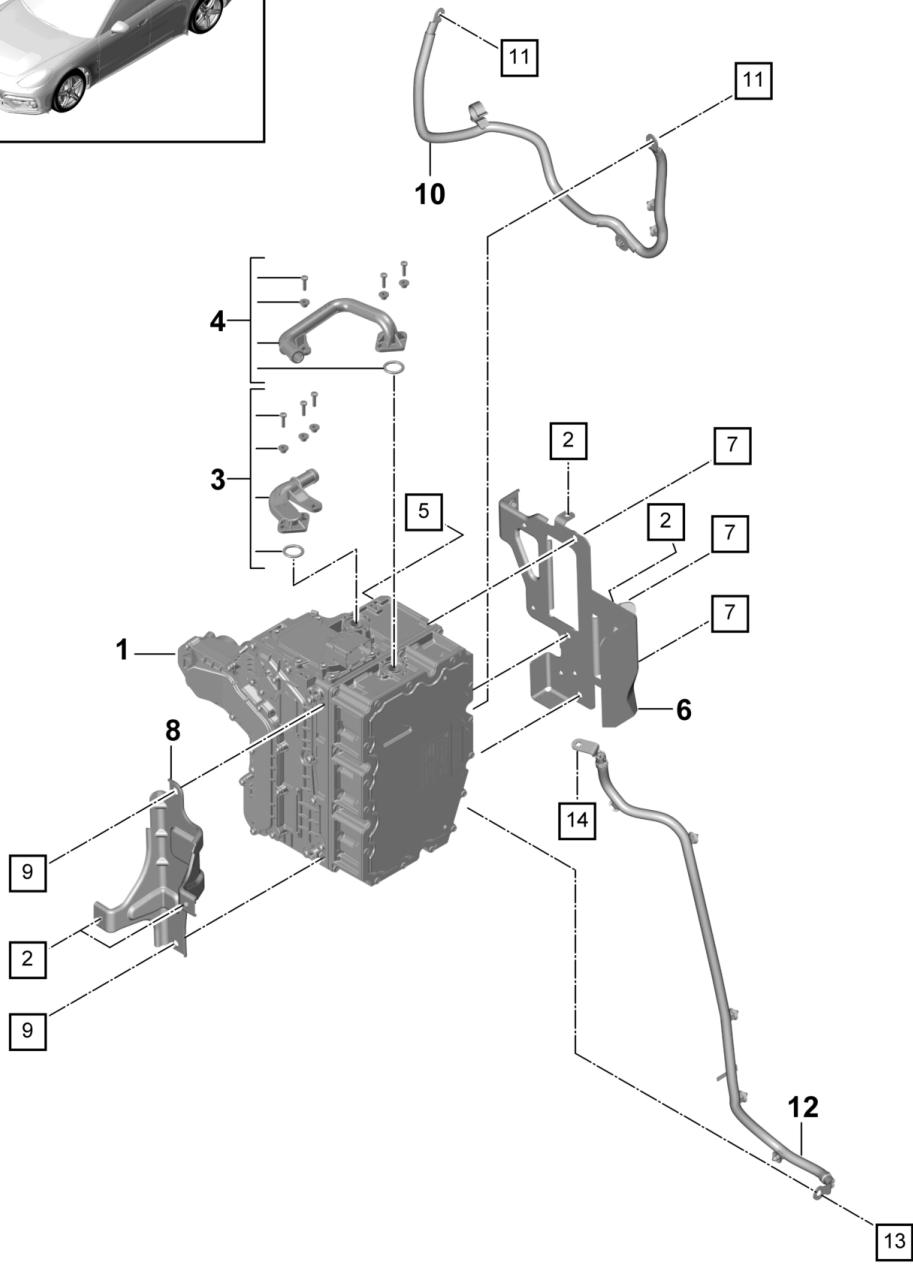
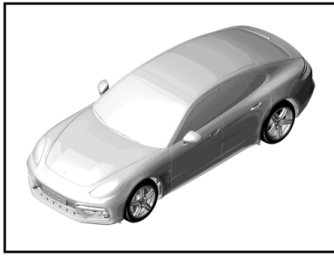
Model: 971-17

Model life 2017>>

Pos	Part Number	Description	Remark	Qty	Model
1	971 901 152 B	Electric motor for Hybrid Driving mechanism		1	
1	971 901 152 X	Electric motor for Driving mechanism		1	
2	9A7 008 396 00	Hexagon-head bolt M12 X 100		5	
3	N 911 532 02	12 point socket AM10 X 95		4	
4	9A7 008 635 00	Outer hexagon round screw M 8 X 40 Electric motor See illustrations 3/20/00		14	

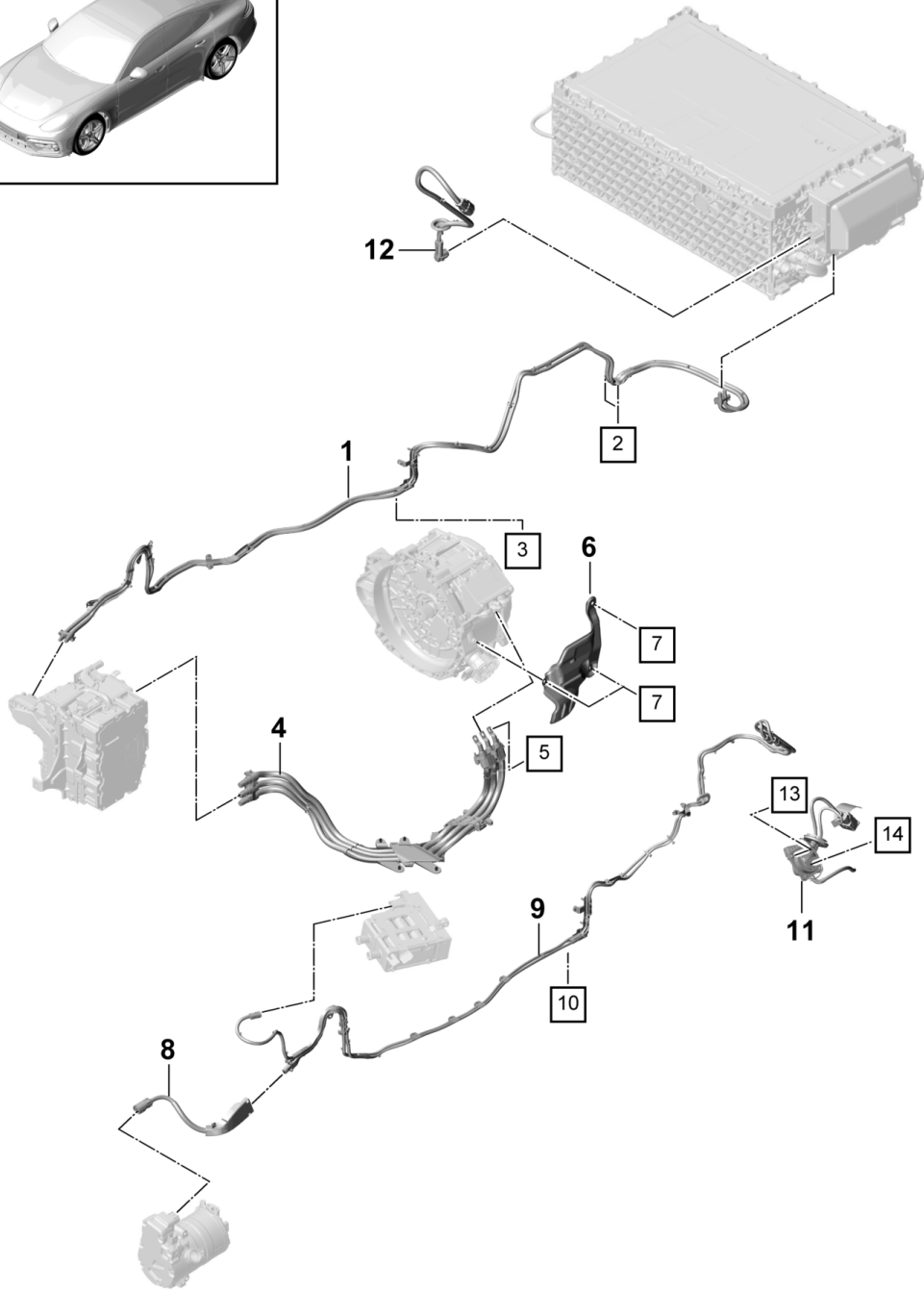
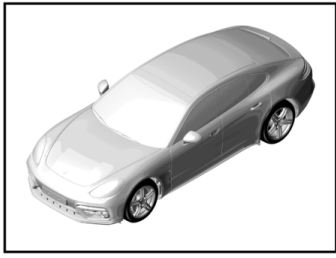
Model: 971-17

Model life 2017>>



Model: 971-17

Model life 2017>>



Model: 971-17 Model life 2017>>

Pos	Part Number	Description	Remark	Qty	Model
1	971 971 015 D	Wiring harnesses Hybrid Wiring harness Power electronics To Battery High voltage		1	I0E1
(1)	971 971 015 E	Wiring harness Power electronics To Battery High voltage		1	I0E2
2	N 910 696 01	Hexagon-head bolt M 6 X 22		2	
3	N 910 189 01	Plastic nut M 6		2	
4	971 971 013 A	Wiring harness Power electronics To Electric motor		1	IES1/ES3
(4)	971 971 013 B	Wiring harness Power electronics To Electric motor		1	IES4
5	N 106 650 01	Round head screw M 8 X 30		3	
6	971 971 822 A	Cable guide Electric motor		1	
7	N 106 648 01	Pan-head screw M 8 X 20		3	
8	971 971 012	Cable Compressor Air conditioner		1	IA8H
(8)	971 971 012 A	Cable Compressor Air conditioner		1	IA8C
9	971 971 008	Wiring harness Charger To Heating High voltage		1	I0E1
(9)	971 971 008 A	Wiring harness Charger To Heating High voltage		1	I0E2
10	N 910 189 01	Plastic nut M 6		1	
11	971 971 602	Cable Charger To Battery High voltage		1	
12	971 971 676 E	Wiring harness Charging socket High voltage 7,2 KW		1	IES4/KB2
(12)	971 971 676 F	Wiring harness Charging socket High voltage 3,6 KW		1	IES3/KB1
(12)	971 971 676 H	Wiring harness Charging socket		1	IES3/KB2

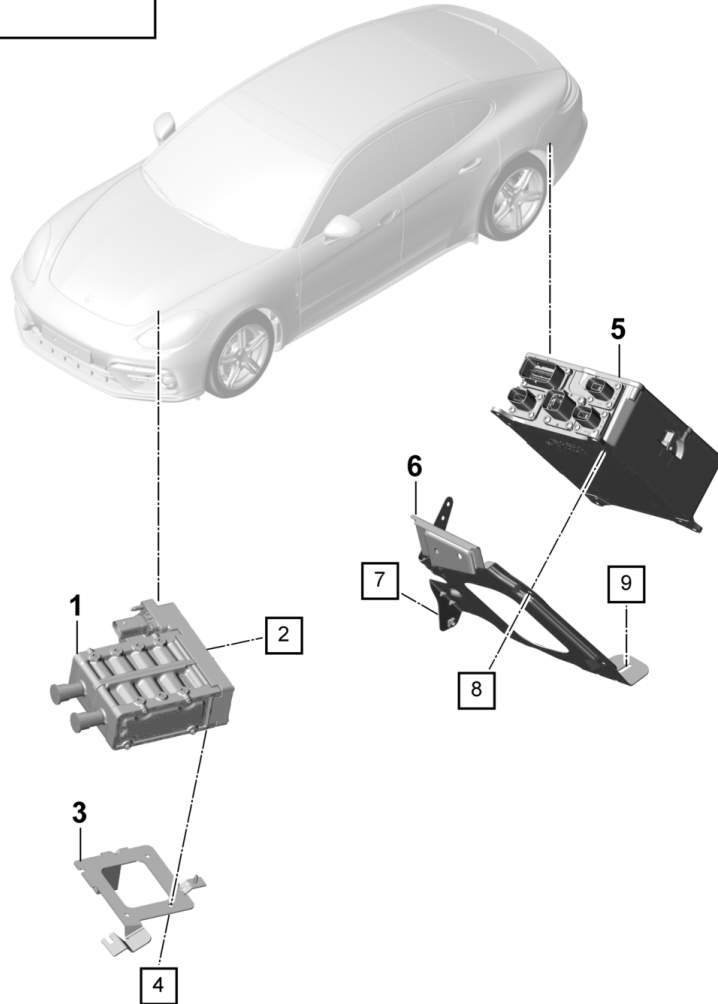
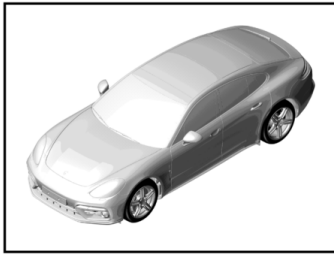
Model: 971-17

Model life 2017>>

Pos	Part Number	Description	Remark	Qty	Model
(13)	N 911 809 01	High voltage 7,2 KW Oval-head screw M5 X 20		4	
14	9A7 915 211 00	Switch Charging control indicator		1	

Model: 971-17

Model life 2017>>



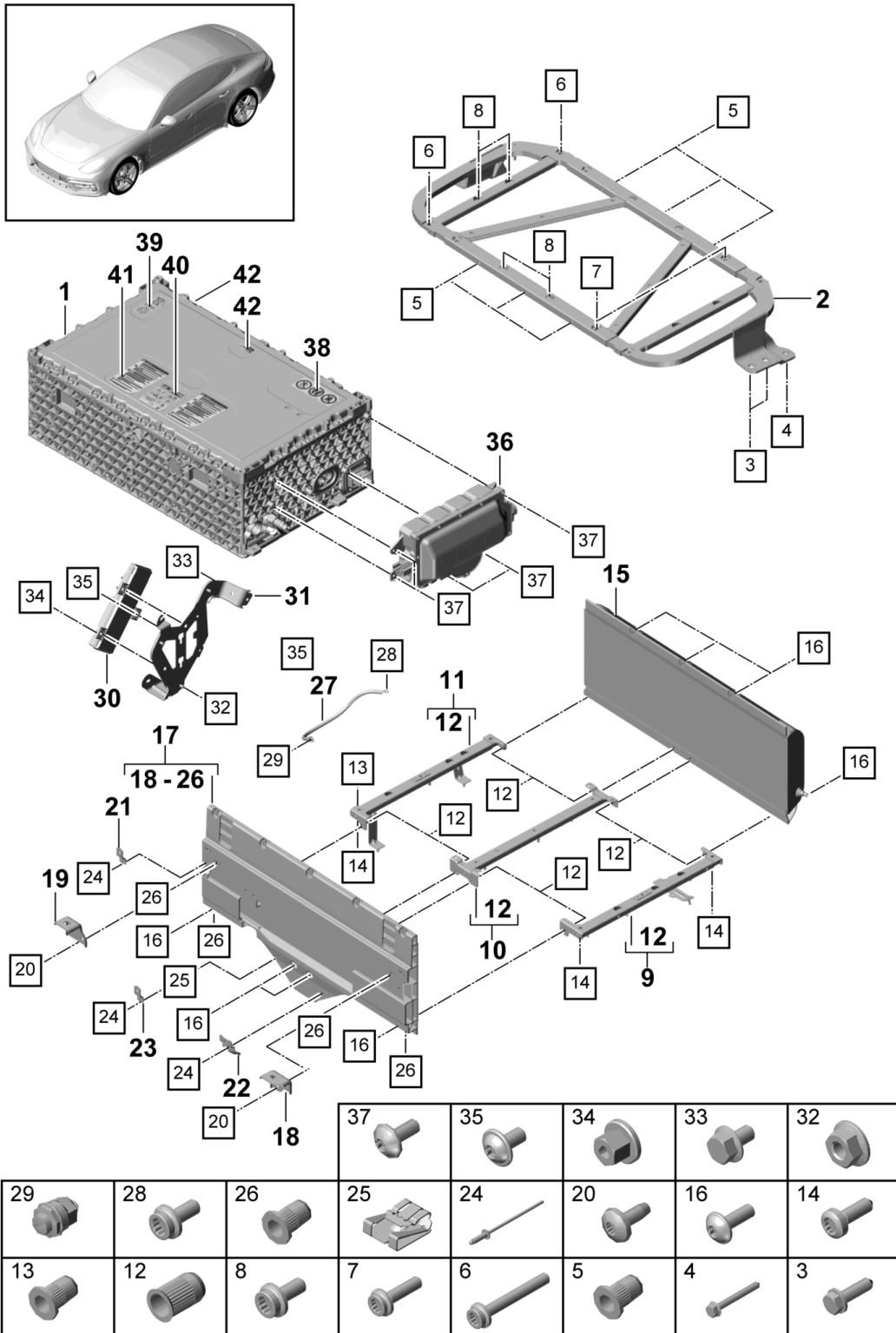
Model: 971-17

Model life 2017>>

Pos	Part Number	Description	Remark	Qty	Model
1	9A7 963 231 00	Heater Battery Passenger compartment Charger Battery Heat exchanger Inner And Battery		1	
2	958 701 697 10	Warning sign High voltage		1	
3	971 819 147	Support Heat exchanger		1	
4	9A7 007 839 00	Oval-head screw M 6 X 12		3	
5	9A7 915 682 10	Charger Battery 3,6 KW		1	IKB1
(5)	9A7 915 682 30	Charger Battery 3,6 KW		1	IB1P/ES4/KB1
(5)	9A7 915 681 00	Charger Battery 7,2 KW		1	IKB2/0GG/7GH I7MM
6	971 915 345	Support		1	IK8S
(6)	974 915 345	Support		1	IK8D
7	N 107 591 01	Hexagon-head bolt M 6 X 12		3	
8	N 910 733 01	Oval-head screw M 6 X 12		4	
9	N 912 428 01	Hexagon nut M 6		1	

Model: 971-17

Model life 2017>>



Model: 971-17 Model life 2017>>

Pos	Part Number	Description	Remark	Qty	Model
1	971 915 091	Battery Hybrid		1	
(1)	971 915 091 X	Battery Hybrid		1	
2	971 804 871	Bracket Battery Upper		1	
3	N 911 511 01	Combination screw M12 X 42		4	
4	N 106 957 01	Hexagon-head bolt M8 X 65		2	
5	N 909 203 01	Blind rivet nut M6		6	
6	N 108 317 01	Multiple-tooth screw M8X60		4	
7	N 911 572 02	Multiple-tooth screw M8X30		4	
8	N 107 170 01	Pan-head screw M8X18		8	
9	971 802 245	Bracket Battery Lower Left		1	
10	971 803 454	Bracket Battery Lower Centre		1	
11	971 802 246	Bracket Battery Lower Right		1	
12	N 911 010 01	Blind rivet nut M6 ER		8	
13	N 909 203 01	Blind rivet nut M6 AR		4	
14	N 910 211 02	Round head screw M8X25		4	
15	971 804 835	Pressure accumulator Bracket		1	
16	N 107 148 01	Outer hexagon round screw M6X18		9	
17	971 804 264 A	Reinforcement High voltage Battery Support Reinforcement Left Upper		1	
19	971 804 112	Support Reinforcement Right Upper		1	
20	N 912 351 01	Multiple-tooth screw M8X20		4	
21	971 804 315	Support Reinforcement Right		1	
22	971 804 195	Support Reinforcement Lower Left		1	

Model: 971-17

Model life 2017>>

Pos	Part Number	Description	Remark	Qty	Model
23	971 804 345	Support Reinforcement Lower Right		1	
24	N 910 104 01	Blind rivet 4,8X15		6	
25	WHT 007 380	Clamping nut 4,8		1	
26	N 909 203 01	Blind rivet nut M6		10	
27	971 971 235 C	Ground cable Battery Body		1	
28	N 107 170 01	Pan-head screw M8X18		1	
29	999 516 032 01	Hexagon nut M6		2	
30	9A7 915 233 01	Control unit Battery		1	
31	971 907 515	Support Control unit Battery		1	
32	N 015 082 10	Hexagon nut M 6 for Support		4	
33	N 107 030 01	Hexagon-head bolt M 6 X 10 for Support		2	
34	N 100 151 01	Hexagon nut for Control unit		1	
35	N 907 371 07	Fastening screw M 6 X 12 for Control unit		2	
36	9A7 915 254 00	Relay carrier High voltage Battery		1	
37	N 907 378 04	Lens-head screw M 6 X 14		1	
38	12E 010 849 F	Warning sign Battery		1	
39	12E 010 849 G	Indication sticker Battery		1	
40	12E 010 006 Q	Warning sign Battery		1	
41	8R0 010 539	Warning sign English		1	
(41)	8R0 010 539 A	Warning sign German		1	
(41)	8R0 010 539 B	Warning sign French		1	
(41)	8R0 010 539 C	Warning sign Spanish		1	
(41)	8R0 010 539 D	Warning sign Italian		1	
(41)	8R0 010 539 E	Warning sign Russian		1	
(41)	8R0 010 539 F	Warning sign Chinese		1	
(41)	8R0 010 539 G	Warning sign		1	

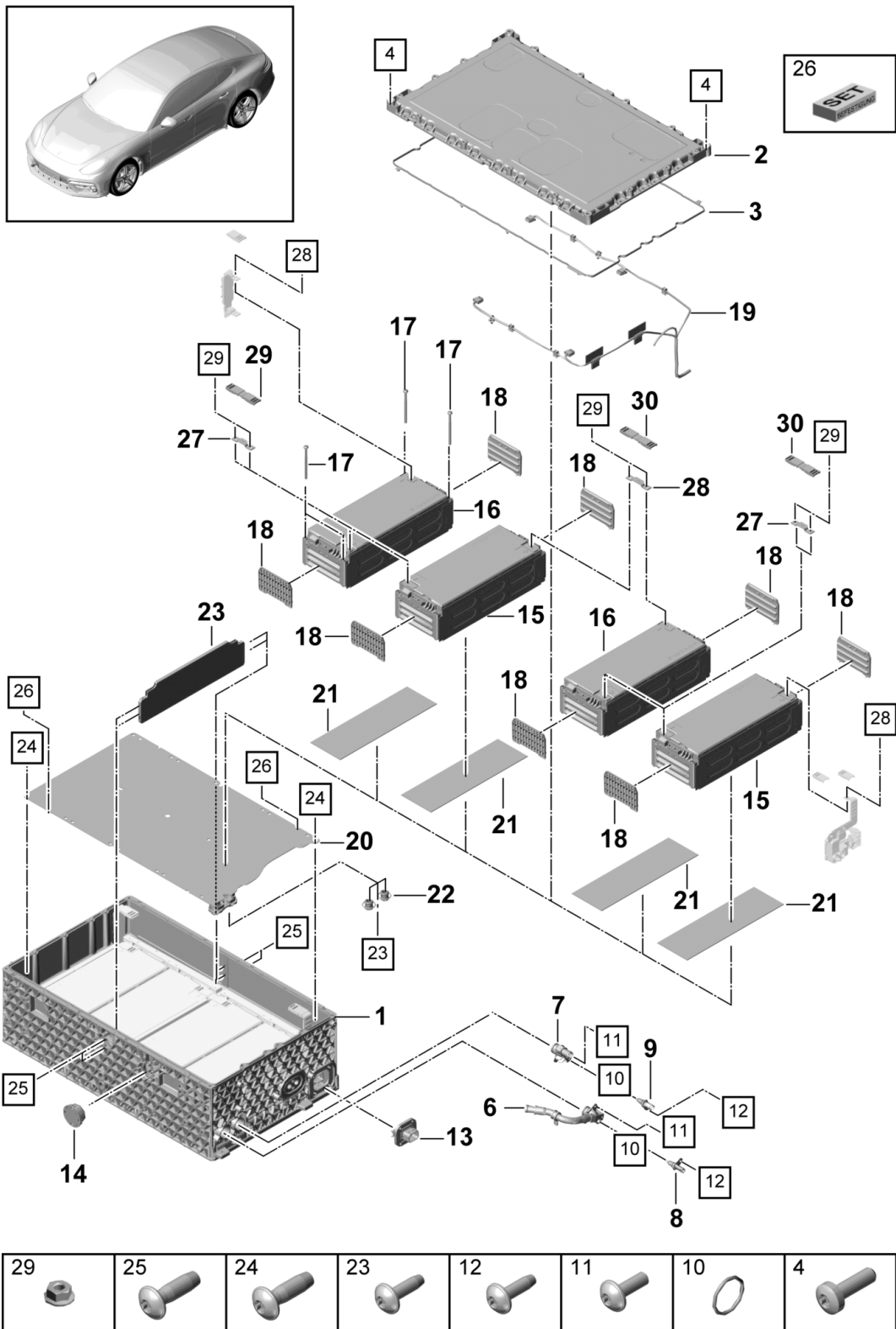
Model: 971-17

Model life 2017>>

Pos	Part Number	Description	Remark	Qty	Model
42	958 701 697 10	Japanese Warning sign High voltage		4	

Model: 971-17

Model life 2017>>



Model: 971-17

Model life 2017>>

Pos	Part Number	Description	Remark	Qty	Model
		Battery High voltage Hybrid Single parts			I0K3
1	971 915 229	Housing Battery		1	
2	971 915 411	Battery cover		1	
3	9A7 915 434 00	Gasket Battery cover		1	
4	9A7 008 096 00	Outer hexagon round screw M6 X 20		24	
6	971 915 467 A	Line Cooling Supply		1	
7	9A7 915 481 00	Distributor Coolant Return line		1	
8	958 606 623 20	Temperature sensor Coolant Use also: WHT.002.287.B		1	
9	9A7 606 623 20	Temperature sensor Coolant Use also: WHT.002.287.B		1	
10	WHT 002 287 B	O-ring Temperature sensor Coolant		2	
11	N 107 148 01	Outer hexagon round screw M6X18		2	
12	N 107 214 01	Oval-head screw TP6X16		2	
13	9A7 998 578 00	Parts kit		1	
14	971 915 152 Y	Wiring harness Bleeder Cap		1	
15	9A7 915 591 50	Battery module High voltage Battery		2	
16	9A7 915 591 60	Battery module High voltage Battery		2	
17	N 107 481 01	Torx screw BM 6 X 95		16	
18	971 915 477 AY	End piece Battery module Upper		8	
19	9A7 915 902 00	Control line Upper		1	
20	9A7 915 471 00	Cooling unit Upper		1	
21	9A7 915 474 10	*		4	
22	9A7 915 641 00	Push-on connector Cooling unit Including Sealing ring		2	
23	9A7 915 629 00	Separator for mounting Centre Upper		1	
24	9A7 008 096 00	Outer hexagon round screw M6 X 20		10	
25	9A7 008 251 00	Round head screw M6 X 20		4	

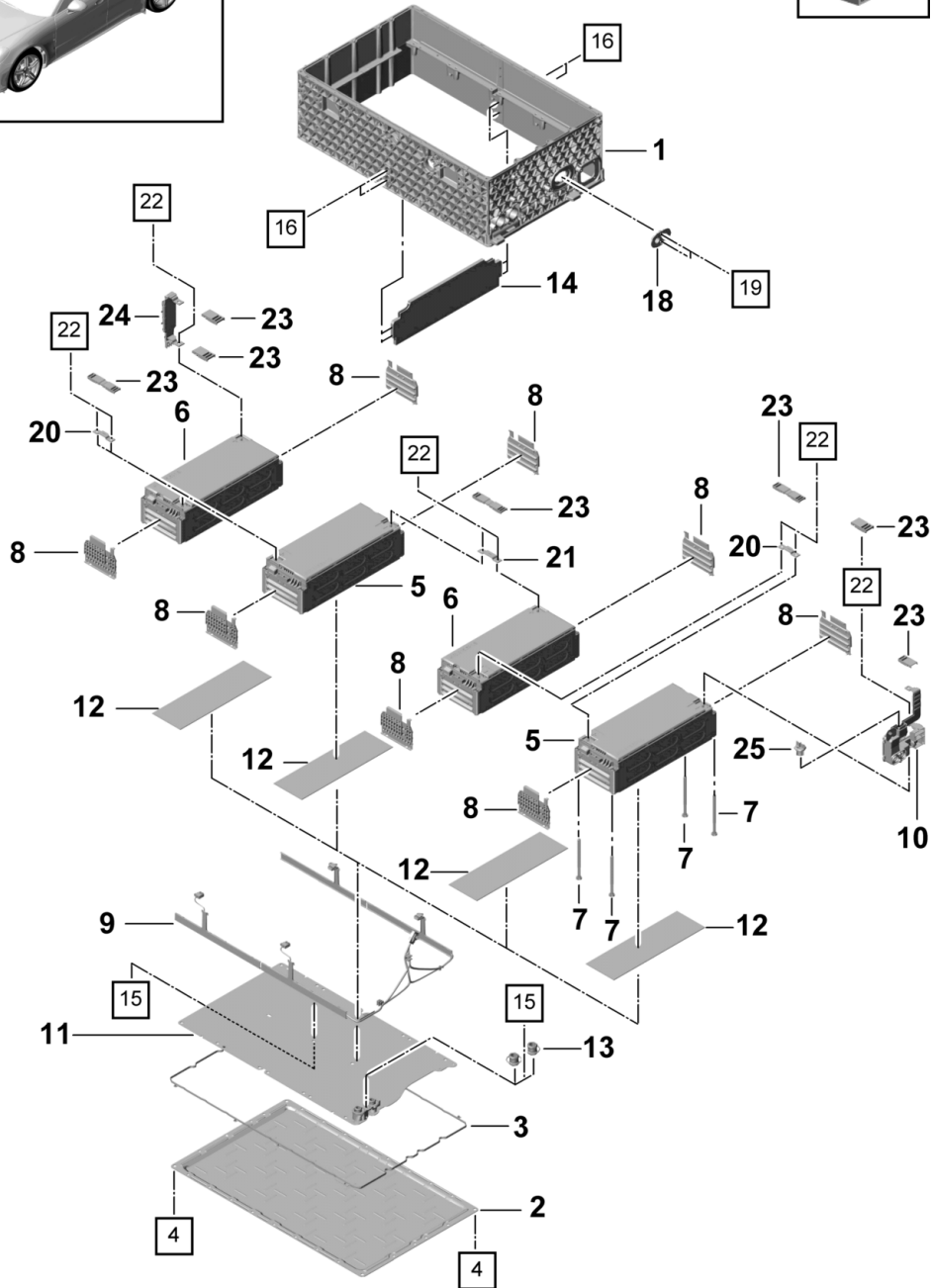
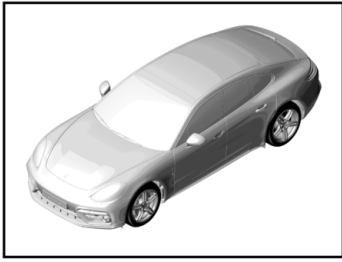
Model: 971-17

Model life 2017>>

Pos	Part Number	Description	Remark	Qty	Model
26	9A7 998 105 00	Set Mount		1	
27	9A7 915 161 00	Expansion rivet Connecting piece Battery module Short		2	
28	9A7 915 161 10	Connecting piece Long Battery module		1	
29	N 015 082 16	Hexagon nut with Flange M6		8	
30	9A7 915 151 00	Cover *		8	

Model: 971-17

Model life 2017>>



22	19	16	15	4

Model: 971-17

Model life 2017>>

Pos	Part Number	Description	Remark	Qty	Model
1		Battery High voltage Hybrid Single parts Housing Battery See illustrations 9/01/43		1	I0K3
2	971 915 309 Y	Floor plate		1	
3	9A7 915 434 10	Gasket		1	
4	9A7 008 096 00	Floor plate		24	
5	9A7 915 591 50	Outer hexagon round screw M6 X 20		2	
6	9A7 915 591 60	Battery module High voltage Battery		2	
7	N 107 481 01	Battery module High voltage Battery		16	
8	971 915 477 Y	Torx screw BM 6 X 95		8	
9	971 915 257 Y	End piece Battery module Lower		1	
10	9A7 915 162 00	Control line Lower		1	
11	9A7 915 471 10	Connection point High voltage		1	
12	9A7 915 474 10	Cooling unit Lower		4	
13	9A7 915 641 00	*		2	
14	9A7 915 629 10	Push-on connector Cooling unit Including Sealing ring		1	
15	9A7 008 096 00	Separator for mounting Centre Lower		10	
16	9A7 008 251 00	Outer hexagon round screw M6 X 20		8	
17	9A7 998 105 00	Round head screw M6 X 20		1	
18	9A7 915 151 10	Set Mount Expansion rivet		1	
19	N 106 021 01	Cover Outer		2	
20	9A7 915 161 00	Oval-head screw TP4X10-Q		4	
21	9A7 915 161 10	Connecting piece Battery module Short		2	
22	N 015 082 16	Connecting piece Long Battery module		9	
23	9A7 915 151 00	Hexagon nut with Flange M6		8	
24	9A7 998 161 00	Cover *		1	
		Repair kit Connecting rail			

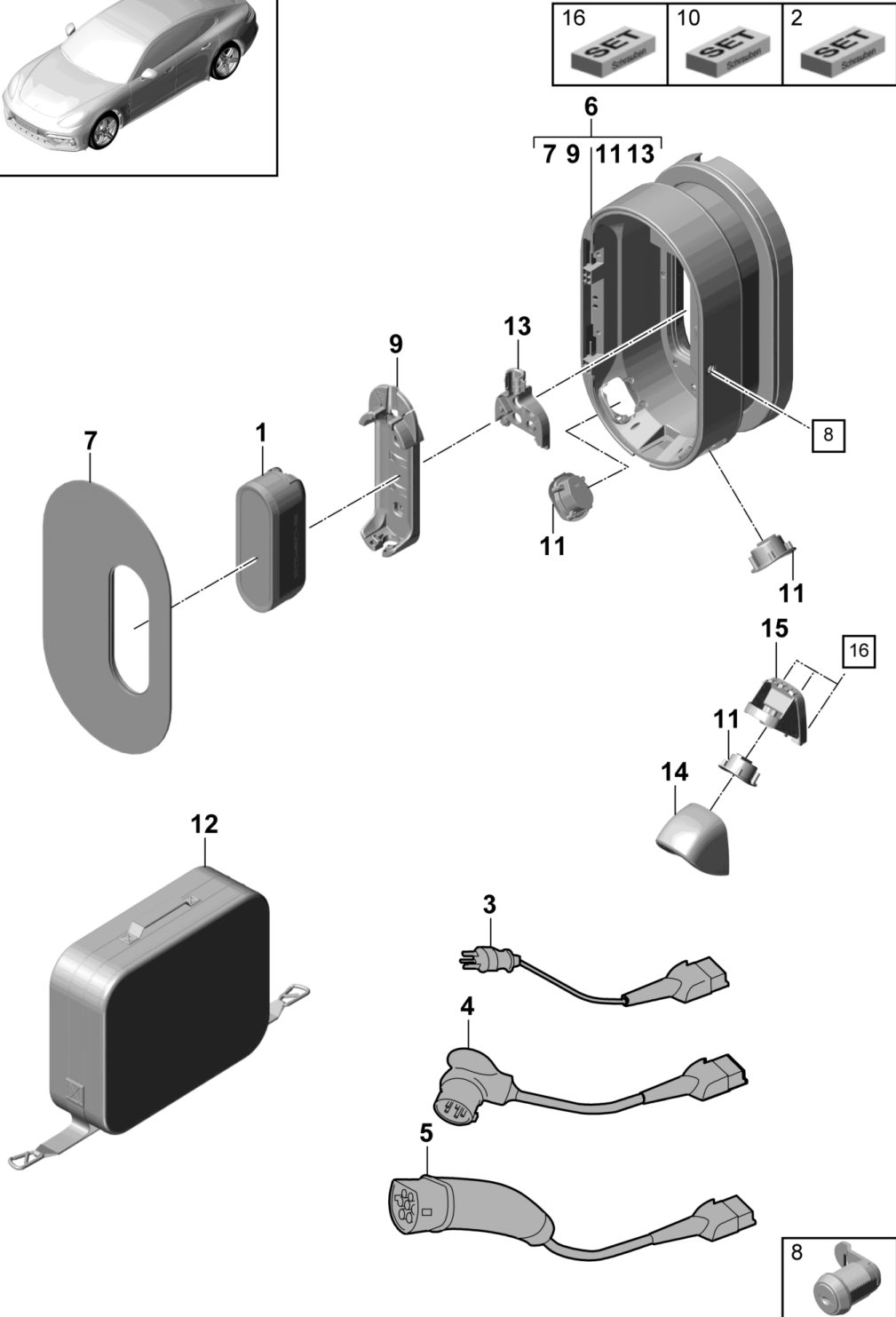
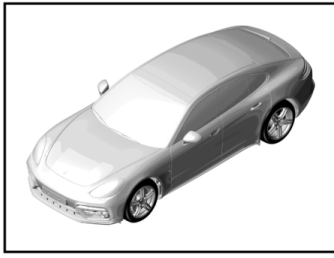
Model: 971-17

Model life 2017>>

Pos	Part Number	Description	Remark	Qty	Model
25	9A7 915 521 00	Battery module Protection cap High voltage		1	

Model: 971-17

Model life 2017>>



Model: 971-17

Model life 2017>>

Pos	Part Number	Description	Remark	Qty	Model
1	7PP 971 675 B	Electronic unit Charger Universal Charging Dock Electronic unit Charger Universal 3,6 KW	-(CN)	1	
(1)	7PP 971 675 C	Electronic unit Charger Universal 7,2 KW		1	
2	7PP 919 839	Locking screw Set		1	
3	7PP 971 678	Electronic unit Charger Connecting line Power supply 220 V TYP E/F		1	I70T
(3)	7PP 971 678 A	Connecting line Power supply 100 V TYP B		1	I70U
(3)	7PP 971 678 B	Information available Connecting line Power supply Type j		1	I70V
(3)	7PP 971 678 C	Connecting line Power supply TYP G		1	I70W
(3)	9A7 971 678 30	Connecting line Power supply TYP B		1	I73U
(3)	7PP 971 678 E	Connecting line Power supply TYP H		1	I70Z
(3)	7PP 971 678 G	Connecting line Power supply Type k		1	I70Y
(3)	7PP 971 678 J	Connecting line Power supply TYP M		1	I71A
(3)	7PP 971 678 L	Connecting line Power supply TYP N		1	I70R
(3)	7PP 971 678 M	Connecting line Power supply Type i		1	I71B
(3)	7PP 971 678 N	Connecting line Power supply Type l		1	I70S
(3)	7PP 971 678 P	Connecting line Power supply TYP N		1	I70Q
(3)	7PP 971 678 Q	Connecting line Power supply CEE 3P 32A		1	I73K
(3)	7PP 971 678 R	Connecting line Power supply CEE 1P 32A		1	I73H
(3)	7PP 971 678 S	Connecting line Power supply		1	I73E

Model: 971-17

Model life 2017>>

Pos	Part Number	Description	Remark	Qty	Model
(3)	7PP 971 678 AD	NEMA 6-20 Connecting line Power supply		1	I73D
4	7PP 971 678 T	NEMA L14-30 Connecting line Power supply		1	I73B
(4)	7PP 971 678 AE	NEMA 6-30 Connecting line Power supply		1	I73J
(4)	7PP 971 678 AG	CEE 3P 16A Connecting line Power supply		1	I73G
(4)	7PP 971 678 AJ	CEE 1P 16A Connecting line Power supply		1	I73F
(4)	7PP 971 678 AQ	YP-41 200 V Information available Connecting line Power supply		1	I73C
(4)	7PP 971 678 AS	NEMA 6-50 Connecting line Power supply		1	I71D
(4)	7PP 971 678 BD	TYP 1 Connecting line Power supply		1	I73S
5	7PP 971 676	YP-43 Connecting line Vehicle		1	IEH1/ES3/KB1
(5)	7PP 971 676 A	TYP 2 2,5 M Connecting line Vehicle		1	IEH2/ES3/KB1
(5)	7PP 971 676 F	TYP 2 7,5 M Connecting line		1	IEH1/ES3/KB2 I73J/73K
(5)	7PP 971 676 G	Vehicle TYP 2 2,5 M Connecting line		1	IEH2/ES3/KB2 I73J/73K
(5)	7PP 971 676 K	Vehicle TYP 2 7,5 M Connecting line		1	IB0E/B0N/B0R IB0T/B1C/B2A IB2H/EH1/ES1 IKB2
(5)	7PP 971 676 L	TYP 1 7,5 KW 2,5 M Connecting line	(MEX)	1	IB0E/B0N/B0R IB0T/B1C/B2A IB2H/EH2/ES1 IKB2
(5)	7PP 971 676 M	Vehicle TYP 1 7,2 KW 7,5 M Connecting line		1	IEH1/ES3/KB2 I73H
		Vehicle TYP 2 2,5 M			

Model: 971-17 Model life 2017>>

Pos	Part Number	Description	Remark	Qty	Model
(5)	7PP 971 676 N	Connecting line Vehicle TYP 2 7,5 M		1	IEH2/ES3/KB2 I73H
(5)	7PP 971 676 R	Connecting line Vehicle TYP 1 IEC 7,2 KW 2,5 M		1	IB0L/EH1/ES1 IKB2
(5)	7PP 971 676 S	Connecting line Vehicle TYP 1 IEC 7,2 KW 7,5 M		1	IB0L/EH2/ES1 IKB2
(5)	7PP 971 676 AG	Connecting line Vehicle TYP 1 IEC 3,6 KW 2,5 M		1	IB0L/EH1/ES1 IKB1
(5)	7PP 971 676 AH	Connecting line Vehicle TYP 1 IEC 3,6 KW 7,5 M		1	IB0L/EH2/ES1 IKB1
(5)	9A7 971 676 00	Connecting line Vehicle TYP 1 IEC 3,6 KW 2,5 M		1	IB0E/B0N/B0R IB0T/B1C/B2A IB2H/EH1/ES1 IKB1
(5)	9A7 971 676 10	Connecting line Vehicle TYP 1 UL/CE 3,6 KW 7,5 M		1	IB0E/B0N/B0R IB0T/B1C/B2A IB2H/EH2/ES1 IKB1
(5)	9A7 971 676 20	Connecting line Vehicle TYP 1 UL/CE 3,6 KW 7,5 M		1	IEH1/ES4/KB1
(5)	9A7 971 676 30	Connecting line Vehicle TYP 1 UL/CE 3,6 KW 7,5 M		1	IEH2/ES4/KB1
(5)	9A7 971 676 40	Connecting line Vehicle TYP 1 UL/CE 3,6 KW 7,5 M		1	IEH1/ES4/KB2
(5)	9A7 971 676 50	Connecting line Vehicle TYP 1 UL/CE 3,6 KW 7,5 M		1	IEH2/ES4/KB2
6	7PP 915 706	Charging Dock Electronic unit Charger TYP 1		1	IES1
(6)	7PP 915 706 A	Charging Dock Electronic unit Charger TYP 2		1	IES3

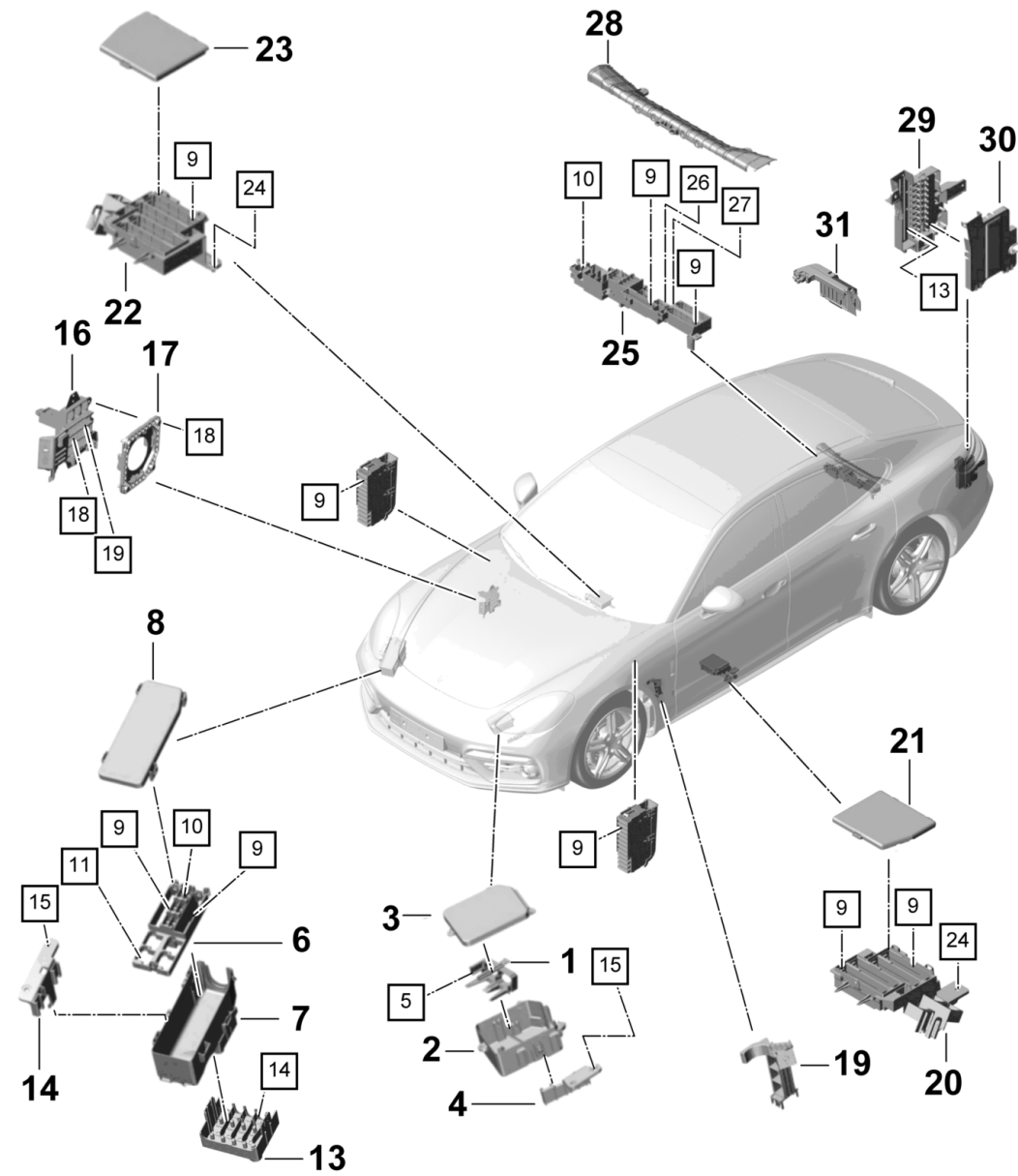
Model: 971-17

Model life 2017>>

Pos	Part Number	Description	Remark	Qty	Model
		Operating instructions see Intranet			
7	7PP 886 337 A	Door Complete		1	
8	7PP 837 012 A	Door lock Included Key		1	
9	7PP 943 109 A	Bracket Small		1	
10	7PP 909 991 A	Assembly kit Bracket		1	
11	9A7 957 547 02	Support Connector TYP 2		1	IES3
(11)	7PP 957 547 D	Support Connector TYP 1		1	IES1
12	9A7 860 811 00	Bag Connecting line		1	
13	7PP 971 605	Cable guide Bracket Small		1	
14	7PP 915 736	Cover Bracket Connector		1	
15	7PP 937 559	Mounting plate Bracket Connector		1	
16	9A7 971 684 50	Set of fastening parts Bracket		1	

Model: 971-17

Model life 2017>>



24	18	15	13	11	10	9	5	27	26

Model: 971-17 Model life 2017>>

Pos	Part Number	Description	Remark	Qty	Model
1	971 937 503	Central electrical system Fusebox Engine compartment Left Relay carrier		1	I0F5
2	971 907 583 C	Engine compartment Left Housing Relay carrier		1	I0F5
3	971 907 613 C	Engine compartment Left Lid Housing Relay carrier		1	I0F5
4	971 937 539 B	Engine compartment Left Support Housing Relay carrier		1	I0F5
5	958 618 028 10	Engine compartment Left Control unit		2	MDB.UC I0F5
6	971 937 503 A	Glow plug Relay socket/code: Engine compartment Right Relay carrier	A / B	1	
7	971 907 583 D	Engine compartment Right Housing Relay carrier		1	
8	971 907 613 A	Engine compartment Right Lid Housing		1	
9	N 017 131 17	Engine compartment Right Lock		1	
(9)	N 017 131 16	Lock 3A		1	
(9)	N 017 131 18	Lock 5A		1	
(9)	999 607 084 00	Lock 7,5A		1	
(9)	N 017 131 12	Lock 10A		1	
(9)	999 607 086 00	Lock 15A		1	
(9)	N 017 131 14	Lock 20A		1	
(9)	999 607 088 00	Lock 25A		1	
(9)	N 017 131 22	Lock 30A		1	
(9)	N 017 131 20	Lock 35A		1	
10	999 607 073 00	Lock 40A	Maxi	1	
(10)	999 607 077 00	Lock 60A		1	

Model: 971-17 Model life 2017>>

Pos	Part Number	Description	Remark	Qty	Model
11	9A7 951 253 00	Relay Starter	C	1	
(11)	958 615 008 01	Relay		1	
(11)	9A7 937 529 00	Relay		1	I0K3
12	971 937 753	Distributor housing Engine compartment Right Lock		1	
13	N 108 394 01	Lock 40A		1	-IDT4
(13)	N 108 394 02	Lock 60A		1	
(13)	N 108 394 03	Lock 80A		1	-IDT4
(13)	N 108 394 04	Lock 100A		1	I0F5
(13)	N 108 394 05	Lock 150A		1	IDT4
14	971 937 539 C	Support Housing Engine compartment Right		1	
15	N 108 140 01	Hexagon-head bolt M6X12		2	
16	971 937 617 A	Relay carrier A-pillar Right		1	
17	971 937 574	Lid Relay carrier A-pillar		1	
18	N 015 082 10	Hexagon nut M6		1	
19	971 937 540	Support Connection point A-pillar Left		1	
20	971 937 615	Fuse holder Under Seat Left		1	
21	971 937 554	Lid Fuse holder Under Seat Left		1	
22	971 937 615 A	Fuse holder Under Seat Right		1	
23	971 937 554 A	Lid Fuse holder Under Seat Right		1	
24	N 910 189 01	Plastic nut M6X16		2	
25	971 937 641 A	Relay carrier Luggage compartment		1	
26	955 615 027 00	Relay		1	
27	958 615 010 00	Relay socket/code: Relay Water pump	S20	1	I0K3
(27)		Relay		1	

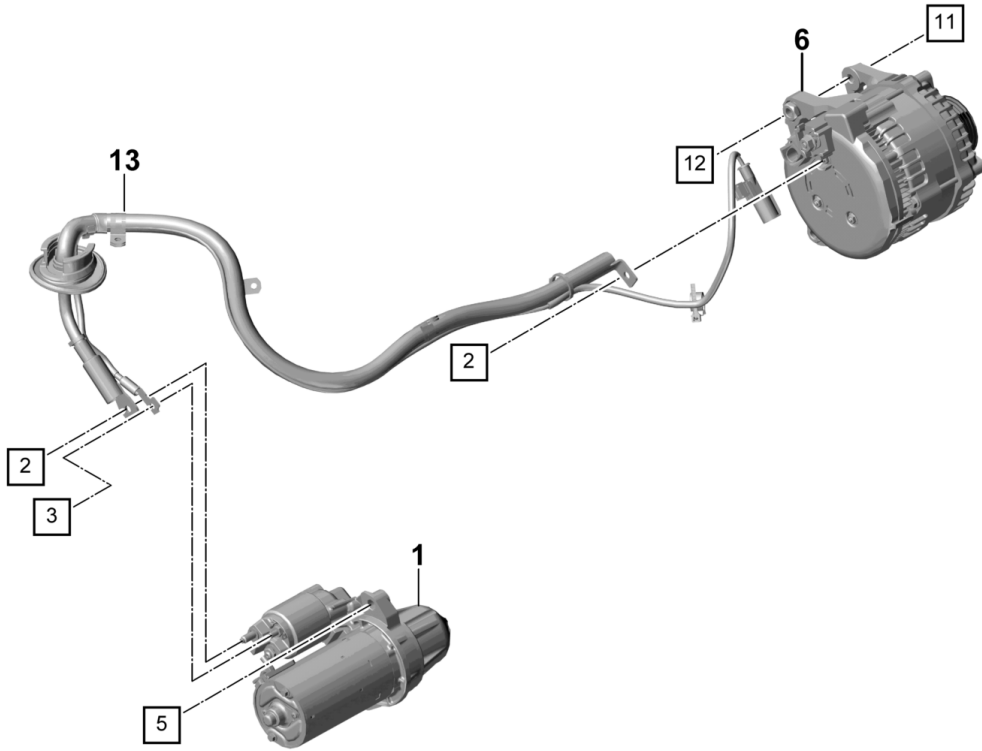
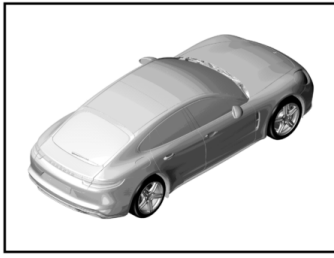
Model: 971-17

Model life 2017>>

Pos	Part Number	Description	Remark	Qty	Model
28	971 971 839	Rear window heating Relay socket/code: Lid	2/2	1	
29	971 937 549	Relay carrier Luggage compartment Main fuse box Rear		1	
30	971 937 576	Lid Main fuse box Rear		1	
31	971 915 459 A	Fuse holder Battery		1	

Model: 971-17

Model life 2017>>



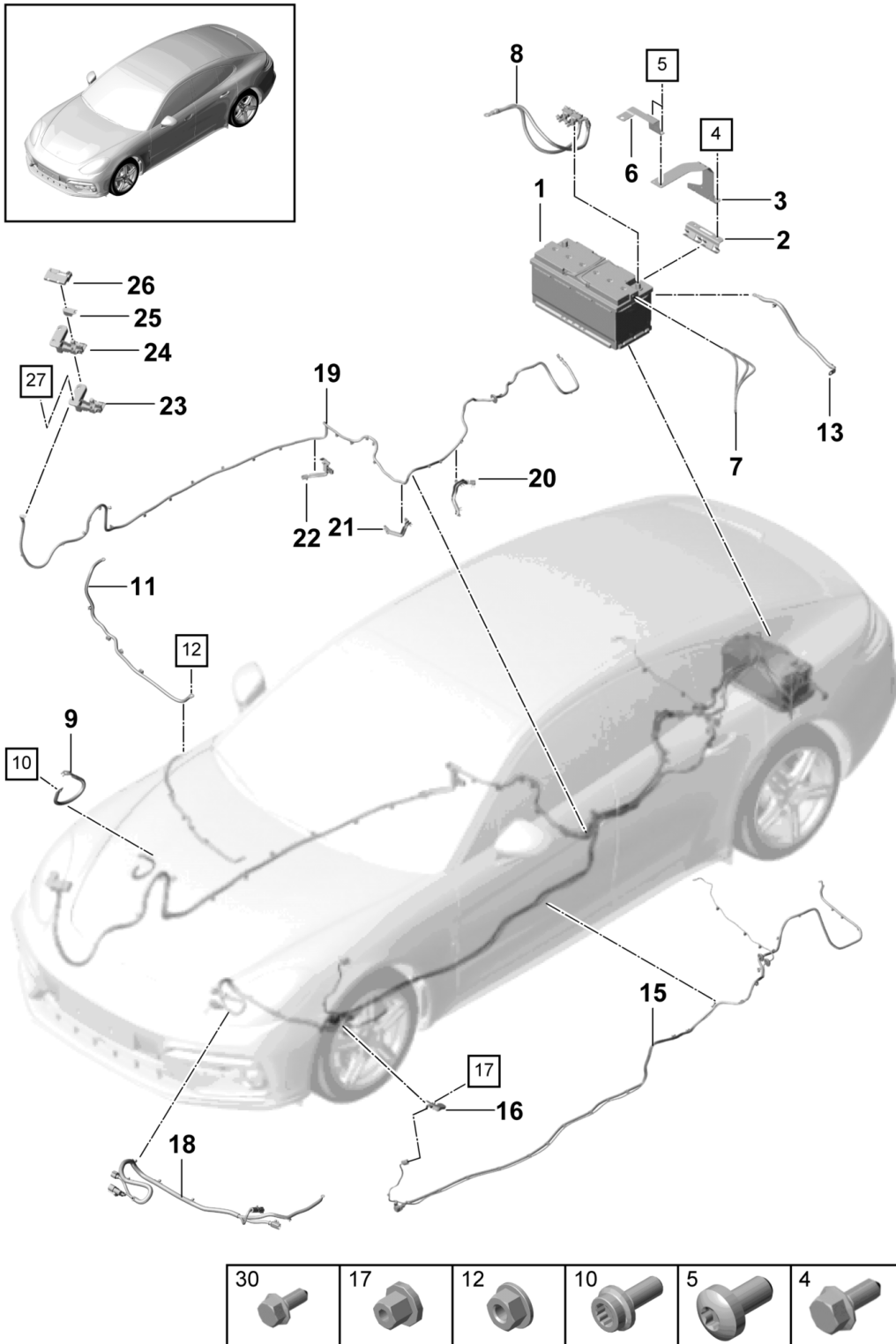
Model: 971-17

Model life 2017>>

Pos	Part Number	Description	Remark	Qty	Model
		Starter Generator			
1	971 911 021	Starter		1	I0K0/1A2
(1)	971 911 021 X	Starter		1	
(1)	971 911 023	Starter		1	DIESEL I0F5
(1)	971 911 023 X	Starter		1	DIESEL I0F5
2	N 023 003 16	Hexagon nut M 8		2	
3	N 015 082 10	Hexagon nut M 6		1	
5	N 108 273 01	Outer hexagon round screw M 10 X 40		2	
6	9A7 903 024 00	Generator		1	ID1I/D29
(6)	9A7 903 025 00	Generator		1	DIESEL IDJ4/DJ7 IDW4
(6)	9A7 903 024 10	Generator		1	
11	9A7 006 903 00	Outer hexagon round screw BM 8 X 100		2	
12	N 106 092 07	Lock nut M 8		1	
13	971 971 054 H	Wiring harness Generator		1	IDW4/0K0
(13)	971 971 054 J	Wiring harness Generator		1	ID1I/D29/0K0
(13)	971 971 054 K	Wiring harness Generator		1	IDJ7
(13)	971 971 061 B	Wiring harness Generator		1	ID0D/0K3
14	971 971 394 B	Cover		1	IDJ7
(14)	971 971 394 C	Cover		1	IDD7/DJ5/D1V ID51

Model: 971-17

Model life 2017>>



Model: 971-17 Model life 2017>>

Pos	Part Number	Description	Remark	Qty	Model
1	958 611 092 21	Battery Power distributor		1	
(1)	958 611 105 21	Battery 92AH		1	
(1)	958 611 075 21	Battery 105AH		1	
(1)	958 611 075 21	Battery 75AH		1	
(1)	5GM 915 105 AC	Battery 92AH	(BR)	1	
(1)	5GM 915 105 AD	Battery 105AH	(BR)	1	
(1)	5GM 915 105 AB	Battery 75AH	(BR)	1	
2	9A7 915 345 00	Rail		1	
3	971 915 319	Battery Clip		1	
4	N 106 531 02	Battery Support Hexagon-head bolt M 8 X 20		2	
5	N 103 352 06	Round head screw M 6 X 12		2	
6	971 915 313 A	Retaining bow		1	
7	9A7 915 501 00	Battery Vent hose		1	
8	9A7 915 181 00	Battery Ground cable Body Included		1	I0K0
(8)	9A7 915 181 10	Sensor Ground strap Battery Body Included		1	I0K3
9	971 971 537	Sensor Ground strap Engine Body		1	ID0D/D1I/D29
(9)	971 971 537 A	Ground strap Engine Body		1	IDW4
(9)	971 971 537 C	Ground strap Engine Body		1	IDJ7
10	N 106 649 01	Screw M8X16		1	
11	971 971 225 B	Wiring harness Battery		1	I0K3
12	N 904 880 04	Main fuse box Hexagon nut M6		1	I0K3
13	971 971 225	Wiring harness Battery		1	I0K0
15	972 971 311	Power distributor Wiring harness Battery		1	I0E1/0K0/1P0
(15)	972 971 311 A	To Connection point Wiring harness Battery To		1	I0E2/0K0/1P0

Model: 971-17

Model life 2017>>

Pos	Part Number	Description	Remark	Qty	Model
(15)	972 971 311 B	Connection point Wiring harness Battery To Connection point		1	I0E1/0K3/1P0
(15)	972 971 311 C	Wiring harness Battery To Connection point		1	I0E2/0K3/1P0
(15)	972 971 311 H	Wiring harness Battery To Connection point		1	I0E1/0K0/1P7
(15)	972 971 311 J	Wiring harness Battery To Connection point		1	I0E2/0K0/1P7
(15)	972 971 311 K	Wiring harness Battery To Connection point		1	I0E1/0K3/1P7
(15)	972 971 311 L	Wiring harness Battery To Connection point		1	I0E2/0K3/1P7
16	971 971 593	Support Connection point Line Steering		1	
17	N 910 189 01	Plastic nut T6		1	
18	972 971 111	Wiring harness Steering To Connection point		1	I1N1/1N3
18	973 971 111	Wiring harness Steering To Connection point		1	I1N1/1N3
19	971 971 227 F	Wiring harness Battery for Jump-start terminal		1	I0E1/0K0/1A2
(19)	971 971 227 A	Wiring harness Battery for Jump-start terminal		1	I0E2/0K0/1A2
(19)	971 971 227 G	Wiring harness Battery for Jump-start terminal		1	I0E1/0F5
(19)	971 971 227 B	Wiring harness Battery for Jump-start terminal		1	I0E1/0K3
(19)	971 971 227 C	Wiring harness Battery for Jump-start terminal		1	I0E2/0K3
20	971 971 341 E	Cable guide Rear		1	
21	971 971 341 C	Cable guide Centre		1	

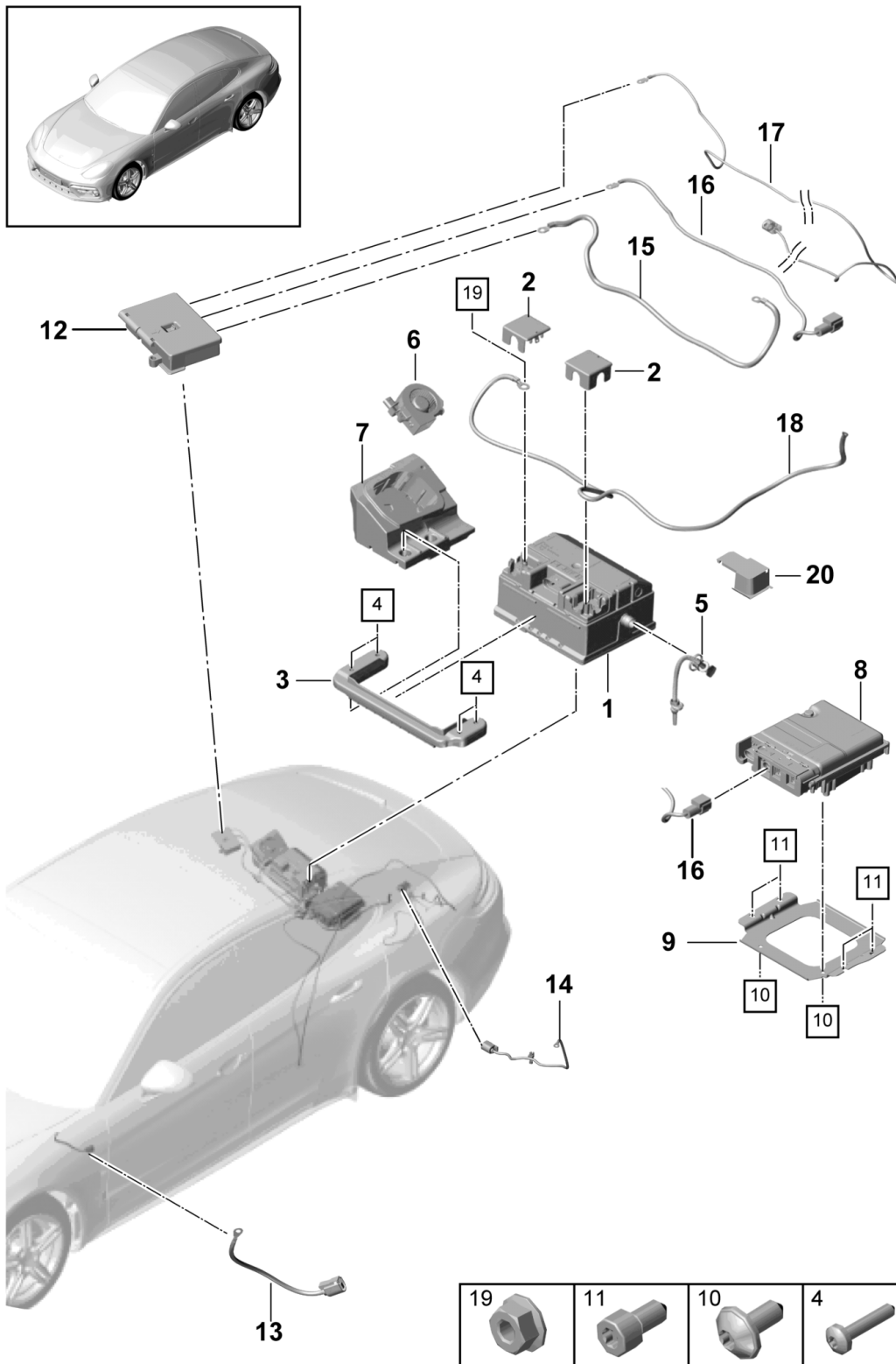
Model: 971-17

Model life 2017>>

Pos	Part Number	Description	Remark	Qty	Model
22	971 971 341 D	Cable guide Front		1	
23	971 937 550 A	Fusebox Jump-start terminal Front		1	
24	971 937 771 A	Housing Jump-start terminal		1	
25	971 937 587	Lid Jump-start terminal		1	
26	971 937 588 A	Lid Jump-start terminal		1	
27	N 108 140 01	Hexagon-head bolt M6X12		2	

Model: 971-17

Model life 2017>>

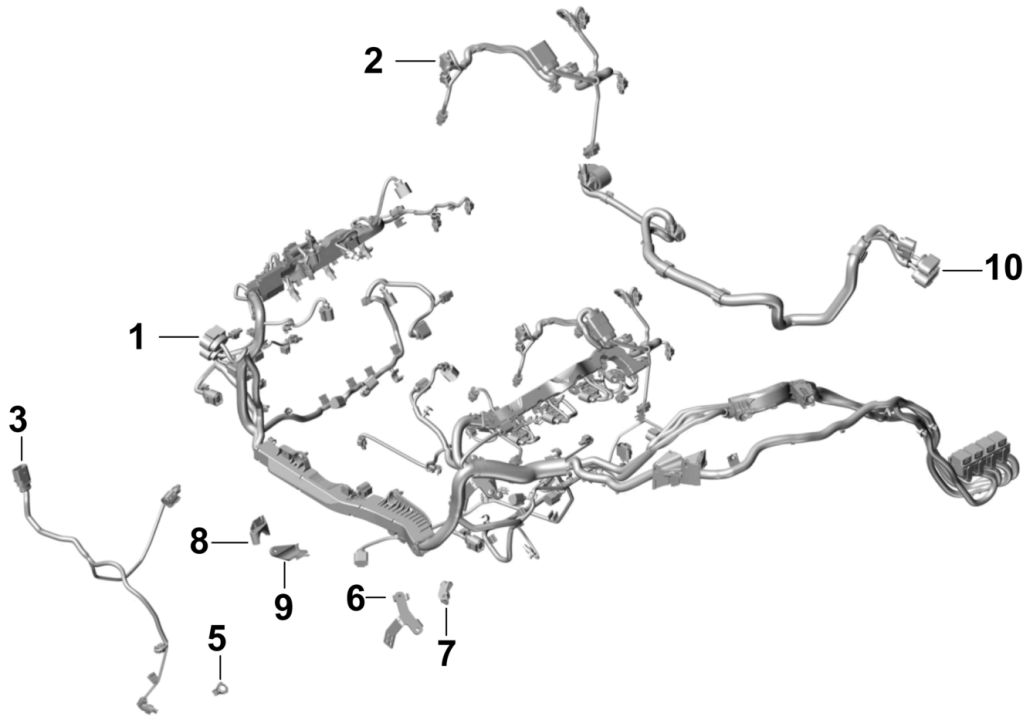
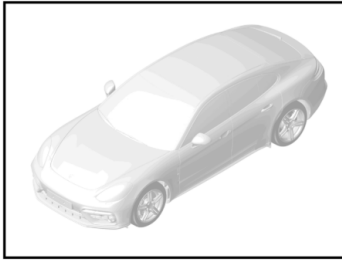


Model: 971-17 Model life 2017>>

Pos	Part Number	Description	Remark	Qty	Model
		Battery 48 VOLT			IVH2
1	9A7 915 169 00	Battery		1	
2	9A7 915 426 00	Pole covering		2	
3	971 915 359 A	Mount		1	
4	N 910 971 01	Battery Fastening screw M6X30		4	
5	971 915 501	Bleeding		1	
6	971 927 541	Battery Fan		1	
7	971 819 265	Voltage converter Air guide Fan		1	
8	971 959 663	Voltage converter Voltage converter 48 VOLT		1	
9	971 959 585	Support Voltage converter 48 VOLT		1	
10	N 107 414 02	Oval-head screw M6X14		4	
11	N 106 507 01	Pan-head screw M6X12		4	
12	9A7 941 828 00	Fuse holder		1	
13	971 971 534	Ground strap Front		1	I1P7
14	971 971 538	Ground strap Rear		1	I1P7
15	971 971 217	Line Rear		1	
16	971 971 218 A	Line Rear		1	
17	971 971 245 A	Line Rear		1	
18	971 971 261	Line Rear		1	
19	N 106 092 01	Hexagon nut M8		1	
20	971 915 430	Cover Battery		1	I0K0/1A2/9VK
(20)	971 915 430 1E0 971 915 430 A	Black Cover		1	I0K0/1A2/9VJ I9VL
(20)	971 915 430 A 1E0 971 915 430 B	Battery Black Cover		1	I0F5
	971 915 430 B 1E0	Battery Black			

Model: 971-17

Model life 2017>>



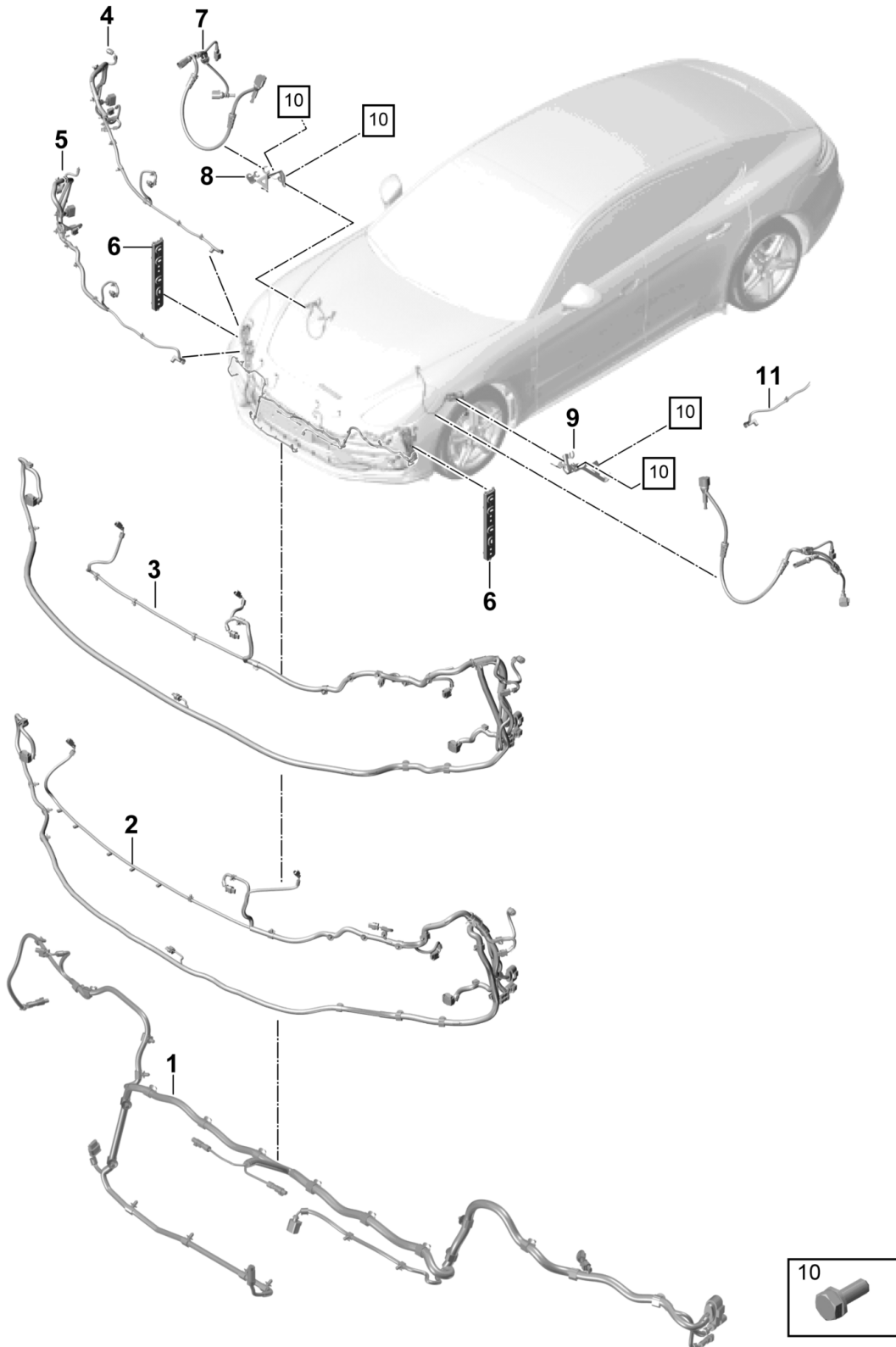
Model: 971-17

Model life 2017>>

Pos	Part Number	Description	Remark	Qty	Model
1	9A7 971 595 00	Wiring harnesses Engine Wiring harness		1	MCV.DA
(1)	9A7 971 595 20	Engine Wiring harness		1	MCS.ZA
(1)	9A7 971 595 40	Engine Wiring harness		1	MDB.UC
2	9A7 971 627 00	Engine Wiring harness		1	MCV.DA
(2)	9A7 971 627 20	Engine * Wiring harness		1	MCS.ZA MCX.TA MDG.PA
(2)	9A7 971 627 40	Engine Wiring harness Engine *		1	MDB.UC
3	9A7 971 627 45	Wiring harness Engine *		1	MDB.UC
5	9A7 971 684 00	Exhaust gas recirculation Valve Fastening part Cable guide		1	MCV.DA
6	9A7 971 856 00	Support		1	MCV.DA
7	9A7 971 845 00	Support		1	MDB.UC
8	9A7 971 804 00	Support		1	MDB.UC
9	9A7 971 804 10	Support		1	MDB.UC
10	971 971 771	Wiring harness Transmission		1	I0K0
(10)	971 971 772	Wiring harness Transmission Hybrid		1	I0K3
11	9A7 971 461 00	Heat protection Wiring harness Engine		1	MDB.UC
12	971 971 061 B	9A7 971 595 40 Wiring harness Engine * Electric motor		1	MDG.PA

Model: 971-17

Model life 2017>>



Model: 971-17

Model life 2017>>

Pos	Part Number	Description	Remark	Qty	Model
1	971 971 073 CA	Wiring harnesses Bumper FRONT luggage compartment Anti-lock brake system Brake pad wear indicator Front axle Wiring harness		1	IL0R/NZ0
1	971 971 073 CN	Bumper Front Wiring harness		1	IL0R/NZ3
(1)	971 971 073 CH	Bumper Front Wiring harness		1	-IL0R/IVL0
(1)	971 971 073 CJ	Bumper Front Wiring harness		1	-IL0R/IVL2
2	971 972 155 E	Bumper Front Wiring harness Sub-part without Pedestrian protection Front Left	/L	1	IVL0
(2)	971 972 155 BR	It is necessary to rework Wiring harness Sub-part with Pedestrian protection Front Left	/L	1	IVL2/9ZK
(2)	971 972 155 BS	It is necessary to rework Wiring harness Sub-part with Pedestrian protection Front Left	/L	1	IVL2/9ZC
3	971 971 095 E	It is necessary to rework Wiring harness Sub-part without Pedestrian protection Front Left	/L	1	IVL0
(3)	971 971 095 BR	It is necessary to rework Wiring harness Sub-part with Pedestrian protection Front Left	/L	1	IL0L/VL2
4	971 972 156 A	It is necessary to rework Wiring harness Sub-part Front Right	/R	1	
5	971 971 097 A	It is necessary to rework Wiring harness Sub-part Front Right It is necessary to rework	/R	1	

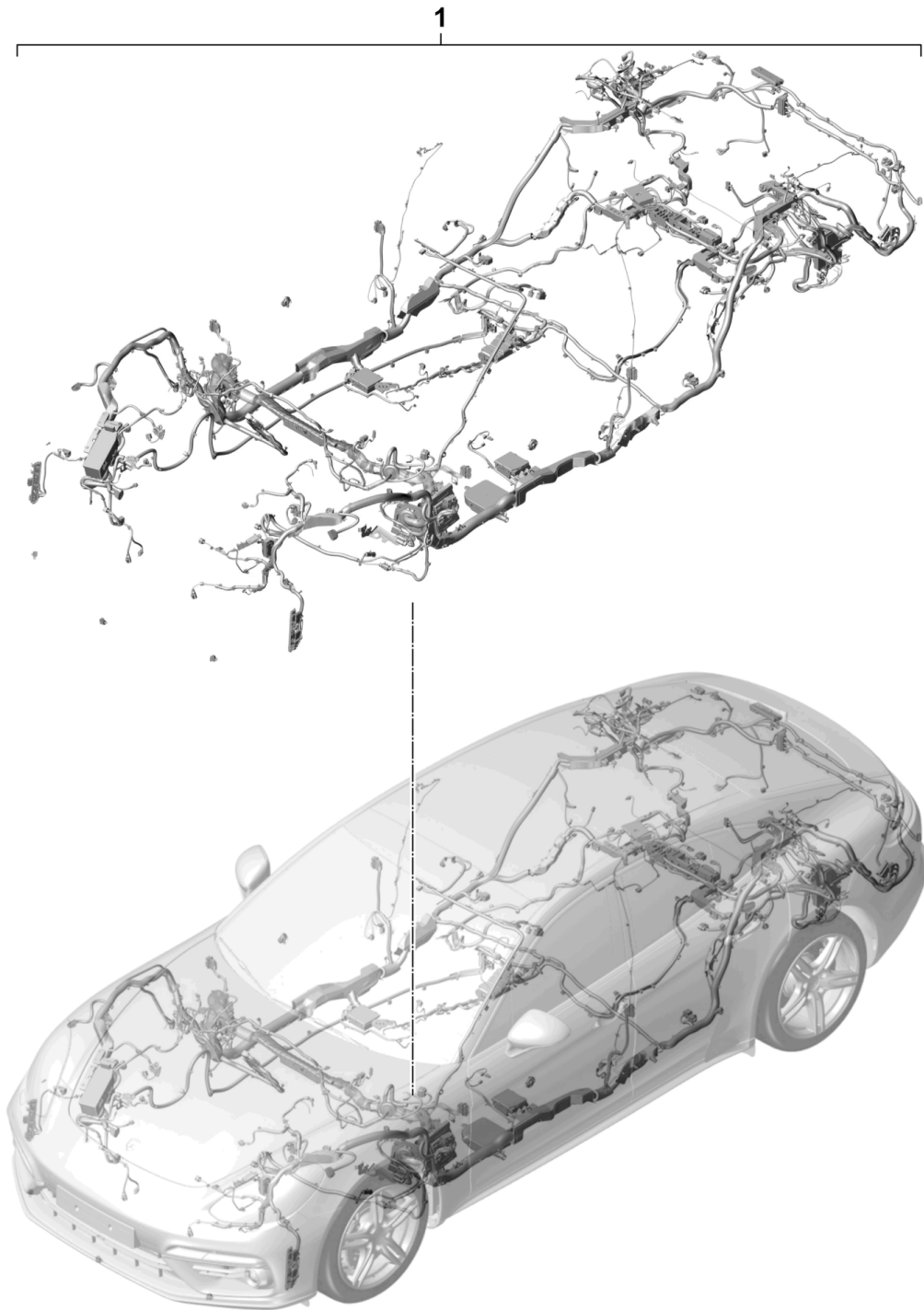
Model: 971-17

Model life 2017>>

Pos	Part Number	Description	Remark	Qty	Model
6	971 907 907 A	Support Connection point Bumper Front		2	
7	971 971 279	Wiring harness Anti-lock brake system Front		2	
8	971 971 004	Cable holder Wiring harness Anti-lock brake system Front	/R	1	
9	971 971 003	Right Cable holder Wiring harness Anti-lock brake system Front	/L	1	
10	N 100 829 13	Left Hexagon-head bolt M6X16		4	
11	971 979 001	Extension cable Control unit Tyre pressure monitoring see Technical information GR. 4 88/17		1	
12	971 971 289 A	Wiring harness Level adjustment		2	I1BK
13	971 971 289 B	Wiring harness Level adjustment		2	I1BK

Model: 971-17

Model life 2017>>



Model: 971-17

Model life 2017>>

Pos	Part Number	Description	Remark	Qty	Model
1	971 612 901 00	Wiring harnesses Passenger compartment And Sub-part Wiring harness Passenger compartment Vehicle Ident. No. Indicate		1	
2	971 998 021	Wiring harness Sub-part Engine compartment Front Left		1	I1A2
(2)	971 998 021 B	It is necessary to rework Wiring harness Sub-part Engine compartment Front Left		1	I0K3/1A2
3	971 998 022	It is necessary to rework Wiring harness Sub-part Front Right		1	I0K0/1A2
(3)	971 998 022 B	It is necessary to rework Wiring harness Sub-part Front Right		1	I0K3/1A2
4	971 998 028	It is necessary to rework Wiring harness Sub-part Underbody Right		1	IK8S/0K0
(4)	971 998 028 A	It is necessary to rework Wiring harness Sub-part Underbody Right		1	IK8S/0K3
(4)	971 998 028 B	It is necessary to rework Wiring harness Sub-part Underbody Right		1	IK8D/0K0
(4)	971 998 028 C	It is necessary to rework Wiring harness Sub-part Underbody Right		1	IK8D/0K3
5	971 998 029	It is necessary to rework Wiring harness Sub-part Underbody Left		1	I0K0
(5)	971 998 029 A	It is necessary to rework Wiring harness Sub-part Underbody Left		1	I0K3
6	971 998 052	It is necessary to rework Wiring harness Sub-part Engine compartment		1	IL0L

Model: 971-17

Model life 2017>>

Pos	Part Number	Description	Remark	Qty	Model
(6)	971 998 052 A	Plenum panel It is necessary to rework Wiring harness Sub-part Engine compartment Plenum panel		1	IL0R
7	971 998 030	It is necessary to rework Wiring harness Sub-part Rear end End plate		1	IK8S
(7)	971 998 030 A	It is necessary to rework Wiring harness Sub-part Rear end End plate		1	IK8D
8	971 998 053	It is necessary to rework Wiring harness Sub-part Rear light Left Right		1	
9	971 998 023	It is necessary to rework Wiring harness Sub-part Rear lid Left		1	IER2
(9)	971 998 023 A	It is necessary to rework Wiring harness Sub-part Rear lid Left		1	IER3
(9)	971 998 023 B	It is necessary to rework Wiring harness Sub-part Rear lid Left		1	IER5/L0L
(9)	971 998 023 C	It is necessary to rework Wiring harness Sub-part Rear lid Left		1	IER5/L0R
10	971 998 213	It is necessary to rework Wiring harness Sub-part Rear lid Right		1	IER2/7X8
(10)	971 998 213 A	It is necessary to rework Wiring harness Sub-part Rear lid Right		1	IER2/8A4
(10)	971 998 213 B	It is necessary to rework Wiring harness Sub-part Rear lid Right		1	IER3/7X8
(10)	971 998 213 C	It is necessary to rework Wiring harness Sub-part Rear lid Right It is necessary to rework		1	IER3/8A4

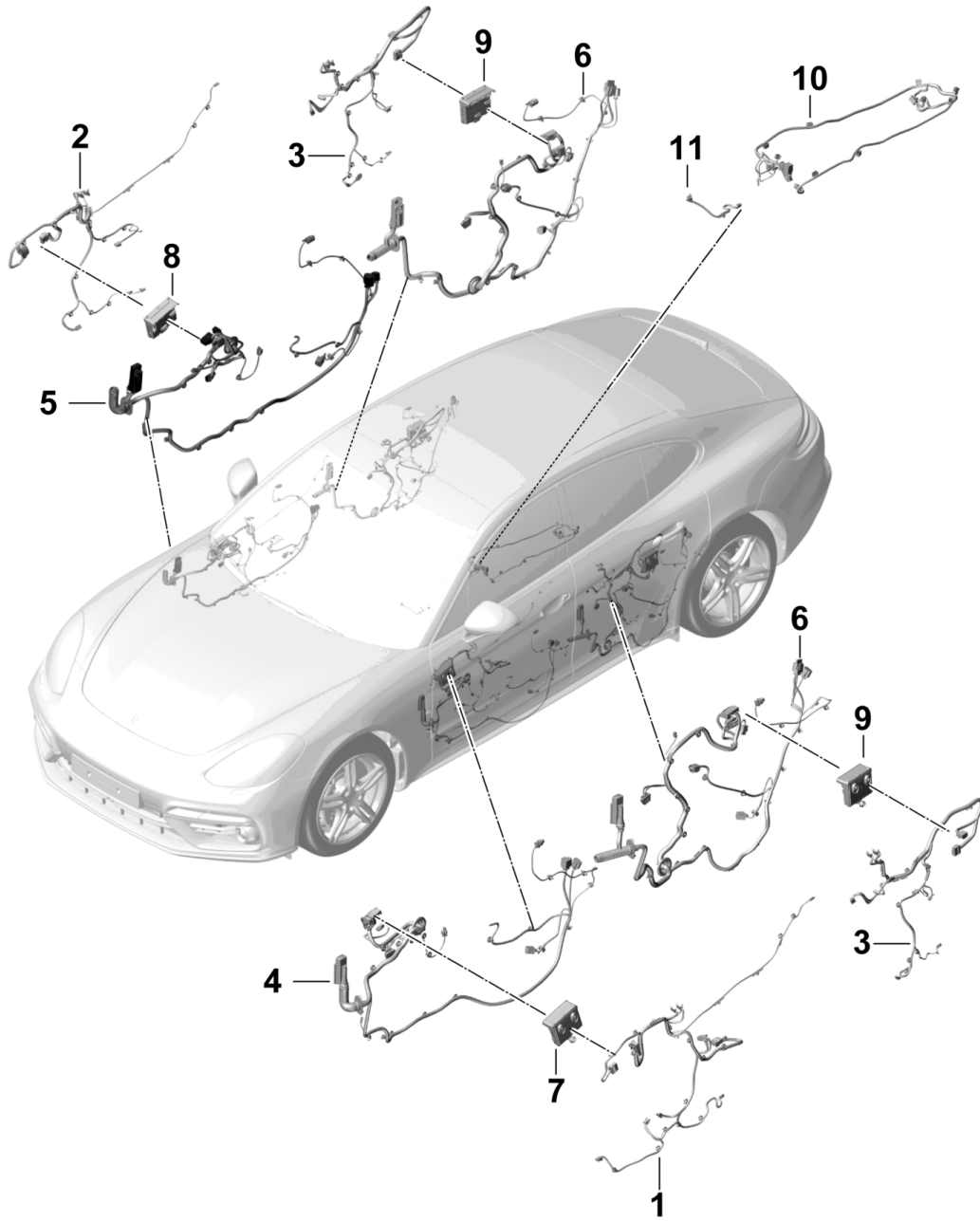
Model: 971-17

Model life 2017>>

Pos	Part Number	Description	Remark	Qty	Model
(10)	971 998 213 D	Wiring harness Sub-part Rear lid Right It is necessary to rework		1	IER5/5D4/7X8
(10)	971 998 213 E	Wiring harness Sub-part Rear lid Right It is necessary to rework		1	IER5/5D4/8A4
(10)	971 998 213 F	Wiring harness Sub-part Rear lid Right It is necessary to rework		1	IER5/5D1/7X8
(10)	971 998 213 G	Wiring harness Sub-part Rear lid Right It is necessary to rework Tie-wrap for Repair work		1	IER5/5D1/8A4
11	N 906 661 01	Tie-wrap 4,6 X 200		X	
12	N 904 449 01	Tie-wrap 5 X 230		X	
13	955 612 931 00	Cable clamp 193 X 4 - 45		X	
14	955 612 932 00	Cable holder Flat		X	

Model: 971-17

Model life 2017>>



Model: 971-17 Model life 2017>>

Pos	Part Number	Description	Remark	Qty	Model
1	971 971 161 CP	Wiring harnesses Doors Front and rear Control units Doors Wiring harness Door panel Front Driver's side		1	IQQ0
(1)	971 971 161 CQ	Wiring harness Door panel It is necessary to rework		1	IQQ1/QQ2
2	971 971 162 AP	Wiring harness Door panel Passenger's side		1	IQQ0
(2)	971 971 162 AQ	Wiring harness Door panel Wiring harness Door panel Rear		1	IQQ1/QQ2
3	971 971 121 AF	Wiring harness Door panel		1	IQQ0
(3)	971 971 121 AG	Wiring harness Door panel Wiring harness		1	IQQ1/QQ2
4	971 971 035 AY	Assembly frame Wiring harness Assembly frame Front		1	IGZ0
(4)	971 971 035 Y	Driver's side Wiring harness Assembly frame Front		1	IGZ2
5	971 971 036 AY	Driver's side Wiring harness Assembly frame Front		1	IGZ0
(5)	971 971 036 Y	Passenger's side Wiring harness Assembly frame Front		1	IGZ2
6	971 971 694 AY	Passenger's side Wiring harness Assembly frame Rear		1	IGZ0
(6)	971 971 694 Y	Wiring harness Assembly frame Rear Control unit Door		1	IGZ2
7	9A7 959 793 00	Control unit Door Front		1	
8	9A7 959 792 00	Driver's side Control unit Door Front		1	

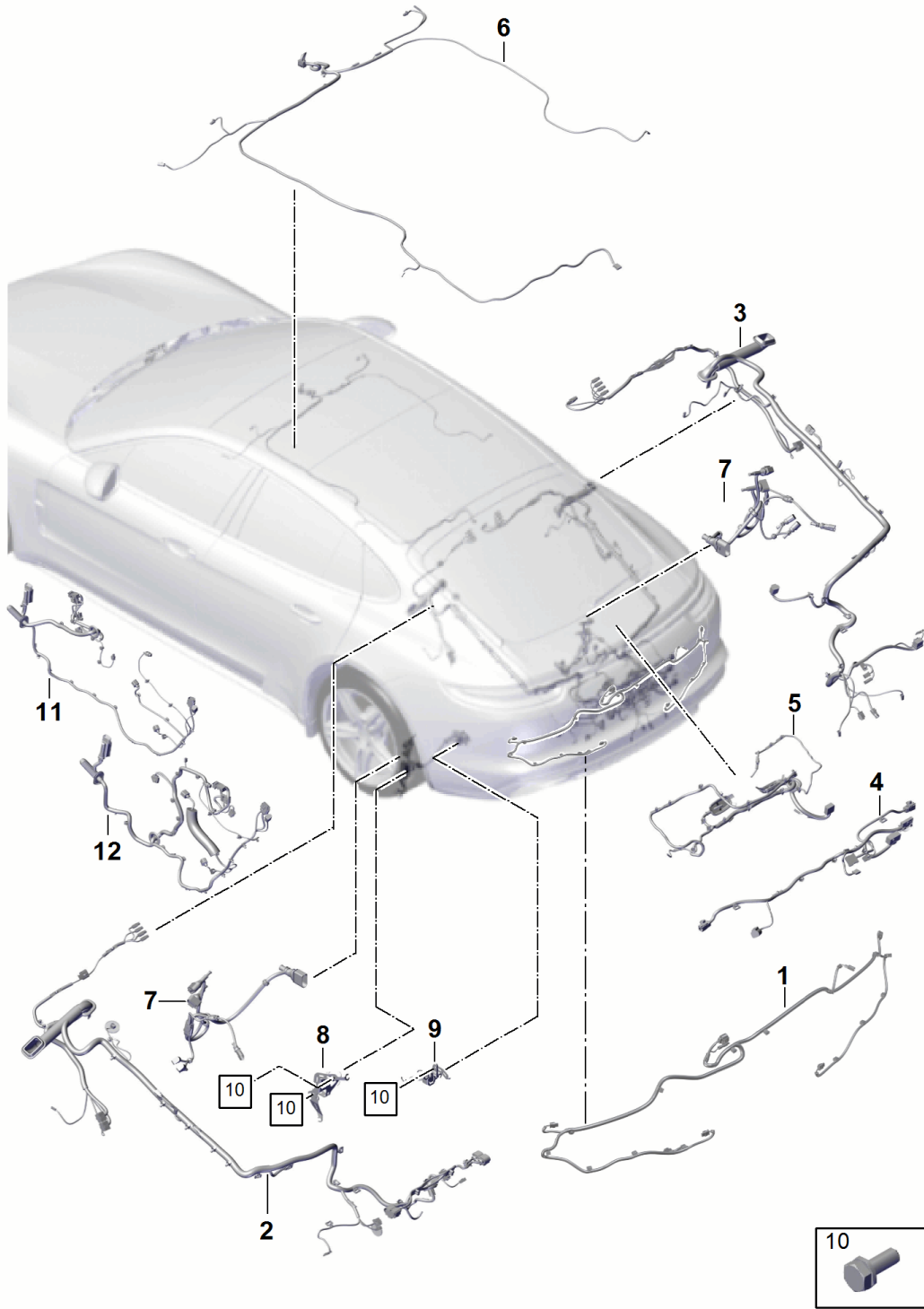
Model: 971-17

Model life 2017>>

Pos	Part Number	Description	Remark	Qty	Model
9	9A7 959 795 00	Passenger's side Control unit Door Rear Wiring harness		2	
(10)	971 971 641 P	Centre console Wiring harness		1	-I3Z7/I9JB
(10)	971 971 641 AM	Centre console Front Wiring harness		1	-I3Z7/I9JA
(10)	971 971 667 G	Centre console Front Centre console Business Wiring harness		1	I1U0/3Z7
11	971 971 300	Centre console Kessy Centre console Kessy		1	

Model: 971-17

Model life 2017>>



Model: 971-17 Model life 2017>>

Pos	Part Number	Description	Remark	Qty	Model
1	971 971 104 C	Wiring harnesses Rear end Rooflining Rear lid Anti-lock brake system Brake pad wear indicator Rear axle Running board Wiring harness Bumper Rear		1	IK8S
(1)	974 971 104 C	Wiring harness Bumper Rear		1	IK8D
2	971 971 017 Y	Wiring harness Rear lid Left	-(J) -(USA)	1	IER2
(2)	971 971 017 BY	Wiring harness Rear lid Left	(J)	1	IER5/L0L
(2)	971 971 017 CY	Wiring harness Rear lid Left	(J)	1	IER5/L0R
3	971 971 018 Y	Wiring harness Rear lid Right with Reversing camera	-(J) -(USA)	1	IER2/7X8
(3)	971 971 018 AY	Wiring harness Rear lid Right with RTV	-(J) -(USA)	1	IER2/8A4
(3)	971 971 018 DY	Wiring harness Rear lid Right with Reversing camera	(J)	1	IER5/5D4/7X8
(3)	971 971 018 FY	Wiring harness Rear lid Right with Reversing camera	(J)	1	IER5/5D1/7X8
(3)	971 971 018 EY	Wiring harness Rear lid Right with RTV	(J)	1	IER5/5D4/8A4
(3)	971 971 018 GY	Wiring harness Rear lid Right with RTV	(J)	1	IER5/5D1/8A4
4	971 971 277	Wiring harness Powerlift		1	I4E6/4E7
5	971 974 224 B	Wiring harness Rear spoiler		1	IA8C/A8F
(5)	971 974 224 D	Wiring harness Rear spoiler		1	IA8H
6	971 971 247	Wiring harness Roofliner		1	
7	971 971 286 A	Wiring harness Anti-lock brake system		2	

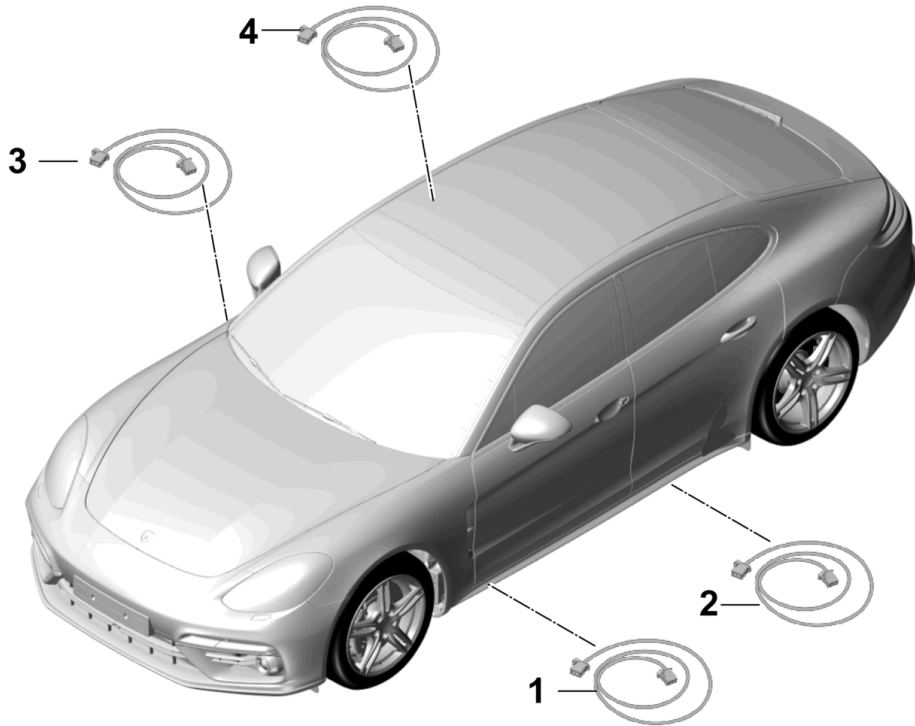
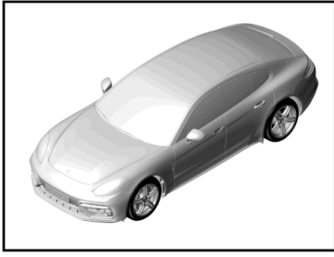
Model: 971-17

Model life 2017>>

Pos	Part Number	Description	Remark	Qty	Model
8		Cable holder Wiring harness Anti-lock brake system Left See illustrations 5/01/20	/L	1	
9		Cable holder Wiring harness Anti-lock brake system Right See illustrations 5/01/20	/R	1	
10	N 100 829 13	Hexagon-head bolt M6X16		4	
11	971 972 229	Wiring harness Scuff plate Front Driver's side		1	IVT2/7M4
(11)		Wiring harness Scuff plate Front Driver's side		1	IVT2/7M8
(11)	971 972 229 A	Wiring harness Scuff plate Front Passenger's side		1	IVT2/7M4
(11)		Wiring harness Scuff plate Front Passenger's side		1	IVT2/7M8
12	971 972 229 B	Wiring harness Scuff plate Rear Short		2	I0E1/7M4
14	971 970 052	Wiring harness Shade Rear end Tie-wrap for Repair work See group 9/02/10		1	IK8S/3Y2/3Y8

Model: 971-17

Model life 2017>>



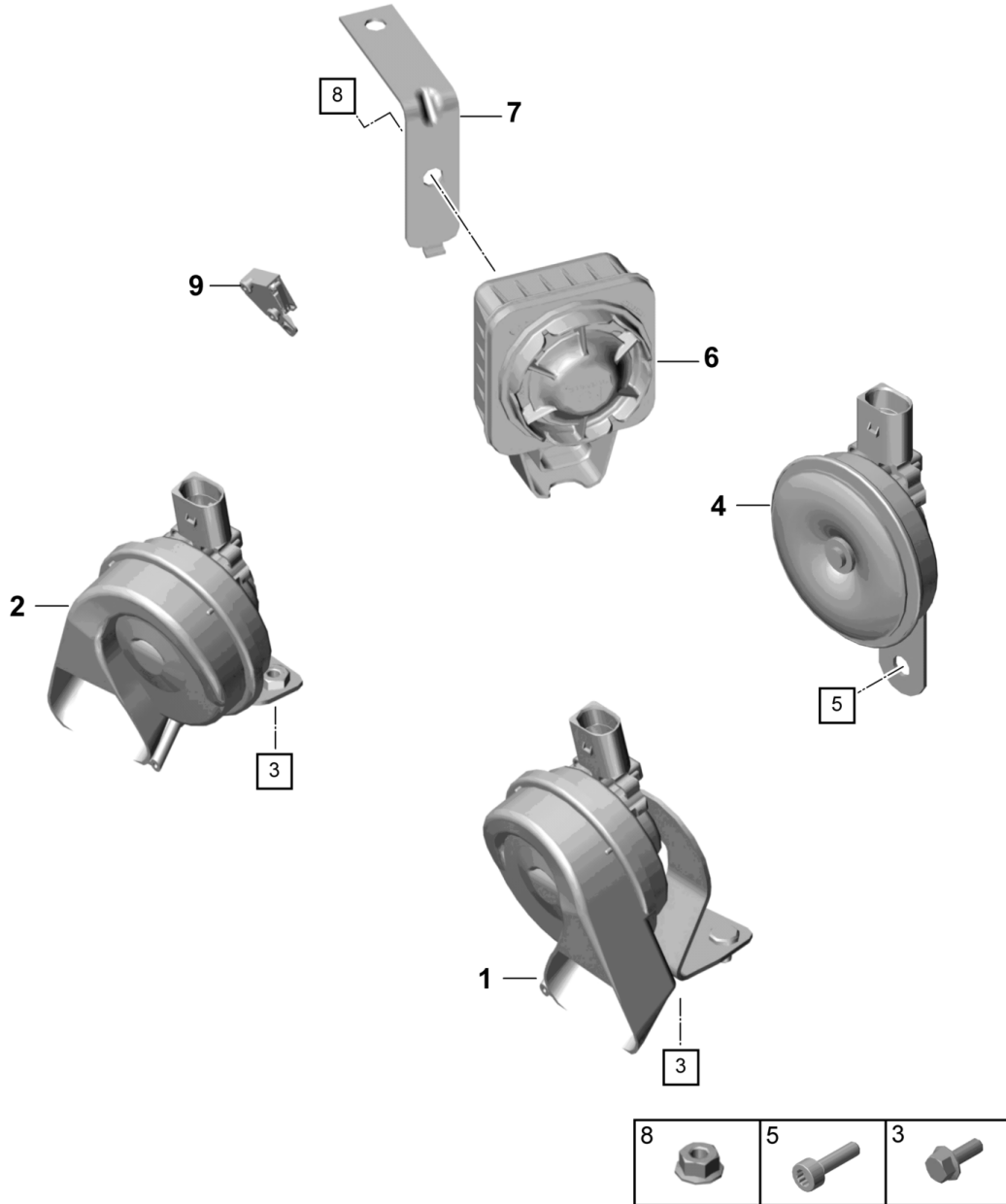
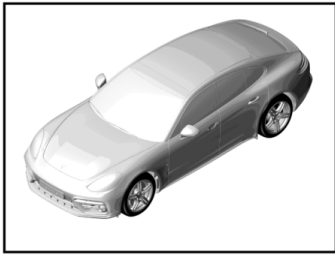
Model: 971-17

Model life 2017>>

Pos	Part Number	Description	Remark	Qty	Model
1	973 970 267 AA	Optical waveguide Optical waveguide without Booster without DVD with TV tuner		1	IQU1/QV1/6G2 I9VK
2	973 970 267 S	Optical waveguide with Booster without DVD with TV tuner		1	IQU1/QV1/7A0 I9VJ/9VL
3	973 970 267 L	Optical waveguide with Booster with DVD And TV tuner		1	IQU1/QV1/6G2 I9VJ/9VL
4	973 970 267 Q	Optical waveguide without Booster with DVD with TV tuner		1	IQU1/QV1/6G2 I9VK

Model: 971-17

Model life 2017>>



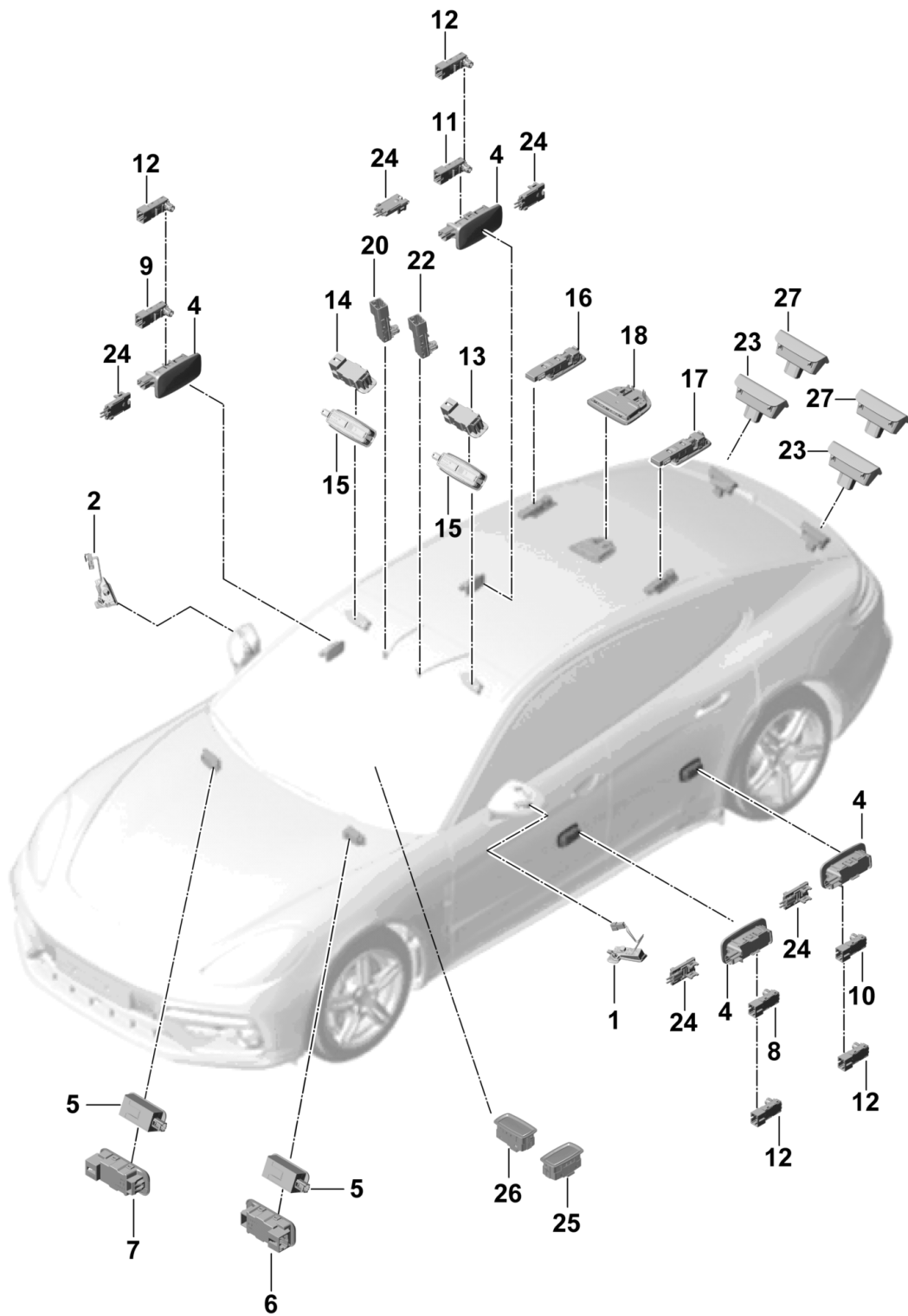
Model: 971-17

Model life 2017>>

Pos	Part Number	Description	Remark	Qty	Model
1	971 951 211 B	Fanfare Horn Alarm siren	/L	1	I8Y1
(1)	971 951 211 C	Fanfare Low-pitched with Support	/L	1	I8Y2
2	971 951 212 B	Fanfare High-pitched with Support	/R	1	I8Y1
(2)	971 951 212 C	Fanfare High-pitched with Support	/R	1	I8Y2
3	N 107 188 01	Hexagon-head bolt M 6 X 16		2	
4	971 951 101	Horn Alarm system		1	I7AK
5	999 218 113 01	Pan-head screw M 6 X 23		1	
6	5Q0 951 605 A	Alarm siren Information available		1	I7AA/7AH/7AL
7	971 951 227 A	Support Alarm siren		1	I7AA/7AH/7AL I7AH/7AL
8	N 106 092 01	Hexagon nut M 8		1	
9	1K0 953 236 D	Contact switch Anti-theft protection Front		1	

Model: 971-17

Model life 2017>>



Model: 971-17

Model life 2017>>

Pos	Part Number	Description	Remark	Qty	Model
		Interior lights Luggage compartment lamp Door guard light Footwell light Light			
1	971 949 133	Door mirror Light	/L	1	
2	971 949 134	Door mirror Light	/R	1	
4	971 947 101	Door mirror Light		4	
5	4E0 947 415	Door Light Footwell Front Glove compartment Luggage compartment Left Luggage compartment Right		2	IQQ0
6	9A7 947 415 30	Light Footwell Front Left	/L	1	IQQ1/QQ2
7	9A7 947 415 40	Light Footwell Front Right	/R	1	IQQ1/QQ2
8	971 947 355 A	Light Door		1	IQQ1/QQ2
9	971 947 355 B	Light Door		1	IQQ1/QQ2
10	971 947 355 C	Light Door		1	IQQ1/QQ2
11	971 947 355 D	Light Door		1	IQQ1/QQ2
12	971 947 356	Light Door		4	IQQ0/9VJ
13		Light Footwell Rear See illustrations 8/17/00		1	IQQ2
14		Light Footwell Rear See illustrations 8/17/00		1	IQQ2
15	4H0 947 105 B	Interior light Vanity mirror		2	
16	971 947 353 B	Reading light Rear Left	/L	1	
17	971 947 354 B	Reading light Rear Right	/R	1	
18	971 947 304 A	Reading light Rear Centre		1	IQQ2
20	9A7 947 355 00	Light Centre console Front Left	/L	1	IQQ1/QQ2

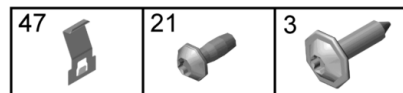
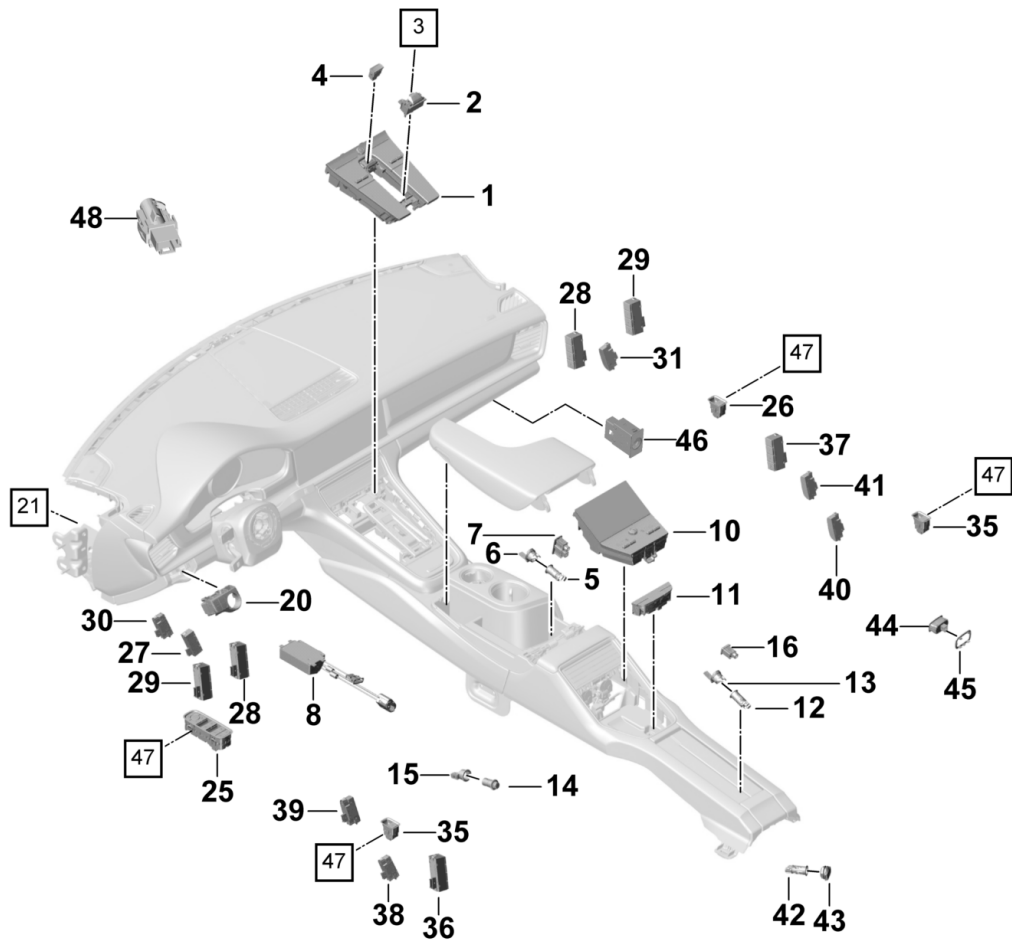
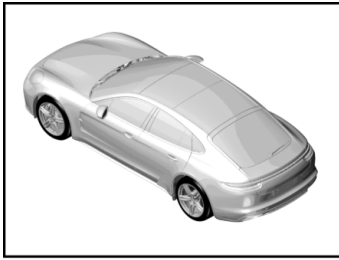
Model: 971-17

Model life 2017>>

Pos	Part Number	Description	Remark	Qty	Model
22	9A7 947 355 10	Illumination Centre console Front Right	/R	1	IQQ1/QQ2
23	971 947 411	Warning light		2	
24	9A7 947 101 00	Rear lid Light LED		X	
25	971 959 832 B	Centre console Door panel Switch		1	I4I6/4I8
	971 959 832 B 6N3	Rear lid			
(25)	971 959 832 C	Black mat Switch		1	I4F2/4F6
	971 959 832 C 6N3	Rear lid			
(25)	971 962 109 A	Black mat Switch		1	I7AH
	971 962 109 A 6N3	Deactivation Interior monitoring			
26	970 632 193 02	Black mat LED module		X	
		Centre console		4	
		Doors		8	
27	974 947 411	Light LED Rear lid		2	IK8D

Model: 971-17

Model life 2017>>



Model: 971-17

Model life 2017>>

Pos	Part Number	Description	Remark	Qty	Model
1	971 919 611	Combined switch Control part Air conditioner Control switch Voltage converter Centre console Front Air conditioner Control unit Front	-17	1	
(1)	971 919 611 6N3 971 919 611 G	Black mat Air conditioner Control unit Front	18-	1	
2	971 919 611 G 6N3 971 927 225 B	Black mat Switch Electric parking brake		1	
3	971 927 225 B 6N3 N 906 986 06	Black mat Tapping screw ST4,2X16		2	
4	971 953 509 A 971 953 509 A 6N3	Hazard warning light sw. Black mat		1	
5	971 919 309 A	Plug socket		1	I9JA
(5)	9A7 919 303 00	Cigarette lighter		1	I9JB
6	9A7 919 341 00	Tensioning sleeve with Lid		1	I9JA
(6)	9A7 919 341 00 9B9 9A7 919 341 10	Black Mounting Cigarette lighter		1	I9JB
7	9A7 642 222 00	Multimedia interface		1	IUI2
(7)	9A7 642 222 20	Multimedia interface		1	IUI4
8	9A7 907 155 10	Voltage converter		1	IK8S/9Z3
(8)	9A7 907 155 12	Voltage converter		1	IK8S/9Z4
(8)	9A7 907 155 13	Voltage converter		1	IK8D/9Z3
(8)	9A7 907 155 15	Voltage converter		1	IK8D/9Z4
10	971 919 616	Centre console Rear Air conditioner Control unit Rear		1	
(10)	971 919 616 6N3 974 919 615 H	Black mat Air conditioner Control unit Rear 4-zone Air conditioner		1	I3FA/4A0/4A3 I9AH
(10)	974 919 615 H 6N3 974 919 615 J	Black mat Air conditioner Control unit Rear 4-zone Air conditioner		1	I3FA/4A4/9AH
(10)	974 919 615 J 6N3 974 919 615 K	Black mat Air conditioner Control unit Rear 4-zone Air conditioner		1	I3FU/4A0/4A3 I9AH
(10)	974 919 615 K 6N3 974 919 615 L	Black mat Air conditioner		1	I3FU/4A4/9AH

Model: 971-17

Model life 2017>>

Pos	Part Number	Description	Remark	Qty	Model
11	974 919 615 L 6N3 971 919 709 AQ	Control unit Rear 4-zone Air conditioner Black mat Control part		1	I3FA/3Y2/3Y7 I3Y8/4A0/4A3 I4D0/4D3/4D5 I4D7
(11)	971 919 709 AQ OV3 971 919 709 AR	Centre console Rear High-Gloss Black Control part		1	I3FU/3Y0/4A0 I4A3/4D0/4D3 I4D5/4D7
(11)	971 919 709 AR OV3 971 919 709 AS	Centre console Rear High-Gloss Black Control part		1	I3FU/3Y2/3Y7 I3Y8/4A0/4A3 I4D0/4D3/4D5 I4D7
(11)	971 919 709 AS OV3 971 919 709 AT	Centre console Rear High-Gloss Black Control part		1	I3FA/3Y0/4A4 I4D0/4D3/4D5 I4D7
(11)	971 919 709 AT OV3 971 919 709 BA	Centre console Rear High-Gloss Black Control part		1	I3FA/3Y2/3Y7 I3Y8/4A4/4D0 I4D3/4D5/4D7
(11)	971 919 709 BA OV3 971 919 709 BB	Centre console Rear High-Gloss Black Control part		1	I3FU/3Y0/4A4 I4D0/4D3/4D5 I4D7
(11)	971 919 709 BB OV3 971 919 709 BC	Centre console Rear High-Gloss Black Control part		1	I3FU/3Y2/3Y7 I3Y8/4A4/4D0 I4D3/4D5/4D7
(11)	971 919 709 BC OV3 971 919 709 BD	Centre console Rear High-Gloss Black Control part		1	I3FA/3Y0/4A4 I4D1/4D2/4D9
(11)	971 919 709 BD OV3 971 919 709 BE	Centre console Rear High-Gloss Black Control part		1	I3FA/3Y2/3Y7 I3Y8/4A4/4D1 I4D2/4D9
(11)	971 919 709 BE OV3 971 919 709 BF	Centre console Rear High-Gloss Black Control part		1	I3FU/3Y0/4A4 I4D1/4D2/4D9
		Centre console			

Model: 971-17 Model life 2017>>

Pos	Part Number	Description	Remark	Qty	Model
(11)	971 919 709 BF OV3 971 919 709 BG	Rear High-Gloss Black Control part		1	I3FU/3Y2/3Y7 I3Y8/4A4/4D1 I4D2/4D9
(11)	971 919 709 BG OV3 974 919 709 C	Centre console Rear High-Gloss Black Control part Centre console		1	I3FA/4A4/9AD
(11)	974 919 709 C HTO 974 919 709 D	Rear Black/black Control part		1	I3FU/4A0/4A3 I9AD
(11)	974 919 709 D HTO 974 919 709 E	Centre console Rear Black/black Control part Centre console		1	I3FU/4A4/9AD
12	974 919 709 E HTO 971 919 309 A	Rear Black/black Plug socket		1	I9JA
(12)	971 035 252	Plug socket		1	-I5KA/-I5KH I3Z6/9JA
(12)	971 035 252 A	Turbocharging Plug socket		1	I3Z6/5KA/5KH I9JA
(12)	9A7 919 341 00	Turbocharging Plug socket		1	I3Z7/9JA
13	9A7 919 341 00	Tensioning sleeve with Lid		1	I3Z6/9JA
(13)	9A7 919 341 00 9B9 9A7 919 341 00	Black Tensioning sleeve with Lid		1	I3Z7/9JA
14	9A7 919 341 00 9B9 9A7 919 303 00	Black Cigarette lighter		1	I9JB
15	9A7 919 341 10	Mounting		1	I9JB
16	971 035 222 A	Cigarette lighter		1	IUI2
20	971 941 209 B	Multimedia interface Dashboard		1	IUI2
(20)	971 941 209 B 971 941 209 B HJD	Light switch Black/Galvano Silver		1	IL0L
(20)	973 941 209 B 973 941 209 B HJD	Light switch Black/Galvano Silver		1	IL0R
21	N 106 021 01	Oval-head screw TP4X10-Q Switch		2	
25	971 959 858 C	Door Front Switch		1	I0K0
(25)	971 959 858 C HUO 971 959 858 D	Power windows Door mirror Luggage compartment Driver's side High-Gloss Black/Black Switch		1	I0K3
	971 959 858 D HUO	Power windows Door mirror Luggage compartment Driver's side High-Gloss Black/Black			

Model: 971-17 Model life 2017>>

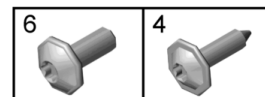
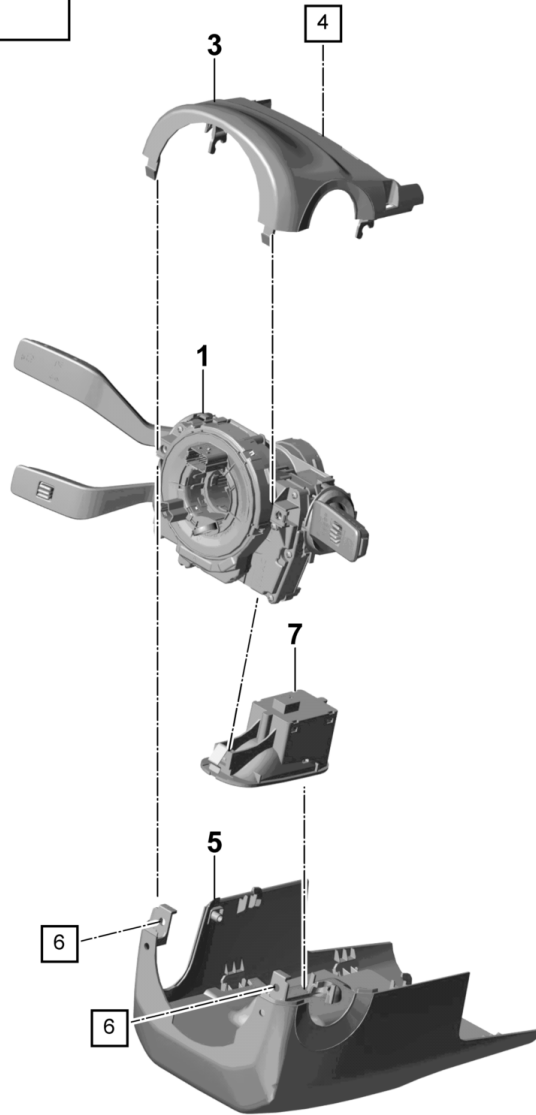
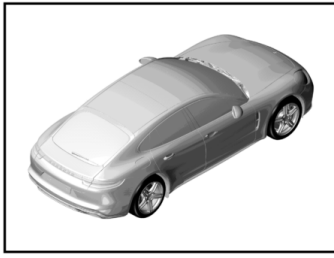
Pos	Part Number	Description	Remark	Qty	Model
26	971 959 855 C	Switch Power windows Passenger's side		1	
	971 959 855 C HUO	High-Gloss Black/Black			
27	971 959 769 F	Switch Seat Driver's side with Memory		1	IL0L/3L4/3PN
	971 959 769 F OV3	High-Gloss Black			
28	971 959 769 G	Switch Seat Driver's side with Memory		1	IL0R/3L6/3PN
	971 959 769 G OV3	High-Gloss Black			
29	971 959 770 F	Switch Seat Passenger's side with Memory		1	IL0L/3PN
	971 959 770 F OV3	High-Gloss Black			
(29)	971 959 770 G	Switch Seat Passenger's side with Memory		1	IL0R/3PN
	971 959 770 G OV3	High-Gloss Black			
30	971 962 125 F	Switch Central locking system Left		1	
	971 962 125 F OV3	High-Gloss Black			
31	971 962 125 G	Switch Central locking system Right		1	
	971 962 125 G OV3	High-Gloss Black			
35	971 959 855 C	Switch Power windows		2	
	971 959 855 C HUO	High-Gloss Black/Black			
36	971 959 770 F	Switch Seat Left with Memory		1	I3KK/3KL/3KN I3KR
	971 959 770 F OV3	High-Gloss Black			
37	971 959 770 G	Switch Seat Right with Memory		1	I3KK/3KL/3KN I3KR
	971 959 770 G OV3	High-Gloss Black			
38	971 962 125 F	Switch Central locking system Left		1	I9AH
	971 962 125 F OV3	High-Gloss Black			
39	971 959 214 D	Cover Central locking system Left		1	I9AD

Model: 971-17 Model life 2017>>

Pos	Part Number	Description	Remark	Qty	Model
40	971 959 214 D OV3 971 962 125 G	High-Gloss Black Switch Central locking system Right		1	I9AH
41	971 962 125 G OV3 971 959 214 E	High-Gloss Black Cover Central locking system Right		1	I9AD
42	971 959 214 E OV3	High-Gloss Black Luggage compartment			
43	971 919 309 A	Plug socket		1	
43	9A7 919 341 02	Tensioning sleeve with Lid		1	
44	9A7 919 341 02 9B9 971 959 511 A	Black Switch Trailer coupling		1	
45	971 959 511 A 6N3 971 959 528	Black mat Cover Switch Trailer coupling		1	I1D3
46	971 959 528 1E0 9A7 919 237 00	Black Switch Airbag		1	I1D3 I4UF
47	9A7 919 237 00 WGI 971 898 185	Satin Black/Traffic White Clamp for Switch Power windows Driver's side Passenger's side		4	I0K0/0K3
48	9A7 907 527 00	Temperature sensor Outer		1	
49	974 959 873 974 959 873 OV3	Switch Release Backrest High-Gloss Black		1	IK8D/5KA

Model: 971-17

Model life 2017>>



Model: 971-17 Model life 2017>>

Pos	Part Number	Description	Remark	Qty	Model
1	971 953 502 CT	Steering column switch Steering column switch		1	I2ZM/8M0/8T1 I8X0
(1)	971 953 502 CT HUO 971 953 502 DM	Cruise control High-Gloss Black/Black Steering column switch		1	I2ZM/8M0/8T1 I8X1
(1)	971 953 502 DM HUO 971 953 502 DA	Cruise control Headlight washer system High-Gloss Black/Black Steering column switch		1	I2ZM/8M0/8T3 I8X0
(1)	971 953 502 DA HUO 971 953 502 DN	ACC High-Gloss Black/Black Steering column switch		1	I2ZM/8M0/8T3 I8X1
(1)	971 953 502 DN HUO 971 953 502 DB	ACC Headlight washer system High-Gloss Black/Black Steering column switch		1	I2ZM/8M1/8T1 I8X0
(1)	971 953 502 DB HUO 971 953 502 DP	Rear window wiper Cruise control High-Gloss Black/Black Steering column switch		1	I2ZM/8M1/8T1 I8X1
(1)	971 953 502 DP HUO 971 953 502 DC	Rear window wiper Cruise control Headlight washer system High-Gloss Black/Black Steering column switch		1	I2ZM/8M1/8T3 I8X0
(1)	971 953 502 DC HUO 971 953 502 DQ	Rear window wiper ACC High-Gloss Black/Black Steering column switch		1	I2ZM/8M1/8T3 I8X1
(1)	971 953 502 DQ HUO 971 953 502 DH	Rear window wiper ACC Headlight washer system High-Gloss Black/Black Steering column switch		1	I2ZM/3V1/8M0 I8X0
(1)	971 953 502 DH HUO 971 953 502 EB	ACC High End High-Gloss Black/Black Steering column switch		1	I2ZM/3V1/8M0 I8X1
(1)	971 953 502 EB HUO 971 953 502 DJ	ACC High End Headlight washer system High-Gloss Black/Black Steering column switch		1	I2ZM/3V1/8M1 I8X0
(1)	971 953 502 DJ HUO 971 953 502 EC	ACC High End Rear window wiper High-Gloss Black/Black Steering column switch		1	I2ZM/3V1/8M1 I8X1
		ACC High End Rear window wiper			

Model: 971-17

Model life 2017>>

Pos	Part Number	Description	Remark	Qty	Model
(1)	971 953 502 EC HUO 971 953 502 DD	Headlight washer system High-Gloss Black/Black Steering column switch		1	I1XE/1XG/2FF I2FG/2FX/2ZH I8M0/8T1/8X0
(1)	971 953 502 DD HUO 971 953 502 DR	Cruise control High-Gloss Black/Black Steering column switch		1	I1XE/1XG/2FF I2FG/2FX/2ZH I8M0/8T1/8X1
(1)	971 953 502 DR HUO 971 953 502 DE	Cruise control Headlight washer system High-Gloss Black/Black Steering column switch		1	I1XE/1XG/2FF I2FG/2FX/2ZH I8M0/8T3/8X0
(1)	971 953 502 DE HUO 971 953 502 DS	ACC High-Gloss Black/Black Steering column switch		1	I1XE/1XG/2FF I2FG/2FX/2ZH I8M0/8T3/8X1
(1)	971 953 502 DS HUO 971 953 502 DF	ACC Headlight washer system High-Gloss Black/Black Steering column switch		1	I1XE/1XG/2FF I2FG/2FX/2ZH I8M1/8T1/8X0
(1)	971 953 502 DF HUO 971 953 502 DT	Rear window wiper Cruise control High-Gloss Black/Black Steering column switch		1	I1XE/1XG/2FF I2FG/2FX/2ZH I8M1/8T1/8X1
(1)	971 953 502 DT HUO 971 953 502 DG	Rear window wiper Cruise control Headlight washer system High-Gloss Black/Black Steering column switch		1	I1XE/1XG/2FF I2FG/2FX/2ZH I8M1/8T3/8X0
(1)	971 953 502 DG HUO 971 953 502 EA	Rear window wiper ACC High-Gloss Black/Black Steering column switch		1	I1XE/1XG/2FF I2FG/2FX/2ZH I8M1/8T3/8X1
(1)	971 953 502 EA HUO 971 953 502 DK	Rear window wiper ACC Headlight washer system High-Gloss Black/Black Steering column switch		1	I1XE/1XG/2FF I2FG/2FX/2ZH I3V1/8M0/8X0
(1)	971 953 502 DK HUO 971 953 502 ED	ACC High End High-Gloss Black/Black Steering column switch		1	I1XE/1XG/2FF I2FG/2FX/2ZH I3V1/8M0/8X1
	971 953 502 ED HUO	ACC High End Headlight washer system High-Gloss Black/Black			

Model: 971-17

Model life 2017>>

Pos	Part Number	Description	Remark	Qty	Model
(1)	971 953 502 DL	Steering column switch ACC High End Rear window wiper		1	I1XE/1XG/2FF I2FG/2FX/2ZH I3V1/8M1/8X0
(1)	971 953 502 DL HUO 971 953 502 EE	High-Gloss Black/Black Steering column switch ACC High End Rear window wiper		1	I1XE/1XG/2FF I2FG/2FX/2ZH I3V1/8M1/8X1
(1)	971 953 502 EE HUO 9Y0 953 502 F	High-Gloss Black/Black Steering column switch Rear window wiper		1	IK8D/2ZM/3V1 I8M1/8X0
(1)	9Y0 953 502 F HUO 9Y0 953 502 G	High-Gloss Black/Black Steering column switch Rear window wiper		1	IK8D/1XG/2FF I2FX/2ZH/3V1 I8M1/8X0
(1)	9Y0 953 502 G HUO 974 953 502 K	High-Gloss Black/Black Steering column switch Rear window wiper		1	IK8D/2ZM/8M1 I8T1/8X0
(1)	974 953 502 K HUO 974 953 502 L	High-Gloss Black/Black Steering column switch Rear window wiper		1	IK8D/1XE/1XG I2FF/2FG/2ZH I8M1/8X0
(1)	974 953 502 L HUO 974 953 502 M	High-Gloss Black/Black Steering column switch Rear window wiper		1	IK8D/2ZM/8M1 I8T3/8X0
(1)	974 953 502 M HUO 974 953 502 N	High-Gloss Black/Black Steering column switch Rear window wiper		1	IK8D/1XE/1XG I2FF/2FG/2FX I2ZH/8M1/8T3 I8X0
(1)	974 953 502 N HUO 974 953 502 P	High-Gloss Black/Black Steering column switch Rear window wiper		1	IK8D/2ZM/8M1 I8T1/8X1
(1)	974 953 502 P HUO 974 953 502 Q	High-Gloss Black/Black Steering column switch Headlight washer system		1	IK8D/1XE/1XG I2FF/2FG/2FX I2ZH/8M1/8T1 I8X1
(1)	974 953 502 Q HUO 974 953 502 R	High-Gloss Black/Black Steering column switch Rear window wiper		1	IK8D/2ZM/8M1 I8T3/8X1
(1)	974 953 502 R HUO 974 953 502 S	High-Gloss Black/Black Steering column switch Headlight washer system		1	IK8D/1XE/1XG I2FF/2FG/2FX I2ZH/8M1/8T3

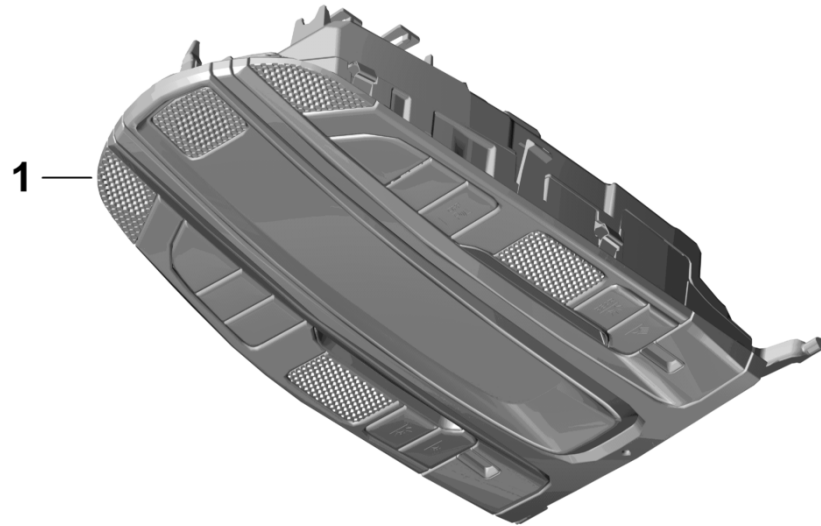
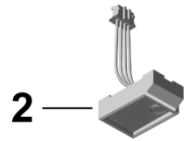
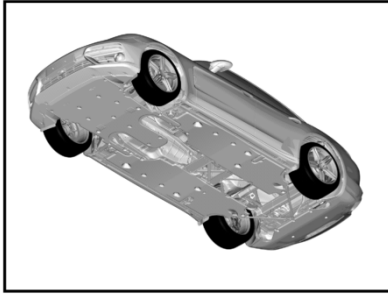
Model: 971-17

Model life 2017>>

Pos	Part Number	Description	Remark	Qty	Model
		Rear window wiper Headlight washer system			I8X1
(1)	974 953 502 S HUO 974 953 502 T	High-Gloss Black/Black Steering column switch		1	IK8D/2ZM/3V1 I8M1/8X1
(1)	974 953 502 T HUO 974 953 502 AA	Rear window wiper Headlight washer system High-Gloss Black/Black Steering column switch		1	IK8D/1XE/1XG I2FF/2FG/2FX I2ZH/3V1/8M1 I8X1
3	974 953 502 AA HUO 971 858 565 971 858 565 5Q0	Rear window wiper Headlight washer system High-Gloss Black/Black Top half Steering column switch Black		1	+AB +PK +AC +BB +BS +BK +DG +DL
4	971 858 565 OA6 971 858 565 6W0 971 858 565 OL7 971 858 565 7X0 N 906 986 06	Agate Grey Luxor Beige Saddle Tan Marsala Red Tapping screw ST4,2X16		1	+UB +UC +SB +BP +PC +BE
5	971 858 566 971 858 566 5Q0	Bottom half Steering column switch Black		1	I2C5
(5)	971 858 566 OA6 971 858 566 6W0 971 858 566 OL7 971 858 566 7X0 971 858 566 A 971 858 566 A 5Q0	Agate Grey Luxor Beige Saddle Tan Marsala Red Bottom half Steering column switch Black		1	+AB +PK +AC +BB +BS +BK +DG +DL +UB +UC +SB +BP +PC +BE
6	971 858 566 A OA6 971 858 566 A 6W0 971 858 566 A OL7 971 858 566 A 7X0 N 909 446 04	Agate Grey Luxor Beige Saddle Tan Marsala Red Fastening screw M5X12		2	+UB +UC +SB +BP +PC +BE
7	971 953 519 B 971 953 519 B 1E0	Switch Adjustment Steering column Black		1	I2C4

Model: 971-17

Model life 2017>>



Model: 971-17 Model life 2017>>

Pos	Part Number	Description	Remark	Qty	Model
1	971 959 551 CK	Bracket Roof Bracket		1	IQQ0/VC0/3FA I7X2/7X8
(1)	971 959 551 CK HTO 971 959 551 CL	Roof Black/black Bracket		1	IQQ0/VC1/VC2 I3FA/7X2/7X8
(1)	971 959 551 CL HTO 971 959 551 CM	Roof Black/black Bracket		1	IQQ1/QQ2/VC0 I3FA/7X2/7X8
(1)	971 959 551 CM HTO 971 959 551 CN	Roof Black/black Bracket		1	IQQ1/QQ2/VC1 IVC2/3FA/7X2 I7X8
(1)	971 959 551 CN HTO 971 959 551 CP	Roof Black/black Bracket		1	IQQ0/VC0/3FU I7X2/7X8
(1)	971 959 551 CP HTO 971 959 551 CQ	Roof Black/black Bracket		1	IQQ0/VC1/VC2 I3FU/7X2/7X8
(1)	971 959 551 CQ HTO 971 959 551 CR	Roof Black/black Bracket		1	IQQ1/QQ2/VC0 I3FU/7X2/7X8
(1)	971 959 551 CR HTO 971 959 551 CS	Roof Black/black Bracket		1	IQQ1/QQ2/VC1 IVC2/3FU/7X2 I7X8
(1)	971 959 551 CS HTO 971 959 551 CT	Roof Black/black Bracket		1	IQQ0/VC0/3FA I8A4
(1)	971 959 551 CT HTO 971 959 551 DA	Roof Black/black Bracket		1	IQQ0/VC1/VC2 I3FA/8A4
(1)	971 959 551 DA HTO 971 959 551 DB	Roof Black/black Bracket		1	IQQ1/QQ2/VC0 I3FA/8A4
(1)	971 959 551 DB HTO 971 959 551 DC	Roof Black/black Bracket		1	IQQ1/QQ2/VC1 IVC2/3FA/8A4
(1)	971 959 551 DC HTO 971 959 551 DD	Roof Black/black Bracket		1	IQQ0/VC0/3FU I8A4
(1)	971 959 551 DD HTO 971 959 551 DE	Roof Black/black Bracket		1	IQQ0/VC1/VC2 I3FU/8A4
(1)	971 959 551 DE HTO 971 959 551 DF	Roof Black/black Bracket		1	IQQ1/QQ2/VC0 I3FU/8A4
		Roof			

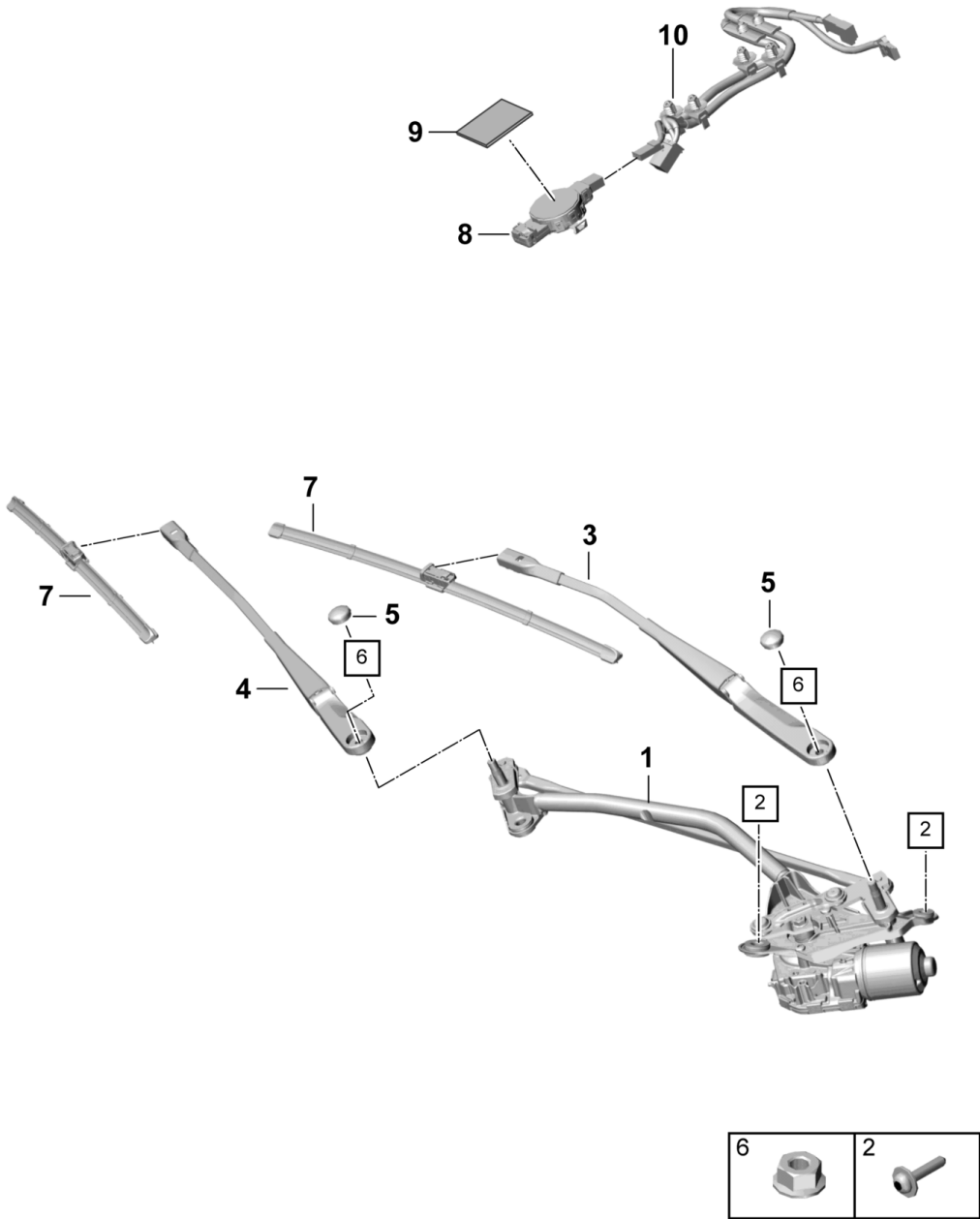
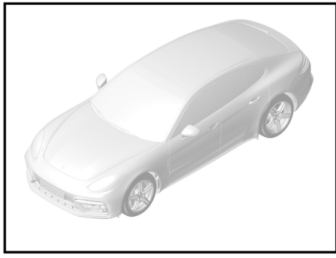
Model: 971-17

Model life 2017>>

Pos	Part Number	Description	Remark	Qty	Model
(1)	971 959 551 DF HTO 971 959 551 EE	Black/black Bracket		1	IQQ1/QQ2/VC1 IVC2/3FU/8A4
2	971 959 551 EE HTO 971 035 711	Roof Black/black Microphone Bracket		1	IQQ1/QQ2/VC1 IVC2/3FU/8A4

Model: 971-17

Model life 2017>>



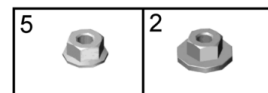
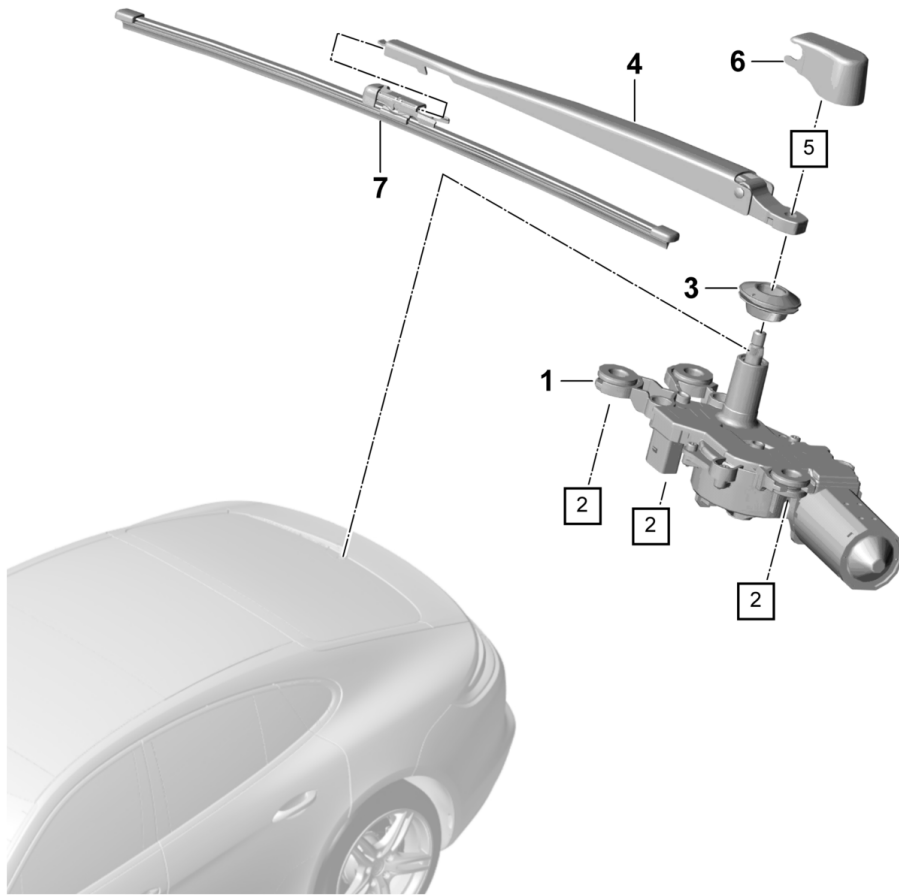
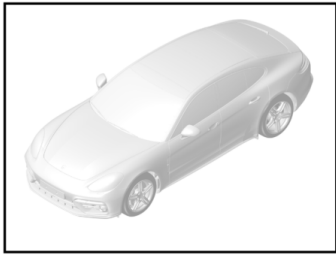
Model: 971-17

Model life 2017>>

Pos	Part Number	Description	Remark	Qty	Model
1	971 955 023 A	Windscreen wiper system Rain sensor Crank drive with Wiper motor	/LL	1	IL0L
(1)	971 955 024 A	Crank drive with Wiper motor	/RL	1	IL0R
2	N 105 355 02	Pan-head screw M 6 X 30		4	
3	971 955 409	Wiper arm Driver's side	/LL	1	IL0L
(3)	971 955 410 A	Wiper arm Driver's side	/RL	1	IL0R
4	971 955 410	Wiper arm Passenger's side	/LL	1	IL0L
(4)	971 955 409 A	Wiper arm Passenger's side	/RL	1	IL0R
5	958 628 305 00	Cap Wiper arm		2	
6	N 102 613 11	Hexagon nut M 10		2	
7	971 998 001	Wiper blade Set Driver's side	/LL	1	IL0L
(7)	971 998 002	Passenger's side Wiper blade Set Driver's side Passenger's side	/RL	1	IL0R
8	9A7 955 559 00	Rain sensor		1	
9	9A7 955 609 20	Adhesive film		1	
10	971 971 103 A	Rain sensor Wiring harness Rain sensor		1	

Model: 971-17

Model life 2017>>



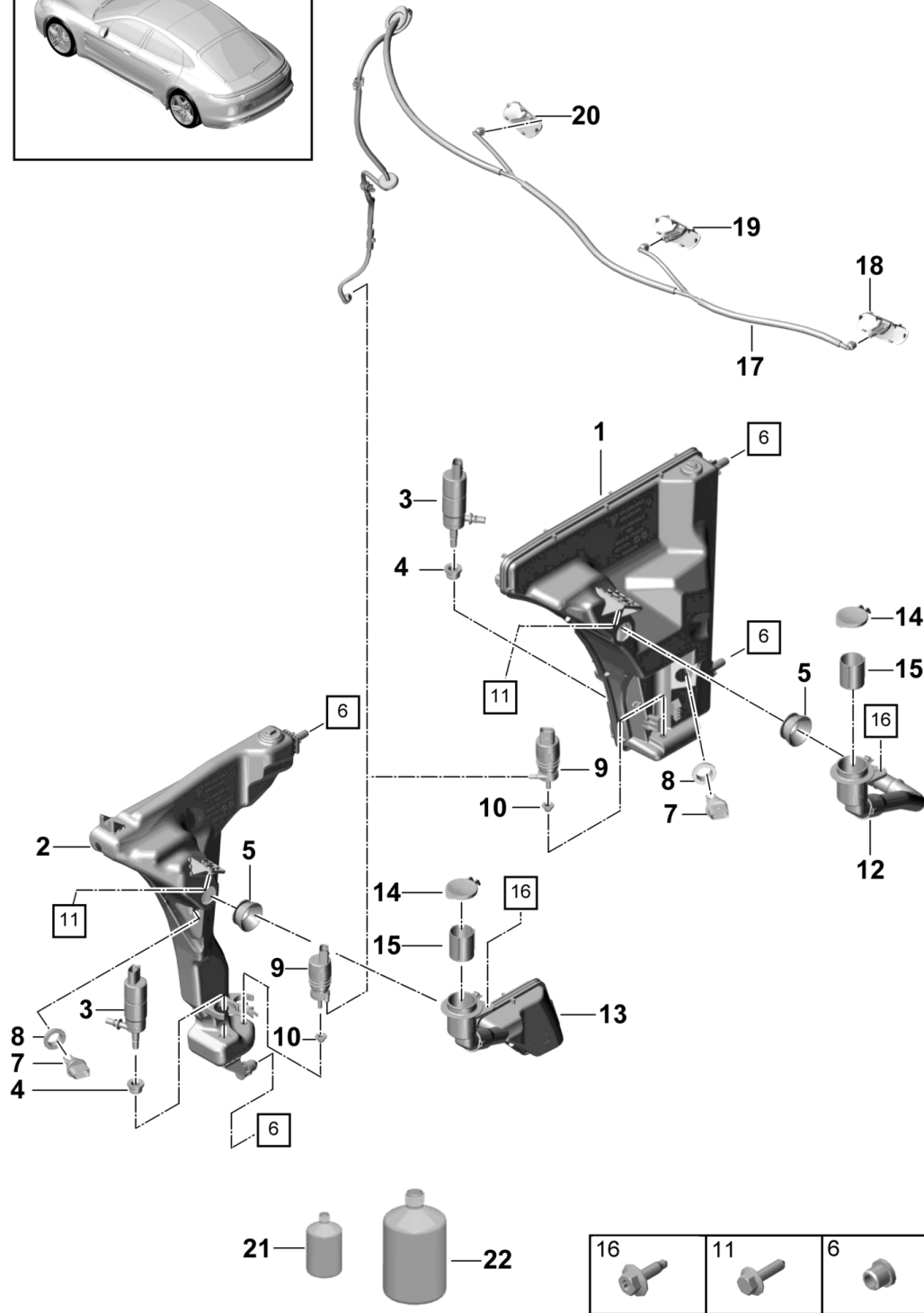
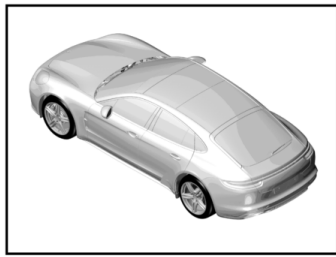
Model: 971-17

Model life 2017>>

Pos	Part Number	Description	Remark	Qty	Model
1	971 955 711	Rear window wiper Wiper motor		1	IK8S
(1)	9Y0 955 711	Wiper motor		1	IK8D
2	N 911 733 01	Combined nut M 6		3	
3	971 955 754	Grommet		1	IVW5/VW6
(3)	971 955 754 A	Grommet		1	I4KC/4KF
4	971 955 707 A	Wiper arm		1	IK8S
(4)	974 955 707 B	Wiper arm		1	IK8D
5	N 106 092 04	Hexagon nut M 6		1	
6	971 955 435	Cap		1	IK8S
(6)	974 955 435 A	Cap		1	IK8D
7	971 955 427 A	Wiper blade		1	IK8S
(7)	974 955 427 A	Wiper blade		1	IK8D

Model: 971-17

Model life 2017>>



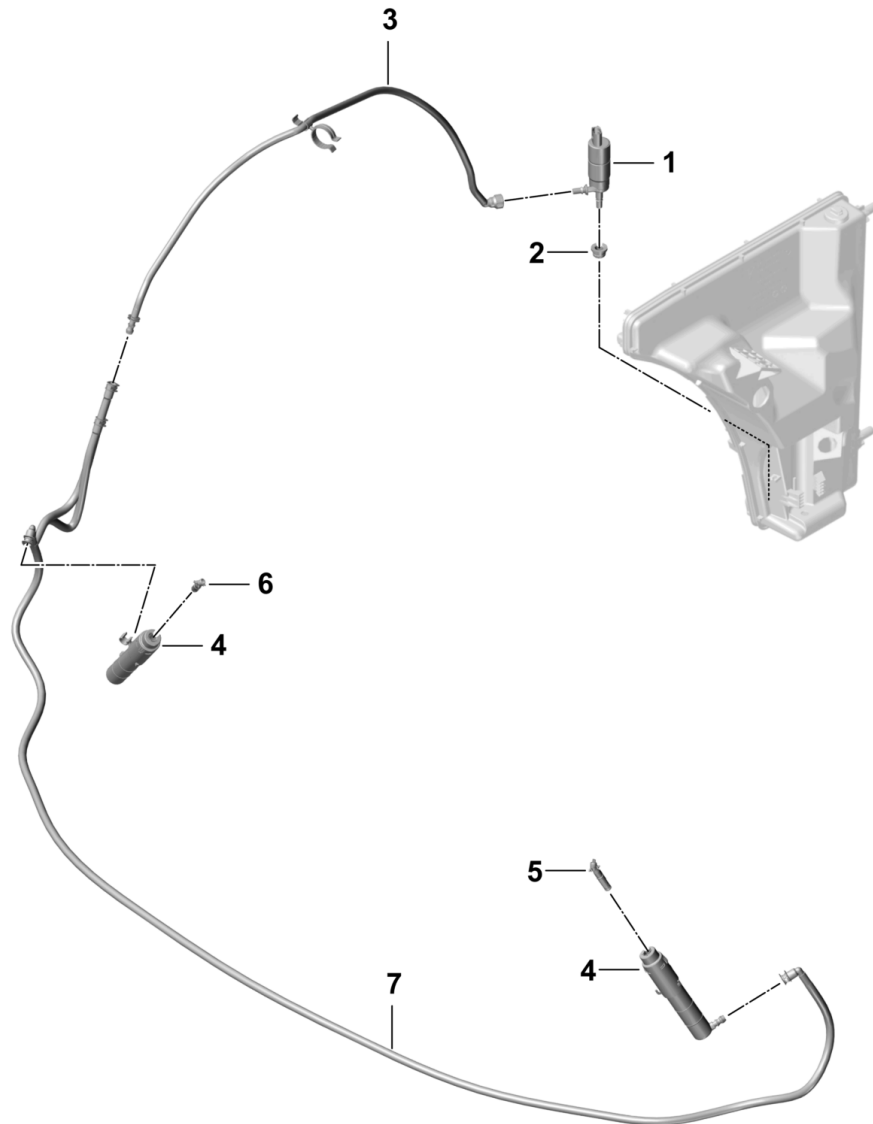
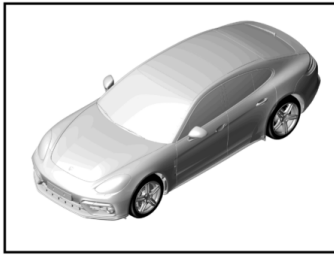
Model: 971-17

Model life 2017>>

Pos	Part Number	Description	Remark	Qty	Model
1	971 955 453 D	Windscreen washer system Water reservoir		1	I8X1/9M0
(1)	971 955 453 E	Water reservoir		1	I8X0/9M0
2	971 955 453 A	Water reservoir		1	I9M1/9M5/9M9
3	6R0 955 681	Pump		1	I8X1
		Headlight washer system See illustrations 9/04/20			
4	431 955 465 A	Gasket Motor pump		1	I8X1
5	971 955 193	Headlight washer system Gasket		1	
6	9A7 007 543	Filler neck Grommet		2	
7	955 628 105 00	Water reservoir Tank gauge switch		1	
8	955 528 721 00	Water reservoir Gasket		1	
9	1K5 955 651	Water reservoir Pump		1	I8M0
(9)	955 628 172 01	Windscreen washer system Pump		1	I8M1
10	955 628 712 00	Windscreen washer system Gasket		1	I8M0
(10)		Pump Gasket		1	I8M1
11	N 106 266 02	Pump Hexagon-head bolt M 8 X 30		2	
12	971 955 463	Filler neck		1	I8X0/8X1/9M0
13	971 955 463 B	Filler neck		1	I9M1/9M5/9M9
14	971 955 455	Lid		1	
15	971 955 485	Filler neck Strainer		1	
16	N 910 799 01	Filler neck Hexagon-head bolt M 6 X 20		1	
17	971 955 663	Water line Spray nozzle		1	I9M0
(17)	971 955 663 A	Water line Spray nozzle		1	I9M1/9M5/9M9
18	971 955 985	Spray nozzle Left		1	
19	971 955 987	Spray nozzle Centre		1	
20	971 955 988	Spray nozzle Right		1	
21	999 901 017 42	Window cleaner 250 ML Summer		X	
22	999 901 033 40	Window cleaner 1000 ML Winter		X	

Model: 971-17

Model life 2017>>



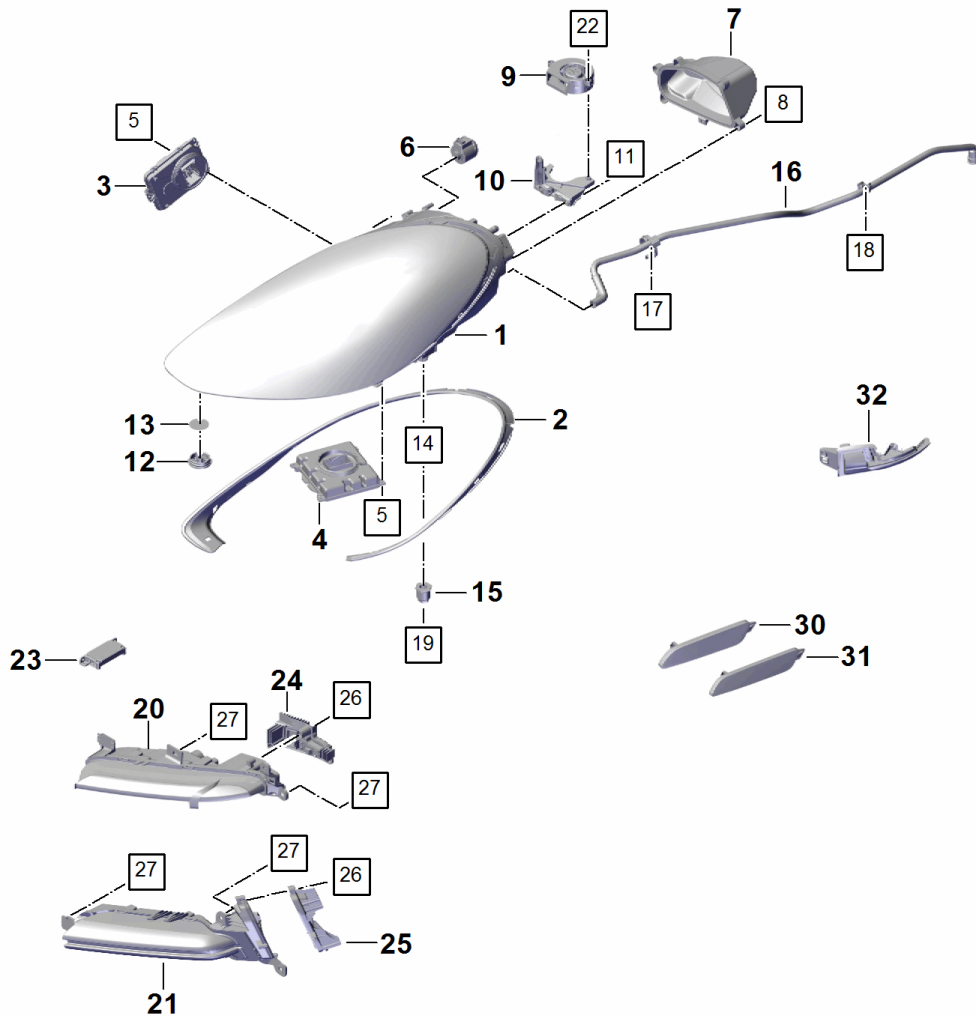
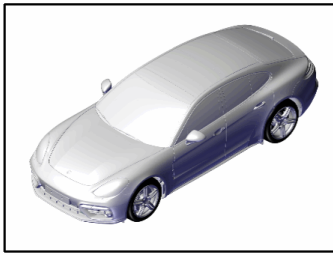
Model: 971-17

Model life 2017>>

Pos	Part Number	Description	Remark	Qty	Model
1	6R0 955 681	Headlight washer system Pump		1	I8X1 I8X1
2	431 955 465 A	Headlight washer system See illustrations 9/04/20 Gasket Motor pump		1	I8X1
3	971 955 964 B	Headlight washer system Hose Headlight washer system Container To Connection point Bumper		1	I9M0
(3)	971 955 964 C	Hose Water reservoir Headlight washer system		1	I9M1/9M5/9M9
4	971 955 965	Nozzle Headlight washer system		2	
5	971 955 099	Jet carrier Headlight washer system		1	
6	971 955 100	Left Jet carrier Headlight washer system		1	
7	971 955 944	Right Hose Headlight washer system Bumper Connection point		1	

Model: 971-17

Model life 2017>>



22	19	18	17	14	11	8	5
27	26						

Model: 971-17 Model life 2017>>

Pos	Part Number	Description	Remark	Qty	Model
		LED headlights Direction indicator light Fog headlamp Headlamp without Control unit			I8IS/8IT
1	971 941 077 D	LED headlights Basic	/L	1	I8IT
(1)	971 941 078 D	LED headlights Basic	/R	1	I8IT
(1)	971 941 043 G	LED headlights PDLs	/L	1	I8IS
(1)	971 941 044 G	LED headlights PDLs	/R	1	I8IS
2	971 941 119	Gasket Headlamp	/L	1	
(2)	971 941 120	Gasket Headlamp	/R	1	
3	9A7 907 399 00	Control unit Headlamp		2	
4	9A7 941 572 50	Light adjustment Control unit Headlamp Light bulb LED module		2	I8IS
5	9A7 008 397 00	Screw TP 4X14		12	
6	9A7 941 293 00	Adjusting motor Headlight levelling system		2	
7	971 941 607	Protective cap	/L	1	
(7)	971 941 608	Protective cap	/R	1	
8	9A7 008 397 00	Screw TP 4X14		6	
9	958 631 052 00	Fan		2	
10	971 941 593	Support Fan	/L	1	
(10)	971 941 594	Support Fan	/R	1	
11	9A7 008 397 00	Screw TP 4X14		10	
12	958 631 385 00	Breather adapter		2	
13	958 631 254 00	Filter element		2	
15	971 941 137 B	Adjusting screw		4	
16	971 941 559 A	Breather hose	/L	1	
(16)	971 941 560 A	Breather hose	/R	1	
17	N 106 255 01	Hose holder		2	
18	N 108 399 01	Combination holder		2	
19	N 911 776 02	Outer hexagon round screw M6X45		4	
20	971 953 041 D	Additional headlamp	/L	1	IA8C/A8F/2D0
(20)	971 953 042 D	Additional headlamp Direction indicator light	/R	1	IA8C/A8F/2D0
21	971 953 041 C	Additional headlamp Direction indicator light	/L	1	IA8H
21		Additional headlamp	/L	1	IA8C/A8F/2D1 I2D5
(21)	971 953 042 C	Direction indicator light Additional headlamp Direction indicator light	/R	1	IA8H
(21)		Additional headlamp	/R	1	IA8C/A8F/2D1 I2D5

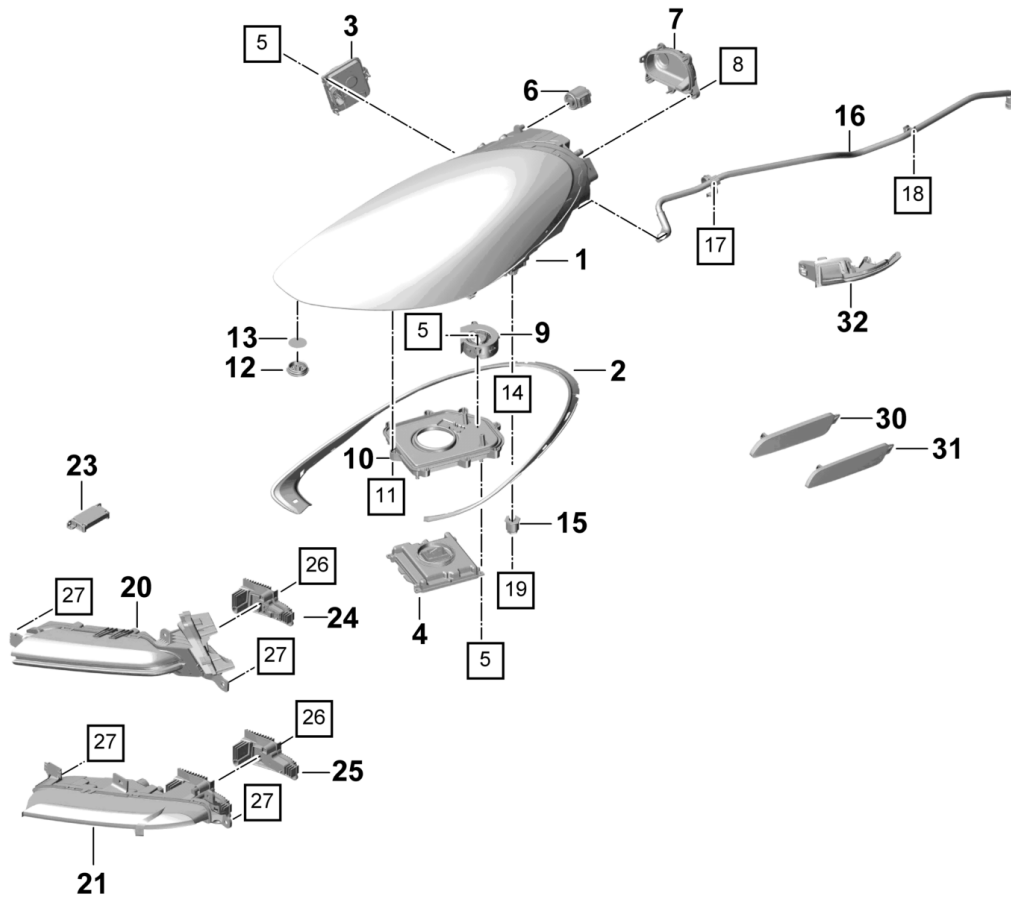
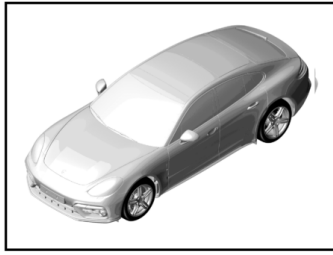
Model: 971-17

Model life 2017>>

Pos	Part Number	Description	Remark	Qty	Model
22	9A7 008 397 00	Direction indicator light Screw PT4X14		2	
23	7PP 941 597 B	Control unit Daytime driving lights		2	
24	971 953 021	LED module Additional headlamp	/L	1	IA8C/A8F/2D0
(24)	971 953 022	LED module Additional headlamp	/R	1	IA8C/A8F/2D0
25	971 953 021 A	LED module Additional headlamp	/L	1	IA8H
(25)		LED module Additional headlamp	/L	1	IA8C/A8F/2D1 I2D5
(25)	971 953 022 A	LED module Additional headlamp	/R	1	IA8H
(25)		LED module Additional headlamp	/R	1	IA8C/A8F/2D1 I2D5
26	N 104 159 02	Additional headlamp Screw TP4X12		6	
27	N 104 734 02	Lens-head screw TP6X20		6	
32		Direction indicator light Direction indicator light See illustrations 8/09/50		1	IL0L

Model: 971-17

Model life 2017>>



								27
26	19	18	17	14	11	8	5	

Model: 971-17 Model life 2017>>

Pos	Part Number	Description	Remark	Qty	Model
		LED headlights Direction indicator light Fog headlamp Headlamp without Control unit			I8IU
1	971 941 039 G	LED headlights PDLs+	/L	1	I8IU
(1)	971 941 040 G	LED headlights PDLs+	/R	1	I8IU
2	971 941 119	Gasket Headlamp	/L	1	
(2)	971 941 120	Gasket Headlamp	/R	1	
3	9A7 907 397 00	Control unit Headlamp Light adjustment LCM MODUL		2	
4	9A7 941 592 50	Control unit Headlamp Light bulb LED module		2	
5	9A7 008 397 00	Screw TP 4X14		16	
6	9A7 941 293 00	Adjusting motor Headlight levelling system		2	
7	971 941 611	Protective cap	/L	1	
(7)	971 941 612	Protective cap	/R	1	
8	9A7 008 397 00	Screw TP 4X14		6	
9	958 631 052 00	Fan		2	
10	971 941 627	Support Fan	/L	1	
(10)	971 941 628	Support Fan	/R	1	
11	9A7 008 397 00	Screw TP 4X14		10	
12	958 631 385 00	Breather adapter		2	
13	958 631 254 00	Filter element		2	
15	971 941 137 B	Adjusting screw		4	
16	971 941 559 A	Breather hose	/L	1	
(16)	971 941 560 A	Breather hose	/R	1	
17	N 106 255 01	Hose holder		2	
18	N 108 399 01	Combination holder		2	
19	N 911 776 02	Outer hexagon round screw M6X45		4	
20	971 953 041 D	Additional headlamp	/L	1	IA8C/A8F/2D0
(20)	971 953 042 D	Additional headlamp	/R	1	IA8C/A8F/2D0
21	971 953 041 C	Additional headlamp	/L	1	IA8H
21		Additional headlamp	/L	1	IA8C/A8F/2D1 I2D5
(21)	971 953 042 C	Additional headlamp	/R	1	IA8H
(21)		Additional headlamp	/R	1	IA8C/A8F/2D1 I2D5
23	7PP 941 597 B	Control unit Additional headlamp		2	
24	971 953 021	LED module Additional headlamp	/L	1	IA8C/A8F/2D0
(24)	971 953 022	LED module Additional headlamp	/R	1	IA8C/A8F/2D0
25	971 953 021 A	LED module Additional headlamp	/R	1	IA8H

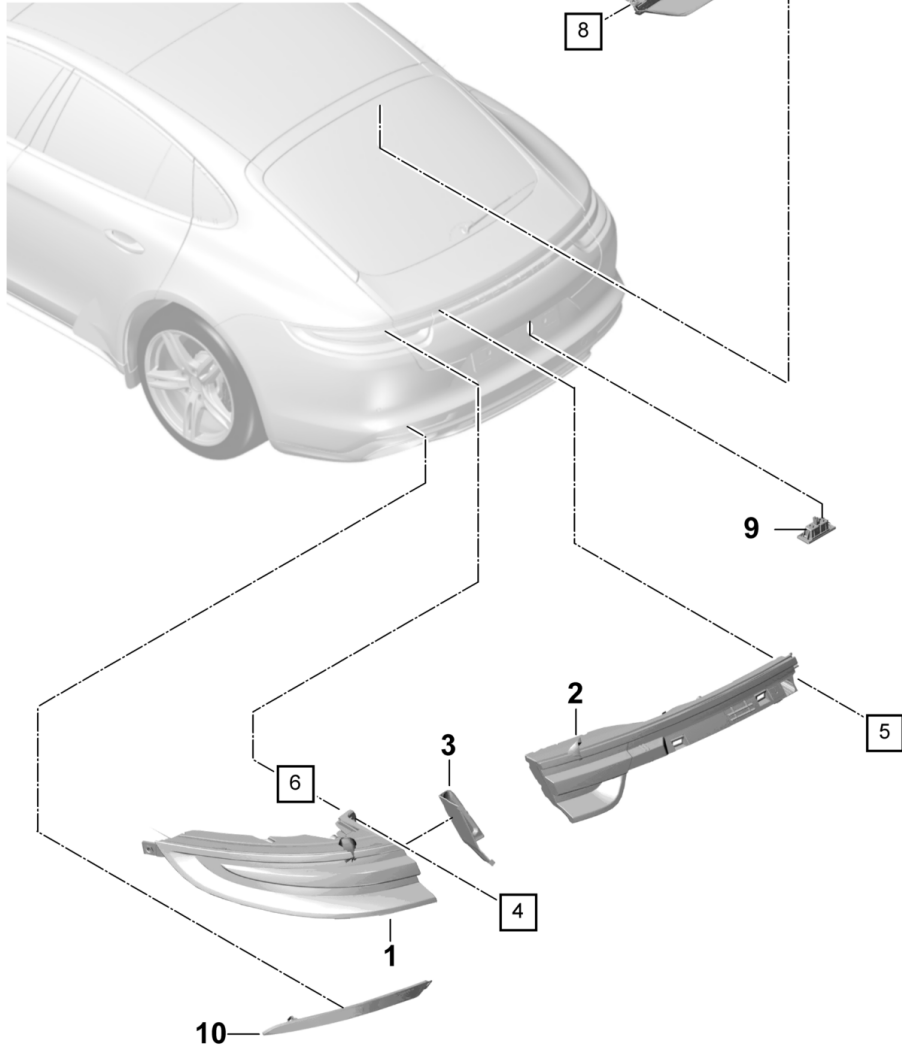
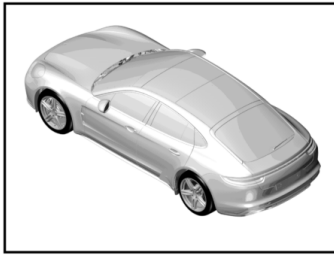
Model: 971-17


Model life 2017>>

Pos	Part Number	Description	Remark	Qty	Model
(25)		LED module	/R	1	IA8C/A8F/2D1 I2D5
(25)	971 953 022 A	Additional headlamp LED module	/R	1	IA8H
(25)		Additional headlamp LED module	/R	1	IA8C/A8F/2D1 I2D5
26	N 104 159 02	Additional headlamp Screw TP4X12		6	
27	N 104 734 02	Lens-head screw TP6X20		6	
32		Direction indicator light Direction indicator light See illustrations 8/09/50		1	IL0L

Model: 971-17

Model life 2017>>



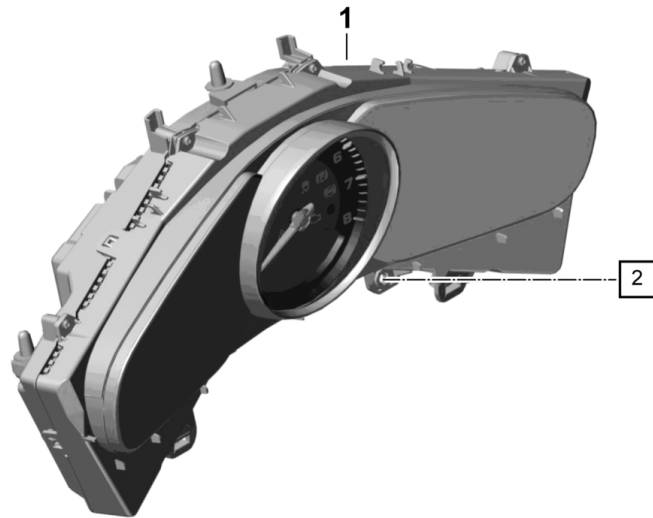
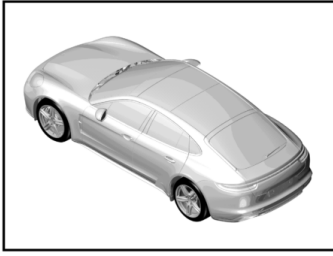
8		6		5		4	
---	---	---	--	---	---	---	---

Model: 971-17 Model life 2017>>

Pos	Part Number	Description	Remark	Qty	Model
		Rear light			
		Additional brake light			
		License plate light			
1	971 945 091 B	Rear light	/L	1	I8SA
(1)	973 945 091	Rear light	/L	1	I8SB
		Dark			
(1)	971 945 092 B	Rear light	/R	1	I8SA
(1)	973 945 092	Rear light	/R	1	I8SB
		Dark			
2	971 945 207 D	Rear light	/L	1	I8SA/8TD
		Rear lid			
(2)	973 945 207 A	Rear light	/L	1	I8SB/8TD
		Rear lid			
		Dark			
(2)	971 945 207 C	Rear light	/L	1	I8SA/8TC
		Rear lid			
(2)	973 945 207	Rear light	/L	1	I8SB/8TC
		Rear lid			
		Dark			
(2)	971 945 208 D	Rear light	/R	1	I8SA/8TD
		Rear lid			
(2)	973 945 208 A	Rear light	/R	1	I8SB/8TD
		Rear lid			
		Dark			
(2)	971 945 208 C	Rear light	/R	1	I8SA/8TC
		Rear lid			
(2)	973 945 208	Rear light	/R	1	I8SB/8TC
		Rear lid			
		Dark			
3	971 945 255 A	Cover	/L	1	IK8S
		Rear light			
		Rear lid			
(3)	971 945 256 A	Cover	/R	1	IK8S
		Rear light			
		Rear lid			
(3)	974 945 255	Cover	/L	1	IK8D
		Rear light			
(3)	974 945 256	Cover	/R	1	IK8D
		Rear light			
4	N 911 657 01	Combination screw		6	
		M 6 X 35			
5	N 910 717 01	Round head screw		2	
		M 6 X 25			
6	N 908 877 03	Hexagon nut		4	
		M 6			
7	971 945 087 B	Additional brake light		1	IK8S/VW5/4KC
		D >> 22.01.2017			
(7)	971 945 087 F	Additional brake light		1	IK8S/VW5/4KC
		D 23.01.2017>>			
(7)	971 945 087 C	Additional brake light		1	IK8S/VW6/4KF
		D >> 22.01.2017			
(7)	971 945 087 G	Additional brake light		1	IK8S/VW6/4KF
		D 23.01.2017>>			
(7)	9Y0 945 097 B	Additional brake light		1	IK8D
8	N 015 082 10	Hexagon nut		3	
		M 6			
9	958 631 620 10	License plate light		2	
10	971 945 105 A	Reflector	/L	1	
(10)	971 945 106 A	Reflector	/R	1	
(10)		Reflector	/R	1	

Model: 971-17

Model life 2017>>



2



Model: 971-17 Model life 2017>>

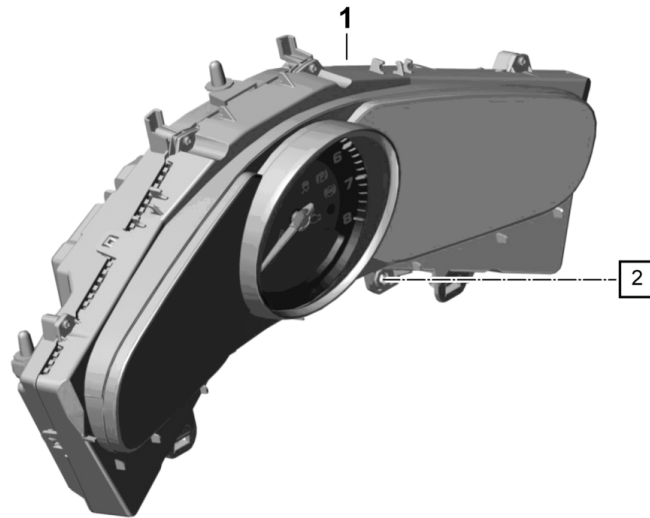
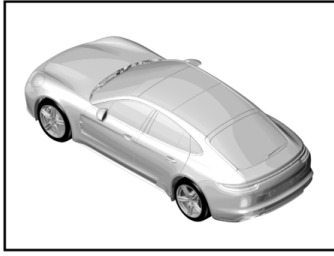
Pos	Part Number	Description	Remark	Qty	Model
-		Instruments Stopwatch		1	
-		Instrument cluster		1	IA8C
1	971 920 902 E	Instrument cluster Equipment Basic		1	-IU5C/IA8C I0K0/1A2/9R1
(1)	971 920 902 E 6N3 971 920 903 E	Complete Black mat Instrument cluster		1	-IU5C/IA8C I0K0/1A2/9R0
-	971 920 903 E 6N3	Complete Black mat Instrument cluster Equipment S		1	IA8F
(1)	971 920 906 E	Instrument cluster		1	-IU5C/IA8F I0K0/1A2/9R1
(1)	971 920 906 E 6N3 971 920 907 E	Complete Black mat Instrument cluster		1	-IU5C/IA8F I0K0/1A2/9R0
-	971 920 907 E 6N3	Complete Black mat Instrument cluster Equipment Hybrid		1	IA8C/0K3
(1)	971 920 914 F	Instrument cluster		1	-IU5C/IA8C I0K3/9R1
(1)	971 920 914 F 6N3 971 920 914 G	Complete Black mat Instrument cluster		1	-IU5C/IA8C I0K3/9R1
(1)	971 920 914 G 6N3 971 920 915 F	Complete Black mat Instrument cluster		1	-IU5C/IA8C I0K3/9R0
(1)	971 920 915 F 6N3 971 920 915 G	Complete Black mat Instrument cluster		1	-IU5C/IA8C I0K3/9R0
-	971 920 915 G 6N3	Complete Black mat Instrument cluster Equipment Turbo		1	IA8H
(1)	971 920 918 E	Instrument cluster		1	-IU5C/IA8H I0K0/1A2/9R1
(1)	971 920 918 E 6N3 971 920 919 E	Complete Black mat Instrument cluster		1	-IU5C/IA8H I0K0/1A2/9R0
-	971 920 919 E 6N3	Complete Black mat Instrument cluster Equipment Turbo S Hybrid		1	
(1)	971 920 924 G	Instrument cluster		1	-IU5C/IA8H I0K3/9R1
	971 920 924 G 6N3	Complete Black mat			

Model: 971-17 Model life 2017>>

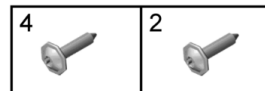
Pos	Part Number	Description	Remark	Qty	Model
(1)	971 920 925 G	Instrument cluster		1	-IU5C/IA8H I0K3/9R0
-	971 920 925 G 6N3	Complete Black mat		1	
(1)	971 920 928 G	Instrument cluster		1	-IU5C/IA8C I0F5/9R1
(1)	971 920 928 G 6N3	Complete Black mat		1	
(1)	971 920 929 G	Instrument cluster		1	-IU5C/IA8C I0F5/9R0
-	971 920 929 G 6N3	Complete Black mat Instrument cluster Equipment Diesel S		1	
(1)	971 920 932 E	Instrument cluster		1	-IU5C/IA8F I0F5/9R1
(1)	971 920 932 E 6N3	Complete Black mat		1	
(1)	971 920 933 E	Instrument cluster		1	-IU5C/IA8F I0F5/9R0
2	971 920 933 E 6N3 N 906 986 06	Complete Black mat Tapping screw ST4,2X16		2	
3	971 919 203 D	Stopwatch Pointer Red		1	IQR5/0K0
(3)	971 919 203 D 6N3 971 919 203 E	Black mat Stopwatch Pointer Green		1	IQR5/0K3
4	971 919 203 E 6N3 971 919 204 C	Black mat Clock Analogue display Pointer Red		1	IQR3/0K0
5	971 919 204 C 6N3 N 912 519 01	Black mat Tapping screw ST4.2X19		2	

Model: 971-17

Model life 2017>>



2



Model: 971-17 Model life 2017>>

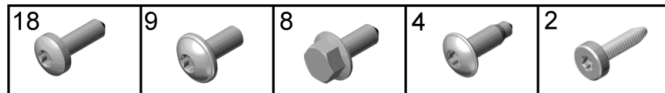
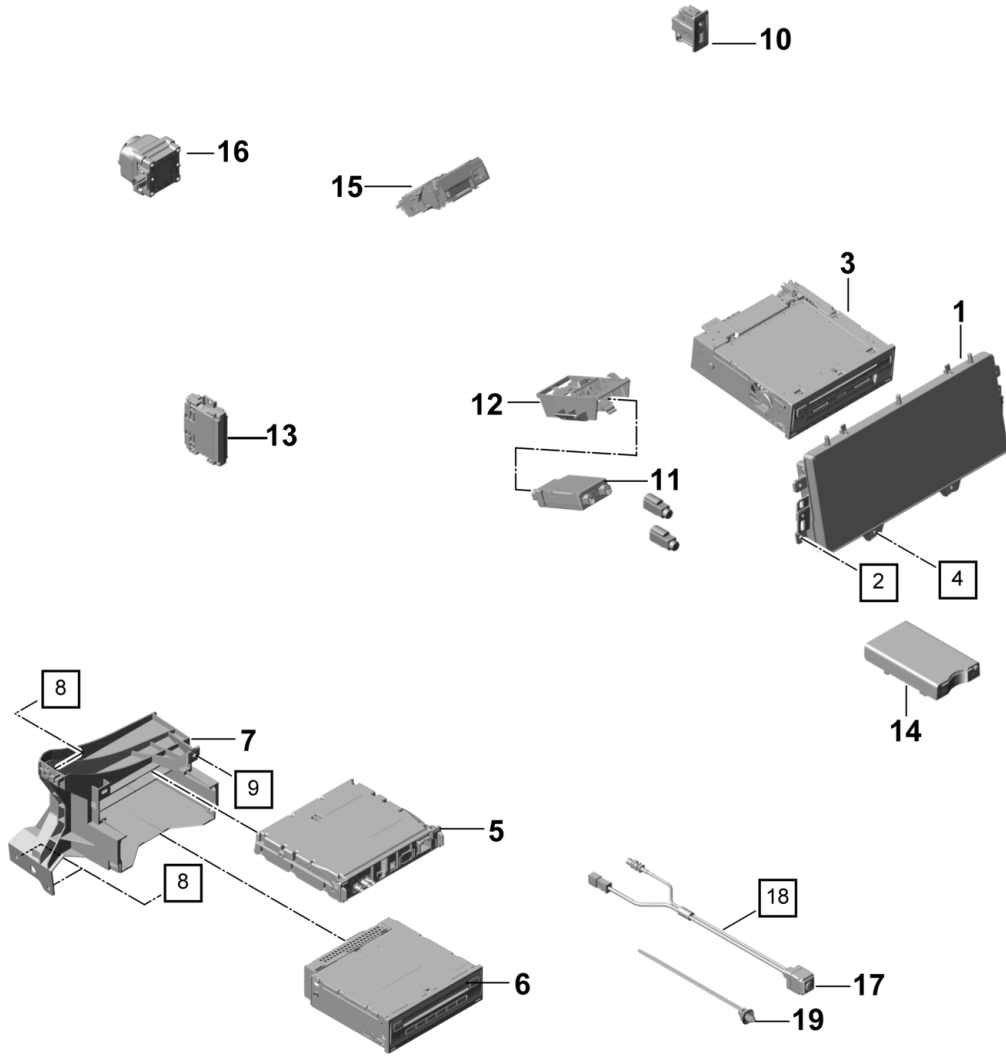
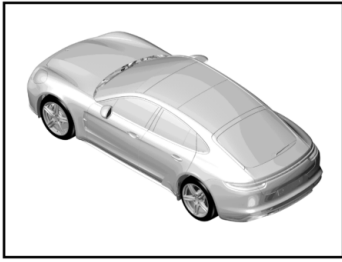
Pos	Part Number	Description	Remark	Qty	Model
-		Instruments Stopwatch Exclusive		1	
1	973 920 900	Instrument cluster Instrument cluster		1	-IU5C/IA8C I0K0/1A2/7V3
(1)	973 920 900 C9A 973 920 900 J	Complete Dial White Instrument cluster		1	-IU5C/IA8C I0K0/1A2/7V2
(1)	973 920 900 J OG6 973 920 900 R	Complete Dial Bordeaux Red Instrument cluster		1	-IU5C/IA8C I0K0/1A2/7V4
(1)	973 920 900 R 6W0 973 920 900 A	Complete Dial Luxor Beige Instrument cluster		1	-IU5C/IA8F I0K0/1A2/7V3
(1)	973 920 900 A C9A 973 920 900 K	Complete Dial White Instrument cluster		1	-IU5C/IA8F I0K0/1A2/7V2
(1)	973 920 900 K OG6 973 920 900 S	Complete Dial Bordeaux Red Instrument cluster		1	-IU5C/IA8F I0K0/1A2/7V4
(1)	973 920 900 S 6W0 973 920 900 B	Complete Dial Luxor Beige Instrument cluster		1	-IU5C/IA8F I0K3/7V3
(1)	973 920 900 B C9A 973 920 900 L	Complete Dial White Instrument cluster		1	-IU5C/IA8F I0K3/7V2
(1)	973 920 900 L OG6 973 920 900 T	Complete Dial Bordeaux Red Instrument cluster		1	-IU5C/IA8F I0K3/7V4
(1)	973 920 900 T 6W0 973 920 900 D	Complete Dial Luxor Beige Instrument cluster		1	-IU5C/IA8H I0K0/1A2/7V3
(1)	973 920 900 D C9A 973 920 900 M	Complete Dial White Instrument cluster		1	-IU5C/IA8H I0K0/1A2/7V3
(1)	973 920 900 M OG6 973 920 900 AA	Complete Dial Bordeaux Red Instrument cluster		1	-IU5C/IA8H I0K0/1A2/7V4
		Complete Dial			

Model: 971-17 Model life 2017>>

Pos	Part Number	Description	Remark	Qty	Model
-	973 920 900 AA 6W0	Luxor Beige Instrument cluster Equipment Diesel S		1	
(1)	973 920 900 H	Instrument cluster Complete Dial		1	-IU5C/IA8F I0F5/0K0/7V3
(1)	973 920 900 H C9A 973 920 900 Q	White Instrument cluster Complete Dial		1	-IU5C/IA8F I0F5/0K0/7V2
(1)	973 920 900 Q OG6 973 920 900 AD	Bordeaux Red Instrument cluster Complete Dial		1	-IU5C/IA8F I0F5/0K0/7V4
2	973 920 900 AD 6W0 N 906 986 06	Luxor Beige Tapping screw ST4,2X16		2	
3	973 919 203	Stopwatch Stopwatch Pointer Red Dial		1	IQR5/0K0
(3)	973 919 203 OG6 973 919 203 A	Bordeaux Red Stopwatch Pointer Red Dial		1	IQR5/0K0
(3)	973 919 203 A 6W0 973 919 203 B	Luxor Beige Stopwatch Pointer Red Dial		1	IQR5/0K0
(3)	973 919 203 B C9A 973 919 203 C	White Stopwatch Pointer Green Dial		1	IQR5/0K0
(3)	973 919 203 C OG6 973 919 203 D	Bordeaux Red Stopwatch Pointer Green Dial		1	IQR5/0K0
(3)	973 919 203 D 6W0 973 919 203 E	Luxor Beige Stopwatch Pointer Green Dial		1	IQR5/0K0
4	973 919 203 E C9A N 912 519 01	White Tapping screw ST4.2X19		2	

Model: 971-17

Model life 2017>>



Model: 971-17

Model life 2017>>

Pos	Part Number	Description	Remark	Qty	Model
		Screen Central computer Navigation TV Microphone Multimedia interface Coupler box Camera Connecting line			
1	971 919 597 A	Screen		1	
	971 919 597 A OV3	High-Gloss Black			
2	9A7 008 064 00	Round head screw M 2,5 X 10		4	
3	971 035 035 C	Central computer		1	IER1/QU1/QV3 I9ZC/9ZK
	971 035 035 C 6N3	Control unit			
(3)	971 035 035 X	Black mat Central computer		1	IER1/QU1/QV3 I9ZC/9ZK
	971 035 035 X 6N3	Control unit			
(3)	971 035 036 C	Black mat Central computer		1	IER1/QV0/QV1 I9ZC/9ZK
	971 035 036 C 6N3	Control unit			
(3)	971 035 036 X	Black mat Central computer		1	IER1/QV0/QV1 I9ZC/9ZK
	971 035 036 X 6N3	Control unit			
(3)	971 035 037 C	Black mat Central computer		1	IER1/QU1/QV3 I9ZX
	971 035 037 C 6N3	Control unit			
(3)	971 035 037 X	Black mat Central computer		1	IER1/QU1/QV3 I9ZX
	971 035 037 X 6N3	Control unit			
(3)	971 035 038 C	Black mat Central computer		1	IER1/QV0/QV1 I9ZX
	971 035 038 C 6N3	Control unit			
(3)	971 035 038 X	Black mat Central computer		1	IER1/QV0/QV1 I9ZX
	971 035 038 X 6N3	Control unit			
(3)	971 035 039 C	Black mat Central computer		1	IER2/QV0/QV1 I9ZC/9ZK
	971 035 039 C 6N3	Control unit			
(3)	971 035 039 X	Black mat Central computer		1	IER2/QV0/QV1 I9ZC/9ZK
	971 035 039 X 6N3	Control unit			
(3)	971 035 040 C	Black mat Central computer		1	IER2/QV0/QV1 I9ZX
	971 035 040 C 6N3	Control unit			
(3)	971 035 040 X	Black mat Central computer		1	IER2/QV0/QV1 I9ZX
	971 035 040 X 6N3	Control unit			
(3)	971 035 041 C	Black mat Central computer		1	IER2/QU1/QV3 I9ZC/9ZK

Model: 971-17

Model life 2017>>

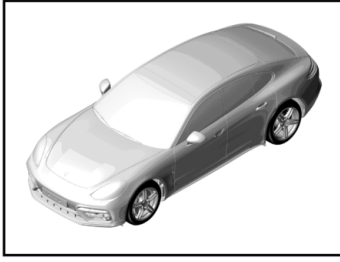
Pos	Part Number	Description	Remark	Qty	Model
(3)	971 035 041 C 6N3 971 035 041 X	Control unit Black mat Central computer		1	IER2/QU1/QV3 I9ZC/9ZK
(3)	971 035 041 X 6N3 971 035 868 C	Control unit Black mat Central computer		1	IER2/QU1/QV3 I9ZX
(3)	971 035 868 C 6N3 971 035 868 X	Control unit Black mat Central computer		1	IER2/QU1/QV3 I9ZX
(3)	971 035 868 X 6N3 971 035 893 C	Control unit Black mat Central computer		1	IER4/QV0/9ZX
(3)	971 035 893 C 6N3 971 035 893 X	Control unit Black mat Central computer		1	IER4/QV0/9ZX
(3)	971 035 893 X 6N3 971 035 894 C	Control unit Black mat Central computer		1	IER6/QV0/QV1 I9ZC/9ZK
(3)	971 035 894 C 6N3 971 035 894 X	Control unit Black mat Central computer		1	IER6/QV0/QV1 I9ZC/9ZK
(3)	971 035 894 X 6N3 971 035 895 C	Control unit Black mat Central computer		1	IER6/QV0/QV1 I9ZX
(3)	971 035 895 C 6N3 971 035 895 X	Control unit Black mat Central computer		1	IER6/QV0/QV1 I9ZX
(3)	971 035 895 X 6N3 971 035 896 C	Control unit Black mat Central computer		1	IER8/QV0/9ZX
(3)	971 035 896 C 6N3 971 035 896 X	Control unit Black mat Central computer		1	IER8/QV0/9ZX
(3)	971 035 896 X 6N3 971 035 897 C	Control unit Black mat Central computer		1	IER5/QV0/QV1 I9ZC/9ZK
(3)	971 035 897 C 6N3 971 035 897 X	Control unit Black mat Central computer		1	IER5/QV0/QV1 I9ZC/9ZK
(3)	971 035 897 X 6N3 971 035 898 C	Control unit Black mat Central computer		1	IER5/QV0/QV1 I9ZX
(3)	971 035 898 C 6N3 971 035 898 X	Control unit Black mat Central computer		1	IER5/QV0/QV1 I9ZX
(3)	971 035 898 X 6N3 971 035 899 C	Control unit Black mat Central computer		1	IER7/QV0/QV1 I9ZX
(3)	971 035 899 C 6N3 971 035 899 X	Control unit Black mat Central computer		1	IER7/QV0/QV1

Model: 971-17 Model life 2017>>

Pos	Part Number	Description	Remark	Qty	Model
		Control unit			I9ZX
4	971 035 899 X 6N3 999 073 498 01	Black mat Oval-head screw M5X20		4	
5	9A7 919 191 01	Receiving part		1	IER1/ER2/ER8 IQU1/QV1
(5)	9A7 919 192 01	TV Receiving part		1	IER6/QV1
(5)	9A7 919 146 01	TV Receiving part		1	IER7/QV1
(5)	9A7 919 129 01	TV Receiving part		1	IER5/QV1
6	9A7 035 108 10	DVD changer		1	I6G2
7	971 035 480 A	Support DVD changer		1	I6G2
8	N 106 532 01	Hexagon-head bolt M6X16		3	I6G2
9	N 909 446 04	Fastening screw M5X12		1	I6G2
10	9A7 642 222 00	Multimedia interface		1	
11	9A7 642 953 01	USB distributor		1	
12	971 035 720 B	Support USB distributor		1	
13	9A7 646 456 00	Booster Mobile phone		1	-IB0E
(13)	9A7 035 456 20	Booster Mobile phone Comfort version		1	I3Z7 IB0E
14	9A7 919 813 00	Card reader		1	
15	971 907 217 C	Camera Windscreen	-17	1	
(15)	971 907 217 D	Camera Windscreen	18-	1	
16		Camera Night vision system See illustrations 9/11/40		1	
17	9A7 980 556 00	Reversing camera		1	I7X8
(17)	5Q0 980 546 A	Camera *		1	I8A4
18	N 910 968 01	Lens-head screw M6X20		2	
19	9A7 005 317	Cable clamp		1	I7X8

Model: 971-17

Model life 2017>>



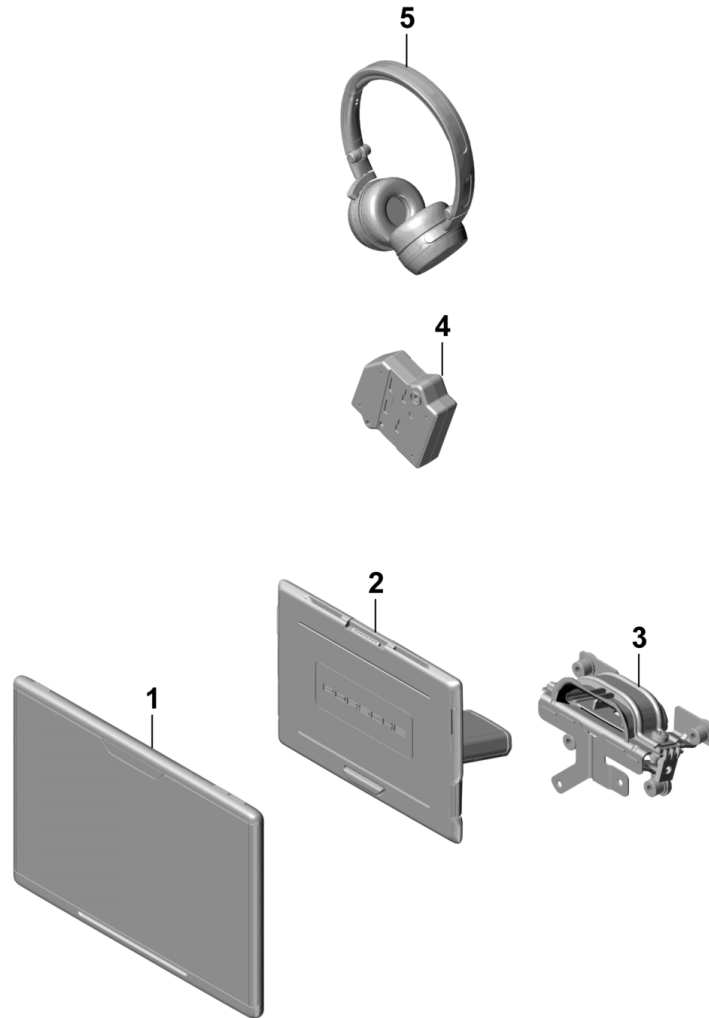
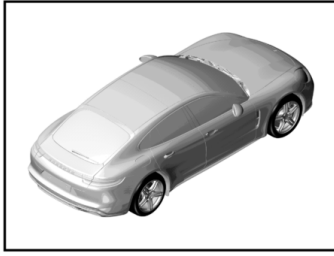
Model: 971-17

Model life 2017>>

Pos	Part Number	Description	Remark	Qty	Model
1	9P1 909 000 T	SD card Data Navigation for Update		1	IER1
(1)	9P1 909 000 AA	SD card Data Navigation		1	IER3/ER4
(1)	9P1 909 000 AB	SD card Data Navigation		1	IER2
(1)	9P1 909 000 AD	SD card Data Navigation		1	IER5
(1)	9P1 909 000 AF	SD card Data Navigation		1	IER8
(1)	971 919 360	SD card Software Central computer	-17	1	IER6
(1)	971 919 360 A	SD card Software Central computer	-17	1	IER5
(1)	971 919 360 B	SD card Software Central computer	-17	1	IER8
(1)	971 919 360 C	SD card Software Central computer	-17	1	IER7

Model: 971-17

Model life 2017>>



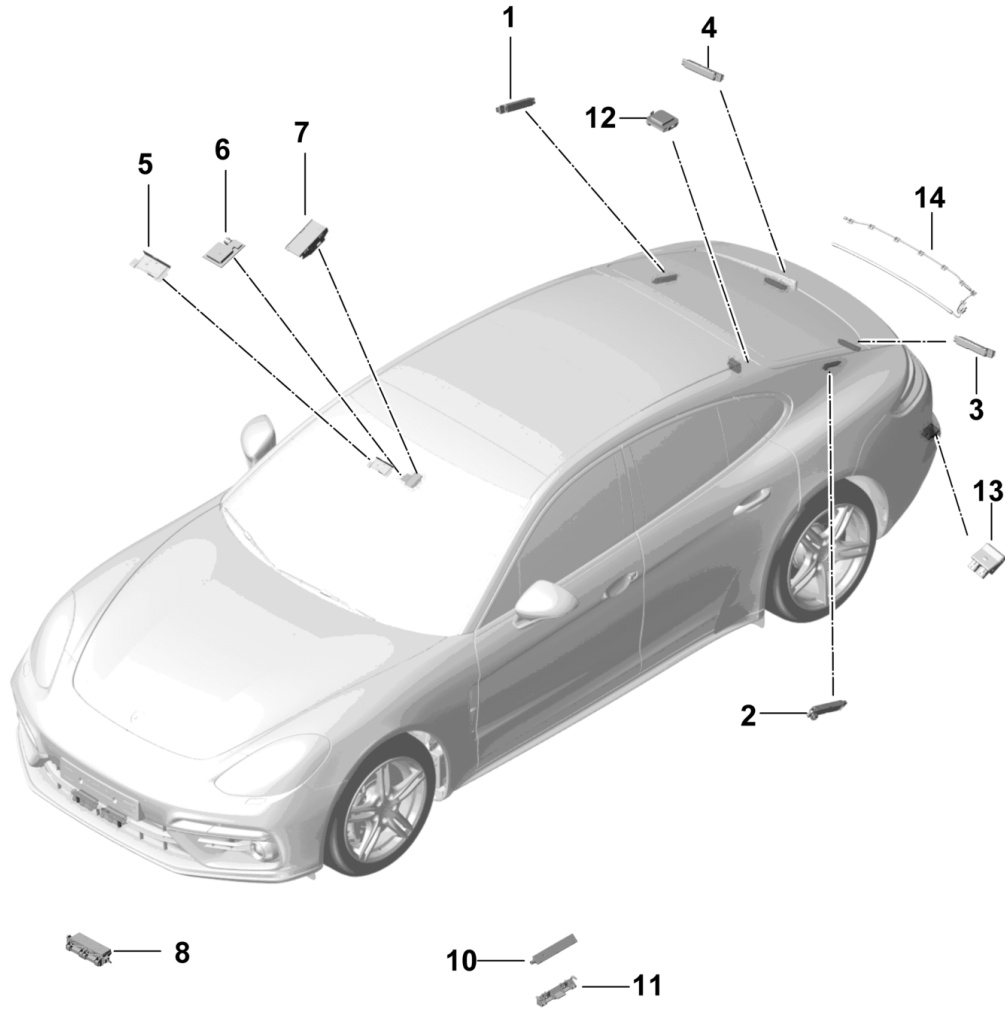
Model: 971-17

Model life 2017>>

Pos	Part Number	Description	Remark	Qty	Model
1	971 919 607 B	Rear Seat Entertainment Screen		2	I9WU/9WY -IER6
(1)	971 919 602 B	Rear Seat Entertainment Screen		2	IER6
2	971 035 737	Rear Seat Entertainment Adapter Screen		2	
3	971 881 998	Rear Seat Entertainment Support Head rest		2	
4	9A7 919 411 00	Rear Seat Entertainment Can Distributor		2	
5	971 035 631	Rear Seat Entertainment Headphones Rear Seat Entertainment		2	

Model: 971-17

Model life 2017>>



Model: 971-17

Model life 2017>>

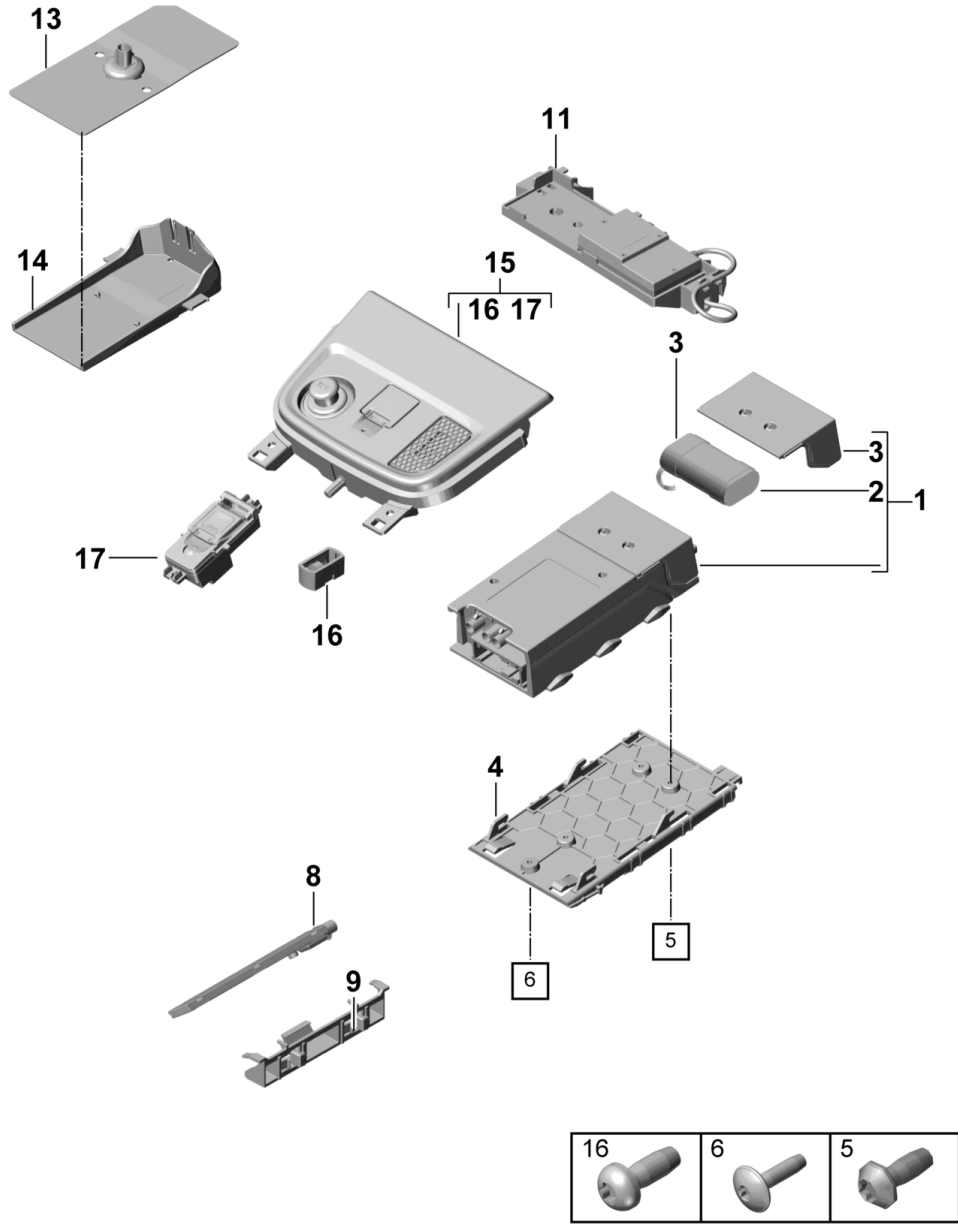
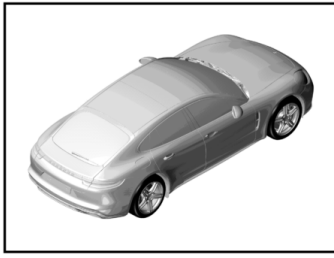
Pos	Part Number	Description	Remark	Qty	Model
1	971 035 225	Antenna booster Lines Antenna Video Antenna Antenna booster		1	IER1/ER2/ER3 IER4/ER6/ER7 IER8/ER9
(1)	971 035 225 A	Rear lid Upper right Antenna booster	(J)	1	IER5
2	971 035 225 B	Rear lid Upper right Antenna booster		1	IER1/ER2/ER3 IER4/ER6/ER7 IER8/ER9/QU8 IQV0 IQV1
(2)	971 035 225 C	Rear lid Upper left Antenna booster	(J)	1	IER5/QV0/QV1
(2)	971 035 225 D	Rear lid Upper left Antenna booster		1	IER1/ER2/ER3 IER4/ER6/ER7 IER8/ER9/QU1 IQV3
3	971 035 225 E	Rear lid Upper left Antenna booster	(J)	1	IER1/ER2/ER3 IER4/ER6/ER7 IER8/ER9/QU1 IQV1 I9M0/9M1
(3)	971 035 225 F	Rear lid Lower Left Antenna booster	(J)	1	IER5/QV1/9M0 I9M1
(3)	971 035 225 G	Rear lid Lower Left Antenna booster		1	IER1/ER2/ER3 IER4/ER6/ER7 IER8/ER9/QV0 IQV3 I9M9
(3)	971 035 225 H	Rear lid Lower Left Antenna booster		1	IER1/ER2/ER3 IER4/ER6/ER7 IER8/ER9/QU1 IQV1 I9M9
4	971 035 225 J	Rear lid Lower Left Antenna booster		1	IER1/ER2/ER3 IER4/ER6/ER8 IER9/QU1/QV1 I9M9
(4)	971 035 225 K	Rear lid Lower Right Antenna booster Rear lid Lower	(J)	1	IER5/QV1 I9M9

Model: 971-17 Model life 2017>>

Pos	Part Number	Description	Remark	Qty	Model
5	971 035 503	Right Antenna		1	IGJ0/6I0/8G0 I8T1/9Q1
6	9A7 035 504 01	Telephone Antenna GPS		1	I7UG
7	971 035 503 A	Antenna		1	IGJ0/6I0/8G0 I8T1/9Q6
(7)		Telephone Data Antenna		1	IGJ0/6I1/8G1 I8T1
(7)		Telephone Data Antenna		1	IGJ0/6I0/8G1 I8G4/8T1/9Q1
(7)		Telephone Data Antenna		1	I7Y1/8G0/8T1
(7)		Telephone Data Antenna		1	IGJ1/8T1
(7)		Telephone Data Antenna		1	I3V1/8T3
8	971 035 500	Antenna VTS vehicle tracking Included Support		1	I7G9/7I0/7I2
10	9A7 035 504 00	Antenna VTS vehicle tracking		1	I7G9/7I0/7I2
11	971 035 525	Support Antenna VTS vehicle tracking		1	I7G9/7I0/7I2
12	971 035 507	Antenna SDARS		1	I7G9/7I0/7I2
13	9A7 962 243 00	Control unit Rear lid Open		1	I4E6
14	971 962 253 B	Sensor Line Control unit Rear lid Open		1	I2D0/4E6
(14)	971 962 253 A	Sensor Line Sensor Rear lid Open		1	I2D1/2D5/4E6
15	95B 035 510	Antenna Radio Rear spoiler		1	IK8D

Model: 971-17

Model life 2017>>

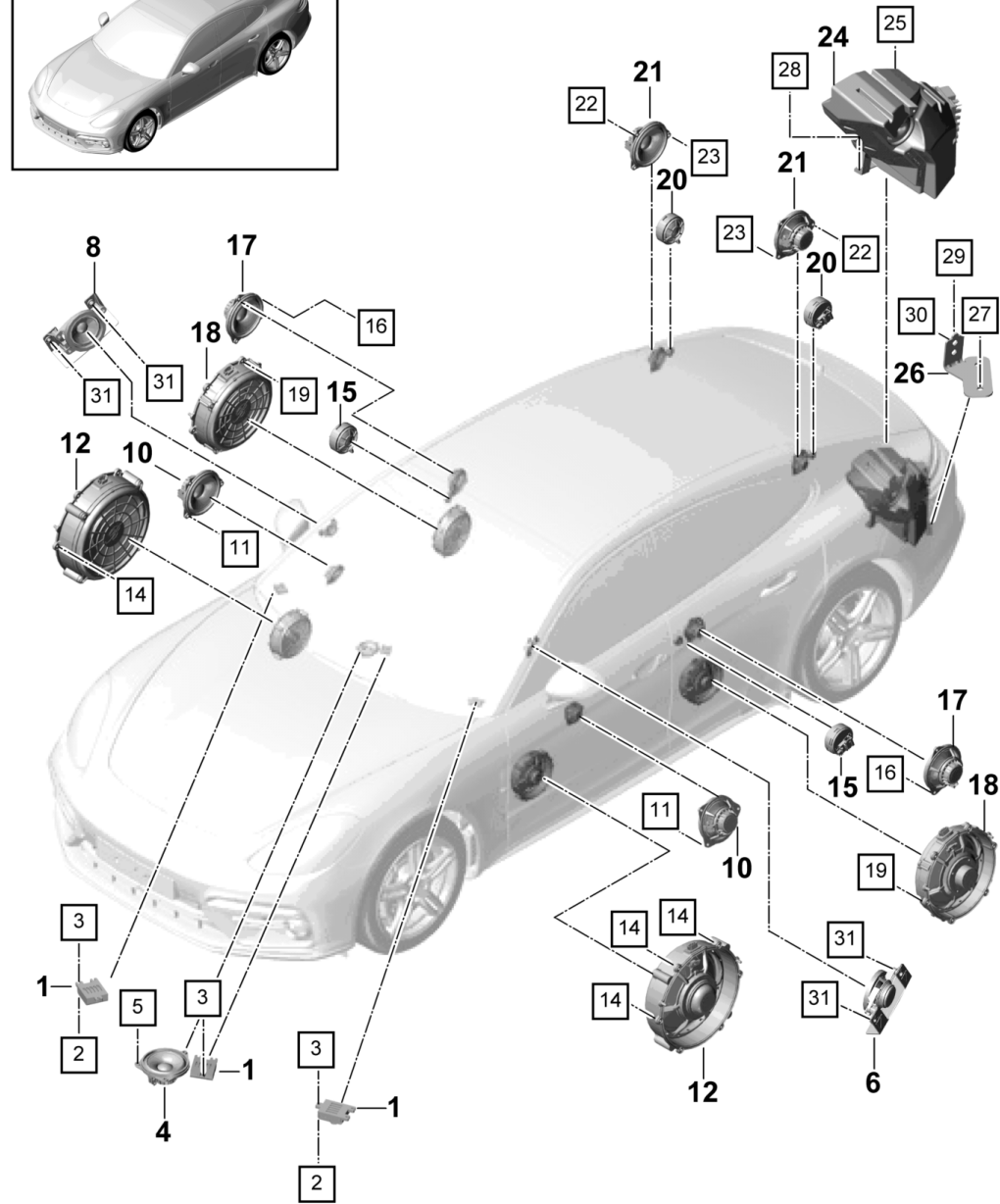
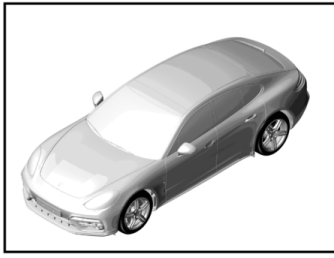


Model: 971-17 Model life 2017>>

Pos	Part Number	Description	Remark	Qty	Model
1	9P1 035 284 C	Emergency call system Control unit Communication Box		1	INZ3
2	9P1 915 611	Battery for Communication Box		1	
3	9P1 035 215	Lid for Communication Box		1	
4	971 035 547	Support Control unit		1	
5	N 106 021 01	Oval-head screw TP4X16		4	
6	N 907 321 03	Oval-head screw TP4X16		1	
8	9A7 035 504 00	Antenna GSM		1	
9	971 035 525	Support Antenna		1	
11	971 035 500 A	Antenna GPS with Support		1	
13	971 035 510 C	Antenna UMTS Front apron		1	
14	971 035 525 A	Support Antenna UMTS		1	
15	971 858 417 AA	Cover Centre console		1	I9JA
(15)	971 858 417 AA 6N3	Black			
	971 858 417 T	Cover Centre console		1	I9JB
	971 858 417 T 6N3	Black			
16	9P1 035 712	Microphone		1	
17	9P1 959 511	Switch		1	
	9P1 959 511 6N3	Black			
18	N 105 150 03	Oval-head screw TP3X8		2	

Model: 971-17

Model life 2017>>



31	30	29	28	27	25	23
22	19	16	14	11	5	3

Model: 971-17 Model life 2017>>

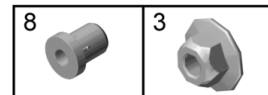
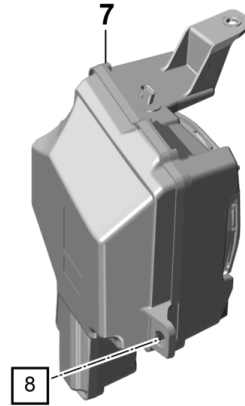
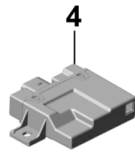
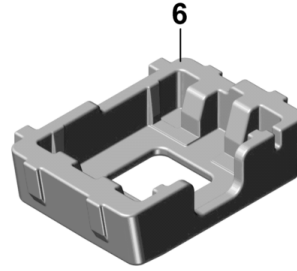
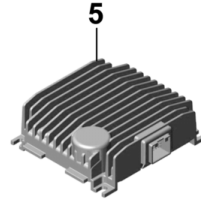
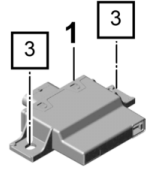
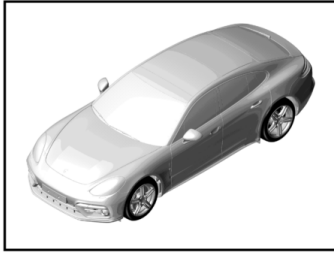
Pos	Part Number	Description	Remark	Qty	Model
(1)	971 035 411 C	Loudspeaker Loudspeaker Dashboard Loudspeaker High-pitched Basic		2	I9VK
(1)	971 035 411 A	Loudspeaker High-pitched Bose		2	I9VL
1	971 035 411 B	Loudspeaker High-pitched Burmester		3	I9VJ
2	N 904 559 02	Speed nut M5		6	
3	N 912 077 01	Outer hexagon round screw M5X25		9	
4	971 035 415 G	Loudspeaker MID-RANGE speaker Bose		1	I9VL
(4)	971 035 415 C	Loudspeaker MID-RANGE speaker Burmester		1	I9VJ
5	N 912 077 01	Outer hexagon round screw M5X25		3	
6	971 035 361 A	Loudspeaker MID-RANGE speaker Burmester	/L	1	I9VJ
8	971 035 362 A	Loudspeaker MID-RANGE speaker Burmester	/R	1	I9VJ
10	971 035 415 E	Loudspeaker MID-RANGE speaker Basic		2	I9VK
(10)	971 035 415 F	Loudspeaker MID-RANGE speaker Bose		2	I9VL
(10)	971 035 415 C	Loudspeaker MID-RANGE speaker Burmester		2	I9VJ
11	N 104 420 03	Oval-head screw T05X16		6	
12	971 035 454 D	Loudspeaker Low-pitched Basic		2	I9VK
(12)	971 035 454 E	Loudspeaker Low-pitched Bose		2	I9VL
(12)	971 035 454 F	Loudspeaker Low-pitched Burmester		2	I9VJ
14	N 106 847 01	Oval-head screw M5X20		12	
15	971 035 411 C	Loudspeaker Door Rear Loudspeaker High-pitched Basic		2	I9VK

Model: 971-17 Model life 2017>>

Pos	Part Number	Description	Remark	Qty	Model
(15)	971 035 411 A	Loudspeaker High-pitched Bose		2	I9VL
(15)	971 035 412	Loudspeaker High-pitched Burmester		2	I9VJ
16	N 104 420 03	Oval-head screw TP5X16-Q		12	
17	971 035 415 C	Loudspeaker MID-RANGE speaker Burmester		2	I9VJ
18	971 035 453 C	Loudspeaker Low-pitched Basic		2	I9VK
(18)	971 035 453 D	Loudspeaker Low-pitched Bose		2	I9VL
(18)	971 035 453 E	Loudspeaker Low-pitched Burmester		2	I9VJ
19	N 106 847 01	Oval-head screw M5X20		12	
20	971 035 412	Loudspeaker High-pitched Burmester		2	I9VJ
21	971 035 415 F	Loudspeaker MID-RANGE speaker Bose		2	I9VJ
(21)	971 035 415 C	Loudspeaker MID-RANGE speaker Burmester		2	I9VJ
22	9A7 007 650 00	Speed nut ST 4,2		6	
23	N 909 868 02	Tapping screw ST4,2X13		6	
24	971 035 481 D	Subwoofer Premium Bose		1	I0K0/1A2/9VL
(24)	971 035 481 F	Subwoofer Premium Bose		1	I0F5/0K0/9VL
(24)	971 035 481 E	Subwoofer High End Burmester		1	I0K0/1A2/9VJ
(24)	971 035 481 G	Subwoofer High End Burmester		1	I0F5/0K0/9VJ
25	N 910 423 02	Lens-head screw T6X16,5		2	
26	971 035 627	Support Subwoofer		12	I0F5/9VJ/9VL
27	N 910 189 01	Plastic nut M6		2	I0F5/9VJ/9VL
28	N 911 883 01	Outer hexagon round screw M6X20		4	I0F5/9VJ/9VL
29	N 903 425 04	Speed nut M6X19,5		2	I0F5/9VJ/9VL
30	N 910 220 01	Blind rivet nut M6		1	I0F5/9VJ/9VL
31	N 105 695 01	Fastening screw M5X16		4	I0F5/9VJ/9VL

Model: 971-17

Model life 2017>>



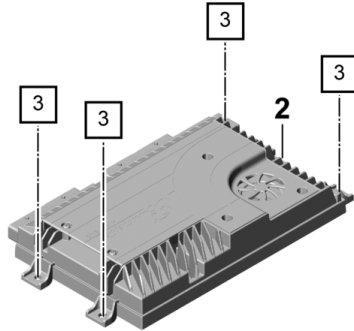
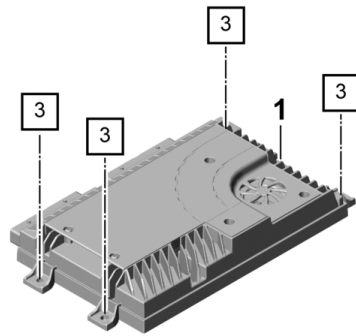
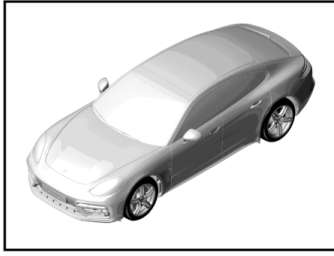
Model: 971-17

Model life 2017>>

Pos	Part Number	Description	Remark	Qty	Model
1	971 907 159 F	Control unit Sound generator Engine noises Control unit		1	MCV.DA I0K0/2HB
(1)		Engine noises Control unit		1	MDB.UC I0P0/0P3/0P6 I2HB
(1)	971 907 159 H	Engine noises Control unit		1	MDB.UC I0P8/0P9/2HB
(1)	971 907 159 G	Engine noises Control unit		1	MCS.ZA I0K0/2HB
2	4H0 907 601 D	Engine noises Pulse sender		1	
3	N 908 877 03	Engine noises Hexagon nut M6		3	
4	971 907 160 A	Control unit Exhaust system		1	IDJ7/0P8/0P9
5	971 035 335 D	Booster		1	I0K3
6	971 035 210	Engine noises Support Booster		1	I0K3
7	971 035 916 B	Engine noises Loudspeaker		1	I0K3
8	9A7 007 493 00	Engine noises Blind rivet nut M6		2	I0K3

Model: 971-17

Model life 2017>>



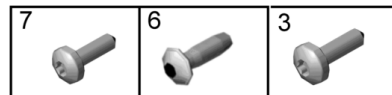
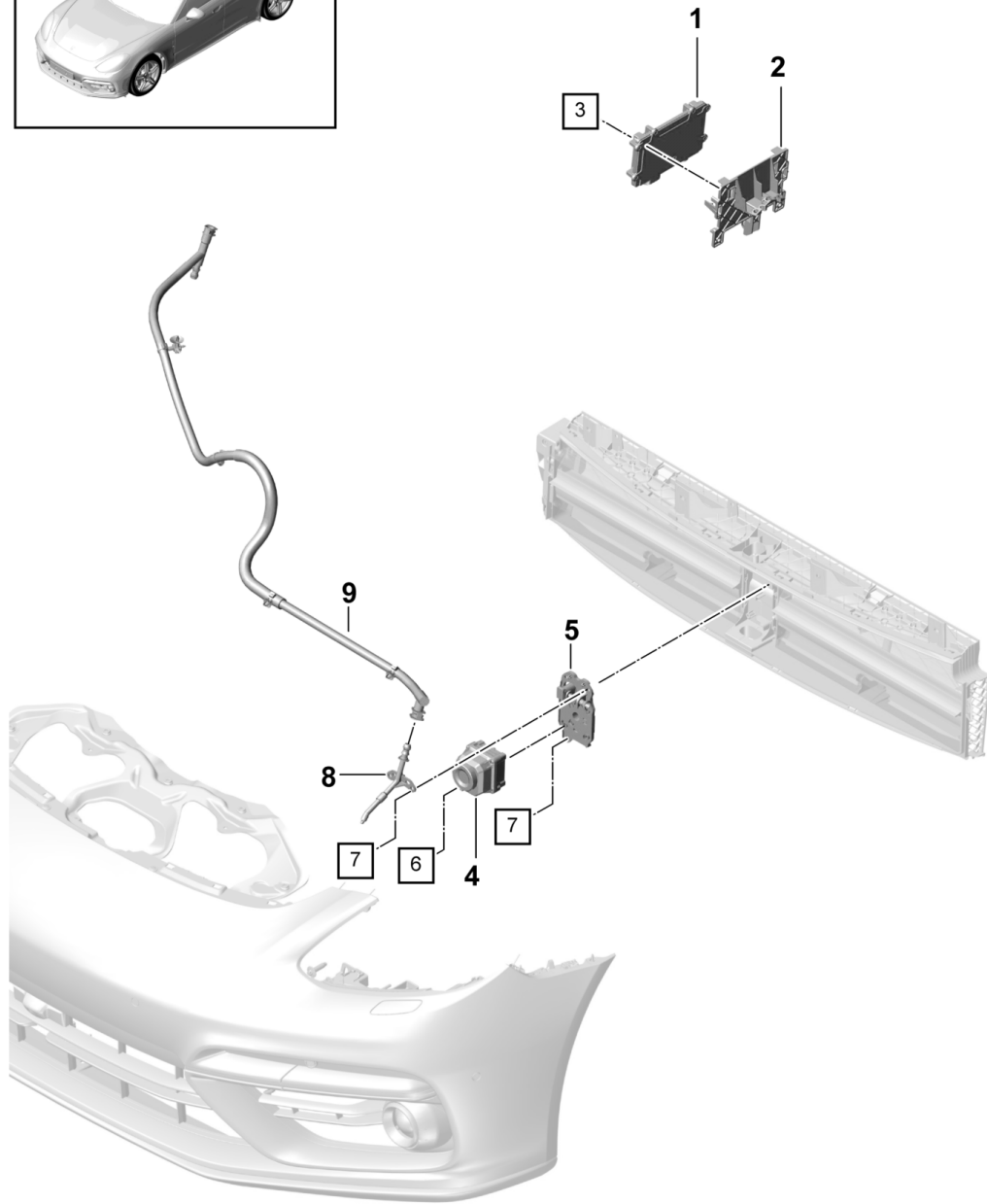
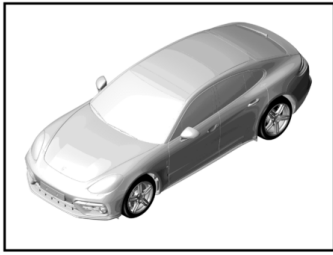
Model: 971-17

Model life 2017>>

Pos	Part Number	Description	Remark	Qty	Model
1	971 035 223 E	Booster Booster Premium Bose		1	I9VL
2	971 035 223 G	Booster High End Burmester		1	I9VJ
3	N 909 747 01	Oval-head sheetmetal screw TP5C16-Q		4	I9VJ/9VL

Model: 971-17

Model life 2017>>



Model: 971-17

Model life 2017>>

Pos	Part Number	Description	Remark	Qty	Model
1	971 907 547 E	Night vision system Control unit		1	I9R1
2	971 907 390	Night vision system Support Control unit		1	
3	N 104 734 02	Night vision system Lens-head screw TP6X20		2	
4	9A7 980 552 00	Camera		1	
5	971 907 816	Night vision system Support Camera		1	
6	N 107 626 01	Night vision system Outer hexagon round screw M5GFX16		4	
7	N 104 420 03	Oval-head screw TP5X16		3	
8	971 955 187	Nozzle Camera		1	
9	971 955 970 A	Night vision system Hose Headlight washer system Night vision system		1	