

Model: 981GT4**Model life 2016>>2016**

Model Overview Sales Type

Sales term	Description	Mounting time	Remark
981810	Cayman GT4	05/15-05/16	
981811	Cayman GT4	05/15-05/16	

Model: 981GT4

Model life 2016>>2016

Model Overview EC

EC	Sales term	LTR	KW	Hp	Cyl	Mounting time	Remark
DBXA		3,80	283	384	6	05/15-05/16	

Model: 981GT4

Model life 2016>>2016

Model Overview TC

TC	Sales term	Type	Mounting time	Remark
G8120		6S	05/15-05/16	

Model: 981GT4**Model life 2016>>2016**

VIN-Numbers Overview

Model year	Date	VIN		Remark
2015	01.05.2015	98-FK195061	>98-FK199999	Cayman GT4
2015	01.05.2015	A8-FK195061	>A8-FK199999	Cayman GT4 (USA, CDN)
2015	01.05.2015	98-FK195061	>98-FK199999	Cayman GT4 (KOR, CN, MEX, BR)
2016	01.06.2015	98-GK188061	>98-GK191050	Cayman GT4
2016	01.06.2015	98-GK195061	>98-GK197000	Cayman GT4
2016	01.06.2015	A8-GK191061	>A8-GK194000	Cayman GT4 (USA, CDN)
2016	01.06.2015	A8-GK197061	>A8-GK198000	Cayman GT4 (USA, CDN)
2016	01.06.2015	98-GK191051	>98-GK194000	Cayman GT4 (KOR, CN, MEX, BR)
2016	01.06.2015	98-GK195061	>98-GK197000	Cayman GT4 (KOR, CN, MEX, BR)

Model: 981GT4**Model life 2016>>2016**

Engine Numbers

Engine number	Model year	Vehicle type	Engine type
DBX 00501>60000	2015	CAYMAN GT4	DBXA
DBX 00501>60000	2016	CAYMAN GT4	DBXA

Model: 981GT4**Model life 2016>>2016**

Transmission Numbers

Transmission Number	Model year	Vehicle type	Gearbox type
G8120 1 002001>999999	2015	CAYMAN GT4	G8120
G8120 1 002001>999999	2016	CAYMAN GT4	G8120

Model: 981GT4

Model life 2016>>2016

NR	Description
003	Clubsport package
008	Basic 981/991
009	"s" 981/991
011	Special model GTS (981/991)
012	Special model China Style Edition
013	Special model Black Edition
019	Special model 911 Carrera 4 GTS
022	Black-coloured instrument dials, instrument cluster
023	Silver -coloured instrument dials, instrument cluster
024	Version for Greece
025	Black-coloured instrument dials, stopwatch
026	Silver-coloured instrument dials, stopwatch
027	Instrument cluster dials, Carmine Red
029	Standard chassis
030	Sports suspension
031	Sports chassis with PASM and PDCC
032	Touring suspension
034	Version for Italy
035	Cayman GT4
058	Impact absorbers, front and rear
061	Version for Great Britain
062	sweden version
063	Version Luxemburg
064	Version for Netherlands
065	Version for Denmark
066	Version for Norway
067	Version for Finland
068	PAP right-hand drive version
069	Other country version
070	Pedestrian protection
071	EU country version
072	Version for Mexico
073	Version for Russia
074	PAP left-hand drive version
075	Chinese version
082	Fuel tank, 90-litre
084	Fuel tank, 54-litre
085	Fuel tank, 64-litre
086	Korea version
089	Exterior package, Black
098	Left-hand drive version
099	Right-hand drive version
111	Version for Austria
113	Version for Canada
114	Version for Taiwan
119	Version for Spain

Model: 981GT4

Model life 2016>>2016

NR	Description
124	Version for France
126	Control and indications in French lettering
127	Control and indications in Swedish lettering
130	Control and indications in English lettering
140	Dynamic engine mounts (PADM)
145	Compression variant
150	Operation with leaded gas
153	Middle radiator
155	Sound symposer
170	Acoustic package RoW
171	Acoustic package USA
172	Acoustic package PAP, China, Korea
176	Sports exhaust system
181	Standard climatic zones
182	Hot country
183	Super hot country
192	Lightweight battery 40 AH
193	japan version
194	Battery, 60 Ah
195	Battery, 70 Ah
196	Battery, 80 Ah
197	Stronger battery
198	Enhanced starter motor (1.7 kW)
199	Battery disconnection switch
200	95 Ah battery
209	Licence plate holder version 1
210	Licence plate holder version 2
211	Licence plate holder version 3
215	Version for Saudi Arabia
218	Licence plate holder version 4
219	Differential
220	Locking differential 40 %
221	PTV Plus, el. controlled rear-diff. lock
225	Version for Belgium
250	PDK transmission (dual clutch)
254	Manually retractable exterior mirrors
255	Manually retractable exterior mirrors with memory
256	Manually retractable exterior mirrors, with automatic dimming
257	Manually retractable exterior mirrors, with automatic dimming and memory
258	Electrically retractable exterior mirrors
259	Electrically retractable ext. mirrors with memory
260	Electrically retractable exterior mirrors with automatic dimming
261	Electrically retractable exterior mirrors

Model: 981GT4

Model life 2016>>2016

NR	Description
	with automatic dimming and memory
263	Left exterior mirror glass, flat
264	Left exterior mirror glass, convex
265	Automatic anti-dazzle interior mirror with rain sensor
266	Automatic anti-dazzle door mirror
267	Automatically dimmable interior and door mirrors
268	Rain sensor
270	Door mirrors -flat - driver's side, electrically adjustable and heatable
271	Door mirrors -aspherical- driver's side, electrically adjustable and heatable
273	Door mirrors, electrically adjustable and heatable
274	Vanity mirror, illuminated
275	Manual anti-dazzle interior mirror
276	Automatic anti-dazzle interior mirror
277	Swiss version
284	Right exterior mirror glass, convex
285	Right exterior mirror glass, aspherical
288	Headlamp washer
301	Transmission ratio long
305	Gear lever in Alcantara, Black
306	GTX shift lever, leather
310	PDK gear selector EXC
313	Sports seat, left, manual, 2-way
314	Sports seat, right, manual, 2-way
315	Sports seat, left, partially electrical, 4-way
316	Sports seat, right, partially electrical, 4-way
317	Sports seat Plus, left, manual, 2-way
318	Sports seat Plus, right, manual, 2-way
319	Sports seat Plus, left, partially electrical, 4-way
320	Sports seat Plus, right, partially electrical, 4-way
321	Sports seat, left, electrical, 14-way
322	Sports seat, right, electrical, 14-way
323	Sports seat Plus, left, electrical, 18-way
324	Sports seat Plus, right, electrical, 18-way

Model: 981GT4

Model life 2016>>2016

NR	Description
325	Version for South Africa/New Zealand
335	Automatic seat belt, 3-point, rear
338	Rear-wheel drive
339	All-wheel drive
340	Wheel rims painted in basic colour
342	Seat heating, left/right seat
344	Rim painted in silky-gloss Black
345	Heated steering wheel
346	Rims, painted Silver
352	Electronic damper control for PASM and PDCC
369	Standard seat, left
370	Standard seat, right
373	Bucket seat, 918 Spyder, left
374	Bucket seat, 918 Spyder, right
375	Sports seat, backrest shell, left
376	Sports seat, backrest shell, right
377	Sports seat, backrest shell, left, electrically adjustable
378	Sports seat, backrest shell, right, electrically adjustable
388	Sports bucket seat, left
389	Sports bucket seat, right
392	17-inch Carrera wheel
393	17-inch Boxster II wheel (987)
395	BOXSTER IIII 18" wheel
396	18" Cayman (III) wheel
397	18-inch Boxster S wheel (987)
398	19" Cayman S wheel
400	Boxster S III 19" wheel
401	18-in. Cayman S wheel
402	Carrera 3 wheel 18-inch
403	Carrera S wheel 19-inch
404	19" Turbo-1 wheel
405	Carrera Classic wheel 19-inch
406	Carrera GT wheel 19-inch/20-inch
407	SportDesign wheel 19-inch
410	18" Turbo-2/Panamera wheel
411	18-inch Carrera wheel -->2005 19-inch Carrera wheel 2012-->
414	Carrera S Facelift 18" wheel
415	18-inch Turbo-Look II wheel
416	18-inch GT3 wheel
418	18-inch Turbo II wheel in GT Silver
419	Carrera S Facelift 19" wheel
421	Turbo 2 wheel, 19"

Model: 981GT4 Model life 2016>>2016

NR	Description
422	Turbo wheel, 19", central lock
423	20-inch Carrera S wheel (III)
424	CD storage unit
425	Rear window wiper
426	Without rear window wiper
427	20-inch Carrera Classic wheel (II)
428	20-inch Sport Design wheel (II)
429	20" 911 Turbo III wheel
431	Multi-function steering wheel, touch + feel
432	19" Carrera wheel (6)
435	911 Turbo S wheel, 20" central lock
436	3-spoke airbag steering wheel
437	Comfort seat, left, electrically adjustable
438	Comfort seat, right, electrically adjustable
439	20" 911 Turbo 4 wheel
440	Antenna diversity
441	Basic sound package
444	Anti-theft lock, wheel bolts "THATCHAM"
446	Concave wheel centers with full-colour Porsche Crest
447	Emergency wheel
448	Brake pad; sport version
450	Ceramic brake (PCCB)
451	Multi-function steering wheel, Makassar Ebony, touch + feel
452	Multi-function steering wheel, Sycamore, touch + feel
453	Multi-function steering wheel, Carbon, touch + feel
454	Automatic speed control
456	Automatic distance control (ACC)
459	3-spoke airbag steering wheel, touch + feel
460	20" RS Spyder Design wheel
461	External antenna
465	Rear fog light, left
466	Rear fog light, right
473	20" Cayman GT4 wheel
475	"PASM" electronic damper control
476	Porsche Stability Management (PSM)
477	PASM w/o lowering
479	Version for Australia
480	6-speed manual transmission
482	Tire Pressure Monitoring TPM, 433 MHz
483	315-MHz TPM, Tire Pressure Monitoring
484	Version for USA
487	7-speed manual transmission

Model: 981GT4

Model life 2016>>2016

NR	Description
488	Inscriptions in German language
490	Sound system "ASK"
492	Headlights for left-hand traffic
493	Balance weights, Black
498	Deletion of model designation on rear end
499	Version for Germany
501	Car cover
509	Fire extinguishers
513	Lumbar support, right seat
514	GTS logo with model designation in Silver
515	GTS logo with model designation in Black
521	Tilt sensor
523	Immobiliser, 434 MHz
524	Immobilizer, central locking, 433 MHz
525	Immobilizer, central locking, 315 MHz
528	Door mirror, standard
529	SportDesign exterior mirror
532	Alarm system remote control omitted
533	Radio convertible-top operation omitted
534	Theft security system, 433 MHz
535	Theft security system, 315 MHz
536	-07 Alarm siren and tilt sensor 08- Alarm siren
537	Seat position control for comfort seat, left
538	Seat position control for comfort seat, right
539	Mechanical seat height adjustment, left
540	Mechanical seat height adjustment, right
541	Active seat ventilation (incl. heated seats)
542	Active seat ventilation, front and rear (incl. heated seats)
544	Anti-theft protection without infrared monitoring, 433 MHz
545	Anti-theft protection without infrared monitoring, 315 MHz
546	Roll-over bar in exterior colour
547	Roll-over bar in Aluminium Look
549	Roof Transport System
550	Hardtop
551	Wind deflector
552	Electric wind deflector
553	Version for USA, Canada
554	Front spoiler lip included
555	Black seat belts

Model: 981GT4

Model life 2016>>2016

NR	Description
559	High-gloss mouldings
560	Advanced airbag
562	Airbag, driver's side and front passenger's side
563	Side airbag
566	Front fog lights, white
567	Windscreen tinted, upper part darker coloured
568	Windscreen without shade band
571	Activated charcoal filter
572	Manual air-conditioning system
573	Air conditioner
574	No air conditioning
575	Luggage compartment cooling system
578	6-point seat belt, driver
579	6-point seat belt, passenger
581	Centre console, front
583	Smoker package
584	Storage box on engine cover
586	Lumbar support, left seat
590	Steel doors
592	Standard rooflining, fabric
594	Alcantara rooflining
595	Safety cage in Black
599	Aluminium doors
601	Xenon lighting system
603	Xenon plus dynamic cornering light
605	LED daytime driving lights
606	Daytime driving lights
607	Garage door opener "Homelink", 315 MHz
608	Garage door opener "Homelink" 433 MHz
609	without radio
610	DVD navigation, "Europe package"
611	DVD navigation South Africa
612	DVD navigation middle east
613	DVD navigation australia
614	DVD navigation asia-pacific
615	DVD navigation system, North America
616	DVD, Navigation Russia
617	DVD Navigation China
618	Phone preparation
619	Mobile phone preparation (BLUETOOTH) without console
620	Bi-Xenon plus dynamic cornering light, Black
621	12-V socket, passenger's side, footwell
625	"KESSY" Porsche Entry and Drive
630	Interior light package
631	Traffic sign recognition

Model: 981GT4

Model life 2016>>2016

NR	Description
632	PDLs+ dynamic high beam
635	Park distance control
636	Park distance control in front and rear
638	ParkAssist, front, rear and reversing camera
639	Sport Chrono package
640	Sport Chrono Plus package
641	electronic log book
642	Start/Stop function
643	Track app
647	Steering column, mechanically reach/height-adjustable, without ELV
648	Steering column, electrically reach/height-adjustable, without ELV
650	Electrical sliding roof
651	Electric window opener
652	Without sliding/tilting roof
653	External-sliding glass sunroof
655	Steering column with mech. reach/height adjustment
656	Steering column with electric reach/height adjustment and memory
657	Power steering
659	on-board computer
660	Obd 2
661	Stricter emission-control concept
663	Fuel pump activation
664	Orvr
665	-2008 PCM 2, 2009- PCM 3 basic module incl. radio
666	-2008 PCM 2, 2009- PCM 3 telephone (GSM)
668	PCM2 telephone handset
669	PCM 3 - Telephone handset (BLUETOOTH)
670	PCM2 navigation
671	Voice control system
672	-2008 PCM 2, 2009- PCM 3 Offroad navigation
673	Navigation system preparation, China
674	"Vehicle Tracking System" preparation
675	Without radio preparation (Japan navigation system)
676	TV tuner
677	"Driver card" antenna
678	Alarm system connection
679	Restart inhibitor
680	BOSE sound package
682	Top Premium sound system
685	Rear seat assembly
686	SAT radio reception XM (SDARS)
688	HD radio reception

Model: 981GT4

Model life 2016>>2016

NR	Description
689	Preparation for CD autochanger
690	SDARS + HD radio reception
691	Digital radio reception DAB
692	CD autochanger "Porsche"
693	Integrated CD/DVD autochanger
694	CD radio "PORSCHE CDR 24"
696	CD radio, Porsche CDR 31
697	CD radio "Porsche CDR-23"
711	Omission underbody protection
751	PCCB, front axle and rear axle 3K
756	Special model "911 Sport Classic"
789	Colour to sample
796	Full leather trim natural leather
798	Full leather trim special leather
799	Full leather trim by choice
800	Bi-Xenon dynamic AHBA (Black)
801	Makassar Ebony wood package, dark (matt satin finish)
802	Sycamore package, light (matt satin finish)
803	Carbon package
804	GT2 Carbon exterior package
805	Lifestyle package
810	foot mats
811	without door panel trim
812	Door panel trim, galvanised
814	Door panel trims in brushed aluminium Anthracite
816	Centre console trim, brushed aluminium, Anthracite
820	Dashboard trim, brushed aluminium, Anthracite
840	Sports steering wheel (for PDK with paddle)
841	Basic steering wheel Smooth leather
843	Sports steering wheel in Alcantara
844	Multi-function steering wheel Smooth leather
845	Multi-function steering wheel Carbon
847	Multi-function steering wheel Makassar
852	PDLs+ High beam assist
870	Universal multimedia interface
877	Sports steering wheel, Alcantara
878	Sports steering wheel, leather
887	12 o'clock marking Yellow
893	Decorative dashboard trim, brushed aluminium, Black
899	Isofix child-seat restraint on front passenger side
911	Model designation 911
912	without identification plate
931	Rear seat covers in Alcantara/leatherette
932	Rear seat covers in Alcantara/leather

Model: 981GT4

Model life 2016>>2016

NR	Description
936	Seat covers, rear, leather
937	Seat covers, rear, leatherette
939	Seat covers, rear, draped leather
940	Seat covers rear, ruff.leather/leather/leatherette Soft ruffled leather, embossed
946	Seat covers, front, leather/leather/leatherette
950	Alcantara seat covers, front
951	Seat covers front, Alcantara/leather/leather
970	Two-tone interior
971	"TORO" embossed leather
975	Alcantara interior
980	Leather package
981	Leather equipment, without seat covers
982	Seat covers, front, draped leather/leather/leather
983	Seat covers, front, leather
985	Seat covers, leather/leather/leatherette, 2
990	Seat covers, front, cloth/cloth/leatherette
991	Steering wheel airbag module in leather
998	Leather, natural
999	Passenger compartment monitoring sensor for leather colour of choice
IY1	Model year period from week 22 to week 45
IY2	Model year period from week 45 to week 22
UX6	TPM valve, Silver
UX7	TPM valve, Black
XAA	Aerokit Cup
XAF	Turbo aerokit
XAG	Carrera - rear spoiler
XAH	Carrera 4S aerokit
XAJ	Painted sill covers
XAS	Sport Design front apron
XAT	SportDesign package
XCA	Dashboard trim strip (3-part) sports seats
XCB	Instrument surround sports seats
XCC	Side air vents sports seats
XCD	Center air vent bracket sports seats
XCE	Rear center console sports seats
XCG	Sports seat backrest in Aluminium Look finish
XCH	Side/centre air vent slats, sports seats
XCK	Rear center console in Galvano Silver
XCL	Instrument surround in Galvano Silver
XCN	Side air vents in Aluminium Look finish (997)
XCW	Aluminium Look trim on belt opening in B-pillar
XCX	Center air vent in Aluminium Look finish

Model: 981GT4

Model life 2016>>2016

NR	Description
XCZ	Short shifter
XDA	Wheel spokes painted Black
XDG	Rims painted in high-gloss Black
XDH	Wheel centre painted in Platinum
XDJ	Decorative trim on gear lever/selector, painted
XDK	Silky gloss rims, Black Matt
XDM	Decorative dashboard trim, painted
XDP	Instrument cluster frame, painted
XDR	Painted trim on belt opening in B-pillar
XDS	Ignition lock surround in leather
XDU	Leather trim on belt opening in B-pillar
XDV	Dashboard end-trim in leather
XDX	Mirror attachment point finisher, leather
XDZ	Selector lever cover in leather
XD9	Wheel painted in body colour
XEA	Passive handset in leather
XES	Preparation, illuminated door entry guard
XE8	Gear lever knob aluminium/dark burr maple/leather
XE9	Handbrake lever aluminium/dark burr maple/leather
XFD	Instrument dials in Sand Beige
XFE	Instrument dials in Terracotta
XFF	Instrument dials in Brown/Natural
XFG	Instrument dials in Guards Red
XFH	Instrument dials in Speed Yellow
XFJ	Instrument dials in Carrara White
XFL	Instrument dials painted in Luxor Beige
XFP	Handbrake lever Aluminium II
XFR	Instrument dial painted Racing Yellow
XGB	Decorative dashboard trim, carbon
XGC	Dashboard carbon/Alcantara
XGD	Parking brake handle carbon/Alcantara
XGE	Handle recess insert, carbon
XHB	Centre console trim in leather
XHC	Shift lever in mahogany
XHD	PDK selector lever in mahogany
XHE	Dashboard trim panel in mahogany
XHF	Multi-function steering wheel in mahogany
XHG	Centre console trim in mahogany
XHH	Shift lever, carbon
XHJ	PDK selector lever, carbon
XHL	Multi-function steering wheel, carbon
XHM	Centre console trim, carbon
XHS	Rear centre tunnel in leather
XJJ	Carbon trim on belt opening in B-pillar
XJL	Makassar Ebony side air vent
XJM	Sycamore side air vent

Model: 981GT4

Model life 2016>>2016

NR	Description
XJN	Makassar Ebony center air vent
XJP	Sycamore center air vent
XJR	Makassar Ebony windscreen defroster panel
XJS	Sycamore windscreen defroster panel
XJT	Makassar Ebony rear center console
XJU	Sycamore rear center console
XJ4	Leather cover for ignition lock surround
XKB	Side air vent in light burr maple
XKC	Side air vent in dark burr maple
XKD	Side air vent in Carbon
XKG	"Defroster trim in light burr maple; leather"
XKH	"Defroster trim in dark burr maple; leather"
XKJ	Defroster trim in Carbon/leather
XKL	Leather speaker covers
XKM	Speaker covers in light burr maple
XKN	Speaker covers in dark burr maple
XKP	Carbon speaker covers
XKR	Center air vent bracket in light burr maple
XKS	Center air vent bracket in dark burr maple
XLF	Sports exhaust system
XLG	Centre console storage bin cover in Alcantara, with logo
XLK	SportDesign steering wheel, Alcantara
XLM	Shift lever, Alcantara
XLN	PDK selector lever, Alcantara
XLS	Sports tailpipe 98X
XLT	Sports tailpipes, 997
XLU	Sun visors, Alcantara
XMA	Rooflining in leather
XME	Rear section of centre console painted
XMF	Front center console including 2 storage bins, leather
XMJ	Rear section of centre console in Carbon
XMK	Roll-over bar in exterior color
XML	Rear center console in light burr maple
XMP	Leather sun visor, 2 illuminated vanity mirrors *
XMR	Sun visor in leather, 2 illuminated vanity mirrors,
XMZ	Rear section of centre console in leather
XNB	Rear center console in dark burr maple
XNG	Instrument surround in leather
XNN	Center air vent bracket in leather
XNR	Carbon center air vent bracket
XNS	Leather steering column trim, 4-part
XNU	Leather trim strip (dashboard)
XNV	Trim strip (dashboard) in light burr maple
XNW	Trim strip (dashboard) in dark burr maple

Model: 981GT4

Model life 2016>>2016

NR	Description
XNX	Carbon trim strip (dashboard)
XN3	Dashboard side air vent in leather
XPA	3-spoke sports steering wheel in leather interior co
XPB	3-spoke sports steering wheel, light burr maple, leather
XPC	3-spoke sports steering wheel, dark burr maple, leather
XPD	3-spoke sports steering wheel, Carbon/leather
XPG	3-spoke sports steering wheel, sports seats
XPT	Centre console storage bin lid with crest
XPU	Multi-function steering wheel Galvano Silver, new generation
XPV	Multi-function steering wheel, Galvano Silver
XPW	Instrument surround in light burr maple
XPX	Instrument surround in dark burr maple *
XPY	Carbon instrument surround
XRB	18-inch Sport Classic II wheel
XRC	18-inch SportTechno wheel
XRL	18-inch SportDesign wheel
XRN	17-mm spacers, rear
XRP	5-mm spacers, front/rear
XRR	19-in. Carrera Sport wheel
XRS	19" Sport Classic WHEEL
XRT	20-inch Sport Techno wheel
XSA	Painted sports seat backrest
XSB	Leather sports seat backrest
XSC	Porsche Crest embossed in headrest
XSD	Front seat controls in leather
XSE	Bucket seat, left
XSF	Bucket seat, right
XSG	Racing bucket seat, left
XSH	Silver seat belts
XSJ	6-point harness
XSL	6-point safety catch
XSM	Racing safety cage
XSN	Omission of rear seats
XSR	Carbon back for bucket seat, right
XSS	Carbon back for bucket seat, left
XST	Seat belts in Sand Beige
XSU	Upholstered seat
XSW	Seat belts in Maritime Blue
XSX	Seat belts in Guards Red
XSY	Seat belts in Speed Yellow
XTG	Inner door sills in leather
XTJ	Door panel parts in light burr maple
XTK	Door panel parts in dark burr maple

Model: 981GT4

Model life 2016>>2016

NR	Description
XTL	Door panel parts in Carbon
XTR	Door panel parts in Aluminium Look finish
XTT	Makassar Ebony door panel parts
XTU	Sycamore door panel parts
XTV	Leather door panel parts
XTW	Door panel parts in Galvano Silver
XUA	Spoiler lip painted
XUB	Cover on headlight cleaning system, painted
XUC	Model designation painted
XUV	Centre console storage bin lid with logo
XUX	Rear backrest release loop in leather
XVM	Leather center air vent
XVP	Trim strip including cupholder cover in leather
XVR	Side/centre air vent in leather
XVT	Cover for loudspeakers, doors and rear in leather
XV1	Defroster trim in leather
XWA	Door panel trim in leather
XWC	Door panel trim in carbon
XWD	Door panel trim in brushed aluminium
XWE	Door panel trim, painted
XWJ	Sports seat Plus, painted backrest
XWK	Sports seat Plus, leather backrest
XWR	PDK gate frame in Aluminium Look
XWS	PDK gate frame painted
XWT	PDK gate frame painted Black
XWU	PDK gate frame in leather
XXB	Door entry guards, stainless steel, illuminated
XXD	Door entry guards, carbon, illuminated
XXF	Red tail lights
XXG	Tail lights in clear glass look
XXH	Alcantara sun visor
XXJ	Alcantara interior light cover
XXK	Front seat covers in woven leather
XXL	Rear seat covers in woven leather
XXM	Without chequered flag design (seat)
XXR	Tail lights, darkened
XXV	Sports-look pedals
XXZ	Footrest
XX1	Floor mats, logo, leather border
XX2	footwell light
XYA	PDK selector lever (EXC)
XYB	Fuel tank cap in Aluminium Look
XYC	Shift lever, aluminium
XYD	Dashboard trim panel, aluminium

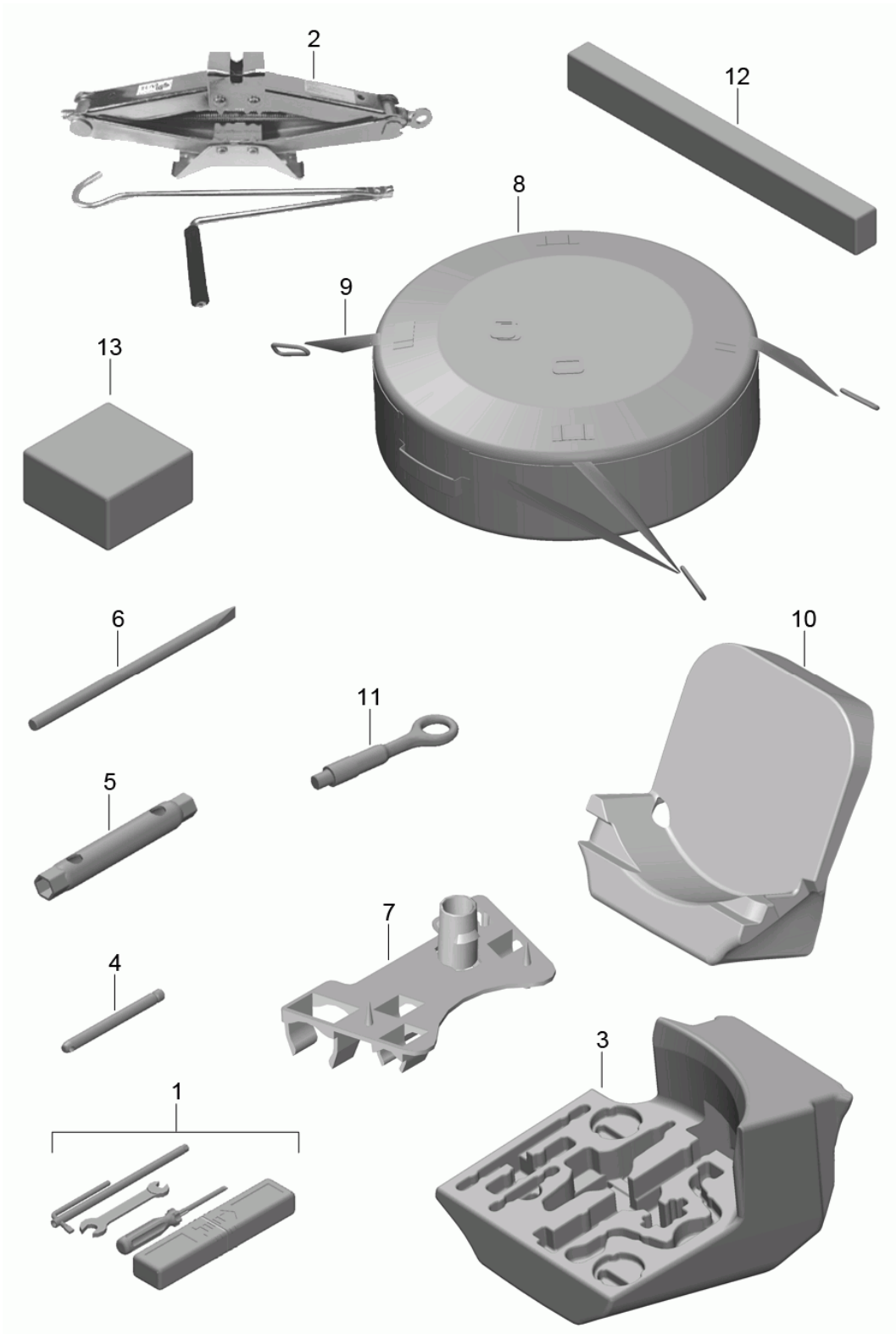
Model: 981GT4

Model life 2016>>2016

NR	Description
XYE	Centre console cover, brushed aluminium
XYG	Centre console trim, painted
XYH	PDK selector lever, aluminium
XY5	Tiptronic gear selector gate in leather
XZB	Carbon centre air vent
XZD	Interior light surround in leather
X45	Instrument dial in interior color
X46	Tiptronic selector lever in aluminium/leather
X47	Gear lever knob in Carbon/leather
X50	Powerkit 331/340 kW
X51	Powerkit 250 kW
X54	Stainless steel tailpipes
X58	Handbrake lever in Carbon/leather
X69	Door entry guards in Carbon with logo
X70	Door entry guards in stainless steel with logo
X71	Instrument dial painted/Aluminium Look finish
X72	Gear lever knob aluminium/light burr maple/leather
X73	Sports chassis -20 mm, without PASM
X74	Sports suspension (exclusive)
X75	Differential lock (exclusive)
X76	Inner door sill guard, left/right
X91	Handbrake lever aluminium/light burr maple/leather
X97	Gear lever knob in aluminium/leather
X98	Handbrake lever in aluminium/leather
X99	Natural leather
1T1	First aid material
1T3	First aid kit, warning triangle
77J	Navigation software Argentina
77K	Navigation software Chile

Model: 981GT4

Model life 2016>>2016



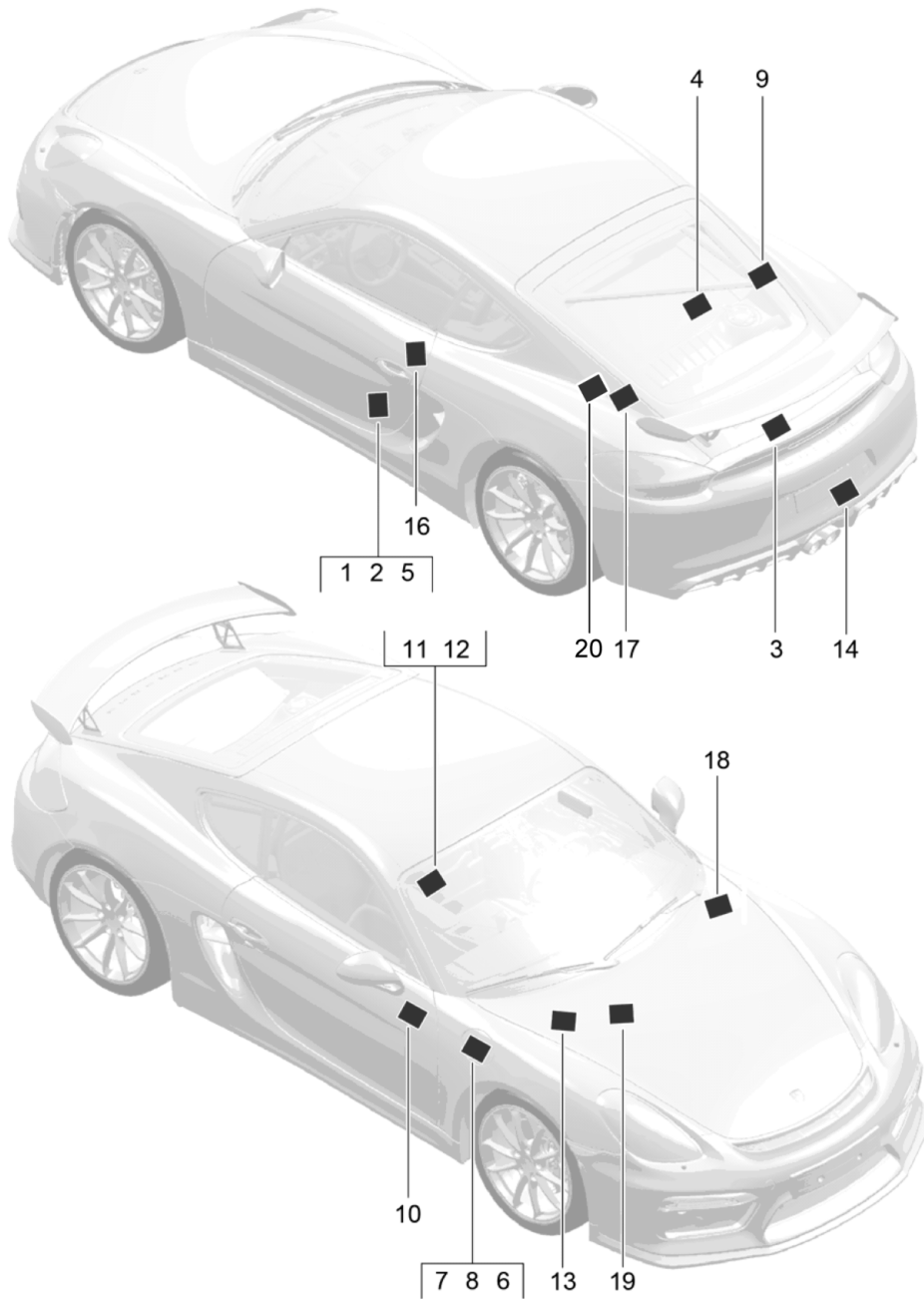
Model: 981GT4

Model life 2016>>2016

Pos	Part Number	Description	Remark	Qty	Model
1	997 721 115 00	Tool jack Toolbox with contents comprising:		1	
-	477 012 229	Double open-ended spanner 10 X 13		1	
-	477 012 231	screwdriver		1	
-	111 012 287	handle for screwdriver		1	
-	999 571 077 02	Socket wrench - 5 - for Headlights		1	
2	996 721 211 00	Scissors type jack		1	PR:447
3	996 722 101 00	Foam part		1	PR:447
4	999 571 074 30	Threaded stud for Assembly Wheels		1	PR:447
5	477 012 221 A	wheel bolt wrench		1	PR:447
6	999 571 069 30	operating rod for Rim wrench		1	PR:447
7	997 722 801 00	Mounting for vehicle tools		1	PR:447
8	991 722 061 00	Cover Spare wheel		1	PR:447
-	996 361 521 00	Protective sleeve		1	PR:447
9	997 722 073 00	tensioning strap Spare wheel		1	PR:447
10	981 722 103 00	Support Spare wheel		1	PR:447
11	970 721 551 01	Tow hitch		1	
(11)	970 721 551 02	No longer use the part here Tow hitch		1	

Model: 981GT4

Model life 2016>>2016



Model: 981GT4

Model life 2016>>2016

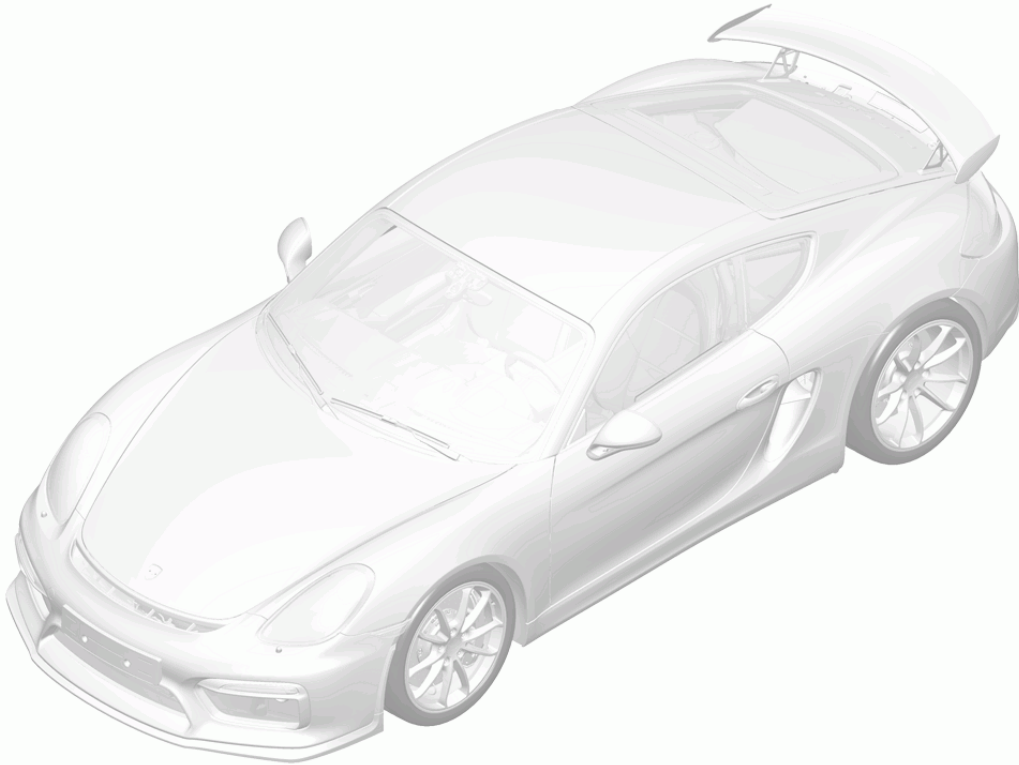
Pos	Part Number	Description	Remark	Qty	Model
1	981 701 286 83	Signs/notices Data plate for tyre pressure		1	PR:-447
1	981 701 286 84	Data plate for tyre pressure		1	PR:447
2	958 701 289 01	Sticker Spare wheel		1	PR:447
4	996 006 140 00	Sticker Antiknock regulation		1	PR:553
5	981 006 109 12	Notice Engine data		1	PR:553
(6)	991 006 117 03	Sticker 93 RON/MON/2		1	PR:553
7	7P5 010 869 D	Sticker Warning note Type of fuel		1	
9	7PP 010 786 T	Sticker engine oil - MOBIL 1 -		1	
11	997 701 422 00	Sticker Airbag Warning sign		1	PR:553
13	981 701 141 00	Sticker Air conditioning		1	-"J.."
16	95B 010 001	Sticker Mercury		1	"USA"

Model: 981GT4

Model life 2016>>2016

PROD.NUMMER PROD.NUMBER	888 0815
FIN VIN	WP1ZZZ12345678912
TYP TYPE	9PAAG1
MOTORKB./GETR.KB ENG.CODE/TRANS.CODE	M5502/C7050
VERTRIEBSFARBCODE SALESNO.	G1
AUSSTATTUNGSCODE INTERIOR CODE	AT
FARBCODE COLORCODE	6B8

7P5.010.732.T



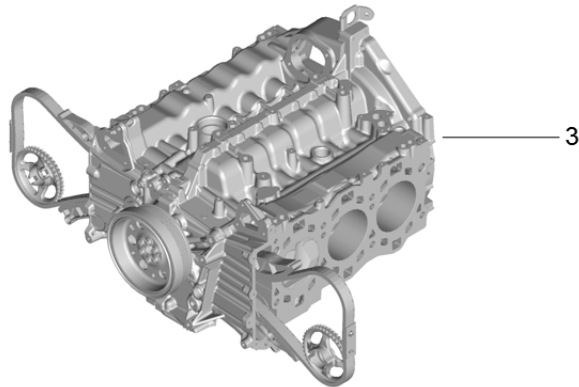
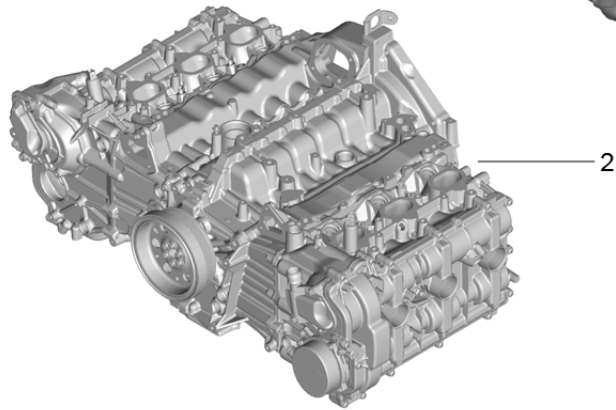
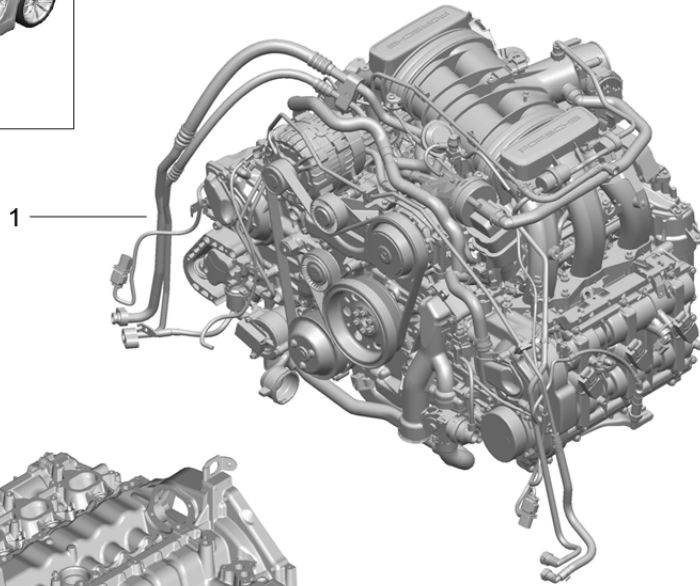
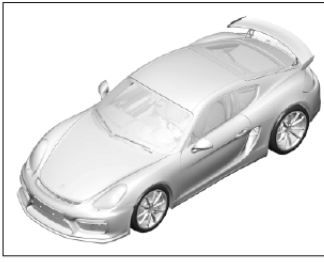
Model: 981GT4

Model life 2016>>2016

Pos	Part Number	Description	Remark	Qty	Model
-		paint touch-up applicator Paints Paint identification label see Vehicle wallet Vehicle data carrier			
-	911 095 932 20	paint touch-up applicator		X	
	911 095 932 20 041	Black			A 1
	911 095 932 20 80K	guards red (Porsche)			G 1
	911 095 932 20 1S1	Racing Yellow			P 3
	911 095 932 20 C9A	white			0 Q
	911 095 932 20 M3C	Carmine red			0 L
-	911 095 933 20	Paint pen set Set comprising: base paint clear paint		X	
	911 095 933 20 M7Z	GT Silver Metallic			U 2
	911 095 933 20 M5X	Dark blue metallic			N 4
	911 095 933 20 M7S	Achat Grey Metallic			N 0
	911 095 933 20 M7U	Rhodium Silver Metallic			S 2
	911 095 933 20 M5J	Sapphire Blue Metallic			N 1
	911 095 933 20 C9X	Jet Black Metallic			2 T
-	911 095 933 30	Paint pen set Set comprising: Primer filler base paint clear paint		X	
	911 095 933 30 S9R	Carrara White metallic			2 Y

Model: 981GT4

Model life 2016>>2016



Model: 981GT4 Model life 2016>>2016

Pos	Part Number	Description	Remark	Qty	Model
1	9A1 100 924 00	Replacement engine without: flywheel Manual gearbox with: Compressor Air conditioning	MA1.24	1	DBXA+ PR:035,572, 573
1	9A1 100 924 X	D - MJ 2016>> Replacement engine	MA1.24	1	DBXA+ PR:035,572, 573
1	9A1 100 924 01	D - MJ 2016>> Replacement engine	MA1.24	1	DBXA+ PR:035,574
1	9A1 100 924 AX	D - MJ 2016>> Replacement engine	MA1.24	1	DBXA+ PR:035,574
2	9A1 100 924 60	D - MJ 2016>> Base engine comprising: Crankcase housing Connecting rod Crankshaft piston oil pump timing chain Parts kit without: Gaskets	MA1.24	1	DBXA
		also use:	999 075 350 2	18	
			981 111 113 00	2	
			999 170 151 90	6	
			9A1 107 224 00	1	
			996 107 313 51	1	
2	9A1 100 924 RX	Base engine comprising: Crankcase housing Connecting rod Crankshaft piston oil pump timing chain Parts kit without: Gaskets	MA1.24	1	DBXA
		also use:	999 075 350 2	18	
			981 111 113 00	2	
			999 170 151 90	6	
			9A1 107 224 00	1	
			996 107 313 51	1	
-	997 111 107 31	Seal Short block 9A110092460/RX Parts kit for seals also use:	9A1 110 866 04	6	DBXA
			999 701 112 41	6	
			9A1 110 524 02	6	
			900 906 011 02	6	
			9A1 110 520 01	6	
			999 704 020 90	6	
			999 707 643 40	1	
			999 707 404 40	2	

Model: 981GT4 Model life 2016>>2016

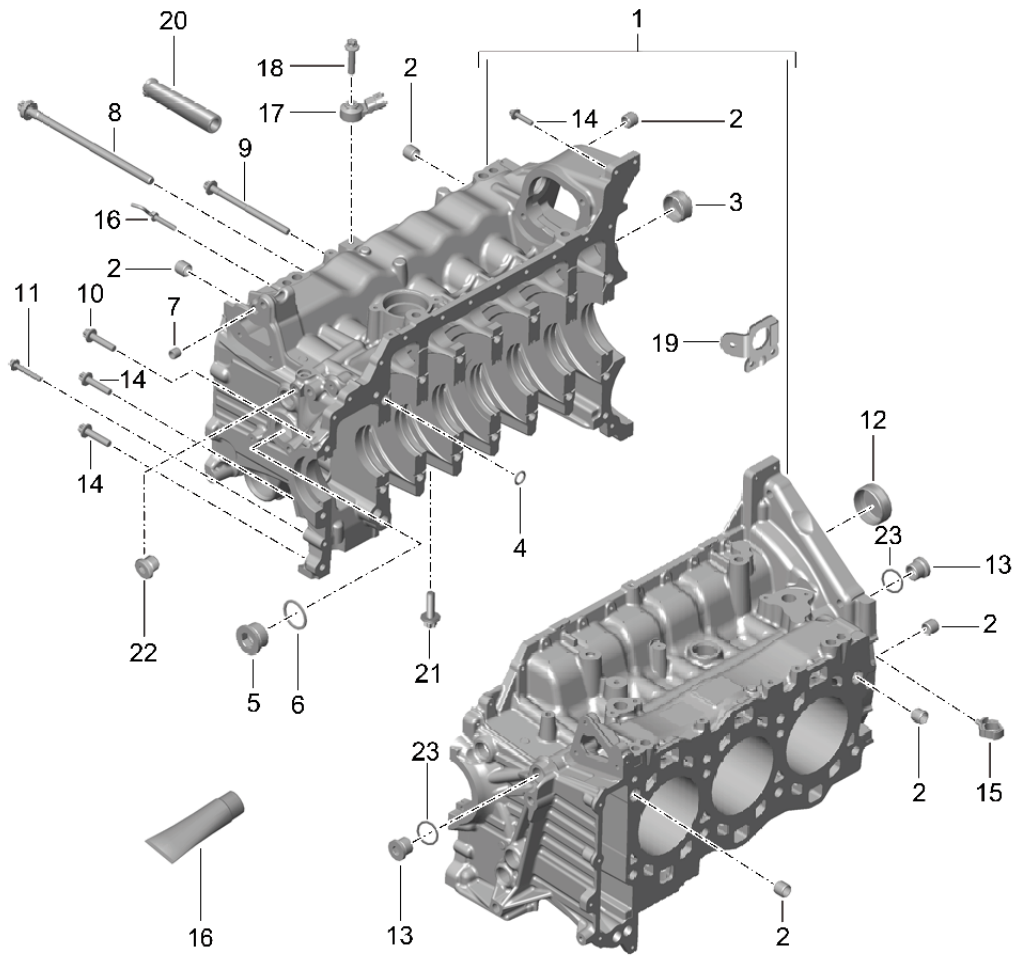
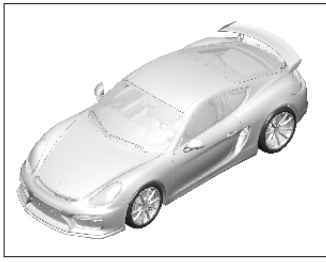
Pos	Part Number	Description	Remark	Qty	Model
-	9A1 110 215 01	Seal intake air distributor Short block 9A110092460/RX Parts kit for seals Accessories	9A1 106 226 03 9A1 106 559 00	1 1 6	DBXA
		also use:	999 707 348 40 9A1 106 215 00 9A1 106 325 00 9A1 106 326 00 9A1 102 312 40 9A1 102 322 40 999 707 604 40 999 707 589 40	1 2 1 1 1 2 2 2	
3	9A1 100 924 50	Short block comprising: Crankcase housing Connecting rod Crankshaft piston oil pump timing chain Parts kit	MA1.24	1	DBXA
		without:	Gaskets		
		also use:	999 075 350 2 981 111 113 00 999 170 151 90 9A1 107 224 00 996 107 313 51 999 107 475 00 999 707 594 40 999 707 595 40	18 2 6 1 1 2 1 1	
3	9A1 100 924 TX	Short block comprising: Crankcase housing Connecting rod Crankshaft piston oil pump timing chain Parts kit	MA1.24	1	DBXA
		without:	Gaskets		
		also use:	999 075 350 2 981 111 113 00 999 170 151 90 9A1 107 224 00 996 107 313 51 999 107 475 00 999 707 594 40 999 707 595 40	18 2 6 1 1 2 1 1	
-	9A1 104 141 04	Cylinder head gasket Short block 9A110092450/TX Parts kit for seals	9A1 104 140 04 9A1 110 866 04 999 701 112 41 9A1 110 524 02 900 906 011 02	1 6 6 6 6	DBXA
		also use:			

Model: 981GT4 Model life 2016>>2016

Pos	Part Number	Description	Remark	Qty	Model	
-	9A1 110 215 01	Seal intake air distributor Short block 9A110092450/TX Parts kit for seals Accessories	9A1 110 520 01 999 704 020 90 999 707 643 40 999 707 404 40 997 111 107 31 9A1 105 731 03 9A1 105 732 03 9A1 106 226 03 9A1 106 559 00 000 043 207 31	6 6 1 2 2 1 1 1 1 1 X 6	DBXA	
		also use:	999 707 348 40 9A1 106 215 00 9A1 106 325 00 9A1 106 326 00 9A1 102 312 40 9A1 102 322 40 999 707 604 40 9A1 105 339 00 999 707 636 40 999 707 505 40 999 707 504 40 999 707 589 40	1 2 1 1 1 2 2 1 2 1 1 2		
-	9A1 105 153 04	slide rail Short block 9A110092450/TX Parts kit chain tensioner	also use:	9A1 105 155 04 9A1 105 101 03 999 707 346 40 900 123 011 21 999 701 066 40	2 2 6 2 2	DBXA

Model: 981GT4

Model life 2016>>2016

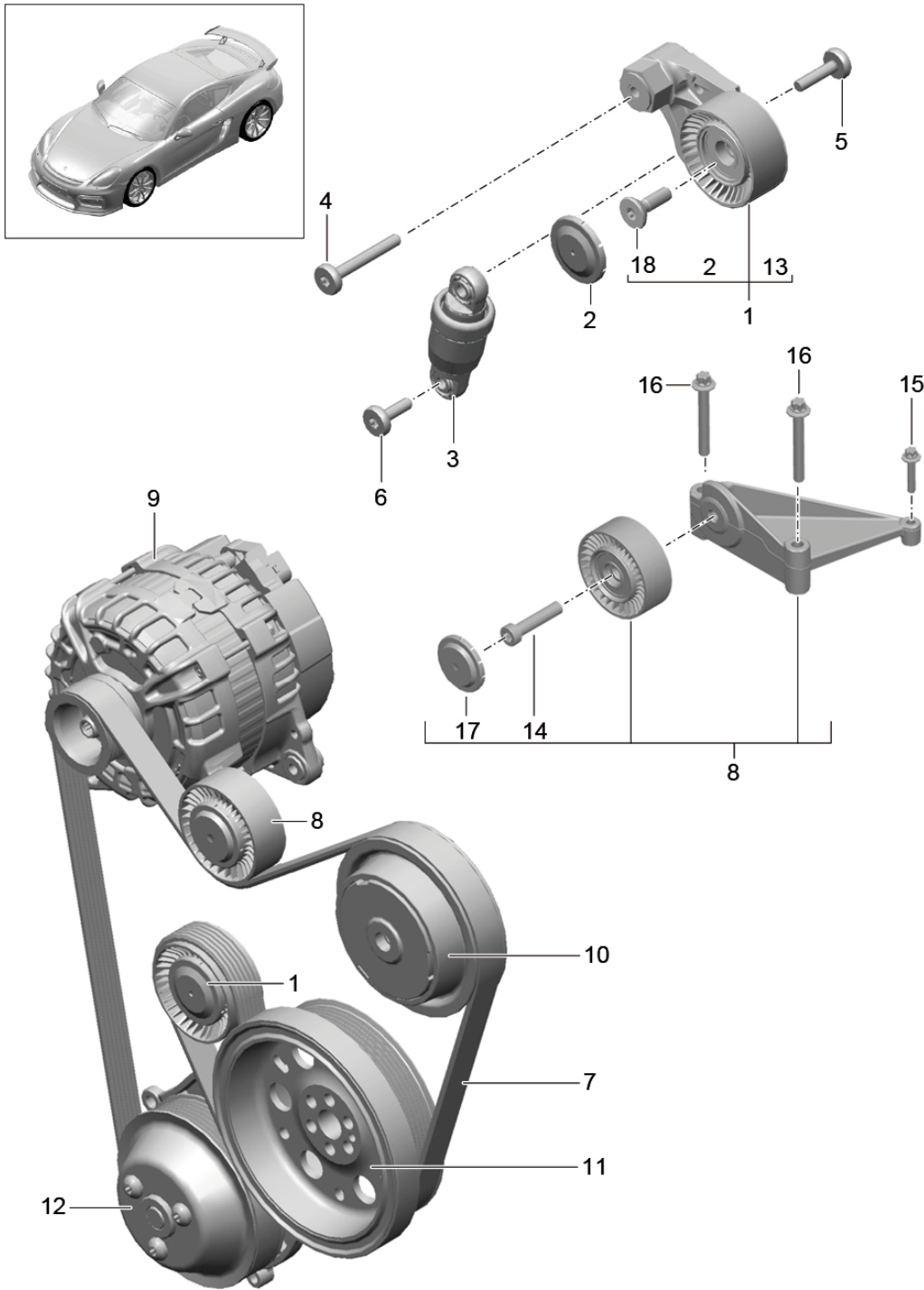


Model: 981GT4 Model life 2016>>2016

Pos	Part Number	Description	Remark	Qty	Model
1	9A1 101 938 83	Crankcase housing		1	
2	014 301 153 B	dowel sleeve		6	
3	9A1 101 215 01	End cap		1	
4	999 707 568 40	O-ring 12,0 X 3,0		1	
5	900 219 025 30	sealing plug M 30 X 1,5		1	
6	900 123 015 30	seal ring A 30 X 36		1	
7	999 095 063 01	dowel sleeve M 6 X 10		1	
8	9A1 101 250 01	Outer hexagon round screw M 10 X 1,5 X 195		14	
8	WHT 008 240	Bolt with washer Washer M 10 X 1,5 X 195		14	
9	900 385 281 01	Torx screw M 8 X 120		1	
10	900 385 042 01	Torx screw M 8 X 35		3	
11	900 385 045 01	Torx screw M 6 X 40		1	
12	9A1 101 216 01	End cap M 8 X 35		1	
13	999 063 039 01	sealing plug M 20 X 1,5 X 18		2	
14	900 385 072 01	Torx screw M 6 X 25		14	
15	999 507 075 40	Cable holder		1	
16	000 043 207 31	sealant 80 ML		X	
17	997 606 121 00	Knock sensor		2	
18	900 385 042 01	Torx screw M 8 X 35		2	
19	9A1 101 213 22	Transportation shackle		1	
20	9A1 101 511 01	reducing piece		12	
21	900 385 019 01	Torx screw BM 6 X 20		6	
22	999 063 036 01	sealing plug M 10 X 1,0 X 11,0		4	
23	900 123 159 20	seal ring D 20 X 24		2	

Model: 981GT4

Model life 2016>>2016

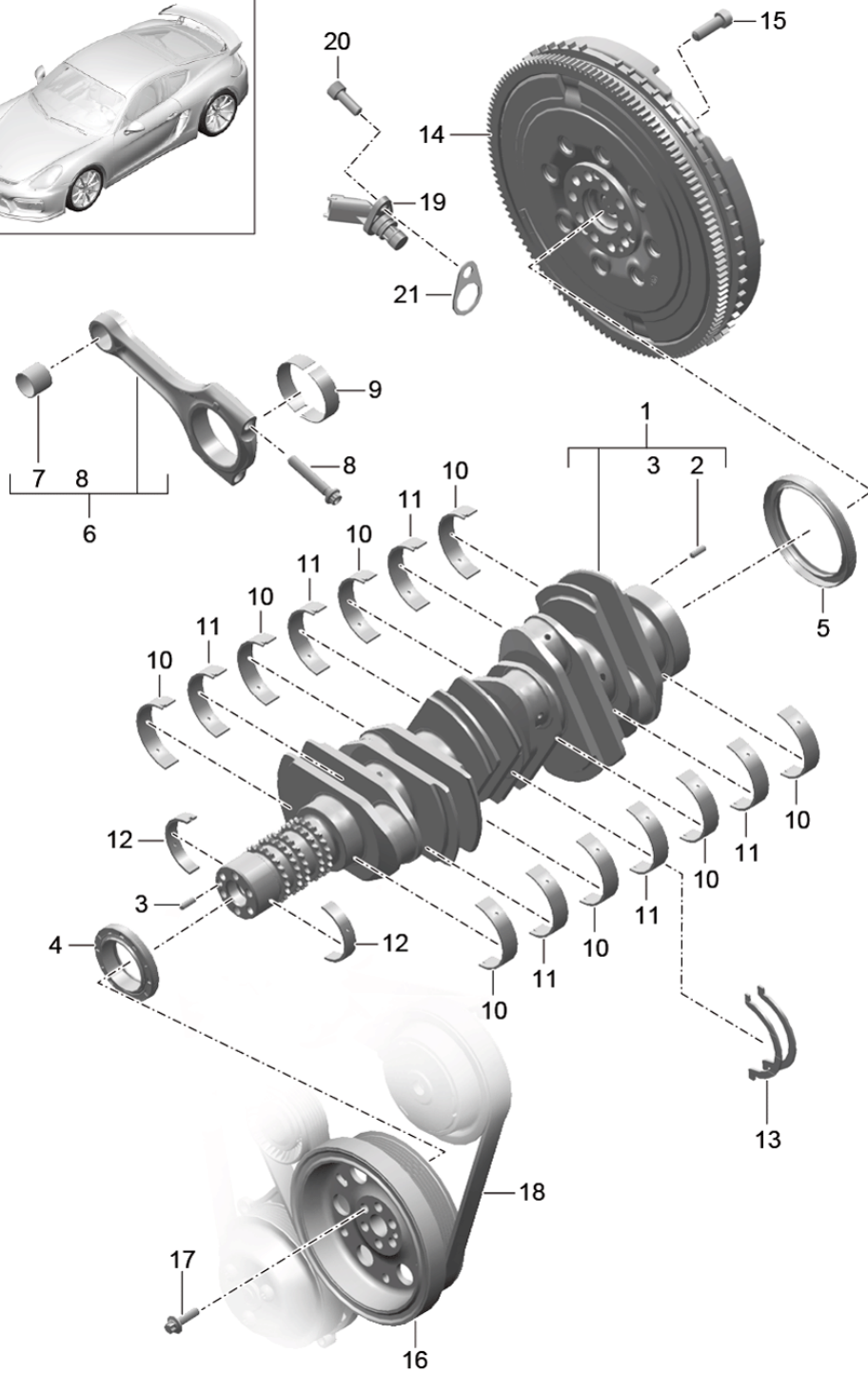
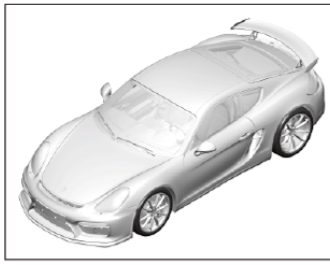


Model: 981GT4 Model life 2016>>2016

Pos	Part Number	Description	Remark	Qty	Model
1	9A2 102 211 00	Belt tensioner v-belt lever Tensioning roller		1	
		also use:	9A1 102 212 00 999 073 579 01 948 102 839 00		
2	948 102 839 00	Protective cap		1	
3	948 102 261 00	tensioner Hydraulic		1	
4	999 073 411 01	Hexagon socket flat head bolt M 8 X 60		1	
5	999 073 246 02	Hexagon socket head bolt M 8 X 33		1	
6	999 073 412 01	Torx screw M 8 X 26		1	
7	9A1 102 218 00	v-belt		1	
8	9A1 102 030 01	Console and track roller		1	
9		Alternator		1	
		see illustration:	902-005		
10		pulley Compressor		1	
		see illustration:	813-015		
11		pulley Crankshaft		1	
		see illustration:	102-000		
12		pulley Coolant pump		1	
		see illustration:	105-000		
13	9A1 102 212 00	Tensioning roller		1	
14	999 073 579 01	round hd. screw M 10 X 30		1	
15	900 385 048 01	Torx screw M6 X 30		1	
16	900 385 091 01	Hexagon head bolt M8 X 60		2	
17	03G 145 291	Protective cap		1	
18	900 385 042 01	Torx screw BM 8X35		1	

Model: 981GT4

Model life 2016>>2016



Model: 981GT4 Model life 2016>>2016

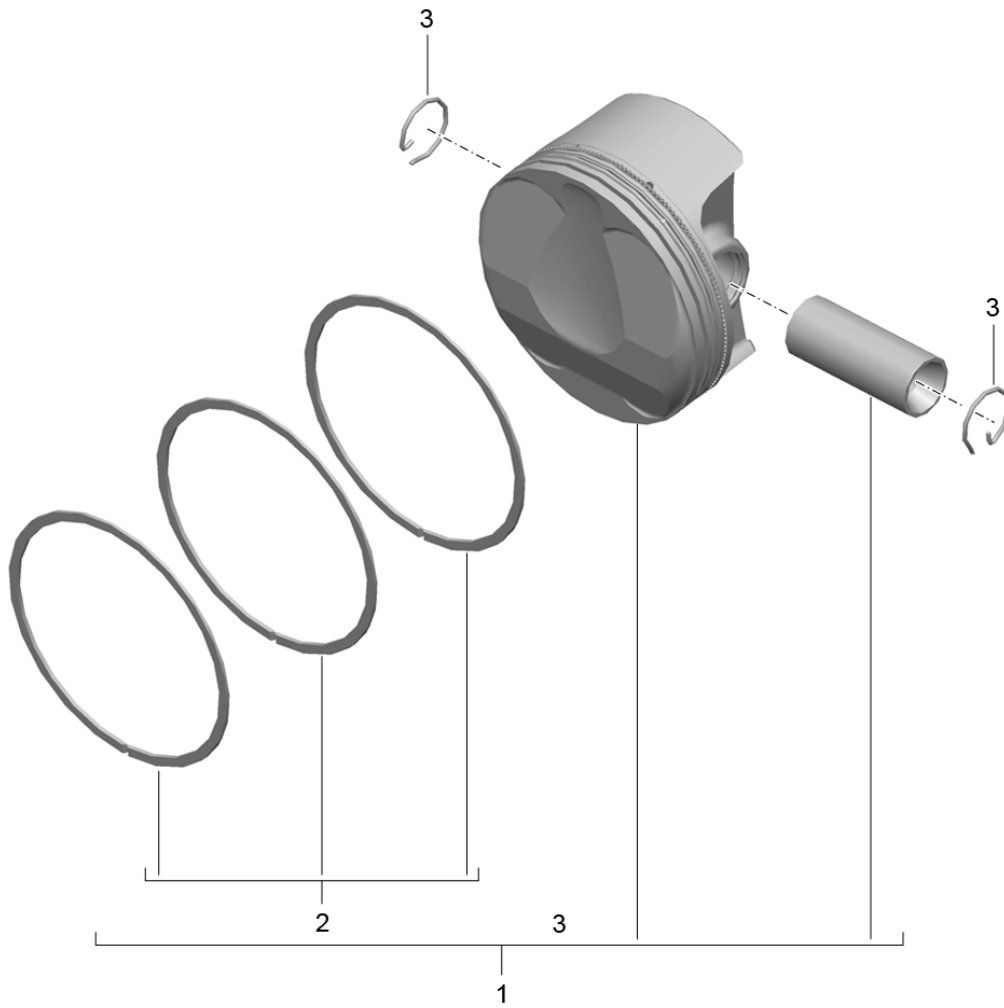
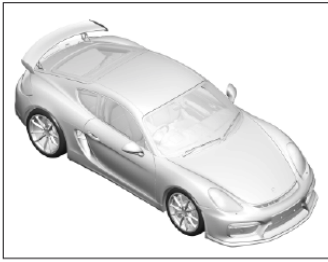
Pos	Part Number	Description	Remark	Qty	Model
1	9A1 102 077 20	Crankshaft		1	
2	900 095 031 00	Spring pin 6,0 X 16,0		1	
3	900 302 016 00	Cylinder pin 6,0 X 16,0		1	
4	9A1 101 222 02	Shaft oil seal 52,5 X 9		1	
5	997 101 212 01	Shaft oil seal 85 X 105 X 11		1	
6	9A1 103 914 02	Connecting rod Set comprising: Connecting rods		1	
7	9A1 103 122 02	bush - connecting rod D = 22		6	
8	9A1 103 115 02	bolt - connecting rod M 10 X 1,25 X 51		12	
9	9A1 103 053 03	connecting rod bearing shell Identification: >> >> red		12	
(9)	9A1 103 053 04	connecting rod bearing shell Identification: >> >> yellow		12	
(9)	9A1 103 053 05	connecting rod bearing shell Identification: >> >> blue		12	
10	9A1 101 064 00	crankshaft bearing Identification: >> >> red		8	
(10)	9A1 101 064 01	crankshaft bearing Identification: >> >> yellow		8	
(10)	9A1 101 064 02	crankshaft bearing Identification: >> >> blue		8	
11	9A1 101 063 00	crankshaft bearing with: Partial-groove Identification: >> >> red		6	
(11)	9A1 101 063 01	crankshaft bearing with: Partial-groove Identification: >> >> yellow		6	
(11)	9A1 101 063 02	crankshaft bearing with: Partial-groove Identification: >> >> blue		6	
12	9A1 101 052 03	crankshaft bearing Identification: >> >> red		2	
(12)	9A1 101 052 04	crankshaft bearing Identification: >> >> yellow		2	
(12)	9A1 101 052 05	crankshaft bearing Identification: >> >> blue		2	
13	996 101 132 00	thrust washer D = 63		2	
14	981 114 012 80	Dual-mass flywheel		1	

Model: 981GT4 Model life 2016>>2016

Pos	Part Number	Description	Remark	Qty	Model
15	N 906 651 01	Socket head bolt with inner multipoint head		10	
16	9A1 102 146 03	M 10 X 1 X 29 pulley		1	
		with:			
17	900 385 127 02	vibration damper Hexagon head bolt		6	
18		M 8 X 25 v-belt			
19	991 606 112 02	see illustration: speed sensor	101-010	1	
		also use:	991 606 912 00	1	
		when using:	981 300 020 22		
			981 300 020 BX		
			981 300 020 23		
			981 300 020 CX		
19	991 606 112 02	speed sensor		1	
		when using:	981 300 020 24		
			981 300 020 DX		
20	N 105 464 03	Hexagon socket head bolt		1	
21	991 606 912 00	M 6 X 16 Shim speed sensor		1	

Model: 981GT4

Model life 2016>>2016



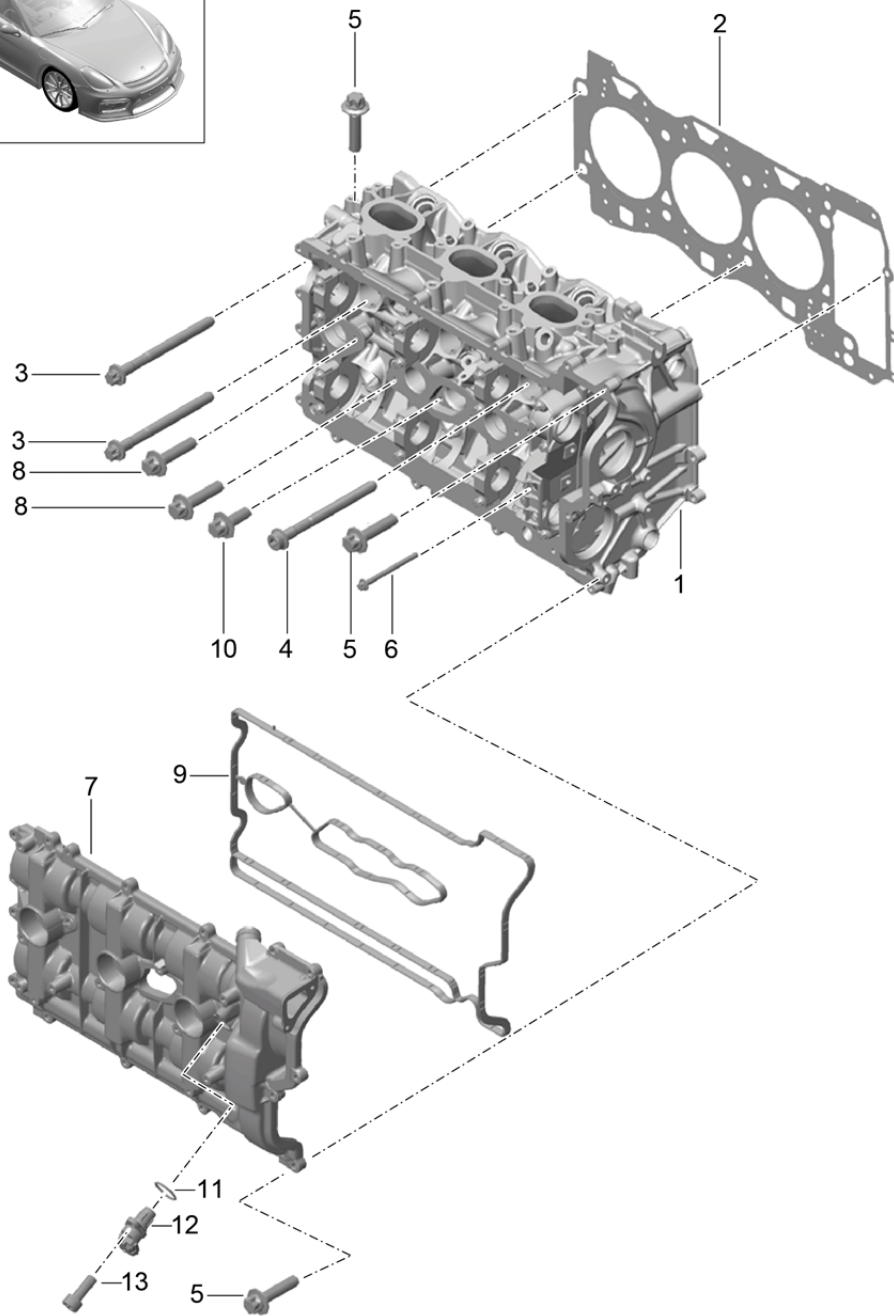
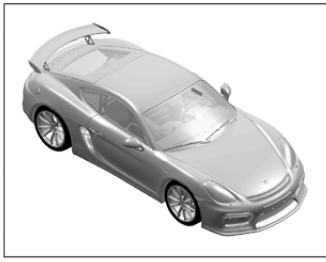
Model: 981GT4

Model life 2016>>2016

Pos	Part Number	Description	Remark	Qty	Model
1	9A1 103 938 00	piston piston Tolerance range X Identification: >> >> -		6	
(1)	9A1 103 938 50	piston Tolerance range X Identification: >> >> +		6	
2	9A1 103 075 02	1 set: piston rings		6	
3	9A1 103 141 01	Securing ring		12	

Model: 981GT4

Model life 2016>>2016



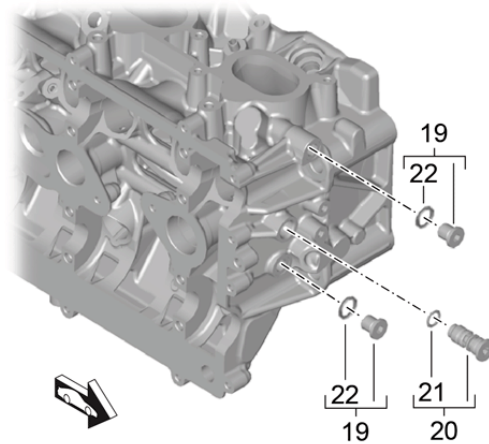
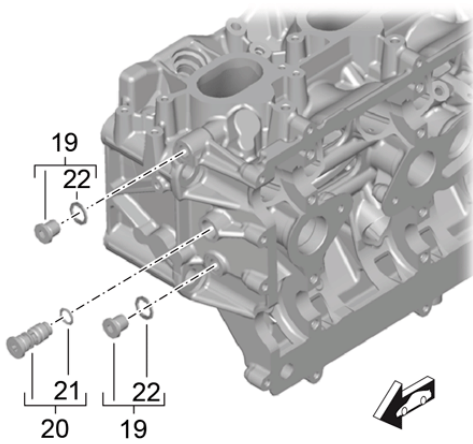
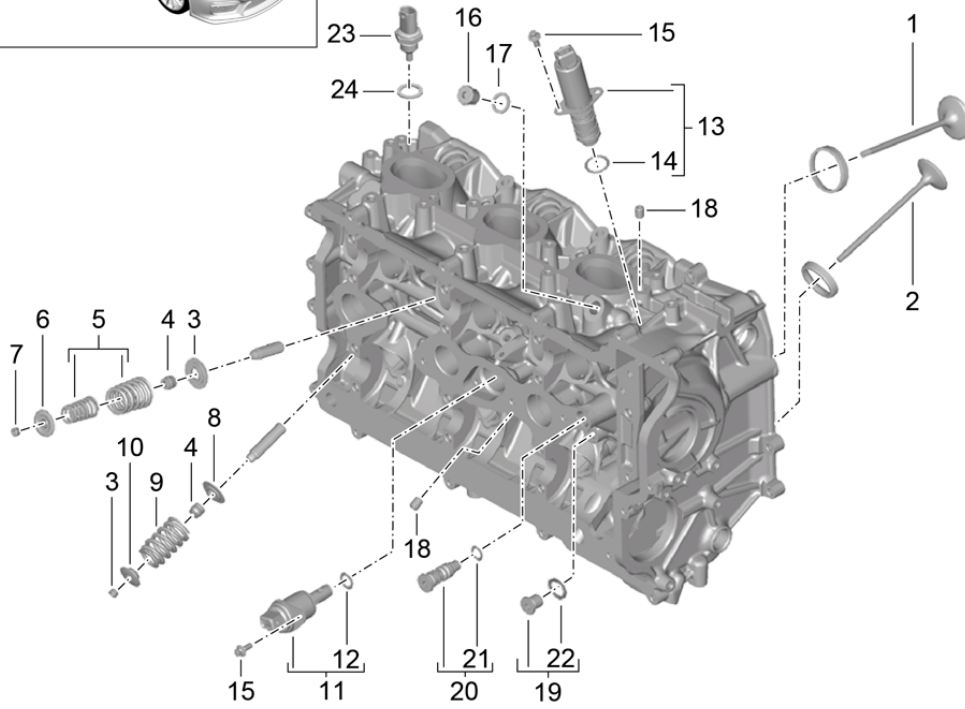
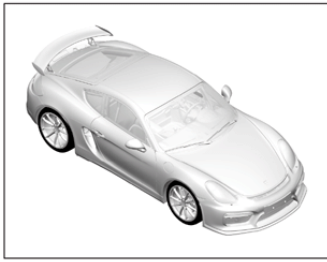
Model: 981GT4

Model life 2016>>2016

Pos	Part Number	Description	Remark	Qty	Model
		Cylinder head with: Valves Cylinder head gasket Valve cover			
1	9A1 104 911 15	Cylinder head Cyl. 1 - 3		1	
(1)	9A1 104 912 15	Cylinder head Cyl. 4 - 6		1	
2	9A1 104 141 04	Cylinder head gasket Cyl. 1 - 3		1	
(2)	9A1 104 140 04	Cylinder head gasket Cyl. 4 - 6		1	
3	9A1 104 191 00	Torx screw M 12 X 1,5 X 140		4	
4	9A1 104 191 02	Torx screw M 12 X 1,5 X 140		12	
5	900 385 072 01	Torx screw M 6 X 25		11	
6	900 385 108 02	Torx screw M 6 X 80		2	
7	9A1 105 231 04	Valve cover Cyl. 1 - 3		1	
(7)	9A1 105 232 04	Valve cover Cyl. 4 - 6		1	
8	9A1 107 313 01	Torx screw M 6 X 25		40	
9	9A1 105 731 03	Seal Valve cover Cyl. 1 - 3		1	
(9)	9A1 105 732 03	Seal Valve cover Cyl. 4 - 6		1	
10	900 385 112 01	Torx screw M 5 X 12		8	
11	999 707 404 40	O-ring 17,05 X 1,78 To Use 997.606.106.03		2	
12	997 606 106 03	No longer use the part here Hall sensor		2	
13	N 105 464 03	Hexagon socket head bolt M 6 X 16		2	

Model: 981GT4

Model life 2016>>2016

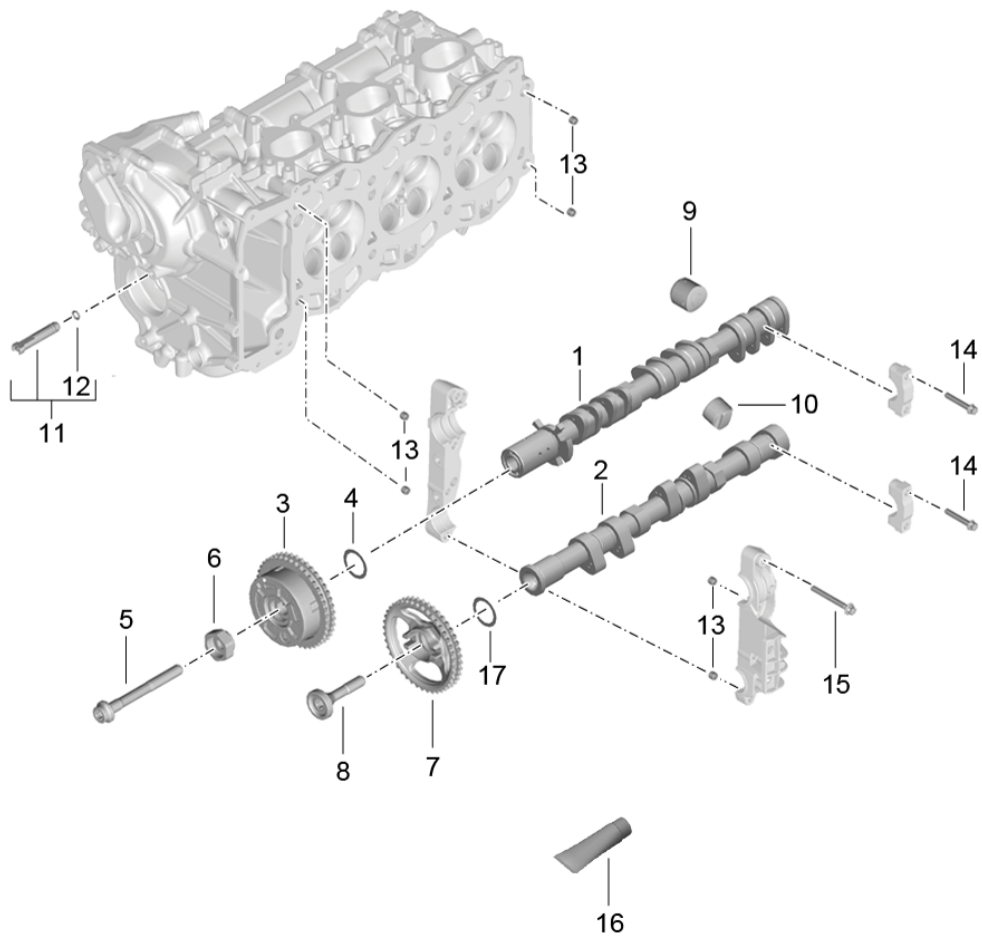
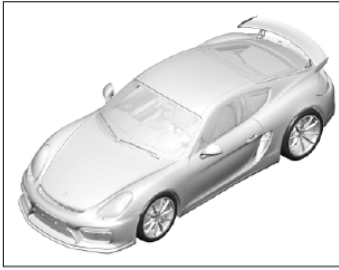


Model: 981GT4 Model life 2016>>2016

Pos	Part Number	Description	Remark	Qty	Model
		Cylinder head Accessories Valves			
1	9A1 105 310 02	Inlet valve		12	
2	9A1 105 320 02	exhaust valve		12	
3	9A1 105 151 00	spring disc Intake	lower	12	
4	996 105 115 52	Valve stem seal		24	
5	9A1 105 110 01	1 set of valve springs Intake		12	
6	9A1 105 150 00	spring disc Intake	upper	12	
7	996 105 123 52	cotter, split		48	
8	948 105 153 01	spring disc Exhaust	lower	12	
9	9A1 105 181 00	Valve spring Exhaust		12	
10	9A1 105 121 00	spring disc Exhaust	upper	12	
11	9A1 105 308 03	throttle control element VVS		2	
12	900 331 057 40	O-ring 11,2 X 2,65		2	
13	9A1 105 304 04	throttle control element NVS		2	
14	999 707 446 40	O-ring 18 X 2,5		2	
15	900 385 112 01	Torx screw M 5 X 12 No longer use the part here		8	
15	999 073 650 01	Torx screw	M5X12	1	
16	999 063 038 01	sealing plug		2	
17	900 123 111 21	seal ring 14 X 18		2	
18	999 063 035 02	sealing plug M 8 X 1,0 Cyl. 1 - 3		3	
(18)	999 063 035 02	sealing plug M 8 X 1,0 Cyl. 4 - 6		4	
19	999 063 037 01	sealing plug M 12 X 1,5 X 15		5	
20	9A1 104 250 01	choke		4	
21	999 707 577 40	O-ring 10 X 2,5N		4	
22	900 123 161 20	seal ring 12 X 16		5	
23	948 606 420 01	Temperature sensor Coolant		1	
24	900 123 111 21	seal ring 14 X 20		1	

Model: 981GT4

Model life 2016>>2016



Model: 981GT4 Model life 2016>>2016

Pos	Part Number	Description	Remark	Qty	Model
1	9A1 105 275 01	Camshaft Hydraulic tappet camshaft adjuster unit		1	
(1)	9A1 105 276 01	Camshaft Intake Cyl. 1 - 3		1	
2	9A1 105 277 01	Camshaft Exhaust Cyl. 1 - 3		1	
(2)	9A1 105 278 01	Camshaft Exhaust Cyl. 4 - 6		1	
3	9A1 105 053 02	camshaft adjuster unit		2	
4	9A1 105 403 02	Washer for camshaft camshaft adjuster unit 34,0 X 0,1		2	
5	9A1 105 254 03	Torx screw M 12 X 50		2	
6	9A1 105 245 10	Sleeve camshaft adjuster unit		2	
7	9A1 105 147 02	Chain sprocket Camshaft Exhaust Cyl. 1 - 3		1	
(7)	9A1 105 148 02	Chain sprocket Camshaft Exhaust Cyl. 4 - 6		1	
8	9A1 105 255 02	Torx screw		2	
9	9A1 105 070 04	Hydraulic tappet Intake		12	
10	9A1 105 071 01	Hydraulic tappet Exhaust		12	
11	9A1 104 402 02	oil pipe Cyl. 4 - 6		1	
12	999 707 576 40	O-ring 7,0 X 2,5		1	
13	999 095 075 01	dowel sleeve 8 X 7		32	
14	999 073 450 01	Outer hexagon round screw M 6 X 37 X 25		24	
15	900 385 111 01	Torx screw BM 6 X 55		8	
16	000 043 024 00	Extreme-pressure grease 1 tube 80 GR. for		1	
17	9A1 105 403 10	Camshaft Washer for camshaft camshaft adjuster unit 33,4 X 0,5		2	

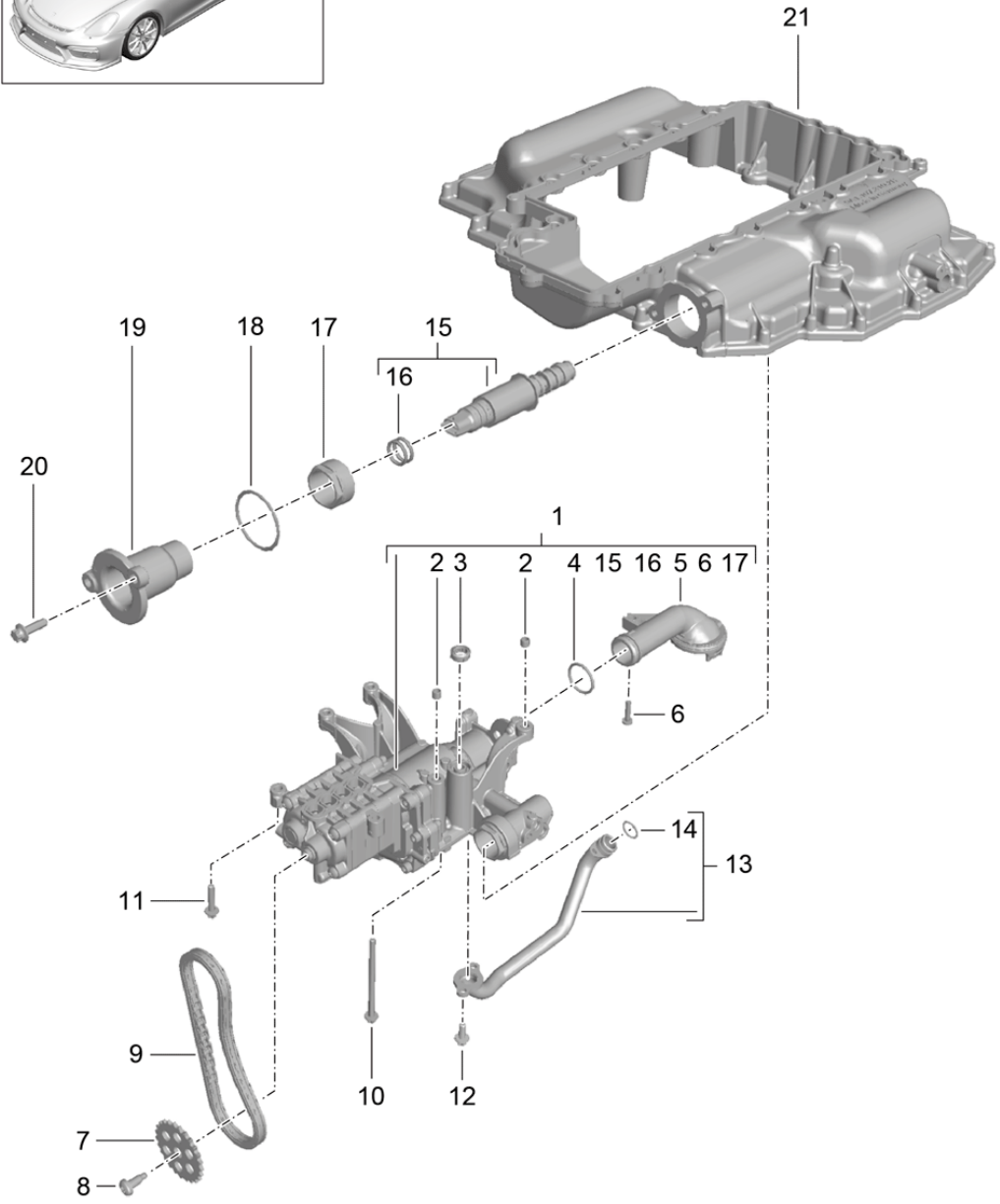
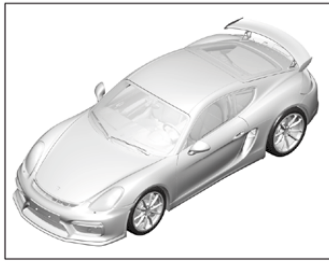
Model: 981GT4

Model life 2016>>2016

Pos	Part Number	Description	Remark	Qty	Model
1	9A1 105 142 03	Valve control timing chain Camshaft Crankshaft		2	
2	9A1 105 062 01	Socket head bolt Tensioner blade		6	
3	999 707 346 40	O-ring 15,0 X 3,0		X	
4	9A1 105 157 02	chain tensioner		2	
5	9A1 105 153 04	slide rail		2	
6	9A1 105 155 04	Tensioner blade		2	
7	9A1 105 165 02	spacer sleeve		1	
8	9A1 105 063 01	Screw		1	
9	9A1 105 101 03	slide rail		2	
10	9A1 105 233 02	timing chain oil pump Crankshaft		1	
11	9A1 105 235 02	Tensioner blade		1	
12	900 123 118 30	seal ring A 22 X 27		2	
13		Crankshaft			
		see illustration:	102-000		
14		oil pump			
		see illustration:	104-000		
15	999 701 066 40	O-ring 20 X 1,3		2	

Model: 981GT4

Model life 2016>>2016



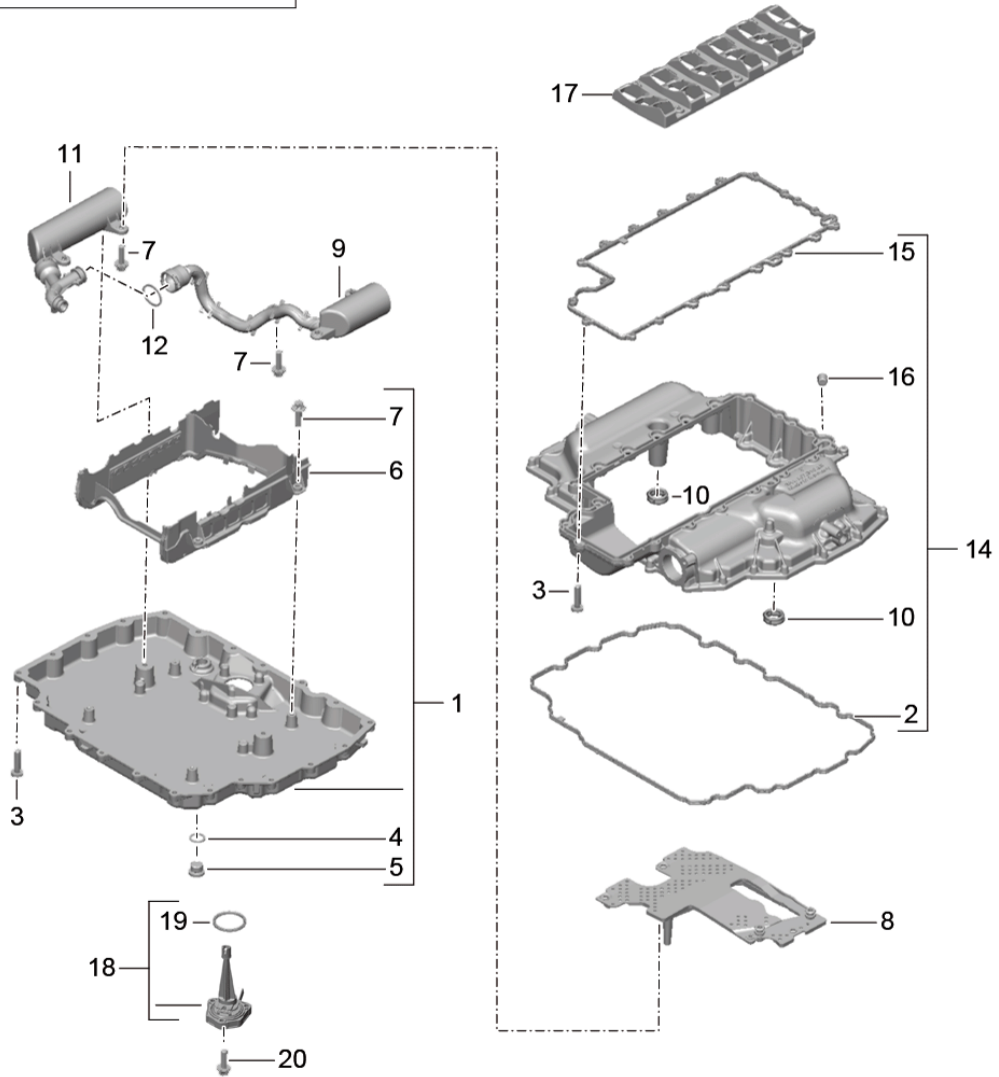
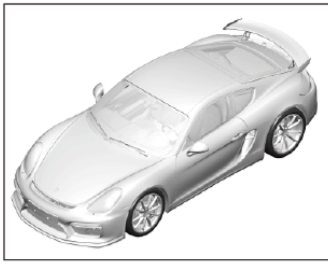
Model: 981GT4

Model life 2016>>2016

Pos	Part Number	Description	Remark	Qty	Model
1	9A1 107 050 11	oil pump oil pump Discontinued part		1	
1	9A1 107 050 12	oil pump		1	
2	996 106 103 50	dowel sleeve 8,2 X 7,0		2	
3	9A1 107 327 00	seal ring		1	
4	999 707 375 40	O-ring 30,00 X 3,00		1	
5	9A1 107 075 10	Suction tube		1	
6	999 073 102 01	flat round head bolt M6 X 25		1	
7	9A1 105 225 02	Chain sprocket		1	
8	999 073 380 01	oil pump Torx screw M8 X 22		1	
9		Chain oil pump			
10	900 385 126 01	see illustration: Torx screw M6 X 95	103-015	1	
11	900 385 048 01	Torx screw M6 X 30		5	
12	900 385 009 01	Torx screw BM 6 X 25		1	
13	9A1 107 025 01	oil pipe oil pump Crankcase housing		1	
14	999 707 575 40	O-ring 20,00 X 3,00		1	
15	948 107 113 11	Solenoid valve		1	
16	999 707 567 40	O-ring 17,00 X 3,00		2	
17	999 261 024 01	Union nut M36 X 1,0 X 12		1	
18	999 707 570 40	O-ring 44,00 X 3,00		1	
19	9A1 107 330 01	Sealing flange control valve		1	
20	900 385 019 01	Torx screw M6 X 20		2	
21		oil sump Upper part see illustration:	104-002		

Model: 981GT4

Model life 2016>>2016



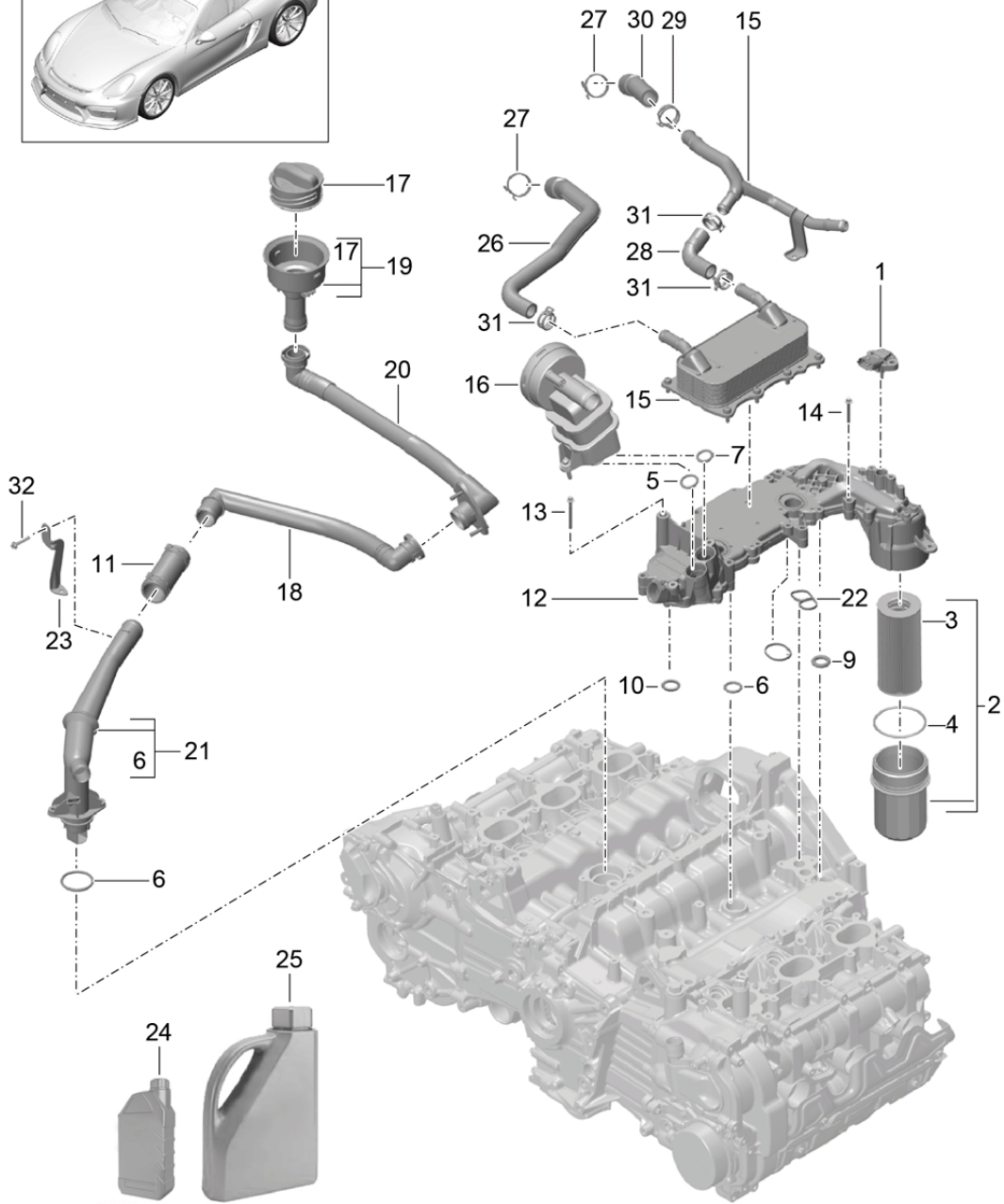
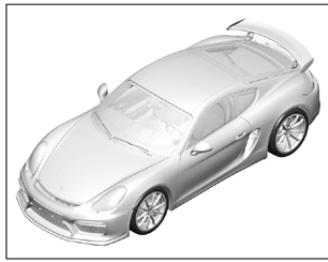
Model: 981GT4

Model life 2016>>2016

Pos	Part Number	Description	Remark	Qty	Model
1	9A1 107 032 76	oil sump oil sump Lower part		1	
2	9A1 107 325 02	gasket for oil sump		1	
3	9A1 107 313 01	Torx screw M 6 X 25		44	
4	900 123 106 30	seal ring A 18 X 24		1	
5	900 219 020 31	sealing plug M 18 X 1,5		1	
6	9A1 107 243 75	filler plate		1	
7	900 385 019 01	Torx screw M6 X 20		6	
8	9A1 107 420 01	oil separator		1	
9	9A1 107 383 01	oil separator		1	
10	9A1 107 327 00	seal ring		2	
11	9A1 107 380 01	oil separator		1	
12	999 707 651 40	O-ring 20,0 X 3,8		2	
14	9A1 107 031 20	oil sump-upper part		1	
15	9A1 107 315 03	gasket for oil sump		1	
16	900 063 010 01	sealing plug M8 X 1,0		1	
17	9A1 101 010 01	oil separator		1	
18	958 606 160 10	oil level sensor		1	
19	038 103 196 B	seal ring		1	
20	900 385 072 01	Torx screw BM 6 X 25		3	

Model: 981GT4

Model life 2016>>2016



Model: 981GT4 Model life 2016>>2016

Pos	Part Number	Description	Remark	Qty	Model
1	948 606 213 00	Engine lubrication		1	
2	9A1 107 024 00	Oil pressure sender		1	
3	9A1 107 224 00	Oil filter set (complete)		1	
		Oil filter insert		1	
		engine oil			
4	996 107 313 51	also use: seal ring	996 107 313 51	1	
		oil filter		1	
5	948 107 175 00	Seal		2	
6	999 707 348 40	heat exchanger		1	
7	999 707 634 40	O-ring 42,00 X 4,00		1	
8	999 707 635 40	O-ring 18,50 X 4,00		1	
9	999 707 594 40	O-ring 21,00 X 4,00		1	
10	999 707 595 40	O-ring 11,00 X 4,00		1	
11	981 107 274 00	O-ring 20,00 X 4,00		1	
		Hose		1	
12	9A1 107 020 12	Oil inlet		1	
13	900 385 276 01	Oil-conducting housing (complete)		1	
14	900 385 125 01	Torx screw M 6 X 60		8	
15	9A1 107 450 10	Torx screw M 6 X 45		1	
16	9A1 107 042 01	heat exchanger		1	
17	981 107 035 06	oil separator		1	
18	981 107 264 01	End cap		1	
19	981 107 160 05	Filler tube engine oil		1	
20	981 107 265 03	Filler tube engine oil		1	
21	9A1 107 016 22	Filler tube engine oil		1	
22	9A1 107 475 00	seal ring		1	
23	9A1 107 216 21	Bracket		1	
24	000 043 301 19	engine oil EXXON MOBIL 1 0W-40 1 LITER Container Information available		X	
25	000 043 301 21	engine oil EXXON MOBIL 1 0W-40 20 LITER Container Information available		X	
26	9A1 106 611 00	Water hose		1	
27	999 512 662 09	Intake Hose clamp B 32 X 12		2	
28	9A1 106 667 00	return line heat exchanger		1	
29	999 512 659 09	Hose clamp B 28 X 12		1	
30	9A1 106 665 00	return line		1	
31	999 512 656 09	Hose clamp B 25 X 12		3	

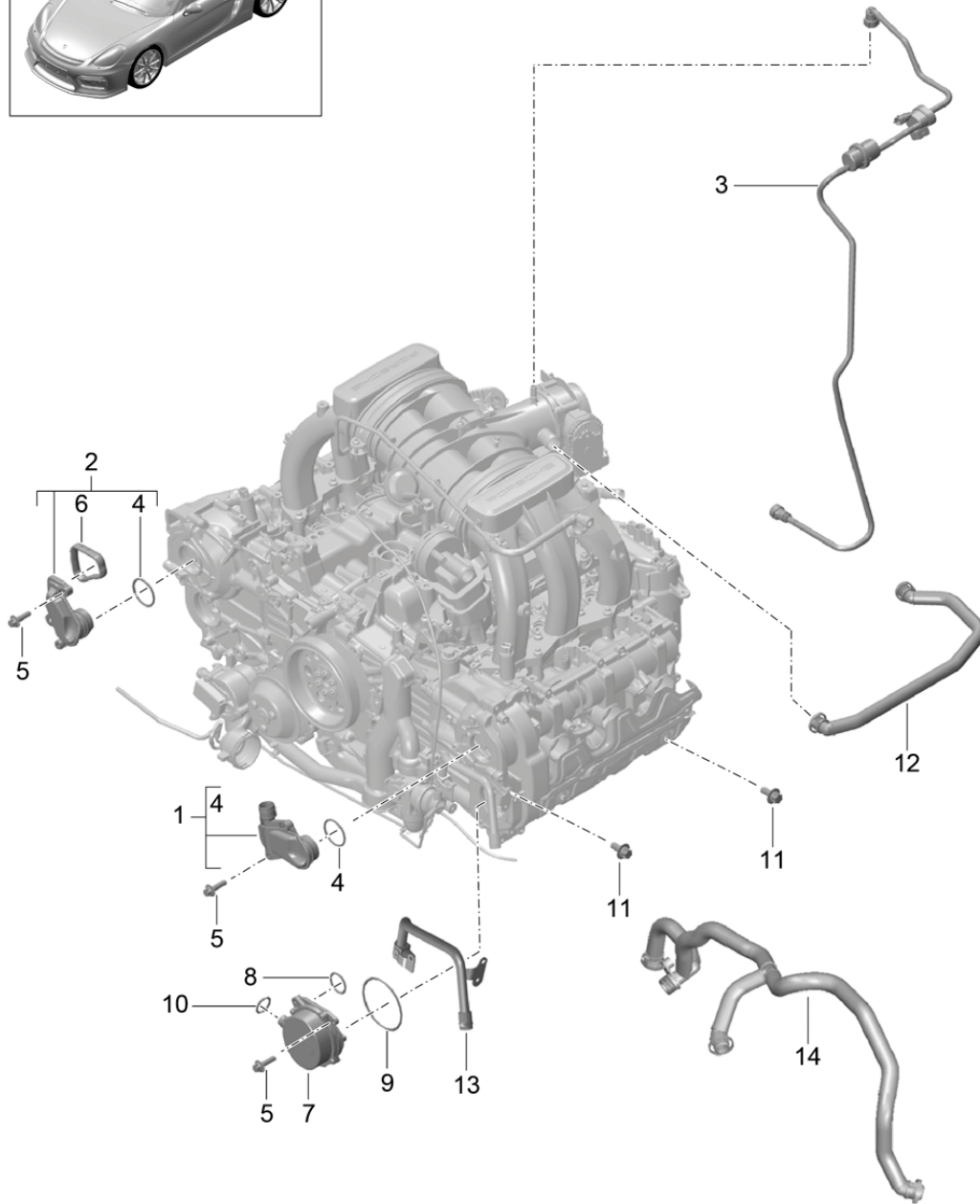
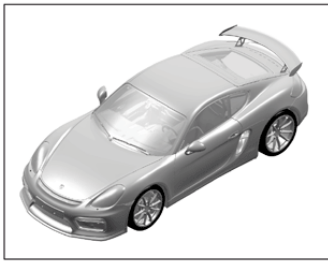
Model: 981GT4

Model life 2016>>2016

Pos	Part Number	Description	Remark	Qty	Model
32	999 919 283 01	Oval-head screw 6,0 X 18,0		1	

Model: 981GT4

Model life 2016>>2016



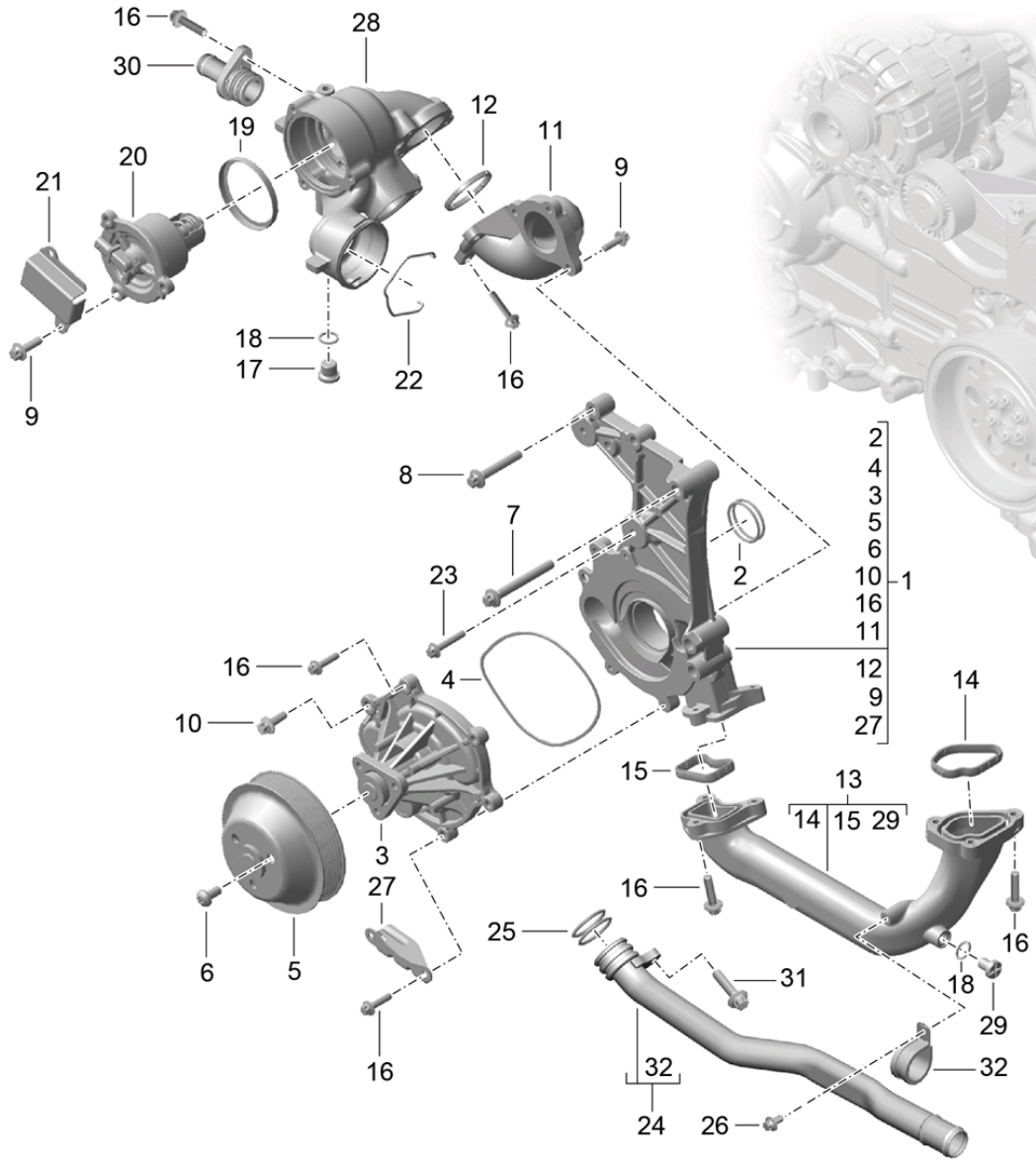
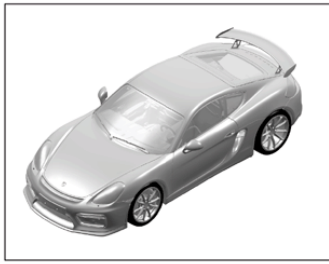
Model: 981GT4

Model life 2016>>2016

Pos	Part Number	Description	Remark	Qty	Model
1	9A1 105 038 00	Crankcase housing Bleeding Tank ventilation Vacuum pump Cover		1	
2	9A1 105 039 00	Crankcase housing Bleeding Cyl. 4 - 6 Cover		1	
3	9A1 110 093 21	Crankcase housing Bleeding Cyl. 1 - 3 Breather line (complete)		1	
4	999 707 636 40	O-ring 44,0 X 3,5N		2	
5	900 385 019 01	Torx screw BM 6 X 20		9	
6	9A1 105 339 00	Seal for Cover		1	
7	9A1 110 090 06	Crankcase housing Vacuum pump for brake servo		1	
8	999 701 504 40	O-ring 10,0 X 2,5		1	
9	999 701 505 40	O-ring 54,0 X 2,5		1	
10	999 701 789 40	O-ring 12,0 X 2,0		2	
11	900 385 041 01	Torx screw M 6 X 12		3	
12	9A1 107 520 20	Breather line Crankcase housing		1	
13	9A1 110 065 21	Vacuum line		1	
14	9A1 107 515 01	Breather line Crankcase housing		1	

Model: 981GT4

Model life 2016>>2016



Model: 981GT4 Model life 2016>>2016

Pos	Part Number	Description	Remark	Qty	Model
1	9A1 106 039 01	Coolant pump thermostat housing Coolant pump housing (complete)		1	
2	999 707 604 40	O-ring 34,0 X 3,0		2	
3	9A1 106 048 02	Coolant pump (complete)		1	
4	9A1 106 217 00	Seal Coolant pump		1	
5	9A1 106 248 00	pulley		1	
6	999 073 104 01	Torx screw M8 X 16		3	
7	900 385 115 01	Torx screw M8 X 70		3	
8	900 385 071 01	Torx screw M8 X 50		3	
9	900 385 019 01	Torx screw M6 X 20		6	
11	9A1 106 238 00	Water pipe		1	
12	9A1 106 215 00	Seal Water pipe		2	
13	9A1 106 026 31	Water pipe		1	
14	9A1 106 326 00	Seal Water pipe		1	
15	9A1 106 325 00	Seal Water pipe		1	
16	900 385 072 01	Torx screw M6 X 25		19	
17	900 219 018 30	sealing plug M14 X 1,5		1	
17	999 063 038 01	No longer use the part here sealing plug M14 X 1,5		1	
18	900 123 104 30	seal ring 14 X 18 No longer use the part here		2	
18	900 123 173 20	seal ring 14 X 18		2	
19	9A1 106 559 00	Seal thermostat		1	
20	9A1 106 226 03	thermostat		1	
21	9A1 106 450 00	Guard plate		1	
22	997 106 802 03	Spring		1	
23	900 385 270 01	Hexagon head bolt M 6 X 35		1	
24	9A1 106 627 33	Water pipe		1	
25	999 707 589 40	O-ring 31 X 3		2	
26	999 919 283 01	Oval-head screw		1	
27	9A1 106 631 00	Bracket		1	
28	9A1 106 022 02	Water guide housing (complete)		1	
		with:			
29	999 926 030 01	thermostat bleeder screw M 10 X 1 X 12,5		1	
30	9A1 106 642 00	connection piece		1	
31	900 385 098 01	Torx screw BM 8 X 25		1	
32		Hose clamp Not available To		1	

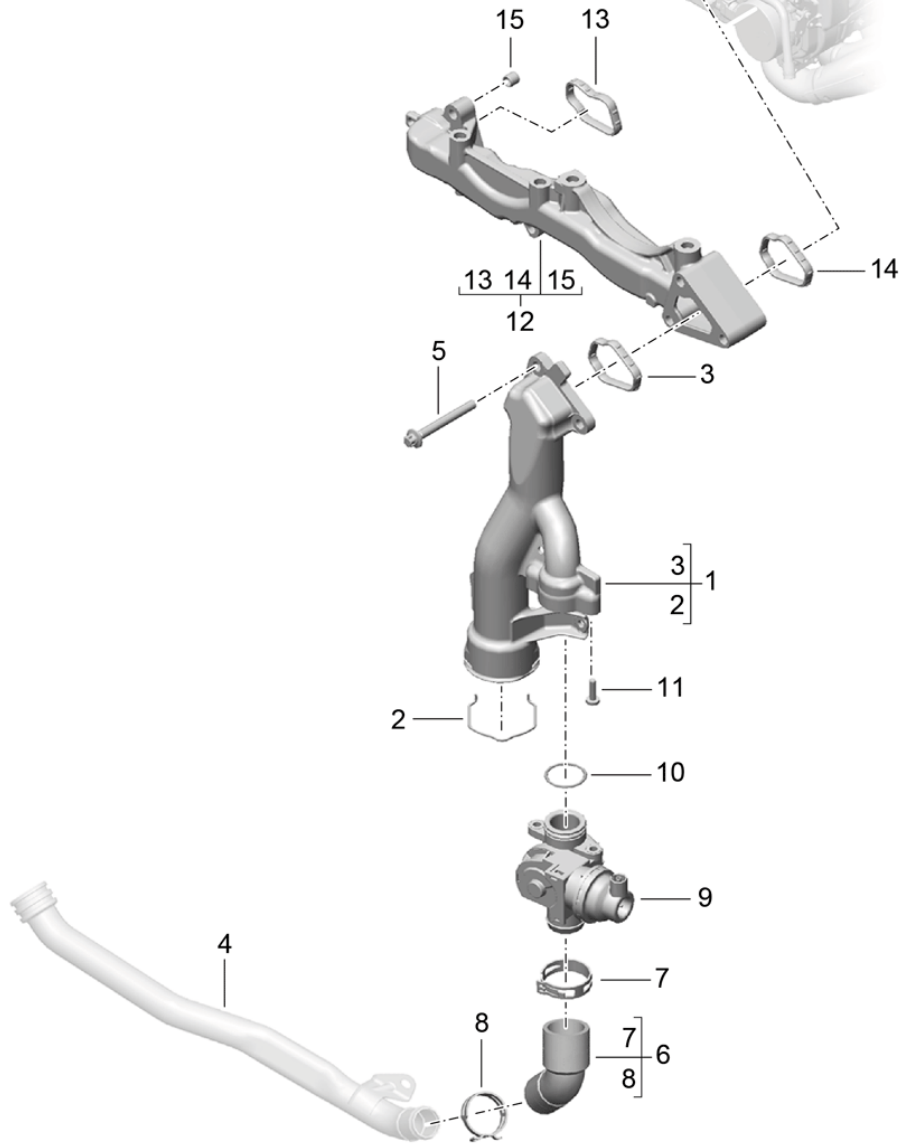
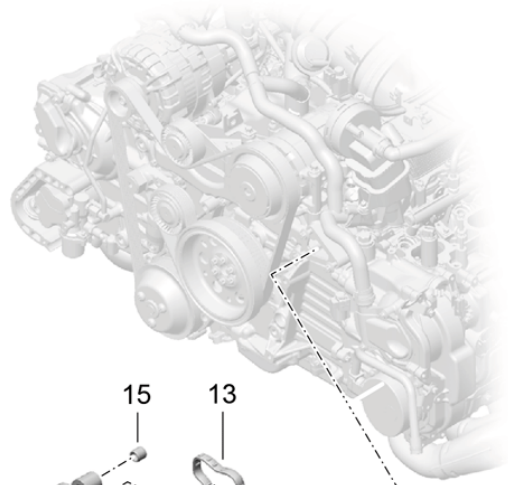
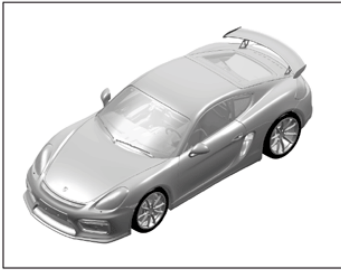
Model: 981GT4

Model life 2016>>2016

Pos	Part Number	Description	Remark	Qty	Model
		Use 9A1.106.627.33			

Model: 981GT4

Model life 2016>>2016



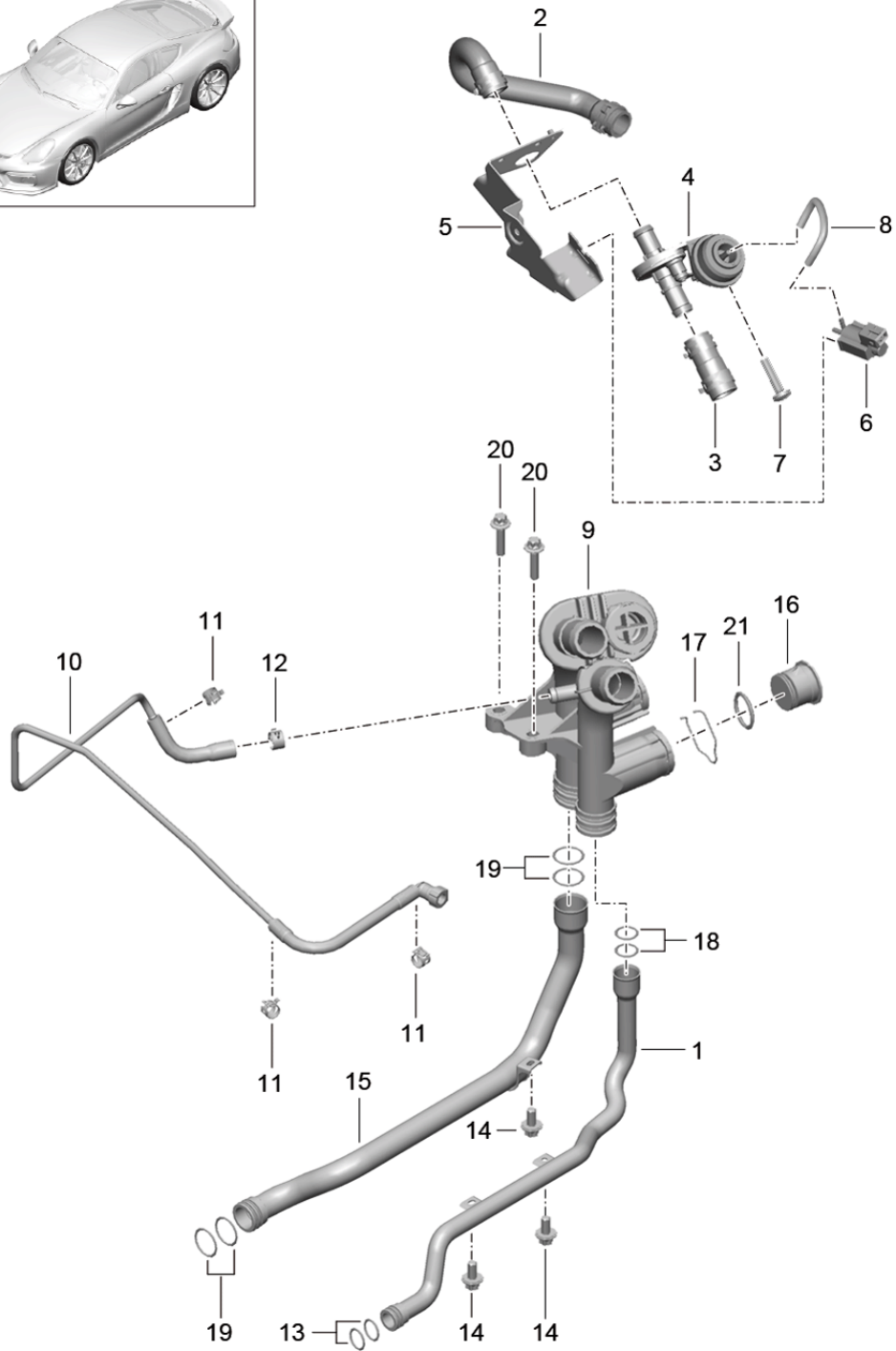
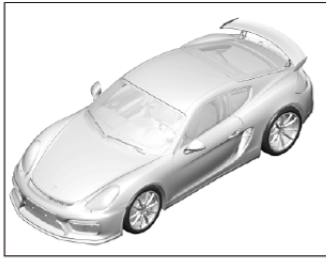
Model: 981GT4

Model life 2016>>2016

Pos	Part Number	Description	Remark	Qty	Model
1	9A1 106 034 31	Assembly carrier		1	
2	997 106 802 03	Water pipe		2	
3	9A1 102 322 40	Cooling water socket		1	
4		Spring		1	
		Seal		1	
		Water pipe		1	
5	900 385 115 01	see illustration:	105-000	3	
		Torx screw			
		M 8 X 70			
6	9A1 106 617 31	Water hose		1	
7	999 512 591 09	Hose clamp		1	
		40 X 12			
8	999 512 709 01	Hose clamp		1	
		35 X 12			
9	9A1 106 555 04	Valve		1	
10	999 707 654 40	O-ring		1	
		29,00 X 4,00			
11	999 073 344 01	flat round head bolt		3	
		M 6 X 20			
12	9A1 102 013 01	Assembly carrier		1	
13	9A1 102 312 40	Seal		1	
14	9A1 102 322 40	Seal		1	
15	999 095 063 03	dowel sleeve		5	
		M 6 X 10			

Model: 981GT4

Model life 2016>>2016

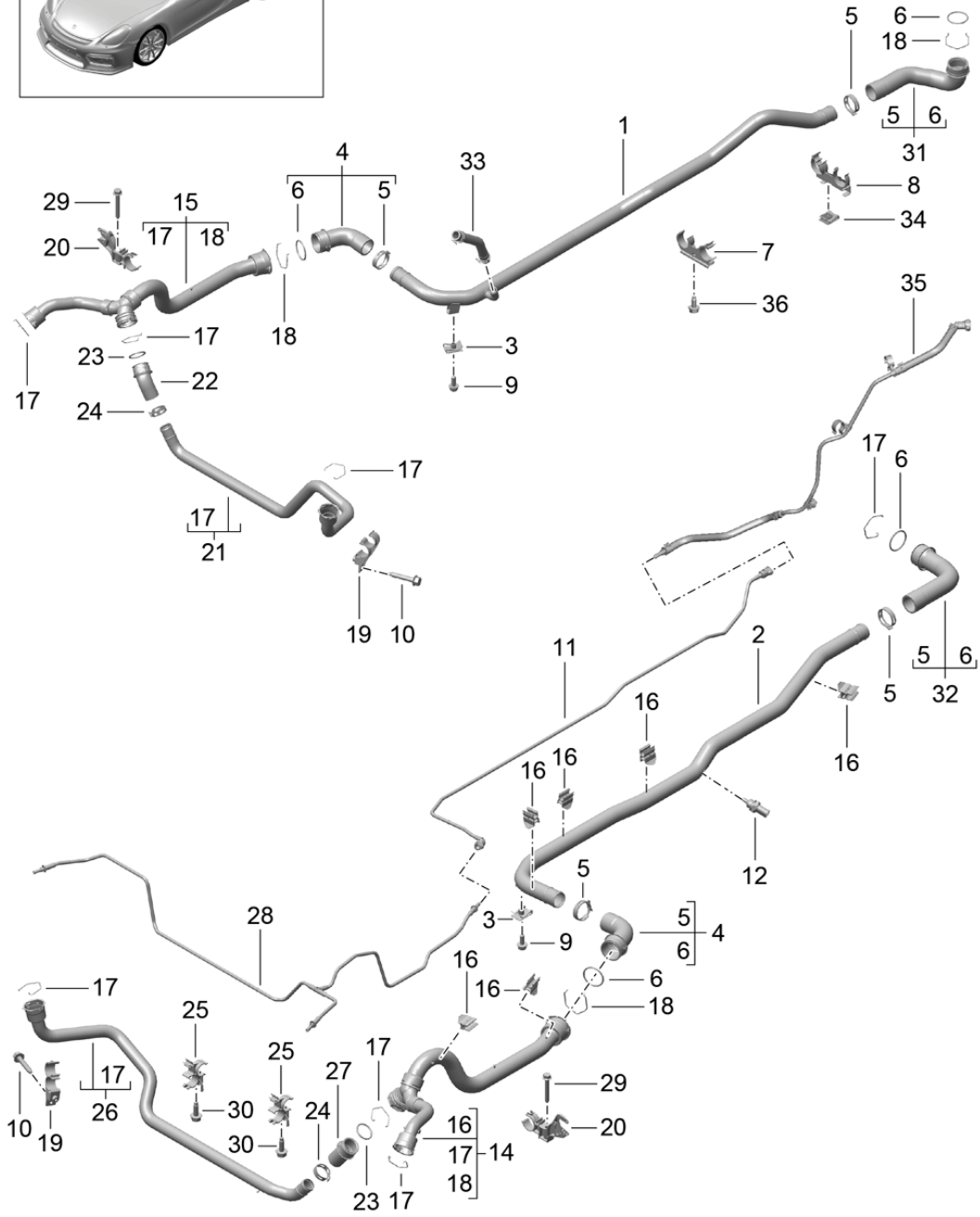
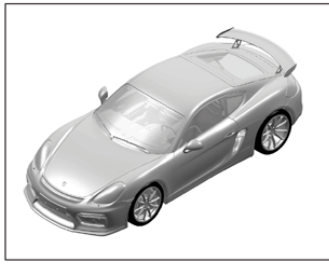


Model: 981GT4 Model life 2016>>2016

Pos	Part Number	Description	Remark	Qty	Model
		Connection Water pipe Control Water cooling			
1	9A1 106 620 01	Water pipe		1	
2	981 106 814 01	Water hose		1	
3	981 106 813 00	Water hose Supply		1	
4	991 307 573 00	Disc valve		1	
5	981 106 534 03	Bracket		1	
6	7PP 906 270	Change-over valve		1	
7	999 073 415 01	flat round head bolt M 4 X 16		1	
-	999 239 031 40	Hose 3,5 X 2,0		*	
8		Hose L = 100 MM		1	
9	9A1 106 010 02	Connection (complete)		1	
10	9A1 106 550 30	Breather line		1	
11	999 512 650 09	Hose clamp B 14 X 12		3	
12	999 512 686 09	Hose clamp B 17 X 12		1	
13	999 707 517 40	O-ring 22 X 3		2	
14	900 385 041 01	Torx screw M 6 X 12		3	
15	9A1 106 625 01	Water pipe Return line		1	
16	9A1 106 546 00	Bungs		3	
16	0PB 121 099	Bungs		3	
17	997 106 802 04	Spring clip		3	
18	999 707 517 40	O-ring 22 X 3		2	
19	999 707 589 40	O-ring 31 X 3		4	
20	900 385 072 01	Torx screw M 6 X 25		2	
21	999 707 590 40	O-ring 21,35 X 3,00		3	

Model: 981GT4

Model life 2016>>2016

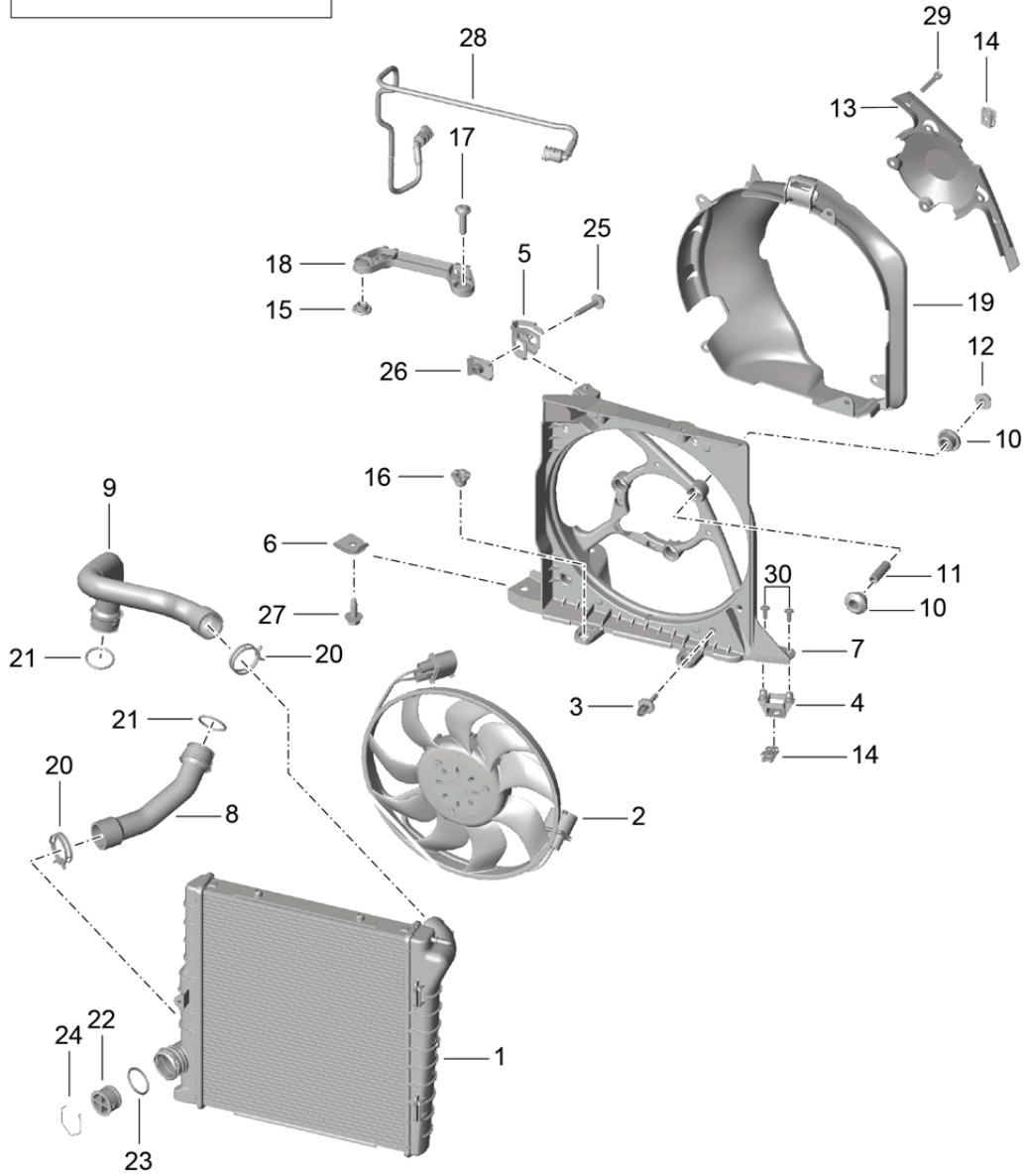
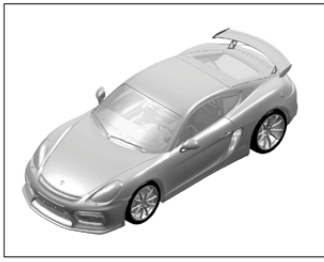


Model: 981GT4 Model life 2016>>2016

Pos	Part Number	Description	Remark	Qty	Model
1	981 106 651 02	Water cooling 1 Coolant pipe Supply		1	
2	981 106 652 01	Coolant pipe Return line		1	
3	999 507 246 01	panel nut M 6		2	
4	991 106 551 01	Water hose		2	
5	999 512 667 09	Hose clamp B 44 X 12		3	
6	996 106 801 03	O-ring		4	
7	991 106 540 01	Bracket		1	
8	981 106 541 03	Bracket		1	
9	N 106 532 01	Hex collared bolt M 6 X 16		2	
10	900 378 141 01	Hexagon bolt M 6 X 35		2	
11	981 106 227 02	Breather line		1	
12	948 606 420 00	Temperature sensor		1	
		with:			
14	991 106 751 03	seal ring Distributor tube		1	
15	991 106 752 03	Distributor tube		1	
16	991 106 512 02	Bracket		6	
17	997 106 802 01	Spring		6	
18	997 106 802 03	Spring		2	
19	991 106 525 02	Bracket		2	
20	991 106 413 03	Bracket		2	
21	991 106 711 02	Cross tube		1	
22	991 106 724 00	Water hose		1	
23	996 106 801 02	O-ring		2	
24	999 512 664 09	Hose clamp B 36 X 12		2	
25	991 106 527 02	Bracket		2	
26	991 106 720 02	Cross tube		1	
27	991 106 723 00	Water hose		1	
28	991 106 767 03	Breather line		1	
29	900 378 270 01	Hexagon bolt M 6 X 45		2	
30	900 378 173 01	Hexagon bolt M 6 X 20		2	
31	981 106 501 01	Water hose Supply		1	
32	981 106 502 01	Water hose Return line		1	
33	981 106 212 02	Water hose Supply		1	
34	999 507 795 09	panel nut ST 4,8		1	
35	981 106 682 04	Breather line	rear	1	
36	900 378 155 01	Hexagon bolt M 6 X 16		2	
37	N 105 464 03	Hexagon socket head bolt M 6 X 16		1	

Model: 981GT4

Model life 2016>>2016



Model: 981GT4

Model life 2016>>2016

Pos	Part Number	Description	Remark	Qty	Model
		Water cooling 2			
		Radiator			
		Fan			
1	991 106 131 03	Radiator	left	1	
(1)	991 106 132 03	Radiator	right	1	
2	991 624 935 01	Radiator fan		2	
3	999 591 525 40	Spreader rivet 7,0 X 14,05		18	
4	991 106 755 02	Bracket		2	
4	991 106 755 03	Bracket No longer use the part here		2	
5	991 106 255 02	Cap also use: 999 919 306 01		2	
6	991 106 355 03	Assembly aux. material Clip		4	
7	991 106 155 02	Console	left	1	
(7)	991 106 156 02	Console	right	1	
8	991 106 625 02	Water hose	left	1	
(8)	991 106 626 02	Return line Short Water hose	right	1	
9	991 106 621 02	Return line Short Water hose	left	1	
(9)	991 106 622 02	Supply Long Water hose	right	1	
10	991 624 173 00	Supply Long Rubber bush		12	
11	991 624 175 03	Fan spacer sleeve		6	
12	999 076 066 09	Fan Hexagon nut		6	
13	981 624 131 80	M 6 Cap	left	1	
(13)	981 624 132 80	Fan Cap	right	1	
14	999 591 499 03	Fan panel nut		2	
15	991 106 331 01	ST 4,8 Rubber bush	upper	4	
16	991 106 332 00	Rubber bush	lower	4	
17	999 919 258 01	Screw 6,0 X 25,0		4	
18	991 106 232 01	Bracket		2	
19	991 106 341 00	Air guide	left	1	
(19)	991 106 342 00	Air guide	right	1	
20	999 512 666 09	Hose clamp B 42 X 12		4	
21	996 106 801 02	O-ring		4	
22	991 106 546 01	Bungs		2	
23	996 106 801 05	O-ring		2	
24	997 106 802 00	Spring		2	
25	N 105 728 02	bolt,hex.hd.with shoul.(combi) AM 8 X 50		2	
26	999 591 869 03	panel nut		6	
27	N 102 400 03	Hex collared bolt M 8 X 32		4	
28	991 106 765 02	Breather line	left	1	
(28)	991 106 766 02	Breather line	right	1	
29	999 513 079 40	Cable ties		2	
30	999 919 306 01	Screw		4	

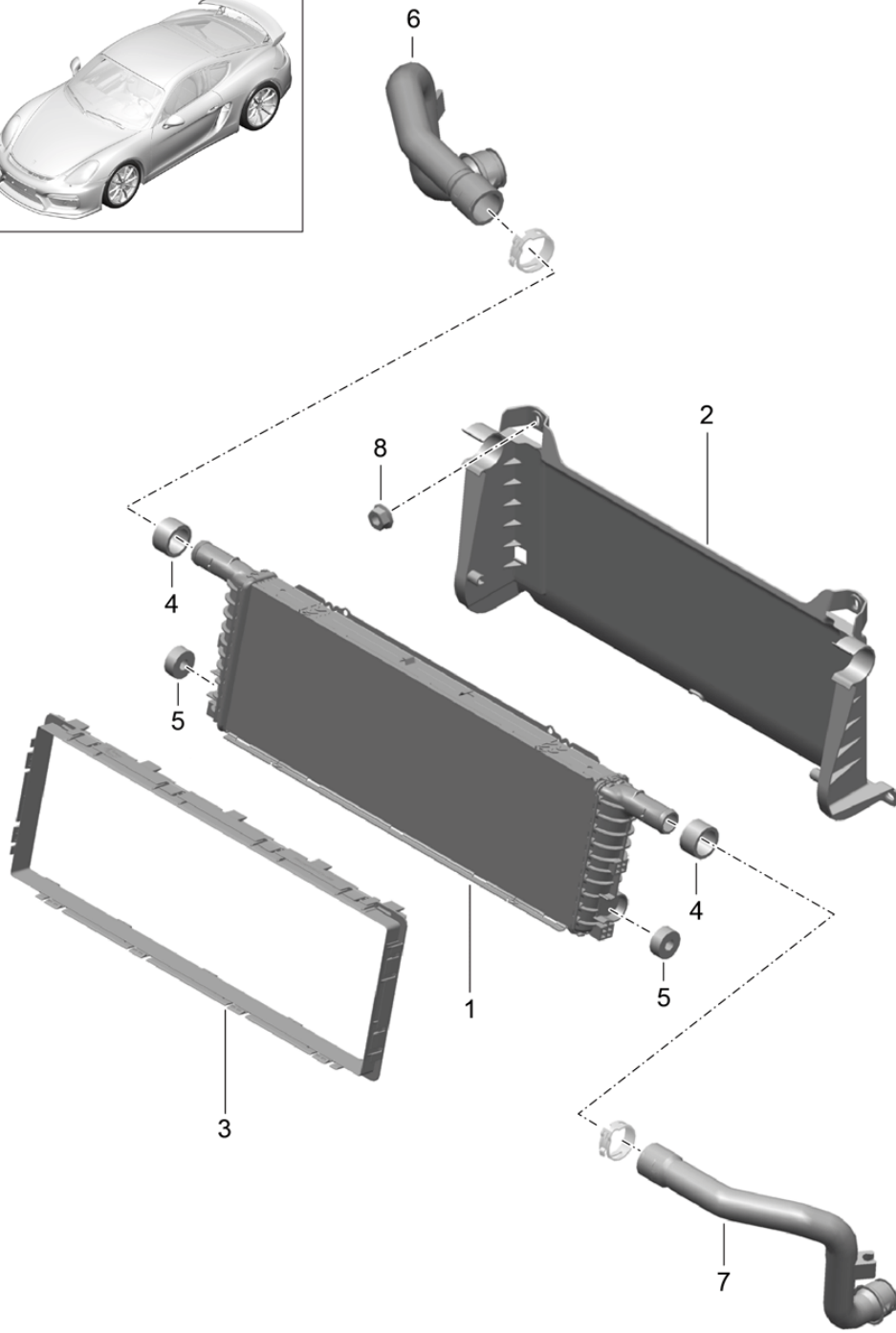
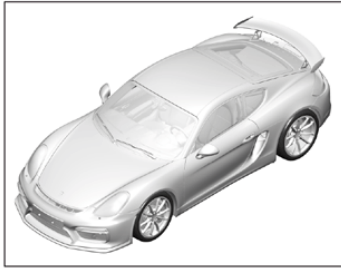
Model: 981GT4

Model life 2016>>2016

Pos	Part Number	Description	Remark	Qty	Model
		Use 991.106.755.03 with:			

Model: 981GT4

Model life 2016>>2016



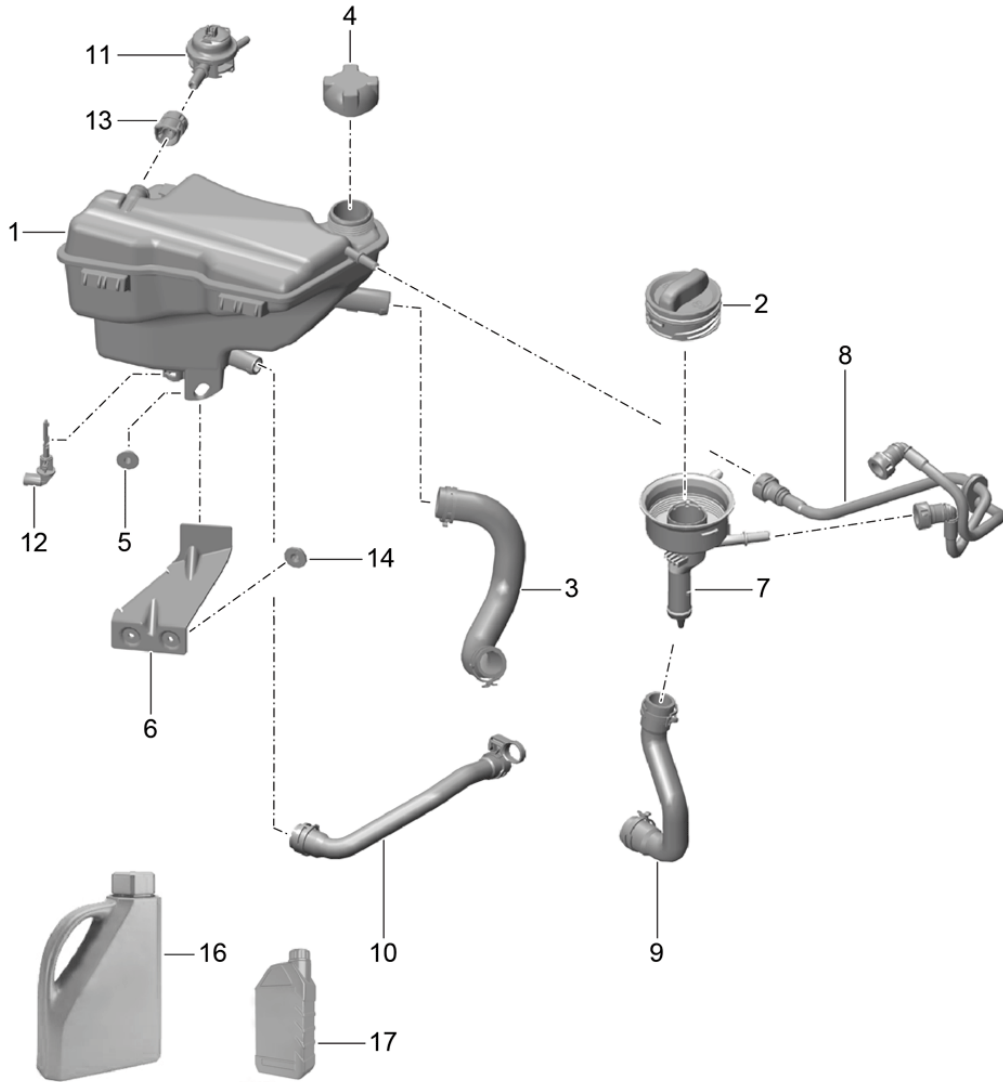
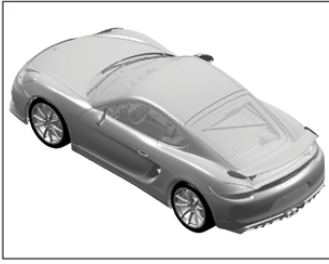
Model: 981GT4

Model life 2016>>2016

Pos	Part Number	Description	Remark	Qty	Model
1	991 106 138 01	Radiator Radiator No longer use the part here	center center	1	PR:153
1	991 106 138 02	Radiator	center	1	
2		Retaining frame see illustration:	802-001	1	
3	991 106 338 01	Sealing frame		1	
4	991 106 537 01	Rubber bush	upper	2	
5	991 106 538 02	Rubber bush	lower	2	
6	981 106 638 90	Water hose		1	
7	981 106 639 90	Water hose		1	
8	999 084 638 01	Hexagon nut M 6		4	

Model: 981GT4

Model life 2016>>2016

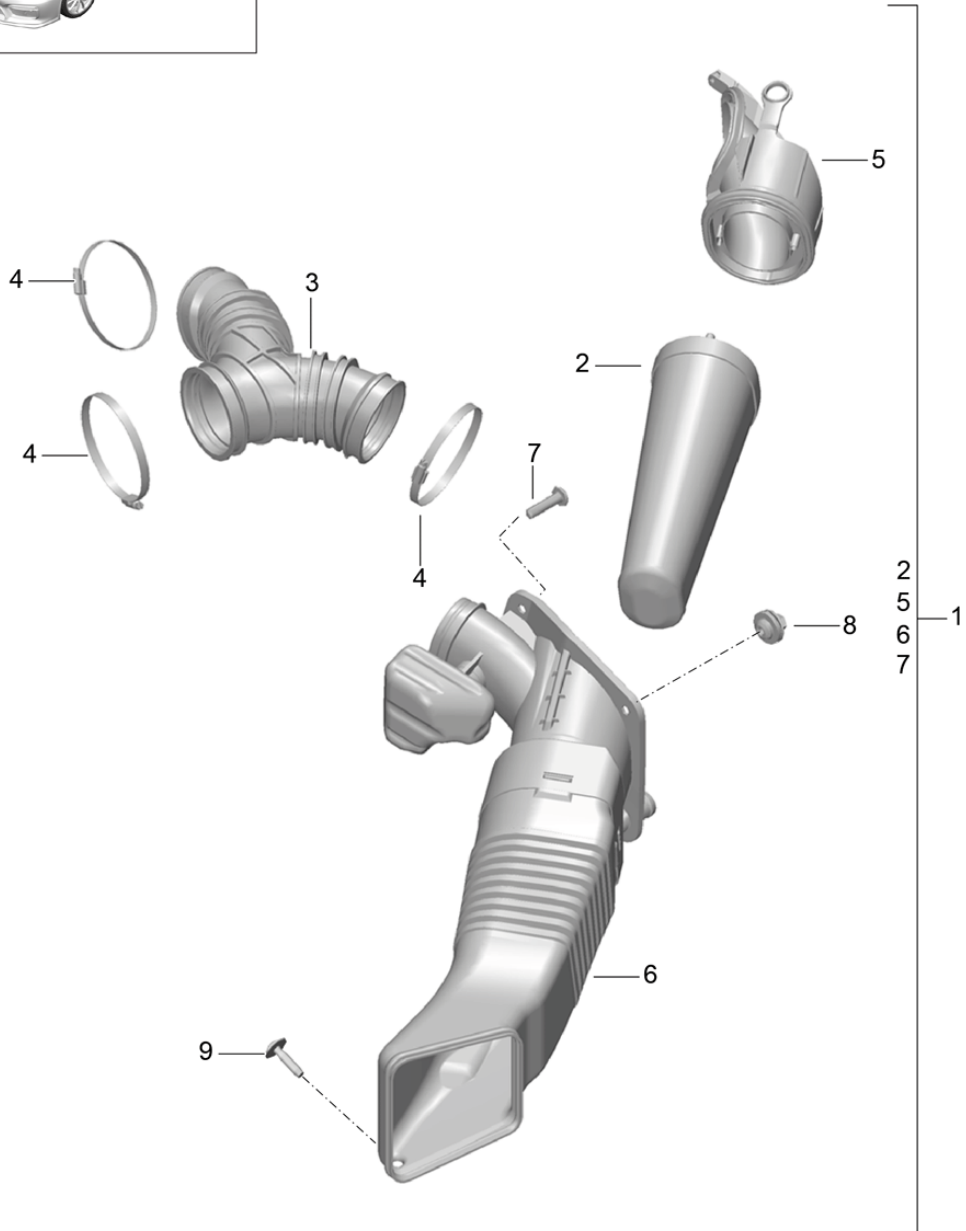
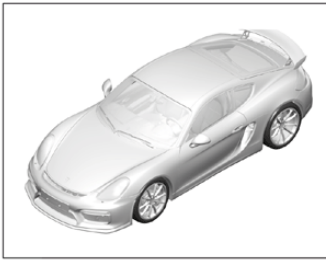


Model: 981GT4 Model life 2016>>2016

Pos	Part Number	Description	Remark	Qty	Model
		Water cooling 3			
		Water reservoir			
		Oil inlet			
1	981 106 147 04	Water reservoir		1	
2	981 106 044 06	End cap		1	
		Coolant			
3	981 106 270 00	Water hose		1	
4	996 106 447 04	cap for expansion tank		1	
		Water reservoir			
5	999 084 447 01	Hexagon nut		1	
		M 8			
5	PAF 003 923	Hexagon nut		1	
		M 8			
6	981 106 247 03	Bracket		1	
		Water reservoir			
7	981 106 150 05	Cup		1	
		fuel filler neck			
		Coolant			
8	981 106 288 01	Overflow hose		1	
9	981 106 275 00	Hose		1	
		Reservoir			
10	981 106 267 03	Water hose		1	
11	7P5 121 671	Bleed valve		1	
		Discontinued part			
11	7P5 121 671 A	Bleed valve		1	
12	970 606 503 00	water level sender		1	
		Coolant			
13	999 230 595 40	Coupling		1	
14	999 049 032 40	Hexagon plastic collar nut		3	
		T6 / 22 X 10,5			
16	000 043 301 47	Coolant additive	1.0 Ltr.	X	
		Discontinued part			
(16)	000 043 305 15	Coolant additive	1.0 Ltr.	X	
(16)	000 043 301 49	Coolant additive		X	
		1 GALLON			
		discontinued part			
(16)	000 043 305 75	Coolant additive		X	
		1 GALLON			
17	000 043 301 48	Coolant additive	20ltr.	X	
		discontinued part			
(17)	000 043 305 16	Coolant additive	20ltr.	X	
(17)	000 043 305 64	Cleaning solution	20ltr.	1	

Model: 981GT4

Model life 2016>>2016



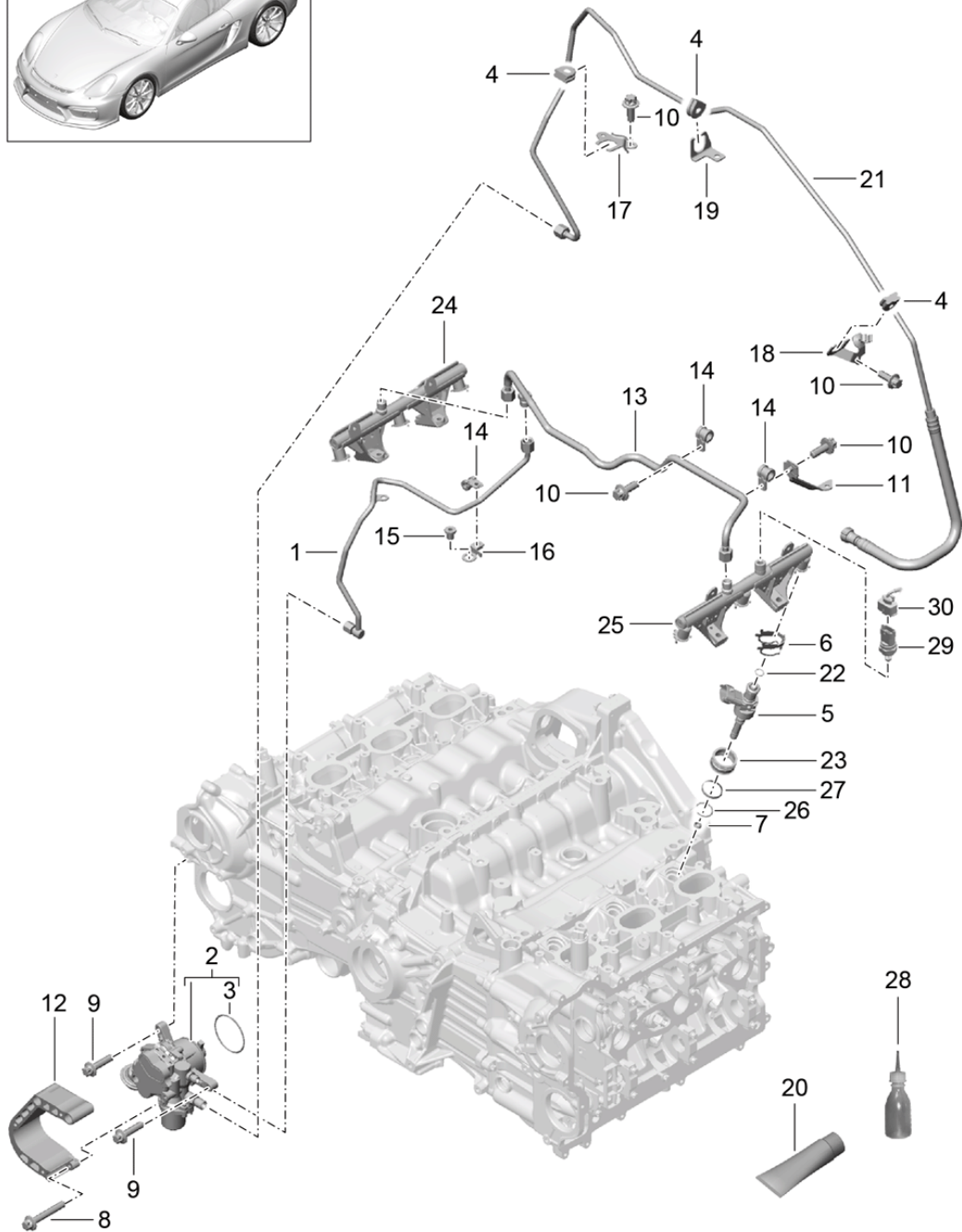
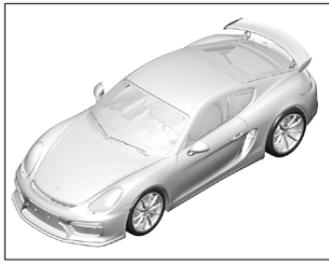
Model: 981GT4

Model life 2016>>2016

Pos	Part Number	Description	Remark	Qty	Model
1	981 110 021 03	Air filter	left	1	PR: -155
(1)	981 110 022 03	Air filter	right	1	
2	981 110 130 00	Air filter element		2	
3	981 110 270 00	Air guide		1	
4	N 024 508 5	Hose clamp		3	
5	981 110 133 00	Tube	left	1	
(5)	981 110 134 00	Tube	right	1	
6	981 110 211 03	Air filter housing	left	1	
(6)	981 110 212 03	Air filter housing	right	1	
7	999 919 237 00	fillister hd. bolt 5 X 20		6	
8	999 084 136 01	Hexagon nut		8	
		with: Grommet M 6			
9	N 907 321 03	Hexagon socket oval head bolt 4,0 X 16,0		2	

Model: 981GT4

Model life 2016>>2016



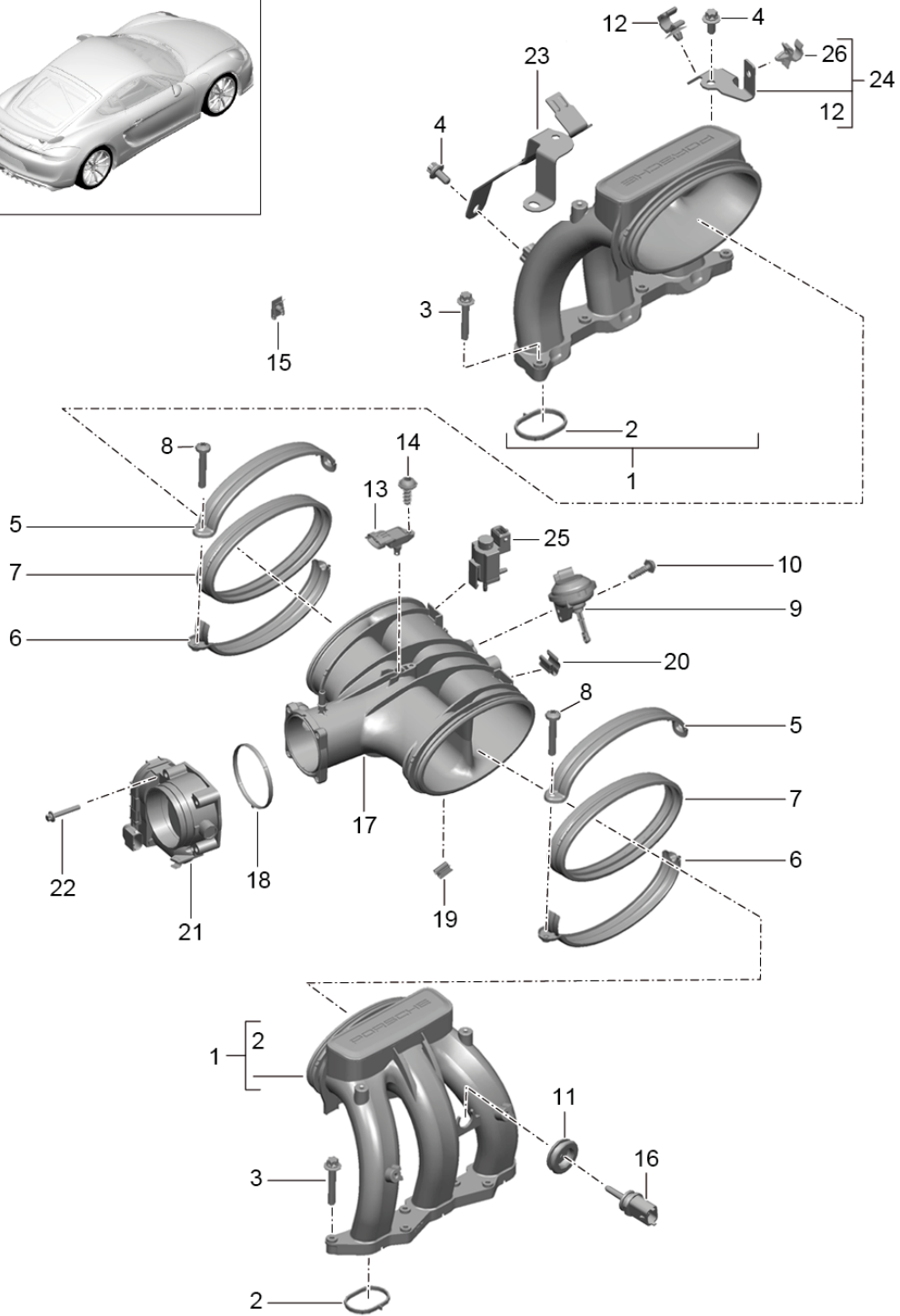
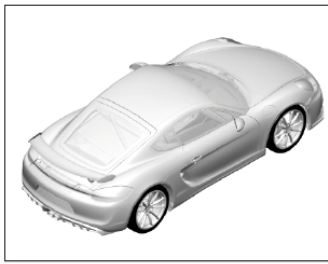
Model: 981GT4

Model life 2016>>2016

Pos	Part Number	Description	Remark	Qty	Model
1	9A1 110 095 02	Fuel collection pipe high pressure pump Pressure line		1	
2	9A1 110 315 06	high pressure pump		1	
(2)	9A1 110 315 FX	high pressure pump		1	
3	999 707 643 40	O-ring high pressure pump		1	
4	999 702 028 50	Rubber grommet 7,5 X 20 X 2		3	
5	9A1 110 128 12	high-pressure injector No longer use the part here		6	
5	9A1 110 128 06	high-pressure injector		6	
6	9A1 110 866 04	Fixing Fuel collection pipe high-pressure injector		6	
7	999 704 020 90	seal ring 6,3 X 2,8		6	
8	900 385 045 01	Torx screw BM 6 X 40		1	
9	900 385 072 01	Torx screw BM 6 X 25		4	
10	900 385 009 01	Torx screw BM 6 X 16		4	
11	9A1 110 947 02	bracket for pressure line Line		1	
12	9A1 110 880 00	Cover high pressure pump		1	
13	9A1 110 092 03	Pressure line Connecting line		1	
14	999 511 801 01	Hose clamp		1	
15	900 219 006 01	sealing plug M 12 X 1,5		1	
16	9A1 110 940 02	bracket for pressure line		1	
17	9A1 110 323 02	bracket for pressure line		1	
18	9A1 110 324 01	Bracket Fuel line		1	
19	9A1 110 325 01	bracket for pressure line		1	
20	000 043 207 35	Grease Use		1	
		with:			
21	9A1 110 906 14	high-pressure injector Fuel line		1	
22	999 701 112 41	O-ring 7,52 X 3,51 See technical manual		6	
		Group:			
23	9A1 110 524 02	24 Bellows high-pressure injector		6	
24	9A1 110 859 03	Fuel collection pipe Cyl. 1 - 3		1	
25	9A1 110 860 04	Fuel collection pipe Cyl. 4 - 6		1	
26	900 906 011 02	snap ring A 14		6	
27	9A1 110 520 01	Spacer ring		6	
28	000 043 303 27	Lubricants 50 ML		1	
29	948 606 230 02	Pressure sensor		1	
30	999 653 067 40	Connector Pressure sensor		1	

Model: 981GT4

Model life 2016>>2016



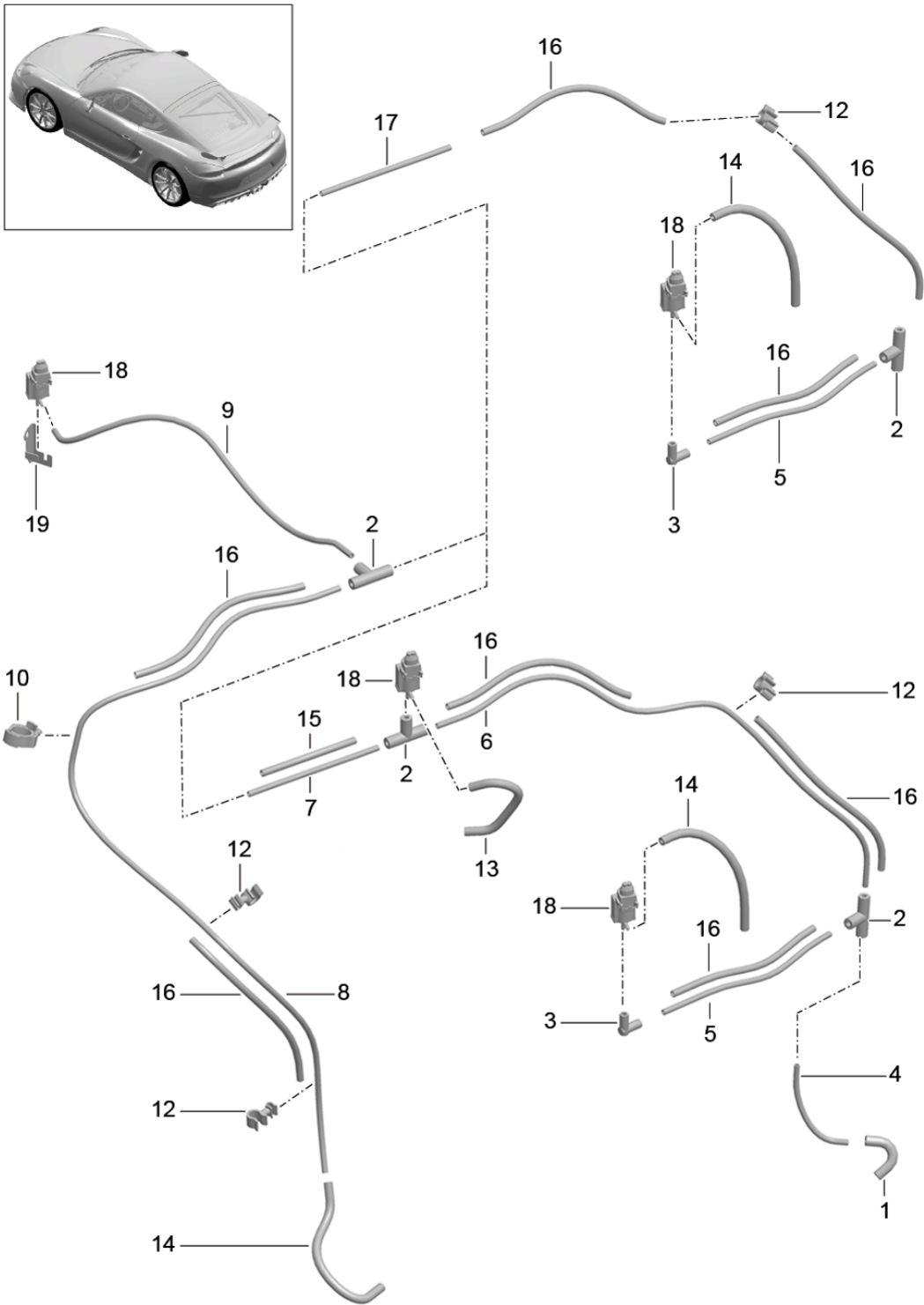
Model: 981GT4

Model life 2016>>2016

Pos	Part Number	Description	Remark	Qty	Model
1	9A1 110 115 02	intake air distributor		2	
2	9A1 110 215 01	throttle valve adapter		6	
3	900 385 270 01	intake air distributor Seal		12	
4	900 385 041 01	Hexagon head bolt BM 6 X 35		9	
5	9A1 110 212 01	Torx screw BM 6 X 12		2	
6	9A1 110 213 01	Clamp Upper part		2	
7	9A1 110 210 01	Clamp Lower part		2	
8	999 073 352 02	Rubber sleeve flat round head bolt		2	
9	993 110 462 02	M 6 X 35 Vacuum unit		1	
10	999 919 265 01	Oval-head screw 5,0 X 18		2	
11	993 110 530 01	Grommet		1	
12	999 651 398 40	Cable holder 11,0 / 13,0		1	
13	948 606 180 00	Pressure sensor		1	
14	999 919 241 01	Oval-head screw 6,0 X 15		1	
15	999 591 882 01	panel nut M 6		1	
16	997 606 213 00	Temperature sensor Engine bay		1	
17	9A1 110 120 25	Resonance tube		1	
18	9A1 110 319 00	Seal		1	
19	999 507 153 01	Cable fastener 5,20		2	
20	999 507 652 01	Cable fastener 7,0 - 9,0		2	
21	997 605 115 01	throttle valve adapter		1	
22	900 385 045 01	Torx screw BM 6 X 40		4	
23	9A1 110 293 01	Bracket		1	
24	9A1 110 247 00	Bracket Tank ventilation		1	
25	7PP 906 270	Change-over valve		1	
26	999 507 675 40	Hose bracket 7,50 - 8,00		1	

Model: 981GT4

Model life 2016>>2016



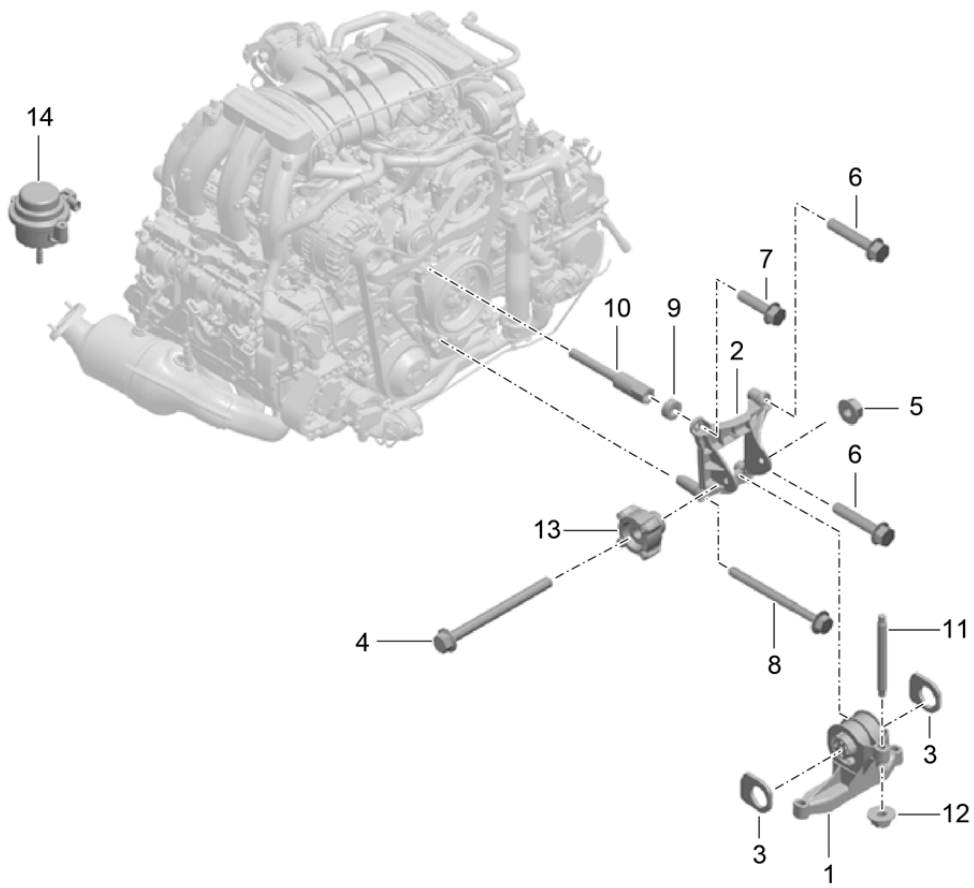
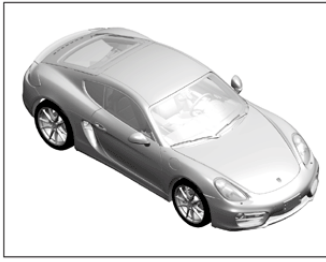
Model: 981GT4

Model life 2016>>2016

Pos	Part Number	Description	Remark	Qty	Model
		vacuum system			
		Engine			
1	928 574 717 07	Molded hose		1	
		No longer use the part here			
1	9P1 129 487	Molded hose		1	
2	06E 133 794	t-piece		1	
3	9A1 110 666 00	Connecting piece		1	
-	900 918 005 40	Pipe	Running meter	X	
		5,0 X 1,0			
		modify in workshop			
		Shorten			
4		Vacuum line		1	
		L = 85 MM			
5		Vacuum line		1	
		L = 185 MM			
6		Vacuum line		1	
		L = 510 MM			
7		Vacuum line		1	
		L = 125 MM			
8		Vacuum line		1	
		L = 830 MM			
9		Vacuum line		1	
		L = 420 MM			
10	999 507 075 40	Cable holder		1	
		4,0 - 12,0			
12	999 507 904 40	Line holder		3	
		4,30 / 9,50			
13	999 239 041 40	Hose		1	
		3,5 X 2,0 X 120			
14	999 239 032 41	Hose		2	
		3,5 X 2,0 X 150			
15	999 181 474 40	Protective hose		1	
		5,0 X 90			
16	999 181 445 40	Protective hose		4	
		5,0 X 200			
17	999 181 473 40	Protective hose		2	
		5,0 X 300			
18	7PP 906 270	Change-over valve		2	
19	9A1 110 629 01	Bracket		1	
		Change-over valve			

Model: 981GT4

Model life 2016>>2016



Model: 981GT4 Model life 2016>>2016

Pos	Part Number	Description	Remark	Qty	Model
1	9A1 375 046 02	Engine suspension		1	
2	9A1 375 124 02	Engine brackets		1	
3	9A1 375 267 03	Console for engine mounting		1	
(3)	9A1 375 268 03	Stop	left	1	
4	9A1 375 268 03	Stop	right	1	
4	900 378 352 01	Hexagon bolt M12 X 1,5 X 145 Use		1	
		with:			
5	999 084 445 01	9A137526200 Locknut		1	
6	900 378 249 01	M 12 X 1,5 Hexagon bolt		4	
7	900 378 251 01	AM 10 X 55 Hexagon bolt		1	
8	999 217 171 01	M 10 X 40 Hexagon bolt		1	
9	999 209 115 01	M 10 X 125 spacer sleeve		1	
10	999 061 274 01	10,4 X 4,80 Spacer pin		1	
11	999 061 009 02	M 10 X 105 Threaded pin		3	
12	999 076 053 01	M 10 X 102,5 Hexagon nut		3	
13	9A1 375 262 00	M 10 vibration damper		1	
14		engine mounting see illustration:	306-000		

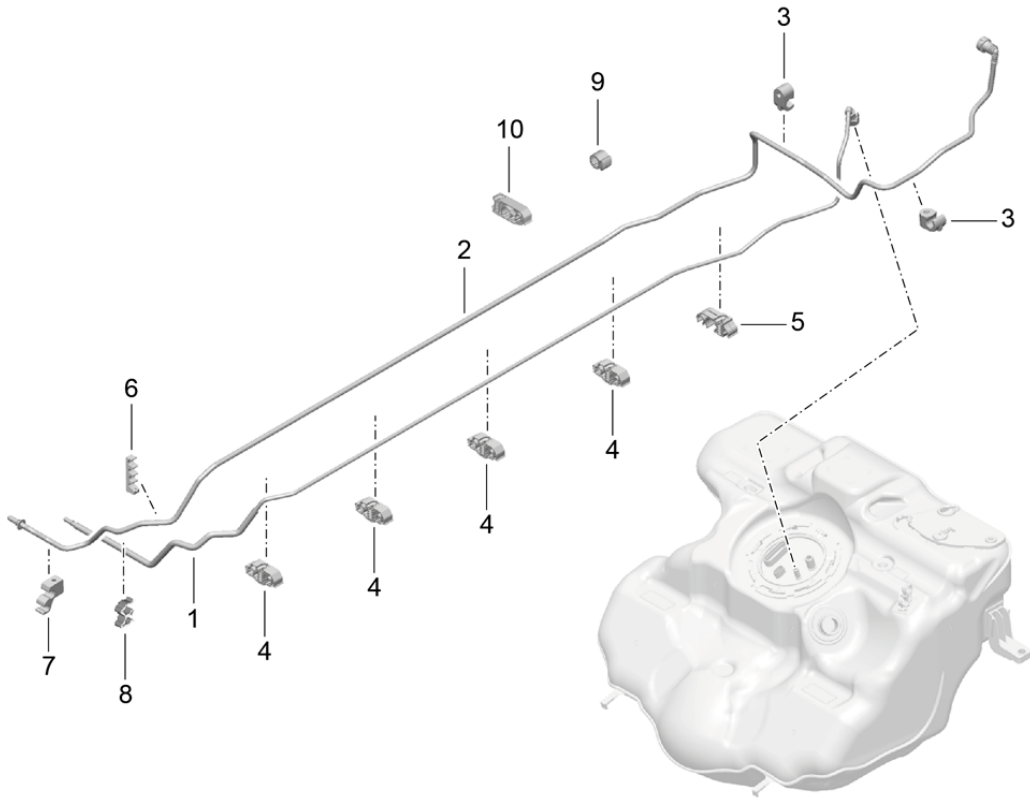
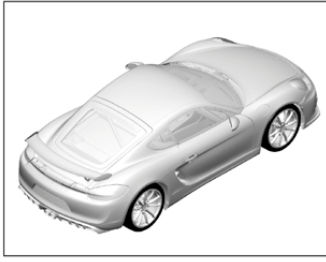
Model: 981GT4

Model life 2016>>2016

Pos	Part Number	Description	Remark	Qty	Model
1	991 620 831 00	Fuel tank Tank gauge		1	
2	991 201 623 00	Fuel tank Union nut		1	
3	991 201 421 00	flange		1	
4	991 201 733 01	seal ring		1	
5	991 620 141 01	Fuel pump		1	
6	1K0 201 557 A	seal ring		1	
7	991 201 021 04	Fuel tank 64 LITER		1	PR:098,085
(7)	982 201 021	Fuel tank 54 LITER		1	PR:098,084
(7)	991 201 022 04	Fuel tank 64 LITER		1	PR:099,085
8	991 201 331 00	Underside protection		1	PR:098
(8)	991 201 331 01	Underside protection		1	PR:099
9		tensioning strap To Use Frame 991.504.233.02		1	
10	N 911 591 01	hexagon head bolt (combi) M 8 X 40		2	
(11)	991 201 044 07	fuel filler neck		1	PR:664
12	N 910 967 02	Oval hexagon socket head bolt M 6 X 16		2	
13	991 201 812 00	Hose		1	
13	9P1 201 543	Hose		1	
14	999 512 748 01	Clip B 43X12		2	
15	991 201 241 01	Fuel tank cap		1	PR:-XYB
(15)	000 044 001 90	with: Holding strap Fuel tank cap aluminium		1	PR:XYB
17	000 043 209 02	with: Holding strap Multi-purpose additive for Otto engine fuels 100 ML		X	

Model: 981GT4

Model life 2016>>2016



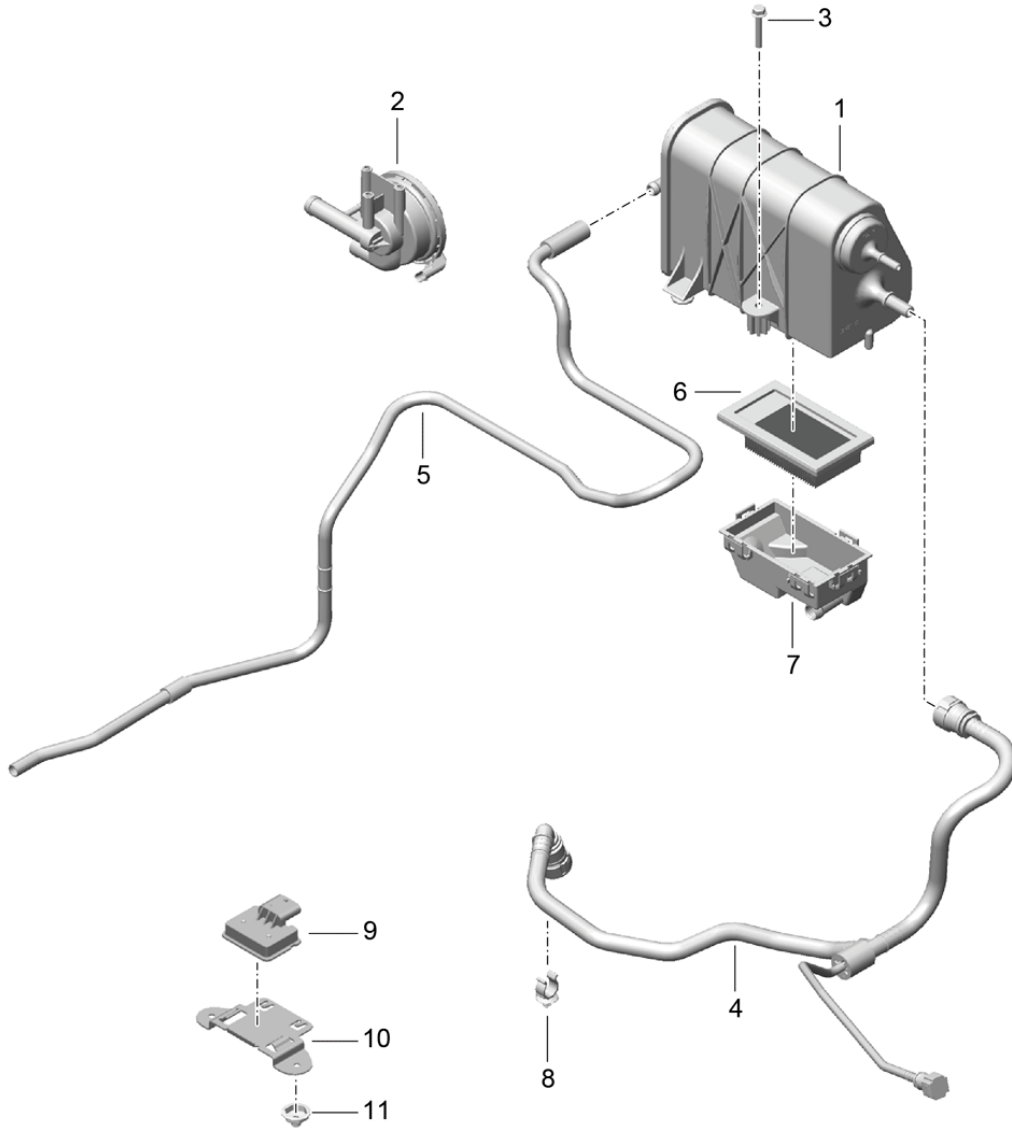
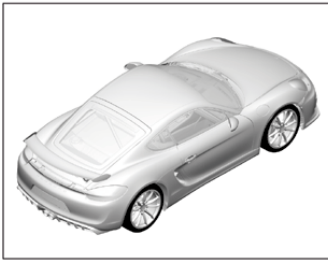
Model: 981GT4

Model life 2016>>2016

Pos	Part Number	Description	Remark	Qty	Model
1	981 201 261 00	Fuel system Fuel line	front front	1	
2	981 201 351 00	Pressure line Purge-air line	front	1	
3	999 651 416 40	Cable holder 12,0		2	
4	999 507 269 40	Cable holder 8,0 / 12,0		4	
5	999 507 273 40	Cable holder 8,0 / 16,0 / 10,0		1	
6	999 507 272 40	Cable holder 8,0 / 15,0		1	
7	999 507 271 40	Cable holder 10,0 / 12,0		1	
8	999 507 287 40	Cable holder 8,0 / 10,0		1	
9	999 511 749 40	Distance piece 14,5 / 20,00		1	
10	999 507 189 40	Bracket 10,0 / 16,0		1	

Model: 981GT4

Model life 2016>>2016



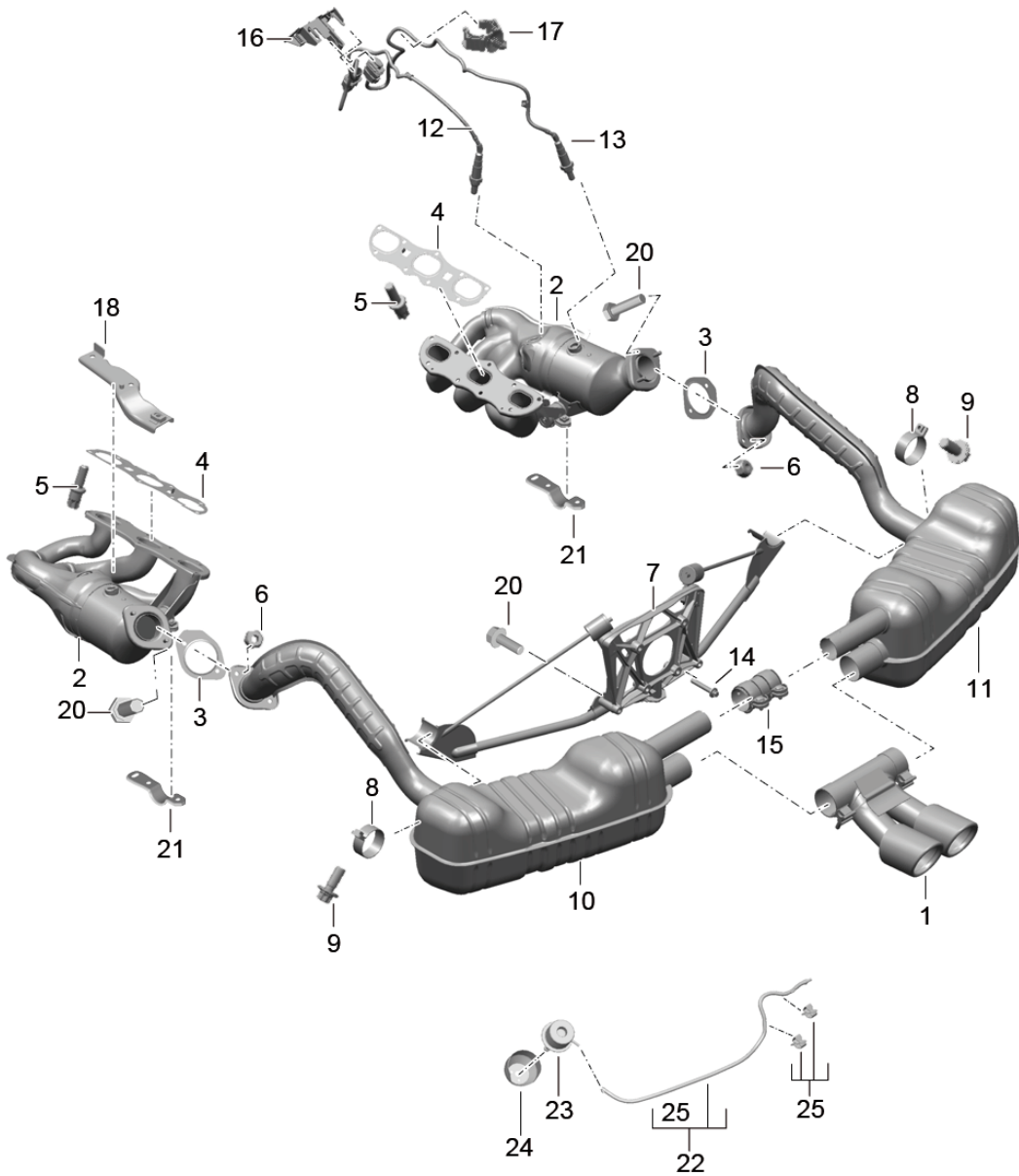
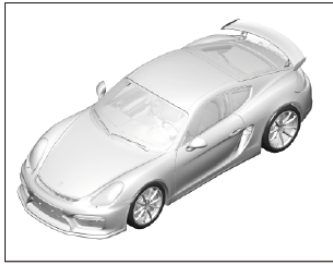
Model: 981GT4

Model life 2016>>2016

Pos	Part Number	Description	Remark	Qty	Model
(1)	991 201 223 06	Activated charcoal container		1	PR:664
2	991 606 621 05	Activated charcoal container Pressure switch Pump Diagnostic		1	PR:664
3	900 378 115 01	Hexagon bolt M 6 x 35		1	
(4)	991 201 251 03	Breather line Fuel tank		1	PR:664
(5)	991 201 361 06	Purge-air line Activated charcoal container		1	PR:664
6	991 201 501 01	Filter Discontinued part		1	PR:664
6	991 201 501 02	Filter		1	PR:664
7	991 201 861 00	Cover		1	PR:664
8	999 507 280 40	Cable holder 16,0		1	PR:099
9	991 606 630 01	Temperature sensor		1	PR:664
10	991 606 635 00	Bracket Sensor		1	PR:664
11	999 049 025 09	Collar nut		2	PR:664

Model: 981GT4

Model life 2016>>2016



Model: 981GT4

Model life 2016>>2016

Pos	Part Number	Description	Remark	Qty	Model
		exhaust system			PR:XLF
1	981 111 361 60	Sport Tailpipe Round Black		1	PR:XLF
		No longer use the part here			
1	981 111 361 61	Tailpipe Round Black		1	PR:XLF
2	981 113 211 03	Exhaust manifolds	left	1	
		with:			
2	981 113 211 CX	Catalytic converter Exhaust manifolds	left	1	
		with:			
(2)	981 113 212 03	Catalytic converter Exhaust manifolds	right	1	
		with:			
(2)	981 113 212 CX	Catalytic converter Discontinued part Exhaust manifolds	right	1	
		with:			
(2)	981 113 212 04	Catalytic converter Discontinued part Exhaust manifolds	right	1	
		with:			
(2)	981 113 212 DX	Catalytic converter Discontinued part Exhaust manifolds	right	1	
		with:			
(2)	981 113 212 05	Catalytic converter Discontinued part Exhaust manifolds	right	1	
		with:			
(2)	981 113 212 EX	Catalytic converter Discontinued part Exhaust manifolds	right	1	
		with:			
3	981 111 113 00	Catalytic converter Seal Discontinued part		2	
3	982 251 263	Seal		2	
4	997 111 107 31	Seal		2	
5	999 073 535 01	Torx screw M 8 X 21		18	
		No longer use the part here			
5	999 073 535 02	Torx screw M 8 X 21		18	
6	900 910 003 03	Hexagon nut M 8		4	
7	981 111 271 04	bracket for exhaust silencer		1	
8	981 111 281 02	Clip		2	
9	900 385 001 01	Torx screw BM 8 X 20		2	
10	981 111 921 06	Silencer	left	1	PR:XLF
11	981 111 922 06	Silencer	right	1	PR:XLF
12	9A1 606 181 01	Lambda probe in front of Catalytic converter		2	
13	9A1 606 193 01	Lambda probe After Catalytic converter		2	
14	900 385 042 01	Torx screw BM 8 X 35		4	
15	981 111 280 00	clamp		1	

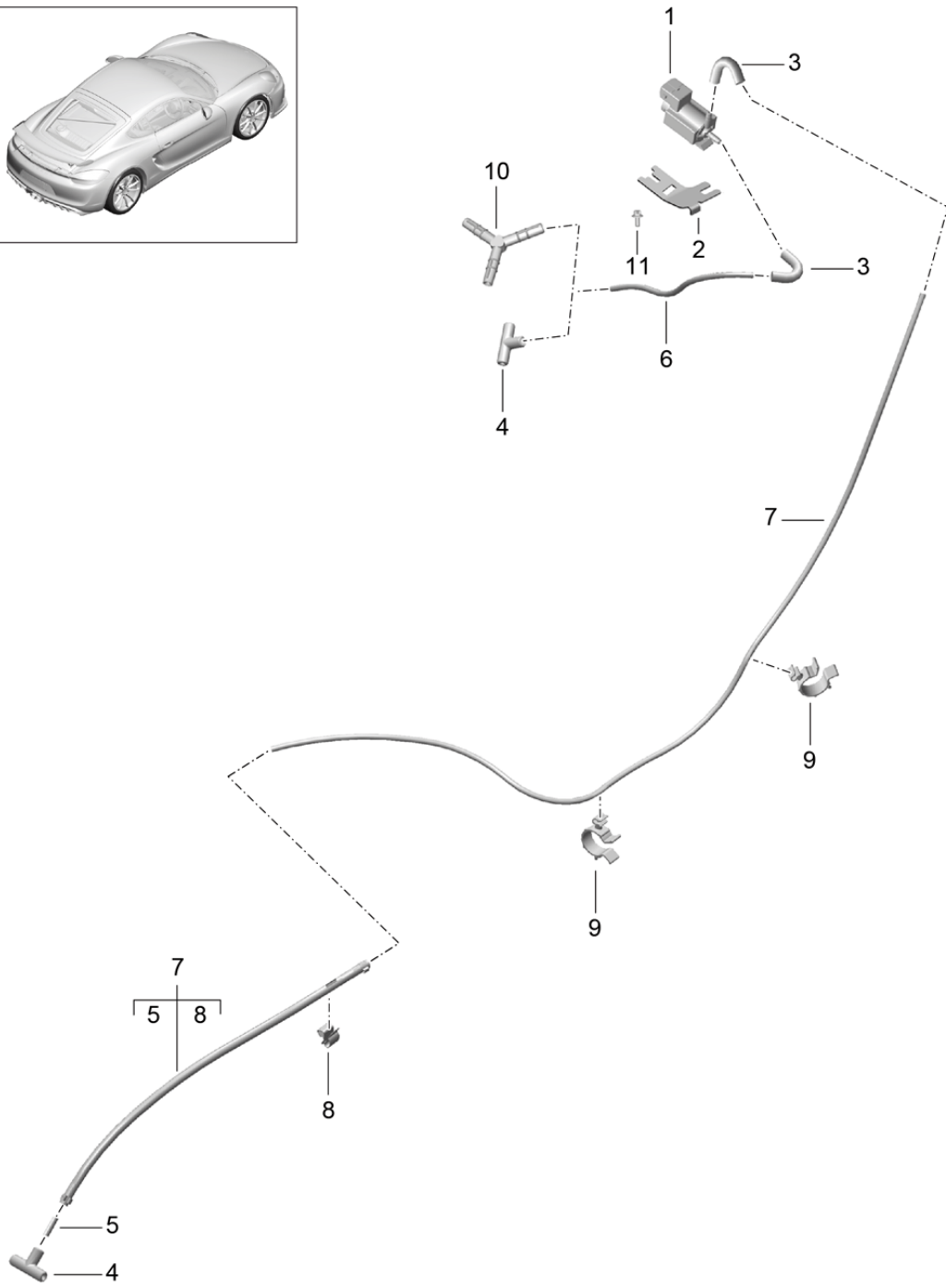
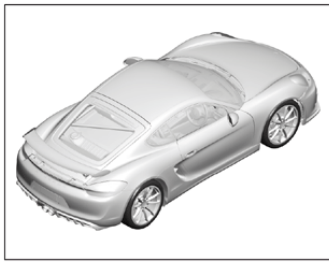
Model: 981GT4

Model life 2016>>2016

Pos	Part Number	Description	Remark	Qty	Model
16	981 606 279 00	Holder for lambda probe		2	
17	999 507 909 40	Cable holder 11,5 - 13,0		3	
18	981 111 125 00	Console elbow	left	1	
(18)	981 111 126 00	Console elbow	right	1	
19	900 385 001 01	Torx screw M 8 X 20		6	
21	981 113 313 00	Bracket Exhaust manifolds Discontinued part		2	
21	981 113 313 01	Bracket Exhaust manifolds		2	
22	981 111 049 01	Vacuum line	steel	2	
23	991 111 381 02	Vacuum unit	left	1	
(23)	991 111 385 01	Vacuum unit	right	1	
25	999 651 360 01	Cable fastener 6,00		4	

Model: 981GT4

Model life 2016>>2016



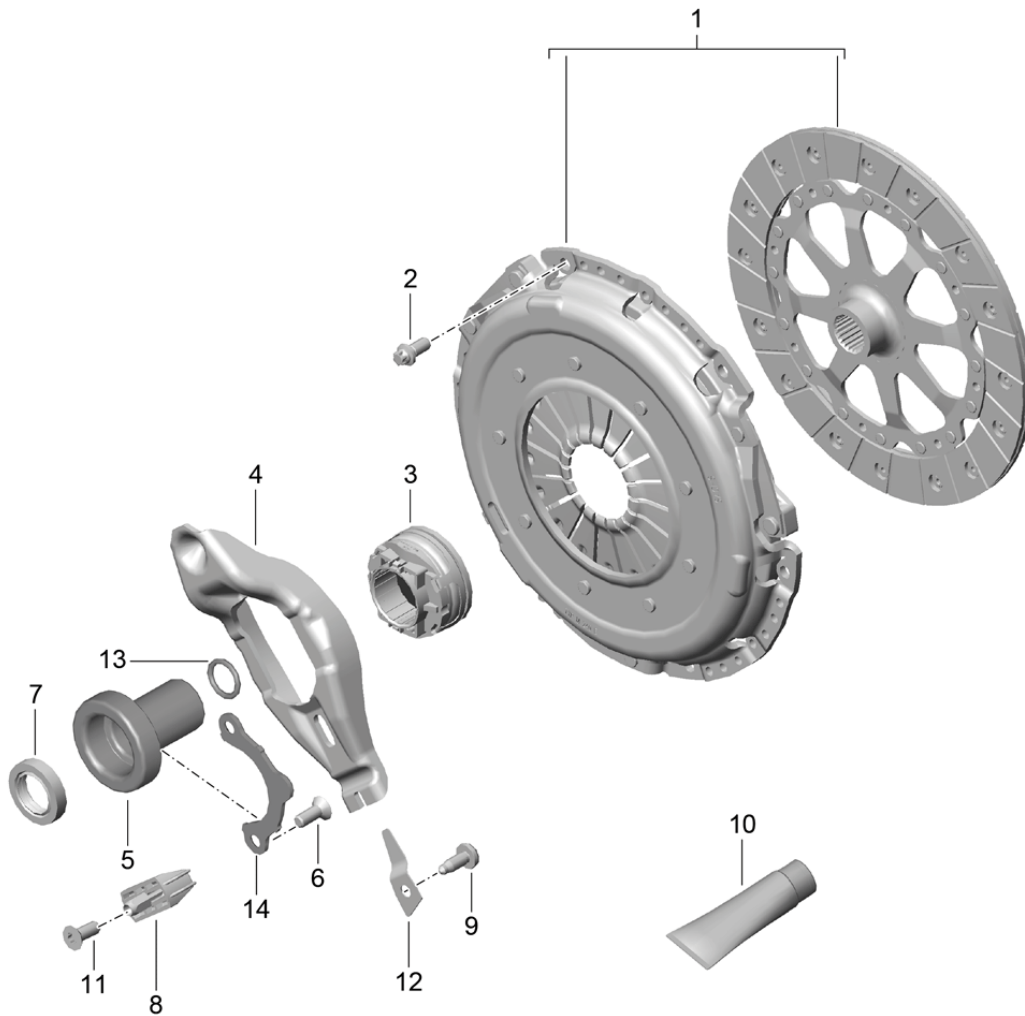
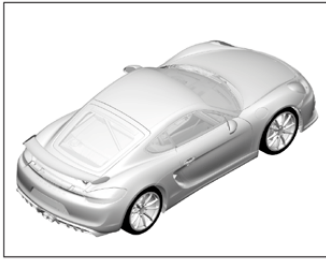
Model: 981GT4

Model life 2016>>2016

Pos	Part Number	Description	Remark	Qty	Model
		exhaust system Control			PR: XLF
1	7PP 906 270	Change-over valve		1	
2	981 111 989 00	Bracket		1	
		Change-over valve			
3	928 574 717 07	Molded hose		2	
		No longer use the part here			
3	9P1 129 487	Molded hose		2	
4	06E 133 794	t-piece		1	
-	900 918 005 40	Pipe		X	
		Vacuum line			
		5,0 X 1,0			
5		Vacuum line		1	
		L = 250MM			
6		Vacuum line		1	
		L = 755MM			
7	981 111 049 00	Vacuum line		1	
		L = 590MM	steel		
8	3D0 971 939 B	cable terminal		1	
		6,00 - 9,00			
9	999 507 206 40	Bracket		2	
		4,30 / 23,00			
10	928 573 727 05	Distributor		1	
		Triple			
11	900 385 041 01	Torx screw		1	
		Bracket			
		BM 6 X 12			
-	N 020 904 4	Cable ties		X	

Model: 981GT4

Model life 2016>>2016



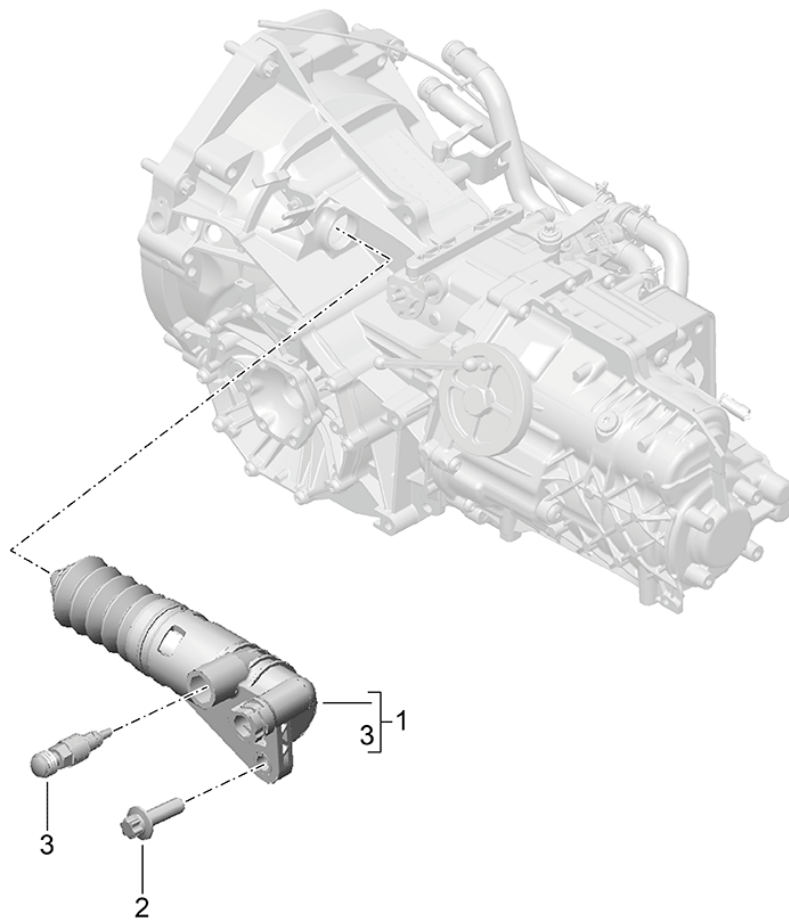
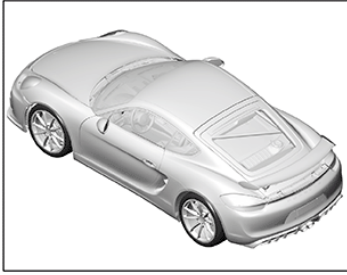
Model: 981GT4

Model life 2016>>2016

Pos	Part Number	Description	Remark	Qty	Model
1	981 116 913 80	Coupling		1	G8120
2	999 073 458 01	Coupling Set Screw BM8 X 16		6	
3	997 116 080 02	release bearing		1	
4	0A2 141 719 A	clutch operating lever		1	
5	0A2 141 181	guide sleeve		1	
6	999 073 320 02	Hexagon bolt M 8 X 22		2	
7	016 311 113 C	radial shaft seal		1	
8	01E 141 751 A	Intermediate piece		1	
9	999 073 319 02	flat round head bolt M 8 X 20,5		4	
10	000 043 304 02	Grease Container 50 GR.		1	
11	999 073 320 02	Hexagon bolt M 8 X 20,5		2	
12	01E 141 721 A	leaf spring		1	
13	0A2 311 091 A	O-ring		1	
14	0A2 141 179	Retaining plate		1	

Model: 981GT4

Model life 2016>>2016



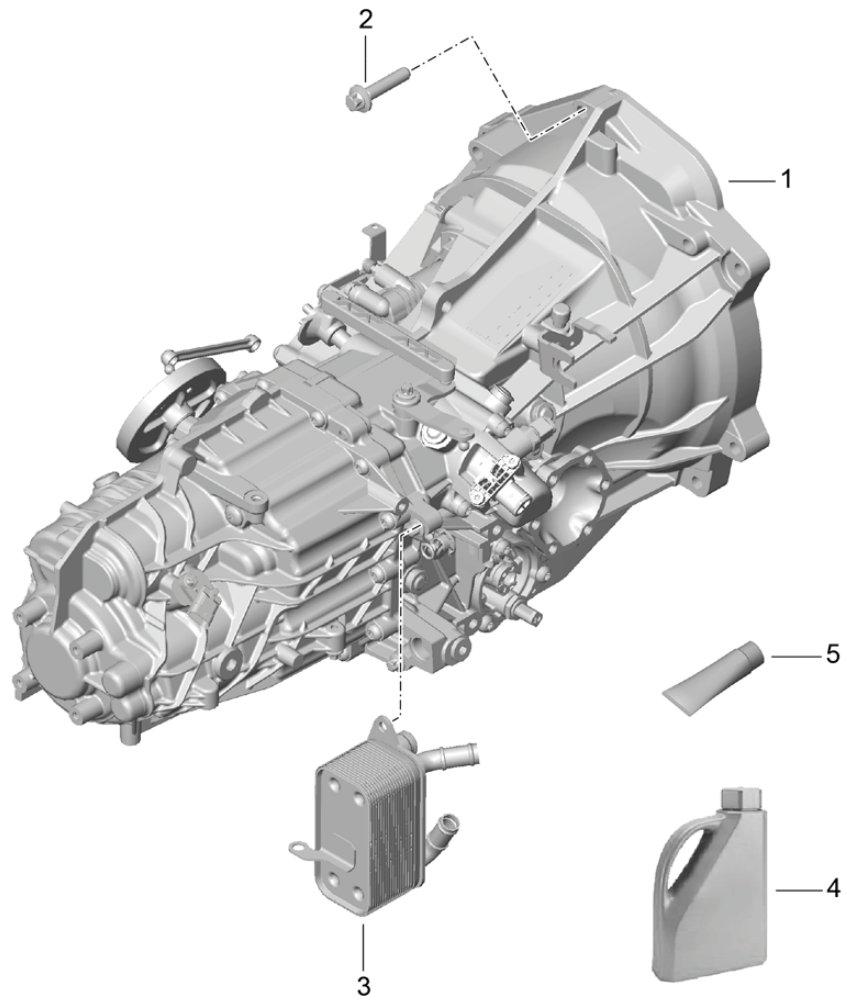
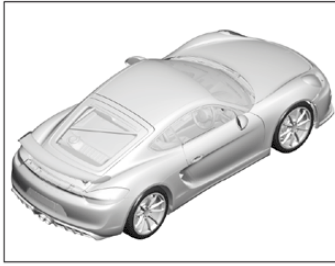
Model: 981GT4

Model life 2016>>2016

Pos	Part Number	Description	Remark	Qty	Model
		Clutch release			G8120
		Clutch slave cylinder			
1	981 116 237 00	Slave cylinder		1	PR:035
2	900 385 098 01	Torx screw		1	
		BM 8 X 25			
3		breather assy.		1	
		To			
		Use			
		Clutch slave cylinder			

Model: 981GT4

Model life 2016>>2016



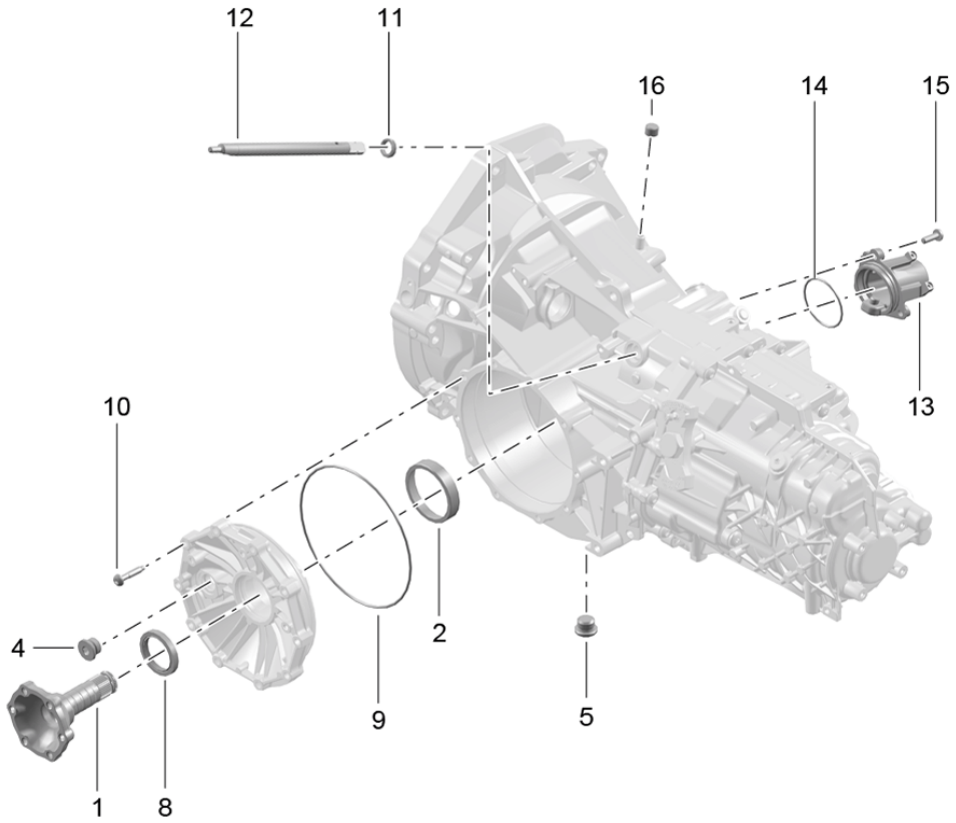
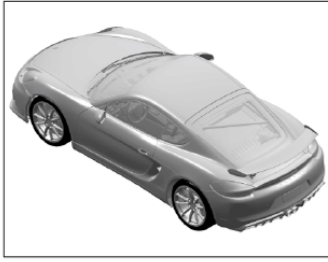
Model: 981GT4

Model life 2016>>2016

Pos	Part Number	Description	Remark	Qty	Model
		Manual gearbox Replacement transmission			G8120
1	981 300 020 22	Manual gearbox No longer use the part here		1	G8120+ PR:220
1	981 300 020 23	Manual gearbox No longer use the part here		1	G8120+ PR:220
1	981 300 020 24	Manual gearbox		1	G8120+ PR:220
1	981 300 020 BX	Manual gearbox No longer use the part here		1	G8120+ PR:220
1	981 300 020 CX	Manual gearbox No longer use the part here		1	G8120+ PR:220
1	981 300 020 DX	Manual gearbox		1	G8120+ PR:220
2	999 385 009 01	Hexagon head bolt BM 12 X 1,5 X 55		6	
3		heat exchanger see illustration:	302-015	X	
4	000 043 204 19	Transmission fluid 20 LTR. Container		X	
4	000 043 305 48	Discontinued part Transmission fluid 20 LTR. Container		X	

Model: 981GT4

Model life 2016>>2016

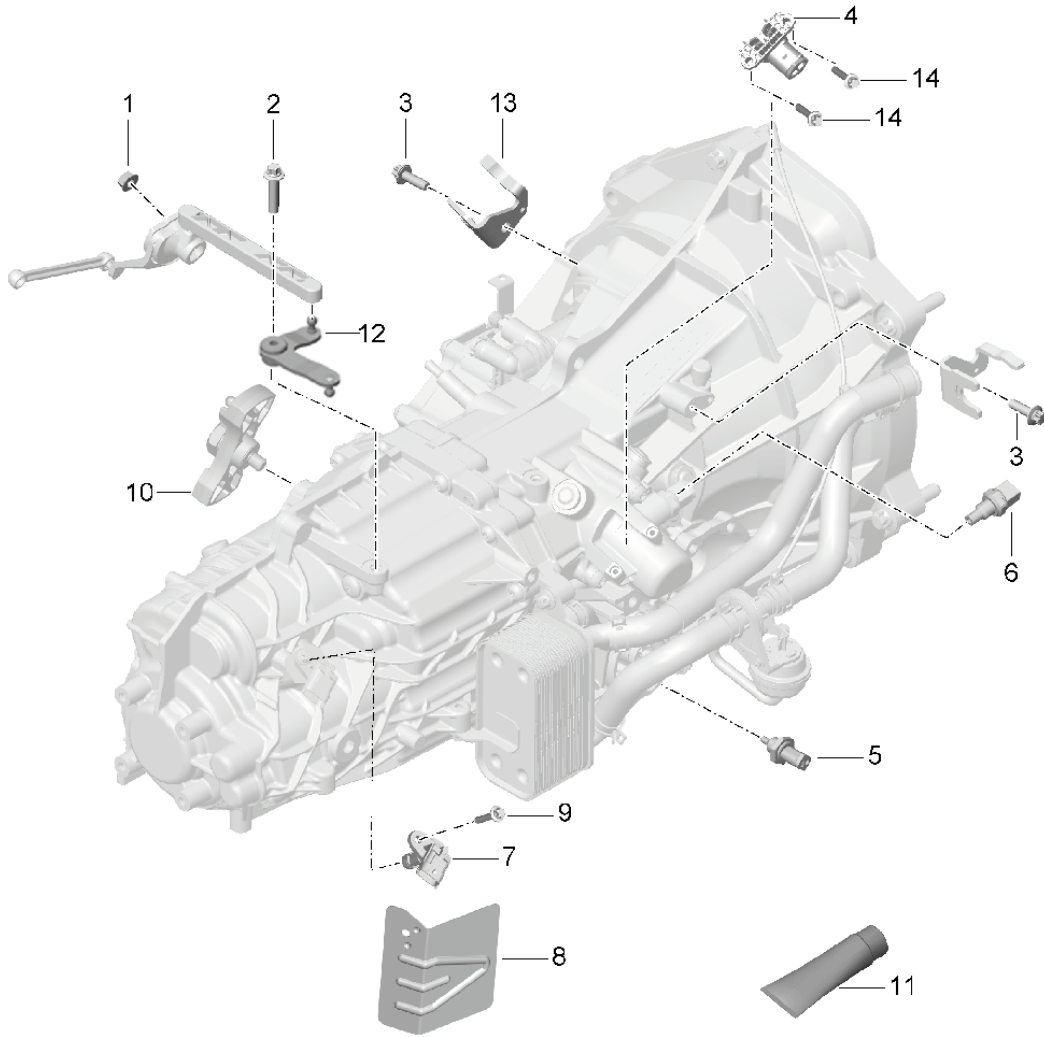
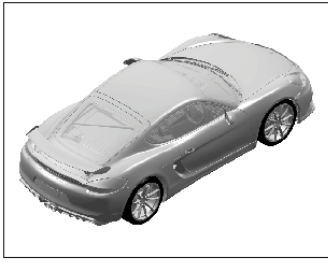


Model: 981GT4 Model life 2016>>2016

Pos	Part Number	Description	Remark	Qty	Model
		Manual gearbox Individual parts			G8120
1	987 332 209 41	Drive flange		2	
2	012 409 413	snap ring		2	
4	981 301 813 00	sealing plug M18 X 1,5 X 12		1	
5	999 203 003 00	Bearing bush 16 X 22 X 20		4	
8	016 409 399 B	radial shaft seal		2	
9	999 701 497 40	Drive flange O-ring 194,55 X 3,5		1	
10	999 073 368 01	Torx screw M 8 X 42		10	
11	012 301 457 B	Shaft oil seal		1	
12	981 303 021 00	shift rod		1	
13	981 301 063 00	Cover for selector shaft		1	
14	010 409 580	O-ring Cover shift rod		1	
15	981 307 850 00	flat round head bolt		3	
16	014 301 485	Cap for venting the gearbox breather assy.		1	
17	000 043 209 23	Grease LIQUI MOLY PU 53 / WDR 50 GR.		X	
17	G 052 128 A1	sealing grease for radial shaft oil seal LIQUI MOLY PU 53 / WDR 50 GR.		X	

Model: 981GT4

Model life 2016>>2016



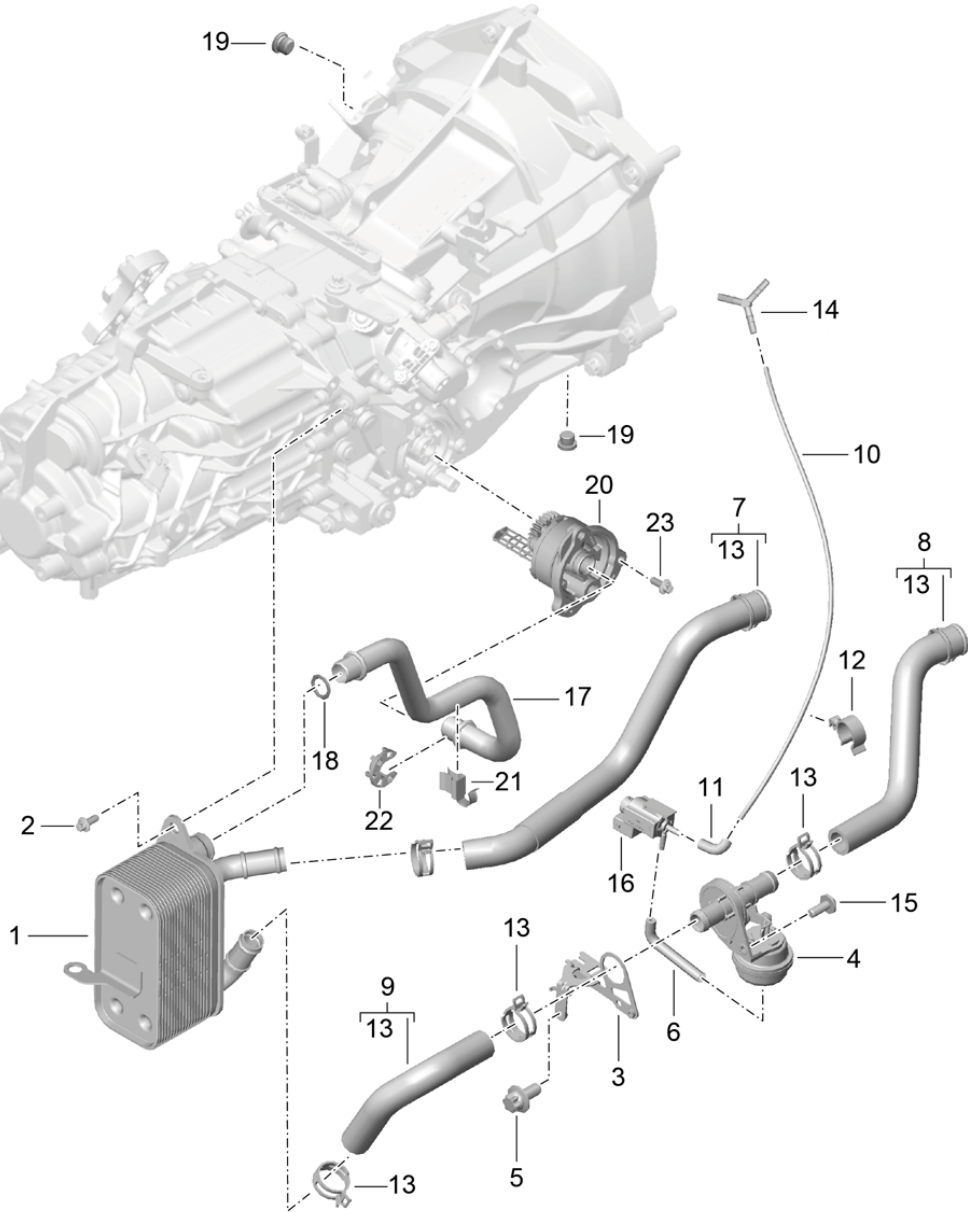
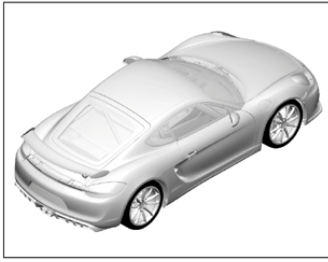
Model: 981GT4

Model life 2016>>2016

Pos	Part Number	Description	Remark	Qty	Model
		Manual gearbox Individual parts			G8120
1	900 377 003 03	Hexagon nut M 8		1	
2	900 385 006 01	Torx screw BM 8 X 35 Discontinued part		1	
2	900 385 042 01	Torx screw BM 8 X 35		1	
3	900 385 098 01	Torx screw BM 8 X 25		2	
4	981 606 303 00	Sensor		1	
5	981 606 420 00	Temperature sensor		1	
6	01E 941 521 B	switch for reversing light Back-up light		1	
7	7PP 905 381 B	Inductive sensor speed sensor		1	
8	981 111 275 00	Heat insulation speed sensor		1	
9	900 385 001 01	Torx screw BM 8 X 20		1	
10	981 303 051 00	flywheel		1	
11	000 043 209 23	Grease LIQUI MOLY PU 53 / WDR 50 GR.		X	
12		relay lever			
13		Bracket	see illustration: 701-000		
14	981 606 801 00	Socket head bolt M 6 X 18	see illustration: 701-000	2	

Model: 981GT4

Model life 2016>>2016

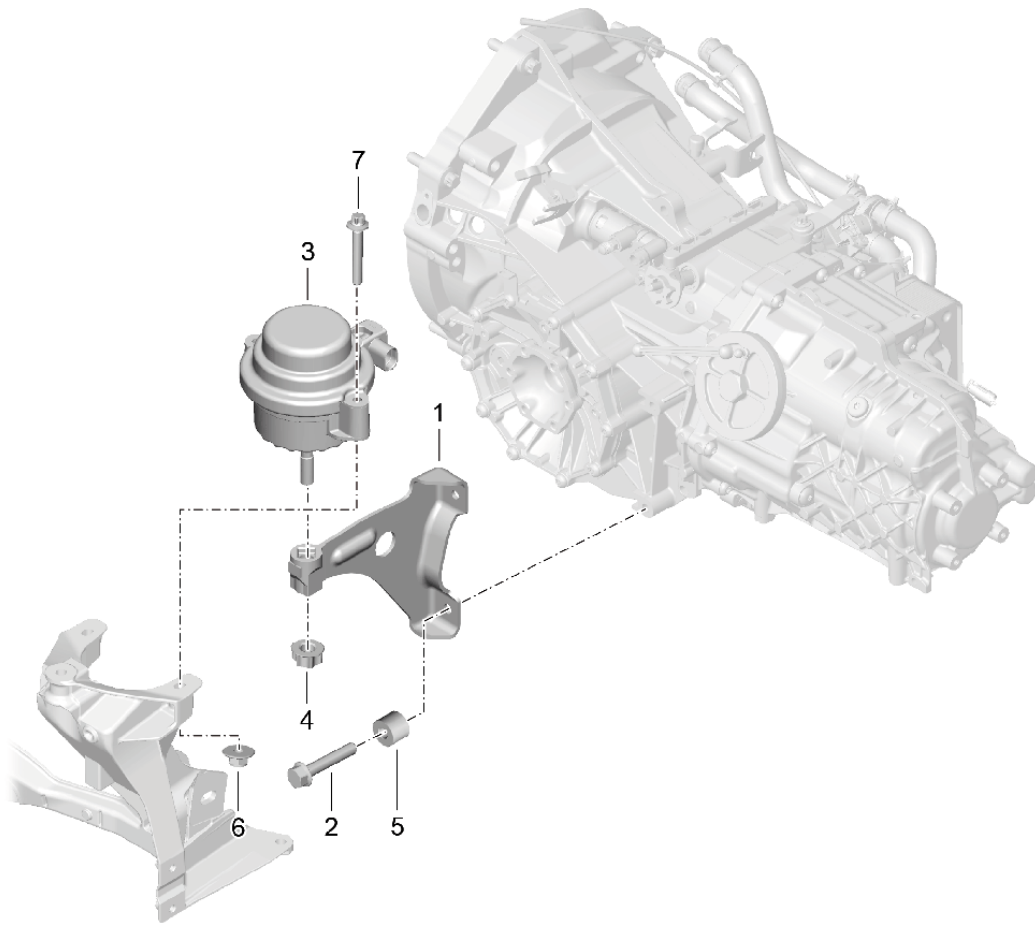
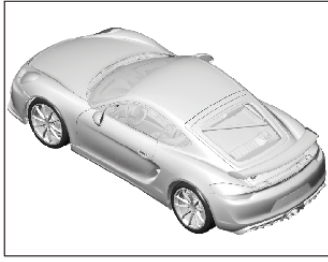


Model: 981GT4 Model life 2016>>2016

Pos	Part Number	Description	Remark	Qty	Model
		Manual gearbox			G8120
		heat exchanger			
		oil pipe			
1	981 307 017 00	Water pipe		1	
2	981 307 821 00	heat exchanger		3	
		flat round head bolt			
		M 8 X 20			
3	981 307 401 00	Bracket		1	
		Disc valve			
4	991 307 573 00	Disc valve		1	
5	900 385 041 01	Torx screw		1	
		M 6 X 12			
6	9G1 307 673 00	Molded hose		1	
7	981 307 077 00	Water hose		1	
		Coolant			
		Return line			
8	981 307 074 00	Water hose		1	
		Coolant			
		Supply			
9	981 307 075 00	Water hose		1	
		Coolant			
		Supply			
-	000 043 205 01	Pipe		*	
		4,0 X 1,0			
		modify in workshop			
		Shorten			
10		Vacuum line		1	
		L = 400 MM			
11	928 574 717 05	Molded hose		1	
12	999 507 872 40	Bracket		1	
13	999 512 589 09	Hose clamp		1	
		25 X 12			
14	928 573 727 05	Distributor		1	PR: XLF
15	N 910 682 01	Hexagon socket flat		1	
		head bolt			
		M 4 X 10			
16	7PP 906 270	Change-over valve		1	
17	981 307 053 00	Line		1	
18	981 307 853 00	O-ring		2	
19	N 910 597 01	sealing plug		2	
20	981 307 023 00	oil pump		1	
21	981 307 815 00	Clip		1	
22	981 307 825 00	Bracket		1	
23	981 307 850 00	flat round head bolt		3	
		M8 X 25			

Model: 981GT4

Model life 2016>>2016



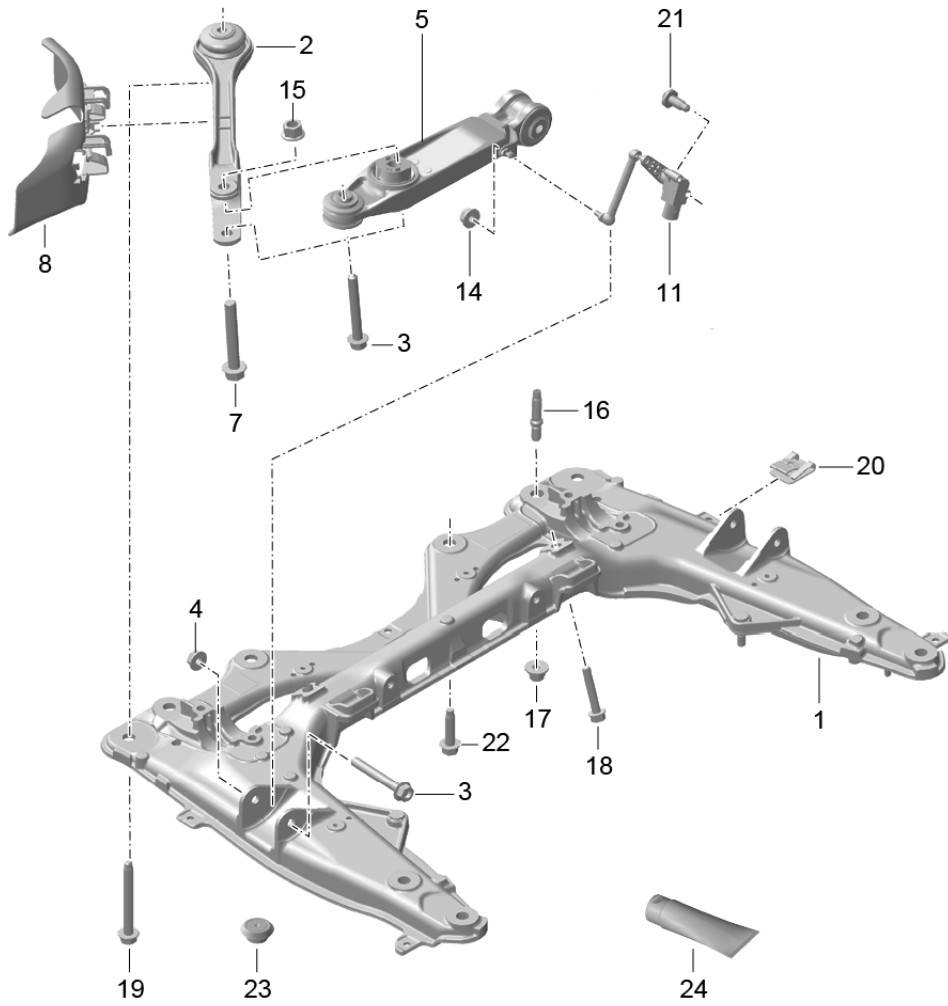
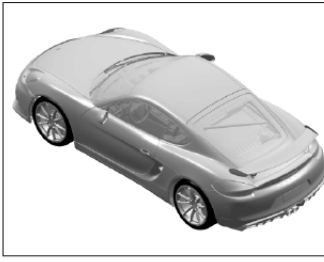
Model: 981GT4

Model life 2016>>2016

Pos	Part Number	Description	Remark	Qty	Model
		Transmission suspension			
		Threaded joint			
		Engine			
1	981 375 181 00	Console	left	1	
(1)	981 375 182 00	Console	right	1	
2	900 378 249 01	Hexagon bolt		4	
		AM 10 X 55			
3	981 375 059 80	hydro-mounting		2	PR:140
(3)	981 375 049 02	hydro-mounting		2	PR:-140
4	999 086 009 02	Nut		2	
		M 12 X 1,5			
5	999 209 118 30	spacer sleeve		4	
		10,2 X 7,4			
6	999 084 447 01	Hexagon nut		4	
		M 8			
6	PAF 003 923	Hexagon nut		4	
		M 8			
7	900 385 071 01	Torx screw		4	PR:-140
		M 8 X 50			
(7)	900 385 121 01	Outer hexagon round screw		4	PR:140
		M 8 X 75			

Model: 981GT4

Model life 2016>>2016



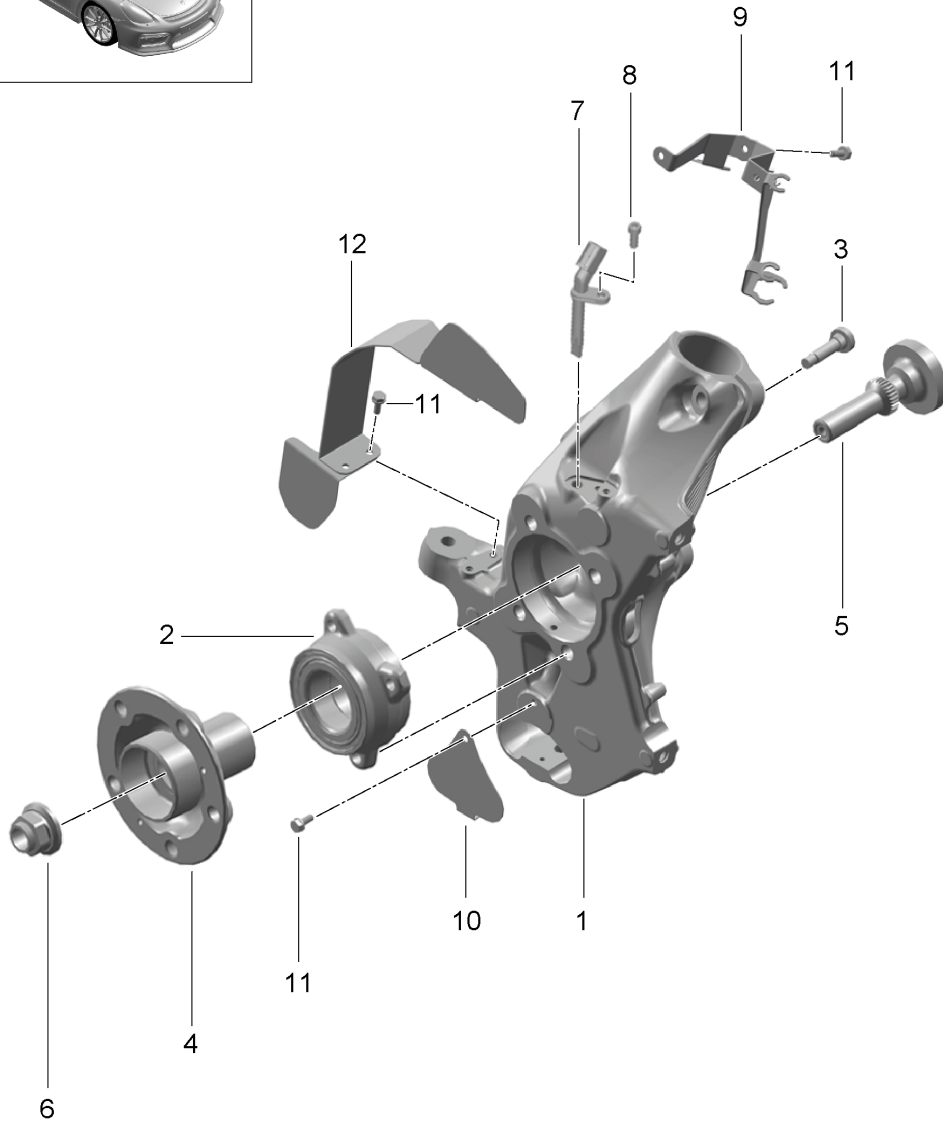
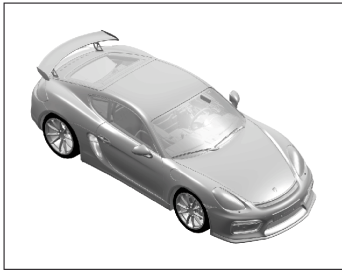
Model: 981GT4

Model life 2016>>2016

Pos	Part Number	Description	Remark	Qty	Model
		Cross member			
		Wishbone			
1	991 341 081 16	Cross member		1	
2	991 341 043 03	Guide		2	
3	999 072 876 01	Hexagon bolt		2	
		M 12 X 1,5 X 95			
4	999 084 445 01	Locknut		2	
		M 12 X 1,5			
5	991 341 041 84	Wishbone	left	1	
(5)	991 341 042 84	Wishbone	right	1	
6	996 341 543 93	adjusting washer		2	
		7 MM			
7	999 072 892 01	Hexagon bolt		2	
		AM 14 X 1,5 X 95			
8	991 341 483 80	Spoiler	left	1	
(8)	991 341 484 80	Spoiler	right	1	
11	991 343 921 80	Level sensor		2	
14	900 380 015 01	Hexagon nut		2	
		M 6			
15	900 380 012 01	Hexagon nut		2	
		M 14 X 1,5			
16	999 061 125 01	Threaded pin		2	
		M 12 X 1,5			
17	N 909 167 01	Hexagon collar nut		2	
		self-locking			
		M 12 X 1,5			
18	999 072 836 01	Hexagon bolt		4	
		AM 10 X 60			
19	999 072 864 01	Hexagon bolt		2	
		AM 12 X 1,5 X 105			
20	999 507 795 09	panel nut		6	
		ST 4,8			
21	N 104 857 03	Hexagon socket flat		4	PR:475
		head bolt			
		M 5X12			
22	999 072 863 01	Hexagon bolt		2	
		AM12X1,5X50			
23	999 703 561 40	End cap	left	1	
24	9A7 915 576 01	Corrosion protection		1	

Model: 981GT4

Model life 2016>>2016

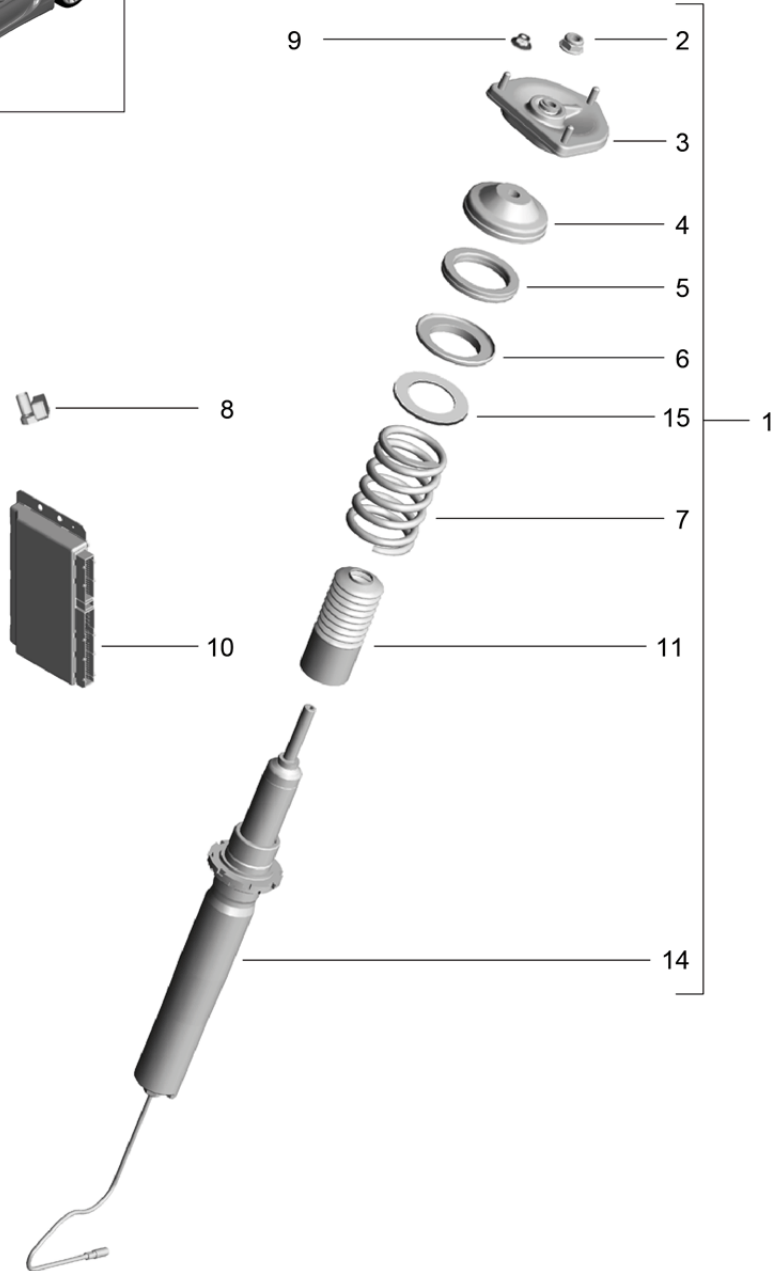
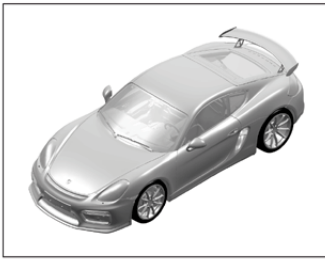


Model: 981GT4 Model life 2016>>2016

Pos	Part Number	Description	Remark	Qty	Model
		Wheel carrier			
		Wheel hub			
1	991 341 157 80	Wheel carrier	left	1	
(1)	991 341 158 80	Wheel carrier	right	1	
2	958 331 583 00	angular ball bearing		2	
		also use:			
		Position			
		3 + 6			
3	WHT 004 835	Ball screw		8	
		M 12 X 1.25 X 45			
4	981 341 507 81	Wheel hub		2	
5	991 341 131 80	retaining bolt		2	
6	WHT 007 021	hex. nut, self-locking with washer		2	
		M 22 X 1,5 S			
7	991 606 407 01	speed sensor		2	
8	900 067 117 04	Socket head bolt		2	
		M 6 X 16			
9	991 355 501 80	Bracket	left	1	
(9)	991 355 502 80	Bracket	right	1	
10	991 351 801 80	Cover plate		2	
		Wheel carrier			
11	999 217 116 01	Hexagon bolt		10	
		M 6 X 16			
12	991 351 603 81	Cover plate	left	1	
(12)	991 351 604 81	Cover plate	right	1	

Model: 981GT4

Model life 2016>>2016



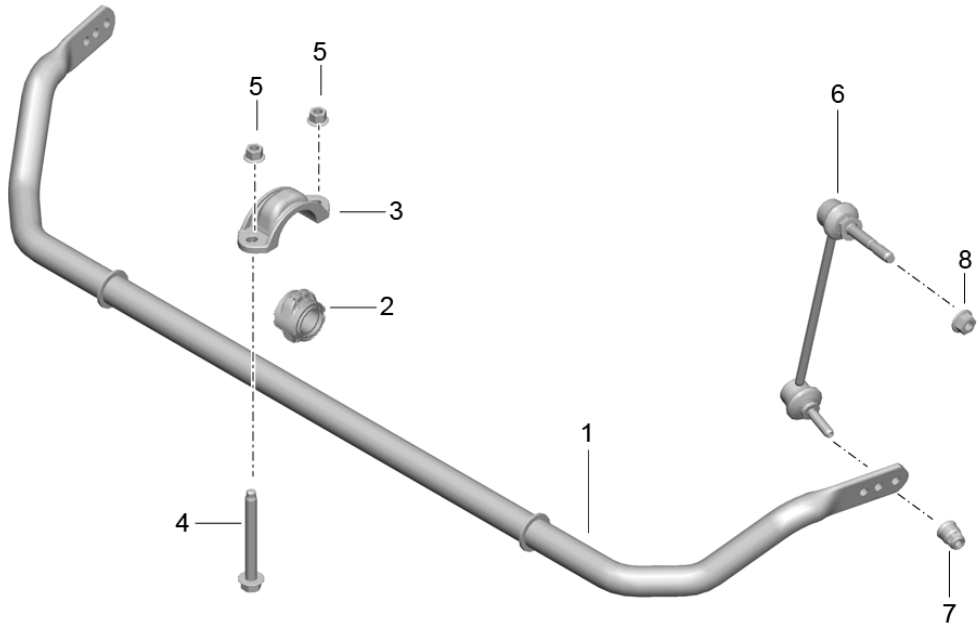
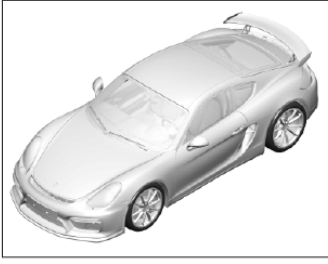
Model: 981GT4

Model life 2016>>2016

Pos	Part Number	Description	Remark	Qty	Model
1	981 343 035 81	vibration damper Shock absorbers (complete)		2	PR:475
2	999 084 133 01	Hexagon nut M 14 X 1,5		4	
3	991 343 015 80	Shock absorber bearing		2	
4	991 343 507 82	spring disc	upper	2	
5	991 343 501 81	Mounting		2	
6	991 343 517 81	shelf	lower	2	
7	981 343 531 80	Coil spring		1	PR:475
	981 343 531 80 504	1 pair of springs			
8	991 606 111 00	Acceleration sensor for bodywork		1	PR:475
9	999 084 447 01	Hexagon nut M 8		6	
9	PAF 003 923	Hexagon nut M 8		6	
10	991 618 440 14	Control unit		1	PR:-140,475
(10)	991 618 450 14	Control unit		1	PR:140,475
11	997 343 567 90	protective pipe		2	
14	981 343 045 80	Shock absorbers		2	PR:475
15	991 343 518 80	shelf	lower	2	

Model: 981GT4

Model life 2016>>2016



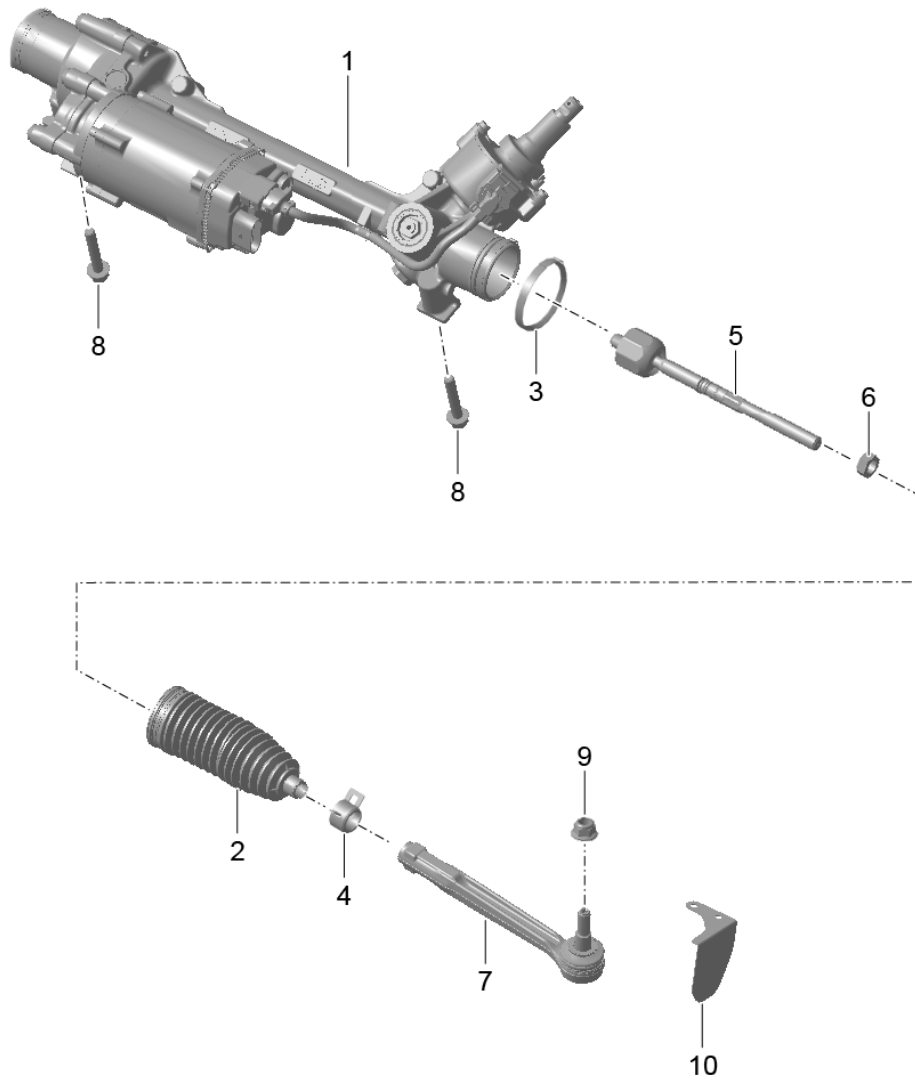
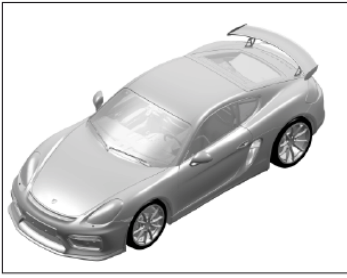
Model: 981GT4

Model life 2016>>2016

Pos	Part Number	Description	Remark	Qty	Model
1	991 343 701 80	Anti-roll bar		1	
2	991 343 793 02	Anti-roll bar		4	
3	991 343 777 00	anti-roll bar bearing bracket		2	
4	999 072 836 01	Clamp		4	
		Hexagon bolt			
		AM 10 X 60			
5	900 380 008 01	Hexagon nut		4	
		M 10			
6	991 343 069 80	Coupling rod		2	
7	999 084 123 09	Hexagon nut	lower	2	
		M 10			
8	999 084 445 01	Locknut	upper	2	
		M 12 X 1,5			

Model: 981GT4

Model life 2016>>2016



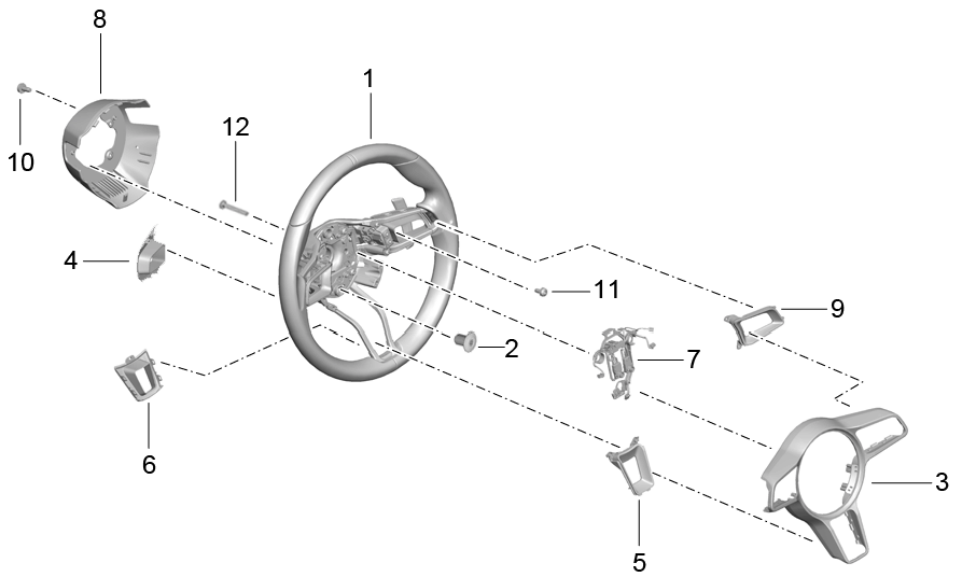
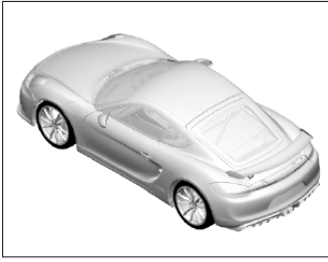
Model: 981GT4

Model life 2016>>2016

Pos	Part Number	Description	Remark	Qty	Model
1	991 347 005 16	Steering gear Steering parts Steering gear (complete)		1	PR:098,657
2	991 347 191 01	Bellows		2	
3	991 347 293 01	clamping ring		2	
4	991 347 375 01	clamping ring		2	
5	991 347 322 00	Joint		2	
6	999 034 037 01	Hexagon nut M 14 X 1,5		2	
7	991 347 131 00	Track rod		2	
8	999 072 836 01	Hexagon bolt AM 10 X 60		2	
9	999 084 449 09	Locknut M 12 X 1,5		2	
10	991 351 803 80	Cover plate Track rod	left	1	
(10)	991 351 804 80	Cover plate Track rod	right	1	

Model: 981GT4

Model life 2016>>2016

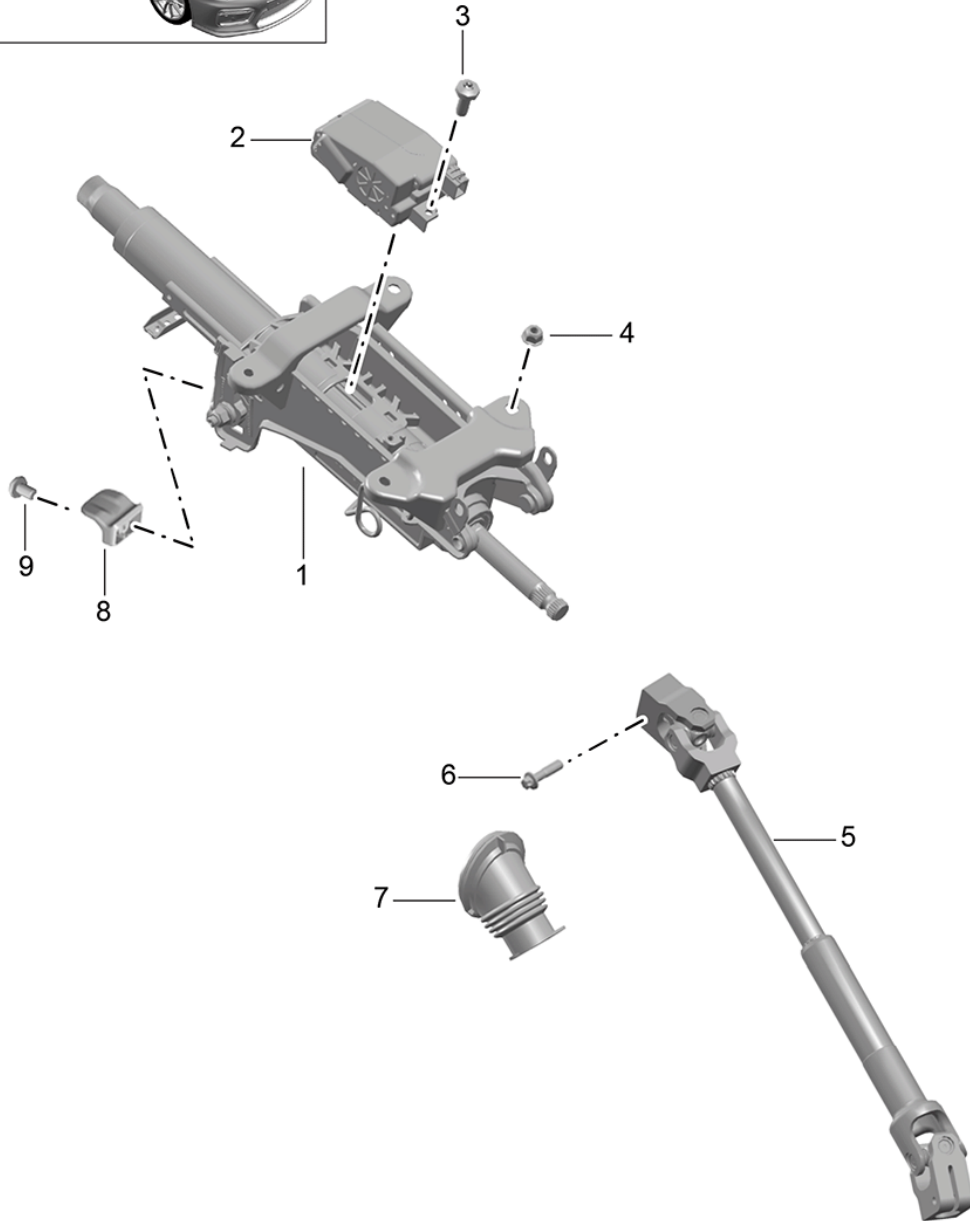
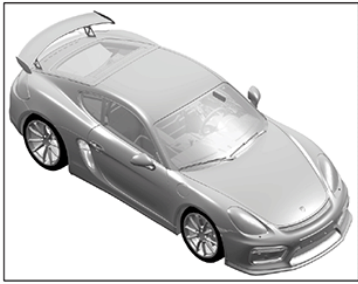


Model: 981GT4 Model life 2016>>2016

Pos	Part Number	Description	Remark	Qty	Model
1	9P1 419 091 AG	Steering wheels steering wheel (leather) Discontinued part		1	PR:480 PR:878
	9P1 419 091 AG DRN	Black/Platinum Grey	-28,78		
	9P1 419 091 AG DRO	Black/Guards Red	-68		
	9P1 419 091 AG DRR	Black/Racing Yellow	-58		
1	9P1 419 091 DP	steering wheel (leather) Discontinued part		1	PR:878
	9P1 419 091 DP DRN	Black/Platinum Grey	-28,78		
	9P1 419 091 DP DRO	Black/Guards Red	-68		
	9P1 419 091 DP DRR	Black/Racing Yellow	-58		
(1)	9P1 419 091 AH	steering wheel Discontinued part		1	PR:877,-887
	9P1 419 091 AH RAG	Black/Platinum Grey	-28,78		
	9P1 419 091 AH RAH	Black/Guards Red	-68		
	9P1 419 091 AH RAL	Black/Racing Yellow	-58		
(1)	9P1 419 091 DQ	steering wheel Discontinued part		1	PR:877,-887
	9P1 419 091 DQ RAG	Black/Platinum Grey	-28,78		
	9P1 419 091 DQ RAH	Black/Guards Red	-68		
	9P1 419 091 DQ RAL	Black/Racing Yellow	-58		
(1)	9P1 419 091 FS	steering wheel Discontinued part		1	PR:877,-887
	9P1 419 091 FS RAG	Black/Platinum Grey	-28,78		
	9P1 419 091 FS RAH	Black/Guards Red	-68		
	9P1 419 091 FS RAL	Black/Racing Yellow	-58		
(1)	9P1 419 091 FM	steering wheel Discontinued part		1	PR:877,887
	9P1 419 091 FM RAL	Black/Racing Yellow	-58		
2	N 910 207 01	Screw with int. serrations M 18 X 1,5 X 26		1	
3	95B 419 732	Cover		1	
	95B 419 732 GT8	Galvano silver			
4	95B 419 937 B	Trim	rear left	1	
(4)	95B 419 937 B 6N3	Matt black			
	95B 419 936 B	Trim	rear right	1	
	95B 419 936 B 6N3	Matt black			
5	95B 419 938 D	Trim	front lower	1	
	95B 419 938 D 6N3	Black			
6	95B 419 938 B	Trim	rear lower	1	
	95B 419 938 B 6N3	Black			
7	95B 971 388 B	Wire set		1	
8	95B 419 798 B	Cover plastic	rear	1	
	95B 419 798 B 5Q0	Black			
9	95B 419 936 C	Switch Multi-functional unit	left	1	
	95B 419 936 C 6N3	Matt black			
(9)	95B 419 937 C	Switch Multi-functional unit	right	1	
	95B 419 937 C 6N3	Matt black			
10	N 107 524 01	Oval socket head bolt with hex drive M4X10		5	
11	999 919 304 01	Screw M3X8		6	
12	999 919 305 01	Screw M4X30		4	

Model: 981GT4

Model life 2016>>2016



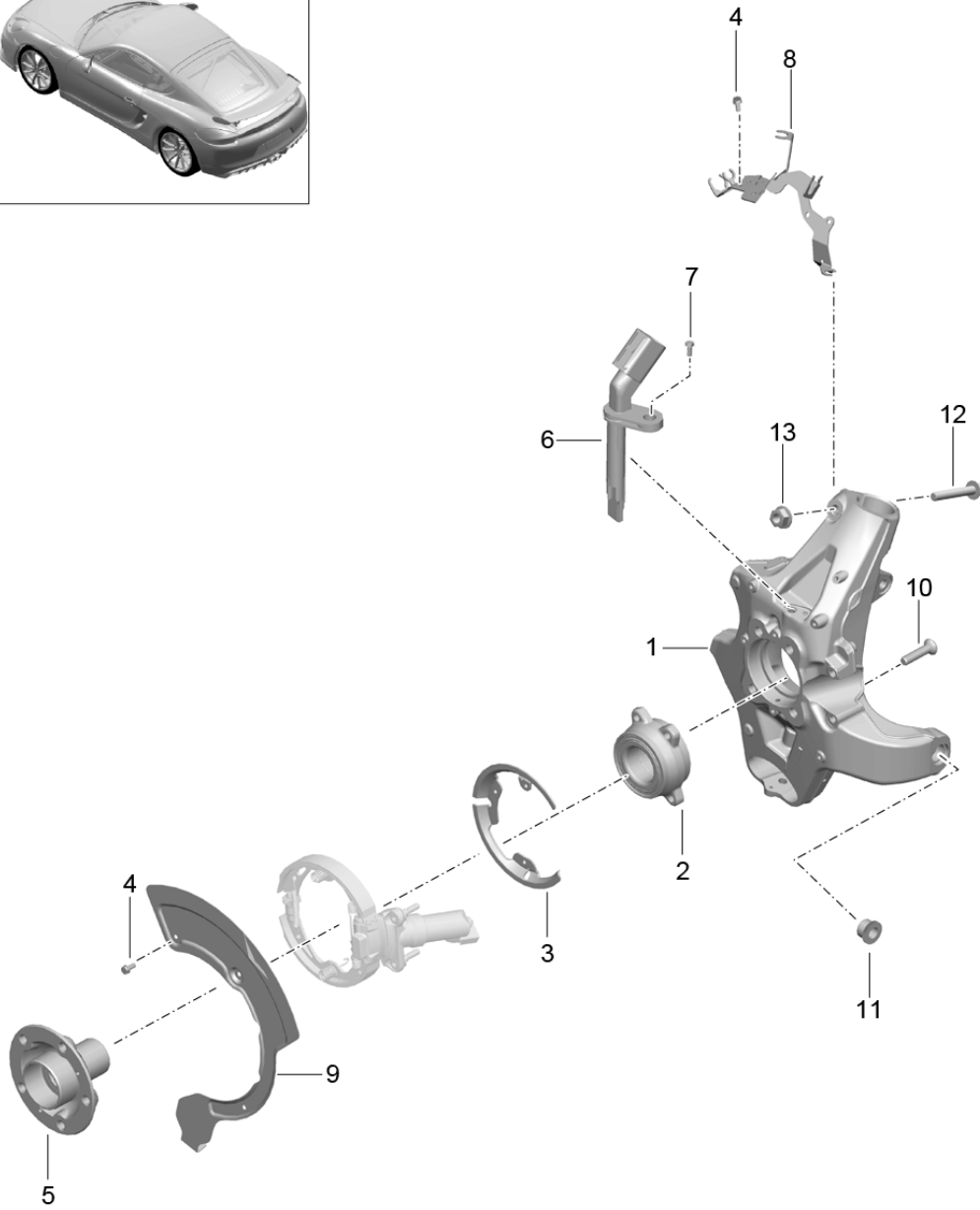
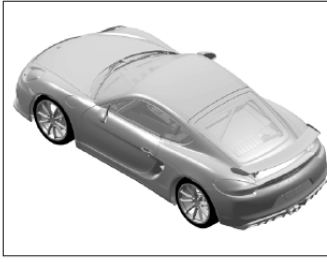
Model: 981GT4

Model life 2016>>2016

Pos	Part Number	Description	Remark	Qty	Model
1	991 347 015 06	Steering column Intermediate steering shaft		1	PR:655
(1)	991 347 015 24	Steering column		1	PR:647
2	7PP 905 852 C	Control unit		1	PR:655
3	8E0 035 413	Hexagon socket head bolt M 5 X 10		1	PR:655
4	999 084 630 01	Hexagon nut M 8		4	
5	991 347 023 03	Intermediate steering shaft		1	PR:098
6	WHT 004 955 A	Torx socket head bolt M 8 X 30		2	
7	991 347 037 02	Bellows		1	
8	970 347 175 00	handle		1	PR:647,655
	970 347 175 00 1E0	Black			
9	N 104 857 03	Hexagon socket flat head bolt M5X12-W		1	PR:475

Model: 981GT4

Model life 2016>>2016

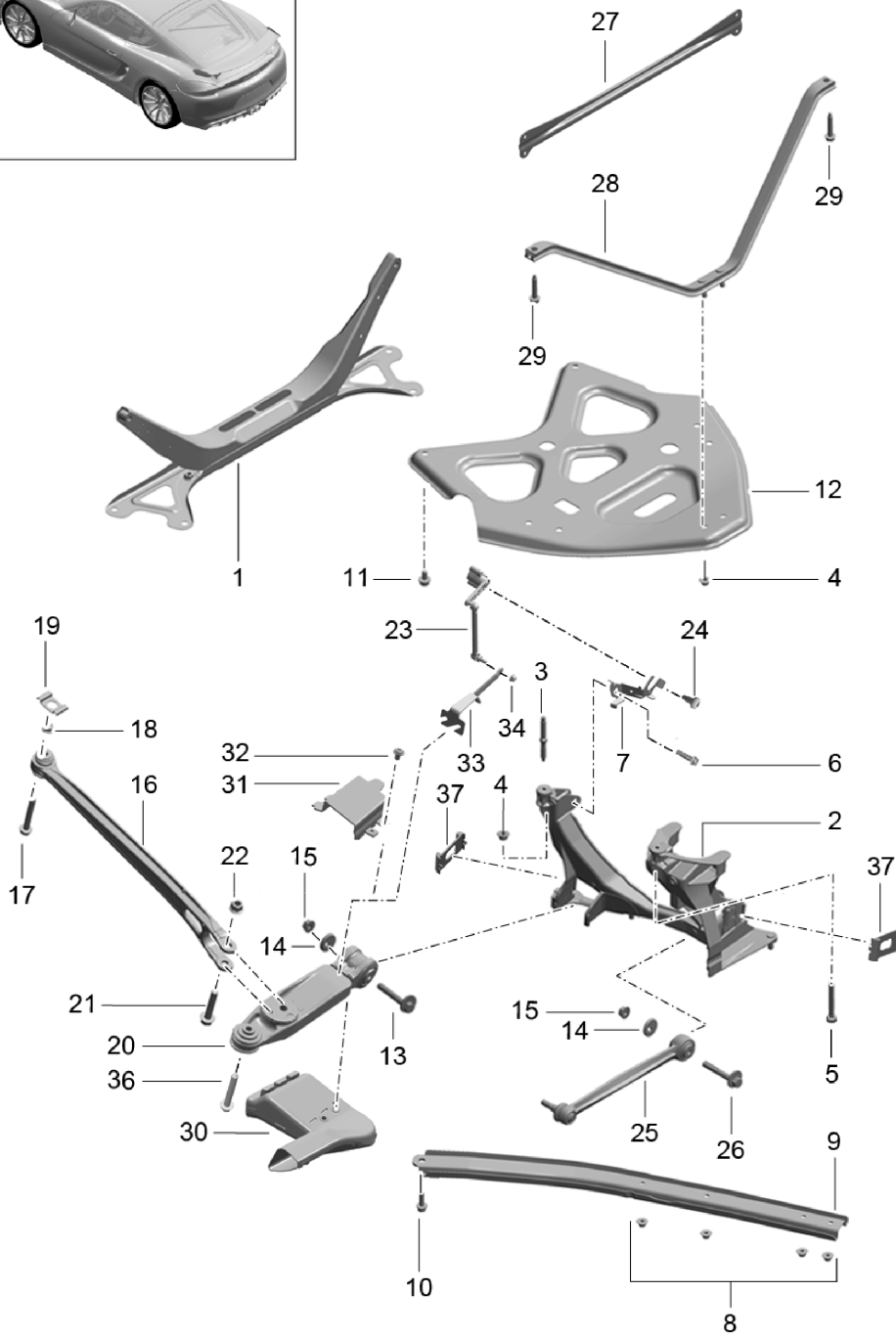
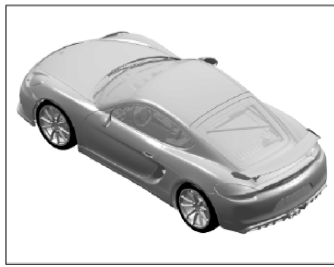


Model: 981GT4 Model life 2016>>2016

Pos	Part Number	Description	Remark	Qty	Model
		Rear axle			
		Wheel carrier			
		Wheel hub			
1	981 331 111 81	Wheel carrier	left	1	
(1)	981 331 112 81	Wheel carrier	right	1	
2	958 331 583 00	angular ball bearing		2	
3	981 352 521 80	Retaining plate handbrake	left	1	
(3)	981 352 522 80	Retaining plate handbrake	right	1	
4	999 217 116 01	Hexagon bolt M 6X 16		9	
5	981 341 507 81	Wheel hub		2	
6	991 606 407 01	speed sensor		2	
7	900 067 117 04	Socket head bolt M6 X 16		2	
8	981 355 303 81	Retainer for brake hose	left	1	
(8)	981 355 304 81	Retainer for brake hose	right	1	
9	981 352 801 80	Cover plate	left	1	
9	981 352 802 80	Cover plate	right	1	
10	WHT 004 835	Ball screw M12X1,25X45		8	
11	999 531 020 01	cotter, split 17H7X18,5 Not for: Repair		1	
		No longer use the part here			
12	999 072 868 01	Hexagon bolt M 12 X 1,5 X 80		2	
13	999 084 445 01	Locknut M 12 X 1,5		2	

Model: 981GT4

Model life 2016>>2016



Model: 981GT4 Model life 2016>>2016

Pos	Part Number	Description	Remark	Qty	Model
		Rear axle Side part Carrier Guide			
1	981 331 071 80	Cross member		1	
2	981 331 051 80	Side part	left	1	
(2)	981 331 052 80	Side part	right	1	
3	999 061 120 01	Threaded pin M10X100		2	
4	999 076 053 01	Hexagon nut M10		2	
4	PAF 008 868	Hexagon nut M10		2	
5	999 072 843 01	Bolt with washer M10X80-PA		2	
6	999 072 829 01	Hexagon bolt M10X45		2	
7	981 606 321 01	Bracket	left	1	PR:475
(7)	981 606 322 01	Bracket	right	1	PR:475
8	999 076 053 01	Hexagon nut M10		12	
8	PAF 008 868	Hexagon nut M10		12	
9	981 331 131 06	Brace	left	1	
(9)	981 331 132 06	Brace	right	1	
10	999 072 840 01	Hexagon bolt AM10X35		2	
11	999 072 844 01	Bolt with washer AM10X20		2	
12	981 331 261 10	Bracket Discontinued part		1	
(12)	981 331 261 11	Bracket		1	
13	997 331 217 03	Eccentric bolt M12X1,5X100		2	
14	996 331 219 00	eccentric washer		4	
15	999 084 445 01	Locknut M12X1,5		4	
16	981 331 043 03	Guide		2	
17	999 072 865 01	Hexagon bolt AM12X1,5X90		2	
18	999 084 445 01	Locknut M12X1,5		2	
19	981 331 651 00	Nut lock		2	
20	981 331 041 81	Wishbone	left	1	
(20)	981 331 042 81	Wishbone	right	1	
21	999 072 890 01	Hexagon bolt M14X1,5X75		2	
22	900 380 012 01	Hexagon nut M14X1,5		2	
23	981 333 921 80	Level sensor		2	
24	N 104 857 03	Hexagon socket flat head bolt M5X12-W		2	
25	981 331 045 80	Track rod		2	
26	997 331 217 02	Eccentric bolt M12X1,5X83		2	
27	981 331 275 80	Brace		1	
(27)	981 331 275 00	D >> - 02.11.2015 Brace D - 03.11.2015>>		1	
28	981 331 093 01	Brace		1	
29	999 072 837 01	Hexagon bolt AM10X55-PA		2	

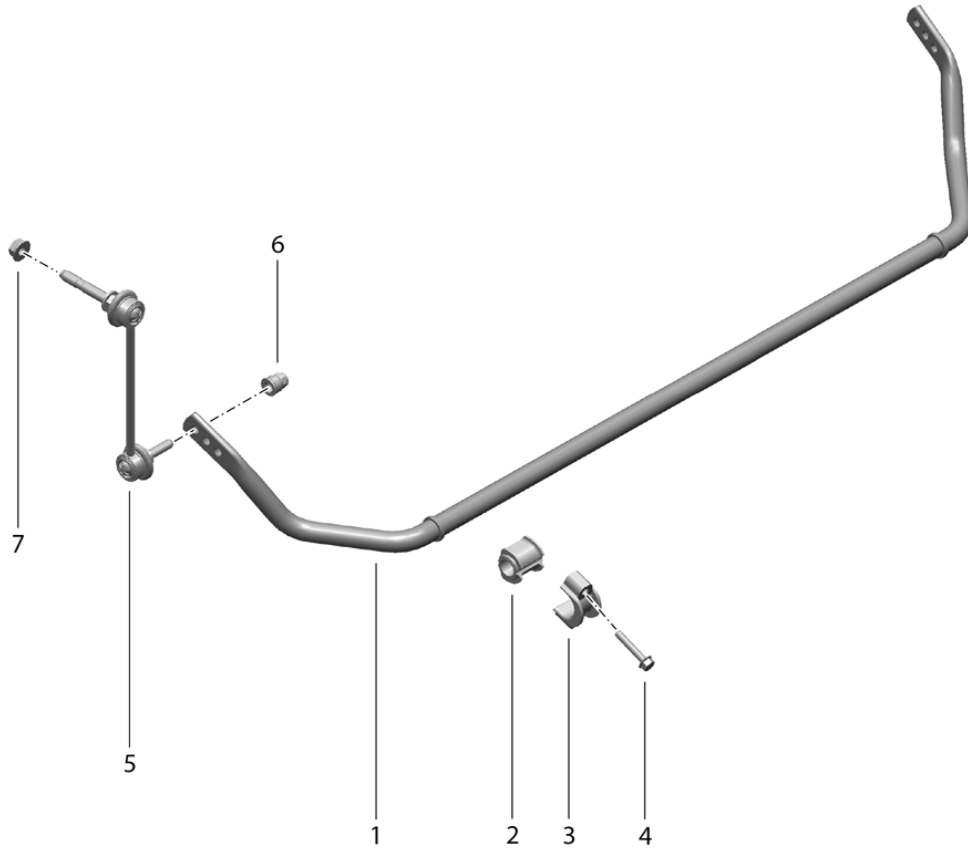
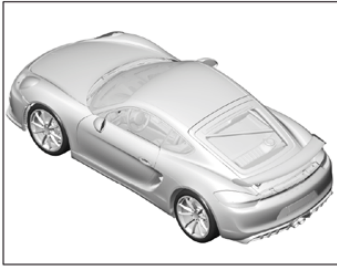
Model: 981GT4

Model life 2016>>2016

Pos	Part Number	Description	Remark	Qty	Model
30	981 575 531 80	Brake ventilation Air duct	left	1	
(30)	981 575 532 80	Brake ventilation Air duct	right	1	
31	981 575 631 80	Bracket Brake ventilation Air duct	left	1	
(31)	981 575 632 80	Bracket Brake ventilation Air duct	right	1	
32	999 073 516 01	fillister hd. bolt M6X10-MK		4	
33	981 331 543 80	Bracket Sensor		2	
34	900 380 015 01	Hexagon nut		2	
36	999 072 876 01	Hexagon bolt M 12 X 1,5 X 95		2	
37	981 331 351 80	Clip		4	

Model: 981GT4

Model life 2016>>2016



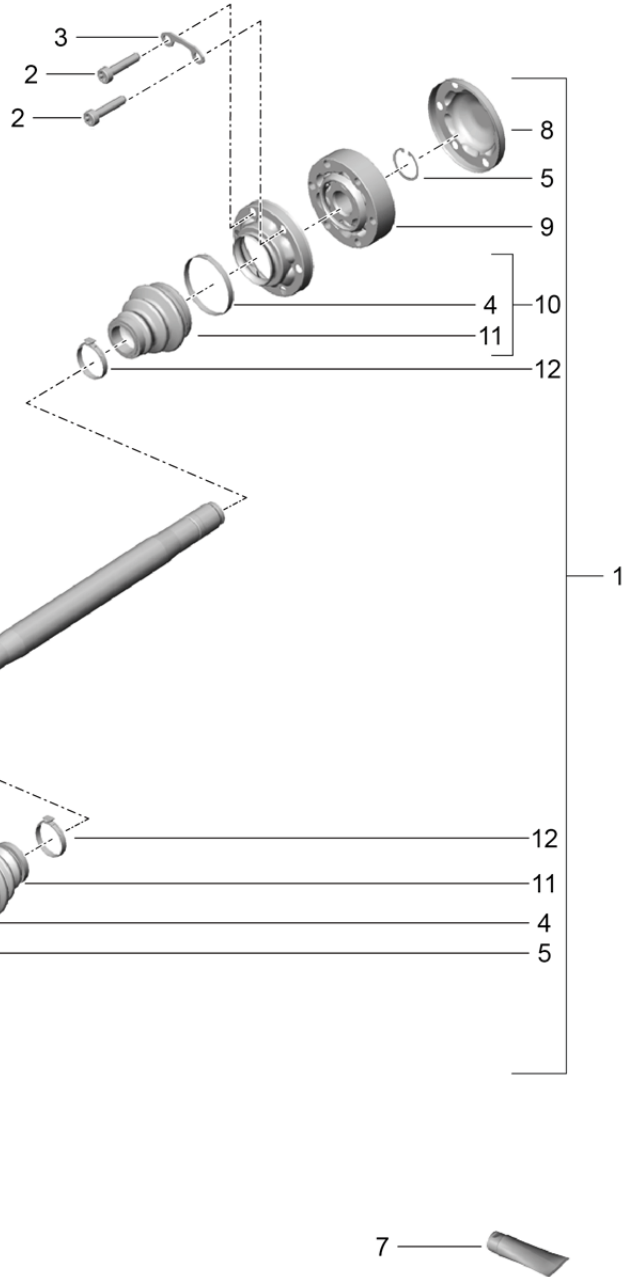
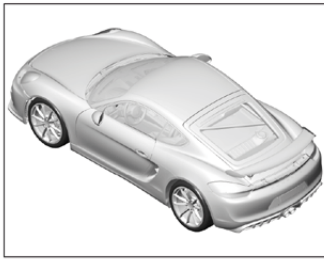
Model: 981GT4

Model life 2016>>2016

Pos	Part Number	Description	Remark	Qty	Model
1	981 333 705 80	Anti-roll bar		1	
2	997 333 792 90	Anti-roll bar		2	
3	996 333 777 01	anti-roll bar bearing bracket		2	
4	900 378 107 01	Bearing clamp		2	
4	900 378 107 01	Hexagon bolt AM8X45		4	
5	997 343 069 04	Coupling rod	left	1	
(5)	997 343 070 04	Coupling rod	right	1	
6	999 084 123 09	Hexagon nut M 10	lower	2	
7	999 084 445 01	Locknut M 12 X 1,5	upper	2	

Model: 981GT4

Model life 2016>>2016



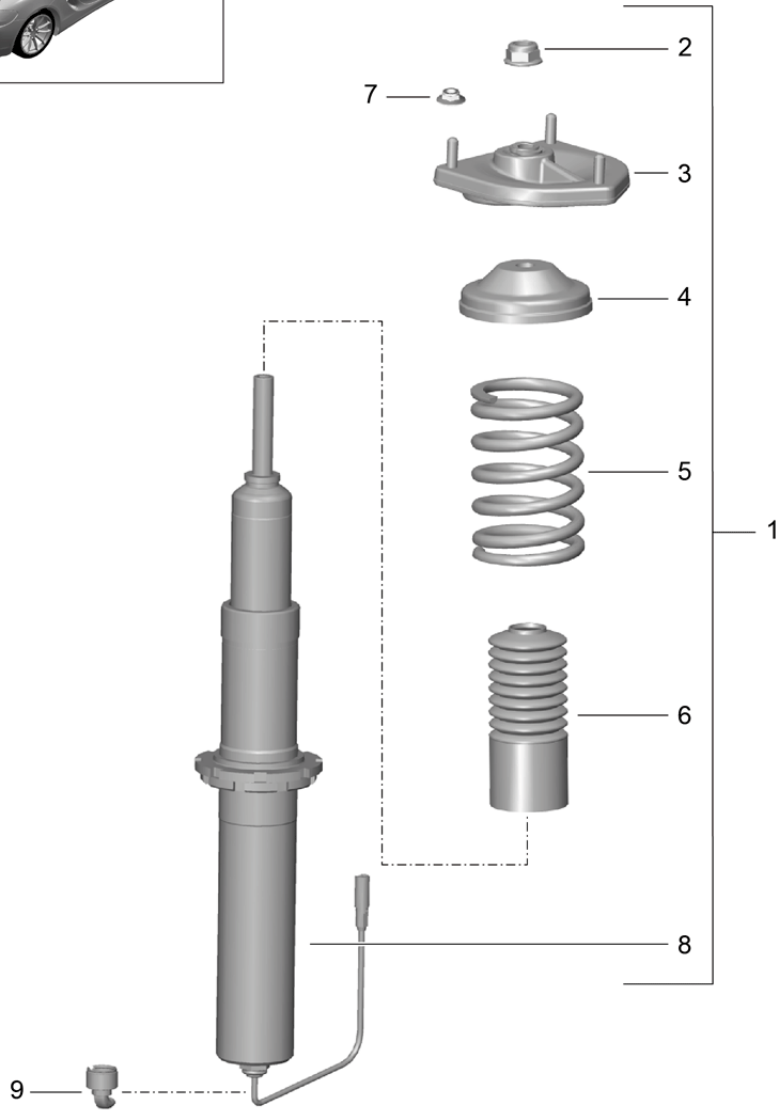
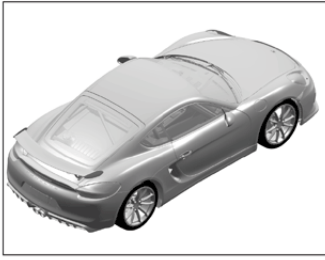
Model: 981GT4

Model life 2016>>2016

Pos	Part Number	Description	Remark	Qty	Model
1	981 332 023 80	Drive shaft		1	PR:480
(1)	981 332 024 80	Drive shaft	left	1	PR:480
2	999 510 047 01	Socket head bolt M10X46,5	right	12	
3	9P1 501 375	Spacer		6	
4	996 332 957 00	Clip 73 MM		4	PR:480
5	900 041 055 01	Securing ring 29X1,5		4	
6	WHT 007 021	hex. nut, self-locking with washer		2	
7	000 043 210 08	M22X1,5-S sealant 1 tube 20 G		X	
8	997 332 267 00	End cap		2	PR:480
9	991 332 030 80	Joint		2	PR:480
10	997 332 955 00	Bellows		2	PR:480
		Cap	with:		
11	996 332 293 00	Dust bellows		4	PR:480
12	996 332 257 00	Clip		4	

Model: 981GT4

Model life 2016>>2016



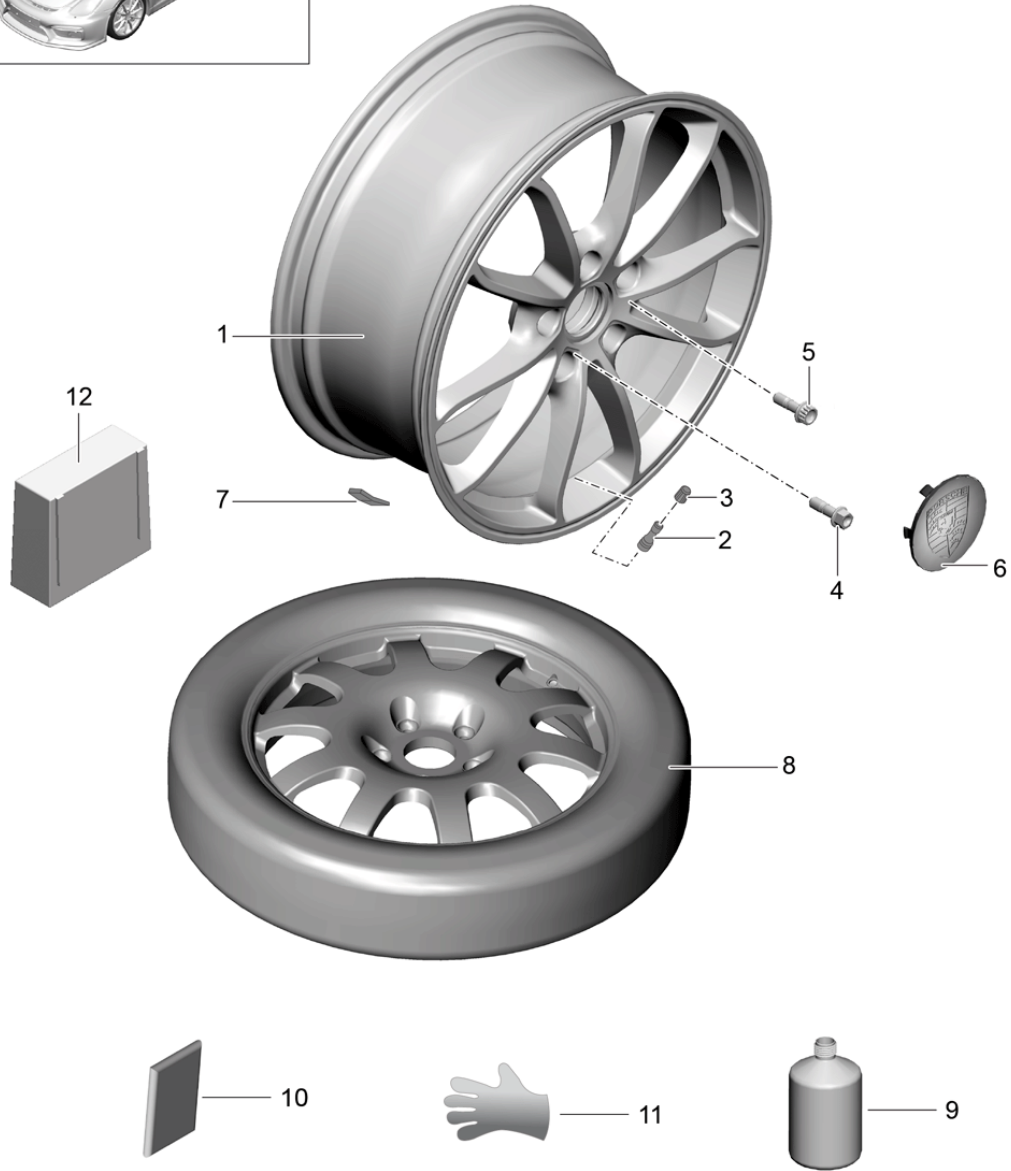
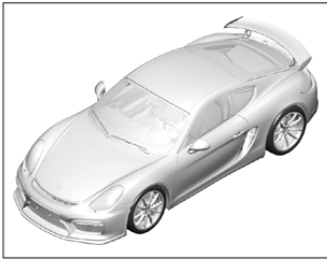
Model: 981GT4

Model life 2016>>2016

Pos	Part Number	Description	Remark	Qty	Model
1	981 333 035 81	Shock absorbers Coil spring		2	PR:475
2	999 084 133 01	Shock absorbers (complete)		2	
3	999 084 133 01	Hexagon nut M14X1,5		2	
4	981 333 061 81	Shock absorber bearing		2	
5	981 333 515 80	spring disc		2	
6	981 333 531 81	Coil spring		1	
7	981 333 531 81 504	1 pair of springs		1	
8	997 343 567 90	protective pipe		2	
9	999 084 447 01	Hexagon nut M8		6	
10	PAF 003 923	Hexagon nut M8		6	
11	981 333 045 80	vibration damper		2	PR:475
12	9A7 512 327 00	Cable guide Damper		2	

Model: 981GT4

Model life 2016>>2016



Model: 981GT4 Model life 2016>>2016

Pos	Part Number	Description	Remark	Qty	Model
-		Wheels part number Disc wheel			
		without:			
1	981 362 162 80	Hub cap and Wheel bolts Alloy wheel 8,5JX20 ET 61	front	2	PR:473,XDK, 340,346
	981 362 162 80 JE1	Matt black			PR:XDK
	981 362 162 80 OB5	Platinum satin-matt			PR:340
	981 362 162 80 8Z8	Brilliant Silver			PR:346
(1)	981 362 166 81	Alloy wheel 11JX20 ET 50	rear	2	PR:473,XDK, 340,346
	981 362 166 81 JE1	Matt black			PR:XDK
	981 362 166 81 OB5	Platinum satin-matt			PR:340
	981 362 166 81 8Z8	Brilliant Silver			PR:346
2	900 265 001 51	Rubber valve Discontinued part		4	PR:447
2	311 601 361	Rubber valve		4	PR:447
3	955 361 163 00	Cap for Rubber valve		4	
4	WHT 006 978	Wheel bolt		20	
6	9P2 601 147	Hub cap		4	PR:473
	9P2 601 147 JE1	Matt black			PR:XDK
	9P2 601 147 OB5	Platinum satin-matt			PR:340
	9P2 601 147 8Z8	Brilliant Silver			PR:346
7	997 361 405 00	Balancer weight (self-adhesive) 5.G.		X	PR:-493
(7)	9P1 601 179	Balancer weight (self-adhesive) Black		X	PR:493
(7)	997 361 410 00	Balancer weight (self-adhesive) 10 G.		X	PR:-493
(7)	9P1 601 181	Balancer weight (self-adhesive) Black		X	PR:493
(7)	997 361 415 00	Balancer weight (self-adhesive) 15 G.		X	PR:-493
(7)	9P1 601 182	Balancer weight (self-adhesive) Black		X	PR:493
(7)	997 361 420 00	Balancer weight (self-adhesive) 20 G.		X	PR:-493
(7)	9P1 601 183	Balancer weight (self-adhesive) Black		X	PR:493
(7)	997 361 425 00	Balancer weight (self-adhesive) 25 G.		X	PR:-493
(7)	9P1 601 184	Balancer weight (self-adhesive) Black		X	PR:493
(7)	997 361 430 00	Balancer weight (self-adhesive) 30 G.		X	PR:-493

Model: 981GT4

Model life 2016>>2016

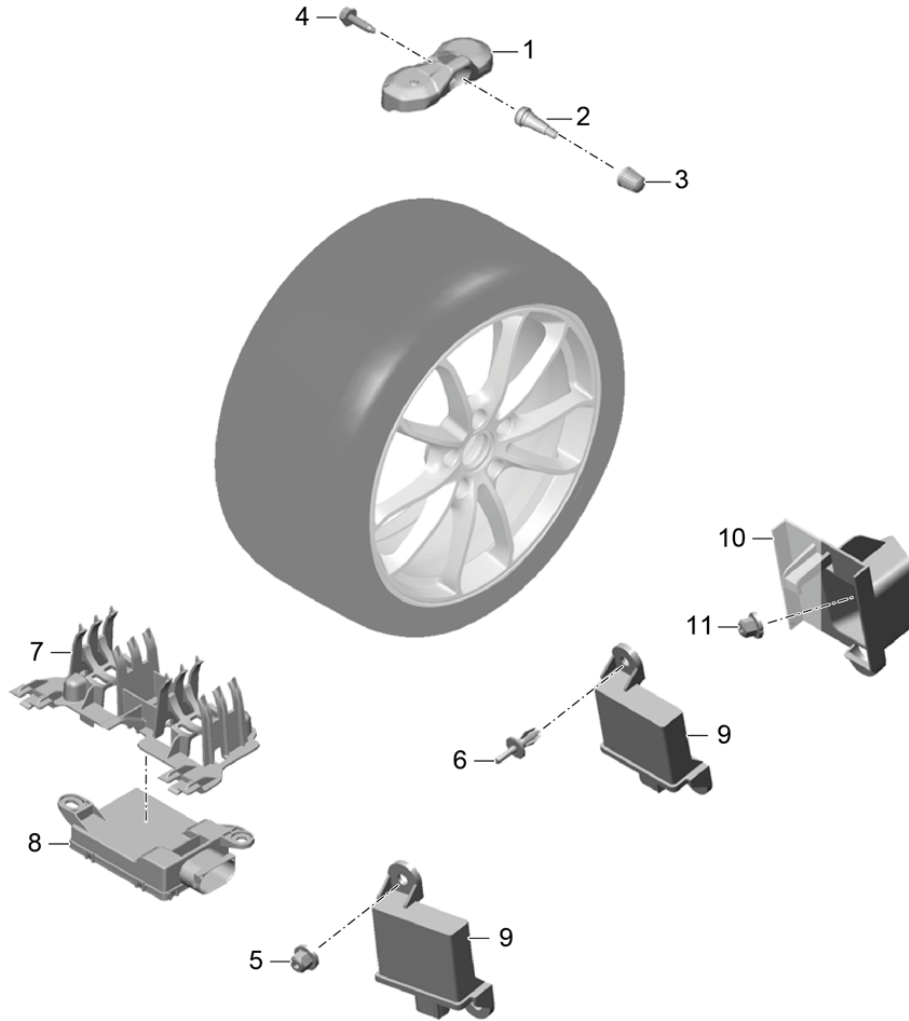
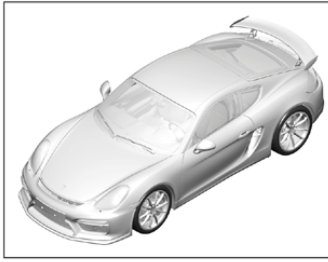
Pos	Part Number	Description	Remark	Qty	Model
(7)	9P1 601 185	Balancer weight (self-adhesive) Black		X	PR:493
(7)	997 361 435 00	Balancer weight (self-adhesive) 35 G.		X	PR:-493
(7)	9P1 601 186	Balancer weight (self-adhesive) Black		X	PR:493
(7)	997 361 440 00	Balancer weight (self-adhesive) 40 G.		X	PR:-493
(7)	9P1 601 187	Balancer weight (self-adhesive) Black		X	PR:493
(7)	997 361 445 00	Balancer weight (self-adhesive) 45 G.		X	PR:-493
(7)	9P1 601 188	Balancer weight (self-adhesive) Black		X	PR:493
(7)	997 361 450 00	Balancer weight (self-adhesive) 50 G.		X	PR:-493
(7)	9P1 601 189	Balancer weight (self-adhesive) Black		X	PR:493
(7)	997 361 455 00	Balancer weight (self-adhesive) 55 G.		X	PR:-493
(7)	9P1 601 190	Balancer weight (self-adhesive) Black		X	PR:493
(7)	997 361 460 00	Balancer weight (self-adhesive) 60 G.		X	PR:-493
(7)	9P1 601 191	Balancer weight (self-adhesive) Black		X	PR:493
(7)	997 361 465 00	Balancer weight (self-adhesive) 65 G.		X	PR:-493
(7)	9P1 601 192	Balancer weight (self-adhesive) Black		X	PR:493
(7)	997 361 470 00	Balancer weight (self-adhesive) 70 G.		X	PR:-493
(7)	9P1 601 193	Balancer weight (self-adhesive) Black		X	PR:493
(7)	997 361 475 00	Balancer weight (self-adhesive) 75 G.		X	PR:-493
(7)	9P1 601 194	Balancer weight (self-adhesive) Black		X	PR:493
(7)	997 361 480 00	Balancer weight (self-adhesive) 80 G.		X	PR:-493
(7)	9P1 601 195	Balancer weight (self-adhesive) Black		X	PR:493

Model: 981GT4 Model life 2016>>2016

Pos	Part Number	Description	Remark	Qty	Model
(7)	997 361 485 00	Balancer weight (self-adhesive) 85 G.		X	PR:-493
(7)	9P1 601 196	Balancer weight (self-adhesive) Black		X	PR:493
(7)	997 361 490 00	Balancer weight (self-adhesive) 90 G.		X	PR:-493
(7)	9P1 601 197	Balancer weight (self-adhesive) Black		X	PR:493
8	991 362 050 00	Spare wheel		1	PR:447
9	4L0 012 619 B	Tyre sealant		1	
10	996 361 521 00	Protective sleeve Spare wheel		1	PR:447
11	999 914 001 40	Plastic gloves No longer use the part here		1	PR:447
12	5N0 012 615 A	Air compressor Spare wheel		1	
12	5N0 012 615 C	Discontinued part Air compressor Spare wheel		1	

Model: 981GT4

Model life 2016>>2016



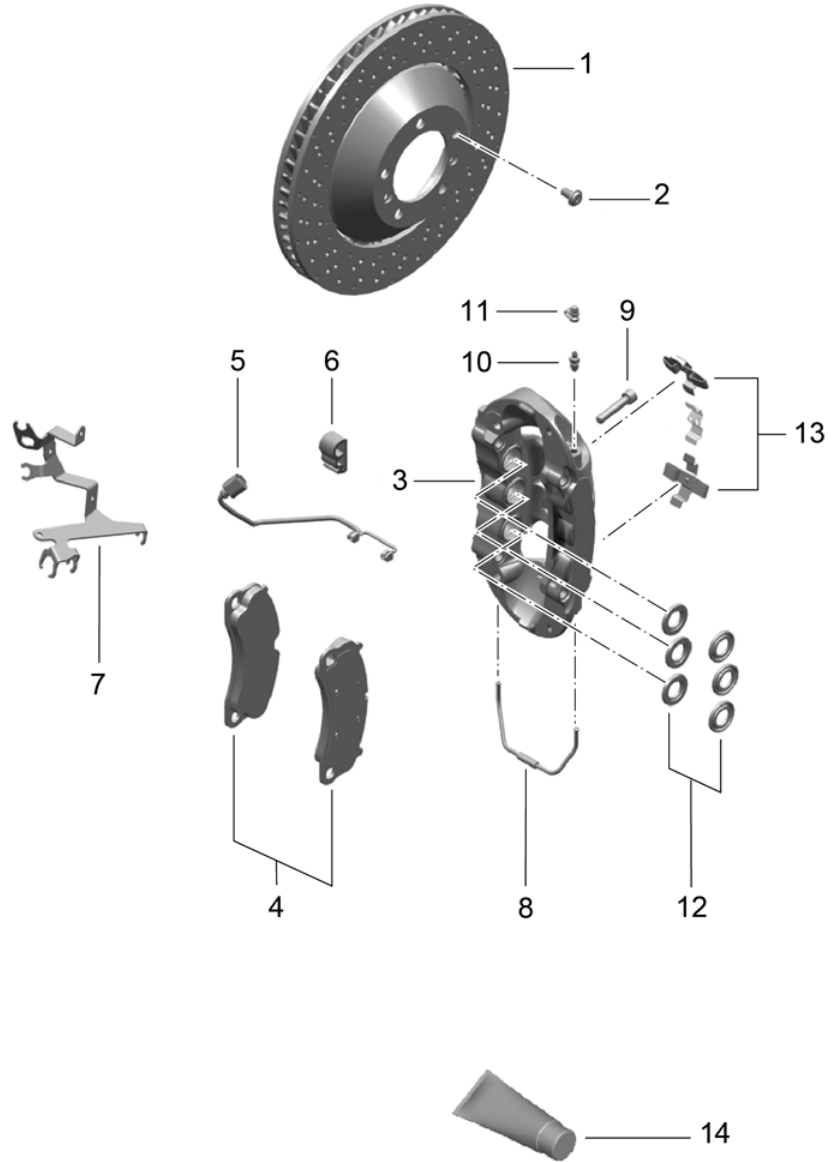
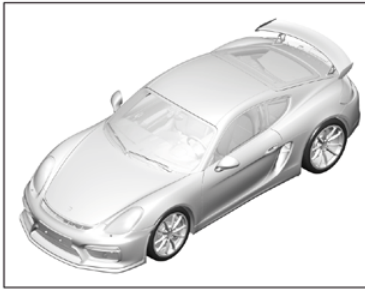
Model: 981GT4

Model life 2016>>2016

Pos	Part Number	Description	Remark	Qty	Model
1	7PP 907 275 F	tyre pressure control system Tyre pressure sensor		4	PR:482,483 PR:482
(1)	7PP 907 275 G	tyre pressure control system also use: Tyre pressure sensor	4D0 601 361	4	PR:483
2	9P1 601 361	tyre pressure control system also use: Valve	4D0 601 361	4	PR:UX7,482, 483
(2)	9P1 601 361 A	tyre pressure control system Black Valve		4	PR:UX6
3	WHT 006 913	tyre pressure control system silver Valve cap for		4	PR:UX7,482, 483
(3)	N 908 729 01	valve unit Black Valve cap for		4	PR:UX6
4	4D0 601 365	valve unit silver Hexagon socket head bolt,		4	PR:UX6,UX7
5	999 076 081 40	self-locking Hexagon plastic collar nut	left	2	PR:482,483
6	999 507 196 40	Spreader rivet	front right front	4	
7	991 618 259 00	Retainer for aerial		1	PR:482,483
8	918 618 104 01	Aerial		1	PR:482
(8)	918 618 103 01	Aerial		1	PR:483
9	7PP 907 283	Sender unit		4	PR:482,483
10	991 606 242 00	Holder for sender unit	right front	1	PR:482,483
11	999 049 033 40	Plastic nut	right	4	

Model: 981GT4

Model life 2016>>2016

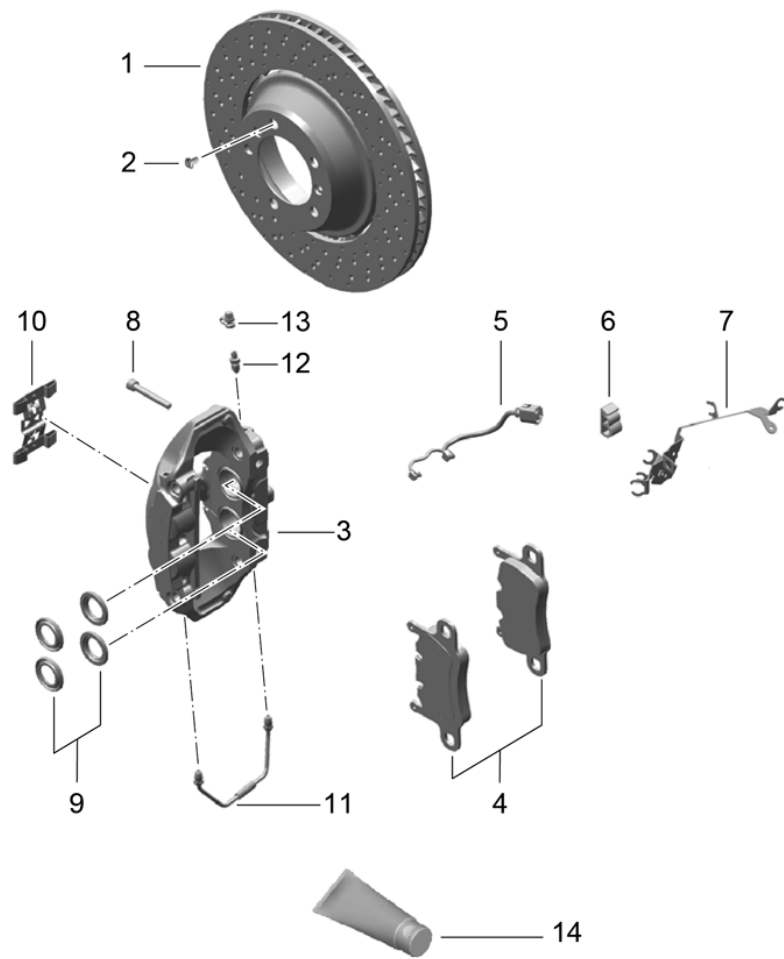
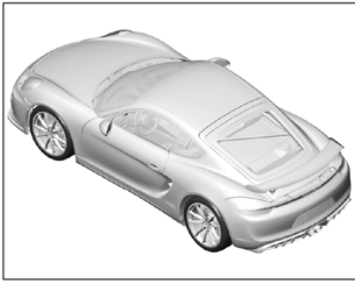


Model: 981GT4 Model life 2016>>2016

Pos	Part Number	Description	Remark	Qty	Model
1	981 351 405 80	Disc brake			
(1)	981 351 406 80	Front axle			
(1)	991 351 407 05	Brake disc	left front	1	PR:-450
		Brake disc	right front	1	PR:-450
		Brake disc	left front	1	PR:450
		See technical information NR. 68/16			
(1)	991 351 408 05	Brake disc	right front	1	PR:450
		See technical information NR. 68/16			
2	999 015 025 09	Oval-head screw		4	PR:-450
(2)	900 269 047 03	M6X12 countersunk bolt		4	PR:450
3	991 351 427 81	M6X12 caliper without brake pads	left	1	PR:-450
		also use:	999 067 054 09	4	
(3)	991 351 428 81	caliper without brake pads	right	1	PR:-450
		also use:	999 067 054 09	4	
(3)	991 351 429 81	caliper without brake pads	left	1	PR:450
		also use:	999 067 054 09	4	
		Discontinued part			
(3)	991 351 429 83	caliper without brake pads	left	1	PR:450
		also use:	999 067 054 09	4	
(3)	991 351 430 81	caliper without brake pads	right	1	PR:450
		also use:	999 067 054 09	4	
		Discontinued part			
(3)	991 351 430 83	caliper without brake pads	right	1	PR:450
		also use:	999 067 054 09	4	
4	991 351 947 82	1 set of brake pads for disk brake	front	1	PR:-450
			999 067 054 09	4	
		also use:			
(4)	991 351 949 81	1 set of brake pads for disk brake	front	1	PR:450
			999 067 054 09	4	
		also use:			
5	991 609 181 80	sender wire (pad wear indicator)		2	PR:-450
(5)	991 609 181 00	sender wire (pad wear indicator)		2	PR:450
6	944 612 627 00	Line holder for sender wire (pad wear indicator)		2	
7	991 355 501 80	Bracket	left	1	
(7)	991 355 502 80	Bracket	right	1	
8	991 351 961 00	Connecting line Fixed calliper	left	2	
(8)	991 351 962 00	Connecting line Fixed calliper	right	2	
9	999 067 054 09	Socket head bolt M12X1,5X62		4	
10	8A0 615 273	Breather valve		4	
11	211 611 483	dust cap		4	
12	991 351 913 80	repair set Protection caps		X	
13	970 351 959 01	Spring repair set		2	

Model: 981GT4

Model life 2016>>2016



Model: 981GT4 Model life 2016>>2016

Pos	Part Number	Description	Remark	Qty	Model
1	981 352 407 80	Disc brake			
		Rear axle			
(1)	981 352 408 80	Brake disc	left rear	1	PR:-450
(1)	981 352 409 06	Brake disc	right rear	1	PR:-450
		See technical information			
		NR. 68/16			
(1)	991 352 410 06	Brake disc	left rear	1	PR:450
		See technical information			
		NR. 68/16			
2	999 015 025 09	Oval-head screw		4	PR:-450
		M 6 X 12			
(2)	900 269 047 03	countersunk bolt		4	PR:450
		M 6 X 12			
3	991 352 427 81	caliper without brake pads	left	1	PR:-450
		also use:	999 067 053 09	2	
3	991 352 427 83	caliper without brake pads	left	1	PR:-450
		also use:	999 067 053 09	2	
(3)	991 352 428 81	caliper without brake pads	right	1	PR:-450
		also use:	999 067 053 09	2	
(3)	991 352 428 83	caliper without brake pads	right	1	PR:-450
		also use:	999 067 053 09	2	
(3)	991 352 429 81	caliper without brake pads	left	1	PR:450
		also use:	999 067 053 09	2	
(3)	991 352 429 83	caliper without brake pads	left	1	PR:450
		also use:	999 067 053 09	2	
(3)	991 352 430 81	caliper without brake pads	right	1	PR:450
		also use:	999 067 053 09	2	
(3)	991 352 430 83	caliper without brake pads	right	1	PR:450
		also use:	999 067 053 09	2	
4	981 352 948 80	1 set of brake pads for	rear	1	PR:-450
		disk brake			
		also use:	999 067 053 09	4	
(4)	981 352 949 80	1 set of brake pads for	rear	1	PR:450
		disk brake			
		also use:	999 067 053 09	4	
5	991 609 185 00	sender wire		2	
		(pad wear indicator)			
6	944 612 627 00	Line holder		2	
		for			
		Warning contact			
7	981 355 303 81	Retainer for brake hose	left	1	
(7)	981 355 304 81	Retainer for brake hose	right	1	
8	999 067 053 09	Socket head bolt		4	
		M 12 X 1,5 X 85			
9	991 352 917 80	1 set protective caps (4 pcs)		1	
		34 MM			
10	991 352 951 00	Repair set for		2	
		rear axle			
		Spring			
11	991 352 961 00	Connecting line		2	
		In conjunction:	991.352.427.81		
			991.352.428.81		
			991.352.429.81		
			991.352.430.81		
11	971 615 701 A	Connecting line		2	
		In conjunction:	991.352.427.83		
			991.352.428.83		
			991.352.429.83		
			991.352.430.83		
12	997 352 917 00	Breather valve		4	

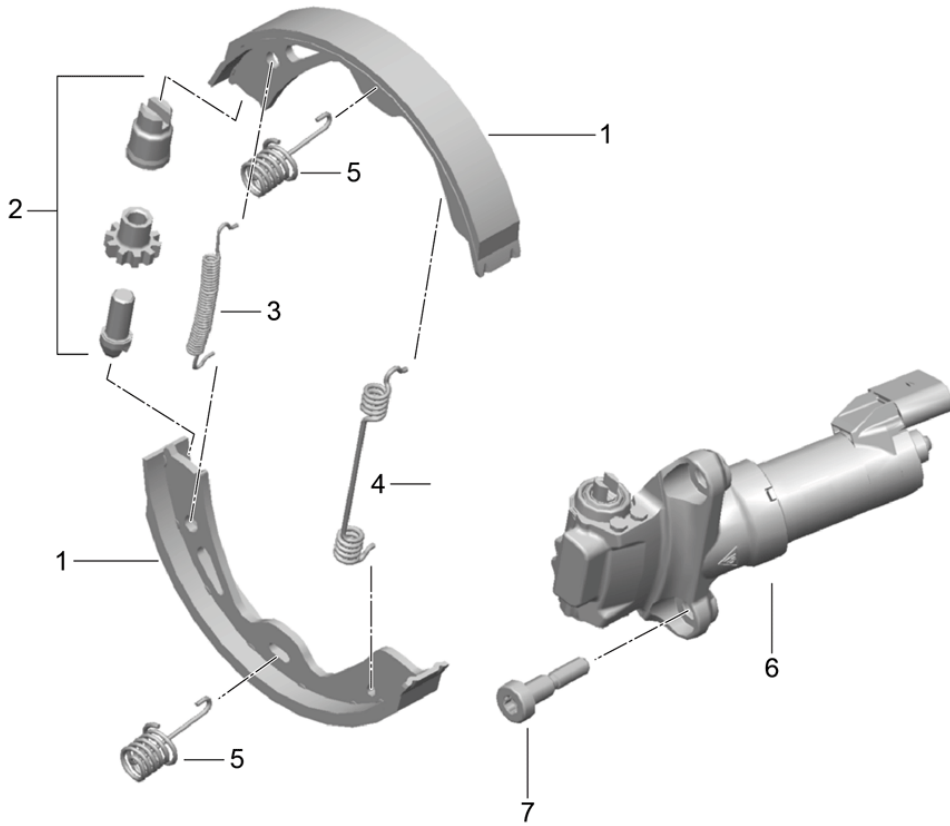
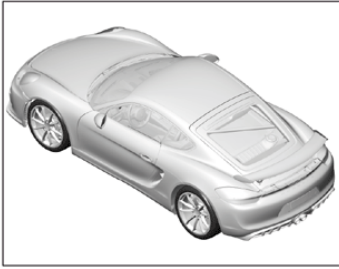
Model: 981GT4

Model life 2016>>2016

Pos	Part Number	Description	Remark	Qty	Model
12	997 352 919 00	No longer use the part here		4	
13	211 611 483	Breather valve dust cap		4	

Model: 981GT4

Model life 2016>>2016



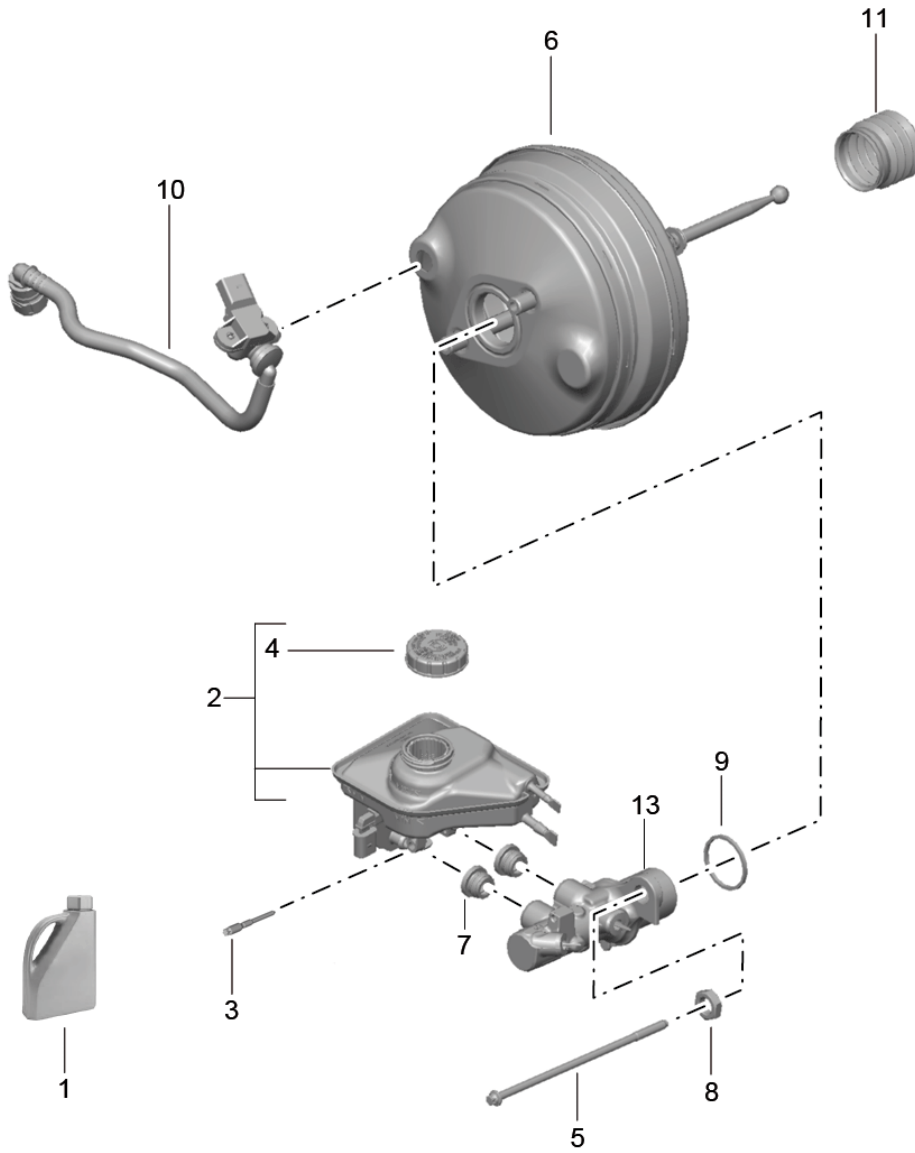
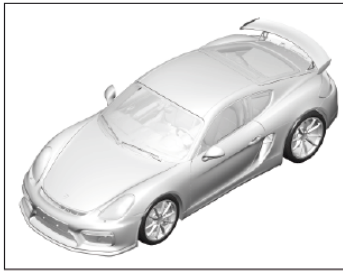
Model: 981GT4

Model life 2016>>2016

Pos	Part Number	Description	Remark	Qty	Model
1	298 698 533	Parking brake Brake shoe repair set comprising: Brake shoe		1	
		also use:		4	
1	971 698 533	Fasteners D >> - 13.05.2016 Brake shoe repair set comprising: Brake shoe		1	
		also use:		4	
2	298 609 723	Fasteners D - 16.05.2016>> adjustment screw		2	
3	298 609 717	tension spring		2	
4	298 609 715	tension spring		2	
5	298 609 583	Pressure spring		4	
6	298 609 404	Servomotor	left	1	
(6)	298 609 403	Servomotor	right	1	
7	999 073 452 01	Screw M8X38		4	

Model: 981GT4

Model life 2016>>2016



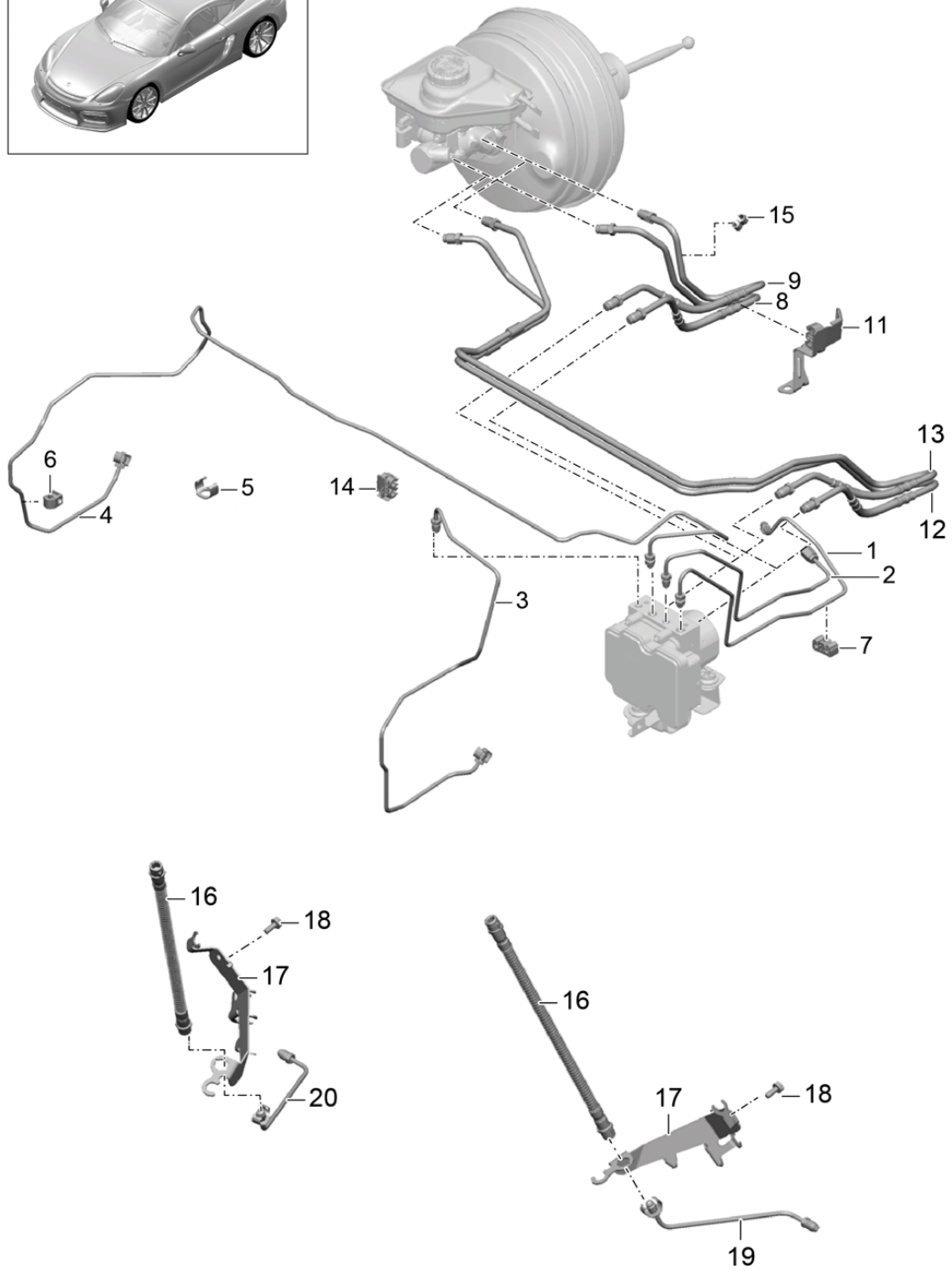
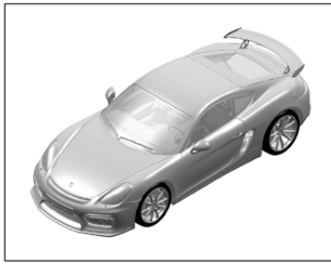
Model: 981GT4

Model life 2016>>2016

Pos	Part Number	Description	Remark	Qty	Model
		Brake master cylinder			
		Brake servo			
1	000 043 210 82	brake fluid	1.0 Ltr.	X	
1	000 043 210 86	brake fluid	30ltr.	X	
2	991 355 013 01	Reservoir		1	
3	WHT 005 308	stud with shoulder M 5 X 51		1	
4	958 355 351 00	End cap		1	
5	991 355 929 00	Socket head bolt M 8 X 196,9 X 31,9		2	
6	991 355 125 82	Brake servo		1	
7	970 355 922 00	Seal		2	
8	970 355 925 00	Nut M 16 X 8		2	
9	993 355 212 00	Seal		1	
10	991 355 577 04	Vacuum line		1	PR:098
11	970 355 969 00	Bellows		1	
13	991 355 130 81	Brake master cylinder for Brake booster		1	
		with: switch - brake light Integrated			

Model: 981GT4

Model life 2016>>2016

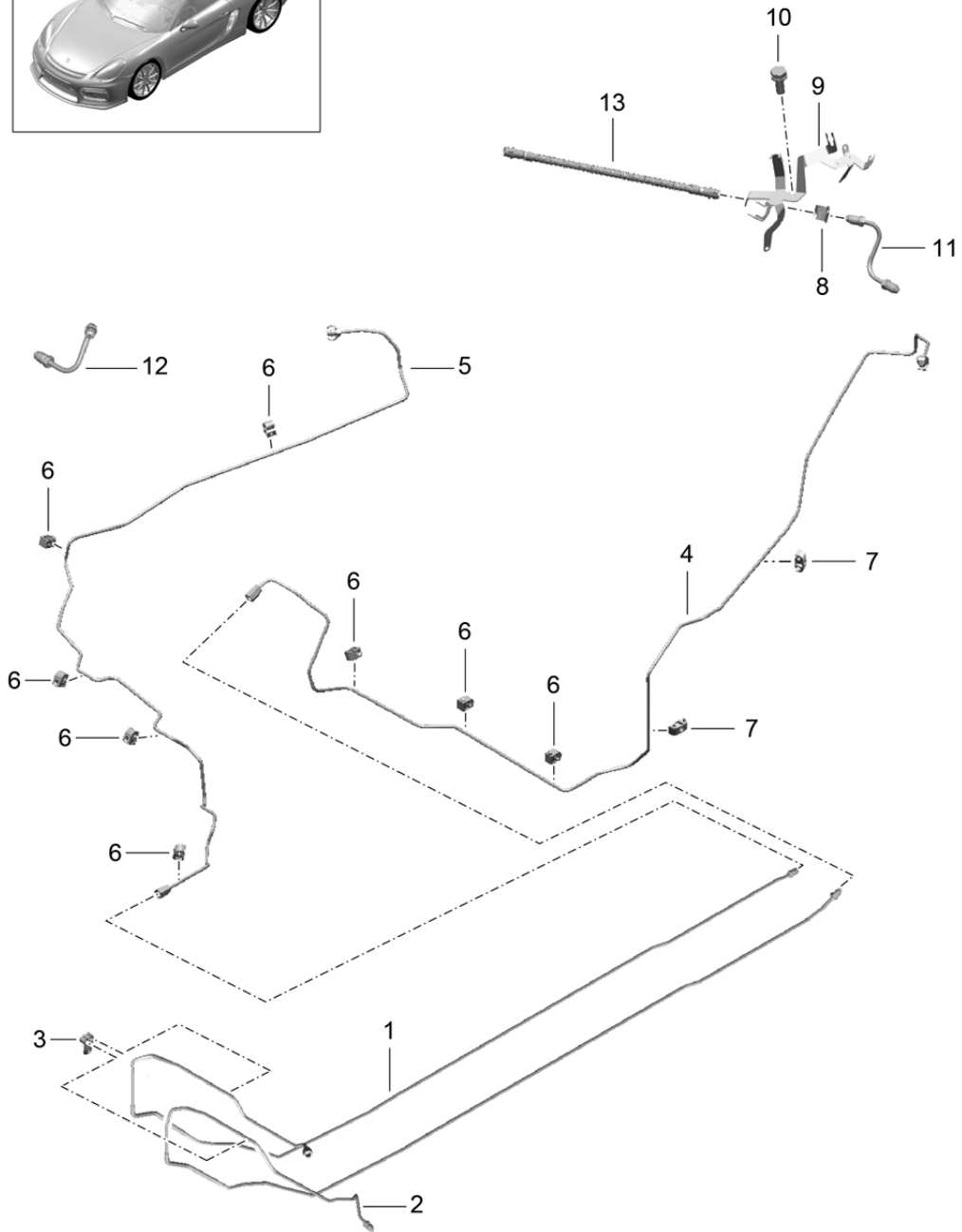
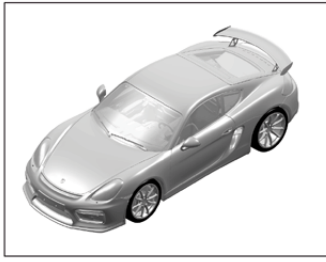


Model: 981GT4 Model life 2016>>2016

Pos	Part Number	Description	Remark	Qty	Model
		Brake lines Front end	front		
1	991 355 316 12	Brake line		1	
2	991 355 315 07	Brake line		1	
3	991 355 175 05	Brake line		1	
4	991 355 176 06	Brake line		1	
5	997 355 331 00	retaining spring		6	
6	95B 611 797	Clip 4,75-6,0		4	
7	8K0 611 797 G	Brake line bracket		2	
8	991 355 311 30	Brake line	lhd	1	PR:098
9	991 355 313 29	Brake line	lhd	1	PR:098
11	991 355 509 01	Bracket D >> - 27.06.2015		1	PR:099
(11)	991 355 509 10	Bracket D - 29.06.2015>>		1	PR:099
12	991 355 312 31	Brake line	rhd	1	PR:099
13	991 355 314 30	Brake line	rhd	1	PR:099
15	999 591 897 40	Bracket Cable 8,00/8,00		3	PR:098,099
16	991 355 137 01	Brake hose		2	
17	991 355 501 80	Bracket	left	1	
(17)	991 355 502 80	Bracket	right	1	
18	999 217 116 01	Hexagon bolt M 6 X 16		4	
19	991 355 581 80	Brake line	left	1	PR:-450
(19)	991 355 582 80	Brake line	right	1	PR:-450
20	991 355 581 81	Brake line	left	1	PR:450
(20)	991 355 582 81	Brake line	right	1	PR:450

Model: 981GT4

Model life 2016>>2016



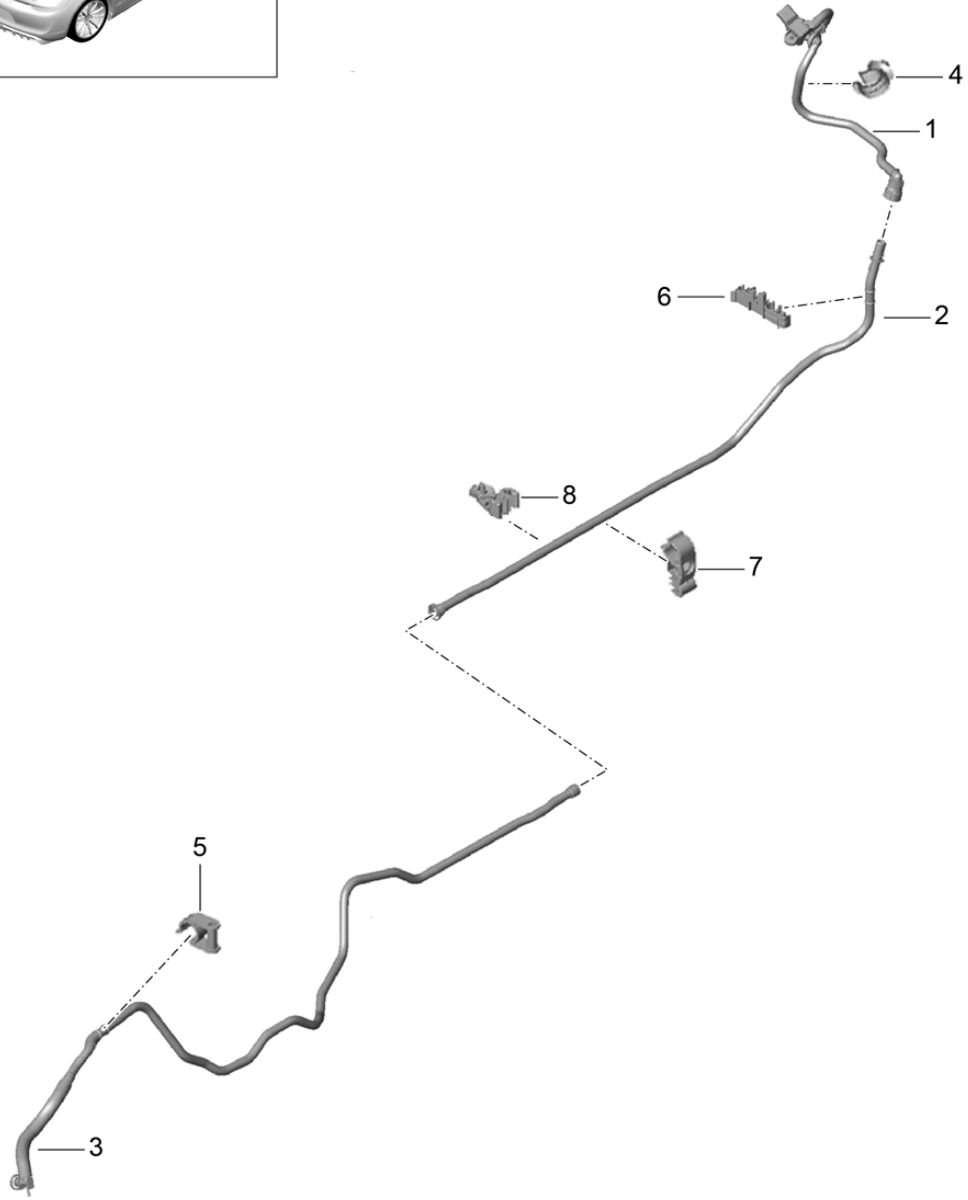
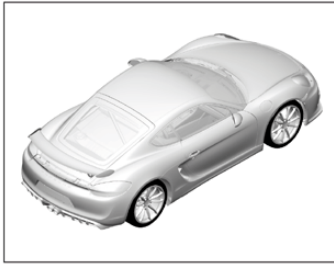
Model: 981GT4

Model life 2016>>2016

Pos	Part Number	Description	Remark	Qty	Model
		Brake lines	center		
		Underbody	rear		
1	991 355 179 82	Brake line		1	
2	991 355 177 83	Brake line		1	
3	991 355 510 02	Bracket		2	
4	981 355 189 81	Brake line	left	1	
5	981 355 190 06	Brake line	right	1	
6	95B 611 797	Clip		8	
		4,75-6,0			
7	8E0 611 797 D	Bracket	left	3	
		Brake line			
8	997 355 331 00	retaining spring		2	
9	981 355 303 81	Retainer for brake hose	left	1	
(9)	981 355 304 81	Retainer for brake hose	right	1	
10	999 217 116 01	Hexagon bolt		4	
		M 6 X 16			
11	981 355 581 80	Brake line	left	1	PR:-450
(11)	981 355 582 80	Brake line	right	1	PR:-450
12	981 355 581 81	Brake line	left	1	PR:450
(12)	981 355 582 81	Brake line	right	1	PR:450
13	991 355 137 01	Brake hose		2	

Model: 981GT4

Model life 2016>>2016



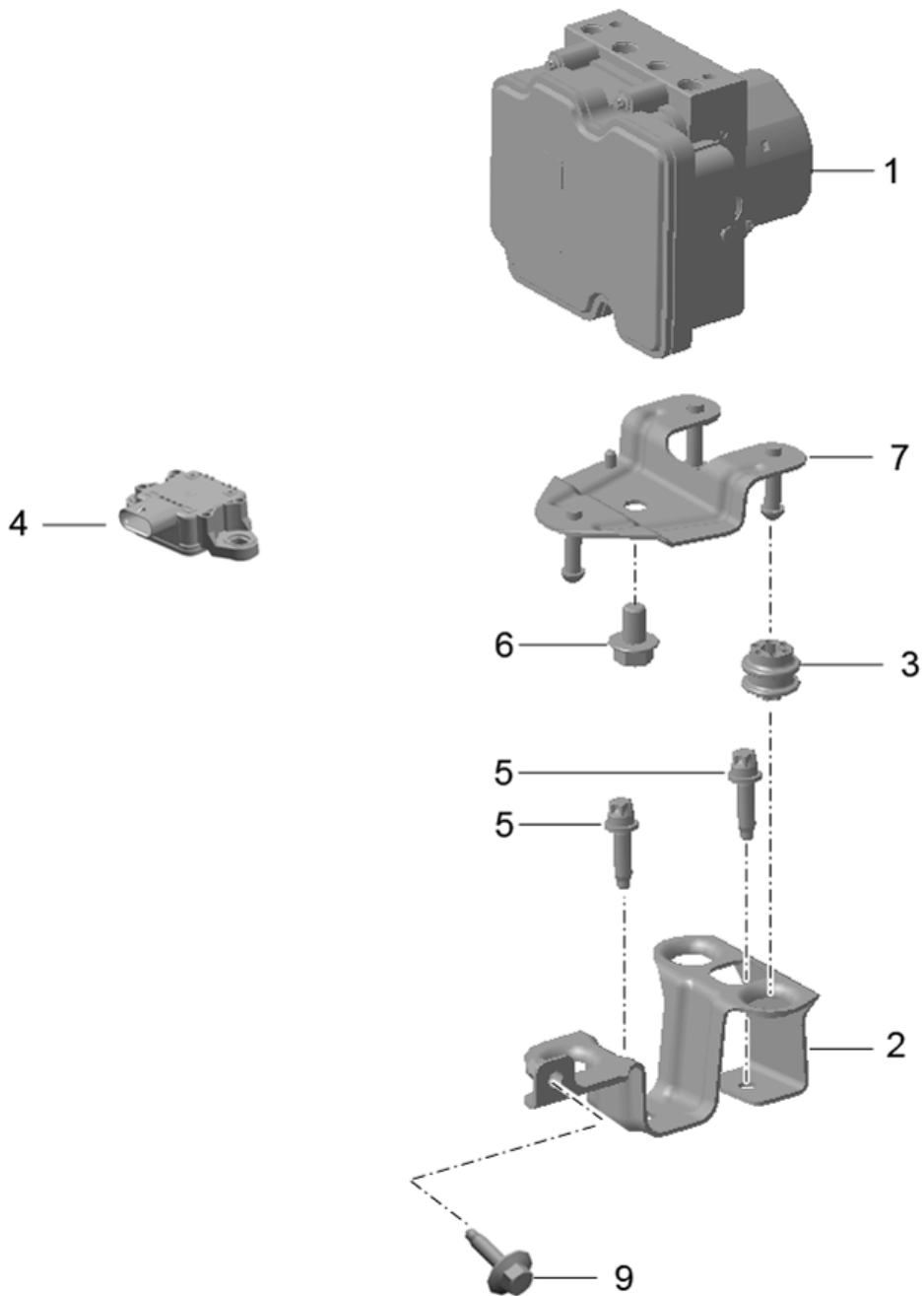
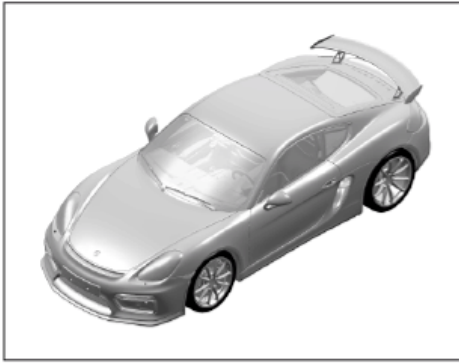
Model: 981GT4

Model life 2016>>2016

Pos	Part Number	Description	Remark	Qty	Model
		Vacuum line Brake servo	front center rear		
1	991 355 577 04	Vacuum line		1	PR:098
2	991 355 571 02	Vacuum line		1	
3	981 355 575 80	Vacuum line		1	
4	999 507 968 41	Clip 15,0		1	
5	999 591 964 40	Bracket 15,0		1	
6	991 355 507 50	Bracket		1	
7	991 355 512 02	Bracket		6	
8	991 355 510 02	Bracket		2	

Model: 981GT4

Model life 2016>>2016



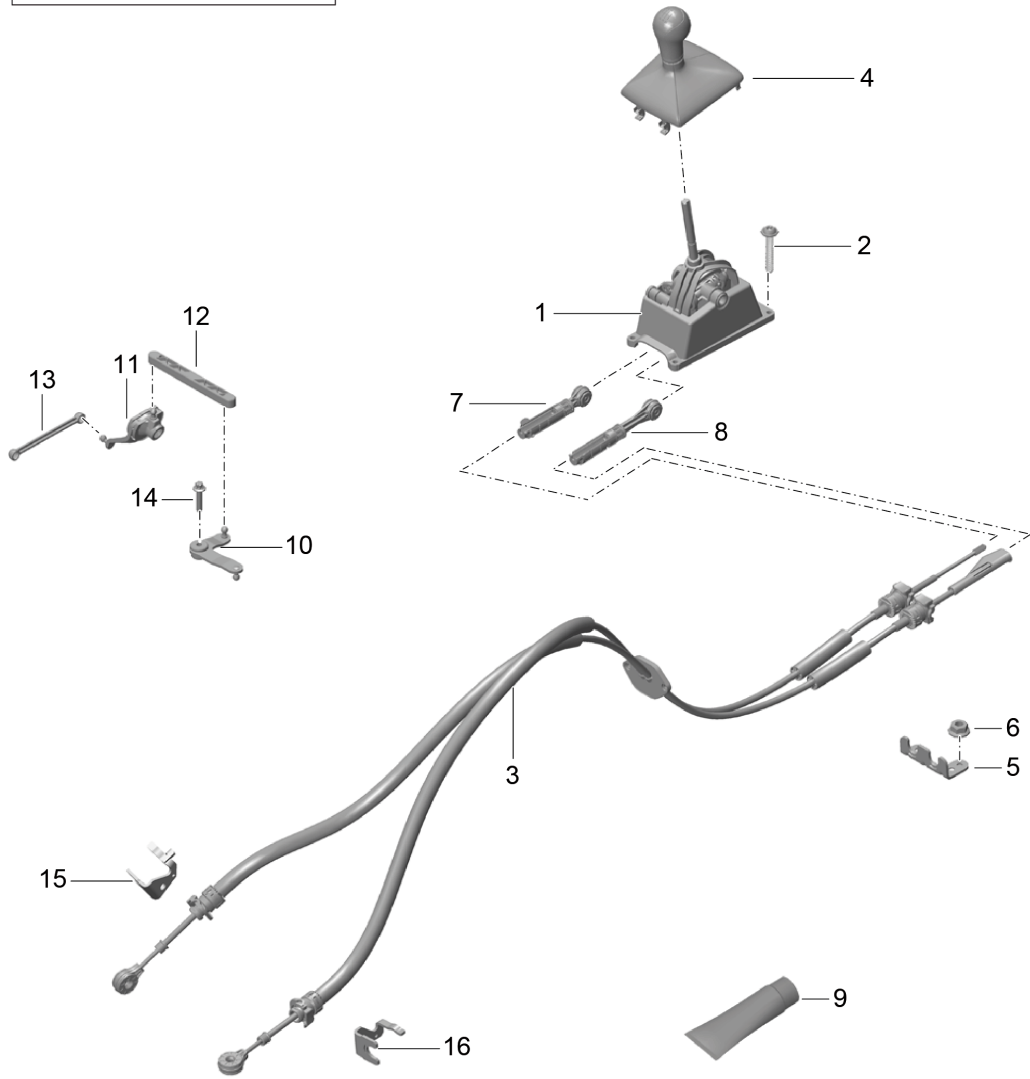
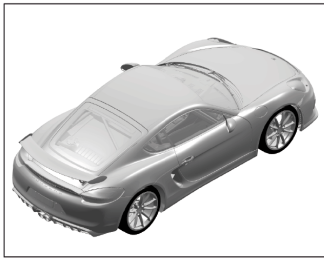
Model: 981GT4

Model life 2016>>2016

Pos	Part Number	Description	Remark	Qty	Model
		Hydraulic unit anti-locking brake syst. -abs- Control			
1	991 355 955 85	Hydraulic unit		1	
2	991 355 033 01	Bracket		1	
3	958 355 177 10	Stop buffer		3	
4	991 606 145 03	Sensor		1	
5	999 073 556 01	Hexagon bolt BM8X30		2	
6	900 378 346 01	Hexagon bolt M10X1X16		1	
7	991 355 135 01	Retainer, upper part	upper	1	
9	N 909 995 02	Hex collared bolt M6X25		1	

Model: 981GT4

Model life 2016>>2016

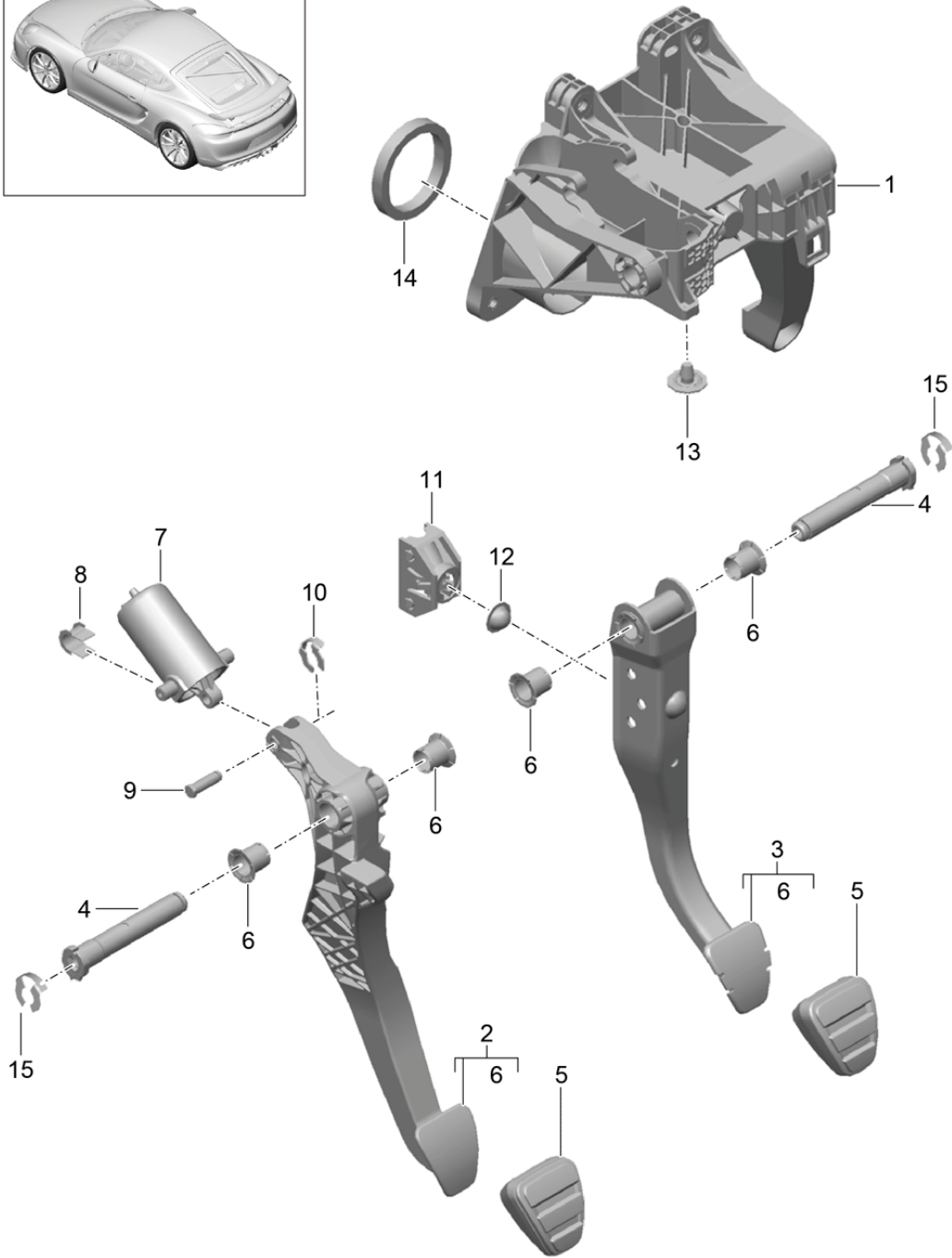
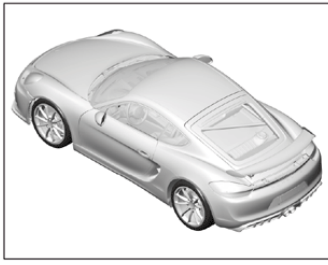


Model: 981GT4 Model life 2016>>2016

Pos	Part Number	Description	Remark	Qty	Model
		Transmission control Manual gearbox			PR:480
1	981 424 010 20	ball housing - gearshift lever		1	
2	999 919 281 01	fillister hd. bolt 5 X 30		4	
3	981 424 041 01	cable for shift mechanism		1	
4	981 424 075 20	Transmission control gearstick knob		1	PR:306
	981 424 075 20 DRL	Black/Platinum Grey	-28,78		
	981 424 075 20 DRM	Black/Guards Red	-68		
	981 424 075 20 DRQ	Black/Racing Yellow	-58		
(4)	981 424 980 20	gearstick knob (alcantara)		1	PR:XLM
	981 424 980 20 RAG	Black/Platinum Grey	-28,78		
	981 424 980 20 RAH	Black/Guards Red	-68		
	981 424 980 20 RAL	Black/Racing Yellow	-58		
(4)	981 424 980 25	gearstick knob aluminium		1	PR:XYC
	981 424 980 25 DRL	Black/Platinum Grey	-28,78		
	981 424 980 25 DRM	Black/Guards Red	-68		
	981 424 980 25 DRQ	Black/Racing Yellow	-58		
5	991 424 163 00	Bracket		12	
6	999 084 629 01	Hexagon nut M6		2	
7	991 424 145 00	Securing element for Cable Adjustable		1	
8	991 424 147 00	Securing element for Cable Adjustable		1	
9	000 043 205 93	grease 1 100-gramme tube		X	
10	987 424 037 00	relay lever		1	
11	981 424 023 00	lever		1	
12	987 424 131 10	toggle lever		1	
13	981 424 035 00	connecting rod		1	
14	900 385 006 01	Torx screw BM 8 X 35		1	
15	981 424 065 02	Bracket		1	
16	981 424 066 01	Bracket		1	

Model: 981GT4

Model life 2016>>2016

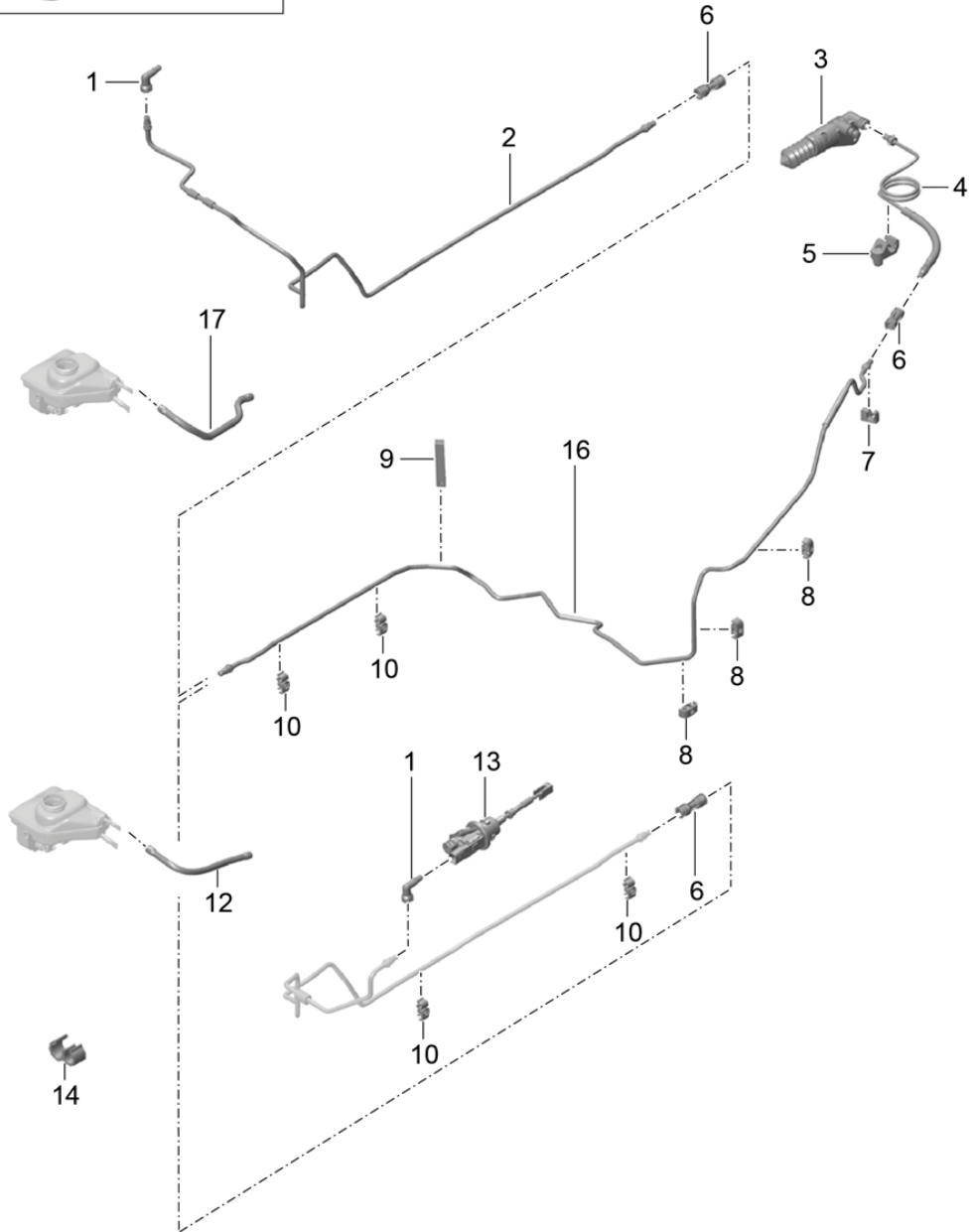
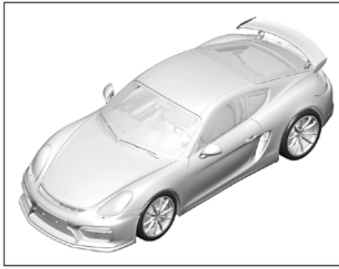


Model: 981GT4 Model life 2016>>2016

Pos	Part Number	Description	Remark	Qty	Model
1	991 423 065 01	Pedals		1	PR:098
-	999 080 072 01	Bracket		1	
		Fastening screw			
		M8X26			
2	991 423 039 01	Clutch pedal		1	PR:098,480,
		also use:		1	XXV
			991 423 111 01		
3	991 423 041 01	brake pedal		1	PR:098,480,
		also use:		1	XXV
			991 423 111 01		
4	991 423 283 00	bearing pin		2	PR:098
		Clutch pedal			
		brake pedal			
(4)	991 423 284 00	bearing pin		1	PR:099
5	997 423 910 00	pad for		2	PR:480,-XXV
		brake and clutch pedals			
(5)	991 423 111 01	Pedal cap		2	PR:480,XXV
6	7PP 721 113	bush		4	PR:480
(6)	7PP 721 113 A	bush		4	PR:XXV
7	991 423 081 00	Servo spring		1	PR:480
8	955 423 581 00	bearing shell		2	PR:480
		Servo spring			
9	996 423 315 06	Pin		1	
		Servo spring			
		D >> - 19.05.2016			
(9)	992 721 737	Pin		1	
		Servo spring			
		D - 20.05.2016>>			
10	999 166 022 01	Kl-lock		1	
		Pin			
		D >> - 19.05.2016			
(10)	N 908 874 02	Kl-lock		1	
		Pin			
		D - 20.05.2016>>			
11	1J0 721 165	Support		1	
		push rod			
12	955 423 341 00	bearing shell		1	
		Support			
13	955 423 720 00	Stop buffer		1	PR:480
14	991 423 275 00	Seal		1	PR:098
		Firewall			
(14)	991 423 276 01	Seal		1	PR:099
		Firewall			
15	999 166 092 01	Kl-lock		2	PR:098,480,
		KL 16			099

Model: 981GT4

Model life 2016>>2016

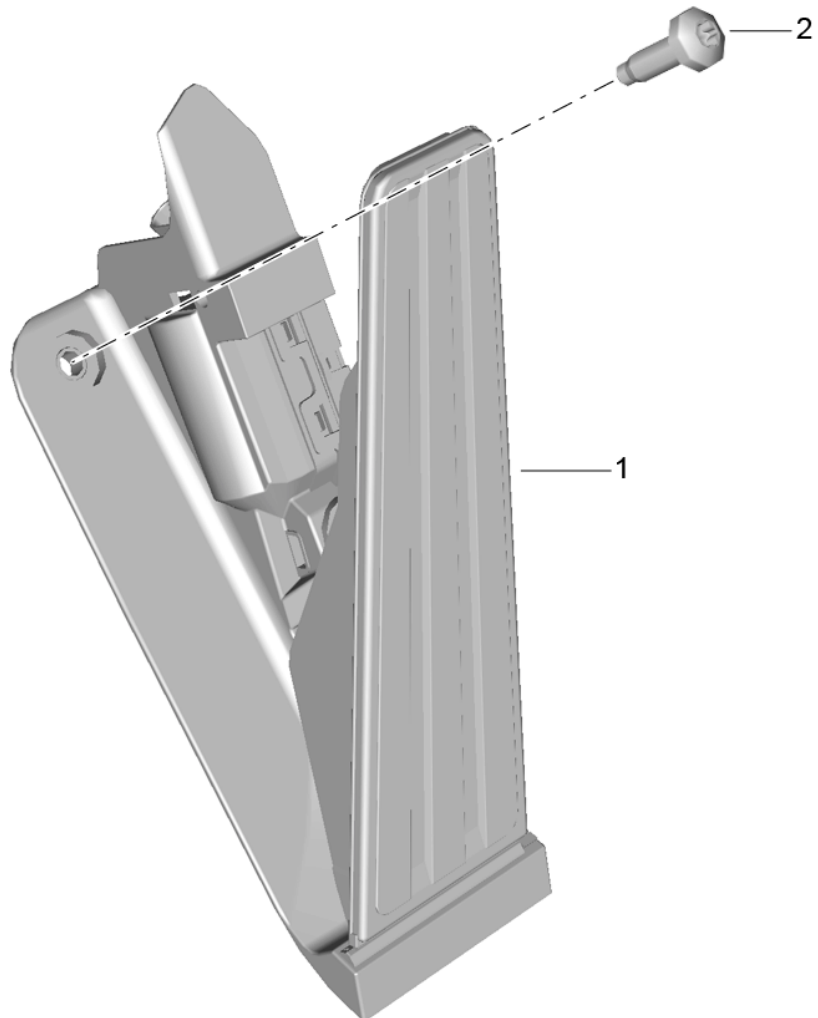
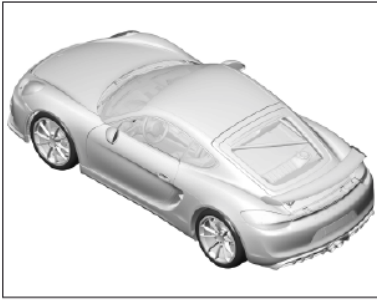


Model: 981GT4 Model life 2016>>2016

Pos	Part Number	Description	Remark	Qty	Model
		clutch actuation			
		Clutch master cylinder			
		Clutch slave cylinder			
		Lines			
1	991 423 151 00	Elbow fitting		1	PR:099
2	991 423 107 04	Clutch tube		1	PR:098
2	991 423 108 03	Clutch tube		1	PR:099
3	981 116 237 00	Slave cylinder		1	PR:035
		Discontinued part			
3	981 116 237 01	Slave cylinder		1	PR:035
4	981 423 377 06	Clutch hose		1	
5	999 507 586 40	Cable holder		1	
6	991 423 153 00	Sleeve		2	
7	999 591 922 40	Bracket		2	PR:480
8	8E0 611 797 D	Bracket		3	PR:480
9	999 507 272 40	Cable holder		1	
10	991 423 514 02	Bracket		5	
12	991 423 137 03	suction line		2	PR:098,480
		Clutch master cylinder			
13	991 423 171 00	Clutch master cylinder		1	PR:480
16	981 423 113 81	Clutch tube		1	PR:480
17	991 423 138 02	suction line		1	PR:099
		Clutch master cylinder			

Model: 981GT4

Model life 2016>>2016



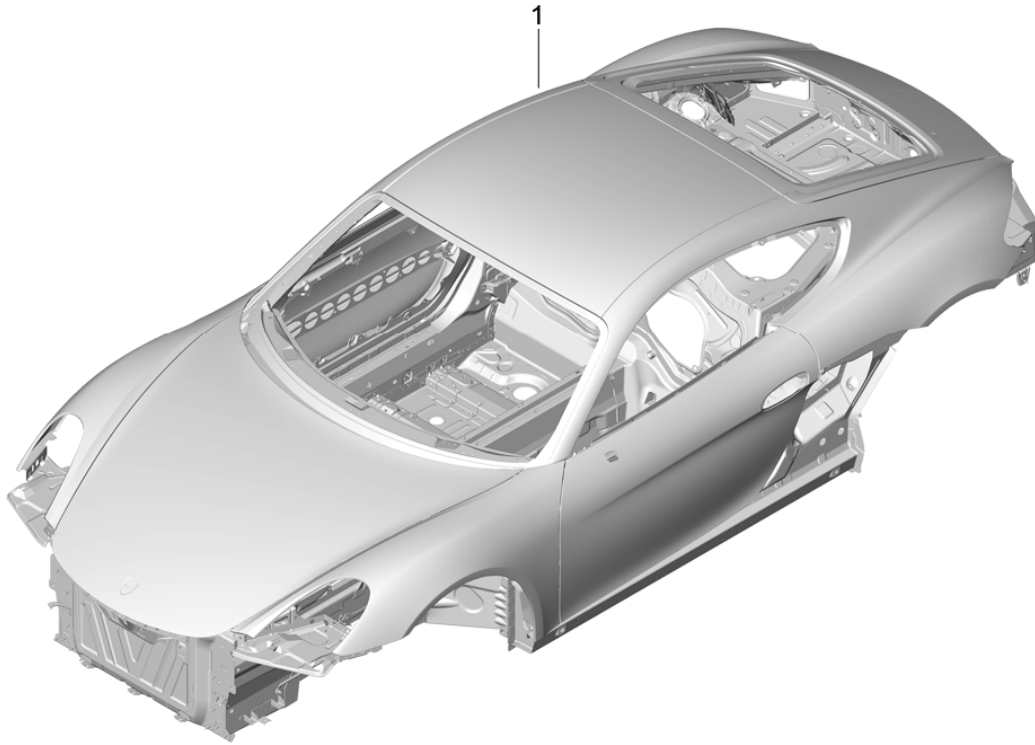
Model: 981GT4

Model life 2016>>2016

Pos	Part Number	Description	Remark	Qty	Model
		Pedals			
1	970 423 019 01	throttle control		1	PR: -XXV
(1)	991 423 020 01	throttle control		1	PR: XXV
2	999 073 378 05	flat round head bolt M 6 X 20		1	

Model: 981GT4

Model life 2016>>2016



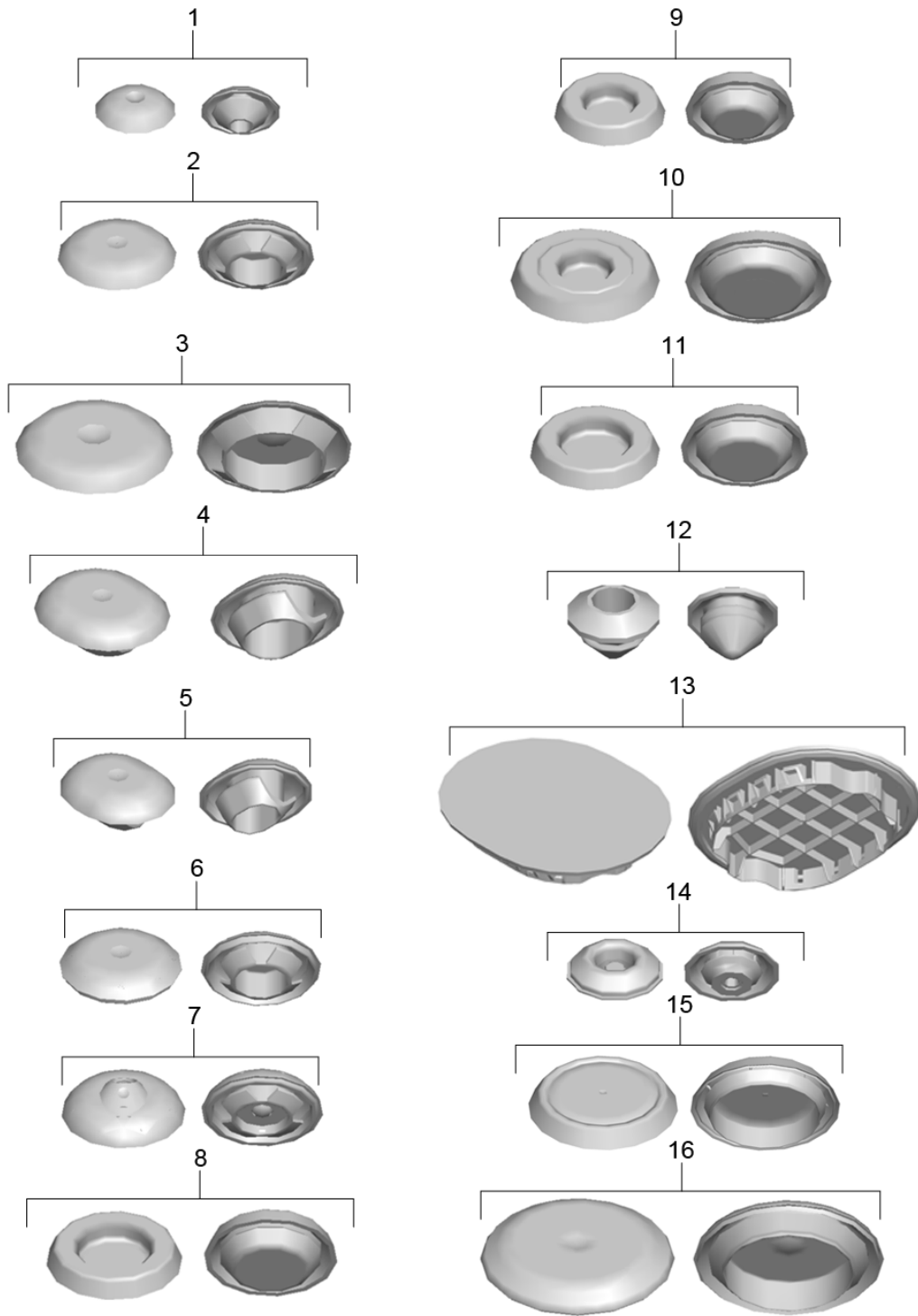
Model: 981GT4

Model life 2016>>2016

Pos	Part Number	Description	Remark	Qty	Model
-		Car body primed Sealed			
		with: Underbody protection			
		with: Doors/lids/wings			
-		BodysHELLS can only only available from current Model year available			
-		The data required for your order Can be found on the Vehicle data carrier in Vehicle wallet Please indicate this data in your order			
A		Vehicle data carrier			
B		Vehicle Ident. No.			
C		Order type			
D		Country equipment			
E		Optional extras			
F		Additional applications			
G		Please state the colour			
1	981 500 901 80	Car body	lhd	1	PR:098,-686, -690
	981 500 901 80 GRV	primed			
(1)	981 500 901 82	Car body	lhd	1	PR:098,686, 690
	981 500 901 82 GRV	primed			

Model: 981GT4

Model life 2016>>2016

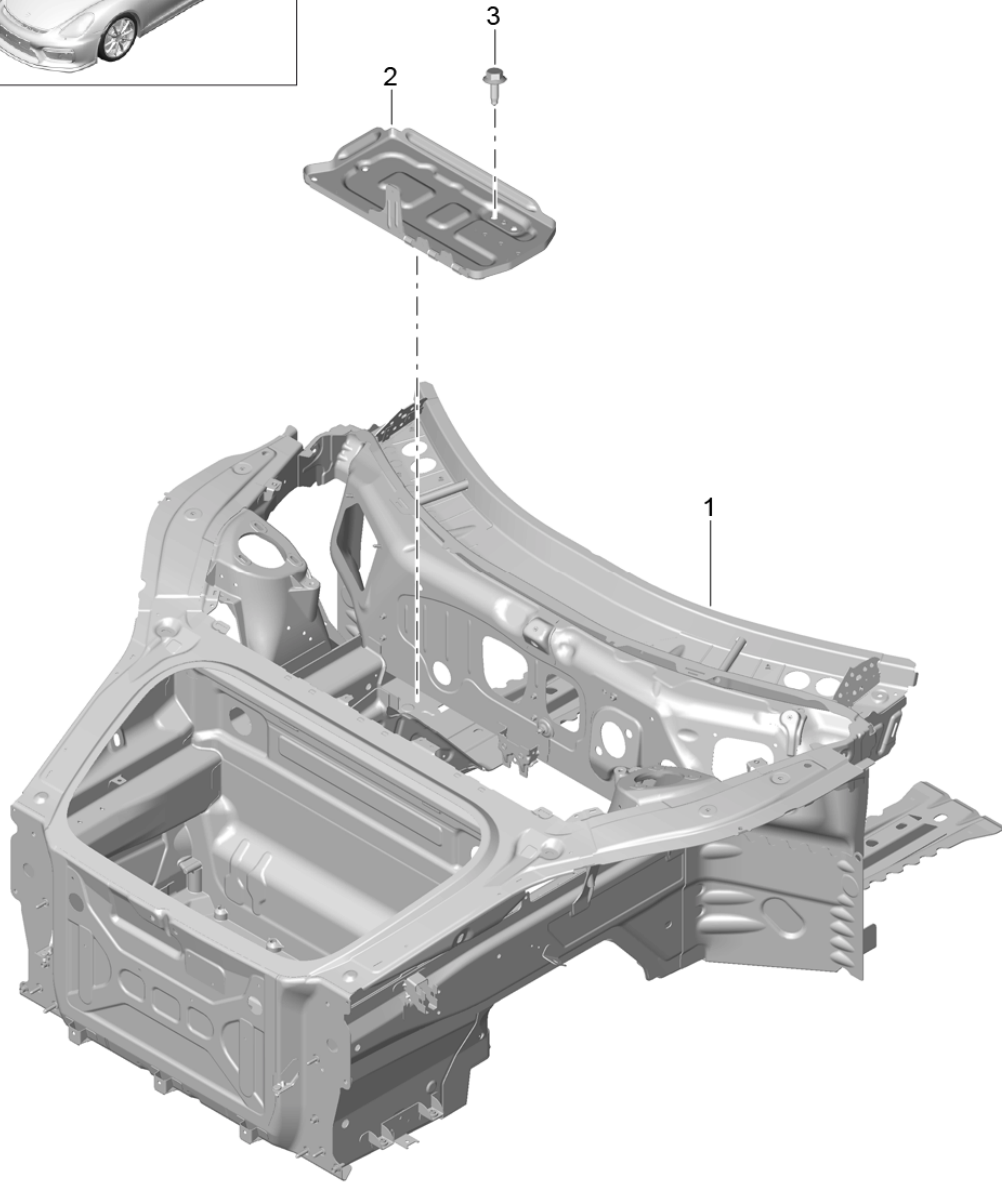
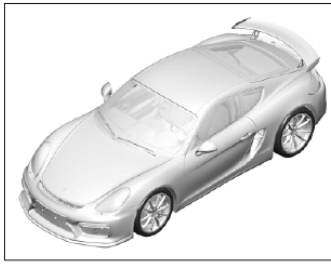


Model: 981GT4 Model life 2016>>2016

Pos	Part Number	Description	Remark	Qty	Model
1	955 504 281 00	Bungs Bungs Hole 10 MM		X	
2	955 504 182 00	Bungs Hole 20 MM		X	
3	955 504 183 00	Bungs Hole 30 MM		X	
4	955 504 184 00	Bungs Hole 20 MM X 25 MM		X	
5	955 504 185 00	Bungs Hole 15 MM X 20 MM		X	
6	955 504 187 00	Bungs Hole 20 MM		X	
7	955 512 188 00	Water drain valve Hole 20 MM		X	
8	191 971 928	Bungs Hole 27 MM		X	
9	999 703 196 40	End cap Hole 20 MM		X	
10	999 703 195 40	Rubber grommet Hole 30 MM		X	
11	999 703 543 40	End cap Hole 25 MM		X	
12	999 703 466 40	Bungs Hole 15 MM		X	
13	999 703 553 40	End cap Hole 70 MM X 89,6 MM		X	
14	999 703 556 40	End cap Hole 15 MM		X	
15	999 703 021 40	End cap Hole 50 MM		X	
16	N 909 649 01	Sealing cap Hole 40 MM		X	

Model: 981GT4

Model life 2016>>2016



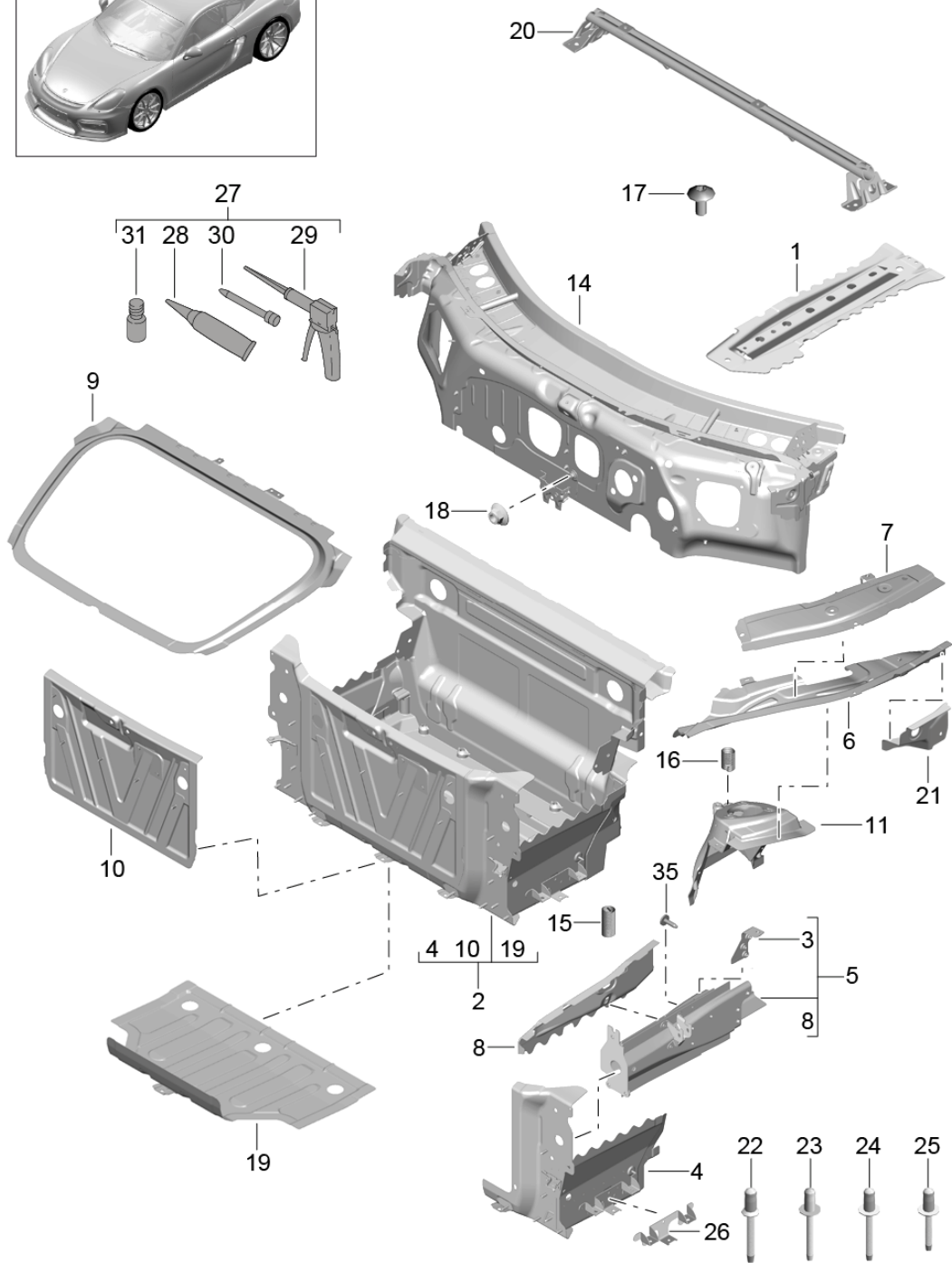
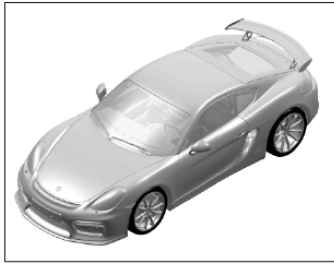
Model: 981GT4

Model life 2016>>2016

Pos	Part Number	Description	Remark	Qty	Model
1	981 501 981 00	Front end (complete)			
	981 501 981 00 GRV	Front end primed	lhd	1	PR:098
2	9P1 804 825	Battery console	lhd	1	PR:098,195, 196
(2)	9P1 804 825 D	Battery console	lhd	1	PR:098,194

Model: 981GT4

Model life 2016>>2016



Model: 981GT4 Model life 2016>>2016

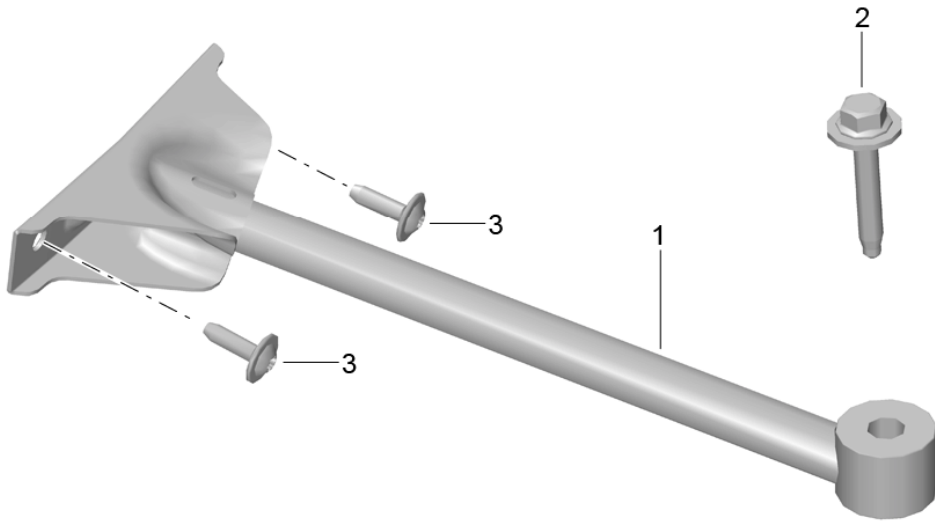
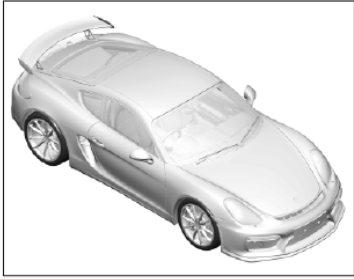
Pos	Part Number	Description	Remark	Qty	Model
1	991 501 125 00	Front end Individual parts Cross panel	left rear	1	
1	991 501 125 00 GRV	primed			
1	991 501 126 00	Cross panel	right rear	1	
2	991 501 126 00 GRV	primed			
2	991 501 201 00	Luggage compartment liner		1	
	991 501 201 00 GRV	primed			
3	991 501 909 00	Adapter Carrier	also use: 000 043 206 30 left inner	1	
	991 501 909 00 GRV	primed see POSITION 5			
(3)	991 501 910 00	Adapter Carrier	right inner	1	
	991 501 910 00 GRV	primed see POSITION 5			
4	991 501 911 00	Side part Luggage compartment	left	1	
	991 501 911 00 GRV	primed			
(4)	991 501 912 00	Side part Luggage compartment	also use: 000 043 206 30 right	1	
	991 501 912 00 GRV	primed			
5	991 501 913 01	Carrier Sub-part	also use: 000 043 206 30 left	1	
	991 501 913 01 GRV	primed			
(5)	991 501 914 01	Carrier Sub-part	also use: 000 043 206 30 right	1	
	991 501 914 01 GRV	primed			
6	991 501 387 00	Side member	also use: 000 043 206 30 left upper outer	1	
	991 501 387 00 GRV	primed			
(6)	991 501 388 00	Side member	also use: 000 043 206 30 right upper outer	1	
	991 501 388 00 GRV	primed			
7	991 501 397 00	Side member	also use: 000 043 206 30 left upper	1	
	991 501 397 00 GRV	primed			
(7)	991 501 398 00	Side member	right upper	1	
	991 501 398 00 GRV	primed			
8	991 501 535 01	Side plate for wheel arch	left	1	
	991 501 535 01 GRV	primed			
(8)	991 501 536 01	Side plate for wheel arch	right	1	
	991 501 536 01 GRV	primed			
9	991 501 231 02	Sealing frame Luggage compartment		1	
	991 501 231 02 GRV	primed			
10	991 501 431 02	Cross panel Of		1	
	991 501 431 02 GRV	primed			

Model: 981GT4 Model life 2016>>2016

Pos	Part Number	Description	Remark	Qty	Model
11	991 501 477 00	Suspension strut mounting	also use: 000 043 206 30	1	
	991 501 477 00 GRV	primed	left	1	
(11)	991 501 478 00	Suspension strut mounting	right	1	
	991 501 478 00 GRV	primed			
14	991 502 331 00	Firewall	upper	1	PR:098
	991 502 331 00 GRV	primed			
(14)	991 502 331 01	Firewall	upper	1	PR:099
	991 502 331 01 GRV	primed			
15	999 504 266 01	threaded insert M12X1,5X28 Cross member		X	
16	999 504 262 01	Luggage compartment threaded insert M8X15 Support Spring strut		X	
17	999 073 549 01	Oval-head screw M 8 X 16		X	
18	N 907 988 05	Hexagon collar nut M8		1	
19	991 501 479 00	boot floor plate		1	
	991 501 479 00 GRV	primed			
20	991 504 111 03	Cross member	also use: 000 043 206 30	1	
21	991 502 547 00	Side member	left	1	
	991 502 547 00 GRV	primed			
(21)	991 502 548 00	Side member	right	1	
	991 502 548 00 GRV	primed			
-		use if required: Pop rivet Adhesive set see Technical manual Group 5			
22	999 190 227 01	Pop rivet 6,5 X 12,5		X	
23	999 190 228 01	Pop rivet 6,5 X 11,5		X	
24	999 190 229 01	Pop rivet 6,5 X 10,5		X	
25	999 190 230 01	Pop rivet 6,5 X 14,5		X	
26	991 501 671 00	Bracket		1	
	991 501 671 00 GRV	primed	lower		
27	000 043 206 29	Adhesive set		1	
28	000 043 206 30	adhesive		1	
29	000 043 206 31	Double cartridge gun		1	
30	000 043 206 32	emulsion tube		1	
31	000 043 206 33	activator		1	
35	999 073 577 01	Torx screw		X	

Model: 981GT4

Model life 2016>>2016



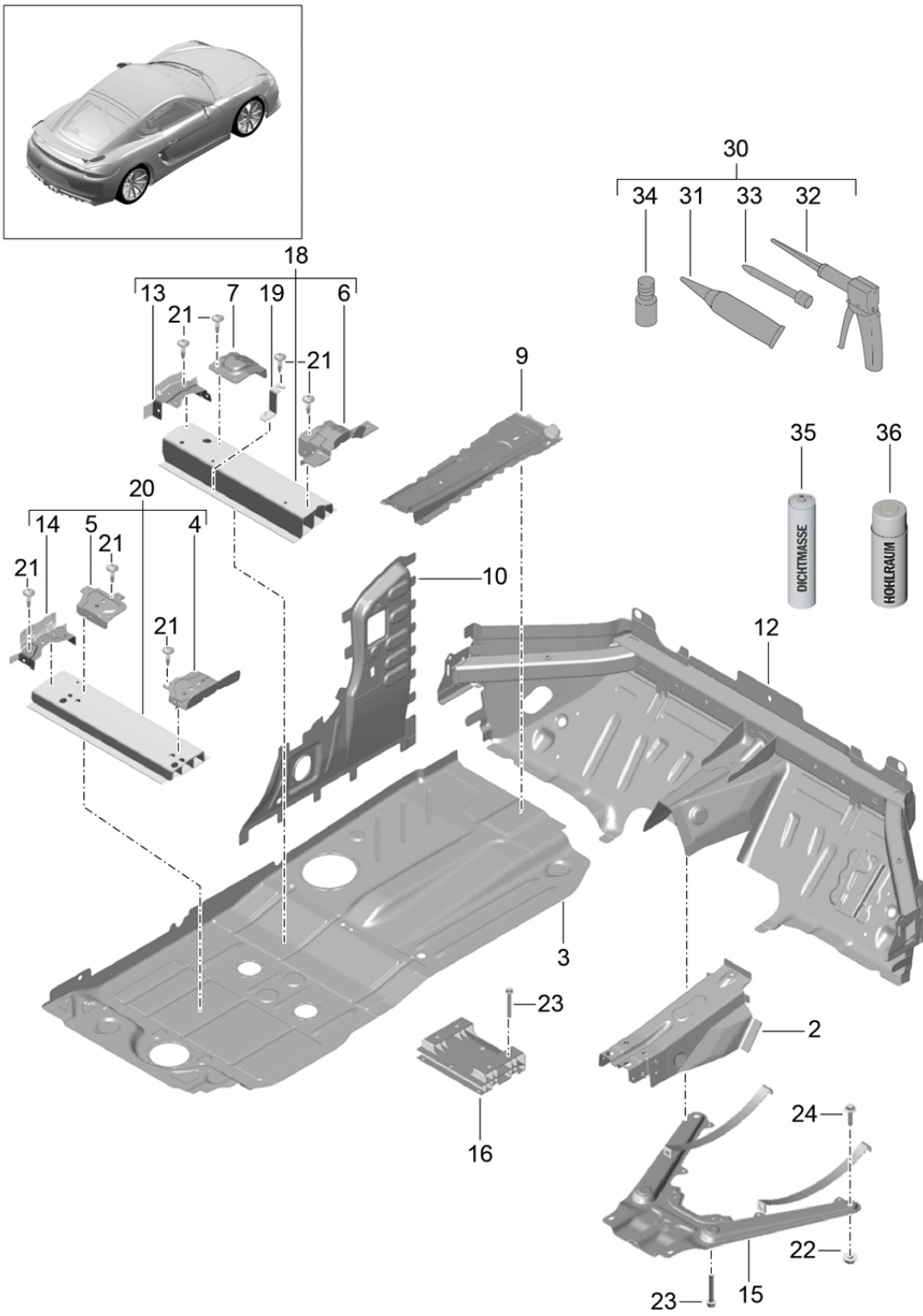
Model: 981GT4

Model life 2016>>2016

Pos	Part Number	Description	Remark	Qty	Model
1	991 504 537 01	Dome strut Brace	left	1	
(1)	991 504 538 01	Brace	right	1	
2	N 105 728 02	bolt,hex.hd.with shoul.(combi) M8X50		1	
3	999 073 322 02	fillister hd. bolt M6X20		4	

Model: 981GT4

Model life 2016>>2016



Model: 981GT4 Model life 2016>>2016

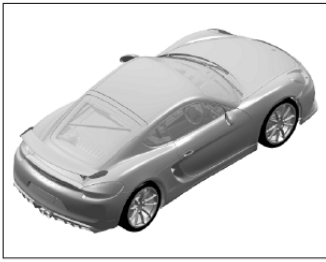
Pos	Part Number	Description	Remark	Qty	Model
2	991 501 309 00 991 501 309 00 GRV	Floor Support primed	center front	1	
3	991 501 251 03 991 501 251 03 GRV	Floor primed	also use: 000 043 206 30 left outer	1	
(3)	991 501 252 03 991 501 252 03 GRV	Floor primed	also use: 000 043 206 30 right outer	1	
4	991 501 645 00 991 501 645 00 GRV	Reinforcement Seat support primed	also use: 000 043 206 30 left rear, inner	1	
(4)	991 501 646 00 991 501 646 00 GRV	Reinforcement Seat support primed	right rear, inner	1	
5	991 501 581 00 991 501 581 00 GRV	Reinforcement Seat support primed	left rear outer	1	
(5)	991 501 582 00 991 501 582 00 GRV	Reinforcement Seat support primed	right rear outer	1	
6	991 501 687 00 991 501 687 00 GRV	Reinforcement Seat support primed	left rear, inner	1	
(6)	991 501 688 00 991 501 688 00 GRV	Reinforcement Seat support primed	right rear, inner	1	
7	991 501 583 00 991 501 583 00 GRV	Reinforcement Seat support primed	front outer	2	
9	991 501 297 00 991 501 297 00 GRV	Connecting piece primed	left	1	
9	991 501 298 00 991 501 298 00 GRV	Connecting piece primed	also use: 000 043 206 30 right	1	
10	991 502 639 00 991 502 639 00 GRV	Web plate A-pillar primed	also use: 000 043 206 30 left	1	
(10)	991 502 640 00 991 502 640 00 GRV	Web plate A-pillar primed	also use: 000 043 206 30 right	1	
12	991 501 951 08 991 501 951 08 GRV	Firewall primed	also use: 000 043 206 30 lhd lower	1	PR:098
13	991 501 893 00 991 501 893 00 GRV	angle primed	also use: 000 043 206 30 left front	1	
(13)	991 501 894 00 991 501 894 00 GRV	angle primed	right front	1	
14	991 501 891 00 991 501 891 00 GRV	angle primed	left rear	1	
(14)	991 501 892 00	angle	right	1	

Model: 981GT4 Model life 2016>>2016

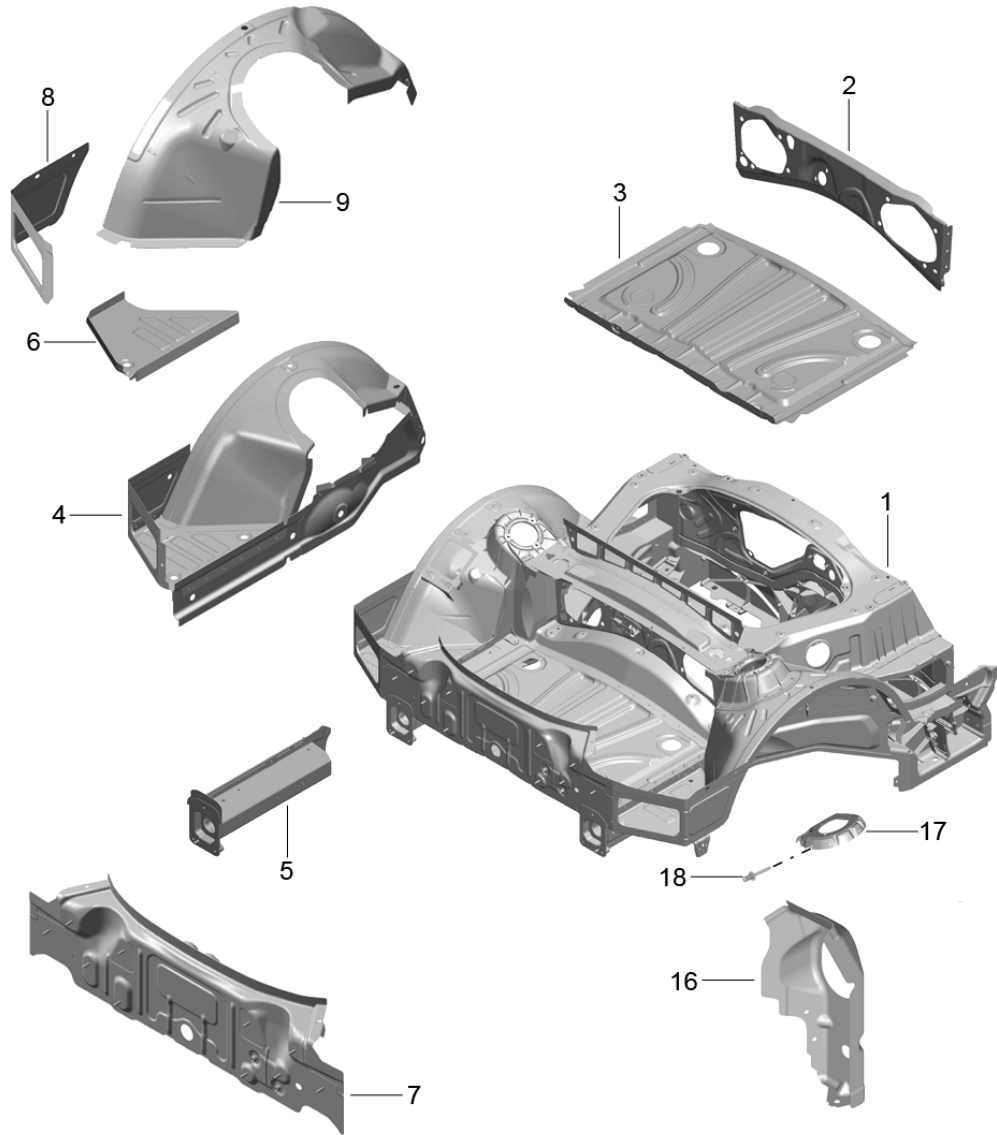
Pos	Part Number	Description	Remark	Qty	Model
			rear		
15	991 501 892 00 GRV 991 504 233 02	primed Support frame		1	
16	981 504 633 00	Front end Transverse strut tunnel		1	
18	991 501 453 00 991 501 453 00 GRV	Seat support primed (complete)	left front	1	
(18)	991 501 454 00 991 501 454 00 GRV	Seat support primed (complete)	right front	1	
19	991 501 635 02 991 501 635 02 GRV	Bracket primed	front right	1	
20	991 501 493 00 991 501 493 00 GRV	AUDIOKOMPONENTE Seat support primed (complete)	left rear	1	
(20)	991 501 494 00 991 501 494 00 GRV	Seat support primed (complete)	right rear	1	
21	999 073 917 01	Oval-head screw M5X20		X	
22	999 084 648 01	Hexagon nut M 10		X	
23	900 378 255 01	Hexagon bolt M 10 X 70		4	
24	999 072 063 02	Hexagon bolt M 10 X 40		6	
30	000 043 206 29	Adhesive set		1	
31	000 043 206 30	adhesive		1	
32	000 043 206 31	Double cartridge gun		1	
33	000 043 206 32	emulsion tube		1	
34	000 043 206 33	activator		1	
35	000 043 305 32	sealant		1	
36	000 043 204 85	cavity preservative agent		1	

Model: 981GT4

Model life 2016>>2016



- 15 — — 10
- 14 — — 11
- 13 — — 12



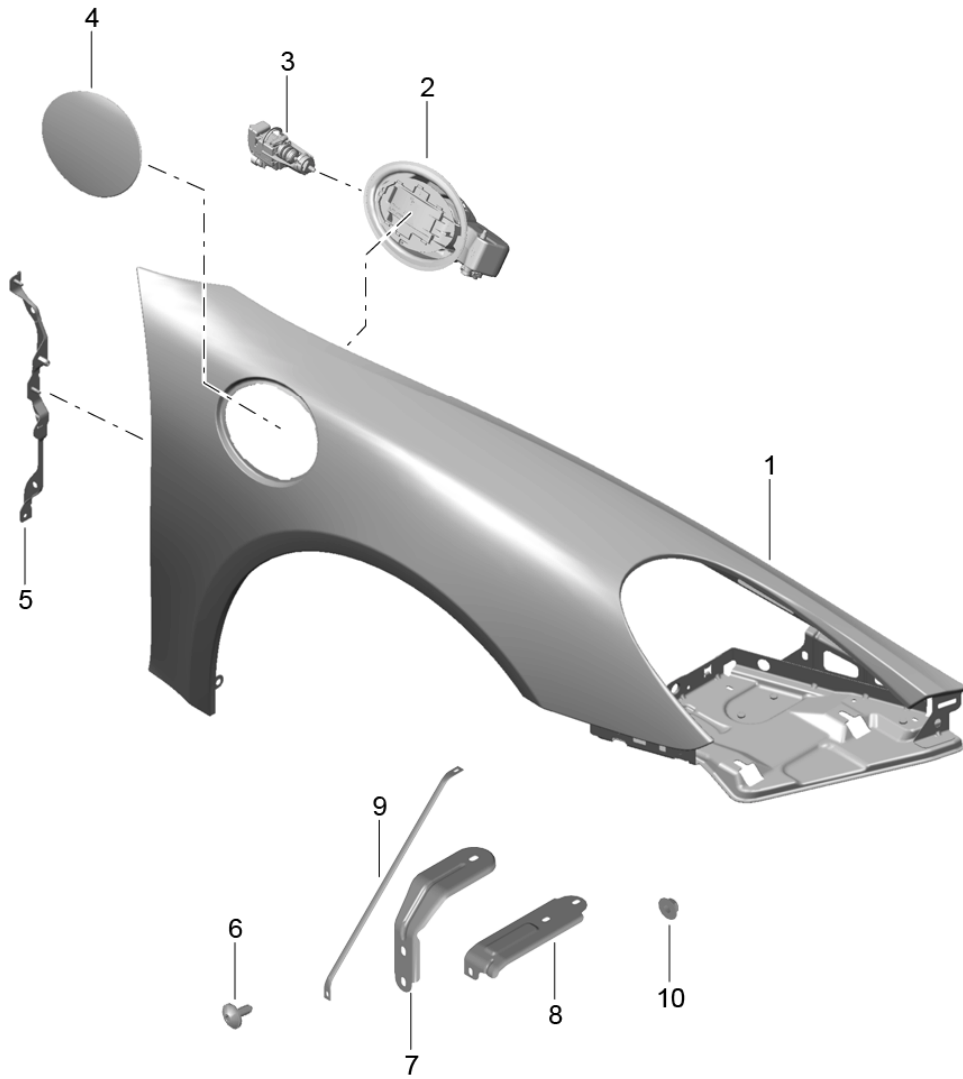
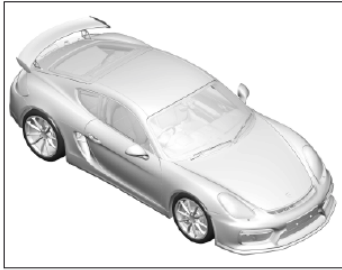
Model: 981GT4

Model life 2016>>2016

Pos	Part Number	Description	Remark	Qty	Model
1	981 501 961 80	Rear end		1	
	981 501 961 80 GRV	primed			
2	981 501 371 01	rear panel		1	
	981 501 371 01 GRV	primed			
3	981 501 571 01	Floor		1	
	981 501 571 01 GRV	primed			
4	981 501 495 01	Wheel housing	left	1	
	981 501 495 01 GRV	primed (complete)			
(4)	981 501 496 01	Wheel housing	right	1	
	981 501 496 01 GRV	primed (complete)			
5	981 501 977 00	Carrier	left	1	
	981 501 977 00 GRV	primed			
(5)	981 501 978 00	Carrier	right	1	
	981 501 978 00 GRV	primed			
6	981 501 523 00	Floor section	left	1	
	981 501 523 00 GRV	primed			
(6)	981 501 524 00	Floor section	right	1	
	981 501 524 00 GRV	primed			
7	981 501 243 01	Cross panel	left	1	
	981 501 243 01 GRV	primed			
8	981 501 651 01	corner part	left	1	
	981 501 651 01 GRV	primed			
(8)	981 501 552 01	Luggage compartment corner part	right	1	
	981 501 552 01 GRV	primed			
9	981 501 983 00	Luggage compartment Wheel housing	left	1	
	981 501 983 00 GRV	primed			
(9)	981 501 984 00	Wheel housing	right	1	
	981 501 984 00 GRV	primed			
10	999 500 196 01	Nut		X	
		M8			
11	999 025 285 31	Washer		X	
		8,4X20X1,5			
12	999 504 267 01	threaded insert		X	
		M10X27			
13	999 504 268 01	threaded insert		X	
		M10X20			
14	999 504 263 01	threaded insert		X	
		M12X1,5X22			
15	999 504 262 01	threaded insert		X	
		M8X15			
-	000 043 206 30	adhesive		1	
16	981 501 695 00	Closing element	left	1	
	981 501 695 00 GRV	primed			
17	981 501 787 80	Reinforcement	left	1	
		primed			
(17)	981 501 788 80	suspension strut bearing Reinforcement	right	1	
		primed			
18	999 190 227 01	suspension strut bearing Pop rivet		24	
		6,5X12,5			

Model: 981GT4

Model life 2016>>2016



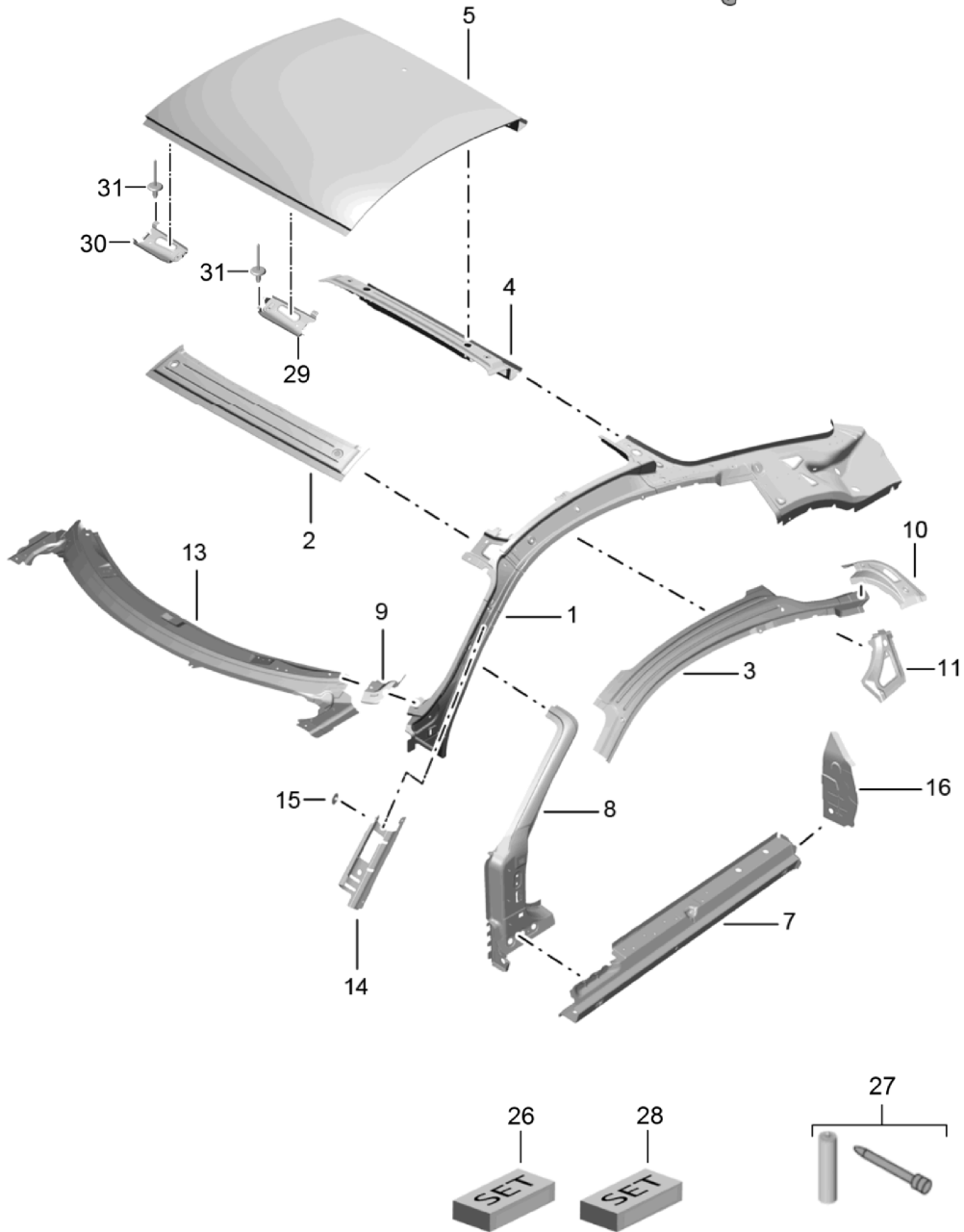
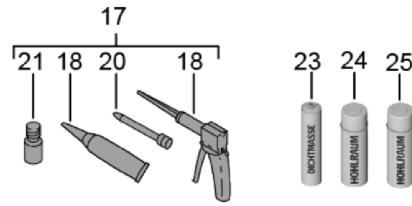
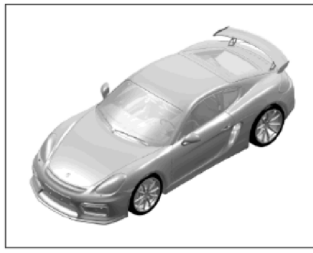
Model: 981GT4

Model life 2016>>2016

Pos	Part Number	Description	Remark	Qty	Model
(1)	981 503 031 00	Wing			
	981 503 031 00 GRV	Wing primed	left	1	
1	981 503 032 00	Wing			
	981 503 032 00 GRV	Wing primed	right	1	
2	981 504 142 01	Cup		1	
		Fuel filler flap			
3	991 504 414 01	throttle control element		1	
		Fuel filler flap			
4	981 503 034 00	Fuel filler flap		1	
	981 503 034 00 GRV	Fuel filler flap primed			
5	981 502 347 00	bracket - fender	left	1	
	981 502 347 00 GRV	bracket - fender primed			
(5)	981 502 348 00	bracket - fender	right	1	
	981 502 348 00 GRV	bracket - fender primed			
6	N 910 423 01	Oval hexagon socket head bolt		X	
		M 6 X 16			
7	991 503 555 00	Console		2	
		Headlight recess			
8	991 503 557 00	Support	left	1	
		Headlight recess			
(8)	991 503 558 00	Support	right	1	
		Headlight recess			
9	991 503 441 01	Brace		2	
		Headlight recess			
10	999 076 066 09	Hexagon nut		X	
		M6			

Model: 981GT4

Model life 2016>>2016



Model: 981GT4 Model life 2016>>2016

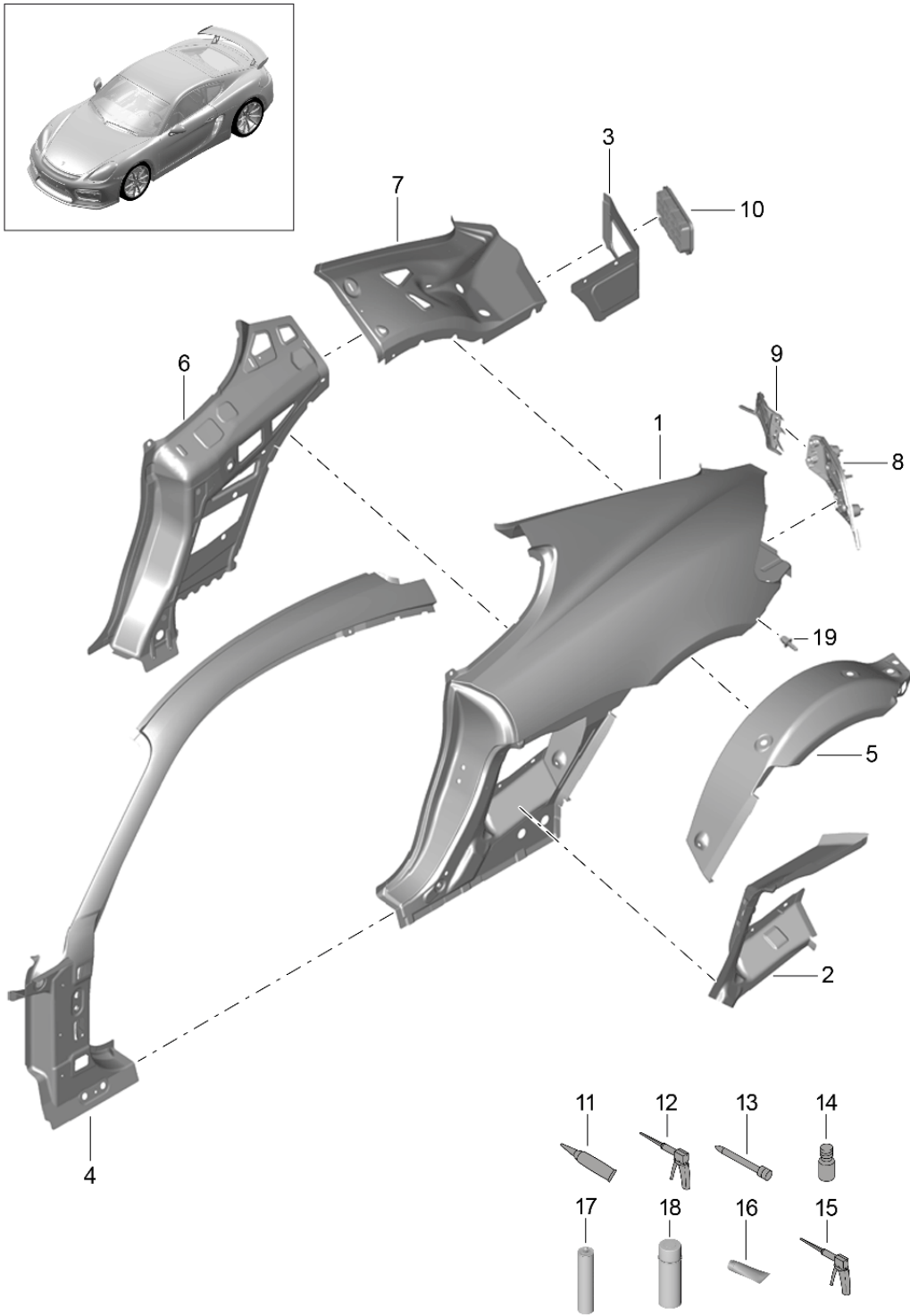
Pos	Part Number	Description	Remark	Qty	Model
1	981 502 205 01 981 502 205 01 GRV	Roof Scuttle A-pillar primed (complete)	left	1	
(1)	981 502 206 01 981 502 206 01 GRV	A-pillar primed (complete)	also use: 000 043 206 30 right	1	
2	981 502 629 01 981 502 629 01 GRV	Scuttle primed	also use: 000 043 206 30 upper	1	
3	981 502 157 01 981 502 157 01 GRV	Side part primed	also use: 000 043 206 30 left inner	1	
(3)	981 502 158 01 981 502 158 01 GRV	Side part primed	also use: 000 043 206 30 right inner	1	
4	981 502 405 00 981 502 405 00 GRV	roof frame primed	also use: 000 043 206 30 rear	1	
5	981 503 501 00 981 503 501 00 GRV	Outer roof panel primed	also use: 000 043 206 30	1	
(5)	981 503 501 01 981 503 501 01 GRV	Outer roof panel primed	also use: 000 043 206 30	1	PR:686,690
7	981 502 463 01 981 502 463 01 GRV	Reinforcement Sill primed	also use: 000 043 206 30 left	1	
7	981 502 464 01 981 502 464 01 GRV	Reinforcement Sill primed	also use: 000 043 206 30 right	1	
8	981 502 163 01 981 502 163 01 GRV	Reinforcement for A-pillar primed Side part	also use: 000 043 206 30 left inner	1	
(8)	981 502 164 01 981 502 164 01 GRV	Reinforcement for A-pillar primed Side part	also use: 000 043 206 30 right inner	1	
9	991 502 657 00 991 502 657 00 GRV	Console primed	left	1	
(9)	991 502 658 00 991 502 658 00 GRV	Console primed	right	1	
10	981 502 879 00 981 502 879 00 GRV	Reinforcement for side panel primed	left	1	
(10)	981 502 880 00 981 502 880 00 GRV	Reinforcement for side panel primed	right	1	
11	981 502 565 00 981 502 565 00 GRV	Side part primed	left	1	
(11)	981 502 566 00 981 502 566 00 GRV	Side part primed	right	1	
13	991 502 137 00 991 502 137 00 GRV	Scuttle primed	lower outer	1	
14	981 555 291 00	deformation element	also use: 000 043 206 30 left	1	

Model: 981GT4 Model life 2016>>2016

Pos	Part Number	Description	Remark	Qty	Model
(14)	981 555 292 00	A-pillar deformation element	right	1	
15	999 190 190 01	A-pillar Pop rivet 4 X 8,5		8	
16	981 502 815 00	Connecting piece	left	1	
	981 502 815 00 GRV	primed Wheel housing			
(16)	981 502 816 00	Connecting piece	right	1	
	981 502 816 00 GRV	primed Wheel housing			
17	000 043 206 29	Adhesive set		X	
		Body			
18	000 043 206 30	adhesive		1	
19	000 043 206 31	Double cartridge gun		1	
20	000 043 206 32	emulsion tube		1	
21	000 043 207 70	activator		1	
23	000 043 207 67	sealant		1	
24	999 915 337 40	sealant		1	
		Acoustics			
25	000 043 204 85	cavity preservative agent		1	
26	000 043 305 65	Adhesive set		1	
27	000 043 205 37	emulsion tube		1	
28	000 043 305 35	2K pane adhesive set		1	
29	981 502 673 00	deformation element	left	1	
		Scuttle			
	981 502 673 00 GRV	primed			
30	981 502 674 00	deformation element	right	1	
		Scuttle			
	981 502 674 00 GRV	primed			
31	N 900 978 02	Pop rivet	4X8	1	

Model: 981GT4

Model life 2016>>2016



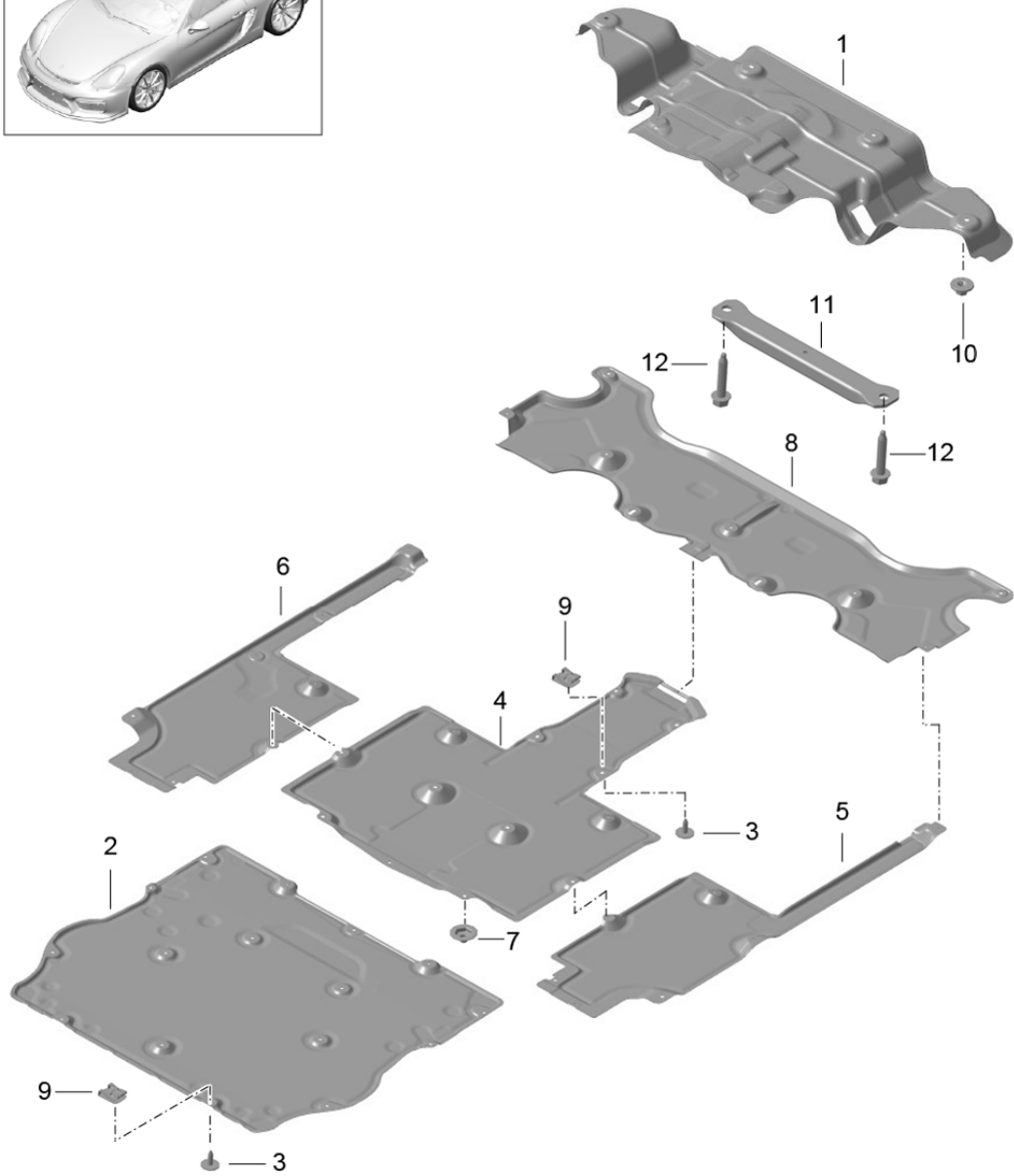
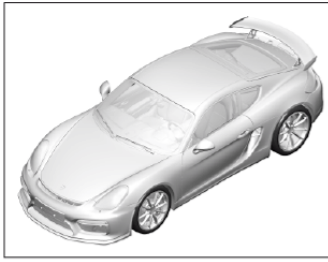
Model: 981GT4

Model life 2016>>2016

Pos	Part Number	Description	Remark	Qty	Model
1	981 503 961 01 981 503 961 01 GRV	Side part Side part primed	left	1	
(1)	981 503 962 01 981 503 962 01 GRV	Side part primed also use:	right	1	
2	981 502 961 00 981 502 961 00 GRV	Reinforcement for side panel primed	left	1	
(2)	981 502 962 00 981 502 962 00 GRV	Reinforcement for side panel primed	right	1	
3	981 501 651 01 981 501 651 01 GRV	corner part Luggage compartment primed	left	1	
(3)	981 501 552 01 981 501 552 01 GRV	corner part Luggage compartment primed	right	1	
4	981 503 965 00 981 503 965 00 GRV	A-pillar roof frame primed	left	1	
(4)	981 503 966 00 981 503 966 00 GRV	A-pillar roof frame primed	right	1	
5	981 502 515 00 981 502 515 00 GRV	Wheel housing primed	left	1	
(5)	981 502 516 00 981 502 516 00 GRV	Wheel housing primed	right	1	
6	981 502 431 01 981 502 431 01 GRV	B-pillar primed	left outer	1	
(6)	981 502 432 01 981 502 432 01 GRV	B-pillar primed	right outer	1	
7	981 502 905 01 981 502 905 01 GRV	Side part primed	left	1	
(7)	981 502 906 01 981 502 906 01 GRV	Side part primed	right	1	
8	981 503 695 00 981 503 696 00	Seal Side part Seal	left right	1 1	
(8)	981 503 693 00 981 503 694 00	Side part Adapter for Seal	left right	1 1	
9	981 503 694 00 981 503 694 00	Adapter for Seal	right	1	
10	981 572 043 00	Bleeding		2	
11	000 043 206 30	adhesive		1	
12	000 043 206 31	Double cartridge gun		1	
13	000 043 206 32	emulsion tube		1	
14	000 043 207 70	activator		1	
15	000 043 300 48	Tool set		X	
16	000 043 305 38	adhesive		X	
17	000 043 305 59	TEROMIX sealant Acoustics		1	
18	000 043 305 51	cavity preservative agent		1	
19	999 080 057 01	Blind rivet stud Side part Mount Bracket M 6 X 15	side	X	

Model: 981GT4

Model life 2016>>2016



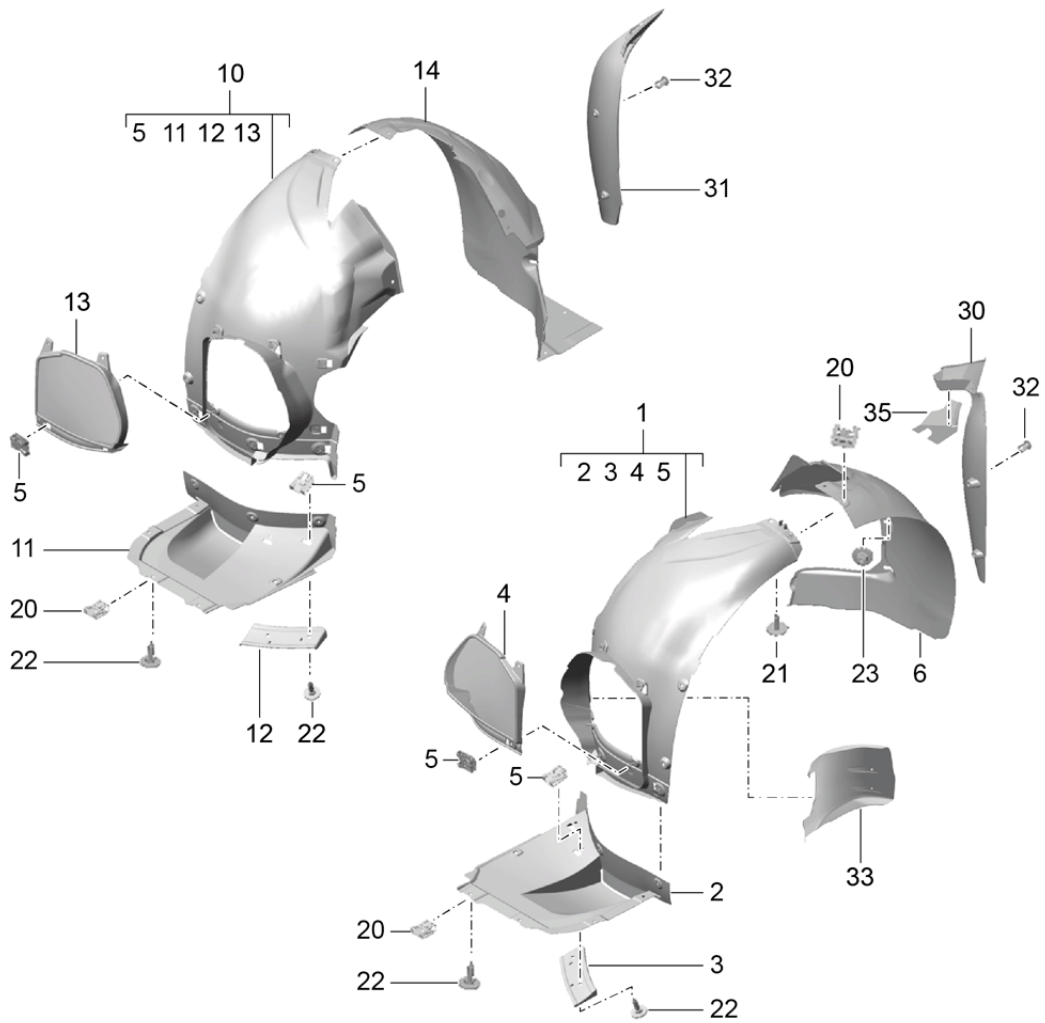
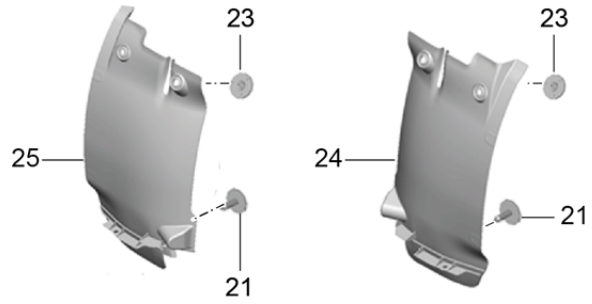
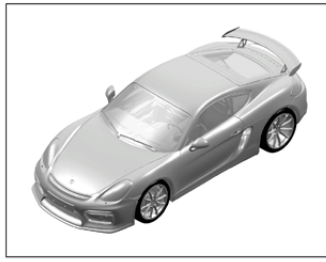
Model: 981GT4

Model life 2016>>2016

Pos	Part Number	Description	Remark	Qty	Model
1	981 504 405 01	Trim Underbody Heat insulation boot floor plate		1	
2	991 504 601 04	Cover	front	1	
3	999 073 505 01	panel screw ST 4,8x16		X	
4	991 504 603 00	Cover	center	1	
5	991 504 605 00	Cover	left	1	
6	991 504 606 00	Cover	center right center	1	
7	999 049 032 40	Hexagon plastic collar nut T6/22x10,5		X	
8	981 504 609 00	Cover	rear	1	
9	999 507 309 02	Underbody panel nut ST 4,8		X	
10	999 049 039 01	Hexagon nut T6		6	
11	981 504 843 00	Transverse strut filler plate		1	
12	999 072 837 01	Rear end Hexagon bolt M10 X 55		2	

Model: 981GT4

Model life 2016>>2016



Model: 981GT4 Model life 2016>>2016

Pos	Part Number	Description	Remark	Qty	Model
1	981 504 501 81	Linings Wheel housing Wheel housing liner	left front	1	
1	981 504 501 82	Discontinued part Wheel housing liner	left front	1	
2	981 504 753 80	Wheel housing liner Lower part	left front	1	
3	981 504 829 80	Wheel housing liner Tread	left front	1	
4	991 504 861 93	Grille Wheel housing liner	left front	1	
5	999 507 795 09	panel nut Wheel housing liner	front	X	
6	981 504 503 01	Wheel housing liner	left front rear	1	
10	981 504 502 81	Wheel housing liner	right front	1	
10	981 504 502 82	Discontinued part Wheel housing liner	right front	1	
11	981 504 754 80	Wheel housing liner Lower part	right front	1	
12	981 504 830 80	Wheel housing liner Tread	right front	1	
13	991 504 862 93	Grille Wheel housing liner	right front	1	
14	981 504 504 00	Wheel housing liner	right front rear	1	
20	999 507 309 02	panel nut		X	
21	999 073 231 09	ST 4,8 panel screw		X	
22	999 073 227 09	ST 4,8X16 panel screw		2	
23	999 049 032 40	Hexagon plastic collar nut T6/22X10,5		12	
24	981 504 505 01	Wheel housing liner	left rear front	1	
25	981 504 506 01	Wheel housing liner	right rear front	1	
30	981 504 641 00	trim for a-pillar	left	1	
31	981 504 641 00 1E0	Black			
31	981 504 642 00	trim for a-pillar	right	1	
32	981 504 642 00 1E0	Black			
32	999 591 712 40	Spreader rivet 6,0X12,0		6	
33	981 575 131 80	Air guide Wheel housing liner	left front	1	
(33)	981 575 132 80	Air guide Wheel housing liner	right front	1	
35	991 555 747 00	Trim A-pillar Wing	left	1 1 1	
(35)	991 555 747 00 1E0	Black			
(35)	991 555 748 00	Trim A-pillar Wing	right	1 1 1	

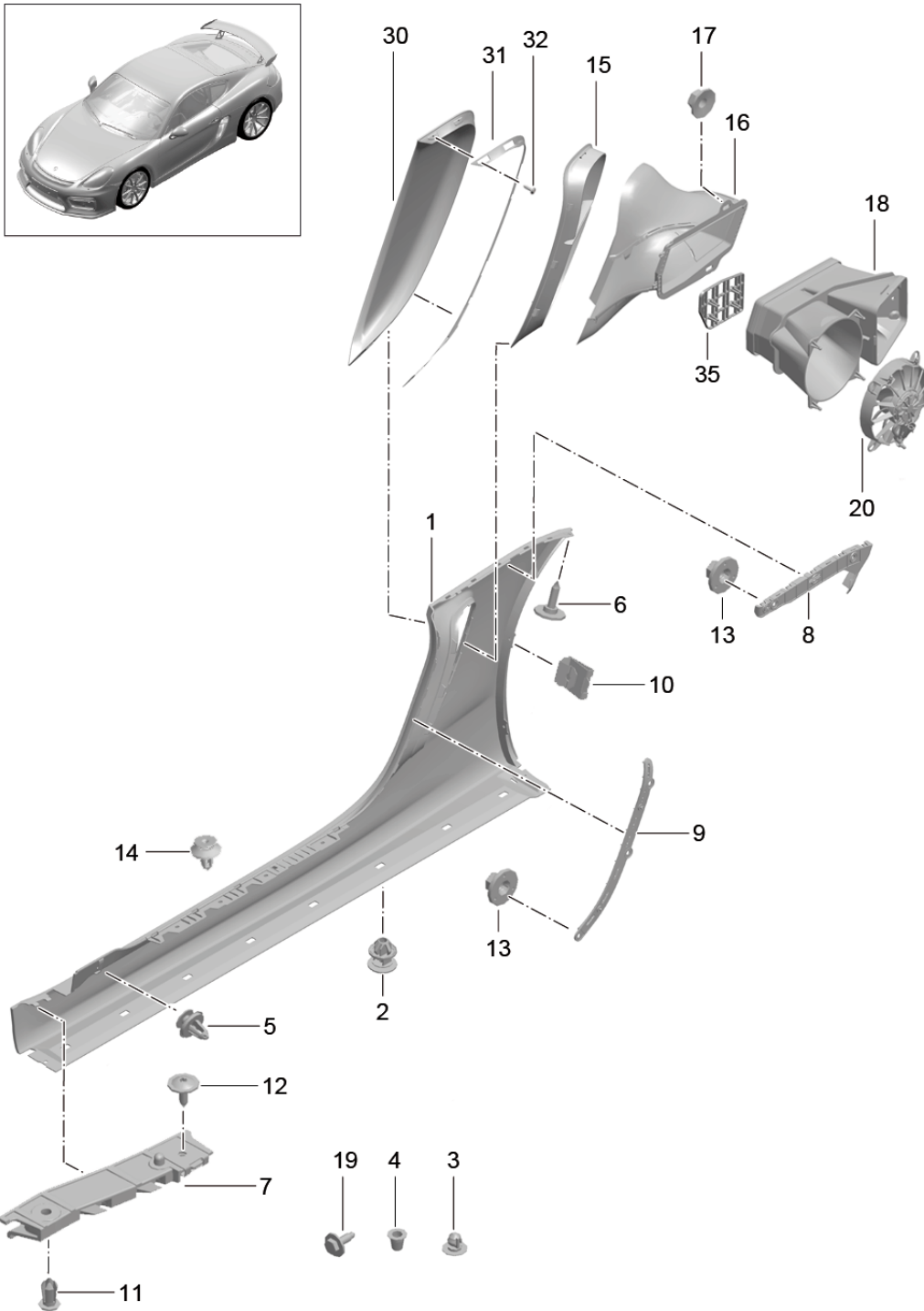
Model: 981GT4

Model life 2016>>2016

Pos	Part Number	Description	Remark	Qty	Model
	991 555 748 00 1E0	Black			

Model: 981GT4

Model life 2016>>2016



Model: 981GT4 Model life 2016>>2016

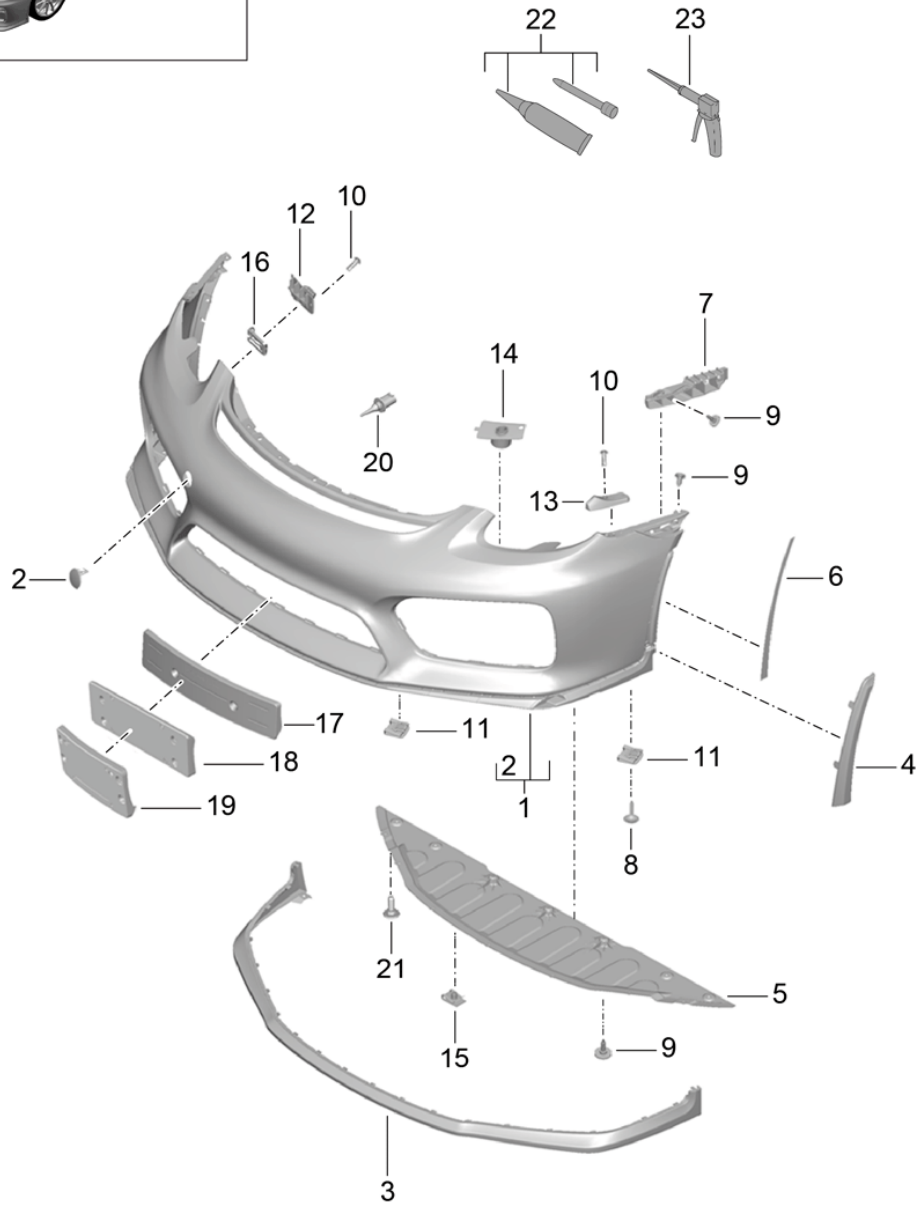
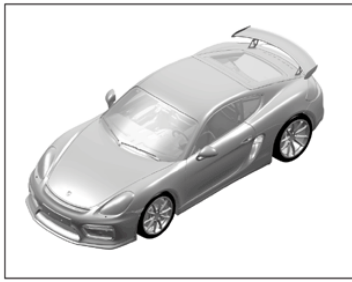
Pos	Part Number	Description	Remark	Qty	Model
1	981 504 661 81	Side member trim and Ventilation Engine compartment Side member trim primed	left	1	
(1)	981 504 662 81	Side member trim primed	right	1	
2	981 504 597 00	Fasteners		X	
3	999 591 413 40	Side member trim Retaining clip 9,80		8	
4	999 702 403 40	Grommet 9,5X14		8	
5	999 507 999 40	Retaining clip 8,1X2,00		8	
6	999 073 231 09	panel screw ST4,8X16-C		X	
7	981 504 763 00	retaining strip	left	1	
(7)	981 504 764 00	retaining strip	front right	1	
8	981 504 863 02	retaining strip	front left	1	
(8)	981 504 864 02	retaining strip	rear right	1	
9	981 504 865 01	retaining strip	rear left	1	
(9)	981 504 866 01	retaining strip	center right	1	
10	999 507 795 09	panel nut ST 4,8		X	
11	999 591 712 40	Spreader rivet 6,0X12,0		6	
12	999 073 505 01	panel screw ST4,8X16-C		X	
13	999 049 032 40	Hexagon plastic collar nut T6/22X10,5		12	
14	999 507 999 40	Retaining clip 8,1X2,00		8	
15	981 504 561 80	Trim	left	1	
	981 504 561 80 1E0	Air inlet Black			
(15)	981 504 562 80	Trim	right	1	
	981 504 562 80 1E0	Air inlet Black			
16	981 504 549 04	Frame	left	1	
		Air inlet			
		with:			
(16)	981 504 550 04	Disc Black Frame	right	1	
		Air inlet			
		with:			
17	999 076 042 01	Disc Black Hexagon nut M6		4	
18	981 504 657 04	Air guide channel	left	1	
		with:			
(18)	981 504 658 04	Seal Air guide channel	right	1	
		with:			

Model: 981GT4 Model life 2016>>2016

Pos	Part Number	Description	Remark	Qty	Model
19	900 075 510 01	Seal Bolt with washer M6X20-PA		6	
20	991 624 050 06	Fan		2	
30	981 504 567 81	Trim Air inlet primed	left	1	
		also use:			
(30)	981 504 568 81	POS31 Trim Air inlet primed	right	1	
		also use:			
31	981 505 869 80	POS31 Adhesive tape Mount	left	1	
(31)	981 505 870 80	POS 30 Adhesive tape Mount	right	1	
32	999 073 142 09	POS 30 panel screw ST 4,2X19 -C Mount		6	
35	981 504 857 80	POS 30 Grille Air duct	left	1	
(35)	981 504 858 80	Grille Air duct	right	1	

Model: 981GT4

Model life 2016>>2016



Model: 981GT4 Model life 2016>>2016

Pos	Part Number	Description	Remark	Qty	Model
1	981 505 191 80	bumper Spoiler Trim primed No longer use the part here	front front	1	PR:-288
1	981 505 313 80	Trim primed	front	1	PR:-288
(1)	981 505 191 81	Trim primed No longer use the part here	front	1	PR:288
(1)	981 505 313 81	Trim primed	front	1	PR:288
2	981 505 703 02	cover for towing eye		1	
	981 505 703 02 G2X	primed			
3	981 505 525 80	Spoiler	front	1	
	981 505 525 80 1E0	Black			
4	981 505 527 80	Spoiler	left side	1	
	981 505 527 80 1E0	Black			
(4)	981 505 528 80	Spoiler	right side	1	
	981 505 528 80 1E0	Black			
5	981 504 601 80	Underbody protection	front	1	
6	981 505 627 80	Adhesive film Spoiler	left	1	
(6)	981 505 628 80	Adhesive film Spoiler	right	1	
7	981 505 535 00	retaining strip	left side	1	
(7)	981 505 536 00	retaining strip	right side	1	
8	999 073 241 09	panel screw ST4,8X25-C		4	
9	999 073 227 09	panel screw ST 4,8 X 19		X	
10	999 190 191 30	Pop rivet Retaining plate A 3,2X17,0		4	
11	999 507 795 09	panel nut ST. 4,8		7	
12	981 505 733 00	Retaining plate	left	1	
(12)	981 505 734 00	Trim Retaining plate	right	1	
13	981 505 573 00	Trim corner part	left	1	
(13)	981 505 574 00	Trim corner part	front right	1	
14	981 505 661 02	Trim Retaining plate Headlight washer system	front left	1	PR:288
(14)	981 505 662 02	also use: Retaining plate Headlight washer system also use:	000 043 300 47 right	1	PR:288
15	918 504 597 00	panel nut panel nut M6		7	
16	981 505 719 01	Fixing		2	
19	981 701 051 83	Assembly kit Bracket Number plate	USA	1	
	981 701 051 83 1E0	Black			
20	958 505 535 00	Sensor		1	

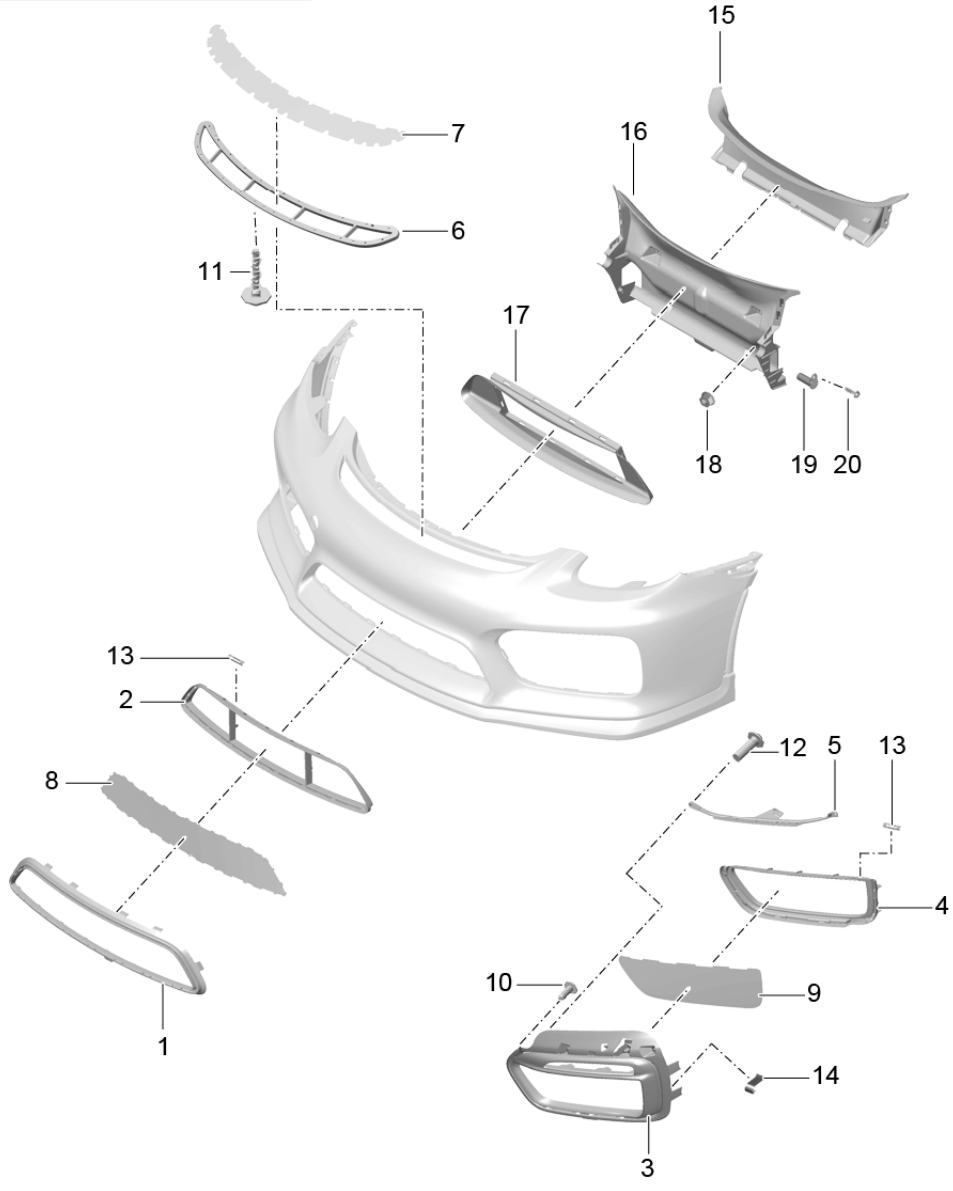
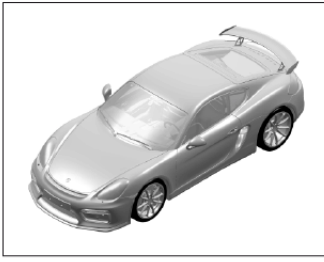
Model: 981GT4

Model life 2016>>2016

Pos	Part Number	Description	Remark	Qty	Model
21	N 907 884 02	Temperature sensor Locating bolt M6X16		7	
22	000 043 300 47	Adhesive set adhesive		1	
		with: 5-fold emulsion tube Bracket Headlight washer system			
-		use if required:			
23	000 043 300 48	Tool set for adhesive		1	

Model: 981GT4

Model life 2016>>2016

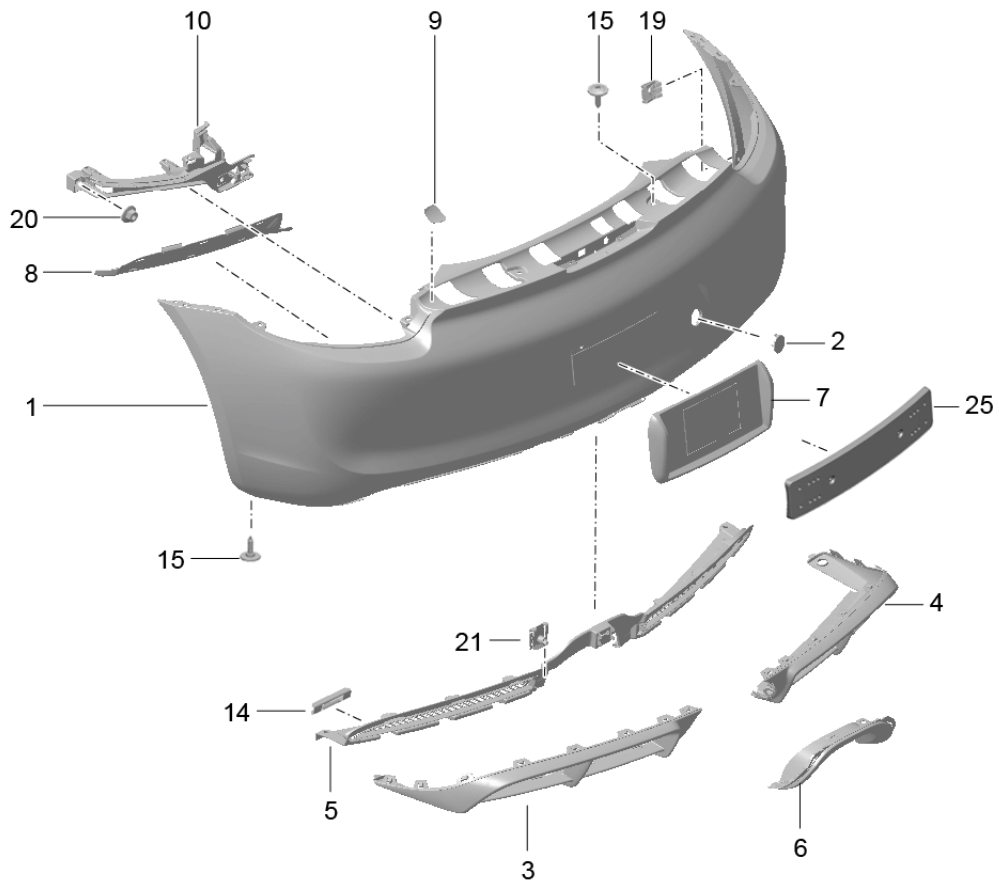
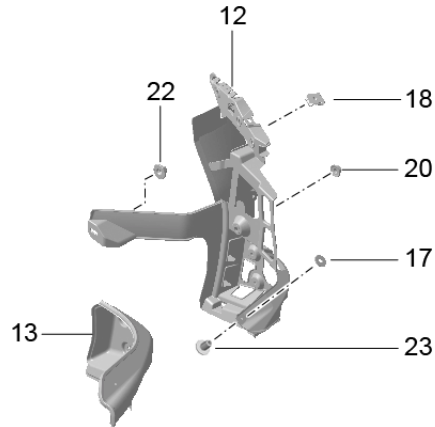
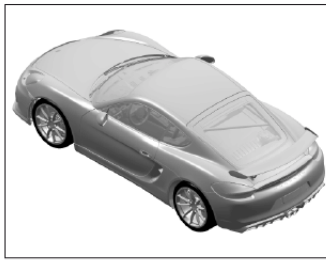


Model: 981GT4 Model life 2016>>2016

Pos	Part Number	Description	Remark	Qty	Model
1	981 505 569 80	bumper Of Air guide Retaining frame	center front	1	
2	981 505 571 80	Retaining frame	center rear	1	
3	981 505 563 80	Retaining frame	left side	1	
(3)	981 505 564 80	Retaining frame	front right side	1	
4	981 505 565 80	Retaining frame	left side rear	1	
(4)	981 505 566 80	Retaining frame	right side rear	1	
5	981 505 561 80	Retaining frame	left side	1	
(5)	981 505 562 80	Reinforcement Retaining frame	right side	1	
6	991 505 567 90	Reinforcement Retaining frame	upper	1	
7	991 505 567 90 1E0 991 505 717 92	Black Grille	upper	1	
8	981 505 711 80	Air inlet Ventilation grille	center	1	
9	981 505 713 80	Ventilation grille	left side	1	
(9)	981 505 714 80	Ventilation grille	right side	1	
10	999 073 340 09	panel screw ST 3,5X11-C		8	
11	999 919 268 01	fillister hd. bolt 3,0X13,0		23	
12	999 919 246 01	fillister hd. bolt 6,0X18,0		10	
13	999 507 696 00	U-clip 1,20-1,70		38	
14	999 507 164 01	Cable fastener Hose 15,0		7	
15	991 504 489 90	Headlight washer system Air guide	center	1	
16	991 504 489 90 1E0 991 504 487 91 991 504 487 91 1E0	Black Frame for coolant radiator Black		1	
17	981 575 141 80	also use: Air guide	991 504 587 90 999 919 133 09 center	1	
18	981 575 141 80 1E0 999 084 638 01	Black Hexagon nut M6-SB		4	
19	991 504 587 90	bearing pin Radiator		2	
20	999 919 133 09	Hexagon bolt 6,0X20,0-H		2	

Model: 981GT4

Model life 2016>>2016



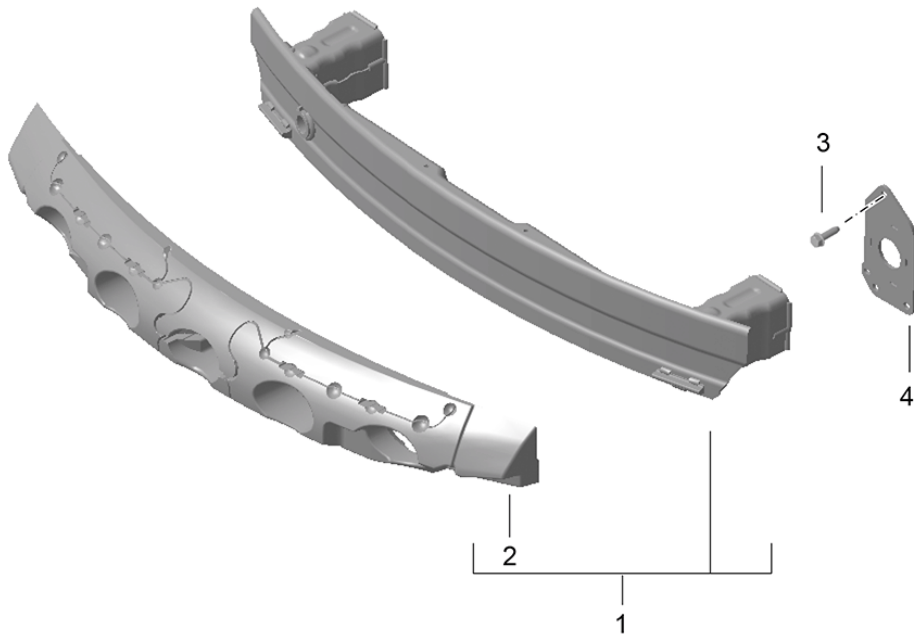
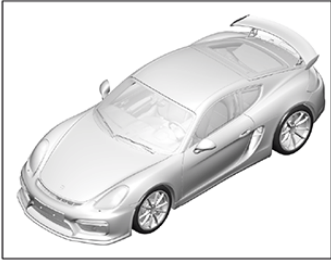
Model: 981GT4

Model life 2016>>2016

Pos	Part Number	Description	Remark	Qty	Model
1	981 505 991 81	bumper Trim	rear rear	1	PR:553
3	981 505 511 80	primed Trim	left rear lower	1	
4	981 505 511 80 1E0 981 505 512 80	Black Trim	right rear lower	1	
5	981 505 512 80 1E0 981 505 853 80	Black Retaining frame		1	
6	981 505 853 80 1E0 981 505 811 80	Black Trim	rear lower	1	
7	981 505 811 80 1E0	Black Attachment Trim		1	PR:553
8	981 505 617 00	see illustration: Heat insulation	802-030 left	1	
(8)	981 505 618 00	Heat insulation	right	1	
9	981 505 691 00	Protective film	left	1	
(9)	981 505 692 00	Protective film	right	1	
10	981 505 845 04	retaining strip	left rear	1	
(10)	981 505 846 04	retaining strip	right rear	1	
12	981 505 631 01	Bracket	left side	1	
(12)	981 505 632 01	Bracket	right side	1	
13	981 505 479 00	Heat insulation	left outer	1	
(13)	981 505 480 00	Heat insulation	right outer	1	
14	999 507 696 00	U-clip 1,2-1,7X10		X	
15	999 073 227 09	panel screw ST 4,8X19		X	
17	900 151 006 03	Washer 6		8	PR:553
18	999 507 795 09	panel nut ST 4,8		6	
19	999 507 309 02	panel nut ST 4,8		X	
20	999 076 078 01	Hexagon nut M 6-S		6	
21	999 507 856 01	panel nut M6		2	
22	999 049 032 40	Hexagon plastic collar nut T6/22X10,5		X	
23	999 190 115 30	Pop rivet A 6,4X10,0		8	
25		Assembly kit Number plate see illustration:	802-000	1	

Model: 981GT4

Model life 2016>>2016



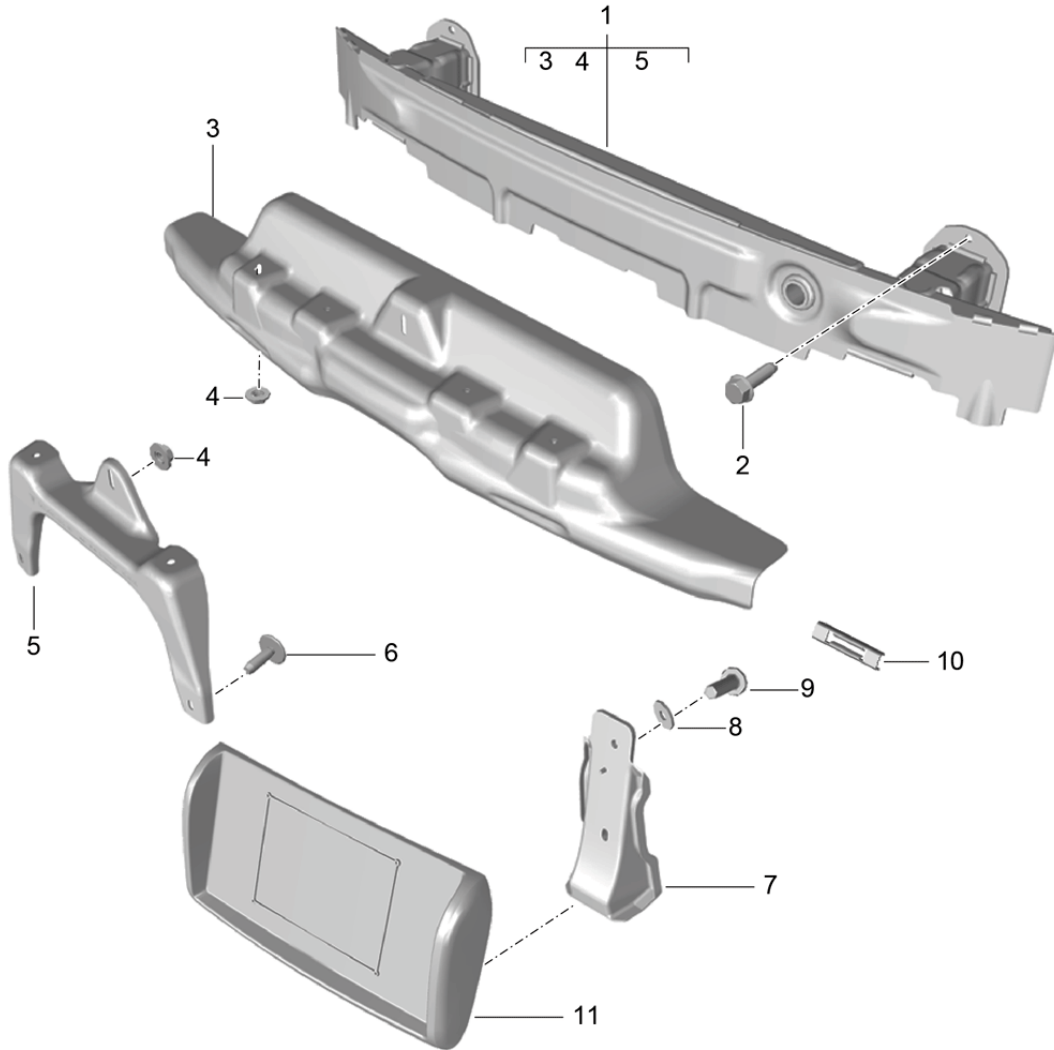
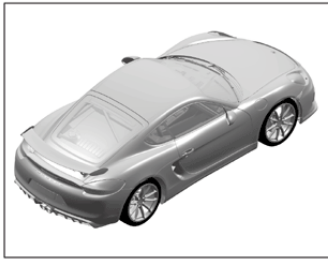
Model: 981GT4

Model life 2016>>2016

Pos	Part Number	Description	Remark	Qty	Model
1	981 505 121 80	Bumper carrier Bumper carrier (complete)	front front	1	
		with:			
2	981 505 777 80	Foam part Foam part Protective strip		1	
3	900 378 351 01	Hexagon bolt M 8 X 30		6	
4	991 505 771 00	Seal Shock absorber		2	

Model: 981GT4

Model life 2016>>2016



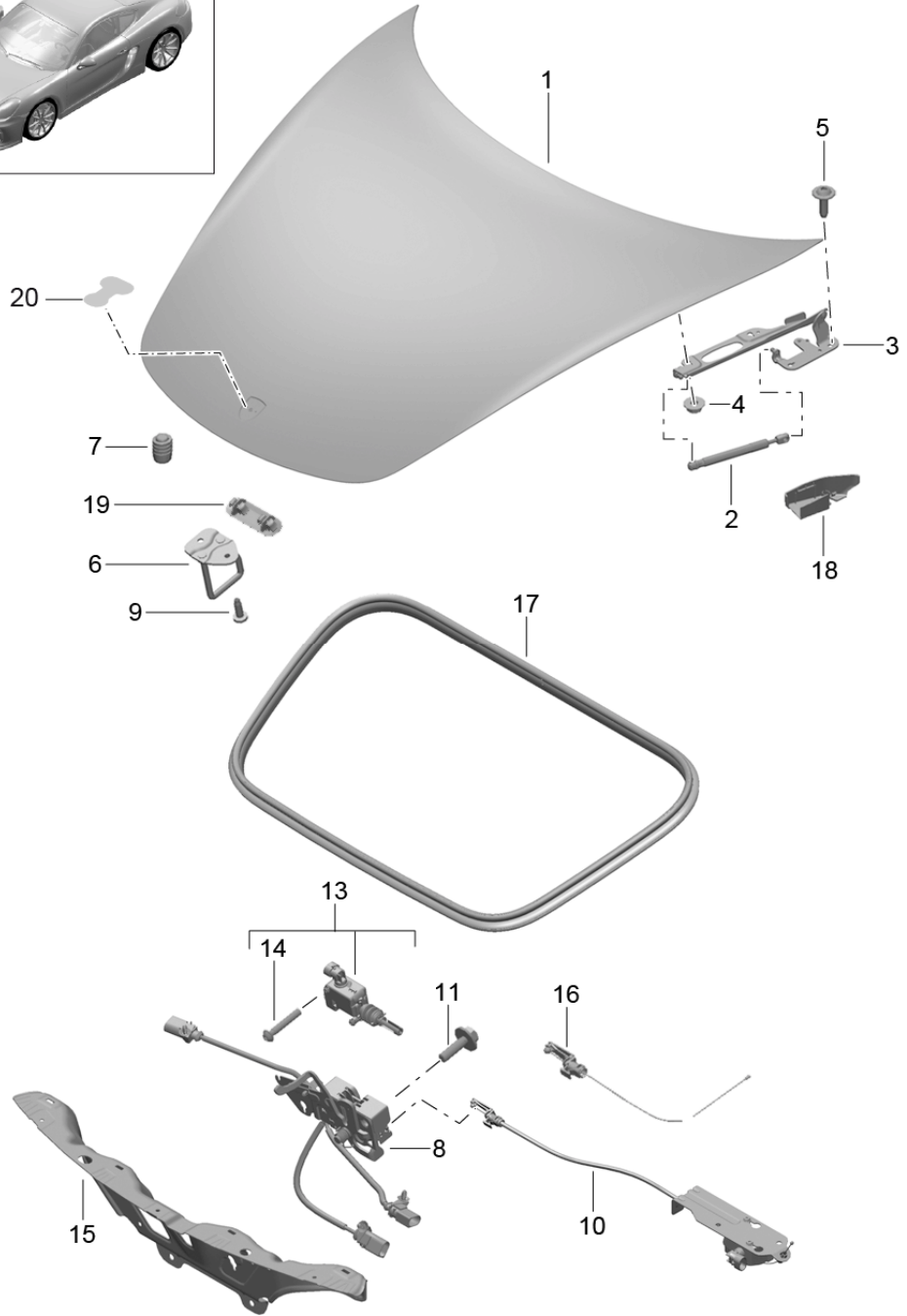
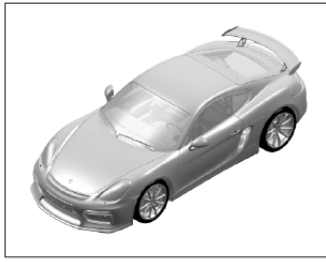
Model: 981GT4

Model life 2016>>2016

Pos	Part Number	Description	Remark	Qty	Model
1	981 505 141 00	Bumper carrier Bumper carrier	rear rear	1	
		with:			
2	900 378 351 01	Heat protection Hexagon bolt M 8 X 30		6	
3	981 505 475 00	Heat insulation	center	1	
4	999 076 091 01	Hexagon nut M6-S		5	
5	981 505 639 00	Rear support		2	
6	999 073 322 02	fillister hd. bolt M6X20		2	
7	981 505 825 01	Support Trim	left rear	1	PR:553
(7)	981 505 826 01	Support Trim	right rear	1	PR:553
8	900 151 006 03	Washer 6		4	PR:553
9	999 919 246 01	fillister hd. bolt 6X18-Q		4	PR:553
10	999 507 696 00	U-clip 1,2-1,7		1	PR:553
11	981 505 675 06	Attachment Trim primed		1	PR:553

Model: 981GT4

Model life 2016>>2016

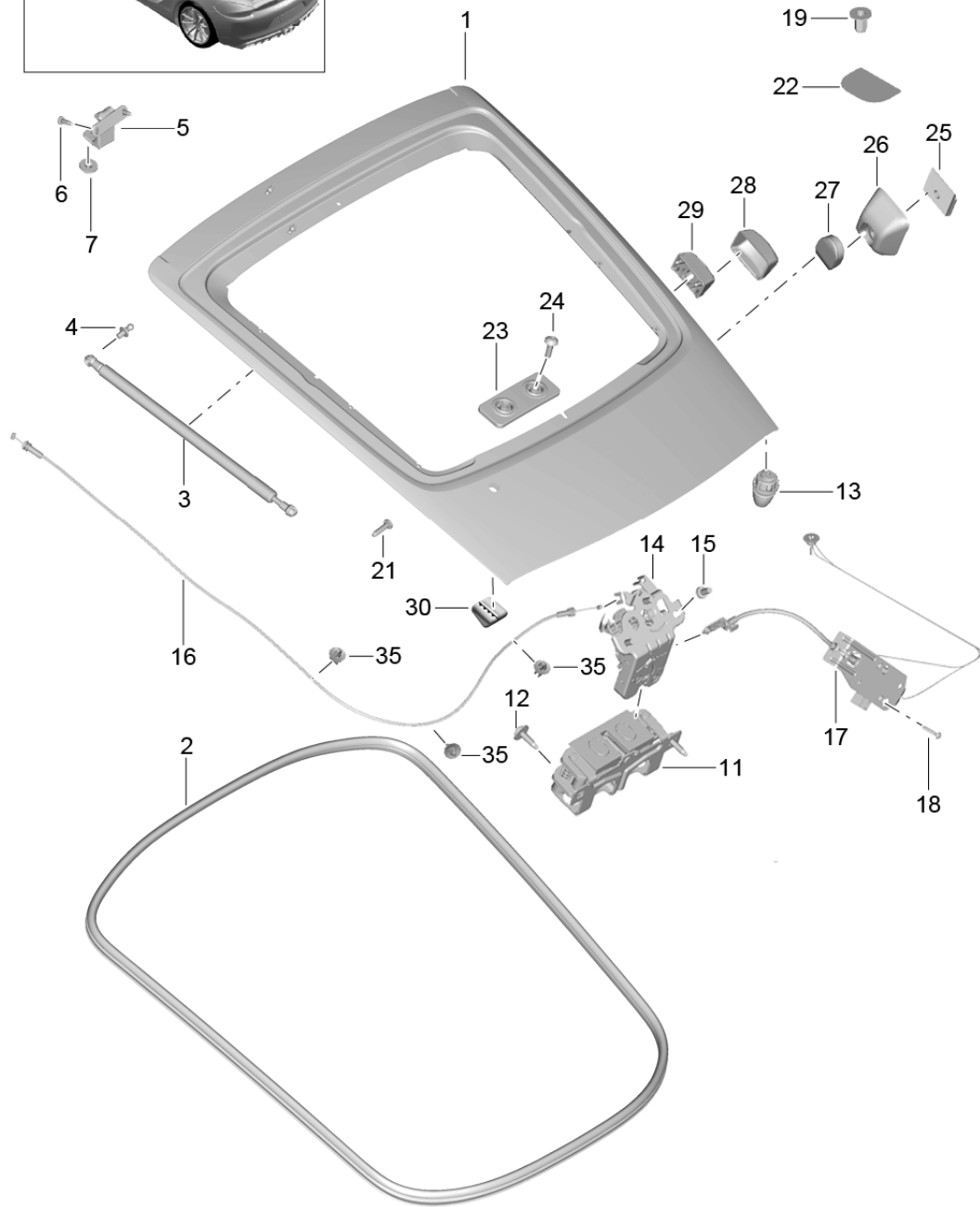
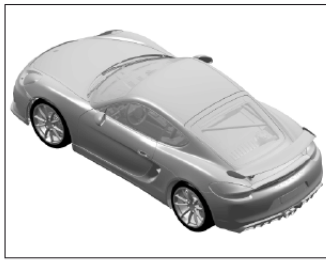


Model: 981GT4 Model life 2016>>2016

Pos	Part Number	Description	Remark	Qty	Model
1	991 511 011 04	Cover	front	1	
	991 511 011 04 GRV	Cover primed			
2	991 511 551 00	Gas filled strut		2	
3	991 511 151 03	Hinge	left	1	
(3)	991 511 152 03	Hinge	right	1	
4	999 076 066 09	Hexagon nut		4	
5	N 911 883 02	Hexagon socket head bolt M6 X 20		4	
6	991 511 051 00	Lock upper part		1	
7	999 703 140 40	Rubber buffer		2	
8	991 511 033 04	Lock lower part		1	
9	999 073 378 02	flat round head bolt M6 X 20		2	
10	991 504 117 01	throttle control element		1	
11	999 919 717 01	fillister hd. bolt 5,0 X 27		2	
15	991 504 533 01	retaining strip		1	
16	991 511 217 01	Cable Emergency operation		1	
17	991 511 611 03	Seal Cover		1	
18	991 511 651 01	Hose bracket	left	1	
	991 511 651 01 1E0	Black			
(18)	991 511 652 01	Hose bracket	right	1	
	991 511 652 01 1E0	Black			
19	991 511 649 00	Protective cap		1	
20	999 911 756 41	Adhesive film		1	

Model: 981GT4

Model life 2016>>2016



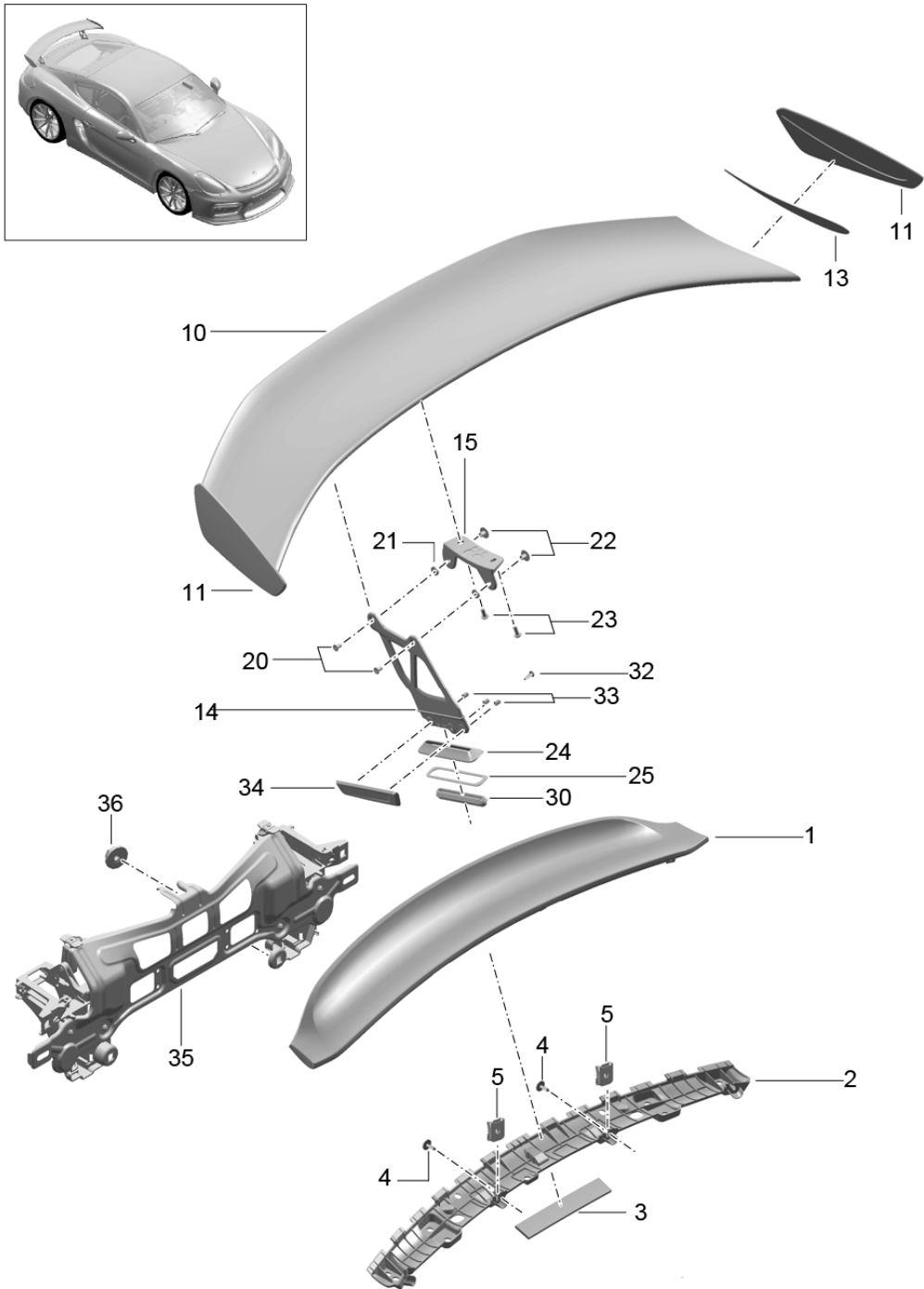
Model: 981GT4

Model life 2016>>2016

Pos	Part Number	Description	Remark	Qty	Model
1	981 512 911 80	Cover	rear	1	PR:426
-	000 043 204 38	Cover primed sealant		1	
2	981 512 611 01	Seal		1	
3	981 512 551 80	Cover Gas filled strut		2	PR:426
4	999 167 030 01	Ball stud		4	
		Gas filled strut			
5	981 512 151 03	Hinge	left	1	
(5)	981 512 152 03	Hinge	right	1	
6	999 073 378 01	flat round head bolt	outer	4	
		Hinge			
		Cover			
		M6 X 20			
7	N 905 115 05	Hexagon collar nut self-locking		2	
11	981 512 051 01	Lock upper part		1	
12	999 073 534 01	Bolt with washer		2	
		M 8 X 30			
13	987 512 987 00	throttle control element		2	
14	8R0 827 505	Lid lock		1	
15	999 073 104 01	Torx screw		2	
		M 8 X 16			
16	981 512 521 05	Emergency operation		1	
17	981 512 117 00	throttle control element		1	
18	999 919 717 01	fillister hd. bolt		2	
		5,0 X 27			
19	999 500 159 01	rivetted cap nut		4	
		M6/0,75			
21	999 073 188 09	fillister hd. bolt		4	
		M6 X 25			
22	987 512 819 00	Protective film		2	
23	987 512 125 03	vibration damper		1	
24	999 073 410 01	fillister hd. bolt		2	
		vibration damper			
		M6 X 22			
25	981 512 899 00	basic plate		2	
		Bodyshell			
26	981 512 897 00	Adjusting mechanism		2	
		Bodyshell			
27	981 512 895 00	Cover cap		2	
		Bodyshell			
28	981 512 893 00	Cover cap		2	
		Cover			
29	981 512 891 00	basic plate		2	
		Cover			
30	981 504 871 80	Protective strip for tailgate	left	1	
		Cover			
(30)	981 504 872 80	Protective strip for tailgate	right	1	
		Cover			
35	9A7 837 851 00	Retaining clip		3	
		Cable			
		Emergency operation			

Model: 981GT4

Model life 2016>>2016



Model: 981GT4 Model life 2016>>2016

Pos	Part Number	Description	Remark	Qty	Model
1	981 505 513 81	Rear spoiler Spoiler Cover primed		1	
2	981 505 813 80	Adapter Discontinued part		1	
(2)	981 505 813 81	Adapter		1	
3	981 505 843 80	Adhesive tape Spoiler Adapter		1	
4	999 073 227 09	panel screw ST.4,8X19		X	
5	999 507 309 02	panel nut ST.4,8		X	
10	981 512 265 83	Rear wing primed		1	
11	981 512 463 83	Wing plate for rear spoiler Rear wing primed	left	1	
(11)	981 512 464 83	Wing plate for rear spoiler Rear wing primed	right	1	
13	981 512 465 81	Adhesive film Wing plate for rear spoiler	left	1	
(13)	981 512 466 81	Adhesive film Wing plate for rear spoiler	right	1	
14	981 512 681 80	Support Black	left	1	PR:802
(14)	981 512 682 80	Support Black	right	1	PR:802
(14)	981 512 681 81	Support silver	left	1	
(14)	981 512 682 81	Support silver	right	1	
15	981 512 683 80	Connecting piece Black	left	1	PR:802
(15)	981 512 684 80	Connecting piece Black	right	1	PR:802
(15)	981 512 683 81	Connecting piece silver	left	1	PR:-802
(15)	981 512 684 81	Connecting piece silver	right	1	PR:-802
20	999 073 509 01	countersunk bolt M6X12 Micro-self-locking silver		4	PR:-802
(20)	999 073 509 02	countersunk bolt M6X12 Micro-self-locking Black		4	PR:802
21	997 512 783 91	Shim		4	
22	999 085 051 02	Hexagon nut M6 silver		4	PR:-802
(22)	999 085 051 03	Socket head nut M6 Black		4	PR:802
23	999 015 048 01	fillister hd. bolt M6X16		4	
24	981 512 583 80	Cover Black	left	1	PR:802
(24)	981 512 584 80	Cover Black	right	1	PR:802

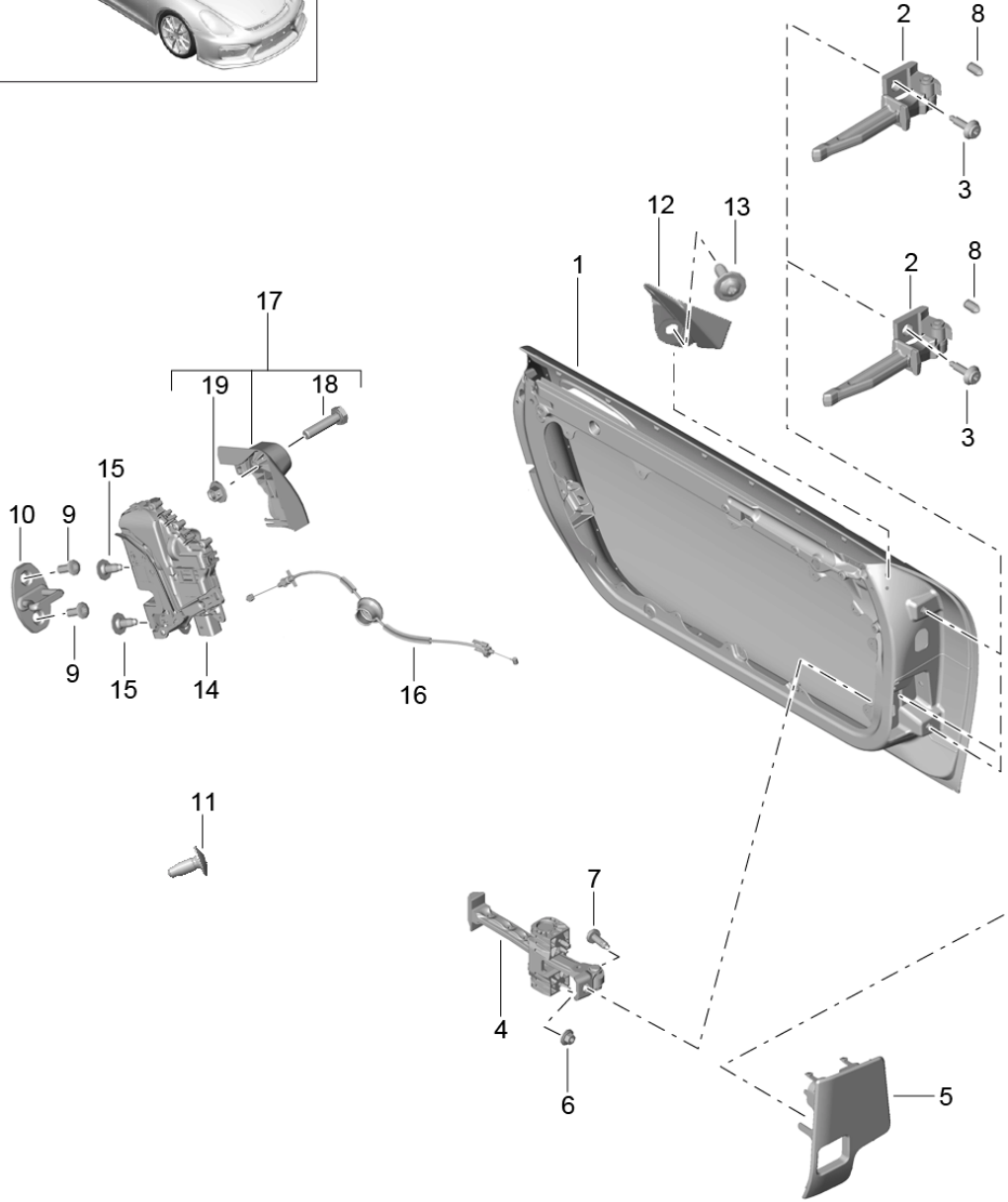
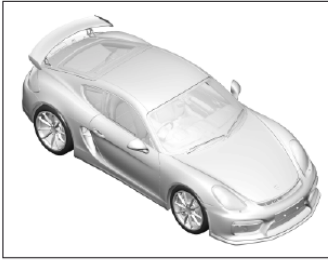
Model: 981GT4

Model life 2016>>2016

Pos	Part Number	Description	Remark	Qty	Model
(24)	981 512 583 81	Cover silver	left	1	PR:-802
(24)	981 512 584 81	Cover silver	right	1	PR:-802
25	981 512 783 80	Adhesive tape	left	1	
(25)	981 512 784 80	Adhesive tape	right	1	
30	981 512 685 80	Seal		2	
32	999 073 632 01	fillister hd. bolt M6X22		6	
33	999 504 261 01	threaded insert M6X9,4		6	
34	981 512 513 80	Cover panel	left	1	
(34)	981 512 514 80	Cover panel	right	1	
(34)	981 512 514 80	Cover panel	right	1	
35	981 504 109 80	Driving mechanism (complete)		1	
36	999 076 094 01	Combined nut M6		8	
37	999 507 274 01	panel nut	M5	1	
38	999 073 446 A1	fillister hd. bolt		1	
39	999 703 198 40	Sealing cap		1	

Model: 981GT4

Model life 2016>>2016

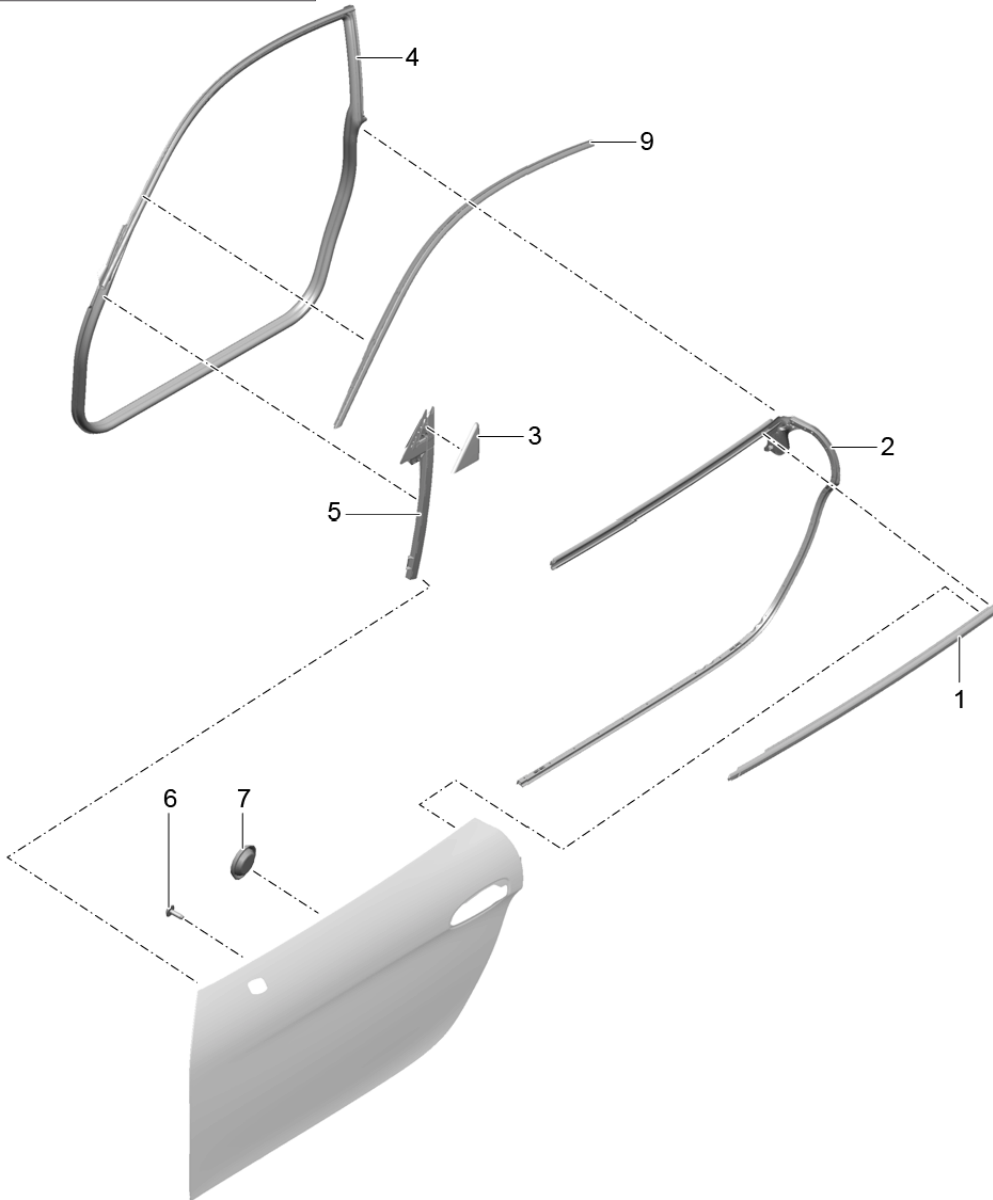
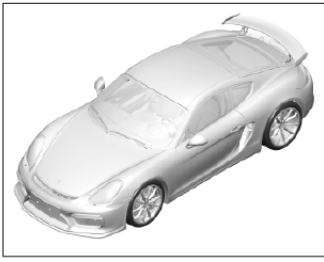


Model: 981GT4 Model life 2016>>2016

Pos	Part Number	Description	Remark	Qty	Model
		Door shell Installation parts Door lock			
1	981 531 911 03	Door shell	left	1	
	981 531 911 03 GRV	primed			
(1)	981 531 912 03	Door shell	right	1	
	981 531 912 03 GRV	primed			
2	991 531 319 00	Hinge	left	2	
(2)	991 531 320 00	Hinge	right	2	
3	999 073 192 01	Socket head bolt M 8 X 33		2	
4	991 537 151 00	Door catch		2	
6	999 076 042 01	Hexagon nut M 6		4	
7	999 073 138 01	flat round head bolt M 8 X 25		2	
8	958 537 947 00	Cover cap Hinge		4	
9	N 910 174 01	countersunk multi-point socket head bolt M 8 X 22		4	
10	3C0 837 767 A	Striker		2	
12	981 537 831 00	Support Wing	left	1	
	981 537 831 00 1E0	Black			
(12)	981 537 832 00	Support Wing	right	1	
	981 537 832 00 1E0	Black			
13	999 073 322 02	fillister hd. bolt M6X20-SC		1	
(14)	8J1 837 015 F	Door lock	left	1	PR:534
(14)	8J1 837 016 F	Door lock	right	1	PR:534
15	WHT 003 688	fillister head bolt (combi.) M8X16		4	
16	991 537 319 00	Bowden cable Door lock		2	
17	991 537 045 01	door lock cover (drivers side)	lhd	1	PR:098
18	N 010 218 13	Hexagon bolt M 6 X 25		1	
19	999 084 212 03	Hexagon nut M 6		1	

Model: 981GT4

Model life 2016>>2016



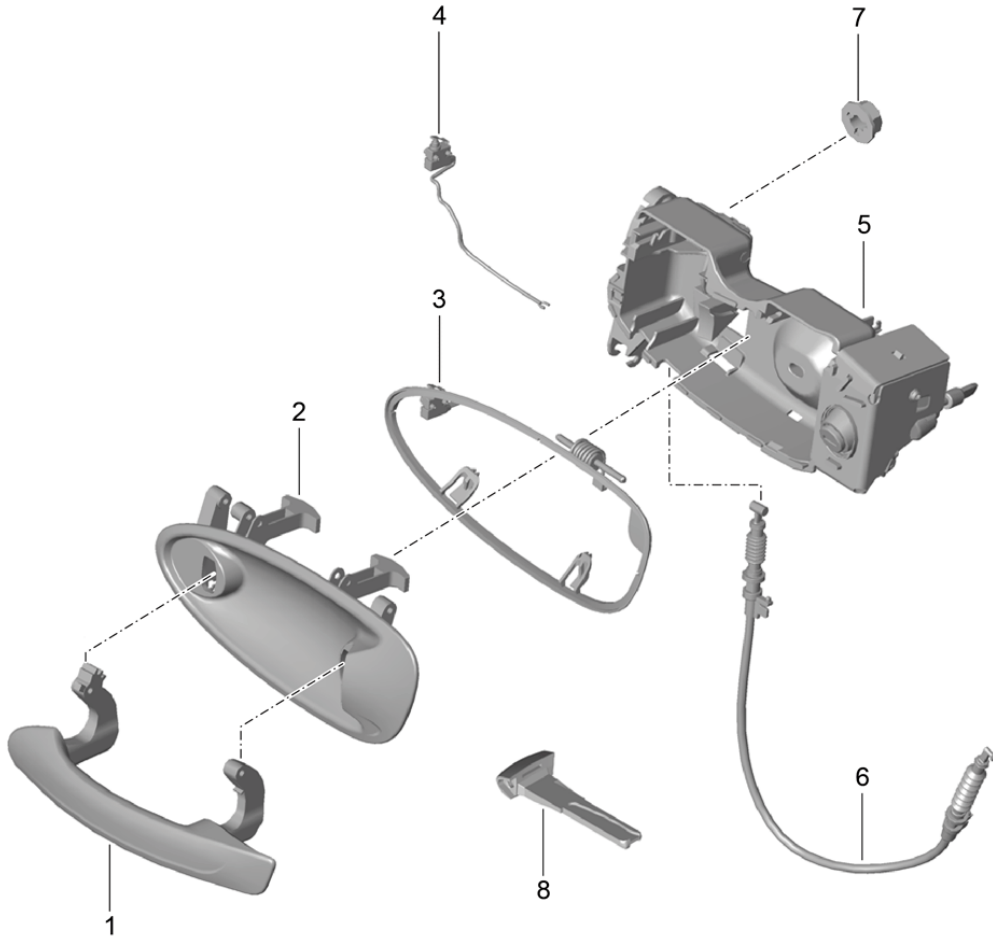
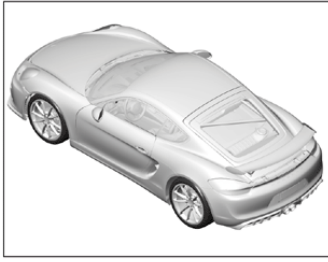
Model: 981GT4

Model life 2016>>2016

Pos	Part Number	Description	Remark	Qty	Model
1	991 537 085 01	Door seal and Trim Seal	left outer	1	
(1)	991 537 085 01 03C 991 537 086 01	Rally black Seal Door channel	right outer	1	
2	991 537 086 01 03C 981 537 377 02	Rally black Seal Door channel	left inner	1	
(2)	981 537 378 02	Seal Door channel	right inner	1	
3	991 537 551 03	Cover	left outer	1	
(3)	991 537 551 03 1E0 991 537 552 03	Black Cover	right outer	1	
4	991 537 552 03 1E0 981 537 075 02	Black Door seal	left inner	1	
(4)	981 537 076 02	Door seal	right inner	1	
5	991 537 431 04	Window guide	left	1	
(5)	991 537 432 04	Window guide	right	1	
6	999 073 333 09	fillister hd. bolt M6X16-SC		6	
7	999 703 543 40	End cap 25,0X35,0		1	
9	981 537 481 01	Trim roof frame	left side	1	
(9)	981 537 482 01	Trim roof frame	right side	1	

Model: 981GT4

Model life 2016>>2016

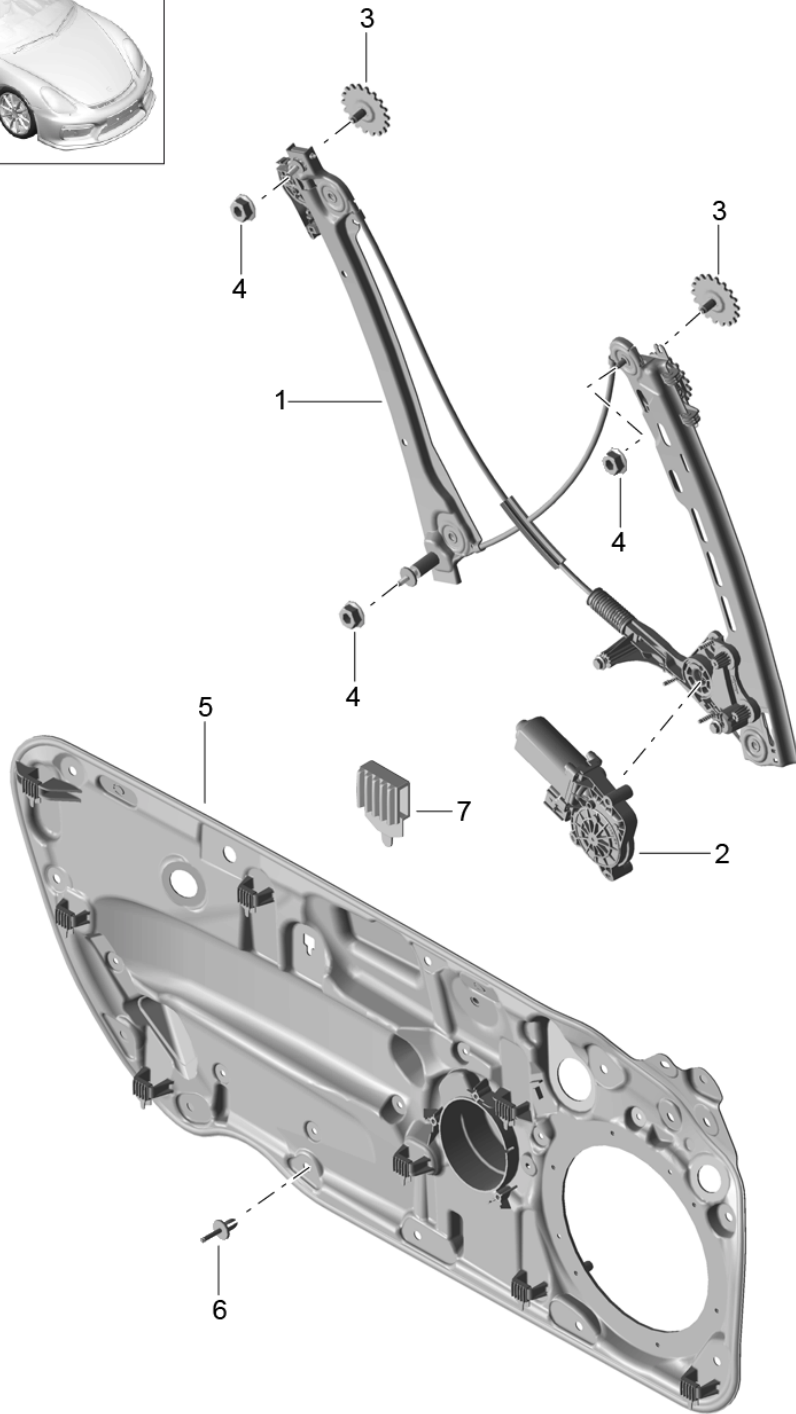
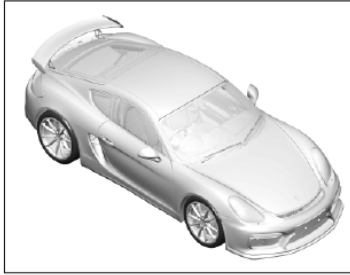


Model: 981GT4 Model life 2016>>2016

Pos	Part Number	Description	Remark	Qty	Model
1	991 537 613 02	Door handle Door handle	left basic	1	
(1)	991 537 614 02	primed Door handle	right basic	1	
2	981 537 645 05	primed Handle liner	left	1	
(2)	981 537 646 05	primed Handle liner	right	1	
3	981 537 445 02	Assembly kit	left	1	
(3)	981 537 446 02	Assembly kit	right	1	
4	991 613 171 00	Micro switch	basic	1	
5	981 538 911 04	Bracket Door handle, exterior	left lhd	1	PR:098
		with:			
(5)	981 537 064 05	Lock cylinders UND 1 ERSATZSCHLÜSSEL Vehicle Ident. No. Indicate Bracket Door handle, exterior Without lock cylinder	right lhd	1	PR:098
6	991 537 419 01	Bowden cable		2	
7	900 380 015 01	Door handle, exterior Hexagon nut		2	
8	958 538 916 00	M 6 emergency key with stipulated lock number State lock number		X	

Model: 981GT4

Model life 2016>>2016



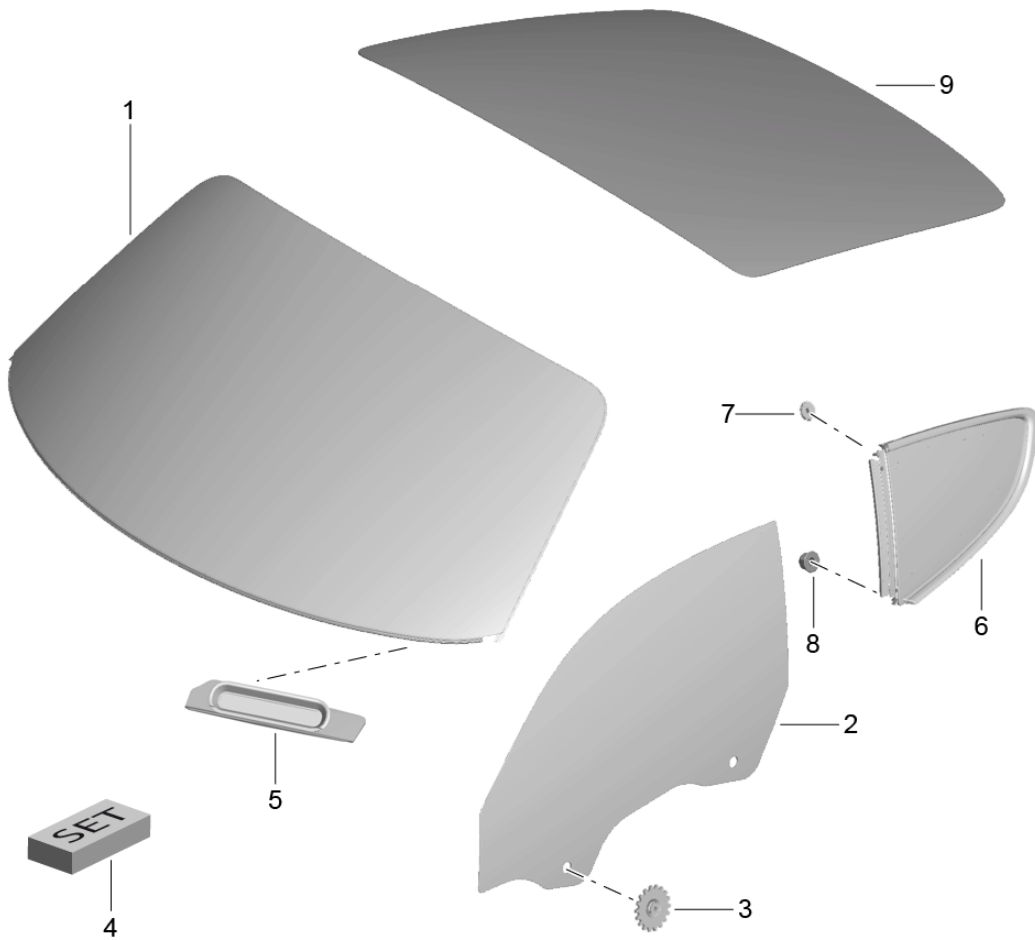
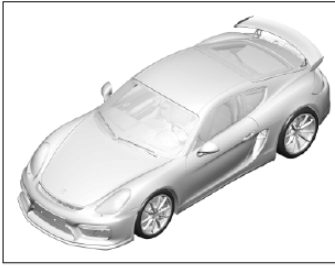
Model: 981GT4

Model life 2016>>2016

Pos	Part Number	Description	Remark	Qty	Model
1	991 542 975 01	Window regulator Window regulator without motor	left	1	
(1)	991 542 976 01	Electric motor Window regulator without motor	right	1	
2	991 624 101 02	Electric motor Window regulator	left	1	
2	991 624 102 02	Electric motor	right	1	
3	991 542 551 02	Mount Window regulator		2	
4	900 377 018 09	Hexagon nut M 6		3	
5	991 537 221 01	Assembly frame	left	1	
(5)	991 537 222 01	Assembly frame	right	1	
6	999 591 525 40	Spreader rivet 7,0X14,2		13	
7	991 537 557 00	Rubber ply		8	

Model: 981GT4

Model life 2016>>2016

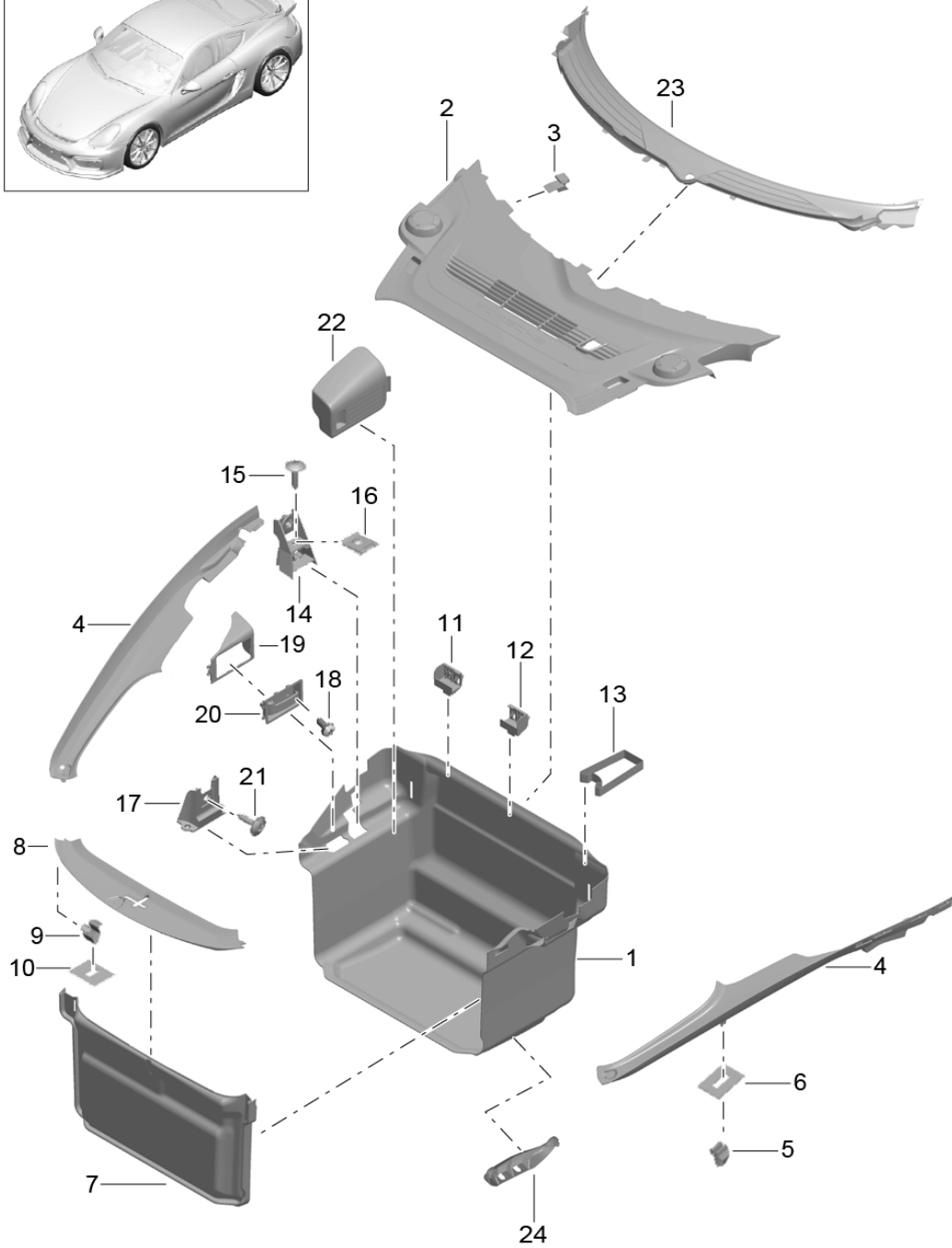
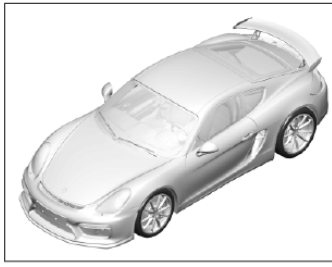


Model: 981GT4 Model life 2016>>2016

Pos	Part Number	Description	Remark	Qty	Model
1	981 541 911 30	window glazing Windscreen		1	PR:568,-440
(1)	981 541 911 32	Windscreen	also use: 000 043 305 35	1	PR:567,-440
(1)	981 541 911 34	Windscreen	also use: 000 043 305 35	1	PR:568,440
(1)	981 541 911 35	Windscreen	also use: 000 043 305 35	1	PR:567,440
-		Side window doors			
2	981 542 511 01	Door window	left	1	
(2)	981 542 512 01	Door window	right	1	
3	991 542 551 02	Mount		2	
4	000 043 303 19	Door window Adhesive set		1	
5	991 552 571 00	Bracket		1	
-		Chassis number Side window			
6	981 543 111 05	Side window	left	1	
(6)	981 543 111 05 03C	Rally black	right	1	
(6)	981 543 112 05	Side window	left	1	PR:011
(6)	981 543 112 05 03C	Rally black	right	1	PR:011
(6)	981 543 111 07	Side window	left	1	
(6)	981 543 111 07 041	Black	right	1	
(6)	981 543 112 07	Side window	left	1	
7	981 543 112 07 041	Black		1	
7	999 084 220 01	Hexagon nut M5		1	
8	N 104 355 08	Collar nut M8		1	
9	981 545 911 02	Rear window		1	
			also use: 000 043 305 35	1	

Model: 981GT4

Model life 2016>>2016



Model: 981GT4 Model life 2016>>2016

Pos	Part Number	Description	Remark	Qty	Model
1	981 551 045 00	Luggage compartment	front	1	PR:-193,-553
	981 551 045 00 A31	Luggage compartment trim	front	1	
(1)	981 551 045 01	Black			
	981 551 045 01	Luggage compartment trim	front	1	PR:553
		Discontinued part			
	981 551 045 01 A31	Black			
(1)	981 551 045 03	Luggage compartment trim	front	1	PR:553
	981 551 045 03 A31	Black			
1	981 551 045 02	Luggage compartment trim	front	1	PR:193
		Discontinued part			
	981 551 045 02 A31	Black			
1	981 551 045 04	Luggage compartment trim	front	1	PR:193
	981 551 045 04 A31	Black			
2	991 555 367 06	Cover	upper	1	PR:098
	991 555 367 06 1E0	Black			
(2)	991 555 367 07	Cover	upper	1	PR:099
	991 555 367 07 1E0	Black			
3	991 555 773 00	Bracket		2	
		Cover			
4	991 555 466 03	Cover	right	1	
		Wing			
	991 555 466 03 1E0	Black			
(4)	991 555 465 03	Cover	left	1	
		Wing			
	991 555 465 03 1E0	Black			
5	999 507 130 01	U-clip		3	
		Cover			
6	999 209 113 40	Distance piece		3	
		Clip			
		Cover			
7	981 551 051 00	Lock carrier trim		1	
	981 551 051 00 A31	Black			
8	991 555 411 00	Trim		1	
		lock			
	991 555 411 00 1E0	Black			
9	999 507 047 09	Clip		4	
		cover - lock			
10	999 209 084 40	Distance piece		4	
		Clip			
		cover - lock			
11	991 551 802 00	retaining strap for warning	right	1	PR:-193,-553
		triangle			
	991 551 802 00 1E0	Black			
(11)	999 507 294 40	Fastening screw		2	
		Clip			
		Bracket			
		warning triangle			
12	991 551 801 00	retaining strap for warning	left	1	PR:-193,-553
		triangle			
	991 551 801 00 1E0	Black			
13	997 551 741 00	retaining strap for first aid		1	PR:1T3
		kit			
14	991 551 825 00	Bracket	front	2	
		Cover			
		with:			
15	999 073 418 01	Rubber grommet	front	2	
		panel screw			
		4,8 X 19			
		Bracket			
		Cover			
16	999 591 348 01	panel nut		2	
17	991 551 828 00	Bracket		1	PR:553
		Emergency operation			

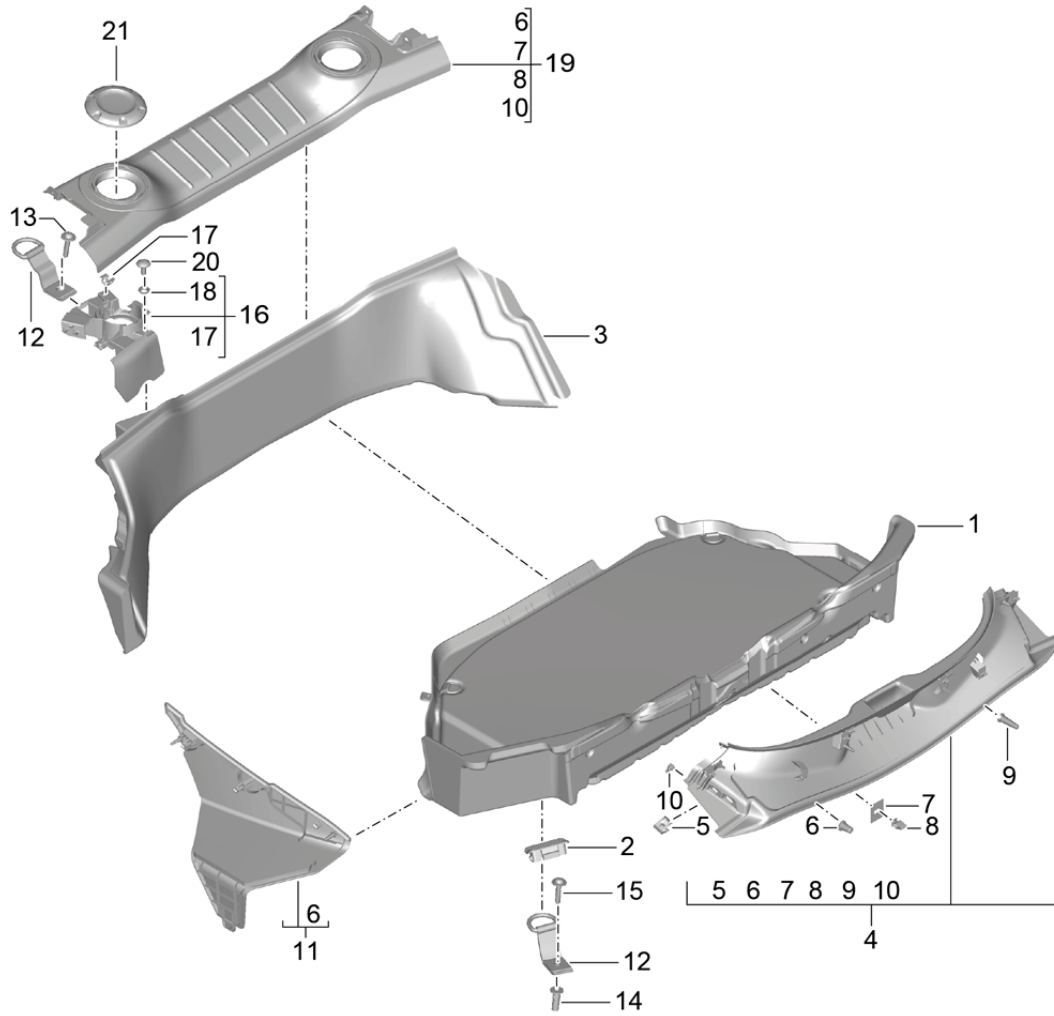
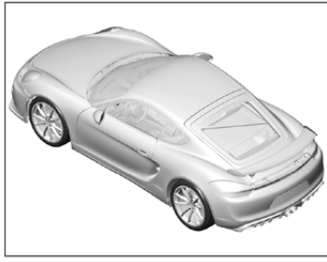
Model: 981GT4

Model life 2016>>2016

Pos	Part Number	Description	Remark	Qty	Model
18	999 073 189 01	flat round head bolt M6 X 12 for Bracket Emergency operation		2	PR:553
19	991 551 424 00	Cover Emergency operation		1	PR:553
	991 551 424 00 1E0	Black			
20	997 504 087 00	Emergency operation		1	PR:553
21	999 073 418 01	panel screw 4,8 X 19 for Emergency operation		1	PR:553
22	991 551 422 00	Cover Compressed air bottle		1	PR:-553
	991 551 422 00 1E0	Black			
23	991 555 563 06	Cover Scuttle		1	PR:098
	991 555 563 06 1E0	Black			
(23)	991 555 563 07	Cover Scuttle		1	PR:099
	991 555 563 07 1E0	Black			
24	981 610 113 00	Cover Ground distributor		2	

Model: 981GT4

Model life 2016>>2016

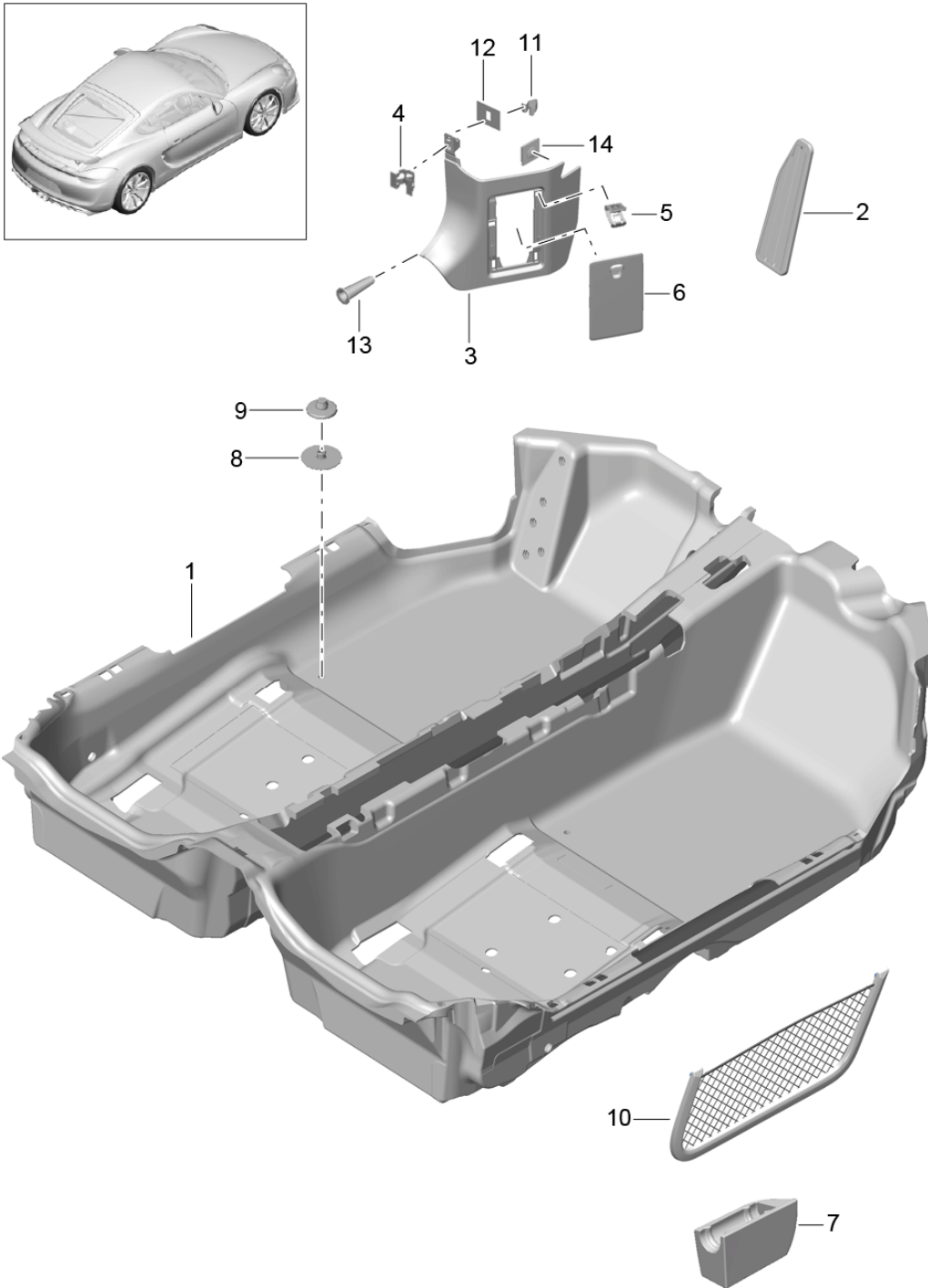


Model: 981GT4 Model life 2016>>2016

Pos	Part Number	Description	Remark	Qty	Model
1	981 551 053 05	Luggage compartment Carpet Trim	rear	1	
2	981 551 053 05 A75 987 551 545 00	Luggage compartment Black Trim		2	
3	987 551 545 00 01C 981 551 041 01	Fastening clip Satin black Rear panel trim		1	
4	981 551 041 01 A75 981 551 251 03	Carpet Cross member Black		1	
5	981 551 251 03 1E0	Luggage compartment trim lock		1	
6	999 507 552 01	Black		2	
7	997 555 857 00	Spring clip		X	
8	999 209 084 40	Grommet		6	
9	955 555 278 00	Distance piece		X	
10	996 555 857 00	Retaining clip		2	
11	8R0 867 492	Grommet		X	
	981 551 063 01	Stop buffer		1	
(11)	981 551 063 01 A75 981 551 064 01	Trim Carpet	left side	1	
12	981 551 064 01 A75	Black	right side	X	
13	981 551 245 01	Eye fuse		4	
14	N 105 355 02	Luggage Hexagon socket head bolt (combi)		2	
15	999 500 198 01	M6X30		2	
16	N 105 355 02	rivetted cap nut		2	
(16)	981 551 377 03 981 551 378 03	Hexagon socket head bolt (combi) M6X30	left right	1 1	
17	999 507 533 02	Assembly frame		2	
18	999 209 095 01	Clamp		2	
19	981 551 433 02	spacer sleeve		1	
20	981 551 433 02 1E0	Trim	rear	4	
21	999 073 404 01	Engine bay Black		2	
	981 551 383 00	fillister hd. bolt M6X14		2	
	981 551 383 00 1E0	Cover Service Cup Black			

Model: 981GT4

Model life 2016>>2016



Model: 981GT4 Model life 2016>>2016

Pos	Part Number	Description	Remark	Qty	Model
1	981 551 011 06	Flooring Flooring (carpet)		1	PR:098,-003, -373,-374, -388,-389
(1)	981 551 011 06 GDE 981 551 011 07	Black Flooring (carpet)	-28,78,68,58	1	PR:099,-003, -373,-374, -388,-389
(1)	981 551 011 07 GDE 981 551 011 10	Black Flooring (carpet)	-28,78,68,58	1	PR:098,373, 374,388,389, -003
(1)	981 551 011 10 GDE 981 551 011 11	Black Flooring (carpet)	-28,78,68,58	1	PR:099,373, 374,388,389, -003
(1)	981 551 011 11 GDE 981 551 011 80	Black Flooring (carpet)	-28,78,68,58	1	PR:003,098
(1)	981 551 011 80 GDE 981 551 011 81	Black Flooring (carpet)	-28,78,68,58	1	PR:003,099
(1)	981 551 011 81 GDE 991 551 611 01	Black Cover for footrest	-28,78,68,58	1	PR:098
(2)	991 551 611 01 1E0 991 551 612 01	Black Cover for footrest		1	PR:099
(2)	991 551 612 01 1E0 991 555 101 01	Black Trim		1	
(3)	991 555 101 01 A75 991 555 102 01	Black Trim	left	1	
(3)	991 555 102 01 A75 999 507 533 02	Black Clamp	right	1	
4	999 507 533 02	Clamp		2	
5	999 507 552 01	Spring clip		4	
6	991 555 621 01	Cover		1	
(6)	991 555 621 01 1E0 991 555 621 01 4H0 991 555 621 01 OV4 991 555 621 01 OQ2 991 555 622 02	Black Luxor beige flint grey Amber Orange Cover trim	left	1	
(6)	991 555 622 02 991 555 622 02 1E0	fuse holder Black	right	1	
7	991 555 718 00	Bracket		1	PR:193
8	955 551 227 02	Warning light		4	
9	955 551 229 02	Bracket		4	
10	955 551 229 02 1E0 981 551 547 00	Flooring Cover cap Flooring Black Luggage net		1	PR:098
(10)	981 551 547 00 1E0 981 551 548 00	tunnel Black Luggage net		1	PR:099
11	981 551 548 00 1E0 999 507 047 01	tunnel Black Clip		1	
12	999 209 084 40	Metal Fuse box A-pillar Distance piece Fuse box		1	

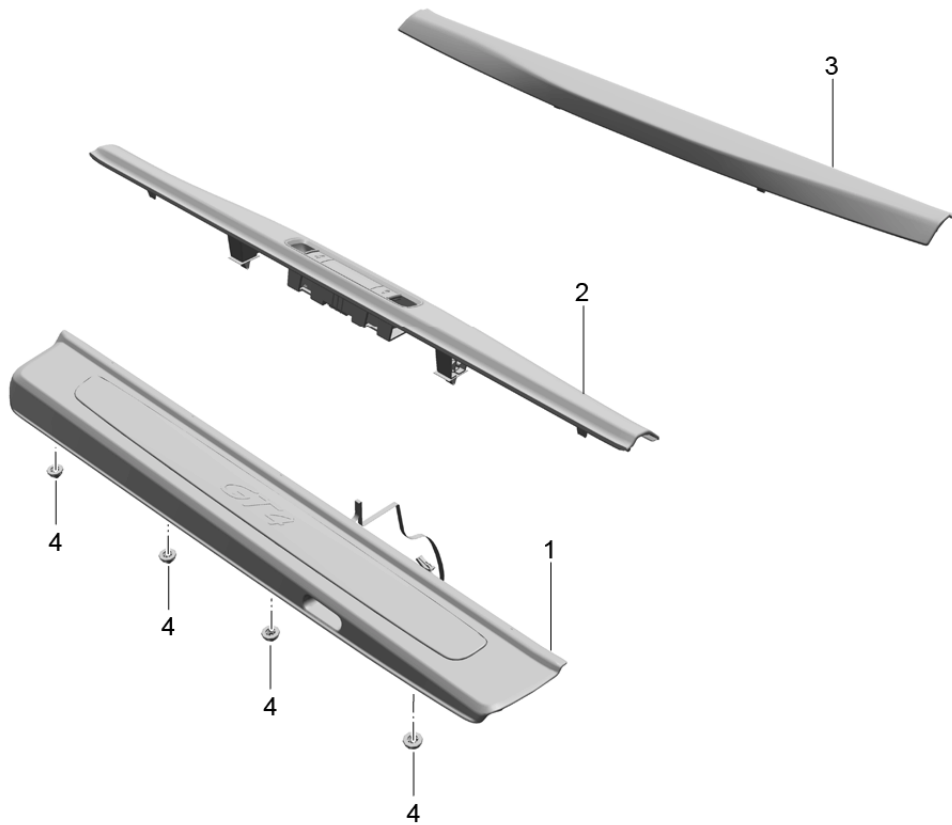
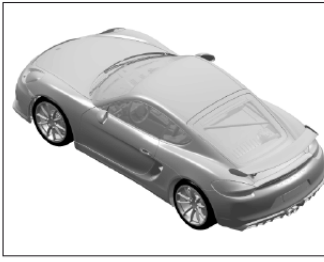
Model: 981GT4

Model life 2016>>2016

Pos	Part Number	Description	Remark	Qty	Model
13	996 555 857 00	A-pillar Grommet A-pillar Fuse box A-pillar		1	
14	999 902 059 40	Holding strap Fuse box A-pillar		1	

Model: 981GT4

Model life 2016>>2016

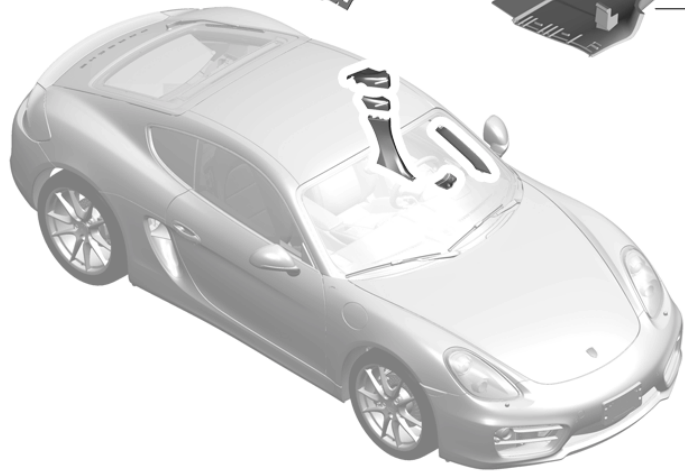
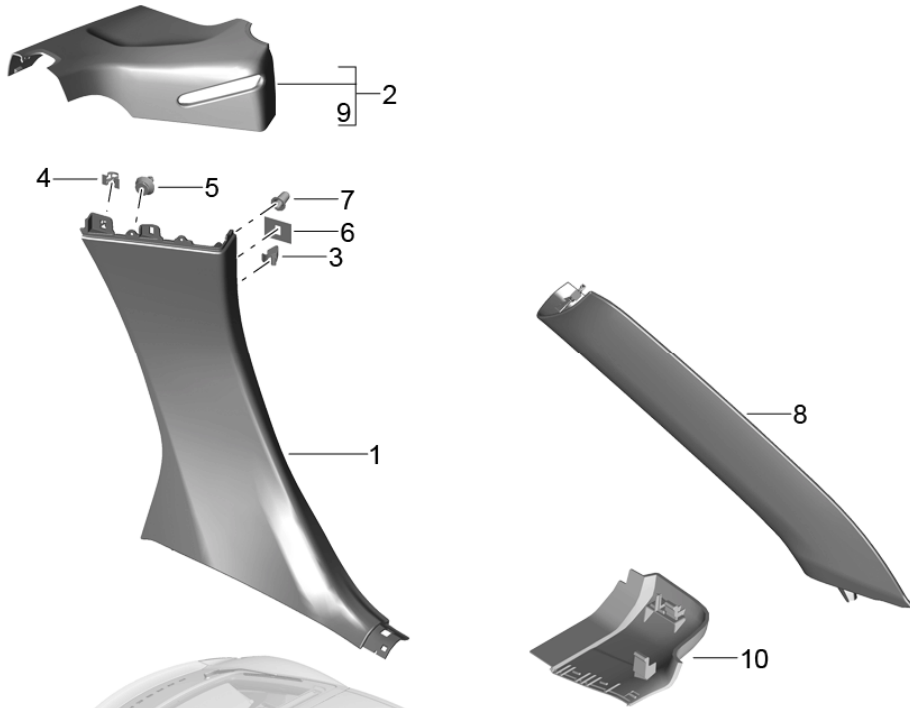
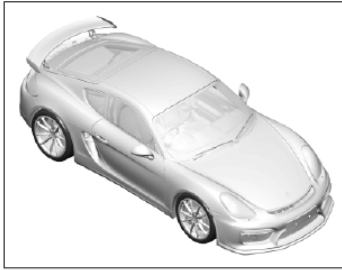


Model: 981GT4 Model life 2016>>2016

Pos	Part Number	Description	Remark	Qty	Model
1	981 504 981 52	Sill trim strip Side member trim	left	1	PR:XXB,035
(1)	981 504 981 52 1E0	Black			
(1)	981 504 982 52	Sill trim strip Side member trim stainless steel Lighting	right	1	PR:XXB,035
(1)	981 504 982 52 1E0	Black			
(1)	981 504 981 53	Sill trim strip Side member trim Carbon Lighting	left	1	PR:XXD,035
(1)	981 504 981 53 1E0	Black			
(1)	981 504 982 53	Sill trim strip Side member trim Carbon Lighting	right	1	PR:XXD,035
(1)	981 504 982 53 1E0	Black			
(1)	981 504 467 80	Sill trim strip Side member trim	left	1	PR:-XXB, -XXD,035
(1)	981 504 467 80 1E0	Black			
(1)	981 504 468 80	Sill trim strip Side member trim	right	1	PR:-XXB, -XXD,035
(1)	981 504 468 80 1E0	Black			
2	991 555 019 04	Trim Sill (drivers side)	inner lhd	1	PR:098
(3)	991 555 019 04 1E0	Black			
3	991 555 122 04	Trim Sill (passenger side)	inner lhd	1	PR:098
(3)	991 555 122 04 1E0	Black			
(3)	991 555 121 00	Trim Sill (passenger side)	inner rhd	1	PR:099
(3)	991 555 121 00 1E0	Black			
4	958 110 673 00	Grommet		4	

Model: 981GT4

Model life 2016>>2016



Model: 981GT4 Model life 2016>>2016

Pos	Part Number	Description	Remark	Qty	Model
1	981 555 215 02	Linings A-pillar B-pillar Cowl panel covering Side panel trim B-pillar Belt	left	1	
(1)	981 555 215 02 1E0	Black			
(1)	981 555 216 02	Side panel trim B-pillar Belt	right	1	
(1)	981 555 216 02 1E0	Black			
(1)	981 555 215 80	B-pillar trim Belt	left	1	PR:003
(1)	981 555 215 80 1E0	Black			
(1)	981 555 216 80	B-pillar trim Belt	right	1	PR:003
(1)	981 555 216 80 1E0	Black			
2	981 555 451 06	Rosette B-pillar Belt	left	1	
(2)	981 555 451 06 1E0	Black			
(2)	981 555 452 06	Rosette B-pillar Belt	right	1	
(2)	981 555 452 06 1E0	Black			
(2)	981 555 451 80	B-pillar trim Belt	left	1	PR:003
(2)	981 555 451 80 1E0	Black			
(2)	981 555 452 80	B-pillar trim Belt	right	1	PR:003
(2)	981 555 452 80 1E0	Black			
3	999 507 839 01	Clip Side panel trim B-pillar Belt		1	
4	999 507 533 02	Clamp Side panel trim B-pillar Belt		1	
5	999 507 999 40	Retaining clip Side panel trim B-pillar Belt		1	
6	999 209 084 40	Distance piece Side panel trim B-pillar Belt		1	
7	997 555 857 00	Grommet Side panel trim B-pillar Belt		1	
8	981 555 181 02	A-pillar trim (Alcantara)		1	PR:594
(8)	981 555 181 02 2W0	Black			
(8)	981 555 182 02	A-pillar trim (Alcantara)		1	PR:594
(8)	981 555 182 02 2W0	Black			
9	981 555 451 06	Rosette Belt Trim		1	
(9)	981 555 451 06 1E0	Black			
(9)	981 555 452 06	Rosette		1	

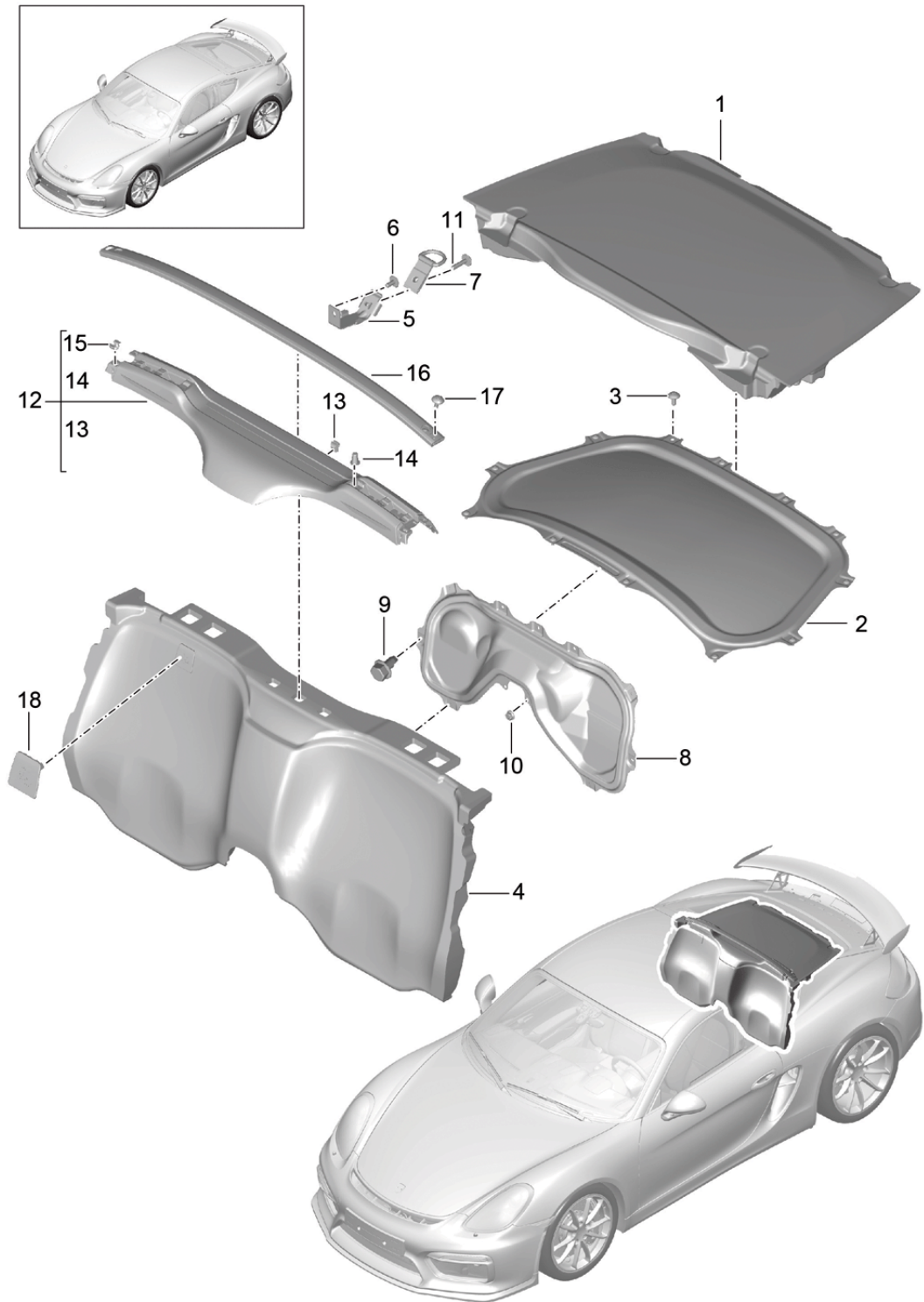
Model: 981GT4

Model life 2016>>2016

Pos	Part Number	Description	Remark	Qty	Model
10	981 555 452 06 1E0	Belt			
		Trim			
	991 555 525 00	Black			
		Cover	left	1	
		GPS- ANTENNE			
(10)	991 555 525 00 1E0	Black			
	991 555 526 00	Cover	left	1	
		GPS- ANTENNE			
	991 555 526 00 1E0	Black			

Model: 981GT4

Model life 2016>>2016

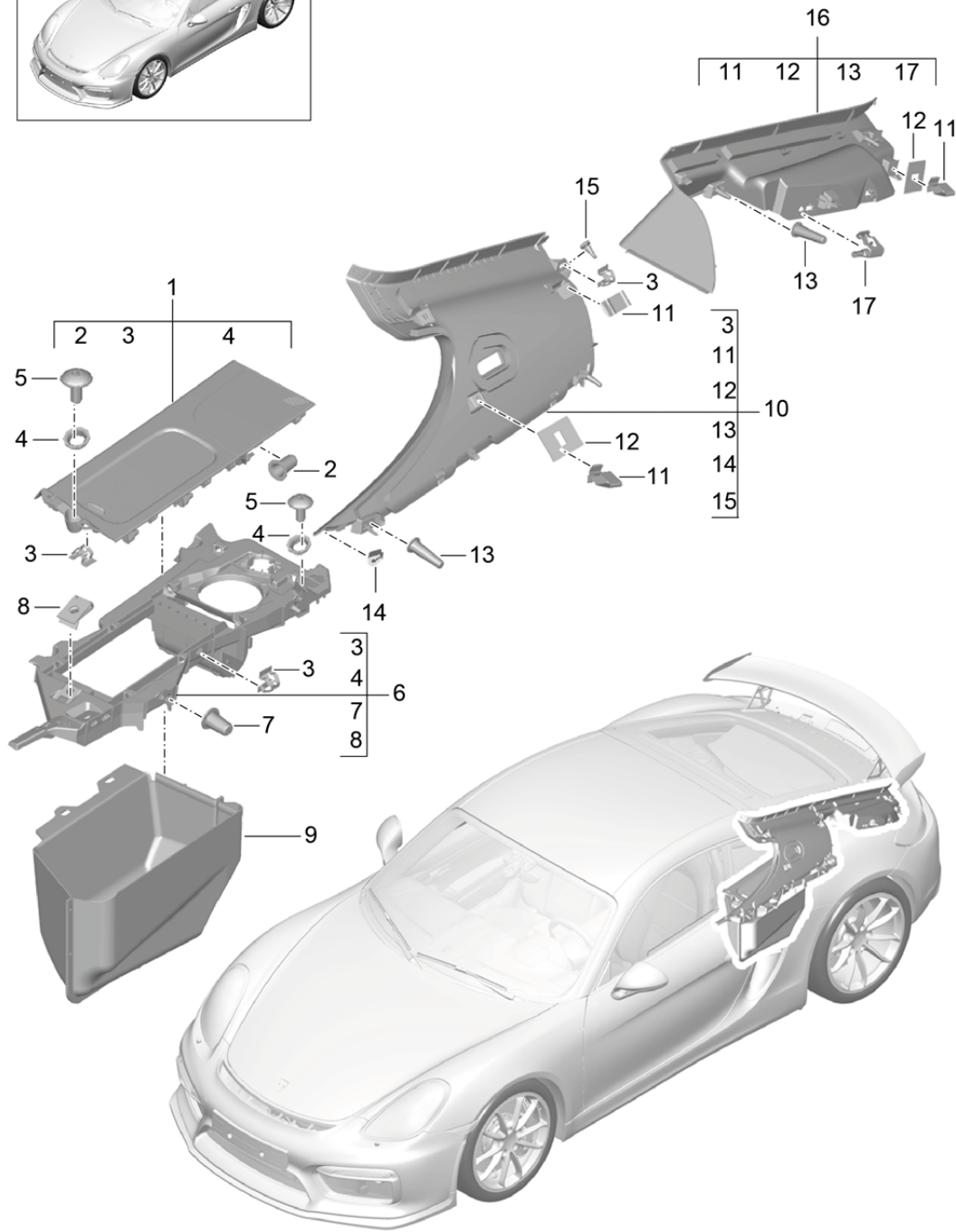
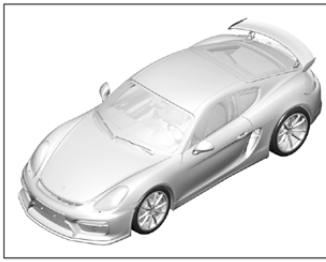


Model: 981GT4 Model life 2016>>2016

Pos	Part Number	Description	Remark	Qty	Model
1	981 551 039 05	Linings Engine bay Carpet Trim Engine bay Cover		1	
	981 551 039 05 A75	Black			
2	981 513 211 01	engine compartment lid		1	
3	999 073 404 01	fillister hd. bolt M6X14		12	
(4)	981 551 035 11	Rear panel trim		1	PR:553
	981 551 035 11 A75	Black			
5	981 551 265 00	Bracket Eye		2	
6	999 073 404 01	fillister hd. bolt M6X14		2	
7	981 551 245 00	Eye fuse Luggage		2	
8	981 504 181 01	engine compartment lid filler plate		1	
9	900 378 169 01	Hexagon bolt M6X12		9	
10	999 084 629 01	Hexagon nut M6		2	
11	N 105 355 02	Hexagon socket head bolt (combi) M6X30		2	
12	981 555 403 00	Trim Engine bay	front	1	
	981 555 403 00 1E0	Black			
13	999 507 130 01	U-clip		2	
14	997 555 857 00	Grommet		1	
15	999 507 533 02	Clamp		4	
16	981 555 413 01	arm Luggage fuse		1	
17	999 073 404 01	fillister hd. bolt M6X14		4	
18	981 551 587 00	Trim		1	PR:553
	981 551 587 00 1E0	Black			

Model: 981GT4

Model life 2016>>2016

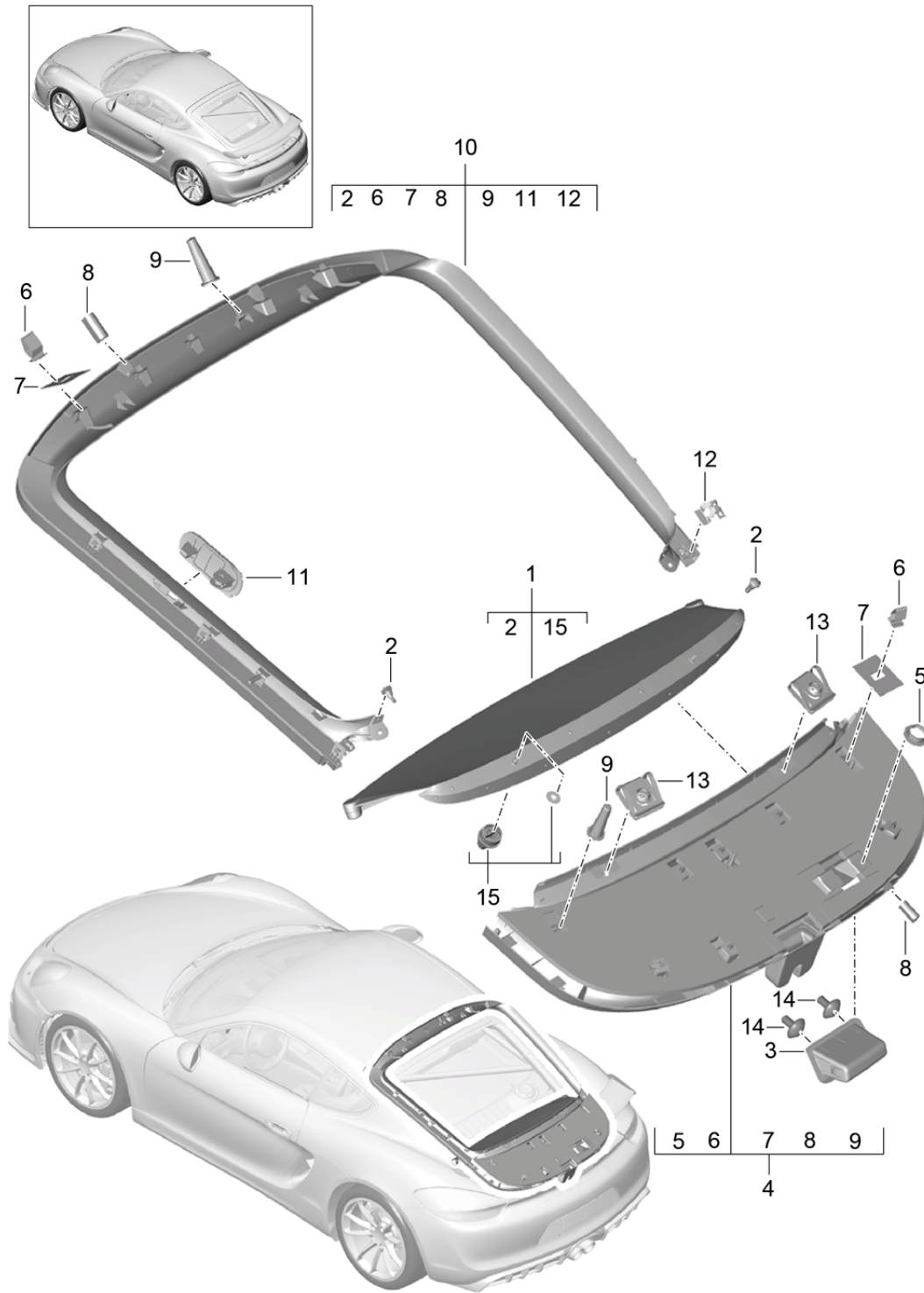


Model: 981GT4 Model life 2016>>2016

Pos	Part Number	Description	Remark	Qty	Model
		Linings	side rear		
1	981 555 423 00	Engine bay and Engine bay Trim Engine bay	left side	1	
		with:			
	981 555 423 00 1E0	roller blind Black			
(1)	981 555 424 00	Trim Engine bay	right side	1	
		with:			
	981 555 424 00 1E0	roller blind Black			
2	997 555 857 00	Grommet		8	
3	999 507 533 02	Clamp		X	
4	999 209 095 01	spacer sleeve		X	
5	999 073 404 01	fillister hd. bolt M6X14		X	
6	981 555 575 00	Carrier	left	1	
(6)	981 555 576 00	Carrier	right	1	
7	997 555 857 00	Grommet		2	
8	999 507 246 01	A-pillar panel nut M6		1	
9	981 555 123 00	Stowage compartment	left	1	
(9)	981 555 124 00	Stowage compartment	right	1	
10	981 555 187 01	C-pillar trim	left	1	
	981 555 187 01 1E0	Black			
(10)	981 555 188 01	C-pillar trim	right	1	
	981 555 188 01 1E0	Black			
11	955 555 278 00	Retaining clip		3	
12	999 209 084 40	Distance piece		3	
13	996 555 857 00	Grommet		2	
14	8R0 867 492	Stop buffer		2	
15	999 703 041 40	Rubber buffer		1	
16	981 555 189 01	Luggage compartment trim	left side	1	
	981 555 189 01 1E0	Black			
16	981 555 189 80	Luggage compartment trim	left side	1	PR:003
	981 555 189 80 1E0	Black			
(16)	981 555 190 01	Luggage compartment trim	right side	1	
	981 555 190 01 1E0	Black			
(16)	981 555 190 80	Luggage compartment trim	right side	1	PR:003
	981 555 190 80 1E0	Black			
17	999 507 552 01	Spring clip		2	

Model: 981GT4

Model life 2016>>2016

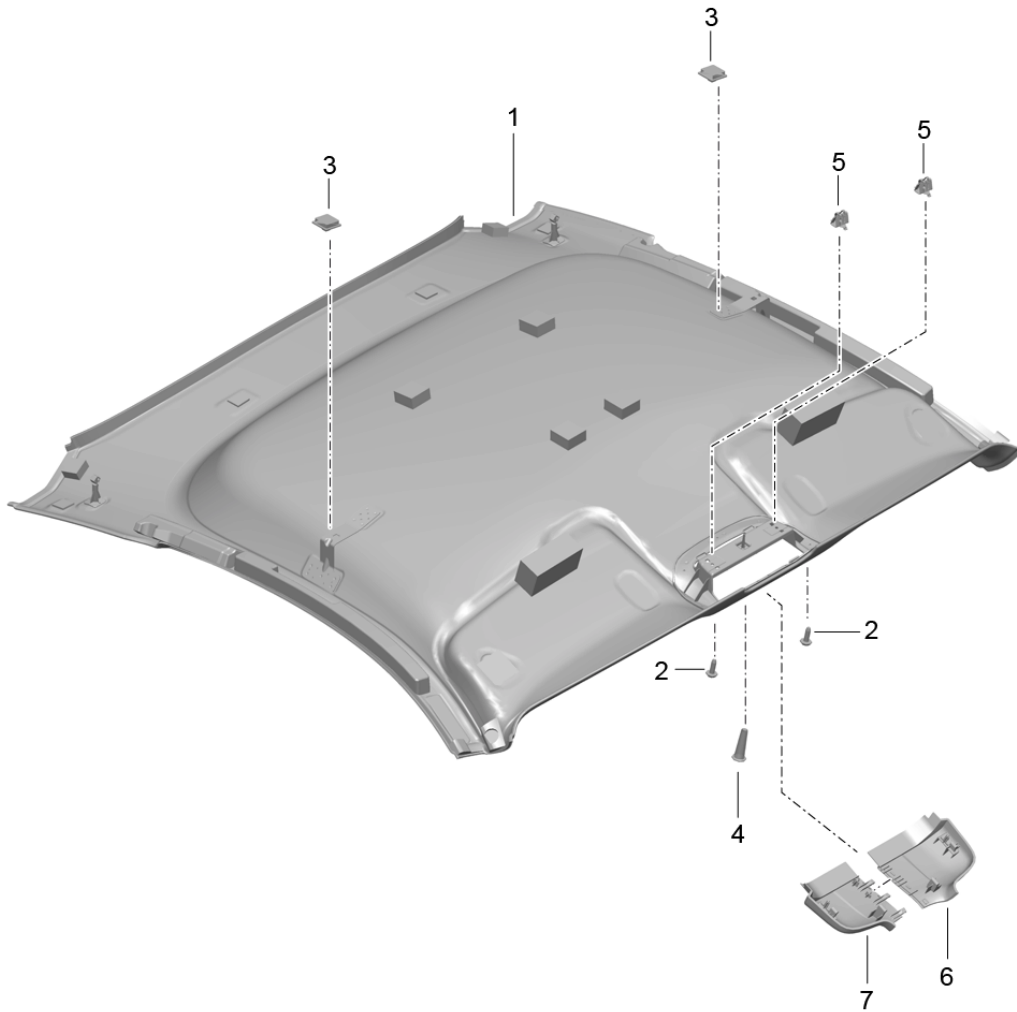
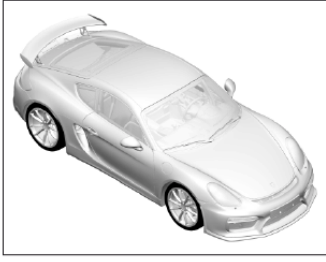


Model: 981GT4 Model life 2016>>2016

Pos	Part Number	Description	Remark	Qty	Model
1	981 555 341 00	Trim Rear lid Cover		1	
(1)	981 555 341 00 1E0	Rear lid Black		1	
	981 555 341 01	Cover Rear lid		1	
		with:			
		Screw cap M6			
2	981 555 341 01 1E0	Black			
2	999 703 041 40	Rubber buffer		X	
3	981 555 598 00	Handle shell		1	
	981 555 598 00 1E0	Black			
4	981 555 095 02	Rear lid trim panel	lower	1	
	981 555 095 02 1E0	Black			
5	999 209 095 01	spacer sleeve		2	
6	955 555 278 00	Retaining clip		X	
7	999 209 084 40	Distance piece		X	
8	8R0 867 492	Stop buffer		X	
9	996 555 857 00	Grommet		X	
10	981 555 191 00	Rear lid trim panel	upper	1	
	981 555 191 00 1E0	Black			
11	981 555 491 00	Cover Emergency operation		1	
	981 555 491 00 1E0	Black			
12	999 507 533 02	Clamp		5	
13	999 507 413 08	Cams		2	
(13)	999 507 550 01	panel nut M6		2	
14	999 073 357 01	fillister hd. bolt M6X12		2	
15	981 555 941 00	repair set Screw cap M6		1	
	981 555 941 00 1E0	Black			

Model: 981GT4

Model life 2016>>2016



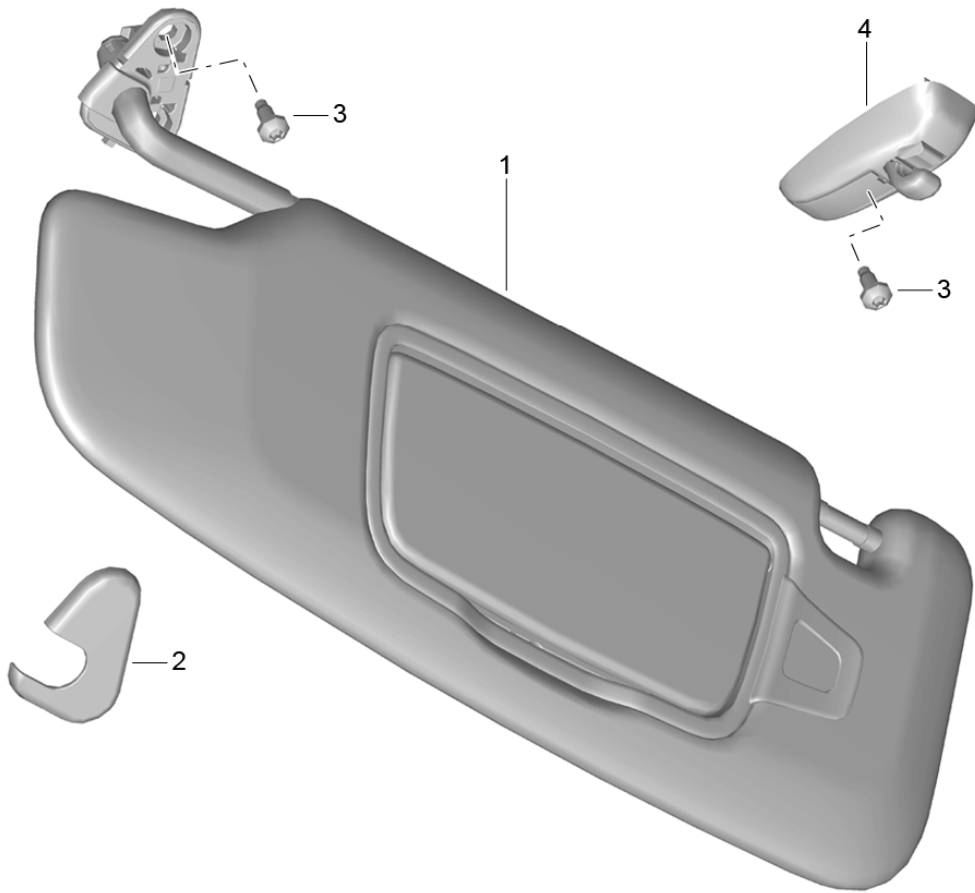
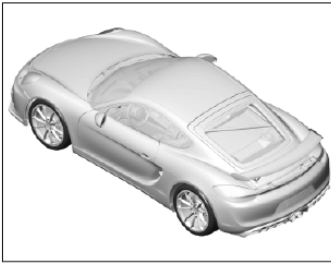
Model: 981GT4

Model life 2016>>2016

Pos	Part Number	Description	Remark	Qty	Model
(1)	981 555 091 14	roof trim		1	PR:072,553, 594
		roof trim			
		Alcantara			
	981 555 091 14 2W0	Black			
2	999 073 339 09	panel screw		2	
		ST 4,2 X 13			
3	7PP 867 300	Clip		X	
		Clip			
4	996 555 857 00	Grommet		1	
5	958 731 633 00	Clamp		2	
6	991 555 525 00	Cover	left	1	
		GPS			
		Aerial			
	991 555 525 00 1E0	Black			
7	991 555 526 00	Cover	right	1	
		GPS			
		Aerial			
	991 555 526 00 1E0	Black			

Model: 981GT4

Model life 2016>>2016

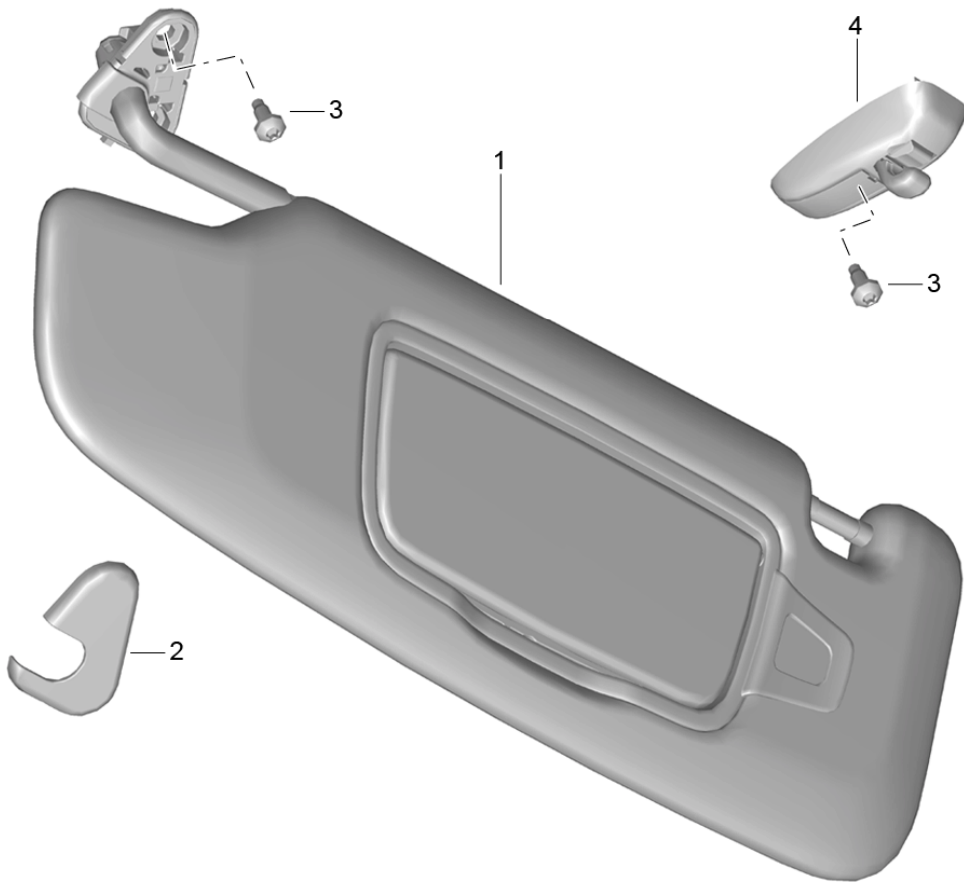
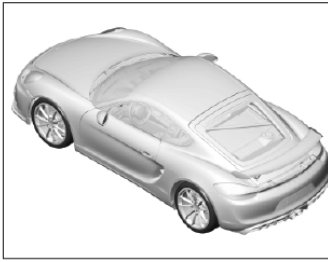


Model: 981GT4 Model life 2016>>2016

Pos	Part Number	Description	Remark	Qty	Model
1	981 731 031 61	sun vizors Sun visor	left	1	PR:-XMP,-XLU PR:553,-630
(1)	981 731 031 61 OF7	Black			
(1)	981 731 032 61	Sun visor	right	1	PR:553,-630
	981 731 032 61 OF7	Black			
(1)	981 731 031 63	Sun visor	left	1	PR:630,553
		with:			
		Light			
	981 731 031 63 OF7	Black			
(1)	981 731 032 63	Sun visor	right	1	PR:630,553
		with:			
		Light			
	981 731 032 63 OF7	Black			
2	981 731 831 01	Cover	left	1	
	981 731 831 01 1E0	Black			
(2)	981 731 832 01	Cover	right	1	
	981 731 832 01 1E0	Black			
3	N 104 857 03	Hexagon socket flat head bolt		6	
		M5X12			
4	991 731 341 04	Support		2	
		Sun visor			
	991 731 341 04 1E0	Black			

Model: 981GT4

Model life 2016>>2016

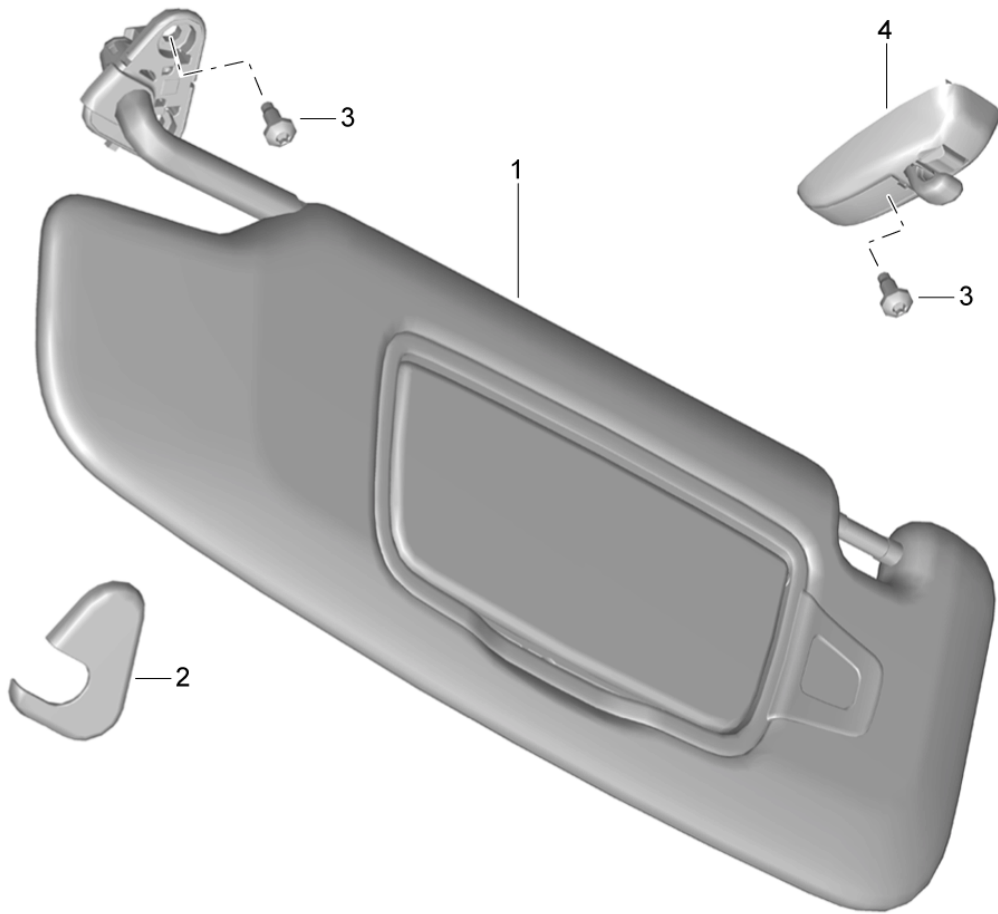
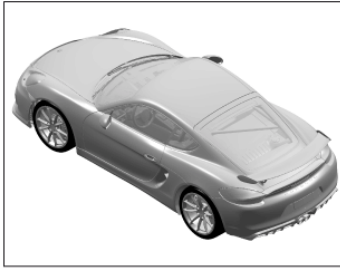


Model: 981GT4 Model life 2016>>2016

Pos	Part Number	Description	Remark	Qty	Model
1	981 731 981 03	sun vizors Sun visor Leather	left	1	PR:XMP PR:553,XMP
(1)	981 731 981 03 A11 981 731 982 03	Black Sun visor Leather	right	1	PR:553,XMP
1	981 731 982 03 A11 981 731 981 18	Black Sun visor Leather	left	1	PR:XMP,553
(1)	981 731 981 18 A11 982 857 551 N	Black Sun visor Leather	right	1	PR:XMP,553
2	982 857 551 N A11 981 731 831 01	Black Cover	left	1	
(2)	981 731 831 01 1E0 981 731 832 01	Black Cover	right	1	
3	981 731 832 01 1E0 N 104 857 03	Black Hexagon socket flat head bolt M5X12		X	
4	991 731 341 04 991 731 341 04 1E0	Support Sun visor Black		2	

Model: 981GT4

Model life 2016>>2016



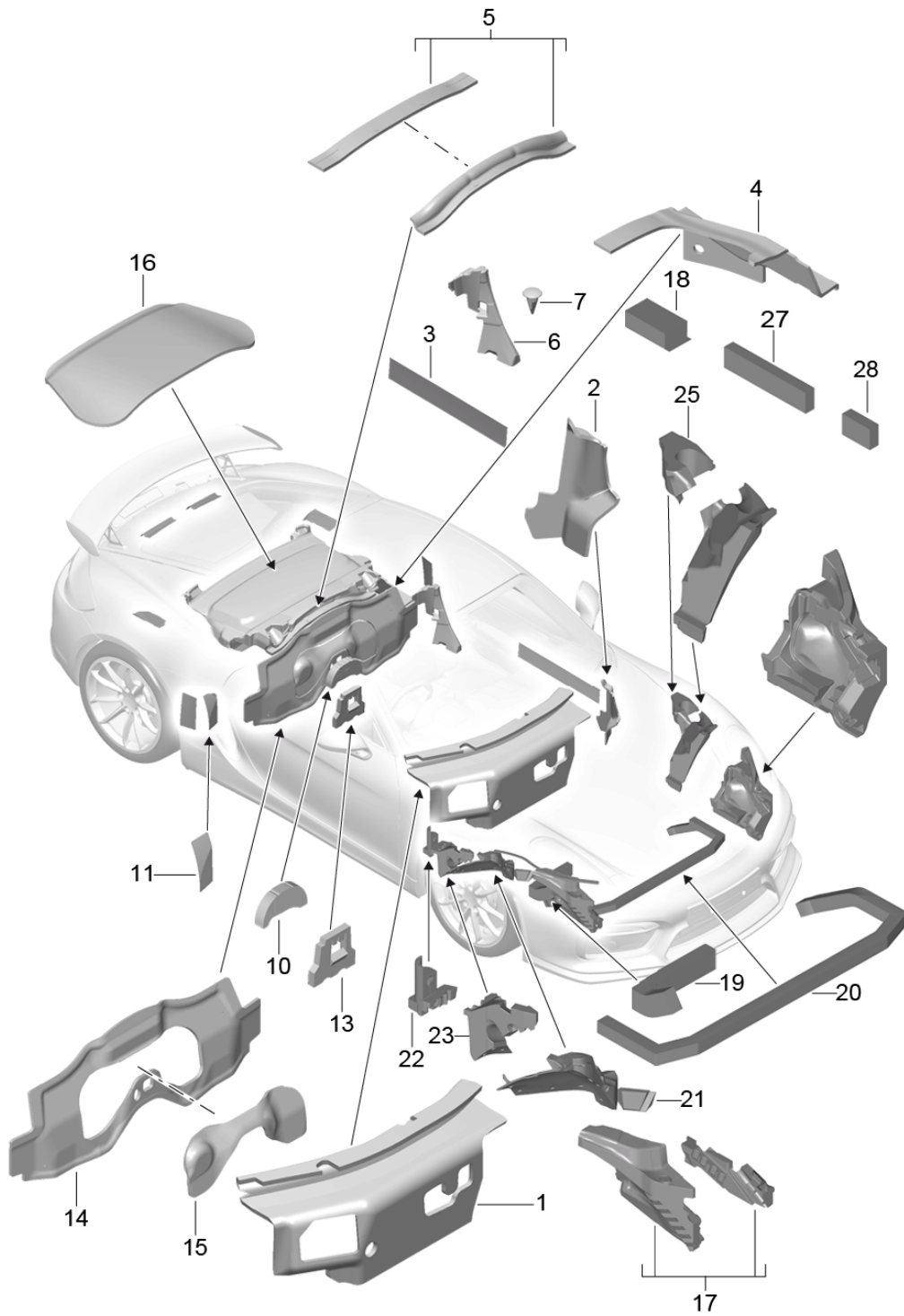
Model: 981GT4

Model life 2016>>2016

Pos	Part Number	Description	Remark	Qty	Model
(1)	981 731 981 21	sun vizors Sun visor Alcantara	left	1	PR: XLU PR: XLU, 553
	981 731 981 21 2W0	Black			
(1)	981 731 982 21	Sun visor Alcantara	right	1	PR: XLU, 553
	981 731 982 21 2W0	Black			
2	981 731 831 01	Cover	left	1	
	981 731 831 01 1E0	Black			
(2)	981 731 832 01	Cover	right	1	
	981 731 832 01 1E0	Black			
3	N 104 857 03	Hexagon socket flat head bolt M5X12		6	
4	991 731 341 04	Support		2	
	991 731 341 04 1E0	Sun visor Black			

Model: 981GT4

Model life 2016>>2016



Model: 981GT4 Model life 2016>>2016

Pos	Part Number	Description	Remark	Qty	Model
1	991 556 723 00	Body Sound proofing 1 Sound absorber	lhd	1	PR:098
(1)	991 556 724 00	Firewall Sound absorber	rhd	1	PR:099
2	991 556 605 01	Firewall Sound absorber	left	1	
(2)	991 556 606 00	Wheel housing Sound absorber	front right	1	
3	997 556 531 01	Wheel housing sound absorber for door	front	2	
4	981 556 721 00	Sound absorber	left	1	
(4)	981 556 722 00	Engine bay Sound absorber	side right	1	
5	981 556 645 00	Engine bay Sound absorber	side front and rear	2	
6	981 556 603 01	Engine bay Sound absorber	left	1	
(6)	981 556 604 01	Cover Belt Sound absorber	right	1	
7	999 703 259 40	Cover Belt Bungs Sound absorber		2	
10	981 556 683 01	Cover Belt Sound absorber	rear	1	
11	991 556 503 00	Centre console Damping	inner	1	
13	981 556 681 01	Sound absorber Seal		1	
14	981 556 741 01	tunnel Sound absorber		1	
15	981 556 745 00	filler plate Engine bay Sound absorber		1	
16	981 556 743 00	filler plate Passenger compartment Sound absorber		1	
17	991 572 532 00	cover for engine compartment Passenger compartment Foam part		1	PR:098
(17)	991 572 534 00	PDCC Firewall Foam part		1	PR:098
18	991 572 529 00	PDCC Firewall Foam part		1	
19	991 572 525 01	Fuel tank Foam part		1	
20	991 572 522 03	Fuel tank Foam part		1	
21	991 572 516 01	Fuel tank Foam part		1	PR:098
22	991 572 512 00	Tank filler neck connection piece Foam part		1	PR:098
23	991 572 514 00	Tank filler neck connection piece Foam part		1	PR:098

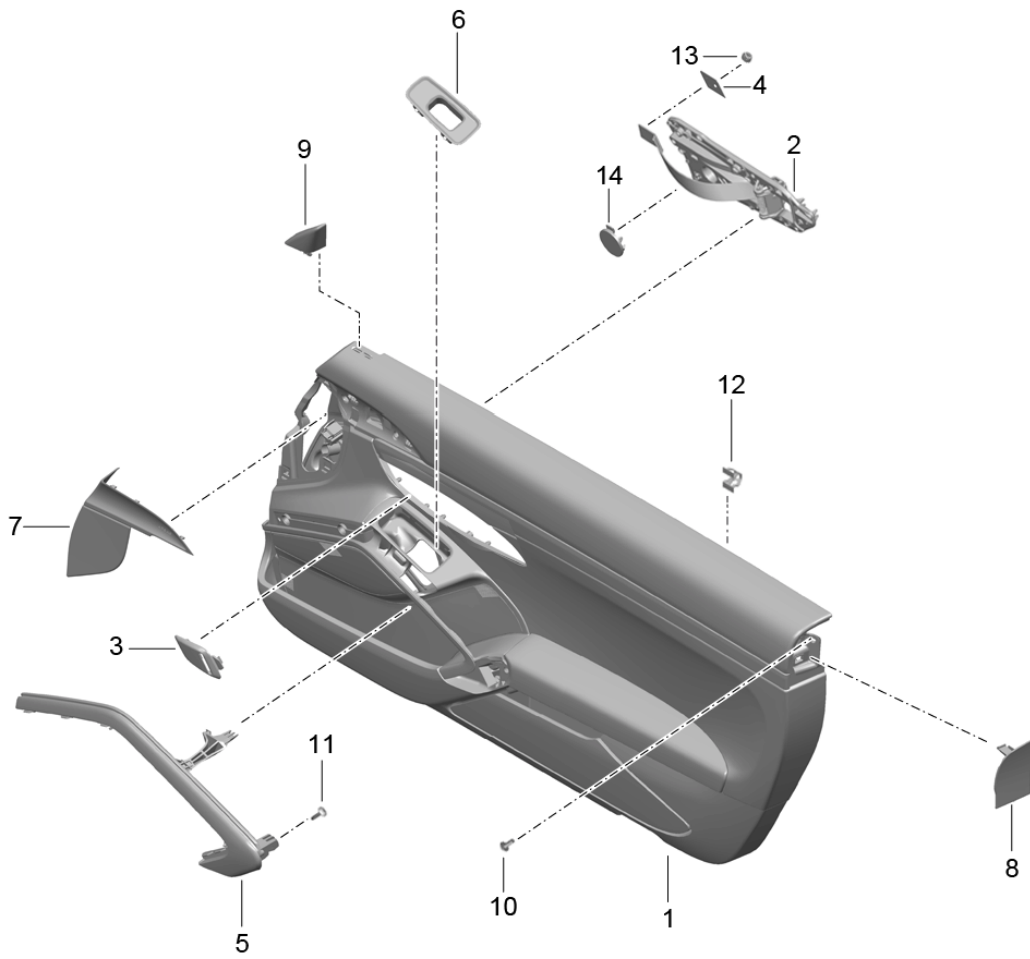
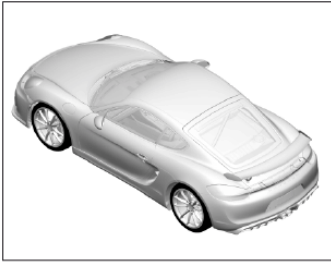
Model: 981GT4

Model life 2016>>2016

Pos	Part Number	Description	Remark	Qty	Model
23	991 572 531 01	Foam part Hydraulic unit		1	PR:099
24	991 572 511 01	Foam part Water reservoir		1	PR:099
25	991 572 513 01	Foam part Water reservoir		1	PR:099
27	991 572 543 00	Foam part Wing		1	
28	991 572 545 00	Foam part Wing		1	
29	981 556 663 00	Sound absorber Stowage compartment Luggage compartment	left	1	
(29)	981 556 664 00	Sound absorber Stowage compartment Luggage compartment	right	1	

Model: 981GT4

Model life 2016>>2016



Model: 981GT4 Model life 2016>>2016

Pos	Part Number	Description	Remark	Qty	Model
		door panel			PR:-XWE
		Accessories			
1	991 555 203 62	door panel	left	1	PR:609,811, 975,-981
		Leatherette			
	991 555 203 62 DUJ	Black/Platinum Grey	-28		
(1)	991 555 203 62	door panel	left	1	PR:441,811, 975,-981
		Leatherette			
	991 555 203 62 DUJ	Black/Platinum Grey	-28		
(1)	991 555 203 62	door panel	left	1	PR:490,811, 975,-981
		Leatherette			
	991 555 203 62 DUJ	Black/Platinum Grey	-28		
(1)	991 555 203 25	Door trim (Alcantara)	left	1	PR:814,609, 975,981
		Leather			
		Trim			
		Aluminium/Anthracite			
	991 555 203 25 RAI	Black/Platinum Grey	-78		
	991 555 203 25 RAJ	Black/Guards Red	-68		
	991 555 203 25 RBJ	Black/Racing Yellow	-58		
(1)	991 555 203 25	Door trim (Alcantara)	left	1	PR:814,441, 975,981
		Leather			
		Trim			
		Aluminium/Anthracite			
	991 555 203 25 RAI	Black/Platinum Grey	-78		
	991 555 203 25 RAJ	Black/Guards Red	-68		
	991 555 203 25 RBJ	Black/Racing Yellow	-58		
(1)	991 555 203 25	Door trim (Alcantara)	left	1	PR:814,490, 975,981
		Leather			
		Trim			
		Aluminium/Anthracite			
	991 555 203 25 RAI	Black/Platinum Grey	-78		
	991 555 203 25 RAJ	Black/Guards Red	-68		
	991 555 203 25 RBJ	Black/Racing Yellow	-58		
(1)	981 555 993 A8	Door trim (Alcantara)	left	1	PR:XWA,441, 975,981
		Leather			
		Trim			
		Leather			
	981 555 993 A8 RAI	Black/Platinum Grey	-78		
	981 555 993 A8 RAJ	Black/Guards Red	-68		
	981 555 993 A8 RBJ	Black/Racing Yellow	-58		
(1)	981 555 993 A8	Door trim (Alcantara)	left	1	PR:XWA,490, 975,981
		Leather			
		Trim			
		Leather			
	981 555 993 A8 RAI	Black/Platinum Grey	-78		
	981 555 993 A8 RAJ	Black/Guards Red	-68		
	981 555 993 A8 RBJ	Black/Racing Yellow	-58		
(1)	991 555 993 62	molding for door trim	left	1	PR:XWC,441, 975,981
		panel			
		Leather			
		Alcantara			
		Carbon			
	991 555 993 62 RAI	Black/Platinum Grey	-78		
	991 555 993 62 RAJ	Black/Guards Red	-68		
	991 555 993 62 RBJ	Black/Racing Yellow	-58		
(1)	991 555 993 62	molding for door trim	left	1	PR:XWC,490, 975,981
		panel			
		Leather			
		Alcantara			
		Carbon			
	991 555 993 62 RAI	Black/Platinum Grey	-78		
	991 555 993 62 RAJ	Black/Guards Red	-68		

Model: 981GT4 Model life 2016>>2016

Pos	Part Number	Description	Remark	Qty	Model
(1)	991 555 993 62 RBJ 991 555 993 65	Black/Racing Yellow Door trim (Alcantara) Leather Trim Carbon	-58 left	1	PR:XWC,609, 975,981
	991 555 993 65 RAI	Black/Platinum Grey	-78		
	991 555 993 65 RAJ	Black/Guards Red	-68		
(1)	991 555 993 65 RBJ 991 555 993 66	Black/Racing Yellow Door trim (Alcantara) Leather Trim Aluminium, brushed	-58 left	1	PR:XWD,609, 975,981
	991 555 993 66 RAI	Black/Platinum Grey	-78		
	991 555 993 66 RAJ	Black/Guards Red	-68		
	991 555 993 66 RBJ	Black/Racing Yellow	-58		
(1)	981 555 993 C0	Door trim (Alcantara) Leather Trim Aluminium, brushed	left	1	PR:XWD,441, 975,981
	981 555 993 C0 RAI	Black/Platinum Grey	-78		
	981 555 993 C0 RAJ	Black/Guards Red	-68		
	981 555 993 C0 RBJ	Black/Racing Yellow	-58		
(1)	981 555 993 C0	Door trim (Alcantara) Leather Trim Aluminium, brushed	left	1	PR:XWD,490, 975,981
	981 555 993 C0 RAI	Black/Platinum Grey	-78		
	981 555 993 C0 RAJ	Black/Guards Red	-68		
	981 555 993 C0 RBJ	Black/Racing Yellow	-58		
(1)	991 555 204 24	Door trim (leatherette)	right	1	PR:441,811, 975,-981
	991 555 204 24 DUJ	Black/Platinum Grey	-28		
(1)	991 555 204 24	Door trim (leatherette)	right	1	PR:490,811, 975,-981
	991 555 204 24 DUJ	Black/Platinum Grey	-28		
(1)	991 555 204 62	door panel Leatherette	right	1	PR:609,811, 975,-981
	991 555 204 62 DUJ	Black/Platinum Grey	-28		
(1)	991 555 204 25	Door panel trim (leather) Leather Alcantara Trim Aluminium/Anthracite	right	1	PR:609,814, 975,981
	991 555 204 25 RAI	Black/Platinum Grey	-78		
	991 555 204 25 RAJ	Black/Guards Red	-68		
	991 555 204 25 RBJ	Black/Racing Yellow	-58		
(1)	991 555 204 25	Door panel trim (leather) Leather Alcantara Trim Aluminium/Anthracite	right	1	PR:814,441, 975,981
	991 555 204 25 RAI	Black/Platinum Grey	-78		
	991 555 204 25 RAJ	Black/Guards Red	-68		
	991 555 204 25 RBJ	Black/Racing Yellow	-58		
(1)	991 555 204 25	Door panel trim (leather) Leather Alcantara Trim Aluminium/Anthracite	right	1	PR:814,490, 975,981
	991 555 204 25 RAI	Black/Platinum Grey	-78		
	991 555 204 25 RAJ	Black/Guards Red	-68		
	991 555 204 25 RBJ	Black/Racing Yellow	-58		
(1)	981 555 994 A8	Door trim (Alcantara)	right	1	PR:XWA,441,

Model: 981GT4 Model life 2016>>2016

Pos	Part Number	Description	Remark	Qty	Model
		Leather Trim			975,981
	981 555 994 A8 RAI	Leather Black/Platinum Grey	-78		
	981 555 994 A8 RAJ	Black/Guards Red	-68		
	981 555 994 A8 RBJ	Black/Racing Yellow	-58		
(1)	981 555 994 A8	Door trim (Alcantara)	right	1	PR:XWA,490, 975,981
		Leather Trim			
		Leather			
	981 555 994 A8 RAI	Black/Platinum Grey	-78		
	981 555 994 A8 RAJ	Black/Guards Red	-68		
	981 555 994 A8 RBJ	Black/Racing Yellow	-58		
(1)	991 555 994 62	molding for door trim panel	right	1	PR:XWC,441, 975,981
		Leather Alcantara Carbon			
	991 555 994 62 RAI	Black/Platinum Grey	-78		
	991 555 994 62 RAJ	Black/Guards Red	-68		
	991 555 994 62 RBJ	Black/Racing Yellow	-58		
(1)	991 555 994 62	molding for door trim panel	right	1	PR:XWC,490, 975,981
		Leather Alcantara Carbon			
	991 555 994 62 RAI	Black/Platinum Grey	-78		
	991 555 994 62 RAJ	Black/Guards Red	-68		
	991 555 994 62 RBJ	Black/Racing Yellow	-58		
(1)	991 555 994 65	Door trim (Alcantara)	right	1	PR:XWC,609, 975,981
		Leather Trim Carbon			
	991 555 994 65 RAI	Black/Platinum Grey	-78		
	991 555 994 65 RAJ	Black/Guards Red	-68		
	991 555 994 65 RBJ	Black/Racing Yellow	-58		
(1)	991 555 994 66	Door trim (Alcantara)	right	1	PR:XWD,609, 975,981
		Leather Trim Aluminium, brushed			
	991 555 994 66 RAI	Black/Platinum Grey	-78		
	991 555 994 66 RAJ	Black/Guards Red	-68		
	991 555 994 66 RBJ	Black/Racing Yellow	-58		
(1)	981 555 994 C0	Door trim (Alcantara)	right	1	PR:XWD,441, 975,981
		Leather Trim Aluminium, brushed			
	981 555 994 C0 RAI	Black/Platinum Grey	-78		
	981 555 994 C0 RAJ	Black/Guards Red	-68		
	981 555 994 C0 RBJ	Black/Racing Yellow	-58		
(1)	981 555 994 C0	Door trim (Alcantara)	right	1	PR:XWD,490, 975,981
		Leather Trim Aluminium, brushed			
	981 555 994 C0 RAI	Black/Platinum Grey	-78		
	981 555 994 C0 RAJ	Black/Guards Red	-68		
	981 555 994 C0 RBJ	Black/Racing Yellow	-58		
2	991 555 521 06	Inner actuator	left	1	
	991 555 521 06 A23	Black			
	991 555 521 06 N13	guards red (Porsche)			
	991 555 521 06 1S1	Racing Yellow			

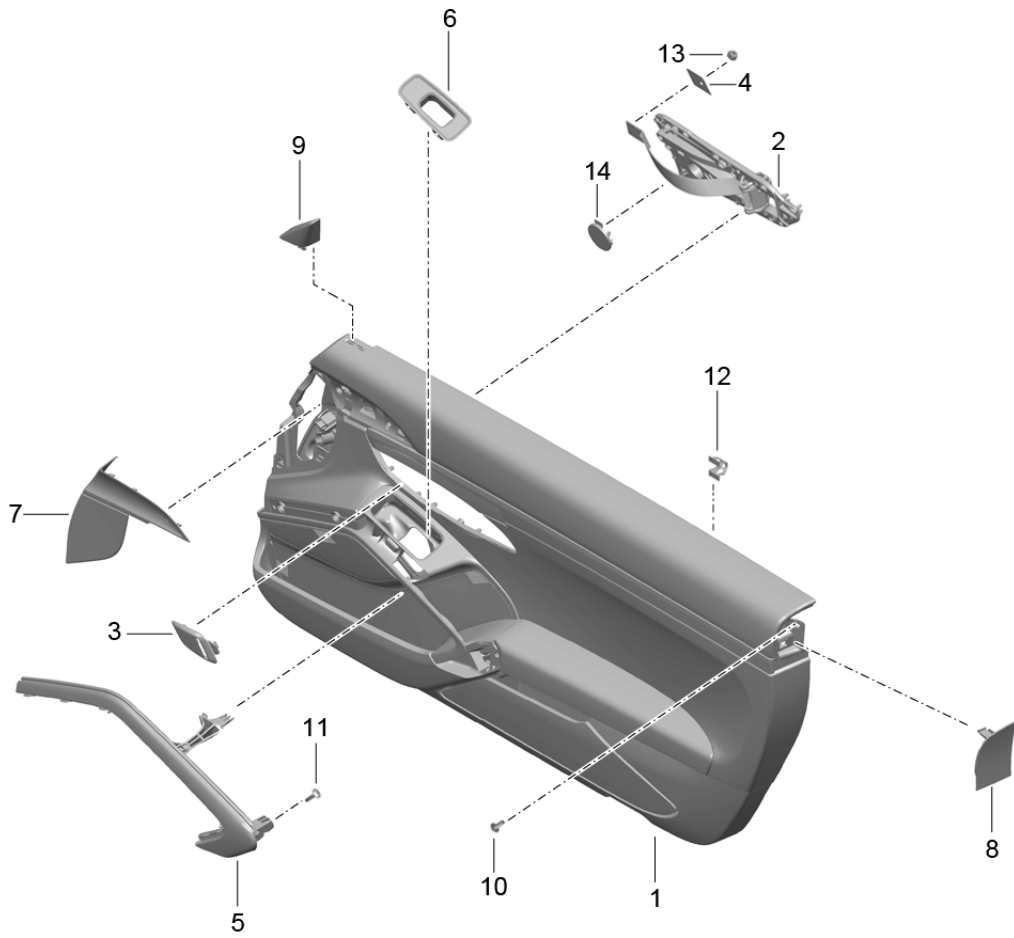
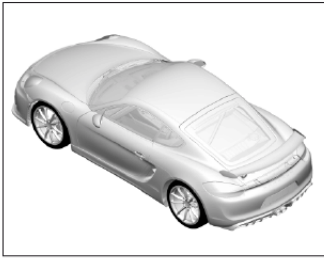
Model: 981GT4

Model life 2016>>2016

Pos	Part Number	Description	Remark	Qty	Model
(2)	991 555 522 06	Inner actuator	right	1	
	991 555 522 06 A23	Black			
	991 555 522 06 N13	guards red (Porsche)			
	991 555 522 06 1S1	Racing Yellow			
3	991 555 589 00	Trim		1	
		Door loop			
	991 555 589 00 5Q0	Black			
(3)	991 555 590 00	Trim		1	
		Door loop			
	991 555 590 00 5Q0	Black			
4	991 555 615 00	clamping piece	left	1	
		Threaded joint			
		Door loop			
(4)	991 555 616 00	clamping piece	right	1	
		Threaded joint			
		Door loop			
5	991 555 533 01	Pull handle	left	1	
		Alcantara			
	991 555 533 01 RAG	Black/Platinum Grey	-78		
	991 555 533 01 RAH	Black/Guards Red	-68		
	991 555 533 01 RAL	Black/Racing Yellow	-58		
(5)	991 555 534 01	Pull handle	right	1	
		Alcantara			
	991 555 534 01 RAG	Black/Platinum Grey	-78		
	991 555 534 01 RAH	Black/Guards Red	-68		
	991 555 534 01 RAL	Black/Racing Yellow	-58		
6	991 555 723 02	Mounting frame		1	
		Window regulator			
		(passenger side)			
	991 555 723 02 1E0	Black			
7	991 555 721 02	Cover	left	1	
			front		
	991 555 721 02 5Q0	Black			
(7)	991 555 722 02	Cover	right	1	
			front		
	991 555 722 02 5Q0	Black			
8	991 555 683 01	cover for airbag	left	1	
	991 555 683 01 5Q0	Black			
(8)	991 555 684 01	cover for airbag	right	1	
	991 555 684 01 5Q0	Black			
9	991 555 741 00	Cover panel	left	1	
		window frame			
	991 555 741 00 1E0	Black			
(9)	991 555 742 00	Cover panel	right	1	
		window frame			
	991 555 742 00 1E0	Black			
10	999 073 322 02	fillister hd. bolt		4	
		M 6 X 20			
11	N 907 321 03	Hexagon socket oval head		16	
		bolt			
		TP4,0X16,0-Q			
12	999 507 533 02	Clamp		X	
		8,0 X 10,0 /2,5			
13	N 101 181 04	Hexagon nut		1	
		M5			
14	991 555 579 00	Cover cap		1	
		Door loop			
	991 555 579 00 5Q0	Black			

Model: 981GT4

Model life 2016>>2016



Model: 981GT4 Model life 2016>>2016

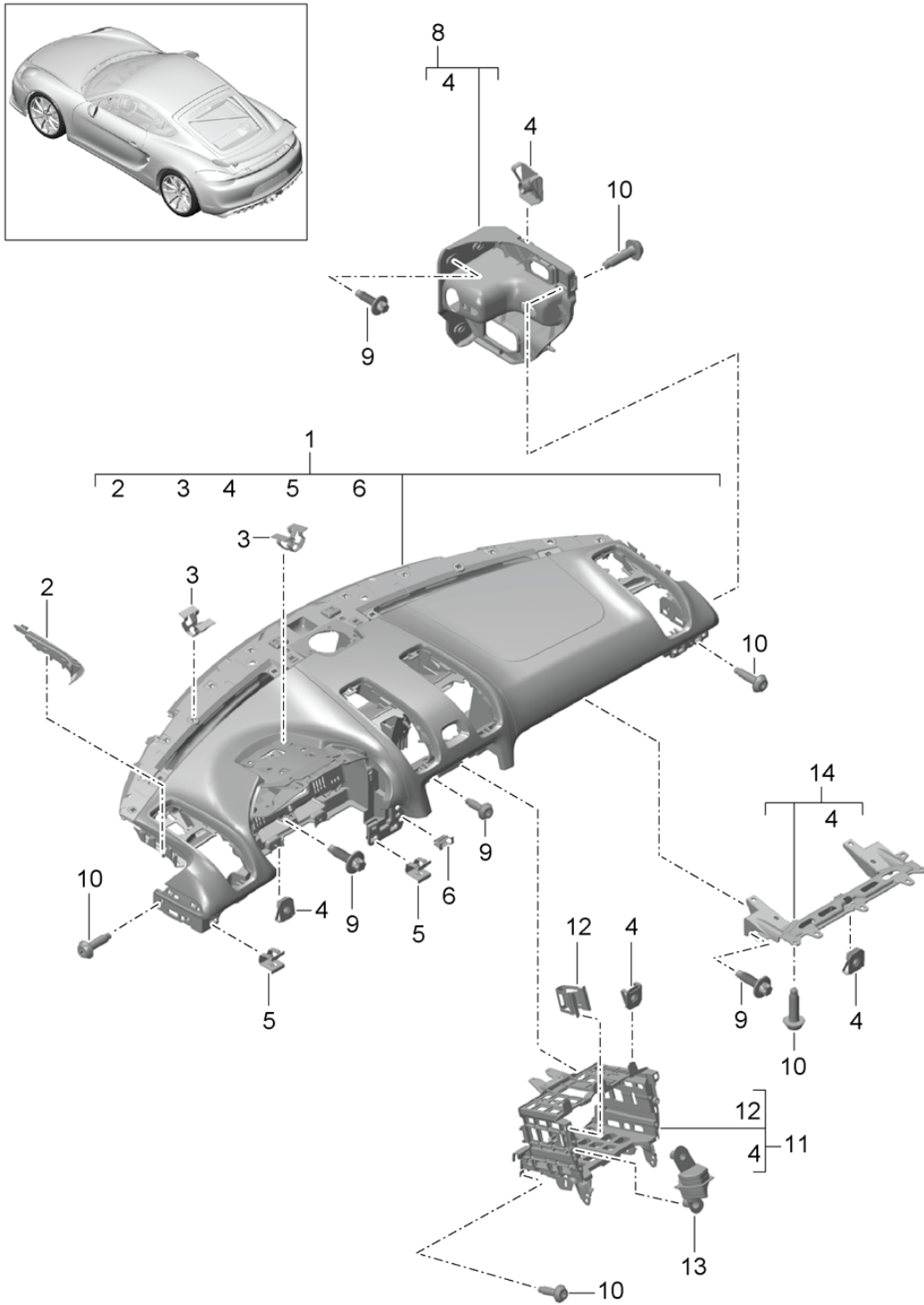
Pos	Part Number	Description	Remark	Qty	Model
-		door panel Accessories in your order Vehicle Ident. No. and Please state the colour			PR:XWE
(1)	991 555 993 67	Door trim (Alcantara) Leather Trim Lacquered	left	1	PR:609,975, 981
	991 555 993 67 RAI	Black/Platinum Grey	-78		
	991 555 993 67 RAJ	Black/Guards Red	-68		
	991 555 993 67 RBJ	Black/Racing Yellow	-58		
(1)	981 555 993 96	Door trim (Alcantara) Leather Trim Lacquered	left	1	PR:441,490, 975,981
	981 555 993 96 RAI	Black/Platinum Grey	-78		
	981 555 993 96 RAJ	Black/Guards Red	-68		
	981 555 993 96 RBJ	Black/Racing Yellow	-58		
(1)	991 555 994 67	Door trim (Alcantara) Leather Trim Lacquered	right	1	PR:609,975, 981
	991 555 994 67 RAI	Black/Platinum Grey	-78		
	991 555 994 67 RAJ	Black/Guards Red	-68		
	991 555 994 67 RBJ	Black/Racing Yellow	-58		
(1)	981 555 994 96	Door trim (Alcantara) Leather Trim Lacquered	right	1	PR:441,490, 975,981
	981 555 994 96 RAI	Black/Platinum Grey	-78		
	981 555 994 96 RAJ	Black/Guards Red	-68		
	981 555 994 96 RBJ	Black/Racing Yellow	-58		
2	991 555 521 06	Inner actuator	left	1	
	991 555 521 06 A23	Black			
	991 555 521 06 N13	guards red (Porsche)			
	991 555 521 06 1S1	Racing Yellow			
(2)	991 555 522 06	Inner actuator	right	1	
	991 555 522 06 A23	Black			
	991 555 522 06 N13	guards red (Porsche)			
	991 555 522 06 1S1	Racing Yellow			
3	991 555 589 00	Trim Door loop	left	1	
	991 555 589 00 5Q0	Black			
(3)	991 555 590 00	Trim Door loop	right	1	
	991 555 590 00 5Q0	Black			
4	991 555 615 00	clamping piece Threaded joint Door loop	left	1	
(4)	991 555 616 00	clamping piece Threaded joint Door loop	right	1	
5	991 555 533 01	Pull handle Alcantara	left	1	
	991 555 533 01 RAG	Black/Platinum Grey	-78		
	991 555 533 01 RAH	Black/Guards Red	-68		
	991 555 533 01 RAL	Black/Racing Yellow	-58		
(5)	991 555 534 01	Pull handle Alcantara	right	1	
	991 555 534 01 RAG	Black/Platinum Grey	-78		
	991 555 534 01 RAH	Black/Guards Red	-68		

Model: 981GT4 Model life 2016>>2016

Pos	Part Number	Description	Remark	Qty	Model
6	991 555 534 01 RAL 991 555 723 02	Black/Racing Yellow Mounting frame Window regulator (passenger side)	-58	1	
7	991 555 723 02 1E0 991 555 721 02	Black Cover	left front	1	
(7)	991 555 721 02 5Q0 991 555 722 02	Black Cover	right front	1	
8	991 555 722 02 5Q0 991 555 683 01	Black cover for airbag	left	1	
(8)	991 555 683 01 5Q0 991 555 684 01	Black cover for airbag	right	1	
9	991 555 684 01 5Q0 991 555 741 00	Black Cover panel window frame	left	1	
(9)	991 555 741 00 1E0 991 555 742 00	Black Cover panel window frame	right	1	
10	991 555 742 00 1E0 999 073 322 02	Black fillister hd. bolt M 6 X 20		4	
11	N 907 321 03	Hexagon socket oval head bolt TP4,0X16,0-Q		16	
12	999 507 533 02	Clamp 8,0 X 10,0 /2,5		X	
13	N 101 181 04	Hexagon nut M5		1	
14	991 555 579 00 991 555 579 00 5Q0	Cover cap Door loop Black		1	

Model: 981GT4

Model life 2016>>2016

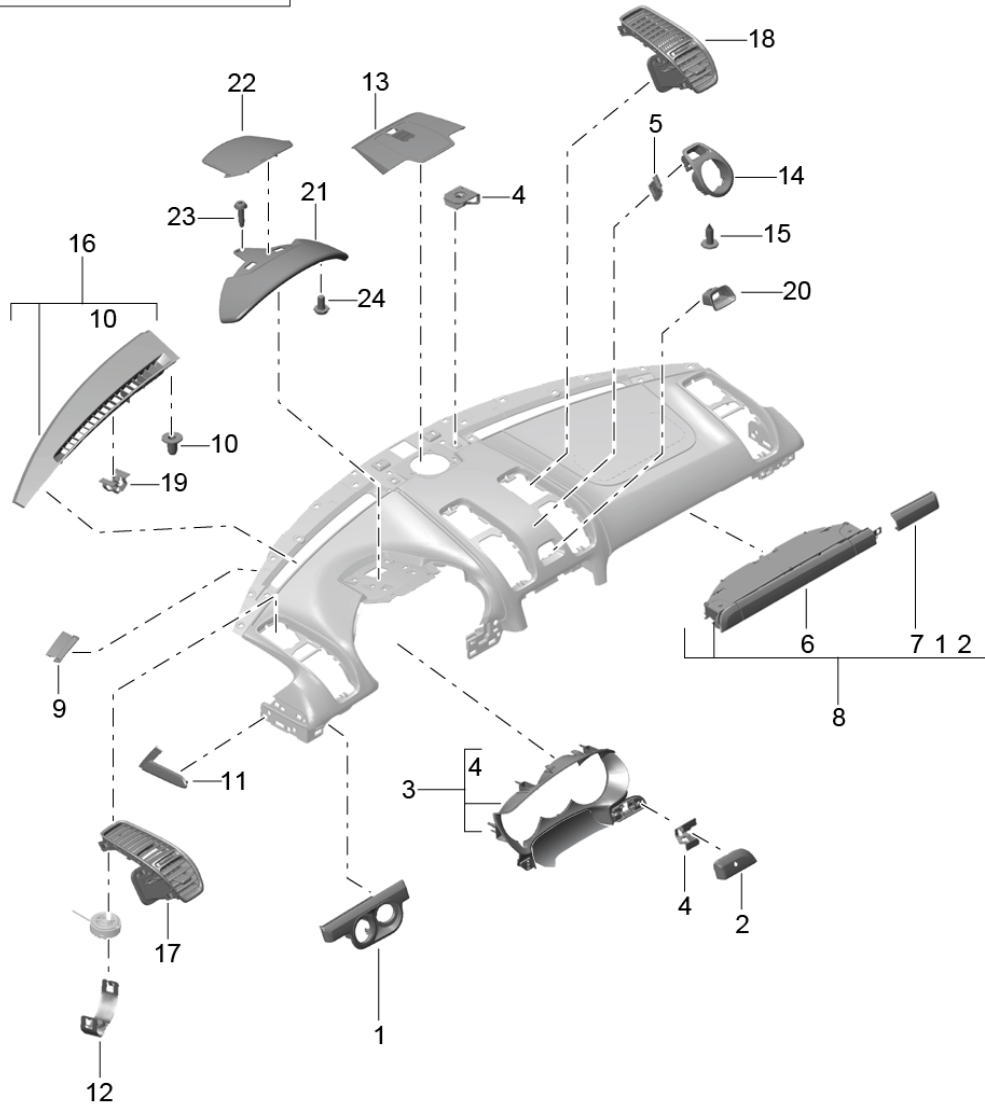
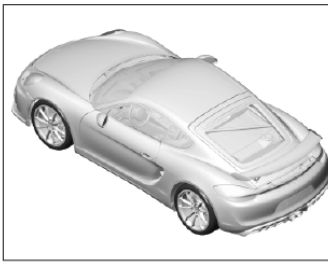


Model: 981GT4 Model life 2016>>2016

Pos	Part Number	Description	Remark	Qty	Model
-		Instrument panel trim Upper part with: Fasteners Accessories see illustration:	809-005		
1	981 552 101 10	dashboard Upper part slush technology	lhd	1	PR:098
(1)	981 552 101 10 DK4	Black	-28		
	981 552 101 20	dashboard Upper part Leather	lhd	1	PR:098,981
	981 552 101 20 DPE	Black/Platinum Grey	-78		
	981 552 101 20 DRK	Black/Guards Red	-68		
	981 552 101 20 DPI	Black/Racing Yellow	-58		
(1)	981 552 101 14	dashboard Upper part slush technology	lhd	1	PR:098,639,640
	981 552 101 14 DK4	Black	-28		
(1)	981 552 101 22	dashboard Upper part Leather	lhd	1	PR:098,639,640,981
	981 552 101 22 DPE	Black/Platinum Grey	-78		
	981 552 101 22 DRK	Black/Guards Red	-68		
	981 552 101 22 DPI	Black/Racing Yellow	-58		
2	991 552 581 00	Insert A-pillar	left	1	
(2)	991 552 582 00	Insert A-pillar	right	1	
3	999 507 533 02	Clamp Mount Trim		26	
4	999 507 556 01	panel nut M5		X	
5	8E0 853 107	Clip		4	
6	955 552 107 00	Retaining clip		2	
8	991 552 620 00	Retainer for support frame	right	1	
(8)	991 552 619 00	Retainer for support frame	left	1	
9	999 919 278 01	Hexagon head bolt M6 X 20		X	
10	999 073 498 01	fillister hd. bolt M5X20		X	
11	991 552 111 01	Mounting frame PCM		1	
12	8T0 853 107	Clip		2	
13	991 552 825 01	Connecting piece	upper	1	PR:981
	991 552 825 01 1E0	Black			
(13)	991 552 826 01	Connecting piece	lower	1	PR:981
	991 552 826 01 1E0	Black			
14	991 552 360 02	bracket for airbag (passenger side)		1	
15	999 919 278 01	Hexagon head bolt M6X20		2	

Model: 981GT4

Model life 2016>>2016



Model: 981GT4 Model life 2016>>2016

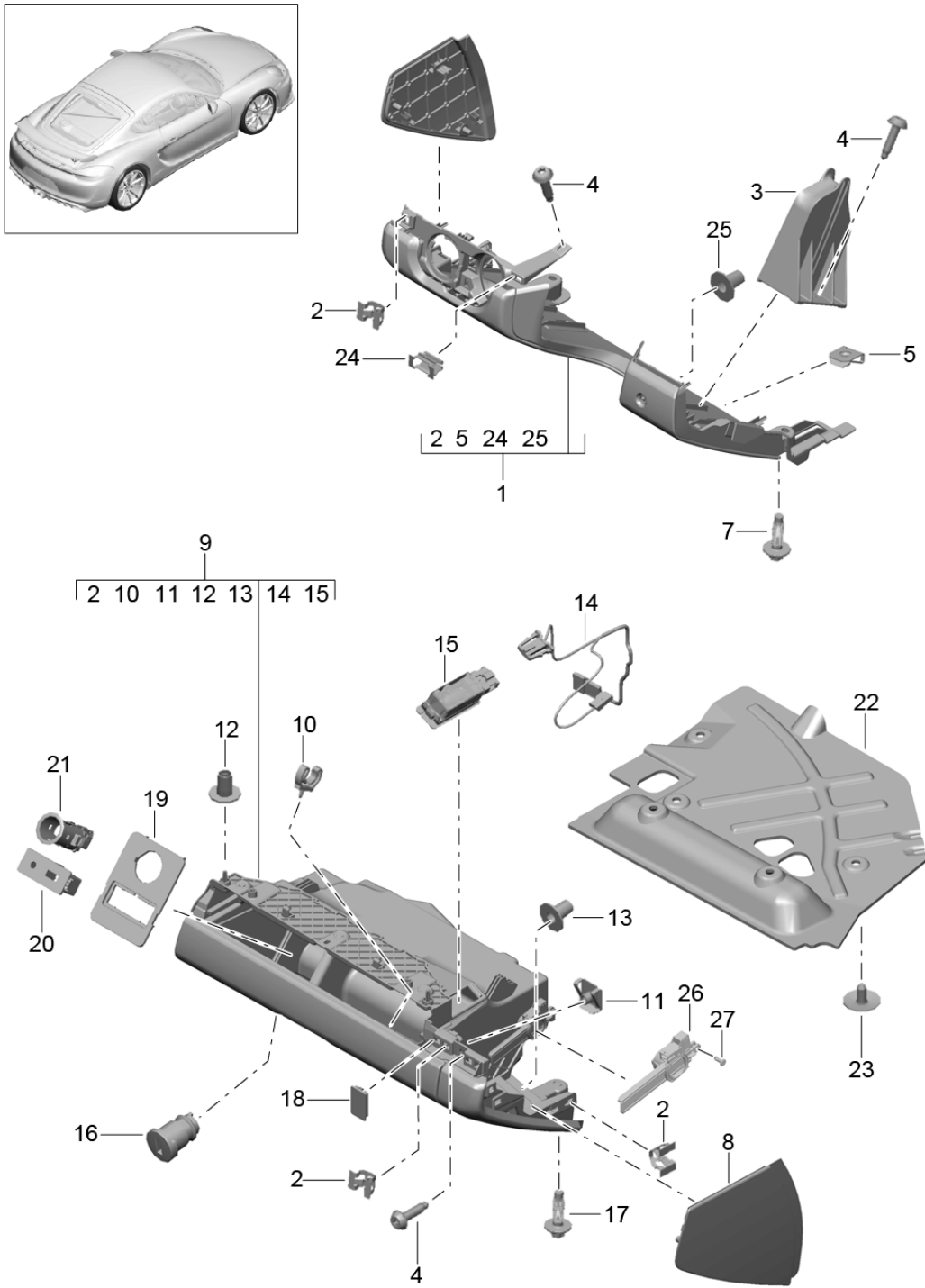
Pos	Part Number	Description	Remark	Qty	Model
1	991 552 381 02	Accessories Instrument panel trim Upper part Trim (drivers side)	lhd	1	PR:098
		with:			
2	991 552 381 02 V08 991 552 383 01	Lighting Galvano silver Trim (drivers side)	lhd	1	PR:098
3	991 552 383 01 V08 981 552 525 01	Galvano silver Trim Combi-instrument	lhd	1	PR:098
4	981 552 525 01 5Q0 999 507 533 02	Black Clamp		X	
5	999 507 971 01	panel nut ST4,2		2	
6	991 552 194 02 991 552 194 02 V08	Drinks holder Galvano silver	lhd	1	PR:098
7	991 552 388 01	Trim (passenger side)	lhd	1	PR:098
8	991 552 388 01 V08 991 552 980 20	Galvano silver 1 set trim strips for vehicle interior Trim	lhd	1	PR:XVP,098
		with:			
(8)	991 552 980 20 A11 991 552 980 21	Black 1 set trim strips for vehicle interior Trim	lhd	1	PR:XGB,098
		with:			
(8)	991 552 980 21 BX3 991 552 980 23	Carbon, fine high-gloss 1 set trim strips for vehicle interior Trim	lhd	1	PR:XYD,098
		with:			
(8)	991 552 980 23 U03 991 552 980 24	Aluminium, brushed 1 set trim strips for vehicle interior Trim	lhd	1	PR:XDM,098
		with:			
	991 552 980 24 041 991 552 980 24 84A 991 552 980 24 1S1 991 552 980 24 M7S 991 552 980 24 M5X 991 552 980 24 M7Z 991 552 980 24 C9A 991 552 980 24 M5J 991 552 980 24 M7U 991 552 980 24 M3C 991 552 980 24 C9X 991 552 980 24 S9R	Black guards red (Porsche) Racing Yellow Achat Grey Metallic Dark blue metallic GT Silver Metallic white Sapphire Blue Metallic Rhodium Silver Metallic Carmine red Jet Black Metallic Carrara White metallic			
(8)	991 552 981 24	1 set trim strips for vehicle interior Trim	rhd	1	PR:XDM,099
		with:			
	991 552 981 24 041 991 552 981 24 84A 991 552 981 24 1S1 991 552 981 24 M7S 991 552 981 24 M5X 991 552 981 24 M7Z	Black guards red (Porsche) Racing Yellow Achat Grey Metallic Dark blue metallic GT Silver Metallic			

Model: 981GT4 Model life 2016>>2016

Pos	Part Number	Description	Remark	Qty	Model
	991 552 981 24 C9A	white			
	991 552 981 24 M5J	Sapphire Blue Metallic			
	991 552 981 24 M7U	Rhodium Silver Metallic			
	991 552 981 24 M3C	Carmine red			
	991 552 981 24 C9X	Jet Black Metallic			
	991 552 981 24 S9R	Carrara White metallic			
(8)	991 552 281 90	1 set trim strips for vehicle interior Trim	lhd	1	PR:098,820
		with:			
9	991 552 281 90 B3T	Aluminium/Anthracite			
	991 552 711 00	Trim	left	1	
(9)	991 552 712 00	Defroster Trim	right	1	
10	999 702 559 40	Grommet		X	
11	981 552 611 00	Cover	side left	1	PR:981
(11)	981 552 611 00 1E0	Black			
	981 552 612 00	Cover	side right	1	PR:981
12	981 552 612 00 1E0	Black			
	991 552 775 00	Retaining bar Treble speaker		2	PR:441,490
13	981 552 151 00	Trim	center	1	
	981 552 151 00 5Q0	Black			
(13)	981 552 151 01	Trim	center	1	PR:981
	981 552 151 01 5Q0	Black			
14	981 552 397 02	Trim Stopwatch Hazard warning light sw.		1	PR:639,640
	981 552 397 02 5Q0	Black			
15	999 073 155 09	panel screw ST4,2X13		2	
16	981 552 375 00	Defroster trim Leather	left	1	PR:981
	981 552 375 00 5Q0	Black			
(16)	981 552 376 00	Defroster trim Leather	right	1	PR:981
	981 552 376 00 5Q0	Black			
17	981 552 131 04	Vent		2	PR:441,490
	981 552 131 04 1E0	Black			
18	981 552 141 02	Centre nozzle	left	1	
	981 552 141 02 1E0	Black			
(18)	981 552 142 02	Centre nozzle	right	1	
	981 552 142 02 1E0	Black			
19	999 507 533 02	Clamp Defroster trim		X	
20	981 552 397 00	Trim Hazard warning light sw.		1	PR:-639,-640
	981 552 397 00 5Q0	Black			
21	981 552 021 00	Instrument box		1	PR:981
	981 552 021 00 DPE	Black/Platinum Grey	-78		
	981 552 021 00 DRK	Black/Guards Red	-68		
	981 552 021 00 DPI	Black/Racing Yellow	-58		
22	981 552 345 00	Grille		1	
	981 552 345 00 1E0	Black			
23	999 073 498 01	fillister hd. bolt M5X20		1	
24	999 073 273 09	fillister hd. bolt M5X10		4	

Model: 981GT4

Model life 2016>>2016



Model: 981GT4 Model life 2016>>2016

Pos	Part Number	Description	Remark	Qty	Model
1	991 552 201 10	Glove box and Trim (drivers side) Instrument panel trim Lower part	lhd	1	PR:098
(1)	991 552 201 10 DK4	Black			
	991 552 201 91	Instrument panel trim Lower part Alcantara	lhd	1	PR:098,981
2	991 552 201 91 2W0	Black			
3	999 507 533 02	Clamp		2	
4	991 552 191 01	knee pad		2	
5	999 073 498 01	fillister hd. bolt M5X20		X	
7	999 507 556 01	panel nut M5		2	
8	999 919 278 01	Hexagon head bolt 6X20		2	
(8)	991 552 405 02	Trim	left	1	
	991 552 405 02 5Q0	Black			
	991 552 406 02	Trim	right	1	
	991 552 406 02 5Q0	Black 5Q0	left		
9	991 552 204 10	Glove box (complete)	lhd	1	PR:098
(9)	991 552 204 10 DK4	Black			
	991 552 204 92	Glove box (complete) Alcantara	lhd	1	PR:098,981
	991 552 204 92 2W0	Black			
10	996 552 813 00	Pen holder		2	
11	999 507 556 01	panel nut M5		1	
12	999 702 560 40	Grommet		X	
13	999 702 559 40	Grommet		X	
14		Wire set Glove box		1	
15		see illustration: Glove box light	902-015	1	
16	996 552 915 01	see illustration: Lock cylinders Glove box Vehicle Ident. No. Indicate	903-004	1	
17	999 919 278 01	Hexagon head bolt 6 X 20		2	
18	991 552 705 00	Dummy cover Switch-off Airbag		1	
19	991 552 601 00	Trim Multimedia interface		1	
20	991 552 601 00 1E0	Black Plug socket		1	
21		see illustration: Socket or clamping ring	911-000	1	
(22)	991 552 414 01	see illustration: Trim Footwell (passenger side)	903-005	1	PR:560

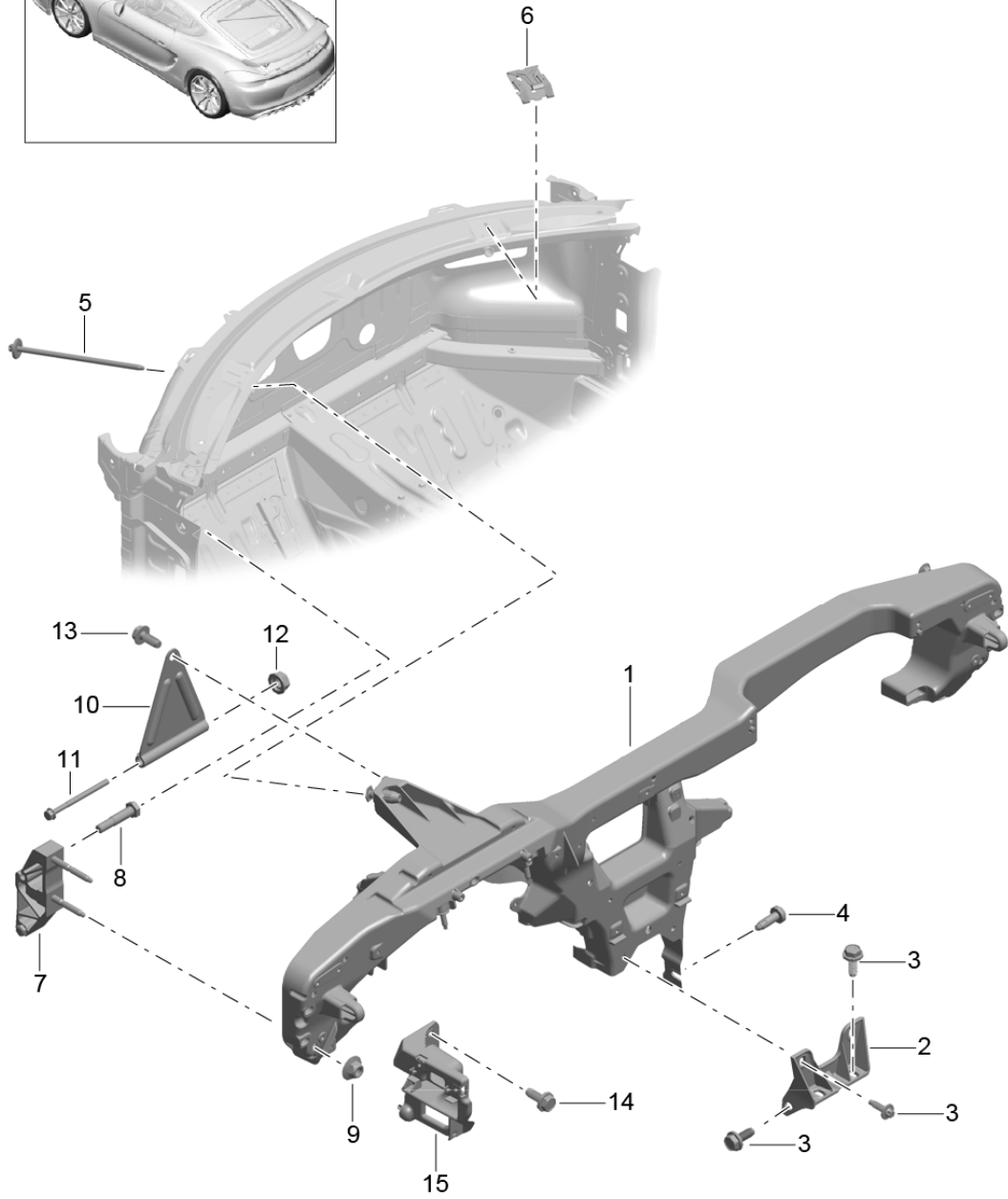
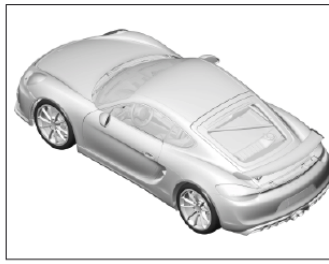
Model: 981GT4

Model life 2016>>2016

Pos	Part Number	Description	Remark	Qty	Model
23	1H0 819 943	round hd. screw Mount Trim Footwell		X	
24	955 552 107 00	Retaining clip		1	
25	999 702 559 40	Grommet		3	
26	991 552 484 00	Damper Glove box	lhd	1	PR:098
27	991 552 803 00	Pin Mount Damper		1	

Model: 981GT4

Model life 2016>>2016



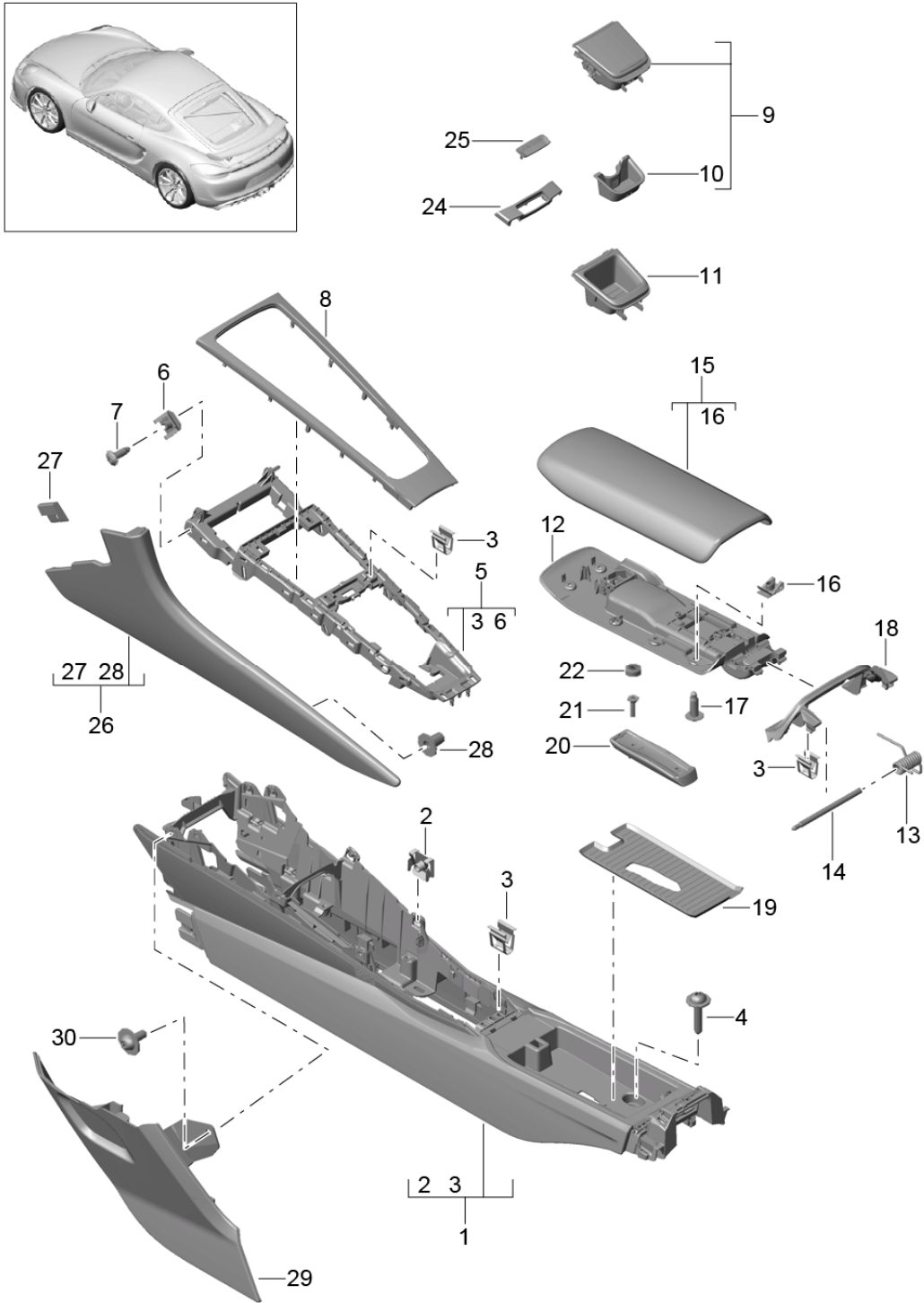
Model: 981GT4

Model life 2016>>2016

Pos	Part Number	Description	Remark	Qty	Model
1	991 504 063 02	retaining frame dashboard		1	PR:098
2	991 504 615 00	retaining frame Bracket tunnel	lhd	1	
3	999 143 014 01	Hexagon bolt M8X27		5	
4	999 073 138 01	flat round head bolt M8X25		1	
5	999 073 587 01	Bolt with washer M8X195		1	
6	8E0 857 117	Clip dashboard Cowl panel		2	
7	991 504 407 02	Retainer for support frame A-pillar		2	
8	900 919 008 01	Locating bolt M8X40		4	
9	N 907 611 03	Hexagon collar nut self-locking M8		4	
10	991 504 653 01	Support Steering column		1	
11	N 106 366 01	bolt,hex.hd.with shoul.(combi) M8X110X80		1	
12	999 084 630 01	Hexagon nut M8		1	
13	999 143 013 01	Hexagon bolt M8X20		1	
14	999 919 278 01	Hexagon head bolt M6X20		6	
15		Bracket retaining frame see illustration:	809-000	1	

Model: 981GT4

Model life 2016>>2016



Model: 981GT4 Model life 2016>>2016

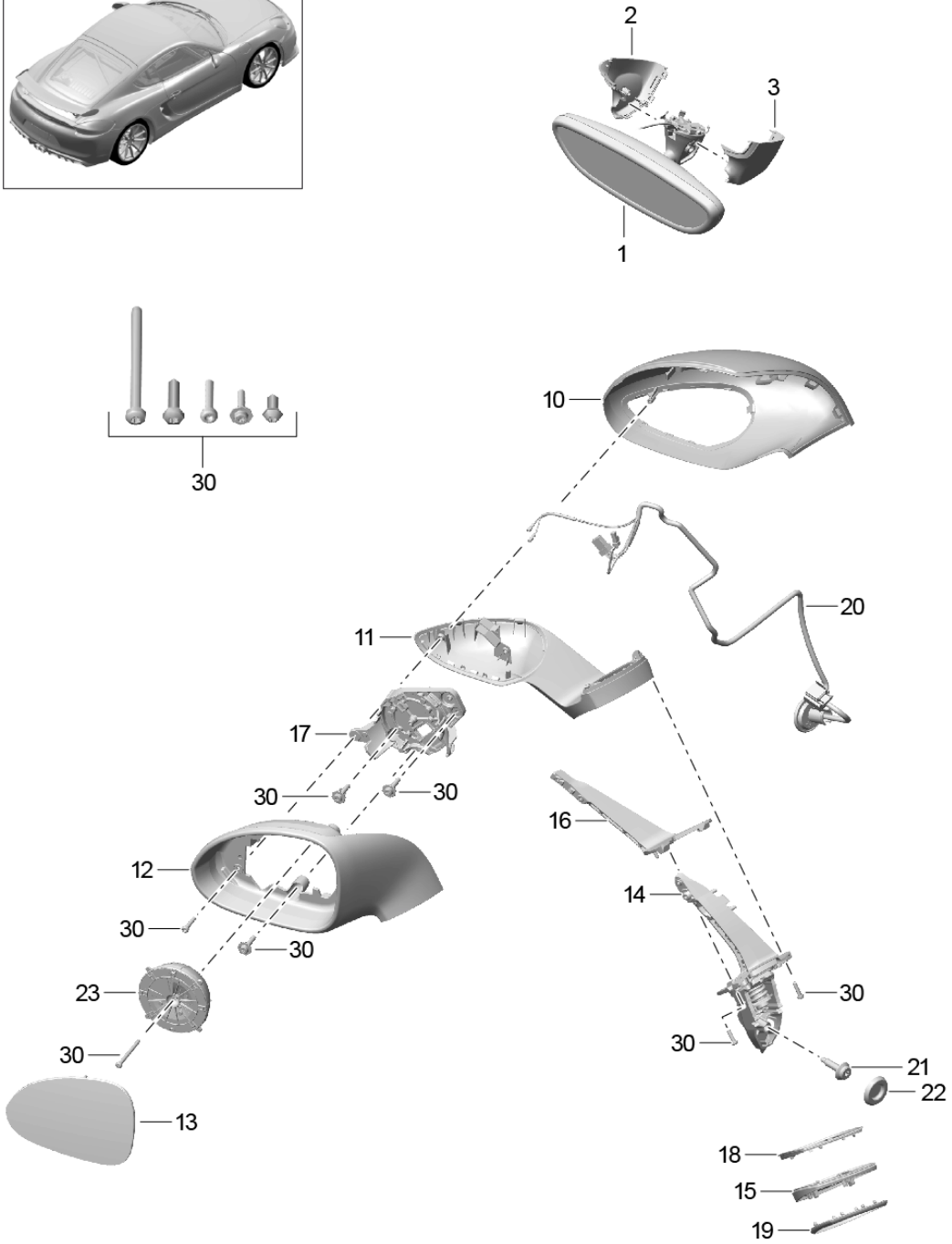
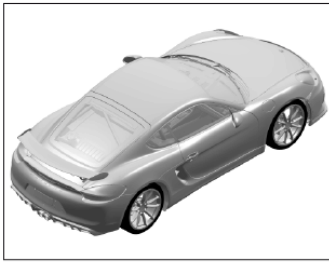
Pos	Part Number	Description	Remark	Qty	Model
1	991 553 111 01	Centre console Carrier		1	
	991 553 111 01 PT7	Centre console Black			
2	999 591 145 01	panel nut M 5		8	
3	8T0 853 107	Clip		X	
4	N 105 355 02	Hexagon socket head bolt (combi) M 6 X 30		6	
5	991 553 263 01	Carrier Trim		1	
6	999 507 556 01	panel nut M 5		2	
7	999 073 459 01	fillister hd. bolt M 5 X 16		6	
8	991 553 261 00	Trim for centre console		1	
	991 553 261 00 V08	Galvano silver			
(8)	991 553 261 90	Trim for centre console		1	PR:816
	991 553 261 90 B3T	Aluminium/Anthracite			
(8)	991 553 981 00	Trim for centre console		1	PR:XYG
	991 553 981 00 041	Black			
	991 553 981 00 84A	guards red (Porsche)			
	991 553 981 00 1S1	Racing Yellow			
	991 553 981 00 M7S	Achat Grey Metallic			
	991 553 981 00 M5X	Dark blue metallic			
	991 553 981 00 M7Z	GT Silver Metallic			
	991 553 981 00 C9A	white			
	991 553 981 00 M5J	Sapphire Blue Metallic			
	991 553 981 00 M7U	Rhodium Silver Metallic			
	991 553 981 00 M3C	Carmine red			
	991 553 981 00 C9X	Jet Black Metallic			
	991 553 981 00 S9R	Carrara White metallic			
(8)	991 553 981 01	Trim for centre console		1	PR:XHB
	991 553 981 01 A11	Black			
(8)	991 553 981 02	Trim for centre console		1	PR:XHM
	991 553 981 02 BX3	Carbon			
(8)	991 553 981 04	Trim for centre console		1	PR:XYE
	991 553 981 04 U03	aluminium			
9	991 553 141 02	ashtray		1	PR:583
	991 553 141 02 DML	Matt Black/hi-gloss chrome			
10	991 553 341 01	Ashtray insert		1	PR:583
	991 553 341 01 1E0	Black			
11	991 553 143 00	Stowage compartment		1	
	991 553 143 00 A05	Black			
12	991 553 233 01	Cover	inner	1	
	991 553 233 01 1E0	Black			
13	991 553 439 01	torsion spring Cover		1	
14	991 553 447 00	axle Cover		1	
15	991 553 231 90	Cover		1	
	991 553 231 90 2W0	Alcantara			
16	999 507 274 01	panel nut M 5		8	
17	999 073 459 01	fillister hd. bolt M 5 X 16		8	
18	981 553 251 01	Extension for centre console	rear	1	
	981 553 251 01 1E0	Black			
19	991 553 611 00	Insert Stowage compartment		1	

Model: 981GT4 Model life 2016>>2016

Pos	Part Number	Description	Remark	Qty	Model
(19)	991 553 611 01	Insert		1	PR:669
20		Stowage compartment		1	
		Support		1	
		Telephone		1	
21		see illustration: countersunk bolt 3,0 X 10	911-010	2	
22		see illustration: Bungs	911-010	1	
24	991 553 651 01	trim with inscription		1	PR:480
	991 553 651 01 A05	Matt black		1	
25	981 553 255 80	inscription		1	
	981 553 255 80 V08	GT4		1	
26	991 553 131 02	Galvano silver		1	
	991 553 131 02	Trim for centre console	left	1	
		slush technology		1	
	991 553 131 02 DK4	Black		1	
(26)	991 553 132 02	Trim for centre console	right	1	
		slush technology		1	
	991 553 132 02 DK4	Black		1	
(26)	991 553 131 01	Leather panel	left	1	PR:981
		Centre console		1	
	991 553 131 01 A11	Black		1	
(26)	991 553 132 01	Leather panel	right	1	PR:981
		Centre console		1	
	991 553 132 01 A11	Black		1	
27	991 553 823 00	Rubber ply		2	
28	999 702 299 40	Grommet		2	
		6,5 X 8,5 X 1,0		2	
29	991 553 151 04	Cover panel	left lhd	1	PR:098
		Footwell outlet vent		1	
	991 553 151 04 1E0	Black		1	
(29)	991 553 152 05	Cover panel	right lhd	1	PR:098
		Footwell outlet vent		1	
	991 553 152 05 1E0	Black		1	
(29)	991 553 151 05	Cover panel	left rhd	1	PR:099
		Footwell outlet vent		1	
	991 553 151 05 1E0	Black		1	
(29)	991 553 152 04	Cover panel	right rhd	1	PR:099
		Footwell outlet vent		1	
	991 553 152 04 1E0	Black		1	
30	999 073 295 A2	fillister hd. bolt		2	
		M 5 X 12		2	

Model: 981GT4

Model life 2016>>2016



Model: 981GT4 Model life 2016>>2016

Pos	Part Number	Description	Remark	Qty	Model
		Interior mirror			PR:529
		Exterior mirror			
1	991 731 511 01	Interior mirror		1	PR:275
	991 731 511 01 1E0	Black			
(1)	991 731 511 02	Interior mirror		1	PR:276
	991 731 511 02 1E0	Black			
2	991 731 811 01	Cover	left	1	
		Interior mirror			
		Mirror base			
	991 731 811 01 1E0	Black			
3	991 731 812 01	Cover	right	1	
		Interior mirror			
		Mirror base			
	991 731 812 01 1E0	Black			
10	991 731 629 00	Housing upper part	left lhd	1	PR:098
		Exterior mirror			
	991 731 629 00 G2L	primed			
(10)	991 731 630 00	Housing upper part	right lhd	1	PR:098
		Exterior mirror			
	991 731 630 00 G2L	primed			
11	991 731 729 00	Trim	left	1	
	991 731 729 00 OK1	Matt black			
(11)	991 731 730 00	Trim	right	1	
	991 731 730 00 OK1	Matt black			
12	991 731 631 00	housing	left lhd	1	PR:098
		Frame			
	991 731 631 00 G2L	primed			
(12)	991 731 632 00	housing	right lhd	1	PR:098
		Frame			
	991 731 632 00 G2L	primed			
13	991 731 045 00	Mirror glass (flat)	left lhd	1	PR:254,263,098
(13)	991 731 045 01	Mirror (aspherical)	left lhd	1	PR:254,265,098
		Aspherical			
(13)	991 731 045 02	Mirror glass (flat)	left lhd	1	PR:256,263,098
(13)	991 731 045 03	Mirror (aspherical)	left lhd	1	PR:256,265,098
		Aspherical			
(13)	991 731 048 01	Mirror glass (convex)	right lhd	1	PR:254,284,098
(13)	991 731 048 04	Mirror glass (convex)	right lhd	1	PR:256,284,098
14	981 731 229 00	Mirror base	left lhd	1	PR:098
		Manually adjustable			
(14)	981 731 230 00	Mirror base	right lhd	1	PR:098
		Manually adjustable			
15	981 731 829 00	Adapter	left	1	
		Mirror base			
	981 731 829 00 OK1	Matt black			
(15)	981 731 830 00	Adapter	right	1	
		Mirror base			
	981 731 830 00 OK1	Matt black			
16	991 731 221 00	Carrier	left lhd	1	PR:098,529
		Exterior mirror	lower		
(16)	991 731 222 00	Carrier	right lhd	1	PR:098,529
		Exterior mirror	lower		
17	991 731 519 00	plate	left lhd	1	PR:098,529
		Exterior mirror			
		Reinforcement			
(17)	991 731 520 00	plate	right lhd	1	PR:098,529
		Exterior mirror			
		Reinforcement			
18	981 731 833 00	Seal	left	1	

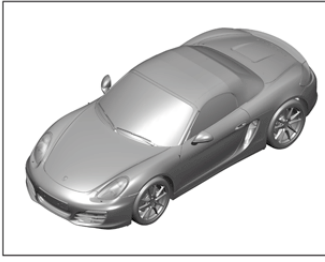
Model: 981GT4

Model life 2016>>2016

Pos	Part Number	Description	Remark	Qty	Model
(18)	981 731 834 00	Seal	upper right	1	
19	981 731 835 00	Seal	upper left	1	
(19)	981 731 836 00	Seal	lower right	1	
20	991 622 711 00	Wire set Exterior mirror	lower	1	PR:254
(20)	991 622 713 00	Wire set Exterior mirror		1	PR:256
21	999 073 192 01	Socket head bolt M8X33		1	
22	999 703 543 40	End cap Screw 25,0X35,0		1	
23	7PP 959 578 D	Adjusting motor		2	
30	991 731 919 00	1 set securing bolts comprising:		1	
		3X14		4	
		3X12		2	
		3X16		1	
		3X10		3	
		3X38		1	

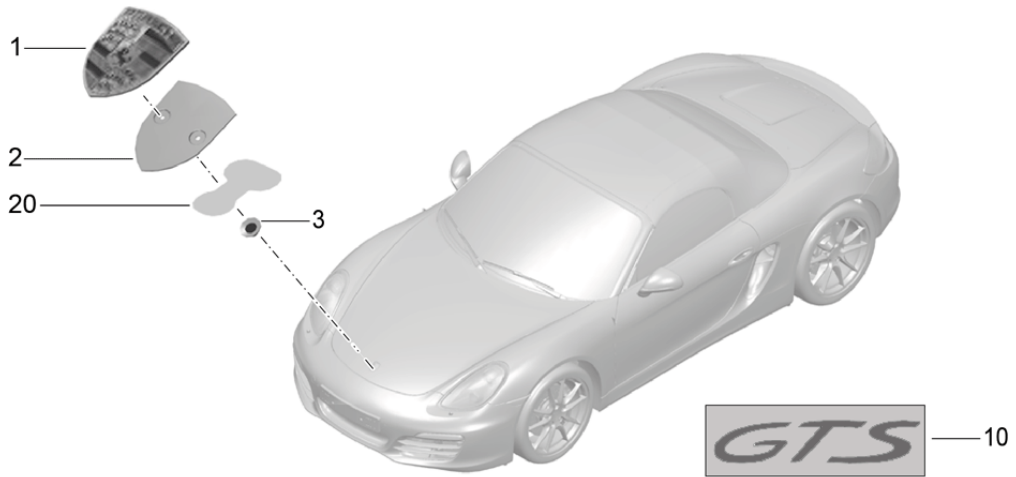
Model: 981GT4

Model life 2016>>2016



4 — P O R S C H E

5 — *GT4*



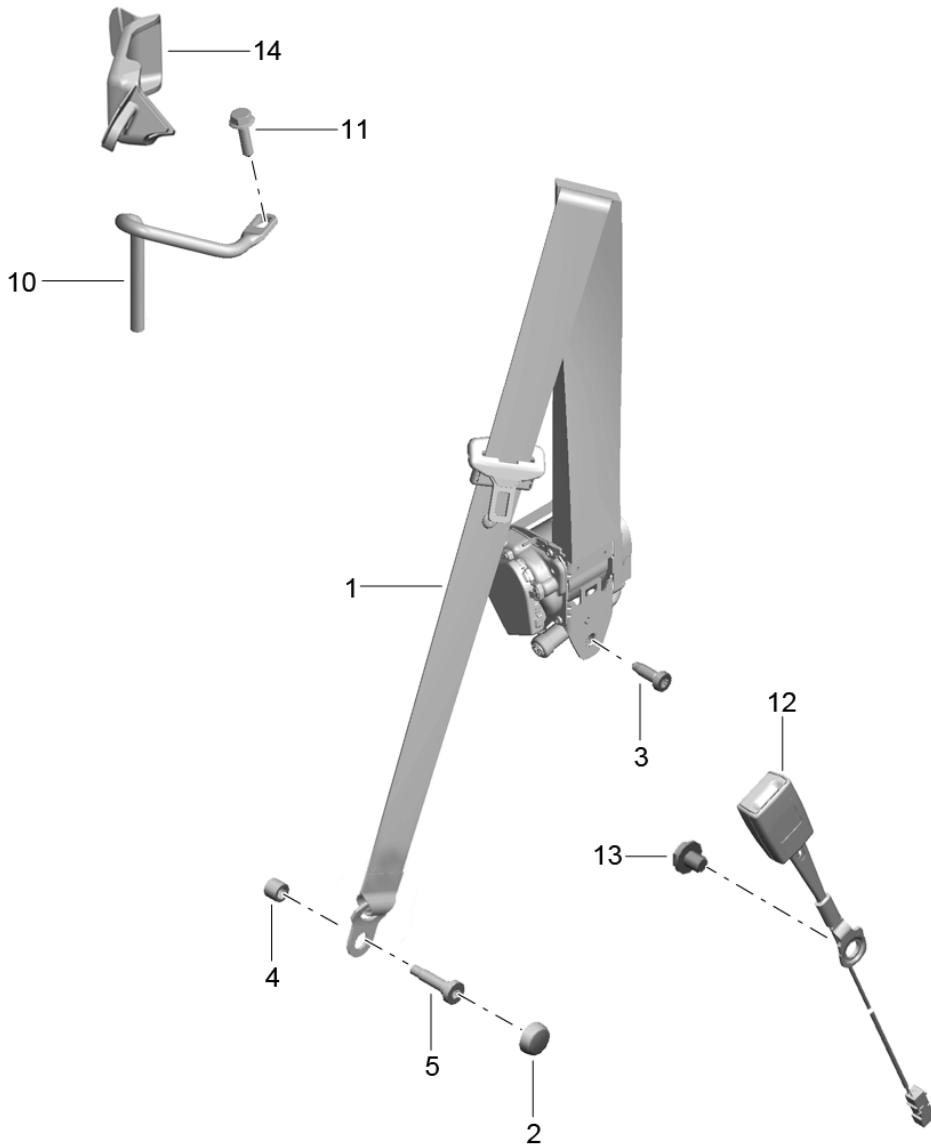
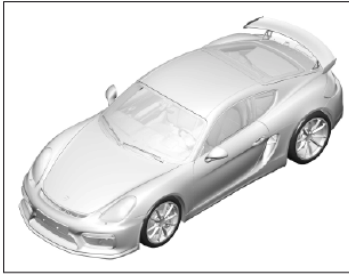
Model: 981GT4

Model life 2016>>2016

Pos	Part Number	Description	Remark	Qty	Model
		inscriptions/lettering Decorative fittings Stone guard film			
1	991 559 211 00	Porsche crest	front	1	
2	991 559 215 02	Underlay		1	
3	999 591 423 03	Tapping nut 3,0		2	
4	991 559 235 90	inscription *PORSCHE*		1	
5	981 559 251 80	Black inscription *GT4*		1	PR:-498
20	999 911 756 41	Black Adhesive film		1	

Model: 981GT4

Model life 2016>>2016



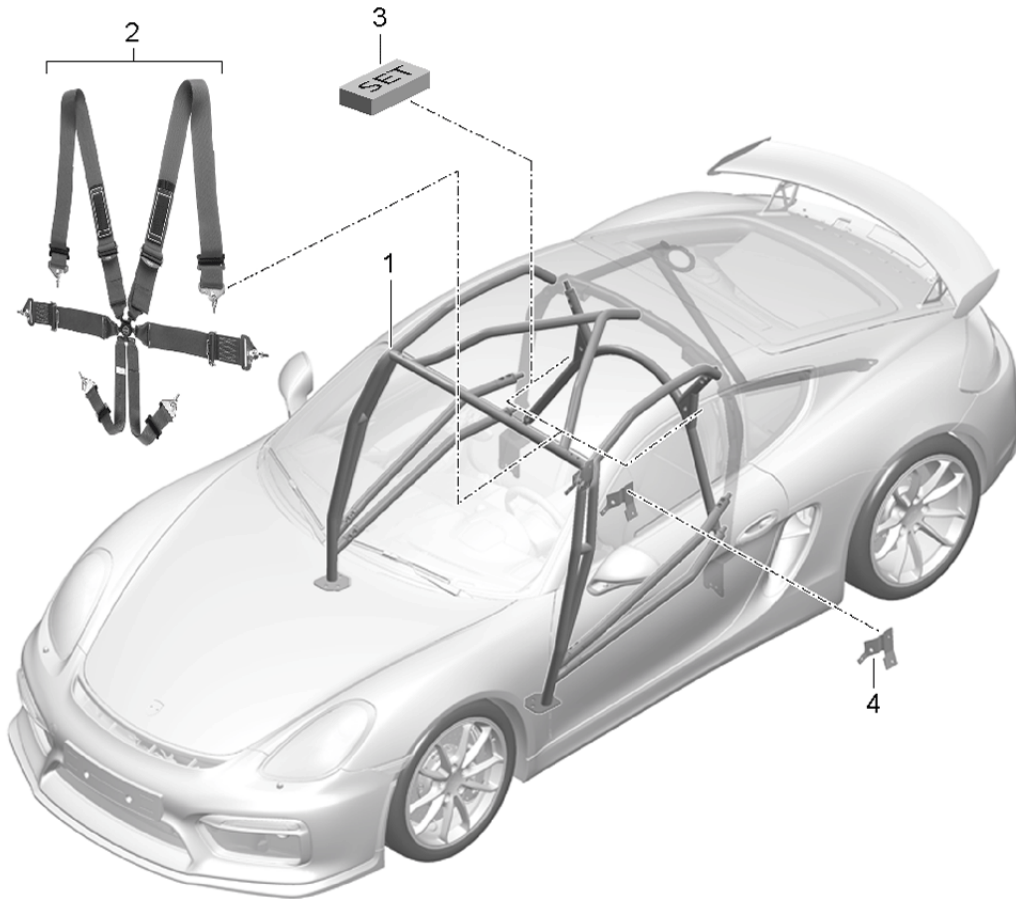
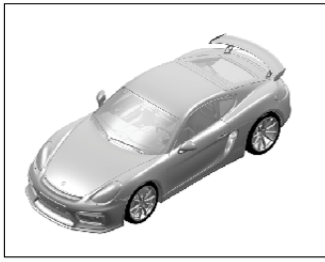
Model: 981GT4

Model life 2016>>2016

Pos	Part Number	Description	Remark	Qty	Model
1	981 803 033 02	Seat belt			
	981 803 033 02 A23	Three-point safety belt	left	1	
	981 803 033 02 1S1	Black			
	981 803 033 02 U01	Racing Yellow			
	981 803 033 02 N13	silver			
	981 803 033 02 N13	guards red (Porsche)			
(1)	981 803 034 01	Three-point safety belt	right	1	
	981 803 034 01 A23	Black			
	981 803 034 01 1S1	Racing Yellow			
	981 803 034 01 U01	silver			
	981 803 034 01 N13	guards red (Porsche)			
2	991 803 295 00	Cover cap		2	
3	N 989 261 02	Socket head bolt with inner multipoint head		2	
		7/16-20UNF			
4	999 924 064 03	spacer bush		2	
5	999 510 048 01	Socket head bolt		2	PR:-373,-374
		7/16-20UNF			
5	999 075 057 09	Hexagon bolt		2	PR:373,374
		7/16-20UNF			
10	981 803 815 00	Deflection angle	left	1	
(10)	981 803 816 00	Deflection angle	right	1	
11	N 106 296 02	Hex collared bolt		2	
		M10X35			
12	991 803 183 00	Belt latch	lhd	1	PR:098
		(drivers side)			
(12)	991 803 184 07	Belt latch	lhd	1	PR:098
		(passenger side)			
(12)	918 803 184 01	Belt latch	right	1	PR:098,374,553
		(passenger side)			
(12)	918 803 183 00	Belt latch		1	PR:373,374
		(drivers side)			
13	999 218 101 02	Hexagon bolt		2	
		7/16-20UNF			
		Mount			
		Belt latch			
14	981 803 835 01	Guide	left	1	
		Seat belt			
(14)	981 803 836 01	Guide	right	1	
		Seat belt			

Model: 981GT4

Model life 2016>>2016



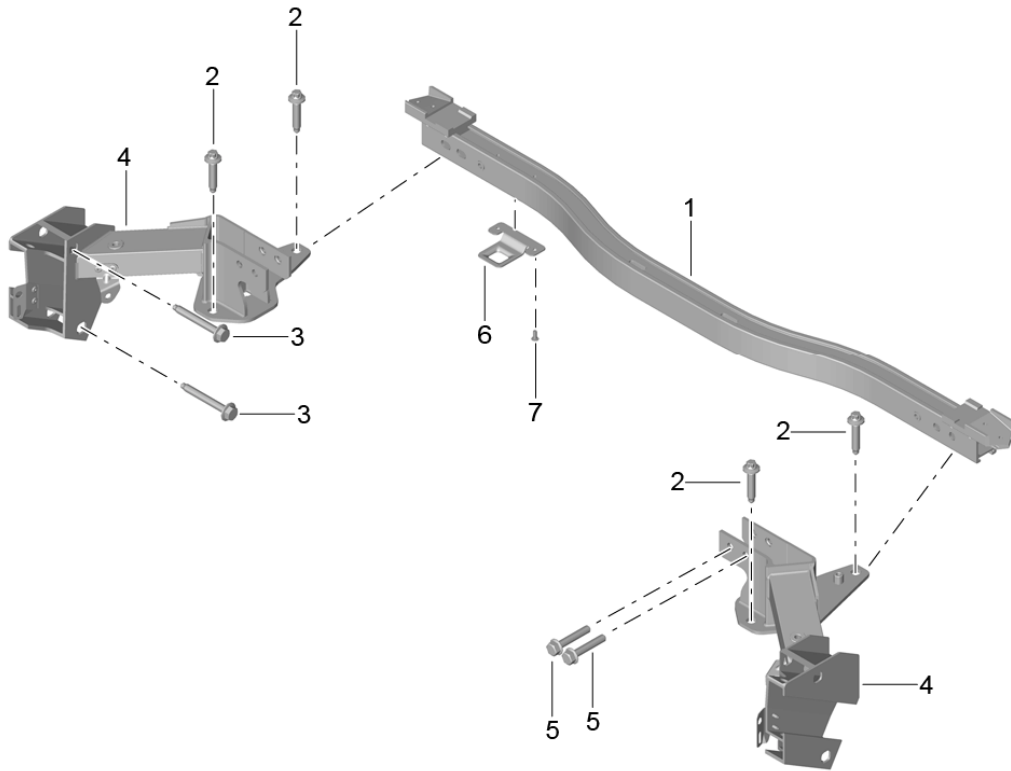
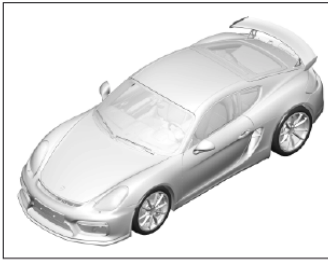
Model: 981GT4

Model life 2016>>2016

Pos	Part Number	Description	Remark	Qty	Model
		Accessories CLUBSPORT			PR:003,578, 579,595
1	981 580 103 80	Roll cage	front	1	PR:003
2	981 803 017 80	Belt		2	PR:578,579
		Six-point safety belt			
3	981 803 015 80	Assembly kit	left	1	
		Six-point safety belt			
(3)	981 803 016 80	Assembly kit	right	1	
		Six-point safety belt			
4	981 803 677 80	plate	left	1	PR:003
		Support for seatbelt			
(4)	981 803 678 80	plate	right	1	PR:003
		Support for seatbelt			

Model: 981GT4

Model life 2016>>2016



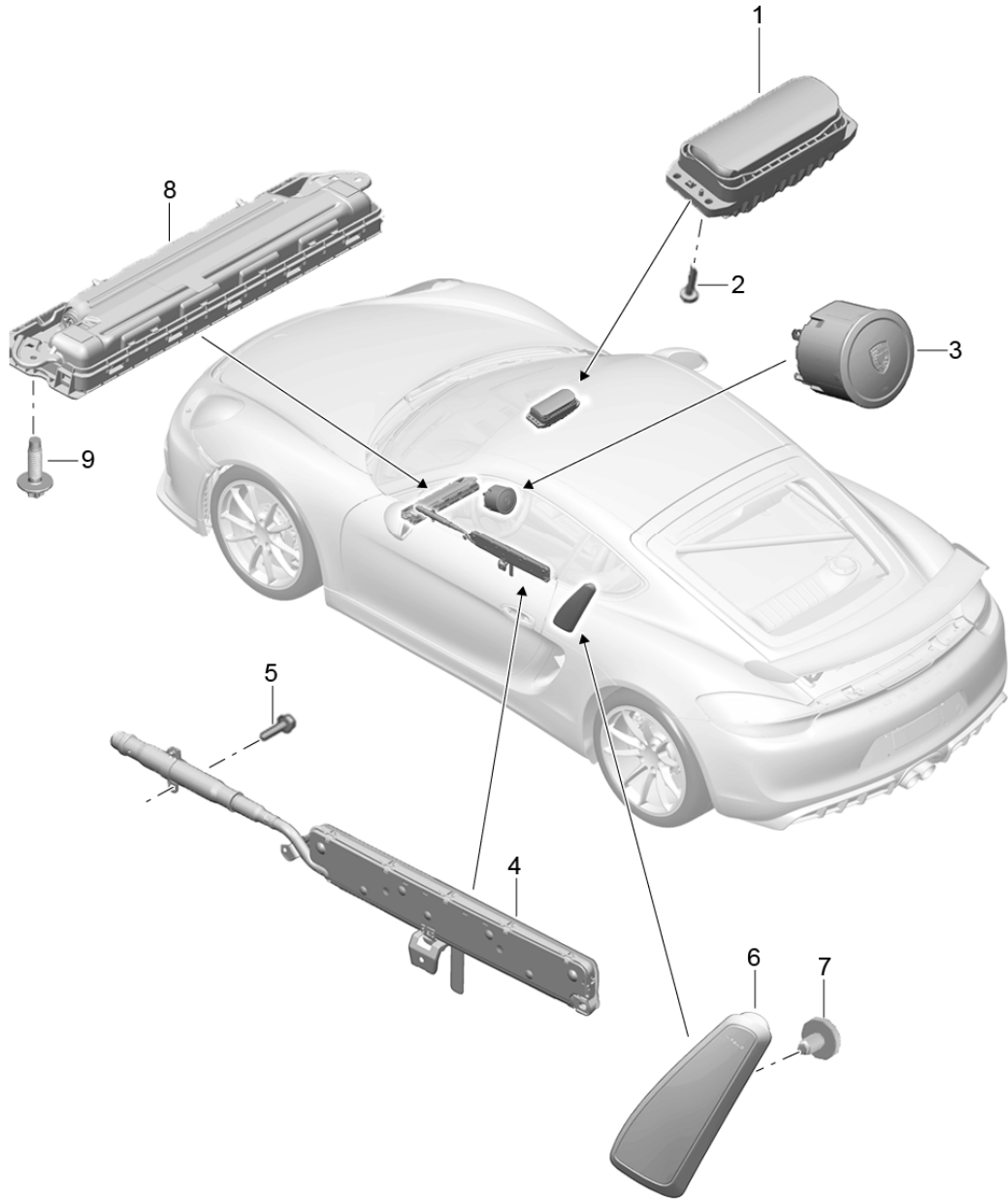
Model: 981GT4

Model life 2016>>2016

Pos	Part Number	Description	Remark	Qty	Model
1	981 580 151 00	Cross member		1	
2	900 385 133 01	Cross member		4	
		Screw			
		M10X50			
3	999 072 066 01	Hexagon bolt		4	
		M10X80			
4	981 580 213 00	Support for cross member	left	1	
(4)	981 580 214 00	Support for cross member	right	1	
5	900 378 348 01	Hexagon bolt		4	
		AM 10X55			
6	981 803 721 00	bracket for child seat		1	PR:553
7	999 190 443 00	Pop rivet		2	PR:553
		A4,8X11,5			

Model: 981GT4

Model life 2016>>2016

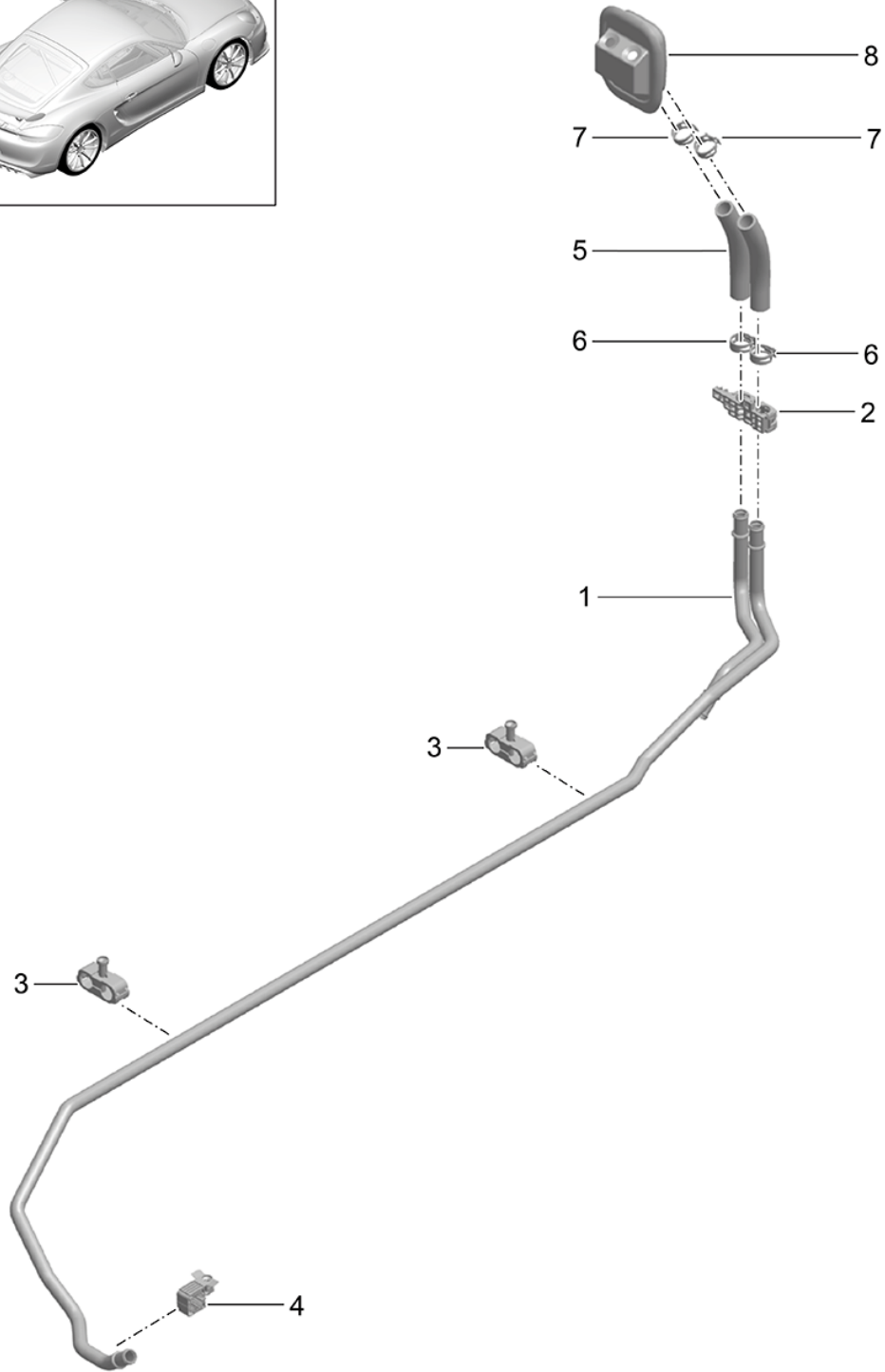
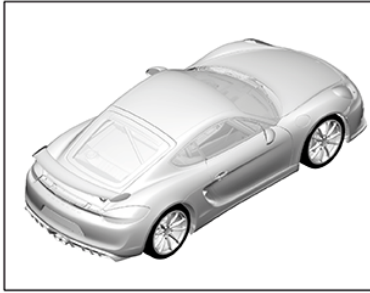


Model: 981GT4 Model life 2016>>2016

Pos	Part Number	Description	Remark	Qty	Model
1	991 803 071 00	Airbag Airbag unit (passenger side)		1	
2	N 911 859 01	Hexagon socket flat head bolt Airbag unit (passenger side)		4	
(3)	9P1 880 201 J	Airbag unit (drivers side) Leather		1	PR:991
4	9P1 880 201 J A34 991 803 091 01	Black Head airbag unit Door	left	1	
(4)	991 803 092 01	Head airbag unit Door	right	1	
5	N 911 087 01	Hexagon collared bolt with multi-point socket head (duo) M6X25		4	
6	991 803 081 01	Side airbag unit Seat	left	1	PR:-XWK,317, 323
(6)	991 803 081 01 D20 991 803 081 01	silver grey metallic Side airbag unit Seat	-28,78,68,58 left	1	PR:XWK,323
(6)	991 803 081 01 5Q0 991 803 082 01	Black Side airbag unit Seat	-28,78,68,58 right	1	PR:-XWK,318, 324
(6)	991 803 082 01 D20 991 803 082 01	silver grey metallic Side airbag unit Seat	-28,78,68,58 right	1	PR:XWK,324
(6)	991 803 082 01 5Q0	Black Side airbag unit Seat	-28,78,68,58		PR:373,374
7	999 073 306 09	see illustration, item: Screw Side airbag unit Seat M6X10	817-060,2	4	
8	991 803 061 00	Airbag unit dashboard	lower	2	PR:560
9	999 919 278 01	Hexagon head bolt 6X20		4	PR:560

Model: 981GT4

Model life 2016>>2016



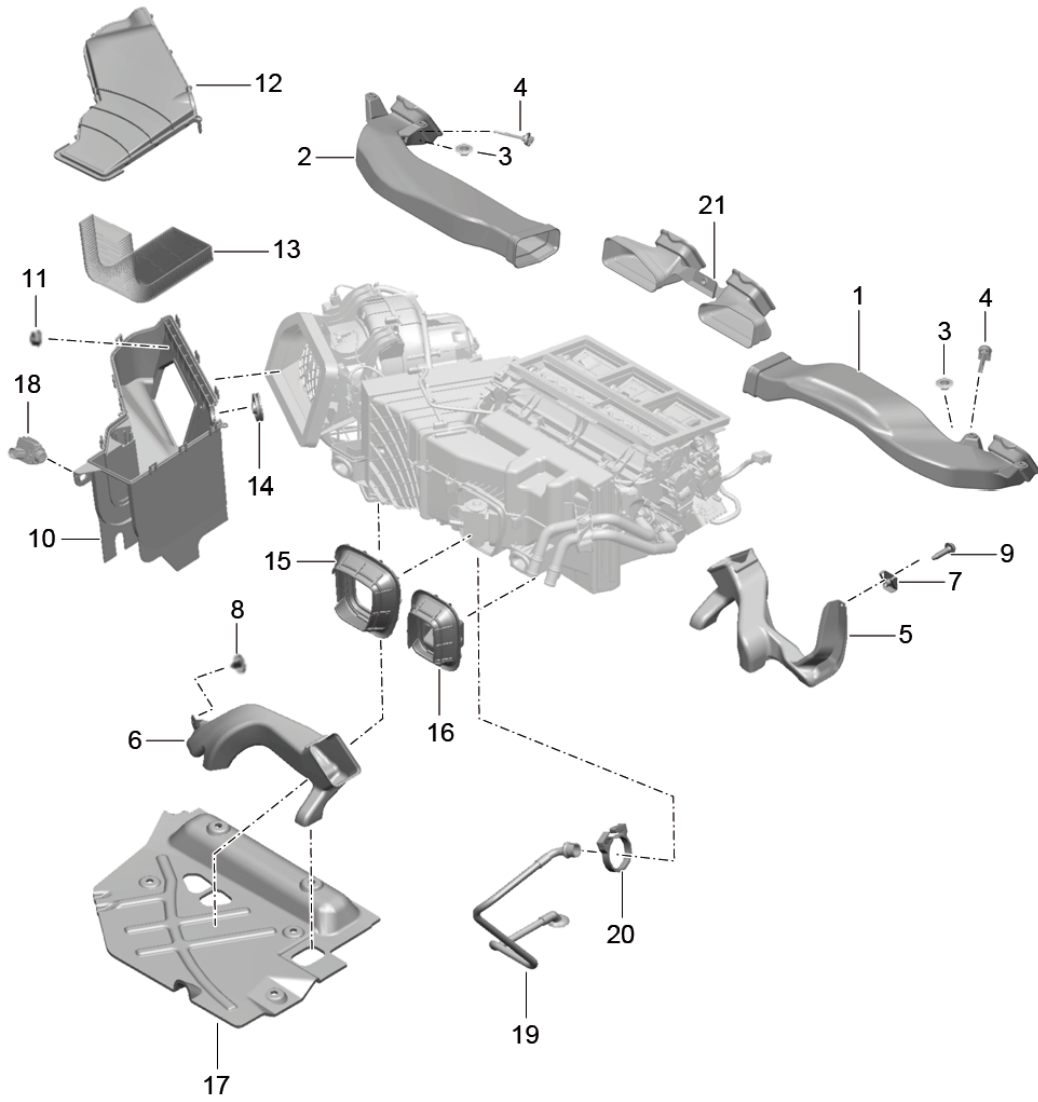
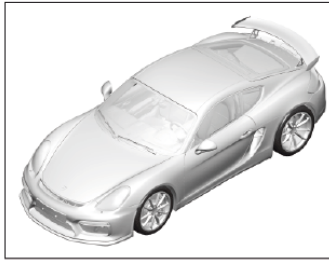
Model: 981GT4

Model life 2016>>2016

Pos	Part Number	Description	Remark	Qty	Model
		heater			
		Feed line			
		return line			
1	981 572 181 02	Heater pipeline		1	
2	991 572 825 01	Bracket		1	
3	991 572 823 00	Bracket		2	
		Double			
4	991 573 829 01	Bracket for coolant line		1	
5	991 572 585 01	Heating hose		2	
6	999 512 603 09	Hose clamp		2	
		A26X12			
7	999 512 657 09	Hose clamp		2	
		B26X12			
8	991 572 263 01	Seal		1	
		Cross panel			
		Heater pipeline			

Model: 981GT4

Model life 2016>>2016

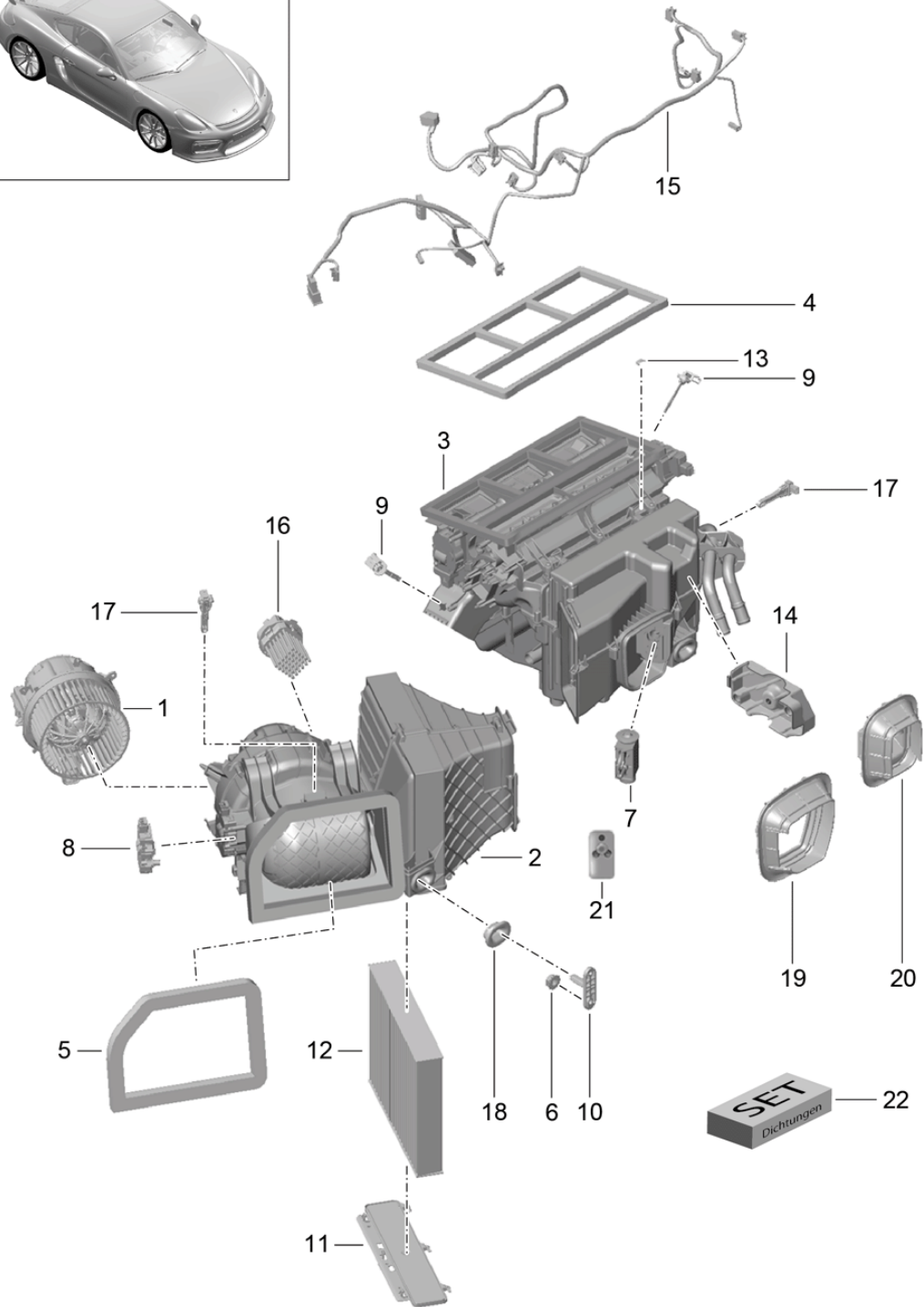
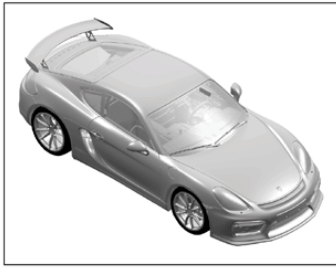


Model: 981GT4 Model life 2016>>2016

Pos	Part Number	Description	Remark	Qty	Model
1	981 572 463 00	Air guide Air distributor Air guide	left side lhd	1	PR:098
2	981 572 464 00	Air guide	right side lhd	1	PR:098
3	999 703 462 40	End cap 10,0X65		2	PR:572
4	970 653 253 00	Temperature sensor Temperature sensor		2	
5	991 572 693 00	Footwell outlet vent (drivers side)	lhd	1	PR:098
(6)	991 572 794 02	Footwell outlet vent (passenger side)	lhd	1	PR:098
7	999 507 556 01	panel nut M 5		2	
8	1H0 819 943	round hd. screw (passenger side)		1	
9	999 073 459 01	fillister hd. bolt M5X16 (drivers side)		1	
10	991 572 072 01	Lower part Air intake	lhd	1	PR:098
11	900 377 018 09	Hexagon nut M6		2	
12	991 572 272 01	Cover Air intake	lhd	1	PR:098
13	991 572 371 00	Air filter Air intake		1	
14	991 572 471 01	Grommet Air intake		1	
15	991 573 769 01	Grommet Firewall Expansion valve		1	PR:572,573
16	991 572 263 01	Seal Cross panel Heater pipeline		1	
17		Trim Cold air Cover		1	
18	7PP 907 659	see illustration: Sensor	809-010	1	
19	991 573 794 00	water drain pipe		1	PR:572,573
20	999 512 418 40	Hose clamp 22,7-24,7		1	PR:572,573
21	981 572 769 01	Air guide Intermediate piece	center	1	

Model: 981GT4

Model life 2016>>2016

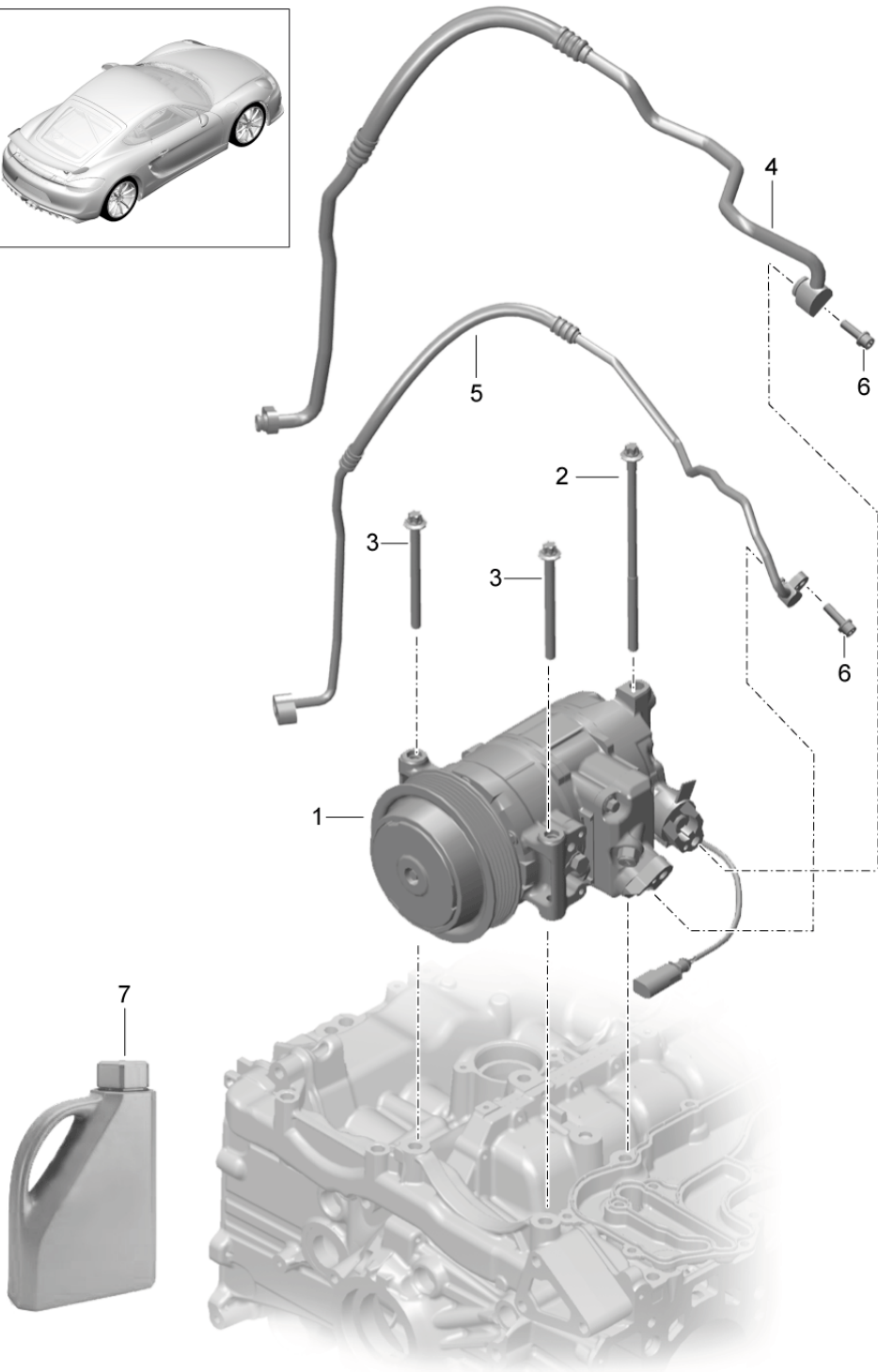
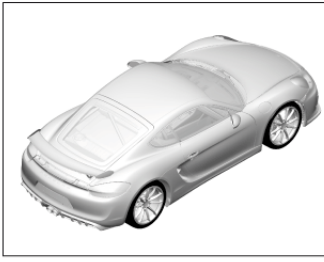


Model: 981GT4 Model life 2016>>2016

Pos	Part Number	Description	Remark	Qty	Model
1	991 573 922 00	Air conditioner and Individual parts Fan	lhd	1	PR:098
2	981 573 912 02	blower housing (complete)	lhd	1	PR:098
		with:			
3	981 573 914 04	Engine Junction	lhd	1	PR:098
(3)	991 573 914 06	Junction	lhd	1	PR:098
4	991 573 851 00	Sealing frame Air distributor		1	
5	991 573 850 00	Seal Fan	lhd	1	PR:098
6	900 377 018 09	Hexagon nut M6		X	
7	991 573 921 00	Expansion valve		1	PR:573
		also use:			
8	991 624 425 02	POS. 22 Servomotor 1 zone		X	
(8)	991 624 425 03	Servomotor 2-zone		X	
9	970 653 253 00	Temperature sensor Blower outlet sensor Temperature sensor		2	PR:573
10	991 572 481 00	Bracket Air conditioner		1	
11	991 573 916 00	Cover for Filter		1	
12	991 573 623 00	Passenger compart. filter		1	
13	970 573 857 00	Tensioning spring blower housing		4	
15	991 612 723 00	Wire set	lhd	1	PR:572,098
(15)	991 612 725 00	Wire set	lhd	1	PR:573,098
16	991 624 423 01	governor for Fan		1	
17	970 653 257 00	Temperature sensor for evaporator		2	
18	991 572 875 00	Grommet Air conditioner		2	
19	991 573 769 01	Grommet Firewall Expansion valve		1	
20	991 572 263 01	Seal Firewall		1	
21	991 573 935 90	Heater pipeline Bungs		1	PR:574
22	8K0 820 261	Gasket set Expansion valve		1	

Model: 981GT4

Model life 2016>>2016



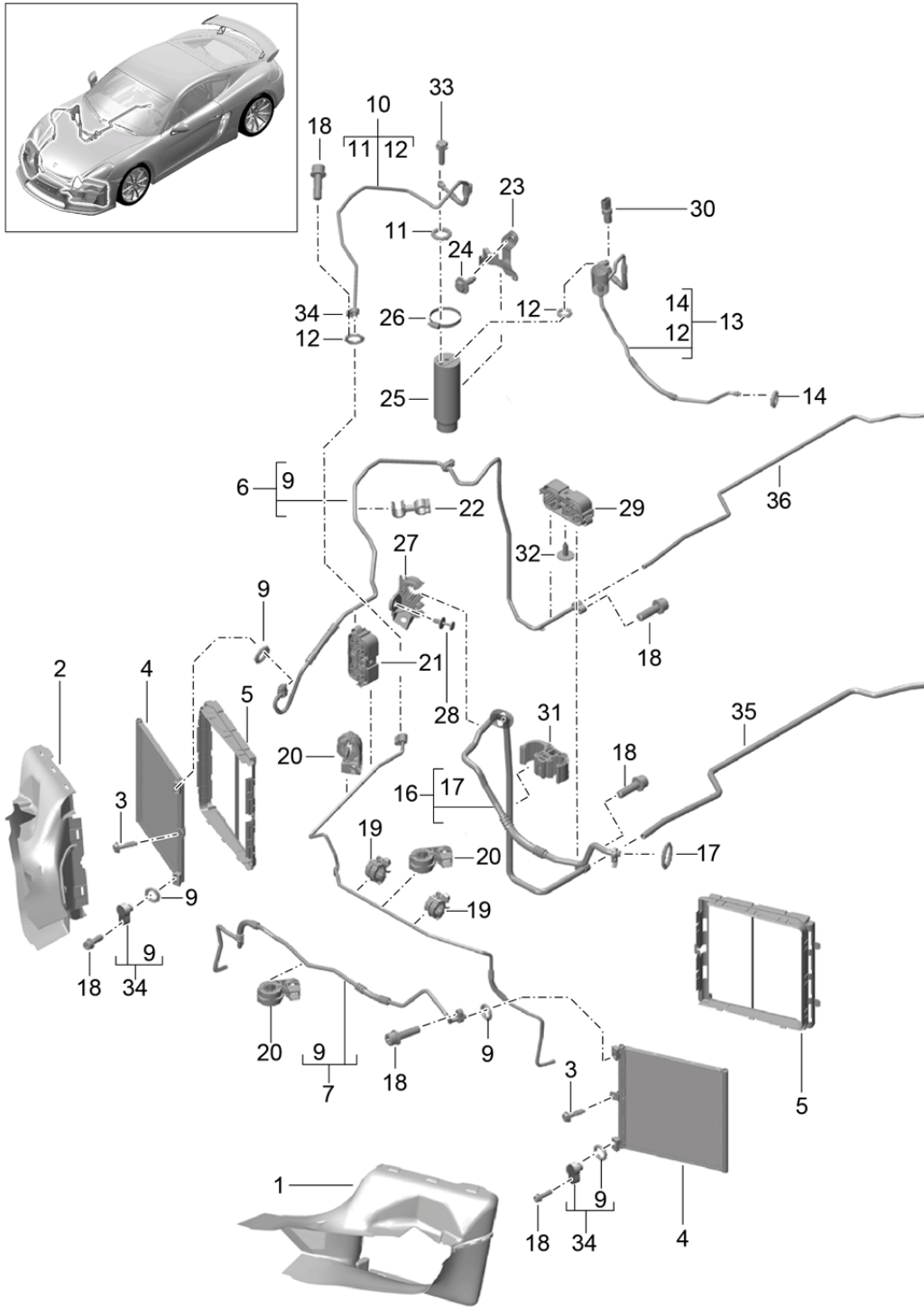
Model: 981GT4

Model life 2016>>2016

Pos	Part Number	Description	Remark	Qty	Model
1	9A1 126 011 05	Compressor		1	
(1)	9A1 126 011 AX	Air conditioning Compressor		1	
2	900 385 134 01	Compressor Replacement parts		1	
3	900 385 102 01	Hexagon head bolt M8X170		1	
4		Torx screw M8X90		2	
5		suction line see illustration, item:	813-025,4	1	
6	N 104 144 02	Pressure line see illustration, item:	813-025,5	1	
7	000 043 200 04	Socket head bolt with hexagon socket head M 8X28-U		2	
		Compressor oil 250 ML		1	

Model: 981GT4

Model life 2016>>2016



Model: 981GT4 Model life 2016>>2016

Pos	Part Number	Description	Remark	Qty	Model
1	981 575 321 80	refrigerant circuit Air guide	front left side	1	
2	981 575 321 80 1E0 981 575 322 80	Black Air guide	right side	1	
3	981 575 322 80 1E0 999 919 133 09	Black Hexagon bolt 6,0X20,0		2	
4	991 573 111 02	Condenser		2	
5	991 573 711 02	Sealing frame		2	
6	991 573 094 02	Pressure line Underbody for Condenser	front	1	
7	981 573 103 81	Pressure line Between Condenser		1	
8	981 573 105 81	Pressure line Condenser Wheel housing	left	1	
9	999 707 557 41	O-ring		1	
10	991 573 108 01	Pressure line Drier for Expansion valve Wheel housing panel		1	
11	999 707 556 41	O-ring		1	
12	999 707 660 40	O-ring		1	
13	991 573 109 06	Pressure line Drier	lhd	1	PR:098,572, 573
14	999 707 652 40	O-ring		1	
16	991 573 093 00	suction line Expansion valve for Underbody	lhd	1	PR:098
17	999 707 558 41	O-ring		1	
18	N 104 144 02	Socket head bolt with hexagon socket head M 8X28		5	
19	991 573 839 01	Bracket		2	
20	991 573 837 00	Bracket Discontinued part		X	
21	991 573 841 00	Bracket		1	
22	999 507 969 40	Hose bracket 12,0/12,0		2	
23	991 573 451 01	bracket for drier		1	
24	900 075 510 01	Bolt with washer M6X20		1	
25	944 573 143 01	Drier		1	
26	999 512 349 01	Hose clamp A 50-70/ 9		1	
27	991 573 827 01	Bracket		2	
28	999 507 497 40	Spreader rivet 8,0X14,0		2	
29	991 573 843 00	Bracket		1	
30	955 613 137 02	Pressure sensor		1	
31	991 573 825 01	Bracket for coolant line		1	
32	999 073 505 01	panel screw ST4,8X16-C		2	
33	900 075 340 01	Bolt with washer M6X22		2	

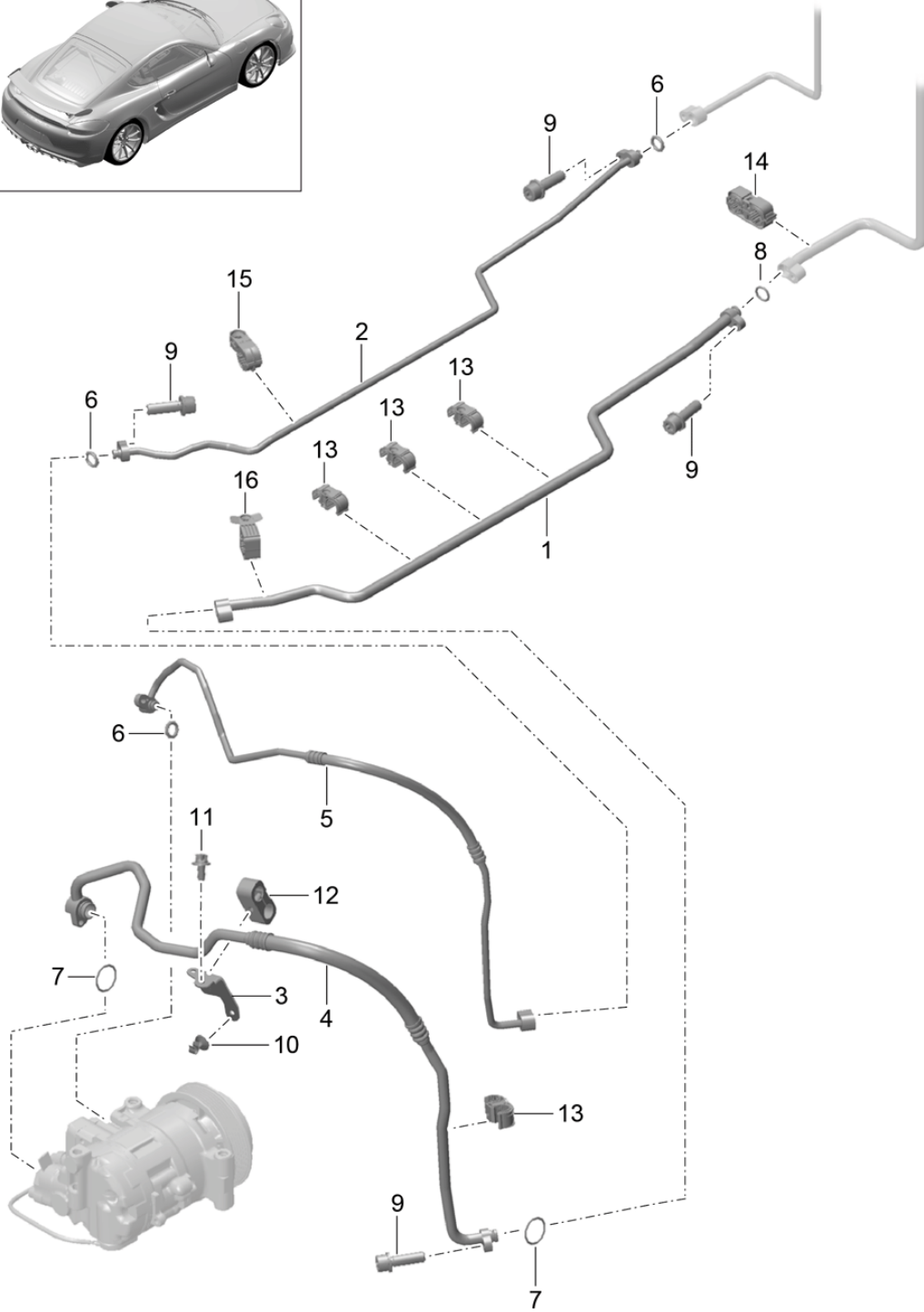
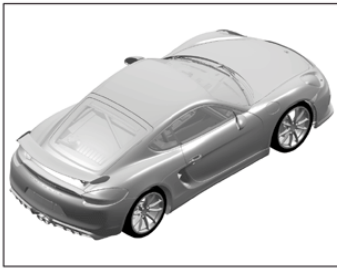
Model: 981GT4

Model life 2016>>2016

Pos	Part Number	Description	Remark	Qty	Model
34	981 573 401 00	Sealing flange		2	
35		Condenser suction line see illustration, item:	813-025,1	1	
36		Pressure line see illustration, item:	813-025,2	1	

Model: 981GT4

Model life 2016>>2016

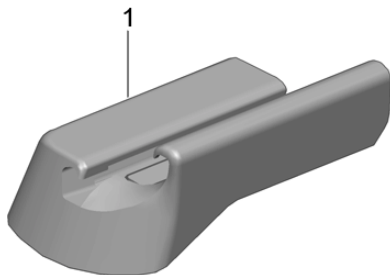
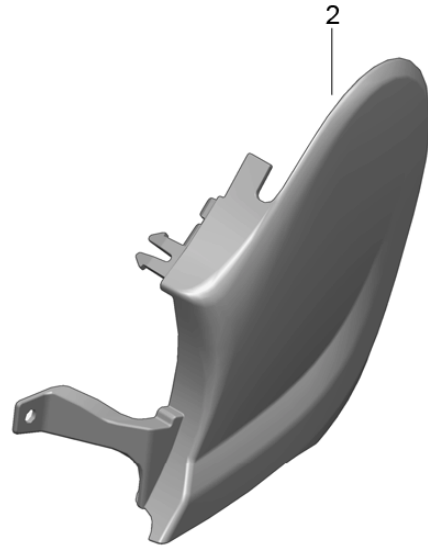
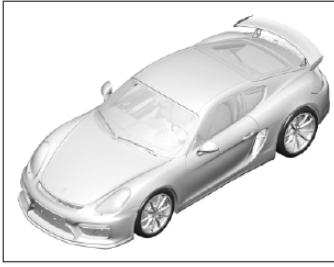


Model: 981GT4 Model life 2016>>2016

Pos	Part Number	Description	Remark	Qty	Model
1	991 573 091 03	refrigerant circuit Underbody and Rear end suction line Wheel housing for	front	1	
2	991 573 092 03	Underbody Pressure line Underbody for	front	1	
3	9A1 573 341 02	Wheel housing Line holder		1	
4	9A1 573 099 08	Lines suction line Underbody for		1	
5	9A1 573 097 09	Compressor Pressure line Underbody for		1	
6	999 707 557 41	Compressor O-ring		3	
7	999 707 439 41	11.00X2.50 O-ring		1	
8	999 707 653 40	23.80X2.40 O-ring		2	
9	N 104 144 02	16.70X2.50 Socket head bolt with hexagon socket head M 8X28		3	
10	999 507 125 40	Bracket 8,0		1	
11	900 385 041 01	Torx screw BM 6X12		1	
12	999 511 230 40	Cable holder		1	
13	991 573 825 01	Bracket for coolant line		3	
14	991 573 843 00	Bracket		1	
15	991 573 837 00	Bracket		2	
16	991 573 829 01	Bracket for coolant line		1	

Model: 981GT4

Model life 2016>>2016

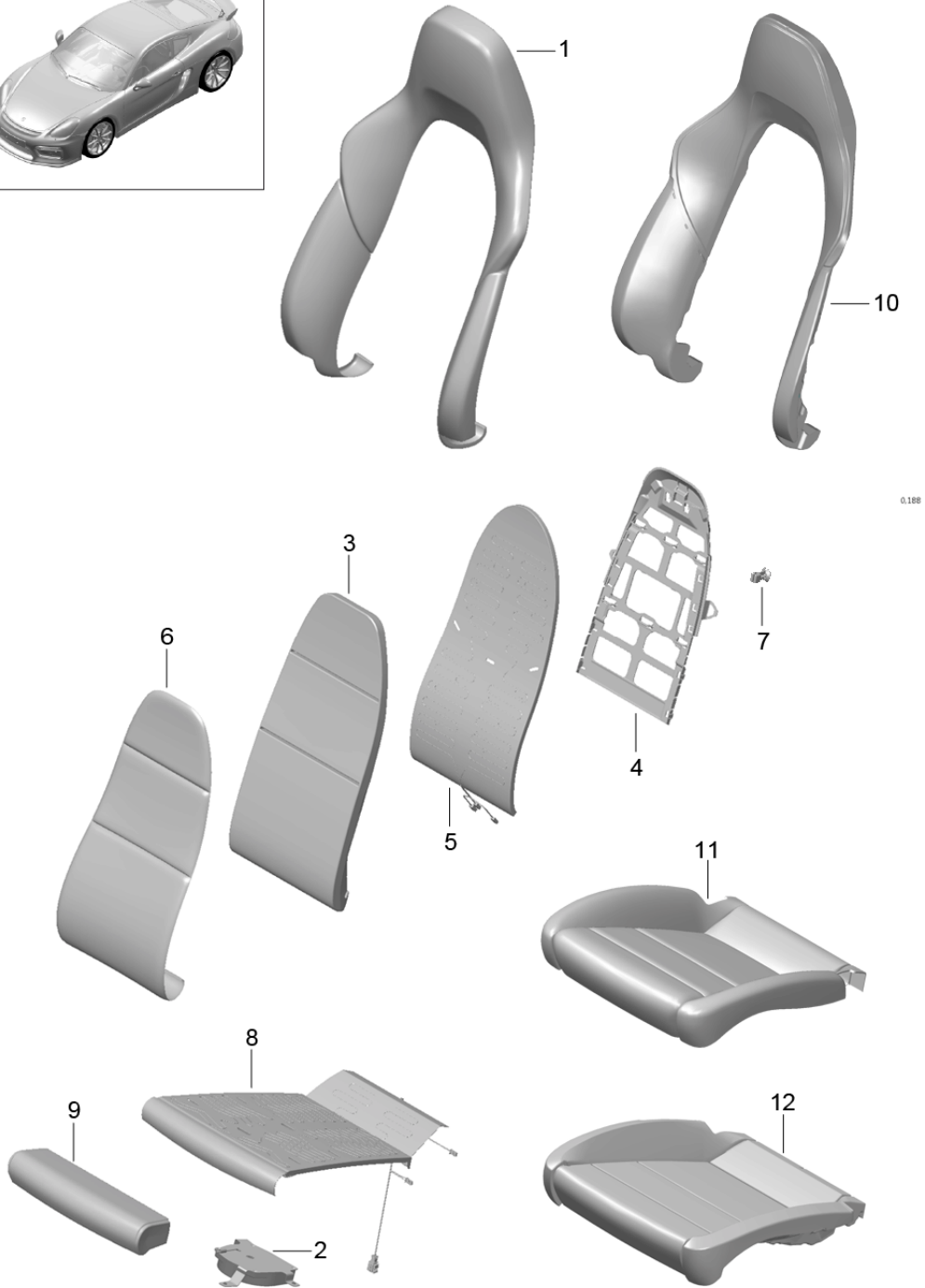
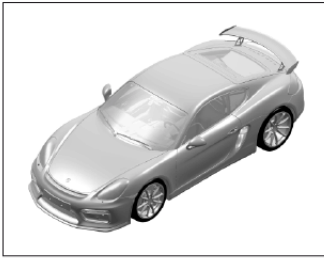


Model: 981GT4 Model life 2016>>2016

Pos	Part Number	Description	Remark	Qty	Model
1	991 521 359 00	Sports seat Plus (complete) Not available Trim Rail Front seat	left	1	PR:317
(1)	991 521 359 00 1E0	Black Sport version			
(1)	991 521 360 00	Rail Front seat	right	1	PR:318
(1)	991 521 360 00 1E0	Black Sport version			
(1)	991 521 361 00	Rail Front seat	left	1	PR:318,323, 324
(1)	991 521 361 00 1E0	Black Sport version			
(1)	991 521 362 00	Rail Front seat	right	1	PR:317,323, 324
2	991 521 362 00 1E0	Black			
(2)	991 521 315 00	Cover panel Mounting component Front seat	left	1	PR:323
(2)	991 521 315 00 D20	silver grey metallic Sport version			
(2)	981 521 335 01	Cover panel Mounting component Front seat	left inner	1	PR:317
(2)	981 521 335 01 1E0	Black			
(2)	981 521 336 01	Cover panel Mounting component Front seat	right	1	PR:318
	981 521 336 01 1E0	Black Sport version	inner		

Model: 981GT4

Model life 2016>>2016



Model: 981GT4 Model life 2016>>2016

Pos	Part Number	Description	Remark	Qty	Model
1	981 521 141 80	Foam part Cover Sports seat Plus Backrest cover Outer part Sports seat Plus	left a. right	1	PR:317,318, 951
	981 521 141 80 DRL	Black/Platinum Grey	-28,78		
	981 521 141 80 DRM	Black/Guards Red	-68		
	981 521 141 80 DRQ	Black/Racing Yellow	-58		
3	991 521 581 00	Foam part backrest Centre part Sport version		1	PR:317,318, 323,324
4	991 521 551 00	Backrest-padding support part	left a. right	1	PR:317,318, 323,324
6	981 521 151 00	Sport version Backrest cushion cover Centre part Sport version	left a. right	1	PR:317,318, 951
7	981 521 151 00 2W0	Black			
7	991 521 899 00	Clip Cushioning backrest Sport version	left a. right	1	PR:317,318, 323,324
9	991 521 539 00	Foam part Seat cushion Sport version Position Deep Adjustable		1	PR:323,324
10	991 521 535 02	Foam part backrest Outer part Sport version	left a. right	1	PR:317,318
(10)	991 521 535 04	Foam part backrest Outer part Sports seat Plus	left a. right	1	PR:323,324
11	991 521 161 48	Seat cover Sports seat Plus	left	1	PR:317,951
	991 521 161 48 RAD	Black/Platinum Grey	-28,78		
	991 521 161 48 RAE	Black/Guards Red	-68		
	991 521 161 48 RAF	Black/Racing Yellow	-58		
(11)	991 521 161 49	Seat cover Sports seat Plus	left	1	PR:323,951
	991 521 161 49 RAD	Black/Platinum Grey	-28,78		
	991 521 161 49 RAE	Black/Guards Red	-68		
	991 521 161 49 RAF	Black/Racing Yellow	-58		
(11)	991 521 162 48	Seat cover Sports seat Plus	right	1	PR:318,951
	991 521 162 48 RAD	Black/Platinum Grey	-28,78		
	991 521 162 48 RAE	Black/Guards Red	-68		
	991 521 162 48 RAF	Black/Racing Yellow	-58		
(11)	991 521 162 49	Seat cover Sports seat Plus	right	1	PR:324,951
	991 521 162 49 RAD	Black/Platinum Grey	-28,78		
	991 521 162 49 RAE	Black/Guards Red	-68		
	991 521 162 49 RAF	Black/Racing Yellow	-58		
12	991 521 571 04	Foam part Seat cushion Sports seat Plus	left	1	PR:317
(12)	991 521 572 12	Foam part Seat cushion	right	1	PR:318

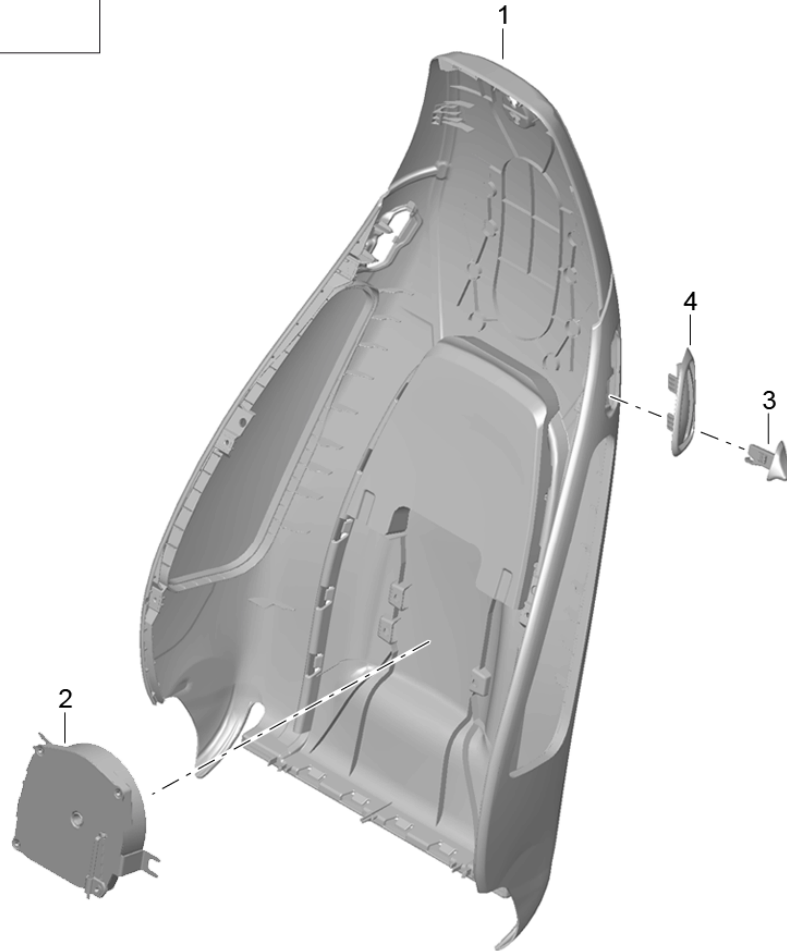
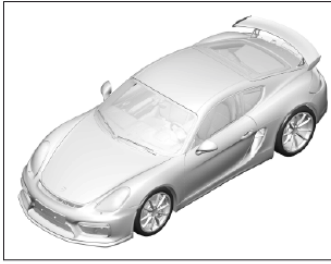
Model: 981GT4

Model life 2016>>2016

Pos	Part Number	Description	Remark	Qty	Model
(12)	991 521 571 06	Sports seat Plus Foam part Seat cushion	left	1	PR:323
(12)	991 521 572 14	Sports seat Plus Adjustable Foam part Seat cushion	right	1	PR:324
(12)	991 618 949 02	Sports seat Plus Adjustable Repair set for seat occupied sensor Seat cushion Sports seat Plus	right	1	PR:318,560

Model: 981GT4

Model life 2016>>2016

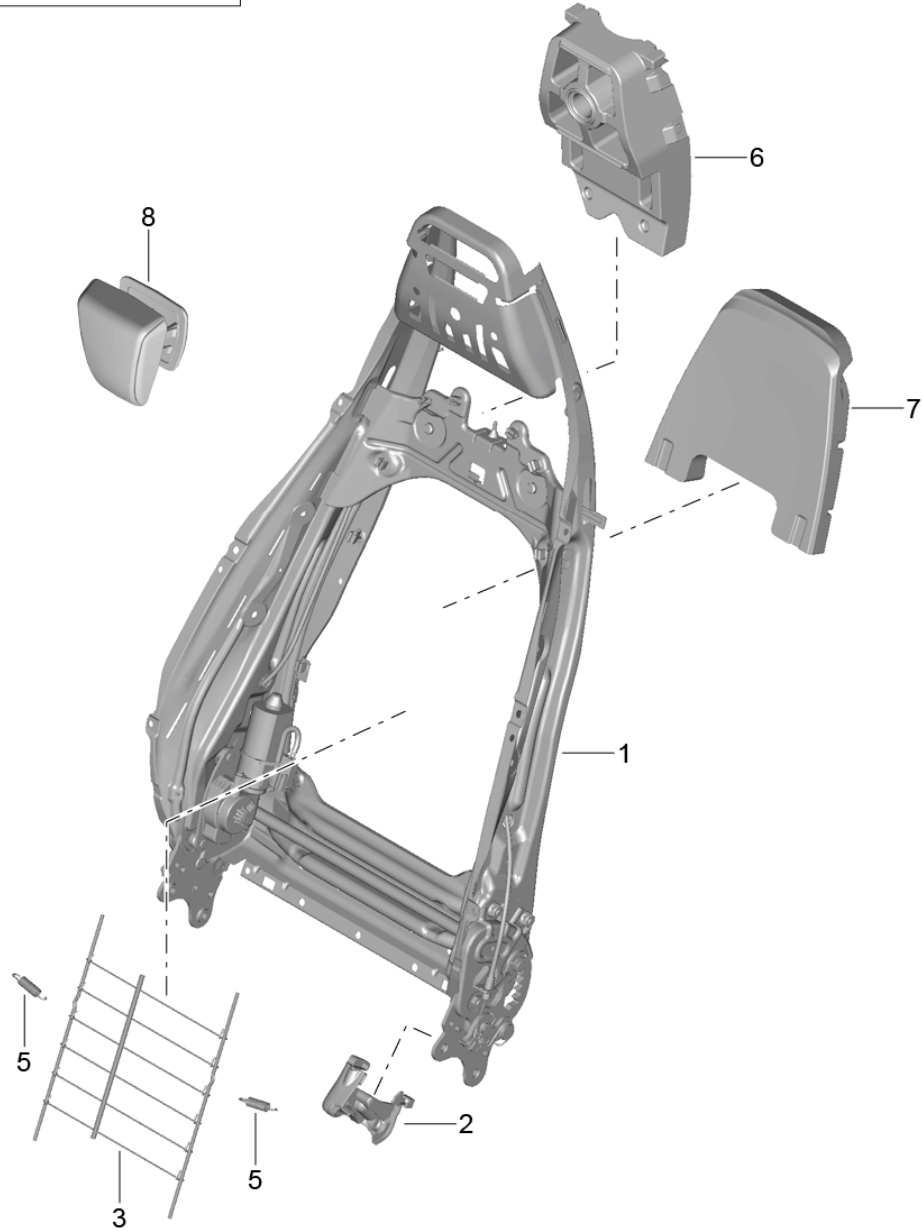
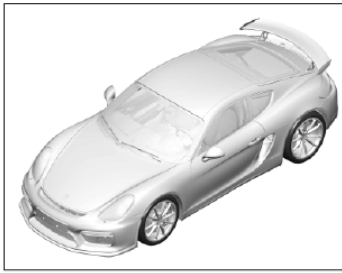


Model: 981GT4 Model life 2016>>2016

Pos	Part Number	Description	Remark	Qty	Model
1	991 521 303 03	Backrest shell Sports seat Plus Accessories	left	1	PR:323
(1)	991 521 303 03 D20	silver grey metallic			
	991 521 304 03	Backrest shell Sport version	right	1	PR:318,324
(1)	991 521 304 03 D20	silver grey metallic			
	991 521 985 01	Backrest shell Sports seat Plus	left	1	PR:XWK,323, 951,983,-998
	991 521 985 01 DPE	Black/Platinum Grey	-28,78		
	991 521 985 01 DRK	Black/Guards Red	-68		
	991 521 985 01 DPI	Black/Racing Yellow	-58		
(1)	991 521 986 01	Backrest shell Sports seat Plus	right	1	PR:XWK,324, 951,983,-998
	991 521 986 01 DPE	Black/Platinum Grey	-28,78		
	991 521 986 01 DRK	Black/Guards Red	-68		
	991 521 986 01 DPI	Black/Racing Yellow	-58		
3	991 521 623 00	Actuator button lever for folding backrest Sport version	left	1	PR:317,318, 323,324
(3)	991 521 623 00 V08	Galvano silver			
	991 521 624 00	Actuator button lever for folding backrest Sport version	right	1	PR:317,318, 323,324
	991 521 624 00 V08	Galvano silver			
4	991 521 621 01	Rosette Actuator button Sport version lever for folding backrest	left	1	PR:317,318, 323,324
(4)	991 521 621 01 D20	silver grey metallic			
	991 521 622 01	Rosette Actuator button Sport version lever for folding backrest	right	1	PR:317,318, 323,324
	991 521 622 01 D20	silver grey metallic			
5	997 521 783 01	Support panel Backrest shell	left	1	PR:317,318, 323,324
(5)	997 521 784 01	Support panel Backrest shell	right	1	PR:317,318, 323,324

Model: 981GT4

Model life 2016>>2016



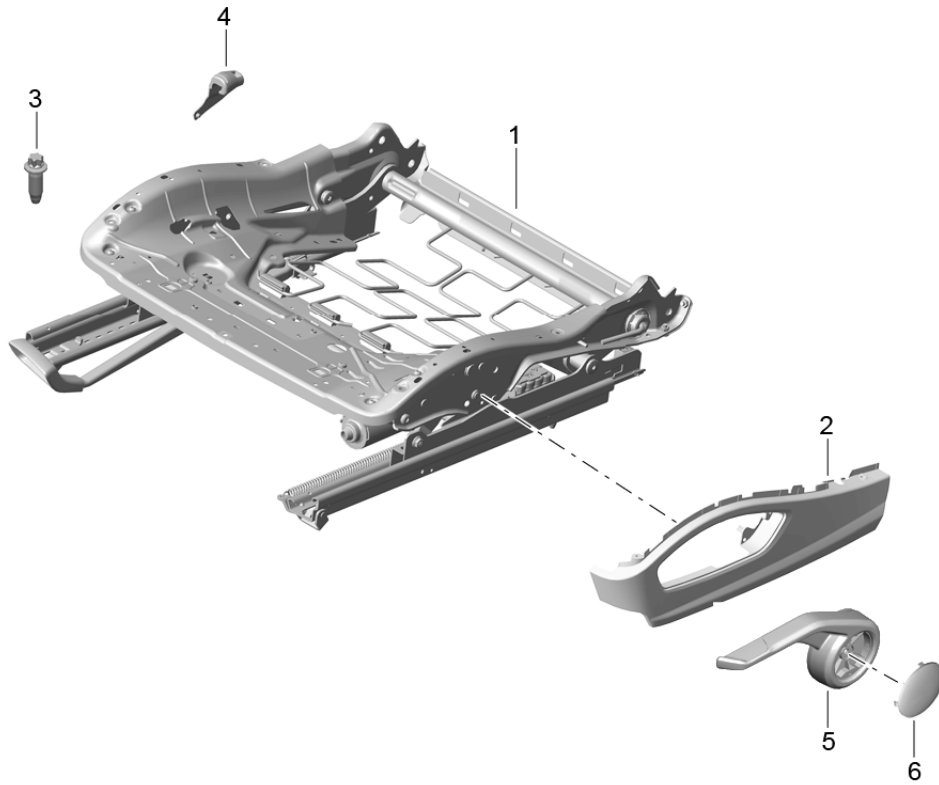
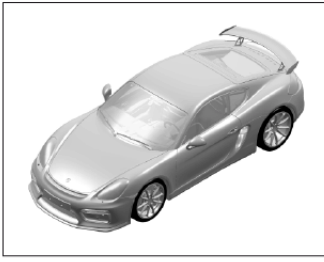
Model: 981GT4

Model life 2016>>2016

Pos	Part Number	Description	Remark	Qty	Model
1	9P1 881 045 E	Backrest frame Sports seat Plus Accessories backrest frame Sport version No memory function		1	PR:317,318
(1)	9P1 881 045 F	backrest frame Sport version With memory function		1	PR:323,324
2	991 521 335 00	Trim Mounting component Sport version	left inner	1	PR:323
(2)	991 521 335 00 D20	silver grey metallic			
	991 521 336 00	Trim Mounting component Sport version	right inner	1	PR:324
	991 521 336 00 D20	silver grey metallic			
3	991 521 855 00	Grille Backrest frame		1	PR:317,318, 323,324
5	991 521 893 00	tension spring Grille	left a. right	1	PR:317,318, 323,324
6	991 521 887 02	Backrest frame Foam part Head restraint Backrest frame Sport version		1	PR:317,318, 323,324
7	991 521 897 01	Foam part backrest Backrest frame Sport version		1	PR:317,318, 323,324
8	991 521 301 90	Reinforcement Support wedge Backrest frame		1	PR:373,374, 553
	991 521 301 90 8YR	Black			

Model: 981GT4

Model life 2016>>2016



Model: 981GT4 Model life 2016>>2016

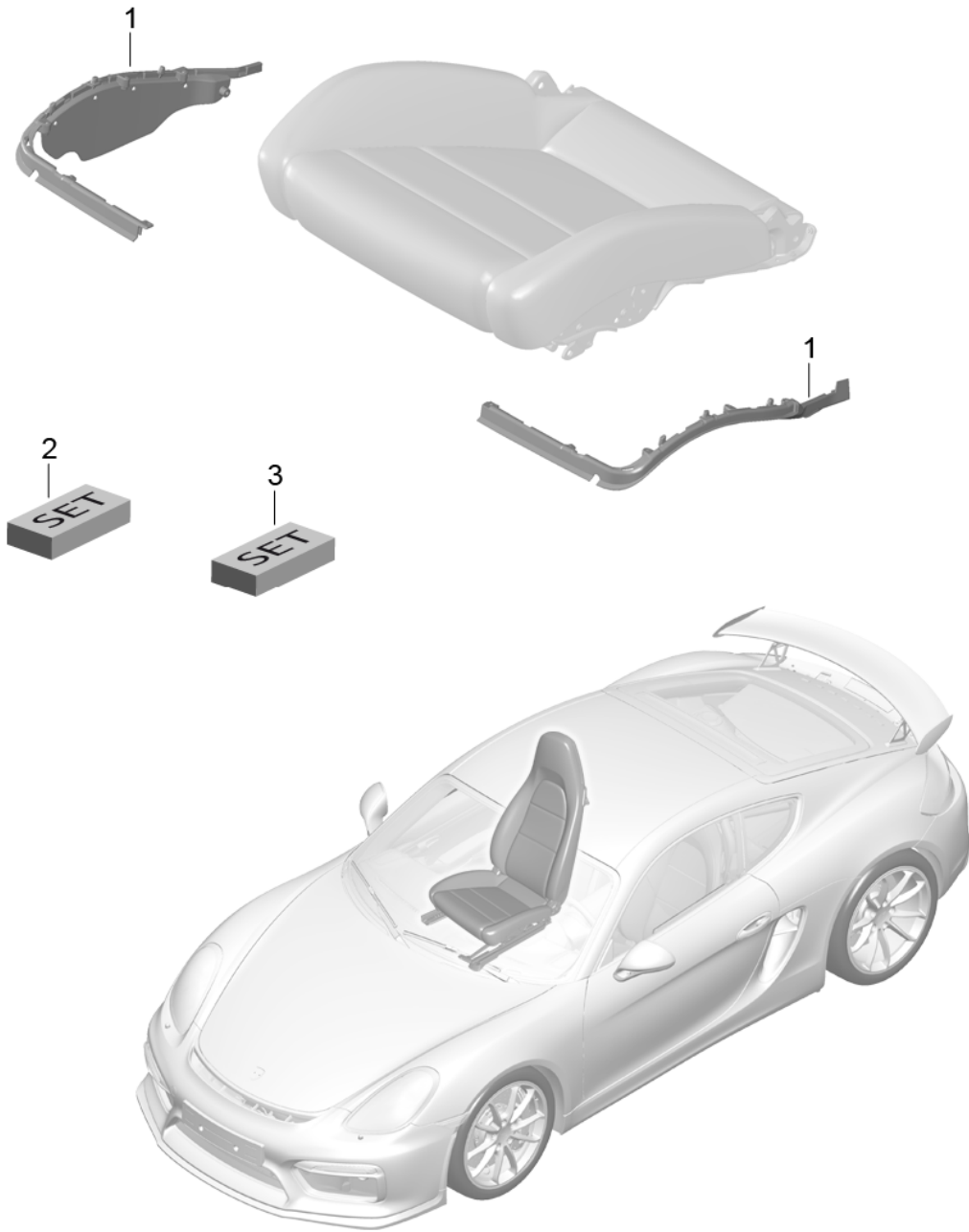
Pos	Part Number	Description	Remark	Qty	Model
1	981 521 201 00	Seat frame Sports seat Plus Accessories Switch housing	left	1	PR:317
(1)	981 521 202 00	Seat frame Sports seat Plus Manually	right	1	PR:318
(1)	991 521 201 01	Seat frame Sports seat Plus Electric	left	1	PR:323,-IY2
		with: Memory D >> - MJ 2015			
(1)	9P1 881 105 G	Seat frame (electrically adjustable) sports seat Electric	left	1	PR:323,IY2
		with: Memory			
(1)	991 521 202 01	Seat frame Sports seat Plus Electric	right	1	PR:324,-IY2
		with: Memory D >> - MJ 2015			
(1)	9P1 881 106 G	Seat frame (electrically adjustable) sports seat Electric	right	1	PR:324,IY2
		with: Memory			
2	991 521 325 00	Trim for switch Sports seat Plus	left	1	PR:323
	991 521 325 00 D20	silver grey metallic			
(2)	991 521 326 00	Trim for switch Sports seat Plus	right	1	PR:324
	991 521 326 00 D20	silver grey metallic			
(2)	981 521 325 00	Trim for switch Sports seat Plus	left	1	PR:317
	981 521 325 00 1E0	Black Metallic			
(2)	981 521 326 00	Trim for switch Sports seat Plus	right	1	PR:318
	981 521 326 00 1E0	Black			
3	9A7 007 483 00	Outer hexagon round screw M10X28		1	
4	991 521 612 00	Protective plate Belt latch Seat frame		1	PR:318,324, 560
5	981 521 627 00	Front seat Actuating lever Height adjustment Seat frame		1	PR:317
	981 521 627 00 1E0	Black			
(5)	981 521 628 00	Front seat Actuating lever Height adjustment Seat frame		1	PR:318
	981 521 628 00 1E0	Black			

Model: 981GT4 Model life 2016>>2016

Pos	Part Number	Description	Remark	Qty	Model
6	981 521 629 00	Cover cap Actuating lever		2	PR:560
	981 521 629 00 1E0	Black			
7	991 606 921 00	repair set Seat frame Sensor Seating position control		1	PR:560
8	997 521 251 01	Holder for fire extinguisher Seat frame		1	PR:509,099
(8)	997 521 252 01	Holder for fire extinguisher Seat frame		1	PR:509,098
9	7PP 882 650	Cup Fire extinguishers Seat frame		1	PR:509
10	7PP 882 649	Insert Cup Fire extinguishers Seat frame		1	PR:509
11	7PP 882 645	tensioning strap Fire extinguishers Seat frame		1	PR:509
12	997 521 841 01	Reinforcement Bracket Fire extinguishers Seat frame	front	1	PR:509
13	997 521 843 01	Reinforcement Bracket Fire extinguishers Seat frame	rear	1	PR:509
14	7PP 959 748 AB	Switch module for seat Seat adjuster		1	PR:324
	7PP 959 748 AB DMN	Galvano silver			
(14)	7PP 959 747 AB	Switch module for seat Seat adjuster		1	PR:323
	7PP 959 747 AB DMN	Galvano silver			

Model: 981GT4

Model life 2016>>2016

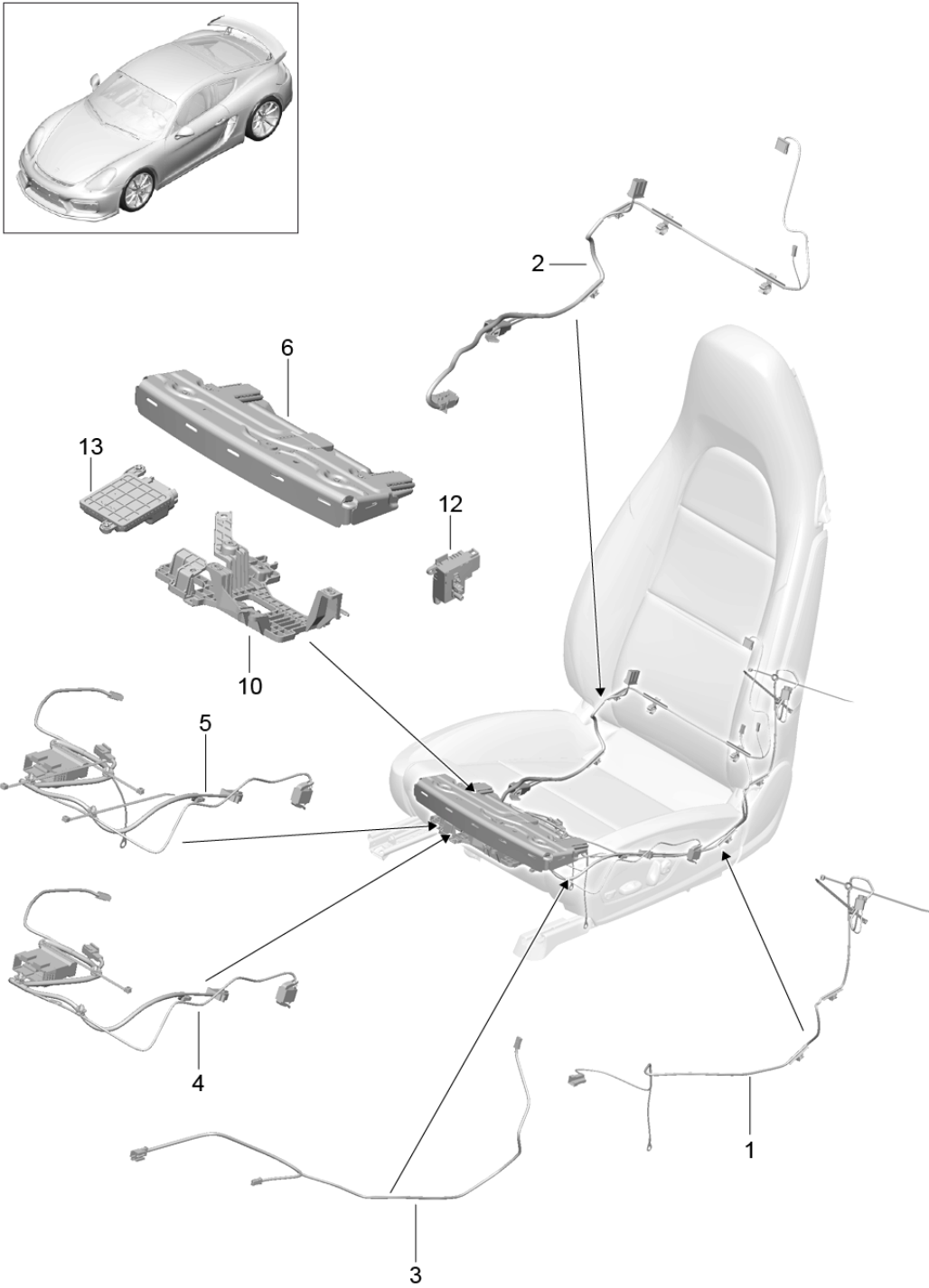


Model: 981GT4 Model life 2016>>2016

Pos	Part Number	Description	Remark	Qty	Model
1	991 521 547 00	Cushion carrier Frame Seat surface Sports seat Plus repair set seat occupied recognition	left inner	1	PR:318,324
(1)	991 521 548 00	Frame Cushion carrier Seat surface Sports seat Plus	right inner	1	PR:317,323
(1)	991 521 545 00	Frame Cushion carrier Seat surface Sports seat Plus	left outer	1	PR:317,323
(1)	991 521 546 00	Frame Cushion carrier Seat surface Sports seat Plus	right outer	1	PR:318,324
(2)	991 618 949 02	Repair set for seat occupied sensor		1	PR:318,560, -541
(2)	991 618 951 02	Cushion carrier Sports seat Plus Repair set for seat occupied sensor		1	PR:324,560, -541
3	991 606 921 00	Cushion carrier Sports seat Plus repair set Seat frame Sensor Seating position control		1	PR:560

Model: 981GT4

Model life 2016>>2016



Model: 981GT4 Model life 2016>>2016

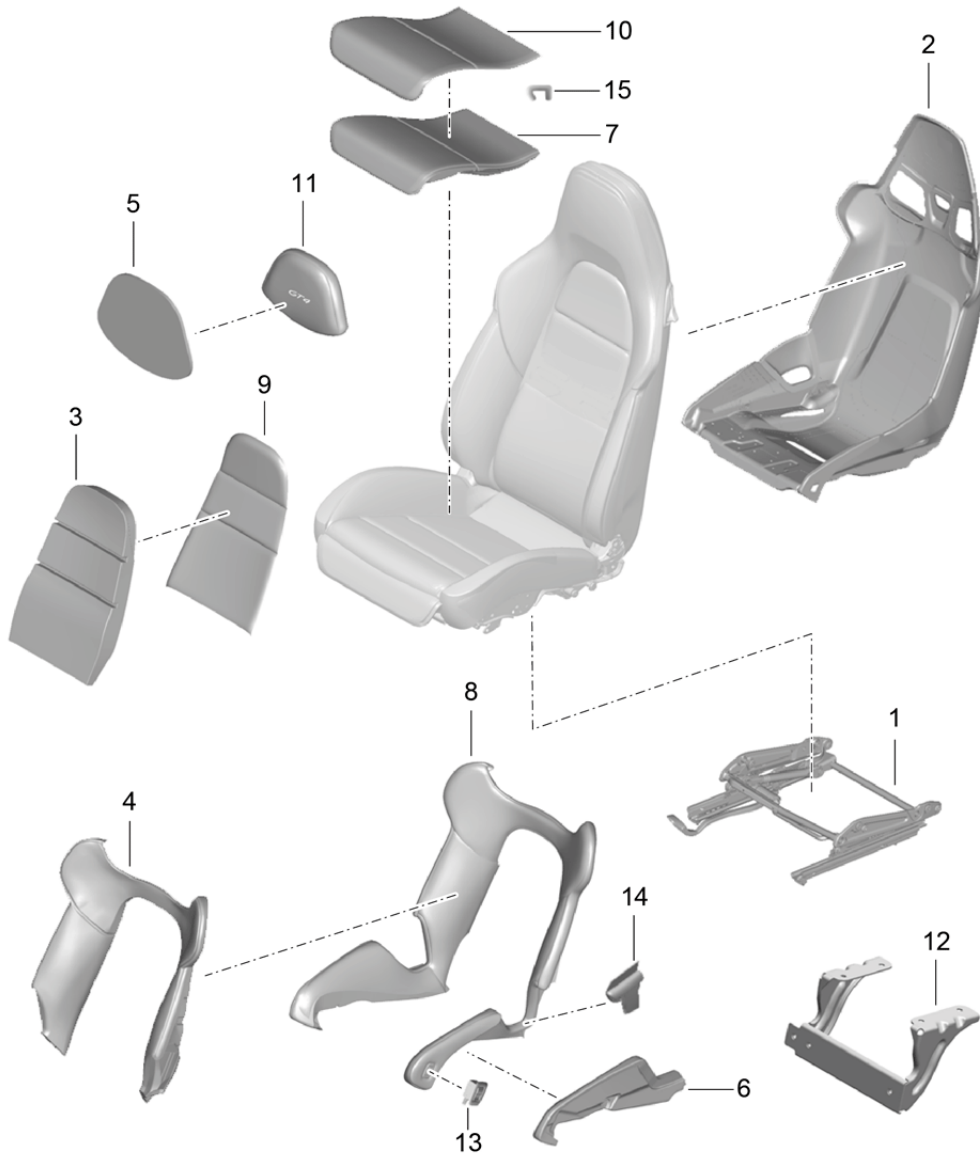
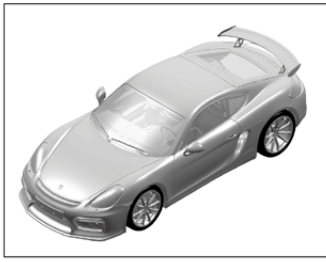
Pos	Part Number	Description	Remark	Qty	Model
1	991 622 795 00	Wiring looms Switch Control unit Electric motor sports seat Wire set	left	1	PR:317,323
(1)	9P1 972 171 A	Airbag Seat D >> - 22.06.2015	left	1	PR:317,323
(1)	991 622 796 00	Wire set Airbag Seat D - 23.06.2015>>	right	1	PR:318,324
(1)	9P1 972 173	Wire set Airbag Seat D >> - 22.06.2015	right	1	PR:318,324
(1)	9P1 972 173 A	Wire set Airbag Seat D - 23.06.2015>> - 03.11.2016	right	1	PR:318,324
2	991 622 787 01	Wire set Backrest frame Adjustment Tilt angle		1	PR:317,318
(2)	9P1 971 369 A	Wire set Backrest frame Adjustment Tilt angle Lumbar Memory ADAPTIV		1	PR:323
(2)	9P1 971 370 A	Wire set Backrest frame Adjustment Tilt angle Lumbar ADAPTIV		1	PR:324
4	981 622 761 01	Wire set Seat	left	1	PR:317
(4)	981 622 762 01	Wire set Seat	right	1	PR:318
(4)	9P3 971 391	Wire set Seat (drivers side)	lhd	1	PR:098,323
(4)	9P3 971 392	Wire set Seat (passenger side)	lhd	1	PR:098,324
(4)	9P4 971 391	Wire set Seat (passenger side)	rhd	1	PR:099,323
(4)	9P4 971 392	Wire set Seat (drivers side)	rhd	1	PR:099,324
(4)	981 622 769 01	Wire set Seat	left	1	PR:317,560
(4)	981 622 770 01	Wire set Seat	right	1	PR:318,560
(4)	9P1 971 391	Wire set	left	1	PR:323,560

Model: 981GT4 Model life 2016>>2016

Pos	Part Number	Description	Remark	Qty	Model
(4)	9P1 971 392	Seat Wire set	right	1	PR:324,560
5	981 622 775 01	Seat Wire set	left	1	PR:317,342
(5)	981 622 776 01	Seat with heating Wire set	right	1	PR:318,342
(5)	9P3 971 391 A	Seat with heating Seat	lhd	1	PR:098,323, 342
(5)	9P3 971 392 A	Seat with heating Wire set	lhd	1	PR:098,324, 342
(5)	9P4 971 391 A	Seat with heating Seat	rhd	1	PR:099,323, 342
(5)	9P4 971 392 A	Seat with heating (passenger side) Wire set	rhd	1	PR:099,324, 342
(5)	981 622 781 01	Seat with heating Wire set	left	1	PR:317,342, 560
(5)	981 622 782 01	Seat with heating Wire set	right	1	PR:318,342, 560
(5)	9P1 971 391 A	Seat with heating Wire set	left	1	PR:323,342, 560
(5)	9P1 971 392 A	Seat with heating Wire set	right	1	PR:324,342, 560
6	970 521 749 00	Electric drive Seat frame		1	PR:323,324
10	991 521 643 02	Wide Deep Adjustable Bracket		1	PR:323,324
(10)	991 521 643 00	Electronic component Seat frame sports seat		1	PR:317,318
11	981 613 713 00	Actuator button Seat frame sports seat		1	PR:317,318
12	981 613 713 00 1E0 997 613 713 01	Black switch for seat adjustment Seat frame sports seat	left	1	PR:317
(12)	997 613 714 01	switch for seat adjustment Seat frame sports seat	right	1	PR:318

Model: 981GT4

Model life 2016>>2016



Model: 981GT4 Model life 2016>>2016

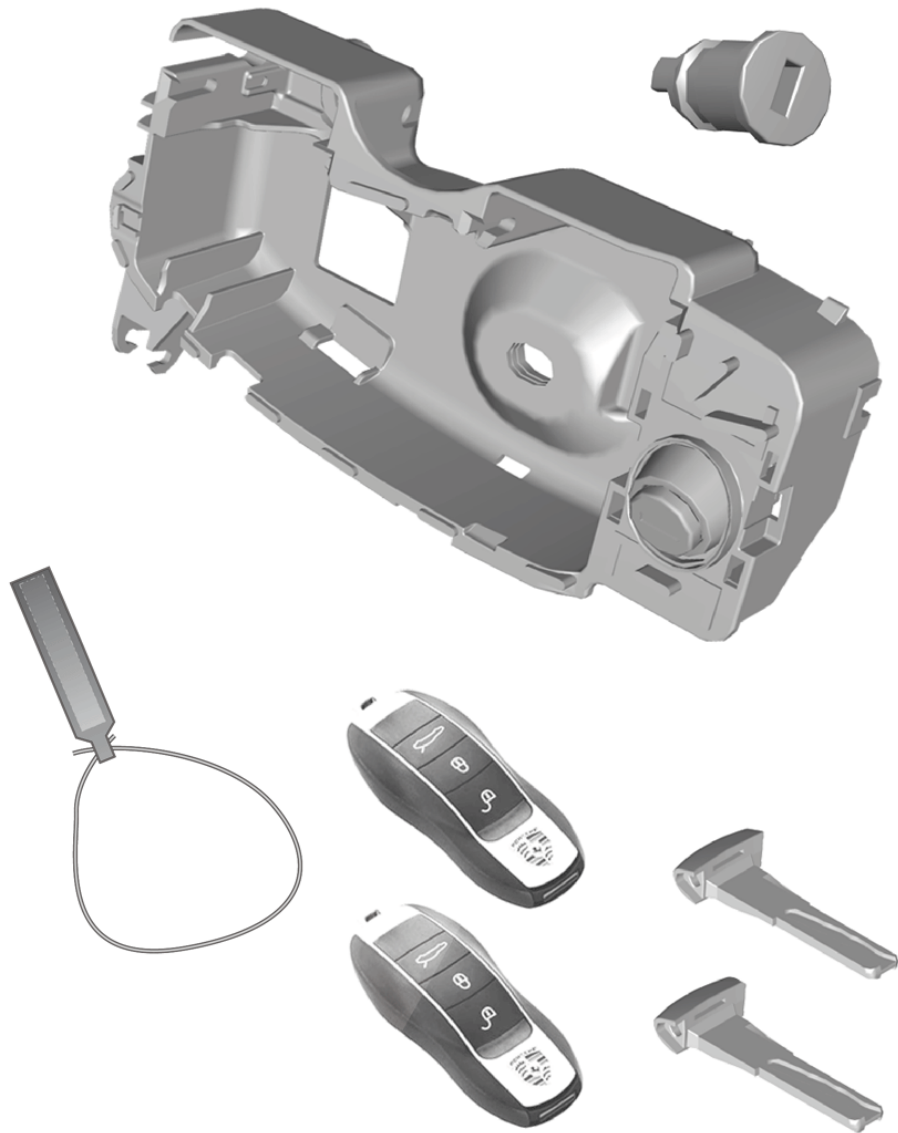
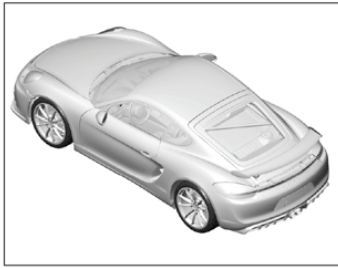
Pos	Part Number	Description	Remark	Qty	Model
1	991 521 201 90	bucket seat Accessories Seat frame	left	1	PR:373
(1)	918 521 202 01	bucket seat Seat frame	right	1	PR:374
(1)	991 521 913 90	bucket seat 918 Spyder repair set Seat frame		1	
2	991 521 401 90	bucket seat bucket seat Seat		1	PR:373
		with:			
(2)	991 521 401 90 A3G	Airbag unit Carbon Gloss Black		1	
	991 521 402 90	bucket seat Seat		1	PR:374
		with:			
(2)	991 521 402 90 A3G	Airbag unit Carbon Gloss Black		1	
	991 521 402 91	bucket seat Seat		1	PR:374,560
		with:			
3	991 521 402 91 A3G	Airbag unit Carbon Gloss Black		1	
	991 521 581 90	Foam part backrest Centre part		1	PR:373,374
4	918 521 531 00	Foam part backrest	outer	1	PR:373,374
5	918 521 551 00	Foam part Head restraint		1	PR:373,374
6	918 521 535 00	Foam part Seat cushion	outer	1	PR:373,374
(6)	918 521 536 00	Foam part Seat cushion	outer	1	PR:373,374
7	918 521 571 00	Foam part Seat cushion	left	1	PR:373,374
(7)	918 618 945 00	Repair set for seat occupied sensor Seat cushion	right	1	PR:374,560
		with:			
8	991 521 141 90	Completed Backrest cover Outer part	left	1	PR:373,951
	991 521 141 90 DRL	Black/Platinum Grey	-28,78		
	991 521 141 90 DRM	Black/Guards Red	-68		
	991 521 141 90 DRQ	Black/Racing Yellow	-58		
(8)	991 521 142 90	Backrest cover Outer part	right	1	PR:374,951
	991 521 142 90 DRL	Black/Platinum Grey	-28,78		
	991 521 142 90 DRM	Black/Guards Red	-68		
	991 521 142 90 DRQ	Black/Racing Yellow	-58		
9	991 521 151 90	Backrest centre part w. cover		1	PR:373,374, 951
	991 521 151 90 2W0	Black			
10	918 521 161 12	Cover Seat cushion		1	PR:373,374, 951
	918 521 161 12 2W0	Black			
(10)	918 521 161 02	Cover Seat cushion		1	PR:373,374, 951
	918 521 161 02 2W0	Black			
(10)	918 521 161 06	Cover	right	1	PR:374,560,

Model: 981GT4 Model life 2016>>2016

Pos	Part Number	Description	Remark	Qty	Model
	918 521 161 06 2W0	Seat cushion Black			951
(10)	918 521 161 16	Cover	right	1	PR:374,560, 951
	918 521 161 16 2W0	Seat cushion Black			
11	981 521 181 80	Head restraint cover	right	1	PR:373,374, 951,981
		GT4 STICKUNG			
	981 521 181 80 DRL	Black/Platinum Grey	-28,78		
	981 521 181 80 DRM	Black/Guards Red	-68		
	981 521 181 80 DRQ	Black/Racing Yellow	-58		
12	918 521 513 00	Holder for fire extinguisher	right	1	PR:373,374, 509
13	918 613 201 01	Switch		1	
	918 613 201 01 5Q0	Black	-28,68,78,58		
14	918 521 301 00	Seat		1	PR:373
	918 521 301 00 8YR	Black	-28,68,78,58		
(14)	918 521 302 00	Seat		1	PR:374
	918 521 302 00 8YR	Black	-28,68,78,58		
15	N 015 261 2	Clip Mount		1	
		Seat cover			
16	9P1 980 341	Sensor Position Seat rail		1	
		also use:			
17	N 907 321 02	N 907.321.02 Hexagon socket flat head bolt TP 4 X 16 Mount		1	
18	918 521 911 00	Sensor repair set Cover Bowden cable		1	

Model: 981GT4

Model life 2016>>2016



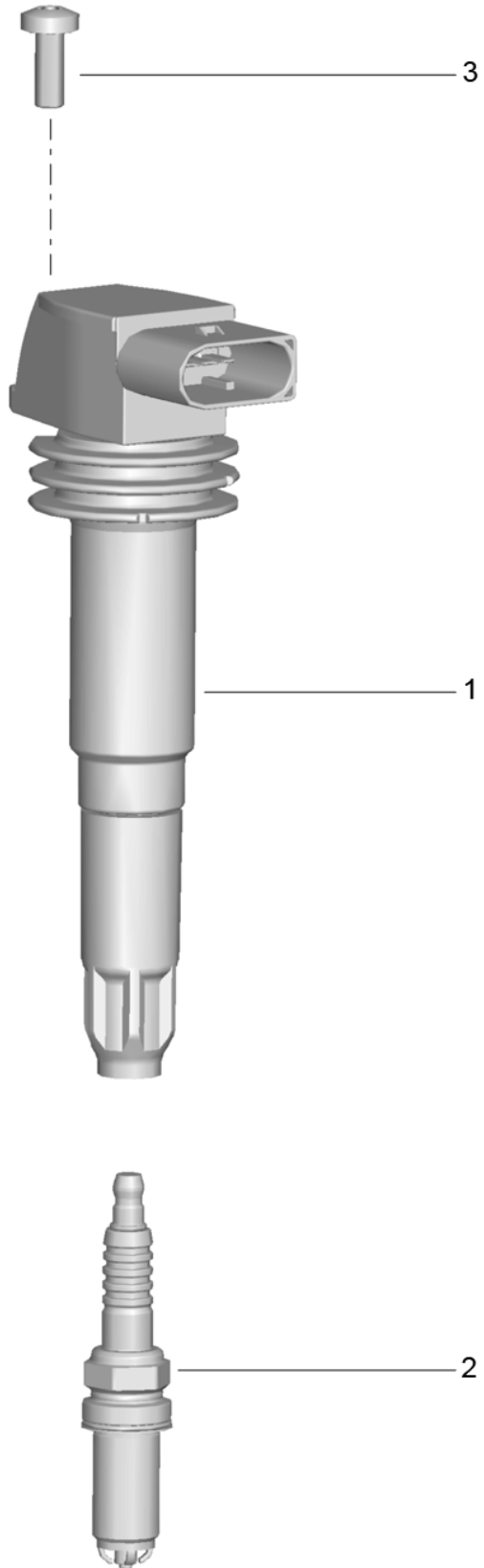
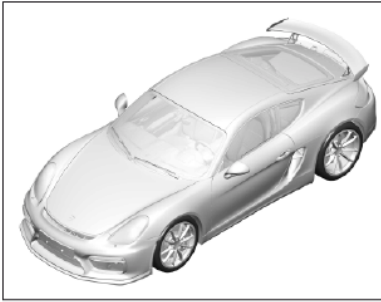
Model: 981GT4

Model life 2016>>2016

Pos	Part Number	Description	Remark	Qty	Model
-		repair set Set of locks comprising: Halter Door handle, exterior emergency key Key fob Glove compartment lock Key cover		1 2 1 1 2	PR:-625
-	981 538 901 09	Set of locks 4 buttons	lhd	1	PR:524,098
-	981 538 901 11	Set of locks 4 buttons	lhd	1	PR:098
-	981 538 901 13	Set of locks 4 buttons	lhd	1	PR:525,553, 098

Model: 981GT4

Model life 2016>>2016



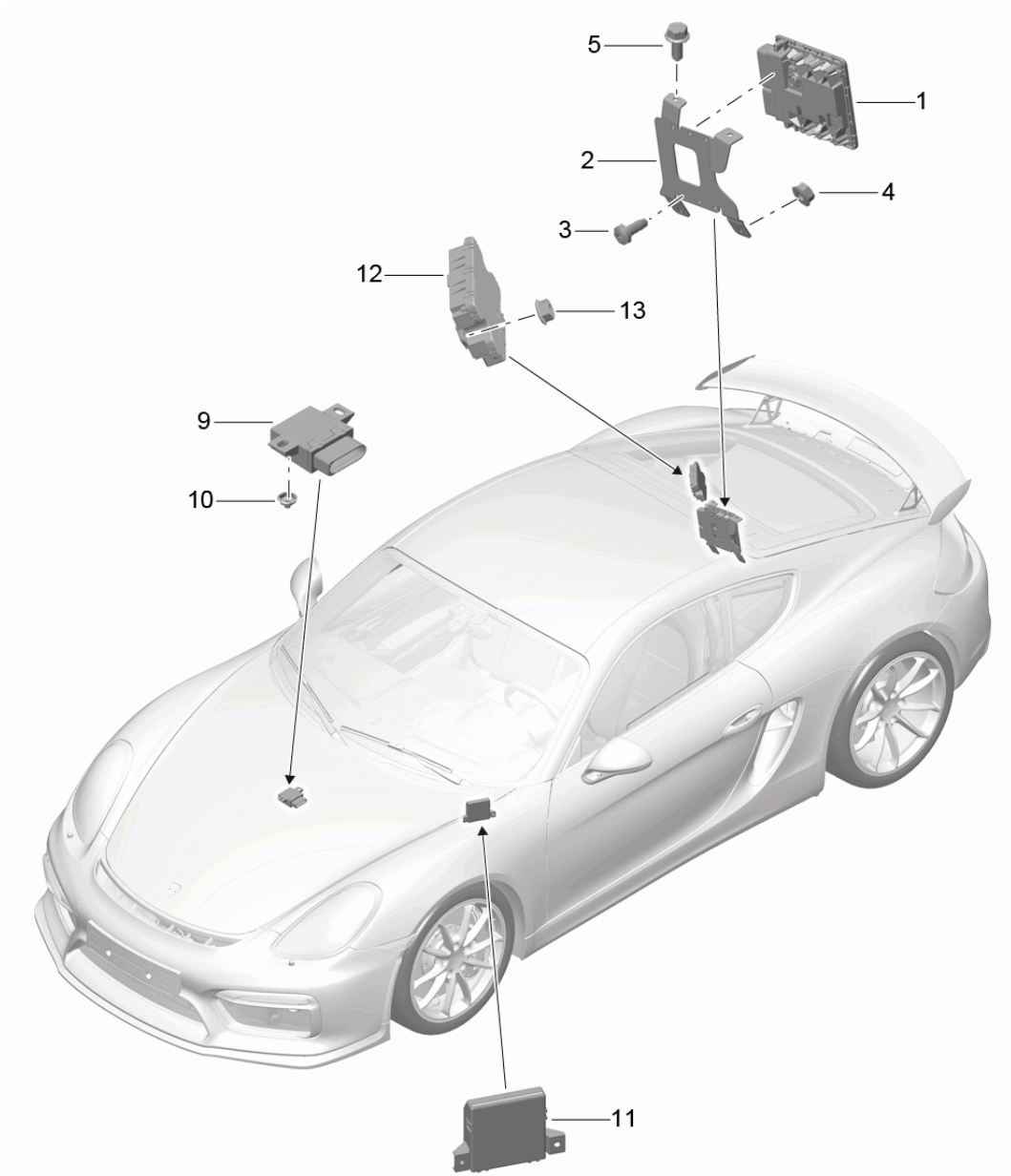
Model: 981GT4

Model life 2016>>2016

Pos	Part Number	Description	Remark	Qty	Model
1	9A1 602 104 06	Ignition system		6	
2	999 170 151 90	Ignition coil		6	
		Spark plug			
		FGR 5NQE			
3	999 073 103 01	flat round head bolt		6	
		M 6 X 16			

Model: 981GT4

Model life 2016>>2016



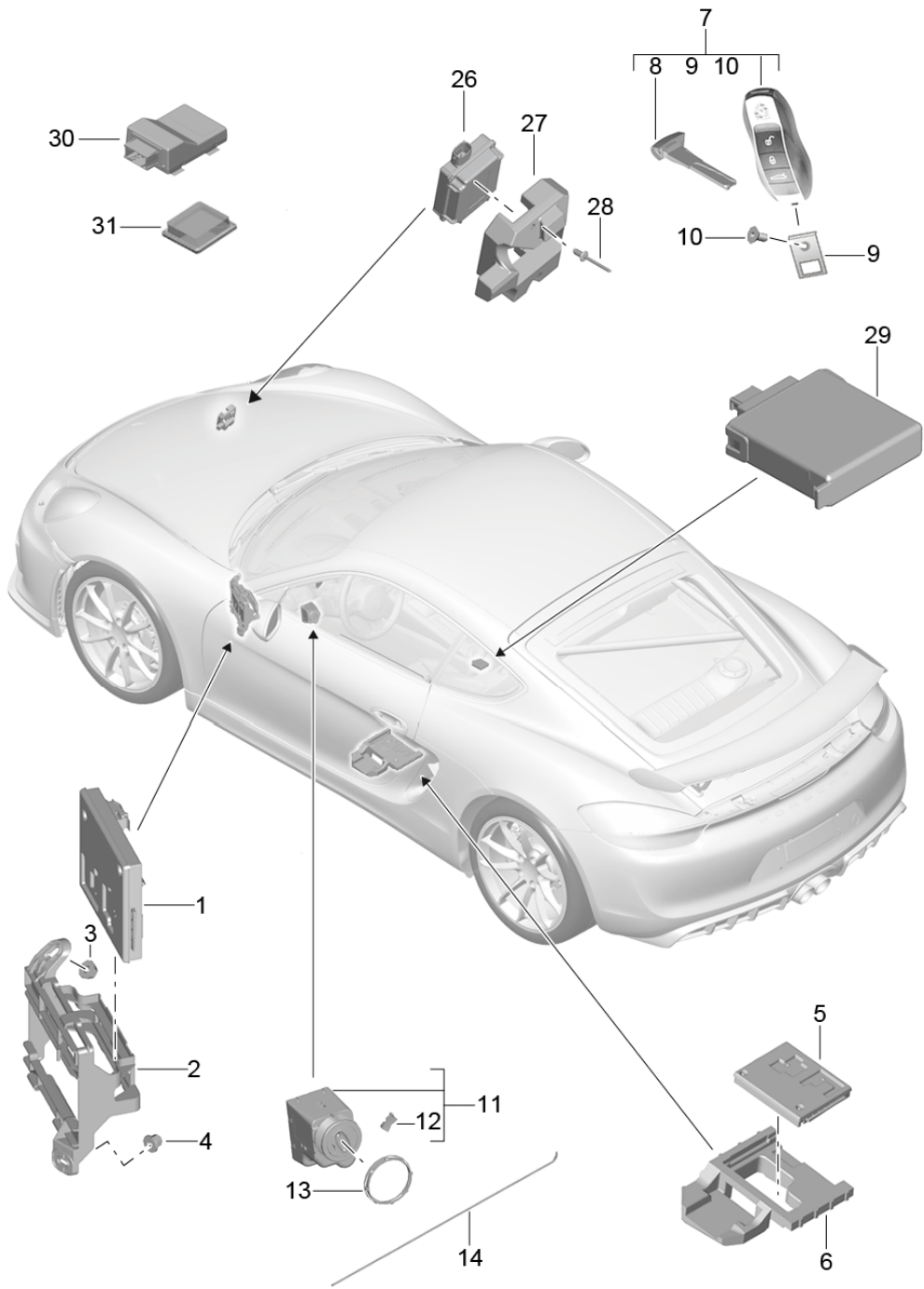
Model: 981GT4

Model life 2016>>2016

Pos	Part Number	Description	Remark	Qty	Model
1	991 618 602 03	Control units Control unit		1	
2	981 618 133 00	- dme - Retainer for control units		1	
3	999 141 044 09	- dme - fillister hd. bolt		6	
4	999 084 638 01	M 6 X 16 Hexagon nut		2	
5	N 106 532 01	M 6 Hex collared bolt		2	
9	991 618 023 02	M 6 X 16 TC Control unit for fuel		1	
10	999 049 025 09	pump Collar nut		2	
11	7PP 907 530 S	T 5 Control unit for gateway		1	
12	991 618 145 03	Control unit		1	
13	999 084 638 01	Electric parking brake Hexagon nut		2	
		M 6			

Model: 981GT4

Model life 2016>>2016



Model: 981GT4 Model life 2016>>2016

Pos	Part Number	Description	Remark	Qty	Model
		Control units Electronics Front end Rear end Handheld transmitter Ignition/starter switch Aerial Garage door opener Sensor Interior monitoring			
1	7PP 907 064 HT	Control unit Electronics Front end		1	PR:523
1	7PP 907 064 JB	Control unit (BCM) for conv. system & OB power supply Electric Front end		1	PR:525
2	991 610 111 00	Retainer for control units		1	PR:098
3	999 084 638 01	Hexagon nut M 6		1	
4	999 076 081 40	Hexagon plastic collar nut T 5		1	
5	7PP 907 279 BS	Control unit Electronics Rear end		1	
6	991 618 325 00	Retainer for control units		1	
7		Handheld transmitter Key cover See technical information Service Group 5 Document 5708 31/12		1	
(7)	991 637 954 03	Handheld transmitter Key cover Vehicle Ident. No. Indicate		1	PR:072,525, 553
8	958 538 916 00	emergency key with stipulated lock number Vehicle Ident. No. Indicate		1	
-	999 611 108 00	Battery for hand sender		1	
9	991 637 301 00	Eye		1	
10	991 637 303 00	countersunk bolt		1	
11	7PP 905 865 F	Control unit Ignition/starter switch		1	
12	970 618 959 00	Cover Release Handheld transmitter		1	
13	7PP 911 094	Nut		1	
14	7PP 907 256	Emergency operation Release Ignition/starter switch		1	
(26)	8K0 907 410 C	Control unit for opening garage door		1	PR:607
27	981 618 257 01	Bracket		1	PR:607,608
28	999 190 310 30	Pop rivet		1	PR:607,608
29	991 618 210 05	Sensor for interior monitoring		1	PR:534,-193
30	9P1 919 653 B	Control unit Racing Additional function		1	PR:643
31	991 618 753 80	Velcro		1	PR:643

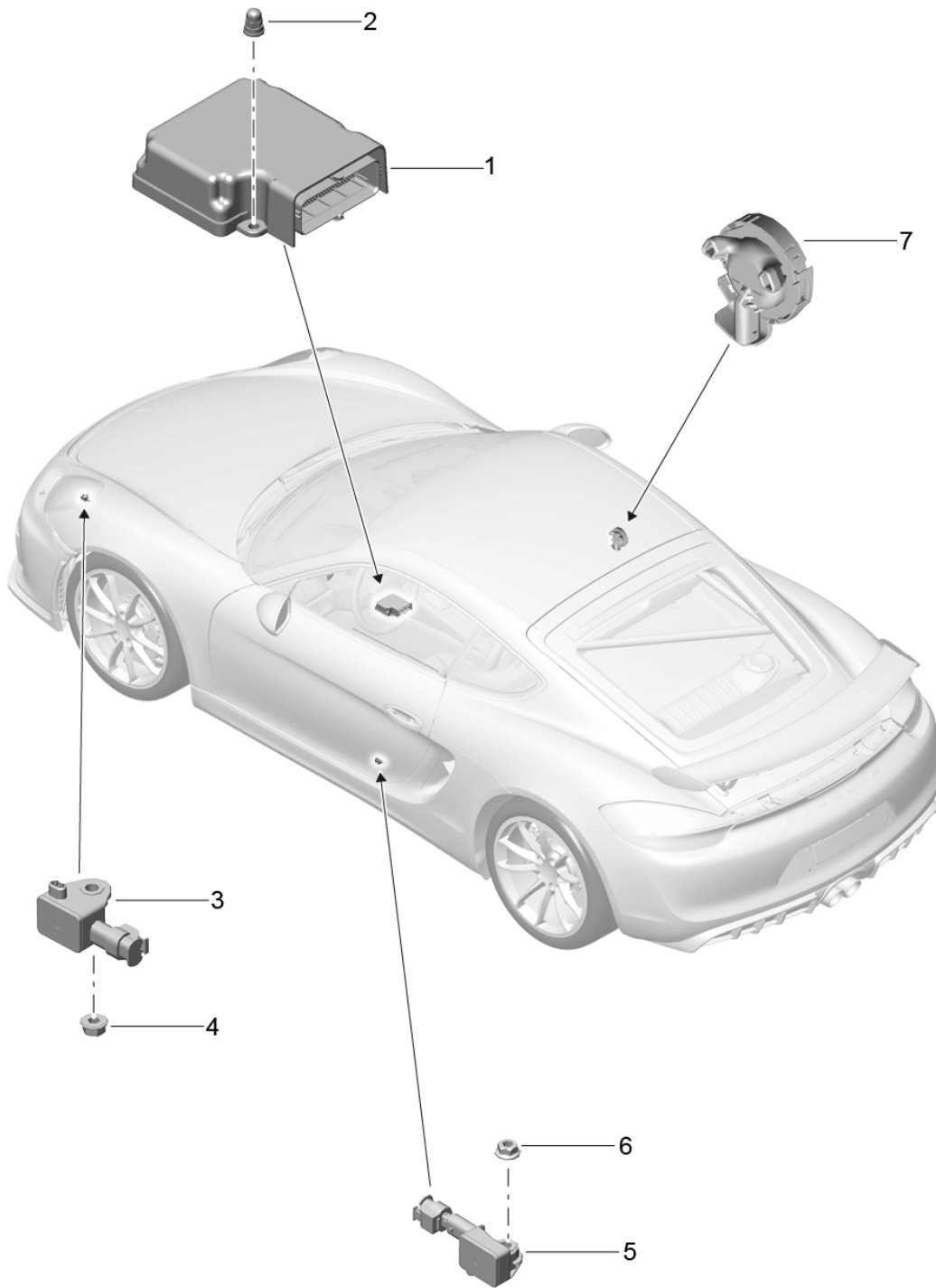
Model: 981GT4

Model life 2016>>2016

Pos	Part Number	Description	Remark	Qty	Model
-		Alarm horn see illustration:	903-000		

Model: 981GT4

Model life 2016>>2016



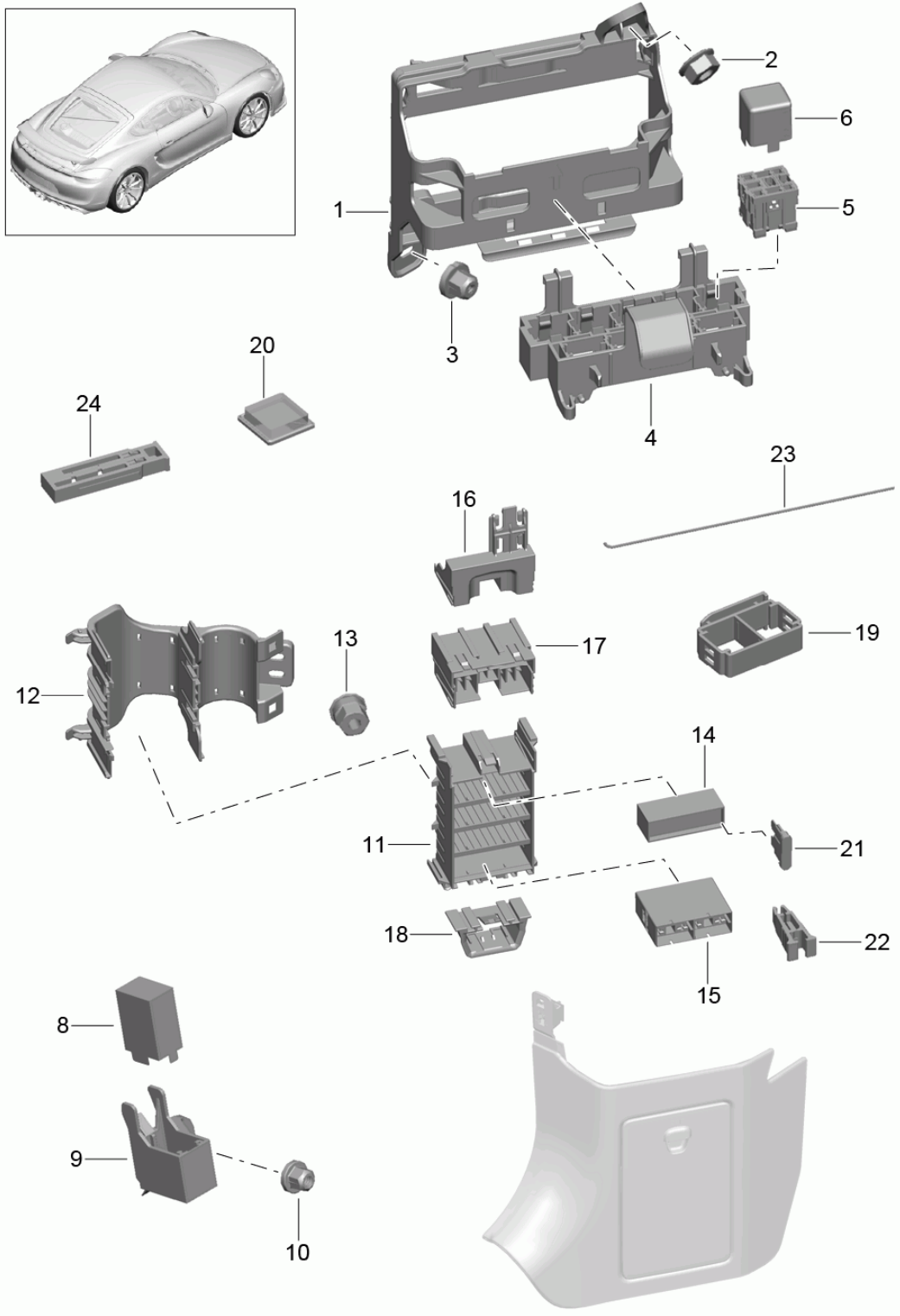
Model: 981GT4

Model life 2016>>2016

Pos	Part Number	Description	Remark	Qty	Model
-		Control unit Sensor Airbag Airbag unit			
-		see illustration: Switch Airbag	812-050		
1	991 618 201 08	Control unit for airbag	see illustration: 903-005	1	
2	999 070 015 02	domed cap nut M 6		3	
3	991 618 223 01	Front sensor		2	
4	999 084 638 01	Hexagon nut M 6		2	
5	991 618 221 01	Sensor Side airbag unit		2	
6	999 084 629 01	Hexagon nut M 6		2	
7	9P1 959 354	Pressure sensor doors		2	

Model: 981GT4

Model life 2016>>2016



Model: 981GT4 Model life 2016>>2016

Pos	Part Number	Description	Remark	Qty	Model
		central electrics dashboard			
1	991 610 111 00	Retainer for control units	lhd	1	PR:098
2	999 084 638 01	Hexagon nut M 6		1	
3	999 076 081 40	Hexagon plastic collar nut T 5		1	
4	991 610 105 00	Mounting frame relay plate		1	
5	443 937 527	relay plate for Relay		X	
(5)	999 650 538 40	K 3,K 4,K 5 relay plate for Relay		X	
6		K 6 Relay			
(6)	999 657 016 90	Relay Emergency operation Cover		1	
(6)	958 615 029 00	relay location/code no.: Relay	K3 left	1	
(6)	958 615 029 00	Radiator fan 1 relay location/code no.:	K4 right	1	
(6)	958 615 010 00	Relay Fanfare relay location/code no.:	K5	1	
8	4H0 951 253 C	Relay Fuel pump	K6	1	
9	991 610 151 00	Luggage compartment Relay holder		1	
10	999 049 033 40	Fuel pump Plastic nut T 6		1	
11	991 610 101 00	Carrier		2	
12	991 610 103 00	Cover		1	
13	999 516 032 01	Hexagon nut M 6		2	
14	999 650 209 40	fuse holder		6	
15	999 650 750 40	fuse holder		2	
16	991 610 104 00	Cover	right	1	
17	991 610 102 00	Bracket fuse	left	1	
(18)	9P1 937 539	Holder for diagnostic plug		1	
19	991 610 127 00	Bracket Connection point		5	
20	7PP 867 300	Clip		4	
21	999 607 082 00	fuse		X	
(21)	999 607 083 00	5 A fuse		X	
(21)	999 607 084 00	7 , 5 A fuse		X	
(21)	999 607 085 00	10 A fuse		X	
(21)	999 607 086 00	15 A fuse		X	
(21)	999 607 087 00	20 A fuse		X	
(21)	999 607 087 00	25 A fuse		X	

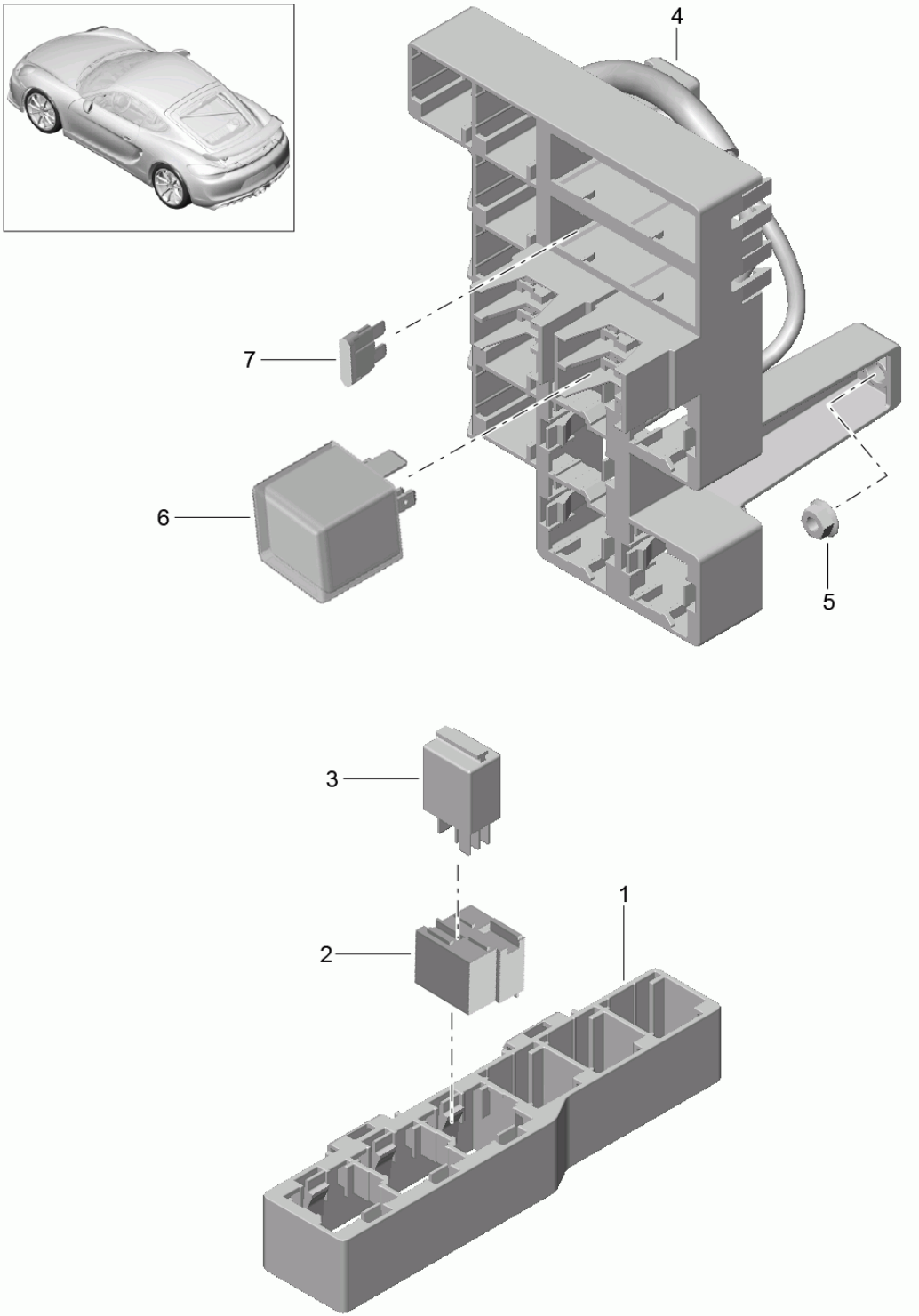
Model: 981GT4

Model life 2016>>2016

Pos	Part Number	Description	Remark	Qty	Model
(21)	999 607 088 00	fuse 30 A		X	
(21)	999 607 089 00	fuse 40 A		X	
(21)	999 607 111 00	fuse 25 A Large		X	
(21)	999 607 072 00	fuse 30 A Large		X	
(21)	999 607 073 00	fuse 40 A Large		X	
(21)	999 607 019 00	fuse 50 A Large		X	
22	999 107 300 40	Tool		X	
23	7PP 907 256	Emergency operation Release Ignition/starter switch		1	
24	991 610 340 00	Terminal clamp Emergency operation Cover		1	
-		Cover for housing fuse see illustration:	807-010	X	

Model: 981GT4

Model life 2016>>2016

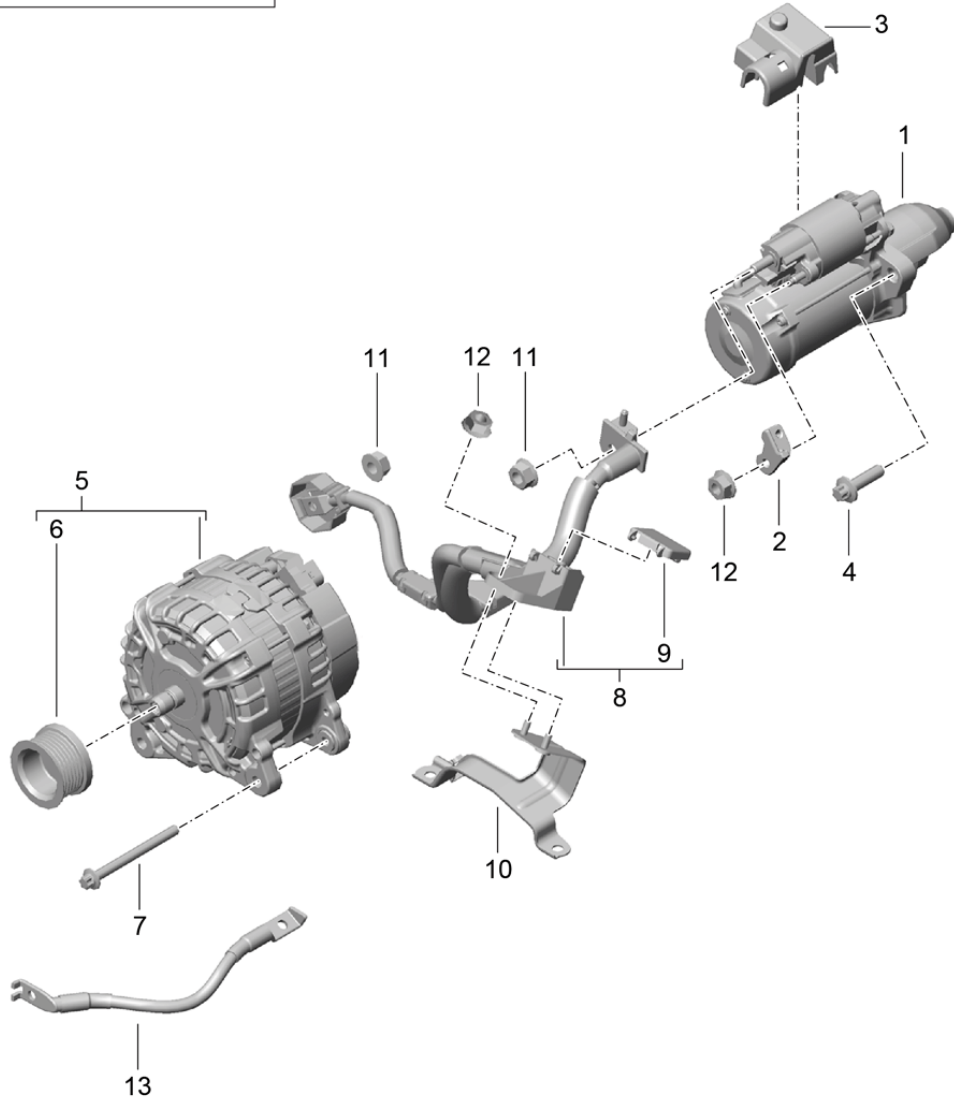
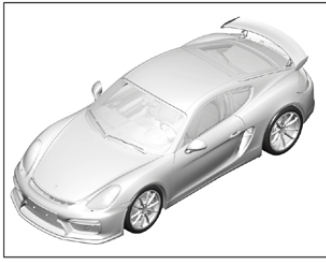


Model: 981GT4 Model life 2016>>2016

Pos	Part Number	Description	Remark	Qty	Model
1	981 610 108 01	central electrics Luggage compartment Mounting frame	rear center	1	
2	999 650 538 40	relay plate relay plate for Relay		X	
3 (3)	958 615 010 00	K 2 Relay Relay Rear window heating		1	
4	981 612 850 02	relay location/code no.: Relay carrier 2 with:	K2	1	PR:475
5	999 084 638 01	Wire set Hexagon nut M 6		3	
6 (6)	999 657 014 90	Relay Relay Fan Engine bay		1	
(6)	955 615 025 10	relay location/code no.: Relay - dme -	K1	1	
(6)	999 657 014 90	relay location/code no.: Relay Fan Engine bay	K2	1	
(6)	955 615 027 00	relay location/code no.: Relay Starter	K3	1	
7	999 607 082 00	relay location/code no.: fuse	K4	X	
(7)	999 607 084 00	5 A fuse		X	
(7)	999 607 085 00	10 A fuse		X	
(7)	999 607 087 00	15 A fuse		X	
(7)	999 607 073 00	25 A fuse		X	
		40 A Large		X	

Model: 981GT4

Model life 2016>>2016

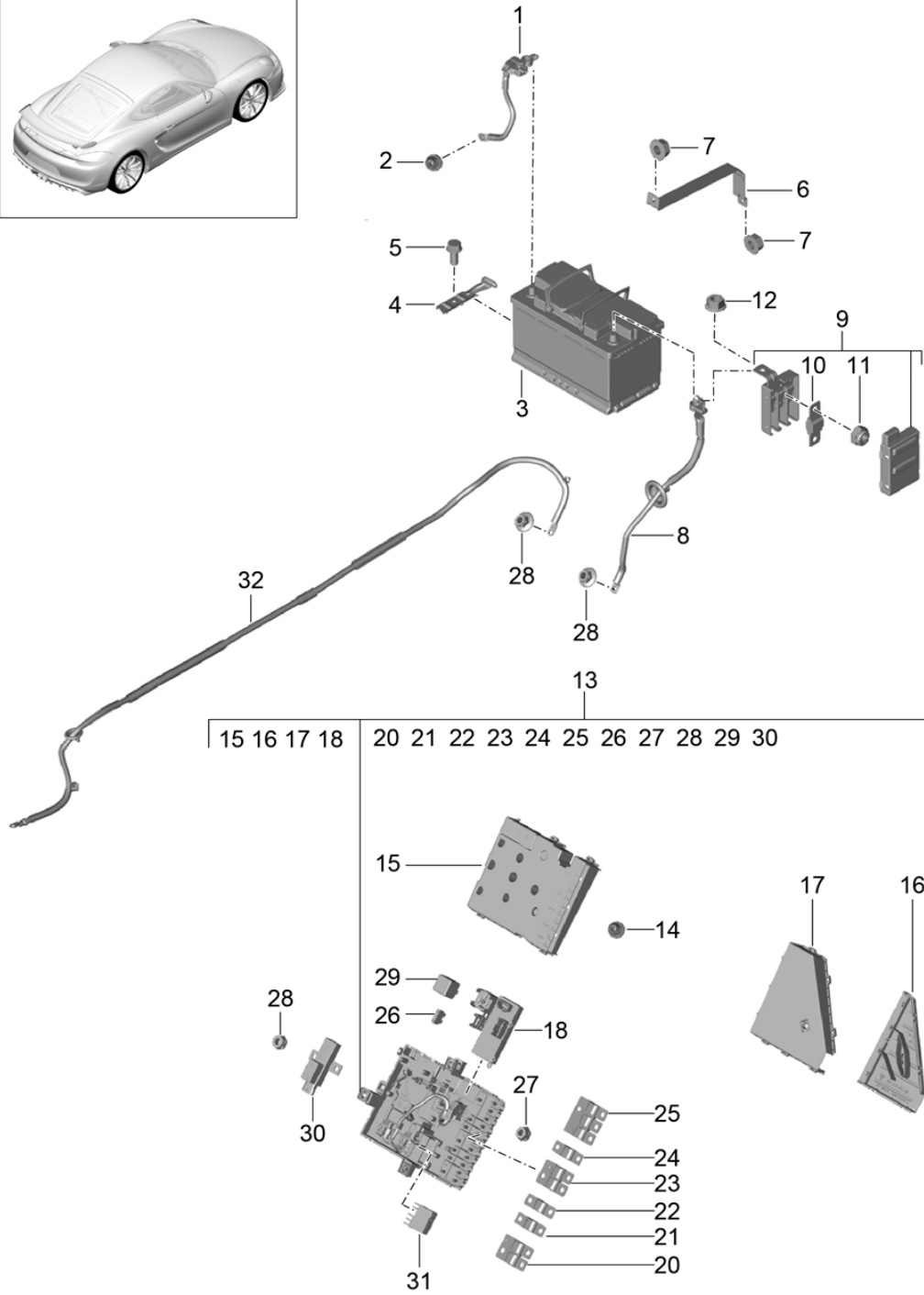
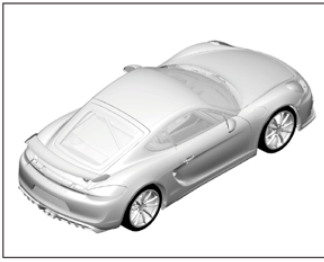


Model: 981GT4 Model life 2016>>2016

Pos	Part Number	Description	Remark	Qty	Model
		Starter			
		Alternator			
		Ground cable			
1	9A1 604 104 00	Starter		1	
1	9A1 604 104 X	Starter		1	
2	9A1 607 267 00	contact carrier		1	
		KL. 50			
3	9A1 607 247 11	Protective cap		1	
		Starter			
4	900 385 097 01	Torx screw		2	
		BM 10 X 35			
5	9A1 603 018 01	Alternator		1	
5	9A1 603 018 AX	Alternator		1	
6	9A1 603 955 01	repair set		1	
		pulley			
7	900 385 102 01	Torx screw		2	
		BM 8 X 90			
8	9A1 607 078 80	Wire set		1	
		with:			
		Connection point			
		Alternator			
		Starter			
9	986 611 203 00	Cover		1	
		Connection point			
10	9A1 607 260 01	Bracket		1	
		Connection point			
11	900 377 003 01	Hexagon nut		2	
		M 8			
12	900 377 010 02	Hexagon nut		3	
		M 6			
13	9A1 607 047 05	Earth line		1	
		Engine			
		Body			

Model: 981GT4

Model life 2016>>2016



Model: 981GT4 Model life 2016>>2016

Pos	Part Number	Description	Remark	Qty	Model
1	991 611 043 02	Battery Power distributor		1	PR:098
2	999 084 447 01	Earth line Hexagon nut M 8	lhd	1	
3	9A7 915 105 00	Battery 60 AH		1	PR:194
(3)	999 611 070 12	Battery 70 AH		1	PR:195 -"BR."
(3)	999 611 080 12	Battery 80 AH		1	PR:196 -"BR."
(3)	991 611 040 52	Battery 40 AH		1	PR:192
4	991 611 209 01	Rail Battery	use if required: 9P1 804 825 A lhd	1	PR:098
5	900 378 017 01	Hexagon bolt M 8 X 20		1	
6	991 611 212 00	Retainer for battery		1	
7	900 377 003 03	Hexagon nut M 8		2	
8	991 611 013 01	Battery cable Power distributor	lhd	1	PR:098
9	991 610 321 00	Fuse socket Battery		1	
10	999 607 092 00	fuse 60 A		2	
-			also use:		
11	900 084 122 02	Hexagon nut M 5		6	
12	900 377 001 00	Hexagon nut M 6		1	
13	991 610 301 03	Power distributor (complete)		1	
14	999 049 033 40	POS. 14 Plastic nut T 6	use if required:	2	
15	991 610 305 00	Cover		1	
16	991 610 307 00	Cable guide Lower part		1	
17	991 610 309 00	Cable guide - upper part		1	
18	991 618 075 01	Control unit		1	
20	999 607 054 00	fuse 100 A 60 A		1	
21	999 607 099 00	fuse 40 A		1	
22	999 607 095 00	fuse 80 A		1	
23	999 607 055 00	fuse 100 A 40 A		1	
24	999 607 092 00	fuse 60 A		1	
25	999 607 053 00	fuse 100 A 80 A 100 A		1	
26	999 607 082 00	fuse 5 A		1	
27	900 084 122 02	Hexagon nut M 5		X	

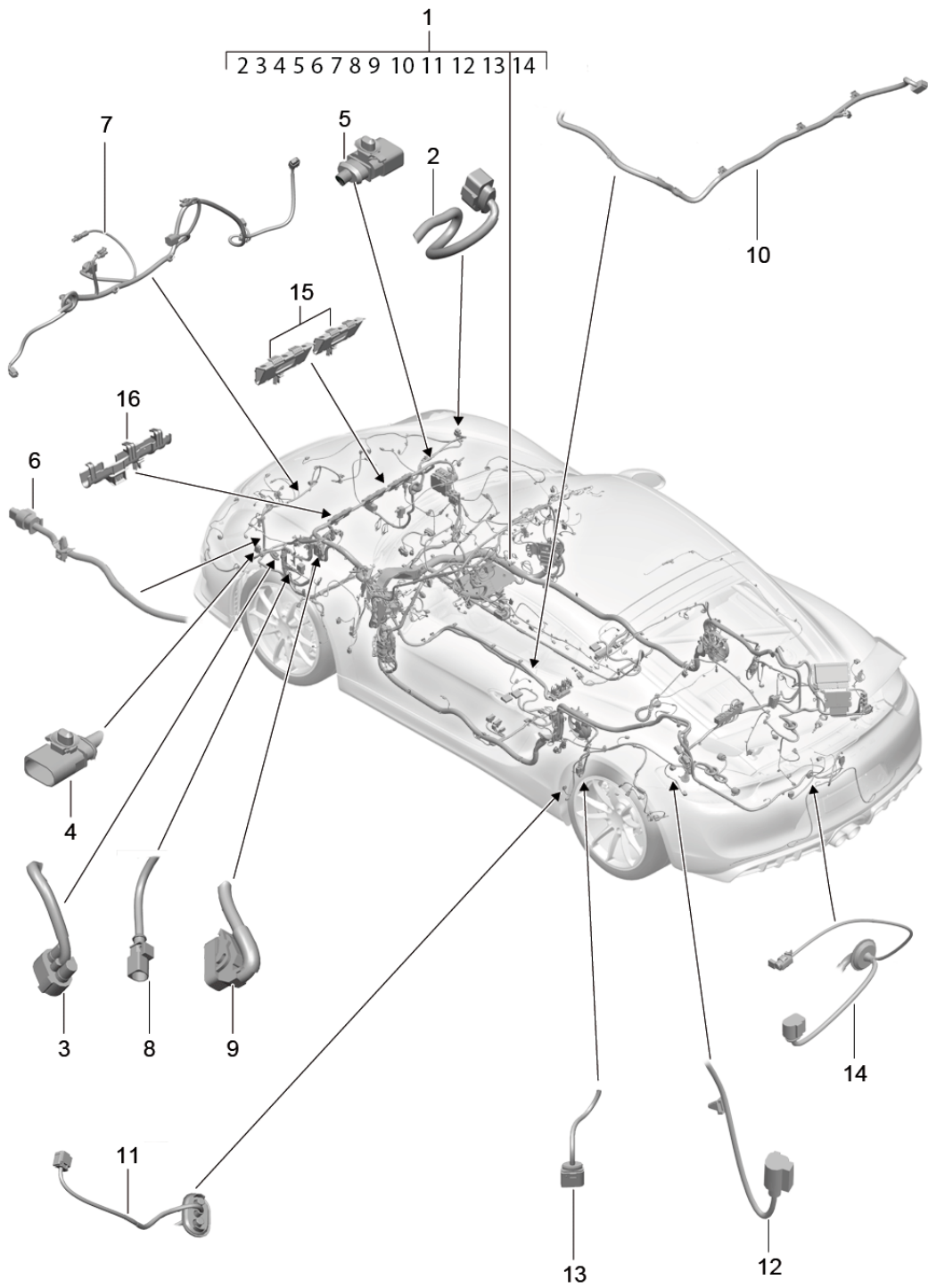
Model: 981GT4

Model life 2016>>2016

Pos	Part Number	Description	Remark	Qty	Model
28	900 084 123 02	Hexagon nut M 8		X	
29	8D0 951 253	Relay		1	
30	999 657 020 90	Relay		2	
31	999 657 021 90	Relay		1	
32	981 611 015 00	Cable Power distributor Connection point	lhd	1	PR:098

Model: 981GT4

Model life 2016>>2016



Model: 981GT4 Model life 2016>>2016

Pos	Part Number	Description	Remark	Qty	Model
1	981 612 901 00	Wiring looms Passenger compartment and part section wiring harness Wire set Passenger compartment * Part number must be ordered * manually by indicating * vehicle ID number.		1	
2	991 612 920 01	Wire set part section wiring harness Headlights and modify in workshop	left right	1	
3	991 612 921 01	Wire set part section wiring harness Fan Radiator and modify in workshop	left right	1	
4	991 612 922 01	Wire set part section wiring harness Connection point Trim modify in workshop	left front	1	
(4)	991 612 922 51	Wire set part section wiring harness Connection point Trim modify in workshop	left front	1	
5	991 612 937 01	Wire set part section wiring harness Connection point Trim modify in workshop	right front	1	
6	991 612 923 00	Wire set part section wiring harness Sensor Airbag and modify in workshop	front left right	1	
7	991 612 924 01	Wire set part section wiring harness Front end modify in workshop	lhd	1	PR:098
(7)	991 612 924 51	Wire set part section wiring harness Front end modify in workshop	lhd	1	PR:098
8	991 612 926 10	Wire set part section wiring harness Connection point Front axle and modify in workshop	left right	2	
9	991 612 940 01	Wire set part section wiring harness Control unit Hydraulic unit modify in workshop		1	
10	991 612 925 01	Wire set part section wiring harness Control unit		1	

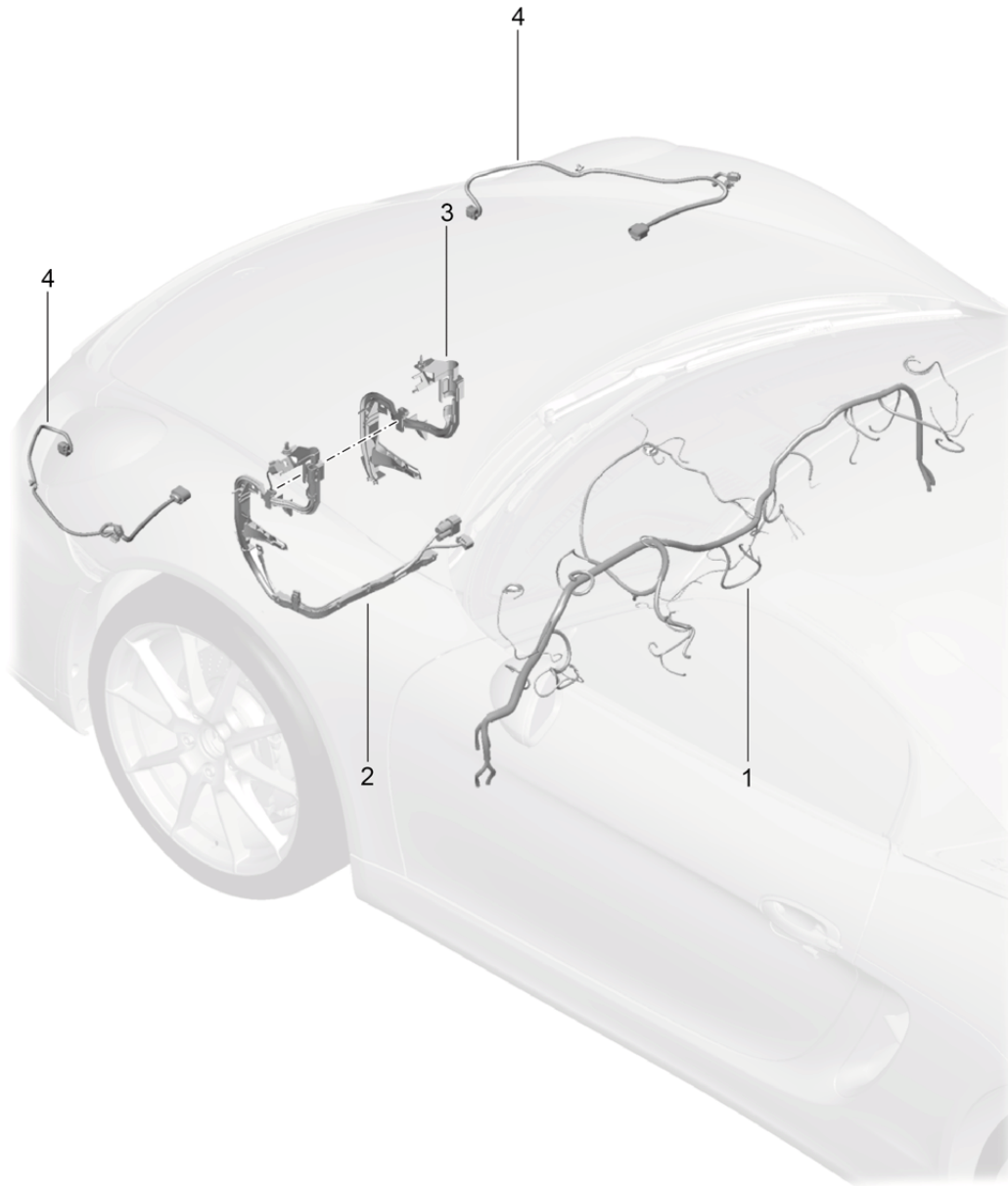
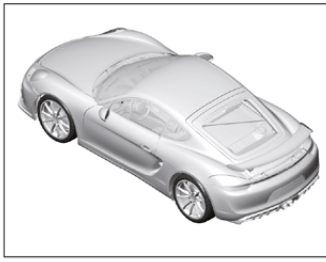
Model: 981GT4

Model life 2016>>2016

Pos	Part Number	Description	Remark	Qty	Model
11	991 612 928 01	tyre pressure control system modify in workshop Wire set part section wiring harness Aerial tyre pressure control system Wheel housing and modify in workshop	rear left right	1	
12	981 612 929 01	Wire set part section wiring harness Sensor Rear axle and modify in workshop	left right	1	
13	991 612 930 01	Wire set part section wiring harness Connection point Rear axle and modify in workshop	left right	1	
14	981 612 934 00	Wire set part section wiring harness Connection point Trim modify in workshop	rear	1	
15	991 610 233 01	Cable guide filler plate		2	
16	991 610 234 01	Cable guide filler plate		1	

Model: 981GT4

Model life 2016>>2016



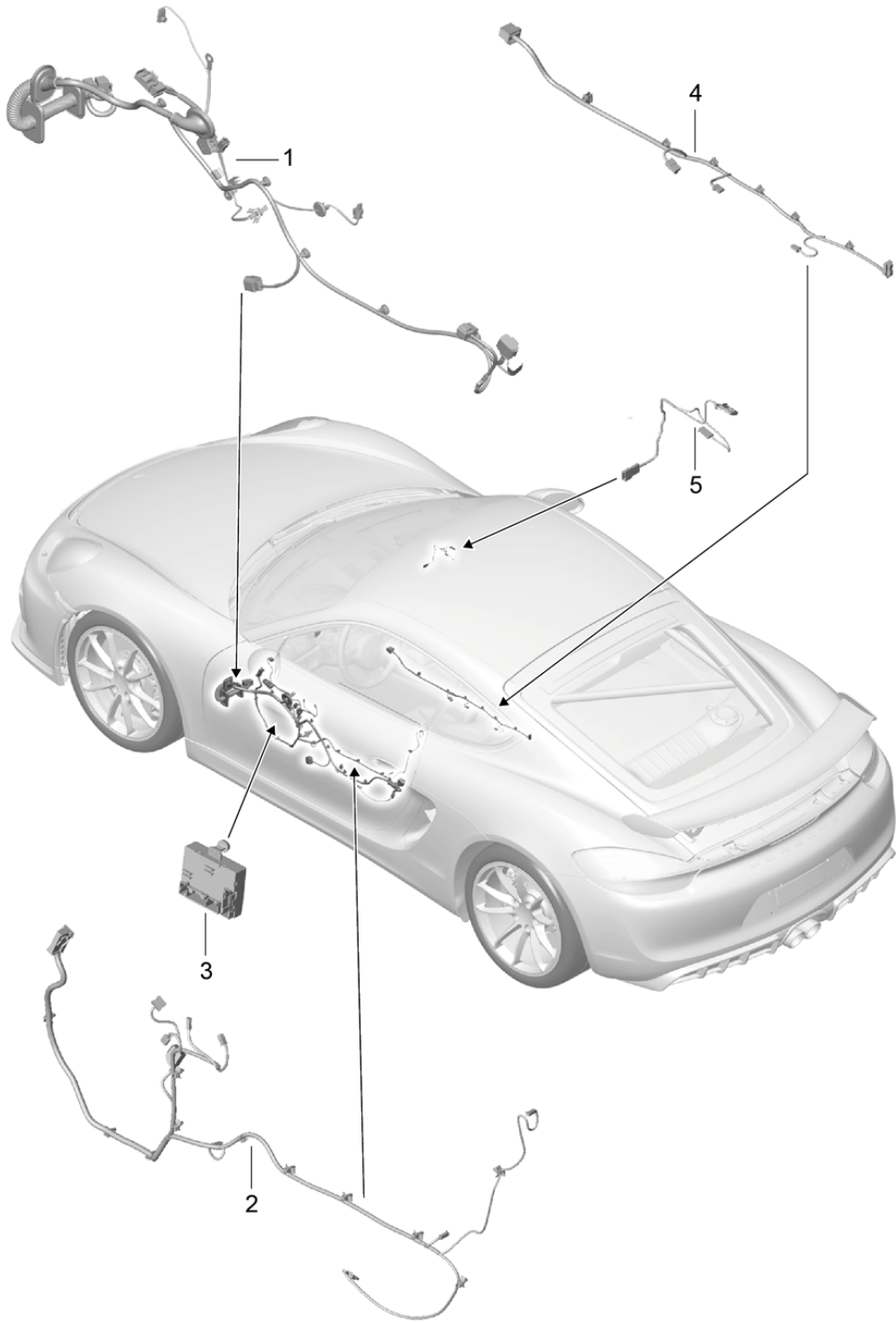
Model: 981GT4

Model life 2016>>2016

Pos	Part Number	Description	Remark	Qty	Model
1	991 612 902 00	Wiring looms dashboard Trim Cover Steering Front axle Wire set dashboard Vehicle Ident. No.	front	1	
2	991 612 830 03	Indicate Wire set Steering	lhd	1	PR:098
3	991 610 121 01	Bracket Wire set Steering		1	
4	981 612 593 03	Wire set Trim	front	2	
-		Wire set Rear axle see illustration:	902-020		

Model: 981GT4

Model life 2016>>2016

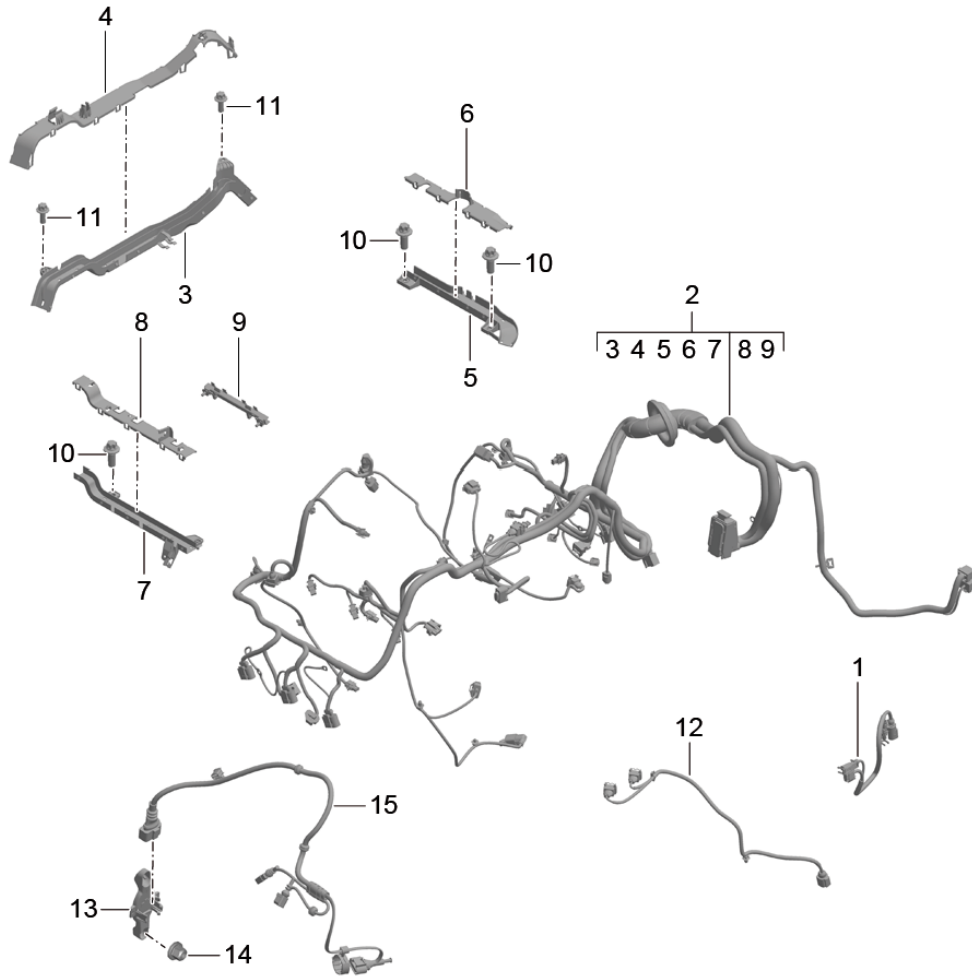
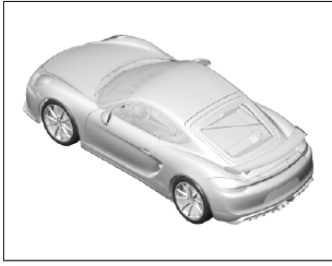


Model: 981GT4 Model life 2016>>2016

Pos	Part Number	Description	Remark	Qty	Model
1	991 612 601 06	Wiring looms doors Centre console Glove box Control units doors Wire set Assembly frame Driver's door Engine Window regulator 2-pole	lhd	1	PR:098,441
1	991 612 603 06	Wire set Assembly frame Driver's door Engine Window regulator 2-pole	lhd	1	PR:098,490
1	991 612 602 06	Wire set Assembly frame Passenger's door Engine Window regulator 2-pole	lhd	1	PR:098,441
1	991 612 604 06	Wire set Assembly frame Passenger's door Engine Window regulator 2-pole	lhd	1	PR:098,490
2	991 612 681 06	Wire set door panel Driver's door		1	
(2)	991 612 674 06	Wire set door panel Passenger's door		1	
3	4H0 959 793 AC	Door control unit (drivers side)	front	1	
(3)	4H0 959 792 S	Door control unit (passenger side)	front	1	
4	991 612 757 01	Wire set Centre console		1	
5	991 612 701 00	Wire set Glove box		1	

Model: 981GT4

Model life 2016>>2016

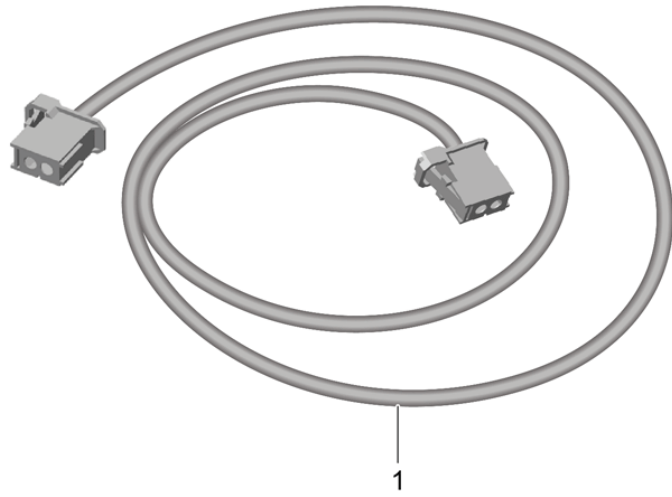
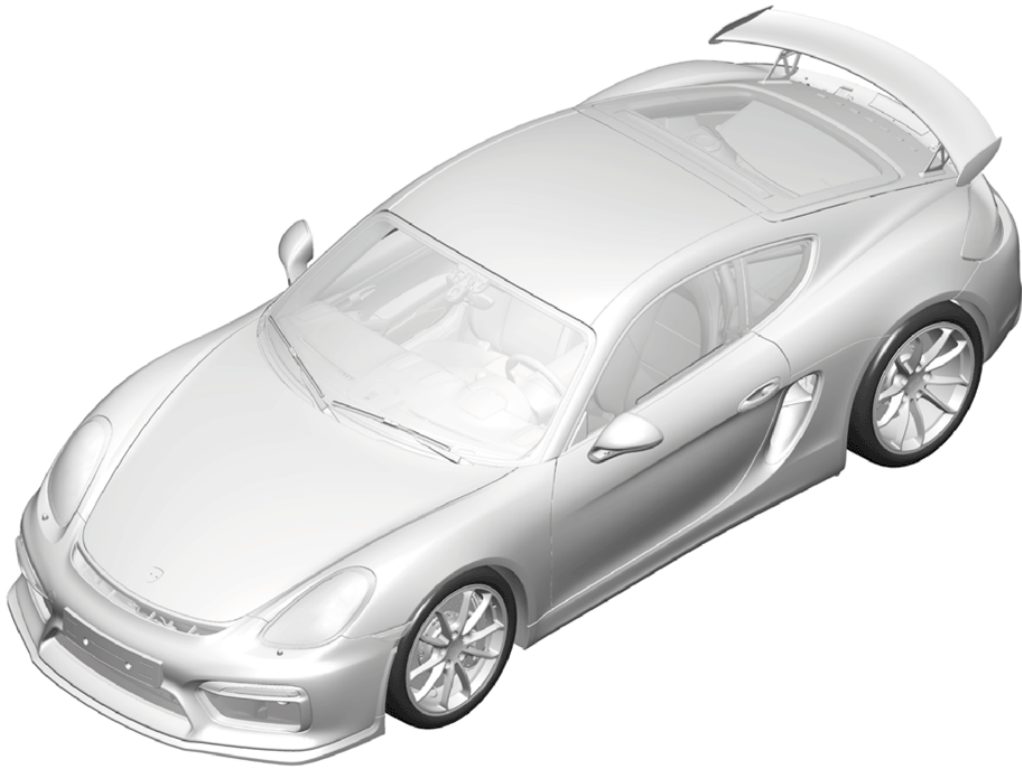


Model: 981GT4 Model life 2016>>2016

Pos	Part Number	Description	Remark	Qty	Model
		Wiring looms	rear		
		Trim			
		Engine			
		Gearbox			
		Rear axle			
		Rear lid			
1	981 612 895 02	Wire set	rear	1	
		Trim			
2	9A1 607 093 28	Wire set		1	
		Engine			
3	9A1 607 110 30	Cable guide		1	
		Crankcase housing			
4	9A1 607 120 02	Cover		1	
		Cable guide			
5	9A1 607 177 00	Cable guide		1	
		Cyl. 1 - 3			
6	9A1 607 187 00	Cover		1	
		Cable guide			
7	9A1 607 117 00	Cable guide		1	
		Cyl. 4 - 6			
8	9A1 607 127 02	Cover		1	
		Cable guide			
9	9A1 607 113 00	Cable guide		2	
		Fuel collection pipe			
10	900 385 044 01	Torx screw		3	
		BM 8 X 16			
11	900 385 009 01	Torx screw		2	
		BM 6 X 16			
12	981 612 844 03	Wire set		1	
		Manual gearbox			
13	981 610 135 00	Cover		2	
		Connection point			
		Wire set			
		Rear axle			
14	999 049 033 40	Plastic nut		4	
		T 6			
15	981 609 133 81	Wire set		2	
		Rear axle			
-		Wire set			
		Front axle			
		see illustration:	902-010		

Model: 981GT4

Model life 2016>>2016

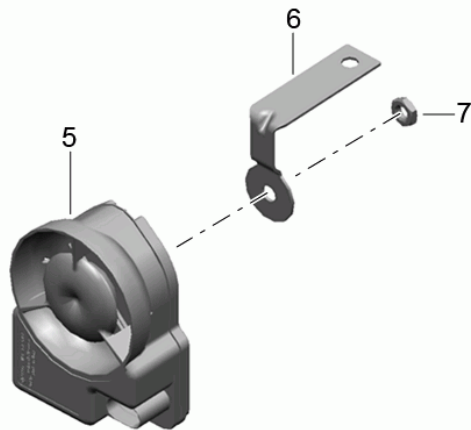
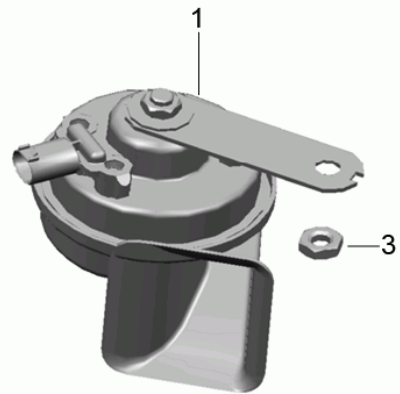
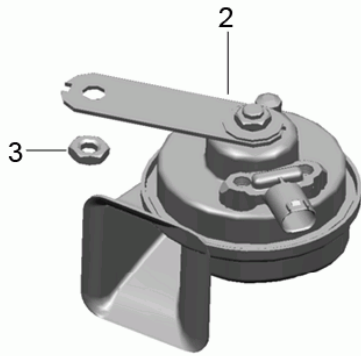
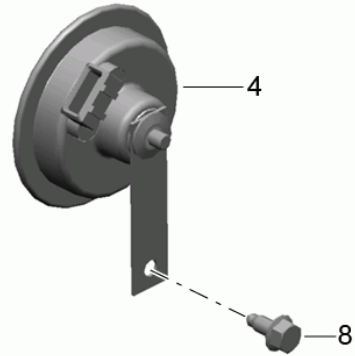
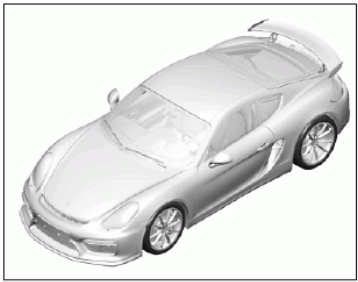


Model: 981GT4 Model life 2016>>2016

Pos	Part Number	Description	Remark	Qty	Model
1	991 612 082 00	Wiring looms Airbag Seat belt Wire set Airbag unit (passenger side) Setting 1 To Connection point dashboard Connector Light green		1	
1	991 612 083 00	Wire set Airbag unit (passenger side) Setting2 To Connection point dashboard Connector yellow		1	
1	991 612 090 00	Wire set Airbag unit Driver's door To Connection point Door		1	
1	991 612 091 00	Wire set Airbag unit Passenger's door To Connection point Door		1	
1	991 612 088 00	Wire set Airbag unit (drivers side) dashboard To Connection point dashboard	lower	1	
1	991 612 089 00	Wire set Airbag unit (passenger side) dashboard To Connection point dashboard	lower	1	

Model: 981GT4

Model life 2016>>2016



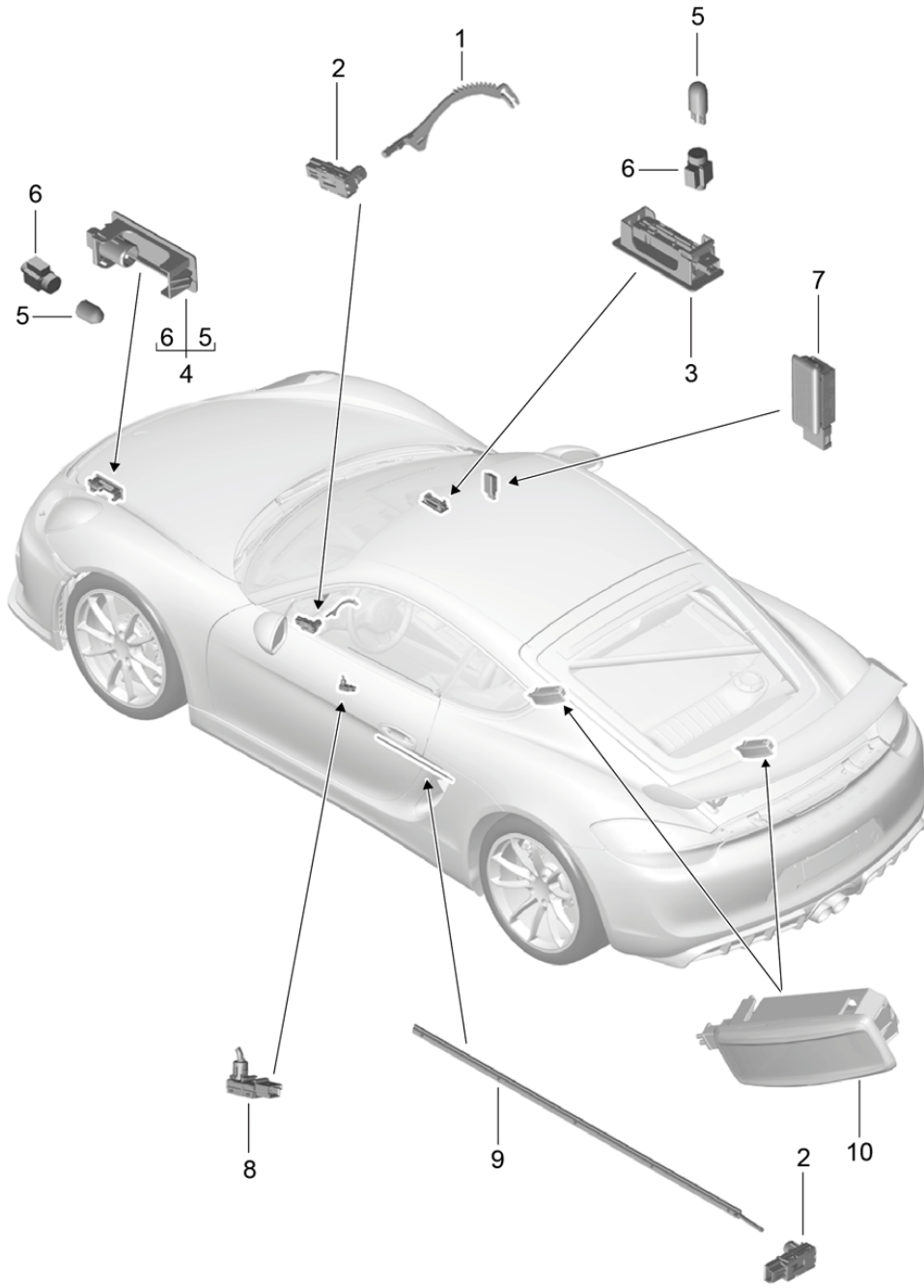
Model: 981GT4

Model life 2016>>2016

Pos	Part Number	Description	Remark	Qty	Model
(1)	991 635 149 81	Fanfare Signal horn Fanfare	high tone	1	
		with:			
2	991 635 150 81	Bracket Fanfare	low tone	1	
		with:			
3	N 106 092 04	Bracket Hexagon collar nut M 8		2	
4	991 637 117 02	Signal horn for alarm system		1	PR:534,544, -536
5	1K8 951 605 B	Alarm horn		1	PR:536
6	991 637 419 01	Bracket		1	PR:536
7	N 902 955 02	Hexagon collar nut M 8		1	PR:536
8	900 378 176 01	Hexagon bolt M 8 X 20		1	PR:534,544, -536

Model: 981GT4

Model life 2016>>2016

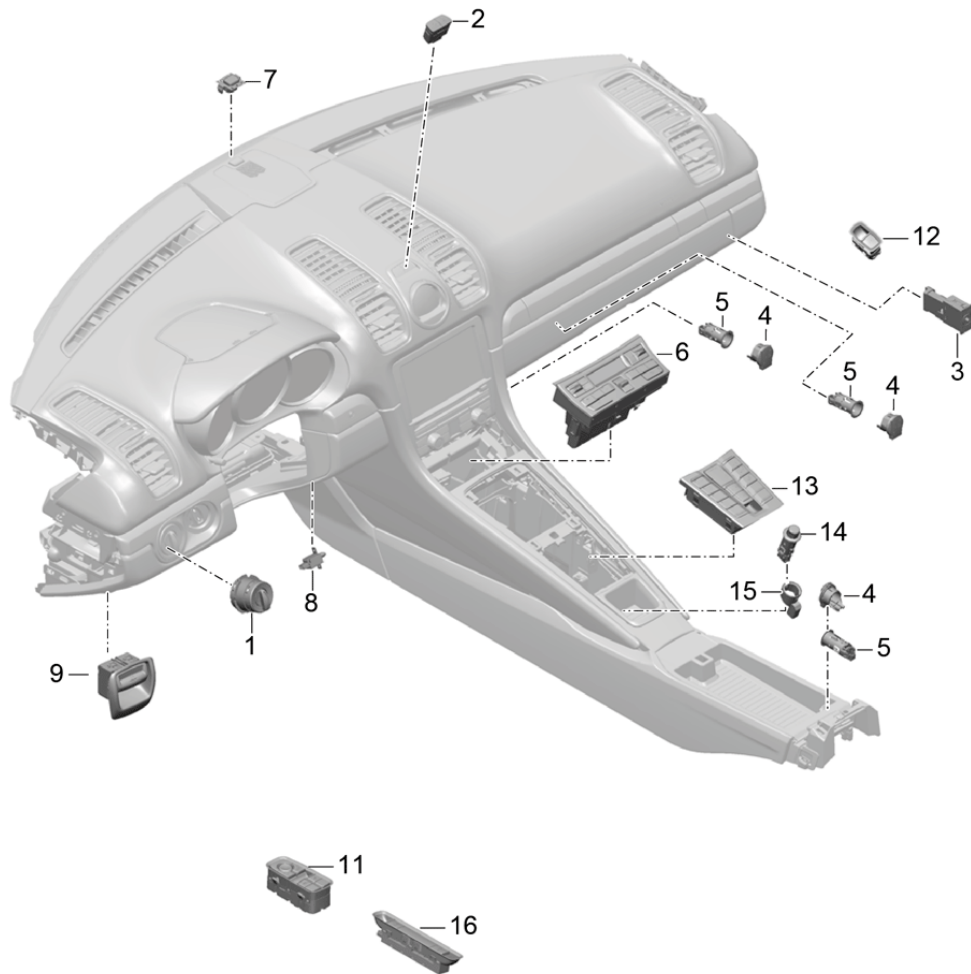
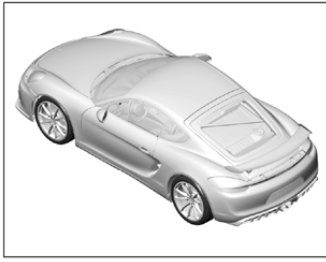


Model: 981GT4 Model life 2016>>2016

Pos	Part Number	Description	Remark	Qty	Model
-		Interior lights Door warning light Footwell light Luggage compartment lamp Glove box light Light Exterior mirror interior light			
1	991 632 131 00	fibre optic conductor Ignition/starter switch	903-006 lhd	1	PR:098
2	7PP 947 101	Light		4	
3	991 632 133 00	Footwell light Included LED module		2	PR:630
4	991 632 020 00	Light Luggage compartment	front	1	PR:-630
(4)	991 632 137 00	Light Included LED module Luggage compartment	front	1	PR:630
5	999 631 134 90	bulb X6 W		1	PR:-630
6	970 632 187 00	Bulb holder		3	PR:-630
7	991 632 071 00	Glove box light		1	
8	991 632 085 00	Door handle light	left	1	PR:630
(8)	991 632 086 00	Door handle light	right	1	PR:630
9	991 632 189 00	fibre optic conductor Stowage compartment	left	1	PR:630
(9)	991 632 190 00	fibre optic conductor Stowage compartment	right	1	PR:630
10	981 632 135 00	Light Luggage compartment and c-pillar	rear	3	

Model: 981GT4

Model life 2016>>2016

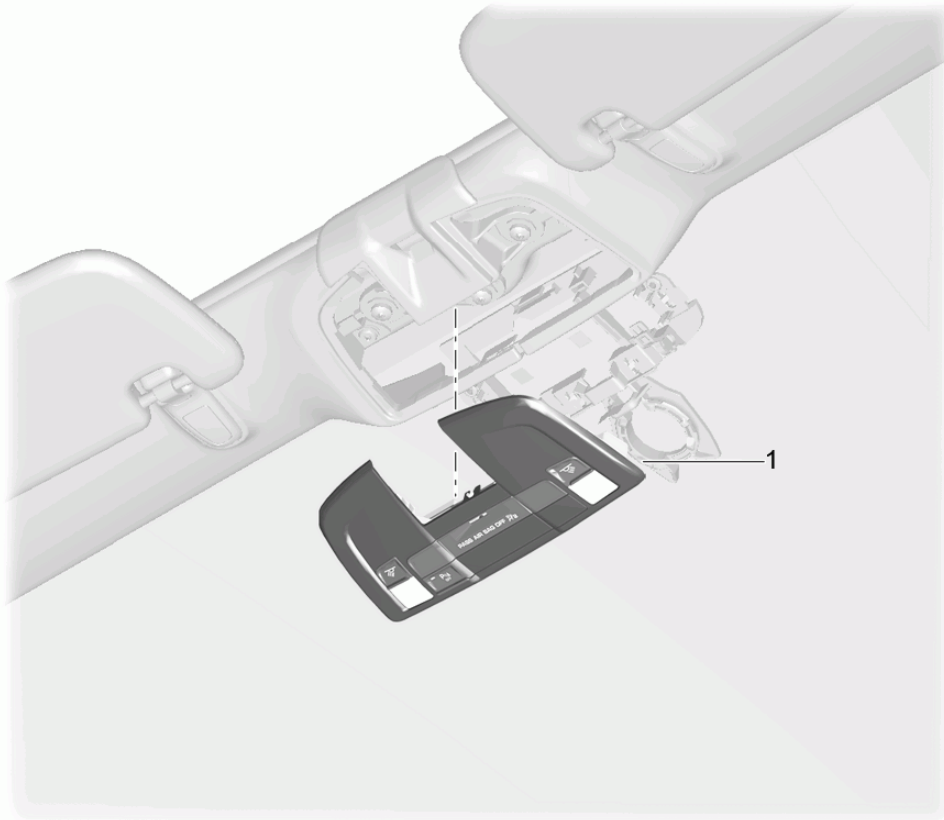


Model: 981GT4 Model life 2016>>2016

Pos	Part Number	Description	Remark	Qty	Model
1	970 613 533 08	Switch Control panel		1	
	970 613 533 08 DML	Air conditioning switch for lighting			
2	991 613 330 01	Matt Black/hi-gloss chrome Combined switch		1	
		Hazard warning light sw. Central locking system			
3	991 613 330 01 A05	Matt black		1	PR:899
	958 613 165 00	Switch			
4	997 652 104 00	Airbag clamping ring		3	
		with:			
5	970 652 105 00	Cover		3	
6	991 653 201 17	Socket		1	PR:573,-342
		Control panel			
(6)	991 653 201 17 DML	Air conditioning Matt Black/hi-gloss chrome		1	PR:572,-342
	981 653 201 16	Control panel			
(6)	981 653 201 16 DML	Air conditioning Matt Black/hi-gloss chrome		1	PR:342,573
	991 653 203 17	Control panel			
(6)	991 653 203 17 DML	Air conditioning Matt Black/hi-gloss chrome		1	PR:342,572
	981 653 203 16	Control panel			
(6)	981 653 203 16 DML	Air conditioning Matt Black/hi-gloss chrome		1	PR:574,-342
	991 653 201 81	Control panel			
	991 653 201 81 DML	Air conditioning Matt Black/hi-gloss chrome		1	PR:572,573
7	991 653 243 00	Sun sensor		1	PR:572,573
8	991 653 241 02	Air conditioning		1	PR:573
-	999 919 167 09	Temperature sensor	inner	1	PR:572,573
		fillister hd. bolt 3,0 X 10,0		2	
9	991 613 251 00	Switch		1	
		Electric parking brake			
11	991 613 251 00 1E0	Black		1	PR:254,256, 257
	991 613 151 02	Switch for electric window regulator			
		Exterior mirror (drivers side)			
12	991 613 151 02 DML	Matt Black/hi-gloss chrome		1	
	7PP 959 855 E	Switch for electric window regulator			
		(passenger side)			
13	7PP 959 855 E DML	Matt Black/hi-gloss chrome		1	
	991 613 965 08	Combined switch			
		Centre console repair set			
14	991 613 965 08 DML	Matt Black/hi-gloss chrome		1	PR:583
	970 652 101 00	Cigarette lighter			
15	970 652 101 00 A05	Matt black		1	PR:583
	7PP 919 341	Spring pin			
		Headlight unit			
16	991 613 105 01	Switch	front and rear	1	
		Cover			
	991 613 105 01 A05	Matt black			

Model: 981GT4

Model life 2016>>2016



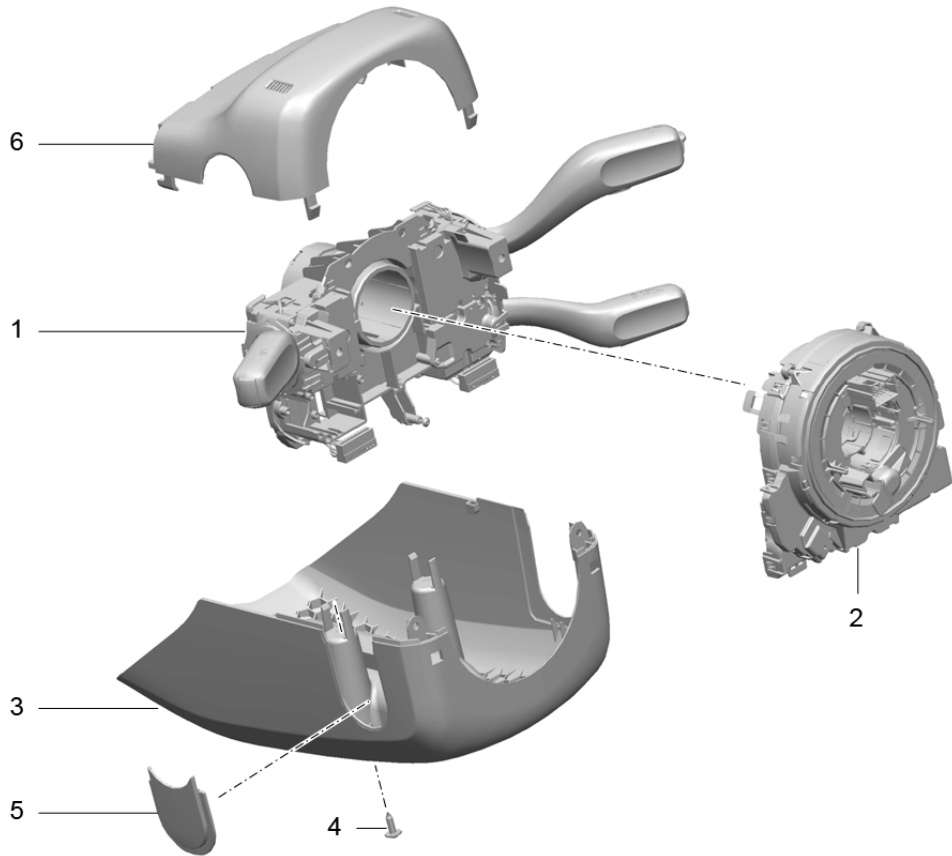
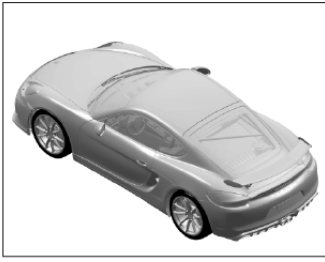
Model: 981GT4

Model life 2016>>2016

Pos	Part Number	Description	Remark	Qty	Model
1	991 613 123 10	Console Roof Roof console		1	PR: -607, -608, -630
1	991 613 123 10 1E0 991 613 124 10	Black Roof console		1	PR: 607, 608, -630
1	991 613 124 10 1E0 991 613 223 10	Black Roof console		1	PR: 630, -607, -608
1	991 613 223 10 1E0 991 613 224 10	Black Roof console		1	PR: 607, 608, 630
	991 613 224 10 1E0	Black			

Model: 981GT4

Model life 2016>>2016

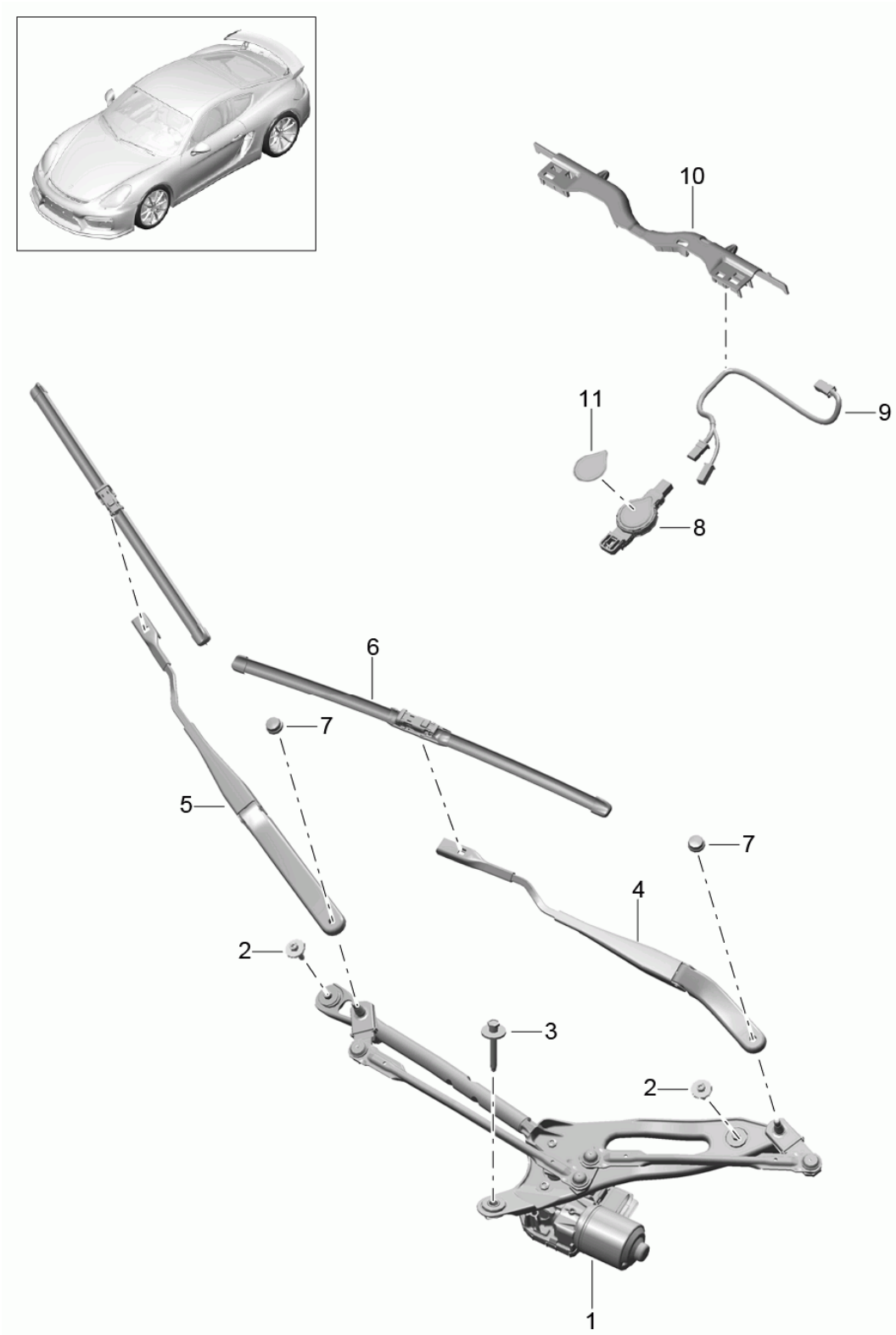


Model: 981GT4 Model life 2016>>2016

Pos	Part Number	Description	Remark	Qty	Model
1	991 613 043 50	Steering column switch Steering column switch		1	PR:288,426, 877,878, -454,-671
(1)	991 613 043 50 1E0 970 613 043 50	Black Steering column switch		1	PR:288,426, 454,877,878, -671
(1)	970 613 043 50 1E0 991 613 051 50	Black Steering column switch		1	PR:288,426, 671,877,878, -456
(1)	991 613 051 50 1E0 970 613 051 50	Black Steering column switch		1	PR:288,426, 454,671,877, 878
(1)	970 613 051 50 1E0 991 613 011 50	Black Steering column switch		1	PR:426,877, 878,-288, -454,-671
(1)	991 613 011 50 1E0 970 613 011 50	Black Steering column switch		1	PR:426,454, 877,878, -288,-671
(1)	970 613 011 50 1E0 970 613 015 50	Black Steering column switch		1	PR:426,456, 877,878, -288,-671
(1)	970 613 015 50 1E0 991 613 019 50	Black Steering column switch		1	PR:426,671, 877,878, -288,-454
(1)	991 613 019 50 1E0 970 613 019 50	Black Steering column switch		1	PR:426,454, 671,877,878, -288
2	970 613 019 50 1E0 958 652 568 04	Black Control unit Steering column switch		1	
		with:			
3	991 552 475 00	Spring steering sensor Switch housing	lower	1	PR:647,655, -XNS
(3)	991 552 475 00 1E0 991 552 983 00	Black Switch housing	lower	1	PR:XNS,454, 647,877,878, 655
	991 552 983 00 DPE	Leather Black/Platinum Grey	-28,78		
	991 552 983 00 DRK	Black/Guards Red	-68		
	991 552 983 00 DPI	Black/Racing Yellow	-58		
4	999 073 155 09	panel screw ST 4,2 X 13		2	
5	991 552 675 00	Cover		1	PR:-454
	991 552 675 00 1E0	Black			
6	991 552 473 01	Switch housing	upper	1	PR:-XNS
	991 552 473 01 1E0	Black			
(6)	991 552 984 00	Switch housing	upper	1	PR:XNS
		Leather			
	991 552 984 00 DPE	Black/Platinum Grey	-28,78		
	991 552 984 00 DRK	Black/Guards Red	-68		
	991 552 984 00 DPI	Black/Racing Yellow	-58		

Model: 981GT4

Model life 2016>>2016



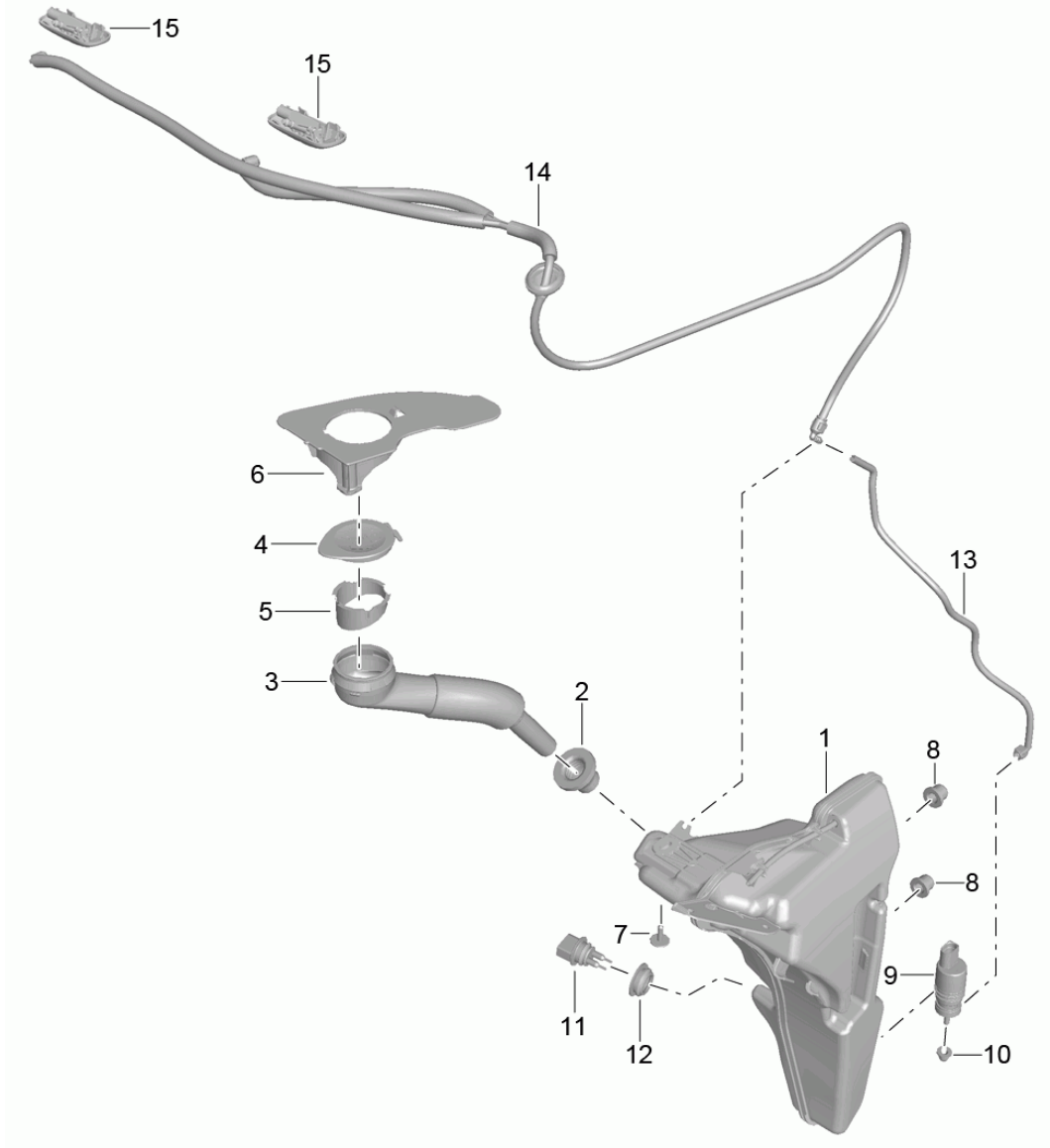
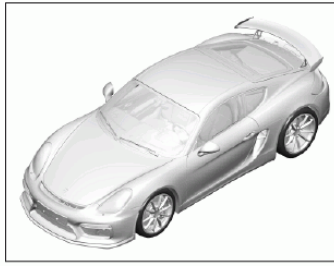
Model: 981GT4

Model life 2016>>2016

Pos	Part Number	Description	Remark	Qty	Model
1	991 628 035 06	Windscreen wiper system, compl Rain sensor Wiper motor	lhd	1	PR:098
		with:			
2	900 387 017 02	Crank drive Bolt with washer M 6 X 25 SC		2	
3	999 141 304 01	Bolt with washer M 8 X 66		1	
(4)	991 628 121 02	Wiper arm (drivers side)	lhd	1	PR:098
5	991 628 122 03	Wiper arm (passenger side)	lhd	1	PR:098
6	991 628 901 00	1 set: wiper blades (drivers side) (passenger side)	front LHD	1	PR:098
7	991 628 305 00	cap for wiper arm		2	
(7)	N 106 092 04	Hexagon collar nut Mount Wiper arm		2	
8	991 615 108 01	Rain sensor		1	
9	991 612 691 00	Wire set Rain sensor		1	PR:-631, -632,-852
10	981 610 119 00	Bracket Wire set Rain sensor		1	
11	4E0 955 609	Gel foil for rain sensor (self-adhesive) Rain sensor		1	

Model: 981GT4

Model life 2016>>2016



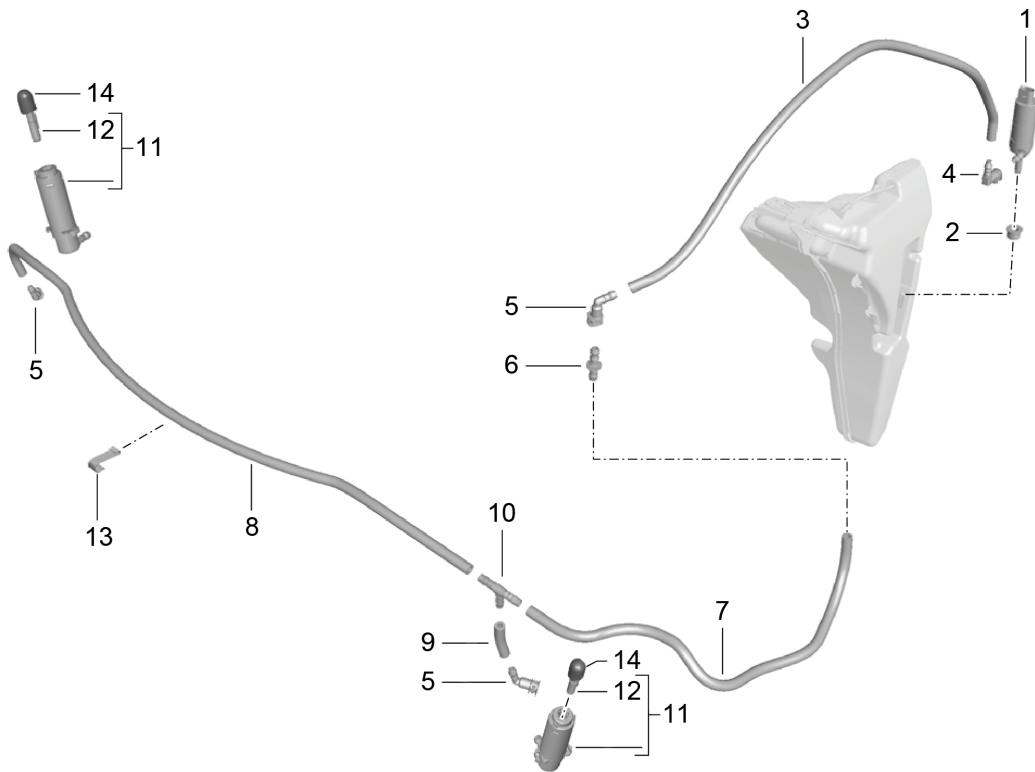
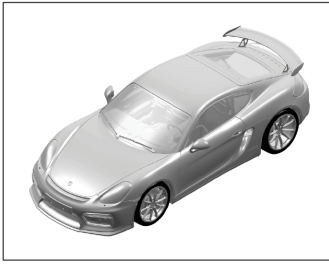
Model: 981GT4

Model life 2016>>2016

Pos	Part Number	Description	Remark	Qty	Model
1	991 528 703 00	Windscreen washer system		1	PR:288
(1)	991 528 701 00	Water reservoir		1	PR:-288
2	955 528 711 01	Seal		1	
3	991 528 403 00	fuel filler neck		1	
4	991 528 413 00	Cover		1	
5	8Z0 955 485	strainer		1	
6	991 528 503 01	Bracket for filler neck		1	
7	N 911 883 01	Hexagon socket head bolt M 6 X 20		1	
8	999 702 221 40	Grommet		2	
9	1K5 955 651	Windscreen washer system pump		1	
10	958 628 712 00	Seal		1	
11	955 628 105 00	Water level switch		1	
12	955 528 721 00	Seal		1	
13	991 628 669 00	Hose line for washer water Pump		1	
		also use:	991 511 65102 (1E0)	1	
			991 511 65202 (1E0)	1	
14	991 628 667 05	Line Connection point jet		1	
15	991 628 075 00	jet		2	
-	999 901 017 42	Window cleaning solution 250 ML Summer		X	
-	999 901 033 40	Window cleaning solution 1000 ML Winter		X	

Model: 981GT4

Model life 2016>>2016

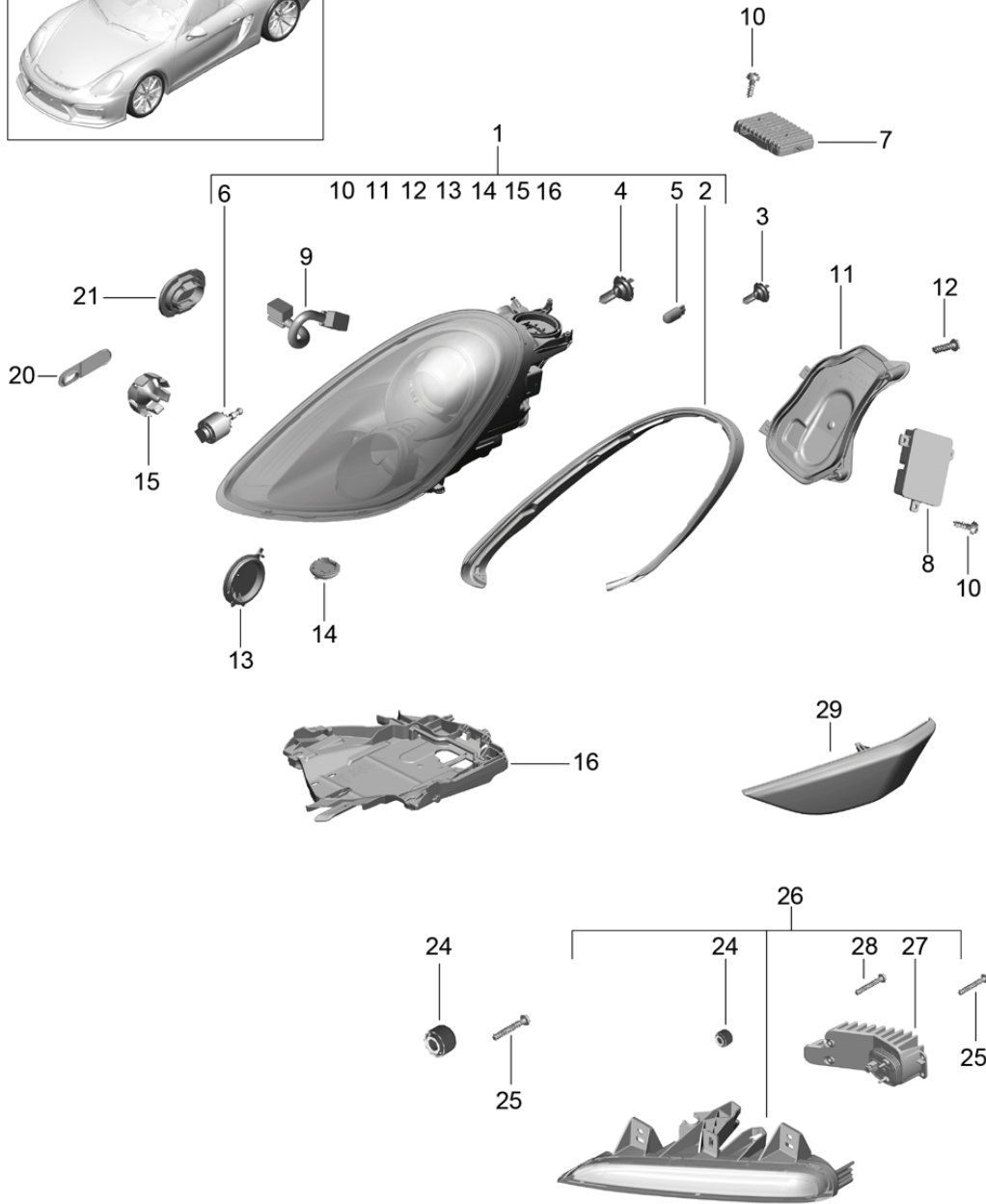
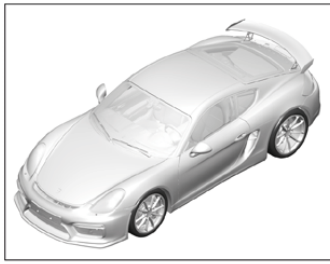


Model: 981GT4 Model life 2016>>2016

Pos	Part Number	Description	Remark	Qty	Model
1	958 624 502 00	Headlight washer system Pump for headlight- washer system		1	PR:288 PR:288
2	431 955 465 A	Seal		1	PR:288
3	000 043 204 79	Hose 8 X 3 905 MM		*	PR:288
4	8E0 955 665	Elbow fitting		1	PR:288
5	997 628 205 00	Coupling		3	PR:288
6	991 628 208 01	Hose connector		1	PR:288
7	000 043 204 79	Hose 8 X 3 600 MM		*	PR:288
8	000 043 204 79	Hose 8 X 3 1340 MM		*	PR:288
9	000 043 204 79	Hose 8 X 3 75 MM		*	PR:288
10	113 955 975 B	t-piece		1	PR:288
(11)	991 628 167 00	jet Matt black		2	
		with:			
(12)	991 628 265 00	Nozzle head Nozzle head Matt black		2	
13	999 507 164 01	Cable fastener		7	PR:288
14	997 628 981 02	Cap primed for POS 11 + 12		2	PR:288 ,XUB

Model: 981GT4

Model life 2016>>2016



Model: 981GT4 Model life 2016>>2016

Pos	Part Number	Description	Remark	Qty	Model
-		Headlights with: Dynamic cornering light Additional headlight Turn signal indicator side marker light Turn signal repeater Headlights without: Control unit and bulb XENON			
(1)	981 631 225 80	Headlights	left	1	PR:800
(1)	981 631 226 80	Headlights	right	1	PR:800
(1)	981 631 265 01	Headlights	left	1	PR:620
(1)	981 631 266 01	Headlights	right	1	PR:620
2	981 631 315 01	Seal	left	1	
(2)	981 631 316 01	Seal	right	1	
3	999 631 070 90	Gas discharge lamp D3S		2	PR:620
3	999 631 071 90	Gas discharge lamp DLS		2	PR:800
4	999 631 133 91	Halogen bulb H 7		2	
5	999 631 305 90	bulb HY21W		2	
6	991 631 327 03	Servomotor Headlight range control		2	
7	991 618 321 04	Control unit Headlight range control		2	
(7)	991 618 321 18	Control unit Headlight range control		2	
8	991 618 323 03	Control unit		2	PR:620
(8)	8K0 941 597 F	Control unit for gas discharge lamp		2	PR:800
9	991 631 323 00	Connecting line		2	
10	999 919 159 09	fillister hd. bolt 4,0 X 12,0		12	
11	981 631 311 01	Protective hood	left	1	
(11)	981 631 312 01	Protective hood	right	1	
12	991 631 377 00	Screw		8	
13	991 631 313 00	Protective hood High beam and Turn signal indicator		4	
14	997 631 267 01	ventilation valve		2	
15	991 631 927 00	Cap adjusting screw		2	
16	981 631 201 00	Mounting for main beam headl.	left	1	
(16)	981 631 202 00	Mounting for main beam headl.	right	1	
20	991 631 101 00	Bungs		4	
21	997 631 127 00	Bungs		2	
-		Additional headlight			
24	987 631 291 00	Cover cap		2	PR:605
25	999 919 246 01	fillister hd. bolt 6,0 X 18,0		6	PR:605
26	981 631 187 00	Additional headlight	left	1	PR:605
(26)	981 631 188 00	Additional headlight	right	1	PR:605
27	981 631 251 00	LED module Position light		1	PR:605
(27)	981 631 252 00	LED module Position light		1	PR:605

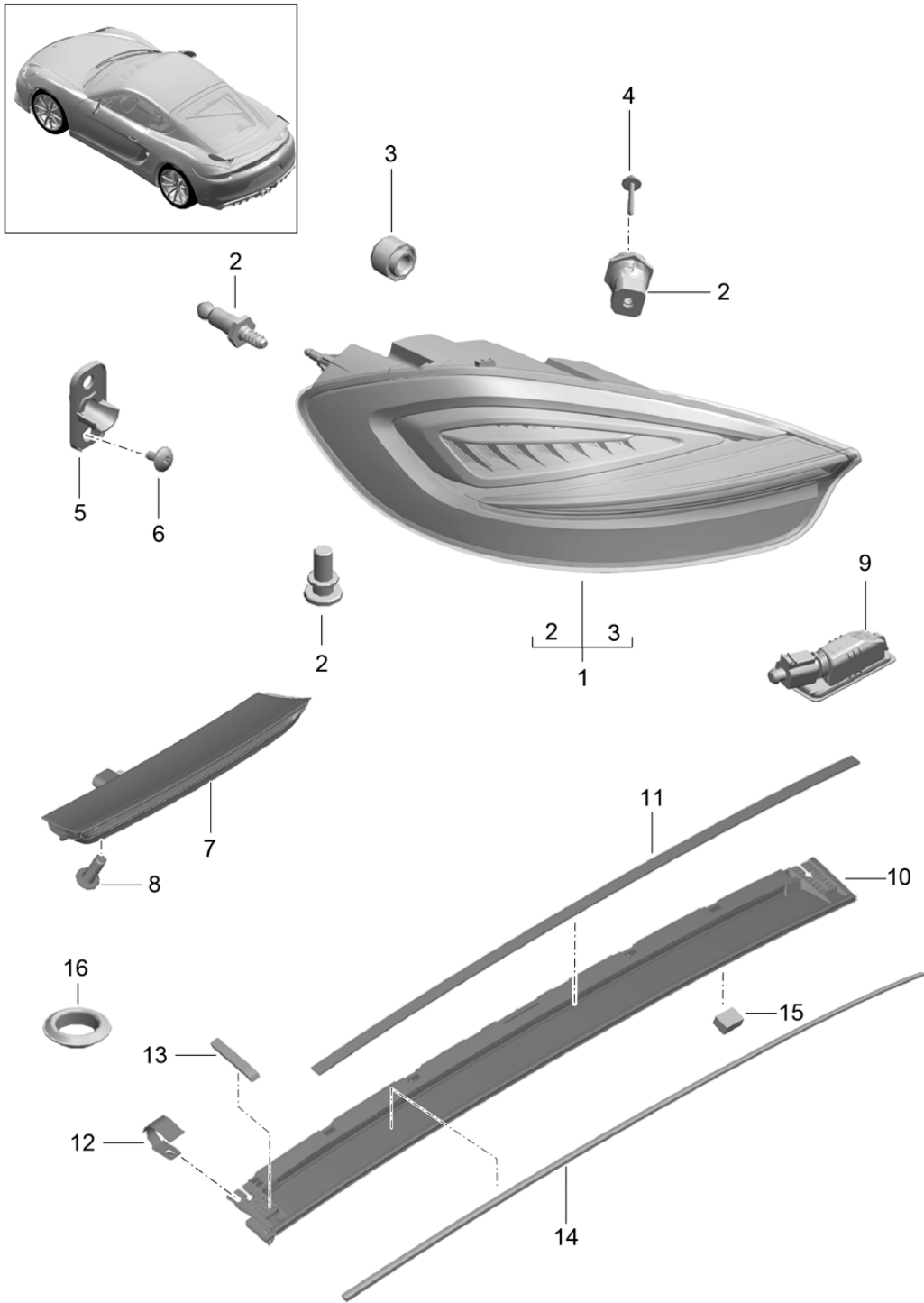
Model: 981GT4

Model life 2016>>2016

Pos	Part Number	Description	Remark	Qty	Model
28	997 631 297 00	Screw		4	
29	991 631 257 04	side marker light	left	1	
(29)	991 631 258 04	side marker light	right	1	

Model: 981GT4

Model life 2016>>2016

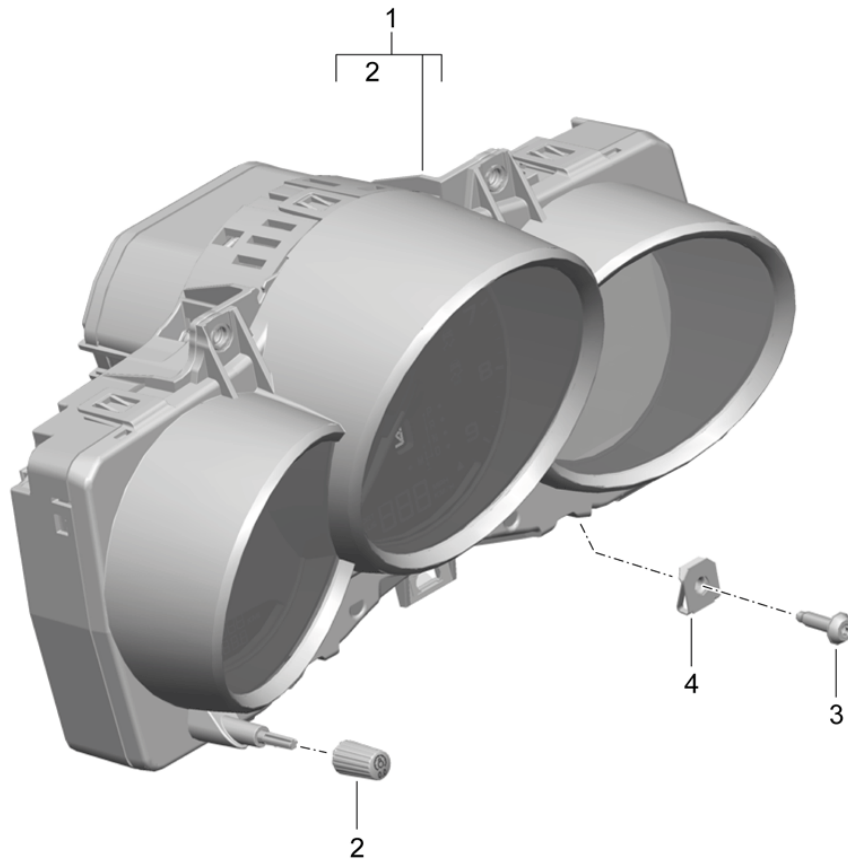
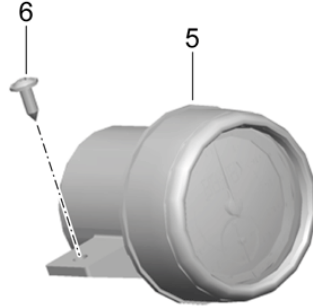
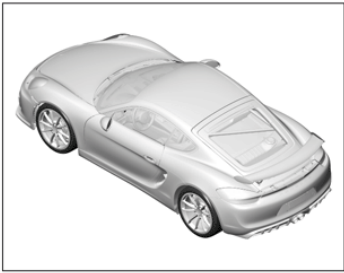


Model: 981GT4 Model life 2016>>2016

Pos	Part Number	Description	Remark	Qty	Model
		Rear light			
		Licence plate light			
		Additional brake light			
		Rear fog light			
(1)	981 631 145 80	Rear light	left	1	
(1)	981 631 146 80	Rear light	right	1	
2	981 631 925 00	repair set		2	
		Bracket			
3	987 631 291 00	Cover cap		6	
4	N 910 953 01	hexagon head bolt (combi)		2	
		M 6 X 40			
5	981 631 191 03	Retaining plate		2	
		Rear light			
6	999 073 404 01	fillister hd. bolt		4	
		M 6 X 14			
7	981 631 467 02	Rear fog light		1	
		with:			
		Back-up light			
8	999 919 246 01	fillister hd. bolt		2	
		6,0 X 18,0			
9	1K8 943 021 C	LED licence plate light		2	
10	981 631 183 04	Additional brake light		1	
11	981 631 385 00	Sticky pad		2	
12	981 631 383 00	retaining spring		2	
13	981 631 387 00	Seal		1	
		Short			
14	981 631 391 00	Seal		1	
		Long			
15	981 631 393 00	Seal		1	
		Lens			
16	999 702 297 40	Grommet		2	
		25 X 29 X 4			

Model: 981GT4

Model life 2016>>2016



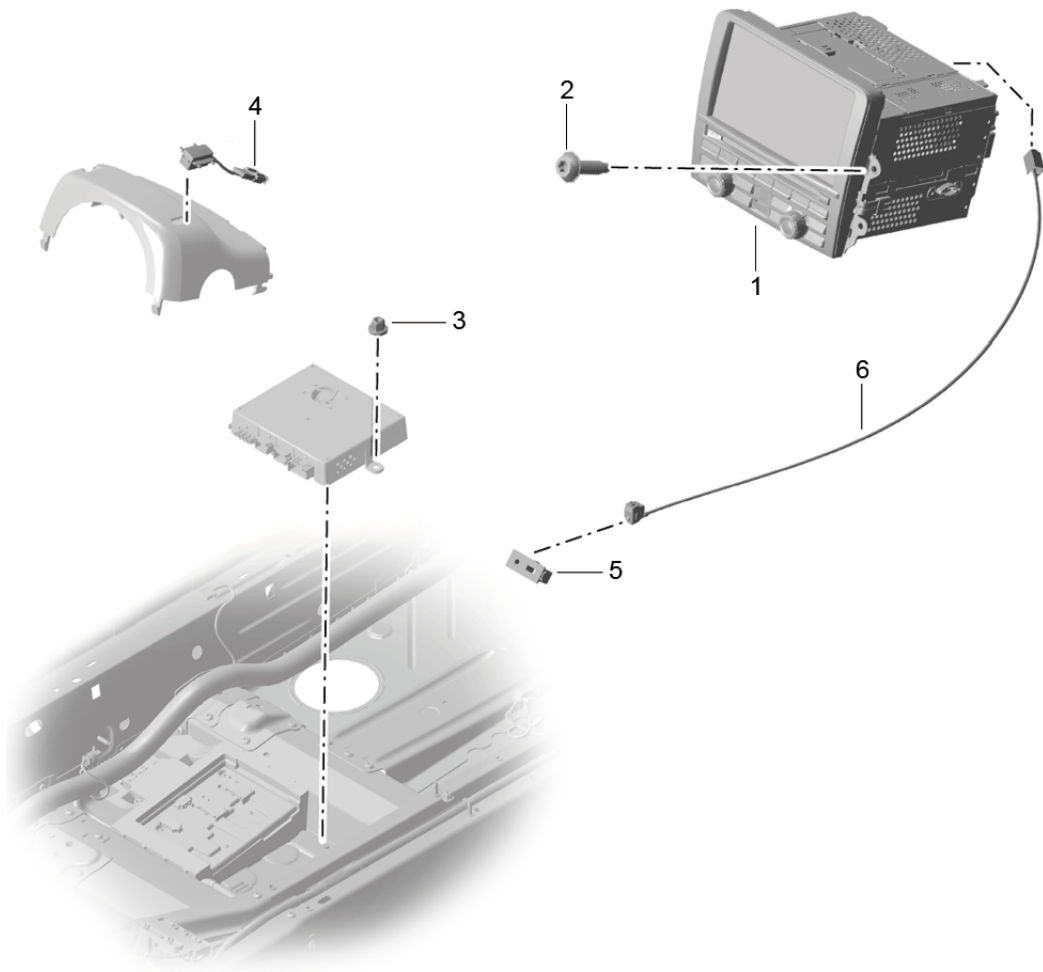
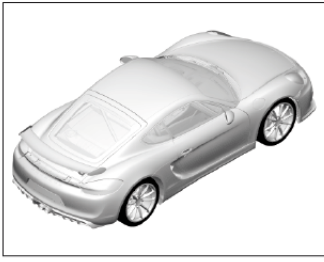
Model: 981GT4

Model life 2016>>2016

Pos	Part Number	Description	Remark	Qty	Model
(1)	981 641 143 81	Instruments Stopwatch Combi-instrument (complete)		1	- "USA" , "CDN"
	981 641 143 81 A05	Matt black			
(1)	981 641 147 81	Combi-instrument (complete)		1	- "CDN"
	981 641 147 81 A05	Matt black			
2	991 641 911 00	knob throttle control element		1	
3	999 073 498 01	fillister hd. bolt M 5 X 20		4	
4	999 507 556 01	panel nut		4	
-		Stopwatch			
5	981 641 301 80	Stopwatch		1	
	981 641 301 80 A05	Matt black			
6	999 073 155 09	panel screw		2	

Model: 981GT4

Model life 2016>>2016



Model: 981GT4 Model life 2016>>2016

Pos	Part Number	Description	Remark	Qty	Model
-		Control panel Navigation system Radio unit microphone			
1	991 642 970 PX	Control panel Only in exchange Control panel		1	PR:665,672, -075,-215, -686,-688, -690,-693
	991 642 970 PX DML	Matt Black/hi-gloss chrome We take back:			
1	991 642 970 QX	991.642.970.14.DML Control panel D - MJ 2016>>		1	PR:665,672, -075,-215, -686,-688, -690,-693
	991 642 970 QX DML	Matt Black/hi-gloss chrome We take back:			
1	991 642 972 PX	991.642.970.15.DML Control panel		1	PR:665,672, 693,-075, -215,-686, -688,-690, -691
	991 642 972 PX DML	Matt Black/hi-gloss chrome We take back:			
1	991 642 972 QX	991.642.972.14.DML Control panel D - MJ 2016>>		1	PR:665,672, 693,-075, -215,-686, -688,-690, -691
	991 642 972 QX DML	Matt Black/hi-gloss chrome We take back:			
1	991 642 961 PX	991.642.972.15.DML Control panel		1	PR:665,672, 686,-693
	991 642 961 PX DML	Matt Black/hi-gloss chrome We take back:			
1	991 642 961 QX	991.642.961.14.DML Control panel D - MJ 2016>>		1	PR:665,672, 686,-693
	991 642 961 QX DML	Matt Black/hi-gloss chrome We take back:			
1	991 642 964 PX	991.642.961.15.DML Control panel		1	PR:665,672, 686,693
	991 642 964 PX DML	Matt Black/hi-gloss chrome We take back:			
1	991 642 964 QX	991.642.964.14.DML Control panel D - MJ 2016>>		1	PR:665,672, 686,693
	991 642 964 QX DML	Matt Black/hi-gloss chrome We take back:			
1	991 642 962 PX	991.642.964.15.DML Control panel		1	PR:665,672, 688,-693
	991 642 962 PX DML	Matt Black/hi-gloss chrome We take back:			
1	991 642 962 QX	991.642.962.14.DML Control panel D - MJ 2016>>		1	PR:665,672, 688,-693

Model: 981GT4 Model life 2016>>2016

Pos	Part Number	Description	Remark	Qty	Model
1	991 642 962 QX DML	Matt Black/hi-gloss chrome We take back: 991.642.962.15.DML		1	PR:665,672, 688,693
	991 642 965 PX	Control panel			
	991 642 965 PX DML	Matt Black/hi-gloss chrome We take back: 991.642.965.14.DML		1	PR:665,672, 688,693
1	991 642 965 QX	Control panel		1	PR:665,672, 688,693
	991 642 965 QX DML	Matt Black/hi-gloss chrome We take back: 991.642.965.15.DML		1	PR:665,672, 690,-693
1	991 642 963 PX	Control panel		1	PR:665,672, 690,-693
	991 642 963 PX DML	Matt Black/hi-gloss chrome We take back: 991.642.963.14.DML		1	PR:665,672, 690,-693
1	991 642 963 QX	Control panel		1	PR:665,672, 690,-693
	991 642 963 QX DML	Matt Black/hi-gloss chrome We take back: 991.642.963.15.DML		1	PR:665,672, 690,693
1	991 642 966 PX	Control panel		1	PR:665,672, 690,693
	991 642 966 PX DML	Matt Black/hi-gloss chrome We take back: 991.642.966.14.DML		1	PR:665,672, 690,693
1	991 642 966 QX	Control panel		1	PR:665,672, 690,693
	991 642 966 QX DML	Matt Black/hi-gloss chrome We take back: 991.642.966.15.DML		1	PR:665,691, -672,-693
1	991 642 952 CX	Control panel		1	PR:665,691, -672,-693
	991 642 952 CX DML	Matt Black/hi-gloss chrome We take back: 991.642.952.03.DML		1	PR:665,691, -672,-693
1	991 642 952 DX	Control panel		1	PR:665,691, -672,-693
	991 642 952 DX DML	Matt Black/hi-gloss chrome We take back: 991.642.952.04.DML		1	PR:665,691, 693,-672
1	991 642 953 CX	Control panel		1	PR:665,691, 693,-672
	991 642 953 CX DML	Matt Black/hi-gloss chrome We take back: 991.642.953.03.DML		1	PR:665,691, 693,-672
1	991 642 953 DX	Control panel		1	PR:665,691, 693,-672
	991 642 953 DX DML	Matt Black/hi-gloss chrome We take back: 991.642.953.04.DML		1	PR:665,690, -672,-693
1	991 642 954 CX	Control panel		1	PR:665,690, -672,-693
	991 642 954 CX DML	Matt Black/hi-gloss chrome We take back: 991.642.954.03.DML		1	PR:665,690, -672,-693
1	991 642 954 DX	Control panel		1	PR:665,690, -672,-693
	991 642 954 DX DML	Matt Black/hi-gloss chrome We take back: 991.642.954.04.DML		1	PR:665,690, -672,-693

Model: 981GT4 Model life 2016>>2016

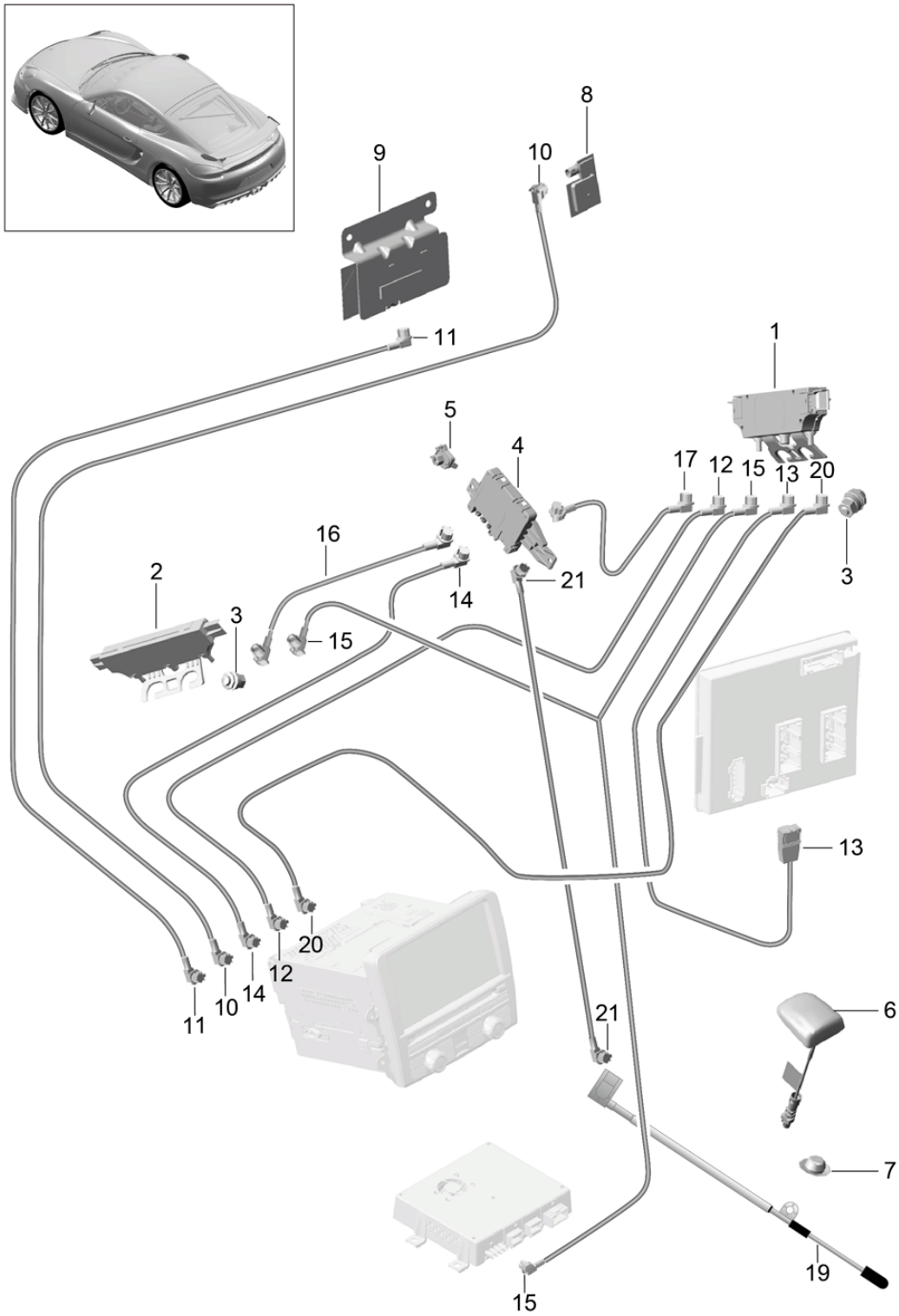
Pos	Part Number	Description	Remark	Qty	Model
1	991 642 955 CX	Control panel		1	PR:665,690, -693,-672
	991 642 955 CX DML	Matt Black/hi-gloss chrome We take back: 991.642.955.03.DML			
1	991 642 955 DX	Control panel		1	PR:665,690, -693,-672
	991 642 955 DX DML	D - MJ 2016>> Matt Black/hi-gloss chrome We take back: 991.642.955.04.DML			
-		Control unit Telephone			
-	970 642 929 01	Rot. knob for Control panel	911-010 left	1	PR:665
-	970 642 930 01	Rot. knob for Control panel	right	1	PR:665
(1)	991 645 130 04	radio CDR 31		1	PR:696,-619, -686,-692
	991 645 130 04 DML	Matt Black/hi-gloss chrome			
(1)	991 645 130 DX	radio CDR 31		1	PR:696,-619, -686,-692
	991 645 130 DX DML	Matt Black/hi-gloss chrome We take back: 991.645.130.04.DML			
(1)	991 645 132 04	radio CDR 31		1	PR:696,692, -619,-686
	991 645 132 04 DML	Matt Black/hi-gloss chrome			
(1)	991 645 132 DX	radio CDR 31		1	PR:696,692, -619,-686
	991 645 132 DX DML	Matt Black/hi-gloss chrome We take back: 991.645.132.04.DML			
(1)	991 645 134 04	radio CDR 31		1	PR:696,619, -686,-692
	991 645 134 04 DML	Matt Black/hi-gloss chrome			
(1)	991 645 134 DX	radio CDR 31		1	PR:696,619, -686,-692
	991 645 134 DX DML	Matt Black/hi-gloss chrome We take back: 991.645.134.04.DML			
(1)	991 645 136 04	radio CDR 31		1	PR:696,619, 692,-686
	991 645 136 04 DML	Matt Black/hi-gloss chrome			
(1)	991 645 136 DX	radio CDR 31		1	PR:696,619, 692,-686
	991 645 136 DX DML	Matt Black/hi-gloss chrome We take back: 991.645.136.04.DML			
(1)	991 645 146 04	radio CDR 31		1	PR:696,686, -619,-692
	991 645 146 04 DML	Matt Black/hi-gloss chrome			
(1)	991 645 146 DX	radio CDR 31		1	PR:696,686, -619,-692
	991 645 146 DX DML	Matt Black/hi-gloss chrome We take back: 991.645.146.04.DML			
(1)	991 645 148 04	radio CDR 31		1	PR:696,686, 692,-619
	991 645 148 04 DML	Matt Black/hi-gloss chrome			
(1)	991 645 148 DX	radio		1	PR:696,686,

Model: 981GT4 Model life 2016>>2016

Pos	Part Number	Description	Remark	Qty	Model
	991 645 148 DX DML	CDR 31 Matt Black/hi-gloss chrome We take back: 991.645.148.04.DML			692,-619
(1)	991 645 150 04	radio CDR 31		1	PR:696,686, 619,-692
(1)	991 645 150 04 DML 991 645 150 DX	Matt Black/hi-gloss chrome radio CDR 31		1	PR:696,686, 619,-692
(1)	991 645 150 DX DML 991 645 152 04	Matt Black/hi-gloss chrome We take back: 991.645.150.04.DML radio CDR 31		1	PR:696,619, 686,692
(1)	991 645 152 04 DML 991 645 152 DX	Matt Black/hi-gloss chrome radio CDR 31		1	PR:696,619, 686,692
-	991 645 152 DX DML 970 645 929 00	Matt Black/hi-gloss chrome We take back: 991.645.152.04.DML Rot. knob for Radio unit CDR 31	left	1	PR:696
-	970 645 930 00	Rot. knob for Radio unit CDR 31	right	1	PR:696
2	999 073 498 01	fillister hd. bolt M 5 X 20		4	
-	7PP 919 855	CD-ROM for electronic driver's logbook		1	PR:641
-	997 642 273 57	DVD-ROM for navigation system for Software		1	PR:615
-	997 642 273 58	DVD-ROM for navigation system for Software		1	PR:615
4	991 646 313 02	D - MJ 2016>> microphone	right	1	PR:619,665
(4)	991 646 313 02	microphone	right	1	PR:666
(4)	991 646 313 01	microphone	right	1	PR:671,-619, -666
5	7PP 035 724 D	bush Multimedia interface Glove box		1	PR:665,870
(5)	7PP 035 724 C	Plug socket Multimedia interface Glove box		1	PR:696,870
6	991 642 122 01	Connecting line Multimedia interface Control panel		1	PR:665,870
(6)	991 642 123 01	- USB - Connecting line Multimedia interface Control panel - AUX -		1	PR:665,870, 696

Model: 981GT4

Model life 2016>>2016



Model: 981GT4 Model life 2016>>2016

Pos	Part Number	Description	Remark	Qty	Model
1	991 647 106 00	Aerial amplifier Aerial Connecting line Aerial amplifier	right	1	PR:696,-440
(1)	991 647 118 00	Aerial amplifier A-pillar	right	1	PR:440,665, -676
2	991 647 117 00	Aerial amplifier A-pillar	left	1	PR:440,665, -676
2	991 647 127 00	Aerial amplifier A-pillar	left	1	PR:440,665, -676,691
3	999 516 032 01	Hexagon nut		4	
4	991 618 122 00	Control unit Aerial amplifier		1	PR:440
5	991 647 318 00	Clamp		2	PR:440
6	991 647 150 02	Aerial SDARS primed		1	
7	991 610 281 00	End cap		1	
8	7PP 035 504 A	Aerial GPS		1	PR:672
9	991 647 125 00	Telephone aerial		1	PR:666
10	991 612 022 50	Aerial connection line GPS To Control panel Navigation system		1	PR:672
10	991 612 037 50	Aerial connection line GPS To Control panel Navigation system		1	PR:674
11	991 612 023 50	Connecting line Aerial Telephone To Control panel Navigation system		1	PR:666,-632, -852
11	991 612 023 75	Connecting line Aerial Telephone To Control panel Navigation system		1	PR:632,852
12	991 612 033 00	Connecting line Radio unit To Aerial amplifier A-pillar	right	1	PR:696,-440
13	991 612 013 00	Connecting line Control unit Electronics Front end To Aerial amplifier A-pillar	right lhd	1	PR:098,524, 525
14	991 612 016 00	Connecting line Control unit To Control panel Navigation system		1	PR:440,665
16	991 612 014 00	Connecting line Aerial amplifier	left lhd	1	PR:098,440

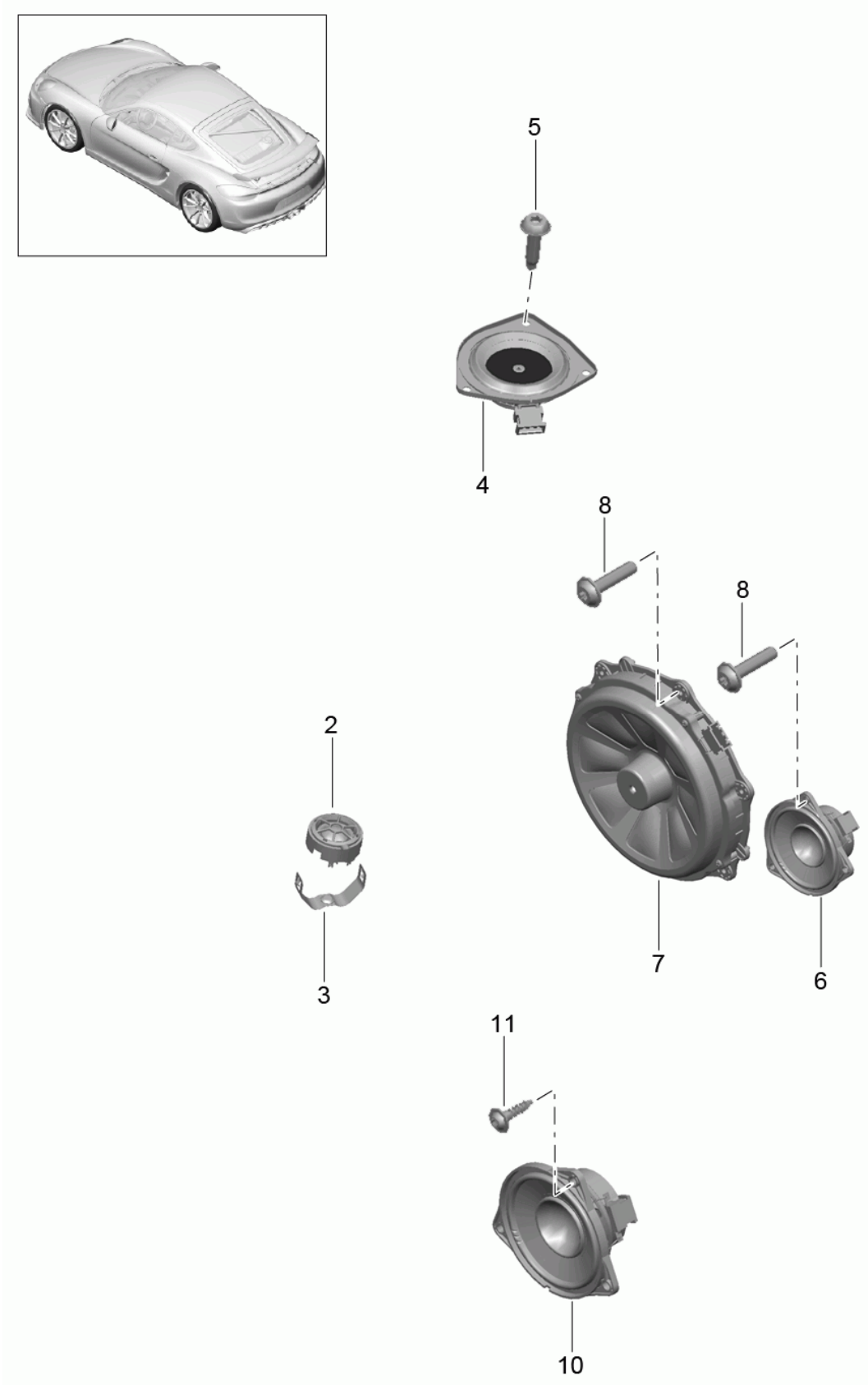
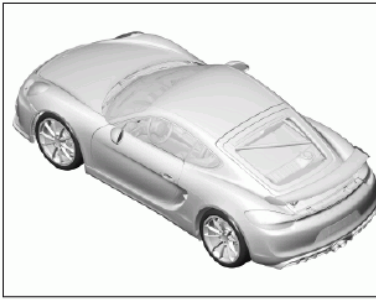
Model: 981GT4

Model life 2016>>2016

Pos	Part Number	Description	Remark	Qty	Model
17	991 612 015 00	A-pillar To Control unit Connecting line Aerial amplifier A-pillar	right	1	PR:098,440
19	991 612 036 00	To Control unit Aerial		1	
20	991 612 073 50	VTS vehicle tracking Connecting line Aerial amplifier		1	PR:691
21	991 612 038 00	Digital Radio unit To Control panel PCM Connecting line Aerial GSM To Control unit VTS vehicle tracking		1	

Model: 981GT4

Model life 2016>>2016



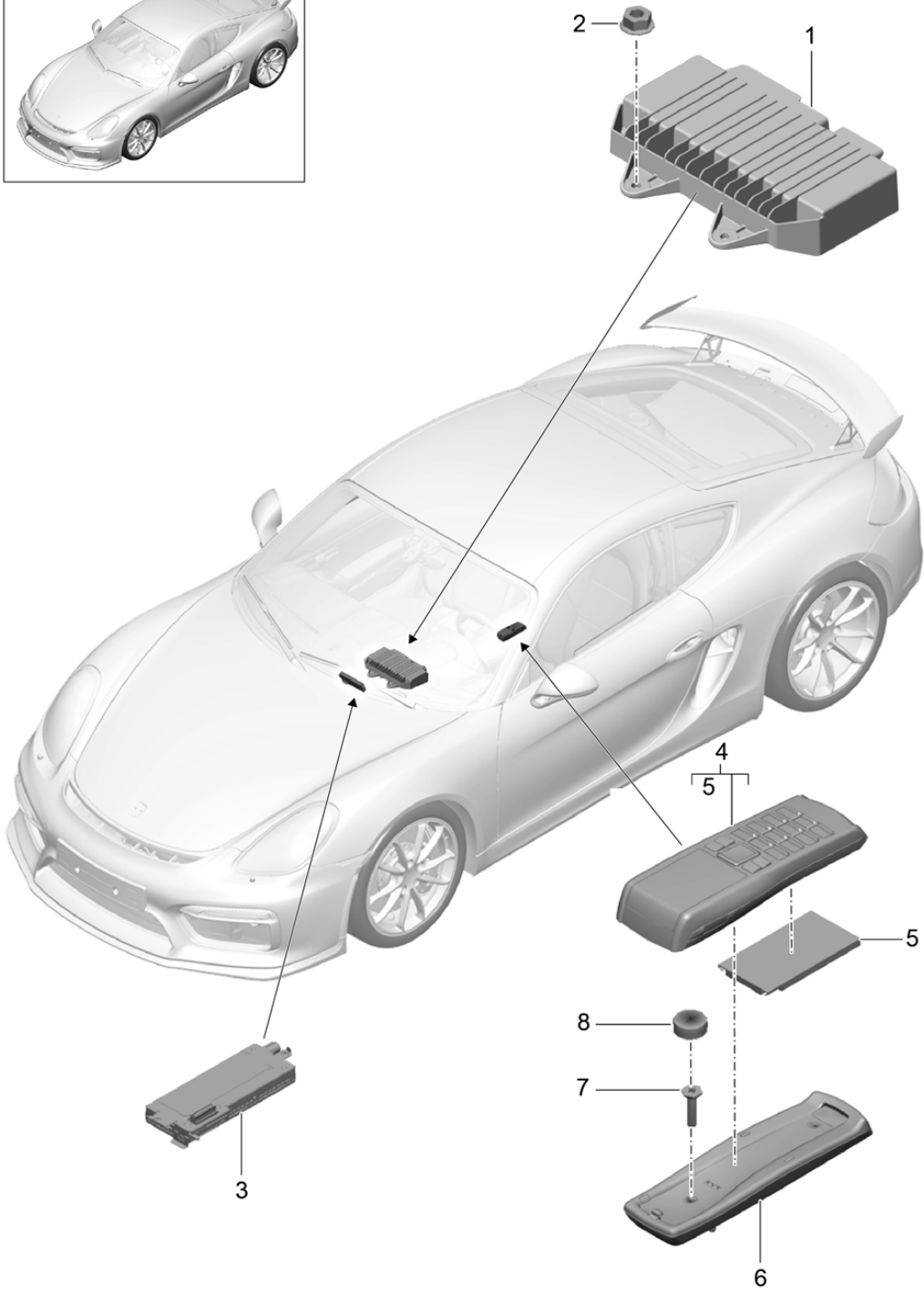
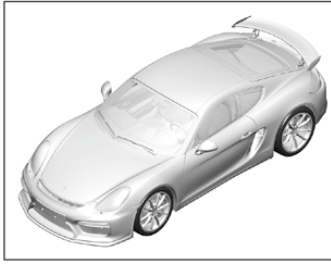
Model: 981GT4

Model life 2016>>2016

Pos	Part Number	Description	Remark	Qty	Model
2	7PP 035 411	Loudspeaker Treble speaker dashboard		2	PR:441,490
3	991 552 775 00	Retaining bar Treble speaker		2	PR:441,490
4	7PP 035 828 F	Loudspeaker dashboard	center	1	PR:490
5	999 073 557 01	fillister hd. bolt M 5 X 20		7	PR:490
6	7PP 035 415 J	Mid tone speaker Door		2	PR:490
7	7PP 035 454 L	Bass loudspeaker Door		2	PR:490
(7)	970 645 551 02	Bass loudspeaker Door		2	PR:441
8	999 919 209 09	fillister hd. bolt 5,0 X 22,0		12	
10	7PP 035 415 J	Mid tone speaker	rear	2	PR:490
11	999 919 250 01	Oval-head screw 4,0 X 16,0		6	

Model: 981GT4

Model life 2016>>2016



Model: 981GT4

Model life 2016>>2016

Pos	Part Number	Description	Remark	Qty	Model
1	991 645 441 04	Amplifiers Telephone		1	PR:490
2	999 084 638 01	Amplifiers Hexagon nut M 6		3	
3	7PP 035 730 B	Control unit for telephone microphone		1	PR:666
-		see illustration:	911-000		
4	7PP 035 725 C	Telephone controls/receiver		1	PR:669
5	997 646 916 00	Battery		1	PR:669
6	955 646 214 00	Support for cellphone receiver		1	PR:669
7	999 919 230 00	countersunk bolt 3,0 X 10		2	PR:669
8	955 646 311 00	Bungs		2	PR:669