

Model: 987209**Model life 2009>>2012**

Model Overview Sales Type

Sales term	Description	Mounting time	Remark
987110	Cayman	08/08-05/12	
987111	Cayman	08/08-05/12	
987120	Cayman S	08/08-05/12	
987121	Cayman S	08/08-05/12	
987130	Cayman	05/11-05/12	
	Black Edition China		
987180	Cayman S Black Edition	05/11-05/12	
987181	Cayman S Black Edition	05/11-05/12	
987780	Cayman R	08/10-05/12	
987781	Cayman R	08/10-05/12	

Model: 987209

Model life 2009>>2012

Model Overview EC

EC	Sales term	LTR	KW	Hp	Cyl	Mounting time	Remark
A120		2,90	195	265	6	08/08-05/12	
A121		3,40	235	319	6	08/08-05/12	
A121		3,40	243	330	6	05/11-05/12	

Model: 987209**Model life 2009>>2012**

Model Overview TC

TC	Sales term	Type	Mounting time	Remark
CG200		7C	08/08-05/12	
CG220		7C	08/08-05/12	
G8710		6S	08/08-05/12	
G8740		6S	08/08-05/12	

Model: 987209 Model life 2009>>2012

VIN-Numbers Overview

Model year	Date	VIN	Remark
2009	01.08.2008	98-9S750061	>98-9S760000 Cayman
2009	01.08.2008	98-9U750061	>98-9U760000 Cayman
2009	01.08.2008	98-9S770061	>98-9S780000 Cayman S
2009	01.08.2008	99-9U770061	>99-9U780000 Cayman S
2009	01.08.2008	98-9S780061	>98-9S790000 Cayman S (USA, CN, CDN, MEX, BR)
2009	01.08.2008	98-9U780061	>98-9U790000 Cayman S (USA, CN, CDN, MEX, BR)
2009	01.08.2008	98-9S760061	>98-9S770000 Cayman (USA, CN, CDN, MEX, BR)
2009	01.08.2008	98-9U760061	>98-9U770000 Cayman (USA, CN, CDN, MEX, BR)
2010	01.08.2009	98-AS750061	>98-AS760000 Cayman
2010	01.08.2009	98-AU750061	>98-AU760000 Cayman
2010	01.08.2009	98-AS760061	>98-AS770000 Cayman (CN, MEX, BR)
2010	01.08.2009	98-AU760061	>98-AU770000 Cayman (CN, MEX, BR)
2010	01.08.2009	A8-AS760061	>A8-AS770000 Cayman (USA, CDN)
2010	01.08.2009	A8-AU760061	>A8-AU770000 Cayman (USA, CDN)
2010	01.08.2009	98-AS770061	>98-AS780000 Cayman S
2010	01.08.2009	98-AU770061	>98-AU780000 Cayman S
2010	01.08.2009	A8-AS780061	>A8-AS790000 Cayman S (USA, CDN)
2010	01.08.2009	A8-AU780061	>A8-AU790000 Cayman S (USA, CDN)
2010	01.08.2009	98-AS780061	>98-AS790000 Cayman S (CN, MEX, BR)
2010	01.08.2009	98-AU780061	>98-AU790000 Cayman S (CN, MEX, BR)
2011	01.08.2010	98-BS750061	>98-BS760000 Cayman
2011	01.08.2010	98-BU750061	>98-BU760000 Cayman
2011	01.08.2010	98-BS760061	>98-BS770000 Cayman (CN, MEX, BR)
2011	01.08.2010	98-BU760061	>98-BU770000 Cayman (CN, MEX, BR)
2011	01.08.2010	A8-BS760061	>A8-BS770000 Cayman (USA, CDN)
2011	01.08.2010	A8-BU760061	>A8-BU770000 Cayman (USA, CDN)
2011	01.08.2010	98-BS770061	>98-BS780000 Cayman S
2011	01.08.2010	98-BU770061	>98-BU780000 Cayman S
2011	01.08.2010	A8-BS780061	>A8-BS790000 Cayman S (USA, CDN)
2011	01.08.2010	A8-BU780061	>A8-BU790000 Cayman S (USA, CDN)
2011	01.08.2010	98-BS780061	>98-BS790000 Cayman S (CN, MEX, BR)
2011	01.08.2010	98-BU780061	>98-BU790000 Cayman S (CN, MEX, BR)
2012	01.06.2011	98-CS750061	>98-CS760000 Cayman
2012	01.06.2011	98-CU750061	>98-CU760000 Cayman
2012	01.06.2011	98-CS760061	>98-CS770000 Cayman (CN, MEX, BR)
2012	01.06.2011	98-CU760061	>98-CU770000 Cayman (CN, MEX, BR)
2012	01.06.2011	A8-CS760061	>A8-CS770000 Cayman (USA, CDN)
2012	01.06.2011	A8-CU760061	>A8-CU770000 Cayman (USA, CDN)
2012	01.06.2011	98-CS790061	>98-CS792000 Cayman R
2012	01.06.2011	A8-CS792061	>A8-CS794000 Cayman R (USA, CDN)
2012	01.06.2011	98-CS770061	>98-CS780000 Cayman S
2012	01.06.2011	98-CU770061	>98-CU780000 Cayman S

Model: 987209 **Model life 2009>>2012**

2012	01.06.2011	A8-CS780061	>A8-CS790000	Cayman S (USA, CDN)
2012	01.06.2011	A8-CU780061	>A8-CU790000	Cayman S (USA, CDN)
2012	01.06.2011	98-CS780061	>98-CS790000	Cayman S (CN, MEX, BR)
2012	01.06.2011	98-CU780061	>98-CU790000	Cayman S (CN, MEX, BR)
2012	01.06.2011	98-CS792061	>98-CS794000	Cayman R (CN, MEX, BR)

Model: 987209

Model life 2009>>2012

Engine Numbers

Engine number	Model year	Vehicle type	Engine type
C_9 00501>99999	2009	CAYMAN	A120
C_9 00501>99999	2009	CAYMAN "S"	A121
C_A 00501>99999	2010	CAYMAN	A120
C_A 00501>99999	2010	CAYMAN "S"	A121
C_B 00501>99999	2011	CAYMAN	A120
C_B 00501>99999	2011	CAYMAN "S"	A121
C_C 00501>99999	2012	CAYMAN	A120
C_C 00501>99999	2012	CAYMAN "S"	A121
R_C 00501>99999	2012	CAYMAN "R"	A121

Model: 987209**Model life 2009>>2012**

Transmission Numbers

Transmission Number	Model year	Vehicle type	Gearbox type
CG200 1 002001>999999	2009	CAYMAN PDK	CG200
CG220 1 002001>999999	2009	CAYMAN "S" PDK	CG220
G8710 1 002001>999999	2009	CAYMAN	G8710
G8740 1 002001>999999	2009	CAYMAN "S"	G8740
CG200 1 002001>999999	2010	CAYMAN PDK	CG200
CG220 1 002001>999999	2010	CAYMAN "S" PDK	CG220
G8710 1 002001>999999	2010	CAYMAN	G8710
G8740 1 002001>999999	2010	CAYMAN "S"	G8740
CG200 1 002001>999999	2011	CAYMAN PDK	CG200
CG220 1 002001>999999	2011	CAYMAN "S" PDK	CG220
G8710 1 002001>999999	2011	CAYMAN	G8710
G8740 1 002001>999999	2011	CAYMAN "S"	G8740
CG200 1 002001>999999	2012	CAYMAN PDK	CG200
CG220 1 002001>999999	2012	CAYMAN S / R PDK	CG220
G8710 1 002001>999999	2012	CAYMAN	G8710
G8740 1 002001>999999	2012	CAYMAN S / R	G8740

Model: 987209

Model life 2009>>2012

NR	Description
008	Boxster S 3.2 litres displacement
009	Boxster 2.7 litres displacement
013	Special model Black Edition
022	Black-coloured instrument dials, instrument cluster
023	Silver -coloured instrument dials, instrument cluster
024	Version for Greece
025	Black-coloured instrument dials, stopwatch
026	Silver-coloured instrument dials, stopwatch
027	Instrument dials, stopwatch in Carrara White
029	Standard chassis
030	Sports suspension
032	Touring suspension
034	Version for Italy
058	Impact absorbers, front and rear
061	Version for Great Britain
062	sweden version
063	Version Luxemburg
064	Version for Netherlands
065	Version for Denmark
066	Version for Norway
067	Version for Finland
068	PAP right-hand drive version
069	Other country version
071	EU country version
072	Version for Mexico
073	Version for Russia
074	PAP left-hand drive version
075	Chinese version
084	Fuel tank, 54-litre
098	Left-hand drive version
099	Right-hand drive version
111	Version for Austria
113	Version for Canada
114	Version for Taiwan
119	Version for Spain
124	Version for France
126	Control and indications in French lettering
127	Control and indications in Swedish lettering
130	Control and indications in English lettering
150	Operation with leaded gas
159	Curbed engine, 155 kW/211 bhp
170	Acoustic package RoW
171	Acoustic package USA
172	Acoustic package PAP, China, Korea
178	Twin tailpipes, Black
181	Standard climatic zones

Model: 987209

Model life 2009>>2012

NR	Description
182	Hot country
183	Super hot country
191	Lightweight battery
193	japan version
194	Battery, 60 Ah
195	Battery, 70 Ah
196	Battery, 80 Ah
197	Stronger battery
198	Enhanced starter motor (1.7 kW)
199	Battery disconnection switch
200	95 Ah battery
210	Licence plate holder version 2
211	Licence plate holder version 3
215	Version for Saudi Arabia
218	Licence plate holder version 4
219	Differential
220	Locking differential 40 %
225	Version for Belgium
249	Tiptronic transmission
250	PDK transmission (dual clutch)
265	Automatic anti-dazzle interior mirror with rain sensor
266	Automatic anti-dazzle door mirror
267	Automatically dimmable interior and door mirrors
268	Rain sensor
270	Door mirrors -flat - driver's side, electrically adjustable and heatable
271	Door mirrors -aspherical- driver's side, electrically adjustable and heatable
273	Door mirrors, electrically adjustable and heatable
274	Vanity mirror, illuminated
277	Swiss version
288	Headlamp washer
301	Transmission ratio long
305	Gear lever in Alcantara, Black
308	Selector lever in Alcantara, Black
325	Version for South Africa/New Zealand
342	Seat heating, left/right seat
345	Heated steering wheel
348	Rim, painted silver
369	Standard seat, left
370	Standard seat, right
375	Sports seat, backrest shell, left
376	Sports seat, backrest shell, right
377	Sports seat, backrest shell, left, electrically

Model: 987209

Model life 2009>>2012

NR	Description
	adjustable
378	Sports seat, backrest shell, right, electrically adjustable
379	Power seat, left, 14-way
388	Sports bucket seat, left
389	Sports bucket seat, right
392	17-inch Carrera wheel
393	17-inch Boxster II wheel (987)
394	Boxster III 17" wheel
397	18-inch Boxster II wheel (987)
398	19" Cayman S wheel
399	CAYMAN II 17" wheel
401	18-in. Cayman S wheel
402	Carrera 3 wheel 18-inch
403	Carrera S wheel 19-inch
404	19" Turbo-1 wheel
405	Carrera Classic wheel 19-inch
406	Carrera GT wheel 19-inch/20-inch
407	SportDesign wheel 19-inch
408	BOXSTER S II 18" wheel
409	CAYMAN S II 18" wheel
410	18" Turbo-2/Panamera wheel
411	18-inch Carrera wheel -->2005 19-inch Carrera wheel 2012-->
415	18-inch Turbo-Look II wheel
416	18-inch GT3 wheel
418	18-inch Turbo II wheel in GT Silver
419	Carrera S Facelift 19" wheel
421	Turbo 2 wheel, 19"
424	CD storage unit
425	Rear window wiper
426	Without rear window wiper
431	Multi-function steering wheel, touch + feel
432	19" Carrera wheel (6)
433	20" Carrera S wheel (4)
435	911 Turbo S wheel, 20" central lock
436	3-spoke airbag steering wheel
437	Comfort seat, left, electrically adjustable
438	Comfort seat, right, electrically adjustable
439	20" 911 Turbo 4 wheel
440	Antenna diversity
441	Basic sound package
444	Anti-theft lock, wheel bolts "THATCHAM"
445	Boxster Spyder wheel, 19"
446	Concave wheel centers

Model: 987209

Model life 2009>>2012

NR	Description
	with full-colour Porsche Crest
447	Emergency wheel
450	Ceramic brake (PCCB)
451	Multi-function steering wheel, Makassar Ebony, touch + feel
452	Multi-function steering wheel, Sycamore, touch + feel
453	Multi-function steering wheel, Carbon, touch + feel
454	Automatic speed control
459	3-spoke airbag steering wheel, touch + feel
460	20" RS Spyder Design wheel
461	External antenna
465	Rear fog light, left
466	Rear fog light, right
475	"PASM" electronic damper control
476	Porsche Stability Management (PSM)
479	Version for Australia
480	6-speed manual transmission
481	5th-speed manual transmission
482	Tire Pressure Monitoring TPM, 433 MHz
483	315-MHz TPM, Tire Pressure Monitoring
484	Version for USA
488	Inscriptions in German language
490	Sound system "ASK"
492	Headlights for left-hand traffic
496	Model designation painted Black
498	Deletion of model designation on rear end
499	Version for Germany
501	Car cover
509	Fire extinguishers
513	Lumbar support, right seat
521	Tilt sensor
524	Immobilizer, central locking, 433 MHz
525	Immobilizer, central locking, 315 MHz
532	Alarm system remote control omitted
533	Radio convertible-top operation omitted
534	Theft security system, 433 MHz
535	Theft security system, 315 MHz
536	-07 Alarm siren and tilt sensor 08- Alarm siren
537	Seat position control for comfort seat, left
538	Seat position control for comfort seat, right
539	Mechanical seat height adjustment, left
540	Mechanical seat height adjustment, right
541	Active seat ventilation (incl. heated seats)

Model: 987209

Model life 2009>>2012

NR	Description
544	Anti-theft protection without infrared monitoring, 433 MHz
545	Anti-theft protection without infrared monitoring, 315 MHz
549	Roof Transport System
550	Hardtop
551	Wind deflector
553	Version for USA, Canada
554	Front spoiler lip included
555	Black seat belts
556	Seat belts in basic colours
560	Advanced airbag
562	Airbag, driver's side and front passenger's side
563	Side airbag
566	Front fog lights, white
567	Windscreen tinted, upper part darker coloured
568	Windscreen without shade band
571	Activated charcoal filter
572	Manual air-conditioning system
573	Air conditioner
574	No air conditioning
575	Luggage compartment cooling system
580	Luggage bulkhead/luggage guard
581	Centre console, front
584	Storage box on engine cover
585	Cupholder
586	Lumbar support, left seat
590	Steel doors
592	Standard rooflining, fabric
594	Alcantara rooflining
599	Aluminium doors
601	Xenon lighting system
602	Center high-mounted stop light
603	Xenon plus dynamic cornering light
605	LED daytime driving lights
606	Daytime driving lights
607	Garage door opener "Homelink", 315 MHz
608	Garage door opener "Homelink" 433 MHz
609	without radio
610	DVD navigation, "Europe package"
611	DVD navigation South Africa
612	DVD navigation middle east
613	DVD navigation australia
614	DVD navigation asia-pacific
615	DVD navigation system, North America
616	DVD, Navigation Russia

Model: 987209

Model life 2009>>2012

NR	Description
617	DVD Navigation China
618	Phone preparation
619	Mobile phone preparation (BLUETOOTH) without console
621	12-V socket, passenger's side, footwell
625	"KESSY" Porsche Entry and Drive
635	Park distance control
639	Sport Chrono package
640	Sport Chrono Plus package
641	electronic log book
650	Electrical sliding roof
651	Electric window opener
652	Without sliding/tilting roof
657	Power steering
659	on-board computer
660	Obd 2
661	Stricter emission-control concept
663	Fuel pump activation
664	Orvr
665	-2008 PCM 2, 2009- PCM 3 basic module incl. radio
666	-2008 PCM 2, 2009- PCM 3 telephone (GSM)
668	PCM2 telephone handset
669	PCM 3 - Telephone handset (BLUETOOTH)
670	PCM2 navigation
671	Voice control system
672	-2008 PCM 2, 2009- PCM 3 Offroad navigation
673	Navigation system preparation, China
674	"Vehicle Tracking System" preparation
675	Without radio preparation (Japan navigation system)
676	TV tuner
677	"Driver card" antenna
678	Alarm system connection
679	Restart inhibitor
680	BOSE sound package
685	Rear seats, split
686	SAT radio reception XM (SDARS)
689	Preperation for CD autochanger
690	CD radio "Porsche Online Pro"
692	CD autochanger "Porsche"
693	Integrated CD/DVD autochanger
694	CD radio "PORSCHE CDR 24"
695	CD radio, Porsche CDR 30
697	CD radio "Porsche CDR-23"
711	Omission underbody protection
753	Special model "orange Spyder"
754	Special model "RS 60 Spyder"
755	Special model "Porsche Design Edition 1"
757	Special model "Porsche Design Edition 2"

Model: 987209

Model life 2009>>2012

NR	Description
779	Cayman R 330 PS
789	Colour to sample
796	Full leather trim natural leather
798	Full leather trim special leather
799	Full leather trim by choice
801	Makassar Ebony wood package, dark (matt satin finish)
802	Sycamore package, light (matt satin finish)
803	Carbon package
804	GT2 Carbon exterior package
805	Lifestyle package
810	foot mats
825	Decorative dashboard trim, Black
828	Air outlet vent surround, Black
840	Sports steering wheel (for PDK with paddle)
841	Basic steering wheel Smooth leather
843	Sports steering wheel in Alcantara
844	Multi-function steering wheel Smooth leather
845	Multi-function steering wheel Carbon
847	Multi-function steering wheel Makassar
870	Universal multimedia interface
912	without identification plate
936	Seat covers, rear, leather
937	Seat covers, rear, leatherette
939	Seat covers, rear, draped leather
946	Seat covers, front, leather/leather/leatherette
950	Alcantara seat covers, front
951	Seat covers front, Alcantara/leather/leather
970	Two-tone interior
971	"TORO" embossed leather
981	Leather equipment, without seat covers
982	Seat covers, front, draped leather/leather/leather
983	Seat covers, front, leather
985	Seat covers, leather/leather/leatherette, 2
990	Seat covers, front, cloth/cloth/leatherette
991	Steering wheel airbag module in leather
998	Leather, natural
999	Passenger compartment monitoring sensor for leather colour of choice
IY2	Model year period from week 45 to week 22
XAF	Turbo aerokit
XAG	Carrera - rear spoiler
XAH	Carrera 4S aerokit
XAJ	Painted sill covers

Model: 987209

Model life 2009>>2012

NR	Description
XAL	Aerokit Boxster
XAM	Aerokit Cayman
XCA	Dashboard trim strip (3-part) sports seats
XCB	Instrument surround sports seats
XCC	Side air vents sports seats
XCD	Center air vent bracket sports seats
XCE	Rear center console sports seats
XCG	Sports seat backrest in Aluminium Look finish
XCH	Side/centre air vent slats, sports seats
XCK	Rear center console in Galvano Silver
XCL	Instrument surround in Galvano Silver
XCM	Roll-over bar in Galvano Silver
XCN	Side air vents in Aluminium Look finish (997)
XCY	Center air vent in Aluminium Look finish
XCZ	Short shifter
XDA	Wheel spokes painted Black
XDJ	Decorative trim on gear lever/selector, painted
XDM	Decorative dashboard trim, painted
XDS	Ignition lock surround in leather
XDV	Dashboard end-trim in leather
XDX	Mirror attachment point finisher, leather
XDZ	Selector lever cover in leather
XD9	Wheel painted in body colour
XEA	Passive handset in leather
XES	Preparation, illuminated door entry guard
XE8	Gear lever knob aluminium/dark burr maple/leather
XE9	Handbrake lever aluminium/dark burr maple/leather
XFD	Instrument dials in Sand Beige
XFE	Instrument dials in Terracotta
XFF	Instrument dials in Brown/Natural
XFG	Instrument dials in Guards Red
XFH	Instrument dials in Speed Yellow
XFJ	Instrument dials in Carrara White
XFN	Gear lever in aluminium II
XFP	Handbrake lever Aluminium II
XFZ	Alcantara interior package
XGB	Decorative dashboard trim, carbon
XGC	Dashboard carbon/Alcantara
XGD	Parking brake handle carbon/Alcantara
XGE	Handle recess insert, carbon
XJL	Makassar Ebony side air vent
XJM	Sycamore side air vent
XJN	Makassar Ebony center air vent
XJP	Sycamore center air vent
XJR	Makassar Ebony windscreen defroster panel
XJS	Sycamore windscreen defroster panel
XJT	Makassar Ebony rear center console

Model: 987209

Model life 2009>>2012

NR	Description
XJU	Sycamore rear center console
XJ4	Leather cover for ignition lock surround
XKB	Side air vent in light burr maple
XKC	Side air vent in dark burr maple
XKG	"Defroster trim in light burr maple; leather"
XKH	"Defroster trim in dark burr maple; leather"
XKJ	Defroster trim in Carbon/leather
XKL	Leather speaker covers
XKM	Speaker covers in light burr maple
XKN	Speaker covers in dark burr maple
XKP	Carbon speaker covers
XKR	Center air vent bracket in light burr maple
XKS	Center air vent bracket in dark burr maple
XLA	Boxster tailpipe
XLF	Sports exhaust system
XLG	Centre console storage bin cover in Alcantara, with logo
XLS	Sports tailpipe 98X
XME	Rear section of centre console painted
XMF	Front center console including 2 storage bins, leather
XMJ	Rear section of centre console in Carbon
XMK	Roll-over bar in exterior color
XML	Rear center console in light burr maple
XMP	Leather sun visor, 2 illuminated vanity mirrors *
XMR	Sun visor in leather, 2 illuminated vanity mirrors,
XMZ	Rear section of centre console in leather
XNB	Rear center console in dark burr maple
XNG	Instrument surround in leather
XNN	Center air vent bracket in leather
XNR	Carbon center air vent bracket
XNS	Leather steering column trim, 4-part
XNU	Leather trim strip (dashboard)
XNV	Trim strip (dashboard) in light burr maple
XNW	Trim strip (dashboard) in dark burr maple
XNX	Carbon trim strip (dashboard)
XPA	3-spoke sports steering wheel in leather interior co
XPB	3-spoke sports steering wheel, light burr maple, leather
XPC	3-spoke sports steering wheel, dark burr maple, leather
XPD	3-spoke sports steering wheel, Carbon/leather
XPG	3-spoke sports steering wheel, sports seats
XPT	Centre console storage bin lid with crest
XPU	Multi-function steering wheel Galvano Silver, new generation

Model: 987209

Model life 2009>>2012

NR	Description
XPV	Multi-function steering wheel, Galvano Silver
XPW	Instrument surround in light burr maple
XPX	Instrument surround in dark burr maple
	*
XPY	Carbon instrument surround
XRB	18-inch Sport Classic II wheel
XRC	18-inch SportTechno wheel
XRL	18-inch SportDesign wheel
XRN	17-mm spacers, rear
XRP	5-mm spacers, front/rear
XRR	19-in. Carrera Sport wheel
XSA	Painted sports seat backrest
XSB	Leather sports seat backrest
XSC	Porsche Crest embossed in headrest
XSD	Front seat controls in leather
XSE	Bucket seat, left
XSF	Bucket seat, right
XSG	Racing bucket seat, left
XSH	Silver seat belts
XSJ	6-point harness
XSL	6-point safety catch
XSM	Racing safety cage
XSN	Omission of rear seats
XSR	Carbon back for bucket seat, right
XSS	Carbon back for bucket seat, left
XST	Seat belts in Sand Beige
XSU	Upholstered seat
XSW	Seat belts in Maritime Blue
XSX	Seat belts in Guards Red
XSY	Seat belts in Speed Yellow
XTG	Inner door sills in leather
XTJ	Door panel parts in light burr maple
XTK	Door panel parts in dark burr maple
XTL	Door panel parts in Carbon
XTR	Door panel parts in Aluminium Look finish
XTT	Makassar Ebony door panel parts
XTU	Sycamore door panel parts
XTV	Leather door panel parts
XTW	Door panel parts in Galvano Silver
XUB	Cover on headlight cleaning system, painted
XUC	Model designation painted
XUV	Centre console storage bin lid with logo
XVM	Leather center air vent
XVP	Trim strip including cupholder cover in leather
XVR	Side/centre air vent in leather
XVW	Interior mirror, leather

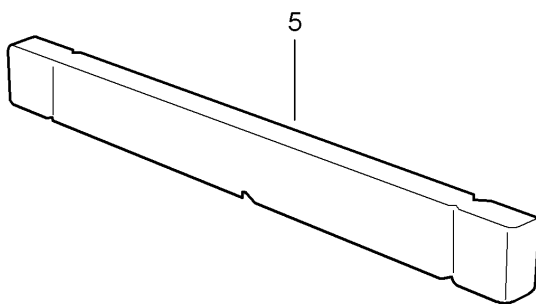
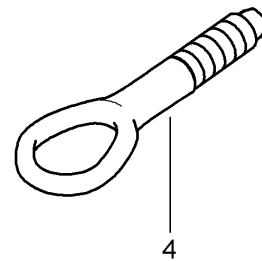
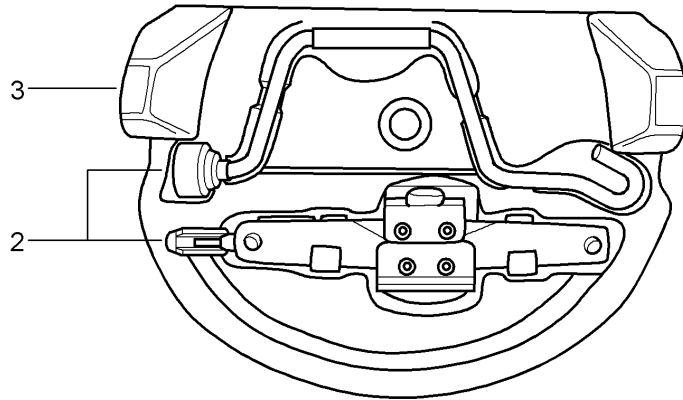
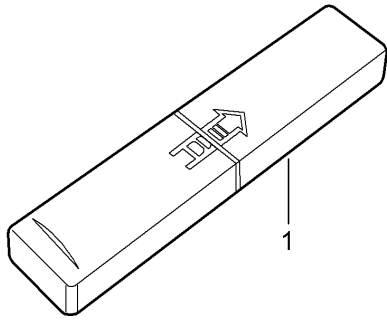
Model: 987209

Model life 2009>>2012

NR	Description
XVY	Clothes hook in leather on seat backrest
XV1	Defroster trim in leather
XWR	PDK gate frame in Aluminium Look
XWS	PDK gate frame painted
XWT	PDK gate frame painted Black
XWU	PDK gate frame in leather
XXF	Red tail lights
XXZ	Footrest
XX1	Floor mats, logo, leather border
XX2	footwell light
XYA	PDK selector lever (EXC)
XY5	Tiptronic gear selector gate in leather
XZB	Carbon centre air vent
XZD	Interior light surround in leather
X45	Instrument dial in interior color
X46	Tiptronic selector lever in aluminium/leather
X47	Gear lever knob in Carbon/leather
X48	Tiptronic selector lever in Carbon/aluminium
X50	Powerkit 331/340 kW
X51	Powerkit 250 kW
X54	Stainless steel tailpipes
X58	Handbrake lever in Carbon/leather
X65	Tiptronic selector lever in light burr maple/aluminium
X66	Tiptronic selector lever in dark burr maple/aluminium
X69	Door entry guards in Carbon with logo
X70	Door entry guards in stainless steel with logo
X71	Instrument dial painted/Aluminium Look finish
X72	Gear lever knob aluminium/light burr maple/leather
X73	Sports chassis -20 mm, without PASM
X74	Sports suspension (exclusive)
X75	Differential lock (exclusive)
X76	Inner door sill guard, left/right
X91	Handbrake lever aluminium/light burr maple/leather
X97	Gear lever knob in aluminium/leather
X98	Handbrake lever in aluminium/leather
X99	Natural leather

Model: 987209

Model life 2009>>2012



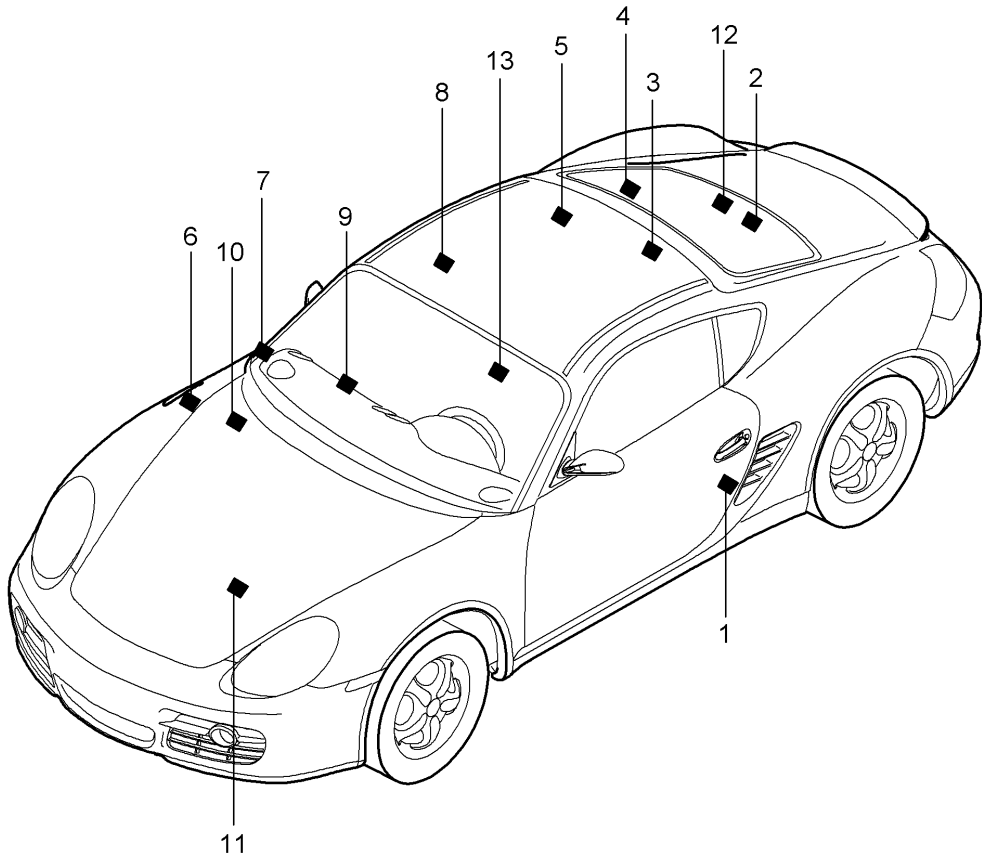
Model: 987209

Model life 2009>>2012

Pos	Part Number	Description	Remark	Qty	Model
1	997 721 115 00	Tool jack Toolbox with contents comprising:		1	
-	477 012 229	Double open-ended spanner 10 X 13		1	
-	477 012 231	screwdriver		1	
-	111 012 287	handle for screwdriver		1	
-	999 571 077 02	Socket wrench - 5 - for Headlights		1	
2	996 721 211 00	Scissors type jack		1	PR:447
3	996 722 101 00	Foam part		1	PR:447
-	999 571 074 30	Threaded stud for Assembly Wheels		1	PR:447
-	477 012 221 A	wheel bolt wrench		1	PR:447
-	999 571 070 30	operating rod for Rim wrench		1	PR:447
-	997 722 801 00	Mounting for vehicle tools		1	PR:447
-	996 361 521 00	Protective sleeve		1	PR:447
-	987 722 061 01	Cover Spare wheel		1	PR:447
4	997 721 551 00	Tow hitch		1	

Model: 987209

Model life 2009>>2012



Model: 987209 Model life 2009>>2012

Pos	Part Number	Description	Remark	Qty	Model
-		Signs/notices Signs/notices Tyre pressure			
		without:			
		Paint identification label			
1	987 701 289 6E	Data plate for tyre pressure		1	CAYMAN PR: 394, 399
1	987 701 289 7E	Data plate for tyre pressure		1	CAYMAN PR: 394, 399, 447 "USA"
1	987 701 289 6F	Data plate for tyre pressure		1	CAYMAN/S PR: 408, 409
1	987 701 289 7F	Data plate for tyre pressure		1	CAYMAN/S PR: 408, 409, 447 "USA"
1	987 701 289 6H	Data plate for tyre pressure		1	CAYMAN/S PR: 404, 405, 407, 419, 421, XRR, 445
1	987 701 289 7H	Data plate for tyre pressure		1	CAYMAN/S PR: 404, 405, 407, 419, 421, XRR, 447, 445 "USA"
1	987 701 289 8K	Data plate for tyre pressure		1	CAYMAN R PR: 404, 405, 407, 419, 421, XRR, 445
1	987 701 289 9K	Data plate for tyre pressure		1	CAYMAN R PR: 404, 405, 407, 419, 421, XRR, 447, 445 "USA"
1	997 701 449 00	Sticker Mercury		1	PR: 484
-		Signs/notices Spare wheel		1	PR: 447
2	996 361 701 20	Sticker English		1	PR: 447 "USA"
-		Signs/notices Engine specifications			
3	987 006 109 20	Notice Engine data D - MJ 2009>> - MJ 2009		1	CAYMAN
3	987 006 109 28	Notice Engine data D - MJ 2010>> - MJ 2010		1	CAYMAN
3	987 006 109 33	Notice Engine data D - MJ 2011>> - MJ 2011		1	CAYMAN
3	987 006 109 37	Notice Engine data D - MJ 2012>> - MJ 2012		1	CAYMAN
3	987 006 109 21	Notice Engine data D - MJ 2009>> - MJ 2009		1	CAYMAN S
3	987 006 109 29	Notice Engine data D - MJ 2010>> - MJ 2010		1	CAYMAN S
3	987 006 109 34	Notice Engine data D - MJ 2011>> - MJ 2011		1	CAYMAN S
3	987 006 109 38	Notice Engine data D - MJ 2012>> - MJ 2012		1	CAYMAN S
3	987 006 109 34	Notice Engine data D - MJ 2011>> - MJ 2011		1	CAYMAN R
3	987 006 109 38	Notice Engine data D - MJ 2012>> - MJ 2012		1	CAYMAN R

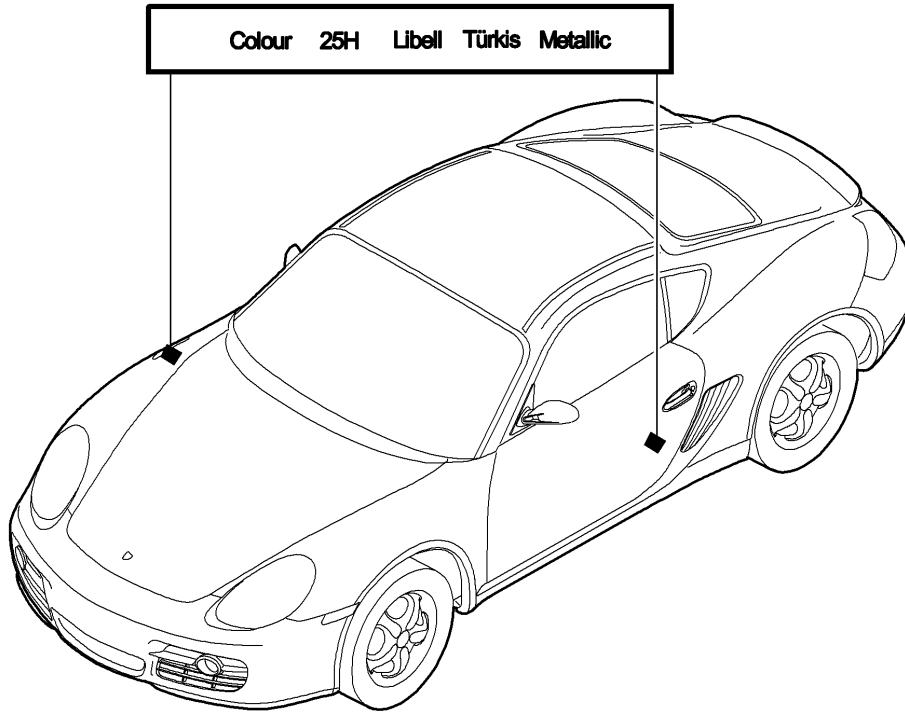
Model: 987209

Model life 2009>>2012

Pos	Part Number	Description	Remark	Qty	Model
3	996 006 140 00	Sticker Antiknock regulation		1	
4	997 006 544 01	Sticker engine oil - MOBIL 1 -		1	
5	987 701 405 00	Sticker child seat TOP TETHER		1	"CDN"
-		Signs/notices Type of fuel			
6	996 006 117 03	Sticker 93 RON/MON/2		1	
-		Signs/notices Airbag			
7	3B0 010 219 B	sticker with pictogram for - airbag / child's seat child seat		1	
8	996 701 423 01	Sticker Service Airbag		1	
9	997 701 422 00	Sticker Airbag Warning sign		1	
10	986 701 141 01	Sticker Air conditioning		1	

Model: 987209

Model life 2009>>2012



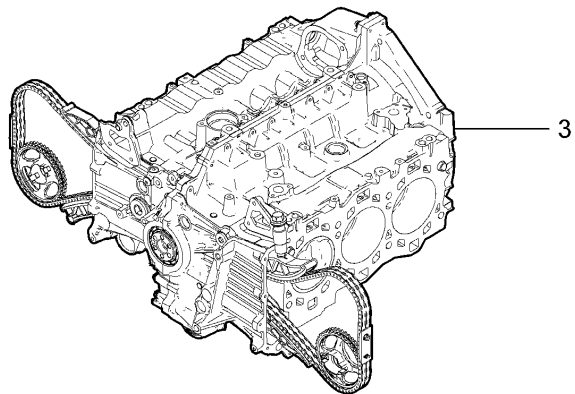
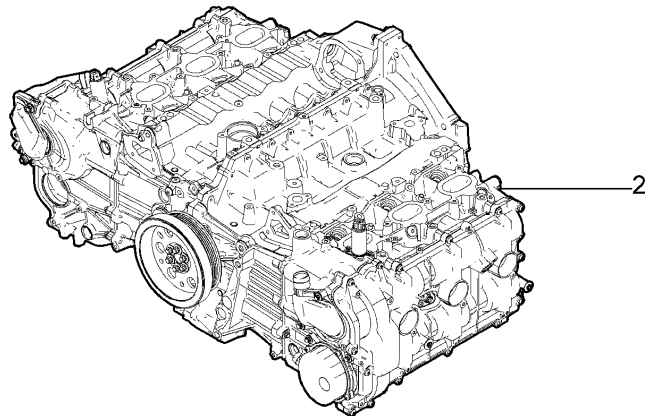
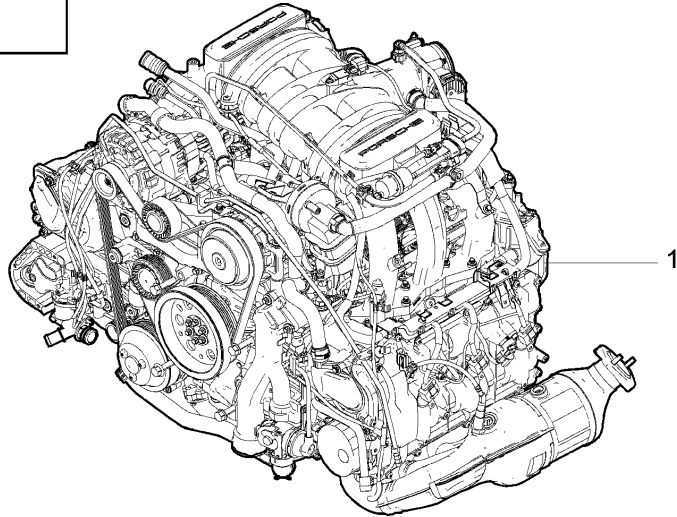
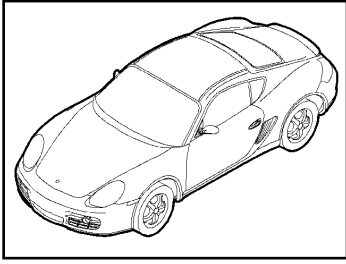
Model: 987209

Model life 2009>>2012

Pos	Part Number	Description	Remark	Qty	Model
		paint touch-up applicator			
		Paints			
-	911 095 932 20	paint touch-up applicator		X	
	911 095 932 20 041	Black			A 1
	911 095 932 20 80K	guards red (Porsche)			G 1
	911 095 932 20 B9A	Carrara white			B 4
	911 095 932 20 12G	Speed yellow			X 4
	911 095 932 20 51A	cream white			T 2
-	911 095 933 20	Paint pen set		X	
		Set			
		comprising:			
		base paint			
		clear paint			
	911 095 933 20 92T	Arctic silver metallic			X 1
	911 095 933 20 C9Z	Basalt black metallic			Z 4
	911 095 933 20 M7X	Atlas grey metallic			E 7
	911 095 933 20 37W	Midnight Blue Metallic			E 9
	911 095 933 20 M7Z	GT Silver Metallic			U 2
	911 095 933 20 M7W	Meteor Grey Metallic			9 Q
	911 095 933 20 8A7	Ruby red metallic			L 2
		D >> - MJ 2009			
	911 095 933 20 M3X	Ruby red metallic			A 6
		D - MJ 2010>>			
	911 095 933 20 M8W	Macadamia Metallic			9 S
	911 095 933 20 2B5	Malachite Green Metallic			H 1
	911 095 933 20 M2Z	Nordic Gold Metallic			8 W
	911 095 933 20 32B	Sailing Blue Metallic			E 5
	911 095 933 20 M5R	Aqua blue metallic			D 2
	911 095 933 20 22G	Racing Green Metallic			J 1
	911 095 933 20 M5X	Dark blue metallic			N 4
	911 095 933 20 M4Z	Amethyst metallic			N 6
	911 095 933 20 M5Q	Ice blue metallic			H 3
	911 095 933 20 M7T	Platinum Silver Metallic			1 H
	911 095 933 20 2S1	Peridot Metallic			7 L

Model: 987209

Model life 2009>>2012



Model: 987209

Model life 2009>>2012

Pos	Part Number	Description	Remark	Qty	Model
-		Replacement engine without: Clutch plate - PDK - Gearbox without: flywheel Manual gearbox with: Compressor Air conditioning			
1	9A1 100 920 20	Replacement engine See technical information Group 1 Nr.24/09 D >> - MJ 2009		1	A120+ PR:480
1	9A1 100 920 1X	Replacement engine See technical information Group 1 Nr.24/09 D >> - MJ 2009		1	A120+ PR:480
1	9A1 100 920 22	Replacement engine D - MJ 2010>> Discontinued part		1	A120+ PR:480
1	9A1 100 920 5X	Replacement engine D - MJ 2010>> Discontinued part		1	A120+ PR:480
1	9A1 100 920 24	Replacement engine D - MJ 2011>> Discontinued part		1	A120+ PR:480
1	9A1 100 920 26	Replacement engine D - MJ 2011>>		1	A120+ PR:480
1	9A1 100 920 FX	Replacement engine D - MJ 2011>>		1	A120+ PR:480
1	9A1 100 920 26	Replacement engine D - MJ 2012>>		1	A120+ PR:480
1	9A1 100 920 KX	Replacement engine D - MJ 2012>>		1	A120+ PR:480
(1)	9A1 100 920 21	Replacement engine See technical information Group 1 Nr.24/09 D >> - MJ 2009		1	A120+ PR:250
(1)	9A1 100 920 2X	Replacement engine See technical information Group 1 Nr.24/09 D >> - MJ 2009		1	A120+ PR:250
(1)	9A1 100 920 23	Replacement engine D - MJ 2010>> Discontinued part		1	A120+ PR:250
(1)	9A1 100 920 6X	Replacement engine D - MJ 2010>> Discontinued part		1	A120+ PR:250
(1)	9A1 100 920 25	Replacement engine D - MJ 2011>> Discontinued part		1	A120+ PR:250
(1)	9A1 100 920 27	Replacement engine D - MJ 2011>>		1	A120+ PR:250
(1)	9A1 100 920 GX	Replacement engine D - MJ 2011>> Discontinued part		1	A120+ PR:250
(1)	9A1 100 920 27	Replacement engine		1	A120+

Model: 987209

Model life 2009>>2012

Pos	Part Number	Description	Remark	Qty	Model
(1)	9A1 100 920 LX	D - MJ 2012>> Replacement engine		1	PR:250 A120+
(1)	9A1 100 921 20	D - MJ 2012>> Replacement engine See technical information Group 1 Nr.24/09		1	PR:250 A121+ PR:480
(1)	9A1 100 921 3X	D >> - MJ 2009 Replacement engine See technical information Group 1 Nr.24/09		1	A121+ PR:480
(1)	9A1 100 921 22	D >> - MJ 2009 Replacement engine D - MJ 2010>> - MJ 2010		1	A121+ PR:480
(1)	9A1 100 921 7X	Discontinued part Replacement engine D - MJ 2010>>		1	A121+ PR:480
(1)	9A1 100 921 24	Discontinued part Replacement engine D - MJ 2011>>		1	A121+ PR:480
(1)	9A1 100 921 28	Discontinued part Replacement engine D - MJ 2011>>		1	A121+ PR:480
(1)	9A1 100 921 HX	Replacement engine D - MJ 2011>>		1	A121+ PR:480
(1)	9A1 100 921 28	Discontinued part Replacement engine D - MJ 2012>>		1	A121+ PR:480
(1)	9A1 100 921 RX	Replacement engine D - MJ 2012>>		1	A121+ PR:480
(1)	9A1 100 921 21	Replacement engine See technical information Group 1 Nr.24/09		1	A121+ PR:250
(1)	9A1 100 921 4X	D >> - MJ 2009 Replacement engine See technical information Group 1 Nr.24/09		1	A121+ PR:250
(1)	9A1 100 921 23	D >> - MJ 2009 Replacement engine D - MJ 2010>> - MJ 2010		1	A121+ PR:250
(1)	9A1 100 921 8X	Discontinued part Replacement engine D - MJ 2010>> - MJ 2010		1	A121+ PR:250
(1)	9A1 100 921 25	Discontinued part Replacement engine D - MJ 2011>>		1	A121+ PR:250
(1)	9A1 100 921 JX	Replacement engine D - MJ 2011>>		1	A121+ PR:250
(1)	9A1 100 921 SX	Discontinued part Replacement engine D - MJ 2011>>		1	A121+ PR:250
(1)	9A1 100 921 29	Replacement engine D - MJ 2012>>		1	A121+ PR:250
(1)	9A1 100 921 SX	Replacement engine D - MJ 2012>>		1	A121+ PR:250
(1)	9A1 100 921 26	Replacement engine D - MJ 2011>>		1	A121+ PR:480,573
(1)	9A1 100 921 26	Replacement engine Console Compressor		1	A121+ PR:480,574

Model: 987209

Model life 2009>>2012

Pos	Part Number	Description	Remark	Qty	Model
(1)	9A1 100 921 KX	convert D - MJ 2011>> Replacement engine		1	A121+ PR:480,573
(1)	9A1 100 921 KX	D - MJ 2011>> Replacement engine Console Compressor		1	A121+ PR:480,574
(1)	9A1 100 921 27	convert D - MJ 2011>> Replacement engine		1	A121+ PR:250,573
(1)	9A1 100 921 27	D - MJ 2011>> Replacement engine Console Compressor		1	A121+ PR:250,574
(1)	9A1 100 921 LX	convert D - MJ 2011>> Replacement engine		1	A121+ PR:250,573
(1)	9A1 100 921 LX	D - MJ 2011>> Replacement engine Console Compressor		1	A121+ PR:250,574
(1)	9A1 100 921 30	convert D - MJ 2011>> Replacement engine		1	A121+ PR:480,573
(1)	9A1 100 921 30	D - MJ 2012>> Replacement engine Console Compressor		1	A121+ PR:480,574
(1)	9A1 100 921 30	convert D - MJ 2012>> Replacement engine		1	A121+ PR:480
(1)	9A1 100 921 TX	D - MJ 2012>> Replacement engine		1	A121+ PR:480,573
(1)	9A1 100 921 TX	D - MJ 2012>> Replacement engine Console Compressor		1	A121+ PR:480,574
(1)	9A1 100 921 31	convert D - MJ 2012>> Replacement engine		1	A121+ PR:250,573
(1)	9A1 100 921 31	D - MJ 2012>> Replacement engine Console Compressor		1	A121+ PR:250,574
(1)	9A1 100 921 31	convert D - MJ 2012>> Replacement engine		1	A121+ PR:250
(1)	9A1 100 921 UX	D - MJ 2012>> Replacement engine		1	A121+ PR:250,573
(1)	9A1 100 921 UX	D - MJ 2012>> Replacement engine Console Compressor		1	A121+ PR:250,574
2	9A1 100 921 60	convert D - MJ 2012>> Base engine comprising: Crankcase housing Cylinder head Valve cover Connecting rod Crankshaft piston		1	A121

Model: 987209

Model life 2009>>2012

Pos	Part Number	Description	Remark	Qty	Model
2	9A1 100 921 WX	oil pump timing chain Parts kit without: Gaskets also use:	999 073 471 01 997 111 113 00 999 170 130 90 9A1 107 224 00 996 107 313 51	18 2 6 1 1	A121
-	997 111 107 31	Base engine comprising: Crankcase housing Cylinder head Valve cover Connecting rod Crankshaft piston oil pump timing chain Parts kit without: Gaskets also use:	999 073 471 01 997 111 113 00 999 170 130 90 9A1 107 224 00 996 107 313 51	1 1 1 1 1 2	A121
-	9A1 110 215 01	Seal Base engine 9A110092160/WX Parts kit for seals also use:	9A1 110 866 04 999 701 112 41 9A1 110 524 02 900 906 011 02 9A1 110 520 01 999 704 020 90 999 707 643 40 999 707 404 40 9A1 106 225 02 999 707 517 40 999 707 589 40 9A1 106 305 00 999 707 625 40 9A1 106 558 00	6 6 6 6 6 6 1 2 1 4 4 1 1 1 6	A121
(2)	9A1 100 920 60	Seal intake air distributor Base engine 9A110092160/WX Parts kit for seals Accessories also use:	999 707 348 40 9A1 106 215 00 9A1 106 325 00 9A1 106 326 00 9A1 102 312 00 9A1 102 322 00 999 707 604 40 999 707 589 40	1 2 1 1 1 2 2 2	A120

Model: 987209 Model life 2009>>2012

Pos	Part Number	Description	Remark	Qty	Model
		Cylinder head Valve cover Connecting rod Crankshaft piston oil pump timing chain Parts kit			
		without:			
		Gaskets			
		also use:	999 073 471 01	18	
			997 111 113 00	2	
			999 170 130 90	6	
			9A1 107 224 00	1	
			996 107 313 51	1	
(2)	9A1 100 920 RX	Base engine comprising: Crankcase housing Cylinder head Valve cover Connecting rod Crankshaft piston oil pump timing chain Parts kit		1	A120
		without:			
		Gaskets			
		also use:	999 073 471 01	18	
			997 111 113 00	2	
			999 170 130 90	6	
			9A1 107 224 00	1	
			996 107 313 51	1	
-	997 111 107 31	Seal Base engine 9A110092060/RX Parts kit for seals		2	A120
		also use:	999 707 574 40	6	
			999 707 573 40	6	
			999 707 643 40	1	
			999 707 404 40	2	
			9A1 106 225 02	1	
			999 707 517 40	4	
			999 707 589 40	4	
			9A1 106 305 00	1	
			999 707 625 40	1	
			9A1 106 558 00	1	
-	9A1 110 215 01	Seal intake air distributor Base engine 9A110092060/RX Parts kit for seals Accessories		6	A120
		also use:	999 707 348 40	1	
			9A1 106 215 00	2	
			9A1 106 325 00	1	
			9A1 106 326 00	1	
			9A1 102 312 00	1	
			9A1 102 322 00	2	
			999 707 604 40	2	
			999 707 589 40	2	
3	9A1 100 921 50	Short block comprising:		1	A121

Model: 987209

Model life 2009>>2012

Pos	Part Number	Description	Remark	Qty	Model
		Crankcase housing Connecting rod Crankshaft piston oil pump timing chain Parts kit			
		without:			
		Gaskets			
		also use:	999 073 471 01	18	
			997 111 113 30	2	
			999 170 130 90	6	
			9A1 107 224 00	1	
			996 107 313 51	1	
			999 107 475 00	2	
			999 707 594 40	1	
			999 707 595 40	1	
3	9A1 100 921 XX	Short block comprising: Crankcase housing Connecting rod Crankshaft piston oil pump timing chain Parts kit		1	A121
		without:			
		Gaskets			
		also use:	999 073 471 01	18	
			997 111 113 30	2	
			999 170 130 90	6	
			9A1 107 224 00	1	
			996 107 313 51	1	
			999 107 475 00	2	
			999 707 594 40	1	
			999 707 595 40	1	
-	9A1 104 143 04	Cylinder head gasket Short block 9A110092150/XX Parts kit for seals		1	A121
		also use:	9A1 104 142 04	1	
			9A1 110 866 04	6	
			999 701 112 41	6	
			9A1 110 524 02	6	
			900 906 011 02	6	
			9A1 110 520 01	6	
			999 704 020 90	6	
			999 707 643 40	1	
			999 707 404 40	2	
			997 111 107 31	2	
			9A1 105 731 03	1	
			9A1 105 732 03	1	
			000 043 207 31	X	
-	9A1 110 215 01	Seal intake air distributor Short block 9A110092150/XX Parts kit for seals Accessories		6	A121
		also use:	999 707 348 40	1	
			9A1 106 215 00	2	
			9A1 106 325 00	1	
			9A1 106 326 00	1	

Model: 987209

Model life 2009>>2012

Pos	Part Number	Description	Remark	Qty	Model
-	9A1 106 225 02	Thermostat insert Short block 9A110092150/XX Parts kit for seals Accessories	9A1 102 312 00 9A1 102 322 00 999 707 604 40 9A1 105 339 00 999 707 636 40 999 707 505 40 999 707 589 40	1 2 2 1 2 1 2	A121
		also use:	999 707 517 40 999 707 589 40 9A1 106 305 00 999 707 625 40 9A1 106 558 00 9A1 105 153 04 9A1 105 155 04 9A1 105 101 03 999 707 346 40 900 123 011 21 999 701 066 40	4 4 1 1 1 2 2 2 6 2 2	
(3)	9A1 100 920 50	Short block comprising: Crankcase housing Connecting rod Crankshaft piston oil pump timing chain Parts kit		1	A120
		without: Gaskets			
		also use:	999 073 471 01 997 111 113 30 999 170 130 90 9A1 107 224 00 996 107 313 51 999 107 475 00 999 707 594 40 999 707 595 40	18 2 6 1 1 2 1 1	
(3)	9A1 100 920 TX	Short block comprising: Crankcase housing Connecting rod Crankshaft piston oil pump timing chain Parts kit		1	A120
		without: Gaskets			
		also use:	999 073 471 01 997 111 113 30 999 170 130 90 9A1 107 224 00 996 107 313 51 999 107 475 00 999 707 594 40 999 707 595 40	18 2 6 1 1 2 1 1	
-	9A1 104 145 04	Cylinder head gasket Short block		1	A120

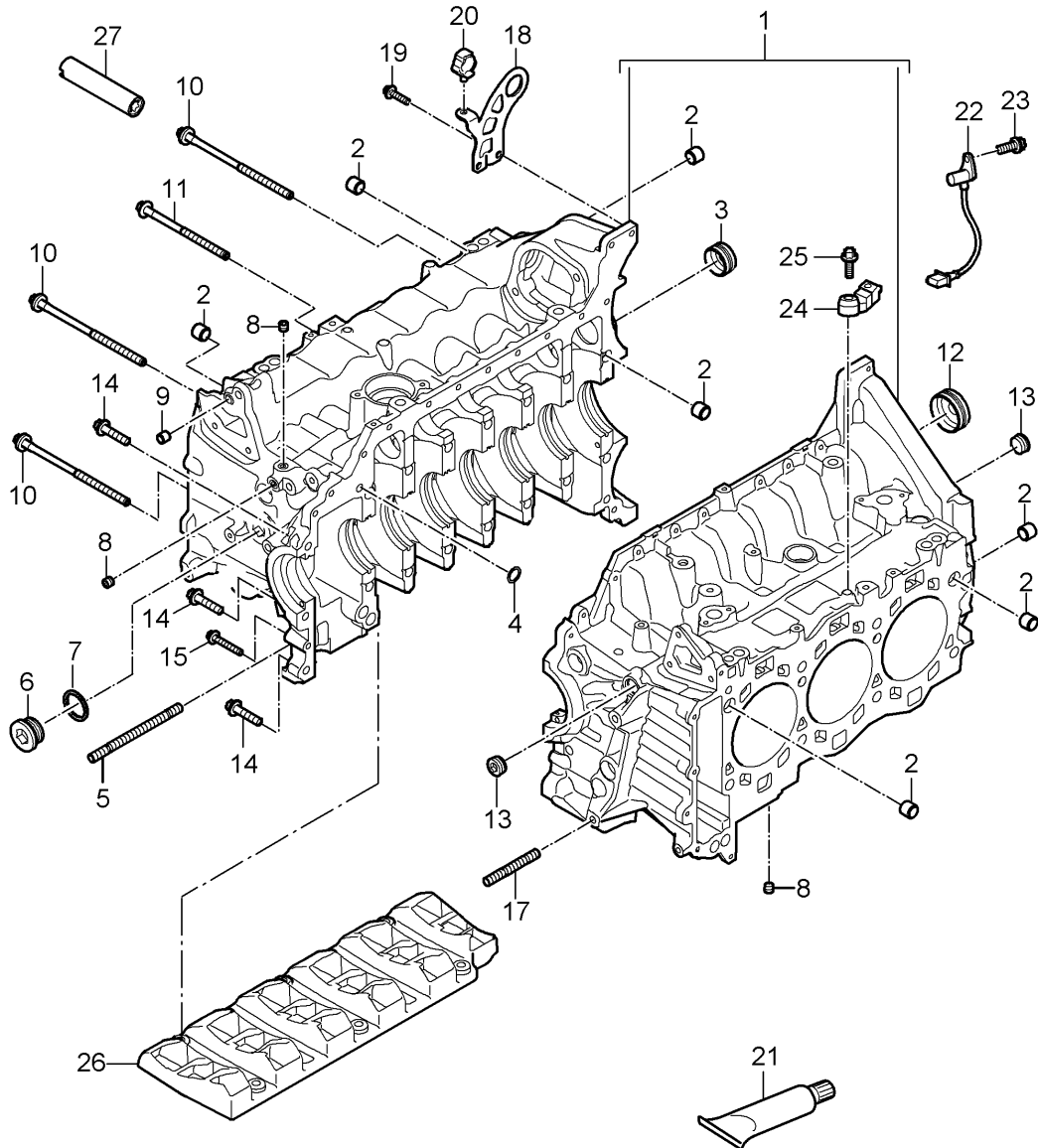
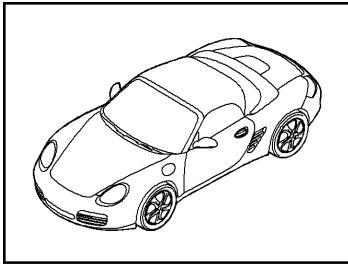
Model: 987209

Model life 2009>>2012

Pos	Part Number	Description	Remark	Qty	Model
		9A110092050/TX Parts kit for seals			
		also use:	9A1 104 144 04	1	
			999 707 574 40	6	
			999 707 573 40	6	
			9A1 106 225 02	1	
			999 707 517 40	4	
			999 707 589 40	4	
			9A1 106 305 00	1	
			999 707 625 40	1	
			9A1 106 558 00	1	
			999 707 643 40	1	
			999 707 404 40	2	
			997 111 107 31	2	
			9A1 105 731 03	1	
			9A1 105 732 03	1	
			000 043 207 31	X	
-	9A1 110 215 01	Seal intake air distributor Short block 9A110092050/TX Parts kit for seals Accessories		6	A120
		also use:	999 707 348 40	1	
			9A1 106 215 00	2	
			9A1 106 325 00	1	
			9A1 106 326 00	1	
			9A1 102 312 00	1	
			9A1 102 322 00	2	
			999 707 604 40	2	
			9A1 105 339 00	1	
			999 707 636 40	2	
			999 707 505 40	1	
			999 707 589 40	2	
-	9A1 106 225 02	Thermostat insert Short block 9A110092050/TX Parts kit for seals Accessories		1	A120
		also use:	999 707 517 40	4	
			999 707 589 40	4	
			9A1 106 305 00	1	
			999 707 625 40	1	
			9A1 106 558 00	1	
			9A1 105 153 04	2	
			9A1 105 155 04	2	
			9A1 105 101 03	2	
			999 707 346 40	6	
			900 123 011 21	2	
			999 701 066 40	2	

Model: 987209

Model life 2009>>2012



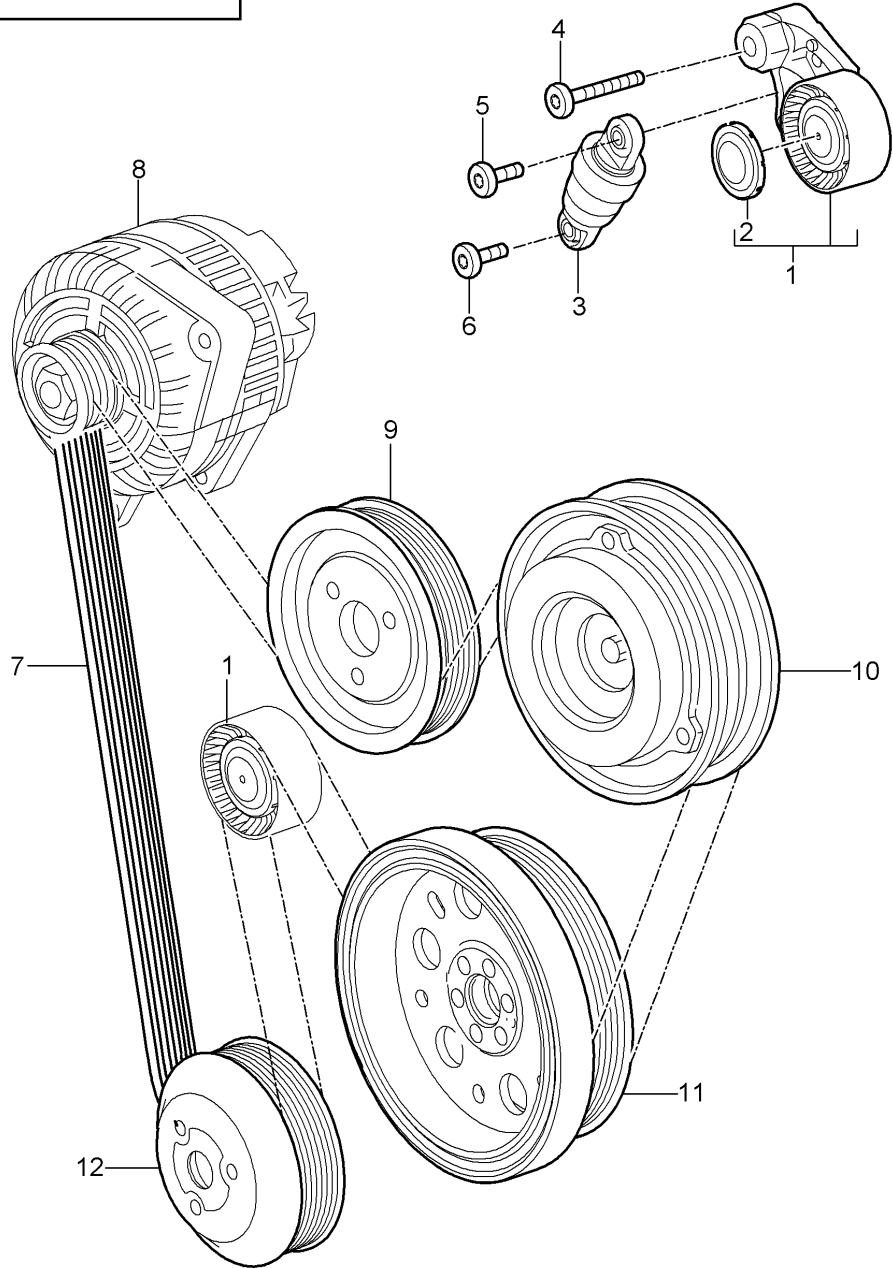
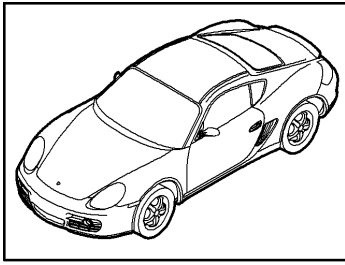
Model: 987209

Model life 2009>>2012

Pos	Part Number	Description	Remark	Qty	Model
1	9A1 101 934 00	Crankcase housing Crankcase housing with:		1	A120, A121 A121
1	9A1 101 929 00	Spray jet Crankcase housing with:		1	A120
2	014 301 153 B	Spray jet dowel sleeve		6	
3	9A1 101 215 01	End cap		1	
4	999 707 568 40	O-ring 12,0 X 3,0		1	
5	900 060 109 01	Threaded pin M10 X 120		1	
6	900 219 025 30	sealing plug M30 X 1,5		1	
7	900 123 015 30	seal ring A30 X 36		1	
8	999 063 033 01	sealing plug M10 X 1,0 X 8,0		4	
9	999 095 063 01	dowel sleeve M6 X 10		1	
10	9A1 101 250 00	Outer hexagon round screw M10 X 1,5 X 195		14	
11	900 385 281 01	Torx screw M8 X 120		1	
12	9A1 101 216 01	End cap		1	
13	999 063 034 01	sealing plug M20 X 1,5 X 10		2	
14	900 385 042 01	Torx screw 8 X 35		3	
15	900 385 045 01	Torx screw M6 X 40		3	
17	999 218 118 01	Threaded pin M10 x 60		1	
18	9A1 101 213 00	Transportation shackle		1	
19	900 385 072 01	Torx screw M6 X 25		14	
20	999 507 075 40	Cable holder		1	
21	000 043 207 31	sealant 80 ML		X	
22	9A1 606 112 01	impulse sender		1	
23	900 387 264 01	Socket head bolt M6 X 16		2	
23	N 105 464 03	Hexagon socket head bolt M6 X 16		2	
24	997 606 121 00	Knock sensor		2	
25	900 385 042 01	Torx screw M8 X 35		2	
26		oil separator		1	
27	9A1 101 511 01	reducing piece see illustration:	104-002	12	

Model: 987209

Model life 2009>>2012



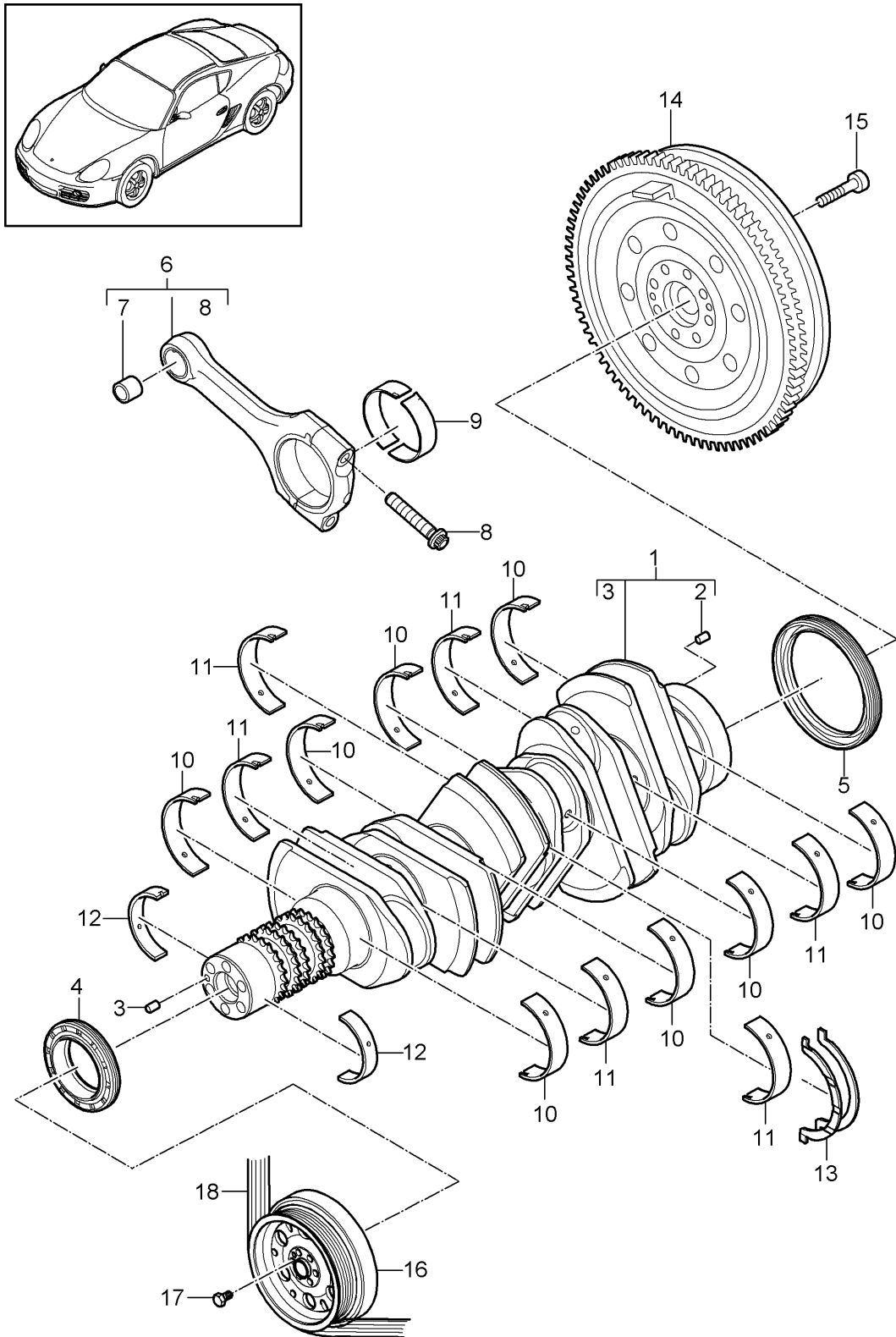
Model: 987209

Model life 2009>>2012

Pos	Part Number	Description	Remark	Qty	Model
1	9A1 102 211 00	Belt tensioner v-belt lever		1	A120 ,A121
1	9A2 102 211 00	Tensioning roller lever Tensioning roller		1	
		also use:	9A1 102 212 00 999 073 579 01 948 102 839 00		
2	948 102 839 00	Protective cap		1	
3	948 102 261 00	tensioner Hydraulic		1	
4	999 073 411 01	Hexagon socket flat head bolt M8 X 60		1	
5	999 073 246 09	Torx screw M8 X 33-10,9		1	
6	999 073 412 01	Torx screw M8 X 26		1	
7	9A1 102 216 01	v-belt		1	
8		Alternator		1	
9		see illustration: pulley Power-steering pump	902-005	1	
		see illustration:	403-003		
10		pulley Compressor		1	
		see illustration:	813-015		
11		pulley Crankshaft		1	
		see illustration:	102-000		
12		pulley Coolant pump		1	
		see illustration:	105-000		

Model: 987209

Model life 2009>>2012



Model: 987209

Model life 2009>>2012

Pos	Part Number	Description	Remark	Qty	Model
1	9A1 102 077 04	Crankshaft Crankshaft No longer use the part here		1	A120 , A121
1	9A1 102 077 20	Crankshaft Crankshaft No longer use the part here		1	
2	900 095 031 00	Spring pin 6,0 X 16		1	
3	900 302 016 00	Cylinder pin A 6,0 X 16		1	
4	9A1 101 222 02	Shaft oil seal 52,5 X 9		1	
5	997 101 212 01	Shaft oil seal 85 x 105 x 11		1	
6	9A1 103 914 02	Connecting rod Set comprising: 6 Connecting rods		1	
7	9A1 103 122 02	bush - connecting rod D = 22		6	
8	9A1 103 115 02	bolt - connecting rod M 10 X 1,25 X 51		12	
9	9A1 103 053 00	connecting rod bearing shell Identification: >> >> red		12	
(9)	9A1 103 053 01	connecting rod bearing shell Identification: >> >> yellow		12	
(9)	9A1 103 053 02	connecting rod bearing shell Identification: >> >> blue		12	
10	9A1 101 064 00	crankshaft bearing Identification: >> >> red		8	
(10)	9A1 101 064 01	crankshaft bearing Identification: >> >> yellow		8	
(10)	9A1 101 064 02	crankshaft bearing Identification: >> >> blue		8	
11	9A1 101 063 00	crankshaft bearing with: Partial-groove Identification: >> >> red		6	
(11)	9A1 101 063 01	crankshaft bearing with: Partial-groove Identification: >> >> yellow		6	
(11)	9A1 101 063 02	crankshaft bearing with: Partial-groove Identification: >> >> blue		6	
12	9A1 101 052 00	crankshaft bearing Identification: >> >> red		2	
(12)	9A1 101 052 01	crankshaft bearing Identification: >> >> yellow		2	
(12)	9A1 101 052 02	crankshaft bearing Identification: >> >>		2	

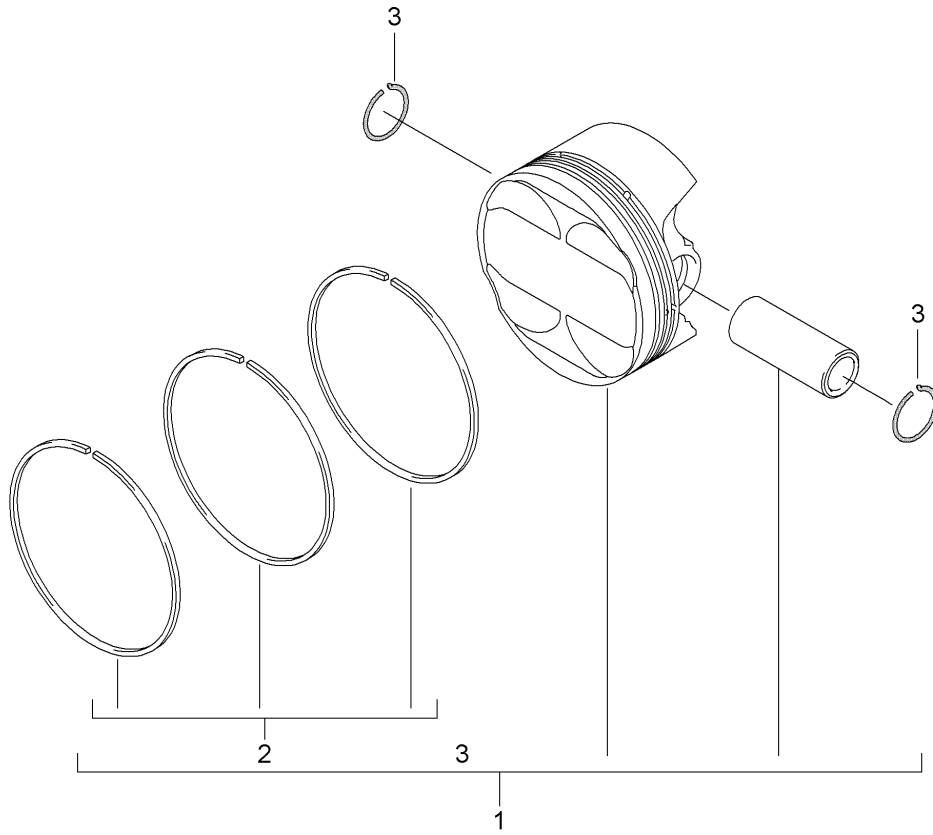
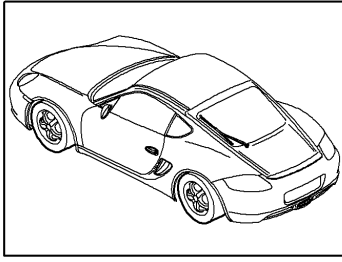
Model: 987209

Model life 2009>>2012

Pos	Part Number	Description	Remark	Qty	Model
13	996 101 132 00	blue thrust washer D = 63		2	
14	9G2 114 012 00	Dual-mass flywheel Discontinued part		1	A120+ PR:480
(14)	9G2 114 012 01	Dual-mass flywheel Discontinued part		1	A120+ PR:480
(14)	9G2 114 012 02	Dual-mass flywheel		1	A120+ PR:480
14	9G2 114 012 20	Dual-mass flywheel Discontinued part		1	A121+ PR:480
(14)	9G2 114 012 21	Dual-mass flywheel Discontinued part		1	A121+ PR:480
(14)	9G2 114 012 22	Dual-mass flywheel		1	A121+ PR:480
14	9G2 114 020 00	Dual-mass flywheel Discontinued part		1	PR:250
(14)	9G2 114 020 01	Dual-mass flywheel Discontinued part		1	PR:250
(14)	9G2 114 020 02	Dual-mass flywheel		1	PR:250
15	N 906 651 01	Socket head bolt with inner multipoint head M 10 X 1 X 29		10	
16	9A1 102 146 02	pulley		1	
17		vibration damper v-belt see illustration:	with: 101-010	1	

Model: 987209

Model life 2009>>2012



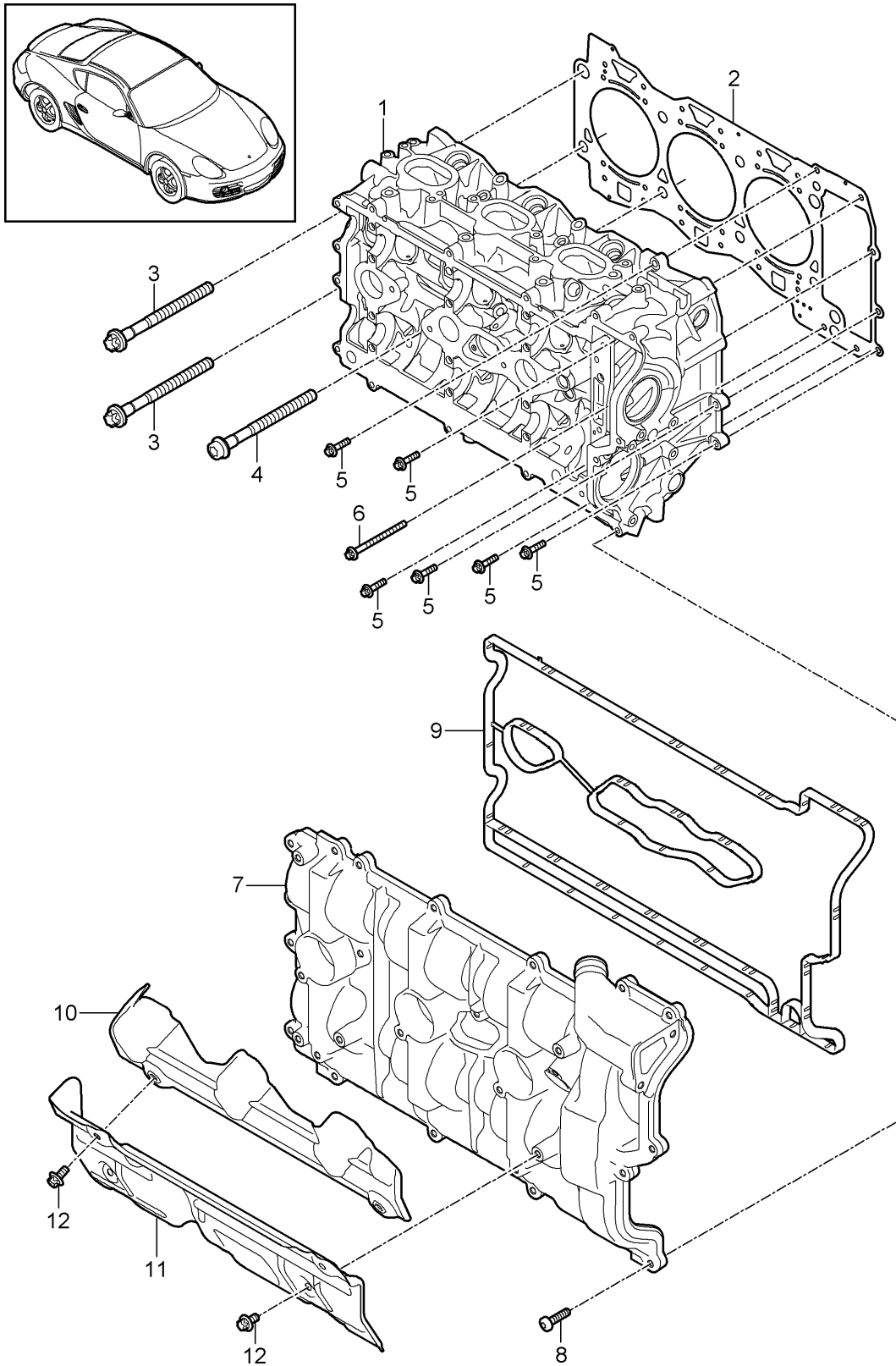
Model: 987209

Model life 2009>>2012

Pos	Part Number	Description	Remark	Qty	Model
1	9A1 103 029 03	piston piston Tolerance range X Discontinued part		6	A120,A121 A120
(1)	9A1 103 029 06	piston Tolerance range X Discontinued part		6	A120
(1)	9A1 103 029 09	piston Tolerance range X		6	A120
(1)	9A1 103 034 03	piston Tolerance range X		6	A121
(1)	9A1 103 934 09	No longer use the part here 1 set pistons Content piston Tolerance range X Only by sets		1 6	A121
2	9A1 103 050 02	1 set: piston rings		6	A120
(2)	9A1 103 065 02	1 set: piston rings		6	A121
3	9A1 103 141 01	Securing ring		12	

Model: 987209

Model life 2009>>2012



Model: 987209

Model life 2009>>2012

Pos	Part Number	Description	Remark	Qty	Model
1	9A1 104 905 00	Cylinder head with: Valves Cylinder head gasket Valve cover Cylinder head	cylinders 1-3	1	A120
(1)	9A1 104 906 00	with valves Cylinder head Cyl. 4 - 6		1	A120
(1)	9A1 104 907 00	with valves Cylinder head	cylinders 1-3	1	A121
(1)	9A1 104 901 00	with valves Discontinued part Cylinder head	cylinders 1-3	1	A121
(1)	9A1 104 908 00	with valves Cylinder head	cylinders 4-6	1	A121
(1)	9A1 104 902 00	with valves Discontinued part Cylinder head	cylinders 4-6	1	A121
-		with valves Valves			
2	9A1 104 143 03	see illustration: Cylinder head gasket	103-005 cylinders 1-3	1	A121
2	9A1 104 143 04	D >> - MJ 2009 Cylinder head gasket	cylinders 1-3	1	A121
(2)	9A1 104 145 04	D - MJ 2010>> Cylinder head gasket	cylinders 1-3	1	A120
(2)	9A1 104 142 03	Cylinder head gasket	cylinders 4-6	1	A121
(2)	9A1 104 142 04	D >> - MJ 2009 Cylinder head gasket	cylinders 4-6	1	A121
(2)	9A1 104 144 04	D - MJ 2010>> Cylinder head gasket	cylinders 4-6	1	A120
3	9A1 104 191 00	Torx screw M12 X 1,5 X 140		4	
4	9A1 104 191 02	Torx screw M12 X 1,5 X 140		12	
5	900 385 072 01	Torx screw M6 X 25		11	
6	900 385 108 02	Torx screw M6 X 80		2	
7	9A1 105 231 05	Valve cover	cylinders 1-3	1	A120,A121
7	9A1 105 231 04	only in conj. with: 9A1.105.731.02 M >> 9 05158 M >> 9 04346 Valve cover	cylinders 1-3	1	A120,A121
		Together with 9A1.105.731.03 M 9 05159 >> M 9 04347 >>			

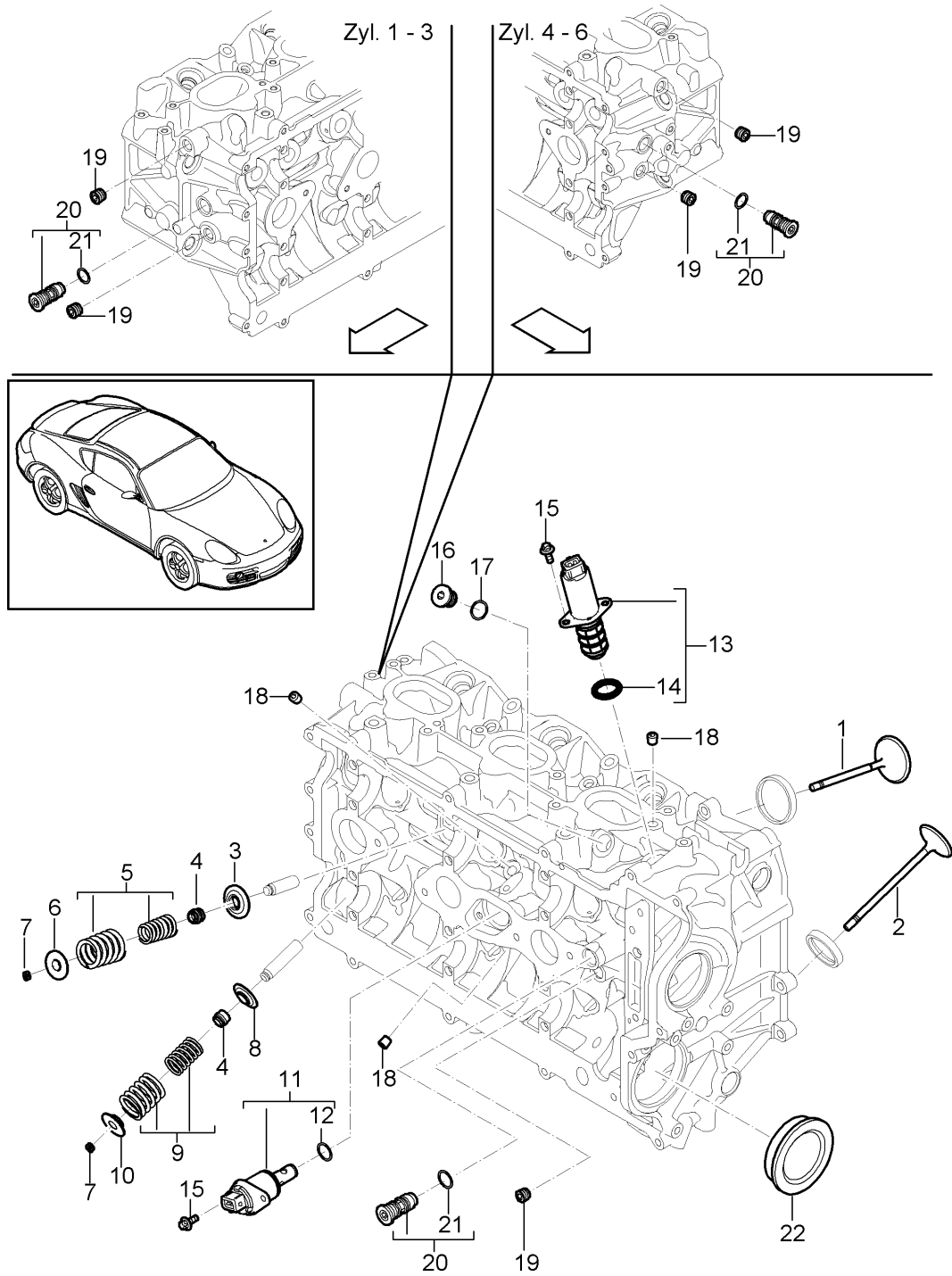
Model: 987209

Model life 2009>>2012

Pos	Part Number	Description	Remark	Qty	Model
(7)	9A1 105 232 05	Valve cover only in conj. with: 9A1.105.732.02 M >> 9 05158 M >> 9 04346	cylinders 4-6	1	A120,A121
(7)	9A1 105 232 04	Valve cover only in conj. with: 9A1.105.732.03 M 9 05159 >> M 9 04347 >>	cylinders 4-6	1	A120,A121
8	9A1 107 313 00	Torx screw M6 X 25		40	
9	9A1 105 731 03	Seal Valve cover M 9 05159 >> M 9 04347 >>	cylinders 1-3	1	A120,A121
(9)	9A1 105 731 02	Seal Valve cover M >> 9 05158 M >> 9 04346	cylinders 1-3	1	A120,A121
(9)	9A1 105 732 03	Seal Valve cover M 9 05159 >> M 9 04347 >>	cylinders 4-6	1	A120,A121
(9)	9A1 105 732 02	Seal Valve cover M >> 9 05158 M >> 9 04346	cylinders 4-6	1	A120,A121
10	9A1 104 307 03	Heat insulation Upper part	cylinders 1-3	1	
(10)	9A1 104 308 04	Heat insulation Upper part	cylinders 4-6	1	
11	9A1 104 309 03	Heat insulation Lower part	cylinders 1-3	1	
(11)	9A1 104 310 03	Heat insulation Lower part	cylinders 4-6	1	
12	900 385 041 01	Torx screw M6 X 12		12	
13	999 707 404 40	O-ring 17,05 X 1,78 To Use 997.606.106.03 No longer use the part here		2	
14	997 606 106 03	Hall sensor		2	
15	900 387 264 01	Socket head bolt M 6 X 16 Discontinued part		2	
15	N 105 464 03	Hexagon socket head bolt M 6 X 16		2	

Model: 987209

Model life 2009>>2012



Model: 987209

Model life 2009>>2012

Pos	Part Number	Description	Remark	Qty	Model
		Cylinder head Accessories Valves			A120 ,A121
1	9A1 105 312 02	Inlet valve		12	A121
(1)	9A1 105 314 02	Inlet valve		12	A120
2	9A1 105 322 02	exhaust valve		12	A121
2	9A1 105 324 02	exhaust valve		12	A120
3	9A1 105 151 00	spring disc Intake	lower	12	A121
3	948 105 151 01	spring disc Intake	lower	12	A120
4	996 105 115 52	Valve stem seal		24	
5	9A1 105 110 01	1 set of valve springs Intake		12	A121
5	948 105 094 00	1 set of valve springs Intake		12	A120
6	9A1 105 150 00	spring disc Intake	upper	12	A121
6	948 105 150 01	spring disc Intake	upper	12	A120
7	996 105 123 52	cotter, split		48	
8	948 105 153 51	spring disc Exhaust	lower	12	A121
(8)	948 105 153 01	spring disc Exhaust	lower	12	A120
9	9A1 105 115 01	1 set of valve springs Set Exhaust		12	A121
(9)	9A1 105 180 01	Valve spring Exhaust		12	A120
10	948 105 152 51	spring disc Exhaust	upper	12	A121
(10)	996 105 121 54	spring disc Exhaust	upper	12	A120
11	9A1 105 308 02	throttle control element VVS		1	
12	900 331 057 40	O-ring 11,2 X 2,65		2	
13	9A1 105 304 01	throttle control element NVS		2	
13	9A1 105 304 02	Discontinued part throttle control element NVS		2	
13	9A1 105 304 03	Discontinued part throttle control element NVS		2	
13	9A1 105 304 04	Discontinued part throttle control element NVS		2	
14	999 707 446 40	O-ring 18 X 2,5		2	
15	900 385 112 01	Torx screw M5 X 12		8	
15	999 073 650 01	No longer use the part here Torx screw	M5X12	1	
16	900 219 002 03	sealing plug		1	
17	900 123 104 30	seal ring 14 X 18		2	
18	999 063 035 02	sealing plug M 8 X 1,0		3	
(18)	999 063 035 02	Cyl. 1 - 3 sealing plug M 8 X 1,0		4	

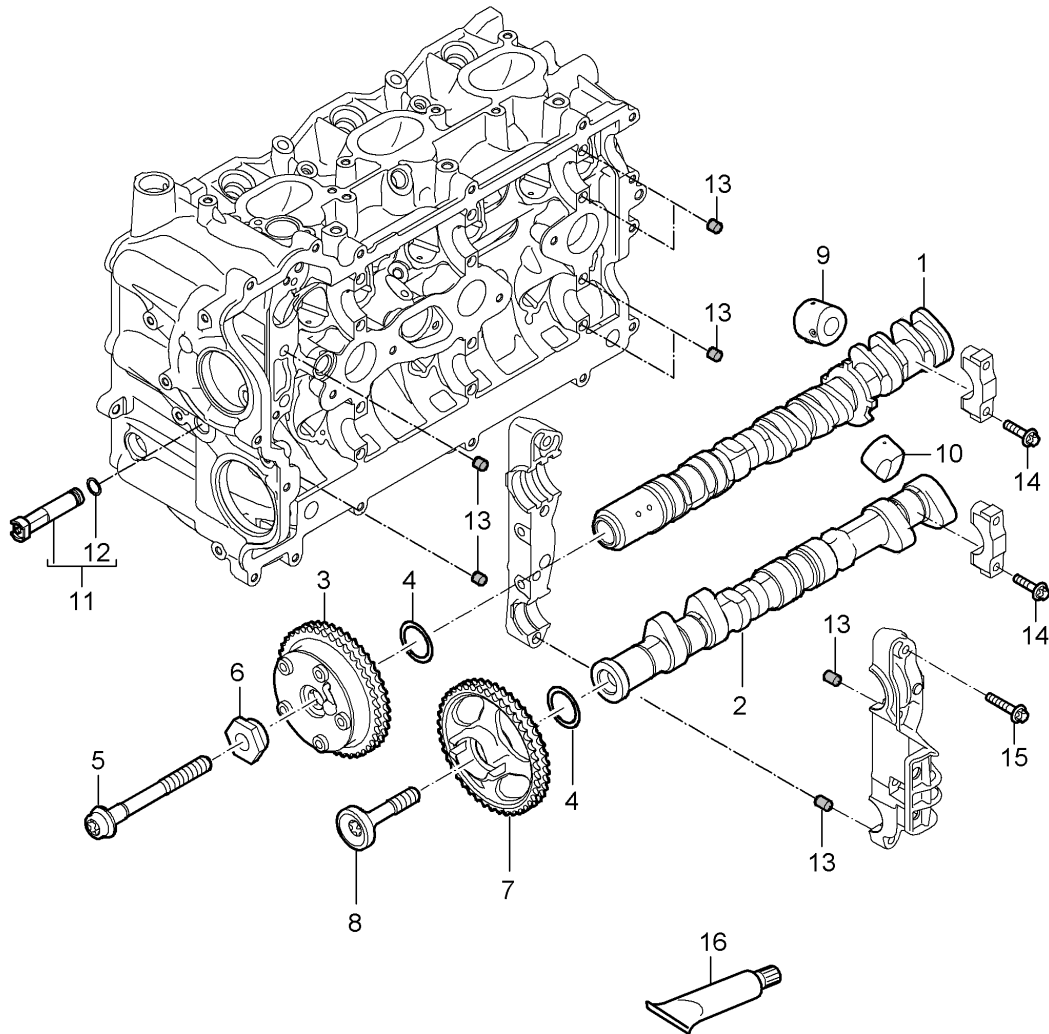
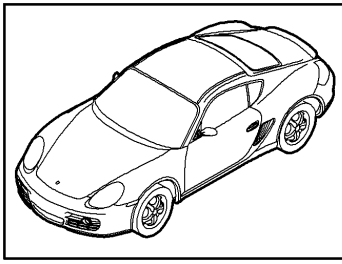
Model: 987209

Model life 2009>>2012

Pos	Part Number	Description	Remark	Qty	Model
19	900 063 014 01	Cyl. 4 - 6 sealing plug M12 X 1,5		4	
20	9A1 104 250 00	choke		4	
21	999 707 577 40	O-ring 10 x 2,5N		4	
22	9A1 104 403 00	End cap		1	A120

Model: 987209

Model life 2009>>2012



Model: 987209

Model life 2009>>2012

Pos	Part Number	Description	Remark	Qty	Model
		Camshaft Hydraulic tappet camshaft adjuster unit			A120 ,A121
(1)	9A1 105 025 03	Camshaft Intake Cyl. 1 - 3		1	A120
(1)	9A1 105 026 03	Camshaft Intake Cyl. 4 - 6		1	A120
1	9A1 105 027 03	Camshaft Intake Cyl. 1 - 3		1	A121
1	9A1 105 028 03	Camshaft Intake Cyl. 4 - 6		1	A121
(2)	9A1 105 227 03	Camshaft Exhaust Cyl. 1 - 3		1	A120
(2)	9A1 105 228 03	Camshaft Exhaust Cyl. 4 - 6		1	A120
2	9A1 105 223 03	Camshaft Exhaust Cyl. 1 - 3		1	A121
2	9A1 105 224 03	Camshaft Exhaust Cyl. 4 - 6		1	A121
3	9A1 105 052 01	camshaft adjuster unit		2	
4	9A1 105 403 02	Washer for camshaft camshaft adjuster unit		4	
5	9A1 105 254 01	Torx screw M12 X 50		2	
6	948 105 218 01	Sleeve camshaft adjuster unit No longer use the part here		2	
6	9A1 105 245 00	Sleeve camshaft adjuster unit		2	
(7)	9A1 105 147 02	Chain sprocket Camshaft Exhaust Cyl. 1 - 3		1	
7	9A1 105 148 02	Chain sprocket Camshaft Exhaust Cyl. 4 - 6		1	
8	9A1 105 255 00	Torx screw		2	
(8)	9A1 105 255 02	Torx screw		2	
9	9A1 105 070 03	Hydraulic tappet Intake		12	
10	9A1 105 071 00	Hydraulic tappet Exhaust		12	
11	9A1 104 402 02	oil pipe Cyl. 4 - 6		1	
12	999 707 576 40	O-ring 7,0 X 2,5		1	
13	999 095 075 01	dowel sleeve 8 x 7		32	
14	999 073 450 02	Outer hexagon round screw BM 6 X 37		24	
15	900 385 111 01	Torx screw BM 6 X 55		8	
16	000 043 024 00	Extreme-pressure grease 1 tube		1	

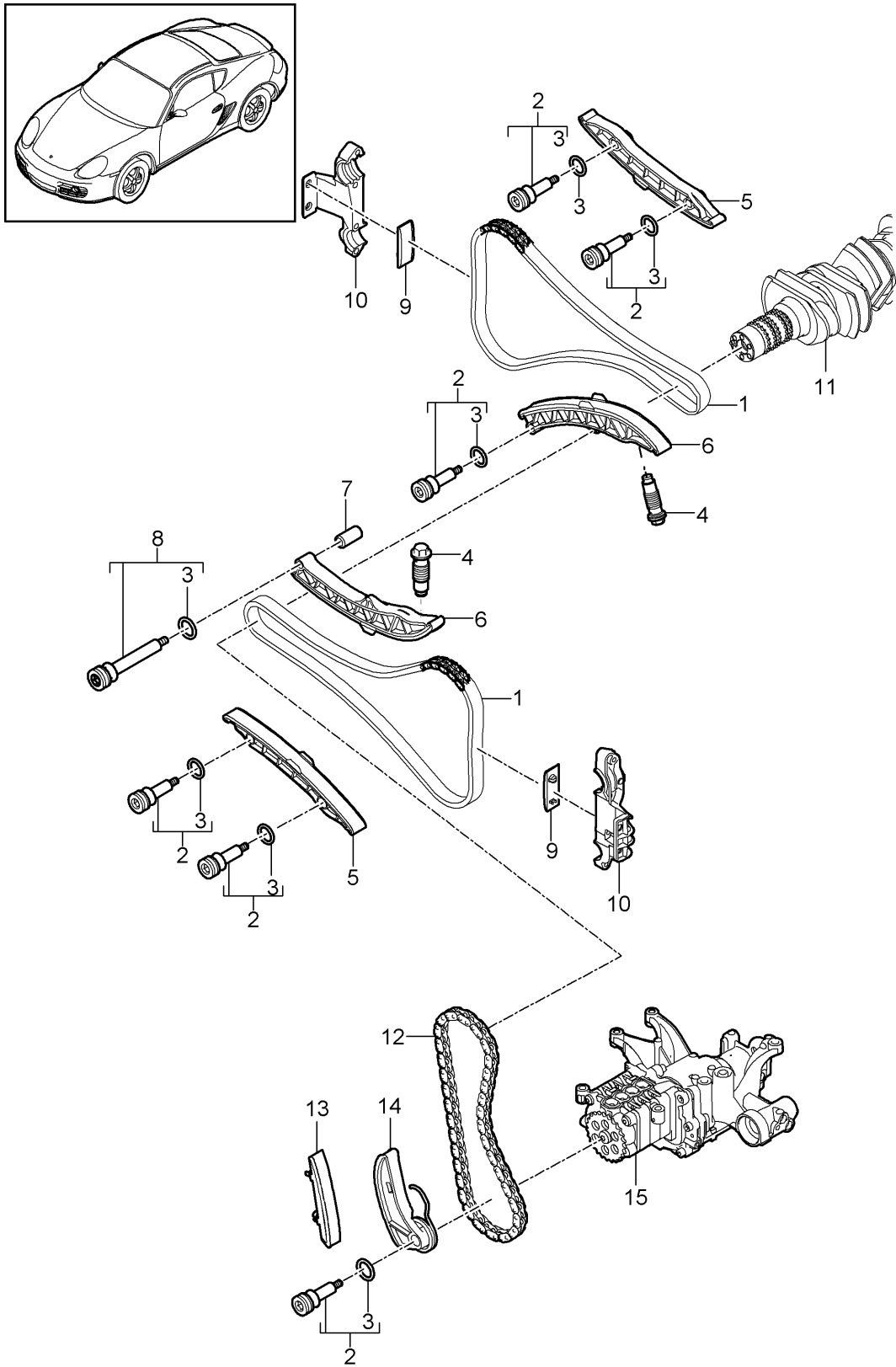
Model: 987209

Model life 2009>>2012

Pos	Part Number	Description	Remark	Qty	Model
		80 Gr. for Camshaft			

Model: 987209

Model life 2009>>2012



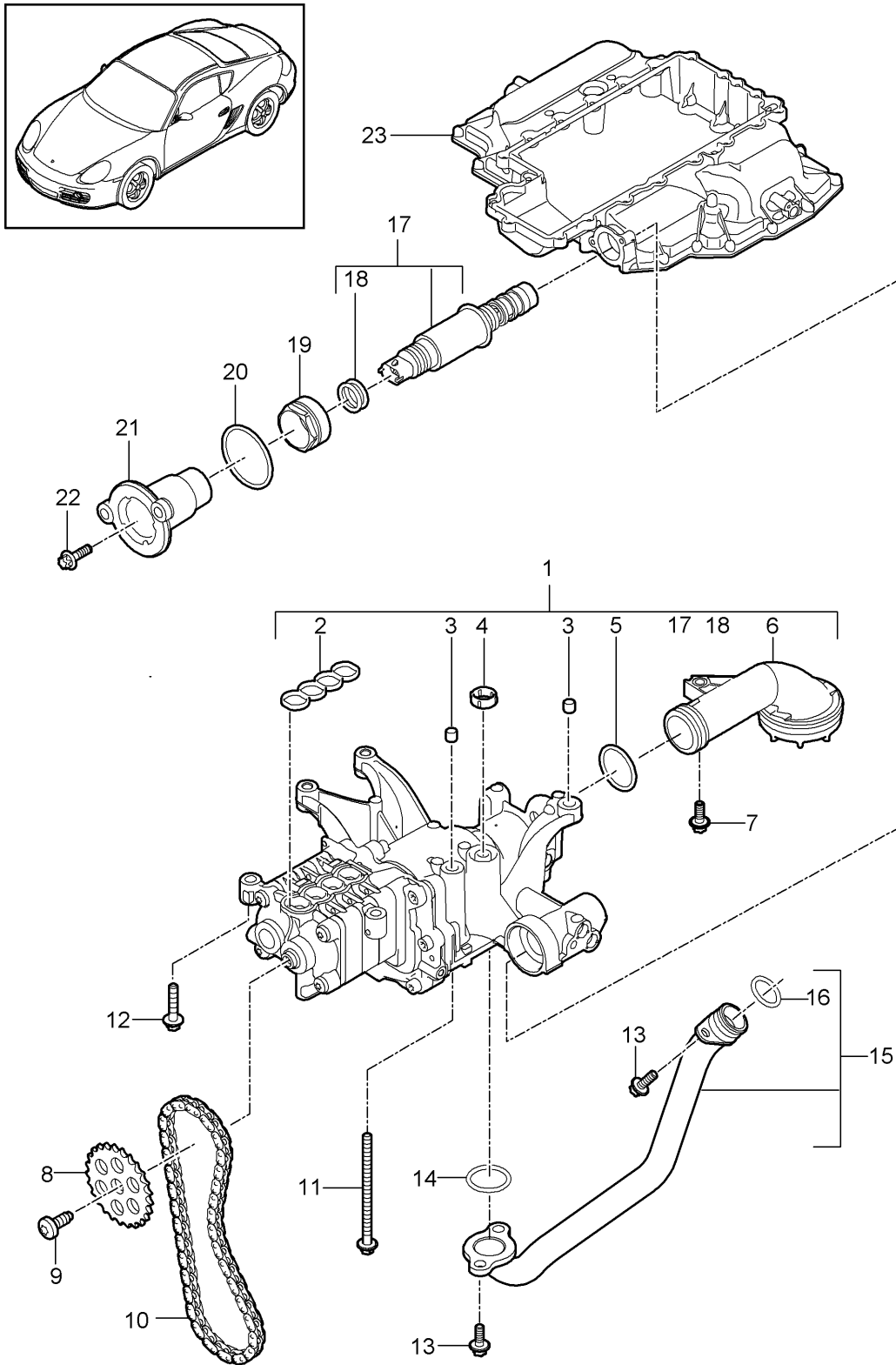
Model: 987209

Model life 2009>>2012

Pos	Part Number	Description	Remark	Qty	Model
1	9A1 105 142 02	Valve control timing chain Camshaft Crankshaft		2	A120 ,A121
2	9A1 105 162 01	Screw Tensioner blade		6	
3	999 707 346 40	O-ring 15,0 X 3,0		X	
4	9A1 105 157 02	chain tensioner		2	
-	900 123 118 30	seal ring A 22 X 27		2	
5	9A1 105 153 02	slide rail		2	
6	9A1 105 155 02	Tensioner blade		2	
7	9A1 105 165 01	spacer sleeve		2	
8	9A1 105 163 01	Screw		1	
9	9A1 105 101 02	slide rail		2	
10		Bearing cover Not available To Use Cylinder head		2	
11		Crankshaft see illustration:	103-000	1	
12	9A1 105 233 02	timing chain oil pump Crankshaft see illustration:	102-000	1	
13	9A1 105 237 02	slide rail		1	
14	9A1 105 235 02	Tensioner blade		1	
15		oil pump see illustration:	104-000	1	

Model: 987209

Model life 2009>>2012



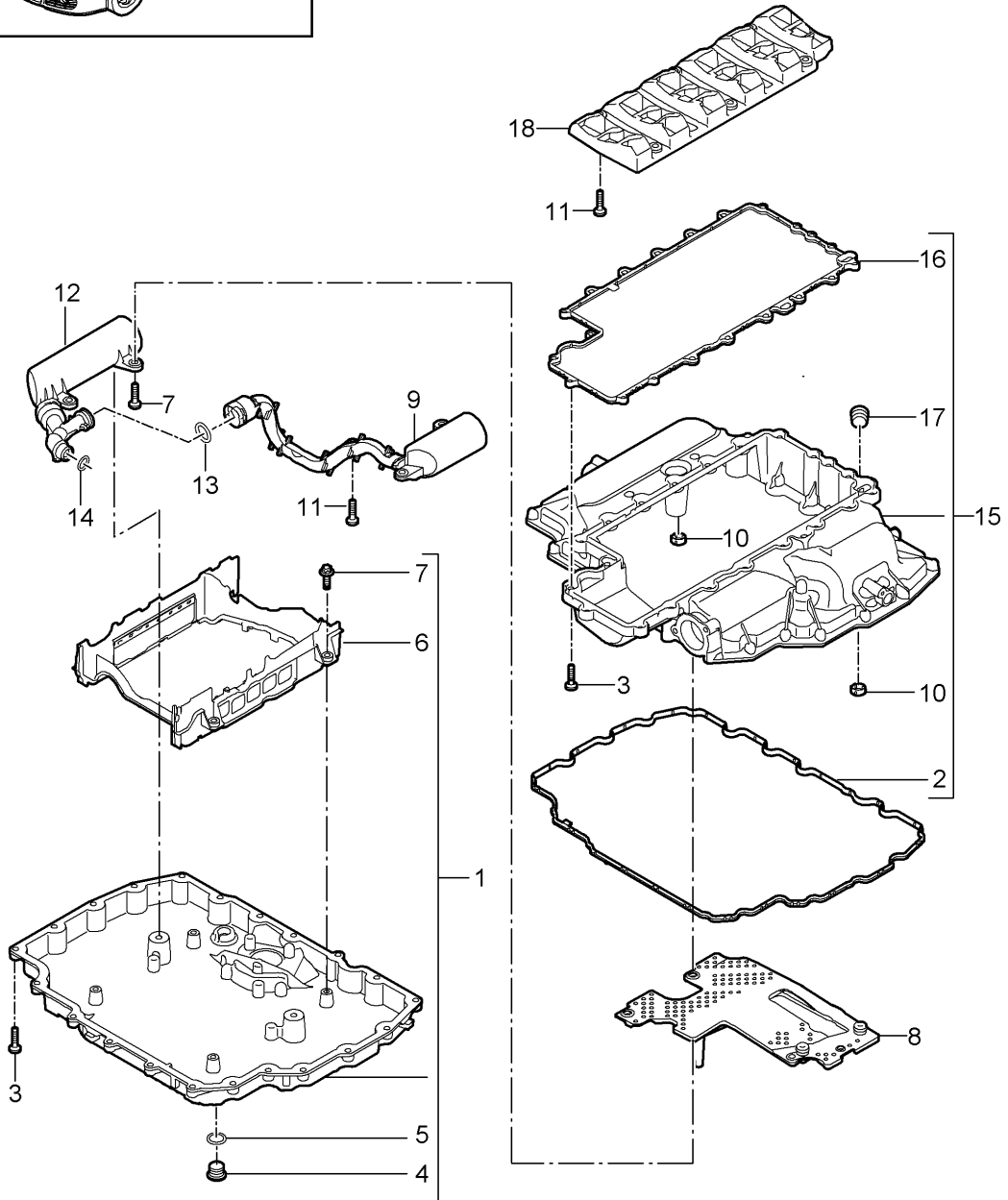
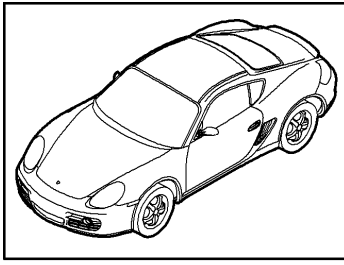
Model: 987209

Model life 2009>>2012

Pos	Part Number	Description	Remark	Qty	Model
1	9A1 107 050 03	oil pump oil pump Discontinued part		1	A120 ,A121
(1)	9A1 107 050 04	oil pump Discontinued part		1	
(1)	9A1 107 050 05	oil pump Discontinued part		1	
(1)	9A1 107 050 11	oil pump Discontinued part		1	
(1)	9A1 107 050 12	oil pump		1	
2	9A1 107 370 00	Seal for oil pump Use		1	
		with:			
		9A1.107.050.03 9A1.107.050.04 9A1.107.050.05			
3	996 106 103 50	dowel sleeve 8,2 X 7,0		2	
4	9A1 107 327 00	seal ring		1	
5	999 707 375 40	O-ring 30,00 X 3,00		1	
6	9A1 107 075 02	Suction tube		1	
7	999 073 102 01	flat round head bolt M6 X 25		1	
8	9A1 105 225 02	Chain sprocket oil pump		1	
9	999 073 380 01	Torx screw M8 X 22		1	
10		Chain oil pump		1	
11	900 385 126 01	see illustration: Torx screw M6 X 95	103-015	1	
12	900 385 048 01	Torx screw M6 X 30		5	
13	900 385 009 01	Torx screw M6 X 25		1	
14	999 707 409 41	O-ring 26,00 X 3,00		1	
15	9A1 107 250 01	oil pipe oil pump Crankcase housing		1	
16	999 707 575 40	O-ring 20,00 X 3,00		1	
17	948 107 113 01	Solenoid valve Discontinued part		1	
(17)	948 107 113 02	Solenoid valve		1	
(17)	948 107 113 11	Solenoid valve		1	
18	999 707 567 40	O-ring 17,00 X 3,00		2	
19	999 261 024 01	Union nut M36 x 1,0 x 12		1	
20	999 707 570 40	O-ring 44,00 x 3,00		1	
21	9A1 107 330 01	Sealing flange control valve		1	
22	900 385 019 01	Torx screw M6 X 20		2	
23		oil sump Upper part see illustration:	104-002	1	

Model: 987209

Model life 2009>>2012



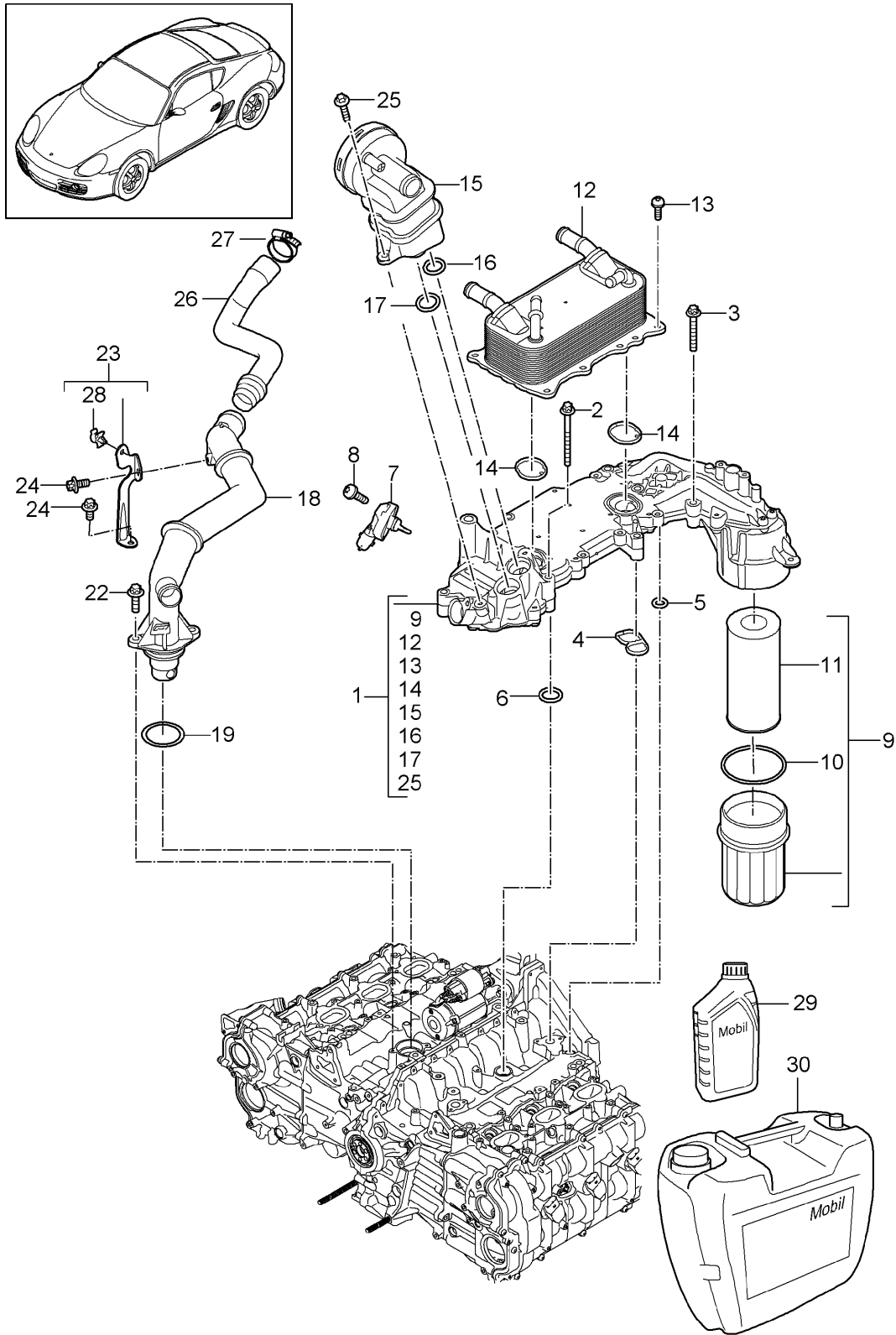
Model: 987209

Model life 2009>>2012

Pos	Part Number	Description	Remark	Qty	Model
1	9A1 107 032 00	oil sump		1	
2	9A1 107 325 02	oil sump-lower part		1	
3	9A1 107 313 00	gasket for oil sump		1	
		Torx screw		44	
		M 6 X 25			
4	900 219 020 31	sealing plug		1	
		M 18 X 1,5			
5	900 123 106 30	seal ring		1	
		A 18 X 24			
6	9A1 107 243 01	filler plate		1	
7	900 385 019 01	Torx screw		X	
		M6 x 20			
8	9A1 107 420 01	oil separator		1	
9	9A1 107 383 01	oil separator		1	
10	9A1 107 327 00	seal ring		2	
12	9A1 107 380 01	oil separator		1	
13	948 107 439 10	O-ring		2	
		20,0 X 3,8			
		D	>> - MJ 2011		
(13)	999 707 651 40	O-ring		2	
		20,0 x 3,8 N			
		D - MJ 2012>>			
14	999 707 637 40	O-ring		1	
		15,0 x 3,0			
		Deleted			
			without:		
		Replacement			
		D	>> - MJ 2011		
15	9A1 107 031 01	oil sump-upper part		1	
16	9A1 107 315 03	gasket for oil sump		1	
17	900 063 010 01	sealing plug		1	
		M8 X 1,0			
18	9A1 101 010 00	oil separator		1	
19	948 606 150 00	oil level sender		1	
20	948 606 240 00	Seal		1	
21	900 385 072 01	Torx screw		3	
		BM 6 X 25			

Model: 987209

Model life 2009>>2012



Model: 987209

Model life 2009>>2012

Pos	Part Number	Description	Remark	Qty	Model
(1)	9A1 107 046 01	Engine lubrication Oil-conducting housing		1	A120 ,A121
1	9A1 107 020 01	No longer use the part here Oil-conducting housing		1	
1	9A1 107 020 03	Discontinued part Oil-conducting housing		1	
2	900 385 276 01	Torx screw M6 X 60		1	
3	900 385 125 01	Torx screw M6 X 45		8	
4	9A1 107 475 00	seal ring Oil-conducting housing		1	
5	999 707 594 40	Crankcase housing O-ring 11,0 X 4,0		1	
6	999 707 595 40	O-ring 20,0 X 4,0		1	
7	997 606 203 01	Oil pressure sender 5 bar D >> - MJ 2009		1	
7	997 606 203 02	Discontinued part Oil pressure sender 5 bar D >> - MJ 2009		1	
(7)	948 606 213 00	Oil pressure sender 10 bar D - MJ 2010>>		1	
8	900 385 019 01	Torx screw M6 X 25		2	
9	9A1 107 024 00	Oil filter set		1	
10	996 107 313 51	seal ring 71,0 X 3,5		1	
11	9A1 107 224 00	Oil filter insert	also use: 996 107 313 51	1	
12	9A1 107 451 00	heat exchanger		1	
13	999 073 416 01	Bolt with washer M6 X 20		6	
14	948 107 175 00	Seal		2	
15	9A1 107 042 00	oil separator Discontinued part		1	
15	9A1 107 042 01	oil separator		1	
16	999 707 634 40	O-ring 18,5 X 4,0		1	
17	999 707 635 40	O-ring 21,0 X 4,0		1	
18	9A1 107 116 02	Filler tube engine oil		1	
19	999 707 348 40	O-ring 42,0 X 4,0		1	
20	987 107 035 01	End cap		1	
21	987 107 336 00	Seal End cap		1	
22	900 385 019 01	Torx screw M6 X 20		5	
23	9A1 107 216 02	Bracket Filler tube		1	A120
(23)	9A1 107 316 02	Bracket Filler tube		1	A121
24	900 385 041 01	Torx screw M6 X 12		2	
25	900 385 072 01	Torx screw M6 X 25		2	
26	987 107 264 30	Oil hose		1	

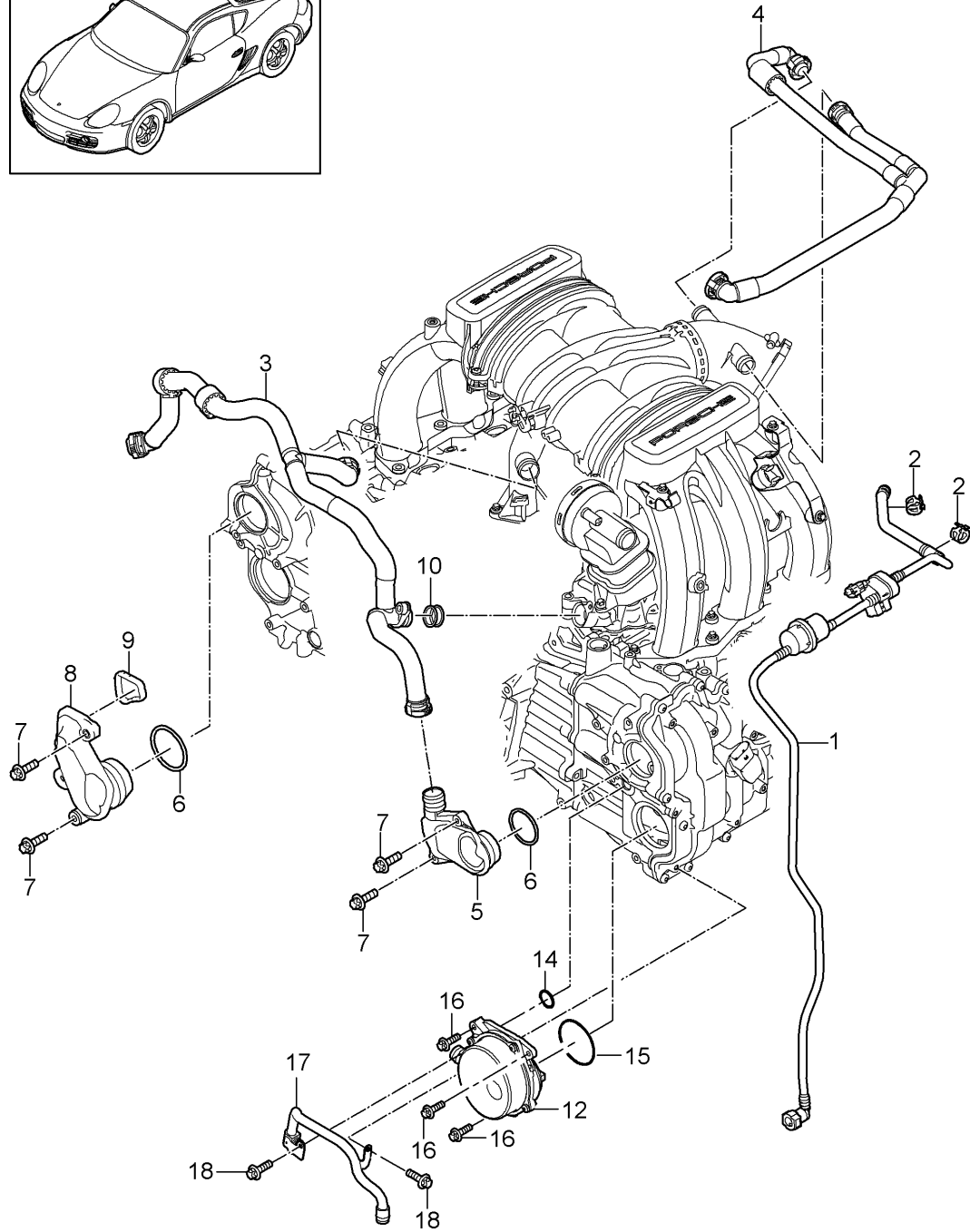
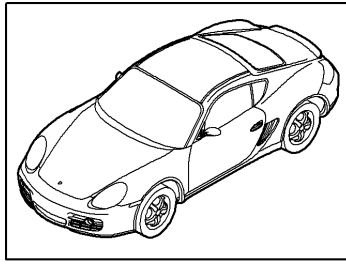
Model: 987209

Model life 2009>>2012

Pos	Part Number	Description	Remark	Qty	Model
27	999 512 695 09	Hose clamp 38 x 12		2	
28	999 507 675 40	Hose bracket		1	
29	000 043 301 19	engine oil EXXON MOBIL 1 0W-40 1 LITER Container		X	
(29)	000 043 303 16	engine oil EXXON MOBIL 1 0W-40 1 qt US gallon Container		X	
30	000 043 301 21	engine oil EXXON MOBIL 1 0W-40 20 LITER Container		X	

Model: 987209

Model life 2009>>2012



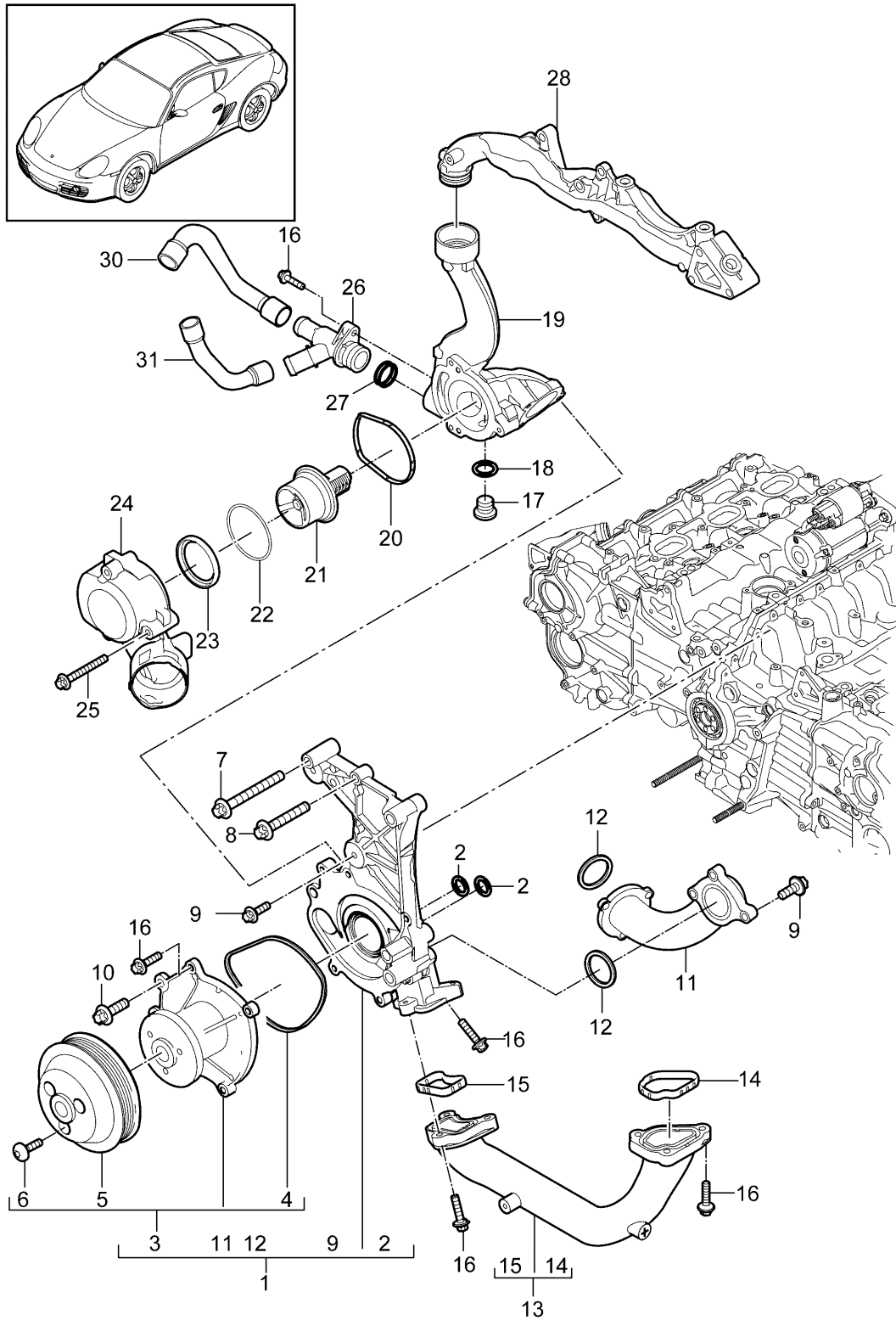
Model: 987209

Model life 2009>>2012

Pos	Part Number	Description	Remark	Qty	Model
1	9A1 110 093 02	Crankcase housing Bleeding Tank ventilation Vacuum pump Breather line (complete)		1	
2	999 512 651 09	Hose clamp 15 x 12		2	
3	9A1 107 515 01	Breather line Crankcase housing		1	
4	9A1 107 520 01	Breather line Distributor tube		1	
5	9A1 105 238 00	Cover Crankcase housing Bleeding Cyl. 4 - 6		1	
6	999 707 636 40	O-ring 44,0 X 3,5N		2	
7	900 385 019 01	Torx screw BM6 x 20		6	
8	9A1 105 239 02	Cover Crankcase housing Bleeding Cyl. 1 - 3		1	
9	9A1 105 339 00	Seal for Cover Crankcase housing		1	
10	999 707 316 41	O-ring 21,89 x 2,62		2	
-	900 385 072 01	Torx screw BM 6 x 25		1	
12	9A1 110 090 02	Vacuum pump for brake servo Discontinued part		1	
12	9A1 110 090 03	Vacuum pump for brake servo Discontinued part		1	
12	9A1 110 090 04	Vacuum pump for brake servo Discontinued part		1	
12	9A1 110 090 05	Vacuum pump for brake servo Discontinued part		1	
12	9A1 110 090 06	Vacuum pump for brake servo		1	
14	999 701 504 40	O-ring 10 x 2,5		1	
15	999 701 505 40	O-ring 54 x 2,5		1	
16	900 385 019 01	Torx screw M6 x 20		3	
17	9A1 110 065 01	Vacuum line		1	
18	900 385 041 01	Torx screw M6 x 20		2	
-	999 701 789 40	O-ring 12 x 2		2	

Model: 987209

Model life 2009>>2012



Model: 987209

Model life 2009>>2012

Pos	Part Number	Description	Remark	Qty	Model
		Coolant pump thermostat housing			A120 , A121
1	9A1 106 038 04	Water pump housing (complete)		1	
2	999 707 604 40	O-ring 34,0 X 3,0		2	
3	9A1 106 048 00	Coolant pump (complete)		1	
4	9A1 106 217 00	Seal Coolant pump		1	
5	9A1 106 248 00	pulley		1	
6	999 073 104 01	Torx screw M8 X 16		3	
7	900 385 115 01	Torx screw M8 X 70		3	
8	900 385 071 01	Torx screw M8 X 50		3	
9	900 385 019 01	Torx screw M6 X 20		4	
10	900 385 098 01	Torx screw M8 X 25		1	
10	900 385 114 01	Torx screw M8 X 25		1	
11	9A1 106 238 00	Water pipe		1	
12	9A1 106 215 00	Seal		2	
13	9A1 106 125 31	Water pipe		1	
14	9A1 106 326 00	Seal Water pipe		1	
15	9A1 106 325 00	Seal		1	
16	900 385 072 01	Torx screw M6 X 25		11	
17	900 219 018 30	sealing plug M14 X 1,5		1	
17	999 063 038 01	No longer use the part here sealing plug M14 X 1,5		1	
18	900 123 104 30	seal ring 14 X 18		1	
18	900 123 173 20	No longer use the part here seal ring 14 X 18		1	
19	9A1 106 150 01	thermostat housing		1	
20	9A1 106 305 00	Seal thermostat		1	
21	9A1 106 225 01	Thermostat insert No longer use the part here		1	
21	9A1 106 225 02	Thermostat insert		1	
22	999 707 625 40	O-ring 59,0 X 5,2		1	
23	9A1 106 558 00	seal ring		1	
24	9A1 106 121 00	Water guide housing		1	
25	900 385 070 01	Torx screw M6 X 50		3	
25	PAF 008 685 00	Torx screw M6 X 50		3	
26	9A1 106 560 00	Y-piece		1	
27	999 707 517 40	O-ring 22 X 3		2	
28		Assembly carrier see illustration:	105-005	1	
29	999 926 030 01	bleeder screw M 10 x 1 x 12,5		1	
30	987 106 222 30	Water hose		1	

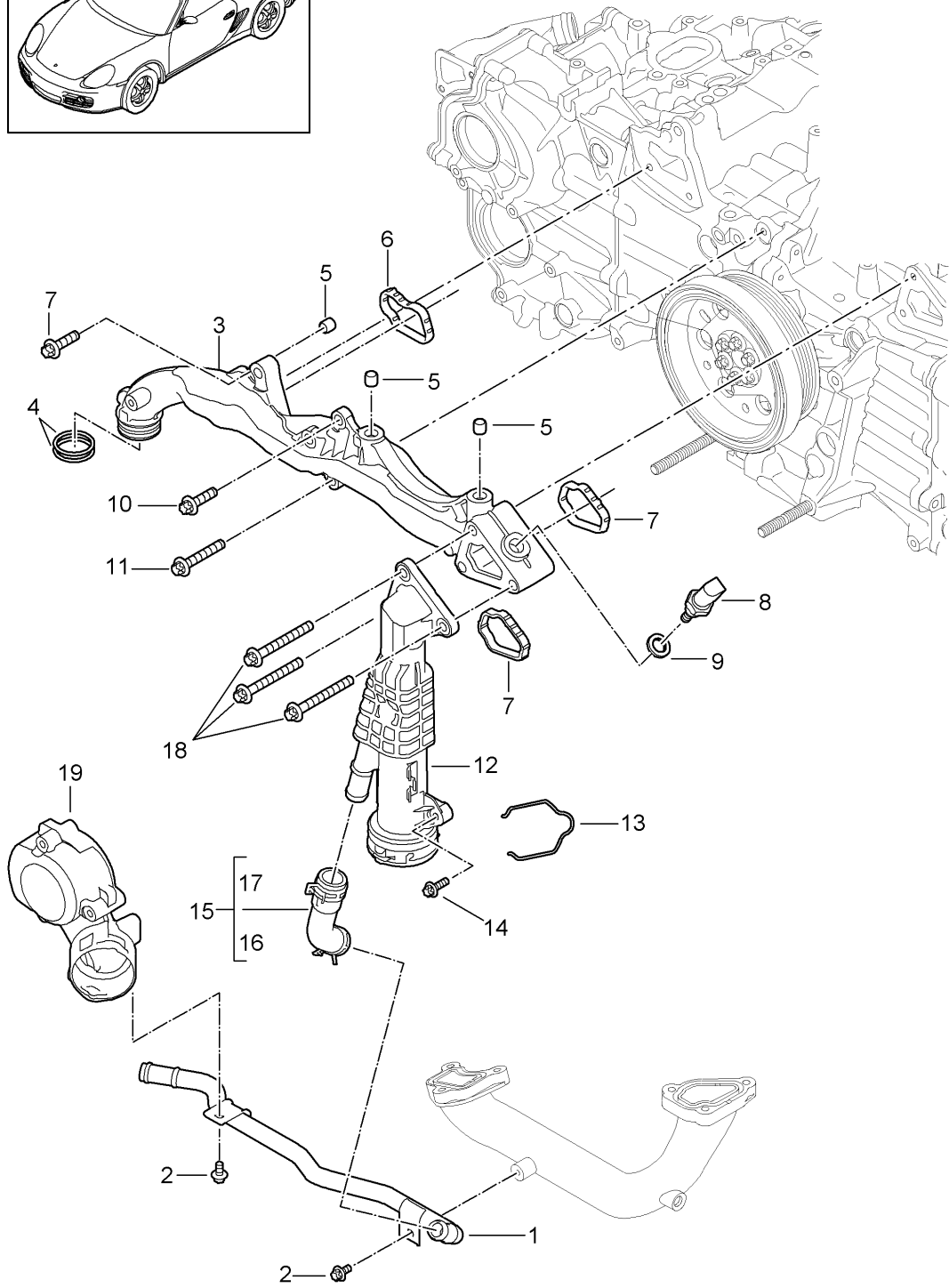
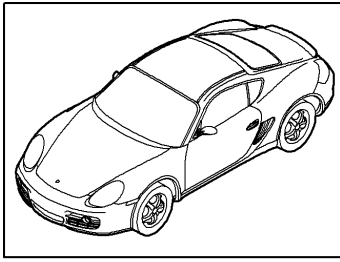
Model: 987209

Model life 2009>>2012

Pos	Part Number	Description	Remark	Qty	Model
31	987 106 224 30	Return line Water hose Supply		1	

Model: 987209

Model life 2009>>2012



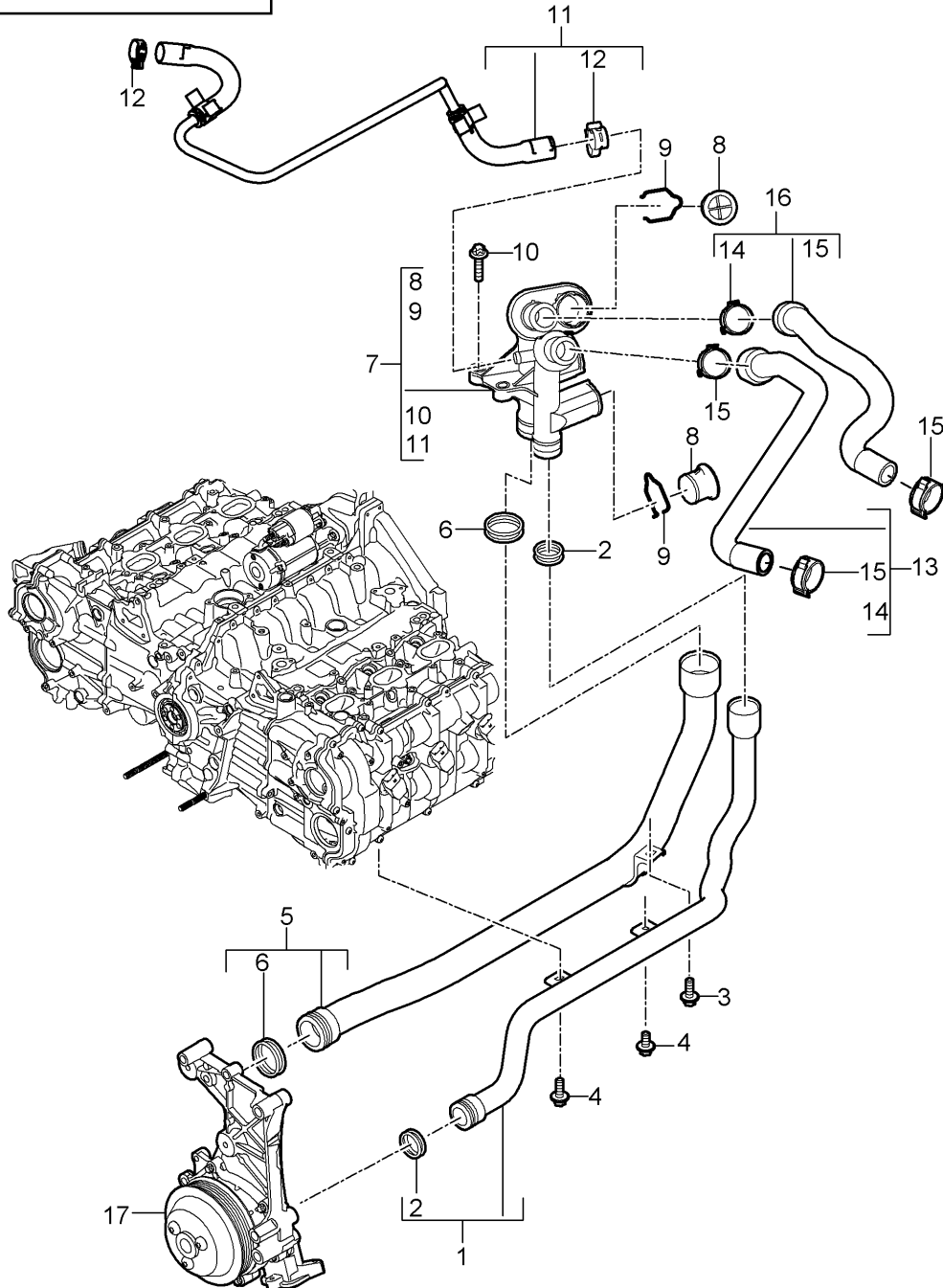
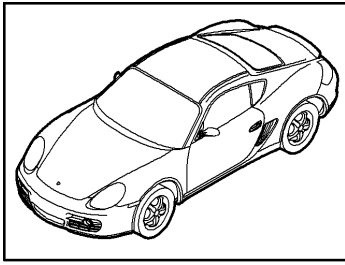
Model: 987209

Model life 2009>>2012

Pos	Part Number	Description	Remark	Qty	Model
		Assembly carrier			A120 ,A121
1	9A1 106 810 31	Water pipe Heater pipeline Supply		1	
2	900 385 041 01	Torx screw M6 X 12		2	
3	9A1 102 112 02	Assembly carrier		1	
4	999 707 589 40	O-ring 31,0 X 3,0		2	
5	999 095 063 03	dowel sleeve 11 M6 X 10		3	
6	9A1 102 312 00	Seal Cyl. 1 - 3		1	
7	9A1 102 322 00	Seal Cyl. 4 - 6		2	
8	997 606 420 01	Temperature sensor		1	
9	900 123 111 20	seal ring Copper Discontinued part		1	
9	900 123 111 21	seal ring Copper		1	
10	900 385 042 01	Torx screw M8 X 35		3	
11	900 385 071 01	Torx screw M8 X 50		2	
12	9A1 106 132 01	connection piece		1	
13	997 106 802 03	Spring		1	
14	900 385 072 01	Torx screw M6 X 25		1	
15	9A1 106 660 30	Water hose Supply Discontinued part		1	
15	9A1 106 660 31	Water hose Supply		1	
16	999 512 601 09	Hose clamp 23 X 12		1	
17	999 512 603 09	Hose clamp 26 X 12		1	
18	900 385 115 01	Torx screw M8 x 70		3	
19		housing thermostat		1	
		see illustration:	105-000		

Model: 987209

Model life 2009>>2012



Model: 987209 Model life 2009>>2012

Pos	Part Number	Description	Remark	Qty	Model
		Connection Water pipe			A120 , A121
1	9A1 106 620 01	Water pipe		1	
2	999 707 517 40	Intake O-ring 22 X 3		4	
3	900 385 009 01	Torx screw M6 X 16		2	
4	900 385 041 01	Torx screw M6 X 12		2	
5	9A1 106 625 01	Water pipe Return line		1	
6	999 707 589 40	O-ring 31 X 3		4	
7	9A1 106 010 00	Connection Discontinued part		1	
(7)	9A1 106 010 01	Connection Discontinued part		1	
(7)	9A1 106 010 02	Connection		1	
8	9A1 106 546 00	Bungs		3	
8	0PB 121 099	Bungs		3	
-	999 707 590 40	O-ring 21,35 x 3,0		X	
9	997 106 802 04	Spring clip		3	
10	900 385 072 01	Torx screw M6 X 25		2	
11	9A1 106 549 31	Breather line		1	
12	999 512 699 01	Hose clamp 18 X 12		2	
		with:			
13	9A1 106 610 01	Clip Water hose Intake D >> - MJ 2011		1	
(13)	9A1 106 610 02	Water hose Intake M >> C 03456 M >> C 03170 D - MJ 2012>>		1	A120 , A121
(13)	9A1 106 611 00	Water hose Intake M C 03457 >> M C 03171 >>		1	A120 , A121
14	999 512 608 09	Hose clamp 32 X 12		2	
		only in conj. with:			
(14)	999 512 662 09	9A1.106.610.01 9A1.106.615.00 Hose clamp 32 X 12		2	
		only in conj. with:			
15	999 512 589 09	9A1.106.610.02 9A1.106.615.01 9A1.106.611.00 Hose clamp 25 X 12		2	
		only in conj. with:			
(15)	999 512 656 09	9A1.106.610.01 9A1.106.615.00 Hose clamp 25 X 12		2	
		only in conj. with:			
		9A1.106.610.02			

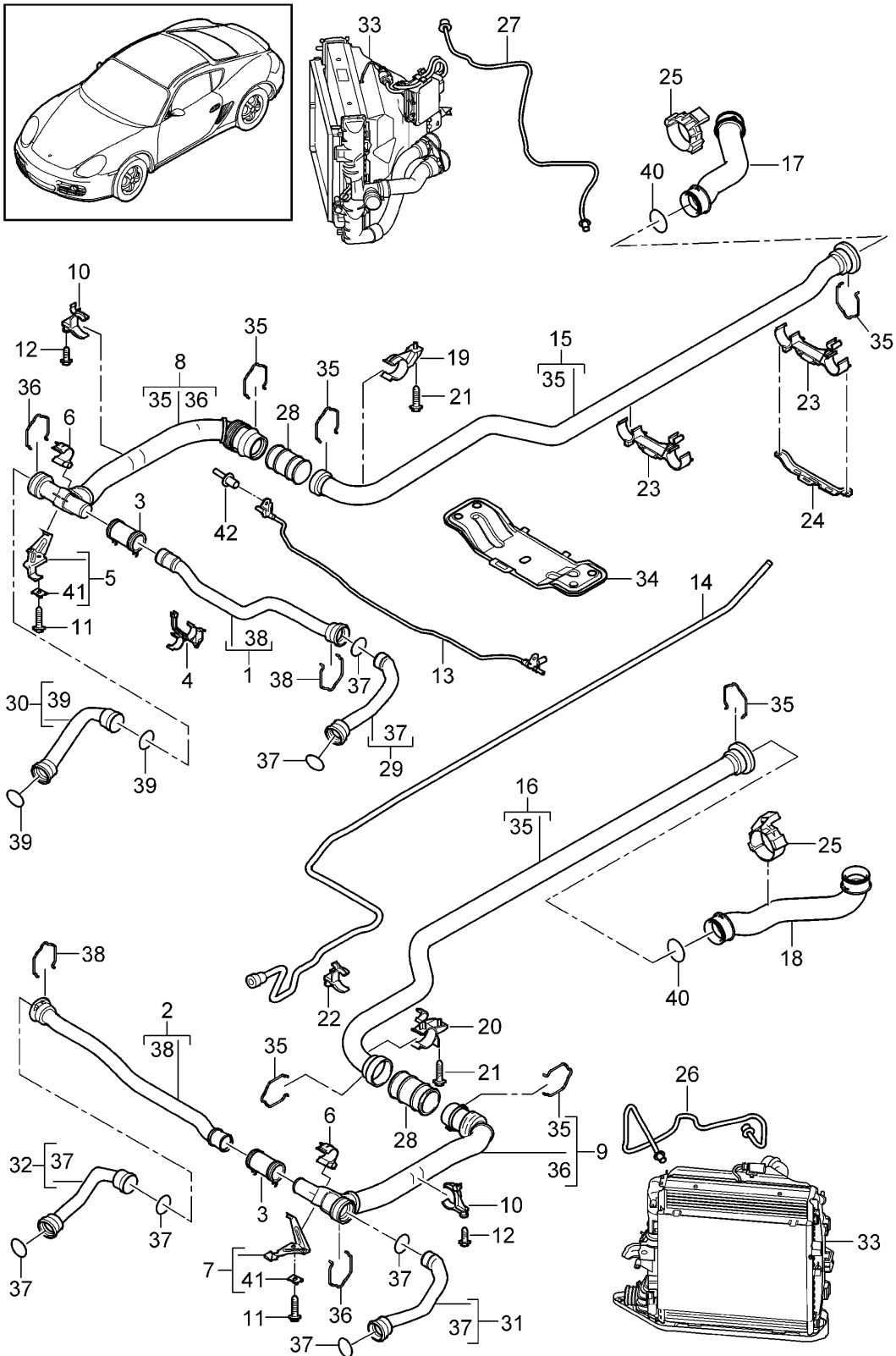
Model: 987209

Model life 2009>>2012

Pos	Part Number	Description	Remark	Qty	Model
16	9A1 106 615 00	9A1.106.615.01 9A1.106.611.00 Water hose Return line D >> - MJ 2010		1	
(16)	9A1 106 615 01	Water hose Return line D - MJ 2011>>		1	
17		Coolant pump see illustration:	105-000	1	

Model: 987209

Model life 2009>>2012



Model: 987209

Model life 2009>>2012

Pos	Part Number	Description	Remark	Qty	Model
1	997 106 711 01	Water cooling 2 Water pipe Supply		1	A120 ,A121
(1)	997 106 711 02	Discontinued part Water pipe Supply		1	
(1)	997 106 711 03	Discontinued part Water pipe Supply		1	
2	997 106 720 01	Water pipe Return line		1	
(2)	997 106 720 02	Discontinued part Water pipe Return line		1	
(2)	997 106 720 03	Discontinued part Water pipe Return line		1	
3	997 106 723 07	Water hose		2	
4	997 106 525 01	Bracket	center	1	
5	997 106 574 02	Cross tube pipe holder	right	1	
6	997 106 526 01	Distributor tube Bracket	upper	2	
7	997 106 573 02	Cross tube pipe holder	left	1	
8	997 106 752 04	Distributor tube Supply		1	
9	997 106 751 04	Distributor tube Return line		1	
10	997 106 413 01	pipe holder Distributor tube		2	
(10)	997 106 413 01	pipe holder Distributor tube	right	1	PR:601
(10)	997 106 414 00	Bracket Distributor tube	left	1	PR:601
11	900 378 013 01	Hexagon bolt M 6 X 25		2	
12	900 378 036 01	Hexagon bolt M 6 X 12		2	
13	997 106 767 02	Breather line Transverse		1	
14	987 106 227 01	Breather line tunnel		1	
15	987 106 651 03	Water pipe Supply tunnel		1	A120+ PR:250
15	987 106 651 04	Discontinued part Water pipe Supply tunnel		1	A120+ PR:250
(15)	987 106 651 03	Water pipe Supply tunnel		1	A121
(15)	987 106 651 04	Discontinued part Water pipe Supply tunnel		1	A120+ PR:250
(15)	987 106 851 02	Water pipe Supply tunnel		1	A120+ PR:480
16	987 106 652 03	Water pipe Return line		1	A120+ PR:250

Model: 987209

Model life 2009>>2012

Pos	Part Number	Description	Remark	Qty	Model
16	987 106 652 04	tunnel Discontinued part Water pipe Return line		1	A120+ PR:250
(16)	987 106 652 03	tunnel Water pipe Return line		1	A121
(16)	987 106 652 04	tunnel Discontinued part Water pipe Return line		1	A120+ PR:250
(16)	987 106 852 02	tunnel Water pipe Return line		1	A120+ PR:480
(16)	987 106 852 03	tunnel Discontinued part Water pipe Return line		1	A120+ PR:480
17	987 106 502 31	tunnel Water hose Return line		1	
18	987 106 501 31	Engine Water hose Supply		1	
19	997 106 520 02	Engine Bracket	right	1	
20	997 106 521 01	Firewall Bracket	left	1	
21	900 378 035 01	Firewall Hexagon bolt M 6 X 16		2	
22	997 106 512 03	Distance piece Breather line		1	
23	997 106 540 02	Bracket		2	
24	997 106 515 02	tunnel Bridge		1	
25	987 106 425 01	tunnel Bracket Heel plate		1	
26	997 106 765 02	Line	left	1	
27	997 106 766 02	Line	right	1	
28	997 106 551 03	Sleeve		2	
29	997 106 623 03	Water hose Supply	left	1	
30	997 106 627 03	Water hose Supply	right	1	
31	997 106 728 03	Water hose Return line	left	1	
32	997 106 624 03	Water hose Return line	right	1	
33		see illustration:	105-015	X	
34		see illustration:	801-070	X	
35	997 106 802 03	Spring		X	
36	997 106 802 02	Spring		X	
37	996 106 801 02	O-ring 36,3 X 3,53		X	
38	997 106 802 01	Spring		X	
39	996 106 801 07	O-ring 39,3 X 3,53		X	
40	996 106 801 03	O-ring 46,7 X 3,53		X	
41	999 507 795 09	panel nut ST 4,8		1	

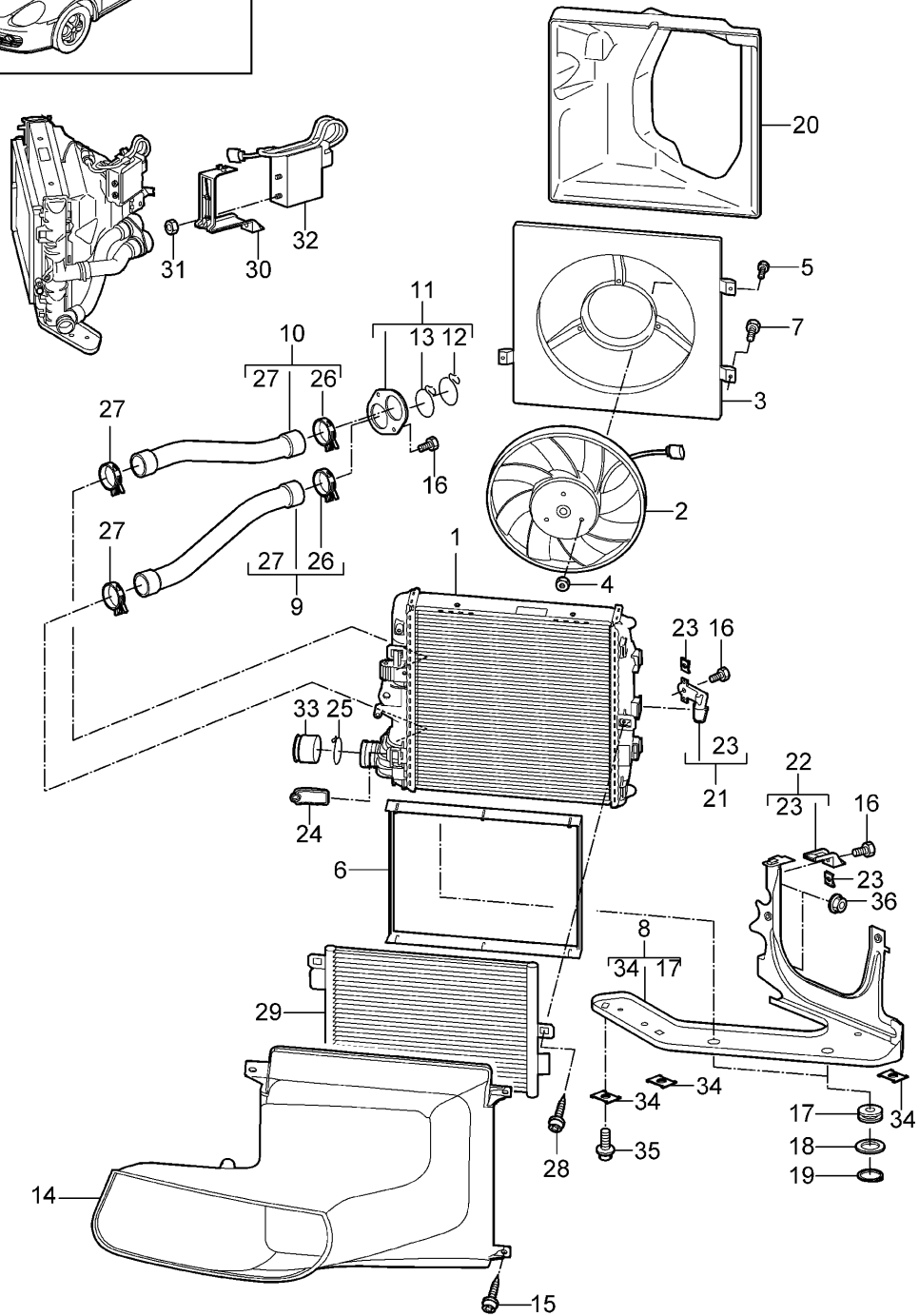
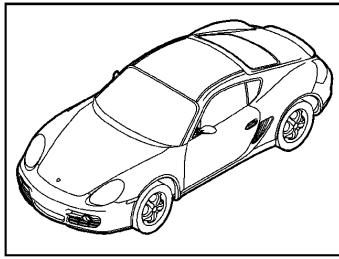
Model: 987209

Model life 2009>>2012

Pos	Part Number	Description	Remark	Qty	Model
42	999 507 497 40	Spreader rivet 8,0 X 14,0		2	

Model: 987209

Model life 2009>>2012



Model: 987209

Model life 2009>>2012

Pos	Part Number	Description	Remark	Qty	Model
		Water cooling 3			A120 ,A121
1	997 106 131 02	Radiator	left	1	
(1)	997 106 132 02	Radiator	right	1	
2	997 624 127 02	Radiator fan	left	2	
(2)	997 624 128 02	Fan	right	2	
3	997 624 131 02	Air guide	left	2	
(3)	997 624 132 02	Air guide	right	2	
4	900 377 001 02	Hexagon nut M 6		6	
5	900 146 116 09	Screw M 5 X 16		6	
6	997 573 711 00	Sealing frame		1	
7	999 919 125 09	Hexagon bolt plastic M 5 X 16		6	
8	997 106 155 01	Console	left	1	
(8)	997 106 156 01	Console	right	1	
9	997 106 621 05	Water hose Supply	left	1	
(9)	997 106 622 04	Water hose Supply	right	1	
10	997 106 625 04	Water hose Return line	left	1	
10	997 106 626 05	Water hose Return line	right	1	
11	997 106 255 02	Connecting piece		2	
12	997 106 802 01	Spring SCB 33		1	
13	997 106 802 02	Spring SCB 36		1	
14	987 575 321 04	Air guide	left	1	
(14)	987 575 322 04	Air guide	right	1	
14	987 575 221 01	Air guide	left	1	PR:574
(14)	987 575 222 01	Air guide	right	1	PR:574
15	999 919 134 09	fillister hd. bolt M 6 X 16		6	
16	900 385 009 01	Torx screw M 6 X 16		6	
17	999 703 494 40	Rubber bush 15 X 19,5		4	
18	999 025 255 02	Washer		4	
19	999 166 083 09	Retaining plate B 25		4	
20	997 575 341 00	Air guide	left	1	
(20)	997 575 342 00	Air guide	right	1	
21	997 106 232 01	Bracket	outer	2	
22	997 106 455 00	Bracket	left	1	
23	999 591 350 02	panel nut ST 4,8		6	
24	997 106 231 02	Bracket	inner	2	
25	997 106 802 00	Spring SCB26		2	
26	997 512 742 01	clamp		2	
27	997 106 902 00	clamp		2	
28	999 919 125 09	Hexagon bolt 6,0 X 16		1	
29		Condenser		*	
30	997 106 456 00	Bracket	see illustration: 813-025 right	1	
31	900 377 010 01	Hexagon nut M 6		2	
32		Control unit Cooling air control		1	

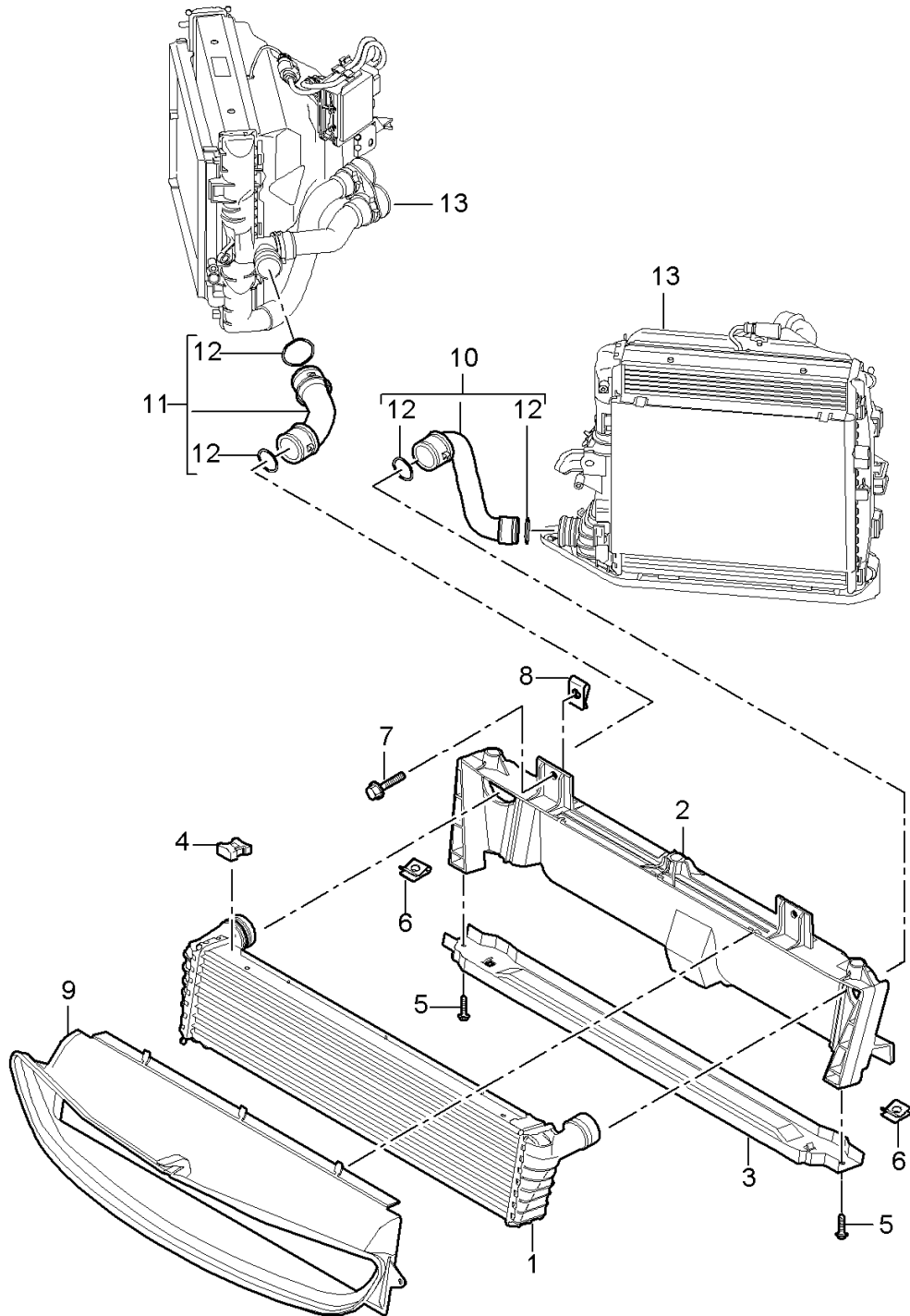
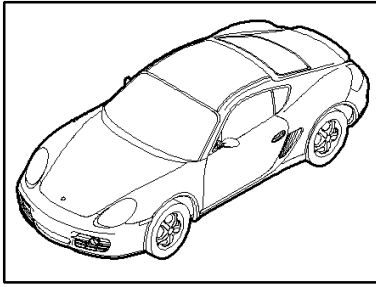
Model: 987209

Model life 2009>>2012

Pos	Part Number	Description	Remark	Qty	Model
		see illustration:	901-003		
33	997 106 546 02	Bungs		2	PR:181,182
34	999 591 329 01	panel nut ST 4,8		3	
35	999 072 048 01	Hexagon bolt M 8 X 25		2	
36	999 084 447 01	Hexagon nut M 8		4	
36	PAF 003 923	Hexagon nut M 8		4	

Model: 987209

Model life 2009>>2012



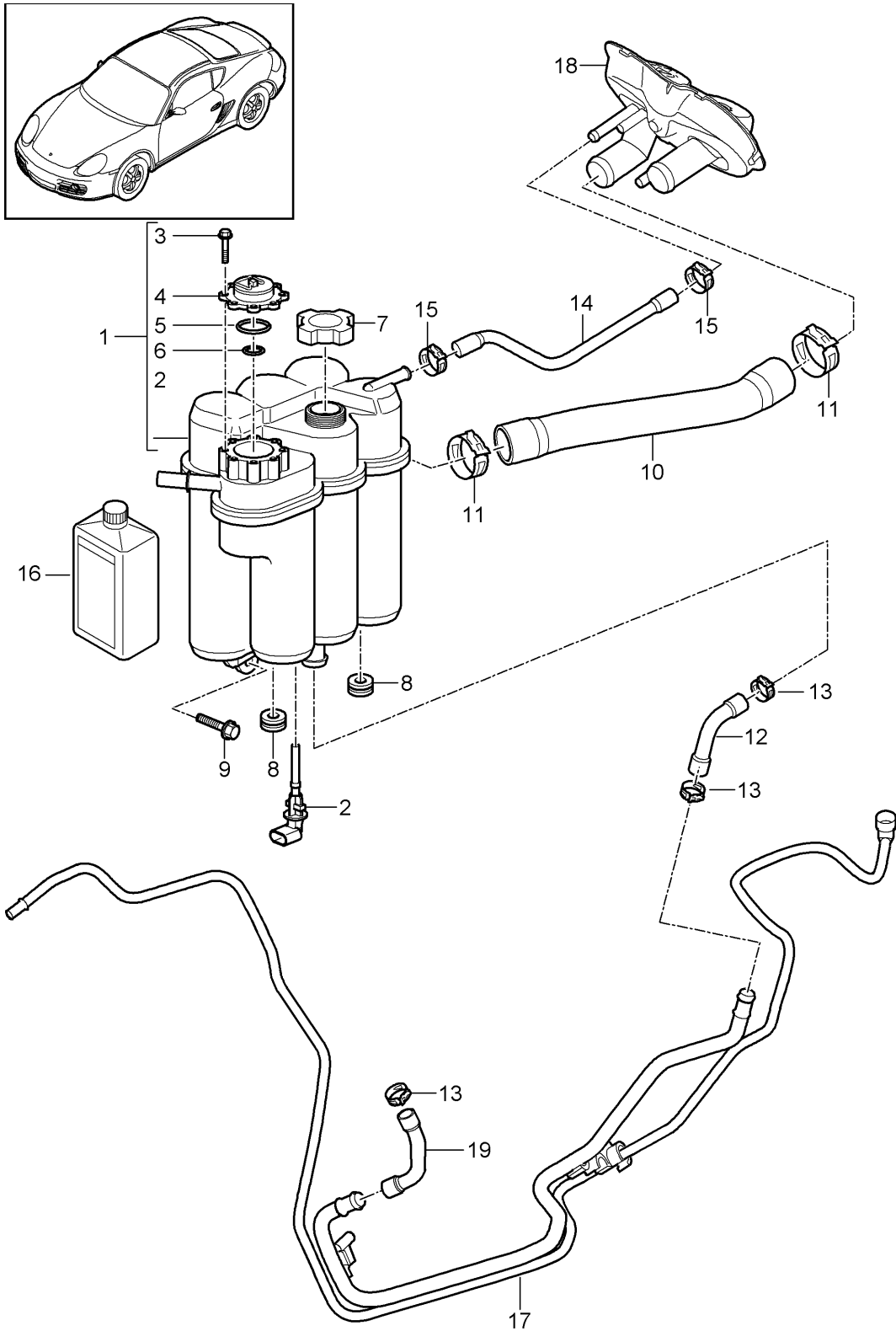
Model: 987209

Model life 2009>>2012

Pos	Part Number	Description	Remark	Qty	Model
		Cooler for coolant	center		A121, A120+ PR: 250, 183, 480
1	997 106 037 02	Radiator		1	
2	997 504 487 00	Retaining frame	upper	1	
3	997 504 485 00	Retaining frame	lower	1	
4	997 106 437 01	Rubber bush		4	
5	900 378 035 01	Hexagon bolt M 6 X 16		2	
6	999 591 882 02	panel nut M 6		2	
6	999 591 882 01	Discontinued part panel nut M 6		2	
7	900 378 074 09	Hexagon bolt M 8 X 16		4	
8	999 591 869 02	panel nut M 8		4	
9	987 575 323 03	Air guide Radiator	center	1	
10	997 106 639 04	Water hose Return line		1	
11	997 106 638 04	Water hose Supply		1	
12	996 106 801 05	O-ring Coupling		1	
13		see illustration:	105-015		

Model: 987209

Model life 2009>>2012



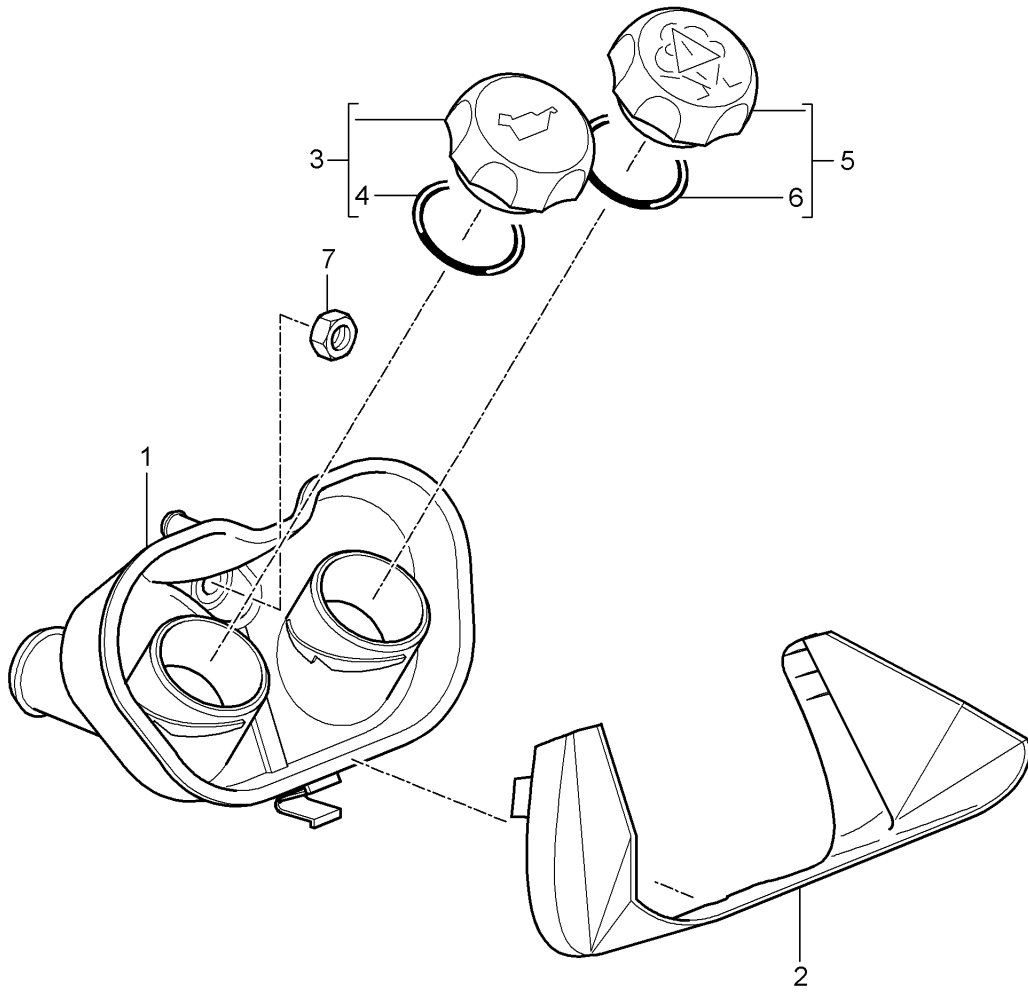
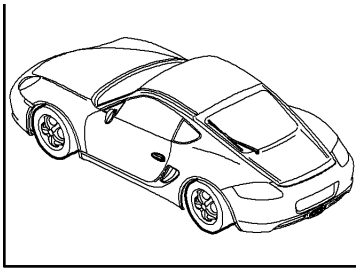
Model: 987209

Model life 2009>>2012

Pos	Part Number	Description	Remark	Qty	Model
		Coolant cooling system			A120,A121
1	987 106 047 03	Reservoir		1	
2	987 641 503 00	Switch		1	
3	999 919 058 02	Hexagon bolt M 5 X 40		8	
4	996 106 347 02	Bleed valve		1	
5	999 707 370 40	O-ring 47,00 X 4,0		1	
6	999 707 371 40	O-ring 17,00 X 4,0		1	
7	996 106 447 04	cap for expansion tank		1	
8	999 702 183 40	Grommet		2	
9	900 378 074 09	Hexagon bolt M 8 X 16		1	
10	987 106 270 02	Water hose		1	
11	999 512 672 09	Hose clamp 40 X 12		2	
12	987 106 267 02	Hose		1	
13	999 512 657 09	Hose clamp 26 X 12		2	
14	987 106 287 01	Breather line		1	
15	999 512 684 09	Clamp 18 X 12		2	
16	000 043 301 03	Coolant additive 1 LTR. Container Discontinued part		X	
(16)	000 043 301 04	Coolant additive 20 LTR. Container Discontinued part		X	
(16)	000 043 301 05	Coolant additive 1 GALLON Container Discontinued part		X	
(16)	000 043 301 47	Coolant additive 1 LITER Container Discontinued part		X	
(16)	000 043 305 15	Coolant additive 1 LITER Container Discontinued part		X	
(16)	000 043 301 48	Coolant additive 20 LITER Container Discontinued part		X	
(16)	000 043 305 16	Coolant additive 20 LITER Container Discontinued part		X	
(16)	000 043 305 64	Cleaning solution	20ltr.	1	
(16)	000 043 301 49	Coolant additive 1 GALLON Container Discontinued part		X	
17	987 106 685 31	Breather line		1	
18		see illustration:	105-022	1	
19	987 106 212 30	Heating hose		1	

Model: 987209

Model life 2009>>2012



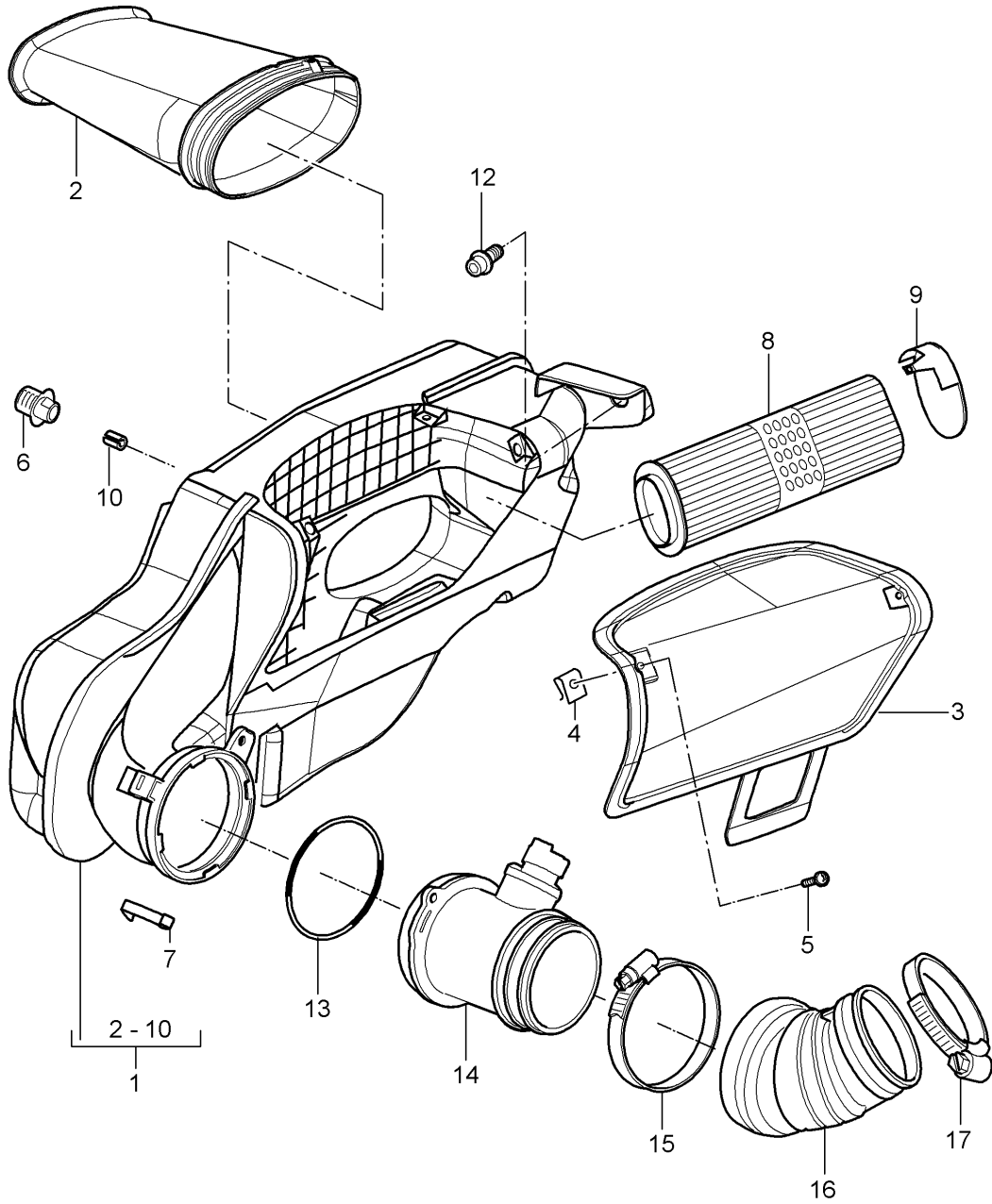
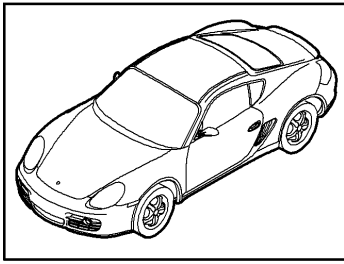
Model: 987209

Model life 2009>>2012

Pos	Part Number	Description	Remark	Qty	Model
		Water cooling 4 Serviceschale			A120, A121
1	987 106 150 02	Cup		1	
2	987 106 180 00	Cover		1	
3	987 107 035 01	End cap engine oil		1	
4	987 107 336 00	Seal		1	
5	987 106 044 00	End cap Coolant		1	
6	987 106 170 00	Seal		1	
7	999 076 071 02	Hexagon nut M 6		1	

Model: 987209

Model life 2009>>2012



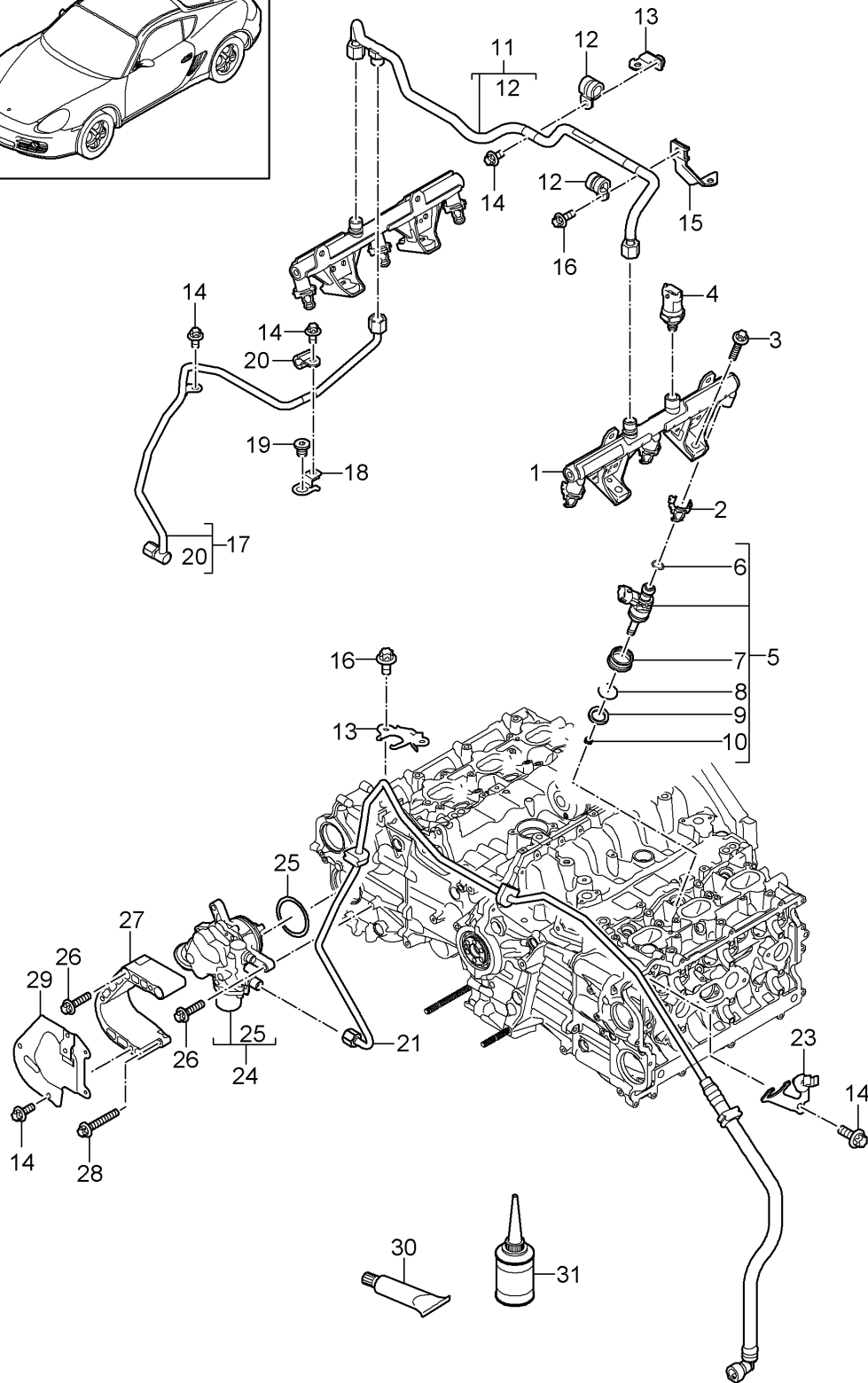
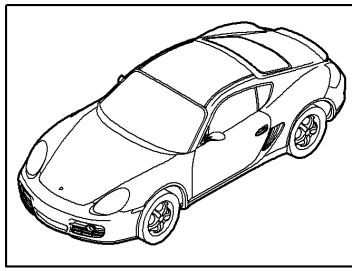
Model: 987209

Model life 2009>>2012

Pos	Part Number	Description	Remark	Qty	Model
		Air filter			A120 ,A121
1	987 110 021 30	Air filter		1	
1	987 110 021 00	Air filter		1	
2	987 110 122 00	intake manifold		1	
3	987 110 131 00	Housing cover		1	
4	999 507 442 09	panel nut		2	
5	999 073 379 01	panel screw		3	
6	987 110 141 00	Grommet		1	
7	993 110 116 01	angled bracket		1	
8	987 110 133 00	Air filter element		1	
		Discontinued part			
8	987 110 133 01	Air filter element		1	
9	987 110 134 00	Securing plate		1	
10	900 095 099 09	spring pin		3	
		12 X 14			
11	999 919 050 09	fillister hd. bolt		1	
		4 X 12			
12	900 075 333 01	Bolt with washer		1	
		M 6 X 25			
13	999 707 052 41	O-ring		1	
		91 X 6			
14	987 606 165 01	Air mass meter		1	
		Discontinued part			
14	987 606 165 02	Air mass meter		1	
15	999 512 542 00	Hose clamp		2	
		80 - 100			
16	987 110 270 30	Air guide		1	
17	999 512 629 00	Hose clamp		2	
		90 - 110			

Model: 987209

Model life 2009>>2012



Model: 987209

Model life 2009>>2012

Pos	Part Number	Description	Remark	Qty	Model
		Fuel collection pipe high pressure pump			A121
(1)	9A1 110 859 02	Fuel collection pipe Cyl. 1 - 3 Discontinued part		1	
(1)	9A1 110 859 03	Fuel collection pipe Cyl. 1 - 3		1	
1	9A1 110 860 02	Fuel collection pipe Cyl. 4 - 6		1	
1	9A1 110 860 04	Fuel collection pipe Cyl. 4 - 6		1	
2	9A1 110 866 01	Fixing Fuel collection pipe high-pressure injector Discontinued part		6	
(2)	9A1 110 866 02	Fixing Fuel collection pipe high-pressure injector Discontinued part		6	
(2)	9A1 110 866 03	Fixing Fuel collection pipe high-pressure injector D - MJ 2011>>		6	
3	900 385 048 01	Torx screw M6 X 30		8	
4	948 606 230 01	Pressure sensor M10 X 1		2	
-	999 653 067 40	Connector Pressure sensor		1	
5	9A1 110 128 10	high-pressure injector		6	A121
6	999 701 112 40	O-ring 7,52 X 3,51		6	
7	9A1 110 524 02	Bellows high-pressure injector		6	
8	900 906 011 02	snap ring A 14		6	
9	9A1 110 520 01	Spacer ring		6	
10	999 704 020 90	seal ring 6,3 X 2,8		6	
11	9A1 110 092 01	Pressure line Fuel collection pipe Discontinued part		1	
11	9A1 110 092 02	Pressure line Fuel collection pipe		1	
11	9A1 110 092 03	Pressure line Fuel collection pipe		1	
12	999 511 114 01	Hose clamp D1 12 X 15		2	
13	9A1 110 945 00	bracket for pressure line		1	
14	900 385 041 01	Torx screw M6 X 12		X	
15	9A1 110 947 01	bracket for pressure line		1	
16	900 385 009 01	Torx screw M6 X 16		1	
17	9A1 110 095 01	Pressure line high pressure pump t-piece Discontinued part		1	
17	9A1 110 095 02	Pressure line high pressure pump t-piece		1	
18	9A1 110 940 00	bracket for pressure line		1	
19	900 219 006 01	sealing plug		1	

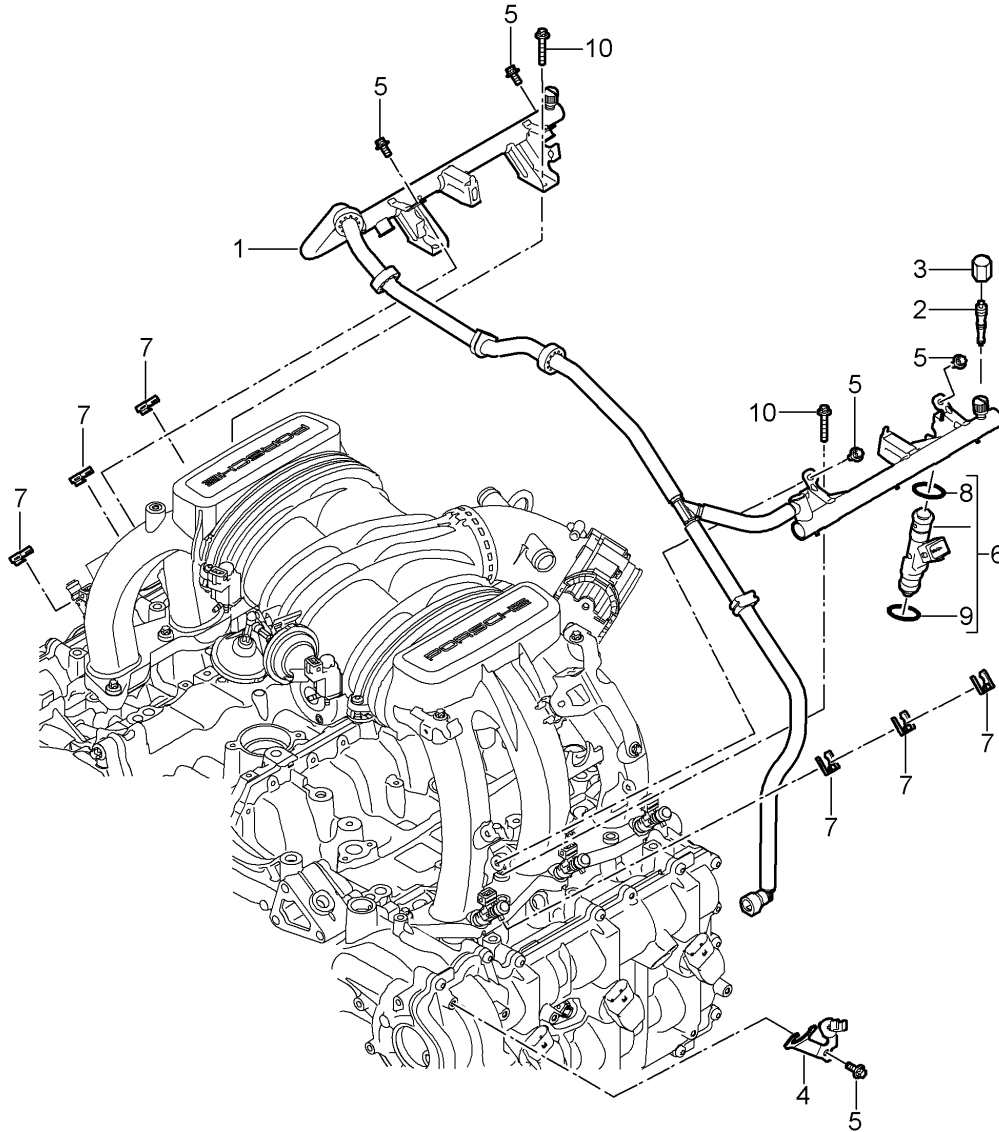
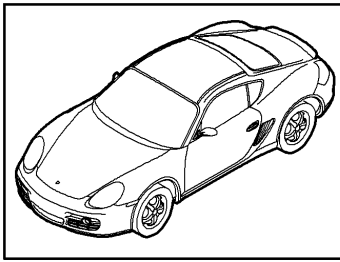
Model: 987209

Model life 2009>>2012

Pos	Part Number	Description	Remark	Qty	Model
20	999 511 153 01	M12 X 1,5 Hose clamp		1	
21	9A1 110 905 22	D1 8 X 15 Fuel line		1	
22	9A1 110 323 00	Retainer for fuel line		1	
23	9A1 110 324 00	Retainer for fuel line		1	
24	9A1 110 315 02	high pressure pump D >> - MJ 2009 Discontinued part		1	
24	9A1 110 315 03	high pressure pump D - MJ 2010>> - MJ 2010 Discontinued part		1	
24	9A1 110 315 04	high pressure pump D - MJ 2010>> - MJ 2010 Discontinued part		1	
24	9A1 110 315 05	high pressure pump D - MJ 2010>> - MJ 2010		1	
24	9A1 110 315 06	high pressure pump D - MJ 2011>>		1	
(24)	9A1 110 315 FX	high pressure pump D - MJ 2011>>		1	
25	999 707 643 40	O-ring 55,25 x 2,62		1	
26	900 385 072 01	Torx screw M6 X 25		2	
27	9A1 110 880 00	Cover high pressure pump		1	
28	900 385 045 01	Torx screw M6 X 40		1	
29	9A1 110 880 00	Cover high pressure pump		1	
30	000 043 207 35	Grease 30 ml		1	
31	000 043 207 36	Lubricants 50 ml Discontinued part		1	
31	000 043 303 27	Lubricants 50 ml		1	

Model: 987209

Model life 2009>>2012



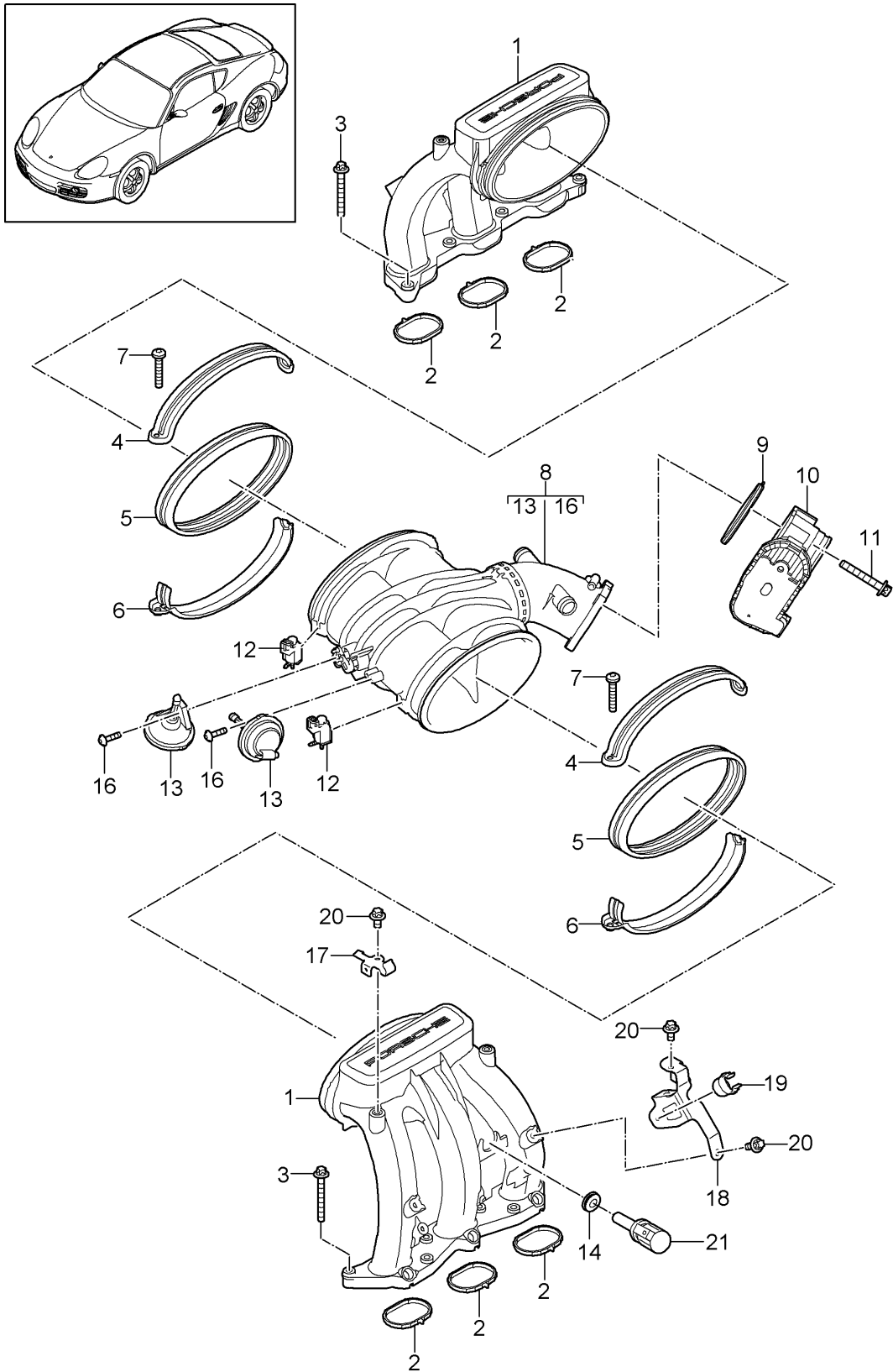
Model: 987209

Model life 2009>>2012

Pos	Part Number	Description	Remark	Qty	Model
1	9A1 110 005 20	Fuel collection pipe Fuel collection pipe Discontinued part		1	A120 A120
1	9A1 110 005 21	Fuel collection pipe		1	A120
4	9A1 110 324 00	Retainer for fuel line		1	
5	900 385 041 01	Torx screw M 6 X 12		5	
6	9A1 605 124 00	Injection valve Discontinued part		6	A120
(6)	9A1 605 124 01	Injection valve		6	A120
7	996 110 113 53	Retaining clip		6	A120
8	999 707 574 40	O-ring 7,52 X 3,51		6	
9	999 707 573 40	O-ring 8,3 X 3,05		6	
10		Torx screw M 6 X 35		X	
		see illustration:	107-005		

Model: 987209

Model life 2009>>2012



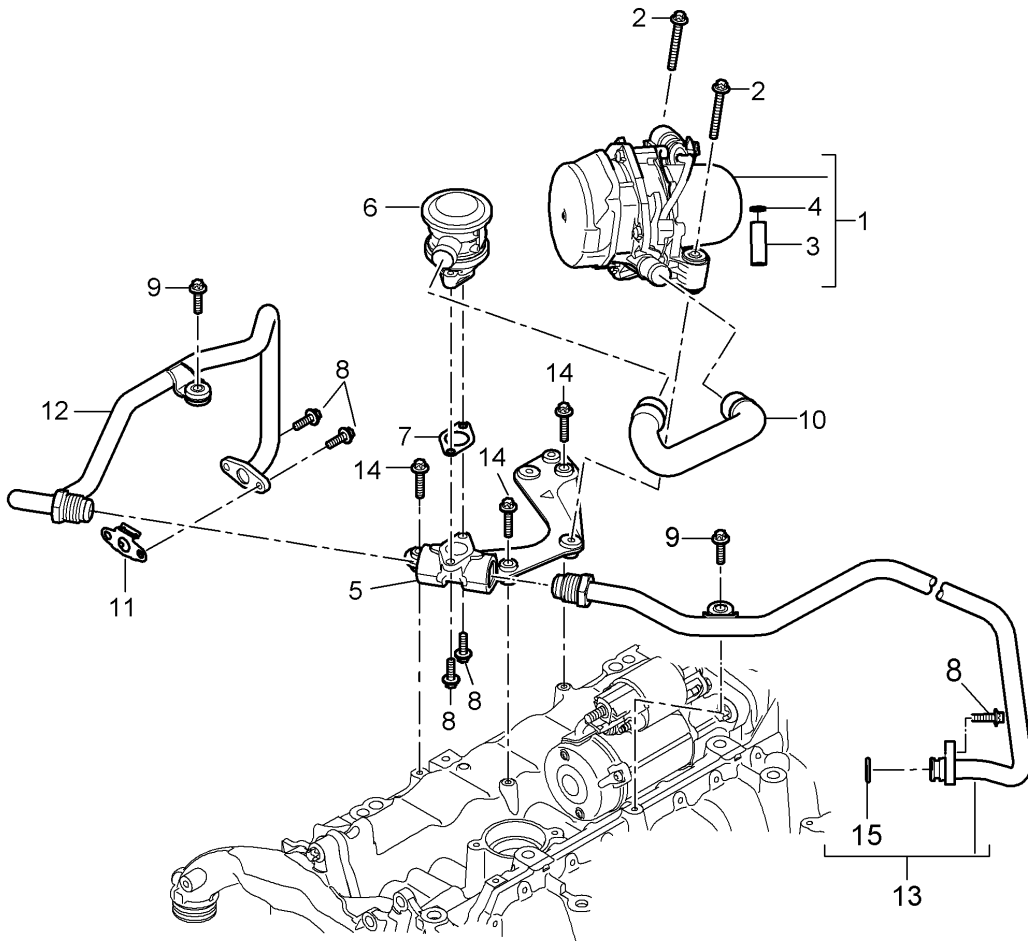
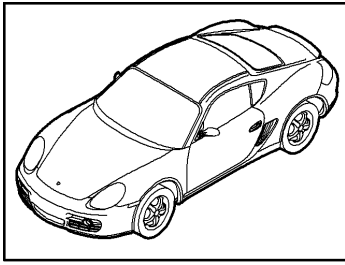
Model: 987209

Model life 2009>>2012

Pos	Part Number	Description	Remark	Qty	Model
		intake air distributor throttle valve adapter			A120 ,A121
1	9A1 110 115 02	intake air distributor		2	A121
(1)	9A1 110 115 22	intake air distributor		2	A120
2	9A1 110 215 01	Seal		6	A121
(2)	9A1 110 215 21	Seal		6	A120
3	900 385 270 01	Hexagon head bolt M6 X 35		14	
4	9A1 110 212 01	Clamp Upper part		2	
5	9A1 110 210 01	Rubber sleeve		2	
6	9A1 110 213 01	Clamp Lower part		2	
7	999 073 352 02	flat round head bolt M6 X 35		2	
8	9A1 110 020 22	Distributor tube (complete)		1	
9	997 110 319 00	Seal Distributor tube		1	
10	997 605 115 01	throttle valve adapter		1	
11	900 385 070 01	Torx screw M6 X 50		2	
11	PAF 008 685 00	Torx screw M6 X 50		2	
12	996 605 123 01	Change-over valve		2	PR:250,480
13	993 110 462 02	Vacuum unit		2	
14	993 110 530 01	Grommet		1	
15	999 507 153 01	Cable fastener 5,2		4	
16	999 919 265 01	Oval-head screw 5 x 18		4	
17	9A1 110 246 03	Bracket Tank ventilation		1	
18	9A1 110 283 01	Bracket Tank ventilation		1	A120
(18)	9A1 110 293 01	Bracket Tank ventilation		1	A121
19	999 507 455 41	Clip Tank ventilation		1	
20	900 385 041 01	Torx screw M6 x 12		3	
21	997 606 213 00	Temperature sensor Engine bay		1	

Model: 987209

Model life 2009>>2012



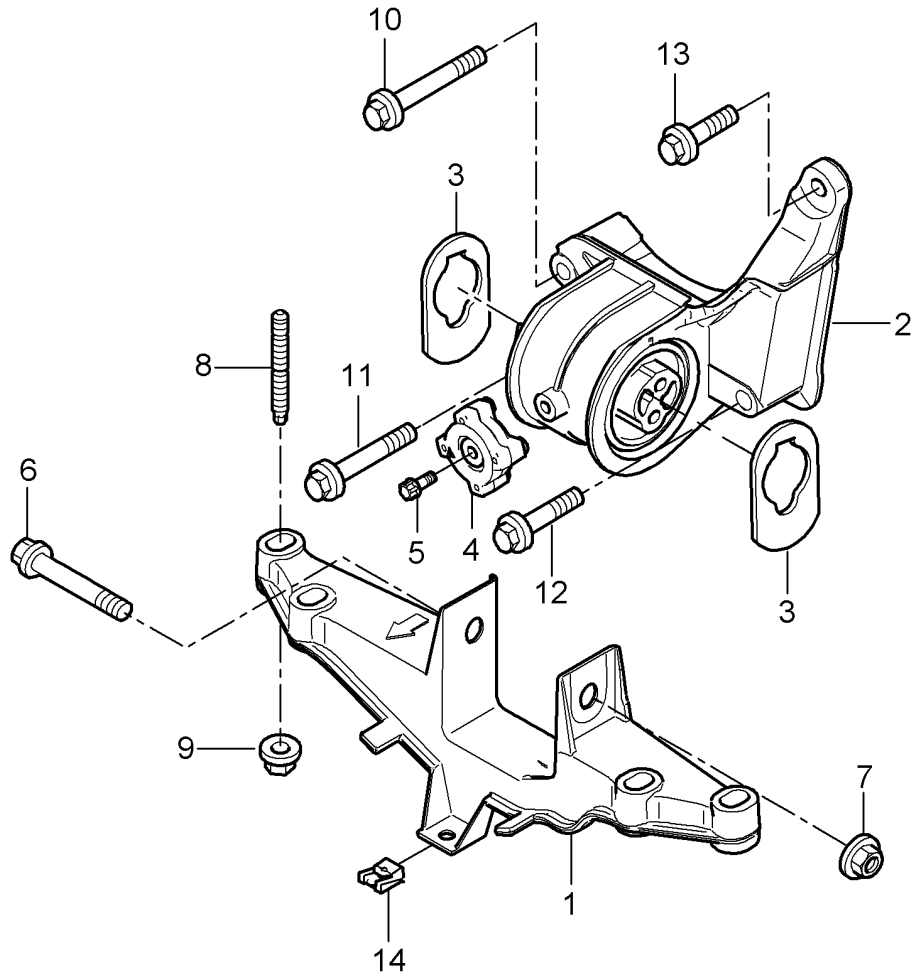
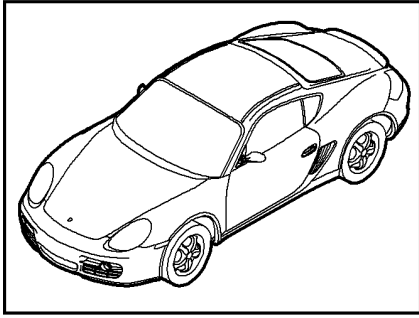
Model: 987209

Model life 2009>>2012

Pos	Part Number	Description	Remark	Qty	Model
		Air injection			A120
1	9A1 605 104 00	Secondary pump		1	
2	900 385 070 01	Torx screw M 6 X 50		2	
2	PAF 008 685 00	Torx screw M 6 X 50		2	
3	999 703 869 40	Rubber bush 8,90X16,5		3	
4	999 209 077 01	spacer sleeve 6,5 X 1		3	
5	9A1 113 137 01	Console Secondary pump		1	
6	948 113 203 51	Valve		1	
7	993 113 258 51	Seal Console		1	
8	900 385 019 01	Torx screw M 6 X 20		5	
9	900 385 072 01	Torx screw M 6 X 25		2	
10	9A1 113 339 00	Hose		1	
11	9A1 113 258 00	Seal Connection line		1	
12	9A1 113 017 01	Connecting line Cyl. 1 - 3		1	
13	9A1 113 018 01	Connecting line Cyl. 4 - 6		1	
		No longer use the part here		1	
(13)	9A1 113 018 02	Connecting line Cyl. 4 - 6		1	
14	900 385 048 01	Torx screw M6 x 30		3	
15	999 707 346 40	O-ring 15 x 3		1	

Model: 987209

Model life 2009>>2012



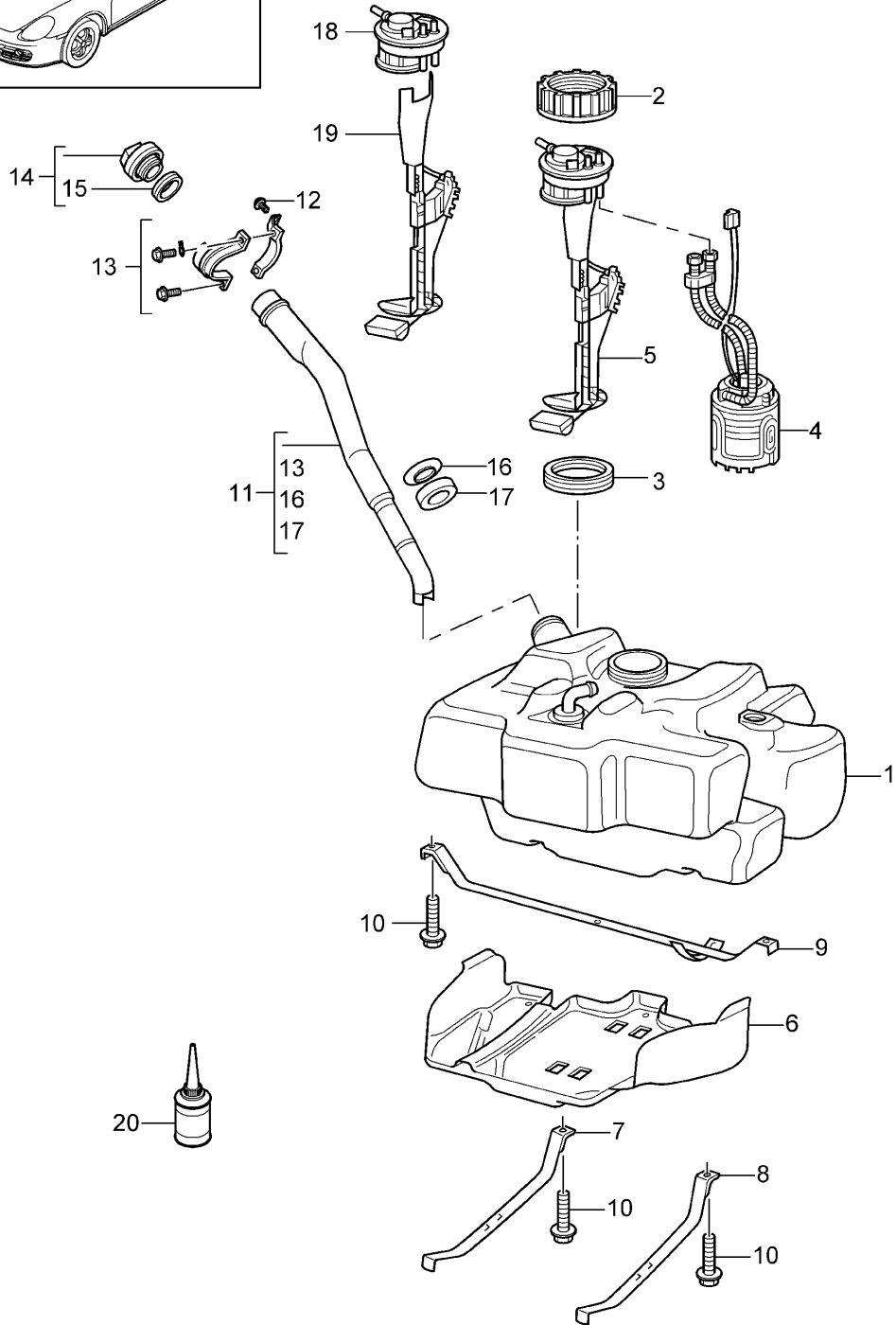
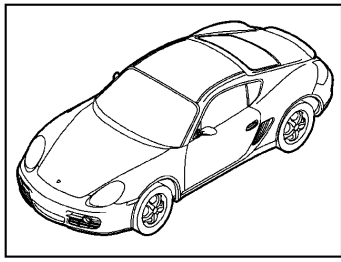
Model: 987209

Model life 2009>>2012

Pos	Part Number	Description	Remark	Qty	Model
		Engine suspension			A120 ,A121
1	9A1 375 045 21	Engine brackets		1	
2	9A1 375 023 22	Console for engine mounting		1	
3	9A1 375 257 01	Stop		2	
4	9A1 375 261 00	vibration damper		1	
5	900 385 098 01	Torx screw BM 8 X 25		1	
6	900 378 316 01	Hexagon bolt AM 12 X 1,5 X 113		2	
7	999 084 445 01	Locknut M 12		1	
8	999 061 106 01	Threaded pin M 10 X 84		4	
8	999 061 115 01	No longer use the part here Threaded pin M 10 X 80		4	
9	999 084 648 01	Hexagon nut M 10		4	
10	900 378 286 01	Hexagon bolt M 10 X 135		1	
11	900 378 314 01	Hexagon bolt M 10 X 115		1	
12	900 378 261 01	Hexagon bolt M 10 X 65		1	
13	900 378 263 01	Hexagon bolt M 10 X 35		1	
14	999 507 795 09	panel nut		1	

Model: 987209

Model life 2009>>2012



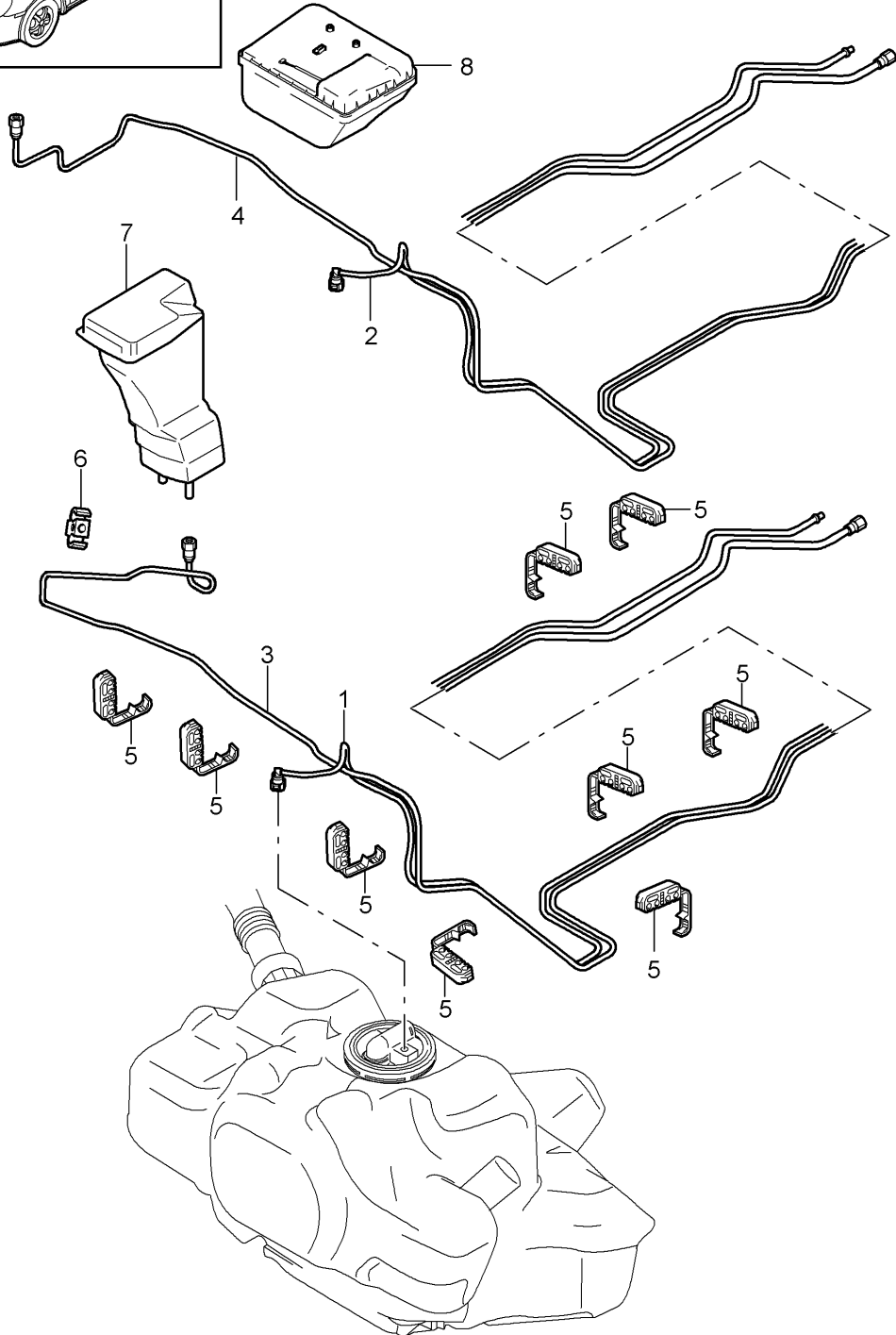
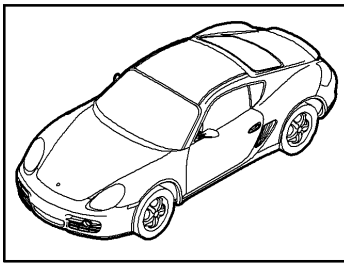
Model: 987209

Model life 2009>>2012

Pos	Part Number	Description	Remark	Qty	Model
1	997 201 021 00	Fuel tank		1	PR:664
2	997 201 623 00	Union nut		1	
3	997 201 733 00	seal ring		1	PR:664
4	987 620 131 00	Fuel pump		1	A120+
4	997 620 141 00	Fuel pump		1	PR:664 A121+
6	997 201 331 02	Bottom protection for fuel tank	lhd	1	PR:664 PR:098
7	997 201 106 01	tensioning strap	right	1	
(8)	997 201 105 01	tensioning strap	left	1	
9	997 201 107 01	tensioning strap		1	PR:664
10	900 075 479 01	Bolt with washer M 8 X 40		4	
(11)	997 201 043 13	fuel filler neck		1	PR:664
(11)	987 201 043 00	fuel filler neck		1	PR:084
(12)	999 073 348 09	fillister hd. bolt M 6 X 12		1	
13	997 201 951 02	Bracket for filler neck (complete)		1	
14	996 201 241 03	Fuel tank cap		1	
		with:			
-	999 507 499 40	Clip		1	
15	191 201 557	Spreader rivet		1	
16	996 201 755 00	seal ring		1	
17	996 201 753 00	support washer		1	
18	997 201 421 00	Seal		1	
		flange		1	PR:664
		for			
19	997 620 831 02	Tank gauge		1	PR:664
		Tank gauge			
		without:			
		flange			
20	000 043 206 89	Multi-purpose additive for Otto engine fuels 100 ML		1	
20	000 043 209 02	Discontinued part Multi-purpose additive for Otto engine fuels 100 ML		1	

Model: 987209

Model life 2009>>2012



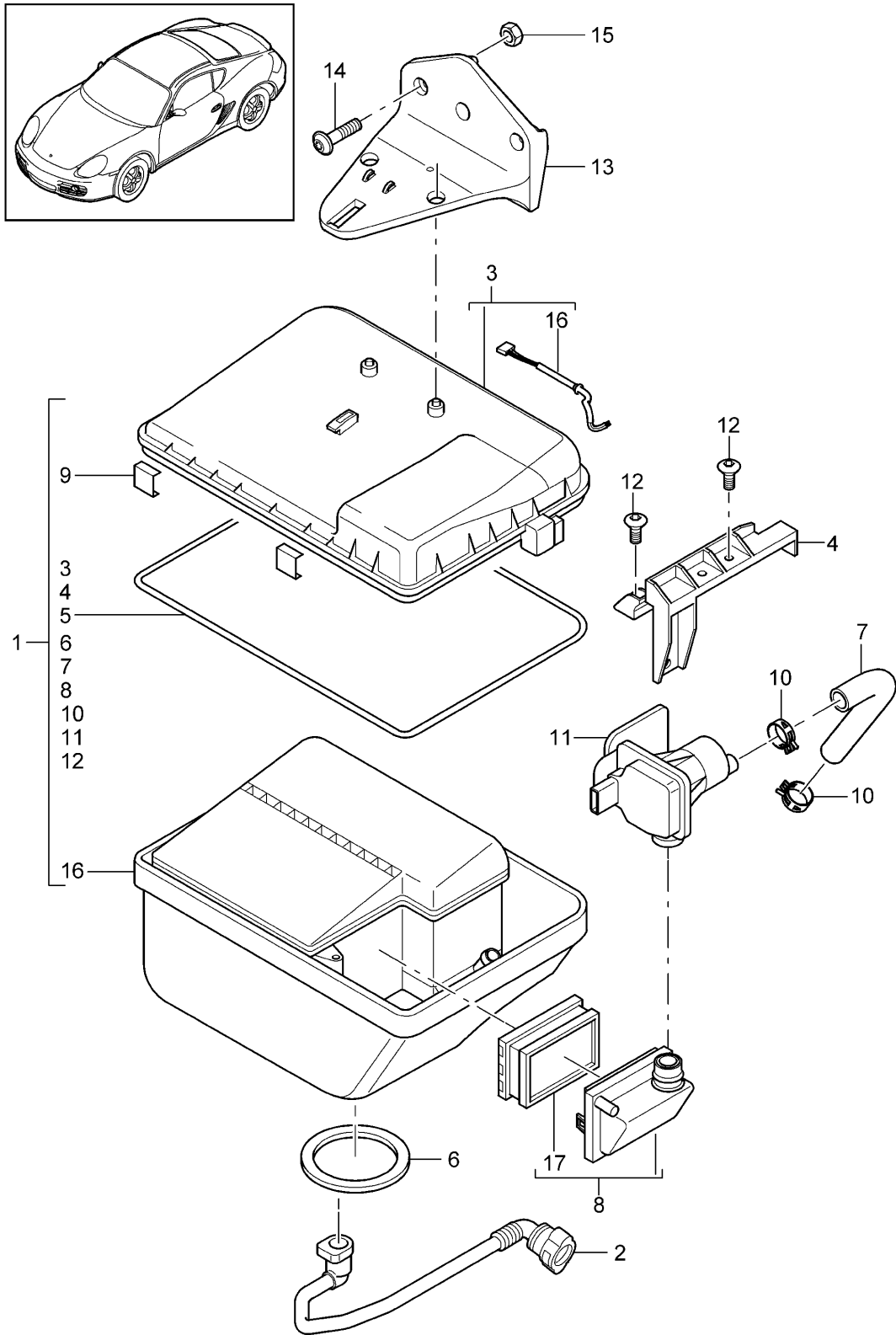
Model: 987209

Model life 2009>>2012

Pos	Part Number	Description	Remark	Qty	Model
2	987 201 261 00	Fuel system Fuel line Fuel pump for Engine		1	PR:664
(2)	987 201 261 06	Fuel line Fuel pump for Engine		1	PR:664
4	987 201 353 00	Purge-air line Activated charcoal container for Engine		1	PR:664
5	999 507 262 40	Cable holder 6,0/8/10		9	
8		Activated charcoal container see illustration:	201-030	1	

Model: 987209

Model life 2009>>2012



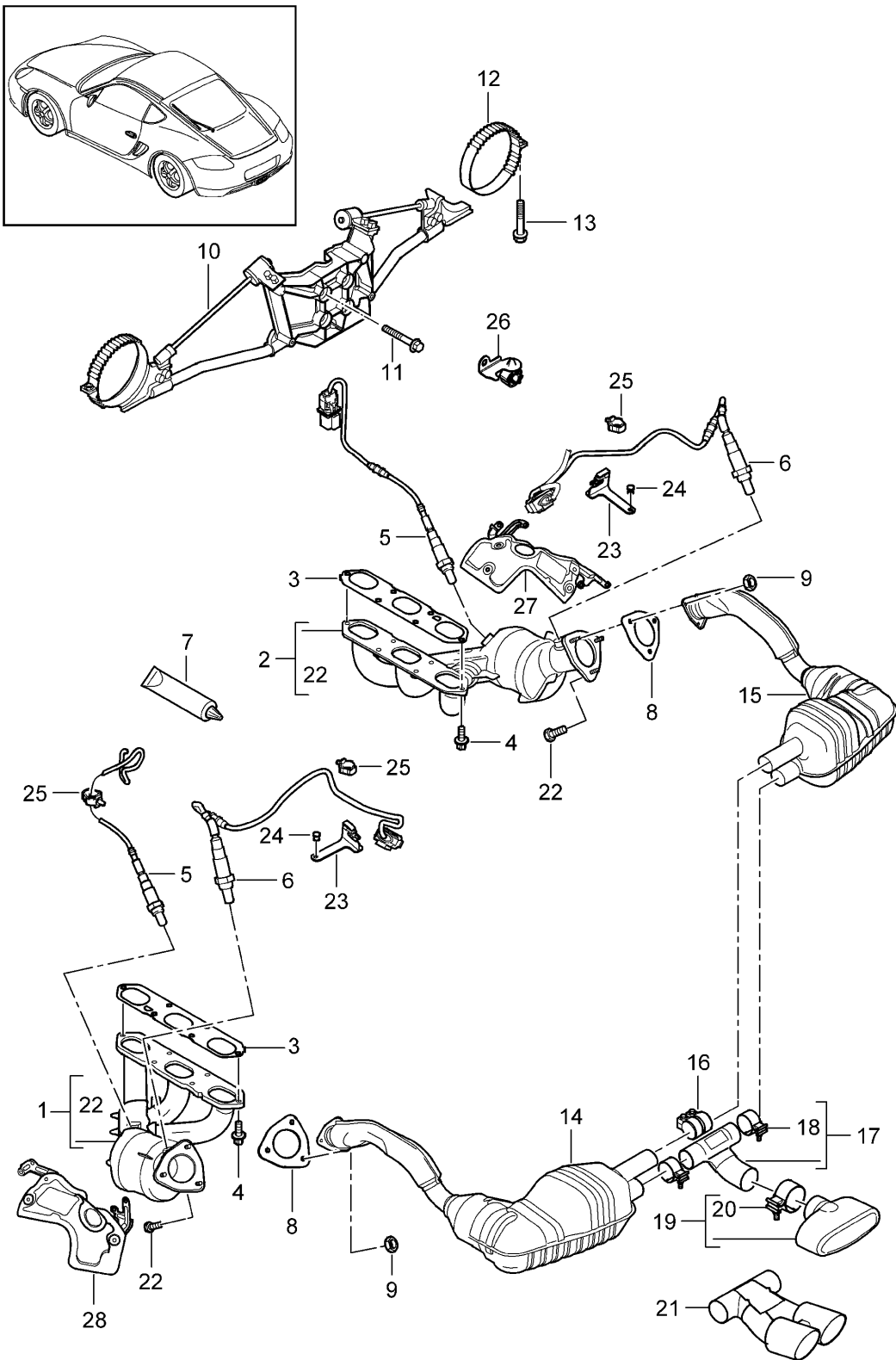
Model: 987209

Model life 2009>>2012

Pos	Part Number	Description	Remark	Qty	Model
		Activated charcoal container ORVR ONBOARD REFUELING VAPOR RECOVERY			PR:664
1	997 201 221 04	Activated charcoal container (complete)		1	
2	997 201 253 02	No longer use the part here Breather line Fuel tank for		1	
2	997 201 253 04	Activated charcoal container Discontinued part Breather line Fuel tank for		1	
3	997 201 401 00	Activated charcoal container Cover	outer	1	
4	997 201 411 00	Retainer, diagnosis interface		1	
5	997 201 601 00	gasket for housing		1	
6	997 201 631 00	Seal	lower	1	
7	997 201 621 00	Hose Diagnostic		1	
8	997 201 501 00	Filter		1	
9	999 507 818 09	Clip		6	
10	999 512 108 09	Hose clamp		2	
11	997 605 125 01	Leak detection module DMTL		1	
12	999 919 164 09	fillister hd. bolt M 5 x 12		7	
13	997 201 611 00	Bracket for activated carbon container		1	
14	999 073 321 09	fillister hd. bolt M 6 X 25		2	
15	999 500 069 02	rivetted cap nut M 6/0 5-3		2	
16	997 201 402 00	housing lower part		1	
		without:			
17	997 201 222 00	Activated carbon filter filter element		1	
-		Purge-air line see illustration:	201-005	1	

Model: 987209

Model life 2009>>2012



Model: 987209 Model life 2009>>2012

Pos	Part Number	Description	Remark	Qty	Model
1	987 113 101 33	exhaust system Exhaust manifolds Cyl. 4 - 6		1	
2	987 113 102 33	Exhaust manifolds Cyl. 1 - 3		1	
3	997 111 107 30	Seal Exhaust manifolds		2	
4	999 073 471 01	Torx screw M 8 X 21		18	
5	9A1 606 123 01	Lambda probe in front of Catalytic converter if not fitted		2	
		also use:	997 113 209 30 left	1	
			987 113 208 30 right	1	
6	9A1 606 124 00	Lambda probe After Catalytic converter		2	
7	000 043 207 07	grease for oxygen sensor		1	
8	997 111 113 00	Seal		2	
9	900 910 003 03	Hexagon nut M 8		6	
10	987 111 044 30	Retainer for exhaust system		1	A120,A121+ PR:250
(10)	987 111 045 30	Retainer for exhaust system		1	A120,A121+ PR:480
11	900 385 011 01	Torx screw M 10 X 45		4	PR:250
(11)	900 385 096 01	Torx screw M 8 X 60		4	PR:480
12	987 111 210 01	Clip		2	
13	900 378 108 01	Hexagon bolt		2	
14	987 113 117 31	Silencer	left cylinders 4-6	1	PR:170,171
(14)	987 113 117 32	Discontinued part Silencer	left cylinders 4-6	1	PR:170,171, -XLF
(14)	987 113 131 31	Silencer	left cylinders 4-6	1	PR:172
(14)	987 113 131 32	Discontinued part Silencer	left cylinders 4-6	1	PR:172,-XLF
(14)	987 113 131 AX	Silencer	left cylinders 4-6	1	PR:172,-XLF
(14)	987 113 141 30	Silencer	left cylinders 4-6	1	Cayman R PR:170,171, -XLF
(14)	987 113 141 40	Silencer	left cylinders 4-6	1	Cayman R PR:172,-XLF
(14)	987 113 141 AX	Silencer	left cylinders 4-6	1	Cayman R PR:172,-XLF
(14)		Silencer	left cylinders 4-6		PR:XLF
		see illustration:	202-005		sports
15	987 113 118 31	Silencer	right cylinders 1-3	1	PR:170,171
15	987 113 118 32	Discontinued part Silencer	right cylinders 1-3	1	PR:170,171, -XLF
(15)	987 113 132 31	Silencer	right	1	PR:172

Model: 987209

Model life 2009>>2012

Pos	Part Number	Description	Remark	Qty	Model
			cylinders 1-3		
(15)	987 113 132 32	Discontinued part Silencer	right cylinders 1-3	1	PR:172,-XLF
(15)	987 113 132 AX	Silencer	right cylinders 1-3	1	PR:172,-XLF
(15)	987 113 142 30	Silencer	right cylinders 1-3	1	Cayman R PR:170,171, -XLF
(15)	987 113 142 AX	Silencer	right cylinders 1-3	1	Cayman R PR:170,171, -XLF
(15)	987 113 142 40	Silencer	right cylinders 1-3	1	Cayman R PR:172,-XLF
(15)	987 113 142 BX	Silencer	right cylinders 1-3	1	Cayman R PR:172,-XLF
(15)		Silencer	right cylinders 1-3	1	PR:XLF sports
		see illustration:			
16	987 111 220 00	Clamping sleeve	202-005	1	
17	987 111 353 30	Exhaust pipe		1	A120+ PR:-XLS,-178
18	000 043 300 54	Clamp for Exhaust pipe Set (complete)		2	
19	987 111 257 30	Tailpipe (complete)		1	A120+ PR:-XLS,-178
20	000 043 300 53	Clamp for Trim Set (complete)		1	A120
21	987 111 258 31	Tailpipe (complete)		1	A121+ PR:-XLS,-178
(21)	987 111 981 30	Tailpipe (complete)		1	PR:XLS
(21)	987 111 258 60	Tailpipe (complete)		1	PR:-XLF
(21)	987 111 258 60	Tailpipe (complete)		1	PR:178
(21)		Tailpipe (complete) Sport version		1	PR:XLF
		see illustration:			
22	900 075 365 02	Screw M 8 X 30	202-005	X	
23	987 606 105 01	Bracket Connector Lambda probe		2	
24	999 591 712 40	Spreader rivet 6,0 X 12,0		4	
25	999 507 075 40	Cable holder 3,0 - 12,0		3	
26	9A1 606 153 01	Bracket		1	
27	987 113 208 30	Heat insulation Catalytic converter See technical manual exhaust system	right	1	
-	997 113 208 30	Discontinued part Heat insulation Catalytic converter	right	1	

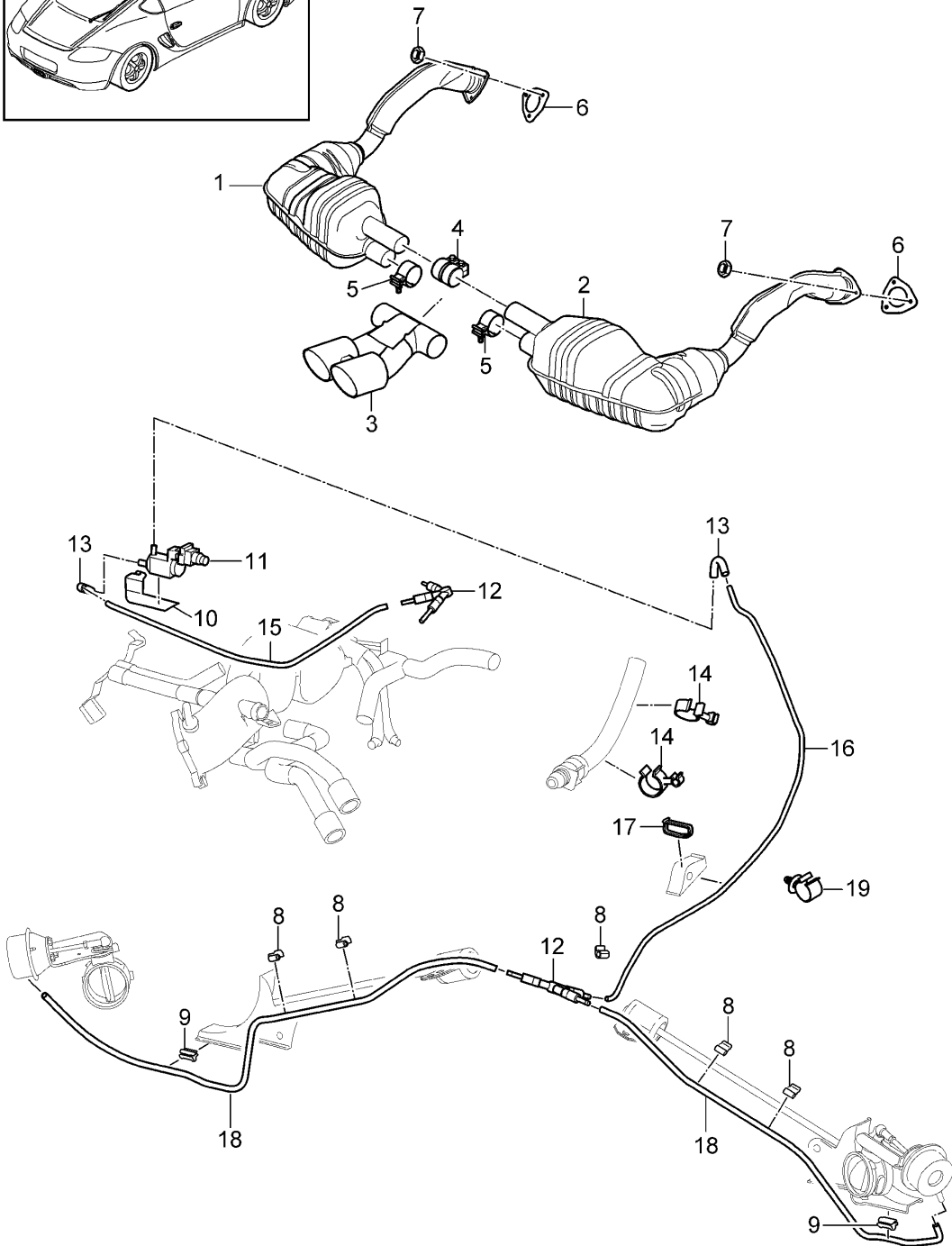
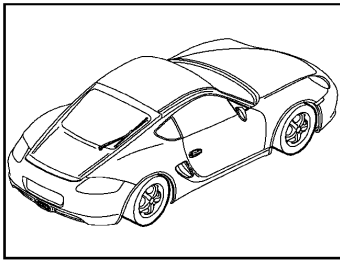
Model: 987209

Model life 2009>>2012

Pos	Part Number	Description	Remark	Qty	Model
28	997 113 209 30	See technical manual exhaust system Heat insulation Catalytic converter See technical manual exhaust system	left	1	

Model: 987209

Model life 2009>>2012



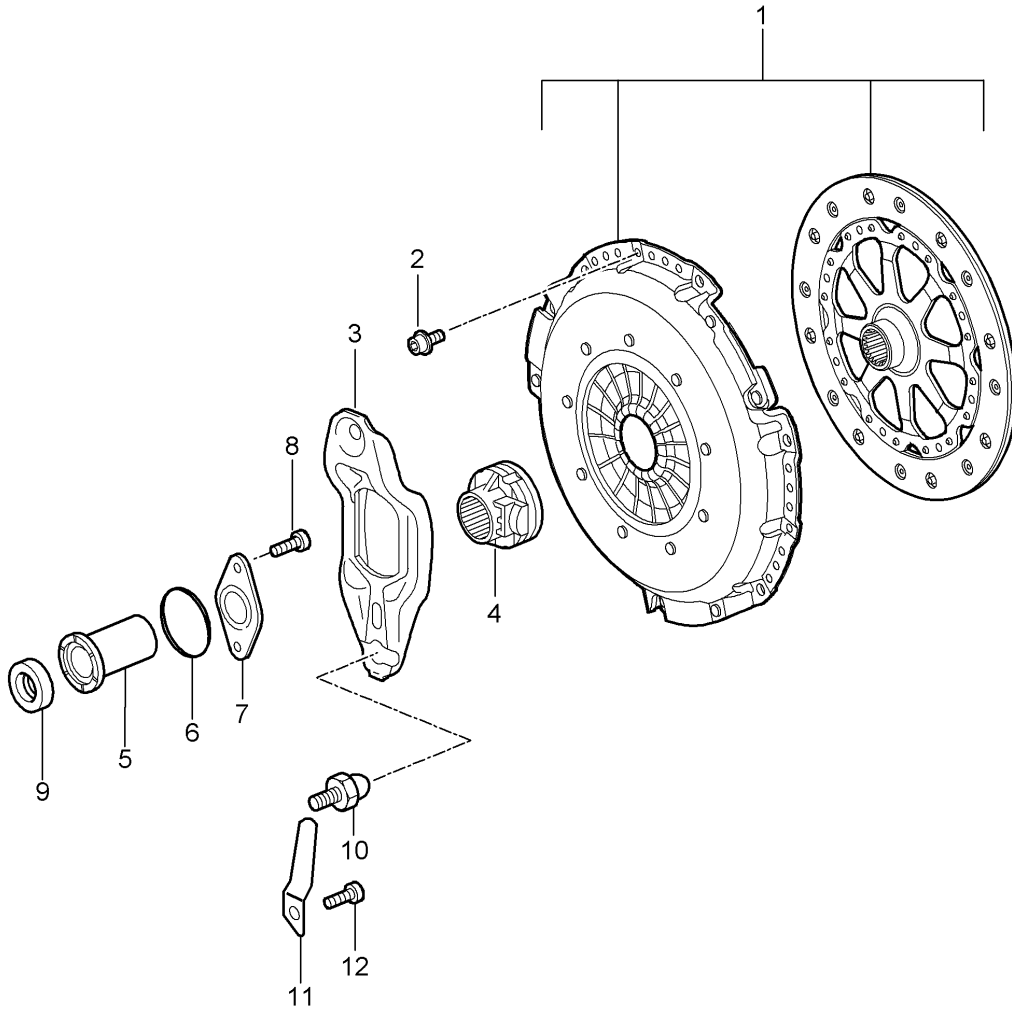
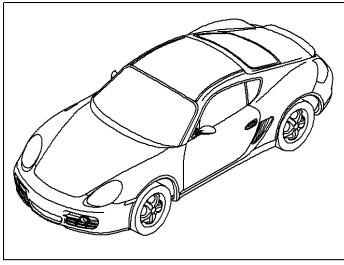
Model: 987209

Model life 2009>>2012

Pos	Part Number	Description	Remark	Qty	Model
		exhaust system Sport version			PR: XLF
1	987 113 511 30	Silencer Cyl. 4 - 6	left	1	
1	987 113 511 BX	Silencer Cyl. 4 - 6	left	1	
(1)	987 113 141 50	Silencer Cyl. 4 - 6	left	1	Cayman R
(1)	987 113 141 BX	Silencer Cyl. 4 - 6	left	1	Cayman R
2	987 113 512 30	Silencer Cyl. 1 - 3	right	1	
2	987 113 512 BX	Silencer Cyl. 1 - 3	right	1	
(2)	987 113 142 50	Silencer Cyl. 1 - 3	right	1	Cayman R
(2)	987 113 142 CX	Silencer Cyl. 1 - 3	right	1	Cayman R
3	987 111 981 30	Tailpipe (complete)		1	
4	987 111 220 00	Clamping sleeve		1	
5	000 043 300 54	Clamp for Exhaust pipe Set (complete)		2	
6	997 111 113 00	Seal		2	
7	900 910 003 03	Hexagon nut M 8		6	
8	999 591 545 01	Cable fastener		3	PR:480
(8)	999 591 545 01	Cable fastener		2	PR:250
9	999 591 312 01	Cable clip		4	
10	996 111 989 02	Retaining plate		1	
11	996 605 123 01	Change-over valve		1	
12	928 573 727 05	Distributor Triple		2	
13	928 574 717 05	Molded hose Discontinued part		2	
13	928 574 717 07	Molded hose		2	
14	999 507 165 40	Clip 19,0 - 4,00		2	
15	900 918 032 40	Hose L=520MM		1	
16	900 918 033 40	Hose L=1100MM		1	PR:480
16	900 918 028 40	Hose L=880MM		1	PR:250
17	999 513 076 40	Cable ties		1	PR:250
18		Vacuum line Not available To Use		1	
19	811 971 848 B	Rear silencer Retaining clip 4,8 - 5,3		1	PR:480

Model: 987209

Model life 2009>>2012



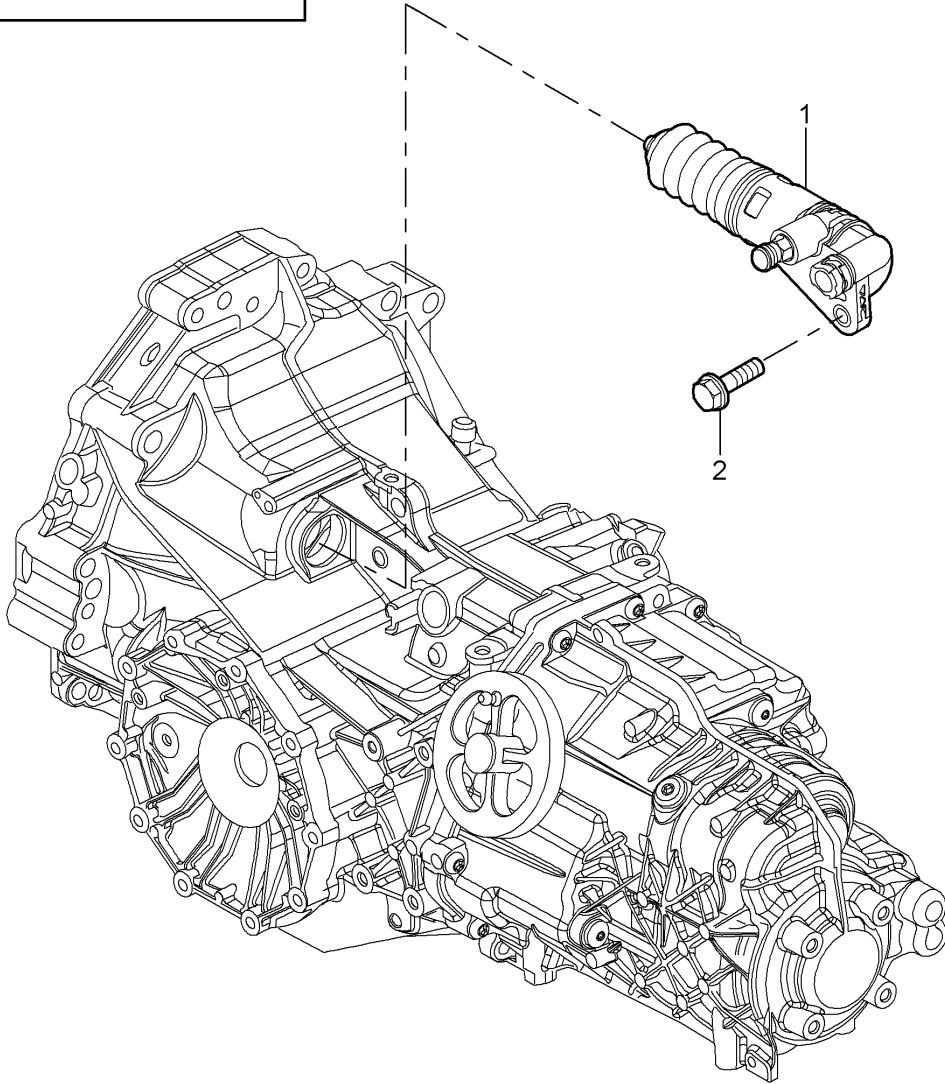
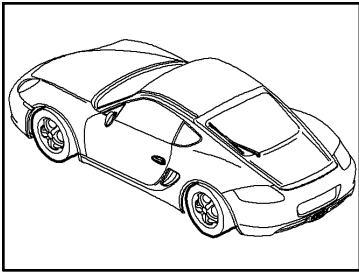
Model: 987209

Model life 2009>>2012

Pos	Part Number	Description	Remark	Qty	Model
1	987 116 913 23	Coupling Coupling SATZ Discontinued part		1	G8710, G8740 G8710
1	987 116 913 24	Coupling SATZ		1	G8710
(1)	987 116 913 33	Coupling Set Discontinued part		1	G8740
(1)	987 116 913 34	Coupling Set		1	G8740
2	999 073 458 01	Screw M 8 X 16		6	
3	0A2 141 719	clutch operating lever Discontinued part		1	
3	0A2 141 719 A	clutch operating lever		1	
4	012 141 165 E	release bearing		1	G8710
(4)	997 116 080 02	release bearing		1	G8740
5	0A2 141 181	guide sleeve		1	
6	0A2 311 091 A	O-ring		1	
7	0A2 141 179	Retaining plate		1	
8	999 073 320 02	Hexagon bolt M 8 X 20		2	
9	016 311 113 C	radial shaft seal		1	
10	01E 141 751 A	Intermediate piece		1	
11	01E 141 721 A	leaf spring		1	
12	999 073 319 02	flat round head bolt M 8 X 22		1	

Model: 987209

Model life 2009>>2012



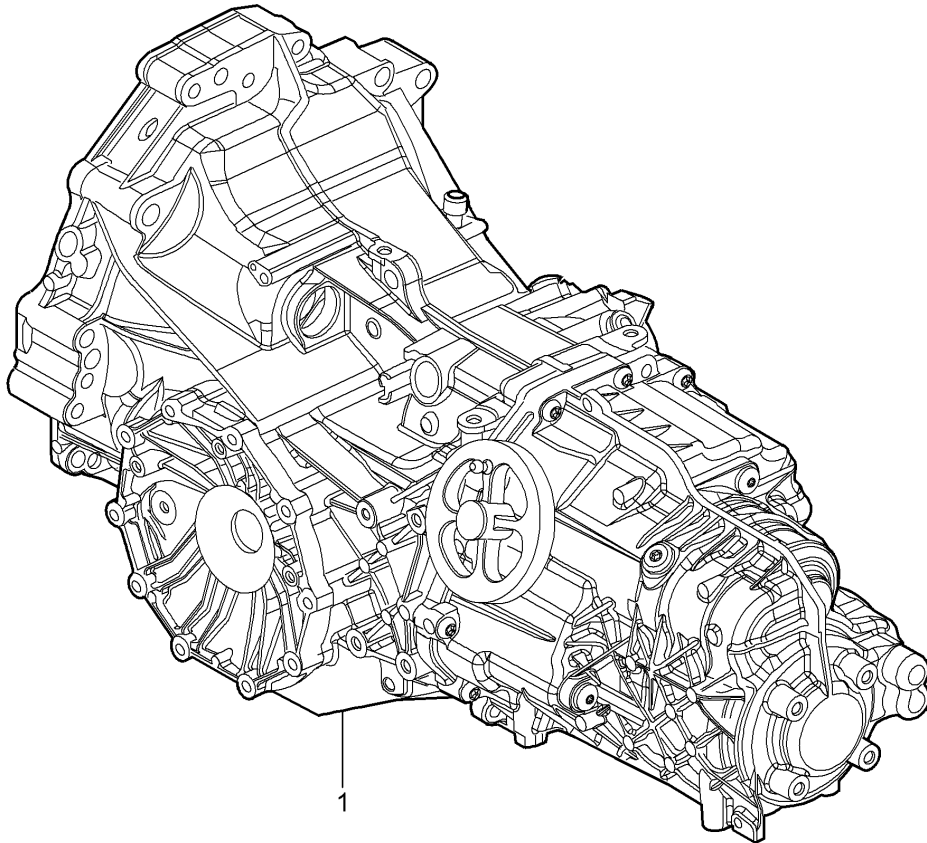
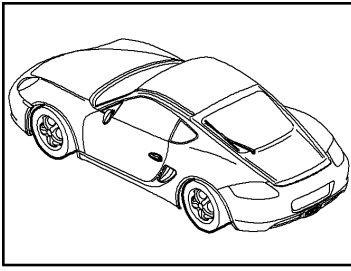
Model: 987209

Model life 2009>>2012

Pos	Part Number	Description	Remark	Qty	Model
		Clutch release			G8710,G8740+
1	9G2 116 237 00	Slave cylinder		1	PR:480
2	900 385 098 01	Torx screw M 8 X 25		1	

Model: 987209

Model life 2009>>2012



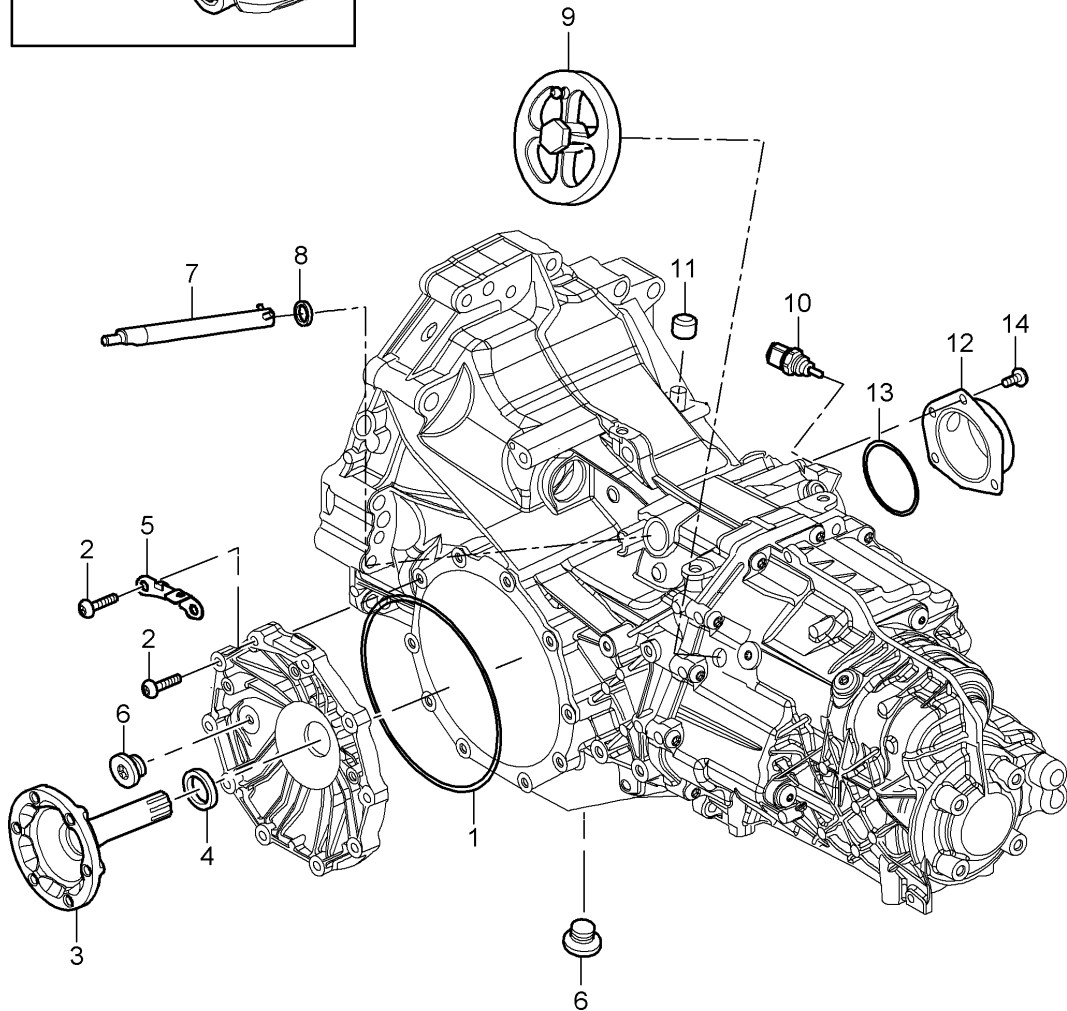
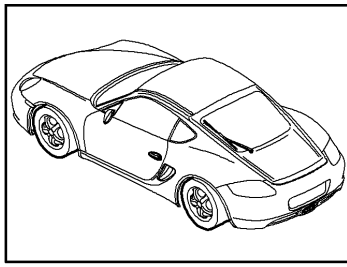
Model: 987209

Model life 2009>>2012

Pos	Part Number	Description	Remark	Qty	Model
1	987 300 010 10	Replacement transmission Ready for installation Manual gearbox		1	G8710,G8740+ PR:480 G8710+ PR:219
(1)	987 300 010 KX	Manual gearbox Discontinued part		1	G8710+ PR:219
(1)	987 300 010 11	Manual gearbox		1	G8710+ PR:219
(1)	987 300 010 LX	Manual gearbox		1	G8710+ PR:219
1	987 300 020 10	Manual gearbox		1	G8710+ PR:220
(1)	987 300 020 KX	Manual gearbox Discontinued part		1	G8710+ PR:220
(1)	987 300 020 11	Manual gearbox		1	G8710+ PR:220
(1)	987 300 020 LX	Manual gearbox		1	G8710+ PR:220
(1)	987 300 010 40	Manual gearbox		1	G8740+ PR:219
(1)	987 300 010 PX	Manual gearbox Discontinued part		1	G8740+ PR:219
(1)	987 300 010 41	Manual gearbox		1	G8740+ PR:219
(1)	987 300 010 QX	Manual gearbox		1	G8740+ PR:219
(1)	987 300 020 40	Manual gearbox Discontinued part		1	G8740+ PR:220
(1)	987 300 020 PX	Manual gearbox Discontinued part		1	G8740+ PR:220
(1)	987 300 020 41	Manual gearbox		1	G8740+ PR:220
(1)	987 300 020 QX	Manual gearbox		1	G8740+ PR:220
2	000 043 304 71	Transmission fluid HYPOID Container 20 LTR.		X	

Model: 987209

Model life 2009>>2012



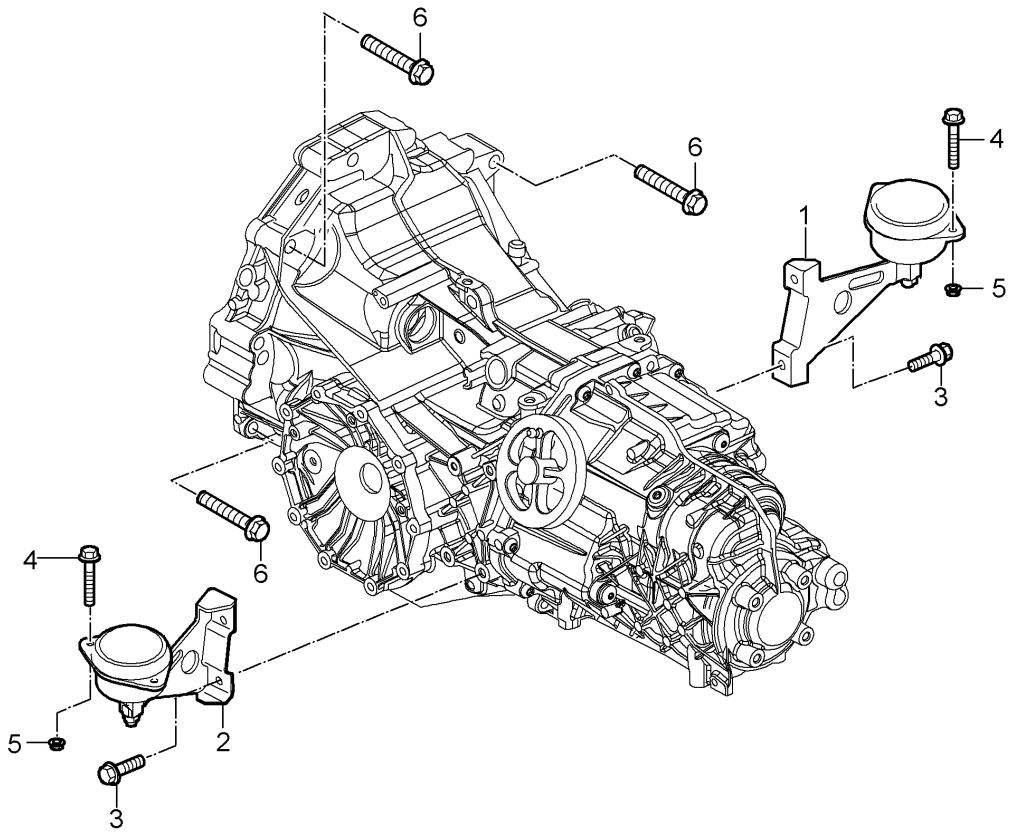
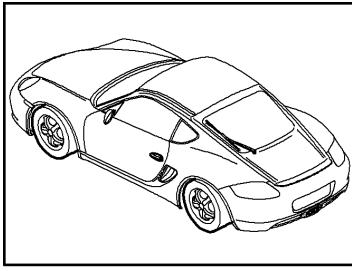
Model: 987209

Model life 2009>>2012

Pos	Part Number	Description	Remark	Qty	Model
1	N 905 144 01	Replacement transmission Individual parts		1	G8710,G8740+ PR:480 G8710
(1)	999 701 497 40	O-ring 171,00 X 3,50		1	G8740
2	999 073 368 01	O-ring 194,55 X 3,50		10	
3	987 332 209 10	Torx screw M 8 X 42		2	G8710
(3)	987 332 209 40	Drive flange		2	G8740
4	016 409 399 B	Drive flange		2	
5	016 409 399 B	radial shaft seal		1	
6	987 116 214 10	Bracket		2	
7	N 910 597 01	sealing plug M 22 X 1,5		1	
8	987 303 021 00	shift rod		1	
9	012 301 457 B	Shaft oil seal		1	
10	987 303 051 10	flywheel		1	
10	01E 941 521 B	switch for reversing light Back-up light		1	
11	014 301 485	Cap for venting the gearbox breather assy.		1	
12	0A2 941 453 A	Cover for selector shaft		1	
13	010 409 580	O-ring		1	
14	999 073 319 02	flat round head bolt M 8 X 22		4	
-	000 043 209 23	Grease LIQUI MOLY PU 53 / WDR 50 GR.		X	
-	G 052 128 A1	sealing grease for radial shaft oil seal LIQUI MOLY PU 53 / WDR 50 GR.		X	

Model: 987209

Model life 2009>>2012



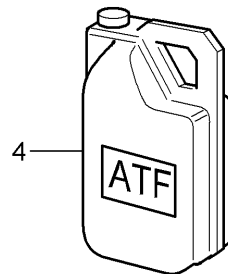
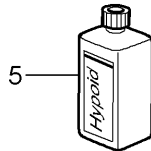
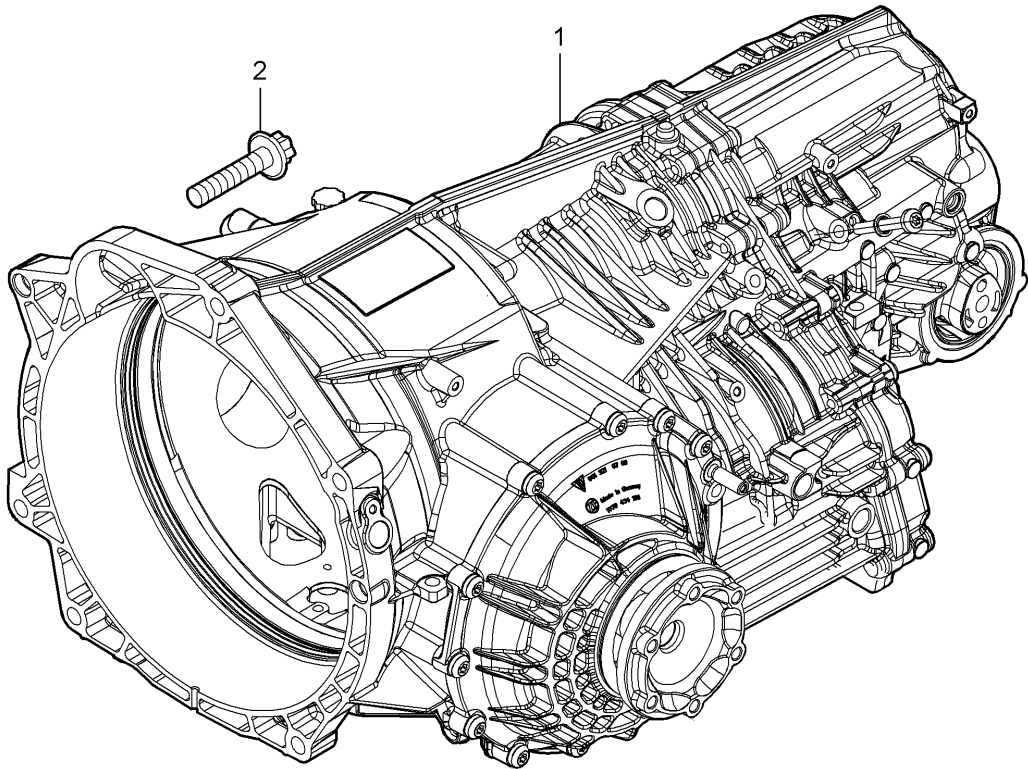
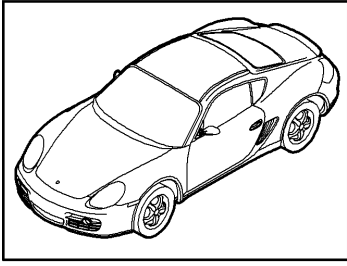
Model: 987209

Model life 2009>>2012

Pos	Part Number	Description	Remark	Qty	Model
		Manual gearbox Transmission suspension Threaded joint Engine			A120,A121+ PR:480
1	9A1 375 042 20	Transmission bracket	right	1	
2	9A1 375 041 20	Transmission bracket	left	1	
3	999 072 001 02	Hexagon bolt M 10 X 35		4	
4	900 378 159 01	Hexagon bolt M 8 X 60		4	
5	999 084 447 01	Hexagon nut M 8		4	
5	PAF 003 923	Hexagon nut M 8		4	
6	999 385 009 01	Hexagon head bolt M 12 X 1,5 X 55		6	

Model: 987209

Model life 2009>>2012



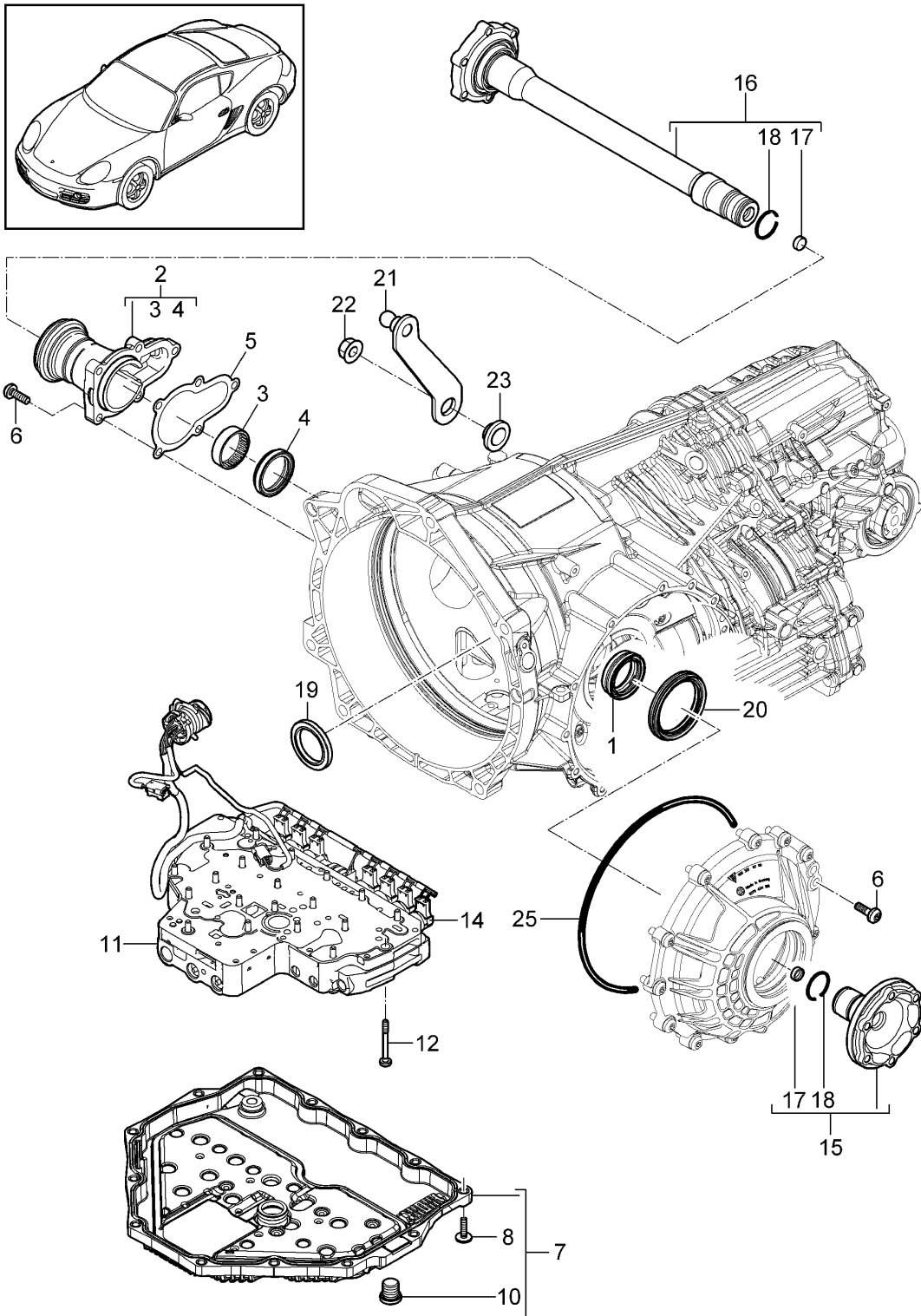
Model: 987209

Model life 2009>>2012

Pos	Part Number	Description	Remark	Qty	Model
		- PDK - Gearbox Replacement transmission			CG200 , CG220
1	9G2 300 011 00	Gearbox		1	CG200+
1	9G2 300 011 X	Gearbox		1	PR: 219 CG200+
(1)	9G2 300 011 20	Gearbox		1	PR: 219 - "CN. "
(1)	9G2 300 011 2X	Gearbox		1	CG220+
(1)	9G2 300 021 00	Gearbox		1	PR: 219 CG200+
(1)	9G2 300 021 X	Gearbox		1	PR: 220 CG200+
(1)	9G2 300 021 20	Gearbox		1	PR: 220 CG220+
(1)	9G2 300 021 2X	Gearbox		1	PR: 220 CG220+
2	999 385 009 01	Hexagon head bolt M12 X 1,5 X 55		5	
4	000 043 207 30	Transmission fluid Pentosin FFL 3 20 LTR. Container		X	
(4)	000 043 207 29	Transmission fluid Pentosin FFL 3 1 LTR. Container		X	
5	999 917 546 00	Transmission fluid 75 W 90 1 LTR. Container		X	
5	000 043 305 49	Discontinued part Transmission fluid 75 W 90 1 LTR. Container		X	

Model: 987209

Model life 2009>>2012



Model: 987209

Model life 2009>>2012

Pos	Part Number	Description	Remark	Qty	Model
		- PDK - Gearbox Individual parts			
1	9G1 332 806 00	Shaft oil seal 40 X 52 / 5 5X 40		1	
2	9G1 321 159 00	Housing neck Gearbox		1	
2	9G1 321 959 00	No longer use the part here Housing neck (complete)		1	
2	9G1 321 059 00	Discontinued part Housing neck (complete)		1	
5	9G1 321 259 00	Seal flange		1	
6	9G1 332 801 00	Torx screw M 8 X 25		17	
7	9G1 321 025 00	oil sump (complete)		1	
8	9G1 321 801 00	Torx screw M 6 X 25		13	
9	9G1 321 805 00	Seal bolt with sealing ring		1	
10	9G1 321 825 00	sealing plug oil sump Included seal ring Discontinued part		1	
10	9G1 321 825 01	sealing plug Oil sump gasket Included seal ring		1	
11	9G1 317 015 00	Control unit Hydraulic		1	
12	9G1 317 801 00	- PDK - Screw M 6 X 55		20	
13	9G1 317 697 00	Connector housing pressure regulator		2	
14	9G1 317 698 00	Connector housing Solenoid valve		6	
14	9G1 317 698 00	Connector housing Solenoid valve		6	
15	9G2 332 028 00	Drive flange Short Discontinued part		1	CG200
15	9G2 332 028 05	Drive flange Short		1	CG200
(15)	9G2 332 028 20	Drive flange Short Discontinued part		1	CG220
(15)	9G2 332 028 25	Drive flange Short		1	CG220
16	9G2 332 029 00	Drive flange Long		1	CG200
(16)	9G2 332 029 20	Drive flange Long Discontinued part		1	CG220
(16)	9G2 332 029 25	Drive flange Long		1	CG220
17	9G1 332 821 00	End cap		2	
18	9G1 332 820 00	snap ring D 36 x 2,6		2	

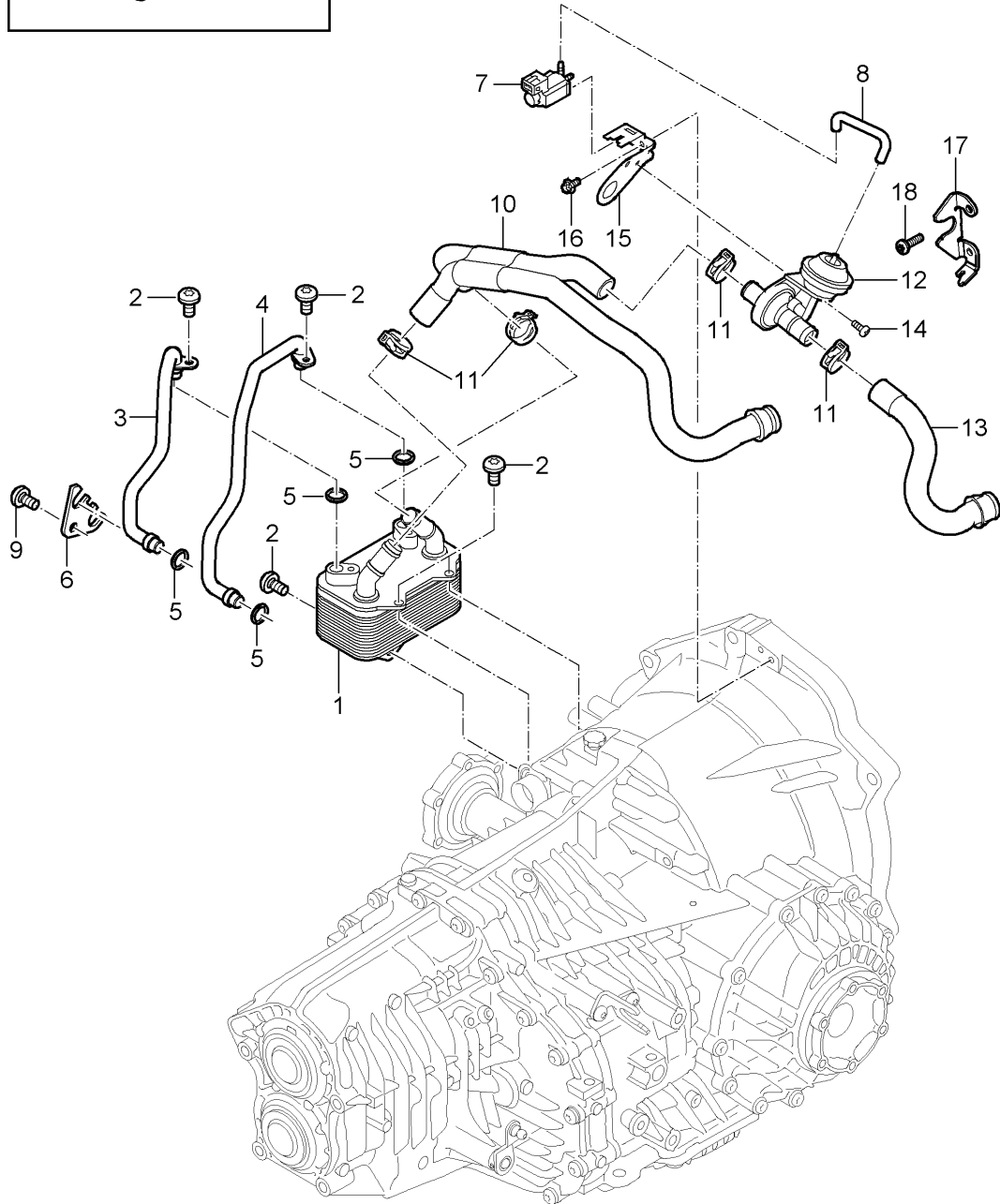
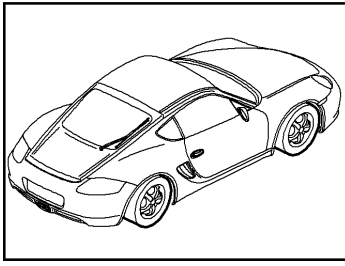
Model: 987209

Model life 2009>>2012

Pos	Part Number	Description	Remark	Qty	Model
19	9G1 116 807 00	Shaft oil seal 40 x 57 x 6		1	
20	9G1 332 803 00	Shaft oil seal 64X82X8		1	
20	9G2 332 803 00	Shaft oil seal 62X80X7,5		1	
21	9G2 324 135 00	gearshift lever		1	
22	9G1 324 815 00	Nut M 8 X 1		1	
23	970 324 805 00	Shaft oil seal 10 X 18 X 5		1	
24	9G1 307 385 05	Pressure sensor		2	
25	9G2 321 815 00	O-ring Housing cover		1	

Model: 987209

Model life 2009>>2012



Model: 987209

Model life 2009>>2012

Pos	Part Number	Description	Remark	Qty	Model
		- PDK - Gearbox heat exchanger oil pipe Water pipe			
1	9G2 307 017 00	heat exchanger		1	
2	9G1 307 813 00	Torx screw M 6 x 12		3	
3	9G2 307 087 00	Oil return line heat exchanger C 010252 >> C 004356 >> C 015819 >> C 002193 >>		2	
3	9G2 307 087 05	Oil return line heat exchanger C >> 010253 C >> 004357 C >> 015820 C >> 002194		2	
4	9G2 307 085 00	Oil pipe heat exchanger Supply C 010252 >> C 004356 >> C 015819 >> C 002193 >>		1	
4	9G2 307 085 05	Oil pipe heat exchanger Supply C >> 010523 C >> 004357 C >> 015820 C >> 002194		1	
5	9G1 307 891 00	seal ring Oil pipe heat exchanger		4	
6	9G2 307 255 00	Retaining plate Oil pipe Gearbox		1	
7	996 605 123 01	Change-over valve		1	
8	9G1 307 673 00	Molded hose		1	
9	9G1 307 802 00	Torx screw M 8 X 15		1	
10	9G2 307 076 00	Hose		1	
11	999 512 656 09	Hose clamp B 25 X 12		4	
(12)	928 574 573 03	Disc valve		1	
12	991 307 573 00	Disc valve		1	
13	9G2 307 075 00	Water hose	also use: 9G2 307 401 01	1	
14	900 146 011 01	flat round head bolt M 4 X 10		1	
(15)	9G2 307 401 00	Bracket Disc valve No longer use the part here		1	
15	9G2 307 401 01	Bracket Disc valve Together with 991.307.573.00		1	
16	900 385 041 01	Torx screw M 6 X 12		1	
18	9G1 426 801 00	flat round head bolt		2	

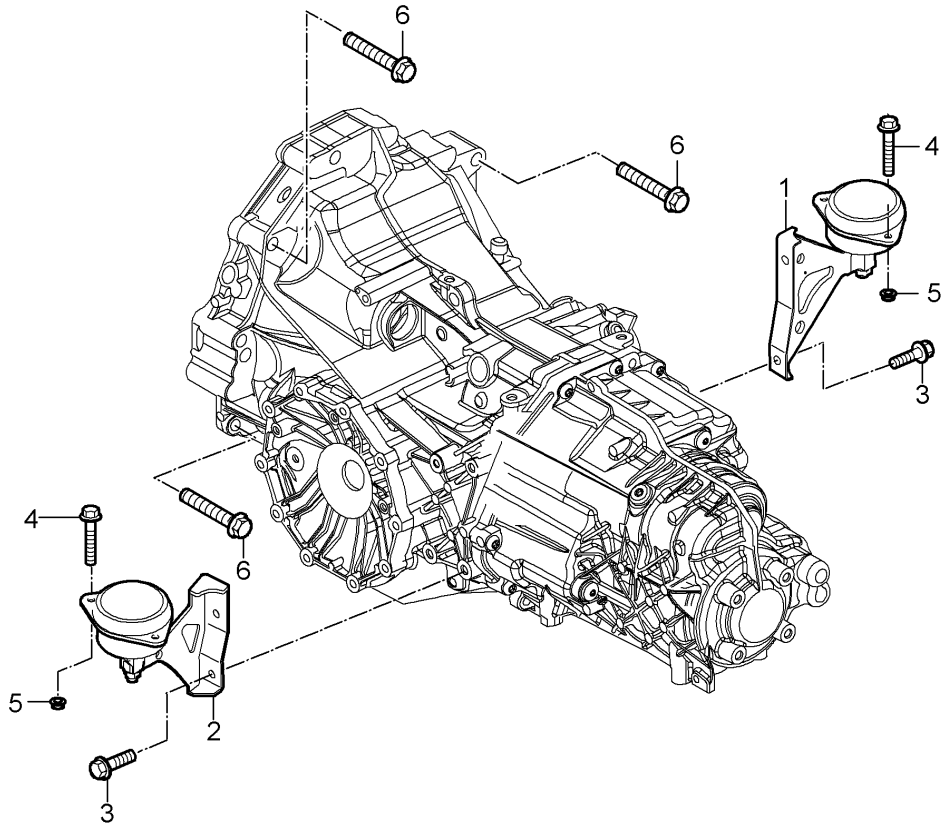
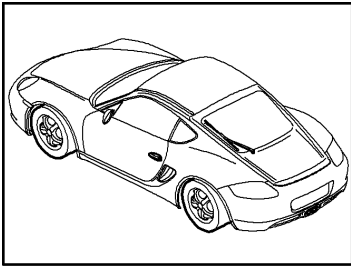
Model: 987209

Model life 2009>>2012

Pos	Part Number	Description	Remark	Qty	Model
		M8 x 20			

Model: 987209

Model life 2009>>2012



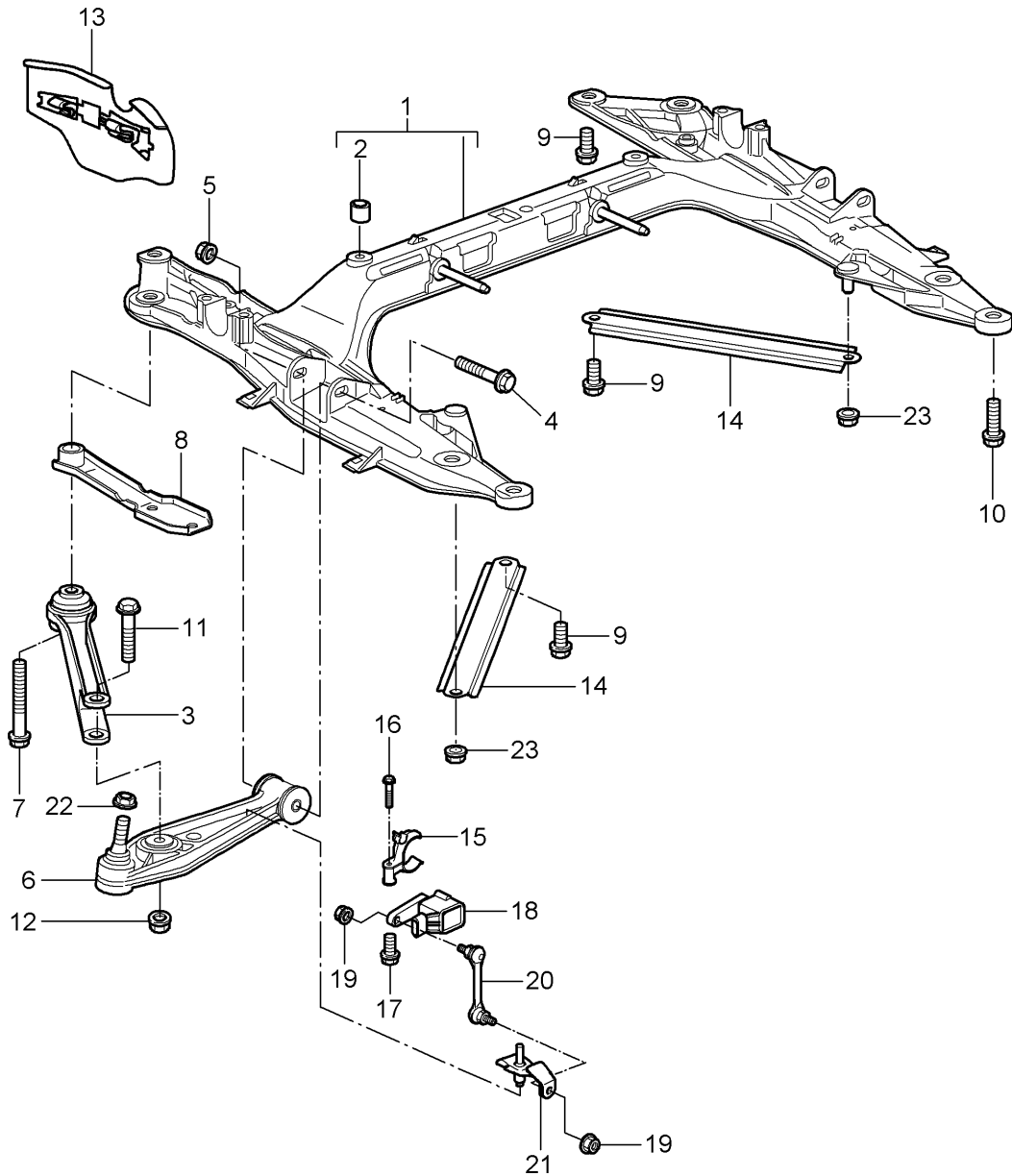
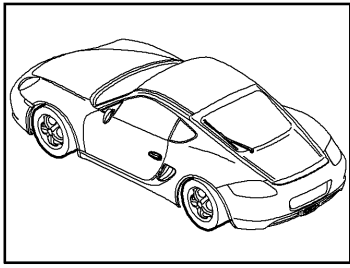
Model: 987209

Model life 2009>>2012

Pos	Part Number	Description	Remark	Qty	Model
		- PDK - Gearbox Transmission suspension Threaded joint for Engine			A120,A121+ PR:250
1	9A1 375 094 50	Transmission bracket	right	1	
2	9A1 375 093 50	Transmission bracket	left	1	
3	999 072 001 02	Hexagon bolt M 10 X 35		4	
4	900 378 159 01	Hexagon bolt M 8 X 60		4	
5	999 084 447 01	Hexagon nut M 8		4	
5	PAF 003 923	Hexagon nut M 8		4	
6	999 385 009 01	Hexagon head bolt M 12 X 1,5 X 55		1	

Model: 987209

Model life 2009>>2012



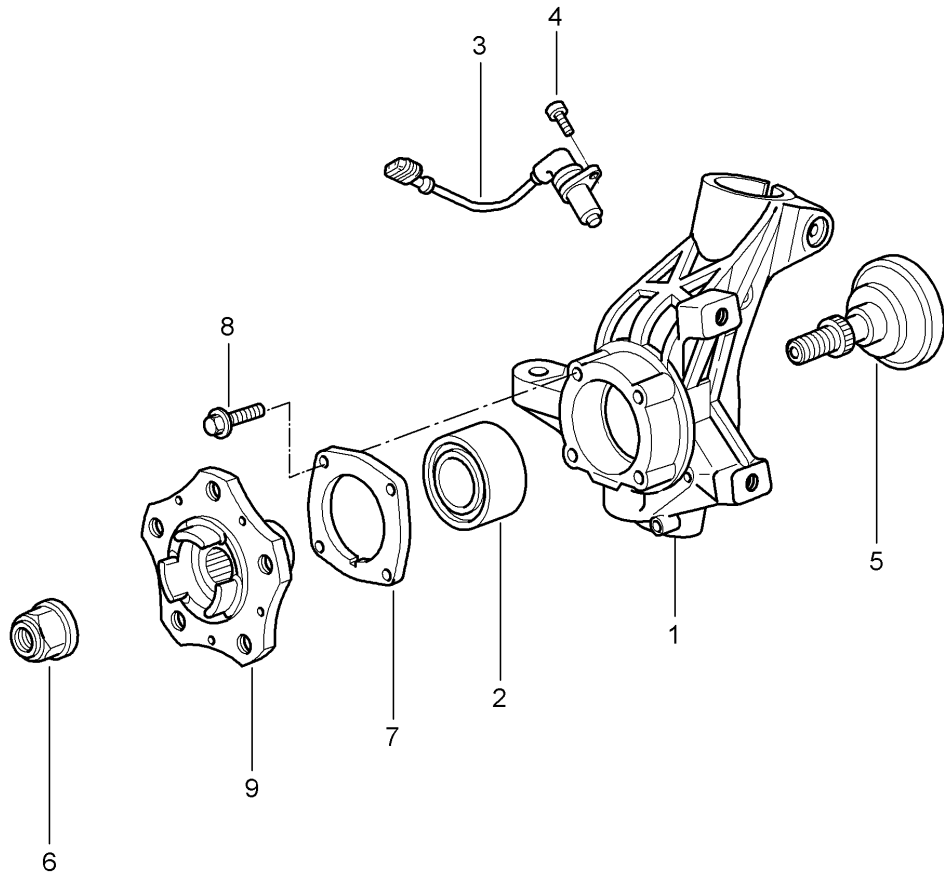
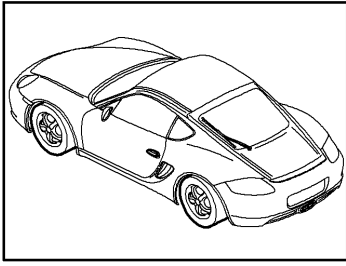
Model: 987209

Model life 2009>>2012

Pos	Part Number	Description	Remark	Qty	Model
		Cross member			
		Wishbone			
1	997 341 081 06	Cross member		1	
2	900 197 070 00	spring pin 13 X 14		1	
3	997 341 043 00	Guide		2	
4	900 378 165 01	Hexagon bolt M 12 X 1,5 X 95		2	
5	999 084 445 01	Locknut M 12 X 1,5		2	
6	997 341 053 03	Wishbone D >> - MJ 2010		2	
6	997 341 053 04	Wishbone D - MJ 2011>>		2	
7	999 072 050 01	Hexagon bolt M 14 X 1,5 X 120		2	
8	997 341 145 05	plate		2	
9	999 072 047 01	Hexagon bolt M 12 x 1,5 x 30		6	
(10)	900 378 072 01	Hexagon bolt M 12 X 1,5 X 30	front	2	
10	900 378 192 01	Hexagon bolt M 14 x 1,5 x 50	rear	4	
11	900 378 279 01	Hexagon bolt M 14 X 1,5 X 95		2	
12	900 380 012 01	Hexagon nut M 14 X 1,5		2	
13	996 341 483 05	Spoiler	left	1	
13	996 341 484 05	Spoiler	right	1	
14	997 504 433 00	Brace		2	
15		Bracket see illustration:	105-010	1	PR:603
16	900 146 003 03	fillister hd. bolt M 5 x 10		2	PR:603
17	900 378 036 01	Hexagon bolt M 6 x 12		1	PR:603
18	997 631 121 00	Level sensor		1	PR:603
19	900 380 015 01	Hexagon nut M 6		2	PR:603
20	997 341 375 01	Brace		1	PR:603
21	996 341 371 03	Bracket for cross member		1	PR:603
22	999 084 449 09	Locknut M 12 X 1,5		2	
23	999 084 445 01	Locknut M 12 X 1.5		2	

Model: 987209

Model life 2009>>2012



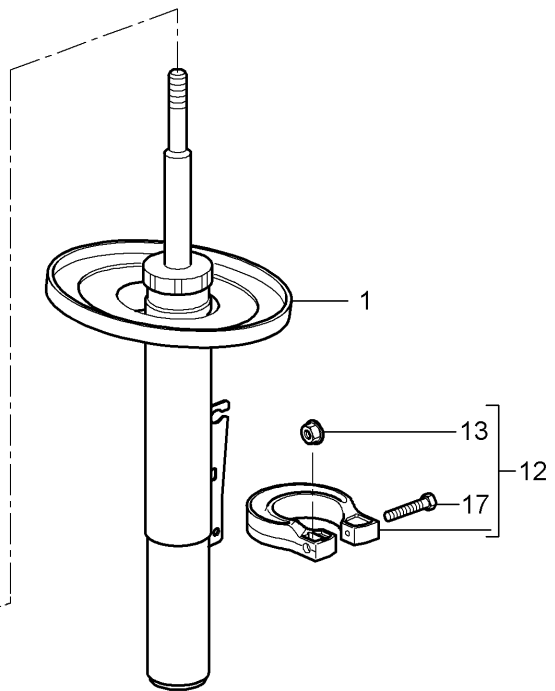
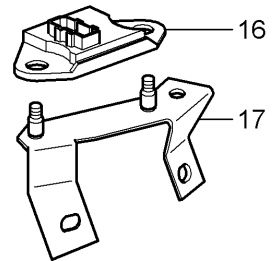
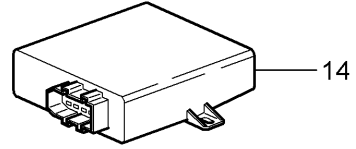
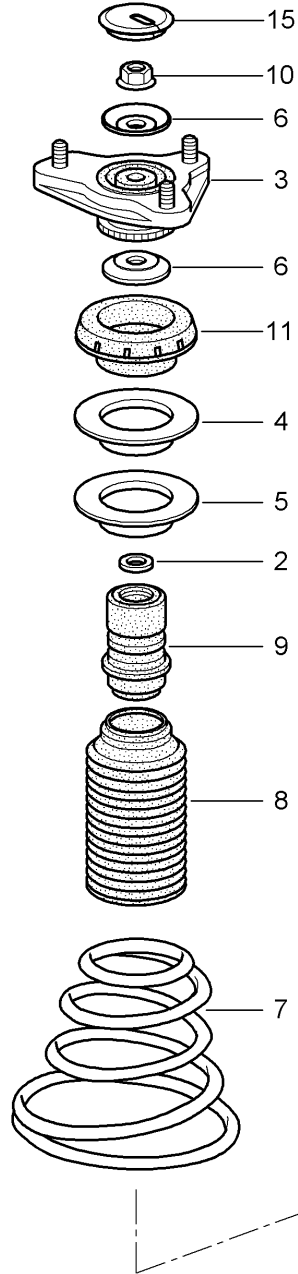
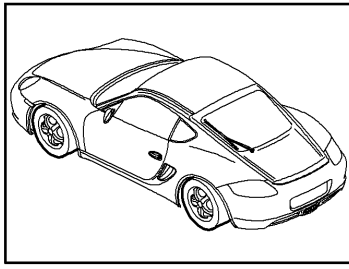
Model: 987209

Model life 2009>>2012

Pos	Part Number	Description	Remark	Qty	Model
		Wheel carrier			
		Wheel hub			
1	997 341 157 05	Wheel carrier	left	1	
(1)	997 341 157 25	Wheel carrier	left	1	PR:450
(1)	997 341 158 05	Wheel carrier	right	1	
(1)	997 341 158 25	Wheel carrier	right	1	PR:450
2	999 053 054 06	angular ball bearing		2	
3	997 606 407 01	speed sensor		2	
-	999 507 464 40	bracket for speed sensor		2	
4	900 067 117 04	Socket head bolt		2	
		M 6 x 16			
5	997 341 131 00	retaining bolt		2	
6	999 084 634 02	Locknut		2	
		M 22 X 1,5			
7	986 331 661 20	Cover		2	
8	999 217 042 04	Hexagon bolt		8	
		M 8 X 35			
9	997 341 605 01	Wheel hub		2	
		Discontinued part			
9	991 341 605 02	Wheel hub		2	
		Discontinued part			
9	991 341 605 03	Wheel hub		2	
-	997 361 605 90	Spacer ring		2	PR:XRP
		5 MM			
		D >> - MJ 2011			
-	997 361 605 92	Spacer ring		2	PR:XRP
		5 MM			
		D - MJ 2012>>			

Model: 987209

Model life 2009>>2012



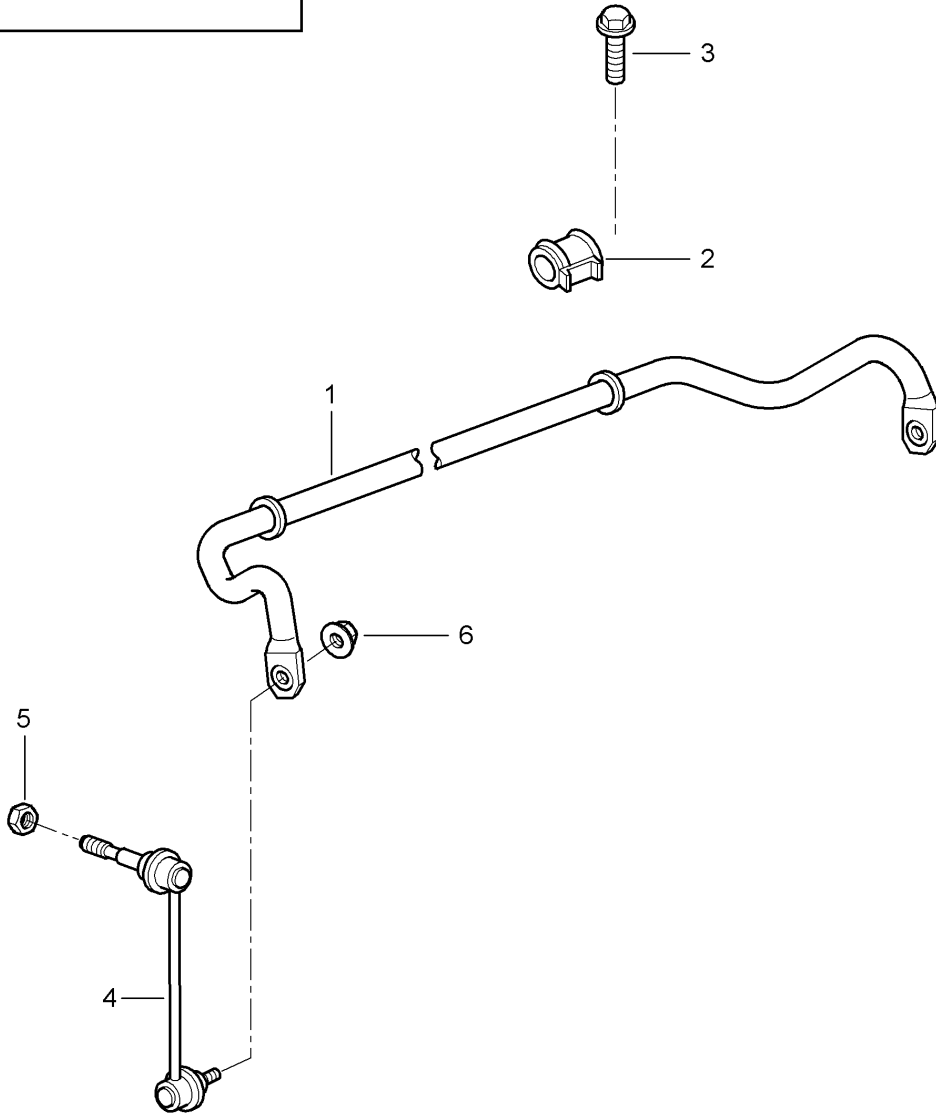
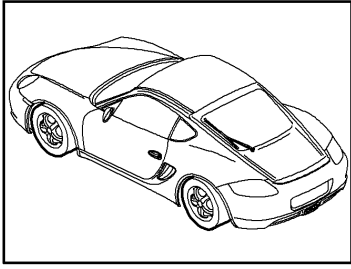
Model: 987209

Model life 2009>>2012

Pos	Part Number	Description	Remark	Qty	Model
		suspension			
		Shock absorber strut			
1	987 343 042 01	Shock absorbers		2	PR:029
(1)	987 343 045 21	Shock absorbers		2	PR:475
1	987 343 042 09	Shock absorbers		2	CAYMAN R
2	996 343 513 00	Washer		2	
3	997 343 018 01	Shock absorber bearing		2	
-	999 084 447 01	Hexagon nut M 8		6	
-	PAF 003 923	Hexagon nut M 8		6	
4	996 343 517 01	Thrust ring		2	
5	996 343 511 00	Balancing plate 3,0 MM		X	
(5)	996 343 511 01	Balancing plate 6,5 MM		X	
6	997 343 107 01	Stop plate		4	
(6)	997 343 107 00	Stop plate	lower	2	PR:475
(6)	997 343 107 01	Stop plate	upper	2	PR:475
7	987 343 531 10	Coil spring 1 set		1	PR:029
	987 343 531 10 504	1 pair of springs green green red			
(7)	987 343 531 11	Coil spring 1 set		1	PR:475
	987 343 531 11 504	1 pair of springs blue blue white			
(7)	987 343 531 40	Coil spring 1 set		1	CAYMAN R
	987 343 531 40 504	1 pair of springs yellow orange yellow orange			
8	996 343 505 00	Bellows		2	
9	996 343 301 02	helper spring		2	
10	900 380 012 01	Hexagon nut M 14 X 1,5		2	
11	996 343 515 05	grooved ball bearing with housing		2	
12	997 343 569 00	Clamp		2	
13	900 377 010 01	Hexagon nut M 6		2	
-	900 378 111 01	Hexagon bolt M 6 x 60		2	
14	987 618 450 01	Control unit		1	PR:475
15	999 703 457 40	End cap		2	
16	997 606 111 01	Acceleration sensor for bodywork		1	
17	997 606 212 01	Bracket Body		1	

Model: 987209

Model life 2009>>2012



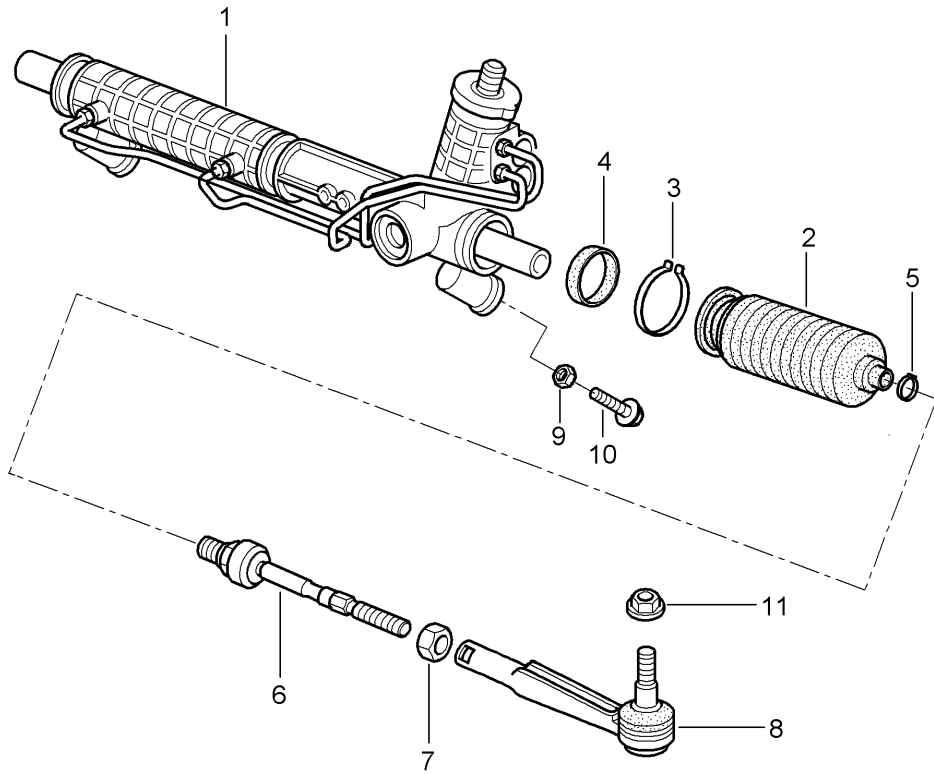
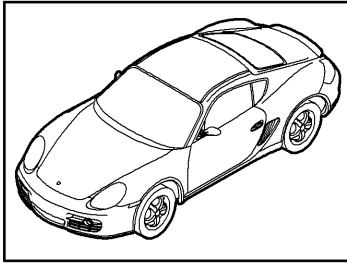
Model: 987209

Model life 2009>>2012

Pos	Part Number	Description	Remark	Qty	Model
1	997 343 701 08	Anti-roll bar		1	
2	996 343 792 17	Anti-roll bar		2	
3	900 378 098 01	anti-roll bar bearing bracket		4	
		Hexagon bolt			
		M 10 X 60			
-	900 380 008 01	Hexagon nut		4	
		M 10			
(4)	997 343 069 03	Coupling rod	left	1	
(4)	997 343 070 03	Coupling rod	right	1	
5	999 084 445 01	Locknut		2	
		M 12 X 1,5			
6	999 084 123 09	Hexagon nut		2	
		M 10			

Model: 987209

Model life 2009>>2012



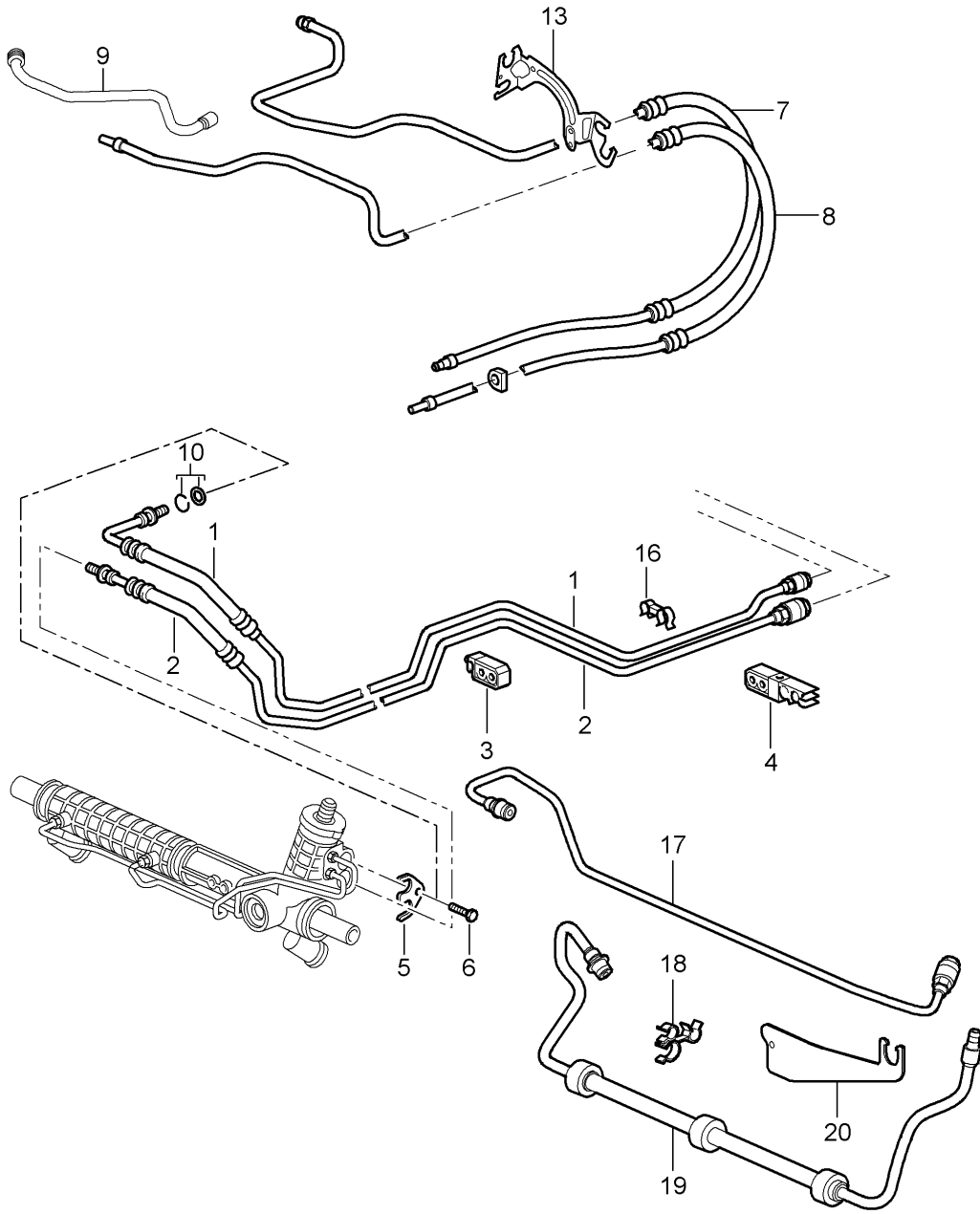
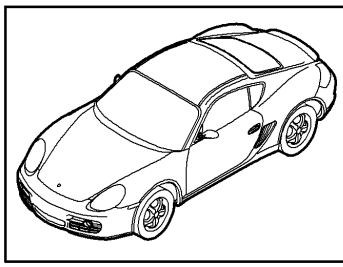
Model: 987209

Model life 2009>>2012

Pos	Part Number	Description	Remark	Qty	Model
1	987 347 011 00	Power steering Steering gear Steering parts Steering gear Power steering Discontinued part		1	PR:098
(1)	987 347 011 02	Steering gear Power steering Discontinued part		1	PR:098
(1)	987 347 011 X	Steering gear Power steering Discontinued part		1	PR:098
(1)	987 347 011 03	Steering gear Power steering		1	PR:098
(1)	987 347 011 AX	Steering gear Power steering		1	PR:098 - "CN."
2	997 347 191 00	Bellows for Steering gear		2	
3	996 347 293 05	clamping ring for Steering gear		2	
4	997 347 373 00	seal ring for Steering gear		2	
5	999 512 693 09	clamping ring		2	
6	997 347 322 01	Joint		2	
7	999 034 037 09	Hexagon nut M 14 X 1,5		2	
8	996 347 131 04	Track rod		2	
9		see illustration, item:	401-000,2		
10	900 378 100 01	Hexagon bolt AM 10 X 45		2	
11	999 084 449 09	Locknut M 12 X 1,5		2	

Model: 987209

Model life 2009>>2012

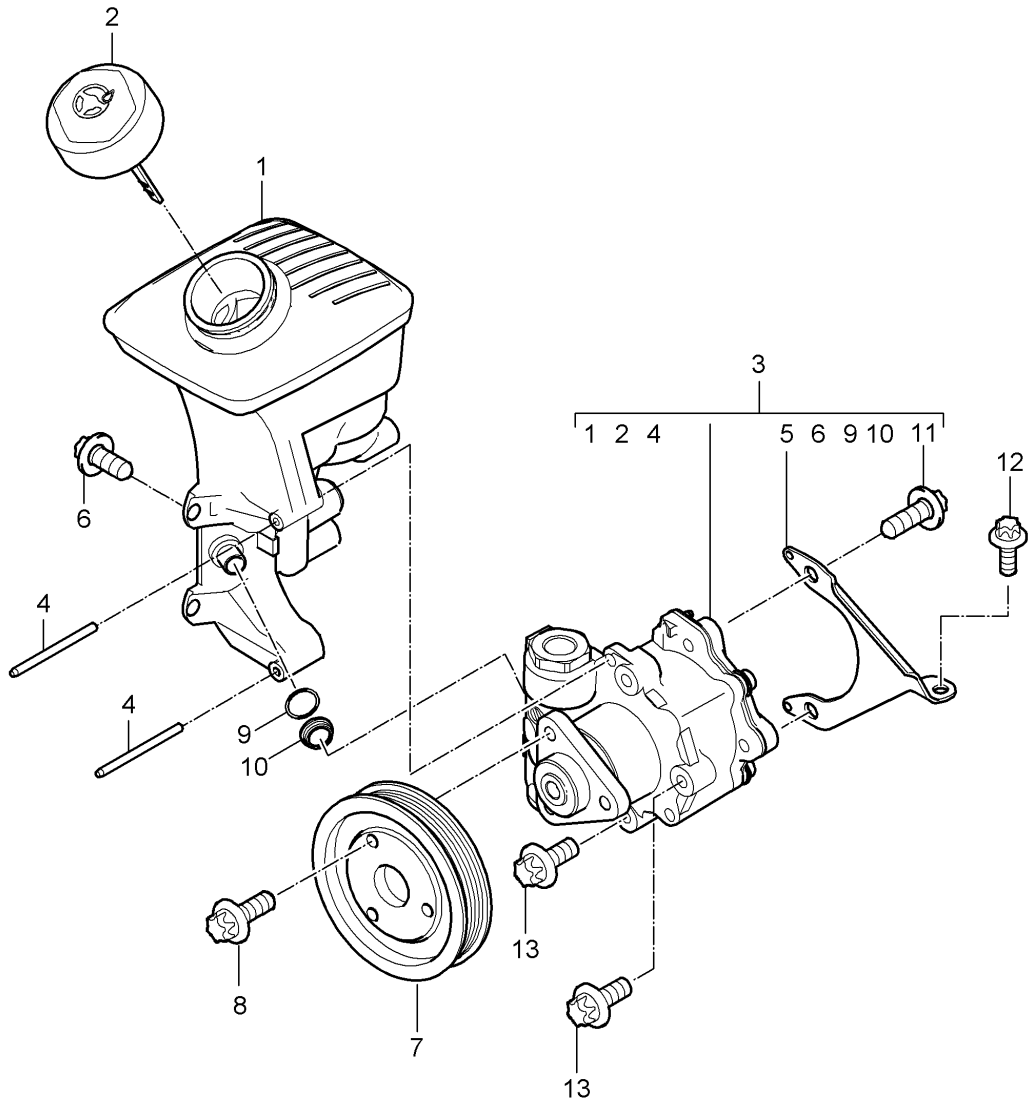
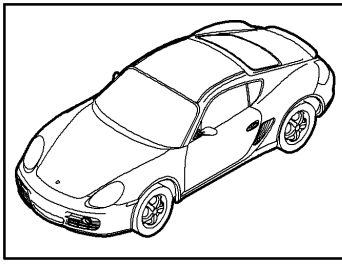


Model: 987209 Model life 2009>>2012

Pos	Part Number	Description	Remark	Qty	Model
1	997 347 451 11	Power steering Lines Pressure line Discontinued part		1	PR:098
1	997 347 451 12	Pressure line		1	PR:098
(1)	997 347 452 12	Pressure line Discontinued part		1	PR:099
(1)	997 347 452 13	Pressure line		1	PR:099
2	987 347 449 11	return line Discontinued part		1	PR:098
2	987 347 449 13	return line		1	PR:098
(2)	987 347 650 11	return line		1	PR:099
3	996 347 543 00	Cable holder		3	
4	996 355 543 00	Bracket		1	
5	996 347 769 01	Tension shackle		1	
6	900 067 063 03	Socket head bolt M 10 X 20		1	
7	9A1 347 443 12	Pressure line Discontinued part		1	
7	9A1 347 443 13	Pressure line Discontinued part		1	
7	9A1 347 443 14	Pressure line Discontinued part		1	
(7)	9A1 347 443 15	Pressure line		1	
8	9A1 347 439 14	Power steering return line		1	
8	9A1 347 439 15	Power steering D >> - MJ 2009 return line		1	
(8)	9A1 347 439 20	Power steering D - MJ 2010>> - MJ 2010 return line		1	
(8)	9A1 347 439 21	Power steering D - MJ 2011>> Discontinued part return line		1	
9	9A1 347 437 14	Power steering D - MJ 2011>> return line		1	
9	9A1 347 437 16	Power-steering pump heat exchanger D >> - MJ 2010 return line		1	
(9)	9A1 347 437 17	Power-steering pump heat exchanger D - MJ 2011>> Discontinued part return line		1	
10	997 347 945 00	repair set comprising: Spring O-ring		X	
13	9A1 347 649 11	bracket for pressure line		1	
16	999 507 091 40	Cable holder		3	

Model: 987209

Model life 2009>>2012



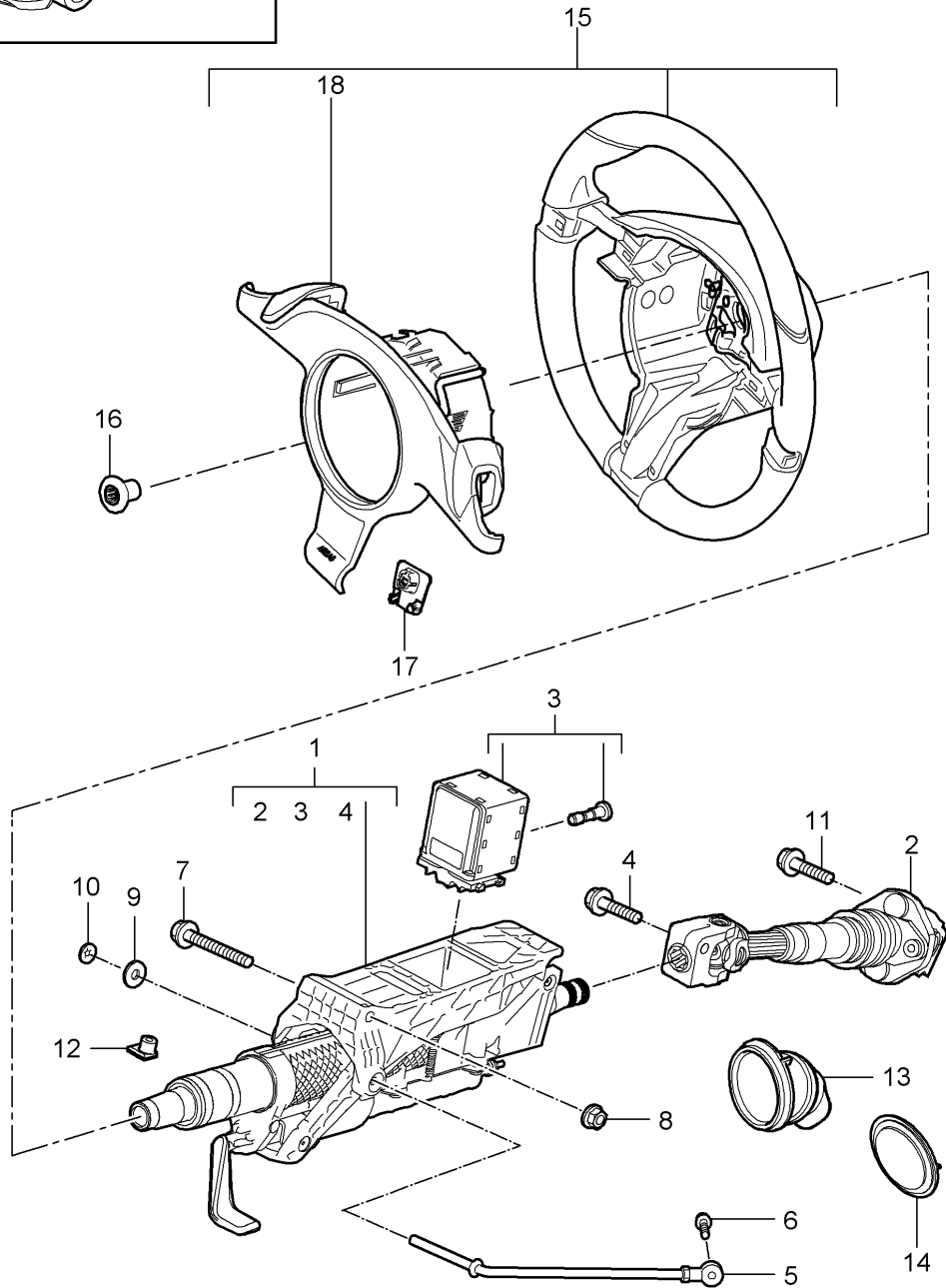
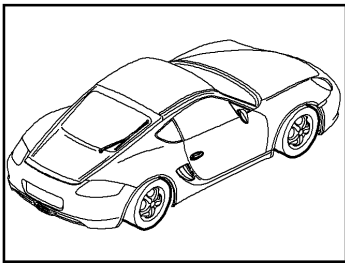
Model: 987209

Model life 2009>>2012

Pos	Part Number	Description	Remark	Qty	Model
		Power steering Power-steering pump container			
1	9A1 314 220 14	oil container		1	
2	9A1 314 223 01	Cover		1	
(3)	9A1 314 020 14	Power-steering pump		1	
4	996 314 320 03	Cylinder pin		2	
5	9A1 314 430 02	Support		1	
6	900 385 044 01	Torx screw BM 8 X 16		2	
7	9A1 147 123 00	pulley		1	
-	9A1 147 205 01	Cover for pulley		1	
8	900 385 099 01	Torx screw BM 8 X 12		3	
9	999 707 204 40	seal ring 12,5 X 2,0		1	
10	996 314 427 00	Guide		1	
11	900 385 042 01	Torx screw BM 8 X 35		2	
12	900 385 009 01	Torx screw M 6 X 16		1	
-	000 043 203 33	Pentosin 1000 ML		X	
13	900 385 042 01	Torx screw BM 8 X 35		2	

Model: 987209

Model life 2009>>2012



Model: 987209

Model life 2009>>2012

Pos	Part Number	Description	Remark	Qty	Model
		Steering protective pipe Intermediate steering shaft Steering wheels			PR:250
1	997 347 007 10	Complete steering column		1	
2	997 347 023 04	Intermediate steering shaft		1	
3	997 618 158 04	Control unit Steering column		1	
		with:			
4	999 217 042 03	Screw Hexagon bolt M 8 X 35		1	
4	999 217 042 04	Discontinued part Hexagon bolt M 8 X 35		1	
5	997 347 243 00	Support		1	
6	900 378 173 01	Hexagon bolt M 6 x 20		1	
7	900 378 095 01	Hexagon bolt M 10 X 100		1	
8	900 380 008 01	Hexagon nut M 10		1	
9	900 151 006 03	Washer		1	
10	999 507 217 07	Clamping washer		1	
11	999 217 042 03	Hexagon bolt M 8 X 35 Discontinued part		1	
11	999 217 042 04	Hexagon bolt M 8 X 35		1	
12	999 920 019 40	Plug-in nut 3,5 X 2,5 X 9		1	
13	986 347 037 01	Bellows		1	
14	996 347 339 02	Rubber seal filler plate		1	
-		Steering wheels			
15	997 347 803 30	D - MJ 2009>> - MJ 2010 steering wheel paddle D >> - MJ 2010		1	PR:840
	997 347 803 30 A34	Black			
	997 347 803 30 B24	Stone grey			
	997 347 803 30 T24	Sand beige			
	997 347 803 30 E24	sea blue			
	997 347 803 30 M24	Terracotta			
	997 347 803 30 R24	Cocoa			
	997 347 803 30 D14	Dark grey/natural			
	997 347 803 30 T34	Brown/natural			
	997 347 803 30 N14	Carrera Red			
(15)	997 347 803 31	steering wheel Paddle D >> - MJ 2010		1	PR:840,639, 640
	997 347 803 31 A34	Black			
	997 347 803 31 B24	Stone grey			
	997 347 803 31 T24	Sand beige			
	997 347 803 31 E24	sea blue			
	997 347 803 31 M24	Terracotta			
	997 347 803 31 R24	Cocoa			
	997 347 803 31 D14	Dark grey/natural			
	997 347 803 31 T34	Brown/natural			
	997 347 803 31 N14	Carrera Red			
(15)	997 347 803 20	steering wheel Plain leather D >> - MJ 2010		1	PR:841

Model: 987209

Model life 2009>>2012

Pos	Part Number	Description	Remark	Qty	Model
		Discontinued part			
	997 347 803 20 A34	Black			
	997 347 803 20 B24	Stone grey			
	997 347 803 20 T24	Sand beige			
	997 347 803 20 E24	sea blue			
	997 347 803 20 M24	Terracotta			
	997 347 803 20 R24	Cocoa			
	997 347 803 20 D14	Dark grey/natural			
	997 347 803 20 T34	Brown/natural			
	997 347 803 20 N14	Carrera Red			
(15)	997 347 803 32	steering wheel Plain leather D >> - MJ 2010		1	PR:841,-345
		Discontinued part			
	997 347 803 32 A34	Black			
	997 347 803 32 B24	Stone grey			
	997 347 803 32 T24	Sand beige			
	997 347 803 32 E24	sea blue			
	997 347 803 32 M24	Terracotta			
	997 347 803 32 R24	Cocoa			
	997 347 803 32 D14	Dark grey/natural			
	997 347 803 32 T34	Brown/natural			
	997 347 803 32 N14	Carrera Red			
(15)	997 347 803 98	steering wheel Plain leather D >> - MJ 2010		1	PR:841,-345
		Discontinued part			
	997 347 803 98 A34	Black			
	997 347 803 98 B24	Stone grey			
	997 347 803 98 T24	Sand beige			
	997 347 803 98 E24	sea blue			
	997 347 803 98 M24	Terracotta			
	997 347 803 98 R24	Cocoa			
	997 347 803 98 D14	Dark grey/natural			
	997 347 803 98 T34	Brown/natural			
	997 347 803 98 N14	Carrera Red			
(15)	997 347 803 D6	steering wheel Plain leather D >> - MJ 2010		1	PR:841,-345
		Discontinued part			
	997 347 803 D6 A34	Black			
	997 347 803 D6 B24	Stone grey			
	997 347 803 D6 T24	Sand beige			
	997 347 803 D6 E24	sea blue			
	997 347 803 D6 M24	Terracotta			
	997 347 803 D6 R24	Cocoa			
	997 347 803 D6 D14	Dark grey/natural			
	997 347 803 D6 T34	Brown/natural			
	997 347 803 D6 N14	Carrera Red			
(15)	997 347 803 25	steering wheel Plain leather D >> - MJ 2010		1	PR:841,345
		Discontinued part			
	997 347 803 25 A34	Black			
	997 347 803 25 B24	Stone grey			
	997 347 803 25 T24	Sand beige			
	997 347 803 25 E24	sea blue			
	997 347 803 25 M24	Terracotta			
	997 347 803 25 R24	Cocoa			
	997 347 803 25 D14	Dark grey/natural			
	997 347 803 25 T34	Brown/natural			
	997 347 803 25 N14	Carrera Red			
(15)	997 347 803 37	steering wheel Plain leather		1	PR:841,345

Model: 987209

Model life 2009>>2012

Pos	Part Number	Description	Remark	Qty	Model
		D >> - MJ 2010 Discontinued part			
	997 347 803 37 A34	Black			
	997 347 803 37 B24	Stone grey			
	997 347 803 37 T24	Sand beige			
	997 347 803 37 E24	sea blue			
	997 347 803 37 M24	Terracotta			
	997 347 803 37 R24	Cocoa			
	997 347 803 37 D14	Dark grey/natural			
	997 347 803 37 T34	Brown/natural			
	997 347 803 37 N14	Carrera Red			
(15)	997 347 803 A3	steering wheel Plain leather		1	PR:841,345
		D >> - MJ 2010 Discontinued part			
	997 347 803 A3 A34	Black			
	997 347 803 A3 B24	Stone grey			
	997 347 803 A3 T24	Sand beige			
	997 347 803 A3 E24	sea blue			
	997 347 803 A3 M24	Terracotta			
	997 347 803 A3 R24	Cocoa			
	997 347 803 A3 D14	Dark grey/natural			
	997 347 803 A3 T34	Brown/natural			
	997 347 803 A3 N14	Carrera Red			
(15)	997 347 803 E1	steering wheel Plain leather		1	PR:841,345
		D >> - MJ 2010			
	997 347 803 E1 A34	Black			
	997 347 803 E1 B24	Stone grey			
	997 347 803 E1 T24	Sand beige			
	997 347 803 E1 E24	sea blue			
	997 347 803 E1 M24	Terracotta			
	997 347 803 E1 R24	Cocoa			
	997 347 803 E1 D14	Dark grey/natural			
	997 347 803 E1 T34	Brown/natural			
	997 347 803 E1 N14	Carrera Red			
(15)	997 347 803 21	multifunction steering wheel Plain leather		1	PR:844
		D >> - MJ 2010 Discontinued part			
	997 347 803 21 A34	Black			
	997 347 803 21 B24	Stone grey			
	997 347 803 21 T24	Sand beige			
	997 347 803 21 E24	sea blue			
	997 347 803 21 M24	Terracotta			
	997 347 803 21 R24	Cocoa			
	997 347 803 21 D14	Dark grey/natural			
	997 347 803 21 T34	Brown/natural			
	997 347 803 21 N14	Carrera Red			
(15)	997 347 803 33	multifunction steering wheel Plain leather		1	PR:844
		D >> - MJ 2010 Discontinued part			
	997 347 803 33 A34	Black			
	997 347 803 33 B24	Stone grey			
	997 347 803 33 T24	Sand beige			
	997 347 803 33 E24	sea blue			
	997 347 803 33 M24	Terracotta			
	997 347 803 33 R24	Cocoa			
	997 347 803 33 D14	Dark grey/natural			
	997 347 803 33 T34	Brown/natural			
	997 347 803 33 N14	Carrera Red			
(15)	997 347 803 99	multifunction steering wheel		1	PR:844

Model: 987209

Model life 2009>>2012

Pos	Part Number	Description	Remark	Qty	Model
		Plain leather D >> - MJ 2010 Discontinued part			
	997 347 803 99 A34	Black			
	997 347 803 99 B24	Stone grey			
	997 347 803 99 T24	Sand beige			
	997 347 803 99 E24	sea blue			
	997 347 803 99 M24	Terracotta			
	997 347 803 99 R24	Cocoa			
	997 347 803 99 D14	Dark grey/natural			
	997 347 803 99 T34	Brown/natural			
	997 347 803 99 N14	Carrera Red			
(15)	997 347 803 D7	multifunction steering wheel Plain leather D >> - MJ 2010		1	PR:844
	997 347 803 D7 A34	Black			
	997 347 803 D7 B24	Stone grey			
	997 347 803 D7 T24	Sand beige			
	997 347 803 D7 E24	sea blue			
	997 347 803 D7 M24	Terracotta			
	997 347 803 D7 R24	Cocoa			
	997 347 803 D7 D14	Dark grey/natural			
	997 347 803 D7 T34	Brown/natural			
	997 347 803 D7 N14	Carrera Red			
(15)	997 347 803 24	multifunction steering wheel Plain leather D >> - MJ 2010		1	PR:844,345
	997 347 803 24 A34	Black			
	997 347 803 24 B24	Stone grey			
	997 347 803 24 T24	Sand beige			
	997 347 803 24 E24	sea blue			
	997 347 803 24 M24	Terracotta			
	997 347 803 24 R24	Cocoa			
	997 347 803 24 D14	Dark grey/natural			
	997 347 803 24 T34	Brown/natural			
	997 347 803 24 N14	Carrera Red			
(15)	997 347 803 36	multifunction steering wheel Plain leather D >> - MJ 2010		1	PR:844,345
	997 347 803 36 A34	Black			
	997 347 803 36 B24	Stone grey			
	997 347 803 36 T24	Sand beige			
	997 347 803 36 E24	sea blue			
	997 347 803 36 M24	Terracotta			
	997 347 803 36 R24	Cocoa			
	997 347 803 36 D14	Dark grey/natural			
	997 347 803 36 T34	Brown/natural			
	997 347 803 36 N14	Carrera Red			
(15)	997 347 803 A2	multifunction steering wheel Plain leather D >> - MJ 2010		1	PR:844,345
	997 347 803 A2 A34	Black			
	997 347 803 A2 B24	Stone grey			
	997 347 803 A2 T24	Sand beige			
	997 347 803 A2 E24	sea blue			
	997 347 803 A2 M24	Terracotta			
	997 347 803 A2 R24	Cocoa			
	997 347 803 A2 D14	Dark grey/natural			
	997 347 803 A2 T34	Brown/natural			
	997 347 803 A2 N14	Carrera Red			

Model: 987209

Model life 2009>>2012

Pos	Part Number	Description	Remark	Qty	Model
(15)	997 347 803 E0	multifunction steering wheel Plain leather D >> - MJ 2010		1	PR:844,345
	997 347 803 E0 A34	Black			
	997 347 803 E0 B24	Stone grey			
	997 347 803 E0 T24	Sand beige			
	997 347 803 E0 E24	sea blue			
	997 347 803 E0 M24	Terracotta			
	997 347 803 E0 R24	Cocoa			
	997 347 803 E0 D14	Dark grey/natural			
	997 347 803 E0 T34	Brown/natural			
	997 347 803 E0 N14	Carrera Red			
(15)	997 347 803 22	multifunction steering wheel Carbon D >> - MJ 2010		1	PR:845,345
	997 347 803 22 A34	Black			
	997 347 803 22 B24	Stone grey			
	997 347 803 22 T24	Sand beige			
	997 347 803 22 E24	sea blue			
	997 347 803 22 M24	Terracotta			
	997 347 803 22 R24	Cocoa			
	997 347 803 22 D14	Dark grey/natural			
	997 347 803 22 T34	Brown/natural			
	997 347 803 22 N14	Carrera Red			
(15)	997 347 803 34	multifunction steering wheel Carbon D >> - MJ 2010		1	PR:845,345
	997 347 803 34 A34	Black Discontinued part			
	997 347 803 34 B24	Stone grey Discontinued part			
	997 347 803 34 T24	Sand beige Discontinued part			
	997 347 803 34 E24	sea blue Discontinued part			
	997 347 803 34 M24	Terracotta Discontinued part			
	997 347 803 34 R24	Cocoa Discontinued part			
	997 347 803 34 D14	Dark grey/natural Discontinued part			
	997 347 803 34 T34	Brown/natural Discontinued part			
	997 347 803 34 N14	Carrera Red Discontinued part			
(15)	997 347 803 A0	multifunction steering wheel Carbon D >> - MJ 2010		1	PR:845,345
	997 347 803 A0 A34	Black			
	997 347 803 A0 B24	Stone grey			
	997 347 803 A0 T24	Sand beige			
	997 347 803 A0 E24	sea blue			
	997 347 803 A0 M24	Terracotta			
	997 347 803 A0 R24	Cocoa			
	997 347 803 A0 D14	Dark grey/natural			
	997 347 803 A0 T34	Brown/natural			
	997 347 803 A0 N14	Carrera Red			
(15)	997 347 803 D8	multifunction steering wheel Carbon D >> - MJ 2010		1	PR:845,345

Model: 987209

Model life 2009>>2012

Pos	Part Number	Description	Remark	Qty	Model
	997 347 803 D8 A34	Black			
	997 347 803 D8 B24	Stone grey			
	997 347 803 D8 T24	Sand beige			
	997 347 803 D8 E24	sea blue			
	997 347 803 D8 M24	Terracotta			
	997 347 803 D8 R24	Cocoa			
	997 347 803 D8 D14	Dark grey/natural			
	997 347 803 D8 T34	Brown/natural			
	997 347 803 D8 N14	Carrera Red			
(15)	997 347 803 23	multifunction steering wheel macassar D >> - MJ 2010 Discontinued part		1	PR:847,345
	997 347 803 23 A34	Black			
	997 347 803 23 B24	Stone grey			
	997 347 803 23 T24	Sand beige			
	997 347 803 23 E24	sea blue			
	997 347 803 23 M24	Terracotta			
	997 347 803 23 R24	Cocoa			
	997 347 803 23 D14	Dark grey/natural			
	997 347 803 23 T34	Brown/natural			
	997 347 803 23 N14	Carrera Red			
(15)	997 347 803 35	multifunction steering wheel macassar D >> - MJ 2010 Discontinued part		1	PR:847,345
	997 347 803 35 A34	Black Discontinued part			
	997 347 803 35 B24	Stone grey Discontinued part			
	997 347 803 35 T24	Sand beige Discontinued part			
	997 347 803 35 E24	sea blue Discontinued part			
	997 347 803 35 M24	Terracotta Discontinued part			
	997 347 803 35 R24	Cocoa Discontinued part			
	997 347 803 35 D14	Dark grey/natural Discontinued part			
	997 347 803 35 T34	Brown/natural Discontinued part			
	997 347 803 35 N14	Carrera Red Discontinued part			
(15)	997 347 803 A1	multifunction steering wheel macassar D >> - MJ 2010 Discontinued part		1	PR:847,345
	997 347 803 A1 A34	Black			
	997 347 803 A1 B24	Stone grey			
	997 347 803 A1 T24	Sand beige			
	997 347 803 A1 E24	sea blue			
	997 347 803 A1 M24	Terracotta			
	997 347 803 A1 R24	Cocoa			
	997 347 803 A1 D14	Dark grey/natural			
	997 347 803 A1 T34	Brown/natural			
	997 347 803 A1 N14	Carrera Red			
(15)	997 347 803 D9	multifunction steering wheel macassar D >> - MJ 2010		1	PR:847,345
	997 347 803 D9 A34	Black			
	997 347 803 D9 B24	Stone grey			
	997 347 803 D9 T24	Sand beige			

Model: 987209

Model life 2009>>2012

Pos	Part Number	Description	Remark	Qty	Model
	997 347 803 D9 E24	sea blue			
	997 347 803 D9 M24	Terracotta			
	997 347 803 D9 R24	Cocoa			
	997 347 803 D9 D14	Dark grey/natural			
	997 347 803 D9 T34	Brown/natural			
	997 347 803 D9 N14	Carrera Red			
(15)	997 347 980 05	multifunction steering wheel Aluminium look D >> - MJ 2010 Discontinued part		1	PR:XPU,345
	997 347 980 05 A34	Black			
	997 347 980 05 B24	Stone grey			
	997 347 980 05 T24	Sand beige			
	997 347 980 05 E24	sea blue			
	997 347 980 05 M24	Terracotta			
	997 347 980 05 R24	Cocoa			
	997 347 980 05 D14	Dark grey/natural			
	997 347 980 05 T34	Brown/natural			
	997 347 980 05 N14	Carrera Red			
(15)	997 347 980 09	multifunction steering wheel Aluminium look D >> - MJ 2010 Discontinued part		1	PR:XPU,345
	997 347 980 09 A34	Black			
	997 347 980 09 B24	Stone grey			
	997 347 980 09 T24	Sand beige			
	997 347 980 09 E24	sea blue			
	997 347 980 09 M24	Terracotta			
	997 347 980 09 R24	Cocoa			
	997 347 980 09 D14	Dark grey/natural			
	997 347 980 09 T34	Brown/natural			
	997 347 980 09 N14	Carrera Red			
(15)	997 347 980 14	multifunction steering wheel Aluminium look D >> - MJ 2010 Discontinued part		1	PR:XPU,345
	997 347 980 14 A34	Black			
	997 347 980 14 B24	Stone grey			
	997 347 980 14 T24	Sand beige			
	997 347 980 14 E24	sea blue			
	997 347 980 14 M24	Terracotta			
	997 347 980 14 R24	Cocoa			
	997 347 980 14 D14	Dark grey/natural			
	997 347 980 14 T34	Brown/natural			
	997 347 980 14 N14	Carrera Red			
(15)	997 347 980 B7	multifunction steering wheel Aluminium look D >> - MJ 2010		1	PR:XPU,345
	997 347 980 B7 A34	Black			
	997 347 980 B7 B24	Stone grey			
	997 347 980 B7 T24	Sand beige			
	997 347 980 B7 E24	sea blue			
	997 347 980 B7 M24	Terracotta			
	997 347 980 B7 R24	Cocoa			
	997 347 980 B7 D14	Dark grey/natural			
	997 347 980 B7 T34	Brown/natural			
	997 347 980 B7 N14	Carrera Red			
-		Steering wheels D - MJ 2011>>			
(15)	997 347 803 80	steering wheel Shifting paddle D - MJ 2011>> Discontinued part		1	PR:840

Model: 987209

Model life 2009>>2012

Pos	Part Number	Description	Remark	Qty	Model
	997 347 803 80 A34	Black			
	997 347 803 80 B24	Stone grey			
	997 347 803 80 T24	Sand beige			
	997 347 803 80 E24	sea blue			
	997 347 803 80 M24	Terracotta			
	997 347 803 80 R24	Cocoa			
	997 347 803 80 D14	Dark grey/natural			
	997 347 803 80 T34	Brown/natural			
	997 347 803 80 N14	Carrera Red			
(15)	997 347 803 91	steering wheel		1	PR:840
		Shifting paddle			
		D - MJ 2011>>			
		Discontinued part			
	997 347 803 91 A34	Black			
	997 347 803 91 B24	Stone grey			
		Discontinued part			
	997 347 803 91 T24	Sand beige			
	997 347 803 91 E24	sea blue			
	997 347 803 91 M24	Terracotta			
		Discontinued part			
	997 347 803 91 R24	Cocoa			
	997 347 803 91 D14	Dark grey/natural			
		Discontinued part			
	997 347 803 91 T34	Brown/natural			
	997 347 803 91 N14	Carrera Red			
		Discontinued part			
(15)	997 347 803 91 6H6	Espresso		1	PR:840
	997 347 803 B7	steering wheel			
		Shifting paddle			
		D - MJ 2011>>			
		Discontinued part			
	997 347 803 B7 A34	Black			
	997 347 803 B7 B24	Stone grey			
	997 347 803 B7 T24	Sand beige			
	997 347 803 B7 E24	sea blue			
	997 347 803 B7 M24	Terracotta			
	997 347 803 B7 R24	Cocoa			
	997 347 803 B7 D14	Dark grey/natural			
	997 347 803 B7 T34	Brown/natural			
	997 347 803 B7 N14	Carrera Red			
	997 347 803 B7 6H6	Espresso			
(15)	997 347 803 G0	steering wheel		1	PR:840
		PADDLE			
		D - MJ 2011>>			
	997 347 803 G0 A34	Black			
	997 347 803 G0 B24	Stone grey			
	997 347 803 G0 T24	Sand beige			
	997 347 803 G0 E24	sea blue			
	997 347 803 G0 M24	Terracotta			
	997 347 803 G0 R24	Cocoa			
	997 347 803 G0 D14	Dark grey/natural			
	997 347 803 G0 T34	Brown/natural			
	997 347 803 G0 N14	Carrera Red			
	997 347 803 G0 6H6	Espresso			
(15)	997 347 803 81	steering wheel		1	PR:840,639, 640
		Shifting paddle			
		D - MJ 2011>>			
		Discontinued part			
	997 347 803 81 A34	Black			
	997 347 803 81 B24	Stone grey			
	997 347 803 81 T24	Sand beige			
	997 347 803 81 E24	sea blue			
	997 347 803 81 M24	Terracotta			

Model: 987209

Model life 2009>>2012

Pos	Part Number	Description	Remark	Qty	Model			
(15)	997 347 803 81 R24	Cocoa		1	PR:840,639, 640			
	997 347 803 81 D14	Dark grey/natural						
	997 347 803 81 T34	Brown/natural						
	997 347 803 81 N14	Carrera Red						
	997 347 803 92	steering wheel						
		Shifting paddle						
		D - MJ 2011>>						
		Discontinued part						
	997 347 803 92 A34	Black						
		Discontinued part						
	997 347 803 92 B24	Stone grey						
		Discontinued part						
	997 347 803 92 T24	Sand beige						
	997 347 803 92 E24	sea blue						
	997 347 803 92 M24	Terracotta						
(15)	997 347 803 92 R24	Cocoa		1	PR:840,639, 640			
		Discontinued part						
	997 347 803 92 D14	Dark grey/natural						
		Discontinued part						
	997 347 803 92 T34	Brown/natural						
		Discontinued part						
	997 347 803 92 N14	Carrera Red						
		Discontinued part						
	997 347 803 92 6H6	Espresso						
	997 347 803 B8	steering wheel						
		Shifting paddle						
		D - MJ 2011>>						
		Discontinued part						
	997 347 803 B8 A34	Black						
	997 347 803 B8 B24	Stone grey						
997 347 803 B8 T24	Sand beige							
997 347 803 B8 E24	sea blue							
997 347 803 B8 M24	Terracotta							
997 347 803 B8 R24	Cocoa							
997 347 803 B8 D14	Dark grey/natural							
997 347 803 B8 T34	Brown/natural							
997 347 803 B8 N14	Carrera Red							
997 347 803 B8 6H6	Espresso							
(15)	997 347 803 G1	steering wheel		1	PR:840,639, 640			
		Shifting paddle						
		D - MJ 2011>>						
	997 347 803 G1 A34	Black						
	997 347 803 G1 B24	Stone grey						
	997 347 803 G1 T24	Sand beige						
	997 347 803 G1 E24	sea blue						
	997 347 803 G1 M24	Terracotta						
	997 347 803 G1 R24	Cocoa						
	997 347 803 G1 D14	Dark grey/natural						
	997 347 803 G1 T34	Brown/natural						
	997 347 803 G1 N14	Carrera Red						
	997 347 803 G1 6H6	Espresso						
	(15)	997 347 803 59	steering wheel				1	PR:841
			Plain leather					
		D - MJ 2011>>						
		Discontinued part						
997 347 803 59 A34		Black						
997 347 803 59 B24		Stone grey						
997 347 803 59 T24		Sand beige						
997 347 803 59 E24		sea blue						
997 347 803 59 M24		Terracotta						
997 347 803 59 R24		Cocoa						
997 347 803 59 D14		Dark grey/natural						

Model: 987209

Model life 2009>>2012

Pos	Part Number	Description	Remark	Qty	Model
(15)	997 347 803 59 T34	Brown/natural		1	PR:841,-345
	997 347 803 59 N14	Carrera Red			
	997 347 803 98	steering wheel			
		Plain leather			
		D - MJ 2011>>			
		Discontinued part			
	997 347 803 98 A34	Black			
	997 347 803 98 B24	Stone grey			
	997 347 803 98 T24	Sand beige			
	997 347 803 98 E24	sea blue			
(15)	997 347 803 98 M24	Terracotta		1	PR:841,-345
	997 347 803 98 R24	Cocoa			
	997 347 803 98 D14	Dark grey/natural			
	997 347 803 98 T34	Brown/natural			
	997 347 803 98 N14	Carrera Red			
	997 347 803 98 6H6	Espresso			
	997 347 803 D6	steering wheel			
		Plain leather			
		D - MJ 2011>>			
		Discontinued part			
(15)	997 347 803 D6 A34	Black		1	PR:841,345
	997 347 803 D6 B24	Stone grey			
	997 347 803 D6 T24	Sand beige			
	997 347 803 D6 E24	sea blue			
	997 347 803 D6 M24	Terracotta			
	997 347 803 D6 R24	Cocoa			
	997 347 803 D6 D14	Dark grey/natural			
	997 347 803 D6 T34	Brown/natural			
	997 347 803 D6 N14	Carrera Red			
	997 347 803 D6 6H6	Espresso			
(15)	997 347 803 64	steering wheel		1	PR:841,345
		Plain leather			
		D - MJ 2011>>			
		Discontinued part			
	997 347 803 64 A34	Black			
	997 347 803 64 B24	Stone grey			
	997 347 803 64 T24	Sand beige			
	997 347 803 64 E24	sea blue			
	997 347 803 64 M24	Terracotta			
	997 347 803 64 R24	Cocoa			
(15)	997 347 803 64 D14	Dark grey/natural		1	PR:841,345
	997 347 803 64 T34	Brown/natural			
	997 347 803 64 N14	Carrera Red			
	997 347 803 A3	steering wheel			
		Plain leather			
		D - MJ 2011>>			
		Discontinued part			
	997 347 803 A3 A34	Black			
	997 347 803 A3 B24	Stone grey			
	997 347 803 A3 T24	Sand beige			
997 347 803 A3 E24	sea blue				
(15)	997 347 803 A3 M24	Terracotta		1	PR:841,345
	997 347 803 A3 R24	Cocoa			
	997 347 803 A3 D14	Dark grey/natural			
	997 347 803 A3 T34	Brown/natural			
	997 347 803 A3 N14	Carrera Red			
	997 347 803 A3 6H6	Espresso			
	997 347 803 E1	steering wheel			
		Plain leather			
		D - MJ 2011>>			
		Discontinued part			
(15)	997 347 803 E1 A34	Black		1	PR:841,345
	997 347 803 E1 B24	Stone grey			
	997 347 803 E1 T24	Sand beige			
	997 347 803 E1 E24	sea blue			

Model: 987209 Model life 2009>>2012

Pos	Part Number	Description	Remark	Qty	Model
	997 347 803 E1 M24	Terracotta			
	997 347 803 E1 R24	Cocoa			
	997 347 803 E1 D14	Dark grey/natural			
	997 347 803 E1 T34	Brown/natural			
	997 347 803 E1 N14	Carrera Red			
	997 347 803 E1 6H6	Espresso			
(15)	997 347 803 82	sports steering wheel Alcantara D - MJ 2011>> Discontinued part		1	CAYMAN R PR:843
(15)	997 347 803 82 A15	Black			
(15)	997 347 803 93	sports steering wheel Alcantara D - MJ 2011>> Discontinued part		1	CAYMAN R PR:843
(15)	997 347 803 93 A15	Black			
(15)	997 347 803 B9	sports steering wheel Alcantara D - MJ 2011>> Discontinued part		1	CAYMAN R PR:843
(15)	997 347 803 B9 A15	Black			
(15)	997 347 803 G2	sports steering wheel Alcantara D - MJ 2011>>		1	CAYMAN R PR:843
(15)	997 347 803 G2 A15	Black			
(15)	997 347 803 83	sports steering wheel Alcantara D - MJ 2011>> Discontinued part		1	CAYMAN R PR:843,639, 640
(15)	997 347 803 83 A15	Black			
(15)	997 347 803 94	sports steering wheel Alcantara D - MJ 2011>> Discontinued part		1	CAYMAN R PR:843,639, 640
(15)	997 347 803 94 A15	Black			
(15)	997 347 803 C0	sports steering wheel Alcantara D - MJ 2011>> Discontinued part		1	CAYMAN R PR:843,639, 640
(15)	997 347 803 C0 A15	Black			
(15)	997 347 803 G3	sports steering wheel Alcantara D - MJ 2011>>		1	CAYMAN R PR:843,639, 640
(15)	997 347 803 G3 A15	Black			
(15)	997 347 803 60	multifunction steering wheel Plain leather D - MJ 2011>> Discontinued part		1	PR:844
	997 347 803 60 A34	Black			
	997 347 803 60 B24	Stone grey			
	997 347 803 60 T24	Sand beige			
	997 347 803 60 E24	sea blue			
	997 347 803 60 M24	Terracotta			
	997 347 803 60 R24	Cocoa			
	997 347 803 60 D14	Dark grey/natural			
	997 347 803 60 T34	Brown/natural			
	997 347 803 60 N14	Carrera Red			
(15)	997 347 803 99	multifunction steering wheel Plain leather D - MJ 2011>> Discontinued part		1	PR:844
	997 347 803 99 A34	Black			
	997 347 803 99 B24	Stone grey			

Model: 987209 Model life 2009>>2012

Pos	Part Number	Description	Remark	Qty	Model
	997 347 803 99 T24	Sand beige			
	997 347 803 99 E24	sea blue			
	997 347 803 99 M24	Terracotta			
	997 347 803 99 R24	Cocoa			
	997 347 803 99 D14	Dark grey/natural			
	997 347 803 99 T34	Brown/natural			
	997 347 803 99 N14	Carrera Red			
	997 347 803 99 6H6	Espresso			
(15)	997 347 803 D7	multifunction steering wheel Plain leather D - MJ 2011>>		1	PR:844
	997 347 803 D7 A34	Black			
	997 347 803 D7 B24	Stone grey			
	997 347 803 D7 T24	Sand beige			
	997 347 803 D7 E24	sea blue			
	997 347 803 D7 M24	Terracotta			
	997 347 803 D7 R24	Cocoa			
	997 347 803 D7 D14	Dark grey/natural			
	997 347 803 D7 T34	Brown/natural			
	997 347 803 D7 N14	Carrera Red			
	997 347 803 D7 6H6	Espresso			
(15)	997 347 803 63	multifunction steering wheel Plain leather D - MJ 2011>> Discontinued part		1	PR:844,345
	997 347 803 63 A34	Black			
	997 347 803 63 B24	Stone grey			
	997 347 803 63 T24	Sand beige			
	997 347 803 63 E24	sea blue			
	997 347 803 63 M24	Terracotta			
	997 347 803 63 R24	Cocoa			
	997 347 803 63 D14	Dark grey/natural			
	997 347 803 63 T34	Brown/natural			
	997 347 803 63 N14	Carrera Red			
(15)	997 347 803 A2	multifunction steering wheel Plain leather D - MJ 2011>> Discontinued part		1	PR:844,345
	997 347 803 A2 A34	Black			
	997 347 803 A2 B24	Stone grey			
	997 347 803 A2 T24	Sand beige			
	997 347 803 A2 E24	sea blue			
	997 347 803 A2 M24	Terracotta			
	997 347 803 A2 R24	Cocoa			
	997 347 803 A2 D14	Dark grey/natural			
	997 347 803 A2 T34	Brown/natural			
	997 347 803 A2 N14	Carrera Red			
	997 347 803 A2 6H6	Espresso			
(15)	997 347 803 E0	multifunction steering wheel Plain leather D - MJ 2011>>		1	PR:844,345
	997 347 803 E0 A34	Black			
	997 347 803 E0 B24	Stone grey			
	997 347 803 E0 T24	Sand beige			
	997 347 803 E0 E24	sea blue			
	997 347 803 E0 M24	Terracotta			
	997 347 803 E0 R24	Cocoa			
	997 347 803 E0 D14	Dark grey/natural			
	997 347 803 E0 T34	Brown/natural			
	997 347 803 E0 N14	Carrera Red			
	997 347 803 E0 6H6	Espresso			
(15)	997 347 803 62	multifunction steering wheel macassar		1	PR:847,345

Model: 987209

Model life 2009>>2012

Pos	Part Number	Description	Remark	Qty	Model
		D - MJ 2011>> Discontinued part			
	997 347 803 62 A34	Black			
	997 347 803 62 B24	Stone grey			
	997 347 803 62 T24	Sand beige			
	997 347 803 62 E24	sea blue			
	997 347 803 62 M24	Terracotta			
	997 347 803 62 R24	Cocoa			
	997 347 803 62 D14	Dark grey/natural			
	997 347 803 62 T34	Brown/natural			
	997 347 803 62 N14	Carrera Red			
(15)	997 347 803 A1	multifunction steering wheel macassar		1	PR:847,345
		D - MJ 2011>> Discontinued part			
	997 347 803 A1 A34	Black			
	997 347 803 A1 B24	Stone grey			
	997 347 803 A1 T24	Sand beige			
	997 347 803 A1 E24	sea blue			
	997 347 803 A1 M24	Terracotta			
	997 347 803 A1 R24	Cocoa			
	997 347 803 A1 D14	Dark grey/natural			
	997 347 803 A1 T34	Brown/natural			
	997 347 803 A1 N14	Carrera Red			
	997 347 803 A1 6H6	Espresso			
(15)	997 347 803 D9	multifunction steering wheel macassar		1	PR:847,345
		D - MJ 2011>>			
	997 347 803 D9 A34	Black			
	997 347 803 D9 B24	Stone grey			
	997 347 803 D9 T24	Sand beige			
	997 347 803 D9 E24	sea blue			
	997 347 803 D9 M24	Terracotta			
	997 347 803 D9 R24	Cocoa			
	997 347 803 D9 D14	Dark grey/natural			
	997 347 803 D9 T34	Brown/natural			
	997 347 803 D9 N14	Carrera Red			
	997 347 803 D9 6H6	Espresso			
(15)	997 347 980 11	multifunction steering wheel Aluminium look		1	PR:XPU,345
		D - MJ 2011>> Discontinued part			
	997 347 980 11 A34	Black			
	997 347 980 11 B24	Stone grey			
	997 347 980 11 T24	Sand beige			
	997 347 980 11 E24	sea blue			
	997 347 980 11 M24	Terracotta			
	997 347 980 11 R24	Cocoa			
	997 347 980 11 D14	Dark grey/natural			
	997 347 980 11 T34	Brown/natural			
	997 347 980 11 N14	Carrera Red			
(15)	997 347 980 14	multifunction steering wheel Aluminium look		1	PR:XPU,345
		D - MJ 2011>> Discontinued part			
	997 347 980 14 A34	Black			
	997 347 980 14 B24	Stone grey			
	997 347 980 14 T24	Sand beige			
	997 347 980 14 E24	sea blue			
	997 347 980 14 M24	Terracotta			
	997 347 980 14 R24	Cocoa			
	997 347 980 14 D14	Dark grey/natural			
	997 347 980 14 T34	Brown/natural			

Model: 987209

Model life 2009>>2012

Pos	Part Number	Description	Remark	Qty	Model
(15)	997 347 980 14 N14	Carrera Red		1	PR:XPU,345
	997 347 980 14 6H6	Espresso			
	997 347 980 B7	multifunction steering wheel Aluminium look D - MJ 2011>>			
	997 347 980 B7 A34	Black			
	997 347 980 B7 B24	Stone grey			
	997 347 980 B7 T24	Sand beige			
	997 347 980 B7 E24	sea blue			
	997 347 980 B7 M24	Terracotta			
	997 347 980 B7 R24	Cocoa			
	997 347 980 B7 D14	Dark grey/natural			
15	997 347 980 B7 T34	Brown/natural		1	PR:841,640, 639
	997 347 980 B7 N14	Carrera Red			
	997 347 980 B7 6H6	Espresso			
	997 347 803 65	steering wheel Plain leather D - MJ 2011>>			
	997 347 803 65 A34	Black			
	997 347 803 65 B24	Stone grey			
	997 347 803 65 T24	Sand beige			
	997 347 803 65 E24	sea blue			
	997 347 803 65 M24	Terracotta			
	997 347 803 65 R24	Cocoa			
(15)	997 347 803 65 D14	Dark grey/natural		1	PR:841,640, 639
	997 347 803 65 T34	Brown/natural			
	997 347 803 65 N14	Carrera Red			
	997 347 803 70	steering wheel Plain leather D - MJ 2011>>			
	997 347 803 70 A34	Black			
	997 347 803 70 B24	Stone grey			
	997 347 803 70 T24	Sand beige			
	997 347 803 70 E24	sea blue			
	997 347 803 70 M24	Terracotta			
	997 347 803 70 R24	Cocoa			
(15)	997 347 803 70 D14	Dark grey/natural		1	PR:844,640, 639
	997 347 803 70 T34	Brown/natural			
	997 347 803 70 N14	Carrera Red			
	997 347 803 66	multifunction steering wheel Plain leather D - MJ 2011>>			
	997 347 803 66 A34	Black			
	997 347 803 66 B24	Stone grey			
	997 347 803 66 T24	Sand beige			
	997 347 803 66 E24	sea blue			
	997 347 803 66 M24	Terracotta			
	997 347 803 66 R24	Cocoa			
(15)	997 347 803 66 D14	Dark grey/natural		1	PR:844,640, 639
	997 347 803 66 T34	Brown/natural			
	997 347 803 66 N14	Carrera Red			
	997 347 803 A5	multifunction steering wheel Plain leather D - MJ 2011>> Discontinued part			
	997 347 803 A5 A34	Black			
	997 347 803 A5 B24	Stone grey			
	997 347 803 A5 T24	Sand beige			
	997 347 803 A5 E24	sea blue			
	997 347 803 A5 M24	Terracotta			
	997 347 803 A5 R24	Cocoa			
(15)	997 347 803 A5 D14	Dark grey/natural		1	PR:844,640, 639
	997 347 803 A5 T34	Brown/natural			

Model: 987209 Model life 2009>>2012

Pos	Part Number	Description	Remark	Qty	Model
(15)	997 347 803 A5 N14	Carrera Red		1	PR:844,640, 639
	997 347 803 A5 6H6	Espresso			
	997 347 803 E3	multifunction steering wheel Plain leather D - MJ 2011>>			
	997 347 803 E3 A34	Black			
	997 347 803 E3 B24	Stone grey			
	997 347 803 E3 T24	Sand beige			
	997 347 803 E3 E24	sea blue			
	997 347 803 E3 M24	Terracotta			
	997 347 803 E3 R24	Cocoa			
	997 347 803 E3 D14	Dark grey/natural			
(15)	997 347 803 E3 T34	Brown/natural		1	PR:844,640, 639,345
	997 347 803 E3 N14	Carrera Red			
	997 347 803 E3 6H6	Espresso			
	997 347 803 69	multifunction steering wheel Plain leather D - MJ 2011>> Discontinued part			
	997 347 803 69 A34	Black			
	997 347 803 69 B24	Stone grey			
	997 347 803 69 T24	Sand beige			
	997 347 803 69 E24	sea blue			
	997 347 803 69 M24	Terracotta			
	997 347 803 69 R24	Cocoa			
(15)	997 347 803 69 D14	Dark grey/natural		1	PR:844,640, 639,345
	997 347 803 69 T34	Brown/natural			
	997 347 803 69 N14	Carrera Red			
	997 347 803 A8	multifunction steering wheel Plain leather D - MJ 2011>> Discontinued part			
	997 347 803 A8 A34	Black			
	997 347 803 A8 B24	Stone grey			
	997 347 803 A8 T24	Sand beige			
	997 347 803 A8 E24	sea blue			
	997 347 803 A8 M24	Terracotta			
	997 347 803 A8 R24	Cocoa			
(15)	997 347 803 A8 D14	Dark grey/natural		1	PR:844,640, 639,345
	997 347 803 A8 T34	Brown/natural			
	997 347 803 A8 N14	Carrera Red			
	997 347 803 A8 6H6	Espresso			
	997 347 803 E6	multifunction steering wheel Plain leather D - MJ 2011>>			
	997 347 803 E6 A34	Black			
	997 347 803 E6 B24	Stone grey			
	997 347 803 E6 T24	Sand beige			
	997 347 803 E6 E24	sea blue			
	997 347 803 E6 M24	Terracotta			
(15)	997 347 803 E6 R24	Cocoa		1	PR:845,640, 639,345
	997 347 803 E6 D14	Dark grey/natural			
	997 347 803 E6 T34	Brown/natural			
	997 347 803 E6 N14	Carrera Red			
	997 347 803 E6 6H6	Espresso			
	997 347 803 67	multifunction steering wheel Carbon D - MJ 2011>> Discontinued part			
	997 347 803 67 A34	Black Discontinued part			
	997 347 803 67 B24	Stone grey			

Model: 987209

Model life 2009>>2012

Pos	Part Number	Description	Remark	Qty	Model
	997 347 803 67 T24	Discontinued part Sand beige			
	997 347 803 67 E24	Discontinued part sea blue			
	997 347 803 67 M24	Discontinued part Terracotta			
	997 347 803 67 R24	Discontinued part Cocoa			
	997 347 803 67 D14	Discontinued part Dark grey/natural			
	997 347 803 67 T34	Discontinued part Brown/natural			
	997 347 803 67 N14	Discontinued part Carrera Red			
(15)	997 347 803 A6	Discontinued part multifunction steering wheel		1	PR:845,640, 639,345
		Carbon D - MJ 2011>> Discontinued part			
	997 347 803 A6 A34	Black			
	997 347 803 A6 B24	Stone grey			
	997 347 803 A6 T24	Sand beige			
	997 347 803 A6 E24	sea blue			
	997 347 803 A6 M24	Terracotta			
	997 347 803 A6 R24	Cocoa			
	997 347 803 A6 D14	Dark grey/natural			
	997 347 803 A6 T34	Brown/natural			
	997 347 803 A6 N14	Carrera Red			
(15)	997 347 803 A6 6H6	Black/espresso			
(15)	997 347 803 E4	multifunction steering wheel		1	PR:845,640, 639,345
		Carbon D - MJ 2011>>			
	997 347 803 E4 A34	Black			
	997 347 803 E4 B24	Stone grey			
	997 347 803 E4 T24	Sand beige			
	997 347 803 E4 E24	sea blue			
	997 347 803 E4 M24	Terracotta			
	997 347 803 E4 R24	Cocoa			
	997 347 803 E4 D14	Dark grey/natural			
	997 347 803 E4 T34	Brown/natural			
	997 347 803 E4 N14	Carrera Red			
(15)	997 347 803 E4 6H6	Black/espresso			
(15)	997 347 803 68	multifunction steering wheel		1	PR:847,640, 639,345
		macassar D - MJ 2011>> Discontinued part			
	997 347 803 68 A34	Black			
	997 347 803 68 B24	Discontinued part Stone grey			
	997 347 803 68 T24	Discontinued part Sand beige			
	997 347 803 68 E24	Discontinued part sea blue			
	997 347 803 68 M24	Discontinued part Terracotta			
	997 347 803 68 R24	Discontinued part Cocoa			
	997 347 803 68 D14	Discontinued part Dark grey/natural			
		Discontinued part			

Model: 987209 Model life 2009>>2012

Pos	Part Number	Description	Remark	Qty	Model			
(15)	997 347 803 68 T34	Brown/natural Discontinued part		1	PR:847,640, 639,345			
	997 347 803 68 N14	Carrera Red Discontinued part						
	997 347 803 A7	multifunction steering wheel						
		macassar D - MJ 2011>> Discontinued part						
	997 347 803 A7 A34	Black						
	997 347 803 A7 B24	Stone grey						
	997 347 803 A7 T24	Sand beige						
	997 347 803 A7 E24	sea blue						
	997 347 803 A7 M24	Terracotta						
	997 347 803 A7 R24	Cocoa						
	997 347 803 A7 D14	Dark grey/natural						
	997 347 803 A7 T34	Brown/natural						
	997 347 803 A7 N14	Carrera Red						
	997 347 803 A7 6H6	Black/espresso						
(15)	997 347 803 E5	multifunction steering wheel		1	PR:847,640, 639,345			
		macassar D - MJ 2011>>						
	997 347 803 E5 A34	Black						
	997 347 803 E5 B24	Stone grey						
	997 347 803 E5 T24	Sand beige						
	997 347 803 E5 E24	sea blue						
	997 347 803 E5 M24	Terracotta						
	997 347 803 E5 R24	Cocoa						
	997 347 803 E5 D14	Dark grey/natural						
	997 347 803 E5 T34	Brown/natural						
	997 347 803 E5 N14	Carrera Red						
	997 347 803 E5 6H6	Black/espresso						
	(15)	997 347 980 10	multifunction steering wheel				1	PR:XPU,640, 639,345
			Aluminium look D - MJ 2011>> Discontinued part					
997 347 980 10 A34		Black						
997 347 980 10 B24		Stone grey						
997 347 980 10 T24		Sand beige						
997 347 980 10 E24		sea blue						
997 347 980 10 M24		Terracotta						
997 347 980 10 R24		Cocoa						
997 347 980 10 D14		Dark grey/natural						
997 347 980 10 T34		Brown/natural						
997 347 980 10 N14		Carrera Red						
(15)		997 347 980 13	multifunction steering wheel		1	PR:XPU,640, 639,345		
			Aluminium look D - MJ 2011>> Discontinued part					
		997 347 980 13 A34	Black					
	997 347 980 13 B24	Stone grey						
	997 347 980 13 T24	Sand beige						
	997 347 980 13 E24	sea blue						
	997 347 980 13 M24	Terracotta						
	997 347 980 13 R24	Cocoa						
	997 347 980 13 D14	Dark grey/natural						
	997 347 980 13 T34	Brown/natural						
	997 347 980 13 N14	Carrera Red						
	997 347 980 13 6H6	Espresso						
	(15)	997 347 980 B6	multifunction steering wheel				1	PR:XPU,640,

Model: 987209

Model life 2009>>2012

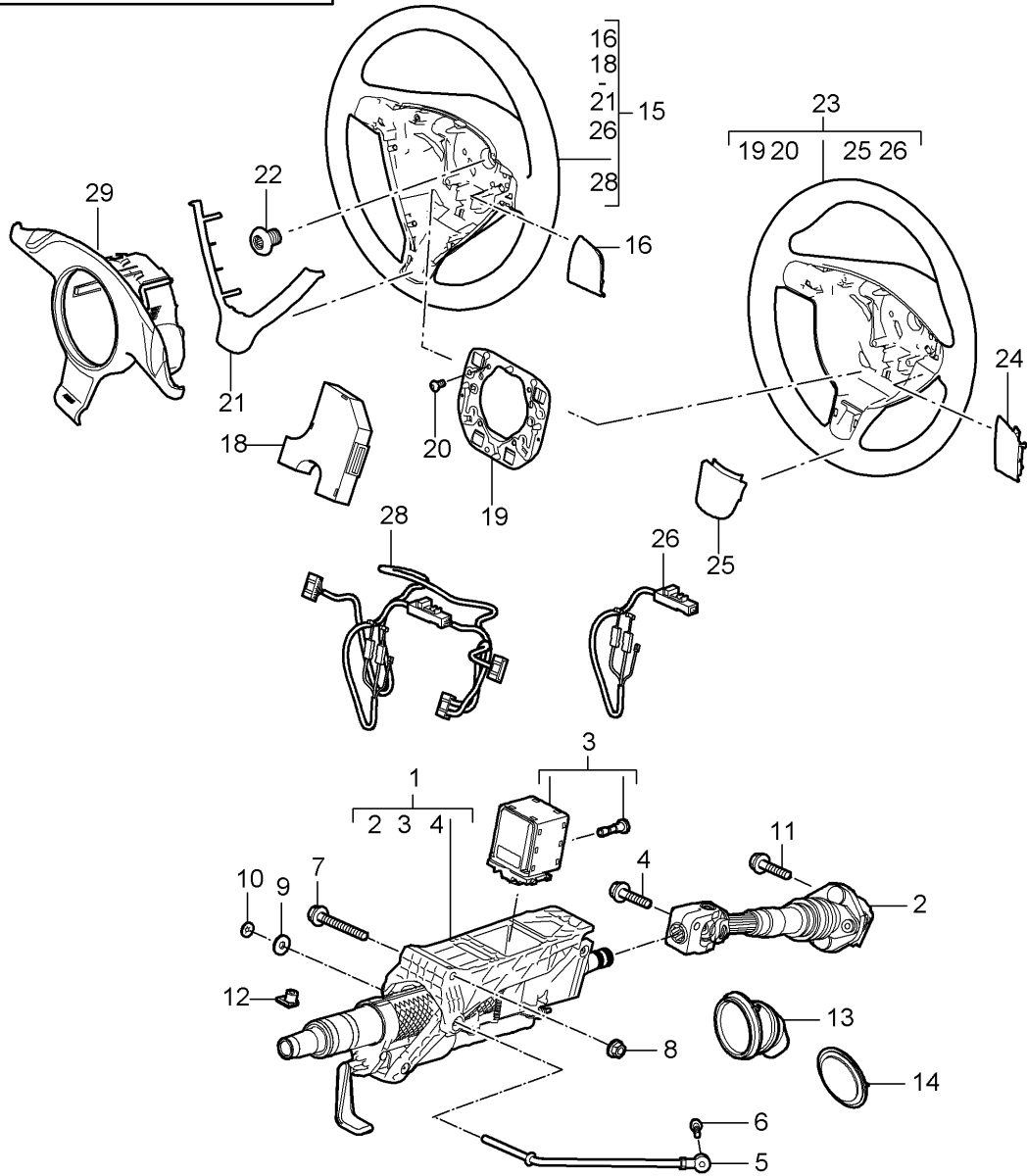
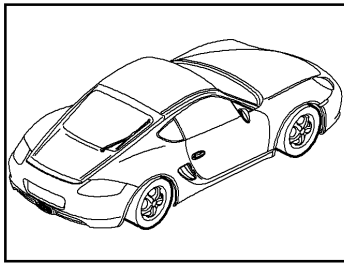
Pos	Part Number	Description	Remark	Qty	Model
		Aluminium look D - MJ 2011>>			639,345
	997 347 980 B6 A34	Black			
	997 347 980 B6 B24	Stone grey			
	997 347 980 B6 T24	Sand beige			
	997 347 980 B6 E24	sea blue			
	997 347 980 B6 M24	Terracotta			
	997 347 980 B6 R24	Cocoa			
	997 347 980 B6 D14	Dark grey/natural			
	997 347 980 B6 T34	Brown/natural			
	997 347 980 B6 N14	Carrera Red			
	997 347 980 B6 6H6	Espresso			
16	N 910 207 01	Screw with int. serrations M 18 X 1,5 X 26		1	
17	997 613 425 00	Tip switch Discontinued part		1	PR:345
17	997 613 425 00 A05	Black			
	7PP 951 527	Switch		1	PR:250,345
	7PP 951 527 A05	Black			
18	997 613 461 00	Module		1	PR:250,841
	997 613 461 00 FUP	Volcano grey/galvanosilver without:			
(18)	997 613 461 00	Display Module		1	PR:250,841, 639,640
	997 613 461 00 FUP	Volcano grey/galvanosilver without:			
(18)	997 613 461 00	Display Module		1	PR:250,841
	997 613 461 00 5Q0	Black without:			
(18)	997 613 461 00	Display Module		1	PR:250,841, 639,640
	997 613 461 00 5Q0	Black without:			
(18)	997 613 465 00	Display Module		1	PR:250,844, 845,847
	997 613 465 00 FUQ	Volcano grey/galvanosilver			
(18)	997 613 465 01	Module		1	PR:250,844, 845,847
	997 613 465 01 FUQ	Volcano grey/galvanosilver			
(18)	997 613 465 01	Module		1	PR:250,844, 845,847
	997 613 465 01 5Q0	Black			
(18)	997 613 467 00	Module Discontinued part		1	PR:250,639, 640,841
	997 613 467 00 FUP	Volcano grey/galvanosilver with:			
(18)	997 613 467 03	Display Module		1	PR:250,639, 640,841
	997 613 467 03 FUP	Volcano grey/galvanosilver with:			
(18)	997 613 467 00	Display Module Discontinued part		1	PR:250,639, 640,841
	997 613 467 00 5Q0	Black with:			
(18)	997 613 467 03	Display Module		1	PR:250,639,

Model: 987209 Model life 2009>>2012

Pos	Part Number	Description	Remark	Qty	Model
	997 613 467 03 5Q0	Black			640,841
(18)	997 613 469 00	with: Display Module Discontinued part		1	PR:250,639, 640,844,845, 847
(18)	997 613 469 00 FUQ	Volcano grey/galvanosilver Multi-function		1	PR:250,639, 640,844,845, 847
(18)	997 613 469 03	Module		1	PR:250,639, 640,844,845, 847
(18)	997 613 469 03 FUQ	Volcano grey/galvanosilver Multi-function		1	PR:250,639, 640,844,845, 847
(18)	997 613 469 00	Module Discontinued part		1	PR:250,639, 640,844,845, 847
(18)	997 613 469 00 5Q0	Black Multi-function		1	PR:250,639, 640,844,845, 847
(18)	997 613 469 03	Module		1	PR:250,639, 640,844,845, 847
(18)	997 613 469 03 5Q0	Black Multi-function Module paddle See technical manual 48 12 55			PR:840
-	000 043 207 50	emulsion tube		X	PR:250
-	000 043 207 48	Adhesive set steering wheel See technical manual suspension		1	PR:250
		Group: 48 12 55 Discontinued part			
-	000 043 209 01	emulsion tube only in conj. with: 000.043.209.00		X	
-	000 043 209 00	Adhesive set steering wheel only in conj. with: 000.043.209.01 See technical manual suspension		1	
		Group: 48 12 55			

Model: 987209

Model life 2009>>2012



Model: 987209

Model life 2009>>2012

Pos	Part Number	Description	Remark	Qty	Model
		Steering protective pipe Intermediate steering shaft Steering wheels			PR:480
(1)	997 347 007 10	Complete steering column		1	
		Intermediate steering shaft			
2	997 347 023 04	Intermediate steering shaft		1	
3	997 618 158 04	Control unit		1	
		Steering column			
		with:			
4	999 217 042 03	Screw Hexagon bolt M 8 X 35		1	
4	999 217 042 04	Discontinued part Hexagon bolt M 8 X 35		1	
5	997 347 243 00	Support		1	
6	900 378 173 01	Hexagon bolt M 6 x 20		1	
7	900 378 095 01	Hexagon bolt M 10 X 100		1	
8	900 380 008 01	Hexagon nut M 10		1	
9	900 151 006 03	Washer		1	
10	999 507 217 07	Clamping washer		1	
11	999 217 042 03	Hexagon bolt M 8 X 35		1	
11	999 217 042 04	Discontinued part Hexagon bolt M 8 X 35		1	
12	999 920 019 40	Plug-in nut 3,5 X 2,5 X 9		1	
13	986 347 037 01	Bellows		1	
14	996 347 339 02	Rubber seal filler plate		1	
-		Steering wheels			
15	997 347 804 14	D - MJ 2009>> - MJ 2009 steering wheel Plain leather		1	PR:459
		D >> - MJ 2009			
	997 347 804 14 A34	Black			
	997 347 804 14 B24	Stone grey			
	997 347 804 14 T24	Sand beige			
	997 347 804 14 E24	sea blue			
	997 347 804 14 M24	Terracotta			
	997 347 804 14 R24	Cocoa			
	997 347 804 14 D14	Dark grey/natural			
	997 347 804 14 T34	Brown/natural			
	997 347 804 14 N14	Carrera Red			
(15)	997 347 804 15	multifunction steering wheel Plain leather		1	PR:431
		D >> - MJ 2009			
	997 347 804 15 A34	Black			
	997 347 804 15 B24	Stone grey			
	997 347 804 15 T24	Sand beige			
	997 347 804 15 E24	sea blue			
	997 347 804 15 M24	Terracotta			
	997 347 804 15 R24	Cocoa			
	997 347 804 15 D14	Dark grey/natural			
	997 347 804 15 T34	Brown/natural			
	997 347 804 15 N14	Carrera Red			
(15)	997 347 804 22	steering wheel Multi-function Wood		1	PR:451

Model: 987209 Model life 2009>>2012

Pos	Part Number	Description	Remark	Qty	Model
		macassar			
		D >> - MJ 2009			
	997 347 804 22 FOK	black/grey			
	997 347 804 22 FOL	Stone grey/stone grey			
	997 347 804 22 FOM	Sand beige/sand beige			
	997 347 804 22 FOO	Sea blue/grey			
	997 347 804 22 FOP	Terracotta/terracotta			
	997 347 804 22 FOQ	Cocoa/Cocoa			
	997 347 804 22 FOR	Darkgrey natural/grey			
	997 347 804 22 FOS	Brown nat./brown nat.			
	997 347 804 22 FSQ	Carrera Red			
(15)	997 347 804 24	steering wheel		1	PR:453
		Multi-function			
		Wood			
		Carbon			
		D >> - MJ 2009			
	997 347 804 24 FOK	black/grey			
	997 347 804 24 FOL	Stone grey/stone grey			
	997 347 804 24 FOM	Sand beige/sand beige			
	997 347 804 24 FOO	Sea blue/grey			
	997 347 804 24 FOP	Terracotta/terracotta			
	997 347 804 24 FOQ	Cocoa/Cocoa			
	997 347 804 24 FOR	Darkgrey natural/grey			
	997 347 804 24 FOS	Brown nat./brown nat.			
	997 347 804 24 FSQ	Carrera Red			
(15)	997 347 981 00	multifunction steering wheel		1	PR:XPV
		Aluminium look			
		D >> - MJ 2009			
	997 347 981 00 A34	Black			
	997 347 981 00 B24	Stone grey			
	997 347 981 00 T24	Sand beige			
	997 347 981 00 E24	sea blue			
	997 347 981 00 M24	Terracotta			
	997 347 981 00 R24	Cocoa			
	997 347 981 00 D14	Dark grey/natural			
	997 347 981 00 T34	Brown/natural			
	997 347 981 00 N14	Carrera Red			
-		Steering wheels			
		D - MJ 2010>> - MJ 2010			
(15)	997 347 803 51	steering wheel (leather)		1	PR:841
		D - MJ 2010>> - MJ 2010			
		Discontinued part			
	997 347 803 51 A34	Black			
	997 347 803 51 B24	Stone grey			
	997 347 803 51 T24	Sand beige			
	997 347 803 51 E24	sea blue			
	997 347 803 51 R24	Cocoa			
	997 347 803 51 M24	Terracotta			
	997 347 803 51 D14	Dark grey/natural			
	997 347 803 51 T34	Brown/natural			
	997 347 803 51 N14	Carrera Red			
(15)	997 347 803 E8	steering wheel		1	PR:841
		Leather			
		D - MJ 2010>> - MJ 2010			
	997 347 803 E8 A34	Black			
	997 347 803 E8 B24	Stone grey			
	997 347 803 E8 T24	Sand beige			
	997 347 803 E8 E24	sea blue			
	997 347 803 E8 R24	Cocoa			
	997 347 803 E8 M24	Terracotta			
	997 347 803 E8 D14	Dark grey/natural			
	997 347 803 E8 T34	Brown/natural			
	997 347 803 E8 N14	Carrera Red			

Model: 987209 Model life 2009>>2012

Pos	Part Number	Description	Remark	Qty	Model
(15)	997 347 803 57	steering wheel Leather D - MJ 2010>> - MJ 2010 Discontinued part		1	PR:841,345
	997 347 803 57 A34	Black			
	997 347 803 57 B24	Stone grey			
	997 347 803 57 T24	Sand beige			
	997 347 803 57 E24	sea blue			
	997 347 803 57 R24	Cocoa			
	997 347 803 57 M24	Terracotta			
	997 347 803 57 D14	Dark grey/natural			
	997 347 803 57 T34	Brown/natural			
	997 347 803 57 N14	Carrera Red			
(15)	997 347 803 F2	steering wheel Leather D - MJ 2010>> - MJ 2010		1	PR:841,345
	997 347 803 F2 A34	Black			
	997 347 803 F2 B24	Stone grey			
	997 347 803 F2 T24	Sand beige			
	997 347 803 F2 E24	sea blue			
	997 347 803 F2 R24	Cocoa			
	997 347 803 F2 M24	Terracotta			
	997 347 803 F2 D14	Dark grey/natural			
	997 347 803 F2 T34	Brown/natural			
	997 347 803 F2 N14	Carrera Red			
(15)	997 347 803 52	steering wheel Leather D - MJ 2010>> - MJ 2010 Discontinued part		1	PR:844
	997 347 803 52 A34	Black			
	997 347 803 52 B24	Stone grey			
	997 347 803 52 T24	Sand beige			
	997 347 803 52 E24	sea blue			
	997 347 803 52 R24	Cocoa			
	997 347 803 52 M24	Terracotta			
	997 347 803 52 D14	Dark grey/natural			
	997 347 803 52 T34	Brown/natural			
	997 347 803 52 N14	Carrera Red			
(15)	997 347 803 E9	steering wheel Leather D - MJ 2010>> - MJ 2010		1	PR:844
	997 347 803 E9 A34	Black			
	997 347 803 E9 B24	Stone grey			
	997 347 803 E9 T24	Sand beige			
	997 347 803 E9 E24	sea blue			
	997 347 803 E9 R24	Cocoa			
	997 347 803 E9 M24	Terracotta			
	997 347 803 E9 D14	Dark grey/natural			
	997 347 803 E9 T34	Brown/natural			
	997 347 803 E9 N14	Carrera Red			
(15)	997 347 803 58	steering wheel Leather D - MJ 2010>> - MJ 2010 Discontinued part		1	PR:844,345
	997 347 803 58 A34	Black			
	997 347 803 58 B24	Stone grey			
	997 347 803 58 T24	Sand beige			
	997 347 803 58 E24	sea blue			
	997 347 803 58 R24	Cocoa			
	997 347 803 58 M24	Terracotta			
	997 347 803 58 D14	Dark grey/natural			
	997 347 803 58 T34	Brown/natural			
	997 347 803 58 N14	Carrera Red			

Model: 987209

Model life 2009>>2012

Pos	Part Number	Description	Remark	Qty	Model
(15)	997 347 803 F3	steering wheel Leather D - MJ 2010>> - MJ 2010		1	PR:844,345
	997 347 803 F3 A34	Black			
	997 347 803 F3 B24	Stone grey			
	997 347 803 F3 T24	Sand beige			
	997 347 803 F3 E24	sea blue			
	997 347 803 F3 R24	Cocoa			
	997 347 803 F3 M24	Terracotta			
	997 347 803 F3 D14	Dark grey/natural			
	997 347 803 F3 T34	Brown/natural			
	997 347 803 F3 N14	Carrera Red			
(15)	997 347 803 53	steering wheel Leather D - MJ 2010>> - MJ 2010		1	PR:845,345
	997 347 803 53 A34	Black			
	997 347 803 53 B24	Stone grey			
	997 347 803 53 T24	Sand beige			
	997 347 803 53 E24	sea blue			
	997 347 803 53 R24	Cocoa			
	997 347 803 53 M24	Terracotta			
	997 347 803 53 D14	Dark grey/natural			
	997 347 803 53 T34	Brown/natural			
	997 347 803 53 N14	Carrera Red			
(15)	997 347 803 55	steering wheel Leather D - MJ 2010>> - MJ 2010		1	PR:847,345
	997 347 803 55 A34	Black			
	997 347 803 55 B24	Stone grey			
	997 347 803 55 T24	Sand beige			
	997 347 803 55 E24	sea blue			
	997 347 803 55 R24	Cocoa			
	997 347 803 55 M24	Terracotta			
	997 347 803 55 D14	Dark grey/natural			
	997 347 803 55 T34	Brown/natural			
	997 347 803 55 N14	Carrera Red			
(15)	997 347 980 08	steering wheel Leather D - MJ 2010>> - MJ 2010		1	PR:XPU,345
	997 347 980 08 A34	Black			
	997 347 980 08 B24	Stone grey			
	997 347 980 08 T24	Sand beige			
	997 347 980 08 E24	sea blue			
	997 347 980 08 R24	Cocoa			
	997 347 980 08 M24	Terracotta			
	997 347 980 08 D14	Dark grey/natural			
	997 347 980 08 T34	Brown/natural			
	997 347 980 08 N14	Carrera Red			
-		Steering wheels D - MJ 2011>>			
(15)	997 347 803 71	steering wheel (leather) D - MJ 2011>> Discontinued part		1	PR:841
	997 347 803 71 A34	Black			
	997 347 803 71 B24	Stone grey			
	997 347 803 71 T24	Sand beige			
	997 347 803 71 E24	sea blue			
	997 347 803 71 R24	Cocoa			
	997 347 803 71 M24	Terracotta			
	997 347 803 71 D14	Dark grey/natural			
	997 347 803 71 T34	Brown/natural			
	997 347 803 71 N14	Carrera Red			
(15)	997 347 803 B0	steering wheel (leather)		1	PR:841

Model: 987209

Model life 2009>>2012

Pos	Part Number	Description	Remark	Qty	Model
		D - MJ 2011>> Discontinued part			
	997 347 803 B0 A34	Black			
	997 347 803 B0 B24	Stone grey			
	997 347 803 B0 T24	Sand beige			
	997 347 803 B0 E24	sea blue			
	997 347 803 B0 R24	Cocoa			
	997 347 803 B0 M24	Terracotta			
	997 347 803 B0 D14	Dark grey/natural			
	997 347 803 B0 T34	Brown/natural			
	997 347 803 B0 N14	Carrera Red			
	997 347 803 B0 6H6	Espresso			
(15)	997 347 803 F4	steering wheel (leather)		1	PR:841
		D - MJ 2011>> Discontinued part			
	997 347 803 F4 A34	Black			
	997 347 803 F4 B24	Stone grey			
	997 347 803 F4 T24	Sand beige			
	997 347 803 F4 E24	sea blue			
	997 347 803 F4 R24	Cocoa			
	997 347 803 F4 M24	Terracotta			
	997 347 803 F4 D14	Dark grey/natural			
	997 347 803 F4 T34	Brown/natural			
	997 347 803 F4 N14	Carrera Red			
	997 347 803 F4 6H6	Espresso			
(15)	997 347 803 76	steering wheel Leather		1	PR:841,345
		D - MJ 2011>> Discontinued part			
	997 347 803 76 A34	Black			
	997 347 803 76 B24	Stone grey			
	997 347 803 76 T24	Sand beige			
	997 347 803 76 E24	sea blue			
	997 347 803 76 R24	Cocoa			
	997 347 803 76 M24	Terracotta			
	997 347 803 76 D14	Dark grey/natural			
	997 347 803 76 T34	Brown/natural			
	997 347 803 76 N14	Carrera Red			
(15)	997 347 803 B5	steering wheel Leather		1	PR:841,345
		D - MJ 2011>> Discontinued part			
	997 347 803 B5 A34	Black			
	997 347 803 B5 B24	Stone grey			
	997 347 803 B5 T24	Sand beige			
	997 347 803 B5 E24	sea blue			
	997 347 803 B5 R24	Cocoa			
	997 347 803 B5 M24	Terracotta			
	997 347 803 B5 D14	Dark grey/natural			
	997 347 803 B5 T34	Brown/natural			
	997 347 803 B5 N14	Carrera Red			
	997 347 803 B5 6H6	Espresso			
(15)	997 347 803 F8	steering wheel Leather		1	PR:841,345
		D - MJ 2011>> Discontinued part			
	997 347 803 F8 A34	Black			
	997 347 803 F8 B24	Stone grey			
	997 347 803 F8 T24	Sand beige			
	997 347 803 F8 E24	sea blue			
	997 347 803 F8 R24	Cocoa			
	997 347 803 F8 M24	Terracotta			
	997 347 803 F8 D14	Dark grey/natural			
	997 347 803 F8 T34	Brown/natural			
	997 347 803 F8 N14	Carrera Red			

Model: 987209

Model life 2009>>2012

Pos	Part Number	Description	Remark	Qty	Model
(15)	997 347 803 F8 6H6 997 347 803 72	Espresso steering wheel Leather D - MJ 2011>>		1	PR:844
	997 347 803 72 A34	Black			
	997 347 803 72 B24	Stone grey			
	997 347 803 72 T24	Sand beige			
	997 347 803 72 E24	sea blue			
	997 347 803 72 R24	Cocoa			
	997 347 803 72 M24	Terracotta			
	997 347 803 72 D14	Dark grey/natural			
	997 347 803 72 T34	Brown/natural			
	997 347 803 72 N14	Carrera Red			
(15)	997 347 803 77	steering wheel Leather D - MJ 2011>>		1	PR:844,345
	997 347 803 77 A34	Black			
	997 347 803 77 B24	Stone grey			
	997 347 803 77 T24	Sand beige			
	997 347 803 77 E24	sea blue			
	997 347 803 77 R24	Cocoa			
	997 347 803 77 M24	Terracotta			
	997 347 803 77 D14	Dark grey/natural			
	997 347 803 77 T34	Brown/natural			
	997 347 803 77 N14	Carrera Red			
(15)	997 347 803 73	steering wheel Leather D - MJ 2011>>		1	PR:845,345
	997 347 803 73 A34	Black			
	997 347 803 73 B24	Stone grey			
	997 347 803 73 T24	Sand beige			
	997 347 803 73 E24	sea blue			
	997 347 803 73 R24	Cocoa			
	997 347 803 73 M24	Terracotta			
	997 347 803 73 D14	Dark grey/natural			
	997 347 803 73 T34	Brown/natural			
	997 347 803 73 N14	Carrera Red			
(15)	997 347 803 75	steering wheel Leather D - MJ 2011>>		1	PR:847,345
	997 347 803 75 A34	Black			
	997 347 803 75 B24	Stone grey			
	997 347 803 75 T24	Sand beige			
	997 347 803 75 E24	sea blue			
	997 347 803 75 R24	Cocoa			
	997 347 803 75 M24	Terracotta			
	997 347 803 75 D14	Dark grey/natural			
	997 347 803 75 T34	Brown/natural			
	997 347 803 75 N14	Carrera Red			
(15)	997 347 980 12	steering wheel Leather D - MJ 2011>>		1	PR:XPU,345
	997 347 980 12 A34	Black Discontinued part			
	997 347 980 12 B24	Stone grey Discontinued part			
	997 347 980 12 T24	Sand beige Discontinued part			
	997 347 980 12 E24	sea blue Discontinued part			
	997 347 980 12 R24	Cocoa Discontinued part			

Model: 987209 Model life 2009>>2012

Pos	Part Number	Description	Remark	Qty	Model
	997 347 980 12 M24	Terracotta Discontinued part			
	997 347 980 12 D14	Dark grey/natural Discontinued part			
	997 347 980 12 T34	Brown/natural Discontinued part			
	997 347 980 12 N14	Carrera Red Discontinued part			
(15)	997 347 980 B3	steering wheel Leather D - MJ 2011>> Discontinued part		1	PR:XPU,345
	997 347 980 B3 A34	Black			
	997 347 980 B3 B24	Stone grey			
	997 347 980 B3 T24	Sand beige			
	997 347 980 B3 E24	sea blue			
	997 347 980 B3 R24	Cocoa			
	997 347 980 B3 M24	Terracotta			
	997 347 980 B3 D14	Dark grey/natural			
	997 347 980 B3 T34	Brown/natural			
	997 347 980 B3 N14	Carrera Red			
	997 347 980 B3 6H6	Espresso			
(15)	997 347 980 C0	steering wheel Leather D - MJ 2011>>		1	PR:XPU,345
	997 347 980 C0 A34	Black			
	997 347 980 C0 B24	Stone grey			
	997 347 980 C0 T24	Sand beige			
	997 347 980 C0 E24	sea blue			
	997 347 980 C0 R24	Cocoa			
	997 347 980 C0 M24	Terracotta			
	997 347 980 C0 D14	Dark grey/natural			
	997 347 980 C0 T34	Brown/natural			
	997 347 980 C0 N14	Carrera Red			
	997 347 980 C0 6H6	Espresso			
(15)	997 347 803 84	sports steering wheel Leather D - MJ 2011>> Discontinued part		1	CAYMAN R
	997 347 803 84 A34	Black			
	997 347 803 84 A34	Black			PR:013
	997 347 803 84 T24	Sand beige			
	997 347 803 84 R24	Cocoa			
(15)	997 347 803 95	steering wheel Leather D - MJ 2011>> Discontinued part		1	CAYMAN R
	997 347 803 95 A34	Black			
	997 347 803 95 A34	Black			PR:013
	997 347 803 95 T24	Sand beige			
	997 347 803 95 R24	Cocoa			
	997 347 803 95 6H6	Espresso			
(15)	997 347 803 C1	steering wheel Leather D - MJ 2011>> Discontinued part		1	CAYMAN R
	997 347 803 C1 A34	Black			
	997 347 803 C1 A34	Black			PR:013
	997 347 803 C1 T24	Sand beige			
	997 347 803 C1 R24	Cocoa			
	997 347 803 C1 6H6	Espresso			
(15)	997 347 803 G4	steering wheel (leather) D - MJ 2011>>		1	CAYMAN R

Model: 987209 Model life 2009>>2012

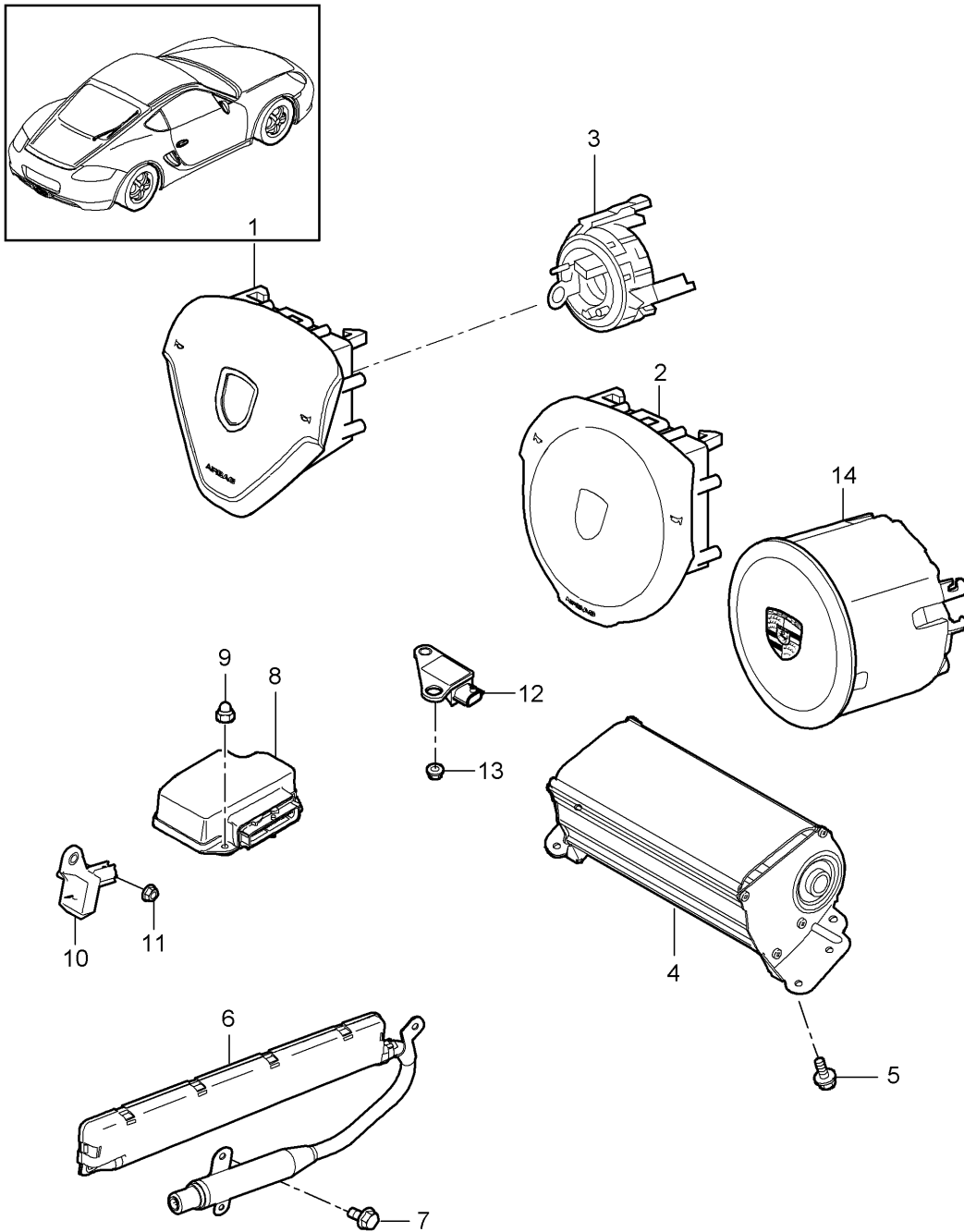
Pos	Part Number	Description	Remark	Qty	Model
	997 347 803 G4 A34	Black			
	997 347 803 G4 A34	Black			PR:013
	997 347 803 G4 T24	Sand beige			
	997 347 803 G4 R24	Cocoa			
	997 347 803 G4 6H6	Espresso			
(15)	997 347 803 85	sports steering wheel Alcantara D - MJ 2011>> Discontinued part		1	CAYMAN R
	997 347 803 85 A15	Black			
(15)	997 347 803 96	sports steering wheel Alcantara D - MJ 2011>> Discontinued part		1	CAYMAN R
	997 347 803 96 A15	Black			
(15)	997 347 803 C2	sports steering wheel Alcantara D - MJ 2011>> Discontinued part		1	CAYMAN R
	997 347 803 C2 A15	Black			
(15)	997 347 803 G5	sports steering wheel Alcantara D - MJ 2011>>		1	CAYMAN R
	997 347 803 G5 A15	Black			
16	997 347 837 00	Dummy cover D >> - MJ 2009	left	1	
	997 347 837 00 V04	Galvano silver			
(16)	997 347 838 00	Dummy cover D >> - MJ 2009	right	1	
	997 347 838 00 V04	Galvano silver			
(16)	997 347 837 40	Dummy cover D >> - MJ 2009	left	1	PR:460
	997 347 837 40 V04	Galvano silver			
(16)	997 347 838 40	Dummy cover D >> - MJ 2009	right	1	PR:460
	997 347 838 40 V04	Galvano silver			
(16)	997 613 433 03	Switching module Multi-function Manual gearbox D >> - MJ 2009	left	1	
	997 613 433 03 V04	Galvano silver			
(16)	997 613 434 03	Switching module Multi-function Manual gearbox D >> - MJ 2009	right	1	
	997 613 434 03 V04	Galvano silver			
17	999 073 318 09	Round-head screw M 4 X 10 D >> - MJ 2009		2	
18	997 613 445 03	Electronic unit Multi-function D >> - MJ 2009		1	PR:431,451, 453
19	997 347 880 00	retaining frame D >> - MJ 2009		1	
20	999 141 022 09	flat round head bolt M 5 X 12,5 D >> - MJ 2009		4	
21	997 347 821 00	Trim D >> - MJ 2009		1	
	997 347 821 00 D07	Volcano grey			
22	N 910 207 01	Screw with int. serrations M 18 X 1,5 X 26		1	
23	997 347 804 42	sports steering wheel		1	PR:460

Model: 987209 Model life 2009>>2012

Pos	Part Number	Description	Remark	Qty	Model
		Plain leather			
		D >> - MJ 2009			
	997 347 804 42 A34	Black			
	997 347 804 42 B24	Stone grey			
	997 347 804 42 T24	Sand beige			
	997 347 804 42 E24	sea blue			
	997 347 804 42 M24	Terracotta			
	997 347 804 42 R24	Cocoa			
	997 347 804 42 D14	Dark grey/natural			
	997 347 804 42 T34	Brown/natural			
	997 347 804 42 N14	Carrera Red			
24	997 347 837 40	Dummy cover	left	1	
		D >> - MJ 2009			
	997 347 837 40 V04	Galvano silver			
(24)	997 347 838 40	Dummy cover	right	1	
		D >> - MJ 2009			
	997 347 838 40 V04	Galvano silver			
25	997 347 821 40	Dummy cover		1	
		D >> - MJ 2009			
	997 347 821 40 V04	Galvano silver			
26	997 612 672 00	Wire set		1	
		D >> - MJ 2009			
		Discontinued part			
26	997 612 672 02	Wire set		1	
		D >> - MJ 2009			
28	997 612 673 02	Wire set		1	PR:431,451,
				1	453
				1	
		D >> - MJ 2009			
29	997 613 463 01	Module		1	PR:480,844,
		D >> - MJ 2010			845,847
		Discontinued part			
	997 613 463 01 FUR	Volcano grey/matt black/ volcano grey/matt black Multi-function			
29	997 613 463 03	Module		1	PR:480,844,
		D >> - MJ 2010			845,847
	997 613 463 03 FUR	Volcano grey/matt black/ volcano grey/matt black Multi-function			
29	997 613 463 01	Module		1	PR:480,844,
		D - MJ 2011>>			845,847
		Discontinued part			
	997 613 463 01 5Q0	Black			
		Multi-function			
29	997 613 463 03	Module		1	PR:480,844,
		D - MJ 2011>>			845,847
	997 613 463 03 5Q0	Black			
		Multi-function			
29	997 613 459 00	Module		1	PR:480
		D >> - MJ 2010			
		Discontinued part			
	997 613 459 00 D07	Volcano grey			
29	997 613 459 03	Module		1	PR:480
		D >> - MJ 2010			
	997 613 459 03 D07	Volcano grey			
29	997 613 459 00	Module		1	PR:480
		D - MJ 2011>>			
	997 613 459 00 5Q0	Black			

Model: 987209

Model life 2009>>2012



Model: 987209

Model life 2009>>2012

Pos	Part Number	Description	Remark	Qty	Model
1	997 803 089 13	Airbag Airbag unit plastic Discontinued part		1	PR:431,451, 453,459
	997 803 089 13 A32	Black			
	997 803 089 13 B22	Stone grey			
	997 803 089 13 T22	Sand beige			
	997 803 089 13 E22	sea blue			
1	997 803 089 19	Airbag unit plastic Discontinued part		1	PR:431,451, 453,459
	997 803 089 19 A32	Black			
	997 803 089 19 B22	Stone grey			
	997 803 089 19 T22	Sand beige			
	997 803 089 19 E22	sea blue			
1	997 803 089 25	Airbag unit plastic		1	PR:431,451, 453,459
	997 803 089 25 A32	Black			
	997 803 089 25 B22	Stone grey			
	997 803 089 25 T22	Sand beige			
	997 803 089 25 E22	sea blue			
(1)	997 803 089 14	Airbag unit Leather		1	PR:431,991, 459
	997 803 089 14 A34	Black Discontinued part			
	997 803 089 14 B24	Stone grey Discontinued part			
	997 803 089 14 T24	Sand beige Discontinued part			
	997 803 089 14 E24	sea blue Discontinued part			
	997 803 089 14 M24	Terracotta Discontinued part			
	997 803 089 14 R24	Cocoa Discontinued part			
	997 803 089 14 D14	Dark grey/natural			
	997 803 089 14 T34	Brown/natural			
	997 803 089 14 N14	Carrera Red Discontinued part			
(1)	997 803 089 20	Airbag unit Leather		1	PR:431,991, 459
	997 803 089 20 A34	Black			
	997 803 089 20 B24	Stone grey			
	997 803 089 20 T24	Sand beige			
	997 803 089 20 E24	sea blue			
	997 803 089 20 M24	Terracotta			
	997 803 089 20 R24	Cocoa			
	997 803 089 20 N14	Carrera Red			
(1)	997 803 089 15	Airbag unit		1	PR:XPV,991, 451,453
	997 803 089 15 A34	Black		1	
	997 803 089 15 B24	Stone grey		1	
	997 803 089 15 T24	Sand beige		1	
	997 803 089 15 E24	sea blue			
	997 803 089 15 M24	Terracotta			
	997 803 089 15 R24	Cocoa			
	997 803 089 15 D14	Dark grey/natural			
	997 803 089 15 T34	Brown/natural			
	997 803 089 15 N14	Carrera Red			
(1)	997 803 089 16	Airbag unit sports steering wheel plastic		1	PR:460

Model: 987209

Model life 2009>>2012

Pos	Part Number	Description	Remark	Qty	Model
		Discontinued part			
	997 803 089 16 A32	Black			
	997 803 089 16 B22	Stone grey			
	997 803 089 16 T22	Sand beige			
	997 803 089 16 E22	sea blue			
(1)	997 803 089 21	Airbag unit		1	PR:460
		sports steering wheel			
		plastic			
		Discontinued part			
	997 803 089 21 A32	Black			
	997 803 089 21 B22	Stone grey			
	997 803 089 21 T22	Sand beige			
	997 803 089 21 E22	sea blue			
(1)	997 803 089 22	Airbag unit		1	PR:460
		sports steering wheel			
		Leather			
		Discontinued part			
	997 803 089 22 A34	Black			
	997 803 089 22 B24	Stone grey			
	997 803 089 22 T24	Sand beige			
	997 803 089 22 E24	sea blue			
(1)	997 803 089 27	Airbag unit		1	PR:460
		sports steering wheel			
		Leather			
	997 803 089 27 A34	Black			
	997 803 089 27 B24	Stone grey			
	997 803 089 27 T24	Sand beige			
	997 803 089 27 E24	sea blue			
(2)	997 803 089 17	Airbag unit		1	PR:460,991
		sports steering wheel			
		Leather			
		Discontinued part			
	997 803 089 17 A34	Black			
	997 803 089 17 B24	Stone grey			
	997 803 089 17 T24	Sand beige			
	997 803 089 17 E24	sea blue			
	997 803 089 17 M24	Terracotta			
	997 803 089 17 R24	Cocoa			
	997 803 089 17 D14	Dark grey/natural			
	997 803 089 17 T34	Brown/natural			
	997 803 089 17 N14	Carrera Red			
(2)	997 803 089 22	Airbag unit		1	PR:460,991
		sports steering wheel			
		Leather			
		Discontinued part			
	997 803 089 22 A34	Black			
	997 803 089 22 B24	Stone grey			
	997 803 089 22 T24	Sand beige			
	997 803 089 22 E24	sea blue			
	997 803 089 22 M24	Terracotta			
	997 803 089 22 R24	Cocoa			
	997 803 089 22 D14	Dark grey/natural			
	997 803 089 22 T34	Brown/natural			
	997 803 089 22 N14	Carrera Red			
(2)	997 803 089 27	Airbag unit		1	PR:460,991
		sports steering wheel			
		Leather			
	997 803 089 27 A34	Black			
	997 803 089 27 B24	Stone grey			
	997 803 089 27 T24	Sand beige			
	997 803 089 27 E24	sea blue			
	997 803 089 27 M24	Terracotta			
	997 803 089 27 R24	Cocoa			

Model: 987209 Model life 2009>>2012

Pos	Part Number	Description	Remark	Qty	Model												
(2)	997 803 089 27 D14	Dark grey/natural		1	PR:XPA,991												
	997 803 089 27 T34	Brown/natural															
	997 803 089 27 N14	Carrera Red															
	997 803 089 18	Airbag unit															
		sports steering wheel															
		Leather															
	997 803 089 18 A34	Black															
	997 803 089 18 B24	Stone grey															
	997 803 089 18 T24	Sand beige															
	997 803 089 18 E24	sea blue															
3	997 803 089 18 M24	Terracotta		1													
	997 803 089 18 R24	Cocoa															
	997 803 089 18 D14	Dark grey/natural															
	997 803 089 18 T34	Brown/natural															
	997 803 089 18 N14	Carrera Red															
	955 652 211 11	Spring															
		with:															
		steering sensor															
		D >> - MJ 2010															
		Spring															
(3)	955 652 211 12	Spring		1													
		with:															
		steering sensor															
		D - MJ 2011>>															
		Spring															
		with:															
		steering sensor															
		D >> - MJ 2010															
		Spring															
		with:															
(3)	955 652 211 21	Spring		1	PR:345												
		with:															
		steering sensor															
		D >> - MJ 2010															
		Spring															
		with:															
		steering sensor															
		D - MJ 2011>>															
		Airbag unit															
		(passenger side)															
4	997 803 071 08	Airbag unit		1													
		(passenger side)															
	5	900 378 222 01	Hexagon bolt				4										
			M 6 X 16														
		6	997 803 091 03			Side airbag unit			left	1							
						for											
						Head airbag unit											
						Discontinued part											
			6			997 803 091 04			Side airbag unit			left	1				
									for								
				Head airbag unit													
				Discontinued part													
(6)	997 803 092 03			Side airbag unit	right	1											
				for													
		Head airbag unit															
		Discontinued part															
	(6)	997 803 092 04		Side airbag unit	right			1									
				for													
			Head airbag unit														
			Hexagon bolt														
		7	900 378 035 01	Hexagon bolt						6							
				M 6 X 16													
8			997 618 217 08	Control unit for airbag		1											
			9	999 070 015 02	domed cap nut								3				
					M 6												
				10	997 618 221 01							Crash sensor for airbag				2	
					Side airbag unit												
	11				999 084 638 01			Hexagon nut				8					
								M 6									
					12			997 618 223 02	Accelerator sensor								
								Airbag									
								Front									
13		999 084 638 01				Hexagon nut		2									
			M 6														

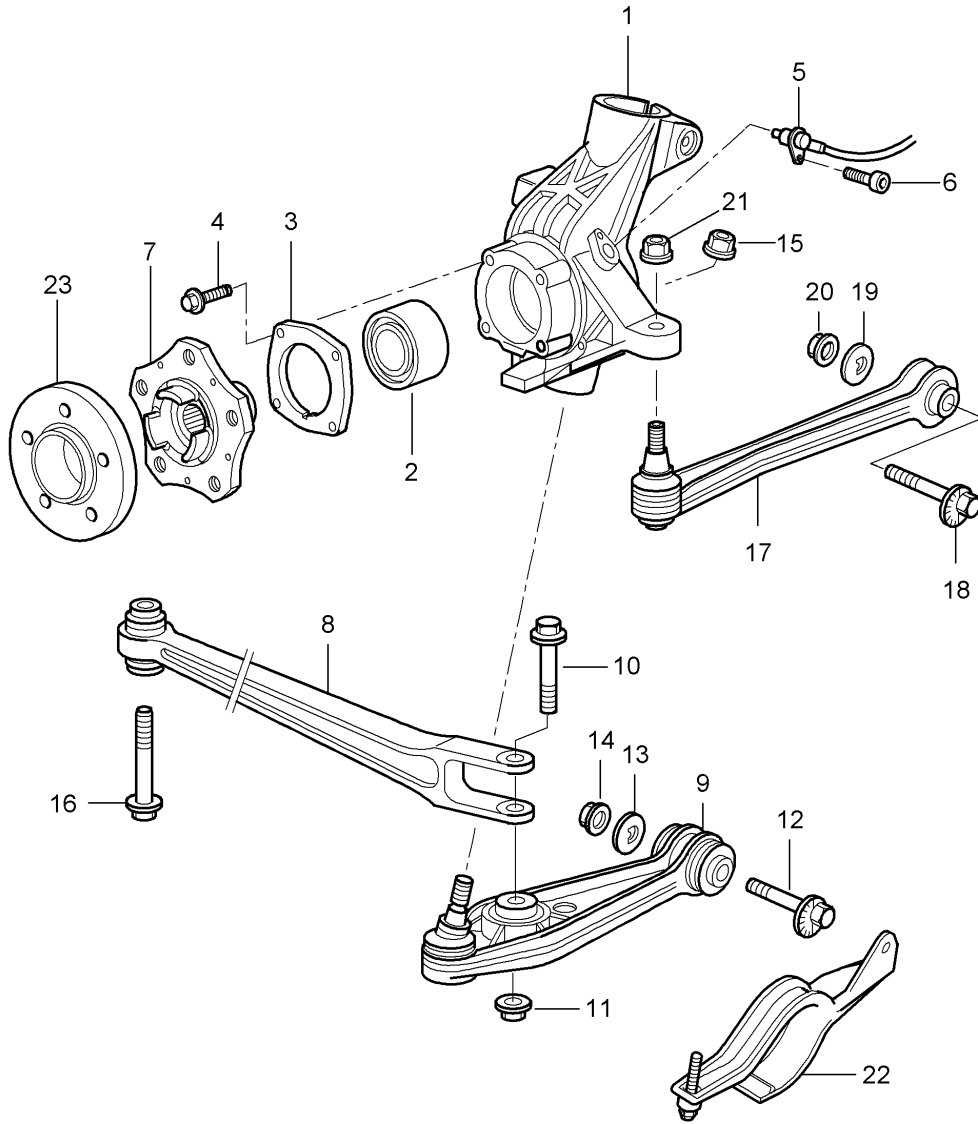
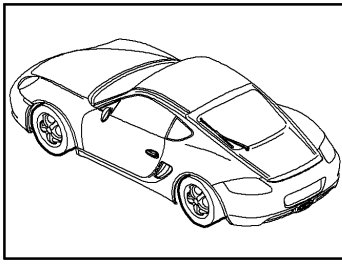
Model: 987209

Model life 2009>>2012

Pos	Part Number	Description	Remark	Qty	Model
14	997 803 089 11	Airbag unit Discontinued part		1	
	997 803 089 11 A03	Black			
	997 803 089 11 5V7	Stone grey			
	997 803 089 11 5Z1	Sand beige			
	997 803 089 11 8W7	sea blue			
14	997 803 089 23	Airbag unit		1	
	997 803 089 23 A03	Black			
	997 803 089 23 5V7	Stone grey			
	997 803 089 23 5Z1	Sand beige			
	997 803 089 23 8W7	sea blue			
(14)	997 803 089 12	Airbag unit Leather Discontinued part		1	PR:991
	997 803 089 12 A34	Black			
	997 803 089 12 B24	Stone grey			
	997 803 089 12 T24	Sand beige			
	997 803 089 12 E24	sea blue			
	997 803 089 12 M24	Terracotta			
	997 803 089 12 R24	Cocoa			
	997 803 089 12 D14	Dark grey/natural			
	997 803 089 12 T34	Brown/natural			
	997 803 089 12 N14	Carrera Red			
(14)	997 803 089 24	Airbag unit Leather		1	PR:991
	997 803 089 24 A34	Black			
	997 803 089 24 B24	Stone grey			
	997 803 089 24 T24	Sand beige			
	997 803 089 24 E24	sea blue			
	997 803 089 24 M24	Terracotta			
	997 803 089 24 R24	Cocoa			
	997 803 089 24 D14	Dark grey/natural			
	997 803 089 24 T34	Brown/natural			
	997 803 089 24 N14	Carrera Red			

Model: 987209

Model life 2009>>2012



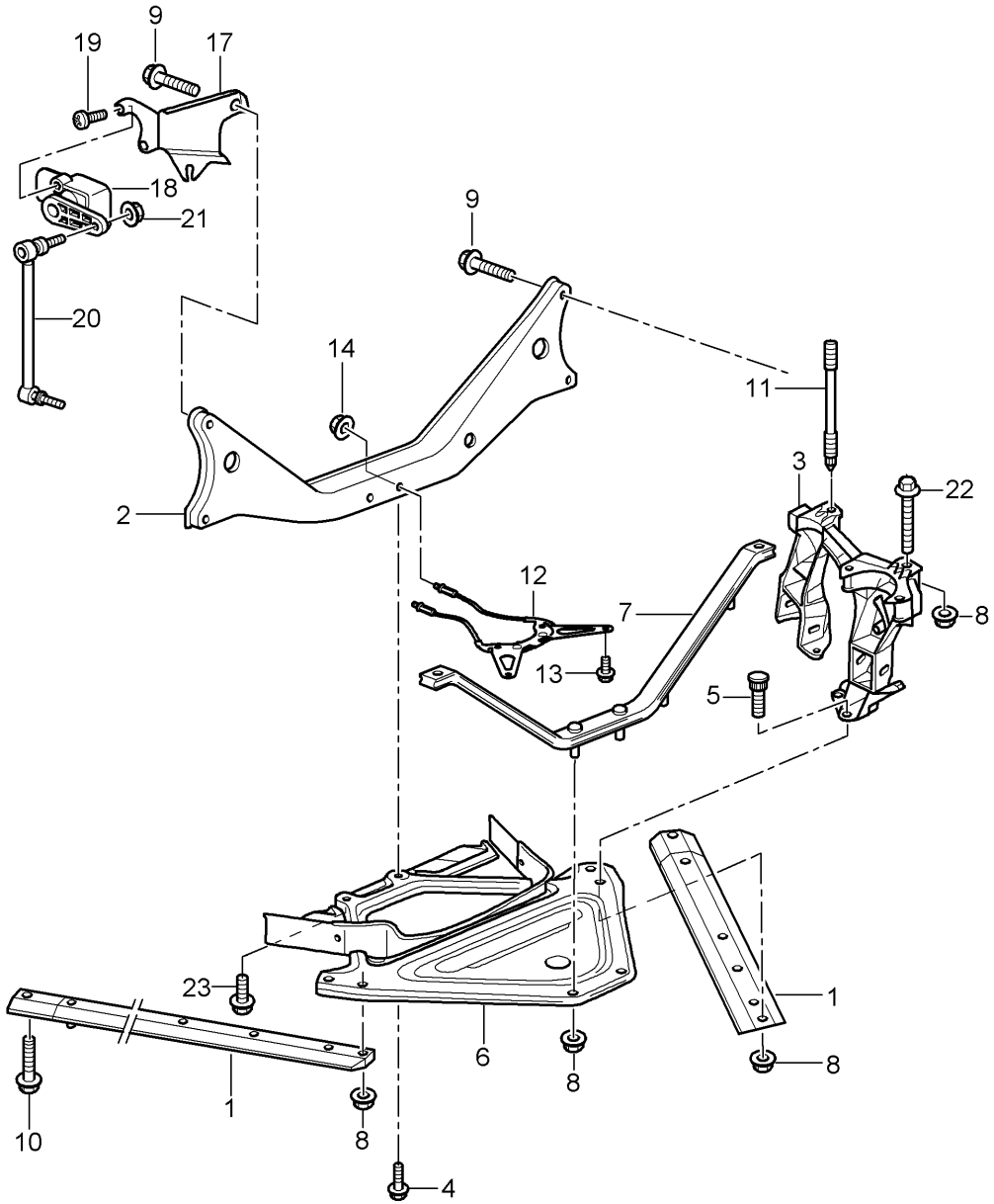
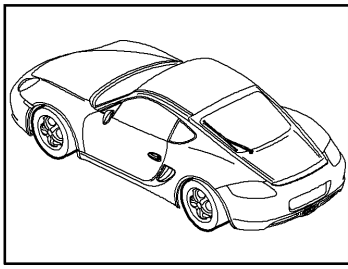
Model: 987209

Model life 2009>>2012

Pos	Part Number	Description	Remark	Qty	Model
		Rear axle			
		Wheel carrier			
		Guide			
		Wheel hub			
(1)	987 331 157 06	Wheel carrier		1	
(1)	987 331 158 06	Wheel carrier		1	
2	999 053 054 06	angular ball bearing		2	
(3)	986 331 661 20	Cover		2	
4	999 217 042 03	Hexagon bolt M 8 X 35		8	
		Discontinued part			
4	999 217 042 04	Hexagon bolt M 8 X 35		8	
5	997 606 407 01	speed sensor		2	
(6)	900 067 117 04	Socket head bolt M 6 x 16		2	
7	997 341 605 01	Wheel hub Discontinued part		2	
7	991 341 605 02	Wheel hub Discontinued part		2	
7	991 341 605 03	Wheel hub		2	
8	987 331 043 03	Guide Discontinued part		2	
8	987 331 043 02	Guide		2	
(9)	997 331 053 03	Wishbone		2	
(10)	900 378 135 01	Hexagon bolt M 14 x 1,5 x 75		2	
11	900 380 012 01	Hexagon nut M 14 X 1,5		2	
(12)	996 331 217 03	Eccentric bolt M 12 X 100		2	
13	996 331 219 00	eccentric washer		2	
14	999 084 445 01	Locknut M 12 X 1,5		4	
15	999 084 449 09	Locknut M 12 X 1,5		2	
(16)	900 378 209 01	Hexagon bolt M 14 x 7,5 x 90		2	
-	986 331 023 00	Nut lock		2	
(17)	997 331 045 04	Track rod		2	
18	997 331 217 02	Eccentric bolt M 12 X 83		2	
19	996 331 219 00	eccentric washer		2	
20	999 084 445 01	Locknut M 12 X 1,5		2	
21	999 084 449 09	Locknut M 12 X 1,5		2	
22	987 331 371 02	Bracket	left	2	PR:603
23	997 361 605 90	Spacer ring 5 mm		2	PR:XRP
		D >> - MJ 2011			
-	997 361 605 92	Spacer ring 5 MM D - MJ 2012>>		2	PR:XRP

Model: 987209

Model life 2009>>2012

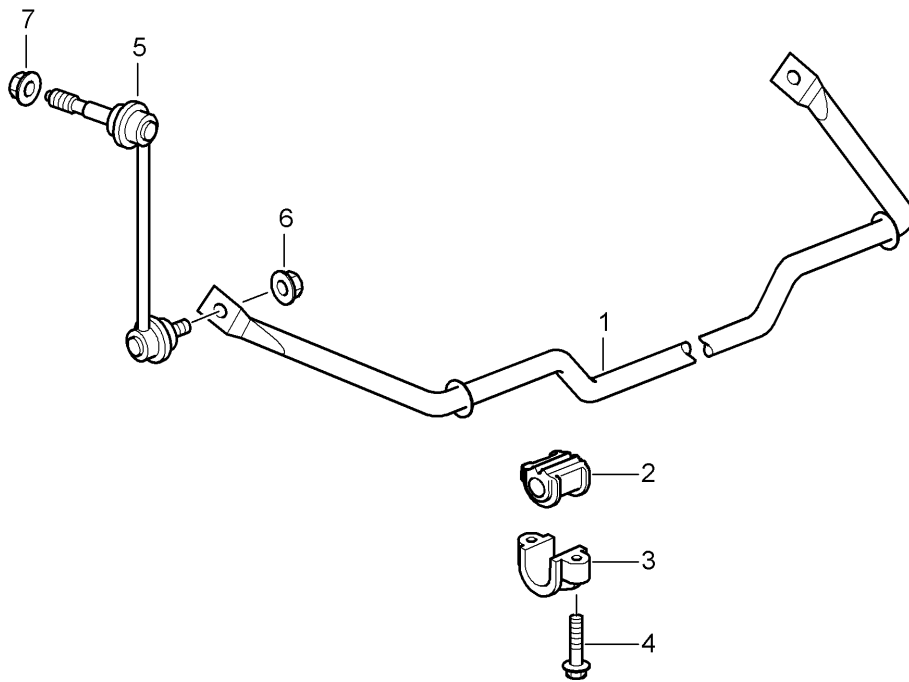
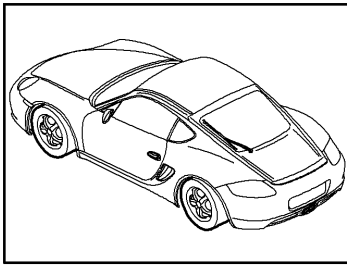


Model: 987209 Model life 2009>>2012

Pos	Part Number	Description	Remark	Qty	Model
		Rear axle			
		Side part			
		Carrier			
1	987 331 031 20	Brace	left	1	
(1)	987 331 032 20	Brace	right	1	
2	986 331 071 10	Cross member		1	
		D >> - MJ 2010			
(14)	986 331 071 11	Cross member		1	
		D - MJ 2011>>			
-	999 072 024 01	Hexagon bolt		2	
		M 10 X 25			
		Threaded joint			
		Cross member			
		Bracket			
3	987 331 051 24	Side part	left	1	
(3)	987 331 052 24	Side part	right	1	
4	999 072 024 01	Hexagon bolt		2	
		M 10 X 25			
5	999 080 031 01	Fastening screw		8	
6	987 331 161 20	Bracket		1	PR:480
		Discontinued part			
6	987 331 161 21	Bracket		1	PR:480
(6)	987 331 161 50	Bracket		1	PR:250
-	986 331 361 03	Spoiler		2	
-	999 507 774 40	press stud		2	
		A 3,9			
-	999 507 775 40	press stud		2	
		B 3,9			
7	986 331 093 03	Brace		1	
-	999 072 032 01	Hexagon bolt		1	
		M 10 x 75			
		POS.7			
		Threaded joint			
		Body			
8	999 076 053 01	Hexagon nut		14	
		M 10			
8	PAF 008 868	Hexagon nut		14	
		M 10			
9	999 072 058 01	Hexagon bolt		4	
		M 10 X 45			
10	999 073 443 01	Bolt with washer		2	
11	999 061 108 01	Threaded pin		4	
		M 10 X 113			
12	987 331 181 20	Arresting cable		1	
13	900 385 050 02	Outer hexagon round screw		4	
		M 6 x 16			
14	999 084 457 01	Hexagon nut		2	
		M 8			
17	987 331 611 01	Bracket		1	PR:603
18	997 631 121 00	Level sensor		1	PR:603
19	N 014 129 12	fillister hd. bolt		2	PR:603
		M 5 X 10			
20	987 331 375 00	Brace		1	PR:603
21	900 380 015 01	Hexagon nut		2	PR:603
		VM 6			
22	999 217 165 01	Hexagon bolt		2	
		M 10 x 80			
23	999 072 024 01	Hexagon bolt		2	
		M 10 x 25			

Model: 987209

Model life 2009>>2012

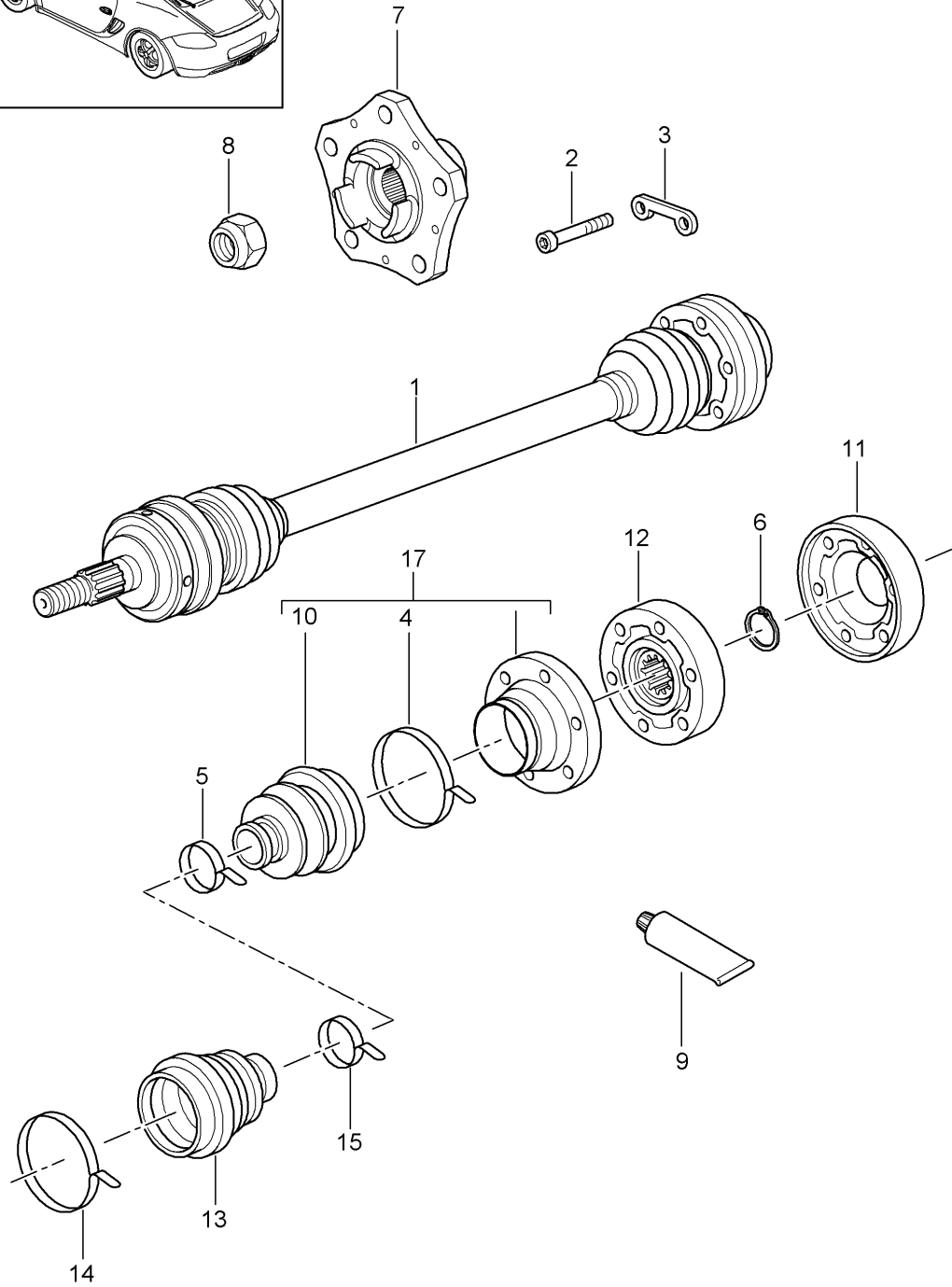
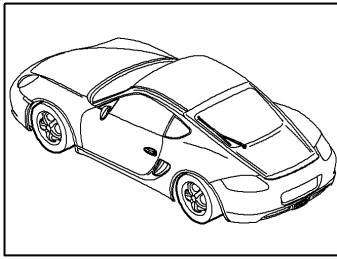


Model: 987209 Model life 2009>>2012

Pos	Part Number	Description	Remark	Qty	Model
1	987 333 701 03	Anti-roll bar Anti-roll bar		1 1 1	CAYMAN CAYMAN CAYMAN S
(1)	987 333 701 04	Anti-roll bar		1 1 1 1	PR: 480,250, 220,475 CAYMAN CAYMAN S CAYMAN S CAYMAN S
(1)	987 333 701 05	Anti-roll bar		1 1	PR: 480,220, 029,250,475 CAYMAN S CAYMAN S
(1)	987 333 701 06	Anti-roll bar		1	PR: 250,029, 220,480 CAYMAN
(1)	987 333 701 07	Anti-roll bar		1	PR: 250 CAYMAN R
2	997 333 792 00	anti-roll bar bearing bracket		2	CAYMAN PR: 250
2	996 333 792 24	anti-roll bar bearing bracket		2 2 2	CAYMAN CAYMAN CAYMAN S
2	996 333 792 25	anti-roll bar bearing bracket		2	PR: 480,250, 220,475 CAYMAN S
2	996 333 792 28	anti-roll bar bearing bracket		2 2 2 2	PR: 250,029, 220 CAYMAN CAYMAN S CAYMAN S CAYMAN S
2	996 333 792 26	anti-roll bar bearing bracket		2	PR: 480,220, 250,029,475 CAYMAN R
3	996 333 777 01	Bearing clamp		2	
4	900 378 055 01	Hexagon bolt AM 8 X 40		4	
5	997 343 069 03	Coupling rod	left	1	
(5)	997 343 070 03	Coupling rod	right	1	
6	999 084 445 01	Locknut M 12		2	
7	999 084 123 09	Hexagon nut M 10		2	

Model: 987209

Model life 2009>>2012



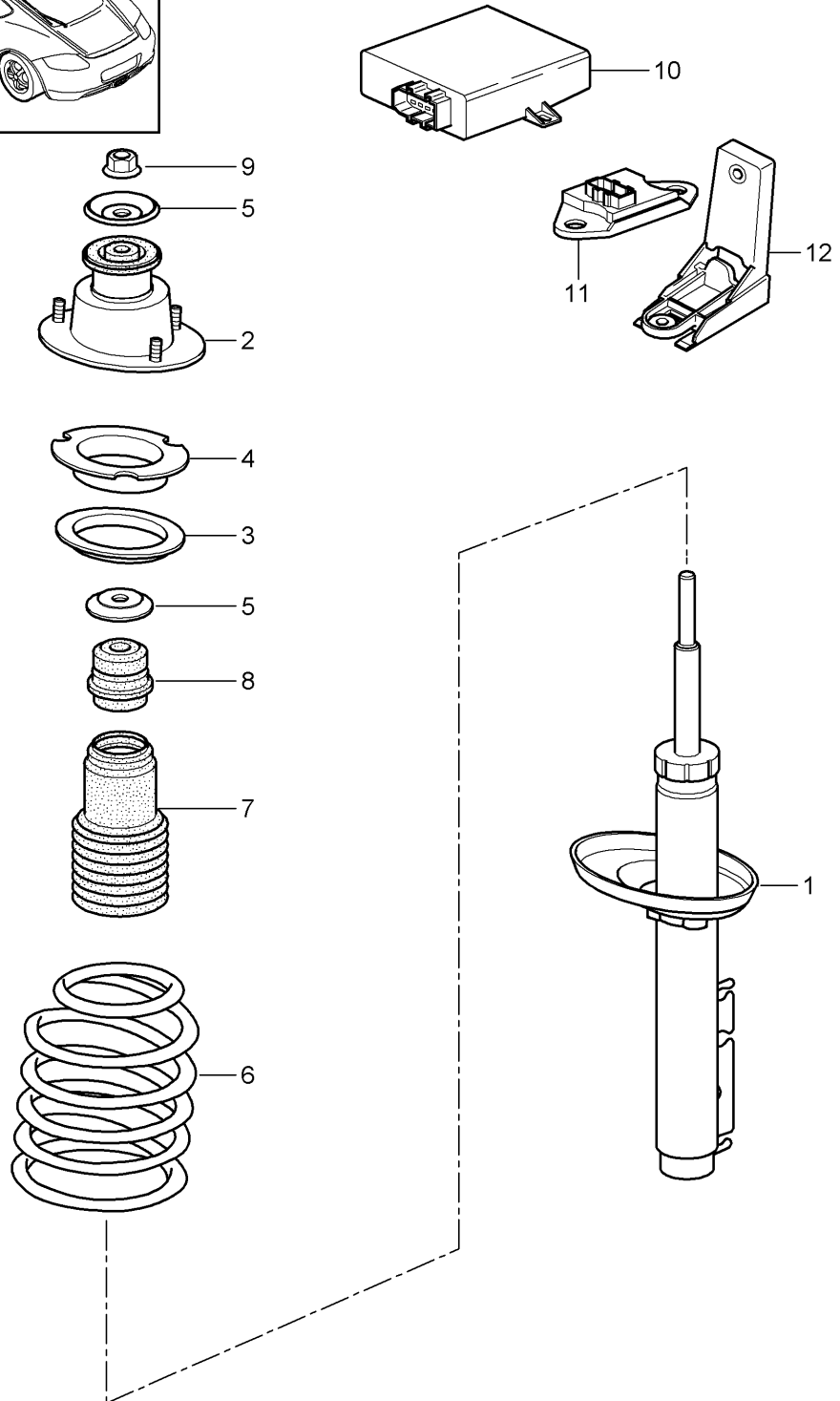
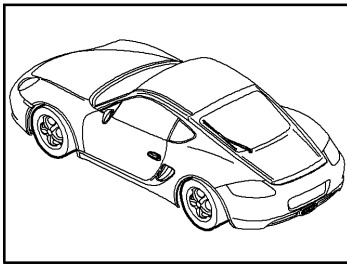
Model: 987209

Model life 2009>>2012

Pos	Part Number	Description	Remark	Qty	Model
1	987 332 024 31	Drive shaft Wheel hub	left	1	CAYMAN PR:480
(1)	987 332 024 30	Drive shaft	right	1	CAYMAN PR:480
(1)	987 332 024 27	Drive shaft	left	1	CAYMAN S PR:480
(1)	987 332 024 29	Drive shaft	left	1	CAYMAN R PR:480
(1)	987 332 024 26	Drive shaft	right	1	CAYMAN S PR:480
(1)	987 332 024 28	Drive shaft	right	1	CAYMAN R PR:480
(1)	987 332 024 50	Drive shaft		2	CAYMAN PR:250
(1)	987 332 024 60	Drive shaft		2	CAYMAN S PR:250
(1)	987 332 024 61	Drive shaft		2	CAYMAN R PR:250
(2)	999 510 047 01	Socket head bolt M 10 X 46,5		12	
3	986 332 191 00	Spacer		6	CAYMAN
(3)	996 332 191 00	Spacer		6	CAYMAN S
4	996 332 957 00	Clip 73 MM		2	
5	996 332 257 00	Clip 34 MM		2	
6	900 041 014 00	Securing ring		2	
7	997 341 605 01	Wheel hub Discontinued part		2	
7	991 341 605 02	Wheel hub Discontinued part		2	
7	991 341 605 03	Wheel hub		2	
8	999 084 641 01	Locknut		2	
9	000 043 110 01	Grease 1 100-gramme tube		X	
(9)	000 043 205 36	sealant 1 100-gramme tube		X	
10	996 332 293 00	Dust bellows		2	
11	987 332 267 00	End cap		2	CAYMAN
(11)	997 332 267 00	End cap		2	CAYMAN S
(11)	997 332 267 00	End cap		2	CAYMAN R
12	986 332 030 00	Joint		2	CAYMAN
(12)	996 332 030 00	Joint		2	CAYMAN S
(12)	996 332 030 00	Joint		2	CAYMAN R
13	996 332 293 00	Dust bellows		2	
14	996 332 957 00	Clip		2	
15	996 332 257 00	Clip		2	
17	987 332 955 00	Bellows		2	CAYMAN
		with:			
(17)	997 332 955 00	Bracket Bellows		2	CAYMAN S
		with:			
(17)	997 332 955 00	Bracket Bellows		2	CAYMAN R
		with:			
		Bracket			

Model: 987209

Model life 2009>>2012



Model: 987209

Model life 2009>>2012

Pos	Part Number	Description	Remark	Qty	Model
1	987 333 051 16	Shock absorbers	BILSTEIN	2	PR:029
(1)	987 333 053 27	Coil spring Shock absorbers vibration damper	BILSTEIN	2	PR:475
(1)	987 333 051 18	Shock absorbers	BILSTEIN	2	CAYMAN R
2	987 333 059 00	Shock absorber bearing		2	
-	999 703 543 40	End cap		2	
3	987 333 504 00	Engine support bearing		2	
4	987 333 509 00	spring bush		2	
(4)	987 333 509 01	Centring ring 3,0MM		2	
(5)	997 343 107 00	Centring ring 6,0MM	upper	2	PR:475
(5)	997 343 107 01	Stop plate	lower	2	PR:475
(6)	987 333 531 67	Coil spring		1	CAYMAN
		1 set			PR:250,029
	987 333 531 67 504	1 pair of springs			
		Rapeseed yellow			
		Rapeseed yellow			
		blue			
(6)	987 333 531 69	Coil spring		1	CAYMAN
		1 set			PR:250,475
	987 333 531 69 504	1 pair of springs			
		red			
		red			
		blue			
(6)	987 333 531 71	Coil spring		1	CAYMAN S
		1 set			PR:250,029
		Discontinued part			
	987 333 531 71 504	1 pair of springs			
		Rapeseed yellow			
		Rapeseed yellow			
		red			
(6)	987 333 531 88	Coil spring		1	CAYMAN S
		1 set			PR:250,029
	987 333 531 88 504	1 pair of springs			
		Rapeseed yellow			
		Rapeseed yellow			
		red			
(6)	987 333 531 70	Coil spring		1	CAYMAN S
		1 set			PR:250,475
	987 333 531 70 504	1 pair of springs			
		red			
		red			
		white			
(6)	987 333 531 73	Coil spring		1	CAYMAN
		1 set			PR:480,029
	987 333 531 73 504	1 pair of springs			
		Rapeseed yellow			
		Rapeseed yellow			
		green			
(6)	987 333 531 75	Coil spring		1	CAYMAN
		1 set			PR:480,475
	987 333 531 75 504	1 pair of springs			
		red			
		red			
		green			
(6)	987 333 531 74	Coil spring		1	CAYMAN S
		1 set			PR:480,029
	987 333 531 74 504	1 pair of springs			
		Rapeseed yellow			

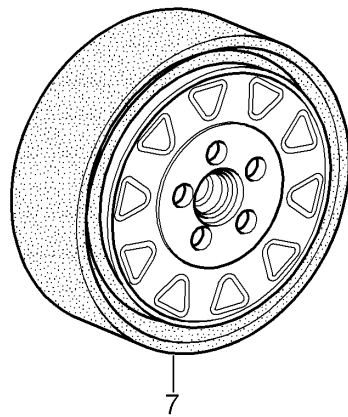
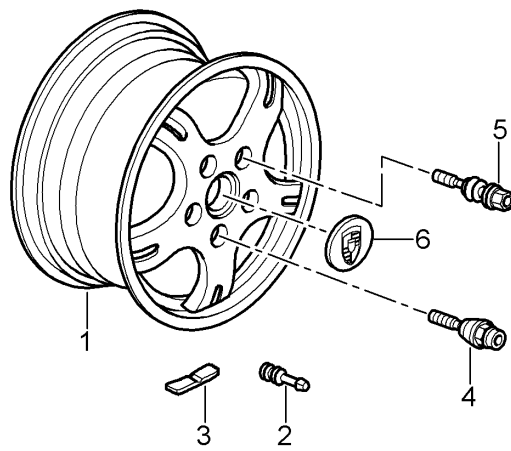
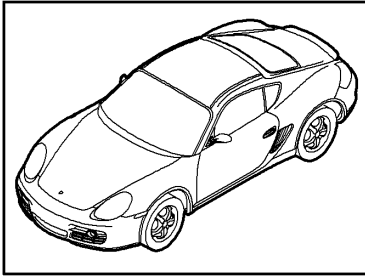
Model: 987209

Model life 2009>>2012

Pos	Part Number	Description	Remark	Qty	Model
(6)	987 333 531 93	Rapeseed yellow white Coil spring 1 set		1	CAYMAN S PR:480,475
	987 333 531 93 504	1 pair of springs red red			
(6)	987 333 531 1M	Rapeseed yellow Coil spring 1 set		1	CAYMAN R PR:250,029
	987 333 531 1M 504	1 pair of springs yellow orange yellow orange blue			
(6)	987 333 531 96	Coil spring 1 set		1	CAYMAN R PR:480,029
	987 333 531 96 504	1 pair of springs yellow orange yellow orange green			
7	986 333 505 01	Bellows		1	
8	987 333 301 01	helper spring		1	PR:029
(8)	987 333 301 00	helper spring		1	PR:475
9	900 380 012 01	Hexagon nut M 14 X 1,5		2	PR:029
(9)	999 084 645 01	Hexagon nut M 14 X 1,5		2	PR:475
10	987 618 450 01	Control unit		1	PR:475
-	997 618 205 00	Retainer for control units for		1	PR:475
11	997 606 111 01	Acceleration sensor for bodywork		1	PR:475
12	987 606 235 00	Bracket for Accelerator sensor		1	PR:475

Model: 987209

Model life 2009>>2012



Model: 987209

Model life 2009>>2012

Pos	Part Number	Description	Remark	Qty	Model
-		Wheels Wheel bolts see Technical information 84/11 Group 4 4407			
(1)	997 362 156 02	Alloy wheel 8 J x 19 Et 57	front	2	PR:404
(1)	997 362 156 03	Alloy wheel 8 J X 19 ET 57	front	2	PR:405
(1)	997 362 156 04	Alloy wheel 8 J X 19 ET 57	front	2	PR:407
(1)	997 362 156 04	Alloy wheel 8 J X 19 ET 57	front	2	PR:407,XDA
1	987 362 137 01	Lackierarbeiten erforderlich Alloy wheel 8 J X 18 ET 57	front	2	PR:409
(1)	987 362 137 00	Alloy wheel 8 J X 18 ET 57	front	2	PR:408
(1)	997 362 157 01	Alloy wheel 8 J X 19 ET 57	front	2	PR:419
(1)	987 362 125 00	Alloy wheel 7 J X 17 ET55	front	2	PR:394
(1)	987 362 125 01	Alloy wheel 7 J X 17 ET 55	front	2	PR:399
(1)	997 362 156 55	Alloy wheel 8.5 J x 19 Et 55	front	2	PR:XRR
(1)	997 362 157 02	Alloy wheel 8 J x 19 ET 57	front	2	PR:421
(1)	987 362 157 05	D - MJ 2010>> Alloy wheel 8,5 J x 19 ET 55 Paint modify in workshop	front	2	PR:445
(1)	987 362 157 05	D - MJ 2011>> Alloy wheel 8,5 J x 19 ET 55 Paint modify in workshop	front	2	PR:013,445
(1)	987 362 157 06	Alloy wheel BBS 8,5 J X 19 ET 55	front	2	CAYMAN R PR:348,445
(1)	987 364 157 05	Alloy wheel	front	2	PR:013,445, XD9
	987 364 157 05 041	Black 8,5 J X 19 ET 55 Paint			

Model: 987209 Model life 2009>>2012

Pos	Part Number	Description	Remark	Qty	Model
(1)	997 362 158 08	modify in workshop Alloy wheel 9,5 J X 19 ET 46	rear	2	PR:404
(1)	997 362 158 06	Alloy wheel 9,5 J X 19 ET 46	rear	2	PR:405
(1)	997 362 158 07	Alloy wheel 9,5 J X 19 ET 46	rear	2	PR:407
(1)	997 362 158 07	Alloy wheel 9,5 J X 19 ET 46	rear	2	PR:407,XDA
(1)	987 362 139 01	Lackierarbeiten erforderlich Alloy wheel 9 J X 18 ET 43	rear	2	PR:409
(1)	987 362 139 00	Alloy wheel 9 J X 18 ET 43	rear	2	PR:408
(1)	987 362 127 05	Alloy wheel 8,5 J X 17 ET40	rear	2	PR:394
(1)	987 362 127 06	Alloy wheel 8,5 J X 17 Et 40	rear	2	PR:399
(1)	997 362 159 05	Alloy wheel 9,5 j X 19 ET 46	rear	2	PR:419
(1)	997 362 160 50	Alloy wheel 10 J X 19 ET 42	rear	2	PR:XRR
(1)	997 362 159 06	Alloy wheel 9,5 j X 19 ET 46	rear	2	PR:421
(1)	987 362 161 00	D - MJ 2010>> Alloy wheel 10 J X 19 ET 42 Paint	rear	2	PR:445
(1)	987 362 161 00	modify in workshop D - MJ 2011>> Alloy wheel 10 J X 19 ET 42 Paint	rear	2	PR:013,445
(1)	987 362 161 01	modify in workshop Alloy wheel BBS 10 J X 19 ET 42	rear	2	CAYMAN R PR:348,445
(1)	987 364 161 00	Alloy wheel	rear	2	PR:013,445, XD9
	987 364 161 00 041	Black 10 J X 19 ET 42 Paint			
2	900 265 001 50	modify in workshop Rubber valve Rubber		4	
(2)	900 265 001 51	Rubber valve Rubber Discontinued part		4	

Model: 987209

Model life 2009>>2012

Pos	Part Number	Description	Remark	Qty	Model
(2)	311 601 361	Rubber valve Rubber		4	
3	997 361 405 00	Balancer weight (self-adhesive) 5 G.		X	
(3)	997 361 410 00	Balancer weight (self-adhesive) 10 G.		X	
(3)	997 361 415 00	Balancer weight (self-adhesive) 15 G.		X	
(3)	997 361 420 00	Balancer weight (self-adhesive) 20 G.		X	
(3)	997 361 425 00	Balancer weight (self-adhesive) 25 G.		X	
(3)	997 361 430 00	Balancer weight (self-adhesive) 30 G.		X	
(3)	997 361 435 00	Balancer weight (self-adhesive) 35 G.		X	
(3)	997 361 440 00	Balancer weight (self-adhesive) 40 G.		X	
(3)	997 361 445 00	Balancer weight (self-adhesive) 45 G.		X	
(3)	997 361 450 00	Balancer weight (self-adhesive) 50 G.		X	
(3)	997 361 455 00	Balancer weight (self-adhesive) 55 G.		X	
(3)	997 361 460 00	Balancer weight (self-adhesive) 60 G.		X	
(3)	997 361 465 00	Balancer weight (self-adhesive) 65 G.		X	
(3)	997 361 470 00	Balancer weight (self-adhesive) 70 G.		X	
(3)	997 361 475 00	Balancer weight (self-adhesive) 75 G.		X	
(3)	997 361 480 00	Balancer weight (self-adhesive) 80 G.		X	
(3)	997 361 485 00	Balancer weight (self-adhesive) 85 G.		X	
(3)	997 361 490 00	Balancer weight (self-adhesive) 90 G.		X	
-		Wheel bolts see Technical information 84/11 Group 4 4407			
4	997 361 057 02	Set		1	PR:444

Model: 987209

Model life 2009>>2012

Pos	Part Number	Description	Remark	Qty	Model
(4)	991 361 057 01	Anti-theft protection 1 set silver Discontinued part 1 set wheel studs, anti-theft Black		1	PR:-444
(4)	997 361 980 10	Discontinued part Set Anti-theft protection 1 set silver		1	PR:XRP
(4)	991 361 980 01	1 set wheel studs, anti-theft Black		1	PR:XRP
(4)	991 361 980 00	1 set wheel studs, anti-theft Black		1	PR:XRP,444 "GB."
(4)	991 361 980 02	Discontinued part 1 set wheel studs, anti-theft Black		1	PR:XRP,444 "GB."
(4)	991 361 980 03	Discontinued part 1 set wheel studs, anti-theft Black		1	PR:XRP,444 "GB."
5	997 361 203 01	Wheel bolt silver		X	
5	997 361 203 02	Discontinued part Wheel bolt silver		X	
(5)	970 361 203 00	Wheel bolt Black		X	
(5)	997 361 980 07	Discontinued part Wheel bolt silver		X	PR:XRP
(5)	WHT 004 676 A	Wheel bolt Black		X	PR:XRP
6	955 361 303 00	Hub cap		4	
(6)	955 361 303 05	9A1 silver Hub cap D >> - MJ 2009		4	PR:446
(6)	955 361 303 20	9A1 silver Hub cap D - MJ 2010>>		4	PR:446
(6)	997 361 303 01	9A1 silver Hub cap Porsche crest Coloured silver D >> - MJ 2011		4	PR:XRR
(6)	958 361 303 02	Hub cap Porsche crest Coloured silver D - MJ 2012>>		4	PR:XRR
(6)	997 361 305 00	Hub cap Discontinued part		4	PR:404
(6)	7PP 601 149 F	Hub cap		4	PR:404
(6)	7PP 601 149 E	Hub cap modify in workshop		4	PR:013
7	996 362 020 04	Spare wheel		1	PR:447
8	955 722 631 00	Compressed air bottle		1	

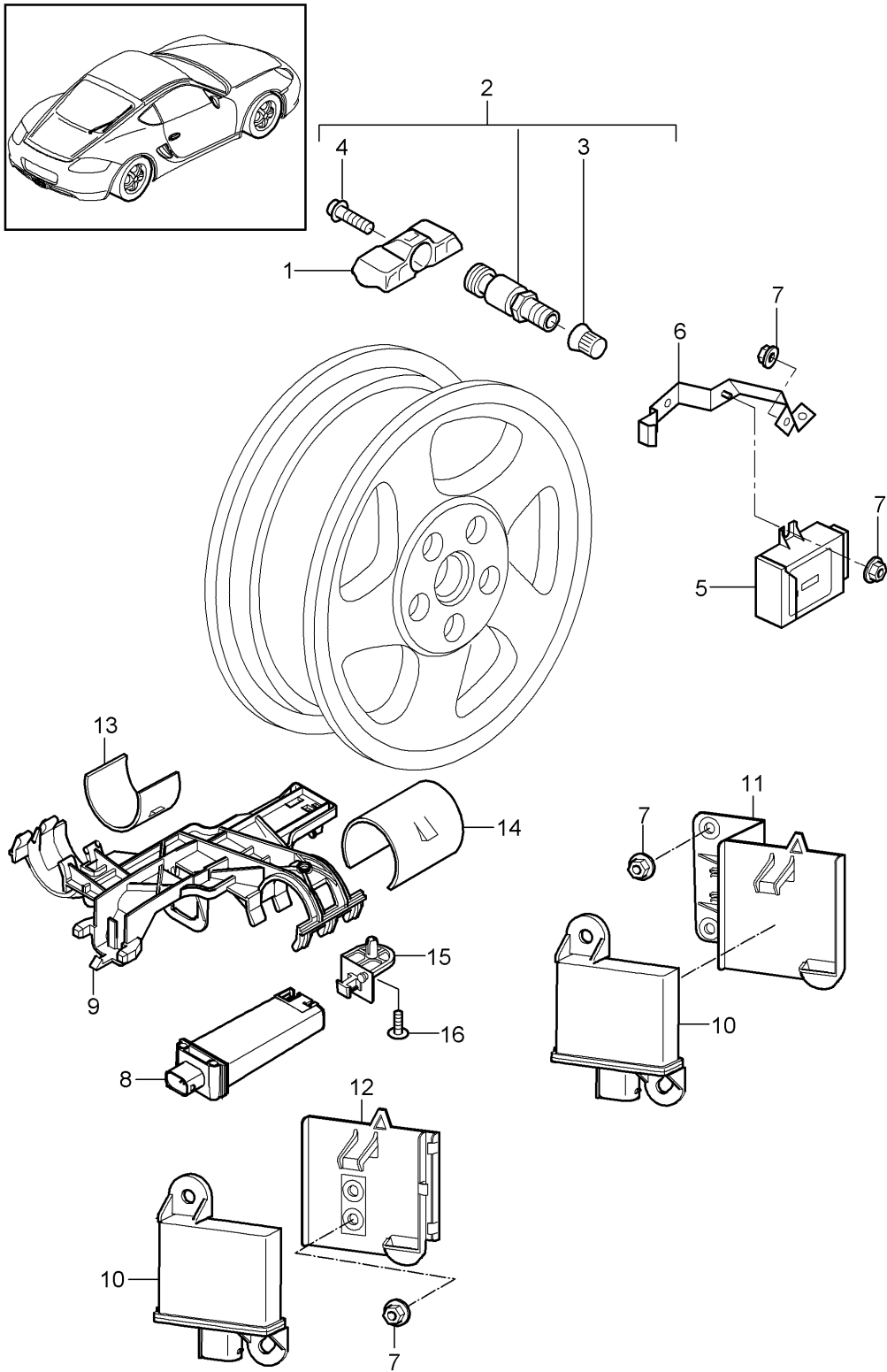
Model: 987209

Model life 2009>>2012

Pos	Part Number	Description	Remark	Qty	Model
8	4L0 012 619 A	Discontinued part Tyre sealant		1	
9	996 361 411 00	Belt for Spare wheel		1	PR:447
10	996 361 521 00	Protective sleeve for Spare wheel		1	PR:447
11	999 914 001 40	Plastic gloves No longer use the part here		1	PR:447
12	997 652 055 00	Compressor for Spare wheel		1	
		also use:	991 555 575 03 (1E0)	1	
			991 555 765 02 (1E0)	1	

Model: 987209

Model life 2009>>2012



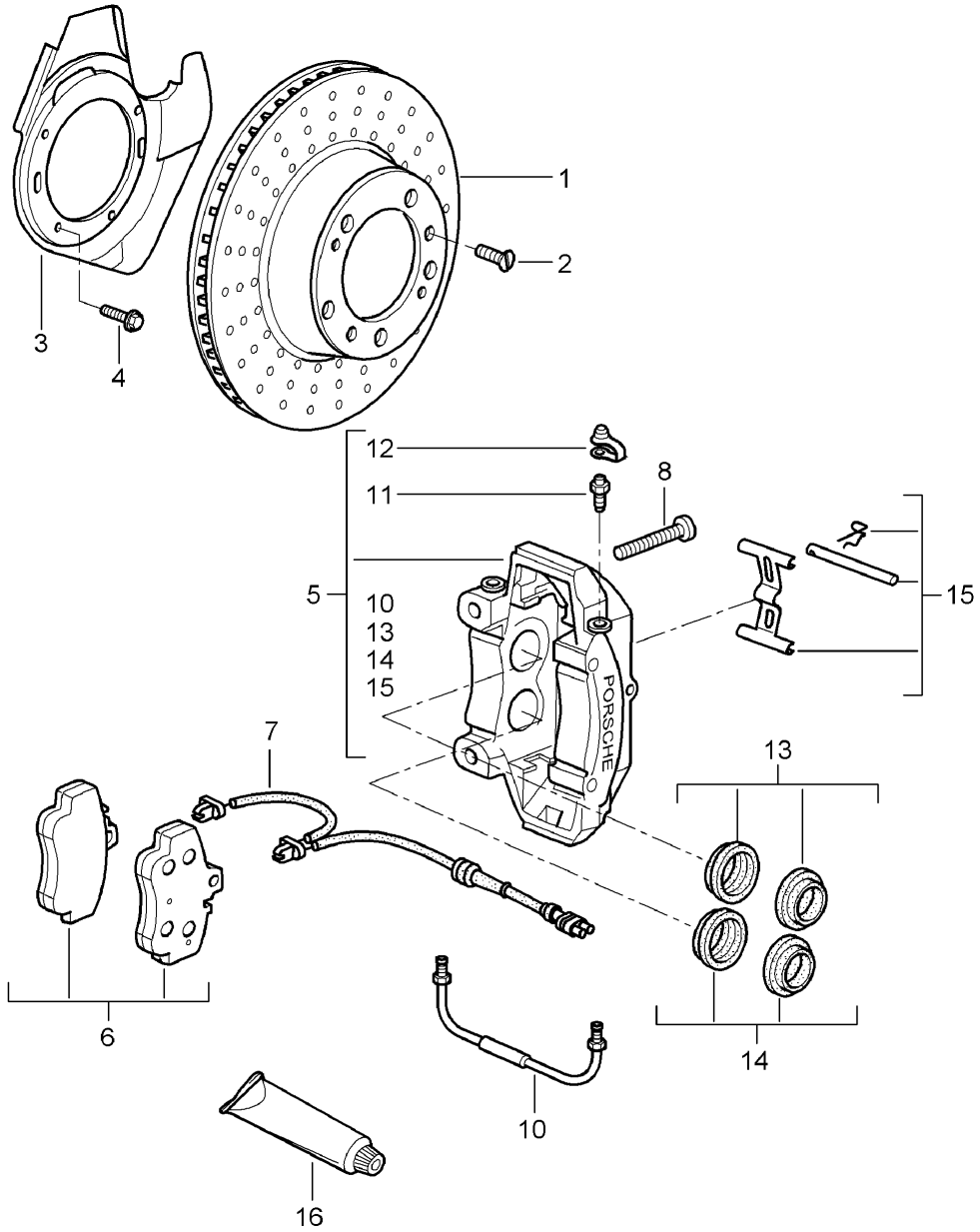
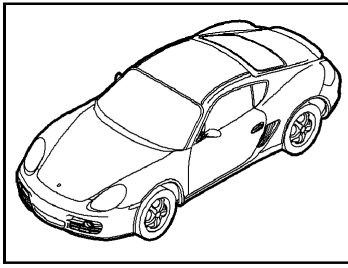
Model: 987209

Model life 2009>>2012

Pos	Part Number	Description	Remark	Qty	Model
1	997 606 021 20	tyre pressure control system Sensor		4	PR:482,483 PR:482
(1)	958 361 661 00	tyre pressure control system also use: Discontinued part Sensor	955 361 053 00	4	PR:482
(1)	7PP 907 275 F	tyre pressure control system also use: Discontinued part Tyre pressure sensor	955 361 053 00	4	PR:482
(1)	997 606 023 21	tyre pressure control system also use: Sensor	955 361 053 00	4	PR:483
2	955 361 053 00	tyre pressure control system also use: D >> - MJ 2009 Valve aluminium	955 361 053 00	4	
(2)	9P1 601 361 A	Discontinued part Valve aluminium		4	
3	N 908 729 01	Valve cap for valve unit		4	
4	4D0 601 365	Hexagon socket head bolt, self-locking		4	
5	997 618 103 23	Control unit for tyre pressure control		1	
5	997 618 191 02	D >> - MJ 2009 Control unit		1	
6	997 618 203 02	D - MJ 2010>> Bracket		1	
7	999 076 081 40	Control unit		1	
8	955 606 101 00	Hexagon plastic collar nut T5 16 X 11, 2		8	
9	997 606 259 00	Aerial		1	PR:482
10	955 618 113 00	433 MHZ Retainer for aerial		1	
(10)	7PP 907 283	Sender for tyre pressure monitoring system		4	
11	997 606 242 00	D >> - MJ 2009 Sender unit		4	
(11)	997 606 241 00	D - MJ 2010>> Holder for sender unit	right front	1	
12	987 606 231 00	Holder for sender unit	left front	1	
13	987 606 313 00	Retainer for aerial	rear	2	
14	987 606 315 00	reducing piece Short		X	CAYMAN
15	955 606 225 00	reducing piece Long		X	CAYMAN
16	955 606 226 00	Clip		1	
		Fastening screw		1	

Model: 987209

Model life 2009>>2012



Model: 987209

Model life 2009>>2012

Pos	Part Number	Description	Remark	Qty	Model
-		Disc brake Front axle Brake disc (use in pairs only) See technical manual			PR:450
1	996 351 405 01	Brake disc	left front	1	
(1)	997 351 031 00	Brake disc Discontinued part	left front	1	PR:450
(1)	997 351 031 01	Brake disc	left front	1	PR:450
(1)	996 351 406 01	Brake disc	right front	1	
(1)	997 351 032 00	Brake disc Discontinued part	right front	1	PR:450
(1)	997 351 032 01	Brake disc	right front	1	PR:450
2	900 269 047 01	countersunk bolt M 6 X 12		4	
3	997 351 801 02	Cover plate	left	1	
(3)	997 351 802 02	Cover plate	right	1	
(3)	997 351 805 05	Cover plate	left	1	PR:450
(3)	997 351 806 05	Cover plate	right	1	PR:450
4	999 217 116 01	Hexagon bolt M 6 x 16		X	
5	997 351 421 00	caliper without brake pads	left	1	CAYMAN
(5)	996 351 425 11	caliper without brake pads	left	1	CAYMAN S
(5)	996 351 425 11	caliper without brake pads	left	1	CAYMAN R
(5)	996 351 431 31	caliper without brake pads	left	1	CAYMAN S PR:450
(5)	996 351 431 31	caliper without brake pads	left	1	CAYMAN R PR:450
(5)	997 351 422 00	caliper without brake pads	right	1	CAYMAN
(5)	996 351 426 11	caliper without brake pads	right	1	CAYMAN S
(5)	996 351 426 11	caliper without brake pads	right	1	CAYMAN R
(5)	996 351 432 31	caliper without brake pads	right	1	CAYMAN S PR:450
(5)	996 351 432 31	caliper without brake pads	right	1	CAYMAN R PR:450
(6)	997 351 939 05	1 set of brake pads for disk brake	front	1	CAYMAN
(6)	997 351 939 05	1 set of brake pads for disk brake	front	1	CAYMAN S
(6)	997 351 939 06	Fasteners 1 set of brake pads for disk brake	front	1	CAYMAN R
(6)	997 351 948 01	Fasteners 1 set of brake pads for disk brake	front	1	CAYMAN S PR:450
(6)	997 351 948 01	Fasteners 1 set of brake pads for disk brake	front	1	CAYMAN R PR:450
-	996 351 088 02	Fasteners Damping plate		4	
(7)	997 612 756 00	Brake sender wire (pad wear indicator)	steel left left	1	CAYMAN CAYMAN S
(7)	997 612 759 00	sender wire (pad wear indicator)	left right right right	1	CAYMAN R CAYMAN CAYMAN S CAYMAN R

Model: 987209

Model life 2009>>2012

Pos	Part Number	Description	Remark	Qty	Model
(7)	997 612 675 01	sender wire (pad wear indicator)	left left	1	CAYMAN S CAYMAN R PR:450
(7)	997 612 679 00	sender wire (pad wear indicator)	right right	1	CAYMAN S CAYMAN R PR:450
(8)	999 073 402 01	Socket head bolt M 12 x 1,5 x 72		4	CAYMAN CAYMAN S CAYMAN R
(8)	999 067 053 09	Socket head bolt M 12 X 1;5 X 85		4	CAYMAN S CAYMAN R PR:450
-	944 612 627 00	Line holder for sender wire (pad wear indicator)		2	
10	996 352 962 00	Connecting line	right	1	
(10)	996 352 961 00	Connecting line	left	1	
(10)	996 351 961 30	Connecting line		2	CAYMAN S PR:450
(10)	996 351 961 30	Connecting line		2	CAYMAN R PR:450
11	930 351 919 00	Breather valve		2	
12	930 351 927 00	dust cap Discontinued part		2	
12	930 351 927 01	dust cap		2	
13	951 351 917 01	repair set Protective cap 40 MM \$		2	
14	951 351 917 00	repair set Protective cap 36 MM \$		2	
13	996 351 915 01	repair set Protective cap 38 MM \$		2	CAYMAN S PR:450
13	996 351 915 01	repair set Protective cap 38 MM \$		2	CAYMAN R PR:450
14	996 351 915 00	repair set Protective cap 32 MM \$		2	CAYMAN S PR:450
14	996 351 915 00	repair set Protective cap 32 MM \$		2	CAYMAN R PR:450
15	955 352 960 00	Repair set for rear axle Fasteners Pin Cup expander spring Securing bars		1 2 2 2	
(15)	996 351 959 30	repair set Fasteners comprising: Pin Cup expander spring Screw		1 2 2 2	CAYMAN S PR:450
(15)	996 351 959 30	repair set Fasteners comprising: Pin Cup expander spring Screw		1 2 2 2	CAYMAN R PR:450
16	000 043 117 00	brake cylinder paste		X	

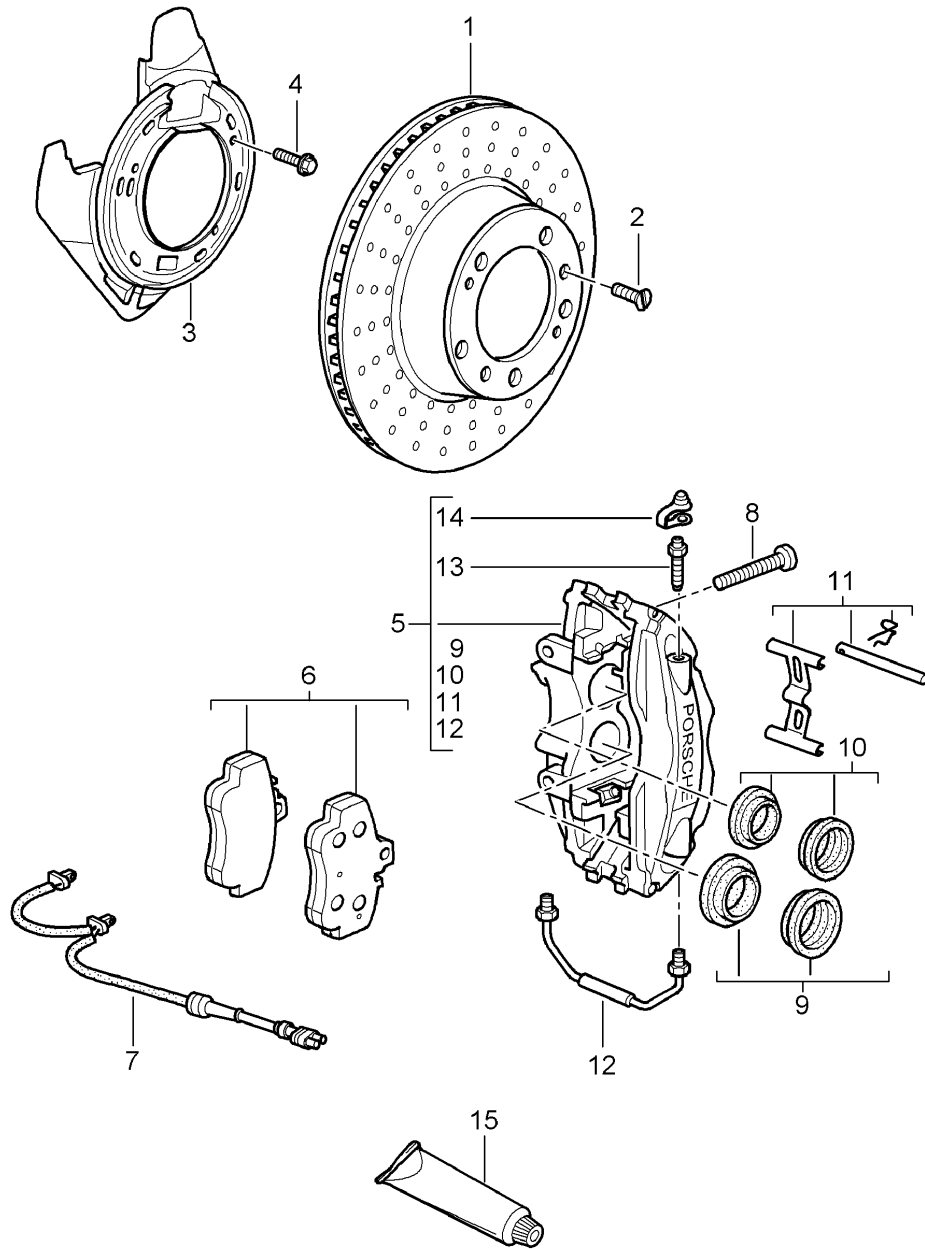
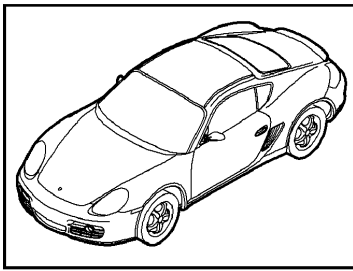
Model: 987209

Model life 2009>>2012

Pos	Part Number	Description	Remark	Qty	Model
(16)	000 043 020 00	50 G Assembly paste 100 G		X	

Model: 987209

Model life 2009>>2012



Model: 987209

Model life 2009>>2012

Pos	Part Number	Description	Remark	Qty	Model
-		Disc brake Rear axle Brake disc (use in pairs only) See technical manual			PR:450
1	987 352 401 01	Brake disc	rear	2	CAYMAN
(1)	987 352 403 01	Brake disc	rear	2	CAYMAN S
(1)	987 352 403 01	Brake disc	rear	2	CAYMAN R
(1)	987 352 031 02	Brake disc Discontinued part	left rear	1	CAYMAN S PR:450
(1)	987 352 031 03	Brake disc Discontinued part	left rear	1	CAYMAN S PR:450
(1)	981 352 031 00	Brake disc	left rear	1	CAYMAN S PR:450
(1)	987 352 031 02	Brake disc Discontinued part	left rear	1	CAYMAN R PR:450
(1)	987 352 031 03	Brake disc Discontinued part	left rear	1	CAYMAN R PR:450
(1)	981 352 031 00	Brake disc	left rear	1	CAYMAN R PR:450
(1)	987 352 032 02	Brake disc Discontinued part	right rear	1	CAYMAN S PR:450
(1)	987 352 032 03	Brake disc Discontinued part	right rear	1	CAYMAN S PR:450
(1)	981 352 032 00	Brake disc	right rear	1	CAYMAN S PR:450
(1)	987 352 032 02	Brake disc Discontinued part	right rear	1	CAYMAN R PR:450
(1)	987 352 032 03	Brake disc Discontinued part	right rear	1	CAYMAN R PR:450
(1)	981 352 032 00	Brake disc	right rear	1	CAYMAN R PR:450
2	900 269 047 01	countersunk bolt M 6 X 12		4	
(2)	900 269 106 01	countersunk bolt M 6 x 16		4	PR:XRP
3	987 352 801 00	Protective plate		2	
(4)	999 217 116 01	Hexagon bolt M 6 x 16		X	
5	986 352 423 01	caliper without brake pads	left	1	CAYMAN
(5)	996 352 421 13	caliper without brake pads	left	1	CAYMAN S
(5)	996 352 421 13	caliper without brake pads	left	1	CAYMAN R
(5)	996 352 423 31	caliper without brake pads	left	1	CAYMAN S PR:450
(5)	996 352 423 31	caliper without brake pads	left	1	CAYMAN R PR:450
(5)	986 352 424 01	caliper without brake pads	right	1	CAYMAN
(5)	996 352 422 13	caliper without brake pads	right	1	CAYMAN S
(5)	996 352 422 13	caliper without brake pads	right	1	CAYMAN R
(5)	996 352 424 31	caliper without brake pads	right	1	CAYMAN S PR:450
(5)	996 352 424 31	caliper without brake pads	right	1	CAYMAN R PR:450
(6)	987 352 939 01	1 set of brake pads for disk brake	rear	1	CAYMAN
(6)	987 352 939 01	1 set of brake pads for disk brake	rear	1	CAYMAN S
(6)	986 352 939 10	D >> - MJ 2009 1 set of brake pads for disk brake	rear	1	CAYMAN S
(6)	987 352 939 01	D - MJ 2010>> 1 set of brake pads for disk brake	rear	1	CAYMAN R

Model: 987209 Model life 2009>>2012

Pos	Part Number	Description	Remark	Qty	Model
(6)	997 352 948 00	1 set of brake pads for disk brake also use: Fasteners	rear	1	CAYMAN S PR:450
(6)	997 352 948 00	1 set of brake pads for disk brake also use: Fasteners	rear	1	CAYMAN R PR:450
7	987 612 676 01	sender wire (pad wear indicator)		2	CAYMAN
(7)	987 612 676 01	sender wire (pad wear indicator)		2	CAYMAN S
(7)	986 612 365 00	D >> - MJ 2009 sender wire (pad wear indicator)		2	CAYMAN S
(7)	987 612 676 01	D - MJ 2010>> sender wire (pad wear indicator)		2	CAYMAN R
(7)	987 612 676 01	sender wire (pad wear indicator)		2	CAYMAN S PR:450
(7)	986 612 365 00	sender wire (pad wear indicator)		2	CAYMAN R PR:450
-	999 507 464 40	bracket for speed sensor		2	
(8)	999 073 402 01	Socket head bolt M 12 X 1;5 X 72		4	CAYMAN CAYMAN S CAYMAN R
(8)	999 067 053 09	Socket head bolt M 12 x 1,5 x 85		4	CAYMAN S CAYMAN R PR:450
-	944 612 627 00	Line holder for sender wire (pad wear indicator)		2	
9	951 352 917 01	repair set Protective cap 30 MM \$		2	
10	951 352 917 00	repair set Protective cap 28 MM \$		2	
11	996 352 959 01	repair set Fasteners		1	CAYMAN CAYMAN S CAYMAN R
(11)	996 351 959 01	comprising: Pin Cup expander spring Securing bars repair set Fasteners comprising: Pin Cup expander spring Securing bars		2 2 2 1 2 2 2	CAYMAN S CAYMAN R PR:450
-	996 352 086 00	Damping plate 30 MM \$ D >> - MJ 2009		X	CAYMAN S
-	996 352 086 00	Damping plate 30 MM \$ D - MJ 2010>>		X	CAYMAN S CAYMAN R
-	964 352 096 01	Damping plate 28 MM \$ D >> - MJ 2009		X	CAYMAN S
-	996 352 086 02	Damping plate 28 MM \$		X	CAYMAN S CAYMAN R

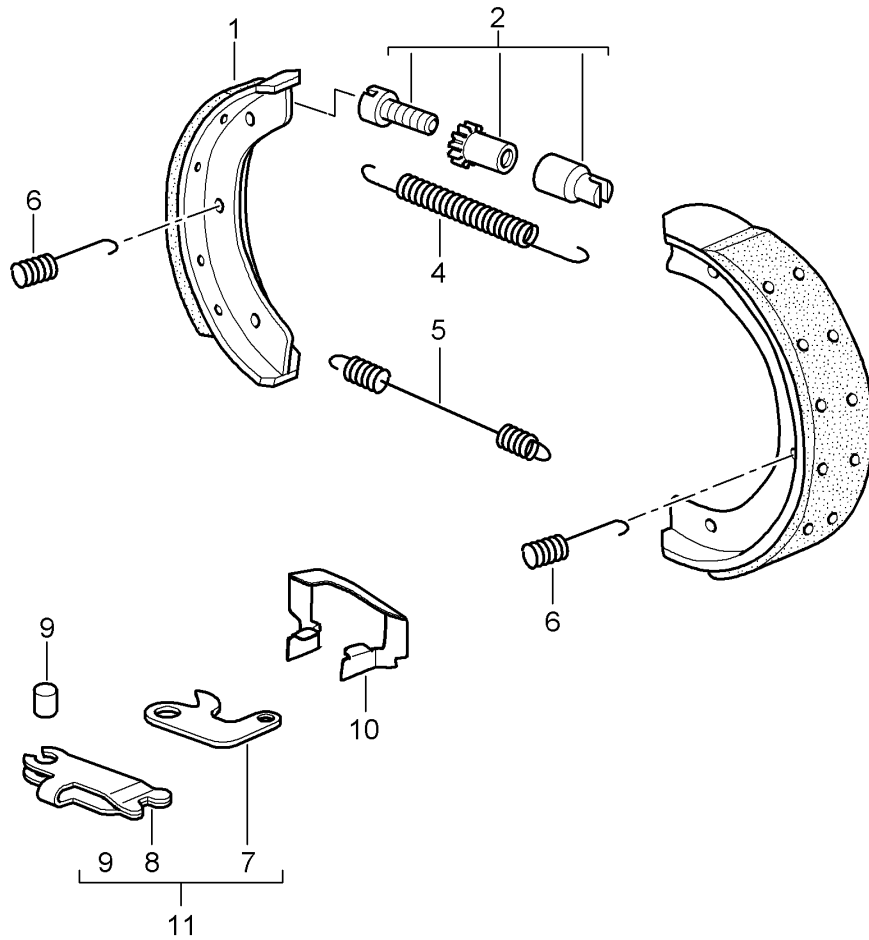
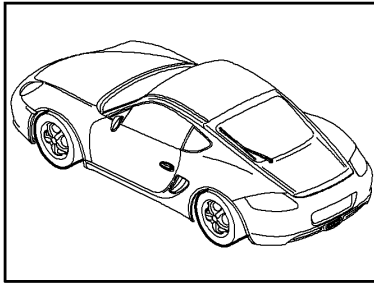
Model: 987209

Model life 2009>>2012

Pos	Part Number	Description	Remark	Qty	Model
12	996 352 961 00	D - MJ 2010>> Connecting line	left	1	CAYMAN S CAYMAN R PR:450
(12)	996 352 962 00	Connecting line	right	1	
(12)	996 351 961 30	Connecting line		2	
				2	
13	930 351 919 00	Breather valve		4	
14	930 351 927 00	dust cap		4	
		Discontinued part			
14	930 351 927 01	dust cap		4	
15	000 043 117 00	brake cylinder paste		X	
		50 G			
(15)	000 043 020 00	Assembly paste		X	
		100 G			

Model: 987209

Model life 2009>>2012



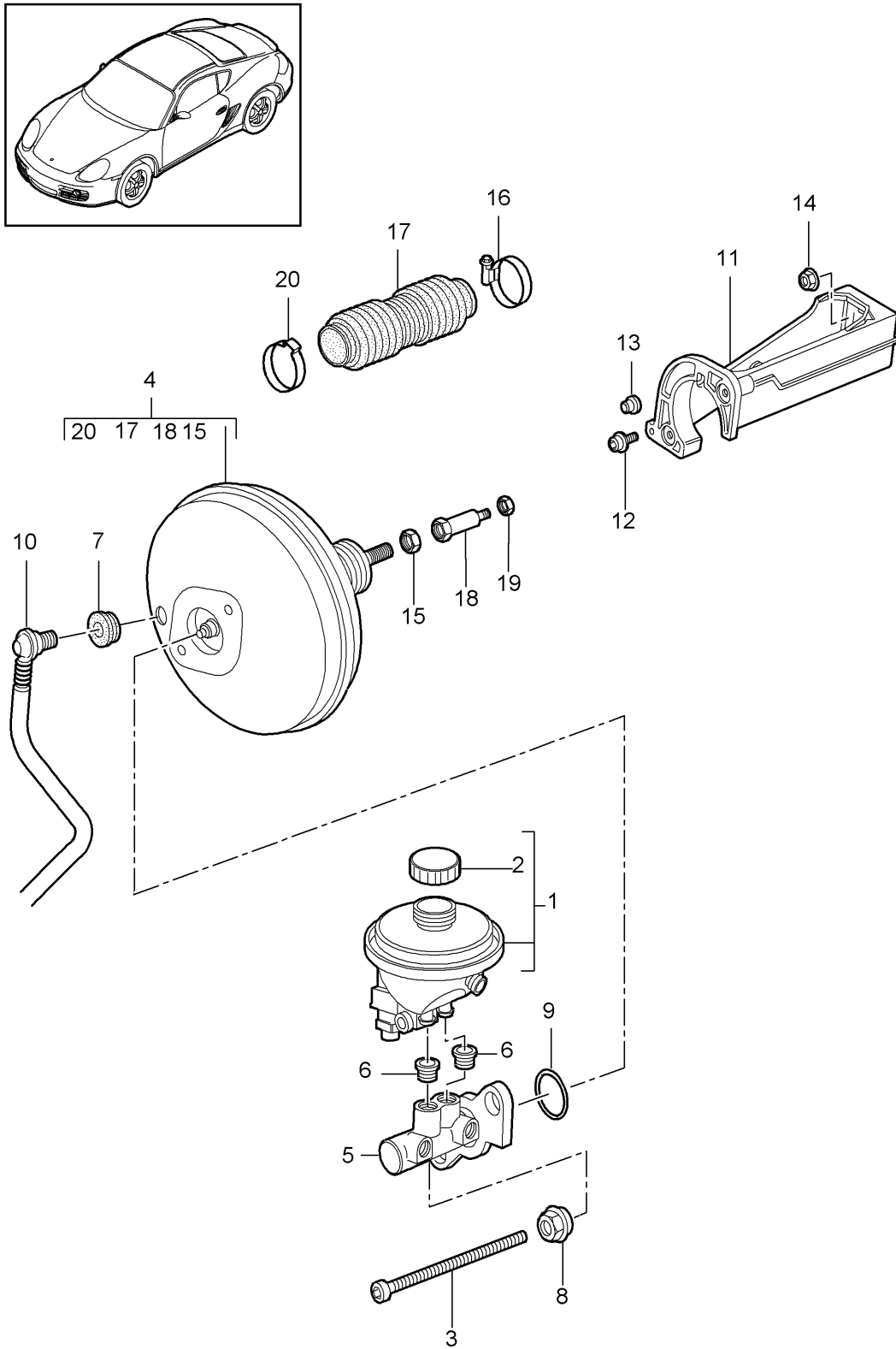
Model: 987209

Model life 2009>>2012

Pos	Part Number	Description	Remark	Qty	Model
1	997 352 993 02	handbrake Brake shoe 1 set		1	
2	993 352 071 00	adjustment screw Discontinued part		2	
(2)	298 609 723	adjustment screw		2	
4	997 352 721 01	tension spring Discontinued part		2	
(4)	298 609 717	tension spring		2	
5	997 352 723 02	tension spring		2	
6	997 352 741 02	Pressure spring Discontinued part		4	
(6)	298 609 583	Pressure spring		4	
7	986 352 731 01	Actuating lever		2	
8	986 352 733 02	Clip		2	
9	986 352 735 00	Articulated bolt		2	
10	997 352 807 01	Support plate		2	
11	986 352 073 02	Expanding bow		2	

Model: 987209

Model life 2009>>2012



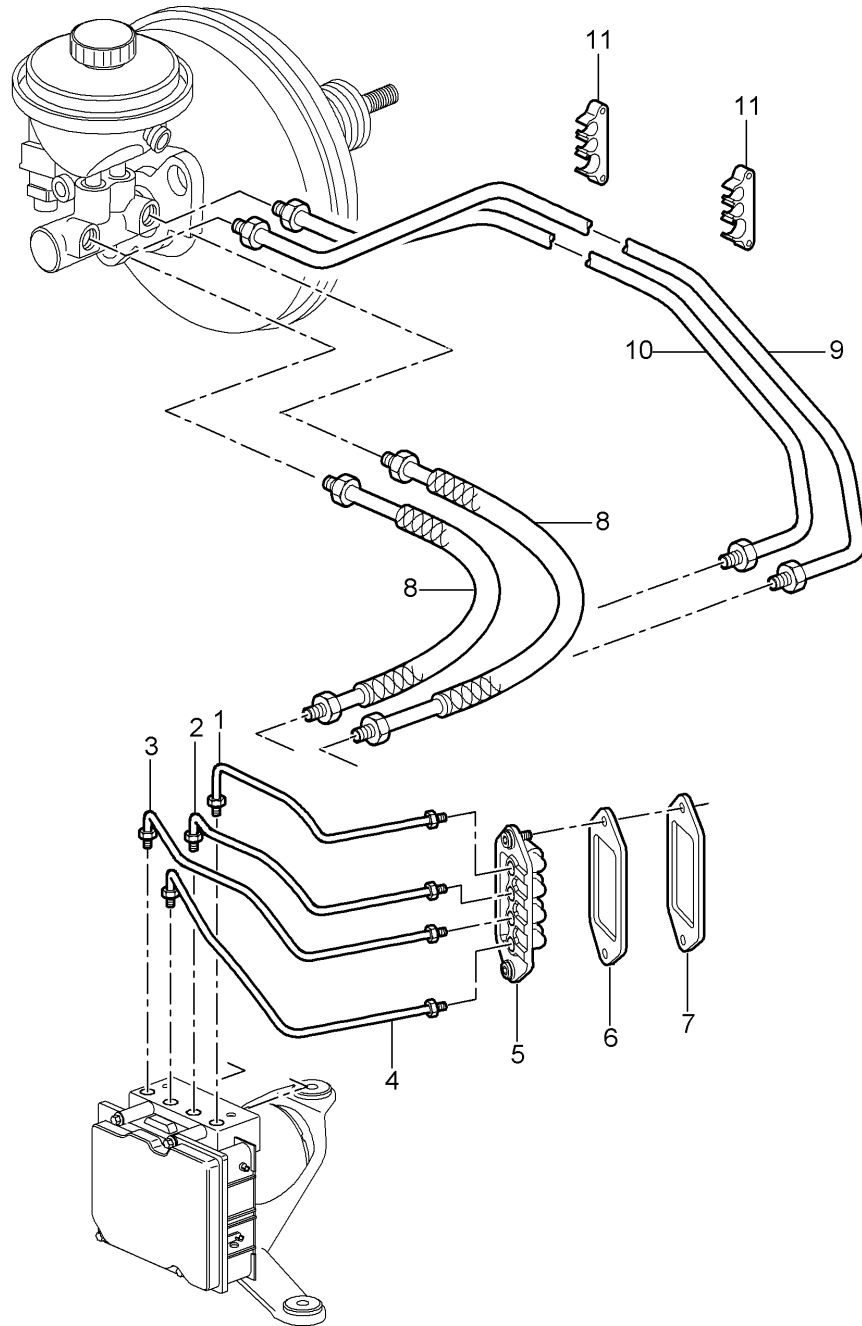
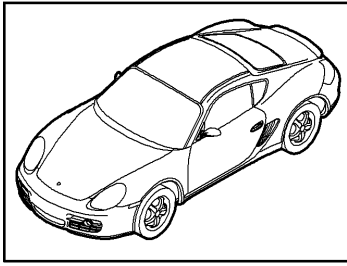
Model: 987209

Model life 2009>>2012

Pos	Part Number	Description	Remark	Qty	Model
-	000 043 210 82	Brake master cylinder Brake servo brake fluid	1.0 Ltr.	X	
-	000 043 210 86	brake fluid	30ltr.	X	
1	997 355 013 01	Reservoir for brake fluid		1	PR:480
(1)	997 355 013 21	Reservoir for brake fluid		1	PR:250
2	996 355 119 01	catch		1	
-	997 355 125 00	contact carrier for container		1	
3	999 073 124 01	Socket head bolt M 8 X 154 X 80 Discontinued part		2	
(3)	999 073 124 02	Socket head bolt M 8 X 154 X 80 Discontinued part		2	
(3)	999 073 615 01	Socket head bolt M 8 X 154 X 80		2	
4	987 355 923 00	Brake servo		1	CAYMAN
(4)	996 355 923 00	Brake servo		1	CAYMAN S
				1	CAYMAN R
				1	CAYMAN S
				1	CAYMAN R
					PR:450
5	997 355 910 00	Brake master cylinder		1	CAYMAN
(5)	997 355 910 10	Brake master cylinder		1	CAYMAN S
				1	CAYMAN R
				1	CAYMAN S
				1	CAYMAN R
					PR:450
6	993 355 922 00	Grommet		2	
7	999 702 182 40	Rubber bush		1	
8	997 355 925 00	Hexagon nut		2	
9	993 355 212 00	Seal		1	
10	997 355 577 00	Vacuum line		1	PR:098
11	997 423 251 00	Intermediate piece		1	
12	999 073 189 01	flat round head bolt M 6 X 12		2	
13	999 703 448 50	Bungs	right	1	
14	999 084 630 09	Hexagon nut M 8		2	
15	900 183 015 01	Hexagon nut M 12 X 1,5		1	
-	996 355 901 01	Seal Brake servo filler plate		1	
16	999 512 478 00	Hose clamp		1	
17	996 423 269 05	Bellows		1	
18	996 355 927 01	Connecting piece		1	
19	900 380 015 01	Hexagon nut M 6		1	
20	999 512 672 00	clamp		1	

Model: 987209

Model life 2009>>2012



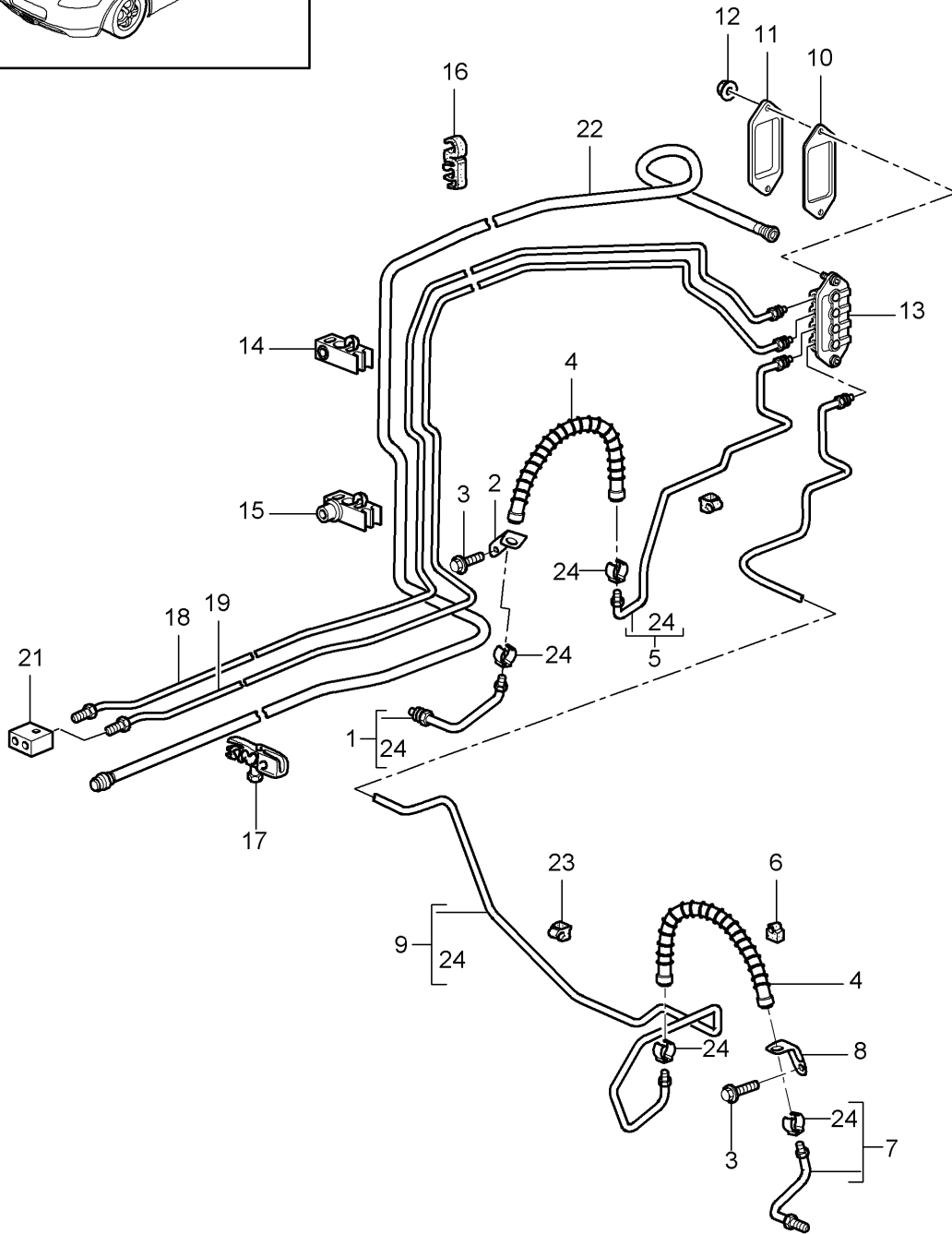
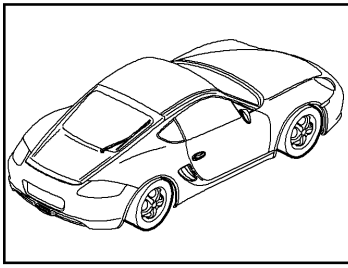
Model: 987209

Model life 2009>>2012

Pos	Part Number	Description	Remark	Qty	Model
		Brake lines			
		Front end			
1	997 355 315 10	Brake line		1	
2	997 355 316 10	Brake line		1	
3	997 355 327 10	Brake line		1	
4	997 355 326 10	Brake line		1	
5	997 355 650 00	Intermediate piece		1	
6	997 355 752 00	Seal		1	
7	997 355 753 00	Reinforcement		1	
8	997 355 311 10	Pressure line		2	PR:098
9	997 355 312 10	Pressure line		1	PR:099
10	997 355 314 10	Pressure line		1	PR:099
11	999 507 632 40	Cable holder		2	

Model: 987209

Model life 2009>>2012



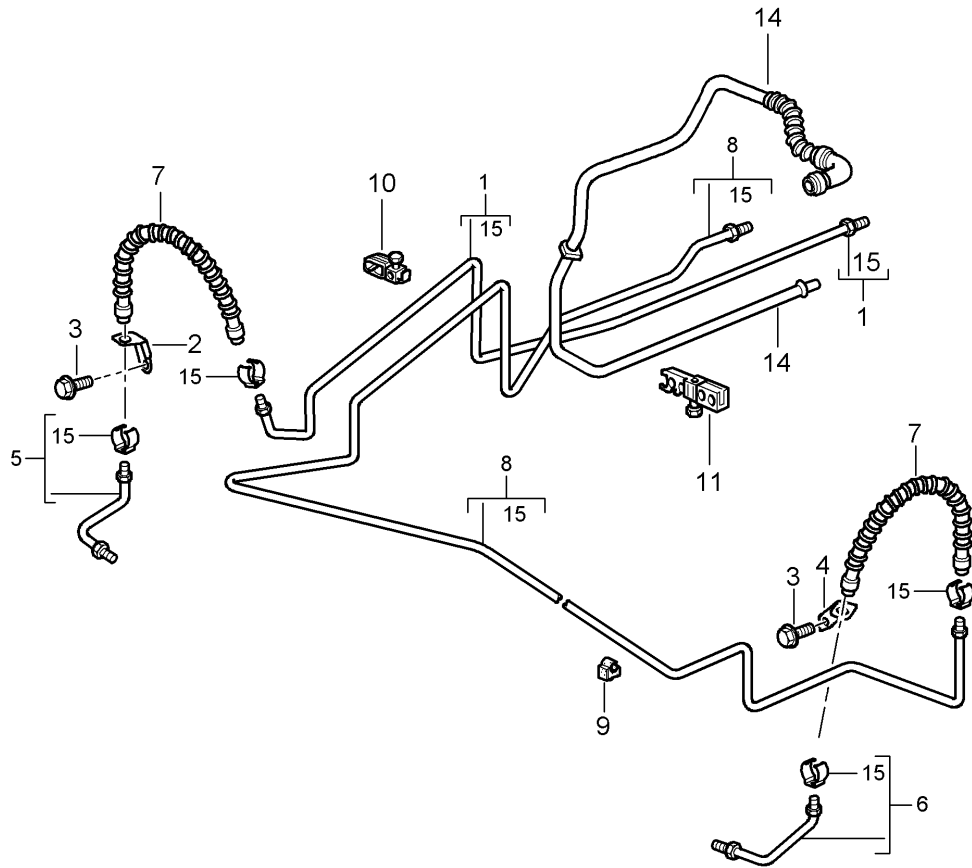
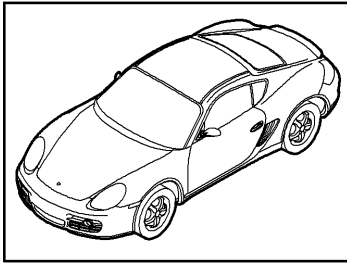
Model: 987209

Model life 2009>>2012

Pos	Part Number	Description	Remark	Qty	Model
		Brake lines			
		Brake lines			
		Underbody			
		Vacuum line			
1	996 355 581 07	Brake line	left	1	
(1)	996 355 581 9B	Brake line	left	1	CAYMAN S PR:450
(1)	996 355 581 9B	Brake line	left	1	CAYMAN R PR:450
2	996 355 501 06	Brake hose bracket	left	1	
3	900 067 117 04	Socket head bolt M 6 x 16		2	
4	996 355 139 01	Brake hose Discontinued part		2	
(4)	996 355 139 03	Brake hose		2	
5	997 355 175 10	Brake line Discontinued part	left	1	
(5)	997 355 175 11	Brake line	left	1	
6	999 591 930 40	Bracket		X	
7	996 355 584 07	Brake line	right	1	
(7)	996 355 584 9B	Brake line	right	1	CAYMAN S PR:450
(7)	996 355 584 9B	Brake line	right	1	CAYMAN R PR:450
8	996 355 502 06	Brake hose bracket	right	1	
9	997 355 176 10	Brake line	right	1	
10	997 355 753 00	Reinforcement		1	
11	997 355 752 00	Seal		1	
12	900 380 015 01	Hexagon nut M 6		3	
13	997 355 650 00	Intermediate piece		1	
14	996 355 545 00	Bracket		3	
15	996 355 549 00	Bracket		1	
16	996 355 547 01	Bracket		2	
17	996 355 543 00	Bracket		1	
18	997 355 177 10	Brake line		1	
19	997 355 179 10	Brake line Discontinued part		1	
(19)	997 355 179 11	Brake line		1	
21	996 355 760 31	Connecting piece		1	
22	997 355 571 01	Vacuum line		1	
-	999 702 289 40	Grommet		1	
23	999 651 331 40	Wheel housing Cable holder		5	
24	997 355 331 00	retaining spring for Brake hose		X	

Model: 987209

Model life 2009>>2012



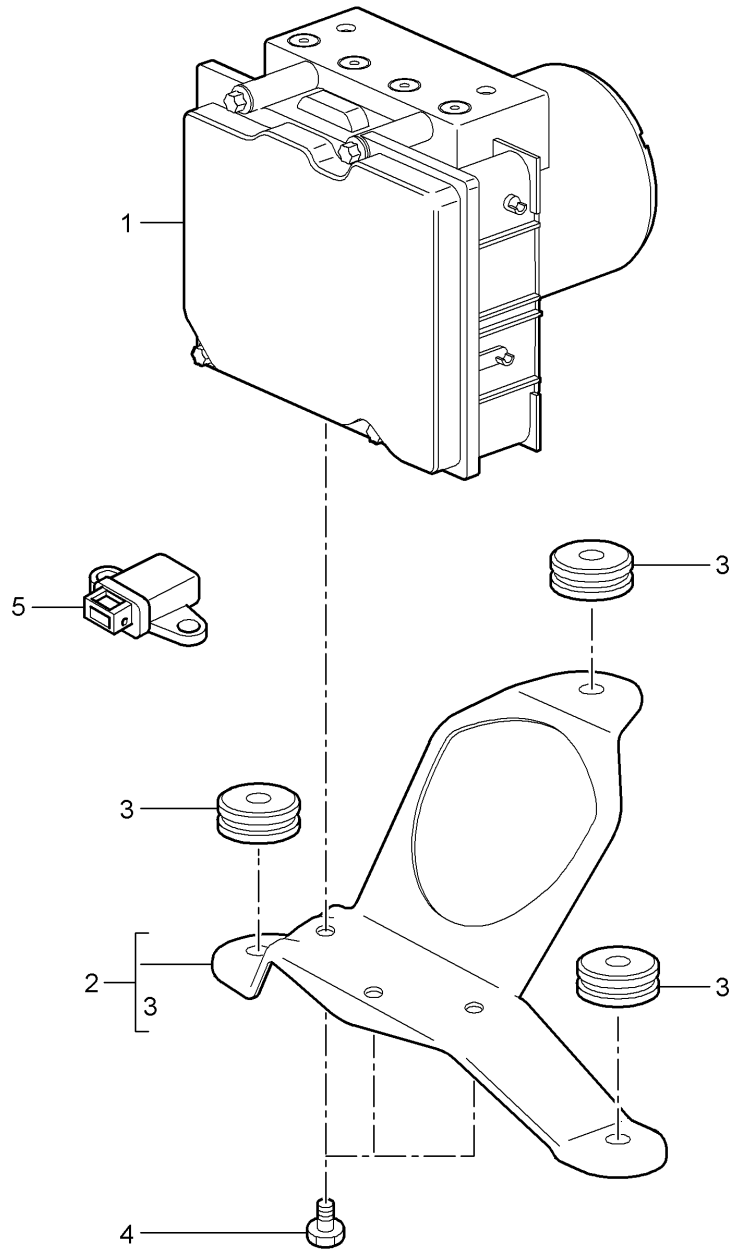
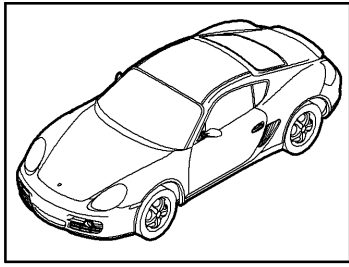
Model: 987209

Model life 2009>>2012

Pos	Part Number	Description	Remark	Qty	Model
		Brake line			
		Underbody			
		Rear axle			
		Vacuum line			
1	987 355 189 10	Brake line	left	1	
2	987 355 501 01	Retainer for brake hose	left	1	
3	900 075 355 01	Hexagon bolt		4	
		M 6 X 16			
4	987 355 502 01	Retainer for brake hose	right	1	
5	987 355 581 01	Brake line	left	1	
(5)	987 355 583 01	Brake line	left	1	CAYMAN S PR:450
(5)	987 355 583 01	Brake line	left	1	CAYMAN R PR:450
6	987 355 582 01	Brake line	right	1	
(6)	987 355 584 01	Brake line	right	1	CAYMAN S PR:450
(6)	987 355 584 01	Brake line	right	1	CAYMAN R PR:450
-	996 501 815 02	Brake line bracket		2	
		Brake hose			
7	987 355 637 00	Brake hose		2	
		Discontinued part			
(7)	987 355 637 01	Brake hose		2	
8	987 355 190 10	Brake line	right	1	
9	999 651 331 40	Cable holder		3	
10	964 423 811 00	Bracket		2	
11	996 355 543 00	Bracket		1	
(14)	987 355 575 11	Vacuum line		1	
		D >> - MJ 2009			
(14)	987 355 575 12	Vacuum line		1	
		D - MJ 2010>>			
15	997 355 331 00	retaining spring for Brake hose		X	

Model: 987209

Model life 2009>>2012



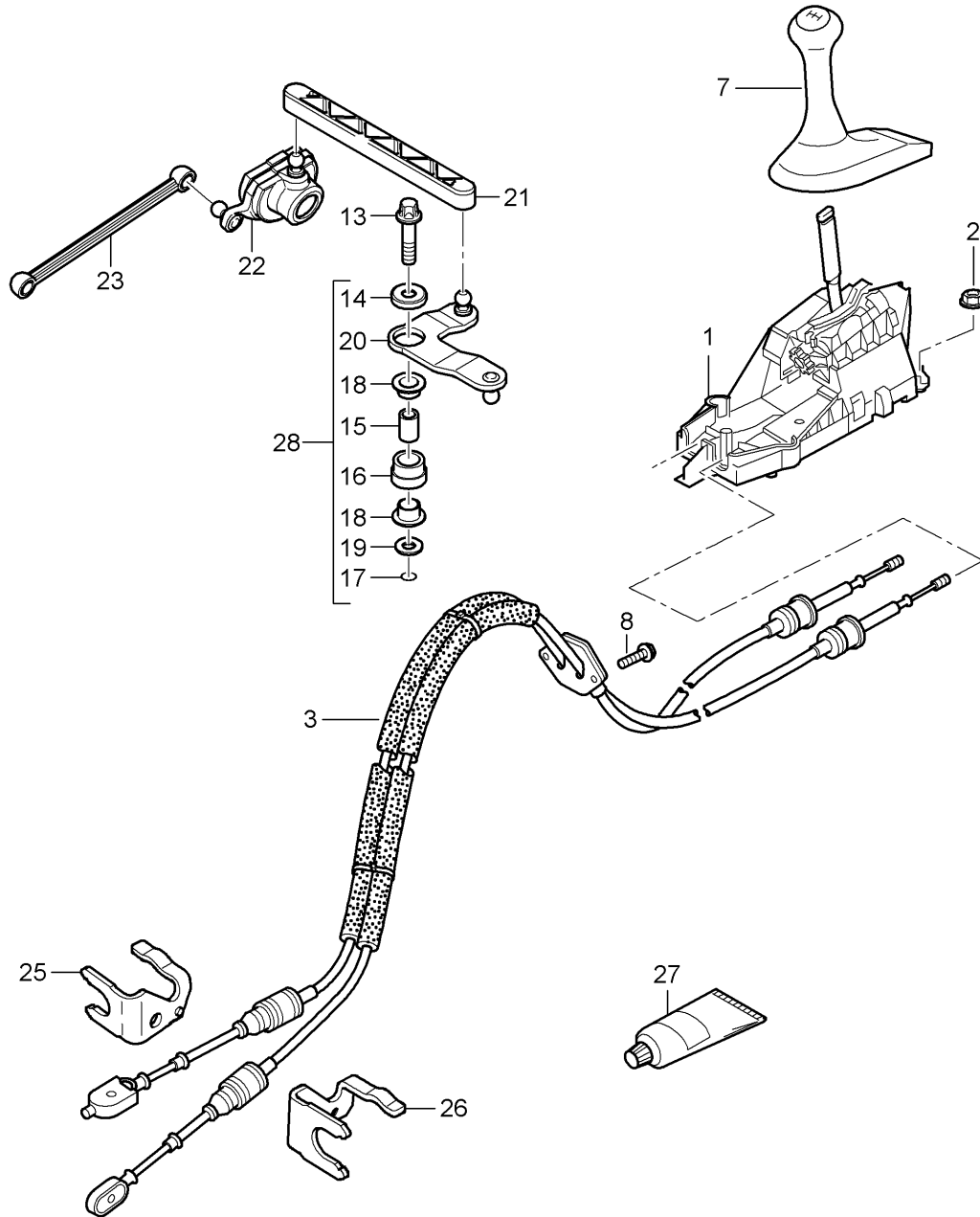
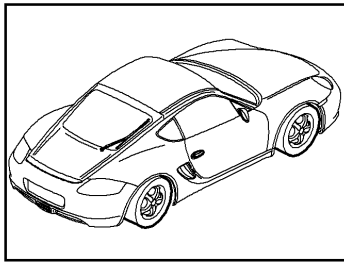
Model: 987209

Model life 2009>>2012

Pos	Part Number	Description	Remark	Qty	Model
1	987 355 955 11	Hydraulic unit anti-locking brake syst. -abs- Control		1	
1	987 355 955 12	Hydraulic unit D >> - MJ 2009		1	
2	997 355 033 00	Bracket with:		1	
3	964 356 635 00	Rubber bush		3	
-	999 045 004 40	Hexagon nut		3	
4	900 385 060 01	plastic Screw BM 6 x 10		3	
5	997 606 145 05	Sensor D >> - MJ 2010		1	
5	997 606 145 07	Sensor D - MJ 2011>>		1	

Model: 987209

Model life 2009>>2012



Model: 987209

Model life 2009>>2012

Pos	Part Number	Description	Remark	Qty	Model
		Transmission control Manual gearbox			PR:480
1	997 424 010 00	ball housing - gearshift lever		1	
(1)	997 424 983 00	ball housing - gearshift lever		1	PR:XCZ
2	999 084 629 01	Hexagon nut M 6SB		4	
3	987 424 042 11	Cable No longer use the part here		1	
3	987 424 042 12	Cable To Use		1	
		with:			
		lever 981.424.023.00 Bracket 987.424.065.01			
7	997 424 075 01	gearstick knob (leather) Shift pattern Aluminium look		1	
	997 424 075 01 FOT	black/black			
	997 424 075 01 FOU	Stone grey/stone grey			
	997 424 075 01 FOV	Sand beige/sand beige			
	997 424 075 01 FOW	Sea blue/sea blue			
	997 424 075 01 FPW	Terracotta/terracotta			
	997 424 075 01 FPX	Cocoa/Cocoa			
	997 424 075 01 FQE	Black/stone grey			
	997 424 075 01 FOY	Dark grey/dark grey			
	997 424 075 01 FOZ	Brown nat./brown nat.			
	997 424 075 01 FSR	Carrera Red/Carrera Red			
(7)	997 424 075 03	gearstick knob Carbon Shift pattern Aluminium look		1	PR:803
	997 424 075 03 FPP	Black			
	997 424 075 03 FPQ	Stone grey			
	997 424 075 03 FPR	Sand beige			
	997 424 075 03 FPS	sea blue			
	997 424 075 03 FQC	Terracotta			
	997 424 075 03 FQD	Cocoa			
	997 424 075 03 FPU	Dark grey/natural			
	997 424 075 03 FPV	Brown/natural			
	997 424 075 03 FSS	Carrera Red			
(7)	997 424 075 04	gearstick knob (leather) macassar Shift pattern Aluminium look		1	PR:801
	997 424 075 04 FPA	Black			
	997 424 075 04 FPB	Stone grey			
	997 424 075 04 FPC	Sand beige			
	997 424 075 04 FPD	sea blue			
	997 424 075 04 FPY	Terracotta			
	997 424 075 04 FPZ	Cocoa			
	997 424 075 04 FPF	Dark grey/natural			
	997 424 075 04 FPG	Brown/natural			
	997 424 075 04 FST	Carrera Red			
7	987 424 075 07	gearstick knob (leather)		1	CAYMAN R
	987 424 075 07 FOT	black/black			
	987 424 075 07 FOV	Sand beige/sand beige			
	987 424 075 07 FPX	Cocoa/Cocoa			
	987 424 075 07 FSR	Carrera Red/Carrera Red			
(7)	997 424 981 00	gearstick knob aluminium Leather		1	PR:X97

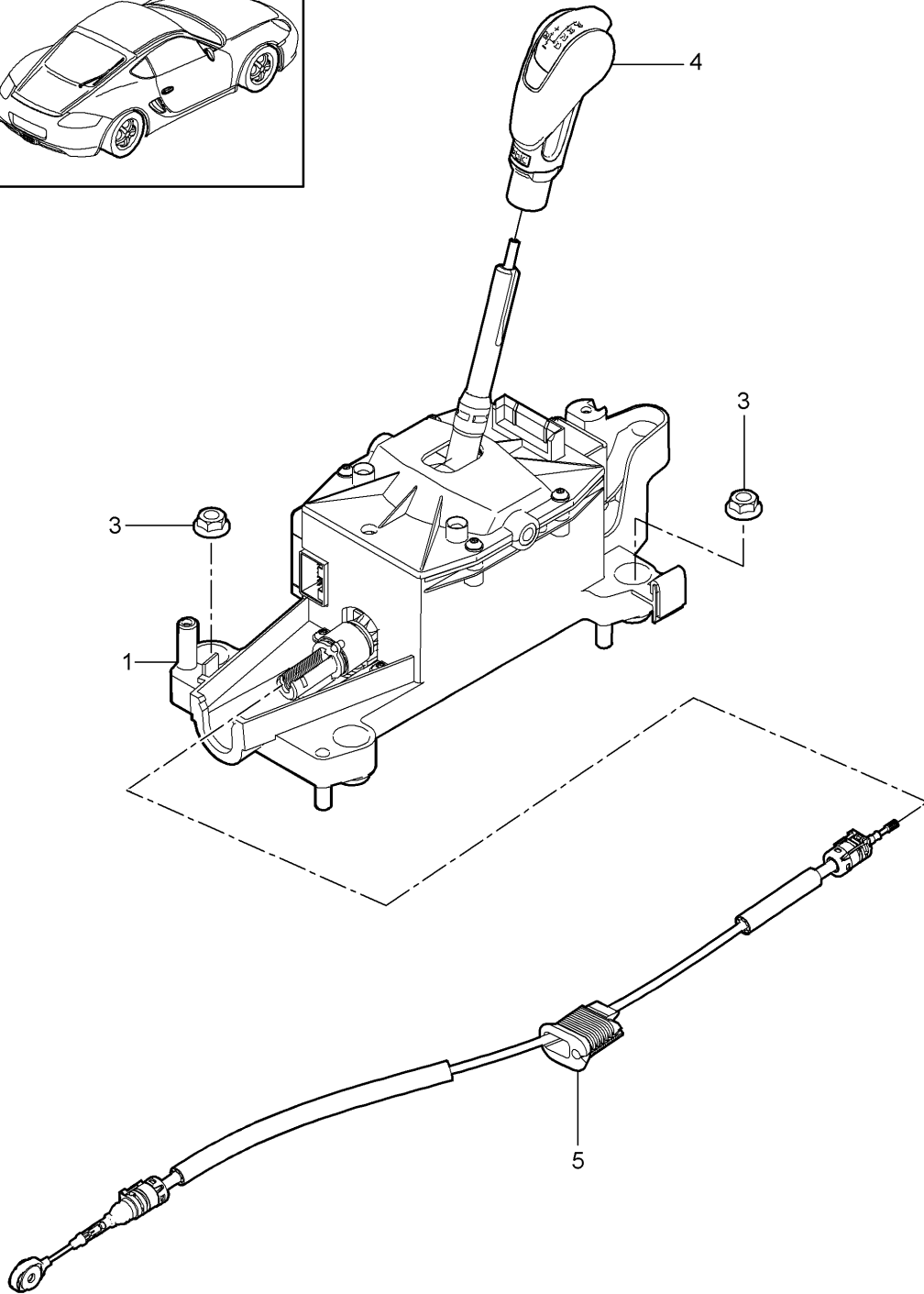
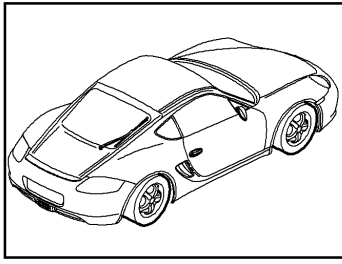
Model: 987209

Model life 2009>>2012

Pos	Part Number	Description	Remark	Qty	Model
	997 424 981 00 8YR	Black			
	997 424 981 00 5X5	Stone grey			
	997 424 981 00 8G1	Sand beige			
	997 424 981 00 3S8	sea blue			
	997 424 981 00 9N2	Terracotta			
	997 424 981 00 9Q3	Cocoa			
	997 424 981 00 D11	Dark grey/natural			
	997 424 981 00 T11	Brown/natural			
	997 424 981 00 N11	Carrera Red			
(7)	997 424 990 00	gearstick knob aluminium		1	PR: XFN
	997 424 990 00 8YR	Black			
	997 424 990 00 5X5	Stone grey			
	997 424 990 00 8G1	Sand beige			
	997 424 990 00 3S8	sea blue			
	997 424 990 00 9N2	Terracotta			
	997 424 990 00 9Q3	Cocoa			
	997 424 990 00 D11	Dark grey/natural			
	997 424 990 00 T11	Brown/natural			
	997 424 990 00 N11	Carrera Red			
8	999 084 629 01	Hexagon nut M 6		2	
-	996 424 145 01	Securing element for Cable Adjustable		1	
-	996 424 445 00	Clip for Securing element		1	
-	996 424 147 00	Securing element for Cable Adjustable for Cable		1	
13	900 385 006 01	Torx screw BM 8 X 35		1	
14		Cover cap		1	
15		spacer bush		1	
16		Bearing bush		1	
17		O-ring 6,0 X 1,5		1	
18		bush		2	
19		Washer		2	
20		relay lever		1	
21	987 424 131 10	toggle lever		1	
22	987 424 023 00	lever No longer use the part here		1	
22	981 424 023 00	lever		1	
23	987 424 035 10	connecting rod Discontinued part		1	
(23)	981 424 035 10	connecting rod		1	
25	987 424 065 00	Bracket No longer use the part here	left	1	
25	987 424 065 01	Bracket	left	1	
26	987 424 066 00	Bracket	right	1	
27	000 043 205 93	grease 1 100-gramme tube		X	
28	987 424 037 00	relay lever		1	

Model: 987209

Model life 2009>>2012



Model: 987209 Model life 2009>>2012

Pos	Part Number	Description	Remark	Qty	Model
1	9G1 426 011 03	selector lever - PDK - Support with: housing D >> - MJ 2009		1	PR:250
1	9G1 426 011 05	Support with: housing D - MJ 2010>>		1	
3	999 084 629 01	Hexagon nut M 6		4	
4	9G1 426 069 00	Selector knob Leather Volcano grey		1	
	9G1 426 069 00 FTE	Black			
	9G1 426 069 00 FTF	Stone grey			
	9G1 426 069 00 FTG	Sand beige			
	9G1 426 069 00 FTH	sea blue			
	9G1 426 069 00 FTJ	Terracotta			
	9G1 426 069 00 FTK	Cocoa			
	9G1 426 069 00 FTL	Dark grey/natural			
	9G1 426 069 00 FTM	Brown/natural			
	9G1 426 069 00 FTN	Carrera Red			
4	9G1 426 069 04	Selector knob Leather macassar Volcano grey D >> - MJ 2009		1	PR:801
	9G1 426 069 04 FTO	Black			
	9G1 426 069 04 FTP	Stone grey			
	9G1 426 069 04 FTQ	Sand beige			
	9G1 426 069 04 FTR	sea blue			
	9G1 426 069 04 FTS	Terracotta			
	9G1 426 069 04 FTT	Cocoa			
	9G1 426 069 04 FTU	Dark grey/natural			
	9G1 426 069 04 FTV	Brown/natural			
	9G1 426 069 04 FTW	Carrera Red			
(4)	9G1 426 069 14	Selector knob macassar Volcano grey D - MJ 2010>>		1	PR:801
	9G1 426 069 14 FTO	Black			
	9G1 426 069 14 FTP	Stone grey			
	9G1 426 069 14 FTQ	Sand beige			
	9G1 426 069 14 FTR	sea blue			
	9G1 426 069 14 FTS	Terracotta			
	9G1 426 069 14 FTT	Cocoa			
	9G1 426 069 14 FTU	Dark grey/natural			
	9G1 426 069 14 FTV	Brown/natural			
	9G1 426 069 14 FTW	Carrera Red			
4	9G1 426 069 03	Selector knob Leather Carbon Volcano grey D >> - MJ 2009		1	PR:803
	9G1 426 069 03 FTX	Black			
	9G1 426 069 03 FTY	Stone grey			
	9G1 426 069 03 FTZ	Sand beige			
	9G1 426 069 03 FUA	sea blue			
	9G1 426 069 03 FUB	Terracotta			
	9G1 426 069 03 FUC	Cocoa			
	9G1 426 069 03 FUD	Dark grey/natural			

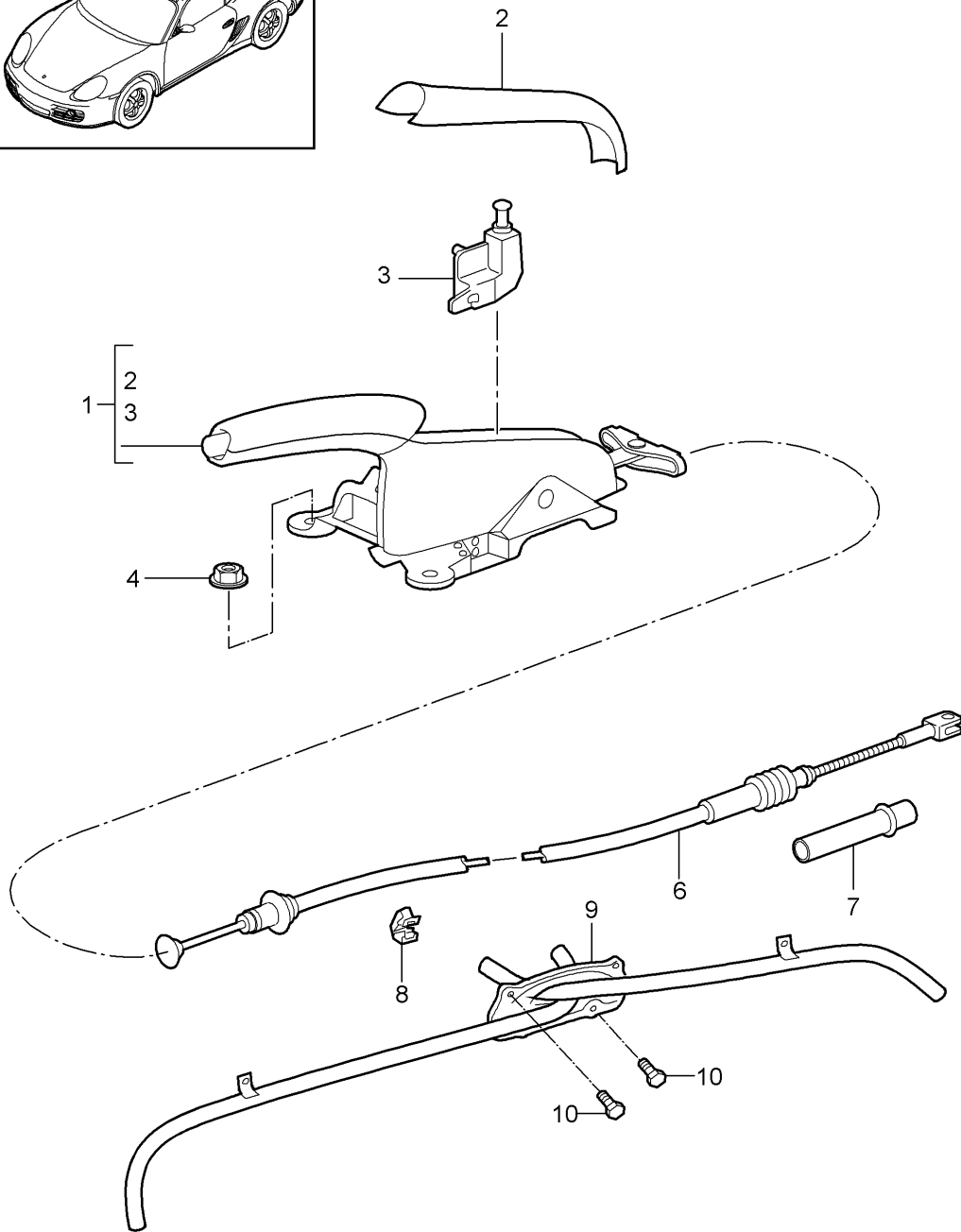
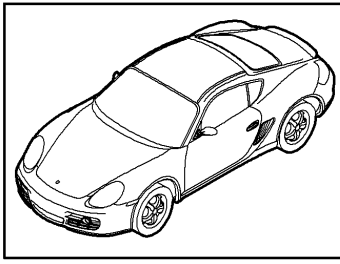
Model: 987209

Model life 2009>>2012

Pos	Part Number	Description	Remark	Qty	Model
(4)	9G1 426 069 03 FUE	Brown/natural		1	PR:803
	9G1 426 069 03 FUF	Carrera Red			
	9G1 426 069 13	Selector knob			
		Leather			
		Carbon			
		Volcano grey			
		D - MJ 2010>>			
	9G1 426 069 13 FTX	Black			
	9G1 426 069 13 FTY	Stone grey			
	9G1 426 069 13 FTZ	Sand beige			
	9G1 426 069 13 FUA	sea blue			
	9G1 426 069 13 FUB	Terracotta			
	9G1 426 069 13 FUC	Cocoa			
	9G1 426 069 13 FUD	Dark grey/natural			
4	9G1 426 069 13 FUE	Brown/natural		1	PR:XYA
	9G1 426 069 13 FUF	Carrera Red			
	9G1 426 980 00	Selector knob			
		Leather			
		Carbon			
		Volcano grey			
	9G1 426 980 00 FTE	Black			
	9G1 426 980 00 5X5	Stone grey			
	9G1 426 980 00 8G1	Sand beige			
	9G1 426 980 00 3S8	sea blue			
	9G1 426 980 00 9N2	Terracotta			
	9G1 426 980 00 9Q3	Cocoa			
	9G1 426 980 00 D11	Dark grey/natural			
	9G1 426 980 00 T11	Brown/natural			
9G1 426 980 00 N11	Carrera Red				
(4)	9G2 426 069 20	Selector knob		1	CAYMAN R
		Leather			
	9G2 426 069 20 FTE	Black/Galvano Silver			
	9G2 426 069 20 FTG	Sand Beige/Galvano Silver			
	9G2 426 069 20 FTK	Cocoa/Galvano Silver			
	9G2 426 069 20 FTN	Carrera Red/Galvano Silver			
5	9G2 426 033 00	Cable		1	

Model: 987209

Model life 2009>>2012



Model: 987209

Model life 2009>>2012

Pos	Part Number	Description	Remark	Qty	Model
(1)	997 424 031 67	handbrake Actuator handbrake lever grip (leather) (complete)		1	
	997 424 031 67 8YR	Black			
	997 424 031 67 5X5	Stone grey			
	997 424 031 67 8G1	Sand beige			
	997 424 031 67 3S8	sea blue			
	997 424 031 67 9N2	Terracotta			
	997 424 031 67 9Q3	Cocoa			
	997 424 031 67 FQF	Black/stone grey			
	997 424 031 67 D11	Dark grey/natural			
	997 424 031 67 T11	Brown/natural			
	997 424 031 67 N11	Carrera Red			
(1)	997 424 031 68	Brake lever (complete) macassar		1	PR:801
	997 424 031 68 8YR	Black			
	997 424 031 68 5X5	Stone grey			
	997 424 031 68 8G1	Sand beige			
	997 424 031 68 3S8	sea blue			
	997 424 031 68 9N2	Terracotta			
	997 424 031 68 9Q3	Cocoa			
	997 424 031 68 D11	Dark grey/natural			
	997 424 031 68 T11	Brown/natural			
	997 424 031 68 N11	Carrera Red			
(1)	997 424 031 70	Brake lever (complete) Carbon		1	PR:803
	997 424 031 70 8YR	Black			
	997 424 031 70 5X5	Stone grey			
	997 424 031 70 8G1	Sand beige			
	997 424 031 70 3S8	sea blue			
	997 424 031 70 9N2	Terracotta			
	997 424 031 70 9Q3	Cocoa			
	997 424 031 70 D11	Dark grey/natural			
	997 424 031 70 T11	Brown/natural			
	997 424 031 70 N11	Carrera Red			
(1)	997 424 991 01	Brake lever (complete) Discontinued part		1	PR:XFP,099
	997 424 991 01 8YR	Black			
	997 424 991 01 5X5	Stone grey			
	997 424 991 01 8G1	Sand beige			
	997 424 991 01 3S8	sea blue			
	997 424 991 01 9N2	Terracotta			
	997 424 991 01 9Q3	Cocoa			
	997 424 991 01 D11	Dark grey/natural			
	997 424 991 01 T11	Brown/natural			
	997 424 991 01 N11	Carrera Red			
(1)	997 424 991 03	Brake lever (complete)		1	PR:XFP,099
	997 424 991 03 8YR	Black			
	997 424 991 03 5X5	Stone grey			
	997 424 991 03 8G1	Sand beige			
	997 424 991 03 3S8	sea blue			
	997 424 991 03 9N2	Terracotta			
	997 424 991 03 9Q3	Cocoa			
	997 424 991 03 D11	Dark grey/natural			
	997 424 991 03 T11	Brown/natural			
	997 424 991 03 N11	Carrera Red			
2	997 424 155 00	trim for handbrake lever Leather		1	

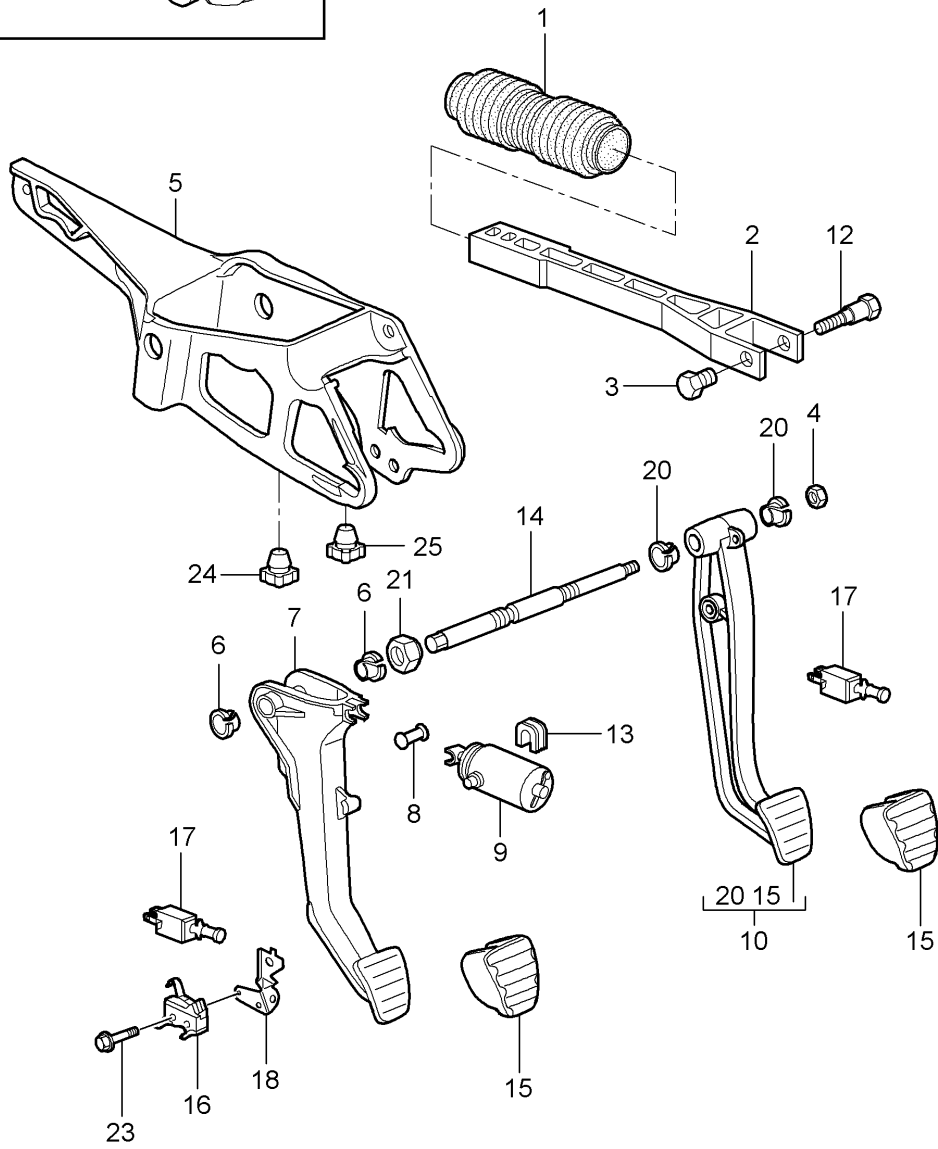
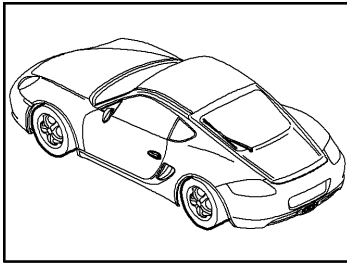
Model: 987209

Model life 2009>>2012

Pos	Part Number	Description	Remark	Qty	Model
	997 424 155 00 8YR	Black			
	997 424 155 00 5X5	Stone grey			
	997 424 155 00 8G1	Sand beige			
	997 424 155 00 3S8	sea blue			
	997 424 155 00 9N2	Terracotta			
	997 424 155 00 9Q3	Cocoa			
	997 424 155 00 D11	Dark grey/natural			
	997 424 155 00 T11	Brown/natural			
	997 424 155 00 N11	Carrera Red			
3	996 613 112 01	Switch		1	
4	999 084 630 01	Hexagon nut M 8		4	
6	987 424 141 07	Parking-brake cable	left	1	
(6)	987 424 141 08	Parking-brake cable	right	1	
7	986 424 721 07	guide tube		2	
8	999 507 827 40	Hose bracket		2	
9	987 424 310 00	housing		1	
10	900 378 163 01	Hexagon bolt M 6 X 16		4	
-	999 076 081 40	Hexagon plastic collar nut T5 16 X 11,2		2	

Model: 987209

Model life 2009>>2012



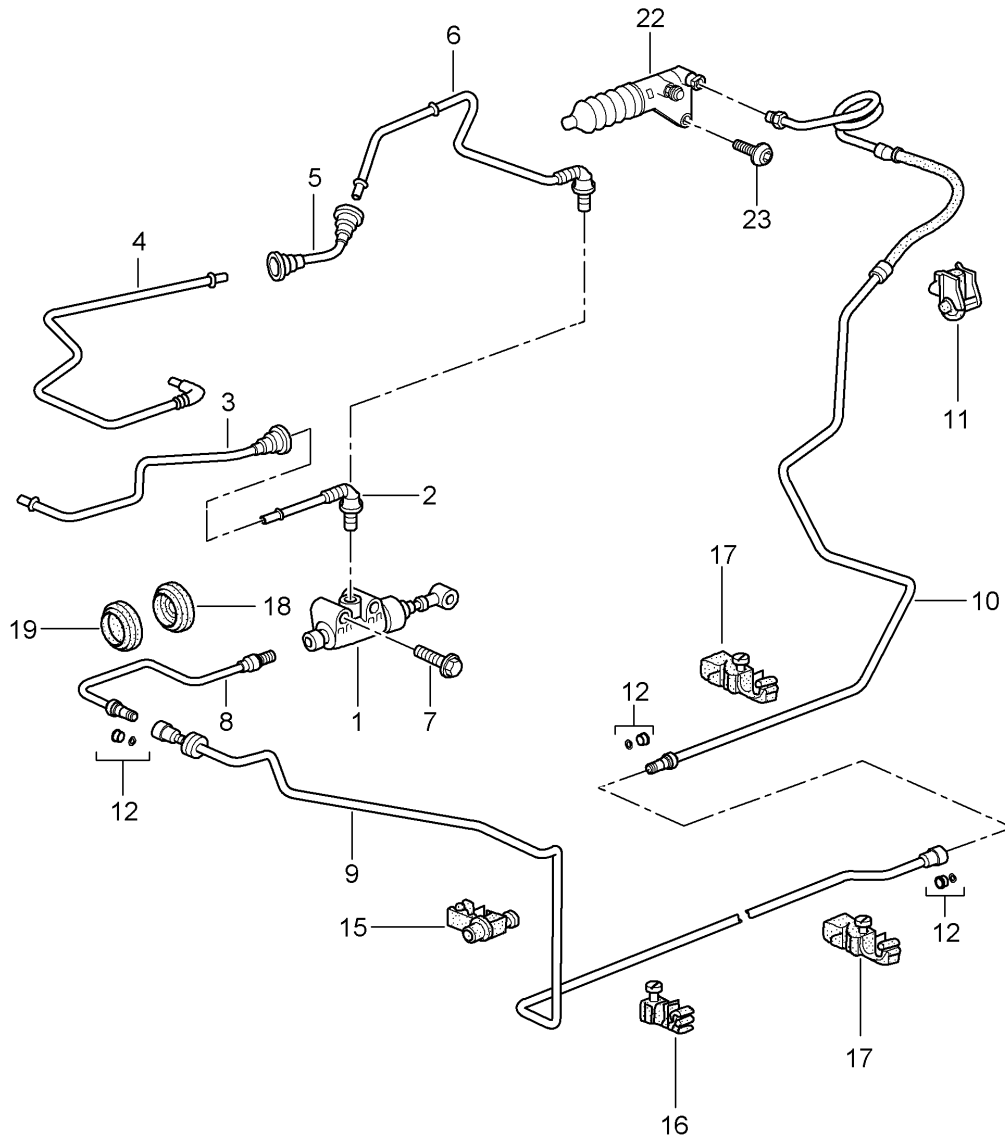
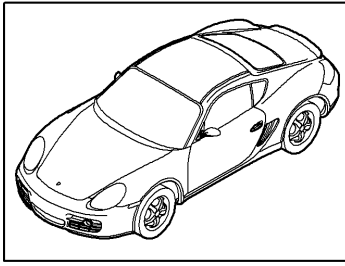
Model: 987209

Model life 2009>>2012

Pos	Part Number	Description	Remark	Qty	Model
-	000 043 206 17	Pedals universal low temperat. grease 1 tube		X	
1		Bellows see illustration:	604-000	1	
2	996 423 165 05	push rod		1	
3	996 423 307 00	Sleeve		1	
4	999 084 457 01	Hexagon nut M 8		3	
5	997 423 571 02	Console for Servo spring		1	PR:480
6	997 423 399 01	bush		2	PR:480
7	997 423 139 01	Clutch pedal switch		1	PR:480
8	996 423 315 06	Pin		1	PR:480
-	999 166 022 01	Kl-lock for Pin		1	PR:480
9	987 423 081 04	Coupling servo spring		1	CAYMAN
(9)	987 423 081 05	Coupling servo spring		1	CAYMAN-S
(9)	987 423 081 05	Coupling servo spring		1	CAYMAN-R
10	997 423 091 04	brake pedal		1	PR:480,098
(10)	997 423 093 04	brake pedal		1	PR:250,098
12	996 423 308 00	Pin		1	
13	997 423 581 00	bearing shell		1	
14	997 423 281 00	axle		1	PR:480,098
(14)	996 423 283 05	axle		1	PR:250,098
15	997 423 910 00	pad for brake and clutch pedals		2	PR:480
(15)	997 423 912 00	Cap for foot brake pedal		1	PR:250
16	997 613 109 01	Switch for clutch pedal		1	PR:480
17	996 613 113 02	switch for brake pedal brake pedal		2	
(17)	996 613 114 01	Switch for clutch pedal Clutch pedal switch		1	
18	997 423 541 00	Bracket		1	
20	997 423 401 00	bush		2	PR:098
21	997 423 275 01	sealing plug		1	
23	999 073 480 01	Bolt with washer M 3 X 20		1	
24	997 423 695 00	Rubber stop		1	
25	997 423 697 00	Rubber stop		1	

Model: 987209

Model life 2009>>2012



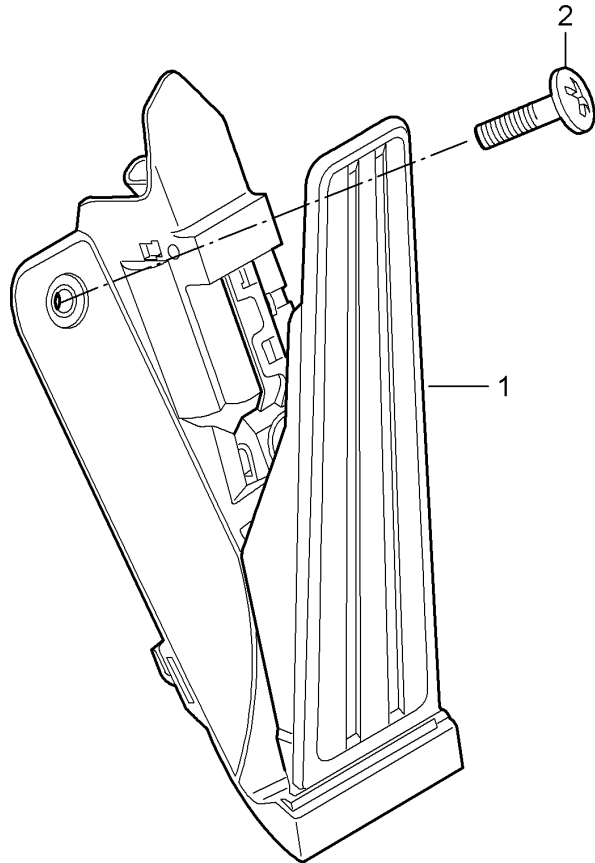
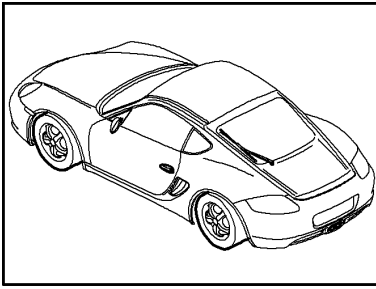
Model: 987209

Model life 2009>>2012

Pos	Part Number	Description	Remark	Qty	Model
		clutch actuation			PR:480
		Clutch master cylinder			
		Clutch tube			
1	997 423 171 01	Clutch master cylinder		1	
-	996 423 614 00	Securing ring		1	
		Pressure line			
-	996 423 315 06	Pin		1	
-	999 166 022 01	Kl-lock		1	
		for			
		Pin			
2	997 423 147 00	Feed line		1	PR:098
3	997 423 137 00	Feed line		1	PR:098
4	996 423 138 04	Feed line		1	PR:099
5	996 423 140 02	Feed line		1	PR:099
6	996 423 142 02	Feed line		1	PR:099
7	900 378 217 09	Hexagon bolt		2	
		M 6 X 40			
8	997 423 107 12	Clutch tube		1	PR:098
		Discontinued part			
(8)	997 423 107 13	Clutch tube		1	PR:098
9	997 423 109 11	Clutch tube		1	
-	999 702 120 50	Rubber grommet		1	
		for			
		Clutch tube			
10	987 423 113 12	Clutch tube		1	
		D >> - MJ 2009			
10	987 423 113 13	Clutch tube		1	
		D - MJ 2010>>			
10	987 423 113 14	Clutch tube		1	CAYMAN R
11	999 507 495 40	Bracket		1	
12	997 423 913 00	repair set		X	
		comprising:			
		O-ring		1	
		Sealing rubber		1	
15	996 355 549 00	Bracket		1	
16	996 355 545 00	Bracket		2	
17	996 355 543 00	Bracket		4	
18	999 702 216 42	Grommet		1	PR:480
19	999 702 217 41	Grommet		1	PR:250
21	999 507 586 40	Cable holder	upper	1	
		Clutch hose			
22	9G2 116 237 00	Slave cylinder		1	
		Discontinued part			
22	9G2 116 237 01	Slave cylinder		1	
23	900 385 098 01	Torx screw		2	
		BM 8 X 25			

Model: 987209

Model life 2009>>2012



Model: 987209

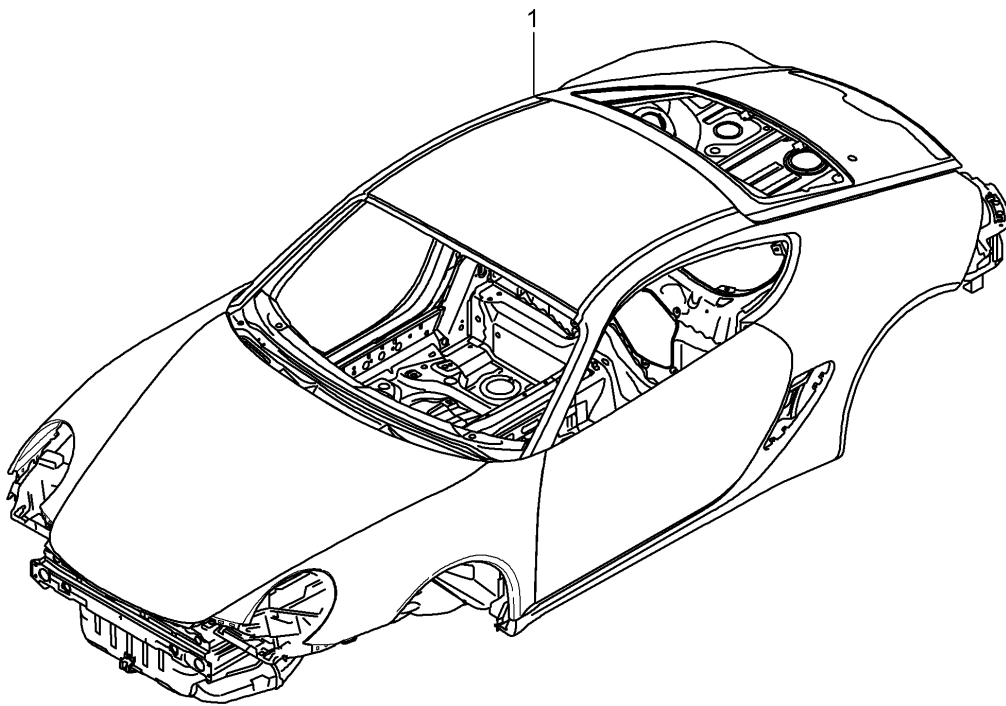
Model life 2009>>2012

Pos	Part Number	Description	Remark	Qty	Model
		Pedals			
		throttle control			
1	997 423 019 02	throttle control		1	PR:480
(1)	997 423 021 02	throttle control		1	PR:250
2	900 146 161 09	flat round head bolt M 6 X 20		1	

Model: 987209

Model life 2009>>2012

B	WPOZZZ	98 z 5U730070	
C	987 121		
	M9701-685	G9701	
G	L6B4	AT	
D	C00	267 268 425 437	A
E		438 446 454 537 610	
		635 640 650 666 670	
F	00641	20772	



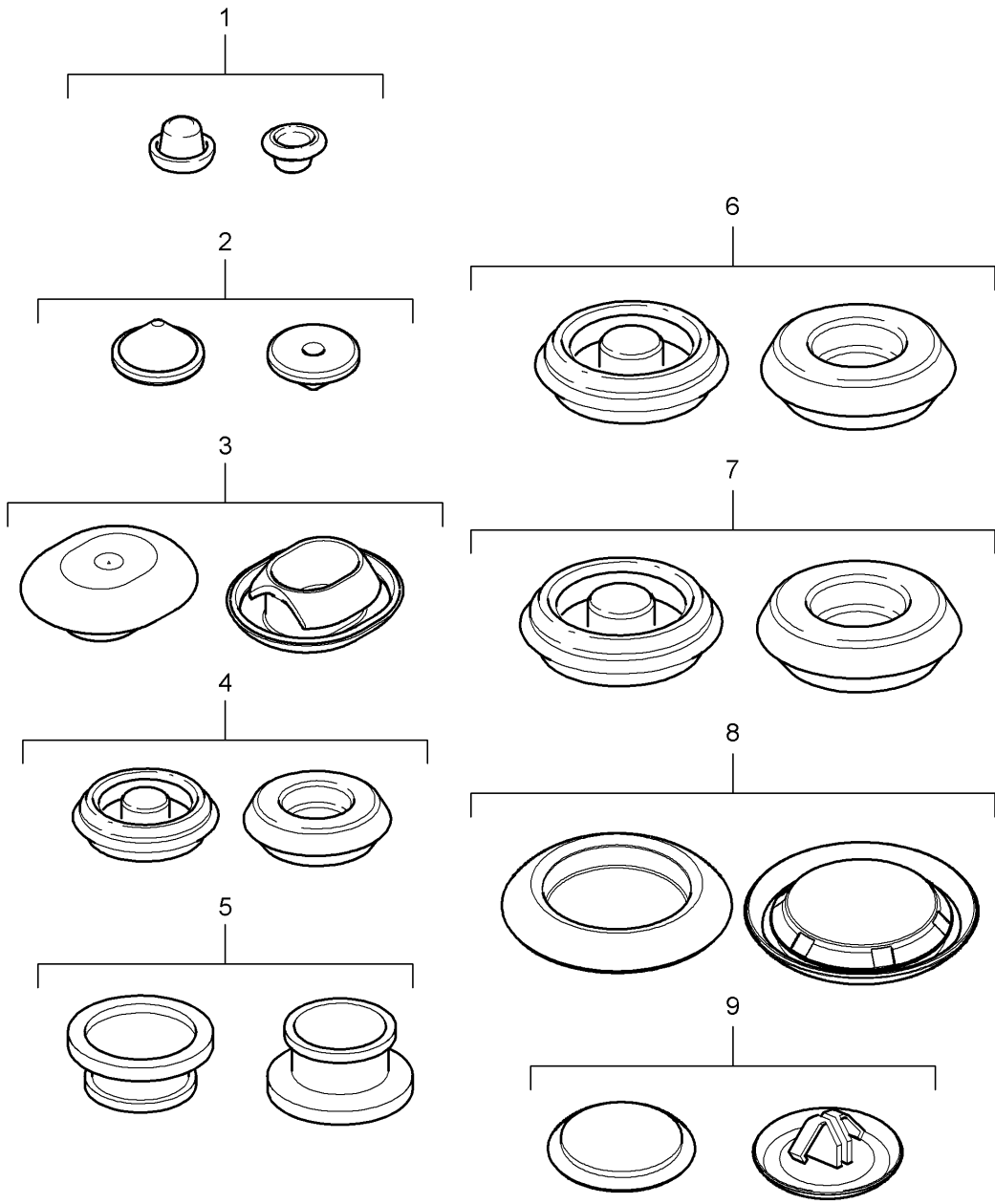
Model: 987209

Model life 2009>>2012

Pos	Part Number	Description	Remark	Qty	Model
-		Car body primed Sealed			
		with: Underbody protection			
		with: Doors/lids/wings			
-		BodysHELLS can only only available from current Model year available			
-		The data required for your order Can be found on the Vehicle data carrier in Vehicle wallet Please indicate this data in your order			
A		Vehicle data carrier			
B		Vehicle Ident. No.			
C		Order type			
D		Country equipment			
E		Optional extras			
F		Additional applications			
G		Please state the colour			
1	987 500 900 00 987 500 900 00 GRV	Car body primed		1	

Model: 987209

Model life 2009>>2012



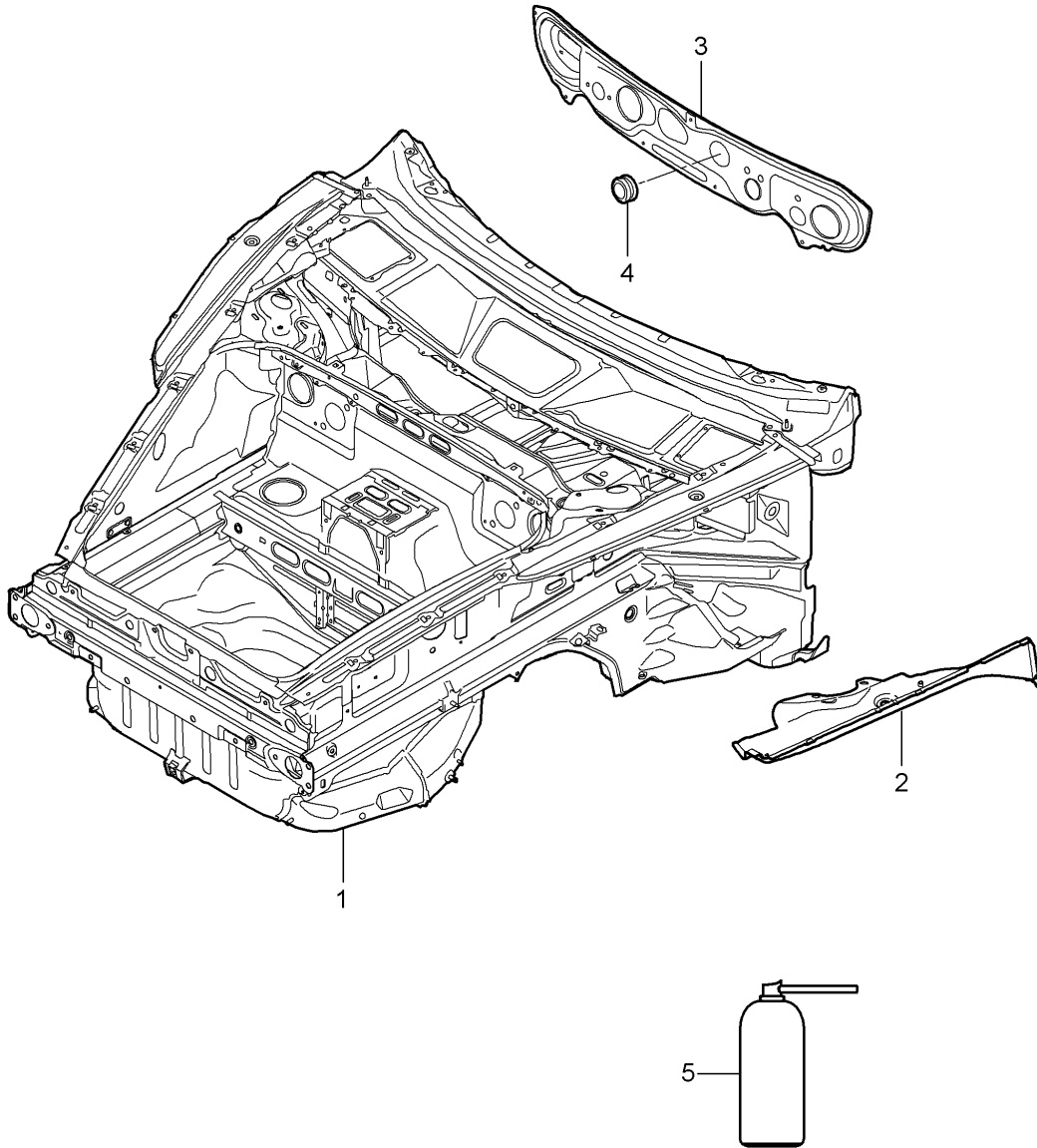
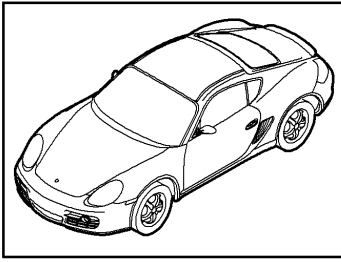
Model: 987209

Model life 2009>>2012

Pos	Part Number	Description	Remark	Qty	Model
1	999 703 462 40	Bungs End cap 10 x 6,5		X	
2	999 703 421 40	Grommet 15 mm		X	
3	955 504 184 00	Bungs		X	
(3)	955 504 185 00	Bungs 15 X20		X	
4	803 803 583 A	Bungs 20 x 30 Discontinued part		X	
4	999 703 196 40	End cap 20 x 30		X	
5	999 703 420 40	Bungs 20,3 x 30 x 11		X	
6	803 803 583	Rubber grommet 30 x 40 Discontinued part		X	
6	999 703 195 40	Rubber grommet 30 x 40		X	
7	999 703 433 40	Bungs 30 x 42		X	
8	999 703 435 40	End cap 15 x 26		X	
(8)	999 703 008 40	End cap 18,5 X 25		X	
(8)	999 703 018 40	End cap 23,8 X 30,4		X	
9	999 507 838 40	Bungs 10 X 0,9		X	

Model: 987209

Model life 2009>>2012



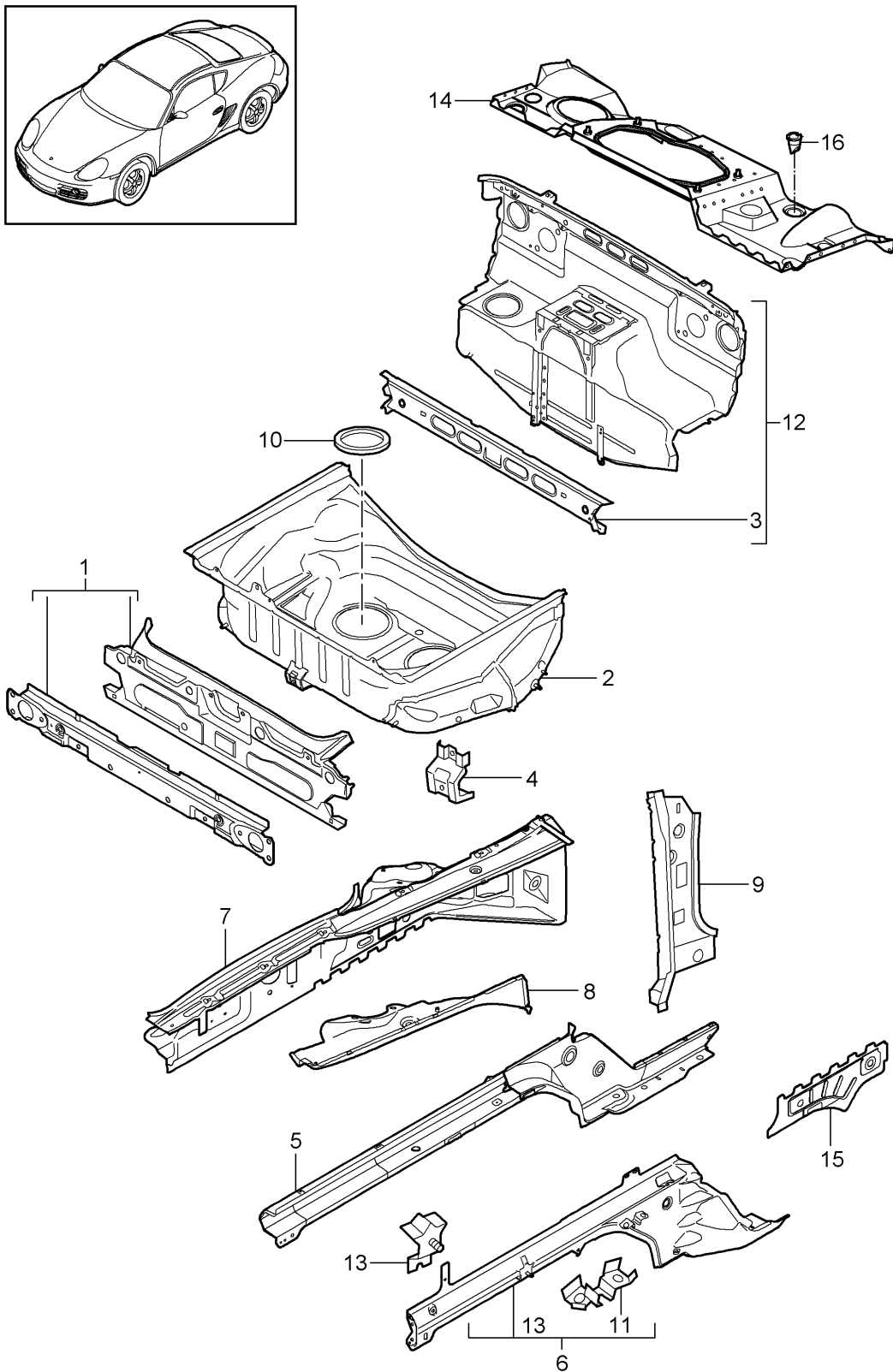
Model: 987209

Model life 2009>>2012

Pos	Part Number	Description	Remark	Qty	Model
1	987 501 911 00 987 501 911 00 GRV	Front end Front end primed also use: sealant POS. 5 Processing instructions See technical manual		1	
-		also use:			
2	997 501 945 00 997 501 945 00 GRV	Lower part primed	left	1	
(2)	997 501 946 01 997 501 946 01 GRV	Lower part primed	right	1	
3	997 504 121 00	Cover	lhd	1	PR:098
-	000 043 300 94	Adhesive set		1	
4	999 702 255 41	End cap 62,5 X 72,6		1	
5	999 915 337 40	sealant		1	

Model: 987209

Model life 2009>>2012



Model: 987209

Model life 2009>>2012

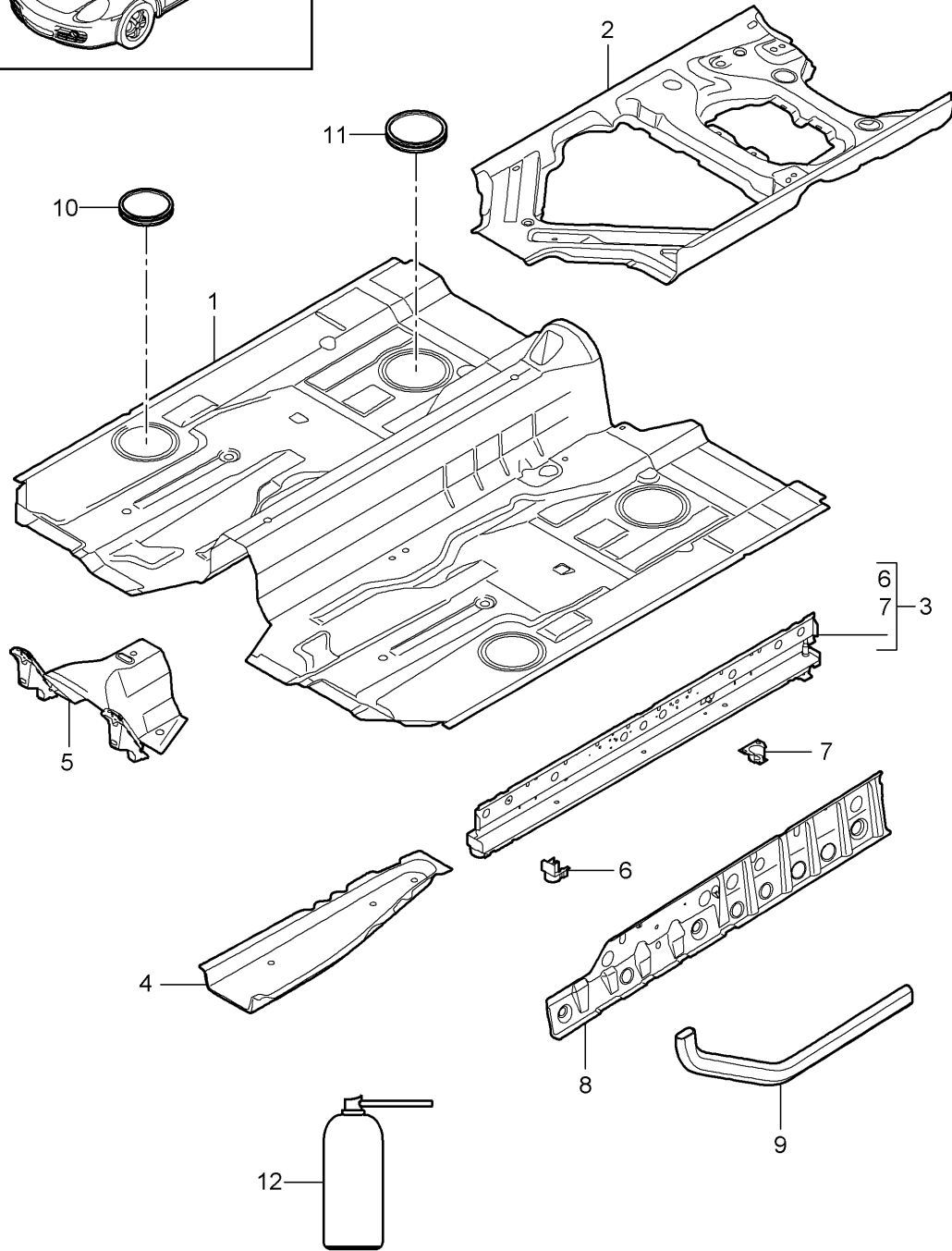
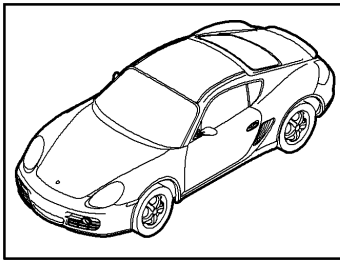
Pos	Part Number	Description	Remark	Qty	Model
1	997 501 931 00	Front end		1	
		Individual parts		1	
		Cross panel		1	
		also use:	000 043 305 51	1	
			000 043 305 32	1	
2	997 501 931 00 GRV	primed		1	
	987 501 979 00	Spare wheel well		1	
		also use:	000 043 305 51	1	
			000 043 305 32	1	
3	987 501 979 00 GRV	primed		1	
	997 501 649 00	Cross member		1	
		also use:	000 043 305 51	1	
			000 043 305 32	1	
4	997 501 649 00 GRV	primed		3	
	996 501 621 00	Bracket			
5	996 501 621 00 GRV	primed			
	997 501 305 01	Side member	left	1	
		also use:	000 043 305 51	1	
			000 043 305 32	1	
5	997 501 305 01 GRV	Discontinued part			
	997 501 905 00	primed Side member	left	1	
		also use:	000 043 305 51	1	
			000 043 305 32	1	
(5)	997 501 905 00 GRV	primed			
	997 501 306 01	Side member	right	1	
		also use:	000 043 305 51	1	
			000 043 305 32	1	
(5)	997 501 306 01 GRV	Discontinued part			
	997 501 906 00	primed Side member	right	1	
		also use:	000 043 305 51	1	
			000 043 305 32	1	
6	997 501 906 00 GRV	primed			
	997 501 915 01	Side member	left	1	
		also use:	000 043 305 51	1	
			000 043 305 32	1	
(6)	997 501 915 01 GRV	primed			
	997 501 916 01	Side member	right	1	
		also use:	000 043 305 51	1	
			000 043 305 32	1	
7	997 501 916 01 GRV	primed			
	997 501 935 00	Wheel housing	left	1	
		also use:	000 043 305 51	1	
			000 043 305 32	1	
7	997 501 935 00 GRV	Discontinued part			
	997 501 935 01	primed Wheel housing	left	1	
		also use:	000 043 305 51	1	
			000 043 305 32	1	
(7)	997 501 935 01 GRV	primed			
	997 501 936 01	Wheel housing	right	1	
		also use:	000 043 305 51	1	
			000 043 305 32	1	
8	997 501 936 01 GRV	primed			
	997 501 945 00	Lower part	left	1	
		also use:	000 043 305 51	1	
(8)	997 501 945 00 GRV	primed			
	997 501 946 01	Lower part	right	1	
		also use:	000 043 305 51	1	
9	997 501 946 01 GRV	primed			
	997 501 937 00	Hinge pillar	left	1	
		also use:	000 043 305 51	1	

Model: 987209 Model life 2009>>2012

Pos	Part Number	Description	Remark	Qty	Model
9	997 501 937 00 GRV	primed	000 043 305 32	1	
	997 501 938 00	Hinge pillar	right	1	
			also use:		
			000 043 305 51	1	
10	997 501 938 00 GRV	primed	000 043 305 32	1	
	996 504 201 01	Cover \$ 145 MM		X	
11	996 501 815 02	Brake line bracket		2	
	996 501 815 02 GRV	primed			
12	997 502 921 00	Brake line filler plate		1	
			also use:		
			000 043 305 51	1	
13	997 502 921 00 GRV	primed	000 043 305 32	1	
	996 501 341 00	Bracket		2	
	996 501 341 00 GRV	primed			
14	997 502 017 01	Radiator Cross panel		1	
			also use:		
			000 043 305 51	1	
15	997 502 017 01 GRV	primed	000 043 305 32	1	
	997 501 665 01	Web plate	left	1	
			also use:		
(15)	997 501 665 01 GRV	primed	000 043 305 51	1	
	997 501 666 01	Web plate	right	1	
			also use:		
16	997 501 666 01 GRV	primed	000 043 305 51	1	
	999 703 476 40	Grommet 29,8 X 1,0		4	
	999 703 476 41	Grommet 29,8 X 1,0		4	

Model: 987209

Model life 2009>>2012

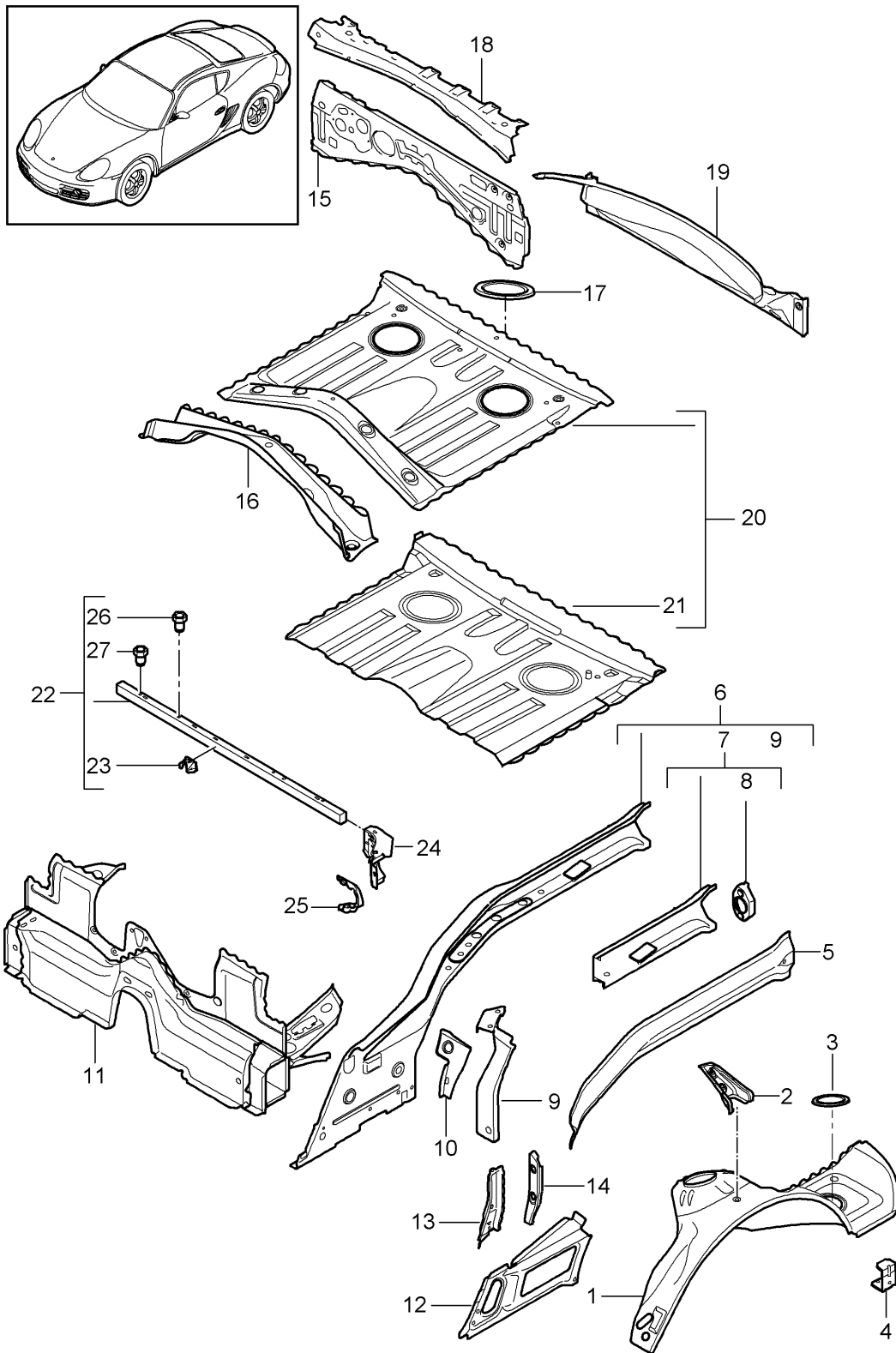


Model: 987209 Model life 2009>>2012

Pos	Part Number	Description	Remark	Qty	Model
1	987 501 551 00	Floor Floor	center	1	
			also use:		
			000 043 305 51	1	
			000 043 305 32	1	
(2)	987 501 551 00 GRV 997 501 953 01	primed Seat support	left	1	
			also use:		
			000 043 305 51	1	
			000 043 305 32	1	
2	997 501 953 01 GRV 997 501 954 01	primed Seat support	right	1	
			also use:		
			000 043 305 51	1	
			000 043 305 32	1	
3	997 501 954 01 GRV 987 501 957 00	primed Side member	left	1	
			also use:		
			000 043 305 51	1	
			000 043 305 32	1	
(3)	987 501 957 00 GRV 987 501 958 00	primed Side member	right	1	
			also use:		
			000 043 305 51	1	
			000 043 305 32	1	
4	987 501 958 00 GRV 997 501 525 00	primed Side member	left	1	
			also use:		
			000 043 305 51	1	
(4)	997 501 525 00 GRV 997 501 526 00	primed Side member	right	1	
			also use:		
			000 043 305 51	1	
5	997 501 526 00 GRV 996 501 751 00	primed Extension		1	
			also use:		
			000 043 305 32	1	
6	996 501 751 00 GRV 996 501 785 00	primed socket - jack	left front	1	
			also use:		
			000 043 305 32	1	
(6)	996 501 785 00 GRV 996 501 786 00	primed socket - jack	right front	1	
			also use:		
			000 043 305 32	1	
7	996 501 786 00 GRV 996 501 481 01	primed socket - jack	left rear	1	
			also use:		
			000 043 305 32	1	
(7)	996 501 481 01 GRV 996 501 482 01	primed socket - jack	right rear	1	
			also use:		
			000 043 305 32	1	
8	996 501 482 01 GRV 997 501 329 00	primed Retaining plate	left	1	
			also use:		
			000 043 305 51	1	
			000 043 305 32	1	
(8)	997 501 329 00 GRV 997 501 330 00	primed Retaining plate	right	1	
			also use:		
			000 043 305 51	1	
			000 043 305 32	1	
9	997 501 330 00 GRV 997 501 439 00 997 501 439 00 GRV	primed Support tube primed		2	
			also use:		
		sealant			
		Pos. 12			
		Processing instructions			
		See technical manual			
		51 49 55			
10	996 504 205 01	Cover		2	
		\$ 125 MM			
11	996 504 201 01	Cover		2	
		\$ 145 MM			
12	999 915 337 40	sealant		1	

Model: 987209

Model life 2009>>2012



Model: 987209

Model life 2009>>2012

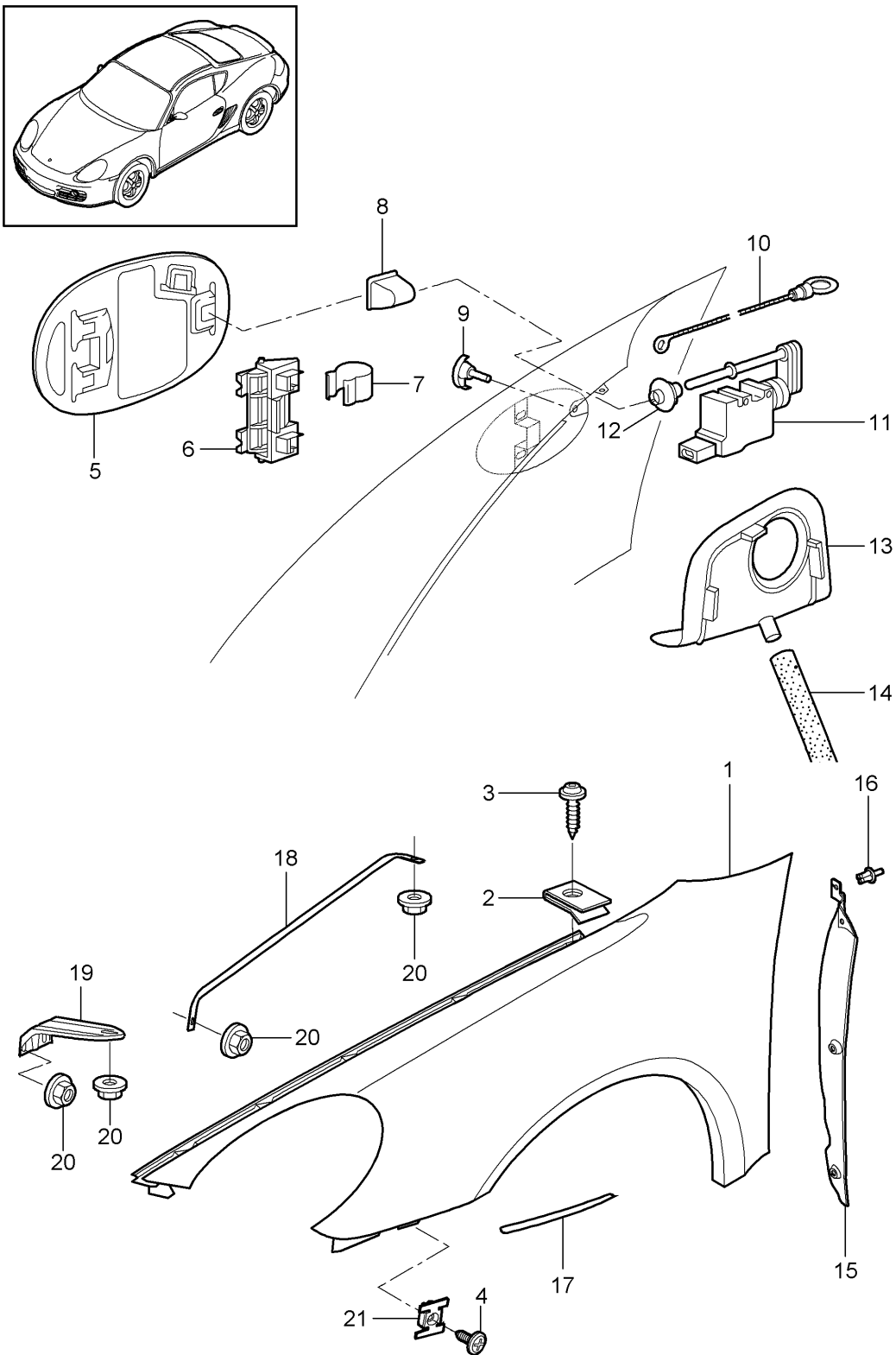
Pos	Part Number	Description	Remark	Qty	Model
1	987 501 983 00	Rear end Individual parts Wheel housing	left also use: 000 043 305 51 000 043 305 32	1 1 1	
(1)	987 501 983 00 GRV 987 501 984 01	primed Wheel housing	right also use: 000 043 305 51 000 043 305 32	1 1 1	
2	987 501 984 01 GRV 987 502 675 00	primed Console	left also use: 000 043 305 51 000 043 305 32	1 1 1	
(2)	987 502 675 00 GRV 987 502 676 00	primed Console	right also use: 000 043 305 51 000 043 305 32	1 1 1	
3	987 502 676 00 GRV 996 504 209 01	primed Cover		2	
4	986 501 613 00	100 mm Bracket		2	
5	986 501 613 00 GRV 986 501 995 01	primed Side member	outer also use: 000 043 305 51 000 043 305 32	1 1 1	
6	986 501 995 01 GRV 987 501 177 00	primed Side member	left inner also use: 000 043 305 51 000 043 305 32	1 1 1 1	
(6)	987 501 177 00 GRV 987 501 178 00	primed Side member	right inner also use: 000 043 305 51 000 043 305 32	1 1 1 1	
7	987 501 178 00 GRV 986 501 977 00	primed Side member	left inner	1	
(7)	986 501 977 00 GRV 987 501 978 00	Sub-part primed Side member	also use: 000 043 305 51 000 043 305 32	1 1 1	
8	986 501 977 00 GRV 987 501 978 00	primed Side member	right inner	1	
8	987 501 978 00 GRV 996 501 377 01	primed Support	left a. right also use: 000 043 305 51	2 1	
9	996 501 377 01 GRV 987 501 695 00	primed Closing element	left also use: 000 043 305 51	1 1	
(9)	987 501 695 00 GRV 987 501 696 00	primed Closing element	right also use: 000 043 305 51	1 1	
10	987 501 696 00 GRV 986 501 863 00	primed filler plate	left	1	
(10)	986 501 863 00 GRV 986 501 864 00	primed filler plate	right	1	
11	986 501 864 00 GRV 987 501 191 00	primed filler plate		1	
	987 501 191 00 GRV	primed		1	

Model: 987209 Model life 2009>>2012

Pos	Part Number	Description	Remark	Qty	Model
12	987 501 553 00	Junction plate	left	1	
			also use: 000 043 305 51	1	
(12)	987 501 553 00 GRV	primed			
	987 501 554 00	Junction plate	right	1	
			also use: 000 043 305 51	1	
	987 501 554 00 GRV	primed			
13	987 501 151 00	B-pillar	left	1	
	987 501 151 00 GRV	primed	inner		
(13)	987 501 152 00	B-pillar	right	1	
	987 501 152 00 GRV	primed	inner		
14	987 502 531 00	B-pillar	left	1	
	987 502 531 00 GRV	primed	outer		
(14)	987 502 532 00	B-pillar	right	1	
	987 502 532 00 GRV	primed	outer		
15	987 502 671 01	rear panel		1	
		Luggage compartment			
			also use: 000 043 305 51	1	
			000 043 305 32	1	
	987 502 671 01 GRV	primed			
16	986 501 575 00	Cross member		1	
			also use: 000 043 305 51	1	
			000 043 305 32	1	
	986 501 575 00 GRV	primed			
17	996 504 201 01	Cover		2	
		145 MM			
18	987 502 673 00	Cross member		1	
		rear panel			
			also use: 000 043 305 51	1	
			000 043 305 32	1	
	987 502 673 00 GRV	primed			
19	987 501 243 01	Cross panel		1	
			also use: 000 043 305 51	1	
			000 043 305 32	1	
	987 501 243 01 GRV	primed			
20	986 501 471 00	Floor section		1	
			also use: 000 043 305 51	1	
			000 043 305 32	1	
	986 501 471 00 GRV	primed			
21	987 501 971 00	boot floor plate		1	
			also use: 000 043 305 51	1	
			000 043 305 32	1	
	987 501 971 00 GRV	primed			
22	987 501 917 00	Pipe		1	
			also use: 000 043 305 51	1	
		Discontinued part			
	987 501 917 00 GRV	primed			
22	987 501 917 01	Pipe		1	
			also use: 000 043 305 51	1	
	987 501 917 01 GRV	primed			
23	987 501 827 00	Bracket		1	
	987 501 827 00 GRV	primed			
24	987 501 531 00	Bracket	left	1	
	987 501 531 00 GRV	primed			
(24)	987 501 532 00	Bracket	right	1	
	987 501 532 00 GRV	primed			
25	987 501 829 00	Bracket	left	1	
	987 501 829 00 GRV	primed			
(25)	987 501 830 00	Bracket	right	1	
	987 501 830 00 GRV	primed			
26	999 500 110 03	rivetted cap nut		2	
27	999 500 066 02	rivetted cap nut		2	

Model: 987209

Model life 2009>>2012



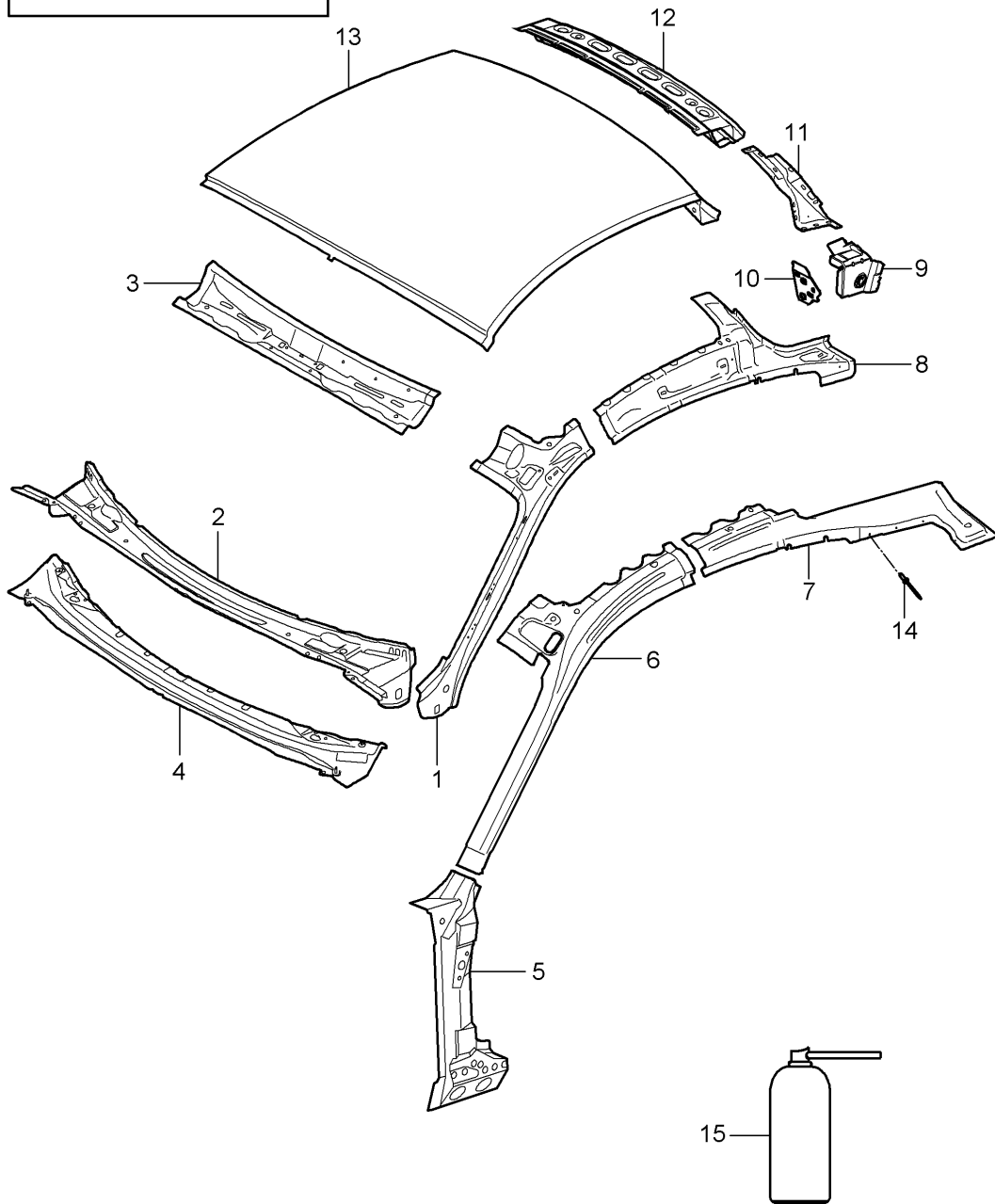
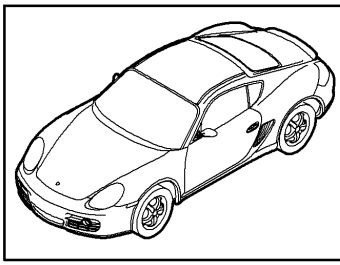
Model: 987209

Model life 2009>>2012

Pos	Part Number	Description	Remark	Qty	Model
1	987 503 031 02	Wing			
		Wing	left	1	
	987 503 031 02 GRV	primed			
1	987 503 032 06	Wing	right	1	
	987 503 032 06 GRV	primed			
(1)	987 503 032 07	Wing	right	1	PR:461
	987 503 032 07 GRV	primed			
2	999 507 003 02	panel nut		18	
		ST 6,3			
		Discontinued part			
2	999 507 003 01	panel nut		18	
		ST 6,3			
3	999 073 422 02	panel screw		10	
		ST 6,3 X 14			
4	900 187 111 02	Bolt with washer		8	
		ST 6,3 X 12			
		Discontinued part			
4	900 187 111 01	Bolt with washer		8	
		ST 6,3 X 12			
5	987 504 134 01	Fuel filler flap		1	
	987 504 134 01 GRV	primed			
6	997 201 063 00	Hinge		1	
7	997 504 711 00	Spring		1	
8	996 201 423 00	Cap		1	
9	997 504 888 01	Rubber stop		1	
10	996 201 493 00	Emergency operation		1	
11	997 624 113 00	throttle control element		1	
12	996 624 505 02	Guide rose		1	
13	997 201 667 00	Sleeve		1	
14	996 201 153 00	Hose		1	
15	997 504 641 02	lining for fender	left	1	
	997 504 641 02 01C	Black			
(15)	997 504 642 02	lining for fender	right	1	
	997 504 642 02 01C	Black			
16	999 591 712 40	Spreader rivet		6	
		A 6,0 X 12,0			
17	987 504 531 00	Protective film	left	1	
(17)	987 504 532 00	Protective film	right	1	
18	997 504 441 00	Brace		2	
	997 504 441 00 GRV	primed			
19	997 504 555 00	Console		2	
	997 504 555 00 GRV	primed			
20	999 076 066 09	Hexagon nut		10	
		M 6			
21	999 507 590 02	Cage nut		6	
		ST 4,8			
-	000 043 204 85	cavity preservative agent		X	
		400 ML			

Model: 987209

Model life 2009>>2012



Model: 987209 Model life 2009>>2012

Pos	Part Number	Description	Remark	Qty	Model
1	987 502 637 00	Roof Scuttle Scuttle	left	1	
		also use:	000 043 305 51	1	
(1)	987 502 637 00 GRV	primed			
	987 502 638 00	Scuttle	right	1	
		also use:	000 043 305 51	1	
	987 502 638 00 GRV	primed			
2	987 502 537 00	Scuttle		1	
		also use:	000 043 305 51	1	
	987 502 537 00 GRV	primed			
3	987 502 919 00	Scuttle support	upper	1	
		also use:	000 043 305 51	1	
	987 502 919 00 GRV	primed			
4	997 502 437 00	Scuttle	lower	1	
		also use:	000 043 305 51	1	
			000 043 305 32	1	
	997 502 437 00 GRV	primed			
5	997 502 233 00	Reinforcement for A-pillar	left	1	
		also use:	000 043 305 51	1	
			000 043 305 32	1	
	997 502 233 00 GRV	primed			
(5)	997 502 234 00	Reinforcement for A-pillar	right	1	
		also use:	000 043 305 51	1	
			000 043 305 32	1	
	997 502 234 00 GRV	primed			
6	987 502 465 00	Reinforcement for A-pillar	left	1	
		also use:	000 043 305 51	1	
	987 502 465 00 GRV	primed			
(6)	987 502 466 00	Reinforcement for A-pillar	right	1	
		also use:	000 043 305 51	1	
	987 502 466 00 GRV	primed			
7	987 502 869 00	Reinforcement for side panel	left	1	
		also use:	000 043 305 51	1	
	987 502 869 00 GRV	primed			
(7)	987 502 870 00	Reinforcement for side panel	right	1	
		also use:	000 043 305 51	1	
	987 502 870 00 GRV	primed			
-	000 043 206 33	activator		1	
		also use:			
		sealant			
		Pos. 15			
		Processing instructions			
		See technical manual			
		51 06 55			
-	000 043 206 29	Adhesive set		X	
		Body			
		comprising:			
-	000 043 206 30	adhesive		1	
-	000 043 206 31	Double cartridge gun		1	
-	000 043 206 32	emulsion tube		1	
-	000 043 206 33	activator		1	
8	987 502 113 00	Side part	left	1	
		also use:	000 043 305 51	1	
	987 502 113 00 GRV	primed			
(8)	987 502 114 00	Side part	right	1	
		also use:	000 043 305 51	1	
	987 502 114 00 GRV	primed			
9	987 502 695 00	Sealing channel	left	1	
		also use:	000 043 305 32	1	
	987 502 695 00 GRV	primed			
(9)	987 502 696 00	Sealing channel	right	1	
		also use:	000 043 305 32	1	

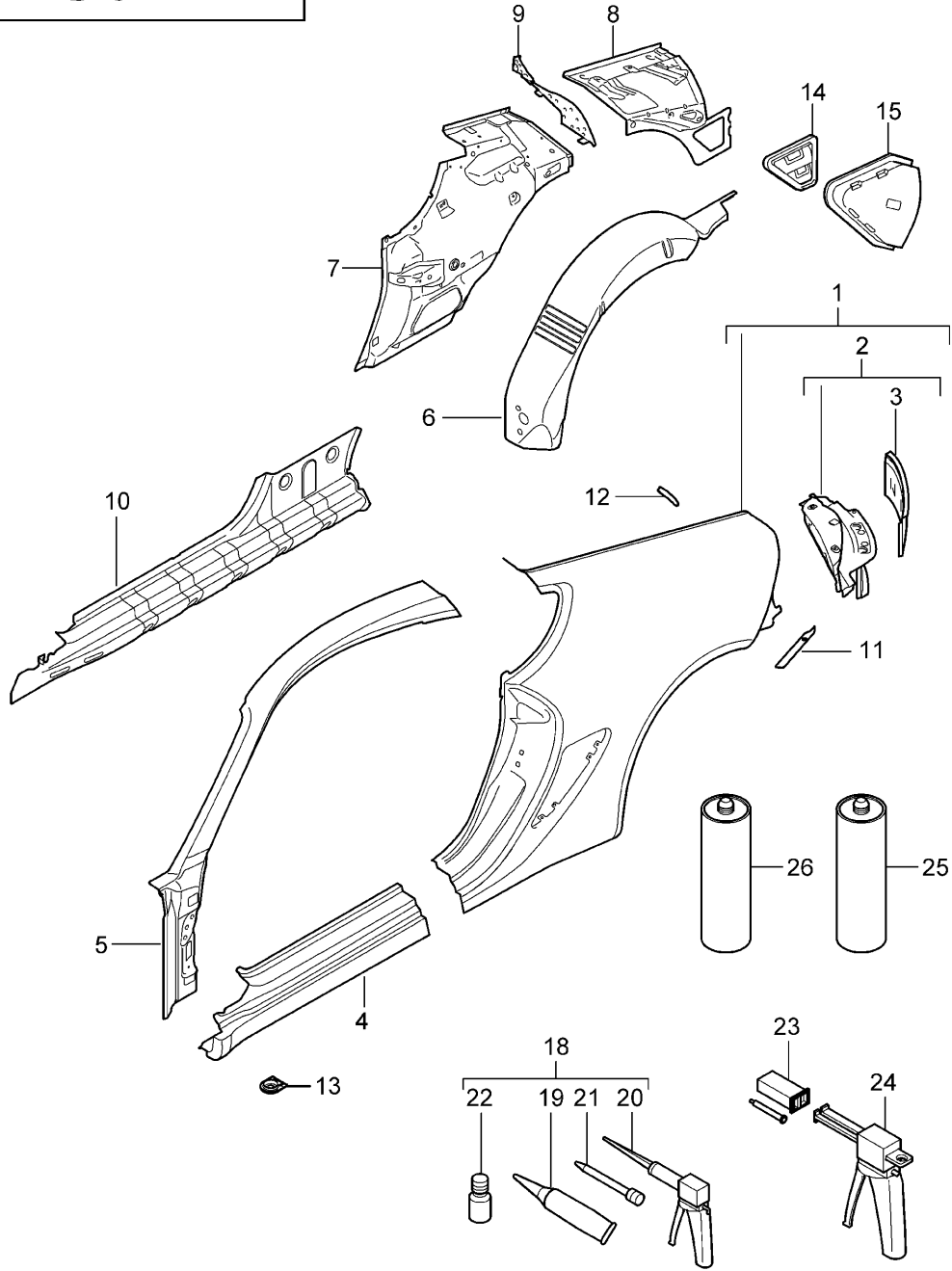
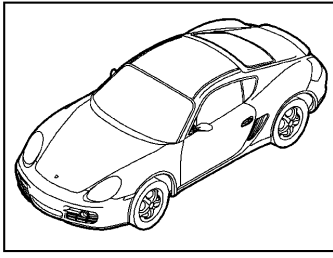
Model: 987209

Model life 2009>>2012

Pos	Part Number	Description	Remark	Qty	Model
10	987 502 696 00 GRV	primed			
	987 502 871 00	filler plate	left	1	
(10)	987 502 871 00 GRV	primed			
	987 502 872 00	filler plate	right	1	
	987 502 872 00 GRV	primed			
11	987 502 591 00	Closing element	left	1	
	987 502 591 00 GRV	primed			
(11)	987 502 592 00	Closing element	right	1	
	987 502 592 00 GRV	primed			
12	987 502 929 00	roof frame (complete)	rear	1	
			also use:		
	987 502 929 00 GRV	primed	000 043 305 32	1	
13	987 503 087 00	Outer roof panel		1	
			also use:		
			000 043 305 51	1	
			000 043 305 32	1	
-	987 503 087 00 GRV	primed		1	
	000 043 204 38	sealant		1	
14	999 190 414 01	Pop rivet 4,8 x 10,3		10	
15	999 915 337 40	sealant		1	

Model: 987209

Model life 2009>>2012



Model: 987209 Model life 2009>>2012

Pos	Part Number	Description	Remark	Qty	Model
1	987 503 961 05 987 503 961 05 GRV	Side part Side part primed	left	1	
(1)	987 503 962 05 987 503 962 05 GRV	Side part primed	also use: 000 403 206 30 right	1	
2	987 502 961 02 987 502 961 02 GRV	Frame for light primed	also use: 000 403 206 30 left	1	
(2)	987 502 962 02 987 502 962 02 GRV	Frame for light primed	also use: 000 043 305 51 right	1	
3	987 502 962 02 GRV 987 501 651 00	corner part primed	also use: 000 043 305 51 left	1	
(3)	987 501 651 00 GRV 987 501 652 00	corner part primed	also use: 000 043 305 51 right	1	
4	987 501 652 00 GRV 987 503 963 01	Sill primed	also use: 000 043 305 51 left	1	
(4)	987 503 963 01 GRV 987 503 964 01	Sill primed	also use: 000 043 305 51 000 043 305 32 right	1	
5	987 503 964 01 GRV 987 503 965 02 987 503 965 02 GRV	roof frame primed	also use: 000 043 206 30 left	1	
(5)	987 503 966 02 987 503 966 02 GRV	roof frame primed	also use: 000 043 206 30 right	1	
6	987 502 515 00 987 502 515 00 GRV	Wheel housing primed	also use: 000 043 206 30 left	1	
(6)	987 502 516 00 987 502 516 00 GRV	Wheel housing primed	also use: 000 043 305 51 000 043 305 32 right	1	
7	987 502 083 01 987 502 083 01 GRV	Side part primed	also use: 000 043 206 30 left	1	
(7)	987 502 084 01 987 502 084 01 GRV	Side part primed	also use: 000 043 206 30 right	1	
8	987 502 105 00 987 502 105 00 GRV	Side part primed	also use: 000 043 206 30 left	1	
(8)	987 502 106 00 987 502 106 00 GRV	Side part primed	also use: 000 043 206 30 right	1	
9	987 504 901 01	Seal Side part See technical manual Group 5 53 55 55		2	
10	987 502 663 00 987 502 663 00 GRV	Reinforcement primed	left	1	
(10)	987 502 664 00 987 502 664 00 GRV	Reinforcement primed	also use: 000 043 206 30 right	1	
11	987 504 631 00	Protective film	also use: 000 043 206 30	2	

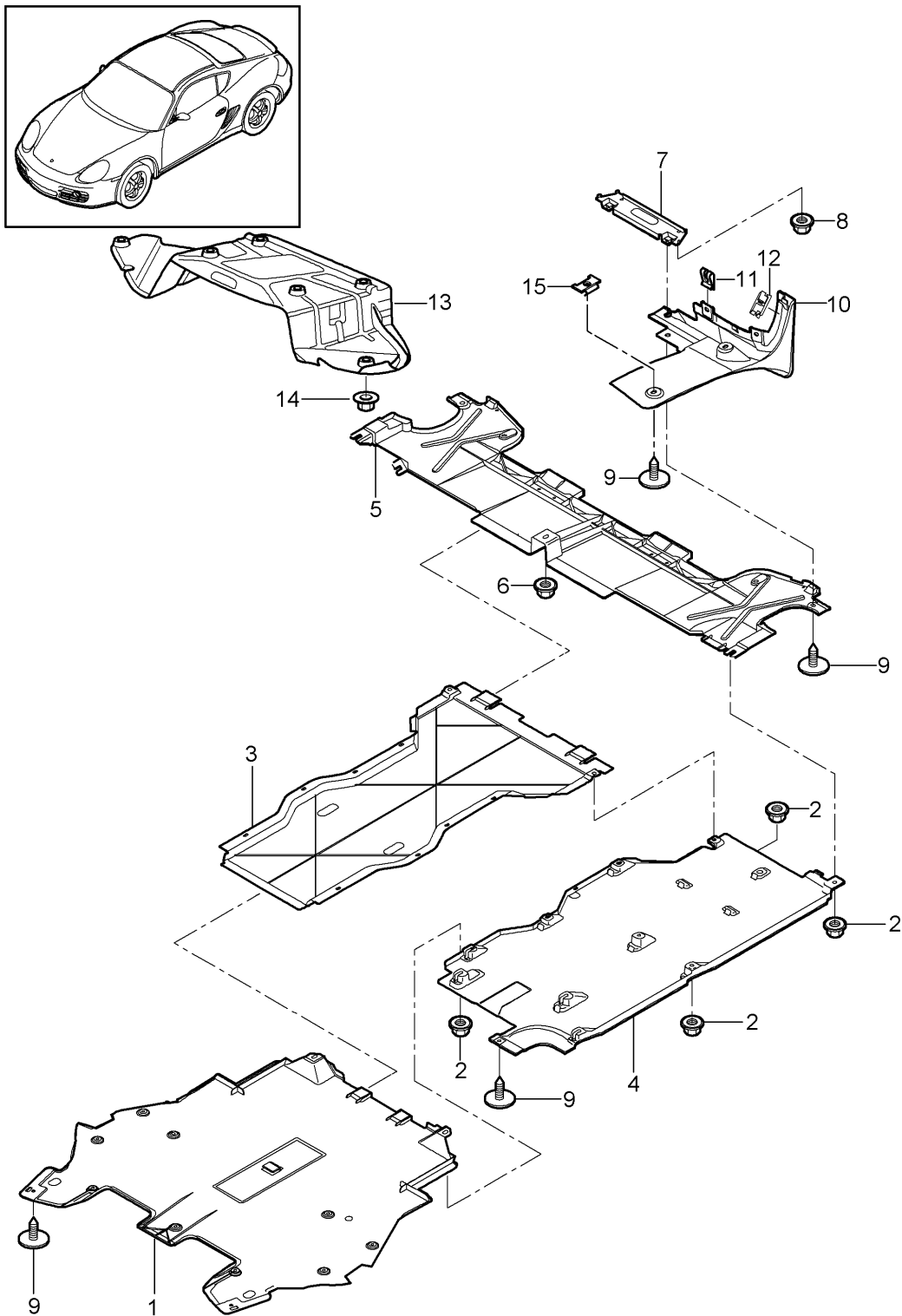
Model: 987209

Model life 2009>>2012

Pos	Part Number	Description	Remark	Qty	Model
12	996 537 237 00	Protective film		2	
13	999 703 475 40	drain tube		2	
		Sill			
14	986 572 043 02	Bleeding	left	1	
(14)	986 572 044 00	Bleeding	right	1	
15	986 572 643 01	Air-guide cowl	left	1	
(15)	986 572 644 01	Air-guide cowl	right	1	
		Bleeding			
18	000 043 206 29	Adhesive set		X	
		Body			
		comprising:			
19	000 043 206 30	adhesive		1	
20	000 043 206 31	Double cartridge gun		1	
21	000 043 206 32	emulsion tube		1	
22	000 043 206 33	activator		1	
23	999 915 650 40	adhesive		X	
		TEROMIX 6700			
24	000 043 300 48	Tool set		X	
25	000 043 204 85	cavity preservative agent		1	

Model: 987209

Model life 2009>>2012



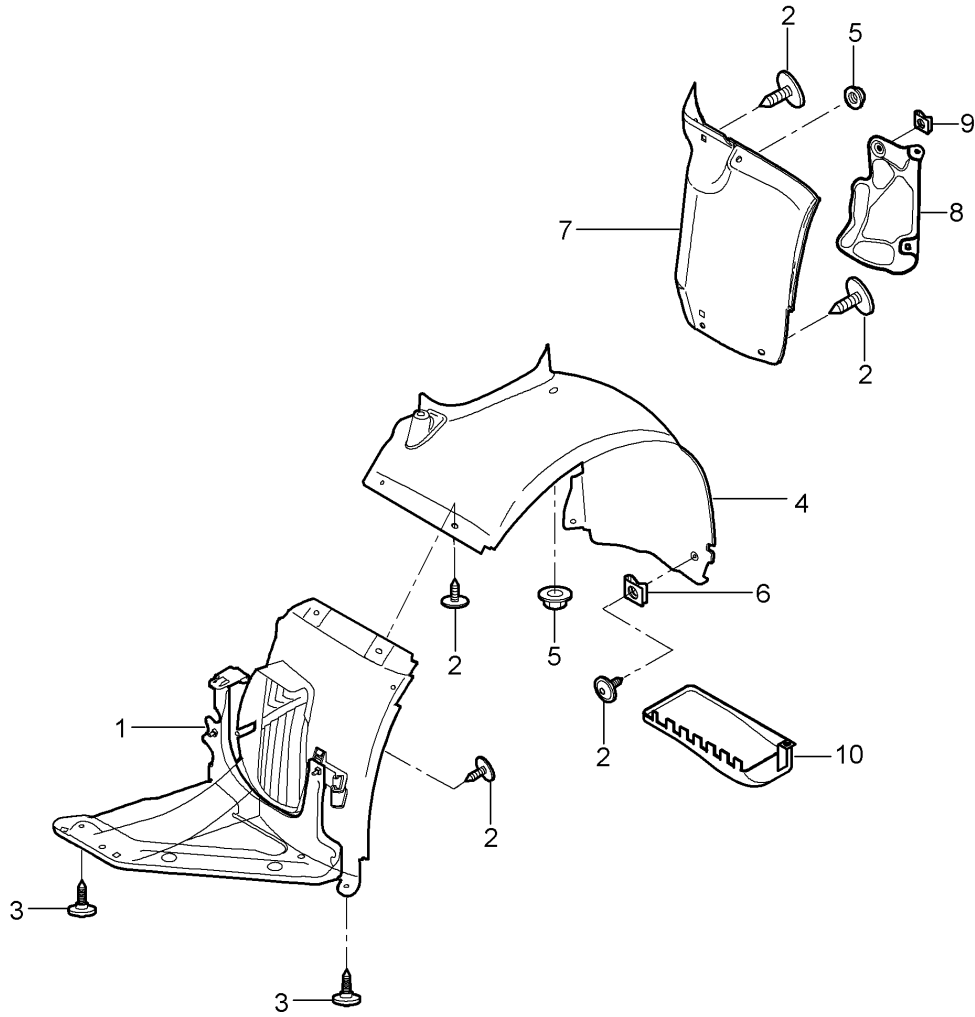
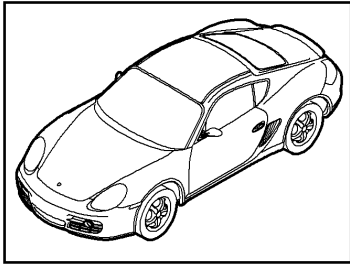
Model: 987209

Model life 2009>>2012

Pos	Part Number	Description	Remark	Qty	Model
		Linings			
		Underbody			
1	997 504 527 02	Cover	front	1	
2	999 049 028 40	Plastic nut T 5/22 X 10		33	
3	997 504 043 00	Cover	center	1	
4	997 504 343 02	Cover	left	1	
(4)	997 504 344 02	Cover	right	1	
5	987 504 129 01	Cover	rear	1	
6	999 076 068 09	Hexagon nut M 6		1	
6	999 076 068 01	Discontinued part Hexagon nut M 6		1	
7	987 504 571 00	Bracket	rear	2	
8	999 084 212 02	Cover Hexagon nut M 6		2	
9	999 073 231 09	panel screw ST 4,8 X 16		X	
10	987 504 793 00	Trim	left	1	
(10)	987 504 793 00 01C	Satin black			
	987 504 794 00	Trim	right	1	
	987 504 794 00 01C	Satin black			
11	999 507 795 09	panel nut ST 4,8		2	
12	987 504 635 00	Clip	left	1	
(12)	987 504 636 00	Clip	right	1	
		Trim		1	
13	987 504 405 00	Heat insulation		1	
14	999 049 025 09	Collar nut T 5		7	
15	999 507 849 01	Cage nut ST 4,8		4	

Model: 987209

Model life 2009>>2012

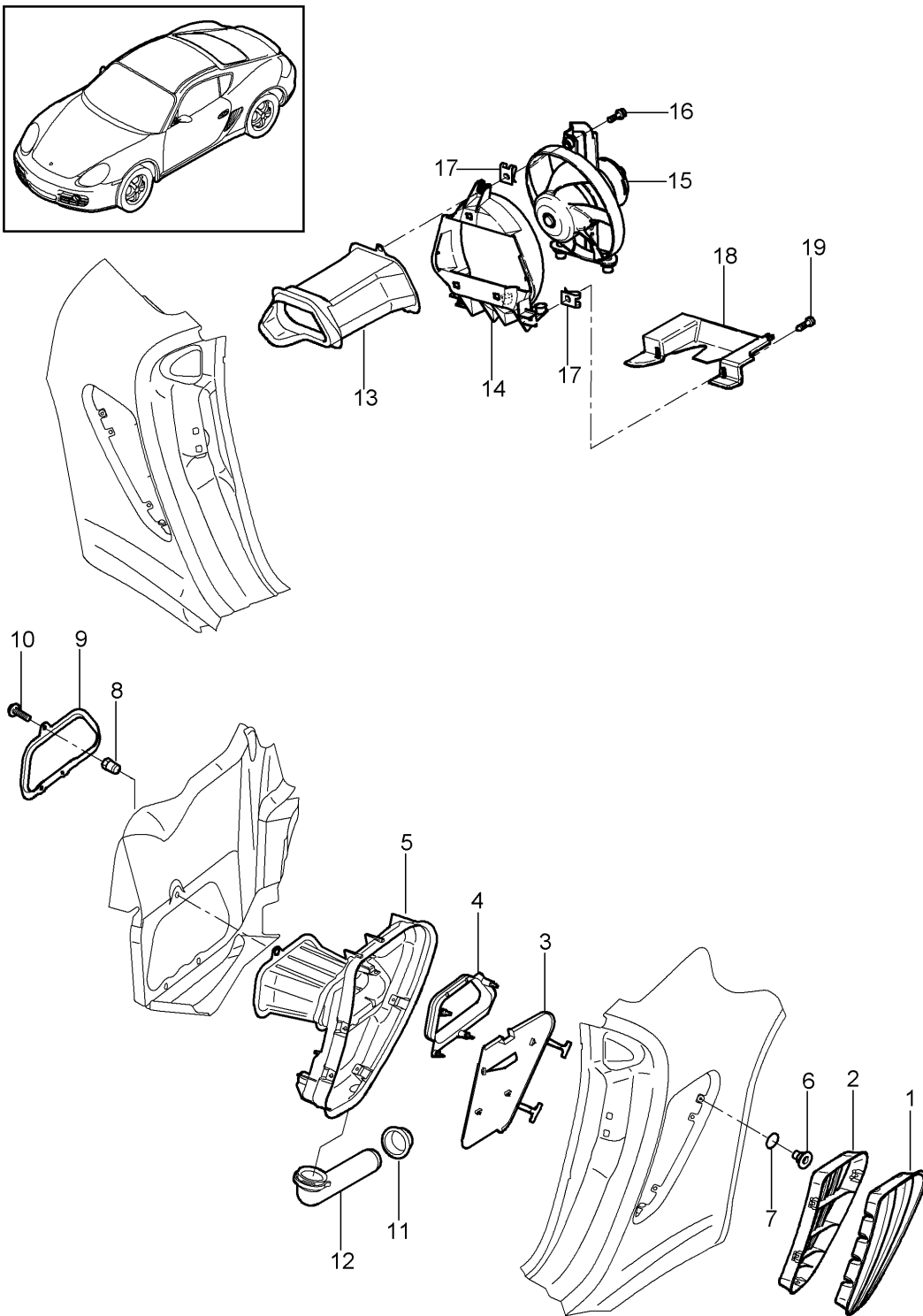


Model: 987209 Model life 2009>>2012

Pos	Part Number	Description	Remark	Qty	Model
1	987 504 123 08	Linings for Wheel housing Wheel housing liner	left front	1	PR:480,181, 182
(1)	987 504 124 08	Wheel housing liner	right front	1	PR:480,181, 182
(1)	987 504 123 09	Wheel housing liner	left front	1	PR:250
(1)	987 504 124 09	Wheel housing liner	right front	1	PR:250
(1)	987 504 123 09	Wheel housing liner	left front	1	PR:480,183
(1)	987 504 124 09	Wheel housing liner	right front	1	PR:480,183
(1)	987 504 123 10	Wheel housing liner	left front	1	C7 R
(1)	987 504 124 10	Wheel housing liner	right front	1	C7 R
2	999 073 231 09	panel screw ST 4,8 X 16		20	
3	999 073 227 09	panel screw ST 4,8 X 19		4	
4	987 504 203 00	Wheel housing liner	left	1	
(4)	987 504 204 00	Wheel housing liner	right	1	
5	999 049 028 40	Plastic nut T5		10	
6	999 507 795 09	panel nut		2	
7	987 504 573 01	Wheel housing liner	left	1	
(7)	987 504 574 01	Wheel housing liner	right	1	
8	987 504 673 01	Heat insulation	left	1	
(8)	987 504 674 01	Heat insulation	right	1	
9	999 507 795 09	Brake hose panel nut		2	
10	997 504 603 00	Air guide	left	1	
(10)	996 504 603 03	Air guide D >> - MJ 2009	left	1	
(10)	996 504 604 01	Air guide	right	1	
(10)	996 504 604 03	Air guide D >> - MJ 2009	right	1	

Model: 987209

Model life 2009>>2012



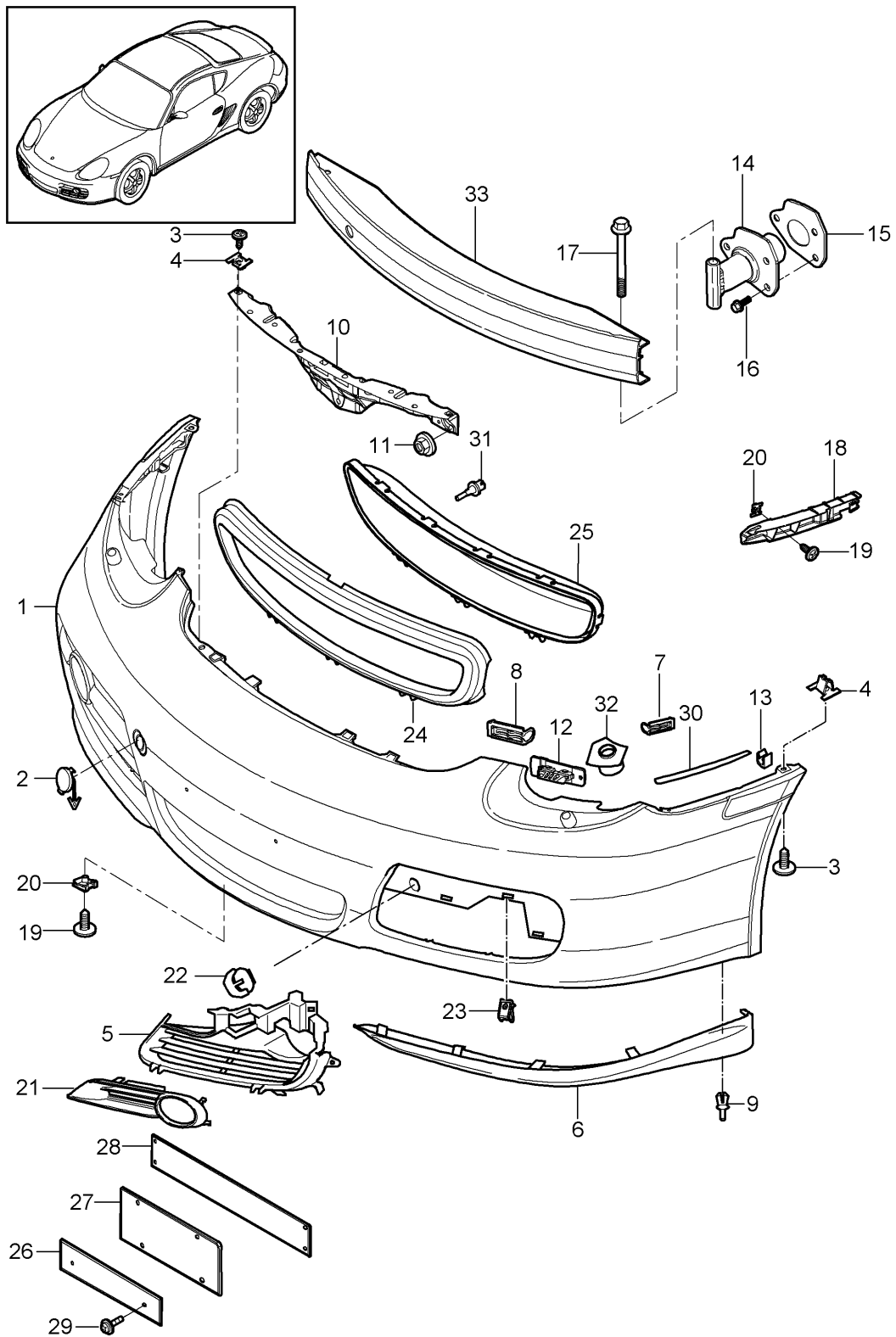
Model: 987209

Model life 2009>>2012

Pos	Part Number	Description	Remark	Qty	Model
1	987 504 561 02	Ventilation Engine compartment Ventilation grille	left	1	
(1)	987 504 561 02 G2X	primed			
	987 504 562 02	Ventilation grille	right	1	
	987 504 562 02 G2X	primed			
2	987 504 749 02	Frame	left	1	
(2)	987 504 749 02 01C	Satin black			
	987 504 750 02	Frame	right	1	
	987 504 750 02 01C	Satin black			
3	987 575 647 01	Impact absorber plate	left	1	
4	987 575 757 00	Reinforcement	left	1	
		Air guide			
5	987 575 657 01	Air guide	left	1	
			inner		
(5)	987 575 658 00	Air guide	right	1	
			inner		
6	999 507 585 40	Retaining clip		8	
7	999 701 489 40	seal ring	left	4	
8	999 500 069 02	riveted cap nut		6	
9	987 575 759 00	Mounting frame		1	
		Air guide			
10	900 075 413 09	Bolt with washer		3	
		M 6 X 16			
11	999 702 288 40	Grommet	left	1	
		32,5 X 20			
12	987 504 431 00	water drain pipe	left	1	
13	987 575 360 01	Air guide channel		1	
14	987 575 356 00	Airscoop	right	1	
15	987 624 050 01	Fan	right	1	
16	900 075 333 02	Bolt with washer		3	
		M 6 X 25			
17	999 507 550 02	panel nut		3	
		M 6			
18	987 575 756 00	Air guide	right	1	
19	900 378 036 09	Hexagon bolt		1	
		M 6 X 12			

Model: 987209

Model life 2009>>2012



Model: 987209 Model life 2009>>2012

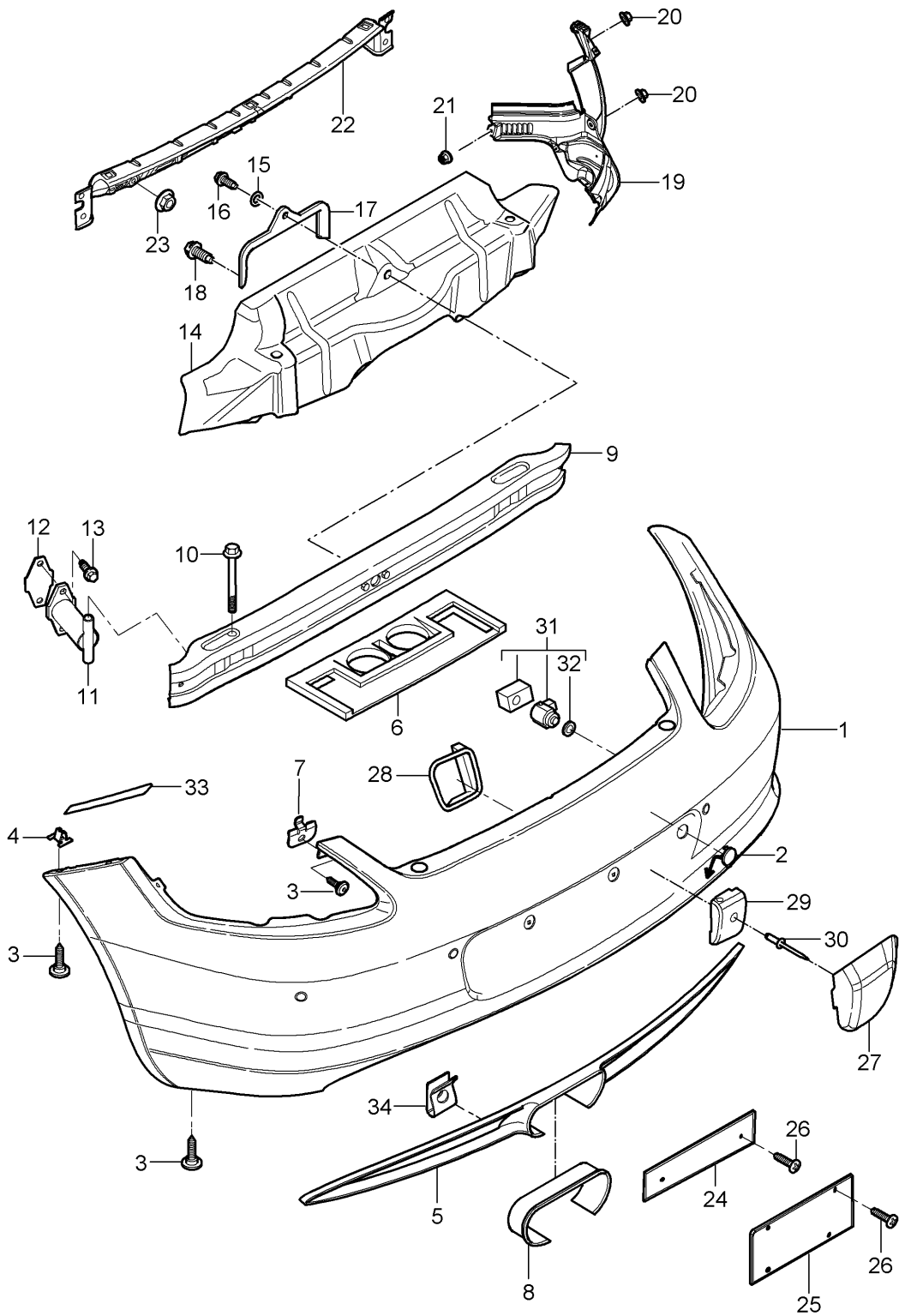
Pos	Part Number	Description	Remark	Qty	Model
(1)	987 505 191 14	bumper Trim	front	1	PR:480,-288, 181
(1)	987 505 191 14	Trim		1	PR:480,-288, 182
(1)	987 505 191 14	Trim		1	PR:-288,181, 182
(1)	987 505 191 15	Trim		1	PR:288,181, 182
(1)	987 505 191 15	Trim		1	PR:288,480, 181,182
1	987 505 191 16	Trim		1	PR:-288,183
1	987 505 191 16	Trim		1	PR:480,-288, 183
1	987 505 191 16	Trim		1	PR:250,-288
(1)	987 505 191 17	Trim		1	PR:288
(1)	987 505 191 17	Trim		1	PR:288,480, 183
(1)	987 505 191 17	Trim		1	PR:250,288
2	987 505 703 06	Cover cap		1	
	987 505 703 06 G2L	primed			
3	999 073 227 09	panel screw		10	
4	999 507 590 02	Cage nut ST 4,8		X	
5	987 505 553 05	Grille frame	left	1	
	987 505 553 05 G2L	orange			
(5)	987 505 554 05	Grille frame	right	1	
	987 505 554 05 G2L	orange			
6	987 505 527 04	Trim	left	1	PR:-XAM
	987 505 527 04 01C	Satin black			
(6)	987 505 528 04	Trim	right	1	PR:-XAM
	987 505 528 04 01C	Satin black			
(6)	987 505 527 05	Trim	left	1	PR:-XAM
	987 505 527 05 G2L	primed			
(6)	987 505 528 05	Trim	right	1	PR:-XAM
	987 505 528 05 G2L	primed			
(6)	987 505 987 04	Spoiler Aerokit primed	left front	1	PR:XAM
(6)	987 505 988 04	Spoiler Aerokit primed	right front	1	PR:XAM
7	987 505 747 01	corner part	left	1	
(7)	987 505 748 01	corner part	right	1	
-	987 505 989 01	Adhesive tape Set		1	
8	987 505 719 00	Fixing		2	
9	999 591 712 40	Spreader rivet 6,0 X 12,0		6	
10	997 505 531 00	retaining strip	center	1	
11	999 076 078 09	Hexagon nut M6		3	
12	987 505 743 00	Retaining plate		2	
		also use:			
		Rivet			
-	999 190 191 30	Retaining plate Pop rivet		2	
		Retaining plate A 3,2X17,0			
13	999 591 307 01	U-clip Hose		2	
14	997 505 319 00	Headlight washer system Impact pipe		2	

Model: 987209 Model life 2009>>2012

Pos	Part Number	Description	Remark	Qty	Model
15	997 505 751 02	Seal Shock absorber		2	
16	900 378 267 09	Bolt with washer M8 X 30		6	
17	900 378 088 01	Hexagon bolt M 12 X 100		2	
18	987 505 535 02	retaining strip	left	1	
			side	1	
(18)	987 505 536 02	retaining strip	right	1	
			side	1	
19	999 073 418 01	panel screw ST4,8 X 19-C		4	
20	999 591 699 01	panel nut ST 4,8		4	
21	987 505 721 02	Trim	left	1	
	987 505 721 02 G2L	orange			
(21)	987 505 722 02	Trim	right	1	
	987 505 722 02 G2L	orange			
22	987 505 787 00	Clip		2	
23	999 507 768 02	panel nut ST 4,2		6	
24	987 505 555 03	Retaining frame	center	1	PR:183
	987 505 555 03 G2L	orange			
24	987 505 555 03	Retaining frame	center	1	PR:183,480
	987 505 555 03 G2L	orange			
(24)	987 505 555 03	Retaining frame	center	1	PR:250
	987 505 555 03 G2L	orange			
25	987 505 751 03	Cover Air inlet	center	1	PR:181
	987 505 751 03 G2L	orange			
27	987 701 107 02	Licence plate holder		1	PR:218
	987 701 107 02 01C	Satin black			
29	999 919 228 A2	Screw 5,0X28,0		X	
(29)	999 919 227 A2	panel screw 5,0X13,0		X	
30	987 504 531 00	Protective film	left	1	
(30)	987 504 532 00	Protective film	right	1	
31	996 641 142 00	Temperature sensor		1	
32	987 505 561 02	Retaining plate Headlight washer system	left	1	
		also use:	000 043 300 47		
(32)	987 505 562 02	Retaining plate Headlight washer system	right	1	
		also use:	000 043 300 47		
33	997 505 141 02	Bumper carrier		1	
34	000 043 300 47	Adhesive set adhesive		1	
				1	
-		use if required:			
35	000 043 300 48	Tool set for adhesive		1	
				1	
				1	

Model: 987209

Model life 2009>>2012



Model: 987209 Model life 2009>>2012

Pos	Part Number	Description	Remark	Qty	Model
1	987 505 291 07	bumper	rear	1	PR:635
(1)	987 505 411 29	Trim		1	
2	997 505 803 03	cover for towing eye primed		1	
3	999 073 227 09	panel screw ST 4,8 X 19		15	
4	999 507 590 02	Cage nut ST 4,8		7	
5	987 505 853 01	Retaining frame		1	
6	987 505 853 01 01C	Black		1	
7	987 505 835 00	Support		1	
8	987 505 815 00	Retaining plate		2	
8	987 505 811 03	Protective plate		1	
	987 505 811 03 G2L	orange			
(9)	987 505 241 01	Bumper carrier		1	PR:553
10	900 378 088 09	Hexagon bolt M 12 X 1,5 X 100		2	
11	996 505 019 01	Impact pipe		2	
(11)	996 505 015 00	Shock absorber		2	PR:113
12	996 505 775 00	Underlay		2	
(12)	996 505 775 01	Shock absorber Underlay		2	PR:113
13	900 378 267 01	Hexagon bolt M 8 X 30		4	
14	987 505 475 03	Heat insulation	center	1	
15	999 025 243 02	Washer 5,0X1,0		1	
16	900 278 025 02	Hexagon bolt M5X12		1	
17	987 505 639 02	Rear support		2	
18	999 075 056 09	Bolt with washer M 6 X 22		2	
(19)	987 505 631 03	Bracket	left side	1	
		with:			
19	987 505 632 03	Heat protection Bracket	right side	1	
		with:			
20	999 076 078 01	Heat protection Hexagon nut M 6		6	
21	999 049 007 40	Plastic nut T5/22 X 10		4	
22	987 505 841 00	Securing strip		1	
23	999 076 078 01	Hexagon nut M 6		5	
24	987 701 105 03	Licence plate holder		1	PR:211
	987 701 105 03 01C	Satin black			
25	987 701 107 02	Licence plate holder		1	PR:218
	987 701 107 02 01C	Satin black			
-	999 911 740 40	Adhesive tape for Number plate		3	
		without:			
26	999 919 227 A2	Frame panel screw		4	PR:210,211
(26)	999 919 227 A2	Bracket panel screw		8	PR:218
		Bracket			
		Number plate 5 X 13			
(27)	987 505 625 04	Buffer	left	1	PR:553

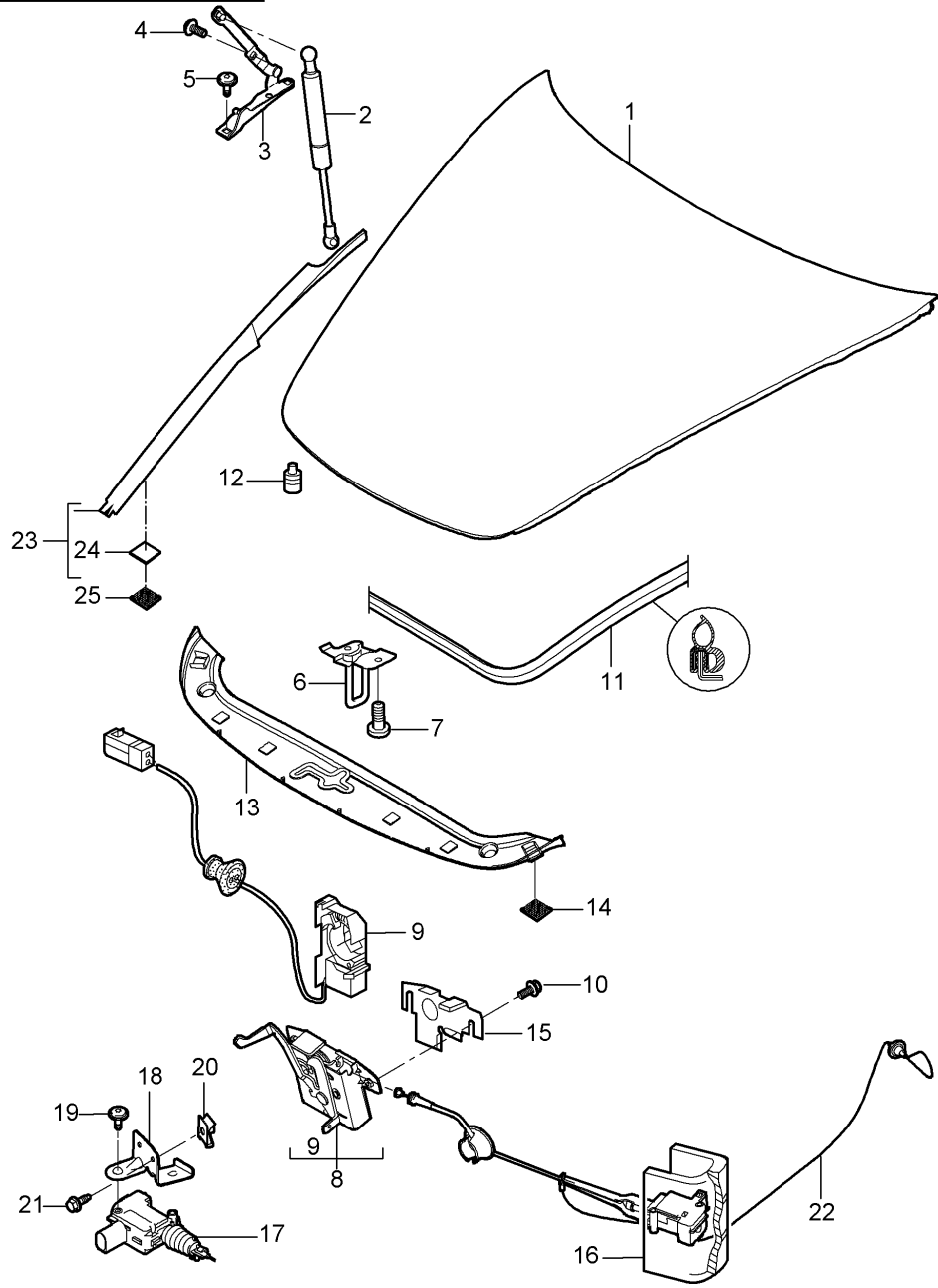
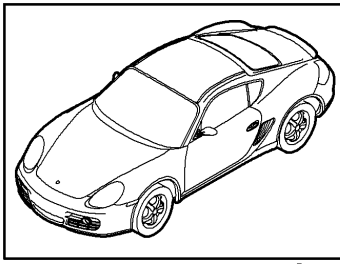
Model: 987209

Model life 2009>>2012

Pos	Part Number	Description	Remark	Qty	Model
27	987 505 625 04 G2L	primed			
	987 505 626 04	Buffer	right	1	PR:553
	987 505 626 04 G2L	primed			
(28)	987 505 645 02	Support	left	1	PR:553
		Trim			
28	987 505 646 02	Support	right	1	PR:553
		Trim			
(29)	987 505 845 01	Buffer	left	1	PR:553
29	987 505 846 01	Buffer	right	1	PR:553
30	999 190 312 30	Button-head rivet		2	PR:553
		Buffer			
		A4,8 X 24,8			
31	997 606 191 01	Sensor		4	PR:635
		Parking aid			
32	7L6 919 659	O-ring		4	PR:635
		Sensor			
33	987 504 631 01	Protective film		2	
34	999 507 795 09	panel nut		2	
		Rear support			
		ST 4,8			
35	999 507 696 00	U-clip		3	

Model: 987209

Model life 2009>>2012



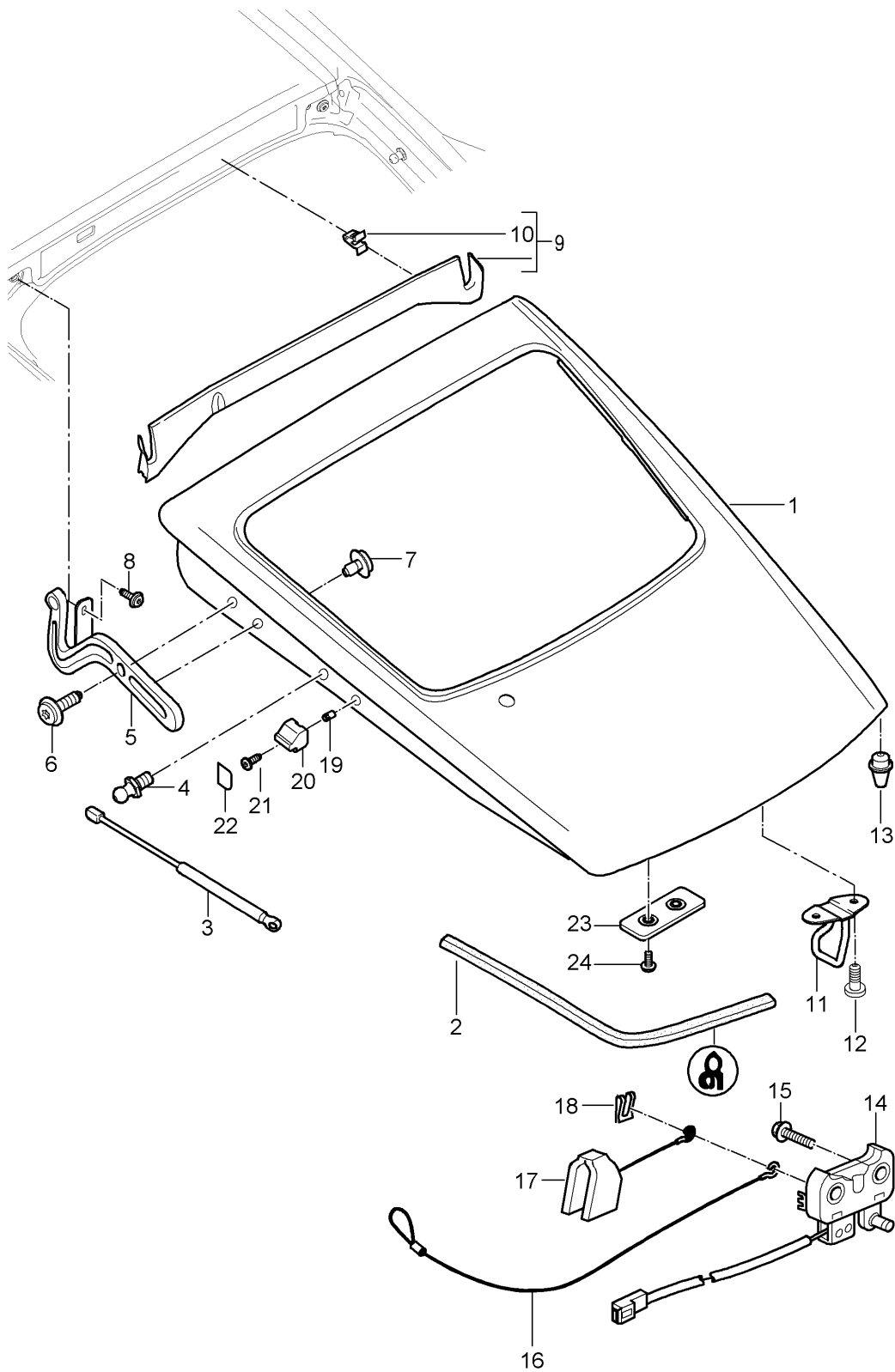
Model: 987209

Model life 2009>>2012

Pos	Part Number	Description	Remark	Qty	Model
1	997 511 011 00	Cover	front	1	
	997 511 011 00 GRV	Cover primed			
2	997 511 551 01	Gas filled strut		2	
(3)	997 511 151 01	Hinge	left	1	
3	997 511 152 01	Hinge	right	1	
4	999 073 357 09	fillister hd. bolt M 6 X 12		4	
5	999 073 348 09	fillister hd. bolt M 6 X 20		4	
6	997 511 051 00	Lock upper part		1	
7	999 073 350 04	flat round head bolt M 6 X 16		2	
8	997 511 053 00	Lock lower part		1	
9	997 613 206 00	Micro switch		1	
10	900 075 466 09	Bolt with washer M6 X 16		2	
11	997 511 611 00	Seal		1	
12	999 703 140 41	Rubber buffer		2	
13	997 504 811 03	Cover panel		1	
	997 504 811 03 FMT	Satin black			
14	999 902 049 40	Velcro fastener 25 X 20		4	
15	996 511 653 00	Cover		1	
16	997 511 117 00	throttle control element		1	
17	996 624 119 01	throttle control element Emergency operation		1	PR:553
(18)	997 511 489 01	angle throttle control element		1	PR:553
19	999 919 188 09	fillister hd. bolt 5,0 X 30		2	PR:553
20	999 591 882 02	panel nut M6		2	PR:553
20	999 591 882 01	Discontinued part panel nut M6		2	PR:553
21	900 075 466 09	Bolt with washer		2	PR:553
(21)	900 075 466 09	Bolt with washer M 6 X 16		2	PR:553,607
22	997 511 085 00	Cable Luggage compartment		1	PR:553
(23)	997 572 465 02	Cover panel	left	1	
	997 572 465 02 02A	Black			
23	997 572 466 02	Cover panel	right	1	
		Wing			
	997 572 466 02 02A	Black			
24	999 902 052 40	Velcro fastener Cover 20 X 20		4	
25	999 902 051 40	Velcro fastener Wing 20 X 20		4	

Model: 987209

Model life 2009>>2012



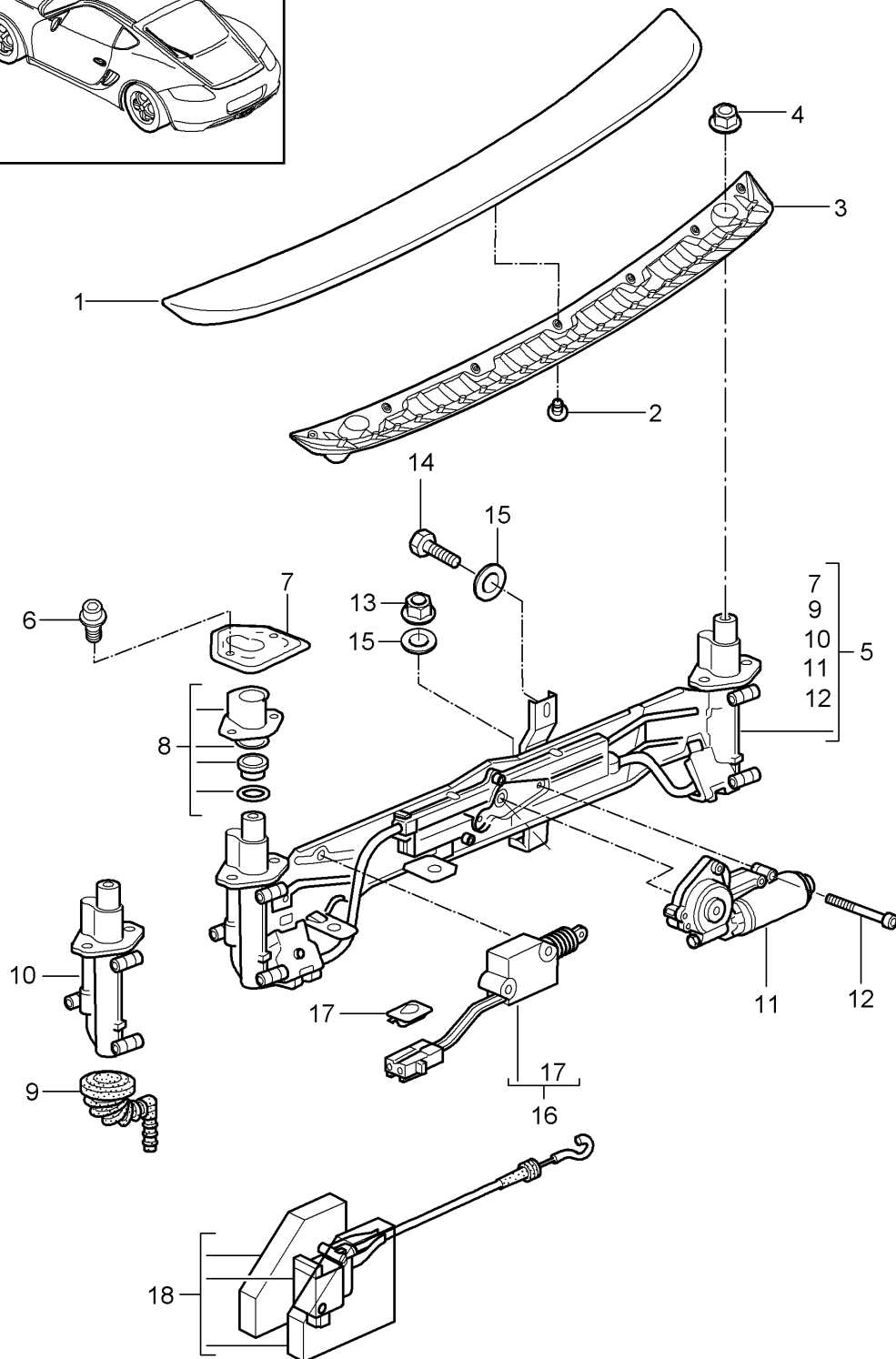
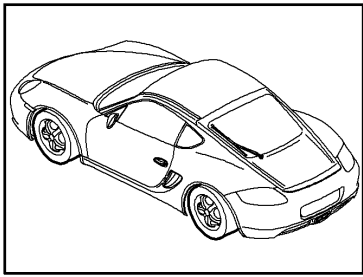
Model: 987209

Model life 2009>>2012

Pos	Part Number	Description	Remark	Qty	Model
1	987 512 011 01 987 512 011 01 GRV	Cover Cover primed	rear	1	PR:426
		also use:			
1	987 512 011 02 987 512 011 02 GRV	Cover Cover primed		1	PR:425
		also use:			
-	000 043 204 38	sealant		1	
2	987 512 911 01	Seal Cover		1	
3	987 512 551 00	Gas filled strut Discontinued part		2	
3	987 512 551 02	Gas filled strut		2	
4	999 167 051 03	Ball stud Gas filled strut		4	
5	987 512 151 01	Hinge	left	1	
(5)	987 512 152 01	Hinge	right	1	
6	999 073 364 02	Socket head bolt Hinge Cover M8 X 25	outer	2	
7	999 073 360 02	Socket head bolt Hinge Cover M8 X 16	inner	2	
8	999 073 364 02	Socket head bolt Hinge Bodyshell M8 X 25		4	
9	987 512 111 00 987 512 111 00 01C	Cover Satin black		1	
10	999 507 987 02	Clip Cover 1,60		4	
11	987 512 051 00	Lock upper part		1	
12	999 073 350 04	flat round head bolt M 6 X 16		2	
13	987 512 987 01	throttle control element		2	
14	987 512 053 00	Lock lower part		1	
15	900 075 504 01	Bolt with washer M 6 X 45		2	
16	987 512 521 00	Emergency operation		1	
17	987 512 117 00	throttle control element		1	
18	999 166 054 02	S1-lock Discontinued part		1	
18	999 166 054 01	S1-lock		1	
19	999 500 152 02	rivetted cap nut Discontinued part		4	
19	999 500 159 01	rivetted cap nut M6/0,75		4	
20	987 512 899 00	Rubber buffer		2	
21	999 073 334 00	flat round head bolt M6 x 16		2	
22	987 512 819 00	Protective film		2	
23	987 512 125 02	vibration damper		1	
24	999 073 410 01	fillister hd. bolt vibration damper M6 X 22		2	

Model: 987209

Model life 2009>>2012



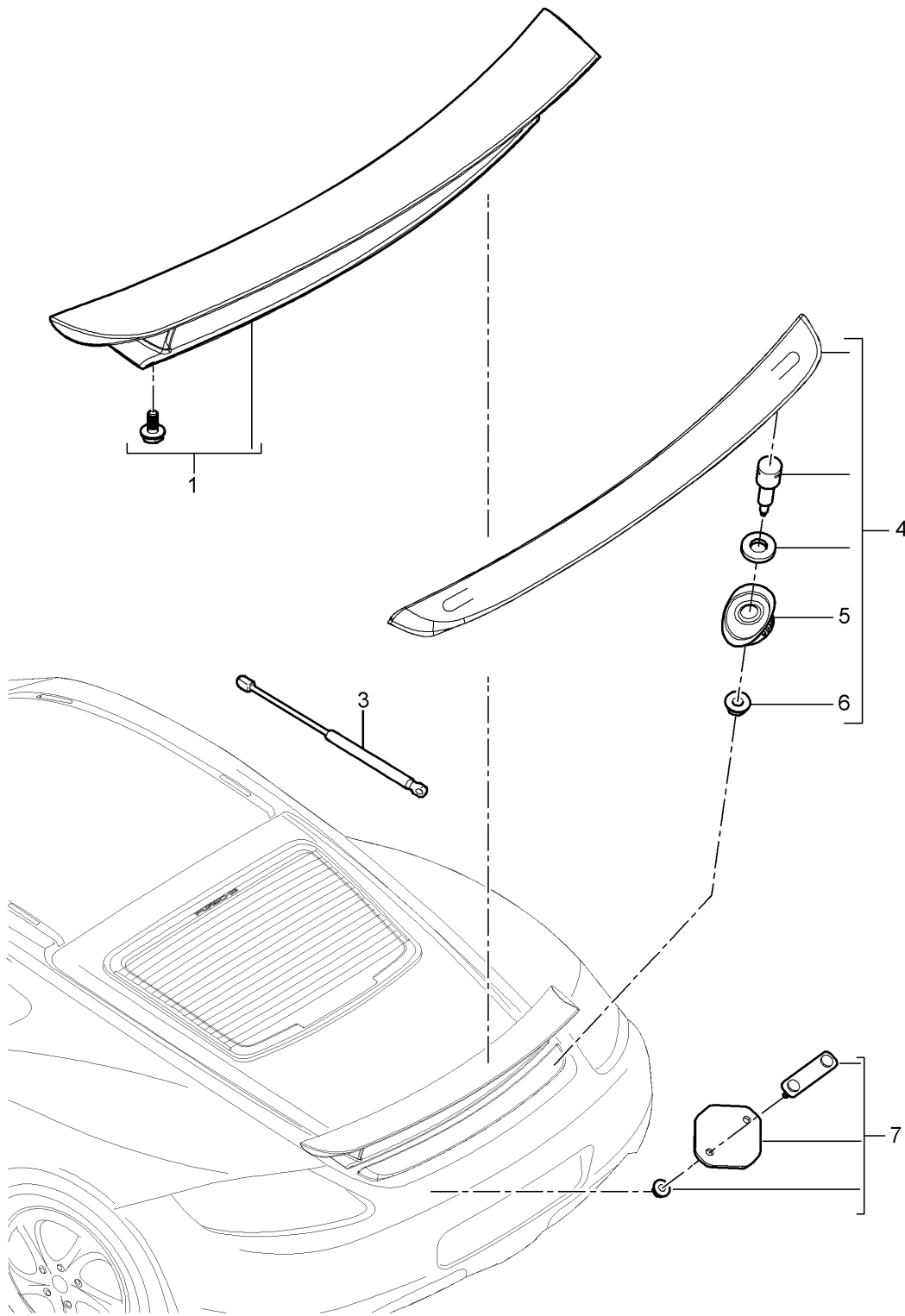
Model: 987209

Model life 2009>>2012

Pos	Part Number	Description	Remark	Qty	Model
1	987 504 619 00	Rear spoiler		1	
	987 504 619 00 G2X	Upper part			
2	999 919 233 07	primed fillister hd. bolt 4,0 X 8,0		7	
3	987 504 623 00	Lower part		1	
4	900 377 003 02	Hexagon nut M8		2	
5	987 504 109 01	Driving mechanism (complete)		1	
6	999 218 016 02	Bolt with washer M 6 X 16 Micro-self-locking Discontinued part		4	
6	999 218 016 01	Bolt with washer M 6 X 16 Micro-self-locking		4	
7	986 504 251 00	Securing plate		2	
8	987 504 413 00	Gasket set Toggle catch		2	
9	987 504 415 00	Water drainage hose		1	
10	987 504 411 00	Toggle catch		2	
11	996 624 151 00	Electric motor		1	
12	900 074 364 02	Hexagon bolt M 5 X 55 Micro-self-locking		1	
13	999 084 629 09	Hexagon nut M 6		3	
14	900 075 485 09	Hexagon bolt M 6 X 16		1	
15	900 035 001 09	Washer		4	
16	996 624 117 01	throttle control element Cover	rear	1	
17	999 507 434 40	bracket for connector housing		1	
18	987 512 117 00	throttle control element		1	

Model: 987209

Model life 2009>>2012



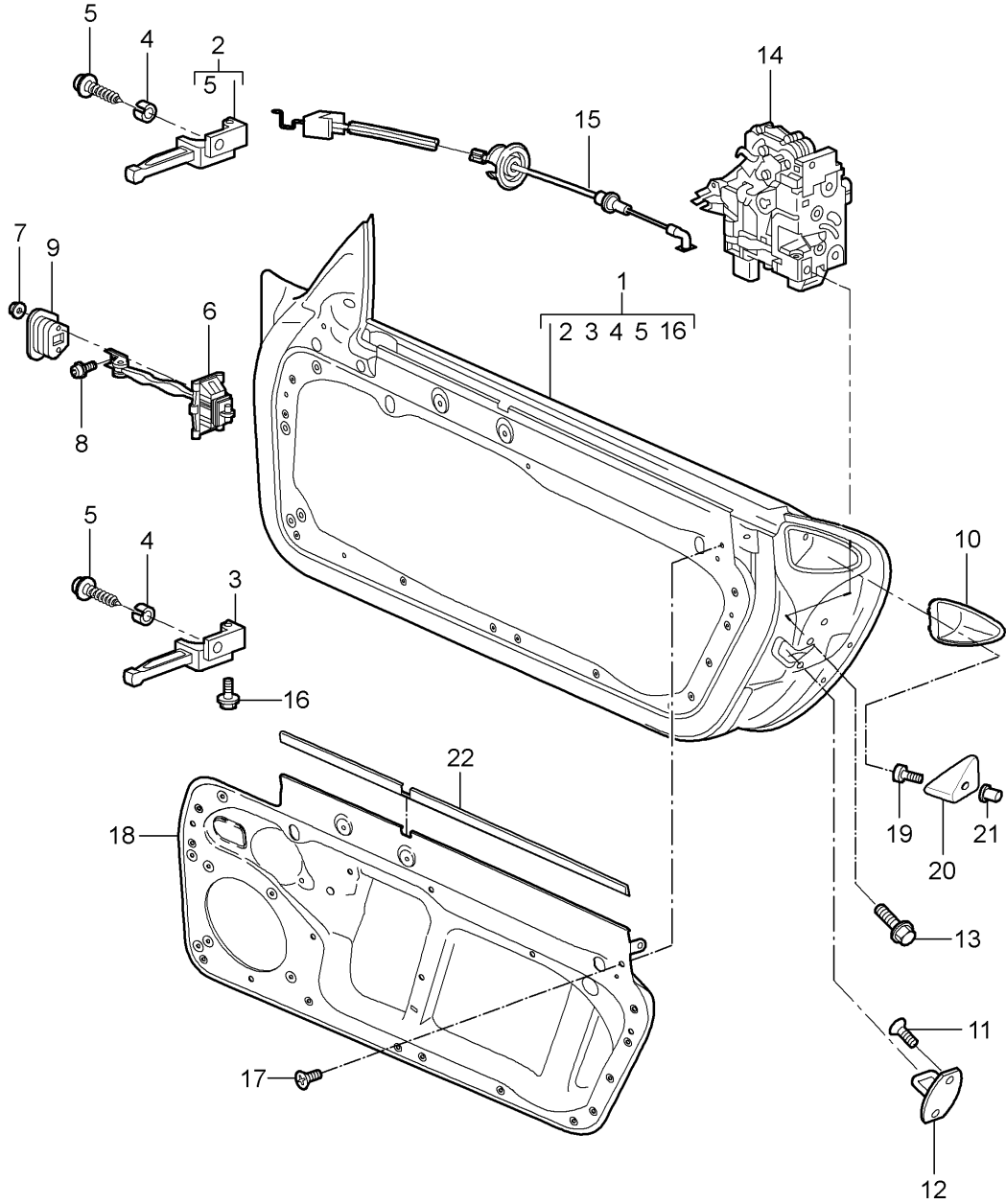
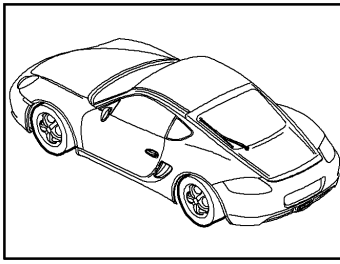
Model: 987209

Model life 2009>>2012

Pos	Part Number	Description	Remark	Qty	Model
		Rear spoiler Aerokit			PR : XAM
1	987 512 992 01	Rear spoiler		1	
3	987 512 551 04	Gas filled strut	left a. right	2	
4	987 512 994 01	Trim Spoiler		1	
(5)	987 512 995 01	Adapter	left	1	
5	987 512 996 01	Adapter Support	right	1	
6	900 380 015 01	Hexagon nut M6		2	
7	987 512 998 00	Seal		2	

Model: 987209

Model life 2009>>2012



Model: 987209

Model life 2009>>2012

Pos	Part Number	Description	Remark	Qty	Model
(1)	997 531 011 04 997 531 011 04 GRV	Door shell Installation parts Door lock Door shell primed	left	1	
1	997 531 012 04 997 531 012 04 GRV	Door shell primed	also use: 000 043 305 32 right	1	
(1)	997 531 011 05 997 531 011 05 GRV	Door shell primed	also use: 000 043 305 32 left	1	PR:599
(1)	997 531 012 05 997 531 012 05 GRV	Door shell primed	also use: 000 043 305 32 right	1	PR:599
-	000 043 305 32	sealant	also use: 000 043 305 32	1	
(2)	997 531 321 00	Hinge	left	1	
2	997 531 322 00	Hinge	right	1	
(3)	997 531 319 00	Hinge	left	1	
3	997 531 320 00	Hinge	right	1	
4	996 531 831 00	Sleeve		4	
5	900 378 180 01	Hexagon bolt M 8 X 25		2	
6	997 537 151 01	Door catch Discontinued part		2	
6	997 537 151 02	Door catch		2	
7	999 084 212 02	Hexagon nut M 6		4	
8	999 073 138 09	Screw M 8 X 25 Discontinued part		2	
(8)	999 073 138 01	flat round head bolt M 8 X 25		2	
9	996 537 751 00	Seal		2	
(10)	997 537 331 00 997 537 331 00 01C	Support Satin black		1	
10	997 537 332 00 997 537 332 00 01C	Support Satin black		1	
11	N 910 174 01	countersunk multi-point socket head bolt M 8 X 22		4	
12	3C0 837 767 A	Striker		2	
13	WHT 000 439	flat round head bolt M 8 X 20		2	
(14)	3D1 837 015 C	Door lock	left	1	PR:072,553
(14)	3D1 837 016 C	Door lock	right	1	PR:072,553
15	997 537 319 01	Bowden cable		2	
-	970 556 525 00	sound absorber for side panel		2	
16	999 072 043 09	Hexagon bolt M 6 X 12 Micro-self-locking fillister hd. bolt M6 X 16		4	
17	999 073 333 09	fillister hd. bolt M6 X 16		9	
(18)	987 537 201 00	Inner panel No longer use the part here	left	1	
18	987 537 202 00	Inner panel No longer use the part here	right	1	
(18)	987 537 201 01	Inner panel	left	1	
18	987 537 202 01	Inner panel	right	1	
19	900 119 072 00	Door Socket head bolt M8 X 16		2	
(20)	997 537 333 00	Support	left	1	

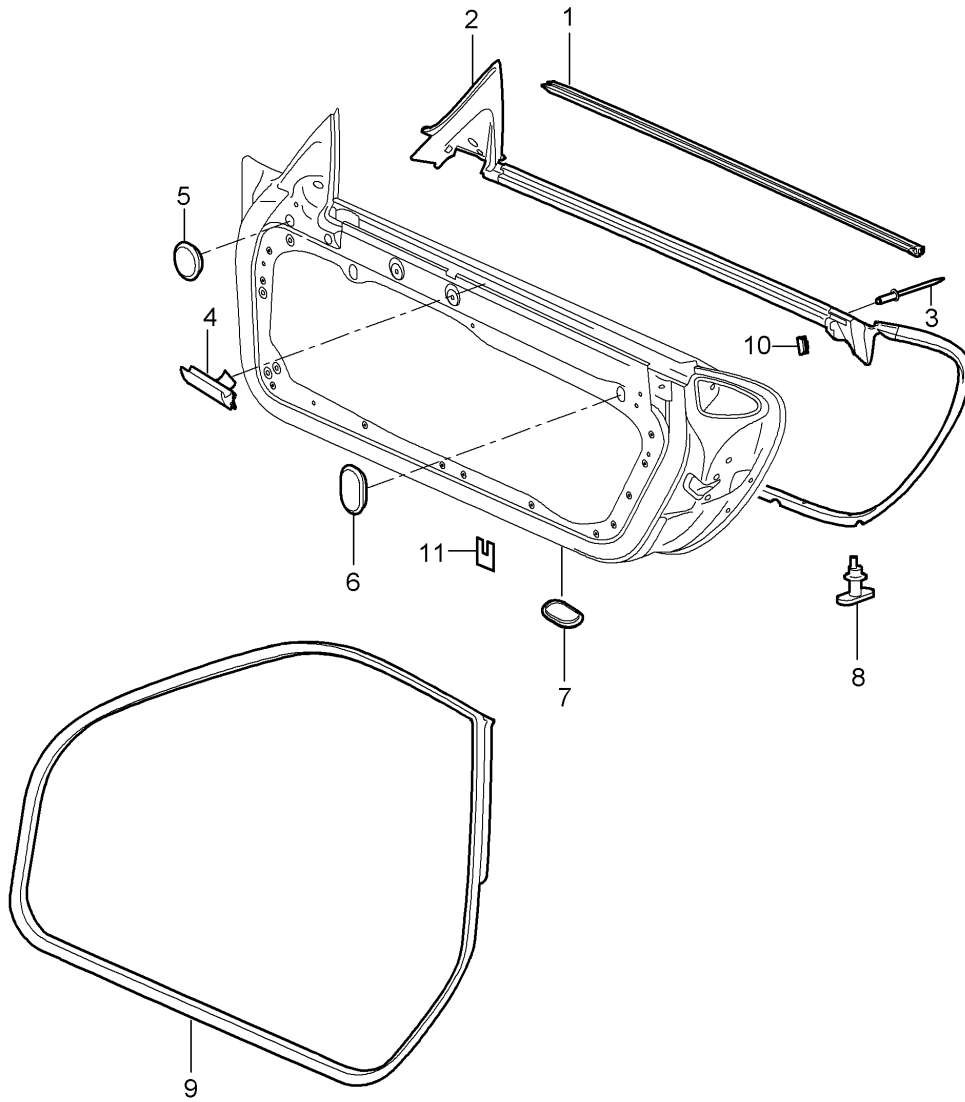
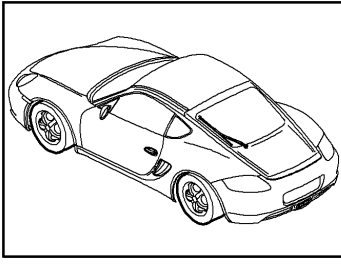
Model: 987209

Model life 2009>>2012

Pos	Part Number	Description	Remark	Qty	Model
20	997 537 333 00 G2X 997 537 334 00	primed Support Side part	right	1	
21	997 537 334 00 G2X 999 500 121 02	primed rivetted cap nut M8 / 0,8 - 3		2	
22	999 551 172 40	Lining strap 25 x 1,3 x 730 for Inner panel		2	

Model: 987209

Model life 2009>>2012



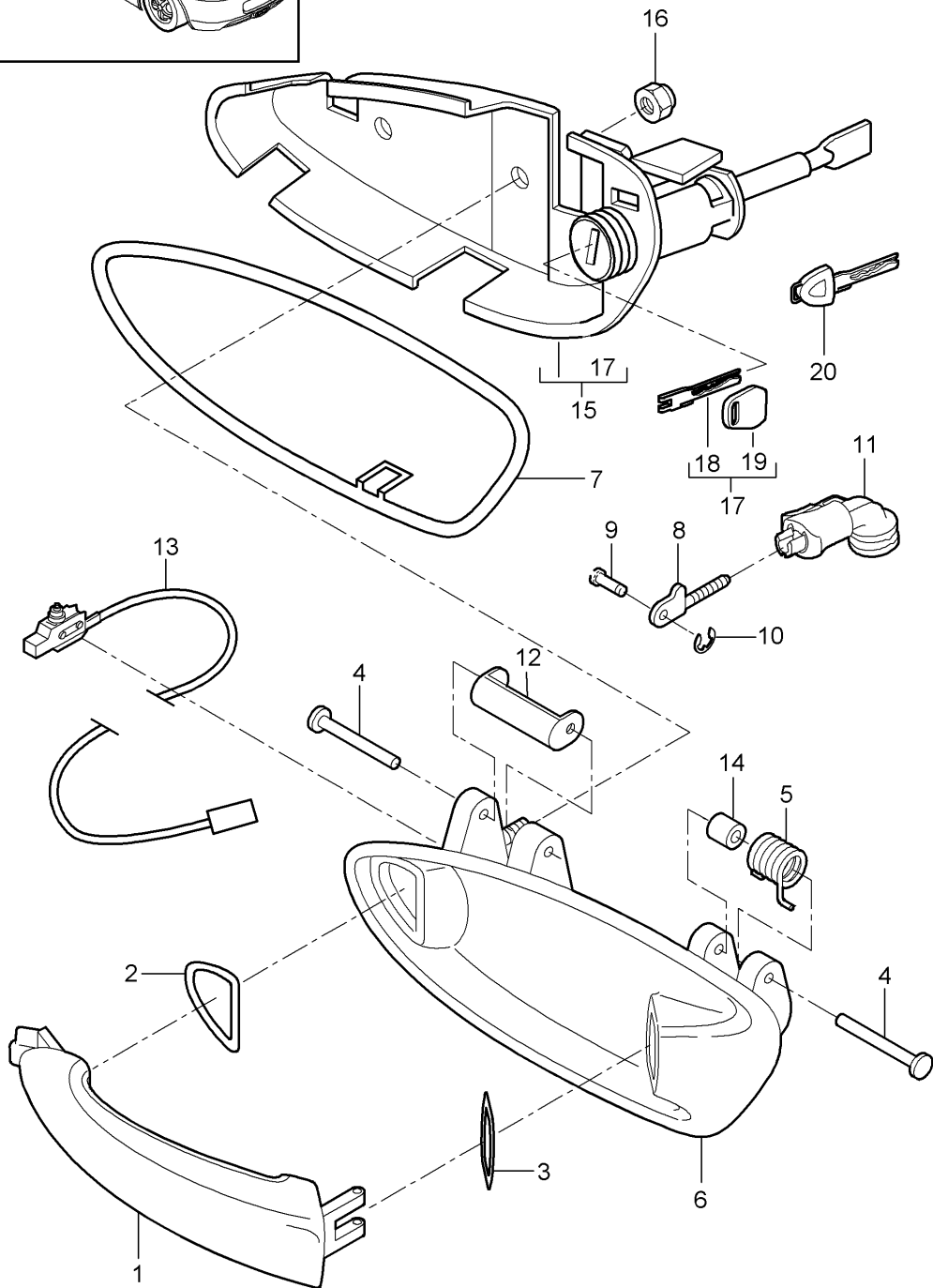
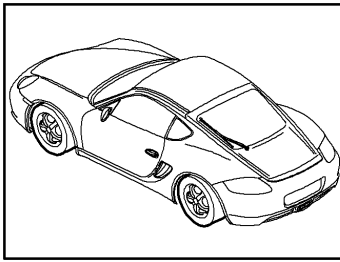
Model: 987209

Model life 2009>>2012

Pos	Part Number	Description	Remark	Qty	Model
(1)	997 537 085 02	Door seal Seal windshield frame Seal	left outer	1	
(1)	997 537 085 03	Seal	left outer	1	PR:599
1	997 537 086 02	Seal	right outer	1	
(1)	997 537 086 03	Seal	right outer	1	PR:599
(2)	997 537 531 07	Seal	left inner	1	
(2)	997 537 531 08	Seal	left inner	1	PR:599
2	997 537 532 07	Seal	right inner	1	
2	997 537 532 08	Seal	right inner	1	PR:599
4	997 537 495 00	Seal		1	
5	803 803 583 A	Bungs 20,0 X 30,0 Discontinued part		2	
5	999 703 196 40	End cap 20,0 X 30,0		2	
6	999 703 541 40	End cap 20,0 X 28,0		4	
7	999 703 542 40	End cap 23,8 X 38,7		8	
(8)	999 591 513 40	Clip Seal 5,8 x 0,9		36	
(9)	987 537 075 04	Door seal	left	1	
9	987 537 076 04	Door seal	right	1	
10	999 507 851 01	U-clip Seal Door		4	
11	996 537 337 00	protective foil for door		4	

Model: 987209

Model life 2009>>2012



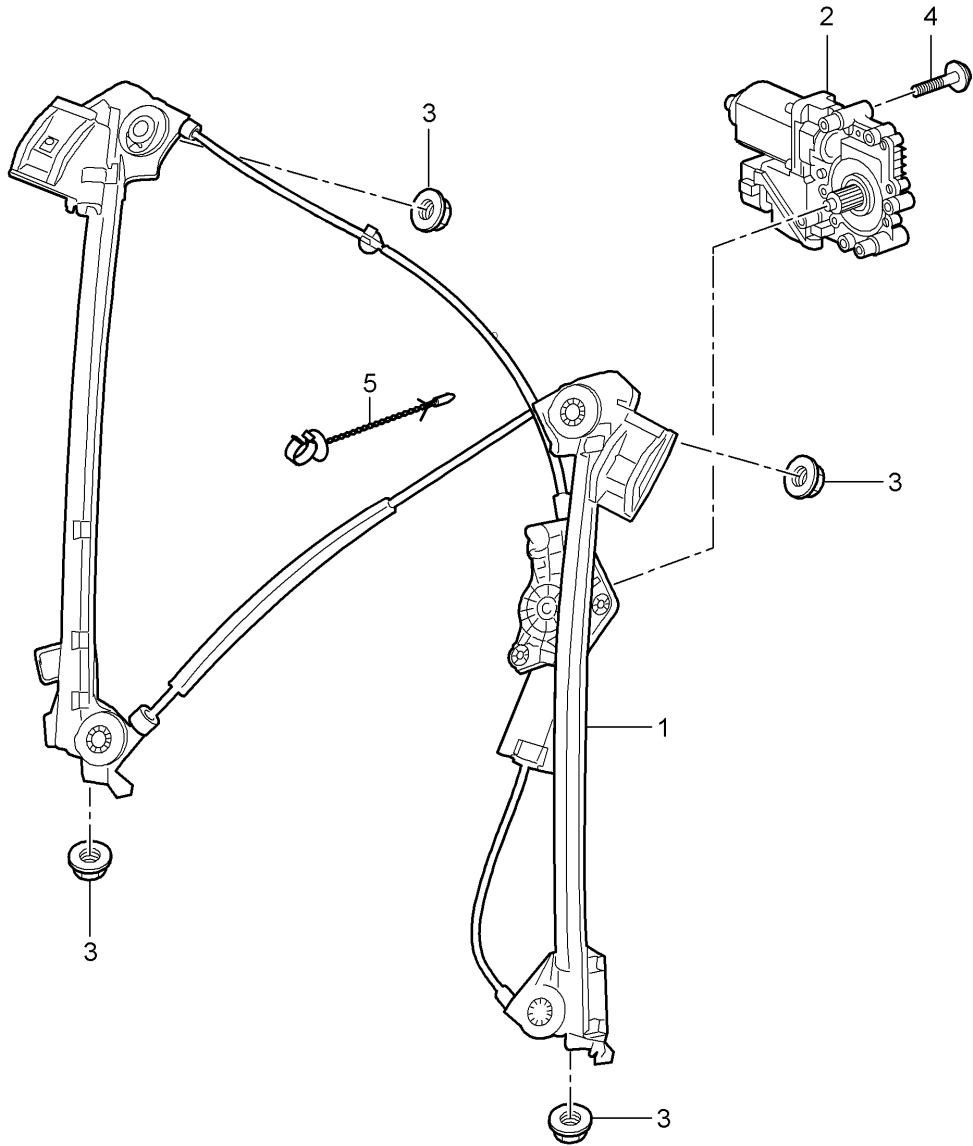
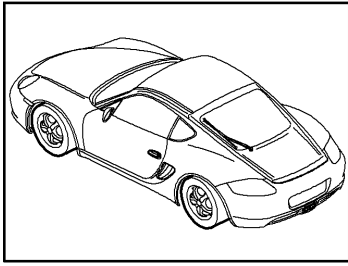
Model: 987209

Model life 2009>>2012

Pos	Part Number	Description	Remark	Qty	Model
1	997 537 613 00	Door handle	left	1	
	997 537 613 00 G2X	primed			
(1)	997 537 614 00	Door handle	right	1	
	997 537 614 00 G2X	primed			
2	997 537 623 00	Stop buffer		2	
3	997 537 625 00	Stop buffer		2	
4	997 537 621 00	axle		2	
5	997 537 611 00	Return spring	left	1	
(5)	997 537 612 00	Return spring	right	1	
6	997 537 645 00	Handle liner	left lhd	1	PR:098
	997 537 645 00 G2X	primed			
(6)	997 537 646 01	Handle liner	right lhd	1	PR:098
	997 537 646 01 G2X	primed			
7	997 537 637 00	Underlay	left	1	
(7)	997 537 638 00	Underlay	right	1	
8	997 537 627 00	operating rod		2	
9	997 537 629 00	Pin		2	
10	996 537 641 00	Retaining washer		2	
11	997 537 445 03	Connecting piece		2	
12	997 537 653 00	Actuating lever	left	1	
(12)	997 537 654 00	Actuating lever	right	1	
13	997 613 125 00	Micro switch		2	
13	997 613 125 02	Micro switch		2	
		Window regulator			
14	997 537 633 00	bush		2	
15	997 538 963 00	Bracket	left lhd	1	PR:098
		with lock cylinder			
		with stipulated lock number			
(15)	997 538 963 01	Bracket	left lhd	1	PR:098
		with lock cylinder			
		W/o stipulated lock number			
(15)	997 538 963 02	Bracket	left lhd	1	PR:625,098
		with lock cylinder			
		W/o stipulated lock number			
(15)	997 538 963 03	Bracket	left lhd	1	PR:625,098
		with lock cylinder			
		with stipulated lock number			
(15)	997 537 464 01	Bracket	right lhd	1	PR:098
		Without lock cylinder			
16	900 380 015 09	Hexagon nut		4	
		M6			
17	997 538 931 00	Replacement key		X	
		with stipulated lock number			
		State lock number			
18	997 538 531 00	Blank key		X	
19	944 538 431 00	Key cover		X	
20	955 538 916 00	emergency key		X	
		with stipulated lock number			
		State lock number			
(20)	955 538 216 00	D >> - MJ 2006			
		emergency key		X	
		W/o stipulated lock number			
		D >> - MJ 2006			

Model: 987209

Model life 2009>>2012



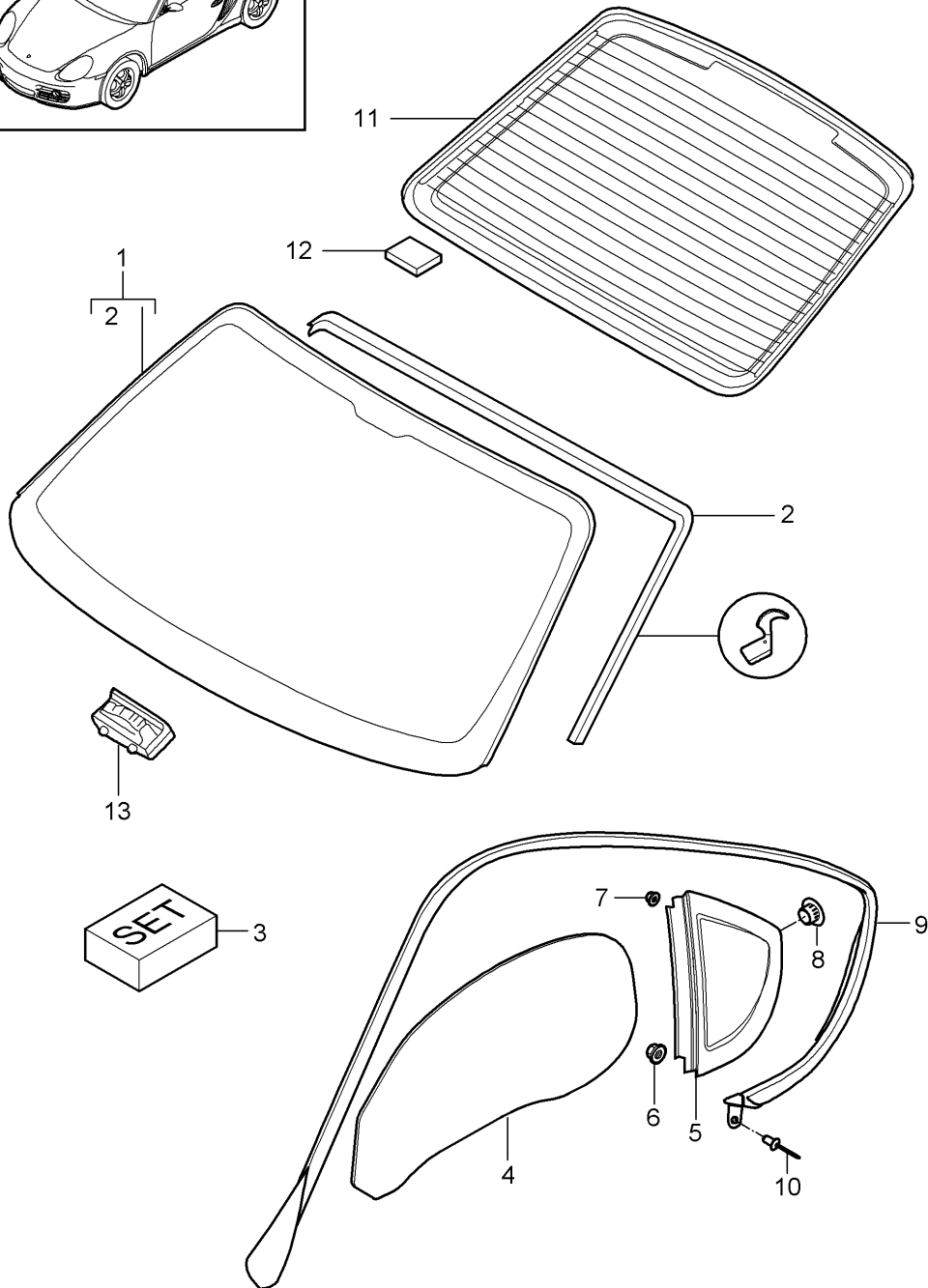
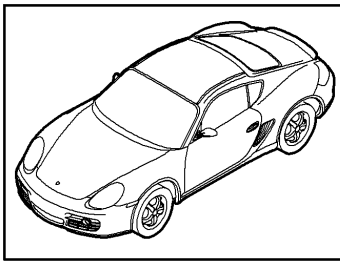
Model: 987209

Model life 2009>>2012

Pos	Part Number	Description	Remark	Qty	Model
1	987 542 075 01	Window regulator		1	
(1)	987 542 076 01	Window regulator	left	1	
2	997 624 181 02	Window regulator	right	1	
(2)	997 624 182 02	Electric motor	left lhd	1	PR:098
3	997 624 182 02	Electric motor	right lhd	1	PR:098
	900 380 015 09	Hexagon nut M 6		4	
4	999 919 209 09	fillister hd. bolt M5X22		6	
5	987 542 941 00	Clip Bowden cable Window regulator		1	

Model: 987209

Model life 2009>>2012



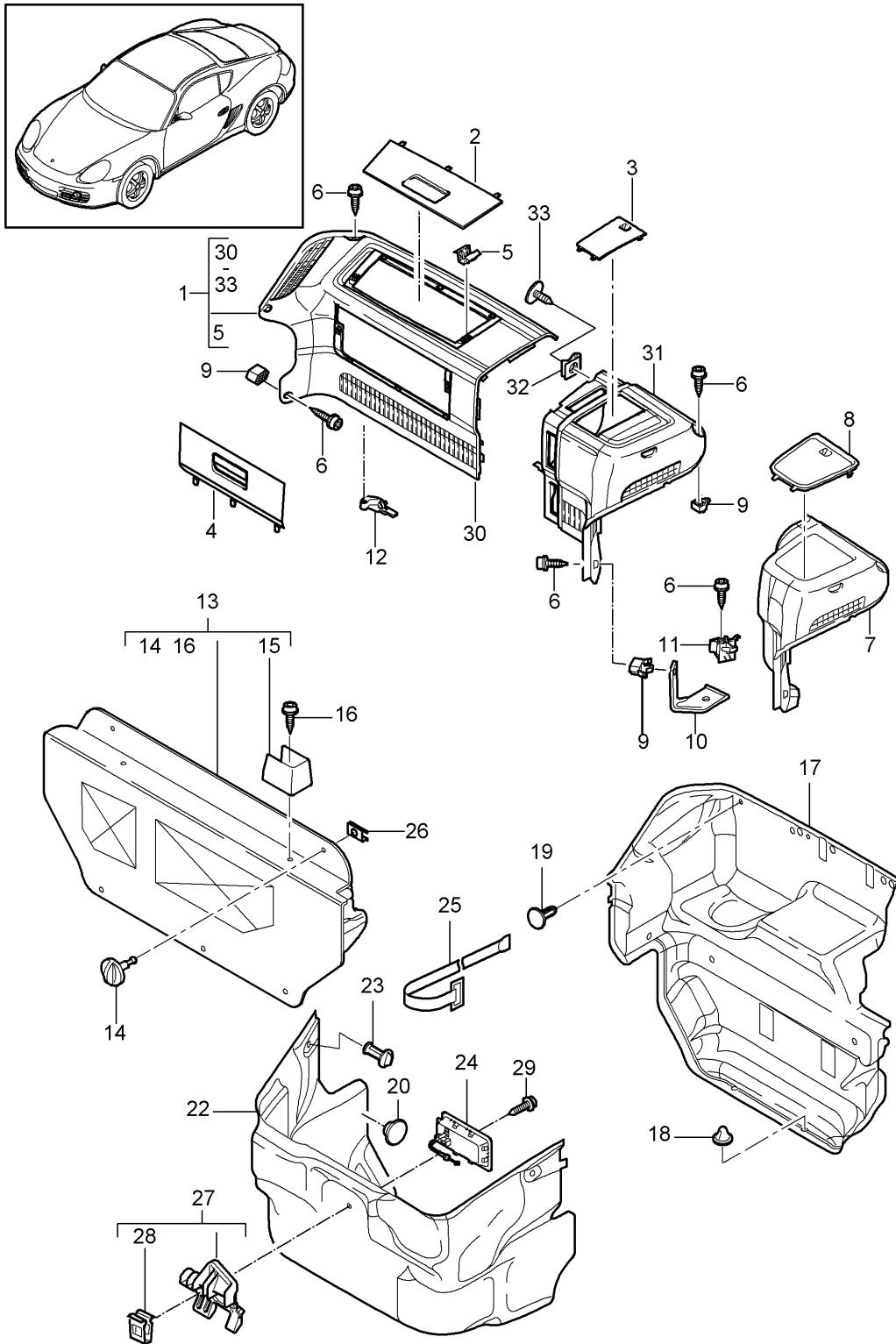
Model: 987209

Model life 2009>>2012

Pos	Part Number	Description	Remark	Qty	Model
1	987 541 911 08	window glazing Windscreen Tinted		1	PR:568
(1)	987 541 911 09	Windscreen Tinted		1	PR:567
(1)	987 541 911 10	Windscreen Tinted		1	PR:267,268, 568
(1)	987 541 911 11	Windscreen Tinted		1	PR:267,268, 567
(1)	987 541 911 12	Windscreen Tinted		1	PR:440,568
(1)	987 541 911 13	Windscreen Tinted		1	PR:440,567
(1)	987 541 911 14	Windscreen Tinted		1	PR:267,268, 440,568
(1)	987 541 911 15	Windscreen Tinted		1	PR:267,268, 440,567
2	997 541 901 09	Seal for front window		1	
3	000 043 301 14	Adhesive set HENKEL TEROSON		1	
4	987 542 511 03	Door window	left	1	
(4)	987 542 512 03	Door window	right	1	
5	987 543 111 02	Side window	left	1	
(5)	987 543 112 02	Side window	right	1	
6	999 084 210 01	Hexagon nut Side window M8		2	
(6)	987 543 835 00	Threaded bush Side window		2	
7	999 084 220 01	Hexagon nut Side window M5		6	
8	999 702 352 40	Grommet Side window 5,5 X 6,5		2	
9	987 537 481 01	roof frame seal	left	1	
(9)	987 537 482 01	roof frame seal	right	1	
10	999 190 445 37	Pop rivet roof frame seal A 4,0 X 7,9		18	
11	987 545 911 01	Rear window		1	
12	999 703 130 40	Stop buffer Rear window		6	
13	999 507 576 41	Bracket		2	

Model: 987209

Model life 2009>>2012



Model: 987209

Model life 2009>>2012

Pos	Part Number	Description	Remark	Qty	Model
(1)	997 551 133 00	Luggage compartment Lugg. compartment trim, compl. (3-part)	front lhd	1	PR:098,674
	997 551 133 00 02A	Black			
(1)	997 551 133 00	Lugg. compartment trim, compl. (3-part)		1	PR:664
	997 551 133 00 02A	Black			
2	997 551 306 00	cover for luggage compartment trim	lhd upper	1	PR:098,674
	997 551 306 00 02A	Black			
2	997 551 306 00	cover for luggage compartment trim	upper	1	PR:664
	997 551 306 00 02A	Black			
3	997 551 301 00	Cover Brake servo	lhd	1	PR:098,674
	997 551 301 00 02A	Black			
3	997 551 301 00	Cover Brake servo		1	PR:664
	997 551 301 00 02A	Black			
4	997 551 308 01	cover for luggage compartment trim	lhd lower	1	PR:098,674
	997 551 308 01 02A	Black			
4	997 551 308 01	cover for luggage compartment trim	lower	1	PR:664
	997 551 308 01 02A	Black			
5	999 507 735 02	Clamp 9 X 22/2,5		4	
6	900 187 501 01	panel screw ST 3,5 X 16		X	
7	997 551 231 00	Trim Brake servo	lhd	1	PR:098
	997 551 231 00 02A	Black			
8	997 551 311 00	Cover trim Brake servo	lhd	1	PR:098
	997 551 311 00 02A	Black			
9	999 507 734 40	Bracket ST 3,5		X	
10	997 551 771 02	Bracket Trim		1	
11	999 507 512 40	Luggage compartment Bracket ST 3,5		X	
12	997 551 772 02	Bracket for trim		1	
(13)	997 551 123 03	Luggage compartment trim Tool Carpet		1	PR:553
	997 551 123 03 A31	Black			
14	997 551 803 00	catch Trim Tool		2	
(17)	997 551 051 26	Luggage compartment trim filler plate Carpet	lhd	1	PR:098,674
	997 551 051 26 A31	Black			
(17)	997 551 051 27	Luggage compartment trim filler plate Carpet		1	PR:694
	997 551 051 27 A31	Black			
18	999 049 004 40	Plastic nut T5 / 32 X 20		2	
19	999 703 432 40	Bungs 8,2 X 18		2	
20	999 703 455 41	End cap		X	

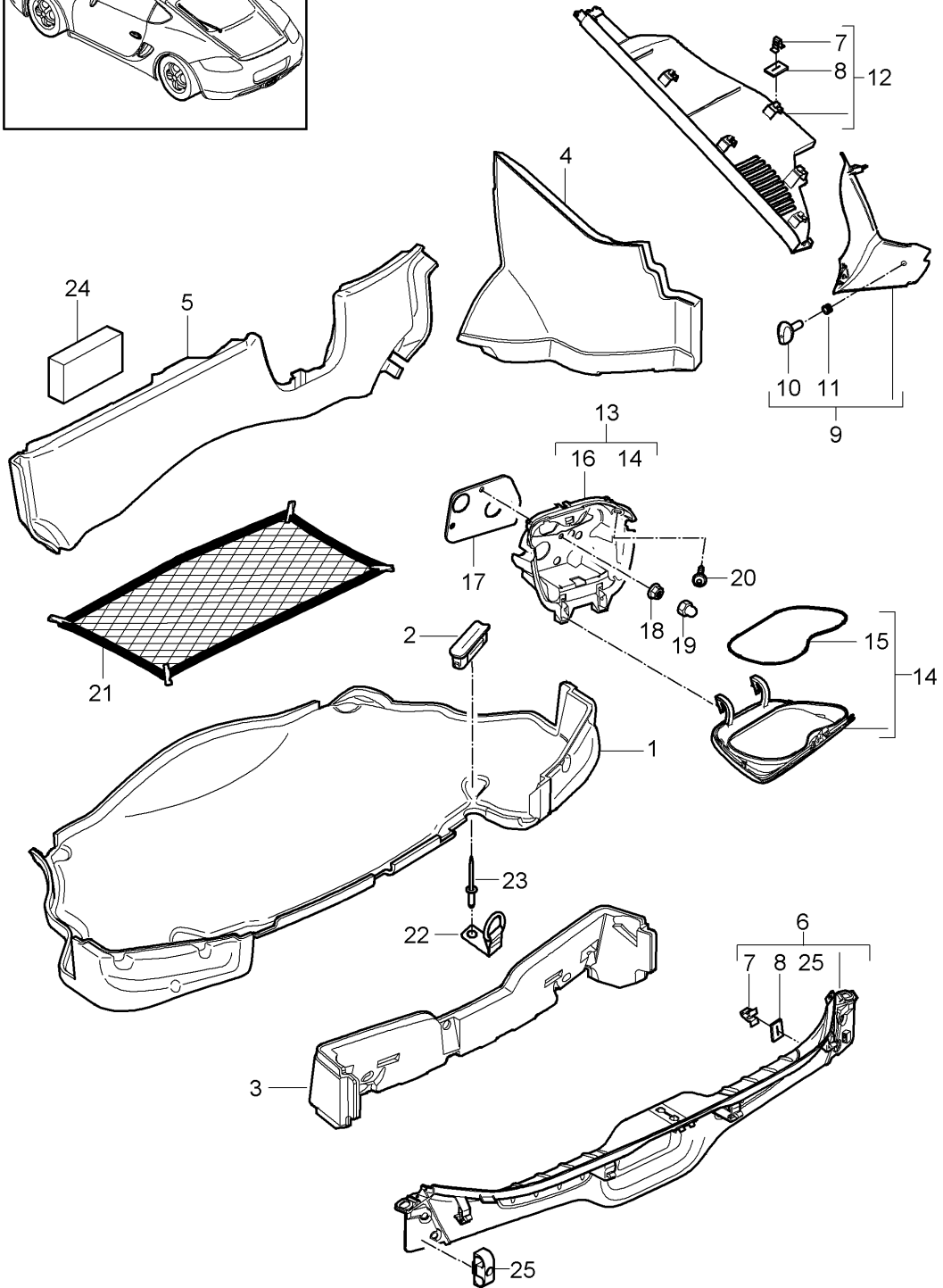
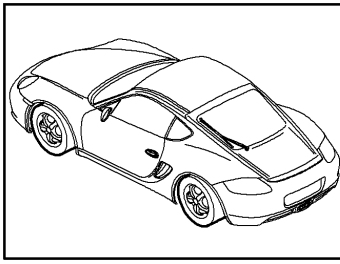
Model: 987209

Model life 2009>>2012

Pos	Part Number	Description	Remark	Qty	Model
(22)	987 551 045 05	12,2 X 25 Trim		1	PR:553
		Luggage compartment liner			
		Carpet			
	987 551 045 05 A31	Black			
23	999 049 006 40	Plastic nut		2	
		T5 /30 X 7,5			
24	997 504 087 00	Emergency operation		1	PR:553
		Luggage compartment			
26	999 590 055 01	Securing clip		2	
		10,7 X 11,5			
27	997 551 706 00	Bracket		1	PR:553
		Emergency operation			
28	999 591 489 09	panel nut		1	PR:553
		ST 4,8			
29	999 073 061 02	panel screw		1	PR:553
		4,8 X 16			
30	997 551 634 00	Luggage compartment trim	lhd	1	PR:098,674
	997 551 634 00 FMU	black/black			
30	997 551 634 00	Luggage compartment trim		1	PR:664
	997 551 634 00 FMU	black/black			
31	997 551 633 00	Trim	lhd	1	PR:098,674
		Brake servo			
	997 551 633 00 FMU	black/black			
31	997 551 633 00	Trim		1	PR:664
		Brake servo			
	997 551 633 00 FMU	black/black			
32	999 507 795 09	panel nut		3	
		4,8			
33	999 073 231 09	panel screw		3	
		st 4,8 X 16			
34	999 025 236 40	Washer		2	
		fuse			
		catch			
		Position			
		14			
35	991 555 775 02	Bracket for compressor		1	
		Spare wheel			
		D - MJ 2014>>			
(35)	991 555 775 04	Bracket for compressor		1	
		Spare wheel			
		D - MJ 2015>>			
36	991 555 765 01	Cover		1	
		Compressor			
		Spare wheel			
	991 555 765 01 1E0	Black			

Model: 987209

Model life 2009>>2012



Model: 987209

Model life 2009>>2012

Pos	Part Number	Description	Remark	Qty	Model
1	987 551 053 02	Luggage compartment Trim Carpet	rear	1	
	987 551 053 02 M10	Terracotta			
	987 551 053 02 R10	Cocoa			
	987 551 053 02 D11	Dark grey/natural			
	987 551 053 02 T11	Brown/natural			
1	987 551 053 02	Trim Carpet Until Chassis number See technical information GR.7 NR. 17/11 KD-NR. 70		1	
	987 551 053 02 A10	Black			
	987 551 053 02 B10	Stone grey			
	987 551 053 02 T10	Sand beige			
	987 551 053 02 E10	sea blue			
	987 551 053 02 N10	Carrera Red			
1	987 551 053 05	Trim Carpet From Chassis number See technical information GR.7 NR. 17/11 KD-NR. 70		1	
	987 551 053 05 A10	Black			
	987 551 053 05 B10	Stone grey			
	987 551 053 05 T10	Sand beige			
	987 551 053 05 E10	sea blue			
	987 551 053 05 N10	Carrera Red			
2	987 551 545 00	Trim Fastening clip		2	
	987 551 545 00 01C	Satin black			
3	987 551 067 00	Trim Rear spoiler Carpet		1	
	987 551 067 00 M10	Terracotta			
	987 551 067 00 R10	Cocoa			
	987 551 067 00 D11	Dark grey/natural			
	987 551 067 00 T11	Brown/natural			
3	987 551 067 00	Trim Rear spoiler Carpet Until Chassis number See technical information GR.7 NR. 17/11 KD-NR. 70		1	
	987 551 067 00 A10	Black			
	987 551 067 00 B10	Stone grey			
	987 551 067 00 T10	Sand beige			
	987 551 067 00 E10	sea blue			
	987 551 067 00 N10	Carrera Red			
3	987 551 067 01	Trim Rear spoiler Carpet From Chassis number See technical information GR.7 NR. 17/11 KD-NR. 70		1	
	987 551 067 01 A10	Black			

Model: 987209

Model life 2009>>2012

Pos	Part Number	Description	Remark	Qty	Model
(4)	987 551 067 01 B10	Stone grey	left side	1	
	987 551 067 01 T10	Sand beige			
	987 551 067 01 E10	sea blue			
	987 551 067 01 N10	Carrera Red			
	987 551 063 00	Luggage compartment trim			
(4)		Carpet	left side	1	
	987 551 063 00 M10	Terracotta			
	987 551 063 00 R10	Cocoa			
	987 551 063 00 D11	Dark grey/natural			
	987 551 063 00 T11	Brown/natural			
(4)	987 551 063 00	Luggage compartment trim	left side	1	
		Carpet			
		Until			
		Chassis number			
		See technical information			
(4)		GR.7 NR. 17/11	left side	1	
		KD-NR. 70			
	987 551 063 00 A10	Black			
	987 551 063 00 B10	Stone grey			
	987 551 063 00 T10	Sand beige			
(4)	987 551 063 00 E10	sea blue	left side	1	
	987 551 063 00 N10	Carrera Red			
	987 551 063 01	Luggage compartment trim			
		Carpet			
		From			
4		Chassis number	right side	1	
		See technical information			
		GR.7 NR. 17/11			
		KD-NR. 70			
	987 551 063 01 A10	Black			
4	987 551 063 01 B10	Stone grey	right side	1	
	987 551 063 01 T10	Sand beige			
	987 551 063 01 E10	sea blue			
	987 551 063 01 N10	Carrera Red			
	987 551 064 00	Luggage compartment trim			
4		Carpet	right side	1	
	987 551 064 00 M10	Terracotta			
	987 551 064 00 R10	Cocoa			
	987 551 064 00 D11	Dark grey/natural			
	987 551 064 00 T11	Brown/natural			
4	987 551 064 00	Luggage compartment trim	right side	1	
		Carpet			
		Until			
		Chassis number			
		See technical information			
4		GR.7 NR. 17/11	right side	1	
		KD-NR. 70			
	987 551 064 00 A10	Black			
	987 551 064 00 B10	Stone grey			
	987 551 064 00 T10	Sand beige			
4	987 551 064 00 E10	sea blue	right side	1	
	987 551 064 00 N10	Carrera Red			
	987 551 064 01	Luggage compartment trim			
		Carpet			
		From			
4		Chassis number	right side	1	
		See technical information			

Model: 987209

Model life 2009>>2012

Pos	Part Number	Description	Remark	Qty	Model
		GR.7 NR. 17/11 KD-NR. 70			
	987 551 064 01 A10	Black			
	987 551 064 01 B10	Stone grey			
	987 551 064 01 T10	Sand beige			
	987 551 064 01 E10	sea blue			
	987 551 064 01 N10	Carrera Red			
5	987 551 045 03	Rear panel trim Cross member Carpet		1	
	987 551 045 03 M10	Terracotta			
	987 551 045 03 R10	Cocoa			
	987 551 045 03 D11	Dark grey/natural			
	987 551 045 03 T11	Brown/natural			
5	987 551 045 03	Rear panel trim Cross member Carpet Until Chassis number See technical information		1	
		GR.7 NR. 17/11 KD-NR. 70			
	987 551 045 03 A10	Black			
	987 551 045 03 B10	Stone grey			
	987 551 045 03 T10	Sand beige			
	987 551 045 03 E10	sea blue			
	987 551 045 03 N10	Carrera Red			
5	987 551 037 00	Rear panel trim Cross member Carpet From Chassis number See technical information		1	
		GR.7 NR. 17/11 KD-NR. 70			
	987 551 037 00 A10	Black			
	987 551 037 00 B10	Stone grey			
	987 551 037 00 T10	Sand beige			
	987 551 037 00 E10	sea blue			
	987 551 037 00 N10	Carrera Red			
6	987 555 251 00	Trim Lid lock		1	
	987 555 251 00 A03	Black			
	987 555 251 00 5V7	Stone grey			
	987 555 251 00 5Z1	Sand beige			
	987 555 251 00 8W7	sea blue			
	987 555 251 00 8X8	Terracotta			
	987 555 251 00 8P9	Cocoa			
	987 555 251 00 T13	Brown/natural			
	987 555 251 00 N23	Carrera Red			
7	999 507 839 01	Clip 3,5		X	
8	999 209 084 40	Distance piece 20 X 25 X 0,5		X	
(9)	987 551 651 01	Trim Rear light	left	1	
	987 551 651 01 01C	Satin black			
9	987 551 652 01	Trim Rear light	right	1	
	987 551 652 01 01C	Satin black			
10	999 590 056 40	Closing element 26,5 X 18,4		2	
11	999 230 579 40	fuse		4	

Model: 987209

Model life 2009>>2012

Pos	Part Number	Description	Remark	Qty	Model
(12)	987 555 189 01	6,15 X 1,07 Luggage compartment trim	left Lateral upper	1	
	987 555 189 01 A03	Black			
	987 555 189 01 5V7	Stone grey			
	987 555 189 01 5Z1	Sand beige			
	987 555 189 01 8W7	sea blue			
	987 555 189 01 8X8	Terracotta			
	987 555 189 01 8P9	Cocoa			
	987 555 189 01 T13	Brown/natural			
	987 555 189 01 N23	Carrera Red			
12	987 555 190 02	Luggage compartment trim	right Lateral upper	1	
	987 555 190 02 A03	Black			
	987 555 190 02 5V7	Stone grey			
	987 555 190 02 5Z1	Sand beige			
	987 555 190 02 8W7	sea blue			
	987 555 190 02 8X8	Terracotta			
	987 555 190 02 8P9	Cocoa			
	987 555 190 02 T13	Brown/natural			
	987 555 190 02 N23	Carrera Red			
13	987 555 067 01	Cover Service Cup		1	
	987 555 067 01 M10	Terracotta			
	987 555 067 01 R10	Cocoa			
	987 555 067 01 D11	Dark grey/natural			
	987 555 067 01 T11	Brown/natural			
13	987 555 067 01	Cover Service Cup Until Chassis number See technical information GR.7 NR. 17/11 KD-NR. 70		1	
	987 555 067 01 A10	Black			
	987 555 067 01 B10	Stone grey			
	987 555 067 01 T10	Sand beige			
	987 555 067 01 E10	sea blue			
	987 555 067 01 N10	Carrera Red			
13	987 555 067 02	Cover Service Cup From Chassis number See technical information GR.7 NR. 17/11 KD-NR. 70		1	
	987 555 067 02 A10	Black			
	987 555 067 02 B10	Stone grey			
	987 555 067 02 T10	Sand beige			
	987 555 067 02 E10	sea blue			
	987 555 067 02 N10	Carrera Red			
14	987 555 075 00	Cover Service Cup		1	
	987 555 075 00 M10	Terracotta			
	987 555 075 00 R10	Cocoa			
	987 555 075 00 D11	Dark grey/natural			
	987 555 075 00 T11	Brown/natural			
14	987 555 075 00	Cover Service		1	

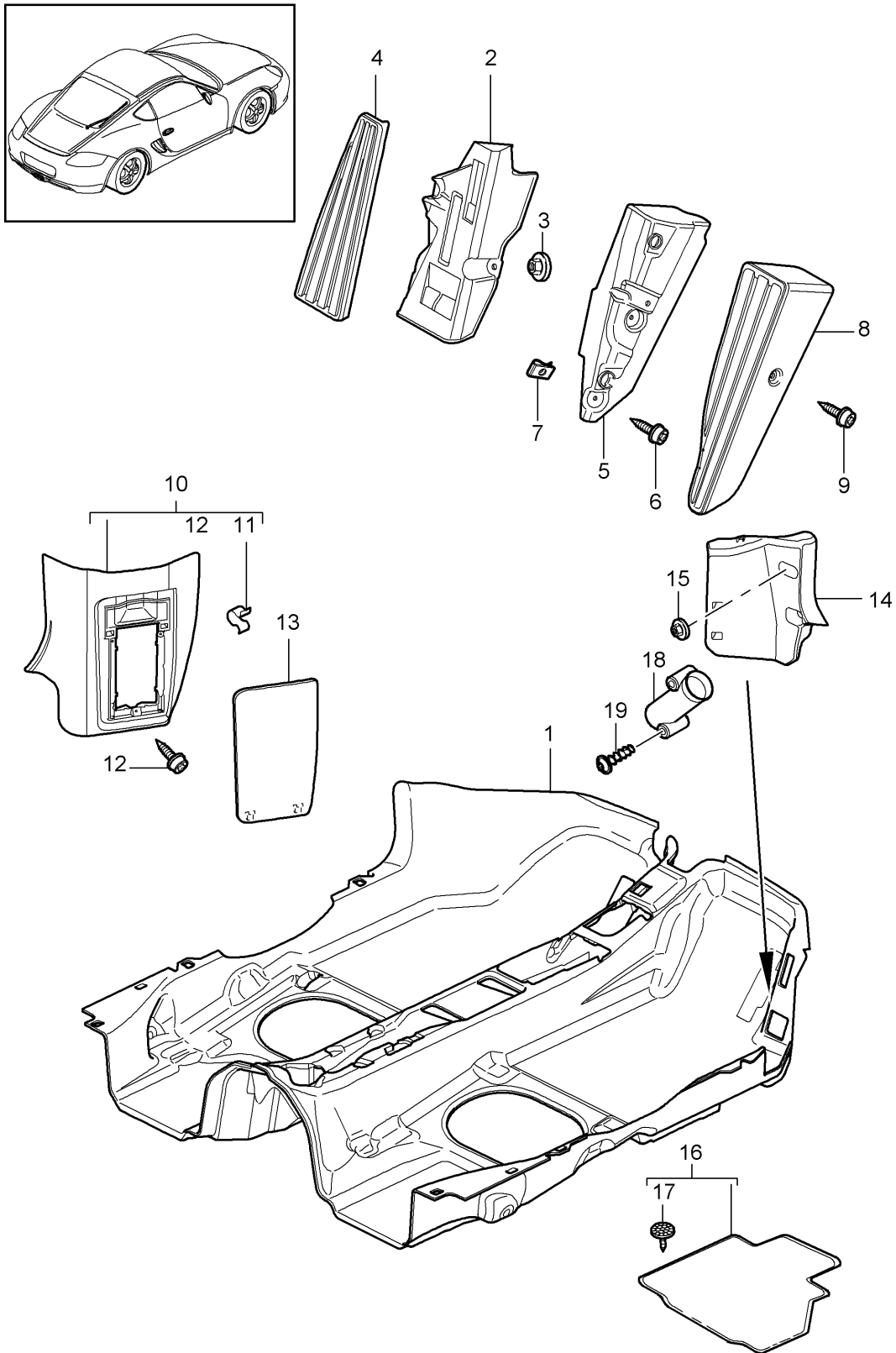
Model: 987209

Model life 2009>>2012

Pos	Part Number	Description	Remark	Qty	Model
		Cup Until Chassis number See technical information GR.7 NR. 17/11 KD-NR. 70			
	987 555 075 00 A10	Black			
	987 555 075 00 B10	Stone grey			
	987 555 075 00 T10	Sand beige			
	987 555 075 00 E10	sea blue			
	987 555 075 00 N10	Carrera Red			
14	987 555 075 01	Cover Service Cup From Chassis number See technical information GR.7 NR. 17/11 KD-NR. 70		1	
	987 555 075 01 A10	Black			
	987 555 075 01 B10	Stone grey			
	987 555 075 01 T10	Sand beige			
	987 555 075 01 E10	sea blue			
	987 555 075 01 N10	Carrera Red			
15	987 555 475 00	Seal Service Cup		1	
16	987 555 077 00	Assembly frame Service Cup		1	
17	987 555 477 01	Sealing frame Service Cup		1	
18	999 076 048 01	Hexagon nut M6		3	
19	999 703 231 41	Protective cap		1	
20	999 073 372 01	panel screw 4,2 X 16		2	
21	987 551 339 00	Luggage net		1	
22	987 551 245 01	Eye Luggage fuse 60 mm		4	
23	999 190 484 02	Pop rivet A 6,4 x 14,5		4	
24	987 551 675 00	Foam part Support		1	
25	999 590 057 40	Control unit Cams catch		2	

Model: 987209

Model life 2009>>2012



Model: 987209

Model life 2009>>2012

Pos	Part Number	Description	Remark	Qty	Model
1	987 551 011 04	Interior equipment Flooring Linings Flooring (carpet)	lhd	1	PR:098,441
	987 551 011 04 FLW	Black			
	987 551 011 04 FLX	Stone grey			
	987 551 011 04 FLY	Sand beige			
	987 551 011 04 FLZ	sea blue			
	987 551 011 04 FMB	Terracotta			
	987 551 011 04 FMC	Cocoa			
	987 551 011 04 FMD	Dark grey/natural			
	987 551 011 04 FME	Brown/natural			
	987 551 011 04 FSV	Carrera Red			
1	987 551 011 04	Flooring (carpet)	lhd	1	PR:098,490
	987 551 011 04 FLW	Black			
	987 551 011 04 FLX	Stone grey			
	987 551 011 04 FLY	Sand beige			
	987 551 011 04 FLZ	sea blue			
	987 551 011 04 FMB	Terracotta			
	987 551 011 04 FMC	Cocoa			
	987 551 011 04 FMD	Dark grey/natural			
	987 551 011 04 FME	Brown/natural			
	987 551 011 04 FSV	Carrera Red			
1	987 551 011 04	Flooring (carpet)	lhd	1	PR:098,609
	987 551 011 04 FLW	Black			
	987 551 011 04 FLY	Sand beige			
	987 551 011 04 FMC	Cocoa			
	987 551 011 04 FSV	Carrera Red			
1	987 551 011 06	Flooring (carpet)	lhd	1	PR:098
	987 551 011 06 FMB	Terracotta			
	987 551 011 06 FMC	Cocoa			
	987 551 011 06 FMD	Dark grey/natural			
	987 551 011 06 FME	Brown/natural			
1	987 551 011 06	Flooring (carpet)	lhd	1	PR:098
		Until Chassis number See technical information GR.7 NR. 17/11 KD-NR. 70			
	987 551 011 06 FLW	Black			
	987 551 011 06 FLX	Stone grey			
	987 551 011 06 FLY	Sand beige			
	987 551 011 06 FLZ	sea blue			
	987 551 011 06 FSV	Carrera Red			
1	987 551 011 12	Flooring (carpet)	lhd	1	PR:098
		From Chassis number See technical information GR.7 NR. 17/11 KD-NR. 70			
	987 551 011 12 FLW	Black			
	987 551 011 12 FLX	Stone grey			
	987 551 011 12 FLY	Sand beige			
	987 551 011 12 FLZ	sea blue			
	987 551 011 12 FSV	Carrera Red			
(1)	987 551 011 07	Flooring (carpet)	rhd	1	PR:099
	987 551 011 07 FMB	Terracotta			
	987 551 011 07 FMC	Cocoa			
	987 551 011 07 FMD	Dark grey/natural			
	987 551 011 07 FME	Brown/natural			
(1)	987 551 011 07	Flooring (carpet)	rhd	1	PR:099
		Until Chassis number			

Model: 987209

Model life 2009>>2012

Pos	Part Number	Description	Remark	Qty	Model
		See technical information GR.7 NR. 17/11 KD-NR. 70			
	987 551 011 07 FLW	Black			
	987 551 011 07 FLX	Stone grey			
	987 551 011 07 FLY	Sand beige			
	987 551 011 07 FLZ	sea blue			
	987 551 011 07 FSV	Carrera Red			
(1)	987 551 011 13	Flooring (carpet) From Chassis number See technical information GR.7 NR. 17/11 KD-NR. 70	rhd	1	PR:099
	987 551 011 13 FLW	Black			
	987 551 011 13 FLX	Stone grey			
	987 551 011 13 FLY	Sand beige			
	987 551 011 13 FLZ	sea blue			
	987 551 011 13 FSV	Carrera Red			
-	997 551 813 01	Protective film Carpet	lhd	1	PR:098
2	997 551 211 01	Foot rest	lhd	1	PR:098
3	999 076 081 40	Hexagon plastic collar nut T5/16 X 11,2		2	
4	997 551 611 00	Cover for footrest	lhd	1	PR:098
	997 551 611 00 01C	Satin black			
(4)	997 551 986 00	Cover for footrest	lhd	1	PR:XXZ,098
10	997 551 101 00	Trim Fuse box Carpet	lhd	1	PR:098
	997 551 101 00 A10	Black			
	997 551 101 00 B10	Stone grey			
	997 551 101 00 T10	Sand beige			
	997 551 101 00 E10	sea blue			
	997 551 101 00 M10	Terracotta			
	997 551 101 00 R10	Cocoa			
	997 551 101 00 D11	Dark grey/natural			
	997 551 101 00 T11	Brown/natural			
	997 551 101 00 N10	Carrera Red			
11	999 507 552 01	Spring clip 9,0 X 13/4,0		2	
12	999 919 161 09	fillister hd. bolt 5,0 X 18 for Mount		3	
13	997 551 621 00	Fuse box Cover trim	lhd	1	PR:098
	997 551 621 00 01C	Fuse box Satin black			
14	997 551 712 02	Bracket Flooring	lhd	1	PR:098
15	999 076 081 40	Hexagon plastic collar nut T5/16 X 11,2 Mount Bracket Flooring		2	
16		Floor mats Set See group 8/07/06		1	
17	999 902 054 40	Tequipment catalogue Fixing plate for		4	

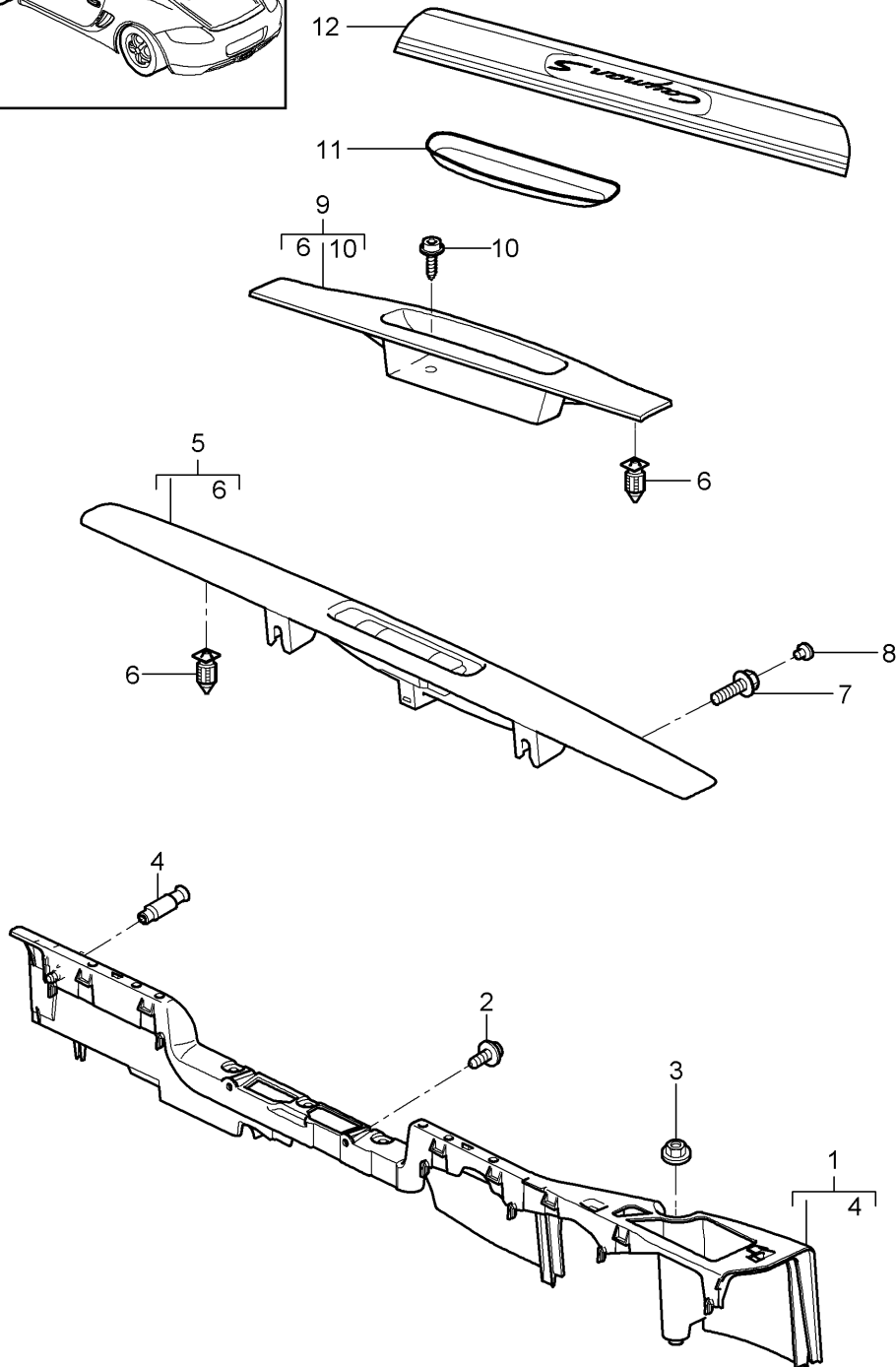
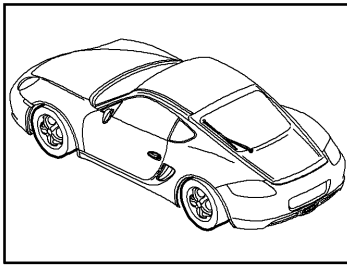
Model: 987209

Model life 2009>>2012

Pos	Part Number	Description	Remark	Qty	Model
		Floor mats			

Model: 987209

Model life 2009>>2012



Model: 987209

Model life 2009>>2012

Pos	Part Number	Description	Remark	Qty	Model
1	987 551 619 01	Trim Sill Support	left	1	
(1)	987 551 620 01	Sill Support	right	1	
2	900 143 082 01	Sill panel screw ST 6,3 X 13 for Mount Support		4	
3	999 076 081 40	Sill Hexagon plastic collar nut T5 16 X 11,2 for Mount Support		2	
4	996 551 873 00	Sill Locating peg for Mount Support		2	
5	997 551 019 04	Sill Trim Sill (drivers side)	lhd	1	PR:098
6	997 551 019 04 A03 999 507 484 40	Black expanding nut 9 X 22		X	
7	999 067 046 01	Bolt with washer M 6 X 20		2	
8	999 703 443 40	Bungs 8,0 X 11		2	
9	999 703 443 40 01C 997 551 120 01	Satin black Trim Sill (passenger side)		1	
10	997 551 120 01 A03 999 919 164 09	Black fillister hd. bolt 5,0 X 12		1	
11	996 551 513 00	Mat		1	
12	987 551 303 06	Sill trim strip Lacquered		2	CAYMAN PR:-X69,-X70
(12)	987 551 303 06 A03 997 551 981 16	Black 1 set of sill strips		2	Boxster PR:X70,013
(12)	987 551 303 07	stainless steel D - MJ 2011>> Sill trim strip Lacquered		2	CAYMAN S PR:-X69,-X70
(12)	987 551 303 07 A03 987 551 703 01	Black inscription Sill D - MJ 2011>>		2	CAYMAN R
(12)	987 551 703 01 9R7 987 551 703 01 041	silver Black Sill trim strip Exclusive See catalogue Tequipment 8/07/07		1	
(12)		Sill trim strip Exclusive		1	

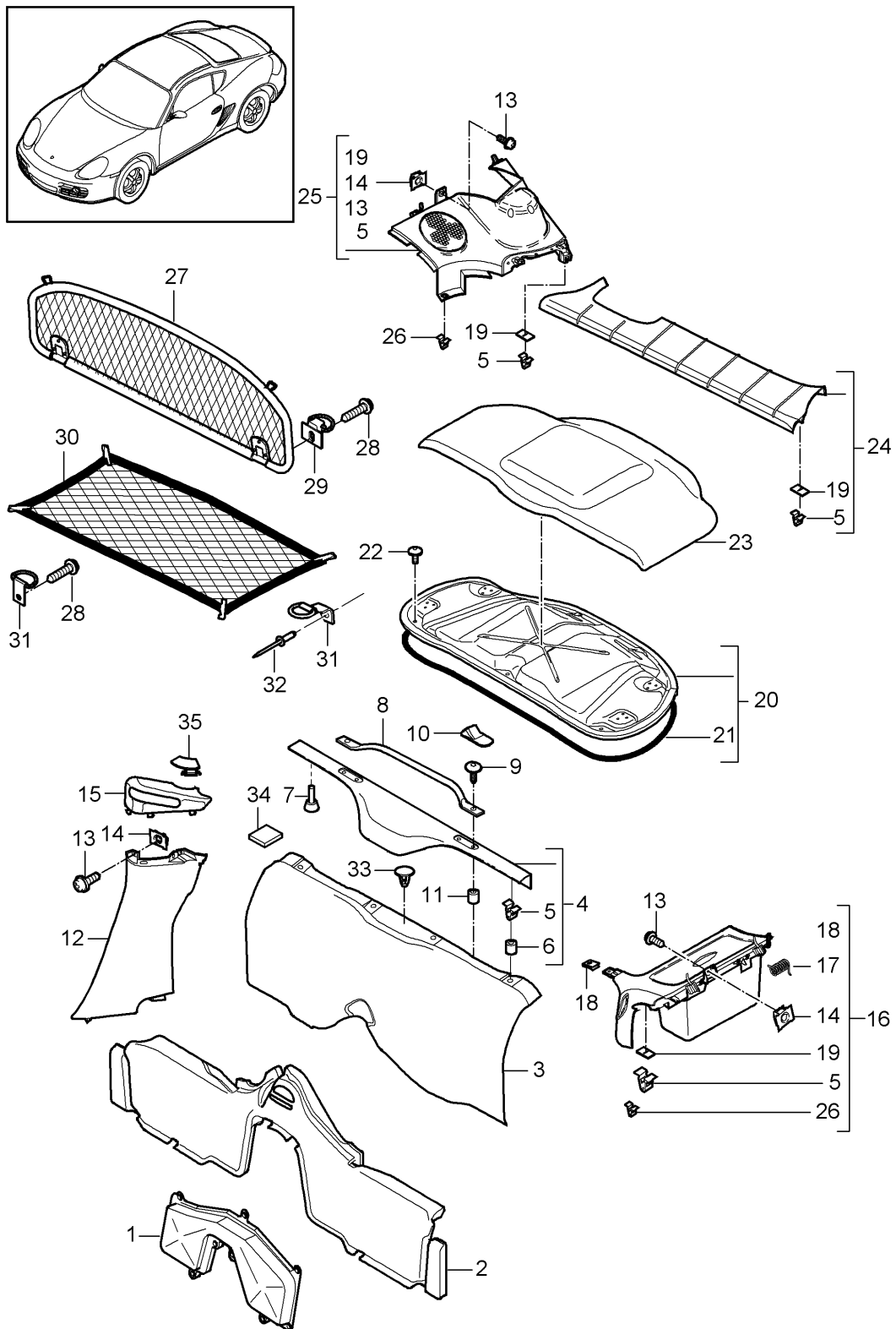
Model: 987209

Model life 2009>>2012

Pos	Part Number	Description	Remark	Qty	Model
(12)		See catalogue Tequipment 8/07/07 Sill trim strip Exclusive See catalogue		1	
(12)		See catalogue Tequipment 8/07/07 Sill trim strip Exclusive See catalogue Tequipment 8/07/07		1	

Model: 987209

Model life 2009>>2012



Model: 987209

Model life 2009>>2012

Pos	Part Number	Description	Remark	Qty	Model
1	987 504 181 00	Linings Engine compartment engine compartment lid filler plate		1	
2	987 551 033 01	Trim Cross member Carpet		1	
	987 551 033 01 M10	Terracotta			
	987 551 033 01 R10	Cocoa			
	987 551 033 01 D11	Dark grey/natural			
	987 551 033 01 T11	Brown/natural			
2	987 551 033 01	Trim Cross member Carpet Until Chassis number See technical information GR.7 NR. 17/11 KD-NR. 70		1	
	987 551 033 01 A10	Black			
	987 551 033 01 B10	Stone grey			
	987 551 033 01 T10	Sand beige			
	987 551 033 01 E10	sea blue			
	987 551 033 01 N10	Carrera Red			
2	987 551 033 02	Trim Cross member Carpet From Chassis number See technical information GR.7 NR. 17/11 KD-NR. 70		1	
	987 551 033 02 A10	Black			
	987 551 033 02 B10	Stone grey			
	987 551 033 02 T10	Sand beige			
	987 551 033 02 E10	sea blue			
	987 551 033 02 N10	Carrera Red			
3	987 551 035 04	Rear panel trim Carpet		1	
	987 551 035 04 M10	Terracotta			
	987 551 035 04 R10	Cocoa			
	987 551 035 04 D11	Dark grey/natural			
	987 551 035 04 T11	Brown/natural			
3	987 551 035 04	Rear panel trim Carpet Until Chassis number See technical information GR.7 NR. 17/11 KD-NR. 70		1	
	987 551 035 04 A10	Black			
	987 551 035 04 B10	Stone grey			
	987 551 035 04 T10	Sand beige			
	987 551 035 04 E10	sea blue			
	987 551 035 04 N10	Carrera Red			
3	987 551 035 07	Rear panel trim Carpet From Chassis number See technical information GR.7 NR. 17/11 KD-NR. 70		1	
	987 551 035 07 A10	Black			

Model: 987209 Model life 2009>>2012

Pos	Part Number	Description	Remark	Qty	Model
(3)	987 551 035 07 B10	Stone grey		1	
	987 551 035 07 T10	Sand beige			
	987 551 035 07 E10	sea blue			
	987 551 035 07 N10	Carrera Red			
	987 551 035 05	Rear panel trim Carpet			
	987 551 035 05 M10	Terracotta			
	987 551 035 05 R10	Cocoa			
	987 551 035 05 D11	Dark grey/natural			
	987 551 035 05 T11	Brown/natural			
	987 551 035 05	Rear panel trim Carpet Until Chassis number See technical information GR.7 NR. 17/11 KD-NR. 70			
(3)	987 551 035 05 A10	Black		1	
	987 551 035 05 B10	Stone grey			
	987 551 035 05 T10	Sand beige			
	987 551 035 05 E10	sea blue			
	987 551 035 05 N10	Carrera Red			
	987 551 035 08	Rear panel trim Carpet From Chassis number See technical information GR.7 NR. 17/11 KD-NR. 70			
	987 551 035 08 A10	Black			
	987 551 035 08 B10	Stone grey			
	987 551 035 08 T10	Sand beige			
	987 551 035 08 E10	sea blue			
4	987 551 035 08 N10	Carrera Red		1	
	987 555 401 00	retaining strip fuse Luggage Discontinued part			
	987 555 401 00 A03	Black			
	987 555 401 00 5V7	Stone grey			
	987 555 401 00 5Z1	Sand beige			
	987 555 401 00 8W7	sea blue			
	987 555 401 00 8X8	Terracotta			
	987 555 401 00 8P9	Cocoa			
	987 555 401 00 T13	Brown/natural			
	987 555 401 00 N23	Carrera Red			
4	987 555 401 04	retaining strip fuse Luggage Discontinued part		1	
	987 555 401 04 A03	Black			
	987 555 401 04 5V7	Stone grey			
	987 555 401 04 5Z1	Sand beige			
	987 555 401 04 8W7	sea blue			
	987 555 401 04 8X8	Terracotta			
	987 555 401 04 8P9	Cocoa			
	987 555 401 04 T13	Brown/natural			
	987 555 401 04 N23	Carrera Red			
	987 555 401 01	retaining strip fuse Luggage Discontinued part			
(4)	987 555 401 01 A03	Black		1	PR:580
	987 555 401 01 5V7	Stone grey			

Model: 987209

Model life 2009>>2012

Pos	Part Number	Description	Remark	Qty	Model
(4)	987 555 401 01 5Z1	Sand beige		1	PR:580
	987 555 401 01 8W7	sea blue			
	987 555 401 01 8X8	Terracotta			
	987 555 401 01 8P9	Cocoa			
	987 555 401 01 T13	Brown/natural			
	987 555 401 01 N23	Carrera Red			
	987 555 401 05	retaining strip			
		fuse			
		Luggage			
	987 555 401 05 A03	Black			
	987 555 401 05 5V7	Stone grey			
	987 555 401 05 5Z1	Sand beige			
	(4)	987 555 401 05 8W7	sea blue		
987 555 401 05 8X8		Terracotta			
987 555 401 05 8P9		Cocoa			
987 555 401 05 T13		Brown/natural			
987 555 401 05 N23		Carrera Red			
987 555 401 02		retaining strip			
		fuse			
		Luggage			
		Discontinued part			
987 555 401 02 041		Black			
987 555 401 02 84A		guards red (Porsche)			
987 555 401 02 12H		Speed yellow			
987 555 401 02 B9A		Carrara white			
987 555 401 02 92U		Arctic silver metallic			
987 555 401 02 C9Z		Basalt black metallic			
987 555 401 02 M7X		Atlas grey metallic			
987 555 401 02 39C		Midnight Blue Metallic			
987 555 401 02 M7W		Meteor Grey Metallic			
987 555 401 02 M7Z		GT Silver Metallic			
987 555 401 02 M8W		Macadamia Metallic			
987 555 401 02 8A7		Ruby red metallic			
		D - MJ 2009 >> -			
987 555 401 02 2B5		Malachite Green Metallic			
987 555 401 02 22G		Racing Green Metallic			
987 555 401 02 M5R		Aqua blue metallic			
987 555 401 02 32B		Sailing Blue Metallic			
987 555 401 02 51A		cream white			
987 555 401 02 M2Z		Nordic Gold Metallic			
987 555 401 02 M3X		Ruby red metallic			
		D - MJ 2010>>			
987 555 401 02 M5X		Dark blue metallic			
		D - MJ 2010>>			
987 555 401 02 M4Z		Amethyst metallic			
		D - MJ 2010>>			
987 555 401 02 M5Q		Ice blue metallic			
		D - MJ 2011>>			
987 555 401 02 M7T		Platinum Silver Metallic			
	D - MJ 2011>>				
987 555 401 02 2S1	Peridot Metallic				
	D - MJ 2011>>				
(4)	987 555 401 06	retaining strip		1	PR:805
		fuse			
		Luggage			
	987 555 401 06 041	Black			
	987 555 401 06 84A	guards red (Porsche)			
	987 555 401 06 12H	Speed yellow			
	987 555 401 06 B9A	Carrara white			
	987 555 401 06 92U	Arctic silver metallic			
	987 555 401 06 C9Z	Basalt black metallic			
	987 555 401 06 M7X	Atlas grey metallic			
987 555 401 06 39C	Midnight Blue Metallic				

Model: 987209 Model life 2009>>2012

Pos	Part Number	Description	Remark	Qty	Model
	987 555 401 06 M7W	Meteor Grey Metallic			
	987 555 401 06 M7Z	GT Silver Metallic			
	987 555 401 06 M8W	Macadamia Metallic			
	987 555 401 06 8A7	Ruby red metallic			
		D >> - MJ 2009			
	987 555 401 06 2B5	Malachite Green Metallic			
	987 555 401 06 22G	Racing Green Metallic			
	987 555 401 06 M5R	Aqua blue metallic			
	987 555 401 06 32B	Sailing Blue Metallic			
	987 555 401 06 51A	cream white			
	987 555 401 06 M2Z	Nordic Gold Metallic			
	987 555 401 06 M3X	Ruby red metallic			
		D - MJ 2010>>			
	987 555 401 06 M5X	Dark blue metallic			
		D - MJ 2010>>			
	987 555 401 06 M4Z	Amethyst metallic			
		D - MJ 2010>>			
	987 555 401 06 M5Q	Ice blue metallic			
		D - MJ 2011>>			
	987 555 401 06 M7T	Platinum Silver Metallic			
		D - MJ 2011>>			
	987 555 401 06 2S1	Peridot Metallic			
		D - MJ 2011>>			
(4)	987 555 401 06 G2X	primed			
	987 555 401 03	retaining strip		1	PR:580,805
		fuse			
		Luggage			
		Discontinued part			
	987 555 401 03 041	Black			
	987 555 401 03 84A	guards red (Porsche)			
	987 555 401 03 12H	Speed yellow			
	987 555 401 03 B9A	Carrara white			
	987 555 401 03 92U	Arctic silver metallic			
	987 555 401 03 C9Z	Basalt black metallic			
	987 555 401 03 M7X	Atlas grey metallic			
	987 555 401 03 39C	Midnight Blue Metallic			
	987 555 401 03 M7W	Meteor Grey Metallic			
	987 555 401 03 M7Z	GT Silver Metallic			
	987 555 401 03 M8W	Macadamia Metallic			
	987 555 401 03 8A7	Ruby red metallic			
		D >> - MJ 2009			
	987 555 401 03 2B5	Malachite Green Metallic			
	987 555 401 03 22G	Racing Green Metallic			
	987 555 401 03 M5R	Aqua blue metallic			
	987 555 401 03 32B	Sailing Blue Metallic			
	987 555 401 03 51A	cream white			
	987 555 401 03 M2Z	Nordic Gold Metallic			
	987 555 401 03 M3X	Ruby red metallic			
		D - MJ 2010>>			
	987 555 401 03 M5X	Dark blue metallic			
		D - MJ 2010>>			
	987 555 401 03 M4Z	Amethyst metallic			
		D - MJ 2010>>			
	987 555 401 03 M5Q	Ice blue metallic			
		D - MJ 2011>>			
	987 555 401 03 M7T	Platinum Silver Metallic			
		D - MJ 2011>>			
	987 555 401 03 2S1	Peridot Metallic			
		D - MJ 2011>>			
(4)	987 555 401 07	retaining strip		1	PR:580,805
		fuse			
		Luggage			
	987 555 401 07 041	Black			

Model: 987209

Model life 2009>>2012

Pos	Part Number	Description	Remark	Qty	Model
	987 555 401 07 84A	guards red (Porsche)			
	987 555 401 07 12H	Speed yellow			
	987 555 401 07 B9A	Carrara white			
	987 555 401 07 92U	Arctic silver metallic			
	987 555 401 07 C9Z	Basalt black metallic			
	987 555 401 07 M7X	Atlas grey metallic			
	987 555 401 07 39C	Midnight Blue Metallic			
	987 555 401 07 M7W	Meteor Grey Metallic			
	987 555 401 07 M7Z	GT Silver Metallic			
	987 555 401 07 M8W	Macadamia Metallic			
	987 555 401 07 8A7	Ruby red metallic			
		D >> - MJ 2009			
	987 555 401 07 2B5	Malachite Green Metallic			
	987 555 401 07 22G	Racing Green Metallic			
	987 555 401 07 M5R	Aqua blue metallic			
	987 555 401 07 32B	Sailing Blue Metallic			
	987 555 401 07 51A	cream white			
	987 555 401 07 M2Z	Nordic Gold Metallic			
	987 555 401 07 M3X	Ruby red metallic			
		D - MJ 2010>>			
	987 555 401 07 M5X	Dark blue metallic			
		D - MJ 2010>>			
	987 555 401 07 M4Z	Amethyst metallic			
		D - MJ 2010>>			
	987 555 401 07 M5Q	Ice blue metallic			
		D - MJ 2011>>			
	987 555 401 07 M7T	Platinum Silver Metallic			
		D - MJ 2011>>			
	987 555 401 07 2S1	Peridot Metallic			
		D - MJ 2011>>			
	987 555 401 07 G2X	primed			
5	999 507 839 01	Clip		X	
		3.5			
6	999 209 084 40	Distance piece		6	
		20 X 25 X 0,5			
7	999 703 041 40	Rubber buffer		X	
		4 X 6 X 9,3			
8	987 555 411 03	arm		1	
		fuse			
		Luggage			
	987 555 411 03 D07	Volcano grey			
9	999 073 095 01	fillister hd. bolt		2	
		M 8 X 30			
10	987 555 403 00	Cover		2	
		arm			
	987 555 403 00 A03	Black			
	987 555 403 00 5V7	Stone grey			
	987 555 403 00 5Z1	Sand beige			
	987 555 403 00 8W7	sea blue			
	987 555 403 00 8X8	Terracotta			
	987 555 403 00 8P9	Cocoa			
	987 555 403 00 T13	Brown/natural			
	987 555 403 00 N23	Carrera Red			
11	999 209 083 02	spacer sleeve		2	
		4,5 X 0,7 X 5			
(12)	987 555 215 02	C-pillar trim	left lower	1	
	987 555 215 02 A10	Black			
	987 555 215 02 B10	Stone grey			
	987 555 215 02 T10	Sand beige			
	987 555 215 02 E10	sea blue			
	987 555 215 02 M10	Terracotta			
	987 555 215 02 R10	Cocoa			

Model: 987209 Model life 2009>>2012

Pos	Part Number	Description	Remark	Qty	Model
12	987 555 215 02 D11	Dark grey/natural	right lower	1	
	987 555 215 02 T11	Brown/natural			
	987 555 215 02 N10	Carrera Red			
	987 555 216 02	C-pillar trim			
	987 555 216 02 A10	Black			
	987 555 216 02 B10	Stone grey			
	987 555 216 02 T10	Sand beige			
	987 555 216 02 E10	sea blue			
	987 555 216 02 M10	Terracotta			
	987 555 216 02 R10	Cocoa			
13	987 555 216 02 D11	Dark grey/natural		4	
	987 555 216 02 T11	Brown/natural			
	987 555 216 02 N10	Carrera Red			
	999 073 372 01	panel screw 4,2 X 16			
14	999 591 135 01	Cage nut ST 4.2		4	
(15)	987 555 451 00	Rosette	left	1	
	987 555 451 00 A03	Black			
	987 555 451 00 5V7	Stone grey			
	987 555 451 00 5Z1	Sand beige			
	987 555 451 00 8W7	sea blue			
	987 555 451 00 8X8	Terracotta			
	987 555 451 00 8P9	Cocoa			
	987 555 451 00 T13	Brown/natural			
	987 555 451 00 N23	Carrera Red			
	987 555 451 00	Rosette			
15	987 555 452 00	Seat belt	right	1	
	987 555 452 00 A03	Black			
	987 555 452 00 5V7	Stone grey			
	987 555 452 00 5Z1	Sand beige			
	987 555 452 00 8W7	sea blue			
	987 555 452 00 8X8	Terracotta			
	987 555 452 00 8P9	Cocoa			
	987 555 452 00 T13	Brown/natural			
	987 555 452 00 N23	Carrera Red			
	987 555 451 01	Rosette			
(15)	987 555 451 01 041	Black	left	1	PR:805
	987 555 451 01 84A	guards red (Porsche)			
	987 555 451 01 12H	Speed yellow			
	987 555 451 01 B9A	Carrara white			
	987 555 451 01 92U	Arctic silver metallic			
	987 555 451 01 C9Z	Basalt black metallic			
	987 555 451 01 M7X	Atlas grey metallic			
	987 555 451 01 39C	Midnight Blue Metallic			
	987 555 451 01 M7W	Meteor Grey Metallic			
	987 555 451 01 M7Z	GT Silver Metallic			
	987 555 451 01 M8W	Macadamia Metallic			
	987 555 451 01 8A7	Ruby red metallic			
		D >> - MJ 2009			
	987 555 451 01 2B5	Malachite Green Metallic			
	987 555 451 01 22G	Racing Green Metallic			
	987 555 451 01 M5R	Aqua blue metallic			
	987 555 451 01 32B	Sailing Blue Metallic			
	987 555 451 01 51A	cream white			
	987 555 451 01 M2Z	Nordic Gold Metallic			
	987 555 451 01 M3X	Ruby red metallic			
	D - MJ 2010>>				
987 555 451 01 M5X	Dark blue metallic				
	D - MJ 2010>>				
987 555 451 01 M4Z	Amethyst metallic				
	D - MJ 2010>>				

Model: 987209 Model life 2009>>2012

Pos	Part Number	Description	Remark	Qty	Model
	987 555 451 01 M5Q	Ice blue metallic D - MJ 2011>>			
	987 555 451 01 M7T	Platinum Silver Metallic D - MJ 2011>>			
	987 555 451 01 2S1	Peridot Metallic D - MJ 2011>>			
(15)	987 555 452 01	Rosette	right	1	PR:805
		Seat belt			
	987 555 452 01 041	Black			
	987 555 452 01 84A	guards red (Porsche)			
	987 555 452 01 12H	Speed yellow			
	987 555 452 01 B9A	Carrara white			
	987 555 452 01 92U	Arctic silver metallic			
	987 555 452 01 C9Z	Basalt black metallic			
	987 555 452 01 M7X	Atlas grey metallic			
	987 555 452 01 39C	Midnight Blue Metallic			
	987 555 452 01 M7W	Meteor Grey Metallic			
	987 555 452 01 M7Z	GT Silver Metallic			
	987 555 452 01 M8W	Macadamia Metallic			
	987 555 452 01 8A7	Ruby red metallic D >> - MJ 2009			
	987 555 452 01 2B5	Malachite Green Metallic			
	987 555 452 01 22G	Racing Green Metallic			
	987 555 452 01 M5R	Aqua blue metallic			
	987 555 452 01 32B	Sailing Blue Metallic			
	987 555 452 01 51A	cream white			
	987 555 452 01 M2Z	Nordic Gold Metallic			
	987 555 452 01 M3X	Ruby red metallic D - MJ 2010>>			
	987 555 452 01 M5X	Dark blue metallic D - MJ 2010>>			
	987 555 452 01 M4Z	Amethyst metallic D - MJ 2010>>			
	987 555 452 01 M5Q	Ice blue metallic D - MJ 2011>>			
	987 555 452 01 M7T	Platinum Silver Metallic D - MJ 2011>>			
	987 555 452 01 2S1	Peridot Metallic D - MJ 2011>>			
(16)	987 555 071 05	Stowage compartment	left	1	
	987 555 071 05 A03	Black			
	987 555 071 05 5V7	Stone grey			
	987 555 071 05 5Z1	Sand beige			
	987 555 071 05 8W7	sea blue			
	987 555 071 05 8X8	Terracotta			
	987 555 071 05 8P9	Cocoa			
	987 555 071 05 T13	Brown/natural			
	987 555 071 05 N23	Carrera Red			
16	987 555 072 05	Stowage compartment	right	1	
	987 555 072 05 A03	Black			
	987 555 072 05 5V7	Stone grey			
	987 555 072 05 5Z1	Sand beige			
	987 555 072 05 8W7	sea blue			
	987 555 072 05 8X8	Terracotta			
	987 555 072 05 8P9	Cocoa			
	987 555 072 05 T13	Brown/natural			
	987 555 072 05 N23	Carrera Red			
(16)	987 555 071 06	Stowage compartment	left	1	PR:805
	987 555 071 06 041	Black			
	987 555 071 06 84A	guards red (Porsche)			
	987 555 071 06 12H	Speed yellow			
	987 555 071 06 B9A	Carrara white			
	987 555 071 06 92U	Arctic silver metallic			

Model: 987209

Model life 2009>>2012

Pos	Part Number	Description	Remark	Qty	Model
	987 555 071 06 C9Z	Basalt black metallic			
	987 555 071 06 M7X	Atlas grey metallic			
	987 555 071 06 39C	Midnight Blue Metallic			
	987 555 071 06 M7W	Meteor Grey Metallic			
	987 555 071 06 M7Z	GT Silver Metallic			
	987 555 071 06 M8W	Macadamia Metallic			
	987 555 071 06 8A7	Ruby red metallic			
		D >> - MJ 2009			
	987 555 071 06 2B5	Malachite Green Metallic			
	987 555 071 06 22G	Racing Green Metallic			
	987 555 071 06 M5R	Aqua blue metallic			
	987 555 071 06 32B	Sailing Blue Metallic			
	987 555 071 06 51A	cream white			
	987 555 071 06 M2Z	Nordic Gold Metallic			
	987 555 071 06 M3X	Ruby red metallic			
		D - MJ 2010>>			
	987 555 071 06 M5X	Dark blue metallic			
		D - MJ 2010>>			
	987 555 071 06 M4Z	Amethyst metallic			
		D - MJ 2010>>			
	987 555 071 06 M5Q	Ice blue metallic			
		D - MJ 2011>>			
	987 555 071 06 M7T	Platinum Silver Metallic			
		D - MJ 2011>>			
	987 555 071 06 2S1	Peridot Metallic			
		D - MJ 2011>>			
(16)	987 555 072 06	Stowage compartment	right	1	PR:805
	987 555 072 06 041	Black			
	987 555 072 06 84A	guards red (Porsche)			
	987 555 072 06 12H	Speed yellow			
	987 555 072 06 B9A	Carrara white			
	987 555 072 06 92U	Arctic silver metallic			
	987 555 072 06 C9Z	Basalt black metallic			
	987 555 072 06 M7X	Atlas grey metallic			
	987 555 072 06 39C	Midnight Blue Metallic			
	987 555 072 06 M7W	Meteor Grey Metallic			
	987 555 072 06 M7Z	GT Silver Metallic			
	987 555 072 06 M8W	Macadamia Metallic			
	987 555 072 06 8A7	Ruby red metallic			
		D >> - MJ 2009			
	987 555 072 06 2B5	Malachite Green Metallic			
	987 555 072 06 22G	Racing Green Metallic			
	987 555 072 06 M5R	Aqua blue metallic			
	987 555 072 06 32B	Sailing Blue Metallic			
	987 555 072 06 51A	cream white			
	987 555 072 06 M2Z	Nordic Gold Metallic			
	987 555 072 06 M3X	Ruby red metallic			
		D - MJ 2010>>			
	987 555 072 06 M5X	Dark blue metallic			
		D - MJ 2010>>			
	987 555 072 06 M4Z	Amethyst metallic			
		D - MJ 2010>>			
	987 555 072 06 M5Q	Ice blue metallic			
		D - MJ 2011>>			
	987 555 072 06 M7T	Platinum Silver Metallic			
		D - MJ 2011>>			
	987 555 072 06 2S1	Peridot Metallic			
		D - MJ 2011>>			
17	999 521 093 00	torsion spring 1,4 x 8,3	left	1	
(17)	999 521 092 00	torsion spring 1,4 x 8,3	right	1	
18	999 507 971 01	panel nut		X	

Model: 987209 Model life 2009>>2012

Pos	Part Number	Description	Remark	Qty	Model
19	999 209 084 40	ST 4,2 Distance piece 20 X 25 X 0,5		X	
20	987 513 211 01	cover for engine compartment		1	
21	987 513 611 00	Seal Engine cover		1	
22	999 073 130 02	fillister hd. bolt M6 X 16		5	
23	987 551 039 01	Trim Carpet Engine cover		1	
	987 551 039 01 J10	Palm green D >> - MJ 2007			
	987 551 039 01 M10	Terracotta			
	987 551 039 01 R10	Cocoa			
	987 551 039 01 D11	Dark grey/natural			
	987 551 039 01 T11	Brown/natural			
23	987 551 039 01	Trim Carpet Engine cover Until Chassis number See technical information GR.7 NR. 17/11 KD-NR. 70		1	
	987 551 039 01 A10	Black			
	987 551 039 01 B10	Stone grey			
	987 551 039 01 T10	Sand beige			
	987 551 039 01 E10	sea blue			
	987 551 039 01 N10	Carrera Red			
23	987 551 039 05	Trim Carpet Engine cover From Chassis number See technical information GR.7 NR. 17/11 KD-NR. 70		1	
	987 551 039 05 A10	Black			
	987 551 039 05 B10	Stone grey			
	987 551 039 05 T10	Sand beige			
	987 551 039 05 E10	sea blue			
	987 551 039 05 N10	Carrera Red			
24	987 555 151 00	Luggage compartment trim	center	1	
	987 555 151 00 U02	stainless steel			
(25)	987 555 061 03	Trim Support Spring strut	left	1	
	987 555 061 03 A03	Black			
	987 555 061 03 5V7	Stone grey			
	987 555 061 03 5Z1	Sand beige			
	987 555 061 03 8W7	sea blue			
	987 555 061 03 8X8	Terracotta			
	987 555 061 03 8P9	Cocoa			
	987 555 061 03 T13	Brown/natural			
	987 555 061 03 N23	Carrera Red			
25	987 555 062 03	Trim Support Spring strut	right	1	
	987 555 062 03 A03	Black			
	987 555 062 03 5V7	Stone grey			
	987 555 062 03 5Z1	Sand beige			
	987 555 062 03 8W7	sea blue			

Model: 987209 Model life 2009>>2012

Pos	Part Number	Description	Remark	Qty	Model
(25)	987 555 062 03 8X8	Terracotta	left	1	PR:805
	987 555 062 03 8P9	Cocoa			
	987 555 062 03 T13	Brown/natural			
	987 555 062 03 N23	Carrera Red			
	987 555 061 04	Trim			
		Support			
		Spring strut			
	987 555 061 04 041	Black			
	987 555 061 04 84A	guards red (Porsche)			
	987 555 061 04 12H	Speed yellow			
	987 555 061 04 B9A	Carrara white			
	987 555 061 04 92U	Arctic silver metallic			
	987 555 061 04 C9Z	Basalt black metallic			
	987 555 061 04 M7X	Atlas grey metallic			
	987 555 061 04 39C	Midnight Blue Metallic			
	987 555 061 04 M7W	Meteor Grey Metallic			
	987 555 061 04 M7Z	GT Silver Metallic			
	987 555 061 04 M8W	Macadamia Metallic			
	987 555 061 04 8A7	Ruby red metallic			
		D >> - MJ 2009			
	987 555 061 04 2B5	Malachite Green Metallic			
	987 555 061 04 22G	Racing Green Metallic			
	987 555 061 04 M5R	Aqua blue metallic			
	987 555 061 04 32B	Sailing Blue Metallic			
	987 555 061 04 51A	cream white			
987 555 061 04 M2Z	Nordic Gold Metallic				
987 555 061 04 M3X	Ruby red metallic				
	D - MJ 2010>>				
987 555 061 04 M5X	Dark blue metallic				
	D - MJ 2010>>				
987 555 061 04 M4Z	Amethyst metallic				
	D - MJ 2010>>				
987 555 061 04 M5Q	Ice blue metallic				
	D - MJ 2011>>				
987 555 061 04 M7T	Platinum Silver Metallic				
	D - MJ 2011>>				
987 555 061 04 2S1	Peridot Metallic				
	D - MJ 2011>>				
(25)	987 555 062 04	Trim	right	1	PR:805
		Support			
		Spring strut			
	987 555 062 04 041	Black			
	987 555 062 04 84A	guards red (Porsche)			
	987 555 062 04 12H	Speed yellow			
	987 555 062 04 B9A	Carrara white			
	987 555 062 04 92U	Arctic silver metallic			
	987 555 062 04 C9Z	Basalt black metallic			
	987 555 062 04 M7X	Atlas grey metallic			
	987 555 062 04 39C	Midnight Blue Metallic			
	987 555 062 04 M7W	Meteor Grey Metallic			
	987 555 062 04 M7Z	GT Silver Metallic			
	987 555 062 04 M8W	Macadamia Metallic			
	987 555 062 04 8A7	Ruby red metallic			
		D >> - MJ 2009			
	987 555 062 04 2B5	Malachite Green Metallic			
	987 555 062 04 22G	Racing Green Metallic			
	987 555 062 04 M5R	Aqua blue metallic			
	987 555 062 04 32B	Sailing Blue Metallic			
	987 555 062 04 51A	cream white			
	987 555 062 04 M2Z	Nordic Gold Metallic			
	987 555 062 04 M3X	Ruby red metallic			
		D - MJ 2010>>			
	987 555 062 04 M5X	Dark blue metallic			

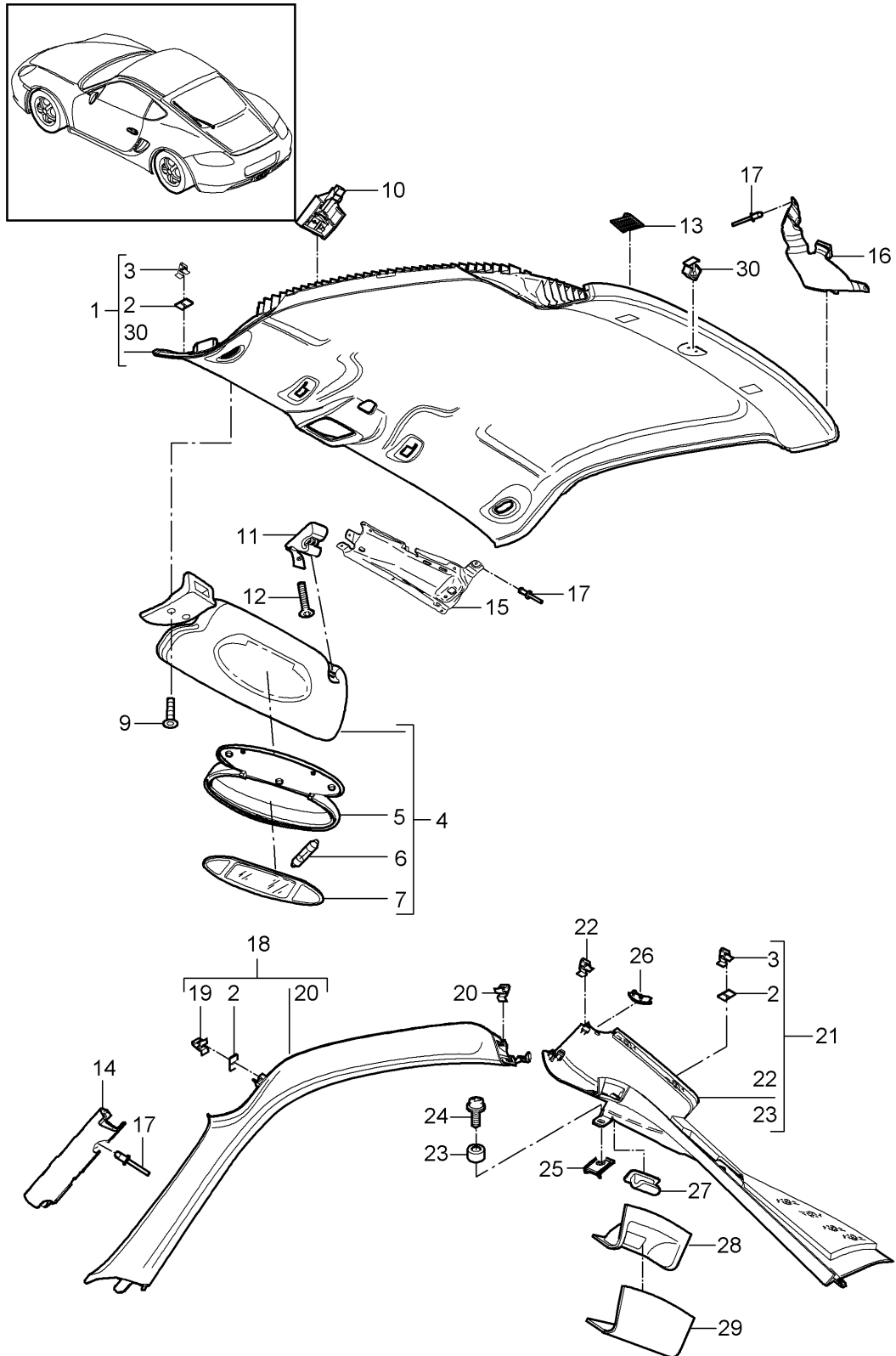
Model: 987209

Model life 2009>>2012

Pos	Part Number	Description	Remark	Qty	Model
		D - MJ 2010>> Amethyst metallic			
	987 555 062 04 M4Z	D - MJ 2010>> Ice blue metallic			
	987 555 062 04 M5Q	D - MJ 2011>> Platinum Silver Metallic			
	987 555 062 04 M7T	D - MJ 2011>> Peridot Metallic			
	987 555 062 04 2S1	D - MJ 2011>>			
26	999 507 584 02	Clamp 8,0 x 10,0/ 2,0		X	
27	987 555 321 00	Luggage net Collapsible		1	PR:580
28	999 073 131 02	fillister hd. bolt M6 X 25		2	
29	987 555 627 00	Bracket Luggage net Collapsible		2	PR:580
30	987 551 339 00	Luggage net		1	
(30)	987 551 339 01	Luggage net		1	PR:479
31	987 551 245 00	Eye Luggage fuse 31 mm		X	
32	999 190 484 02	Pop rivet A6,4 x 14,5		X	
33	999 591 988 40	Clip for Mount rear panel		1	
34	987 556 673 00	Plastic foam strip 60 X 40 X 10 Trim c-pillar		1	
35	987 555 781 00	Cover Black	left lower	1	
(35)	987 555 782 00	Cover Black	right lower	1	

Model: 987209

Model life 2009>>2012



Model: 987209 Model life 2009>>2012

Pos	Part Number	Description	Remark	Qty	Model
(1)	987 555 091 12	roof trim sun vizors A-pillar c-pillar		1	PR:072,592, 607
	987 555 091 12 A22	Black			
	987 555 091 12 D32	Volcano grey			
	987 555 091 12 T42	Sand beige			
(1)	987 555 091 12	roof trim Cloth		1	PR:553,592, 607
	987 555 091 12 A22	Black			
	987 555 091 12 D32	Volcano grey			
	987 555 091 12 T42	Sand beige			
(1)	987 555 091 13	roof trim Alcantara		1	PR:072,594, 607
	987 555 091 13 A15	Black			
	987 555 091 13 5E5	steel grey			
	987 555 091 13 T45	Sand beige			
(1)	987 555 091 13	roof trim Alcantara		1	PR:553,594, 607
	987 555 091 13 A15	Black			
	987 555 091 13 5E5	steel grey			
	987 555 091 13 T45	Sand beige			
2	999 209 084 40	Distance piece 20 X 25 X 0,5		2	
3	999 507 047 01	Clip 3,6		2	
(4)	987 731 031 13	Sun visor Leatherette	left	1	PR:553
	987 731 031 13 A12	Black			
	987 731 031 13 8W4	Stone grey			
	987 731 031 13 7E3	Sand beige			
	987 731 031 13 8Z5	sea blue			
(4)	987 731 032 13	Sun visor Leatherette	right	1	PR:553
	987 731 032 13 A12	Black			
	987 731 032 13 8W4	Stone grey			
	987 731 032 13 7E3	Sand beige			
	987 731 032 13 8Z5	sea blue			
(4)	987 731 981 13	Sun visor Leather	left	1	PR:XMP,553
	987 731 981 13 A11	Black			
	987 731 981 13 5X6	Stone grey			
	987 731 981 13 8G2	Sand beige			
	987 731 981 13 3S9	sea blue			
	987 731 981 13 9S5	Terracotta			
	987 731 981 13 9V6	Cocoa			
	987 731 981 13 D12	Dark grey/natural			
	987 731 981 13 T12	Brown/natural			
	987 731 981 13 N12	Carrera Red			
(4)	987 731 982 13	Sun visor Leather	right	1	PR:XMP,553
	987 731 982 13 A11	Black			
	987 731 982 13 5X6	Stone grey			
	987 731 982 13 8G2	Sand beige			
	987 731 982 13 3S9	sea blue			
	987 731 982 13 9S5	Terracotta			
	987 731 982 13 9V6	Cocoa			
	987 731 982 13 D12	Dark grey/natural			
	987 731 982 13 T12	Brown/natural			
	987 731 982 13 N12	Carrera Red			
5	996 731 903 01	Mirror housing		1	

Model: 987209 Model life 2009>>2012

Pos	Part Number	Description	Remark	Qty	Model
		with:			
6	996 731 903 01 01C 999 631 147 90	Lighting Satin black bulb 3 W		2	
7	996 731 531 01	Mirror glass		2	
		with:			
9	996 731 531 01 01C 999 073 326 09	Frame Satin black fillister hd. bolt M5 X 10		2	
10	987 731 541 00	basic plate Support Sun visor		2	
11	996 731 341 00	Support Sun visor	left inner	1	
(11)	996 731 341 00 01C 996 731 342 00	Satin black Support Sun visor	right inner	1	
12	996 731 342 00 01C 999 919 120 09	Satin black fillister hd. bolt 4,0 X 18		2	
13	999 902 050 40	Velcro fastener 25,4 X 25,4		2	
14	987 555 291 00	deformation element A-pillar	left	1	PR:072,553
(14)	987 555 292 00	deformation element A-pillar	right	1	PR:072,553
15	987 555 421 02	deformation element windshield frame	left	1	
(15)	987 555 422 02	deformation element windshield frame	right	1	
16	987 555 679 00	deformation element	left	1	PR:072,553
(16)	987 555 680 00	deformation element c-pillar	right	1	PR:072,553
17	999 190 190 01	Pop rivet 4,0 X 8,5 Mount		X	
(18)	987 555 181 05 987 555 181 05 A03 987 555 181 05 5V7 987 555 181 05 5Z1 987 555 181 05 8W7 987 555 181 05 8X8 987 555 181 05 8P9 987 555 181 05 T13 987 555 181 05 N23	deformation element A-pillar trim Black Stone grey Sand beige sea blue Terracotta Cocoa Brown/natural Carrera Red	left	1	PR:072,553
(18)	987 555 182 05 987 555 182 05 A03 987 555 182 05 5V7 987 555 182 05 5Z1 987 555 182 05 8W7 987 555 182 05 8X8 987 555 182 05 8P9 987 555 182 05 T13 987 555 182 05 N23	A-pillar trim Black Stone grey Sand beige sea blue Terracotta Cocoa Brown/natural Carrera Red	right	1	PR:072,553
19	999 507 839 01	Clip 3,5		X	
20	999 507 476 01	Clamp 8,0 X 10/2,5		3	
21	987 555 187 00 987 555 187 00 A03	C-pillar trim Black	left	1	

Model: 987209

Model life 2009>>2012

Pos	Part Number	Description	Remark	Qty	Model
	987 555 187 00 5V7	Stone grey			
	987 555 187 00 5Z1	Sand beige			
	987 555 187 00 8W7	sea blue			
	987 555 187 00 8X8	Terracotta			
	987 555 187 00 8P9	Cocoa			
	987 555 187 00 T13	Brown/natural			
	987 555 187 00 N23	Carrera Red			
(21)	987 555 188 00	C-pillar trim	right	1	
	987 555 188 00 A03	Black			
	987 555 188 00 5V7	Stone grey			
	987 555 188 00 5Z1	Sand beige			
	987 555 188 00 8W7	sea blue			
	987 555 188 00 8X8	Terracotta			
	987 555 188 00 8P9	Cocoa			
	987 555 188 00 T13	Brown/natural			
	987 555 188 00 N23	Carrera Red			
22	999 507 058 09	Clip 2,6		X	
23	999 209 083 02	spacer sleeve 4,5 X 0,7 X 5		2	
24	999 073 372 01	panel screw ST 4,2 X 16		2	
25	999 507 971 01	panel nut ST 4,2		2	
(26)	987 555 787 00	Cover panel	left	1	
26	987 555 788 00	Cover panel	upper right upper	1	
27	987 555 887 00	Cover Hooks		2	PR:580
(28)	987 555 587 01	Luggage net Trim Hooks	left	1	PR:580
	987 555 587 01 A03	Luggage net Black			
	987 555 587 01 5V7	Stone grey			
	987 555 587 01 5Z1	Sand beige			
	987 555 587 01 8W7	sea blue			
	987 555 587 01 8X8	Terracotta			
	987 555 587 01 8P9	Cocoa			
	987 555 587 01 T13	Brown/natural			
	987 555 587 01 N23	Carrera Red			
28	987 555 588 01	Trim Hooks	right	1	PR:580
	987 555 588 01 A03	Luggage net Black			
	987 555 588 01 5V7	Stone grey			
	987 555 588 01 5Z1	Sand beige			
	987 555 588 01 8W7	sea blue			
	987 555 588 01 8X8	Terracotta			
	987 555 588 01 8P9	Cocoa			
	987 555 588 01 T13	Brown/natural			
	987 555 588 01 N23	Carrera Red			
(29)	987 555 567 00	Cover Trim	left	1	
	987 555 567 00 A03	c-pillar Black			
	987 555 567 00 5V7	Stone grey			
	987 555 567 00 5Z1	Sand beige			
	987 555 567 00 8W7	sea blue			
	987 555 567 00 8X8	Terracotta			
	987 555 567 00 8P9	Cocoa			
	987 555 567 00 T13	Brown/natural			

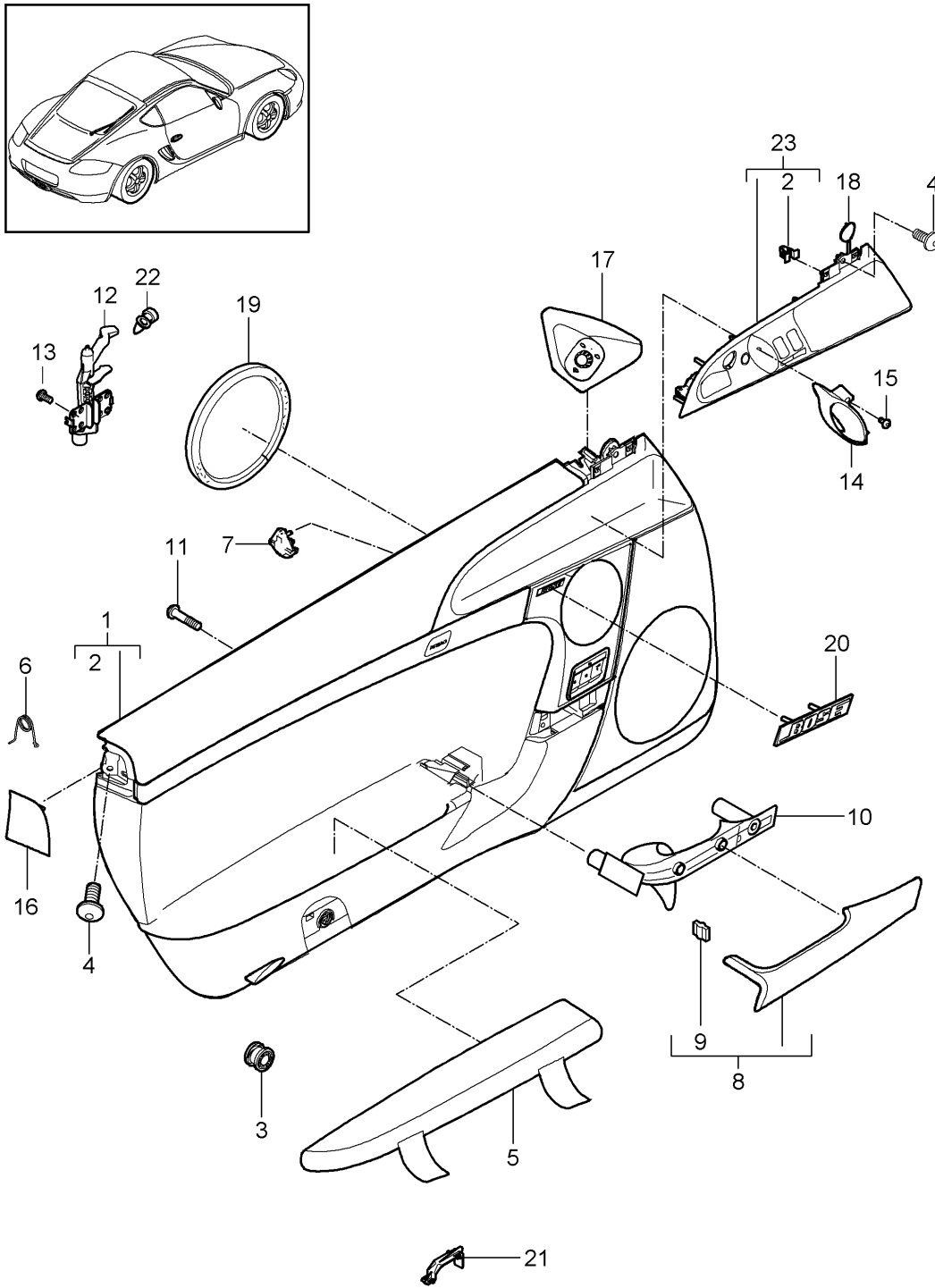
Model: 987209

Model life 2009>>2012

Pos	Part Number	Description	Remark	Qty	Model
29	987 555 567 00 N23	Carrera Red	right	1	
	987 555 568 00	Cover			
		Trim			
		c-pillar			
	987 555 568 00 A03	Black			
	987 555 568 00 5V7	Stone grey			
	987 555 568 00 5Z1	Sand beige			
	987 555 568 00 8W7	sea blue			
	987 555 568 00 8X8	Terracotta			
	987 555 568 00 8P9	Cocoa			
30	987 555 568 00 T13	Brown/natural		1	
	987 555 568 00 N23	Carrera Red			
31	999 591 976 40	Retaining clip		x	
	997 555 857 00	roof trim			
		Grommet			
		A-pillar			

Model: 987209

Model life 2009>>2012



Model: 987209

Model life 2009>>2012

Pos	Part Number	Description	Remark	Qty	Model
1	997 555 201 00	door panel Accessories door panel slush technology Until Chassis number See technical information GR.7 NR. 17/11 KD-NR. 70	left lhd	1	PR:098,441
	997 555 201 00 9L4	Black			
	997 555 201 00 9M5	Stone grey			
	997 555 201 00 9C6	Sand beige			
	997 555 201 00 9D7	sea blue			
1	997 555 901 00	door panel slush technology From Chassis number See technical information GR.7 NR. 17/11 KD-NR. 70	left lhd	1	PR:098,441
	997 555 901 00 9L4	Black			
	997 555 901 00 9M5	Stone grey			
	997 555 901 00 9C6	Sand beige			
	997 555 901 00 9D7	sea blue			
(1)	997 555 201 04	door panel slush technology Until Chassis number See technical information GR.7 NR. 17/11 KD-NR. 70	left lhd	1	PR:098,490
	997 555 201 04 9L4	Black			
	997 555 201 04 9M5	Stone grey			
	997 555 201 04 9C6	Sand beige			
	997 555 201 04 9D7	sea blue			
(1)	997 555 901 01	door panel slush technology From Chassis number See technical information GR.7 NR. 17/11 KD-NR. 70	left lhd	1	PR:098,490
	997 555 901 01 9L4	Black			
	997 555 901 01 9M5	Stone grey			
	997 555 901 01 9C6	Sand beige			
	997 555 901 01 9D7	sea blue			
(1)	997 555 201 06	door panel slush technology Until Chassis number See technical information GR.7 NR. 17/11 KD-NR. 70	left lhd	1	PR:441,537, 098
	997 555 201 06 9L4	Black			
	997 555 201 06 9M5	Stone grey			
	997 555 201 06 9C6	Sand beige			
	997 555 201 06 9D7	sea blue			
(1)	997 555 901 03	door panel slush technology From Chassis number See technical information GR.7 NR. 17/11	left lhd	1	PR:441,537, 098

Model: 987209

Model life 2009>>2012

Pos	Part Number	Description	Remark	Qty	Model
		KD-NR. 70			
	997 555 901 03 9L4	Black			
	997 555 901 03 9M5	Stone grey			
	997 555 901 03 9C6	Sand beige			
	997 555 901 03 9D7	sea blue			
(1)	997 555 201 06	door panel slush technology Until Chassis number See technical information GR.7 NR. 17/11 KD-NR. 70	left lhd	1	PR:490,537, 098
	997 555 201 06 9L4	Black			
	997 555 201 06 9M5	Stone grey			
	997 555 201 06 9C6	Sand beige			
	997 555 201 06 9D7	sea blue			
(1)	997 555 901 03	door panel slush technology From Chassis number See technical information GR.7 NR. 17/11 KD-NR. 70	left lhd	1	PR:490,537, 098
	997 555 901 03 9L4	Black			
	997 555 901 03 9M5	Stone grey			
	997 555 901 03 9C6	Sand beige			
	997 555 901 03 9D7	sea blue			
(1)	997 555 201 08	door panel slush technology Until Chassis number See technical information GR.7 NR. 17/11 KD-NR. 70	left lhd	1	PR:098,680
	997 555 201 08 9L4	Black			
	997 555 201 08 9M5	Stone grey			
	997 555 201 08 9C6	Sand beige			
	997 555 201 08 9D7	sea blue			
(1)	987 555 201 12	door panel slush technology Until Chassis number See technical information GR.7 NR. 17/11 KD-NR. 70	left lhd	1	PR:098,680
(1)	987 555 201 12 9L4	Black			
(1)	997 555 901 05	door panel slush technology From Chassis number See technical information GR.7 NR. 17/11 KD-NR. 70	left lhd	1	PR:098,680
	997 555 901 05 9L4	Black			
	997 555 901 05 9M5	Stone grey			
	997 555 901 05 9C6	Sand beige			
	997 555 901 05 9D7	sea blue			
(1)	997 555 201 10	door panel slush technology Until Chassis number See technical information GR.7 NR. 17/11 KD-NR. 70	left lhd	1	PR:537,680, 098
	997 555 201 10 9L4	Black			
	997 555 201 10 9M5	Stone grey			
	997 555 201 10 9C6	Sand beige			
	997 555 201 10 9D7	sea blue			

Model: 987209

Model life 2009>>2012

Pos	Part Number	Description	Remark	Qty	Model
(1)	997 555 901 07	door panel slush technology From Chassis number See technical information GR.7 NR. 17/11 KD-NR. 70	left lhd	1	PR:537,680, 098
	997 555 901 07 9L4	Black			
	997 555 901 07 9M5	Stone grey			
	997 555 901 07 9C6	Sand beige			
	997 555 901 07 9D7	sea blue			
(1)	997 555 202 24	door panel slush technology Until Chassis number See technical information GR.7 NR. 17/11 KD-NR. 70	right lhd	1	PR:098,441
	997 555 202 24 9L4	Black			
	997 555 202 24 9M5	Stone grey			
	997 555 202 24 9C6	Sand beige			
	997 555 202 24 9D7	sea blue			
(1)	997 555 902 17	door panel slush technology From Chassis number See technical information GR.7 NR. 17/11 KD-NR. 70	right lhd	1	PR:098,441
	997 555 902 17 9L4	Black			
	997 555 902 17 9M5	Stone grey			
	997 555 902 17 9C6	Sand beige			
	997 555 902 17 9D7	sea blue			
(1)	997 555 202 26	door panel slush technology Until Chassis number See technical information GR.7 NR. 17/11 KD-NR. 70	right lhd	1	PR:098,490
	997 555 202 26 9L4	Black			
	997 555 202 26 9M5	Stone grey			
	997 555 202 26 9C6	Sand beige			
	997 555 202 26 9D7	sea blue			
(1)	997 555 902 18	door panel slush technology From Chassis number See technical information GR.7 NR. 17/11 KD-NR. 70	right lhd	1	PR:098,490
	997 555 902 18 9L4	Black			
	997 555 902 18 9M5	Stone grey			
	997 555 902 18 9C6	Sand beige			
	997 555 902 18 9D7	sea blue			
(1)	997 555 202 26	door panel slush technology Until Chassis number See technical information GR.7 NR. 17/11 KD-NR. 70	right lhd	1	PR:441,098
	997 555 202 26 9L4	Black			

Model: 987209 Model life 2009>>2012

Pos	Part Number	Description	Remark	Qty	Model
(1)	997 555 202 26 9M5	Stone grey			
	997 555 202 26 9C6	Sand beige			
	997 555 202 26 9D7	sea blue			
	997 555 902 18	door panel slush technology From Chassis number See technical information GR.7 NR. 17/11 KD-NR. 70	right lhd	1	PR:441,537, 098
	997 555 902 18 9L4	Black			
(1)	997 555 902 18 9M5	Stone grey			
	997 555 902 18 9C6	Sand beige			
	997 555 902 18 9D7	sea blue			
	997 555 202 28	door panel slush technology Until Chassis number See technical information GR.7 NR. 17/11 KD-NR. 70	right lhd	1	PR:098,680
	997 555 202 28 9L4	Black			
(1)	997 555 202 28 9M5	Stone grey			
	997 555 202 28 9C6	Sand beige			
	997 555 202 28 9D7	sea blue			
	987 555 202 12	door panel slush technology	right lhd	1	PR:098,680
	987 555 202 12 9L4	Black			
(1)	997 555 902 20	door panel slush technology From Chassis number See technical information GR.7 NR. 17/11 KD-NR. 70	right lhd	1	PR:098,680
	997 555 902 20 9L4	Black			
	997 555 902 20 9M5	Stone grey			
	997 555 902 20 9C6	Sand beige			
	997 555 902 20 9D7	sea blue			
(1)	987 555 202 14	door panel slush technology	right rhd	1	PR:099,680
	987 555 202 14 9L4	Black			
	987 555 201 14	door panel slush technology	left rhd	1	PR:099,680
	987 555 201 14 9L4	Black			
	997 555 201 05	Door panel trim (leather)	left lhd	1	PR:098,441, 981
(1)	997 555 201 05 FSF	Terracotta/terracotta			
	997 555 201 05 FSG	Cocoa/Cocoa			
	997 555 201 05 FSH	Darkgrey natural/grey			
	997 555 201 05 FSJ	Brown nat./brown nat.			
	997 555 201 05	Door panel trim (leather)	left lhd	1	PR:098,441, 981
	997 555 201 05 FSA	black/grey			
	997 555 201 05 FSB	Stone grey/stone grey			
	997 555 201 05 FSC	Sand beige/sand beige			
997 555 201 05 FSD	Sea blue/grey				
997 555 201 05 FSP	Carrera Red				

Model: 987209 Model life 2009>>2012

Pos	Part Number	Description	Remark	Qty	Model
(1)	997 555 901 02	Door panel trim (leather) From Chassis number See technical information GR.7 NR. 17/11 KD-NR. 70	left lhd	1	PR:098,441,981
	997 555 901 02 FSA	Black			
	997 555 901 02 FSB	Stone grey			
	997 555 901 02 FSC	Sand beige/sand beige			
	997 555 901 02 FSD	sea blue			
	997 555 901 02 FSP	Carrera Red			
(1)	997 555 201 05	Door panel trim (leather) Terracotta/terracotta	left lhd	1	PR:098,490,981
	997 555 201 05 FSF	Cocoa/Cocoa			
	997 555 201 05 FSG	Darkgrey natural/grey			
	997 555 201 05 FSH	Brown nat./brown nat.			
(1)	997 555 201 05	Door panel trim (leather) Until Chassis number See technical information GR.7 NR. 17/11 KD-NR. 70	left lhd	1	PR:098,490,981
	997 555 201 05 FSA	black/grey			
	997 555 201 05 FSB	Stone grey/stone grey			
	997 555 201 05 FSC	Sand beige/sand beige			
	997 555 201 05 FSD	Sea blue/grey			
	997 555 201 05 FSP	Carrera Red			
(1)	997 555 901 02	Door panel trim (leather) From Chassis number See technical information GR.7 NR. 17/11 KD-NR. 70	left lhd	1	PR:098,490,981
	997 555 901 02 FSA	Black			
	997 555 901 02 FSB	Stone grey			
	997 555 901 02 FSC	Sand beige/sand beige			
	997 555 901 02 FSD	sea blue			
	997 555 901 02 FSP	Carrera Red			
(1)	997 555 201 07	Door panel trim (leather) Terracotta/terracotta	left lhd	1	PR:441,537,981,098
	997 555 201 07 FSF	Cocoa/Cocoa			
	997 555 201 07 FSG	Darkgrey natural/grey			
	997 555 201 07 FSH	Brown nat./brown nat.			
(1)	997 555 201 07	Door panel trim (leather) Until Chassis number See technical information GR.7 NR. 17/11 KD-NR. 70	left lhd	1	PR:441,537,981,098
	997 555 201 07 FSA	black/grey			
	997 555 201 07 FSB	Stone grey/stone grey			
	997 555 201 07 FSC	Sand beige/sand beige			
	997 555 201 07 FSD	Sea blue/grey			
	997 555 201 07 FSP	Carrera Red			
(1)	997 555 901 04	Door panel trim (leather) From	left lhd	1	PR:441,537,981,098

Model: 987209

Model life 2009>>2012

Pos	Part Number	Description	Remark	Qty	Model
		Chassis number See technical information GR.7 NR. 17/11 KD-NR. 70			
	997 555 901 04 FSA	Black			
	997 555 901 04 FSB	Stone grey/stone grey			
	997 555 901 04 FSC	Sand beige/sand beige			
	997 555 901 04 FSD	sea blue			
	997 555 901 04 FSP	Carrera Red			
(1)	997 555 201 07	Door panel trim (leather)	left lhd	1	PR:490,537, 981,098
	997 555 201 07 FSF	Terracotta/terracotta			
	997 555 201 07 FSG	Cocoa/Cocoa			
	997 555 201 07 FSH	Darkgrey natural/grey			
	997 555 201 07 FSJ	Brown nat./brown nat.			
(1)	997 555 201 07	Door panel trim (leather)	left lhd	1	PR:490,537, 981,098
		Until Chassis number See technical information GR.7 NR. 17/11 KD-NR. 70			
	997 555 201 07 FSA	black/grey			
	997 555 201 07 FSB	Stone grey/stone grey			
	997 555 201 07 FSC	Sand beige/sand beige			
	997 555 201 07 FSD	Sea blue/grey			
	997 555 201 07 FSP	Carrera Red			
(1)	997 555 901 04	Door panel trim (leather)	left lhd	1	PR:490,537, 981,098
		From Chassis number See technical information GR.7 NR. 17/11 KD-NR. 70			
	997 555 901 04 FSA	Black			
	997 555 901 04 FSB	Stone grey/stone grey			
	997 555 901 04 FSC	Sand beige/sand beige			
	997 555 901 04 FSD	sea blue			
	997 555 901 04 FSP	Carrera Red			
(1)	997 555 201 09	Door panel trim (leather)	left lhd	1	PR:098,680, 981
	997 555 201 09 FSF	Terracotta/terracotta			
	997 555 201 09 FSG	Cocoa/Cocoa			
	997 555 201 09 FSH	Darkgrey natural/grey			
	997 555 201 09 FSJ	Brown nat./brown nat.			
(1)	997 555 201 09	Door panel trim (leather)	left lhd	1	PR:098,680, 981
		Until Chassis number See technical information GR.7 NR. 17/11 KD-NR. 70			
	997 555 201 09 FSA	black/grey			
	997 555 201 09 FSB	Stone grey/stone grey			
	997 555 201 09 FSC	Sand beige/sand beige			
	997 555 201 09 FSD	Sea blue/grey			
	997 555 201 09 FSP	Carrera Red			
(1)	997 555 901 06	Door panel trim (leather)	left lhd	1	PR:098,680, 981
		From Chassis number See technical information GR.7 NR. 17/11			

Model: 987209

Model life 2009>>2012

Pos	Part Number	Description	Remark	Qty	Model
		KD-NR. 70			
	997 555 901 06 FSA	Black			
	997 555 901 06 FSB	Stone grey			
	997 555 901 06 FSC	Sand beige/sand beige			
	997 555 901 06 FSD	sea blue			
	997 555 901 06 FSP	Carrera Red			
(1)	997 555 201 11	Door panel trim (leather)	left lhd	1	PR:537,680, 981,098
	997 555 201 11 FSF	Terracotta/terracotta			
	997 555 201 11 FSG	Cocoa/Cocoa			
	997 555 201 11 FSH	Darkgrey natural/grey			
	997 555 201 11 FSJ	Brown nat./brown nat.			
(1)	997 555 201 11	Door panel trim (leather)	left lhd	1	PR:537,680, 981,098
		Until Chassis number See technical information GR.7 NR. 17/11 KD-NR. 70			
	997 555 201 11 FSA	black/grey			
	997 555 201 11 FSB	Stone grey/stone grey			
	997 555 201 11 FSC	Sand beige/sand beige			
	997 555 201 11 FSD	Sea blue/grey			
	997 555 201 11 FSP	Carrera Red			
(1)	997 555 901 08	Door panel trim (leather)	left lhd	1	PR:537,680, 981,098
		From Chassis number See technical information GR.7 NR. 17/11 KD-NR. 70			
	997 555 901 08 FSA	Black			
	997 555 901 08 FSB	Stone grey/stone grey			
	997 555 901 08 FSC	Sand beige/sand beige			
	997 555 901 08 FSD	sea blue			
	997 555 901 08 FSP	Carrera Red			
(1)	997 555 202 27	Door panel trim (leather)	right lhd	1	PR:098,441, 981
	997 555 202 27 FSF	Terracotta/terracotta			
	997 555 202 27 FSG	Cocoa/Cocoa			
	997 555 202 27 FSH	Darkgrey natural/grey			
	997 555 202 27 FSJ	Brown nat./brown nat.			
(1)	997 555 202 27	Door panel trim (leather)	right lhd	1	PR:098,441, 981
		Until Chassis number See technical information GR.7 NR. 17/11 KD-NR. 70			
	997 555 202 27 FSA	black/grey			
	997 555 202 27 FSB	Stone grey/stone grey			
	997 555 202 27 FSC	Sand beige/sand beige			
	997 555 202 27 FSD	Sea blue/grey			
	997 555 202 27 FSP	Carrera Red			
(1)	997 555 902 19	Door panel trim (leather)	right lhd	1	PR:098,441, 981
		From Chassis number See technical information GR.7 NR. 17/11 KD-NR. 70			
	997 555 902 19 FSA	Black			
	997 555 902 19 FSB	Stone grey/stone grey			

Model: 987209

Model life 2009>>2012

Pos	Part Number	Description	Remark	Qty	Model
(1)	997 555 902 19 FSC	Sand beige/sand beige	right lhd	1	PR:098,490,981
	997 555 902 19 FSD	sea blue			
	997 555 902 19 FSP	Carrera Red			
	997 555 202 27	Door panel trim (leather)			
	997 555 202 27 FSF	Terracotta/terracotta			
(1)	997 555 202 27 FSG	Cocoa/Cocoa	right lhd	1	PR:098,490,981
	997 555 202 27 FSH	Darkgrey natural/grey			
	997 555 202 27 FSJ	Brown nat./brown nat.			
	997 555 202 27	Door panel trim (leather)			
		Until Chassis number See technical information GR.7 NR. 17/11 KD-NR. 70			
(1)	997 555 202 27 FSA	black/grey	right lhd	1	PR:098,490,981
	997 555 202 27 FSB	Stone grey/stone grey			
	997 555 202 27 FSC	Sand beige/sand beige			
	997 555 202 27 FSD	Sea blue/grey			
	997 555 202 27 FSP	Carrera Red			
(1)	997 555 902 19	Door panel trim (leather)	right lhd	1	PR:098,490,981
		From Chassis number See technical information GR.7 NR. 17/11 KD-NR. 70			
	997 555 902 19 FSA	Black			
	997 555 902 19 FSB	Stone grey/stone grey			
	997 555 902 19 FSC	Sand beige/sand beige			
(1)	997 555 902 19 FSD	sea blue	right lhd	1	PR:098,680,981
	997 555 902 19 FSP	Carrera Red			
	997 555 202 29	Door panel trim (leather)			
	997 555 202 29 FSF	Terracotta/terracotta			
	997 555 202 29 FSG	Cocoa/Cocoa			
(1)	997 555 202 29 FSH	Darkgrey natural/grey	right lhd	1	PR:098,680,981
	997 555 202 29 FSJ	Brown nat./brown nat.			
	997 555 202 29	Door panel trim (leather)			
		Until Chassis number See technical information GR.7 NR. 17/11 KD-NR. 70			
	997 555 202 29 FSA	black/grey			
(1)	997 555 202 29 FSB	Stone grey/stone grey	right lhd	1	PR:098,680,981
	997 555 202 29 FSC	Sand beige/sand beige			
	997 555 202 29 FSD	Sea blue/grey			
	997 555 202 29 FSP	Carrera Red			
	997 555 902 21	Door panel trim (leather)			
	From Chassis number See technical information GR.7 NR. 17/11 KD-NR. 70				
(1)	997 555 902 21 FSA	Black	right lhd	1	PR:098,680,981
	997 555 902 21 FSB	Stone grey/stone grey			
	997 555 902 21 FSC	Sand beige/sand beige			
	997 555 902 21 FSD	sea blue			
	997 555 902 21 FSP	Carrera Red			

Model: 987209 Model life 2009>>2012

Pos	Part Number	Description	Remark	Qty	Model
(1)	987 555 201 32	Door panel trim (leather)	left lhd	1	"R" PR:098,490, 981
	987 555 201 32 FSA	Black			
	987 555 201 32 FSC	Sand beige			
	987 555 201 32 FSG	Cocoa			
	987 555 201 32 FSP	Carrera Red			
(1)	987 555 202 35	Door panel trim (leather)	right lhd	1	"R" PR:098,490, 981
	987 555 202 35 FSA	Black			
	987 555 202 35 FSC	Sand beige			
	987 555 202 35 FSG	Cocoa			
	987 555 202 35 FSP	Carrera Red			
(1)	997 555 201 A9	Door trim (Alcantara) Leather	left lhd	1	PR:XFZ,098, 441,490,609, 981
	997 555 201 A9 FSM	black/black			
	997 555 201 A9 FRN	Carrera Red/Carrera Red			
	997 555 201 A9 FRL	Sand beige/sand beige			
	997 555 201 A9 FRM	Cocoa/Cocoa			
(1)	997 555 202 B9	Door trim (Alcantara) Leather	right lhd	1	PR:XFZ,098, 441,490,609, 981
	997 555 202 B9 FSM	black/black			
	997 555 202 B9 FRN	Carrera Red/Carrera Red			
	997 555 202 B9 FRL	Sand beige/sand beige			
	997 555 202 B9 FRM	Cocoa/Cocoa			
(1)	997 555 201 B9	Door trim (Alcantara) Leather	left rhd	1	PR:XFZ,099, 441,490,609, 981
	997 555 201 B9 FSM	black/black			
	997 555 201 B9 FRN	Carrera Red/Carrera Red			
	997 555 201 B9 FRL	Sand beige/sand beige			
	997 555 201 B9 FRM	Cocoa/Cocoa			
(1)	997 555 202 A9	Door trim (Alcantara) Leather	right rhd	1	PR:XFZ,099, 441,490,609, 981
	997 555 202 A9 FSM	black/black			
	997 555 202 A9 FRN	Carrera Red/Carrera Red			
	997 555 202 A9 FRL	Sand beige/sand beige			
	997 555 202 A9 FRM	Cocoa/Cocoa			
2	999 507 533 02	Clamp 8,0 X 10/2,5		2	
3	955 555 243 00	Retaining clip		9	
4	999 073 322 02	fillister hd. bolt 6 X 20 for Mount door panel		5	
5	987 555 221 01	Cover	left	1	CAYMAN
	987 555 221 01 1MZ	Black			
	987 555 221 01 1YP	Stone grey			
	987 555 221 01 1TK	Sand beige			
	987 555 221 01 1VM	sea blue			
(5)	987 555 222 01	Cover Stowage compartment	right	1	CAYMAN
	987 555 222 01 1MZ	Black			
	987 555 222 01 1YP	Stone grey			
	987 555 222 01 1TK	Sand beige			
	987 555 222 01 1VM	sea blue			
(5)	997 555 221 01	Cover Stowage compartment	left	1	CAYMAN PR:981

Model: 987209

Model life 2009>>2012

Pos	Part Number	Description	Remark	Qty	Model
	997 555 221 01 FSA	black/grey			
	997 555 221 01 FSB	Stone grey/stone grey			
	997 555 221 01 FSC	Sand beige/sand beige			
	997 555 221 01 FSD	Sea blue/grey			
	997 555 221 01 FSF	Terracotta/terracotta			
	997 555 221 01 FSG	Cocoa/Cocoa			
	997 555 221 01 FSH	Darkgrey natural/grey			
	997 555 221 01 FSJ	Brown nat./brown nat.			
	997 555 221 01 FSP	Carrera Red			
(5)	997 555 221 01	Cover	left	1	CAYMAN S
		Stowage compartment			
	997 555 221 01 FSA	black/grey			
	997 555 221 01 FSB	Stone grey/stone grey			
	997 555 221 01 FSC	Sand beige/sand beige			
	997 555 221 01 FSD	Sea blue/grey			
	997 555 221 01 FSF	Terracotta/terracotta			
	997 555 221 01 FSG	Cocoa/Cocoa			
	997 555 221 01 FSH	Darkgrey natural/grey			
	997 555 221 01 FSJ	Brown nat./brown nat.			
	997 555 221 01 FSP	Carrera Red			
(5)	997 555 222 01	Cover	right	1	CAYMAN PR:981
		Stowage compartment			
	997 555 222 01 FSA	black/grey			
	997 555 222 01 FSB	Stone grey/stone grey			
	997 555 222 01 FSC	Sand beige/sand beige			
	997 555 222 01 FSD	Sea blue/grey			
	997 555 222 01 FSF	Terracotta/terracotta			
	997 555 222 01 FSG	Cocoa/Cocoa			
	997 555 222 01 FSH	Darkgrey natural/grey			
	997 555 222 01 FSJ	Brown nat./brown nat.			
	997 555 222 01 FSP	Carrera Red			
(5)	997 555 222 01	Cover	right	1	CAYMAN S
		Stowage compartment			
	997 555 222 01 FSA	black/grey			
	997 555 222 01 FSB	Stone grey/stone grey			
	997 555 222 01 FSC	Sand beige/sand beige			
	997 555 222 01 FSD	Sea blue/grey			
	997 555 222 01 FSF	Terracotta/terracotta			
	997 555 222 01 FSG	Cocoa/Cocoa			
	997 555 222 01 FSH	Darkgrey natural/grey			
	997 555 222 01 FSJ	Brown nat./brown nat.			
	997 555 222 01 FSP	Carrera Red			
(5)	997 555 989 00	Cover for stowage compartment	left	1	PR:XTL
		Carbon			
(5)	997 555 989 00 A35	Black	right	1	PR:XTL
(5)	997 555 990 00	Cover for stowage compartment	left	1	PR:XTT
		Carbon			
(5)	997 555 990 00 A35	Black	right	1	PR:XTT
(5)	997 555 989 02	Cover for stowage compartment	left	1	PR:XTW
		macassar			
(5)	997 555 990 02	Cover for stowage compartment	right	1	PR:XTW
		macassar			
(5)	997 555 989 03	Cover for stowage compartment	left	1	PR:XTW
		Galvano silver			
(5)	997 555 990 03	Cover for stowage compartment	right	1	PR:XTW
		Galvano silver			
6	997 555 833 00	Leg spring	left	1	
		for			
		Cover			
		Stowage compartment			
(6)	997 555 834 00	Leg spring	right	1	
		for			
		Cover			

Model: 987209

Model life 2009>>2012

Pos	Part Number	Description	Remark	Qty	Model
7	997 555 841 00	Stowage compartment Damper		1	
8	987 555 271 01	Stowage compartment Pull handle Upper part	left	1	CAYMAN
	987 555 271 01 A11	Black			
	987 555 271 01 5X6	Stone grey			
	987 555 271 01 8G2	Sand beige			
	987 555 271 01 3S9	sea blue			
(8)	987 555 272 01	Pull handle Upper part	right	1	CAYMAN
	987 555 272 01 A11	Black			
	987 555 272 01 5X6	Stone grey			
	987 555 272 01 8G2	Sand beige			
	987 555 272 01 3S9	sea blue			
(8)	987 555 271 02	Pull handle (leather) Upper part	left	1	CAYMAN PR:981
	987 555 271 02 FSA	black/grey			
	987 555 271 02 FSB	Stone grey/stone grey			
	987 555 271 02 FSC	Sand beige/sand beige			
	987 555 271 02 FSD	Sea blue/grey			
	987 555 271 02 FSF	Terracotta/terracotta			
	987 555 271 02 FSG	Cocoa/Cocoa			
	987 555 271 02 FSH	Darkgrey natural/grey			
	987 555 271 02 FSJ	Brown nat./brown nat.			
	987 555 271 02 FSP	Carrera Red			
(8)	987 555 271 02	Pull handle (leather) Upper part	left	1	CAYMAN S
	987 555 271 02 FSA	black/grey			
	987 555 271 02 FSB	Stone grey/stone grey			
	987 555 271 02 FSC	Sand beige/sand beige			
	987 555 271 02 FSD	Sea blue/grey			
	987 555 271 02 FSF	Terracotta/terracotta			
	987 555 271 02 FSG	Cocoa/Cocoa			
	987 555 271 02 FSH	Darkgrey natural/grey			
	987 555 271 02 FSJ	Brown nat./brown nat.			
	987 555 271 02 FSP	Carrera Red			
(8)	987 555 272 02	Pull handle (leather) Upper part	right	1	CAYMAN PR:981
	987 555 272 02 FSA	black/grey			
	987 555 272 02 FSB	Stone grey/stone grey			
	987 555 272 02 FSC	Sand beige/sand beige			
	987 555 272 02 FSD	Sea blue/grey			
	987 555 272 02 FSF	Terracotta/terracotta			
	987 555 272 02 FSG	Cocoa/Cocoa			
	987 555 272 02 FSH	Darkgrey natural/grey			
	987 555 272 02 FSJ	Brown nat./brown nat.			
	987 555 272 02 FSP	Carrera Red			
(8)	987 555 272 02	Pull handle (leather) Upper part	right	1	CAYMAN S
	987 555 272 02 FSA	black/grey			
	987 555 272 02 FSB	Stone grey/stone grey			
	987 555 272 02 FSC	Sand beige/sand beige			
	987 555 272 02 FSD	Sea blue/grey			
	987 555 272 02 FSF	Terracotta/terracotta			
	987 555 272 02 FSG	Cocoa/Cocoa			
	987 555 272 02 FSH	Darkgrey natural/grey			
	987 555 272 02 FSJ	Brown nat./brown nat.			
	987 555 272 02 FSP	Carrera Red			
(8)	987 555 987 00	Pull handle Upper part	left	1	PR:XTL
	987 555 987 00 A11	Black			
	987 555 987 00 5X6	Stone grey			

Model: 987209 Model life 2009>>2012

Pos	Part Number	Description	Remark	Qty	Model
	987 555 987 00 8G2	Sand beige			
	987 555 987 00 3S9	sea blue			
	987 555 987 00 9S5	Terracotta			
	987 555 987 00 9V6	Cocoa			
	987 555 987 00 D12	Dark grey/natural			
	987 555 987 00 T12	Brown/natural			
	987 555 987 00 N12	Carrera Red			
(8)	987 555 988 00	Pull handle Upper part	right	1	PR:XTL
	987 555 988 00 A11	Black			
	987 555 988 00 5X6	Stone grey			
	987 555 988 00 8G2	Sand beige			
	987 555 988 00 3S9	sea blue			
	987 555 988 00 9S5	Terracotta			
	987 555 988 00 9V6	Cocoa			
	987 555 988 00 D12	Dark grey/natural			
	987 555 988 00 T12	Brown/natural			
	987 555 988 00 N12	Carrera Red			
(8)	987 555 987 02	Pull handle Upper part	left	1	PR:XTT
	987 555 987 02 A11	Black			
	987 555 987 02 5X6	Stone grey			
	987 555 987 02 8G2	Sand beige			
	987 555 987 02 3S9	sea blue			
	987 555 987 02 9S5	Terracotta			
	987 555 987 02 9V6	Cocoa			
	987 555 987 02 D12	Dark grey/natural			
	987 555 987 02 T12	Brown/natural			
	987 555 987 02 N12	Carrera Red			
(8)	987 555 988 02	Pull handle Upper part	right	1	PR:XTT
	987 555 988 02 A11	Black			
	987 555 988 02 5X6	Stone grey			
	987 555 988 02 8G2	Sand beige			
	987 555 988 02 3S9	sea blue			
	987 555 988 02 9S5	Terracotta			
	987 555 988 02 9V6	Cocoa			
	987 555 988 02 D12	Dark grey/natural			
	987 555 988 02 T12	Brown/natural			
	987 555 988 02 N12	Carrera Red			
(8)	987 555 987 03	Pull handle Upper part	left	1	PR:XTW
	987 555 987 03 A11	Black			
	987 555 987 03 5X6	Stone grey			
	987 555 987 03 8G2	Sand beige			
	987 555 987 03 3S9	sea blue			
	987 555 987 03 9S5	Terracotta			
	987 555 987 03 9V6	Cocoa			
	987 555 987 03 D12	Dark grey/natural			
	987 555 987 03 T12	Brown/natural			
	987 555 987 03 N12	Carrera Red			
(8)	987 555 988 03	Pull handle Upper part	right	1	PR:XTW
	987 555 988 03 A11	Black			
	987 555 988 03 5X6	Stone grey			
	987 555 988 03 8G2	Sand beige			
	987 555 988 03 3S9	sea blue			
	987 555 988 03 9S5	Terracotta			
	987 555 988 03 9V6	Cocoa			
	987 555 988 03 D12	Dark grey/natural			
	987 555 988 03 T12	Brown/natural			
	987 555 988 03 N12	Carrera Red			
9	999 591 380 01	Cable fastener		4	

Model: 987209

Model life 2009>>2012

Pos	Part Number	Description	Remark	Qty	Model
10	987 555 261 01	Pull handle Lower part	left	1	
	987 555 261 01 A11	Black			
	987 555 261 01 5X6	Stone grey			
	987 555 261 01 8G2	Sand beige			
	987 555 261 01 3S9	sea blue			
	987 555 261 01 9S5	Terracotta			
	987 555 261 01 9V6	Cocoa			
	987 555 261 01 D12	Dark grey/natural			
	987 555 261 01 T12	Brown/natural			
	987 555 261 01 N12	Carrera Red			
(10)	987 555 262 01	Pull handle Lower part	right	1	
	987 555 262 01 A11	Black			
	987 555 262 01 5X6	Stone grey			
	987 555 262 01 8G2	Sand beige			
	987 555 262 01 3S9	sea blue			
	987 555 262 01 9S5	Terracotta			
	987 555 262 01 9V6	Cocoa			
	987 555 262 01 D12	Dark grey/natural			
	987 555 262 01 T12	Brown/natural			
	987 555 262 01 N12	Carrera Red			
11	999 919 229 02	fillister hd. bolt 6,0 X 40,0 for Mount Pull handle		2	
12	997 555 381 02	Axle bearing Valid up to:	left	1	Cayman Cayman S
12	997 555 382 02	Axle bearing Valid up to:	right	1	Cayman Cayman S
(12)	997 555 381 03	Axle bearing Valid from:	left	1	Cayman Cayman S
(12)	997 555 382 03	Axle bearing Valid from:	right	1	Cayman Cayman S
13	999 919 164 09	fillister hd. bolt 5 X 12 for Mount Axle bearing		3	
14	997 555 461 01	lever Inner actuator	left	1	
(14)	997 555 461 01 V05	Galvano silver			
	997 555 462 01	lever Inner actuator	right	1	
	997 555 462 01 V05	Galvano silver			
15	999 919 164 09	fillister hd. bolt 5 X 12 for Mount lever Inner actuator		1	
16	997 555 683 00	Cover cap Airbag	left	1	
	997 555 683 00 A03	Black			

Model: 987209

Model life 2009>>2012

Pos	Part Number	Description	Remark	Qty	Model
	997 555 683 00 5V7	Stone grey			
	997 555 683 00 5Z1	Sand beige			
	997 555 683 00 8W7	sea blue			
	997 555 683 00 8X8	Terracotta			
	997 555 683 00 8P9	Cocoa			
	997 555 683 00 T13	Brown/natural			
	997 555 683 00 N23	Carrera Red			
(16)	997 555 684 00	Cover cap	right	1	
		Airbag			
	997 555 684 00 A03	Black			
	997 555 684 00 5V7	Stone grey			
	997 555 684 00 5Z1	Sand beige			
	997 555 684 00 8W7	sea blue			
	997 555 684 00 8X8	Terracotta			
	997 555 684 00 8P9	Cocoa			
	997 555 684 00 T13	Brown/natural			
	997 555 684 00 N23	Carrera Red			
17	997 555 685 02	Cover	left lhd	1	PR:098
		Exterior mirror (drivers side) Lacquered			
	997 555 685 02 A03	Black			
	997 555 685 02 5V7	Stone grey			
	997 555 685 02 5Z1	Sand beige			
	997 555 685 02 8W7	sea blue			
	997 555 685 02 8X8	Terracotta			
	997 555 685 02 8P9	Cocoa			
	997 555 685 02 T13	Brown/natural			
	997 555 685 02 N23	Carrera Red			
(17)	997 555 995 00	Cover (leather)	left lhd	1	PR:098, XDX
		Exterior mirror (drivers side) D - MJ 2010>>			
	997 555 995 00 A11	Black			
	997 555 995 00 5X6	Stone grey			
	997 555 995 00 8G2	Sand beige			
	997 555 995 00 3S9	sea blue			
	997 555 995 00 9S5	Terracotta			
	997 555 995 00 9V6	Cocoa			
	997 555 995 00 T12	Brown/natural			
	997 555 995 00 N12	Carrera Red			
(17)	997 555 686 02	Cover	right lhd	1	PR:098
		Exterior mirror (passenger side) Lacquered			
	997 555 686 02 A03	Black			
	997 555 686 02 5V7	Stone grey			
	997 555 686 02 5Z1	Sand beige			
	997 555 686 02 8W7	sea blue			
	997 555 686 02 8X8	Terracotta			
	997 555 686 02 8P9	Cocoa			
	997 555 686 02 T13	Brown/natural			
	997 555 686 02 N23	Carrera Red			
(17)	997 555 996 00	Cover (leather)	right lhd	1	PR:098, XDX
		Exterior mirror (passenger side)			
	997 555 996 00 A11	Black			
	997 555 996 00 5X6	Stone grey			
	997 555 996 00 8G2	Sand beige			
	997 555 996 00 3S9	sea blue			
	997 555 996 00 9S5	Terracotta			
	997 555 996 00 9V6	Cocoa			
	997 555 996 00 D12	Dark grey/natural			

Model: 987209 Model life 2009>>2012

Pos	Part Number	Description	Remark	Qty	Model
18	997 555 996 00 T12	Brown/natural		1	
	997 555 996 00 N12	Carrera Red			
	997 555 577 00	Cover cap			
		Handle liner			
	997 555 577 00 A03	Black			
	997 555 577 00 5V7	Stone grey			
	997 555 577 00 8W7	sea blue			
	997 555 577 00 8X8	Terracotta			
	997 555 577 00 8P9	Cocoa			
	997 555 577 00 T13	Brown/natural			
19	997 555 577 00 N23	Carrera Red		1	
	997 555 895 00	Plastic foam strip for Bass loudspeaker			
20	997 645 511 00	inscription		2	PR:680
21	997 555 597 00	Distance piece		2	
22		Bonnet hinge		1	
	999 702 281 41	Grommet			
(23)	997 555 351 03	Axle bearing		1	PR:098
		Insert	left lhd		
		Handle liner			
		Lacquered			
	997 555 351 03 A03	Black			
	997 555 351 03 5V7	Stone grey			
	997 555 351 03 5Z1	Sand beige			
	997 555 351 03 8W7	sea blue			
	997 555 351 03 8X8	Terracotta			
	997 555 351 03 8P9	Cocoa			
	997 555 351 03 T13	Brown/natural			
	997 555 351 03 N23	Carrera Red			
	997 555 352 04	Insert	right lhd		
		Handle liner			
		Lacquered			
	997 555 352 04 A03	Black			
	997 555 352 04 5V7	Stone grey			
	997 555 352 04 5Z1	Sand beige			
997 555 352 04 8W7	sea blue				
997 555 352 04 8X8	Terracotta				
997 555 352 04 8P9	Cocoa				
997 555 352 04 T13	Brown/natural				
997 555 352 04 N23	Carrera Red				
23	997 555 985 00	Insert	left lhd	1	PR:XTV,098
		Handle liner			
		Leather			
	997 555 985 00 A11	Black			
	997 555 985 00 5X6	Stone grey			
	997 555 985 00 8G2	Sand beige			
	997 555 985 00 3S9	sea blue			
	997 555 985 00 9S5	Terracotta			
	997 555 985 00 9V6	Cocoa			
	997 555 985 00 D12	Dark grey/natural			
	997 555 985 00 T12	Brown/natural			
	997 555 985 00 N12	Carrera Red			
	997 555 986 00	Insert	right lhd		
		Handle liner			
		Leather			
997 555 986 00 A11	Black				
997 555 986 00 5X6	Stone grey				
997 555 986 00 8G2	Sand beige				
997 555 986 00 3S9	sea blue				
997 555 986 00 9S5	Terracotta				
997 555 986 00 9V6	Cocoa				
997 555 986 00 D12	Dark grey/natural				

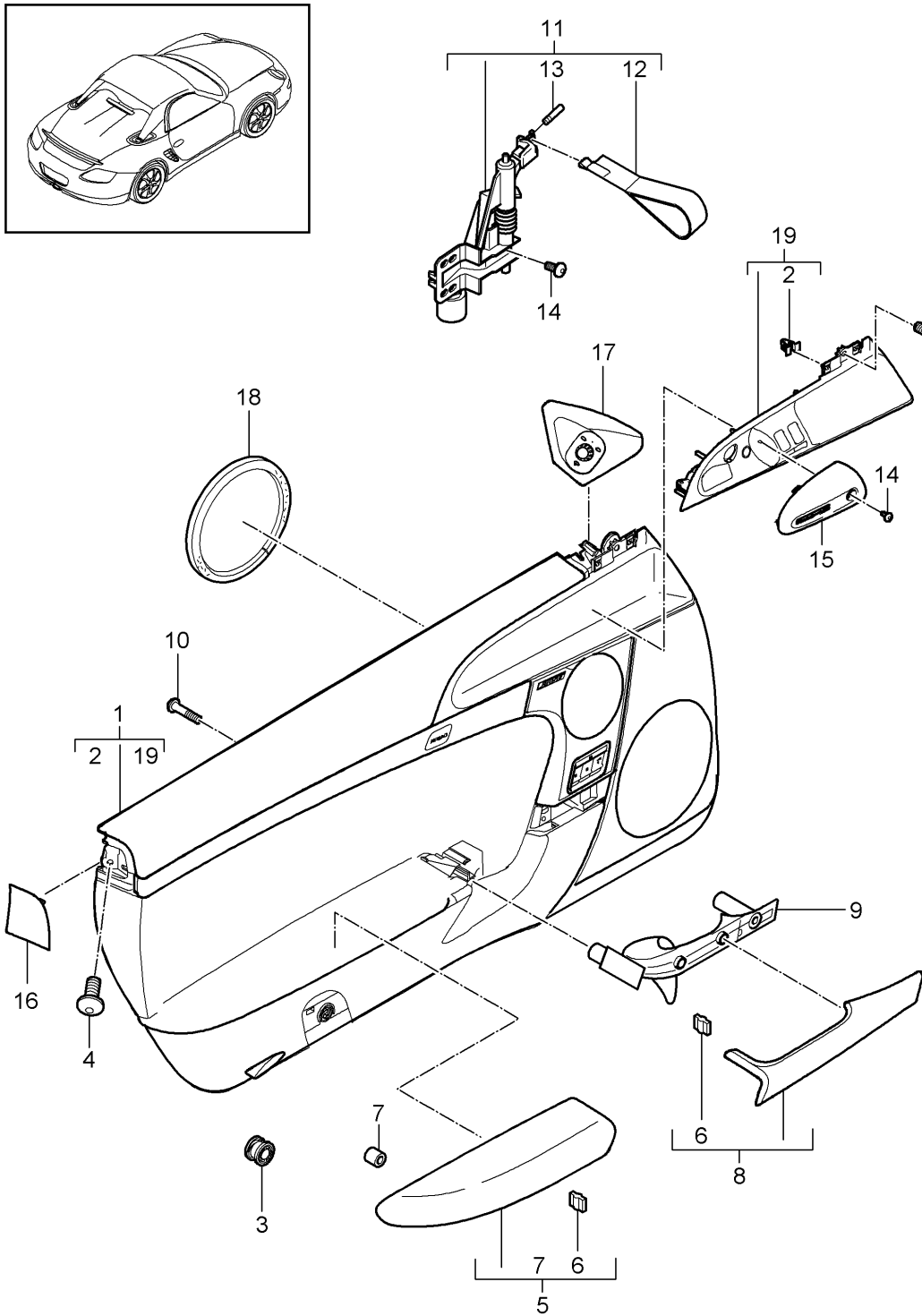
Model: 987209

Model life 2009>>2012

Pos	Part Number	Description	Remark	Qty	Model
23	997 555 986 00 T12	Brown/natural	left lhd	1	PR:XTL,098
	997 555 986 00 N12	Carrera Red			
	997 555 985 03	Insert Handle liner Carbon			
(23)	997 555 985 03 A35	Black	right lhd	1	PR:XTL,098
	997 555 986 03	Insert Handle liner Carbon			
	997 555 986 03 A35	Black			
23	997 555 985 09	Insert	left lhd	1	PR:XTT,098
	997 555 986 09 S61	macassar			
(23)	997 555 985 09 S61	macassar	right lhd	1	PR:XTT,098
	997 555 986 09	Insert Handle liner			
23	997 555 986 09 S61	macassar	left lhd	1	PR:XTW,098
	997 555 985 12	Insert Handle liner			
(23)	997 555 985 12 V04	Galvano silver	right lhd	1	PR:XTW,098
	997 555 986 12	Insert Handle liner			
	997 555 986 12 V04	Galvano silver			

Model: 987209

Model life 2009>>2012



Model: 987209 Model life 2009>>2012

Pos	Part Number	Description	Remark	Qty	Model
1	987 555 201 30	door panel Accessories	left lhd	1	Cayman R PR:779 PR:098
1	987 555 201 30 9L4	door panel slush technology Black	left lhd	1	PR:098,490
(1)	987 555 201 31	door panel slush technology Black	right lhd	1	PR:098
(1)	987 555 202 33 9L4	door panel slush technology Black	right lhd	1	PR:098,490
(1)	987 555 202 34	door panel slush technology Black	left lhd	1	PR:098,981
(1)	987 555 201 32	Door panel trim (leather) Black	right lhd	1	PR:098,981
(1)	987 555 201 32 FSA	Sand beige			
(1)	987 555 201 32 FSC	Cocoa			
(1)	987 555 201 32 FSG	Carrera Red			
(1)	987 555 202 35	Door panel trim (leather) Black	left lhd	1	PR:XFZ,098,981
(1)	987 555 202 35 FSA	Sand beige			
(1)	987 555 202 35 FSC	Cocoa			
(1)	987 555 202 35 FSG	Carrera Red			
(1)	997 555 201 A9	Door trim (Alcantara) Leather	right lhd	1	PR:XFZ,098,981
(1)	997 555 201 A9 FSM	black/black			
(1)	997 555 201 A9 FRL	Sand beige/sand beige			
(1)	997 555 201 A9 FRM	Cocoa/Cocoa			
(1)	997 555 201 A9 FRN	Carrera Red/Carrera Red			
(1)	997 555 202 B9	Door trim (Alcantara) Leather	left rhd	1	PR:XFZ,099,981
(1)	997 555 202 B9 FSM	black/black			
(1)	997 555 202 B9 FRL	Sand beige/sand beige			
(1)	997 555 202 B9 FRM	Cocoa/Cocoa			
(1)	997 555 202 B9 FRN	Carrera Red/Carrera Red			
(1)	997 555 201 B9	Door trim (Alcantara) Leather	right rhd	1	PR:XFZ,099,981
(1)	997 555 201 B9 FSM	black/black			
(1)	997 555 201 B9 FRL	Sand beige/sand beige			
(1)	997 555 201 B9 FRM	Cocoa/Cocoa			
(1)	997 555 201 B9 FRN	Carrera Red/Carrera Red			
2	999 507 533 02	Clamp 8,0 X 10/2,5		2	
3	955 555 243 00	Retaining clip		9	
4	999 073 322 02	fillister hd. bolt 6 X 20 for Mount		5	
5	987 555 233 02	door panel Armrest for door panel	left	1	
(5)	987 555 233 02 FSA	Black			
(5)	987 555 233 02 FSC	Sand beige			
(5)	987 555 233 02 FSG	Cocoa			
(5)	987 555 233 02 FSP	Carrera Red			
(5)	987 555 234 02	Armrest for door panel	right	1	
(5)	987 555 234 02 FSA	Black			

Model: 987209

Model life 2009>>2012

Pos	Part Number	Description	Remark	Qty	Model
	987 555 234 02 FSC	Sand beige			
	987 555 234 02 FSG	Cocoa			
	987 555 234 02 FSP	Carrera Red			
(5)	997 555 403 00	Armrest for door panel No longer use the part here	left	1	PR:XFZ
	997 555 403 00 FS0	Black			
(5)	997 555 403 00	Armrest for door panel	left	1	PR:XFZ
	997 555 403 00 FS0	black/grey			
(5)	997 555 404 00	Armrest for door panel No longer use the part here	right	1	PR:XFZ
	997 555 404 00 FS0	Black			
(5)	997 555 404 00	Armrest for door panel	right	1	PR:XFZ
	997 555 404 00 FS0	black/grey			
6	999 591 380 01	Cable fastener		X	
7	997 555 857 00	Grommet		2	
8	987 555 271 02	Pull handle (leather) Upper part	left	1	
	987 555 271 02 FSA	black/grey			
	987 555 271 02 FSC	Sand beige/sand beige			
	987 555 271 02 FSG	Cocoa/Cocoa			
	987 555 271 02 FSP	Carrera Red			
(8)	987 555 272 02	Pull handle (leather) Upper part	right	1	
	987 555 272 02 FSA	black/grey			
	987 555 272 02 FSC	Sand beige/sand beige			
	987 555 272 02 FSG	Cocoa/Cocoa			
	987 555 272 02 FSP	Carrera Red			
(8)	997 555 271 90	Pull handle Upper part	left	1	PR:XFZ
	997 555 271 90 FS0	black/grey			
(8)	997 555 272 90	Pull handle Upper part	right	1	PR:XFZ
	997 555 272 90 FS0	black/grey			
9	987 555 261 01	Pull handle Lower part	left	1	
	987 555 261 01 A11	Black			
	987 555 261 01 8G2	Sand beige			
	987 555 261 01 9V6	Cocoa			
	987 555 261 01 N12	Carrera Red			
(9)	987 555 262 01	Pull handle Lower part	right	1	
	987 555 262 01 A11	Black			
	987 555 262 01 8G2	Sand beige			
	987 555 262 01 9V6	Cocoa			
	987 555 262 01 N12	Carrera Red			
(9)	997 555 261 90	Pull handle Lower part	left	1	PR:XFZ
	997 555 261 90 A25	Black			
(9)	997 555 262 90	Pull handle Lower part	right	1	PR:XFZ
	997 555 262 90 A25	Black			
10	999 919 229 02	fillister hd. bolt 6,0 X 40,0 for Mount		2	
	987 555 381 00	Pull handle			
11	987 555 381 00	Axle bearing	left	1	PR:XSH
	987 555 381 00 U01	silver			
11	987 555 381 00	Axle bearing	left	1	PR:XSX
	987 555 381 00 N13	guards red (Porsche)			
11	987 555 381 00	Axle bearing	left	1	PR:555
	987 555 381 00 A23	Black			
11	987 555 381 00	Axle bearing	left	1	PR:556

Model: 987209 Model life 2009>>2012

Pos	Part Number	Description	Remark	Qty	Model
	987 555 381 00 N13	guards red (Porsche)			
	987 555 381 00 A23	Black			
(11)	987 555 382 00	Axle bearing	right	1	PR:XSH
	987 555 382 00 U01	silver			
(11)	987 555 382 00	Axle bearing	right	1	PR:XSX
	987 555 382 00 N13	guards red (Porsche)			
(11)	987 555 382 00	Axle bearing	right	1	PR:555
	987 555 382 00 A23	Black			
(11)	987 555 382 00	Axle bearing	right	1	PR:556
	987 555 382 00 N13	guards red (Porsche)			
	987 555 382 00 A23	Black			
12	987 555 563 00	Inner actuator		2	PR:XSH
	987 555 563 00 U01	silver			
12	987 555 563 00	Inner actuator		2	PR:XSX
	987 555 563 00 N13	guards red (Porsche)			
12	987 555 563 00	Inner actuator		2	PR:555
	987 555 563 00 A23	Black			
12	987 555 563 00	Inner actuator		2	PR:556
	987 555 563 00 N13	guards red (Porsche)			
	987 555 563 00 A23	Black			
13	987 555 879 00	axle for Mount Inner actuator		2	
14	999 919 164 09	fillister hd. bolt 5 X 12		X	
15	987 555 463 00	Trim Inner actuator	left	1	
	987 555 463 00 A03	Black			
	987 555 463 00 5Z1	Sand beige			
	987 555 463 00 8P9	Cocoa			
	987 555 463 00 N23	Carrera Red			
(15)	987 555 464 00	Trim Inner actuator	right	1	
	987 555 464 00 A03	Black			
	987 555 464 00 5Z1	Sand beige			
	987 555 464 00 8P9	Cocoa			
	987 555 464 00 N23	Carrera Red			
16	997 555 683 00	Cover cap Airbag	left	1	
	997 555 683 00 A03	Black			
	997 555 683 00 5Z1	Sand beige			
	997 555 683 00 8P9	Cocoa			
	997 555 683 00 N23	Carrera Red			
(16)	997 555 684 00	Cover cap Airbag	right	1	
	997 555 684 00 A03	Black			
	997 555 684 00 5Z1	Sand beige			
	997 555 684 00 8P9	Cocoa			
	997 555 684 00 N23	Carrera Red			
17	997 555 685 02	Cover Exterior mirror (drivers side) Lacquered	left lhd	1	PR:098
	997 555 685 02 A03	Black			
	997 555 685 02 5Z1	Sand beige			
	997 555 685 02 8P9	Cocoa			
	997 555 685 02 N23	Carrera Red			
(17)	997 555 995 00	Cover (leather) Exterior mirror (drivers side)	left lhd	1	PR:098, XDX
	997 555 995 00 A11	Black			
	997 555 995 00 8G2	Sand beige			

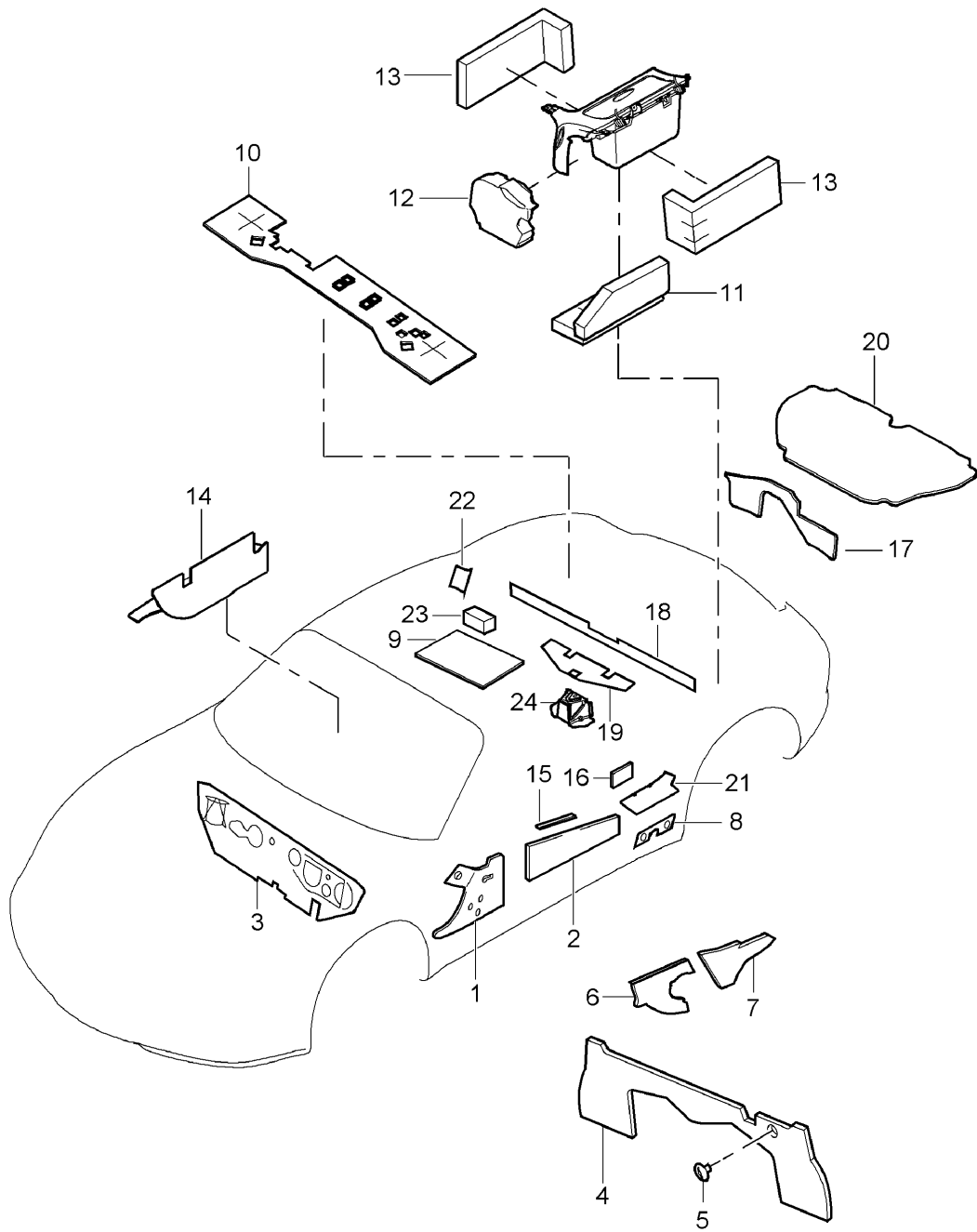
Model: 987209

Model life 2009>>2012

Pos	Part Number	Description	Remark	Qty	Model
(17)	997 555 995 00 9V6	Cocoa			
	997 555 995 00 N12	Carrera Red			
	997 555 686 02	Cover	right lhd	1	PR:098
		Exterior mirror (passenger side) Lacquered			
	997 555 686 02 A03	Black			
(17)	997 555 686 02 5Z1	Sand beige			
	997 555 686 02 8P9	Cocoa			
	997 555 686 02 N23	Carrera Red			
	997 555 996 00	Cover (leather)	right lhd	1	PR:098, XDX
		Exterior mirror (passenger side) Black			
18	997 555 996 00 A11	Black			
	997 555 996 00 8G2	Sand beige			
	997 555 996 00 9V6	Cocoa			
	997 555 996 00 N12	Carrera Red			
	997 555 895 00	Plastic foam strip for Bass loudspeaker		1	
(19)	987 555 351 01	Insert	left lhd	1	PR:098
		Handle liner Lacquered			
	987 555 351 01 A03	Black			
	987 555 351 01 5Z1	Sand beige			
	987 555 351 01 8P9	Cocoa			
(19)	987 555 351 01 N23	Carrera Red			
	987 555 352 02	Insert	right lhd	1	PR:098
		Handle liner Lacquered			
	987 555 352 02 A03	Black			
	987 555 352 02 5Z1	Sand beige			
	987 555 352 02 8P9	Cocoa			
	987 555 352 02 N23	Carrera Red			

Model: 987209

Model life 2009>>2012



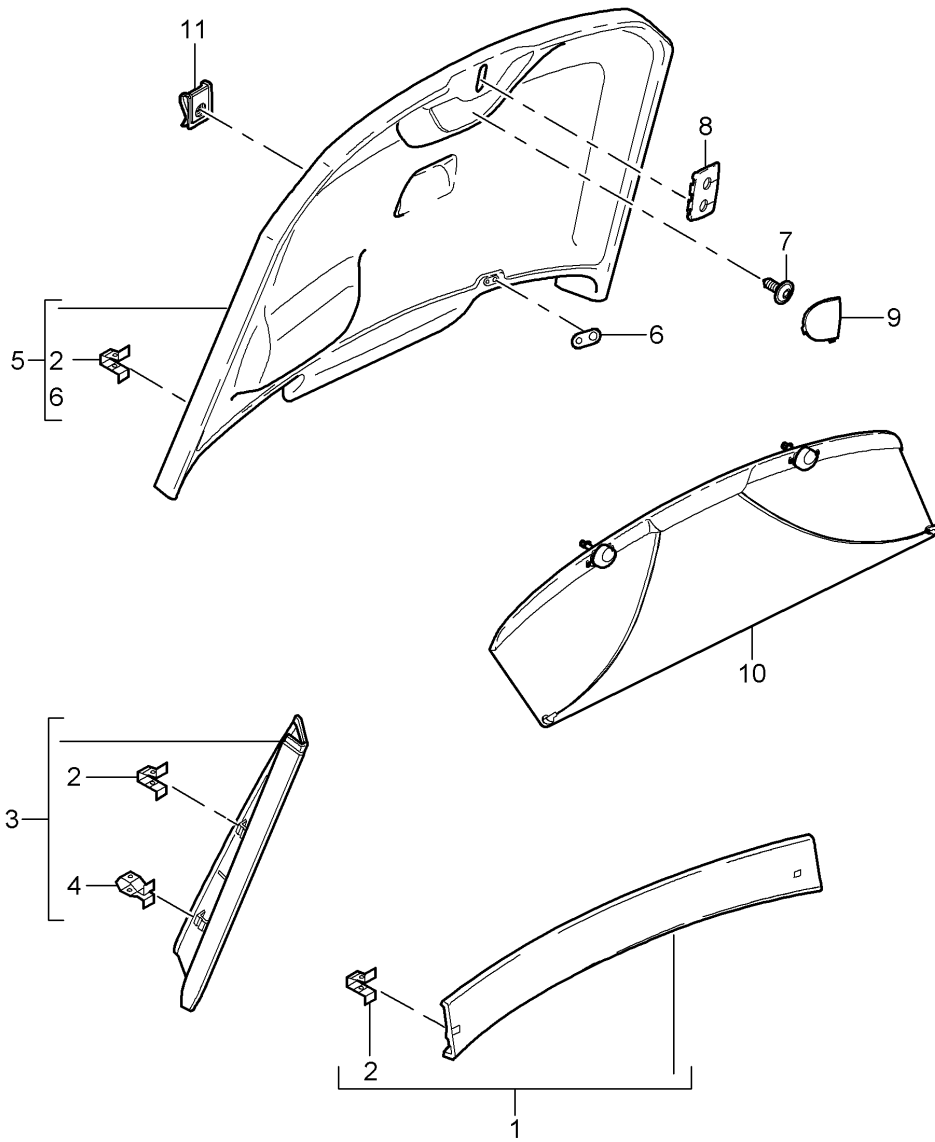
Model: 987209

Model life 2009>>2012

Pos	Part Number	Description	Remark	Qty	Model
		Body			
1	997 556 605 00	Sound proofing 1 Sound absorber	left	1	
(1)	997 556 606 00	Wheel housing Sound absorber	front right	1	
2	997 537 551 00	Wheel housing Sound absorber for door	front	2	PR:590
3	997 556 723 00	Sound absorber Firewall	lhd	1	PR:098
4	987 556 741 02	Sound absorber Engine bay		1	
5	999 049 020 40	rear panel Plastic nut		1	
6	987 556 721 01	T5 / 30 X 5,1 Sound absorber	left	1	
6	987 556 722 01	Engine bay Sound absorber	side right	1	
7	987 556 724 00	Engine bay Sound absorber	side right	1	
8	987 556 683 00	Engine bay Sound absorber for side panel	rear	2	
9	987 556 625 00	Sound absorber Roof		1	
10	987 556 665 01	Sound absorber Cross member		1	
11	987 556 623 01	Sound absorber convertible top stowage box	lower	2	
12	987 556 669 00	Sound absorber Filler piece	left	1	
(12)	987 556 670 00	convertible top stowage box Sound absorber	right	1	
13	987 556 663 01	Filler piece convertible top stowage box Sound absorber		2	
14	997 556 634 00	Stowage box Sound absorber		1	PR:680
15	997 537 553 00	Subwoofer sound absorber for door		4	PR:590
16	999 902 056 40	Reinforcement sound absorber for door	upper	1	
17	987 556 745 01	Damping filler plate	inner	1	
18	987 556 403 00	Sound absorber retaining strip	rear	1	
19	987 556 401 00	Sound absorber retaining strip	front	1	
20	987 556 743 00	sound absorber for engine lid	inner	1	
21	987 556 647 00	Damping Air duct	left	2	
22	987 556 637 00	Sound absorber B-pillar	front	4	
23	987 556 635 00	Damping filler plate	upper front	2	
24	987 556 405 00	Damping Bracket		1	
25	987 556 681 00	Sound absorber tunnel		1	
26	981 556 507 00	sound absorber for side panel		1	

Model: 987209

Model life 2009>>2012



Model: 987209

Model life 2009>>2012

Pos	Part Number	Description	Remark	Qty	Model				
1	987 555 191 00	Linings Rear lid Rear lid trim panel	upper	1					
	987 555 191 00 A03	Black							
	987 555 191 00 5V7	Stone grey							
	987 555 191 00 5Z1	Sand beige							
	987 555 191 00 8W7	sea blue							
	987 555 191 00 8X8	Terracotta							
	987 555 191 00 8P9	Cocoa							
	987 555 191 00 T13	Brown/natural							
2	987 555 191 00 N23	Carrera Red							
	999 507 839 01	Clip 3,5		X					
(3)	987 555 193 02	Rear lid trim panel	left center	1					
	987 555 193 02 A03	Black							
	987 555 193 02 5V7	Stone grey							
	987 555 193 02 5Z1	Sand beige							
	987 555 193 02 8W7	sea blue							
	987 555 193 02 8X8	Terracotta							
	987 555 193 02 8P9	Cocoa							
	987 555 193 02 T13	Brown/natural							
	987 555 193 02 N23	Carrera Red							
	3	987 555 194 02				Rear lid trim panel	right center	1	
987 555 194 02 A03		Black							
987 555 194 02 5V7		Stone grey							
987 555 194 02 5Z1		Sand beige							
987 555 194 02 8W7		sea blue							
987 555 194 02 8X8		Terracotta							
987 555 194 02 8P9		Cocoa							
987 555 194 02 T13		Brown/natural							
987 555 194 02 N23		Carrera Red							
4		999 507 584 02	Clamp 8,0 X 10/ 2,0 Trim	center	6				
	987 555 095 00	Rear lid trim panel							
	987 555 095 00 FQR	black/black							
5	987 555 095 00 FQS	Volcano grey/stone grey	lower	1	PR:426				
	987 555 095 00 FQT	Sand beige/sand beige							
	987 555 095 00 FQU	Volcano grey/sea blue							
	987 555 095 00 FQW	Black/terracotta							
	987 555 095 00 FQX	Black/cocoa							
	987 555 095 00 FQY	Black/volcano grey							
	987 555 095 00 FQZ	Black/brown nat.							
	987 555 095 00 FTB	Carrera Red							
	(5)	987 555 095 01				Rear lid trim panel	lower	1	PR:425
		987 555 095 01 FQR				black/black			
987 555 095 01 FQS		Volcano grey/stone grey							
987 555 095 01 FQT		Sand beige/sand beige							
987 555 095 01 FQU		Volcano grey/sea blue							
987 555 095 01 FQW		Black/terracotta							
987 555 095 01 FQX		Black/cocoa							
987 555 095 01 FQY		Black/volcano grey							
987 555 095 01 FQZ		Black/brown nat.							
987 555 095 01 FTB		Carrera Red							
6	987 555 623 00	Eye Rear lid		2					
	987 555 623 00 01C	Satin black							
7	999 073 369 09	fillister hd. bolt M 5 X 18		2					
8	987 555 596 00	Cover Lock striker		1					

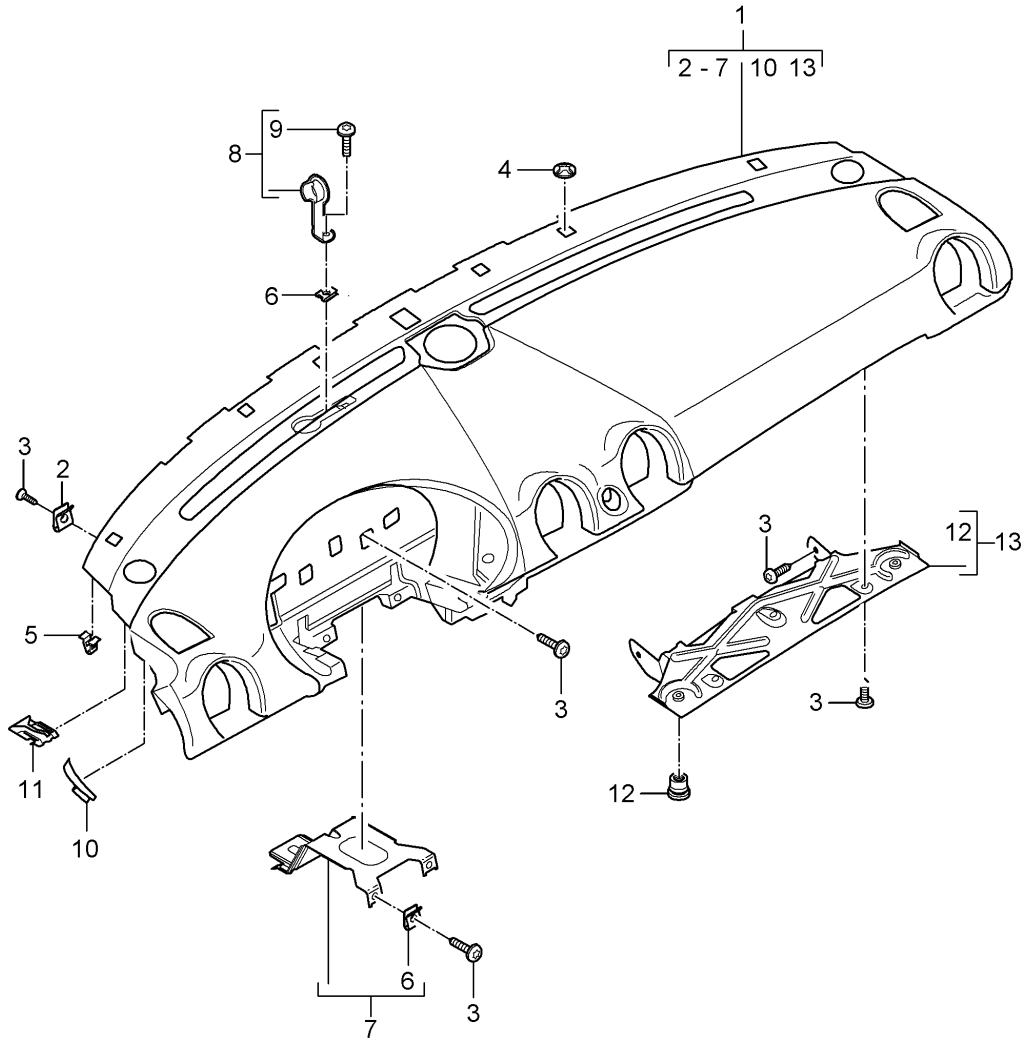
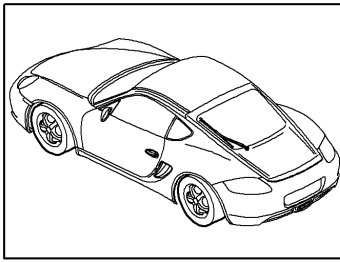
Model: 987209

Model life 2009>>2012

Pos	Part Number	Description	Remark	Qty	Model
		Rear lid			
	987 555 596 00 A03	Black			
	987 555 596 00 5V7	Stone grey			
	987 555 596 00 5Z1	Sand beige			
	987 555 596 00 8W7	sea blue			
	987 555 596 00 8X8	Terracotta			
	987 555 596 00 8P9	Cocoa			
	987 555 596 00 T13	Brown/natural			
	987 555 596 00 N23	Carrera Red			
9	987 555 597 00	Cover cap	left	2	
		Handle shell			
	987 555 597 00 A03	Black			
	987 555 597 00 5V7	Stone grey			
	987 555 597 00 5Z1	Sand beige			
	987 555 597 00 8W7	sea blue			
	987 555 597 00 8X8	Terracotta			
	987 555 597 00 8P9	Cocoa			
	987 555 597 00 T13	Brown/natural			
	987 555 597 00 N23	Carrera Red			
(9)	987 555 598 00	Cover cap	right	2	
		Handle shell			
	987 555 598 00 A03	Black			
	987 555 598 00 5V7	Stone grey			
	987 555 598 00 5Z1	Sand beige			
	987 555 598 00 8W7	sea blue			
	987 555 598 00 8X8	Terracotta			
	987 555 598 00 8P9	Cocoa			
	987 555 598 00 T13	Brown/natural			
	987 555 598 00 N23	Carrera Red			
10	987 555 341 00	Cover		1	
		Rear lid			
	987 555 341 00 A24	Black			
11	999 507 413 08	Cams		2	
		9,3 X 25			

Model: 987209

Model life 2009>>2012



Model: 987209

Model life 2009>>2012

Pos	Part Number	Description	Remark	Qty	Model
-		Instrument panel trim Upper part with: Fasteners Accessories see illustration:	809-001		
1	987 552 101 21	dashboard Upper part Leatherette 9L4 Black 9M5 Stone grey 9C6 Sand beige 9D7 sea blue	lhd	1	PR:098
1	987 552 101 23	dashboard Upper part Leatherette 9L4 Black 9M5 Stone grey 9C6 Sand beige 9D7 sea blue	lhd	1	PR:098,639, 640
1	987 552 101 17	dashboard Upper part Leather D - MJ 2009>> FSA Black FSB Stone grey FSC Sand beige FSD sea blue FSF Terracotta FSG Cocoa FSH Dark grey/natural FSJ Brown/natural FSP Carrera Red	lhd	1	PR:098,981
1	987 552 101 18	dashboard Upper part Leather D - MJ 2009>> FSA Black FSB Stone grey FSC Sand beige FSD sea blue FSF Terracotta FSG Cocoa FSH Dark grey/natural FSJ Brown/natural FSP Carrera Red	lhd	1	PR:098,639, 640,981
2	999 507 971 01	panel nut ST 4,2		X	
3	999 073 155 09	panel screw ST 4,2 X 13		X	
4	999 507 106 02	Clamping washer 8,0		X	
5	999 507 732 01	Clamp 8,0 X 12,0 /4,0		X	
6	999 507 020 01	panel nut ST 4,2		X	
7	997 552 617 01	bracket for dash panel (drivers side)		1	
8	997 552 673 00	Cover Defroster trim		2	
9	999 073 226 09	panel screw ST 4,2 X 16		2	
10	997 552 481 00	Insert	left	1	

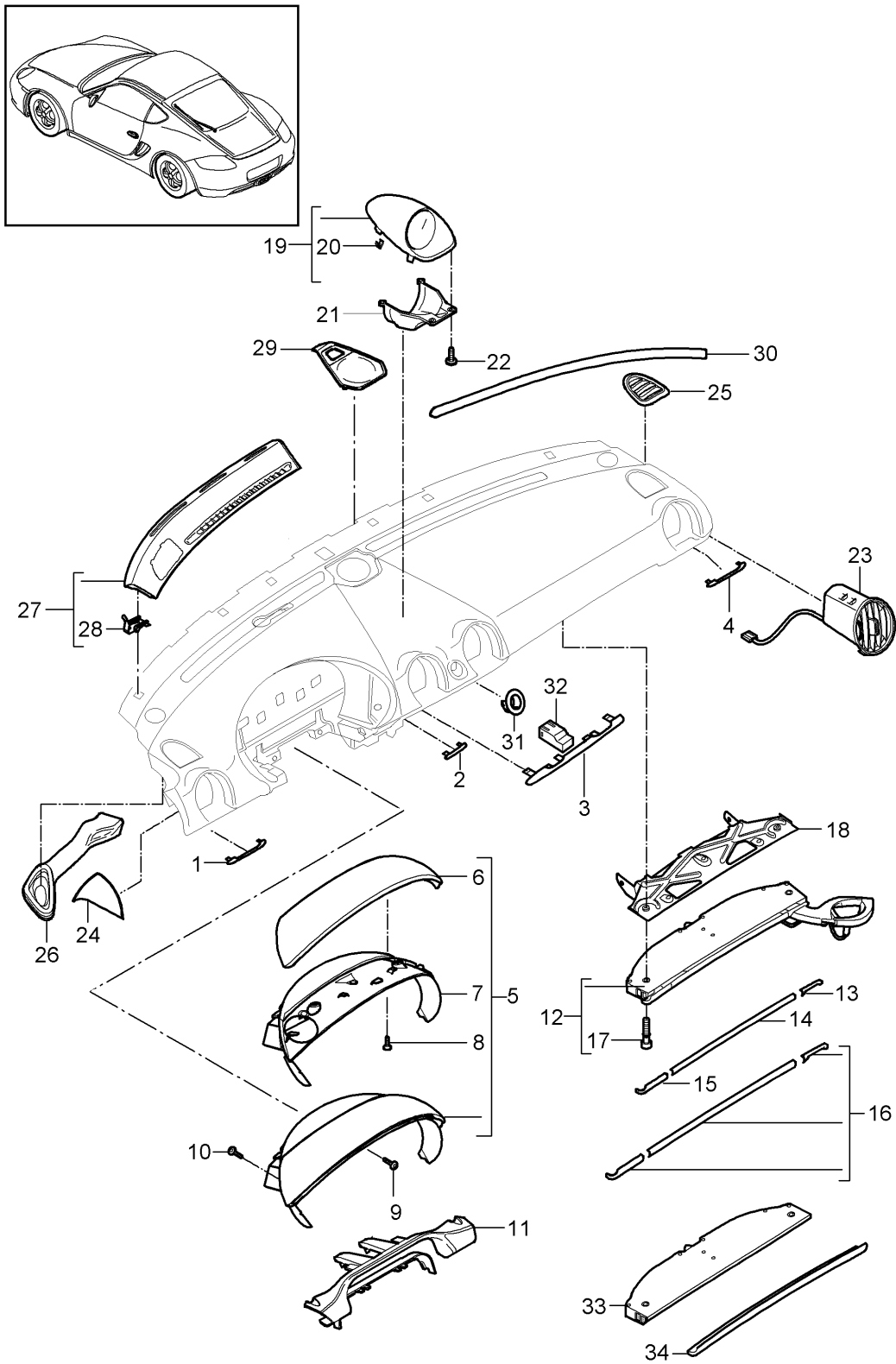
Model: 987209

Model life 2009>>2012

Pos	Part Number	Description	Remark	Qty	Model
(10)	997 552 482 00	A-pillar Insert	right	1	
11	8E0 857 117	A-pillar Clip		2	
12	999 507 319 01	Cage nut M5		2	
13	997 552 360 03	Retaining plate for Beverages	lhd	1	PR:098

Model: 987209

Model life 2009>>2012



Model: 987209

Model life 2009>>2012

Pos	Part Number	Description	Remark	Qty	Model
		Instrument panel trim Upper part			
		with:			
1	987 552 381 01	Accessories Trim (drivers side)	outer lhd	1	CAYMAN PR:098
(1)	987 552 381 01 D07	Volcano grey			
(1)	987 552 381 02	Trim (drivers side)	outer lhd	1	CAYMAN S PR:098
(1)	987 552 381 02 V04	Galvano silver			
(1)	987 552 381 03	Trim (drivers side)	outer lhd	1	PR:098,801
(1)	987 552 381 03 S61	macassar			
(1)	987 552 381 05	Trim (drivers side)	outer lhd	1	PR:098,803
(1)	987 552 381 05 A35	Black			
(1)	987 552 381 06	Trim (drivers side)	outer lhd	1	PR:098,805
(1)	987 552 381 06 G2X	primed			
(1)	987 552 381 06	Trim (drivers side)	outer lhd	1	PR:098,XDM
(1)	987 552 381 06 G2X	D - MJ 2010>> primed			
(1)	987 552 986 00	Trim (drivers side)	outer lhd	1	PR:XVP,098
	987 552 986 00 A11	Black			
	987 552 986 00 5X6	Stone grey			
	987 552 986 00 8G2	Sand beige			
	987 552 986 00 3S9	sea blue			
	987 552 986 00 9S5	Terracotta			
	987 552 986 00 9V6	Cocoa			
	987 552 986 00 D12	Dark grey/natural			
	987 552 986 00 T12	Brown/natural			
	987 552 986 00 N12	Carrera Red			
2	987 552 383 01	Trim (drivers side)	inner lhd	1	CAYMAN PR:098
(2)	987 552 383 01 D07	Volcano grey			
(2)	987 552 383 02	Trim (drivers side)	inner lhd	1	CAYMAN S PR:098
(2)	987 552 383 02 V04	Galvano silver			
(2)	987 552 383 03	Trim (drivers side)	inner lhd	1	PR:098,801
(2)	987 552 383 03 S61	macassar			
(2)	987 552 383 05	Trim (drivers side)	inner lhd	1	PR:098,803
(2)	987 552 383 05 A35	Black			
(2)	987 552 383 06	Trim (drivers side)	inner lhd	1	PR:098,805
(2)	987 552 383 06 G2X	primed			
(2)	987 552 383 06	Trim (drivers side)	inner lhd	1	PR:098,XDM
(2)	987 552 383 06 G2X	D - MJ 2010>> primed			
(2)	987 552 987 00	Trim (drivers side)	inner lhd	1	PR:XVP,098
	987 552 987 00 A11	Black			
	987 552 987 00 5X6	Stone grey			
	987 552 987 00 8G2	Sand beige			
	987 552 987 00 3S9	sea blue			
	987 552 987 00 9S5	Terracotta			
	987 552 987 00 9V6	Cocoa			
	987 552 987 00 D12	Dark grey/natural			
	987 552 987 00 T12	Brown/natural			

Model: 987209

Model life 2009>>2012

Pos	Part Number	Description	Remark	Qty	Model
3	987 552 987 00 N12	Carrera Red			
	987 552 585 01	molding for dashboard	center	1	CAYMAN
(3)	987 552 585 01 D07	Volcano grey			
	987 552 585 02	molding for dashboard	center	1	CAYMAN S
	987 552 585 02 V04	Galvano silver			
(3)	987 552 585 03	molding for dashboard	center	1	PR:801
	987 552 585 03 S61	macassar			
(3)	987 552 585 05	molding for dashboard	center	1	PR:803
	987 552 585 05 A35	Black			
(3)	987 552 585 06	molding for dashboard	center	1	PR:805
	987 552 585 06 G2X	primed			
(3)	987 552 585 06	molding for dashboard	center	1	PR:XDM
		D - MJ 2010>>			
	987 552 585 06 G2X	primed			
(3)	987 552 981 00	molding for dashboard	center	1	PR:XVP
	987 552 981 00 A11	Black			
	987 552 981 00 5X6	Stone grey			
	987 552 981 00 8G2	Sand beige			
	987 552 981 00 3S9	sea blue			
	987 552 981 00 9S5	Terracotta			
	987 552 981 00 9V6	Cocoa			
	987 552 981 00 D12	Dark grey/natural			
	987 552 981 00 T12	Brown/natural			
	987 552 981 00 N12	Carrera Red			
4	987 552 388 01	molding for dashboard (passenger side)	lhd	1	CAYMAN PR:098
	987 552 388 01 D07	Volcano grey			
(4)	987 552 388 02	molding for dashboard (passenger side)	lhd	1	CAYMAN S PR:098
	987 552 388 02 V04	Galvano silver			
(4)	987 552 388 03	molding for dashboard (passenger side)	lhd	1	PR:098,801
	987 552 388 03 S61	macassar			
(4)	987 552 388 05	molding for dashboard (passenger side)	lhd	1	PR:098,803
	987 552 388 05 A35	Black			
(4)	987 552 388 06	molding for dashboard (passenger side)	lhd	1	PR:098,805
	987 552 388 06 G2X	primed			
(4)	987 552 388 06	molding for dashboard (passenger side)	lhd	1	PR:098,XDM
		D - MJ 2010>>			
	987 552 388 06 G2X	primed			
(4)	987 552 982 00	molding for dashboard (passenger side)	lhd	1	PR:XVP,098
	987 552 982 00 A11	Black			
	987 552 982 00 5X6	Stone grey			
	987 552 982 00 8G2	Sand beige			
	987 552 982 00 3S9	sea blue			
	987 552 982 00 9S5	Terracotta			
	987 552 982 00 9V6	Cocoa			
	987 552 982 00 D12	Dark grey/natural			
	987 552 982 00 T12	Brown/natural			
	987 552 982 00 N12	Carrera Red			
5	987 552 023 00	Instrument box (complete) Lacquered	lhd	1	PR:098
	987 552 023 00 A03	Black			
	987 552 023 00 5V7	Stone grey			
	987 552 023 00 5Z1	Sand beige			
	987 552 023 00 8W7	sea blue			
(5)	987 552 325 02	Instrument box Lacquered	lhd	1	Cayman R PR:098

Model: 987209

Model life 2009>>2012

Pos	Part Number	Description	Remark	Qty	Model
		D - MJ 2011>>			
(5)	987 552 325 02 A03	Black			
	987 552 023 02	Instrument box (complete)	lhd	1	PR:098,981
	987 552 023 02 FSA	black/grey			
	987 552 023 02 FSB	Stone grey/stone grey			
	987 552 023 02 FSC	Sand beige/sand beige			
	987 552 023 02 FSD	Sea blue/grey			
	987 552 023 02 FSF	Terracotta/terracotta			
	987 552 023 02 FSG	Cocoa/Cocoa			
	987 552 023 02 FSH	Darkgrey natural/grey			
	987 552 023 02 FSJ	Brown nat./brown nat.			
	987 552 023 02 FSP	Carrera Red			
(5)	987 552 990 08	Instrument box (complete)	lhd	1	PR:XNG,098
	987 552 990 08 A11	Black			
	987 552 990 08 5X6	Stone grey			
	987 552 990 08 8G2	Sand beige			
	987 552 990 08 3S9	sea blue			
(5)	987 552 990 10	Instrument box (complete)	lhd	1	PR:XNG,098, 981
	987 552 990 10 A11	Black			
	987 552 990 10 5X6	Stone grey			
	987 552 990 10 8G2	Sand beige			
	987 552 990 10 3S9	sea blue			
	987 552 990 10 9S5	Terracotta			
	987 552 990 10 9V6	Cocoa			
	987 552 990 10 D12	Dark grey/natural			
	987 552 990 10 T12	Brown/natural			
	987 552 990 10 N12	Carrera Red			
(5)	987 552 990 12	Instrument box (complete)	lhd	1	PR:XCL,098
	987 552 990 12 V04	Galvano silver			
(5)	987 552 990 14	Instrument box (complete)	lhd	1	PR:XCL,098, 981
		No longer use the part here			
	987 552 990 14 V04	Galvano silver			
(5)	987 552 990 14	Instrument box (complete)	lhd	1	PR:XCL,098, 981
	987 552 990 14 A11	Black			
	987 552 990 14 5X6	Stone grey			
	987 552 990 14 8G2	Sand beige			
	987 552 990 14 3S9	sea blue			
	987 552 990 14 9S5	Terracotta			
	987 552 990 14 9V6	Cocoa			
	987 552 990 14 D12	Dark grey/natural			
	987 552 990 14 T12	Brown/natural			
	987 552 990 14 N12	Carrera Red			
(6)	987 552 123 02	Instrument box Upper part	lhd	1	PR:098,981
	987 552 123 02 FSA	black/grey			
	987 552 123 02 FSB	Stone grey/stone grey			
	987 552 123 02 FSC	Sand beige/sand beige			
	987 552 123 02 FSD	Sea blue/grey			
	987 552 123 02 FSF	Terracotta/terracotta			
	987 552 123 02 FSG	Cocoa/Cocoa			
	987 552 123 02 FSH	Darkgrey natural/grey			
	987 552 123 02 FSJ	Brown nat./brown nat.			
	987 552 123 02 FSP	Carrera Red			
7	987 552 229 00	Trim Combi-instrument		1	PR:098,981
	987 552 229 00 A03	Black			
	987 552 229 00 5V7	Stone grey			

Model: 987209

Model life 2009>>2012

Pos	Part Number	Description	Remark	Qty	Model
	987 552 229 00 5Z1	Sand beige			
	987 552 229 00 8W7	sea blue			
	987 552 229 00 8X8	Terracotta			
	987 552 229 00 8P9	Cocoa			
	987 552 229 00 T13	Brown/natural			
	987 552 229 00 N23	Carrera Red			
(7)	987 552 989 04	Trim	lhd	1	PR:XNG,098,981
		Combi-instrument			
	987 552 989 04 A11	Black			
	987 552 989 04 5X6	Stone grey			
	987 552 989 04 8G2	Sand beige			
	987 552 989 04 3S9	sea blue			
	987 552 989 04 9S5	Terracotta			
	987 552 989 04 9V6	Cocoa			
	987 552 989 04 D12	Dark grey/natural			
	987 552 989 04 T12	Brown/natural			
	987 552 989 04 N12	Carrera Red			
(7)	987 552 989 06	Trim	lhd	1	PR:XCL,098,981
		Combi-instrument			
	987 552 989 06 V04	Galvano silver			
8	999 919 235 09	fillister hd. bolt		4	
		ST 3,5 X 8			
9	900 067 416 01	Socket head bolt		2	
		M5 x 27			
10	999 073 226 09	panel screw		5	
		ST 4,2 X 16			
11	987 552 271 01	Bridge	lhd	1	PR:098
	987 552 271 01 A03	Black			
	987 552 271 01 5V7	Stone grey			
	987 552 271 01 5Z1	Sand beige			
	987 552 271 01 8W7	sea blue			
	987 552 271 01 8P9	Cocoa			
	987 552 271 01 T13	Brown/natural			
	987 552 271 01 N23	Carrera Red			
11	987 552 978 00	Bridge	lhd	1	PR:XNS,098
	987 552 978 00 A11	Black			
	987 552 978 00 5X6	Stone grey			
	987 552 978 00 8G2	Sand beige			
	987 552 978 00 3S9	sea blue			
	987 552 978 00 9S5	Terracotta			
	987 552 978 00 9V6	Cocoa			
	987 552 978 00 D12	Dark grey/natural			
	987 552 978 00 T12	Brown/natural			
	987 552 978 00 N12	Carrera Red			
12	997 552 294 03	Drinks holder	lhd	1	PR:098
-	997 552 905 00	repair set		1	
		Flap			
		torsion spring			
		for			
		Beverages			
		Bracket			
13	997 552 394 01	Retainer for trim	right lhd	1	CAYMAN PR:098
	997 552 394 01 D07	Volcano grey			
(13)	997 552 394 02	Retainer for trim	right lhd	1	CAYMAN S PR:098
	997 552 394 02 V04	Galvano silver			
(13)	997 552 396 05	Retainer for trim	right lhd	1	PR:098,803
	997 552 396 05 A35	Black			
(13)	987 552 394 00	Trim for drinks	right lhd	1	PR:098,805, 825
		holder			
	987 552 394 00 G2X	primed			
(13)	987 552 394 00	Trim for drinks	right lhd	1	PR:098,XDM

Model: 987209 Model life 2009>>2012

Pos	Part Number	Description	Remark	Qty	Model
		holder			
		D - MJ 2010>>			
		primed			
(13)	987 552 394 00 G2X	Leather panel	right lhd	1	PR:XVP,098
	997 552 993 00	Black			
	997 552 993 00 A11	Stone grey			
	997 552 993 00 5X6	Sand beige			
	997 552 993 00 8G2	sea blue			
	997 552 993 00 3S9	Terracotta			
	997 552 993 00 9S5	Cocoa			
	997 552 993 00 9V6	Dark grey/natural			
	997 552 993 00 D12	Brown/natural			
	997 552 993 00 T12	Carrera Red			
	997 552 993 00 N12	Retainer for trim	center lhd	1	CAYMAN PR:098
14	997 552 398 00	Volcano grey			
	997 552 398 00 D07	Retainer for trim	center lhd	1	CAYMAN S PR:098
(14)	997 552 398 01	Galvano silver			
	997 552 398 01 V04	Retainer for trim	center lhd	1	PR:098,803
(14)	997 552 398 04	Black			
	987 552 392 00	Retainer for trim	center lhd	1	PR:098,805
(14)	987 552 392 00 G2X	primed			
	987 552 392 00	Retainer for trim	center lhd	1	PR:098,XDM
		D - MJ 2010>>			
		primed			
(14)	987 552 392 00 G2X	Leather panel	center lhd	1	PR:XVP,098
	997 552 994 00	Black			
	997 552 994 00 A11	Stone grey			
	997 552 994 00 5X6	Sand beige			
	997 552 994 00 8G2	sea blue			
	997 552 994 00 3S9	Terracotta			
	997 552 994 00 9S5	Cocoa			
	997 552 994 00 9V6	Dark grey/natural			
	997 552 994 00 D12	Brown/natural			
	997 552 994 00 T12	Carrera Red			
	997 552 994 00 N12	Retainer for trim	center lhd	1	Cayman R PR:XDM,805, 098,585
(14)	987 552 392 02	with:			
		inscription			
		D - MJ 2011>>			
	987 552 392 02 041	Black			
	987 552 392 02 84A	guards red (Porsche)			
	987 552 392 02 12H	Speed yellow			
	987 552 392 02 B9A	Carrara white			
	987 552 392 02 M5Q	Ice blue metallic			
	987 552 392 02 M5R	Aqua blue metallic			
	987 552 392 02 22G	Racing Green Metallic			
	987 552 392 02 C9Z	Basalt black metallic			
	987 552 392 02 M8W	Macadamia Metallic			
	987 552 392 02 M5X	Dark blue metallic			
	987 552 392 02 M7W	Meteor Grey Metallic			
	987 552 392 02 M7T	Platinum Silver Metallic			
	987 552 392 02 M3X	Ruby red metallic			
	987 552 392 02 M4Z	Amethyst metallic			
	987 552 392 02 51A	cream white			
	987 552 392 02 M7Z	GT Silver Metallic			
	987 552 392 02 2S1	Peridot Metallic			
15	997 552 396 01	Retainer for trim	left lhd	1	CAYMAN

Model: 987209 Model life 2009>>2012

Pos	Part Number	Description	Remark	Qty	Model
					PR:098
(15)	997 552 396 01 D07 997 552 396 02	Volcano grey Retainer for trim	left lhd	1	CAYMAN S PR:098
(15)	997 552 396 02 V04 997 552 394 05	Galvano silver Retainer for trim	left lhd	1	PR:098,803
(15)	997 552 394 05 A35 987 552 396 00	Black Trim for drinks holder	left lhd	1	PR:098,805
(15)	987 552 396 00 G2X 987 552 396 00	primed Trim for drinks holder	left lhd	1	PR:098,XDM
(15)	987 552 396 00 G2X 997 552 992 00	primed Leather panel	left lhd	1	PR:XVP,098
	997 552 992 00 A11	Black			
	997 552 992 00 5X6	Stone grey			
	997 552 992 00 8G2	Sand beige			
	997 552 992 00 3S9	sea blue			
	997 552 992 00 9S5	Terracotta			
	997 552 992 00 9V6	Cocoa			
	997 552 992 00 D12	Dark grey/natural			
	997 552 992 00 T12	Brown/natural			
	997 552 992 00 N12	Carrera Red			
16	997 552 904 00	Set Trim Wood	lhd	1	PR:098,801
17	997 552 904 00 S61 900 067 416 01	macassar Socket head bolt M5 X 27		2	
18		Retaining plate Beverages Bracket		1	
19	987 552 371 00	see illustration: Air guide	809-000	1	PR:639,640
	987 552 371 00 A03	Upper part Black			
	987 552 371 00 5V7	Stone grey			
	987 552 371 00 5Z1	Sand beige			
	987 552 371 00 8W7	sea blue			
(19)	987 552 371 01	Air guide Upper part		1	PR:639,640, 981
	987 552 371 01 A11	Black			
	987 552 371 01 5X6	Stone grey			
	987 552 371 01 8G2	Sand beige			
	987 552 371 01 3S9	sea blue			
	987 552 371 01 9S5	Terracotta			
	987 552 371 01 9V6	Cocoa			
	987 552 371 01 D12	Dark grey/natural			
	987 552 371 01 T12	Brown/natural			
	987 552 371 01 N12	Carrera Red			
20	999 507 920 01	U-clip 1,7-2,1		4	PR:639,640
21	997 552 373 01	Retainer, upper part Air guide		1	PR:639,640
22	999 919 203 07	fillister hd. bolt 3,0 X 10		4	
23	987 552 131 04	Air vent D >> - MJ 2009		4	
23	987 552 131 04 FRA 987 552 131 06	Black/Galvano Silver Air vent		4	
	987 552 131 06 FRA	D - MJ 2010>> Black/Galvano Silver			

Model: 987209

Model life 2009>>2012

Pos	Part Number	Description	Remark	Qty	Model
23	987 552 131 07	Air vent		4	PR:828
	987 552 131 07 A03	Black			
(23)	987 552 980 00	Air vent		4	PR:XVR
	987 552 980 00 A11	Black			
	987 552 980 00 5X6	Stone grey			
	987 552 980 00 8G2	Sand beige			
	987 552 980 00 3S9	sea blue			
	987 552 980 00 9S5	Terracotta			
	987 552 980 00 9V6	Cocoa			
	987 552 980 00 D12	Dark grey/natural			
	987 552 980 00 T12	Brown/natural			
	987 552 980 00 N12	Carrera Red			
24	987 552 537 01	Dash panel trim	left	1	
		Upper part			
	987 552 537 01 A03	Black			
	987 552 537 01 5V7	Stone grey			
	987 552 537 01 5Z1	Sand beige			
	987 552 537 01 8W7	sea blue			
	987 552 537 01 8X8	Terracotta			
	987 552 537 01 8P9	Cocoa			
	987 552 537 01 T13	Brown/natural			
	987 552 537 01 N23	Carrera Red			
(24)	987 552 538 01	Dash panel trim	right	1	
		Upper part			
	987 552 538 01 A03	Black			
	987 552 538 01 5V7	Stone grey			
	987 552 538 01 5Z1	Sand beige			
	987 552 538 01 8W7	sea blue			
	987 552 538 01 8X8	Terracotta			
	987 552 538 01 8P9	Cocoa			
	987 552 538 01 T13	Brown/natural			
	987 552 538 01 N23	Carrera Red			
25	987 552 455 01	Cover	left	1	
		Defroster vent			
	987 552 455 01 A03	Black			
	987 552 455 01 5V7	Stone grey			
	987 552 455 01 5Z1	Sand beige			
	987 552 455 01 8W7	sea blue			
	987 552 455 01 8X8	Terracotta			
	987 552 455 01 8P9	Cocoa			
	987 552 455 01 T13	Brown/natural			
	987 552 455 01 N23	Carrera Red			
(25)	987 552 456 01	Cover	right	1	
		Defroster vent			
	987 552 456 01 A03	Black			
	987 552 456 01 5V7	Stone grey			
	987 552 456 01 5Z1	Sand beige			
	987 552 456 01 8W7	sea blue			
	987 552 456 01 8X8	Terracotta			
	987 552 456 01 8P9	Cocoa			
	987 552 456 01 T13	Brown/natural			
	987 552 456 01 N23	Carrera Red			
26	987 552 315 02	Air guide	left	1	
			side		
(26)	987 552 316 02	Air guide	right	1	
			side		
27	997 552 175 01	Defroster trim	left	1	
	997 552 175 01 A03	Black			
	997 552 175 01 5V7	Stone grey			
	997 552 175 01 5Z1	Sand beige			
	997 552 175 01 8W7	sea blue			
	997 552 175 01 8X8	Terracotta			
	997 552 175 01 8P9	Cocoa			

Model: 987209

Model life 2009>>2012

Pos	Part Number	Description	Remark	Qty	Model
	997 552 175 01 T13	Brown/natural			
	997 552 175 01 N23	Carrera Red			
(27)	997 552 176 01	Defroster trim	right	1	
	997 552 176 01 A03	Black			
	997 552 176 01 5V7	Stone grey			
	997 552 176 01 5Z1	Sand beige			
	997 552 176 01 8W7	sea blue			
	997 552 176 01 8X8	Terracotta			
	997 552 176 01 8P9	Cocoa			
	997 552 176 01 T13	Brown/natural			
	997 552 176 01 N23	Carrera Red			
(27)	997 552 983 00	Defroster trim	left	1	PR: XV1
	997 552 983 00 A11	Black			
	997 552 983 00 5X6	Stone grey			
	997 552 983 00 8G2	Sand beige			
	997 552 983 00 3S9	sea blue			
	997 552 983 00 9S5	Terracotta			
	997 552 983 00 9V6	Cocoa			
	997 552 983 00 D12	Dark grey/natural			
	997 552 983 00 T12	Brown/natural			
	997 552 983 00 N12	Carrera Red			
(27)	997 552 984 00	Defroster trim	right	1	PR: XV1
	997 552 984 00 A11	Black			
	997 552 984 00 5X6	Stone grey			
	997 552 984 00 8G2	Sand beige			
	997 552 984 00 3S9	sea blue			
	997 552 984 00 9S5	Terracotta			
	997 552 984 00 9V6	Cocoa			
	997 552 984 00 D12	Dark grey/natural			
	997 552 984 00 T12	Brown/natural			
	997 552 984 00 N12	Carrera Red			
28	999 591 307 01	U-clip		1	
29	997 552 351 01	Trim	center	1	
	997 552 351 01 A03	Black			
	997 552 351 01 5V7	Stone grey			
	997 552 351 01 5Z1	Sand beige			
	997 552 351 01 8W7	sea blue			
	997 552 351 01 8X8	Terracotta			
	997 552 351 01 8P9	Cocoa			
	997 552 351 01 T13	Brown/natural			
	997 552 351 01 N23	Carrera Red			
(29)	997 552 985 00	Leather panel	center	1	PR: XV1
	997 552 985 00 A11	Black			
	997 552 985 00 5X6	Stone grey			
	997 552 985 00 8G2	Sand beige			
	997 552 985 00 3S9	sea blue			
	997 552 985 00 9S5	Terracotta			
	997 552 985 00 9V6	Cocoa			
	997 552 985 00 D12	Dark grey/natural			
	997 552 985 00 T12	Brown/natural			
	997 552 985 00 N12	Carrera Red			
30	997 552 645 00	Seal		1	
		Scuttle			
31	987 552 397 02	Trim		1	
		Hazard warning light sw.			
	987 552 397 02 A03	Black			
	987 552 397 02 5V7	Stone grey			
	987 552 397 02 5Z1	Sand beige			
	987 552 397 02 8W7	sea blue			
	987 552 397 02 8X8	Terracotta			
	987 552 397 02 8P9	Cocoa			
	987 552 397 02 T13	Brown/natural			
	987 552 397 02 N23	Carrera Red			

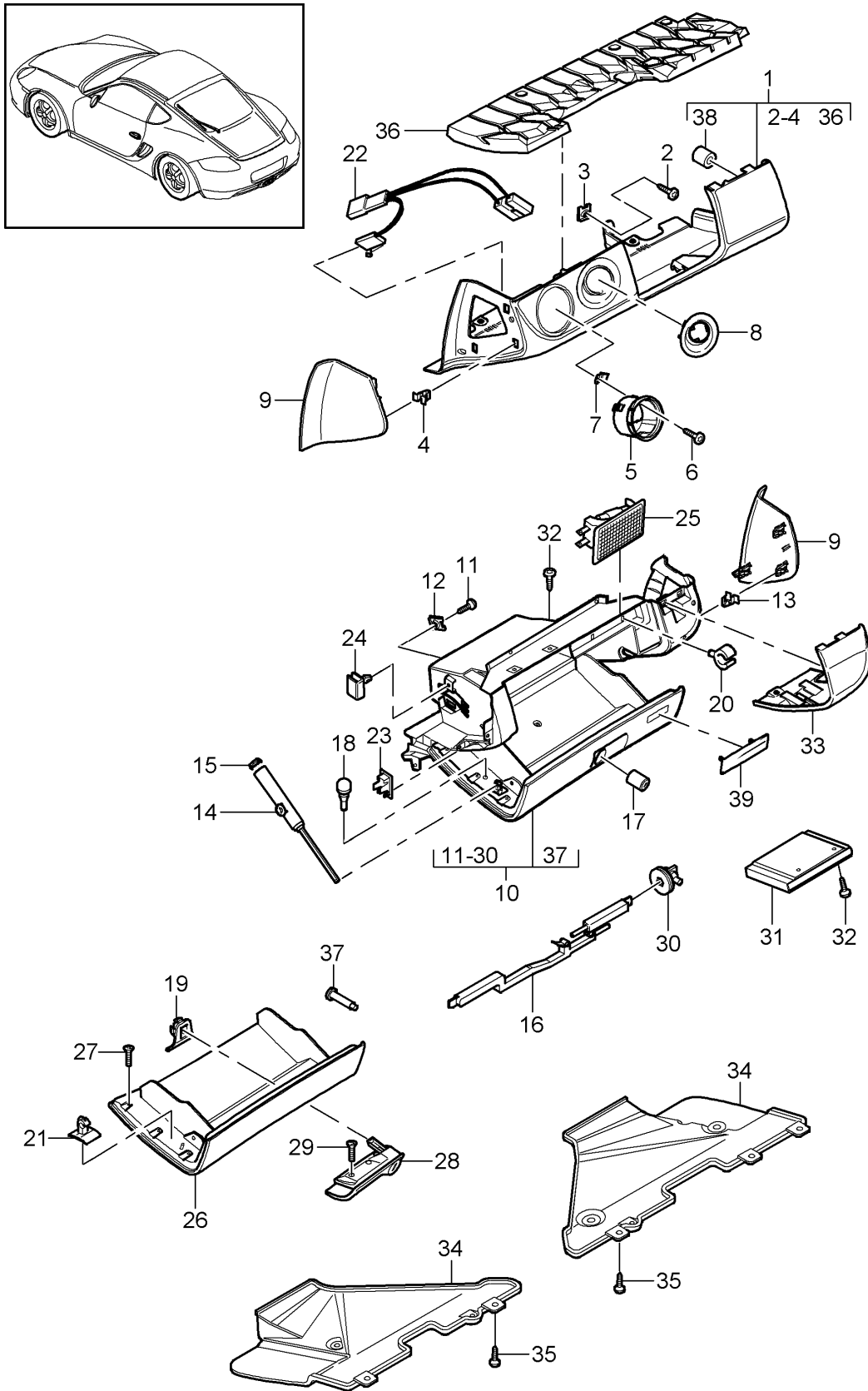
Model: 987209

Model life 2009>>2012

Pos	Part Number	Description	Remark	Qty	Model
32	987 552 595 00	Support Switch Central locking system		1	
33	987 552 374 00	Retainer for trim D - MJ 2011>>	lhd	1	PR:098,-585
34	987 552 474 01	Retainer for trim with: inscription D - MJ 2011>>	lhd	1	Cayman R PR:XDM,805, 098,-585
	987 552 474 01 041	Black			
	987 552 474 01 84A	guards red (Porsche)			
	987 552 474 01 12H	Speed yellow			
	987 552 474 01 B9A	Carrara white			
	987 552 474 01 M5Q	Ice blue metallic			
	987 552 474 01 M5R	Aqua blue metallic			
	987 552 474 01 22G	Racing Green Metallic			
	987 552 474 01 C9Z	Basalt black metallic			
	987 552 474 01 M8W	Macadamia Metallic			
	987 552 474 01 M5X	Dark blue metallic			
	987 552 474 01 M7W	Meteor Grey Metallic			
	987 552 474 01 M7T	Platinum Silver Metallic			
	987 552 474 01 M3X	Ruby red metallic			
	987 552 474 01 M4Z	Amethyst metallic			
	987 552 474 01 51A	cream white			
	987 552 474 01 M7Z	GT Silver Metallic			
	987 552 474 01 2S1	Peridot Metallic			

Model: 987209

Model life 2009>>2012



Model: 987209

Model life 2009>>2012

Pos	Part Number	Description	Remark	Qty	Model
1	997 552 201 02	Glove box Cover and Trim (drivers side) Trim lower section Leatherette	lhd	1	PR:098
	997 552 201 02 1MZ	Black			
	997 552 201 02 1YP	Stone grey			
	997 552 201 02 1TK	Sand beige			
	997 552 201 02 1VM	sea blue			
(1)	997 552 201 03	Trim lower section Leather	lhd	1	PR:098,981
	997 552 201 03 A11	Black			
	997 552 201 03 5X6	Stone grey			
	997 552 201 03 8G2	Sand beige			
	997 552 201 03 3S9	sea blue			
	997 552 201 03 9S5	Terracotta			
	997 552 201 03 9V6	Cocoa			
	997 552 201 03 D12	Dark grey/natural			
	997 552 201 03 T12	Brown/natural			
	997 552 201 03 N12	Carrera Red			
2	999 073 155 09	panel screw 4,2 X 13		7	
3	999 507 971 01	panel nut 4,2		7	
4	999 507 732 01	Clamp 8 X 12/ 4 for Mount Trim		7	
5	997 552 427 01	Trim Light switch		1	
	997 552 427 01 A03	Black			
	997 552 427 01 5V7	Stone grey			
	997 552 427 01 5Z1	Sand beige			
	997 552 427 01 8W7	sea blue			
	997 552 427 01 8X8	Terracotta			
	997 552 427 01 8P9	Cocoa			
	997 552 427 01 T13	Brown/natural			
	997 552 427 01 N23	Carrera Red			
6	999 073 155 09	panel screw 4,2 X 13		3	
7	999 507 971 01	panel nut 4,2 for Mount Trim Light switch		3	
8	997 552 425 01	Trim Ignition starter lock	lhd	1	PR:098
	997 552 425 01 A03	Black			
	997 552 425 01 5V7	Stone grey			
	997 552 425 01 5Z1	Sand beige			
	997 552 425 01 8W7	sea blue			
	997 552 425 01 8X8	Terracotta			
	997 552 425 01 8P9	Cocoa			
	997 552 425 01 T13	Brown/natural			
	997 552 425 01 N23	Carrera Red			
(8)	997 552 998 00	Leather panel Ignition starter lock D - MJ 2010>>	lhd	1	PR:XDS,098
	997 552 998 00 A11	Black			

Model: 987209 Model life 2009>>2012

Pos	Part Number	Description	Remark	Qty	Model
	997 552 998 00 5X6	Stone grey			
	997 552 998 00 8G2	Sand beige			
	997 552 998 00 3S9	sea blue			
	997 552 998 00 9S5	Terracotta			
	997 552 998 00 9V6	Cocoa			
	997 552 998 00 D12	Dark grey/natural			
	997 552 998 00 T12	Brown/natural			
	997 552 998 00 N12	Carrera Red			
9	997 552 405 02	Trim	left	1	
	997 552 405 02 A03	Black			
	997 552 405 02 5V7	Stone grey			
	997 552 405 02 5Z1	Sand beige			
	997 552 405 02 8W7	sea blue			
	997 552 405 02 8X8	Terracotta			
	997 552 405 02 8P9	Cocoa			
	997 552 405 02 T13	Brown/natural			
(9)	997 552 405 02 N23	Carrera Red			
	997 552 406 02	Trim	right side	1	
		(drivers side)			
	997 552 406 02 A03	Black			
	997 552 406 02 5V7	Stone grey			
	997 552 406 02 5Z1	Sand beige			
	997 552 406 02 8W7	sea blue			
	997 552 406 02 8X8	Terracotta			
	997 552 406 02 8P9	Cocoa			
	997 552 406 02 T13	Brown/natural			
	997 552 406 02 N23	Carrera Red			
(9)	997 552 996 01	Leather panel	left	1	PR:XDV
		D - MJ 2010>>			
	997 552 996 01 A11	Black			
	997 552 996 01 5X6	Stone grey			
	997 552 996 01 8G2	Sand beige			
	997 552 996 01 3S9	sea blue			
	997 552 996 01 9S5	Terracotta			
	997 552 996 01 9V6	Cocoa			
	997 552 996 01 D12	Dark grey/natural			
	997 552 996 01 T12	Brown/natural			
	997 552 996 01 N12	Carrera Red			
(9)	997 552 996 02	Leather panel	right	1	PR:XDV
		D - MJ 2010>>			
	997 552 996 02 A11	Black			
	997 552 996 02 5X6	Stone grey			
	997 552 996 02 8G2	Sand beige			
	997 552 996 02 3S9	sea blue			
	997 552 996 02 9S5	Terracotta			
	997 552 996 02 9V6	Cocoa			
	997 552 996 02 D12	Dark grey/natural			
	997 552 996 02 T12	Brown/natural			
	997 552 996 02 N12	Carrera Red			
10	997 552 204 06	Glove box	lhd	1	PR:098
		Leatherette			
		(complete)			
	997 552 204 06 1MZ	Black			
	997 552 204 06 1YP	Stone grey			
	997 552 204 06 1TK	Sand beige			
	997 552 204 06 1VM	sea blue			
10	997 552 204 07	Glove box	lhd	1	PR:098,981
		Leather			
		(complete)			
	997 552 204 07 A11	Black			
	997 552 204 07 5X6	Stone grey			
	997 552 204 07 8G2	Sand beige			

Model: 987209 Model life 2009>>2012

Pos	Part Number	Description	Remark	Qty	Model
	997 552 204 07 3S9	sea blue			
	997 552 204 07 9S5	Terracotta			
	997 552 204 07 9V6	Cocoa			
	997 552 204 07 D12	Dark grey/natural			
	997 552 204 07 T12	Brown/natural			
	997 552 204 07 N12	Carrera Red			
11	999 073 155 09	panel screw 4,2 X 13		X	
12	999 507 971 01	panel nut 4,2		X	
13	999 507 732 01	Clamp 8 X 12 /4 for Mount		X	
14	997 552 484 01	Glove box Damper		1	
15	997 552 612 00	Glove box Cover Damper		1	
16	997 552 410 01	Release Glove box	lhd	1	PR:098
17	996 552 915 01	Lock cylinders Glove box Vehicle Ident. No. Indicate		1	
18	999 703 068 40	Stop buffer 3,7 x 10,3		2	
19	997 552 509 02	Support Closing element	left lhd	1	PR:098
(19)	997 552 510 02	Support Closing element	right lhd	1	PR:098
20	996 552 813 00	Pen holder		2	
21	996 552 879 00	Adapter for Damper		2	
22	997 612 651 00	Wire set Glove box light		1	
23	999 650 564 40	Clip for Wire set		1	
24	999 650 565 40	Micro switch Clip for Wire set		1	
25	997 632 071 00	Glove box light		1	
26	997 552 252 02	Glove compartment cover Leatherette	lhd	1	PR:098
	997 552 252 02 1MZ	Black			
	997 552 252 02 1YP	Stone grey			
	997 552 252 02 1TK	Sand beige			
	997 552 252 02 1VM	sea blue			
(26)	997 552 252 03	Glove compartment cover Leather	lhd	1	PR:098,981
	997 552 252 03 A11	Black			
	997 552 252 03 5X6	Stone grey			
	997 552 252 03 8G2	Sand beige			
	997 552 252 03 3S9	sea blue			
	997 552 252 03 9S5	Terracotta			
	997 552 252 03 9V6	Cocoa			
	997 552 252 03 D12	Dark grey/natural			
	997 552 252 03 T12	Brown/natural			
	997 552 252 03 N12	Carrera Red			

Model: 987209

Model life 2009>>2012

Pos	Part Number	Description	Remark	Qty	Model
27	999 073 249 07	panel screw 3.5 X 12 for Mount Glove compartment cover		11	
28	997 552 362 01	handle (complete)	lhd	1	PR:098
	997 552 362 01 A03	Black			
	997 552 362 01 5V7	Stone grey			
	997 552 362 01 5Z1	Sand beige			
	997 552 362 01 8W7	sea blue			
	997 552 362 01 8X8	Terracotta			
	997 552 362 01 8P9	Cocoa			
	997 552 362 01 T13	Brown/natural			
	997 552 362 01 N23	Carrera Red			
29	999 073 240 01	Screw M 4 X 10 for Mount handle		2	
30	997 552 448 00	Stop		1	
31	997 552 663 00	Box for cds		1	PR:424
(31)	997 552 665 00	Trim Box for cds		1	
32	999 073 240 01	Screw M 4 X 10		2	
33	997 552 256 02	Trim (passenger side) Leatherette	lhd	1	PR:098
	997 552 256 02 1MZ	Black			
	997 552 256 02 1YP	Stone grey			
	997 552 256 02 1TK	Sand beige			
	997 552 256 02 1VM	sea blue			
33	997 552 256 03	Leather panel (passenger side)	lhd	1	PR:098,981
	997 552 256 03 A11	Black			
	997 552 256 03 5X6	Stone grey			
	997 552 256 03 8G2	Sand beige			
	997 552 256 03 3S9	sea blue			
	997 552 256 03 9S5	Terracotta			
	997 552 256 03 9V6	Cocoa			
	997 552 256 03 D12	Dark grey/natural			
	997 552 256 03 T12	Brown/natural			
	997 552 256 03 N12	Carrera Red			
34	997 552 414 01	Trim Footwell (passenger side)	lhd	1	PR:098
35	1H0 819 943	round hd. screw for Mount Trim Footwell		X	
36	997 552 451 01	Insert	lhd	1	PR:098
37	997 552 649 01	Hinge bolt Glove box		2	
38	997 552 821 00	Grommet		3	
39	987 552 783 08	Badge Special model Vehicle Ident. No. Indicate		1	CAYMAN S PR:013
(39)	987 552 783 09	Badge Special model Vehicle Ident. No.		1	CAYMAN PR:013

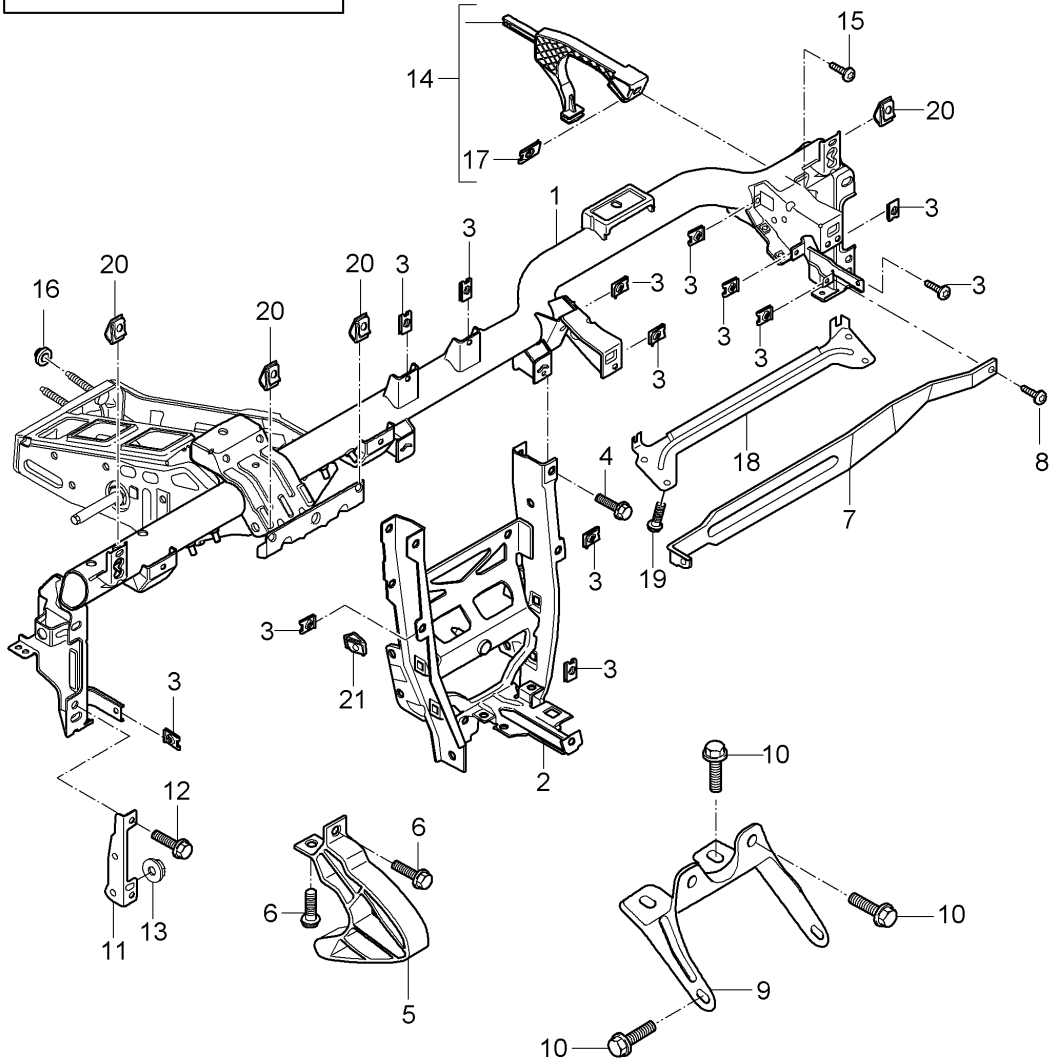
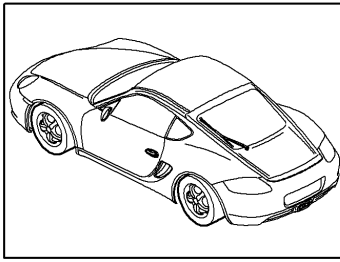
Model: 987209

Model life 2009>>2012

Pos	Part Number	Description	Remark	Qty	Model
		Indicate			

Model: 987209

Model life 2009>>2012



Model: 987209

Model life 2009>>2012

Pos	Part Number	Description	Remark	Qty	Model
(1)	997 552 063 09	retaining frame dashboard		1	PR:553
2	997 552 163 05	retaining frame Support	lhd	1	PR:098
3	999 507 020 01	tunnel panel nut ST 4,2 for Mount retaining frame and Support tunnel		X	
4	900 378 305 01	Hexagon bolt M 8 X 65 for Mount Support		2	
5	997 552 191 05	knee pad (drivers side)		2	PR:553
(5)	997 552 192 05	knee pad (passenger side)		2	PR:553
6	900 378 036 09	Hexagon bolt M 6 X 12 for Mount knee pad		8	PR:553
7	997 552 764 05	Reinforcement strip Glove box		1	PR:553
8	999 073 155 09	panel screw ST 4,2 X 13 for Mount Reinforcement strip		2	PR:553
9	997 552 515 01	Bracket tunnel		1	
10	999 073 442 01	Screw M 6 X 25 for Mount Bracket tunnel		X	
11	997 552 407 01	bracket for dash panel A-pillar	left	1	
(11)	997 552 408 01	bracket for dash panel A-pillar	right	1	
12	900 378 176 01	Hexagon bolt M 8 X 20 for Mount Bracket A-pillar		4	
13	999 084 630 09	Hexagon nut M 8 for Mount Bracket A-pillar		4	
14	997 552 401 00	Retainer for support frame heater		1	
15	999 073 155 09	panel screw ST 4,2 X 13 for		1	

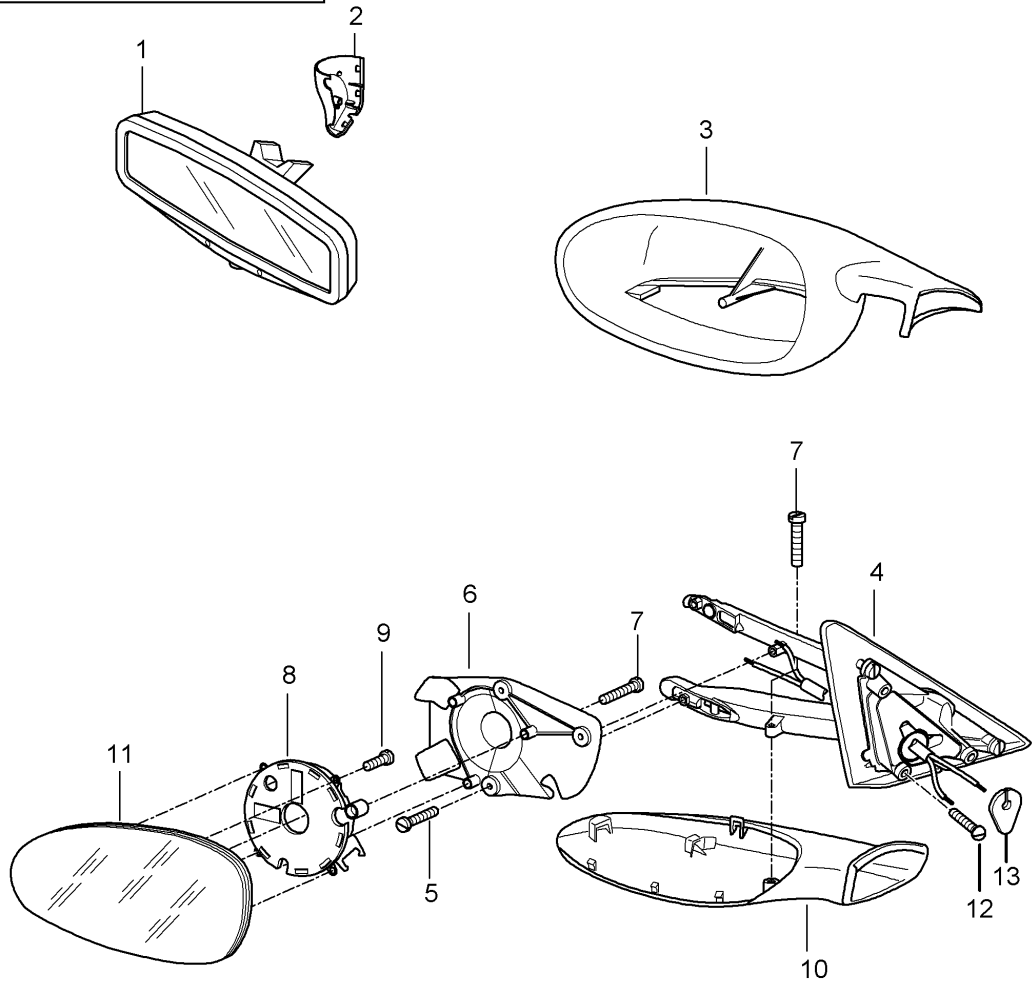
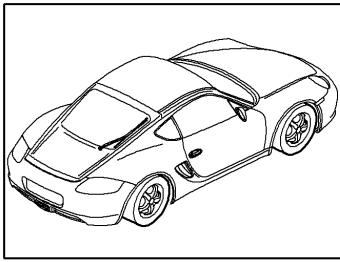
Model: 987209

Model life 2009>>2012

Pos	Part Number	Description	Remark	Qty	Model
16	997 423 299 01	Mount Bracket heater Nut for Adjustment retaining frame		2	
17	999 507 971 01	Firewall panel nut ST 4,2 for Mount Bracket heater		1	
18	997 552 603 01	Reinforcement plate Bracket Airbag		1	
19	900 378 222 09	Hexagon bolt M 6 X 16		4	
20	999 591 850 01	panel nut ST 4,2		X	
21	999 591 951 03	panel nut ST 4,2		X	

Model: 987209

Model life 2009>>2012



Model: 987209

Model life 2009>>2012

Pos	Part Number	Description	Remark	Qty	Model
(1)	987 731 511 03	Interior mirror Exterior mirror Interior mirror, automatic anti-dazzle		1	PR:267
	987 731 511 03 01C	Satin black			
(1)	987 731 511 04	Interior mirror		1	PR:-267
	987 731 511 04 01C	Black			
(1)	987 731 993 00	Interior mirror, automatic anti-dazzle Leather		1	PR:XVW,267
	987 731 993 00 A11	Black			
	987 731 993 00 D12	dark grey			
	987 731 993 00 N12	Carrera Red			
	987 731 993 00 T12	Natural brown			
	987 731 993 00 3S9	sea blue			
	987 731 993 00 5X6	Stone grey			
	987 731 993 00 8G2	Sand beige			
	987 731 993 00 9S5	Terracotta			
	987 731 993 00 9V6	Cocoa			
(1)	987 731 993 01	Interior mirror Manually Leather		1	PR:XVW
	987 731 993 01 A11	Black			
	987 731 993 01 D12	dark grey			
	987 731 993 01 N12	Carrera Red			
	987 731 993 01 T12	Natural brown			
	987 731 993 01 3S9	sea blue			
	987 731 993 01 5X6	Stone grey			
	987 731 993 01 8G2	Sand beige			
	987 731 993 01 9S5	Terracotta			
	987 731 993 01 9V6	Cocoa			
2	997 731 811 00	Cover	left	1	PR:267
	997 731 811 00 01C	Interior mirror Satin black			
2	997 731 812 00	Cover	right	1	PR:267
	997 731 812 00 01C	Interior mirror Satin black			
(2)	997 731 997 00	Cover (leather) Interior mirror	left	1	PR:XVW
	997 731 997 00 A11	Black			
	997 731 997 00 D12	dark grey			
	997 731 997 00 N12	Carrera Red			
	997 731 997 00 T12	Natural brown			
	997 731 997 00 3S9	sea blue			
	997 731 997 00 5X6	Stone grey			
	997 731 997 00 8G2	Sand beige			
	997 731 997 00 9S5	Terracotta			
	997 731 997 00 9V6	Cocoa			
(2)	997 731 997 01	Cover (leather) Interior mirror	right	1	PR:XVW
	997 731 997 01 A11	Black			
	997 731 997 01 D12	dark grey			
	997 731 997 01 N12	Carrera Red			
	997 731 997 01 T12	Natural brown			
	997 731 997 01 3S9	sea blue			
	997 731 997 01 5X6	Stone grey			
	997 731 997 01 8G2	Sand beige			
	997 731 997 01 9S5	Terracotta			
	997 731 997 01 9V6	Cocoa			
3	997 731 619 02	Exterior mirror housing	left	1	
	997 731 619 02 G2L	primed			
(3)	997 731 620 02	Exterior mirror housing	right	1	
	997 731 620 02 G2L	primed			

Model: 987209 Model life 2009>>2012

Pos	Part Number	Description	Remark	Qty	Model
4	997 731 219 00	Mirror base	left lhd	1	PR:098,-267,-537
	997 731 219 00 G2L	Exterior mirror primed			
		with:			
(4)	997 731 220 00	Wire set	right lhd	1	PR:098,-267,-537
	997 731 220 00 G2L	Mirror base			
		Exterior mirror primed			
		with:			
(4)	997 731 219 01	Wire set	left lhd	1	PR:098,-267,537
	997 731 219 01 G2L	Mirror base			
		Exterior mirror primed			
		with:			
(4)	997 731 220 01	Wire set	right lhd	1	PR:098,-267,537
	997 731 220 01 G2L	Mirror base			
		Exterior mirror primed			
		with:			
(4)	997 731 219 02	Wire set	left lhd	1	PR:098,267,-537
	997 731 219 02 G2L	Mirror base			
		Exterior mirror primed			
		with:			
(4)	997 731 220 02	Wire set	right lhd	1	PR:098,267,-537
	997 731 220 02 G2L	Mirror base			
		Exterior mirror primed			
		with:			
(4)	997 731 219 03	Wire set	left lhd	1	PR:098,537,267
	997 731 219 03 G2L	Mirror base			
		Exterior mirror primed			
		with:			
(4)	997 731 220 03	Wire set	right lhd	1	PR:098,537,267
	997 731 220 03 G2L	Mirror base			
		Exterior mirror primed			
		with:			
(4)	997 731 219 07	Wire set	left	1	PR:099,267,538
	997 731 219 07 G2L	Mirror base			
		Exterior mirror primed			
		with:			
(4)	997 731 220 07	Wire set	right	1	PR:099,267,538
	997 731 220 07 G2L	Mirror base			
		Exterior mirror primed			
		with:			
5	999 919 024 09	fillister hd. bolt		6	
		3,0 X 12			
6	997 731 519 00	plate	left	1	
(6)	997 731 520 00	plate	right	1	
		Exterior mirror			
7	999 141 043 02	fillister hd. bolt		8	
		3,0 X 14			
8	997 624 047 00	Adjusting motor		2	
		Discontinued part			
8	997 624 047 01	Adjusting motor		2	
(8)	997 624 048 00	Adjusting motor		2	PR:537,538
		Discontinued part			

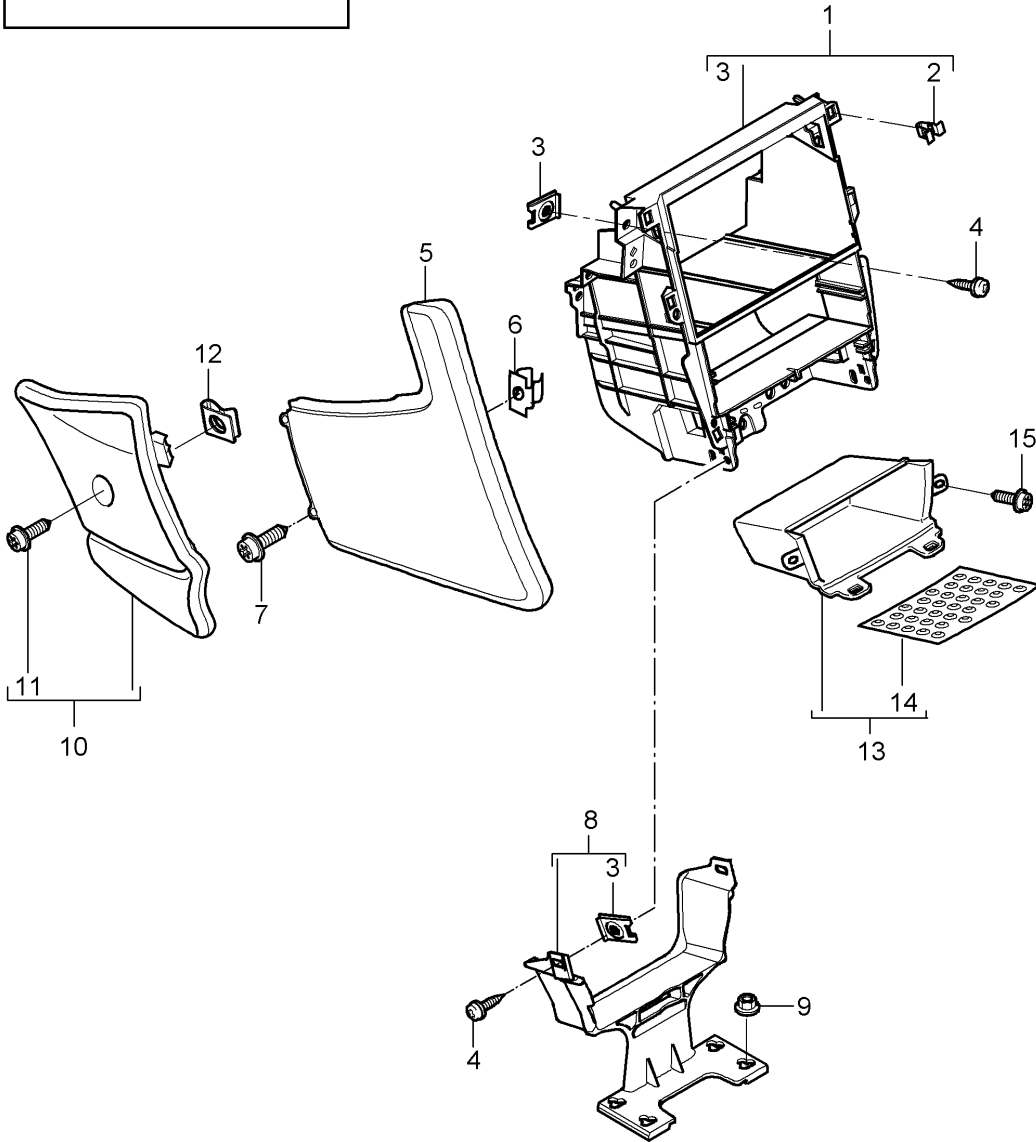
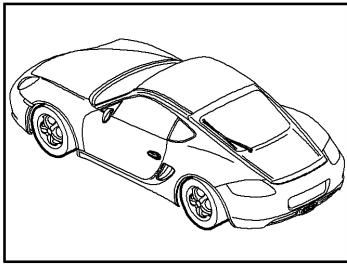
Model: 987209

Model life 2009>>2012

Pos	Part Number	Description	Remark	Qty	Model
(8)	997 624 048 01	Adjusting motor		2	PR:537,538
9	999 141 043 02	fillister hd. bolt M 3,0 X 14		6	
10	997 731 719 02	Trim for exterior mirror housing	left lower	1	
	997 731 719 02 G2L	primed			
(10)	997 731 720 02	Trim for exterior mirror housing	right lower	1	
	997 731 720 02 G2L	primed			
11	997 731 035 06	Mirror glass (flat)	left lhd	1	PR:098,270, -267
(11)	997 731 035 07	Mirror (aspherical) Aspherical	left lhd	1	PR:098,271, -267
(11)	997 731 035 08	Mirror glass (flat)	left lhd	1	PR:098,267, 270
		Dimmable			
(11)	997 731 038 10	Mirror glass (convex)	right lhd	1	PR:098,553
(11)	997 731 038 13	Mirror glass (convex)	right lhd	1	PR:098,267, 074,553
12	999 073 345 09	Oval-head screw M 5 X 18		3	
13	997 537 733 00	Seal Cable plug Mirror base		1	

Model: 987209

Model life 2009>>2012



Model: 987209 Model life 2009>>2012

Pos	Part Number	Description	Remark	Qty	Model
1	997 553 111 03	Centre console Carrier	front front	1	
2	999 507 476 01	Centre console Clamp		6	
3	999 507 971 01	8,0 x 10,0/2,5 panel nut		X	
4	999 073 155 09	st 4,2 panel screw		X	
5	997 553 117 05	Trim	left side	1	PR:-618, -619,-668, -669
		Leatherette			
	997 553 117 05 9L4	Black			
	997 553 117 05 9M5	Stone grey			
	997 553 117 05 9C6	Sand beige			
	997 553 117 05 9D7	sea blue			
(5)	997 553 118 05	Trim	right side	1	PR:-618, -619,-668, -669
		Leatherette			
	997 553 118 05 9L4	Black			
	997 553 118 05 9M5	Stone grey			
	997 553 118 05 9C6	Sand beige			
	997 553 118 05 9D7	sea blue			
5	997 553 117 06	Leather panel	left side	1	PR:981,618, 619,668,669
	997 553 117 06 FSA	black/grey			
	997 553 117 06 FSB	Stone grey/stone grey			
	997 553 117 06 FSC	Sand beige/sand beige			
	997 553 117 06 FSD	Sea blue/grey			
	997 553 117 06 FSF	Terracotta/terracotta			
	997 553 117 06 FSG	Cocoa/Cocoa			
	997 553 117 06 FSH	Darkgrey natural/grey			
	997 553 117 06 FSJ	Brown nat./brown nat.			
	997 553 117 06 FSP	Carrera Red			
(5)	997 553 118 06	Leather panel	right side	1	PR:981,618, 619,668,669
	997 553 118 06 FSA	black/grey			
	997 553 118 06 FSB	Stone grey/stone grey			
	997 553 118 06 FSC	Sand beige/sand beige			
	997 553 118 06 FSD	Sea blue/grey			
	997 553 118 06 FSF	Terracotta/terracotta			
	997 553 118 06 FSG	Cocoa/Cocoa			
	997 553 118 06 FSH	Darkgrey natural/grey			
	997 553 118 06 FSJ	Brown nat./brown nat.			
	997 553 118 06 FSP	Carrera Red			
(5)		Trim	side	1	
		with: preparation for telephone see illustration:	911-010		
6	999 591 508 01	Cage nut st 4,2 for Mount Trim	side	4	
7	999 073 226 09	panel screw ST 4,2 X 16 for Mount Trim	side	4	
8	997 553 361 01	Support	center	1	
9	999 084 629 01	Hexagon nut M6		4	
10	997 553 131 01	Cover	left	1	PR:098,099

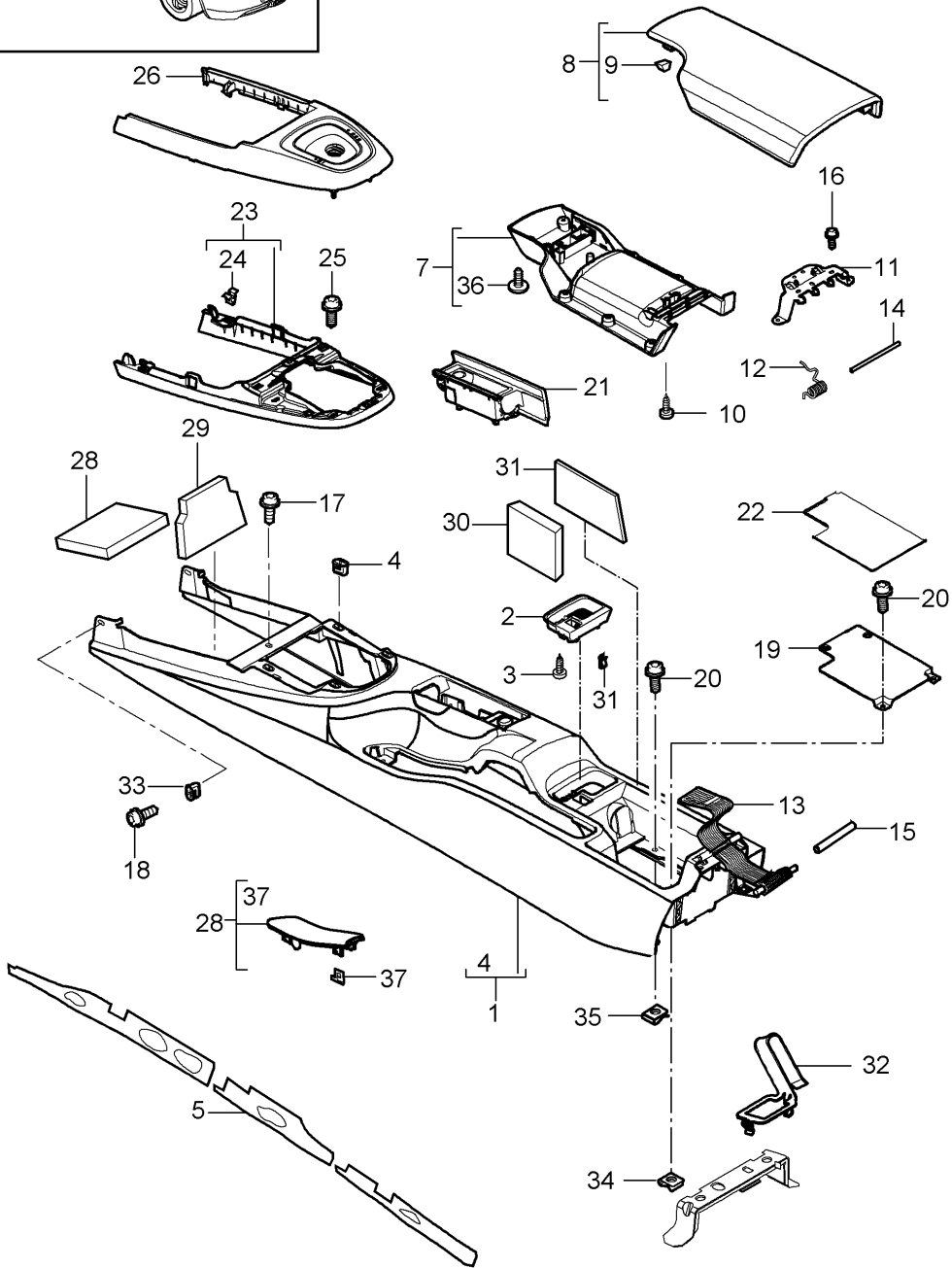
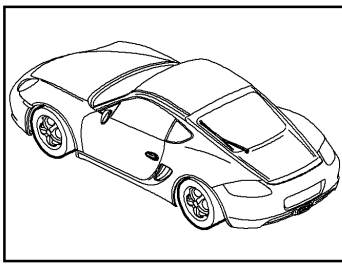
Model: 987209

Model life 2009>>2012

Pos	Part Number	Description	Remark	Qty	Model
		Footwell outlet vent			
		Carpet			
	997 553 131 01 A10	Black			
	997 553 131 01 B10	Stone grey			
	997 553 131 01 T10	Sand beige			
	997 553 131 01 E10	sea blue			
	997 553 131 01 M10	Terracotta			
	997 553 131 01 R10	Cocoa			
	997 553 131 01 D11	Dark grey/natural			
	997 553 131 01 T11	Brown/natural			
	997 553 131 01 N10	Carrera Red			
10	997 553 132 02	Cover	right	1	PR:098,099
		Footwell outlet vent			
		Carpet			
	997 553 132 02 A10	Black			
	997 553 132 02 B10	Stone grey			
	997 553 132 02 T10	Sand beige			
	997 553 132 02 E10	sea blue			
	997 553 132 02 M10	Terracotta			
	997 553 132 02 R10	Cocoa			
	997 553 132 02 D11	Dark grey/natural			
	997 553 132 02 T11	Brown/natural			
	997 553 132 02 N10	Carrera Red			
(10)	997 553 132 01	Cover	right lhd	1	PR:098,621
		Footwell outlet vent			
		Carpet			
	997 553 132 01 A10	Black			
	997 553 132 01 B10	Stone grey			
	997 553 132 01 T10	Sand beige			
	997 553 132 01 E10	sea blue			
	997 553 132 01 M10	Terracotta			
	997 553 132 01 R10	Cocoa			
	997 553 132 01 D11	Dark grey/natural			
	997 553 132 01 T11	Brown/natural			
	997 553 132 01 N10	Carrera Red			
11	999 073 223 07	fillister hd. bolt		2	
		M 6 X 25			
12	999 507 766 02	panel nut		2	
		M 6			
13	997 553 143 02	Stowage compartment	front	1	
		Centre console			
	997 553 143 02 A05	Matt black			
14	997 553 543 01	Insert for centre console		1	
		Stowage compartment			
15	999 919 164 09	fillister hd. bolt		X	
		5,0 X 12,0			
16	987 553 671 00	Stowage compartment	center	1	PR:609
		D - MJ 2011>>			
	987 553 671 00 A05	Matt black			
17	987 553 871 00	insert for stowage compartment	center	2	PR:609
		D - MJ 2011>>			

Model: 987209

Model life 2009>>2012



Model: 987209

Model life 2009>>2012

Pos	Part Number	Description	Remark	Qty	Model
(1)	997 553 901 00	Centre console	rear	1	
	997 553 901 00 A03	Black			
	997 553 901 00 5V7	Stone grey			
	997 553 901 00 5Z1	Sand beige			
	997 553 901 00 8W7	sea blue			
	997 553 901 00 8X8	Terracotta			
	997 553 901 00 8P9	Cocoa			
	997 553 901 00 T13	Brown/natural			
	997 553 901 00 N23	Carrera Red			
(1)	997 553 901 01	Centre console		1	PR:560
	997 553 901 01 A03	Black			
	997 553 901 01 5V7	Stone grey			
	997 553 901 01 5Z1	Sand beige			
	997 553 901 01 8W7	sea blue			
	997 553 901 01 8X8	Terracotta			
	997 553 901 01 8P9	Cocoa			
	997 553 901 01 T13	Brown/natural			
	997 553 901 01 N23	Carrera Red			
(1)	997 553 980 69	Centre console		1	PR:XMZ
		Leather			
	997 553 980 69 A11	Black			
	997 553 980 69 5X6	Stone grey			
	997 553 980 69 8G2	Sand beige			
	997 553 980 69 3S9	sea blue			
	997 553 980 69 9S5	Terracotta			
	997 553 980 69 9V6	Cocoa			
	997 553 980 69 D12	Dark grey/natural			
	997 553 980 69 T12	Brown/natural			
	997 553 980 69 N12	Carrera Red			
(1)	997 553 980 70	Centre console		1	PR:XMZ,560
		Leather			
	997 553 980 70 A11	Black			
	997 553 980 70 5X6	Stone grey			
	997 553 980 70 8G2	Sand beige			
	997 553 980 70 3S9	sea blue			
	997 553 980 70 9S5	Terracotta			
	997 553 980 70 9V6	Cocoa			
	997 553 980 70 D12	Dark grey/natural			
	997 553 980 70 T12	Brown/natural			
	997 553 980 70 N12	Carrera Red			
(1)	997 553 980 52	Centre console		1	PR:XMJ
		Carbon			
(1)	997 553 980 52 A35	Black		1	PR:XMJ,560
(1)	997 553 980 53	Centre console		1	PR:XMJ,560
		Carbon			
(1)	997 553 980 53 A35	Black		1	PR:XJT
(1)	997 553 980 56	Centre console		1	PR:XJT,560
		macassar			
(1)	997 553 980 57	Centre console		1	PR:XJT,560
		macassar			
(1)	997 553 980 60	Centre console		1	PR:XCK
		Galvano silver			
(1)	997 553 980 61	Centre console		1	PR:XCK,560
		Galvano silver			
(1)	997 553 980 64	Centre console		1	PR:XME
		Black			
	997 553 980 64 84A	guards red (Porsche)			
	997 553 980 64 B9A	Carrara white			
	997 553 980 64 12H	Speed yellow			
	997 553 980 64 92U	Arctic silver metallic			
	997 553 980 64 C9Z	Basalt black metallic			
	997 553 980 64 M7X	Atlas grey metallic			

Model: 987209 Model life 2009>>2012

Pos	Part Number	Description	Remark	Qty	Model
	997 553 980 64 39C	Midnight Blue Metallic			
	997 553 980 64 M7W	Meteor Grey Metallic			
	997 553 980 64 M7Z	GT Silver Metallic			
	997 553 980 64 M8W	Macadamia Metallic			
	997 553 980 64 M3X	Ruby red metallic			
	997 553 980 64 M5X	Dark blue metallic			
		D - MJ 2010>>			
	997 553 980 64 2B5	Malachite Green Metallic			
	997 553 980 64 22G	Racing Green Metallic			
	997 553 980 64 32B	Sailing Blue Metallic			
	997 553 980 64 M5R	Aqua blue metallic			
	997 553 980 64 51A	cream white			
	997 553 980 64 M2Z	Nordic Gold Metallic			
	997 553 980 64 M5Q	Ice blue metallic			
		D - MJ 2011>>			
	997 553 980 64 M7T	Platinum Silver Metallic			
		D - MJ 2011>>			
	997 553 980 64 2S1	Peridot Metallic			
		D - MJ 2011>>			
(1)	997 553 980 65	Centre console		1	PR:XME,560
	997 553 980 65 041	Black			
	997 553 980 65 84A	guards red (Porsche)			
	997 553 980 65 B9A	Carrara white			
	997 553 980 65 12H	Speed yellow			
	997 553 980 65 92U	Arctic silver metallic			
	997 553 980 65 C9Z	Basalt black metallic			
	997 553 980 65 M7X	Atlas grey metallic			
	997 553 980 65 39C	Midnight Blue Metallic			
	997 553 980 65 M7W	Meteor Grey Metallic			
	997 553 980 65 M7Z	GT Silver Metallic			
	997 553 980 65 M8W	Macadamia Metallic			
	997 553 980 65 M3X	Ruby red metallic			
	997 553 980 65 M5X	Dark blue metallic			
		D - MJ 2010>>			
	997 553 980 65 2B5	Malachite Green Metallic			
	997 553 980 65 22G	Racing Green Metallic			
	997 553 980 65 32B	Sailing Blue Metallic			
	997 553 980 65 M5R	Aqua blue metallic			
	997 553 980 65 51A	cream white			
	997 553 980 65 M2Z	Nordic Gold Metallic			
	997 553 980 65 M5Q	Ice blue metallic			
		D - MJ 2011>>			
	997 553 980 65 M7T	Platinum Silver Metallic			
		D - MJ 2011>>			
	997 553 980 65 2S1	Peridot Metallic			
		D - MJ 2011>>			
(1)	997 553 997 01	Protective film Centre console See technical manual 681749		2	
2	997 553 575 02	Insert Locking mechanism Centre console		1	
3	997 553 575 02 01C	Satin black		1	
	999 919 159 09	fillister hd. bolt 4 X 12		1	
4	999 591 210 40	expanding nut 4,2		4	
5	997 553 843 00	Sound absorber	left	1	
(5)	997 553 844 00	Sound absorber	right	1	
7	997 553 433 01	cover for center console	inner	1	
	997 553 433 01 01C	Satin black			
8	987 553 231 00	cover for center console	outer	1	CAYMAN

Model: 987209

Model life 2009>>2012

Pos	Part Number	Description	Remark	Qty	Model
(8)	987 553 231 00 1MZ	Black			
	987 553 231 00 1YP	Stone grey			
	987 553 231 00 1TK	Sand beige			
	987 553 231 00 1VM	sea blue			
	997 553 231 01	Cover (leather)	outer	1	CAYMAN PR:981
	997 553 231 01 A11	Black			
	997 553 231 01 5X6	Stone grey			
	997 553 231 01 8G2	Sand beige			
	997 553 231 01 3S9	sea blue			
	997 553 231 01 9S5	Terracotta			
(8)	997 553 231 01 9V6	Cocoa			
	997 553 231 01 D12	Dark grey/natural			
	997 553 231 01 T12	Brown/natural			
	997 553 231 01 N12	Carrera Red			
	997 553 231 01	Cover (leather)	outer	1	CAYMAN S
	997 553 231 01 A11	Black			
	997 553 231 01 5X6	Stone grey			
	997 553 231 01 8G2	Sand beige			
	997 553 231 01 3S9	sea blue			
	997 553 231 01 9S5	Terracotta			
(8)	997 553 231 01 9V6	Cocoa			
	997 553 231 01 D12	Dark grey/natural			
	997 553 231 01 T12	Brown/natural			
	997 553 231 01 N12	Carrera Red			
	987 553 991 02	Cover (leather)	outer lhd	1	CAYMAN S PR:XUV,098
		with: inscription Cayman S D - MJ 2010>>			
	987 553 991 02 A11	Black			
	987 553 991 02 5X6	Stone grey			
	987 553 991 02 8G2	Sand beige			
	987 553 991 02 3S9	sea blue			
(8)	987 553 991 02 9S5	Terracotta			
	987 553 991 02 9V6	Cocoa			
	987 553 991 02 D12	Dark grey/natural			
	987 553 991 02 T12	Brown/natural			
	987 553 991 02 N12	Carrera Red			
	997 553 991 05	Cover	outer	1	PR:XPT
		with: Porsche crest D - MJ 2010>>			
	997 553 991 05 A11	Black			
	997 553 991 05 5X6	Stone grey			
	997 553 991 05 8G2	Sand beige			
(8)	997 553 991 05 3S9	sea blue			
	997 553 991 05 9S5	Terracotta			
	997 553 991 05 9V6	Cocoa			
	997 553 991 05 D12	Dark grey/natural			
	997 553 991 05 T12	Brown/natural			
	997 553 991 05 N12	Carrera Red			
	997 553 991 20	Cover	outer lhd	1	PR:XLG,098
		with: Alcantara D - MJ 2010>>			
	997 553 991 20 A25	Black			
	9	999 507 972 01	panel nut 3,5		8
10	999 073 153 01	panel screw 3,5 X 14		8	
11	997 553 437 01	Hinge		1	

Model: 987209 Model life 2009>>2012

Pos	Part Number	Description	Remark	Qty	Model
12	997 553 439 00	Leg spring		1	
13	997 553 441 00	Belt		1	
14	997 553 447 00	axle		1	
15	997 553 733 00	Locking pin		1	
16	999 919 159 09	fillister hd. bolt M4X12		2	
17	999 919 121 09	fillister hd. bolt 5 X 16 for Mount		2	
18	999 073 155 09	Centre console panel screw 4,2 X 13 for Mount		2	
19	997 553 615 01	Centre console Floor		1	
20	999 073 226 09	Centre console panel screw 4,2 X 16		X	
21	997 553 902 00	ashtray Lacquered		1	
	997 553 902 00 A03	Black			
	997 553 902 00 5V7	Stone grey			
	997 553 902 00 5Z1	Sand beige			
	997 553 902 00 8W7	sea blue			
	997 553 902 00 8X8	Terracotta			
	997 553 902 00 8P9	Cocoa			
	997 553 902 00 T13	Brown/natural			
	997 553 902 00 N23	Carrera Red			
(21)	997 553 982 06	ashtray Leather		1	PR:XMZ
	997 553 982 06 A11	Black			
	997 553 982 06 5X6	Stone grey			
	997 553 982 06 8G2	Sand beige			
	997 553 982 06 3S9	sea blue			
	997 553 982 06 9S5	Terracotta			
	997 553 982 06 9V6	Cocoa			
	997 553 982 06 D12	Dark grey/natural			
	997 553 982 06 T12	Brown/natural			
	997 553 982 06 N12	Carrera Red			
(21)	997 553 982 01	ashtray Carbon		1	PR:XMJ
	997 553 982 01 A35	Black			
(21)	997 553 982 03	ashtray		1	PR:XJT
	997 553 982 03 S61	macassar			
(21)	997 553 982 04	ashtray Aluminium look		1	PR:XCK
	997 553 982 04 V04	Galvano silver			
(21)	997 553 982 05	ashtray Lacquered		1	PR:XME
	997 553 982 05 041	Black			
	997 553 982 05 84A	guards red (Porsche)			
	997 553 982 05 B9A	Carrara white			
	997 553 982 05 12H	Speed yellow			
	997 553 982 05 92U	Arctic silver metallic			
	997 553 982 05 C9Z	Basalt black metallic			
	997 553 982 05 M7X	Atlas grey metallic			
	997 553 982 05 39C	Midnight Blue Metallic			
	997 553 982 05 M7W	Meteor Grey Metallic			
	997 553 982 05 M7Z	GT Silver Metallic			
	997 553 982 05 M8W	Macadamia Metallic			
	997 553 982 05 M3X	Ruby red metallic			

Model: 987209 Model life 2009>>2012

Pos	Part Number	Description	Remark	Qty	Model
	997 553 982 05 M5X	Dark blue metallic D - MJ 2010>>			
	997 553 982 05 2B5	Malachite Green Metallic			
	997 553 982 05 22G	Racing Green Metallic			
	997 553 982 05 32B	Sailing Blue Metallic			
	997 553 982 05 M5R	Aqua blue metallic			
	997 553 982 05 51A	cream white			
	997 553 982 05 M2Z	Nordic Gold Metallic			
	997 553 982 05 M5Q	Ice blue metallic D - MJ 2011>>			
	997 553 982 05 M7T	Platinum Silver Metallic D - MJ 2011>>			
	997 553 982 05 2S1	Peridot Metallic D - MJ 2011>>			
22	997 553 611 01	Insert for centre console		1	
(22)	997 553 613 00	Insert for centre console		1	PR:870
23	997 553 261 05	Frame Lacquered		1	CAYMAN
	997 553 261 05 D07	Volcano grey			
(23)	997 553 261 06	Frame Lacquered		1	CAYMAN S
	997 553 261 06 V04	Galvano silver			
(23)	987 553 261 01	Frame		1	PR:805
	987 553 261 01 G2X	primed			
(23)	987 553 261 01	Frame D - MJ 2010>>		1	PR:XDJ
	987 553 261 01 G2X	primed			
24	999 507 533 02	Clamp 8,0 X 10,0/2,5		7	
25	999 073 155 09	panel screw 4,2 X 13		4	
26	997 553 245 01	Cover Shift gate		1	PR:250
	997 553 245 01 FUG	Black/Galvano Silver			
	997 553 245 01 FUH	Stone Grey/Galvano Silver			
	997 553 245 01 FUJ	Sand Beige/Galvano Silver			
	997 553 245 01 FUK	Ocean Blue/Galvano Silver			
	997 553 245 01 FUL	Terracotta/Galvano Silver			
	997 553 245 01 FUM	Cocoa/Galvano Silver			
	997 553 245 01 FUN	Natural Brown/Galvano Silver			
	997 553 245 01 FU0	Carrera Red/Galvano Silver			
(26)	997 553 987 00	Cover Shift gate Lacquered		1	PR:XWS,250
	997 553 987 00 041	Black			
	997 553 987 00 84A	guards red (Porsche)			
	997 553 987 00 B9A	Carrara white			
	997 553 987 00 12H	Speed yellow			
	997 553 987 00 92U	Arctic silver metallic			
	997 553 987 00 C9Z	Basalt black metallic			
	997 553 987 00 M7X	Atlas grey metallic			
	997 553 987 00 39C	Midnight Blue Metallic			
	997 553 987 00 M7W	Meteor Grey Metallic			
	997 553 987 00 M7Z	GT Silver Metallic			
	997 553 987 00 M8W	Macadamia Metallic			
	997 553 987 00 M3X	Ruby red metallic			
	997 553 987 00 M5X	Dark blue metallic D - MJ 2010>>			
	997 553 987 00 2B5	Malachite Green Metallic			
	997 553 987 00 22G	Racing Green Metallic			
	997 553 987 00 32B	Sailing Blue Metallic D >> - MJ 2009			
	997 553 987 00 M5R	Aqua blue metallic			

Model: 987209 Model life 2009>>2012

Pos	Part Number	Description	Remark	Qty	Model
	997 553 987 00 51A	cream white			
	997 553 987 00 M2Z	Nordic Gold Metallic			
	997 553 987 00 M5Q	Ice blue metallic			
		D - MJ 2011>>			
	997 553 987 00 M7T	Platinum Silver Metallic			
		D - MJ 2011>>			
	997 553 987 00 2S1	Peridot Metallic			
		D - MJ 2011>>			
(26)	997 553 987 00	Cover		1	PR:XWT,250
		Shift gate			
		Lacquered			
	997 553 987 00 041	Black			
(26)	997 553 987 01	Cover		1	PR:XWR,250
		Shift gate			
	997 553 987 01 V04	Galvano silver			
(26)	997 553 987 02	Cover (leather)		1	PR:XWU,250
		Shift gate			
	997 553 987 02 A11	Black			
	997 553 987 02 5X6	Stone grey			
	997 553 987 02 8G2	Sand beige			
	997 553 987 02 3S9	sea blue			
	997 553 987 02 9S5	Terracotta			
	997 553 987 02 9V6	Cocoa			
	997 553 987 02 D12	Dark grey/natural			
	997 553 987 02 T12	Brown/natural			
	997 553 987 02 N12	Carrera Red			
(26)	997 553 243 01	Cover		1	PR:480
		Shift gate			
		Lacquered			
	997 553 243 01 A03	Black			
	997 553 243 01 5V7	Stone grey			
	997 553 243 01 5Z1	Sand beige			
	997 553 243 01 8W7	sea blue			
	997 553 243 01 8X8	Terracotta			
	997 553 243 01 8P9	Cocoa			
	997 553 243 01 T13	Brown/natural			
	997 553 243 01 N23	Carrera Red			
(26)	997 553 996 00	Cover (leather)		1	PR:XDZ,480
		Shift gate			
		D - MJ 2010>>			
	997 553 996 00 A11	Black			
	997 553 996 00 5X6	Stone grey			
	997 553 996 00 8G2	Sand beige			
	997 553 996 00 3S9	sea blue			
	997 553 996 00 9S5	Terracotta			
	997 553 996 00 9V6	Cocoa			
	997 553 996 00 D12	Dark grey/natural			
	997 553 996 00 T12	Brown/natural			
	997 553 996 00 N12	Carrera Red			
27	997 553 903 00	Cover		1	
		Brake lever			
		Lacquered			
	997 553 903 00 A03	Black			
	997 553 903 00 5V7	Stone grey			
	997 553 903 00 5Z1	Sand beige			
	997 553 903 00 8W7	sea blue			
	997 553 903 00 8X8	Terracotta			
	997 553 903 00 8P9	Cocoa			
	997 553 903 00 T13	Brown/natural			
	997 553 903 00 N23	Carrera Red			
(27)	997 553 981 00	Cover		1	PR:XCK
		Brake lever			
	997 553 981 00 A11	Black			

Model: 987209

Model life 2009>>2012

Pos	Part Number	Description	Remark	Qty	Model
	997 553 981 00 5X6	Stone grey			
	997 553 981 00 8G2	Sand beige			
	997 553 981 00 3S9	sea blue			
	997 553 981 00 9S5	Terracotta			
	997 553 981 00 9V6	Cocoa			
	997 553 981 00 D12	Dark grey/natural			
	997 553 981 00 T12	Brown/natural			
	997 553 981 00 N12	Carrera Red			
(27)	997 553 981 00	Cover		1	PR:XJT
		Brake lever			
	997 553 981 00 A11	Black			
	997 553 981 00 5X6	Stone grey			
	997 553 981 00 8G2	Sand beige			
	997 553 981 00 3S9	sea blue			
	997 553 981 00 9S5	Terracotta			
	997 553 981 00 9V6	Cocoa			
	997 553 981 00 D12	Dark grey/natural			
	997 553 981 00 T12	Brown/natural			
	997 553 981 00 N12	Carrera Red			
(27)	997 553 981 00	Cover		1	PR:XME
		Brake lever			
	997 553 981 00 A11	Black			
	997 553 981 00 5X6	Stone grey			
	997 553 981 00 8G2	Sand beige			
	997 553 981 00 3S9	sea blue			
	997 553 981 00 9S5	Terracotta			
	997 553 981 00 9V6	Cocoa			
	997 553 981 00 D12	Dark grey/natural			
	997 553 981 00 T12	Brown/natural			
	997 553 981 00 N12	Carrera Red			
(27)	997 553 981 00	Cover		1	PR:XMJ
		Brake lever			
	997 553 981 00 A11	Black			
	997 553 981 00 5X6	Stone grey			
	997 553 981 00 8G2	Sand beige			
	997 553 981 00 3S9	sea blue			
	997 553 981 00 9S5	Terracotta			
	997 553 981 00 9V6	Cocoa			
	997 553 981 00 D12	Dark grey/natural			
	997 553 981 00 T12	Brown/natural			
	997 553 981 00 N12	Carrera Red			
(27)	997 553 981 07	Cover		1	PR:XMZ
		Brake lever			
	997 553 981 07 A11	Black			
	997 553 981 07 5X6	Stone grey			
	997 553 981 07 8G2	Sand beige			
	997 553 981 07 3S9	sea blue			
	997 553 981 07 9S5	Terracotta			
	997 553 981 07 9V6	Cocoa			
	997 553 981 07 D12	Dark grey/natural			
	997 553 981 07 T12	Brown/natural			
	997 553 981 07 N12	Carrera Red			
28	997 553 871 00	Filler piece		1	
		Centre console			
29	997 553 873 00	Filler piece		1	
		Centre console			
30	997 553 875 00	Filler piece		1	
		Centre console			
31	997 553 877 00	Filler piece		1	
		Centre console			
32	987 553 269 00	Bracket		1	
		Shift cable			
33	999 591 215 40	expanding nut		2	

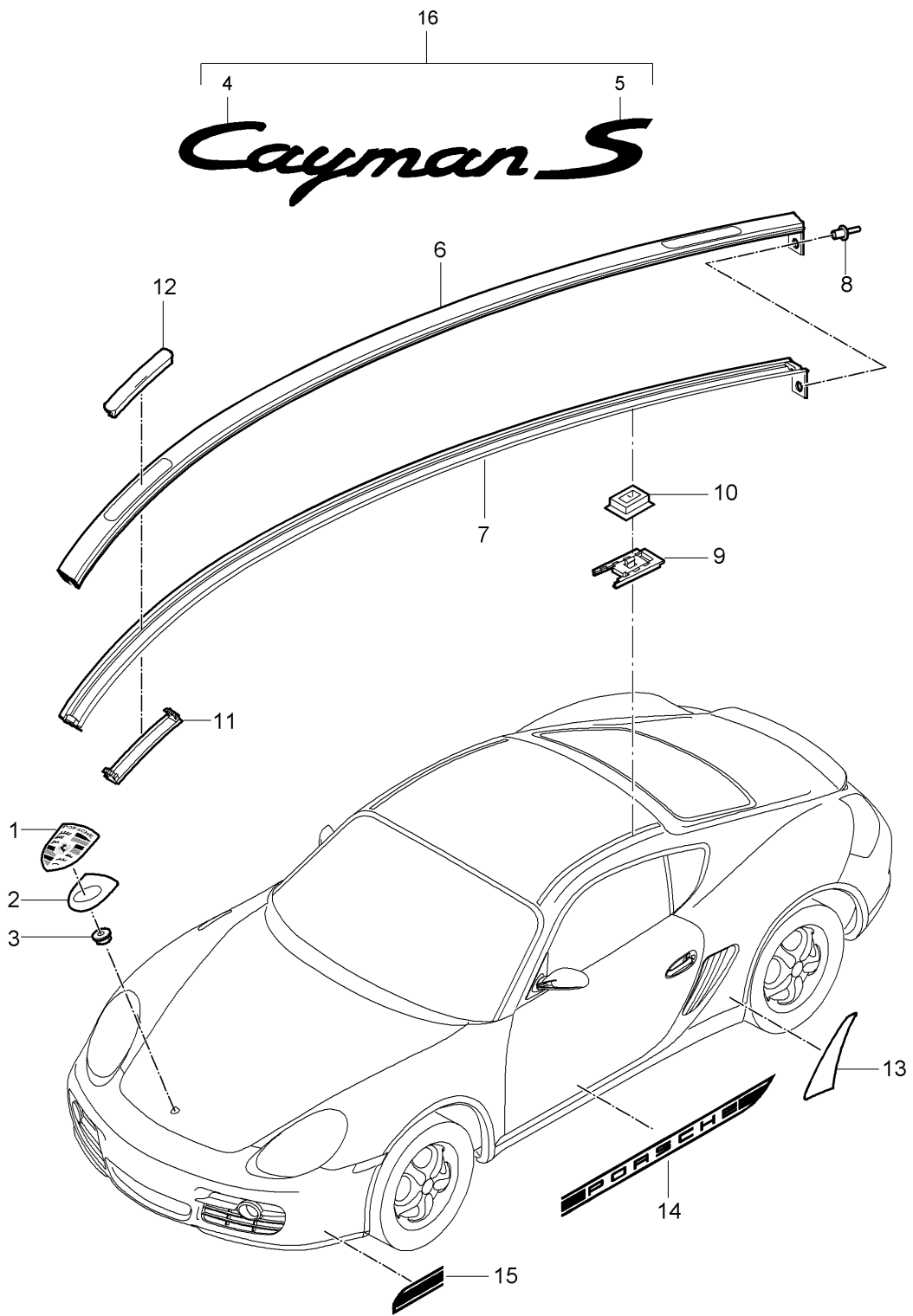
Model: 987209

Model life 2009>>2012

Pos	Part Number	Description	Remark	Qty	Model
34	999 507 028 01	4,2 panel nut		X	
35	999 507 028 01	4,2 panel nut		X	
36	997 553 732 00	4,2 Rubber buffer Cover	inner	2	
37	997 553 861 00	Clamp		4	PR:XMZ

Model: 987209

Model life 2009>>2012



Model: 987209 Model life 2009>>2012

Pos	Part Number	Description	Remark	Qty	Model
		inscriptions/lettering Decorative fittings Stone guard film			
1	997 559 211 00	Porsche crest		1	
2	7L5 853 611 B	Underlay		1	
3	999 591 423 03	Tapping nut		2	
4	987 559 239 00	inscription Lacquered Titanium metallic		1	CAYMAN
(4)	987 559 239 01	inscription Lacquered Satin aluminium		1	CAYMAN S
(4)	987 559 239 04	inscription Lacquered Black		1	CAYMAN R
5	987 559 245 00	inscription S Lacquered Satin aluminium		1	CAYMAN S
(5)	987 559 259 00	inscription R Lacquered Black		1	CAYMAN R
6	987 559 401 00	Roof edge strip	left	1	
	987 559 401 00 G2X	primed			
(6)	987 559 402 00	Roof edge strip	right	1	
	987 559 402 00 G2X	primed			
7	987 559 721 00	Seal	left	1	
		Roof edge strip			
(7)	987 559 722 00	Seal	right	1	
		Roof edge strip			
8	999 507 499 40	Spreader rivet		2	
9	996 559 403 01	Clip		6	
		Roof edge strip			
10	987 559 405 00	Adapter		6	
11	987 559 729 00	Bracket		4	
		for Flap			
12	987 559 501 00	Flap	front	2	
	987 559 501 00 G2X	primed			
(12)	987 559 503 00	Flap	rear	2	
	987 559 503 00 G2X	primed			
13	987 504 825 01	Stone guard film	left	1	
		Side part			
(13)	987 504 826 01	Stone guard film	right	1	
		Side part			
14	987 559 541 01	inscription Porsche Door	left	1	
	987 559 541 01 041	Black			
	987 559 541 01 9R7	silver			
(14)	987 559 542 01	inscription Porsche Door	right	1	
	987 559 542 01 041	Black			
	987 559 542 01 9R7	silver			
15	987 559 551 00	Decorative film Trim	left side	1	
	987 559 551 00 041	Black			
	987 559 551 00 9R7	silver			
(15)	987 559 552 00	Decorative film Trim	right side	1	
	987 559 552 00 041	Black			

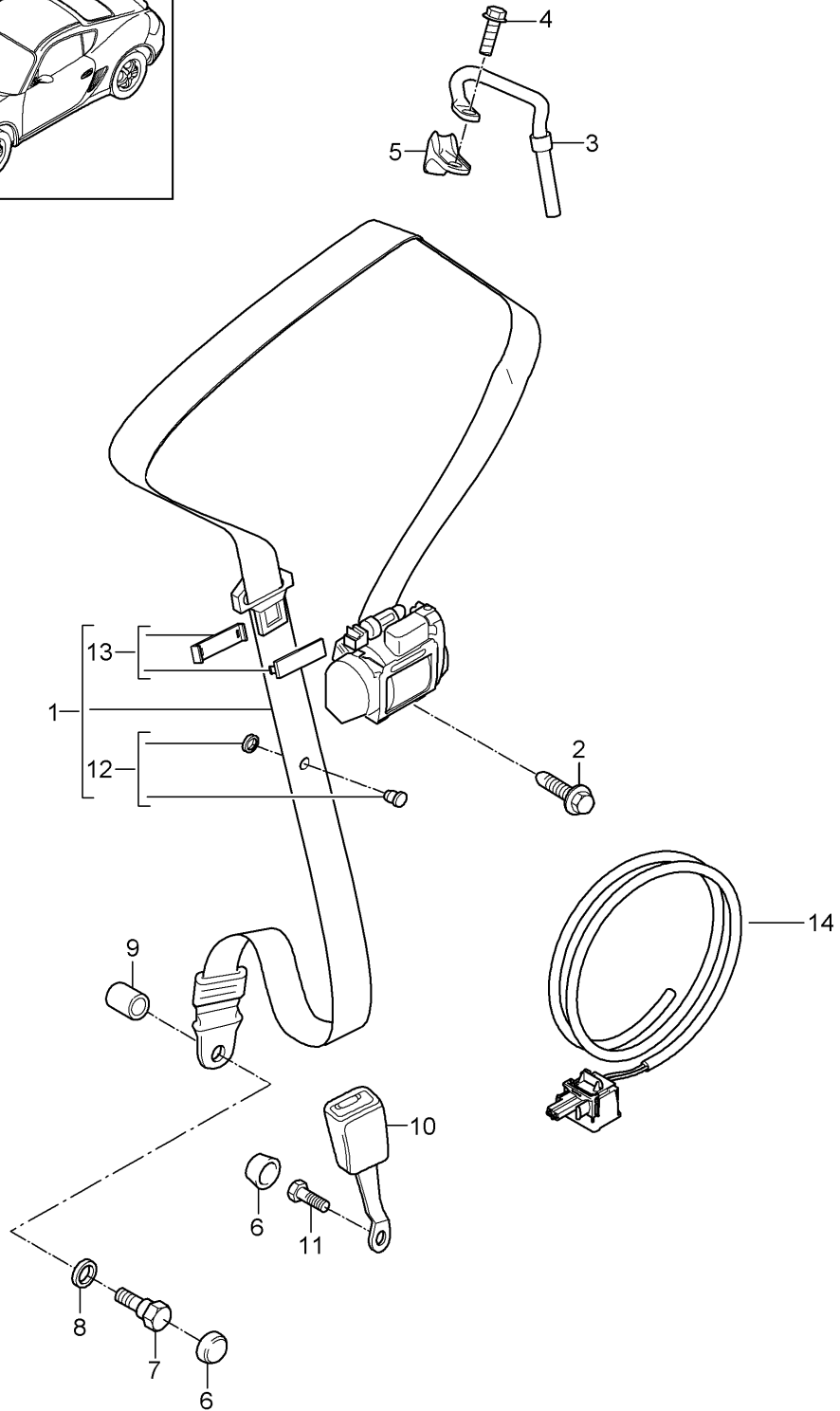
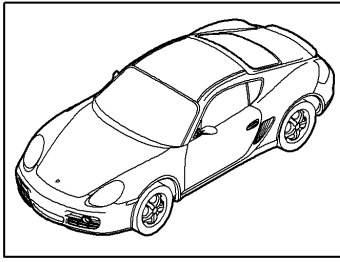
Model: 987209

Model life 2009>>2012

Pos	Part Number	Description	Remark	Qty	Model
16	987 559 552 00 9R7 987 559 983 01 987 559 983 01 041	silver 1 lettering set Cayman S Black	Cayman S	1	PR:013,XUC, 496

Model: 987209

Model life 2009>>2012



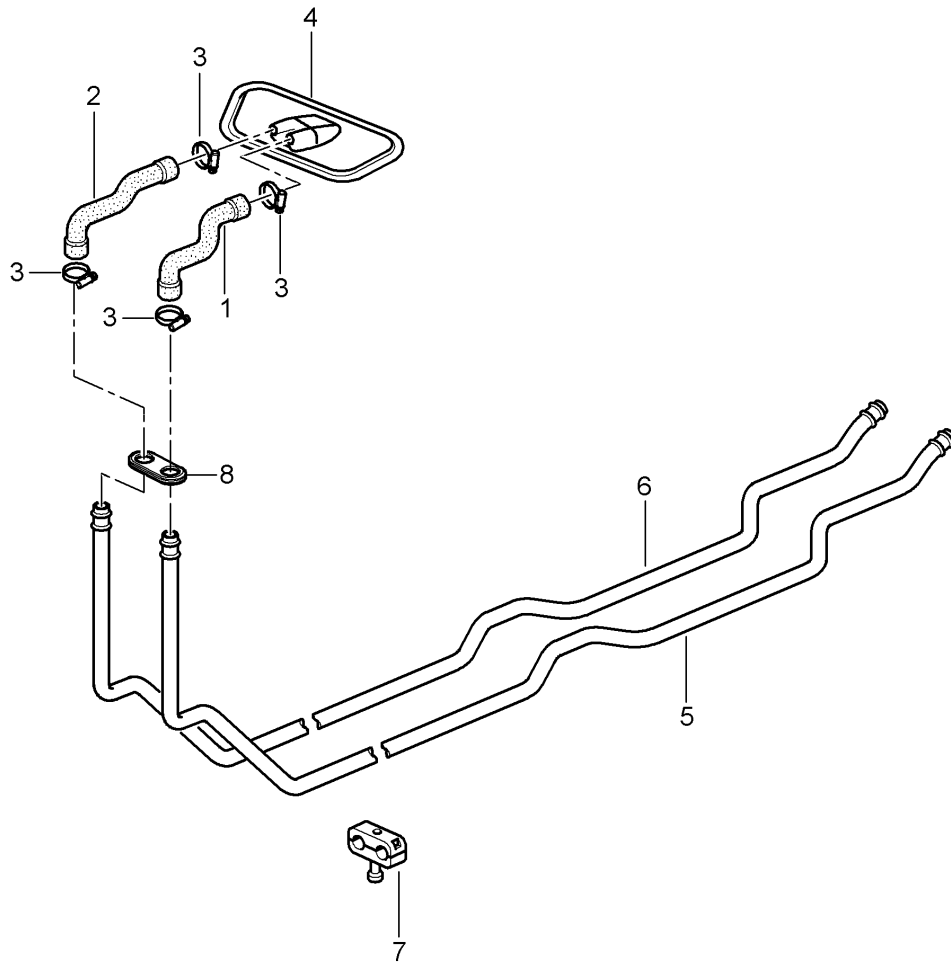
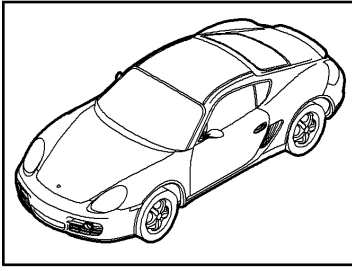
Model: 987209

Model life 2009>>2012

Pos	Part Number	Description	Remark	Qty	Model
1	987 803 033 05	Three-point safety belt	left	1	PR:553
	987 803 033 05 A23	Three-point safety belt			
	987 803 033 05 N13	Black			
	987 803 033 05 U01	guards red (Porsche)			
	987 803 033 05 V02	silver			
	987 803 033 05 6M4	Speed yellow			
(1)	987 803 034 08	Three-point safety belt	right	1	PR:555
	987 803 034 08 A23	Black			
	987 803 034 08 N13	guards red (Porsche)			
	987 803 034 08 U01	silver			
	987 803 034 08 V02	Speed yellow			
	987 803 034 08 6M4	Sand beige			
2	999 073 361 01	Screw		2	
		7/16			
(3)	987 803 815 00	relay lever	left	1	
3	987 803 816 00	relay lever	right	1	
4	900 378 073 09	Hexagon bolt		2	
		10 X 25			
5	987 803 825 00	Support		2	
		Support for seatbelt			
6	811 857 845	Cover cap		4	
7	999 075 073 09	Hexagon bolt		2	
		7/16 - 20			
(7)	999 075 072 09	Hexagon bolt		2	PR:388,389
8	211 857 771	Washer		2	
(8)	999 028 022 01	Spring washer		1	PR:388,389
-	999 025 275 A2	Washer		1	PR:388,389
9	999 924 064 02	spacer sleeve		2	
		Discontinued part			
9	999 924 064 01	spacer sleeve		2	
(9)	997 803 663 00	spacer sleeve		1	PR:388,389
(10)	997 803 183 01	Belt latch		1	
		(drivers side)			
(10)	997 803 183 01	Belt latch		1	
		(passenger side)			
(10)	997 803 183 02	Belt latch		1	PR:389,560
		(passenger side)			
10	997 803 183 04	Belt latch		1	PR:388
		(drivers side)			
11	999 218 101 02	Hexagon bolt		2	
		7/16 - 20			
12	955 803 056 00	knob		2	
	955 803 056 00 HCP	Black			
13	997 803 334 00	clamping piece		1	
		Seat belt			
14	997 803 334 00 01C	Black		X	
		Cable			
		for			
		Seat belt tensioner			
		see illustration:	902-010		

Model: 987209

Model life 2009>>2012



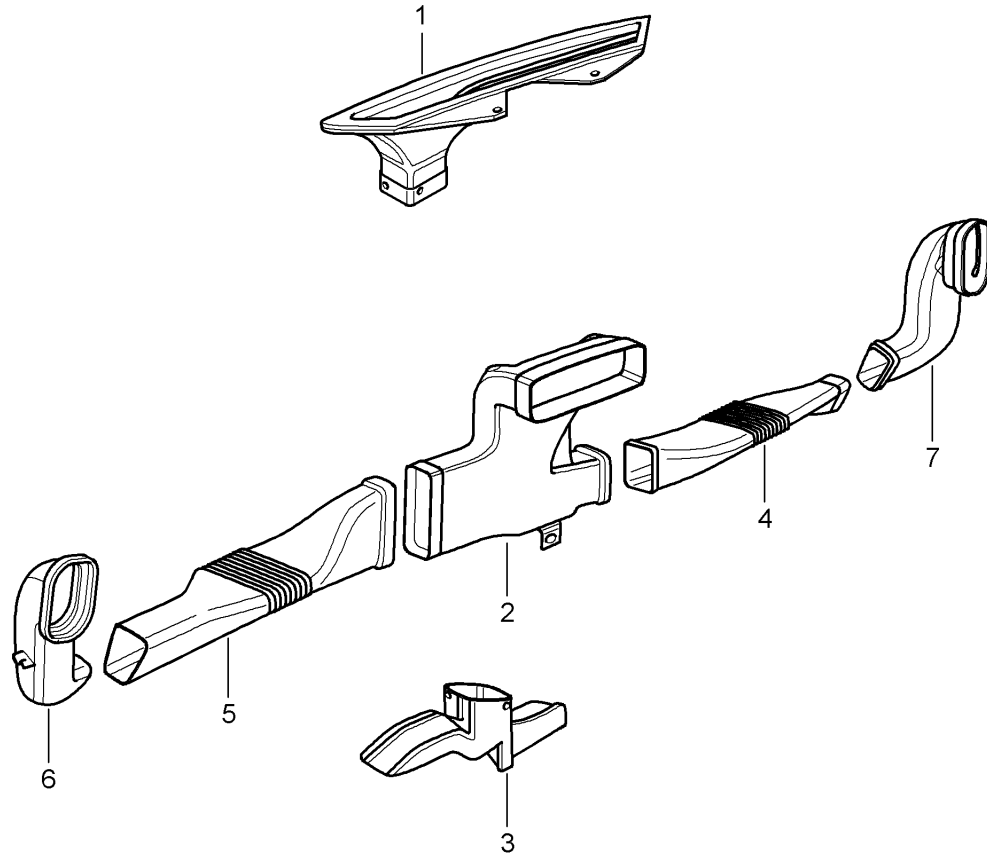
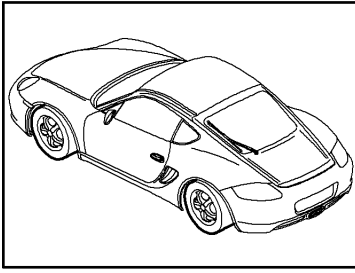
Model: 987209

Model life 2009>>2012

Pos	Part Number	Description	Remark	Qty	Model
		Heating system 1			
		Feed line			
		return line			
1	997 572 553 00	Heating hose	lhd	1	PR:098
2	997 572 555 00	Heating hose	lhd	1	PR:098
3	999 512 441 02	Hose clamp		4	
4	996 572 263 02	Seal	lhd	1	PR:098
5	987 572 681 00	Heater pipeline		1	
		Supply			
		Discontinued part			
6	987 572 683 00	Heater pipeline		1	
		Return line			
		Discontinued part			
7	999 511 230 40	Cable holder		4	
-	999 511 232 41	Rubber bush		4	
8	996 572 765 02	Grommet		1	

Model: 987209

Model life 2009>>2012



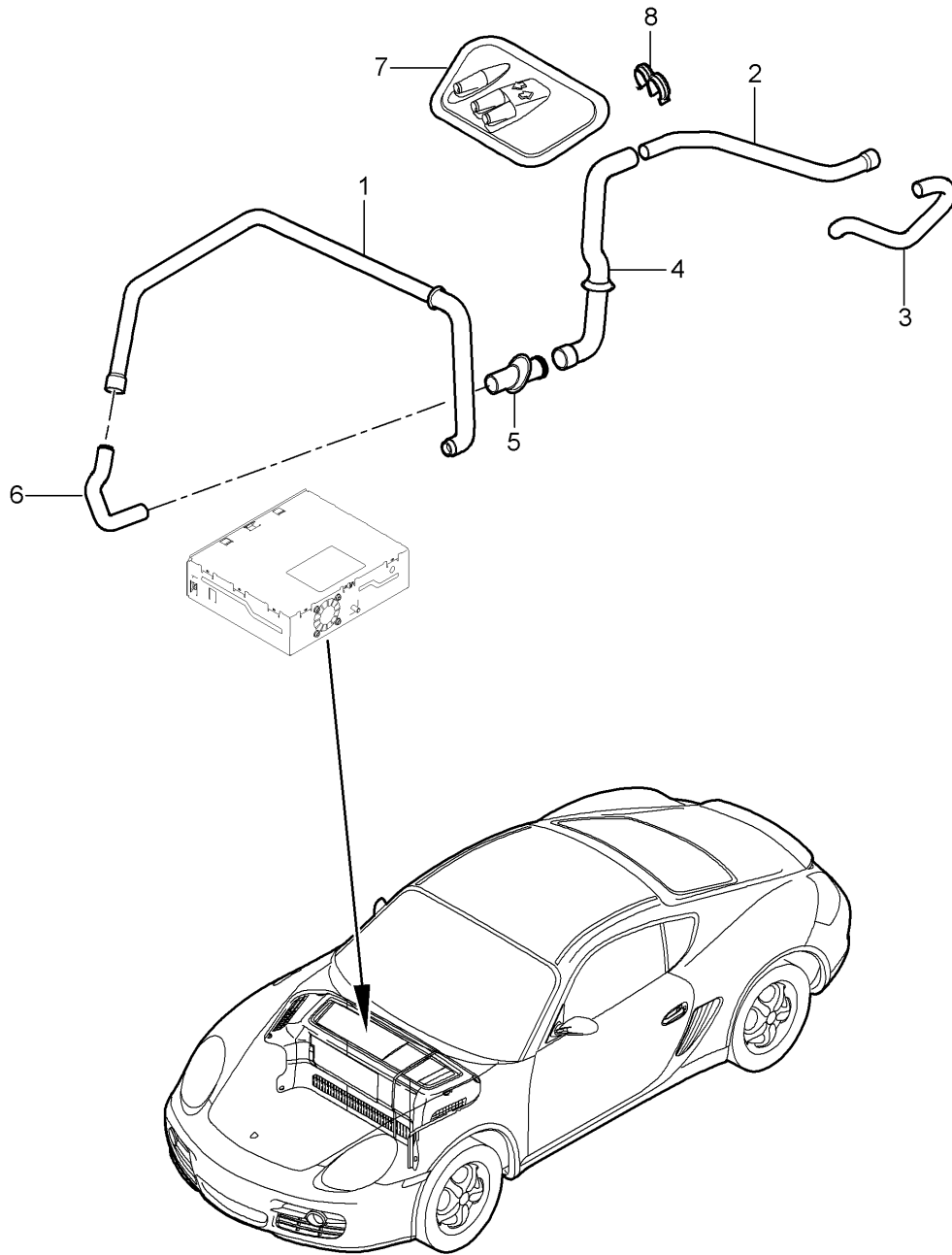
Model: 987209

Model life 2009>>2012

Pos	Part Number	Description	Remark	Qty	Model
		heater			
1	997 572 631 00	Air distributor Defroster nozzle for wind- screen	lhd	1	PR:098
2	997 572 171 00	Air distributor	lhd	1	PR:098
3	997 572 793 00	Footwell outlet vent	lhd	1	PR:098
(3)	997 572 793 02	Footwell outlet vent	lhd	1	PR:098,680
4	997 572 464 00	Air guide	right lhd	1	PR:098
5	997 572 463 00	Air guide	left lhd	1	PR:098
6	987 572 767 00	Air guide	left lhd	1	PR:098
7	987 572 768 00	Air guide	right lhd	1	PR:098
-	987 572 769 00	Intermediate piece		1	PR:098
-	987 572 769 01	Intermediate piece		1	PR:099

Model: 987209

Model life 2009>>2012



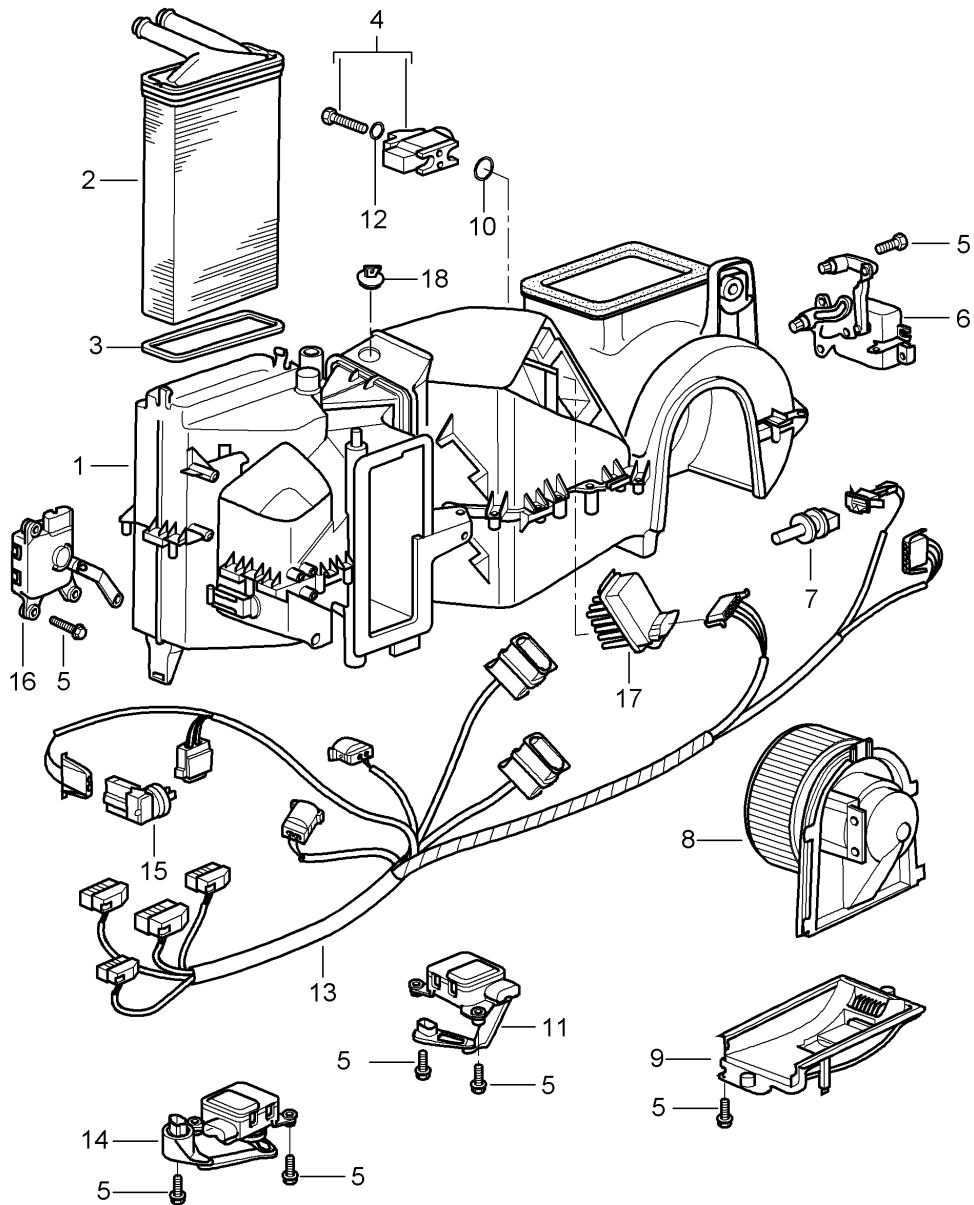
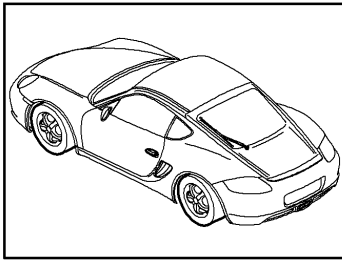
Model: 987209

Model life 2009>>2012

Pos	Part Number	Description	Remark	Qty	Model
		Luggage compartment			PR:575
		Cooling			
1	997 572 588 02	Air guide		1	PR:575
2	997 572 582 00	Air guide		1	PR:575
		water box			
3	997 572 580 00	Air guide		1	PR:575
		Air conditioner			
4	997 572 584 03	Air guide		1	PR:575
		filler plate			
5	997 572 593 02	connection piece		1	PR:575
6	997 572 586 08	Air guide		1	PR:575
7	997 572 263 00	Seal		1	PR:575
8	999 507 830 40	Cable holder		1	PR:575
-	999 703 009 40	Bungs		1	

Model: 987209

Model life 2009>>2012



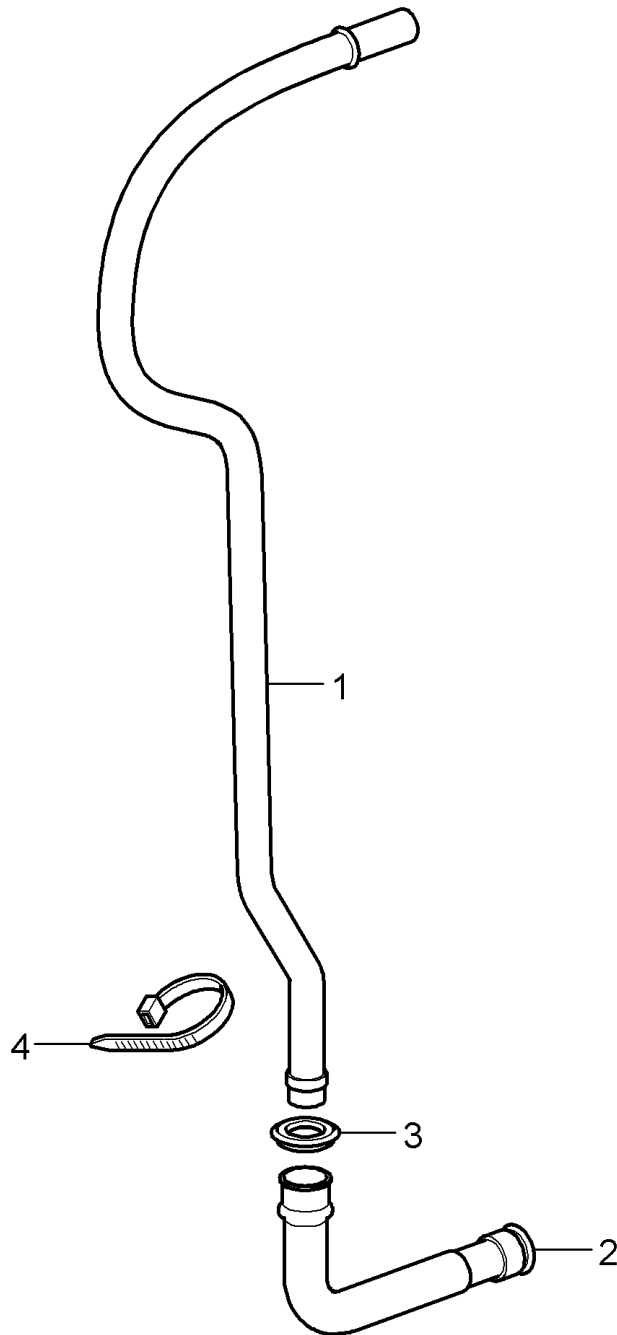
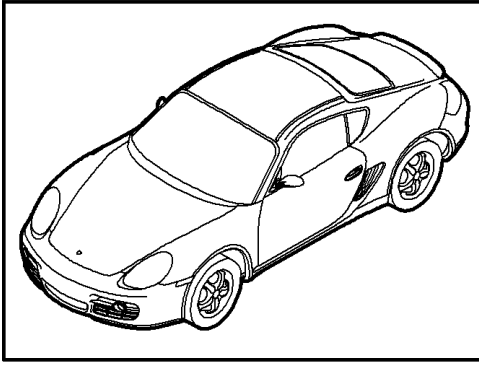
Model: 987209

Model life 2009>>2012

Pos	Part Number	Description	Remark	Qty	Model
(1)	987 573 901 02	Air conditioner Individual parts Air conditioner without: heat exchanger with: evaporator	lhd	1	PR:098,572
(1)	997 573 901 02	Air conditioner without: heat exchanger with: evaporator	lhd	1	PR:098,573
1	997 573 901 00	Air conditioner without: heat exchanger with: evaporator	lhd	1	PR:098,574
2	997 572 129 00	heat exchanger		1	
3	996 572 913 00	Seal		1	
4	996 573 929 01	Expansion valve		1	
5	900 143 102 02	Bolt with washer		X	
6	996 573 915 00	actuator motor for fresh air flap fresh air flap Identification: >> >> Black	lhd	1	PR:098,573
7	955 572 304 10	Temperature sensor		1	
8	996 624 107 01	Fan	lhd	1	PR:098
9	996 573 905 00	Cover		1	
10	999 707 596 40	O-ring 14x1,82		1	
11	996 573 919 02	Servomotor Temperature valve Identification: >> >> pink	lhd	1	PR:098
12	999 707 534 41	O-ring 17x2,00		1	
13	997 612 655 04	Wire set	lhd	1	PR:098,573
(13)	987 612 655 02	Wire set	lhd	1	PR:098,572
14	996 573 921 02	Servomotor for defroster flap Identification: >> >> yellow	lhd	1	PR:098
15	1H0 907 543 A	Temperature sensor		1	
16	996 573 917 02	central flap positioning motor Identification: >> >> green	lhd	1	PR:098
17	996 573 923 00	Resistor		1	
-	996 573 927 00	Blower outlet sensor		1	PR:573
-	1H0 819 943	round hd. screw		2	
18	997 573 935 00	Bungs		1	

Model: 987209

Model life 2009>>2012



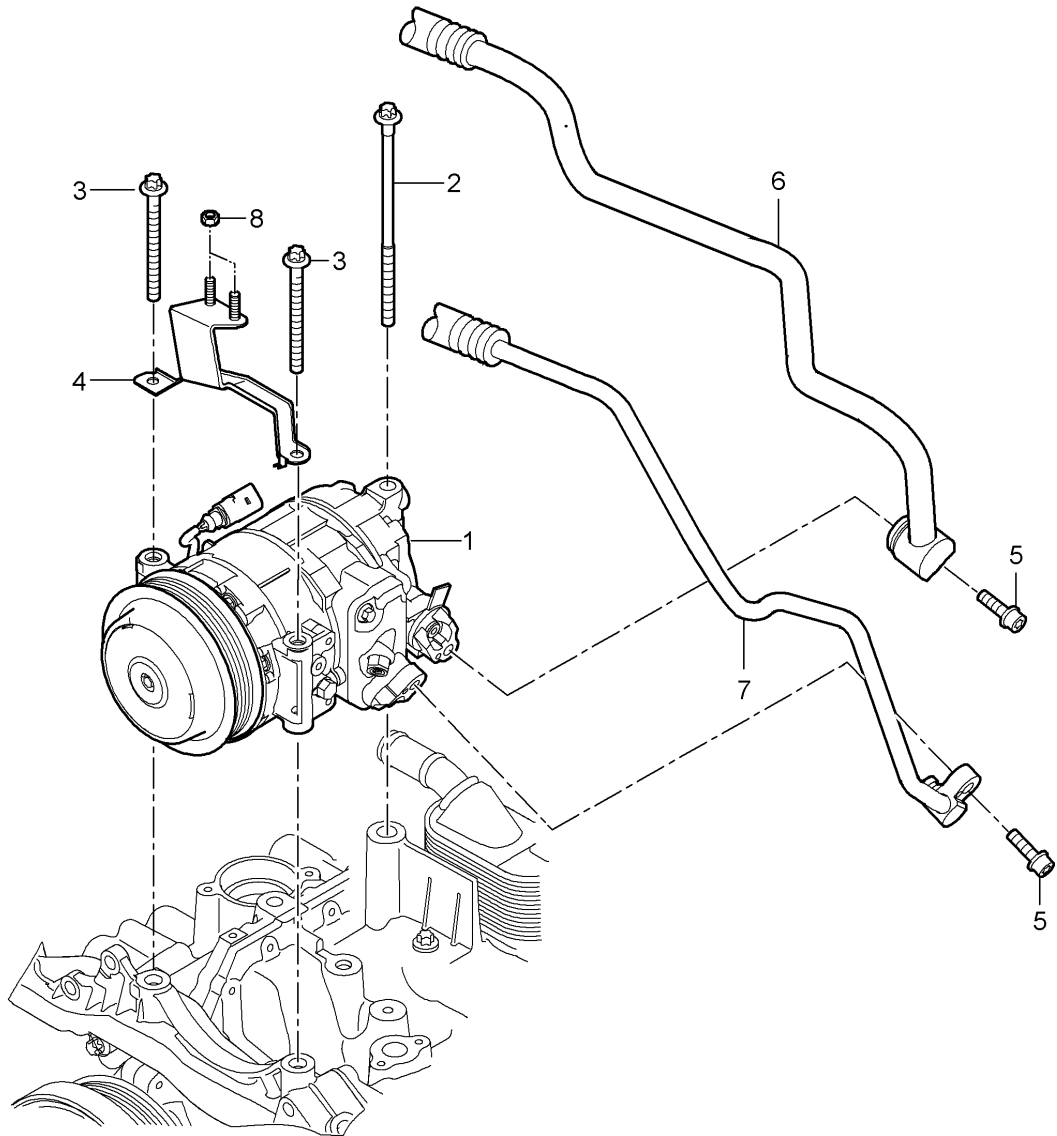
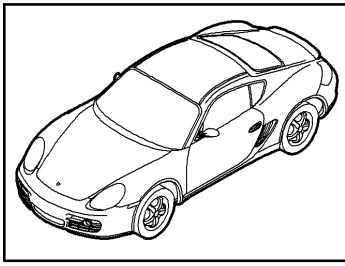
Model: 987209

Model life 2009>>2012

Pos	Part Number	Description	Remark	Qty	Model
		water drain pipe			
		Mount			
		Air conditioner			
1	996 573 793 01	water drain pipe	lhd	1	PR:098
2	996 573 797 02	Connecting piece		1	
3	996 573 795 01	Grommet		1	
4	999 513 049 40	Cable ties		1	

Model: 987209

Model life 2009>>2012



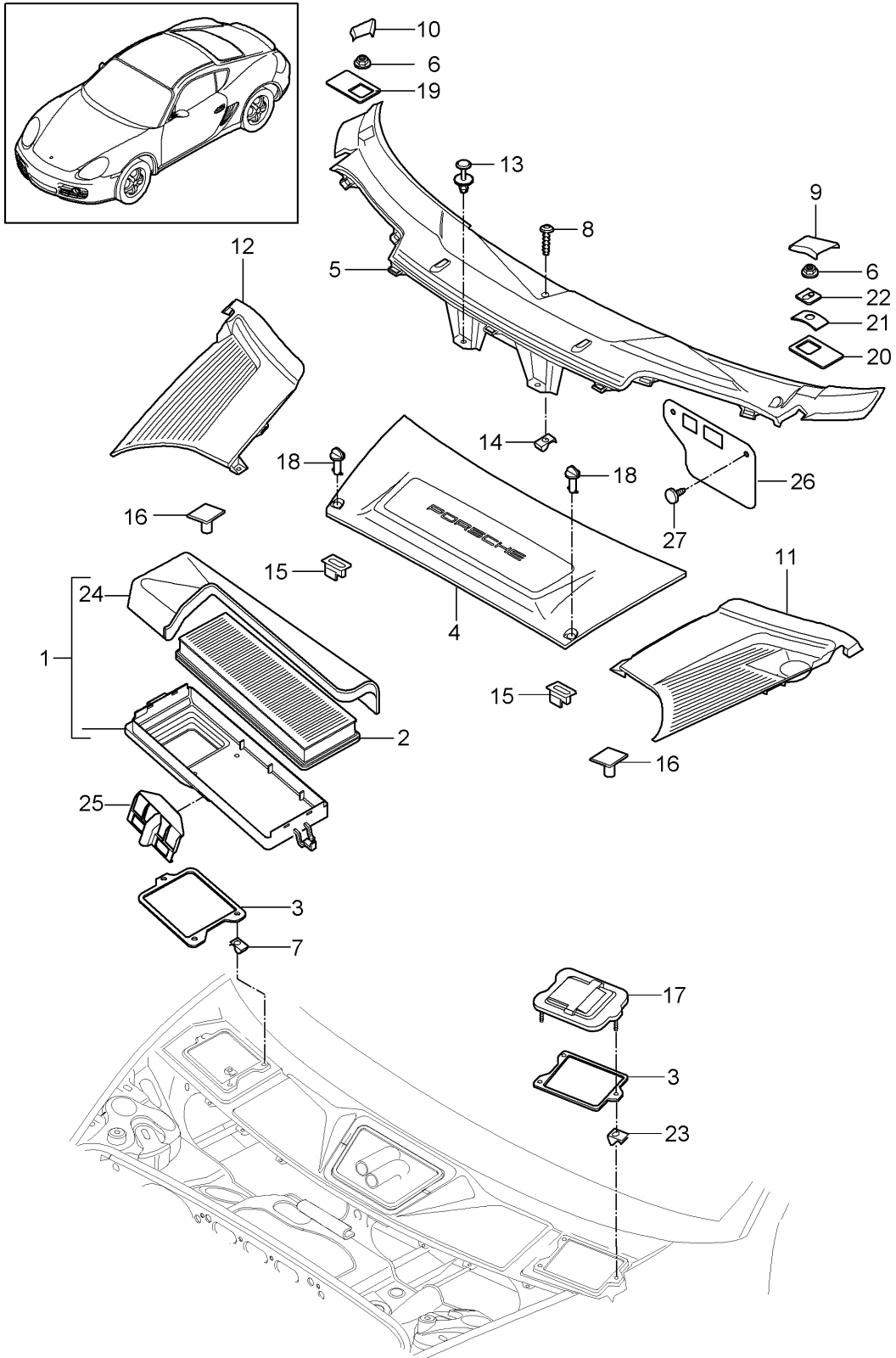
Model: 987209

Model life 2009>>2012

Pos	Part Number	Description	Remark	Qty	Model
1	9A1 126 011 05	Compressor		1	
2	900 385 134 01	Compressor Hexagon head bolt M 8 X 170		1	
3	900 385 102 01	Torx screw M 8 X 90		2	
4	9A1 607 260 01	Bracket		1	
5	N 104 144 02	Socket head bolt with hexagon socket head M 8 x 28		2	
6		suction line see illustration, item:	813-025,7	1	
7		Pressure line see illustration, item:	813-025,8	1	
8	900 377 010 02	Hexagon nut M6		2	
-	000 043 200 04	Compressor oil 250 ml		1	

Model: 987209

Model life 2009>>2012



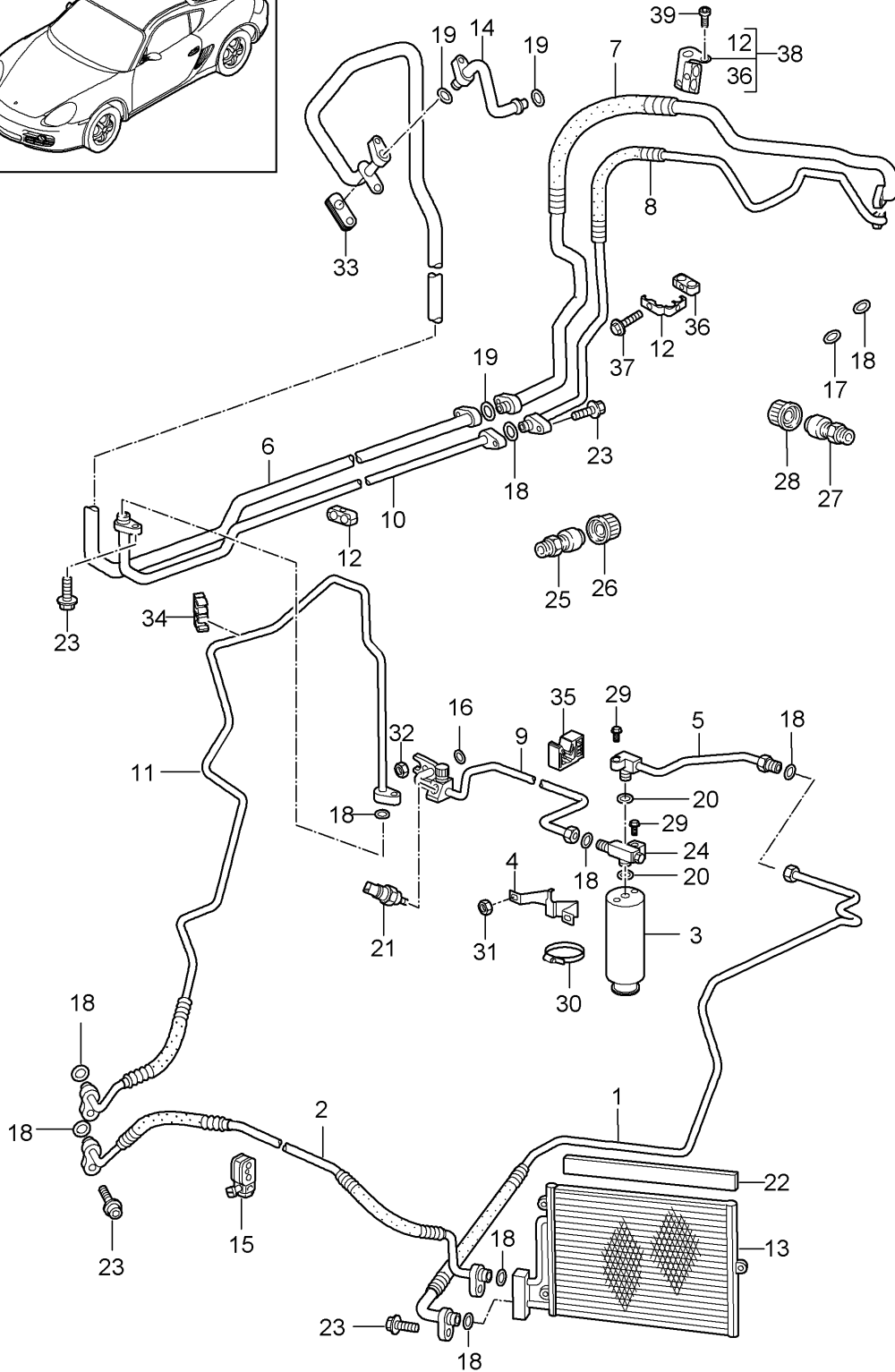
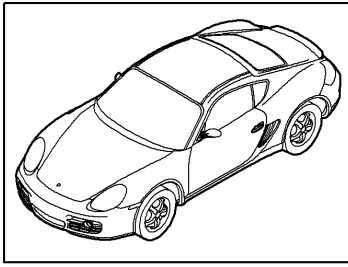
Model: 987209

Model life 2009>>2012

Pos	Part Number	Description	Remark	Qty	Model
1	997 572 019 04	Particulate filter housing	lhd	1	PR:098
2	997 571 219 01	Cowl panel covering		1	
3	997 572 221 00	Dust and pollen filter		1	
4	997 572 567 04	Seal		1	
4	997 572 567 04	Battery cover		1	
5	997 572 567 04 FMT	Black			
5	997 572 563 08	Cover	lhd	1	PR:098
		Scuttle			
	997 572 563 08 FMT	Black			
6	999 076 071 02	Hexagon nut		2	
		M6			
7	999 507 348 01	panel nut		3	
8	N 906 487 04	Hexagon socket oval head bolt		1	
9	997 572 569 04	Cover cap	left lhd	2	PR:098
	997 572 569 04 FMT	Black			
10	997 572 570 04	Cover cap	right lhd	1	PR:098
	997 572 570 04 FMT	Black			
11	997 572 361 07	Plenum chamber cover	left	1	
	997 572 361 07 02A	Black			
12	997 572 362 08	Plenum chamber cover	right	1	
	997 572 362 08 02A	Black			
13	999 507 497 40	Spreader rivet		2	
		8 X 14			
14	999 507 834 41	expanding nut		1	
		ST 4,8			
15	999 590 046 40	Cam disc		2	
16	999 902 046 40	catch		1	
17	997 572 419 03	Cover		1	
18	997 572 867 00	Locking bolt		2	
	997 572 867 00 02A	Black			
18	997 572 867 01	Locking bolt		2	
	997 572 867 01 02A	Black			
19	997 572 842 01	Pressure plate	right lhd	1	PR:098
		(passenger side)			
20	997 572 841 00	Pressure plate		1	
		(drivers side)			
21	997 572 837 00	spring plate		1	
		(drivers side)			
22	997 572 533 00	Retaining plate		1	
		(drivers side)			
23	999 591 855 01	panel nut		3	
24	997 572 729 02	Dust and pollen filter insert	lhd	1	PR:098
		Particulate filter			
25	997 572 862 01	Support		1	
26	997 572 763 00	Cover		1	
27	999 703 432 40	Bungs		2	
		8,0			
		12,2 X 25			

Model: 987209

Model life 2009>>2012



Model: 987209

Model life 2009>>2012

Pos	Part Number	Description	Remark	Qty	Model
		refrigerant circuit			
1	997 573 105 03	Pressure line		1	
2	997 573 103 02	Pressure line		1	
3	944 573 143 01	Drier		1	
4	996 573 451 00	bracket for drier		1	
5	997 573 106 00	Pressure line	left	1	
		Wheel housing for Drier			
6	996 573 091 01	suction line NW 16		1	
7	9A1 573 099 04	suction line		1	A120,A121
8	9A1 573 097 04	Pressure line		1	A120,A121
9	997 573 108 02	Pressure line NW8	lhd	1	PR:098
10	996 573 092 02	Pressure line NW10		1	
11	997 573 094 02	Pressure line		1	
12	999 511 230 40	Cable holder		X	
		also use:			
-	999 511 231 41	Rubber bush		X	
13	996 573 111 03	Condenser Discontinued part		2	
13	997 573 911 02	Condenser		2	
14	996 573 093 06	suction line NW16	lhd	1	PR:098
15	996 347 543 00	Cable holder		2	
16	999 707 531 41	O-ring 7,5X2		2	
17	999 707 557 41	O-ring 11x2,5		1	
18	999 707 434 41	O-ring 10,6X2		8	
19	999 707 534 41	O-ring 17X2		3	
20	999 707 262 40	O-ring 6,7X1,8		1	
21	955 613 137 01	Pressure sensor use if required:		1	
		Discontinued part			
(21)	955 613 137 02	Pressure sensor		1	
22	999 707 555 41	O-ring 10,8 X 1,8		1	
23	900 067 247 01	Bolt with washer M8x30		X	
24	997 573 243 00	Distributor		1	
25	996 573 465 00	Valve suction line		1	
26	944 573 663 01	Cap		1	
27	996 573 466 00	Pressure valve Pressure line		1	
28	944 573 663 01	Cap		1	
29	900 075 340 01	Bolt with washer M6x22		1	
30	999 512 349 01	Hose clamp A50-70/9		1	
31	900 380 015 01	Hexagon nut M6		2	
32	900 377 010 01	Hexagon nut M6		1	
33	996 573 769 01	Grommet		1	
34	996 355 547 01	Bracket		1	
35	999 591 922 40	Bracket		1	

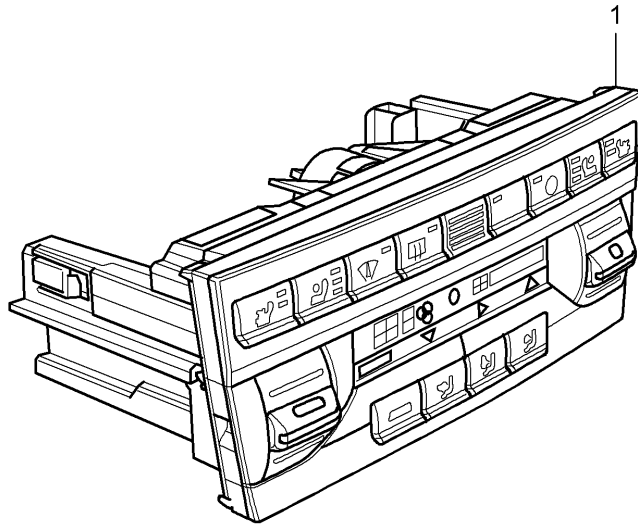
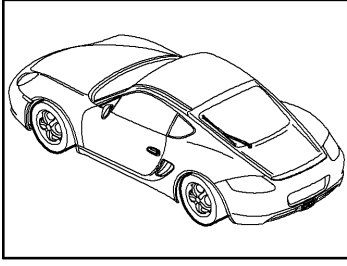
Model: 987209

Model life 2009>>2012

Pos	Part Number	Description	Remark	Qty	Model
36	999 511 231 41	Rubber bush		X	
37	900 385 149 01	Torx screw M6x40		1	
38	9A1 573 341 00	Bracket		1	
		with:			
		Mounting and Clip			
39	900 385 041 01	Torx screw M6x12		1	
40	999 511 260 40	Bracket		1	

Model: 987209

Model life 2009>>2012



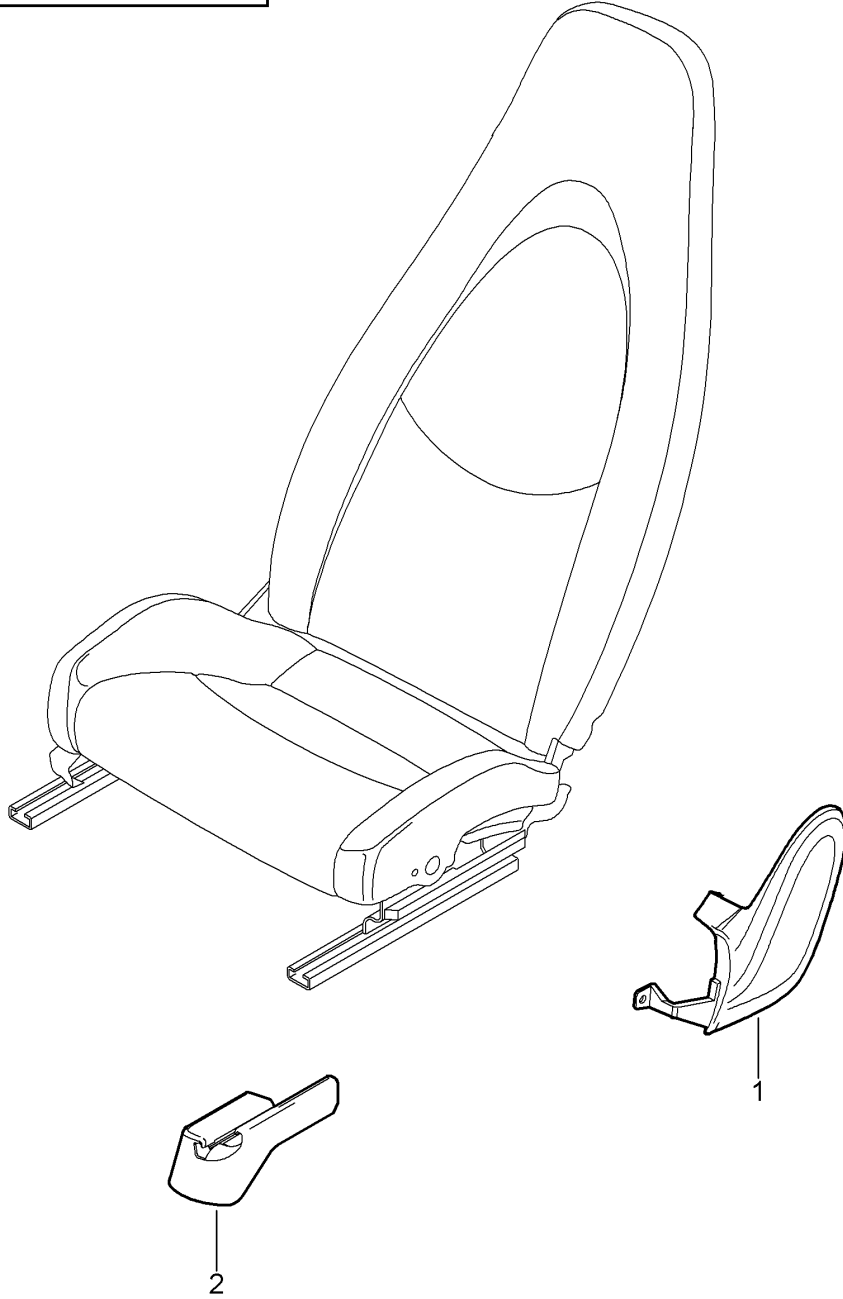
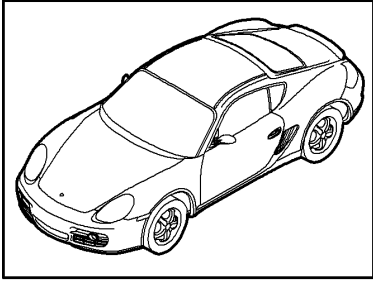
Model: 987209

Model life 2009>>2012

Pos	Part Number	Description	Remark	Qty	Model
(1)	997 653 203 02	Control switch		1	PR:572
	997 653 203 02 FTC	Control panel Matt Black/Galvano Silver Mattschwarz/Galvanosilber			
(1)	997 653 213 02	Control panel		1	PR:342,572
	997 653 213 02 FTC	Matt Black/Galvano Silver Mattschwarz/Galvanosilber			
1	997 653 201 02	Control panel		1	PR:573
	997 653 201 02 FTC	Matt Black/Galvano Silver Mattschwarz/Galvanosilber			
1	997 653 211 02	Control panel		1	PR:342,573
	997 653 211 02 FTC	Matt Black/Galvano Silver Mattschwarz/Galvanosilber			
1	997 653 221 02	Control panel		1	PR:342,541, 573
	997 653 221 02 FTC	Matt Black/Galvano Silver Mattschwarz/Galvanosilber			

Model: 987209

Model life 2009>>2012



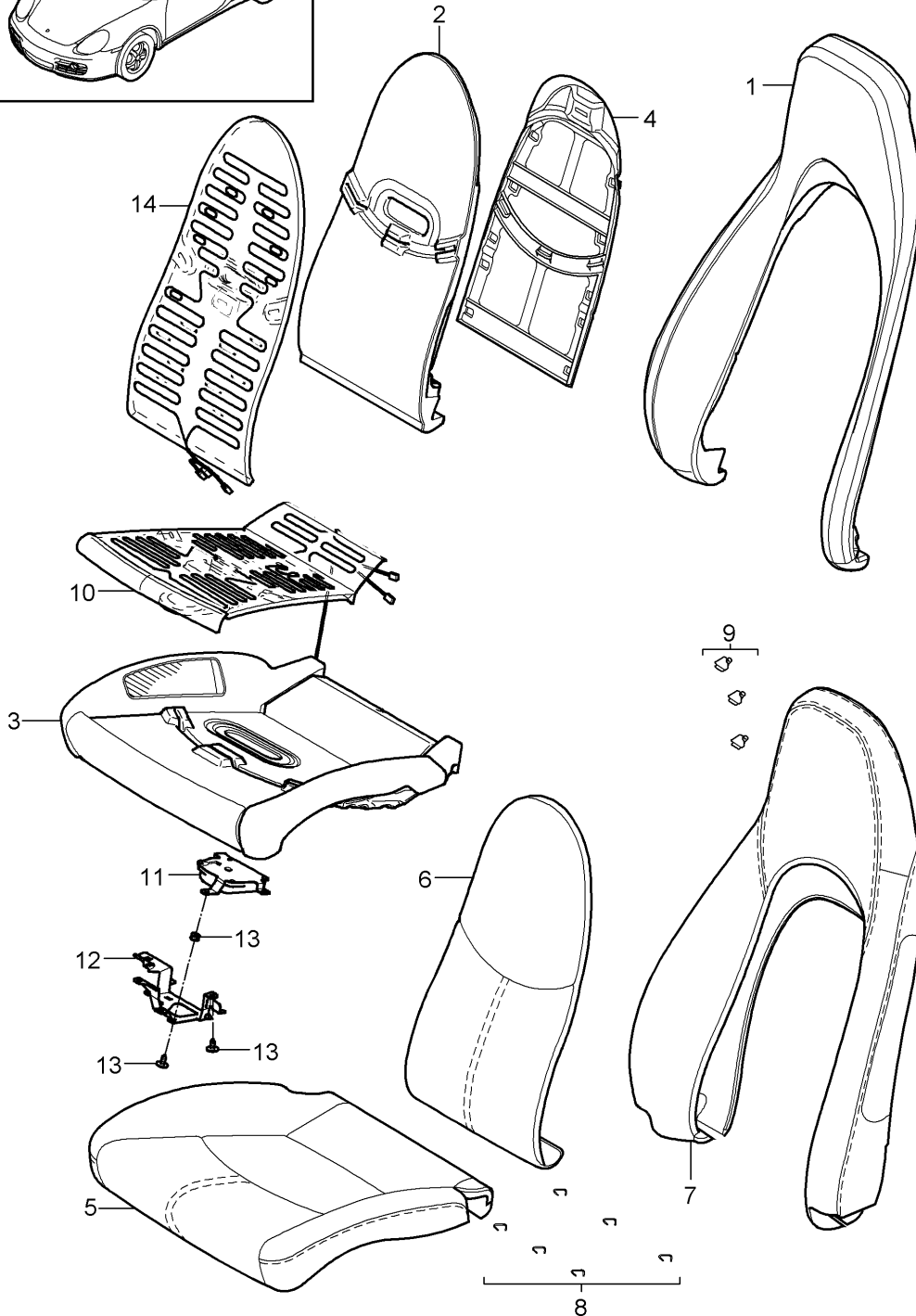
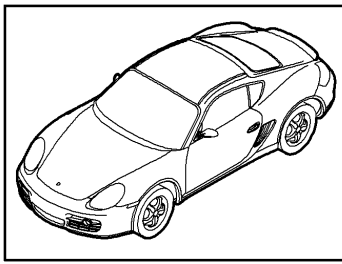
Model: 987209

Model life 2009>>2012

Pos	Part Number	Description	Remark	Qty	Model
		Front seat Standard seat Comfort seat (complete) Not available			CAYMAN S CAYMAN
1	997 521 315 02	Cover panel Mounting component	left	1	PR:369,375, 377,437
	997 521 315 02 D07	Volcano grey			
(1)	997 521 316 02	Cover panel Mounting component	right	1	PR:370,376, 378,438
	997 521 316 02 D07	Volcano grey			
(1)	997 521 316 03	Cover panel Mounting component For vehicles with 'Advanced' airbag	right	1	PR:370,376, 378,438,560
	997 521 316 03 D07	Volcano grey			
2	997 521 359 01	Rail Seat rail	left	1	PR:369,375
	997 521 359 01 01C	Satin black			
(2)	997 521 360 01	Rail Seat rail	right	1	PR:370,376
	997 521 360 01 01C	Satin black			
(2)	997 521 361 00	Rail Seat rail	left	1	PR:370,376, 377,378,437, 438
	997 521 361 00 01C	Satin black			
(2)	997 521 362 00	Rail Seat rail	right	1	PR:369,375, 377,378,437, 438
	997 521 362 00 01C	Satin black			

Model: 987209

Model life 2009>>2012



Model: 987209 Model life 2009>>2012

Pos	Part Number	Description	Remark	Qty	Model
1	997 521 535 00	Foam part Cover Standard seat Comfort seat		1	PR:369,370, 437,438
(1)	997 521 535 03	Foam part backrest Outer part		1	PR:369,370, 437,438,-541
2	997 521 581 00	Foam part backrest Vented Outer part		1	PR:369,370, 437,438,541
(2)	997 521 581 01	Foam part backrest Vented Centre part		1	PR:369,370, 437,438,-541
3	997 521 571 00	Foam part Seat cushion with heating		1	PR:369,370, 437,438, -541,-560
(3)	997 521 571 03	Foam part Seat cushion with heating		1	PR:370,438, -541,560
(3)	997 521 571 06	Foam part Seat cushion Vented with heating		1	PR:369,370, 437,438,541, -560
(3)	997 521 571 07	Foam part Seat cushion Vented with heating		1	PR:370,438, 541,560
4	997 521 551 01	Backrest-padding support part		1	PR:369,370, 437,438
5	997 521 161 00	Seat cover Partial leather Embossed		1	PR:369,370, 437,438, -541,946
	997 521 161 00 FLB	Black			
	997 521 161 00 FLE	Stone grey			
	997 521 161 00 FLH	Sand beige			
	997 521 161 00 FLL	sea blue			
(5)	997 521 161 09	Seat cover Partial leather Embossed Vented		1	PR:369,370, 437,438,541, 946
	997 521 161 09 FLB	Black			
	997 521 161 09 FLE	Stone grey			
	997 521 161 09 FLH	Sand beige			
	997 521 161 09 FLL	sea blue			
(5)	997 521 161 01	Seat cover Leather		1	PR:369,370, 437,438, -541,983
	997 521 161 01 FLC	Black			
	997 521 161 01 FLF	Stone grey			
	997 521 161 01 FLJ	Sand beige			
	997 521 161 01 FLM	sea blue			
	997 521 161 01 FLQ	Terracotta			
	997 521 161 01 FLR	Cocoa			
	997 521 161 01 VAA	Dark grey/natural			
	997 521 161 01 VAB	Brown/natural			
	997 521 161 01 VAC	Carrera Red			
	997 521 161 01 BCA	Black/stone grey			
(5)	997 521 161 10	Seat cover		1	PR:369,370,

Model: 987209

Model life 2009>>2012

Pos	Part Number	Description	Remark	Qty	Model
		Leather Vented			437,438,541, 983
	997 521 161 10 FLC	Black			
	997 521 161 10 FLF	Stone grey			
	997 521 161 10 FLJ	Sand beige			
	997 521 161 10 FLM	sea blue			
	997 521 161 10 FLQ	Terracotta			
	997 521 161 10 FLR	Cocoa			
	997 521 161 10 VAA	Dark grey/natural			
	997 521 161 10 VAB	Brown/natural			
	997 521 161 10 VAC	Carrera Red			
	997 521 161 10 BCA	Black/stone grey			
(5)	997 521 161 02	Seat cover Draped leather		1	PR:369,370, 437,438,982
	997 521 161 02 FLC	Black			
	997 521 161 02 FLF	Stone grey			
	997 521 161 02 FLJ	Sand beige			
	997 521 161 02 FLM	sea blue			
	997 521 161 02 FLQ	Terracotta			
	997 521 161 02 FLR	Cocoa			
	997 521 161 02 VAA	Dark grey/natural			
	997 521 161 02 VAB	Brown/natural			
	997 521 161 02 VAC	Carrera Red			
	997 521 161 02 BCA	Black/stone grey			
(5)	987 521 161 00	Seat cover Alcantara		1	PR:369,370, 950
	987 521 161 00 FLA	Black			
	987 521 161 00 FLD	Stone grey			
	987 521 161 00 FLG	Sand beige			
	987 521 161 00 FLK	sea blue			
6	997 521 151 00	Backrest cushion cover Centre part Partial leather Embossed		1	PR:369,370, 437,438, -541,946
	997 521 151 00 A08	Black			
	997 521 151 00 5D6	Stone grey			
	997 521 151 00 T25	Sand beige			
	997 521 151 00 3W7	sea blue			
(6)	997 521 151 03	Backrest cushion cover Centre part Partial leather Embossed Vented		1	PR:369,370, 437,438,541, 946
	997 521 151 03 A08	Black			
	997 521 151 03 5D6	Stone grey			
	997 521 151 03 T25	Sand beige			
	997 521 151 03 3W7	sea blue			
(6)	997 521 151 00	Backrest cushion cover Centre part Plain leather		1	PR:369,370, 437,438, -541,983
	997 521 151 00 8YR	Black			
	997 521 151 00 5X5	Stone grey			
	997 521 151 00 8G1	Sand beige			
	997 521 151 00 3S8	sea blue			
	997 521 151 00 9N2	Terracotta			
	997 521 151 00 9Q3	Cocoa			
	997 521 151 00 D11	Dark grey/natural			
	997 521 151 00 T11	Brown/natural			
	997 521 151 00 N11	Carrera Red			
(6)	997 521 151 03	Backrest cushion cover Centre part Plain leather Vented		1	PR:369,370, 437,438,541, 983

Model: 987209

Model life 2009>>2012

Pos	Part Number	Description	Remark	Qty	Model
	997 521 151 03 8YR	Black			
	997 521 151 03 5X5	Stone grey			
	997 521 151 03 8G1	Sand beige			
	997 521 151 03 3S8	sea blue			
	997 521 151 03 9N2	Terracotta			
	997 521 151 03 9Q3	Cocoa			
	997 521 151 03 D11	Dark grey/natural			
	997 521 151 03 T11	Brown/natural			
	997 521 151 03 N11	Carrera Red			
(6)	997 521 151 01	Backrest cushion cover Centre part Draped leather		1	PR:369,370, 437,438,982
	997 521 151 01 8YR	Black			
	997 521 151 01 5X5	Stone grey			
	997 521 151 01 8G1	Sand beige			
	997 521 151 01 3S8	sea blue			
	997 521 151 01 9N2	Terracotta			
	997 521 151 01 9Q3	Cocoa			
	997 521 151 01 D11	Dark grey/natural			
	997 521 151 01 T11	Brown/natural			
	997 521 151 01 N11	Carrera Red			
7	987 521 141 00	backrest cover (alcantara) Outer part	left	1	PR:369,950
	987 521 141 00 FLA	Black			
	987 521 141 00 FLD	Stone grey			
	987 521 141 00 FLG	Sand beige			
	987 521 141 00 FLK	sea blue			
(7)	987 521 142 00	backrest cover (alcantara) Outer part	right	1	PR:370,950
	987 521 142 00 FLA	Black			
	987 521 142 00 FLD	Stone grey			
	987 521 142 00 FLG	Sand beige			
	987 521 142 00 FLK	sea blue			
(7)	987 521 141 02	Backrest cover Outer part Plain leather	left	1	PR:369,437, 983
	987 521 141 02 FLC	Black			
	987 521 141 02 FLF	Stone grey			
	987 521 141 02 FLJ	Sand beige			
	987 521 141 02 FLM	sea blue			
	987 521 141 02 FLQ	Terracotta			
	987 521 141 02 FLR	Cocoa			
	987 521 141 02 VAA	Dark grey/natural			
	987 521 141 02 VAB	Brown/natural			
	987 521 141 02 VAC	Carrera Red			
(7)	987 521 142 02	Backrest cover Outer part Plain leather	right	1	PR:370,438, 983
	987 521 142 02 FLC	Black			
	987 521 142 02 FLF	Stone grey			
	987 521 142 02 FLJ	Sand beige			
	987 521 142 02 FLM	sea blue			
	987 521 142 02 FLQ	Terracotta			
	987 521 142 02 FLR	Cocoa			
	987 521 142 02 VAA	Dark grey/natural			
	987 521 142 02 VAB	Brown/natural			
	987 521 142 02 VAC	Carrera Red			
(7)	987 521 141 02	Backrest cover Outer part Draped leather	left	1	PR:369,437, 982
	987 521 141 02 FLC	Black			
	987 521 141 02 FLF	Stone grey			
	987 521 141 02 FLJ	Sand beige			

Model: 987209 Model life 2009>>2012

Pos	Part Number	Description	Remark	Qty	Model
	987 521 141 02 FLM	sea blue			
	987 521 141 02 FLQ	Terracotta			
	987 521 141 02 FLR	Cocoa			
	987 521 141 02 VAA	Dark grey/natural			
	987 521 141 02 VAB	Brown/natural			
	987 521 141 02 VAC	Carrera Red			
(7)	987 521 142 02	Backrest cover Outer part Draped leather	right	1	PR:370,438, 982
	987 521 142 02 FLC	Black			
	987 521 142 02 FLF	Stone grey			
	987 521 142 02 FLJ	Sand beige			
	987 521 142 02 FLM	sea blue			
	987 521 142 02 FLQ	Terracotta			
	987 521 142 02 FLR	Cocoa			
	987 521 142 02 VAA	Dark grey/natural			
	987 521 142 02 VAB	Brown/natural			
	987 521 142 02 VAC	Carrera Red			
(7)	987 521 141 03	Backrest cover Outer part Partial leather	left	1	PR:369,437, -541,946
	987 521 141 03 FLB	Black			
	987 521 141 03 FLE	Stone grey			
	987 521 141 03 FLH	Sand beige			
	987 521 141 03 FLL	sea blue			
(7)	987 521 142 03	Backrest cover Outer part Partial leather	right	1	PR:370,438, -541,946
	987 521 142 03 FLB	Black			
	987 521 142 03 FLE	Stone grey			
	987 521 142 03 FLH	Sand beige			
	987 521 142 03 FLL	sea blue			
(7)	987 521 141 04	Backrest cover Outer part with heating Partial leather	left	1	PR:369,437, 541,946
	987 521 141 04 FLB	Black			
	987 521 141 04 FLE	Stone grey			
	987 521 141 04 FLH	Sand beige			
	987 521 141 04 FLL	sea blue			
(7)	987 521 142 04	Backrest cover Outer part with heating Partial leather	right	1	PR:370,438, 541,946
	987 521 142 04 FLB	Black			
	987 521 142 04 FLE	Stone grey			
	987 521 142 04 FLH	Sand beige			
	987 521 142 04 FLL	sea blue			
(7)	987 521 141 02	Backrest cover Outer part with heating Plain leather	left	1	PR:369,437, 541,983
	987 521 141 02 FLC	Black			
	987 521 141 02 FLF	Stone grey			
	987 521 141 02 FLJ	Sand beige			
	987 521 141 02 FLM	sea blue			
	987 521 141 02 FLQ	Terracotta			
	987 521 141 02 FLR	Cocoa			
	987 521 141 02 VAA	Dark grey/natural			
	987 521 141 02 VAB	Brown/natural			
	987 521 141 02 VAC	Carrera Red			
(7)	987 521 142 05	Backrest cover Outer part	right	1	PR:370,438, 541,983

Model: 987209

Model life 2009>>2012

Pos	Part Number	Description	Remark	Qty	Model
		with heating			
		Plain leather			
	987 521 142 05 FLC	Black			
	987 521 142 05 FLF	Stone grey			
	987 521 142 05 FLJ	Sand beige			
	987 521 142 05 FLM	Black/sea blue			
	987 521 142 05 FLQ	Black/terracotta			
	987 521 142 05 FLR	Cocoa			
	987 521 142 05 VAA	Black/dark grey/nature			
	987 521 142 05 VAB	Black/brown/nature			
	987 521 142 05 VAC	Carrera Red			
(7)	987 521 941 03	Backrest cover	left	1	PR:369,437, -541,946,XSC
		Outer part			
		Partial leather			
		with:			
		Porsche crest			
	987 521 941 03 A08	Black			
	987 521 941 03 5D6	Stone grey			
	987 521 941 03 T25	Sand beige			
	987 521 941 03 3W7	sea blue			
(7)	987 521 942 03	Backrest cover	right	1	PR:370,438, -541,946,XSC
		Outer part			
		Partial leather			
		with:			
		Porsche crest			
	987 521 942 03 A08	Black			
	987 521 942 03 5D6	Stone grey			
	987 521 942 03 T25	Sand beige			
	987 521 942 03 3W7	sea blue			
(7)	987 521 941 04	Backrest cover	left	1	PR:369,437, 541,946,XSC
		Outer part			
	987 521 941 04 A08	Black			
	987 521 941 04 5D6	Stone grey			
	987 521 941 04 T25	Sand beige			
	987 521 941 04 3W7	sea blue			
(7)	987 521 942 04	Backrest cover	right	1	PR:370,438, 541,946,XSC
		Outer part			
	987 521 942 04 A08	Black			
	987 521 942 04 5D6	Stone grey			
	987 521 942 04 T25	Sand beige			
	987 521 942 04 3W7	sea blue			
(7)	987 521 941 01	Backrest cover	left	1	PR:369,437, 982,983,XSC
		Outer part			
	987 521 941 01 8YR	Black			
	987 521 941 01 5X5	Stone grey			
	987 521 941 01 8G1	Sand beige			
	987 521 941 01 3S8	sea blue			
	987 521 941 01 9N2	Terracotta			
	987 521 941 01 9Q3	Cocoa			
	987 521 941 01 D11	Dark grey/natural			
	987 521 941 01 T11	Brown/natural			
	987 521 941 01 N11	Carrera Red			
(7)	987 521 942 01	Backrest cover	right	1	PR:370,438, 982,983,XSC
		Outer part			
	987 521 942 01 8YR	Black			
	987 521 942 01 5X5	Stone grey			
	987 521 942 01 8G1	Sand beige			
	987 521 942 01 3S8	sea blue			
	987 521 942 01 9N2	Terracotta			
	987 521 942 01 9Q3	Cocoa			
	987 521 942 01 D11	Dark grey/natural			
	987 521 942 01 T11	Brown/natural			
	987 521 942 01 N11	Carrera Red			

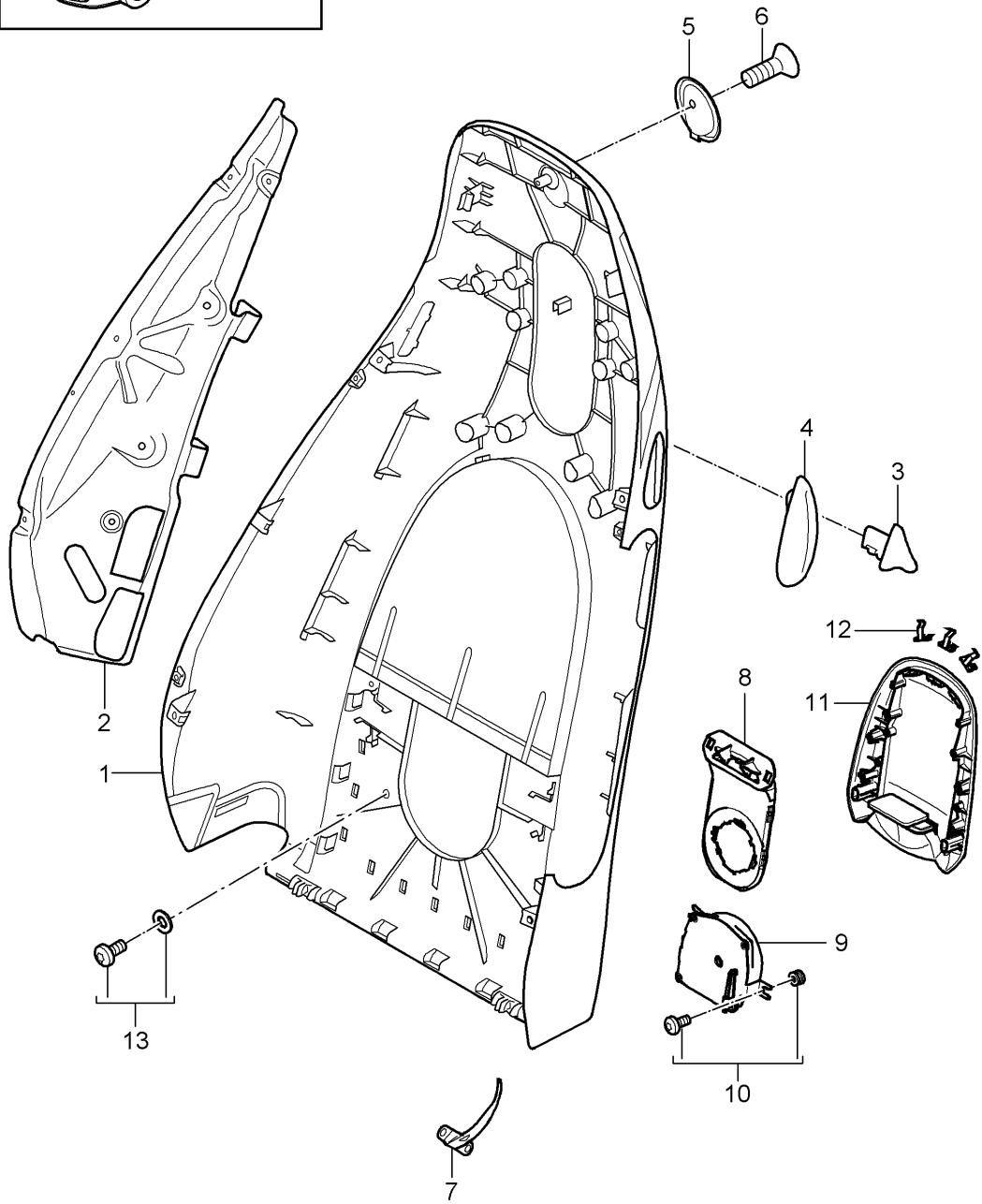
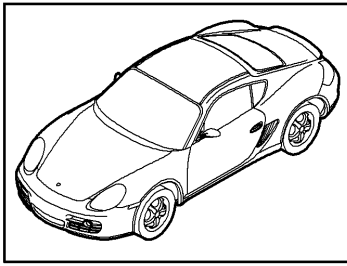
Model: 987209

Model life 2009>>2012

Pos	Part Number	Description	Remark	Qty	Model
8	997 521 837 00	Clip Padding		6	PR:369,370, 437,438
(8)	000 043 207 39	Retaining clip Seat		3	PR:369,370, 437,438,541
9	997 521 897 00	Clip Backrest cover		5	PR:369,370, 437,438
(9)	000 043 207 39	Retaining clip Backrest cover		3	PR:369,370, 437,438,541
10	997 521 721 00	Airbag Seat cushion		1	PR:369,370, 541
(10)	997 521 721 00	Airbag Seat cushion		1	PR:437,438, 541
11	997 624 335 00	Electric motor Seat cushion		1	PR:541
12	997 521 661 00	Bracket Electric motor Seat cushion		1	PR:369,370, 437,438,541
13	000 043 207 38	1 set attachment parts Electric motor Seat cushion backrest		13	PR:541
14	997 521 731 00	Airbag backrest		1	PR:369,370, 541
14	997 521 731 00	Airbag backrest		1	PR:437,438, 541

Model: 987209

Model life 2009>>2012



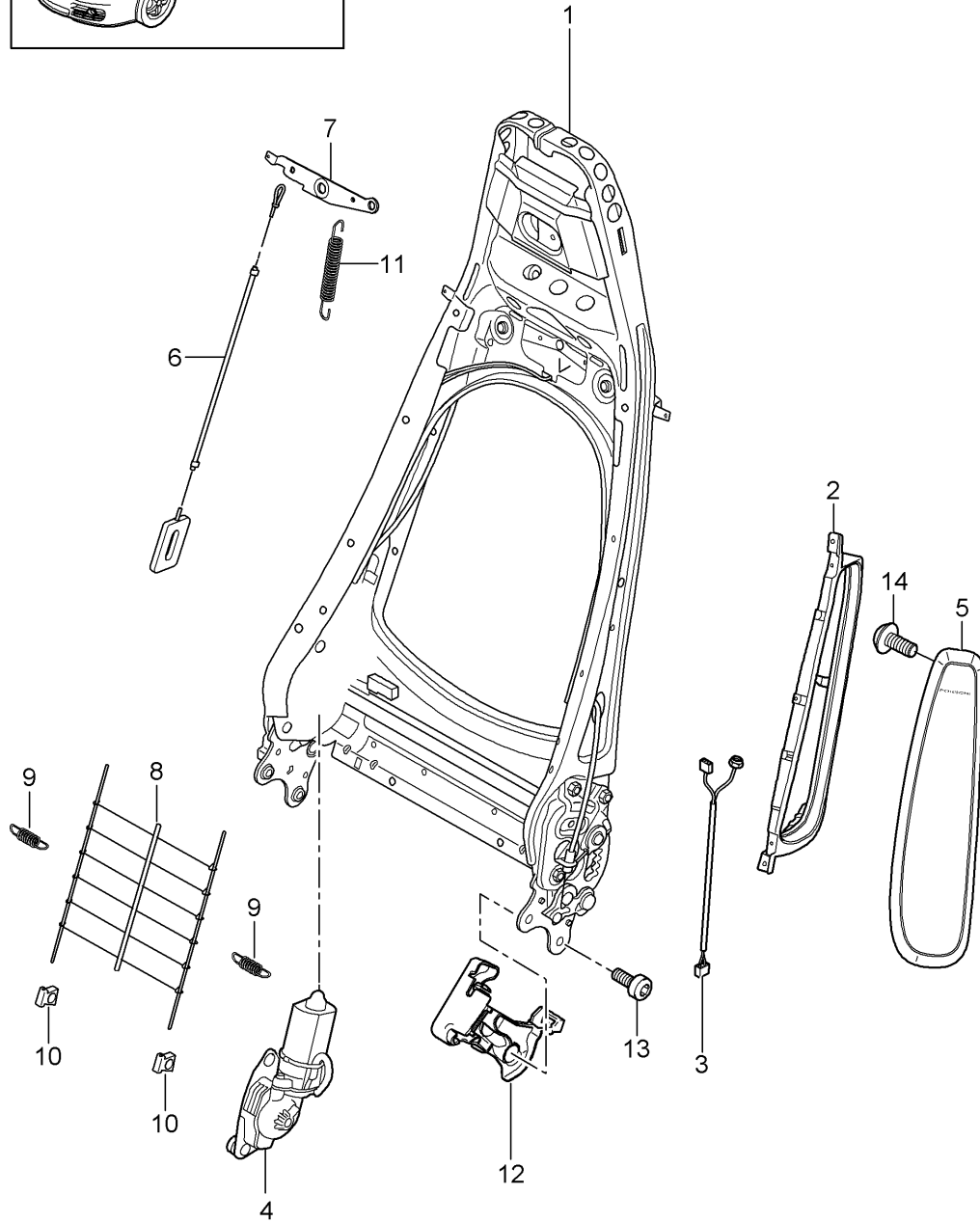
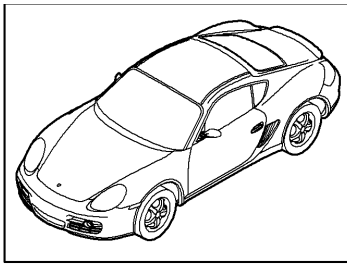
Model: 987209

Model life 2009>>2012

Pos	Part Number	Description	Remark	Qty	Model
		Backrest shell Standard seat Comfort seat Accessories			
1	987 521 303 04	Backrest shell	left	1	PR:369,437
	987 521 303 04 01C	Satin black			
(1)	987 521 304 04	Backrest shell	right	1	PR:370,438
	987 521 304 04 01C	Satin black			
(1)	987 521 303 06	Backrest shell	left	1	PR:369,437, 541
	987 521 303 06 01C	Satin black			
(1)	987 521 304 06	Backrest shell	left	1	PR:370,438, 541
	987 521 304 06 01C	Satin black			
2	997 521 319 00	Support	left	1	
		Backrest side bolster			
(2)	997 521 320 00	Support	right	1	
		Backrest side bolster			
3	987 521 623 01	Actuator button	left	1	
		lever for folding backrest			
	987 521 623 01 V05	Galvano silver			
(3)	987 521 624 01	Actuator button	right	1	
		lever for folding backrest			
	987 521 624 01 V05	Galvano silver			
4	997 521 621 02	Rosette	left	1	PR:369,370, 437,438
		lever for folding backrest			
	997 521 621 02 D07	Volcano grey			
(4)	997 521 622 02	Rosette	right	1	PR:369,370, 437,438
		lever for folding backrest			
	997 521 622 02 D07	Volcano grey			
5	997 521 373 01	Coat hook		1	PR:369,370, 437,438
	997 521 373 01 D07	Volcano grey			
6	999 919 232 09	Screw M5 X 20		1	PR:369,370, 437,438
		Coat hook			
8	997 521 733 00	Air guide channel		1	PR:369,370, 437,438,541
		Backrest shell			
9	997 624 337 00	Electric motor		1	PR:541
		Vented backrest			
10	000 043 207 38	1 set attachment parts		1	PR:541
		Electric motor			
11	987 521 491 00	Cover		1	PR:369,370, 437,438,541
		Fan			
		D - MJ 2009>>			
	987 521 491 00 01C	Satin black			
12	000 043 207 40	Clip		3	PR:541
		Mount			
		Cover			
		Fan			
13	000 043 207 41	1 set attachment parts		1	PR:541
		Mount			
		Cover			
		Fan			

Model: 987209

Model life 2009>>2012



Model: 987209 Model life 2009>>2012

Pos	Part Number	Description	Remark	Qty	Model
1	997 521 329 02	Backrest frame Standard seat Comfort seat backrest frame		1	PR:369,370, 437,438 PR:369,370
		without:			
(1)	997 521 329 02	Memory backrest frame		1	PR:437,438
		without:			
(1)	997 521 329 03	Memory backrest frame		1	PR:537,538
		with:			
2	997 521 533 00	Memory Cushion carrier	left	1	PR:369,437
(2)	997 521 534 00	Side airbag unit Cushion carrier	right	1	PR:370,438
		Side airbag unit			
3	997 612 785 01	Wire set	left	1	PR:537
(3)	997 612 786 01	Side airbag unit Wire set	right	1	PR:538
		Side airbag unit			
4	997 624 331 00	Electric motor Backrest frame		1	PR:537,538
		Memory			
(4)	997 624 321 00	Electric motor Backrest frame		1	PR:369,370
		without:			
(4)	997 624 321 00	Memory Electric motor Backrest frame		1	PR:437,438
		without:			
5	997 803 081 01	Memory Side airbag unit	left	1	PR:369,437
	997 803 081 01 A03	Black			
	997 803 081 01 5V7	Stone grey			
	997 803 081 01 5Z1	Sand beige			
	997 803 081 01 8W7	sea blue			
	997 803 081 01 8X8	Terracotta			
	997 803 081 01 8P9	Cocoa			
	997 803 081 01 T13	Brown/natural			
	997 803 081 01 N23	Carrera Red			
(5)	997 803 082 01	Side airbag unit	right	1	PR:370,438
	997 803 082 01 A03	Black			
	997 803 082 01 5V7	Stone grey			
	997 803 082 01 5Z1	Sand beige			
	997 803 082 01 8W7	sea blue			
	997 803 082 01 8X8	Terracotta			
	997 803 082 01 8P9	Cocoa			
	997 803 082 01 T13	Brown/natural			
	997 803 082 01 N23	Carrera Red			
6	997 521 485 00	Bowden cable Backrest frame		2	
7	997 521 375 00	Release Backrest frame		1	
8	997 521 855 00	Grille Backrest frame		1	
9	997 521 893 00	tension spring Inner spring		2	
10	997 521 895 00	Clip Inner spring		2	
11	997 521 797 00	tension spring Release backrest		1	
12	997 521 335 01	Trim	left	1	

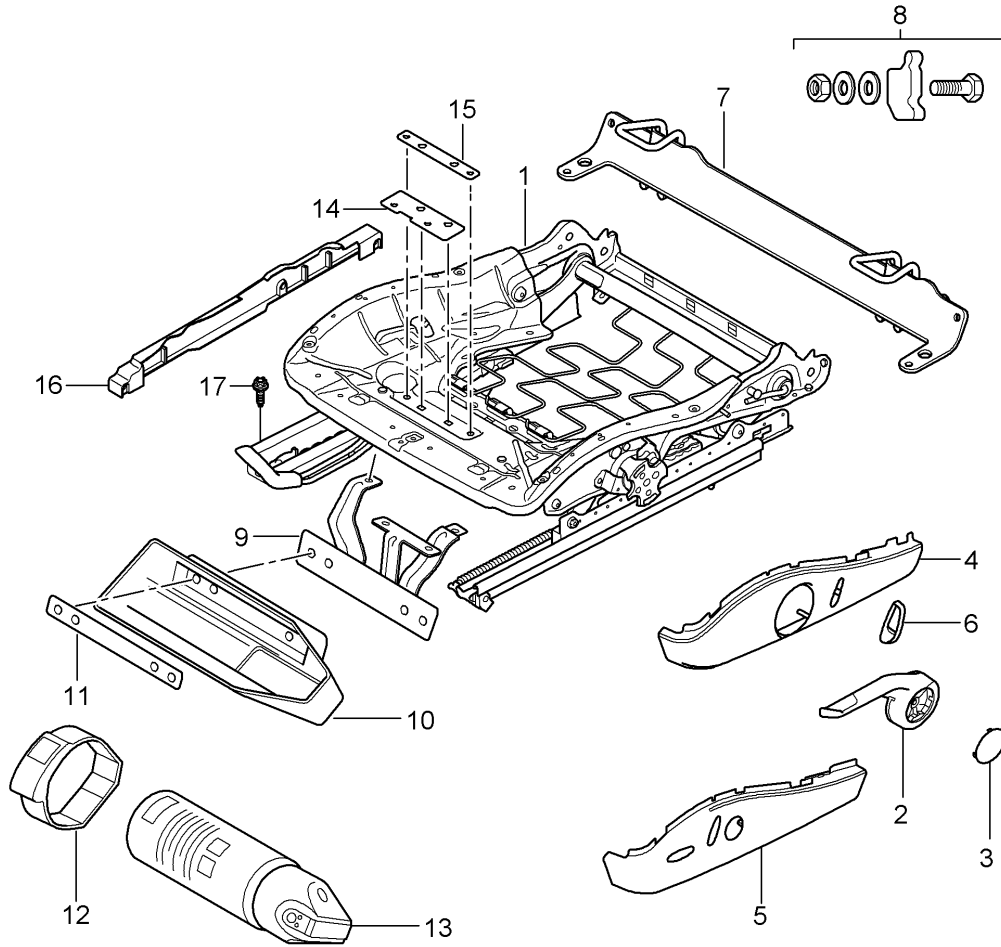
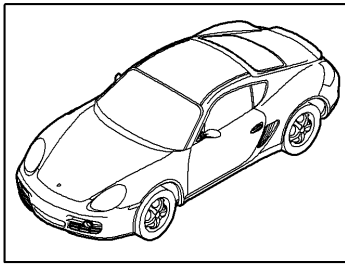
Model: 987209

Model life 2009>>2012

Pos	Part Number	Description	Remark	Qty	Model
(12)	997 521 335 01 D07	Mounting component Volcano grey	inner	1	
	997 521 336 01	Trim	right		
13	997 521 336 01 D07	Mounting component Volcano grey	inner	4	
	999 073 375 09	Screw			
14	999 073 306 09	Mount		2	
		backrest			
		Seat frame			
		Screw			
		Mount			
		Side airbag unit			

Model: 987209

Model life 2009>>2012



Model: 987209

Model life 2009>>2012

Pos	Part Number	Description	Remark	Qty	Model
(1)	997 521 201 10	Seat frame Standard seat Comfort seat Seat frame Manually (drivers side)	left	1	PR:369,375, 480
(1)	997 521 201 14	Seat frame Manually (drivers side)	left	1	PR:369,480, 541
(1)	997 521 201 18	Seat frame Manually (drivers side)	left	1	PR:250,369, 375
(1)	997 521 201 19	Seat frame Manually (drivers side)	left	1	PR:250,369, 541
(1)	997 521 202 23	Seat frame Manually (passenger side)	right	1	PR:370,376, 560
(1)	997 521 201 24	Seat frame Electric without: Memory (drivers side)	left	1	PR:377,437, 480
(1)	997 521 201 26	Seat frame Electric without: Memory (drivers side)	left	1	PR:437,480, 541
(1)	997 521 201 28	Seat frame Electric without: Memory (drivers side)	left	1	PR:250,377, 437
(1)	997 521 202 30	Seat frame Electric without: Memory (drivers side)	right	1	PR:378,438
(1)	997 521 202 24	Seat frame Electric without: Memory (drivers side)	right	1	PR:378,438, 560
(1)	997 521 202 32	Seat frame Electric without: Memory (drivers side)	right	1	PR:438,541
(1)	997 521 201 25	Seat frame Electric with: Memory (drivers side)	left	1	PR:377,437, 480,537
(1)	997 521 201 27	Seat frame Electric with: Memory (drivers side)	left	1	PR:437,480, 537,541
(1)	997 521 201 29	Seat frame Electric with: Memory (drivers side)	left	1	PR:250,377, 437,537

Model: 987209 Model life 2009>>2012

Pos	Part Number	Description	Remark	Qty	Model
(1)	997 521 201 30	Seat frame Electric with: Memory (drivers side)	left	1	PR:250,437, 537,541
(1)	997 521 202 31	Seat frame Electric with: Memory (drivers side)	right	1	PR:378,438, 538
(1)	997 521 202 33	Seat frame Electric with: Memory (drivers side)	right	1	PR:438,538, 541
(1)	997 521 202 20	Seat frame Manually (passenger side)	right lhd	1	PR:098,370, 376
(1)	997 521 202 26	Seat frame Manually (passenger side)	right lhd	1	PR:098,370, 541
2	997 521 627 01	Actuating lever Height adjustment	left	1	PR:369,375
(2)	997 521 627 01 V05	Galvano silver			
(2)	997 521 628 01	Actuating lever Height adjustment	right	1	PR:370,376
	997 521 628 01 V05	Galvano silver			
3	997 521 629 01	Cover cap Actuating lever		2	PR:369,370, 375,376
	997 521 629 01 D07	Volcano grey			
4	997 521 325 06	Trim for switch	left	1	PR:369,375
	997 521 325 06 D07	Volcano grey			
(4)	997 521 326 06	Trim for switch	right	1	PR:370,376
	997 521 326 06 D07	Volcano grey			
(4)	997 521 326 09	Trim for switch	right	1	PR:370,376, 560
	997 521 326 09 D07	Volcano grey			
5	997 521 325 07	Trim for switch	left	1	PR:437
	997 521 325 07 D07	Volcano grey			
(5)	997 521 326 07	Trim for switch	right	1	PR:438
	997 521 326 07 D07	Volcano grey			
(5)	997 521 326 10	Trim for switch	right	1	PR:438,560
	997 521 326 10 D07	Volcano grey			
6	997 521 631 01	Actuator button backrest D >> - MJ 2010		1	PR:369,370, 375,376,377, 378,437,438
	997 521 631 01 V05	Galvano silver			
6	997 521 631 02	Actuator button backrest D - MJ 2011>>		1	PR:369,370, 375,376,377, 378,437,438
	997 521 631 02 V05	Galvano silver			
9	997 521 251 00	Holder for fire extinguisher	lhd	1	PR:098,509
10	997 521 607 00	Cup Fire extinguishers		1	PR:509
11	997 521 881 00	Holder for fire extinguisher Cup		1	PR:509
12	997 521 851 00	tensioning strap Fire extinguishers		1	PR:509
13	996 722 115 00	Fire extinguishers Information available		1	
14	997 521 841 00	Reinforcement	front	1	PR:509
15	997 521 843 00	Reinforcement	rear	1	PR:509
16	997 521 427 01	Cover	left	1	PR:370,376,

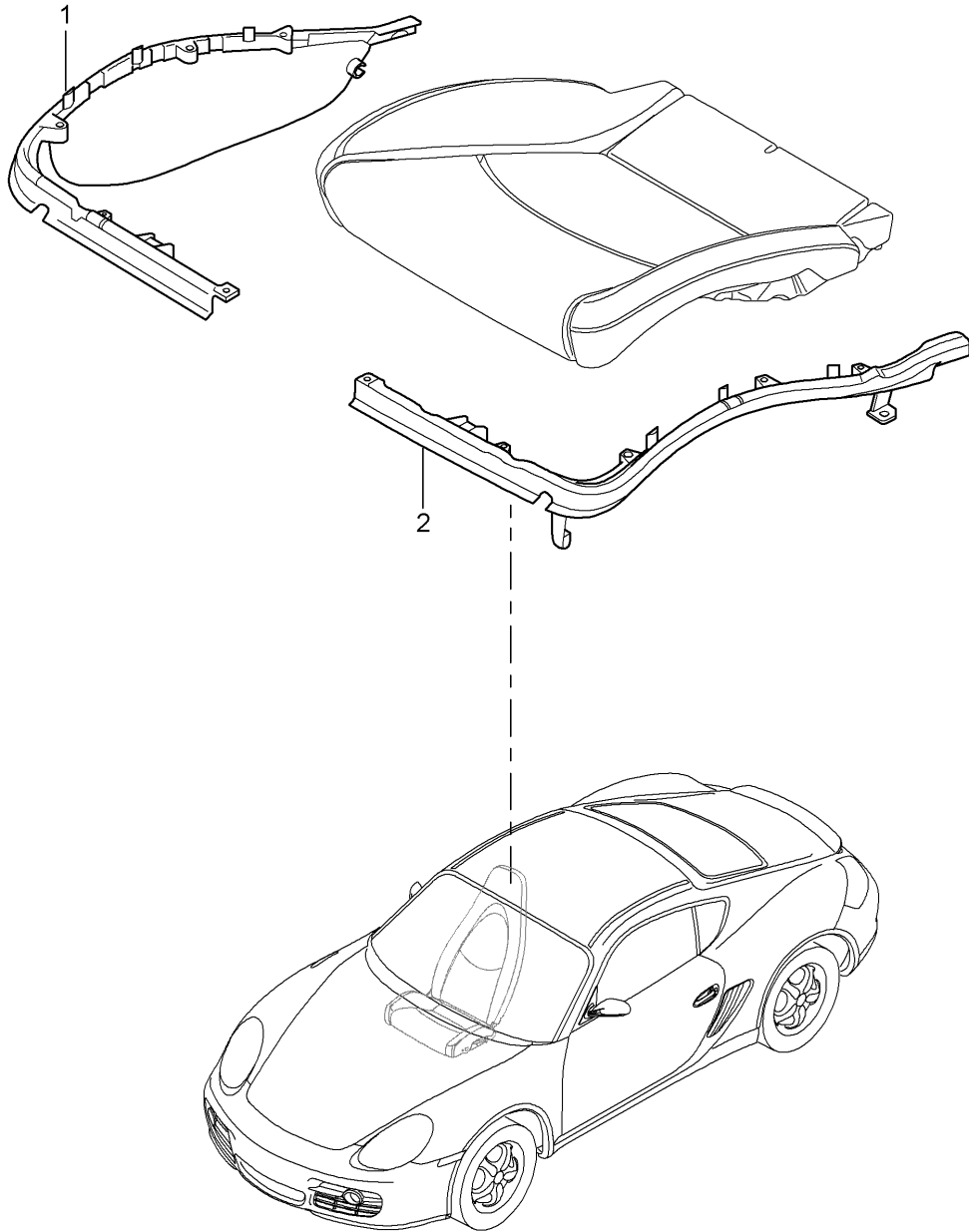
Model: 987209

Model life 2009>>2012

Pos	Part Number	Description	Remark	Qty	Model
		Sensor			378,438,560
		Weight			
	997 521 427 01 01C	Satin black			
(16)	997 521 426 01	Cover	right	1	PR:370,376, 378,438,560
		Sensor			
		Weight			
	997 521 426 01 01C	Satin black			
17	999 141 047 01	Torx screw		4	
		Seat rail			
		Mount			

Model: 987209

Model life 2009>>2012



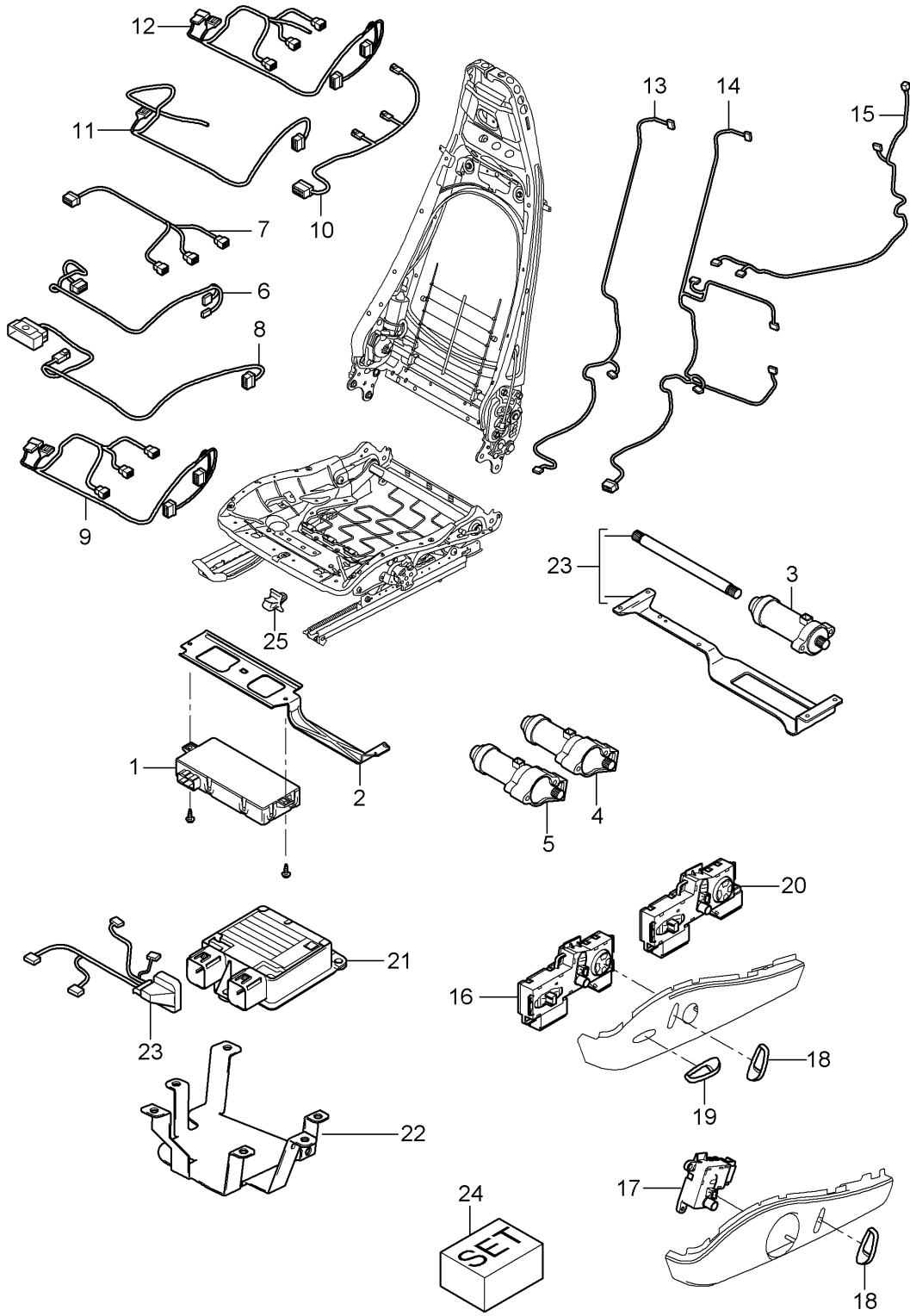
Model: 987209

Model life 2009>>2012

Pos	Part Number	Description	Remark	Qty	Model
1	997 521 547 00	Cushion carrier Frame Seat surface Standard seat Comfort seat Frame	left inner	1	PR:370,438
(1)	997 521 548 00	Frame	right inner	1	PR:369,437
2	997 521 545 00	Frame	left outer	1	PR:369,437
(2)	997 521 546 00	Frame	right outer	1	PR:370,438
(2)	997 521 546 01	Frame	right outer	1	PR:370,438, 560

Model: 987209

Model life 2009>>2012



Model: 987209

Model life 2009>>2012

Pos	Part Number	Description	Remark	Qty	Model
		Wiring looms Switch Control unit Electric motor Standard seat Comfort seat			PR:369,370, 437,438
1	997 618 537 07	Control unit Seating position control		1	PR:537,538
2	997 521 643 01	Retainer for control units Seating position control		1	PR:537,538
3	997 624 322 00	Electric motor Seat adjuster Lengthways		1	PR:437,438
(3)	997 624 332 00	Memory Electric motor Seat adjuster Lengthways	without:	1	PR:537,538
4	997 624 322 00	Memory Electric motor Seat adjuster Height adjustment	with:	1	PR:437,438
(4)	997 624 332 00	Memory Electric motor Seat adjuster Height adjustment	without:	1	PR:537,538
5	997 624 323 00	Memory Electric motor Seat adjuster Tilt angle	with:	1	PR:437,438
(5)	997 624 333 00	Memory Electric motor Seat adjuster Tilt angle	without:	1	PR:537,538
6	997 612 684 00	Memory Wire set Seat adjuster		1	PR:537,538
7	997 612 690 00	Memory Wire set Lengthways Height adjustment		1	PR:537,538
8	997 612 682 01	Memory Wire set Switch		1	PR:369,370
9	997 612 683 01	Seat adjuster Wire set Switch Seat adjuster		1	PR:437,438
10	997 612 657 00	Memory Wire set Seat	without:	2	PR:541
11	997 612 658 00	Wire set Standard seat Manually		1	PR:369,370, 541
12	997 612 659 00	Wire set Comfort seat Electric		1	PR:437,438, 541

Model: 987209 Model life 2009>>2012

Pos	Part Number	Description	Remark	Qty	Model
13	997 612 689 00	Wire set Lumbar support without:		1	PR:437,438
14	997 612 687 00	Memory Wire set Lumbar backrest	left	1	PR:437,537
(14)	997 612 687 00	Memory Wire set Lumbar backrest	right	1	PR:438,538
15	997 612 685 01	Wire set backrest	left	1	PR:369,437
(15)	997 612 686 01	Wire set backrest	right	1	PR:370,438
16	997 613 721 01	switch for seat adjustment Memory switch	left	1	PR:437,537
(16)	997 613 721 01 V05	Galvano silver			
(16)	997 613 722 01	switch for seat adjustment Memory switch	right	1	PR:438,538
(16)	997 613 722 01 V05	Galvano silver			
17	997 613 713 00	switch for seat adjustment Manually adjustable	left	1	PR:369
17	997 613 713 01	D >> - MJ 2010 switch for seat adjustment Manually adjustable	left	1	PR:369
(17)	997 613 714 00	D - MJ 2011>> switch for seat adjustment Manually adjustable	right	1	PR:370
(17)	997 613 714 01	D >> - MJ 2010 switch for seat adjustment Manually adjustable	right	1	PR:370
18	997 521 631 01	Actuator button backrest		1	
18	997 521 631 01 V05	D >> - MJ 2010 Galvano silver			
18	997 521 631 02	Actuator button backrest		1	
18	997 521 631 02 V05	D - MJ 2011>> Galvano silver			
19	997 521 633 02	Actuator button Seat cushion		1	PR:437,438
19	997 521 633 02 V05	D >> - MJ 2010 Galvano silver			
19	997 521 633 03	Actuator button Seat cushion		1	PR:437,438
19	997 521 633 03 V05	D - MJ 2011>> Galvano silver			
20	997 613 717 01	switch for seat adjustment without:	left	1	PR:437
20	997 613 717 01 V05	Memory D >> - MJ 2010 Galvano silver			
20	997 613 717 02	switch for seat adjustment without:	left	1	PR:437
20	997 613 717 02 V05	Memory D - MJ 2011>> Galvano silver			
(20)	997 613 718 01	switch for seat adjustment without:	right	1	PR:438
(20)	997 613 718 01	Memory			

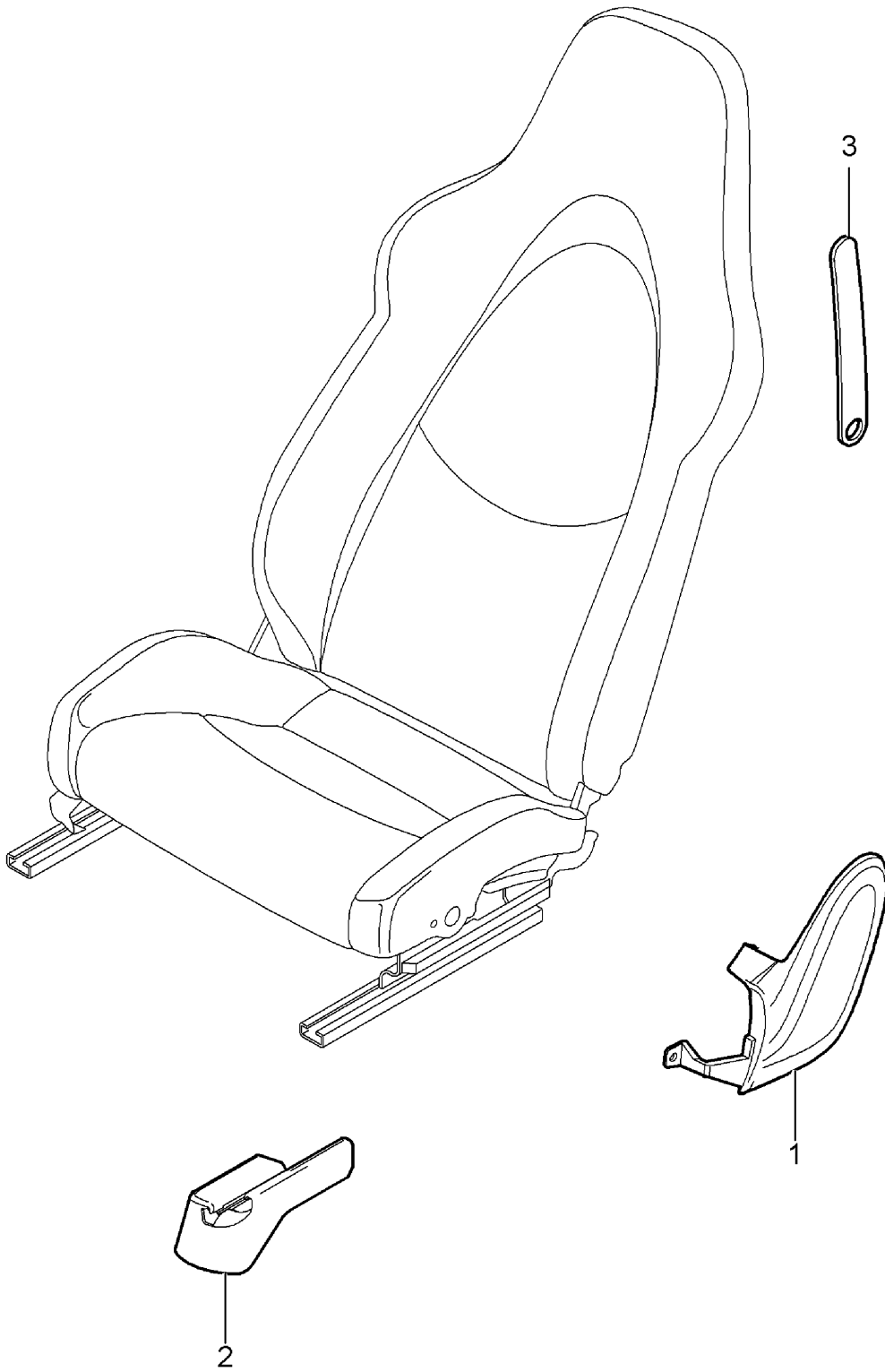
Model: 987209

Model life 2009>>2012

Pos	Part Number	Description	Remark	Qty	Model
(20)	997 613 718 01 V05 997 613 718 02	D >> - MJ 2010 Galvano silver switch for seat adjustment without: Memory D - MJ 2011>>	right	1	PR:438
(21)	997 613 718 02 V05 997 618 233 05	Galvano silver Control unit for seat occupied sensor		1	PR:370,438, 560
22	997 521 646 00	Retainer for control units		1	PR:370,438, 560
23	997 612 688 01	seat occupied recognition Wire set		1	PR:370,438, 560
24	997 521 901 00	repair set Pliable shaft		1	
25	999 650 973 40	Console for engine mounting Clip Mount Wire set seat occupied recognition		1	

Model: 987209

Model life 2009>>2012



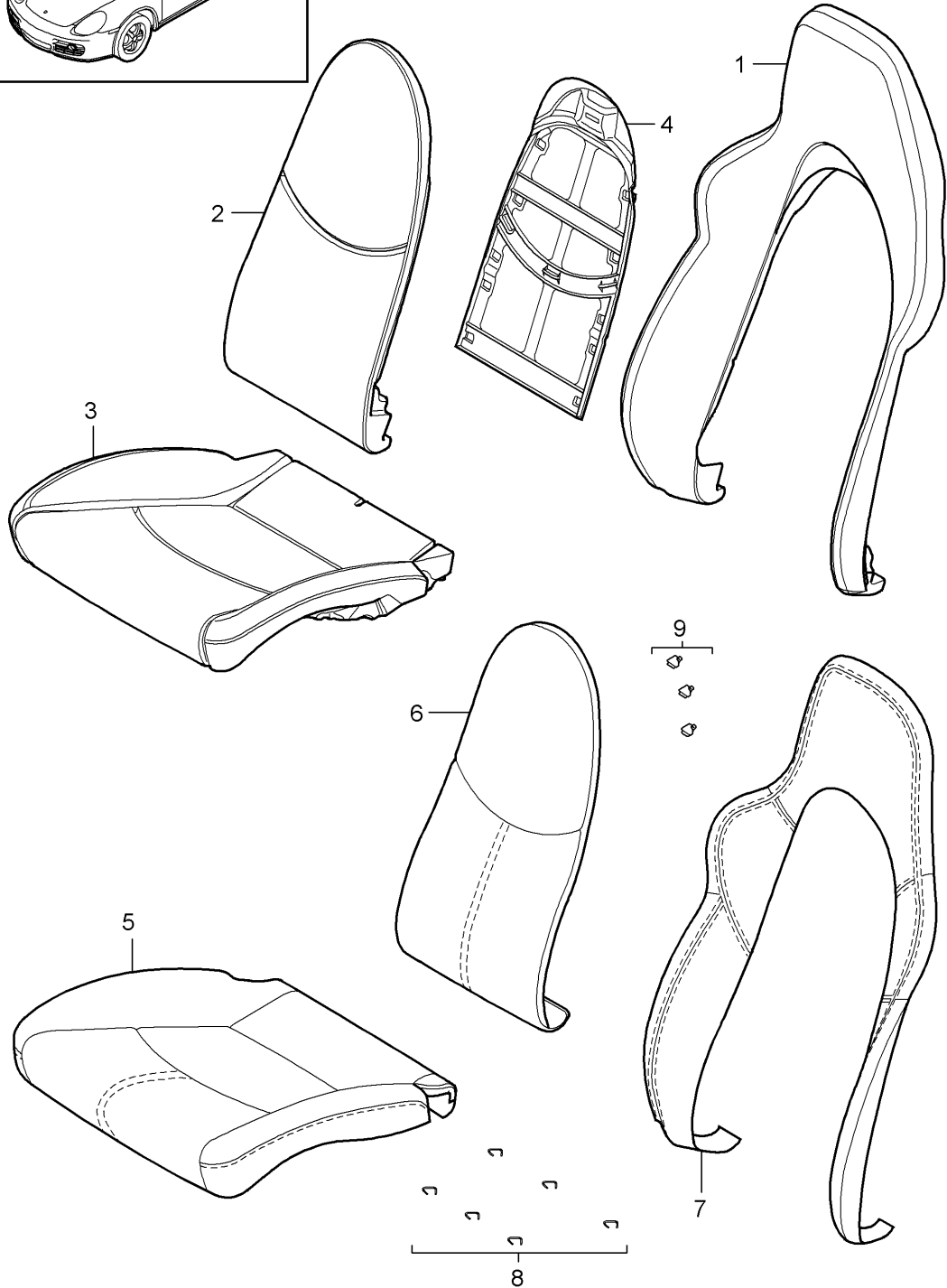
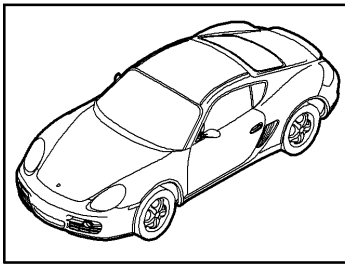
Model: 987209

Model life 2009>>2012

Pos	Part Number	Description	Remark	Qty	Model
1	997 521 315 02	Front seat (complete) Not available sports seat Cover panel Mounting component	left	1	PR:375,377
(1)	997 521 315 02 D07	Volcano grey			
	997 521 316 03	Cover panel Mounting component	right	1	PR:376,378, 560
	997 521 316 03 D07	Volcano grey			
2	997 521 359 01	Rail Seat rail	left	1	PR:375
(2)	997 521 359 01 01C	Satin black			
	997 521 362 00	Rail Seat rail	right	1	PR:375
(2)	997 521 362 00 01C	Satin black			
	997 521 361 00	Rail Seat rail	left	1	PR:376
(2)	997 521 361 00 01C	Satin black			
	997 521 360 01	Rail Seat rail	right	1	PR:376
(2)	997 521 360 01 01C	Satin black			
	997 521 361 00	Rail Seat rail	left	1	PR:377,378
(2)	997 521 361 00 01C	Satin black			
	997 521 362 00	Rail Seat rail	right	1	PR:377,378
(2)	997 521 362 00 01C	Satin black			
3	987 521 181 00	1 set attachment parts Guide Belt (complete)	left	1	PR:377
	987 521 181 00 8YR	Black			
	987 521 181 00 5X5	Stone grey			
	987 521 181 00 8G1	Sand beige			
	987 521 181 00 3S8	sea blue			
	987 521 181 00 9N2	Terracotta			
	987 521 181 00 9Q3	Cocoa			
	987 521 181 00 D11	Dark grey/natural			
	987 521 181 00 T11	Brown/natural			
	987 521 181 00 N11	Carrera Red			
(3)	987 521 182 00	1 set attachment parts Guide Belt (complete)	right	1	PR:378
	987 521 182 00 8YR	Black			
	987 521 182 00 5X5	Stone grey			
	987 521 182 00 8G1	Sand beige			
	987 521 182 00 3S8	sea blue			
	987 521 182 00 9N2	Terracotta			
	987 521 182 00 9Q3	Cocoa			
	987 521 182 00 D11	Dark grey/natural			
	987 521 182 00 T11	Brown/natural			
	987 521 182 00 N11	Carrera Red			

Model: 987209

Model life 2009>>2012



Model: 987209 Model life 2009>>2012

Pos	Part Number	Description	Remark	Qty	Model
1	997 521 535 01	Foam part Cover sports seat	outer	2	PR:375,376
(1)	997 521 535 02	Foam part backrest	outer	2	PR:377,378
2	997 521 581 00	Foam part		1	PR:375,376, 377,378
3	997 521 571 01	Foam part Seat cushion with heating		1	PR:375,376
(3)	997 521 571 02	Foam part Seat cushion with heating		1	PR:377,378
(3)	997 521 571 04	Foam part Seat cushion with heating		1	PR:376,560
(3)	997 521 571 05	Foam part Seat cushion with heating		1	PR:378,560
4	997 521 551 01	Backrest-padding support part		2	PR:375,376, 377,378
5	997 521 161 03	Seat cover		1	PR:375,376, 983
	997 521 161 03 FLC	Black			
	997 521 161 03 FLF	Stone grey			
	997 521 161 03 FLJ	Sand beige			
	997 521 161 03 FLM	sea blue			
	997 521 161 03 FLQ	Terracotta			
	997 521 161 03 FLR	Cocoa			
	997 521 161 03 VAA	Dark grey/natural			
	997 521 161 03 VAB	Brown/natural			
	997 521 161 03 VAC	Carrera Red			
	997 521 161 03 BCA	Black/stone grey			
(5)	997 521 161 03	Seat cover D - MJ 2010>>		1	Cayman R PR:375,376, 983
	997 521 161 03 FLC	Black			
	997 521 161 03 FLJ	Sand beige			
	997 521 161 03 FLR	Cocoa			
	997 521 161 03 VAC	Carrera Red			
(5)	997 521 161 06	Seat cover		1	PR:377,379, 983
	997 521 161 06 FLC	Black			
	997 521 161 06 FLF	Stone grey			
	997 521 161 06 FLJ	Sand beige			
	997 521 161 06 FLM	sea blue			
	997 521 161 06 FLQ	Terracotta			
	997 521 161 06 FLR	Cocoa			
	997 521 161 06 VAA	Dark grey/natural			
	997 521 161 06 VAB	Brown/natural			
	997 521 161 06 VAC	Carrera Red			
	997 521 161 06 BCA	Black/stone grey			
6	997 521 151 00	Backrest cushion cover Centre part		1	PR:375,376, 377,378,983
	997 521 151 00 8YR	Black			
	997 521 151 00 5X5	Stone grey			
	997 521 151 00 8G1	Sand beige			
	997 521 151 00 3S8	sea blue			
	997 521 151 00 9N2	Terracotta			
	997 521 151 00 9Q3	Cocoa			
	997 521 151 00 D11	Dark grey/natural			

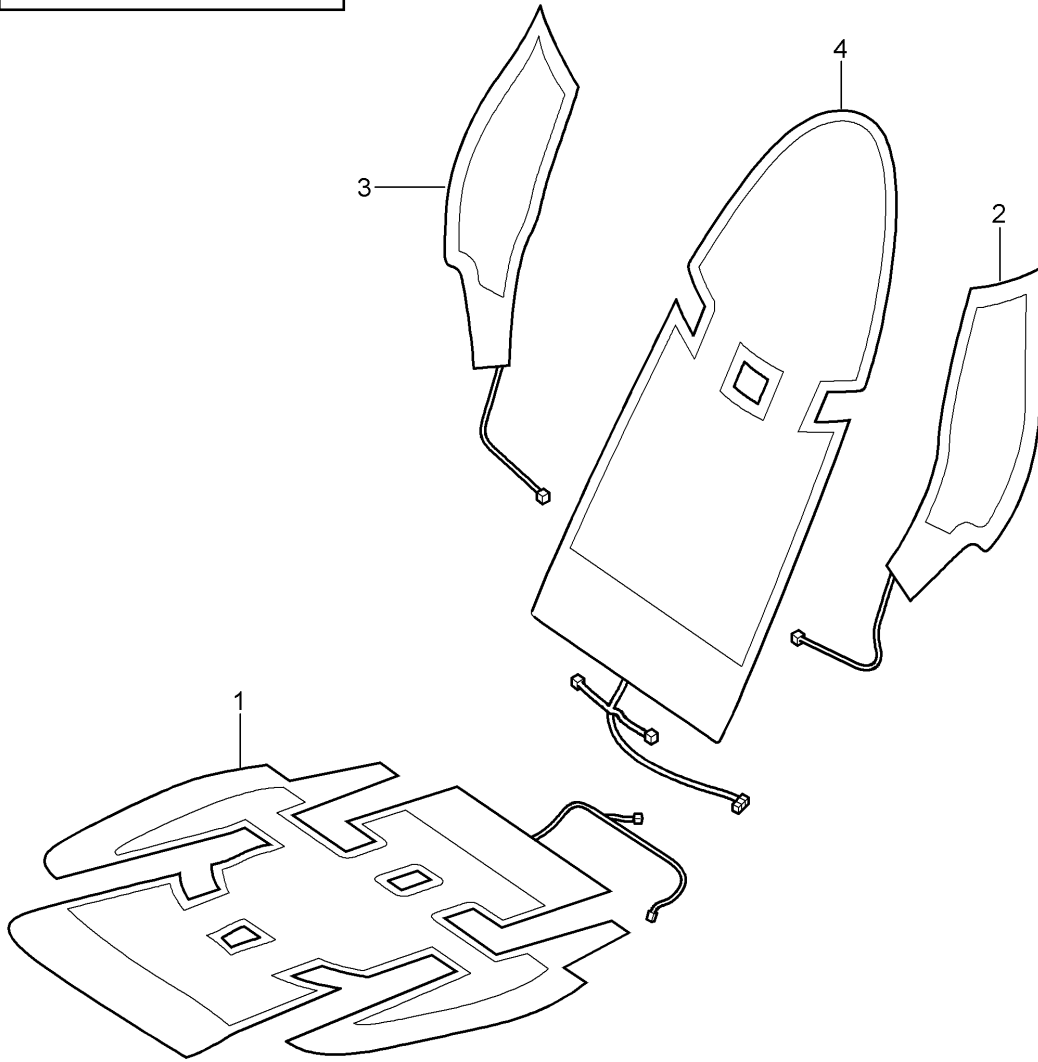
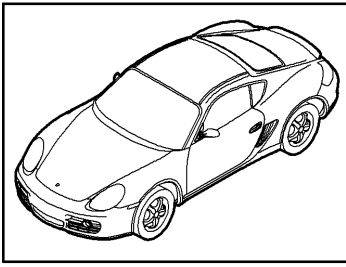
Model: 987209

Model life 2009>>2012

Pos	Part Number	Description	Remark	Qty	Model			
(6)	997 521 151 00 T11	Brown/natural		1	Cayman R PR:375,376, 983			
	997 521 151 00 N11	Carrera Red						
	997 521 151 00	Backrest cushion cover Centre part D - MJ 2010>>						
	997 521 151 00 8YR	Black						
	997 521 151 00 8G1	Sand beige						
	997 521 151 00 9Q3	Cocoa						
7	997 521 151 00 N11	Carrera Red		2	PR:375,376, 377,378,983			
	997 521 155 01	Backrest cover Outer part						
	997 521 155 01 FLC	Black						
	997 521 155 01 FLF	Stone grey						
	997 521 155 01 FLJ	Sand beige						
	997 521 155 01 FLM	sea blue						
	997 521 155 01 FLQ	Terracotta						
	997 521 155 01 FLR	Cocoa						
	997 521 155 01 VAA	Dark grey/natural						
	997 521 155 01 VAB	Brown/natural						
	997 521 155 01 VAC	Carrera Red						
	(7)	997 521 155 01	Backrest cover Outer part D - MJ 2010>>				2	Cayman R PR:375,376, 983
(7)	997 521 155 01 FLC	Black		1	PR:XSC,375, 376,377,378, 983			
	997 521 155 01 FLJ	Sand beige						
	997 521 155 01 FLR	Cocoa						
	997 521 155 01 VAC	Carrera Red						
	(7)	997 521 941 02	Backrest cover Outer part				1	PR:XSC,375, 376,377,378, 983
	997 521 941 02 8YR	Black						
	997 521 941 02 5X5	Stone grey						
	997 521 941 02 8G1	Sand beige						
	997 521 941 02 3S8	sea blue						
	997 521 941 02 9N2	Terracotta						
	997 521 941 02 9Q3	Cocoa						
	997 521 941 02 D11	Dark grey/natural						
997 521 941 02 T11	Brown/natural							
997 521 941 02 N11	Carrera Red							
(7)	997 521 941 02	Backrest cover Outer part D - MJ 2010>>		1	Cayman R PR:XSC,375, 376			
8	997 521 941 02 8YR	Black		6	PR:375,376, 377,378			
	997 521 941 02 8G1	Sand beige						
	997 521 941 02 9Q3	Cocoa						
	997 521 941 02 N11	Carrera Red						
	997 521 837 00	Clip Padding Seat						
9	997 521 897 00	Clip Backrest cover		5	PR:375,376, 377,378			

Model: 987209

Model life 2009>>2012



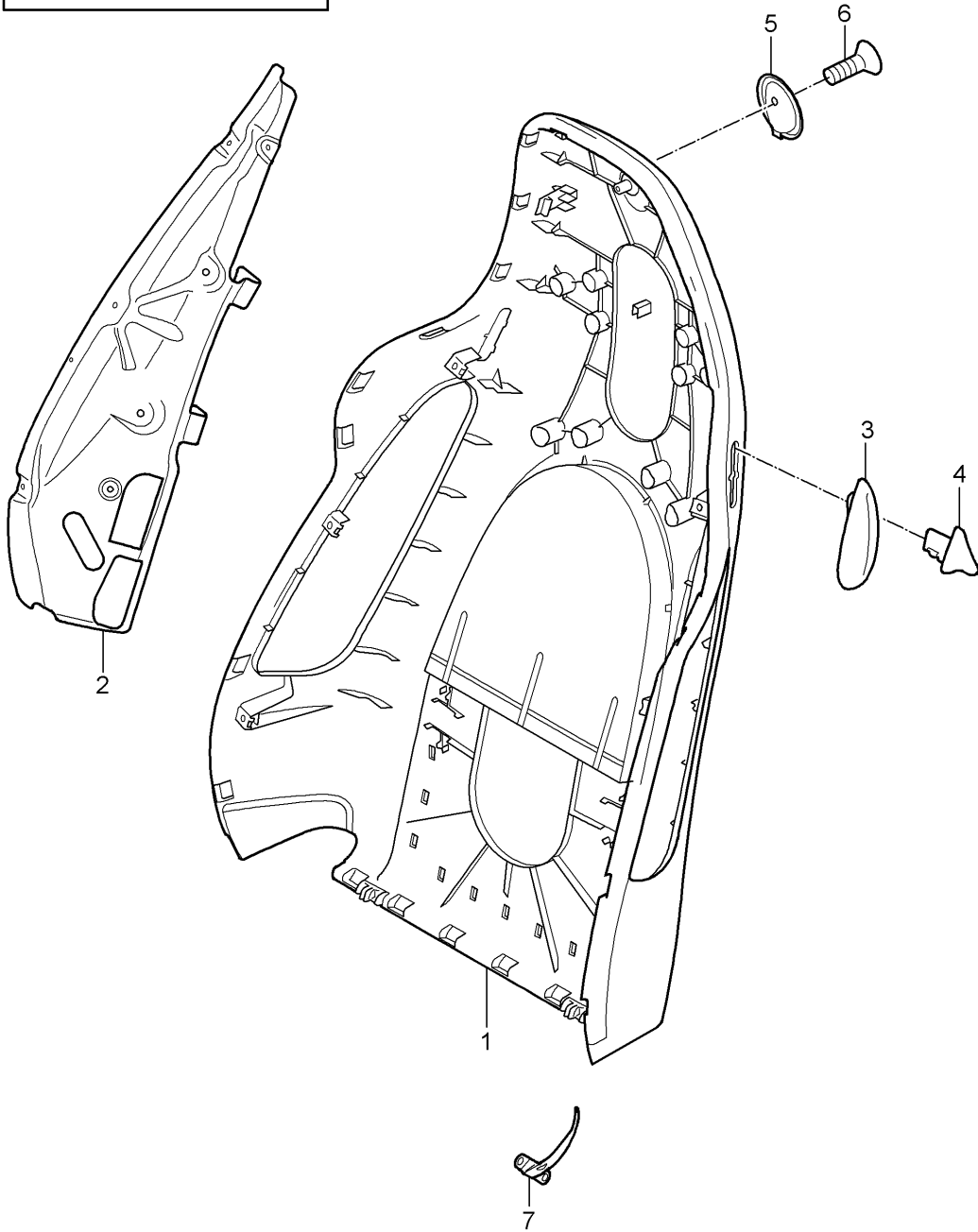
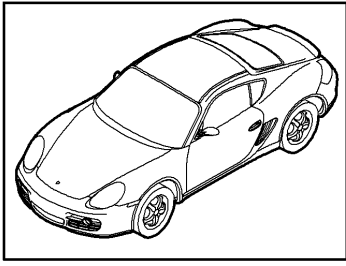
Model: 987209

Model life 2009>>2012

Pos	Part Number	Description	Remark	Qty	Model
1	997 653 105 02	heater Front seat Heating element Seat cushion Standard seat		2	PR:342,369, 370
(1)	997 653 105 03	Comfort seat Heating element Seat cushion sports seat		2	PR:342,375, 376
(1)	997 653 117 00	Heating element Seat side bolster	left	2	PR:541
(1)	997 653 118 00	Heating element Seat side bolster	right	2	PR:541
2	997 653 109 00	Heating element Backrest side bolster Standard seat Comfort seat	left	1	PR:342,369, 370,437,438
(2)	997 653 121 00	Heating element Backrest side bolster Standard seat Comfort seat	left	1	PR:541
(2)	997 653 109 01	Heating element Backrest side bolster sports seat	left	1	PR:342,375, 376,377,378
3	997 653 110 00	Heating element Backrest side bolster Standard seat Comfort seat	right	1	PR:342,369, 370,437,438
(3)	997 653 122 00	Heating element Backrest side bolster Standard seat Comfort seat	right	1	PR:541
(3)	997 653 110 01	Heating element Backrest side bolster sports seat	right	1	PR:342,375, 376,377,378
4	997 653 107 00	Heating element Backrest cushion		2	PR:342

Model: 987209

Model life 2009>>2012



Model: 987209 Model life 2009>>2012

Pos	Part Number	Description	Remark	Qty	Model
1	987 521 303 05	Backrest shell sports seat		1	PR:375,377
(1)	987 521 303 05 D07	Volcano grey		1	PR:376,378
(1)	987 521 304 05	Backrest shell		1	PR:375,377, XSA
	987 521 304 05 D07	Volcano grey			
	987 521 981 00	Backrest shell Lacquered		1	
	987 521 981 00 041	Black			
	987 521 981 00 84A	guards red (Porsche)			
	987 521 981 00 12H	Speed yellow			
	987 521 981 00 B9A	Carrara white			
	987 521 981 00 92U	Arctic silver metallic			
	987 521 981 00 C9Z	Basalt black metallic			
	987 521 981 00 M7X	Atlas grey metallic			
	987 521 981 00 M7Z	GT Silver Metallic			
	987 521 981 00 M7W	Meteor Grey Metallic			
	987 521 981 00 M8W	Macadamia Metallic			
	987 521 981 00 8A7	Ruby red metallic			
	987 521 981 00 22G	Racing Green Metallic D - MJ 2009>>			
	987 521 981 00 M5R	Aqua blue metallic D - MJ 2009>>			
	987 521 981 00 32B	Sailing Blue Metallic D >> - MJ 2008			
	987 521 981 00 51A	cream white D - MJ 2009>>			
	987 521 981 00 M2Z	Nordic Gold Metallic			
	987 521 981 00 2B5	Malachite Green Metallic			
	987 521 981 00 39C	Midnight Blue Metallic D - MJ 2010>>			
	987 521 981 00 M3X	Ruby red metallic D - MJ 2010>>			
	987 521 981 00 M5X	Dark blue metallic D - MJ 2010>>			
	987 521 981 00 M4Z	Amethyst metallic D - MJ 2010>>			
	987 521 981 00 M7T	Platinum Silver Metallic D - MJ 2010>>			
	987 521 981 00 M5Q	Ice blue metallic D - MJ 2011>>			
(1)	987 521 981 00	Backrest shell Lacquered		1	Cayman R PR:375,XSA
	987 521 981 00 041	Black			
	987 521 981 00 84A	guards red (Porsche)			
	987 521 981 00 B94	Carrara white			
	987 521 981 00 92U	Arctic silver metallic			
	987 521 981 00 C9Z	Basalt black metallic			
	987 521 981 00 M5R	Aqua blue metallic			
	987 521 981 00 51A	cream white			
(1)	987 521 982 00	Backrest shell Lacquered		1	PR:376,378, XSA
	987 521 982 00 041	Black			
	987 521 982 00 84A	guards red (Porsche)			
	987 521 982 00 12H	Speed yellow			
	987 521 982 00 B9A	Carrara white			
	987 521 982 00 92U	Arctic silver metallic			
	987 521 982 00 C9Z	Basalt black metallic			
	987 521 982 00 M7X	Atlas grey metallic			
	987 521 982 00 M7Z	GT Silver Metallic			
	987 521 982 00 M7W	Meteor Grey Metallic			
	987 521 982 00 M8W	Macadamia Metallic			
	987 521 982 00 8A7	Ruby red metallic			

Model: 987209

Model life 2009>>2012

Pos	Part Number	Description	Remark	Qty	Model
	987 521 982 00 22G	Racing Green Metallic D - MJ 2009>>			
	987 521 982 00 M5R	Aqua blue metallic D - MJ 2009>>			
	987 521 982 00 32B	Sailing Blue Metallic D >> - MJ 2008			
	987 521 982 00 51A	cream white D - MJ 2009>>			
	987 521 982 00 M2Z	Nordic Gold Metallic			
	987 521 982 00 2B5	Malachite Green Metallic			
	987 521 982 00 39C	Midnight Blue Metallic D - MJ 2010>>			
	987 521 982 00 M3X	Ruby red metallic D - MJ 2010>>			
	987 521 982 00 M5X	Ruby red metallic/ dark blue metallic D - MJ 2010>>			
	987 521 982 00 M4Z	Ruby red metallic/ amethyst metallic D - MJ 2010>>			
	987 521 982 00 M7T	Ruby red metallic/ platinum silver metallic D - MJ 2010>>			
	987 521 982 00 M5Q	Ruby red metallic/ ice blue metallic D - MJ 2011>>			
(1)	987 521 982 00	Backrest shell Lacquered		1	Cayman R PR:376,XSA
	987 521 982 00 041	Black			
	987 521 982 00 84A	guards red (Porsche)			
	987 521 982 00 B94	Carrara white			
	987 521 982 00 92U	Arctic silver metallic			
	987 521 982 00 C9Z	Basalt black metallic			
	987 521 982 00 M5R	Aqua blue metallic			
	987 521 982 00 51A	cream white			
(1)	997 521 983 00	Backrest shell Lacquered D - MJ 2010>>		1	PR:375,XSA
	997 521 983 00 041	Black			
	997 521 983 00 84A	guards red (Porsche)			
	997 521 983 00 B9A	Carrara white			
	997 521 983 00 92U	Arctic silver metallic			
	997 521 983 00 C9Z	Basalt black metallic			
	997 521 983 00 M5R	Aqua blue metallic			
	997 521 983 00 51A	cream white			
	997 521 983 00 M3X	Ruby red metallic D - MJ 2010>>			
	997 521 983 00 M5X	Ruby red metallic/ dark blue metallic D - MJ 2010>>			
	997 521 983 00 M4Z	Ruby red metallic/ amethyst metallic D - MJ 2010>>			
	997 521 983 00 M7T	Ruby red metallic/ platinum silver metallic D - MJ 2010>>			
	997 521 983 00 M5Q	Ruby red metallic/ ice blue metallic D - MJ 2011>>			
(1)	997 521 984 00	Backrest shell Lacquered D - MJ 2010>>		1	PR:376,XSA
	997 521 984 00 041	Black			

Model: 987209 Model life 2009>>2012

Pos	Part Number	Description	Remark	Qty	Model
	997 521 984 00 84A	guards red (Porsche)			
	997 521 984 00 B9A	Carrara white			
	997 521 984 00 92U	Arctic silver metallic			
	997 521 984 00 C9Z	Basalt black metallic			
	997 521 984 00 M5R	Aqua blue metallic			
	997 521 984 00 51A	cream white			
	997 521 984 00 M3X	Ruby red metallic			
		D - MJ 2010>>			
	997 521 984 00 M5X	Ruby red metallic/ dark blue metallic			
		D - MJ 2010>>			
	997 521 984 00 M4Z	Ruby red metallic/ amethyst metallic			
		D - MJ 2010>>			
	997 521 984 00 M7T	Ruby red metallic/ platinum silver metallic			
		D - MJ 2010>>			
	997 521 984 00 M5Q	Ruby red metallic/ ice blue metallic			
		D - MJ 2011>>			
(1)	997 521 984 02	Backrest shell Lacquered		1	PR: XSA, 376, 560
		D - MJ 2011>>			
	997 521 984 02 041	Black			
	997 521 984 02 84A	guards red (Porsche)			
	997 521 984 02 12H	Speed yellow			
	997 521 984 02 B9A	Carrara white			
	997 521 984 02 M5Q	Ice blue metallic			
	997 521 984 02 M5R	Aqua blue metallic			
	997 521 984 02 22G	Racing Green Metallic			
	997 521 984 02 C9Z	Basalt black metallic			
	997 521 984 02 M8W	Macadamia Metallic			
	997 521 984 02 M5X	Dark blue metallic			
	997 521 984 02 M7W	Meteor Grey Metallic			
	997 521 984 02 M7T	Platinum Silver Metallic			
	997 521 984 02 M3X	Ruby red metallic			
	997 521 984 02 M4Z	Amethyst metallic			
	997 521 984 02 51A	cream white			
	997 521 984 02 M7Z	GT Silver Metallic			
	997 521 984 02 2S1	Peridot Metallic			
2	997 521 319 00	Support	left	1	
(2)	997 521 320 00	Support	right	1	
3	997 521 621 03	Backrest side bolster Rosette	left	1	PR: 375, 376, 377, 378
		lever for folding backrest			
	997 521 621 03 D07	Volcano grey			
(3)	997 521 622 03	Rosette	right	1	PR: 375, 376, 377, 378
		lever for folding backrest			
	997 521 622 03 D07	Volcano grey			
4	987 521 623 01	Actuator button	left	1	
		lever for folding backrest			
(4)	987 521 623 01 V05	Galvano silver			
	987 521 624 01	Actuator button	right	1	
		lever for folding backrest			
	987 521 624 01 V05	Galvano silver			
5	997 521 373 01	Coat hook		2	PR: 375, 376, 377, 378
		Backrest shell			
(5)	997 521 373 01 D07	Volcano grey			
	997 521 990 00	Coat hook		2	PR: XVY, 375, 376
		Backrest shell			
		Leather			
	997 521 990 00 A11	Black			
	997 521 990 00 8G2	Sand beige			

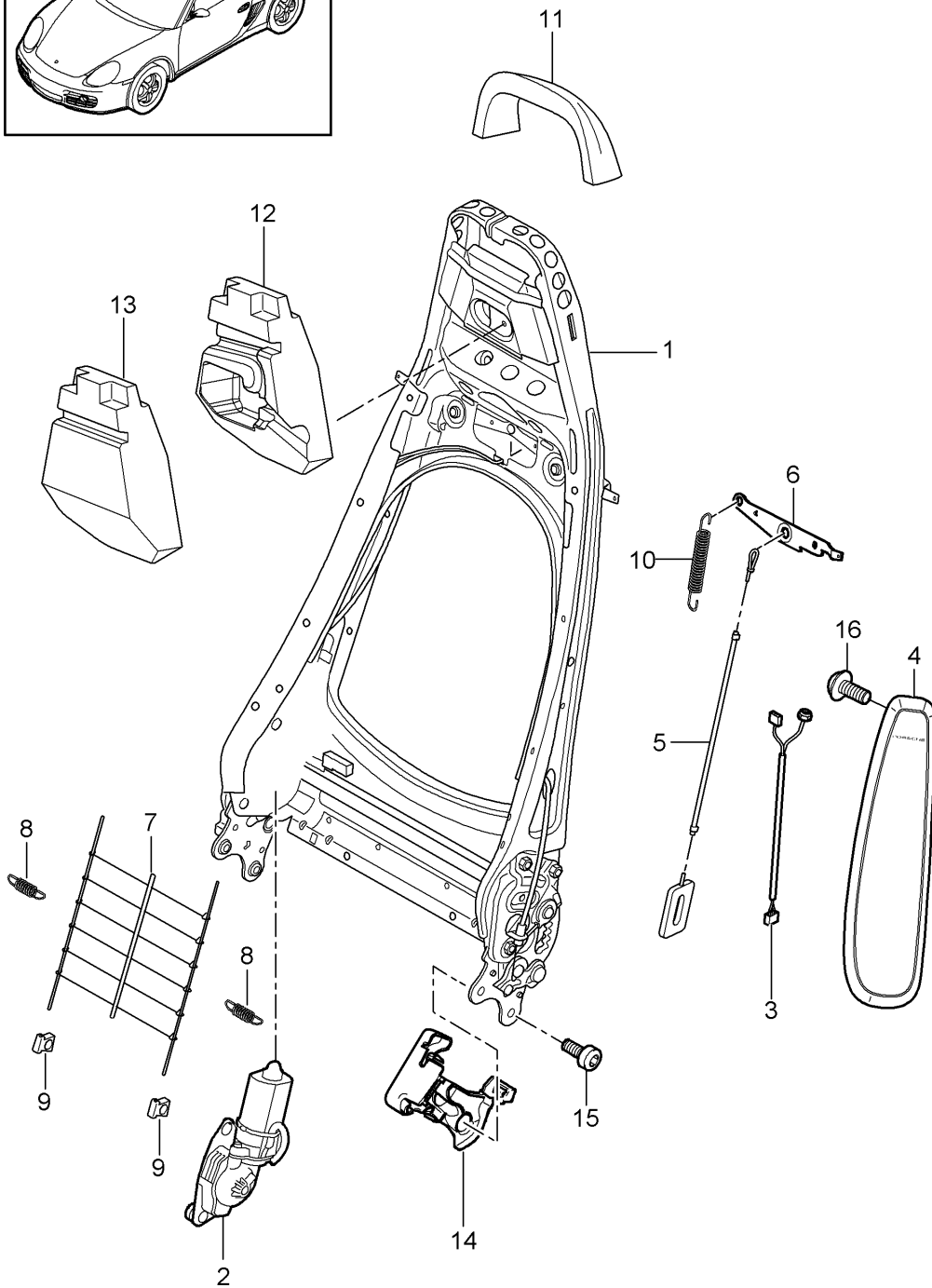
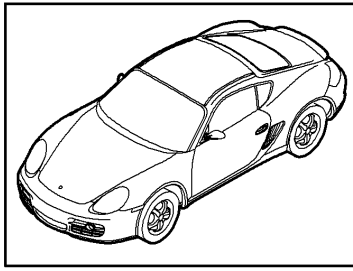
Model: 987209

Model life 2009>>2012

Pos	Part Number	Description	Remark	Qty	Model
6	997 521 990 00 9V6 997 521 990 00 N12 999 919 232 09	Cocoa Carrera Red Screw M5 X 20 Coat hook		1	PR: 375, 376, 377, 378

Model: 987209

Model life 2009>>2012



Model: 987209

Model life 2009>>2012

Pos	Part Number	Description	Remark	Qty	Model
1	997 521 329 03	Backrest frame sports seat backrest frame		1	PR:537,538
		with:			
(1)	997 521 329 02	Memory backrest frame	without:	1	PR:375,376, 377,378
		Memory			
2	997 624 331 00	Electric motor backrest	with:	1	PR:537,538
		Memory			
(2)	997 624 321 00	Electric motor backrest	without:	1	PR:375,376, 377,378
		Memory			
3	997 612 785 01	Wire set	left	1	PR:537
		Side airbag unit			
(3)	997 612 786 01	Wire set	right	1	PR:538
		Side airbag unit			
(3)	997 612 685 01	Wire set	left	1	PR:375,377, -537
		Side airbag unit			
		without:			
(3)	997 612 686 01	Memory Wire set Side airbag unit	right	1	PR:376,378, -538
		without:			
		Memory			
4	997 803 081 02	Side airbag unit	left	1	PR:375,377
	997 803 081 02 D07	Volcano grey			
(4)	997 803 082 02	Side airbag unit	right	1	PR:376,378
	997 803 082 02 D07	Volcano grey			
5	997 521 485 00	Bowden cable		2	PR:375,376, 377,378
6	997 521 375 00	Backrest frame Release		1	PR:375,376, 377,378
7	997 521 855 00	Grille Backrest frame		1	PR:375,376
(7)	997 521 855 00	Grille Backrest frame		1	PR:377,378
8	997 521 893 00	tension spring		2	PR:375,376
		Inner spring			
(8)	997 521 893 00	tension spring		2	PR:377,378
		Inner spring			
9	997 521 895 00	Clip Inner spring		2	PR:375,376
(9)	997 521 895 00	Clip Inner spring		2	PR:377,378
10	997 521 797 00	tension spring Release		1	PR:375,376
(10)	997 521 797 00	backrest tension spring Release backrest		1	PR:377,378
11	997 521 885 00	Foam part Head restraint	upper	1	PR:375,376
(11)	997 521 885 00	Foam part Head restraint	upper	1	PR:377,378
12	997 521 887 01	Foam part Head restraint	center	1	PR:377,378
13	997 521 887 00	Electric Foam part Head restraint	center	1	PR:375,376

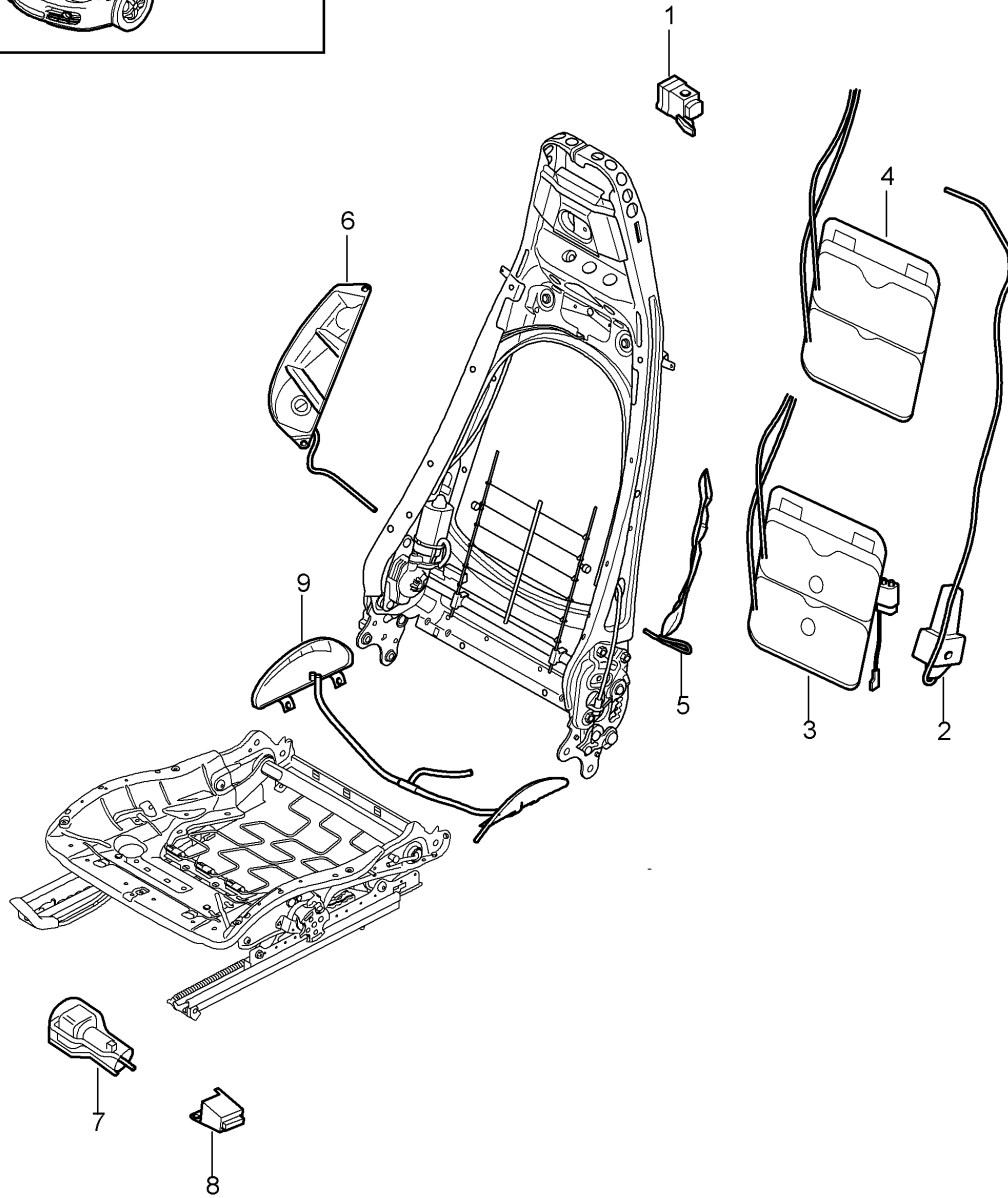
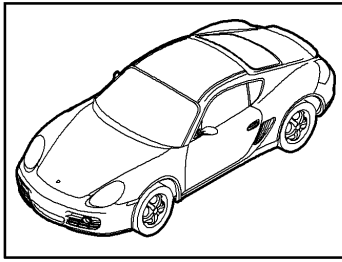
Model: 987209

Model life 2009>>2012

Pos	Part Number	Description	Remark	Qty	Model
14	997 521 335 01	Trim Mounting component	left inner	1	
	997 521 335 01 D07	Volcano grey			
(14)	997 521 336 01	Trim Mounting component	right inner	1	
	997 521 336 01 D07	Volcano grey			
15	999 073 375 09	Screw Mount backrest		4	
		Seat frame			
16	999 073 306 09	Screw Mount Side airbag unit		2	

Model: 987209

Model life 2009>>2012



Model: 987209

Model life 2009>>2012

Pos	Part Number	Description	Remark	Qty	Model
1	997 617 725 00	Lumbar support Valve		1	PR:377,378, 437,438
		Lumbar support without:			
(1)	997 617 726 00	Memory Valve		1	PR:537,538
		Lumbar support Memory			
2	997 620 725 00	Compressor		1	PR:377,378, 437,438
		Lumbar Lumbar support			
3	997 521 709 01	Airbag		1	PR:377,537
		with:			
(3)	997 521 709 01	Memory Lumbar support Airbag		1	PR:378,538
		with:			
(3)	997 521 709 01	Memory Lumbar support Airbag		1	PR:437,537
		with:			
(3)	997 521 709 01	Memory Lumbar support Airbag		1	PR:438,538
		with:			
(3)	997 521 709 03	Memory Lumbar support Airbag		1	PR:437,537, 541
		with:			
(3)	997 521 709 03	Memory Lumbar support Airbag		1	PR:438,538, 541
		with:			
4	997 521 709 00	Memory Lumbar support Airbag		1	PR:377,378
		without:			
(4)	997 521 709 00	Memory Lumbar support Airbag		1	PR:437,438
		without:			
(4)	997 521 709 02	Memory Lumbar support Airbag		1	PR:437,541
		without:			
(4)	997 521 709 02	Memory Lumbar support Airbag		1	PR:438,541
		without:			
5	997 521 711 00	Memory container	left	1	PR:377,378
		Air distributor			
6	997 521 712 00	Backrest side bolster container	right	1	PR:377,378
		Air distributor			
8	997 617 727 00	Backrest side bolster Valve		1	PR:377,378
		Adjustment			
		Seat			
		Wide			
9	997 521 713 01	container		1	PR:377,378

Model: 987209

Model life 2009>>2012

Pos	Part Number	Description	Remark	Qty	Model
		Air distributor Seat side bolster			

Model: 987209

Model life 2009>>2012

Pos	Part Number	Description	Remark	Qty	Model
1	997 521 201 10	Seat frame sports seat	left lhd	1	PR:098,375
(1)	997 521 201 10	Seat frame Manually (drivers side)	left	1	PR:375,480, 553
(1)	997 521 201 18	Seat frame Manually (drivers side)	left	1	PR:250,375, 553
(1)	997 521 202 23	Seat frame Manually (drivers side)	right rhd	1	PR:376,560, 099
(1)	997 521 201 24	Seat frame Electric	left	1	PR:377
		without:			
(1)	997 521 201 24	Memory (drivers side) Seat frame Electric	left	1	PR:377,480, 553
		without:			
(1)	997 521 201 28	Memory (drivers side) Seat frame Electric	left	1	PR:250,377, 553
		without:			
(1)	997 521 202 30	Memory (drivers side) Seat frame Electric	right	1	PR:378
		without:			
(1)	997 521 202 24	Memory (drivers side) Seat frame Electric	right	1	PR:378,560
		without:			
(1)	997 521 201 25	Memory (drivers side) Seat frame Electric	left	1	PR:377,537
(1)	997 521 201 25	Memory (drivers side) Seat frame	left	1	PR:377,480, 537,553
		Electric			
(1)	997 521 201 29	Memory (drivers side) Seat frame	left	1	PR:250,377, 537,553
		Electric			
(1)	997 521 202 31	Memory (drivers side) Seat frame Electric	right	1	PR:378,538
		Memory (drivers side)			
(1)	997 521 202 20	Seat frame Manually (passenger side)	right lhd	1	PR:098,376
2	997 521 627 01	Actuating lever Height adjustment	left	1	PR:375
	997 521 627 01 V05	Galvano silver			

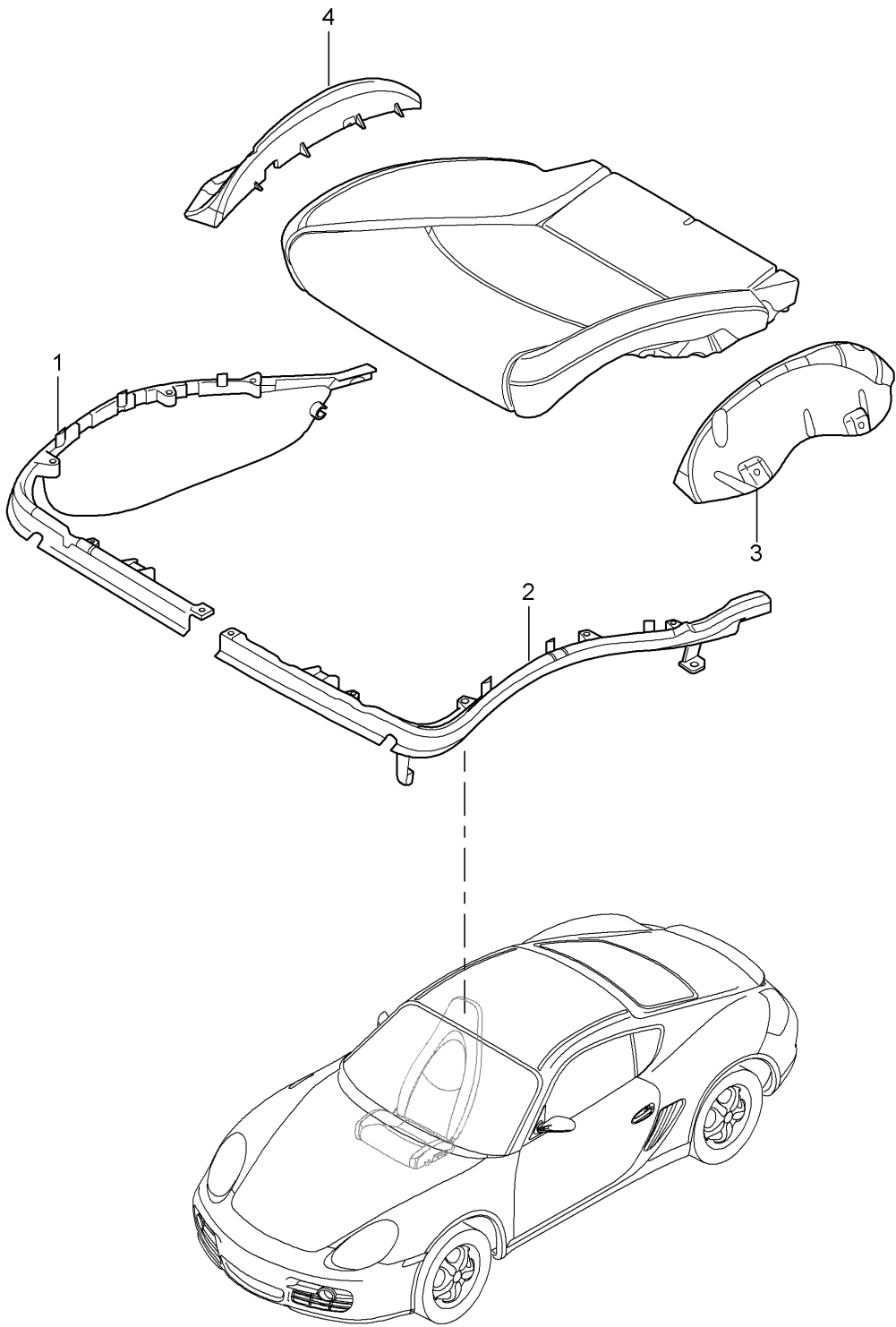
Model: 987209

Model life 2009>>2012

Pos	Part Number	Description	Remark	Qty	Model
(2)	997 521 628 01	Actuating lever Height adjustment	right	1	PR:376
3	997 521 628 01 V05	Galvano silver		2	PR:375,376
	997 521 629 01	Cover cap Height adjustment			
4	997 521 629 01 D07	Volcano grey		1	PR:375
	997 521 325 06	Trim for switch	left		
(4)	997 521 325 06 D07	Volcano grey		1	PR:376
	997 521 326 06	Trim for switch	right		
(4)	997 521 326 06 D07	Volcano grey		1	PR:376,560
	997 521 326 09	Trim for switch	right		
5	997 521 326 09 D07	Volcano grey		1	PR:377
	997 521 325 08	Trim for switch	left		
(5)	997 521 325 08 D07	Volcano grey		1	PR:378
	997 521 326 08	Trim for switch	right		
(5)	997 521 326 08 D07	Volcano grey		1	PR:378,560
	997 521 326 11	Trim for switch			
6	997 521 326 11 D07	Volcano grey		1	PR:375,376, 377
	997 521 631 01	Actuator button backrest			
6		D >> - MJ 2010		1	PR:375,376, 377
	997 521 631 01 V05	Galvano silver			
7	997 521 631 02	Actuator button backrest		1	PR:375,376, 377
	997 521 631 02 V05	Galvano silver			
8	997 521 061 01	Retainer plate child seat		1	
	997 521 061 01	Retainer plate Not for: AUSTRALIEN			
8	997 521 961 01	1 set attachment parts		1	
9	997 521 251 00	Retainer plate		1	
10	997 521 251 00	Holder for fire extinguisher	lhd	1	PR:098,509
	997 521 607 00	Cup		1	PR:509
11	997 521 607 00	Fire extinguishers		1	PR:509
	997 521 881 00	Holder for fire extinguisher Cup			
12	997 521 851 00	tensioning strap		1	PR:509
13	997 521 851 00	Fire extinguishers		1	PR:509
	996 722 115 00	Fire extinguishers Information available			
14	997 521 841 00	Reinforcement	front	1	PR:509
15	997 521 843 00	Reinforcement	rear	1	PR:509
16	997 521 427 01	Cover	left	1	PR:376,378, 560
	997 521 427 01 01C	Sensor Weight		1	PR:376,378, 560
(16)	997 521 426 01	Satin black Cover	right		
17	997 521 426 01 01C	Sensor Weight		4	
	999 141 047 01	Satin black Torx screw Seat rail Mount			

Model: 987209

Model life 2009>>2012



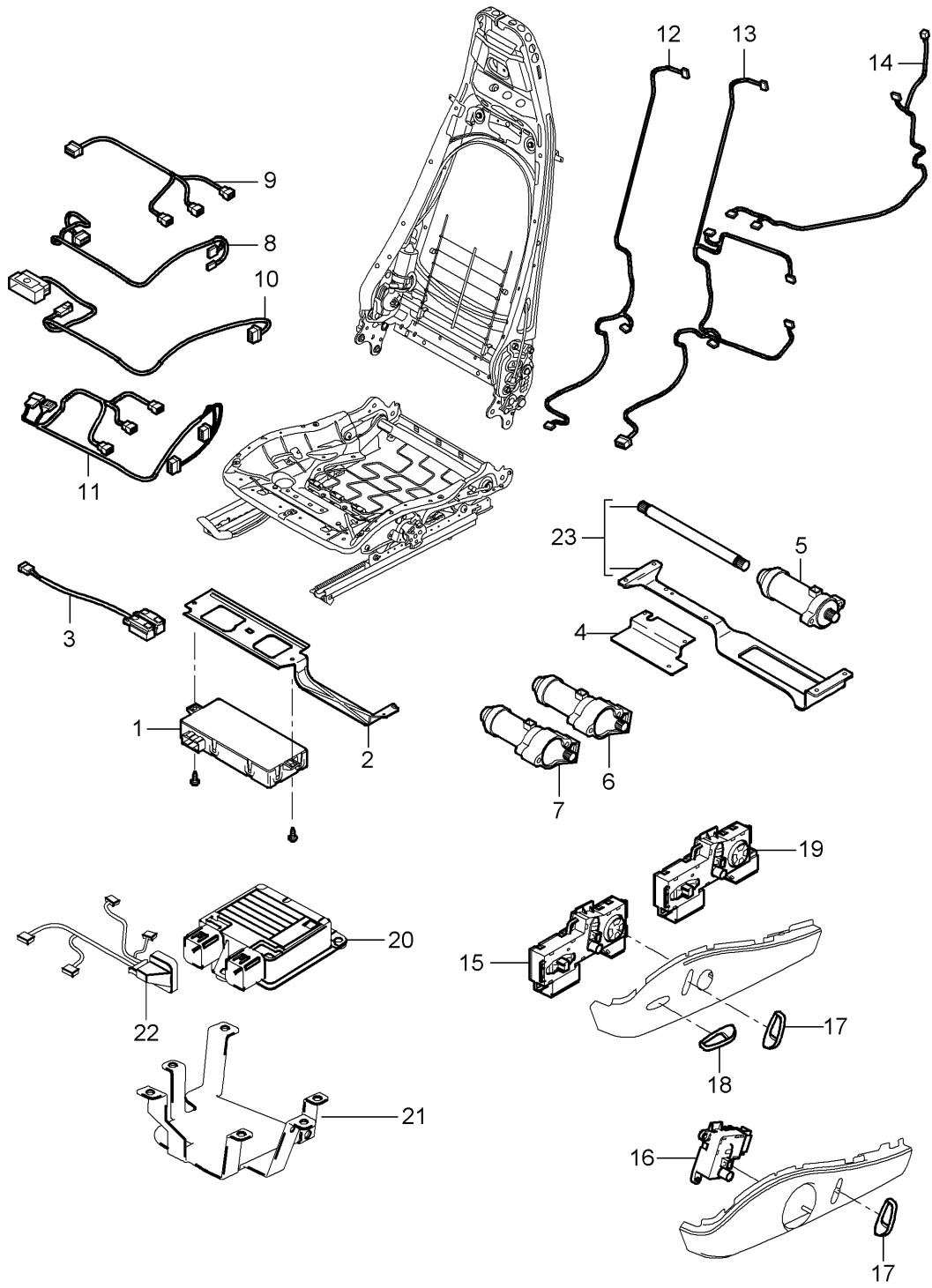
Model: 987209

Model life 2009>>2012

Pos	Part Number	Description	Remark	Qty	Model
1	997 521 547 00	Cushion carrier Frame Seat surface sports seat Frame	left inner	1	PR:376,378
(1)	997 521 548 00	Frame	right inner	1	PR:375,377
2	997 521 545 00	Frame	left outer	1	PR:375,377
(2)	997 521 546 00	Frame	right outer	1	PR:376,378
(2)	997 521 546 01	Frame	right outer	1	PR:376,378, 560
3	997 521 519 00	Support plate Seat cushion	left	1	PR:377,378
4	997 521 520 00	Support plate Seat cushion	right	1	PR:377,378

Model: 987209

Model life 2009>>2012



Model: 987209 Model life 2009>>2012

Pos	Part Number	Description	Remark	Qty	Model
1	997 618 537 07	Wiring looms Switch Control unit Electric motor sports seat Control unit		1	PR:537,538
2	997 521 643 01	Seating position control Retainer for control units Seating position control		1	PR:537,538
3	997 613 725 00	Switch Seat adjuster		1	PR:377
(3)	997 613 725 00 V05	Galvano silver		1	PR:378
	997 613 726 00	Switch Seat adjuster			
4	997 613 726 00 V05	Galvano silver		1	PR:377,378
5	997 521 343 00	Bracket for compressor Electric motor		1	PR:377,378
		Electric motor Seat adjuster Lengthways			
(5)	997 624 322 00	without: Memory		1	PR:537,538
		Electric motor Seat adjuster Lengthways			
6	997 624 322 00	with: Memory		1	PR:377,378
		Electric motor Seat adjuster Height adjustment			
(6)	997 624 322 00	without: Memory		1	PR:537,538
		Electric motor Seat adjuster Height adjustment			
7	997 624 323 00	with: Memory		1	PR:377,378
		Electric motor Seat adjuster Tilt angle			
(7)	997 624 323 00	without: Memory		1	PR:537,538
		Electric motor Seat adjuster Tilt angle			
8	997 624 333 00	with: Memory		1	PR:537,538
		Electric motor Seat adjuster Tilt angle			
9	997 612 684 00	without: Memory		1	PR:537,538
		Wire set Switch Seat adjuster			
9	997 612 690 00	Memory		1	PR:537,538
		Wire set Lengthways Height adjustment			
10	997 612 682 01	Memory		1	PR:375,376
		Wire set Switch Seat adjuster			
11	997 612 691 02	Memory		1	PR:377,378
		Wire set Switch			
12	997 612 689 00	without: Memory		1	PR:377,378
		Wire set			

Model: 987209 Model life 2009>>2012

Pos	Part Number	Description	Remark	Qty	Model
13	997 612 692 01	Lumbar support without: Memory Wire set backrest Lumbar		1	PR:377,537
(13)	997 612 692 01	with: Memory Wire set backrest Lumbar		1	PR:378,538
14	997 612 685 01	with: Memory Wire set backrest	left	1	PR:375,377
(14)	997 612 686 01	without: Memory Wire set backrest	right	1	PR:376,378
15	997 613 721 01	without: Memory switch for seat adjustment Memory switch	left	1	PR:377,537
(15)	997 613 721 01 V05 997 613 722 01	Galvano silver switch for seat adjustment Memory switch	right	1	PR:378,538
16	997 613 722 01 V05 997 613 713 00	Galvano silver switch for seat adjustment D >> - MJ 2010	left	1	PR:375
16	997 613 713 01	switch for seat adjustment D - MJ 2011>>	left	1	PR:375
(16)	997 613 714 00	switch for seat adjustment Manually adjustable D >> - MJ 2010	right	1	PR:376
(16)	997 613 714 01	switch for seat adjustment Manually adjustable D - MJ 2011>>	right	1	PR:376
17	997 521 631 01	Actuator button backrest D >> - MJ 2010		1	PR:375,376
17	997 521 631 01 V05 997 521 631 02	Galvano silver Actuator button backrest D - MJ 2011>>		1	PR:375,376
(17)	997 521 631 02 V05 997 521 631 01	Galvano silver Actuator button backrest D >> - MJ 2010		1	PR:377,378
(17)	997 521 631 01 V05 997 521 631 02	Galvano silver Actuator button backrest D - MJ 2011>>		1	PR:377,378
18	997 521 631 02 V05 997 521 633 02	Galvano silver Actuator button Seat cushion D >> - MJ 2010		1	PR:377,378
18	997 521 633 02 V05 997 521 633 03	Galvano silver Actuator button Seat cushion D - MJ 2011>>		1	PR:377,378
19	997 521 633 03 V05 997 613 717 01	Galvano silver switch for seat adjustment without:	left	1	PR:377

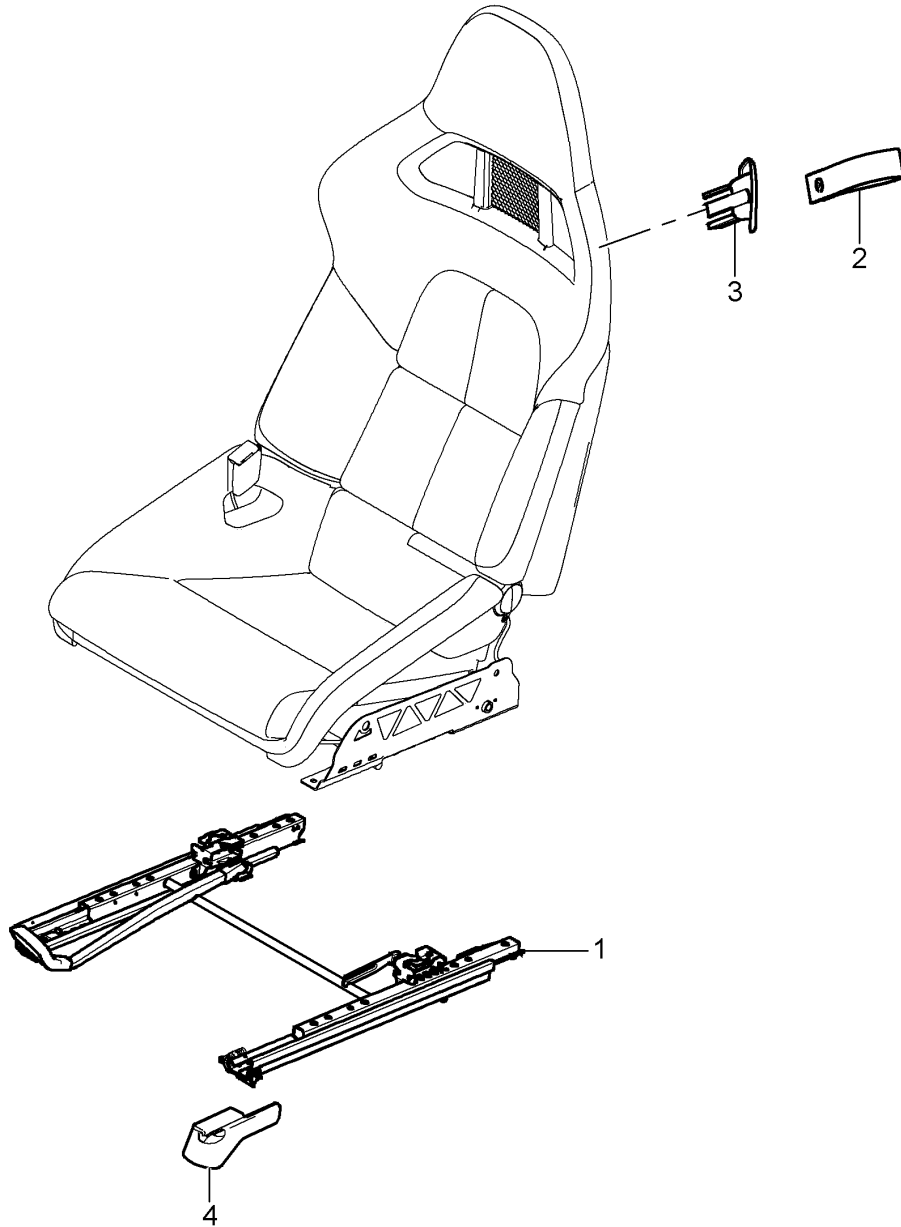
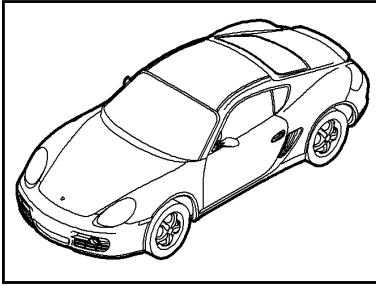
Model: 987209

Model life 2009>>2012

Pos	Part Number	Description	Remark	Qty	Model
19	997 613 717 01 V05 997 613 717 02	Memory D >> - MJ 2010 Galvano silver switch for seat adjustment without:	left	1	PR:377
(19)	997 613 717 02 V05 997 613 718 01	Memory D - MJ 2011>> Galvano silver switch for seat adjustment without:	right	1	PR:378
(19)	997 613 718 01 V05 997 613 718 02	Memory D >> - MJ 2010 Galvano silver switch for seat adjustment without:	right	1	PR:378
20	997 613 718 02 V05 997 618 233 05	Memory D - MJ 2011>> Galvano silver Control unit for seat occupied sensor		1	PR:376,378, 560
21	997 521 646 00	Retainer for control units		1	PR:376,378, 560
22	997 612 688 01	seat occupied recognition Wire set		1	PR:376,378, 560
23	997 521 901 00	seat occupied recognition repair set		1	
-	999 650 973 40	Pliable shaft Console for engine mounting Clip Mount Wire set seat occupied recognition		1	

Model: 987209

Model life 2009>>2012



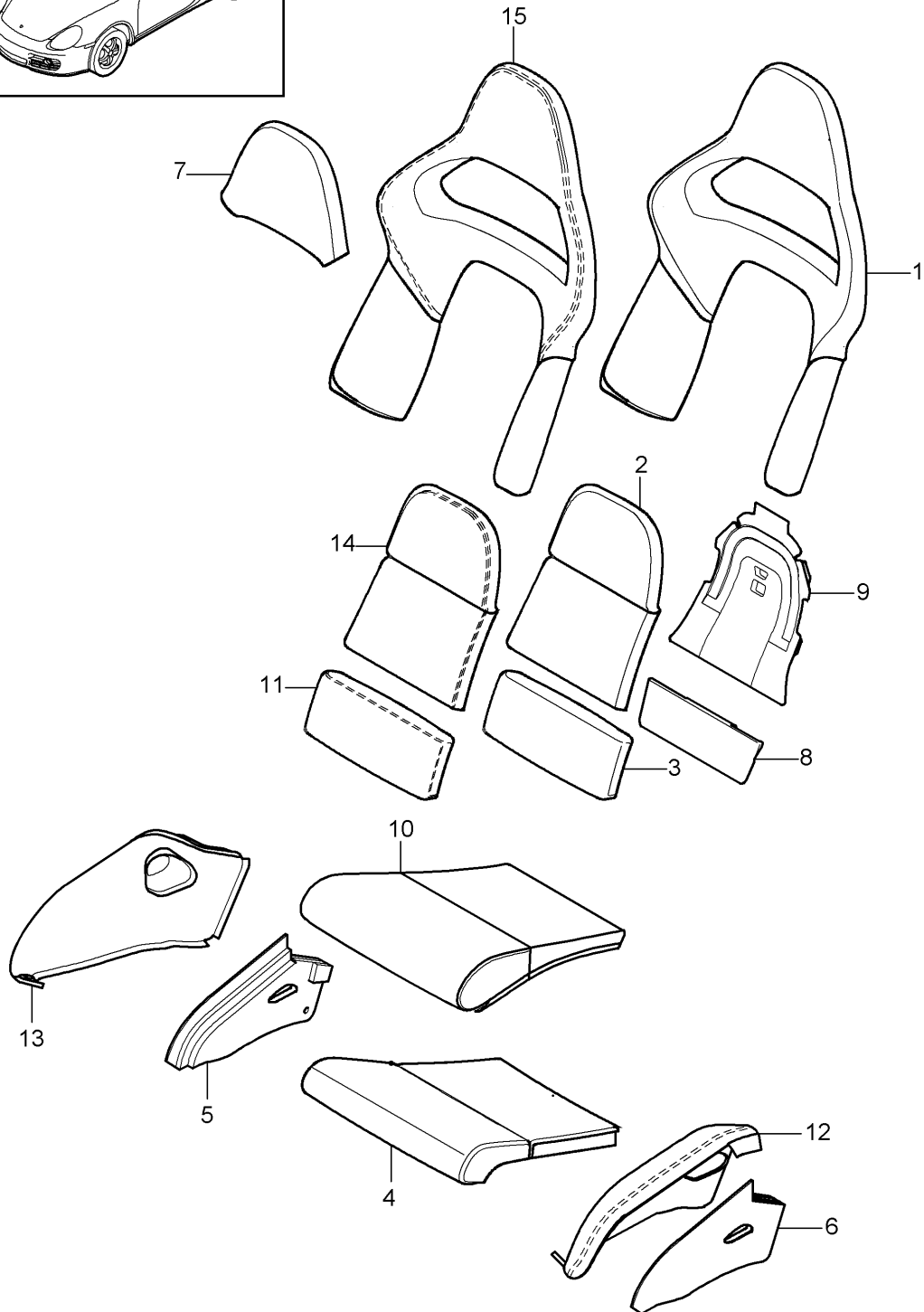
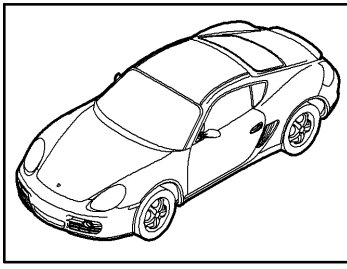
Model: 987209

Model life 2009>>2012

Pos	Part Number	Description	Remark	Qty	Model
		bucket seat Collapsible (complete) Not available			
1	997 521 429 01	1 set of seat rails (drivers side)	left lhd	1	PR:098,388
(1)	997 521 430 01	1 set of seat rails (passenger side)	right lhd	1	PR:098,389
(1)	997 521 430 03	1 set of seat rails (passenger side)	right lhd	1	PR:389,560, 098
(1)	997 521 429 02	1 set of seat rails (passenger side)	left rhd	1	PR:099,388
(1)	997 521 429 03	1 set of seat rails (passenger side)		1	PR:250,388, 553
(1)	997 521 430 02	D - MJ 2011>> 1 set of seat rails (drivers side)	right rhd	1	PR:099,389
2	997 521 539 00	Pull loop Backrest frame	left	1	PR:388
(2)	997 521 540 00 A80	Black			
(2)	997 521 540 00	Pull loop Backrest frame	right	1	PR:389
3	997 521 540 00 A80	Black			
3	997 521 538 00	Rosette Pull loop Backrest frame	right	1	PR:389
(3)	997 521 538 00 01C	Satin black			
(3)	997 521 537 00	Rosette Pull loop Backrest frame	left	1	PR:388
4	997 521 537 00 01C	Satin black			
4	997 521 359 01	Rail Seat rail Manually	left	1	PR:388
(4)	997 521 359 01 01C	Satin black			
(4)	997 521 360 01	Rail Seat rail Manually	right	1	PR:389
(4)	997 521 360 01 01C	Satin black			
(4)	997 521 361 00	Rail Seat rail	left	1	PR:389
(4)	997 521 361 00 01C	Satin black			
(4)	997 521 362 00	Rail Seat rail	right	1	PR:388
	997 521 362 00 01C	Satin black			

Model: 987209

Model life 2009>>2012



Model: 987209 Model life 2009>>2012

Pos	Part Number	Description	Remark	Qty	Model
1	997 521 447 00	Foam part Cover Seat and backrest surface bucket seat Collapsible		2	PR:388,389
2	997 521 448 00	Foam part backrest Outer part		2	PR:388,389
3	997 521 441 00	Foam part Seat cushion	rear	2	PR:388,389
4	997 521 440 00	Foam part Seat cushion	front	2	PR:388,389
5	997 521 443 00	Foam part Seat cushion	left side outer	1	PR:388
(5)	997 521 444 00	Foam part Seat cushion	side inner left	1	PR:388
6	997 521 446 00	Foam part Seat cushion	side outer right	1	PR:389
(6)	997 521 445 00	Foam part Seat cushion	side inner right	1	PR:389
7	997 521 458 00	Foam part Head restraint		2	PR:388,389
8	997 521 456 00	Foam part Seat cushion	rear	1	PR:388,389
9	997 521 457 00	Foam part backrest		1	PR:388,389
10	997 521 380 00	Seat cover	left a. right front	1	PR:388,389, 983
	997 521 380 00 8YR	Black			
	997 521 380 00 5X5	Stone grey			
	997 521 380 00 8G1	Sand beige			
	997 521 380 00 3S8	sea blue			
	997 521 380 00 9N2	Terracotta			
	997 521 380 00 9Q3	Cocoa			
	997 521 380 00 D11	Dark grey/natural			
	997 521 380 00 T11	Brown/natural			
	997 521 380 00 N11	Carrera Red			
(10)	997 521 380 01	Seat cover	left a. right front	1	PR:388,389, 951
		D - MJ 2011>>			
	997 521 380 01 A15	Black			
11	997 521 381 00	Seat cover	left a. right rear	1	PR:388,983
	997 521 381 00 8YR	Black			
	997 521 381 00 5X5	Stone grey			
	997 521 381 00 8G1	Sand beige			
	997 521 381 00 3S8	sea blue			
	997 521 381 00 9N2	Terracotta			
	997 521 381 00 9Q3	Cocoa			
	997 521 381 00 D11	Dark grey/natural			
	997 521 381 00 T11	Brown/natural			
	997 521 381 00 N11	Carrera Red			
(11)	997 521 381 01	Seat cover	left a. right rear	1	PR:388,389, 951
	997 521 381 01 A15	Black			
12	997 521 383 00	Cover	left	1	PR:388,983

Model: 987209

Model life 2009>>2012

Pos	Part Number	Description	Remark	Qty	Model
			side outer		
	997 521 383 00 8YR	Black			
	997 521 383 00 5X5	Stone grey			
	997 521 383 00 8G1	Sand beige			
	997 521 383 00 3S8	sea blue			
	997 521 383 00 9N2	Terracotta			
	997 521 383 00 9Q3	Cocoa			
	997 521 383 00 D11	Dark grey/natural			
	997 521 383 00 T11	Brown/natural			
	997 521 383 00 N11	Carrera Red			
(12)	997 521 385 00	Seat cover (leather)	right side inner	1	PR:389,983
	997 521 385 00 8YR	Black			
	997 521 385 00 5X5	Stone grey			
	997 521 385 00 8G1	Sand beige			
	997 521 385 00 3S8	sea blue			
	997 521 385 00 9N2	Terracotta			
	997 521 385 00 9Q3	Cocoa			
	997 521 385 00 D11	Dark grey/natural			
	997 521 385 00 T11	Brown/natural			
	997 521 385 00 N11	Carrera Red			
13	997 521 384 00	Seat cover (leather)	right side inner	1	PR:388,983
	997 521 384 00 8YR	Black			
	997 521 384 00 5X5	Stone grey			
	997 521 384 00 8G1	Sand beige			
	997 521 384 00 3S8	sea blue			
	997 521 384 00 9N2	Terracotta			
	997 521 384 00 9Q3	Cocoa			
	997 521 384 00 D11	Dark grey/natural			
	997 521 384 00 T11	Brown/natural			
	997 521 384 00 N11	Carrera Red			
(13)	997 521 386 00	Cover	right side outer	1	PR:389,983
	997 521 386 00 8YR	Black			
	997 521 386 00 5X5	Stone grey			
	997 521 386 00 8G1	Sand beige			
	997 521 386 00 3S8	sea blue			
	997 521 386 00 9N2	Terracotta			
	997 521 386 00 9Q3	Cocoa			
	997 521 386 00 D11	Dark grey/natural			
	997 521 386 00 T11	Brown/natural			
	997 521 386 00 N11	Carrera Red			
14	997 521 387 00	Backrest centre part w. cover		1	PR:388,389, 983
	997 521 387 00 8YR	Black			
	997 521 387 00 5X5	Stone grey			
	997 521 387 00 8G1	Sand beige			
	997 521 387 00 3S8	sea blue			
	997 521 387 00 9N2	Terracotta			
	997 521 387 00 9Q3	Cocoa			
	997 521 387 00 D11	Dark grey/natural			
	997 521 387 00 T11	Brown/natural			
	997 521 387 00 N11	Carrera Red			
(14)	997 521 387 01	Backrest centre part w. cover		1	PR:388,389, 951
		D - MJ 2011>>			
	997 521 387 01 A15	Black			
15	997 521 388 00	backrest cover (leather)		1	PR:388,389,

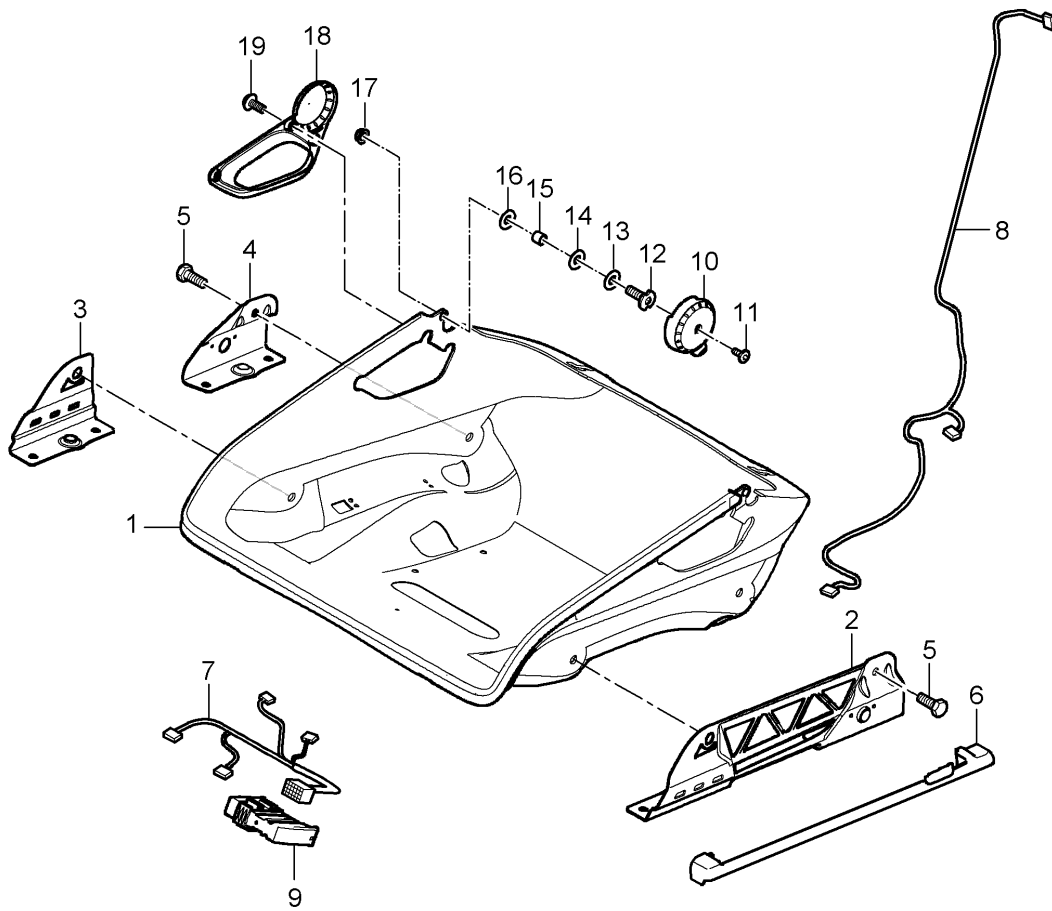
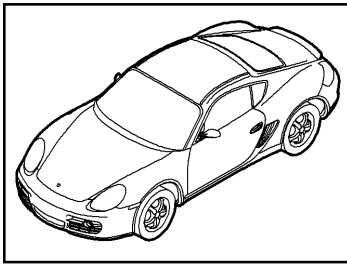
Model: 987209

Model life 2009>>2012

Pos	Part Number	Description	Remark	Qty	Model
		Outer part			983,951
	997 521 388 00 8YR	Black			
	997 521 388 00 5X5	Stone grey			
	997 521 388 00 8G1	Sand beige			
	997 521 388 00 3S8	sea blue			
	997 521 388 00 9N2	Terracotta			
	997 521 388 00 9Q3	Cocoa			
	997 521 388 00 D11	Dark grey/natural			
	997 521 388 00 T11	Brown/natural			
	997 521 388 00 N11	Carrera Red			

Model: 987209

Model life 2009>>2012



Model: 987209 Model life 2009>>2012

Pos	Part Number	Description	Remark	Qty	Model
1	997 521 281 00	bucket seat Collapsible Seat frame Accessories Cup Seat frame	left a. right	2	PR:388,389
(1)	997 521 182 00	without: seat occupied recognition Cup Seat frame	right	1	PR:389,560
2	997 521 433 00	with: seat occupied recognition and Seat rail Adapter Seat frame Discontinued part	outer left	1	PR:388
(2)	997 521 433 00	Adapter Seat frame Discontinued part	outer left	1	PR:389,560
(2)	997 521 434 00	Adapter Seat frame Discontinued part	outer right	1	PR:389
(2)	997 521 434 00	Adapter Seat frame Discontinued part	outer right	1	PR:389,560
3	997 521 436 00	Adapter Seat frame Discontinued part	front, inner right	1	PR:388
(3)	997 521 435 00	Adapter Seat frame	front, inner left	1	PR:389
4	997 521 438 00	without: seat occupied recognition Discontinued part Adapter Seat frame Discontinued part	rear, inner right	1	PR:388
(4)	997 521 437 00	Adapter Seat frame	rear, inner left	1	PR:389
5	999 217 168 01	without: seat occupied recognition Discontinued part Hexagon bolt M 8 X 16 Mount Seat rail bucket seat		4	
6	997 521 427 03	Cover Sensor seat occupied recognition	left	1	PR:389,560
(6)	997 521 427 03 01C 997 521 426 03	Satin black Cover Sensor seat occupied recognition	right	1	PR:389,560
7	997 521 426 03 01C 997 612 688 11	Satin black Wire set seat occupied recognition		1	PR:389,560
8	997 612 785 10	Wire set Side airbag unit	left a. right	1	PR:388,389
9	997 618 233 05	Control unit for seat occupied sensor		1	PR:560,376, 378,389
10	997 521 563 00	Trim Hinge	left inner	1	

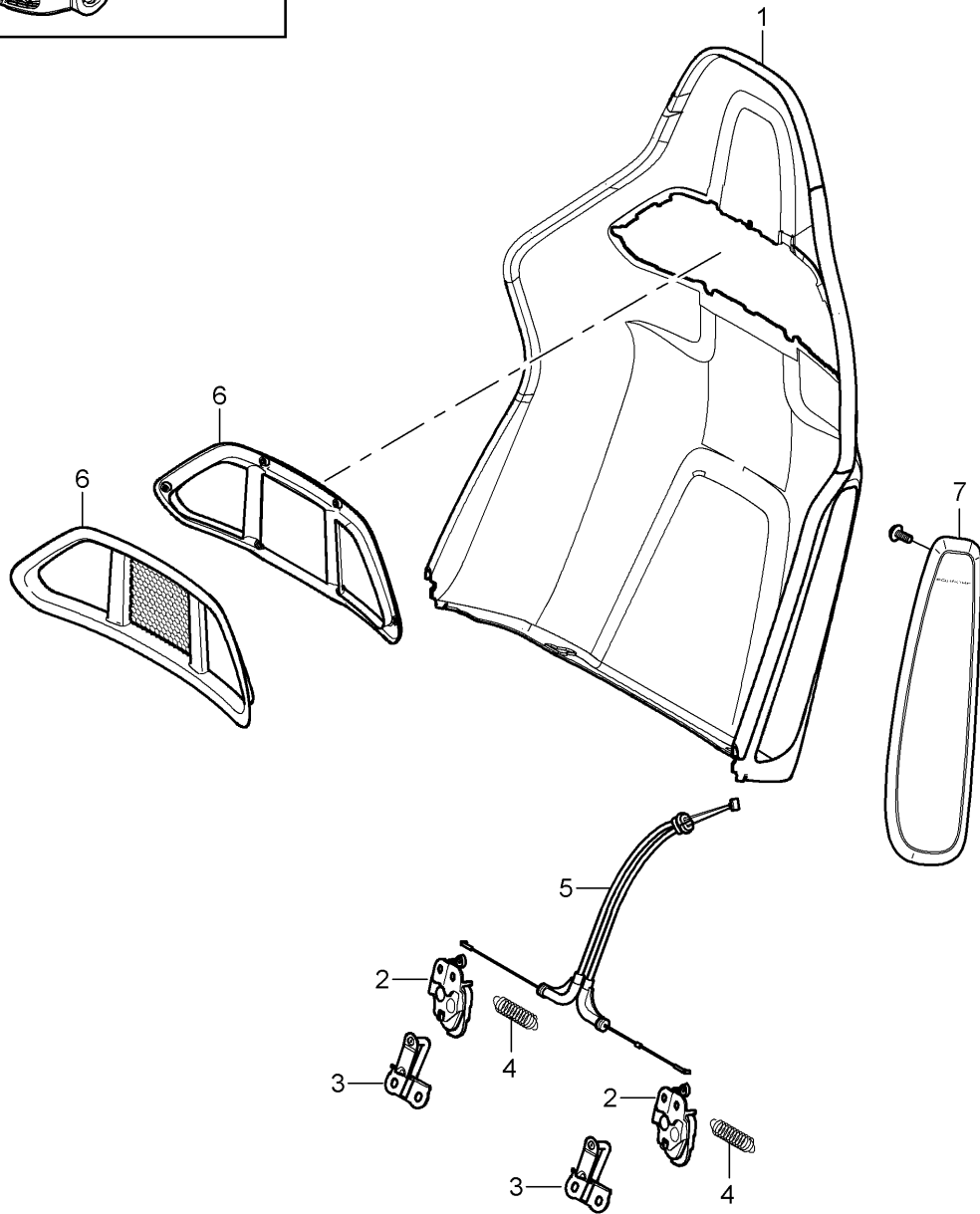
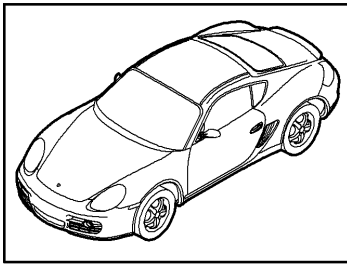
Model: 987209

Model life 2009>>2012

Pos	Part Number	Description	Remark	Qty	Model
(10)	997 521 563 00 01C 997 521 564 00	Satin black Trim Hinge	right inner	1	
11	997 521 564 00 01C 999 073 456 01	Satin black flat round head bolt M4 X 12 Mount Trim	inner	2	
12	997 521 690 00	bearing pin Backrest shell Cup	lower	2	
13	999 523 019 01	Belleville spring A25		2	
14	999 234 034 00	fitted washer 12 X 18 X 0,2		2	
15	999 924 136 40	Plain bearing F12 X 5 X 14		2	
16	999 025 122 40	thrust washer 20 X 12 X 0,5		2	
17	900 380 024 01	Outer hexagon round nut M8		2	
18	997 521 561 00	Trim Seat belt	left lower	1	
(18)	997 521 561 00 01C 997 521 562 00	Satin black Trim Seat belt	right lower	1	
19	997 521 562 00 01C 999 141 049 01	Satin black Oval-head screw M5 X 10 Mount Trim		3	

Model: 987209

Model life 2009>>2012



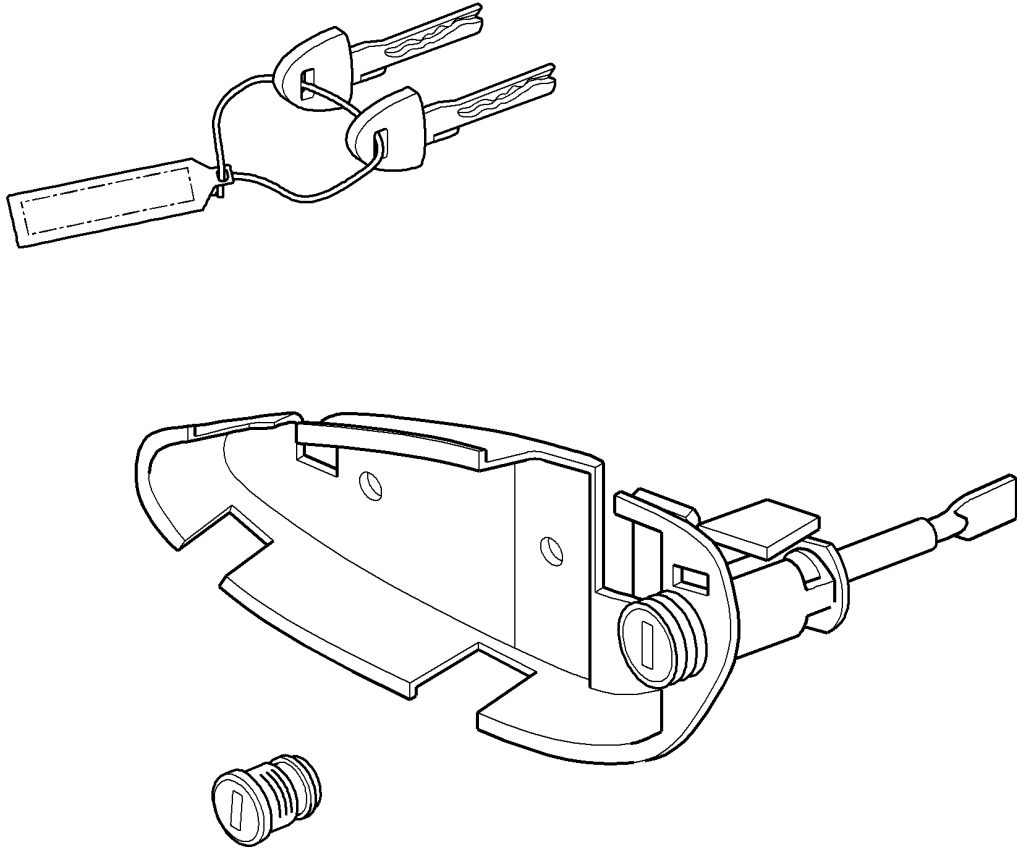
Model: 987209

Model life 2009>>2012

Pos	Part Number	Description	Remark	Qty	Model
1	997 521 271 00	Backrest shell bucket seat Collapsible Accessories	left	1	PR:388
(1)	997 521 272 00	Backrest shell bucket seat Collapsible	right	1	PR:389
2	997 521 651 00	backrest lock	left	1	PR:388,389
(2)	997 521 652 00	backrest lock	right	1	PR:388,389
3	997 521 660 00	Closing element lock	left a. right	1	PR:388,389
4	997 521 650 00	Backrest shell tension spring lock	left a. right	1	PR:388,389
5	997 521 640 01	backrest Bowden cable Release	left a. right	1	PR:388,389
6	997 521 330 00	backrest Trim	front	1	PR:388,389
		Seat belt			
(6)	997 521 330 00 01C	Satin black			
	997 521 531 00	Trim	rear	1	PR:388,389
		Seat belt			
	997 521 531 00 01C	Satin black			
7	997 803 081 02	Side airbag unit	left	1	PR:388
	997 803 081 02 D07	Volcano grey			
(7)	997 803 082 01	Side airbag unit	right	1	PR:389
		Front seat			
	997 803 082 01 A03	Black			
	997 803 082 01 D07	Volcano grey			

Model: 987209

Model life 2009>>2012



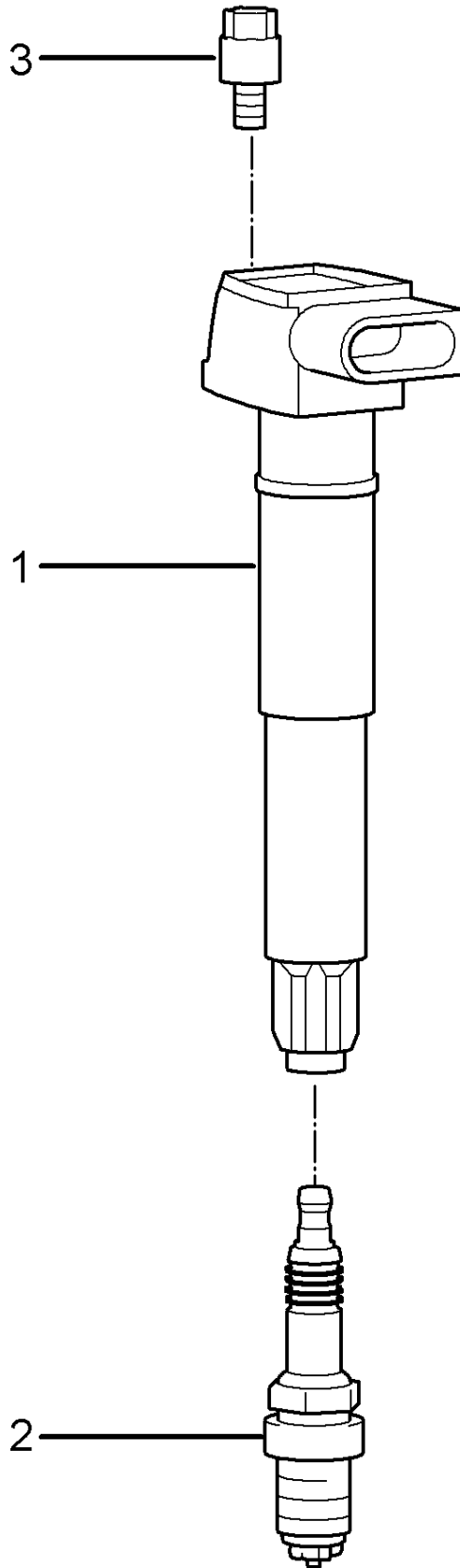
Model: 987209

Model life 2009>>2012

Pos	Part Number	Description	Remark	Qty	Model
-	997 538 011 06	repair kits Set of locks comprising: Bracket Door handle, exterior Glove compartment lock key 1 set of lock cylinders with handheld trans. & emerg. key		1	PR:098
-	997 538 011 07	1 set of lock cylinders with handheld trans. & emerg. key		1	PR:099

Model: 987209

Model life 2009>>2012



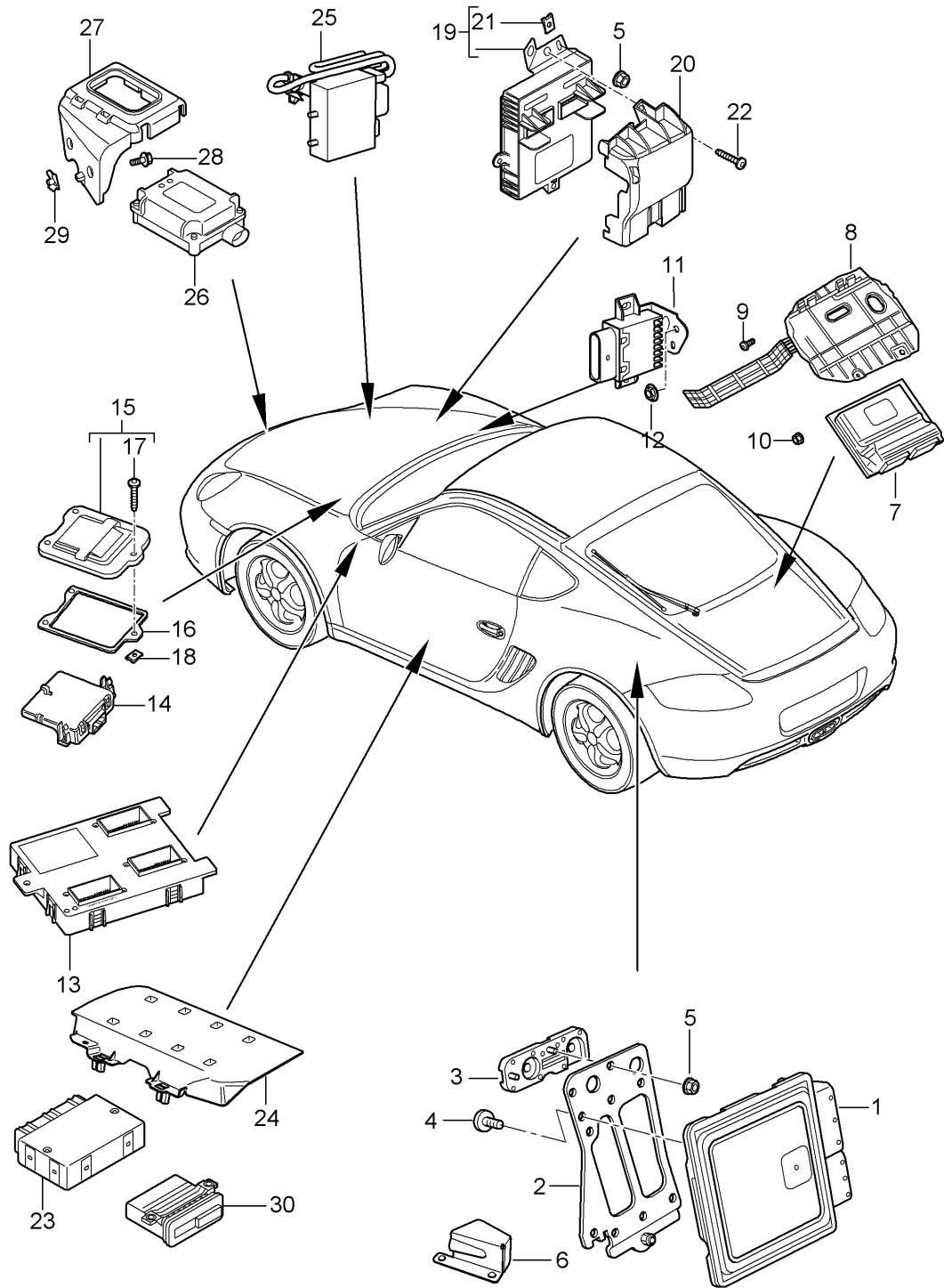
Model: 987209

Model life 2009>>2012

Pos	Part Number	Description	Remark	Qty	Model
1	9A1 602 104 02	Ignition system Ignition coil Discontinued part		6	
1	9A1 602 104 03	Ignition coil		6	
2	999 170 130 90	Spark plug FGR 5NQE		6	
3	999 073 103 01	flat round head bolt M 6 X 16		6	

Model: 987209

Model life 2009>>2012



Model: 987209

Model life 2009>>2012

Pos	Part Number	Description	Remark	Qty	Model
1	997 618 607 04	Control units Control unit - dme - Discontinued part		1	CAYMAN S CAYMAN R
1	997 618 607 05	Control unit - dme -		1	CAYMAN S CAYMAN R
(1)	997 618 608 00	Control unit - dme - Discontinued part		1	CAYMAN
(1)	997 618 608 01	Control unit - dme -		1	CAYMAN
2	987 618 233 00	Retainer for control units - dme -		1	CAYMAN S
3	987 618 333 00	Distance piece		1	CAYMAN S
4	999 141 044 09	fillister hd. bolt M 6 X 16		6	CAYMAN S
5	999 084 629 01	Hexagon nut M 6		X	
(5)	999 084 635 01	Pull-off nut M 6 - SB		X	PR:536
6	987 618 131 01	Retaining plate Plug-protection		1	CAYMAN PR:536
7	997 618 270 33	Control unit - PDK - Discontinued part		1	PR:250
7	997 618 270 40	Control unit - PDK -		1	PR:250
8	987 618 255 01	Retainer for control units - PDK -		1	PR:250
9	900 378 035 01	Hexagon bolt M 6 X 16		1	PR:250
10	999 591 941 40	Spreader rivet		1	PR:250
11	997 618 023 01	Control unit for fuel pump		1	PR:663
12	999 049 025 09	Collar nut T 5		2	
13	997 618 516 01	Onboard supply control unit		1	
14	997 610 107 04	Control unit for gateway Gateway		1	
15	997 572 419 03	Cover		1	
16	997 572 221 00	Seal		1	
17	900 143 094 09	panel screw ST 4,8 X 19		3	
18	999 591 855 01	panel nut ST 4,8		3	
19	997 618 511 01	Control unit FRONT luggage compartment		1	
20	997 551 736 00	Cover for control unit		1	
21	999 507 462 09	panel nut 4,8		1	
22	999 073 061 02	panel screw 4,8 X 16		1	
23	997 618 260 08	Control unit Rear end		1	
24	997 618 381 00	bracket for parking aid control unit		1	
25	997 618 436 03	Control unit Cooling air control		1	
26	997 618 227 02	Control unit for opening garage door Discontinued part		1	PR:607
26	997 618 227 03	Control unit for opening garage door		1	PR:607

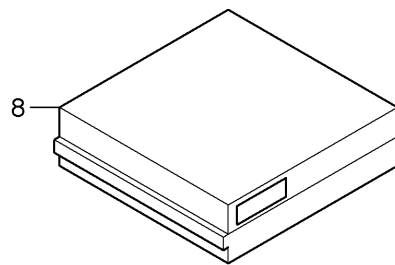
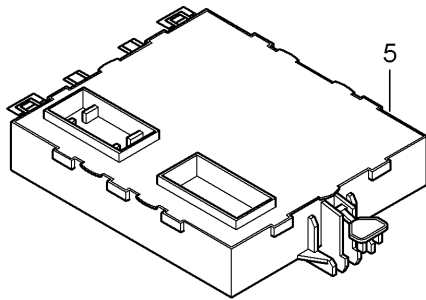
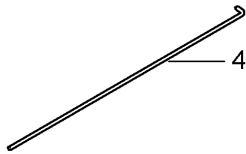
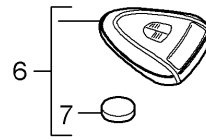
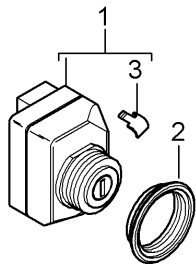
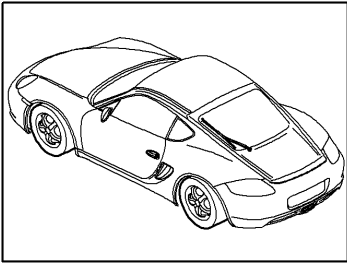
Model: 987209

Model life 2009>>2012

Pos	Part Number	Description	Remark	Qty	Model
27	997 618 257 00	Bracket Control unit Garage door opener		1	
28	900 075 505 01	Bolt with washer M 6 X 20		2	
29	999 591 882 01	panel nut M 6		2	
30	997 618 183 01	Control unit for parking aid Sensor see illustration:	802-005	1	PR:635

Model: 987209

Model life 2009>>2012



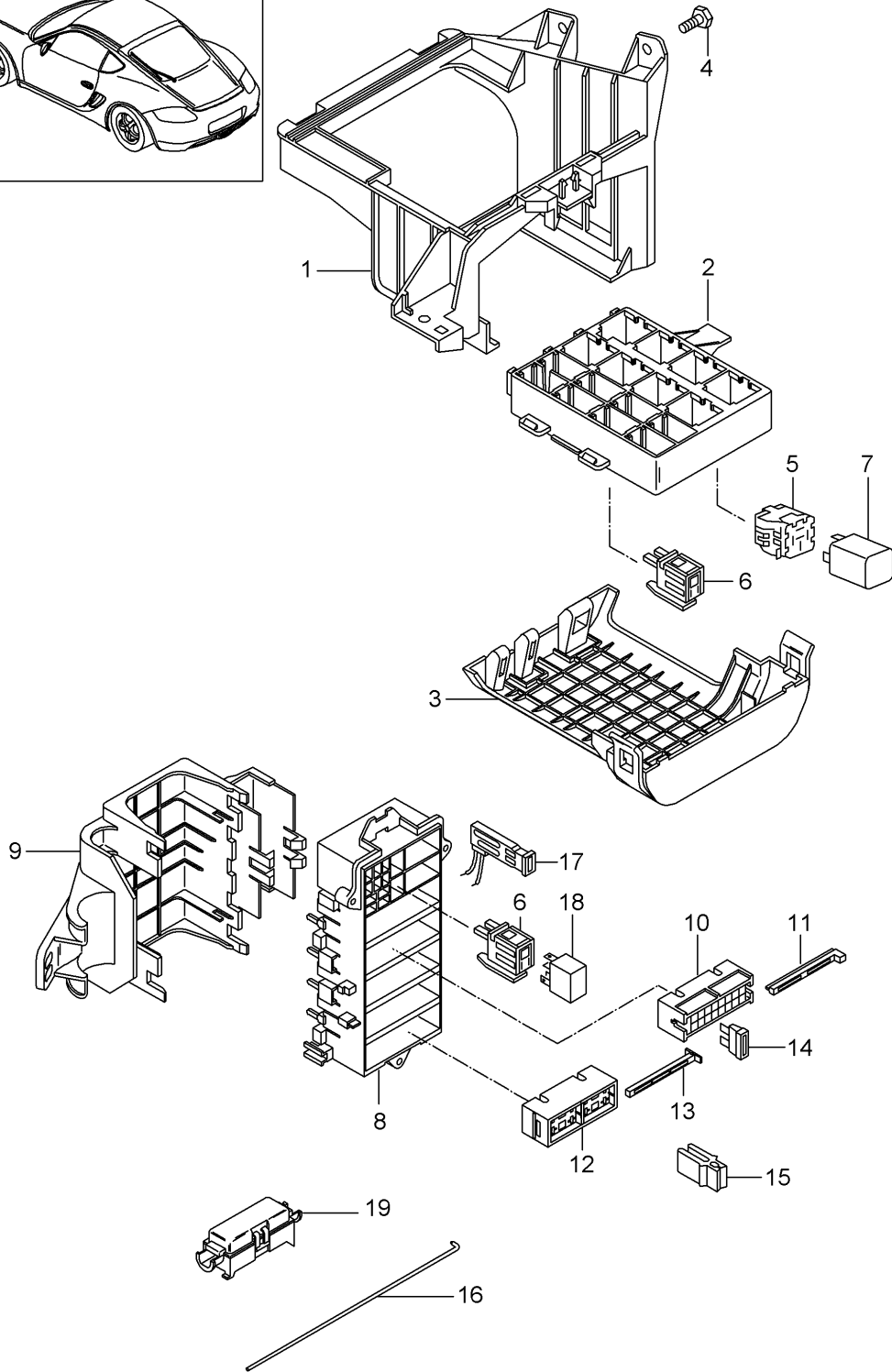
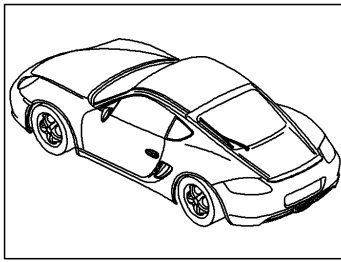
Model: 987209

Model life 2009>>2012

Pos	Part Number	Description	Remark	Qty	Model
1	997 618 159 04	Control units Ignition/starter switch PORSCHE ACCES SYSTEM Control unit		1	
2	997 618 759 00	Ignition/starter switch Nut		1	
3	997 618 361 00	Cover Release		1	
4	970 618 761 00	Handheld transmitter Emergency operation Release		1	
5	997 618 172 15	Ignition/starter switch Control unit for central locking PORSCHE ACCESS SYSTEM		1	PR:525
5	997 618 172 16	Discontinued part Control unit for central locking PORSCHE ACCESS SYSTEM		1	PR:525
-	997 612 050 01	Aerial cable	lhd	1	PR:098,525, 695
-	997 612 053 01	for POS. 5 Connecting line Aerial amplifier Control unit POS. 5	lhd	1	PR:665,695, 098
(6)	997 637 103 01	Handheld transmitter		1	PR:525
7	999 611 108 00	Battery for hand sender		1	
8	997 618 210 01	Sensor for interior monitoring		1	

Model: 987209

Model life 2009>>2012



Model: 987209 Model life 2009>>2012

Pos	Part Number	Description	Remark	Qty	Model
		central electrics dashboard			
1	997 610 117 01	bracket for relay bracket	lhd	1	PR:098
2	997 610 110 01	relay plate		1	
		Mounting frame			
3	997 610 112 00	Cover		1	
		Mounting frame			
4	900 378 155 01	Hexagon bolt		2	
		M 6 X 16 ASP			
(4)	900 377 010 01	Hexagon nut		1	
		M 6			
5	928 610 511 00	relay plate		X	
6	999 650 538 40	relay plate		X	
7		Relay			
(7)	999 657 015 90	Relay		1	
		Rear window heating			
		relay location/code no.:	S1		
(7)	999 657 015 90	Relay		1	
		Fuel pump			
		relay location/code no.:	S2		
(7)	999 657 015 90	Relay		1	
		KL. 86S			
		relay location/code no.:	S4		
(7)	999 657 013 90	Relay		1	
		- dme -			
		relay location/code no.:	S11		
(7)	999 657 013 90	Relay		1	
		heater			
		relay location/code no.:	S12		
(7)	999 657 013 90	Relay		1	PR:288
		Headlight washer system			
		relay location/code no.:	S14		
(7)	999 657 013 90	Relay		1	
		Starter			
		relay location/code no.:	S15		
(7)	999 657 013 90	Relay		1	
		KL. 15			
		relay location/code no.:	S16		
8	997 610 340 00	Carrier		1	
9	997 610 341 00	Cover		1	
10	999 650 209 40	fuse holder		4	
11	999 650 210 40	slide valve		4	
12	999 650 750 40	fuse holder		1	
13	999 650 749 40	slide valve		1	
14	999 607 082 00	fuse		X	
		5 A			
(14)	999 607 083 00	fuse		X	
		7 , 5 A			
(14)	999 607 084 00	fuse		X	
		10 A			
(14)	999 607 085 00	fuse		X	
		15 A			
(14)	999 607 087 00	fuse		X	
		25 A			
(14)	999 607 088 00	fuse		X	
		30 A			
(14)	999 607 072 00	fuse		X	
		30 A			
		Large			
(14)	999 607 073 00	fuse		X	
		40 A			
		Large			
15	999 107 300 40	Tool		X	

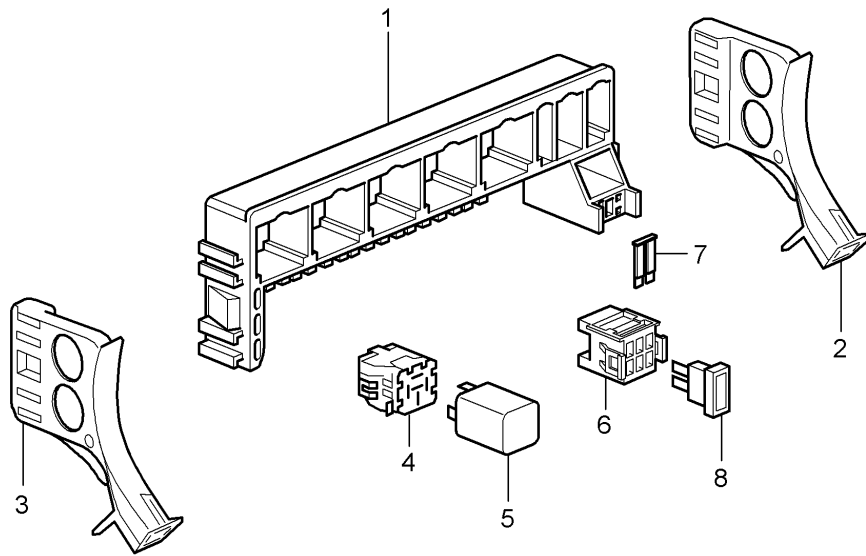
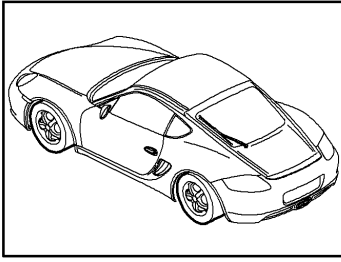
Model: 987209

Model life 2009>>2012

Pos	Part Number	Description	Remark	Qty	Model
-	997 610 195 25	Assignment sticker fuse		X	
16	997 618 761 00	Emergency operation Release Ignition/starter switch Discontinued part		1	
16	970 618 761 00	Emergency operation Release Ignition/starter switch		1	
-		Emergency operation Cover			
17	996 610 240 00	Terminal clamp		1	
18	999 657 014 90	Relay		1	
19	997 610 915 00	fuse holder		1	
		with:			
		fuse 80 A for Cooling air control Cover for housing fuse		X	
		see illustration:	807-002		

Model: 987209

Model life 2009>>2012



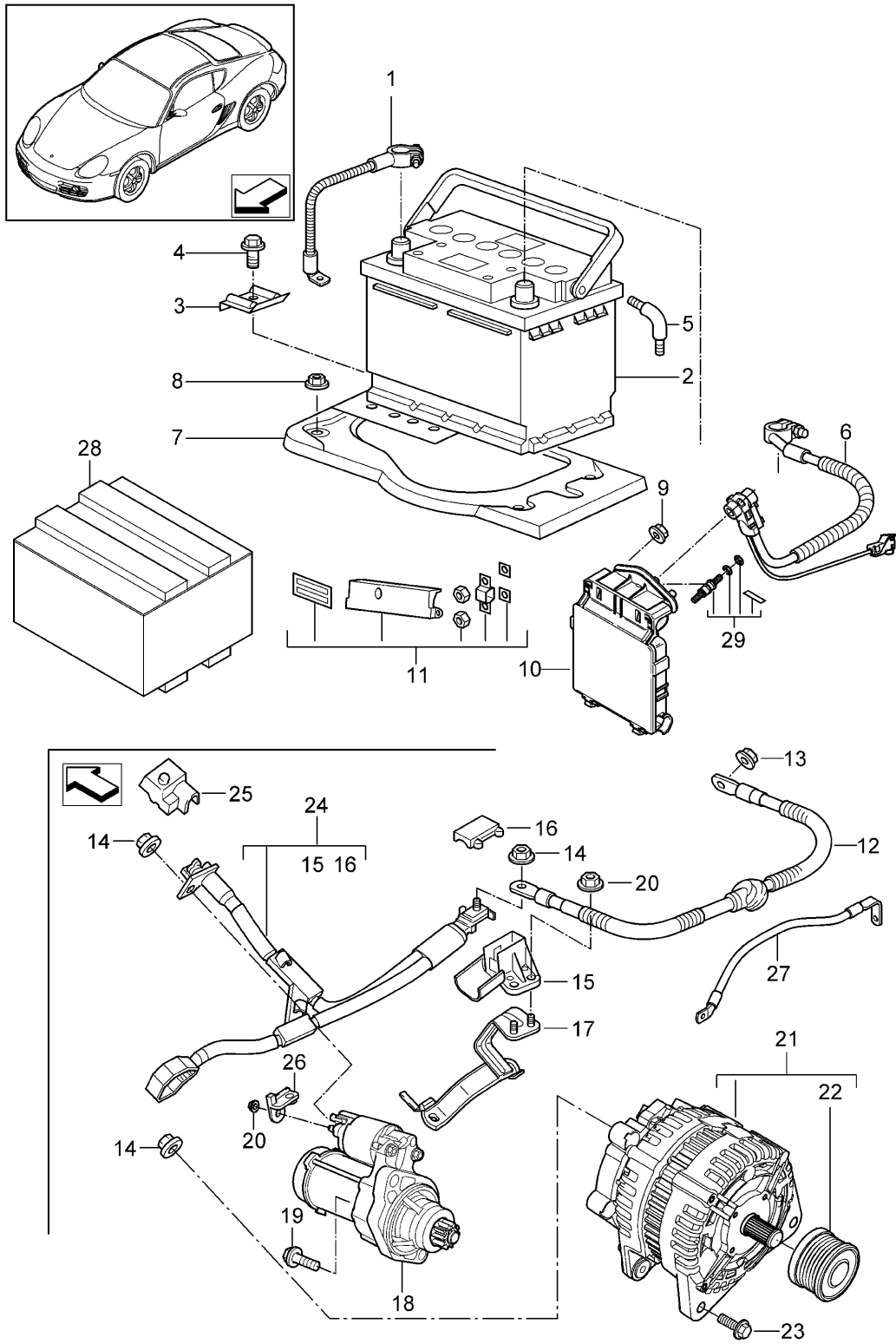
Model: 987209

Model life 2009>>2012

Pos	Part Number	Description	Remark	Qty	Model
1	987 610 111 01	central electrics Rear end relay plate Mounting frame		1	
2	986 610 126 00	bracket for relay bracket	right	1	
3	986 610 127 00	bracket for relay bracket	left	1	
4	928 610 511 00	relay plate Large		X	
(4)	999 650 538 40	relay plate Small		X	
5		Relay			
(5)	999 657 017 90	Relay Secondary pump relay location/code no.:	S2	1	PR:661
(5)	999 657 015 90	Relay Fan Engine bay relay location/code no.:	S8	1	
6	999 650 747 40	fuse holder		1	
7	999 650 748 40	Locking mechanism		1	
8	999 607 085 00	fuse 15 A		X	
8	999 607 098 00	fuse 3 A		1	
(8)	999 607 073 00	fuse 40 A Large		X	PR:661

Model: 987209

Model life 2009>>2012



Model: 987209

Model life 2009>>2012

Pos	Part Number	Description	Remark	Qty	Model
1	997 611 090 00	Battery			
-	900 377 010 01	Power distributor			
		Starter			
		Alternator			
		Earth line	lhd	1	PR:098
		Hexagon nut		1	
		M 6			
(2)	999 611 070 20	Battery		1	
		70 AH			
2	999 611 080 20	Battery		1	
		80 AH			
(2)	997 611 020 00	Battery		1	CAYMAN R
		18 AH			PR:191
(2)	997 611 020 X	Battery		1	CAYMAN R
		18 AH			PR:191
3	996 611 209 01	Rail		1	
		Battery			
4	900 378 017 01	Hexagon bolt		1	
		M 8 X 20			
5	893 915 507	Elbow fitting		1	
6	997 612 993 00	repair set	lhd	1	PR:098
		Cable			
		Battery			
		Power distributor			
		Discontinued part			
(6)	997 612 908 00	repair set	lhd	1	PR:098
		Wire set			
		Battery			
		Power distributor			
		see			
		Technical information			
		9789			
(6)	997 612 909 00	repair set	rhd	1	PR:099
		Wire set			
		Battery			
		Power distributor			
		see			
		Technical information			
		9789			
7	997 504 151 00	Carrier plate for battery		1	
8	999 084 630 01	Hexagon nut		4	
		VM 8 SB			
9	900 380 005 01	Nut		2	
		VM 8			
10	997 610 911 00	repair set		1	
		Replacement			
		Power distributor			
		comprising:			
-		Power distributor		1	
		without:			
		Fuse element			
-		Hexagon nut		8	
		M 5			
-		Hexagon nut		3	
		M 8			
-		Seal label		1	
		red			
11	997 610 912 00	repair set		1	
		Replacement			
		Fuse element			
		comprising:			
-		Fuse element		1	
		50 AMPERE			

Model: 987209

Model life 2009>>2012

Pos	Part Number	Description	Remark	Qty	Model
-		Fuse element 70 AMPERE		1	
-		Fuse element 80 AMPERE		1	
-		Hexagon nut M 5		4	
-		square washer		4	
-		Cover blue		1	
-		Seal label red			
11	997 610 913 00	repair set Replacement Fuse element comprising:		1	
-		Fuse element 150 AMPERE		1	
-		Hexagon nut M 8		2	
-		square washer		2	
-		Cover blue			
-		Seal label red		1	
12	987 612 090 25	Cable Power distributor To Connection point Engine	lhd	1	PR:098
13	900 084 123 02	Hexagon nut M 8		1	
14	900 377 003 01	Hexagon nut M 8		X	
15	9A1 607 203 00	Connection point		1	
16	986 611 203 00	Cover Connection point		1	
17	9A1 607 260 01	Bracket Connection point		1	
18	9A1 604 103 00	Starter use if required:		1	
18	9A1 604 103 X	POS.26 Starter use if required:		1	
19	900 385 097 01	Torx screw BM 10 X 35		2	
20	900 377 010 02	Hexagon nut M 6		3	
21	9A1 603 012 00	Alternator		1	
21	9A1 603 012 X	Alternator		1	
22	9A1 603 953 00	repair set pulley		1	
23	900 385 102 01	Torx screw BM 8 x 90		2	
24	9A1 607 017 02	Wire set Starter Alternator		1	
25	9A1 607 247 01	Cover cap Starter		1	
26	9A1 607 267 00	contact carrier KL. 50		1	
27	9A1 607 040 00	Earth line Body		1	

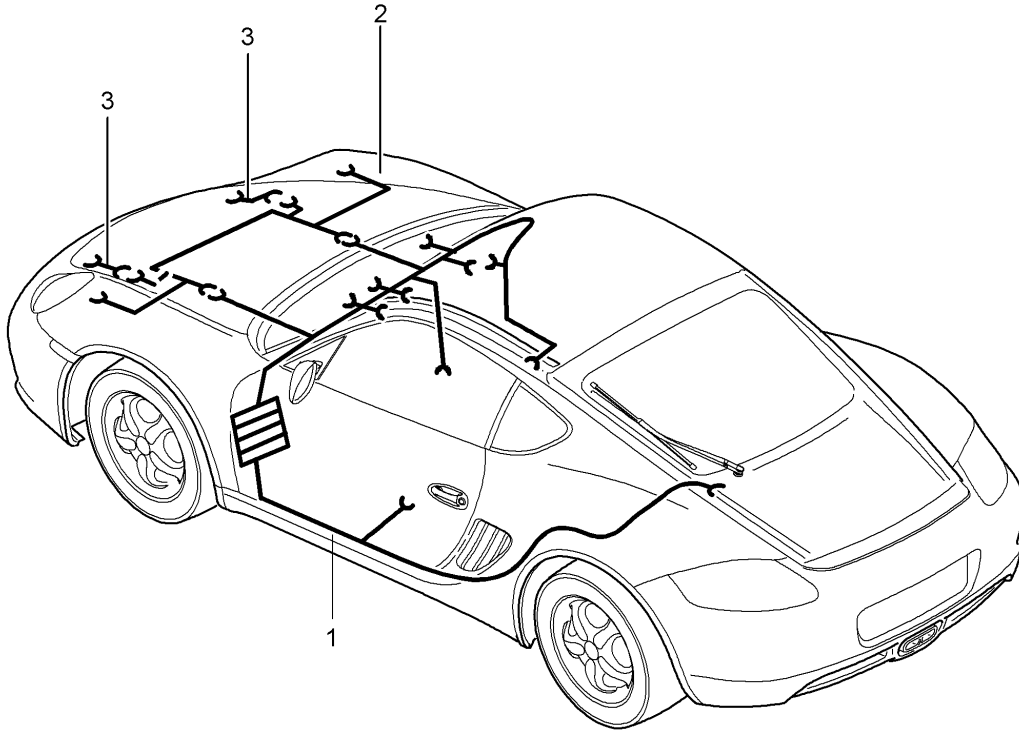
Model: 987209

Model life 2009>>2012

Pos	Part Number	Description	Remark	Qty	Model
-	997 612 908 00	Engine repair set	lhd	1	PR:098
-	997 612 909 00	Power distributor repair set	rhd	1	PR:099
28	000 998 020	Power distributor Recycling box for lithium- ion battery		1	
		Lithium Ionen Starter Battery			
29	997 610 916 00	Defect repair set		1	
		Screw bolt Power distributor			
		comprising:			
		Screw bolt		1	
		Nut		2	
		Seal label		1	

Model: 987209

Model life 2009>>2012



Model: 987209 Model life 2009>>2012

Pos	Part Number	Description	Remark	Qty	Model
1	987 612 903 00	Wiring looms Passenger compartment FRONT luggage compartment Trim Airbag Seat belt tensioner repair kits Shock absorbers anti-locking brake syst. -abs- brake pad wear display Front axle	front	1	
1	997 612 914 00	Wire set Passenger compartment Vehicle Ident. No. Indicate		1	PR:XES
-	996 610 120 01	Wire set Lighting Sill trim strip		1	
-	999 651 302 40	Bracket Socket Diagnostic connector Retaining clip		X	
-	999 651 284 40	Wire set Passenger compartment Sill Retaining clip		X	
2	987 612 520 25	Wire set Passenger compartment Sill		1	
2	987 612 520 26	FRONT luggage compartment F >> A8-AU760 382 F >> A8-AU780 412		1	
2	987 612 521 25	Wire set FRONT luggage compartment F A8-AU760 383>> F A8-AU780 413>>		1	PR:603
2	987 612 521 26	Wire set FRONT luggage compartment F >> A8-AU760 382 F >> A8-AU780 412		1	PR:603
-	997 610 215 01	Cable guide for Sensor Airbag		2	
3	987 612 502 25	Wire set Trim	front	2	
(3)	987 612 502 50	Wire set Trim	front	2	I605
-	997 612 781 25	Wire set Airbag (passenger side) Setting 1 Connector green		1	
-	997 612 783 25	Wire set Airbag (passenger side) Setting2		1	

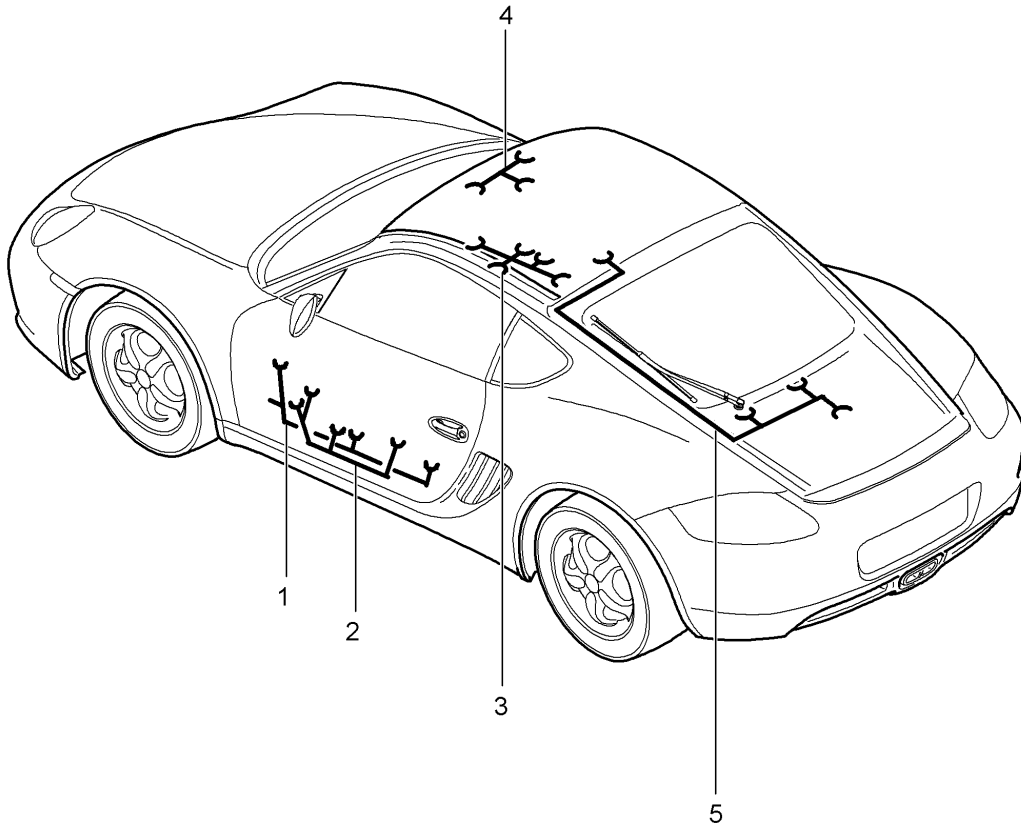
Model: 987209

Model life 2009>>2012

Pos	Part Number	Description	Remark	Qty	Model
-	997 612 992 00	Connector yellow Wire set Control unit Airbag Connection point Door		2	
-		Wire set Airbag Seat			
-	997 612 793 01	see illustration: Wire set	817-006	2	
-	997 612 950 00	Seat belt tensioner repair set Wire set Shock absorbers	front	2	PR:475
-	997 612 961 00	Repair set for front axle Wire set anti-locking brake syst. -abs- brake pad wear display	left front	1	
-	997 612 960 00	Repair set for front axle Wire set anti-locking brake syst. -abs- brake pad wear display	right front	1	
-		repair set Wire set Rear axle see illustration:	902-020		

Model: 987209

Model life 2009>>2012



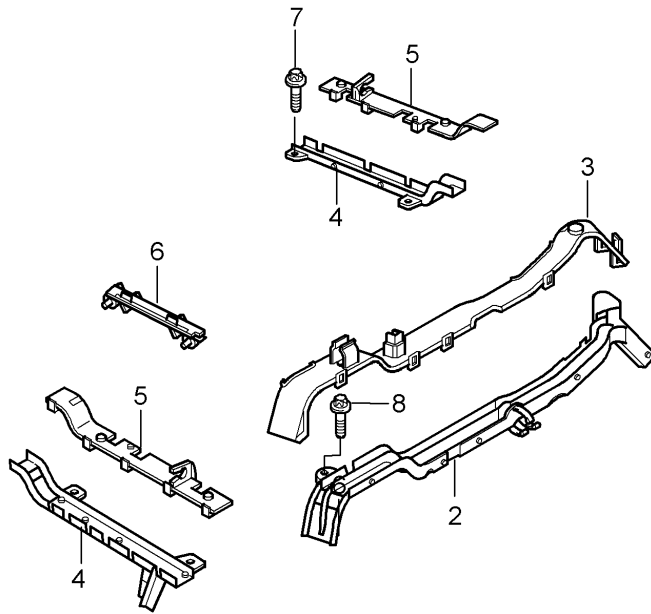
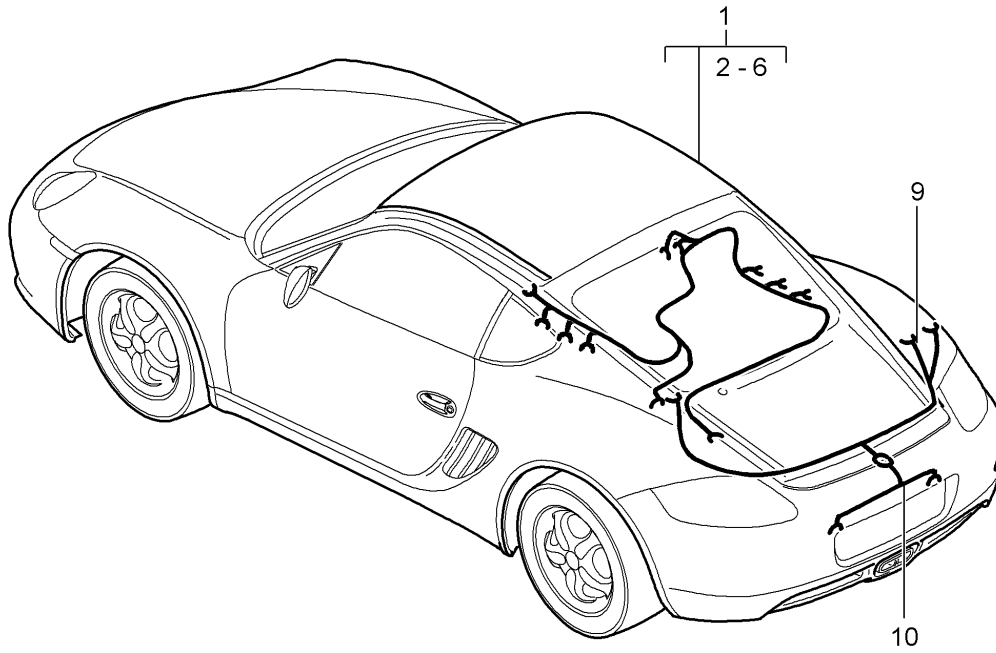
Model: 987209

Model life 2009>>2012

Pos	Part Number	Description	Remark	Qty	Model
1	997 612 642 07	Wiring looms doors Airbag Centre console Glove box Rear lid Wire set	lhd	1	PR:098
(1)	997 612 643 57	Assembly frame Driver's door Wire set	lhd	1	PR:098
-	997 612 780 16	Assembly frame Passenger's door Wire set		2	
2	997 612 647 10	Airbag Wire set door panel Driver's door	lhd	1	PR:098
(2)	997 612 648 10	Wire set door panel Passenger's door	lhd	1	PR:098
3	997 612 652 75	Wire set Centre console		1	
4	997 612 651 00	Wire set Glove box		1	
5	987 612 670 50	Wire set Rear lid		1	

Model: 987209

Model life 2009>>2012



Model: 987209 Model life 2009>>2012

Pos	Part Number	Description	Remark	Qty	Model
		Wiring looms Engine Rear end Licence plate light Parking aid repair kits for Shock absorbers anti-locking brake syst. -abs- brake pad wear display Rear axle			
1	9A1 607 027 02	Wire set Engine D >> - MJ 2009		1	A120+ PR:480
1	9A1 607 027 03	Wire set Engine D - MJ 2010>>		1	A120+ PR:480
1	9A1 607 024 02	Wire set Engine D >> - MJ 2009		1	A121+ PR:480
1	9A1 607 024 03	Wire set Engine D - MJ 2010>>		1	A121+ PR:480
1	9A1 607 026 02	Wire set Engine D >> - MJ 2009		1	A120+ PR:250
1	9A1 607 026 03	Wire set Engine D - MJ 2010>>		1	A120+ PR:250
1	9A1 607 023 02	Wire set Engine D >> - MJ 2009		1	A121+ PR:250
1	9A1 607 023 03	Wire set Engine D - MJ 2010>>		1	A121+ PR:250
-	999 702 324 40	Grommet		1	
2	9A1 607 110 20	Air mass meter Cable guide Crankcase housing		2	
3	9A1 607 120 00	Cover Cable guide		1	
3	9A1 607 120 01	Cover Cable guide		1	
4	9A1 607 117 00	Cable guide Cylinder head		2	
5	9A1 607 127 00	Cover Cable guide D >> - MJ 2009		2	
5	9A1 607 127 01	Cover Cable guide D - MJ 2010>>		2	
6	9A1 607 113 00	Cable guide Fuel collection pipe		1	A121
7	900 385 044 01	Torx screw BM 8 X 20		2	
8	900 385 009 01	Torx screw BM 6 X 16		2	
9	987 612 904 00	Wire set Rear end Vehicle Ident. No.		1	
10	987 612 660 00	Indicate Wire set Licence plate light		1	

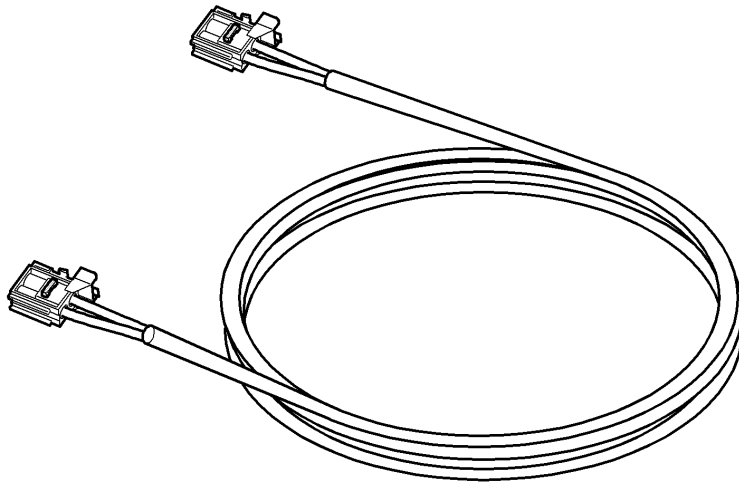
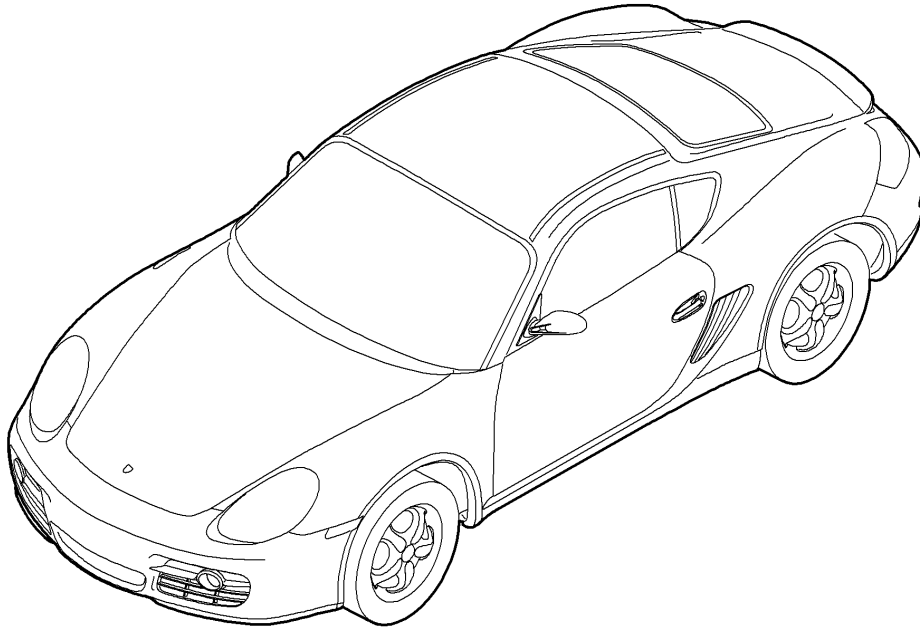
Model: 987209

Model life 2009>>2012

Pos	Part Number	Description	Remark	Qty	Model
(10)	997 612 661 25	Wire set Parking aid Licence plate light		1	PR:635
-	997 612 950 00	repair set Wire set Shock absorbers	rear	2	PR:475
-	987 612 963 00	Repair set for rear axle Wire set anti-locking brake syst. -abs- brake pad wear display	left rear	1	
-	987 612 962 00	Repair set for rear axle Wire set anti-locking brake syst. -abs- brake pad wear display	right rear	1	
-		repair set Wire set Front axle see illustration:	902-010		

Model: 987209

Model life 2009>>2012



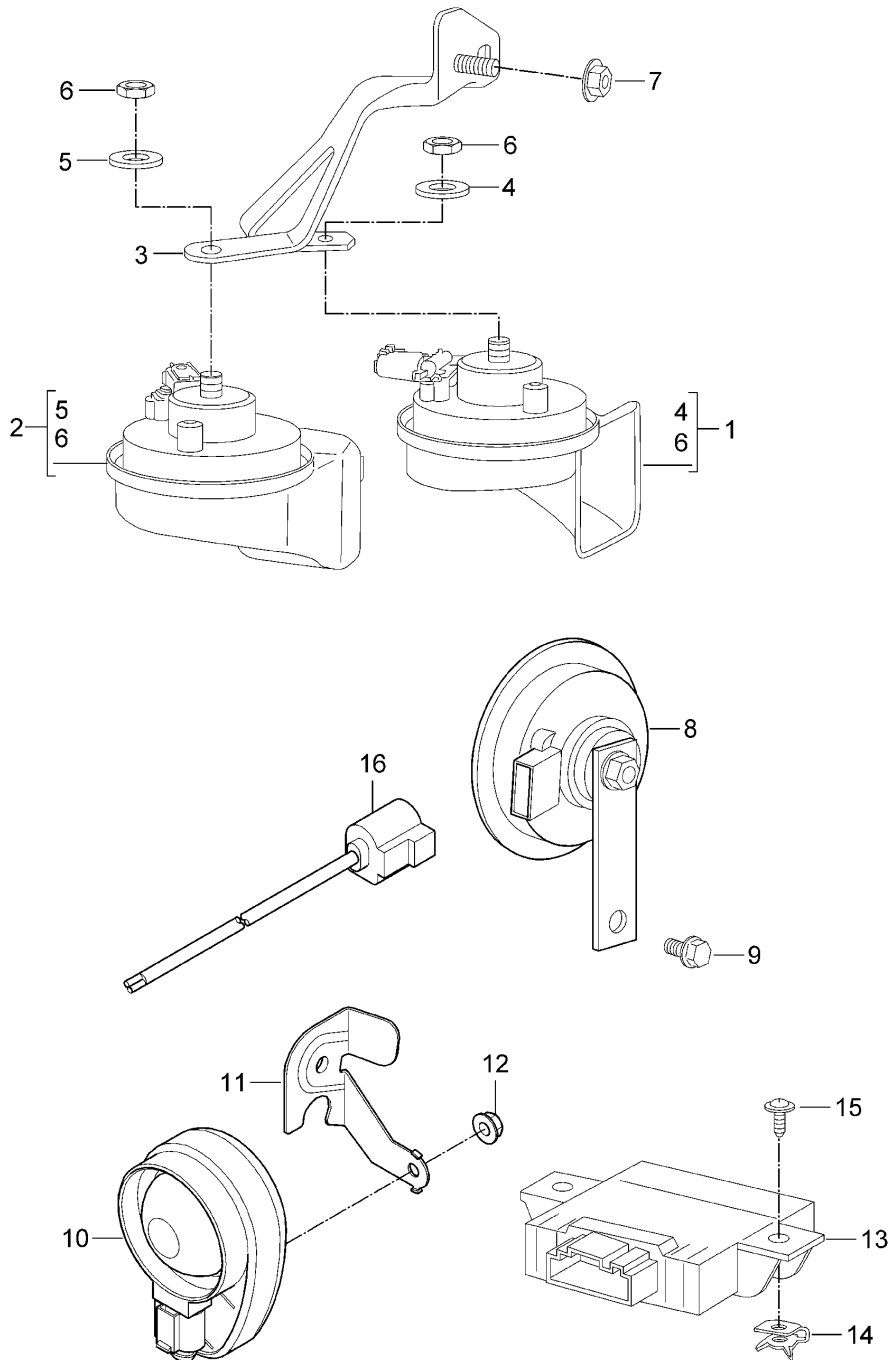
Model: 987209

Model life 2009>>2012

Pos	Part Number	Description	Remark	Qty	Model
-	997 622 701 25	fibre optic wave conductor fibre optic wave conductor Module	lhd	1	PR:098,665, 680,695
-	999 650 091 40	Plug inserts fibre optic wave conductor		X	

Model: 987209

Model life 2009>>2012



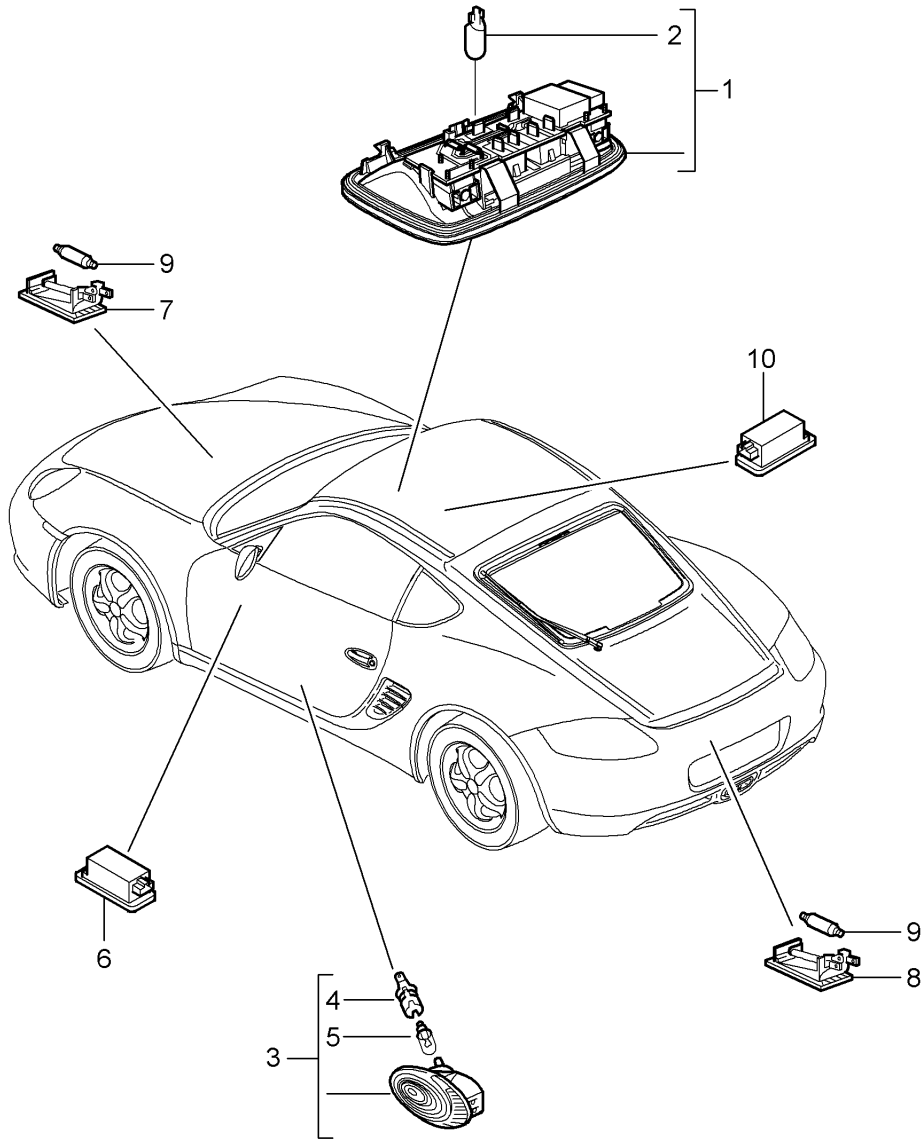
Model: 987209

Model life 2009>>2012

Pos	Part Number	Description	Remark	Qty	Model
1	997 635 206 03	Fanfare Signal horn Fanfare High-pitched Discontinued part		1	
1	997 635 206 04	Fanfare High-pitched No longer use the part here		1	
1	997 635 216 00	Fanfare High-pitched see Technical information GR.9 NR.100/13 KD-NR.9050		1	
-	997 612 947 00	Adapter cable see Technical information GR.9 NR.100/13 KD-NR.9050		1	
2	997 635 205 03	Fanfare Low-pitched Discontinued part		1	
2	997 635 205 04	Fanfare Low-pitched No longer use the part here		1	
(2)	997 635 215 00	Fanfare Low-pitched see Technical information GR.9 NR.100/13 KD-NR.9050		1	
-	997 612 947 00	Adapter cable see Technical information GR.9 NR.100/13 KD-NR.9050		1	
3	997 635 150 04	Bracket for fanfare Discontinued part		1	
3	997 635 150 05	Bracket for fanfare		1	
4		Washer High-pitched		1	
5		Washer Low-pitched		1	
6	900 034 001 04	Nut M 8		2	
7	900 377 003 03	Hexagon nut M 8		1	
8	996 637 117 03	Signal horn for alarm system		1	
8	996 637 117 05	Signal horn for alarm system Replacement for 996.637.117.03		1	
9	900 075 459 01	Bolt with washer M 6 X 12 Z2	use if required: 9P1 998 003 A	1	
16	9P1 998 003 A	Wire set Modification kit Signal horn		1	

Model: 987209

Model life 2009>>2012



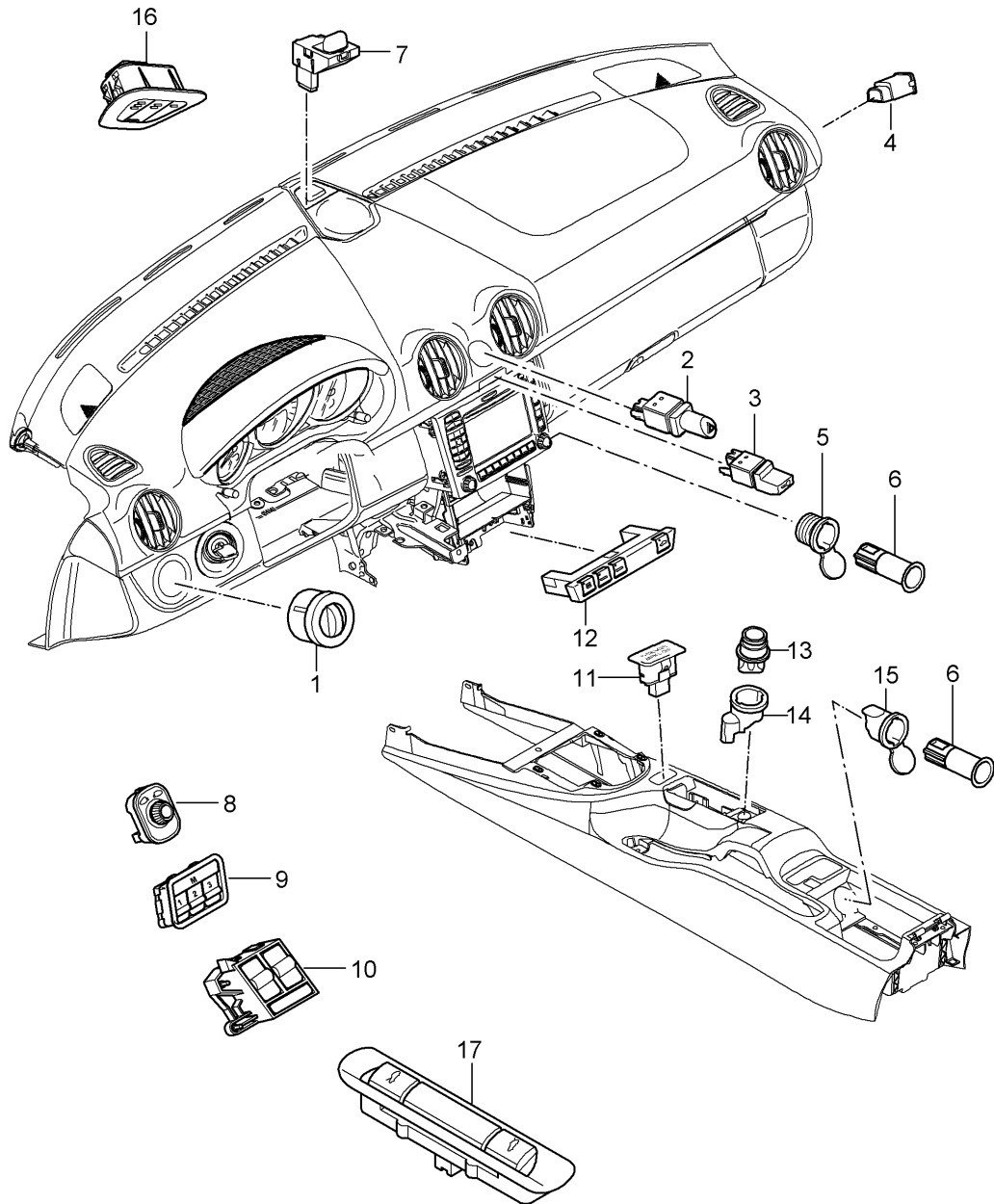
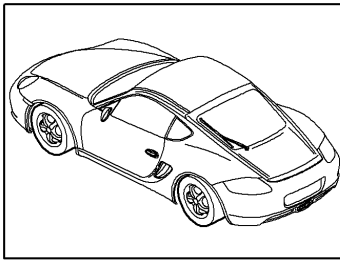
Model: 987209

Model life 2009>>2012

Pos	Part Number	Description	Remark	Qty	Model
		Interior lights			
		Luggage compartment lamp			
		Engine compartment light			
		Glove box light			
		Footwell light			
1	987 632 057 00	interior light	lhd	1	PR:098
2	999 631 134 90	bulb		2	
		6 W			
3	996 632 132 01	Door warning light		2	
(3)	996 632 135 00	Light		2	
		tray			
		Luggage			
4	161 949 111	Bulb holder		2	
5	999 631 032 90	bulb		2	
		5 W			
6	955 632 202 00	Light		2	
		Footwell			
7	997 632 201 00	Light	front	1	
		Luggage compartment			
8	997 632 125 00	Light	rear	1	
		Luggage compartment			
9	900 631 106 90	Linolite lamp		2	
		10 W			
10	997 632 071 00	Glove box light		1	
-	999 631 147 90	bulb		4	
		3 W			
		Vanity mirror			

Model: 987209

Model life 2009>>2012



Model: 987209 Model life 2009>>2012

Pos	Part Number	Description	Remark	Qty	Model
1	997 613 535 01	Switch switch for lighting		1	
(1)	997 613 535 01 A05	Matt black		1	PR:605
	997 613 525 00	switch for lighting		1	
	997 613 525 00 A05	Matt black		1	
2	987 613 120 02	Hazard warning light sw.		1	
	987 613 120 02 A05	Matt black		1	
3	987 613 143 01	Switch Central locking system		1	
(4)	987 613 143 01 A05	Matt black		1	
	997 613 211 00	Switch Airbag		1	
	997 613 211 00 B41	Satin black		1	
5	997 652 103 00	clamping ring	with:	1	
6	955 652 107 00	Cover Socket		2	
7	997 653 251 00	Sensor Air conditioning		1	
8	997 613 241 01	Switch Exterior mirror		1	
	997 613 241 01 A05	Matt black		1	
9	997 613 103 01	Memory switch	left	1	PR:537
	997 613 103 01 A05	Matt black		1	
(9)	997 613 104 00	Memory switch	right	1	PR:538
	997 613 104 00 A05	Matt black		1	
10	997 613 151 11	Switch for electric window regulator (drivers side)		1	
(10)	997 613 151 11 A05	Matt black		1	
	997 613 156 11	Switch for electric window regulator (passenger side)		1	
	997 613 156 11 A05	Matt black		1	
11	997 641 165 01	warning lamp Airbag		1	
	997 641 165 01 A05	Matt black		1	
12	997 613 541 00	Combined switch D >> - MJ 2011		1	PR:029,476
(12)	997 613 541 00 A05	Matt black		1	
	997 613 541 02	Combined switch D - MJ 2012>>		1	PR:029,476
(12)	997 613 541 02 A05	Matt black		1	
	987 613 541 00	Combined switch D >> - MJ 2011		1	CAYMAN R PR:029,476
(12)	987 613 541 00 A05	Matt black		1	
	987 613 541 01	Combined switch D - MJ 2012>>		1	CAYMAN R PR:029,476
(12)	987 613 541 01 A05	Matt black		1	
	997 613 543 01	Combined switch D >> - MJ 2011		1	PR:029,476, 480,639,640
(12)	997 613 543 01 A05	Matt black		1	
	997 613 543 02	Combined switch D - MJ 2012>>		1	PR:029,476, 480,639,640
(12)	997 613 543 02 A05	Matt black		1	
	987 613 543 00	Combined switch D >> - MJ 2011		1	CAYMAN R PR:029,476, 480,639,640
(12)	987 613 543 00 A05	Matt black		1	
	987 613 543 01	Combined switch D - MJ 2012>>		1	CAYMAN R PR:029,476,

Model: 987209 Model life 2009>>2012

Pos	Part Number	Description	Remark	Qty	Model
					480,639,640
(12)	987 613 543 01 A05 997 613 545 00	Matt black Combined switch D >> - MJ 2011		1	PR:475,476
(12)	997 613 545 00 A05 997 613 545 02	Matt black Combined switch D - MJ 2012>>		1	PR:475,476
(12)	997 613 545 02 A05 997 613 547 00	Matt black Combined switch D >> - MJ 2011 Discontinued part		1	PR:475,476, 480,639,640
(12)	997 613 547 00 A05 997 613 547 01	Matt black Combined switch D >> - MJ 2011		1	PR:475,476, 480,639,640
(12)	997 613 547 01 A05 997 613 547 02	Matt black Combined switch D - MJ 2012>>		1	PR:475,476, 480,639,640
(12)	997 613 547 02 A05 997 613 549 01	Matt black Combined switch D >> - MJ 2011		1	PR:XLF,029, 476
(12)	997 613 549 01 A05 997 613 549 02	Matt black Combined switch D - MJ 2012>>		1	PR:XLF,029, 476
(12)	997 613 549 02 A05 987 613 549 00	Matt black Combined switch D >> - MJ 2011		1	CAYMAN R PR:XLF,029, 476
(12)	987 613 549 00 A05 987 613 549 01	Matt black Combined switch D - MJ 2012>>		1	CAYMAN R PR:XLF,029, 476
(12)	987 613 549 01 A05 997 613 551 01	Matt black Combined switch D >> - MJ 2011		1	PR:XLF,029, 476,480,639, 640
(12)	997 613 551 01 A05 997 613 551 02	Matt black Combined switch D - MJ 2012>>		1	PR:XLF,029, 476,480,639, 640
(12)	997 613 551 02 A05 987 613 551 00	Matt black Combined switch D >> - MJ 2011		1	CAYMAN R PR:XLF,029, 476,480,639, 640
(12)	987 613 551 00 A05 987 613 551 01	Matt black Combined switch D - MJ 2012>>		1	CAYMAN R PR:XLF,029, 476,480,639, 640
(12)	987 613 551 01 A05 997 613 553 01	Matt black Combined switch D >> - MJ 2011		1	PR:XLF,475, 476
(12)	997 613 553 01 A05 997 613 553 02	Matt black Combined switch D - MJ 2012>>		1	PR:XLF,475, 476
(12)	997 613 553 02 A05 997 613 555 01	Matt black Combined switch D >> - MJ 2011		1	PR:XLF,475, 476,480,639, 640
	997 613 555 01 A05	Matt black			

Model: 987209 Model life 2009>>2012

Pos	Part Number	Description	Remark	Qty	Model
(12)	997 613 555 02	Combined switch D - MJ 2012>>		1	PR: XLF, 475, 476, 480, 639, 640
	997 613 555 02 A05	Matt black			
(12)	997 613 557 00	Combined switch D >> - MJ 2011 Discontinued part		1	PR: 029, 250, 476, 639, 640
	997 613 557 00 A05	Matt black			
(12)	997 613 557 01	Combined switch D >> - MJ 2011		1	PR: 029, 250, 476, 639, 640
	997 613 557 01 A05	Matt black			
(12)	997 613 557 02	Combined switch D - MJ 2012>>		1	PR: 029, 250, 476, 639, 640
	997 613 557 02 A05	Matt black			
(12)	987 613 557 00	Combined switch D >> - MJ 2011		1	CAYMAN R PR: 029, 250, 476, 639, 640
	987 613 557 00 A05	Matt black			
(12)	987 613 557 01	Combined switch D - MJ 2012>>		1	CAYMAN R PR: 029, 250, 476, 639, 640
	987 613 557 01 A05	Matt black			
(12)	997 613 559 01	Combined switch D >> - MJ 2011		1	PR: 250, 475, 476, 639, 640
	997 613 559 01 A05	Matt black			
(12)	997 613 559 02	Combined switch D - MJ 2012>>		1	PR: 250, 475, 476, 639, 640
	997 613 559 02 A05	Matt black			
(12)	997 613 561 01	Combined switch D >> - MJ 2011		1	PR: XLF, 029, 250, 476, 639, 640
	997 613 561 01 A05	Matt black			
(12)	997 613 561 02	Combined switch D - MJ 2012>>		1	PR: XLF, 029, 250, 476, 639, 640
	997 613 561 02 A05	Matt black			
(12)	987 613 561 00	Combined switch D >> - MJ 2011		1	CAYMAN R PR: XLF, 029, 250, 476, 639, 640
	987 613 561 00 A05	Matt black			
(12)	987 613 561 01	Combined switch D - MJ 2012>>		1	CAYMAN R PR: XLF, 029, 250, 476, 639, 640
	987 613 561 01 A05	Matt black			
(12)	997 613 563 01	Combined switch D >> - MJ 2011		1	PR: XLF, 250, 475, 476, 639, 640
	997 613 563 01 A05	Matt black			
(12)	997 613 563 02	Combined switch D - MJ 2012>>		1	PR: XLF, 250, 475, 476, 639, 640
	997 613 563 02 A05	Matt black			
13	997 652 101 00	Cigarette lighter		1	
	997 652 101 00 A05	Matt black			
14	997 652 102 00	Headlight unit		1	
15	997 652 104 00	clamping ring		1	

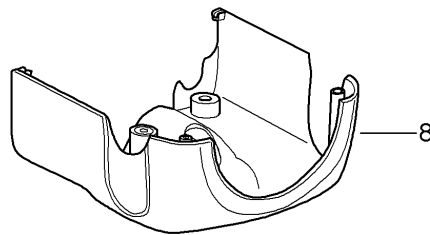
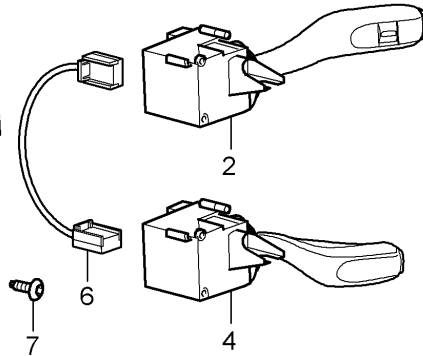
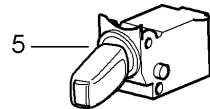
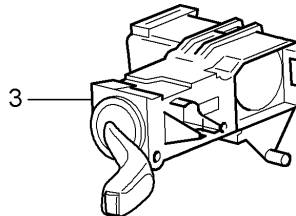
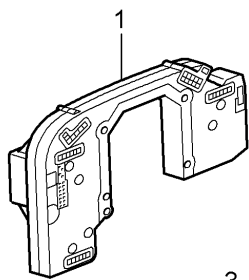
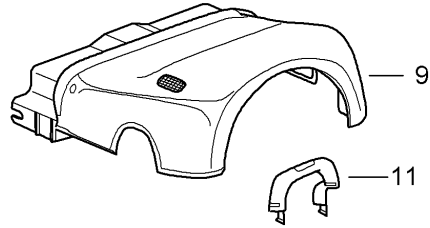
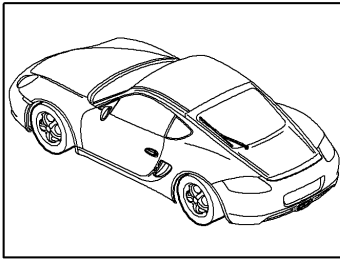
Model: 987209

Model life 2009>>2012

Pos	Part Number	Description	Remark	Qty	Model
16	987 613 225 01	Cover Switch Garage door opener	with:	1	PR:607,608
(16)	987 613 225 01 A05	Matt black		2	
	997 613 235 00	Dummy cover		2	
	997 613 235 00 01C	Satin black			
17	997 613 105 02	Switch	front and rear	1	
		Cover			
	997 613 105 02 A05	Matt black			

Model: 987209

Model life 2009>>2012



Model: 987209

Model life 2009>>2012

Pos	Part Number	Description	Remark	Qty	Model
1	997 613 297 03	Steering column switch Electronic unit		1	PR:480
1	997 613 289 01	D - MJ 2009>> - MJ 2009 Electronic unit		1	PR:250
1	997 613 289 01	D - MJ 2009>> - MJ 2009 Electronic unit		1	
1	997 613 299 01	D - MJ 2010>> Electronic unit		1	PR:250,345, 480
1	997 613 299 02	Discontinued part Electronic unit		1	PR:250,345, 480
2	997 613 251 00	Wiper switch		1	
(2)	997 613 251 00 01C	Satin black		1	
(2)	997 613 253 00	Wiper switch		1	PR:288
(2)	997 613 253 00 01C	Satin black		1	
(2)	997 613 255 00	Wiper switch		1	PR:425
(2)	997 613 255 00 01C	Satin black		1	
(2)	997 613 257 00	Wiper switch		1	PR:288,425
(2)	997 613 257 00 01C	Satin black		1	
3	997 613 245 00	Direction indicator switch		1	
	997 613 245 00 01C	Satin black		1	
4	997 613 261 00	Switch		1	PR:454
	997 613 261 00 01C	Cruise control Satin black		1	
5	997 613 265 00	switch for on-board computer		1	PR:659
	997 613 265 00 01C	Satin black		1	
(5)	997 613 267 00	switch for on-board computer		1	PR:659,671
	997 613 267 00 01C	Satin black		1	
6	997 622 674 00	Wire set		1	PR:454
7	N 909 068 01	Cruise control Hex socket head locating bolt M 2,5 X 2,6 X 43,5-D		X	
8	997 552 475 02	Switch housing	lower	1	
	997 552 475 02 A03	Black		1	
(8)	997 552 475 03	Switch housing	lower	1	PR:454
	997 552 475 03 A03	Black		1	
8	997 552 979 00	Switch housing	lower	1	PR:XNS
	997 552 979 00 A11	Leather Black		1	
	997 552 979 00 5X6	Stone grey		1	
	997 552 979 00 8G2	Sand beige		1	
	997 552 979 00 3S9	sea blue		1	
	997 552 979 00 9S5	Terracotta		1	
	997 552 979 00 9V6	Cocoa		1	
	997 552 979 00 D12	Dark grey/natural		1	
	997 552 979 00 T12	Brown/natural		1	
	997 552 979 00 N12	Carrera Red		1	
(8)	997 552 979 01	Switch housing	lower	1	PR:XNS,454
	997 552 979 01 A11	Leather Black		1	
	997 552 979 01 5X6	Stone grey		1	
	997 552 979 01 8G2	Sand beige		1	
	997 552 979 01 3S9	sea blue		1	
	997 552 979 01 9S5	Terracotta		1	
	997 552 979 01 9V6	Cocoa		1	
	997 552 979 01 D12	Dark grey/natural		1	
	997 552 979 01 T12	Brown/natural		1	
	997 552 979 01 N12	Carrera Red		1	
9	997 552 273 02	Switch housing	upper	1	
	997 552 273 02 A03	Black		1	
9	997 552 997 00	Switch housing	upper	1	PR:XNS
	997 552 997 00 A11	Leather Black		1	

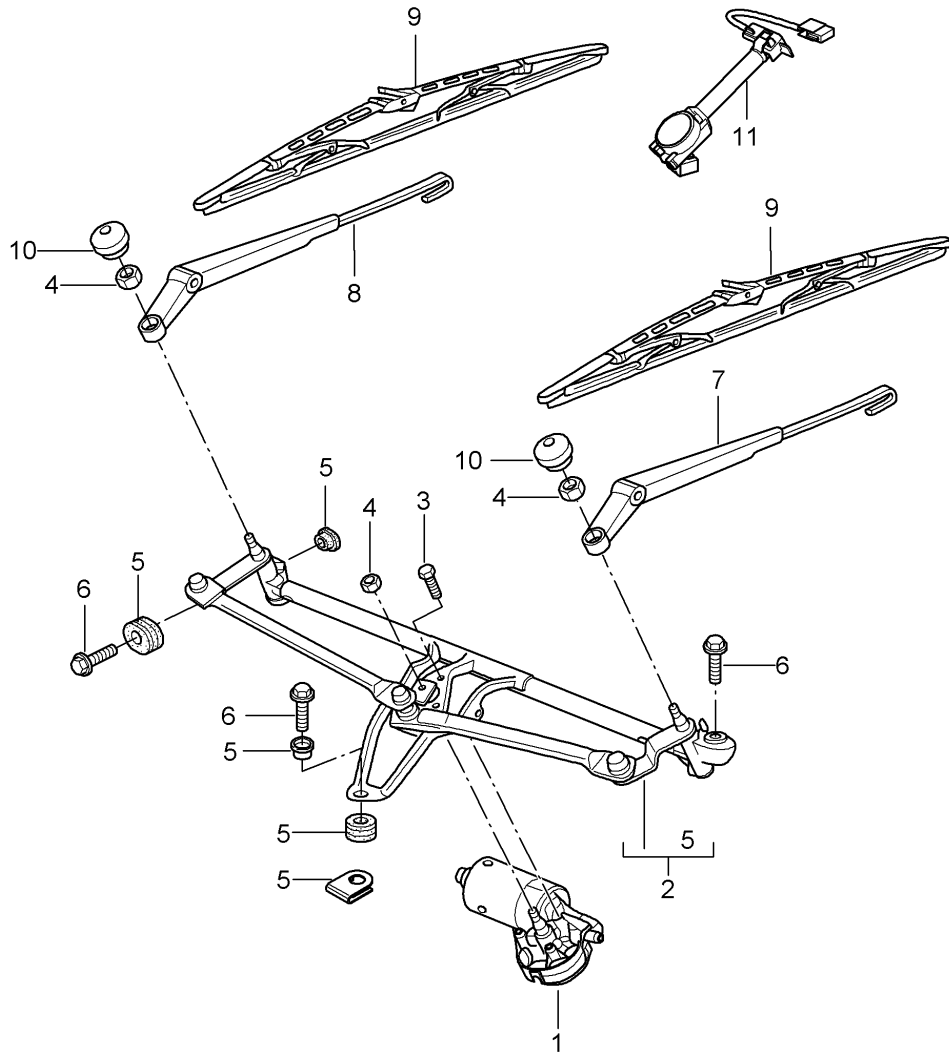
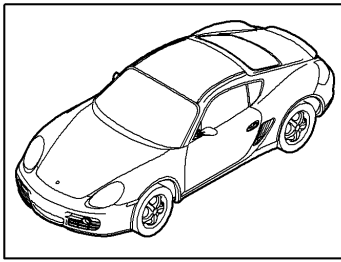
Model: 987209

Model life 2009>>2012

Pos	Part Number	Description	Remark	Qty	Model
	997 552 997 00 5X6	Stone grey			
	997 552 997 00 8G2	Sand beige			
	997 552 997 00 3S9	sea blue			
	997 552 997 00 9S5	Terracotta			
	997 552 997 00 9V6	Cocoa			
	997 552 997 00 D12	Dark grey/natural			
	997 552 997 00 T12	Brown/natural			
	997 552 997 00 N12	Carrera Red			
10	999 919 136 01	fillister hd. bolt 3,5 X 18		3	
11	997 610 206 00	Cable guide		1	

Model: 987209

Model life 2009>>2012



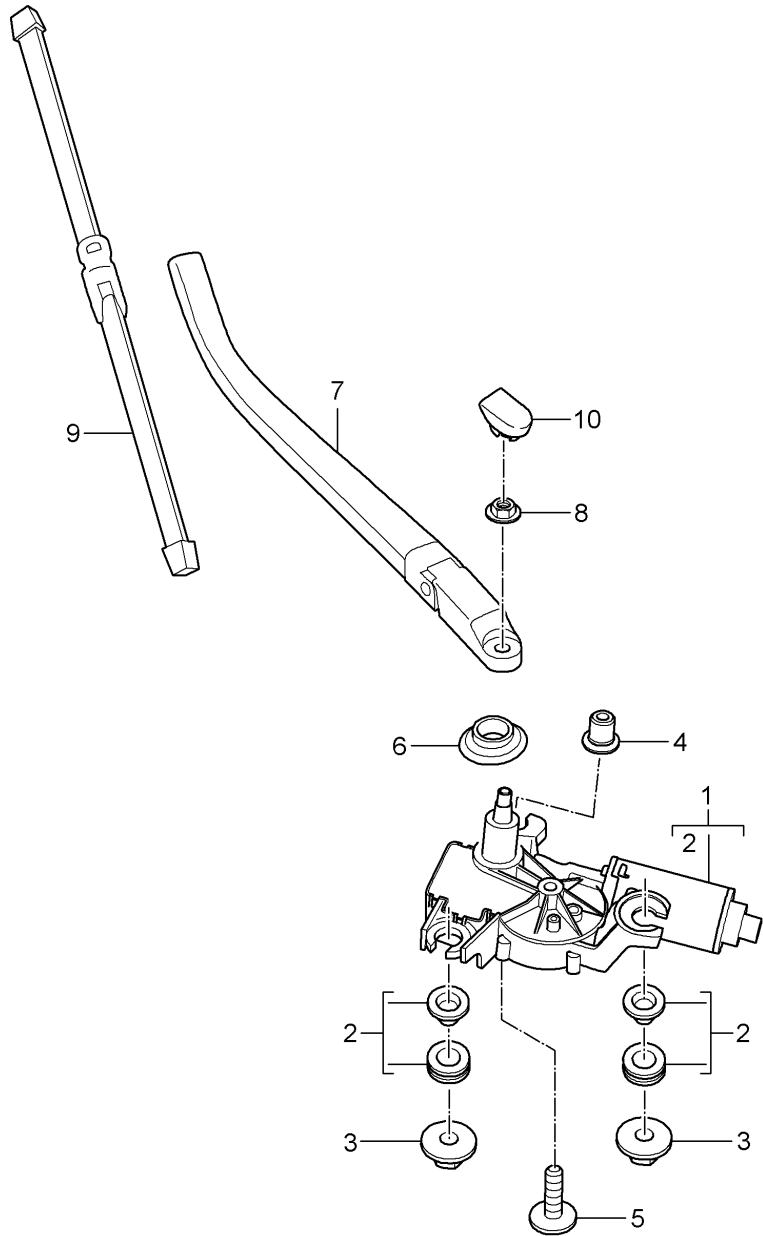
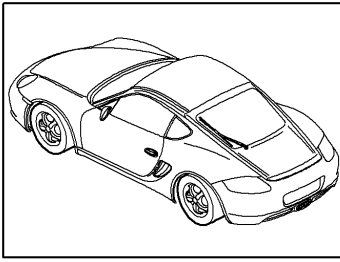
Model: 987209

Model life 2009>>2012

Pos	Part Number	Description	Remark	Qty	Model
		Windscreen wiper system, compl			
		Rain sensor			
1	997 624 105 01	Wiper motor	lhd	1	PR:098
2	997 628 235 01	Crank drive	lhd	1	PR:098
3	999 073 152 02	Torx screw M 6 X 18		3	
4	900 076 064 02	Hexagon nut M 8		3	
5	997 628 928 00	repair set		1	
-		comprising:		1	
-		Bearing sleeve		1	
-		Rubber bush		1	
-		Bearing sleeve		1	
-		Rubber bush		1	
-		Clip		2	
6	999 075 075 01	Bolt with washer M 6 X 22 SC		3	
7	987 628 027 00	Wiper arm (drivers side)	lhd	1	PR:098
8	997 628 029 00	Wiper arm (passenger side)	lhd	1	PR:098
9	996 628 901 08	1 set: wiper blades (drivers side) (passenger side)	front	1	
10	944 628 305 01	Cover cap		2	
11	987 612 693 00	Rain sensor		1	PR:267,268
-	000 043 204 65	Wire set Adhesive film for Rain sensor	with:	1	

Model: 987209

Model life 2009>>2012



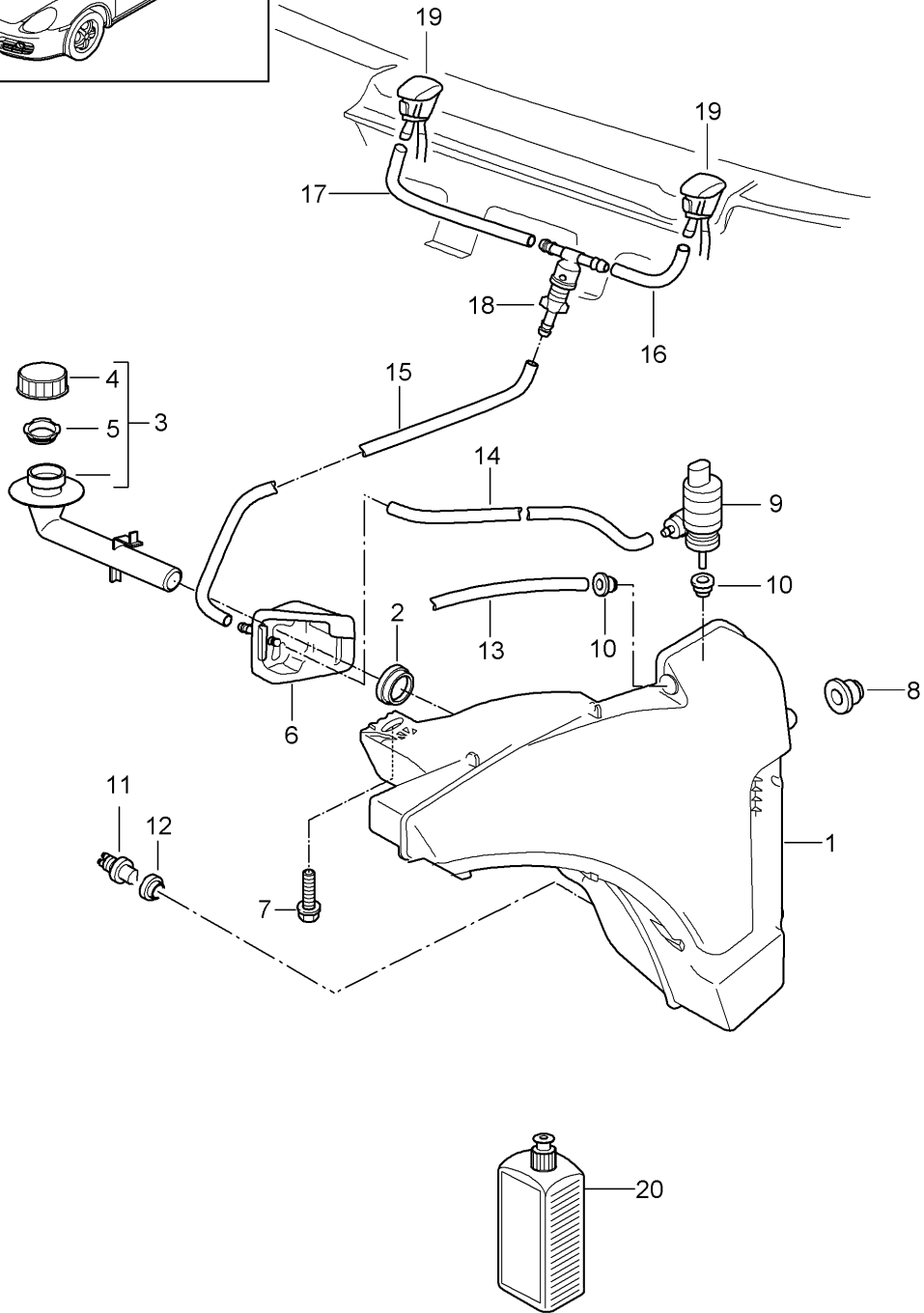
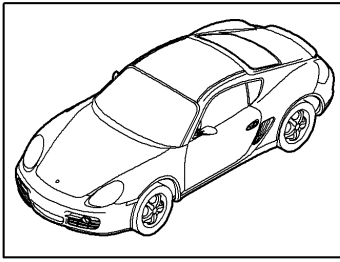
Model: 987209

Model life 2009>>2012

Pos	Part Number	Description	Remark	Qty	Model
		Rear window wiper			PR:425
1	987 628 080 00	Wiper motor		1	
2	997 628 908 00	repair set		1	
-		comprising:			
-		Grommet		2	
-		bush		2	
3	999 076 078 01	Hexagon nut		2	
		M 6			
4	999 500 078 00	press insert nut		1	
5	999 073 468 01	Bolt with washer		1	
		M 6 X 22 SC			
6	987 628 273 00	Grommet		1	
7	987 628 169 00	Wiper arm		1	
8	900 377 003 03	Hexagon nut		1	
9	997 628 189 00	wiper blade	rear	1	
10	997 628 122 00	Cover cap		1	

Model: 987209

Model life 2009>>2012



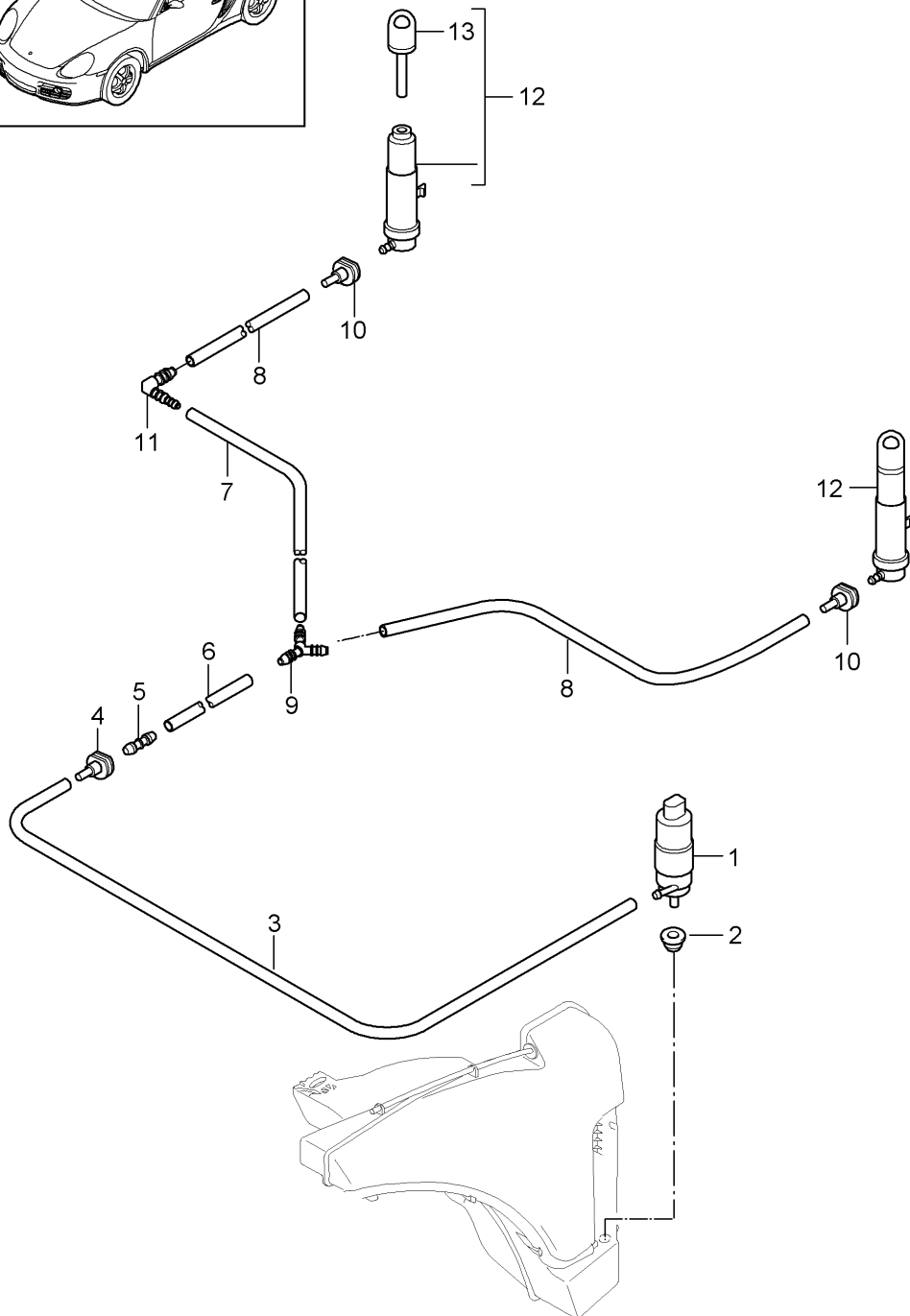
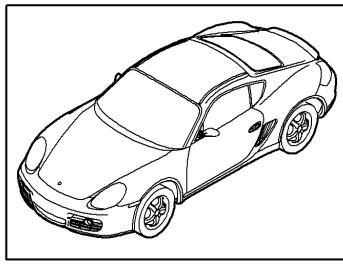
Model: 987209

Model life 2009>>2012

Pos	Part Number	Description	Remark	Qty	Model
1	997 528 701 01	Windscreen washer system		1	PR:288
(1)	997 528 701 00	Water reservoir		1	
2	996 528 711 00	Seal		1	
3	997 528 605 00	fuel filler neck		1	
4	996 528 607 00	Cover		1	
5	997 528 621 00	strainer		1	
6	996 528 615 01	Console		1	
-	999 137 091 40	Connector union		X	
		Repair material for Console 996.528.615.01			
7	900 378 154 01	Hexagon bolt AM 8 X 35 SB		1	
8	999 702 221 40	Grommet		2	
9	997 628 182 00	Windscreen washer system pump		1	
10	431 955 465 B	seal ring		2	
11	955 628 105 00	Water level switch		1	
12	955 528 721 00	Seal		1	
13	999 181 347 40	Breather line 273 MM		*	
-	999 181 815 40	Hose 5,0 X 2,5		*	
14		shorten to:	375 MM	1	
15		shorten to:	650 MM	1	
16		shorten to:	97 MM	1	
17		shorten to:	347 MM	1	
(18)	999 137 005 40	t-piece		1	
19	997 628 077 00	jet		2	
20	999 901 017 42	Window cleaning solution 250 ML Summer		X	
20	999 901 033 40	Window cleaning solution 1000 ML Winter		X	

Model: 987209

Model life 2009>>2012



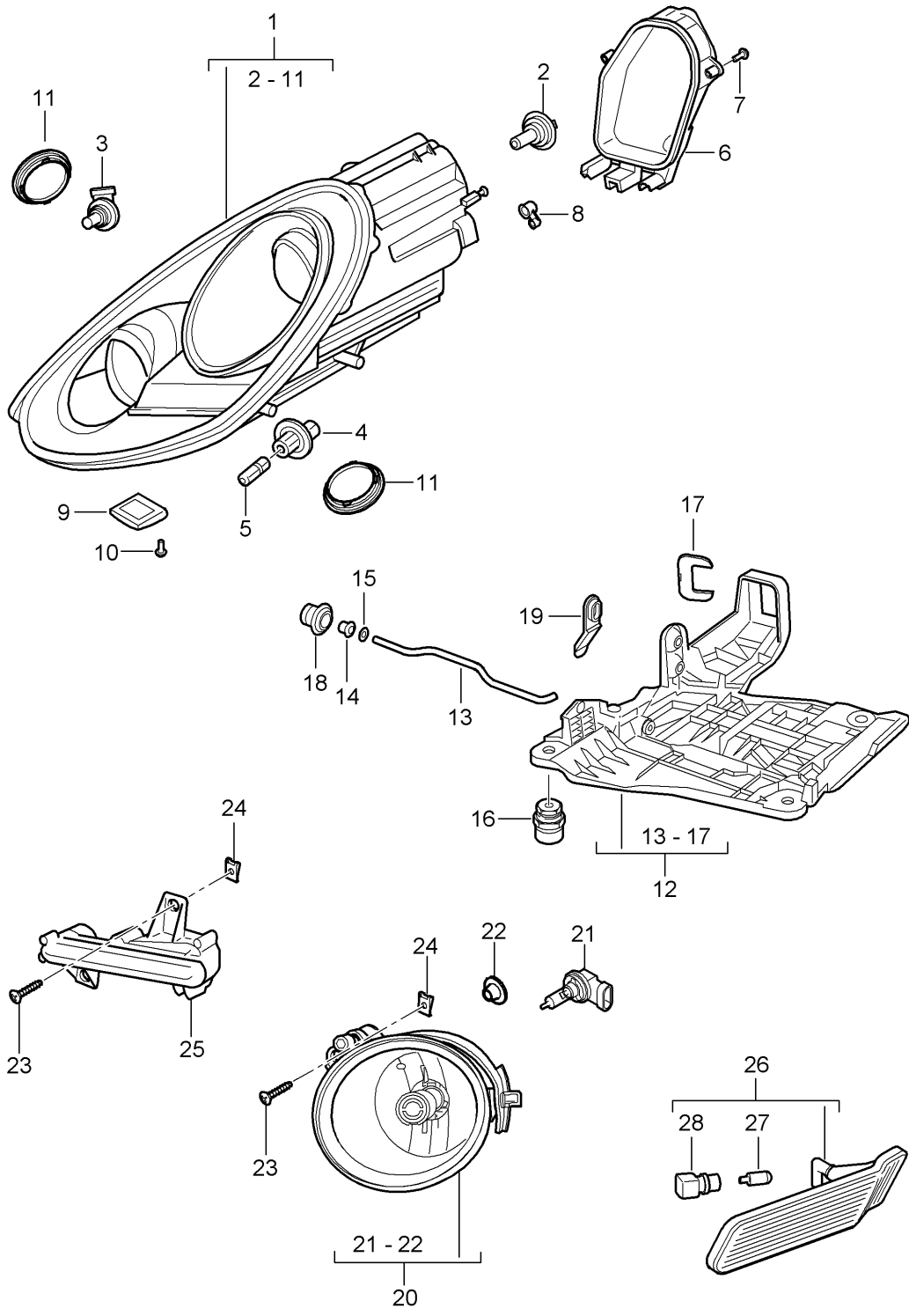
Model: 987209

Model life 2009>>2012

Pos	Part Number	Description	Remark	Qty	Model
1	997 624 502 00	Headlight washer system Pump for headlight- washer system		1	PR:288
2	928 628 193 00	Seal		1	
-	000 043 204 79	Hose 8 X 3		*	
3		shorten to:	890 MM	1	
4	996 628 204 00	Coupling		1	
5	997 628 208 00	Hose connector		1	
-	999 181 760 40	Hose 10 X 3		*	
6		shorten to:	405 MM		
7		shorten to:	1850 MM		
8		shorten to:	90 MM		
9	999 137 093 40	Y-piece		1	
10	997 628 204 00	Coupling		2	
11	997 628 209 00	Elbow fitting		1	
12	997 628 163 01	jet		2	
13	997 628 263 00	Nozzle head		2	
-	997 628 981 02	Cap primed for POS 12 + 13 D - MJ 2010>>		2	PR:XUB

Model: 987209

Model life 2009>>2012



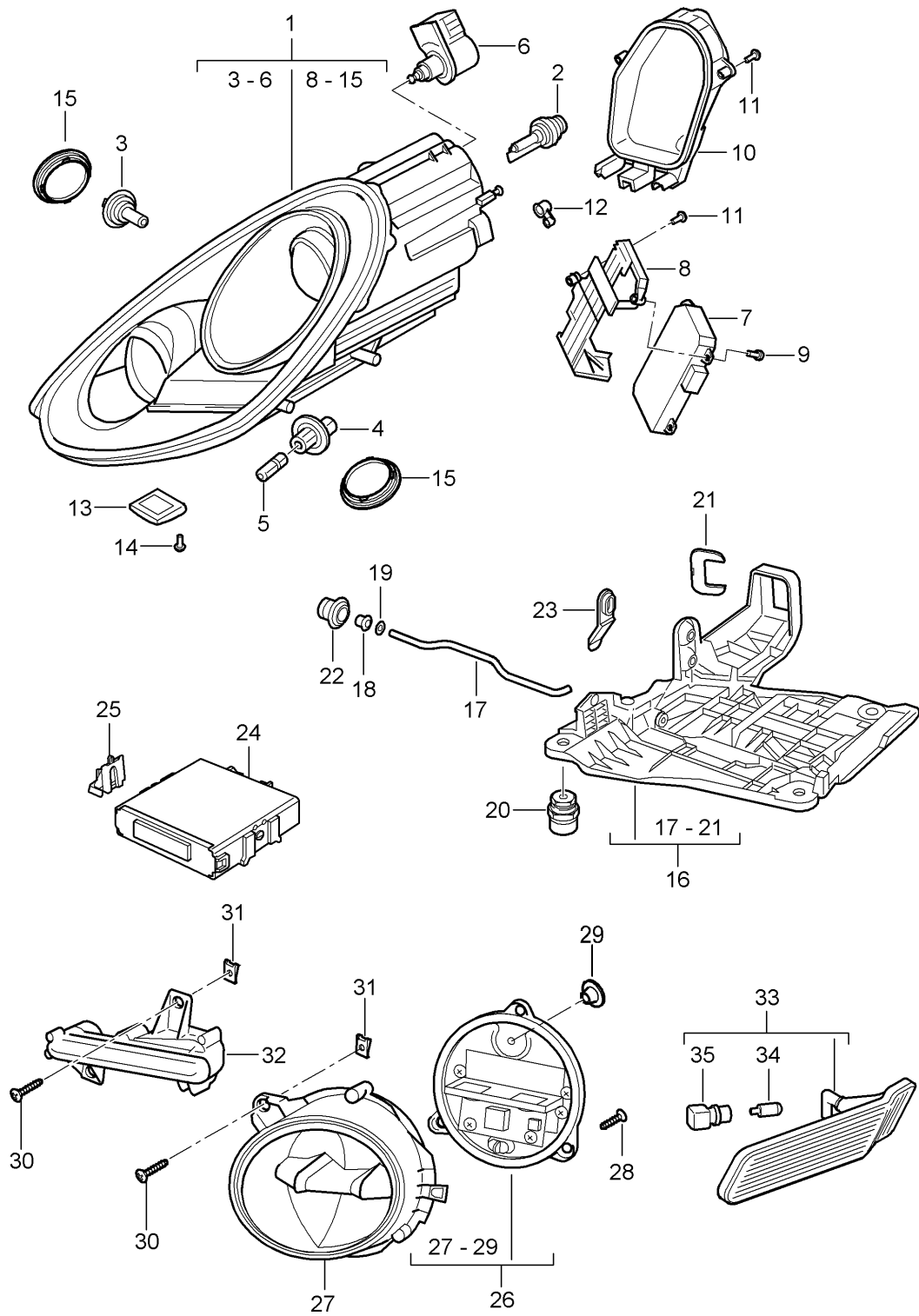
Model: 987209

Model life 2009>>2012

Pos	Part Number	Description	Remark	Qty	Model
		Headlights			
		Additional headlight			
		Turn signal repeater			
1	987 631 165 21	Headlights	left	1	
1	987 631 165 70	Headlights	left	1	CAYMAN R
(1)	987 631 166 21	Headlights	right	1	
(1)	987 631 166 70	Headlights	right	1	CAYMAN R
2	999 631 133 91	Halogen bulb H 7		2	
3	999 631 143 90	Halogen bulb H 9		2	
4	987 631 151 00	Bulb holder		2	
5	999 631 305 90	Turn signal indicator bulb 21 W		2	
6	987 631 101 00	Protective hood	left	1	
(6)	987 631 102 00	Protective hood	right	1	
7	997 631 191 00	Screw		8	
8	997 631 249 00	Ventilation component		2	
9	997 631 149 00	Ventilation component Discontinued part	left	1	
9	997 631 149 10	Ventilation component	left	1	
(9)	997 631 150 00	Ventilation component Discontinued part	right	1	
(9)	997 631 150 10	Ventilation component	right	1	
10	997 631 153 00	Screw		4	
11	997 631 211 00	Protective hood		4	
12	987 631 073 01	Mounting for main beam headl.	left	1	
(12)	987 631 074 01	Mounting for main beam headl.	right	1	
13	987 631 243 01	Retainer bracket		2	
14	997 631 272 00	Bearing bush		2	
15	900 116 004 09	Retaining washer		2	
16	997 631 194 02	Securing element		6	
17	997 631 245 00	Locking mechanism Connector housing		2	
18	999 703 413 40	Bungs		2	
19	993 631 170 03	Bungs		4	
(19)	996 631 127 01	Bungs		2	
-		Additional headlight			
20	987 631 093 01	Additional headlight	left	1	
(20)	987 631 094 01	Additional headlight	right	1	
21	999 631 144 91	Halogen bulb H 11		2	
22	987 631 291 00	Cover cap		2	
23	999 073 063 02	panel screw ST 4,8 X 22		8	
24	999 507 768 02	panel nut ST 4,8		8	
25	987 631 097 01	Position light Discontinued part	left	1	
25	987 631 097 02	Position light	left	1	
(25)	987 631 098 01	Position light	right	1	
26	987 631 017 00	side marker light	left	1	
(26)	987 631 018 00	side marker light	right	1	
27	900 631 019 90	Glass-base bulb 3 W white		2	
28	997 631 133 00	Bulb holder		2	

Model: 987209

Model life 2009>>2012



Model: 987209

Model life 2009>>2012

Pos	Part Number	Description	Remark	Qty	Model
-		Headlights Additional headlight Turn signal repeater Headlights without: Control unit and bulb XENON			PR:603
1	987 631 169 21	Headlights	left	1	
1	987 631 169 70	Headlights	left	1	CAYMAN R
(1)	987 631 170 21	Headlights	right	1	
(1)	987 631 170 70	Headlights	right	1	CAYMAN R
2	999 631 036 90	Gas discharge lamp - PHILIPS -		2	
3	999 631 133 91	Halogen bulb H 7		2	
4	987 631 151 00	Bulb holder Turn signal indicator		2	
5	999 631 305 90	bulb 21 W		2	
6	997 631 227 01	Servomotor	left	1	
(6)	997 631 228 01	Headlight range control Servomotor Headlight range control	right	1	
7	997 631 283 01	Control unit		2	
8	987 631 223 00	Retainer for control units	left	1	
(8)	987 631 224 00	Retainer for control units	right	1	
9	997 631 199 00	Screw		4	
10	987 631 101 00	Protective hood	left	1	
(10)	987 631 102 00	Protective hood	right	1	
11	997 631 191 00	Screw		14	
12	997 631 249 00	Ventilation component		2	
13	997 631 149 00	Ventilation component Discontinued part	left	1	
13	997 631 149 10	Ventilation component	left	1	
(13)	997 631 150 00	Ventilation component Discontinued part	right	1	
(13)	997 631 150 10	Ventilation component	right	1	
14	997 631 153 00	Screw		4	
15	997 631 211 00	Protective hood		4	
16	987 631 073 01	Mounting for main beam headl.	left	1	
(16)	987 631 074 01	Mounting for main beam headl.	right	1	
17	987 631 243 01	Retainer bracket		2	
18	997 631 272 00	Bearing bush		2	
19	900 116 004 09	Retaining washer		2	
20	997 631 194 02	Securing element		6	
21	997 631 245 00	Locking mechanism Connector housing		2	
22	999 703 413 40	Bungs		2	
23	993 631 170 03	Bungs		4	
(23)	996 631 127 01	Bungs		2	
24	997 618 321 02	Control unit		1	
25	997 618 331 00	Dynamic cornering light Retainer for control units		2	
-		Additional headlight			
26	987 631 045 01	Additional headlight D >> - MJ 2010	left	1	PR:605
26	987 631 045 03	Additional headlight D - MJ 2011>>	left	1	PR:605
(26)	987 631 046 01	Additional headlight D >> - MJ 2010	right	1	PR:605
(26)	987 631 046 03	Additional headlight	right	1	PR:605

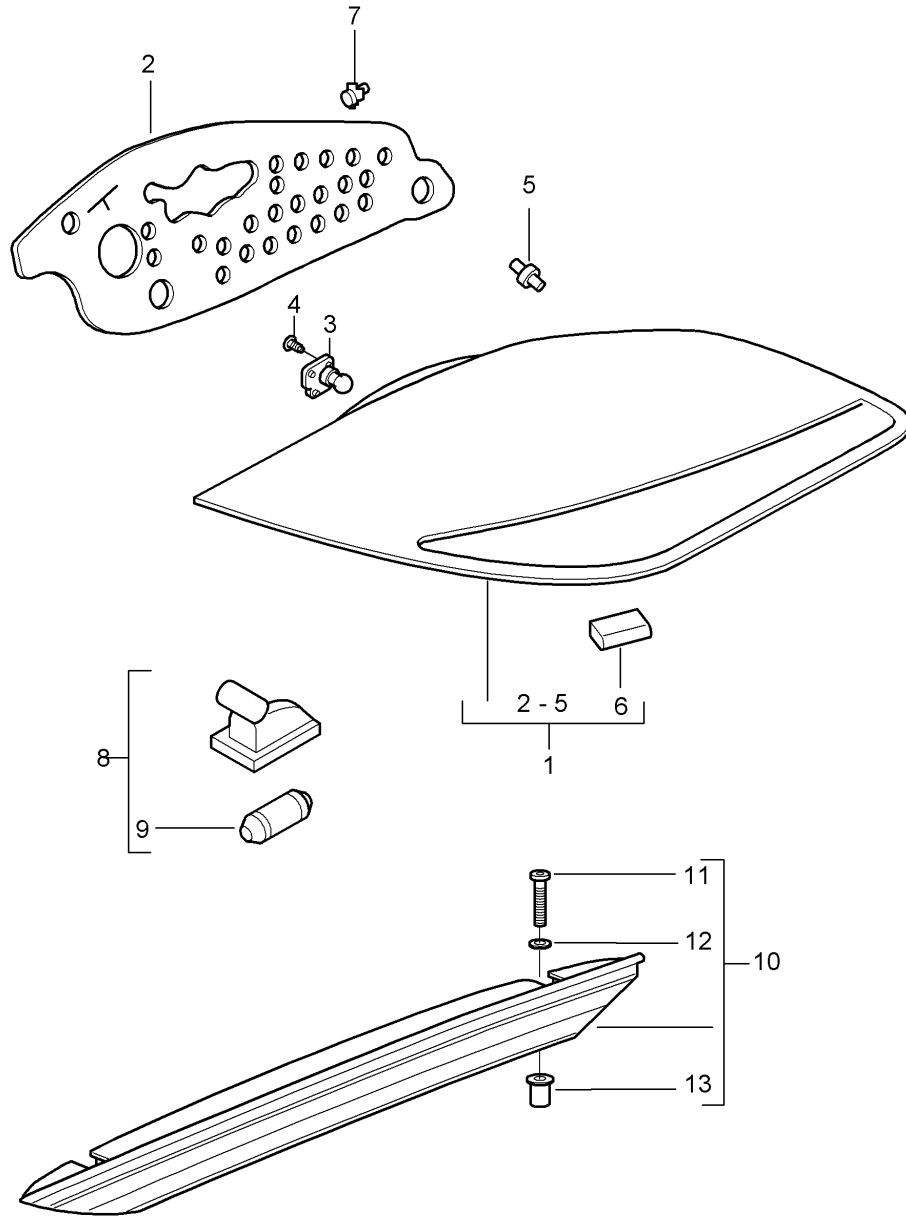
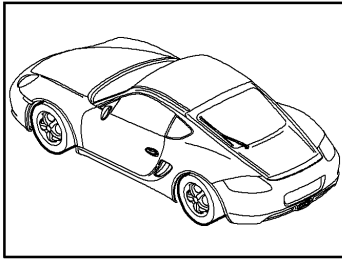
Model: 987209

Model life 2009>>2012

Pos	Part Number	Description	Remark	Qty	Model
27	987 631 251 00	D - MJ 2011>> Housing for light	left	1	PR:605
		D >> - MJ 2010			
27	987 631 251 02	Housing for light	left	1	PR:605
		D - MJ 2011>>			
(27)	987 631 252 00	Housing for light	right	1	PR:605
		D >> - MJ 2010			
(27)	987 631 252 02	Housing for light	right	1	PR:605
		D - MJ 2011>>			
28	997 631 297 00	Screw		6	PR:605
29	987 631 291 00	Cover cap		2	PR:605
30	999 073 063 02	panel screw		8	PR:605
		ST 4,8 X 22			
31	999 507 759 09	panel nut		8	PR:605
		ST 4,8			
32	987 631 097 01	Position light	left	1	
		Discontinued part			
32	987 631 097 02	Position light	left	1	
(32)	987 631 098 01	Position light	right	1	
33	987 631 017 00	side marker light	left	1	
(33)	987 631 018 00	side marker light	right	1	
34	900 631 019 90	Glass-base bulb		2	
		3 W			
		white			
35	997 631 133 00	Bulb holder		2	

Model: 987209

Model life 2009>>2012



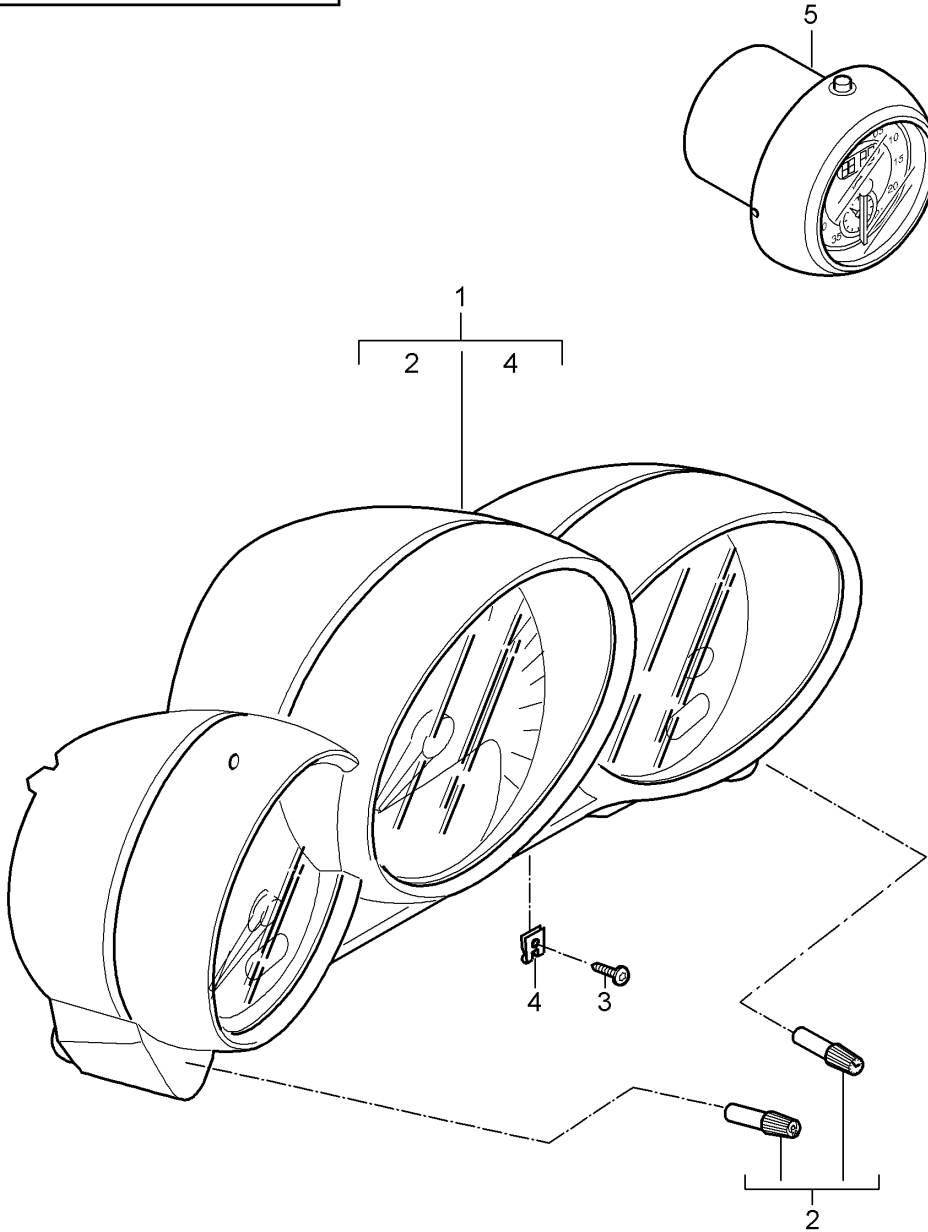
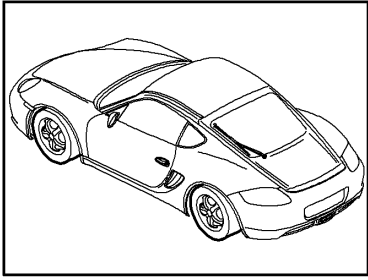
Model: 987209

Model life 2009>>2012

Pos	Part Number	Description	Remark	Qty	Model
		Rear light			
		Licence plate light			
		Additional brake light			
1	987 631 425 03	Rear light	left	1	PR:465
(1)	987 631 426 03	Rear light	right	1	PR:465
2	987 631 441 01	Seal	left	1	
2	987 631 442 01	Seal	right	1	
3	999 631 250 91	bulb		1	
		Back-up light			
		also use:			
		Seal			
		POS. 2			
(3)	999 631 255 91	bulb		1	
		Turn signal indicator			
		also use:			
		Seal			
		POS. 2			
4	997 631 497 00	Screw		8	
5	987 631 053 00	throttle control element		6	
6	987 631 585 00	Stop buffer		2	
7	999 076 056 01	Hexagon nut		6	
		M 5			
8	997 631 620 01	Licence plate light		2	
		Discontinued part			
8	997 631 620 02	Licence plate light		2	
9	900 631 025 90	bulb		2	
		12V 5W			
10	987 631 051 03	Additional brake light		1	
11	999 919 236 02	fillister hd. bolt		2	
		5,0 X 14,0			

Model: 987209

Model life 2009>>2012



Model: 987209 Model life 2009>>2012

Pos	Part Number	Description	Remark	Qty	Model
-		Instruments Stopwatch See technical information GR. 9 NR. 5/09 KD - NR. 9025			
-		for Cayman			
1	987 641 305 03	Combi-instrument (complete) D >> - MJ 2011 Discontinued part		1	PR:022,480 "USA"
1	987 641 305 03 D07	Volcano grey			
1	987 641 305 04	Combi-instrument (complete) D >> - MJ 2011 Discontinued part		1	PR:022,480 "USA"
1	987 641 305 04 D07	Volcano grey			
1	987 641 306 04	Combi-instrument (complete) D >> - MJ 2011 Discontinued part		1	PR:022,250 "USA"
1	987 641 306 04 D07	Volcano grey			
1	987 641 306 05	Combi-instrument (complete) D >> - MJ 2011 Discontinued part		1	PR:022,250 "USA"
1	987 641 306 05 D07	Volcano grey			
1	987 641 303 03	Combi-instrument (complete) D >> - MJ 2011 Discontinued part		1	PR:022,480 "CDN"
1	987 641 303 03 D07	Volcano grey			
1	987 641 303 04	Combi-instrument (complete) D >> - MJ 2011 Discontinued part		1	PR:022,480 "CDN"
1	987 641 303 04 D07	Volcano grey			
1	987 641 304 04	Combi-instrument (complete) D >> - MJ 2011 Discontinued part		1	PR:022,250 "CDN"
1	987 641 304 04 D07	Volcano grey			
1	987 641 304 05	Combi-instrument (complete) D - MJ 2012>> Discontinued part		1	PR:022,250 "CDN"
-		for Cayman S			
(1)	987 641 315 03	Combi-instrument (complete) D >> - MJ 2011 Discontinued part		1	PR:023,480 "USA"
(1)	987 641 315 03 D07	Volcano grey			
(1)	987 641 315 04	Combi-instrument (complete) D >> - MJ 2011 Discontinued part		1	PR:023,480 "USA"
(1)	987 641 315 04 D07	Volcano grey			
(1)	987 641 316 04	Combi-instrument (complete) D >> - MJ 2011 Discontinued part		1	PR:023,250 "USA"
(1)	987 641 316 04 D07	Volcano grey			
(1)	987 641 316 05	Combi-instrument (complete) D >> - MJ 2011 Discontinued part		1	PR:023,250 "USA"
(1)	987 641 316 05 D07	Volcano grey			
(1)	987 641 313 03	Combi-instrument (complete) D >> - MJ 2011 Discontinued part		1	PR:023,480 "CDN"
(1)	987 641 313 03 D07	Volcano grey			
(1)	987 641 313 04	Combi-instrument		1	PR:023,480

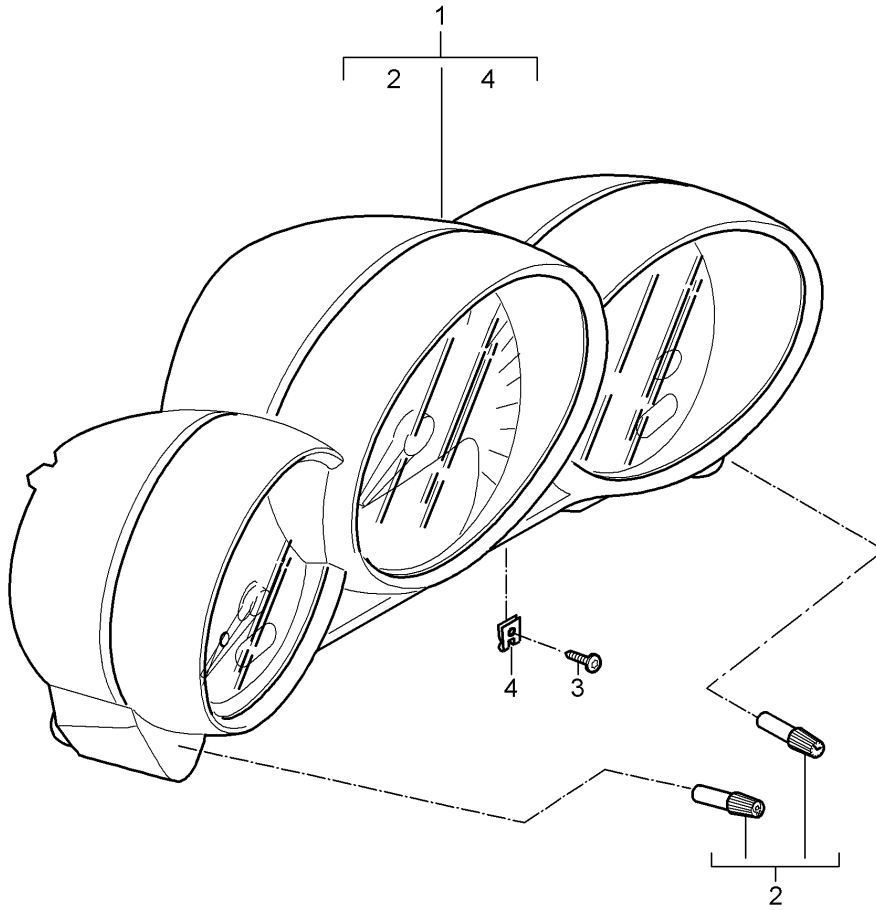
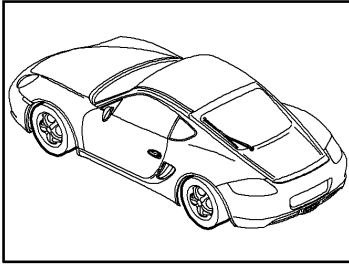
Model: 987209

Model life 2009>>2012

Pos	Part Number	Description	Remark	Qty	Model
		(complete)			"CDN"
(1)	987 641 313 04 D07	Volcano grey		1	PR:023,250
	987 641 314 04	Combi-instrument (complete)			"CDN"
		D >> - MJ 2011			
(1)	987 641 314 04 D07	Volcano grey		1	PR:023,250
	987 641 314 05	Combi-instrument (complete)			"CDN"
		D - MJ 2012>>			
1	987 641 314 05 D07	Volcano grey		1	PR:013,022,480
	987 641 345 00	Combi-instrument (complete)			"USA"
		D - MJ 2012>>			
1	987 641 345 00 D07	Volcano grey		1	PR:013,022,250
	987 641 346 00	Combi-instrument (complete)			"USA"
		D - MJ 2012>>			
1	987 641 346 00 D07	Volcano grey		1	PR:013,022,480
	987 641 343 00	Combi-instrument (complete)			"CDN"
		D - MJ 2012>>			
1	987 641 343 00 D07	Volcano grey		1	PR:013,022,250
	987 641 344 00	Combi-instrument (complete)			"CDN"
		D - MJ 2012>>			
-	987 641 344 00 D07	Volcano grey for CAYMAN R			
1	987 641 335 00	Combi-instrument (complete)		1	PR:022,480 "USA"
	987 641 335 00 V04	Galvano silver			
1	987 641 336 00	Combi-instrument (complete)		1	PR:022,250 "USA"
	987 641 336 00 V04	Galvano silver			
1	987 641 333 00	Combi-instrument (complete)		1	PR:022,480 "CDN"
	987 641 333 00 V04	Galvano silver			
1	987 641 334 00	Combi-instrument (complete)		1	PR:022,250 "CDN"
	987 641 334 00 V04	Galvano silver			
2	997 641 911 00	knob throttle control element Trip meter and Clock		1	
3	999 073 155 09	panel screw 4,2 X 19		2	
4	999 507 403 02	U-clip 12,5		2	
-		Stopwatch			
5	987 641 301 26	Stopwatch		1	CAYMAN PR:025,639,640
	987 641 301 26 V05	Galvano silver			
5	987 641 301 26	Stopwatch		1	CAYMAN R PR:025,639,640
	987 641 301 26 V05	Galvano silver			
(5)	987 641 311 26	Stopwatch		1	CAYMAN S PR:026,639,640
	987 641 311 26 V05	Galvano silver			

Model: 987209

Model life 2009>>2012



Model: 987209 Model life 2009>>2012

Pos	Part Number	Description	Remark	Qty	Model
-		Instruments Exclusive programme See technical information GR. 9 NR. 5/09 KD - NR. 9025			
-		for Cayman			
1	987 641 981 03	Combi-instrument (complete) Dial Lacquered D >> - MJ 2011 Discontinued part		1	PR:480 "USA"
	987 641 981 03 5Z1	Sand beige			PR:XFD
	987 641 981 03 84A	guards red (Porsche)			PR:XFG
	987 641 981 03 12H	Speed yellow			PR:XFH
	987 641 981 03 B9A	Carrara white			PR:XFJ
1	987 641 981 43	Combi-instrument (complete) Dial Lacquered D >> - MJ 2011 Discontinued part		1	PR:480 "USA"
	987 641 981 43 5Z1	Sand beige			PR:XFD
	987 641 981 43 84A	guards red (Porsche)			PR:XFG
	987 641 981 43 12H	Speed yellow			PR:XFH
	987 641 981 43 B9A	Carrara white			PR:XFJ
1	987 641 981 24	Combi-instrument (complete) Dial Lacquered D >> - MJ 2011 Discontinued part		1	PR:250 "USA"
	987 641 981 24 5Z1	Sand beige			PR:XFD
	987 641 981 24 84A	guards red (Porsche)			PR:XFG
	987 641 981 24 12H	Speed yellow			PR:XFH
	987 641 981 24 B9A	Carrara white			PR:XFJ
1	987 641 981 44	Combi-instrument (complete) Dial Lacquered D >> - MJ 2011 Discontinued part		1	PR:250 "USA"
	987 641 981 44 5Z1	Sand beige			PR:XFD
	987 641 981 44 84A	guards red (Porsche)			PR:XFG
	987 641 981 44 12H	Speed yellow			PR:XFH
	987 641 981 44 B9A	Carrara white			PR:XFJ
1	987 641 981 05	Combi-instrument (complete) Dial Lacquered D >> - MJ 2011 Discontinued part		1	PR:480 "CDN"
	987 641 981 05 5Z1	Sand beige			PR:XFD
	987 641 981 05 84A	guards red (Porsche)			PR:XFG
	987 641 981 05 12H	Speed yellow			PR:XFH
	987 641 981 05 B9A	Carrara white			PR:XFJ
1	987 641 981 45	Combi-instrument (complete) Dial Lacquered D >> - MJ 2011 Discontinued part		1	PR:480 "CDN"
	987 641 981 45 5Z1	Sand beige			PR:XFD
	987 641 981 45 84A	guards red (Porsche)			PR:XFG
	987 641 981 45 12H	Speed yellow			PR:XFH
	987 641 981 45 B9A	Carrara white			PR:XFJ
1	987 641 981 26	Combi-instrument (complete)		1	PR:250 "CDN"

Model: 987209

Model life 2009>>2012

Pos	Part Number	Description	Remark	Qty	Model
		Dial Lacquered D >> - MJ 2011 Discontinued part			
1	987 641 981 26 5Z1	Sand beige		1	PR: XFD
	987 641 981 26 84A	guards red (Porsche)			PR: XFG
	987 641 981 26 12H	Speed yellow			PR: XFH
	987 641 981 26 B9A	Carrara white			PR: XFJ
	987 641 981 46	Combi-instrument (complete)			PR: 250 "CDN"
		Dial Lacquered			
	987 641 981 46 5Z1	Sand beige			PR: XFD
	987 641 981 46 84A	guards red (Porsche)			PR: XFG
	987 641 981 46 12H	Speed yellow			PR: XFH
	987 641 981 46 B9A	Carrara white			PR: XFJ
-		for Cayman S			
1	987 641 981 13	Combi-instrument (complete)		1	PR: 480 "USA"
		Dial Lacquered			
		D >> - MJ 2011 Discontinued part			
	987 641 981 13 5Z1	Sand beige			PR: XFD
	987 641 981 13 84A	guards red (Porsche)			PR: XFG
	987 641 981 13 12H	Speed yellow			PR: XFH
	987 641 981 13 B9A	Carrara white			PR: XFJ
1	987 641 981 53	Combi-instrument (complete)		1	PR: 480 "USA"
		Dial Lacquered			
	987 641 981 53 5Z1	Sand beige			PR: XFD
	987 641 981 53 84A	guards red (Porsche)			PR: XFG
	987 641 981 53 12H	Speed yellow			PR: XFH
	987 641 981 53 B9A	Carrara white			PR: XFJ
1	987 641 981 34	Combi-instrument (complete)		1	PR: 250 "USA"
		Dial Lacquered			
		D >> - MJ 2011			
	987 641 981 34 5Z1	Sand beige			PR: XFD
	987 641 981 34 84A	guards red (Porsche)			PR: XFG
	987 641 981 34 12H	Speed yellow			PR: XFH
	987 641 981 34 B9A	Carrara white			PR: XFJ
1	987 641 981 54	Combi-instrument (complete)		1	PR: 250 "USA"
		Dial Lacquered			
		D - MJ 2012>>			
	987 641 981 54 5Z1	Sand beige			PR: XFD
	987 641 981 54 84A	guards red (Porsche)			PR: XFG
	987 641 981 54 12H	Speed yellow			PR: XFH
	987 641 981 54 B9A	Carrara white			PR: XFJ
1	987 641 981 15	Combi-instrument (complete)		1	PR: 480 "CDN"
		Dial Lacquered			
		D >> - MJ 2011 Discontinued part			
	987 641 981 15 5Z1	Sand beige			PR: XFD
	987 641 981 15 84A	guards red (Porsche)			PR: XFG
	987 641 981 15 12H	Speed yellow			PR: XFH

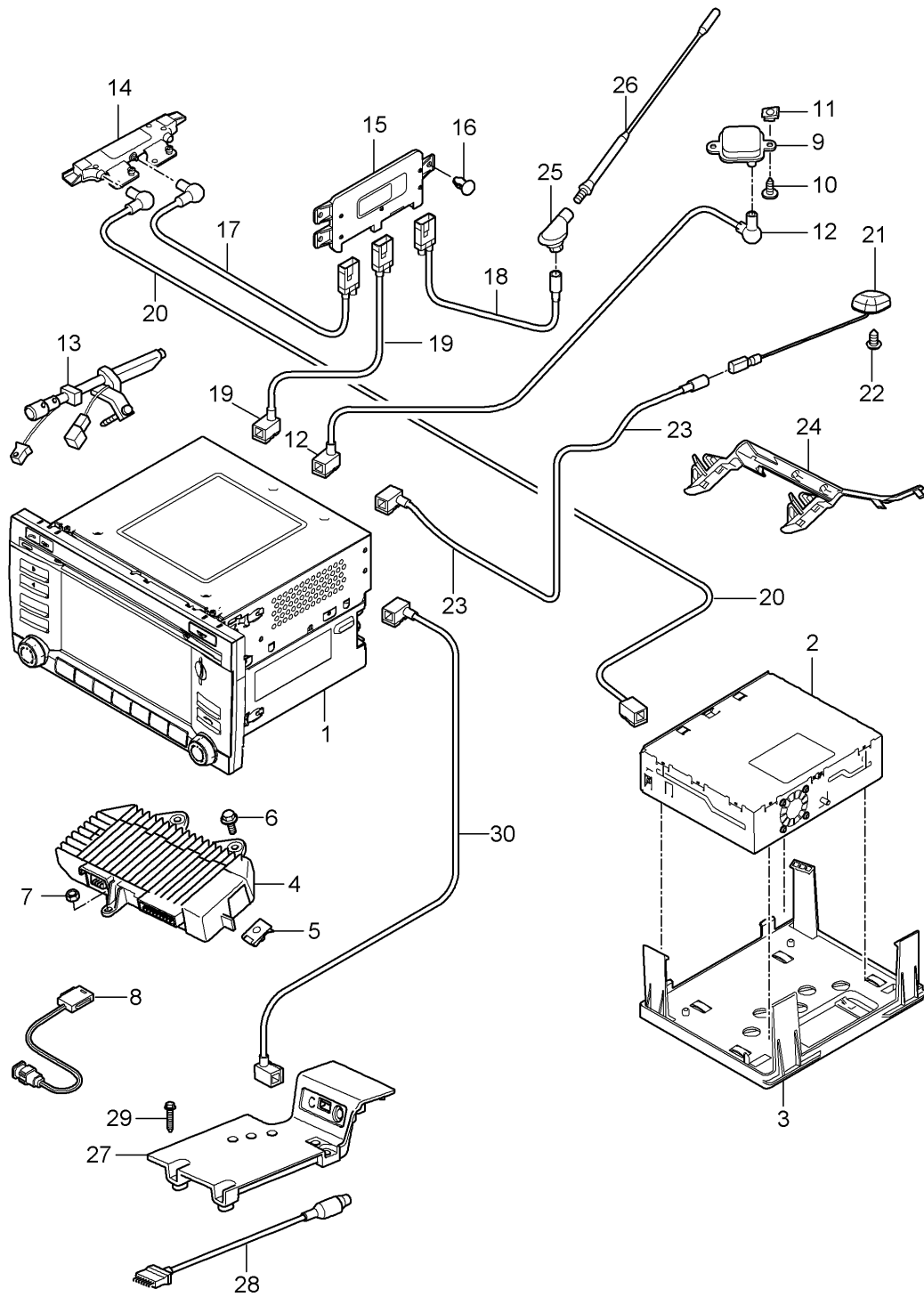
Model: 987209

Model life 2009>>2012

Pos	Part Number	Description	Remark	Qty	Model
1	987 641 981 15 B9A 987 641 981 55	Carrara white Combi-instrument (complete) Dial Lacquered		1	PR:XFJ PR:480 "CDN"
	987 641 981 55 5Z1 987 641 981 55 84A 987 641 981 55 12H	Sand beige guards red (Porsche) Speed yellow			PR:XFD PR:XFG PR:XFH
1	987 641 981 55 B9A 987 641 981 36	Carrara white Combi-instrument (complete) Dial Lacquered		1	PR:XFJ PR:250 "CDN"
		D >> - MJ 2011 Discontinued part			
	987 641 981 36 5Z1 987 641 981 36 84A 987 641 981 36 12H	Sand beige guards red (Porsche) Speed yellow			PR:XFD PR:XFG PR:XFH
1	987 641 981 36 B9A 987 641 981 56	Carrara white Combi-instrument (complete) Dial Lacquered		1	PR:XFJ PR:250 "CDN"
	987 641 981 56 5Z1 987 641 981 56 84A 987 641 981 56 12H	Sand beige guards red (Porsche) Speed yellow			PR:XFD PR:XFG PR:XFH
2	987 641 981 56 B9A 997 641 911 00	Carrara white knob throttle control element Trip meter and Clock		1	PR:XFJ
3	999 073 155 09	panel screw 4,2 X 19		2	
4	999 507 403 02	U-clip		2	

Model: 987209

Model life 2009>>2012



Model: 987209

Model life 2009>>2012

Pos	Part Number	Description	Remark	Qty	Model
-		Control panel Navigation system Radio unit Amplifiers Multimedia interface			
1	997 642 960 X 997 642 960 X FTC	Control panel Only in exchange Matt Black/Galvano Silver We take back: 997.642.960.00.FTC		1	PR:665
1	997 642 961 X 997 642 961 X FTC	Control panel Matt Black/Galvano Silver We take back: 997.642.961.00.FTC		1	PR:665,686
1	997 642 962 X 997 642 962 X FTC	Control panel Matt Black/Galvano Silver We take back: 997.642.962.00.FTC		1	PR:665,693 - "CN."
1	997 642 963 X 997 642 963 X FTC	Control panel Matt Black/Galvano Silver We take back: 997.642.963.00.FTC		1	PR:665,686, 693
1	997 642 970 X 997 642 970 X FTC	Control panel D >> - MJ 2010 Matt Black/Galvano Silver We take back: 997.642.970.00.FTC		1	PR:665,672
1	997 642 970 AX 997 642 970 AX FTC	Control panel D - MJ 2011>> Matt Black/Galvano Silver We take back: 997.642.970.01.FTC		1	PR:665,672
1	997 642 971 X 997 642 971 X FTC	Control panel D >> - MJ 2010 Matt Black/Galvano Silver We take back: 997.642.971.00.FTC		1	PR:665,672, 686
1	997 642 971 AX 997 642 971 AX FTC	Control panel D - MJ 2011>> Matt Black/Galvano Silver We take back: 997.642.971.01.FTC		1	PR:665,672, 686
1	997 642 972 X 997 642 972 X FTC	Control panel D >> - MJ 2010 Matt Black/Galvano Silver We take back: 997.642.972.00.FTC		1	PR:665,672, 693
1	997 642 972 AX 997 642 972 AX FTC	Control panel D - MJ 2011>> Matt Black/Galvano Silver We take back: 997.642.972.01.FTC		1	PR:665,672, 693
1	997 642 973 X 997 642 973 X FTC	Control panel D >> - MJ 2010 Matt Black/Galvano Silver We take back: 997.642.973.00.FTC		1	PR:665,672, 686,693
1	997 642 973 AX 997 642 973 AX FTC	Control panel D - MJ 2011>> Matt Black/Galvano Silver		1	PR:665,672, 686,693

Model: 987209 Model life 2009>>2012

Pos	Part Number	Description	Remark	Qty	Model
-		We take back: 997.642.973.01.FTC Control unit Telephone			
-	997 642 929 00	Rot. knob for Control panel	911-010 left	1	PR:665
-	997 642 930 00	Rot. knob for Control panel	right	1	PR:665
(1)	997 645 138 04	radio CDR 30 D >> - MJ 2010 Discontinued part		1	PR:695,-618, -619
(1)	997 645 138 04 FTC 997 645 138 DX	Matt Black/Galvano Silver radio CDR 30 D >> - MJ 2010 Discontinued part		1	PR:695,-618, -619
(1)	997 645 138 DX FTC	Matt Black/Galvano Silver We take back: 997.645.138.04		1	PR:695,-618, -619
(1)	997 645 138 05	radio CDR 30 Discontinued part		1	PR:695,-618, -619
(1)	997 645 138 05 FTC 997 645 138 EX	Matt Black/Galvano Silver radio CDR 30 Discontinued part		1	PR:695,-618, -619
(1)	997 645 138 EX FTC	Matt Black/Galvano Silver We take back: 997.645.138.05		1	PR:695,-618, -619
(1)	997 645 138 06	radio CDR 30		1	PR:695,-618, -619
(1)	997 645 138 06 FTC 997 645 138 FX	Matt Black/Galvano Silver radio CDR 30		1	PR:695,-618, -619
(1)	997 645 138 FX FTC	Matt Black/Galvano Silver We take back: 997.645.138.06		1	PR:618,619, 695
(1)	997 645 142 04	radio CDR 30 D >> - MJ 2010 Discontinued part		1	PR:618,619, 695
(1)	997 645 142 04 FTC 997 645 142 DX	Matt Black/Galvano Silver radio CDR 30 D >> - MJ 2010 Discontinued part		1	PR:618,619, 695
(1)	997 645 142 DX FTC	Matt Black/Galvano Silver We take back: 997.645.142.04		1	PR:618,619, 695
(1)	997 645 142 05	radio CDR 30 Discontinued part		1	PR:618,619, 695
(1)	997 645 142 05 FTC 997 645 142 EX	Matt Black/Galvano Silver radio CDR 30 Discontinued part		1	PR:618,619, 695
(1)	997 645 142 EX FTC	Matt Black/Galvano Silver We take back: 997.645.142.05		1	PR:618,619, 695

Model: 987209 Model life 2009>>2012

Pos	Part Number	Description	Remark	Qty	Model
(1)	997 645 142 06	radio CDR 30		1	PR:618,619, 695
(1)	997 645 142 06 FTC 997 645 142 FX	Matt Black/Galvano Silver radio CDR 30		1	PR:618,619, 695
(1)	997 645 142 FX FTC 997 645 144 04	Matt Black/Galvano Silver We take back: 997.645.142.06 radio CDR 30		1	PR:618,619, 692,695
(1)	997 645 144 04 FTC 997 645 144 DX	D >> - MJ 2010 Discontinued part Matt Black/Galvano Silver radio CDR 30		1	PR:618,619, 692,695
(1)	997 645 144 DX FTC 997 645 144 05	Matt Black/Galvano Silver We take back: 997.645.144.04 radio CDR 30		1	PR:618,619, 692,695
(1)	997 645 144 05 FTC 997 645 144 EX	Matt Black/Galvano Silver radio CDR 30		1	PR:618,619, 692,695
(1)	997 645 144 EX FTC 997 645 146 04	Matt Black/Galvano Silver We take back: 997.645.144.05 radio CDR 30		1	PR:692,695
(1)	997 645 146 04 FTC 997 645 146 DX	D >> - MJ 2010 Discontinued part Matt Black/Galvano Silver radio CDR 30		1	PR:692,695
(1)	997 645 146 DX FTC 997 645 146 05	Matt Black/Galvano Silver We take back: 997.645.146.04 radio CDR 30		1	PR:692,695
(1)	997 645 146 05 FTC 997 645 146 EX	Matt Black/Galvano Silver radio CDR 30		1	PR:692,695
(1)	997 645 146 EX FTC 997 645 920 00	Matt Black/Galvano Silver We take back: 997.645.146.05 repair set Key Radio unit CDR 30		1	PR:695
-	997 642 273 50	DVD-ROM for navigation system for Software		1	PR:615
-		See technical information GR. 9 NR. 52/09 KD - NR. 9110			
-	997 642 273 51	DVD-ROM for navigation system for Software		1	PR:615

Model: 987209

Model life 2009>>2012

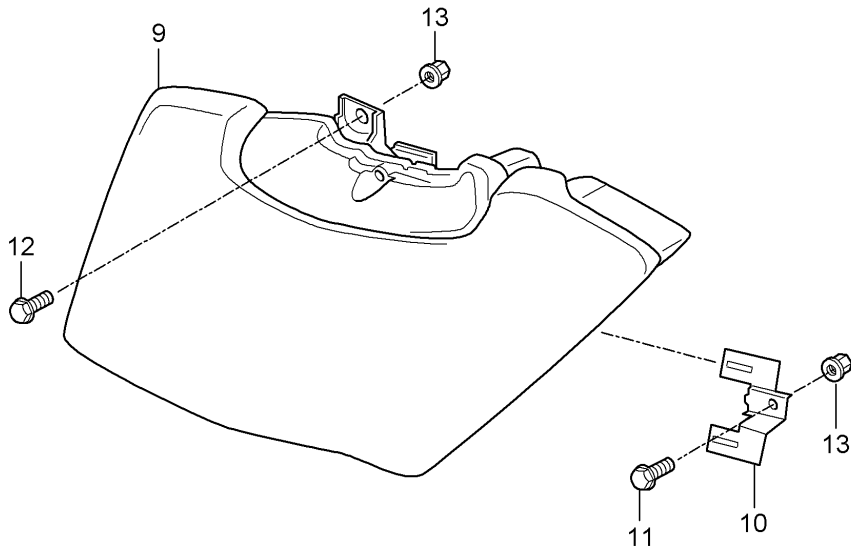
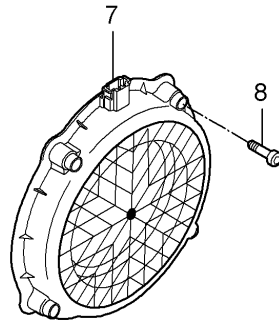
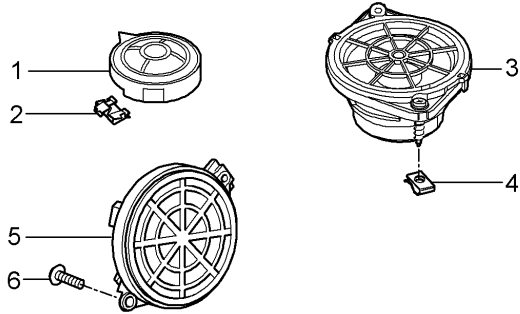
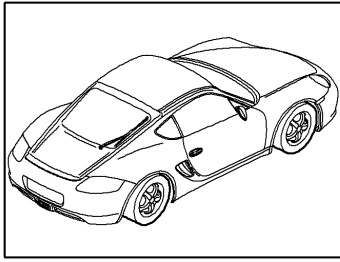
Pos	Part Number	Description	Remark	Qty	Model
-		See technical information GR. 9 NR. 52/09 KD - NR. 9110			
-	997 642 273 52	DVD-ROM for navigation system for Software		1	PR:615
-	997 642 273 53	DVD-ROM for navigation system for Software		1	PR:615
-	997 642 273 54	DVD-ROM for navigation system for Software		1	PR:615
-	997 642 273 55	DVD-ROM for navigation system for Software		1	PR:615
-	997 642 148 02	CD-ROM for electronic driver's logbook D >> - MJ 2011		1	PR:641
-	7PP 919 855	CD-ROM for electronic driver's logbook D - MJ 2012>>		1	PR:641
4	987 645 441 01	Amplifiers		1	PR:490
(4)	7PP 035 223 K	Amplifiers Note coding D >> - MJ 2010		1	PR:680
(4)	7PP 035 223 P	Amplifiers Note coding D - MJ 2011>>		1	PR:680
5	999 507 766 02	panel nut M 6		2	PR:490,680
6	900 378 035 01	Hexagon bolt M 6 X 16		2	PR:490,680
7	999 084 638 01	Hexagon nut M 6		1	PR:490,680
8	997 646 313 00	microphone		1	PR:441,490, 618,619,666, 671
8	997 646 315 00	microphone		1	PR:618,619, 666,671,680
8	997 646 317 00	microphone		1	PR:680
8	997 646 319 00	microphone		1	PR:618,619, 665,666,671
-	997 610 233 01	Cable guide microphone		1	
9	997 642 105 00	Aerial GPS		1	PR:672,673
10	999 073 210 00	panel screw 4,8 X 13		1	PR:672,673
11	999 507 441 01	panel nut 4,8		1	PR:672,673
12	997 612 030 75	Aerial connection line Control panel		1	PR:672
13	987 647 105 00	Aerial amplifier		1	
-	997 612 052 75	Aerial connection line Radio unit		1	PR:695
14	997 647 117 00	Aerial amplifier	left	1	PR:440
(14)	997 647 118 00	Aerial amplifier	right	1	PR:440
15	997 618 122 00	Control unit		1	PR:440
16	999 591 904 40	Securing element		2	PR:440

Model: 987209 Model life 2009>>2012

Pos	Part Number	Description	Remark	Qty	Model
17	997 612 069 25	Connecting line Aerial amplifier Control unit	left lhd	1	PR:098,461
17	997 612 068 25	Connecting line Aerial amplifier Control unit	left lhd	1	PR:098,461, 695
17	997 612 055 25	Connecting line Aerial amplifier Control unit	left lhd	1	PR:098,665, 695
17	997 612 056 25	Connecting line Aerial amplifier Control unit	right lhd	1	PR:098,665, 695
18	997 612 066 25	Connecting line aerial base Control unit		1	PR:461
(18)	997 612 067 01	Connecting line aerial base		1	PR:461
19	997 612 057 25	Power supply Connecting line Control unit Control panel	lhd	1	PR:098,665, 695
21	997 647 150 02	Aerial primed Discontinued part		1	PR:686
21	997 647 150 03	Aerial primed		1	PR:686
22	999 073 432 01	fillister hd. bolt M 5 x 8		1	PR:686
23	987 612 080 25	Aerial connection line Control panel		1	PR:686
24	987 610 245 00	Cable guide Roof	rear	1	PR:686
25	997 647 221 00	aerial base		1	PR:461
26	997 647 223 00	rod-type aerial		1	PR:461
27	997 642 465 00	Adapter Multimedia interface		1	PR:665,870
(27)	997 642 465 00 01C	Satin black			
	997 642 463 00	Adapter Multimedia interface		1	PR:695,870
	997 642 463 00 01C	Satin black			
28	997 612 471 02	Connection cable iPOD		1	PR:665,870
29	999 073 429 01	panel screw 4,2 X 25		3	PR:870
30	997 612 049 75	Connecting line Multimedia interface Control panel		1	PR:665,870

Model: 987209

Model life 2009>>2012

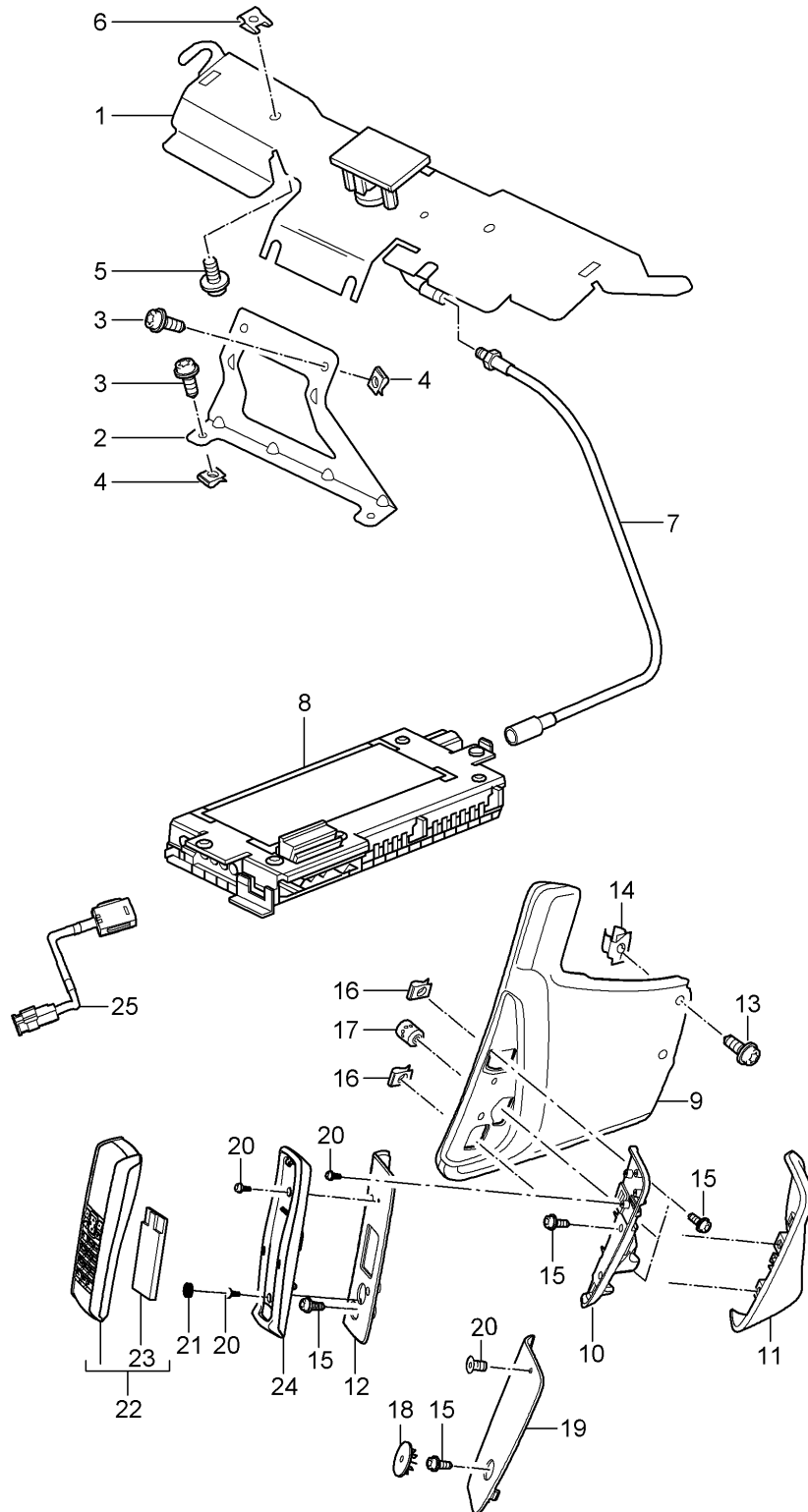


Model: 987209 Model life 2009>>2012

Pos	Part Number	Description	Remark	Qty	Model
1	997 645 021 00	Loudspeaker Treble speaker dashboard		2	PR:441,490
(1)	997 645 025 00	Treble speaker dashboard		2	PR:680
2	999 591 303 01	U-clip		4	
3	997 645 033 00	Loudspeaker dashboard	center	1	PR:490
(3)	997 645 035 00	Loudspeaker dashboard	center	1	PR:680
4	999 507 971 01	panel nut 4,2		4	
5	997 645 543 00	Mid tone speaker Door and	rear	4	PR:490
(5)	997 645 545 00	Mid tone speaker Door and	rear	4	PR:680
6	999 919 164 09	fillister hd. bolt 5,0 X 12		8	
7	997 645 551 00	Bass loudspeaker		2	PR:441
7	997 645 553 00	Bass loudspeaker		2	PR:490
(7)	997 645 555 00	Bass loudspeaker		2	PR:680
8	900 067 012 03	Socket head bolt M 6 X 30		8	
-		Subwoofer			
9	997 645 566 00	Subwoofer	lhd	1	PR:098,680
	997 645 566 00 M10	Terracotta			
	997 645 566 00 R10	Cocoa			
	997 645 566 00 D11	Dark grey/natural			
	997 645 566 00 T11	Brown/natural			
9	997 645 566 00	Subwoofer	lhd	1	PR:098,680
		Until Chassis number See technical information GR.7 NR. 17/11 KD-NR. 70			
	997 645 566 00 A10	Black			
	997 645 566 00 B10	Stone grey			
	997 645 566 00 T10	Sand beige			
	997 645 566 00 E10	sea blue			
	997 645 566 00 N10	Carrera Red			
9	997 645 566 01	Subwoofer	lhd	1	PR:098,680
		From Chassis number See technical information GR.7 NR. 17/11 KD-NR. 70			
	997 645 566 01 A10	Black			
	997 645 566 01 B10	Stone grey			
	997 645 566 01 T10	Sand beige			
	997 645 566 01 E10	sea blue			
	997 645 566 01 N10	Carrera Red			
10	997 645 569 00	Bracket for subwoofer		2	PR:680
11	900 378 035 01	Hexagon bolt M 6 X 16		2	PR:680
12	999 073 223 01	Bolt with washer M 6 X 25		1	PR:680
13	999 500 069 01	rivetted cap nut M 6		3	PR:680

Model: 987209

Model life 2009>>2012



Model: 987209 Model life 2009>>2012

Pos	Part Number	Description	Remark	Qty	Model
1	997 647 125 01	Telephone			
		Telephone aerial	lhd	1	PR:098
2	997 647 127 00	Bracket	lhd	1	PR:098
3	999 073 236 0A	fillister hd. bolt		4	
		M 6 X 10			
4	999 507 550 01	panel nut		4	
		M 6			
5	999 073 210 00	panel screw		2	
		4,8 X 13			
6	999 507 441 01	panel nut		2	
		4,8			
7	997 612 065 75	Connecting line		1	PR:666
(7)	997 612 061 25	Aerial connection line		1	PR:618,619
8	997 646 218 01	Control unit for telephone		1	PR:666
8	7PP 035 730 B	Control unit for telephone		1	PR:666,IY2
9	997 553 118 07	Leather panel	lhd	1	PR:098
			side		
	997 553 118 07 FSA	black/grey			
	997 553 118 07 FSB	Stone grey/stone grey			
	997 553 118 07 FSC	Sand beige/sand beige			
	997 553 118 07 FSD	Sea blue/grey			
	997 553 118 07 FSF	Terracotta/terracotta			
	997 553 118 07 FSG	Cocoa/Cocoa			
	997 553 118 07 FSH	Darkgrey natural/grey			
	997 553 118 07 FSJ	Brown nat./brown nat.			
	997 553 118 07 FSP	Carrera Red/Carrera Red			
10	997 553 520 00	Adapter	lhd	1	PR:098,618
(10)	997 553 516 00	Adapter	lhd	1	PR:098,669
11	997 553 418 01	Trim	lhd	1	PR:098,618
	997 553 418 01 A11	Black			
	997 553 418 01 5X6	Stone grey			
	997 553 418 01 8G2	Sand beige			
	997 553 418 01 3S9	sea blue			
	997 553 418 01 9S5	Terracotta			
	997 553 418 01 9V6	Cocoa			
	997 553 418 01 D12	Dark grey/natural			
	997 553 418 01 T12	Brown/natural			
	997 553 418 01 N12	Carrera Red			
(11)	997 553 416 00	Trim	lhd	1	PR:098,669
	997 553 416 00 A11	Black			
	997 553 416 00 5X6	Stone grey			
	997 553 416 00 8G2	Sand beige			
	997 553 416 00 3S9	sea blue			
	997 553 416 00 9S5	Terracotta			
	997 553 416 00 9V6	Cocoa			
	997 553 416 00 D12	Dark grey/natural			
	997 553 416 00 T12	Brown/natural			
	997 553 416 00 N12	Carrera Red			
12	997 553 524 00	Carrier plate	lhd	1	PR:098,669
	997 553 524 00 01C	Satin black			
13	999 073 226 09	panel screw		2	
		4,2 X 16			
14	999 591 508 01	Cage nut		2	
		4,2			
15	999 073 155 09	panel screw		7	
		4,2 X 13			
16	999 507 028 01	panel nut		2	
		4,2			
17	999 507 645 02	Threaded piece		1	
		4,2			
18	997 553 751 00	Cover cap		1	PR:618
	997 553 751 00 01C	Satin black			
19	997 553 522 01	Carrier plate	lhd	1	PR:098,618

Model: 987209

Model life 2009>>2012

Pos	Part Number	Description	Remark	Qty	Model
20	997 553 522 01 01C 999 919 230 00	Satin black countersunk bolt 3 X 10		4	
21	997 646 311 00	Bungs		2	PR:669
22	7PP 035 725	Telephone controls/receiver		1	PR:669
23	997 646 216 00	Battery Discontinued part		1	PR:669
23	997 646 916 00	Battery		1	PR:669
24	997 646 214 00	Support for cellphone receiver Discontinued part		1	PR:669
24	997 646 214 00 A05 955 646 214 00	Black Support for cellphone receiver		1	PR:669
(25)	997 646 313 00	microphone		1	PR:490,618, 619,666,671
(25)	997 646 315 00	microphone		1	PR:618,619, 666,671,680
(25)	997 646 319 00	microphone		1	PR:618,619, 665,666
-	997 610 233 01	Cable guide microphone		1	