

**Model: 914 70****Model life 1970>>1976**

## ORDER-INFO

THIS PARTS CATALOGUE CONTAINS ALL ORDER INFORMATION OF  
TYPES 914 FROM MODEL YEAR 1970 - 1976  
914-6 FROM MODEL YEAR 1972 - 1972

IT IS AVAILABLE IN TWO EDITIONS IN THE FOLLOWING LANGUAGES:

## EDITION

USA, CANADA - \*

## EDITION

ALL OTHER COUNTRIES - GERMAN

\* - ENGLISH

- FRENCH

- ITALIAN

- SPANISH

UPDATING IS BEING PERFORMED BY CHANGING OF UPDATE.

THE EDITION CAN BE RECOGNIZED BY THE CURRENT NO.  
IN THE BOTTOM LINE OF SUBJECT UPDATE.

THE PREVIOUS UPDATE SHOULD NO LONGER BE USED.

ALL ILLUSTRATIONS ARE SUBJECT TO CHANGE WITHOUT OBLIGATION.

WE RESERVE THE RIGHT TO SUPPLY A SUBSEQUENTLY  
PRODUCED COMPONENT, ON WHICH ADDITIONAL WORK  
IS NECESSARY, INSTEAD OF THE COMPONENT LISTED IN  
THE CATALOGUE

Model: 914 70

Model life 1970>>1976

EXPLANAT.- VIN

EXPLANATION OF THE ABRIDGED VERSION OF THE VEHICLE IDENT. NUMBERS (VIN)

=====

USED IN THE CATALOGUE TYPE 914

=====

DIGIT:                                    1 2 3    4 5    6 7 8 9 10

EXAMPLE:                                4 7 0    2 9    0 0 0 0 1

      =====

          !    !    !                    !

VEHICLE TYPE-----+                    !    !                    !

  !    !                    !

MODEL YEAR-----+                      !                      !

  !                      !

INDEX OF VARIANTS-----+                !

  !

SERIAL NUMBER-----+

EXPLANATION OF THE ABRIDGED VERSION OF THE VEHICLE IDENT. NUMBERS (VIN)

=====

USED IN THE CATALOGUE TYPE 914/6

=====

DIGIT:                                    1 2 3 4 5    6 7 8 9 10

EXAMPLE:                                9 1 4 0 4    3 0 0 0 1

      =====

          !    !    !                    !

VEHICLE TYPE-----+                    !    !                    !

  !    !                    !

MODEL YEAR-----+                      !                      !

  !                      !

BODY AND ENGINE VERSION-----+         !

  !

SERIAL NUMBER-----+

Model: 914 70

Model life 1970&gt;&gt;1976

## SUMMARY TYPES

VEHICLE TYPE	MY	VEHICLE IDENT NR.	ENGINE TYPE
914	70 0	47029 00001>>	022
914-6	70 0	91404 30001>>	901.36/37
914-6 (USA)	70 0	91404 30001>>	901.38/39
914	71 1	47129 00001>>	022
914-6	71 1	91414 30001>>	901.36/37
914-6 (USA)	71 1	91414 30001>>	901.38/39
914	72 2	47229 00001>>	022
914-6 (USA)	72 2	91424 30001>>	901.38
914-1.7	73 3	47329 00001>>	022
914-2.0	73 3	47329 00001>>	039
914-1.8	74 4	47429 00001>>	022
914-1.8V	74 4	47429 00001>>	021
914-2.0	74 4	47429 00001>>	039
914-1.8	75 5	47529 00001>>	022
914-1.8V	75 5	47529 00001>>	021
914-2.0	75 5	47529 00001>>	039
914-1.8	76 6	47629 00001>>	022
914-1.8V	76 6	47629 00001>>	021
914-2.0	76 6	47629 00001>>	039

Model: 914 70

Model life 1970>>1976

EXPL. ENGINE-NO.

EXPLANATION OF THE MOTOR-NUMBERS USED IN THE CATALOGUE TYPE 914

```

=====
DIGIT:                1 2 3 4 5 6 7 8 9
EXAMPLE:              E A 0 0 0 0 3 9 1
                      === =====
                      !           !
IDENTIFICATION LETTERS-----+           !
                      !
SERIAL NUMBER-----+

```

EXPLANATION OF THE MOTOR-NUMBERS USED IN THE CATALOGUE 914/6

```

=====
DIGIT:                1 2 3 4 5 6 7
EXAMPLE:              6 4 0 0 3 9 1
                      = = = =====
                      ! ! !           !
ENGINE TYPE (6 = 6-CYL.-ENGINE)-----+ ! !           !
                      ! !           !
ENGINE VERSION-----+ !           !
                      !           !
MODEL YEAR-----+           !
                      !
SERIAL NUMBER-----+

```

Model: 914 70

Model life 1970>>1976

SUMMARY ENGINES

VEHICLE TYPE	ENGINE		ENGINE NO.	TECHNICAL DATA
	TYPE	MY		
914	022	70 0 W0	000 001 >>	4CYL/1,7L/59KW
914-6	901.36	70 0 640	0001 >>	6CYL/2,0L/81KW
914-6 SPM	901.37	70 0 640	3001 >>	6CYL/2,0L/81KW
914-6 (USA)	901.38	70 0 640	4001 >>	6CYL/2,0L/81KW
914-6 (USA) SPM	901.39	70 0 640	7001 >>	6CYL/2,0L/81KW
914	022	71 1 W	057461 >>	4CYL/1,7L/59KW
914-6	901.36	71 1 641	0001 >>	6CYL/2,0L/81KW
914-6 SPM	901.37	71 1 641	3001 >>	6CYL/2,0L/81KW
914-6 (USA)	901.38	71 1 641	4001 >>	6CYL/2,0L/81KW
914-6 (USA) SPM	901.39	71 1 641	7001 >>	6CYL/2,0L/81KW
914	022	72 2 W0	129 582 >>	4CYL/1,7L/59KW
914	022	72 2 EA0	000 001>>	4CYL/1,7L/59KW
914-6 (USA)	901.38	72 2 642	0001 >>	6CYL/2,0L/81KW
914	022	73 3 W0	170 001 >>	4CYL/1,7L/59KW
914 (USA)	022	73 3 EA0	057001 >>	4CYL/1,7L/59KW
914 (CAL)	022	73 3 EB0	000 001>>	4CYL/1,7L/53KW
914-2,0 (USA)	039	73 3 GA0	000 001>>	4CYL/2,0L/70KW
914-2,0	039	73 3 GB0	000 001>>	4CYL/2,0L/74KW
914-1,8V	021	74 4 AN0	000 001>>	4CYL/1,8L/63KW
914-1,8 (USA) (CAL)	022	74 4 EC0	000 001>>	4CYL/1,8L/56KW
914-2,0 (USA)	039	74 4 GA0	006 766>>	4CYL/2,0L/70KW
914-2,0	039	74 4 GB0	007 402>>	4CYL/2,0L/74KW
914-1,8V	021	75 5 AN0	008 798>>	4CYL/1,8L/63KW
914-1,8 (USA) (CAL)	022	75 5 EC0	037 552>>	4CYL/1,8L/56KW
914-2,0	039	75 5 GB0	009 822>>	4CYL/2,0L/74KW
914-2,0 (USA) (CAL)	039	75 5 GC0	000 001>>	4CYL/2,0L/65KW
914-1,8V	021	76 6 AN0	008 899>>	4CYL/1,8L/63KW
914-1,8 (USA) (CAL)	022	76 6 EC0	045 073>>	4CYL/1,8L/56KW
914-2,0	039	76 6 GB0	010 779>>	4CYL/2,0L/74KW
914-2,0	039	76 6 GC0	002 915>>	4CYL/2,0L/65KW

Model: 914 70

Model life 1970>>1976

EXPL. TRANSMISS.

EXPLANATION OF THE TRANSMISSION-NUMBERS USED IN THE CATALOGUE TYPE 914

=====

UP TO MODEL YEAR 1973

=====

DIGIT:		1	2	3	4	5	6	7	8	9
EXAMPLE:		H	A	0	0	0	0	3	9	1
		=	=	=====						
		!	!				!			
TRANSMISSION TYPE-----+		!	!				!			
			!				!			
TRANSMISSION VERSION-----+							!			
							!			
SERIAL NUMBER-----+										

EXPLANATION OF THE TRANSMISSION-NUMBERS USED IN THE CATALOGUE TYPE 914

=====

FROM MODEL YEAR 1974

=====

DIGIT:		1	2	3	4	5	6	7
EXAMPLE:		H	A	0	8	1	2	4
		=	=	===	===	=		
		!	!	!	!	!		
TRANSMISSION TYPE-----+		!	!	!	!	!		
			!	!	!	!		
TRANSMISSION VERSION-----+			!	!	!	!		
				!	!	!		
MANUFACTURING DAY-----+					!	!		
						!	!	
MANUFACTURING MONTH-----+							!	
							!	
MANUFACTURING YEAR-----+								!

EXPLANATION OF THE TRANSMISSION-NUMBERS USED IN THE CATALOGUE TYPE 914/6

=====

DIGIT:		1	2	3	4	5	6	7
EXAMPLE:		7	5	0	0	3	9	1
		=	=	=	=====			
		!	!	!		!		
TRANSMISSION TYPE-----+		!	!			!		
			!	!		!		
TRANSMISSION VERSION-----+			!			!		
				!		!		
MODEL YEAR-----+						!		
						!		
SERIAL NUMBER-----+								!

Model: 914 70

Model life 1970>>1976

SUMM. TRANSMISS.

VEHICLE TYPE	TRANSM. TYPE	MY	TRANSMISSION NO.	TECHNICAL DATA
914	914. 300.11	70 0	HA0 000 001>>	5-SPEED
914	914. 300.11	70 0	HBO 000 001>>	5-SPEED (LIM. SLIP DIFFERENTIAL)
914-6	914. 300.01	70 0	750 0001 >>	5-SPEED
914-6	914. 300.05	70 0	780 0001 >>	4-SPEED (SPORTOMATIC)
914	914. 300.11	70 0	HA0 014 826>>	5-SPEED
914	914. 300.11	70 0	HBO 000 004>>	5-SPEED (LIM. SLIP DIFFERENTIAL)
914-6	914. 300.01	71 1	751 0001 >>	5-SPEED
914-6	914. 300.05	71 1	761 0001 >>	4-SPEED (SPORTOMATIC)
914	914. 300.11	72 2	HA0 030 094>>	5-SPEED
914-6	914. 300.01	72 2	752 0001 >>	5-SPEED
914-1,7/2,0	914. 300.12	73 3	HA0 051 316>>	5-SPEED
914-1,8/1,8V/2,0	914. 300.12	74 4	HA 13 08 3 >>	5-SPEED
914-1,8/1,8V/2,0	914. 300.12	75 5	HA 05 08 4 >>	5-SPEED
914-1,8/1,8V/2,0	914. 300.12	76 6	HA 05 08 5 >>	5-SPEED

Model: 914 70

Model life 1970&gt;&gt;1976

## LEGENDS/NOTICES

## LEGENDS AND NOTICES

=====

## IN COLUMN -S- STATUS

-----

N NEW ADDITION

P PART ALREADY IN PROGRAMME, BUT NEW  
AT THIS APPLICATION

E THIS PART NO. IS NO LONGER AVAILABLE FROM PORSCHÉ

W DELETED AT THIS APPLICATION, BUT CONTINUED, TO BE CARRIED  
STOCK TO BE USED UP

A STOCK TO BE USED UP

U DELETED WITHOUT REPLACEMENT

\* PART ALSO OR ONLY AVAILABLE  
IN REPAIR KIT

> ALSO AVAILABLE IN EXCHANGE

## IN COLUMN - ILL. -

-----

1 IDENTIFICATION NO. IN ILLUSTRATION

(1) PART ONLY SIMILAR AS ILLUSTRATED

- PART IS NOT ILLUSTRATED

FIG.-NUMBERS FOR WHICH THERE IS SHOWN NO TEXT ARE  
NOT VALID FOR THIS EDITION OF CATALOGUE

## IN COLUMN -PART NUMBER/CODE-

-----

000 000 000 00 PART NUMBER EQUALS ORDERING NO., IF A CODE IS  
SHOWN, IT WILL HAVE TO BE PART OF ORDERING  
NUMBER

01C COLOUR CODE

## IN COLUMN -TEXT

-----

INSTALLATION WITH ENGINE OR CHASSIS  
NUMBER-RANGE

EXAMPLE:



**Model: 914 70****Model life 1970>>1976**

M 640 0391 &gt;&gt; FROM ENGINE NO.

F &gt;&gt; 914043 0391 UP TO CHASSIS NO.

Model: 914 70

Model life 1970>>1976

LEGENDS/NOTICES

IN COLUMN - A -  
-----

IDENTIFICATION LETTER FOR PERIOD OF INSTALLATION  
THAT IS REPEATED SEVERAL TIMES IN THE CATALOG GROUP.

EXPLANATION PLEASE FIND IN TEXT COLUMN OF THE CATALOG GROUP

IN COLUMN - QU - = NO. OF PIECES  
-----

1 NUMBER PER APPLICATION

X NUMBER AS NEEDED

\* AVAILABLE ONLY IN RUNNING LENGTHS 1 = 1 METRE

IN COLUMN - MODEL/SYMBOL -  
-----

-76 LIMITATION OF MODEL YEAR FOR INSTANCE: VALID UP TO  
END OF MODEL YEAR 1976

/LL LHD

/RL RHD

/V FRONT I

I

/H REAR I

I----> APPLIES TO

/L LEFT I DIRECTION OF TRAVEL

I

/R RIGHT I

-----+

SPM SPORTOMATIC

M SUMMARY OF OPTIONAL EXTRAS

Model: 914 70

Model life 1970&gt;&gt;1976

COUNTRY-EQUIP.

## EQUIPMENT BY COUNTRY REGULATIONS

=====

(A)	AUSTRIA
(AUS)	AUSTRALIA
(B)	BELGIUM
(CDN)	CANADA
(CH)	SWITZERLAND
(D)	FEDERAL REPUBLIC OF GERMANY
(DK)	DENMARK
(E)	SPAIN
(F)	FRANCE
(GB)	GREAT BRITAIN
(GR)	GREECE
(HK)	HONGKONG
(I)	ITALY
(J)	JAPAN
(L)	LUXEMBURG
(N)	NORWAY
(NL)	NETHERLANDS
(NZ)	NEW ZEALAND
(P)	PORTUGAL
(RC)	TAIWAN
(S)	SWEDEN
(SA)	SAUDI ARABIA
(SF)	FINLAND
(USA)	UNITED STATES OF AMERICA
(ZA)	SOUTH AFRICA

Model: 914 70

Model life 1970>>1976



Model: 914 70

Model life 1970&gt;&gt;1976

Pos	Part Number	Description	Remark	Qty	Model	
>>	914 721 001 10	Tool Jack		1	914-6	
-		Tool bag Comprising:		1		
-	477 012 203 A	Tool bag		1		
-	477 012 227	Spark plug wrench		1		
-	999 571 045 02	Angular screw driver		1		
-	999 195 011 02	Rim wrench		1		
-	999 195 012 02	Double-end spanner 8 X 9 / 110 MM		1		
-	999 195 012 02	Double-end spanner 10 X 11 / 126 MM		1		
-	999 195 007 02	Double-end spanner 12 X 13 / 140 MM		1		
-	999 195 015 02	Double-end spanner 17 X 19 / 187 MM		1		
-	999 195 014 02	Double-end spanner 14 X 15 / 157 MM		1		
-	999 571 017 02	Ring wrench 22 X 19		1		
-	999 191 002 02	Screwdriver		1		
-	900 137 001 02	Phillips screwdriver B 2		1		
-	999 107 003 02	Universal pliers		1		
-	999 192 176 50	Narrow v-belt 9,5 X 710		1		
-	999 192 176 5A	Narrow v-belt 9,5 X 710		1		
-	914 721 013 10	Bag with Lock Lock		1		
-	N 017 121 1	Bag Plastic material Safety fuse 8		1		
-	N 017 121 5	Lock 25		1		
-	911 721 702 00	Retaining bracket for V-belt pulley		1		
>>	411 012 021	Tool bag Comprising:		1		914-4
-	311 012 205 A	Socket wrench for Wheel bolt		1		
-	111 012 221	Socket wrench with Handle		1		
-	343 012 221	Tool with Handle		1		
-	N 030 055 1	Double socket wrench 8 X 13		1		
-	251 012 243	Hook for Hub cap		1		
-	111 012 255	Screwdriver for Slotted screw And Cross-recess screw		1		
-	411 012 201 A	Socket wrench		1		

Model: 914 70 Model life 1970>>1976

Pos	Part Number	Description	Remark	Qty	Model
>>	111 012 021 B	for Spark plug Tool bag	/1,8/2,0	1	914-1,7/1,8V
-	111 012 219	Comprising: Socket wrench	/1,8/2,0	1	914-1,7/1,8V
-	111 012 221	for Wheel bolt Socket wrench	/1,8/2,0	1	914-1,7/1,8V
-	N 030 057 1	with Handle Double-end spanner	/1,8/2,0	1	914-1,7/1,8V
-	251 012 243	10 X 13 Hook	/1,8/2,0	1	914-1,7/1,8V
-	111 012 255	for Hub cap Screwdriver	/1,8/2,0	1	914-1,7/1,8V
-	914 721 011 10	for Slotted screw Cross-recess screw		1	
-	914 721 111 10	Jack		1	
-	914 722 021 10	Rubber ring for Jack Bracket	/1,8/2,0	2	914-1,7/1,8V
-	914 722 105 10	for Jack Towing lug		1	
-	914 722 015 10	Bag		1	
-	000 061 371	for Key Floor mat		1	914-4
>>	914 721 008 10	Bag		1	914-6
-	914 721 013 10	Comprising: Bag		1	
-	999 170 055 90	with Lock Lock Spark plug		3	
-	N 017 811 32	- bosch - Spark plug		3	
-	999 170 165 90	- bosch - Spark plug		3	
-	901 105 901 50	- bosch - Set of valve springs		1	
-	901 105 901 51	Inner And Outer		1	
-	901 105 417 00	Set of valve springs Inner And Outer		2	
-	911 104 193 03	Collet Divided		1	
-	901 105 370 02	Valve stem seal Valve		2	
-	999 034 005 00	Adjusting screw		2	
-	911 107 176 01	Valve		2	
-	900 123 011 30	Nut		1	
-	930 101 391 01	Magnetic screw		1	
		Sealing ring		2	
		A 22 X 27			
		Gasket			
		for			

Model: 914 70

Model life 1970&gt;&gt;1976

Pos	Part Number	Description	Remark	Qty	Model
-	901 609 309 00	Oil strainer Screened connector		2	
-	901 609 309 01	Ignition lead Screened connector		2	
-	901 108 948 01	Ignition lead Gasket set for Mixture control unit		1	
-	914 423 401 02	Clutch cable		1	
-	914 423 401 08	Clutch cable		1	
-	901 104 391 01	Cylinder head gasket		3	
-	930 105 193 00	Gasket for Crankcase And Chain case		1	
-	930 105 193 05	Gasket for Crankcase And Chain case		1	
-	930 105 191 03	Gasket for Lid Chain case	/L	1	
-	930 105 192 01	Gasket for Lid Chain case	/R	1	
-	930 105 192 03	Gasket for Lid Chain case	/R	1	
-	930 105 192 04	Gasket for Lid Chain case	/R	1	
-	930 105 194 00	Gasket for Lid Camshaft housing Upper		2	
-	930 105 194 02	Gasket for Lid Camshaft housing Upper		2	
-	930 105 194 04	Gasket for Lid Camshaft housing Upper		2	
-	930 105 195 00	Gasket for Lid Camshaft housing Lower		2	
-	930 105 195 02	Gasket for Lid Camshaft housing Lower		2	
-	930 105 195 05	Gasket		2	

Model: 914 70

Model life 1970>>1976

Pos	Part Number	Description	Remark	Qty	Model
-	930 105 195 06	for Lid Camshaft housing Lower Gasket		2	
-	930 105 195 07	for Lid Camshaft housing Lower Gasket		2	
>>	914 721 007 10	Bag Comprising:		1	914-6
-	914 721 902 10	Bag		1	
-	914 721 013 10	Bag with Lock Lock		1	
-	999 170 010 91	Spark plug - bosch -		3	
-	999 170 186 90	Spark plug - bosch -		3	
-	901 105 901 50	Set of valve springs Inner And Outer		1	
-	901 105 901 51	Set of valve springs Inner And Outer		1	
-	901 105 417 00	Collet Divided		2	
-	911 104 193 03	Valve stem seal Valve		1	
-	901 105 370 02	Adjusting screw Valve		2	
-	999 034 005 00	Nut		2	
-	911 107 176 01	Magnetic screw		1	
-	900 123 011 30	Sealing ring A 22 X 27		1	
-	901 609 309 00	Screened connector Ignition lead		2	
-	901 609 309 01	Screened connector Ignition lead		2	
-	901 108 948 01	Gasket set for Mixture control unit		1	
-	914 423 401 02	Clutch cable		1	
-	914 423 401 08	Clutch cable		1	
-	930 105 191 03	Gasket Cylinder		3	
-	901 104 391 01	Cylinder head gasket		3	
-	930 105 193 00	Gasket for Crankcase And Chain case		1	
-	930 105 193 05	Gasket for Crankcase		1	



Model: 914 70

Model life 1970>>1976

Pos	Part Number	Description	Remark	Qty	Model
-	930 105 191 03	And Chain case Gasket for Lid	/L	1	
-	930 105 192 01	Chain case Gasket for Lid	/R	1	
-	930 105 192 03	Chain case Gasket for Lid	/R	1	
-	930 105 192 04	Chain case Gasket for Lid	/R	1	
-	930 105 194 00	Chain case Gasket for Lid Camshaft housing Upper		2	
-	930 105 194 02	Gasket for Lid Camshaft housing Upper		2	
-	930 105 194 04	Gasket for Lid Camshaft housing Upper		2	
-	930 105 195 00	Gasket for Lid Camshaft housing Lower		2	
-	930 105 195 02	Gasket for Lid Camshaft housing Lower		2	
-	930 105 195 05	Gasket for Lid Camshaft housing Lower		2	
-	930 105 195 06	Gasket for Lid Camshaft housing Lower		2	
-	930 105 195 07	Gasket for Lid Camshaft housing Lower		2	

Model: 914 70

Model life 1970>>1976



Model: 914 70

Model life 1970&gt;&gt;1976

Pos	Part Number	Description	Remark	Qty	Model
-	901 006 508 00	Stickers Badge Sticker for Generator And Regulator		1	SPM
-	901 006 509 00	Sticker for Ignition point Adjustment		1	SPM
-	901 006 509 02	Sticker for Ignition point Adjustment	(J)	1	SPM: (USA
-	901 006 509 03	Sticker for Ignition point Adjustment	(J) 70	1	SPM: (USA
-	901 006 509 06	Sticker for Catalytic converter Adjustment		1	SPM
-	901 006 509 09	Sticker for Ignition point Adjustment	71	1	SPM
-	901 006 507 00	Sticker Tyre pressure for V > 200 KM/H		1	SPM
-	901 006 504 01	Sticker for Engine-oil level		1	SPM
-	022 100 175	Sticker for Valve clearance Adjustment Sticker for Valve clearance Adjustment See group 1/11/00		1	914-1,7/1,8V
-	901 006 503 00	Sticker for Valve clearance Adjustment		1	SPM
-	901 006 502 00	Sticker for Firing order		1	SPM
-	911 108 611 01	Sticker for Filter Number plate		1	914-6
-	914 006 501 00	Sticker Tyre		1	914-6
-	914 006 501 10	Sticker Tyre 155 SR 15	-71	1	914-4
-	914 006 501 11	Sticker Tyre 155 SR 15	72-	1	914-4

Model: 914 70 Model life 1970&gt;&gt;1976

Pos	Part Number	Description	Remark	Qty	Model
-	914 006 504 10	Sticker Tyre 155 SR 15	-73	1	914-1,7
-	914 006 505 10	Sticker Tyre 165 SR 15	-74	1	914-2,0
-		Sticker Tyre 165 SR 15	-74	1	914-1,7
-	914 006 505 11	Sticker Tyre 165 SR 15	75-	1	914-1,8
-	914 006 506 00	Sticker Tyre 165 HR 15	2,0 -74	1	914-1,7/1,8
-	914 006 506 11	Sticker Tyre 165 HR 15	75-	1	914-2,0
-	911 108 611 01	Sticker for Filter Number plate		1	914-6
-	914 006 501 00	Sticker Tyre		1	914-6
-	914 006 501 10	Sticker Tyre 155 SR 15	-71	1	914-4
-	914 006 501 11	Sticker Tyre 155 SR 15	72-	1	914-4
-	914 006 504 10	Sticker Tyre 155 SR 15	-73	1	914-1,7
-	914 006 505 10	Sticker Tyre 165 SR 15	-74	1	914-2,0
-		Sticker Tyre 165 SR 15	-74	1	914-1,7
-	914 006 505 11	Sticker Tyre 165 SR 15	75-	1	914-1,8
-	914 006 506 00	Sticker Tyre 165 HR 15	2,0 -74	1	914-1,7/1,8
-	914 006 506 11	Sticker Tyre 165 HR 15	75-	1	914-2,0
-	411 000 263 A	Sticker Required octane number 98 ROZ		1	
-	113 000 263 B	Sticker Indicator lights 91 ROZ		1	
-	PCG 701 105 00	Badge for Lacquers		1	
-	902 701 111 00	Badge KARMANN Body Paint		1	
-	900 093 001 02	Use also: T-headed screw		4	

Model: 914 70

Model life 1970>>1976

Pos	Part Number	Description	Remark	Qty	Model
		Rivet			

Model: 914 70

Model life 1970>>1976



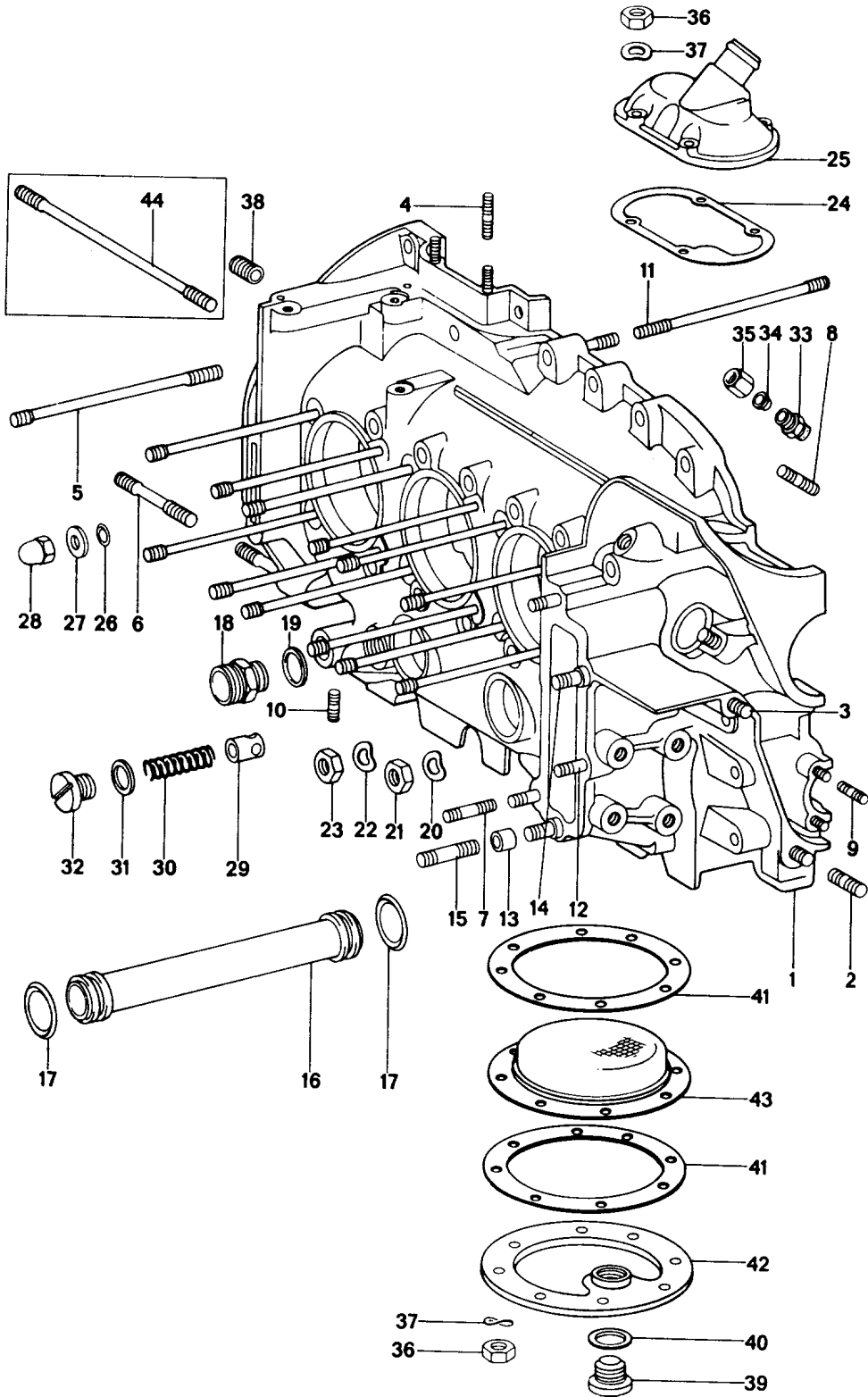
Model: 914 70

Model life 1970>>1976

Pos	Part Number	Description	Remark	Qty	Model
-	914 361 902 00	Snow chains Ski rack Snow chains Set for Tyre 155 SR 15 155 SR 15 M + S 155 SR 15 M + S - E		X	
-	911 361 909 00	Snow chains Set for Tyre 165 HR 15 165 SR 15 165 SR 15 M + S 165 SR 15 M + S - E		X	
-	914 801 901 10	Ski rack Complete Front and rear Set for subsequent installation		1	

Model: 914 70

Model life 1970>>1976





Model: 914 70 Model life 1970>>1976

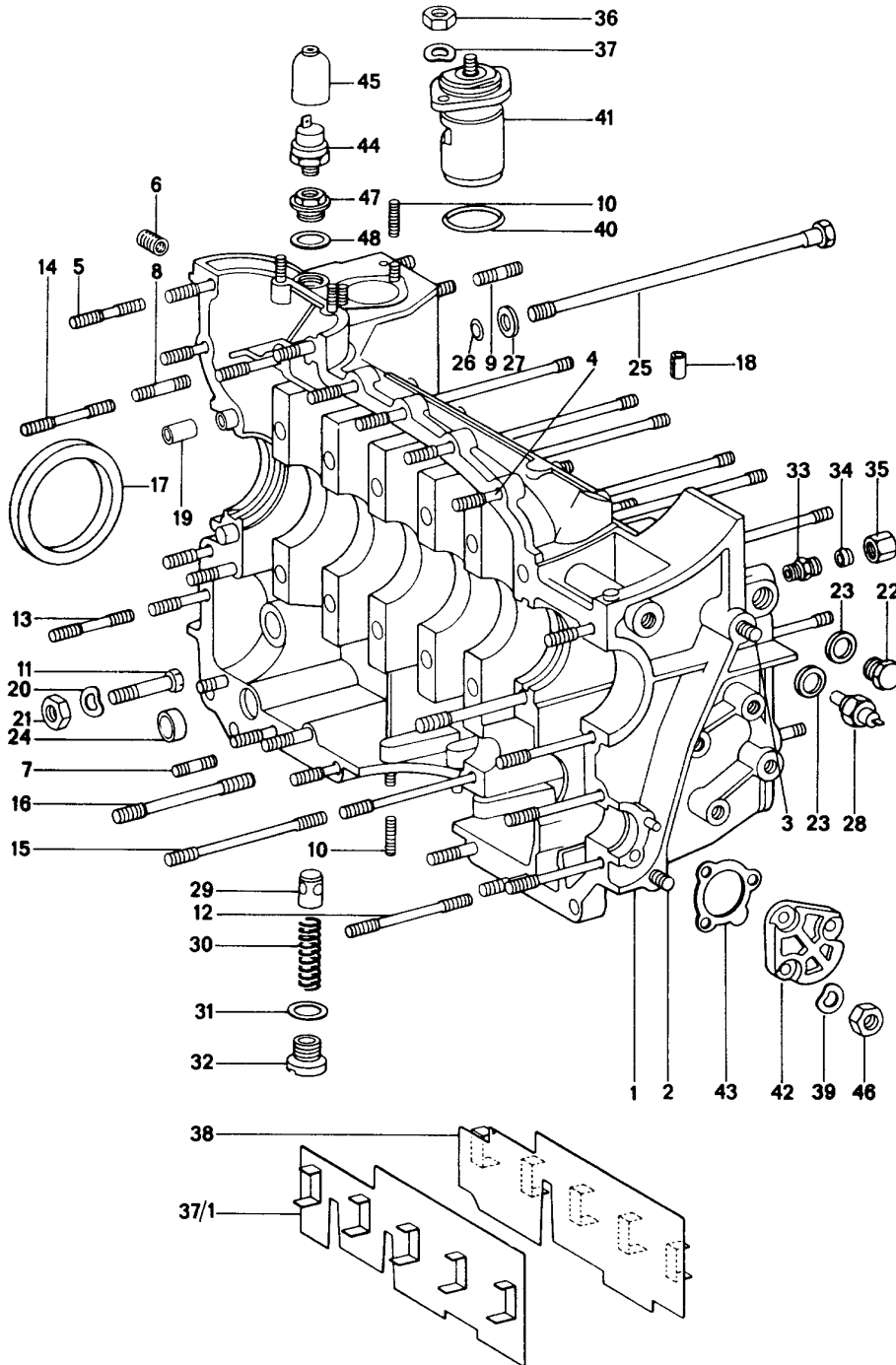
Pos	Part Number	Description	Remark	Qty	Model
		Crankcase Left			914-6
1	901 101 912 00	Crankcase with studs		1	
2	999 062 090 02	Stud M 10 X 40		2	
3	999 062 039 02	Stud M 10 X 50		1	
3	999 062 183 02	Stud M 10 X 50		1	
4	999 062 085 02	Stud BM 6 X 20		4	
5	901 101 172 03	Stud		24	
6	999 061 034 02	Stud		2	
7	999 062 007 02	Stud BM 8 X 22		4	
7	900 060 106 01	Stud BM 8 X 22 for Mount		4	
8	900 061 004 02	Chain case Stud BM 8 X 12 for Support		1	
9	999 062 002 02	Distributor Stud BM 6 X 15		3	
10	999 062 055 02	Stud BM 6 X 12		5	
11	901 101 174 00	Stud		2	
12	999 062 006 02	Stud BM 8 X 20		2	
13	901 101 145 00	Dowel sleeve		4	
14	999 062 008 02	Stud		2	
15	999 062 009 02	Stud BM 8 X 28		2	
15	900 060 105 01	Stud BM 8 X 28 for Mount		2	
16	901 107 351 01	Chain case Oil tube		4	
(16)	930 107 040 01	Set Set Divided Comprising: Oil tube I Oil tube II		X	
-	900 041 013 01	Circlip		1	
-	999 707 113 40	Round seal		2	
-	999 707 113 41	O-ring		2	
-	999 707 112 40	Round seal		2	
-	999 707 112 4A	Round seal		2	
17	999 707 112 40	Round seal R 25 - 6		8	
17	999 707 112 4A	Round seal R 25 - 6		8	
18	900 136 013 02	Union A 16		1	
19	900 123 011 30	Sealing ring		1	

Model: 914 70 Model life 1970>>1976

Pos	Part Number	Description	Remark	Qty	Model
20	900 031 014 30	A 22 X 27 Washer 8,4		21	
21	900 084 004 03	Hexagon nut M 8		21	
21	900 084 004 02	Hexagon nut M 8		21	
22	N 012 242 3	Spring washer B 10 X 18		1	
23	900 157 002 02	Hexagon nut M 10		1	
23	900 157 002 03	Hexagon nut M 10		1	
24	930 107 791 00	Gasket		1	
25	901 107 073 02	Lid		1	
26	999 701 006 40	O-ring		12	
27	901 101 161 01	Washer		12	
(27)	901 101 161 02	Washer		12	
28	999 070 004 02	Cap nut		13	
28	999 070 004 03	Cap nut		13	
29	901 107 512 01	Piston		1	
30	901 107 531 00	Compression spring		1	
31	900 123 071 30	Sealing ring A 18 X 24		1	
32	999 064 010 02	Screw plug		1	
33	901 107 375 00	Screw socket		1	
-	900 123 005 30	Sealing ring A 12 X 16		1	
34	N 020 825 1	Cutting ring LL 8		1	
35	900 104 003 02	Union nut ALL 8		1	
35	900 104 003 03	Union nut ALL 8		1	
36	900 076 010 02	Nut M 6		6	
36	900 076 010 0B	Nut M 6 for Mount		6	
37	900 028 008 01	Oil strainer Lock ring B 8		6	
39	911 107 176 01	Magnetic screw		1	
40	900 123 011 30	Sealing ring A 22 X 27		1	
41	930 101 391 01	Gasket		2	
42	930 101 902 00	Lid Technical information gr.1 nr.1/85		1	
43	901 101 380 01	Oil strainer		1	
44	999 062 099 02	Stud BM 10 X 105		2	SPM
44	900 060 096 01	Stud BM 10 X 105 for Transmission		2	SPM

Model: 914 70

Model life 1970>>1976



Model: 914 70 Model life 1970>>1976

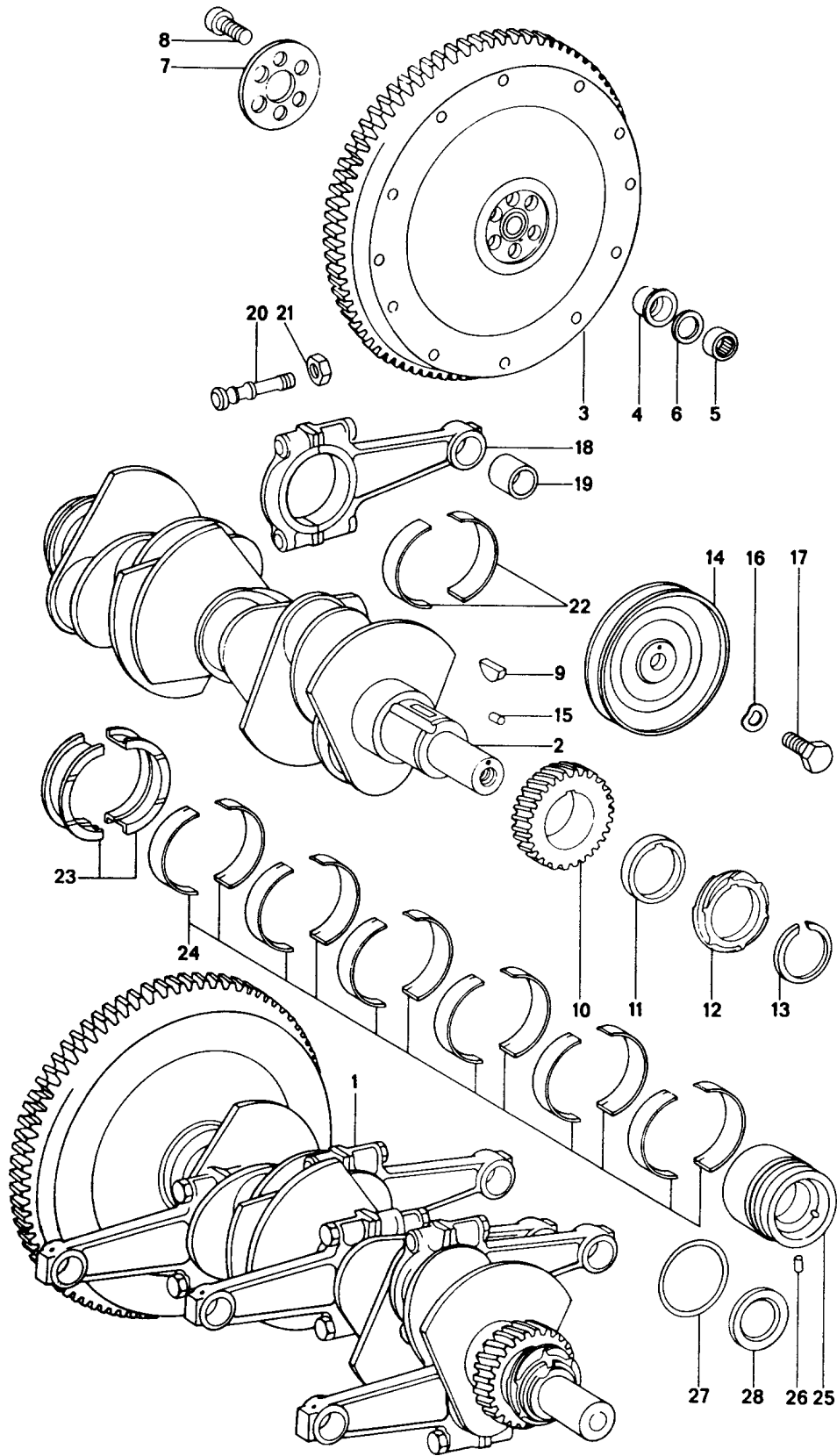
Pos	Part Number	Description	Remark	Qty	Model
		Crankcase Right			914-6
1	901 101 912 00	Crankcase with studs		1	
2	999 062 090 02	Stud M 10 X 40		2	
3	999 061 056 02	Stud M 10 X 15		1	
4	999 062 010 02	Stud BM 8 X 35		1	
5	999 062 115 02	Stud BM 8 X 32		12	
6	999 504 062 02	Threaded bush		1	
7	999 062 006 02	Stud BM 8 X 20 for Mount Oil pump And Chain case		3	
8	999 062 009 02	Stud BM 8 X 28		1	
8	900 060 105 01	Stud BM 8 X 28		1	
9	900 061 057 02	Stud BM 8 X 15		4	
9	999 062 057 02	Stud BM 8 X 15 for Oil cooler		4	
9	999 062 073 02	Stud BM 8 X 15 for Oil cooler		4	
10	999 062 055 02	Stud BM 6 X 12		7	
11	900 074 134 02	Hexagon-head bolt M 8 X 45		1	
12	900 060 101 01	Stud		3	
13	999 062 075 02	Stud BM 8 X 48		2	
14	999 062 138 02	Stud BM 8 X 52		1	
14	900 060 102 01	Stud BM 8 X 52		1	
15	999 062 051 02	Stud BM 8 X 108		1	
16	999 062 217 08	Screw BM 10 X 85		1	
17	999 113 057 52	Radial sealing ring 65 X 85 X 10		1	
(17)	901 102 911 00	Radial sealing ring 64,5 X 85 X 10 Undersize		1	
18	900 095 025 01	Roll pin 8 X 16 for Fan housing		1	
19	901 101 195 00	Dowel sleeve		2	
20	900 031 014 30	Washer 8,4		1	
-	999 151 022 02	Washer 20 X 8,4 X 2		1	

Model: 914 70 Model life 1970>>1976

Pos	Part Number	Description	Remark	Qty	Model
		Between Housing And Ground strap			
21	900 084 004 03	Hexagon nut M 8		1	
21	900 084 004 02	Hexagon nut M 8		1	
22	900 124 002 02	Screw plug AM 14 X 1,5		1	SPM
23	900 123 007 30	Sealing ring 14 X 18		1	
24	999 704 172 50	Sealing ring		1	
25	901 101 173 00	Screw		11	
26	999 701 006 40	O-ring		12	
27	901 101 161 01	Washer		12	
(27)	901 101 161 02	Washer		12	
28	901 641 632 00	Remote temperature sensor		1	
29	901 107 512 01	Piston		1	
30	901 107 531 00	Compression spring		1	
31	900 123 071 30	Sealing ring A 18 X 24		1	
32	999 064 010 02	Screw plug		1	
33	901 107 375 00	Screw socket		1	
-	900 123 005 30	Sealing ring A 12 X 16		1	
34	N 020 825 1	Cutting ring LL 8		1	
35	900 104 003 02	Union nut ALL 8		1	
35	900 104 003 03	Union nut ALL 8		1	
36	900 076 010 02	Nut M 6		2	
36	900 076 010 0B	Nut M 6		2	
37	900 028 008 01	Lock ring B 6		2	
37/1	901 101 035 01	Oil strainer	/L	1	
38	901 101 036 01	Oil strainer	/R	1	
39	900 031 011 30	Washer M 6		3	
40	999 701 053 50	Sealing ring 39,2 X 3		1	
41	901 107 751 00	Oil thermostat	-70	1	
(41)	930 107 765 00	Oil thermostat	71-	1	
42	901 105 141 02	Cover		1	
43	930 105 198 01	Gasket		1	
44	911 606 230 00	Oil pressure switch		1	
45	999 659 009 40	Cap		1	
46	900 084 010 02	Lock nut M 6		3	
47	901 101 175 01	Reducing socket		1	
48	900 123 044 30	Sealing ring A 18 X 22		1	

Model: 914 70

Model life 1970>>1976



Model: 914 70 Model life 1970>>1976

Pos	Part Number	Description	Remark	Qty	Model
1		Crankshaft Crankshaft with Connecting rod		1	914-6
2	901 102 011 00	Crankshaft		1	
3	901 102 026 01	Flywheel Complete		1	
3	901 102 026 02	Flywheel Complete		1	
-	999 012 014 00	Straight pin		3	
4-6	901 102 025 01	Bush Complete		1	
7	901 102 162 04	Washer for Mount Flywheel		1	
8	911 102 171 00	Pan-head screw for Mount Flywheel		6	901/36/38
(8)	999 067 009 01	Pan-head screw		6	901/37/39
9	901 102 147 00	Woodruff key		1	
10	901 102 111 00	Timing gear for Number 0		1	
(10)	901 102 111 10	Timing gear for Number 1		1	
(10)	901 102 111 20	Timing gear for Number 1		1	
11	901 102 145 00	Intermediate ring		1	
12	901 102 115 00	Drive wheel		1	
12	901 102 115 01	Drive wheel		1	
13	901 102 148 00	Circlip		1	
14	911 102 017 50	V-belt pulley		1	
15	900 012 060 00	Straight pin 5 M 6 X 10		1	
16	900 028 014 01	Lock ring B 12		1	
17	999 093 005 02	Hexagon-head bolt M 12 X 1,5 X 22		1	
(18)	901 103 011 26	Connecting rod Weight group: 6 = 596 - 605 GR.		6	
(18)	901 103 011 27	Connecting rod Weight group: 7 = 605 - 614 GR.		6	
(18)	901 103 011 29	Connecting rod Weight group: 9 = 623 - 632 GR.		6	
(18)	901 103 011 31	Connecting rod Weight group: 11 = 641 - 650 GR.		6	
(18)	901 103 011 32	Connecting rod Weight group: 12 = 650 - 659 GR.		6	
19	901 103 131 01	Connecting rod bush		6	
20	901 103 172 00	Connecting rod bolt		12	
21	901 103 173 00	Connecting rod nut		12	
21	901 103 173 02	Connecting rod nut		12	
22	901 103 141 00	Connecting-rod bearing		12	
22	901 103 141 81	Connecting-rod bearing		12	

Model: 914 70

Model life 1970&gt;&gt;1976

Pos	Part Number	Description	Remark	Qty	Model
(22)	901 103 141 50	Connecting-rod bearing Undersize 0.25 mm		X	
(22)	901 103 141 82	Connecting-rod bearing Undersize 0.25 mm		X	
(22)	901 103 141 60	Connecting-rod bearing Undersize 0.50 mm		X	
(22)	901 103 141 70	Connecting-rod bearing Undersize 0,75 MM		X	
(22)	901 103 141 80	Connecting-rod bearing Undersize 1,00 MM		X	
>>	911 101 901 00	Set of crankshaft bearings Comprising:		1	
23	901 101 131 00	Bearing shell I		2	
24	901 101 132 00	Bearing shell II - VII		12	
25	901 101 138 03	Bearing sleeve for Bearing VIII		1	
>>	911 101 901 50	Set of crankshaft bearings Undersize 0.25 mm Inner Comprising:		1	
(23)	901 101 131 50	Bearing shell I		2	
(23)	901 101 131 93	Bearing shell I		2	
(24)	901 101 132 50	Bearing shell II - VII		12	
(25)	901 101 138 53	Bearing sleeve for Bearing VIII		1	
>>	911 101 901 55	Set of crankshaft bearings Undersize 0.50 mm Inner Comprising:		1	
(23)	901 101 131 55	Bearing shell I		2	
(24)	901 101 132 55	Bearing shell II - VII		12	
(25)	901 101 138 58	Bearing sleeve for Bearing VIII		1	
>>	911 101 901 65	Set of crankshaft bearings Undersize 0,75 MM Inner Comprising:		1	
(23)	901 101 131 65	Bearing shell I		2	
(24)	901 101 132 65	Bearing shell II - VII		12	
(25)	901 101 138 68	Bearing sleeve for Bearing VIII		1	
>>	911 101 901 69	Set of crankshaft bearings Undersize		1	



Model: 914 70

Model life 1970&gt;&gt;1976

Pos	Part Number	Description	Remark	Qty	Model
(23)	901 101 131 69	1,00 MM Inner Comprising: Bearing shell		2	
(24)	901 101 132 69	I Bearing shell		12	
(25)	901 101 138 69	II - VII Bearing sleeve for Bearing		1	
>>	911 101 901 60	VIII Set of crankshaft bearings Oversize 0.25 mm Outer		1	
(23)	901 101 131 60	Comprising: Bearing shell		2	
(24)	901 101 132 60	I Bearing shell		12	
(24)	901 101 132 61	II - VII Bearing shell		12	
(25)	901 101 138 63	II - VII Bearing sleeve for Bearing		1	
>>	911 101 901 70	VIII Set of crankshaft bearings Oversize 0.25 mm Outer Undersize 0.25 mm Inner		1	
(23)	901 101 131 70	Comprising: Bearing shell		2	
(24)	901 101 132 70	I Bearing shell		12	
(25)	901 101 138 73	II - VII Bearing sleeve for Bearing		1	
>>	911 101 901 75	VIII Set of crankshaft bearings Oversize 0.25 mm Outer Undersize 0.50 mm Inner		1	
(23)	901 101 131 75	Comprising: Bearing shell		2	
(24)	901 101 132 75	I Bearing shell		12	
(25)	901 101 138 78	II - VII Bearing sleeve for Bearing		1	
>>	911 101 901 85	VIII Set of crankshaft bearings Oversize 0.25 mm Outer Undersize 0,75 MM Inner		1	
(23)	901 101 131 85	Comprising: Bearing shell		2	
(24)	901 101 132 85	I Bearing shell		12	

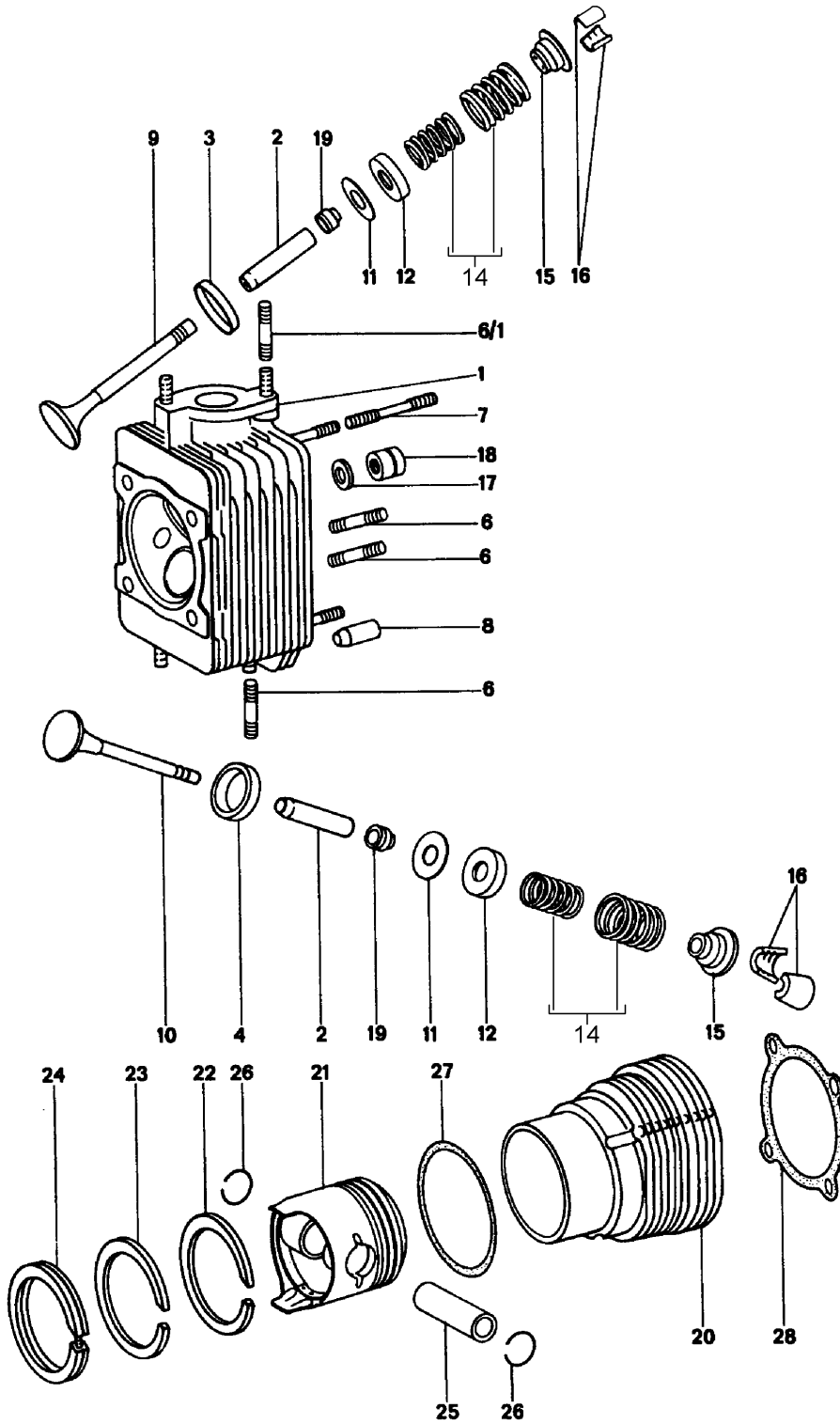
Model: 914 70

Model life 1970&gt;&gt;1976

Pos	Part Number	Description	Remark	Qty	Model
(25)	901 101 138 88	II - VII Bearing sleeve for Bearing		1	
>>	911 101 901 89	VIII Set of crankshaft bearings Oversize 0.25 mm Outer Undersize 1,00 MM Inner Comprising:		1	
(23)	901 101 131 89	Bearing shell I		2	
(24)	901 101 132 89	Bearing shell II - VII		12	
(25)	901 101 138 89	Bearing sleeve for Bearing VIII		1	
26	900 012 061 00	Straight pin 5H 8 X 10 DIN 7		1	
27	900 174 041 40	Sealing ring R 50 X 4 PAB/769		1	
27	900 174 068 40	Sealing ring R 50 X 4 PAB/769		1	
28	999 113 049 52	Radial sealing ring 30 X 50 X 10		1	
(28)	999 113 291 40	Sealing ring 29,5 X 50 X 10		1	

Model: 914 70

Model life 1970>>1976



Model: 914 70 Model life 1970>>1976

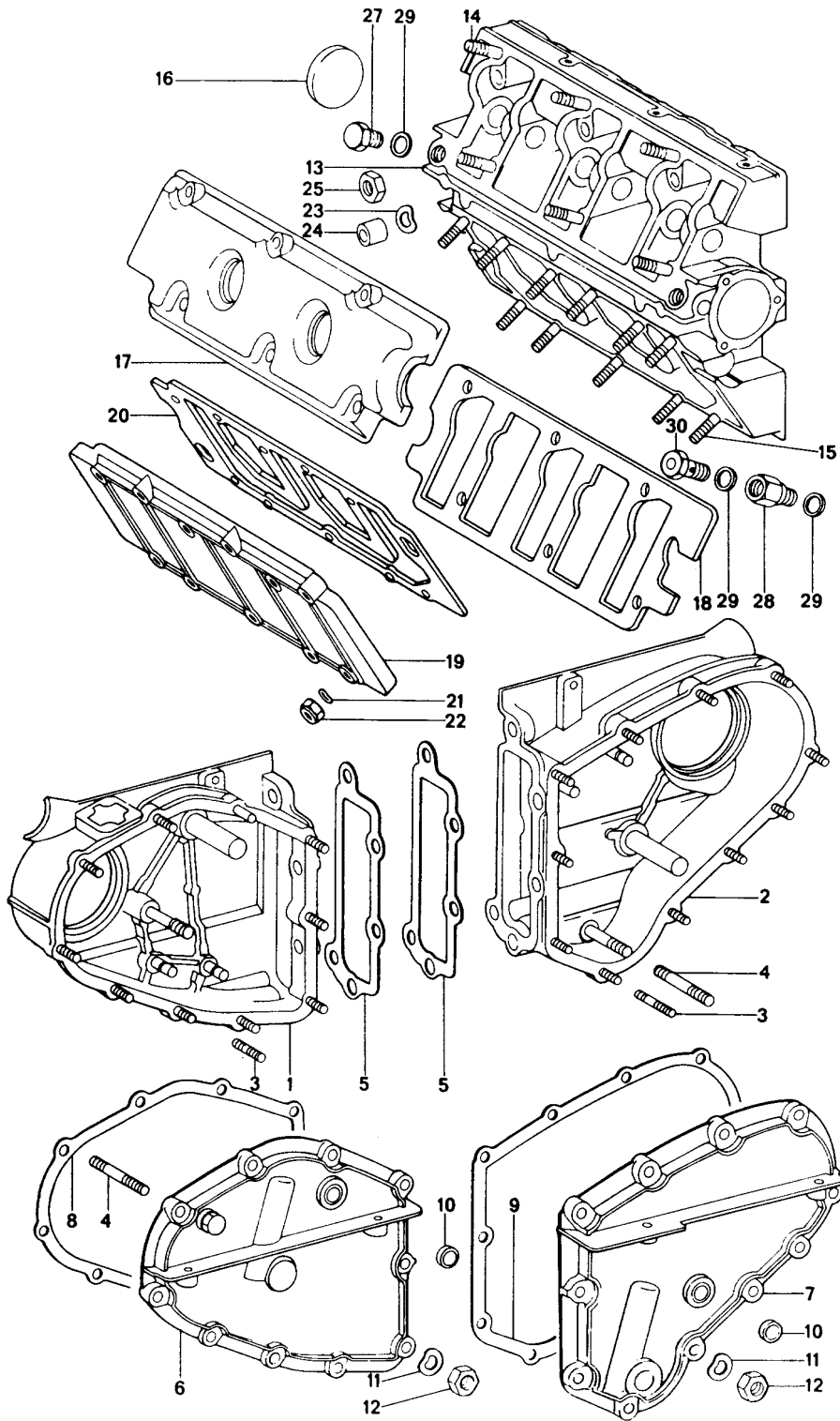
Pos	Part Number	Description	Remark	Qty	Model
		Cylinder head Cylinder with piston Cylinder head Complete		6	914-6
1	901 104 036 02				
(1)	901 104 006 04	Cylinder head with valves Ready for installation		6	
2	930 104 321 50	Valve guide 1st oversize		X	
(2)	901 104 321 61	Valve guide 2nd oversize		X	
3	901 104 313 50	Valve seat ring for Intake Oversize		X	
4	901 104 317 53	Valve seat ring for Exhaust 2nd oversize Unleaded		X	
6	900 061 006 01	Stud BM 8 X 20		24	
6/1	999 062 008 02	Stud BM 8 X 25		12	
7	900 061 012 02	Stud BM 8 X 50		24	
8	999 012 006 00	Straight pin		12	
9	901 105 407 00	Intake valve		6	
10	901 105 408 50	Exhaust valve Unleaded		6	
11	930 105 461 00	Washer		X	
12	901 105 463 00	Ring		12	
14	901 105 901 50	Set of valve springs Outer And Inner		12	
14	901 105 901 51	Set of valve springs Outer And Inner		12	
15	901 105 421 03	Concave washer		12	
16	901 105 417 00	Collet		24	
17	999 031 083 01	Washer		24	
17	999 031 083 02	Washer		24	
18	901 104 382 02	Nut		24	
18	901 104 382 03	Nut		24	
19	911 104 193 03	Valve stem seal Valve		12	
20-26	901 103 903 01	Cylinder with piston Complete Group 5 - mahle -		6	
20-26	901 103 903 02	Cylinder with piston Complete Group 6 - mahle -		6	
20-26	901 103 903 05	Cylinder with piston Complete Group 5 - SCHMIDT -		6	
20-26	901 103 903 06	Cylinder with piston Complete Group 6		6	

Model: 914 70 Model life 1970>>1976

Pos	Part Number	Description	Remark	Qty	Model
21-26		- SCHMIDT - Piston Complete \$ 80 ; Single parts Not available		X	
22-24	901 103 901 02	Piston ring - mahle -		6	
22-24	901 103 901 03	Piston ring - SCHMIDT -		6	
25	901 103 323 00	Piston pin		6	
26	900 178 002 00	Circlip C 22		6	
27	901 104 191 00	Cylinder base gasket		6	
28	901 104 391 01	Cylinder head gasket Cylinder head		6	
21-26	901 103 038 50	Piston Complete \$ 80,5 1st oversize		X	
21-26	901 103 038 60	- mahle - Piston Complete \$ 81 2nd oversize		X	
21-26	901 103 038 51	- mahle - Piston Complete \$ 80,5 1st oversize		X	
21-26	901 103 038 61	- SCHMIDT - Piston Complete \$ 81 2nd oversize		X	
22-24	901 103 901 52	- SCHMIDT - Piston ring \$ 80,5		6	
22-24	901 103 901 62	- mahle - Piston ring \$ 81		6	
22-24	901 103 901 53	- mahle - Piston ring \$ 80,5		6	
22-24	901 103 901 63	- SCHMIDT - Piston ring \$ 81 - SCHMIDT -		6	

Model: 914 70

Model life 1970>>1976



Model: 914 70

Model life 1970&gt;&gt;1976

Pos	Part Number	Description	Remark	Qty	Model
		Chain case Camshaft housing			914-6
1	930 105 061 02	Chain case Complete	/L	1	
2	930 105 062 01	Chain case Complete	/R	1	
3	999 062 102 02	Stud BM 6 X 22		21	
4	900 061 012 02	Stud BM 8 X 50		2	
5	930 105 193 00	Gasket Crankcase And Chain case		2	
5	930 105 193 05	Gasket Crankcase And Chain case		2	
6	930 105 063 01	Lid for Chain case Complete		1	
7	930 105 064 00	Left Lid for Chain case Complete		1	
8	930 105 191 03	Right Gasket for Lid Chain case		1	
9	930 105 192 01	Left Gasket for Lid Chain case		1	
9	930 105 192 03	Right Gasket for Lid Chain case		1	
9	930 105 192 04	Right Gasket for Lid Chain case		1	
10	900 036 008 02	Right Lid		2	
11	900 031 011 30	Washer 6,4		21	
12	900 084 010 02	Lock nut M 6		21	
13	901 105 021 05	Camshaft housing Complete		2	
-	901 105 362 01	Oil splash tube		2	
14	999 062 009 02	Stud BM 8 X 28		12	
14	900 060 105 01	Stud BM 8 X 28		12	
15	999 062 010 02	Stud BM 8 X 35		22	
-	901 105 379 00	Stopper		4	

Model: 914 70

Model life 1970>>1976

Pos	Part Number	Description	Remark	Qty	Model
16	901 105 161 01	Lid		2	
17	901 105 115 03	Lid for Camshaft housing Upper		2	
18	930 105 194 00	Gasket for Lid Camshaft housing Upper		2	
18	930 105 194 02	Gasket for Lid Camshaft housing Upper		2	
18	930 105 194 04	Gasket for Lid Camshaft housing Upper		2	
19	930 105 116 00	Lid for Camshaft housing Lower		2	
19	930 105 116 05	Lid for Camshaft housing Lower		2	
20	930 105 195 00	Gasket for Lid Camshaft housing Lower		2	
20	930 105 195 02	Gasket for Lid Camshaft housing Lower		2	
20	930 105 195 05	Gasket for Lid Camshaft housing Lower		2	
20	930 105 195 06	Gasket for Lid Camshaft housing Lower		2	
20	930 105 195 07	Gasket for Lid Camshaft housing Lower		2	
21	900 031 014 30	Washer 8,4		34	
(21)		Washer 8,4 for Chain case		5	
22	900 084 004 03	Hexagon nut M 8 for Chain case		6	



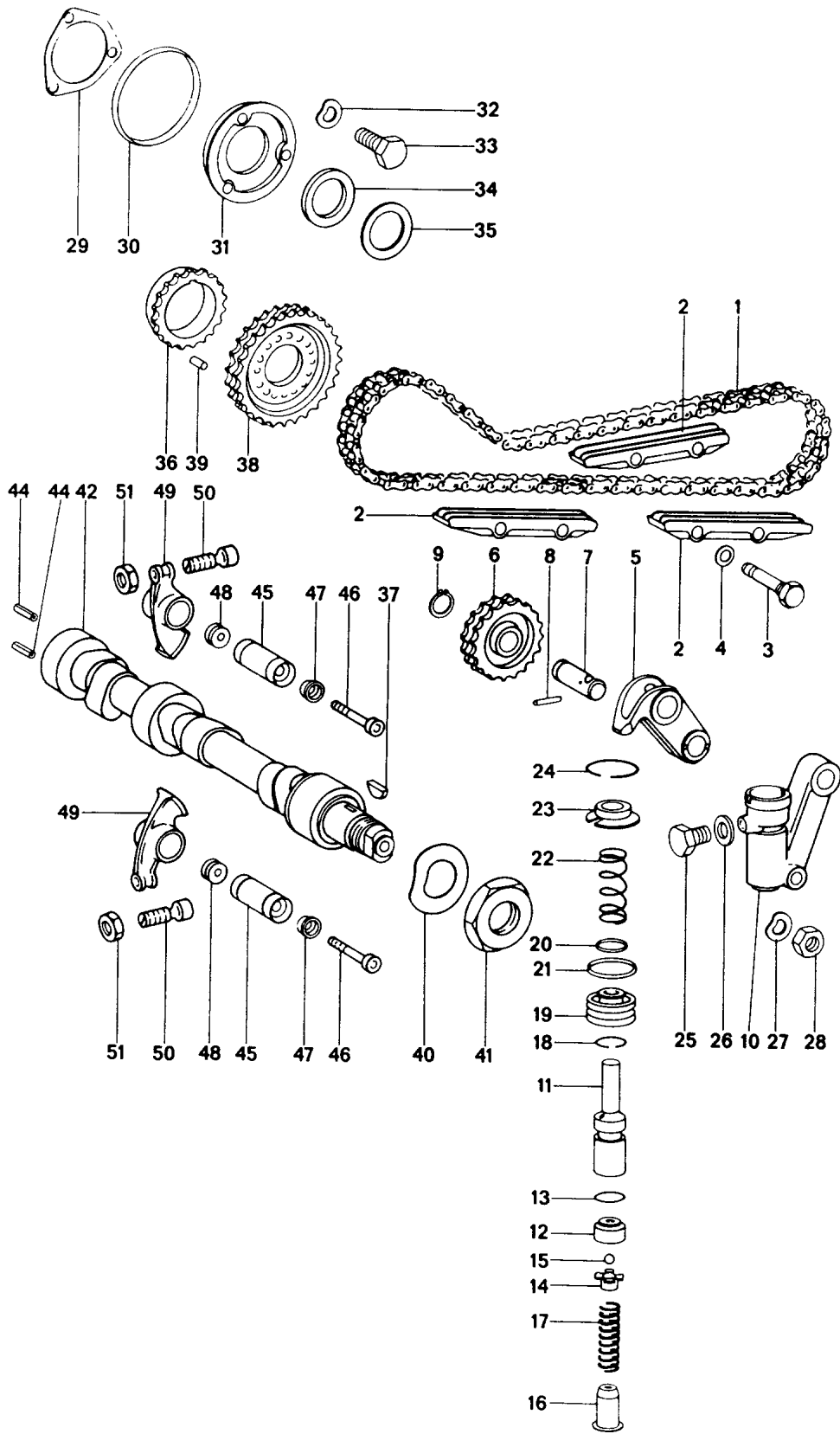
Model: 914 70

Model life 1970>>1976

Pos	Part Number	Description	Remark	Qty	Model
22	900 084 004 02	Hexagon nut M 8 for Chain case		6	
23	N 012 241 1	Spring washer BM 8 X 15		36	
(23)		Spring washer BM 8 X 15 for Chain case		4	
24	901 111 271 00	Nut		6	
25	900 076 025 02	Hexagon nut M 8		30	
25	900 076 064 02	Hexagon nut M 8		30	
(25)	900 076 025 02	Hexagon nut M 8 for Chain case		4	
(25)	900 076 064 02	Hexagon nut M 8 for Chain case		4	
27	901 105 374 00	Screw plug		2	
28	901 105 361 01	Intermediate piece		2	
28	901 105 361 02	Intermediate piece		2	
29	900 123 005 00	Sealing ring A 12 X 16		6	
30	900 134 006 02	Banjo bolt A 6		2	
30	N 021 056 3	Banjo bolt A 6		2	
30	999 134 018 02	Banjo bolt A 6		2	

Model: 914 70

Model life 1970>>1976



Model: 914 70 Model life 1970>>1976

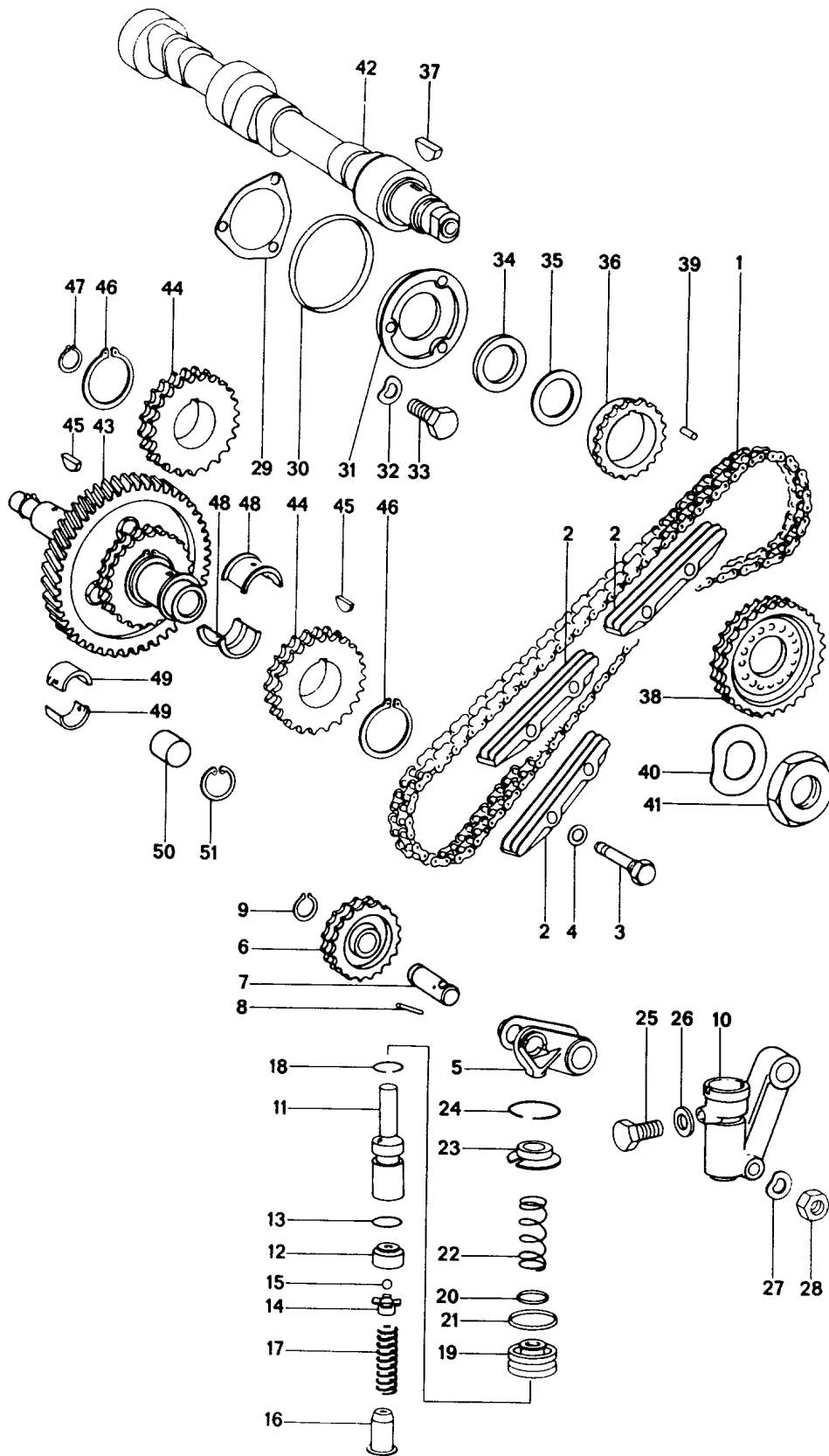
Pos	Part Number	Description	Remark	Qty	Model
		Valve control Left			914-6
1	901 105 529 00	Timing chain		1	
2	911 105 222 05	Guide rail		3	
3	901 105 226 03	Bolt for Guide rail		4	
4	900 123 066 30	Sealing ring A 10 X 16		4	
5	901 105 505 02	Chain wheel support	/L	1	
6	901 105 055 00	Sprocket Complete		1	
7	901 105 056 01	Bolt Complete		1	
7	901 105 056 02	Bolt Complete		1	
8	900 197 010 00	Tensioning sleeve 3 X 22		1	
10	901 105 050 01	Housing Housing Complete		1	
10-26	930 105 049 00	Chain adjuster Complete		1	
-	911 105 901 00	Repair kit Comprising: Picture 12-15,18,20,21,24,26		1	
-	911 105 901 01	Repair kit Comprising: Picture 12-15,18,20,21,24,26		1	
11	930 105 559 00	Piston for Chain adjuster		1	
12		Intermediate piece		1	
13		O-ring R 10 - 1,3		1	
14		Housing for Ball Valve		1	
15		Ball 5 MM V		1	
16	930 105 523 00	Spring guide		1	
17	916 105 534 00	Compression spring for Chain adjuster		1	
17	916 105 534 01	Compression spring for Chain adjuster		1	
18		Circlip 16		1	
19	901 105 557 01	Piston		1	
20		O-ring 8,3 - 2,4		1	
21		O-ring 20,3 - 2,4		1	
22	930 105 535 01	Compression spring		1	
23	930 105 568 00	Concave washer		1	
24		Circlip 28		1	
25	930 105 573 00	Bleeder screw		1	
26		Sealing ring		1	

Model: 914 70 Model life 1970>>1976

Pos	Part Number	Description	Remark	Qty	Model
27	N 012 241 1	A 6,5 X 9,5 Spring washer		1	
28	900 076 025 02	B 8 X 15 Hexagon nut		1	
28	900 076 064 02	M 8 Hexagon nut		1	
29	930 105 197 05	Gasket		1	
30	999 701 124 40	O-ring		1	
31	930 105 196 00	67,5 X 75,5 X 4 Cover		1	
32	900 028 008 01	Lock ring		3	
33	900 075 017 02	B 6 Hexagon-head bolt		3	
33	900 075 017 03	M 6 X 25 Hexagon-head bolt		3	
34	901 105 562 00	M 6 X 25 Thrust washer		1	
34	901 105 562 02	Thrust washer		1	
35	901 105 561 00	Shim		X	
36	901 105 583 01	Flange		1	
37	900 118 005 00	Sprocket Woodruff key		1	
38	901 105 546 02	4 X 5 Sprocket		1	
38	901 105 546 04	II Sprocket		1	
39	900 243 001 00	II Straight pin		1	
40	900 028 021 02	A 6 H 8 X 14 Spring washer		1	
41	901 105 172 00	B 30 Nut		1	
42	901 105 133 00	for Camshaft	/L	1	
42	901 105 133 01	Camshaft	/L	1	
42	901 105 133 02	Camshaft	/L	1	
44	900 095 017 01	Roll pin		2	SPM
45	901 105 342 04	5 X 24 Rocker shaft		12	
46	999 067 008 00	Pan-head screw		12	
47	901 105 344 02	Bush		12	
47	901 105 344 03	Bush		12	
48	901 105 376 02	Nut		12	
49	930 105 043 00	Rocker arm		12	
49	930 105 043 02	Complete Rocker arm		12	
50	901 105 370 02	Complete Adjusting screw		12	
51	999 034 005 00	Complete Nut		12	

Model: 914 70

Model life 1970>>1976



Model: 914 70 Model life 1970>>1976

Pos	Part Number	Description	Remark	Qty	Model
		Valve control Right			914-6
1	901 105 529 00	Timing chain		1	
2	911 105 222 05	Guide rail		3	
3	901 105 226 03	Bolt for Guide rail		4	
4	900 123 066 30	Sealing ring A 10 X 16		4	
5	901 105 506 02	Chain wheel support	/R	1	
6	901 105 055 00	Sprocket Complete		1	
7	901 105 056 01	Bolt Complete		1	
7	901 105 056 02	Bolt Complete		1	
8	900 197 010 00	Tensioning sleeve 3 X 22		1	
9	N 012 415 1	Circlip 15 X 1		1	
10	901 105 050 01	Housing Housing Complete		1	
10-26	930 105 049 00	Chain adjuster Complete		1	
-	911 105 901 00	Repair kit Comprising: Picture 12-15,18,20,21,24,26		1	
-	911 105 901 01	Repair kit Comprising: Picture 12-15,18,20,21,24,26		1	
11	930 105 559 00	Piston for Chain adjuster		1	
12		Intermediate piece		1	
13		O-ring R 10 - 1,3		1	
14		Housing for Ball Valve		1	
15		Ball 5 MM V		1	
16	930 105 523 00	Spring guide		1	
17	916 105 534 00	Compression spring for Chain adjuster		1	
17	916 105 534 01	Compression spring for Chain adjuster		1	
18		Circlip 16		1	
19	901 105 557 01	Piston		1	
20		O-ring OR 8,3 - 2,4		1	
21		O-ring OR 20,3 - 2,4		1	
22	930 105 535 01	Compression spring		1	
23	930 105 568 00	Concave washer		1	
24		Circlip 28		1	

Model: 914 70

Model life 1970&gt;&gt;1976

Pos	Part Number	Description	Remark	Qty	Model
25	930 105 573 00	Bleeder screw		1	
26		Sealing ring		1	
27	N 012 241 1	A 6,5 X 9,5 Spring washer		1	
28	900 076 025 02	B 8 X 15 Hexagon nut		1	
28	900 076 064 02	M 8 Hexagon nut		1	
29	930 105 197 05	M 8 Gasket		1	
30	999 701 124 40	O-ring		1	
31	930 105 196 00	67,5 X 75,5 X 4 Cover		1	
32	900 028 008 01	Lock ring		3	
33	900 075 017 02	B 6 Hexagon-head bolt		3	
33	900 075 017 03	M 6 X 25 Hexagon-head bolt		3	
34	901 105 562 00	M 6 X 25 Thrust washer		1	
34	901 105 562 02	Thrust washer		1	
35	901 105 561 00	Shim		X	
36	901 105 583 01	Flange		1	
37	900 118 005 00	Sprocket Woodruff key		1	
38	901 105 546 02	4 X 5 Sprocket		1	
38	901 105 546 04	II Sprocket		1	
39	900 243 001 00	II Straight pin		1	
40	900 028 021 02	A 6 H 8 X 14 Spring washer		1	
41	901 105 172 00	B 30 Nut		1	
42	901 105 134 00	for Camshaft	/R	1	
42	901 105 134 03	Camshaft	/R	1	
43	930 105 013 01	Intermediate shaft		1	
43	930 105 013 04	with Timing gear Number plate 0		1	
(43)	930 105 013 11	Intermediate shaft		1	
44		with Timing gear Number plate 1		X	
45		Not available		X	
46	900 041 025 01	Not available		X	
47	900 041 026 01	Circlip		2	
47	900 041 026 01	36 X 1,75 Circlip		1	
48	916 101 137 00	13 X 1 Thrust bearing		2	
		for Intermediate shaft			

Model: 914 70

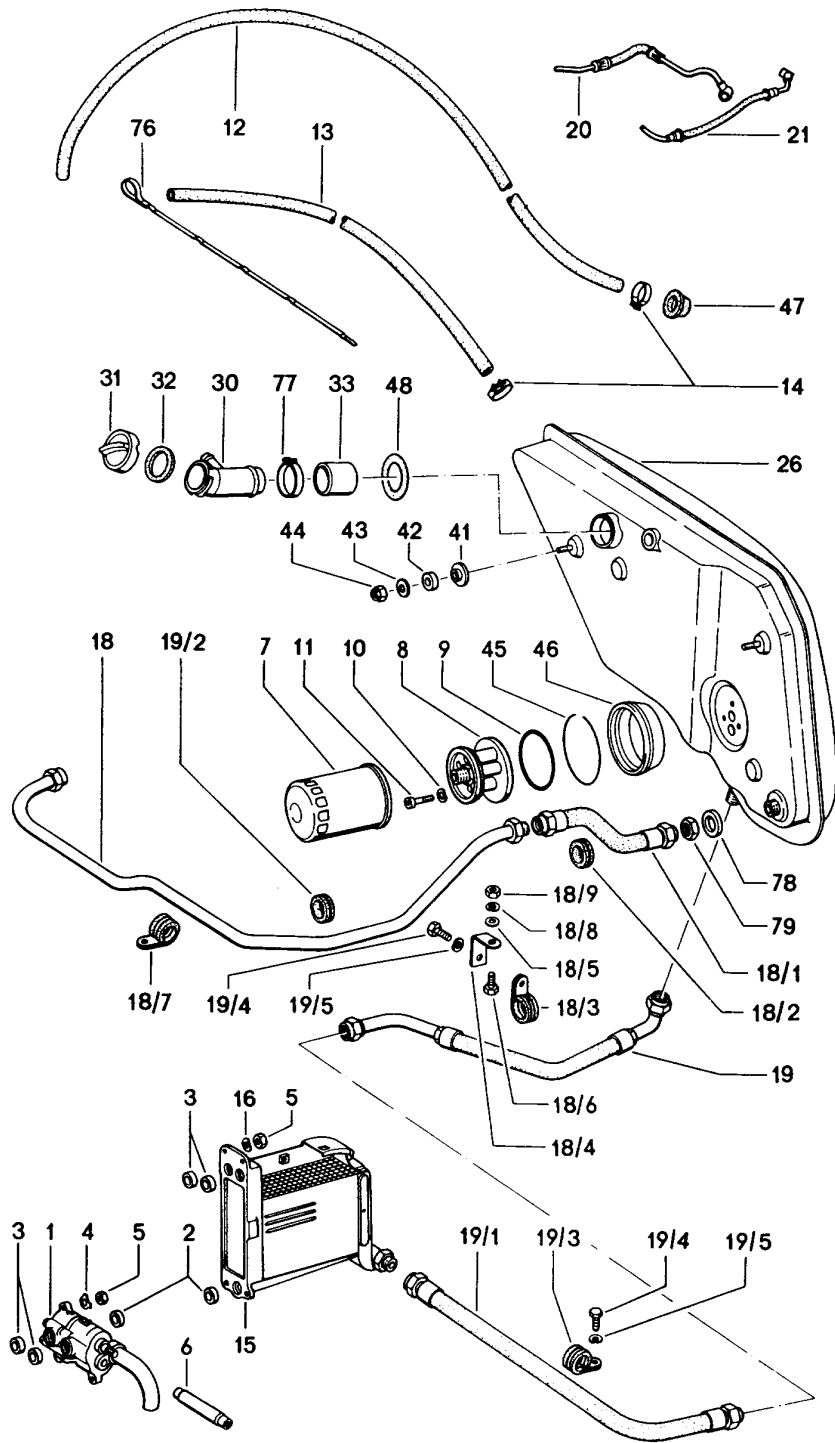
Model life 1970&gt;&gt;1976

Pos	Part Number	Description	Remark	Qty	Model
48	993 101 137 00	Thrust bearing for Intermediate shaft		2	
48	993 101 137 01	Thrust bearing for Intermediate shaft		2	
49	901 101 135 00	Bearing		2	
50	901 105 275 00	Stopper		1	
51	N 012 296 1	Circlip 16 X 1		1	



Model: 914 70

Model life 1970>>1976



Model: 914 70

Model life 1970&gt;&gt;1976

Pos	Part Number	Description	Remark	Qty	Model
		Engine lubrication			914-6
1	901 107 002 06	Oil pump		1	
2	999 704 173 50	Sealing ring		2	
3	999 704 172 50	Sealing ring		4	
4	999 039 001 00	Tab washer		3	
5	900 076 025 02	Hexagon nut M 8		7	
5	900 076 064 02	Hexagon nut M 8		7	
6	901 107 121 00	Connecting shaft		1	
7	901 107 203 09	Oil filter		X	
7	901 107 203 10	Oil filter	-(IND)	X	
8	901 107 025 00	Engine bracket		1	
9	999 701 100 50	O-ring R 72 - 4		1	
10	900 028 003 01	Lock ring A 6		3	
11	N 014 749 2	Pan-head screw M 6 X 40		3	
12	901 107 394 01	Connecting hose 800 MM Crankcase		1	
13	901 107 394 02	Connecting hose 500 MM Oil tank Air cleaner		1	
14	999 512 356 02	Hose clamp (22-36) X 9		4	
15	901 107 059 01	Oil cooler		1	
15	901 107 059 03	Oil cooler		1	
16	N 012 241 1	Spring washer B 8 X 15		4	
18	901 107 820 02	Oil pipe Complete		1	
18/1	901 107 821 00	Pressure line Hose line		1	
18/2	999 702 132 50	Rubber sleeve Hose line		1	
18/3	999 511 076 02	Clamp		1	
18/4	901 107 084 00	Support		1	
18/5	N 011 524 7	Washer 6,4		1	
18/5	N 011 524 27	Washer 6,4		1	
18/6	900 075 010 02	Hexagon nut M 6 X 12		1	
18/6	N 010 212 14	Hexagon-head bolt M 6 X 12		1	
18/6	999 072 005 09	Hexagon nut M 6 X 12		1	
18/6	999 072 005 01	Hexagon nut M 6 X 12		1	
18/7	999 511 076 02	Clamp Pressure line		1	
18/8	900 028 008 01	Lock ring B 6		1	
18/9	900 076 010 02	Nut M 6		1	
18/9	900 076 010 0B	Nut M 6		1	
19	901 107 710 04	Hose line		1	

Model: 914 70

Model life 1970>>1976

Pos	Part Number	Description	Remark	Qty	Model
19	901 107 710 05	Intake pipe Hose line		1	
19/1	901 107 823 03	Intake pipe Hose line		1	
19/1	901 107 823 05	Intake pipe Hose line		1	
19/2	999 702 089 50	Intake pipe Rubber sleeve for Mount		1	
19/3	999 511 077 02	Hose line Clamp for		1	
19/4	900 075 087 02	Intake pipe Hexagon-head bolt M 8 X 16		2	
19/4	900 075 087 03	Hexagon-head bolt M 8 X 16		2	
19/5	N 012 241 1	Spring washer B 8 X 15		2	
20	901 107 347 01	Oil hose Complete Left Crankcase Camshaft		1	
20	901 107 347 02	Oil hose Complete Left Crankcase Camshaft		1	
21	901 107 348 00	Oil hose Complete Right Crankcase Camshaft		1	
21	901 107 348 02	Oil hose Complete Right Crankcase Camshaft		1	
26	901 107 005 40	Oil tank Bodyshell		1	
26	901 107 005 46	Oil tank Bodyshell		1	
26		Oil tank Bodyshell		1	
30	901 107 640 40	Filler neck		1	
31	901 201 271 00	Fuel tank cap		1	
31	901 201 271 01	Fuel tank cap		1	
32	901 201 272 00	Sealing ring		1	
32	930 107 272 01	Sealing ring		1	
33	901 107 691 10	Boot for Filler neck		1	
41	901 107 692 00	Washer		2	
42	901 107 693 01	Washer		2	
43	900 151 008 02	Washer A 8,4		2	
44	N 021 194 1	Lock nut M 8		2	
45	901 107 281 00	Circlip		1	
46	901 107 291 00	Gasket for		1	

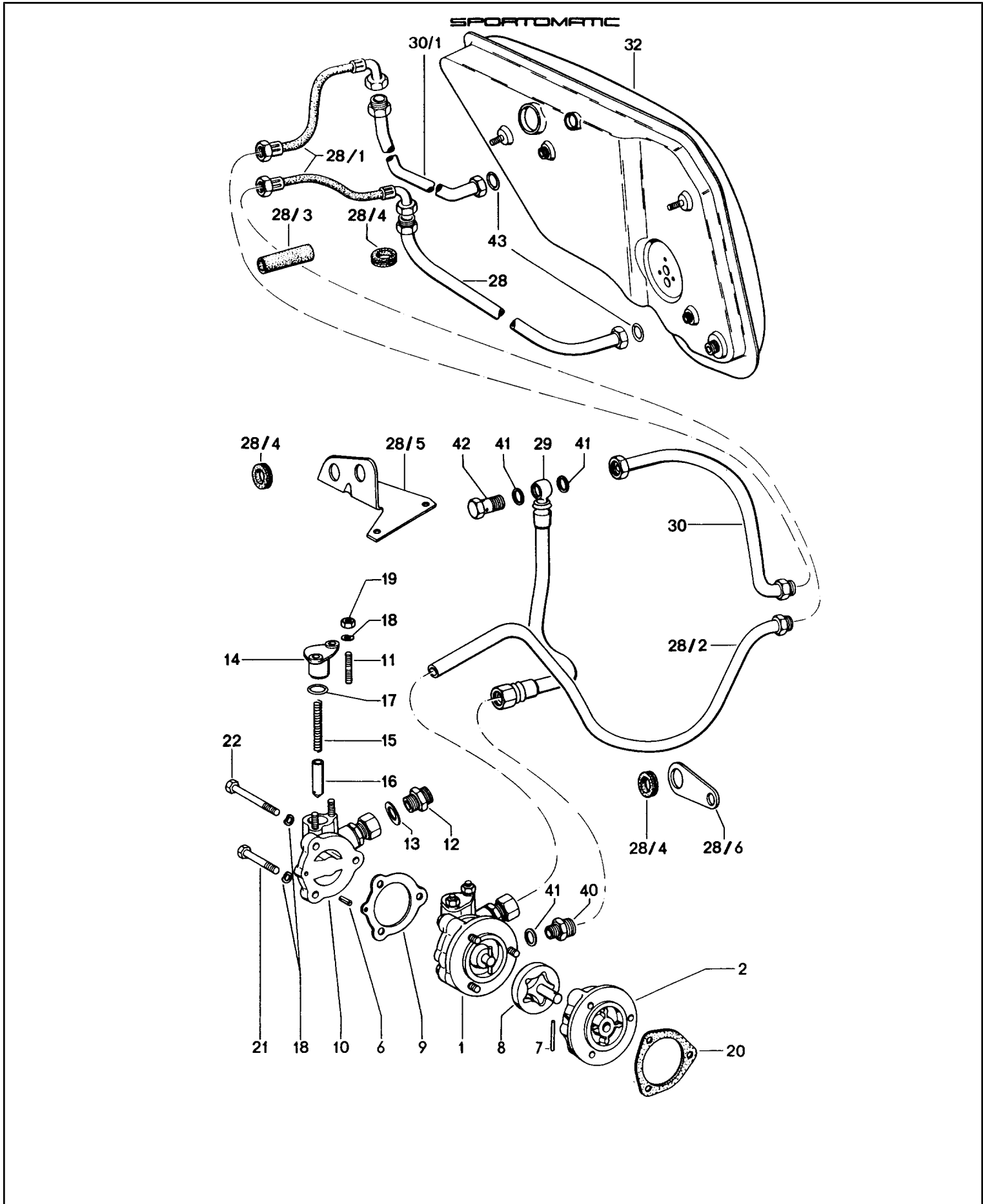
Model: 914 70

Model life 1970&gt;&gt;1976

Pos	Part Number	Description	Remark	Qty	Model
47	901 107 695 40	Oil filter Sealing ring for		1	
48	901 107 696 40	Breather adapter Sealing ring for		1	
76	901 107 770 40	Filler neck Oil level dipstick Complete		1	
77	999 512 073 02	Clip SP. 54 / 25		1	
78	901 107 679 10	Sealing ring		1	
79	900 183 006 02	Hexagon nut M 26 X 1,5		1	

Model: 914 70

Model life 1970>>1976



Model: 914 70

Model life 1970&gt;&gt;1976

Pos	Part Number	Description	Remark	Qty	Model
		Oil supply for Converter	-71		914-6:SPM
1	905 107 006 04	Oil pump for Converter		1	
2	905 107 101 03	Rotor housing		1	
6	900 197 017 00	Tensioning sleeve 4 X 14		1	
7	900 302 001 00	Straight pin 4 M 6 X 32		1	
8	905 107 901 01	Rotor set		1	
9	905 107 191 02	Gasket		1	
9	905 107 191 03	Gasket		1	
10	905 107 015 04	Lid Complete		1	
11	999 062 002 02	Stud BM 6 X 15		2	
12	999 099 011 02	Union AM 10 -11		1	
13	900 123 008 30	Sealing ring A 14 X 20		1	
14	905 107 141 03	Flat connector		1	
15	905 107 142 01	Compression spring		1	
16	905 107 143 01	Slide		1	
17	999 701 135 50	O-ring R 15 X 2,5		1	
18	900 028 008 01	Lock ring B 6		5	
19	900 076 010 02	Nut M 6		2	
19	900 076 010 0B	Nut M 6		2	
20	930 105 197 05	Gasket		1	
21	900 074 111 02	Hexagon-head bolt M 6 X 50		2	
22	900 074 022 02	Hexagon-head bolt M 6 X 65		1	
28	905 107 033 30	Intake pipe I Complete		1	
28/1	905 107 019 30	Oil tank Oil hose Oil hose Complete		2	
28/2	905 107 034 30	Intake pipe II Complete		1	
28/3	905 107 313 30	Oil pump Hose piece Mount Intake pipe I		1	
28/4	999 702 087 50	Rubber sleeve		5	
28/5	905 107 718 30	Bracket Engine cover		1	
28/6	905 107 311 30	Spacer plate for Intake pipe		1	

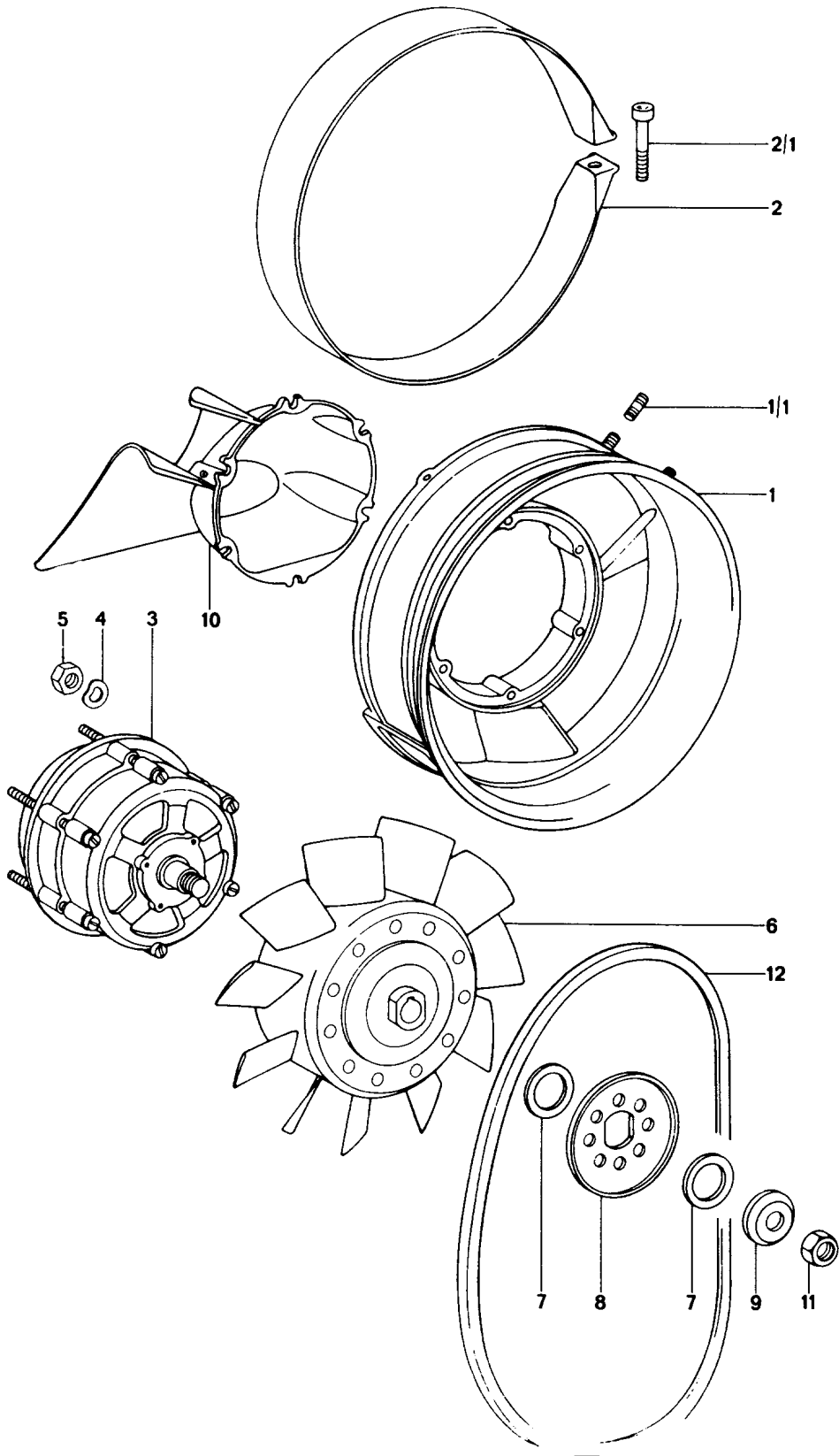
Model: 914 70

Model life 1970>>1976

Pos	Part Number	Description	Remark	Qty	Model
29	905 107 038 02	II Pressure line Complete Oil pump Switch housing		1	
30	905 107 035 31	Return line I Complete Switch housing Oil hose		1	
30/1	905 107 036 30	Return line II Complete Oil hose Oil tank		1	
32	901 107 005 40	Oil tank Bodyshell		1	
32	901 107 005 46	Oil tank Bodyshell		1	
32		Oil tank Bodyshell		1	
40	999 136 007 02	Union		1	
41	900 123 043 30	Sealing ring A 12 X 15,5		1	
42	999 134 012 02	Banjo bolt Switch housing		1	
43	901 107 678 45	Sealing ring for Oil tank		2	

Model: 914 70

Model life 1970>>1976



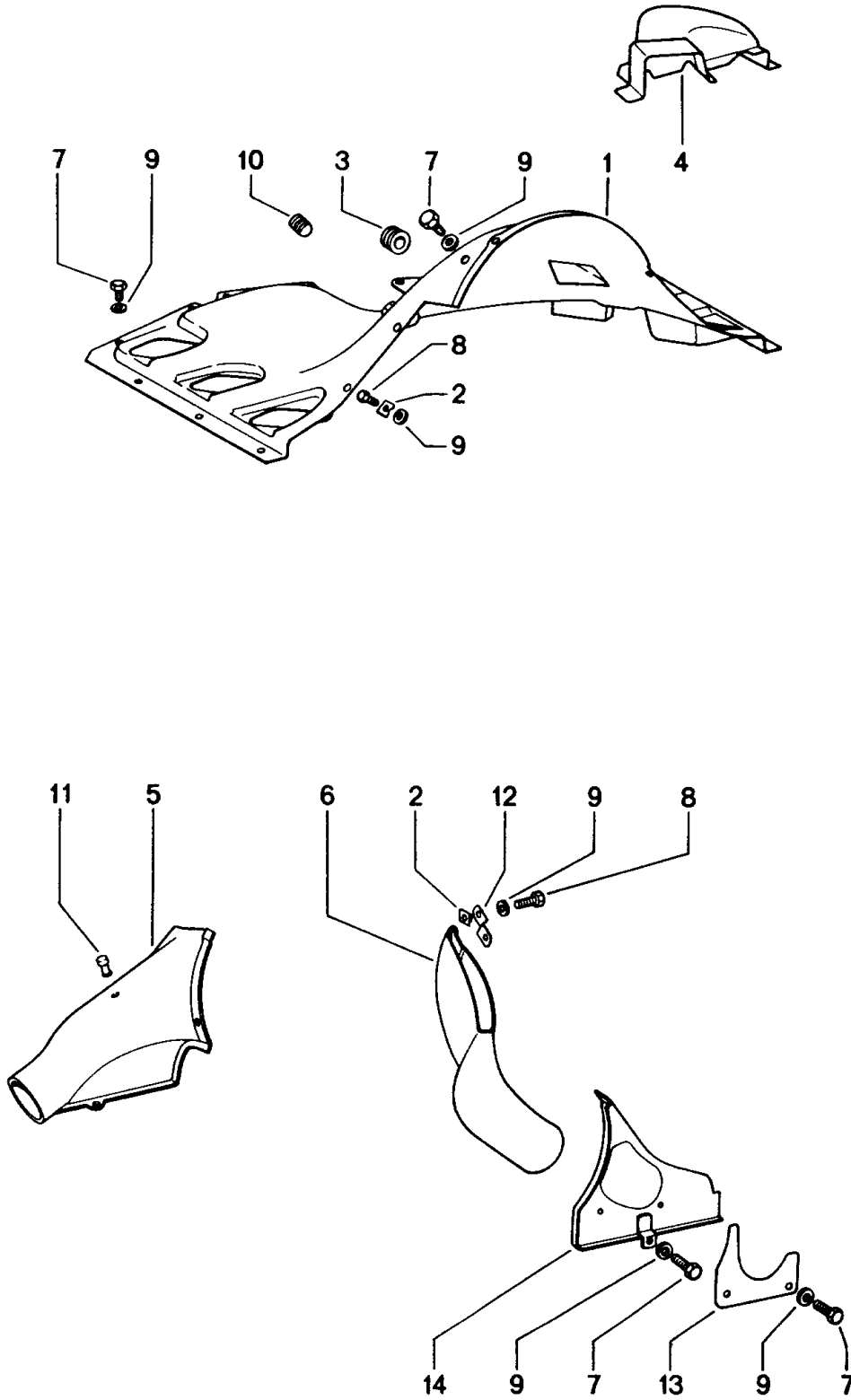


Model: 914 70 Model life 1970>>1976

Pos	Part Number	Description	Remark	Qty	Model
1	901 106 011 00	Air cooling Fan housing Complete		1	914-6
1/1	999 062 006 02	Stud BM 8 X 20		2	
2	964 106 251 20	Clip		1	
2/2	N 014 715 3	Pan-head screw M 8 X 45		1	
2/2	900 067 103 01	Pan-head screw M 8 X 45		1	
3	911 603 118 00	Generator 770 W		1	
4	900 028 008 01	Lock ring B 6		1	
5	900 076 010 02	Nut M 6		6	
5	900 076 010 0B	Nut M 6		6	
6	901 106 010 03	Impeller Complete		1	
7	901 105 561 00	Shim		X	
8	901 603 421 01	Pulley half		1	
9	901 603 427 01	Cap for Generator - bosch -		1	
9	901 603 427 02	Cap for Generator - bosch -		1	
(9)	901 603 428 00	Tensioning cap for Generator - MOTOROLA -		1	
(9)	901 603 428 01	Tensioning cap for Generator - MOTOROLA -		1	
10	911 106 033 00	Hub extension Complete Black		1	
11	900 078 005 01	Hexagon nut M 14 X 1,5		1	
12	999 192 176 50	Narrow v-belt 9,5 X 710		1	
12	999 192 176 5A	Narrow v-belt 9,5 X 710		1	

Model: 914 70

Model life 1970>>1976



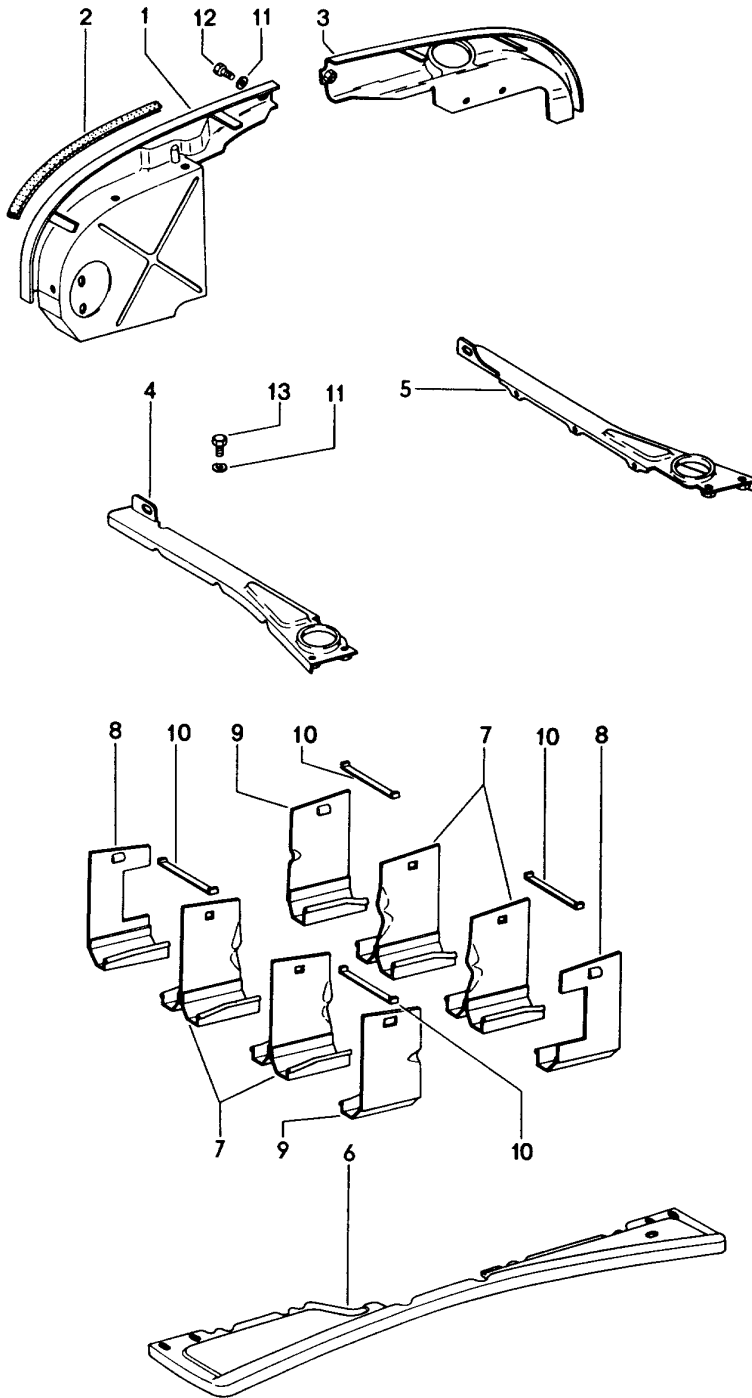
Model: 914 70

Model life 1970>>1976

Pos	Part Number	Description	Remark	Qty	Model
1	911 106 901 00	Air guide Air guide Upper Complete Black		1	914-6
2	999 507 003 02	Speed nut B 6,3		5	
2	999 507 003 01	Speed nut B 6,3		5	
(2)	999 507 003 02	Speed nut B 6,3 for Hot air socket		1	
(2)	999 507 003 01	Speed nut B 6,3 for Hot air socket		1	
3	999 702 007 50	Rubber sleeve 20 X 8 X 10		X	
4	911 106 406 00	Air guide for Oil cooler		1	
5	901 106 321 02	Hot air socket	/H /L	1	
5	930 106 321 01	Hot air socket	/H /L	1	
5	930 106 021 50	Hot air socket	/H /L	1	
6	911 106 327 00	Hot air socket	/H /R	1	
7	900 075 010 02	Hexagon nut M 6 X 12		18	
7	N 010 212 14	Hexagon-head bolt M 6 X 12		18	
7	999 072 005 09	Hexagon nut M 6 X 12		18	
7	999 072 005 01	Hexagon nut M 6 X 12		18	
8	900 187 015 02	Hexagon-head tapping screw B 6,3 X 16 for Air guide		4	
9	N 011 524 7	Upper Washer 6,4		22	
9	N 011 524 27	Washer 6,4		22	
(9)	N 011 524 7	Washer 6,4 for Hot air socket		1	
(9)	N 011 524 27	Washer 6,4 for Hot air socket		1	
10	999 703 092 40	Stopper 9 X 18,5 / 14		1	
11	999 703 013 50	Stopper		1	
12	911 106 331 00	Support		1	
13	911 106 827 00	Closing plate	/R	1	
14	911 106 036 00	Cover plate Complete	/H /R	1	

Model: 914 70

Model life 1970>>1976



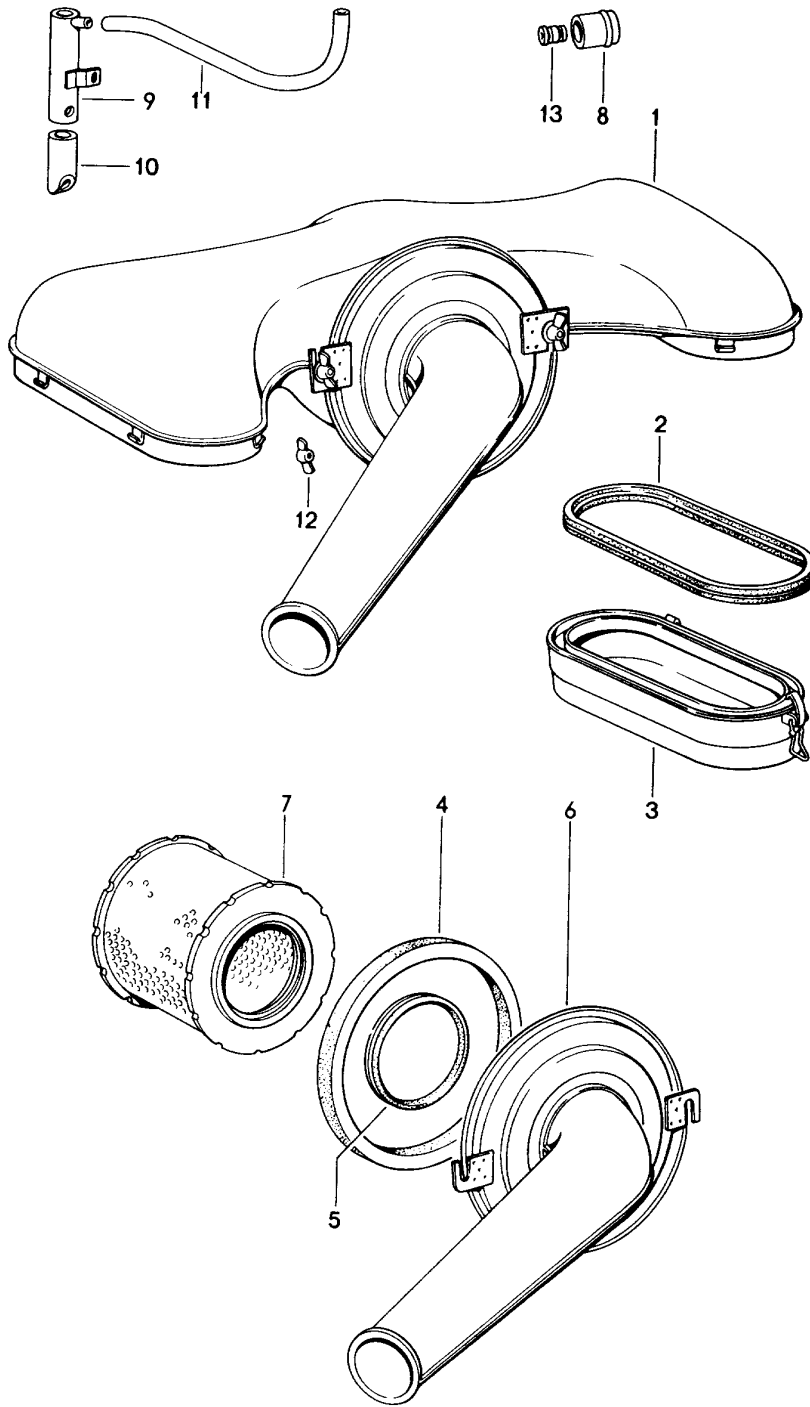
Model: 914 70

Model life 1970>>1976

Pos	Part Number	Description	Remark	Qty	Model
		Engine cover			914-6
		Air guide			
1	901 106 076 00	Cover plate		1	
-	999 613 017 40	Covering		*	
		for			
		Cable holder			
3	901 106 075 00	Cover plate		1	
4	901 106 073 00	Cover plate		1	
		Complete			
		Cylinder			
		1-3			
5	901 106 074 00	Cover plate		1	
		Complete			
		Cylinder			
		4-6			
6	901 106 817 00	Engine cover		1	
7	901 106 035 01	Baffle plate		4	
		Complete			
		Centre			
8	901 106 041 00	Baffle plate		2	
		Left front, right rear			
9	901 106 039 01	Baffle plate		2	
		Right front, left rear			
10	930 106 228 00	Leaf spring		4	
11	N 011 524 7	Washer		25	
		6,4			
11	N 011 524 27	Washer		25	
		6,4			
12	N 010 208 5	Hexagon-head bolt		1	
		M 6 X 8			
13	900 075 010 02	Hexagon nut		22	
		M 6 X 12			
13	N 010 212 14	Hexagon-head bolt		22	
		M 6 X 12			
13	999 072 005 09	Hexagon nut		22	
		M 6 X 12			
13	999 072 005 01	Hexagon nut		22	
		M 6 X 12			

Model: 914 70

Model life 1970>>1976



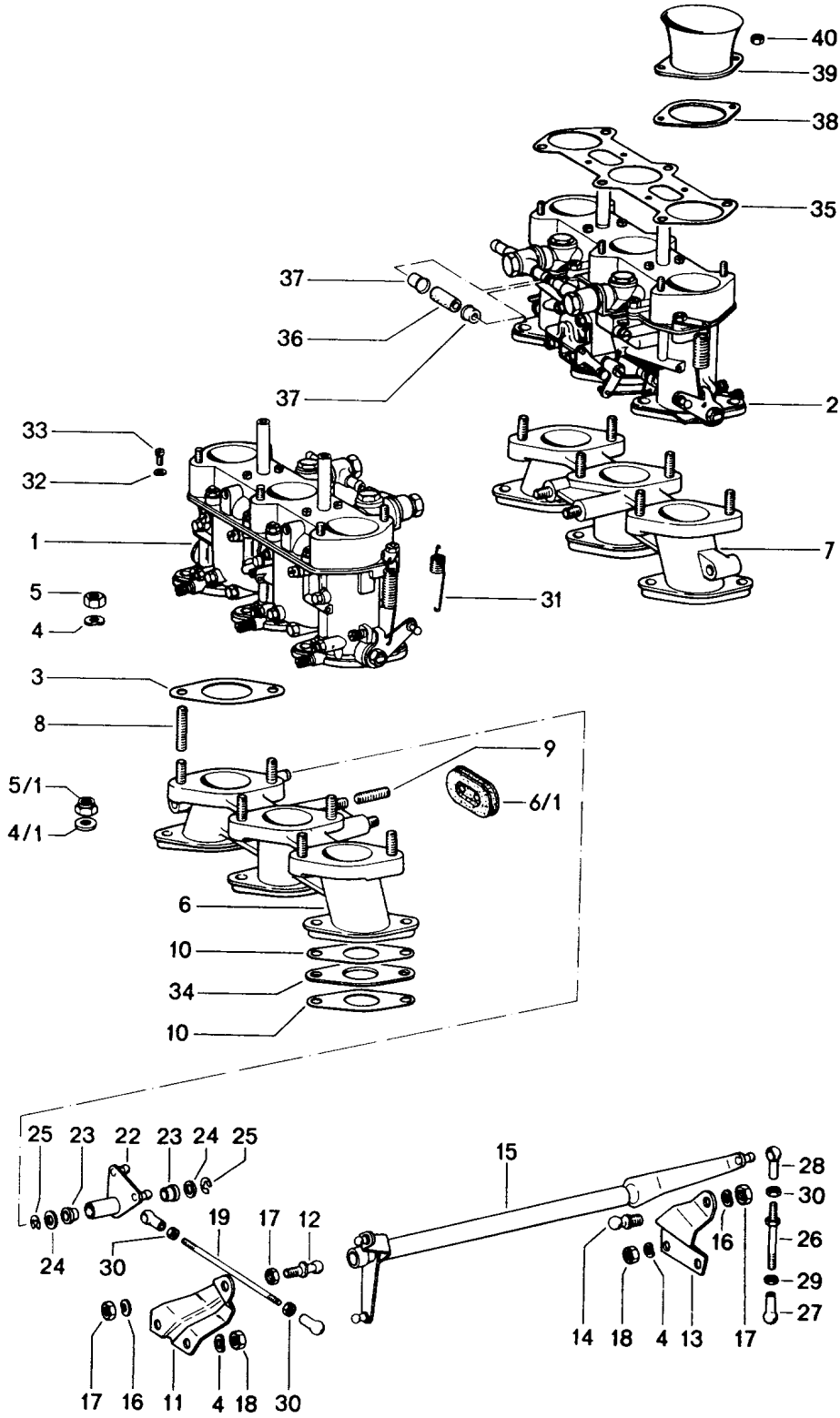
Model: 914 70

Model life 1970&gt;&gt;1976

Pos	Part Number	Description	Remark	Qty	Model
		Air cleaner system			914-6
1	911 108 001 02	Air cleaner system		1	
2	901 108 214 03	Gasket		2	
3	911 108 014 00	Connecting piece		2	
4	901 108 215 00	Gasket		1	
4	901 108 215 02	Gasket		1	
5	901 108 983 00	Gasket		1	
6	911 108 041 01	Lid		1	
7	901 108 955 11	Filter element		1	
8	901 107 729 00	Backfire grid		1	
9	911 108 021 00	Pipe		1	
10	253 260 180	Water drain valve		1	
-	999 180 030 50	Fuel hose C 7 X 12		*	
-	999 180 030 5A	Fuel hose C 7 X 12		*	
11		285 MM		1	
12	999 044 001 02	Winged nut M 8		2	
-	900 025 038 40	Washer 8,4		2	

Model: 914 70

Model life 1970>>1976





Model: 914 70 Model life 1970>>1976

Pos	Part Number	Description	Remark	Qty	Model
1	901 108 115 00	Carburettor Carburettor 40 IDT P 1 3 C 1 Carburettor 4 - 6		1	914-6
2	901 108 126 01	Carburettor 40 IDT P 1 3 C Cylinder 1 - 3		1	
3	901 108 398 01	Gasket		6	
3		Gasket without asbestos for Carburettor		6	
4	N 012 241 1	Spring washer B 8 X 15		16	
4/1	900 031 014 30	Washer 8,4		12	
5	502 08 310	Hexagon nut		12	
5/1	999 084 601 02	Lock nut M 8 SNM 8		12	
5/1	999 084 601 0C	Lock nut M 8 SNM 8		12	
6	901 108 039 04	Intake manifold Complete	/L	1	901/36/38
(6)	905 108 031 04	Intake manifold Complete	/L	1	901/37/39
6/1	999 703 076 50	Rubber sleeve Intake manifold		2	
7	901 108 040 13	Intake manifold Complete	/R	1	901/36/37
(7)	901 108 040 12	Intake manifold Complete	/R	1	901/38/39
8	999 062 007 02	Stud BM 8 X 22		12	
8	900 060 106 01	Stud BM 8 X 22		12	
9	900 061 022 01	Stud M 8 X 12		4	
10	901 108 391 04	Gasket for Intake manifold		12	
11	901 108 843 00	Bearing lever	/L	1	
12	999 167 020 02	Ball pin		1	
13	901 108 844 00	Bearing lever	/R	1	
13	901 108 844 01	Bearing lever	/R	1	
14	999 167 020 02	Ball pin		1	
15	911 108 071 00	Control shaft Complete		1	901/36/37
(15)	911 108 071 01	Control shaft Complete		1	901/38/39
16	N 012 241 1	Spring washer B 8 X 15		2	
17	N 011 118 11	Hexagon nut BM 8		3	
17	900 034 001 05	Hexagon nut BM 8		3	
18	502 08 310	Hexagon nut		4	
19	901 108 648 00	Pull rod		1	
22	901 108 710 00	Reverse lever		1	901/36/38
(22)	905 108 070 02	Reverse lever		1	901/37/39 SPM
(22)	901 108 720 00	Reverse lever		1	

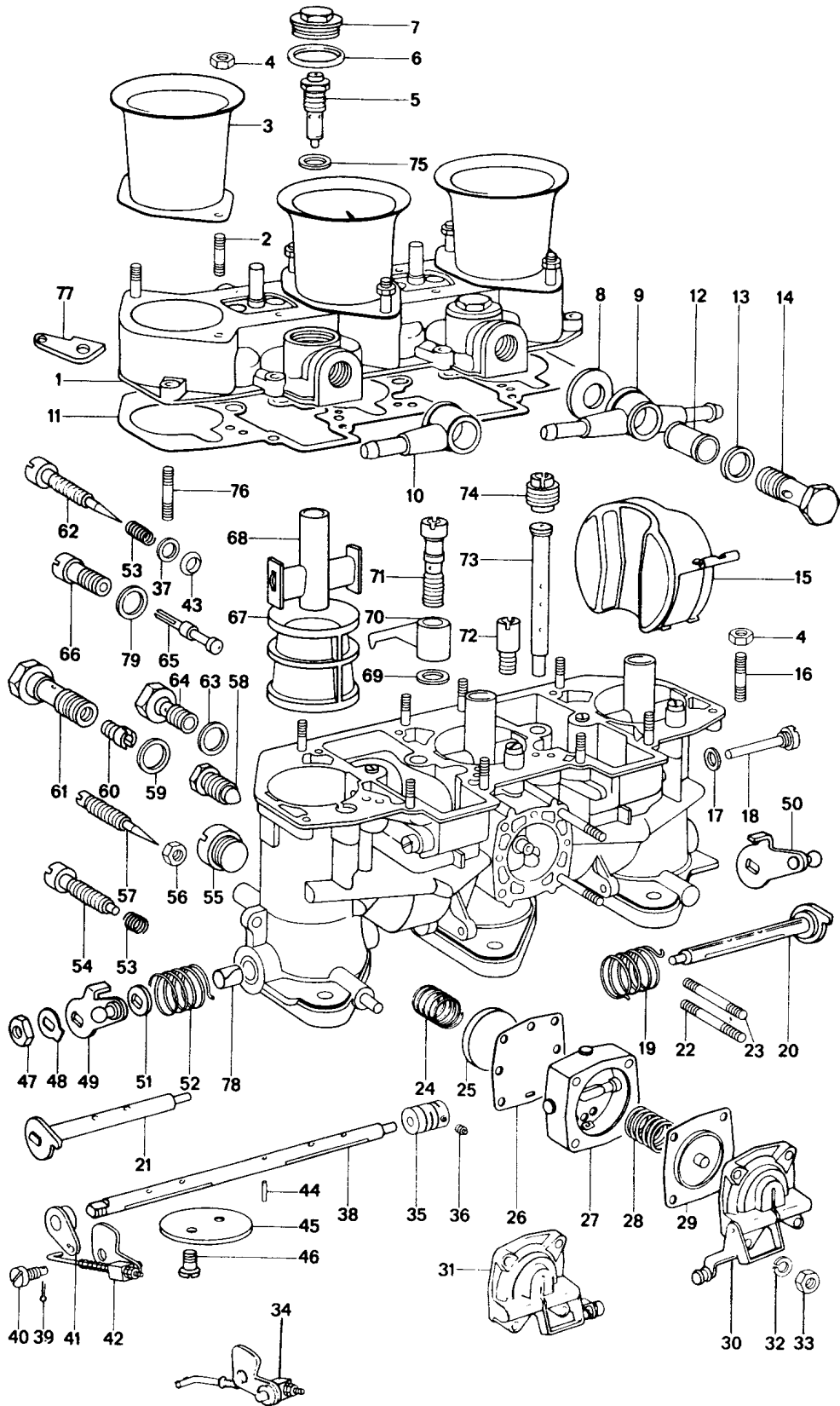
Model: 914 70

Model life 1970&gt;&gt;1976

Pos	Part Number	Description	Remark	Qty	Model
(22)	901 108 720 02	Reverse lever		1	
23	901 423 253 00	Bearing sleeve		2	
-	900 089 011 02	Washer 4		1	SPM
-	N 012 224 3	Spring washer B 4		1	SPM
-	900 067 080 02	Pan-head screw M 4 X 10		1	SPM
-	900 067 080 03	Pan-head screw M 4 X 10		1	SPM
24	900 031 001 02	Washer 8,4		2	
24	900 031 105 01	Washer 8,4		2	
25	900 116 009 01	Kl-lock 6		2	
26	901 108 089 00	Push rod Complete		2	
27	900 169 010 02	Ball socket A 8 Left		2	
28	N 015 521 3	Ball socket A 8		4	
29	900 076 029 02	Hexagon nut M 5 Left		2	
30	900 076 027 02	Nut M 5		4	
31	901 108 631 00	Tension spring		2	
32	N 012 224 3	Spring washer B 4		8	
33	900 014 073 02	Pan-head screw M 4 X 10		8	
34	901 108 131 00	Intermediate flange		6	
35	901 108 218 00	Gasket		2	
36	999 180 030 50	Fuel hose C 7 X 12 60 MM		*	
36	999 180 030 5A	Fuel hose C 7 X 12 60 MM		*	
37	901 108 219 00	Cap		2	
38	911 110 391 00	Gasket		4	
39	PCG 108 322 01	Intake trumpet		6	
40	N 021 196 1	Lock nut M 5		12	
40	N 021 196 3	Hexagon nut M 5		12	

Model: 914 70

Model life 1970>>1976



Model: 914 70

Model life 1970&gt;&gt;1976

Pos	Part Number	Description	Remark	Qty	Model
		Carburettor Repair material Supplier WEBER - 40 IDTP1 3C - 3C1 Lid		1	914-6
1	901 100 930 01	Carburettor with Stud		6	
2	901 100 932 00	Stud		3	
3	PCG 108 322 01	Intake trumpet		16	
4	901 100 814 00	Nut		2	
5	901 100 934 00	Valve 1,75		2	
6	PCG 100 914 00	Sealing ring		2	
7	901 100 801 00	Screw plug		2	
8	901 100 915 00	Sealing ring		2	
8	901 100 915 01	Sealing ring		2	
9	901 100 935 00	Connecting piece Fuel strainer		1	
10	901 100 936 00	Connecting piece Fuel strainer		1	
11	901 100 937 00	Sealing ring		1	
12	901 100 808 00	Fuel strainer		2	
13	901 100 916 00	Sealing ring		2	
14	901 100 938 00	Screw plug		2	
15	901 100 807 00	Float		2	
15	901 100 807 01	Float		2	
16	901 100 813 00	Stud		9	
17	901 100 917 00	Sealing ring		2	
18	901 100 811 00	Screw for Float Axle		2	
19	901 100 939 00	Spring		1	
20	901 100 941 01	Clutch control shaft 40 IDTP 3 C1	/L	1	
21	901 100 940 01	Throttle shaft 40 IDTP 3 C		1	
22	901 100 942 00	Stud		2	
23	901 100 943 01	Stud		2	
24	901 100 944 00	Spring		1	
25	901 100 945 00	Valve Closed		1	
26	901 100 946 00	Diaphragm		1	
27	901 100 947 00	Lower part Pump		1	
28	901 100 948 00	Spring		1	
29	901 100 949 00	Diaphragm		1	
30	901 100 951 00	Lid Pump 40 IDTP 3C	/L	1	
31	901 100 950 00	Lid Pump 40 IDTP 3C1	/R	1	
32	901 100 952 00	Lock ring		4	
33	901 100 953 01	Nut		4	
34	901 100 912 01	Linkage 40 IDTP 3C	/R	1	
35	901 100 955 01	Connecting piece		1	
36	901 100 954 03	Screw		4	
37	901 100 956 02	Spacer		3	
38	901 100 958 01	Throttle shaft		1	
39	616 100 812 00	Retaining spring		1	

Model: 914 70 Model life 1970>>1976

Pos	Part Number	Description	Remark	Qty	Model
40	901 100 960 01	Screw for Float Axle		1	
41	901 100 961 00	Lever		1	
42	901 100 911 01	Linkage 40 IDTP 3C1	/L	1	
43	901 100 998 00	Sealing ring		3	
44	901 100 812 00	Pin		1	
45	901 100 965 00	Flap		3	
46	901 100 966 01	Screw		6	
46	901 100 966 02	Screw		6	
47	901 100 803 00	Nut		1	
48	901 100 967 01	Spacer		1	
49	901 100 969 02	Lever 40 IDTP 3C1	/L	1	
50	901 100 968 02	Lever 40 IDTP 3C	/R	1	
51	901 100 971 01	Spacer		1	
52	901 100 972 00	Spring		1	
53	901 100 805 00	Spring		4	
54	901 100 804 00	Adjusting screw Flap		1	
55	901 100 973 00	Screw		3	
56	901 100 809 00	Nut		3	
57	901 100 974 00	Adjusting screw		3	
58	901 100 976 01	Fastening screw for Funnel		1	
59	901 100 977 00	Sealing ring		3	
60	901 100 978 16	Nozzle 105		3	
61	901 100 979 00	Jet carrier		3	
62	PCG 100 980 02	Adjusting screw		3	
63	901 100 918 00	Sealing ring		2	
64	901 100 806 00	Drain plug		2	
65	901 100 981 06	Nozzle 0,45		3	
66	901 100 982 00	Jet carrier		3	
67	901 100 983 03	Air guide 27MM		3	
68	901 100 985 00	Insert 4,50		3	
69	901 100 919 00	Sealing ring		3	
70	901 100 986 00	Nozzle 050		3	
-	901 100 986 05	Nozzle 050 + 2 MM		3	
71	901 100 987 00	Valve		3	
72	901 100 810 00	Suction valve Closed		1	
73	901 100 988 04	Pipe F 1		3	
74	901 100 989 01	Nozzle 170		3	
75	901 100 990 01	Sealing ring 1 MM		2	
(75)	901 100 995 00	Sealing ring 0,25 MM		2	
(75)	901 100 996 00	Sealing ring 0,5 MM		2	
76	901 100 802 00	Screw plug		1	

Model: 914 70

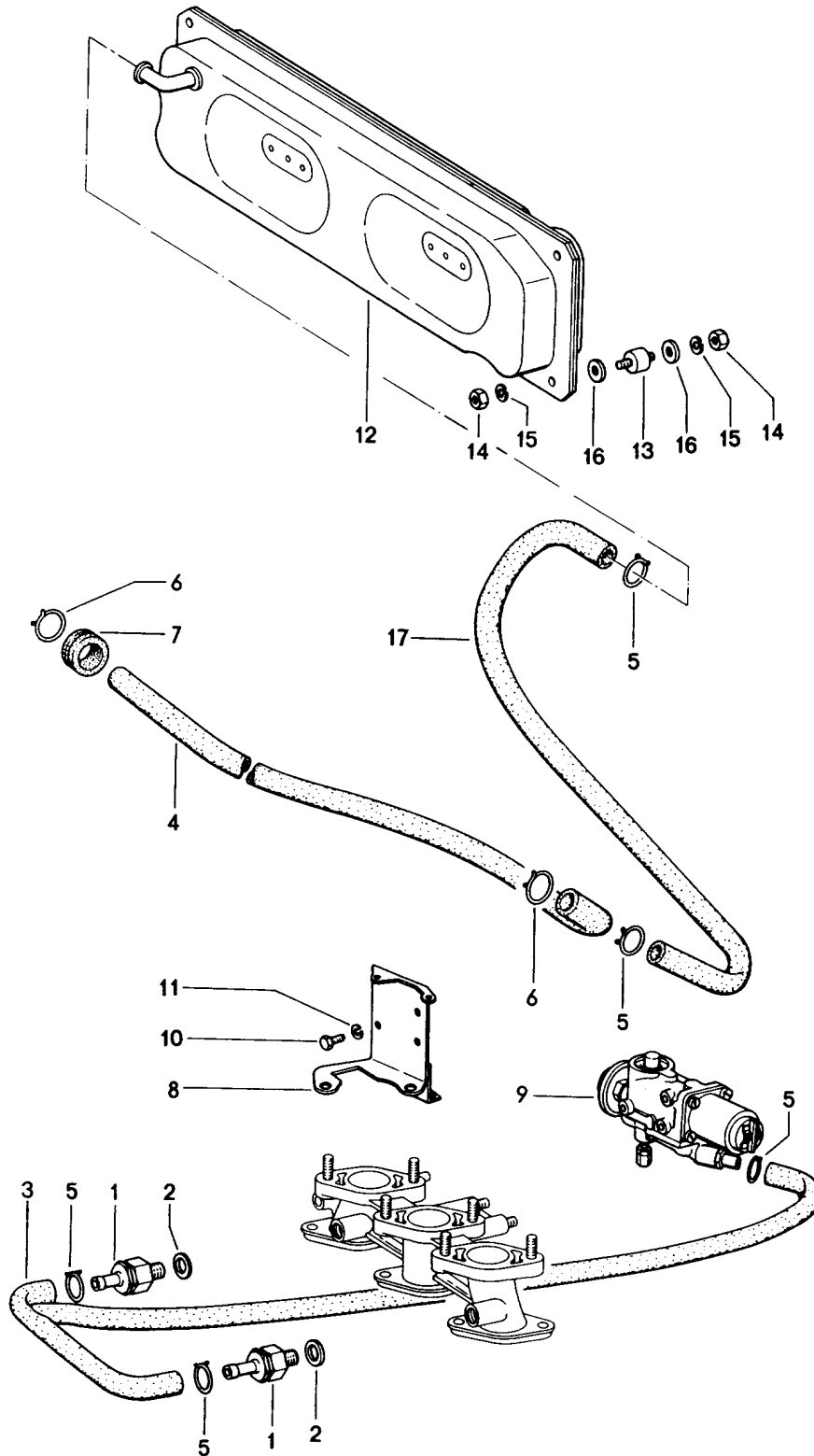
Model life 1970&gt;&gt;1976

Pos	Part Number	Description	Remark	Qty	Model
77	901 100 993 00	Bracket		1	
78	901 100 997 00	Bearing shell		2	
79	901 100 998 00	Sealing ring		3	

Model: 914 70

Model life 1970>>1976

SPORTOMATIC



Model: 914 70 Model life 1970>>1976

Pos	Part Number	Description	Remark	Qty	Model
		Vacuum system for Clutch release	-71		914-6:SPM
1	905 116 725 00	Check valve		2	
2	900 123 008 30	Sealing ring A 14 X 20		2	
3	905 108 075 00	Breather hose		1	
4	905 108 703 00	Vacuum hose 15 X 3,5 X 560 MM		1	
5	999 512 140 02	Clamping ring \$ 19,05		5	
6	999 512 141 02	Clip \$ 22,23		2	
7	999 702 064 50	Grommet		1	
(7)	999 702 093 50	Rubber sleeve		1	
8	905 108 043 00	Support		1	
9	905 108 370 00	Valve		1	
10	900 075 010 02	Hexagon nut M 6 X 12		3	
10	N 010 212 14	Hexagon-head bolt M 6 X 12		3	
10	999 072 005 09	Hexagon nut M 6 X 12		3	
10	999 072 005 01	Hexagon nut M 6 X 12		3	
11	900 028 008 01	Lock ring B 6		3	
12	914 116 033 10	Vacuum tank		1	
13	901 504 853 20	Bearing		3	
14	900 076 010 02	Nut M 6		6	
14	900 076 010 0B	Nut M 6		6	
15	N 012 007 2	Lock ring A 6		6	
15	900 027 004 03	Lock ring A 6		6	
16	N 011 524 7	Washer 6,4		6	
17	905 108 708 30	Vacuum hose 12 X 3,5 X 680 MM		1	



Model: 914 70

Model life 1970>>1976



Model: 914 70

Model life 1970&gt;&gt;1976

Pos	Part Number	Description	Remark	Qty	Model
		Replacement engine Replacement engine Complete with Generator Clutch without Exhaust silencer Heat exchanger			914
-	022 100 025 B	Engine 80 PS		1	914-4
-	022 100 027 D	M >> W0 057 460 Engine 80 PS		1	914-4
-	022 100 058 DX	M W0 057 461 >> M >> W0 129 581 Engine Exchange 59 KW, 80 DIN-PS Use also: F >>47229 21580 022.129.607.H		1	914-4
-	022 100 027 T	Engine 80 PS M W0 129 582 >> M >> W0 170 000		1	914-4
-	022 100 025 H	Engine 80 PS M >> W0 129 581		1	914-4
-	022 100 053 B	Engine 80 PS M >>EA0 057 000		1	914-4
-	022 100 057	Engine 72 PS M >>EB0 010 020		1	914-1,7
-	022 100 058 J	Engine 80 PS M EA0 057 001>> M >>EA0 098 793		1	914-1,7
-	022 100 057 R	Engine 76 PS M >>EC0 037 551		1	914-1,8
-	022 100 061 B	Engine 76 PS M >>EC0 037 551		1	914-1,8(CAL)
-	022 100 061 G	Engine 76 PS M EC0 037 552>>		1	914-1,8
-	022 100 061 H	Engine 76 PS M EC0 037 552>>		1	914-1,8(CAL)
-	039 100 053 A	Engine 95 PS M >>GA0 016 000		1	914-2,0
-	039 100 053 B	Engine 88 PS M GC0 000 001		1	914-2,0
-	039 100 055	Engine 88 PS M GC0 000 001		1	914-2,0(CAL)
-	022 100 173	Sticker Ignition point 27'		1	914-4

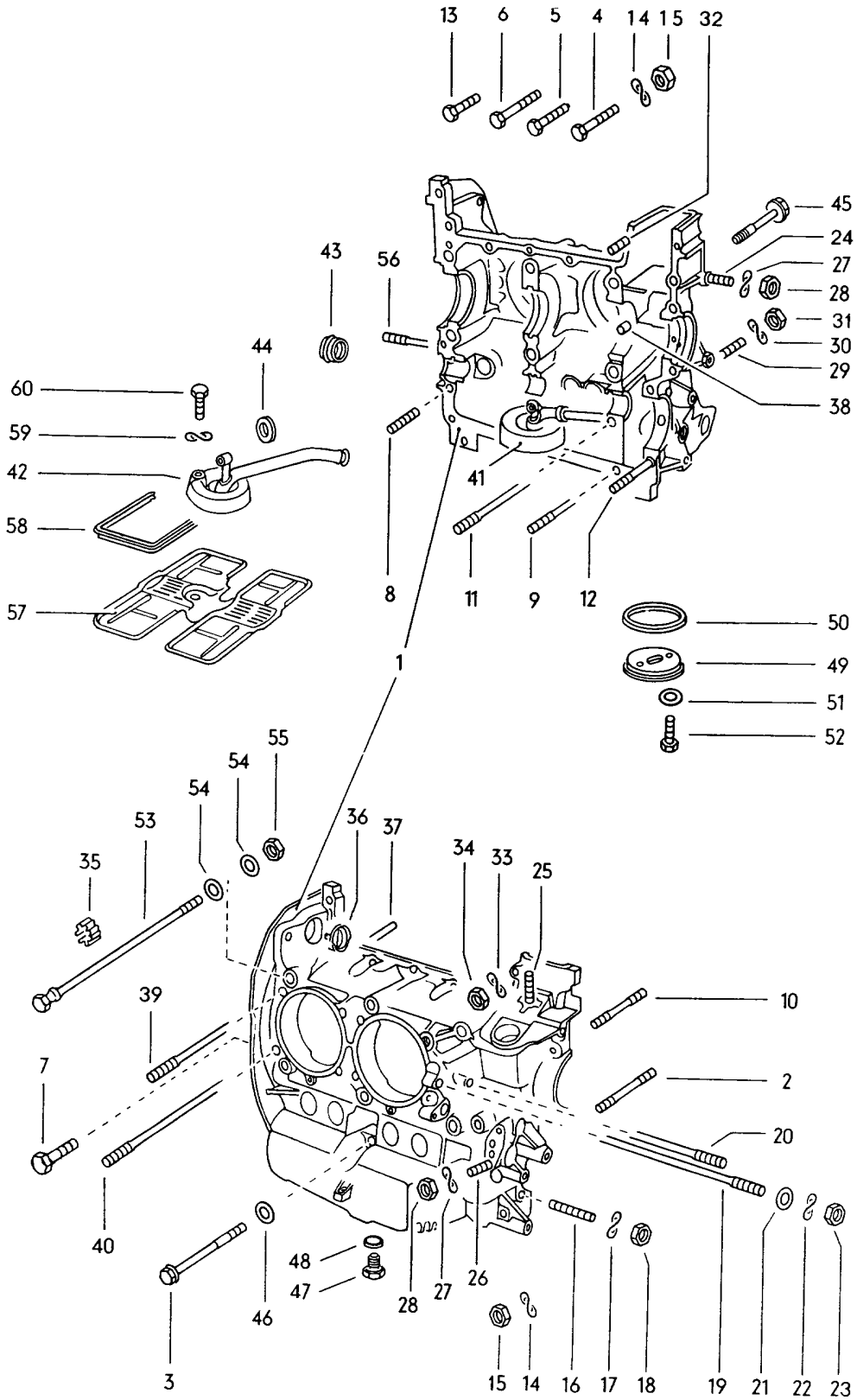
Model: 914 70

Model life 1970>>1976

Pos	Part Number	Description	Remark	Qty	Model
-		M >> W0 170 000 M >>EA0 057 000 Sticker Ignition point 27' M EA0 057 001>> M >>EA0 098 793 M >>EBO 010 020 M >>GA0 016 000		1	914-4/2,0
-	039 100 175	Sticker Valve clearance M >>GA0 016 000		1	914-2,0
-	022 100 173 B	Sticker		1	914-1,8
-	022 100 173 C	Sticker		1	914-1,8(CAL)
-	022 100 031 PX	Short engine Exchange 59 KW, 80 DIN-PS D-JETRONIC with Cylinder head Oil cooler Flywheel We take back: 022.100.031.P 022.100.025.H		1	022.W ,EA/US
-	PCG 100 031 X	Short engine Exchange 74 KW, 100 DIN-PS with Cylinder head Oil cooler Flywheel We take back: 039.100.031		1	039.GB

Model: 914 70

Model life 1970>>1976



Model: 914 70 Model life 1970>>1976

Pos	Part Number	Description	Remark	Qty	Model
1	923 101 941 00	Crankcase Crankcase Use also: N 014 532 3 N 014 557 1 Stud AM 10 A X 92		1 4 2	914 914-4/1,7
(1)		Crankcase		1	914-1,8/2,0
2	N 014 394 2	Stud AM 8 A X 65		1	
(2)	N 014 577 1	Stud CM 10 A/M 8 X 65 Oversize		1	
3	N 010 373 2	Hexagon-head bolt M 8 X 72		1	
4	N 010 387 2	Hexagon-head bolt M 8 X 88		1	
5	N 010 361 4	Hexagon-head bolt M 8 X 65		1	
5	N 010 361 13	Hexagon-head bolt M 8 X 65		1	
6	N 010 390 1	Hexagon-head bolt M 8 X 95		1	
7	900 074 129 02	Hexagon-head bolt M 8 X 42		1	
8	N 014 395 3	Stud AM 8 A X 42		1	
(8)	N 014 560 1	Stud CM 10 A/M 8 X 42 Oversize		1	
9	N 014 555 1	Stud AM 8 A X 44		4	
(9)	N 014 580 1	Stud CM 10 A/M 8 X 44 Oversize		4	
10	N 014 428 5	Stud AM 8 A X 48		2	
(10)	N 014 484 5	Stud CM 10 A/M 8 X 48 Oversize		2	
11	N 014 556 1	Stud AM 8 A X 121		1	
(11)	N 014 486 2	Stud CM 10 A/M 8 X 125 Oversize		1	
12	N 014 417 4	Stud AM 8 A X 81		1	
(12)	N 014 589 1	Stud CM 10 A/M 8 X 78 Oversize		1	
13	N 010 345 5	Hexagon-head bolt M 8 X 45 X 22		1	
14	N 012 241 11	Spring washer B 8 X 15		16	
15	N 011 008 8	Hexagon nut M 8		16	
16	N 014 532 3	Stud AM 8 A X 32 for Oil pump		4	
(16)	N 014 562 3	Stud CM 10 A/M 8 X 12 Oversize		4	

Model: 914 70 Model life 1970>>1976

Pos	Part Number	Description	Remark	Qty	Model
17	N 012 241 11	for Oil pump Spring washer B 8 X 15		4	
18	N 011 008 8	Hexagon nut M 8		4	
19	N 014 536 1	Stud AM 6 A X 105		2	
(19)	N 014 585 1	for Oil cooler Stud CM 8 A/M 6 X 105 Oversize		2	
20	N 014 539 1	for Oil cooler Stud AM 6 A X 56		1	
(20)	N 014 565 1	for Oil cooler Stud CM 8 A/M 6 X 56 Oversize		1	
21	N 011 524 7	for Oil cooler Washer A 6,4		3	
21	N 011 524 27	Washer A 6,4		3	
22	N 012 226 5	Spring washer B 6		3	
23	900 076 010 02	Nut M 6		3	
23	900 076 010 0B	Nut M 6		3	
24	N 014 395 3	Stud AM 8 A X 42		4	
(24)	N 014 584 1	for Fan housing Stud CM 10 A/M 8 X 43 Oversize		4	
25	N 014 398 3	for Fan housing Stud AM 8 A X 27		1	
26	N 014 400 3	F.ignition distributor Stud AM 8 A X 35		2	
(26)	N 014 483 2	for Oil filter Intermediate flange Stud CM 10 A/M 8 X 38 Oversize		2	
27	N 012 241 11	for Oil filter Intermediate flange Spring washer B 8 X 15		7	
28	N 011 008 8	Hexagon nut M 8		7	
29	N 014 542 1	Stud AM 6 A X 21		2	

Model: 914 70 Model life 1970>>1976

Pos	Part Number	Description	Remark	Qty	Model
(29)	N 014 478 1	for Thermostat Support Stud CM 8 A/M 6 X 21 Oversize		2	
30	N 012 226 5	for Thermostat Support Spring washer B 6		2	
31	900 076 010 02	Nut M 6		2	
31	900 076 010 0B	Nut M 6		2	
32	N 014 545 2	Stud AM 6 A X 36		2	
(32)	N 014 591 1	Stud CM 8 A/M 6 X 34 Oversize		2	
33	N 012 226 5	Spring washer B 6		2	
34	900 076 010 02	Nut M 6		2	
34	900 076 010 0B	Nut M 6		2	
35	021 101 107	Vibration damper		6	
36	021 101 109	Cap		1	
(36)	021 101 109 A	Stopper Timing mark sender		1	914-1,8V/1,8
37	113 101 111	Straight pin 8 X 25		2	
38	111 101 123	Straight pin for Crankshaft bearing		5	
39	025 101 147 A	Stud M 10/M 12 X 1,5 X 172,5 Upper for Cylinder head		8	
(39)	N 021 570 1	Stud CM 14 X 1,5 A/M 10 X 173 Oversize Upper for Cylinder head		8	
40	021 101 147 A	Stud M 10/M 12 X 1,5 X 221,5 Lower for Cylinder head		8	
(40)	N 021 574 1	Stud CM 14 X 1,5 A/M 10 X 222 Oversize Lower for Cylinder head		8	
41	021 101 149	Oil tube with Heat shield M >> W0 057 460		1	914-4
42	021 101 149 A	Oil tube with		1	914-1,7/1,8V 914-1,8/2,0

Model: 914 70 Model life 1970>>1976

Pos	Part Number	Description	Remark	Qty	Model
43	113 101 157 C	Heat shield M >>EAO 098 793 M >>EBO 010 020 M >>GAO 016 000 Lid for Camshaft		1	
44	021 101 173	Sealing ring for Oil tube		1	
45	021 101 187	Hexagon-head bolt M 8 X 113		1	
46	021 101 189	Sealing ring 8,2 X 16		1	
47	021 101 195	Drain plug		1	
48	N 013 805 1	Sealing ring C 12 X 18		1	
49	021 101 267	Lid for oil sump		1	914-4/1,7 914-1,8V/1,8
(49)	039 101 267	Lid for Remote temperature sensor for oil sump M >>EAO 098 793 M >>EBO 010 020 M >>GAO 016 000		1	914-1,7/1,8V 914-1,8/2,0
50	021 101 269 A	Sealing ring for Lid		1	
(50)	039 101 287	Gasket for Remote temperature sensor		1	914-1,7/1,8V 914-1,8/2,0
51	N 013 803 2	Sealing ring C 6 X 10		2	
52	N 010 210 13	Hexagon-head bolt M 6 X 10 K		2	
-	039 101 275	Protection cap Remote temperature sensor for Lid Oil pan M >>EAO 098 793 M >>EBO 010 020 M >>GAO 016 000		1	914-1,7/1,8V 914-1,8/2,0
-	039 101 283	Support Remote temperature sensor		2	914-1,7/1,8V 914-1,8/2,0
53	021 101 145 B	Hexagon-head bolt M 10 X 125 X 113		6	
54	021 101 129	Washer 10,2 X 22		12	
55	021 101 131 E	Hexagon nut M 10 X 1,25		6	
56	N 014 557 1	Stud AM 10 A X 92 for Engine suspension		2	
(56)	N 014 588 1	Stud CM 12 X 1,5 A/M 10 X 92 Oversize for Engine suspension		2	914-4/1,7 914-1,8V/2,0
57	022 101 553	Heat shield M W0 057 461 >>		1	



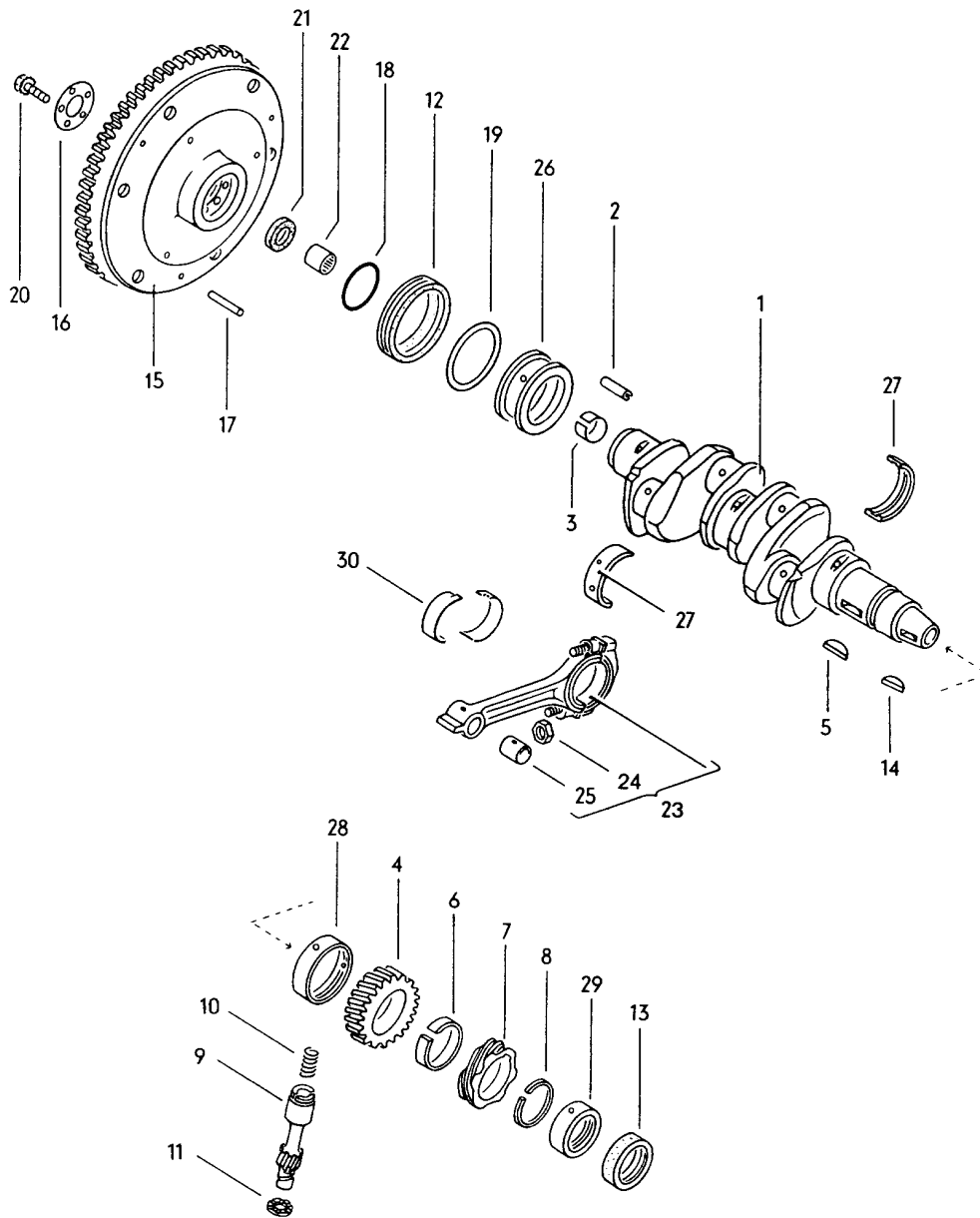
Model: 914 70

Model life 1970>>1976

Pos	Part Number	Description	Remark	Qty	Model
58	022 101 559	Gasket for Heat shield M >>EA0 098 793 M >>EB0 010 020 M >>GA0 016 000		4	
59	N 012 226 5	Spring washer B 6		1	
60	N 010 210 13	Hexagon-head bolt M 6 X 10 K		1	

Model: 914 70

Model life 1970>>1976



Model: 914 70

Model life 1970>>1976

Pos	Part Number	Description	Remark	Qty	Model
1	021 105 101	Crankshaft Crankshaft		1	914 914-4/1,7 914-1,8V/1,8 914-2,0
(1)	039 105 101 A	Crankshaft		1	
2	N 013 309 1	Tensioning sleeve 4,5 X 16		1	
3	022 105 159	Spacer sleeve		1	
4	021 105 209 A	Gear wheel		1	
5	111 105 213	Woodruff key for Gear wheel		1	
6	113 105 219	Intermediate ring		1	
7	901 102 115 00	Drive wheel		1	
7	901 102 115 01	Drive wheel		1	
8	111 105 227	Circlip for Distributor Drive wheel		1	
9	021 105 231	Drive shaft Drive shaft		1	
10	111 105 233	Spring		1	
11	021 105 235	Spacer 1,3 MM		1	
12	029 105 245 B	Sealing ring \$ 95 MM		1	
13	021 105 247 A	Sealing ring \$ 62 MM		1	
14	N 012 708 2	Woodruff key 4 X 5		1	
15	022 105 273 A	Flywheel		1	
16	021 105 275	Washer		1	
17	N 013 197 1	Straight pin 6 X 18		3	
18	021 105 279	O-ring		1	
19	021 105 281	Spacer 0,30 MM		1	
(19)	021 105 283	Spacer 0,32 MM		1	
(19)	021 105 285	Spacer 0,34 MM		1	
(19)	021 105 287	Spacer 0,36 MM		1	
(19)	021 105 289	Spacer 0,38 MM		1	
(19)	021 105 291	Spacer 0,24 MM		1	
(19)	021 105 292	Spacer 0,24 MM		1	
20	N 014 336 1	Hexagon-head bolt M 12 X 1,5 X 25 Self-locking		5	
20	N 014 336 B	Hexagon-head bolt M 12 X 1,5 X 25 Self-locking		5	
21	111 105 311	Sealing ring		1	
22	111 105 313 A	Needle-roller bearing		1	
23	022 105 401	Connecting rod		4	914-4/1,7
	022 105 401 041	Black			
	022 105 401 084	White			
(23)	022 105 401	Connecting rod		4	914-1,8V/1,8
	022 105 401 041	Black			
	022 105 401 084	White			
(23)	039 105 401	Connecting rod		4	914-2,0

Model: 914 70 Model life 1970>>1976

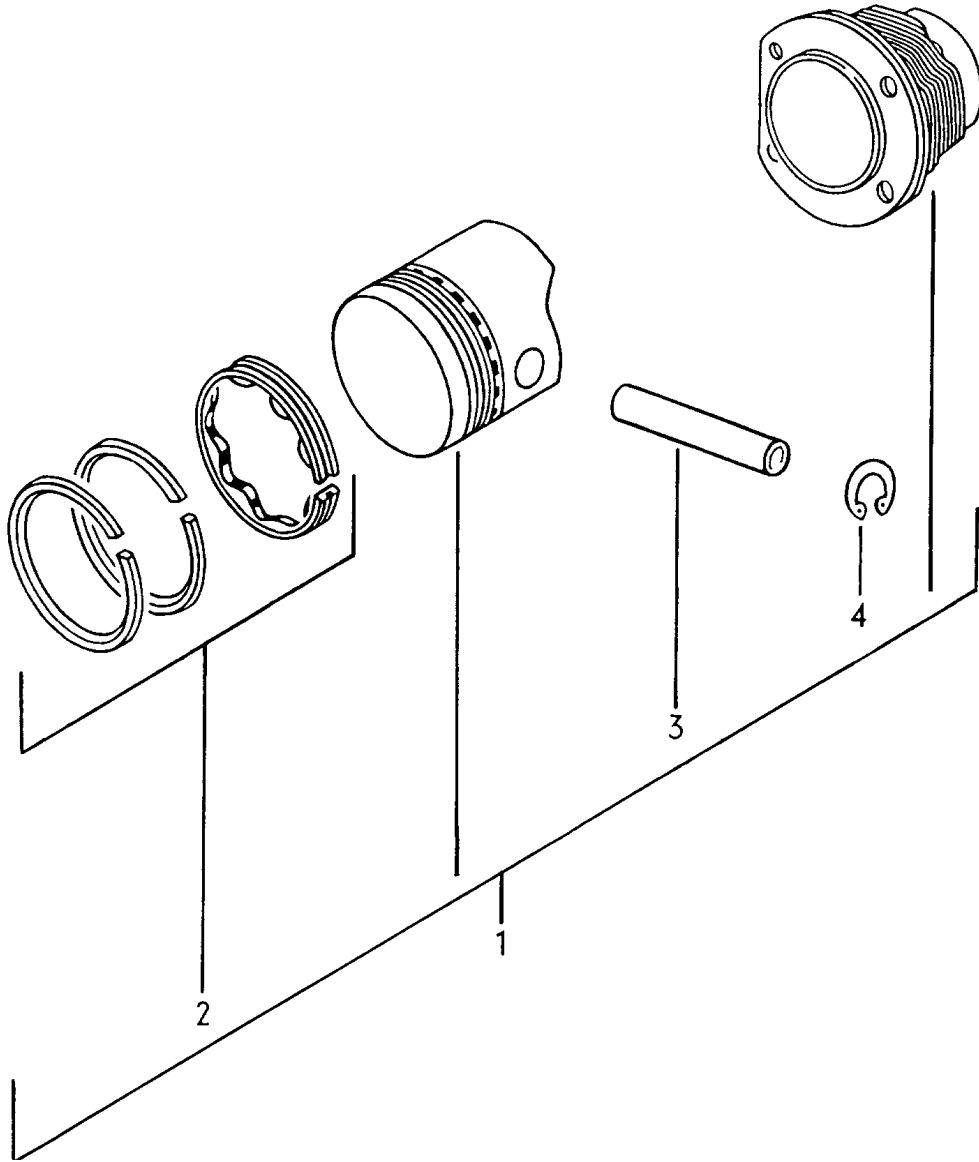
Pos	Part Number	Description	Remark	Qty	Model
	039 105 401 041	Black			
	039 105 401 084	White			
		M >>GA0 016 000			
		M GC0 000 001>>			
24	113 105 427	Hexagon nut		8	
24	056 105 427	Hexagon nut		8	
24	113 105 427	Hexagon nut		8	
24	056 105 427	Hexagon nut		8	
25	021 105 431 A	Connecting rod bush		4	
26	021 105 501 B	Crankshaft bearing		1	
		1			
		Outer			
		\$ 70 MM			
(26)	021 105 507 B	Crankshaft bearing		1	
		1			
		Outer			
		\$ 70 MM			
(26)	021 105 513 B	Undersize 0.25 mm Crankshaft bearing		1	
		1			
		Outer			
		\$ 70 MM			
(26)	021 105 519 A	Undersize 0.50 mm Crankshaft bearing		1	
		1			
		Outer			
		\$ 70 MM			
		Undersize			
		0,75 MM			
27	021 105 531 E	Bearing shell		2	
		for			
		Crankshaft bearing			
		2			
		Outer			
		\$ 70 MM			
(27)	021 105 537 E	Bearing shell		2	
		for			
		Crankshaft bearing			
		2			
		Outer			
		\$ 70 MM			
(27)	021 105 543 E	Undersize 0.25 mm Bearing shell		2	
		for			
		Crankshaft bearing			
		2			
		Outer			
		\$ 70 MM			
(27)	021 105 549 E	Undersize 0.50 mm Bearing shell		2	
		for			
		Crankshaft bearing			
		2			
		Outer			
		\$70 MM			
		Undersize			
		0,75 MM			
28	021 105 561 A	Crankshaft bearing		1	
		3			
		Outer			
		\$ 70 MM			
(28)	021 105 567 A	Crankshaft bearing		1	
		3			

Model: 914 70 Model life 1970>>1976

Pos	Part Number	Description	Remark	Qty	Model
(28)	021 105 573 A	Outer 70 MM Undersize 0.25 mm Crankshaft bearing 3		1	
(28)	021 105 579 A	Outer \$ 70 MM Undersize 0.50 mm Crankshaft bearing 3		1	
29	021 105 591	Outer \$ 70 MM Undersize 0,75 MM Crankshaft bearing 4		1	
(29)	021 105 597	Outer \$ 50 MM Crankshaft bearing 4		1	
(29)	021 105 603	Outer \$ 50 MM Undersize 0.25 mm Crankshaft bearing 4		1	
(29)	021 105 609	Outer \$ 50 MM Undersize 0.50 mm Crankshaft bearing 4		1	
30	021 105 701 A	Outer \$ 50 MM Undersize 0,75 MM Bearing shell		8	914-4/1,7
(30)	039 105 701	Bearing shell		8	914-1,8V/1,8
(30)	021 105 707 A	Conrod bearing shell		8	914-2,0
(30)	039 105 707	Bearing shell		8	914-4/1,7
(30)	039 105 707	Bearing shell		8	914-1,8V/1,8
(30)	039 105 707	Undersize 0.25 mm Conrod bearing shell		8	914-2,0
(30)	021 105 713 A	Undersize 0.25 mm Bearing shell		8	914-4/1,7
(30)	039 105 713	Bearing shell		8	914-1,8V/1,8
(30)	039 105 713	Undersize 0.50 mm Conrod bearing shell		8	914-2,0
(30)	021 105 719 A	Undersize 0.50 mm Bearing shell		8	914-4/1,7
(30)	039 105 719	Bearing shell		8	914-1,8V/1,8
(30)	039 105 719	Undersize 0,75 MM Conrod bearing shell		8	914-2,0
		Undersize 0,75 MM			

Model: 914 70

Model life 1970>>1976

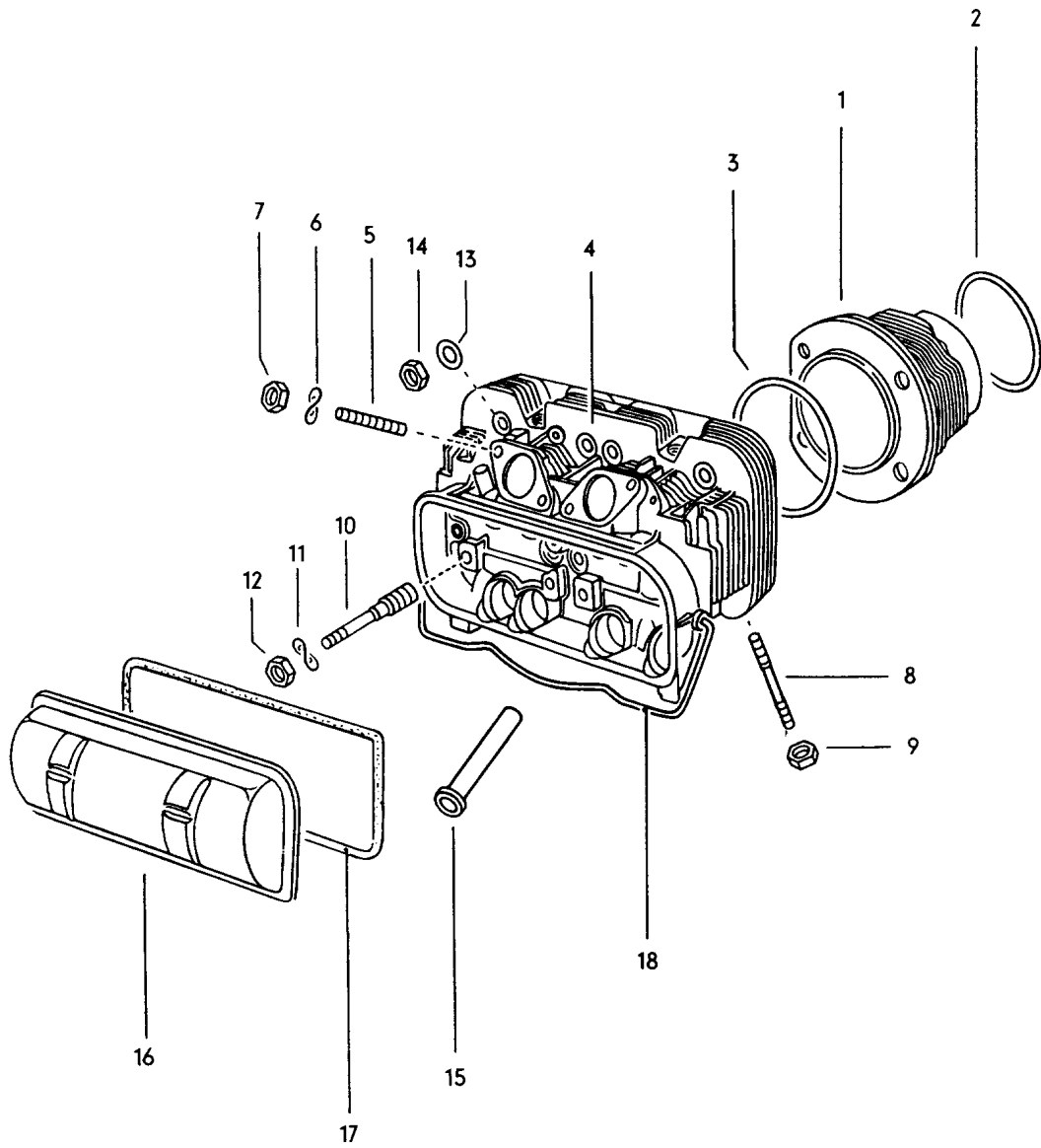


Model: 914 70 Model life 1970>>1976

Pos	Part Number	Description	Remark	Qty	Model
1	022 198 075	Cylinder with piston		4	914
1	021 198 075 B	Cylinder with piston		4	914-4/1,7
1	021 198 075 D	Cylinder with piston		4	914-1,7; (CAL)
1	022 198 075 A	Cylinder with piston		4	914-1,8V
1	039 198 075	Cylinder with piston		4	914-1,8
1	039 198 075 A	Cylinder with piston		4	914-2,0
2	021 198 175	Piston ring		4	914-2,0
		Piston rings		4	914-4/1,7
		Comprising:			
		Piston ring			
		Oil scraper ring			
		Oil scraper ring			
2	021 198 175 A	Piston ring		4	914-1,8/1,8V
		Piston rings			
		Comprising:			
		Piston ring			
		Oil scraper ring			
		Oil scraper ring			
2	PCG 198 175	Set		4	914-2,0
		Piston rings			
		Comprising:			
		Piston ring			
		Oil scraper ring			
		Oil scraper ring			
3	021 107 411 A	Piston pin		4	914-4/1,7
3	022 107 411 A	Piston pin		4	914-1,8/1,8V
		M EC0 000 001>>			2,0
		M GA0 006 766>>			
		M GC0 000 001>>			
		M >>GA0 016 000			
3	039 107 411	Piston pin		4	914-2,0
		M >>GA0 006 765			
4	N 012 301 1	Circlip		8	

Model: 914 70

Model life 1970>>1976





Model: 914 70 Model life 1970>>1976

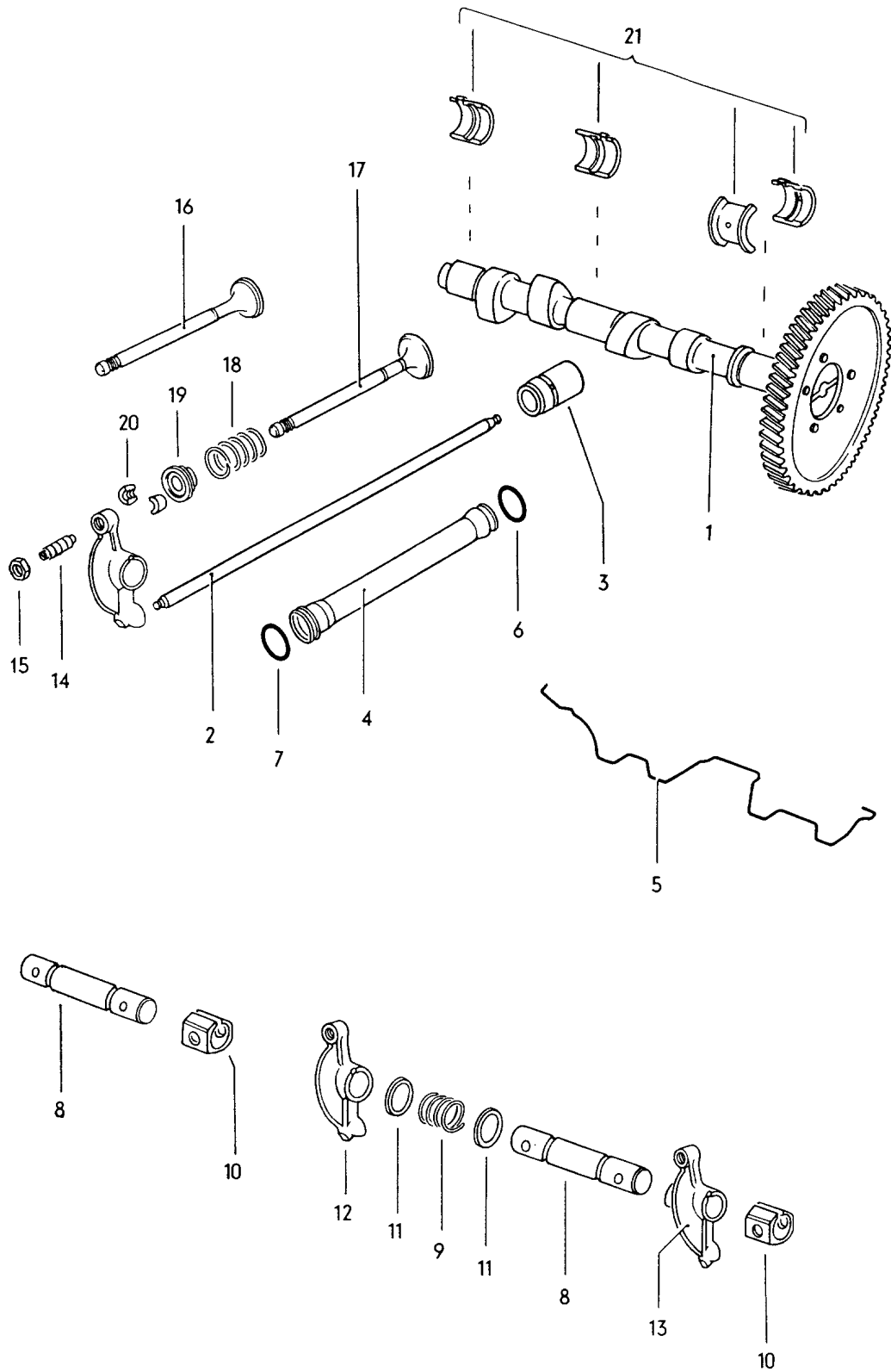
Pos	Part Number	Description	Remark	Qty	Model
1		Cylinder head Cylinder See group 1/12/05			914
2	021 101 341 A	Sealing ring 100 X 109 Crankcase Cylinder		4	
3	021 101 343	Sealing ring 90 X 99 Cylinder		4	914-4/1,7
(3)	021 101 343 A	Cylinder head Sealing ring 93 X 104 Cylinder		4	914-1,8V/1,8
(3)	021 101 343 B	Cylinder head Sealing ring 90 X 99 X 1 Cylinder		X	914-4/1,7
(3)	021 101 343 E	Cylinder head Sealing ring 93 X 104 X 1 Cylinder		X	914-1,8V/1,8
(3)	021 101 343 G	Cylinder head Sealing ring 93 X 104 X 1,2 Cylinder		X	914-1,8V/1,8
(3)	039 101 343 B	Cylinder head Sealing ring 94 X 105 Cylinder		4	914-2,0
(4)	021 101 353 B	Cylinder head Cylinder head M >> W0 057 460		2	914-4
(4)	022 101 353 B	Cylinder head M W0 057 461 >> M >> W0 129 581		2	914-4
(4)		Cylinder head M W0 129 582 >> M >> W0 250 000 M >>EAO 098 793 M >>EB0 010 020		2	914-4/1,7
(4)	022 107 111 A	Cylinder head		2	914-1,8
(4)	022 101 351 C	Cylinder head		2	914-1,8
(4)	PCG 101 351 CX	Cylinder head		2	914-1,8
(4)	039 101 351 E	Cylinder head without Valves		2	914-2,0
(4)	039 101 351 G	Cylinder head M GC0 000 001>>		2	914-2,0
5	N 014 400 3	Stud AM 8 A X 35 for Intake manifold		8	914-4/1,7 914-1,8V/2,0
(5)	N 014 443 4	Stud AM 8 A X 38 for Intake manifold		8	914-1,8
6	N 012 241 11	Spring washer B 8 X 15		8	
7	N 011 008 8	Hexagon nut M 8		8	
8	N 014 427 7	Stud		8	914-4/1,7

Model: 914 70 Model life 1970>>1976

Pos	Part Number	Description	Remark	Qty	Model
(8)	N 014 397 9	AM 8 X 53 for Heat exchanger Stud		8	914-2,0
(8)	N 014 684 1	AM 8 X 56 for Heat exchanger Stud		8	914-1,8V/1,8
(8)		Stud		X	914-4/1,7
9	039 256 297	CM 9 A X M8 X 56 Heat exchanger		8	914-2,0
10	021 101 397	Mid-grip nut M 8 Self-locking Stud		8	
11	N 012 234 1	for Rocker shaft Spring washer B 7		8	
12	N 011 007 7	Hexagon nut M 7		8	
13	900 025 008 02	Washer A 10,5		16	
13	N 011 527 4	Washer A 10,5		16	
13	900 025 008 09	Washer A 10,5		16	
13	900 025 008 04	Washer A 10,5		16	
14	021 101 457	Hexagon nut M 10 for		16	
15	021 101 403 A	Cylinder head Valve guide Intake 1st oversize M >>EA0 098 793 M >>EB0 010 020 M >>GA0 016 000 M >>GC0 001 320 M EC0 000 001>>		4	
(15)	039 101 403	Valve guide Intake 1st oversize M GC0 001 321>>		4	914-2,0
(15)	021 101 417 A	Valve guide Exhaust 1st oversize		4	914-1,7/1,8V 914-1,8
(15)	039 101 421	Valve guide Exhaust 1st oversize		4	914-2,0
16	021 101 471	Cylinder head cover		2	
17	021 101 481	Gasket		2	
18	021 101 487	Clamp		2	
-	311 906 041 A	Temperature sensor		1	914-2,0

Model: 914 70

Model life 1970>>1976



Model: 914 70 Model life 1970>>1976

Pos	Part Number	Description	Remark	Qty	Model
(1)	021 109 015 M	Camshaft Valves Camshaft with Wheel - 3		1	914
(1)	021 109 017 M	Camshaft with Wheel - 2		1	
(1)	021 109 019 M	Camshaft with Wheel - 1		1	
(1)	021 109 021 M	Camshaft with Wheel		1	
(1)	021 109 023 M	Camshaft with Wheel + 1		1	
(1)	021 109 025 M	Camshaft with Wheel + 2		1	
(1)	021 109 027 M	Camshaft with Wheel + 3		1	
2	021 109 301 A	Connecting rod		8	
3	021 109 309 G	Cam follower		8	
(4)	021 109 335 A	Steering outer tube for Valve pushrod M >> W0 057 460		8	914-4
4	021 109 335 C	Protective tube for Valve pushrod M W0 057 461 >> M >>EA0 098 793 M >>EBO 010 020 M >>GA0 006 765		8	914-4/1,7 914-2,0
(4)		Protective tube for Valve pushrod M GA0 006 766>> M GC0 000 001>> M EC0 000 001>> M >>GA0 016 000		8	914-1,8V/1,8 914-2,0
5	021 109 339	Securing clip for Protective tube		2	
6	021 109 345 A	O-ring \$ 21,3 MM for Protective tube Black		8	
(7)	021 109 349	Sealing ring \$ 23,5 MM for Protective tube Red M >> W0 057 460		8	914-4

Model: 914 70 Model life 1970>>1976

Pos	Part Number	Description	Remark	Qty	Model
7	021 109 349 B	O-ring \$ 25,1 MM for Protective tube Green M ECO 000 001>> M W0 057 461 >> M GC0 000 001>> M >>EA0 098 793 M >>EB0 010 020 M >>GA0 016 000		8	
8	021 109 407 A	Rocker shaft		4	
9	021 109 415 A	Spring for Rocker shaft		4	
10	021 109 427	Bearing shell for Rocker shaft		8	
11	021 109 435	Thrust washer		X	
12	022 109 443	Rocker arm Intake		4	914-4/1,7 914-2,0
(12)		Rocker arm Intake M >>EA0 098 793 M >>EB0 010 020 M >>GA0 016 000		4	914-1,7/1,8V 914-1,8/2,0
13	022 109 463	Rocker arm Exhaust		4	914-4/1,7 914,20
(13)		Rocker arm Exhaust M >>EA0 098 793 M >>EB0 010 020 M >>GA0 016 000		4	914-1,7/1,8V 914-1,8/2,0
14	043 109 451	Adjusting screw Valve M >>EA0 089 761 M >>EB0 008 773		8	914-4/1,7
(14)	022 109 451	Adjusting screw Valve M >>EA0 098 793 M >>EB0 010 020 M >>GA0 016 000		8	914-1,7/1,8V 914-1,8/2,0
(14)	039 109 451	Adjusting screw Valve		8	914-2,0
(15)	900 078 011 00	Hexagon nut M 8 X 1		8	914-4/1,7 914-2,0
15	028 109 453	Hexagon nut M 10 X 1 M >>EA0 098 793 M >>EB0 010 020 M >>GA0 016 000		8	914-1,7/1,8V 914-1,8/2,0
16	021 109 601	Intake valve \$ 39,3 MM		4	914-4/1,7
(16)	022 109 601	Intake valve \$ 41 MM		4	914-1,8V/1,8
(16)	039 109 601 G	Intake valve \$ 42 MM M >>GA0 006 049 M GA0 006 050>> M >>GA0 016 000 M GC0 000 001>>		4	914-2,0
17	022 109 612 D	Exhaust valve \$ 33 MM		4	914-4/1,7

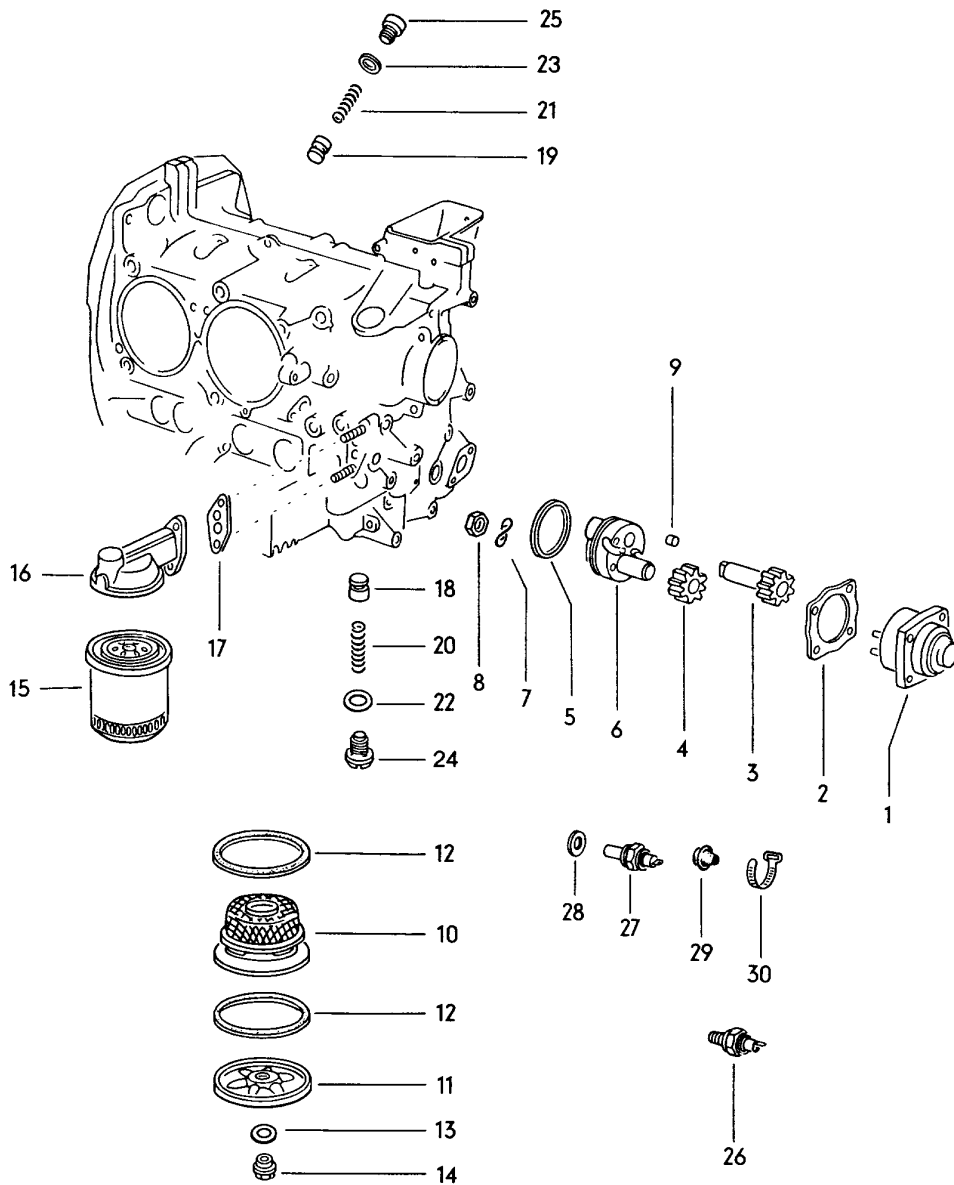
Model: 914 70

Model life 1970&gt;&gt;1976

Pos	Part Number	Description	Remark	Qty	Model
(17)	022 109 612 A	Exhaust valve \$ 34 MM		4	914-1,8V/1,8
(17)	039 109 611 L	Exhaust valve \$ 36 MM		4	914-2,0
18	021 109 623 E	Valve spring		8	
19	021 109 641 B	Concave washer		8	
20	113 109 651 A	Collet		16	
21	021 198 541	Camshaft bearing 1 set Up to engine number M >>GA0 005 472		1	

Model: 914 70

Model life 1970>>1976



Model: 914 70 Model life 1970>>1976

Pos	Part Number	Description	Remark	Qty	Model
		Engine lubrication			914
1	021 115 107 A	Oil pump Oil filter Oil strainer Housing		1	
2	025 115 111 A	Oil pump		1	
3	021 115 115 A	Gasket		1	
4	021 115 123	Drive shaft		1	
4	021 115 123	Oil pump gear		1	
5	021 115 133	Sealing ring		1	
6	021 115 139 A	Lid		1	
7	N 012 226 5	Spring washer		4	
8	113 101 175	B 6 Hexagon nut M 6 Self-locking		4	
9	021 115 167	Dowel sleeve		1	
10	021 115 175	Oil strainer		1	
11	021 115 181	Lid		1	
12	021 198 031 B	Gasket set		2	
13	N 013 805 1	Sealing ring		1	
14	021 115 193 B	C 12 X 18 Cap nut M 8		1	914-4/1,7
14		Cap nut M 8		1	914-1,8V/1,8 914-2,0
15	021 115 351 A	Oil filter		1	
16	021 115 353 A	Intermediate flange		1	
17	021 115 359 A	Gasket		1	
18	311 115 411	Piston		1	
19	021 115 411	for Relief valve Piston for Relief valve M >>EA0 098 793 M >>EB0 010 020 M >>GA0 016 000 M >> W0 250 000		1	
20	021 115 421 B	Spring for Relief valve		1	
20	021 115 421 C	Compression spring for Relief valve		1	
21	021 115 421 A	Spring for Relief valve M >>EA0 098 793 M >>EB0 010 020 M >>GA0 016 000 M >> W0 250 000		1	
22	N 013 829 3	Sealing ring		1	
23	N 013 845 2	C 22 X 29 Sealing ring C 16 X 22 M >>EA0 098 793 M >>EB0 010 020 M >>GA0 016 000 M >> W0 250 000		1	
24	021 115 431	Screw plug M 22 X 1,5		1	
25	PCG 115 431 A	Screw plug		1	



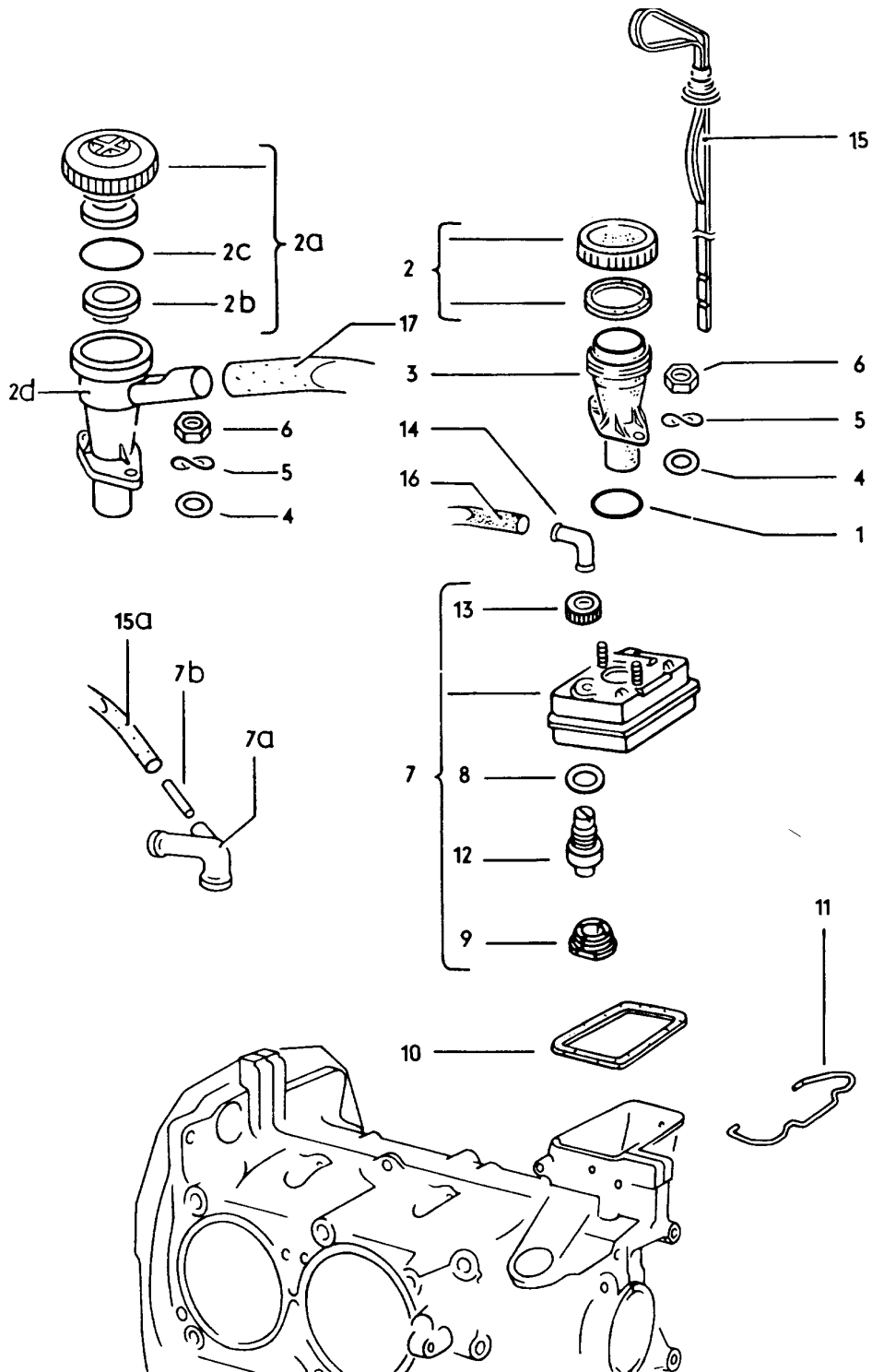
Model: 914 70

Model life 1970>>1976

Pos	Part Number	Description	Remark	Qty	Model
26	021 919 081 D	M 16 X 1,5 M >>EA0 098 793 M >>EB0 010 020 M >>GA0 016 000 M >> W0 250 000 Oil pressure switch		1	
27	039 919 268	Sender		1	914-1,7/1,8V 914-1,8/2,0
28	900 123 007 30	M >>EA0 098 793 M >>EB0 010 020 M >>GA0 016 000 M >> W0 250 000 Sealing ring A 14 X 18 X 1,5		1	914-1,7/1,8V 914-1,8/2,0
29	311 949 149 A	Grommet for Wiring harness		1	914-1,7/1,8V 914-1,8/2,0
30	N 020 902 1	Tie-wrap 6,5 X 210		1	914-1,7/1,8V 914-1,8/2,0
30	N 020 902 A	Tie-wrap 6,5 X 210		1	914-1,7/1,8V 914-1,8/2,0

Model: 914 70

Model life 1970>>1976



Model: 914 70 Model life 1970>>1976

Pos	Part Number	Description	Remark	Qty	Model
		Engine lubrication			914
		Filler neck			
		Bleeding			
1	021 115 137	Sealing ring		1	
2	PCG 115 311 00	Oil filler cover		1	914-4/1,7 914-1,8V/2,0
2A	022 115 309	Lid		1	914-1,8
2B	022 115 315	Gasket Lower		1	914-1,8
2C	022 115 331	Gasket Upper		1	914-1,8
2D	022 115 317	Oil inlet		1	914-1,8
3	021 115 317 A	Connection piece		1	914-4/1,7 914-1,8V/2,0
4	111 605 289 A	Washer		2	914-4/1,7 914-1,8V/2,0
5	N 012 226 5	Spring washer B 6		2	
6	900 076 010 02	Nut M 6		2	
6	900 076 010 0B	Nut M 6		2	
7	021 115 451 B	Bleeder M >> W0 129 581 M ECO 000 001>>		1	914-4/1,8
(7)	022 115 451 B	Bleeder  M >>EA0 098 793 M >>EB0 010 020 M >>GA0 016 000 M >> W0 250 000		1	914-4/1,7 914-2,0
(7)	022 115 451 C	Bleeder M GC0 000 001>>		1	914-1,8V/2,0
(7A)	022 115 469	Vacuum hose		1	914-1,8
8	022 115 475	Sealing ring  M W0 129 582 >>		1	914-4/1,7 914-2,0
9	022 115 486	Stopper		1	914-4/1,7 914-2,0
10	021 115 487	M W0 129 582 >> Gasket for Oil filter		1	
11	021 115 489	Clamp for Bleeding		1	
12	022 115 542	Valve Valve for Bleeding		1	914-4/1,7 914-2,0
13	022 115 544	M W0 129 582 >> Knurled nut		1	914-4/1,7 914-2,0
14	022 129 637	M W0 129 582 >> Elbow		1	914-4/1,7 914-2,0
15	022 115 611	M W0 129 582 >> Oil level dipstick Yellow Chrome		1	
(15A)	N 020 349 1	Hose 21 X 2,5		*	
16	N 020 290 1	Hose		1	914-1,8
				*	

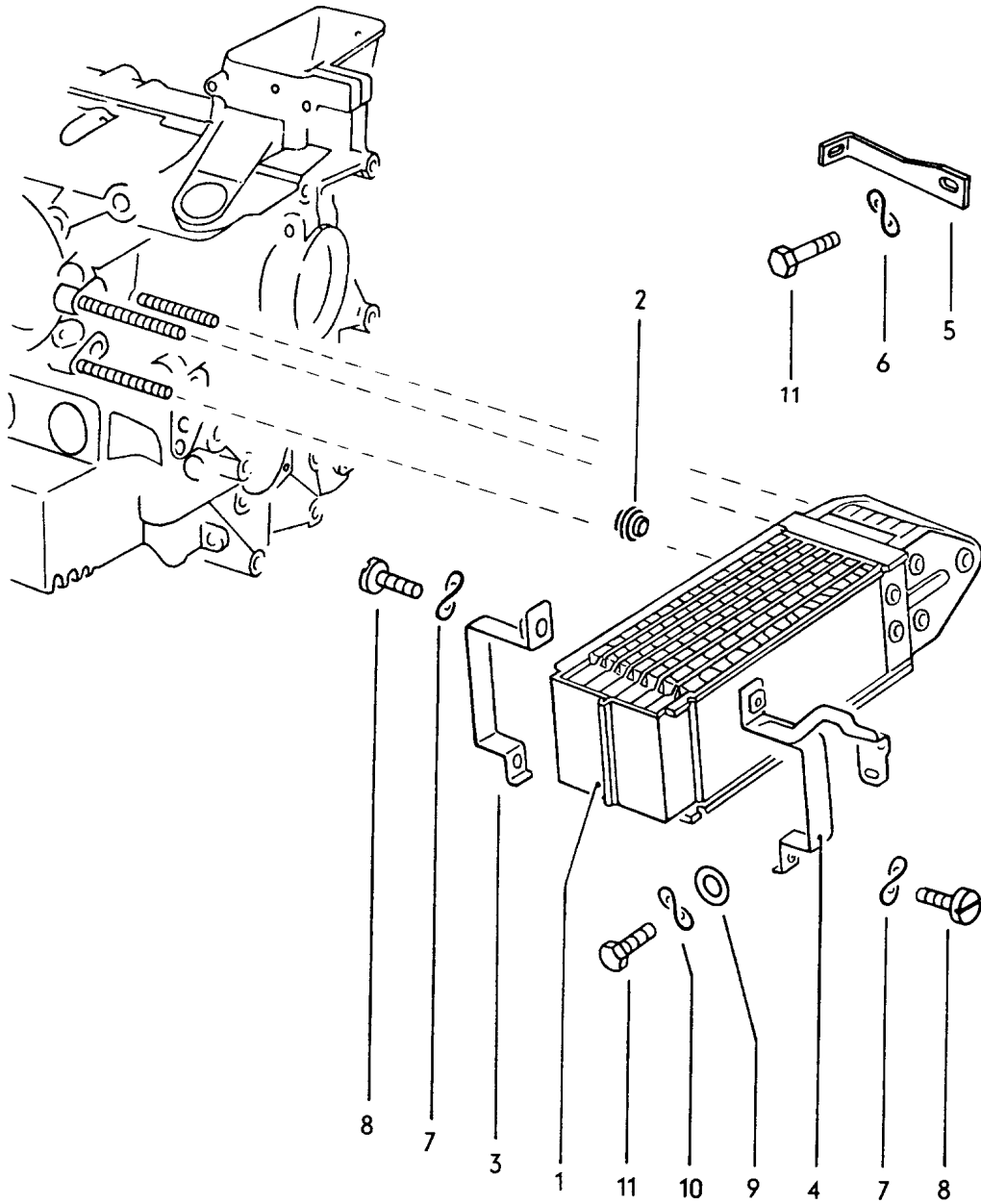
Model: 914 70

Model life 1970>>1976

Pos	Part Number	Description	Remark	Qty	Model
		12 X 3,3		X	914-4/1,7
(16)	N 020 343 1	Hose		*	914-2,0
		18 X 2,5		X	914-2,0
17	N 020 344 1	Hose		*	
		20 X 2,5		X	914-1,8
-	022 129 260	Clip		1	914-4/1,7
					914-2,0

Model: 914 70

Model life 1970>>1976



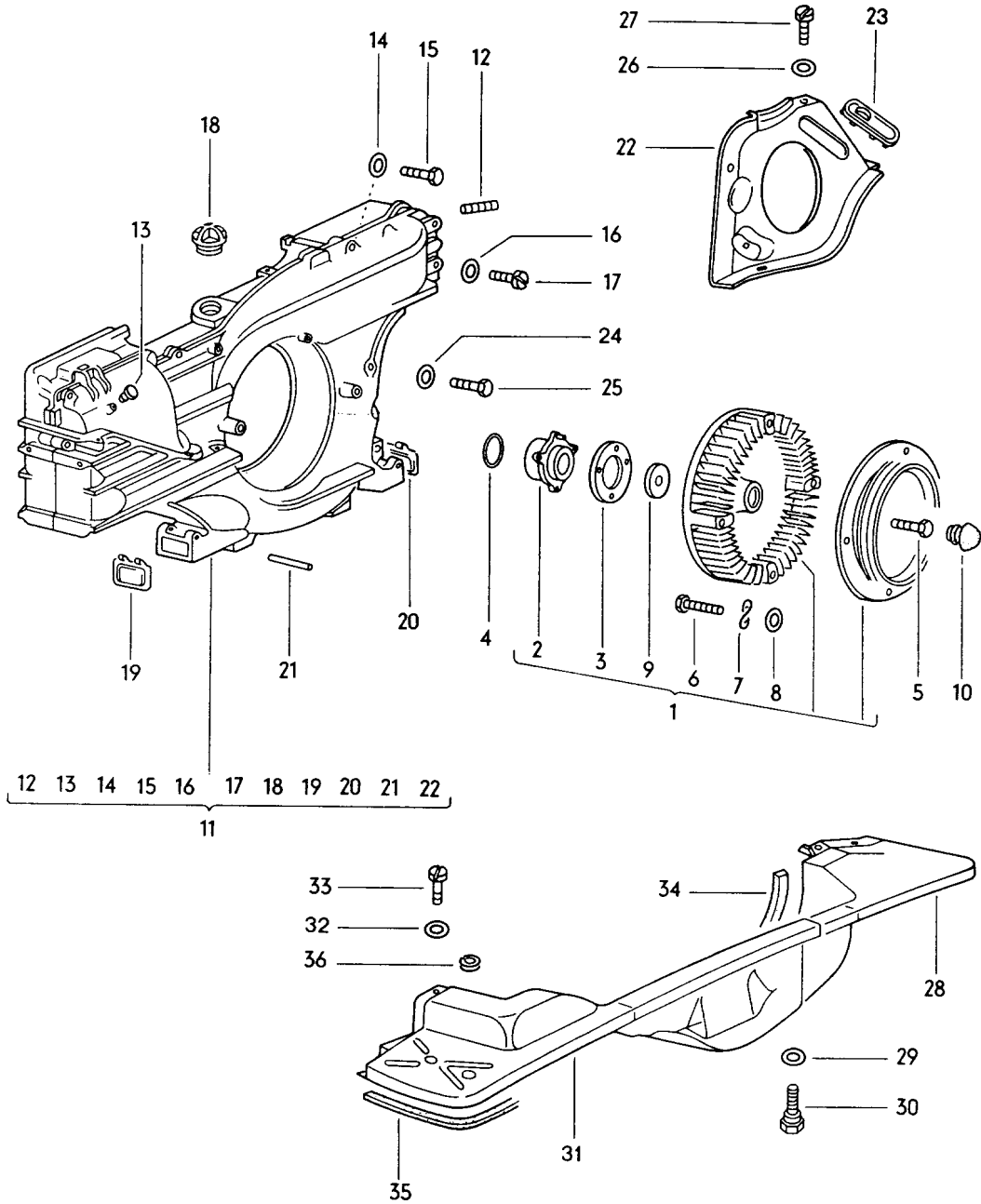
Model: 914 70

Model life 1970&gt;&gt;1976

Pos	Part Number	Description	Remark	Qty	Model
		Engine lubrication			914
		Oil cooler			
1	021 117 021 B	Oil cooler		1	
2	021 117 151 A	Sealing ring		2	
		for			
		Oil cooler			
2A	N 011 524 7	Washer		3	
		A 6,4			
2A	N 011 524 27	Washer		3	
		A 6,4			
2B	N 012 226 5	Spring washer		3	
		B 6			
2C	900 076 010 02	Nut		3	
		M 6			
2C	900 076 010 0B	Nut		3	
		M 6			
3	021 117 171 A	Clip		1	
		for			
		Oil cooler			
4	021 117 181	Bracket		1	
		for			
		Oil cooler			
5	039 117 187	Support		1	914-2,0
		for			
		Oil cooler			
6	N 012 229 3	Spring washer		1	914-2,0
		A 8			
7	N 012 226 5	Spring washer		2	
		B 6			
8	N 010 715 2	Pan-head screw		2	
		AM 6 X 15			
9	900 025 007 02	Washer		1	
		A 8,4			
9	900 025 007 03	Washer		1	
		A 8,4			
10	N 012 228 3	Spring washer		1	
		B 8			
11	900 075 085 02	Hexagon-head bolt		1	
		M 8 X 20			

Model: 914 70

Model life 1970>>1976



Model: 914 70 Model life 1970>>1976

Pos	Part Number	Description	Remark	Qty	Model
1	022 119 031	Air cooling Impeller with Pulley And Hub M >> W0 170 000 M >>EAO 057 000		1	914 914-4/1,7
(1)	021 119 031 AD	Impeller with Pulley And Hub M ECO 000 001>> M W0 170 001 >>		1	
2	021 119 119	Hub		1	
3	021 119 121	Spacer		1	
4	021 119 125 A	O-ring		1	
5	N 014 326 1	Hexagon-head bolt M 8 X 30		1	
(6)	021 119 127	Self-locking Pan-head screw M 8 X 39 M >> W0 170 000 M >>EAO 057 000		3	914-4/1,7
6	N 010 246 4	Hexagon-head bolt M 8 X 45 M >>EAO 098 793 M >>EBO 010 020 M >>GA0 016 000 M >> W0 250 000 M EA0 057 001>>		3	914-1,7/1,8V 914-1,8/2,0
7	N 012 241 11	Spring washer B 8 X 15		3	
8	900 031 001 02	Washer 8,4 M >> W0 170 000 M >>EAO 057 000		3	914-4/1,7 914-1,8V/2,0
8	900 031 105 01	Washer 8,4 M >> W0 170 000 M >>EAO 057 000		3	914-4/1,7 914-1,8V/2,0
9	021 119 131	Washer		1	
10	021 119 149	Cap		1	914-4/1,7
(11)	022 119 199 A	Transmission case M >> W0 129 581		1	914-4
11	021 119 199 D	Fan housing M >>ECO 037 551		1	914-1,7/1,8V 914-1,8/2,0
(11)		Fan housing		1	914-1,8V/1,8 914-2,0
(11)	021 119 199 N	M ECO 037 552>> Fan housing M GC0 000 001>>		1	914-2,0
12	N 014 532 3	Stud AM 8 A X 32		1	
13	311 405 381	Stopper		2	
14	N 012 241 11	Spring washer B 8 X 15		3	
15	N 010 244 11	Hexagon-head bolt M 8 X 30		3	
15	N 010 244 25	Hexagon-head bolt M 8 X 30		3	

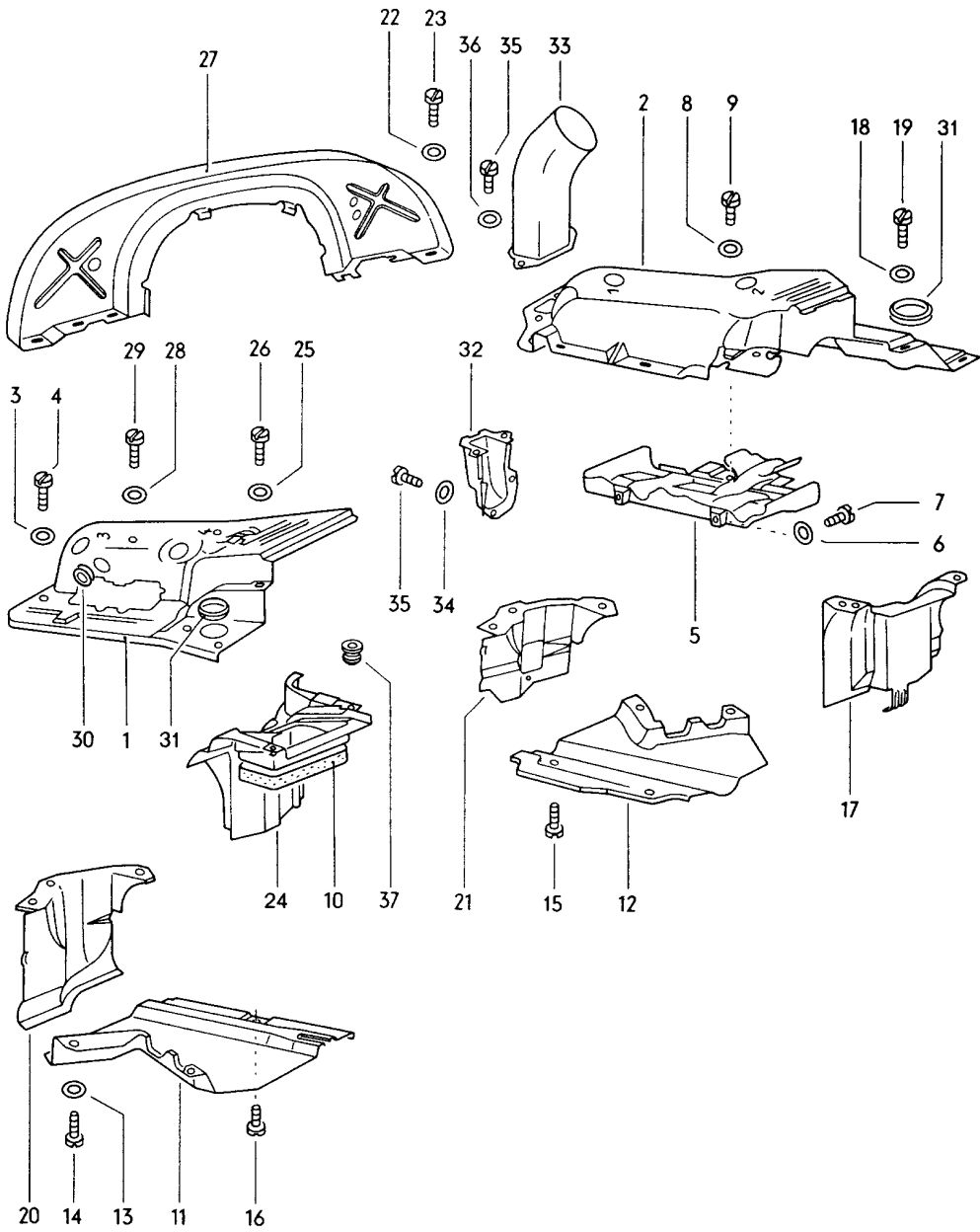


Model: 914 70 Model life 1970>>1976

Pos	Part Number	Description	Remark	Qty	Model
16	N 012 226 5	Spring washer B 6		8	
17	N 010 719 2	Pan-head screw AM 6 X 20		8	
18	021 119 233 A	Lid		1	
-	021 119 249 E	Scale for Adjustment Ignition point M GC0 000 001>>		1	914-2,0
19	021 119 263 A	Detent	/R	1	
20	021 119 264 A	Detent	/L	1	
-	021 119 270	Axle		X	
21		62,55 MM	/R	2	
(21)		56 MM	/L	2	
(22)	021 119 281 D	Cover plate for Generator M >> W0 129 581		1	914-4
22		Cover plate for Generator M W0 129 582 >>		1	914-1,7/1,8V 914-1,8/2,0
(22)	022 119 281	Cover plate for Generator M EC0 037 552>>		1	914-1,8V/1,8 914-2,0
23	021 119 295	Lid		1	
24	N 012 226 5	Spring washer B 6		1	
25	N 010 346 5	Hexagon-head bolt BM 6 X 30		1	
26	N 011 652 1	Washer 7		1	
27	N 014 139 5	Oval-head screw AM 6 X 12		1	
28	022 119 512	Cover plate for Engine	/V /L	1	
29	N 011 652 1	Washer 7		1	
30	999 072 005 09	Hexagon nut M 6 X 12		1	
30	999 072 005 01	Hexagon nut M 6 X 12		1	
31	022 119 521 A	Cover plate for Engine	/V /R	1	
32	N 011 652 1	Washer 7		7	
33	N 014 139 5	Oval-head screw AM 6 X 12		7	
34	021 119 543 A	Gasket Front Engine cover 650 MM		2	
35	411 813 215 A	Protective rubber		1	
36	021 119 569 A	Rubber sleeve		2	914-1,8V/1,8 914-2,0

Model: 914 70

Model life 1970>>1976



Model: 914 70 Model life 1970>>1976

Pos	Part Number	Description	Remark	Qty	Model
		Engine cover			914
1	022 119 299 A	Air guide Engine cover	/R	1	914-4/1,7 914-1,8V/1,8
(1)	039 119 299 A	for Cylinder Cover plate	/R	1	914-2,0
-	039 119 991	for Cylinder Cap	/R	1	914-2,0
(2)	039 119 300 C	for Cover plate Cover plate	/L	1	914-4/1,7
		for Cylinder M >> W0 129 581 M EA0 057 001>> M >>EA0 098 793 M >>EBO 010 020			
2	022 119 300 D	Cover plate for Cylinder	/L	1	914-4/1,7 914-1,8V
		M WO 129 582 >> M >> W0 170 000 M >>EA0 057 000			
(2)	022 119 300 G	Engine cover for Cylinder	/L	1	914-1,8
(2)	039 119 300	Engine cover for Cylinder	/L	1	914-2,0
		M >>GA0 016 000 M GC0 000 001>>			
-	021 119 337	Cap Grommet for Cover plate		1	
3	N 011 652 1	Washer 7		8	
4	N 010 710 8	Pan-head screw AM 6 X 10		8	
(5)	021 119 319 A	Baffle plate	/R	1	
5	021 119 320 A	Baffle plate	/L	1	
6	N 011 652 1	Washer		4	
7	N 010 710 8	Pan-head screw AM 6 X 10		4	
8	900 025 003 02	Washer A 5,3		2	
9	N 010 704 2	Pan-head screw AM 5 X 10		2	
10	021 119 329	Gasket for Oil cooler		1	
(11)	039 119 353	Air guide Floor M EC0 037 552>> M GC0 000 001>>	/L	1	914-1,8/2,0
11	022 119 355	Air guide Floor M >>EA0 098 793 M >>EBO 010 020 M >>EC0 037 551 M >>GA0 016 000	/R	1	
12	022 119 356 A	Air guide	/L	1	914-4

Model: 914 70 Model life 1970>>1976

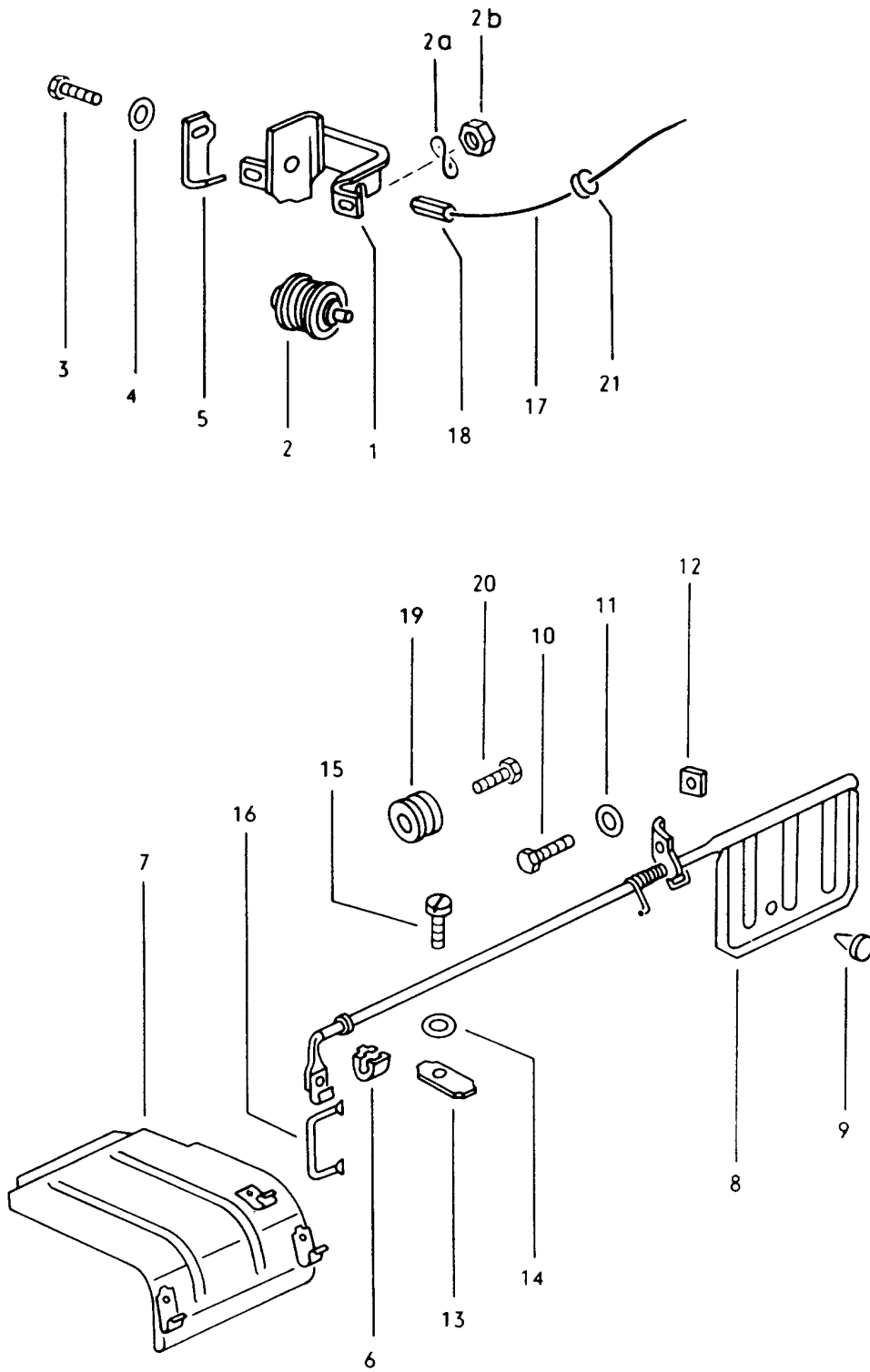
Pos	Part Number	Description	Remark	Qty	Model
(12)	039 119 354	Floor M >> W0 170 000 M >>EA0 057 000 Air guide	/R	1	914-1,8/2,0
(12)	022 119 356 B	Floor M EC0 037 552>> M GC0 000 001>> Air guide	/L	1	914-1,7/1,8V 914-1,8/2,0
13	N 011 652 1	Floor M EA0 057 001>> M >>EA0 098 793 M >>EBO 010 020 M >>EC0 037 551 M >>GA0 016 000 Washer		8	
14	N 014 139 5	7 Oval-head screw AM 6 X 12		5	
15	N 010 715 2	Pan-head screw AM 6 X 15		2	
16	N 010 710 8	Pan-head screw AM 6 X 10		2	
17	021 119 358	Air guide	/V /L	1	
18	N 011 652 1	Washer 7		3	
19	N 014 139 5	Oval-head screw AM 6 X 12		3	
20	022 119 361	Air guide	/H /R	1	
21	022 119 362	Air guide	/H /L	1	914-4/1,7 914-1,8
(21)	022 119 362 A	M EC0 000 001>> M EA0 057 001>> M >> W0 129 581 M >>EA0 098 793 M >>EBO 010 020 Air guide	/H /L	1	914-4/1,7 914-1,8V
(21)	039 119 362	M W0 129 582 >> M EA0 000 001>> M >> W0 170 000 M >>EA0 057 000 Air guide	/H /L	1	914-2,0
22	N 011 652 1	Washer 7		4	
23	N 014 139 5	Oval-head screw AM 6 X 12		4	
24	021 119 367	Air guide	/V /R	1	
25	N 011 652 1	Washer 7		4	
26	N 014 139 5	Oval-head screw AM 6 X 12		4	
27	022 119 517 R	Engine cover	/H	1	914-4/1,7 914-1,8V/2,0
(27)		M EA0 057 001>> M >> W0 129 581 M >>EA0 098 793 M >>EBO 010 020 M >>GA0 006 765 Use also: 411 813 215 A Engine cover	/H	1	914-4/1,7
		M W0 129 582 >> M >> W0 170 000 M >>EA0 057 000			

Model: 914 70 Model life 1970>>1976

Pos	Part Number	Description	Remark	Qty	Model
(27)		Use also: 411 813 215 A Engine cover		1	914-1,8V/1,8 914-2,0
28	N 011 652 1	M GA0 006 766>> M GC0 000 001>> M EC0 000 001>> M >>GA0 016 000 Washer 7		2	
29	N 014 139 5	Oval-head screw AM 6 X 12		2	
30	021 119 553	Grommet for Cover plate Cylinder Right		1	
31	021 119 627 B	Grommet for Cover plate Cylinder Left And Right		2	
(31)	022 119 627	Grommet for Adapter		1	914-1,8V
32	022 119 629	Baffle plate M W0 129 582 >> M >> W0 170 000 M >>EAO 057 000		1	914-4
33	022 119 639	Intake manifold M W0 129 582 >> M >> W0 170 000 M >>EAO 057 000		1	914-4
35	N 010 715 2	Pan-head screw AM 6 X 15		4	914-4
35		Pan-head screw AM 6 X 15		2	914-1,8
36	N 012 226 5	Spring washer B 6		2	914-4/1,8V
37	021 119 957	Protection cap for Oil pressure switch		1	

Model: 914 70

Model life 1970>>1976

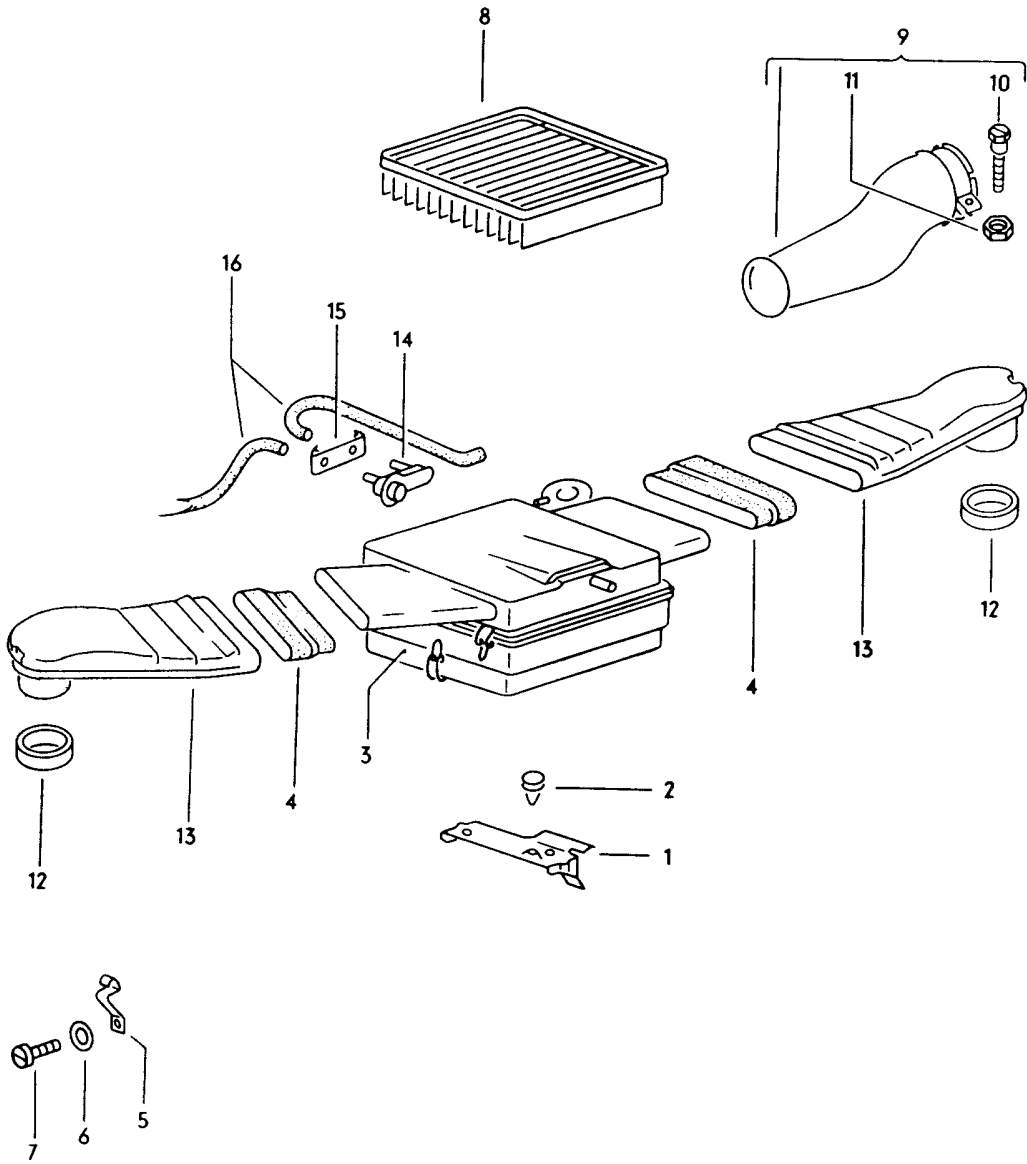


Model: 914 70 Model life 1970>>1976

Pos	Part Number	Description	Remark	Qty	Model
1	022 119 155	Cooling air control Support for Thermostat		1	914
2	021 119 159 A	Thermostat		1	
2A	N 012 226 5	Spring washer B 6		2	
2B	900 076 010 02	Nut M 6		2	
2B	900 076 010 0B	Nut M 6		2	
3	900 075 078 02	Hexagon-head bolt M 8 X 15		1	
3	900 075 078 03	Hexagon-head bolt M 8 X 15		1	
4	N 011 654 2	Washer 9,5		1	
5	022 119 175	Retaining bracket for Heating air supply Lower		1	
6	021 119 187	Bearing shell		2	
7	021 119 309	Heat shield	/R	1	
8	021 119 711	Cooling air duct Flap	/L	1	
9	N 020 022 3	Stopper A 8 X 1		1	
10	900 075 116 02	Hexagon-head bolt M 4 X 8		1	
11	900 025 002 02	Washer A 4,3		1	
11	900 025 002 03	Washer A 4,3		1	
12	021 119 725	Square nut M 4		1	
13	021 119 729 A	Retainer spring		2	
14	N 012 226 5	Spring washer B 6		2	
15	N 010 710 8	Pan-head screw AM 6 X 10		2	
16	021 119 745	Clip		1	
17	021 119 751	Traction		1	
18	070 119 765	Union nut M 7 X 0,75		1	
-	N 011 533 2	Washer A 7,4		1	
19	021 119 769 A	Roller		1	
20	271 821 767	Hexagon-head bolt M 6		1	
21	021 119 955	Sealing washer		1	

Model: 914 70

Model life 1970>>1976



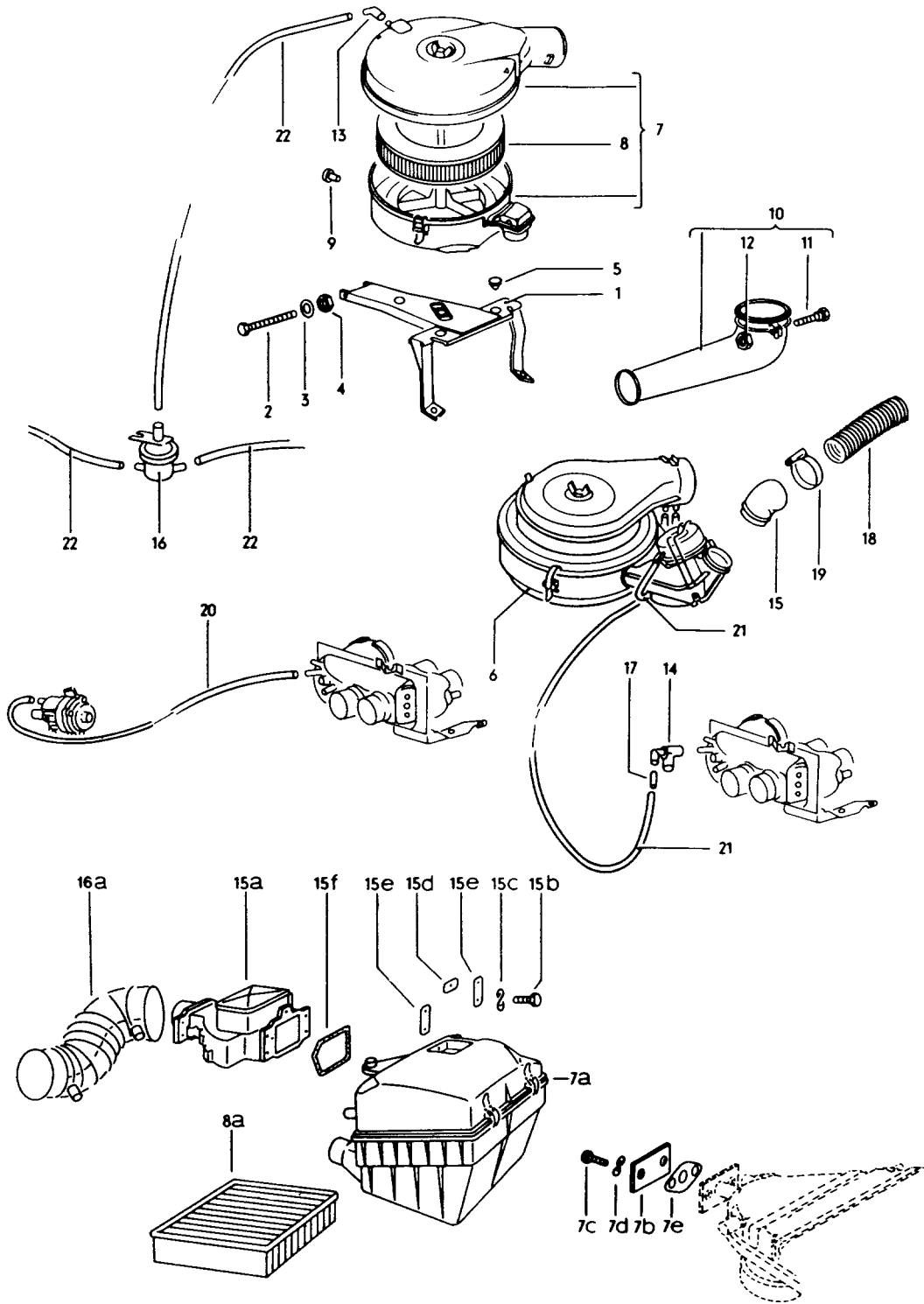


Model: 914 70 Model life 1970>>1976

Pos	Part Number	Description	Remark	Qty	Model
1	021 129 545 C	Air cleaner Engine bracket for		2	914-1,8V
-	N 011 652 1	Air cleaner Washer 7		2	
-	N 014 139 5	Oval-head screw AM 6 X 12		2	
2	N 020 022 3	Stopper A 8 X 1		4	
3	021 129 607 M	Air cleaner		1	
4	021 129 619 B	Rubber sleeve		2	
(5)	021 129 693	Tensioning spring		2	
6	N 012 226 5	Spring washer B 6		2	
7	N 010 713 1	Pan-head screw AM 6 X 8		2	
8	021 129 620	Air cleaner cartridge		1	
9	021 129 623	Intake manifold		1	
10	111 129 635	Hexagon-head bolt		1	
11	900 076 010 02	Nut M 6		1	
11	900 076 010 0B	Nut M 6		1	
12	021 129 625 B	Sealing ring		2	
13	021 129 631 A	End piece		2	
14	113 129 828 A	Oil thermostat		1	
15	113 129 830	Tab washer		1	
16	N 020 361 2	Hose 4 X 2,5		*	

Model: 914 70

Model life 1970>>1976



Model: 914 70 Model life 1970>>1976

Pos	Part Number	Description	Remark	Qty	Model
		Air cleaner			914-4/1,7 914-1,8/2,0
1	022 129 541 A	Engine bracket		1	914-4/1,7
(1)	022 129 541 B	Engine bracket		1	914-1,8
(1)	039 129 541 A	Engine bracket		1	914-2,0
-	N 012 226 5	Spring washer B 6		3	914-1,8
-	N 010 210 13	Hexagon-head bolt M 6 X 10		3	914-1,8
2	N 010 351 2	Hexagon-head bolt M 8 X 52		1	914-4/1,7
(2)	900 075 083 02	Hexagon-head bolt M 8 X 25		1	914-2,0
3	900 025 007 02	Washer B 8,4		1	914-4/1,7
3	900 025 007 03	Washer B 8,4		1	914-4/1,7
(3)	N 012 228 3	Spring washer B 8		1	914-2,0
4	N 011 118 14	Hexagon nut BM 8		1	914-4/1,7
4	900 034 001 05	Hexagon nut BM 8		1	914-4/1,7
5	N 020 022 3	Stopper A 8 X 1		5	914-4/1,7 914-1,8/2,0
5		Stopper A 8 X 1		4	914-1,8/2,0
(6)	022 129 607	Air cleaner M >> W0 129 581		1	914-4
(6)	022 129 607 C	Air cleaner Carbon canister M >> W0 129 581		1	914-4
6	022 129 607 E	Air cleaner M W0 129 582 >> M >> W0 170 000 M >>EA0 057 000		1	914-4
7	022 129 607 H	Air cleaner M EA0 057 001>>		1	914-1,7
7A	022 129 607 K	Air cleaner		1	914-1,8
-	N 016 060 1	Hexagon nut 8 X 20		1	914-1,8
-	N 012 229 3	Spring washer A 8		1	914-1,8
(7)	039 129 607 A	Air cleaner M >>GA0 016 000		1	914-2,0
(7A)	039 129 607 H	Air cleaner Use also: 039 131 594 021 131 599 Gasket M GC0 000 001>>		1	914-2,0
7B	039 131 594	Flange		1	914-2,0
7C	N 010 216 7	Hexagon-head bolt M 6 X 18		2	914-2,0
7D	N 012 226 5	Spring washer B 6		2	914-2,0
7E	021 131 599 A	Gasket		1	914-2,0
8	022 129 620	Air cleaner cartridge M EA0 057 001>>		1	914-1,7
8A	039 129 620 A	Air cleaner cartridge M >>GA0 016 000		1	914-1,8/2,0
9	021 129 757 A	Plug M EA0 057 001>>		1	914-1,7

Model: 914 70

Model life 1970&gt;&gt;1976

Pos	Part Number	Description	Remark	Qty	Model
(10)	022 129 623 A	Intake manifold M >> W0 129 581		1	914-4
10	022 129 623 B	Intake manifold M W0 129 582 >> M >>EA0 098 793		1	914-4/1,7
(10)	022 129 623 C	Intake manifold		1	914-1,8
11	111 129 635	Hexagon-head bolt		1	914-4/1,7 914-2,0
12	900 076 010 02	Nut M 6		1	914-4/1,7 914-2,0
12	900 076 010 0B	Nut M 6		1	914-4/1,7 914-2,0
(11)	N 010 697 1	Pan-head screw AM 4 X 10		1	914-1,8
(12)	900 076 010 02	Nut M 4		1	914-1,8
(12)	900 076 010 0B	Nut M 4		1	914-1,8
13	022 129 637	Elbow Connecting hose		2	914-4/1,7 914-2,0
14	022 129 637 B	Union Air distributor M W0 129 582 >> M EA0 000 001>>		1	914-4
15	022 129 647	Connection piece Air cleaner M W0 129 582 >> M EA0 000 001>>		1	914-4
15A	022 906 301	Mass air flow meter M >>EC0 037 551		1	914-1,8
(15A)	473 906 301	Mass air flow meter M EC0 037 552>>		1	914-1,8
15B	900 014 004 02	Pan-head screw M 6 X 12		5	914-1,8
15C	N 012 226 5	Spring washer B 6		5	914-1,8
15D	022 129 681	Desk pad		1	914-1,8
15E	022 129 682	Desk pad		2	914-1,8
15F	022 129 683	Gasket		1	914-1,8
-	039 129 681	Support Air cleaner		1	914-2,0
-	039 129 688	Bush		1	914-2,0
-	039 129 691	Connecting hose 40 MM		2	914-2,0
16	022 129 961	Distributor  M W0 129 582 >> M EA0 000 001>>		1	914-4/1,7 914-2,0
16A	022 129 967 T	Elbow		1	914-1,8
17	022 133 085	Connecting tube M W0 129 582 >> M >>EA0 098 793		2	914-4
17		Connecting tube M W0 129 582 >> M >>EA0 098 793		1	914-1,7
18	411 819 365 A	Breather hose Suction hose 320 MM M W0 129 582 >> M >> W0 170 000 M >>EA0 057 000		1	914-4
19	111 501 159 B	Hose clamp \$ 44 - 64 MM		2	914-4

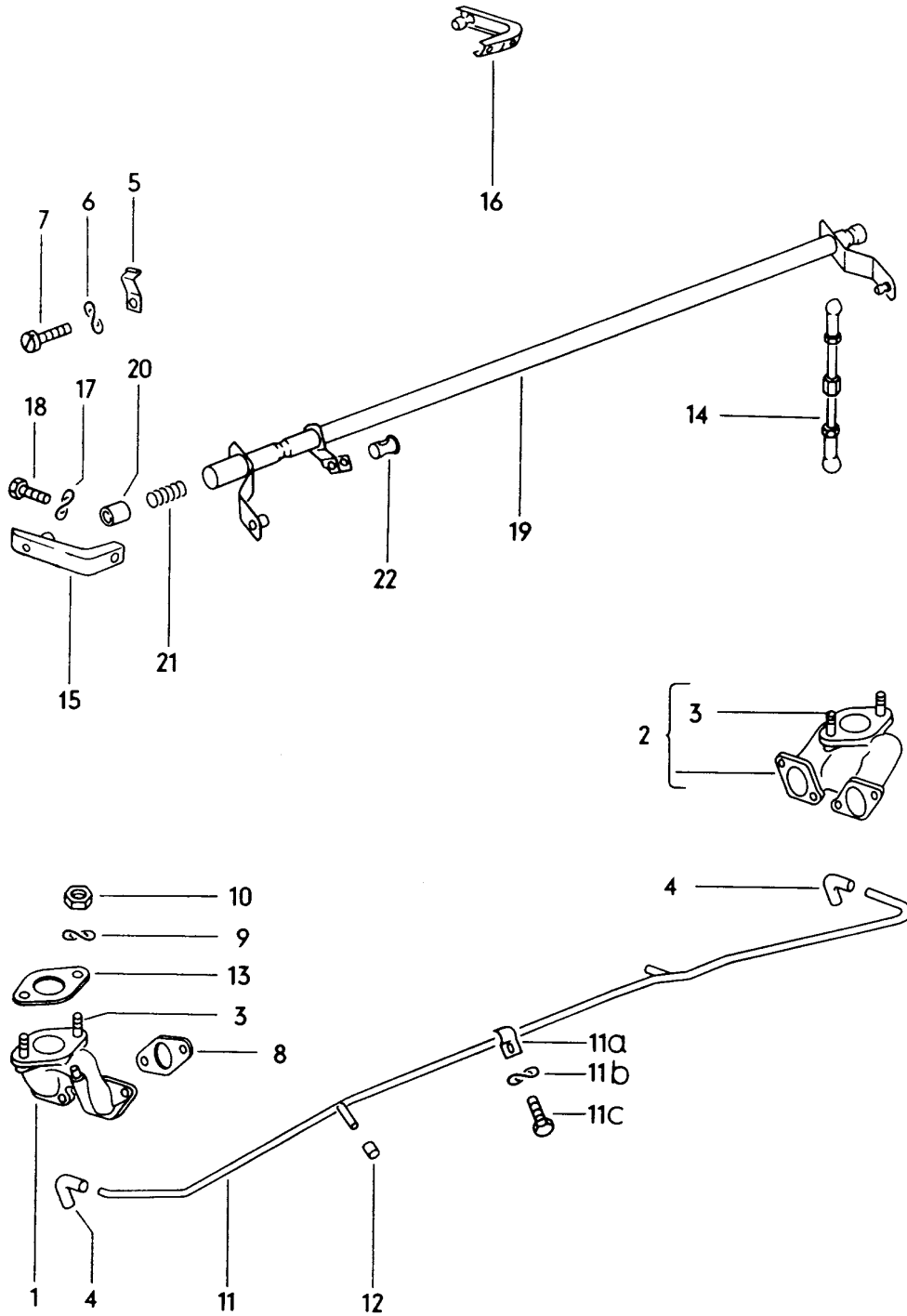
Model: 914 70

Model life 1970>>1976

Pos	Part Number	Description	Remark	Qty	Model
		M W0 129 582 >> M >> W0 170 000 M >>EA0 057 000			
20	N 020 281 1	Hose 7 X 2,5		*	914-4/1,7 914-2,0
21	N 020 361 2	Hose 4 X 2,5		*	914-4/1,7 914-2,0
22	N 020 290 1	Hose 12 X 3,3		*	914-4/1,7 914-1,8/2,0
-	N 020 343 1	Hose 18 X 2,5 Pot Bleeder Air cleaner		*	914-2,0

Model: 914 70

Model life 1970>>1976



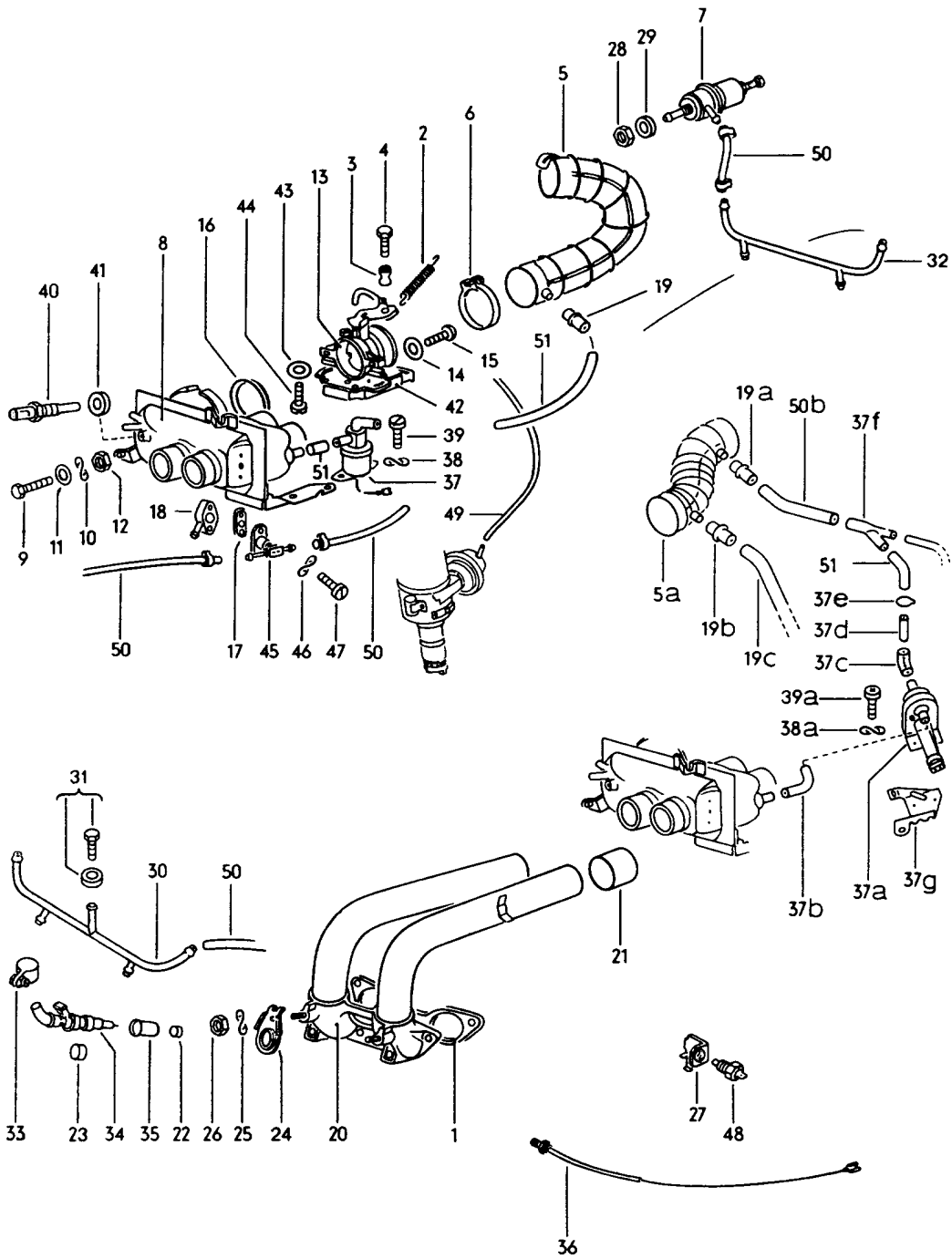
Model: 914 70

Model life 1970&gt;&gt;1976

Pos	Part Number	Description	Remark	Qty	Model
		Intake connection Intake pipe Control shaft			914-1,8V
1	021 129 705 T	Intake connection	/R	1	
2	021 129 706 T	Intake connection	/L	1	
3	N 014 396 3	Stud AM 8 X 50		4	
4	021 129 637 F	Connecting hose		2	
5	021 129 693	Tensioning spring		2	
6	N 012 226 5	Spring washer B 6		2	
7	N 010 713 1	Pan-head screw AM 6 X 8		2	
8	021 129 707 E	Gasket for Intake connection		4	
9	N 012 241 11	Spring washer B 8 X 15		4	
10	N 011 008 8	Hexagon nut M 8		1	
11	021 129 721 M	Connecting tube		1	
11A	021 129 727 B	Support		1	
11B	N 011 555 1	Washer 4,3		1	
11C	N 011 372 3	Pan-head tapping screw B 3,9 X 6,5		1	
12	021 129 753	Plug \$ 7 MM		1	
13	021 129 795 D	Gasket		2	
14	021 129 842 B	Pull rod		2	
15	021 129 917 C	Bearing bracket	/R	1	
16	021 129 918 B	Bearing bracket	/L	1	
17	N 012 226 5	Spring washer B 6		4	
18	N 010 215 13	Hexagon-head bolt M 6 X 15		4	
19	021 129 933 P	Control shaft		1	
20	021 129 957	Ball pin		1	
21	021 129 959	Compression spring		1	
22	022 133 139	Eccentric bolt		1	
-	411 721 577	Eccentric bolt		1	
-	900 906 005 01	Circlip		1	
-	N 029 964 1	Threaded pin AM 5 X 6		1	

Model: 914 70

Model life 1970>>1976





Model: 914 70 Model life 1970>>1976

Pos	Part Number	Description	Remark	Qty	Model
		Injection system			914-4/1,7 914-1,8/2,0
1	022 129 707 C	Gasket		2	914-4/1,7
1	022 129 707 F	Gasket		2	914-4/1,7
(1)		without asbestos			
		Gasket		2	914-1,8
		without asbestos			
(1)	039 129 707	Gasket		2	914-2,0
-	N 012 241 11	Spring washer		6	
		B 8 X 15			
-	N 011 008 8	Hexagon nut		6	
		M 8			
-	900 025 007 02	Washer		6	914-1,8
		A 8,4			
-	900 025 007 03	Washer		6	914-1,8
		A 8,4			
(2)	039 129 881 A	Spring		1	914-4/2,0
		102 MM			
		M GC0 000 001>>			
		M >> W0 129 581			
		M >>GA0 016 000			
2	022 129 881 F	Return spring		1	914-4/1,7
		100 MM			
		M W0 129 582 >>			
		M >> W0 250 000			
		M >>EAO 098 793			
		M >>EBO 010 020			
(2)		Return spring		1	914-1,8/2,0
		100 MM			
3	111 129 921	Bearing pin		1	
4	N 010 205 6	Hexagon-head bolt		1	914-4/1,7
		M 5 X 10			914-2,0
4	900 075 105 02	Screw		1	914-4/1,7
		M 5 X 10			914-2,0
5	022 129 967 P	Elbow		1	914-4
		for			
		Air cleaner			
		M >> W0 170 000			
5A	022 129 967 T	Elbow		1	914-1,8
6	211 255 463	Clip		1	914-4/1,8
		\$ 62 - 87 MM			
7	PCG 133 030 A	Pressure regulator		1	914-4/1,7
					914-2,0
(7)	022 906 035	Pressure regulator		1	914-1,8
8	022 133 055 G	Distributor		1	914-4/1,7
(8)	039 133 055 B	Distributor		1	914-2,0
		See group			
		1/17/15			
		M >>GA0 006 765			
9	N 010 351 2	Hexagon-head bolt		1	914-4/1,7
		BM 8 X 52			914-2,0
10	N 012 241 11	Spring washer		1	
		B 8 X 15			
11	900 025 007 02	Washer		1	
		A 8,4			
11	900 025 007 03	Washer		1	
		A 8,4			
12	N 011 008 8	Hexagon nut		1	
		M 8			
13	022 133 062 D	Throttle body		1	914-4/1,7
(13)	039 133 062 D	Throttle body		1	914-2,0
		See group			
		1/17/15			

Model: 914 70 Model life 1970>>1976

Pos	Part Number	Description	Remark	Qty	Model
14	N 012 226 5	M >>GA0 006 765 Spring washer B 6		2	914-4/1,7 914-1,8
(14)	N 012 228 3	Spring washer B 8		2	914-2,0
15	N 014 145 3	Oval-head screw BM 6 X 30		2	914-4/1,7 914-1,8
(15)	N 010 241 2	Hexagon-head bolt M 8 X 25		2	914-2,0
16	022 133 073	Gasket		1	914-4/1,7
(16)	022 133 073 A	Gasket		1	914-1,8
(16)	039 133 073	Gasket		1	914-2,0
17	022 133 075 A	Gasket		1	914-4/1,7
(17)		Gasket		1	914-1,8
(17)	039 133 075 A	Gasket 0,5 MM		1	914-2,0
(17)	039 133 075 B	Gasket 0,8 MM		1	914-2,0
18	039 133 079 A	Intermediate piece		1	914-2,0
(19)	022 133 199	Intermediate piece		1	914-4
19	022 133 199 A	Intermediate piece		1	914-1,7
19A	022 133 199 C	Intermediate piece		1	914-1,8
19B	022 133 199 D	Intermediate piece		1	914-1,8
19C	022 129 973	Hose		1	914-1,8
20	022 133 201 B	Intake manifold	/R	1	914-4/1,7
(20)	022 133 201 D	Intake manifold	/R	1	914-1,8
(20)	022 133 202 B	Intake manifold	/L	1	914-4/1,7
(20)	022 133 202 D	Intake manifold	/L	1	914-1,8
(20)	039 133 201 B	Intake manifold		2	914-2,0
21	022 133 241 B	Connecting hose		4	914-4/1,7
(21)	039 133 241	Connecting hose		4	914-1,8/2,0
(22)	311 133 261	Valve seat Inner		4	914-4
22	311 133 261 A	M >> W0 057 460 Valve seat Inner M GC0 000 001>> M EC0 000 001>> M W0 057 461 >> M >>EA0 098 793 M >>EBO 010 020 M >>GA0 016 000 M >> W0 250 000		4	
23	311 133 263	Valve seat Outer		4	
24	022 133 271	Pressure plate for Valve seat		4	
25	N 012 226 5	Spring washer B 6		4	
26	900 076 010 02	Nut M 6		4	
26	900 076 010 0B	Nut M 6		4	
27	022 133 285 B	Support		1	914-4/1,7
(27)		Support		1	914-1,8
(27)	039 133 285 B	Support		1	914-2,0
28	311 133 307	Hexagon nut		1	914-4/1,7 914-2,0
29	311 133 309	Insulating piece		1	914-4/1,7 914-2,0
30	022 133 315 B	Fuel line Distributor	/L	1	

Model: 914 70 Model life 1970>>1976

Pos	Part Number	Description	Remark	Qty	Model
31	N 090 196 1	Hexagon-head bolt with Sealing ring M 4 X 8		1	
32	022 133 321 B	Fuel line Distributor	/R	1	
33	999 512 255 02	Hose clamp for Fuel hose \$ 13 MM		11	
34	022 906 031 A	Injector valve Use also: 311.133.261 A M >> W0 057 460		4	914-4/1,7
(34)	022 906 031 C	Injector valve		1	914-1,8
(34)	039 906 031	Injector valve M >>GA0 016 000		4	914-2,0
(34)	039 906 031 A	Injector valve M GC0 000 001>> Connector housing Black		4	914-2,0
-	037 906 240	Connector housing		4	
-	357 972 741 A	Grommet		8	
-	999 652 456 22	Contact spring		8	
35	311 906 033	Guide sleeve		4	914-4/1,7
36	022 906 041 A	Temperature sensor for Cylinder head M >>GA0 006 765		1	914-2,0
36	311 906 041 A	Temperature sensor for Cylinder head M EC0 000 001>> M GC0 000 001>> M GA0 006 766>> M >>EAO 098 793 M >>EBO 010 020 M >>GA0 016 000 M >> W0 250 000		1	
-	039 971 762 A	Resistor with Temperature sensor M >>GA0 016 000		1	914-2,0
-	914 606 101 00	Resistor with Temperature sensor M >>GA0 016 000		1	914-2,0
37	022 906 045	Auxiliary air regulator		1	914-4/1,7 914-2,0
37A	944 606 103 00	Auxiliary air regulator		1	914-1,8
37A	944 606 103 01	Auxiliary air regulator		1	914-1,8
37A	944 606 103 AX	Auxiliary air regulator		1	914-1,8
37B	N 020 377 1	Hose		1	914-1,8
37C	022 129 637	Elbow		1	914-1,8
37D		Deleted		X	
37E	022 129 260	Clip		1	914-1,8
37F	022 133 215	Y-piece		1	914-1,8
37G	022 133 161	Support		1	914-1,8
38	900 028 007 02	Spring washer B 5		2	914-4/1,7 914-2,0
38A	N 012 226 5	Spring washer B 6		2	914-1,8
39	N 010 704 2	Pan-head screw		2	914-4/1,7

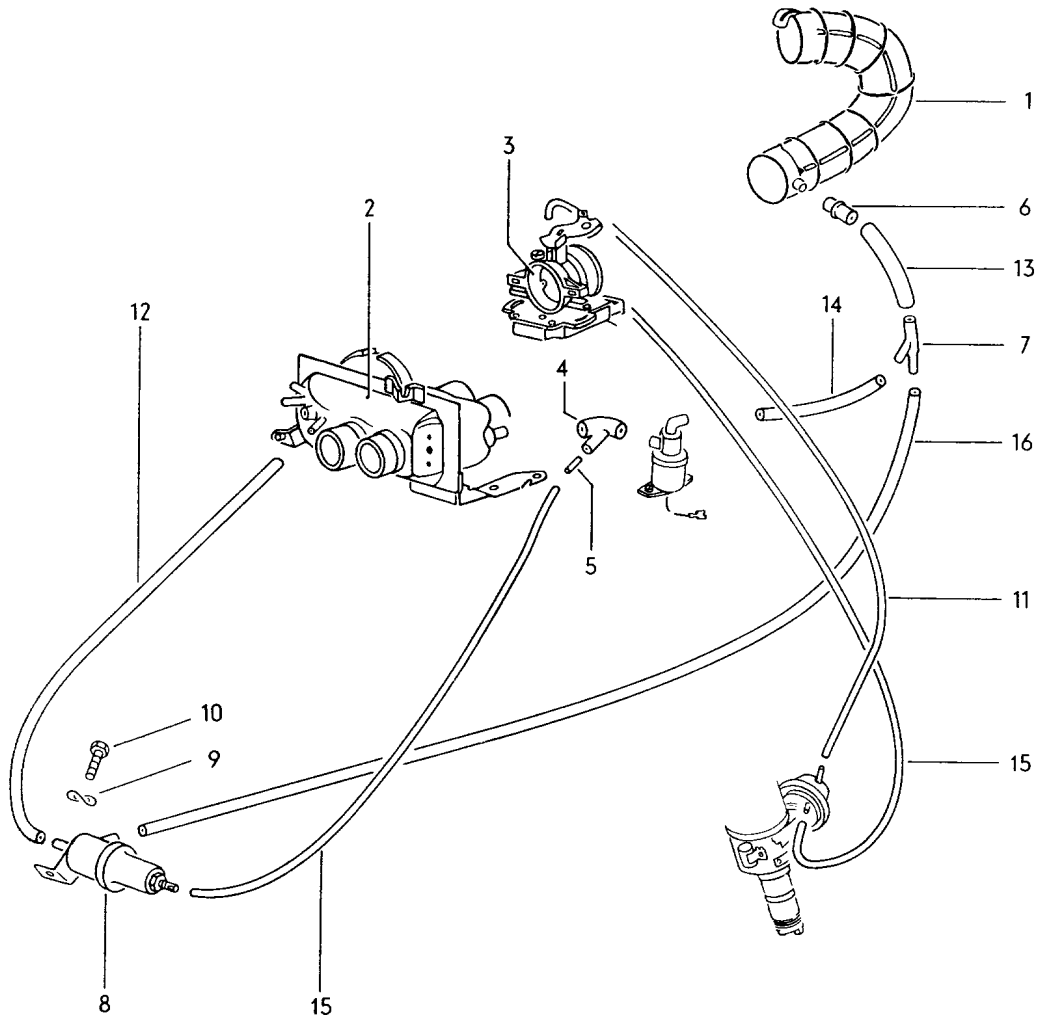
Model: 914 70

Model life 1970&gt;&gt;1976

Pos	Part Number	Description	Remark	Qty	Model
39A	N 014 138 7	AM 5 X 10 Oval-head screw		2	914-2,0 914-1,8
40	311 906 081 A	M 6 X 10 Temperature sensor for Distributor housing		1	914-4/1,7 914-2,0
41	N 013 830 2	Sealing ring A 8 X 12		1	914-4/1,7 914-2,0
(42)	022 906 111 A	Throttle-valve switch M >> W0 129 581		1	914-4/1,7
42	022 906 111 B	Throttle-valve switch M >>EAO 098 793 M W0 129 582 >> M >> W0 250 000		1	914-4/1,7
(42)	022 906 111 D	Throttle-valve switch		1	914-1,8
(42)	039 906 111 A	Throttle-valve switch		1	914-2,0
43	N 012 121 2	Shake-proof washer A 4,3		2	
44	N 010 703 2	Pan-head screw AM 4 X 8		2	
45	022 906 171 A	Solenoid valve		1	914-4/1,7
(45)	022 906 171 B	Solenoid valve		1	914-1,8
(45)	PCG 906 171 B	Valve		1	914-2,0
(45)		Valve		1	914-2,0
46	N 012 226 5	Spring washer A 6		2	
47	N 010 710 8	Pan-head screw AM 6 X 10		2	914-4/1,7 914-1,8
(47)	N 010 727 1	Pan-head screw AM 6 X 30		2	914-2,0
(48)	311 906 161 A	Temperature switch M >> W0 057 460		1	914-4
48	311 906 161 C	Temperature switch M W0 057 461 >> M >>EAO 098 793 M >>EBO 010 020 M >>GAO 016 000 M >> W0 250 000		1	914-4/1,7 914-2,0
(48)	022 906 163	Temperature switch M >>ECO 037 551		1	914-1,8
(48)	022 906 163 A	Temperature switch M GC0 000 001>>		1	914-2,0
(48)	043 906 163	Temperature switch M ECO 037 552>>		1	914-1,8
49	N 020 353 5	Hose 3,5 X 2		*	
49	PCG 020 353 5	Hose 3,5 X 2 x 5000		1	
50	N 020 281 1	Hose 7 X 2,5		*	
50B	N 020 371 1	Hose 14 X 2,5		*	
51	N 020 290 1	Hose 12 X 3,3		*	

Model: 914 70

Model life 1970>>1976



Model: 914 70 Model life 1970>>1976

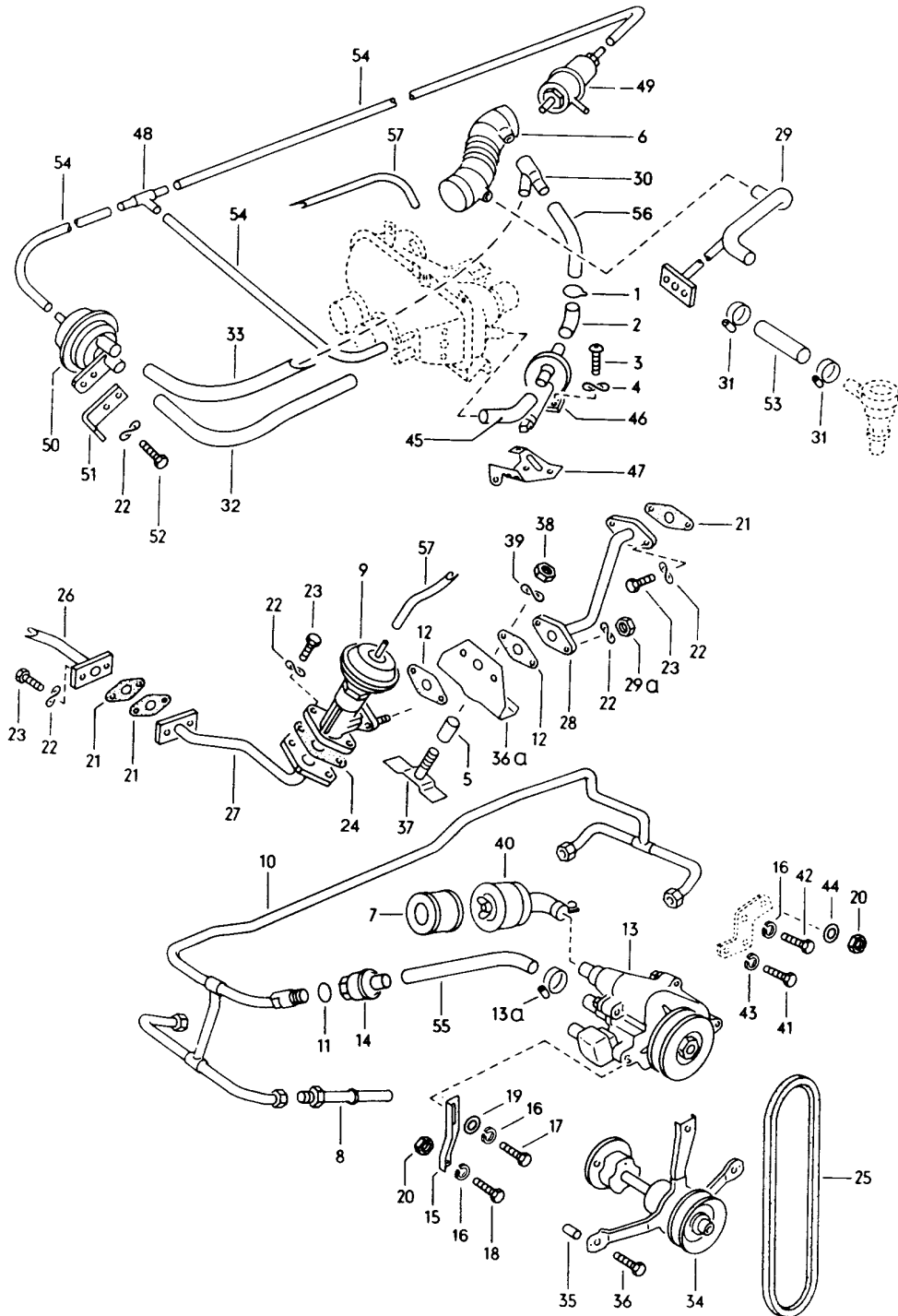
Pos	Part Number	Description	Remark	Qty	Model
		Injection system			914-4/1,7 914-1,8/2,0 914-4
1	022 129 967 L	Elbow for Air cleaner M >>EAO 057 000		1	
(1)	022 129 967 Q	Elbow for Air cleaner M EAO 057 001>> M >> W0 250 000 M >>EAO 098 793 M >>EBO 010 020		1	914-4/1,7
2	022 133 055 K	Distributor		1	914-4/1,7
(2)	022 133 055 S	Distributor housing M >>ECO 037 551		1	914-1,8
(2)		Distributor housing M ECO 037 552>>		1	914-1,8
(2)	039 133 055 D	Distributor housing M GA0 006 766>> M >>GA0 016 000		1	914-2,0
(2)	039 133 055 E	Distributor housing M GC0 000 001>>		1	914-2,0
3	022 133 062 E	Throttle body M >> W0 250 000 M >>EAO 098 793 M >>EBO 010 020		1	914-4/1,7
(3)	022 133 062 H	Throttle body M >>ECO 037 551		1	914-1,8
(3)	022 133 062 R	Throttle body M ECO 037 552>>		1	914-1,8
(3)	022 133 062 L	Throttle body M >>ECO 037 551		1	914-1,8 (CAL)
(3)	022 133 062 S	Throttle body M ECO 037 552>>		1	914-1,8 (CAL)
(3)	039 133 062 B	Throttle body M GA0 006 766>> M >>GA0 016 000		1	914-2,0
(3)	039 133 062 C	Throttle body M GC0 000 001>>		1	914-2,0 (CAL)
(3)	039 133 062 D	Throttle body M GC0 000 001>>	(J)	1	914-2,0
-	N 011 151 2	Hexagon nut M 8 for Shaft		1	914-1,8
4	022 133 083	Elbow for Auxiliary air regulator M >>EAO 098 793		1	914-4/1,7
5	022 133 085	Connecting tube M >>EAO 098 793 M W0 129 582 >> M >> W0 250 000		2	914-4
5		Connecting tube M >>EAO 098 793 M W0 129 582 >> M >> W0 250 000		1	914-1,7
6	022 133 199 B	Intermediate piece		1	914-4/1,7
7	022 133 215	Y-piece		1	914-4/1,7

Model: 914 70 Model life 1970>>1976

Pos	Part Number	Description	Remark	Qty	Model
		M >>EA0 098 793			914-1,8
		M >>EB0 010 020			
8	022 133 551	Valve		1	914-4/1,7 914-1,8
		M >>EA0 098 793			
		M >>EB0 010 020			
(8)	039 133 551	Valve		1	914-2,0
9	N 012 006 4	Lock ring		1	914-4/1,7
		B 6			914-2,0
9		Lock ring		X	914-1,8
		B6			
10	999 072 005 09	Hexagon nut		1	914-4/1,7
		M 6 X 12			914-2,0
10	999 072 005 01	Hexagon nut		1	914-4/1,7
		M 6 X 12			914-2,0
10	999 072 005 09	Hexagon nut		X	914-1,8
		M 6 X 12			
10	999 072 005 01	Hexagon nut		X	914-1,8
		M 6 X 12			
11	N 020 353 5	Hose		*	
		3,5 X 2			
11	PCG 020 353 5	Hose		1	
		3,5 X 2 x 5000			
12	N 020 359 2	Hose		*	914-4/1,7
		9 X 2,5			914-1,8
13	N 020 371 1	Hose		*	914-4/1,7
		14 X 2,5			914-1,8
14	N 020 290 1	Hose		*	
		12 X 3,3			
15	N 020 375 1	Hose		*	914-4/1,7
		4,5 X 2,5			914-1,8
16	N 020 376 1	Hose		*	914-4/1,7
		9 X 3			914-1,8

Model: 914 70

Model life 1970>>1976





Model: 914 70 Model life 1970>>1976

Pos	Part Number	Description	Remark	Qty	Model
		Exhaust gas recirculation Air injection From engine no. M ECO 037 552>> M GC0 000 001>>			914-1,8/2,0
1	022 129 260	Clip		1	914-1,8
2	022 129 637	Elbow		1	914-1,8
3	N 014 138 7	Oval-head screw M 6 X 10		2	914-1,8
4	N 012 226 5	Spring washer B 6		2	914-1,8
5	039 129 688	Bush		1	914-1,8/2,0
6	022 129 967 AA	Connecting piece		1	914-1,8
7	113 131 123	Filter element		1	914-2,0
8	021 131 285	Connecting piece		4	914-2,0
9	039 131 501	Egr valve		1	914-1,8/2,0 (CAL)
10	039 131 581 A	Air distributor		1	914-2,0
11	N 013 822 1	Sealing ring 20 X 24		1	914-2,0
12	021 131 599	Gasket		X	914-1,8/2,0
13	039 131 601	Air pump		1	914-2,0
13A	999 512 346 00	Hose clamp		2	914-2,0
14	058 131 603	Check valve		1	914-2,0
15	021 131 605	Bracket		1	914-2,0
16	900 027 005 01	Lock ring A 8		3	914-2,0
17	N 010 233 6	Hexagon-head bolt M 8 X 28		1	914-2,0
17	900 075 136 03	Hexagon-head bolt M 8 X 28		1	914-2,0
18	900 075 085 02	Hexagon-head bolt M 8 X 20		1	914-2,0
19	900 025 007 02	Washer B 8,4		1	914-2,0
19	900 025 007 03	Washer B 8,4		1	914-2,0
20	N 011 008 8	Hexagon nut M 8		2	914-2,0
21	021 131 599 A	Gasket		X	914-1,8/2,0
22	N 012 226 5	Spring washer B 6		10	914-1,8/2,0
23	N 010 216 7	Hexagon-head bolt M 6 X 18		6	914-1,8/2,0
24	071 131 599 C	Gasket		X	914-1,8/2,0
25	039 131 615	V-belt		1	914-2,0
26	039 131 631	Pipe		1	914-1,8/2,0 (CAL)
27	039 131 635	Pipe		1	914-1,8/2,0 (CAL)
28	039 131 673	Pipe		1	914-2,0 (CAL)
29	039 131 674 A	Pipe		1	914-1,8 (CAL)
(29)	022 129 973	Hose		1	914-1,8
29A	900 076 010 02	Nut M6		2	914-1,8/2,0
29A	900 076 010 0B	Nut M6		2	914-1,8/2,0
30	022 133 215 A	T-piece		1	914-1,8
31	999 512 346 00	Hose clamp		2	914-1,8
32	N 020 377 1	Hose		1	914-1,8
33	N 020 343 1	Hose		*	914-1,8

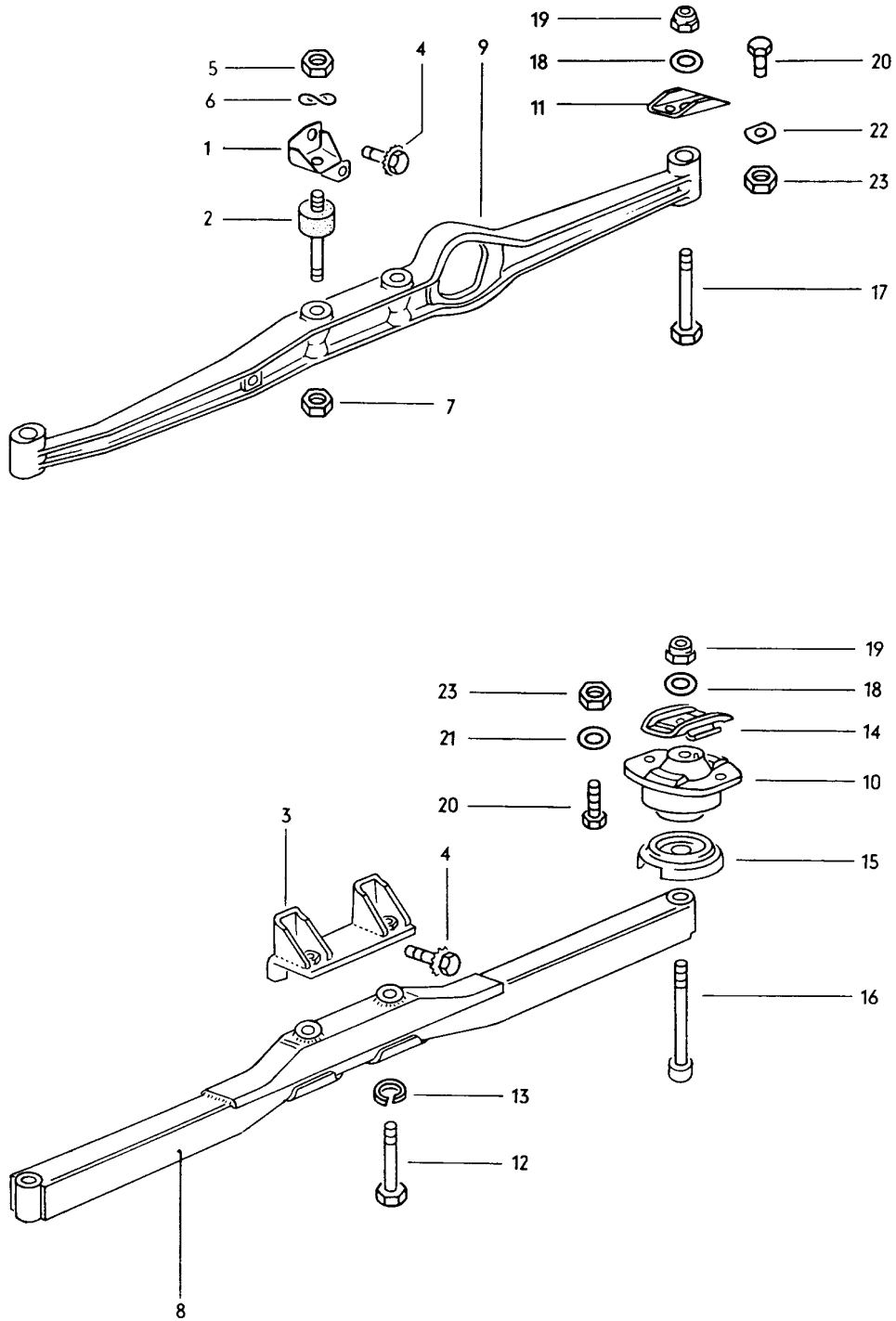
Model: 914 70

Model life 1970&gt;&gt;1976

Pos	Part Number	Description	Remark	Qty	Model
34	021 131 681	18 X 2,5 Drive shaft with Pulley		1	914-2,0
35	900 012 110 00	Straight pin 4 M 6 X 14		2	914-2,0
36	N 014 344 1	Hexagon-head bolt M 6 X 18		3	914-2,0
36A	039 131 685	Support M >>ECO 044 804 M >>GC0 002 905		1	914-1,8/2,0 (CAL)
(36A)	039 131 685 A	Support M ECO 044 805>> M GC0 002 906>>		1	914-1,8/2,0 (CAL)
37	039 131 687	Retaining bar		1	914-1,8/2,0 (CAL)
38	N 011 151 2	Hexagon nut M 8		1	914-1,8/2,0
39	N 012 229 3	Spring washer A 8		1	914-1,8/2,0
40	021 131 801	Air cleaner for Air pump		1	914-2,0
41	N 010 354 2	Hexagon-head bolt M 6 X 95		2	914-1,8/2,0
42	N 010 390 1	Hexagon-head bolt BM 8 X 95		1	914-1,8/2,0
43	N 012 006 4	Lock ring B 6		1	914-1,8/2,0
44	N 012 108 2	Serrated lock washer A 8,4		1	914-1,8/2,0
45	N 020 377 1	Hose		1	914-1,8
46	022 906 045	Auxiliary air regulator		1	914-1,8
47	022 133 161	Support		1	914-1,8
48	113 201 943 B	T-piece		1	914-1,8
49	022 906 035	Pressure regulator		1	914-1,8
50	022 133 551 B	Valve		1	914-1,8
51	039 133 591	Support		1	914-1,8
52	N 010 210 13	Hexagon-head bolt M 6 X 10		2	914-1,8
53	N 020 349 1	Hose 21 X 2,5		1	914-1,8
54	N 020 361 2	Hose 4 X 2,5		*	914-1,8
55	N 020 363 1	Hose 15 X 2,5		*	914-2,0
56	N 020 290 1	Hose 12 X 3,3		*	914-1,8
57	N 020 353 5	Hose 3,5 X 2		*	914-1,8/2,0
57	PCG 020 353 5	Hose 3,5 X 2 x 5000		1	914-1,8/2,0

Model: 914 70

Model life 1970>>1976



Model: 914 70 Model life 1970>>1976

Pos	Part Number	Description	Remark	Qty	Model
(1)	039 199 221	Engine carrier			914
		Supporting plate	/L	1	914-1,7/1,8V
1	039 199 222	Supporting plate	/R	1	914-1,8/2,0
2	039 199 231	Engine mounting		2	914-1,7/1,8V
3	022 199 291	Engine carrier		1	914-1,8/2,0
4	N 014 329 1	Hexagon-head bolt		4	914-4
		M 8 X 20			
		Self-locking			
5	N 011 008 8	Hexagon nut		2	914-1,7/1,8V
		M 8			914-1,8/2,0
6	N 012 228 3	Spring washer		2	914-1,7/1,8V
		B 8			914-1,8/2,0
7	311 101 463	Hexagon nut		2	914-1,7/1,8V
		M 8			914-1,8/2,0
8	914 375 173 01	Engine carrier		1	914-4
9	914 375 161 05	Engine carrier		1	914-1,7/1,8V
					914-1,8/2,0
10	914 375 035 00	Engine mounting		2	914-4
11	914 375 181 00	Base		2	914-1,7/1,8V
					914-1,8/2,0
12	900 074 138 01	Hexagon-head bolt		2	914-4
		M 10 X 70			
13	900 027 016 02	Lock ring		2	914-4
		B 10			
13	900 027 016 03	Lock ring		2	914-4
		B 10			
14	914 375 058 00	Mounting plate		2	914-4
		Upper			
15	914 375 241 00	Base		2	914-4
		Lower			
16	N 014 736 1	Hexagon-head bolt		2	914-4
		M 10 X 90			
17	N 010 472 4	Hexagon-head bolt		2	914-1,7/1,8V
		M 10 X 85			914-1,8/2,0
17	900 074 375 01	Hexagon-head bolt		2	914-1,7/1,8V
		M 10 X 85			914-1,8/2,0
18	900 025 008 02	Washer		2	
		10,5			
18	N 011 527 4	Washer		2	
		10,5			
18	900 025 008 09	Washer		2	
		10,5			
18	900 025 008 04	Washer		2	
		10,5			
19	N 021 195 1	Nut		2	
		M 10			
		Self-locking			
20	900 075 085 02	Hexagon-head bolt		4	
		M 8 X 20			
21	900 025 007 02	Washer		4	914-4
		8,4			
21	900 025 007 03	Washer		4	914-4
		8,4			
22	914 375 162 00	Washer		4	914-1,7/1,8V
					914-1,8/2,0
23	900 910 022 02	Lock nut		4	

Model: 914 70

Model life 1970>>1976



Model: 914 70

Model life 1970&gt;&gt;1976

Pos	Part Number	Description	Remark	Qty	Model
>>	901 100 902 03	Gasket set Repair kits Gasket set Engine Gaskets Comprising:		1	914-6
-	999 704 172 50	Sealing ring		5	
-	999 701 006 40	O-ring		24	
-	999 113 057 52	Radial sealing ring 65 X 85 X 10		1	
-	999 113 049 52	Radial sealing ring 30 X 50 X 10		1	
-	900 174 041 40	Sealing ring A 50 X 4		1	
-	900 174 068 40	Sealing ring A 50 X 4		1	
-	930 101 391 01	Gasket for Oil strainer		2	
-	900 123 011 30	Sealing ring A 22 X 27		4	
-	901 104 191 00	Cylinder base gasket		6	
-	901 104 391 01	Cylinder head gasket		6	
-	911 104 193 03	Valve stem seal Valve		12	
-	930 105 193 00	Gasket Crankcase And Chain case		2	
-	930 105 193 05	Gasket Crankcase And Chain case		2	
-	930 105 197 05	Gasket		2	
-	999 701 124 40	O-ring 67,5 X 75,5 X 4		2	
-	930 105 191 03	Gasket for Chain case	/L	1	
-	930 105 192 01	Gasket for Chain case	/R	1	
-	930 105 192 03	Gasket for Chain case	/R	1	
-	930 105 192 04	Gasket for Chain case	/R	1	
-	930 105 194 00	Gasket for Camshaft housing Upper		2	
-	930 105 194 02	Gasket for Camshaft housing Upper		2	
-	930 105 194 04	Gasket for Camshaft housing Upper		2	
-	930 105 195 00	Gasket for Camshaft housing		2	

Model: 914 70

Model life 1970&gt;&gt;1976

Pos	Part Number	Description	Remark	Qty	Model
-	930 105 195 02	Lower Gasket for Camshaft housing		2	
-	930 105 195 05	Lower Gasket for Camshaft housing		2	
-	930 105 195 06	Lower Gasket for Camshaft housing		2	
-	930 105 195 07	Lower Gasket for Camshaft housing		2	
-	900 031 014 30	Washer 8,4 for Camshaft housing		11	
-	930 105 198 01	Lower Gasket for Cover		1	
-	900 123 008 30	Sealing ring A 14 X 20		1	
-	900 123 005 00	Sealing ring A 12 X 16		12	
-	900 123 044 30	Sealing ring A 18 X 22		2	
-	900 123 066 30	Sealing ring A 10 X 16		8	
-	999 701 596 40	O-ring 8,3 X 2,4		2	
-	999 701 598 40	O-ring 20,3 X 2,4		2	
-	N 013 804 2	Sealing ring A 6 X 10		2	
-	999 704 173 50	Sealing ring 26 X 19,5 X 8,5		2	
-	999 701 100 50	O-ring		1	
-	900 123 071 30	Sealing ring A 18 X 24		2	
-	999 707 112 40	Round seal		8	
-	999 707 112 4A	Round seal		8	
-	999 701 053 50	Sealing ring 39,2 X 3		1	
-	905 107 191 02	Gasket		1	
-	905 107 191 03	Gasket		1	
-	999 701 135 50	O-ring 15 X 2,5		1	
-	930 107 791 00	Gasket for Bleeder		1	
-	900 123 043 30	Sealing ring A 12 X 15,5		3	
-	901 108 391 04	Gasket for Intake manifold		6	
-	901 108 218 00	Gasket for Connecting piece		2	

Model: 914 70 Model life 1970>>1976

Pos	Part Number	Description	Remark	Qty	Model
-	901 108 398 01	Gasket without asbestos for Carburettor		6	
-	901 111 193 00	Gasket for Exhaust silencer		2	
-	901 111 191 01	Gasket for Heat exchanger		6	
-	930 111 191 09	Gasket for Heat exchanger		6	
-	911 113 190 01	Gasket for Heat exchanger		6	
-		Gasket for Heat exchanger		6	
-	900 123 008 30	Sealing ring A 14 X 20 for Screw socket		2	
-	999 701 101 50	Gasket for Distributor		1	
-	900 123 007 30	Sealing ring A 14 X 18		1	
-	PCG 100 914 00	Sealing ring		4	
-	901 100 915 00	Sealing ring		4	
-	901 100 915 01	Sealing ring		4	
-	901 100 937 00	Sealing ring		2	
-	901 100 916 00	Sealing ring		4	
-	901 100 917 00	Sealing ring		4	
-	901 100 946 00	Diaphragm		2	
-	901 100 977 00	Sealing ring		6	
-	901 100 918 00	Sealing ring		4	
-	901 100 919 00	Sealing ring		6	
-	901 100 990 00	Sealing ring		4	
>>	911 105 901 01	Repair kit for Chain adjuster 901.105.049.02 Comprising:		1	914-6
-	930 105 585 00	Intermediate piece		1	
-	999 701 298 40	O-ring OR 10 - 1		1	
-	930 105 511 03	Needle cage for Ball Valve		1	
-	N 025 658 1	Ball		1	
-	N 025 658 B	Ball		1	
-	900 152 005 00	Circlip 16		1	
-	999 701 596 40	O-ring CR 8,3 - 2,4		1	
-	999 701 598 40	O-ring CR 20,3 - 2,4		1	
-	900 152 017 00	Circlip 28		1	
-	N 013 804 2	Sealing ring A 6 X 10		1	



Model: 914 70 Model life 1970>>1976

Pos	Part Number	Description	Remark	Qty	Model
>>	039 198 009	Gasket set Engine Gaskets Use also: 021.105.245 C 021.105.247 A Comprising:		1	914  914-4/1,7 914-4/1,7
-	021 101 173	Sealing ring for Oil tube		1	
-	021 101 189	Sealing ring for Hexagon-head bolt		1	
-	021 101 269 A	Sealing ring for Lid Oil pan		1	
-	021 101 341 A	Sealing ring 100 X 109 for Crankcase And Cylinder		4	
-	021 101 343	Sealing ring 90 X 99 for Cylinder And Cylinder head		4	
-	021 105 275	Washer		1	
-	021 105 279	O-ring for Flywheel		1	
-	021 109 345 A	O-ring \$ 21,3 MM for Protective tube Valve pushrod Black		8	
-	021 109 349	Sealing ring \$ 23,5 MM for Protective tube Valve pushrod Red		8	
-	021 109 349 B	O-ring \$ 25,1 MM for Protective tube Valve pushrod Green		8	
-	025 115 111 A	Gasket for Housing Oil pump		1	
-	021 115 133	Sealing ring for Lid Oil pump		1	
-	021 198 031 B	Gasket set for Lid Oil strainer		2	

Model: 914 70

Model life 1970&gt;&gt;1976

Pos	Part Number	Description	Remark	Qty	Model
-	021 115 315	Gasket for Connection piece Oil inlet		X	
-	PCG 115 311 00	Oil filler cover for Connection piece Oil inlet		1	
-	021 115 359 A	Gasket for Intermediate flange		1	
-	021 115 487	Gasket for Bleeder		1	
-	021 117 151 A	Sealing ring for Oil cooler		2	
-	021 119 125 A	O-ring		1	
-	021 127 311 A	Gasket for Intermediate flange		1	
-	021 129 707 A	Gasket for Intake connection		X	
-	022 129 707 C	Gasket for Intake manifold		2	
-	025 251 261	Gasket for Heat exchanger And Exhaust silencer		2	
-	021 256 251 A	Sealing ring for Heat exchanger		4	
-	111 905 261	Sealing ring for Distributor		1	
-	N 013 803 2	Sealing ring A 6 X 10 for Mount Lid Oil pan		2	
-	N 013 805 1	Sealing ring C 12 X 18 for Drain plug And Cap nut Oil strainer		2	
-	N 013 829 3	Sealing ring C 22 X 29 for Relief valve		1	
-	N 013 845 2	Sealing ring C 16 X 22 for Relief valve		1	
>>	021 198 075 B	Cylinder with piston \$ 90 MM with Piston	(CAL)	1	914-1,7

Model: 914 70 Model life 1970>>1976

Pos	Part Number	Description	Remark	Qty	Model
		Ring And Bolt M EBO 000 001>> Comprising:			
-	021 101 301 A	Cylinder		1	
-	021 198 075 B	Cylinder with piston		1	
-	021 107 351 B	Piston ring Upper		1	
-	021 107 361	Piston ring Lower		1	
-	021 107 371	Oil scraper ring		1	
-	021 107 411 A	Oil scraper ring		1	
-	N 012 301 1	Piston pin		1	
		Circlip 24		2	
>>	022 198 075	Cylinder with piston \$ 90 MM with Piston Ring And Bolt Comprising:		1	914-4/1,7
-	021 101 301 A	Cylinder		1	
-	022 198 075	Cylinder with piston		1	
-	021 107 351 B	Piston ring Upper		1	
-	021 107 361	Piston ring Lower		1	
-	021 107 371	Oil scraper ring		1	
-	021 107 411 A	Oil scraper ring		1	
-	N 012 301 1	Piston pin		1	
		Circlip 24		2	
-	022 101 301 A	Cylinder		1	
-	021 107 111 M	Piston		1	
-	021 107 351 F	Piston ring Upper		1	
-	021 107 361 A	Piston ring Lower		1	
-	021 107 371 B	Oil scraper ring		1	
-	022 107 411 A	Oil scraper ring		1	
-	N 012 301 1	Piston pin		1	
		Circlip 24		2	
>>	039 198 075	Cylinder with piston \$ 94 MM with Piston Ring And Bolt for TYP 914-2,0 Comprising:		1	914-2,0
-	039 101 301 C	Cylinder		1	
-	039 107 111	Piston		1	
-	039 107 351 C	Piston ring Upper		1	
-	039 107 361 A	Piston ring Lower		1	
		Oil scraper ring		1	

Model: 914 70 Model life 1970>>1976

Pos	Part Number	Description	Remark	Qty	Model
-	022 107 371 A	Oil scraper ring		1	
-	022 107 411 A	Piston pin		1	
-	N 012 301 1	Circlip 24		2	
>>	039 198 075 A	Cylinder with piston \$ 94 MM with Ring And Bolt Comprising:		1	914-2,0
-	039 101 301 C	Cylinder		1	
-	039 107 112	Piston		1	
-	039 107 351 C	Piston ring Upper		1	
-	039 107 361 A	Piston ring Lower		1	
-	022 107 371 A	Oil scraper ring		1	
-	022 107 411 A	Piston pin		1	
-	N 012 301 1	Circlip 24		2	
>>	021 198 175	Piston ring \$ 90 MM Comprising:		1	914-4/1,7
-	021 107 351 B	Piston ring Upper		4	
-	021 107 361	Piston ring Lower		4	
-	021 107 371	Oil scraper ring		4	
>>	021 198 175 A	Oil scraper ring Piston ring \$ 93 MM Comprising:		1	914-1,8/1,8V
-	021 107 351 F	Piston ring Upper		4	
-	021 107 361 A	Piston ring Lower		4	
-	021 107 371 B	Oil scraper ring		4	
>>	021 198 177	Oil scraper ring Piston ring \$ 90,5 MM Oversize Comprising:		1	914-4/1,7
-	021 107 355 B	Piston ring Upper		4	
-	021 107 365	Piston ring Lower		4	
-	021 107 375	Oil scraper ring		4	
>>	021 198 179	Oil scraper ring Piston ring \$ 91 MM Oversize Comprising:		1	914-4/1,7
-	021 107 359 B	Piston ring Upper		4	
-	021 107 369	Piston ring Lower		4	
-	021 107 379	Oil scraper ring		4	
>>	021 198 481 A	Set of crankshaft bearings Outer \$ 70 MM Comprising:		1	914-4/1,7 914-1,8/1,8V 914-2,0

Model: 914 70 Model life 1970>>1976

Pos	Part Number	Description	Remark	Qty	Model
-	021 105 501 B	Crankshaft bearing 1		1	
-	021 105 531 E	Bearing shell for Crankshaft bearing 2		2	
-	021 105 561 A	Crankshaft bearing 3		1	
-	021 105 591	Crankshaft bearing 4		1	
>>	021 198 483 A	Set of crankshaft bearings Undersize 0.25 mm Outer \$ 70 MM Comprising:		1	914-4/1,7 914-1,8/1,8V 914-2,0
-	021 105 507 B	Crankshaft bearing 1		1	
-	021 105 537 E	Bearing shell for Crankshaft bearing 2		2	
-	021 105 567 A	Crankshaft bearing 3		1	
-	021 105 597	Crankshaft bearing 4		1	
>>	021 198 485 A	Set of crankshaft bearings Undersize 0.50 mm Outer \$ 70 MM Comprising:		1	914-4/1,7 914-1,8/1,8V 914-2,0
-	021 105 513 B	Crankshaft bearing 1		1	
-	021 105 543 E	Bearing shell for Crankshaft bearing 2		2	
-	021 105 573 A	Crankshaft bearing 3		1	
-	021 105 603	Crankshaft bearing 4		1	
>>	021 198 487 A	Set of crankshaft bearings Undersize 0,75 MM Outer \$ 70 MM Comprising:		1	914-4/1,7 914-1,8/1,8V 914-2,0
-	021 105 519 A	Crankshaft bearing 1		1	
-	021 105 549 E	Bearing shell for Crankshaft bearing 2		2	
-	021 105 579 A	Crankshaft bearing 3		1	
-	021 105 609	Crankshaft bearing 4		1	
>>	021 198 541	Camshaft bearing 1 set Outer \$ 27,5 MM Comprising:		1	914-4/1,7 914-1,8/1,8V 914-2,0
-		Bearing shell for		2	

Model: 914 70

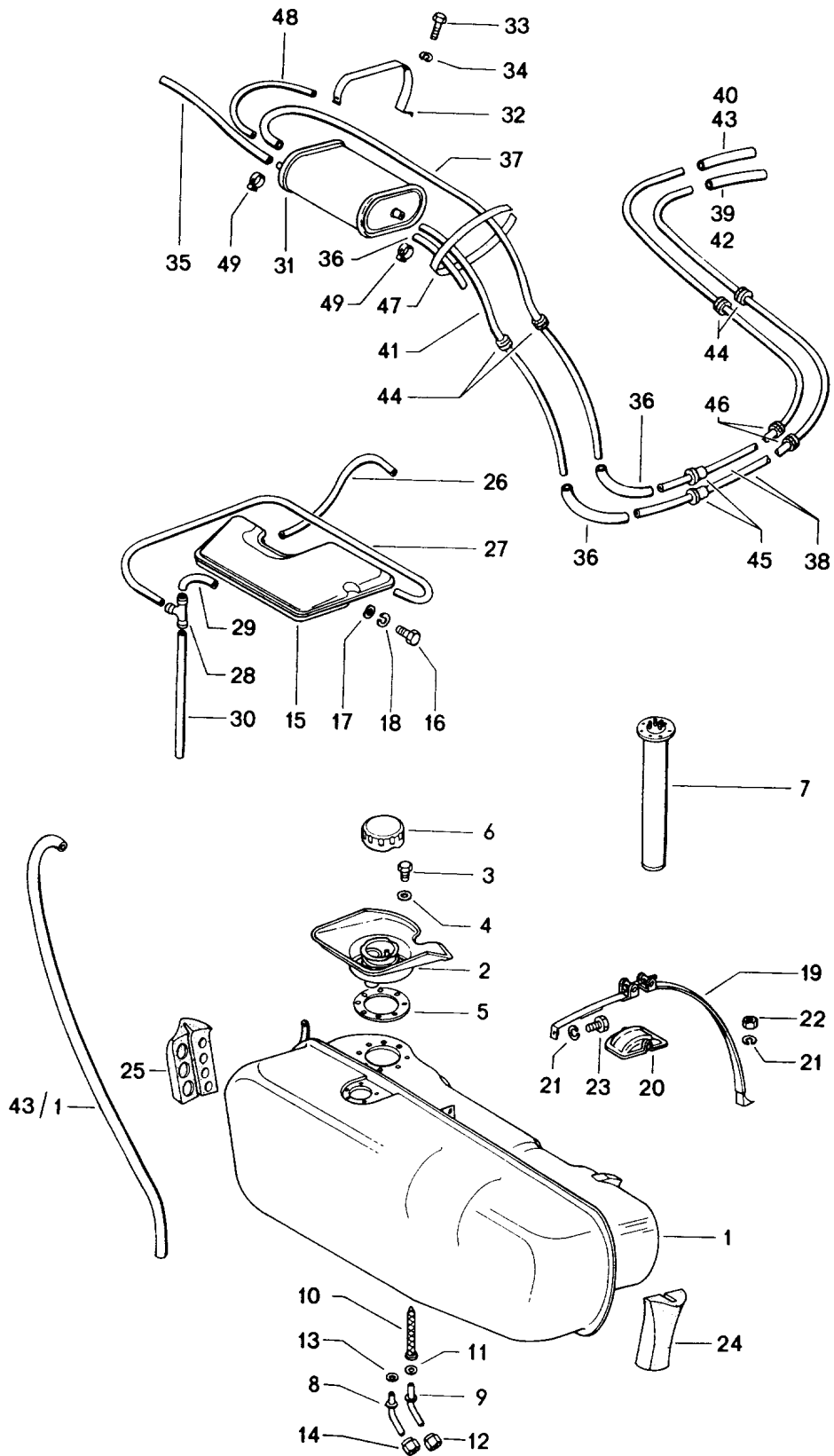
Model life 1970>>1976

Pos	Part Number	Description	Remark	Qty	Model
-		Camshaft bearing 1 Bearing shell for Camshaft bearing 2		2	
-		Bearing shell for Camshaft bearing 3	/L	1	
-		Bearing shell for Camshaft bearing 3	/R	1	

Model: 914 70

Model life 1970>>1976

Bis Ende Mod. 73



Model: 914 70

Model life 1970&gt;&gt;1976

Pos	Part Number	Description	Remark	Qty	Model
		Fuel tank	-73		
1	914 201 010 10	Fuel tank		1	
		F >>47329 24902			
2	914 201 019 10	Filler neck		1	
		Complete			
		F >>47329 24902			
3	N 010 207 6	Hexagon-head bolt		8	
		M 5 X 12			
		F >>47329 24902			
3	N 010 207 17	Hexagon-head bolt		8	
		M 5 X 12			
		F >>47329 24902			
4	900 025 003 02	Washer		8	
		5,3			
		F >>47329 24902			
5	914 201 893 10	Gasket		1	
		for			
		Filler neck			
6	343 201 551	Lid		1	
		\$ 70 MM			
		F >>47329 24902			
7		Sender		X	
		Electric			
		See group			
		9/03/05			
8	914 201 041 10	Pipe		1	
		for			
		Return line			
9	914 201 043 10	Pipe		1	
10	111 209 147 A	Strainer		1	
11	914 201 147 10	Gasket		1	
12	914 201 153 10	Union nut		1	
13	311 201 235 A	Gasket		1	
14	311 201 231 A	Union nut		1	
15	914 201 055 10	Expansion tank		1	
		F >>47329 24902			
16	900 075 010 02	Hexagon nut		2	
		M 6 X 12			
		F >>47329 24902			
16	N 010 212 14	Hexagon-head bolt		2	
		M 6 X 12			
		F >>47329 24902			
16	999 072 005 09	Hexagon nut		2	
		M 6 X 12			
		F >>47329 24902			
16	999 072 005 01	Hexagon nut		2	
		M 6 X 12			
		F >>47329 24902			
17	N 011 524 7	Washer		2	
		6,4			
		F >>47329 24902			
17	N 011 524 27	Washer		2	
		6,4			
		F >>47329 24902			
18	900 027 014 01	Lock ring		2	
		B 6			
		F >>47329 24902			
18	900 027 014 02	Lock ring		2	
		B 6			
		F >>47329 24902			
18	N 012 006 4	Lock ring		2	
		B 6			
		F >>47329 24902			



Model: 914 70

Model life 1970&gt;&gt;1976

Pos	Part Number	Description	Remark	Qty	Model
19	914 201 031 10	Restraining strap		1	
-	914 201 308 10	Desk pad		3	
20	914 201 305 10	Bridge		1	
21	900 027 014 01	Lock ring B 6		2	
21	900 027 014 02	Lock ring B 6		2	
21	N 012 006 4	Lock ring B 6		2	
22	900 076 010 02	Nut M 6		1	
22	900 076 010 0B	Nut M 6		1	
23	900 075 010 02	Hexagon nut M 6 X 12		1	
23	N 010 212 14	Hexagon-head bolt M 6 X 12		1	
23	999 072 005 09	Hexagon nut M 6 X 12		1	
23	999 072 005 01	Hexagon nut M 6 X 12		1	
24	914 201 151 10	Rubber buffer	/L	1	
25	914 201 152 10	Rubber buffer	/R	1	
-	N 020 361 2	Hose 4 X 2,5		*	
26		290 MM		1	
27		540 MM Not for		1	
28	914 201 163 10	Tank ventilation Intermediate piece Not for		1	
-	999 181 145 40	Tank ventilation Hose 15 X 19 PVC 720 Not for		*	
29		Tank ventilation 140 MM		1	
30		560 MM		1	
31-49		Tank ventilation with Carbon canister		X	
31	113 201 801 A	Carbon canister		1	
32	914 201 061 10	Restraining strap for Carbon canister		1	
33	N 010 215 13	Hexagon-head bolt M 6 X 15		1	
34	900 027 014 01	Lock ring B 6		1	
34	900 027 014 02	Lock ring B 6		1	
34	N 012 006 4	Lock ring B 6		1	
-	N 020 361 2	Hose 4 X 2,5		*	
35		280 MM		1	
-	N 020 290 1	Hose 12 X 17		*	
36		200 MM		3	
37	914 201 172 10	Hose 12,5 X 10 X 830		1	
38	914 201 173 10	Plastic material Hose		2	

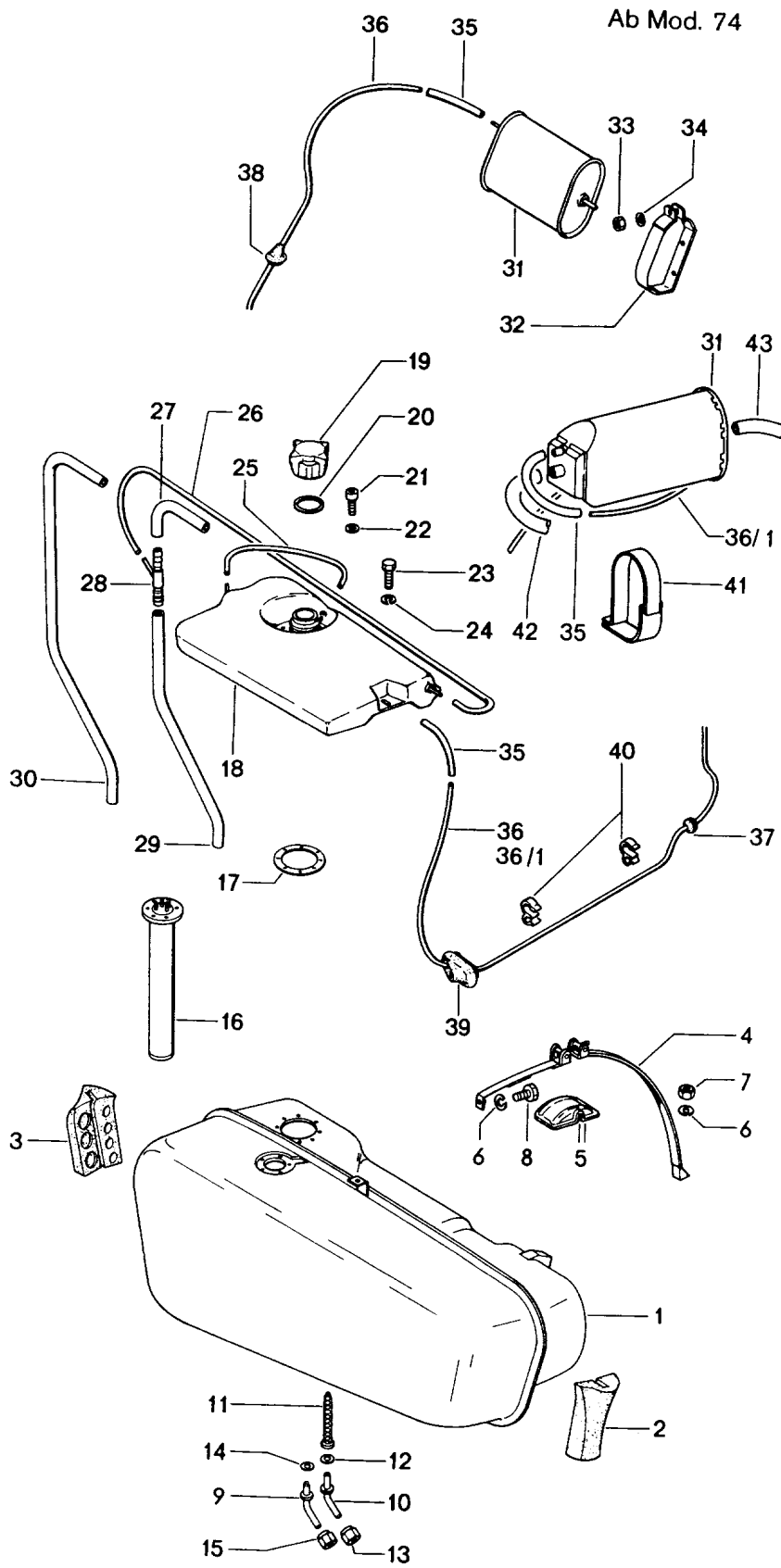
Model: 914 70

Model life 1970>>1976

Pos	Part Number	Description	Remark	Qty	Model
		12,5 X 10 X 2180			
		Hose			
-	999 180 106 50	Fuel hose		*	
		12 X 17			
39		700 MM		1	914-4/1,7
39		1100 MM		1	914-2,0
40		1400 MM		1	914-6
41	914 201 175 10	Hose		1	
		12,5 X 10 X 530			
		Hose			
-	999 180 106 50	Fuel hose		*	
		12 X 17			
42		1300 MM		1	914-6
43		540 MM		1	914-4/1,7
43		670 MM		1	914-2,0
-	999 181 145 40	Hose		*	
		15 X 19 PVC 720			
43/1		880 MM		1	
44	999 702 094 50	Grommet		4	
45	999 702 095 50	Grommet		2	
46	999 702 029 50	Rubber sleeve		4	
47	N 020 902 1	Tie-wrap		3	
47	N 020 902 A	Tie-wrap		3	
-	999 180 106 50	Fuel hose		*	
48		430 MM		1	
49	999 512 056 02	Hose clamp		2	

Model: 914 70

Model life 1970>>1976



Model: 914 70 Model life 1970>>1976

Pos	Part Number	Description	Remark	Qty	Model
1	914 201 010 12	Fuel tank Fuel tank	74-	1	914-1,8V/1,8 914-2,0
2	914 201 151 10	F 47329 24903>> Rubber buffer	73- /L	1	914-1,8V/1,8 914,2,0
3	914 201 152 10	Rubber buffer	/R	1	914-1,8V/1,8 914-2,0
4	914 201 031 10	Restraining strap		1	914-1,8V/1,8 914-2,0
-	914 201 308 10	Desk pad		3	914-1,8V/1,8 914-2,0
5	914 201 305 10	Bridge		1	914-1,8V/1,8 914-2,0
6	900 027 014 01	Lock ring B 6		2	914-1,8V/1,8 914-2,0
6	900 027 014 02	Lock ring B 6		2	914-1,8V/1,8 914-2,0
6	N 012 006 4	Lock ring B 6		2	914-1,8V/1,8 914-2,0
7	900 076 010 02	Nut M 6		1	914-1,8V/1,8 914-2,0
7	900 076 010 0B	Nut M 6		1	914-1,8V/1,8 914-2,0
8	900 075 010 02	Hexagon nut M 6 X 12		1	914-1,8V/1,8 914-2,0
8	N 010 212 14	Hexagon-head bolt M 6 X 12		1	914-1,8V/1,8 914-2,0
8	999 072 005 09	Hexagon nut M 6 X 12		1	914-1,8V/1,8 914-2,0
8	999 072 005 01	Hexagon nut M 6 X 12		1	914-1,8V/1,8 914-2,0
9	914 201 041 10	Pipe for Return line		1	914-6 914-4/1,7 914-1,8/2,0
10	914 201 043 10	Pipe		1	914-6 914-4/1,7 914-1,8/2,0
11	111 209 147 A	Strainer	-74	1	
11	113 209 147	Strainer	75-	1	914-1,8V/1,8 914-2,0
12	914 201 147 10	Gasket		1	914-6 914-4/1,7 914-1,8/2,0
13	914 201 153 10	Union nut		1	914-6 914-4/1,7 914-1,8/2,0
14	311 201 235 A	Gasket		1	
15	311 201 231 A	Union nut		1	914-6 914-4/1,7 914-1,8/2,0
-	914 201 213 10	Washer	74-	2	914-1,8V/2,0
16		Sender Electric See group 9/03/05		X	
17	914 201 893 10	Gasket for Filler neck		1	
18	914 201 083 10	Expansion tank		1	914-1,8V/1,8 914-2,0
18		F 47329 24903>> Expansion tank	73- 74-	1	914-1,8/2,0

Model: 914 70

Model life 1970&gt;&gt;1976

Pos	Part Number	Description	Remark	Qty	Model
(18)	914 201 083 11	Expansion tank	75-	1	(CAL) 914-1,8/2,0
19	914 201 207 10	Lid		1	(CAL) 914-1,8V/1,8 914-2,0
-	914 201 319 10	F 47329 24903>> Ring	73- 75-	1	914-1,8V/1,8 914-2,0
20	914 201 227 10	Gasket		1	914-1,8V/1,8 914-2,0
21	N 014 741 1	F 47329 24903>> Hexagon socket head bolt M 5 X 15	73- -74	8	914-1,8V/1,8 914-2,0
(21)	N 010 296 2	F 47329 24903>> Hexagon-head bolt M 5 X 18	73- 75-	8	914-1,8V/1,8 914-2,0
22	900 025 003 02	Washer 5,3		8	914-1,8V/1,8 914-2,0
23	900 075 057 02	F 47329 24903>> Hexagon-head bolt M 6 X 16	73-	1	914-1,8V/1,8 914-2,0
23	900 075 057 03	F 47329 24903>> Hexagon-head bolt M 6 X 16	73-	1	914-1,8V/1,8 914-2,0
24	900 027 014 01	F 47329 24903>> Lock ring B 6	73- -74	1	914-1,8V/1,8 914-2,0
24	900 027 014 02	F 47329 24903>> Lock ring B 6	73-	1	914-1,8V/1,8 914-2,0
24	N 012 006 4	F 47329 24903>> Lock ring B 6	73-	1	914-1,8V/1,8 914-2,0
(24)	900 151 029 02	F 47329 24903>> Washer 6,4	73- 75-	1	914-1,8V/1,8 914-2,0
-	N 020 361 2	Hose 4 X 2,5 290 MM		*	
25		540 MM		1	914-1,8V/1,8 914-2,0
26		Not for Tank ventilation		1	914-1,8V/2,0
-	999 181 145 40	Hose 15 X 19 PVC 720 Not for Tank ventilation		*	
27		140 MM		1	914-1,8V/2,0
28	914 201 163 10	Intermediate piece Not for Tank ventilation		1	914-1,8V/2,0
-	999 181 145 40	Hose 15 X 19 PVC 720 Not for Tank ventilation		*	
29		560 MM		1	914-1,8V/2,0
-	999 181 145 40	Hose 15 X 19 PVC 720		*	
30		880 MM		1	914-1,8/2,0
31	171 201 801	Carbon canister		1	914-1,8/2,0
31	171 201 801 C	Carbon canister		1	914-1,8/2,0
31	1H0 201 801 C	Carbon canister		1	914-1,8/2,0
32	113 809 169	Support	74-	1	914-1,8/2,0

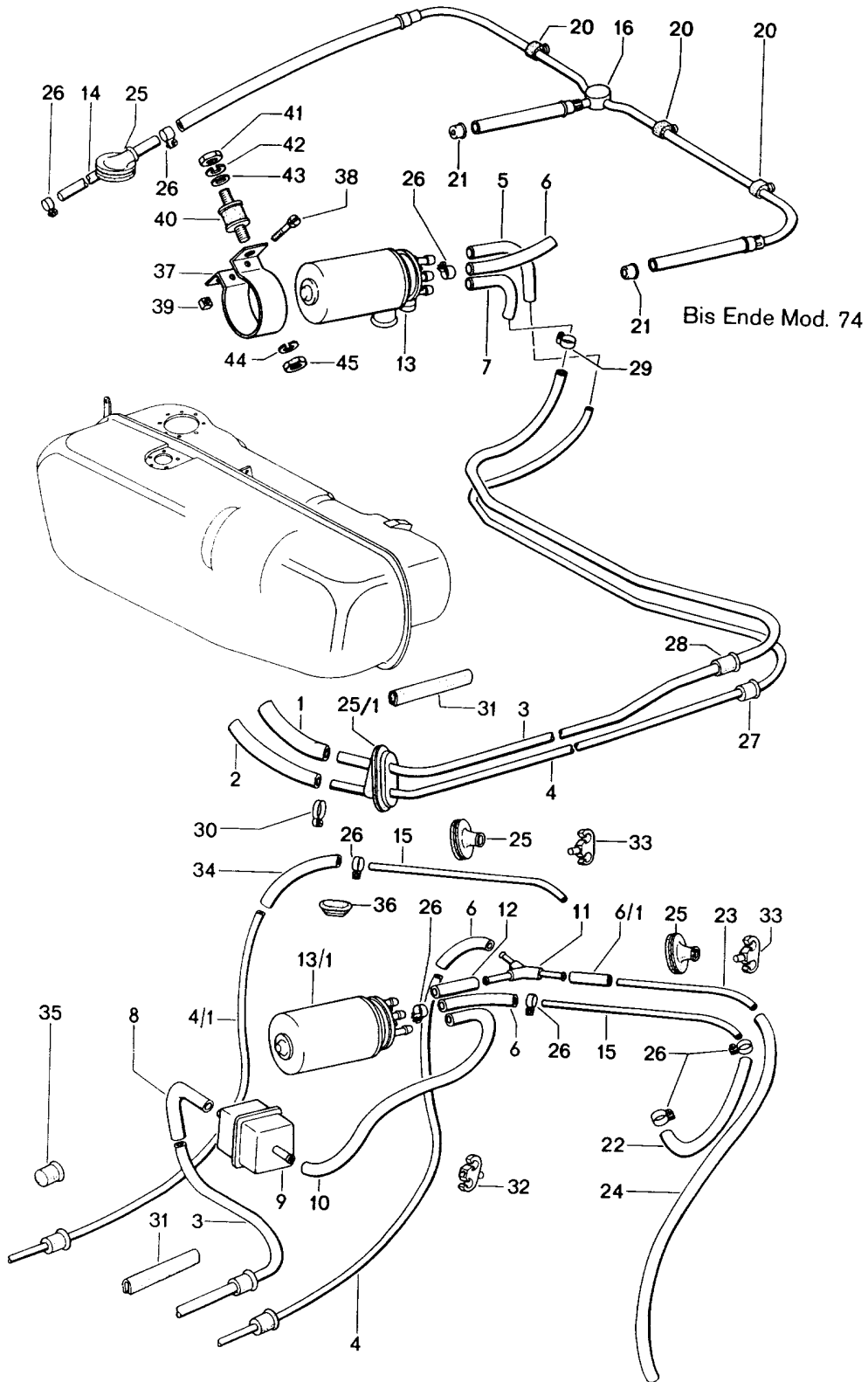
Model: 914 70

Model life 1970>>1976

Pos	Part Number	Description	Remark	Qty	Model
33	900 076 010 02	with Restraining strap Nut M 6	74-	1	914-1,8/2,0
33	900 076 010 0B	Nut M 6	74-	1	914-1,8/2,0
34	N 012 006 4	Lock ring B 6	74-	1	914-1,8/2,0
-	N 020 361 2	Hose 4 X 2,5		*	
35		280 MM		2	914-1,8/2,0
-	999 181 308 40	Breather hose 5 X 3,15	74-	*	
36		3550 MM		1	914-1,8/2,0
-	999 181 317 40	Breather hose 5 X 3,15	75-	*	
36/1		3250 MM		1	914-1,8/2,0
37	311 611 753	Water drain sleeve	74-	1	914-1,8/2,0
38	823 823 591	Grommet	74-	1	914-1,8/2,0
39	914 356 543 00	Rubber sleeve	74-	1	914-1,8/2,0
40	999 591 378 40	Clip	74-	2	914-1,8/2,0
41	914 201 095 10	Restraining strap	75-	1	914-1,8/2,0
-	999 180 106 50	Fuel hose 12 X 2,5	75-	*	
42		430 MM		1	914-1,8/2,0
43		935 MM		1	914-1,8/2,0

Model: 914 70

Model life 1970>>1976



Model: 914 70 Model life 1970>>1976

Pos	Part Number	Description	Remark	Qty	Model
-	N 020 359 1	Fuel line Hose C 9 X 15	-74	*	
1		Intake pipe 390 MM		1	
-	999 180 030 50	Fuel hose C 7 X 12		*	
-	999 180 030 5A	Fuel hose C 7 X 12		*	
2		Return line 440 MM		1	
3	914 356 524 02	Fuel return line Centre	-71	1	914-4
3	914 356 062 01	Intake pipe Fuel line Centre	72-	1	914-6 914-4/1,7 914-1,8/2,0
(3)	914 356 530 01	Intake pipe Fuel line Centre	-71	1	914-6
4	914 356 513 00	Intake pipe Fuel line Centre	-71	1	914-6 914-4
4	914 356 063 00	Return line Fuel line Centre	72-	1	914-6 914-4/1,7 914-1,8/2,0
4/1		Return line Fuel line Centre		1	914-1,8V
-	999 180 030 50	Intake pipe Fuel hose C 7 X 12	72-	*	
-	999 180 030 5A	Fuel hose C 7 X 12		*	
5		130 MM		1	914-6
6		65 MM		1	914-6
6		65 MM	-71	3	914-4
6		65 MM	72-	2	914-1,7/2,0
6		80 MM	74-	1	914-1,7/1,8 914-2,0
6/1		150 MM		1	914-4/1,7 914-1,8/2,0
-	N 020 359 1	Hose C 9 X 15	72-	*	
7		120 MM	-71	1	914-6
7		160 MM	72-	1	914-6
8	914 356 525 00	Fuel line		1	914-4/1,7 914-1,8/2,0
9	311 133 511 D	Intake pipe Fuel filter		1	914-4/1,7 914-1,8/2,0
-	999 180 030 50	Fuel hose C 7 X 12	72-	*	
-	999 180 030 5A	Fuel hose C 7 X 12		*	
10		440 MM	-71	1	914-4
10		300 MM		1	914-4/1,7 914-1,8/2,0
11	901 356 461 00	Hose connection	-73	1	914-4/1,7 914-2,0
(11)	022 133 525 A	Branch piece	74-	1	914-1,8/2,0
-	999 180 030 50	Fuel hose C 7 X 12		*	



Model: 914 70 Model life 1970>>1976

Pos	Part Number	Description	Remark	Qty	Model
-	999 180 030 5A	Return line Fuel hose C 7 X 12		*	
12		Return line 40 MM	-71	1	914-4
12		35 MM		1	914-4/1,7
			72-		914-1,8/2,0
13	911 608 107 00	Fuel pump		1	914-6
13	911 608 107 01	Fuel pump		1	914-6
13	911 608 107 03	Fuel pump		1	914-6
13	911 608 107 X	Fuel pump		1	914-6
		Electric			
13/1	311 906 091 D	Fuel pump		1	914-4/1,7
		Electric			914-1,8/2,0
14	914 356 527 00	Fuel line	/H	1	914-6
		Pressure line			
15	914 356 526 00	Fuel line	/H	1	914-4
		Pressure line			
15		Fuel line	/H 72-	1	914-1,7/1,8V
		Pressure line			914-1,8/2,0
16	914 356 056 00	Fuel line		1	914-6
		Engine			
20	999 591 335 40	Cable holder		3	914-6
21	901 108 219 00	Cap		2	914-6
-	999 180 030 50	Fuel hose C 7 X 12		*	
		Pressure line			
-	999 180 030 5A	Fuel hose C 7 X 12		*	
		Pressure line			
22		210 MM		1	914-4/1,7
					914-1,8/2,0
23	914 356 528 00	Fuel line	/H -71	1	914-4
		Return line			
23	914 356 528 01	Fuel line	/H 72-	1	914-4/1,7
		Return line			914-1,8/2,0
-	999 180 030 50	Fuel hose C 7 X 12		*	
		Return line			
-	999 180 030 5A	Fuel hose C 7 X 12		*	
		Return line			
24		820 MM		1	914-4/1,7
					914-1,8/2,0
25	111 957 861	Rubber sleeve		1	914-6/1,8V
25		Rubber sleeve		2	914-4/1,7
					914-1,8/2,0
25/1	914 356 543 00	Rubber sleeve		1	
26	999 512 055 02	Hose clamp S 12/9 ZY		3	914-6
26	PCG 512 055 02	Hose clamp S 12/9 ZY		3	914-6
26	999 512 055 02	Hose clamp S 12/9 ZY		4	914-4/1,7
					914-1,8/2,0
26	PCG 512 055 02	Hose clamp S 12/9 ZY		4	914-4/1,7
					914-1,8/2,0
26	999 512 055 02	Hose clamp S 12/9 ZY		2	914-1,8V
26	PCG 512 055 02	Hose clamp S 12/9 ZY		2	914-1,8V
27	914 356 201 00	Rubber sleeve		1	
28	914 356 202 00	Rubber sleeve		1	
		Not for			

Model: 914 70

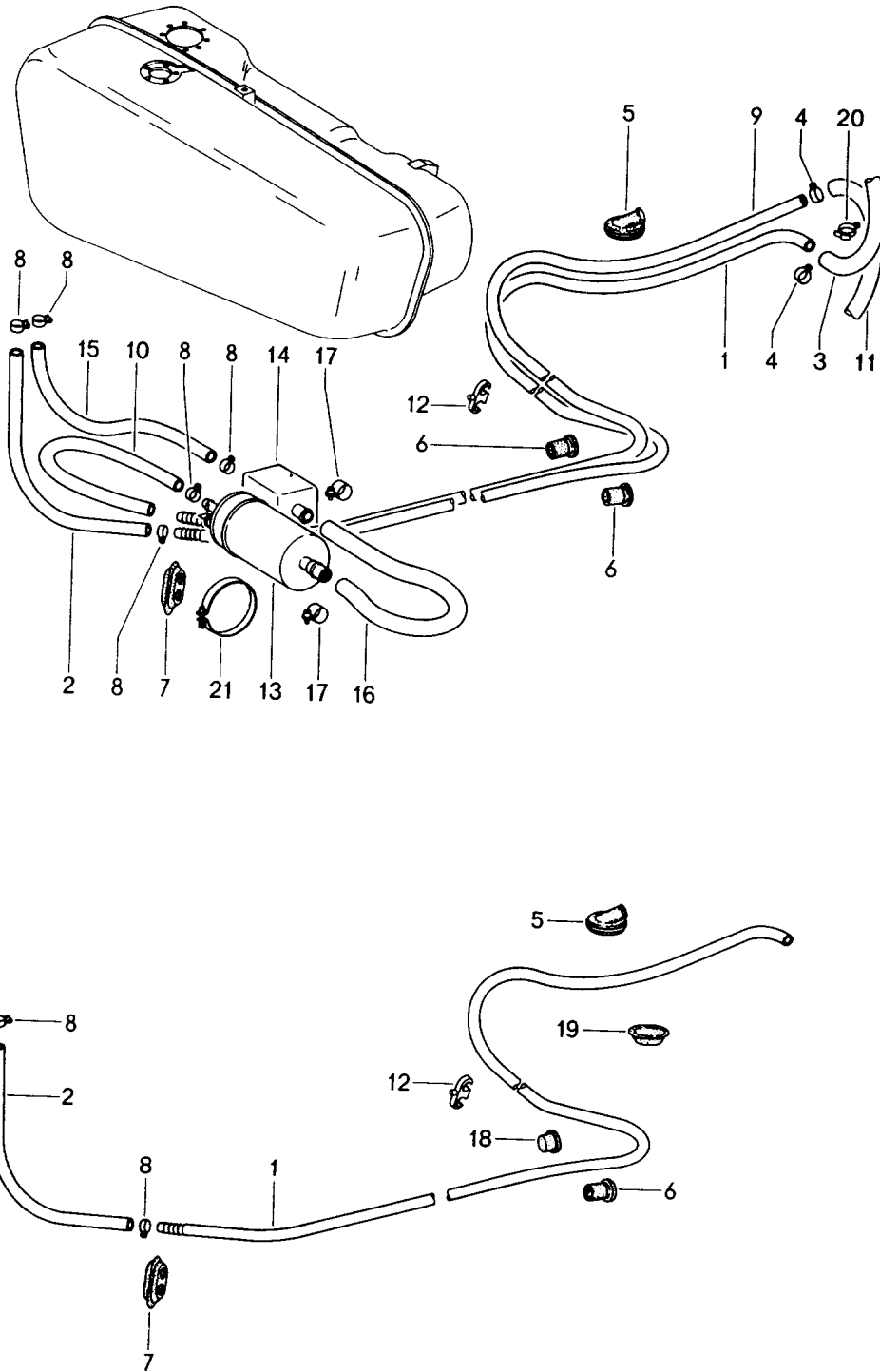
Model life 1970&gt;&gt;1976

Pos	Part Number	Description	Remark	Qty	Model
29	999 512 184 02	TYP 914-1,8V Terminal		1	
29	999 512 178 02	\$ 14,3 - 15,7 Clip		1	
30	N 023 569 2	\$ 13 Hose clamp	72-	2	
30	PCG 023 569 2	S 16/9 ZY Not for TYP 914-1,8V Hose clamp	72-	2	
31	914 201 315 10	S 16/9 ZY Not for TYP 914-1,8V Edge protection		1	
32	914 356 502 00	Dual clamp	74-	2	914-1,8V/1,8 914-2,0
33	914 356 502 01	Pipe clamp	74-	2	914-1,8V/1,8 914-2,0
-	999 180 030 50	Fuel hose		*	
-	999 180 030 5A	C 7 X 12 Fuel hose		*	
34		C 7 X 12 185 MM	74-	1	914-1,8V
35	999 703 215 40	Stopper	74-	1	914-1,8V
36	914 559 245 10	Stopper		1	914-1,8V
37	914 356 503 00	Picture 37 - 45 Not for TYP 914-1,8V Clamp		1	914-6/4/1,7 914-1,8 914-2,0
37		Clamp		2	
38	900 014 096 02	Pan-head screw		1	
39	900 198 001 02	BM 5 X 35 Square nut		1	
40	901 501 864 00	M 5 Megulastik pivot bearing		2	
41	900 076 010 02	Nut		2	
41	900 076 010 0B	M 6 Nut		2	
42	900 027 014 01	M 6 Lock ring		2	
42	900 027 014 02	B 6 Lock ring		2	
42	N 012 006 4	B 6 Lock ring		2	
43	N 011 524 7	B 6 Washer		2	
43	N 011 524 27	6,4 Washer		2	
44	900 027 014 01	6,4 Lock ring		2	
44	900 027 014 02	B 6 Lock ring		2	
44	N 012 006 4	B 6 Lock ring		2	
45	900 076 010 02	B 6 Nut		2	
45	900 076 010 0B	M 6 Nut		2	
		M 6			

Model: 914 70

Model life 1970>>1976

Ab Mod. 75



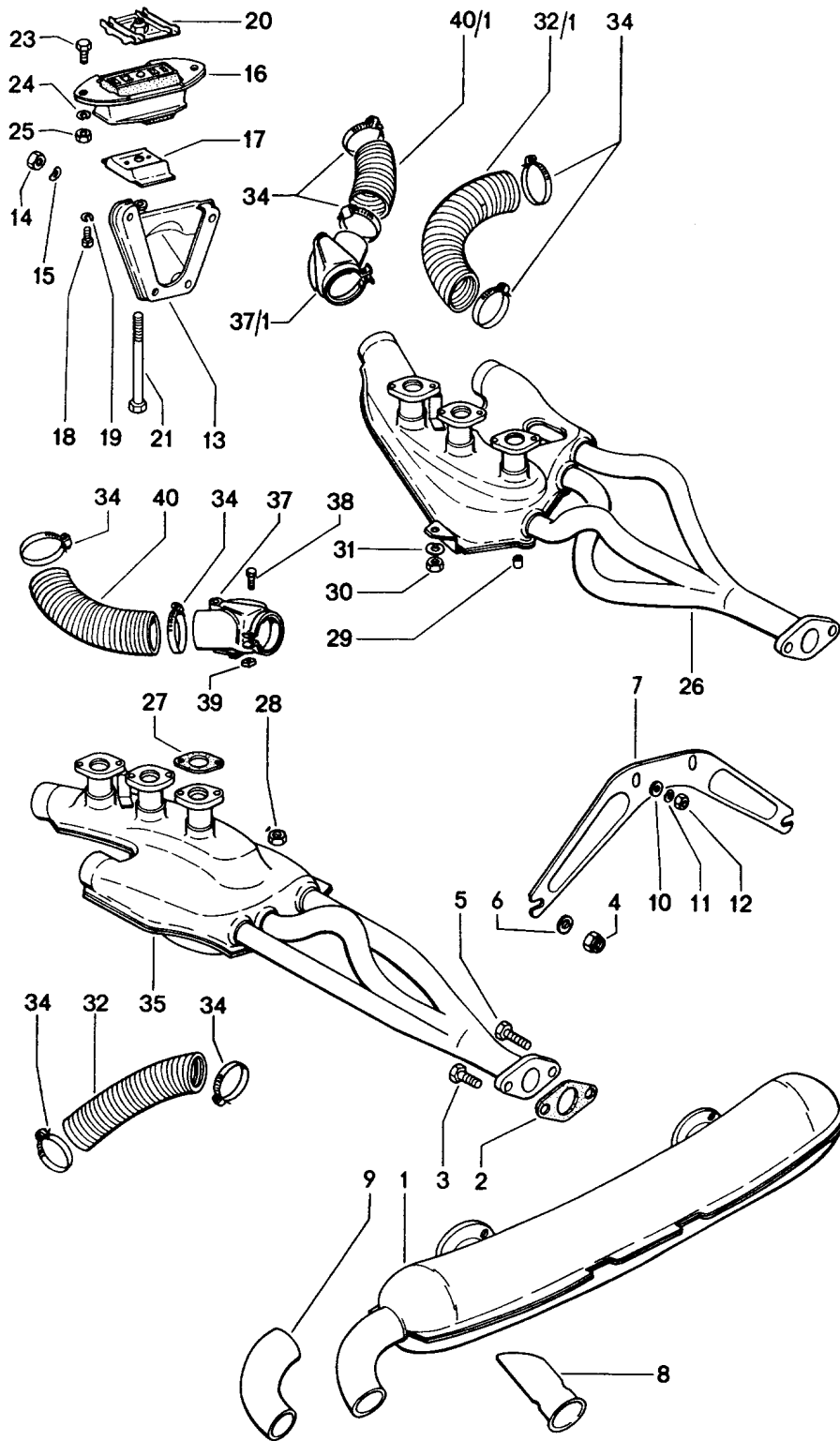
Model: 914 70

Model life 1970&gt;&gt;1976

Pos	Part Number	Description	Remark	Qty	Model
		Fuel line	75-		
1	914 356 063 01	Fuel return line		1	
-	999 180 030 50	Fuel hose C 7 X 12		*	
-	999 180 030 5A	Fuel hose C 7 X 12		*	
2		440 MM		1	
-	999 181 152 50	Fuel hose 7,5 X 13,5		*	
3		930 MM		1	914-1,8/2,0
4	N 023 577 2	Hose clamp		2	914-1,8/2,0
4	PCG 023 577 2	Hose clamp A9 x 14		1	
5	111 957 861	Rubber sleeve		1	914-1,8V
5		Rubber sleeve		2	914-1,8/2,0
6	914 356 201 00	Rubber sleeve		1	914-1,8V
6		Rubber sleeve		2	914-1,8/2,0
7	914 356 543 01	Rubber sleeve		1	
8	N 024 119 1	Hose clamp		2	914-1,8V
8		Hose clamp		4	914-1,8/2,0
9	914 356 062 02	Fuel return line		1	914-1,8/2,0
		Pressure line			
-	999 180 030 50	Fuel hose C 7 X 12		*	
-	999 180 030 5A	Fuel hose C 7 X 12		*	
10		700 MM		1	914-1,8/2,0
-	999 181 152 50	Fuel hose 7,5 X 13,5		*	
11		300 MM		1	914-1,8/2,0
12	914 356 502 01	Pipe clamp		2	
13	043 906 091	Fuel pump		1	914-1,8/2,0
14	133 133 511	Fuel filter		1	914-1,8/2,0
-	999 180 030 50	Fuel hose C 7 X 12		*	
-	999 180 030 5A	Fuel hose C 7 X 12		*	
15		620 MM		1	914-1,8/2,0
-	999 180 029 50	Fuel hose C 11 X 17,5		*	
16		470 MM		1	914-1,8/2,0
17	N 024 124 1	Clip		2	914-1,8/2,0
18	999 703 215 40	Stopper		1	914-1,8V
19	914 559 245 10	Stopper		1	914-1,8V
20	999 513 023 40	Tie-wrap		2	914-1,8/2,0
21	999 512 229 02	Clip		1	914-1,8/2,0

Model: 914 70

Model life 1970>>1976



Model: 914 70

Model life 1970&gt;&gt;1976

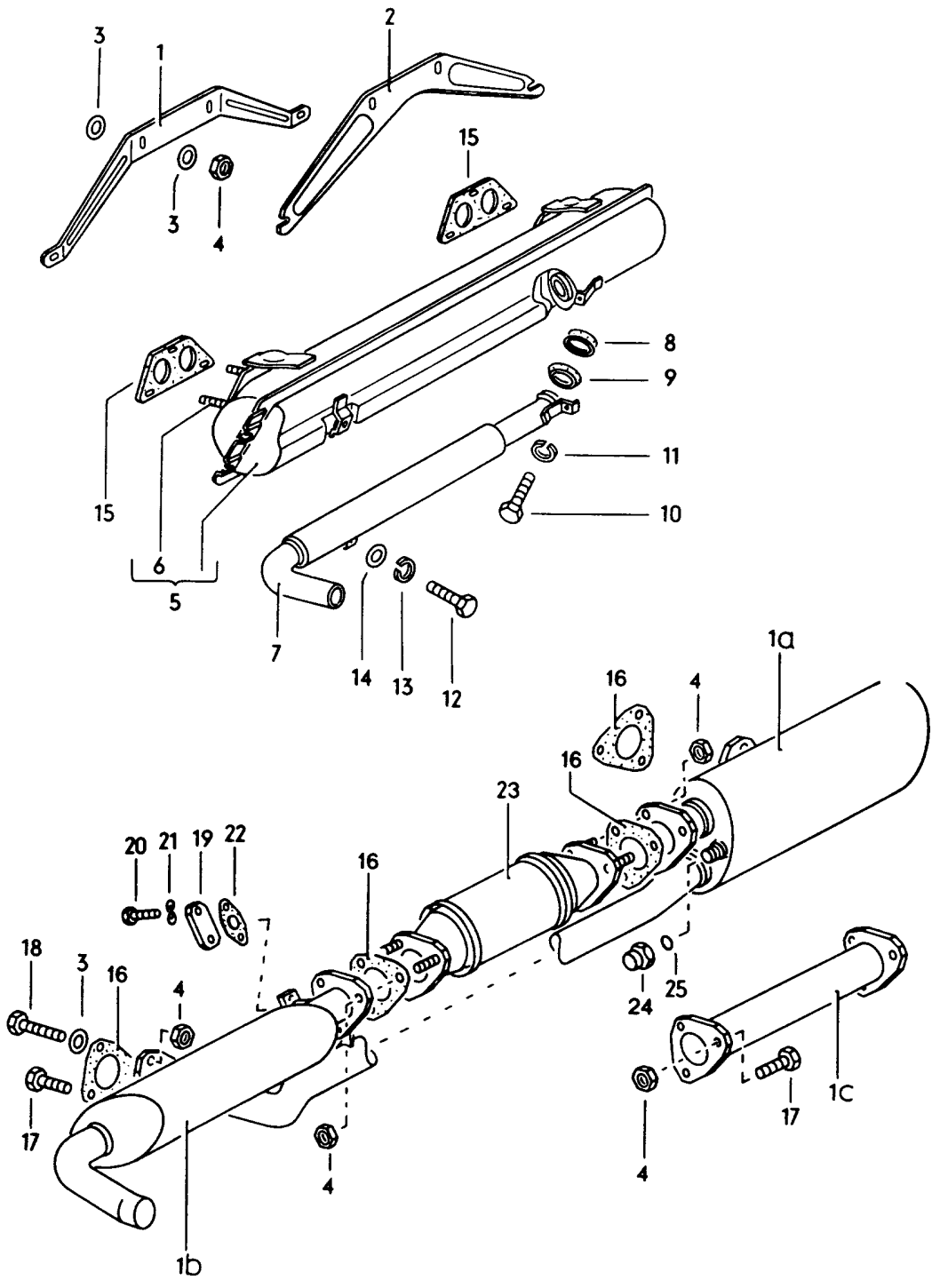
Pos	Part Number	Description	Remark	Qty	Model
		Exhaust system			914-6
		Heating air supply			
		Engine suspension			
1	901 111 011 11	Exhaust silencer		1	
2	901 111 193 00	Gasket		2	
3	900 075 148 02	Hexagon-head bolt		2	
4	999 084 002 02	Hexagon nut		4	
5	900 074 059 02	Hexagon-head bolt M 10 X 40		2	
5	900 074 379 01	Hexagon-head bolt M 10 X 40		2	
6	900 025 008 02	Washer 10,5		2	
6	N 011 527 4	Washer 10,5		2	
6	900 025 008 09	Washer 10,5		2	
6	900 025 008 04	Washer 10,5		2	
7	901 111 152 00	Bracket for Muffler		1	
8	901 111 245 01	Ornamental exhaust pipe		1	
9	901 111 289 00	Tail pipe		1	
10	900 151 030 30	Washer		2	
11	N 012 241 1	Spring washer B 8 X 15		2	
12	900 076 025 02	Hexagon nut M 8		2	
12	900 076 064 02	Hexagon nut M 8		2	
13	901 115 012 00	Engine bracket Complete		1	
14	900 157 002 02	Hexagon nut M 10		4	
14	900 157 002 03	Hexagon nut M 10		4	
15	N 012 242 3	Spring washer B 10 X 18		4	
16	914 375 049 00	Engine mounting		1	
17	914 375 158 00	Base Lower		1	
18	900 014 039 02	Pan-head screw AM 6 X 15		2	
19	900 027 014 01	Lock ring B 6		2	
19	900 027 014 02	Lock ring B 6		2	
19	N 012 006 4	Lock ring B 6		2	
20	914 375 057 00	Base Upper		2	
21	900 082 043 02	Hexagon-head bolt		1	
23	900 075 041 02	Hexagon-head bolt M 10 X 25		2	
24	900 027 016 02	Lock ring B 10		2	
24	900 027 016 03	Lock ring B 10		2	
25	N 011 010 6	Hexagon nut M 10		2	
25	N 101 552 10	Hexagon nut M 10		2	

Model: 914 70 Model life 1970>>1976

Pos	Part Number	Description	Remark	Qty	Model
26	901 211 004 00	Heat exchanger Cylinder 1 - 3	/R	1	
27	901 111 191 01	Gasket		6	
(27)	930 111 191 09	Gasket		6	
(27)	911 113 190 01	Gasket		6	
28	900 076 025 02	Hexagon nut M 8		3	
28	900 076 064 02	Hexagon nut M 8		3	
29	999 085 001 02	Socket head nut M 8		9	
30	900 076 010 02	Nut M 6		1	
30	900 076 010 0B	Nut M 6		1	
31	900 028 008 01	Lock ring B 6		1	
32	901 211 195 00	Heater hose		1	
32	901 211 195 01	Heater hose		1	
32/1	901 211 195 00	Heater hose		1	
32/1	901 211 195 01	Heater hose		1	
34	999 512 349 02	Hose clamp (51-72) X 9		4	
34	999 512 349 01	Hose clamp (51-72) X 9		4	
34	999 512 349 0B	Hose clamp (51-72) X 9		4	
35	901 211 003 00	Heat exchanger Cylinder 4 - 6	/L	1	
37	901 211 620 00	Flap control box Heat exchanger Cylinder 1 - 3	/R	1	
37/1	901 211 610 00	Flap control box Heat exchanger Cylinder 4 - 6	/L	1	
38	901 211 631 00	Hexagon-head bolt		2	
39	901 211 632 00	Square nut M 6		2	
40	930 211 622 01	Connecting hose 230 MM	/L	1	
41		Connecting hose 255 MM	/R	1	

Model: 914 70

Model life 1970>>1976





Model: 914 70 Model life 1970>>1976

Pos	Part Number	Description	Remark	Qty	Model
1	022 251 067 A	Exhaust system Exhaust silencer Bracket  M >>EC0 037 551 M >> W0 250 000 M >>EAO 098 793		1	914-4/1,7 914-1,8V/1,8 914-4/1,7 914-1,8V/1,8
2	039 251 067	Bracket M >>GA0 016 000		1	914-2,0
(2)	039 251 067 A	Bracket M EC0 037 552>> M GC0 000 001>>		1	914-1,8/2,0
3	N 011 670 1	Washer 8,4		X	
4	311 101 463	Hexagon nut M 8		X	
(5)	021 251 053 C	Self-locking Exhaust silencer		1	914-4/1,7 914-1,8V/1,8
(5)	021 251 101 E	Rear muffler M >>EAO 057 000 M >> W0 170 000		1	914-4
(5)	021 251 101 K	Rear muffler M EAO 057 001>> M W0 170 001 >> M >>EAO 098 793 M >>EBO 010 020 M >> W0 250 000		1	914-1,7
(5)	PCG 251 051 D	Muffler		1	914-2,0
1A	039 251 053	Exhaust silencer M EC0 037 552>> M GC0 000 001>>		1	914-1,8/2,0
1B	039 251 055 A	Rear muffler M EC0 037 552>> M GC0 000 001>>		1	914-1,8/2,0
1C	039 251 058	Exhaust pipe Centre M EC0 037 552>> M GC0 000 001>>		1	914-1,8/2,0
-	000 071 343	Ornamental exhaust pipe		1	
-	000 071 347	Ornamental exhaust pipe		1	914-2,0
6	N 014 463 2	Stud BM 8 B X 31		6	
7	021 251 171 M	Tail pipe with Damper for Pot 021.251.101 E M >>EAO 057 000 M >> W0 170 000		1	914-4
(7)	021 251 171 N	Tail pipe with Damper for Pot 021.251.101 K M EAO 057 001>> M W0 170 001 >> M >>EAO 098 793 M >>EBO 010 020 M >> W0 250 000		1	914-1,7
(7)	021 251 185 C	Tail pipe		1	914-1,7/1,8V

Model: 914 70 Model life 1970>>1976

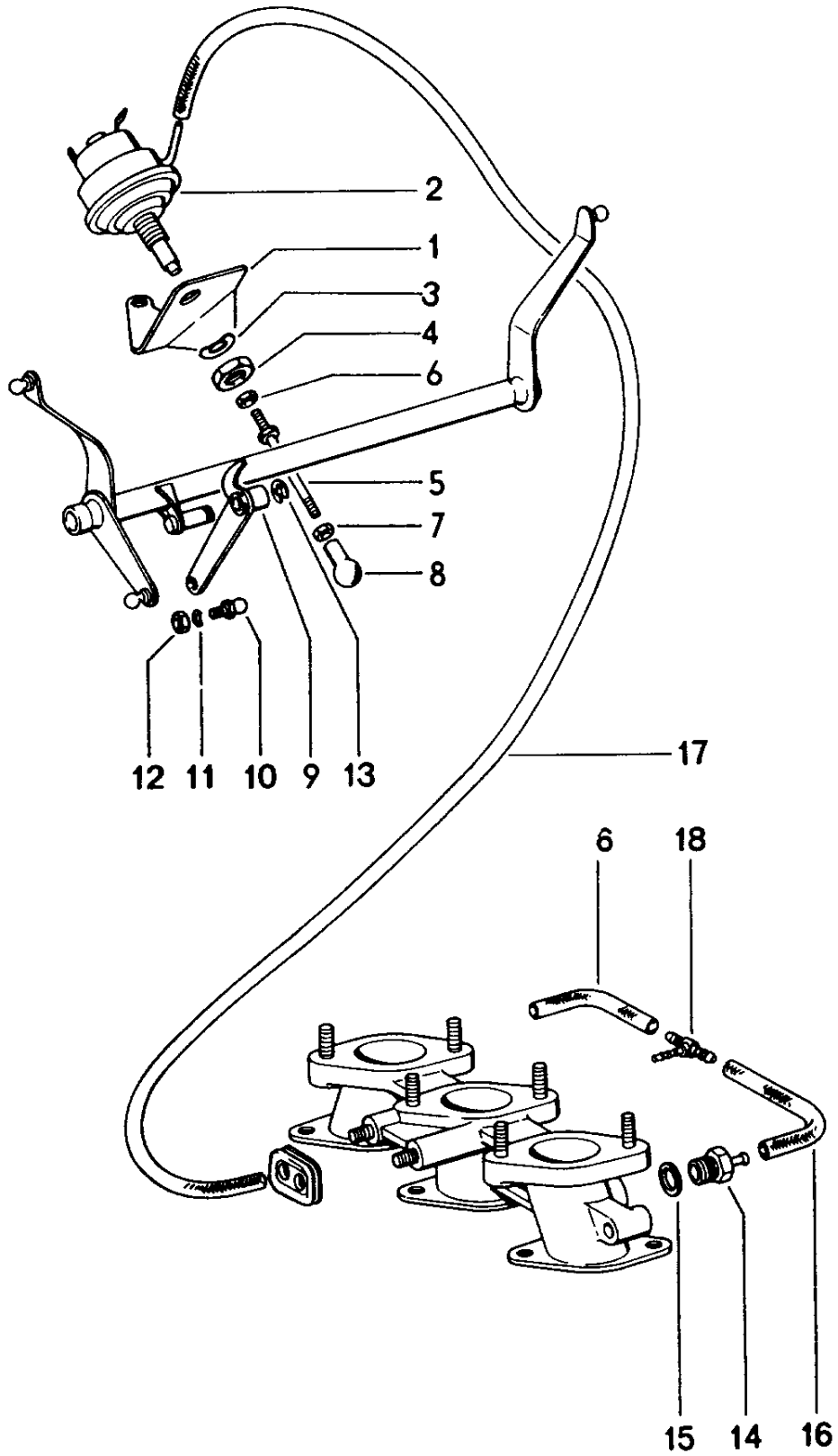
Pos	Part Number	Description	Remark	Qty	Model
		for Pot 021.251.053 C M EA0 057 001>> M W0 170 001 >> M >>EC0 037 551 M >>EA0 098 793 M >>EB0 010 020 M >> W0 250 000			914-1,8
(7)	022 251 185	Tail pipe for Pot 021.251.053 C M >>EA0 057 000 M >> W0 170 000		1	914-4
8	021 251 231 B	Sealing ring \$ 43 MM		1	914-4/1,7
(8)	025 251 235	Gasket for Pot 021.251.053 C M >>EC0 037 551		1	914-4/1,7 914-1,8V/1,8
9	021 251 233 A	Sealing bellows \$ 43,5 MM		1	914-4/1,7
10	900 075 079 02	Hexagon-head bolt M 8 X 22		1	914-4/1,7
11	900 027 015 02	Lock ring B 8		1	914-4/1,7
11	900 027 015 03	Lock ring B 8		1	914-4/1,7
12	900 075 085 02	Hexagon-head bolt M 8 X 20		1	914-4/1,7
13	900 027 015 02	Lock ring B 8		1	914-4/1,7
13	900 027 015 03	Lock ring B 8		1	914-4/1,7
14	900 025 007 02	Washer A 8,4		1	914-4/1,7
14	900 025 007 03	Washer A 8,4		1	914-4/1,7
15	025 251 261	Gasket  M >>EC0 037 551 M >>EA0 098 793 M >>EB0 010 020 M >> W0 250 000		2	914-4/1,7 914-1,8V/1,8
(15)	039 251 261	Gasket M >>GA0 016 000		2	914-2,0
16	443 253 115 B	Gasket M EC0 037 552>> M GC0 000 001>>		4	914-1,8/2,0
17	N 010 233 6	Hexagon-head bolt M 8 X 28		12	914-1,8/2,0
17	900 075 136 03	Hexagon-head bolt M 8 X 28		12	914-1,8/2,0
18	N 010 247 8	Hexagon-head bolt M 8 X 35		4	914-1,8/2,0
19	039 131 594	Flange M EC0 037 552>> M GC0 000 001>>		1	914-1,8/2,0
20	900 075 014 02	Hexagon-head bolt M 6 X 18		3	914-1,8/2,0
20	900 075 014 03	Hexagon-head bolt		3	914-1,8/2,0

Model: 914 70 Model life 1970>>1976

Pos	Part Number	Description	Remark	Qty	Model
21	N 012 226 5	M 6 X 18 Spring washer		3	914-1,8/2,0
22	021 131 599 A	B 6 Gasket		1	914-1,8/2,0
23	055 131 701	M EC0 037 552>> M GC0 000 001>> Catalytic converter		1	914-1,8/2,0 (CAL)
23	055 131 701 PV	M EC0 037 552>> M GC0 000 001>> Catalytic converter		1	914-1,8/2,0 (CAL)
24	4A0 131 737 A	M EC0 037 552>> M GC0 000 001>> Cap nut		1	914-1,8/2,0
25	N 013 830 2	M EC0 037 552>> M GC0 000 001>> Sealing ring A 8 X 12		1	914-1,8/2,0

Model: 914 70

Model life 1970>>1976



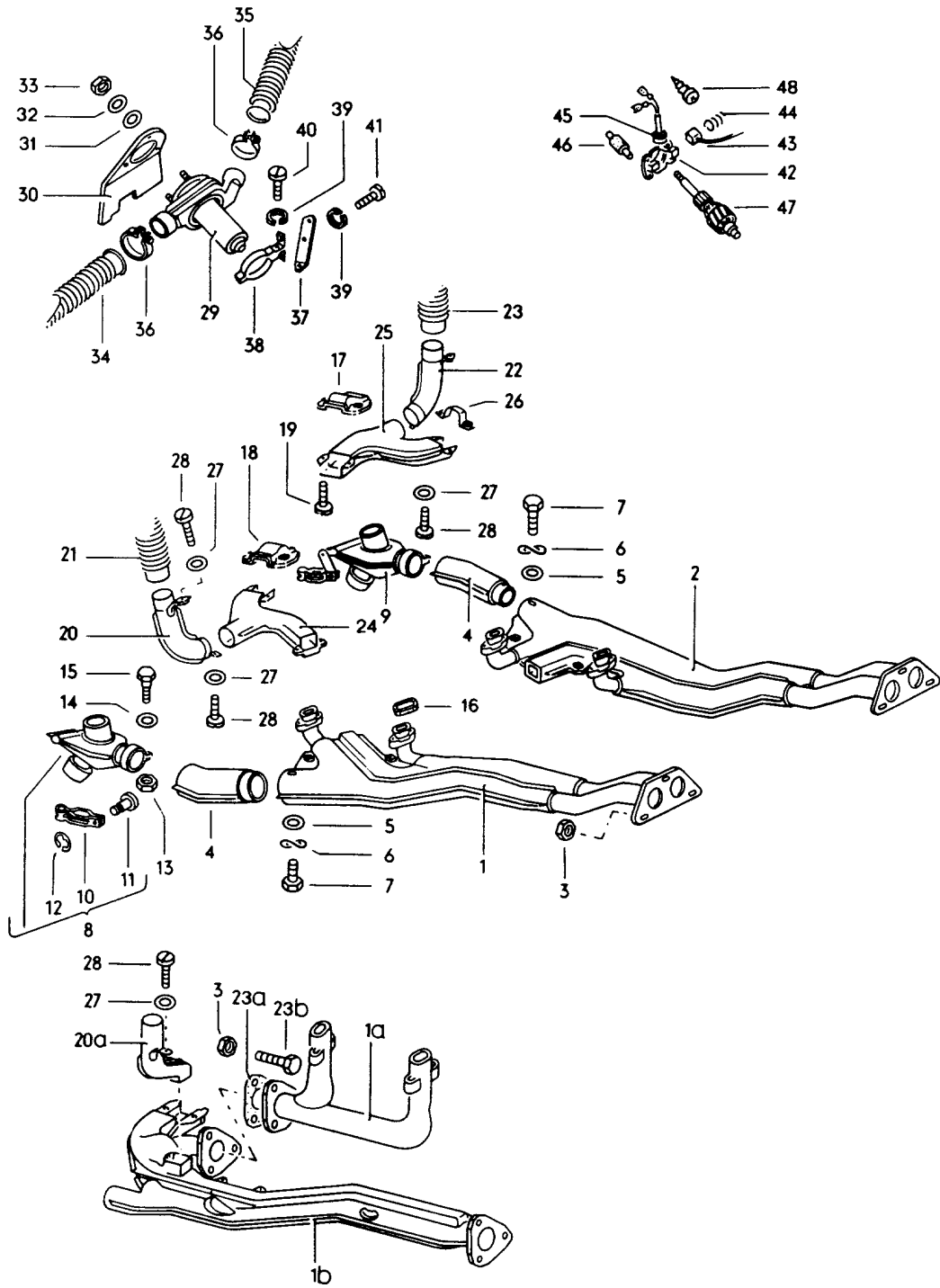
Model: 914 70

Model life 1970&gt;&gt;1976

Pos	Part Number	Description	Remark	Qty	Model
		Emission control			914-6 901/38/39
1	901 113 225 01	Support		1	
2	901 113 309 00	Vacuum unit		1	
3	900 028 014 01	Lock ring B 12		1	
4	999 078 009 02	Hexagon nut		1	
5	901 113 038 00	Push rod Complete		1	
6	900 076 027 02	Nut M 5		1	
7	900 076 029 02	Hexagon nut M 5	/L	1	
8	900 169 010 02	Ball socket A 8	/L	1	
9	901 113 054 00	Lever Complete		1	
10	999 167 022 02	Ball pin		1	
11	N 012 225 2	Spring washer B 5		1	
12	900 076 027 02	Nut M 5		1	
13	900 116 009 01	K1-lock 6		1	
14	901 113 408 00	Screw socket		2	
15	900 123 008 30	Sealing ring C 14 X 20		2	
-	999 181 167 50	Hose C 4,5 X 9,5		*	
16		135 MM		2	
-	999 180 093 50	Hose C 3 X 6,5		*	
-	999 180 093 5A	Hose C 3 X 6,5		*	
17		530 MM		1	
18	901 113 406 00	Hose connection		1	

Model: 914 70

Model life 1970>>1976



Model: 914 70 Model life 1970>>1976

Pos	Part Number	Description	Remark	Qty	Model
		Exhaust system			914
1A	039 256 281 A	Heat exchanger			
		Exhaust pipe	/L	1	914-1,8/2,0
		M ECO 037 552>>			
		M >>ECO 041 259			
		M >>GC0 001 320			
(1A)		Exhaust pipe	/L	1	914-1,8/2,0
		M ECO 041 260>>			
		M GC0 001 321>>			
(1A)	039 256 282 A	Exhaust pipe	/R	1	914-1,8/2,0
		M ECO 037 552>>			
		M >>ECO 041 259			
		M >>GC0 001 320			
(1A)		Exhaust pipe	/R	1	914-1,8/2,0
		M ECO 041 260>>			
		M GC0 001 321>>			
1	022 256 091 F	Heat exchanger	/L	1	914-4/1,7
1		Heat exchanger	/L	1	914-1,8V/1,8
		M >>ECO 037 551			
(1)	039 256 091	Heat exchanger	/L	1	914-2,0
		M >>GA0 016 000			
1B	039 256 091 A	Heat exchanger	/L	1	914-1,8/2,0
		M ECO 037 552>>			
		M GC0 000 001>>			
-	022 256 092 F	Heat exchanger		1	914-4/1,7 914-1,8V/1,8
		M >>ECO 037 551			
		M >>EA0 098 793			
		M >>EB0 010 020			
(2)	039 256 092	Heat exchanger	/R	1	914-2,0
		M >>GA0 016 000			
(1B)	039 256 092 A	Heat exchanger	/R	1	914-1,8/2,0
		M ECO 037 552>>			
		M GC0 000 001>>			
-	N 010 247 8	Hexagon-head bolt		6	914-2,0
		M 8 X 35			
-	900 025 007 02	Washer		6	914-2,0
		A 8,4			
-	900 025 007 03	Washer		6	914-2,0
		A 8,4			
3	311 101 463	Hexagon nut		X	
		M 8			
4	022 256 121	Cover		2	
5	N 011 652 1	Washer		4	
		7			
6	N 012 226 5	Spring washer		4	
		B 6			
7	N 010 210 13	Hexagon-head bolt		4	
		M 6 X 10 K			
8	022 256 205 B	Heat control box	/L	1	
9	022 256 206 B	Heat control box	/R	1	
10	111 255 309 B	Intermediate piece		2	
11	111 255 311	Eccentric bolt		2	914-4/1,7 914-2,0
-	N 013 670 1	Rivet		2	
12	900 116 003 02	Lock washer		2	914-4/1,7 914-2,0
		4			
12	900 116 003 09	Lock washer		2	914-4/1,7 914-2,0
		4			
13	900 076 010 02	Nut		2	
		M6			
13	900 076 010 0B	Nut		2	
		M6			

Model: 914 70 Model life 1970&gt;&gt;1976

Pos	Part Number	Description	Remark	Qty	Model
14	N 011 652 1	Washer 7		2	
15	111 129 635	Hexagon-head bolt M 6		2	
16	021 256 251 A	Sealing ring for Heat exchanger		4	914-4/1,7
(16)	039 256 251	Sealing ring for Heat exchanger		4	914-1,8/1,8V 914-2,0
-	900 025 007 02	Washer B 8,4		8	914-2,0
-	900 025 007 03	Washer B 8,4		8	914-2,0
-	021 256 303 B	Support for Heat exchanger		1	914-1,8/1,8V
-	N 010 239 11	Hexagon-head bolt M 8 X 18		2	914-1,8/1,8V
-	N 010 239 30	Hexagon-head bolt M 8 X 18		2	914-1,8/1,8V
-	900 025 007 02	Washer A 8,4		2	914-1,8/1,8V
-	900 025 007 03	Washer A 8,4		2	914-1,8/1,8V
17	021 256 321 D	Lid for Heating air supply M >>EA0 098 793 M >>EB0 010 020 M >>GA0 012 220	/R	1	914-4/1,7 914-1,8/2,0
(17)		Lid for Heating air supply M >>GA0 016 000	/R	1	914-1,8/1,8V 914-2,0
18	021 256 322 B	Lid for Heating air supply M >>EA0 098 793 M >>EB0 010 020 M >>GA0 012 220	/L	1	914-4/1,7 914-1,8V/2,0
(18)		Lid for Heating air supply M >>GA0 016 000	/L	1	914-1,8/1,8V 914-2,0
-	021 256 325 A	Gasket for Lid	/R	1	914-1,8/1,8V 914-2,0
-	021 256 326 A	Gasket for Lid	/L	1	914-1,8/1,8V 914-2,0
19	N 014 139 5	Oval-head screw AM 6 X 12		4	
20	022 256 331	Connecting pipe	/L	1	
20	PCG 256 331	Hot-air manifold	/L	1	
20	PCG 256 331 GRV	Hot-air manifold Prime coated	/L	1	
20A	039 256 331	Connecting pipe M EC0 037 552>> M GC0 000 001>>	/L	1	914-1,8/2,0
21	914 572 153 10	Heater hose 260 MM	/L	1	
22	022 256 332	Connecting pipe	/R	1	



Model: 914 70 Model life 1970>>1976

Pos	Part Number	Description	Remark	Qty	Model
22	PCG 256 332	Hot-air manifold	/R	1	
22		Hot-air manifold	/R	1	
(20A)	PCG 256 332 GRV	Prime coated			
	039 256 332	Connecting pipe	/R	1	914-1,8/2,0
		M ECO 037 552>>			
		M GC0 000 001>>			
23	930 211 622 01	Connecting hose	/R	1	
		290 MM			
23A	443 253 115 B	Gasket		2	914-1,8/2,0
		M ECO 037 552>>			
		M GC0 000 001>>			
23B	900 075 083 02	Hexagon-head bolt		6	914-1,8/2,0
		M 8 X 25			
24	022 256 501 A	Air guide	/L	1	
25	022 256 502 A	Air guide	/R	1	
26	022 256 511	Clip		2	
27	N 011 652 1	Washer		16	
		7			
28	N 010 710 8	Pan-head screw		16	
		AM 6 X 10			
29	473 261 193	Blower		1	914-4
30	473 261 207	Engine bracket		1	914-4
31	900 025 007 02	Washer		3	914-4
		A 8,4			
31	900 025 007 03	Washer		3	914-4
		A 8,4			
32	N 011 524 7	Washer		3	914-4
		A 6,4			
32	N 011 524 27	Washer		3	914-4
		A 6,4			
33	113 251 273	Hexagon nut		3	914-4
		M 6			
		Self-locking			
34	PCG 261 233	Heater hose	/L	1	914-4
		\$ 61 X 420 MM			
35	461 261 235 A	Heater hose	/R	1	914-4
		\$ 60,2 X 960 MM			
36	111 501 159 B	Hose clamp		4	914-4
		\$ 44 - 64 MM			
37	473 261 267	Support		1	914-4
38	461 261 269	Clip		1	914-4
39	N 012 006 4	Lock ring		3	914-4
		A6			
40	N 014 141 2	Tapping screw		1	914-4
		AM 6 X 18			
41	N 014 140 5	Oval-head screw		1	914-4
		AM 6 X 15			
42	411 963 009	Retainer plate		1	914-4
43	411 963 011	Brush		2	914-4
44	311 955 853	Spring		2	914-4
45	411 963 013	Water drain sleeve		1	914-4
46	411 963 015	Bonded rubber mounting		4	914-4
47	411 963 017	Armature		1	914-4
48	N 013 956 2	Oval-head sheetmetal screw		6	914-4
		B 3,5 X 6,5			
-	914 572 011 10	Additional blower		1	914-1,7/2,0
-	914 572 273 10	Rubber base		1	914-1,7/2,0
-	999 512 207 02	Clip		1	914-1,7/2,0
-	914 572 129 10	Distributing piece		1	914-1,7/2,0
-	PCG 261 235 A	Air hose		1	914-1,7/2,0
		\$ 55 X 460			
-		Air hose		1	914-1,7/2,0
		\$ 55 X 460			

Model: 914 70

Model life 1970>>1976

Pos	Part Number	Description	Remark	Qty	Model
-	111 501 159 B	Hose clamp		1	914-1,7/2,0
-	999 591 372 00	Terminal		2	914-1,7/2,0

Model: 914 70

Model life 1970>>1976



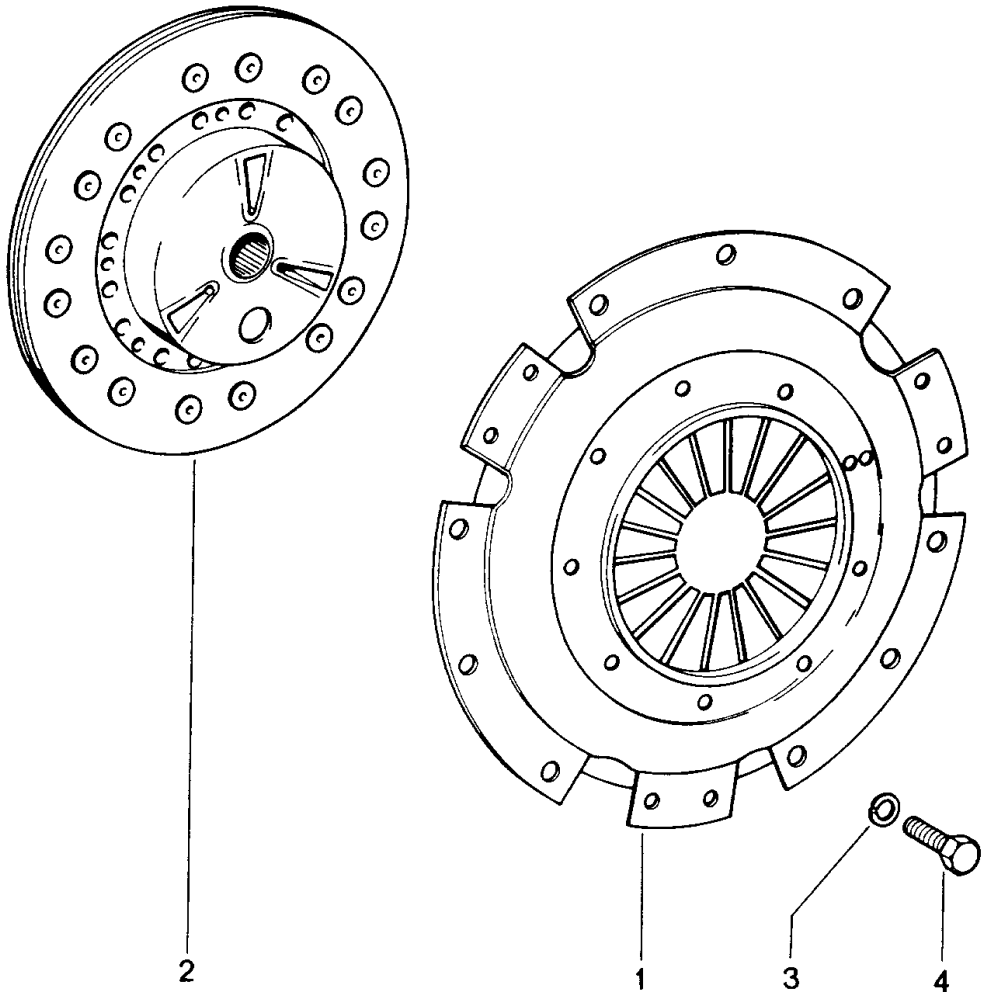
Model: 914 70

Model life 1970>>1976

Pos	Part Number	Description	Remark	Qty	Model
>>	901 108 948 01	Gasket set Gasket set for Mixture control unit - WEBER - Complete Comprising:		X	
-	901 108 398 01	Gasket		6	
-		Gasket without asbestos for Mixture control unit		6	
-	901 108 218 00	Gasket for		2	
-	N 013 818 4	Connecting piece Sealing ring A 12 X 16		4	
-	PCG 100 914 00	Sealing ring		4	
-	901 100 915 00	Sealing ring		4	
-	901 100 915 01	Sealing ring		4	
-	901 100 937 00	Sealing ring		2	
-	901 100 916 00	Sealing ring		2	
-	901 100 917 00	Sealing ring		4	
-	901 100 946 00	Diaphragm		2	
-	901 100 998 00	Sealing ring		3	
-	901 100 977 00	Sealing ring		6	
-	901 100 918 00	Sealing ring		2	
-	901 100 919 00	Sealing ring		6	
-	901 100 990 01	Sealing ring 10 X 14 X 1 MM		4	
-	901 100 995 00	Sealing ring 10 X 14 X 0,25 MM		4	
-	901 100 996 00	Sealing ring 10 X 14 X 0,5 MM		4	
-	901 100 998 00	Sealing ring		6	

Model: 914 70

Model life 1970>>1976



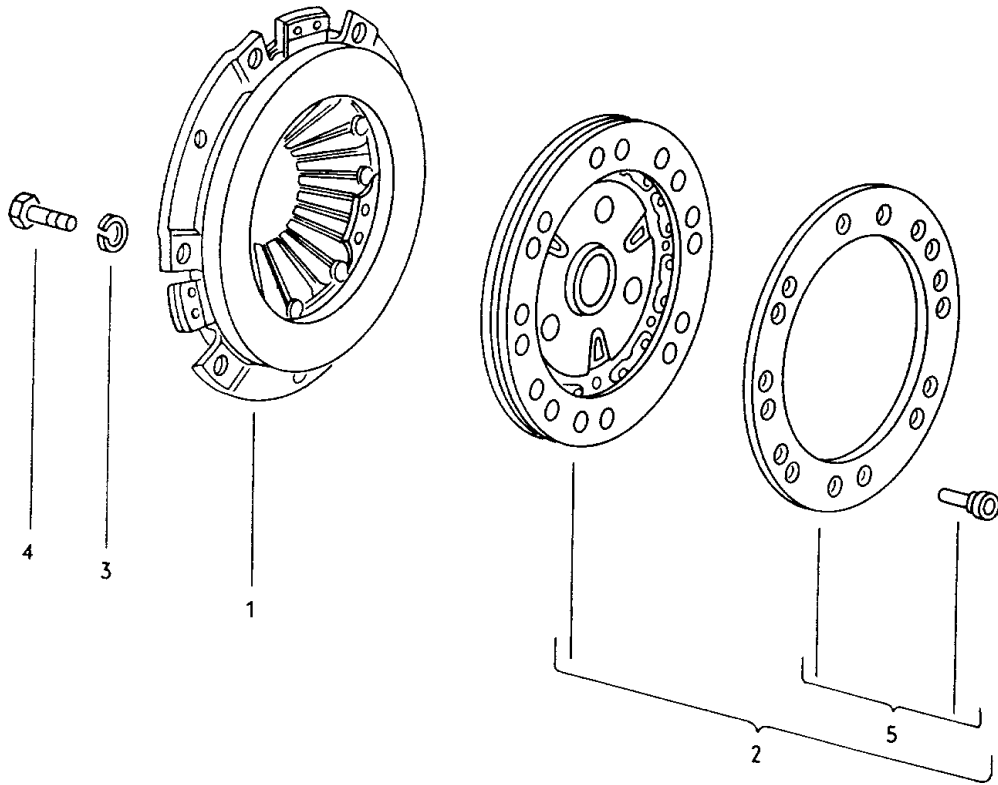
Model: 914 70

Model life 1970&gt;&gt;1976

Pos	Part Number	Description	Remark	Qty	Model
		Clutch			914-6
1	901 116 001 01	Pressure plate		1	
2	PCG 116 011 05	Clutch plate		1	
3	900 027 015 02	Lock ring B 8		6	
3	900 027 015 03	Lock ring B 8		6	
4	900 075 104 01	Hexagon-head bolt B 8 X 15		6	

Model: 914 70

Model life 1970>>1976



Model: 914 70

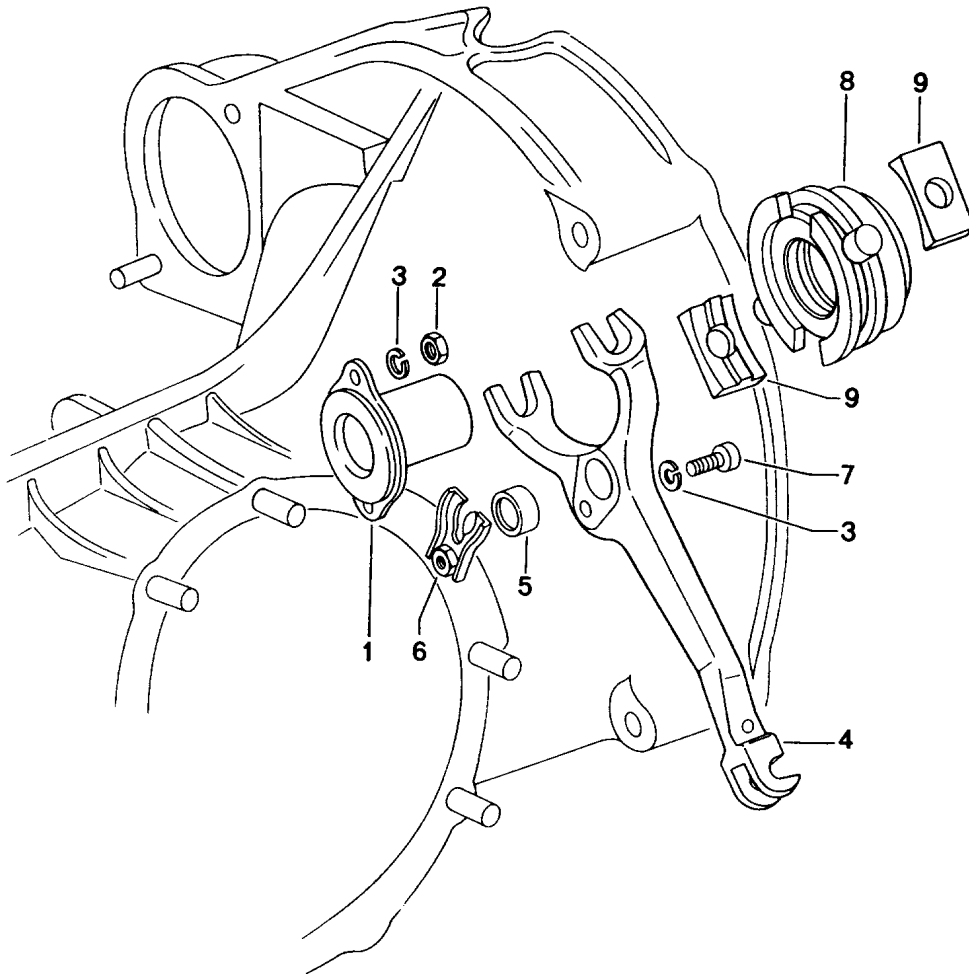
Model life 1970&gt;&gt;1976

Pos	Part Number	Description	Remark	Qty	Model
		Clutch			914
1	901 116 001 01	Pressure plate		1	
2	PCG 116 011 05	Clutch plate 215		1	
3	900 027 015 02	Lock ring B 8		6	
3	900 027 015 03	Lock ring B 8		6	
4	900 075 078 02	Hexagon-head bolt M 8 X 15		6	914-4/1,7 914-1,8V/1,8
4	900 075 078 03	Hexagon-head bolt M 8 X 15		6	914-4/1,7 914-1,8V/1,8
(4)	N 010 239 11	Hexagon-head bolt M 8X 18		6	914-2,0
(4)	N 010 239 30	Hexagon-head bolt M 8X 18		6	914-2,0



Model: 914 70

Model life 1970>>1976



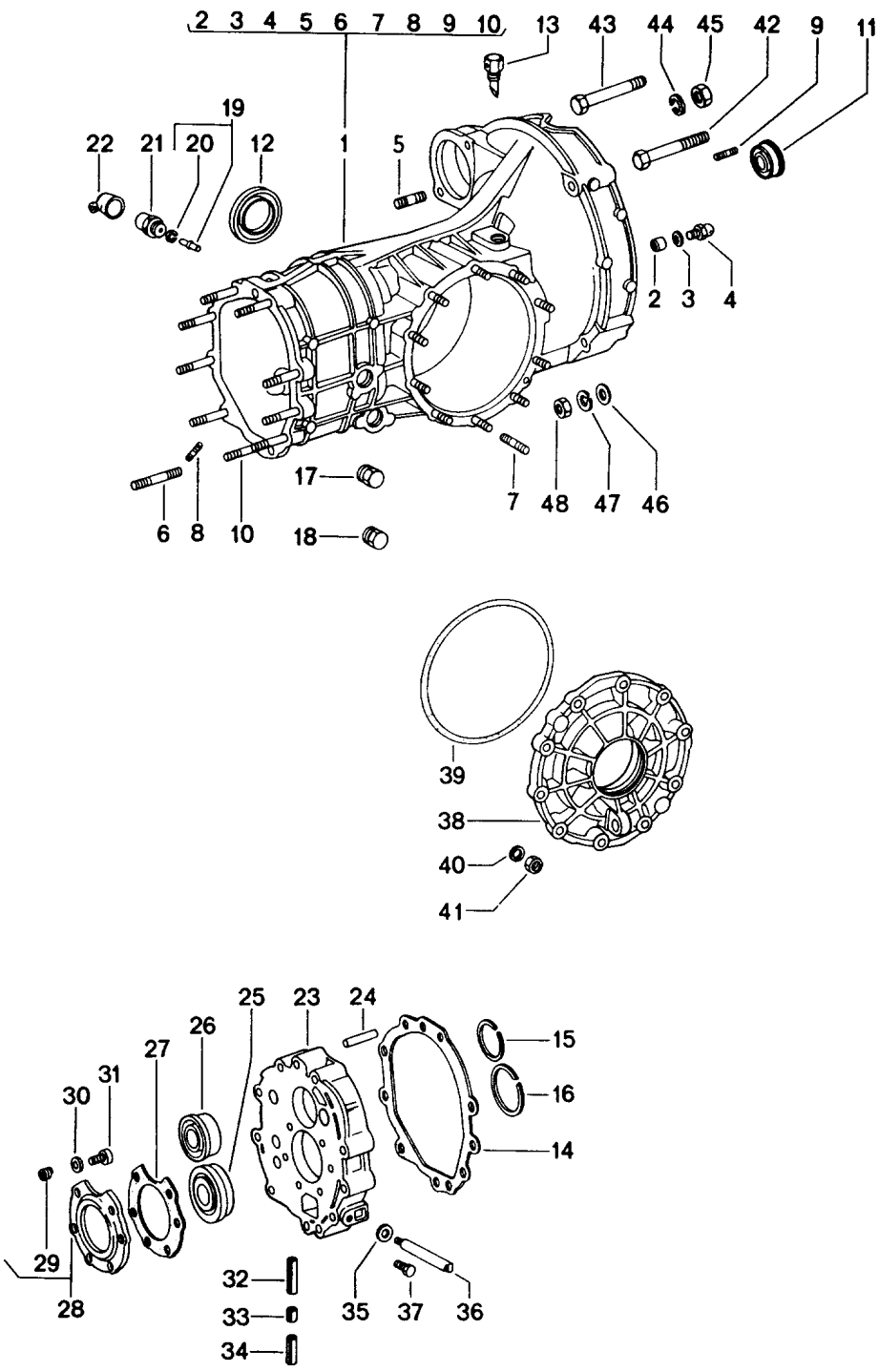
Model: 914 70

Model life 1970&gt;&gt;1976

Pos	Part Number	Description	Remark	Qty	Model
1	901 116 087 11	Clutch release Guide tube		1	
2	900 076 010 02	Nut M 6		2	
2	900 076 010 0B	Nut M 6		2	
3	900 027 014 01	Lock ring B 6		3	
3	900 027 014 02	Lock ring B 6		3	
3	N 012 006 4	Lock ring B 6		3	
4	901 116 712 00	Clutch release lever		1	
5	901 116 741 01	Bush		1	
6	901 116 077 01	Retaining bracket		1	
7	900 067 009 02	Pan-head screw M 6 X 15		1	
7	900 067 429 01	Pan-head screw M 6 X 15		1	
8	901 116 081 11	Clutch release bearing		1	
9	901 116 825 11	Guide piece for Clutch release bearing		2	

Model: 914 70

Model life 1970>>1976



Model: 914 70

Model life 1970&gt;&gt;1976

Pos	Part Number	Description	Remark	Qty	Model
		Replacement transmission			
		Transmission case			
-	914 300 012 03	Manual transmission		1	914-6
-	914 300 012 13	Manual transmission		1	914-4
-	914 300 012 X	Manual transmission		1	914-4
		Exchange			
		Complete			
		914.300/11			
		1st gear			
		11:34			
		2nd gear			
		18:34			
		3rd gear			
		23:29			
		4th speed			
		27:25			
		5th gear			
		31:22			
-	914 300 012 15	Manual transmission		1	914-1,7/1,8V 914-1,8/2,0
-	914 300 010 05	Transmission		1	SPM
-	914 300 010 EX	Manual transmission		1	
		Exchange			
		with			
		Converter			
		Ready for installation			
		914.300/05			
		1st gear			
		15:36			
		2nd gear			
		20:31			
		3rd gear			
		24:27			
		4th speed			
		28:24			
1	914 301 010 01	Transmission case		1	
2	999 504 040 02	Bush		1	
		M 8 X 9			
3	900 025 007 02	Washer		1	
		8,4			
3	900 025 007 03	Washer		1	
		8,4			
4	901 116 771 01	Ball pin		1	
5	900 061 014 02	Stud		1	
		BM 10 X 22			
6	999 062 046 02	Stud		7	
		BM 8 X 65			
7	999 062 044 02	Stud		10	
		BM 8 X 32			
8	900 061 057 02	Stud		2	914-6/4
		BM 8 X 15			
8	999 062 057 02	Stud		2	914-6/4
		BM 8 X 15			
8	999 062 073 02	Stud		2	914-6/4
		BM 8 X 15			
8	999 062 007 02	Stud		2	914-1,7/1,8V 914-1,8/2,0
		BM 8 X 22			
8	900 060 106 01	Stud		2	914-1,7/1,8V 914-1,8/2,0
		BM 8 X 22			
9	999 062 001 02	Stud		2	
		BM 6 X 10			
10	900 061 163 02	Stud		2	
		BM 8 X 60			

Model: 914 70

Model life 1970&gt;&gt;1976

Pos	Part Number	Description	Remark	Qty	Model
11	113 311 113 B	Sealing ring		1	
12	999 113 183 40	Radial shaft seal 45 X 68 X 10		2	
13	904 301 071 00	Bleeder		1	
14	901 301 191 21	Gasket for Transmission case 0,1 MM		1	
(14)	901 301 191 22	Gasket for Transmission case 0,15 MM		X	
(14)	901 301 191 23	Gasket for Transmission case 0,2 MM		X	
15	999 042 301 01	Circlip SB 52		2	
16	999 041 305 01	Circlip SB 79		1	
17	999 064 007 02	Screw plug without Magnet Yellow Anodised		1	
18	999 064 008 02	Screw plug with magnet Yellow Anodised		1	
19	901 303 017 01	Cam follower		1	
19	901 303 017 02	Cam follower		1	
20	N 012 432 1	Lock washer 2,3		1	
21	914 613 541 02	Back-up light switch		1	
22	914 613 491 00	Protection cap		1	
23	911 301 221 00	Intermediate plate		1	
24	900 012 028 00	Straight pin 10 M 6 X 50		2	
25	999 052 016 00	Four-point bearing		1	
25	999 052 016 0A	Four-point bearing		1	
26	999 053 025 00	Angular-contact bearing Two-row		1	
27	901 301 255 13	Plate		1	
28	901 301 035 13	Tensioning plate		1	
29	999 504 049 00	Heli-coil M 8		6	
30	900 025 007 02	Washer 8,4		6	
30	900 025 007 03	Washer 8,4		6	
31	999 509 010 00	Pan-head screw		6	
32	901 303 241 01	Bush for Gear lock detent		1	
33	901 303 242 01	Bush for Gear lock detent		1	
34	901 303 243 01	Bush for Gear lock detent		1	
35	900 031 001 02	Washer 8,4		1	
35	900 031 105 01	Washer		1	

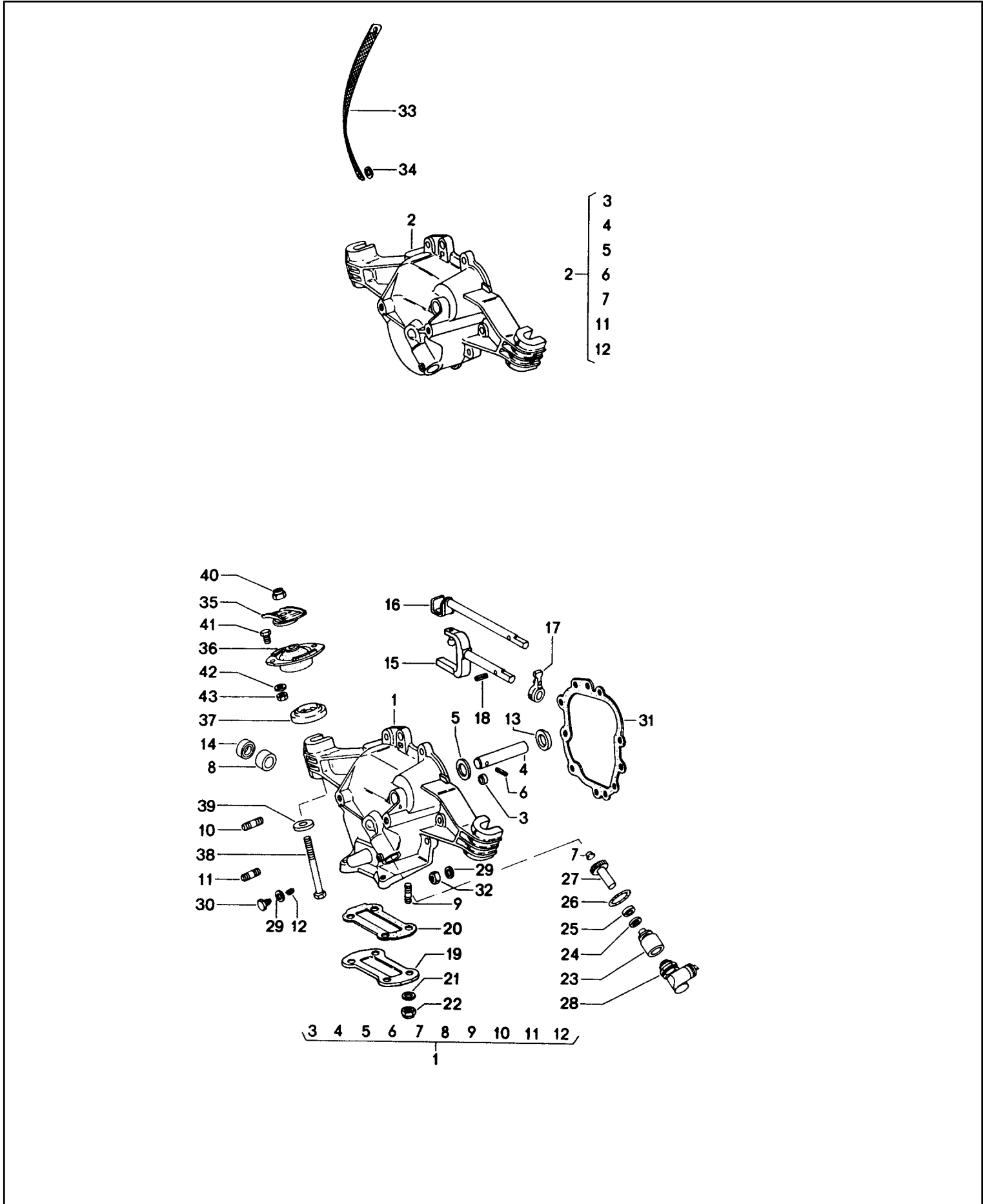
Model: 914 70

Model life 1970&gt;&gt;1976

Pos	Part Number	Description	Remark	Qty	Model
36	914 301 307 00	8,4 Bolt for Reverse lever		1	914-6
37	N 010 235 3	Hexagon-head bolt M 8 X 10		1	914-4/1,7 914-1,8/1,8V 914-2,0
38	914 301 311 01	Transmission cover Lateral		1	
39	113 301 185 A	O-ring for Transmission cover Lateral		1	
40	900 031 001 02	Washer 8,4		8	
40	900 031 105 01	Washer 8,4		8	
41	999 090 101 02	Mid-grip nut Self-locking Mount Engine Transmission		10	
42	900 155 023 02	Hexagon-head bolt M 10 X 72		1	914-6
42	900 155 026 02	Hexagon-head bolt M 10 X 85		1	914-4/1,7 914-1,8/1,8V 914-2,0
43	900 067 074 02	Pan-head screw M 10 X 110		1	914-6
43	N 010 500 3	Hexagon-head bolt M 10 X 115		1	914-4/1,7 914-1,8/1,8V 912-2,0
44	N 012 242 1	Spring washer B 10 X 18		2	
45	N 011 133 1	Hexagon nut M 10		2	914-4/1,7 914-1,8/1,8V 914-2,0
46	900 031 005 02	Washer 10,5		2	914-6
46	900 031 005 03	Washer 10,5		2	914-6
46	900 031 005 02	Washer 10,5		3	914-4/1,7 914-1,8/1,8V 914-2,0
46	900 031 005 03	Washer 10,5		3	914-4/1,7 914-1,8/1,8V 914-2,0
47	N 015 375 1	Lock washer M 10		2	
48	900 157 002 02	Hexagon nut M 10		2	914-6
48	900 157 002 03	Hexagon nut M 10		2	914-6
48	N 011 010 6	Hexagon nut M 10		3	914-4/1,7 914-1,8/1,8V 914-2,0
48	N 101 552 10	Hexagon nut M 10		3	914-4/1,7 914-1,8/1,8V 914-2,0

Model: 914 70

Model life 1970>>1976



Model: 914 70

Model life 1970&gt;&gt;1976

Pos	Part Number	Description	Remark	Qty	Model
1	914 301 031 02	Transmission cover Transmission suspension Transmission cover Rear		1	914-6
(1)	914 301 031 03	Transmission cover Rear		1	914-4
2	914 301 032 00	Transmission cover Rear		1	914-1,7/1,8V 914-1,8/2,0
3	901 318 244 01	Bearing sleeve		1	
4	901 302 255 01	Eccentric bolt for Reverse idler gear		1	
5	901 302 296 01	Thrust washer for Reverse idler gear		1	
6	900 095 019 01	Tensioning sleeve 5 X 30		1	
7	901 318 273 01	Bolt		1	
8	914 303 121 01	Bush		1	914-6/4
9	999 062 055 02	Stud BM 6 X 12		4	914-6/4
10	900 061 004 02	Stud BM 8 X 12		2	914-4
11	900 061 073 02	Stud BM 8 X 16		2	
12	999 504 070 00	Threaded insert M 8 X 1,0		1	
13	901 302 266 01	Thrust washer		1	
14	900 112 029 50	Radial sealing ring A 14 X 24 X 7		1	914-6/4
15	914 303 011 02	Bellcrank		1	914-6
16	914 303 301 01	Clutch control shaft		1	914-4
17	914 303 013 01	Distributing piece		1	914-6/4
18	900 309 003 00	Roll pin 5 X 24		1	914-6/4
19	914 301 313 00	Lid for Transmission cover Rear		1	914-6/4
20	914 301 391 00	Gasket		1	914-6/4
20	914 301 391 01	Gasket		1	914-6/4
21	999 025 108 02	Washer 6,4 X 14		4	914-6/4
22	999 084 018 02	Lock nut U 105.6		4	914-6/4
23	901 318 243 12	Guide bush		1	
24	914 318 261 01	Sealing washer		1	
25	999 113 036 50	Radial sealing ring BA 10 X 18 X 6		1	
26	999 701 084 50	O-ring 25,3 - 2,4		1	
27	901 318 333 01	Shaft for Speedometer drive		1	914-6
27	914 318 333 10	Shaft for Speedometer drive		1	914-4/1,7 914-1,8/1,8V 914-2,0
28	914 318 029 01	Angled pipe		1	
29	900 031 001 02	Washer 8,4		9	
29	900 031 105 01	Washer 8,4		9	
30	901 318 272 03	Hexagon-head bolt		1	



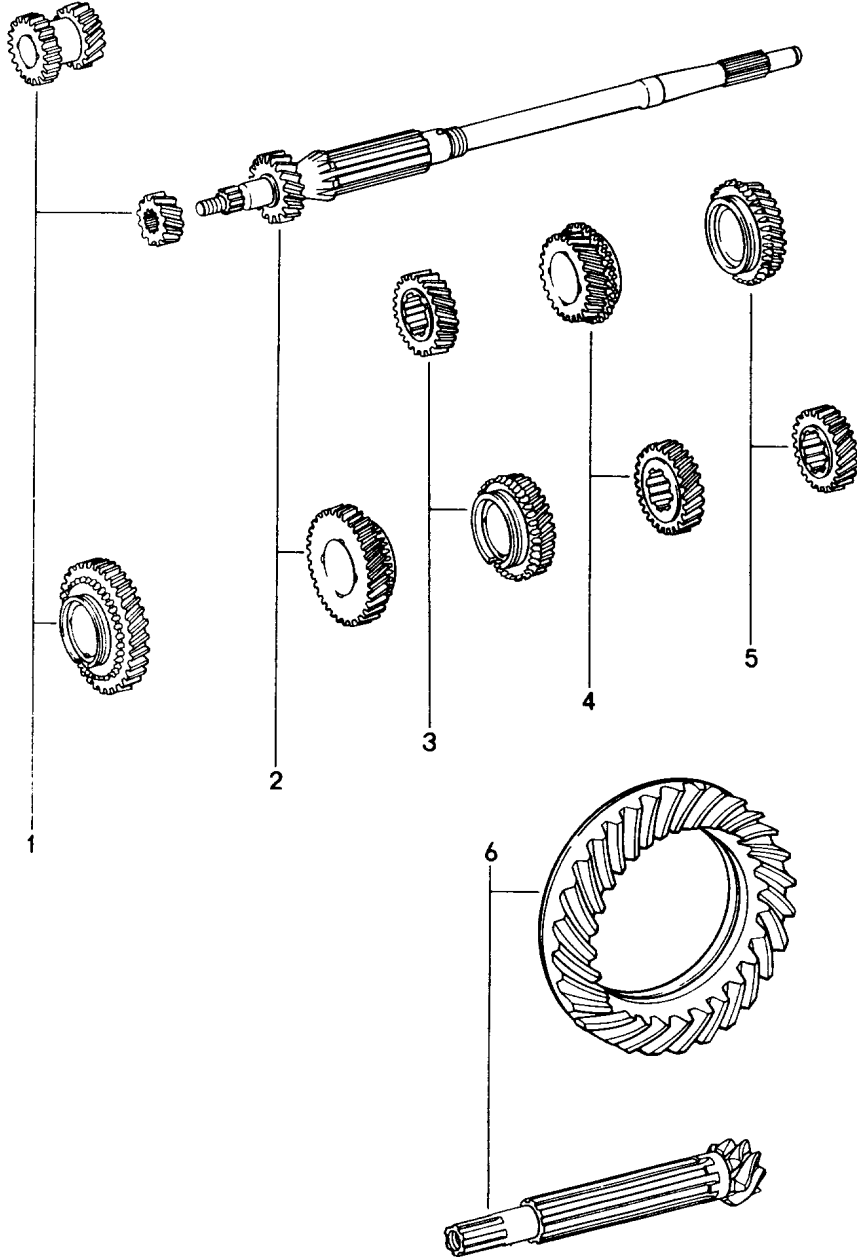
Model: 914 70

Model life 1970>>1976

Pos	Part Number	Description	Remark	Qty	Model
31	901 301 392 12	Gasket for Transmission cover		1	
32	999 090 101 02	Mid-grip nut		9	
33	999 611 919 20	Ground strap		1	
34	999 151 022 02	Washer 20 X 8,4 X 2		2	
35	914 375 058 01	Base Upper		2	
36	914 375 026 00	Transmission mounting		2	914-6
36	914 375 025 00	Transmission mounting		2	
37	914 375 237 00	Washer Lower		2	
38	900 082 044 02	Hexagon-head bolt M 12 X 1,5 X 125		2	
38	900 082 118 01	Hexagon-head bolt M 12 X 1,5 X 125		2	
39	914 375 239 00	Washer		2	
40	N 021 191 5	Lock nut M 12 X 1,5		2	
41	900 075 085 02	Hexagon-head bolt M 8 X 20		4	
42	900 025 007 02	Washer 8,4		4	
42	900 025 007 03	Washer 8,4		4	
43	900 910 022 02	Lock nut		4	

Model: 914 70

Model life 1970>>1976



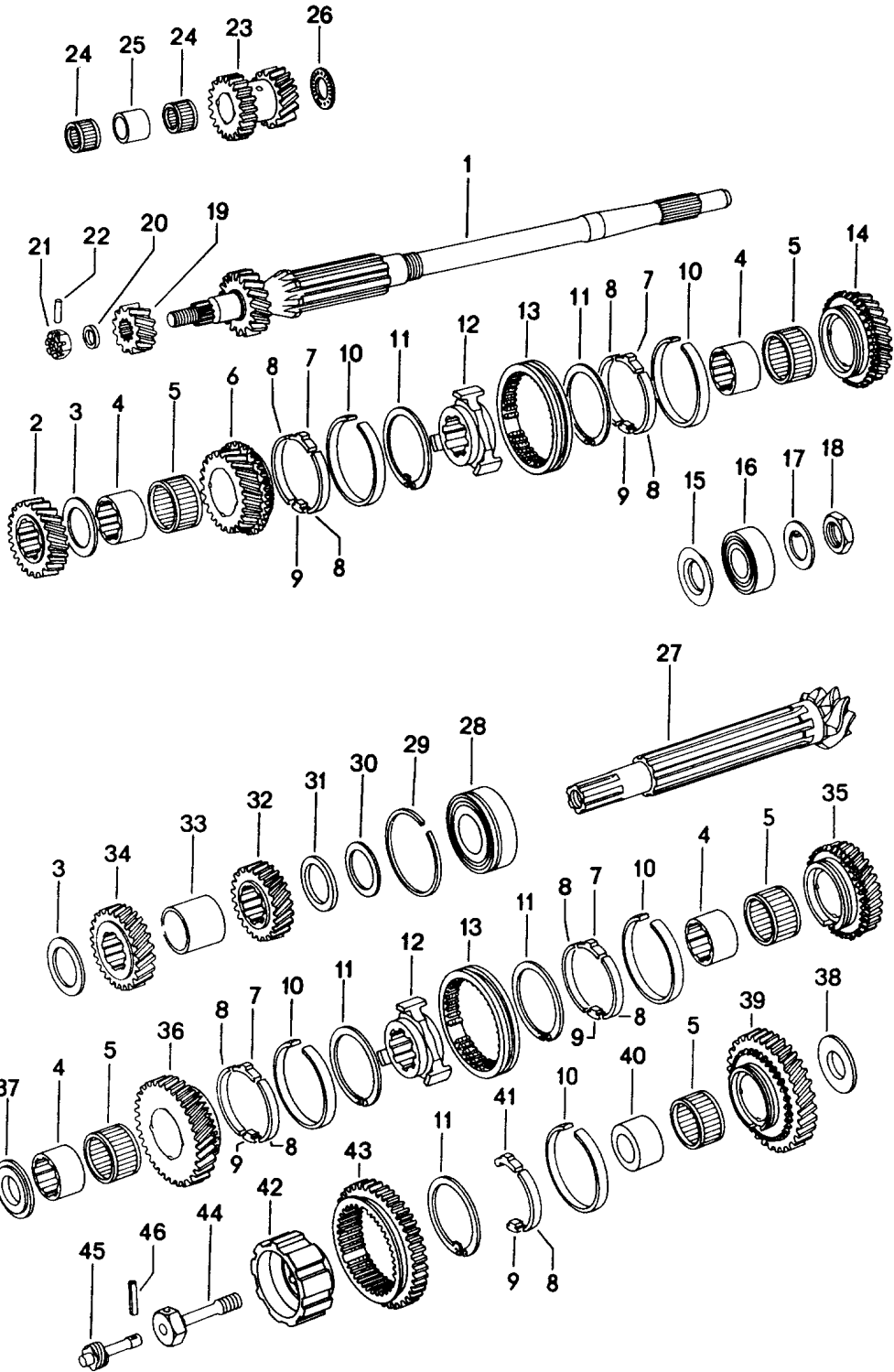
Model: 914 70

Model life 1970>>1976

Pos	Part Number	Description	Remark	Qty	Model
1	911 302 903 00	Gear wheel sets for 5-speed Transmission Gear set 1st gear Z = 11:34 (A) Fixed gear wheel Loose gear wheel Reverse idler gear		1	914.300/01 914.300/11 914.300/12
2	911 302 907 00	Drive shaft And Gear wheel II 2nd gear Z = 18:32 (GA) Drive shaft Loose gear wheel		1	914-6
2	016 311 103	Drive shaft And Gear wheel II 2nd gear Z = 18:34 Drive shaft Loose gear wheel		1	
3	904 302 916 10	Gear set 3rd gear Z = 23:28 (O/3) Fixed gear wheel Loose gear wheel		1	914-6
3		Gear set 3rd gear Z = 23:28 Fixed gear wheel Loose gear wheel		1	
4	904 302 930 10	Gear wheel pair 4th speed Z = 27.25 (V) Fixed gear wheel Loose gear wheel		1	
5	911 302 906 00	Gear set 5th gear Z = 29:22 (ZA) Fixed gear wheel Loose gear wheel		1	914-6
5	016 311 359	Gear set 5th gear Z = 31:22 Fixed gear wheel Loose gear wheel		1	
6	901 302 901 02	Ring gear and pinion shaft 7:31		1	

Model: 914 70

Model life 1970>>1976



Model: 914 70

Model life 1970&gt;&gt;1976

Pos	Part Number	Description	Remark	Qty	Model
		Gears and shafts			
		Gear wheel sets			
		See group			
		3/03/00			
1		Drive shaft		1	
2		Fixed gear wheel		1	
		3rd gear			
3	901 302 294 01	Thrust washer		2	
4	901 302 261 01	Bush		4	
		for			
		Needle-roller bearing			
		2. -			
		5th gear			
5	999 201 470 00	Needle cage		5	
		1. -			
		5th gear			
6		Loose gear wheel		1	
		4th speed			
7	911 302 315 00	Detent		4	
		2. -			
		5th gear			
8	911 302 316 00	Spring		9	
		1. -			
		5th gear			
9	911 302 317 01	Stop		5	
		1. -			
		5th gear			
10	911 302 301 06	Synchroniser ring		5	
		1. -			
		5th gear			
10	911 302 301 13	Synchroniser ring		5	
		1. -			
		5th gear			
11	911 302 311 01	Circlip		5	
		1. -			
		5th gear			
12	901 302 402 02	Sleeve		2	
		2. -			
		5th gear			
13	911 302 411 10	Shift sleeve		2	
		2. -			
		5th gear			
14		Loose gear wheel		1	
		5th gear			
15	901 302 268 01	Spacer		1	
		5,8 mm			
16	999 110 008 00	Cylindrical-roller bearing		1	
17	999 038 001 00	Tab washer		1	
18	999 183 001 00	Hexagon nut		1	
19		Fixed gear wheel		1	
		1st gear			
20	999 031 066 00	Washer		1	
21	999 079 011 02	Castle nut		1	
22	900 309 004 00	Roll pin		1	
		3 X 18			
23		Reverse idler gear		1	
24	999 201 012 00	Needle cage		2	
25	901 302 263 01	Guide sleeve		1	
26	999 202 001 00	Needle cage		1	
27		Drive shaft		1	
28	999 110 007 00	Cylindrical-roller bearing		1	
28	999 110 013 00	Cylindrical-roller bearing		1	
28	999 110 012 00	Cylindrical-roller bearing		1	

Model: 914 70

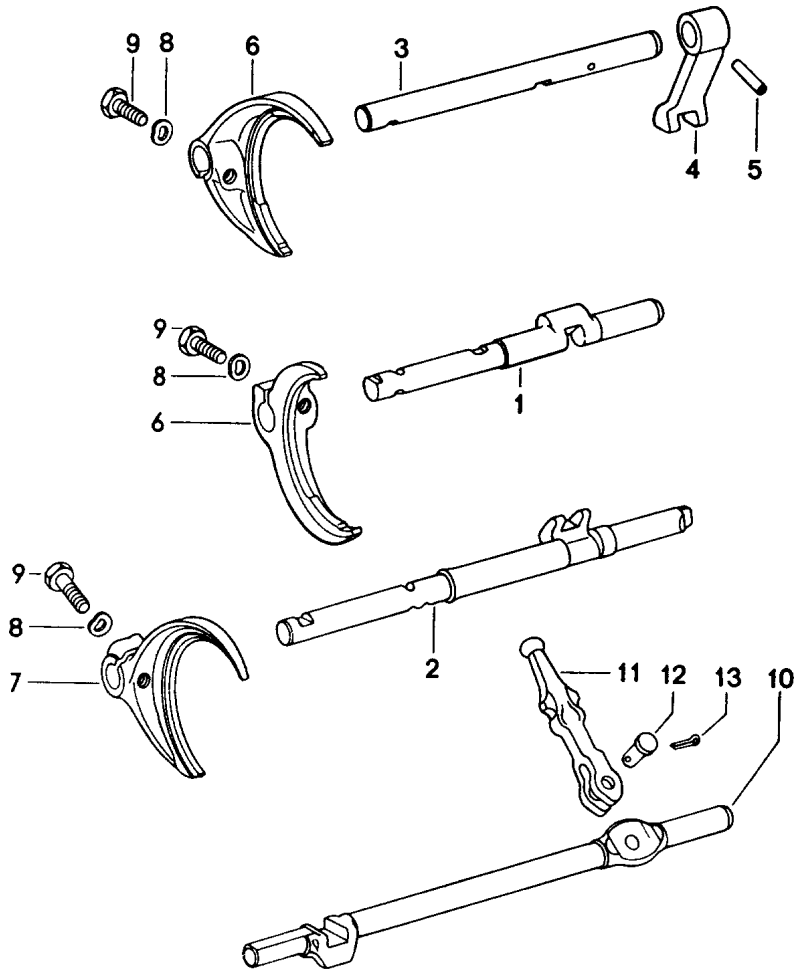
Model life 1970>>1976

Pos	Part Number	Description	Remark	Qty	Model
28	999 110 012 01	Cylindrical-roller bearing		1	
29	900 111 002 00	Circlip SP 72		1	
30	901 302 297 01	Adjusting shim 0,25 MM		X	
30	901 302 297 11	Adjusting shim 0,30 MM		X	
30	901 302 297 21	Adjusting shim 0,40 MM		X	
31	901 302 298 01	Spacer		1	
32		Fixed gear wheel 5th gear		1	
33	901 302 265 01	Spacer sleeve		1	
34		Fixed gear wheel 4th speed		1	
35		Loose gear wheel 3rd gear		1	
36		Loose gear wheel 2nd gear		1	
37	901 302 269 01	Thrust washer		1	
38	901 302 291 01	Thrust washer		1	
39		Loose gear wheel 1st gear		1	
40	901 302 262 01	Bush for Needle-roller bearing 1st gear		1	
41	901 302 318 02	Detent 1st gear		1	
42	901 302 401 02	Sleeve 1st gear		1	
43	911 302 226 00	Shifting gear for 1st gear And Reverse gear		1	
43	911 302 226 02	Shifting gear for 1st gear And Reverse gear		1	
44	901 302 271 01	Elastic bolt		1	
45	901 318 331 01	Clutch control shaft		1	914-6
45	914 318 331 10	Shaft		1	914-4/1,7 914-1,8/1,8V 914-2,0
46	900 197 002 00	Tensioning sleeve 4 X 28		1	

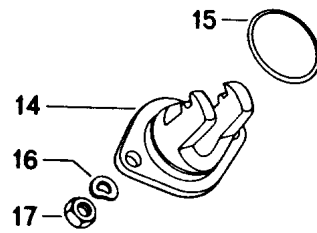
Model: 914 70

Model life 1970>>1976

Bis Ende Mod. 72



- — 22
- — 21
- — 19
- — 22
- — 20
- — 22
- — 18
- — 23



Model: 914 70

Model life 1970&gt;&gt;1976

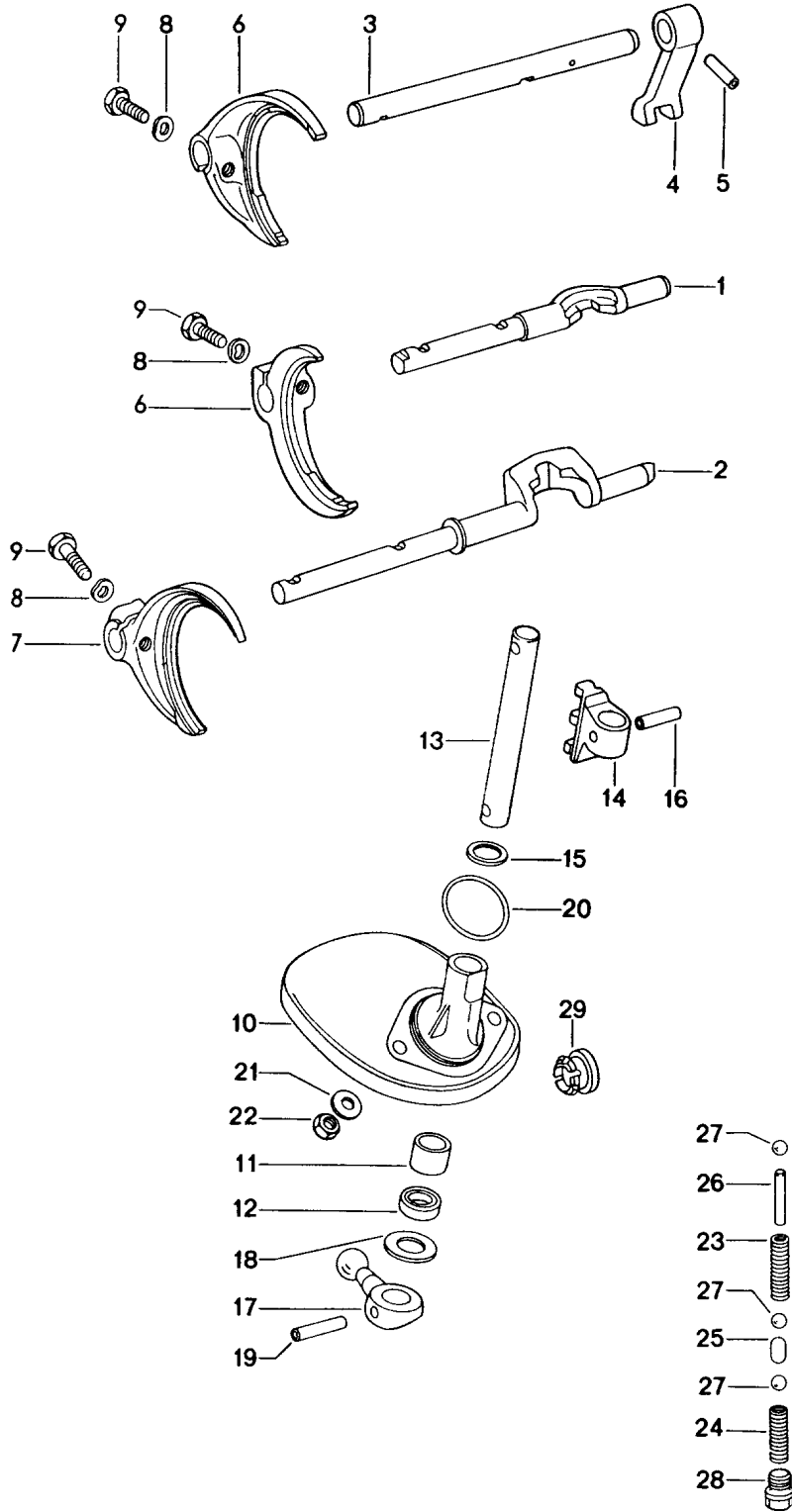
Pos	Part Number	Description	Remark	Qty	Model
		Shift rods shift forks for 5-speed Transmission	-72		914.300/01 914.300/11
1	901 303 101 01	Gear shift rod 2. - 3rd gear		1	
2	914 303 141 00	Gear shift rod 1st gear And Reverse gear		1	
3	901 303 103 01	Gear shift rod 4. - 5th gear		1	
4	901 303 161 01	Shift finger		1	
5	900 309 003 00	Roll pin 5 X 24		1	
6	901 303 111 01	Shift fork 2. - 5th gear		2	
7	901 303 151 01	Shift fork 1st gear And Reverse gear		1	
8	N 012 241 1	Spring washer B 8 X 15		3	
9	900 075 083 02	Hexagon-head bolt B 8 X 25		3	
10	914 303 131 01	Gear shift rod		1	
11	901 303 133 01	Gearshift lever		1	
12	901 303 171 01	Bolt		1	
13	N 012 512 1	Cotter pin 2 X 12		1	
14	911 303 129 00	Fork		1	
15	999 701 359 40	O-ring		1	
(15)	901 303 191 01	Gasket		1	
16	900 027 015 02	Lock ring B 8		2	
16	900 027 015 03	Lock ring B 8		2	
17	900 076 025 02	Hexagon nut M 8		2	
17	900 076 064 02	Hexagon nut M 8		2	
18	901 303 231 01	Spring Reversing gear lock		1	
19	901 303 232 01	Compression spring for Gear lock detent 2. - 5th gear		1	
20	901 303 211 01	Detent		1	
21	901 303 271 01	Pin		1	
22	N 025 667 2	Ball 9 MM		3	
23	999 065 004 02	Screw plug		1	



Model: 914 70

Model life 1970>>1976

Ab Mod. 73



Model: 914 70

Model life 1970&gt;&gt;1976

Pos	Part Number	Description	Remark	Qty	Model
		Shift rods shift forks for 5-speed Transmission	73-		914.300/12
1	914 303 103 00	Gear shift rod 2. - 3rd gear		1	
2	914 303 141 02	Gear shift rod 1st gear And Reverse gear		1	
3	901 303 103 01	Gear shift rod 4. - 5th gear		1	
4	914 303 161 00	Shift finger		1	
5	900 309 003 00	Roll pin 5 X 24		1	
6	901 303 111 01	Shift fork 2. - 5th gear		2	
7	901 303 151 01	Shift fork 1st gear And Reverse gear		1	
8	N 012 241 1	Spring washer B 8 X 15		3	
9	900 075 083 02	Hexagon-head bolt M 8 X 25		3	
10	914 303 127 01	Bearing bracket		1	
11	914 303 273 00	Bush		1	
12	900 112 001 50	Radial sealing ring B 15 X 24 X 7		1	
13	914 303 115 01	Shift rod		1	
14	914 303 117 00	Shift finger		1	
15	914 303 171 00	Washer Upper		1	
16	900 309 008 00	Roll pin 6 X 24		1	
17	914 303 129 00	Ball pin		1	
18	914 303 173 00	Washer Lower		1	
19	900 309 001 00	Roll pin 6 X 32		1	
20	999 701 359 40	O-ring OR 40 X 1,5		1	
21	900 031 001 02	Washer 8,4		2	
21	900 031 105 01	Washer 8,4		2	
22	999 090 101 02	Mid-grip nut		2	
23	901 303 231 01	Spring		1	
24	901 303 232 01	Reversing gear lock Compression spring for Gear lock detent 2. - 5th gear		1	
25	901 303 211 01	Detent for Gear lock detent		1	
26	901 303 271 01	Pin for		1	

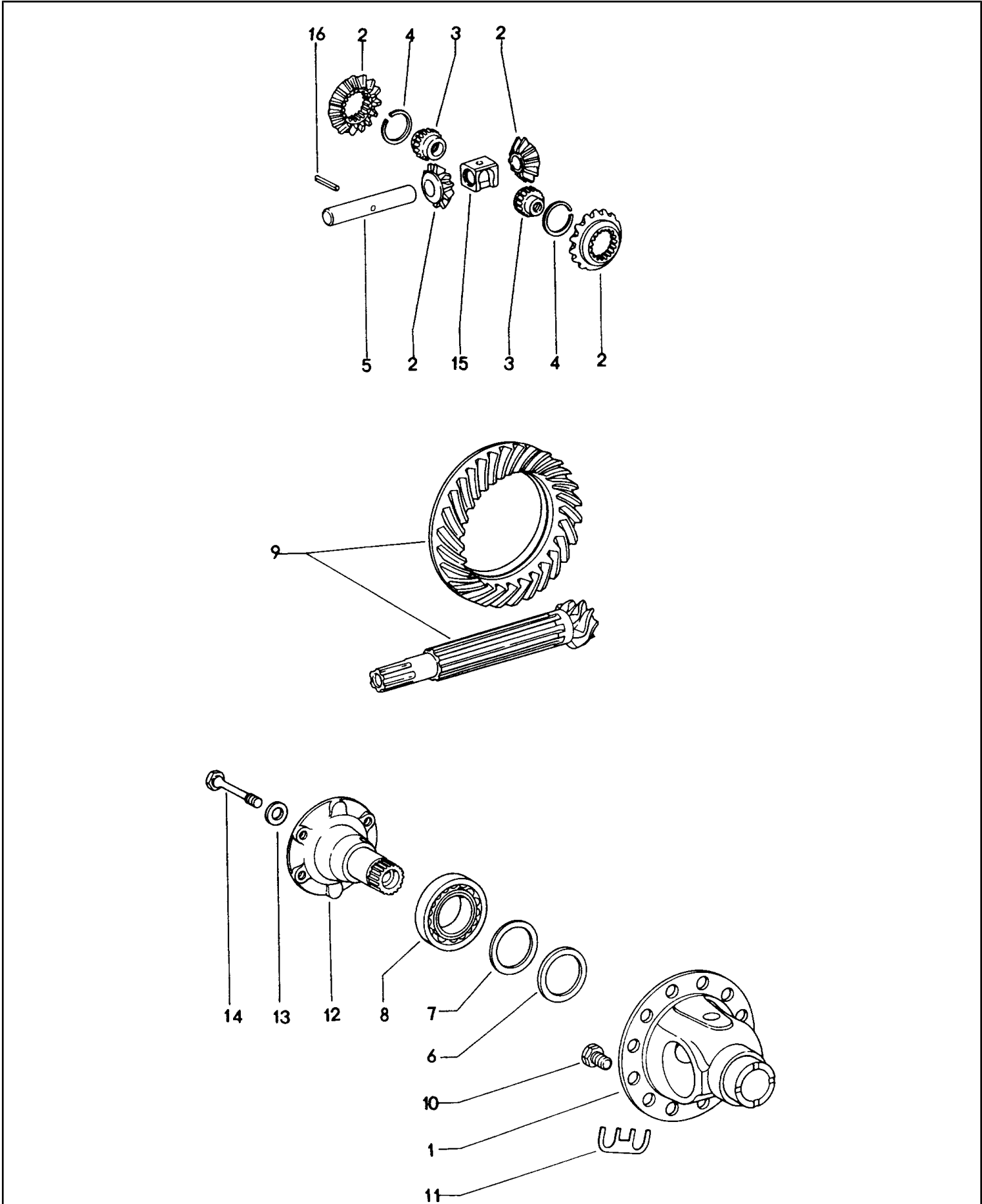
Model: 914 70

Model life 1970&gt;&gt;1976

Pos	Part Number	Description	Remark	Qty	Model
27	N 025 667 2	Gear lock detent Ball 9 MM		3	
28	999 065 004 02	Screw plug		1	
29	914 424 224 02	Friction ring		1	

Model: 914 70

Model life 1970>>1976



Model: 914 70 Model life 1970>>1976

Pos	Part Number	Description	Remark	Qty	Model
		Differential Manual transmission Differential SPM See group 3/10/00			
1	911 332 212 00	Differential pinions		1	914-6
1	914 332 212 00	Differential housing		1	
2	911 332 902 00	Differential pinions 1 set		1	914-6
2		Differential pinions		1	
2	016 598 081	Set Differential pinions		1	914-4/1,7 914-1,8/1,8V 914-2,0
3	911 332 206 01	Nut		2	
4	999 152 014 00	Circlip SW 32		2	914-6
4	N 023 632 1	Circlip A 32 X 1,5		2	
5	911 332 207 00	Differential bolt		1	
6	915 332 265 00	Adjusting ring 2,4 MM		X	
6	915 332 265 01	Adjusting ring 2,5 MM		X	
6	915 332 265 02	Adjusting ring 2,6 MM		X	
6	915 332 265 03	Adjusting ring 2,7 MM		X	
6	915 332 265 04	Adjusting ring 2,8 MM		X	
6	915 332 265 05	Adjusting ring 2,9 MM		X	
6	915 332 265 06	Adjusting ring 3,0 MM		X	
6	915 332 265 07	Adjusting ring 3,1 MM		X	
6	915 332 265 08	Adjusting ring 3,2 MM		X	
6	915 332 265 09	Adjusting ring 3,3 MM		X	
6	915 332 265 10	Adjusting ring 3,4 MM		X	
6	915 332 265 11	Adjusting ring 3,5 MM		X	
6	915 332 265 12	Adjusting ring 3,6 MM		X	
6	915 332 265 13	Adjusting ring 3,7 MM		X	
7	915 332 263 00	Adjusting ring		2	
8	999 059 027 00	Taper roller bearing		2	
8	999 059 027 02	Taper roller bearing		2	
9	901 302 901 02	Ring gear and pinion shaft Drive shaft And Seat 7 : 31		1	
10	901 332 276 00	Hexagon-head bolt M 12 X 1,5		12	
(10)	915 332 276 00	Hexagon-head bolt M 12 X 1,25		12	
(10)	901 332 276 11	Hexagon-head bolt M 12 X 1,5 Only together with		12	

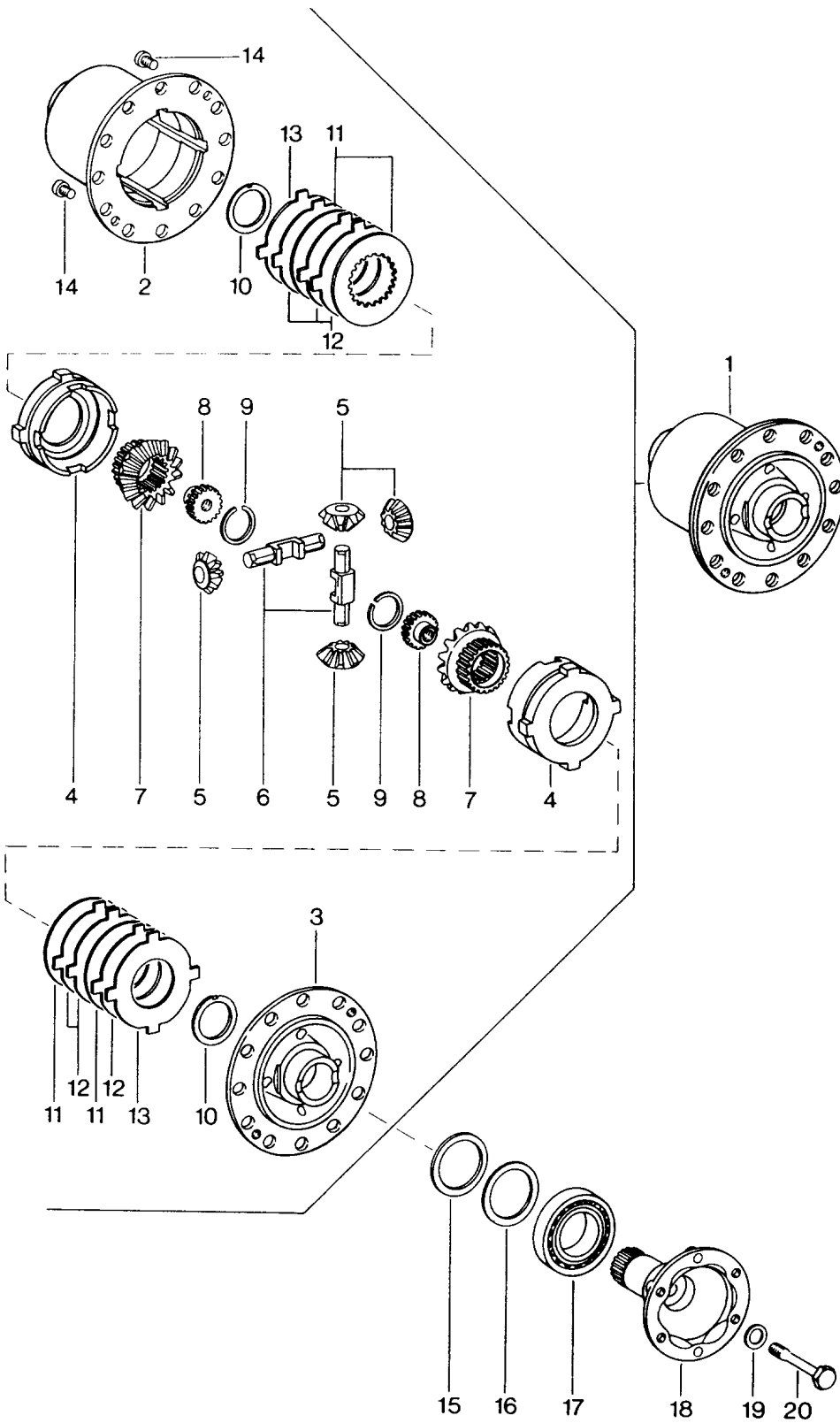
Model: 914 70

Model life 1970>>1976

Pos	Part Number	Description	Remark	Qty	Model
(10)	928 332 276 03	Limited-slip differential Hexagon-head bolt M 12 X 1,25 Only together with Limited-slip differential		12	
11	901 332 285 01	Tab washer		6	
12	914 332 209 01	Joint flange		2	
13	901 332 261 11	Washer		2	914-6
13	914 332 261 00	Washer		2	
14	901 332 275 12	Elastic bolt		2	
15	911 332 208 00	Armature		1	
16	900 308 005 00	Roll pin 6 X 28		1	914-6
16	N 022 055 1	Roll pin		1	

Model: 914 70

Model life 1970>>1976



Model: 914 70

Model life 1970&gt;&gt;1976

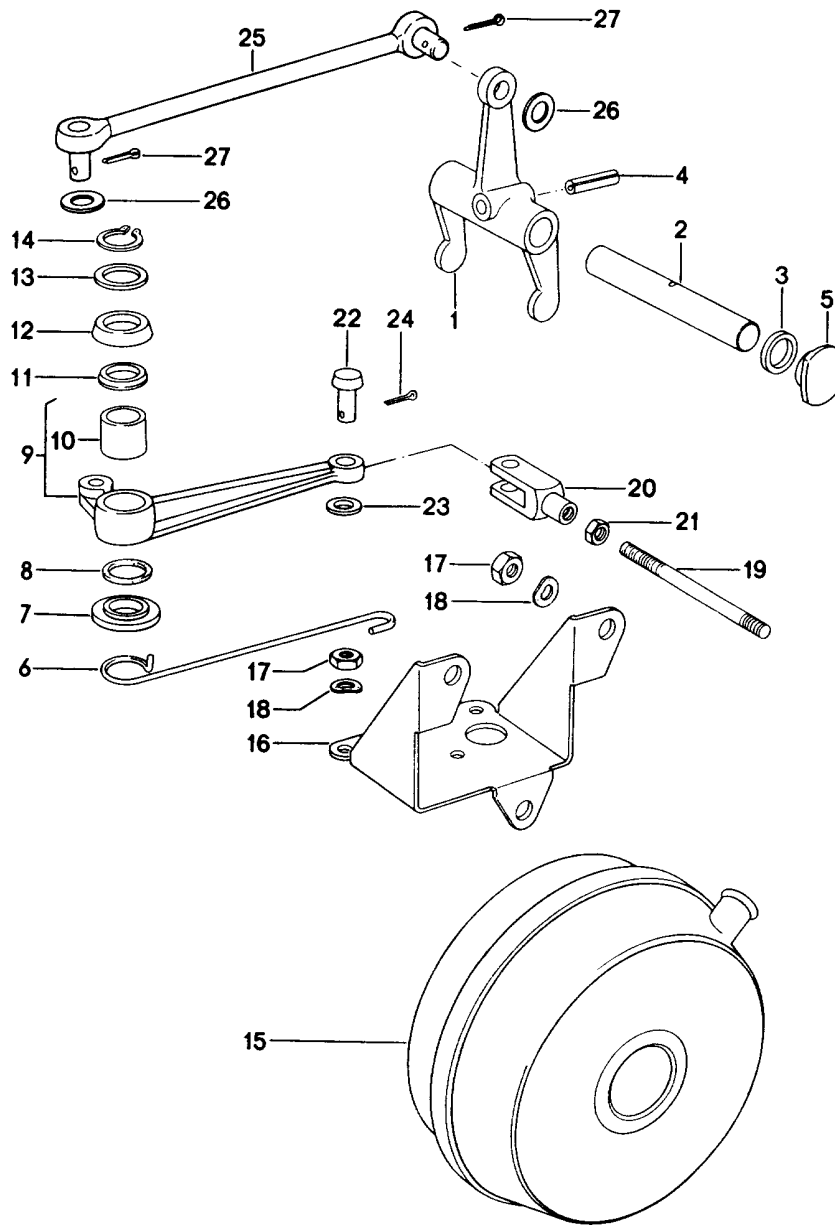
Pos	Part Number	Description	Remark	Qty	Model
1	901 332 053 13	Limited-slip differential		1	
2	901 332 055 13	Limited-slip differential		1	
3	901 332 506 11	Housing		1	
4	901 332 511 11	Housing cover		1	
5	901 332 531 02	Thrust ring		2	
6	915 332 531 02	Bevel pinion		4	
7	915 332 541 02	Differential shaft		2	
8	901 332 535 11	Shaft bevel gear		2	
9	901 332 206 12	Differential shaft		2	
9	999 152 014 00	Threaded piece		2	
		Circlip		2	
		SW 32			
10	901 332 561 11	Thrust washer		2	
11	928 332 551 00	Inner disc		4	
		2,0 MM			
12	901 332 552 11	Disc with external splines		6	
13	928 332 555 00	Cup spring		2	
14	900 119 002 00	Pan-head screw		2	
		M 6 X 10			
15	915 332 263 00	Adjusting ring		2	
		0,25 MM			
16	915 332 265 00	Adjusting ring		X	
		2,4 MM			
(16)	915 332 265 01	Adjusting ring		X	
		2,5 MM			
(16)	915 332 265 02	Adjusting ring		X	
		2,6 MM			
(16)	915 332 265 03	Adjusting ring		X	
		2,7 MM			
(16)	915 332 265 04	Adjusting ring		X	
		2,8 MM			
(16)	915 332 265 05	Adjusting ring		X	
		2,9 MM			
(16)	915 332 265 06	Adjusting ring		X	
		3,0 MM			
(16)	915 332 265 07	Adjusting ring		X	
		3,1 MM			
(16)	915 332 265 08	Adjusting ring		X	
		3,2 MM			
(16)	915 332 265 09	Adjusting ring		X	
		3,3 MM			
(16)	915 332 265 10	Adjusting ring		X	
		3,4 MM			
(16)	915 332 265 11	Adjusting ring		X	
		3,5 MM			
(16)	915 332 265 12	Adjusting ring		X	
		3,6 MM			
(16)	915 332 265 13	Adjusting ring		X	
		3,7 MM			
17	999 059 027 00	Taper roller bearing		2	
17	999 059 027 02	Taper roller bearing		2	
18	914 332 209 00	Joint flange		2	
19	914 332 261 00	Washer		2	
20	901 332 275 12	Elastic bolt		2	



Model: 914 70

Model life 1970>>1976

SPORTOMATIC



Model: 914 70

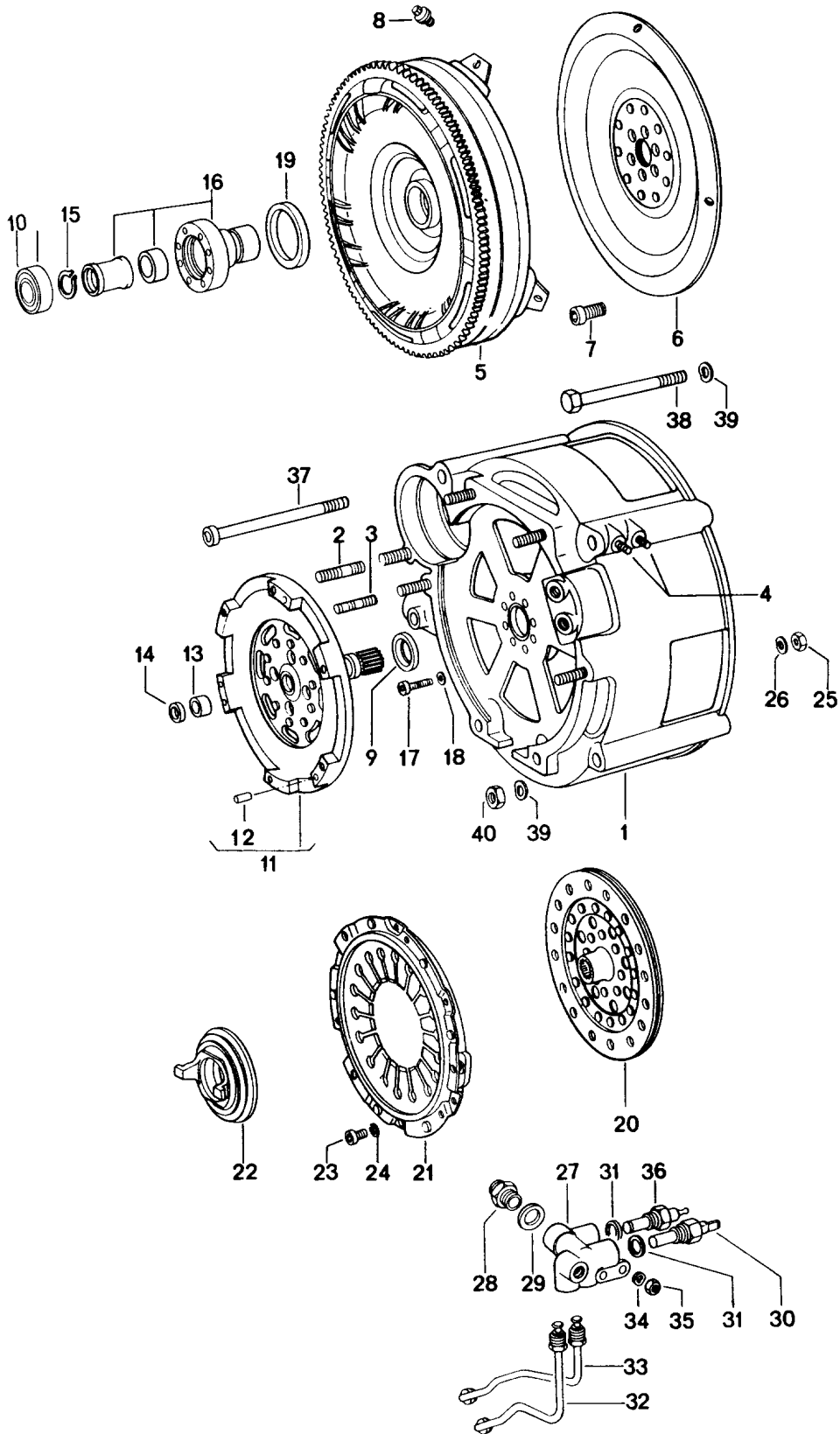
Model life 1970>>1976

Pos	Part Number	Description	Remark	Qty	Model
		Clutch release			914-6:SPM
1	905 116 711 01	Clutch release lever		1	
2	905 116 709 00	Clutch lever shaft		1	
3	905 116 712 00	Spacer ring		2	
4	900 095 013 00	Roll pin 4 X 20		1	
5	905 116 713 00	Cap		2	
6	905 116 714 00	Spring		1	
7	905 116 708 00	Washer		1	
8	999 701 169 40	O-ring		1	
9	905 116 071 00	Intermediate shift lever		1	
10	905 116 701 01	Bush		1	
11	905 116 719 01	Spacer		1	
12	999 704 019 50	Sleeve		1	
13	900 234 006 02	Shim 15 X 22 X 1		1	
14	N 012 415 1	Circlip 15 X 1		1	
15	905 116 721 01	Servo-motor 135 X 60		1	
16	905 116 715 10	Servo-motor support		1	
17	900 076 025 02	Hexagon nut M 8		6	
17	900 076 064 02	Hexagon nut M 8		6	
18	900 027 015 02	Lock ring B 6		6	
18	900 027 015 03	Lock ring B 6		6	
19	905 116 716 00	Pull rod		1	
20	900 166 002 02	Clevis G 6 X 24		1	
20	900 166 002 01	Clevis G 6 X 24		1	
21	900 076 010 02	Nut M 6		1	
21	900 076 010 0B	Nut M 6		1	
22	905 116 717 00	Bolt		1	
23	900 089 005 02	Washer 6		1	
24	900 021 002 00	Cotter pin 1,5 X 10		1	
25	905 116 751 00	Push rod		1	
26	900 025 007 02	Washer 8,4		2	
26	900 025 007 03	Washer 8,4		2	
27	900 021 008 00	Cotter pin 2 X 15		2	
27	900 021 008 0A	Cotter pin 2 X 15		2	

Model: 914 70

Model life 1970>>1976

SPORTOMATIC



Model: 914 70

Model life 1970>>1976

Pos	Part Number	Description	Remark	Qty	Model
		Converter Converter housing			914-6:SPM
1	905 301 007 01	Converter housing with Stud		1	
2	900 061 014 02	Stud BM 10 X 22		1	
(3)	999 062 009 02	Stud BM 8 X 28		1	
(3)	900 060 105 01	Stud BM 8 X 28		1	
3	999 062 007 02	Stud BM 8 X 22		3	
3	900 060 106 01	Stud BM 8 X 22		3	
4	999 062 002 02	Stud BM 6 X 15		2	
5	905 116 002 20	Torque converter with Starter ring		1	
6	905 116 024 12	Drive plate		1	
7	999 067 009 01	Pan-head screw		6	
8	001 301 095 A	Hexagon-head bolt		4	
9	PCG 113 071 50	Radial shaft seal		1	
10	900 052 027 00	Ball bearing		1	
11	905 116 027 10	Turbine shaft		1	
12	999 012 018 00	Straight pin		3	
13	999 201 021 00	Needle sleeve		1	
14	PCG 201 301 00	Shaft sealing ring G 12 X 18 X 3		1	
15	N 012 420 1	Circlip 20 X 1,2		1	
16	905 116 020 01	Free wheel lock Bracket		1	
17	999 186 002 01	Pan-head screw		8	
18	N 013 804 2	Sealing ring A 6 X 10		8	
19	999 113 189 40	Radial sealing ring		1	
20	905 116 254 20	Clutch plate		1	
21	905 116 255 10	Pressure plate		1	
22	925 116 081 00	Clutch release bearing		1	
23	999 067 010 01	Pan-head screw		6	
24	N 012 026 3	Lock ring 6		6	
25	N 011 010 6	Hexagon nut M 10		2	
25	N 101 552 10	Hexagon nut M 10		2	
26	N 012 242 3	Spring washer B 10 X 18		2	
27	905 301 125 11	Switch housing		1	
28	900 129 009 02	Union		1	
29	N 013 848 1	Sealing ring A 16 X 22		1	
30	905 613 102 04	Temperature switch		1	
31	900 123 007 30	Sealing ring A 14 X 18		2	
32	905 301 013 10	Pressure pipe		1	
33	905 301 014 10	Return pipe		1	
34	900 028 008 01	Lock ring B 6		2	
35	900 076 010 02	Nut M 6		2	

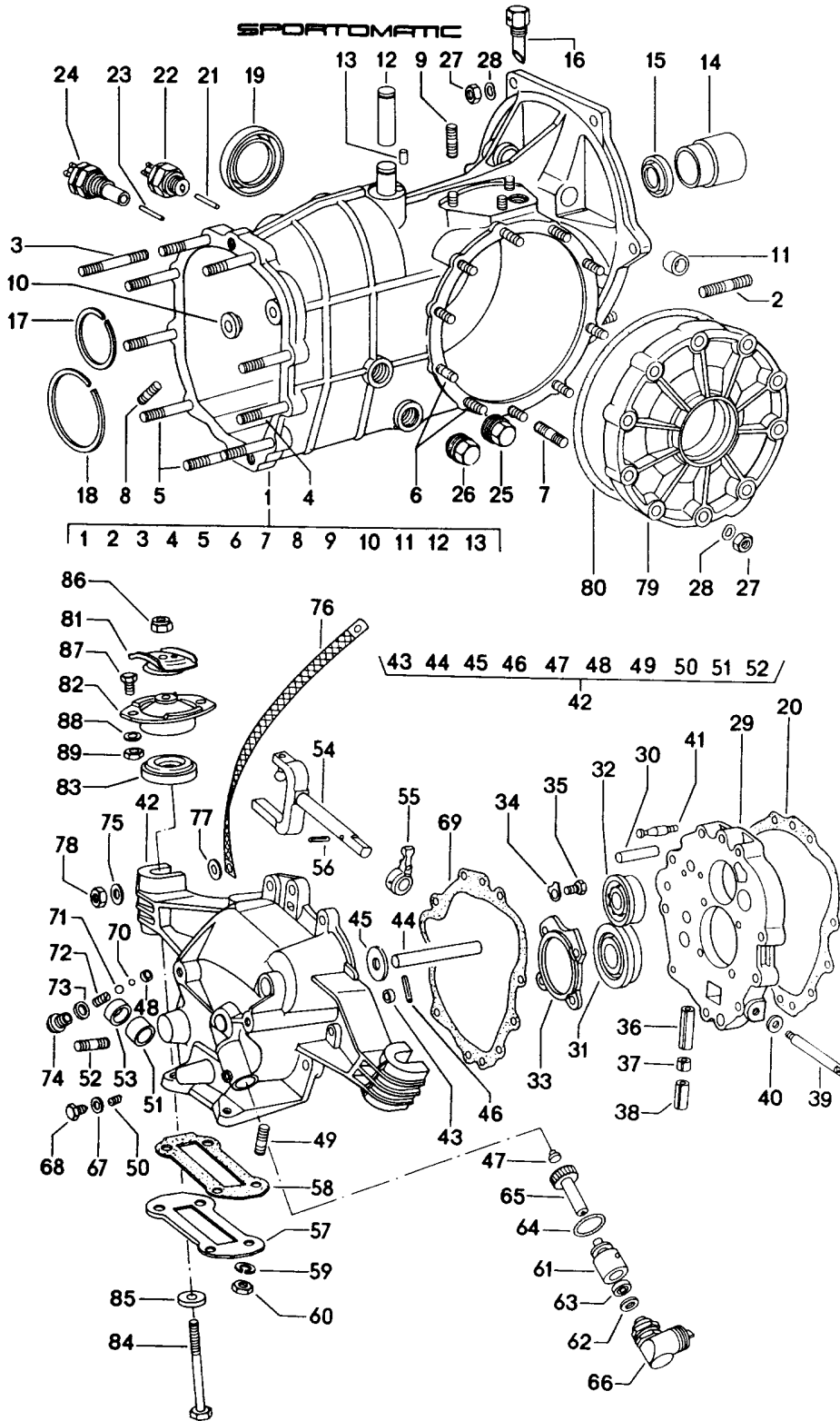
Model: 914 70

Model life 1970&gt;&gt;1976

Pos	Part Number	Description	Remark	Qty	Model
35	900 076 010 0B	Nut M 6		2	
36	901 641 632 00	Remote temperature sensor		1	
37	900 067 078 02	Pan-head screw M 10 X 150		1	
38	900 155 018 02	Hexagon-head bolt M 10 X 110		1	
39	N 012 242 3	Spring washer B 10 X 18		4	
40	900 157 002 02	Hexagon nut M 10		2	
40	900 157 002 03	Hexagon nut M 10		2	

Model: 914 70

Model life 1970>>1976



Model: 914 70 Model life 1970>>1976

Pos	Part Number	Description	Remark	Qty	Model
		Transmission case			914-6:SPM
1	914 301 010 05	Transmission case		1	
2	900 061 118 02	Stud		2	
		BM 10 X 28			
3	999 062 138 02	Stud		1	
		BM 8 X 52			
3	900 060 102 01	Stud		1	
		BM 8 X 52			
4	900 061 012 02	Stud		6	
		BM 8 X 50			
5	900 061 011 01	Stud		2	
		BM 8 X 45			
6	999 062 008 02	Stud		2	
		BM 8 X 25			
7	999 062 007 02	Stud		7	
		BM 8 X 22			
7	900 060 106 01	Stud		7	
		BM 8 X 22			
8	900 061 057 02	Stud		2	
		BM 8 X 15			
8	999 062 057 02	Stud		2	
		BM 8 X 15			
8	999 062 073 02	Stud		2	
		BM 8 X 15			
9	900 061 004 02	Stud		3	
		BM 8 X 12			
10	905 302 291 00	Thrust ring		1	
11	905 116 727 00	Bush		2	
12	905 116 707 01	Bearing pin		1	
13	999 095 102 00	Roll pin		1	
		S 5 X 12			
14	905 116 813 01	Guide tube		1	
15	999 113 286 40	Shaft sealing ring		1	
16	904 301 071 00	Bleeder		1	
17	999 042 301 01	Circlip		2	
		SB 52			
18	999 041 305 01	Circlip		1	
		SB 79			
19	999 113 058 50	Radial sealing ring		2	
		BA - FG 45 X 65 X 10			
20	905 301 191 00	Gasket		1	
		for			
		Transmission case			
		0,10 MM			
(20)	905 301 191 01	Gasket		X	
		for			
		Transmission case			
		0,15 MM			
(20)	905 301 191 02	Gasket		X	
		for			
		Transmission case			
		0,20 MM			
21	905 303 245 02	Cam follower		1	
22	905 613 051 02	Back-up light switch		1	
23	914 303 246 10	Back-up light switch		1	
		Cam follower		1	
		Bridging switch			
24	905 613 101 02	Bridging switch		1	
25	999 064 007 02	Screw plug		1	
		without			
		Magnet			
		Yellow			
		Anodised			

Model: 914 70

Model life 1970&gt;&gt;1976

Pos	Part Number	Description	Remark	Qty	Model
26	999 064 008 02	Screw plug with magnet Yellow Anodised		1	
27	900 076 025 02	Hexagon nut M 8		13	
27	900 076 064 02	Hexagon nut M 8		13	
28	N 012 241 1	Spring washer B 8 X 15		13	
29	905 301 221 01	Intermediate plate		1	
30	900 012 027 00	Straight pin 10 M 6 X 45		2	
31	999 052 016 00	Four-point bearing		1	
31	999 052 016 0A	Four-point bearing		1	
32	999 053 025 00	Angular-contact bearing		1	
33	901 301 251 01	Tensioning plate		1	
34	999 039 001 00	Tab washer		4	
35	N 010 239 11	Hexagon-head bolt M 8 X 18		4	
35	N 010 239 30	Hexagon-head bolt M 8 X 18		4	
36	901 303 241 01	Bush for Gear lock detent		1	
37	905 303 242 00	Bush for Gear lock detent		1	
38	905 303 243 00	Bush for Gear lock detent		1	
39	914 301 307 00	Bolt for Reverse lever		1	
40	N 012 241 1	Spring washer B 8 X 15		1	
41	905 303 136 00	Eccentric bolt		1	
42	914 301 031 12	Transmission cover Rear		1	
43	901 318 244 01	Bearing sleeve		1	
44	905 302 255 00	Bolt for Reverse gear		1	
45	905 302 292 00	Thrust washer		1	
46	900 095 019 01	Tensioning sleeve 5 X 30		1	
47	901 318 273 01	Bolt		1	
48	905 303 236 00	Washer		1	
49	999 062 055 02	Stud BM 6 X 12		4	
50	999 504 070 00	Threaded insert M 8 X 1		1	
51	914 303 121 01	Bush for Shift rod		1	
52	900 061 073 02	Stud BM 8 X 16		2	
53	900 112 029 50	Radial sealing ring A 14 X 24 X 7		1	
54	914 303 011 02	Bellcrank		1	
55	914 303 013 01	Distributing piece		1	
56	900 309 003 00	Roll pin 5 X 24		1	



Model: 914 70

Model life 1970&gt;&gt;1976

Pos	Part Number	Description	Remark	Qty	Model
57	914 301 313 00	Lid		1	
58	914 301 391 00	Gasket		1	
58	914 301 391 01	Gasket		1	
59	999 025 108 02	Washer 6,4 X 14		4	
60	999 084 018 02	Lock nut		4	
61	901 318 243 12	Guide bush		1	
62	914 318 261 01	Sealing washer		1	
63	999 113 036 50	Radial sealing ring BA - FG 10 X 18 X 6		1	
64	999 701 084 50	O-ring		1	
65	905 318 333 10	Shaft for Speedometer drive		1	
66	914 318 029 01	Angled pipe		1	
67	900 031 001 02	Washer 8,4		1	
67	900 031 105 01	Washer 8,4		1	
68	901 318 272 03	Hexagon-head bolt		1	
69	905 301 392 02	Gasket for Transmission cover		1	
70	900 108 010 00	Ball 7 MM for Parking lock		1	
71	N 025 667 2	Ball 9 MM for Parking lock		1	
72	905 303 237 00	Spring for Parking lock		1	
73	900 031 001 02	Washer 8,4		1	
73	900 031 105 01	Washer 8,4		1	
74	905 303 238 00	Screw plug		1	
75	900 031 001 02	Washer 8,4		8	
75	900 031 105 01	Washer 8,4		8	
76	999 611 919 20	Ground strap		1	
77	999 151 022 02	Washer 20 X 8,4 X 2		2	
78	999 090 101 02	Mid-grip nut		9	
79	905 301 311 11	Transmission cover Lateral		1	
80	999 701 286 40	O-ring 160 X 3		1	
(80)	905 301 391 00	Gasket		1	
81	914 375 058 01	Base		2	
82	914 375 026 00	Transmission mounting		2	
83	914 375 237 00	Washer		2	
84	900 082 044 02	Hexagon-head bolt M 12 X 1,5 X 125		2	
84	900 082 118 01	Hexagon-head bolt M 12 X 1,5 X 125		2	
85	914 375 239 00	Washer		2	
86	N 021 191 5	Lock nut M 12 X 1,5		2	
87	900 075 085 02	Hexagon-head bolt		4	

Model: 914 70

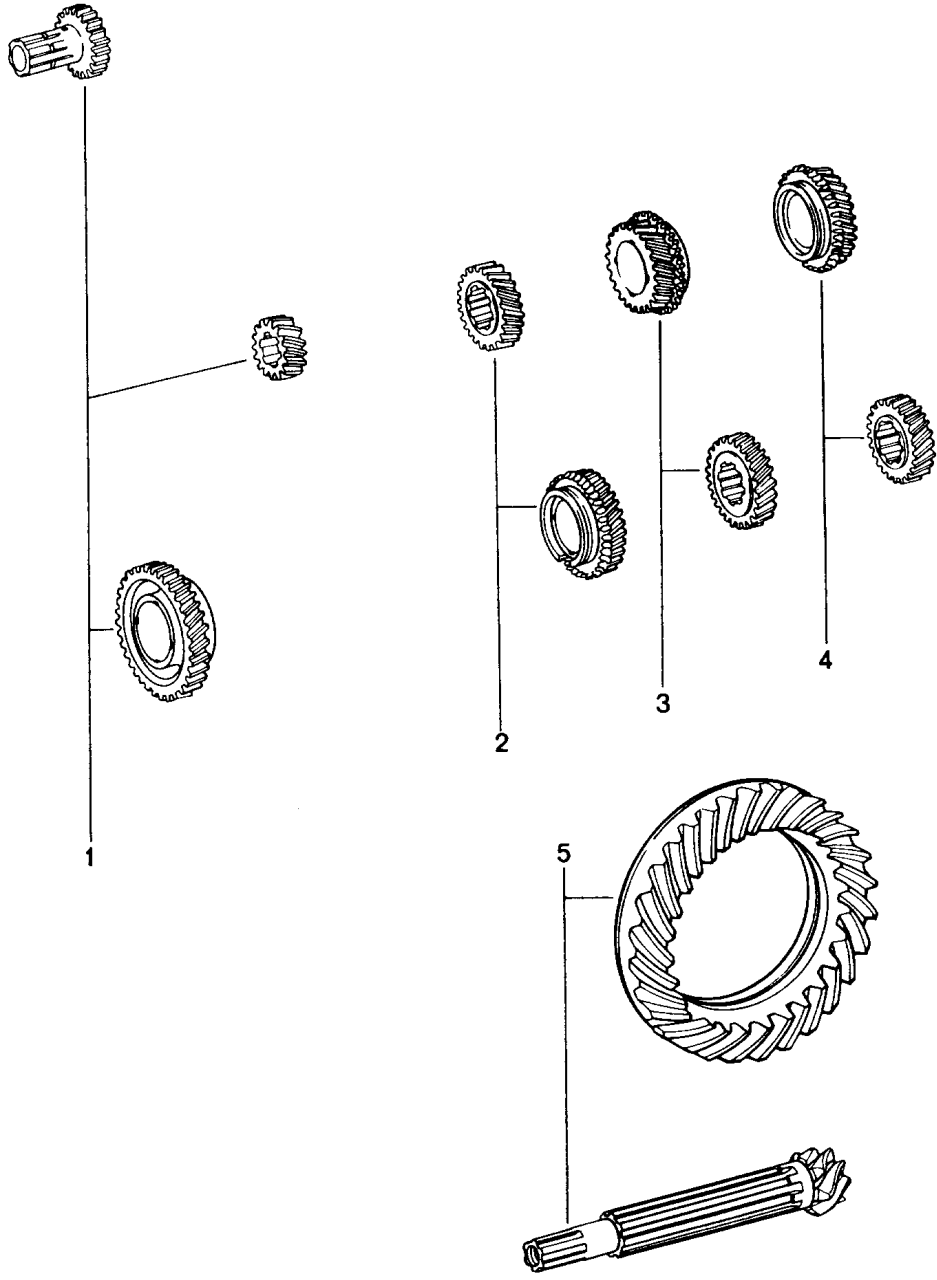
Model life 1970&gt;&gt;1976

Pos	Part Number	Description	Remark	Qty	Model
88	900 025 007 02	M 8 X 20 Washer 8,4		4	
88	900 025 007 03	Washer 8,4		4	
89	900 910 022 02	Lock nut		4	

Model: 914 70

Model life 1970>>1976

SPORTOMATIC



Model: 914 70

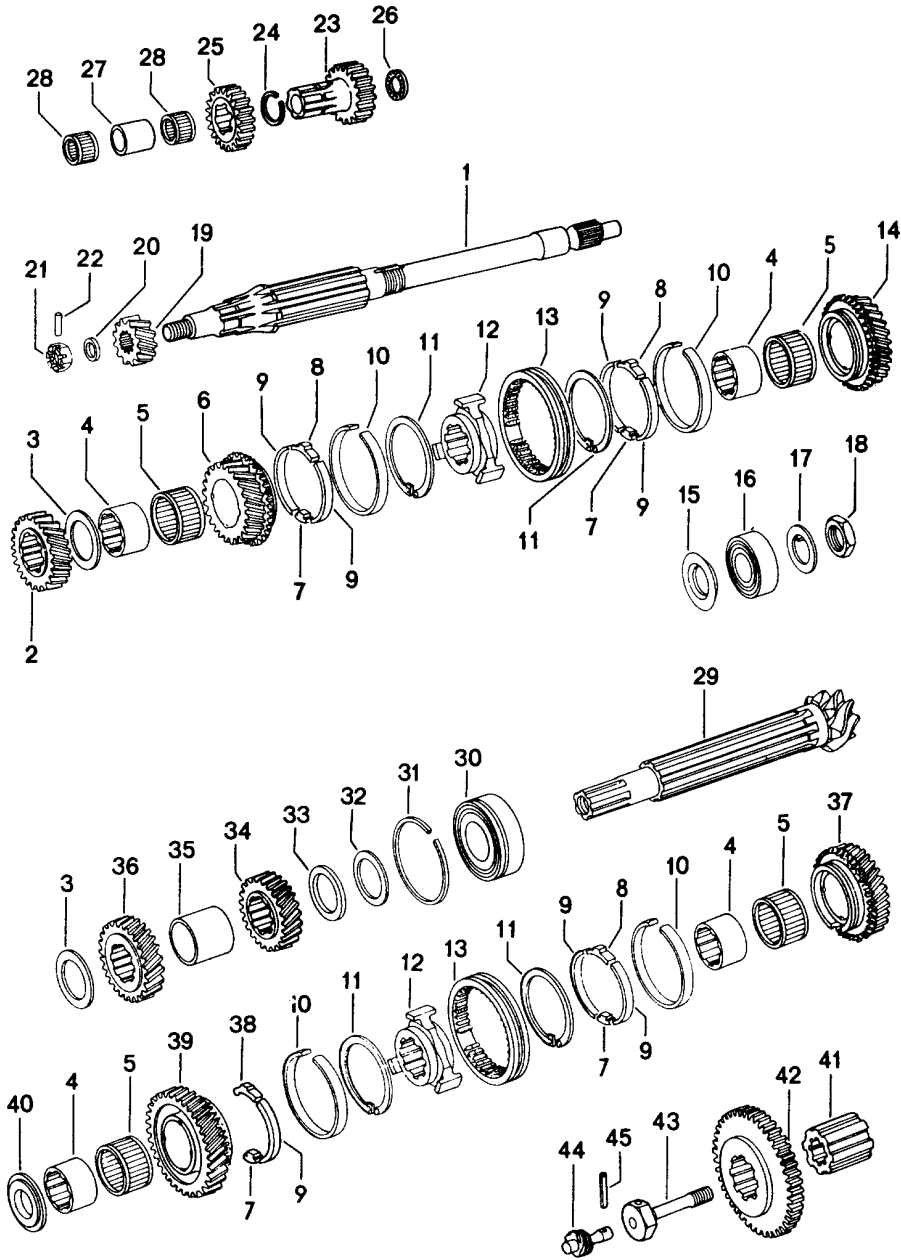
Model life 1970&gt;&gt;1976

Pos	Part Number	Description	Remark	Qty	Model
1	905 302 906 10	Gear wheel sets Gear set 1st gear Z = 15:36 (C) Gear wheel II for Reverse gear Fixed gear wheel Loose gear wheel		1	914-6:SPM
2	901 302 908 10	Gear wheel pair 2nd gear Z = 20:31 (I) Fixed gear wheel Loose gear wheel		1	
3	904 302 920 10	Gear wheel pair 3rd gear Z = 24:27 (Q4) Fixed gear wheel Loose gear wheel		1	
4	904 302 924 10	Gear set 4th speed Z = 28:24 (X) Fixed gear wheel Loose gear wheel		1	
5	905 302 901 01	Gear set 7:27		1	

Model: 914 70

Model life 1970>>1976

SPORTOMATIC



Model: 914 70

Model life 1970&gt;&gt;1976

Pos	Part Number	Description	Remark	Qty	Model
		Gears and shafts Gear wheel sets See group 3/09/00			916-6:SPM
1	905 302 101 00	Clutch control shaft		1	
2		Fixed gear wheel 2nd gear		1	
3	901 302 294 01	Thrust washer		2	
4	901 302 261 01	Bush		4	
5	999 201 470 00	Needle cage		4	
6		Loose gear wheel 3rd gear		1	
7	911 302 317 01	Stop 1. - 4th speed		4	
8	911 302 315 00	Detent 2. - 4th speed		3	
9	911 302 316 00	Spring		7	
10	925 302 301 02	Synchroniser ring		4	
11	911 302 311 01	Circlip		4	
12	901 302 402 02	Sleeve		2	
13	911 302 411 10	Shift sleeve		2	
14		Loose gear wheel 4th speed		1	
15	901 302 268 01	Spacer 5,8 mm		1	
16	999 110 008 00	Cylindrical-roller bearing		1	
17	999 038 001 00	Tab washer		1	
18	999 183 001 00	Hexagon nut		1	
19		Fixed gear wheel 1st gear		1	
20	999 031 067 00	Washer		1	
21	999 079 011 02	Castle nut		1	
22	900 309 004 00	Roll pin 3 X 18		1	
23		Gear wheel II for Reverse gear		1	
24	999 041 309 01	Circlip SB 27		1	
25	905 302 223 00	Gear wheel III for Reverse gear		1	
26	999 202 003 00	Needle-roller bearing		1	
27	905 302 265 00	Spacer sleeve		1	
28	999 201 106 00	Needle cage		2	
29		Drive shaft		1	
30	999 110 007 00	Cylindrical-roller bearing		1	
30	999 110 013 00	Cylindrical-roller bearing		1	
30	999 110 012 00	Cylindrical-roller bearing		1	
30	999 110 012 01	Cylindrical-roller bearing		1	
31	900 111 002 00	Circlip SP 72		1	
32	901 302 297 01	Adjusting shim 0,25 MM		X	
32	901 302 297 11	Adjusting shim 0,30 MM		X	
32	901 302 297 21	Adjusting shim 0,40 MM		X	
33	901 302 298 01	Spacer		1	

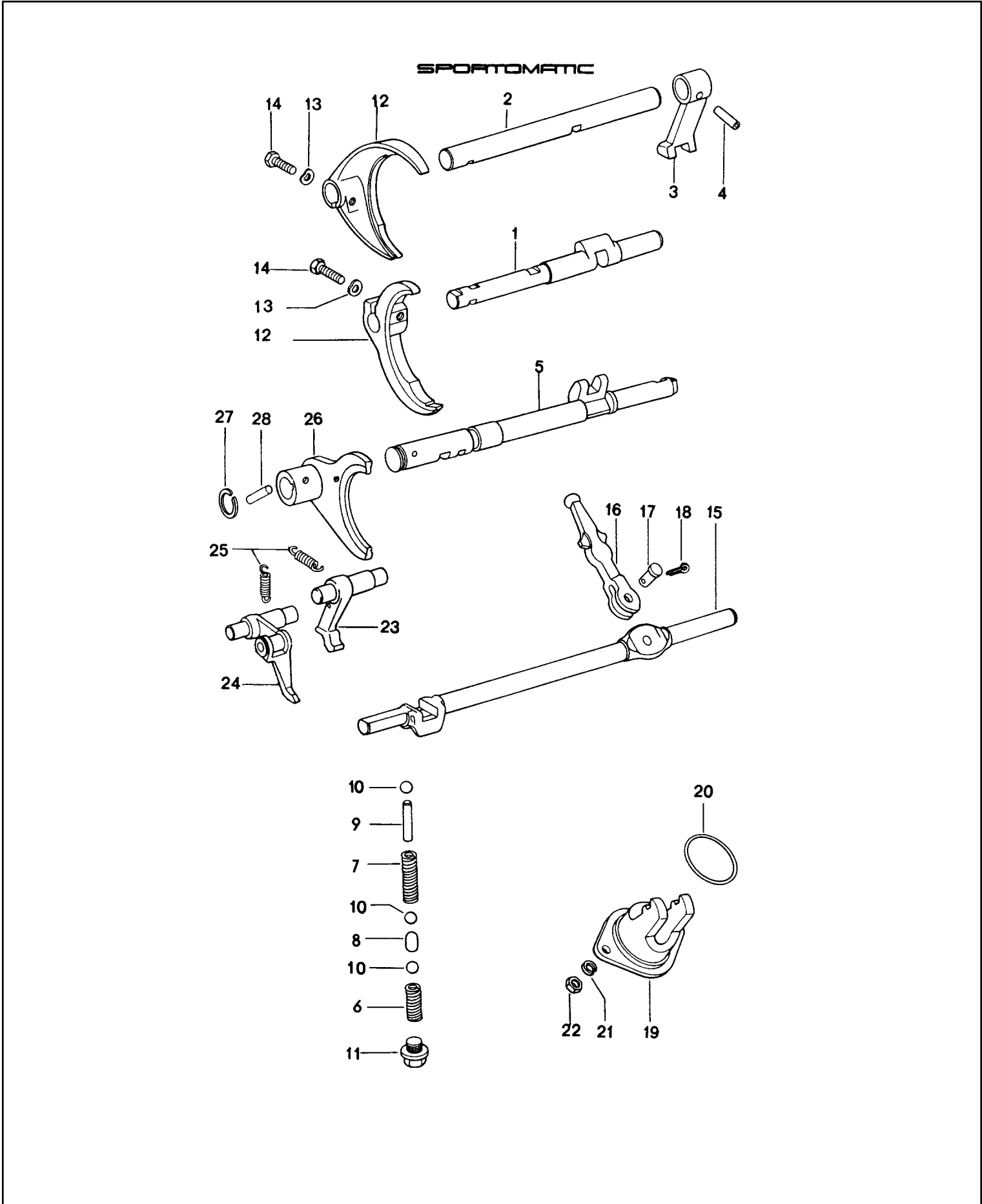
Model: 914 70

Model life 1970>>1976

Pos	Part Number	Description	Remark	Qty	Model
34		Fixed gear wheel 4th speed		1	
35	901 302 265 01	Spacer sleeve		1	
36		Fixed gear wheel 3rd gear		1	
37		Loose gear wheel 2nd gear		1	
38	901 302 318 02	Detent for 1st gear		1	
39		Loose gear wheel 1st gear		1	
40	901 302 269 01	Thrust washer		1	
41	905 302 257 00	Spline shaft sleeve		1	
42	905 302 224 02	Sliding gear for Reverse gear		1	
43	901 302 271 01	Elastic bolt		1	
44	905 318 331 10	Shaft		1	
45	900 197 002 00	Tensioning sleeve 4 X 28		1	

Model: 914 70

Model life 1970>>1976





Model: 914 70

Model life 1970&gt;&gt;1976

Pos	Part Number	Description	Remark	Qty	Model
		Shift rods shift forks Differential			914-6:SPM
1	901 303 101 01	Gear shift rod 1st / 2nd gear		1	
2	901 303 103 01	Gear shift rod 3rd/4th gear		1	
3	901 303 161 01	Shift finger		1	
4	900 309 003 00	Roll pin 5 X 24		1	
5	914 303 141 10	Gear shift rod for		1	
6	901 303 232 01	Reverse gear Compression spring for Gear lock detent 2. - 4th speed		1	
7	905 303 232 01	Compression spring for Gear lock detent		1	
8	905 303 211 00	Detent for Gear lock detent		1	
9	901 303 271 01	Pin for Gear lock detent		1	
10	N 025 667 2	Ball 9 MM		3	
11	999 065 001 02	Screw plug		1	
12	901 303 111 01	Shift fork for Forward speed		2	
13	N 012 241 1	Spring washer B 8 X 15		2	
14	900 075 083 02	Hexagon-head bolt M 8 X 25		2	
15	914 303 131 05	Gear shift rod		1	
16	901 303 133 01	Gearshift lever		1	
17	901 303 171 01	Bolt		1	
18	N 012 512 1	Cotter pin 2 X 12		1	
19	911 303 129 00	Fork		1	
20	999 701 359 40	O-ring		1	
(20)	901 303 191 01	Gasket		1	
21	900 027 015 02	Lock ring B 8		2	
21	900 027 015 03	Lock ring B 8		2	
22	900 076 025 02	Hexagon nut M 8		2	
22	900 076 064 02	Hexagon nut M 8		2	
23	905 303 013 00	Stop for Parking lock		1	
24	905 303 015 00	Lever for Parking lock		1	
25	905 303 235 00	Tension spring		2	
26	914 303 151 10	Shift fork for Reverse gear		1	

Model: 914 70

Model life 1970&gt;&gt;1976

Pos	Part Number	Description	Remark	Qty	Model
27	999 041 301 01	Circlip SW 18		1	
28	905 303 149 00	Eccentric bolt		1	
-	905 332 212 00	Differential housing		1	
-	901 332 902 00	Differential pinions		1	
-	901 332 206 13	Differential pinions		2	
-	901 332 207 04	Threaded piece		1	
-	901 332 265 01	Differential bolt		X	
-	901 332 265 02	Spacer ring 2,5 MM		X	
-	901 332 265 03	Spacer ring 2,6 MM		X	
-	901 332 265 04	Spacer ring 2,7 MM		X	
-	901 332 265 05	Spacer ring 2,8 MM		X	
-	901 332 265 06	Spacer ring 2,9 MM		X	
-	901 332 265 07	Spacer ring 3,0 MM		X	
-	901 332 265 08	Spacer ring 3,1 MM		X	
-	901 332 265 09	Spacer ring 3,2 MM		X	
-	901 332 265 10	Spacer ring 3,3 MM		X	
-	901 332 265 11	Spacer ring 3,4 MM		X	
-	901 332 265 12	Spacer ring 3,5 MM		X	
-	901 332 265 13	Spacer ring 3,6 MM		X	
-	901 332 265 13	Spacer ring 3,7 MM		X	
-	901 332 263 01	Washer		2	
-	999 059 008 00	Taper roller bearing		2	
-	905 302 901 01	Gear set		1	
-	901 332 276 00	And Seat 7 : 27 Hexagon-head bolt M 12 X 1,5		12	
-	915 332 276 00	Hexagon-head bolt M 12 X 1,25		12	
-	905 332 285 00	Tab washer		6	
-	901 332 275 12	Elastic bolt		2	
-	911 332 208 00	Armature		1	

Model: 914 70

Model life 1970>>1976



Model: 914 70 Model life 1970>>1976

Pos	Part Number	Description	Remark	Qty	Model
>>	914 300 901 00	Gasket set Gasket set Transmission Comprising:		1	
-	901 303 191 01	Gasket		1	
-	113 311 113 B	Sealing ring		1	
-	999 113 183 40	Radial shaft seal 45 X 68 X 10		2	
-	900 112 029 50	Radial sealing ring 14 X 24 X 7		1	
-	901 301 191 21	Gasket for Transmission case 0,1 MM		1	
-	901 301 191 22	Gasket for Transmission case 0,15 MM		1	
-	901 301 191 23	Gasket for Transmission case 0,2 MM		1	
-	999 701 084 50	O-ring 25,3 - 2,4		1	
-	901 301 392 12	Gasket for Transmission cover Front		1	
-	914 301 391 00	Gasket for Transmission cover		1	
-	914 301 391 01	Gasket for Transmission cover		1	
-	113 301 185 A	O-ring for Transmission cover Lateral		1	
-	999 701 359 40	O-ring OR 40 X 1,5		1	
-	900 112 001 50	Radial sealing ring B 15 X 24 X 7		1	
-	999 113 036 50	Radial sealing ring 10 X 18 X 6		1	
>>	914 300 901 05	Gasket set Transmission Comprising:		1	SPM
-	PCG 113 071 50	Radial shaft seal		1	
-	PCG 201 301 00	Shaft sealing ring 12 X 18 X 3		1	
-	999 113 286 40	Shaft sealing ring		1	
-	999 113 189 40	Radial sealing ring		1	
-	900 123 007 30	Sealing ring 14 X 18		1	
-	999 113 058 50	Radial sealing ring 45 X 65 X 10		2	
-	N 013 804 2	Sealing ring A 6 X 10		8	
-	N 013 848 1	Sealing ring A 16 X 22		1	
-	905 301 191 00	Gasket for Transmission case		1	

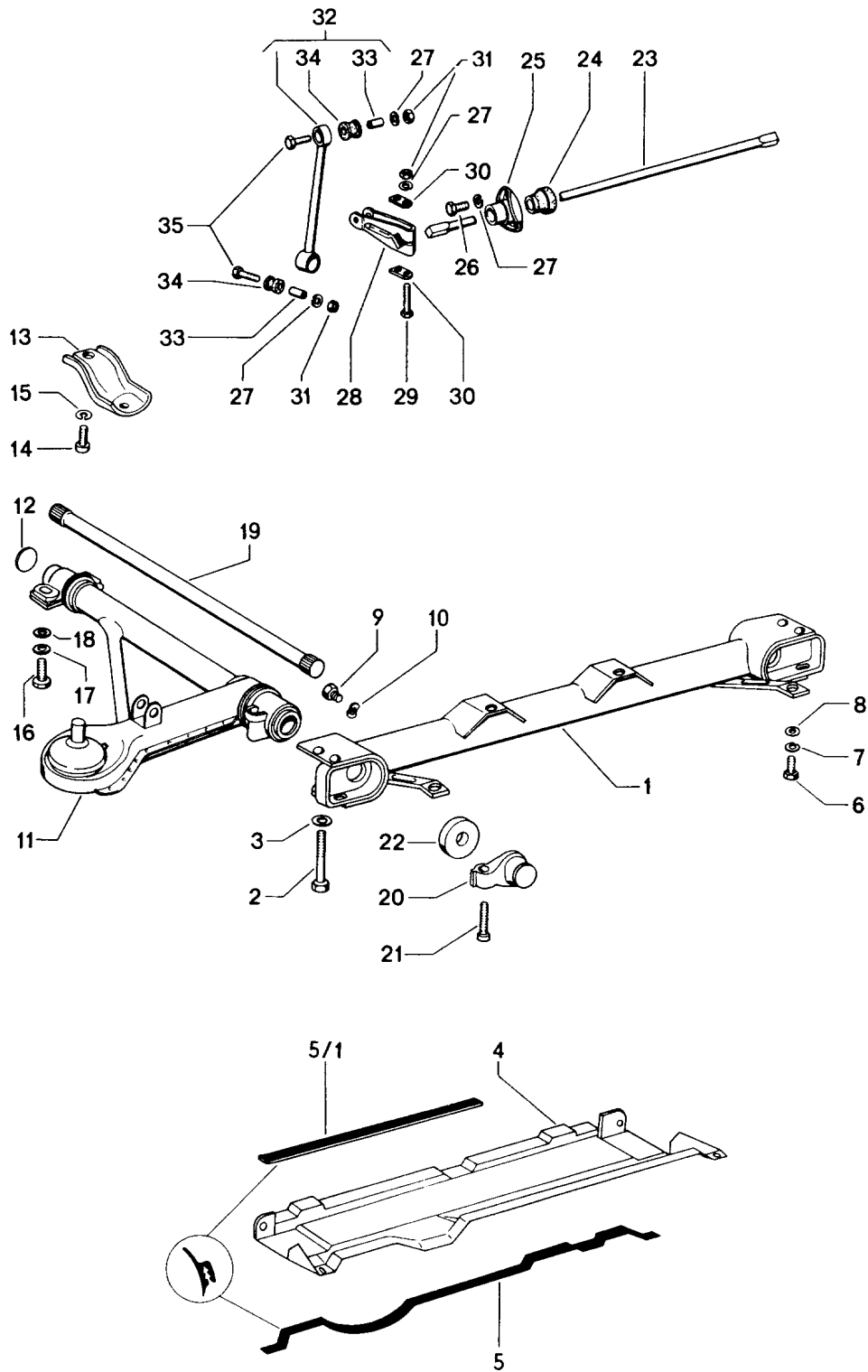
Model: 914 70

Model life 1970&gt;&gt;1976

Pos	Part Number	Description	Remark	Qty	Model
-	905 301 191 01	0,1 MM Gasket for Transmission case		1	
-	905 301 191 02	0,15 MM Gasket for Transmission case		1	
-	900 112 029 50	0,2 MM Radial sealing ring 14 X 24 X 7		1	
-	914 301 391 00	Gasket for Lid		1	
-	914 301 391 01	Gasket for Lid		1	
-	999 113 036 50	Radial sealing ring 10 X 18 X 6		1	
-	999 701 084 50	O-ring 25,3 X 24,4		1	
-	905 301 392 02	Gasket for Transmission cover Front		1	
-	905 301 391 00	Gasket for Transmission cover Lateral		1	
-	999 701 286 40	O-ring 160 X 3		1	
-	901 303 191 01	Gasket		1	
-	999 701 359 40	O-ring OR 40 X 1,5		1	

Model: 914 70

Model life 1970>>1976



Model: 914 70 Model life 1970>>1976

Pos	Part Number	Description	Remark	Qty	Model
		Front axle			
		Stabiliser			
1	901 341 013 03	Auxiliary support		1	914-6
(1)	914 341 013 03	Auxiliary support		1	
2	900 082 020 02	Hexagon-head bolt		2	
		M 12 X 1,5 X 80			
3	900 027 017 02	Lock ring		2	
		B 12			
4	914 341 161 00	Protective plate		1	
5	901 341 168 00	Tread		1	
		Rubber			
5/1	901 341 169 00	Tread		1	
		Rubber			
6	900 075 040 02	Hexagon-head bolt		2	
		M 10 X 20			
6	900 075 517 01	Hexagon-head bolt		2	
		M 10 X 20			
7	900 027 016 02	Lock ring		2	
		B 10			
7	900 027 016 03	Lock ring		2	
		B 10			
8	900 025 008 02	Washer		2	
		10,5			
8	N 011 527 4	Washer		2	
		10,5			
8	900 025 008 09	Washer		2	
		10,5			
8	900 025 008 04	Washer		2	
		10,5			
9	N 010 231 1	Hexagon-head bolt		2	
		M 8 X 8			
10	N 012 241 11	Spring washer		2	
		B 8 X 15			
11	911 341 901 00	Wishbone	/L	1	914-6
		without			
		Ball joint			
(11)	911 341 902 00	Wishbone	/R	1	914-6
		without			
		Ball joint			
(11)	914 341 901 00	Wishbone	/L	1	914-4
		without			
		Ball joint			
(11)	914 341 902 00	Wishbone	/R	1	914-4
		without			
		Ball joint			
12	900 040 008 01	Lid		2	
13	914 341 159 00	Protective bracket		2	
14	900 067 063 02	Pan-head screw		2	
		M 10 X 20			
15	N 012 028 1	Lock ring		2	
16	900 075 042 02	Hexagon-head bolt		4	
		M 10 X 30			
17	900 027 016 02	Lock ring		4	
		B 10			
17	900 027 016 03	Lock ring		4	
		B 10			
18	900 025 008 09	Washer		4	
		10,5			
18	900 025 008 04	Washer		4	
		10,5			
19	914 343 101 00	Torsion bar	/L	1	914-6
		17,9 MM			
(19)	914 343 102 00	Torsion bar	/R	1	914-6

Model: 914 70

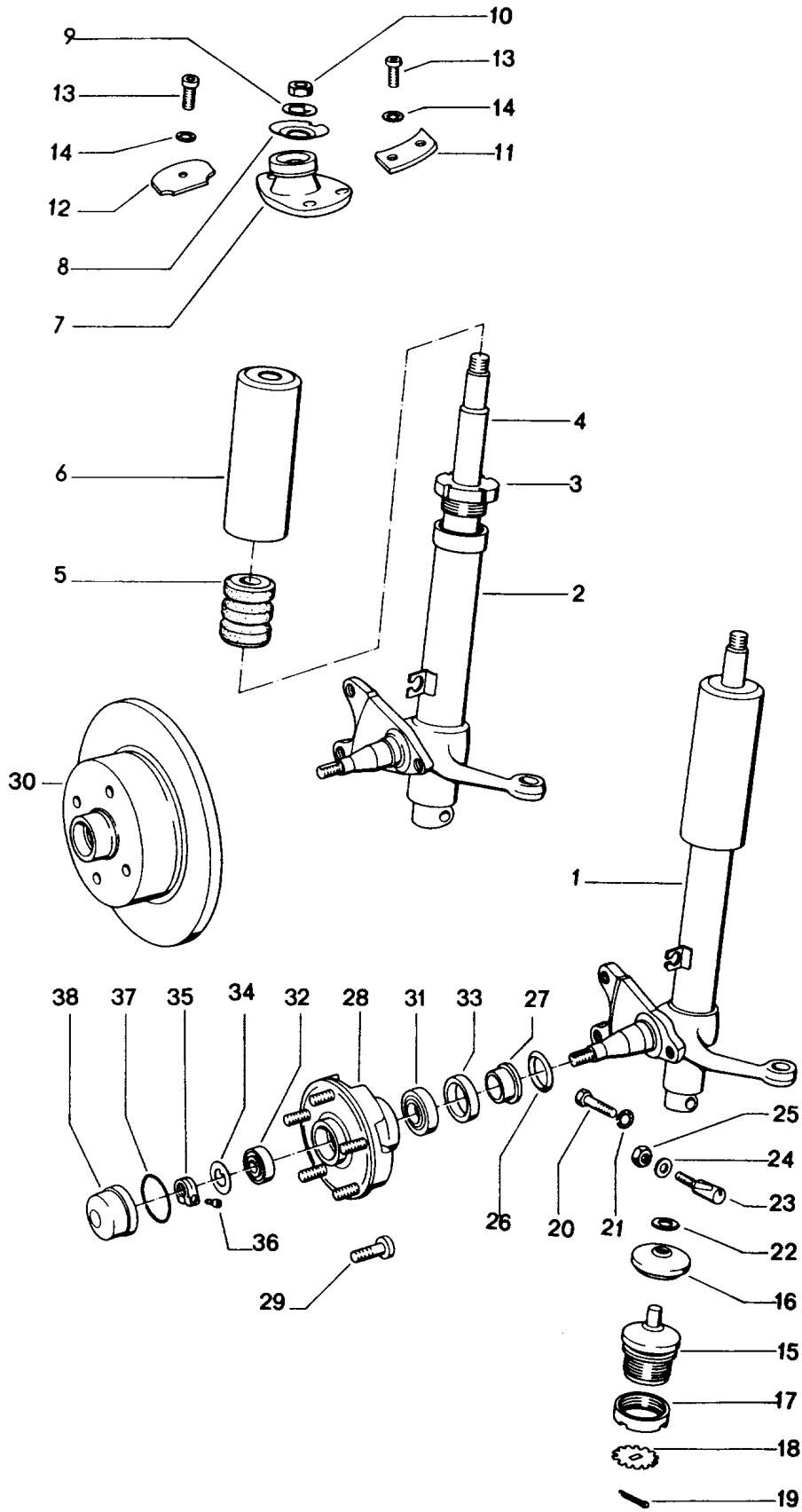
Model life 1970&gt;&gt;1976

Pos	Part Number	Description	Remark	Qty	Model
19	914 343 107 00	17,9 MM Torsion bar	/L	1	
(19)	914 343 108 00	17,9 MM Torsion bar	/R	1	
20	901 341 033 00	Reverse lever		2	914-6
20	914 341 033 00	Change lever		2	
21	911 341 115 00	Adjusting screw		2	
22	901 341 475 00	Gasket		2	
		Stabiliser	73-		
23	901 343 703 03	Stabiliser 15 MM		1	
24	901 343 792 02	Stabiliser mounting		2	
25	901 343 754 01	Stabiliser mounting		2	
26	900 075 083 02	Hexagon-head bolt M 8 X 25		6	
27	900 027 015 02	Lock ring B 8		14	
27	900 027 015 03	Lock ring B 8		14	
28	901 343 713 01	Lever Stabiliser		2	
29	N 010 377 1	Hexagon-head bolt M 8 X 62		4	
29	N 010 377 6	Hexagon-head bolt M 8 X 62		4	
29	900 074 135 02	Hexagon-head bolt M 8 X 62		4	
30	901 343 763 00	Guide plate		4	
31	900 076 025 02	Hexagon nut M 8		8	
31	900 076 064 02	Hexagon nut M 8		8	
32	914 343 075 00	Suspension		2	
33	901 343 737 00	Spacer tube		4	
34	901 343 783 00	Rubber mounting		4	
35	N 010 340 6	Hexagon-head bolt M 8 X 40		4	



Model: 914 70

Model life 1970>>1976



Model: 914 70 Model life 1970>>1976

Pos	Part Number	Description	Remark	Qty	Model
-	PCG 043 110 00	Shock absorber strut Lubricants Grease Bearing 200 GR.		1	
2	914 341 081 02	Outer part F >>47229 19032	/L -72	1	914-4
(2)	914 341 082 02	Shock absorber F >>47229 19032	/R -72	1	914-4
2	914 341 081 05	Shock absorber F 47229 19033>>	/L 72-	1	914-1,7/1,8 914-1,8V/2,0
(2)	914 341 082 05	Shock absorber F 47229 19033	/R 72-	1	914-1,7/1,8 914-1,8V/2,0
3	914 341 804 00	Hexagon-head bolt		2	914-4/1,7 914-1,8/1,8V 914-2,0
4	914 341 903 00	Shock absorber Insert - boge -		2	
4	PCG 341 903 50	Vibration damper Insert - koni - Only together with Shock absorber Rear PCG.333.051.50		2	
5	901 343 301 00	Rubber stop - boge -		2	
6	914 341 086 00	Steering outer tube		2	914-4/1,7 914-1,8/1,8V 914-2,0
7	911 341 018 00	Supporting mount with Lever		2	
8	901 341 629 00	Support washer		2	
9	900 038 002 01	Tab washer 14		2	
10	N 011 021 3	Hexagon nut M 14 X 1,5		2	
11	911 501 933 00	Double-bore pressure plate		2	
12	911 501 934 00	One-bore pressure plate		2	
13	900 067 063 02	Pan-head screw M 10 X 20		6	
14	N 015 375 1	Lock washer		6	
15	911 341 049 01	Ball joint	72-	2	914-4/1,7 914-1,8/1,8V 914-2,0
15	911 341 049 05	F 47229 19033 Ball joint	72-	2	914-4/1,7 914-1,8/1,8V 914-2,0
15	901 341 049 00	F 47229 19033 Ball joint		2	914-6/4
15	901 341 049 04	F >>47229 19032 Ball joint		2	914-6/4
16	901 341 049 00	F >>47229 19032 Ball joint		2	914-6/4
16	901 341 049 04	F >>47229 19032 Ball joint		2	914-6/4
17	901 341 425 00	Grooved nut		2	
17	901 341 425 01	Grooved nut		2	
18	901 341 426 00	Tab washer		2	

Model: 914 70 Model life 1970>>1976

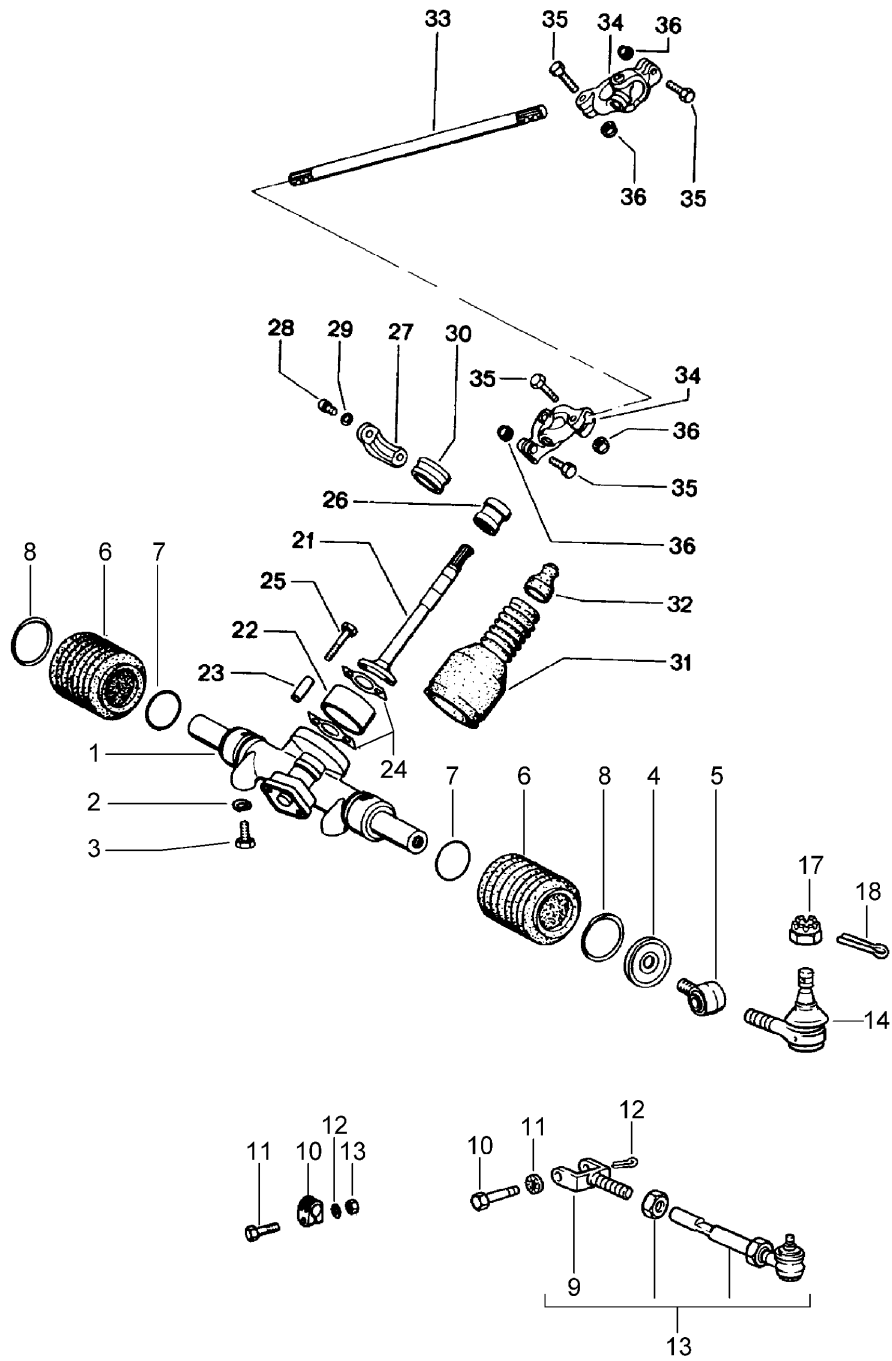
Pos	Part Number	Description	Remark	Qty	Model
19	N 012 521 1	Cotter pin 2 X 20		2	
20	900 075 111 01	Hexagon-head bolt M 10 X 30 F >>47229 19032		2	914-6/4
21	999 523 103 01	Schnorr retainng washer F >>47229 19032		2	914-6/4
22	901 341 659 00	Desk pad F >>47229 19032		2	914-6/4
23	911 341 119 06	Threaded pin  F 47229 19033	72-	2	914-4/1,7 914-1,8/1,8V 914-2,0
23	911 341 119 07	Threaded pin  F 47229 19033	72-	2	914-4/1,7 914-1,8/1,8V 914-2,0
24	900 089 006 02	Washer 8  F 47229 19033	72-	2	914-4/1,7 914-1,8/1,8V 914-2,0
24	900 089 006 01	Washer 8  F 47229 19033	72-	2	914-4/1,7 914-1,8/1,8V 914-2,0
25	900 910 022 09	Lock nut M 8  F 47229 19033	72-	2	914-4/1,7 914-1,8/1,8V 914-2,0
25	900 910 022 03	Lock nut M 8  F 47229 19033	72-	2	914-4/1,7 914-1,8/1,8V 914-2,0
26	999 701 084 50	O-ring OR 25,3 - 2,4		2	914-6
27	901 341 623 00	Spacer ring		2	914-6
28	901 341 065 04	Front wheel hub		2	914-6
28	901 341 065 10	Front wheel hub		2	914-6
29	904 341 671 00	Wheel bolt Knurling 14,8 MM		10	914-6
29	993 331 671 02	Wheel bolt Knurling 14,8 MM		10	914-6
(29)	901 341 671 05	Wheel bolt Knurling 15 MM Oversize		X	914-6
30		Brake disc See group 6/02/00		2	914-4/1,7 914-1,8/1,8V 914-2,0
-	PCG 059 065 00	Bearing set Wheel hub Front axle Comprising:		1	
-	999 059 065 00	Taper roller bearing		2	
-	999 059 098 00	Taper roller bearing		2	
-	900 075 079 02	Hexagon-head bolt		10	
-	900 076 064 02	Hexagon nut		10	
-	901 341 623 00	Spacer ring		2	
-	477 405 641	Radial sealing ring		2	
-	999 701 084 50	O-ring		2	
-	N 012 241 8	Spring washer		10	

Model: 914 70 Model life 1970>>1976

Pos	Part Number	Description	Remark	Qty	Model
-	PCG 043 110 00	Grease Bearing 200 GR.		1	
31	999 059 098 00	Taper roller bearing Inner		2	914-6
31	311 405 625 D	Taper roller bearing Inner		2	
32	999 059 065 00	Taper roller bearing Outer		2	914-6
32	311 405 645	Taper roller bearing Outer		2	
33	477 405 641	Radial sealing ring		2	914-6
33	311 405 641 B	Sealing ring		2	
34	901 341 663 00	Thrust washer		2	914-6
34	311 405 661	Thrust washer		2	
35	914 341 671 00	Clamping nut		2	914-6
(35)	131 405 669	Clamping nut with Pan-head screw	/L	1	
(35)	131 405 670	Clamping nut with Pan-head screw	/R	1	
36	999 119 001 01	Pan-head screw		2	914-6
36	999 119 001 0B	Pan-head screw		2	914-6
37	421 839 455	Gasket		2	914-4/1,7 914-1,8/1,8V 914-2,0
(38)	111 405 691 B	Cap for Hub Use also: 311.405.381		2	914-4
-	311 405 381	Stopper		2	914-4
38	914 341 684 00	Cap		2	914-6
(38)	111 405 691 B	Cap F 47329 02511>>	73-	2	914-1,7/1,8V 914-1,8/2,0

Model: 914 70

Model life 1970>>1976



Model: 914 70 Model life 1970>>1976

Pos	Part Number	Description	Remark	Qty	Model
		Steering gear			
		Steering linkage			
1	914 347 010 06	Steering gear		1	
2	900 027 016 02	Lock ring		2	
		B 10			
2	900 027 016 03	Lock ring		2	
		B 10			
3	N 010 253 7	Hexagon-head bolt		2	914-6/4
		M 10 X 22			
3	N 010 275 4	Hexagon-head bolt		2	
		M 10 X 35			
4	901 347 056 02	Bellow support		2	
(4)	911 347 056 00	Bellow support		2	
		Together with			
		with			
		Wheels			
		195/65 HR 15			
5	914 347 057 00	Articulated bush		2	
6	901 347 191 02	Bellows		2	
7	901 347 308 00	Retainer spring		2	
8	901 347 309 00	Retainer spring		2	
9	911 347 031 00	Tie rod		2	
9	911 347 031 01	Tie rod		2	
10	111 415 841 A	Clip		4	914-6/4/1,7
11	900 075 099 02	Hexagon-head bolt		4	914-6/4/1,7
		M 8 X 30			
11	900 075 099 03	Hexagon-head bolt		4	914-6/4/1,7
		M 8 X 30			
12	900 027 015 02	Lock ring		4	914-6/4/1,7
		B 8			
12	900 027 015 03	Lock ring		4	914-6/4/1,7
		B 8			
13	900 076 025 02	Hexagon nut		4	914-6/4/1,7
		M 8			
13	900 076 064 02	Hexagon nut		4	914-6/4/1,7
		M 8			
14	911 347 322 04	Ball joint		2	
15	N 011 210 1	Castle nut		2	
		M 10 X 1			
16	900 021 013 00	Cotter pin		2	
		2 X 25			
17	901 347 315 01	Joint fork		2	
17	901 347 315 03	Joint fork		2	
18	911 347 327 00	Hexagon-head bolt		2	
19	N 015 375 1	Lock washer		2	
		M 10			
20	N 012 515 1	Cotter pin		2	
		2 X 15			
21	914 347 210 00	Steering shaft		1	
22	901 347 201 02	Steering coupling		1	
23	901 347 215 00	Stop bush		4	
24	901 347 248 00	Tab washer		2	
25	900 074 129 02	Hexagon-head bolt		4	
		M 8 X 42			
26	901 347 241 01	Steering shaft bearing		1	
26	911 347 041 00	Steering shaft bearing		1	
26	911 347 029 01	Steering shaft bearing		1	
		Complete			
27	901 347 221 00	Housing		1	
27	901 347 221 01	Housing		1	
28	900 119 052 02	Pan-head screw		2	
		M 8 X 16			
29	N 012 027 1	Lock ring		2	

Model: 914 70

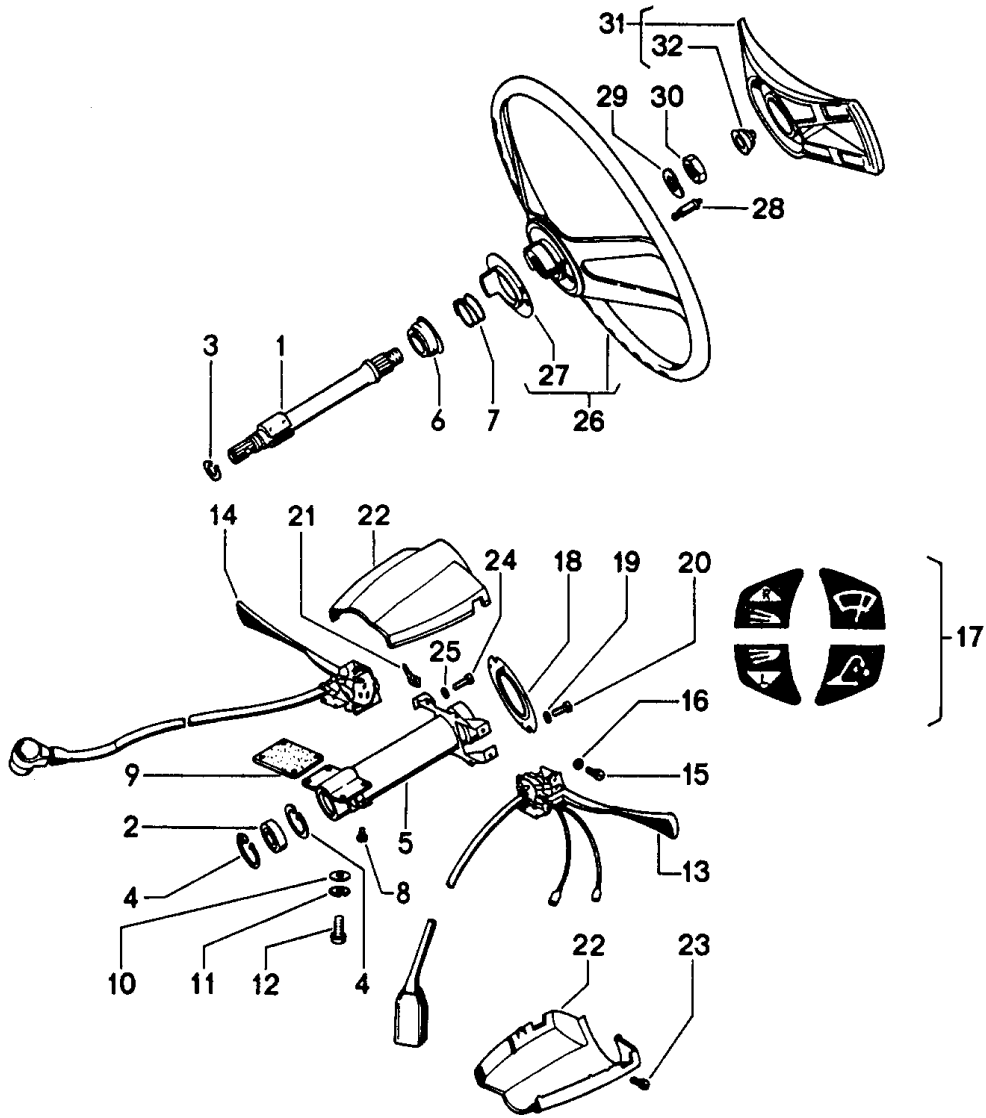
Model life 1970>>1976

Pos	Part Number	Description	Remark	Qty	Model
		B 8			
30	901 347 223 03	Rubber mounting		1	
31	914 347 393 00	Sealing bellows		1	
32	914 347 706 01	Gasket		1	
33	914 347 214 02	Intermed. steering shaft		1	914-6
33	914 347 214 01	Steering shaft	-71	1	914-4
33	914 347 214 02	Intermed. steering shaft	72-	1	914-4/1,7 914-1,8/1,8V 914-2,0
34	930 347 025 00	Universal joint	-71	2	914-6
34	930 347 025 01	Universal joint		2	914-6
34	930 347 025 02	Universal joint		2	914-6
34	930 347 025 00	Universal joint	-71	1	914-4
34	930 347 025 01	Universal joint		1	914-4
34	930 347 025 02	Universal joint		1	914-4
34	930 347 025 00	Universal joint	72-	2	
34	930 347 025 01	Universal joint	72-	2	
34	930 347 025 02	Universal joint	72-	2	
35	N 010 335 5	Hexagon-head bolt M 8 X 35		4	914-6
35	900 075 032 03	Hexagon-head bolt M 8 X 35		4	914-6
35	N 010 335 5	Hexagon-head bolt M 8 X 35		3	914-4
35	900 075 032 03	Hexagon-head bolt M 8 X 35		3	914-4
35	N 010 335 5	Hexagon-head bolt M 8 X 35	72-	4	
35	900 075 032 03	Hexagon-head bolt M 8 X 35	72-	4	
36	113 415 431 A	Hexagon nut	-71	4	914-6
36		Hexagon nut	-71	3	914-4
36		Hexagon nut	72-	4	

Model: 914 70

Model life 1970>>1976

bis Mod. 71





Model: 914 70

Model life 1970&gt;&gt;1976

Pos	Part Number	Description	Remark	Qty	Model
		Steering shaft	-71		914-6
		Steering wheel			
		Steering column switch			
1	901 347 061 01	Steering shaft		1	
2	900 052 031 00	Deep-groove ball bearing		1	
3	900 041 008 00	Circlip		1	
		17 X 1			
4	900 042 008 00	Circlip		2	
		35 X 1,5			
5	914 347 072 00	Steering outer tube		1	
6	914 347 711 00	Steering shaft bearing		1	
7	914 347 713 00	Compression spring		1	
8	900 146 044 02	Oval-head screw		1	
		AM 6 X 10			
10	900 031 001 02	Washer		4	
		8,4			
10	900 031 105 01	Washer		4	
		8,4			
11	900 027 005 01	Lock ring		4	
		A 8			
12	900 067 057 02	Pan-head screw		4	
		M 8 X 20			
12	900 067 057 03	Pan-head screw		4	
		M 8 X 20			
13		Direction indicator switch		1	
		See group			
		9/03/10			
14		Wiper switch		1	
		See group			
		9/03/10			
15	900 014 069 02	Pan-head screw		4	
		AM 3 X 8			
16	900 115 007 01	Serrated lock washer		4	
		A 3,2			
17	901 559 330 00	Cap with symbol		1	
		1 set			
		for light			
		And			
		Windscreen washer system			
(17)	901 559 330 01	Logo		1	
		Cap with symbol			
		1 set			
		for light			
		And			
		Windscreen washer system			
18	901 613 915 00	Contact plate		1	
		for			
		Horn			
19	N 012 116 1	Serrated lock washer		2	
		A 4,3			
20	900 014 013 02	Pan-head screw		2	
		M 4 X 10			
21	999 652 315 02	Flat plug		1	
22	914 613 311 00	Lining		2	
23	900 014 079 02	Pan-head screw		2	
		M 3 X 10			
24	900 014 013 02	Pan-head screw		4	
		M 4 X 10			
25	N 012 116 1	Serrated lock washer		4	
		A 4,3			
26	914 347 803 10	Steering wheel		1	
		Hard-rubber ring			
(26)	914 347 806 10	Steering wheel		1	

Model: 914 70

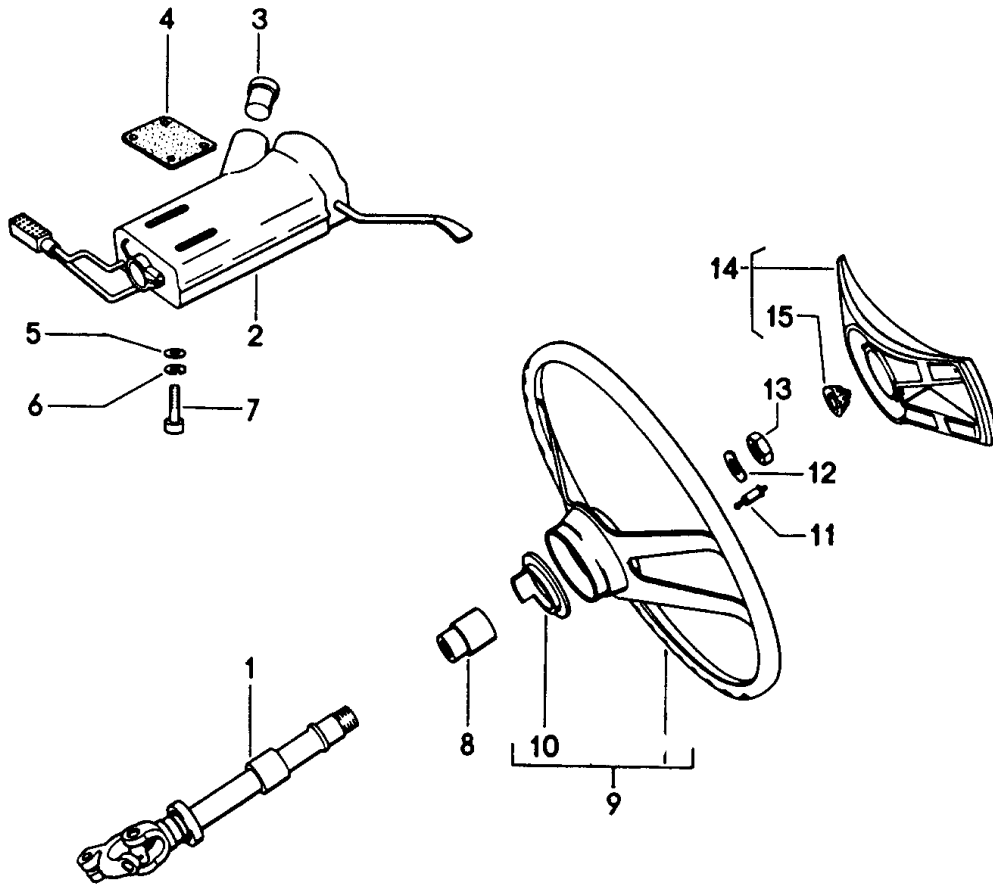
Model life 1970&gt;&gt;1976

Pos	Part Number	Description	Remark	Qty	Model
27	901 613 325 05	Leather Cancelling ring		1	
-	900 269 006 07	Countersunk-head screw		2	
28	914 347 831 00	Contact pin		1	
29	N 012 239 1	Spring washer B 18		1	
30	900 078 007 02	Hexagon nut M 18 X 1,5		1	
31	914 613 805 12	Horn button Porsche		1	
32	901 347 823 01	Rubber cap		1	

Model: 914 70

Model life 1970>>1976

bis Mod. 71



Model: 914 70

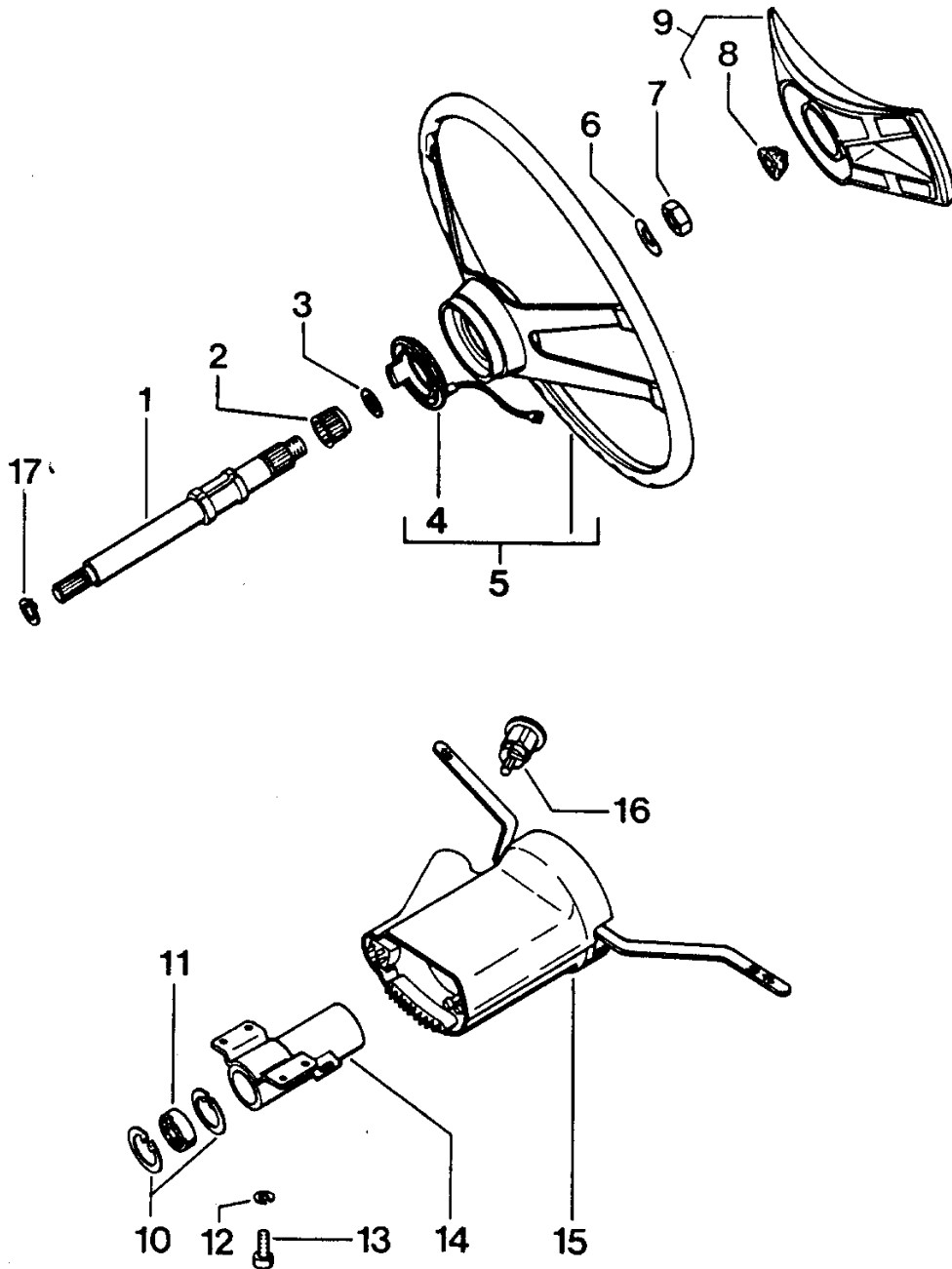
Model life 1970>>1976

Pos	Part Number	Description	Remark	Qty	Model
		Steering shaft	-71		914-4
		Steering wheel			
		Steering column switch			
1	914 347 059 01	Steering shaft		1	
2		Steering column switch		1	
		See group			
		9/03/15			
3		Lock cylinder		1	
		with keys			
		See group			
		9/03/15			
4	914 347 102 10	Desk pad		1	
		Rubber			
		Black			
5	900 031 001 02	Washer		4	
		8,4			
5	900 031 105 01	Washer		4	
		8,4			
6	900 027 005 01	Lock ring		4	
		A 8			
7	N 014 717 2	Pan-head screw		4	
		M 8 X 40			
8	914 347 174 00	Bush		1	
9	914 347 803 10	Steering wheel		1	
		Hard-rubber ring			
9	914 347 805 10	Steering wheel		1	
		Leather			
-	914 347 175 00	Sleeve		1	
10	914 347 835 00	Cancelling ring		1	
-	900 269 006 07	Countersunk-head screw		2	
11	914 347 832 00	Contact pin		1	
11	914 347 832 01	Contact pin		1	
12	N 012 239 1	Spring washer		1	
		B 18			
13	900 078 007 02	Hexagon nut		1	
		M 18 X 1,5			
14	914 613 805 12	Horn button		1	
		-VW-			
14		Horn button		1	
		-PORSCHE-			
15	901 347 823 01	Rubber cap		1	

Model: 914 70

Model life 1970>>1976

ab Mod.72

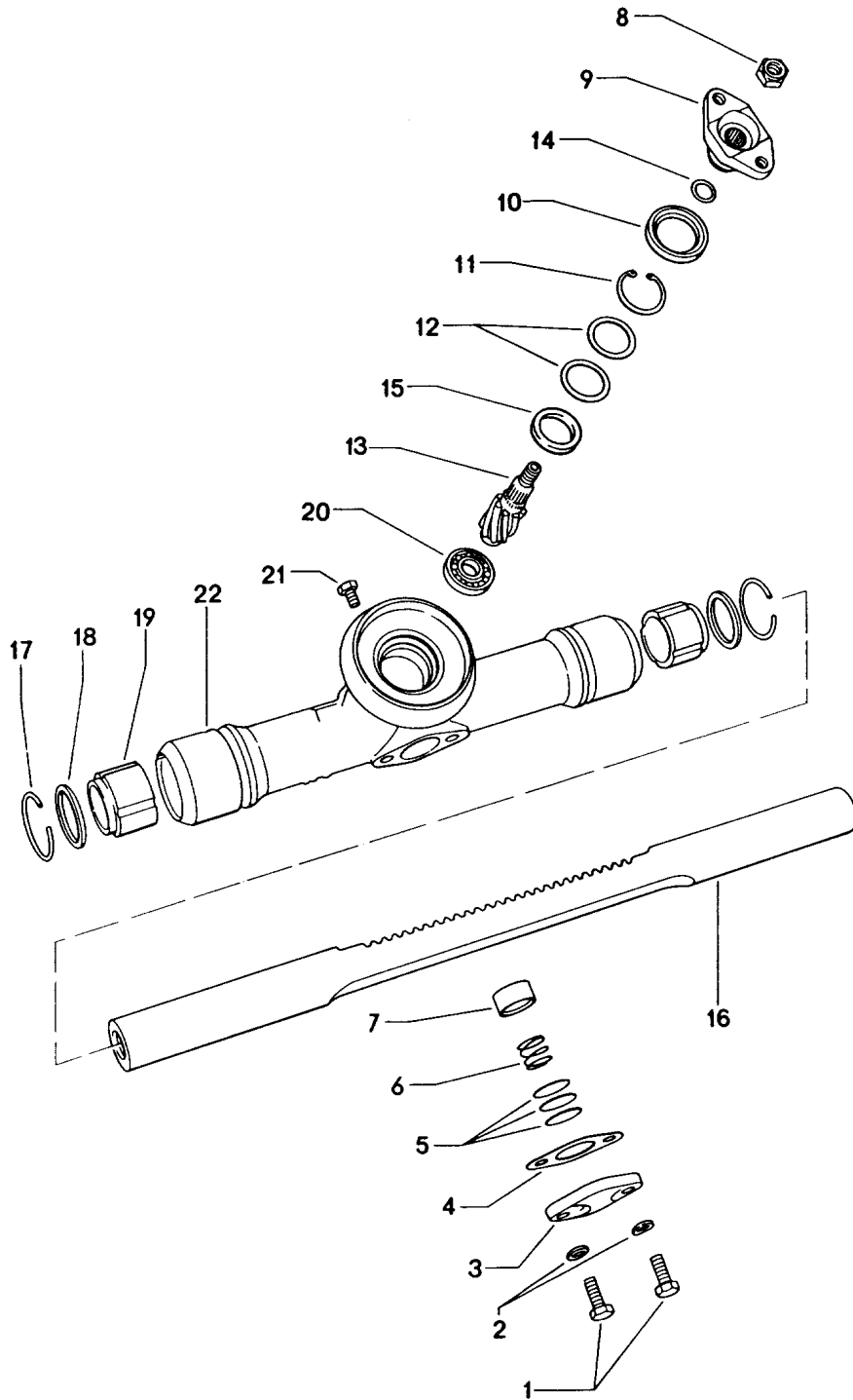


Model: 914 70 Model life 1970>>1976

Pos	Part Number	Description	Remark	Qty	Model
		Steering shaft	72-		
		Steering wheel			
		Steering column switch			
1	914 347 061 18	Steering shaft		1	
2	111 953 535 D	Guide bush	72-74	1	
3	113 415 531	Circlip		1	
4	914 347 099 00	Slip ring		1	
-	900 269 006 07	Countersunk-head screw		2	
5	914 347 804 11	Steering wheel		1	
		Hard-rubber ring			
5	914 347 805 11	Steering wheel		1	914-6
		Leather			
5		Steering wheel		1	M914-4
		Leather			
(5)	914 347 809 00	Steering wheel		1	
		Foam part			
6	N 012 239 1	Spring washer		1	
7	900 078 007 02	Hexagon nut		1	
		M 18 X 1,5			
8	901 347 823 01	Rubber cap		1	
9	914 613 805 12	Horn button		1	
		-VW-			
9		Horn button		1	
		Porsche			
10	900 042 008 00	Circlip		2	
		35 X 1,5			
11	900 052 031 00	Deep-groove ball bearing		1	
12	900 027 005 01	Lock ring		4	
		A 8			
13	900 067 057 02	Pan-head screw		4	
13	900 067 057 03	Pan-head screw		4	
		M 8 X 20			
14	914 347 013 02	Steering outer tube	72-73	1	
14	914 347 013 03	Steering outer tube	74-	1	
15		Steering column switch		1	
		See group			
		9/03/20	-74		
		9/03/25	75-		
16		Lock cylinder		1	
		See group			
		9/03/20	-74		
		9/03/25	75-		

Model: 914 70

Model life 1970>>1976



Model: 914 70

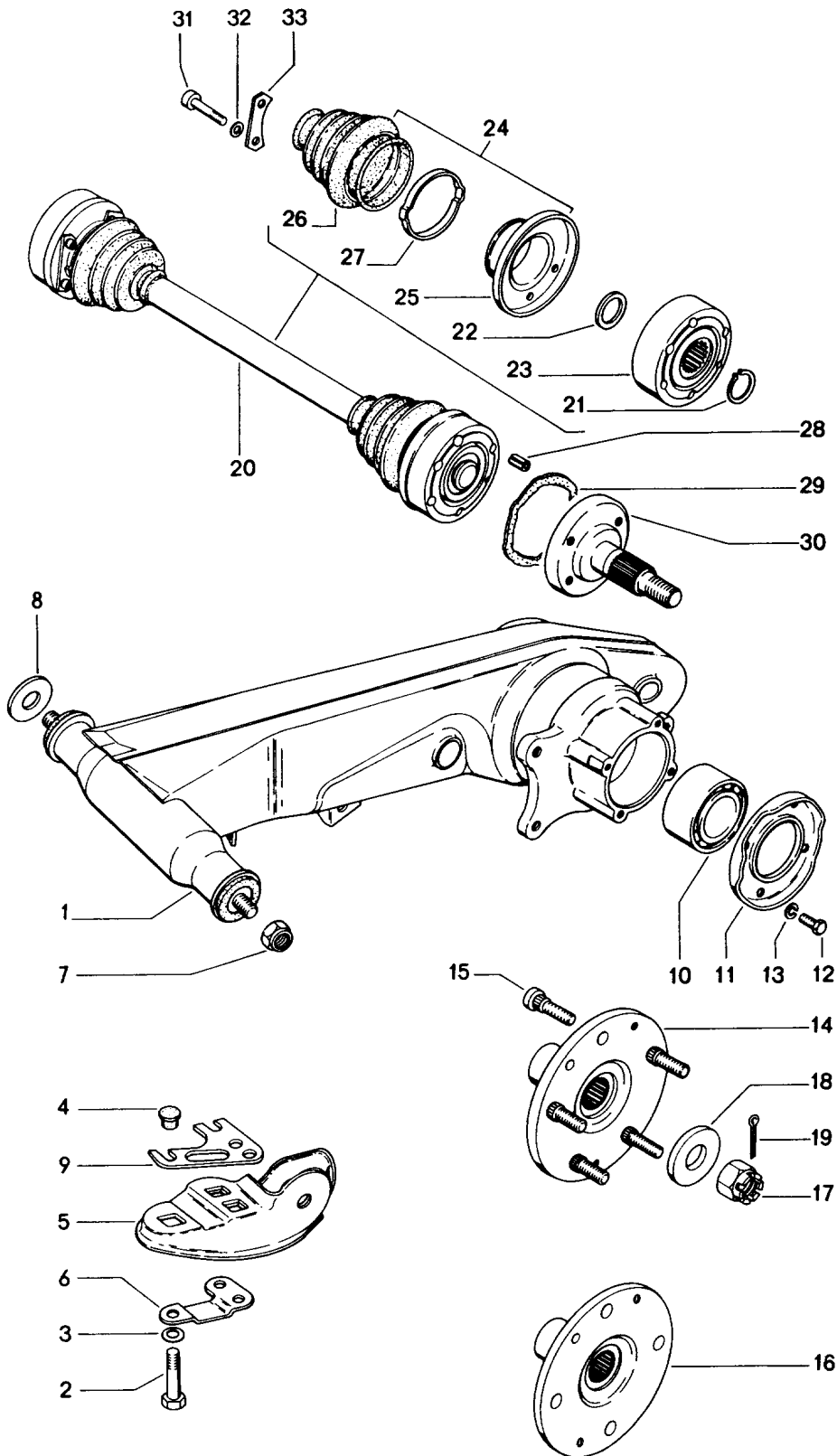
Model life 1970&gt;&gt;1976

Pos	Part Number	Description	Remark	Qty	Model
		Steering gear Repair material for Steering gear 914.347.010.00 914.347.010.03 Not for 914-6			
1	N 010 239 11	Hexagon-head bolt M 8 X 18		2	
1	N 010 239 30	Hexagon-head bolt M 8 X 18		2	
2	N 012 241 1	Spring washer B 8 X 15		2	
3	914 347 131 01	Housing cover		1	
4	914 347 167 00	Gasket		1	
5	914 347 166 00	Adjusting shim 0,1 MM		X	
(5)	914 347 166 01	Adjusting shim 0,15 MM		X	
(5)	914 347 166 02	Adjusting shim 0,2 MM		X	
(5)	914 347 166 03	Adjusting shim 0,5 MM		X	
(5)	914 347 166 04	Adjusting shim 1,8 MM		1	
6	901 347 930 02	Compression spring		1	
7	914 347 018 00	Thrust ring		1	
8	N 021 195 1	Nut M 10		1	
9	914 347 201 00	Flange		1	
10	900 112 019 40	Radial shaft seal		1	
11	900 042 007 00	Circlip 32 X 1,2		1	
12	914 347 163 00	Shim 0,1 MM		X	
(12)	914 347 163 01	Shim 0,15 MM		X	
(12)	914 347 163 02	Shim 0,3 MM		X	
(12)	914 347 163 03	Shim 1,8 MM		X	
13	914 347 117 00	Drive pinion		1	
14	999 701 352 40	O-ring R 12 - 1,7		1	
15	900 052 007 00	Deep-groove ball bearing		1	
16	914 347 111 00	Splined shaft		1	
17	900 152 013 00	Circlip		2	
18	914 347 162 00	Support washer		2	
19	914 347 017 01	Bearing sleeve		2	
20	900 052 007 00	Deep-groove ball bearing		1	
21	N 010 231 1	Hexagon-head bolt M 8 X 8		1	
22	914 347 014 00	Housing		1	



Model: 914 70

Model life 1970>>1976



Model: 914 70 Model life 1970>>1976

Pos	Part Number	Description	Remark	Qty	Model
1	914 331 057 03	Rear axle Wishbone	/L	1	
(1)	914 331 058 03	with Bearing Wishbone	/R	1	
2	900 074 192 01	with Bearing Hexagon-head bolt		6	
3	N 015 375 1	M 10 X 55 Lock washer		6	
4	PCG 331 520 00	M 10 Stopper		6	
5	914 331 051 01	Link bearing	/L	1	
(5)	914 331 052 01	Link bearing	/R	1	
6	914 331 515 01	Plate	/L	1	
(6)	914 331 516 01	Plate	/R	1	
7	999 084 029 02	Hexagon nut		4	
8	N 011 534 4	M 14 X 1,5 Washer		2	
9	914 331 533 03	15 Intermediate layer		X	
(9)	914 331 533 04	2 MM Intermediate layer		X	
(9)	914 331 533 05	3 MM Intermediate piece		X	
10	999 053 035 00	4 MM Ball bearing		2	
10	999 053 034 00	Two-row Ball bearing		2	
11	914 331 213 00	Two-row Housing		2	
12	900 075 078 02	Hexagon-head bolt		8	
12	900 075 078 03	M 8 X 15 Hexagon-head bolt		8	
13	900 027 015 02	M 8 X 15 Lock ring		8	
13	900 027 015 03	B 8 Lock ring		8	
14	901 331 065 09	B 8 Rear-wheel hub		2	914-6
15	904 341 671 00	Wheel bolt		10	914-6
15	993 331 671 02	Wheel bolt		10	914-6
16	914 331 605 07	for 5 LOCH-NABE Rear-wheel hub		2	914-4/1,7 914-1,8/2,0
17	901 332 806 00	Castle nut		2	
17	901 332 806 01	Castle nut		2	
18	999 025 046 01	Washer		2	
19	N 012 538 1	Cotter pin		2	
20	914 332 009 03	4 X 40 Drive shaft		2	
(20)		Complete Drive shaft		2	914-6
(21)	999 041 016 01	Complete Circlip		4	914-6
21	113 517 279	Circlip		4	914-4/1,7 914-1,8/1,8V 914-2,0
22	113 501 327	Cup spring		4	914-4/1,7 914-1,8/1,8V 914-2,0
23	914 332 029 03	Universal joint		4	914-4/1,7

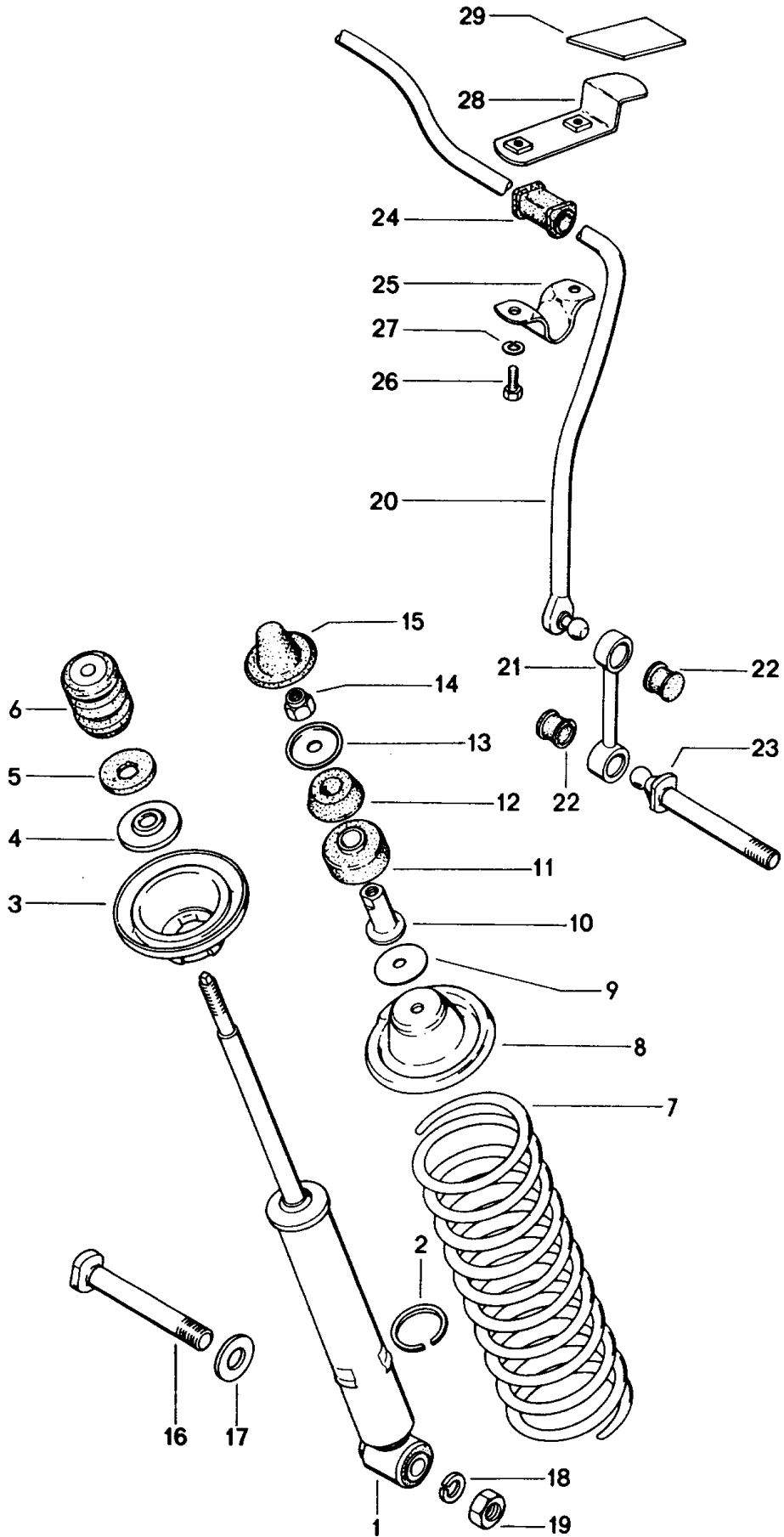
Model: 914 70

Model life 1970>>1976

Pos	Part Number	Description	Remark	Qty	Model
24	914 332 035 00	Gasket		4	914-1,8/1,8V 914-2,0 914-4/1,7 914-1,8/1,8V 914-2,0
25	914 332 228 01	Protection cap		4	914-6
26	901 332 293 10	Dust bellows		4	914-6
26	901 332 293 11	Dust bellows		4	914-6
27	914 332 335 00	Terminal		4	914-6
28	999 095 019 00	Clamping pin S 10 X 20		8	
29	914 332 237 01	Gasket		4	
30	PCG 332 223 00	Drive flange		2	914-6
(30)	914 332 223 01	Drive shaft		2	914-4/1,7 914-1,8/2,0
31	893 407 237	Pan-head screw M 8 X 45		16	
31	N 911 082 01	Multiple-tooth screw M 8 X 45		16	
32	999 523 102 02	Washer M 8		16	914-6
32	999 523 102 0B	Washer M 8		16	914-6
33	901 332 191 00	Plate		8	

Model: 914 70

Model life 1970>>1976



Model: 914 70 Model life 1970>>1976

Pos	Part Number	Description	Remark	Qty	Model
1	914 333 051 01	Vibration damper Stabiliser Shock absorber - boge -		2	914-6
1	PCG 333 051 50	Vibration damper - koni - Only together with Shock absorber Insert Front PCG.341.903.50		2	914-4 914-6
1	914 333 051 02	Vibration damper - boge -		2	914-4/1,7 914-1,8/1,8V 914-2,0
1	PCG 333 051 50	Vibration damper - koni - Only together with Shock absorber Insert Front PCG.341.903.50		2	914-4/1,7 914-1,8/1,8V 914-2,0
3	914 333 521 01	Concave washer - boge - Lower		2	
(3)	914 333 521 04	Concave washer - bilstein - Lower		2	914-4/1,7 914-1,8/1,8V 914-2,0
-	914 333 533 01	Support ring - bilstein -		2	914-4/1,7 914-1,8/1,8V 914-2,0
4	914 333 503 00	Cap - boge -		2	
5	901 333 511 00	Stop washer		2	
6	914 333 053 01	Additional spring		2	
7	914 333 531 05	Coil spring		1	914-6
	914 333 531 05 104	Set 2 ST.			
7	914 333 901 00	Coil spring Set 2 ST.		1	914-4/1,7 914-1,8/1,8V 914-2,0
8	914 333 522 01	Concave washer Upper		2	
9	914 333 515 01	Washer		2	
10	914 333 516 00	Threaded bush		2	
11	914 333 513 01	Articulated ring		2	
12	914 333 514 01	Articulated ring Upper		2	
13	914 333 515 00	Washer		2	
14	900 910 042 02	Nut		2	914-6
(14)		Nut		2	914-4/1,7 914-1,8/1,8V 914-2,0
15	914 559 281 10	Cap		2	
16	914 333 565 01	Bearing pin		2	
17	914 333 566 00	Washer		2	
18	900 027 018 01	Lock ring B 18		2	
19	900 078 007 02	Hexagon nut M 18 X 1,5		2	
20	914 333 055 06	Stabiliser 16 MM		1	
21	914 333 057 00	Fastening clip		2	
21		Fastening clip		2	

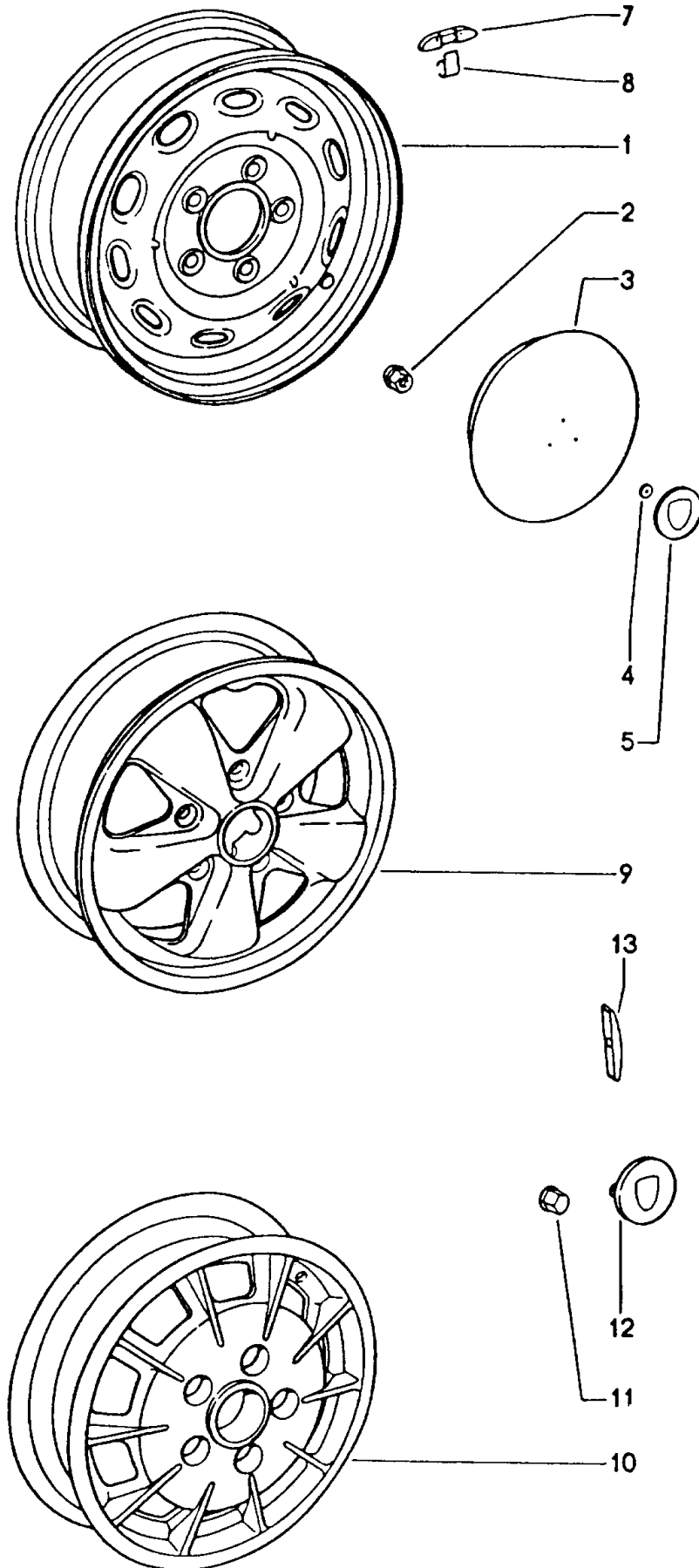
Model: 914 70

Model life 1970>>1976

Pos	Part Number	Description	Remark	Qty	Model
	914 333 057 00 GRV	Prime coated			
22	901 343 782 00	Articulated bush		4	
23	914 333 565 01	Bearing pin		2	
24	901 333 793 01	Rubber mounting		2	
24	901 333 793 04	Rubber mounting		2	
25	901 333 753 01	Supporting bow		2	
26	900 075 087 02	Hexagon-head bolt M 8 X 16		4	
26	900 075 087 03	Hexagon-head bolt M 8 X 16		4	
27	900 027 015 02	Lock ring B 8		4	
27	900 027 015 03	Lock ring B 8		4	
28	914 501 259 10	Mounting plate	-74	2	
28	914 507 027 10	Mounting plate	75-	2	914-1,8/2,0
29	914 501 532 71	Reinforcement	-74	2	

Model: 914 70

Model life 1970>>1976



Model: 914 70

Model life 1970&gt;&gt;1976

Pos	Part Number	Description	Remark	Qty	Model
-	999 985 056 X0	Wheels Tyre - PNEUMANT - 165 R15 86V		5	914-6
-	911 361 056 X0	Hose		5	
1	911 361 022 00	Perforated disc wheel 5 1/2 J X 15 H2 ET 42 Prime coated		5	
(1)	911 361 022 20	Perforated disc wheel 5 1/2 J X 15 H2 ET 42 Chrome		5	
-	901 361 121 00	Retainer spring for Valve		5	
2	N 020 112 1	Ball seat nut		20	
3	901 361 301 04	Hub cap with Bores for Badge		4	
4	999 591 423 03	Tapping nut		12	
5	901 559 801 01	Badge Chrome		4	
(5)	644 559 801 00	Badge Crest Coloured Embossed		4	
(5)	PCG 559 801 00	Badge Crest Coloured Embossed		4	
-		Balance weight for Steel wheel And Aluminium 911.361.016.00 Inner		X	
7	928 361 410 00	Balance weight 10 GR.		X	
(7)	928 361 411 00	Balance weight 20 GR.		X	
(7)	928 361 412 00	Balance weight 30 GR.		X	
(7)	928 361 413 00	Balance weight 40 GR.		X	
(7)	928 361 414 00	Balance weight 50 GR.		X	
(7)	928 361 415 00	Balance weight 60 GR.		X	
(7)	928 361 416 00	Balance weight 70 GR.		X	
(7)	928 361 417 00	Balance weight 80 GR.		X	
8	914 361 441 00	Retainer spring for Weight		X	
9	911 361 016 90	Perforated disc wheel Aluminium Forged Unvarnished 5 1/2 J X 14 H2 ET 41		5	
9	901 361 012 04	Perforated disc wheel		5	



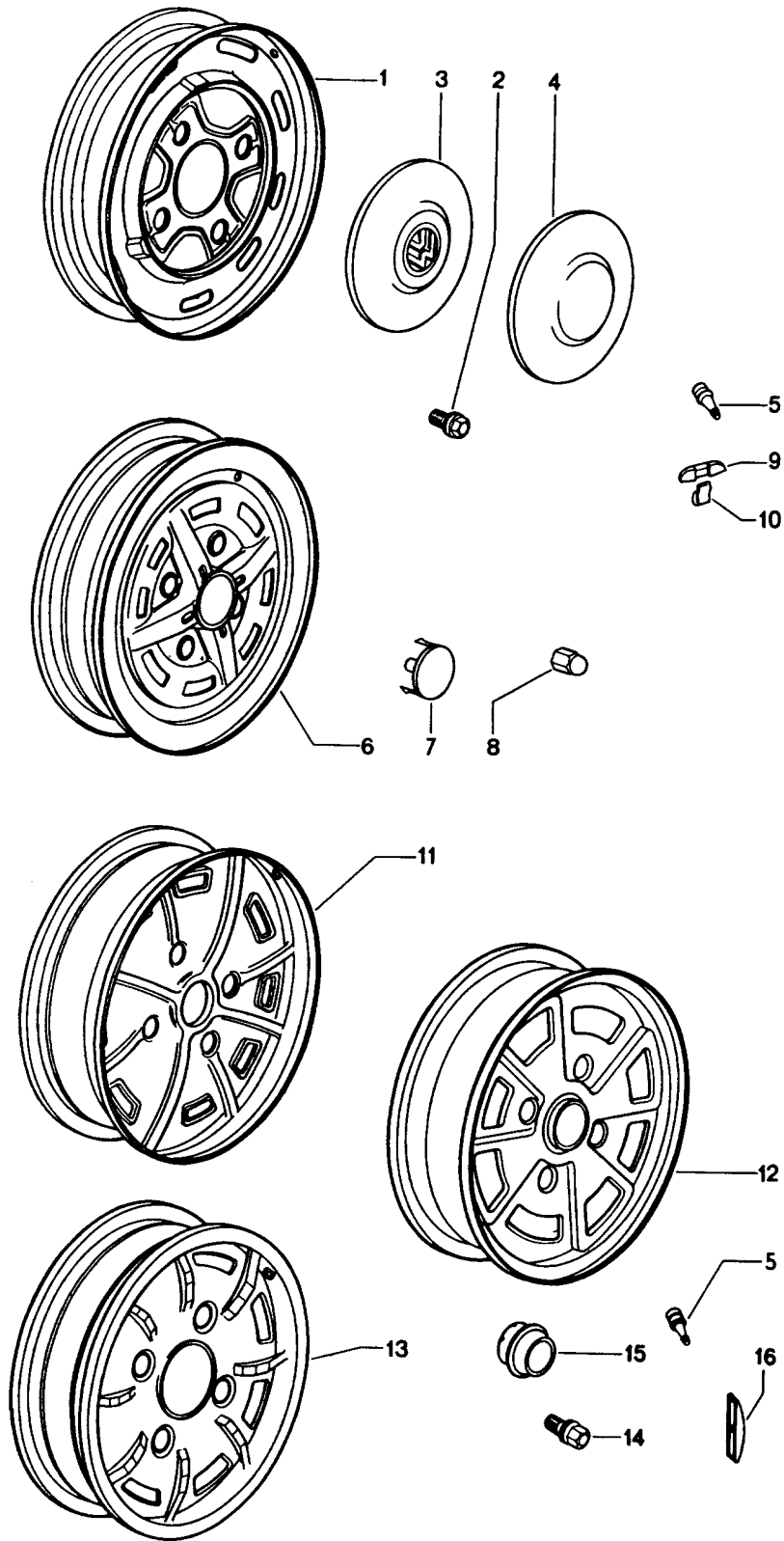
Model: 914 70

Model life 1970>>1976

Pos	Part Number	Description	Remark	Qty	Model
10	901 361 017 00	Aluminium Forged 5 1/2 J X 15 ET 42 Polished Anodised And Black Lacquered Perforated disc wheel		5	
11	999 182 003 36	Aluminium Die casting 5 1/2 J X 15 ET 42 Lacquered Wheel nut		20	
12	901 361 032 00	Hub cap Silver Lacquered		4	
12	901 361 032 01	Hub cap Silver		4	
(12)	SOW 911 038 11	Anodised Hub cap Black Crest Coloured		4	
-		Balance stick-on weight for Disc wheel Aluminium		X	
13	901 361 410 00	Balance stick-on weight 10 GR.		X	
(13)	901 361 411 00	Balance stick-on weight 20 GR.		X	
(13)	901 361 412 00	Balance stick-on weight 30 GR.		X	
(13)	901 361 413 00	Balance stick-on weight 40 GR.		X	
(13)	901 361 414 00	Balance stick-on weight 50 GR.		X	
(13)	901 361 415 00	Balance stick-on weight 60 GR.		X	
(13)	901 361 417 00	Balance stick-on weight 80 GR.		X	

Model: 914 70

Model life 1970>>1976



Model: 914 70

Model life 1970&gt;&gt;1976

Pos	Part Number	Description	Remark	Qty	Model
-	999 985 056 X0	Wheels Tyre - PNEUMANT - 165 R15 86V		5	914
-	911 361 056 X0	Hose		5	
1	311 601 025 J	Steel wheel 4 1/2 J X 15 Lacquered	-73	5	914-4/1,7 914-2,0
(1)	914 361 012 02	Steel wheel 5 1/2 J X 15 H2 ET 40 Lacquered	-73	5	914-4/1,7 914-2,0
2	183 601 139 A	Wheel bolt		16	
3	311 601 151 D	Hub cap with - VW-SYMBOL-	-73	4	914-4
4	473 601 151	Hub cap without - VW-SYMBOL	-73	4	914-4/1,7 914-2,0
5	900 265 001 50	Rubber valve for Tyre without Hose		5	
5	900 265 001 51	Rubber valve for Tyre without Hose		5	
6	914 361 016 00	Steel wheel 5 1/2 J X 15 H2 ET 40	74-	5	914-1,8V/1,8 914-2,0
7	914 361 305 00	Hub cap	74-	4	914-1,8V/1,8 914-2,0
8	111 601 173	Cap for Wheel bolt Balance weight for Steel wheel	/2,0 74-	16	914-1,8V/1,8 914-2,0
(9)	928 361 411 00	Balance weight 20 GR.		X	
(9)	928 361 412 00	Balance weight 30 GR.		X	
(9)	928 361 413 00	Balance weight 40 GR.		X	
(9)	928 361 415 00	Balance weight 60 GR.		X	
(9)	928 361 417 00	Balance weight 80 GR.		X	
(9)	311 601 189 A	Weight 100 GR.		X	
10	141 601 180	Spring for Balance weight		X	
11	914 361 013 01	Alloy wheel Light alloy - PEDRINI - 5 1/2 J X 15 H2 ET 40		5	914-4/1,7
12	914 361 011 01	Alloy wheel Light alloy - FUCHS - 5 1/2 J X 15 H2 ET 40		5	
13	914 361 015 00	Alloy wheel Light alloy		5	

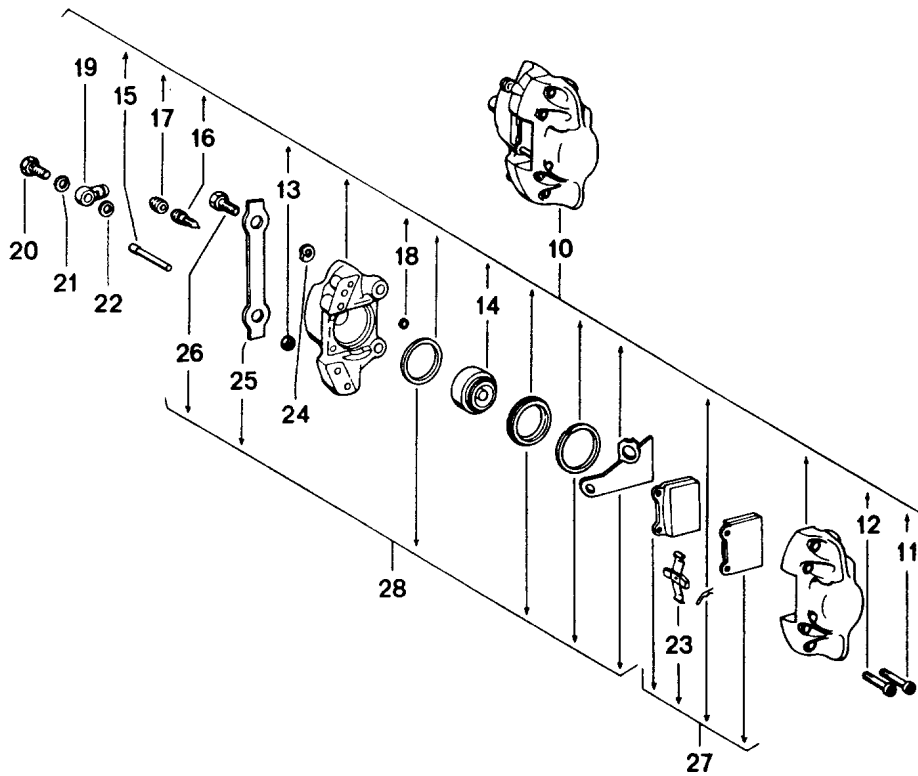
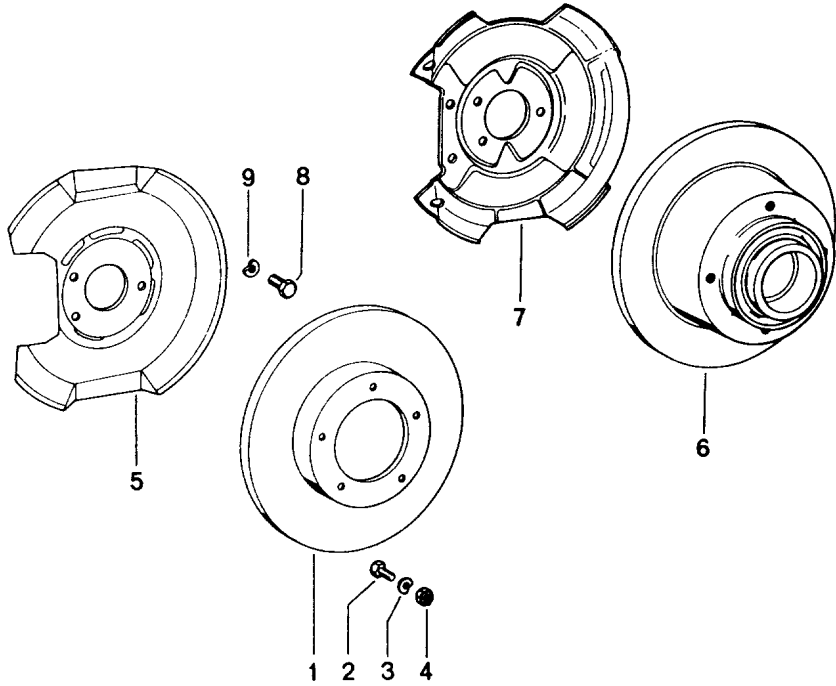
Model: 914 70

Model life 1970>>1976

Pos	Part Number	Description	Remark	Qty	Model
		- mahle - 5 1/2 J X 15 H2 ET 40			
14	914 361 315 01	Wheel bolt		16	
14	914 361 315 02	Wheel bolt		16	
15	914 361 303 03	Hub cap		4	
15	914 361 303 07	Hub cap Polished		4	
-	PCG 361 303 07	Set Hub cap Polished		1	
(16)	901 361 410 00	Balance stick-on weight for Alloy wheels		X	
(16)	901 361 411 00	Balance stick-on weight 10 GR.		X	
(16)	901 361 412 00	Balance stick-on weight 20 GR.		X	
(16)	901 361 413 00	Balance stick-on weight 30 GR.		X	
(16)	901 361 414 00	Balance stick-on weight 40 GR.		X	
(16)	901 361 415 00	Balance stick-on weight 50 GR.		X	
(16)	901 361 417 00	Balance stick-on weight 60 GR.		X	
(16)	901 361 417 00	Balance stick-on weight 80 GR.		X	

Model: 914 70

Model life 1970>>1976



Model: 914 70 Model life 1970>>1976

Pos	Part Number	Description	Remark	Qty	Model
		Disc brake Front			
1	477 405 083 A	Brake disc		2	914-6
1	477 405 083 D	Brake disc		2	914-6
		FAECHERINTERPRETATION 2 X 477.405.083.A			
2	900 075 079 02	Hexagon-head bolt M 8 X 22		10	914-6
3	N 012 241 1	Spring washer B 8 X 15		10	914-6
4	900 076 025 02	Hexagon nut M 8		10	914-6
4	900 076 064 02	Hexagon nut M 8		10	914-6
5	901 351 801 17	Protective plate		2	914-6
6	411 407 075	Brake disc F >>47229 19032	-72	2	914-4
6	411 407 075 B	Brake disc F 47229 19033>>	72-	2	914-4/1,7 914-1,8/2,0
(7)	411 407 163 B	Cover plate	-70	2	914-4
7	411 407 165 C	Cover plate F >>47229 19032	-72	2	914-4
7	914 351 801 02	Cover plate F 47229 19033>>	72-	2	914-4/1,7 914-1,8/1,8V 914-2,0
8	N 010 237 6	Hexagon-head bolt M 8 X 12 F >>47229 19032	-72	6	914-6/4
8	N 010 237 14	Hexagon-head bolt M 8 X 12 F >>47229 19032	-72	6	914-6/4
8	N 010 235 3	Hexagon-head bolt M 8 X 10 F 47229 19033>>	72-	6	914-4/1,7 914-1,8/1,8V 914-2,0
9	N 012 241 1	Spring washer B 8 X 15		6	914-6
(9)	900 027 015 02	Lock ring B 8		6	
(9)	900 027 015 03	Lock ring B 8		6	
10	911 351 907 00	Fixed calliper without pad	/L	1	914-6
(10)	911 351 908 00	Fixed calliper without pad	/R	1	914-6
10	311 615 107 B	Fixed calliper without pad F >>47229 19032	/L -72	1	914-4
(10)	311 615 108 B	Fixed calliper without pad F >>47229 19032	/R -72	1	914-4
10	914 351 425 00	Fixed calliper without pad F 47229 19033>>	/L 72-	1	914-4/1,7 914-1,8/1,8V 914-2,0
(10)	914 351 426 00	Fixed calliper without pad F 47229 19033>>	/R 72-	1	914-4/1,7 914-1,8/1,8V 914-2,0
11	901 351 945 10	Pan-head screw		4	914-6
11	411 615 141	Pan-head screw		4	914-4

Model: 914 70 Model life 1970>>1976

Pos	Part Number	Description	Remark	Qty	Model
(11)	411 615 141 A	M 7 X 50 F >>47229 19032 Hexagon-head bolt	-72	4	914-4/1,7 914-1,8/1,8V 914-2,0
12	901 351 946 10	F 47229 19033>> Pan-head screw	72-	4	914-6
12	411 615 143	Pan-head screw M 7 X 55		4	914-4
(12)	411 615 143 A	F >>47229 19032 Hexagon-head bolt	-72	4	914-4/1,7 914-1,8/1,8V 914-2,0
13	N 011 008 8	F 47229 19033>> Hexagon nut M 8	72-	8	914-6
13	311 615 147	Hexagon nut		8	914-4
14	901 351 097 10	F >>47229 19032 Piston	-72	4	914-6
14	311 615 151	Piston		4	914-4
14	914 351 918 00	F >>47229 19032 Piston	-72	4	914-4/1,7 914-1,8/1,8V 914-2,0
15	901 351 913 16	F 47229 19033>> Retaining pin	72-	4	914-6
15	411 615 261	Retaining pin		4	914-4
15	411 615 261 A	F >>47229 19032 Retaining pin	-72	4	914-4/1,7 914-1,8/1,8V 914-2,0
16	901 352 977 10	F 47229 19033>> Bleeder valve	72-	2	914-6
16	311 615 273	Ventilation valve		2	914-4
16		Ventilation valve		4	914-1,7/1,8 914-1,8V/2,0
17	211 611 483	Dust boot		2	914-6/4
17		Dust boot		4	914-1,7/1,8 914-1,8V/2,0
18	901 351 928 10	Sealing ring		8	914-6
18	311 615 277	Sealing ring		4	
19	914 355 531 00	Ring fitting		2	914-6
20	901 355 531 00	Banjo bolt		2	914-6
21	904 355 902 00	Gasket		2	914-6
22	904 355 904 00	Outer Gasket Inner		2	914-6
23	901 351 916 14	Expanding spring		2	914-6
23	901 351 916 16	Expanding spring		2	914-4
23	411 615 269 A	F >>47229 19032 Expanding spring	-72	2	914-4/1,7 914-1,8/1,8V 914-2,0
24	900 028 014 01	F 47229 19033>> Lock ring	72-	4	914-6
25	411 615 291	Tab washer		2	914-4/1,7 914-1,8/1,8V 914-2,0
26	N 010 127 4	Hexagon-head bolt M 12 X 1,5 X 30		4	
27	911 352 950 04	Brake pad repair set without asbestos without		1	914-6

Model: 914 70

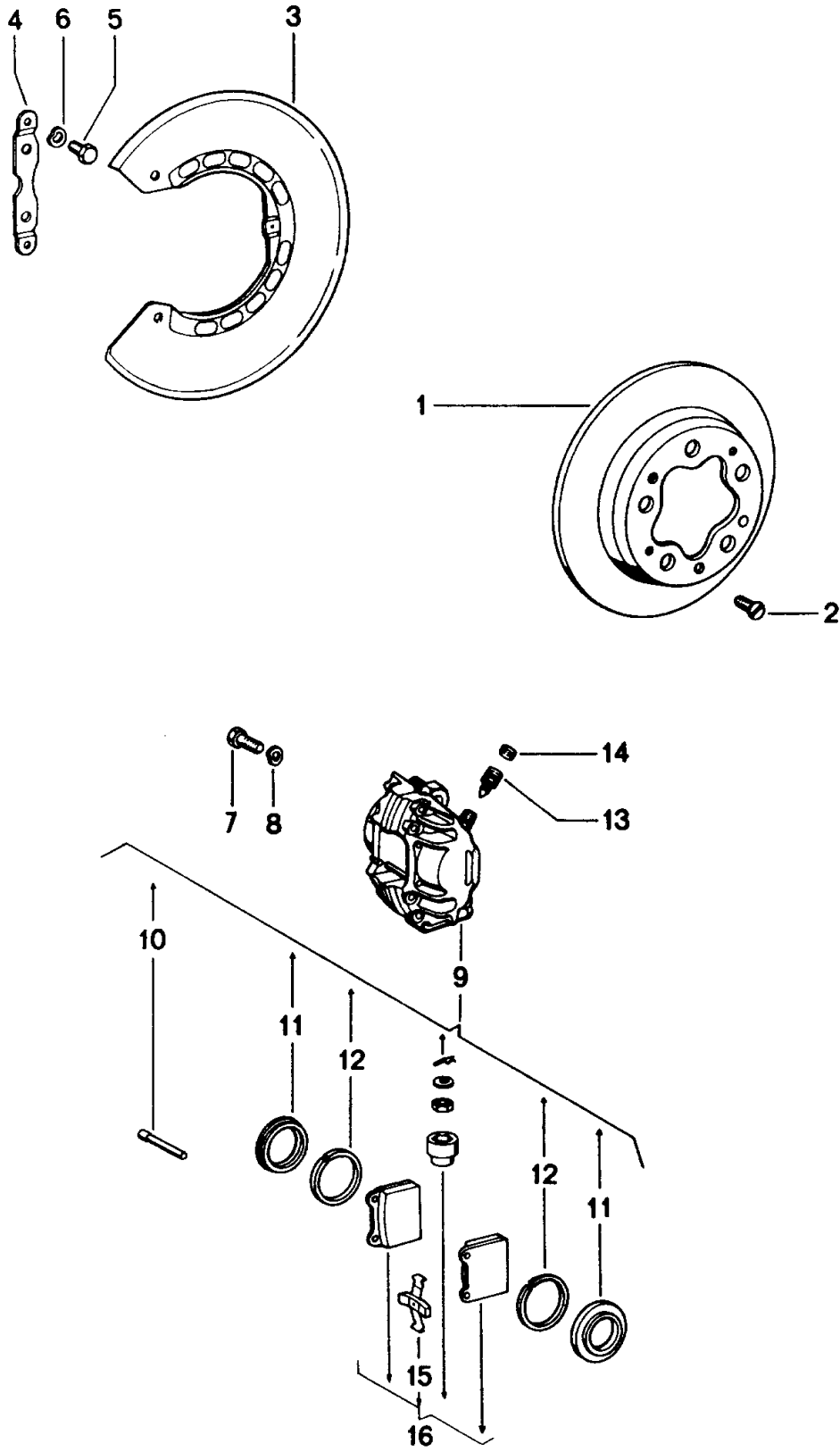
Model life 1970>>1976

Pos	Part Number	Description	Remark	Qty	Model
27	911 352 950 06	Installation parts Brake pad repair set without asbestos without		1	914-6
(27)	911 352 950 04	Installation parts Brake pad repair set without asbestos without	-72	1	914-4
(27)	911 352 950 06	Installation parts F >>47229 19032 Brake pad repair set without asbestos without	-72	1	914-4
(27)	914 351 905 01	Installation parts F >>47229 19032 Brake pad repair set	-72 73-	1	914-4
(27)	911 352 950 06	F 47229 19033>> Brake pad repair set without asbestos without	72- 73-	1	914-4
(28)	901 351 964 11	Installation parts F 47229 19033>> Gasket set	72-	2	914-6
28	411 698 471	Gasket set	-72	2	914-4
(28)	411 698 471 A	F >>47229 19032 Gasket set	-72 73-	2	914-4
		F 47229 19033>>	72-		



Model: 914 70

Model life 1970>>1976



Model: 914 70 Model life 1970>>1976

Pos	Part Number	Description	Remark	Qty	Model
		Disc brake Rear			SB
1	901 352 401 18	Brake disc		2	914-6
(1)	901 352 041 12	Brake disc Vented		2	916
(1)	914 352 401 10	Brake disc		2	
2	900 013 037 02	Countersunk-head screw 6 X 12		4	
3	901 352 801 21	Protective plate		2	914-6
(3)	914 352 801 00	Protective plate		2	
4	914 352 085 00	Retaining bar		2	914-6
(4)		Retaining bar		2	
5	N 010 235 3	Hexagon-head bolt M 8 X 10		6	
6	N 012 241 11	Spring washer B 8 X 15		6	
7	N 010 127 4	Hexagon-head bolt M 12 X 1,5 X 30		4	
8	900 028 014 01	Lock ring B 12		4	
9	914 352 901 00	Fixed calliper without Brake pad	/L	1	914-6
(9)	914 352 902 00	Fixed calliper without Brake pad	/R	1	914-6
9	914 352 423 00	Fixed calliper without Brake pad	/L	1	
(9)	914 352 424 00	Fixed calliper without Brake pad	/R	1	
10	914 352 922 00	Retaining pin		2	914-6
(10)	914 352 921 00	Retaining pin		2	914-6
10	901 351 913 14	Retaining pin		2	
(10)	914 352 925 00	Retaining pin		2	
11	914 352 906 00	Cap		4	914-6
11	901 352 937 10	Protection cap		4	
12	901 352 988 00	Outer ring		4	914-6
12	914 352 926 00	Retaining ring		4	
13	901 352 977 10	Bleeder valve		2	914-6/4
13		Bleeder valve		4	914-1,7/1,8V 914-1,8/2,0
14	211 611 483	Dust boot		2	914-6/4
14		Dust boot		4	914-1,7/1,8V 914-1,8/2,0
15	901 351 916 16	Expanding spring		2	914-6
15	311 615 269	Expanding spring		2	
16	914 352 903 01	Brake pad repair set without asbestos without Installation parts		1	914-6
-	901 351 916 16	Expanding spring		2	
-	914 352 921 00	Retaining pin		2	
-	914 352 922 00	Retaining pin		2	
-	901 351 955 10	Safety clip		4	
16	914 352 923 01	Brake pad repair set without asbestos without Installation parts		1	
-	311 615 269	Expanding spring		2	
-	901 351 913 14	Retaining pin		2	
-	914 352 925 00	Retaining pin		2	

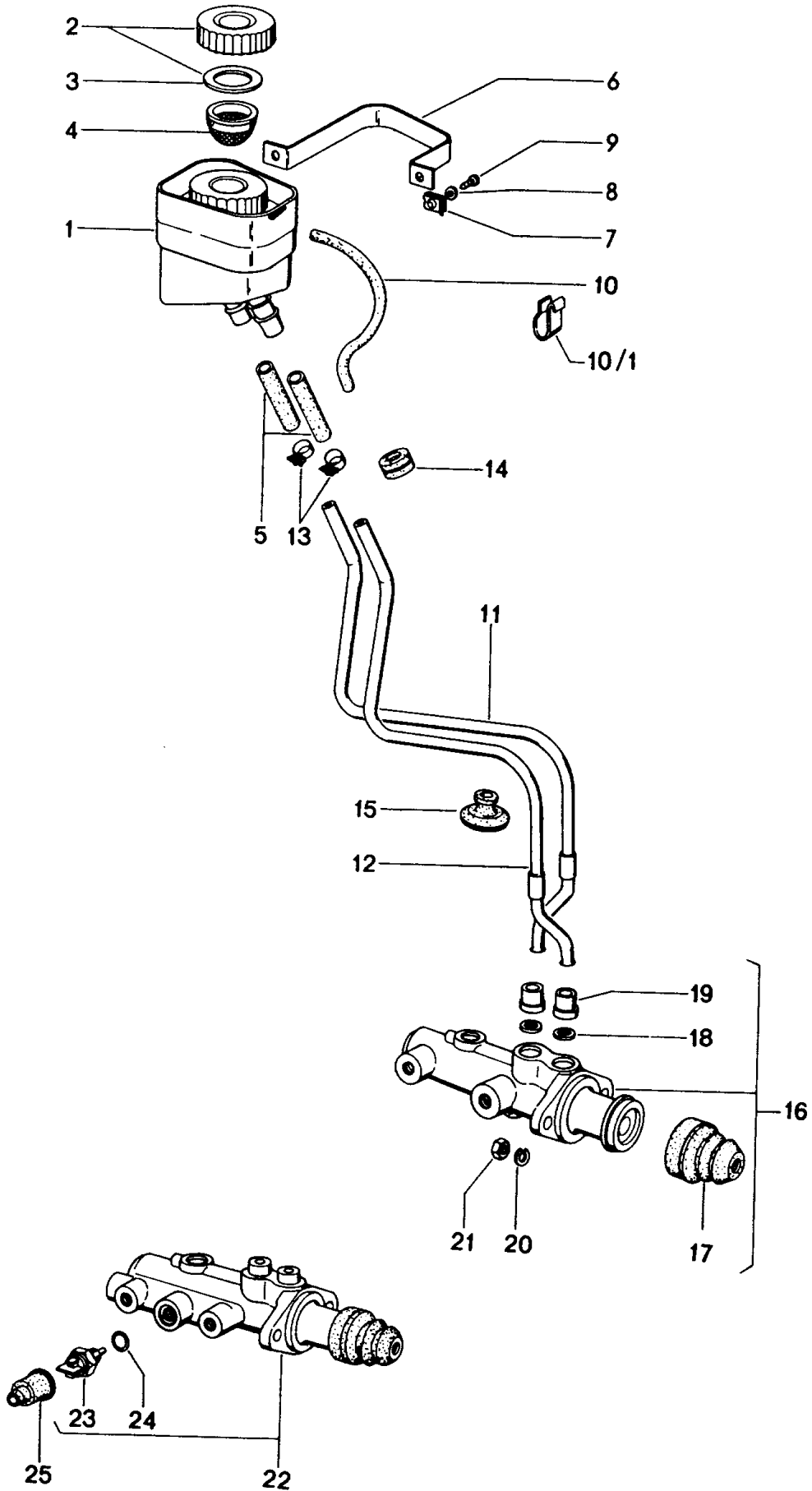
Model: 914 70

Model life 1970&gt;&gt;1976

Pos	Part Number	Description	Remark	Qty	Model
-	901 351 955 10	Safety clip		4	
17	914 352 900 00	Repair kit Stopper Comprising:		1	
-	914 352 918 00	Screw plug		2	
-	901 351 955 10	Safety clip		4	
-	914 352 919 00	Screw-on cap		2	
-	900 123 003 20	Sealing ring		2	

Model: 914 70

Model life 1970>>1976



Model: 914 70 Model life 1970>>1976

Pos	Part Number	Description	Remark	Qty	Model
1	911 355 013 13	Brake fluid reservoir Brake master cylinder Brake fluid reservoir		1	< 914-1,8/1,8V 914-2,0
2	477 611 361	Lid		1	
3	901 355 908 00	Gasket		1	
4	211 611 381 B	Strainer		1	
5	901 355 927 02	Hose piece 50 MM		2	
6	914 355 907 00	Retaining strap		1	
7	N 015 429 2	Speed nut B 4,2		2	
7	N 015 429 6	Speed nut B 4,2		2	
8	900 151 028 02	Washer A 4,3		2	
8	900 151 028 01	Washer A 4,3		2	
9	900 143 007 02	Oval-head sheetmetal screw B 4,2 X 13		2	
9	900 073 507 01	Oval-head sheetmetal screw B 4,2 X 13		2	
10	914 355 653 00	Overflow hose 6 X 4 X 1000 MM		X	914-6/4
10/1	999 651 152 02	Cable clamp		X	914-6/4
10/1	999 651 152 01	Cable clamp		X	914-6/4
11	PCG 355 061 10	Connecting line		1	
11	PCG 355 061 00	Connecting line		1	
12	PCG 355 063 10	Connecting line		1	
12	914 355 063 00	Connecting line		1	
12	PCG 355 063 10	Connecting line		1	
13	999 512 055 02	Hose clamp		2	
13	PCG 512 055 02	Hose clamp		2	
14	311 971 911	Grommet		X	914-6/4
15	111 957 861	Rubber sleeve		2	
16	901 355 012 00	Brake master cylinder \$ 19,05		1	914-6
(16)	914 355 011 00	Brake master cylinder \$ 17,46		1	914-4/1,7 914-1,8/1,8V 914-2,0
17	901 355 924 00	Protection cap		1	
18	901 355 936 00	Washer		2	
19	901 355 929 00	Stopper		2	
20	900 027 015 02	Lock ring B 8		2	
20	900 027 015 03	Lock ring B 8		2	
21	900 076 025 02	Hexagon nut M 8		2	
21	900 076 064 02	Hexagon nut M 8		2	
22	911 355 012 02	Brake master cylinder \$ 19,05 with Warning contact		1	914-6
(22)	914 355 012 00	Brake master cylinder \$ 17,46 with Warning contact		1	914-4/1,7 914-1,8/1,8V 914-2,0
23	901 613 115 00	Warning contact 2-pole	-73	1	914-6/4/1,7 914-2,0
(23)	914 613 116 00	Warning contact	74-	1	914-1,8V/1,8

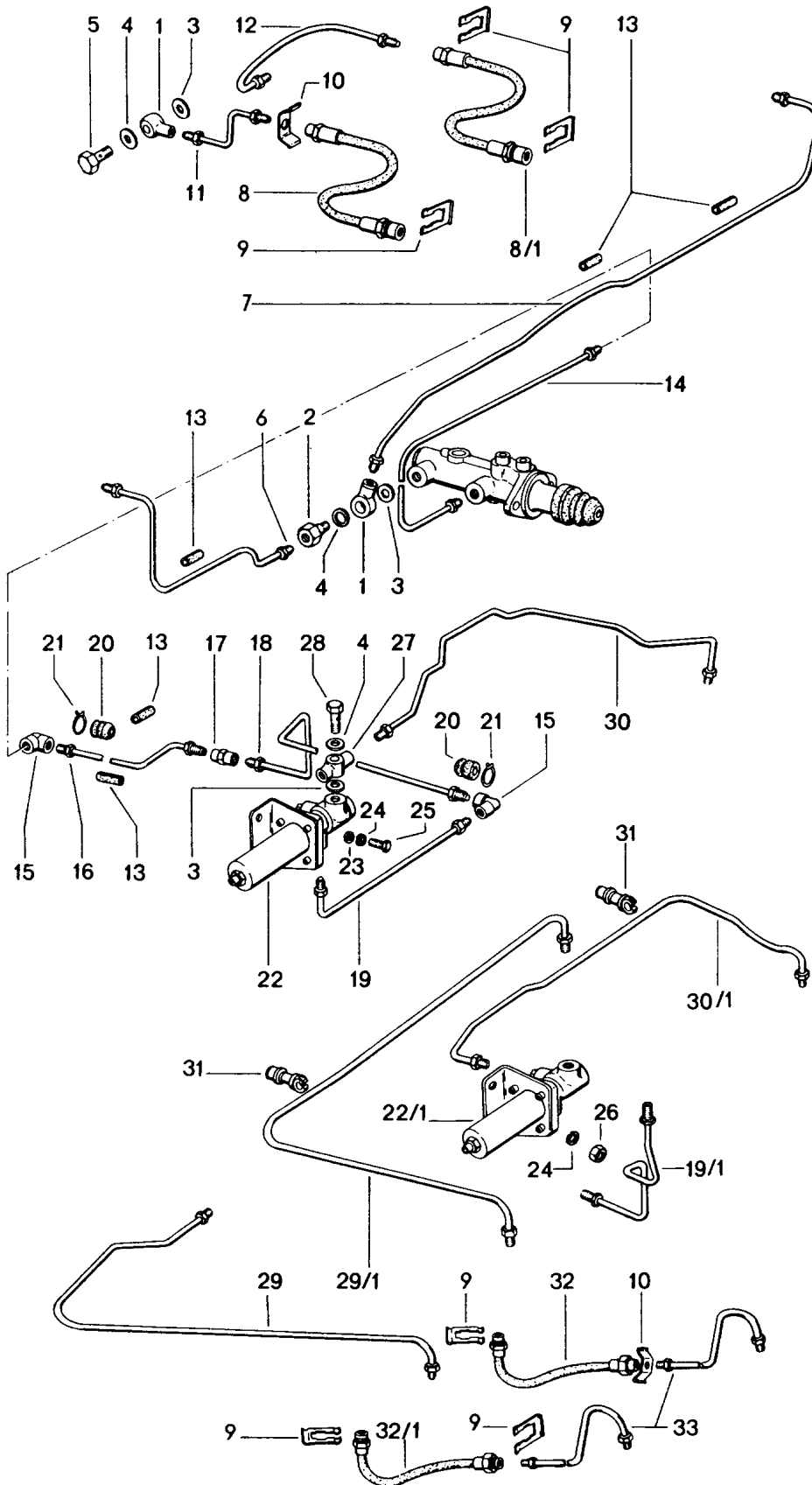
Model: 914 70

Model life 1970&gt;&gt;1976

Pos	Part Number	Description	Remark	Qty	Model
24	999 701 343 40	Single pole O-ring 12,42 - 1,78		1	914-2,0
25	914 613 491 00	Protection cap		1	

Model: 914 70

Model life 1970>>1976



Model: 914 70 Model life 1970>>1976

Pos	Part Number	Description	Remark	Qty	Model
1	914 355 531 00	Brake lines			
1		Ring fitting	-71	3	914-6/4
1		Ring fitting	-72	3	914-6
1		Ring fitting	72-	1	
2	695 351 534 00	Banjo bolt		1	
3	904 355 904 00	Gasket	-71	4	914-6/4
		Metal			
		\$ 10 MM			
3		Gasket	72-	4	914-6
		Metal			
		\$ 10 MM			
3		Gasket	72-	2	
		Metal			
		\$ 10 MM			
4	904 355 902 00	Gasket	-71	4	914-6/4
		Metal			
		\$ 12 MM			
4		Gasket	72-	4	914-6
		Metal			
		\$ 12 MM			
4		Gasket	72-	2	
		Metal			
		\$ 12 MM			
5	901 355 531 00	Banjo bolt		2	914-6
5		Banjo bolt	-71	2	914-4
6	914 355 617 00	Brake line	/V /L	1	
7	914 355 618 00	Brake line	/V /R	1	
8	901 355 632 01	Brake hose	/V	2	914-6
8	901 355 632 02	Brake hose	/V	2	914-6
8	901 355 632 01	Brake hose	/V -71	2	914-4
8	901 355 632 02	Brake hose	/V	2	914-4
8/1	211 611 775 A	Brake hose	/V 72-	2	914-4/1,7/1 914-1,8/2,0
8/1	281 611 775 B	Brake hose	/V 72-	2	914-4/1,7/1 914-1,8/2,0
8/1	951 355 079 31	Brake hose	/V 72-	2	914-4/1,7/1 914-1,8/2,0
9	914 355 665 00	Brake hose bracket		4	914-6
9	914 355 665 01	Brake hose bracket		4	914-6
9	914 355 665 00	Brake hose bracket		8	
9	914 355 665 01	Brake hose bracket		8	
10	803 611 715	Retainer spring	-71	4	914-6/4
11	914 355 603 00	Brake line	/V/L/V/R	2	914-6
11	914 355 603 03	Brake line	/V/L/V/R	2	914-6
11	914 355 603 00	Brake line	-71	2	914-4
			/V/L/V/R		
11	914 355 603 03	Brake line		2	914-4
			/V/L/V/R		
(12)	914 355 603 02	Brake line	/V /L	1	914-4
		F >>47229 19032			
(12)		Brake line	/V /L	1	914-4/1,7 914-1,8/1,8V 914-2,0
		F 47229 19033>>			
12	914 355 604 02	Brake line	/V /R	1	914-4
		F >>47229 19032			
12		Brake line	/V /R	1	914-4/1,7 914-1,8/1,8V 914-2,0
		F 47229 19033>>			
13	914 355 691 00	Protective tube		10	
14	914 355 611 00	Brake line		1	
		Centre			



Model: 914 70 Model life 1970>>1976

Pos	Part Number	Description	Remark	Qty	Model
15	901 355 615 00	Angled pipe		2	914-6/4/1,7
15	901 355 615 01	Angled pipe		2	914-6/4/1,7
15	901 355 615 00	Angled pipe		1	914-1,8V/1,8 914-2,0
15	901 355 615 01	Angled pipe		1	914-1,8V/1,8 914-2,0
16	914 355 613 00	Brake line Centre Tunnel		1	
17	914 355 661 00	Intermediate piece		1	
18	914 355 614 01	Brake line Tunnel F >>47429 15751		1	914-6/4/1,7 914-2,0
19	914 355 612 00	Brake line Centre F >>47429 15751	/H	1	914-6/4/1,7 914-2,0
19/1	914 355 614 01	Brake line Centre F 47429 15752>>	/H	1	914-1,8V/1,8 914-2,0
20	914 355 651 00	Rubber sleeve		2	
21	914 355 652 00	Clamp		2	
22	914 355 067 00	Brake pressure regulator		1	914-6
22	914 355 065 00	Brake pressure regulator F >>47429 15751		1	914-4/1,7 914-2,0
22/1	914 355 065 01	Brake pressure regulator F 47429 15752>>		1	914-1,8V/1,8 914-2,0
23	900 025 007 02	Washer 8,4 F >>47429 15751		2	914-6/4/1,7 914-2,0
23	900 025 007 03	Washer 8,4 F >>47429 15751		2	914-6/4/1,7 914-2,0
24	900 027 015 02	Lock ring A 8		2	
24	900 027 015 03	Lock ring A 8		2	
25	900 075 078 02	Hexagon-head bolt M 8 X 15 F >>47429 15751		2	914-6/4/1,7 914-2,0
25	900 075 078 03	Hexagon-head bolt M 8 X 15 F >>47429 15751		2	914-6/4/1,7 914-2,0
26	900 076 025 02	Hexagon nut M 8 F 47429 15752>>	/2,0	2	914-1,8V/1,8
26	900 076 064 02	Hexagon nut M 8 F 47429 15752>>	/2,0	2	914-1,8V/1,8
27	914 355 669 00	Ring piece F >>47429 15751		1	914-6/4/1,7 914-2,0
28	914 355 668 00	Banjo bolt F >>47429 15751		1	914-6/4/1,7 914-2,0
29	914 355 635 01	Brake line F >>47429 15751	/H /L	1	914-6/4/1,7 914-2,0
29/1	914 355 635 02	Brake line F 47429 15752>>	/H /L	1	914-1,8V/1,8 914-2,0
30	914 355 636 01	Brake line	/H /R	1	914-6/4/1,7

Model: 914 70

Model life 1970>>1976

Pos	Part Number	Description	Remark	Qty	Model
		F >>47429 15751			914-2,0
30/1	914 355 636 03	Brake line	/H /R	1	914-1,8V/1,8 914-2,0
		F 47429 15752>>			
31	999 507 235 40	Pipe clip		2	914-1,8V/1,8 914-2,0
		F 47429 15752>>			
32	901 355 631 01	Brake hose	-71	2	914-6/4
32	901 355 631 02	Brake hose		2	914-6/4
32/1	211 611 775 B	Brake hose	72-	2	
33	914 355 621 01	Brake line	/H /L	1	
(33)	914 355 622 01	Brake line	/H /R	1	

Model: 914 70

Model life 1970>>1976



Model: 914 70 Model life 1970>>1976

Pos	Part Number	Description	Remark	Qty	Model
>>	901 351 963 25	Repair kits Brake pad repair set without Mounting parts	/V	1	914-6
>>	901 351 964 11	Gasket set 1 set Comprising: Gasket Protection caps Ring	/V	2	914-6
-	901 351 955 10	Safety clip		2	
-		Safety clip		2	
>>	914 351 903 00	Brake pad repair set F >>47229 19032 without Mounting parts	/V -72	1	914-4
>>	411 698 471	Gasket set F >>47229 19032 1 set Comprising: Gasket Protection caps Ring Torsion protection for Piston Torsion protection for Piston	/V -72	2	914-4
-	N 010 127 4	Hexagon-head bolt		2	
-	411 615 291	Tab washer		1	
>>	914 351 905 00	Brake pad repair set F 47229 19033>> without Mounting parts	/V 72-	1	914-4/1,7 914-1,8/1,8V 914-2,0
>>	411 698 471 A	Gasket set F 47229 19033>> 1 set Comprising: Gasket Protection caps Torsion protection for Piston Torsion protection for Piston	/V 72-	2	914-4/1,7 914-1,8/2,0
-	N 010 127 4	Hexagon-head bolt		2	
-	411 615 291	Tab washer without Mounting parts		1	
>>	914 352 923 00	Brake pad repair set without Mounting parts	/H	2	914-4/1,7 914-1,8/1,8V 914-2,0
>>	901 355 930 00	Repair kit for Brake master cylinder with And without Warning contact \$ 19,05		1	914-6
>>	914 355 908 00	Repair kit		1	914-4/1,7

Model: 914 70

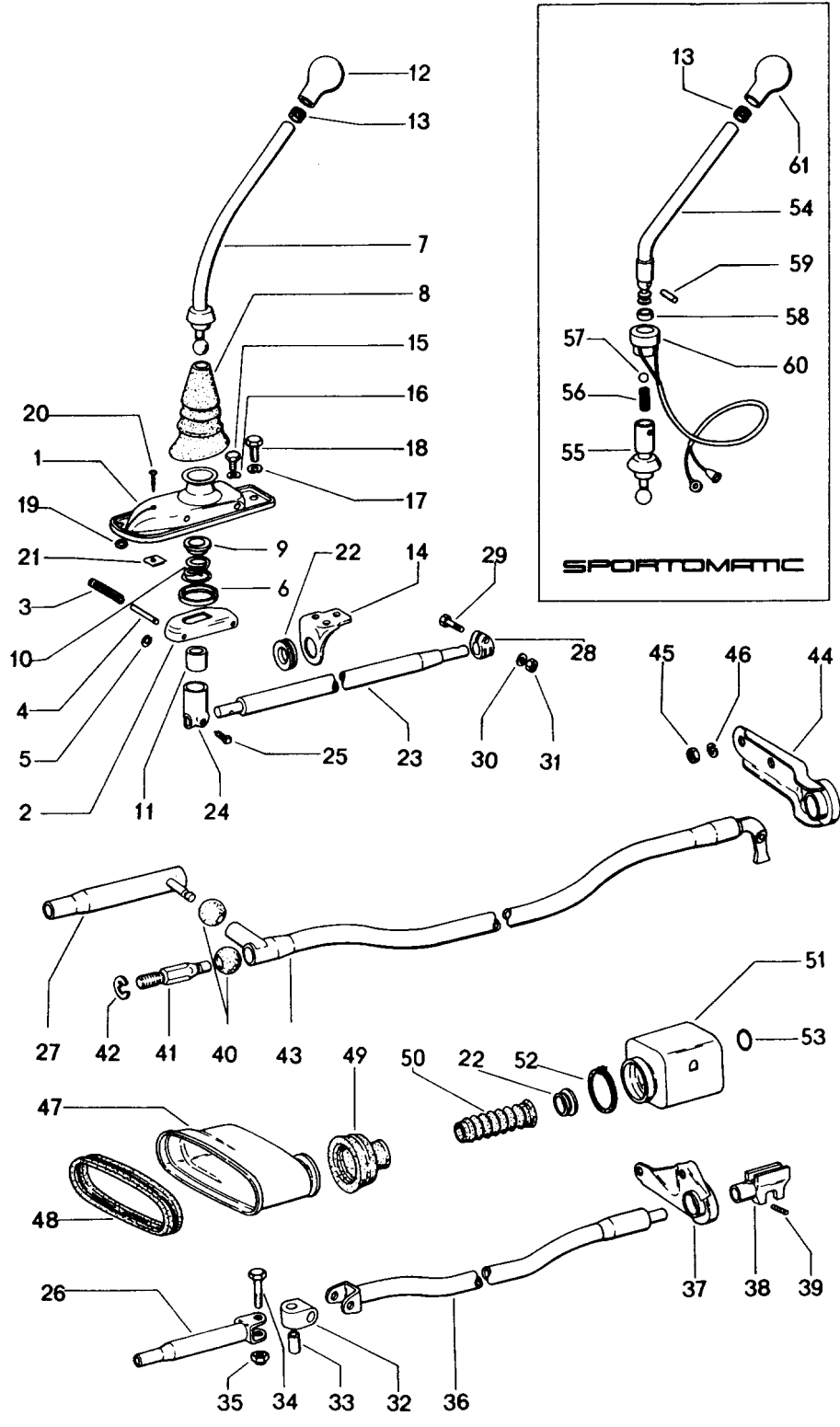
Model life 1970&gt;&gt;1976

Pos	Part Number	Description	Remark	Qty	Model
-	901 355 924 00	for Brake master cylinder \$ 17,46 Protection cap		1	914-1,8/1,8V 914-2,0

Model: 914 70

Model life 1970>>1976

bis Mod.72



Model: 914 70

Model life 1970&gt;&gt;1976

Pos	Part Number	Description	Remark	Qty	Model
		Transmission control	-72		
1	901 424 015 02	Gearshift bracket		1	914-6/4
2	901 424 017 00	Stop plate		1	914-6/4
3	901 424 133 00	Compression spring		2	914-6/4
4	901 424 115 00	Pin		2	914-6/4
5	N 012 435 1	Lock washer		4	914-6/4
6	901 424 135 00	Guide ring		1	914-6/4
7	914 424 016 00	Gearshift lever		1	914-6/4
7	914 424 016 03	Gearshift lever		1	914-6/4
8	914 424 901 00	Sleeve		1	914-6/4
9	901 424 132 00	Guide		1	914-6/4
10	914 424 131 00	Compression spring		1	914-6/4
11	911 424 139 00	Ball socket		1	914-6/4
11	911 424 139 01	Ball socket		1	914-6/4
12	901 424 014 00	Gearshift knob		1	914-6/4
13	999 532 001 00	Spacer		1	914-6/4
14	930 424 031 00	Bearing bracket		1	914-6/4
14	930 424 031 01	Bearing bracket		1	914-6/4
15	N 010 210 13	Hexagon-head bolt M 6 X 10		2	914-6/4
16	900 028 008 01	Lock ring B 6		2	914-6/4
17	900 027 015 02	Lock ring B 8		3	914-6/4
17	900 027 015 03	Lock ring B 8		3	914-6/4
18	900 075 078 02	Hexagon-head bolt M 8 X 15		3	914-6/4
18	900 075 078 03	Hexagon-head bolt M 8 X 15		3	914-6/4
19	900 025 007 02	Washer 8,4		1	914-6:SPM
19	900 025 007 03	Washer 8,4		1	914-6:SPM
19	900 031 001 02	Washer 8,4		1	914-6
19	900 031 105 01	Washer 8,4		1	914-6
20	N 013 957 5	Oval-head sheetmetal screw B 3,5 X 9,5		1	914-6
21	914 424 235 00	Speed nut B 3,5		1	914-6
22	914 424 224 00	Friction ring		3	914-6/4
23	914 424 021 00	Gear shift rod	/V	1	914-6/4
24	930 424 241 00	Head shift rod		1	914-6/4
25	901 424 229 00	Conical screw		1	914-6/4
26	914 424 027 00	Connecting tube		1	914-6
27	914 424 033 00	Connecting tube		1	914-4
28	914 424 214 00	Clamp		1	914-6/4
29	N 040 222 2	Hexagon-head bolt M 8 X 32		1	914-6/4
30	999 523 102 02	Washer M 8		1	914-6/4
30	999 523 102 0B	Washer M 8		1	914-6/4
31	900 076 025 02	Hexagon nut M 8		1	914-6/4
31	900 076 064 02	Hexagon nut M 8		1	914-6/4
32	914 424 212 00	Intermediate piece		1	914-6
33	914 424 223 00	Bush		2	914-6
34	900 074 151 02	Hexagon-head bolt M 6 X 38		2	914-6

Model: 914 70

Model life 1970&gt;&gt;1976

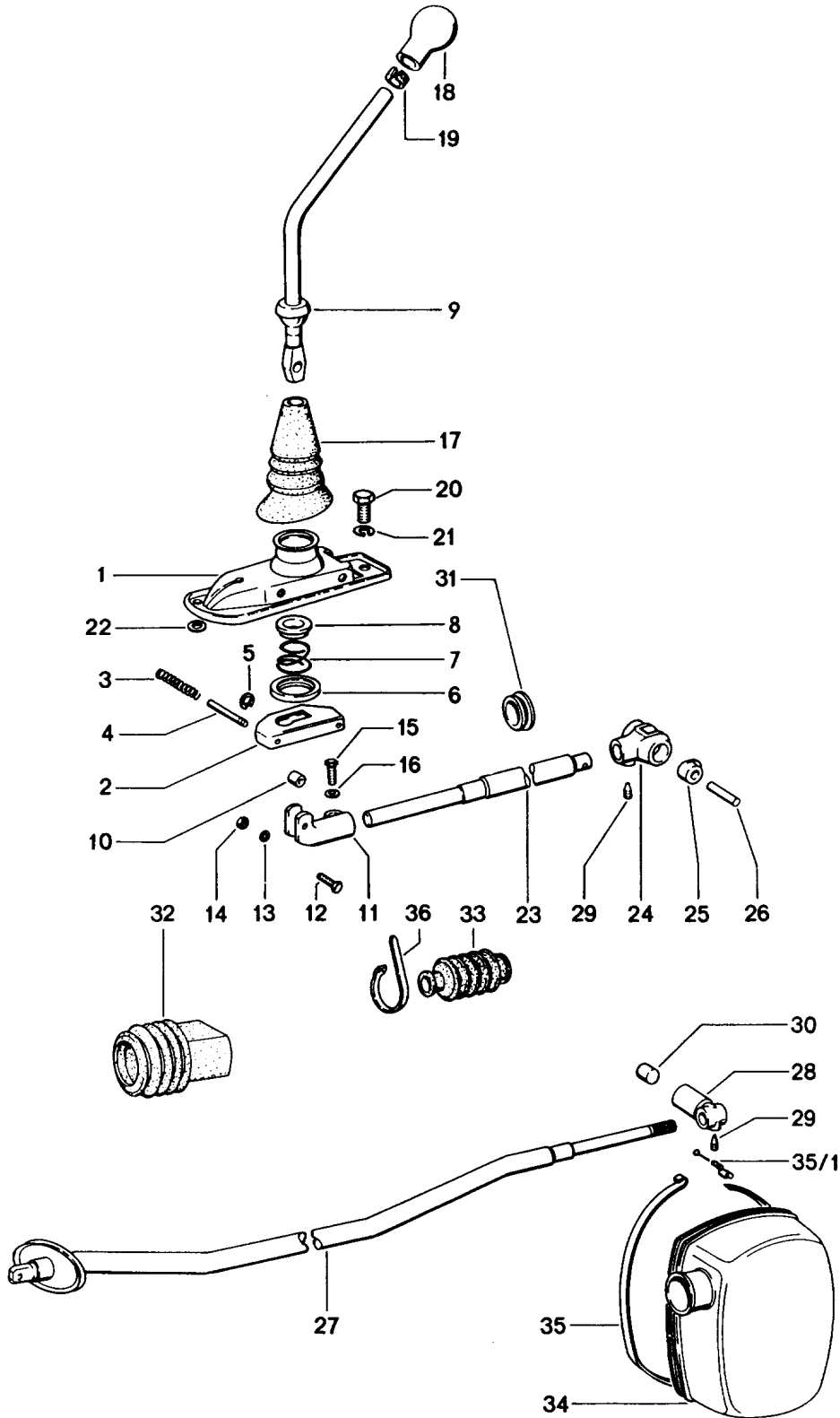
Pos	Part Number	Description	Remark	Qty	Model
35	999 084 028 02	Hexagon nut M 6 UNI-STOP		2	914-6
36	914 424 022 00	Gear shift rod	/H	1	914-6
(36)	914 424 022 10	Gear shift rod	/H	1	914-6:SPM
37	914 424 012 00	Support		1	914-6
38	914 424 241 00	Head shift rod	/H	1	914-6
39	999 095 021 00	Roll pin		1	914-6
40	914 424 512 00	Ball		2	914-4
41	914 424 511 00	Eccentric bolt		1	914-4
42	999 523 109 02	Lock washer M 12		1	914-4
43	914 424 032 03	Gear shift rod	/H	1	914-4
44	914 424 014 00	Support		1	914-4
45	900 076 025 02	Hexagon nut M 8		2	914-4
45	900 076 064 02	Hexagon nut M 8		2	914-4
46	900 027 015 02	Lock ring B 8		2	914-4
46	900 027 015 03	Lock ring B 8		2	914-4
47	PCG 424 501 00	Cover		1	914-6/4
48	914 424 502 00	Rubber strap		1	914-6/4
49	914 424 297 00	Sleeve		1	914-6/4
49	914 424 297 02	Sealing sleeve		1	914-6/4
50	901 741 291 00	Sleeve		1	914-6/4
51	914 424 206 00	Protection cap		1	914-6
(51)	914 424 229 00	Cap		1	914-4
52	999 512 348 02	Hose clamp 44 - 64 X 9		1	914-6/4
53	914 424 208 00	Rubber ring		1	914-6/4
54	905 424 026 00	Gearshift lever		1	914-6:SPM
55	905 424 024 02	Lower part		1	914-6:SPM
56	905 424 111 02	Compression spring		1	914-6:SPM
57	900 108 012 00	Ball 10 MM		1	914-6:SPM
58	905 424 234 02	Stop ring		1	914-6:SPM
59	905 424 107 02	Straight pin		1	914-6:SPM
60	905 613 039 00	Contacts		1	914-6:SPM
60	905 613 039 01	Contacts		1	914-6:SPM
61	911 424 077 01	Gearshift knob		1	914-6:SPM



Model: 914 70

Model life 1970>>1976

ab Mod. 73



Model: 914 70

Model life 1970&gt;&gt;1976

Pos	Part Number	Description	Remark	Qty	Model
		Transmission control	73-		
1	914 424 019 02	Gearshift bracket		1	
2	901 424 017 00	Stop plate		1	
3	911 424 133 04	Compression spring		2	
4	901 424 115 00	Pin		2	
5	N 012 435 1	Lock washer 5		5	
6	914 424 343 02	Guide piece 1,2 MM		X	
6		Guide piece 2,3 MM		X	
6		Guide piece 3,4 MM		X	
7	914 424 131 00	Compression spring		1	
8	901 424 132 00	Guide		1	
9	914 424 016 02	Gearshift lever		1	
10	914 424 169 01	Spacer sleeve		1	
11	914 424 171 01	Lever		1	
12	N 010 335 5	Hexagon-head bolt M 8 X 35		1	
12	900 075 032 03	Hexagon-head bolt M 8 X 35		1	
13	900 027 015 02	Lock ring B 8		1	
13	900 027 015 03	Lock ring B 8		1	
14	900 076 025 02	Hexagon nut M 8		1	
14	900 076 064 02	Hexagon nut M 8		1	
15	900 075 079 02	Hexagon-head bolt M 8 X 22		1	
16	999 523 102 02	Washer		1	
16	999 523 102 0B	Washer		1	
17	914 424 901 00	Sleeve		1	
(17)	914 559 444 10	Boot Leather		1	
18	901 424 014 00	Gearshift knob		1	
19	999 532 001 00	Spacer		1	
20	900 075 078 02	Hexagon-head bolt M 8 X 15		3	
20	900 075 078 03	Hexagon-head bolt M 8 X 15		3	
21	900 027 015 02	Lock ring B 8		3	
21	900 027 015 03	Lock ring B 8		3	
22	900 025 007 02	Washer 8,4		2	
22	900 025 007 03	Washer 8,4		2	
23	914 424 065 00	Gear shift rod	/V	1	
24	911 424 221 00	Shift rod coupling		1	
25	911 424 223 03	Bush		2	
25	964 424 223 00	Bush		2	
26	900 092 002 01	Dowel pin 12 X 45		1	
27	914 424 063 00	Inner shift rod	/H	1	
28	914 424 241 02	Gear shift rod		1	
29	901 424 229 00	Conical screw		2	
30	911 424 139 00	Ball socket		1	
30	911 424 139 01	Ball socket		1	
31	914 424 224 03	Friction ring		1	

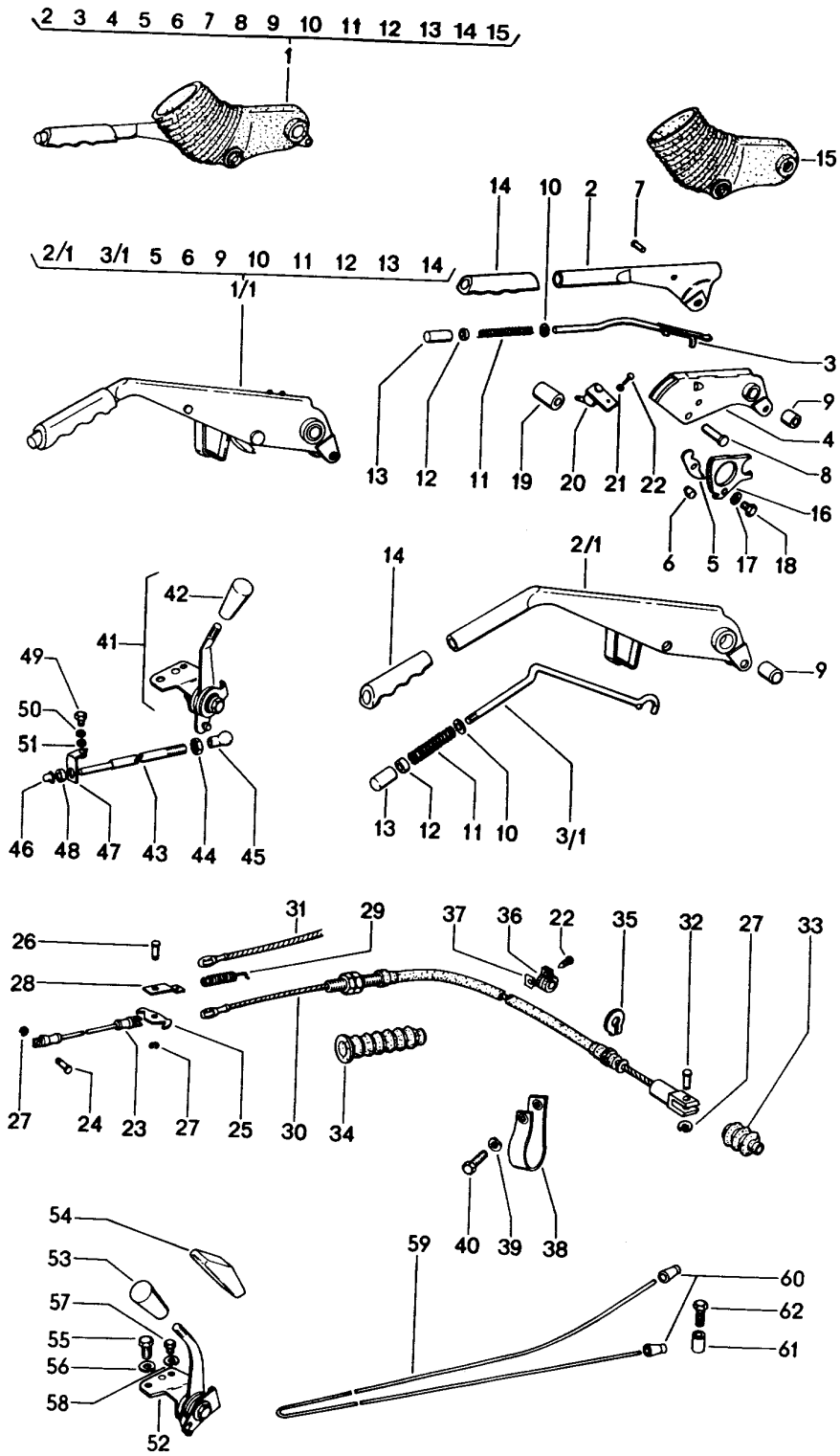
Model: 914 70

Model life 1970>>1976

Pos	Part Number	Description	Remark	Qty	Model
32	914 424 169 02	Sealing sleeve		1	
33	914 424 239 02	Sealing sleeve		1	
34	PCG 424 501 01	Cover		1	
34	PCG 424 501 02	Cover		1	
34		Cover		1	
35	914 424 503 01	Hose clip		1	
35/1	N 014 059 1	Lock		1	
36	999 513 002 40	Tie-wrap		2	
36	N 020 910 4	Tie-wrap		2	
36	999 513 003 40	Tie-wrap		2	

Model: 914 70

Model life 1970>>1976



Model: 914 70

Model life 1970&gt;&gt;1976

Pos	Part Number	Description	Remark	Qty	Model
1	914 424 053 00	Handbrake Manual throttle Heating Actuator Parking-brake lever Complete	-72	1	914-6/4
1/1	914 424 053 01	Parking-brake lever Complete	73-	1	914-1,7/1,8V 914-1,8/2,0
2	914 424 056 00	Parking-brake lever	-72	1	914-6/4
2/1	914 424 056 02	Parking-brake lever	73-	1	914-1,7/1,8V 914-1,8/2,0
3	914 424 055 00	Push rod	-72	1	914-6/4
3/1	914 424 255 02	Push rod	73-	1	914-1,7/1,8V 914-1,8/2,0
4	914 424 054 00	Locking device	-72	1	914-6/4
5	901 424 508 00	Pawl		1	
6	901 424 511 00	Bolt for Pawl		1	
7	900 224 013 00	Clinch pin A 4H 11 X 16	-72	1	914-6/4
8	900 121 026 00	Buttonhead rivet B 8 X 1 X 20	-72	1	914-6/4
9	914 424 247 00	Bush		1	
10	900 089 001 02	Washer		1	
11	901 424 543 00	Compression spring		1	
12	901 424 593 01	Ring		1	
13	901 424 523 01	Push button		1	
14	901 424 521 01	Handle		1	
15	914 424 057 00	Sleeve	-72	1	914-6/4
16	914 424 541 00	Locking segment		1	
17	900 027 015 02	Lock ring B 8		1	
17	900 027 015 03	Lock ring B 8		1	
18	900 075 085 02	Hexagon-head bolt M 8 X 20		1	
19	914 424 543 00	Hose for Stop Handbrake	-72	1	914-6/4
20	113 947 561 D	Contact switch		1	
21	914 424 542 00	Washer	-72	X	914-6/4
22	N 013 958 7	Oval-head sheetmetal screw B 3,5 X 13		3	
23	914 424 256 00	Bowden control		1	
23	914 424 256 01	Parking-brake cable		1	
24	914 424 571 01	Eccentric bolt		1	
25	914 424 568 00	Turnbuckle		1	
26	914 424 571 00	Eccentric bolt		1	
27	N 012 645 2	Lock washer		4	
28	914 424 567 00	Fastening clip		1	
29	914 424 545 00	Return spring		1	
30	914 424 551 01	Parking-brake cable	/L	1	
31	914 424 552 01	Parking-brake cable	/R	1	
32	999 166 055 02	Bolt A 6 X 15 X 12		2	
33	914 424 591 00	Sleeve	/H	2	
34	914 424 592 00	Sleeve	/V	2	
35	999 166 017 02	K1-lock		2	
35	999 166 017 01	K1-lock		2	
36	999 511 072 02	Pipe clamp with		2	

Model: 914 70 Model life 1970>>1976

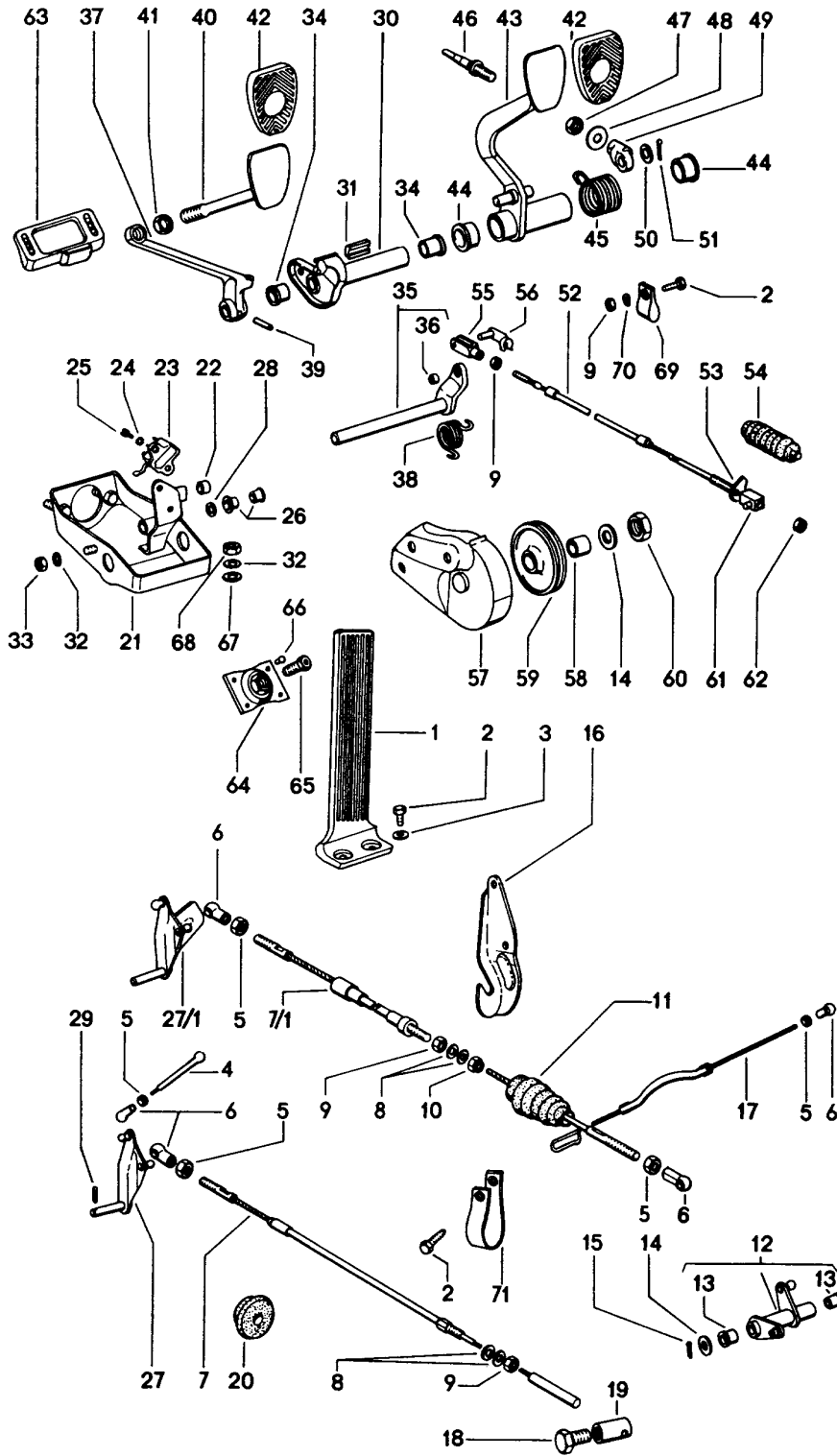
Pos	Part Number	Description	Remark	Qty	Model
37	999 591 349 02	Tread Speed nut B 3,5		2	
38	999 706 005 80	Suspension strap		1	914-6
38	911 424 341 02	Suspension strap		1	914-6
38	911 424 341 04	Suspension strap		1	914-6
39	900 028 008 01	Lock ring B 6		1	914-6
40	900 187 023 02	Hexagon-head tapping screw B 5,5 X 16		1	914-6
41	914 424 071 00	Accelerator control Actuator		1	914-6
42	914 424 792 01	Handle		1	914-6
43	914 424 035 00	Push rod		1	914-6
44	900 076 027 02	Nut M 5		1	914-6
45	N 015 521 3	Ball socket A 8		1	914-6
46	914 424 225 00	Sleeve		1	914-6
47	914 424 024 00	Support		1	914-6
48	914 424 219 00	Friction ring		1	914-6
49	900 075 010 02	Hexagon nut M 6 X 12		1	914-6
49	N 010 212 14	Hexagon-head bolt M 6 X 12		1	914-6
49	999 072 005 09	Hexagon nut M 6 X 12		1	914-6
49	999 072 005 01	Hexagon nut M 6 X 12		1	914-6
50	N 011 524 7	Washer 6,4		1	914-6
50	N 011 524 27	Washer 6,4		1	914-6
51	900 027 014 01	Lock ring B 6		1	914-6
51	900 027 014 02	Lock ring B 6		1	914-6
51	N 012 006 4	Lock ring B 6		1	914-6
(52)	914 424 073 00	Actuator Heating with Picture 53		1	914-6
(52)	914 424 073 01	Actuator Heating	-72	1	914-4
(52)	914 424 073 04	Actuator Heating	-72	1	914-4
52	914 424 073 02	Actuator Heating		1	914-4/1,7 914-1,8/1,8V 914-2,0
(52)		Actuator Heating for Centre console	73-	1	914-1,7/1,8V 914-1,8/2,0
53	914 424 792 01	Handle		1	
54	911 424 792 01	Handle	-72	1	914-4
55	900 075 078 02	Hexagon-head bolt M 8 X 15		1	
55	900 075 078 03	Hexagon-head bolt M 8 X 15		1	
56	900 027 015 02	Lock ring B 8		1	

Model: 914 70 Model life 1970>>1976

Pos	Part Number	Description	Remark	Qty	Model
56	900 027 015 03	Lock ring B 8		1	
57	900 075 010 02	Hexagon nut M 6 X 12		1	
57	N 010 212 14	Hexagon-head bolt M 6 X 12		1	
57	999 072 005 09	Hexagon nut M 6 X 12		1	
57	999 072 005 01	Hexagon nut M 6 X 12		1	
58	900 027 014 01	Lock ring B 6		1	
58	900 027 014 02	Lock ring B 6		1	
58	N 012 006 4	Lock ring B 6		1	
59	914 424 075 00	Wire pull for Flap Heating		1	914-6
59	PCG 424 075 01	Wire pull for Flap Heating	-74	1	914-4/1,7 914-1,8/1,8V 914-2,0
59	914 424 075 03	Wire pull for Flap Heating	75-	1	914-1,8/2,0
60	113 711 691	Grommet		2	
61	311 129 777	Bearing pin		2	
62	N 010 205 6	Hexagon-head bolt M 5 X 10		2	
62	900 075 105 02	Screw M 5 X 10		2	

Model: 914 70

Model life 1970>>1976





Model: 914 70 Model life 1970>>1976

Pos	Part Number	Description	Remark	Qty	Model
		Pedals for cars with Manual transmission			
1	901 423 010 00	Accelerator pedal		1	
1	901 423 010 01	Accelerator pedal		1	
-	PCG 911 423 00	Kit		1	
		Bush			
		Pedals			
		Comprising:			
-	900 021 008 00	Cotter pin		1	
-	900 021 008 0A	Cotter pin		1	
-	999 166 001 02	Bolt		1	
-	900 309 002 00	Roll pin		1	
-	901 423 193 00	Rubber stop		1	
-	914 423 210 00	Rubber pad		2	
-	901 423 253 00	Bearing sleeve		2	
-	911 423 341 01	Bush		2	
-	901 423 343 00	Bush		2	
-	901 423 391 00	Rubber stop		1	
-	911 423 542 00	Bush		2	
2	900 075 057 02	Hexagon-head bolt M 6 X 16		2	
2	900 075 057 03	Hexagon-head bolt M 6 X 16		2	
2	900 075 057 02	Hexagon-head bolt M 6 X 16		3	914-6/2,0
2	900 075 057 03	Hexagon-head bolt M 6 X 16		3	914-6/2,0
3	900 151 006 09	Washer B 6,4		2	
4	914 423 227 00	Push rod		1	
4	914 423 227 01	Push rod		1	
5	900 076 027 02	Nut M 5		2	
5		Nut M 5		4	914-6
6	N 015 521 3	Ball socket		2	
6		Ball socket		4	914-6
(7)	914 423 067 00	Accelerator cable		1	914-4/1,7 914-2,0
7	914 423 067 02	Accelerator cable		1	914-4/1,7 914-1,8/2,0
7/1	914 423 066 00	Accelerator cable		1	914-6
7/1	914 423 066 02	Accelerator cable		1	914-6
8	N 011 524 7	Washer 6,4		2	
8	N 011 524 27	Washer 6,4		2	
9	900 076 010 02	Nut M 6		3	
9	900 076 010 0B	Nut M 6		3	
10	914 423 287 00	Hexagon nut		1	914-6
11	914 423 593 00	Sealing sleeve		1	914-6
12	914 423 025 01	Reverse lever		1	914-6
13	914 423 211 00	Bearing sleeve		2	914-6
14	900 025 008 02	Washer 10,5		1	
14	N 011 527 4	Washer 10,5		1	
14	900 025 008 09	Washer 10,5		1	
14	900 025 008 04	Washer		1	

Model: 914 70

Model life 1970&gt;&gt;1976

Pos	Part Number	Description	Remark	Qty	Model
14	900 025 008 02	10,5 Washer		2	914-6
14	N 011 527 4	10,5 Washer		2	914-6
14	900 025 008 09	10,5 Washer		2	914-6
14	900 025 008 04	10,5 Washer		2	914-6
15	N 012 530 1	10,5 Cotter pin		1	914-6
16	914 423 285 01	3 X 15 Support for accelerator cable		1	914-6
17	901 423 026 03	Pull rod		1	914-6
18	N 010 205 6	Hexagon-head bolt		1	914-4/1,7
18	900 075 105 02	M 5 X 10 Screw		1	914-1,8/2,0
19	111 129 921	M 5 X 10 Bearing pin		1	914-4/1,7
20	111 971 911 A	Bearing pin		1	914-1,8/2,0
21	911 423 065 02	Grommet		1	914-4/1,7
22	901 423 193 00	Bearing bracket		1	914-1,8/1,8V
23	911 613 411 00	Rubber stop		1	914-2,0
23	911 613 411 01	Brake light switch		1	
24	900 114 014 01	Brake light switch		1	
24	900 114 014 01	Shake-proof washer		2	
25	900 146 011 02	A 4,3 Oval-head screw		2	
26	901 423 253 00	AM 4 X 10 Bearing sleeve		2	
27	901 423 250 02	Reverse lever		1	
27/1	914 423 260 00	Front Reverse lever		1	914-6
28	900 031 001 02	Front Washer		1	
28	900 031 105 01	8,4 Washer		1	
29	900 021 008 00	8,4 Cotter pin		1	
29	900 021 008 0A	2 X 15 Cotter pin		1	
30	901 423 035 00	2 X 15 Bearing tube		1	
31	901 423 391 00	Rubber stop		1	
32	900 027 015 02	Lock ring		3	
32	900 027 015 03	B 8 Lock ring		3	
33	N 011 151 3	B 8 Hexagon nut		1	
34	911 423 341 01	M 8 Bush		2	
35	901 423 320 01	Bush		2	
36	901 423 343 00	Clutch pedal shaft		1	
37	901 423 312 00	Bush		1	
37	901 423 312 00	Clutch pedal Lower part		1	
38	901 423 317 00	Clutch pedal		1	
39	900 309 002 00	Steering knuckle spring		1	
39	900 309 002 00	Roll pin		1	
40	914 423 034 00	S 6 X 28 Clutch pedal		1	
41	900 183 002 02	Upper part Hexagon nut		1	

Model: 914 70 Model life 1970>>1976

Pos	Part Number	Description	Remark	Qty	Model
42	914 423 210 00	M 14 X 1,5 Rubber pad		2	
43	901 423 053 02	Brake pedal		1	
44	911 423 542 00	Bush		2	
45	901 423 531 00	Return spring		1	
46	901 423 057 04	Piston rod		1	
47	900 158 003 02	Hexagon nut M 10		1	
48	901 423 157 00	Stop washer		1	
49	901 423 507 02	Intermediate piece		1	
50	N 011 564 2	Washer		1	
50	N 011 564 4	Washer		1	
51	900 021 015 00	Cotter pin 3 X 20		1	
(52)	914 423 401 05	Clutch cable		1	
52	914 423 401 02	Clutch cable		1	914-6
52	914 423 401 08	Clutch cable		1	914-6
53	914 423 283 00	Tab washer		1	
54	914 423 922 02	Sealing sleeve		1	
55	900 166 002 02	Clevis G 6 X 24		1	
55	900 166 002 01	Clevis G 6 X 24		1	
56	999 166 001 02	Bolt		1	
57	914 423 030 02	Bearing bracket		1	
58	914 423 273 00	Spacer sleeve		1	
59	914 423 255 02	Deflection roller		1	
60	999 084 027 02	Hexagon nut UNI-STOP U 18.10		1	
61	911 423 205 03	Lever		1	
62	N 021 193 1	Hexagon nut M 7		1	
63	914 551 067 00	Stop for Clutch pedal		1	
64	901 551 065 20	Stop for Accelerator pedal		1	
65	901 551 671 20	Hexagon-head bolt		1	
66	900 121 017 20	Tubular rivet B 5 X 0,75 X 10		4	
67	900 025 007 02	Washer 8,4		2	
67	900 025 007 03	Washer 8,4		2	
68	900 076 025 02	Hexagon nut M 8		2	
68	900 076 064 02	Hexagon nut M 8		2	
69	999 511 076 02	Clamp		1	914-6
70	900 028 008 01	Lock ring B 6		1	914-6
71	999 706 005 80	Suspension strap		1	914-2,0
71	911 424 341 02	Suspension strap		1	914-6
71	911 424 341 04	Suspension strap		1	914-6
-	N 020 902 1	Tie-wrap		2	914-6
-	N 020 902 A	Tie-wrap		2	914-6
-	999 513 002 40	Tie-wrap 186 MM		1	914-6
-	N 020 910 4	Tie-wrap 186 MM		1	914-6
-	999 513 003 40	Tie-wrap 186 MM		1	914-6

Model: 914 70

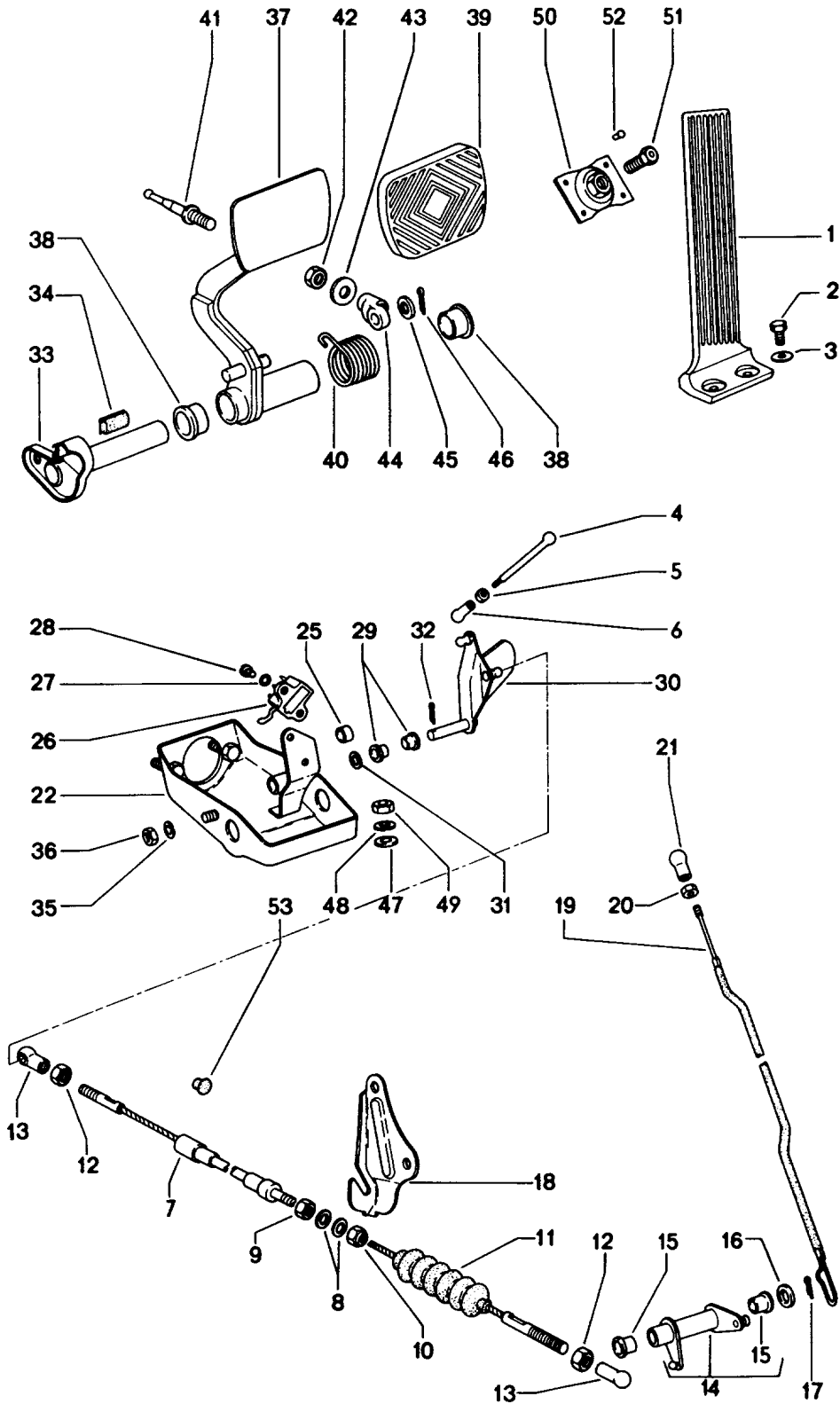
Model life 1970&gt;&gt;1976

Pos	Part Number	Description	Remark	Qty	Model
-	999 513 008 40	Tie-wrap 100 MM		2	

Model: 914 70

Model life 1970>>1976

SPORTOMATIC



Model: 914 70

Model life 1970&gt;&gt;1976

Pos	Part Number	Description	Remark	Qty	Model
		Pedals			914-6:SPM
1	901 423 010 00	Accelerator pedal		1	
1	901 423 010 01	Accelerator pedal		1	
2	900 075 057 02	Hexagon-head bolt M 6 X 16		2	
2	900 075 057 03	Hexagon-head bolt M 6 X 16		2	
3	900 151 006 09	Washer B 6,4		2	
4	914 423 227 00	Push rod		1	
4	914 423 227 01	Push rod		1	
5	900 076 027 02	Nut M 5		1	
6	N 015 521 3	Ball socket A 8		1	
7	914 423 066 00	Accelerator cable		1	
7	914 423 066 02	Accelerator cable		1	
8	N 011 524 7	Washer B 6,4		2	
8	N 011 524 27	Washer B 6,4		2	
9	900 076 010 02	Nut M 6		1	
9	900 076 010 0B	Nut M 6		1	
10	914 423 287 00	Hexagon nut		1	
11	914 423 593 00	Sealing sleeve		1	
12	900 076 027 02	Nut M 5		2	
13	N 015 521 3	Ball socket A 8		2	
14	914 423 025 01	Reverse lever		1	
15	914 423 211 00	Bearing sleeve		2	
16	900 025 008 02	Washer 10,5		1	
16	N 011 527 4	Washer 10,5		1	
16	900 025 008 09	Washer 10,5		1	
16	900 025 008 04	Washer 10,5		1	
17	N 012 530 1	Cotter pin 3 X 15		1	
18	914 423 288 00	Support for accelerator cable		1	
19	905 423 026 02	Pull rod		1	
20	900 076 027 02	Nut M 5		1	
21	N 015 521 3	Ball socket A 8		1	
22	911 423 065 02	Bearing bracket		1	
25	901 423 193 00	Rubber stop		1	
26	911 613 411 00	Brake light switch		1	
26	911 613 411 01	Brake light switch		1	
27	900 114 014 01	Shake-proof washer A 4,3		2	
28	900 146 011 02	Oval-head screw AM 4 X 10		2	
29	901 423 253 00	Bearing sleeve		2	
30	914 423 260 00	Reverse lever Front		1	
31	900 031 001 02	Washer 8,4		1	

Model: 914 70

Model life 1970&gt;&gt;1976

Pos	Part Number	Description	Remark	Qty	Model
31	900 031 105 01	Washer 8,4		1	
32	900 021 008 00	Cotter pin 2 X 15		1	
32	900 021 008 0A	Cotter pin 2 X 15		1	
33	905 423 035 00	Bearing tube		1	
34	905 423 391 00	Protective strip		1	
35	900 027 015 02	Lock ring B 8		01	
35	900 027 015 03	Lock ring B 8		01	
36	N 011 151 3	Hexagon nut M 8		1	
37	905 423 053 00	Brake pedal		1	
38	911 423 542 00	Bush		2	
39	905 423 511 00	Rubber pad		1	
40	905 423 531 00	Return spring		1	
41	901 423 057 04	Piston rod		1	
42	900 158 003 02	Hexagon nut M 10		1	
43	901 423 157 00	Stop washer		1	
44	901 423 507 02	Intermediate piece		1	
45	N 011 564 2	Washer 13		1	
45	N 011 564 4	Washer 13		1	
46	900 021 015 00	Cotter pin 3 X 20		1	
47	900 025 007 02	Washer 8,4		2	
47	900 025 007 03	Washer 8,4		2	
48	900 027 015 02	Lock ring B 8		2	
48	900 027 015 03	Lock ring B 8		2	
49	900 076 025 02	Hexagon nut M 8		2	
49	900 076 064 02	Hexagon nut M 8		2	
50	901 551 065 20	Stop for Accelerator pedal		1	
51	901 551 671 20	Hexagon-head bolt		1	
52	900 121 017 20	Tubular rivet B 5 X 0,75 X 10 CU		1	
53	999 703 058 40	Stopper		1	

Model: 914 70

Model life 1970>>1976





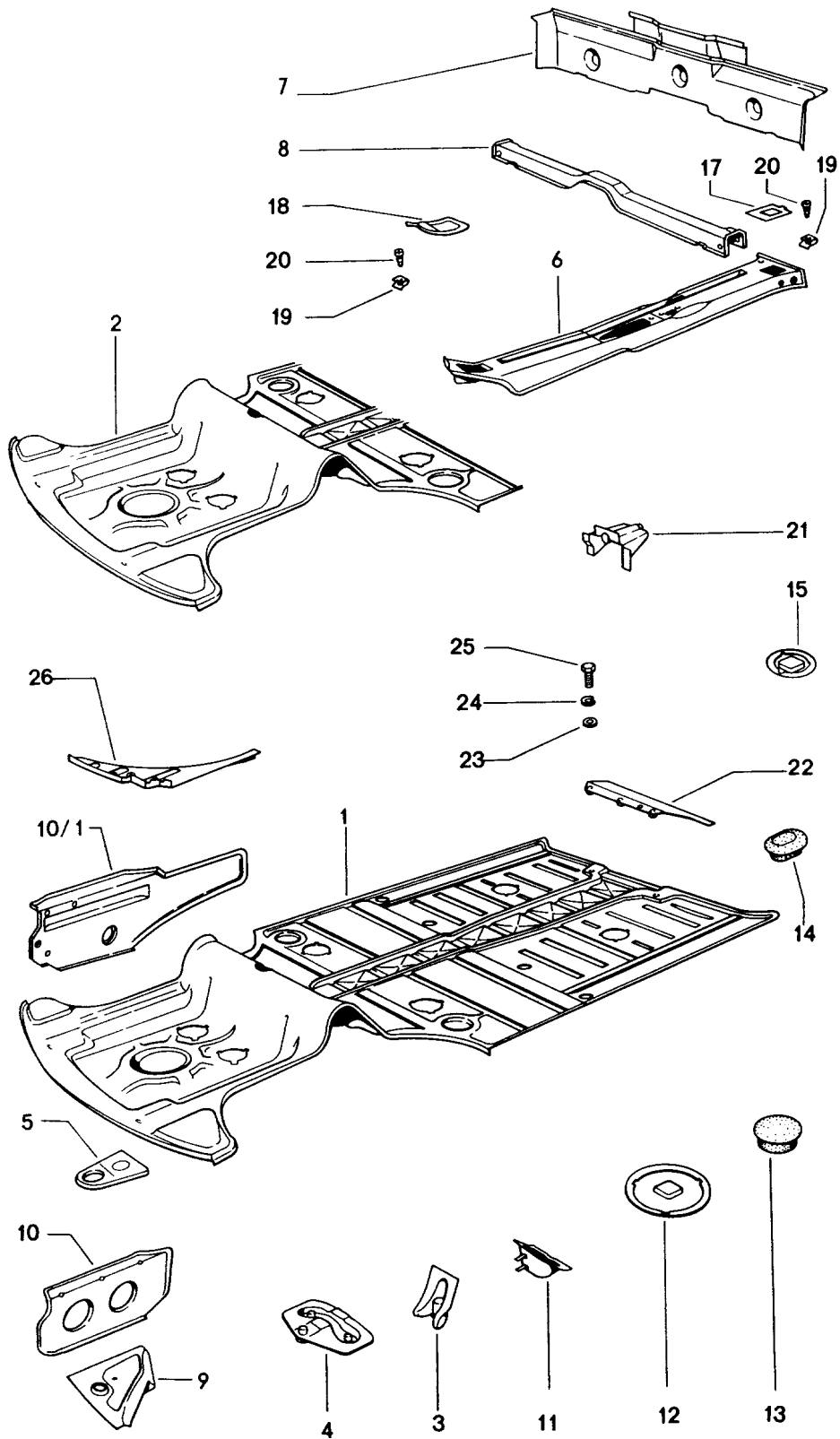
Model: 914 70

Model life 1970>>1976

Pos	Part Number	Description	Remark	Qty	Model
-	914 501 003 11	Body in white		1	914-6
-	914 501 004 12	Body in white	75-	1	
		Not for (USA), (J)			
-	914 501 779 13	Body in white	75- (J) (USA)	1	914-1,8V/2,0

Model: 914 70

Model life 1970>>1976



Model: 914 70 Model life 1970>>1976

Pos	Part Number	Description	Remark	Qty	Model
1	914 501 937 11	Frame Front Floorpan		1	
2	914 501 938 11	Floorpan		1	
3	914 501 059 00	Front part Mounting for Cross tube Front axle		2	
4	914 501 057 00	Reinforcement for Axle mounting	/V	2	
5	914 501 531 10	Towing lug	/V	1	
6	914 501 062 13	Tunnel		1	
7	914 501 643 10	Connecting piece		1	
8	914 501 109 10	Cross member Seat		1	
9	914 507 041 10	Corner plate	/L	1	
(9)	914 507 042 10	Corner plate	/R	1	
(10)	914 501 115 10	Separator for Wheel housing Cross panel Front	/L	1	
10/1	914 507 011 10	Separator for Wheel housing Cross panel Front	/L 75-	1	914-1,8/2,0
10	914 501 116 10	Separator for Wheel housing Cross panel Front	/R	1	
10/1	914 507 012 10	Separator for Wheel housing Cross panel Front	/R 75-	1	914-1,8/2,0
11	914 501 164 10	Mounting for Axle mounting	/H /L	1	
(11)		Mounting for Axle mounting	/H /R	1	
12	914 559 247 10	Lid		1	
13	914 559 243 10	Stopper for Oil hose And Water drain sleeve	-73	1	914-4/1,7 914-2,0
13		Stopper for Oil hose And Water drain sleeve	-73	2	914-6
14	914 559 245 10	Stopper for Fuel line		1	914-6
15	914 559 241 10	Lid		8	
17	914 504 912 10	Lid for Tunnel	/H	1	

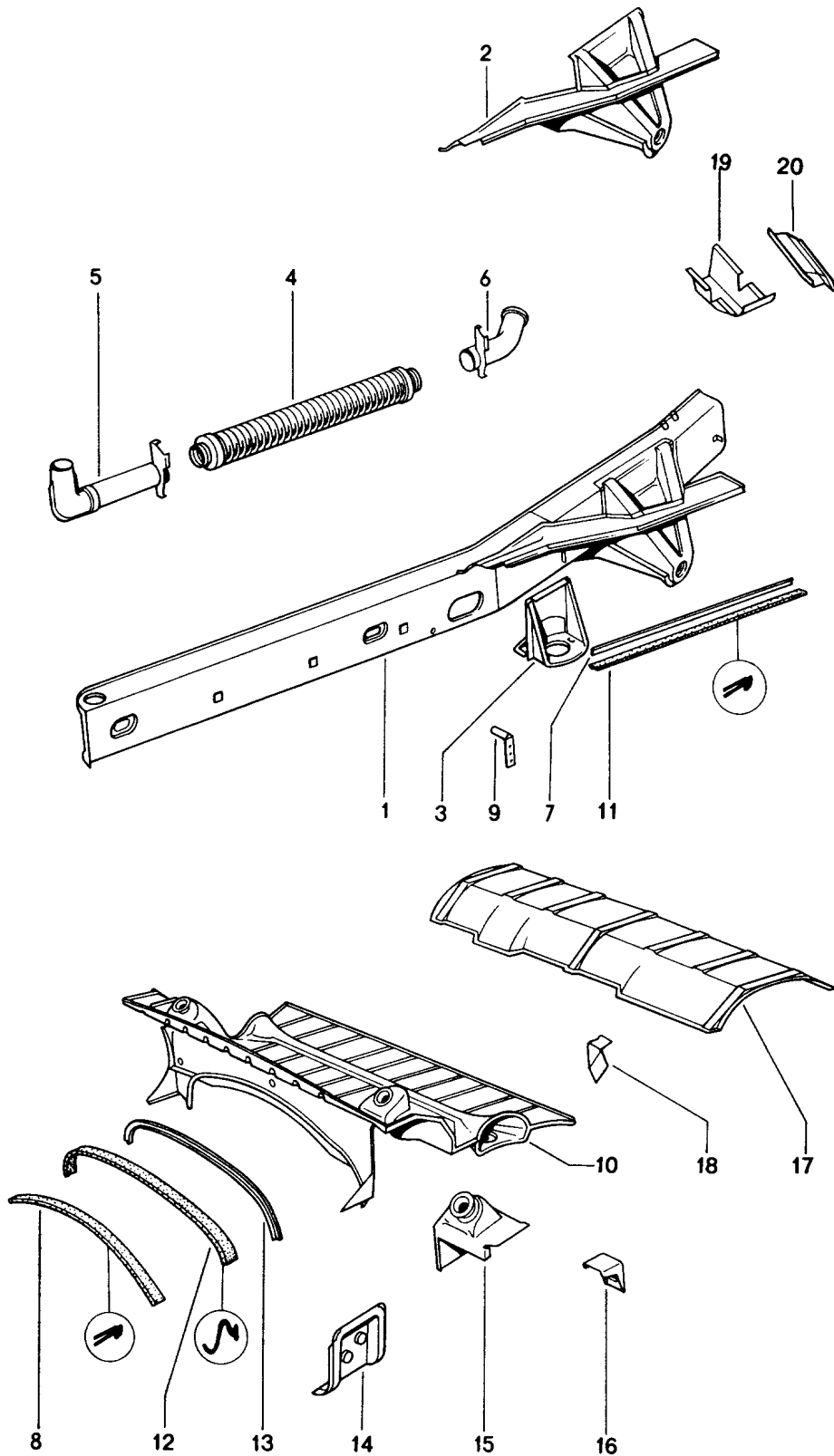
Model: 914 70

Model life 1970>>1976

Pos	Part Number	Description	Remark	Qty	Model
18	914 504 025 10	Lid for Tunnel	/V	1	
19	999 507 009 02	Speed nut		2	
20	900 138 003 01	Pan-head tapping screw B 3,5 X 9,5		2	
21	914 501 408 10	Bracket for Towing lug	-74	1	
22	914 559 163 10	Protection cover		2	914-1,7/1,8V 914-1,8/2,0
23	900 025 003 02	Washer B 5,3		6	914-1,7/1,8V 914-1,8/2,0
24	N 012 005 3	Lock ring B 5		6	914-1,7/1,8V 914-1,8/2,0
25	N 010 207 6	Hexagon-head bolt M 5 X 12		6	914-1,7/1,8V 914-1,8/2,0
25	N 010 207 17	Hexagon-head bolt M 5 X 12		6	914-1,7/1,8V 914-1,8/2,0
26	914 502 109 10	Reinforcement for Cross panel Lock	/L -74	1	914-1,7/1,8 914-2,0
(26)	914 502 110 10	Reinforcement for Cross panel Lock	/R -74	1	914-1,7/1,8 914-2,0

Model: 914 70

Model life 1970>>1976



Model: 914 70 Model life 1970>>1976

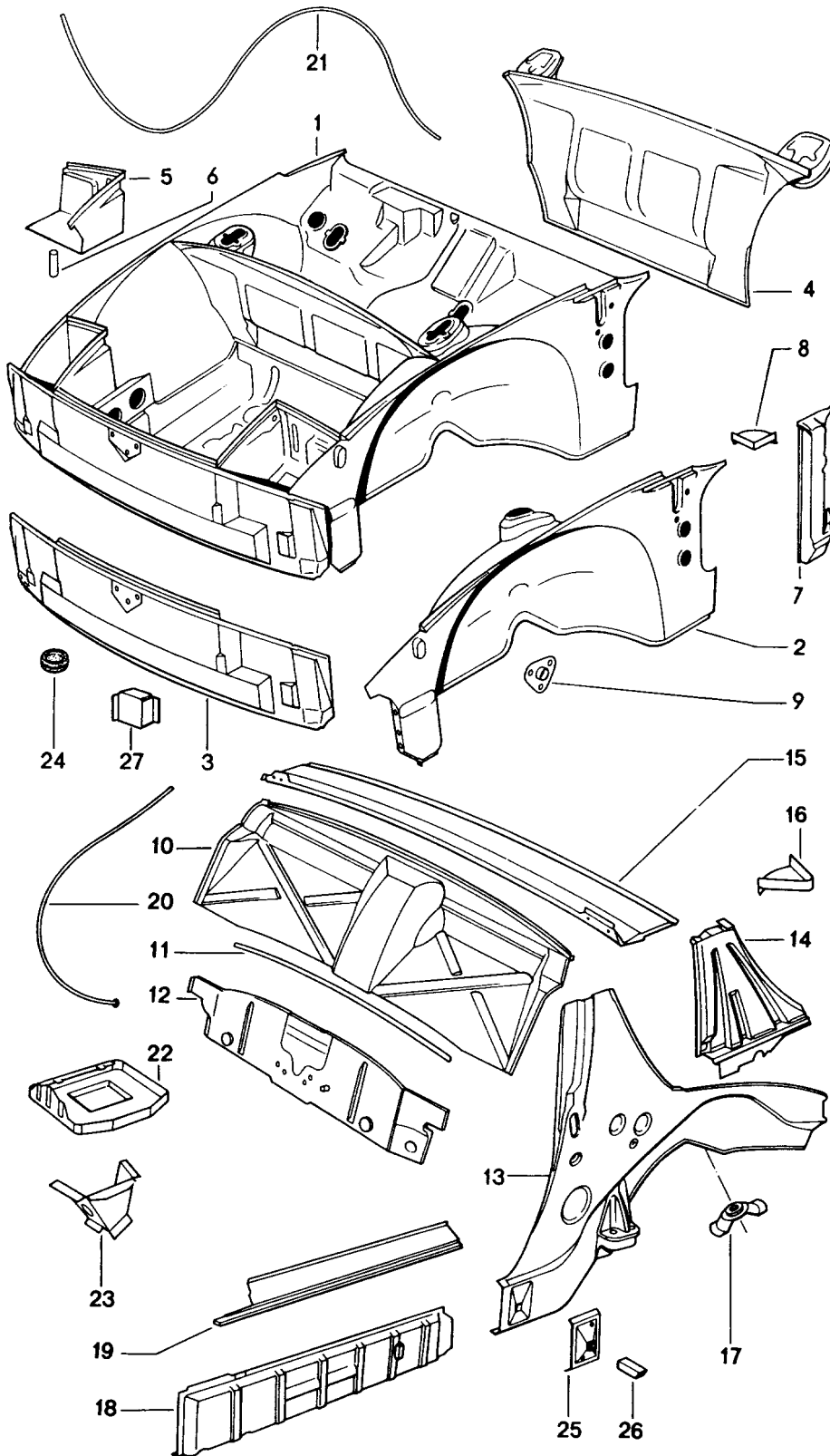
Pos	Part Number	Description	Remark	Qty	Model
(1)	914 501 435 10	Frame Rear Inner panel for Side member with Picture 3 FUER TYP 914-6 POS.3 ENTFERNEN	/L	1	
1	914 501 436 12	Inner panel for Side member with Picture 3 FUER TYP 914-6 POS. 3 ENTFERNEN	/R	1	
2	914 501 044 11	Bracket for Mounting Rear axle	/R	1	
(2)	914 501 017 10	Engine bracket for Mounting Rear axle	/L	1	
(3)	914 501 183 10	Engine mounting	/L	1	914-4/1,7 914-1,8/1,8V 914-2,0
3	914 501 184 10	Engine mounting	/R	1	914-4/1,7 914-1,8/1,8V 914-2,0
4	911 572 025 02	Muffler	-74	2	
(4)		Muffler Not Closed	75-	2	914-1,8V/1,8  914-2,0
(5)	914 501 027 10	Hot air duct	/V /L	1	
5	914 501 028 10	Hot air duct	/V /R	1	
(6)	914 501 031 10	Hot air duct	/H /L	1	
6	914 501 032 10	Hot air duct	/H /R	1	
7	914 501 825 10	Profile strip		2	
8	914 504 117 10	Seal	/V	1	
9	914 501 525 10	Stop for Handbrake	/L	1	914-6/4
10	914 501 083 10	Floorpan	-74	1	914-6/4/1,7 914-1,8V/2,0 914-1,8/2,0
(10)	914 507 015 10	Floorpan	-74 (J) (USA)	1	
(10)	914 501 083 14	Floorpan	75-	1	914-1,8/2,0
(11)	914 504 157 10	Seal Lateral	/L	1	
11	914 504 158 10	Seal Lateral	/R	1	
12	914 504 155 10	Seal	/H	1	
13	914 501 827 10	Profile strip	/H	1	
14	914 501 075 10	Support for Handbrake		1	
15	914 501 077 10	Reinforcement plate for Shock absorber	/H /L	1	

Model: 914 70 Model life 1970>>1976

Pos	Part Number	Description	Remark	Qty	Model
(15)	914 501 078 10	Reinforcement plate for Shock absorber	/H /R	1	
16	914 501 851 12	Engine bracket for Mount Bumper	-74	2	
(16)		Engine bracket for Mount Bumper	75-	2	914-1,8V/1,8 914-2,0
17	914 501 594 11	Heat protection plate		1	
18	914 501 596 10	Retaining bracket for Heat protection plate		6	
(19)	914 501 141 10	Filler plate	/L	1	
19	914 501 142 10	Filler plate	/R	1	
(20)	914 501 143 10	Reinforcement	/L	1	
20	914 501 144 10	Reinforcement	/R	1	

Model: 914 70

Model life 1970>>1976





Model: 914 70 Model life 1970>>1976

Pos	Part Number	Description	Remark	Qty	Model
1	914 501 901 10	Interior panelling Body front section	/V -71	1	914-6/4
1	914 501 901 11	Body front section	/V 72-74	1	
1	914 501 901 13	Body front section	75-	1	914-1,8/2,0
2	914 501 033 10	Wheel housing	/L /V	1	
(2)	914 501 034 10	Wheel housing	/R /V	1	
(3)	914 502 031 12	Cross panel	/V -74	1	
(3)	914 502 031 13	Cross panel POS. 3 See technical information NR 13. GR 8	/V 75-	1	914-1,8/2,0
3/1	914 502 919 10	Spacer for Cross panel 914.502.031.12		2	914-1,7/1,8 914-2,0
4	914 501 051 10	Cross panel for Shock absorber Front	-74	1	
(4)	914 501 051 11	Cross panel for Shock absorber Front	75-	1	914-1,8V/1,8 914-2,0
(5)	914 502 041 11	Headlamp casing for Pop-up headlight	/L	1	
(5)	914 502 042 11	Cover plate for Pop-up headlight	/R	1	
6	914 502 429 10	Water drain tube for Pop-up headlight		2	
6	914 502 429 11	Water drain tube for Water drain tube		2	
7	914 501 903 10	Hinge pillar	/L	1	
(7)	914 501 904 10	Hinge pillar	/R	1	
8	914 502 425 10	Connecting piece Corner piece	/V	2	
9	914 501 162 10	Reinforcement for Stabiliser mounting		2	914-1,7/1,8V 914-1,8/2,0
10	914 502 011 10	Rear wall Upper part	-71	1	914-6/4
10	914 502 011 11	Rear wall Upper part	72-	1	
11	914 501 823 10	Clamping piece	/V	1	
12	914 501 007 10	Rear wall		1	914-6
(12)	914 501 119 10	Rear wall Lower part	-71	1	914-4
(12)	914 501 119 11	Rear wall Lower part	72-	1	914-4
(12)	914 501 119 14	Rear wall Lower part	-74	1	914-1,7/1,8V 914-1,8/2,0
(12)		Rear wall Lower part	75-	1	914-1,8V/1,8 914-2,0
13	914 501 941 10	Wheel housing panel Inner panel	/L /H	1	914-4/1,7 914-1,8/1,8V 914-2,0
13	914 501 941 11	Wheel housing panel Inner panel F 47329 10937>> for	/L /H 73-	1	914-1,7/1,8V 914-2,0

Model: 914 70 Model life 1970>>1976

Pos	Part Number	Description	Remark	Qty	Model
(13)	914 501 943 10	USA with Baffle plate Wheel housing panel	/L /H	1	914-6
(13)	914 501 944 10	Inner panel Wheel housing panel	/R /H	1	
(13)	914 501 944 11	Inner panel Wheel housing panel	/R /H 73-	1	914-1,7/1,8V 914-2,0
14	914 502 035 10	F 47329 10937>> for USA with Baffle plate Reinforcement	/L	1	
(14)	914 502 036 10	for Roll bar Reinforcement	/R	1	
15	914 502 033 10	for Roll bar Filler plate		1	
16	914 502 243 10	Inner panel for Roll bar Connecting piece	/L /H	1	
(16)	914 502 244 10	Corner piece Connecting piece	/R /H	1	
17	914 501 030 10	Corner piece Bracket		2	
17	914 501 030 10 GRV	for Hinge pillar Bracket		2	
18	914 501 013 10	Prime coated for Hinge pillar Door sill	/L	1	
(18)	914 501 014 10	Outer Door sill	/R	1	
19	914 501 089 10	Outer Door sill	/L	1	
(19)	914 501 090 10	for Side member Door sill	/R	1	
20	914 502 237 10	for Side member Guide tube		1	
21	914 511 231 10	for Lid-release cable Engine compartment Guide tube		1	
22	914 501 587 10	for Lid-release cable Front Carrier plate for battery		1	
23	914 501 073 10	Supporting plate		1	
23		Supporting plate		1	
		for Battery Bracket			
24	914 501 073 10 GRV	Prime coated			
24	914 559 252 10	Stopper		9	
25	914 501 151 10	Separator		2	
25		Separator		2	

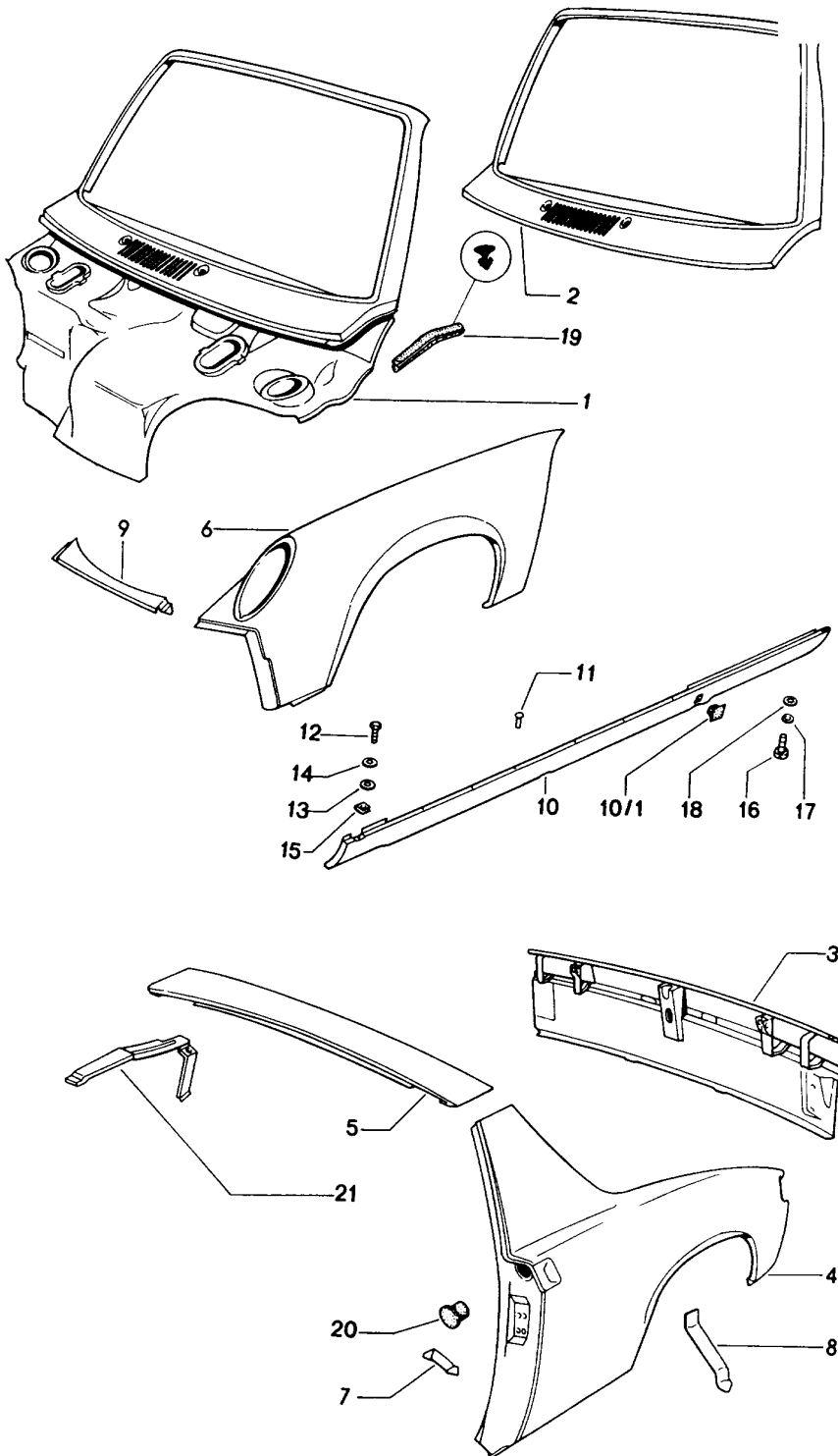
Model: 914 70

Model life 1970>>1976

Pos	Part Number	Description	Remark	Qty	Model
26	914 501 151 10 GRV 914 501 153 10	Prime coated Connecting piece		2	

Model: 914 70

Model life 1970>>1976



Model: 914 70 Model life 1970>>1976

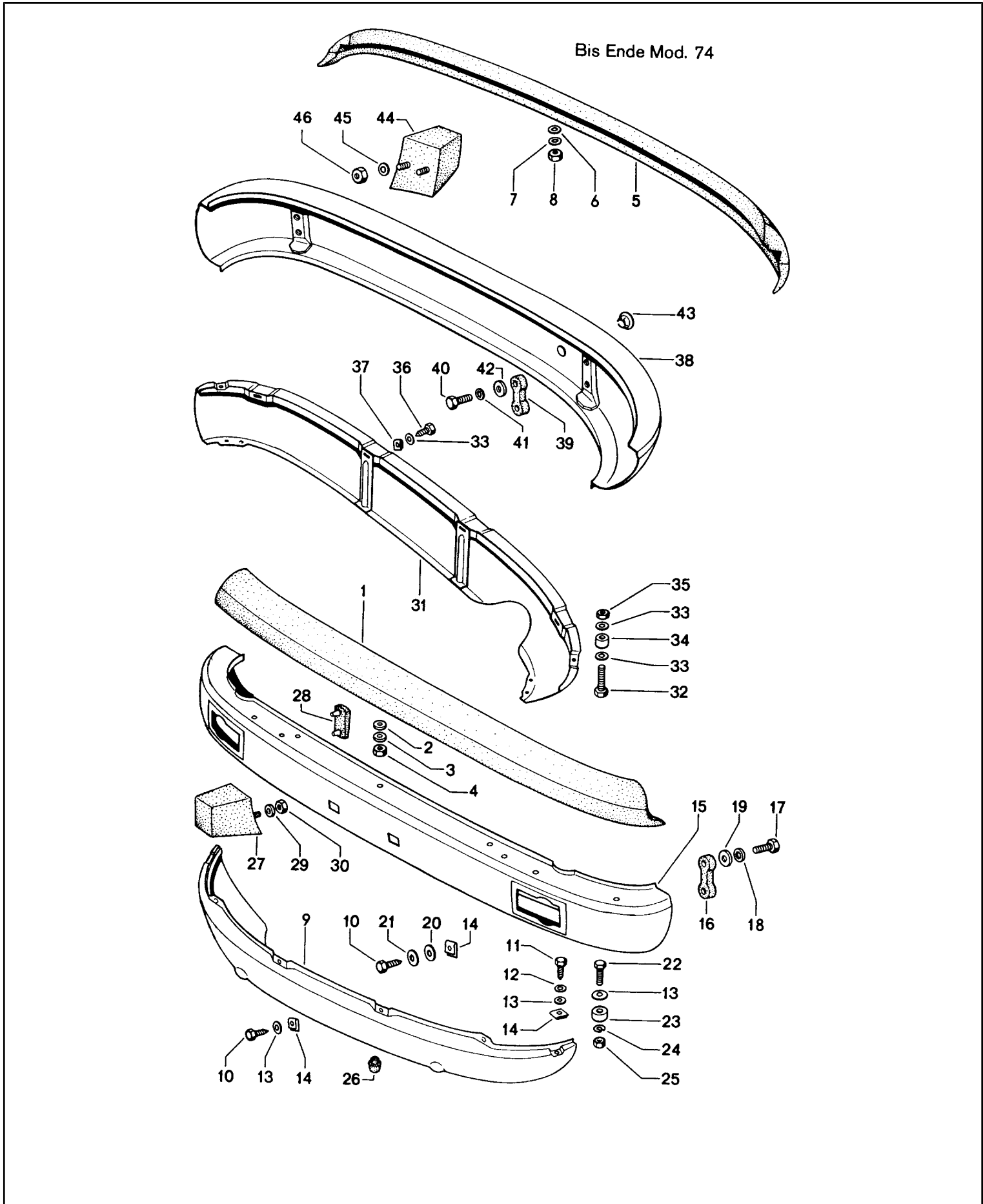
Pos	Part Number	Description	Remark	Qty	Model
1	914 503 901 10	Exterior panelling Firewall with Windscreen frame	-71	1	914-6/4
1	914 501 195 10	Firewall with Windscreen frame	72-	1	
2	914 503 057 10	Cowl		1	
3	914 503 065 11	Cross panel	/H -74	1	
3		Cross panel	/H	1	
3	914 503 065 11 GRV	Prime coated		1	
3	914 503 065 11	Cross panel	/H	1	
3	914 503 065 11 GRV	Prime coated		1	
3	914 503 065 12	Cross panel	/H 75-	1	914-1,8/2,0
4	914 503 903 11	Terminal piece Side section Side section with Lock pillar	/L /H	1	
(4)	914 503 904 11	Side section Side section with Lock pillar	/R /H	1	
-	914 503 907 00	Flared wheel arches	/L /H	1	
-		Flared wheel arches	/L /H	1	
-	914 503 907 00 GRV	Prime coated		1	
-	914 503 908 00	Flared wheel arches	/R /H	1	
-		Flared wheel arches	/R /H	1	
5	914 503 908 00 GRV	Prime coated		1	
5	914 503 603 10	Roll bar		1	
(6)	914 503 061 11	Exterior panelling Upper Wing with Bore for Direction indicator light Lateral for (USA) (I) (DK)	/L /V	1	914-6/4/1,7
(6)	914 503 062 11	Wing with Bore for Direction indicator light Lateral for (USA) (I) (DK)	/R /V	1	914-6/4/1,7
-	914 503 905 00	Flared wheel arches	/L /V	1	
-		Flared wheel arches	/L /V	1	
-	914 503 905 00 GRV	Prime coated		1	
-	914 503 906 00	Flared wheel arches	/R /V	1	
-		Flared wheel arches	/R /V	1	
-	914 503 906 00 GRV	Prime coated		1	
7	914 501 371 10	Bracket Front for Wing Rear Left		1	
(7)	914 501 372 10	Bracket Front for		1	

Model: 914 70 Model life 1970>>1976

Pos	Part Number	Description	Remark	Qty	Model
8	914 501 375 10	Wing Rear Right Bracket		1	
(8)	914 501 376 10	Rear for Wing Rear Left Bracket		1	
9	914 503 307 10	Rear for Wing Rear Right Cover	/L	1	
(9)	914 503 308 10	Pop-up headlight Cover for Pop-up headlight	/R	1	
-	914 750 197 10	Stopper		6	
10	914 503 125 10	Door sill	/L	1	
(10)	914 503 126 10	Door sill	/R	1	
10/1	914 559 267 10	Stopper		2	
11	999 591 550 40	Expansion rivet		12	
12	900 187 017 02	Hexagon-head tapping screw BZ 4,2 X 19		4	
13	914 559 127 10	Spacer		4	
14	900 025 002 02	Washer A 4,3		4	
14	900 025 002 03	Washer A 4,3		4	
15	999 507 229 00	Speed nut		4	
16	N 014 139 5	Oval-head screw M 6 X12		6	
17	N 011 524 7	Washer 6,4		6	
17	N 011 524 27	Washer 6,4		6	
18	900 114 002 02	Shake-proof washer J 6,4		6	
19	914 559 155 10	Piping		2	
20	914 555 043 10	Cover	72-	2	914-4/1,7 914-1,8/1,8V 914-2,0
21	914 503 044 10	TYP 914-6 Cover for Engine compartment	/R	1	
(21)	914 503 043 10	Cover for Engine compartment	/L	1	
-	914 503 905 00	Flared wheel arches	/V /L	1	
-	914 503 905 00 GRV	Prime coated			
-	914 503 906 00	Flared wheel arches	/V /R	1	
-	914 503 906 00 GRV	Prime coated			
-	914 503 907 00	Flared wheel arches	/H /L	1	
-	914 503 907 00 GRV	Prime coated			
-	914 503 908 00	Flared wheel arches	/H /R	1	
-	914 503 908 00 GRV	Prime coated			

Model: 914 70

Model life 1970>>1976



Model: 914 70 Model life 1970>>1976

Pos	Part Number	Description	Remark	Qty	Model
		Bumper Front and rear	-74		
1	914 503 023 10	Protective moulding	/V	1	
1	914 503 023 11	Protective moulding for cars with Headlight washer system (S)	/V 74-	1	914-1,8V/1,8 914-2,0
2	914 559 116 10	Rubber base		5	
3	900 151 006 09	Washer A 6,4		5	
4	900 076 010 02	Nut M 6		5	
4	900 076 010 0B	Nut M 6		5	
5	914 503 027 10	Protective moulding	/H	1	
6	914 559 116 10	Rubber base		5	
7	900 151 006 09	Washer A 6,4		5	
8	900 076 010 02	Nut M 6		5	
8	900 076 010 0B	Nut M 6		5	
9	914 503 121 10	Front apron		1	
(9)	914 503 235 10	Front spoiler		1	914-4/1,7 914-1,8/1,8V 914-2,0
-	914 503 237 10	Support panel for Front spoiler	/L M	1	914-4/1,7 914-1,8/1,8V 914-2,0
-	914 503 238 10	Support panel for Front spoiler	/R	1	914-4/1,7 914-1,8/1,8V 914-2,0
-	N 010 264 4	Hexagon-head bolt M 5 X 22		2	914-4/1,7 914-1,8/1,8V 914-2,0
-	914 503 239 10	Screw for Front spoiler Mount		2	914-4/1,7 914-1,8/1,8V 914-2,0
-	N 012 006 4	Lock ring 6		2	914-4/1,7 914-1,8/1,8V 914-2,0
-	900 076 010 02	Nut M 6		2	914-4/1,7 914-1,8/1,8V 914-2,0
-	900 076 010 0B	Nut M 6		2	914-4/1,7 914-1,8/1,8V 914-2,0
-	999 507 024 02	Speed nut 4,8		4	914-4/1,7 914-1,8/1,8V 914-2,0
10	900 187 018 02	Hexagon-head tapping screw B 4,8 X 16		4	
11	900 187 024 02	Hexagon-head tapping screw BZ 4,8X 19	-71	1	914-6
11		Hexagon-head tapping screw BZ 4,8 X 19	-71	2	914-4
12	914 559 127 10	Spacer	-71	2	914-6/4
13	900 151 027 02	Washer B 5,3	-71	6	914-6/4
13	900 151 027 03	Washer B 5,3		6	914-6/4
14	999 507 015 02	Speed nut		6	



Model: 914 70 Model life 1970>>1976

Pos	Part Number	Description	Remark	Qty	Model
15	914 505 009 10	Bumper Chrome	/V	1	
15	914 505 010 10	Bumper Prime coated	/V	1	
15	914 505 084 10	Bumper Chrome	/V 73-	1	
15	914 505 083 10	Bumper Prime coated	/V 73-	1	
(15)	914 505 009 11	Bumper Chrome for cars with Headlight washer system (S)	/V 74-	1	
(15)	914 505 010 12	Bumper Prime coated for cars with Headlight washer system (S)	/V 74-	1	
16	914 505 027 10	Desk pad		2	
17	N 010 340 4	Hexagon-head bolt M 8 X 40		4	
18	900 114 021 01	Shake-proof washer J 8,2		4	
19	900 151 008 02	Washer B 8,4		4	
20	999 151 027 50	Sealing washer	72-	2	
21	999 151 026 02	Washer	72-	2	
22	N 010 264 4	Hexagon-head bolt M 5 X 20	72-	2	
23	914 559 127 11	Spacer	72-	2	
24	N 012 005 3	Lock ring B 5	72-	2	
25	900 076 027 02	Nut M 5	72-	2	
26	914 559 253 10	Buffer	72-	2	
(27)	914 505 063 10	Bumper horn	/L /V	1	914-1,7/1,8 914-2,0
27	914 505 064 10	Bumper horn	/R /V	1	914-1,7/1,8 914-2,0
28	914 505 107 10	Desk pad		2	914-1,7/1,8
29	900 025 007 02	Washer A 8,4		4	914-1,7/1,8 914-2,0
29	900 025 007 03	Washer A 8,4		4	914-1,7/1,8 914-2,0
30	900 076 025 02	Hexagon nut M 8		4	914-1,7/1,8 914-2,0
30	900 076 064 02	Hexagon nut M 8		4	914-1,7/1,8 914-2,0
31	914 503 009 10	Rear apron		1	
32	914 503 009 10 GRV N 010 264 4	Prime coated Hexagon-head bolt M 5 X 20		2	
33	900 151 027 02	Washer 5,3		6	
33	900 151 027 03	Washer 5,3		6	
34	914 559 127 11	Spacer		2	
35	900 076 027 02	Nut M 5		2	
36	N 013 884 5	Hexagon-head tapping screw B 4,2 X 13		4	
37	999 507 015 02	Speed nut		4	
38	914 505 019 10	Bumper	/H	1	

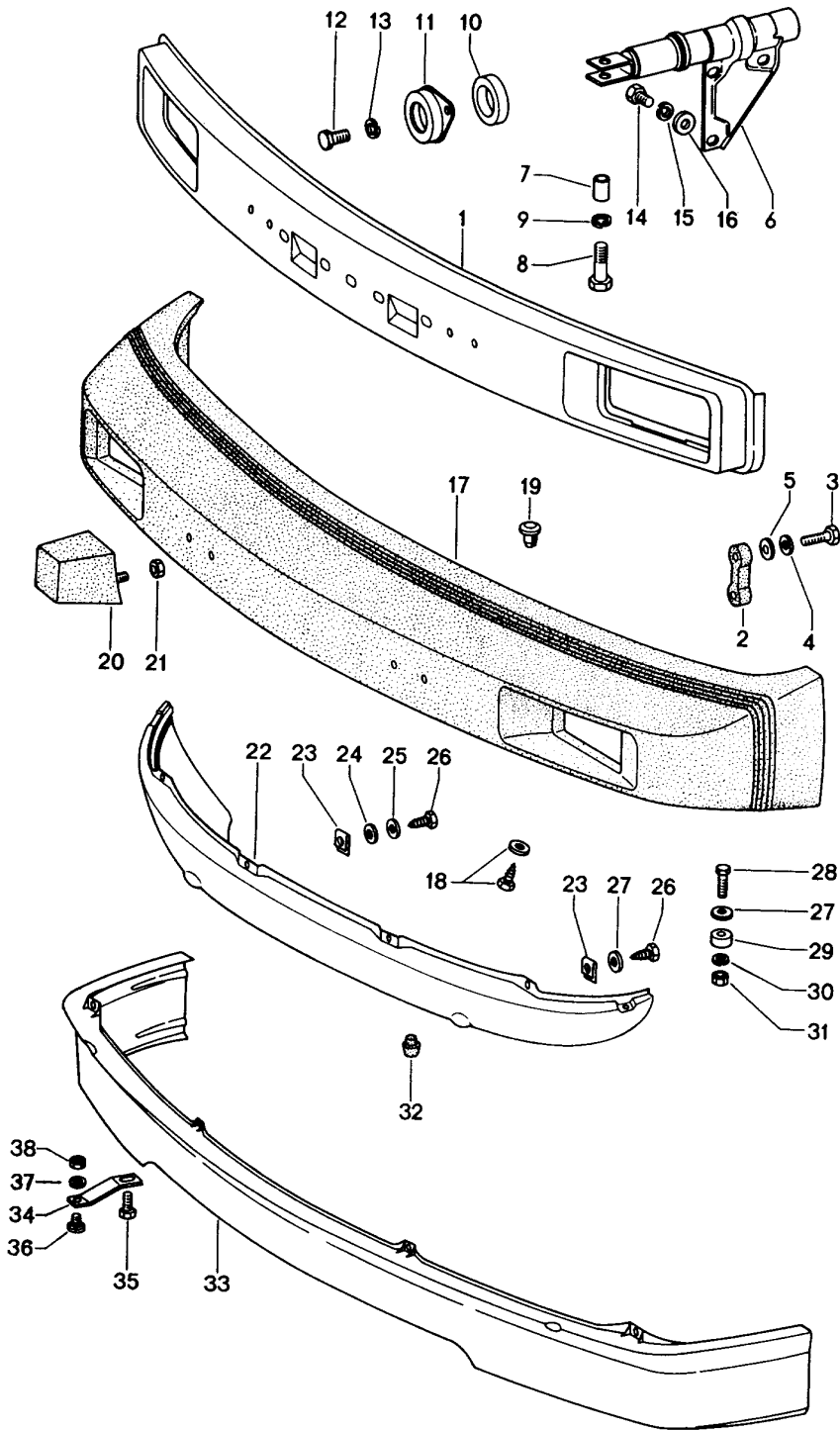
Model: 914 70 Model life 1970>>1976

Pos	Part Number	Description	Remark	Qty	Model
38	914 505 020 10	Chrome Bumper	/H	1	
		Prime coated			
38	914 505 092 10	Bumper	/H 74-	1	
		Chrome			
38	914 505 091 10	Bumper	/H 74-	1	
		Prime coated			
39	914 505 027 10	Desk pad		2	
40	N 010 340 4	Hexagon-head bolt		4	
		M 8 X 40			
41	900 114 021 01	Shake-proof washer		4	
		J 8,2			
42	900 151 008 02	Washer		4	
		B 8,4			
43	PCG 722 107 10	Stopper		1	914-4/1,7 914-1,8/1,8V 914-2,0
		Black for Towing lug			
43	914 722 109 10	Stopper	/H	1	914-6
		Chrome for Towing lug			
43		Stopper	/H M	1	
		Chrome for Towing lug			
(44)	914 505 085 10	Buffer	/L /H 74-	1	914-1,8/2,0
44	914 505 086 10	Buffer	/R /H 74-	1	914-1,8/2,0
45	900 025 007 02	Washer	74-	4	914-1,8/2,0
		A 8,4			
45	900 025 007 03	Washer	74-	4	914-1,8/2,0
		A 8,4			
46	900 076 025 02	Hexagon nut	74-	4	914-1,8/2,0
		M 8			
46	900 076 064 02	Hexagon nut	74-	4	914-1,8/2,0
		M 8			

Model: 914 70

Model life 1970>>1976

Ab Mod. 75



Model: 914 70 Model life 1970>>1976

Pos	Part Number	Description	Remark	Qty	Model
1	914 505 096 10	Bumper Front Bracket for Bumper	75-  /V	1	914-1,8V/2,0
(1)	914 505 033 11	Bracket for Bumper	/V	1	914-1,8/2,0
2	914 505 027 10	Desk pad		2	914-1,8V/2,0
3	N 010 340 6	Hexagon-head bolt M 8 X 40		4	914-1,8V/2,0
4	900 115 013 01	Spring washer 8		4	914-1,8V/2,0
5	900 151 008 02	Washer 8		4	914-1,8V/2,0
(6)	914 505 115 11	Impact absorber	/L	1	914-1,8/2,0
6	914 505 116 11	Impact absorber	/R	1	914-1,8/2,0
7	133 807 173	Spacer tube		2	914-1,8/2,0
8	N 010 154 4	Hexagon-head bolt M 12 X 1,5 X 55		2	914-1,8/2,0
9	900 027 017 02	Lock ring B 12		2	914-1,8/2,0
10	914 505 281 10	Rubber mounting		2	914-1,8/2,0
11	914 505 283 10	Support for Rubber mounting		2	914-1,8/2,0
12	900 075 078 02	Hexagon-head bolt M 8 X 15		4	914-1,8/2,0
12	900 075 078 03	Hexagon-head bolt M 8 X 15		4	914-1,8/2,0
13	900 027 015 02	Lock ring B 8		4	914-1,8/2,0
13	900 027 015 03	Lock ring B 8		4	914-1,8/2,0
14	N 010 251 2	Hexagon-head bolt 10 X 18		6	914-1,8/2,0
15	900 027 016 02	Lock ring B 10		6	914-1,8/2,0
15	900 027 016 03	Lock ring B 10		6	914-1,8/2,0
16	900 025 008 02	Washer 10		6	914-1,8/2,0
16	N 011 527 4	Washer 10		6	914-1,8/2,0
16	900 025 008 09	Washer 10		6	914-1,8/2,0
16	900 025 008 04	Washer 10		6	914-1,8/2,0
17	914 503 231 12	Base		1	914-1,8V/1,8 914-2,0
18	N 013 888 2	Tapping screw with Washer		4	914-1,8V/1,8 914-2,0
19	999 703 124 40	Stopper		2	914-1,8V/1,8 914-2,0
20	914 505 189 10	Bumper horn (CALIFORNIA+MARYLAND)	/L	1	914-1,8/2,0
(20)	914 505 190 10	Bumper horn (CALIFORNIA+MARYLAND)	/R	1	914-1,8/2,0
21	900 910 022 09	Lock nut M 8		4	914-1,8/2,0
21	900 910 022 03	Lock nut M 8		4	914-1,8/2,0

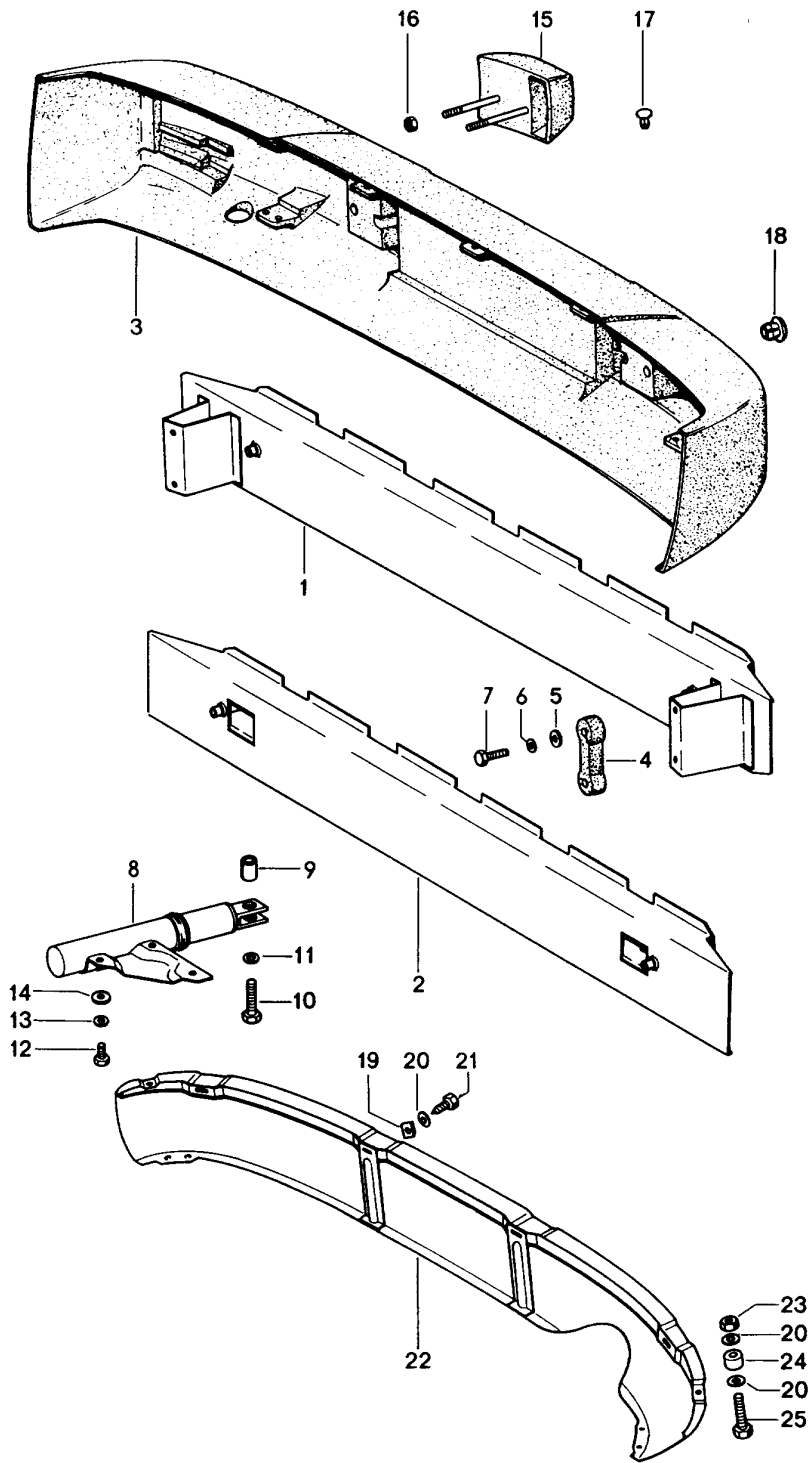
Model: 914 70 Model life 1970>>1976

Pos	Part Number	Description	Remark	Qty	Model
22	914 503 121 10	Front apron		1	914-1,8V/1,8 914-2,0
23	999 507 015 02	Speed nut		4	914-1,8V/1,8 914-2,0
24	999 151 027 50	Sealing washer		2	914-1,8V/1,8 914-2,0
25	999 151 026 02	Washer		2	914-1,8V/1,8 914-2,0
26	900 187 018 02	Hexagon-head tapping screw B 4,8 X 16		4	914-1,8V/1,8 914-2,0
27	900 151 027 02	Washer B 5,3		6	914-1,8V/1,8 914-2,0
27	900 151 027 03	Washer B 5,3		6	914-1,8V/1,8 914-2,0
28	N 010 264 4	Hexagon-head bolt M 5 X 20		2	914-1,8V/1,8 914-2,0
29	914 559 127 11	Spacer		2	914-1,8V/1,8 914-2,0
30	N 012 005 3	Lock ring B 5		2	914-1,8V/1,8 914-2,0
31	900 076 027 02	Nut M 5		2	914-1,8V/1,8 914-2,0
32	914 559 253 10	Buffer		2	914-1,8V/1,8 914-2,0
33	914 503 235 10	Front spoiler		1	914-1,8V/1,8 914-2,0
34	914 503 237 10	Support panel	/L M	1	914-1,8V/1,8 914-2,0
(34)	914 503 238 10	Support panel	/R M	1	914-1,8V/1,8 914-2,0
35	N 010 264 4	Hexagon-head bolt M 5 X 22		2	914-1,8V/1,8 914-2,0
36	914 503 239 10	Screw		2	914-1,8V/1,8 914-2,0
37	N 012 006 4	Lock ring B 6		2	914-1,8V/1,8 914-2,0
38	900 076 010 02	Nut M6		2	914-1,8V/1,8 914-2,0
38	900 076 010 0B	Nut M6		2	914-1,8V/1,8 914-2,0

Model: 914 70

Model life 1970>>1976

Ab Mod. 75



Model: 914 70 Model life 1970>>1976

Pos	Part Number	Description	Remark	Qty	Model
1	914 505 093 10	Bumper Rear Bracket for Bumper	75- /H	1	914-1,8V/2,0
2	914 505 099 10	Bracket for Bumper	/H	1	914-1,8/2,0
3	914 503 233 10	Base	/H	1	914-1,8V/1,8 914-2,0
4	914 505 027 10	Desk pad		2	914-1,8V/2,0
5	900 151 008 02	Washer 8		4	914-1,8V/2,0
6	900 115 013 01	Spring washer 8		4	914-1,8V/2,0
7	N 010 340 6	Hexagon-head bolt M 8 X 40		4	914-1,8V/2,0
8	914 505 116 11	Impact absorber	/R	1	914-1,8/2,0
(8)	914 505 115 11	Impact absorber	/L	1	914-1,8/2,0
9	133 807 173	Spacer tube		2	914-1,8/2,0
10	N 010 154 4	Hexagon-head bolt M 12 X 1,5 X 55		2	914-1,8/2,0
11	900 027 017 02	Lock ring B 12		2	914-1,8/2,0
12	N 010 251 2	Hexagon-head bolt M 10 X 18		6	914-1,8/2,0
13	900 027 016 02	Lock ring B 10		6	914-1,8/2,0
13	900 027 016 03	Lock ring B 10		6	914-1,8/2,0
14	900 025 008 02	Washer 10		6	914-1,8/2,0
14	N 011 527 4	Washer 10		6	914-1,8/2,0
14	900 025 008 09	Washer 10		6	914-1,8/2,0
14	900 025 008 04	Washer 10		6	914-1,8/2,0
15	914 505 191 10	Bumper horn (CALIFORNIA+MARYLAND)	/L	1	914-1,8/2,0
(15)	914 505 192 10	Bumper horn (CALIFORNIA+MARYLAND)	/R	1	914-1,8/2,0
16	900 910 022 09	Lock nut M 8		4	914-1,8/2,0
16	900 910 022 03	Lock nut M 8		4	914-1,8/2,0
17	999 591 554 40	Plastic rivet		7	914-1,8V/1,8 914-2,0
18	914 722 107 11	Stopper for Towing lug		1	914-1,8V/1,8 914-2,0
19	999 507 015 02	Speed nut		4	914-1,8V/1,8 914-2,0
20	900 151 027 02	Washer 5,3		8	914-1,8V/1,8 914-2,0
20	900 151 027 03	Washer 5,3		8	914-1,8V/1,8 914-2,0
21	N 013 884 5	Hexagon-head tapping screw B 4,2 X 13		4	914-1,8V/1,8 914-2,0
22	914 503 009 10	Rear apron		1	914-1,8V/1,8
	914 503 009 10 GRV	Prime coated			914-2,0
23	900 076 027 02	Nut M 5		2	914-1,8V/1,8 914-2,0

Model: 914 70

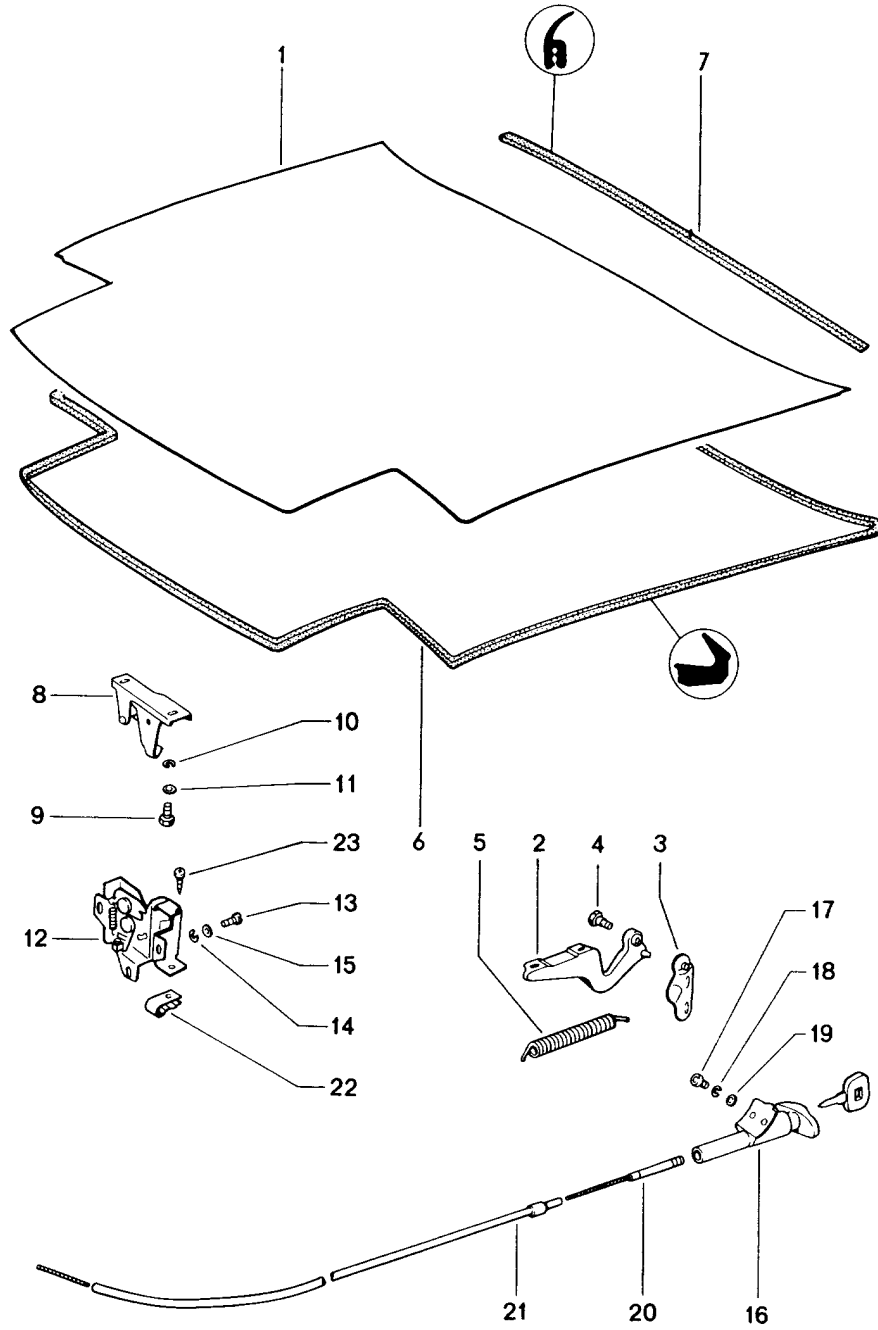
Model life 1970&gt;&gt;1976

Pos	Part Number	Description	Remark	Qty	Model
24	914 559 127 11	Spacer		2	914-1,8V/1,8 914-2,0
25	N 010 264 4	Hexagon-head bolt M 5 X 20		2	914-1,8V/1,8 914-2,0



Model: 914 70

Model life 1970>>1976



Model: 914 70 Model life 1970>>1976

Pos	Part Number	Description	Remark	Qty	Model
		Lid Front			
1	914 511 001 10	Lid	/V	1	
2	914 511 035 10	Hinge	/V /L	1	
(2)	914 511 036 10	Hinge	/V /R	1	
3	914 511 037 10	Hinge	/V /L	1	
(3)	914 511 038 10	Hinge	/V /R	1	
4	914 512 191 10	Fit bolt		2	
5	914 511 163 10	Tension spring	/V	2	
6	914 511 901 10	Sealing frame for Luggage compartment cover Front		1	
7	914 511 902 10	Sealing frame for Centre part		1	
7	914 511 902 12	Sealing frame for Centre part		1	
8	914 511 051 10	Lid lock Upper part		1	
9	N 010 215 13	Hexagon-head bolt M 6 X 15		2	
9	900 075 057 02	Hexagon-head bolt M 6 X 16	75-	2	914-1,8V/1,8 914-2,0
9	900 075 057 03	Hexagon-head bolt M 6 X 16	75-	2	914-1,8V/1,8 914-2,0
10	900 027 014 01	Lock ring B 6		2	
10	900 027 014 02	Lock ring B 6		2	
10	N 012 006 4	Lock ring B 6		2	
11	900 151 006 09	Washer B 6,4		2	
12	914 511 052 10	Lid lock Lower part		1	
13	N 014 761 2	Pan-head screw M 6 X 12		3	
13	900 119 129 01	Pan-head screw M 6 X 12		3	
14	N 012 007 2	Lock ring A 6		3	
14	900 027 004 03	Lock ring A 6		3	
15	N 011 524 7	Washer 6,4		3	
15	N 011 524 27	Washer 6,4		3	
16	911 511 903 00	Lock with lock cylinder And with 2 secondary keys W/o stipulated lock number		1	
16	911 511 904 00	Lock with lock cylinder And with 2 secondary keys State lock number		1	
-	999 703 036 50	Rubber stop		2	
-	914 531 903 11	Blank key for Secondary key		2	

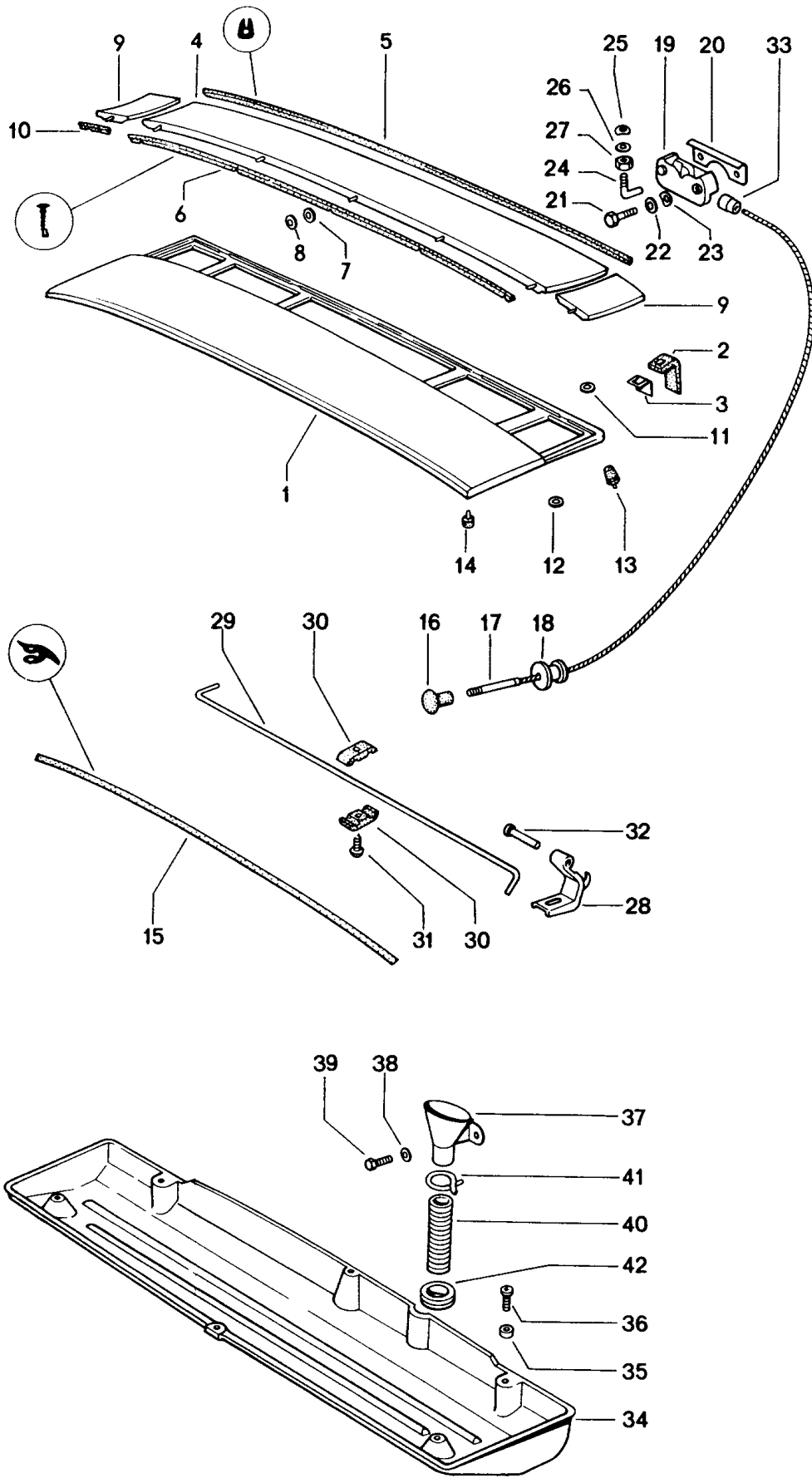
Model: 914 70

Model life 1970&gt;&gt;1976

Pos	Part Number	Description	Remark	Qty	Model
17	900 067 051 02	Pan-head screw M 5 X 10		2	
18	900 027 003 01	Lock ring A 5		2	
19	900 025 003 02	Washer 5,3		2	
20	914 511 091 10	Wire pull		1	
21	914 511 231 10	Guide tube		1	
22	311 823 567	Clip for Guide tube Lid lock	/V	1	
23	N 013 968 7	Tapping screw BZ 4,8 X 13		1	
23	900 143 097 01	Tapping screw BZ 4,8 X 13		1	

Model: 914 70

Model life 1970>>1976



Model: 914 70 Model life 1970>>1976

Pos	Part Number	Description	Remark	Qty	Model
		Lid			
		Engine compartment			
1	914 512 022 10	Bonnet		1	
2	914 512 195 10	Rubber	-73	1	914-6/4/1,7 914-2,0
3	914 512 325 10	Bracket	-73	1	914-6/4/1,7 914-2,0
4	914 504 013 10	Grille Centre		1	
5	914 504 111 10	Edge protection Centre		1	
6	914 504 105 10	Piping		1	
7	999 025 060 40	Washer		7	
8	999 507 220 40	Tapping nut Black		12	
(9)	914 504 011 10	Grille Lateral	/L	1	
9	914 504 012 10	Grille Lateral	/R	1	
(10)	914 504 107 10	Piping	/L	1	
10	914 504 108 10	Piping	/R	1	
11	999 025 060 40	Washer		4	
12	999 507 220 40	Tapping nut Black		6	
13	999 703 036 50	Rubber stop		2	
14	914 559 253 10	Buffer		2	
15	914 512 319 10	Seal for Bonnet And Rear window		1	
16	901 552 813 20	Handle		1	
17	914 511 091 10	Wire pull		1	
18	914 512 177 10	Bush		1	
19	914 512 029 10	Lid lock		1	
20	914 512 159 10	Retainer plate		1	
21	900 074 015 02	Hexagon-head bolt M 6 X 30		2	
21	900 074 015 03	Hexagon-head bolt M 6 X 30		2	
22	900 151 006 09	Washer A 6,4		2	
23	900 028 003 01	Lock ring A 6		2	
24	914 512 155 10	Hook		1	
25	N 012 241 1	Spring washer B 8 X 15		1	
26	900 025 007 02	Washer 8,4		1	
26	900 025 007 03	Washer 8,4		1	
27	900 076 025 02	Hexagon nut M 8		1	
27	900 076 064 02	Hexagon nut M 8		1	
28	914 512 139 10	Hinge for Bonnet	/L	1	
(28)	914 512 140 10	Hinge for Bonnet	/R	1	
29	914 512 321 10	Torsion bar	/L	1	914-4/1,7 914-1,8/1,8V

Model: 914 70

Model life 1970&gt;&gt;1976

Pos	Part Number	Description	Remark	Qty	Model
(29)	914 512 322 10	Torsion bar	/R	1	914,2,0 914-4/1,7 914-1,8/1,8V 914-2,0
(29)	914 512 323 10	Torsion bar	/L	1	914-6
(29)	914 512 324 10	Torsion bar	/R	1	914-6
30	914 512 105 10	Bearing		2	
-	900 076 010 02	Nut M 6		2	
-	900 076 010 0B	Nut M 6		2	
31	900 145 016 01	Rais. counters. h. tap. s. B 4,2 X 19		1	
32	900 224 009 00	Clinch pin A 6H 9 X 48		2	
33	914 504 319 00	Grommet		1	
34	914 512 189 10	Cup Picture 34 - 42 Not for 914-6		1	
35	914 512 182 10	Bush		2	
36	N 014 142 3	Oval-head screw AM 6 X 20		2	
37	914 559 231 10	Funnel		2	
38	900 027 014 01	Lock ring B 6,4		2	
38	900 027 014 02	Lock ring B 6,4		2	
38	N 012 006 4	Lock ring B 6,4		2	
39	900 075 057 02	Hexagon-head bolt M 6 X 16		2	
39	900 075 057 03	Hexagon-head bolt M 6 X 16		2	
40	PCG 571 900 00	Water drain hose		*	
41	999 512 165 02	Hose clamp		2	
42	999 702 091 50	Rubber sleeve		2	



Model: 914 70

Model life 1970>>1976

Pos	Part Number	Description	Remark	Qty	Model
1	914 512 001 10	Lid Rear Luggage compartment cover Rear		1	
2	914 512 059 10	Hinge	/L	1	
(2)	914 512 060 10	Hinge	/R	1	
3	914 512 191 10	Fit bolt		2	
4	914 512 041 10	Lid lock Upper part		1	
4	914 512 041 11	Lid lock Upper part		1	
5	N 010 215 13	Hexagon-head bolt M 6 X 15		2	
5	900 075 057 02	Hexagon-head bolt M 6 X 16	75-	2	
5	900 075 057 03	Hexagon-head bolt M 6 X 16	75-	2	
6	N 012 007 2	Lock ring A 6		2	
6	900 027 004 03	Lock ring A 6		2	
7	N 011 524 7	Washer 6,4		2	
7	N 011 524 27	Washer 6,4		2	
8	914 512 042 10	Lid lock Lower part		1	
9	N 010 215 13	Hexagon-head bolt M 6 X 15		2	
9	900 075 057 02	Hexagon-head bolt M 6 X 16	75-	2	
9	900 075 057 03	Hexagon-head bolt M 6 X 16	75-	2	
10	N 012 007 2	Lock ring A 6		2	
10	900 027 004 03	Lock ring A 6		2	
11	N 011 524 7	Washer 6,4		2	
11	N 011 524 27	Washer 6,4		2	
12	914 512 913 00	Push-button lock with lock cylinder And 2 Main key W/o stipulated lock number		1	
12	914 512 914 00	Push-button lock with lock cylinder And 2 Main key State lock number		1	
-	914 531 637 10	Main key State lock number		2	
-	914 531 903 10	Blank key for Main key		2	
13	914 512 193 10	Desk pad		1	
14	914 512 317 10	Seal	/H	1	
14	914 512 317 11	Seal for Engine compartment	/H	1	



Model: 914 70 Model life 1970>>1976

Pos	Part Number	Description	Remark	Qty	Model
15	914 512 315 10	Seal for Luggage compartment cover And Engine compartment		1	
15	914 512 315 11	Seal for Luggage compartment cover And Engine compartment		1	
16	999 703 036 50	Rubber stop		2	
17	914 559 015 10	Support for Roof	/L	1	
(17)	914 559 016 10	Support for Roof	/R	1	
18	N 010 347 5	Hexagon-head bolt M 6 X 35		2	
19	N 011 524 7	Washer A 6,4		4	
19	N 011 524 27	Washer A 6,4		4	
20	900 084 010 02	Lock nut M 6		3	
21	914 559 227 10	Cap		2	
22	914 559 219 10	Bearing bracket		2	
23	900 075 010 02	Hexagon nut M 6 X 12		4	
23	N 010 212 14	Hexagon-head bolt M 6 X 12		4	
23	999 072 005 09	Hexagon nut M 6 X 12		4	
23	999 072 005 01	Hexagon nut M 6 X 12		4	
24	900 151 006 09	Washer A 6,4		4	
25	914 512 263 11	Roller	-74	2	
25		Roller	75-	2	914-1,8V/1,8 914-2,0
26	N 010 239 11	Hexagon-head bolt M 8 X 18		4	
26	N 010 239 30	Hexagon-head bolt M 8 X 18		4	
27	900 027 015 02	Lock ring B 8		4	
27	900 027 015 03	Lock ring B 8		4	
28	900 025 007 02	Washer 8,4		4	
28	900 025 007 03	Washer 8,4		4	
29	914 512 219 10	Clip		4	
30	900 076 010 02	Nut M 6		8	
30	900 076 010 0B	Nut M 6		8	
31	900 027 014 01	Lock ring B 6		8	
31	900 027 014 02	Lock ring B 6		8	
31	N 012 006 4	Lock ring B 6		8	

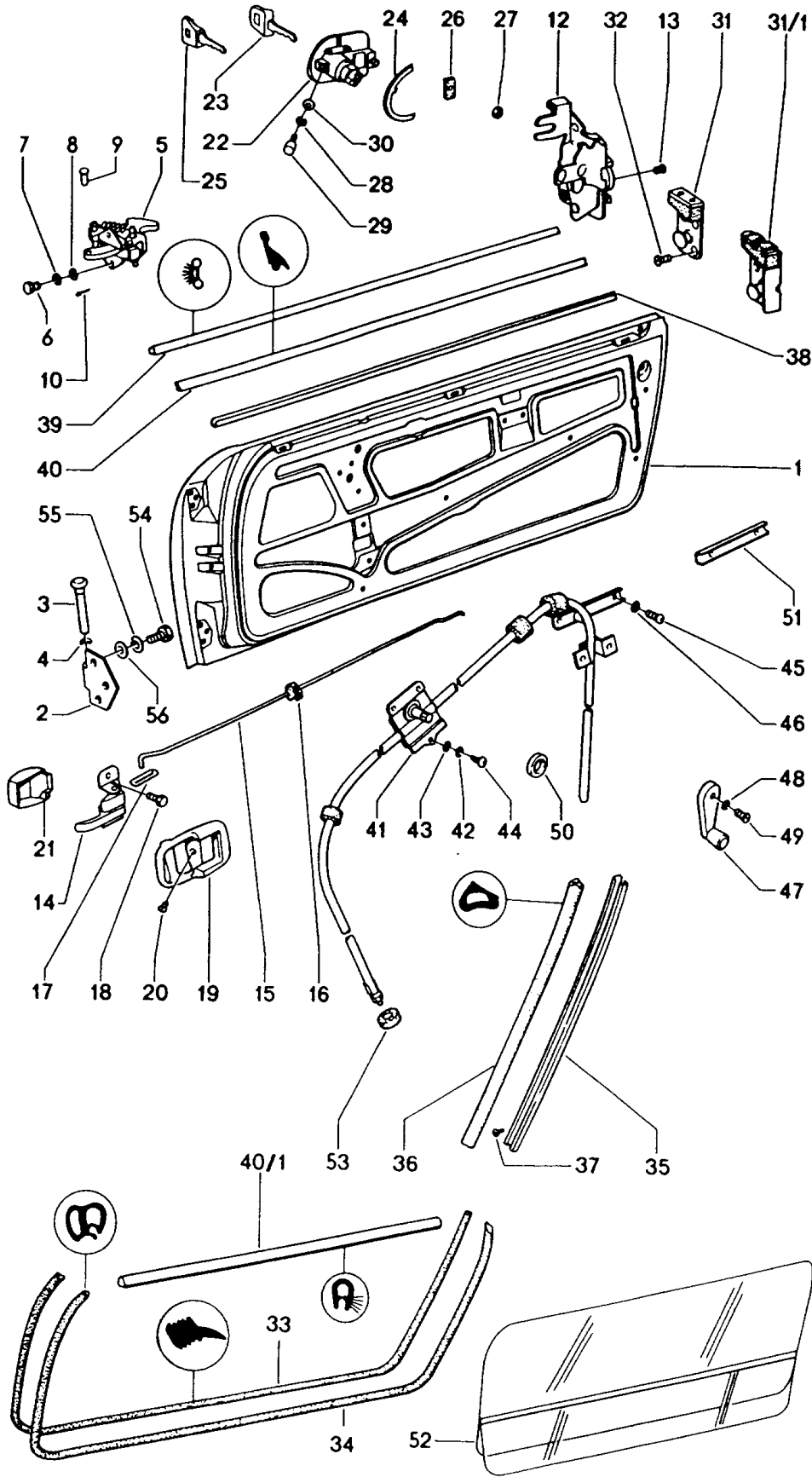
Model: 914 70

Model life 1970&gt;&gt;1976

Pos	Part Number	Description	Remark	Qty	Model
32	914 512 215 10	Joint		2	
33	900 151 008 02	Washer B 8,4		4	
34	900 076 025 02	Hexagon nut M 8		4	
34	900 076 064 02	Hexagon nut M 8		4	
35	900 027 015 02	Lock ring B 8		4	
35	900 027 015 03	Lock ring B 8		4	
36	900 028 004 01	Spring washer A8		2	
37	914 512 227 10	Rotary slide	/L	1	
(37)	914 512 228 10	Rotary slide	/R	1	
38	914 501 569 10	Bearing	/L	1	
(38)	914 501 570 10	Bearing	/R	1	

Model: 914 70

Model life 1970>>1976



Model: 914 70

Model life 1970&gt;&gt;1976

Pos	Part Number	Description	Remark	Qty	Model
		Door with installation parts Differing parts See group 8/04/05	73-		
(1)	914 531 167 10	Bare door shell	/L	1	914-1,7/1,8V 914-1,8/2,0
1	914 531 168 10	Bare door shell	/R	1	914-1,7/1,8V 914-1,8/2,0
2	914 531 303 10	Hinge Door		4	
3	901 531 305 20	Hinge bolt		4	
4	311 831 443	Spring washer		4	
5	914 531 037 10	Door support		2	
6	900 075 010 02	Hexagon nut M 6 X 12		4	
6	N 010 212 14	Hexagon-head bolt M 6 X 12		4	
6	999 072 005 09	Hexagon nut M 6 X 12		4	
6	999 072 005 01	Hexagon nut M 6 X 12		4	
7	N 011 524 7	Washer 6,4		4	
7	N 011 524 27	Washer 6,4		4	
8	900 027 014 01	Lock ring B 6		4	
8	900 027 014 02	Lock ring B 6		4	
8	N 012 006 4	Lock ring B 6		4	
9	900 088 014 02	Eccentric bolt 6 H 11 X 16 X 12		2	
10	900 021 002 02	Cotter pin 1,5 X 10		2	
12	914 531 053 11	Door lock	/L -71	1	914-6/4
(12)		Door lock	/L 72-	1	
(12)	914 531 054 11	Door lock	/R -71	1	914-6/4
(12)		Door lock	/R 72-	1	
13	914 531 523 10	Rais. counters. h. tap. s. Self-locking		8	
14	411 837 071	Inner door release	/L	1	
(14)	411 837 072	Inner door release	/R	1	
15	914 531 515 10	Operating rod	/L	1	
(15)	914 531 516 10	Operating rod	/R	1	
16	911 531 565 00	Rubber mounting		2	
17	113 837 199	Spring 37,5 MM		4	
18	900 075 010 02	Hexagon nut M 6 X 15		4	
18	N 010 212 14	Hexagon-head bolt M 6 X 15		4	
18	999 072 005 09	Hexagon nut M 6 X 15		4	
18	999 072 005 01	Hexagon nut M 6 X 15		4	
19	411 837 097	Rosette		2	914-6/4
20	900 147 004 02	Countersunk-head screw AM 5 X 12		2	914-6/4
21	411 837 095	Finger plate		2	914-6/4
22	914 531 909 00	Outer door handle with lock cylinder	/L	1	

Model: 914 70 Model life 1970>>1976

Pos	Part Number	Description	Remark	Qty	Model
(22)	914 531 910 00	And with 2 secondary keys State lock number Outer door handle with lock cylinder	/R	1	
22	914 531 905 00	And with 2 secondary keys State lock number Outer door handle with lock cylinder	/L	1	
(22)	914 531 906 00	And with 2 secondary keys W/o stipulated lock number Outer door handle with lock cylinder	/R	1	
23	914 531 637 10	And with 2 secondary keys W/o stipulated lock number Main key State lock number		2	
(23)	914 531 903 10	Blank key for Main key		2	
24	914 531 601 10	Desk pad	/V	2	
25	914 531 639 10	Blank key State lock number		2	
(25)	914 531 903 11	Blank key for Secondary key		2	
26	914 531 603 10	Desk pad	/H	2	
27	900 084 024 02	Hexagon nut M 6		2	
28	900 027 014 01	Lock ring B 6		2	
28	900 027 014 02	Lock ring B 6		2	
28	N 012 006 4	Lock ring B 6		2	
29	N 014 750 3	Pan-head screw M 6 X 10		2	
29	N 014 750 13	Pan-head screw M 6 X 10		2	
30	N 011 524 7	Washer 6,4		2	
30	N 011 524 27	Washer 6,4		2	
31	151 837 035 C	Closing element		1	ALLE
31	111 837 035 D	Closing element	/L -71	1	914-6/4
31/1	111 837 035 E	Closing element	/L 72- -73	1	914-6/4/1,7 914-2,0
(31)	151 837 036 C	Door lock striker		1	ALLE
(31)	111 837 036 D	Closing element	/R -71	1	914-6/4
31/1	111 837 036 E	Closing element	/R 72- -73	1	914-6/4/1,7 914-2,0
31/1	151 837 036 C	Door lock striker	/R 74-	1	914-1,8V/1,8 914-2,0
32	914 531 523 10	Rais. counters. h. tap. s. Self-locking		2	
33	914 531 813 10	Sealing frame Outer	/L	1	
33	914 531 813 11	Sealing frame Outer	/L	1	
(33)	914 531 814 10	Sealing frame	/R	1	

Model: 914 70 Model life 1970>>1976

Pos	Part Number	Description	Remark	Qty	Model
(33)	914 531 814 11	Outer Sealing frame	/R	1	
34	914 531 821 10	Outer Door seal	/L	1	
(34)	914 531 822 10	Inner Door seal	/R	1	
35	914 531 827 10	Inner Clamping piece for Roll bar	/L	1	
(35)	914 531 828 10	Clamping piece for Roll bar	/R	1	
36	914 531 143 10	Gasket for Roll bar	/V /L -73	1	914-6/4/1,7 914-2,0
(36)		Gasket for Roll bar	/V /L 74-	1	914-1,8V/1,8 914-2,0
(36)	914 531 144 10	Gasket for Roll bar	/V /R -73	1	914-6/4/1,7 914-2,0
(36)		Gasket for Roll bar	/V /R 74-	1	914-1,8V/1,8 914-2,0
37	900 144 009 00	Counters. head tapp. screw 2,9 X 13		18	
38	914 531 951 10	Retaining strip		2	914-6/4
39	914 531 957 10	Profile		2	
40	914 531 873 10	Gasket	/L	1	
(40)	914 531 874 10	Gasket	/R	1	
40/1	914 531 937 10	Sealing for door slot		2	914-6/4
(41)	914 542 041 10	Power windows	/L	1	914-6/4
41	914 542 042 10	Power windows	/R	1	914-6/4
42	900 025 028 02	Washer 6,4		12	914-6/4
43	900 027 014 01	Lock ring B 6		12	914-6/4
43	900 027 014 02	Lock ring B 6		12	914-6/4
43	N 012 006 4	Lock ring B 6		12	914-6/4
44	900 143 024 02	Oval-head sheetmetal screw B 5,5 X 16		12	914-6/4
45	900 146 044 02	Oval-head screw AM 6 X 10		4	914-6/4
46	900 027 014 01	Lock ring B 6		4	914-6/4
46	900 027 014 02	Lock ring B 6		4	914-6/4
46	N 012 006 4	Lock ring B 6		4	914-6/4
47	113 837 581 D	Window crank		2	914-6/4
48	900 115 011 01	Spring washer V 5,3		2	914-6/4
49	N 014 263 3	Countersunk-head screw AM 5 X 8		2	914-6/4
50	111 837 595	Desk pad		2	914-6/4
51	914 542 401 10	Guide rail		2	914-6/4
52	914 531 033 10	Sealing for door slot	/L	1	
(52)	914 531 034 10	Sealing for door slot	/R	1	
53	999 702 054 50	Rubber sleeve		2	914-6/4
54	111 899 145	Hexagon-head bolt		6	

Model: 914 70

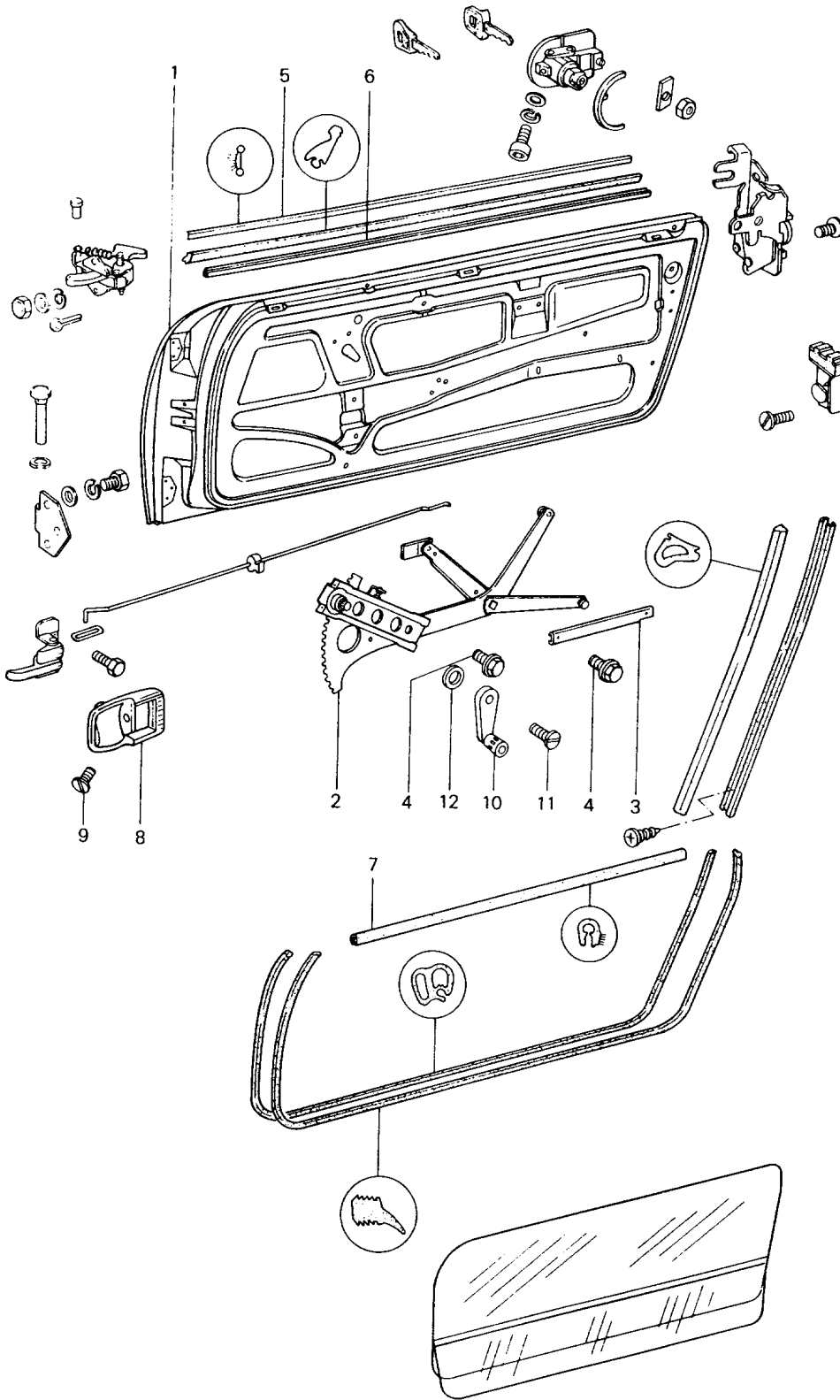
Model life 1970&gt;&gt;1976

Pos	Part Number	Description	Remark	Qty	Model
55	900 027 015 02	M 8 Lock ring		6	
55	900 027 015 03	B 8 Lock ring		6	
56	900 025 034 02	B 8 Washer A 8,4		6	

Model: 914 70

Model life 1970>>1976

Ab Mod. 73





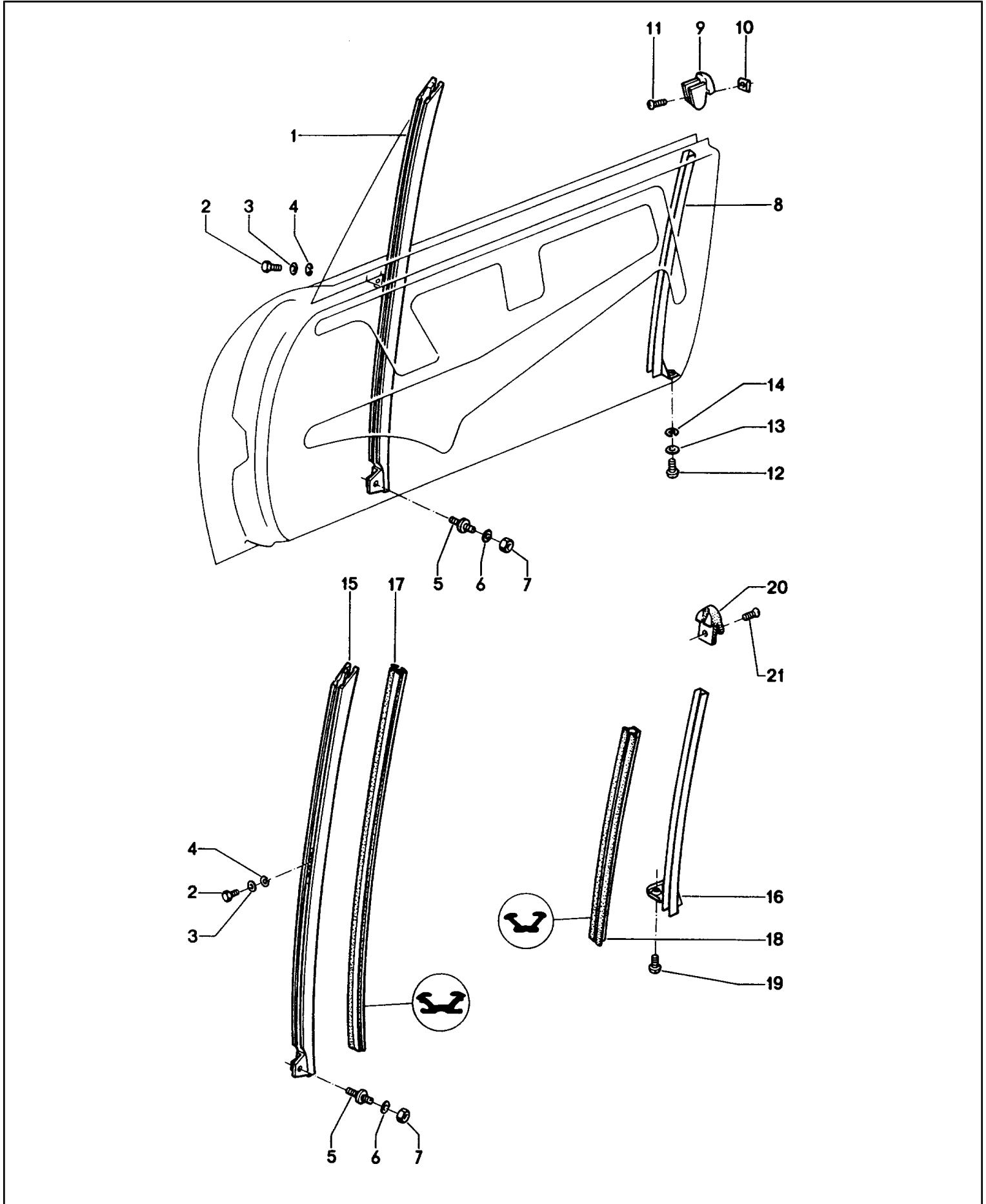
Model: 914 70

Model life 1970>>1976

Pos	Part Number	Description	Remark	Qty	Model
		Door with installation parts Differing parts See group 8/04/00	73-		
(2)	914 542 043 10	Power windows	/L	1	
2	914 542 044 10	Power windows	/R	1	
(3)	914 542 185 10	Guide rail	/L	1	
3	914 542 186 10	Guide rail	/R	1	
4	N 014 339 1	Hexagon-head bolt M 6 X 8		16	
5	914 531 957 10	Profile		2	
(6)	914 531 958 10	Retaining strip	/L	1	
6	914 531 959 10	Retaining strip	/R	1	
7	914 531 939 10	Sealing for door slot		2	
8	211 837 097	Rosette		2	
9	N 014 127 4	Oval-head screw AM 5 X 6		2	
10	321 837 581	Window crank		2	
	321 837 581 01C	Black			
11	N 014 216 1	Countersunk-head screw AM 5 X 10		2	
12	111 837 595	Desk pad		2	

Model: 914 70

Model life 1970>>1976



Model: 914 70 Model life 1970>>1976

Pos	Part Number	Description	Remark	Qty	Model
(1)	914 542 013 10	Door glass frame			
		Guide	/L	1	914-6/4
1	914 542 014 10	Guide	/R	1	914-6/4
2	900 075 010 02	Hexagon nut		6	
		M 6 X 12			
2	N 010 212 14	Hexagon-head bolt		6	
		M 6 X 12			
2	999 072 005 09	Hexagon nut		6	
		M 6 X 12			
2	999 072 005 01	Hexagon nut		6	
		M 6 X 12			
3	900 025 028 02	Washer		6	
		6,4			
4	900 027 014 01	Lock ring		6	
		B 6			
4	900 027 014 02	Lock ring		6	
		B 6			
4	N 012 006 4	Lock ring		6	
		B 6			
5	914 542 109 10	Shouldered bolt		2	
6	900 025 007 02	Washer		2	
		A 8,4			
6	900 025 007 03	Washer		2	
		A 8,4			
7	900 075 078 02	Hexagon-head bolt		2	
		M 8			
7	900 075 078 03	Hexagon-head bolt		2	
		M 8			
(8)	914 542 027 10	Guide rail	/H /L	1	914-6/4
8	914 542 028 10	Guide rail	/H /R	1	914-6/4
(9)	914 542 111 10	Guide piece	/L	1	914-6/4
9	914 542 112 10	Guide piece	/R	1	914-6/4
10	999 507 001 02	Speed nut		2	914-6/4
11	900 144 014 02	Counters. head tapp. screw		2	914-6/4
		4,2 X 13			
12	900 146 044 02	Oval-head screw		2	914-6/4
		AM 6 X 10			
13	N 011 524 7	Washer		2	914-6/4
		A 6,4			
13	N 011 524 27	Washer		2	914-6/4
		A 6,4			
14	N 012 007 2	Lock ring		2	914-6/4
		A 6			
14	900 027 004 03	Lock ring		2	914-6/4
		A 6			
(15)	914 542 013 11	Guide	/L	1	914-1,7/1,8V 914-1,8/2,0
15	914 542 014 11	Guide	/R	1	914-1,7/1,8V 914-1,8/2,0
(16)	914 542 029 12	Guide rail	/L	1	914-1,7/1,8V 914-1,8/2,0
16	914 542 030 12	Guide rail	/R	1	914-1,7/1,8V 914-1,8/2,0
17	914 542 161 12	Window guide		2	914-1,7/1,8V 914-1,8/2,0
18	914 542 171 14	Window guide		2	914-1,7/1,8V 914-1,8/2,0
19	900 146 044 02	Oval-head screw		4	914-1,7/1,8V 914-1,8/2,0
		AM 6 X 10			
(20)	914 542 173 10	End piece	/L	1	914-1,7/1,8V 914-1,8/2,0
20	914 542 174 10	Reinforcement	/R	1	914-1,7/1,8V 914-1,8/2,0

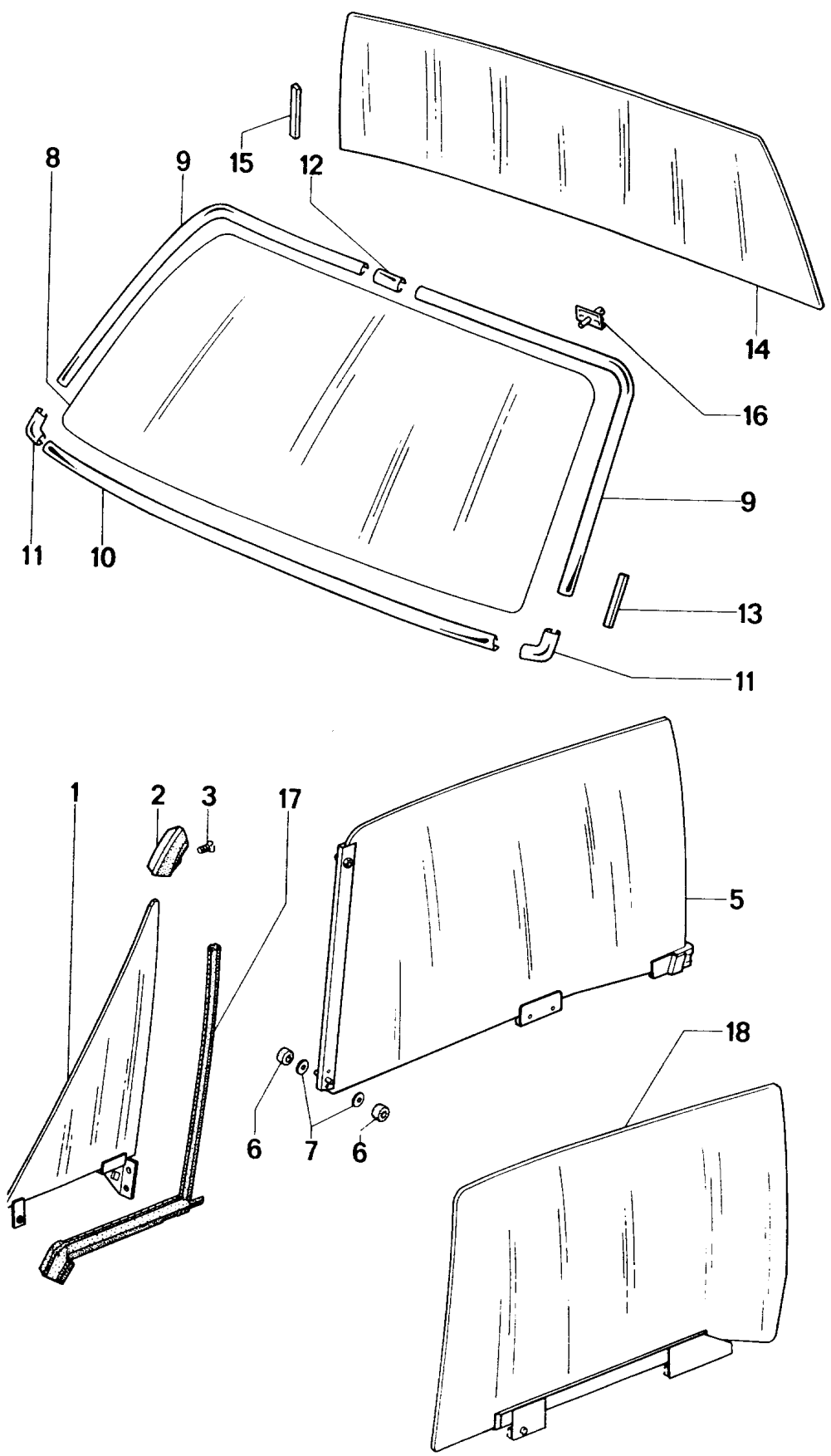
Model: 914 70

Model life 1970&gt;&gt;1976

Pos	Part Number	Description	Remark	Qty	Model
21	900 140 032 02	Rais. counters. h. tap. s. B 2,9 X 6,5		2	914-1,7/1,8V 914-1,8/2,0

Model: 914 70

Model life 1970>>1976



Model: 914 70

Model life 1970&gt;&gt;1976

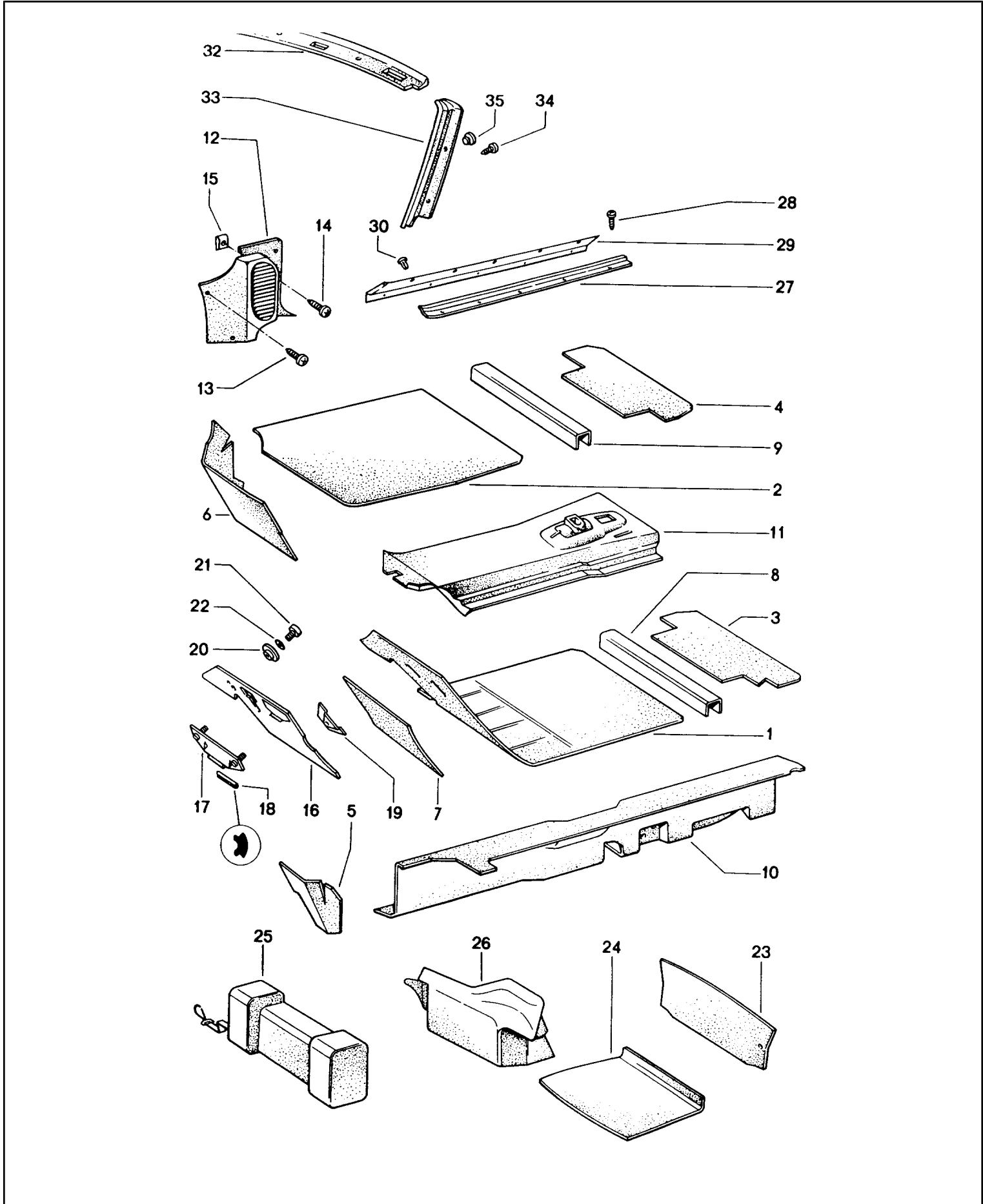
Pos	Part Number	Description	Remark	Qty	Model
1	914 542 023 10	window glazing Side window Clear	/L	1	
1	914 542 025 10	Side window Heat protection Glass	/L M	1	
(1)	914 542 024 10	Side window Clear	/R	1	
(1)	914 542 026 10	Side window Heat protection Glass	/R M	1	
2	PCG 542 017 10	Protection cap		2	
3	N 033 165 1	Countersunk-head screw AM 4 X 8		4	
5	914 542 905 10	Door window glass Clear	/L	1	914-6/4
5	914 542 911 10	Door window glass Heat protection Glass	/L M	1	914-6/4
(5)	914 542 906 10	Door window glass Clear	/R	1	914-6/4
(5)	914 542 912 10	Door window glass Heat protection Glass	/R M	1	914-6/4
6	914 542 307 10	Roller		8	914-6/4
7	914 542 217 10	Spring washer		8	914-6/4
8	914 541 101 10	Windscreen Clear Laminated glass		1	914-6/2,0
8		Windscreen Clear Laminated glass		1	914-4/1,7 914-1,8V/1,8
(8)	914 541 102 10	Windscreen Heat protection Glass		1	
8	914 541 101 10	Windscreen Clear Tempered plate glass Not for (USA) (CDN) (S)		1	914-4/1,7 914-1,8V/1,8
9	914 541 213 10	Moulding Upper	/L	1	
9	914 541 213 11	Moulding Upper	/L	1	
9	914 541 214 10	Moulding Upper	/R	1	
9	914 541 214 11	Moulding Upper	/R	1	
10	914 541 215 10	Moulding Lower		1	
11	914 541 217 10	Connecting piece for Trim frame		2	
11	914 541 217 11	Connecting piece for Trim frame		2	
12	914 541 219 10	Connecting piece		1	
12	914 541 219 11	Connecting piece		1	
-	477 898 011 A	Sealing set for Windscreen		1	
-		Sealing set Repair kit		1	

Model: 914 70 Model life 1970>>1976

Pos	Part Number	Description	Remark	Qty	Model
13	914 541 907 10	for Rear window Spacer		2	
14	914 545 103 10	for Windscreen Rear window Clear		1	
(14)	914 545 101 10	Rear window Clear Heated		1	
15	914 541 907 10	Spacer for Rear window		2	
16	914 541 921 11	Moulding clip		19	
17	914 542 325 10	Sealing frame	/L	1	
(17)	914 542 326 10	Sealing frame	/R	1	
18	914 542 039 12	Door window glass Clear	/L	1	914-1,7/1,8V 914-1,8/2,0
18	914 542 035 12	Door window glass Heat protection Glass	/L M	1	914-1,7/1,8V 914-1,8/2,0
(18)	914 542 036 12	Door window glass Heat protection Glass	/R M	1	914-1,7/1,8V 914-1,8/2,0
(18)	914 542 040 12	Door window glass Clear	/R	1	914-1,7/1,8V 914-1,8/2,0

Model: 914 70

Model life 1970>>1976





Model: 914 70 Model life 1970>>1976

Pos	Part Number	Description	Remark	Qty	Model
1	914 551 023 10	Interior equipment Front Loop pile Not available Carpet	/V /L -71	1	
1	914 551 023 12	Needled felt Please state the colour Carpet	/V /L 72-	1	
2	914 551 024 10	Needled felt Please state the colour Carpet	/V /R -71	1	
2	914 551 024 10 700	Anthracite			
2	914 551 094 10	Carpet	/V /R 72-	1	
	914 551 094 10 700	Needled felt Anthracite			
3	914 551 021 10	Carpet	/H /L	1	
		Needled felt Please state the colour			
4	914 551 022 10	Carpet	/H /R 72-	1	
		Needled felt Please state the colour			
4		Carpet	/H /R 72-	1	
	914 551 022 10 700	Needled felt Anthracite			
5	914 551 425 10	Lining for Firewall	/L	1	
		Needled felt Please state the colour			
6	914 551 426 10	Lining for Firewall	/R -71	1	
		Needled felt Please state the colour			
(6)	914 551 428 10	Lining for Firewall	/R 72-	1	
		Needled felt Please state the colour			
7	914 551 149 10	Lining for Firewall	/L	1	
		Needled felt Please state the colour			
8	914 551 171 10	Lining for Cross member	/L -71	1	
		Seat Leatherette Please state the colour			
8	914 551 171 11	Lining for Cross member	/L 72- -74	1	
		Seat Leatherette			
9	914 551 172 10	Lining for Cross member	/R -71	1	
		Seat Leatherette Please state the colour			
9	914 551 172 11	Lining	/R 72-	1	

Model: 914 70 Model life 1970>>1976

Pos	Part Number	Description	Remark	Qty	Model
		for Cross member	-74		
10	914 551 177 10	Seat Leatherette Lining	/L -71	1	
		for Side member Needled felt Please state the colour			
10	914 551 177 11	Lining	/L 72-	1	
		for Side member Needled felt Please state the colour			
(10)	914 551 178 10	Lining	/R -71	1	
		for Side member Needled felt Please state the colour			
(10)	914 551 178 11	Lining	/R 72-	1	
		for Side member Needled felt Please state the colour			
11	914 551 179 10	Lining		1	914-4
		for Tunnel Please state the colour			
11	914 551 180 10	Lining	-70	1	914-6
		for Tunnel Needled felt Please state the colour			
11	914 551 179 11	Lining		1	914-4/1,7 914-1,8/1,8V 914-2,0
		for Tunnel Needled felt for Sealing sleeve Rubber Please state the colour			
11	914 551 165 10	Lining	/R	1	914-1,7/1,8V 914-1,8/2,0
		for Tunnel Needled felt for Leather sleeve Please state the colour			
11	914 551 166 10	Lining		1	914-4/1,7 914-1,8/1,8V 914-2,0
		for Tunnel Centre console Needled felt Please state the colour			
11	914 551 167 10	Lining		1	914-1,7/1,8 914-2,0
		for Tunnel Needled felt for Leather sleeve Please state the colour			
(12)	914 551 505 10	Cover	/L	1	
		for			

Model: 914 70 Model life 1970>>1976

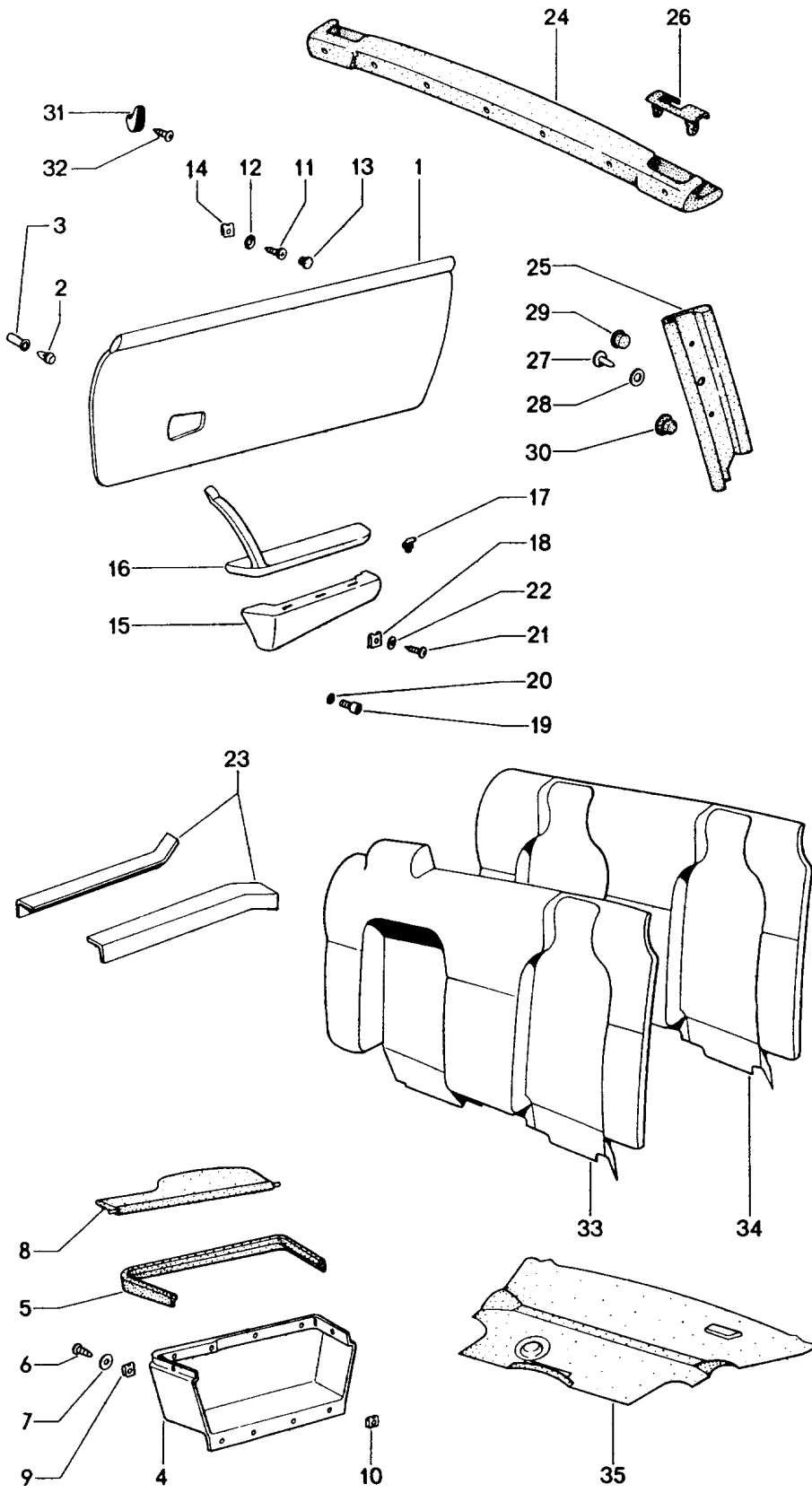
Pos	Part Number	Description	Remark	Qty	Model
12	914 551 506 10	Loudspeaker Cover for Loudspeaker	/R	1	
13	900 145 053 07	Tapping screw B 4,8 X 22		6	
14	900 145 030 02	Rais. counters. h. tap. s. B 4,8 X 16		2	
15	999 507 002 02	Speed nut		2	
15	999 507 002 0B	Speed nut		2	
16	914 551 061 10	Pedal floor board	/L	1	
17	914 551 067 00	Stop for Clutch pedal		1	
18	914 551 655 10	Rubber moulding 40 MM		1	
19	901 501 390 00	Tab		1	
20	914 551 651 10	Desk pad		1	
21	900 067 009 02	Pan-head screw M 6 X 15		2	
21	900 067 429 01	Pan-head screw M 6 X 15		2	
22	N 042 121 3	Shake-proof washer A 6,4		2	
23	914 551 187 10	Lining for Cross panel Needled felt	-71	1	914-6/4
(23)	914 551 187 11	Lining for Cross panel Needled felt	72-	1	
(23)	914 551 107 10	Lining for Cross panel Needled felt	75-	1	914-1,8V/1,8 914-2,0
(24)	914 551 029 12	Luggage compartment cover for Emergency wheel		1	
25	914 551 015 10	Foot support Needled felt Please state the colour	-71	1	914-4
26	914 551 429 10	Insert for Foot support	-74	1	914-1,7/1,8V 914-1,8/2,0
(26)	914 551 429 12	Insert for Foot support	75-	1	914-1,8V/1,8 914-2,0
-	914 551 430 10	Lid	75-	1	914-1,8V/1,8 914-2,0
27	914 551 419 11	Cover strip Inner Aluminium F >>47329 18918		2	
27		Cover strip Inner Plastic material F 47329 18919>>		2	914-1,7/1,8V 914-1,8/2,0
28	900 145 041 00	Rais. counters. h. tap. s. B 3,5 X 16 F >>47329 18918		10	
28	N 014 087 5	Oval-head sheetmetal screw B 3,5 X 16		10	914-1,7/1,8V 914-1,8/2,0

Model: 914 70 Model life 1970>>1976

Pos	Part Number	Description	Remark	Qty	Model
28	900 145 104 01	Black F 47329 18919>> Rais. counters. h. tap. s. B 3,5 X 16		10	914-1,7/1,8V 914-1,8/2,0
29	914 551 137 11	Black F 47329 18919>> Scuff plate Aluminium Not available 914.551.137.11 Use		2	
29		F >>47329 18918 Scuff plate Plastic material F 47329 18919>>		2	914-1,7/1,8V 914-1,8/2,0
30	999 591 550 40	Expansion rivet		24	
32	914 555 047 10	Padding Upper		1	914-6/4
32	914 555 047 12	Padding Upper		1	914-1,7/1,8V 914-1,8/2,0
33	914 555 013 10	Padding Lateral	/L	1	914-6/4
33	914 555 013 12	Padding Lateral	/L	1	914-1,7/1,8V 914-1,8/2,0
(33)	914 555 014 12	Padding Lateral	/R	1	914-6/4
(33)		Padding Lateral	/R	1	914-1,7/1,8V 914-1,8/2,0
34	N 013 957 5	Oval-head sheetmetal screw B 3,5 X 9,5		8	
35	914 552 233 10	Filler piece		8	
35	914 552 233 10 01C	Filler piece Black		8	

Model: 914 70

Model life 1970>>1976



Model: 914 70 Model life 1970>>1976

Pos	Part Number	Description	Remark	Qty	Model
		Interior equipment Rear			
(1)	914 555 017 09	Door trim panel Please state the colour	/L -70	1	914-6/4
(1)	914 555 017 10	Door trim panel Please state the colour	/L 71	1	914-6/4
(1)	914 555 017 11 914 555 017 11 702	Door trim panel Black F >>91424 30039 F >>47229 09016	/L 72-	1	914-6/4
(1)	914 555 257 10	Door panel Please state the colour F 91424 30040>> F 47229 09017>>	/L 72-	1	914-6/4
(1)	914 555 283 10	Door trim panel Please state the colour	-74	1	914-1,7/1,8V 914-1,8/2,0
(1)	914 555 283 11	Door trim panel Please state the colour	/L 75-	1	914-1,8V/1,8 914-2,0
1	914 555 018 09	Door trim panel Please state the colour	/R -70	1	914-6/4
1	914 555 018 10	Door trim panel Please state the colour	/R 71	1	914-6/4
1	914 555 018 11	Door trim panel Please state the colour F >>91424 30039 F >>47229 09016	/R 72-	1	914-6/4
1	914 555 258 10	Door panel Please state the colour F 91424 30040>> F 47229 09017>>	/R 72-	1	914-6/4
1	914 555 284 10	Door trim panel Please state the colour	/R -74	1	914-1,7/1,8V 914-1,8/2,0
1	914 555 284 11	Door trim panel Please state the colour	/R 75-	1	914-1,8V/1,8 914-2,0
2	999 591 310 40	Fixing clip	-73	18	914-6/4/1,7 914-2,0
2	823 867 299	Clip	74-	18	914-1,8V/1,8 914-2,0
3	999 591 311 40	Bush	-73	18	914-6/4/1,7 914-2,0
4	914 555 021 09	Cover for Door Bag Please state the colour	/L -70	1	914-6/4
4	914 555 021 10	Cover for Door Bag Please state the colour	/L 71	1	914-6/4
4	914 555 021 11	Cover for Door Bag Please state the colour	/L 72-	1	
5	914 555 025 10	Frame for Door Bag	/L	1	
6	900 145 006 02	Rais. counters. h. tap. s. B 3,5 X 19		6	
7	999 591 102 12	Washer		6	
8	914 555 027 10	Lid	/L	1	

Model: 914 70

Model life 1970&gt;&gt;1976

Pos	Part Number	Description	Remark	Qty	Model
9	999 507 317 02	Nut lock clip		2	
10	999 507 001 02	Speed nut		1	
11	900 067 111 02	Pan-head screw M 5 X 18		1	
11	900 067 111 01	Pan-head screw M 5 X 18		1	
12	900 025 003 02	Washer		1	
13	914 555 129 10	Stopper		2	
14	999 507 317 02	Nut lock clip		2	
15	914 555 044 09	Cover for Door Armrest Please state the colour	/R -70	1	914-6/4
(15)	914 555 044 10	Cover for Door Armrest Please state the colour	/R 71	1	914-6/4
(15)	914 555 138 10	Cover for Door Armrest	/R 72-	1	
16	914 555 087 10	Armrest	/R	1	
17	914 555 589 10	Clamping bush		6	
18	999 507 318 02	Nut lock clip		3	
19	900 067 111 02	Pan-head screw M 5 X 18		3	
19	900 067 111 01	Pan-head screw M 5 X 18		3	
20	900 025 003 02	Washer 5,3		3	
21	900 145 006 02	Rais. counters. h. tap. s. B 3,5 X 19		3	
22	999 591 102 12	Washer		3	
23	914 551 173 10	Lining for Tunnel Leatherette Please state the colour	/H /L -71	1	914-6/4
23	914 551 173 11	Lining for Tunnel Leatherette	/H /L 72-	1	
23	914 551 174 11	Lining for Tunnel Leatherette Please state the colour	/H /R -71	1	914-6/4
23		Lining for Tunnel Leatherette	/H /R 72-	1	
24	914 552 097 10	Padding Upper for Roll bar		1	914-6/4
24	914 552 097 12	Padding Upper for Roll bar		1	914-1,7/1,8V 914-1,8/2,0
25	914 552 033 10	Padding Lateral	/L	1	914-6/4

Model: 914 70 Model life 1970>>1976

Pos	Part Number	Description	Remark	Qty	Model
25	914 552 033 12	for Roll bar Padding Lateral	/L	1	914-1,7/1,8V 914-1,8/2,0
(25)	914 552 034 10	for Roll bar Padding Lateral	/R	1	914-6/4
(25)	914 552 034 12	for Roll bar Padding Lateral	/R	1	914-1,7/1,8V 914-1,8/2,0
26	914 552 447 10	for Roll bar Cover F >>47329 18796	/L -73	1	914-6/4/1,7 914/2,0
26	914 552 467 10	Cover F 47329 18797>>	/L 73-	1	914-1,7/1,8V 914-1,8/2,0
(26)	914 552 448 10	Cover F >>47329 18796	/R -73	1	914-6/4/1,7 914-2,0
(26)	914 552 468 10	Cover F 47329 18797>>	/R 73-	1	914-1,7/1,8V 914-2,0
27	900 143 072 02	Oval-head sheetmetal screw 3,5 X 19		15	
28	901 803 113 20	Cover disc		8	914-6/4/1,7
28		Cover disc		2	914-1,8V/1,8 914-2,0
29	901 803 115 20	Stopper		8	914-6/4/1,7
29		Stopper		2	914-1,8V/1,8 914-2,0
29	211 857 785	Plug	74-	4	914-1,8V/1,8 914-2,0
30	914 552 233 10	Filler piece		14	
30		Filler piece		14	
	914 552 233 10 01C	Black			
31	901 552 870 40	Coat hook		1	
32	N 013 975 4	Oval-head sheetmetal screw B 4,8 X 19		1	
33	914 555 061 09	Rear wall Leatherette Please state the colour	-70	1	914-6/4
33	914 555 061 10	Rear wall Leatherette Please state the colour	71	1	914-6/4
33	914 555 075 09	Rear wall Leatherette/ Cloth Please state the colour	-70	1	914-6/4
33	914 555 075 10	Rear wall Leatherette/ Cloth Please state the colour	71	1	914-6/4
34	914 555 061 11	Rear wall Leatherette Please state the colour	72-	1	914-6/4
34	914 555 061 12	Rear wall	-74	1	914-1,7/1,8V 914-1,8/2,0
	914 555 061 12 702	Black Please state the colour			
34	914 555 061 13	Rear wall Leatherette Please state the colour	75-	1	914-1,8V/1,8 914-2,0
35	914 551 040 10	Damping mat	-71	1	914-6/4
35	914 551 040 11	Lining	72-	1	914-6/4



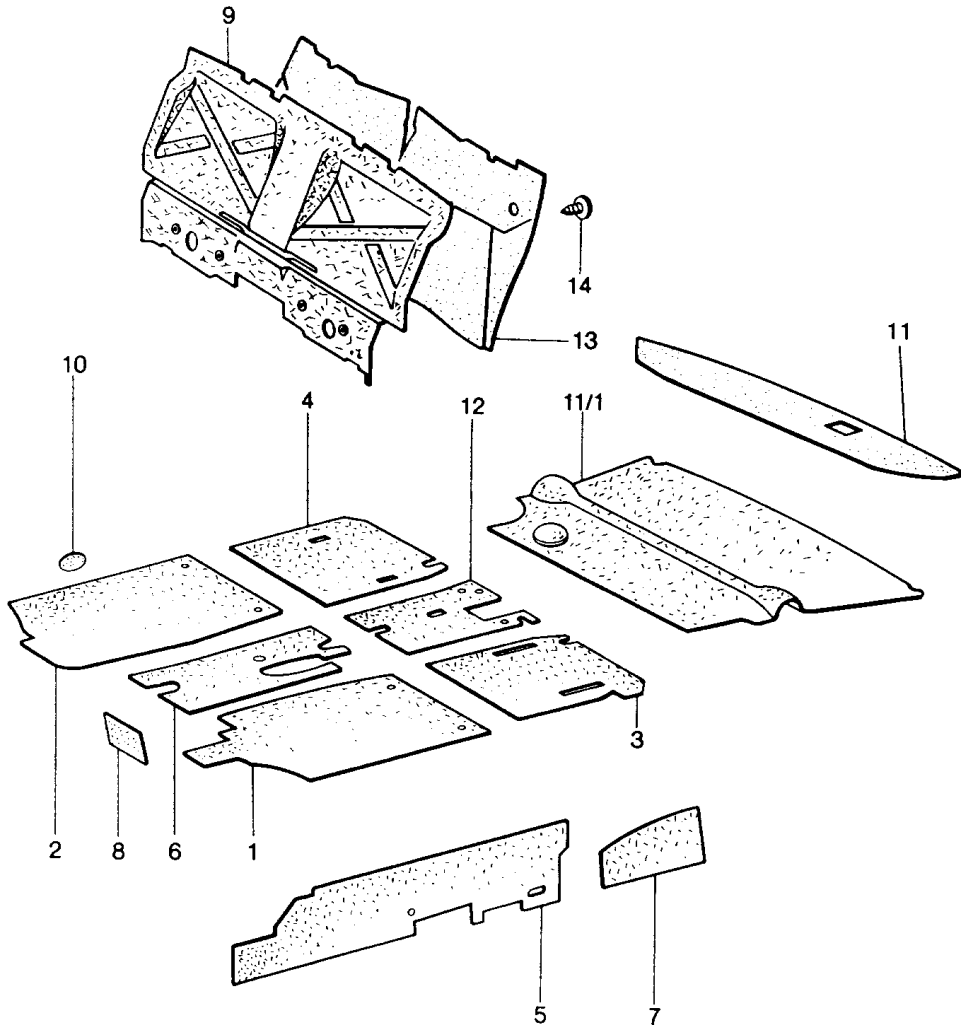
Model: 914 70

Model life 1970&gt;&gt;1976

Pos	Part Number	Description	Remark	Qty	Model
35	914 551 044 10	Lining		1	914-1,7/1,8V 914-1,8/2,0

Model: 914 70

Model life 1970>>1976



Model: 914 70 Model life 1970>>1976

Pos	Part Number	Description	Remark	Qty	Model
1	914 556 113 10	Sound absorber Insulation	/V /L	1	
2	914 556 114 10	Insulation	/V /R	1	
3	914 556 115 10	Insulation	/H /L	1	
4	914 556 116 10	Insulation	/H /R -71	1	914-6/4
(4)	914 556 116 11	Insulation	/H /R 72-	1	
(4)	PCG 556 902 00	Damping mat 1000X500X2,6 It is necessary to rework	72-	1	
5	914 556 117 10	Insulation	/L	1	
5	PCG 556 902 00	Damping mat 1000X500X2,6 It is necessary to rework		1	
(5)	914 556 118 10	Insulation	/R	1	
(5)	PCG 556 902 00	Damping mat 1000X500X2,6 It is necessary to rework		1	
6	914 556 119 10	Insulation	/V	1	
6	PCG 556 902 00	Damping mat 1000X500X2,6 It is necessary to rework		1	
7	914 556 121 10	Insulation	/L	1	
7	PCG 556 902 00	Wheel housing Damping mat 1000X500X2,6 It is necessary to rework		1	
(7)	914 556 122 10	Insulation	/R	1	
(7)	PCG 556 902 00	Wheel housing Damping mat 1000X500X2,6 It is necessary to rework		1	
8	914 556 125 10	Insulation		3	
8	PCG 556 902 00	Cross panel Damping mat 1000X500X2,6 It is necessary to rework		3	
9	914 556 129 10	Insulation	-71	1	914-6/4
(9)	914 556 129 11	Insulation	72-	1	
(9)	PCG 556 902 00	Damping mat 1000X500X2,6 It is necessary to rework	72-	1	
10	914 556 109 10	Insulation		4	914-4/1,7 914-1,8/1,8V 914-2,0
10	PCG 556 902 00	Damping mat 1000X500X2,6 It is necessary to rework		4	
11	914 556 265 10	Insulation	/H	1	914-6/4
11/1	914 556 003 10	Damping mat Heat insulation	/H	1	
11/1	PCG 556 902 00	Damping mat 1000X500X2,6 It is necessary to rework		1	
12	914 556 128 10	Insulation	/H -71	1	914-6/4
(12)	914 556 128 11	Tunnel Insulation	/H 72-	1	
(12)	PCG 556 902 00	Tunnel Damping mat 1000X500X2,6 It is necessary to rework	72-	1	
13	914 556 135 10	Insulation		1	914-1,7/1,8V 914-1,8/2,0
13	PCG 556 902 00	Damping mat		1	

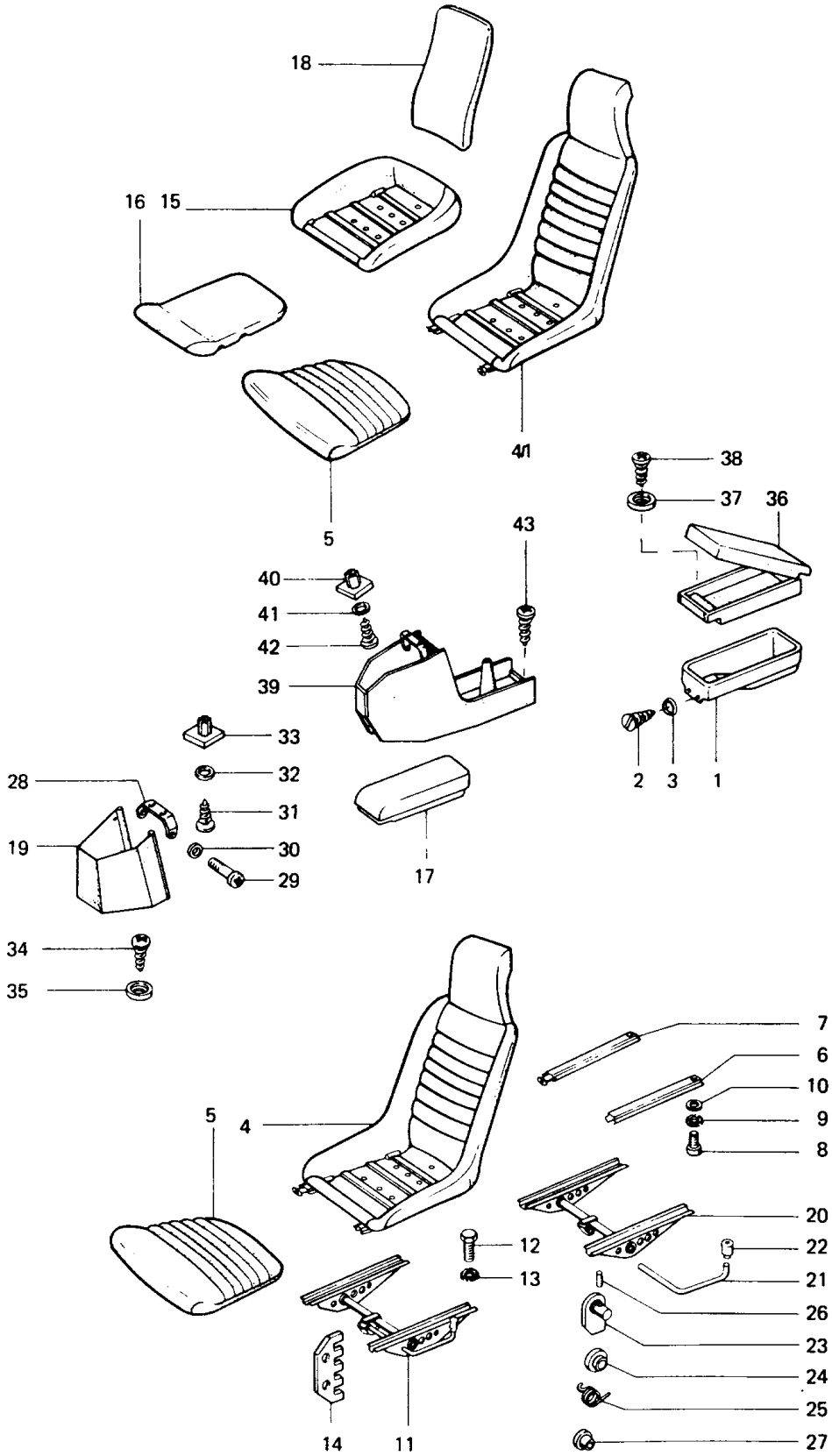
Model: 914 70

Model life 1970&gt;&gt;1976

Pos	Part Number	Description	Remark	Qty	Model
14	914 559 377 10	1000X500X2,6 It is necessary to rework Stopper		4	914-1,7/1,8V 914-1,8/2,0

Model: 914 70

Model life 1970>>1976



Model: 914 70 Model life 1970>>1976

Pos	Part Number	Description	Remark	Qty	Model
1	914 521 251 10	Seat Cup		1	
2	900 145 023 02	Rais. counters. h. tap. s. B 3,9 X 13		4	
3	999 591 011 12	Washer		4	
4-5	914 521 010 09	Comfort seat Driver's side Leatherette Please state the colour	-70	1	914-6/4
4-5	914 521 010 10	Front seat Driver's side Leatherette Please state the colour	71	1	914-6/4
4-5	914 521 010 12	Comfort seat Driver's side Leatherette Please state the colour	-74	1	
4	914 521 010 15 914 521 010 15 513	Front seat Driver's side Leatherette Beige Please state the colour	75-	1	914-1,8V/2,0
4-5	914 521 382 10	Comfort seat Driver's side Leatherette for Seat belt Warning contact Please state the colour	74 (USA)	1	914-1,8/2,0
(4)	914 521 382 12	Comfort seat Driver's side Leatherette for Seat belt Warning contact Please state the colour	75- (USA)	1	914-1,8/2,0
(4)	914 521 091 09	Comfort seat Driver's side Leatherette/ Cloth Please state the colour	-70	1	914-6/4
(4)	914 521 091 10	Comfort seat Driver's side Leatherette/ Cloth Please state the colour	71	1	914-6/4
(4)	914 521 091 12 914 521 091 12 503	Front seat Driver's side Leatherette/ Cloth Beige	74	1	
(4)	914 521 091 12 914 521 091 12 403	Front seat Driver's side Leatherette Cloth Brown	74	1	
(4)	914 521 091 15	Comfort seat Driver's side Leatherette/ Cloth Please state the colour	75-	1	914-1,8V/2,0
(4)	914 521 384 10	Comfort seat Driver's side	74 (USA)	1	914-1,8/2,0

Model: 914 70 Model life 1970>>1976

Pos	Part Number	Description	Remark	Qty	Model
(4)	914 521 384 12	Leatherette/ Cloth for Seat belt Warning contact Please state the colour Comfort seat Driver's side	75- (USA)	1	914-1,8/2,0
(4)	914 521 061 12	Leatherette/ Cloth for Seat belt Warning contact Please state the colour Comfort seat Passenger's side	72-74	1	
(4)	914 521 061 12 502	Leatherette Beige Please state the colour Comfort seat Passenger's side	72-74	1	
(4)	914 521 061 14	Leatherette Braided texture Beige Comfort seat Passenger's side	75-	1	914-1,8V/2,0
(4)	914 521 061 14 713	Leatherette Please state the colour Comfort seat Passenger's side	75-	1	914-1,8V/2,0
(4)	914 521 381 12 914 521 381 12 402	Leatherette Black Braided texture Front seat Passenger's side	(USA) -74	1	914-4/1,7 914-1,8/1,8V 914-2,0
(4)	914 521 381 14	Leatherette Braided texture for Seat belt Warning contact Brown Comfort seat Passenger's side	75- (USA)	1	914-1,8/2,0
(4)	914 521 099 12 914 521 099 12 403	Leatherette Cloth Brown Please state the colour Front seat Passenger's side	72-74	1	
(4)	914 521 099 14	Leatherette/ Cloth Brown Comfort seat Passenger's side	75-	1	914-1,8V/2,0
(4)	914 521 383 11	Leatherette/ Cloth Please state the colour Comfort seat Passenger's side	(USA) 72-	1	914-4

Model: 914 70 Model life 1970>>1976

Pos	Part Number	Description	Remark	Qty	Model
(4)	914 521 383 12	Seat belt Warning contact Please state the colour Comfort seat Passenger's side Leatherette/ Cloth for Seat belt Warning contact Please state the colour Comfort seat Passenger's side Leatherette/ Cloth for	72-74  (USA)	1	914-4/1,7 914-1,8/2,0
(4)	914 521 383 14	Seat belt Warning contact Please state the colour Comfort seat Passenger's side Leatherette/ Cloth for	75- (USA)	1	914-1,8/2,0
5	914 521 035 09	Seat belt Warning contact Please state the colour Seat cushion Driver's side Leatherette	-70	1	914-6/4
5	914 521 035 10	Please state the colour Seat cushion Driver's side Leatherette	71	1	914-6/4
5	914 521 035 12	Please state the colour Seat cushion Driver's side And Passenger's side Leatherette	72-74	2	
5	914 521 035 14	Please state the colour Back seat cushion Driver's side And Passenger's side Leatherette	75-	2	914-1,8V/2,0
5	914 521 333 11	Please state the colour Back seat cushion Passenger's side Leatherette for	(USA) 72-	1	914-4
5	914 521 333 12	Seat belt Warning contact Please state the colour Seat cushion Driver's side And Passenger's side Leatherette for	(USA) 72-74	2	914-4/1,7 914-1,8/2,0
5	914 521 333 14	Seat belt Warning contact Please state the colour Back seat cushion Driver's side And Passenger's side Leatherette for Seat belt Warning contact	75- (USA)	2	914-1,8/2,0



Model: 914 70 Model life 1970>>1976

Pos	Part Number	Description	Remark	Qty	Model
(5)	914 521 093 09	Please state the colour Seat cushion Driver's side Leatherette/ Cloth	-70	1	914-6/4
(5)	914 521 093 10	Please state the colour Seat cushion Driver's side Leatherette/ Cloth	71	1	914-6/4
(5)	914 521 093 11	Please state the colour Seat cushion Driver's side And Passenger's side Leatherette/ Cloth	72-	2	914-6/4
(5)	914 521 093 12	Please state the colour Seat cushion Driver's side And Passenger's side Leatherette/ Cloth	72-74	2	
(5)	914 521 093 14	Please state the colour Back seat cushion Driver's side And Passenger's side Leatherette/ Cloth	75-	2	914-1,8V/2,0
(5)	914 521 335 11	Please state the colour Back seat cushion Passenger's side Leatherette/ Cloth for Seat belt Warning contact	(USA) 72-	1	914-4
(5)	914 521 335 12	Please state the colour Seat cushion Driver's side And Passenger's side Leatherette/ Cloth for Seat belt Warning contact	72-74 (USA)	2	914-4/1,7 914-1,8/2,0
(5)	914 521 335 14	Please state the colour Back seat cushion Driver's side And Passenger's side Leatherette/ Cloth for Seat belt Warning contact	75- (USA)	2	914-1,8/2,0
6	914 521 030 10	Please state the colour Seat rail	/L	2	
7	914 521 029 10	Seat rail	/R	2	
-	914 521 146 10	Rivet		2	

Model: 914 70

Model life 1970&gt;&gt;1976

Pos	Part Number	Description	Remark	Qty	Model
8	900 119 091 02	Pan-head screw M 6 X 15		16	
9	N 042 121 3	Shake-proof washer A 6,4		16	
10	N 011 524 7	Washer B 6,4		16	
10	N 011 524 27	Washer B 6,4		16	
11	914 521 031 10	Seat frame Front seat Driver's side with Height adjustment	-73	1	914-6/4/1,7 914-2,0
11	914 521 031 11	Seat frame Front seat Driver's side with Height adjustment	74-	1	914-1,8V/1,8 914-2,0
11	914 521 074 10	Seat frame Front seat Passenger's side with Height adjustment	72-73	1	914-6/4/1,7 914-2,0
11	914 521 074 11	Seat frame Front seat Passenger's side with Height adjustment	74-	1	914-1,8V/1,8 914-2,0
12	900 075 193 08	Hexagon-head bolt M 6 X 15	-74	8	
12		Hexagon-head bolt M 6 X 16	75-	8	914-1,8V/1,8 914-2,0
13	N 042 121 3	Shake-proof washer A 6,4		8	
14	914 521 217 10	Locking device		2	
15	914 521 075 09	Bucket seat Passenger's side Leatherette Please state the colour	-70	1	914-6/4
(15)	914 521 075 10	Bucket seat Passenger's side Leatherette Please state the colour	71	1	914-6/4
16	914 521 047 09	Back seat cushion Passenger's side Leatherette Please state the colour	-70	1	914-6/4
(16)	914 521 047 10	Back seat cushion Passenger's side Leatherette Please state the colour	71	1	914-6/4
(16)	914 521 056 09	Back seat cushion Passenger's side Leatherette/ Cloth Please state the colour	-70	1	914-6/4
(16)	914 521 056 10	Back seat cushion Passenger's side Leatherette/ Cloth Please state the colour	71	1	914-6/4
17	914 521 053 09	Back seat cushion Leatherette Please state the colour	-70	1	914-6/4

Model: 914 70 Model life 1970>>1976

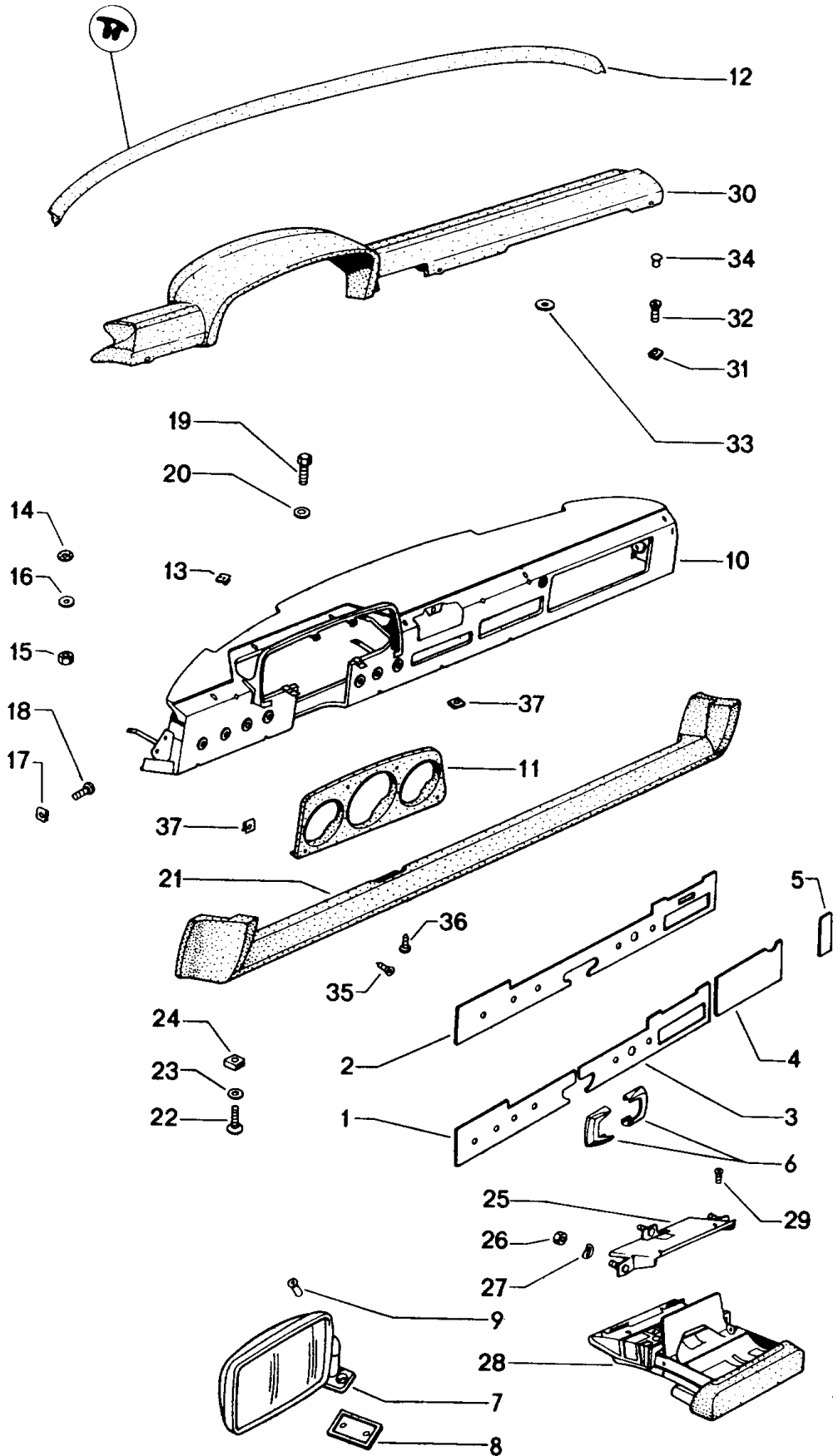
Pos	Part Number	Description	Remark	Qty	Model
(17)	914 521 053 10	Please state the colour Back seat cushion Leatherette	71	1	914-6/4
(17)	914 521 053 11	Please state the colour Back seat cushion Leatherette	72-74	1	
(17)	914 521 053 14	Please state the colour Back seat cushion Leatherette	75-	1	914-1,8V/1,8 914-2,0
18	914 555 081 09	Please state the colour Backrest Passenger's side Leatherette	-70	1	914-6/4
(18)	914 555 081 10	Please state the colour Backrest Passenger's side Leatherette	71	1	914-6/4
(18)	914 555 079 09	Please state the colour Backrest Passenger's side Leatherette/ Cloth	-70	1	914-6/4
(18)	914 555 079 10	Please state the colour Backrest Passenger's side Leatherette/ Cloth	71	1	914-6/4
19	914 559 037 10	Please state the colour Package box Needled felt		1	914-6/4
19	914 559 038 10	Please state the colour Package box Loop pile		1	914-6/4
19	914 559 038 12	Please state the colour Package box Loop pile	-74	1	914-1,7/2,0
19	914 559 038 13	Please state the colour Package box Loop pile	75-	1	914-1,8V/1,8 914-2,0
20	914 521 041 10	Please state the colour Seat frame Front seat Driver's side without	-73	1	914-6/4/1,7 914,2,0
21	914 521 287 10	Actuating lever Clutch control shaft Front seat Driver's side with		1	
(21)	914 521 206 10	Actuating lever Shaft Front seat Passenger's side with	72-	1	
22	914 521 249 10	Actuating lever Handle		2	
23	914 521 219 10	Stop Seat adjuster Front seat Driver's side		1	
(23)	914 521 220 10	Stop Seat adjuster Front seat	72-	1	

Model: 914 70 Model life 1970>>1976

Pos	Part Number	Description	Remark	Qty	Model
24	914 521 203 10	Passenger's side Bush		2	
25	914 521 283 10	for Bellcrank Spring		1	
(25)	914 521 284 10	for Bellcrank Front seat Driver's side Spring	72-	1	
26	900 095 010 01	for Bellcrank Front seat Passenger's side Tensioning sleeve 3,5 X 24		2	
27	914 521 205 10	Bush		2	
28	914 559 035 10	Support		1	
29	N 014 140 5	for Package box Oval-head screw AM 6 X 15		2	
30	900 151 006 09	Washer 6,4		2	
31	900 143 029 02	Oval-head sheetmetal screw BZ 4,2 X 16		2	
32	900 151 028 02	Washer 4,3		2	
32	900 151 028 01	Washer 4,3		2	
33	999 507 401 40	Special nut		2	
34	900 145 062 02	Rais. counters. h. tap. s. B 3,5 X 25		1	
35	999 591 102 12	Washer		1	
36	914 521 556 10	Cup with Back seat		1	914-1,7/1,8V 914-1,8/2,0
36	914 521 556 12	Package box with Back seat		1	914-1,7/1,8V 914-1,8/2,0
37	999 591 011 12	Washer		1	914-1,7/1,8V 914-1,8/2,0
38	900 145 022 02	Rais. counters. h. tap. s. B 3,9 X 19		4	914-1,7/1,8V 914-1,8/2,0
39	914 559 402 10	Centre console		1	914-1,7/1,8V 914-1,8/2,0
40	999 507 401 40	Special nut		2	914-1,7/1,8V 914-1,8/2,0
41	900 151 028 02	Washer B 4,3		2	914-1,7/1,8V 914-1,8/2,0
41	900 151 028 01	Washer B 4,3		2	914-1,7/1,8V 914-1,8/2,0
42	900 143 073 02	Oval-head sheetmetal screw BZ 4,2 X 19		2	914-1,7/1,8V 914-1,8/2,0
43		Oval-head sheetmetal screw BZ 4,2 X 19		2	914-1,7/1,8V 914-1,8/2,0

Model: 914 70

Model life 1970>>1976



Model: 914 70 Model life 1970>>1976

Pos	Part Number	Description	Remark	Qty	Model
		Dashbord			
		Door mirror			
1	914 552 063 10	Cover	/L -71	1	914-6
(1)	914 552 035 10	Cover	/L -71	1	914-4
2	914 552 111 11	Cover	72-	1	
		F 47529 00011>>			
2	914 552 113 11	Cover	72-	1	914-4/1,7 914-1,8/2,0
		F 47529 00011>>			
2/1	914 552 025 12	Dashbord trim		1	914-1,8V/2,0
2/1	914 552 042 11	Dashbord trim		1	914-1,8/2,0
2/2	914 552 089 12	Cover		1	914-1,8V/1,8
		Glove compartment cover			914-2,0
3	914 552 043 10	Cover	/L -71	1	914-6
		Centre			
3	914 552 045 10	Cover	/L -71	1	914-4
		Centre			
(4)	914 552 039 10	Cover	/R -71	1	914-6
		Centre			
(4)	914 552 040 10	Radio			
		Cover	/R	1	914-4/1,7
		Centre			914-1,8/1,8V
		F 47529 00011>>			914-2,0
-	914 552 444 10	Cover		1	914-1,8V/1,8
		Opening for radio			914-2,0
(4)	914 552 040 10	Cover	/R 72-	1	914-6
		Centre			
		Radio			
4	914 552 049 10	Cover	/R	1	
		Centre			
5	914 552 093 10	Cover	/R -71	1	914-6/4
6	914 552 241 10	Cup	-71	2	914-6
7	914 731 039 10	Door mirror	/L	1	
(7)	914 731 040 10	Door mirror	/R M	1	
		Convex			
8	914 731 116 10	Desk pad		1	
9	914 531 523 10	Rais. counters. h. tap. s.		2	
		AM 6 X 12 4,8			
		Self-locking			
-	914 552 267 10	Handle liner		1	
10	914 552 021 10	Bracket	-71	1	914-6
		for			
		Instruments			
(10)	914 552 022 10	Bracket	-71	1	914-4
		for			
		Instruments			
(10)	914 552 022 11	Bracket	72-	1	
		for			
		Instruments			
11	914 552 202 10	Dashbord trim		1	
12	914 552 263 10	Sealing frame		1	
13	999 507 228 00	Speed nut		6	
14	999 704 122 50	Rubber base		4	
15	900 076 010 02	Nut		4	
		M 6			
15	900 076 010 0B	Nut		4	
		M 6			
16	N 011 524 7	Washer		4	
		6,4			
16	N 011 524 27	Washer		4	
		6,4			
17	999 591 355 02	Speed nut		4	

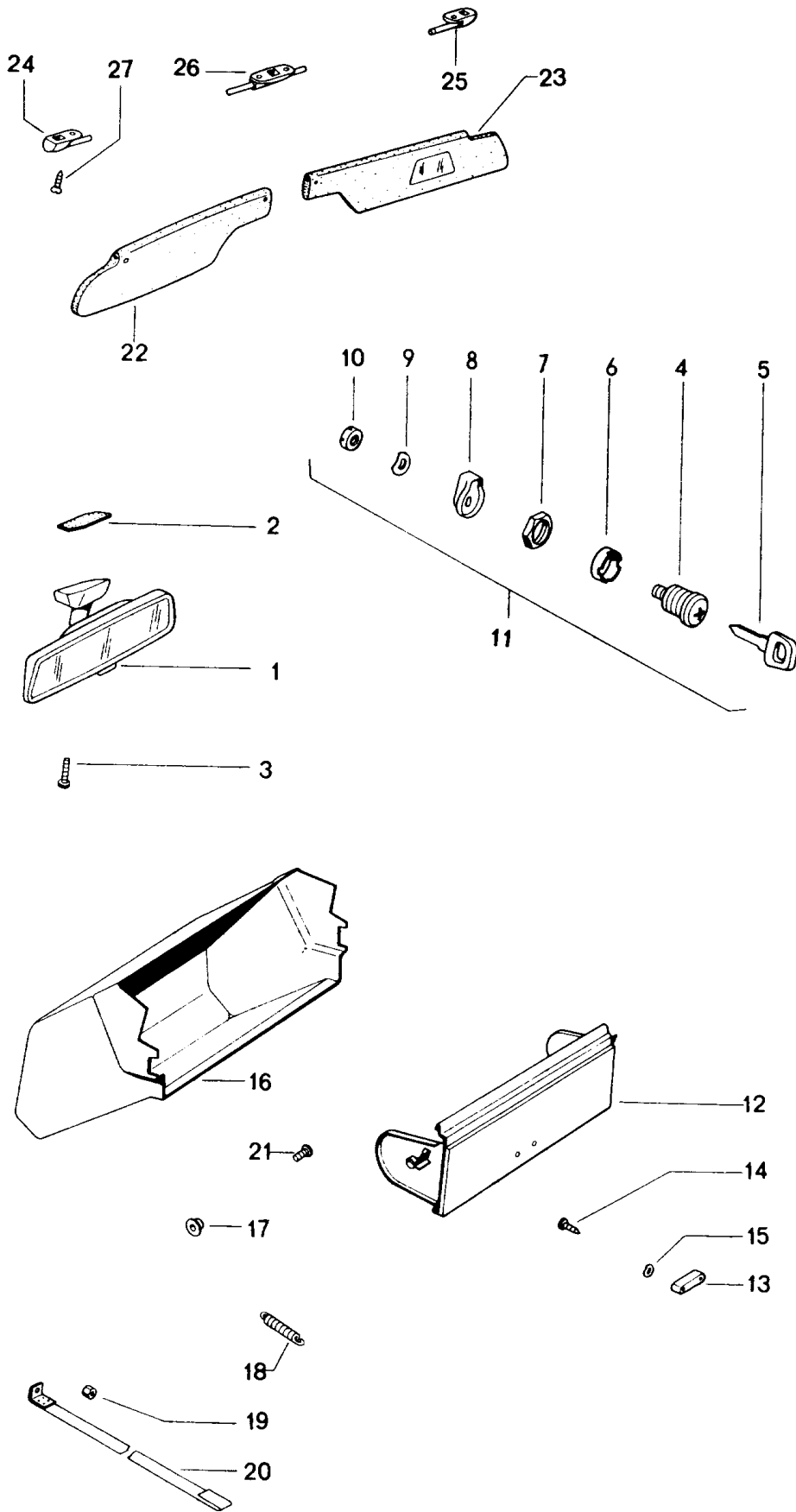
Model: 914 70

Model life 1970&gt;&gt;1976

Pos	Part Number	Description	Remark	Qty	Model
18	N 043 890 1	Tapping screw B 4,2 X 9,5		4	
19	900 075 057 02	Hexagon-head bolt M 6 X 16		1	
19	900 075 057 03	Hexagon-head bolt M 6 X 16		1	
20	900 151 006 09	Washer B 6,4		1	
21	914 552 041 10	Knee protection strip	-71	1	914-6/4
(21)	914 552 041 11	Knee protection strip	72-	1	914-6/4
(21)	914 552 041 12	Knee protection strip		1	914-1,7/1,8V 914-1,8/2,0
22	N 014 140 5	Oval-head screw AM 6 X 15		5	
23	900 151 006 09	Washer B 6,4		5	
24	999 507 314 12	Captive nut		5	
25	914 552 087 10	Retaining bracket for Ashtray		1	
26	N 011 004 6	Hexagon nut M 4		3	914-6
26	N 011 004 G	Nut M 4		3	914-6
26	N 011 004 6	Hexagon nut M 4		4	
26	N 011 004 G	Nut M 4		4	
27	N 012 224 3	Spring washer B 4		3	
28	914 552 075 10	Ashtray Complete		1	
29	900 143 063 02	Oval-head sheetmetal screw B 3,9 X 9,5		2	
30	914 552 031 12	Dashboard trim		1	
31	N 015 429 2	Speed nut		2	
31	N 015 429 6	Speed nut		2	
32	900 143 007 02	Oval-head sheetmetal screw B 4,2 X 13		2	
32	900 073 507 01	Oval-head sheetmetal screw B 4,2 X 13		2	
33	900 025 007 02	Washer 8,4		9	
33	900 025 007 03	Washer 8,4		9	
33/1	900 076 026 40	Plastic nut M 8		9	
34	914 555 129 10	Stopper		2	
35	900 145 058 02	Rais. counters. h. tap. s. B 4,2 X 9,5	-71	4	914-6/4
35	900 145 060 02	Rais. counters. h. tap. s. B 4,2 X 13	72-	4	
36	900 143 066 02	Oval-head sheetmetal screw B 4,2 X 9,5	-71	2	914-6/4
36	900 143 070 02	Oval-head sheetmetal screw B 4,2 X 13	72-	2	
37	N 015 429 2	Speed nut		6	
37	N 015 429 6	Speed nut		6	

Model: 914 70

Model life 1970>>1976





Model: 914 70 Model life 1970>>1976

Pos	Part Number	Description	Remark	Qty	Model
1	914 731 014 11	Interior mirror Glove compartment Sun visor	-71	1	914-6/4
1	914 731 014 12	Interior mirror Inner		1	914-6/4
(1)	914 731 014 11	Interior mirror Inner	72-	1	
(1)	914 731 014 12	Interior mirror Inner	72-	1	
2	901 731 133 20	Adhesive plate for Mirror base		1	
(2)	914 731 025 10	Repair kit for Mount Interior mirror	74-	1	
3	900 014 098 10	Pan-head screw AM 2,6 X 15		1	
4	914 552 556 10	Lock cylinder Not available		1	
5	914 531 637 10	Main key State lock number		2	
5	914 531 903 10	Blank key for Main key		2	
6	914 552 526 10	Spacer sleeve		1	
7	914 552 557 10	Hexagon nut		1	
8	901 552 552 21	Latch		1	
9	914 552 559 10	Spring washer		1	
10	914 552 558 10	Slotted nut		1	
11	914 552 905 10	Glove compartment lock with 2 Main key W/o stipulated lock number		1	
11	914 552 906 10	Glove compartment lock with 2 Main key State lock number		1	
12	914 552 051 10	Glove compartment cover with Picture 13 - 15	-71	1	914-6/4
12	914 552 051 11	Glove compartment cover with Picture 13 - 15	72-	1	
13	914 552 086 10	Handle		1	
14	900 146 021 02	Oval-head screw AM 3 X 8		2	
15	900 028 006 01	Washer B 3		2	
16	914 552 501 10	Glove compartment	-71	1	914-6/4
16	914 552 501 11	Glove compartment	72-	1	
17	914 552 253 10	Spacer		2	
18	914 552 515 00	Tension spring		2	
19	900 076 027 02	Nut M 5		1	
-	N 012 225 2	Spring washer B 5		1	

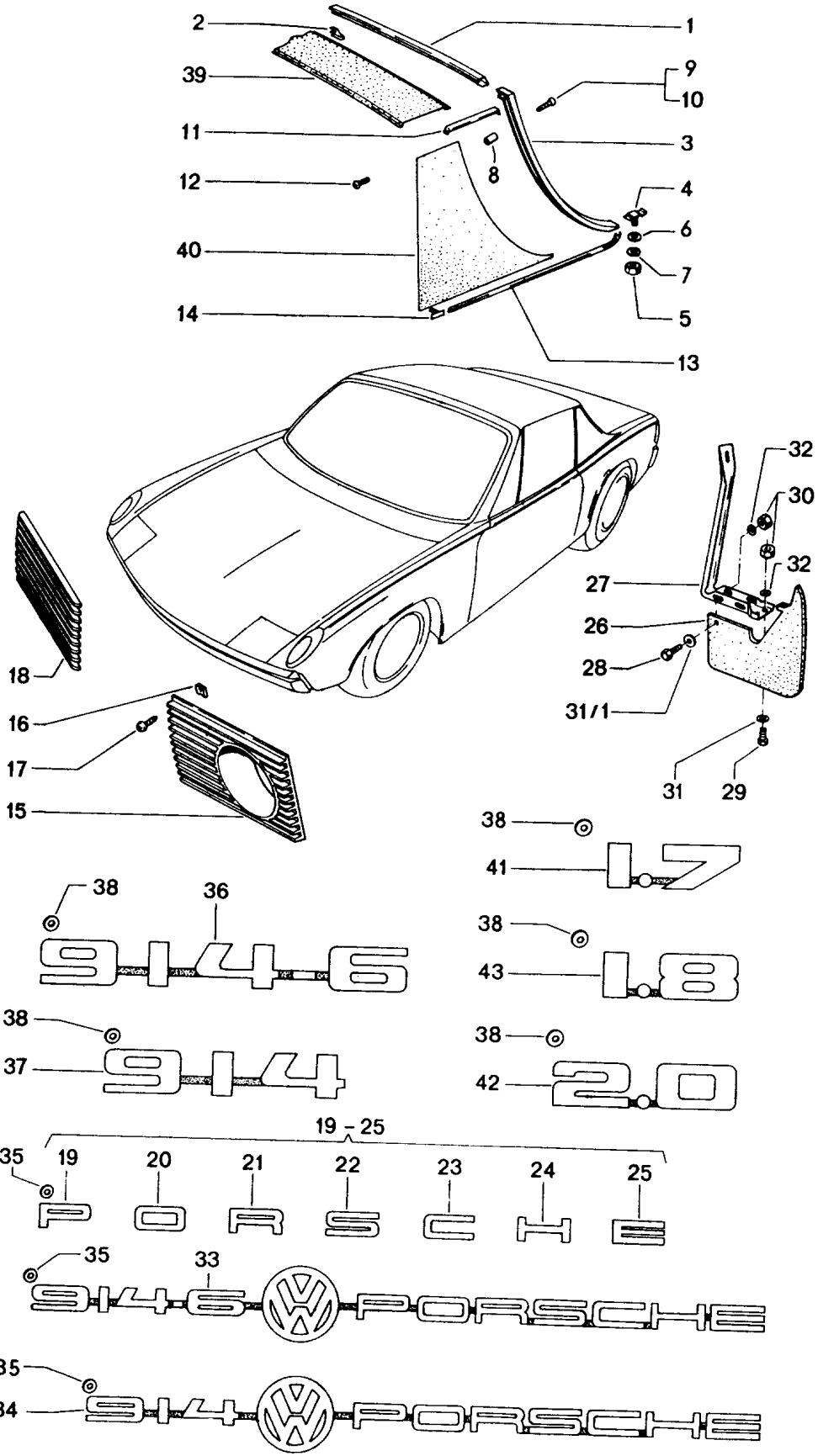
Model: 914 70

Model life 1970&gt;&gt;1976

Pos	Part Number	Description	Remark	Qty	Model
20	914 552 055 10	Restraining strap		1	
21	900 072 001 02	Oval-head screw M 6 X 12		2	
22	901 731 017 10	Sun visor	/L	1	914-6/4
22	914 731 043 12	Sun visor	/L	1	914-1,7/1,8V 914-1,8/2,0
23	901 731 018 10	Sun visor	/R	1	914-6/4
23	914 731 044 12	Sun visor	/R	1	914-1,7/1,8V 914-1,8/2,0
24	901 731 323 41	Bearing	/L -70	1	914-6/4
24	911 731 323 40	Bearing	/L 71-	1	
25	901 731 324 41	Bearing	/R -70	1	914-6/4
25	911 731 324 40	Bearing	/R 71-	1	
26	914 731 327 10	Bearing bracket		1	
27	N 014 093 3	Oval-head sheetmetal screw B 4,2 X 13	-70	4	914-6/4
27	N 014 095 1	Counters. head tapp. screw B 4,2 X 19	71-	4	

Model: 914 70

Model life 1970>>1976



Model: 914 70

Model life 1970&gt;&gt;1976

Pos	Part Number	Description	Remark	Qty	Model
1	914 559 103 10	Decorative fittings Moulding Centre Anodised		1	914-6
1	914 559 104 10	Moulding Centre Prime coated		1	914-4/1,7 914-1,8/1,8V 914-2,0
(1)	914 559 103 10	Moulding Centre Anodised		1	914-4/1,7 914-1,8/1,8V 914-2,0
2	914 559 223 10	Moulding clip		3	
3	914 559 101 10	Moulding Anodised	/L	1	914-6
3		Moulding Anodised	/L M	1	
(3)	914 559 102 10	Moulding Anodised	/R	1	914-6
(3)		Moulding Anodised	/R M	1	
(3)	914 559 107 10	Moulding Prime coated	/L	1	914-4/1,7 914-1,8/1,8V 914-2,0
(3)	914 559 108 10	Moulding Prime coated	/R	1	914-4/1,7 914-1,8/1,8V 914-2,0
4	914 559 011 10	Clamping screw		2	
5	900 076 004 01	Hexagon nut M 5		2	
6	900 025 003 02	Washer 5,3		2	
7	900 027 003 01	Lock ring A 5		2	
8	914 559 225 10	Spacer		2	
9	900 145 050 02	Rais. counters. h. tap. s. B 2,9 X 19		2	914-6
9		Rais. counters. h. tap. s. B 2,9 X 19		2	914-4/1,7 914-1,8/1,8V 914-2,0
10	900 145 050 00	Rais. counters. h. tap. s. B 2,9 X 19		2	914-4/1,7 914-1,8/1,8V 914-2,0
-	914 559 121 10	Adhesive tape 9 X 1,6 X25		2	
11	914 559 017 10	Covering plate	/L	1	
(11)	914 559 018 10	Covering plate	/R	1	
12	900 143 057 00	Rais. counters. h. tap. s. B 2,9 X 9,5		4	
13	914 559 109 10	Moulding	/L	1	914-6
13		Moulding	/L M	1	
(13)	914 559 110 10	Moulding	/R	1	914-6
(13)		Moulding	/R M	1	
14	999 591 326 02	Moulding clip		8	914-6
14	999 591 326 01	Moulding clip		8	
14	999 591 326 02	Moulding clip		8	
16	N 900 488 01	Speed nut B 3,5	-74	8	
17	900 143 033 02	Oval-head sheetmetal screw B 3,5 X 13	-73	8	
17	N 013 959 3	Oval-head sheetmetal screw B 3,5 X 16	74	8	
23	900 143 016 01	Oval-head sheetmetal screw B 3,5 X 16		8	
18	914 559 257 10	Grille	/L -74	1	914-6/1,7

Model: 914 70 Model life 1970>>1976

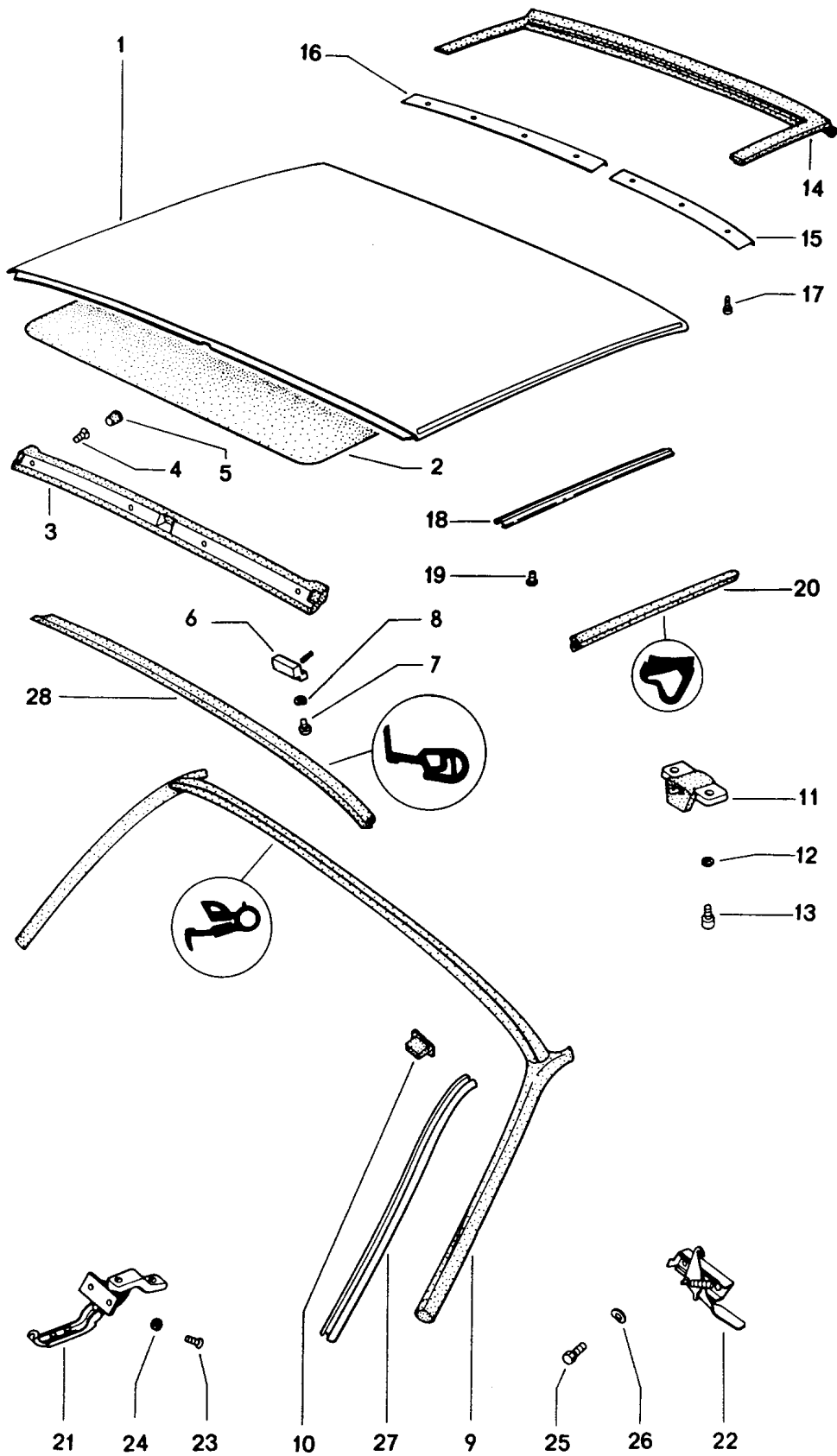
Pos	Part Number	Description	Remark	Qty	Model
		Chrome			914-1,8/2,0
		Not for			
(18)	914 559 259 10	Additional headlamp Grille	/L	1	914-4
		Prime coated			
		Not for			
(18)	914 559 258 10	Additional headlamp Grille	/R -74	1	914-6/1,7 914-1,8/2,0
		Chrome			
		Not for			
(18)	914 559 260 10	Additional headlamp Grille	/R	1	914-4
		Prime coated			
		Not for			
		Additional headlamp			
19-25	901 559 301 22	Logo		1	914-6/4
		Gold-coloured			
19-25	901 559 902 00	Logo		1	914-1,7/1,8 914-1,8
		Chrome			
26	914 559 309 10	Mud flap		2	
27	914 559 303 10	Retaining bar	/L	1	914-6/4
27	914 559 311 10	Retaining bar	/L	1	914-1,7/1,8V 914-1,8/2,0
(27)	914 559 304 10	Retaining bar	/R	1	914-6/4
(27)	914 559 312 10	Retaining bar	/R	1	914-1,7/1,8V 914-1,8/2,0
28	N 010 264 4	Hexagon-head bolt M 5 X 20		4	
29	N 010 207 6	Hexagon-head bolt M 5 X 12		6	
29	N 010 207 17	Hexagon-head bolt M 5 X 12		6	
30	900 076 027 02	Nut M 5		10	
31	N 011 524 7	Washer 5,3		10	914-6/4
31	N 011 524 27	Washer 5,3		10	914-6/4
31	N 011 524 7	Washer 5,3		6	914-1,7/1,8V 914-1,8/2,0
31	N 011 524 27	Washer 5,3		6	914-1,7/1,8V 914-1,8/2,0
31/1	900 151 027 02	Washer B 5,3		4	914-1,7/1,8V 914-1,8/2,0
31/1	900 151 027 03	Washer B 5,3		4	914-1,7/1,8V 914-1,8/2,0
32	N 012 005 3	Lock ring B 5		10	
33	914 559 112 10	Logo		1	914-6
		- VW-PORSCHE-			
34	914 559 111 10	Logo		1	914-4
		- VW-PORSCHE-			
		Gold-coloured			
34	914 559 289 10	Logo	-73	1	914-1,7/1,8V 914-1,8/2,0
		- VW-PORSCHE-			
		Black			
35	999 591 423 03	Tapping nut		21	914-6/4
35		Tapping nut		14	914-1,7/1,8V 914-1,8/2,0
35		Tapping nut		7	914-1,7/1,8V 914-1,8/2,0
36	914 559 114 10	Logo 914-6		1	914-6

Model: 914 70 Model life 1970>>1976

Pos	Part Number	Description	Remark	Qty	Model
37	914 559 113 10	Logo Gold-coloured 914		1	
37	914 559 287 11	Logo Black 914		1	
38	999 591 211 01	Tapping nut		3	914-6
38		Tapping nut		2	914-4
38		Tapping nut		4	914-1,7/1,8V 914-1,8/2,0
39	914 559 263 10	Lining Centre		1	914-6
39		Lining Centre		1	
40	914 559 265 10	Lining	/L	1	914-6
40		Lining	/L M	1	
(40)	914 559 266 10	Lining	/R	1	914-6
(40)		Lining	/R M	1	
41	914 559 115 10	Logo 1,7		1	914-1,7
42	914 559 120 11	Logo 2,0	-74	1	914-2,0
43	914 559 459 10	Logo 1,8	-74	1	914-1,8V/1,8
-	914 559 293 10	Logo 914-1,8 Adhesive film	75-	1	914-1,8
-	914 559 293 11	Logo 914-2,0 Adhesive film	75-	1	914-2,0
-	902 701 111 00	Badge KARMANN Body Paint		1	
-	900 093 001 02	Use also: T-headed screw Rivet		4	

Model: 914 70

Model life 1970>>1976



Model: 914 70 Model life 1970>>1976

Pos	Part Number	Description	Remark	Qty	Model
(1)	914 563 901 10	Roof Roof with Picture 18 - 19 F >>47329 26221	-73	1	914-6/4/1,7 914-2,0
(1)	914 563 901 11	Roof with Picture 18 - 19 F 47329 26222>>	73-	1	914-1,8V/1,8 914-2,0
2	914 563 321 11	Lining Inner F >>47329 26221	-73	1	914-6/4/1,7 914-2,0
2	914 563 321 13	Lining Inner F 47329 26222>>	73-	1	914-1,8V/1,8 914-1,8
3	914 563 021 12	Padding	/V	1	914-6/4
3		Padding	/V -73	1	914-1,7/1,8V 914-1,8/2,0
3	914 563 021 13	F >>47329 26221 Padding	/V 73-	1	914-1,8V/1,8 914-2,0
4	N 013 957 5	F 47329 26222>> Oval-head sheetmetal screw B 3,5 X 9,5		4	
5	999 703 077 40	Cap		4	
5	914 552 233 10	Filler piece		4	
5	914 552 233 10 01C	Filler piece Black		4	
6	914 563 812 00	Centring wedge		1	
7	N 033 165 1	Countersunk-head screw AM 4 X 8		2	
8	900 114 006 01	Shake-proof washer A 4,3		2	
9	914 563 035 10	Seal Windscreen frame	/V -73	1	914-6/4/1,7 914-2,0
9	914 563 039 10	Seal Windscreen frame	/V 74-	1	914-1,8V/1,8 914-2,0
10	914 559 239 10	Filler piece for Ski rack		2	
11	914 563 033 10	Metalastik pivot bearing		2	914-6/4
11	914 563 033 19	Silentbloc bearing		2	914-1,7/1,8V
11	914 563 033 20	Silentbloc bearing		2	914-1,7/1,8V
-	914 563 317 10	Desk pad for Silentbloc bearing		X	914-1,8/2,0
12	N 042 121 3	Shake-proof washer A 6,4		4	
13	900 186 006 01	Pan-head screw M 6 X 12		4	
14	914 563 077 11	Gasket for Roll bar F >>47329 26221	/H -73 /H	1	914-6/4/1,7 914-2,0
14		Gasket for Roll bar Not available 914.563.077.10 Use F 47329 26222>>	/H 73-	1	914-1,8V/1,8 914-2,0



Model: 914 70

Model life 1970&gt;&gt;1976

Pos	Part Number	Description	Remark	Qty	Model
15	914 563 127 10	Attachment strip	/L	1	
-	914 563 203 10	Attachment strip Lateral F 47329 26222>>	/L 73-	1	914-1,8V/1,8 914-2,0
16	914 563 128 10	Attachment strip	/R	1	
-	914 563 204 10	Attachment strip Lateral F 47329 26222>>	/R 73-	1	914-1,8V/1,8 914-2,0
17	N 013 958 7	Oval-head sheetmetal screw B 3,5 X 13 F >>47329 26221	-73	7	914-6/4/1,7 914-2,0
17	N 013 957 5	Oval-head sheetmetal screw B 3,5 X 9,5 F 47329 26222>>	73-	13	914-1,8V/1,8 914-2,0
18	914 531 865 10	Attachment strip	/L	1	
(18)	914 531 866 10	Attachment strip	/R	1	
19	N 013 953 2	Oval-head sheetmetal screw B 2,9 X 9,5		8	
19	N 013 954 2	Hexagon-head bolt B 2,9 X 13		2	
19	900 143 051 01	Oval-head sheetmetal screw B 2,9 X 13		2	
-	900 151 019 02	Washer B 3,2		2	
20	914 531 185 10	Gasket	/L 74-	1	914-1,8V/1,8 914-2,0
(20)	914 531 186 10	Gasket	/R 74-	1	914-1,8V/1,8 914-2,0
21	914 563 071 10	Catch	/V	2	
22	914 563 081 11	Catch	/H /L	1	
(22)	914 563 082 11	Catch	/H /R	1	
23	900 148 012 02	Rais. counters. h. tap. s. AM 5 X 15 F >>47329 26221	-73	4	914-6/4/1,7 914-2,0
23	999 148 005 04	Countersunk-head screw AM 5 X 12 F 47329 26222>>	73-	4	914-1,8V/1,8 914-2,0
23	999 148 005 0E	Countersunk-head screw AM 5 X 12 F 47329 26222>>	73-	4	914-1,8V/1,8 914-2,0
24	900 115 011 01	Spring washer V 5,3		4	
25	900 075 010 02	Hexagon nut M 6 X 12		4	
25	N 010 212 14	Hexagon-head bolt M 6 X 12		4	
25	999 072 005 09	Hexagon nut M 6 X 12		4	
25	999 072 005 01	Hexagon nut M 6 X 12		4	
26	900 028 003 01	Lock ring B 6		4	
27	914 531 823 10	Attachment strip	/L -73	1	914-6/4/1,7 914-2,0
27	914 531 823 11	Attachment strip	/L 74-	1	914-1,8V/1,8 914-2,0
(27)	914 531 824 10	Attachment strip	/R -73	1	914-6/4/1,7 914-2,0
(27)	914 531 824 11	Attachment strip	/R 74-	1	914-1,8V/1,8 914-2,0
28	914 563 319 10	Gasket Lower		1	
-	999 703 087 40	Cap		6	

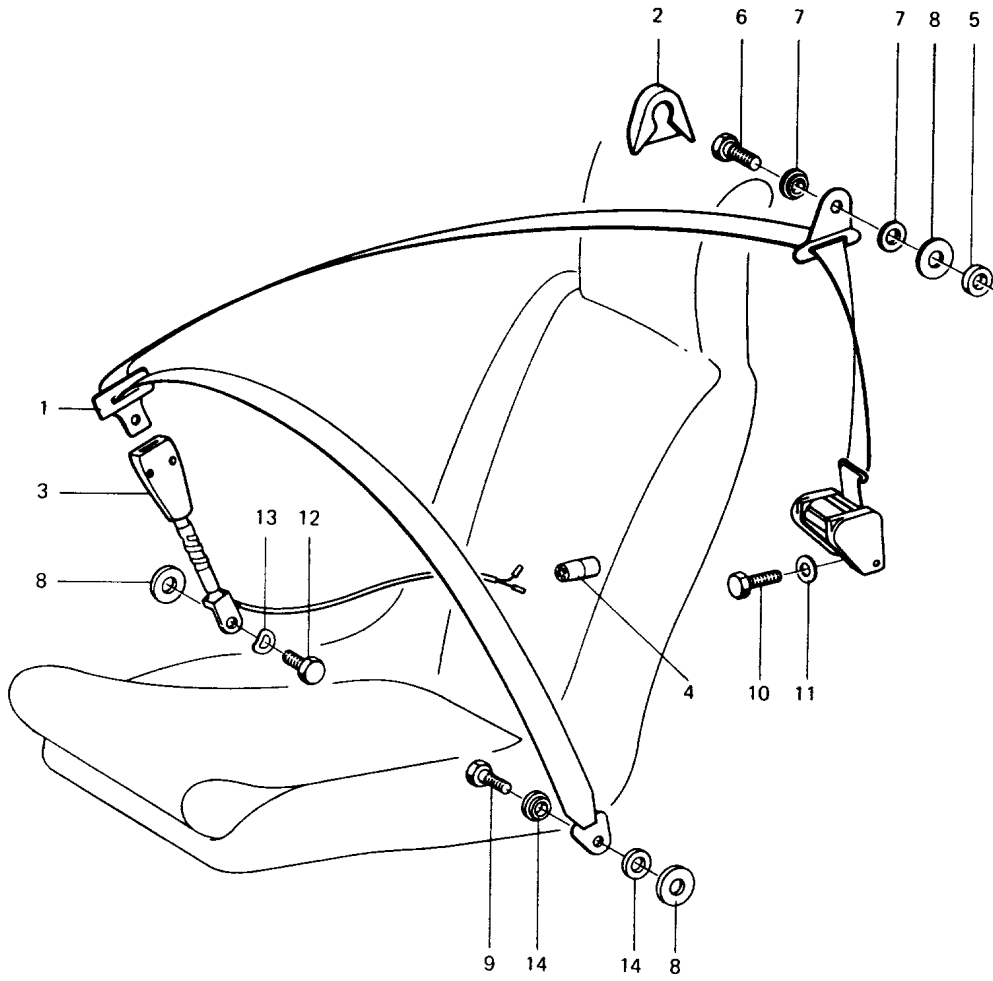
Model: 914 70

Model life 1970>>1976

Pos	Part Number	Description	Remark	Qty	Model
		Mount Ski rack Rear			

Model: 914 70

Model life 1970>>1976



Model: 914 70 Model life 1970>>1976

Pos	Part Number	Description	Remark	Qty	Model
1	914 803 903 10	Seat belt Seat belt with Automatic And Warning contact Three-point seat belt with Automatic Installation set with Picture 2, 6 + 7	72-          /L -73	1	914-4/1,7 914-2,0
1	914 803 181 11	Three-point seat belt with Automatic	/L 74-	1	914-1,8/2,0
(1)	914 803 904 10	Three-point seat belt with Automatic Installation set with Picture 2, 6 + 7	/R -73	1	914-4/1,7 914-2,0
(1)	914 803 182 11	Three-point seat belt with Automatic	/R 74-	1	914-1,8/2,0
2	901 803 134 20	Cap	-73	2	914-4/1,7 914-2,0
(2)	111 857 719 G	Cap	74-	2	914-1,8/2,0
3	914 803 183 11	Seat belt buckle with Push button	-73	2	914-4/1,7 914-2,0
(3)		Seat belt buckle with Push button	74-	2	914-1,8/2,0
4	914 612 323 00	Pin connector socket	-73	1	914-4/1,7 914-2,0
5	914 803 137 10	Spacer tube		2	914-4/1,7 914-1,8/2,0
6	901 803 146 00	Hexagon-head bolt	-73	2	914-4/1,7 914-2,0
(6)	111 857 793 E	Hexagon-head bolt	74-	2	914-1,8/2,0
7	901 803 147 00	Washer	-73	4	914-4/1,7 914-2,0
(7)	211 857 771	Washer	74-	4	914-1,8/2,0
8	111 857 707 A	Spacer		6	914-4/1,7 914-1,8/2,0
8	WHT 001 373	Spacer		6	914-4/1,7 914-1,8/2,0
9	901 803 119 22	Hexagon-head bolt	-73	2	914-4/1,7 914-2,0
9	111 857 793 E	Hexagon-head bolt	74-	2	914-1,8/2,0
10	111 857 799	Hexagon-head bolt		2	914-4/1,7 914-1,8/2,0
11	999 523 109 02	Lock washer		2	914-4/1,7 914-1,8/2,0
12	901 803 119 20	Hexagon-head bolt	-73	2	914-4/1,7 914-2,0
12	914 803 468 10	Screw	74-	2	914-1,8/2,0
13	900 028 026 01	Spring washer B 14		2	914-4/1,7 914-1,8/2,0
14	111 857 771 A	Washer	-73	4	914-4/1,7 914-2,0

Model: 914 70

Model life 1970&gt;&gt;1976

Pos	Part Number	Description	Remark	Qty	Model
(14)	211 857 771	Washer	74-	4	914-1,8/2,0
>>	914 803 017 10	Three-point seat belt	/L -71	1	914-6/4
-	914 803 129 10	Comprising: Seat belt	/L	1	914-6/4
-	914 803 133 10	with Lock		1	914-6/4
-	914 803 137 10	Belt		1	914-6/4
-	914 803 137 10	with Tab		1	914-6/4
-	914 803 137 10	Spacer tube		1	914-6/4
-	901 803 119 21	Hexagon-head bolt		1	914-6/4
-	111 857 771 A	Roll bar		6	914-6/4
-	111 857 707 A	Washer		3	914-6/4
-	WHT 001 373	Spacer		3	914-6/4
-	111 857 719 C	Spacer		1	914-6/4
-	901 803 119 22	Cap		1	914-6/4
-	914 803 141 10	Hexagon-head bolt		1	914-6/4
-	900 145 002 02	Side member		1	914-6/4
-	901 803 119 20	Retaining bar		4	914-6/4
>>	914 803 018 10	Rais. counters. h. tap. s. B 2,9 X 9,5	/R -71	1	914-6/4
-	914 803 130 10	Chrome	/R	1	914-6/4
-	914 803 133 10	Hexagon-head bolt		1	914-6/4
-	914 803 137 10	Tunnel		1	914-6/4
-	901 803 119 21	Three-point seat belt		1	914-6/4
-	111 857 771 A	Comprising: Seat belt		6	914-6/4
-	111 857 707 A	with Lock		3	914-6/4
-	WHT 001 373	Belt		3	914-6/4
-	111 857 719 C	with Tab		1	914-6/4
-	901 803 119 22	Spacer tube		1	914-6/4
-	914 803 141 10	Hexagon-head bolt		1	914-6/4
-	900 145 002 02	Roll bar		4	914-6/4
-	901 803 119 20	Washer		1	914-6/4
>>	914 803 025 10	Spacer	-71	1	914-6/4
-	914 803 113 10	Cap		1	914-6/4
-	914 803 114 10	Hexagon-head bolt		1	914-6/4
-	111 857 799 A	Side member		2	914-6/4
-	3B0 857 799	Retaining bar		2	914-6/4
-	111 857 707 A	Rais. counters. h. tap. s. B 2,9 X 9,5		2	914-6/4
-	WHT 001 373	Chrome		2	914-6/4
-	900 028 014 02	Hexagon-head bolt		2	914-6/4
-	914 803 113 10	Tunnel		1	914-6/4
-	914 803 114 10	Seat belt		1	914-6/4
-	111 857 799 A	Seat		2	914-6/4
-	3B0 857 799	Centre		2	914-6/4
-	111 857 707 A	Lap belt		2	914-6/4
-	WHT 001 373	Comprising: Seat belt		2	914-6/4
-	900 028 014 02	with Lock		2	914-6/4
-	914 803 113 10	Seat belt		1	914-6/4
-	914 803 114 10	with Tab		1	914-6/4
-	111 857 799 A	Hexagon-head bolt		2	914-6/4
-	3B0 857 799	Hexagon-head bolt		2	914-6/4
-	111 857 707 A	Spacer		2	914-6/4
-	WHT 001 373	Spacer		2	914-6/4
-	900 028 014 02	Washer		2	914-6/4

Model: 914 70

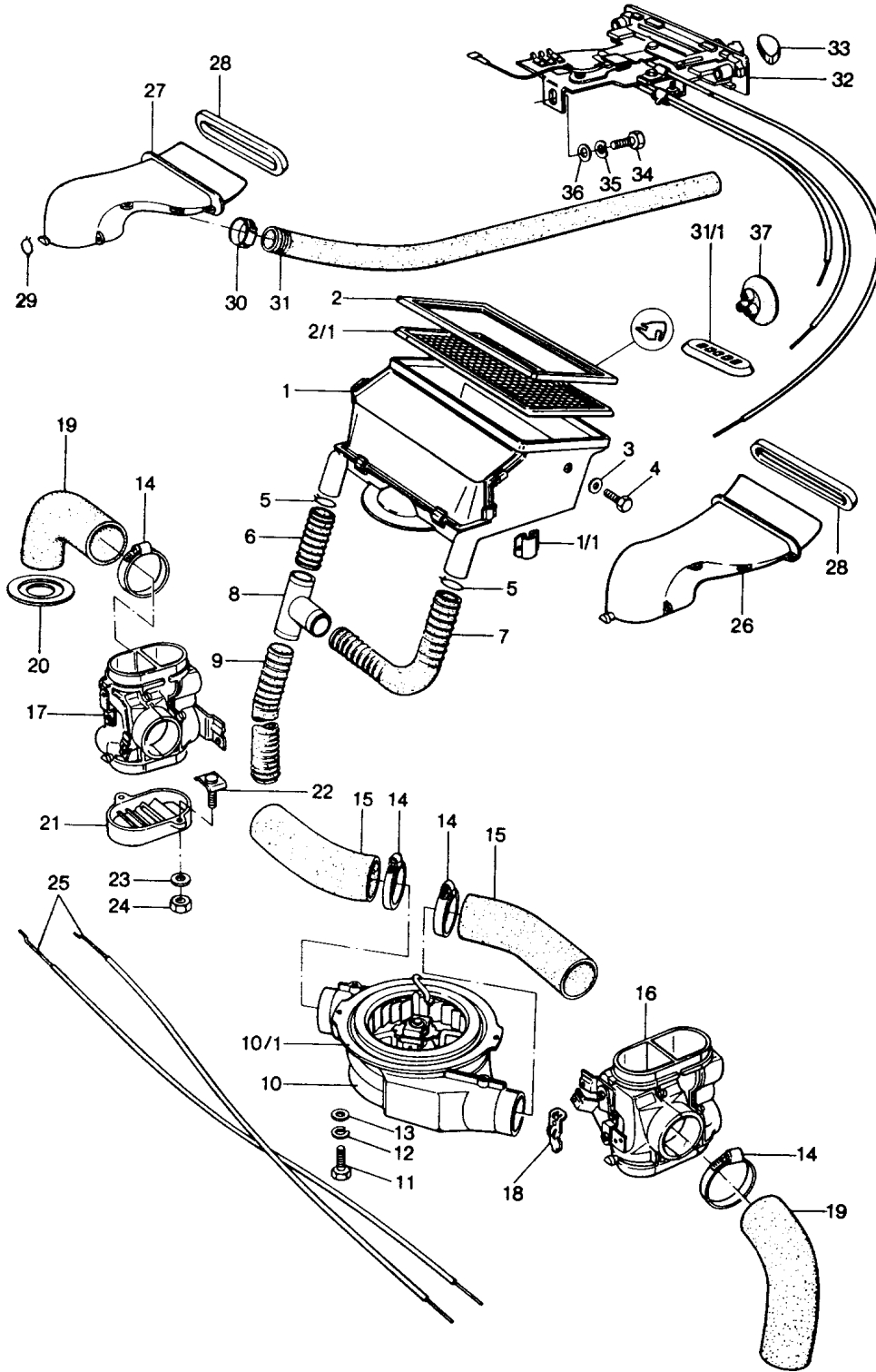
Model life 1970&gt;&gt;1976

Pos	Part Number	Description	Remark	Qty	Model
-	900 028 014 03	B 12 Washer B 12		2	914-6/4

Model: 914 70

Model life 1970>>1976

Bis Ende Mod. 71



Model: 914 70 Model life 1970>>1976

Pos	Part Number	Description	Remark	Qty	Model
		Ventilation Heating Differing parts See group 8/13/05	72-		
1	914 571 907 00	Fresh air inlet box		6	
1/1	914 571 905 10	Tensioning spring		6	
(2)	914 571 904 10	Sealing frame F >>47329 24928	-73	1	
2	914 571 129 10	Sealing frame F 47329 24929>>	73-	1	914-1,7/1,8V 914-1,8/2,0
2/1	914 571 131 10	Grille F 47329 24929>>	73-	1	914-1,7/1,8V 914-1,8/2,0
3	900 151 006 09	Washer B 6,4		2	
4	900 378 030 09	Hexagon-head bolt M 6 X 20		2	
5	999 512 165 02	Hose clamp		2	
-	PCG 571 900 00	Water drain hose 75 MM		*	
6				1	
7	PCG 571 900 00	Water drain hose		*	
8	914 571 153 10	T-piece		1	
-	PCG 571 900 00	Water drain hose 400 MM		*	
9					
10	911 571 018 00	Blower with Engine And Fan		1	
10/1	901 571 922 00	Sealing ring Fan housing Engine		1	
10/1	901 571 922 01	Sealing ring Fan housing Engine		1	
-	911 571 320 32	Blower motor with Fan		1	
11	N 010 205 6	Hexagon-head bolt M 5 X 10		2	
11	900 075 105 02	Screw M 5 X 10		2	
12	900 027 003 01	Lock ring B 5		4	
13	900 025 003 02	Washer 5,3		2	
14	999 512 349 02	Hose clamp	-73	8	
14	999 512 349 01	Hose clamp		8	
14	999 512 349 0B	Hose clamp	-73	8	
14	999 512 349 02	Hose clamp	74-	4	914-1,8V/1,8 914-2,0
14	999 512 349 01	Hose clamp	74-	4	914-1,8V/1,8 914-2,0
14	999 512 349 0B	Hose clamp	74-	4	914-1,8V/1,8 914-2,0
15	914 571 123 10	Connecting hose		2	
16	914 571 149 10	Control box	/L	1	
17	914 571 150 10	Control box	/R	1	
18	901 571 919 00	Terminal		7	
19	914 572 123 10	Air hose		2	
20	914 572 913 10	Sealing ring		2	
21	914 571 348 10	Air distributor	-71	2	914-6/4



Model: 914 70

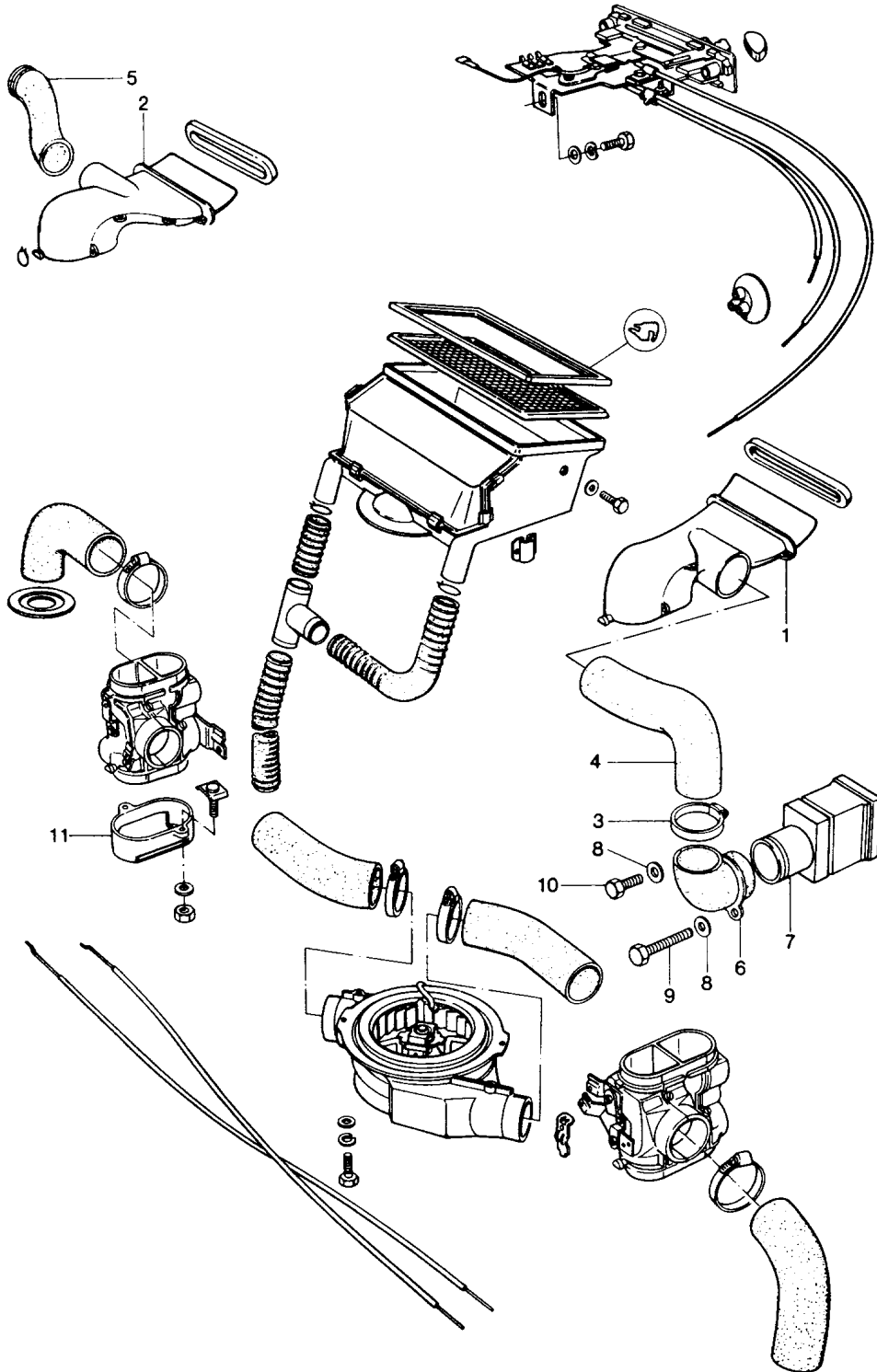
Model life 1970&gt;&gt;1976

Pos	Part Number	Description	Remark	Qty	Model
22	914 571 113 10	Retaining clip		4	
23	900 025 003 02	Washer 5,3		4	
24	900 076 004 02	Hexagon nut M 5		4	
25	914 571 118 10	Traction		2	
26	914 572 045 10	Defroster vent	/L -71	1	914-6/4
27	914 572 046 10	Defroster vent	/R -71	1	914-6/4
28	914 572 157 10	Sealing ring for Defroster vent		2	
29	999 512 162 02	Clamping spring		4	
30	999 512 356 02	Hose clamp	-71	2	914-6/4
31	914 572 127 10	Heater hose	-71	1	914-6/4
31/1	914 572 189 10	Cover for Defroster vent Centre	-71	1	914-4
(32)	914 613 134 10	Switch		1	914-4/1,7 914-1,8/2,0
(32)	914 613 134 11	Switch		1	914-1,8/2,0
(32)	914 613 134 13	Switch		1	914-1,8/2,0
33	901 571 917 00	Knob Black		2	
33	901 571 918 00	Knob Red		1	
-	900 631 129 90	Bulb 12 V 1,2 W for Picture 32		1	
34	900 378 030 09	Hexagon-head bolt M 6 X 20		1	
35	900 028 008 01	Lock ring B 6		1	
36	N 011 524 7	Washer 6,4		1	
36	N 011 524 27	Washer 6,4		1	
37	914 571 151 10	Rubber sleeve Bowden control		1	
-	914 571 115 10	Bowden cable for Blower		1	
-	914 571 116 10	Bowden cable Cold air		1	
-	914 571 117 10	Bowden cable Hot air		1	

Model: 914 70

Model life 1970>>1976

Ab Mod. 72



Model: 914 70

Model life 1970>>1976

Pos	Part Number	Description	Remark	Qty	Model
		Ventilation Heating Differing parts See illustrations 9/13/00	72-		
1	914 572 045 11	Defroster vent	/L	1	
2	914 572 046 11	Defroster vent	/R	1	
3	999 512 348 02	Hose clamp	-73	4	
3		Hose clamp	74-	2	914-1,8V/1,8 914-2,0
4	914 572 109 10	Hose		1	
5	914 572 110 10	Hose		1	
6	914 572 265 10	Intermediate piece		2	
7	914 572 039 11	Nozzle		2	
8	N 011 524 7	Washer 6,4		4	
8	N 011 524 27	Washer 6,4		4	
9	N 010 220 3	Hexagon-head bolt M 6 X 30		2	
10	900 075 010 02	Hexagon nut M 6 X 12		2	
10	N 010 212 14	Hexagon-head bolt M 6 X 12		2	
10	999 072 005 09	Hexagon nut M 6 X 12		2	
10	999 072 005 01	Hexagon nut M 6 X 12		2	
11	914 571 349 10	Air distributor		2	

Model: 914 70

Model life 1970>>1976

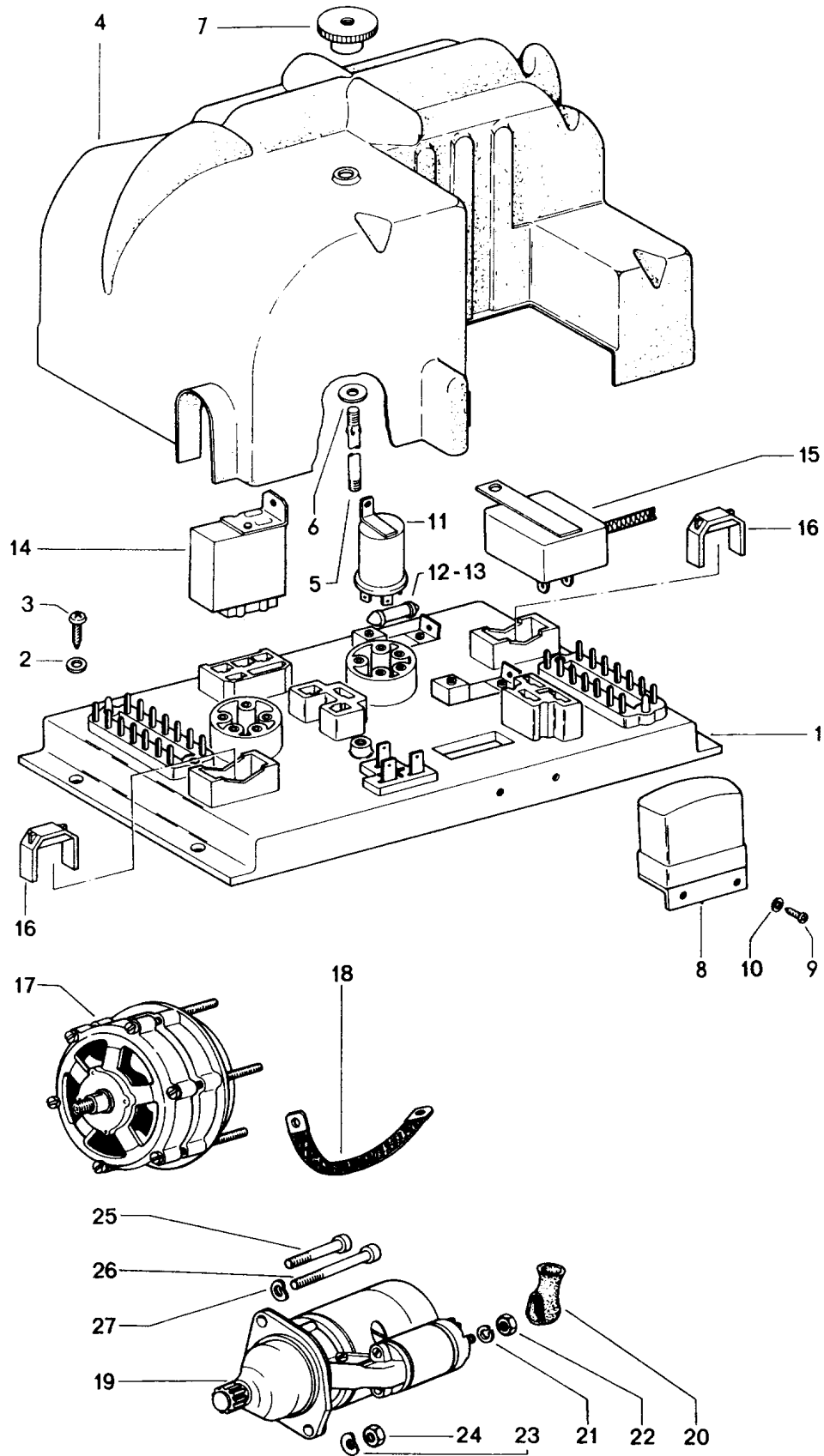


Model: 914 70 Model life 1970>>1976

Pos	Part Number	Description	Remark	Qty	Model
>>	911 701 053 00	Number plate Mount Mount Support for Number plate Sticker	(USA) /V	1	
-	900 089 005 02	Washer 6		4	
-	900 143 058 02	Tapping screw BZ 4,8 X 9,5		4	
>>	914 701 056 10	Support for Number plate Sticker	/H -74	1	
-	803 955 637	Sealing washer	-74	2	
-	900 138 029 02	Pan-head tapping screw B 5,5 X 16	-74	2	
-	900 089 005 02	Washer 6	-74	4	
-	900 143 058 02	Tapping screw BZ 4,8 X 9,5	-74	4	
>>	914 701 104 10	Bridge	/H 75-	2	914-1,8/2,0
-	900 138 029 02	Pan-head tapping screw B 5,5 X 16	75-	2	914-1,8/2,0
-	900 089 005 02	Washer	75-	4	914-1,8/2,0
-	N 013 970 5	Oval-head sheetmetal screw BZ 4,8 X 9,5	75-	4	914-1,8/2,0
-	N 106 568 02	Oval-head sheetmetal screw B 4,8 X 9,5	75-	4	914-1,8/2,0
>>	914 701 102 10	Mount Support for Number plate Sticker	/V	1	(ZOLL)
-	901 723 523 20	Desk pad		2	
-	914 722 012 10	Support for spare wheel 5 1/2 J X 15		1	
-		Support for spare wheel 5 1/2 J X 15		1	914-4
-	914 722 011 10	Support for spare wheel 4 1/2 J X 15		1	914-4
-		Support for spare wheel 4 1/2 J X 15		1	914-1,7/2,0

Model: 914 70

Model life 1970>>1976



Model: 914 70 Model life 1970>>1976

Pos	Part Number	Description	Remark	Qty	Model
1	914 610 103 00	Regulator Generator Starter Mounting plate for		1	914-6
(1)	914 610 104 00	Regulator Mounting plate for		1	914
2	900 025 003 02	Regulator Washer 5,3		2	
3	N 013 968 7	Tapping screw B 4,8 X 13		2	
3	900 143 097 01	Tapping screw B 4,8 X 13		2	
4	914 610 111 13	Cap		1	
-	999 701 445 40	Round seal for Cap 914.610.111.13		1	
5	914 610 106 10	Stud F >>47529 00924		1	
6	900 025 003 02	Washer 5,3 F >>47529 00924		1	
7	900 241 011 02	Knurled nut M 5 F >>47529 00924		1	914
8	901 603 206 02	Regulator	-71	1	914-6
(8)	043 903 803 B	Regulator switch	72-	1	914-6
(8)		Regulator switch		1	914
9	N 013 956 7	Oval-head sheetmetal screw BZ 3,5 X 6,5		2	
10	N 011 663 1	Washer B 3,7		2	
11	901 602 601 00	Switch unit BHKZ		1	914-6
12	N 017 121 4	Lock 16 AMP.		2	914-6
13	N 017 121 5	Lock 25 AMP. Not for TYP 914-6		1	
14	901 615 113 00	Relay for Exhaust gas		1	914-6
15	911 619 001 00	Suppression set for - bosch - Regulator		1	914-6
16	914 610 107 00	Clip		2	
17	911 603 118 00	Generator Complete 770 W See group 1/05/00		1	914-6
(17)	022 903 023	Generator		1	
18	901 612 110 00	Ground strap Housing Engine Generator		1	
19	923 604 101 00	Starter		1	914-6
(19)	901 604 102 CX	Starter		1	914-6

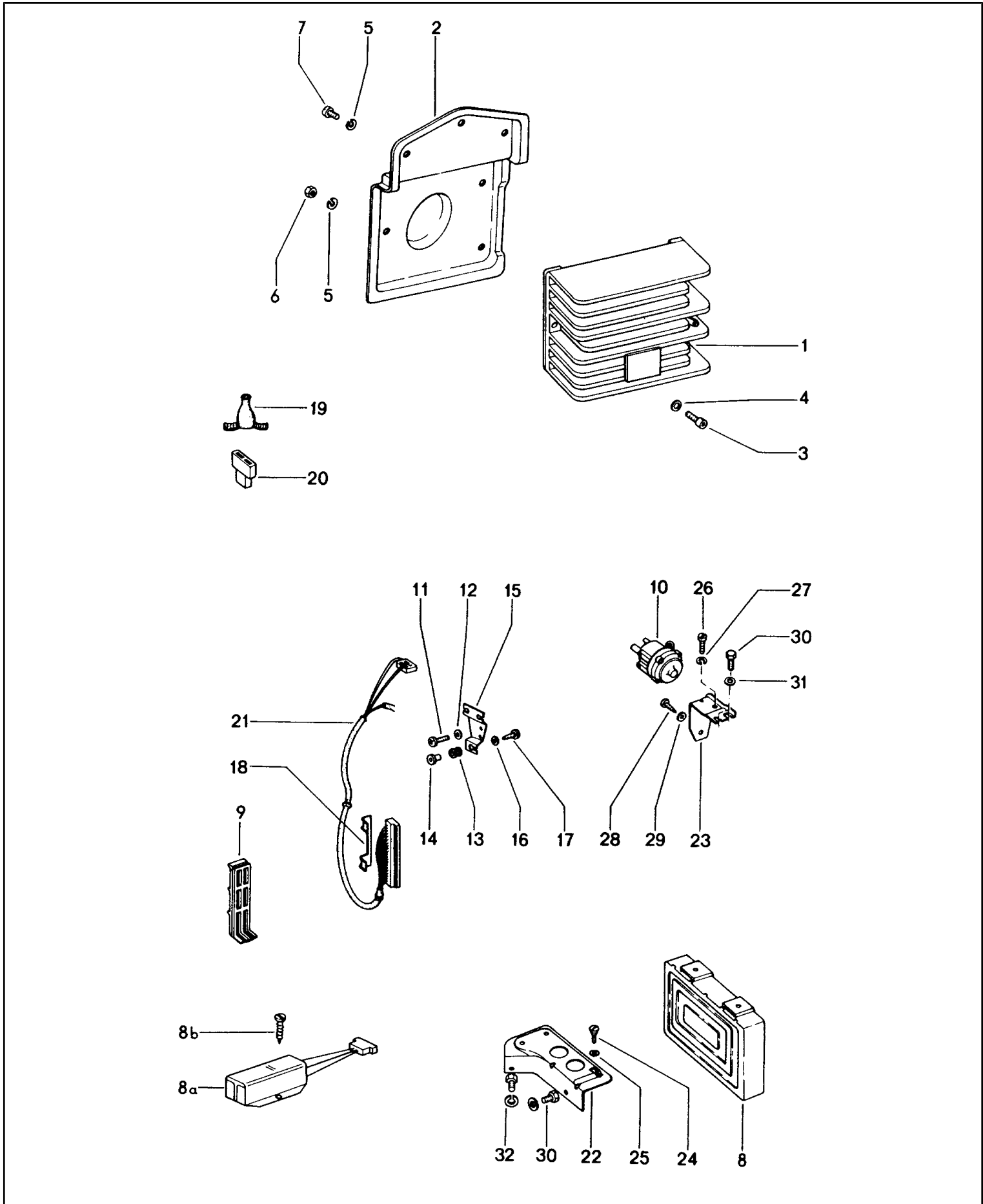
Model: 914 70 Model life 1970>>1976

Pos	Part Number	Description	Remark	Qty	Model
(19)	901 604 102 DX	Starter		1	914-6
(19)		Starter		1	914-6
(19)	003 911 023 B	Starter		1	914-4/1,7 914-1,8V/1,8
-	003 911 023 BX	Starter		1	914-4/1,7 914-1,8/1,8V
(19)	039 911 023	Starter		1	914-2,0
-		Starter		1	914-2,0
		Exchange			
20	999 659 006 50	Protection cap		1	
21	900 027 015 02	Lock ring		1	
		B 8			
21	900 027 015 03	Lock ring		1	
		B 8			
22	N 011 132 2	Hexagon nut		1	
		M 8			
23	N 012 242 3	Spring washer		1	
		B 10 X 18			
24	900 157 002 02	Hexagon nut		1	
		M 10			
24	900 157 002 03	Hexagon nut		1	
		M 10			
25	900 067 074 02	Pan-head screw		1	914-6
		M 10 X 110			
(25)	N 010 500 3	Hexagon-head bolt		1	
		M 10 X 115			
		Not for			
		TYP 914-6			
26	900 067 078 02	Pan-head screw		1	SPM
		M 10 X 150			
27	901 604 581 00	Spring washer		1	914-6
(29)	039 911 023	Starter		1	914-2,0
30	999 659 006 50	Protection cap		1	
31	900 027 015 02	Lock ring		1	
		B 8			
31	900 027 015 03	Lock ring		1	
		B 8			
32	N 011 132 2	Hexagon nut		1	
		M 8			
33	N 012 242 3	Spring washer		1	
		B 10 X 18			
34	900 157 002 02	Hexagon nut		1	
		M 10			
34	900 157 002 03	Hexagon nut		1	
		M 10			
35	900 067 074 02	Pan-head screw		1	914-6
		M 10 X 110			
(35)	N 010 500 3	Hexagon-head bolt		1	
		M 10 X 115			
		Not for			
		TYP 914-6			
36	900 067 078 02	Pan-head screw		1	SPM
		M 10 X 150			
37	901 604 581 00	Spring washer		1	914-6



Model: 914 70

Model life 1970>>1976



Model: 914 70 Model life 1970>>1976

Pos	Part Number	Description	Remark	Qty	Model
		Electrical equipment			
		Engine			
1	901 602 702 00	Control unit		1	914-6
		BHKZ			
1	901 602 702 01	Control unit		1	914-6
		BHKZ			
1	901 602 702 AX	Control unit		1	914-6
		BHKZ			
1	901 602 702 X	Control unit		1	914-6
		BHKZ			
		Exchange			
2	914 602 011 00	Bracket		1	914-6
		BKHZ			
3	900 014 007 02	Pan-head screw		3	914-6
		AM 6 X 10			
4	N 011 524 7	Washer		3	914-6
		6,4			
4	N 011 524 27	Washer		3	914-6
		6,4			
5	900 027 014 01	Lock ring		6	914-6
		B 6			
5	900 027 014 02	Lock ring		6	914-6
		B 6			
5	N 012 006 4	Lock ring		6	914-6
		B 6			
6	900 076 010 02	Nut		3	914-6
		M 6			
6	900 076 010 0B	Nut		3	914-6
		M 6			
7	N 014 703 2	Pan-head screw		3	914-6
		M 6 X 18			
-	039 905 351	Lambda control unit		1	914-2,0
		for			(CAL)
		Engine-speed shutoff			
(8)	022 906 021 B	Lambda control unit		1	914-4
		M >> W0 129 581			
-	022 906 021 BX	Control unit		1	914-4
		M >> W0 129 581			
		Exchange			
8	022 906 021 E	Lambda control unit		1	914-4/1,7
		M W0 129 582 >>			914-2,0
		M >> W0 250 000			
		M >>EAO 098 793			
		M >>EBO 010 020			
		M >>GAO 006 765			
(8)	022 906 021 G	Lambda control unit		1	914-1,8
		M >>ECO 037 551			
(8)	473 906 021	Lambda control unit		1	914-1,8
		M ECO 037 552>>			
-	311 906 105 A	Grommet		1	914-1,8
		for			
		Lid			
		Control unit			
-	914 611 129 10	Bracket		1	914-1,8
		for			
		Control unit			
-	N 010 210 13	Hexagon-head bolt		3	914-1,8
		M 6 X 10			
-	N 012 006 4	Lock ring		5	914-1,8
		B 6			
-	900 075 014 02	Hexagon-head bolt		2	914-1,8
		M 6 X 18			

Model: 914 70

Model life 1970&gt;&gt;1976

Pos	Part Number	Description	Remark	Qty	Model
-	900 075 014 03	Hexagon-head bolt M 6 X 18		2	914-1,8
8A	022 906 079	Series resistor Battery Bracket		1	914-1,8
8B	900 143 046 02	Oval-head sheetmetal screw B 4,8 X 16		2	914-1,8
8B	900 143 046 01	Oval-head sheetmetal screw B 4,8 X 16		2	914-1,8
-	N 013 885 1	Tapping screw 4,8 X 13		3	914-1,8
-	N 012 005 3	Lock ring B 5		3	914-1,8
(8)	039 906 021	Lambda control unit M GA0 006 766>> M >>GA0 016 000		1	914-2,0
(8)	039 906 021 A	Control unit M GC0 000 001>>		1	914-2,0
-	311 971 935	Push-on connector		1	914-1,8
-	113 971 935 A	Push-on connector		1	914-1,8
9	311 906 025	Slide for Control unit		1	914-4/1,7 914-2,0
10	039 906 051	Pressure sensor		1	914-2,0
(10)	022 906 051 E	Pressure transmitter		1	914-4/1,7
11	N 014 138 7	Oval-head screw AM 6 X 10		2	914-4/1,7 914-2,0
12	N 012 226 5	Spring washer B 6		2	914-4/1,7 914-2,0
13	113 957 855	Rubber sleeve for		3	914-4/1,7 914-2,0
14	311 906 057	Spacer sleeve Spacer sleeve for Pressure sensor		3	914-4/1,7 914-2,0
-	071 906 059 A	Double relay		1	914-1,8
15	022 906 200	Bracket for Pressure sensor		1	914-4/1,7 914-2,0
16	N 011 524 7	Washer A 6,4		2	914-4/1,7 914-2,0
16	N 011 524 27	Washer A 6,4		2	914-4/1,7 914-2,0
(16)	N 012 226 5	Spring washer B 6		1	914-4/1,7 914-2,0
(16)	N 011 692 3	Washer 5,1		2	914-4/1,7 914-2,0
17	N 013 948 1	Oval-head sheetmetal screw B 5,5 X 25		2	914-4/1,7 914-2,0
(17)	N 010 719 2	Pan-head screw M 6 X 20		1	914-4/1,7 914-2,0
18	022 906 209	Support for Connector Control unit		1	914-4/1,7 914-1,8/2,0
-	473 906 075	Protection cap for Potentiometer Idle-speed adjuster		1	914-4/1,7 914-1,8/2,0
(19)	022 906 102	Protection cap for Connector housing 2-pole		7	914-1,8

Model: 914 70 Model life 1970>>1976

Pos	Part Number	Description	Remark	Qty	Model
(19)	022 906 102 B	Protection cap for Connector housing 6-pole M >>EC0 037 551		1	914-1,8
(19)	022 906 102 C	Protection cap for Connector housing 3-pole		1	914-1,8
(19)	022 906 102 D	Protection cap for Connector housing 7-pole M EC0 037 552>>		1	914-1,8
19	311 906 102 A	Protection cap for Connector housing 2-pole		6	914-4/1,7 914-1,8/2,0
(19)	311 906 102 B	Cap for Connector housing 3-pole		1	914-4/1,7 914-2,0
(19)	311 906 102 C	Protection cap for Connector housing 4-pole		2	914-4/1,7 914-2,0
(19)	311 906 102 E	Protection cap for Connector housing 5-pole		2	914-4/1,7 914-2,0
(20)	037 906 240	Connector housing 2-pole Grey		4	914-1,8
20	311 906 231 A	Connector housing 2-pole		6	914-4/1,7 914-2,0
(20)	311 906 231 B	Connector housing 3-pole		1	914-4/1,7 914-2,0
(20)	311 906 231 C	Connector housing 4-pole		2	914-4/1,7 914-2,0
(20)	311 906 231 D	Connector housing 5-pole	72-	2	914-4/1,7 914-2,0
(20)	022 906 233 A	Connector housing 6-pole M >>EC0 037 551		1	914-1,8
(20)	022 906 233 B	Connector housing 3-pole		1	914-1,8
(20)	071 906 233	Terminal sleeve housing 7-pole M EC0 037 552>>		1	914-1,8
21	022 971 819	Wiring harness for Control unit		1	914-4/1,7
(21)	022 971 761 F	Wiring harness for Control unit	72-	1	914-4/1,7
(21)	022 971 761 G	Wiring harness for Control unit M >>EC0 037 551		1	914-1,8
(21)	022 971 761 Q	Wiring harness for Control unit M EC0 037 552>>		1	914-1,8

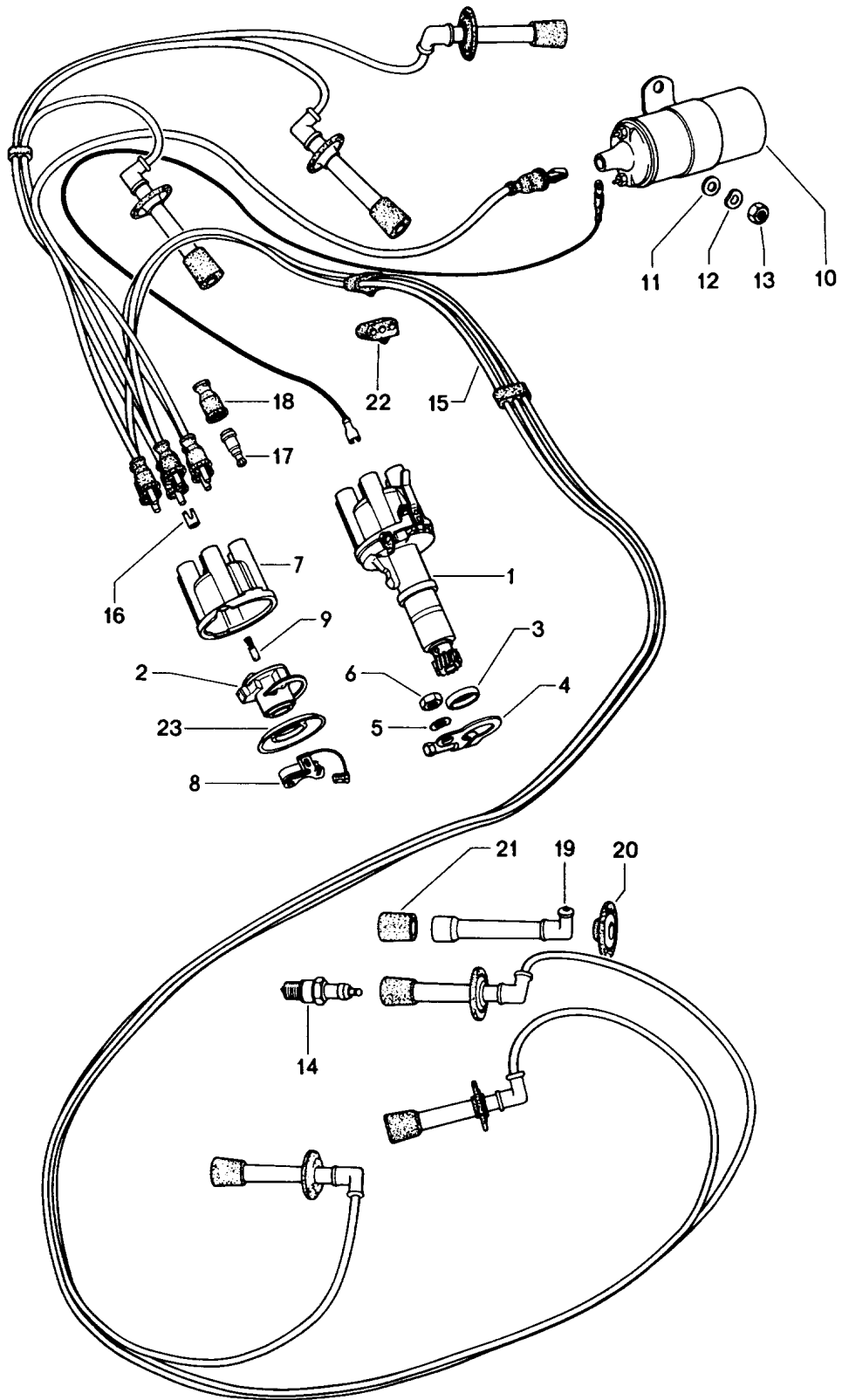
Model: 914 70

Model life 1970&gt;&gt;1976

Pos	Part Number	Description	Remark	Qty	Model
(21)	039 971 761 B	Wiring harness for Control unit M >>GA0 016 000		1	914-2,0
(21)	039 971 761 A	Wiring harness for Control unit M GC0 000 001>>		1	914-2,0 (CAL)
(21)	039 971 761 B	Wiring harness for Control unit M GC0 000 001>>		1	914-2,0
-	111 971 911 A	Grommet		1	914-1,8V/1,8
-	849 941 593	Connector housing 9-pole		1	914-1,8
-	411 963 369	Connector housing 6-pole		1	914-1,8
-	111 971 977	Flat connector socket Single pole		4	914-1,8
-	803 905 897	Connector housing for Wiring harness		1	914-4/1,7
22	914 618 013 10	Retaining bracket for Control unit		1	
23	914 618 119 10	Retaining bracket		1	914-2,0
(23)	914 618 113 10	Retaining bracket		1	914-4/1,7
24	914 618 114 10	Oval-head screw		1	914-4/1,7 914-2,0
25	900 028 030 01	Spring washer A 7		1	914-4/1,7 914-2,0
26	900 014 054 02	Pan-head screw M 5 X 6		1	914-4/1,7 914-2,0
27	N 012 005 3	Lock ring B 5		1	914-4/1,7 914-2,0
28	900 138 030 02	Tapping screw BZ 3,9 X 6,5		1	914-4/1,7 914-2,0
29	900 151 001 02	Washer A 4,3		1	914-4/1,7 914-2,0
30	N 010 210 13	Hexagon-head bolt M 6 X 10		4	914-4/1,7 914-2,0
31	N 011 524 7	Washer A 6,4		2	914-4/1,7 914-2,0
31	N 011 524 27	Washer A 6,4		2	914-4/1,7 914-2,0
32	900 027 014 01	Lock ring B 6		2	914-4/1,7 914-2,0
32	900 027 014 02	Lock ring B 6		2	914-4/1,7 914-2,0
32	N 012 006 4	Lock ring B 6		2	914-4/1,7 914-2,0
-	022 906 239	Cap		1	914-1,8
-	022 906 241	Protection cap		1	914-1,8
-	022 906 249	Sealing ring		1	914-1,8
-	N 020 902 1	Tie-wrap		2	914-1,8
-	N 020 902 A	Tie-wrap		2	914-1,8

Model: 914 70

Model life 1970>>1976



Model: 914 70 Model life 1970>>1976

Pos	Part Number	Description	Remark	Qty	Model
1	901 602 021 05	Engine electrics Distributor		1	914-6
(1)	911 602 022 00	- bosch - Distributor		1	
(1)	911 602 022 X	Distributor - MARELLI -		1	
2	911 602 928 00	Rotor - bosch - with Engine-speed shutoff		1	
(2)	901 602 928 01	Rotor - MARELLI - with Engine-speed shutoff		1	
3	999 701 101 50	Gasket		1	
4	999 511 046 02	Clamping bow		1	
4	999 511 046 03	Clamping bow		1	
5	N 012 241 1	Spring washer B 8 X 15		1	
6	900 076 025 02	Hexagon nut M 8		1	
6	900 076 064 02	Hexagon nut M 8		1	
7	911 602 933 00	Distributor cap - bosch -		1	
(7)	901 602 953 00	Distributor cap - MARELLI -		1	
8	616 602 226 02	Contact breaker point - bosch -		1	
(8)	911 602 960 00	Contact breaker point - MARELLI -		1	
9	930 602 905 00	Wiper contact - bosch -		1	
(9)	901 602 952 00	Contact pin - MARELLI -		1	
10	901 602 502 00	Ignition transformer for BHKZ		1	
11	900 025 007 02	Washer 8,4		2	
11	900 025 007 03	Washer 8,4		2	
12	N 012 241 1	Spring washer B 8 X 15		2	
13	900 076 025 02	Hexagon nut M 8		2	
13	900 076 064 02	Hexagon nut M 8		2	
-	547 09 222	Spark plug Use also: 547 09222 for Spark plug Nut for Spark plug		X	
14	999 170 010 91	Nut for Spark plug Spark plug - bosch -		X	
14	999 170 186 90	Spark plug - bosch -		6	
(14)	999 170 165 90	Spark plug - bosch -		6	
15	911 609 061 00	Set of ignition cables		X	

Model: 914 70

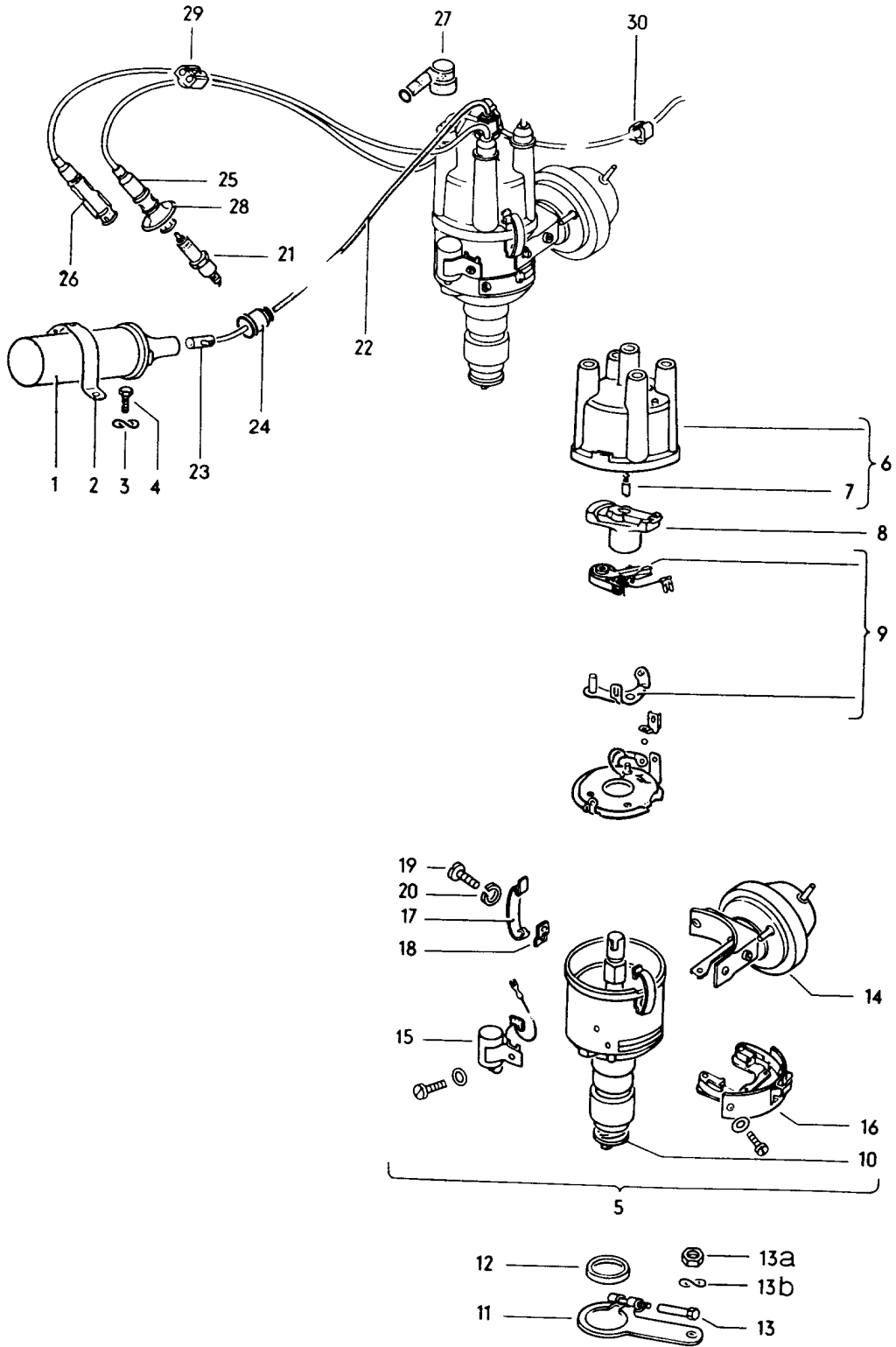
Model life 1970>>1976

Pos	Part Number	Description	Remark	Qty	Model
-	900 612 001 00	without Spark plug connector Ignition lead High voltage Black 5 Meter		X	
16	911 609 510 00	Cable plug		8	
16	PCG 609 510 00	Cable plug		8	
17	999 619 121 00	Screened connector		7	
-		- beru - Screened connector		7	
-		- bosch -			
18	999 659 001 40	Water protection cap		8	
19	901 609 309 00	Screened connector Ignition lead		6	
		- beru -			
19	901 609 309 01	Screened connector Ignition lead		6	
		- beru -			
20	111 905 449 A	Protection cap		6	
20	111 905 449	Protection cap		6	
20	PCG 905 449 A	Cap		6	
20	111 905 449	Protection cap		6	
21	999 659 034 40	Rubber cap		6	
(21)	999 659 002 50	Rubber cap		7	
22	901 609 591 00	Cable holder		3	
23	901 602 927 00	Dust cover		1	
		- bosch -			



Model: 914 70

Model life 1970>>1976



Model: 914 70 Model life 1970>>1976

Pos	Part Number	Description	Remark	Qty	Model
1	022 905 115	Engine electrics Ignition coil 12 V M >> W0 057 460		1	914 914-4
(1)	022 905 115 A	Ignition coil 12 V M >>GA0 016 000 M GA0 006 766>> M GC0 000 001>>		1	914-1,8V/2,0
2	022 905 121 A	Restraining strap for Ignition coil M >> W0 250 000 M >>EA0 098 793 M >>EBO 010 020 M >>GA0 006 765		1	914-4/1,7 914-2,0
(2)	021 905 119	Restraining strap for Ignition coil M EC0 000 001>> M >>GA0 016 000 M GA0 006 766>> M GC0 000 001>>		1	914-1,8V/1,8 914-2,0
3	N 012 226 5	Spring washer B 6	-73	2	914-4/1,7 914-1,8/2,0
4	N 010 215 13	Hexagon-head bolt M 6 X 15		2	914-4/1,7 914-1,8/2,0
(3)	N 012 226 5	Spring washer A 6	74-	2	914-1,8V/2,0
(4)	N 010 210 13	Hexagon-head bolt M 6 X 10	74-	2	914-1,8V/2,0
-	900 151 029 02	Washer 6,4	74-	2	914-1,8V/1,8 914-2,0
(5)	022 905 205 AB	Distributor - bosch - Use also: 043.905.225 M EC0 037 552>>		1	914-1,8
(5)	021 905 205 S	Distributor - bosch - Use also: 022.905.225 A M >>EC0 037 551		1	914-1,8
5	022 905 205 P	Distributor - bosch - M W0 000 001 >> M EA0 000 001>> M >> W0 129 581 M >>EA0 057 000		1	914-4
(5)	022 905 205 H	Distributor - bosch - M W0 057 460 >> M >> W0 250 000		1	914-4/1,7
(5)	022 905 205 P	Distributor - bosch - Use also: 022.905.225 A M >>EA0 098 793 M >>EBO 010 020		1	914-1,7
(5)	039 905 205 A	Distributor		1	914-2,0
-	039 905 205 AX	Distributor - bosch - M GB0 007 402>>		1	914-2,0

Model: 914 70 Model life 1970>>1976

Pos	Part Number	Description	Remark	Qty	Model
(5)	039 905 205 B	M GA0 006 766>> M >>GA0 016 000 Distributor - bosch - M GC0 000 001>>		1	914-2,0 (CAL)
(5)	039 905 205 A	Distributor		1	914-2,0
-	039 905 205 AX	Distributor M GB0 000 001>> M GA0 000 001>> M >>GB0 007 401 M >>GA0 006 765		1	914-2,0
6	113 905 207 C	Distributor cap		1	
7	111 905 221 A	Contact pin with Spring		1	
8	022 905 225 A	Rotor Shielded F.ignition distributor 022.905.205 F 022.905.205 H 022.905.205 T 022.905.205 P 021.905.205 S 039.905.205 039.905.205 A		1	
(8)	055 905 225 B	Rotor Shielded F.ignition distributor 022.905.205 AB 039.905.205 B		1	914-1,8/2,0
9	616 602 226 02	Contact breaker point Contact breaker point F.ignition distributor 022.905.205 F 022.905.205 H 022.905.205 T 022.905.205 P 021.905.205 S 039.905.205 039.905.205 A		1	
(9)		Contact breaker point 1 set F.ignition distributor 022.905.205 AB 039.905.205 B		1	914-1,8
10	111 905 247	Driving arm		1	
11	021 905 250	Support F.ignition distributor		1	
12	111 905 261	Sealing ring F.ignition distributor		1	
13	021 905 267	Nut M 6 X 35		1	
13A	N 011 008 8	Hexagon nut M 8		1	
13B	N 012 241 11	Spring washer B 8 X 15		1	
14	022 905 271 A	Vacuum unit with two connections F.ignition distributor 022.905.205 F		1	914-4
(14)	022 905 271 B	Vacuum unit with one conection F.ignition distributor		1	914-4/1,7

Model: 914 70

Model life 1970&gt;&gt;1976

Pos	Part Number	Description	Remark	Qty	Model
(14)	022 905 271 C	022.905.205 H Vacuum unit with two connections F.ignition distributor		1	914-1,7/2,0
(14)	022 905 271 D	022.905.205 P 039.905.205 Vacuum unit F.ignition distributor		1	914-1,8
(14)	021 905 271 H	022.905.205 AB Vacuum unit F.ignition distributor		1	914-1,8
(14)	039 905 271	021.905.205 S Vacuum unit F.ignition distributor		1	914-2,0
(14)	039 905 271 A	039.905.205 A Vacuum unit F.ignition distributor		1	914-2,0 (CAL)
(15)	311 905 295 C	039.905.205 B Condenser F.ignition distributor		1	914-1,7/2,0
(15)	021 905 295 B	022.905.205 P 039.905.205 039.905.205 A 039.905.205 B Condenser F.ignition distributor		1	914-1,8V/1,8
15	311 905 295 C	022.905.205 AB 022.905.205 T 021.905.205 S Condenser F.ignition distributor		1	914-4/1,7
16	311 905 301	022.905.205 F 022.905.205 H Pulse sender with Pulse sender F.ignition distributor		1	914-4/1,7 914-2,0
17	111 905 265	Retainer spring for		2	
18	111 905 269	Distributor cap Retaining bar for		2	
19	N 010 703 2	Retainer spring Pan-head screw		2	
20	N 012 004 2	AM 4,8 Lock ring B 4 Spark plug		2	
-	547 09 222	Use also: 547 09222 for Spark plug Nut for Spark plug		X	
(21)	N 017 812 16	175 - beru - Spark plug Spark plug		4	914-4/1,7 914-1,8/2,0
22	900 612 001 00	Ignition lead Ignition coil Distributor And Cylinder		X	

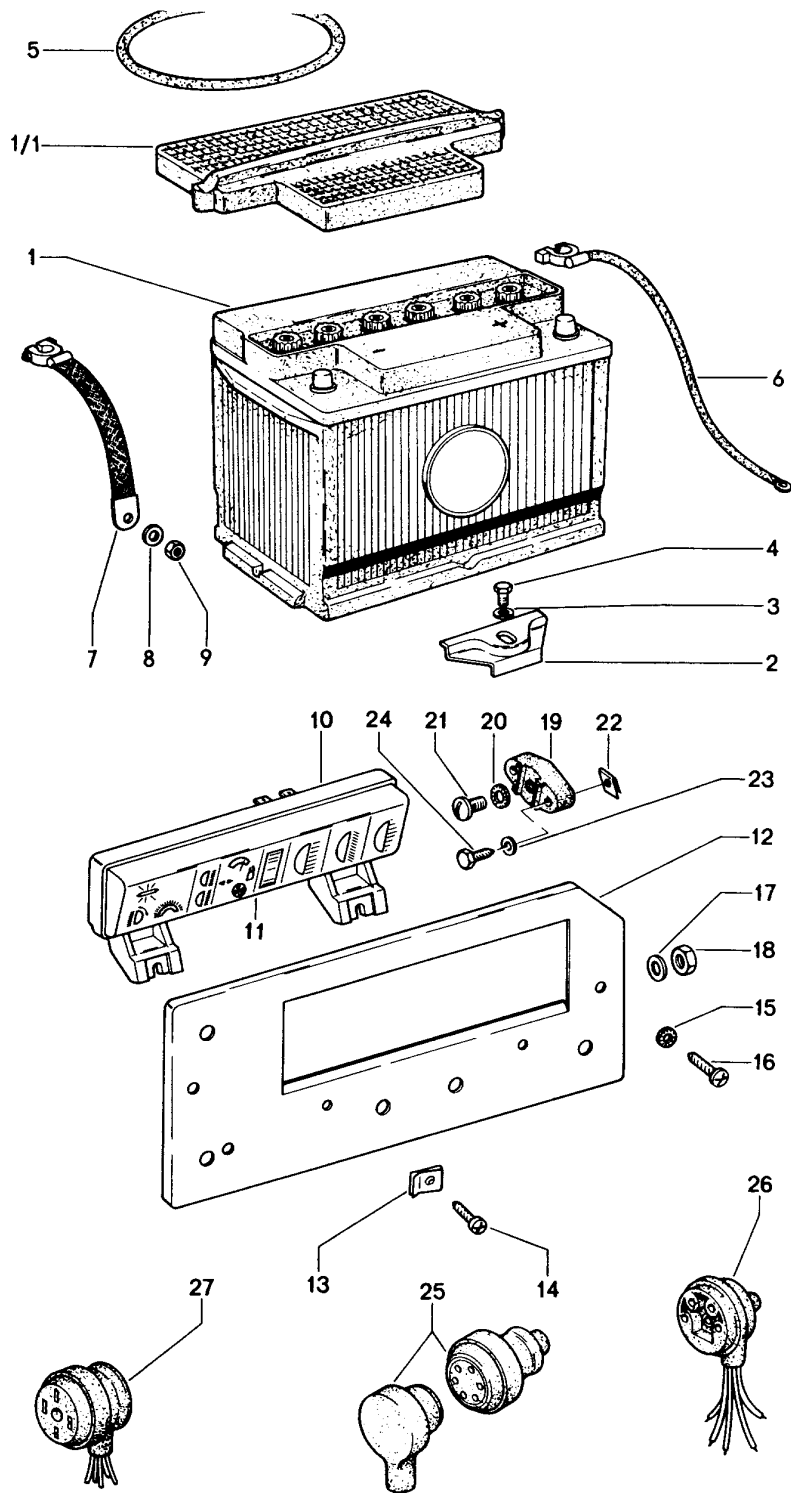
Model: 914 70

Model life 1970>>1976

Pos	Part Number	Description	Remark	Qty	Model
23	111 905 427	5 Meter Connector for ignition cable		6	
(23)	036 035 281	Suppression connector for ignition cable		6	914-4/1,7 914-1,8V/2,0
24	311 905 429 A	Protection cap for ignition cable		1	
(24)		Ignition coil Protection cap for ignition cable		5	
25	311 905 443	Distributor Water protection cap for		4	
26	113 035 255 A	Spark plug connector Spark plug connector 62 MM Cylinder 1 + 3		2	914-4/1,7 914-1,8V/2,0
(26)		Spark plug connector		4	914-1,8V/1,8 914-2,0
(26)	021 035 255	Spark plug connector Spark plug 85 MM Cylinder 4		1	914-4/1,7 914-1,8V/1,8
(26)	021 035 255 B	Spark plug connector Spark plug 98 MM Cylinder 2		1	914-4/1,7 914-1,8V/1,8
27	036 035 281	Suppression connector		5	914-1,7/1,8V 914-1,8/2,0
28	111 905 449 A	Protection cap for Spark plug		4	
28	111 905 449	Protection cap for Spark plug		4	
28	PCG 905 449 A	Cap for Spark plug		4	
28	111 905 449	Protection cap for Spark plug		4	
29	113 905 451 A	Support		3	914-4/1,7
29		Support		2	914-1,8V/1,8 914-2,0
30	111 201 261	Support		1	914-4
30		Support		2	914-1,7/1,8V 914-1,8/2,0

Model: 914 70

Model life 1970>>1976



Model: 914 70 Model life 1970>>1976

Pos	Part Number	Description	Remark	Qty	Model
1	000 056 007	Battery Fuse box Battery 12 V 45 AH		1	
1/1	914 611 116 00	Cap		1	
2	914 611 233 10	Tension terminal		1	
3	900 027 015 02	Lock ring B 8		1	
3	900 027 015 03	Lock ring B 8		1	
4	N 010 247 7	Hexagon-head bolt M 8 X 35		1	
4	N 010 247 18	Hexagon-head bolt M 8 X 35		1	
5	010 409 549 B	Sealing ring		1	
6	914 611 031 00	Wiring harness Battery Starter Not for TYP 914-6		1	
7	914 611 903 10	Ground strap	-73	1	914-6/4/1,7 914-2,0
(7)	914 611 904 11	Ground strap	74-	1	914-1,8V/1,8 914-2,0
8	N 012 228 3	Spring washer B 8		1	
9	900 076 025 02	Hexagon nut M 8		1	
9	900 076 064 02	Hexagon nut M 8		1	
10	914 612 315 10	Fuse box 12-pole		1	
11	914 612 316 10	Lid		1	
12	914 612 319 10	Bracket	-73	1	914-6/4/1,7 914-2,0
(12)	914 612 319 11	Bracket	74-	1	914-1,8V/1,8 914-2,0
13	311 937 693	Speed nut		2	
14	900 143 007 02	Oval-head sheetmetal screw B 4,2 X 13		2	
14	900 073 507 01	Oval-head sheetmetal screw B 4,2 X 13		2	
15	900 115 012 01	Serrated lock washer A 5,1		2	
16	900 189 010 02	Oval-head sheetmetal screw AM 5 X 10		2	
17	N 042 121 3	Shake-proof washer A 6,4		2	
18	900 076 010 02	Nut M 6		2	
18	900 076 010 0B	Nut M 6		2	
19	928 612 867 00	Cable connection		1	914-6/4
20	900 114 018 01	Shake-proof washer A 5,1		1	914-6/4
21	900 146 003 02	Oval-head screw AM 5 X 10		1	914-6/4
22	N 015 429 2	Speed nut B 4,2		2	914-6/4
22	N 015 429 6	Speed nut B 4,2		2	914-6/4
23	900 025 002 02	Washer 4,3		2	914-6/4

Model: 914 70

Model life 1970&gt;&gt;1976

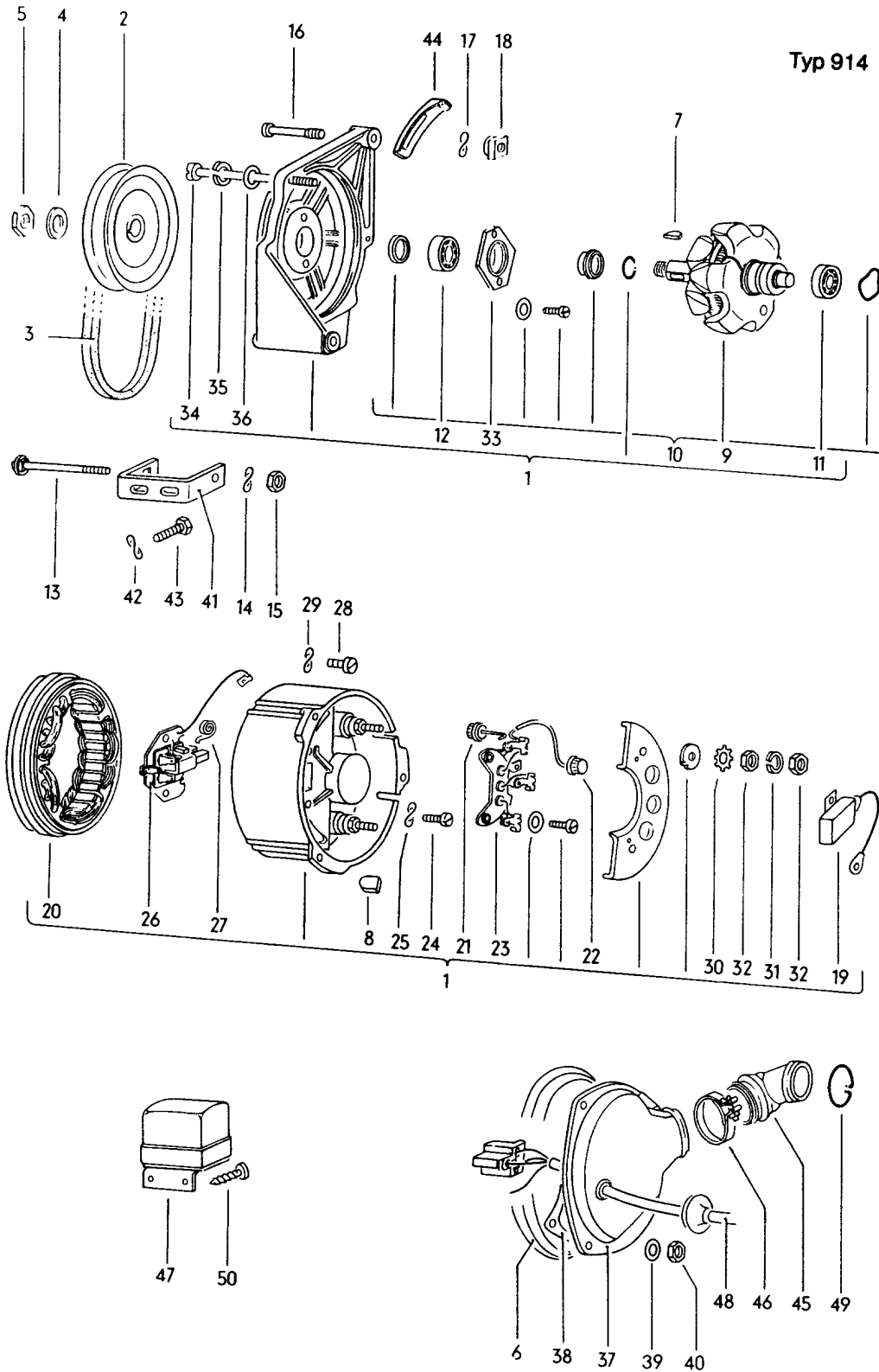
Pos	Part Number	Description	Remark	Qty	Model
23	900 025 002 03	Washer 4,3		2	914-6/4
24	900 187 017 02	Hexagon-head tapping screw 4,2 X 19		2	914-6/4
25	901 612 330 00	Multiple plug connection 6-pole Clutch And Connector		1	914-6
26	901 612 333 00	Plug socket for Standard type relay		1	
27	901 612 334 00	Plug socket for Flasher relay		1	



Model: 914 70

Model life 1970>>1976

Typ 914



Model: 914 70 Model life 1970>>1976

Pos	Part Number	Description	Remark	Qty	Model
1	022 903 023	Generator Single parts Generator 12 V 50 A  M >> W0 250 000 M >>EAO 098 793 M >>EBO 010 020 M >>ECO 037 551 M >>GAO 016 000		1	914 914-4/1,7 914-1,8/1,8V 914-2,0
-	022 903 023 X	Generator Exchange 12 V 50 A M >> W0 250 000 M >>EAO 098 793 M >>EBO 010 020 M >>ECO 037 551 M >>GAO 016 000		1	914-4/1,7 914-1,8/1,8V 914-2,0
(1)	022 903 023 A	Generator 12 V 50 A M ECO 037 552>> M GC0 000 001>>		1	914-1,8V/1,8 914-2,0
-	022 903 023 AX	Generator Exchange 12 V 50 A M ECO 037 552>> M GC0 000 001>>		1	914-1,8/1,8V 914-2,0
2	021 903 109 A	V-belt pulley M >> W0 250 000 M >>EAO 098 793 M >>EBO 010 020 M >>ECO 037 551 M >>GAO 016 000		1	
(2)	022 903 109 A	V-belt pulley  M ECO 037 552>> M GC0 000 001>>		1	914-1,8V/1,8 914-2,0
3	068 903 137 D	V-belt		1	
4	N 011 565 3	Washer 15		1	
5	900 078 005 01	Hexagon nut M 14 X 1,5		1	
6	021 903 203	Gasket for Generator M >> W0 250 000 M >>EAO 098 793 M >>EBO 010 020 M >>ECO 037 551 M >>GAO 016 000		1	
(6)	022 903 203	Gasket for Generator M ECO 037 552>> M GC0 000 001>>		1	914-1,8V/1,8 914-2,0
7	N 012 708 2	Woodruff key 4 X 5		1	
8	021 903 209	Gasket		2	
9	022 903 213	Claw-pole rotor		1	
10	021 903 220	Parts kit for Claw-pole rotor M >> W0 250 000		1	

Model: 914 70

Model life 1970&gt;&gt;1976

Pos	Part Number	Description	Remark	Qty	Model
(10)	059 903 205	M >>EAO 098 793 M >>EBO 010 020 M >>ECO 037 551 M >>GAO 016 000 Set for Claw-pole rotor		1	914-1,8V/1,8 914-2,0
11	021 903 221	M ECO 037 552>> M GC0 000 001>> Deep-groove ball bearing for Housing Generator		1	
12	021 903 221 A	Deep-groove ball bearing for Bearing shaft		1	
13	021 903 231	Screw M 8 X 71		1	
14	N 012 241 11	Spring washer B 8		1	
15	N 011 008 8	Hexagon nut M 8		1	
16	900 067 081 02	Pan-head screw M 8 X 35		1	
16	900 067 102 02	Pan-head screw M 8 X 35		1	
17	N 012 228 3	Spring washer B 8		1	
18	021 903 243 A	Square nut M 8		1	
19	021 903 295	Suppressor condenser		1	
20	021 903 351 A	Generator M >> W0 250 000 M >>EAO 098 793 M >>EBO 010 020 M >>ECO 037 551 M >>GAO 016 000		1	
(20)	021 903 351 D	Generator M ECO 037 552>> M GC0 000 001>>		1	914-1,8V/1,8 914-2,0
21	021 903 355	Diode (-)		3	
22	021 903 357	Diode (+)		3	
(22)	021 903 357 A	Diode (+)		3	914-1,8V/1,8 914-2,0
23	021 903 359 A	Diode plate		1	
24	N 010 698 1	Pan-head screw AM 4 X 12		2	
25	N 012 224 1	Spring washer B 4		2	
26	021 903 503 A	Stop plate		1	
27	021 903 519	Spring		2	
28	N 010 695 1	Pan-head screw AM 4 X 6		1	
29	N 012 224 1	Spring washer B 4		1	
30	N 012 106 1	Lock washer J 6,4		1	
31	N 012 006 4	Lock ring B 6		2	
32	N 011 116 1	Hexagon nut		4	

Model: 914 70 Model life 1970>>1976

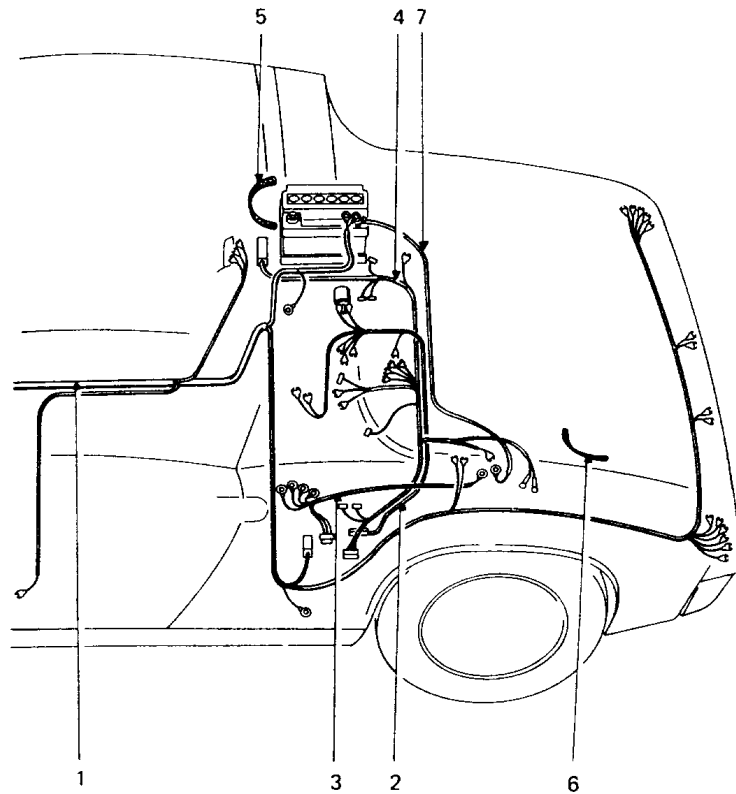
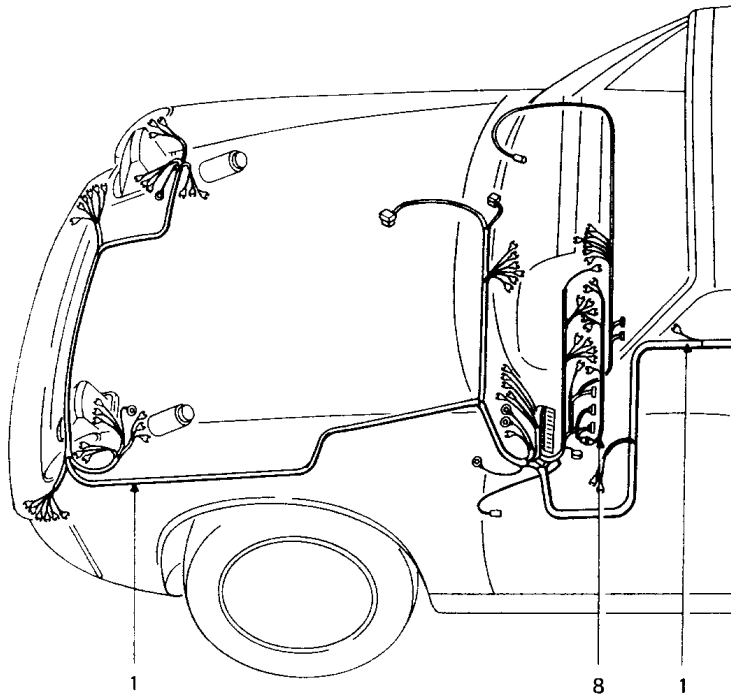
Pos	Part Number	Description	Remark	Qty	Model
33	021 903 543	BM 6		1	
(34)	021 903 555	Retainer plate		3	914-1,8V/1,8
		Pan-head screw			914-2,0
		M ECO 037 552>>			
		M GC0 000 001>>			
34	021 903 555 A	Eccentric bolt		3	
		M >> W0 250 000			
		M >>EAO 098 793			
		M >>EBO 010 020			
		M >>ECO 037 551			
		M >>GA0 016 000			
35	N 012 005 3	Lock ring		1	
		B 5			
36	900 025 003 02	Washer		1	
		A 5,3			
37	021 903 621	Suction housing		1	
		for			
		Generator			
38	021 903 637	Gasket		1	
		for			
		Suction housing			
39	900 028 007 02	Spring washer		3	
		B 5			
40	N 011 115 1	Hexagon nut		3	
		BM 5			
41	022 903 645	Bracket		1	
42	N 012 228 3	Spring washer		2	
		B 8			
43	900 075 085 02	Hexagon-head bolt		2	
		M 8 X 20			
44	022 903 646	Engine carrier		1	
(45)	021 903 655	Elbow		1	914-4
		M >> W0 129 581			
45	021 903 655 B	Air hose	72-	1	
		M W0 129 582 >>			
		M >> W0 250 000			
		M >>EAO 098 793			
		M >>EBO 010 020			
		M >>ECO 037 551			
		M >>GA0 016 000			
(45)	021 903 655 D	Air hose		1	914-1,8V/1,8
					914-2,0
		M ECO 037 552>>			
		M GC0 000 001>>			
(46)	021 903 659	Hose clamp		1	914-4
		M >> W0 129 581			
46	021 903 659 A	Hose clamp	72-	1	
		M W0 129 582 >>			
		M ECO 000 001>>			
		M GC0 000 001>>			
		M >> W0 250 000			
		M >>EAO 098 793			
		M >>EBO 010 020			
		M >>GA0 016 000			
(47)		Regulator		X	
		Shielded			
		See group			
		9/01/00			
47		Regulator		X	
		See group			
		9/01/00			
48	021 971 349 D	Set		1	

Model: 914 70 Model life 1970>>1976

Pos	Part Number	Description	Remark	Qty	Model
-	111 971 911 A	Lines		1	914-2,0
49	021 903 657	Regulator			
		Generator			
		Grommet		1	
		Circlip	72-	1	
		\$ 44,5 MM			
		M >> W0 250 000			
		M >>EA0 098 793			
		M >>EB0 010 020			
		M >>EC0 037 551			
		M >>GA0 016 000			
(49)	022 903 657	Circlip		1	914-1,8V/1,8
		\$ 50,5 MM			914-2,0
		M EC0 037 552>>			
		M GC0 000 001>>			
50	N 013 968 1	Oval-head sheetmetal screw		2	
		B 4,8 X 13			
-	021 903 791 A	Set		1	914-1,8V/1,8
		Connecting piece			914-2,0
		Terminal			
		B +			
		M EC0 037 552>>			
		M GC0 000 001>>			

Model: 914 70

Model life 1970>>1976



Model: 914 70 Model life 1970>>1976

Pos	Part Number	Description	Remark	Qty	Model
		Wiring harnesses			914
1	914 612 018 10	Wiring harness	-70	1	914-4
(1)	914 612 018 12	Wiring harness	71-	1	914-4
(1)	914 612 018 13	Wiring harness	72-	1	914-4
		F 47229 00001>>			
(1)	914 612 018 15	Wiring harness	-73	1	914-1,7/2,0
(1)	914 612 018 16	Wiring harness	74-	1	914-1,8V/2,0
(1)	914 612 018 17	Wiring harness	75-	1	914-1,8V/2,0
(1)	914 612 021 10	Wiring harness	-70	1	914-4
(1)	914 612 021 12	Wiring harness	71-	1	914-4
		F >>47229 00008			
(1)	914 612 021 13	Wiring harness		1	914-4
		F 47229 00009>>			
		F >>47229 08250			
(1)	914 612 021 14	Wiring harness	72-	1	914-4
		F 47229 08251>>			
(1)	914 612 021 15	Wiring harness	-73	1	914-1,7/2,0
(1)	914 612 021 16	Wiring harness	74-	1	914-1,8/2,0
(1)	914 612 021 17	Wiring harness	75-	1	914-1,8/2,0
-	311 971 913	Grommet		1	
		for			
2	914 612 007 13	Handbrake contact piece Wiring harness	-71	1	914-4
		Engine			
		Regulator			
		Plate			
(2)		Wiring harness	72-	1	914-4
		Engine			
		Regulator			
		Plate			
(2)	914 612 007 15	Wiring harness	-73	1	914-1,7/2,0
		Engine			
		Regulator			
		Plate			
(2)	914 612 007 16	Wiring harness	74-	1	914-1,8V/2,0
		Engine			
		Regulator			
		Plate			
(2)	914 612 016 16	Wiring harness		1	914-1,8
		Engine			
		Regulator			
		Plate			
3		Wiring harness		X	
		Generator			
		See group			
		9/02/05			
-	914 612 151 10	Wiring harness		1	
		for			
		Centre console			
-	914 612 155 10	Cable		1	914-2,0
		for			
		Instrument cluster			
		without			
		Centre console			
-	901 612 043 01	Positive cable		1	914-2,0
		Instrument cluster			
4		Lines		X	
		for			
		Control unit			
		See group			
		9/01/05			
-	914 612 149 14	Wiring harness	72-	1	914-4/1,7
		Warning contact			914-2,0

Model: 914 70 Model life 1970>>1976

Pos	Part Number	Description	Remark	Qty	Model
-		Seat belt for Seat Passenger's side Wiring harness Warning contact Seat belt for Seat Driver's side And Passenger's side	74-	2	914-1,8/2,0
5	914 611 903 10	Ground strap Battery Body	-73	1	914-4/1,7 914-2,0
(5)	914 611 904 11	Ground strap Battery Body	74-	1	914-1,8V/1,8 914-2,0
6	999 611 919 20	Ground strap Transmission suspension		1	
-	900 076 025 02	Hexagon nut M 8		2	
-	900 076 064 02	Hexagon nut M 8		2	
-	N 012 228 3	Spring washer B8		2	
7	914 611 031 00	Wiring harness Battery Starter		1	
8	914 612 041 10	Wiring harness for Lights Instruments	-73	1	914-4/1,7 914-2,0
(8)	914 612 041 20	Wiring harness for Lights Instruments	-73	1	914-1,7/2,0
-	911 617 107 00	Diode for Brakes Warning function		1	
-	914 612 051 10	Additional cables for Direction indicator light		2	
-	914 612 052 10	Additional cables for Switch High-beam headlight	-73	1	914-4/1,7 914-2,0
8	914 612 052 11	Additional cables for Switch High-beam headlight		1	914-1,8V/2,0
-	914 612 085 00	Wiring harness for License plate light	75-	1	914-1,8V/1,8 914-2,0
-	914 612 056 10	Additional cables for Rear window heating		1	914-4
-	914 612 161 20	Wiring harness Ground strap for Fuel pump		1	914-1,8V/1,8 914-2,0



Model: 914 70

Model life 1970&gt;&gt;1976

Pos	Part Number	Description	Remark	Qty	Model
-	914 612 056 13	Additional cables for Rear window heating F 47229 00001>>	72-	1	914-4/1,7 914-2,0
-	914 612 056 14	Additional cables for Rear window heating	74-	1	914-1,8V/1,8 914-2,0
-	914 612 057 10	Wiring harness Switch for Fog headlamp And		1	914-4
-	914 612 057 13	Rear fog light Wiring harness Switch for Fog headlamp And	72-	1	
-	914 612 049 16	Rear fog light F 47229 00001>> Additional cables for Emergency light switch Brake Single pole	74-	1	914-1,8V/1,8 914-2,0
-	914 612 053 10	Wiring harness for Radio		1	
-	914 612 055 10	- BLAUPUNKT - Cable for loudspeaker for Radio		1	
-	914 612 115 10	- BLAUPUNKT - Additional cables for		1	914-4/1,7 914-2,0
-	914 612 115 13	Rear fog light Additional cables for	72-	1	914-4/1,7 914-1,8V/1,8
-	914 612 065 10	Rear fog light Additional cables for		1	914-4
-	914 612 177 00	Double Horn Additional cables for	75-	1	914-1,8V/1,8 914-2,0
-	914 612 067 10	Double Horn Diode with Cable for		1	
-	914 612 132 12	Relay Wiring harness for		1	
-	914 612 173 00	Brakes Warning system Additional cables for	74-	1	914-1,8V/1,8 914-2,0
-	914 612 143 10	Headlight washer system (S) Additional cables for	72-	1	
		Interval relay			

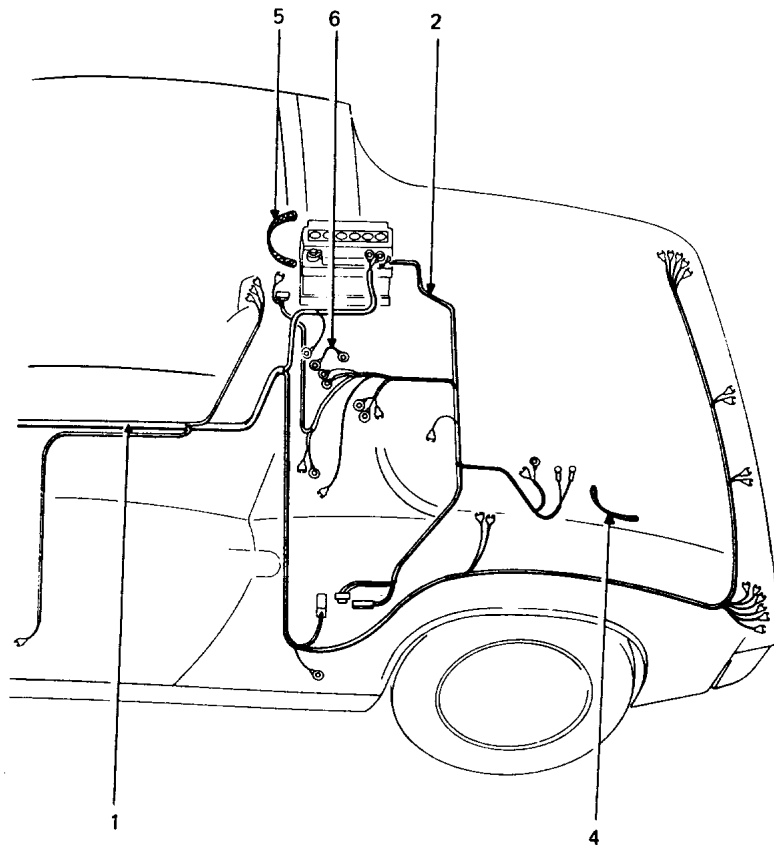
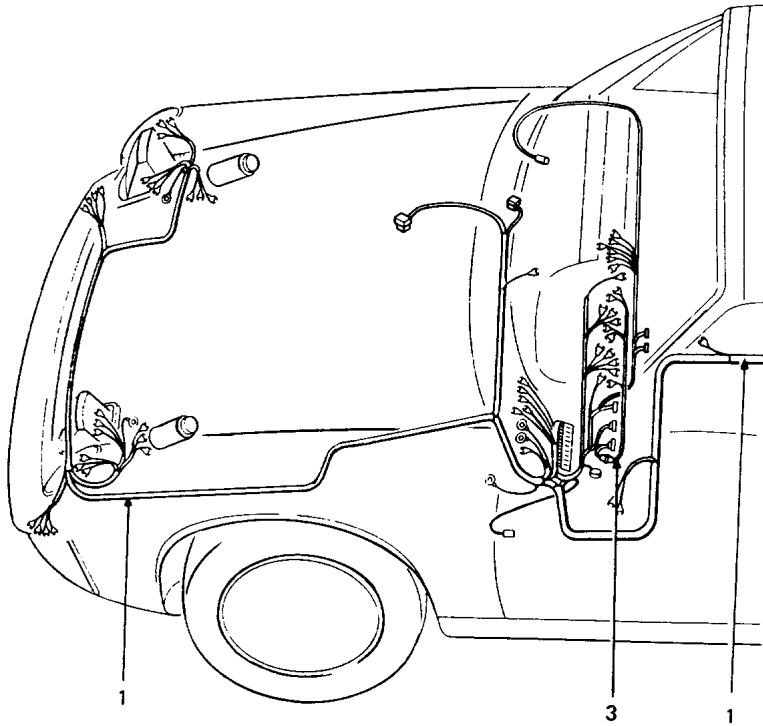
Model: 914 70

Model life 1970>>1976

Pos	Part Number	Description	Remark	Qty	Model
-	914 612 123 10	Windscreen wiper system Wiring harness Repair material		1	914-4
-	911 612 122 03	FRONT luggage compartment Clutch for Regulator Plate		1	
-	901 612 891 02	Clutch for Sender Fuel-level indicator And Blower		1	
-	901 612 893 01	Flat connector socket for Regulator		1	
-	999 652 167 40	Terminal sleeve housing for Generator		1	
-	930 612 914 00	Cap		1	
-	999 613 017 40	Covering for Cable holder		*	
-		100 MM		X	
-		70 MM		X	
-		50 MM		X	
-		40 MM		X	
-	999 652 106 02	Flat receptacle for Repair material Wiring harness 914 612 123 10		12	914-4
-	999 652 107 02	Flat receptacle for Repair material Wiring harness 914 612 123 10		2	914-4
-	999 513 002 40	Tie-wrap for Headlamp Housing		2	
-	N 020 910 4	Tie-wrap for Headlamp Housing		2	
-	999 513 003 40	Tie-wrap for Headlamp Housing		2	
-	999 513 021 40	Tie-wrap for Starter		1	
-	999 513 007 40	Tie-wrap for Engine Cable 4		2	
-	311 821 189	Rubber washer		2	

Model: 914 70

Model life 1970>>1976



Model: 914 70 Model life 1970>>1976

Pos	Part Number	Description	Remark	Qty	Model
		Wiring harnesses			914-6
1	914 612 019 10	Wiring harness		1	
(1)	914 612 018 13	Wiring harness	72-	1	
(1)	914 612 047 10	Wiring harness		1	
-	311 971 913	Grommet for Handbrake contact piece		1	
2	914 612 046 10	Wiring harness Control board Engine		1	
(2)		Wiring harness Control board Engine		1	
-	914 612 317 12	Wiring harness Wiring harness Control board	72-	1	
3	914 612 041 10	Wiring harness Light Instruments		1	
-	914 612 145 10	Connecting line Wiring harness Oil temperature Instrument cluster	72-	1	
4	999 611 919 20	Ground strap Transmission suspension		1	
-	901 612 043 01	Positive cable Sender Oil temperature	72-	1	
5	914 611 903 10	Ground strap Battery Body		1	
-	900 076 025 02	Hexagon nut M 8		2	
-	900 076 064 02	Hexagon nut M 8		2	
-	N 012 228 3	Spring washer B 8		2	
6	901 612 099 00	Ground strap Ignition coil KL.1		1	
-	911 617 107 00	Diode for Brake Warning function		1	
-	914 612 051 10	Additional cables Direction indicator light		1	
-	914 612 052 10	Additional cables High-beam headlight		1	
-	914 612 057 10	Wiring harness for fog lamp And Rear fog light		1	
-	914 612 132 12	Wiring harness for Brake light switch		1	
-		Wiring harness for Brakes Warning function		1	
-	914 612 054 10	Wiring harness -BLAUPUNKT- Radio		1	

Model: 914 70 Model life 1970>>1976

Pos	Part Number	Description	Remark	Qty	Model
-	914 612 055 10	Cable for loudspeaker -BLAUPUNKT- Radio		1	
-	914 612 115 10	Additional cables Rear fog light		1	
-	914 612 060 10	Wiring harness -BECKER- Radio		1	
-	914 612 067 10	Diode with Cable for Relay	72-	1	
-	914 612 121 10	Wiring harness -BECKER- Radio		1	
-	914 612 123 10	Wiring harness Repair material FRONT luggage compartment		1	
-	911 612 115 03	Connector housing Control board Engine		1	
-	911 612 122 02	Plug socket 12-pole AM Wiring harness for Steering column switch		1	
-	911 612 122 04	Plug socket 12-pole AM Wiring harness for Steering column switch		1	
-	911 612 887 00	Connector housing 2-pole Buzzer contact Steering lock		1	
-	911 612 889 00	Connector housing 10-pole Steering lock		1	
-	901 612 891 02	Clutch Sender And Blower		1	
-	901 612 893 01	Flat connector socket for Regulator		1	
-	999 652 167 40	Terminal sleeve housing for Generator		1	
-	901 612 899 00	Clutch for BHKZ		1	
-	930 612 914 00	Cap		1	
-	999 613 017 40	Covering for Cable holder		*	
-		100 MM		X	
-		70 MM		X	
-		50 MM		X	
-		40 MM		X	
-	999 652 106 02	Flat receptacle		12	

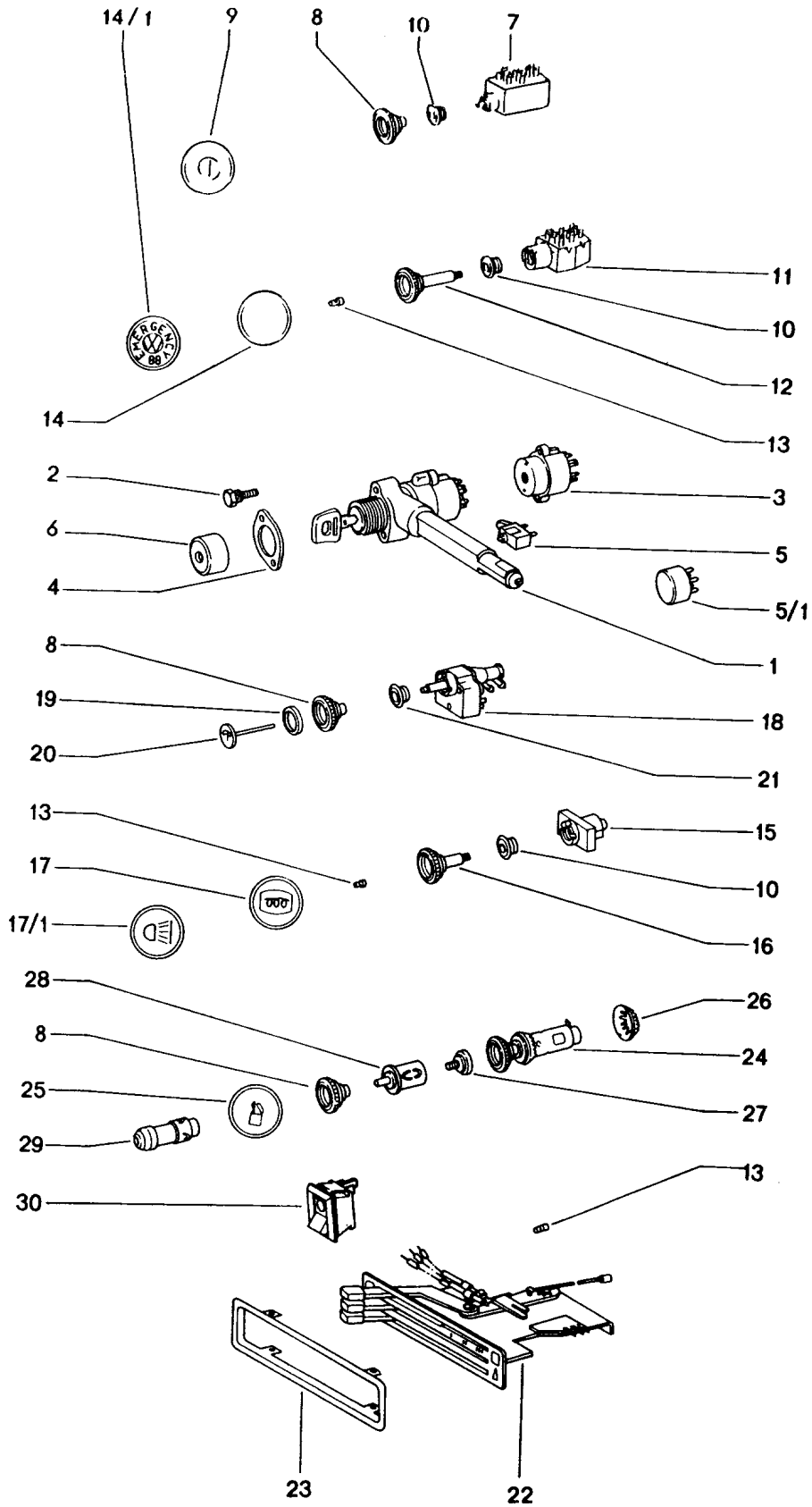
Model: 914 70

Model life 1970>>1976

Pos	Part Number	Description	Remark	Qty	Model
-	999 652 107 02	for 914.612.123.10 Repair kit Cable holder Flat receptacle		2	
-	999 513 002 40	for 914.612.123.10 Repair kit Cable holder Tie-wrap		2	
-	N 020 910 4	Headlamp Housing Tie-wrap		2	
-	999 513 003 40	for Headlamp Housing Tie-wrap		2	
-	999 513 021 40	for Headlamp Housing Tie-wrap		1	
-	999 513 023 40	Starter Tie-wrap for Cable BHKZ		1	

Model: 914 70

Model life 1970>>1976



Model: 914 70

Model life 1970&gt;&gt;1976

Pos	Part Number	Description	Remark	Qty	Model
1	911 613 901 00	Switch Dashboard trim Steering lock without Buzzer contact with Key W/o stipulated lock number		1	914-6
(1)	911 613 902 00	Steering lock with Buzzer contact with Key W/o stipulated lock number		1	914-6
(1)	911 613 903 01	Steering lock without Buzzer contact with Key State lock number		1	914-6
(1)	911 613 904 01	Steering lock with Buzzer contact with Key State lock number		1	914-6
2	999 219 017 02	Shear bolt		2	914-6
3	911 613 017 01	Ignition starter switch		1	914-6
4	911 347 613 00	Shim		1	914-6
5	911 613 125 00	Buzzer contact		1	914-6
5/1	914 615 112 10	Buzzer	-73	1	914-6/4/1,7 914-2,0
6	914 613 163 00	Trim cover		1	914-6
7	914 613 414 10	Light switch	-71	1	914-6/4
(7)	914 613 414 15	Light switch See classic technical information 2/94	72-	1	914-1,7/1,8V 914-1,8/2,0
8	111 941 541 F	Knob	-71	3	914-6/4
(8)		Knob	72-	3	914-1,7/1,8V 914-1,8/2,0
9	111 941 543 G	Cap with symbol		1	
(9)	113 941 543 B	Cap with symbol Not for TYP 914-1,8V		1	
10	111 941 515 D	Rosette M 14 X 1		4	
11	411 953 235 A	Hazard warning light sw.		1	
(11)	411 953 235 B	Emergency light switch Not for TYP 914-1,8V		1	
12	914 613 433 10	Knob	-71	1	914-6/4
(12)	411 953 245 A	Knob	72-	1	914-1,7/1,8 914-2,0
13	900 631 129 90	Bulb W 2 X 4,6 D - 12 V 1,2 W		3	
14	111 941 543 F	Cap with symbol Red without Identification for		1	
14/1	113 941 543 E	Emergency light switch Cap with symbol Transparent		1	

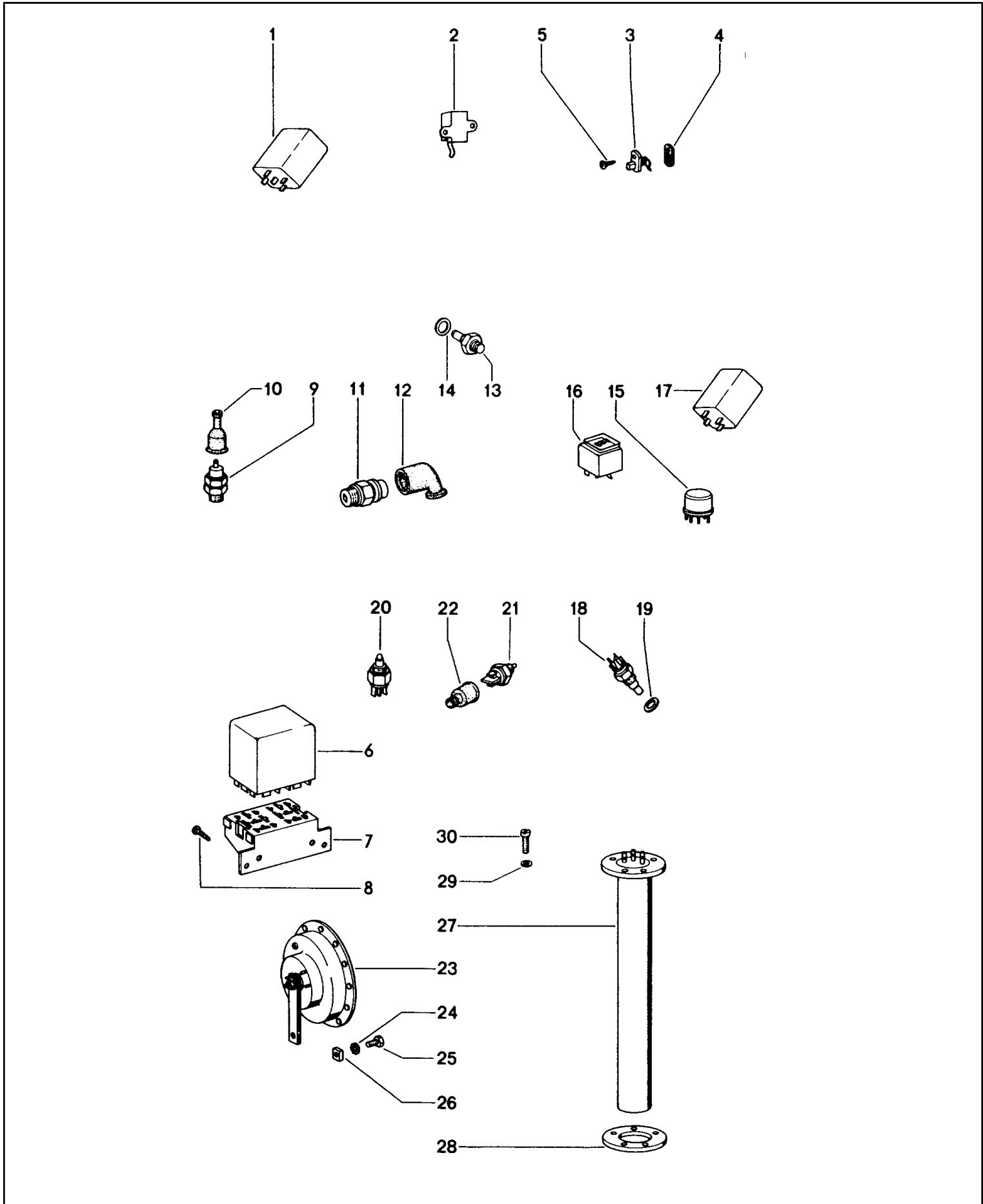


Model: 914 70 Model life 1970>>1976

Pos	Part Number	Description	Remark	Qty	Model
-	914 613 030 15	Red Not for TYP 914-1,8V Switch for rear fog light Complete for Rear fog light		1	
15	914 613 419 11	And Fog headlamp Switch housing Fog headlamp Rear window heating Rear fog light		1	
16	914 613 435 10	Knob	-71	1	914-6/4
(16)	111 953 245 E	Knob	72-	1	914-1,7/1,8V 914-1,8/2,0
17	411 941 543 C	Cap with symbol Transparent Green for Rear window Heatable		1	
17/1	111 941 543 H	Cap with symbol Transparent Yellow for Rear fog light Fog headlamp		1	
18	141 955 517 A	Wiper switch		1	914-4
19	111 941 547	Spring		1	914-4
20	914 613 428 10	Knob		1	914-4
21	111 941 515 D	Rosette M 14 X 1		1	914-4
22		Blower switch Complete See group 8/13/00		1	
23	901 613 114 00	Cover F >>47529 00010		1	
(24)	PCG 652 104 11	Cigarette lighter Complete		1	
25	911 613 235 01	Cap with symbol for Cigarette lighter		1	
25	911 613 235 02	Cap with symbol for Cigarette lighter		1	
26	914 652 115 10	Clamping washer for Cigarette lighter 914.652.104.10		1	
27	644 652 112 00	Glower Cigarette lighter		1	
28	901 652 122 01	Connector Cigarette lighter with Picture 8, 25, 27		1	
29	901 613 801 00	Connector		1	
30	911 613 319 01	Tip switch Headlight washer system (S)	74-	1	914-1,8V/1,8 914-2,0

Model: 914 70

Model life 1970>>1976



Model: 914 70 Model life 1970>>1976

Pos	Part Number	Description	Remark	Qty	Model
		Switch			
		Relay			
		Horn			
		Combined switch			914-6
		See group			
		9/03/10			
		Steering column switch	-71		
		See group			
		9/03/15			
		Steering column switch	72-		
		See group			
		9/03/20			
1	914 618 410 00	Interval relay	-72	1	914-4
(1)	111 955 531	Interval relay	73-	1	914-1,7/1,8V 914-1,8/2,0
2	911 613 411 00	Brake light switch		1	
2	911 613 411 01	Brake light switch		1	
3	113 947 561 D	Contact switch	-73	1	914-6/4/1,7 914-2,0
		Handbrake contact piece			
(3)	113 947 561 G	Contact switch	/2,0 74-	1	914-1,8V/1,8
		Handbrake contact piece			
(3)	113 947 561 D	Contact switch	2,0 -73	2	914-6/4/1,7
(3)	113 947 561 G	Contact switch	74-	2	914-1,8V/2,0
(3)	113 947 561 E	Door contact switch	2,0 -73	2	914-6/4/1,7
(3)	113 947 561 H	Switch	74-	2	914-1,8/2,0
4	113 947 565	Gasket		2	
		for			
		Door contact switch			
5	N 013 958 7	Oval-head sheetmetal screw		2	
		A 3,5 X 19			
6	133 919 439	Warning time relay	74-	1	914-1,8/2,0
		Seat belt			
		Replacement			
		911 617 118 00			
		F >>47529 07947			
(6)	321 919 433	Warning time relay		1	914-1,8/2,0
		F 47529 07948>>			
7	914 615 123 00	Terminal sleeve housing	74-	1	914-1,8/2,0
		F >>47529 07947			
(7)	911 615 123 00	Relay carrier		1	914-1,8/2,0
		for			
		171 919 433			
8	N 013 970 5	Oval-head sheetmetal screw	74-	2	914-1,8/2,0
		BZ 4,8 X 9,5			
8	N 106 568 02	Oval-head sheetmetal screw	74-	2	914-1,8/2,0
		B 4,8 X 9,5			
9		Oil pressure switch		X	914-6
		See group			
		1/01/10			
(9)		Oil pressure switch		X	
		See group			
		1/14/00			
10		Water protection cap		X	
		for			
		Oil pressure switch			
		See group			
		1/01/10			
11		Back-up light switch		X	
		with			
		Sealing ring			
		See group			
		3/02/00			
(11)		Back-up light switch		X	SPM

Model: 914 70 Model life 1970>>1976

Pos	Part Number	Description	Remark	Qty	Model
12		with Sealing ring See group 3/08/00 Protection cap for Back-up light switch See group 3/02/00		X	
13		Remote temperature sensor See group 1/01/10		X	
14		Sealing ring See group 1/01/10		X	
15	911 615 109 01	Standard type relay		7	
15		Standard type relay		6	914-6
16	111 941 583	Relay for Dipped beam And High-beam headlight Relay for Dipped beam		1	914-4/1,7 914-1,8V/2,0
(16)		Relay for Dipped beam		1	914-4/1,7 914-1,8V/2,0
17	914 618 303 11	Flasher relay	-72	1	914-6/4
(17)		Flasher relay	73-	1	914-1,7/1,8V 914-1,8/2,0 914-6:SPM
18		Temperature switch See group 3/07/05		X	
19		Sealing ring See group 3/07/05		X	914-6:SPM
20		Bridging switch See group 3/08/00		X	914-6:SPM
21		Brake light switch See group 6/04/00		X	
22		Water protection cap See group 6/04/00		X	
23	914 635 103 11	Horn - HELLA - 335 HZ		1	
(23)	914 635 104 11	Horn - HELLA - 400 HZ		1	
24	N 012 132 2	Shake-proof washer A 8,4	-74	1	
24		Shake-proof washer A 8,4	-74	2	914-6
25	900 075 078 02	Hexagon-head bolt M 8 X 15	-74	1	
25	900 075 078 03	Hexagon-head bolt M 8 X 15		1	
25	900 075 078 02	Hexagon-head bolt M 8 X 15	-74	2	914-6
25	900 075 078 03	Hexagon-head bolt M 8 X 15		2	914-6
26	999 703 089 40	Square nut Not for	-74	1	

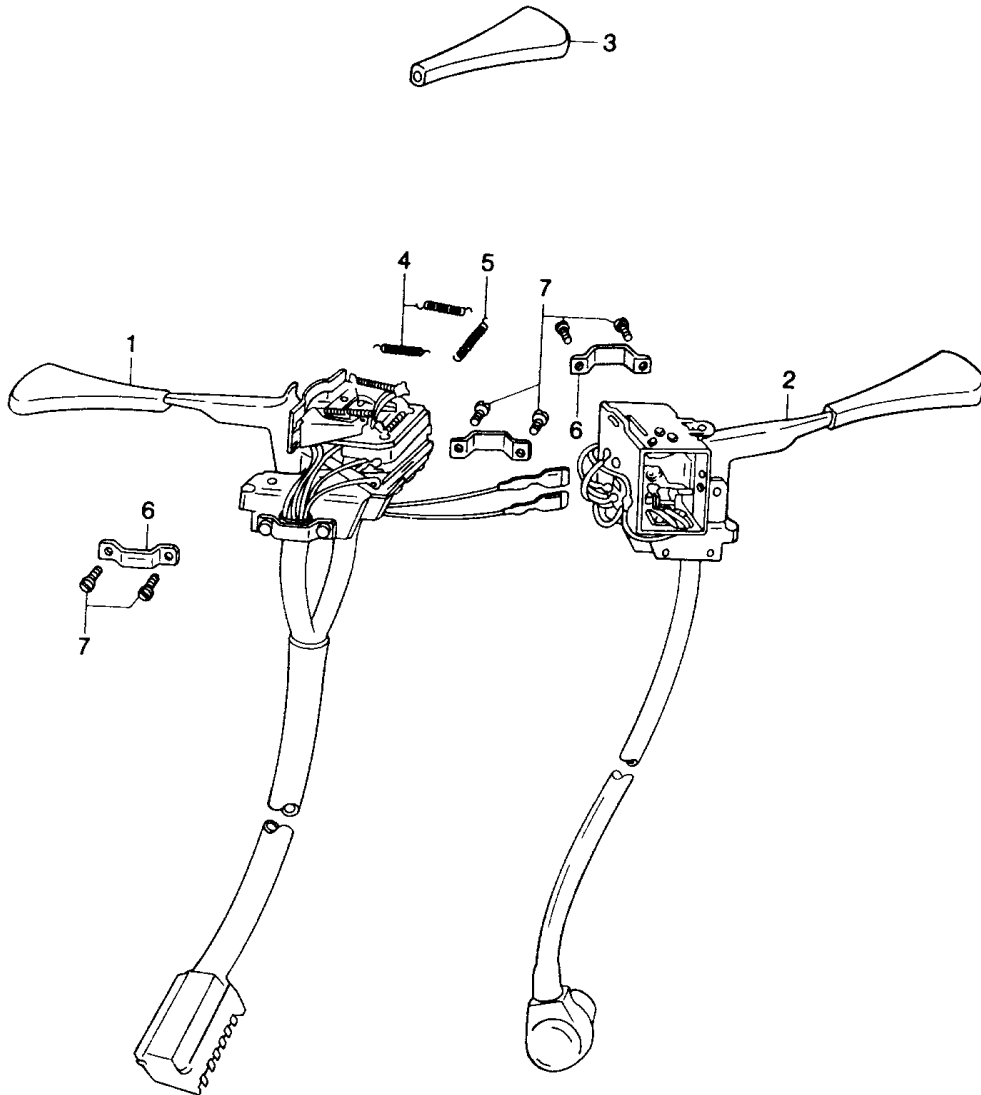
Model: 914 70

Model life 1970>>1976

Pos	Part Number	Description	Remark	Qty	Model
-	900 076 025 02	TYP 914-6 Hexagon nut M 8	75-	1	914-1,8V/1,8 914-2,0
-	900 076 064 02	Hexagon nut M 8	75-	1	914-1,8V/1,8 914-2,0
-	900 027 015 02	Lock ring B 8	75-	1	914-1,8V/1,8 914-2,0
-	900 027 015 03	Lock ring B 8	75-	1	914-1,8V/1,8 914-2,0
27	901 741 801 00	Sender Electric		1	
28	477 919 133	Sealing ring		1	
29	N 011 556 2	Washer 5,3		5	
30	N 010 207 6	Hexagon-head bolt M 5 X 12		5	
30	N 010 207 17	Hexagon-head bolt M 5 X 12		5	

Model: 914 70

Model life 1970>>1976



Model: 914 70

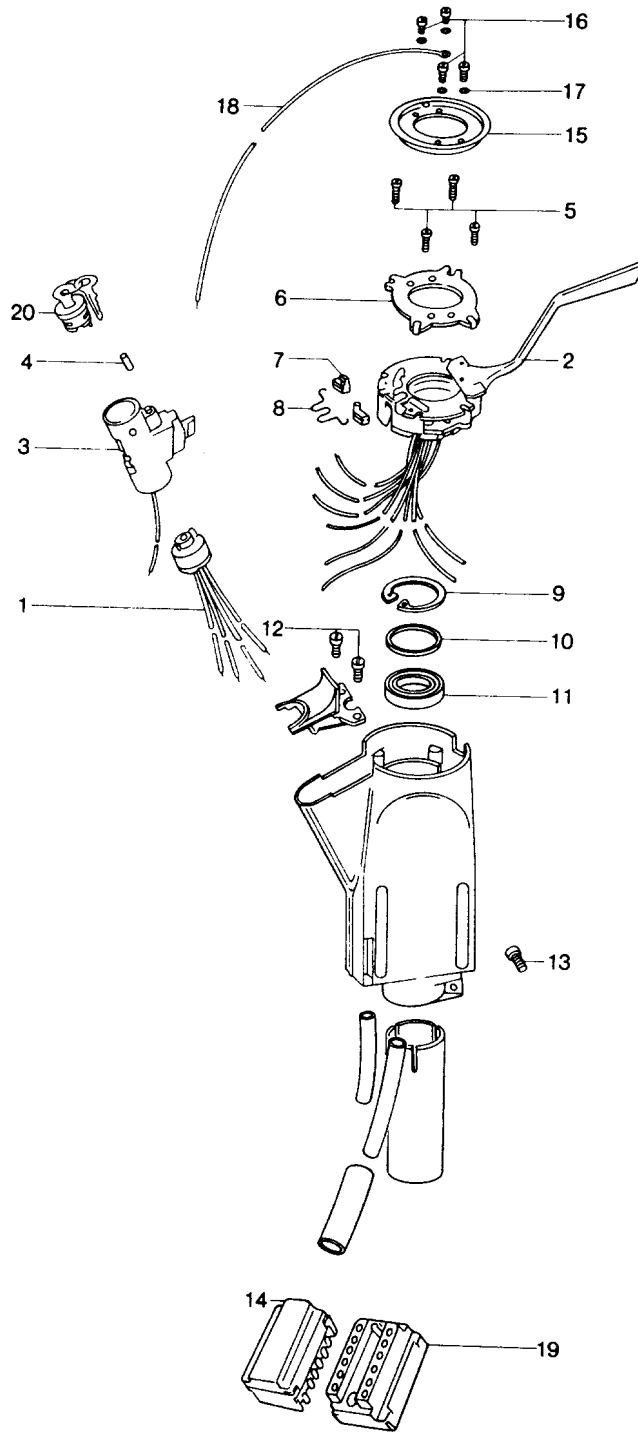
Model life 1970&gt;&gt;1976

Pos	Part Number	Description	Remark	Qty	Model
1	914 613 303 10	Steering column switch Combined switch		1	914-6
2	914 613 302 10	Wiper switch		1	
3	901 552 853 00	Handle for Switch		1	
4	901 613 352 00	Spring		2	
4	901 613 352 01	Tension spring		2	
5	901 613 918 00	Tension spring		1	
6	901 613 920 00	Clamping piece		3	
7	901 613 919 00	Pan-head screw		6	

Model: 914 70

Model life 1970>>1976

Bis Ende Mod. 71





Model: 914 70 Model life 1970>>1976

Pos	Part Number	Description	Remark	Qty	Model
-	914 613 305 10	Steering column switch	-71		914-4
-	914 613 306 12	Steering column switch	-70	1	
-	914 613 306 10	Steering column switch F 47129 11715>>	71-	1	
-	914 613 306 10	Steering column switch with Buzzer contact	-70	1	
-	914 613 306 12	Steering column switch with Buzzer contact F 47129 09637>>	71-	1	
-	111 953 572	Spacer sleeve		2	
1	311 905 865 A	Ignition starter switch	-70	1	
(1)	311 905 865 B	Ignition starter switch with Buzzer contact F 47129 09637>>	71-	1	
2	914 613 927 12	Direction indicator switch Upper part	-70	1	
(2)		Direction indicator switch Upper part F 47129 09637>>	71-	1	
3	113 905 887	Steering lock with Buzzer contact without	-70	1	
(3)	111 905 851 N	Ignition starter switch Steering lock without	71-	1	
-	914 613 929 12	Ignition starter switch F 47129 09637>> Steering lock with	71-	1	
4	914 613 903 10	Rubber stop		1	
5	111 953 573	Oval-head screw for Direction indicator switch Upper part		4	
6	914 613 904 10	Insulating piece		1	
7	111 953 577	Slide		2	
8	111 953 575	Spring for Direction indicator switch Upper part		1	
9	111 953 563	Circlip for Ball bearing		1	
10	914 347 168 00	Washer		1	
11	900 052 202 00	Ball bearing 6 1905		1	
12	N 010 811 1	Pan-head screw AM 5 X 8		2	
13	N 014 709 1	Pan-head screw M 8 X 22		1	
14	911 612 121 03	Connector 12-pole	-70	1	
(14)	911 612 113 05	Connector housing 14-pole F 47129 09637>>	71-	1	
15	914 613 908 10	Slip ring		1	
16	914 613 909 10	Screw		4	

Model: 914 70

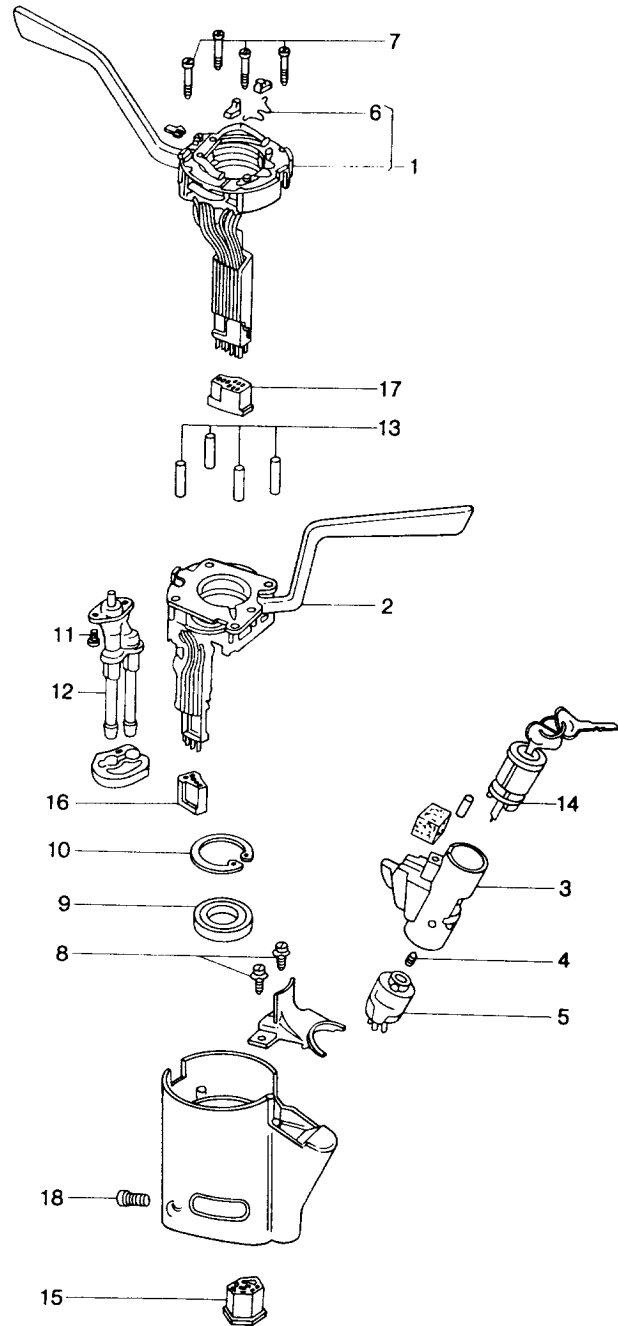
Model life 1970>>1976

Pos	Part Number	Description	Remark	Qty	Model
17	914 613 910 10	for Slip ring Washer		4	
18	914 613 911 10	for Slip ring Cable		1	
19	911 612 122 02	Plug socket 12-pole	-70	1	
19	911 612 122 04	for Steering column switch Plug socket 12-pole		1	
(19)	911 612 115 02	for Steering column switch Connector housing 14-pole	71-	1	
20	914 347 903 00	for Steering column switch F 47129 09637>> Cylinder with keys	-70	1	
(20)	914 347 903 02	W/o stipulated lock number Lock cylinder with keys	71-	1	
(20)	914 347 904 02	W/o stipulated lock number F 47129 09637>> Cylinder with keys State lock number F 47129 09637>>	71-	1	

Model: 914 70

Model life 1970>>1976

Ab Mod. 72 bis Ende Mod. 74



Model: 914 70

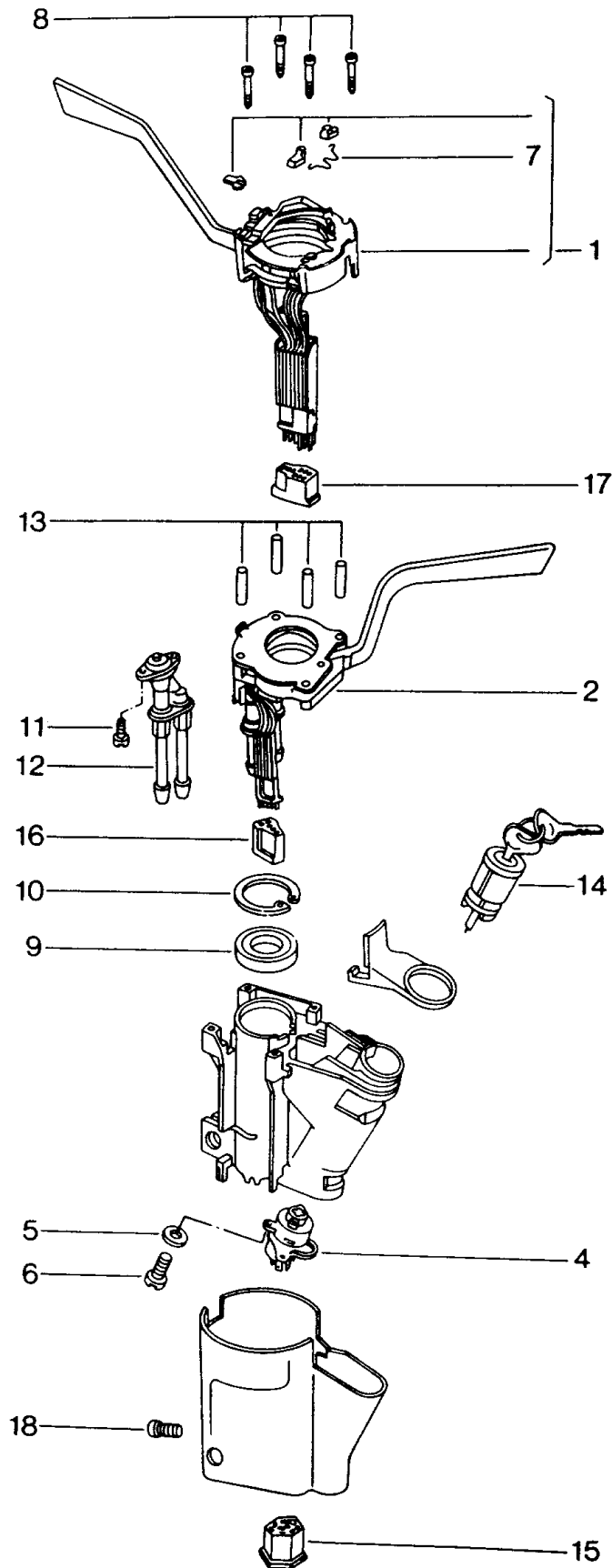
Model life 1970&gt;&gt;1976

Pos	Part Number	Description	Remark	Qty	Model
-	914 613 306 17	Steering column switch Steering column switch Combined switch with Steering lock Ignition starter switch without lock cylinder	72-74 72-	1	
1	914 613 913 14	Direction indicator switch		1	
2	914 613 915 14	Wiper switch		1	
3	111 905 851 N	Steering lock		1	
4	N 013 042 2	Threaded pin		1	
5	111 905 865 K	Ignition starter switch		1	
6	111 953 575	Spring		1	
7	111 953 573 A	Oval-head screw		4	
8	N 010 811 1	Pan-head screw		2	
(8)	N 012 005 3	Lock ring		2	
9	111 953 559 A	Ball bearing		1	
10	111 953 563 A	Circlip		1	
11	N 010 802 2	Oval-head screw		2	
12	111 953 553	Valve Windscreen washer system		1	
13	111 953 572 A	Spacer sleeve		4	
14	914 347 903 02	Lock cylinder with keys W/o stipulated lock number		1	
14	914 347 904 02	Cylinder with keys State lock number		1	
15	111 953 631	Terminal sleeve housing		1	
16	111 953 635	Ignition starter switch Terminal sleeve housing		1	
17	111 953 633	Wiper switch Terminal sleeve housing		1	
18	N 014 707 4	Direction indicator switch Pan-head screw M 8 X 16		2	

Model: 914 70

Model life 1970>>1976

Ab Mod. 75



Model: 914 70

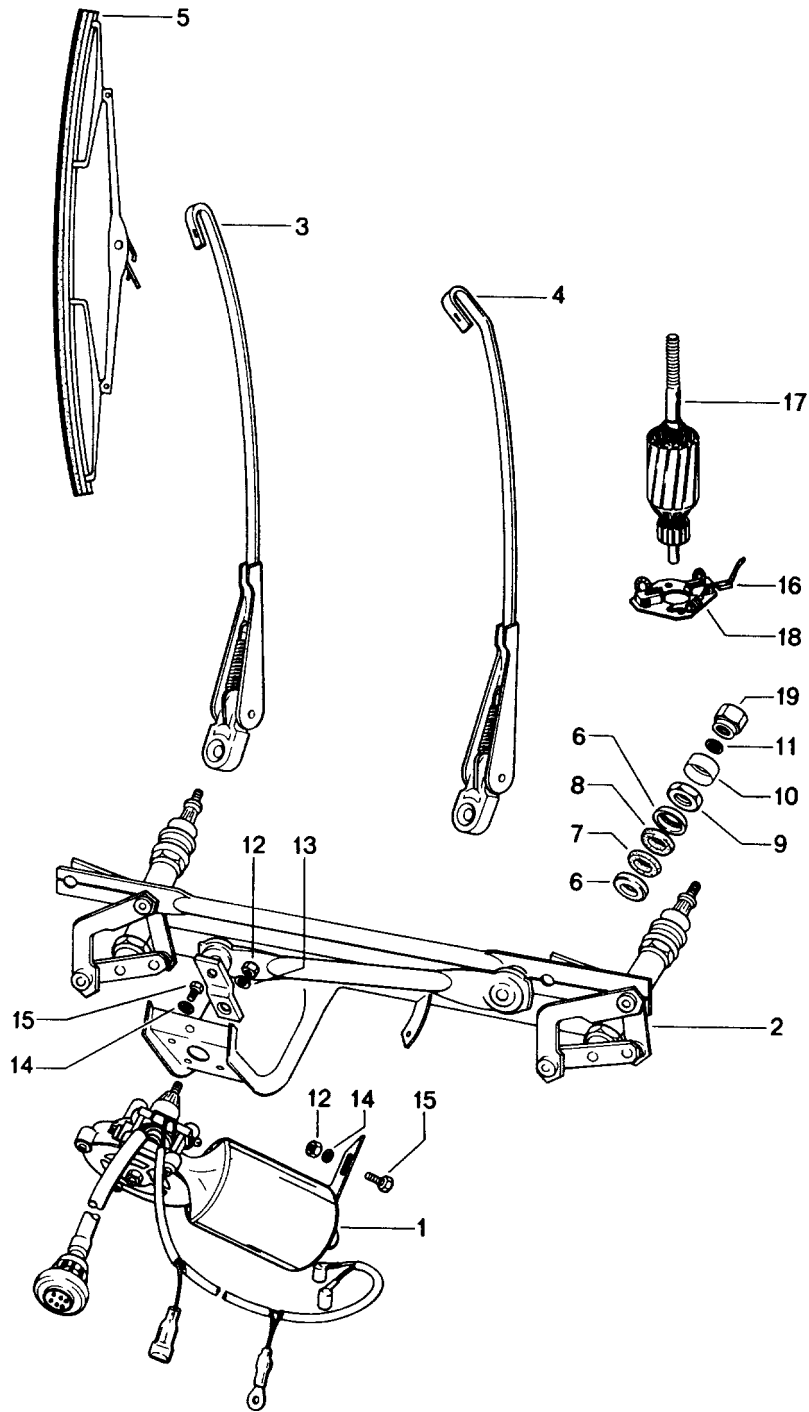
Model life 1970>>1976

Pos	Part Number	Description	Remark	Qty	Model
-	914 613 306 18	Steering column switch Steering column switch Combined switch with Steering lock Ignition starter switch without lock cylinder	75- 75-	1	
1	914 613 913 15	Direction indicator switch		1	
2	914 613 915 15	Wiper switch		1	
4	111 905 865 L	Ignition starter switch		1	
5	914 613 932 00	Spring washer		1	
6	914 613 931 00	Pan-head screw		1	
7	111 953 575	Spring		1	
8	111 953 573 A	Oval-head screw		4	
9	911 347 771 02	Ball bearing		1	
10	111 953 563 A	Circlip		1	
11	N 010 802 2	Oval-head screw		2	
12	111 953 553	Valve Windscreen washer system		1	
13	111 953 572	Spacer sleeve		4	
14	914 347 903 02	Lock cylinder with keys W/o stipulated lock number		1	
14	914 347 904 02	Cylinder with keys State lock number		1	
15	111 953 631	Terminal sleeve housing Ignition starter switch		1	
16	111 953 635	Terminal sleeve housing Wiper switch		1	
17	111 953 633	Terminal sleeve housing Direction indicator switch		1	
18	N 014 707 4	Pan-head screw M 8 X 16		2	

Model: 914 70

Model life 1970>>1976

Bis Ende Mod. 71



Model: 914 70 Model life 1970>>1976

Pos	Part Number	Description	Remark	Qty	Model
-	914 628 011 01	Windscreen wiper system Windscreen wiper system Complete without Wiper arm Wiper blade Switch	-71 -71	1	914-6
1	914 628 019 10	Engine		1	
2	914 628 012 20	Crank drive without Engine Ready for installation with Picture 6 - 11 + 19		1	
3	914 628 313 10	Wiper arm - SWF -	/L	1	
3	964 628 028 01	Wiper arm Together with 96462802802 Use Attention Modification Version	/L	1	
4	914 628 314 10	Wiper arm - SWF -	/R	1	
(4)	964 628 028 02	Wiper arm Together with 96462802801 Use Attention Modification Version	/R	1	
5	914 628 311 10	Wiper blade - SWF -		2	
(5)		Wiper blade - bosch -		2	
6	901 628 922 00	Flange washer Chrome		4	
7	901 628 923 01	Rubber bush		2	
8	901 628 924 00	Rubber bush		2	
9	901 628 925 00	Hexagon nut		2	
10	901 628 926 00	Cap		2	
11	901 628 927 00	Spring washer		2	
11	481 955 349	Spring washer		2	
11	803 955 437	Spring washer		2	
12	900 076 010 02	Nut M 6		2	
12	900 076 010 0B	Nut M 6		2	
13	914 628 901 00	Lock ring		1	
14	N 042 121 1	Shake-proof washer J 6,4		2	
15	900 075 010 02	Hexagon nut M 6 X 12		2	
15	N 010 212 14	Hexagon-head bolt M 6 X 12		2	
15	999 072 005 09	Hexagon nut M 6 X 12		2	
15	999 072 005 01	Hexagon nut M 6 X 12		2	
16	914 628 906 00	Wiper contact		2	
17	914 628 908 00	Armature		1	



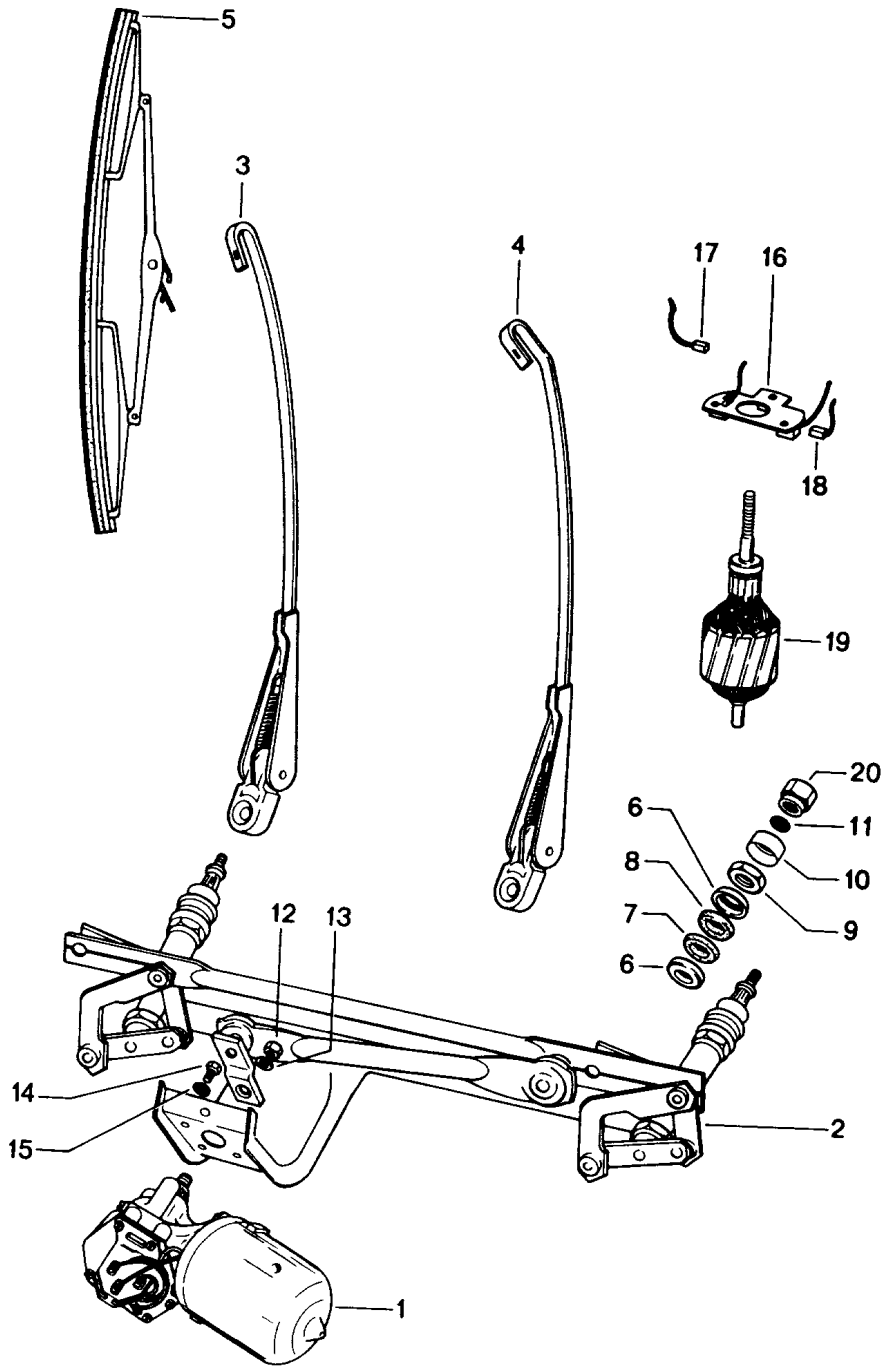
Model: 914 70

Model life 1970>>1976

Pos	Part Number	Description	Remark	Qty	Model
18	914 628 903 00	Retainer plate		1	
19	901 628 341 00	Cap nut for Wiper arm Mount		2	
-	914 628 113 00	Rubber buffer		1	
-	900 028 008 01	Lock ring B 6		1	
-	900 076 010 02	Nut M 6		1	
-	900 076 010 0B	Nut M 6		1	

Model: 914 70

Model life 1970>>1976



Model: 914 70 Model life 1970>>1976

Pos	Part Number	Description	Remark	Qty	Model
-	914 628 015 13	Windscreen wiper system Windscreen wiper system Complete without Wiper arm Wiper blade Switch	72- 72-	1	914 914-6
(1)	914 628 020 13	Wiper motor	72-	1	
2	914 628 011 20	Crank drive Crank drive without Engine Complete with Picture 6 - 11 + 20		1	
3	914 628 313 10	Wiper arm - SWF - Installation instructions Attention	/L	1	
3	964 628 028 01	Wiper arm Together with 96462802802 Use Attention Modification Version	/L	1	
4	914 628 314 10	Wiper arm - SWF - Installation instructions Attention	/R	1	
(4)	964 628 028 02	Wiper arm Together with 96462802801 Use Attention Modification Version	/R	1	
5	914 628 311 10	Wiper blade - SWF -		2	
6	901 628 922 00	Flange washer Chrome		4	
7	901 628 923 01	Rubber bush		2	
8	901 628 924 00	Rubber bush		2	
9	901 628 925 00	Hexagon nut		2	
10	901 628 926 00	Cap		2	
11	901 628 927 00	Spring washer		2	
11	481 955 349	Spring washer		2	
11	803 955 437	Spring washer		2	
12	900 076 010 02	Nut M 6		1	
12	900 076 010 0B	Nut M 6		1	
13	914 628 901 00	Lock ring		1	
14	900 075 010 02	Hexagon nut M 6 X 12		1	
14	N 010 212 14	Hexagon-head bolt M 6 X 12		1	
14	999 072 005 09	Hexagon nut M 6 X 12		1	
14	999 072 005 01	Hexagon nut M 6 X 12		1	

Model: 914 70

Model life 1970>>1976

Pos	Part Number	Description	Remark	Qty	Model
15	N 042 121 1	Shake-proof washer J 6,4		1	
20	901 628 341 00	Cap nut		2	
-	914 628 113 00	Rubber buffer		1	
-	900 028 008 01	Lock ring B 6		1	
-	900 076 010 02	Nut M 6		1	
-	900 076 010 0B	Nut M 6		1	



Model: 914 70

Model life 1970>>1976

Pos	Part Number	Description	Remark	Qty	Model
1	914 628 080 10	Windscreen washer system Container Complete	-71	1	914-6
2	999 507 336 02	Captive nut M 6		1	
3	N 010 215 13	Hexagon-head bolt M 6 X 15		1	
4	900 151 006 09	Washer A 6,4		1	
5	644 628 741 02	Spray nozzle		2	
6	901 628 745 20	T-piece		1	
7	901 628 749 20	T-piece		1	
8	914 628 901 10	Hose Plastic material		*	
8	PCG 628 901 10	Hose 3000 mm		X 1	
9	914 628 741 00	Stopper		3	
10	928 628 074 01	Pump Electric for Windscreen washer system 10 V		1	



Model: 914 70

Model life 1970>>1976

Pos	Part Number	Description	Remark	Qty	Model
(1)	914 628 075 12	Windscreen washer system Container Complete		1	
2	999 507 336 02	Captive nut M 6		1	
3	N 010 215 13	Hexagon-head bolt M 6 X 15		1	
4	900 151 006 09	Washer A 6,4		1	
5	644 628 741 02	Spray nozzle with Valve F >>47429 02453		2	
5/1	914 628 203 11	Nozzle Black F 47429 02454>>		2	914-1,8V/1,8 914-2,0
6	901 628 745 20	T-piece F >>47429 02453		1	
6/1	914 628 433 00	Valve with Valve F 47429 02454>>		1	914-1,8V/1,8 914-2,0
7	914 628 022 10	Hose Container		1	
7/1	914 628 021 10	Hose Connecting piece Emergency wheel		1	
8	914 628 901 11	Hose		*	
9	113 955 481	Union nut for Hose		1	
10	914 628 191 10	Rubber sleeve Switch for Windscreen wiper system See group 9/03/00		1	
11	111 971 521 A	Hose		X	





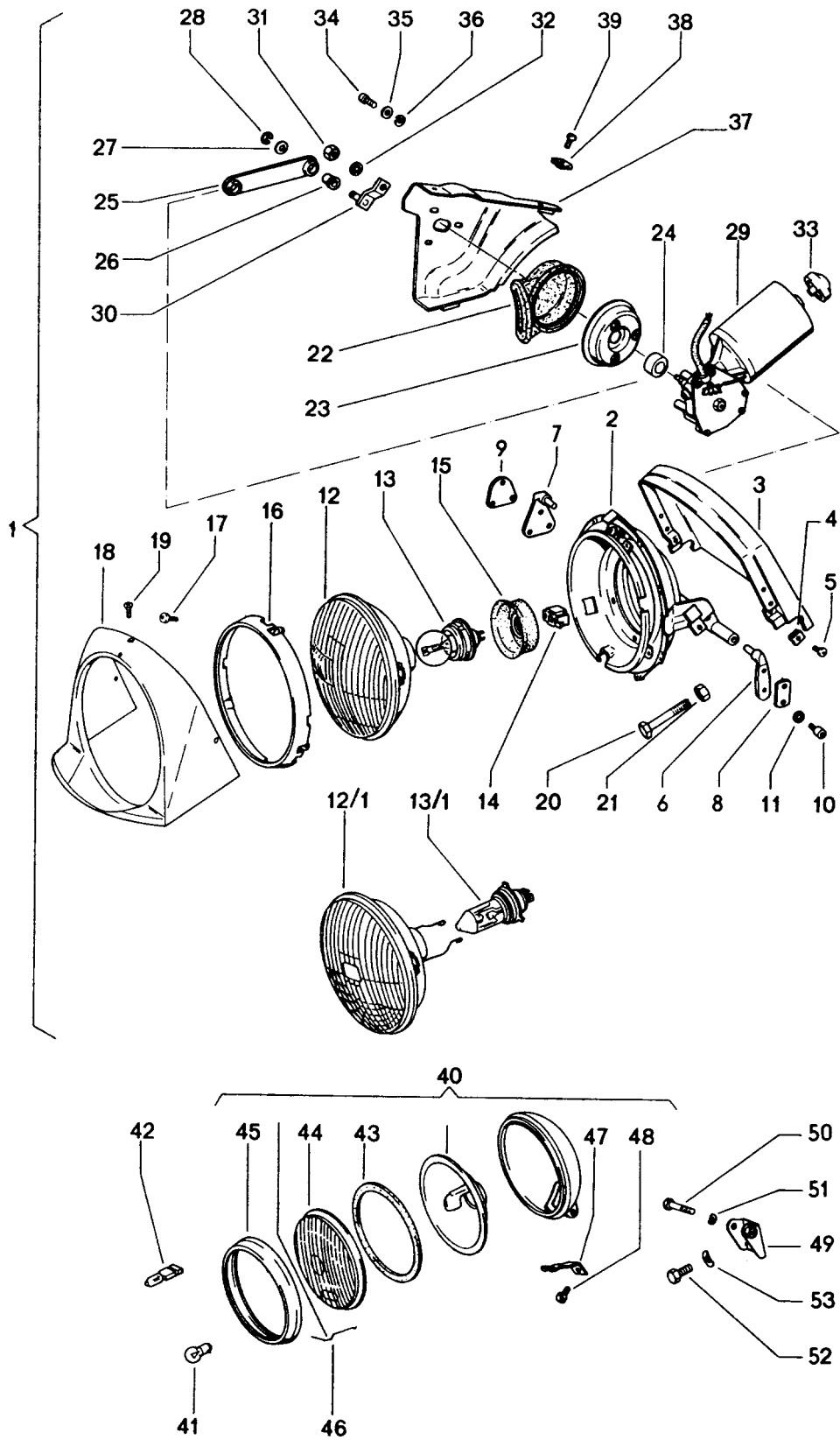
Model: 914 70

Model life 1970>>1976

Pos	Part Number	Description	Remark	Qty	Model
		Headlight washer system	74-		
1	914 628 031 10	Water reservoir		1	
2	911 628 167 00	Lid		1	
3	914 628 035 10	Restraining strap		1	
4	914 624 123 00	Motor pump		1	
5	914 628 221 11	Clip		1	
6	N 010 724 2	Pan-head screw		1	
7	900 076 027 02	Nut		1	
8	900 114 014 01	Shake-proof washer		1	
9	N 010 215 13	Hexagon-head bolt		2	
		M 6 X 15			
10	900 151 029 02	Washer		4	
		B 6,4			
11	N 012 006 4	Lock ring		2	
		B 6			
12	900 076 010 02	Nut		2	
		M 6			
12	900 076 010 0B	Nut		2	
		M 6			
13	000 043 129 00	Sealing strap		4	
		25 X 20 X 2			
14	914 628 417 10	Hose		1	
		Water reservoir			
		Pump			
15	914 628 418 10	Breather hose		1	
		Pump			
		Water reservoir			
16	914 628 419 10	Hose		1	
		790 MM			
		Distributing piece			
		Pump			
17	914 628 413 10	Distributing piece		1	
18	999 702 059 50	Rubber sleeve		1	
19	914 628 421 12	Hose		2	
		525 MM			
		Distributing piece			
		Pressure control valve			
19/1	911 628 809 00	Connecting piece	75-	2	
20	113 955 187	Pressure control valve		2	
21	914 628 027 10	Jet carrier		2	
(21)	914 628 027 11	Jet carrier	75-	2	
22	N 011 380 1	Pan-head tapping screw		4	
		B 4,2 X 9,5			
23	N 012 224 3	Spring washer		4	
		B 4			
24	928 618 111 00	Relay		1	
25	914 628 435 10	Desk pad	/L 75-	1	
		for			
		Jet carrier			
26	914 628 436 10	Desk pad	/R 75-	1	
		for			
		Jet carrier			

Model: 914 70

Model life 1970>>1976



Model: 914 70 Model life 1970&gt;&gt;1976

Pos	Part Number	Description	Remark	Qty	Model
1	914 750 903 11	Headlamp Pop-up headlight Complete with Driving mechanism without Picture 12, 13, 15, 12/1, 13/1	/L	1	
(1)	914 750 904 11	Pop-up headlight Complete with Driving mechanism without Picture 12, 13, 15, 12/1, 13/1	/R	1	
(2)	914 631 011 10	Mounting piece Complete	/L	1	
(2)	914 631 012 10	Mounting piece Complete	/R	1	
-	914 631 901 10	Headlamp Adjusting screw with Threaded piece		4	
3	914 750 131 10	Cover plate Upper part	/L	1	
(3)	914 750 132 10	Housing Upper part	/R	1	
4	999 591 338 02	Speed nut		10	
4	999 591 460 01	Speed nut		10	
5	N 013 958 7	Oval-head sheetmetal screw B 3,5 X 13		4	
6	914 750 165 10	Bearing bracket Outer	-70	2	914-6/4
6		Bearing bracket Outer	71-	2	
7	914 750 271 10	Bearing bracket Inner	-70	2	914-6/4
7		Bearing bracket Inner	71-	2	
8	914 750 167 10	Plate Outer		2	
9	914 750 169 10	Plate Inner		2	
10	N 014 750 3	Pan-head screw M 6 X 10		10	
10	N 014 750 13	Pan-head screw M 6 X 10		10	
11	900 114 002 02	Shake-proof washer J 6,4		10	
(12)	914 631 164 00	Headlamp Asymmetrical Not for 914-1,8	/RL	2	
(12)	999 631 108 90	Headlamp unit Sealed-beam 50/40 W F >>47329 08291	-73	2	914-6/4/1,7 914-2,0
(12)	111 941 261 B	High-beam headlight Sealed-beam 60/50 W F 47329 08292>>	73-	2	914-1,7/1,8 914-2,0
12/1	914 631 164 00	Headlamp H 4	/RL	2	914-1,7/1,8V 914-2,0

Model: 914 70 Model life 1970>>1976

Pos	Part Number	Description	Remark	Qty	Model
13	900 631 109 90	Bulb A 12 V - 45/40 ES White Not for 914-1,8		2	
13/1	999 631 202 90	Bulb H 4		2	914-1,7/1,8V 914-2,0
14	911 631 108 00	Terminal sleeve housing 3-pole		2	
-	N 017 498 A	Flat plug 7,7 X 1 CuZn		X	
15	901 631 123 01	Cap		2	
16	914 031 107 20	Retaining ring	-74	2	
(16)	914 631 107 20	Retaining ring Black mat	75-	2	914-1,8V/1,8 914-2,0
17	341 941 183 A	Pan-head screw		6	
17		Pan-head screw AM 4 - 8		6	
18	914 750 225 11	Cap	/L	1	
(18)	914 750 226 11	Cap	/R	1	
19	900 145 004 02	Rais. counters. h. tap. s. B 3,5 X 13		6	
20	914 750 193 10	Stop screw		2	
21	900 076 025 02	Hexagon nut M 8		2	
21	900 076 064 02	Hexagon nut M 8		2	
22	914 750 265 10	Sealing cap	/L 72-	1	
(22)	914 750 266 10	Sealing cap	/R 72-	1	
23	914 750 267 10	Seal	72-	2	
24	914 750 277 10	Sealing washer		2	
25	914 750 185 11	Push rod		2	
26	914 750 189 10	Bearing sleeve		4	
27	914 750 191 10	Washer		4	
28	900 116 007 01	Lock washer 8		2	
28	N 012 439 1	Lock washer 8		2	
28	N 012 439 2	Lock washer 8		2	
29	914 624 113 11	Electric motor for Pop-up headlight	/R	1	
(29)	914 624 114 11	Electric motor for Pop-up headlight	/L	1	
30	914 624 115 00	Lever for Engine		2	
31	914 624 118 00	Hexagon nut M 6		2	
32	914 624 119 00	Shake-proof washer		2	
33	914 624 117 00	Knob for Engine		2	
34	900 067 008 02	Pan-head screw M 6 X 12		6	
34	900 067 008 03	Pan-head screw M 6 X 12		6	
35	N 011 524 7	Washer B 6,4		6	
35	N 011 524 27	Washer B 6,4		6	

Model: 914 70

Model life 1970>>1976

Pos	Part Number	Description	Remark	Qty	Model
36	N 012 007 2	Lock ring A 6		6	
36	900 027 004 03	Lock ring A 6		6	
37	914 750 195 10	Protection cap	/L	1	
(37)	914 750 196 10	Protection cap	/R	1	
38	999 591 331 02	Speed nut B 4,2		4	
39	900 143 007 02	Oval-head sheetmetal screw B 4,2 X 13		4	
39	900 073 507 01	Oval-head sheetmetal screw B 4,2 X 13		4	
40	914 631 131 10	Additional headlamp H 3 White without Bulb Not for 914-1,8	-74	2	
(40)	914 631 134 11	Fog headlamp Light-diffusing lens White without Bulb	-74	2	
41	900 631 130 90	Bulb D 12 V - 35 W for Fog headlamp		2	
42	900 631 126 90	Halogen bulb H 3 YC 6/12 V - 55 W Not for 914-1,8		2	
(42)	900 631 125 90	Halogen bulb H 1 VA 12 V - 55 W Not for 914-1,8		2	
43	914 631 914 10	Gasket for Fog headlamp		2	
(43)	914 631 923 10	Gasket for High-beam headlight And Fog headlamp Not for 914-1,8		2	
44	914 631 913 11	Light-diffusing lens White for Additional headlamp		2	
(44)	914 631 922 10	Light-diffusing lens White for H 3 + H 1 High-beam headlight Not for 914-1,8		2	
(44)	914 631 930 10	Lens Yellow for H 3		2	

Model: 914 70 Model life 1970>>1976

Pos	Part Number	Description	Remark	Qty	Model
(44)	914 631 952 10	High-beam headlight Not for 914-1,8 Light-diffusing lens White for H 3 + H 1 Fog headlamp Not for 914-1,8		2	
-	914 631 976 00	Glass with Light-diffusing lens for High-beam headlight 914.631.131.10 Not for 914-1,8		2	
-	914 631 977 00	Glass with Light-diffusing lens for Fog headlamp 914.631.136.10 Not for 914-1,8		2	
45	914 631 925 10	Retaining ring		2	
(45)	914 631 917 10	Retaining ring		2	
46	914 631 924 10	Tensioning spring		8	
47	914 631 961 10	Retainer spring		2	
48	914 631 920 10	Oval-head screw AM 4 X 10		2	
49	914 631 029 10	Support	/L M	1	
(49)	914 631 030 10	Support	/R M	1	
50	900 074 134 02	Hexagon-head bolt M 8 X 45		2	
51	N 012 241 1	Spring washer B 8 X 15		2	
52	900 186 125 02	Pan-head screw M 10 X 16		2	
53	N 012 230 1	Spring washer B 10		2	
-	914 631 184 00	Additional headlamp Bumper Front Additional headlamp	75-	2	914-1,8V/1,8 914-2,0
-	914 631 969 00	Light-diffusing lens for High-beam headlight 914.631.184.00		2	914-1,8V/1,8 914-2,0
-	914 631 974 00	Retaining ring with Screw		2	914-1,8V/1,8 914-2,0
-	481 941 713	Retaining ring with Screw		2	914-1,8V/1,8 914-2,0
-	914 631 975 00	Gasket		2	914-1,8V/1,8 914-2,0
-	481 941 715	Gasket		2	914-1,8V/1,8 914-2,0
-	914 631 181 00	Fog headlamp		2	914-1,8V/1,8 914-2,0

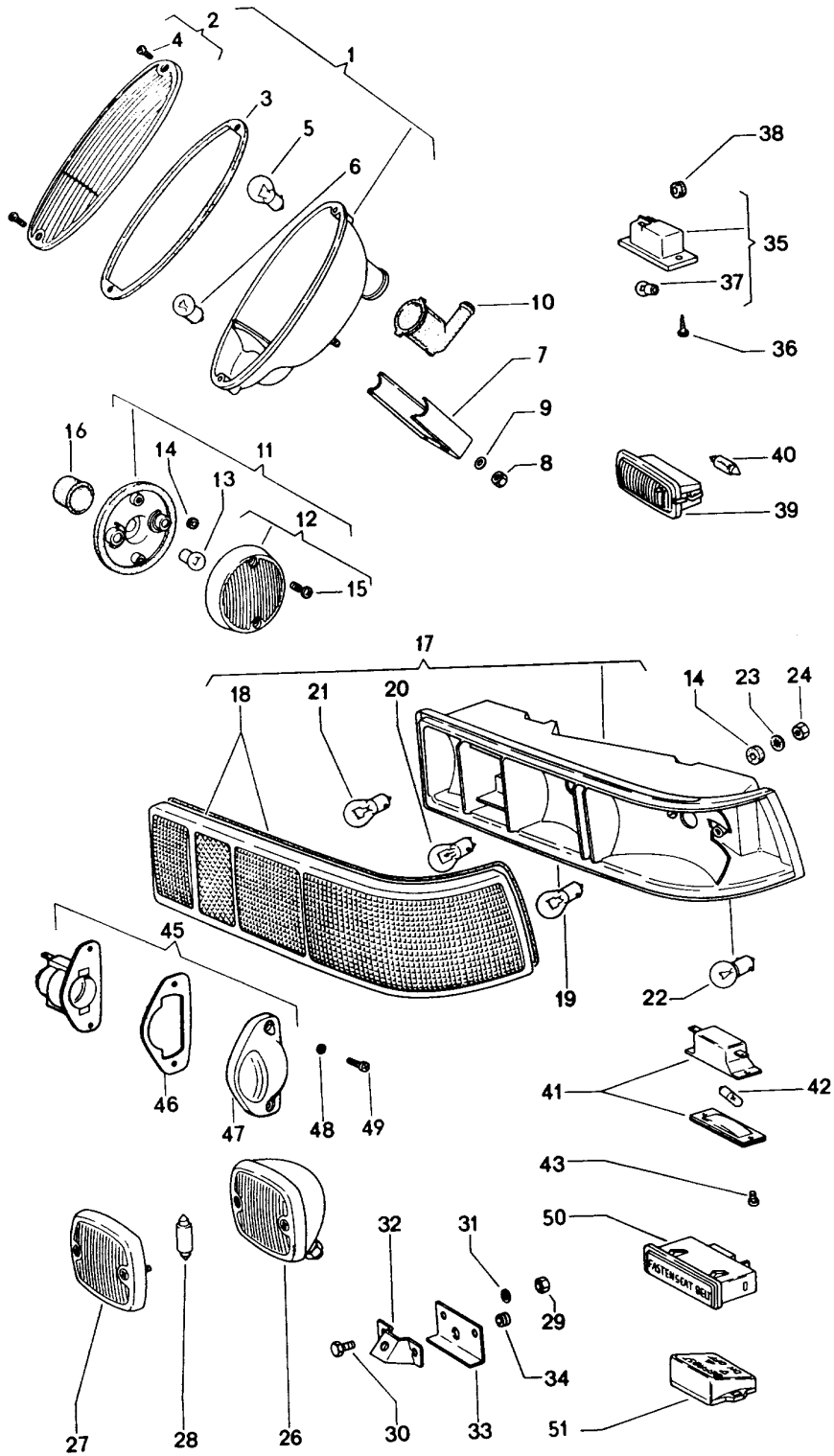
Model: 914 70 Model life 1970&gt;&gt;1976

Pos	Part Number	Description	Remark	Qty	Model
-	481 941 719	Washer for Fog headlamp 914.631.181.00		2	914-1,8V/1,8 914-2,0
-		Light-diffusing lens for Fog headlamp 914.631.181.00		2	914-1,8V/1,8 914-2,0
-	914 631 974 00	Retaining ring with Screw		2	914-1,8V/1,8 914-2,0
-	481 941 713	Retaining ring with Screw		2	914-1,8V/1,8 914-2,0
-	481 941 715	Gasket		2	914-1,8V/1,8 914-2,0
-	900 631 126 90	Halogen bulb H 3 YC 12 V - 55 W		2	914-1,8V/1,8 914-2,0
-	914 631 188 00	Hexagon nut M 8		2	914-1,8V/1,8 914-2,0
-	914 631 187 00	Eccentric bolt		2	914-1,8V/1,8 914-2,0
-	914 631 186 00	Retaining bar		2	914-1,8V/1,8 914-2,0
-	914 631 195 00	Eccentric bolt		2	914-1,8V/1,8 914-2,0
-	N 011 010 6	Hexagon nut M 10		2	914-1,8V/1,8 914-2,0
-	N 101 552 10	Hexagon nut M 10		2	914-1,8V/1,8 914-2,0
-	900 025 008 02	Washer A 10,5		2	914-1,8V/1,8 914-2,0
-	N 011 527 4	Washer A 10,5		2	914-1,8V/1,8 914-2,0
-	900 025 008 09	Washer A 10,5		2	914-1,8V/1,8 914-2,0
-	900 025 008 04	Washer A 10,5		2	914-1,8V/1,8 914-2,0
-	900 027 016 02	Lock ring B 10		2	914-1,8V/1,8 914-2,0
-	900 027 016 03	Lock ring B 10		2	914-1,8V/1,8 914-2,0



Model: 914 70

Model life 1970>>1976



Model: 914 70

Model life 1970&gt;&gt;1976

Pos	Part Number	Description	Remark	Qty	Model
		Lights			
(1)	914 631 401 11	Direction indicator light		2	
(2)	914 631 934 11	Lens		2	
3	914 631 957 10	Gasket		2	
4	914 631 958 10	Oval-head screw		4	
5	900 631 127 90	Bulb		2	
		RL 12 V - 21 W			
(5)	900 631 128 90	Bulb	(I) (USA)	2	
		SL 12 V - 21 W / 5 W			
(5)	999 631 115 90	Bulb	(I) (USA)	2	
		12 V, 32/3 CP			
6	900 631 104 90	Bulb		2	
		G 12 V, 5 W			
7	914 631 215 10	Retaining bow		2	
8	900 045 005 02	Hexagon nut		2	
		M 6			
9	N 042 121 1	Shake-proof washer		2	
		J 6,4			
10	914 631 217 10	Grommet		2	
11	914 631 405 00	Side marker light	/L	1	
(11)	914 631 408 00	Side marker light	/R	1	
12		Lens	/L	1	
(12)	914 631 946 00	Lens	/R	1	
(13)	999 631 104 91	Bulb		2	
		12 V, 2 CP			
14	914 631 910 00	Rubber washer		4	
		3,5			
15	914 631 909 00	Oval-head screw		4	
		BM 4 X 17 X 8			
16	914 631 218 10	Cap		2	
(17)	914 631 403 14	Rear light	/L	1	
(17)	914 631 404 14	Rear light	/R	1	
(18)	914 631 939 11	Lens	/L	1	
(18)	914 631 940 11	Lens	/R	1	
19	900 631 127 90	Bulb		2	
		RL 12 V, 21 W			
(19)		Bulb		2	
		12 V, 32 CP			
20	900 631 128 90	Bulb		2	
		SL 12 V, 21 / 5 W			
(20)	999 631 115 90	Bulb		2	
		12 V, 32 / 3 CP			
21	900 631 110 90	Bulb		2	914-6/4
		E 12 V, 25 W			
21	900 631 110 92	Bulb		2	914-6/4
		E 12 V, 25 W			
(21)	900 631 127 90	Bulb		2	914-1,7/1,8V 914-1,8/2,0
		RL 12 V, 21 W			
		Not for			
		(F)			
(21)		Bulb		2	
		12 V, 32 CP			
22	900 631 103 90	Bulb		2	
		HL 12 V, 4 W			
(22)	999 631 104 91	Bulb		2	
		12 V, 2 CP			
23	N 042 121 1	Shake-proof washer		8	
		J 6,4			
24	900 045 005 02	Hexagon nut		8	
		M 6			
25	999 704 107 50	Shim		8	
26	901 631 251 00	Rear fog light		1	
		Picture			

Model: 914 70 Model life 1970>>1976

Pos	Part Number	Description	Remark	Qty	Model
(26)	901 631 251 29	26 - 34 Not for 914-1,8 Rear fog light		1	
27	911 631 975 00	Not for 914-1,8 Lens		1	
28	900 631 123 90	Washer Linolite lamp K 12 V, 18 W		1	
28	900 631 123 92	Linolite lamp K 12 V, 18 W		1	
29	900 076 010 02	Nut M 6		2	
29	900 076 010 0B	Nut M 6		2	
30	900 075 159 02	Hexagon-head bolt M 6 X 12		2	
31	N 042 121 1	Shake-proof washer J 6,4		2	
32	914 631 161 10	Support		1	
33	914 631 162 10	Plastic base		1	
34	999 702 011 50	Rubber sleeve		1	
35	914 631 601 00	License plate light Complete	-74	2	
36	900 143 016 02	Oval-head sheetmetal screw B 3,5 X 16	-74	4	
36	900 143 016 01	Oval-head sheetmetal screw B 3,5 X 16		4	
37	900 631 103 90	Bulb HL 12 V, 4 W	-74	2	
38	111 971 911 A	Grommet	-74	2	
39	111 947 111 D	Interior light		1	
40	900 631 106 90	Linolite lamp K 12 V, 10 W		1	
41	901 631 601 00	License plate light with Desk pad		1	
41	901 631 601 01	License plate light Delivered Desk pad Bulb		1	
-	901 631 605 00	Desk pad		1	
42	900 631 103 90	Bulb HL 12 V, 4 W		1	
43	900 146 011 02	Oval-head screw AM 4 X 10		2	
-	999 523 105 01	Lock washer		2	
45	911 631 620 04	License plate light	75-	2	
46	911 631 608 00	Gasket	75-	2	
46	911 631 608 01	Gasket	75-	2	
-	900 631 104 90	Bulb G 12 V - 5 W	75-	2	
47	911 631 606 00	Lens	75-	2	
48	911 631 604 00	Sealing washer	75-	4	
49	N 013 944 3	Tapping screw BZ 2,9 X 19	75-	4	
50	911 632 012 00	Indicator light FASTEN SEAT BELT	72-	1	914-4/1,7 914-2,0
(50)	911 632 012 01	Indicator light FASTEN SEAT BELT	74-	1	
-	900 631 129 90	Bulb W 2 X 4,6 D 12 V - 1,2 W		1	914-4/1,7 914-1,8/2,0

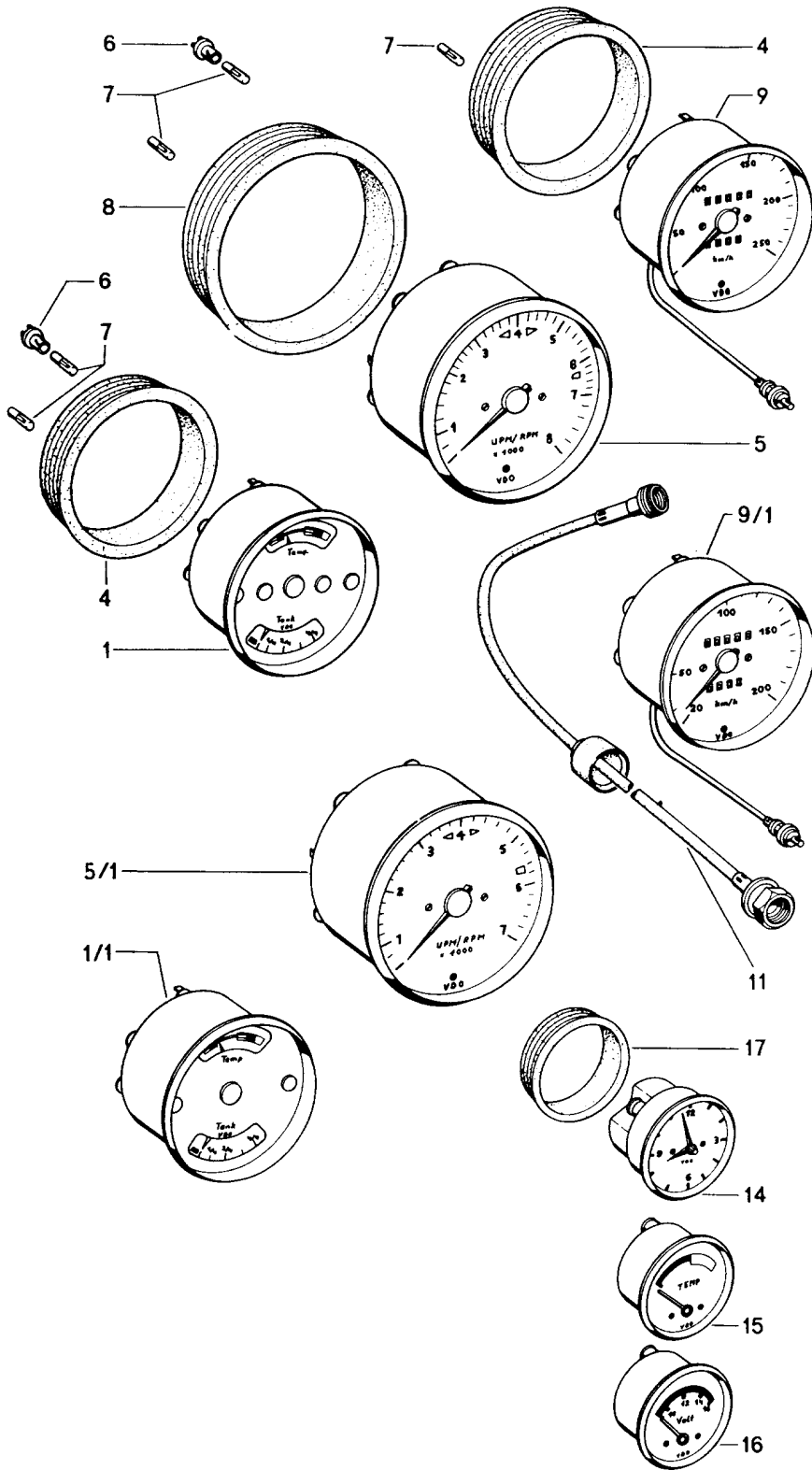
Model: 914 70

Model life 1970&gt;&gt;1976

Pos	Part Number	Description	Remark	Qty	Model
51	914 632 107 00	Illumination Logo Heating		1	914-4/1,7 914-1,8/2,0
-	900 631 129 90	Bulb W 2 X 4,6 D 12 V - 1,2 W		1	914-4/1,7 914-1,8/2,0
-	N 043 931 1	Hexagon-head bolt B 2,9 X 16		2	914-4/1,7 914-1,8/2,0

Model: 914 70

Model life 1970>>1976



Model: 914 70 Model life 1970>>1976

Pos	Part Number	Description	Remark	Qty	Model
1	914 641 101 20	Instruments Instrument cluster		1	914-6
(1)	914 641 101 30	Instrument cluster for cars without Centre console		1	914-2,0
(1)	914 641 101 50	Instrument cluster for cars without Centre console	74-	1	914-2,0
1/1	914 641 102 40	Instrument cluster	-73	1	914-4/1,7
1/1	914 641 102 50	Instrument cluster	-73	1	914-2,0
(1/1)	914 641 102 50	Instrument cluster	74-	1	914-1,8V/1,8
(1/1)	914 641 102 50	Instrument cluster	74-	1	914-2,0
-	914 631 179 10	Bulb socket 2-pole for Instrument cluster		3	914-1,8V/1,8 914-2,0
4	911 641 902 00	Rubber ring \$ 100		2	
5	914 641 301 10	Tachometer		1	914-6
5/1	914 641 302 10	Tachometer	-73	1	914-4/1,7 914-2,0
(5/1)	914 641 302 12	Tachometer	74-	1	914-1,8V/1,8 914-2,0
6	999 632 009 10	Bulb socket 2-pole for Instrument cluster		4	
7	900 631 102 90	Light 12 V - 2 W		13	
8	911 641 903 00	Rubber ring \$ 115		1	
9	911 641 501 00	Speedometer KM/H for Tyre 165 X 15		1	914-6
(9)	911 641 506 00	Speedometer MPH		1	914-6
9/1	914 641 502 10	Speedometer KM/H for Tyre 155 X 15		1	914-1,7
(9/1)	914 641 503 11	Speedometer MPH for Tyre 155 X 15		1	914-1,7
(9/1)	914 641 504 10	Speedometer KM/H for Tyre 165 X 15		1	914-4/1,7
(9)	914 641 504 20	Speedometer KM/H	-73	1	914-2,0
(9)	914 641 504 30	Speedometer KM/H	74-	1	914-1,8V/2,0
-	999 632 017 02	Not for Bulb socket Single pole for Speedometer Position light	(J)	1	914-1,8V/1,8 914-2,0

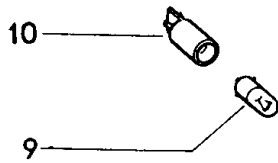
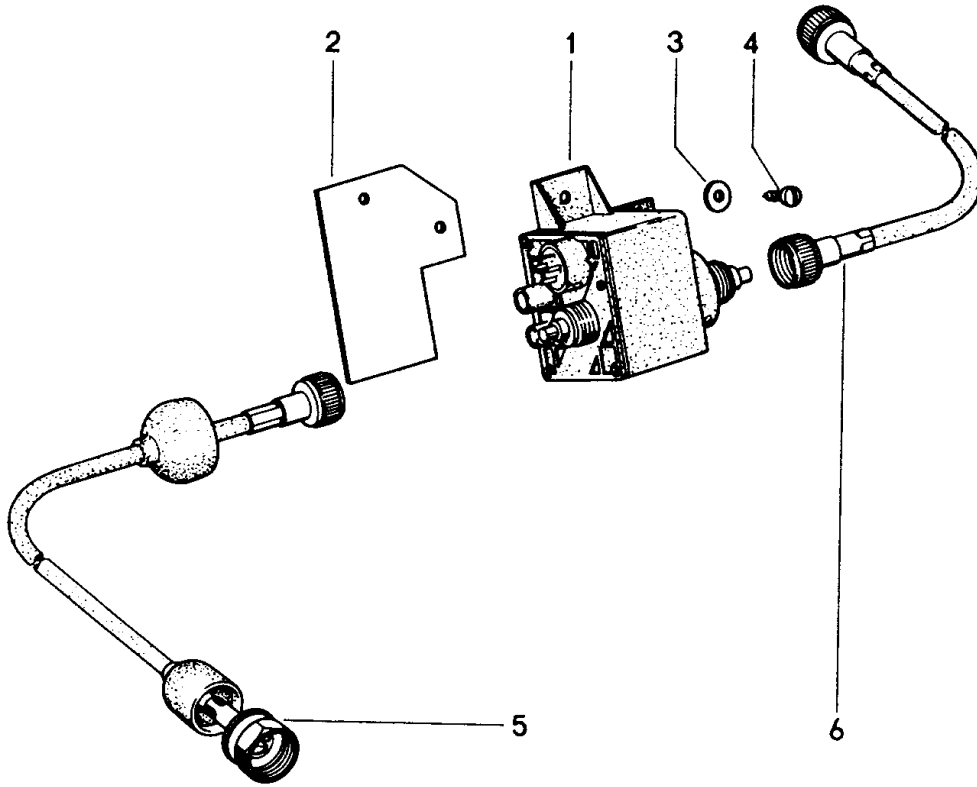
Model: 914 70 Model life 1970>>1976

Pos	Part Number	Description	Remark	Qty	Model
-	111 957 397	Bulb socket for Speedometer		2	914-1,8V/1,8 914-2,0
-	900 631 102 90	Light for Speedometer		2	914-1,8V/1,8 914-2,0
(9/1)	914 641 505 20	Speedometer MPH for Tyre 165 X 15		1	914-4
(9/1)		Speedometer MPH	-73	1	914-4/1,7 914-2,0
(9)	914 641 505 30	Speedometer MPH	74-	1	914-1,8/2,0
11	914 641 111 00	Drive shaft 3530 MM		1	
11	914 641 111 01	Drive shaft 3530 MM		1	
-	999 513 008 40	Tie-wrap 100		1	
14	914 641 119 10	Clock		1	914-1,7/1,8V 914-1,8/2,0
15	914 641 118 20	Temperature gauge	-73	1	914-1,7/2,0
(15)	914 641 118 30	Temperature gauge	74-	1	914-1,8V/1,8 914-2,0
16	914 641 115 10	Indicator Battery		1	914-1,7/1,8V 914-1,8/2,0
17	911 641 909 00	Rubber ring \$ 60		3	914-1,7/1,8V 914-1,8/2,0
-	914 641 121 00	Knob for Trip meter		1	

Model: 914 70

Model life 1970>>1976

Ab Mod. 75





Model: 914 70 Model life 1970>>1976

Pos	Part Number	Description	Remark	Qty	Model
		Catalytic converter	75-		914-1,8/2,0
		Counter switch			
		Indicator light			
1	914 641 123 10	Counter switch		1	(CAL)
2	914 641 124 10	Desk pad		1	
3	N 011 692 1	Washer 5,1		2	
4	N 013 968 3	Oval-head sheetmetal screw B 4,8 X 13		2	
5	914 641 111 10	Drive shaft 2620 MM Transmission		1	
6	914 641 111 20	Counter switch Drive shaft 1350 MM Speedometer		1	
7	914 632 113 10	Counter switch Indicator light (EGR) for		1	
8	914 632 113 20	Exhaust gas recirculation Indicator light (CAT) for		1	
9	900 631 129 90	Catalytic converter Bulb W 12 V - 1,2 W		2	
10	111 919 243	Bulb socket		2	
-	043 906 086	Switch unit for		1	
-	473 867 471	Catalytic converter Sealing ring		1	
-	N 013 970 5	Oval-head sheetmetal screw B 4,8 X 9,5		1	
-	N 106 568 02	Oval-head sheetmetal screw B 4,8 X 9,5		1	
-	914 612 109 20	Wiring harness with		1	
-	914 618 109 10	Relay carrier Outer sensor for Catalytic converter		1	

Model: 914 70

Model life 1970>>1976



Model: 914 70

Model life 1970&gt;&gt;1976

Pos	Part Number	Description	Remark	Qty	Model
>>	914 645 909 10	Accessories Radio Fog headlamp Headlamp H 4 Installation set for - BLAUPUNKT - Radio without Radio Antenna		1	914-6
-	914 645 911 00	Suppression set Suppression set for - BLAUPUNKT - Radio		1	914-6
-	914 645 503 10	Loudspeaker 8 OHM		2	914-6
>>	473 035 605	Installation set for - VW - Car radio Not for TYP 914-6 Installation set Comprising:		1	
-	914 645 503 10	Loudspeaker 8 OHM		2	
-	914 612 055 10	Cable for loudspeaker NR. 22		1	
-	900 189 011 02	Half-round screw AM 4 X 8		8	
-	900 025 002 02	Washer 4,3		8	
-	900 025 002 03	Washer 4,3		8	
-	999 025 106 50	Rubber washer 10 X 3,8 X 4		8	
-	N 010 205 6	Hexagon-head bolt M 5 X 10		1	
-	900 075 105 02	Screw M 5 X 10		1	
-	N 012 225 2	Spring washer B 5		1	
-	999 507 320 02	Nut lock clip M 5		1	
-	N 021 196 1	Lock nut M 5		1	
-	N 021 196 3	Hexagon nut M 5		1	
-	900 025 003 02	Washer A 5,3		1	
-	914 645 159 10	Support for Radio		1	
-	914 612 053 10	Wiring harness NR. 21		1	
-	914 552 040 10	Cover		1	
-	111 971 911 A	Grommet		2	
>>	473 035 655	Suppression set for Car radio		1	

Model: 914 70

Model life 1970&gt;&gt;1976

Pos	Part Number	Description	Remark	Qty	Model
		WOLFSBURG EMDEN BRAUNSCHWEIG HANNOVER Not for TYP 914-6 Comprising: Condenser for Ignition coil			
-	111 035 267 A	Condenser		1	
-	411 035 265	Condenser		1	
-	036 035 281	Suppression connector		5	
-	043 903 803 B	Regulator switch Shielded		1	
-	914 612 141 10	Ground strap Engine Lid hinge		1	
>>	914 631 959 10	Installation set Set for subsequent installation Comprising:		1	
-	914 631 134 11	Fog headlamp		2	
-	900 631 130 90	Bulb D 12 V - 35 W		2	
-	914 631 029 10	Support	/L	1	
-	914 631 030 10	Support	/R	1	
-	900 074 134 02	Hexagon-head bolt M 8 X 45		2	
-	N 012 241 1	Spring washer B 8 X 15		2	
-	900 075 035 02	Hexagon-head bolt M 10 X 15		2	
-	N 012 230 1	Spring washer B 10		2	
-	914 613 030 10	Switch for rear fog light Complete		1	
-	914 613 030 15	Switch for rear fog light Complete		1	
-	911 615 109 01	Standard type relay		1	
-	914 559 235 10	Grille	/L	1	
-	914 559 236 10	Grille	/R	1	
-	N 900 488 01	Speed nut B 3,5		8	
-	900 143 033 02	Oval-head sheetmetal screw B 3,5 X 13		8	
>>	914 631 963 00	Headlamp H 4 Conversion set Not for TYP 914-1,8 Comprising:	/LL M	1	
-	914 631 163 00	Insert		2	
-	999 631 202 90	Bulb White		2	
-	911 631 108 00	Terminal sleeve housing 3-pole		2	
-	N 017 498 A	Flat plug 7,7 X 1 CuZn		X	
-	901 631 123 02	Cap		2	
-	N 017 498 A	Flat plug 7,7 X 1 CuZn		X	